



AD-200 Phase 7

(Non-Tilt)
(Auto Door)

Parts Manual

American Dryer Corporation
88 Currant Road
Fall River MA 02720-4781
Telephone: (508) 678-9000 / Fax: (508) 678-9447
E-mail: techsupport@amdry.com
www.amdry.com

Retain This Manual In A Safe Place For Future Reference

American Dryer Corporation products embody advanced concepts in engineering, design, and safety. If this product is properly maintained, it will provide many years of safe, efficient, and trouble-free operation.

ONLY qualified technicians should service this equipment.

OBSERVE ALL SAFETY PRECAUTIONS displayed on the equipment or specified in the installation manual included with the dryer.

The following “**FOR YOUR SAFETY**” caution **must be** posted near the dryer in a prominent location.

FOR YOUR SAFETY

Do not store or use gasoline or other flammable vapors or liquids in the vicinity of this or any other appliance.

POUR VOTRE SÉCURITÉ

Ne pas entreposer ni utiliser d'essence ni d'autres vapeurs ou liquides inflammables dans le voisinage de cet appareil ou de tout autre appareil.

We have tried to make this manual as complete as possible and hope you will find it useful. **ADC** reserves the right to make changes from time to time, without notice or obligation, in prices, specifications, colors, and material, and to change or discontinue models.

Important

For your convenience, log the following information:

DATE OF PURCHASE _____ **MODEL NO.** AD-200 Non-Tilt

RESELLER'S NAME _____

Serial Number(s) _____

Replacement parts can be obtained from your reseller or the **ADC** factory. When ordering replacement parts from the factory, you can FAX your order to **ADC** at (508) 678-9447 or telephone your order directly to the **ADC** Parts Department at (508) 678-9000. Please specify the dryer **model number** and **serial number** in addition to the **description** and **part number**, so that your order is processed accurately and promptly.

The illustrations on the following pages may not depict your particular dryer exactly. The illustrations are a composite of the various dryer models. Be sure to check the descriptions of the parts thoroughly before ordering.

“IMPORTANT NOTE TO PURCHASER”

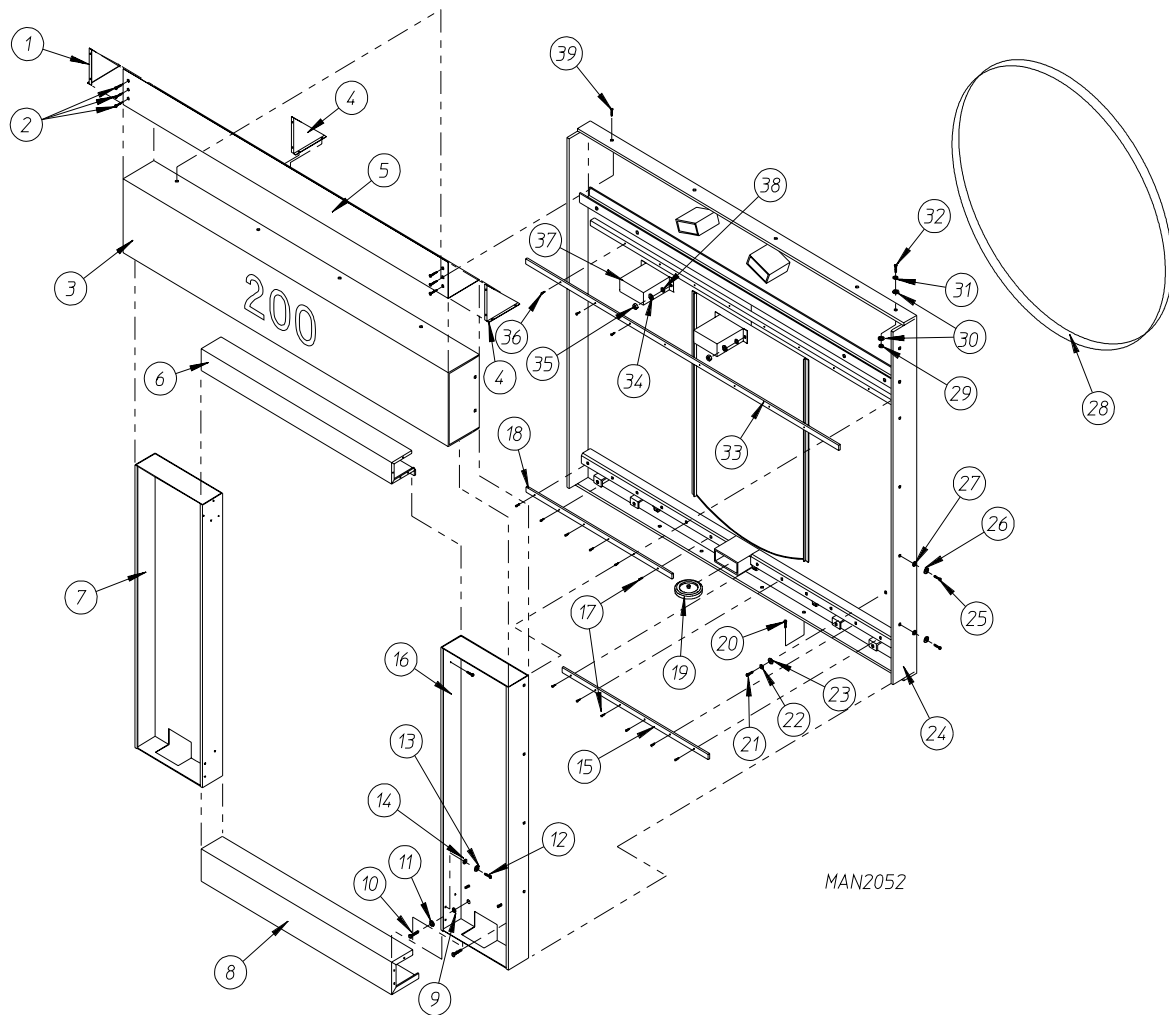
Information **must be** obtained from your local gas supplier on the instructions to be followed if the user smells gas. These instructions **must be** posted in a prominent location near the dryer.

Table of Contents

Front/Rear Panel Assembly	
Automatic Door	3, 4
Rear Panel Assembly	
1 Auto Door	5
Side Panel Assemblies	6
Left Control Door Assembly	
For 1 Door or 2 Door Models	7
Front Control Door Assembly	8, 9
Left Load Door Assembly	
Automatic Door	10, 11
Right Load Door Assembly	
Automatic Door	12, 13
Right Rear Control Door Assembly	
2 Door Models ONLY	14, 15
Pneumatic Assembly	
Automatic Door	16
Magnetic Door Switch Assembly	17
Left Hand Electrical Control Panel Assembly	
For Models Mfd. with Thermal-Magnetic Protection ONLY	18, 19
Right Hand Electrical Control Panel	20, 21
Base Main Electrical Junction Box Assembly	
For Models Mfd. with Thermal-Magnetic Protection ONLY	22, 23
Basket (Tumbler) Drive Shaft Assembly	24, 25
Idler Shaft and Basket (Tumbler) Assembly	26
Basket (Tumbler) Retaining Wheel Assembly	27
Lint Drawer/Basket Assembly	28
Temperature Sensor Bracket Assembly	29
Tilt Fan Motor Assembly	
For Gas Models ONLY	30, 31
Fan Motor Assembly	
For Steam Models ONLY	32, 33
Drive Motor Assembly	34
Air Jet Assembly	35
Gas Burner Assembly	36, 37

Sail Switch Assembly	38
Direct Spark Ignition (DSI) Module Assembly	39
Steam Coil Assembly	40, 41
Pneumatic Valve Assembly	
1 Automatic Door with Optional Sprinkler	42, 43
Pneumatic Valve Assembly	
2 Automatic Door with Optional Sprinkler	44, 45
Optional Sprinkler Assembly	46, 47
Sprinkler Temperature Probe Junction Box Assembly	48
End of Cycle Light Assembly	49
Sprinkler Control Panel	50, 51
Base Panel Assemblies	52
Rear/Front Control Panel	53
Right Hand Electrical Component Chart	54

Automatic Door



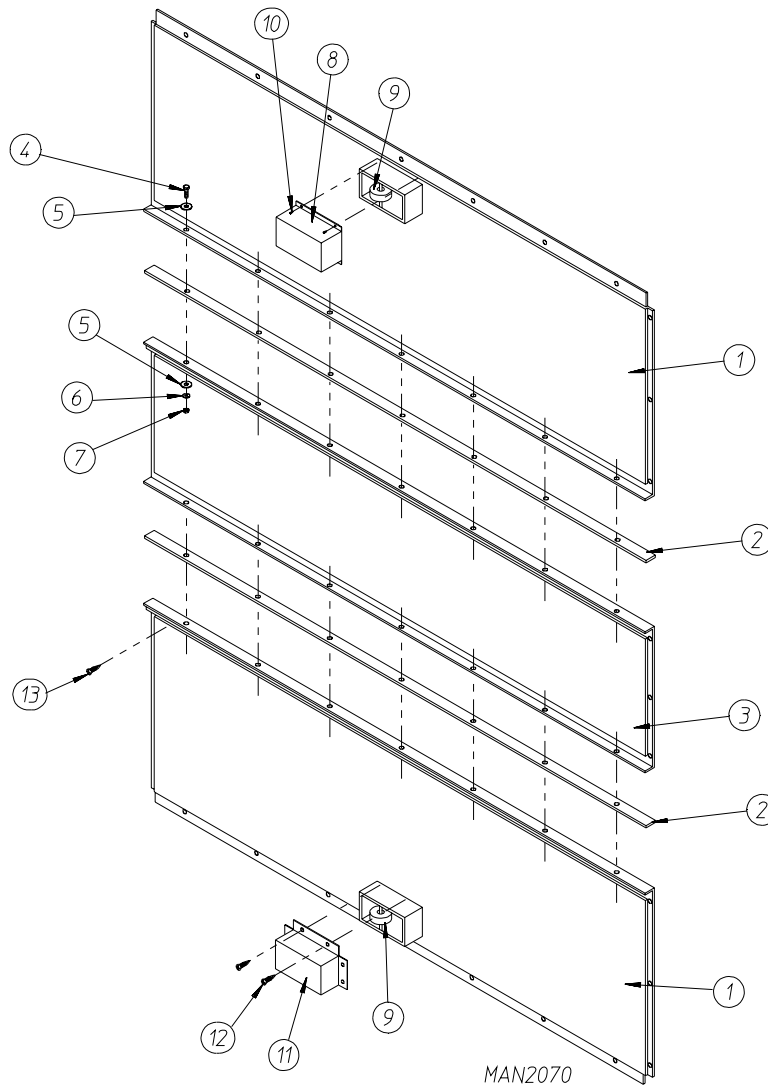
<u>Illus. No.</u>	<u>Part No.</u>	<u>Qty.</u>	<u>Description</u>
1	332680	1	Left Gusset (for gas models Only)
2	150522	15	1/4-20 x 1/2" Hex Head TEK Screw
3*	821241	1	Upper Guard
4	332681	2	Right Gusset (for gas models Only)
5*	332679	1	Top Front Panel (for gas models Only)
6*	821239	1	Middle Guard
7*	881114	1	Left Control Door Cabinet
8*	821285	1	Bottom Guard
9	153001	8	5/16" Flat Washer
10	150501	8	5/16-18 x 3/4" Hex Head Machine Bolt
11	153002	8	5/16" Lock Washer
12	150510	12	1/4-20 x 3/4" Hex Head Machine Bolt

Continued on page 4

Continued from page 3

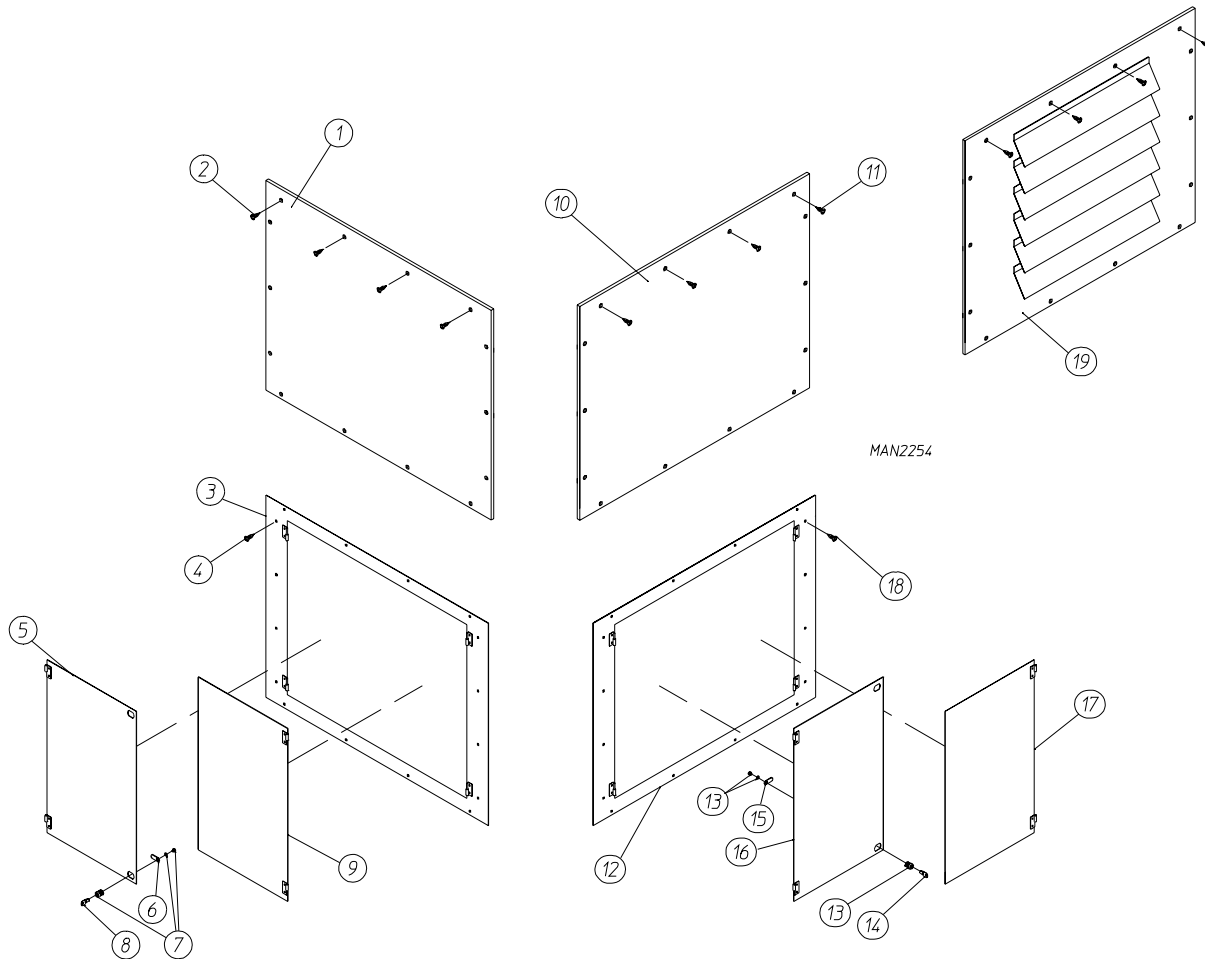
<u>Illus. No.</u>	<u>Part No.</u>	<u>Qty.</u>	<u>Description</u>
13	153007	12	1/4" Lock Washer
14	153018	12	1/4" Flat Washer
15	170364	1	Bottom Door Track
16*	881115	1	Right Control Door Cabinet
17	154312	14	#10-32 x 3/4" Socket Head Cap Screw
18	170364	1	Bottom Door Track
19	-----	-	Basket (tumbler) Retaining Wheel (refer to Basket [Tumbler] Retaining Wheel Assembly on page 27)
20	150523	5	1/4-20 x 3/4" Hex Head TEK Screw
21	150617	8	3/8-16 x 1" Hex Head Machine Bolt
22	153005	8	3/8" Lock Washer
23	153004	8	3/8" Flat Washer
24*	881109	1	Front/Rear Panel Assembly
25	150501	12	5/16-18 x 3/4" Hex Head Machine Bolt
26	153002	12	5/16" Lock Washer
27	153001	12	5/16" Flat Washer
28	115998	180	Basket (tumbler) Ring Felt (sold by the inch)
29	152011	4	1/2-13 Hex Nut
30	153050	8	1/2" x 1-1/16" Flat Washer
31	153026	4	1/2" Lock Washer
32	150605	4	1/2-13 x 1-1/2" Hex Head Bolt
33	170365	1	Upper Door Track
34	153007	12	1/4" Lock Washer
35	152002	12	1/4-20 Hex Nut
36	154312	15	#10-32 x 3/4" Socket Head Cap Screw
37*	821244	2	Basket (tumbler) Retaining Wheel Cover
38	153018	12	1/4" Flat Washer
39	150523	5	1/4-20 x 3/4" Hex Head TEK Screw

* Specify color when ordering.



Illus. No.	Part No.	Qty.	Description
1*	821310	2	Top and Bottom Panel Assembly
2	332571	2	Rear Panel Reinforcement
3*	821312	1	Middle Back Panel Assembly
4	150625	14	5/16-18 x 1-1/4" Hex Head Machine Bolt
5	153001	28	5/16" Flat Washer
6	153002	14	5/16" Lock Washer
7	152004	14	5/16-18 Hex Nut
8*	821244	1	Basket (tumbler) Retaining Wheel Cover
9	-----	2	Basket (tumbler) Retaining Wheel (refer to Basket [Tumbler] Retaining Wheel Assembly on page 27)
10	150301	4	#8-18 x 7/16" Phillips Pan Head TEK Screw
11*	332787	1	Basket (tumbler) Retaining Wheel Guard
12	150301	6	#8-18 x 7/16" Phillips Pan Head TEK Screw
13	150523	32	1/4-20 x 3/4" Hex Head TEK Screw

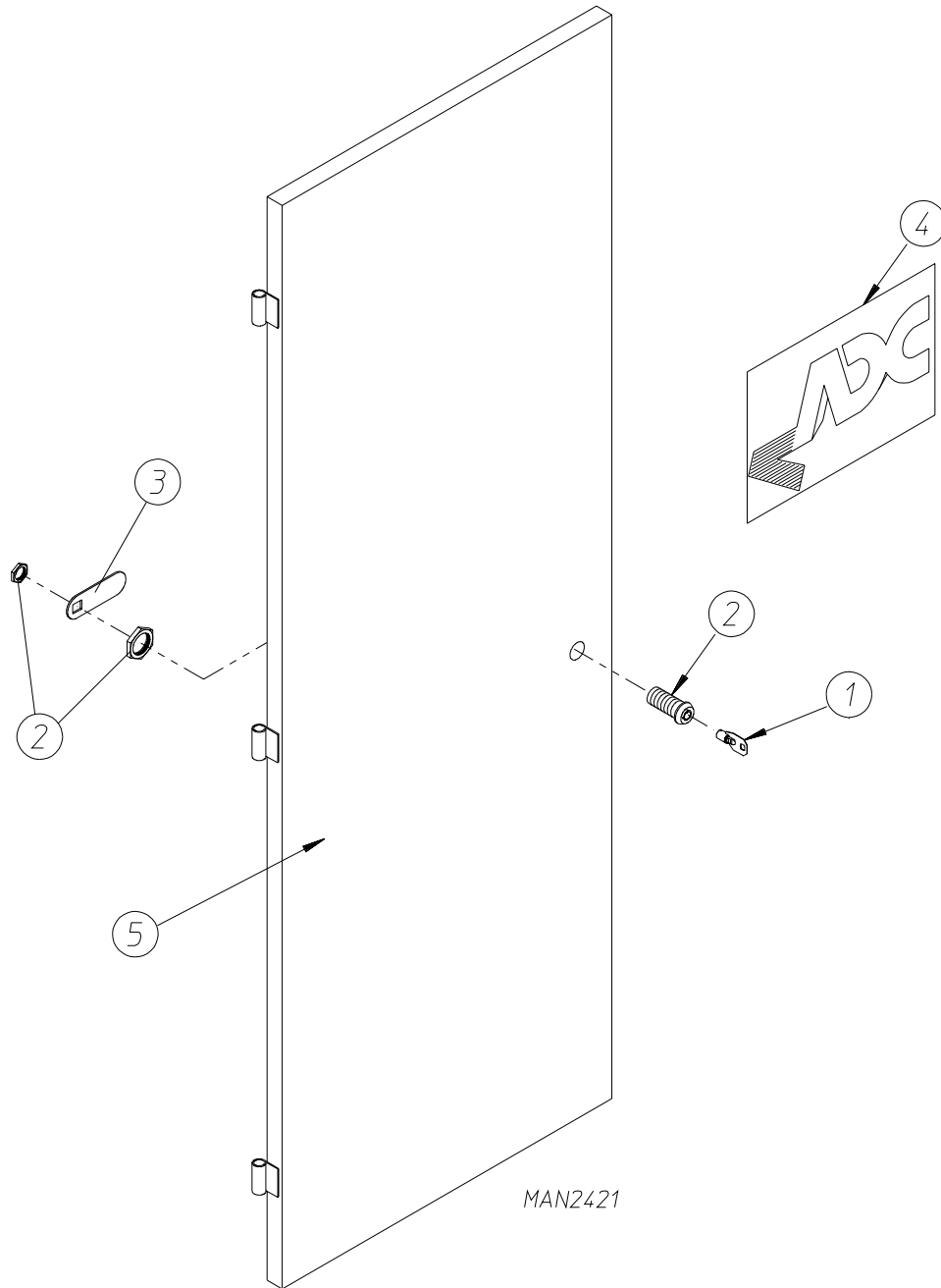
* Specify color when ordering.



<u>Illus. No.</u>	<u>Part No.</u>	<u>Qty.</u>	<u>Description</u>
1*	821283	1	Left Top Side Panel
2	150523	14	1/4-20 x 3/4" Hex Head TEK Screw
3*	881189	1	Lower Side Panel For Hinged Doors
4	150523	16	1/4-20 x 3/4" Hex Head TEK Screw
5*	881190	1	Locking Hinged Side Panel Door Less Locks
6	160034	2	Lock Cam ONLY
7	160050	2	ACE® Control Door Lock Less Key (keyed to #XX4451)
8	160140	2	ACE® XX4451 Key ONLY
9*	881191	1	Hinged Side Panel Door Assembly
10*	881283	1	Right Top Side Panel (for steam models Only)
11	150523	14	1/4-20 x 3/4" Hex Head TEK Screw
12*	881189	1	Lower Side Panel For Hinged Doors
13	160050	2	ACE® Control Door Lock Less Key (keyed to #XX4451)
14	160140	2	ACE® XX4451 Key ONLY
15	160034	2	Lock Cam ONLY
16*	881190	1	Locking Hinged Side Panel Door Less Locks
17*	881191	1	Hinged Side Panel Door Assembly
18	150523	16	1/4-20 x 3/4" Hex Head TEK Screw
19*	821242	1	Top Right Side Panel (for gas models Only)

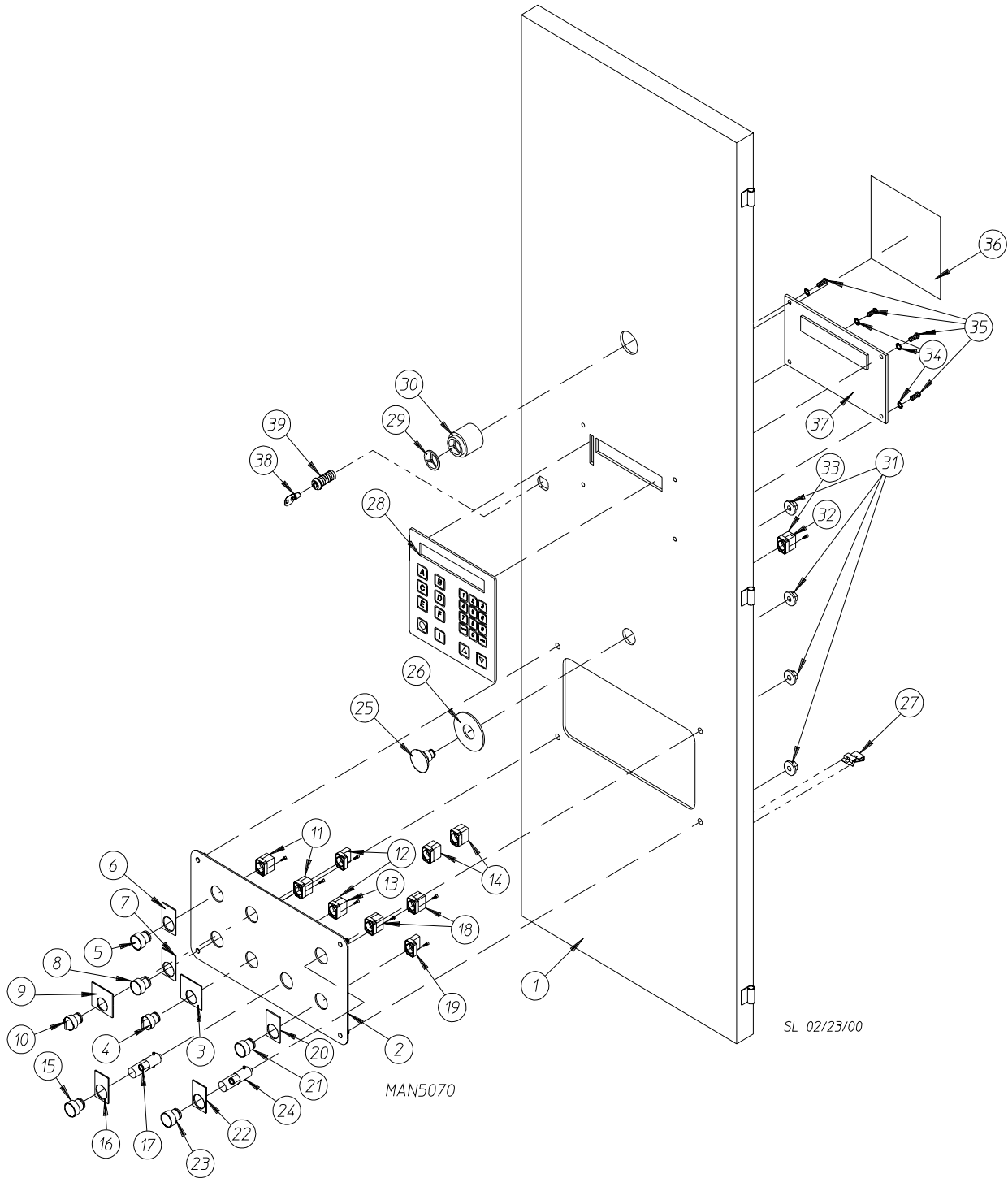
* Specify color when ordering.

For 1 Door or 2 Door Models

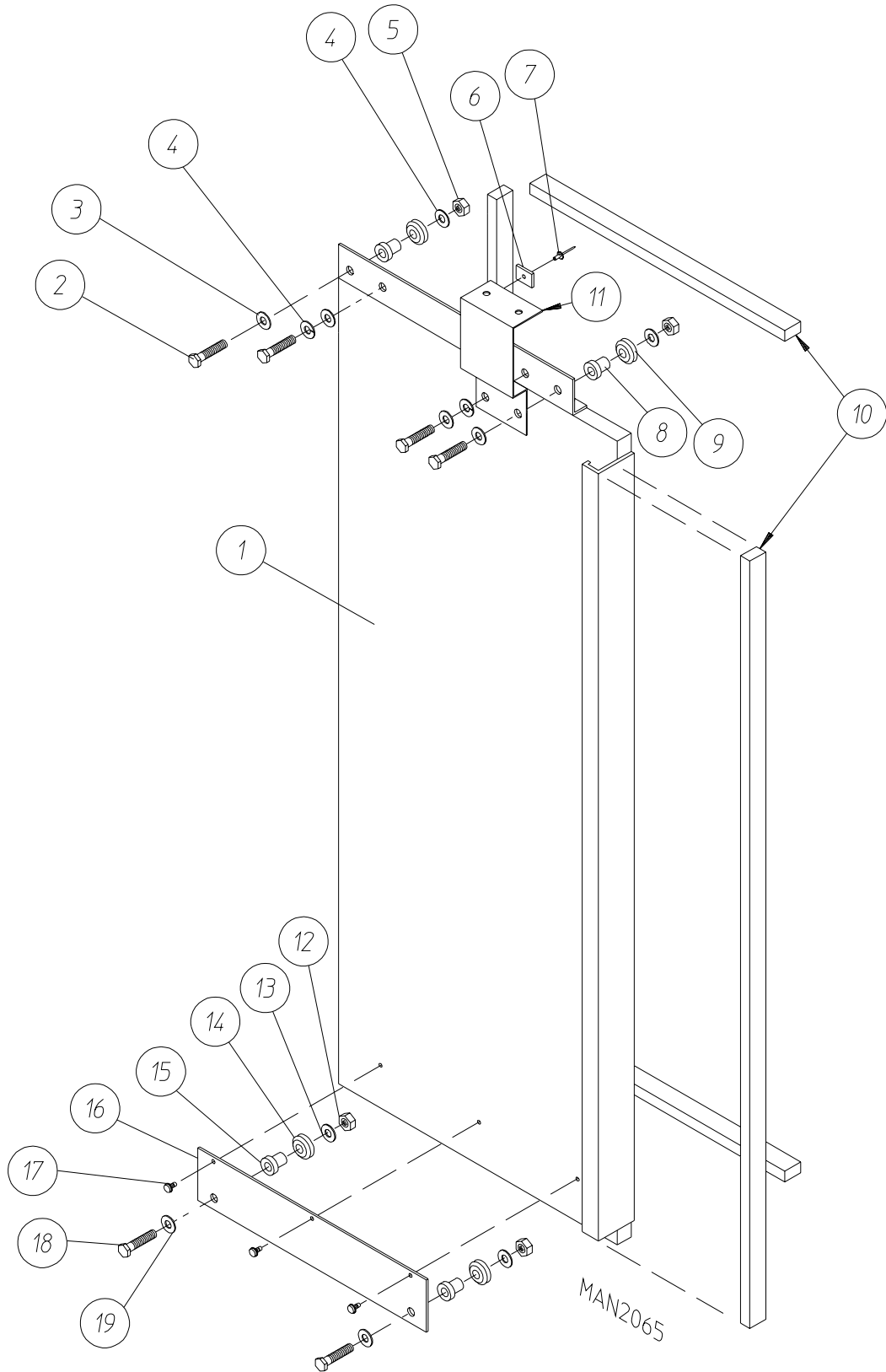


<u>Illus. No.</u>	<u>Part No.</u>	<u>Qty.</u>	<u>Description</u>
1	160140	1	ACE® XX4451 Key ONLY
2	160050	1	ACE® Control Door Lock Less Key (keyed to #XX4451)
3	160014	1	Cam ONLY
4	112360	1	ADC Logo ONLY (tape kit not included)
	870011	1	Logo Double Tape Kit
5*	821334	1	Left Hand Control Door

* Specify color when ordering.



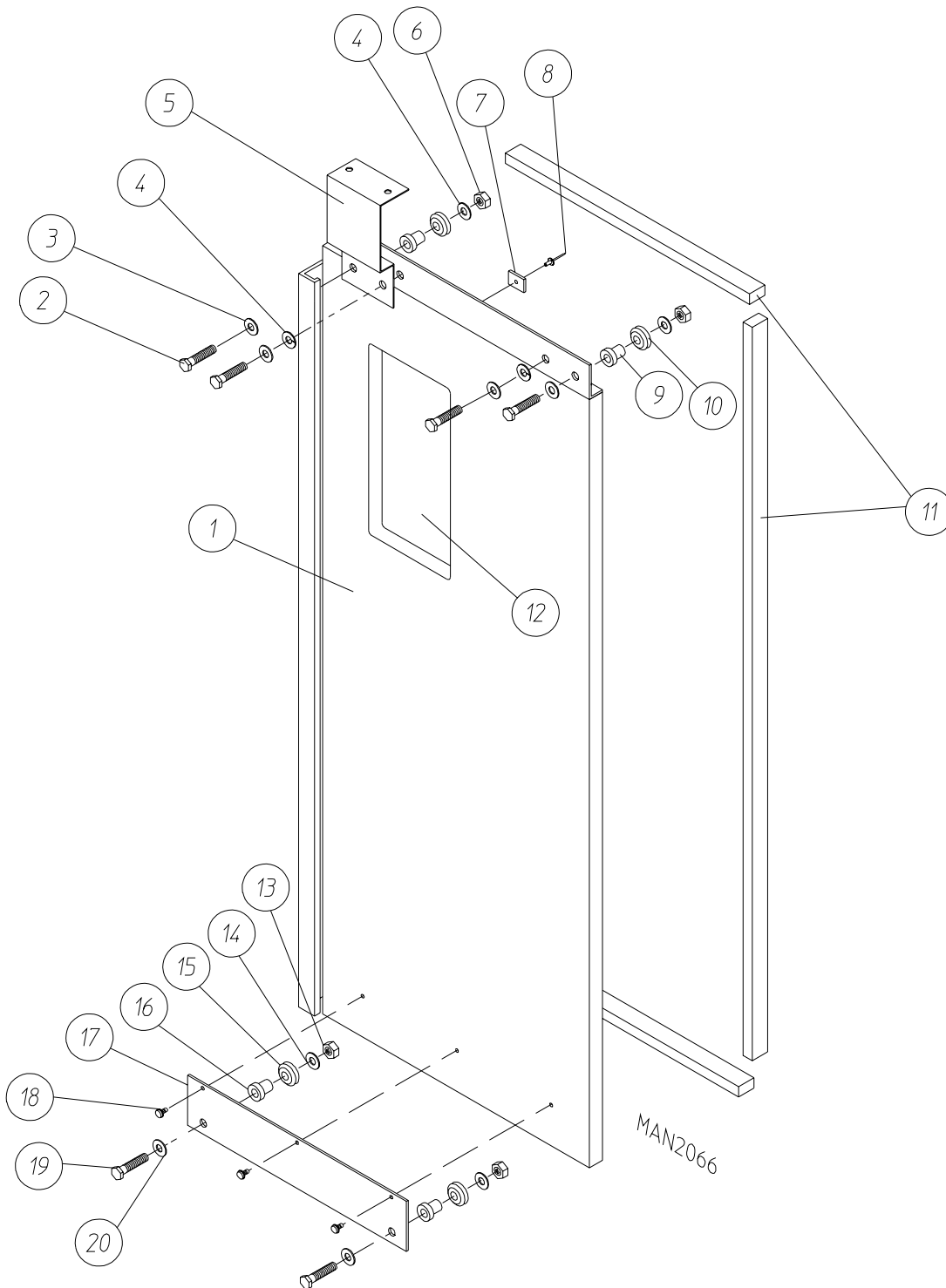
<u>Illus. No.</u>	<u>Part No.</u>	<u>Qty.</u>	<u>Description</u>
1	821597	1	Front Right Control Door ONLY
2	821594	1	Front Right Control Panel ONLY
	821593	1	Front Right Control Panel ONLY with Sprinkler Option
3	122438	1	Engraved Nameplate: Load - Dry - Unload
4	122361	1	3-Position Maintained Operator
5	123203	1	Black Push Button Operator
6	122415	1	Engraved Nameplate: Forward
7	122416	1	Engraved Nameplate: Reverse
8	123202	1	White Push Button Operator
9	122413	1	Engraved Nameplate: Tilt Off - Tilt On
10	122360	1	2-Position Maintained Operator
11	132396	2	Mounting Base with Normally Open (N.O.) and Normally Closed (N.C.) Contact Block
12	132394	2	Mounting Base with Normally Open (N.O.) Contact Block
13	132386	1	Normally Open (N.O.) Contact Block
14	132387	4	Normally Closed (N.C.) Contact Block
15	123201	1	Green Lighted Push Button Operator
16	122410	1	Engraved Nameplate: ON
17	123212	1	24 Volt Lamp
18	132388	2	Normally Open (N.O.) Contact Block with Direct Supply
19	132395	1	Mounting Base with Normally Closed (N.C.) Contact Block
20	122421	1	Engraved Nameplate: OFF
21	123204	1	Red Push Button Operator
22	122420	1	Sprinkler Stop Nameplate
23	123200	1	Amber Lighted Push Button Operator
24	123212	1	24 Volt Lamp
25	122351	1	"EMERGENCY STOP" (E-STOP) Operator
26	122419	1	Engraved "EMERGENCY STOP" (E-STOP) Label
27	121509	6	Tie Wrap Clips
28	112571	1	Phase 7 Keyboard (touch pad)
29	134018	1	Alarm Horn Volume Control
30	128967	1	80-90 Decibel Panel Mount Alarm Horn
31	152014	4	1/4-20 Free Spin Wash Nuts
32	132395	1	Mounting Base with Normally Closed (N.C.) Contact Block
33	132387	1	Normally Closed (N.C.) Contact Block
34	153010	4	#6 Star Washer
35	150005	4	#6-32 x 1/4" Phillips Round Head Machine Screw
36	122426	1	Caution Label
37	882896	1	Phase 7 Display Board (for models mfd. as of October 2000)
	882894		Phase 7 Display and Input/Output (I/O) Board (for models mfd. prior to October 2000)
38	160140	1	ACE® XX4451 Key ONLY
39	160050	1	ACE® Control Door Lock Less Key (keyed to #XX4451)



Automatic Door

<u>Illus. No.</u>	<u>Part No.</u>	<u>Qty.</u>	<u>Description</u>
1*	881112	1	Left Automatic Load Door Assembly Complete (includes illus. nos. 1 through 11)
	881106	1	Left Automatic Load Door ONLY
2	150112	4	1/4-20 x 1-1/4" Hex Head Machine Screw
3	153018	4	1/4" Flat Washer
4	153007	4	1/4" Lock Washer
5	152002	2	1/4-20 Hex Nut
6	102102	1	Magnet
7	154200	1	5/32" Pop Rivet
8	170367	2	Stainless Steel Stationary Bushing
9	170366	2	Stainless Steel Sealed Wheel
10	115995	125	Felt Gasket (sold by the inch)
11*	334134	1	Automatic Door Bracket
12	152002	2	1/4-20 Hex Nut
13	153007	2	1/4" Lock Washer
14	170366	2	Stainless Steel Sealed Wheel
15	170367	2	Stainless Steel Stationary Bushing
16*	881133	1	Lower Trolley Assembly Complete (includes illus. nos. 12 through 16, 18, and 19)
	334123	1	Lower Trolley ONLY
17	150301	3	#8-18 x 7/16" Phillips Pan Head TEK Screw
18	150112	2	1/4-20 x 1-1/4" Hex Head Machine Screw
19	153018	2	1/4" Flat Washer

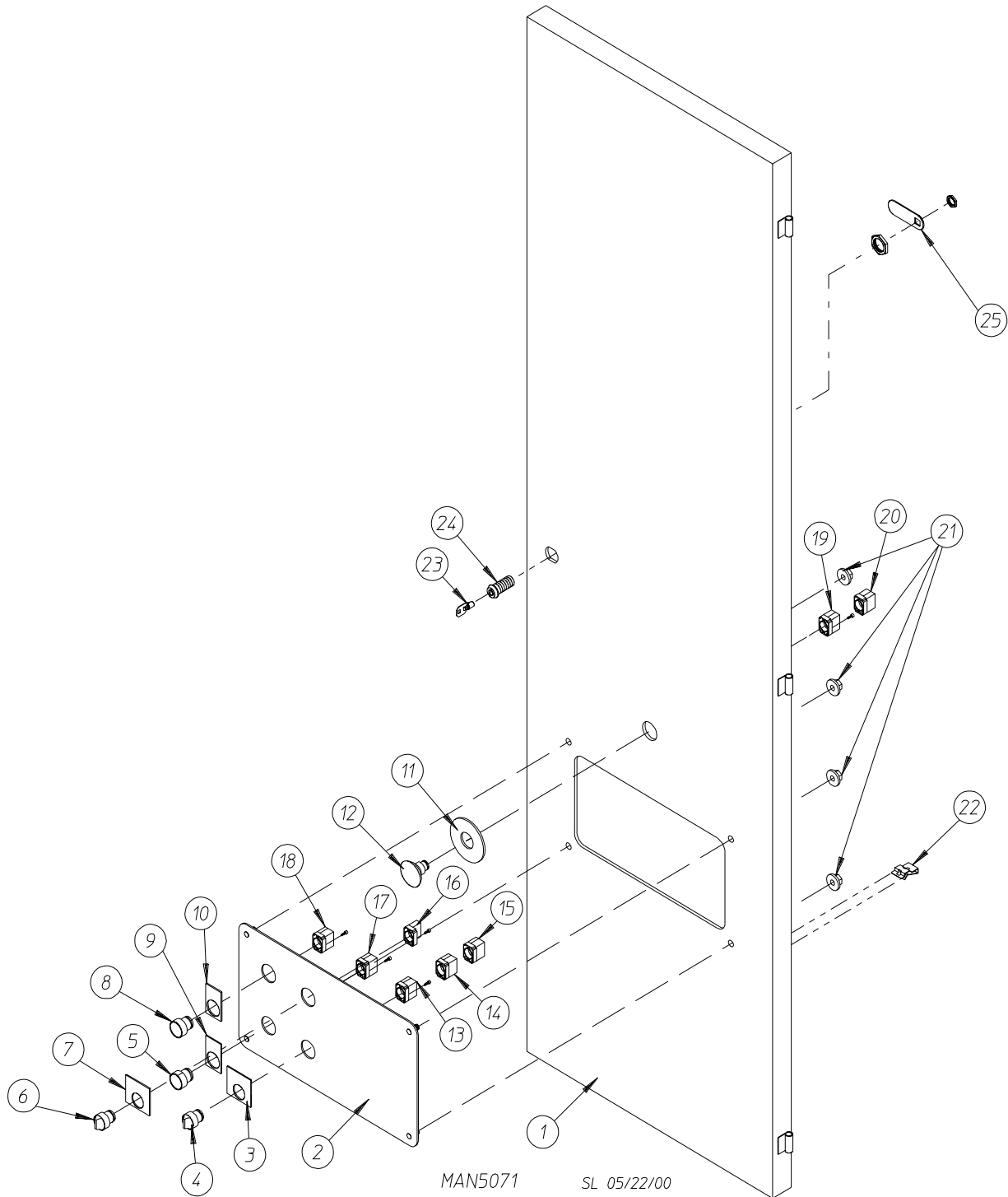
* Specify color when ordering.



Automatic Door

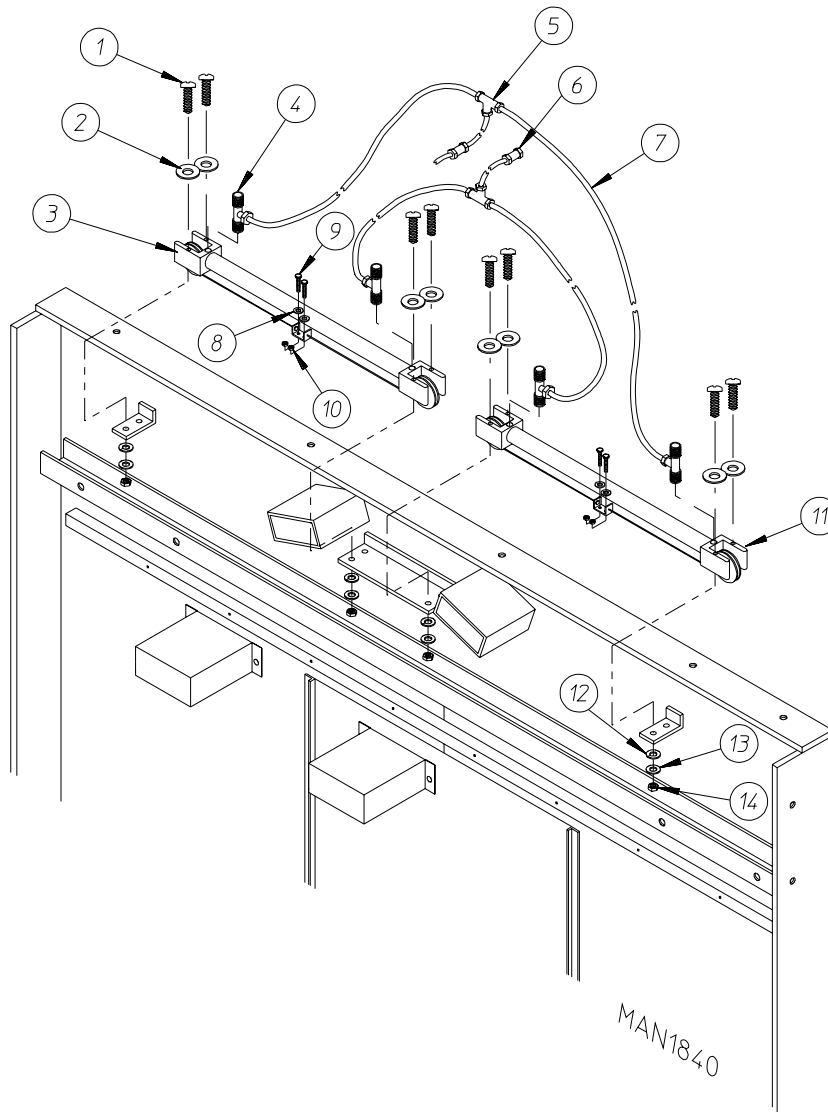
<u>Illus. No.</u>	<u>Part No.</u>	<u>Qty.</u>	<u>Description</u>
1*	881113	1	Right Automatic Load Door Assembly Complete (includes illus. nos. 1 through 12)
	881107	1	Right Automatic Load Door ONLY
2	150112	4	1/4-20 x 1-1/4" Hex Head Machine Screw
3	153018	4	1/4" Flat Washer
4	153007	4	1/4" Lock Washer
5*	334134	1	Automatic Door Bracket
6	152002	2	1/4-20 Hex Nut
7	102102	1	Magnet
8	154200	1	5/32" Pop Rivet
9	170367	2	Stainless Steel Stationary Bushing
10	170366	2	Stainless Steel Sealed Wheel
11	115995	80	Felt Gasket (sold by the inch)
12	102215	1	Door Window
	170730	-	Door Window Adhesive (10.3 oz. cartridge)
13	152002	2	1/4-20 Hex Nut
14	153007	2	1/4" Lock Washer
15	170366	2	Stainless Steel Sealed Wheel
16	170367	2	Stainless Steel Stationary Bushing
17*	881133	1	Lower Trolley Assembly Complete (includes illus. nos. 13 through 17, 19, and 20)
	334123	1	Lower Trolley ONLY
18	150301	3	#8-18 x 7/16" Phillips Pan Head TEK Screw
19	152112	2	1/4-20 x 1-1/4" Hex Head Machine Screw
20	153018	2	1/4" Flat Washer

* Specify color when ordering.

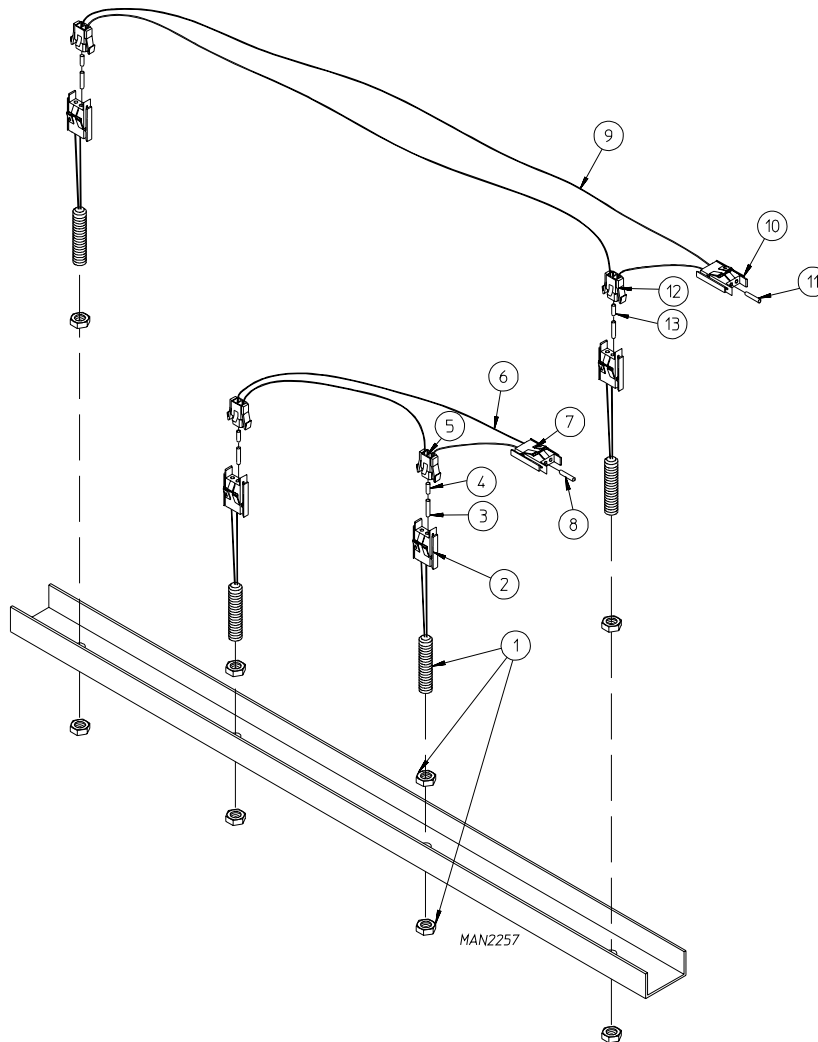


2 Door Models ONLY

<u>Illus. No.</u>	<u>Part No.</u>	<u>Qty.</u>	<u>Description</u>
1	838012	1	Right Rear Control Door ONLY
2	821797	1	Right Rear Door Control Panel
3	122438	1	Engraved Nameplate: Load - Dry -Unload
4	122361	1	3-Position Maintained Operator
5	123202	1	White Push Button Operator
6	122360	1	2-Position Maintained Operator
7	122413	1	Engraved Nameplate: Tilt Off - Tilt On
8	123203	1	Black Push Button Operator
9	122416	1	Engraved Nameplate: Reverse
10	122415	1	Engraved Nameplate: Forward
11	122419	1	Engraved "EMERGENCY STOP" (E-Stop) Label
12	122351	1	"EMERGENCY STOP" (E-Stop) Operator
13	132394	1	Mounting Base with Normally Open (N.O.) Contact Block
14	132386	1	Normally Open (N.O.) Contact Block
15	132387	2	Normally Closed (N.C.) Contact Block
16	132394	1	Mounting Base with Normally Open (N.O.) Contact Block
17	132396	1	Mounting Base with Normally Open (N.O.) and Normally Closed (N.C.) Contact Block
18	132396	1	Mounting Base with Normally Open (N.O.) and Normally Closed (N.C.) Contact Block
19	132395	1	Mounting Base with Normally Closed (N.C.) Contact Block
20	132387	1	Normally Closed (N.C.) Contact Block
21	152014	4	1/4-20 Free Spin Wash Nut
22	121509	6	Tie Wrap Clips
23	160140	1	ACE® XX4451 Key ONLY
24	160050	1	ACE® Control Door Lock Less Key (keyed to # XX4451)
25	160014	1	Cam ONLY



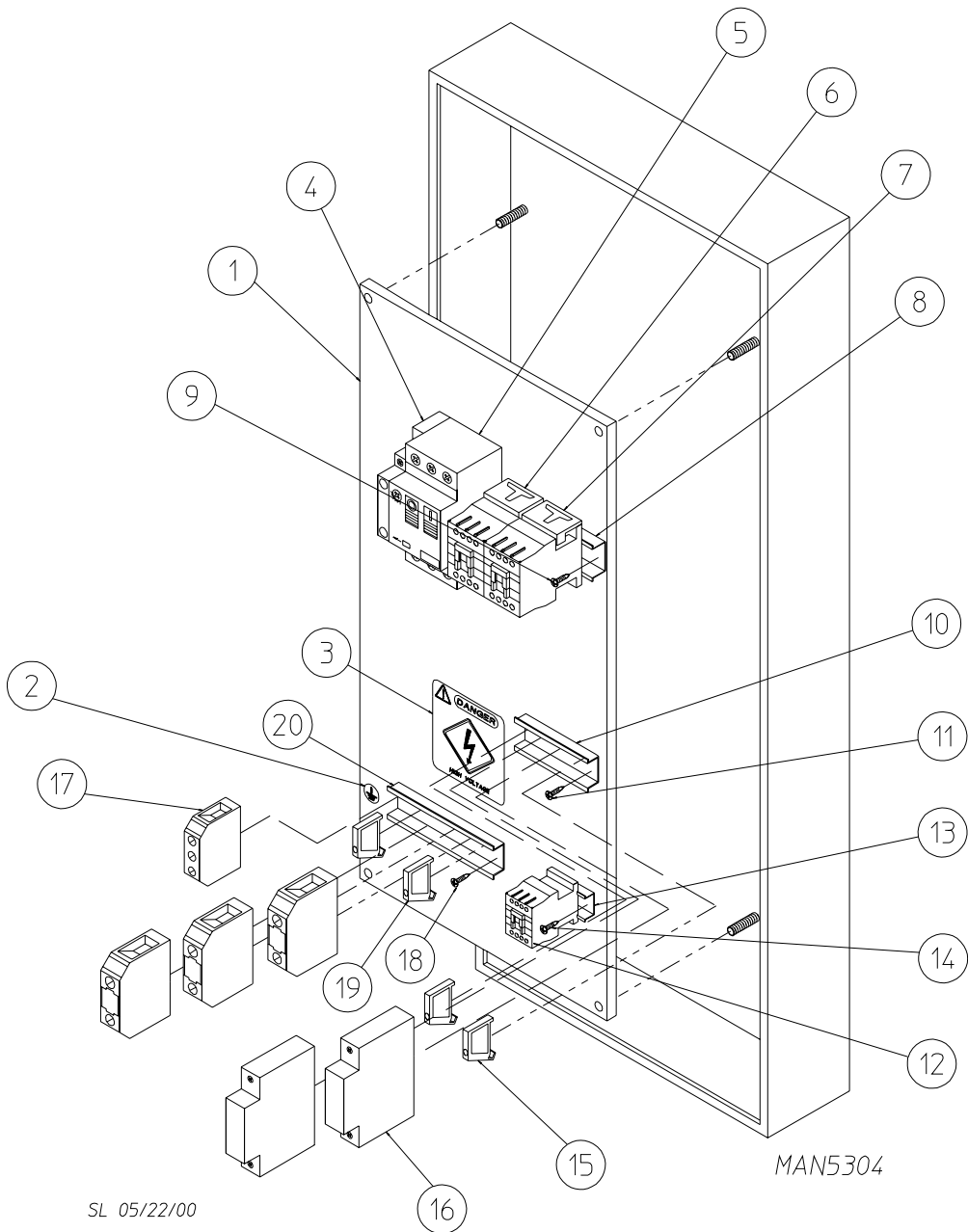
<u>Illus. No.</u>	<u>Part No.</u>	<u>Qty.</u>	<u>Description</u>
1	150308	8	#8-32 x 2-1/2" Phillips Pan Head Machine Screw
2	153000	8	#8 Flat Washer
3	100431	1	Cable Cylinder
4	128978	4	1/8" N.P.T. x 1/4" Tube Flow Control
5	143156	2	1/4" Poly Tee
6	143154	2	1/4" Brass Poly Connector
7	143110	38	1/4" Poly-Flo Tubing (sold by the foot)
8	153012	4	#8 Star Washer
9	150103	4	#8-32 x 3/4" Phillips Round Head Machine Screw
10	152001	4	#8-32 Hex Nut
11	100431	1	Cable Cylinder
12	153000	8	#8 Flat Washer
13	153012	8	#8 Star Washer
14	152001	8	#8-32 Hex Nut



<u>Illus. No.</u>	<u>Part No.</u>	<u>Qty.</u>	<u>Description</u>
1	826514	4	Magnetic Door Switch Assembly with Nuts (includes illus. nos. 1 through 3)
2	122598	1	2-Pin Connector (male)
3	137028	2	Pin
4	137021	4	Microprocessor Socket
5	122599	2	2-Pin Socket Connector (female)
6	881240	1	Door Switch "Closed Position" Harness (includes illus. nos. 4 through 8)
7	122598	1	2-Pin Connector (male)
8	137028	2	Pin
9	881241	1	Door Switch "Open Position" Harness (includes illus. nos. 9 through 13)
10	122598	1	2-Pin Connector (male)
11	137028	2	Pin
12	122599	2	2-Pin Socket Connector (female)
13	137021	4	Microprocessor Socket

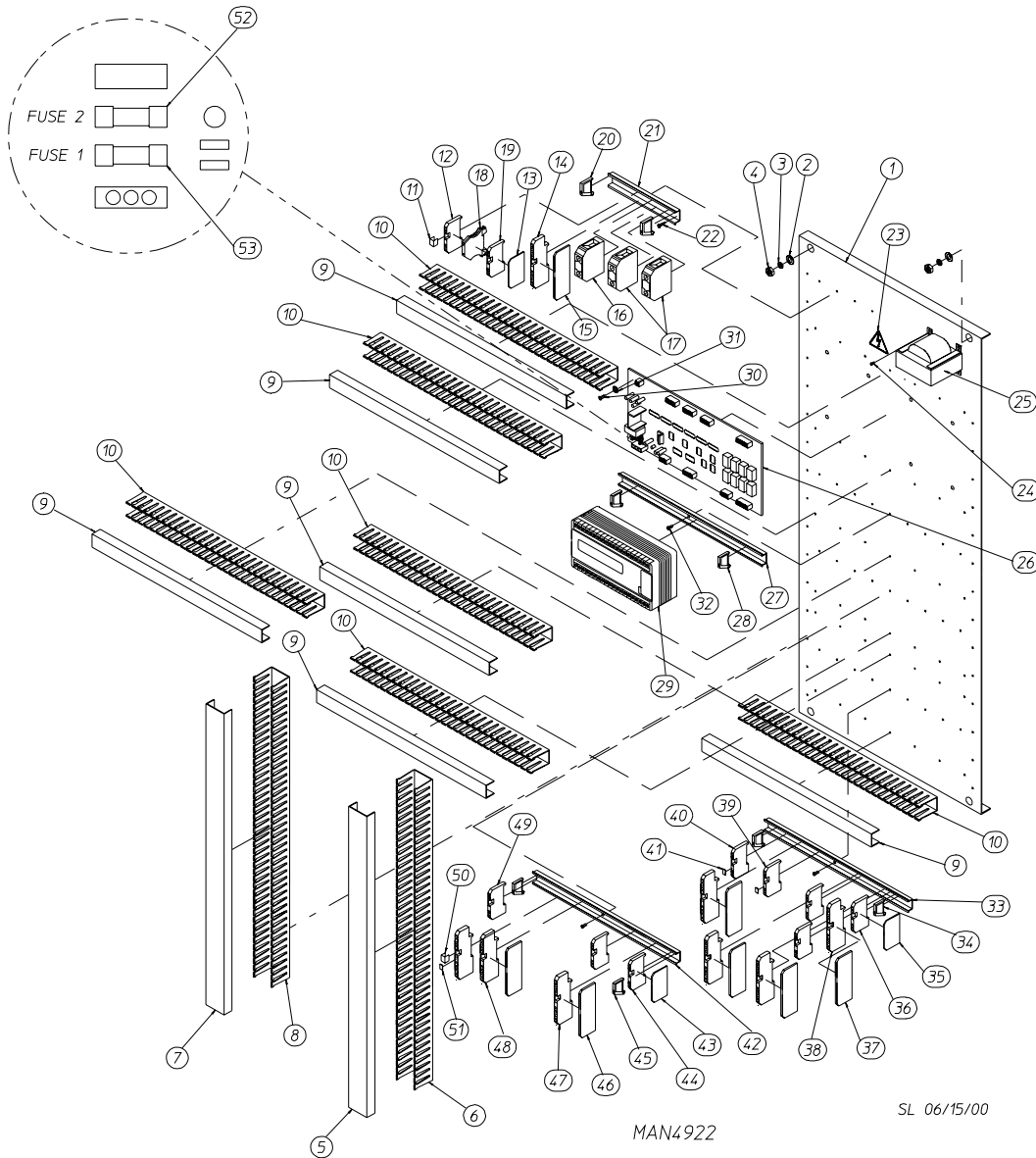
Left Hand Electrical Control Panel Assembly

For Models Mfd. with Thermal-Magnetic Protection ONLY



For Models Mfd. with Thermal-Magnetic Protection ONLY

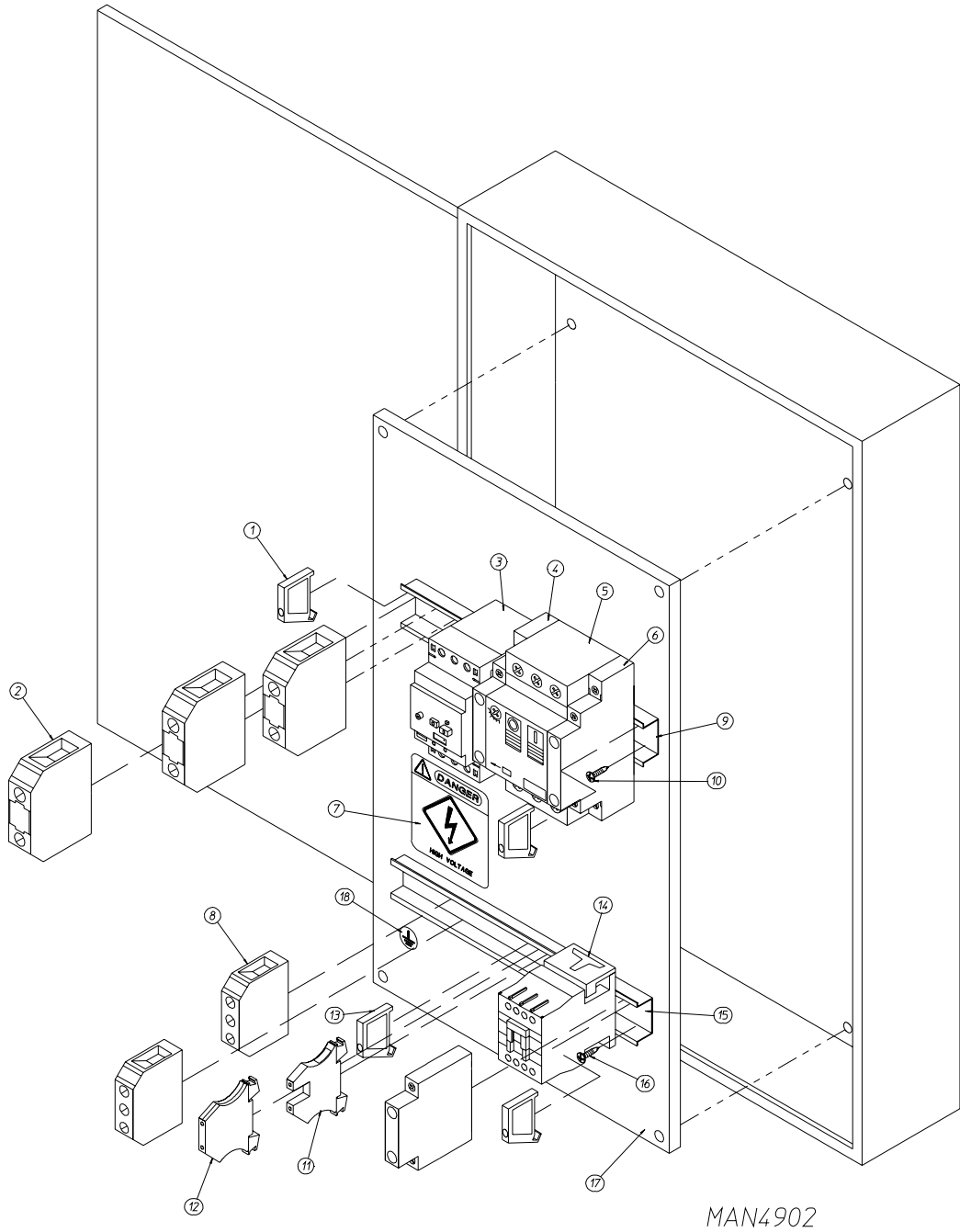
<u>Illus. No.</u>	<u>Part No.</u>	<u>Qty.</u>	<u>Description</u>
1	334269	1	Left Hand Electrical Panel
	832948	1	Left Hand Electrical Panel Assembly Complete (includes illus. nos. 1 through 20)
2	112075	1	Ground Here Label
3	114007	1	Danger High Voltage Label
4	132389	1	Auxiliary Contact Block
5	131962	1	208/240v Thermal-Magnetic Starter
	131961	1	380/480v Thermal-Magnetic Starter
	131968	1	416/575v Thermal-Magnetic Starter
6	132437	2	Varistor
7	132434	1	Reversing Contactor
8	120768	8	35 x 15mm Din Mounting Rail
9	150300	2	#10-16 x 1/2" Hex Washer TEK Screw
10	120768	3	35 x 15mm Din Mounting Rail
11	150300	2	#10-16 x 1/2" Hex Washer TEK Screw
12	132444	1	Sprinkler Contactor (for dryer with sprinkler option Only)
13	120768	2	35 x 15mm Din Mounting Rail
14	150300	2	#10-16 x 1/2" Hex Washer TEK Screw
15	120765	2	Standard End Stop
16	135506	1	208/240v Circuit Breaker (steam Only)
	135514	1	208-480v Gas and 380-480v Steam Circuit Breaker
	135509	1	575v Circuit Breaker ONLY
17	120727	1	Ground Terminal Block
18	150300	1	#10-16 x 1/2" Hex Washer TEK Screw
19	120770	2	End Bracket
20	120768	4	35 x 15mm Din Mounting Rail



<u>Illus. No.</u>	<u>Part No.</u>	<u>Qty.</u>	<u>Description</u>
1	821833	1	Front Right Electrical Panel ONLY
2	150334	4	3/8" Flat Washer
3	153005	4	3/8" Lock Washer
4	152005	4	3/8-16 Hex Nut
5	121422	28"	1" Wireway Cover
6	121430	28"	1" x 3" Slotted Wall Wire Duct
7	121422	31"	1" Wireway Cover
8	121430	31"	1" x 3" Slotted Wall Wire Duct
9	121422	12"	1" Wireway Cover
10	121430	12"	1" x 3" Slotted Wall Wire Duct
11	120777	10	2-Position Terminal Block Jumper
12	120771	4	2-Position Gray Line Block
13	120776	6	Small Insulator for 2-Position Block
14	120778	2	4-Position Gray Line Block
15	120801	2	Large Insulator for 4-Position Block

<u>Illus. No.</u>	<u>Part No.</u>	<u>Qty.</u>	<u>Description</u>
16	-----	1	Circuit Breaker #7 (refer to Right Hand Electrical Control Panel Chart on page 54)
17	-----	1	Circuit Breaker #6 (refer to Right Hand Electrical Control Panel Chart on page 54)
18	120773	3	2-Position Green/Yellow Ground Block
19	120772	2	2-Position Blue Neutral Block
20	120765	2	Standard End Stop
21	120768	6	35 x 15mm Din Mounting Rail
22	150300	3	#10-16 x 1/2" Hex Washer TEK Screw
23	122424	1	Power Warning Label
24	150300	4	#10-16 x 1/2" Hex Washer TEK Screw
25	-----	1	Transformer Assembly (refer to Right Hand Electrical Control Panel Chart on page 54)
26	882895	1	Phase 7 Input/Output (I/O) Board (for models mfd. as of October 2000)
	882894	1	Phase 7 Input/Output (I/O) Board (for models mfd. prior to October 2000)
27	120768	28	35 x 15mm Din Mounting Rail
28	120765	2	Standard End Stop
29	137917	1	TSX07 PLC
30	150005	4	#6-32 x 1/4" Phillips Round Head Machine Screw
31	153010	4	#6 Star Washer
32	150300	4	#10-16 x 1/2" Hex Washer TEK Screw
33	120768	12"	35 x 15mm Din Mounting Rail
34	120765	2	Standard End Stop
35	120776	1	Small Insulator for 2-Position Block
36	120771	21	2-Position Gray Line Block
37	120801	4	Large Insulator for 4-Position Block
38	120778	13	4-Position Gray Line Block
39	120773	3	2-Position Green/Yellow Ground Block
40	120772	1	2-Position Blue Neutral Block
41	401024	4	Marking Tags
42	120768	12"	35 x 15mm Din Mounting Rail
43	120776	1	Small Insulator for 2-Position Block
44	120773	1	2-Position Green/Yellow Ground Block
45	120765	2	Standard End Stop
46	120801	7	Large Insulator for 4-Position Terminal Block
47	120778	32	4-Position Gray Line Block
48	120779	3	4-Position Blue Neutral Block
49	120771	9	2-Position Gray Line Block
50	120805	10	4-Position Terminal Block Jumper
51	401024	4	Marking Tags
52	136109	1	2-Amp 250v (fast acting) Fuse
53	136016	1	5-Amp 250v (fast acting) Fuse

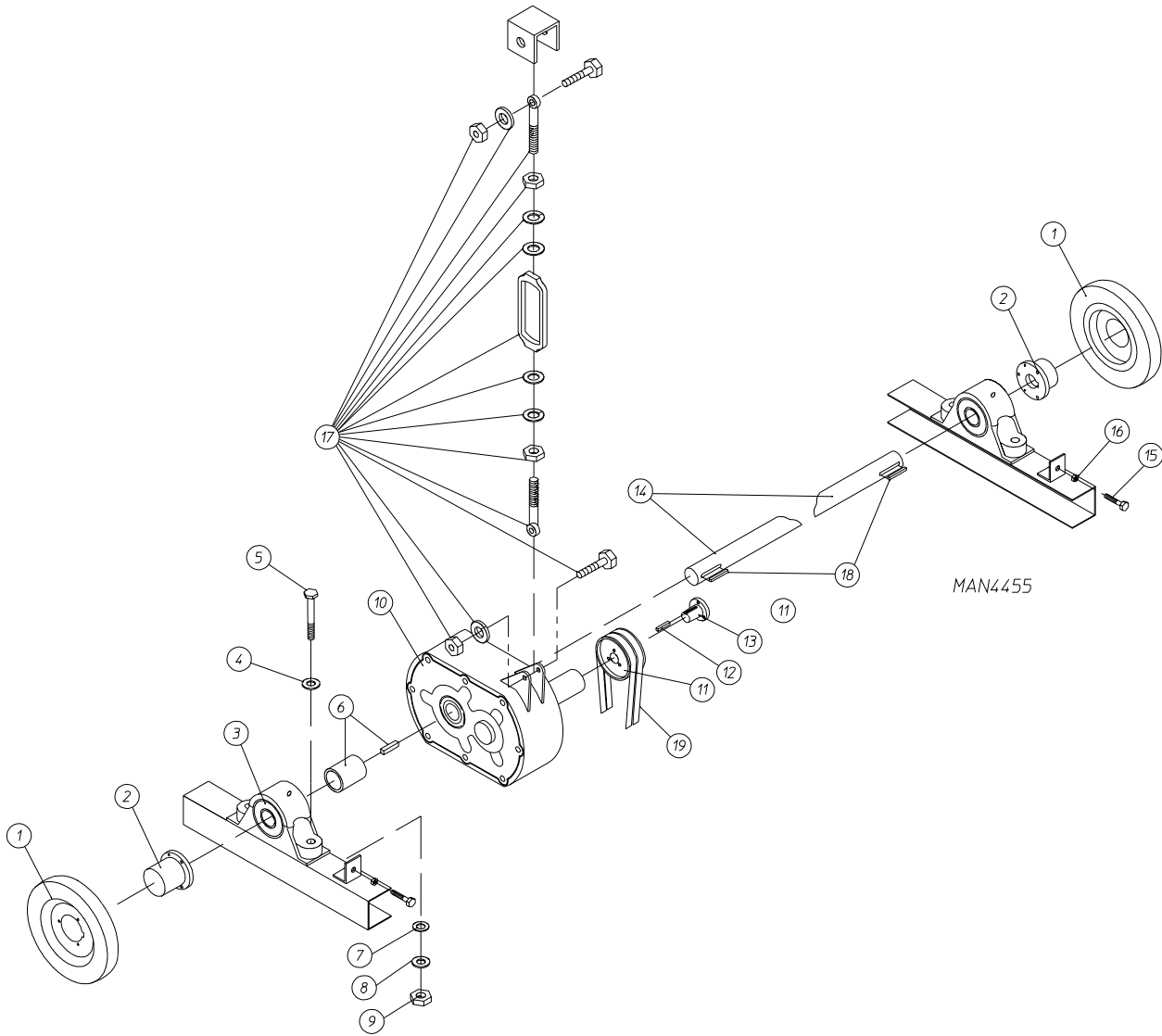
Base Main Electrical Junction Box Assembly
For Models Mfd. with Thermal-Magnetic Protection ONLY



SL 03/13/00

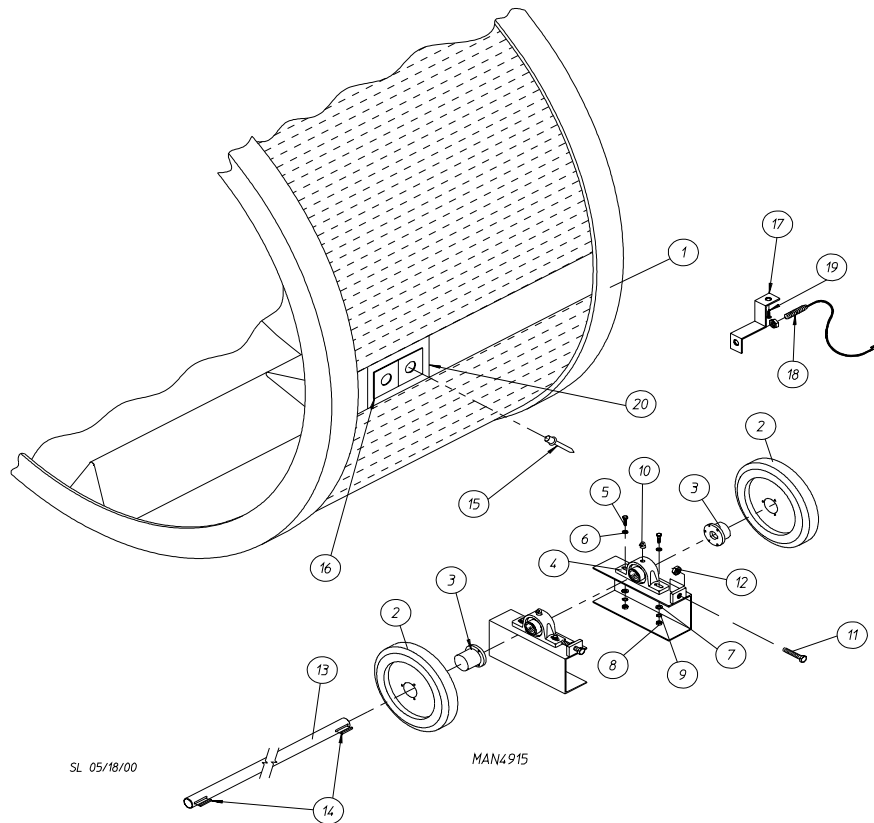
For Models Mfd. with Thermal-Magnetic Protection ONLY

<u>Illus. No.</u>	<u>Part No.</u>	<u>Qty.</u>	<u>Description</u>
1	120770	2	End Bracket
2	120760	3	Terminal Block
3	131957	1	Circuit Breaker (25-40 amp manual starter)
4	132384	1	208/240v Steam ONLY Auxiliary Contact Block
	132389	1	Auxiliary Contact Block
5	131969	1	208/240v Gas Circuit Breaker (20-25 amp manual starter)
	131970	1	380-575v Gas Circuit Breaker (9-14 amp manual starter)
	131955	1	208v Steam Circuit Breaker (40-63 amp manual starter)
	131957	1	Circuit Breaker (25-40 amp manual starter)
	131964	1	380/460/480v Steam Circuit Breaker (17-23 amp manual starter)
	131969	1	400/416 Steam Circuit Breaker (20-25 amp manual starter)
	131963	1	575v Steam Circuit Breaker (13-18 amp manual starter)
6	132384	1	208/240v Steam ONLY Auxiliary Contact Block
	132389	1	Auxiliary Contact Block
7	114007	1	Danger High Voltage Label
8	120727	2	Ground Terminal Block
9	120768	8	35 x 15mm Din Mounting Rail
10	150300	4	#10 x 1/2" Hex Washer TEK Screw
11	120750	1	Ground Terminal Block (for sprinkler option)
12	120758	2	Feed Thru Terminal Block
13	120765	2	Standard End Stop
14	132465	1	208/240v Gas 380/480 Volt Steam Drive Contactor
	132445	1	380-575v Gas Drive Contactor
	132480	1	208v Steam Drive Contactor
	132481	1	230/240v Steam Drive Contactor
	132433	1	575v Steam Drive Contactor
15	120768	8	35 x 15mm Din Mounting Rail
16	150300	4	#10 x 1/2" Hex Washer TEK Screw
17	331499	1	Panel ONLY
18	112075	1	Ground Here Label

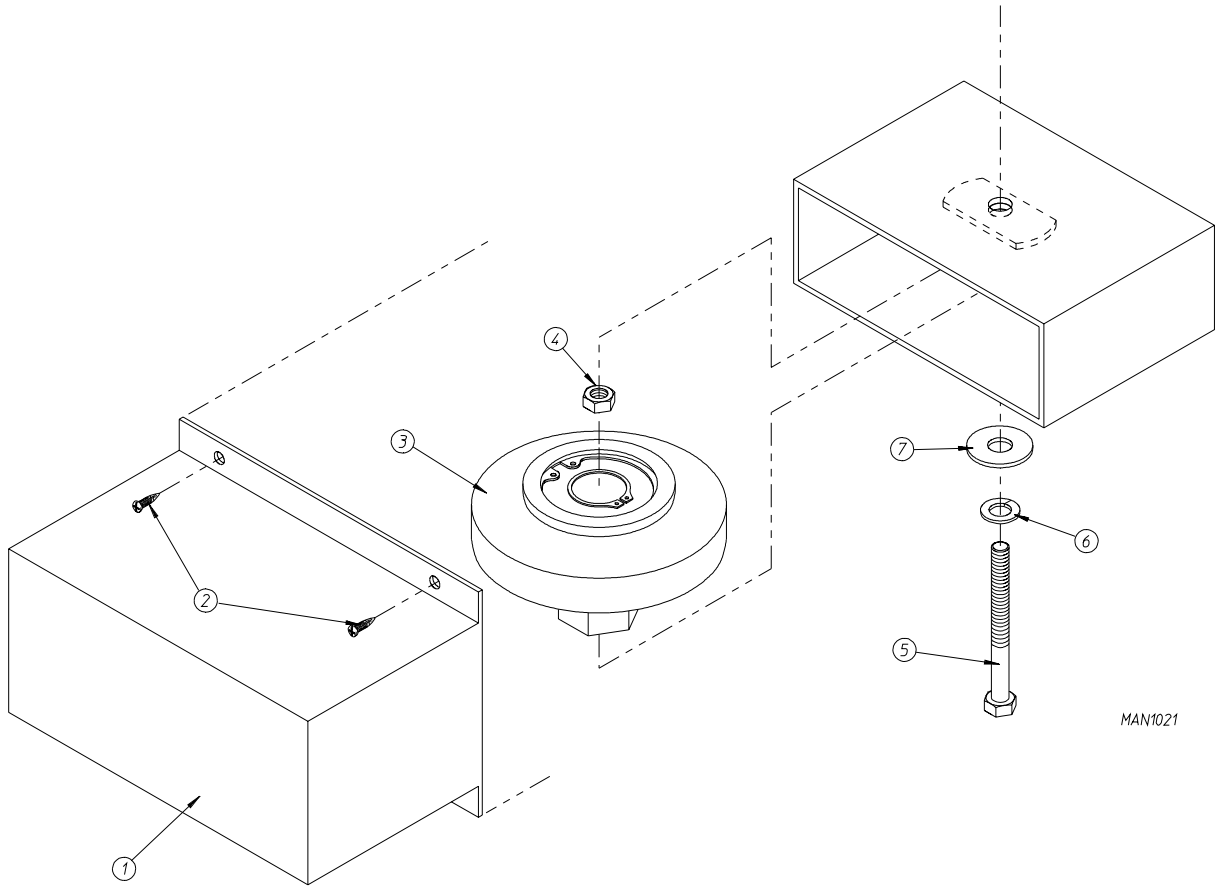


<u>Illus. No.</u>	<u>Part No.</u>	<u>Qty.</u>	<u>Description</u>
1	821465	2	11" Drive Wheel Assembly
2	101227	2	SK x 1-1/2" Taper Lock Bushing
3	880880	2	1-1/2" Pillow Block Bearing with Setscrews and Grease Fitting
	170511	2	1/8-27 N.P.T. Grease Fitting
4	153011	4	9/16" Flat Washer
5	150620	4	1/2-13 x 2-1/2" Hex Head Machine Bolt
6	101023	1	1-1/2" Taper Bushing
7	153011	4	9/16" Flat Washer
8	153026	4	1/2" Lock Washer
9	152011	4	1/2-13 Hex Nut
10	101019	1	Taper Bore Speed Reducer
11	101177	1	2B x 5.8 Pulley
12	100709	1	3/8" x 3/8" x 2" Key
13	101196	1	SDS x 1-5/8" Bushing
14	332749	1	Basket (tumbler) Drive Shaft
15	150609	2	1/2-13 x 4-1/2" Hex Head Machine Bolt
16	152011	2	1/2-13 Hex Nut
17	154395	1	Gear Reducer Turnbuckle
18	100710	2	3/8" x 3/8" x 3" Key
19*	100152	1	AX-25 V-Belt (for 60 Hz models Only)
	100160	1	AX-26 V-Belt (for 50 Hz models Only)

* Replace in matched sets (both belts).



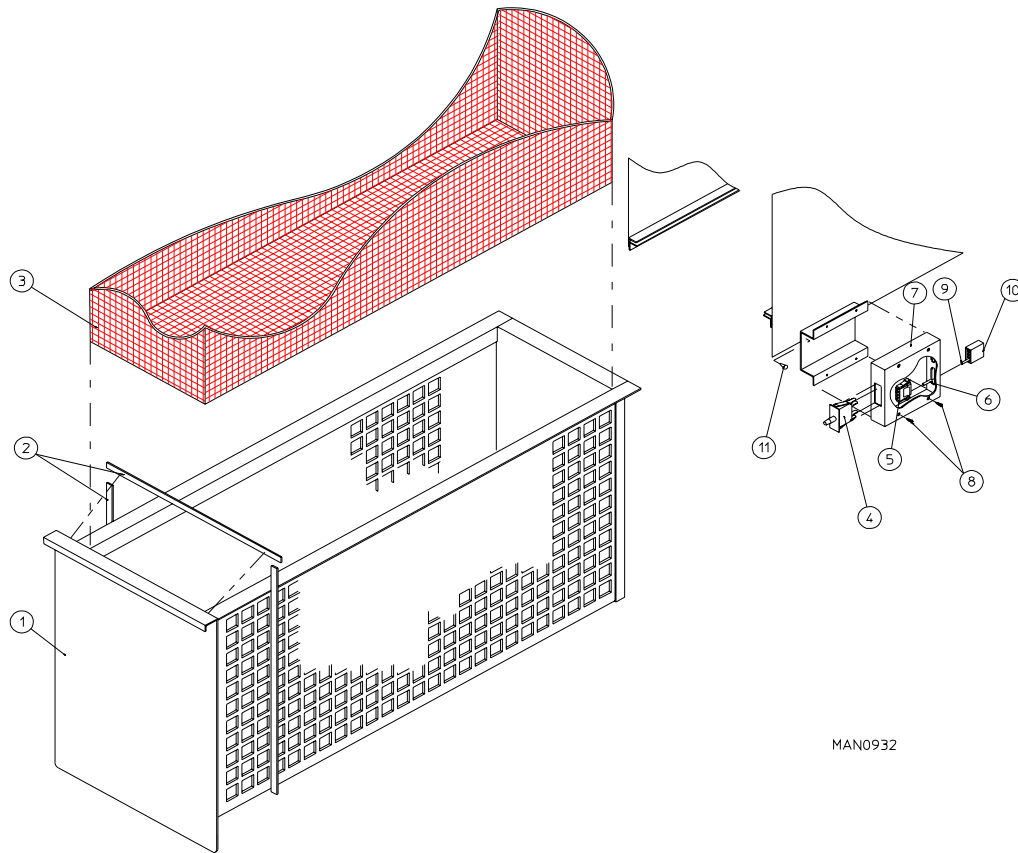
<u>Illus. No.</u>	<u>Part No.</u>	<u>Qty.</u>	<u>Description</u>
1	821217	1	Basket (tumbler) Assembly (for 1 door models)
	821645	1	Basket (tumbler) Assembly (for 2 door models)
2	821465	2	11" Drive Wheel Assembly
3	101227	2	SK x 1-1/2" Taper Lock Bushing
4	880880	2	1-1/2" Pillow Block Bearing with Setscrews and Grease Fitting
5	150620	4	1/2-13 x 2-1/2" Hex Head Machine Bolt
6	153016	4	1/2" Flat Washer
7	153016	4	1/2" Flat Washer
8	153026	4	1/2" Lock Washer
9	152011	4	1/2-13 Hex Nut
10	170511	2	1/8-27 N.P.T. Grease Fitting
11	150609	2	1/2-13 x 4-1/2" Hex Head Machine Bolt
12	152011	2	1/2-13 Hex Nut
13	332507	1	1-1/2" Diameter Idler Shaft
14	100710	2	3/8" x 3/8" x 3" Key
15	154200	2	5/32" Pop Rivet
16	102102	2	Magnet
17	333152	1	Phase 7 Rotational Sensor Bracket
18	882633	1	Rotational Sensor Proximity Switch
19	150309	1	#10-16 x 1/2" Hex Head TEK Crimptite Screw
20	333163	1	Magnet Plate For Rotational Sensor



MAN1021

Illus. No.	Part No.	Qty.	Description
1*	-----	1	Basket (tumbler) Retaining Wheel Cover/Guard (refer to appropriate front panel assembly or rear panel assembly)
2	150301	4	#8-18 x 7/16" Phillips Pan Head TEK Screw
3	820566	1	Basket (tumbler) Retaining Wheel Assembly
4	152004	1	5/16-18 Hex Nut
5	150509	1	5/16-18 x 3" Hex Head Machine Bolt
6	153002	1	5/16" Lock Washer
7	153001	1	5/16" Flat Washer

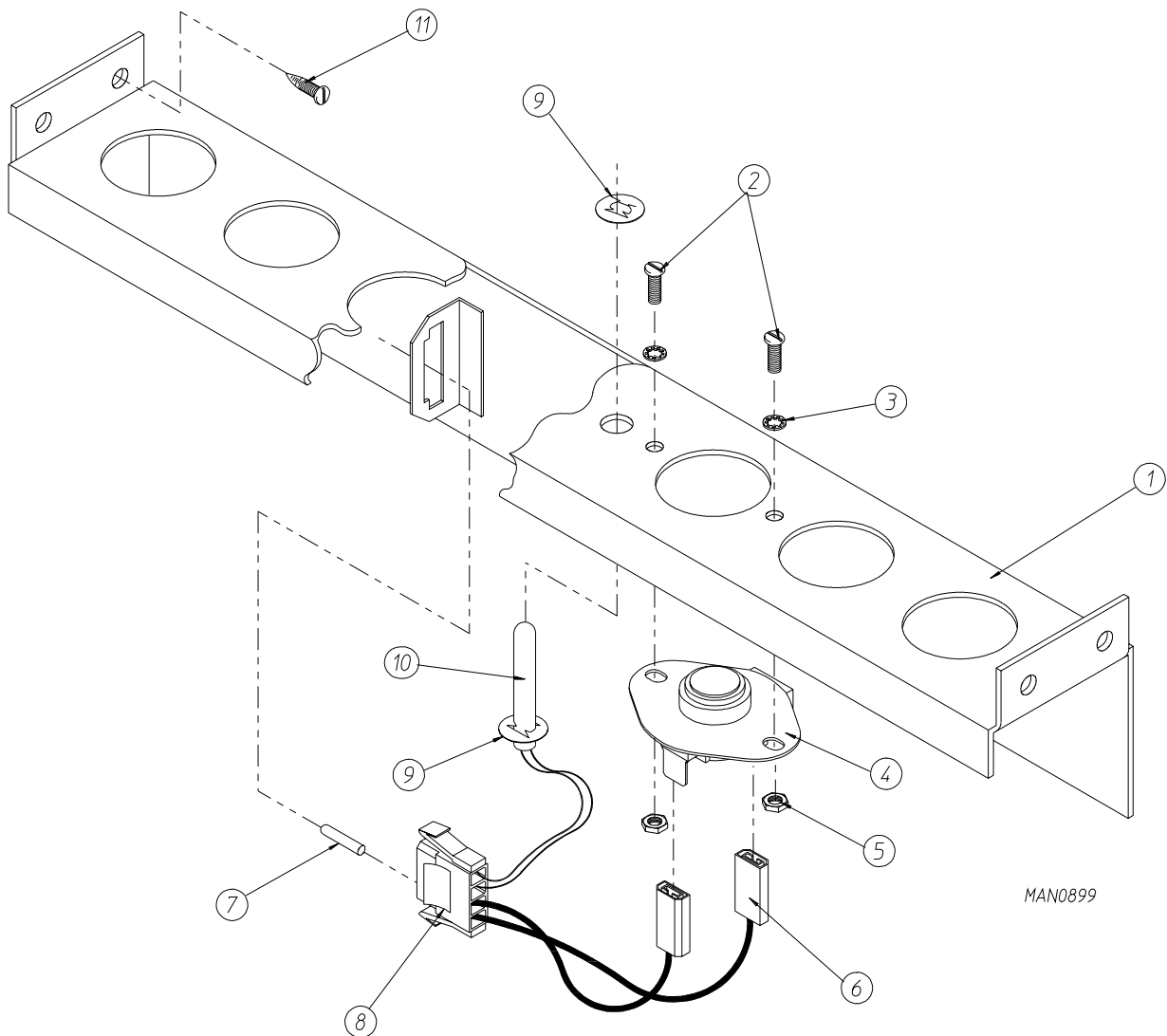
* Specify color when ordering.



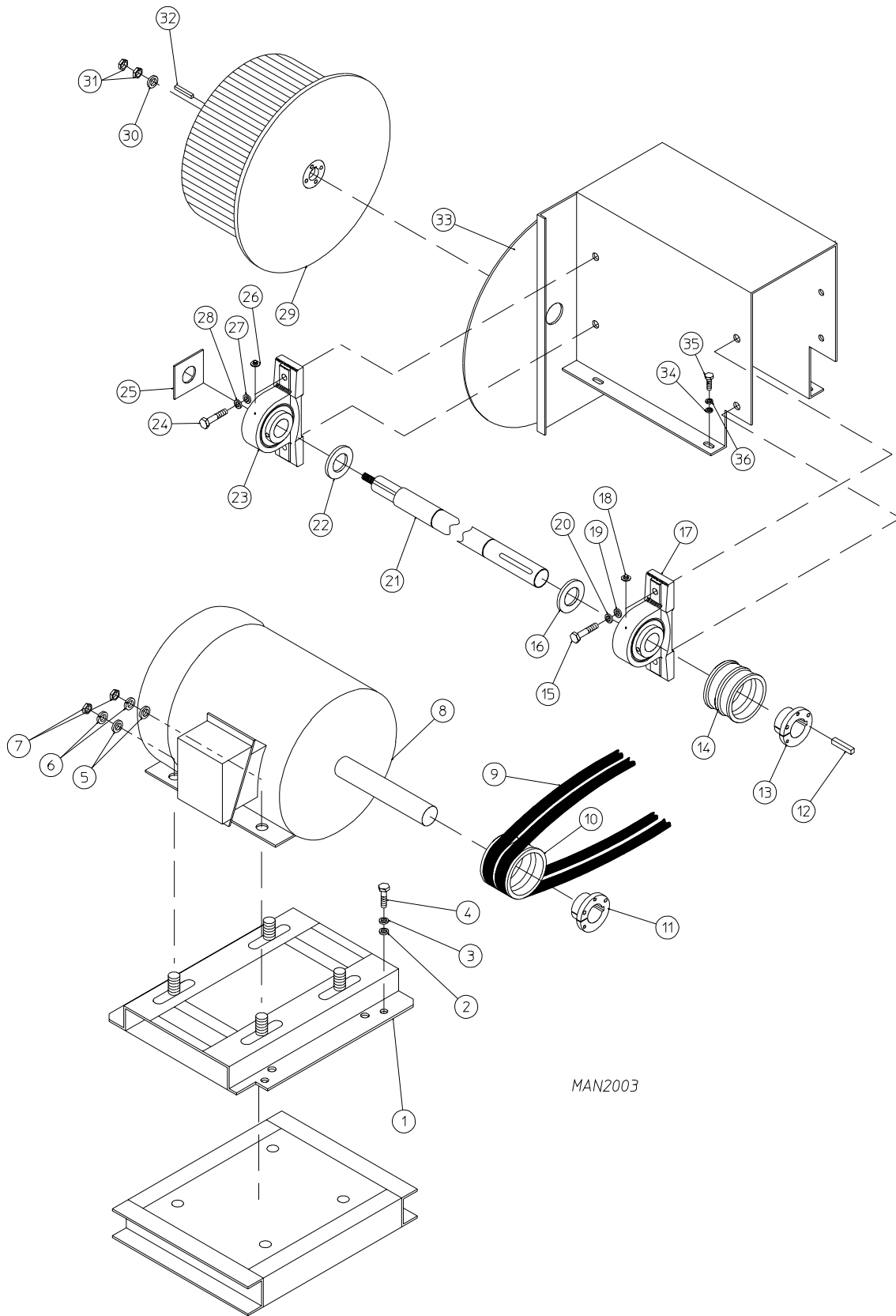
MAN0932

<u>Illus. No.</u>	<u>Part No.</u>	<u>Qty.</u>	<u>Description</u>
1*	802126		Stainless Steel Lint Drawer/Basket Assembly Complete (includes illus. nos. 1 and 2) For Models Mfd. as of August 14, 2000
	881185	1	Lint Drawer/Basket Assembly Complete (includes illus. nos. 1 and 2) For Models Mfd. prior to August 14, 2000
2	117602	7	Noise Suppressor Tape (sold by the foot)
3	821276	1	Lint Screen Assembly (for model mfd. prior to August 14, 2000)
4	122116	1	Lint Drawer/Basket Switch ONLY
5	122605	2	4-Pin Socket Connector ONLY
6	122701	4	Socket Terminal ONLY
	122801	1	Pin/Socket Extraction Tool
7	800264	1	Lint Drawer/Basket Switch Box Assembly Complete (includes illus. nos. 4 through 7)
	304034	1	Lint Drawer/Basket Switch Cover ONLY
8	150301	4	#8-18 x 7/16" Phillips Pan Head TEK Screw
9	122700	4	Pin Terminal ONLY
10	122604	2	4-Pin Connector ONLY
11	150301	2	#8-18 x 7/16" Phillips Pan Head TEK Screw

* Specify color when ordering.



<u>Illus. No.</u>	<u>Part No.</u>	<u>Qty.</u>	<u>Description</u>
1	820967	1	Sensor Bracket Assembly
	820968	1	Sensor Bracket Assembly Complete (includes illus. nos. 1 through 10)
2	150000	2	#6-32 x 1/4" Slotted Round Head Machine Screw
3	153010	2	#6 Star Washer
4	130112	1	225° Thermostat ONLY
5	152000	2	#6-32 Hex Nut
6	121028	2	1/4" x 0.032 Insulated Terminal
7	122701	4	Socket Terminal ONLY
8	122605	1	4-Pin Socket Connector ONLY
9	154007	2	1/4" Push On Fastener
10	880251	1	1/4" Temperature Sensor Probe Assembly (includes illus. nos. 6 through 10)
11	150301	4	#8-18 x 7/16" Phillips Pan Head TEK Screw

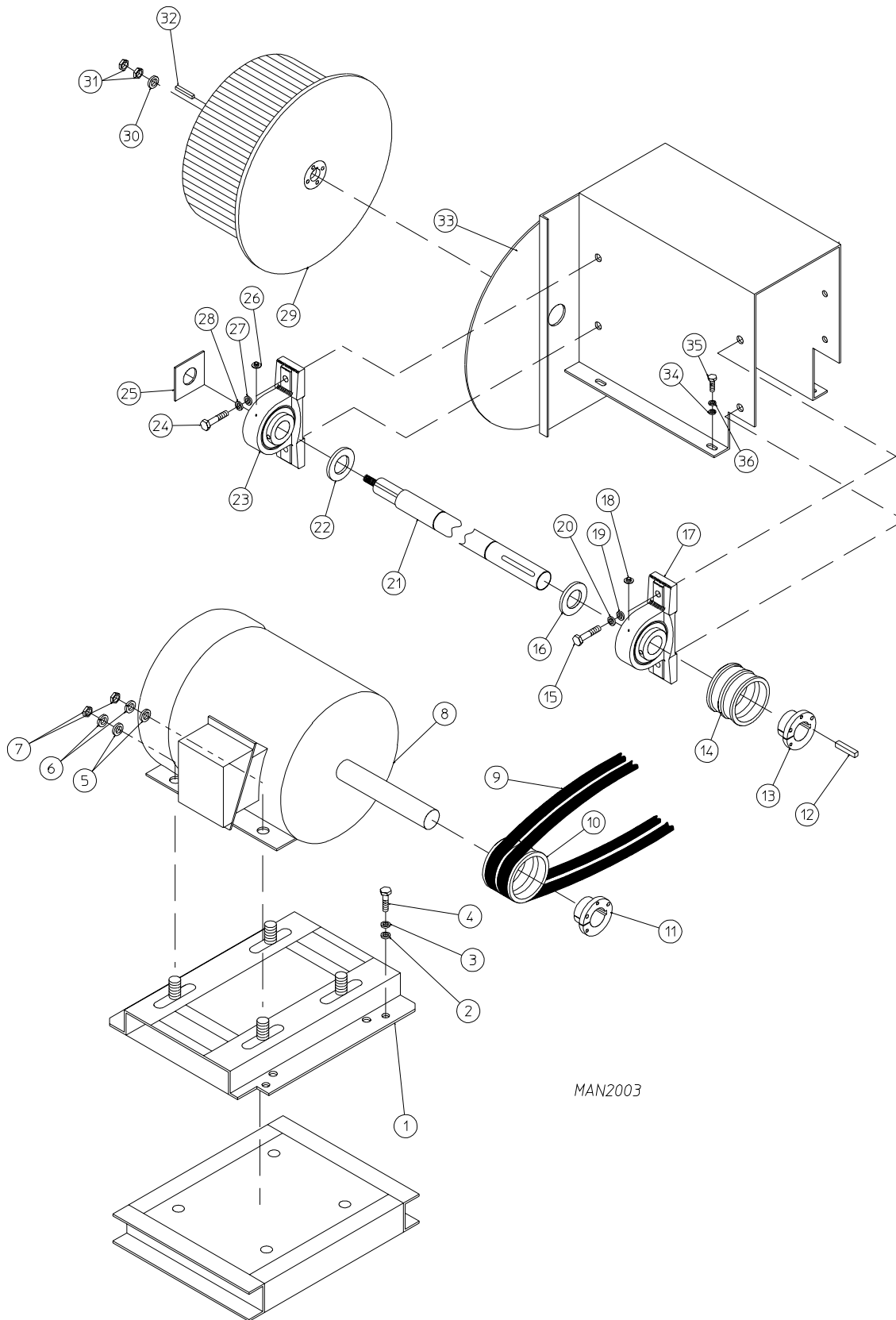


MAN2003

For Gas Models ONLY

<u>Illus. No.</u>	<u>Part No.</u>	<u>Qty.</u>	<u>Description</u>
1	100062	1	Motor Base 213T Frame
2	153004	4	3/8" Flat Washer
3	153005	4	3/8" Lock Washer
4	150617	4	3/8-16 x 1" Hex Head Machine Bolt
5	153004	4	3/8" Flat Washer
6	153005	4	3/8" Lock Washer
7	152005	4	3/8-16 Hex Nut
8	100046	1	7-1/2 HP 208-230/460v 3ø 60 Hz Motor
	100092	1	7-1/2 HP 190-220/380-416v 3ø 50 Hz Motor
			380v 3ø 60 Hz Motor
	100021	1	7-1/2 HP 575v 3ø 60 Hz Motor
9*	100145	2	BX 32 V-Belt
10	101148	1	2B x 4.0 Pulley (for 60 Hz models Only)
	101147	1	2B x 4.8 Pulley (for 50 Hz models Only)
11	101152	1	1-3/8" Bushing (for 60 Hz models Only)
	101194	1	1-3/8" Bushing (for 50 Hz models Only)
12	100706	1	5/16" x 5/16" x 1-3/8" Key
13	101152	1	1-3/8" Bushing
14	101195	1	2B x 4.4 Pulley
15	150600	2	3/8-16 x 1-1/2" Hex Head Machine Bolt
16	100802	1	1-3/8" Retaining Ring
17	880879	1	1-3/8" Shrouded Pillow Block Bearing (includes illus. nos. 17 and 18)
18	170511	1	1/8-27 N.P.T. Grease Fitting
19	153004	2	3/8" Flat Washer
20	153005	2	3/8" Lock Washer
21	332703	1	Fan Shaft
22	100802	1	1-3/8" Retaining Ring
23	880879	1	1-3/8" Shrouded Pillow Block Bearing (includes illus. nos. 23 and 26)
24	150600	2	3/8-16 x 1-1/2" Hex Head Machine Bolt
25	116014	1	Felt Seal
26	170511	1	1/8-27 N.P.T. Grease Fitting
27	153004	2	3/8" Flat Washer
28	153005	2	3/8" Lock Washer
29	100612	1	15" Squirrel Cage Fan
30	153065	1	Fan Washer
31	152006	2	1/2-20 Left Hand Jam Nut
32	100704	1	1/4" x 1/4" x 1-3/4" Key
33	881169	1	Tilt Fan Shaft Bearing Mount Assembly
34	153004	4	3/8" Flat Washer
35	150617	4	3/8-16 x 1" Hex Head Machine Bolt
36	153005	4	3/8" Lock Washer

* Replace in matched sets (both belts).

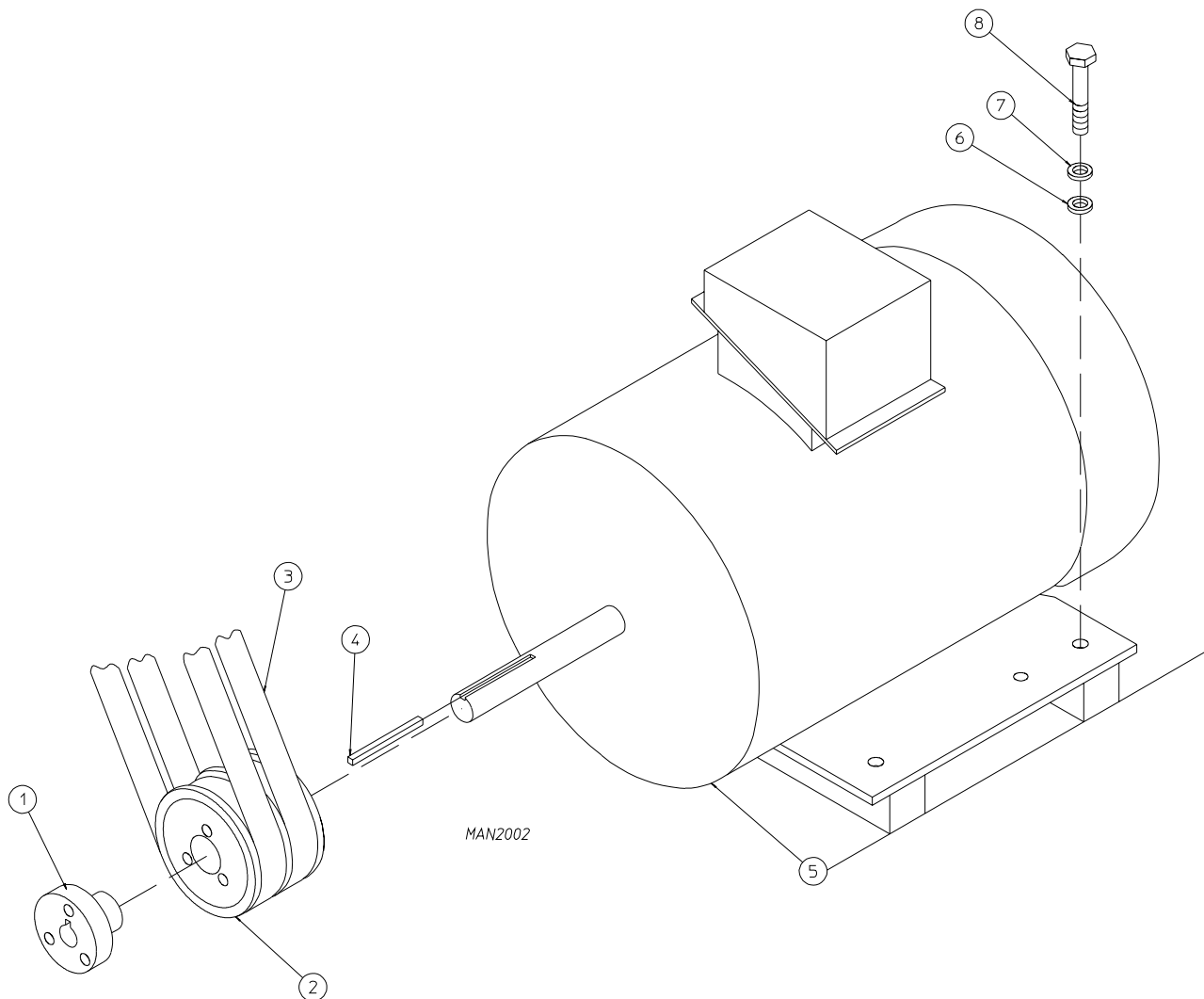


MAN2003

For Steam Models ONLY

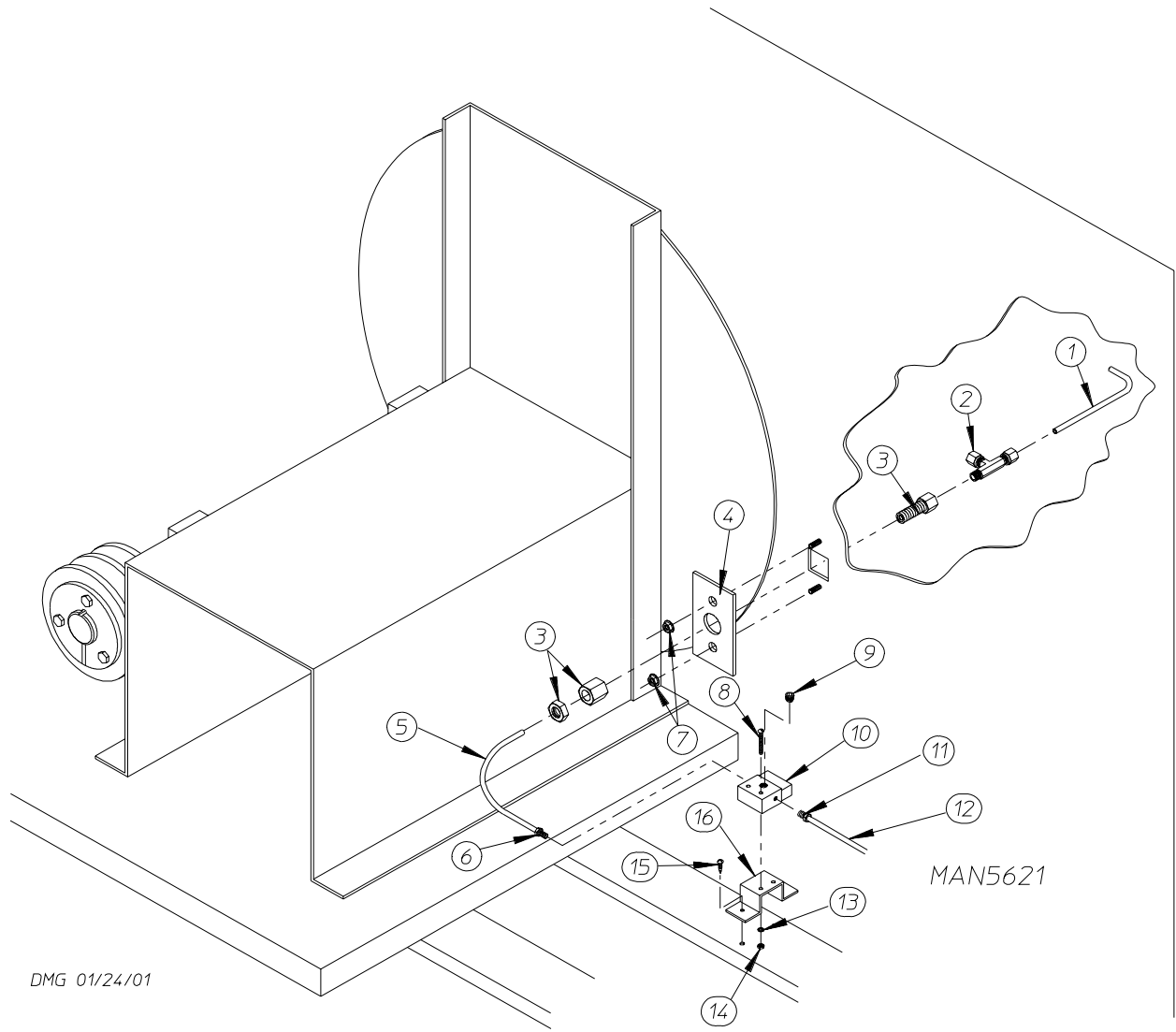
<u>Illus. No.</u>	<u>Part No.</u>	<u>Qty.</u>	<u>Description</u>
1	100062	1	Motor Base 213T Frame
2	153004	4	3/8" Flat Washer
3	153005	4	3/8" Lock Washer
4	150617	4	3/8-16 x 1" Hex Head Machine Bolt
5	153004	4	3/8" Flat Washer
6	153005	4	3/8" Lock Washer
7	152005	4	3/8-16 Hex Nut
8	100087	1	15 HP 208-230/460v 3ø 60 Hz Motor 190-220/380-440v 3ø 50 Hz Motor
	100082	1	15 HP 380v 3ø 60 Hz Motor
	181001	1	15 HP 575v 3ø 60 Hz Motor
9*	100157	2	BX 36 V-Belt
10	101148	1	2B x 4.0 Pulley (for 60 Hz models Only)
	101143	1	2B x 3.8 Pulley (for 380 volt - 60 Hz models Only)
	101195	1	2B x 4.4 Pulley (for 50 Hz models Only)
11	101152	1	1-3/8" Bushing
12	100706	1	5/16" x 5/16" x 1-3/8" Key
13	101194	1	1-3/8" Bushing
14	101175	1	2B x 6.8 Pulley
15	150600	2	3/8-16 x 1-1/2" Hex Head Machine Bolt
16	100802	1	1-3/8" Retaining Ring
17	880879	1	1-3/8" Shrouded Pillow Block Bearing (includes illus. nos. 17 and 18)
18	170511	1	1/8-27 N.P.T. Grease Fitting
19	153004	2	3/8" Flat Washer
20	153005	2	3/8" Lock Washer
21	332703	1	Fan Shaft
22	100802	1	1-3/8" Retaining Ring
23	880879	1	1-3/8" Shrouded Pillow Block Bearing (includes illus. nos. 23 and 26)
24	150600	2	3/8-16 x 1-1/2" Hex Head Machine Bolt
25	116014	1	Felt Seal
26	170511	1	1/8-27 N.P.T. Grease Fitting
27	153004	2	3/8" Flat Washer
28	153005	2	3/8" Lock Washer
29	100612	1	15" Squirrel Cage Fan
30	153065	1	Fan Washer
31	152006	2	1/2-20 Left Hand Jam Nut
32	100704	1	1/4" x 1/4" x 1-3/4" Key
33	881169	1	Tilt Fan Shaft Bearing Mount Assembly
34	153004	4	3/8" Flat Washer
35	150617	4	3/8-16 x 1" Hex Head Machine Bolt
36	153005	4	3/8" Lock Washer

* Replace in matched sets (both belts).



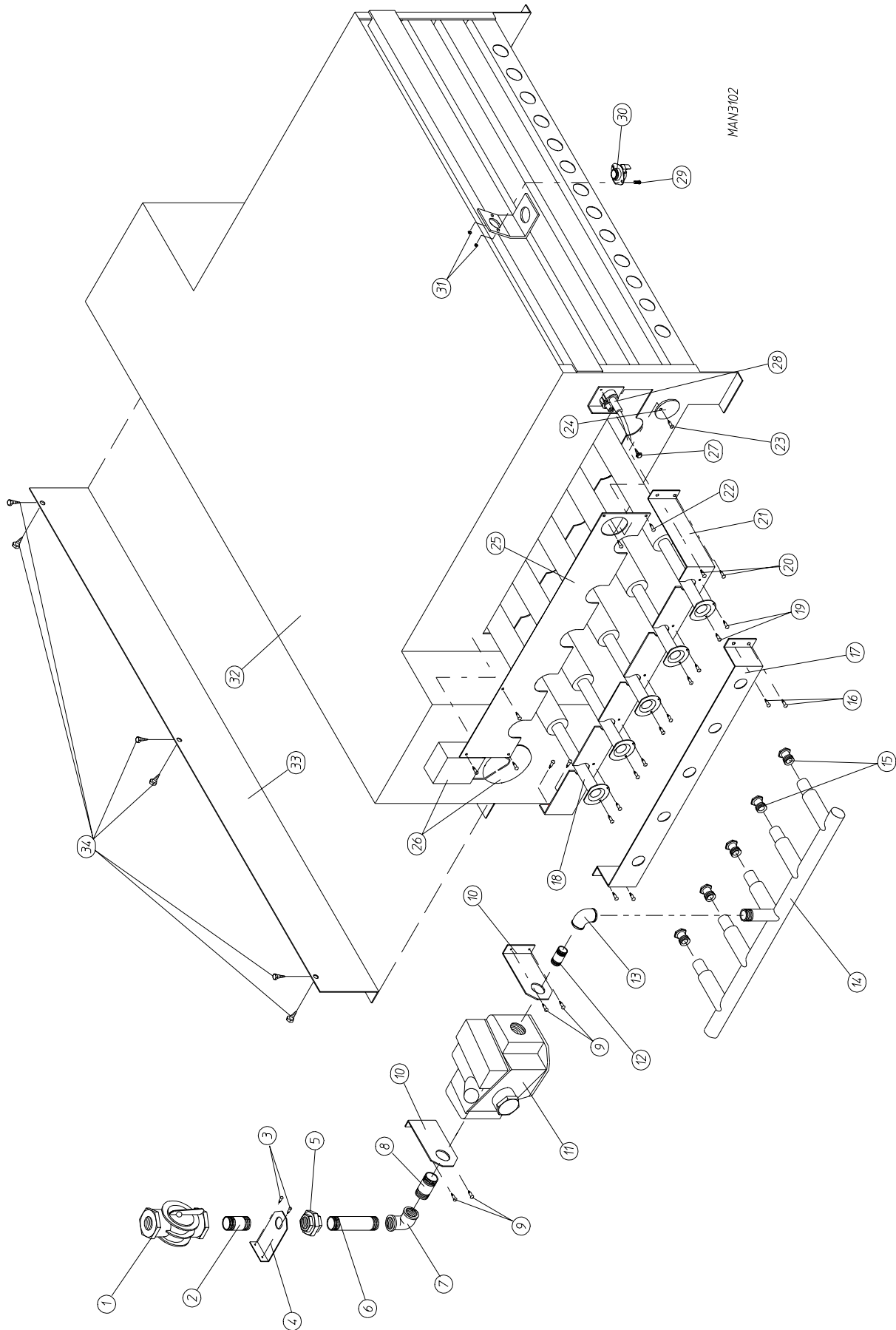
<u>Illus. No.</u>	<u>Part No.</u>	<u>Qty.</u>	<u>Description</u>
1	101198	1	SH x 7/8" Bushing
2	101187	1	2B x 3.6 Motor Pulley
	101195	1	2B x 4.4 Motor Pulley
3*	100152	2	AX-25 V-Belt (for 60 Hz models Only)
	100160	2	AX-26 V-Belt (for 50 Hz models Only)
4	100705	1	3/16" x 3/16" x 1-3/8" Key
5	181043	1	3 HP 208-230/460v 3ø 60 Hz Drive Motor 190-208/380-416v 3ø 50 Hz Drive Motor
	100022	1	3 HP 380v 3ø 60 Hz Drive Motor
	100088	1	3 HP 575v 3ø 60 Hz Drive Motor
6	153001	4	5/16" Flat Washer
7	153005	4	5/16" Lock Washer
8	150504	4	5/16-18 x 1" Hex Head Machine Bolt

* Replace in matched sets (both belts).



DMG 01/24/01

Illus. No.	Part No.	Qty.	Description
1	332700	1	Air Jet Tube
2	143287	1	1/4" x 1/8" M.P.T. Tee
3	143259	1	1/4" Compression x 1/8" F.P.T. Bulkhead Fitting
4	332531	1	Air Jet Mounting Plate
5	143100	1	1/4" Aluminum Tube (sold by the foot)
6	143152	1	1/4" Compression x 1/8" M.P.T. Connector
7	152014	2	1/4-20 Free Spin Wash Nut
8	150002	1	#6-32 x 1" Phillips Round Head Machine Screw
9	143250	1	1/8" MPT Brass Plug
10	100498	1	3-Way Valve - 24 VAC
11	100472	1	1/4" Poly x 1/8" M.P.T. Connector
12	143110	10	1/4" Poly-Flo Tubing (sold by the foot)
13	153010	2	#6 Star Washer
14	152000	2	#6-32 Hex Nut
15	150415	2	#10-16 x 1/2" Phillips Round Head Crimpite Screw
16	330987	1	Valve Mounting Bracket

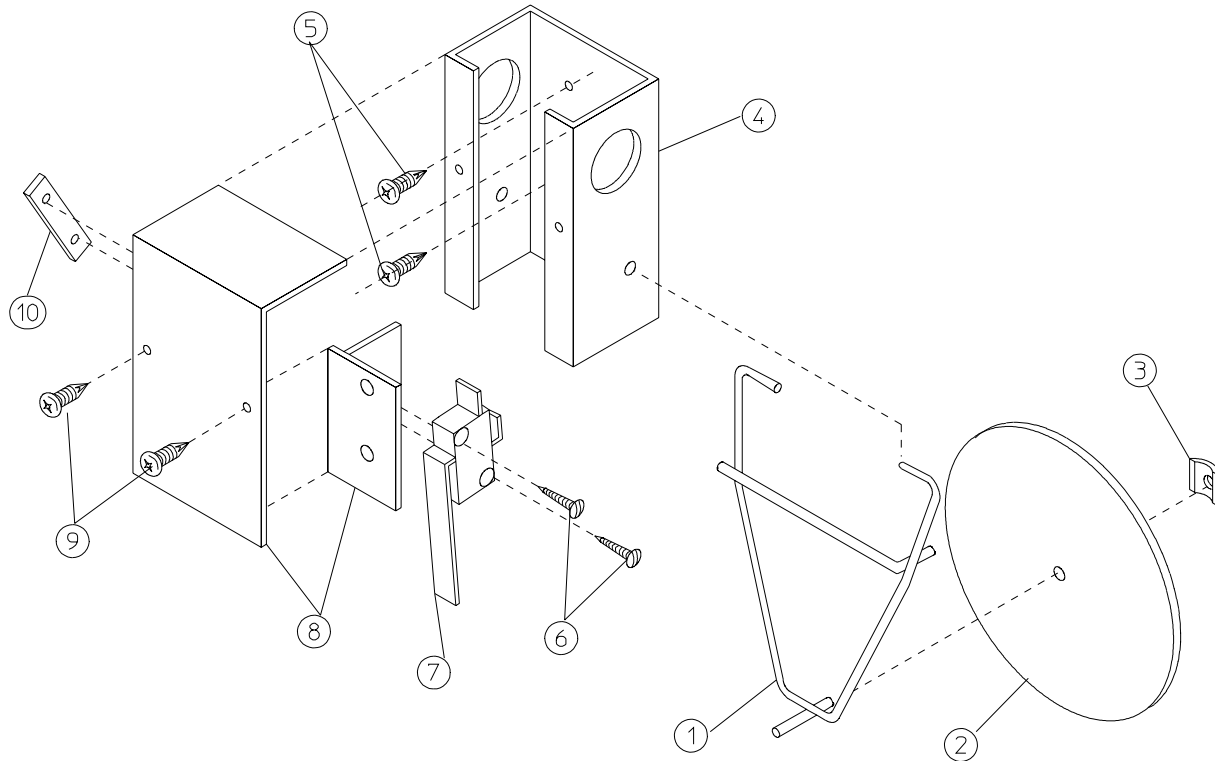


<u>Illus. No.</u>	<u>Part No.</u>	<u>Qty.</u>	<u>Description</u>
1	141302	1	1" Shutoff Valve
2	142711	1	1" Close Nipple
3	150301	2	#8-18 x 7/16" Phillips Pan Head TEK Screw
4	332605	1	Short Pipe Bracket
5	142602	1	1" Union
6	142584	1	1" x 4-1/2" Nipple
7	142548	1	1" x 90° Elbow
8	142711	1	1" Close Nipple
9	150301	2	#8-18 x 7/16" Phillips Pan Head TEK Screw
10	332604	1	Long Pipe Bracket
11	140017	1	1" x 1" 24 VAC Gas Valve
	140018	1	1" 24 VAC Gas Valve Liquid Propane (L.P.) Conversion Kit
12	142711	1	1" Close Nipple
13	142548	1	1" x 90° Elbow
14	141244	1	5-Port Manifold
15*	140840	5	#1 Burner Orifice (for natural gas models)
	140821	5	#28 Burner Orifice (for liquid propane [L.P.] gas models)
16	150301	4	#8-18 x 7/16" Phillips Pan Head TEK Screw
17	332606	1	Manifold Rest
18	141110	5	Burner Tube
19	150301	10	#8-18 x 7/16" Phillips Pan Head TEK Screw
20	150301	4	#8-18 x 7/16" Phillips Pan Head TEK Screw
21	332607	1	Burner Tube Rest
22	150301	5	#8-18 x 7/16" Phillips Pan Head TEK Screw
23	150301	1	#8-18 x 7/16" Phillips Pan Head TEK Screw
24	331290	1	Sight Hole Disc
25	332597	1	Burner Box Cover Plate
26	-----	1	Sail Switch (refer to Sail Switch Assembly on page 38)
27	150415	2	#10-16 x 1/2" Phillips Round Head Crimptite Screw
28	881934	1	Ignitor/Flame Probe Assembly Kit
	880330	1	Direct Spark Ignition (DSI) Ignitor High Voltage (HV) Wire/Connector ONLY
	305410	1	Direct Spark Ignition (DSI) Gap Feeler Gauge
29	150001	2	#6-32 x 1/2" Round Head Machine Screw
30	130401	1	330° High Limit ONLY
31	151000	2	#6-32 Pal Nut
32**	880789	1	Burner Box ONLY
	880790	1	Natural Gas Burner Box Assembly Complete Less Orifices
	880791	1	Liquid Propane (L.P.) Gas Burner Box Assembly Complete Less Orifices
-----	880754*	1	ADG-200 Direct Spark Ignition (DSI) Liquid Propane (L.P.) Conversion Kit
33***	332622	1	Burner (left side) Baffle/Cover
34***	150309	6	#10-16 x 1/2" Hex Head TEK Crimptite Screw

* Contact factory for elevations over 2,000 feet.

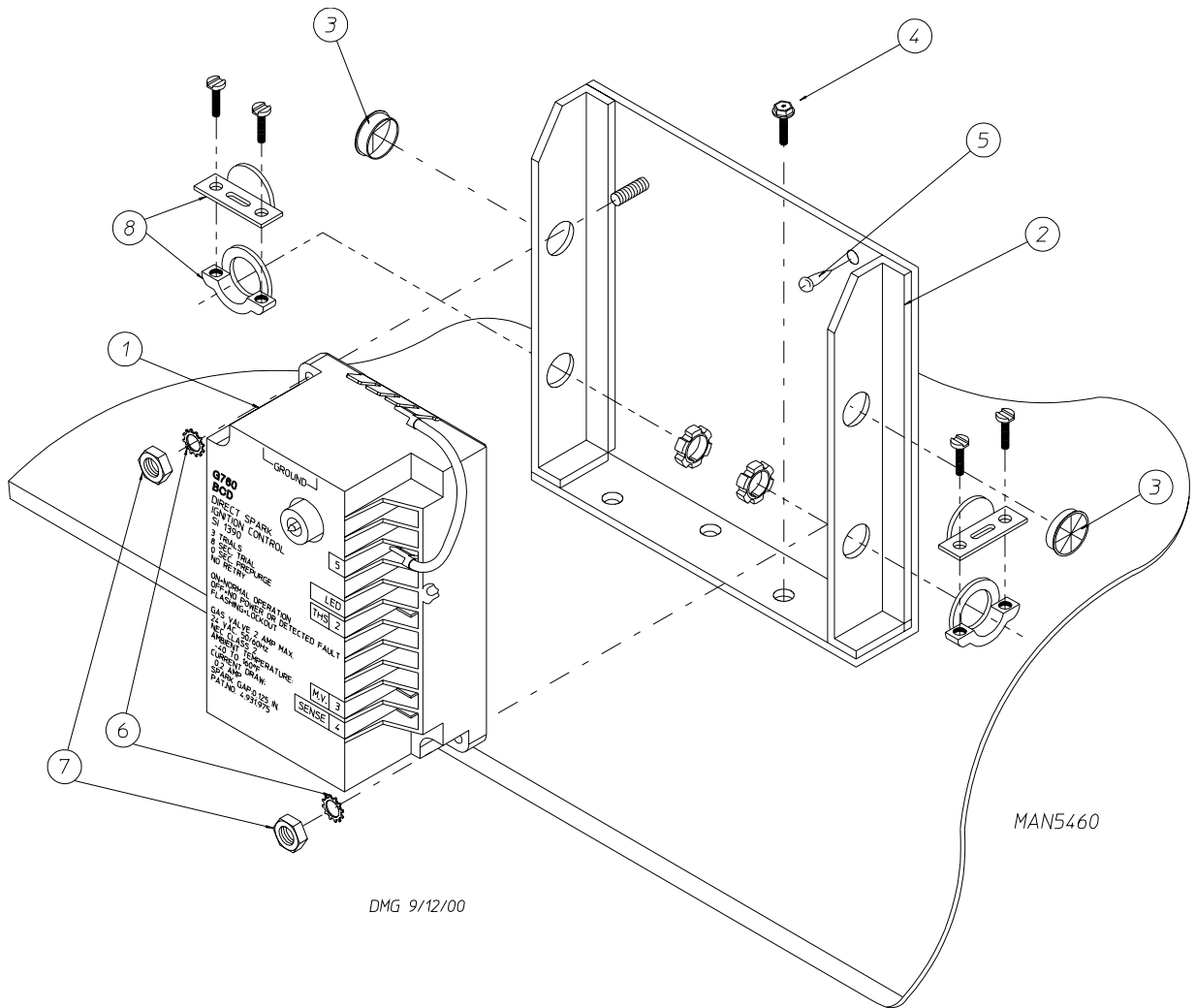
** Orifices *are not included* and **must be** ordered separately.

*** For use on models with liquid propane (L.P.) Gas ONLY.



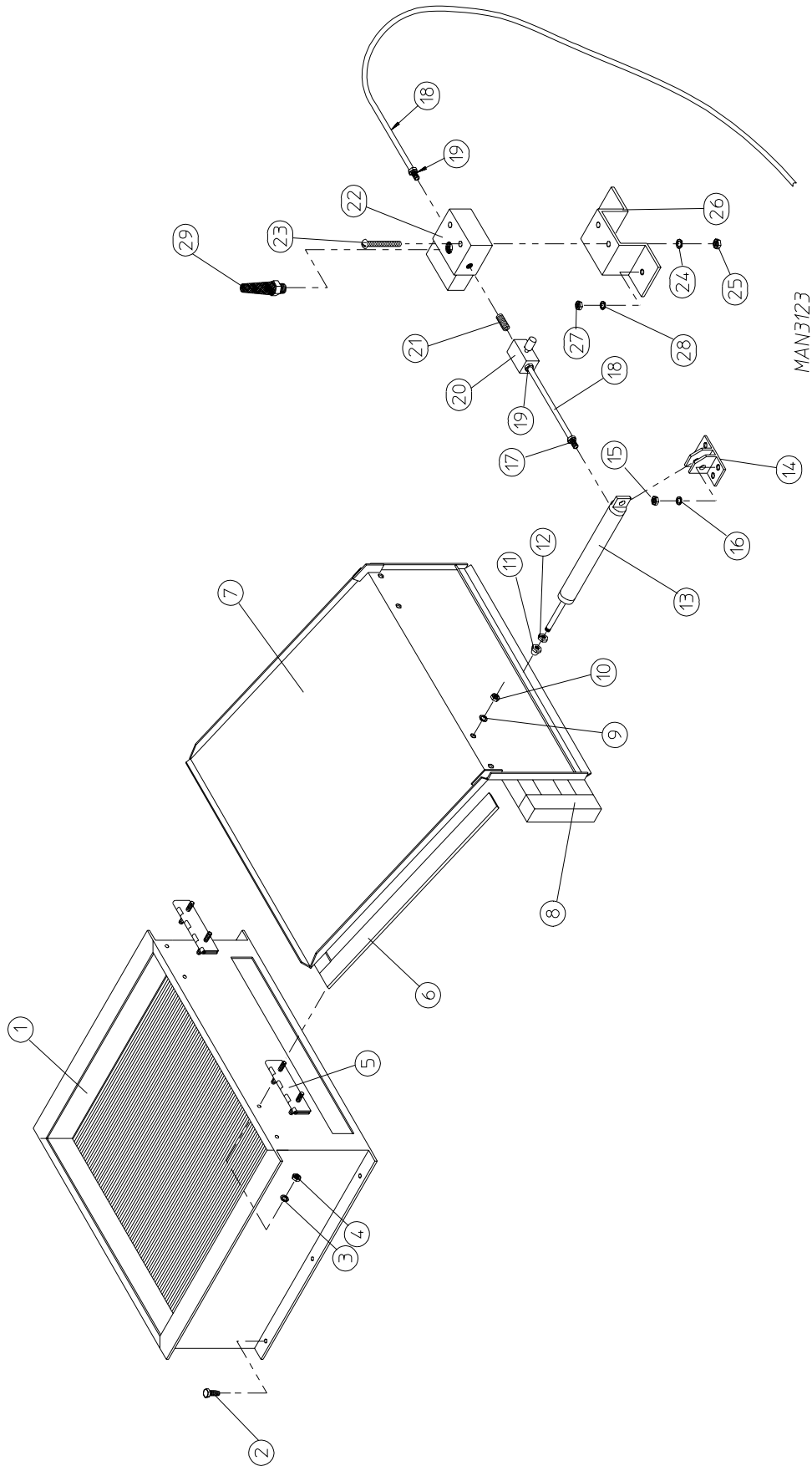
MAN0440

<u>Illus. No.</u>	<u>Part No.</u>	<u>Qty.</u>	<u>Description</u>
1	105500	1	Sail Switch Actuator Rod
2	332689	1	Sail Switch Damper (flat)
3	154002	1	1/8" Push On Fastener
4	802800	1	Sail Switch Box with Cover and Bracket ONLY (includes illus. nos. 4 and 8)
	880793	1	Sail Switch Box Assembly Complete (includes illus. nos. 1 through 4 and 6 through 10)
5	150300	2	#10 x 1/2" Hex Washer TEK Screw
6	150303	2	#4 x 3/4" Pan Head "A" Machine Screw
7	122200	1	Sail Switch ONLY
8	802799	1	Sail Switch Box Cover and Bracket ONLY
9	150415	2	#10-16 x 1/2" Phillips Round Head Crimptite Screw
10	154004	1	Twin Speed Nut

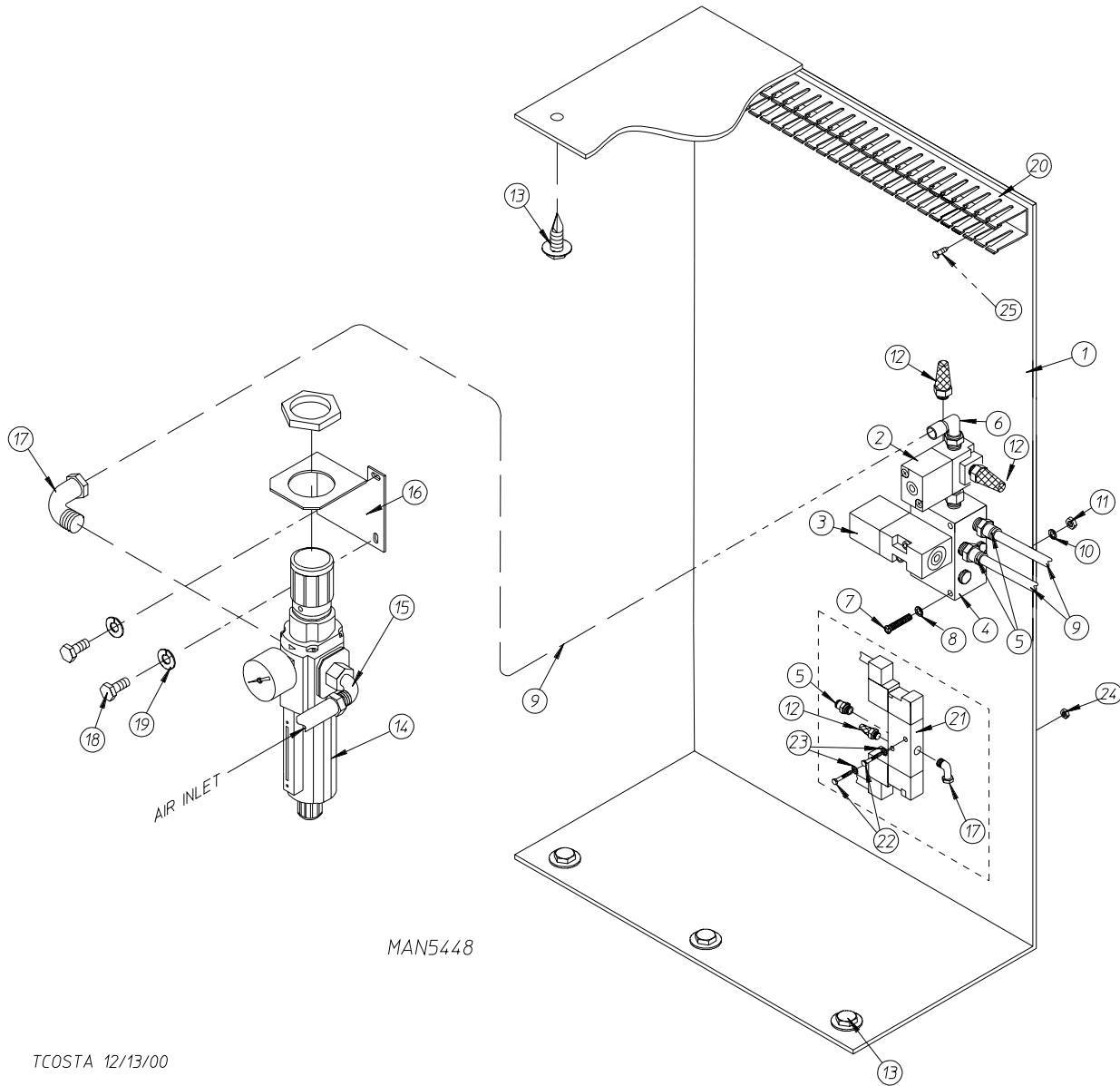


DMG 9/12/00

Illus. No.	Part No.	Qty.	Description
1	128935	1	Direct Spark Ignition (DSI) Module ONLY - 50/60 Hz (for models mfd. as of April 1, 2000)
	882627	1	Direct Spark Ignition (DSI) Module ONLY - 50/60 Hz (for models mfd. prior to April 1, 2000)
2	820100	1	Direct Spark Ignition (DSI) Module Mount Assembly ONLY
3	121400	2	Universal Bushing
4	150522	3	1/4-20 x 1/2" Hex Head TEK Screw
5	150301	1	#8-18 x 7/16" Phillips Pan Head TEK Screw
6	153010	4	#6 Star Washer
7	152000	4	#6-32 Hex Nut
8	120102	2	3/8" Straight x 1/2" Knock-Out Connector



<u>Illus. No.</u>	<u>Part No.</u>	<u>Qty.</u>	<u>Description</u>
1	165020	1	Steam Coil Assembly
2	150523	6	1/4-20 x 3/4" Hex Head TEK Screw
3	153007	4	1/4" Lock Washer
4	152002	4	1/4-20 Hex Nut
5	820321	2	Steam Damper Hinge Assembly
6	115995	108	Felt Gasket (sold by the inch)
7	880792	1	Steam Damper Assembly (includes illus. nos. 6 through 8)
8	102350	1	Steam Damper Foam
9	153007	4	1/4" Lock Washer
10	152002	4	1/4-20 Hex Nut
11	151008	1	5/8-18 Stainless Steel Acorn Nut
12	152030	1	5/8-18 Jam Nut
13	100525	1	2" Bore x 4" Stroke Piston
14	100526	1	Piston Pivot Bracket
15	152002	4	1/4-20 Hex Nut
16	153007	4	1/4" Lock Washer
17	105609	1	1/4" Poly x 1/4" M.P.T. Connector
18	143115	16	1/4" O.D. Tubing (sold by the foot)
19	100472	2	1/4" Poly x 1/8" M.P.T. Connector
20	100496	1	1/8" Needle Valve
21	143238	1	1/8" Brass Close Nipple
22	100498	1	3-Way Valve - 24 VAC
23	150002	2	#6-32 x 1" Phillips Round Head Machine Screw
24	153010	2	#6 Star Washer
25	152000	2	#6-32 Hex Nut
26	330987	1	Valve Mounting Bracket
27	152002	2	1/4-20 Hex Nut
28	153007	2	1/4" Lock Washer
29	100520	1	1/8" N.P.T. Silencer/Muffler

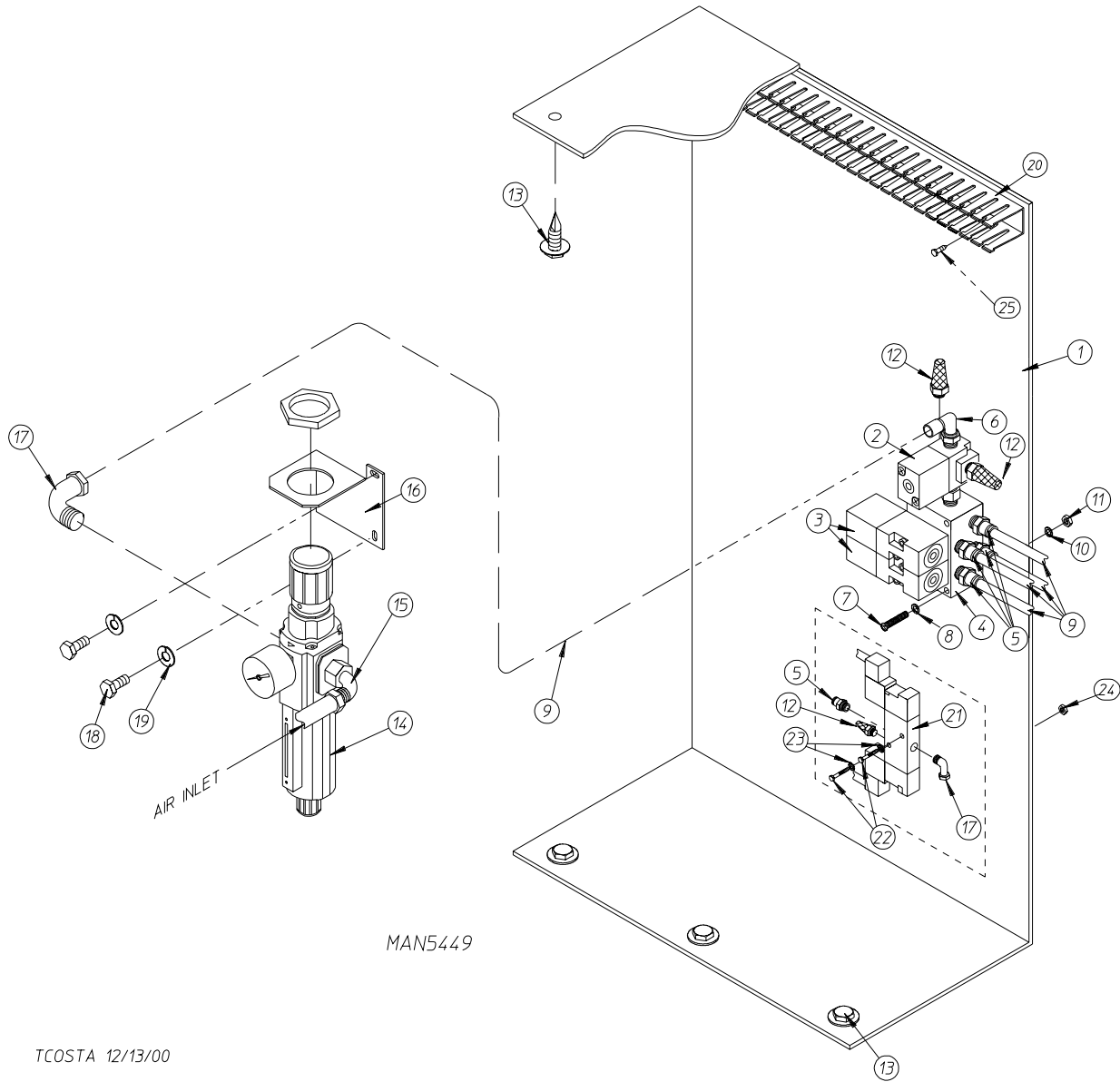


MAN5448

TCOSTA 12/13/00

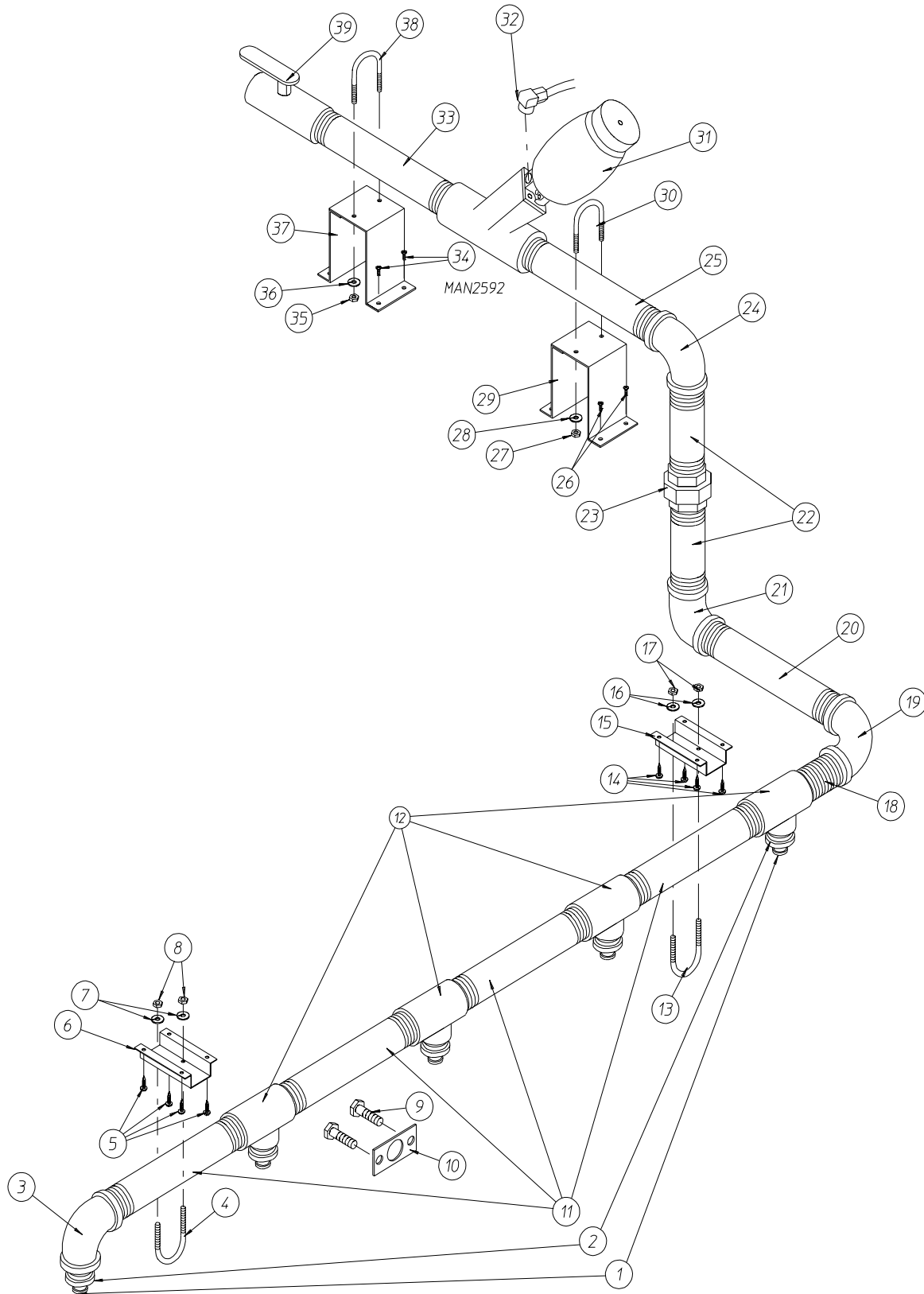
1 Automatic Door with Optional Sprinkler

<u>Illus. No.</u>	<u>Part No.</u>	<u>Qty.</u>	<u>Description</u>
1	826810	1	Pneumatic Plate ONLY
2	100498	1	3-Way Valve - 24 VAC
3	100545	1	Mac Valve 24 VAC
4	100521	1	1 Automatic Door Pneumatic Valve Assembly (includes illus. nos. 2 through 5)
5	100472	2	1/4" Poly x 1/8" M.P.T. Connector
6	143149	1	1/4" Poly x 1/8" M.P.T. 90° Elbow
7	150002	2	#6-32 x 1" Phillips Round Head Machine Screw
8	153010	2	#6 Star Washer
9	143115	-	1/4" O.D. Nylo-Seal Tubing (sold by the foot)
10	153008	2	#6 Lock Washer
11	152000	2	#6-32 Hex Nut
12	100520	2	1/8" N.P.T. Silencer/Muffler
13	150522	6	1/4-20 x 1/2" Hex Head TEK Washer
14	100479	1	Filter Regulator with Gauge
15	143213	1	3/8" Poly x 3/8" Elbow Brass
16	332624	1	3/8" Norgren Filter/Regulator Adapter Bracket
17	143165	1	1/4" M.P.T. x 1/4" Tube Connector
18	151001	2	#8-32 Hex Nut
19	153007	2	1/4" Lock Washer
20	121429	14	1" x 2" Wiring Duct (sold by the inch)
21	100522	1	Double Acting Sprinkler Solenoid Valve-120 VAC
22	150008	2	#6-32 x 1-1/4" Phillips Pan Head Machine Screw
23	153010	2	#6 Star Washer
24	152000	2	#6-32 Hex Nut
25	150309	5	#10-16 x 1/2" Hex Head TEK Crimptite Screw

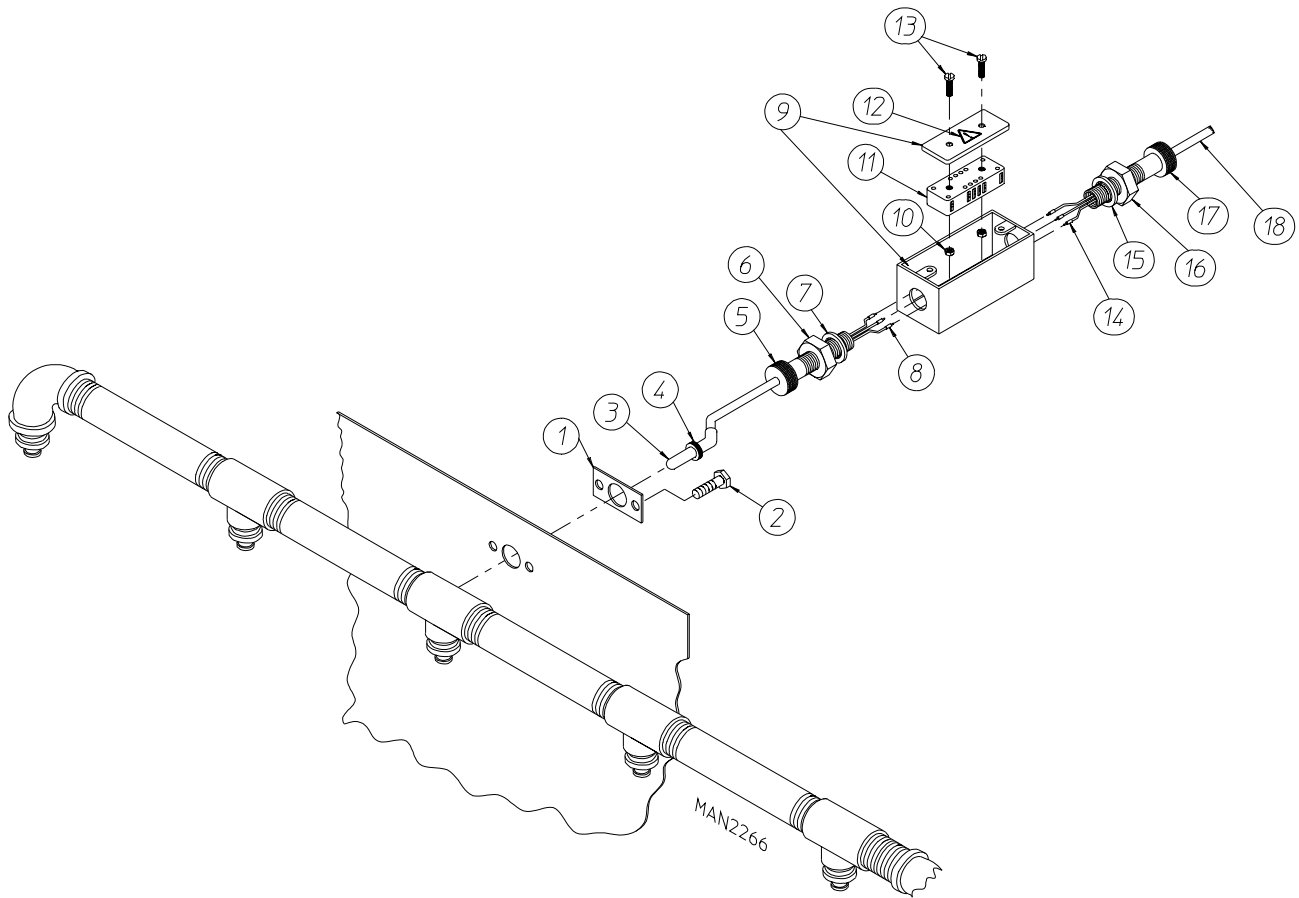


2 Automatic Doors with Optional Sprinkler

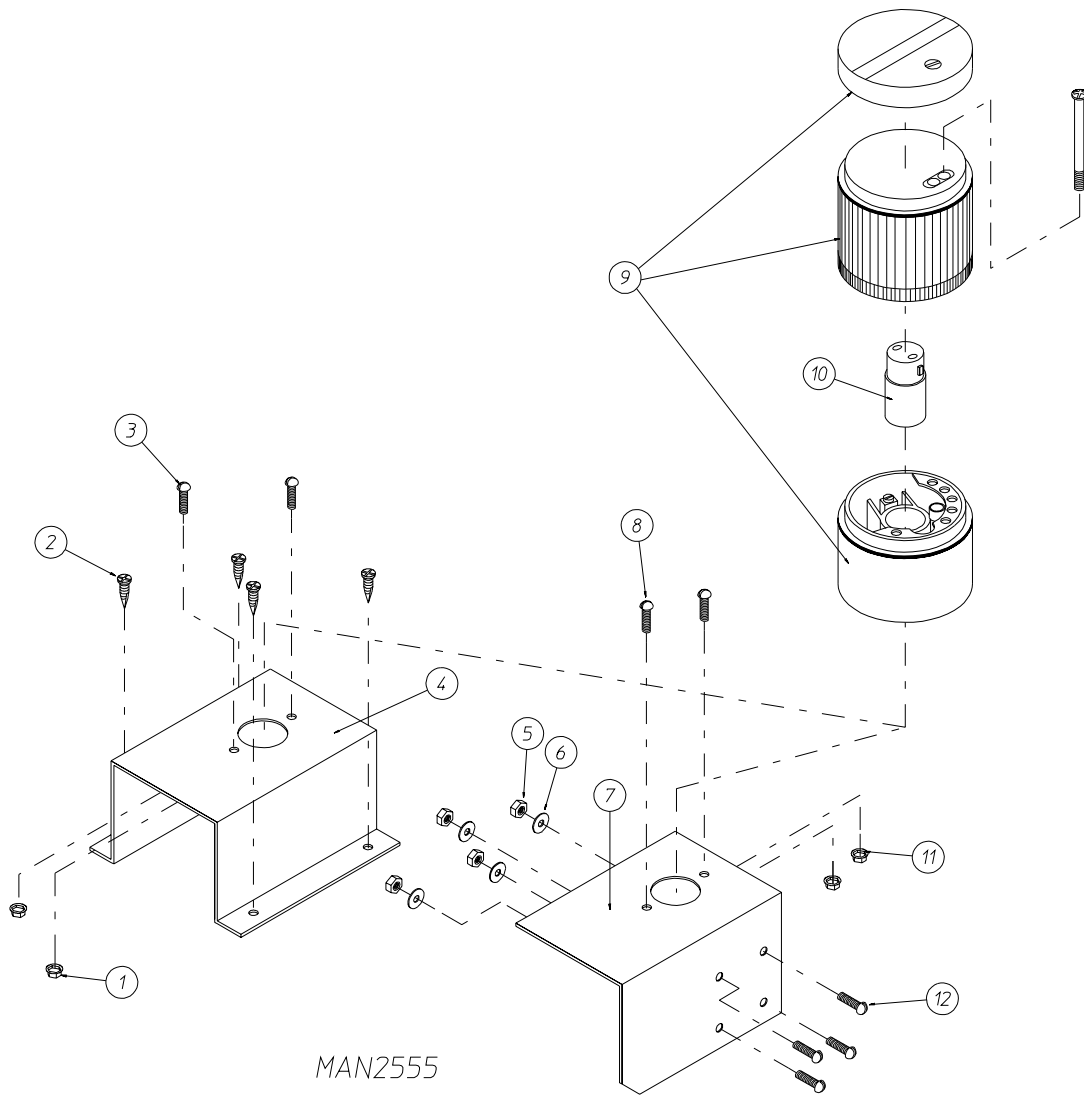
<u>Illus. No.</u>	<u>Part No.</u>	<u>Qty.</u>	<u>Description</u>
1	826810	1	Pneumatic Plate ONLY
2	100498	1	3-Way Valve - 24 VAC
3	100545	2	Mac Valve 24 VAC - 24 VAC
4	803402	1	2 Automatic Door Pneumatic Valve Assembly (includes illus. nos. 2 through 5)
5	100472	2	1/4" Poly x 1/8" M.P.T. Connector
6	143149	1	1/4" Poly x 1/8" M.P.T. 90° Elbow
7	150002	2	#6-32 x 1" Phillips Round Head Machine Screw
8	153010	2	#6 Star Washer
9	143115	*	1/4" O.D. Nylo-Seal Tubing (sold by the foot)
10	153008	2	#6 Lock Washer
11	152000	2	#6-32 Hex Nut
12	100520	2	1/8" N.P.T. Silencer/Muffler
13	150522	6	1/4-20 x 1/2" Hex Head TEK Washer
14	100479	1	Filter Regulator with Gauge
15	143213	1	3/8" Poly x 3/8" Elbow Brass
16	332624	1	3/8" Norgren Filter/Regulator Adapter Bracket
17	143165	1	1/4" M.P.T. x 1/4" Tube Connector
18	151001	2	#8-32 Hex Nut
19	153007	2	1/4" Lock Washer
20	121429	14"	1" x 2" Wiring Duct (sold by the inch)
21	100522	1	Double Acting Sprinkler Solenoid Valve-120 VAC
22	150008	2	#6-32 x 1-1/4" Phillips Pan Head Machine Screw
23	153010	2	#6 Star Washer
24	152000	2	#6-32 Hex Nut
25	150309	5	#10-16 x 1/2" Hex Head TEK Crimptite Screw



<u>Illus. No.</u>	<u>Part No.</u>	<u>Qty.</u>	<u>Description</u>
1	140927	5	1/4" Sprinkler Nozzle
2	142926	5	1" x 1/4" Reducing Bushing
3	142548	1	1" x 90° Elbow
4	154350	1	1" Pipe U-Bolt
5	150415	4	#10-16 x 1/2" Phillips Head Crimptite Screw
6	332941	1	Inner Pipe Bracket
7	153007	2	1/4" Lock Washer
8	153002	2	1/4-20 Hex Nut
9	150523	2	1/4-20 x 3/4" Hex Washer Machine Bolt
10	331877	1	Temperature Sensor Mounting Plate
11	142581	4	1" x 5" Nipple
12	142508	4	1" Tee
13	154350	1	1" Pipe U-Bolt
14	150415	4	#10-16 x 1/2" Phillips Head Crimptite Screw
15	332941	1	Inner Pipe Bracket
16	153007	2	1/4" Lock Washer
17	153002	2	1/4-20 Hex Nut
18	142711	1	1" Close Nipple
19	142548	1	1" x 90° Elbow
20	142581	4	1" x 5" Nipple
21	142548	1	1" x 90° Elbow
22	142724	2	1" x 2" Nipple
23	142602	1	1" Union
24	142548	1	1" x 90° Elbow
25	142581	1	1" x 5" Nipple
26	150415	4	#10-16 x 1/2" Phillips Head Crimptite Screw
27	153002	2	1/4-20 Hex Nut
28	153007	2	1/4" Lock Washer
29	821640	1	Top Pipe Bracket
30	154350	1	1" Pipe U-Bolt
31	100565	1	1" Air Operated Sprinkler Valve
	881414	1	1" Air Operated Sprinkler Valve (replaces Part No. 100557)
32	143277	1	1/4" Compression Fitting x 1/8" M.P.T. Elbow
	143210	1	1/4" Compression Fitting x 1/4" M.P.T. Elbow
33	142581	1	1" x 5" Nipple
34	150415	4	#10-16 x 1/2" Phillips Head Crimptite Screw
35	153002	2	1/4-20 Hex Nut
36	153007	2	1/4" Lock Washer
37	821640	1	Top Pipe Bracket
38	154350	1	1" Pipe U-Bolt
39	143556	1	1" Ball Valve

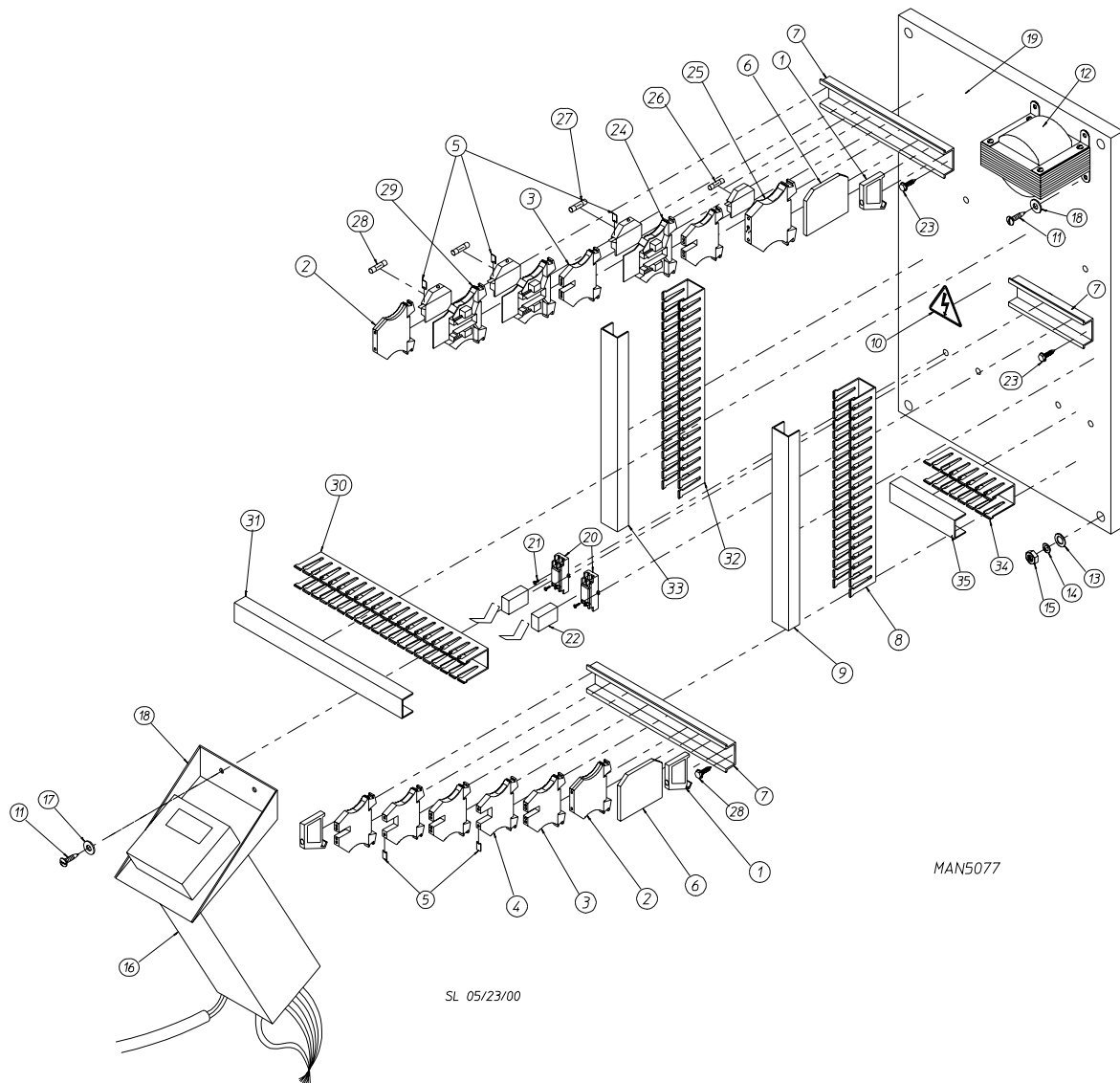


<u>Illus. No.</u>	<u>Part No.</u>	<u>Qty.</u>	<u>Description</u>
1	331877	1	Temperature Sensor Mounting Plate
2	150523	2	1/4-20 x 3/4" Hex Head TEK Screw
3	881227	1	Resistive Temperature Device (RTD) Sprinkler Temperature Probe Assembly (includes illus. nos. 3, 4, and 8)
4	143296	1	1/4" Compression Fitting
5	120652	1	1/2" N.P.T. Cord Grip (red)
6	120915	1	1/2" N.P.T. Locknut
7	120914	1	1/2" Metal "O" Ring
8	122736	3	Yellow Ferrule
9	881228	1	Sprinkler Temperature Probe Box Assembly (includes illus. nos. 9 and 12)
10	152000	2	#6-32 Hex Nut
11	120703	1	6-Position Terminal Block
12	122427	1	"!" Caution Label
13	150008	2	#6-32 x 1-1/4" Phillips Round Head Machine Screw
14	122736	3	Yellow Ferrule
15	120914	1	1/2" Metal "O" Ring
16	120915	1	1/2" N.P.T. Locknut
17	120650	1	1/2" N.P.T. Cord Grip (white)
18	881229	1	Sprinkler Temperature Probe Harness

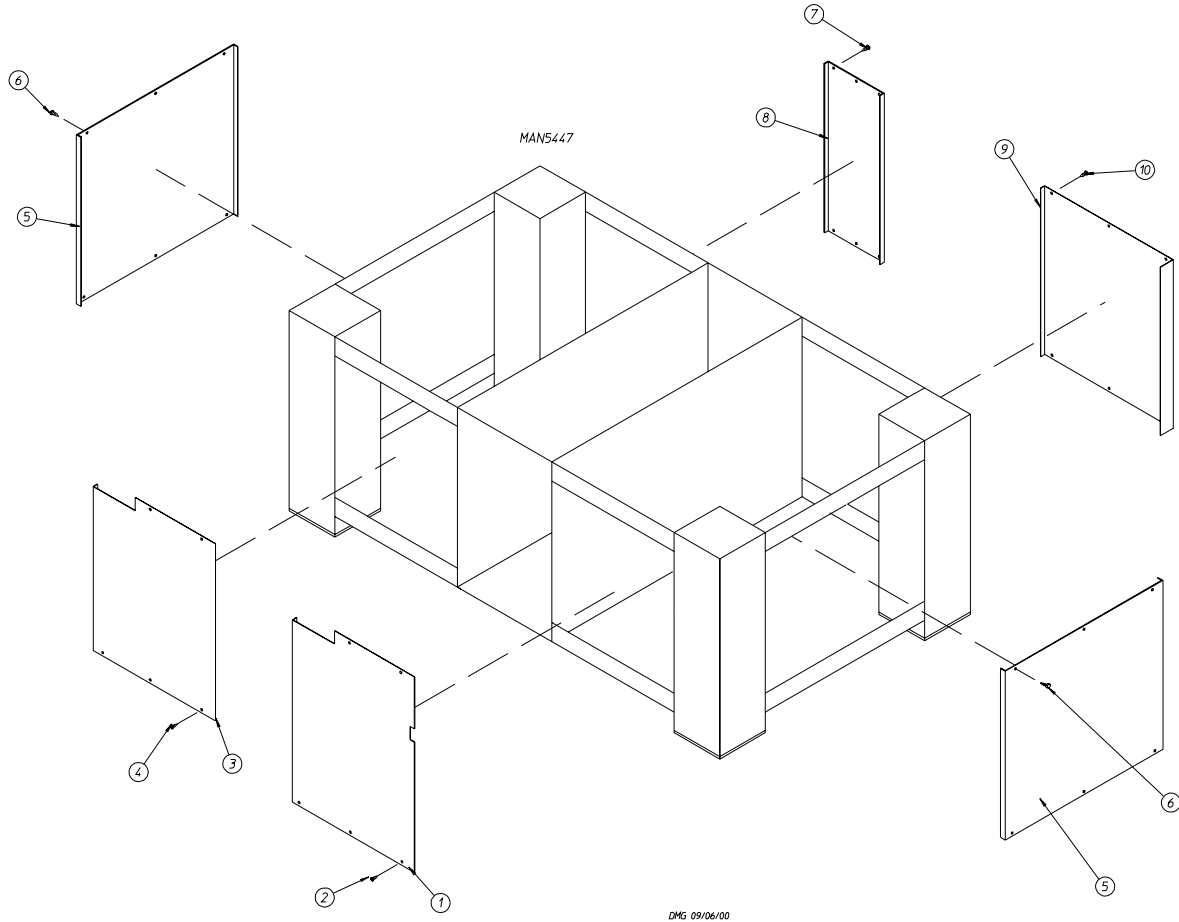


<u>Illus. No.</u>	<u>Part No.</u>	<u>Qty.</u>	<u>Description</u>
1	151001	2	#8-32 Pal Nut
2	150415	4	#10-16 x 1/2" Phillips Round Head Crimptite Screw
3	150108	2	#8-32 x 1/2" Phillips Pan Head Machine Screw
4*	821480	1	Cycle Light Bracket (for steam models Only)
5	152001	4	#8-32 Hex Nut
6	153012	4	#8 Star Washer
7*	332850	1	Cycle Light Bracket (for gas models Only)
8	150108	2	#8-32 x 1/2" Phillips Pan Head Machine Screw
9	123222	1	"Orange" Cycle Light
10	123221	1	Bulb - 24 VAC
11	151001	2	#8-32 Pal Nut
12	150108	4	#8-32 x 1/2" Phillips Pan Head Machine Screw

* Specify color when ordering.



<u>Illus. No.</u>	<u>Part No.</u>	<u>Qty.</u>	<u>Description</u>
1	120765	2	Standard End Stop
2	120750	2	Ground Terminal Block
3	120761	8	4-Position Feed Thru Terminal Block
4	120758	7	Feed Thru Terminal Block
5	120999	5	Blank Marking Tags
6	120766	2	End Section
7	120768	16	35 x 15mm Din Mounting Rail
8	121429	12	1" x 2" Wiring Duct
9	121422	12	1" Wireway Cover
10	122424	1	Power Warning Label
11	150108	6	#8-32 x 1/2" Phillips Pan Head Machine Screw
12	132091	1	208/240v to 120v Transformer
	132092	1	380/400v to 120v Transformer
	132006	1	416v to 120v Transformer
	132078	1	480v to 120v Transformer
13	153004	4	3/8" Flat Washer
14	153005	4	3/8" Lock Washer
15	152005	4	3/8-16 Hex Nut
16	881249	1	°C/°F Digital Temperature Controller Assembly
17	153000	6	#8 Flat Washer
18	333002	1	Sprinkler Mounting Bracket
19	334269	1	Left Hand Electrical Panel
	814332	1	Sprinkler Panel Assembly Complete (includes illus. nos. 1 through 35)
20	131410	2	Double-Pole-Double-Throw (DPDT) Relay Socket
21	131411	4	Hold Down For Double-Pole-Double-Throw (DPDT) Relay
22	131405	2	Double-Pole-Double-Throw (DPDT) Relay with Smoked Case
23	150300	10	#10 x 3/8" Hex Washer TEK Screw
24	120756	1	1/4" Fuse Terminal Block with Light Emitting Diode (L.E.D.)
25	120754	1	5 x 20mm Fuse Terminal Block with Light Emitting Diode (L.E.D.)
26	136039	1	1/4-Amp 5 x 20mm Fuse
27	136033	1	3-Amp Fuse
28	136050	1	1-Amp (slo blo) Fuse 208/240v ONLY
	136057	1	5-Amp (slo blo) Fuse 380-460v ONLY
29	120721	2	Fused Disconnect Terminal Block
30	121422	8	1" Wireway Cover
31	121429	8	1" x 2" Wiring Duct (sold by the inch)
32	121429	14	1" x 2" Wiring Duct (sold by the inch)
33	121422	14	1" Wireway Cover
34	121429	4	1" x 2" Wiring Duct (sold by the inch)
35	121422	4	1" Wireway Cover



<u>Illus. No.</u>	<u>Part No.</u>	<u>Qty.</u>	<u>Description</u>
1*	332709	1	Front Right Base Panel
2	150522	6	1/4-20 x 1/2" Hex Head TEK Screw
3*	332707	1	Front Left Base Panel
4	150522	6	1/4-20 x 1/2" Hex Head TEK Screw
5*	332674	2	Right/Left Side Base Panel
6	150522	6	1/4-20 x 1/2" Hex Head TEK Screw
7	150522	6	1/4-20 x 1/2" Hex Head TEK Screw
8*	332708	1	Rear Right Base Panel
9*	332970	1	Rear Left Base Panel
10	150522	6	1/4-20 x 1/2" Hex Head TEK Screw

* Specify color when ordering.

CONTROL PANEL FOR REAR RIGHT CONTROL DOOR

CHART FOR ITEM# 2	
MACHINE TYPE	SUB NEEDED
2 MANUAL DOOR, NON TILT	821809
2 MANUAL DOOR, FORWARD TILT	821586
2 MANUAL DOOR, REAR TILT	821586
2 MANUAL DOOR, 2 WAY TILT	821586
2 AUTO DOOR, NON TILT	821797
2 AUTO DOOR, FORWARD TILT	821807
2 AUTO DOOR, REAR TILT	821807
2 AUTO DOOR, 2 WAY TILT	821807

CONTROL PANEL FOR FRONT RIGHT CONTROL DOOR

CHART FOR ITEM# 2			
MACHINE TYPE	SUB NEEDED	MACHINE TYPE	SUB NEEDED
1 MANUAL DOOR, FORWARD TILT	821595	1 MANUAL DOOR, FORWARD TILT WITH SPRINKLER	821596
1 MANUAL DOOR, REAR TILT	821595	1 MANUAL DOOR, REAR TILT WITH SPRINKLER	821596
1 MANUAL DOOR, 2 WAY TILT	821595	1 MANUAL DOOR, 2 WAY TILT WITH SPRINKLER	821596
2 MANUAL DOOR, FORWARD TILT	821595	2 MANUAL DOOR, FORWARD TILT WITH SPRINKLER	821596
2 MANUAL DOOR, REAR TILT	821595	2 MANUAL DOOR, REAR TILT WITH SPRINKLER	821596
2 MANUAL DOOR, 2 WAY TILT	821595	2 MANUAL DOOR, 2 WAY TILT WITH SPRINKLER	821596
1 AUTO DOOR, NON TILT	821594	1 AUTO DOOR, NON TILT WITH SPRINKLER	821593
1 AUTO DOOR, FORWARD TILT	821595	1 AUTO DOOR, FORWARD TILT WITH SPRINKLER	832938
1 AUTO DOOR, REAR TILT	821595	1 AUTO DOOR, REAR TILT WITH SPRINKLER	832938
1 AUTO DOOR, 2 WAY TILT	821595	1 AUTO DOOR, 2 WAY TILT WITH SPRINKLER	832938
2 AUTO DOOR, NON TILT	821594	2 AUTO DOOR, NON TILT WITH SPRINKLER	821593
2 AUTO DOOR, FORWARD TILT	821595	2 AUTO DOOR, FORWARD TILT WITH SPRINKLER	821596
2 AUTO DOOR, REAR TILT	821595	2 AUTO DOOR, REAR TILT WITH SPRINKLER	821596
2 AUTO DOOR, 2 WAY TILT	821595	2 AUTO DOOR, 2 WAY TILT WITH SPRINKLER	821596
1 AUTO DOOR, FORWARD TILT WITH STEAM INJECTION	821836	RAR 06/13/00	MAN5305
1 AUTO DOOR, REAR TILT WITH STEAM INJECTION	821836		
1 AUTO DOOR, 2 WAY TILT WITH STEAM INJECTION	821836		
2 AUTO DOOR, NON TILT WITH STEAM INJECTION	821836		
2 AUTO DOOR, FORWARD TILT WITH STEAM INJECTION	821836		
2 AUTO DOOR, REAR TILT WITH STEAM INJECTION	821836		
2 AUTO DOOR, 2 WAY TILT WITH STEAM INJECTION	821836		
2 AUTO DOOR, 2 WAY TILT WITH STEAM INJECTION	821836		

CHART FOR RIGHT HAND ELECTRICAL CONTROL PANEL

GAS MACHINE		TRANSFORMER (25)		CB7 (16)		CB6 (17)	
PSF #	VOLTAGE	QTY	P/N	QTY	P/N	QTY	P/N
TBD	190	---	TBD	---	TBD	1	135511
838108	208	1	132071 150VA	1	135512	1	135511
838109	220	1	132082 130VA	1	135512	1	135511
838110	230	1	132072 150VA	1	135512	1	135511
838111	240	1	132072 150VA	1	135512	1	135511
838112	380	1	132073 150VA	1	135512	1	135510
838113	400	1	132088 300VA	1	135513	1	135510
838114	416	1	132074 150VA	1	135512	1	135510
838115	460	1	132075 150VA	1	135512	1	135510
838116	480	1	132075 150VA	1	135512	1	135510
838117	575	1	132089 300VA	1	135513	1	135510
838118	600	1	132076 150VA	1	135512	1	135510
STEAM MACHINE		TRANSFORMER (25)		CB7 (16)		CB6 (17)	
PSF #	VOLTAGE	QTY	P/N	QTY	P/N	QTY	P/N
TBD	190	---	TBD	X	TBD	1	135511
838119	208	1	132087 300VA	1	135513	1	135511
TBD	220	---	TBD	X	TBD	1	135511
838120	230	1	132087 300VA	1	135513	1	135511
838121	240	1	132087 300VA	1	135513	1	135511
838122	380	1	132073 150VA	1	135512	1	135510
838123	400	1	132088 300VA	1	135513	1	135510
838124	416	1	132074 150VA	1	135512	1	135510
838125	460	1	132075 150VA	1	135512	1	135510
838126	480	1	132075 150VA	1	135512	1	135510
838127	575	1	132089 150VA	1	135512	1	135510
838128	600	1	132076 150VA	1	135512	1	135510

SL 05/22/00

MAN5306

