



ML-175 Parts Manual 1999/2001

American Dryer Corporation
88 Currant Road
Fall River, MA 02720-4781
Telephone: (508) 678-9000 / Fax: (508) 678-9447
E-mail: techsupport@amdry.com
www.amdry.com

Retain This Manual In A Safe Place For Future Reference

American Dryer Corporation products embody advanced concepts in engineering, design, and safety. If this product is properly maintained, it will provide many years of safe, efficient, and trouble free operation.

ONLY qualified technicians should service this equipment.

OBSERVE ALL SAFETY PRECAUTIONS displayed on the equipment or specified in the installation manual included with the dryer.

The following “**FOR YOUR SAFETY**” caution **must be** posted near the dryer in a prominent location.

FOR YOUR SAFETY

Do not store or use gasoline or other flammable vapors and liquids in the vicinity of this or any other appliance.

POUR VOTRE SÉCURITÉ

Ne pas entreposer ni utiliser d'essence ni d'autres vapeurs ou liquides inflammables à proximité de cet appareil ou de tout autre appareil.

We have tried to make this manual as complete as possible and hope you will find it useful. ADC reserves the right to make changes from time to time, without notice or obligation, in prices, specifications, colors, and material, and to change or discontinue models.

Important

For your convenience, log the following information:

DATE OF PURCHASE _____ MODEL NO. **ML-175** _____

RESELLER'S NAME _____

Serial Number(s) _____

Replacement parts can be obtained from your reseller or the ADC factory. When ordering replacement parts from the factory, you can FAX your order to ADC at (508) 678-9447 or telephone your order directly to the ADC Parts Department at (508) 678-9000. Please specify the dryer **model number** and **serial number** in addition to the **description** and **part number**, so that your order is processed accurately and promptly.

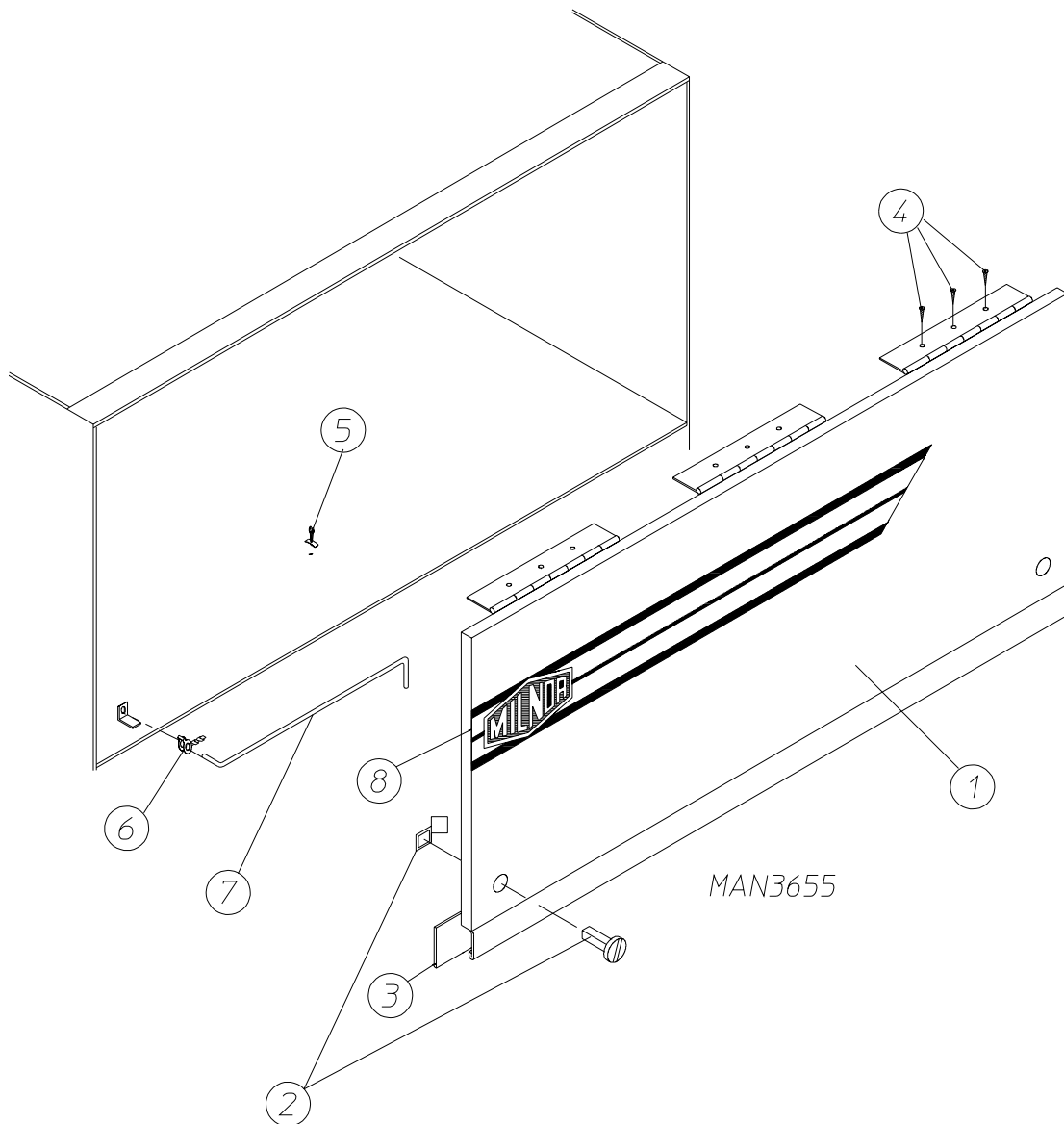
The illustrations on the following pages may not depict your particular dryer exactly. The illustrations are a composite of the various dryer models. Be sure to check the descriptions of the parts thoroughly before ordering.

“IMPORTANT NOTE TO PURCHASER”

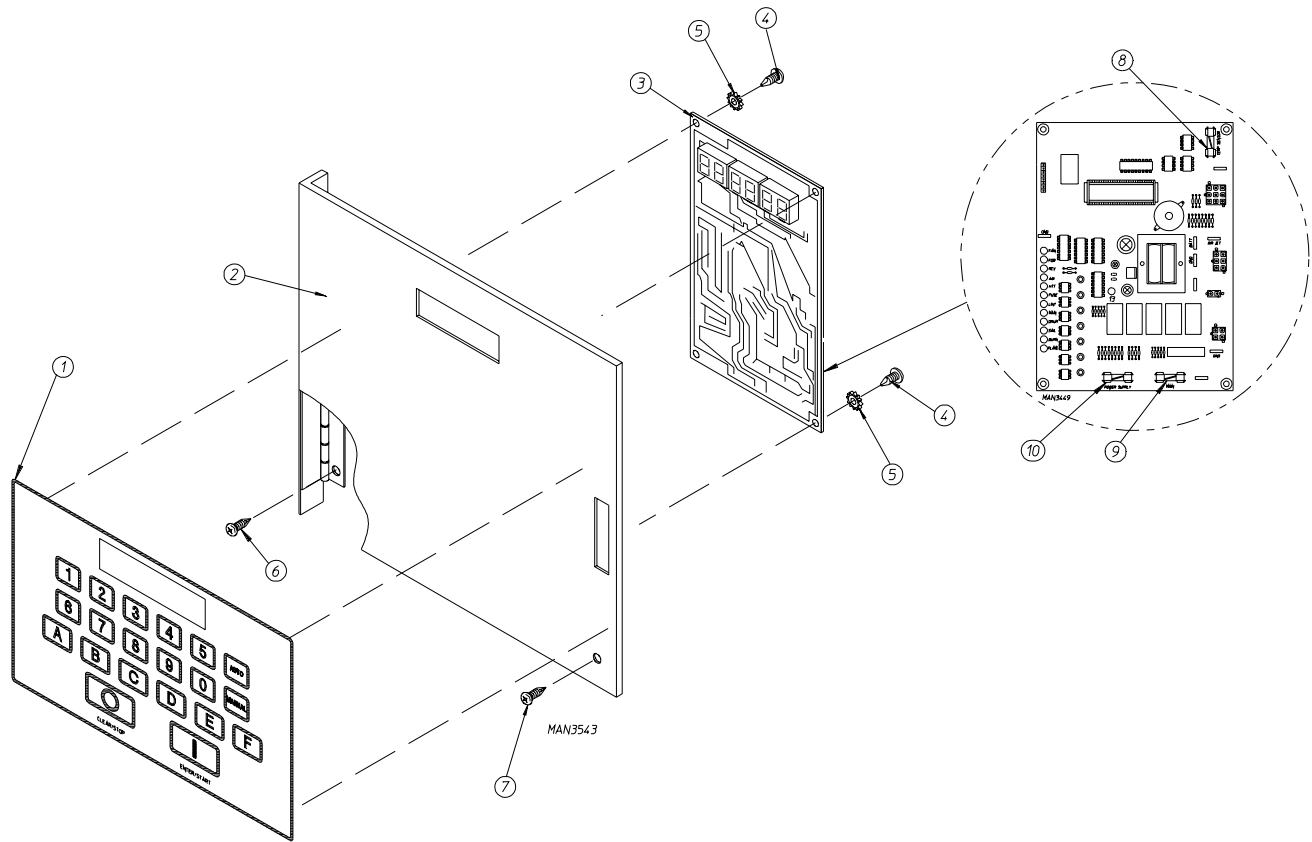
Information **must be** obtained from your local gas supplier on the instructions to be followed if the user smells gas. These instructions **must be** posted in a prominent location near the dryer.

Table of Contents

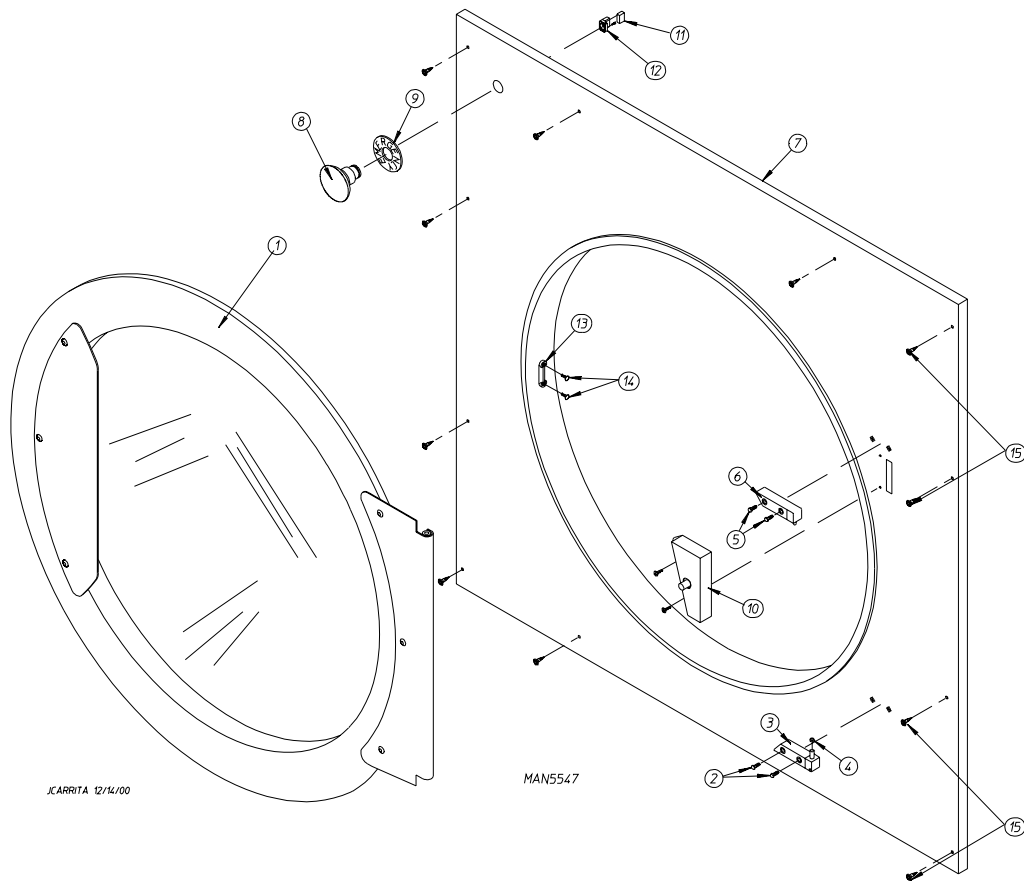
Control Door Assembly	2
Microprocessor Control Panel Assembly	3
Front Panel Assembly	4
Cold Rolled Steel (CRS) Main Door Assembly	5
Main Door Switch Assembly	6
Lint Door Assembly	7
Lint Drawer/Lint Drawer Switch Box Assemblies	
For Models Mfd. as of August 14, 2000	8
Lint Drawer/Lint Drawer Switch Box Assemblies	
For Models Mfd. prior to August 14, 2000 Which Have Individual Lint Screen and Drawer	9
Fan (Squirrel Cage) Shaft Mount Assembly	10
Blower Motor Mount Assembly	11
Microprocessor Temperature Sensor Bracket Assembly	12
Basket (Tumbler) Assembly	13
Basket (Tumbler) Bearing/Rotational Sensor Assemblies	14
Drive Shaft Assembly	15
Idler Shaft Assembly	16
Speed Reducer Shaft Assembly	17
Totally Enclosed, Non-Venting (T.E.N.V.) Drive Motor Assembly	18
Sail Switch Assembly	19
Direct Spark Ignition (DSI) Burner Assembly	20, 21
Hot Surface Ignition (HSI) Burner Assembly	22, 23
Steam Damper Assembly	24, 25
Top Console Assembly	26
Pneumatic Valve Assembly	
For Gas Models Only	27
Pneumatic Valve Assembly	
For Steam Models Only	28
Air Jet Assembly	29
Microprocessor Reversing Contactor Mounting Panel Assembly	
208-240v	30, 31
Microprocessor Reversing Contactor Mounting Panel Assembly	
460v and 575v	32, 33
Back Guard Assemblies	34, 35



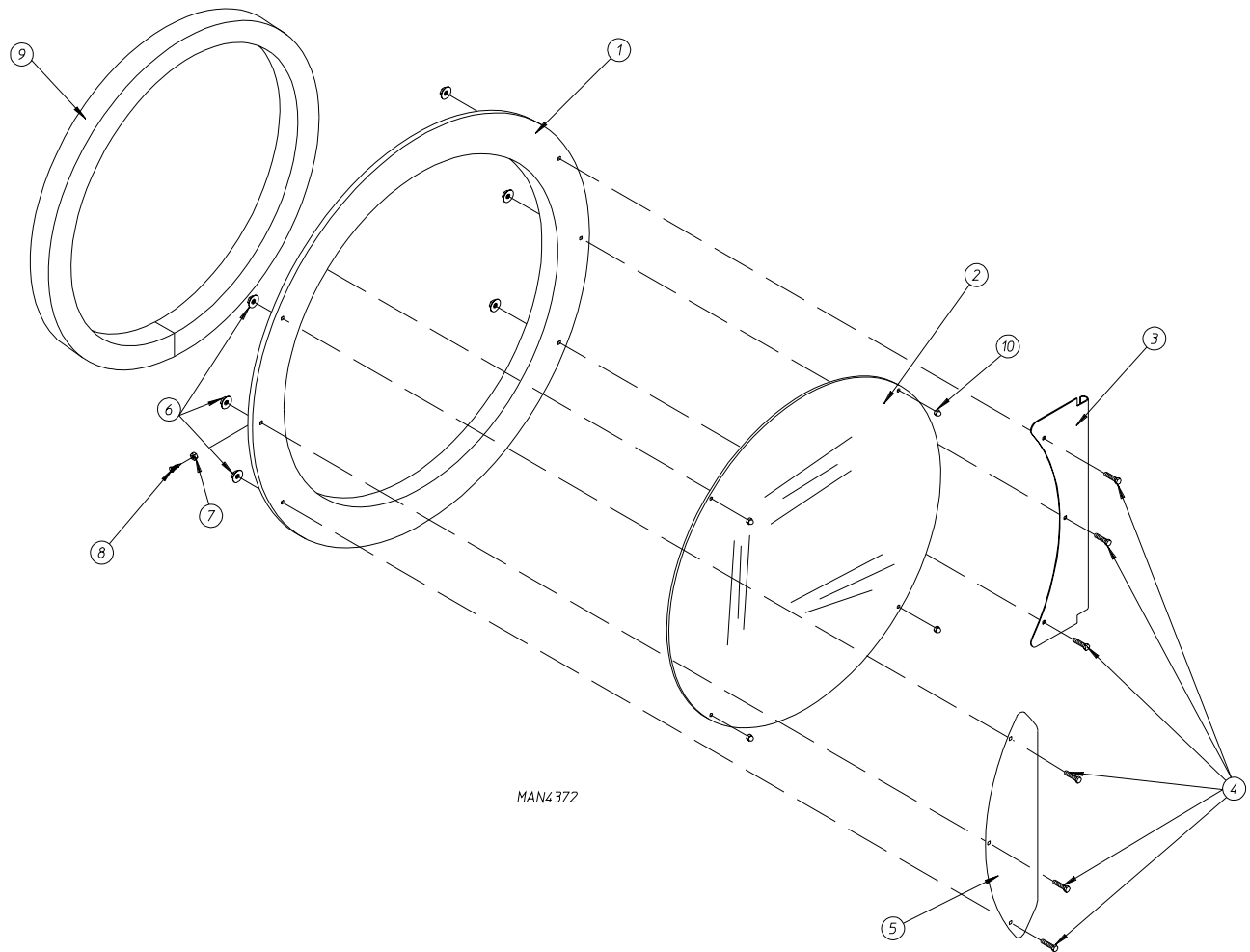
<u>Illus. No.</u>	<u>Part No.</u>	<u>Qty.</u>	<u>Description</u>
1	882495	1	White Control Door Assembly (includes illus. nos. 1 through 3)
	882493	1	White Control Door ONLY
	882496	1	Coral Wrinkle Blue Control Door Assembly (includes illus. nos. 1 through 3)
	882494	1	Coral Wrinkle Blue Control Door ONLY
2	882541	2	Spring Turn Latch (2-piece)
3	117603	5	Noise Suppressor Tape (sold by the foot)
4	150309	9	#10-16 x 1/2" Hex Head TEK Crimptite Screw
5	102603	1	Control Door Support Rod Catch
6	102601	1	Control Door Rod Retainer Clip
7	102505	1	Control Door Support Rod
8	112368	1	Milnor Logo ONLY



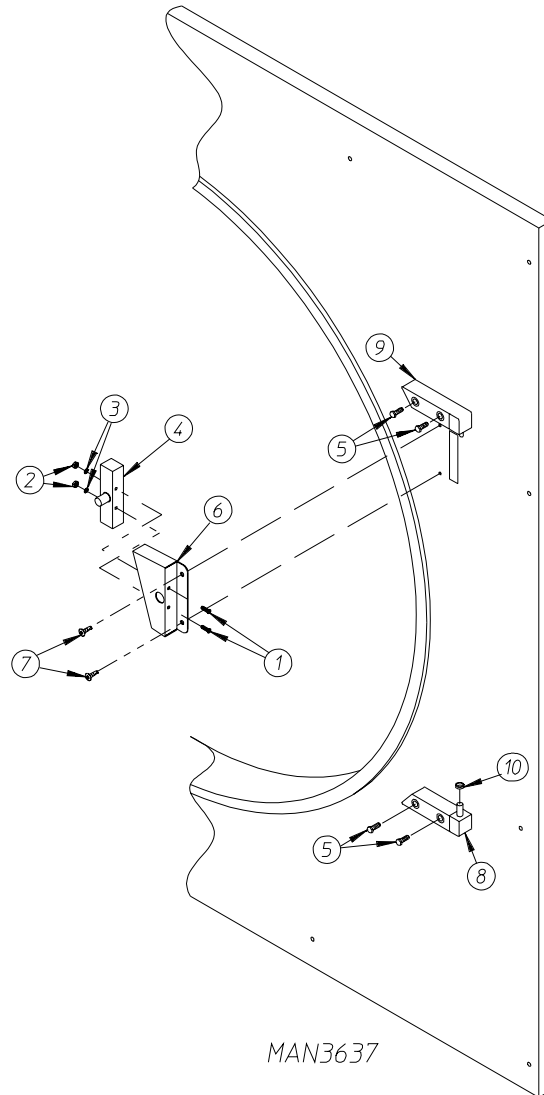
<u>Illus. No.</u>	<u>Part No.</u>	<u>Qty.</u>	<u>Description</u>
1	112537	1	Phase 6 OPL Keyboard
	112276	1	OPL Stick-On Labels (English Only) ... Not Illustrated
	112275	1	3-Language OPL Stick-On Labels (Spanish, Italian, and Hebrew) ... Not Illustrated
	112277	1	3-Language OPL Stick-On Labels (English, Spanish, and Hebrew) ... Not Illustrated
	112278	1	5-Language OPL Stick-On Labels (Italian, Dutch, French, German, and Chinese) ... Not Illustrated
2	881635	1	Computer Door Complete (includes illus. nos. 1 through 10)
	881633	1	Computer Door ONLY
3	137124	1	Phase 6 OPL Reversing Microprocessor Controller (computer) with Air Jet ONLY
4	150005	2	#6-32 x 1/4" Phillips Round Head Machine Screw
5	153010	2	#6 Star Washer
6	150000	3	#6-32 x 1/4" Slotted Round Head Machine Screw
7	150309	1	#10-16 x 1/2" Hex Head TEK Crimpite Screw
8	136048	1	1/8-Amp (Slo-Blo) Fuse ONLY
9	136017	1	3.15-Amp Fuse ONLY
10	136019	1	1-Amp Fuse ONLY



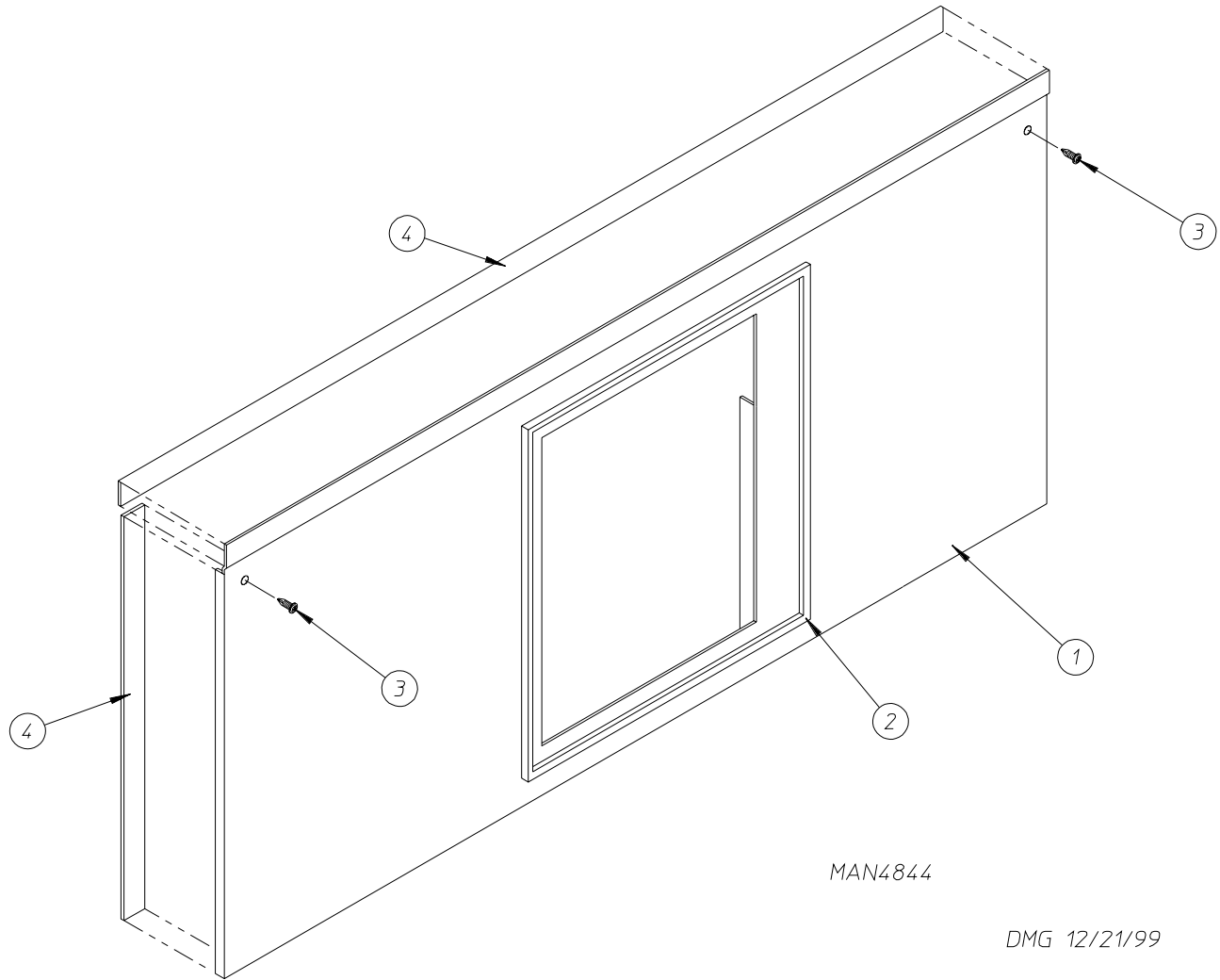
<u>Illus. No.</u>	<u>Part No.</u>	<u>Qty.</u>	<u>Description</u>
1	-----	1	Cold Rolled Steel (CRS) Main Door (refer to Cold Rolled Steel [CRS] Main Door Assembly on page 5)
2	150443	2	1/4-20 x 3/4" Stainless Steel Cap Screw
3	-----	1	Bottom Hinge Block (refer to Main Door Switch Assembly on page 6)
4	153031	1	Nylon Washer
5	150443	2	1/4-20 x 3/4" Stainless Steel Cap Screw
6	-----	1	Top Hinge Block (refer to Main Door Switch Assembly on page 6)
7	882503	1	White Front Panel ONLY
	882504	1	Wrinkle Coral Blue Front Panel ONLY
8	122351	1	Large "EMERGENCY STOP" (E-Stop) Mushroom Head Switch
9	122419	1	"EMERGENCY STOP" (E-Stop) Nameplate
10	-----	1	Main Door Switch (refer to Main Door Switch Assembly on page 6)
11	132387	1	Normally Closed Contact Block
12	132395	1	Normally Closed Contact Block with Base
13	170330	1	Friction Door Latch
14	154215	2	5/32" Pop Rivet
15	150317	14	#10-16 x 3/4" TORX Plus Button Head Screw (for models mfd. as of September 29, 2000)
	150318	1	25 IP Stick Fit TORX Plus Bit (must be used to remove P/N 150317)
	150311	14	#10-16 x 3/4" Phillips Hex Head Screw (for models mfd. prior to September 29, 2000)



<u>Illus. No.</u>	<u>Part No.</u>	<u>Qty.</u>	<u>Description</u>
1	881689	1	White Cold Rolled Steel (CRS) Main Door Assembly (includes illus. nos. 2 through 10)
	882292	1	Coral Blue Cold Rolled Steel (CRS) Main Door Assembly (includes illus. nos. 2 through 10)
	881684	1	White Cold Rolled Steel (CRS) Main Door Ring
	882305	1	Coral Blue Cold Rolled Steel (CRS) Main Door Ring
2	102214	1	30" Door Glass
	170730	1	Door Glass Adhesive (10.3 oz. cartridge)
3	881685	1	White Main Door Hinge
	882296	1	Coral Blue Main Door Hinge
4	881740	6	1/4-20 x 5/8" White Carriage Bolt
	882294	6	1/4-20 x 5/8" Coral Blue Carriage Bolt
5	881688	1	White Main Door Handle
	882295	1	Coral Blue Main Door Handle
6	881806	6	1/4-20 White Free Spin Wash Nut
	882293	6	1/4-20 Coral Blue Free Spin Wash Nut
7	152008	1	#10-32 Hex Nut
8	150120	1	Door Latch Screw
9	882411	1	Door Gasket
10	151012	4	#10-32 White Nylon Acorn Nut

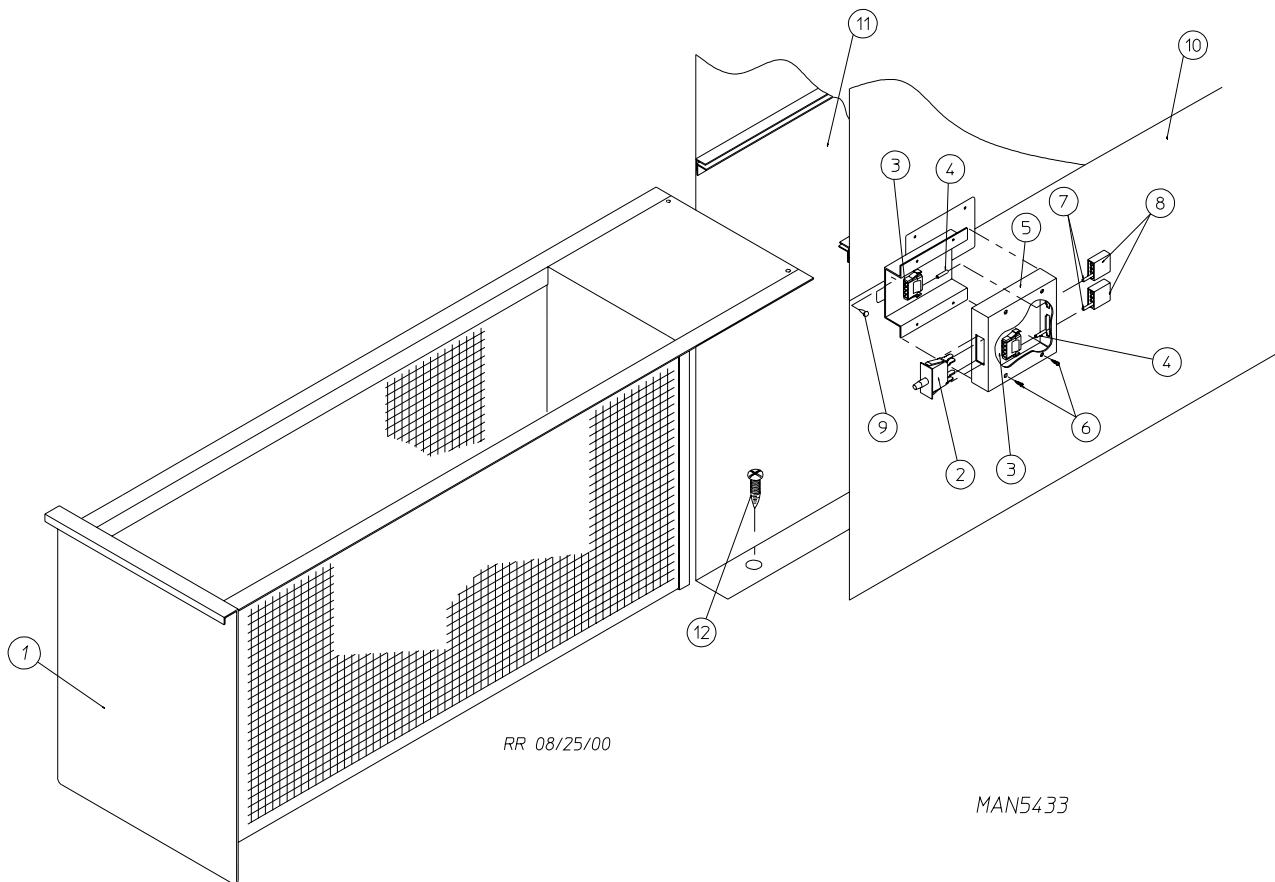


<u>Illus. No.</u>	<u>Part No.</u>	<u>Qty.</u>	<u>Description</u>
1	150006	2	#6-32 x 7/8" Phillips Pan Head Machine Screw
2	152013	2	#6-32 Hex Nut
3	153010	2	#6 Star Washer
4	137005	1	Single-Pole Door Switch
5	150443	4	1/4-20 x 3/4" Stainless Steel Cap Screw
6	881687	1	White Main Door Switch Housing ONLY
	882291	1	Coral Wrinkle Blue Main Door Switch Housing ONLY
	881702	1	White Main Door Switch with Housing Assembly (includes illus. nos. 1 through 4 and 6)
	882298	1	Coral Wrinkle Blue Main Door Switch Housing Assembly (includes illus. nos. 1 through 4 and 6)
7	150443	2	1/4-20 x 3/4" Stainless Steel Cap Screw
8	881441	1	White Bottom Hinge Block
	882283	1	Coral Wrinkle Blue Bottom Hinge Block
9	881440	1	White Top Hinge Block
	882284	1	Coral Wrinkle Blue Top Hinge Block
10	153031	1	Nylon Washer



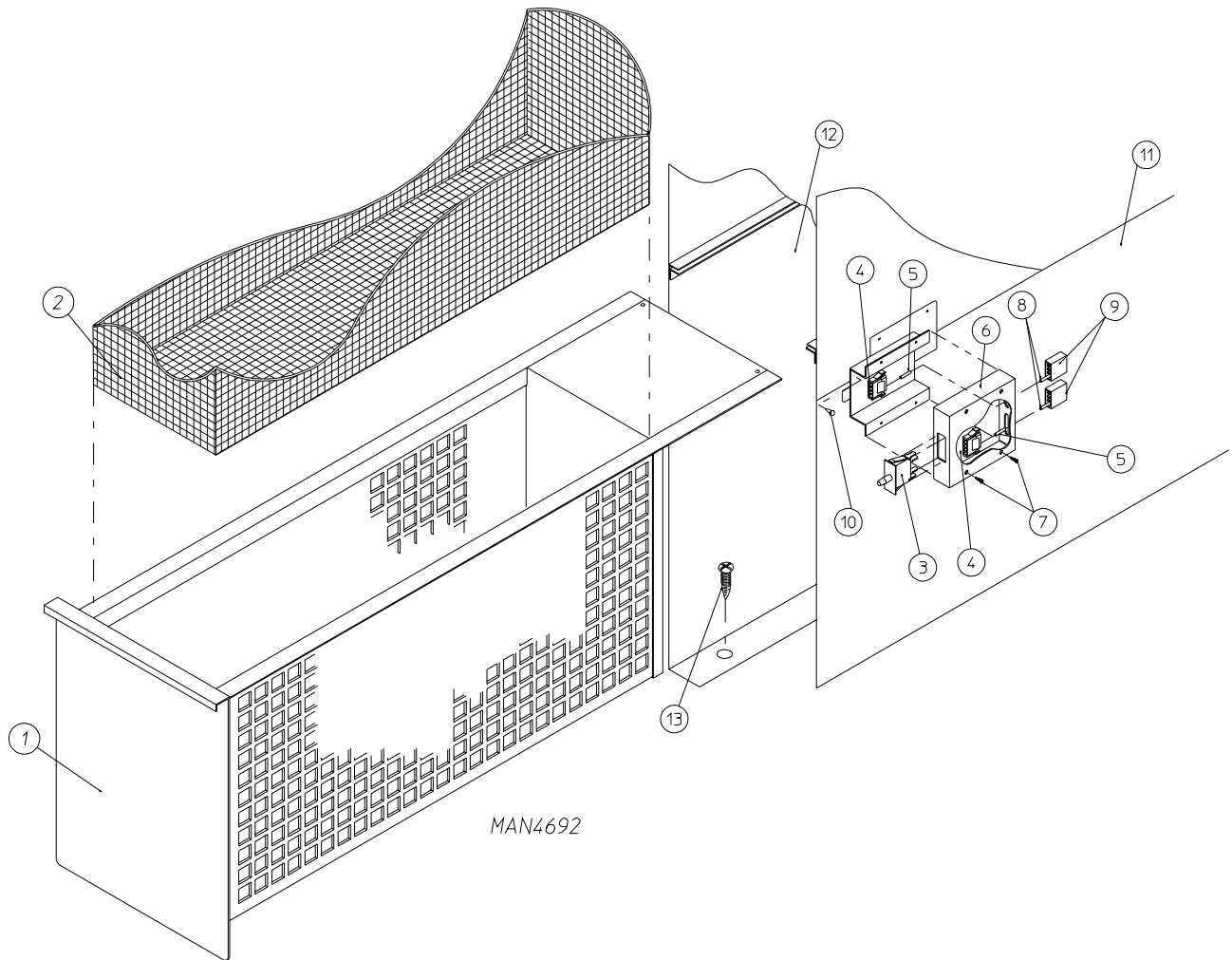
<u>Illus. No.</u>	<u>Part No.</u>	<u>Qty.</u>	<u>Description</u>
1	882497	1	White Lint Door Assembly (includes illus. nos. 1, 2, and 4)
	882498	1	Coral Wrinkle Blue Lint Door Assembly (includes illus. nos. 1, 2, and 4)
2	117607	6	1/4" x 3/8" Poron Foam (sold by the foot)
3	150309	5	#10-16 x 1/2" Hex Head TEK Crimptite Screw
4	117604	9	Neoprene Sponge Tape (sold by the foot)

For Models Mfd. as of August 14, 2000

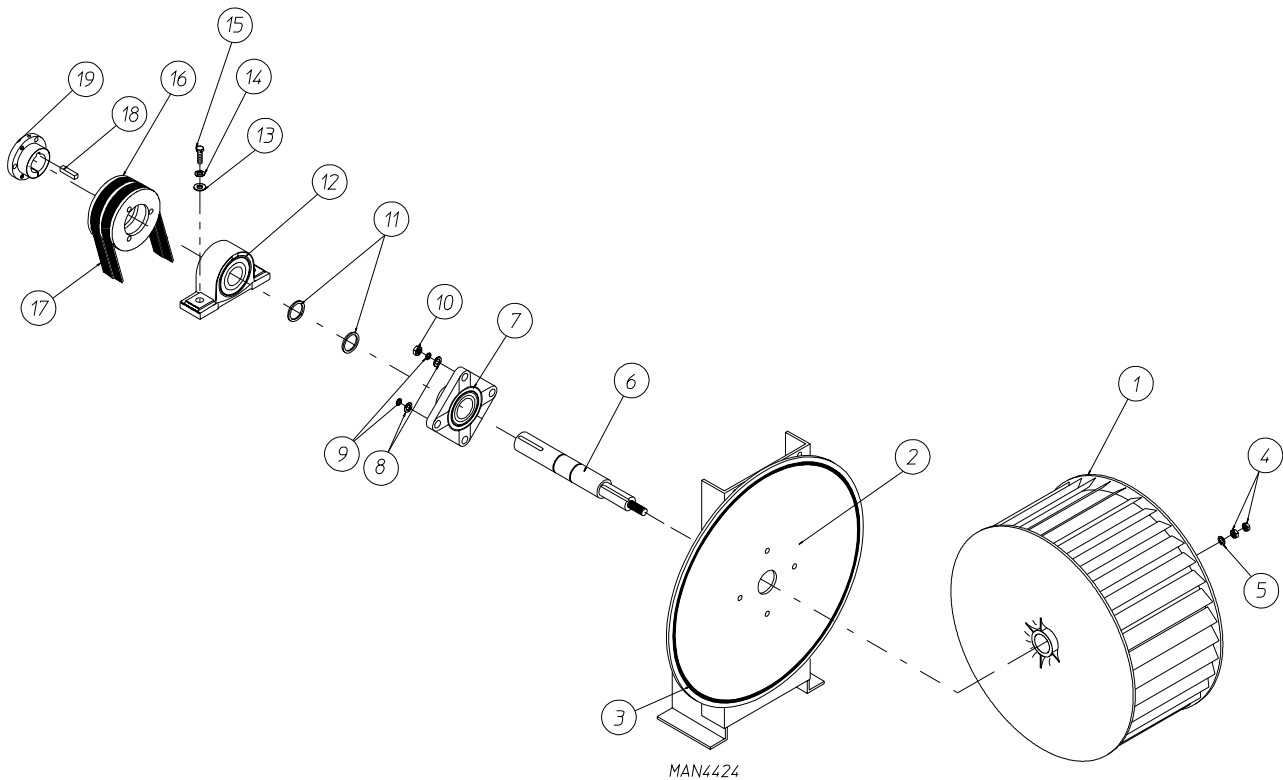


<u>Illus. No.</u>	<u>Part No.</u>	<u>Qty.</u>	<u>Description</u>
1	882792	1	White Lint Drawer/Screen Assembly
	882793	1	Coral Wrinkle Blue Lint Drawer/Screen Assembly
2	122116	1	Lint Drawer Switch ONLY
3	122605	1	4-Pin Socket Connector
4	122701	2	Socket Terminal ONLY
	122801	1	Pin/Socket Extraction Tool
5	882507	1	Lint Drawer Switch Box Assembly Complete (includes illus. nos. 3 through 6)
6	150301	4	#8-18 x 7/16" Phillips Pan Head TEK Screw
7	122700	2	Pin Terminal ONLY
8	122604	1	4-Pin Connector
9	150301	2	#8-18 x 7/16" Phillips Pan Head TEK Screw
10	319076	1	Right Hand Divider Panel
11	319077	1	Left Hand Divider Panel
12	150301	14	#8-18 x 7/16" Phillips Pan Head TEK Screw

For Models Mfd. prior to August 14, 2000 Which Have Individual Lint Screen and Drawer

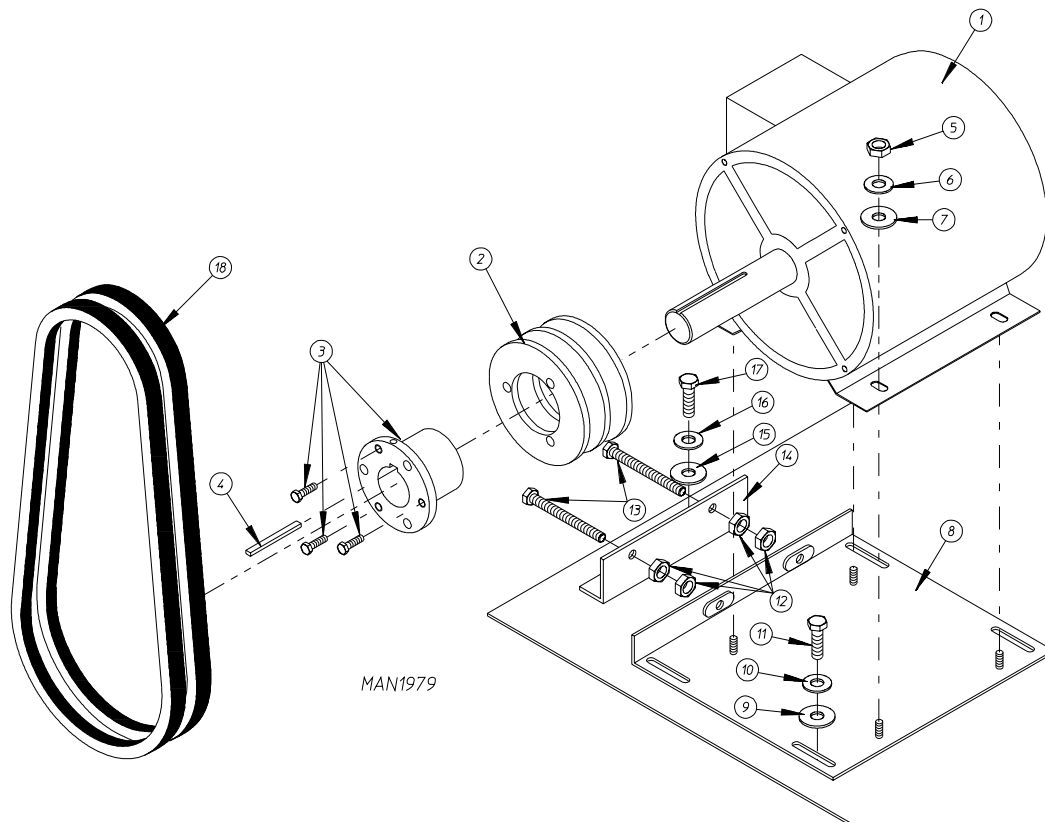


<u>Illus. No.</u>	<u>Part No.</u>	<u>Qty.</u>	<u>Description</u>
1	882449	1	White Lint Drawer ONLY
	882450	1	Coral Wrinkle Blue Lint Drawer ONLY
2	108220	1	Lint Screen Assembly ONLY
3	122116	1	Lint Drawer Switch ONLY
4	122605	1	4-Pin Socket Connector
5	122701	2	Socket Terminal ONLY
	122801	1	Pin/Socket Extraction Tool
6	882507	1	Lint Drawer Switch Box Assembly Complete (includes illus. nos. 3 through 6)
7	150301	4	#8-18 x 7/16" Phillips Pan Head TEK Screw
8	122700	2	Pin Terminal ONLY
9	122604	1	4-Pin Connector
10	150301	2	#8-18 x 7/16" Phillips Pan Head TEK Screw
11	319076	1	Right Hand Divider Panel
12	319077	1	Left Hand Divider Panel
13	150301	14	#8-18 x 7/16" Phillips Pan Head TEK Screw



<u>Illus. No.</u>	<u>Part No.</u>	<u>Qty.</u>	<u>Description</u>
1	100612	1	1-1/4" Bore x 15" Diameter x 6" Blower/Fan (squirrel cage)
2	821078	1	Fan Shaft Mount Assembly Complete (includes illus. nos. 1 through 16 and 18 through 19)
	821073	1	Fan Shaft Mount ONLY
3	117604	4	Neoprene Sponge Tape (sold by the foot)
4	152006	2	1/2-20 Left Hand Jam Nut
5	153065	1	1/2" Flat Washer
6	332280	1	Fan Shaft ONLY
7	881061	1	1-3/8" Flange Bearing with Setscrews and Grease Fitting
8	153004	4	3/8" Flat Washer
9	153005	4	3/8" Lock Washer
10	152005	4	3/8-16 Hex Nut
11	100812	2	1-3/8" Retaining Ring
12	880879	1	1-3/8" Pillow Block Bearing ONLY
13	153004	2	3/8" Flat Washer
14	153005	2	3/8" Lock Washer
15	150617	2	#3-16 x 1" Hex Head Bolt
16	101177	1	2B x 5.8 Pulley (for gas models Only)
17*	100184	2	BX-63 Cogged Belt (fan shaft to blower motor) For 60 Hz Models ONLY
18	100706	1	5/16" x 5/16" x 1-3/8" Key
19	101194	1	SDS x 1-3/8" Bushing ONLY

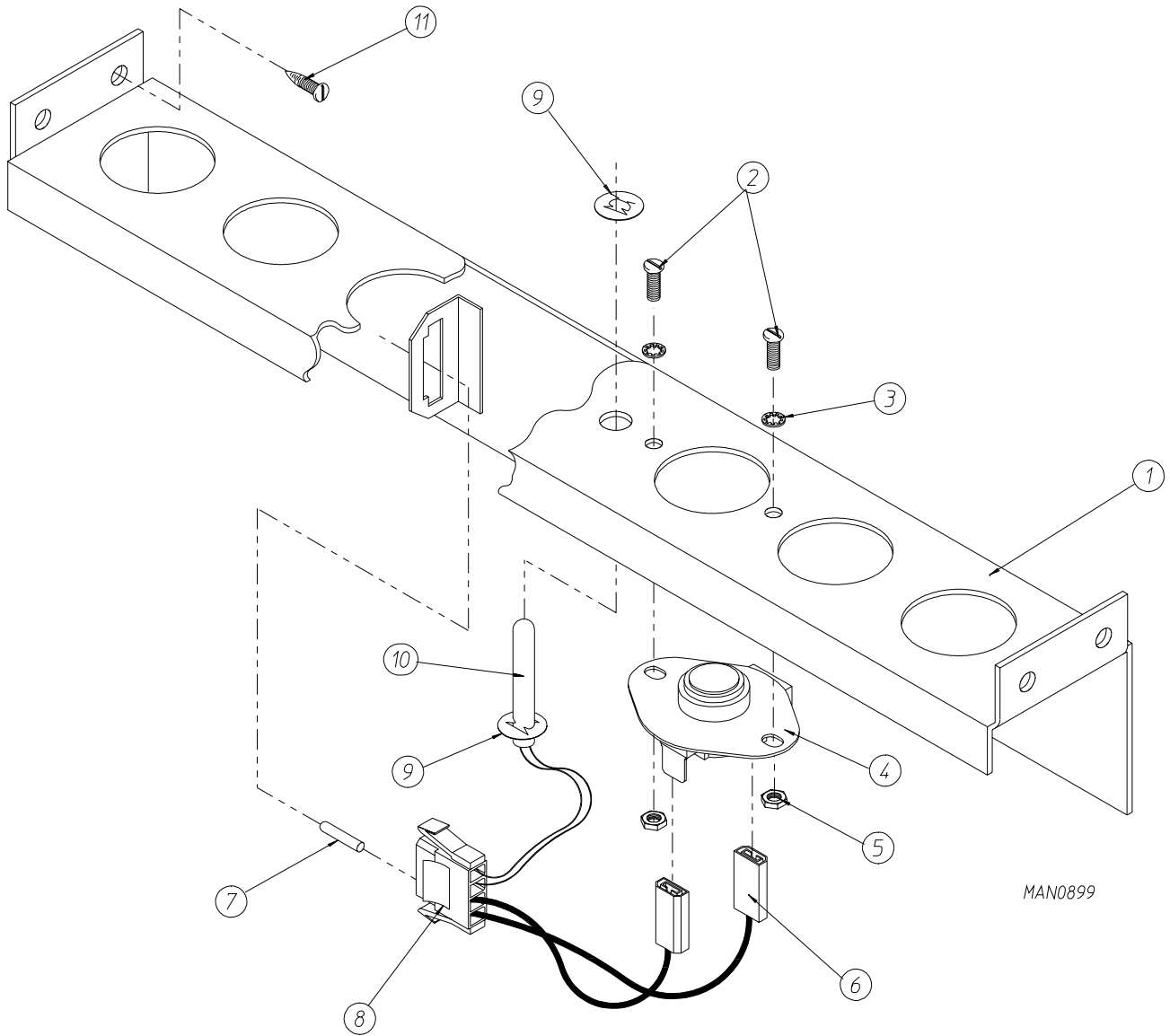
* Replace in matched sets (both belts).



<u>Illus. No.</u>	<u>Part No.</u>	<u>Qty.</u>	<u>Description</u>
1	181030*	1	7.5 HP 208-230/460v 3 ϕ 60 Hz Motor ONLY
	181031*	1	7.5 HP 200-230/380-410v 3 ϕ 50 Hz Motor ONLY
	181039	1	7.5 HP 575v 3 ϕ 60 Hz Motor ONLY
2	101148	1	SB x 4.0 Motor Pulley (60 Hz)
	101147	1	SB x 4.8 Motor Pulley (50 Hz)
3	101152	1	SH x 1-3/8" Bushing (60 Hz)
	101194	1	SDS x 1-3/8" Bushing (50 Hz)
4	100706	1	5/16" x 5/16" x 1-3/8" Key
5	152004	4	5/16-18 Hex Nut
6	153002	4	5/16" Lock Washer
7	153001	4	5/16" Flat Washer
8	821091	1	Motor Mount Adjustment Plate ONLY
9	153001	4	5/16" Flat Washer
10	153002	4	5/16" Lock Washer
11	150501	4	5/16-18 x 3/4" Hex Head Machine Bolt
12	152004	4	5/16-18 Hex Nut
13	150503	2	5/16-18 x 2" Hex Head Machine Bolt
14	332322	1	Motor Mount Adjustment Angle ONLY
15	153001	2	5/16" Flat Washer
16	153002	2	5/16" Lock Washer
17	150501	2	5/16-18 x 3/4" Hex Head Machine Bolt
18**	100184	2	BX-63 Cogged Belt (matched sets) 50/60 Hz
**	100159	2	BX-61 Cogged Belt (matched sets) 575v 60 Hz ONLY

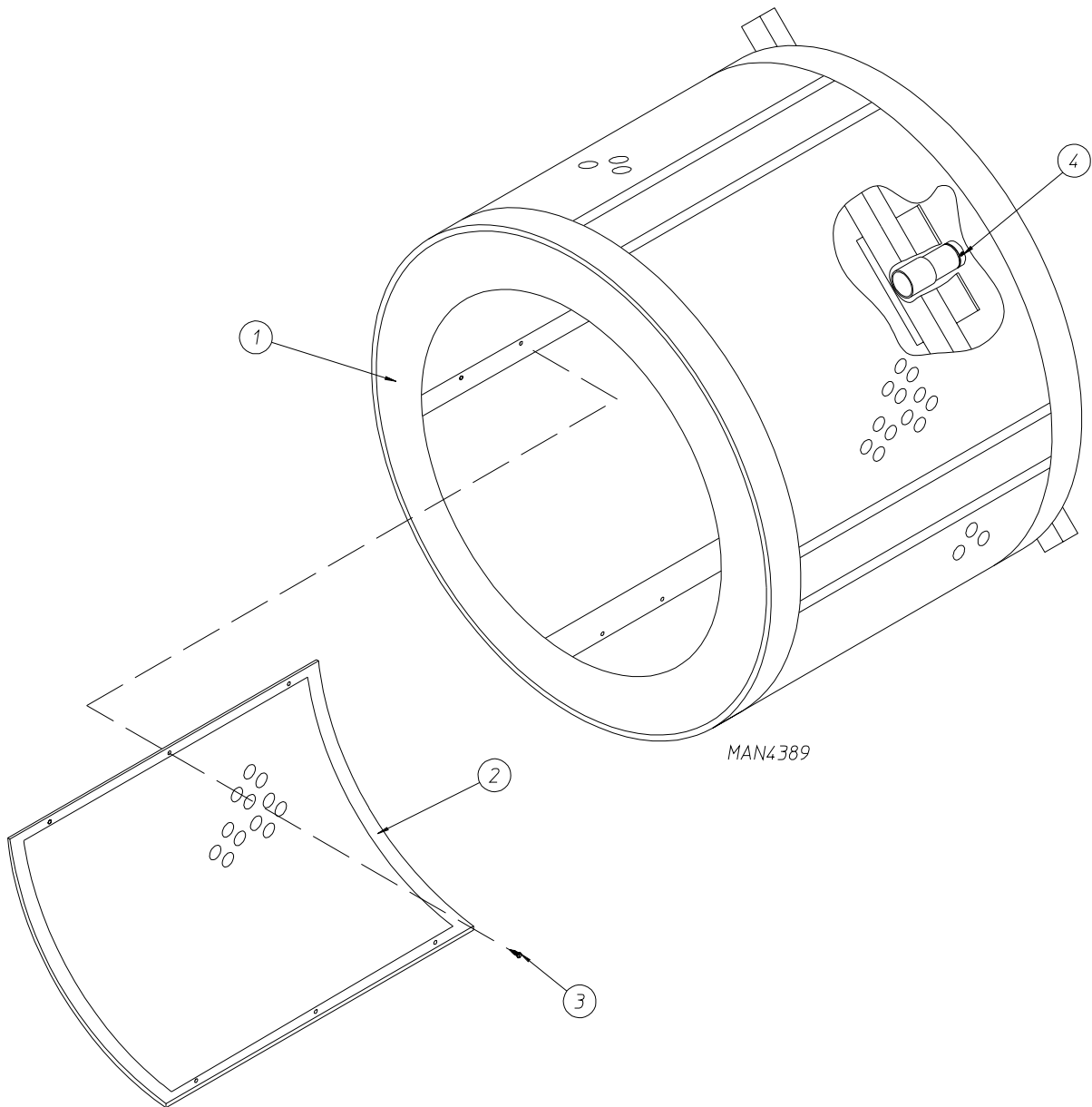
* Specify voltage when ordering.

** Replace in matched sets (both belts).

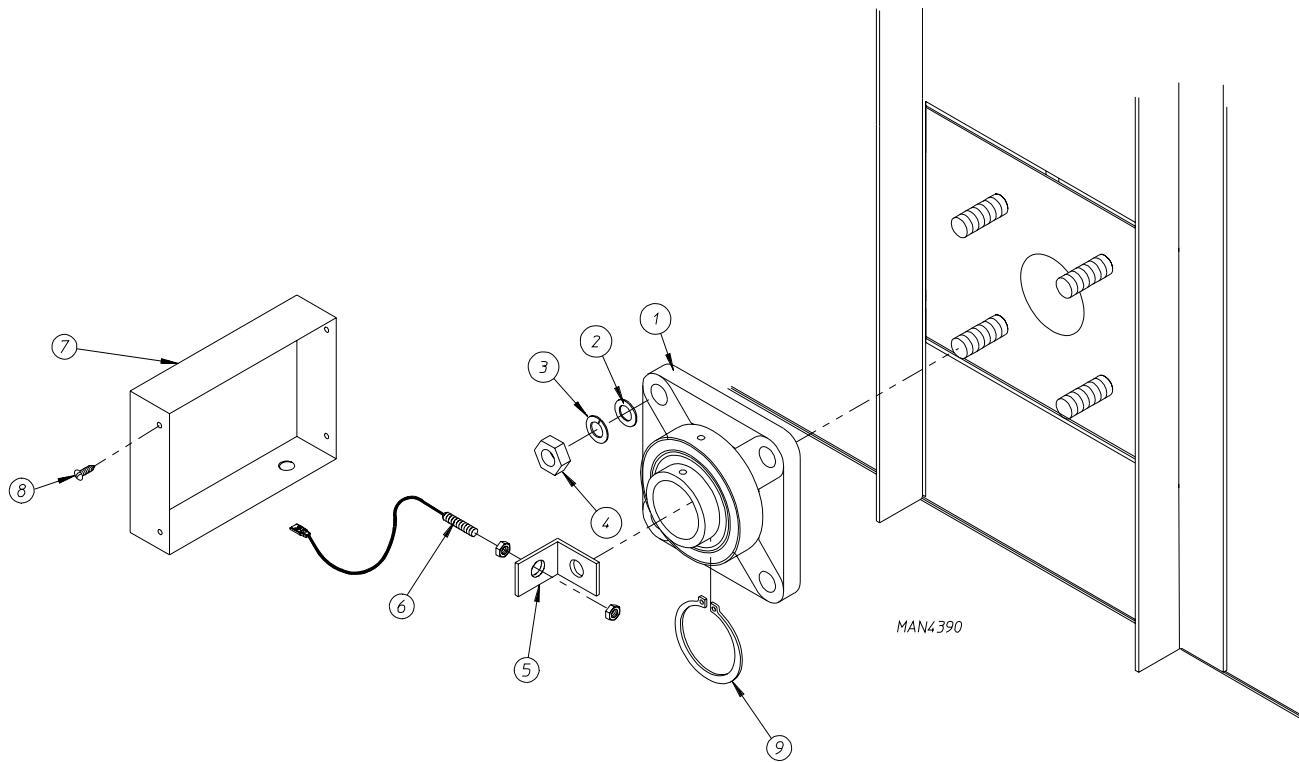


MAN0899

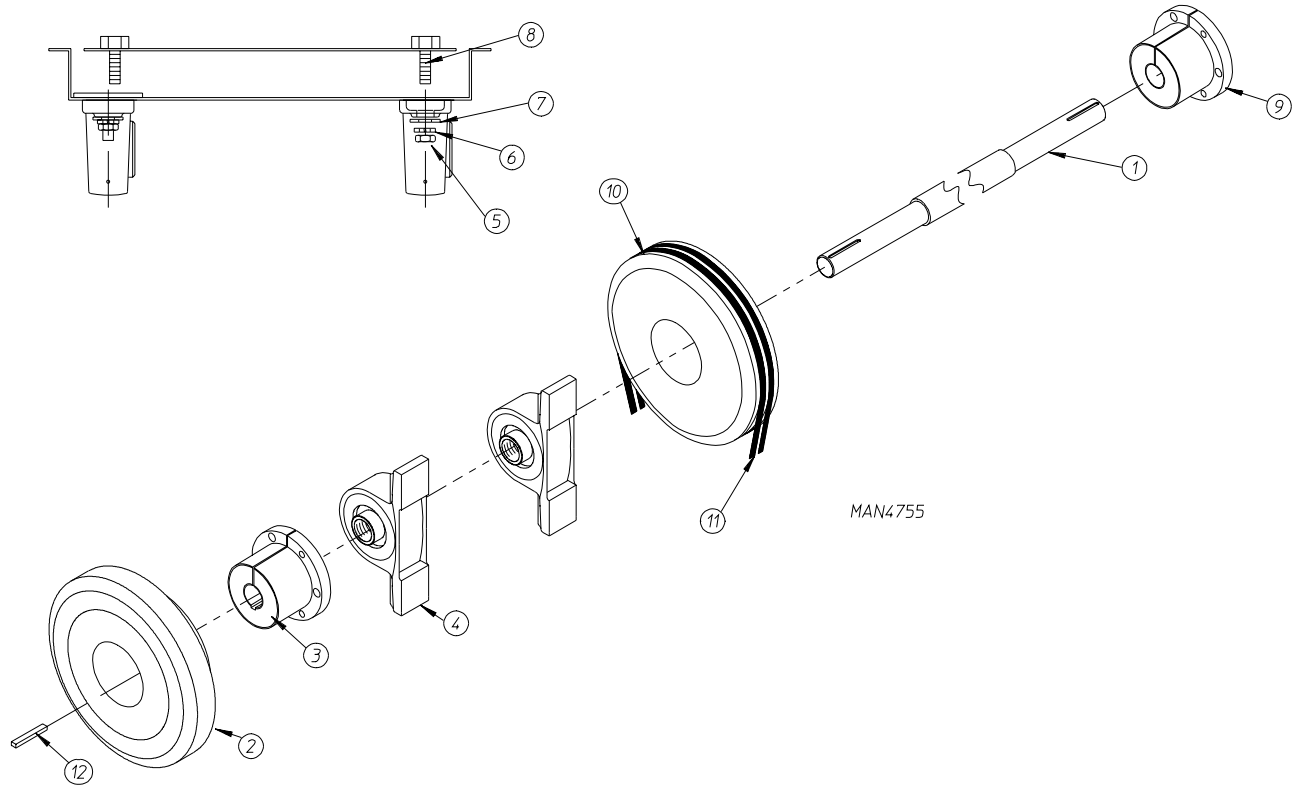
<u>Illus. No.</u>	<u>Part No.</u>	<u>Qty.</u>	<u>Description</u>
1	815931	1	Microprocessor Temperature Sensor Bracket Complete (includes illus. nos. 1 through 10)
	820967	1	Microprocessor Temperature Sensor Bracket ONLY
2	150005	2	#6-32 x 1/4" Phillips Round Head Machine Screw
3	153010	2	#6 Star Washer
4	130302	1	225° Manual Reset Thermostat ONLY
5	152000	2	#6-32 Hex Nut
6	121028	2	1/4" x .032 Insulated Terminal
7	122701	4	Socket Terminal ONLY
	122801	1	Pin/Socket Extraction Tool
8	122605	1	4-Pin Socket Connector
9	154007	2	1/4" Push On Fastener
10	880251	1	1/4" Temperature Sensor Probe Assembly (includes illus. nos. 6 through 10)
11	150301	4	#8-18 x 7/16" Phillips Pan Head TEK Screw



<u>Illus. No.</u>	<u>Part No.</u>	<u>Qty.</u>	<u>Description</u>
1	835269	1	Basket (tumbler) Assembly (includes illus. nos. 1 through 3)
2	170154	4	Basket (tumbler) Perforated Side
3	150118	48	1/4-20 x 1/4 Socket Button Head Cap Screw
4	881619	1	Rotational Sensor Magnet

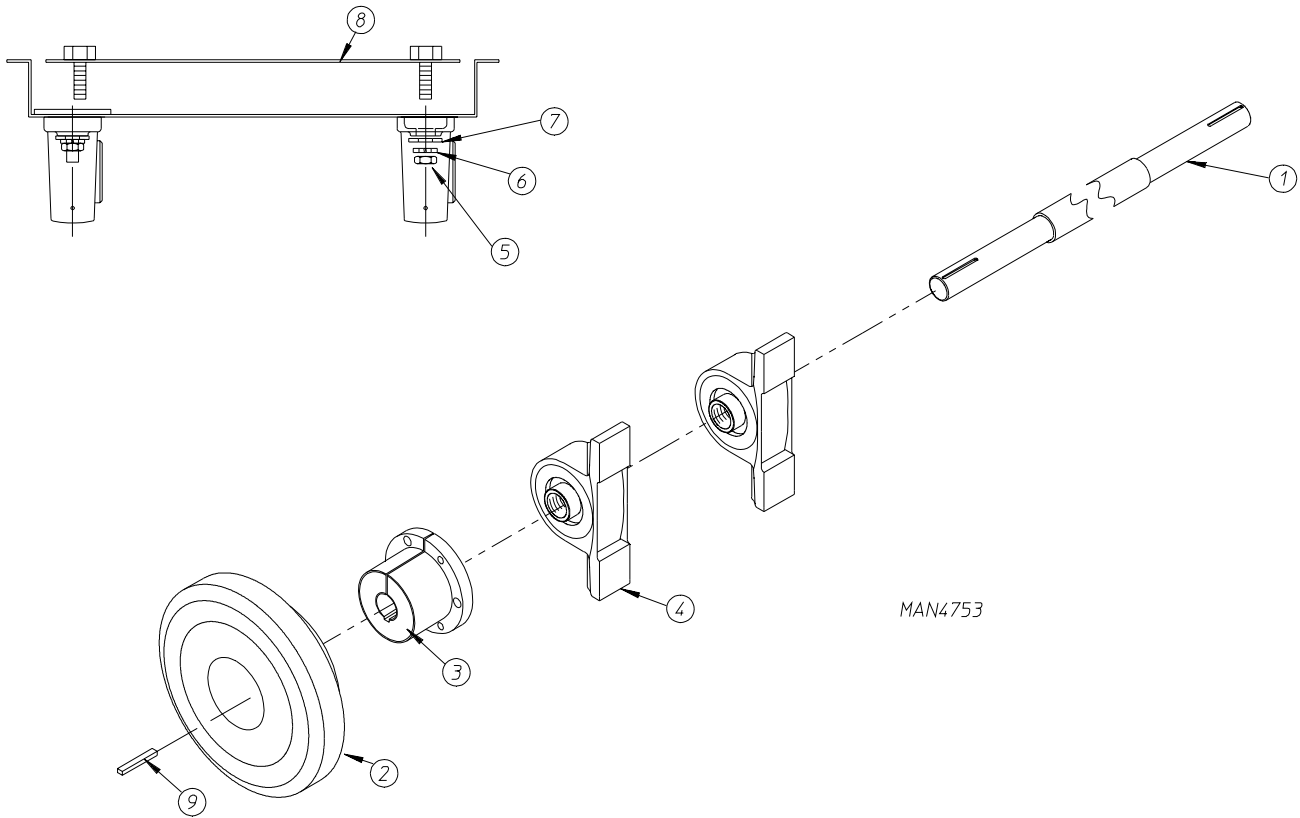


<u>Illus. No.</u>	<u>Part No.</u>	<u>Qty.</u>	<u>Description</u>
1	100244	1	1-15/16" Basket (tumbler) Bearing
2	153011	4	9/16" Flat Washer
3	153025	4	9/16" Lock Washer
4	152050	4	9/16-12 Hex Nut
5	319065	1	Rotational Sensor Mounting Bracket
6	815960	1	Rotational Sensor Assembly
7	390314	1	Back Guard ONLY
8	150309	4	#10-16 x 1/2" Hex Head TEK Crimptite Screw
9	100817	1	1-15/16" Retaining Ring



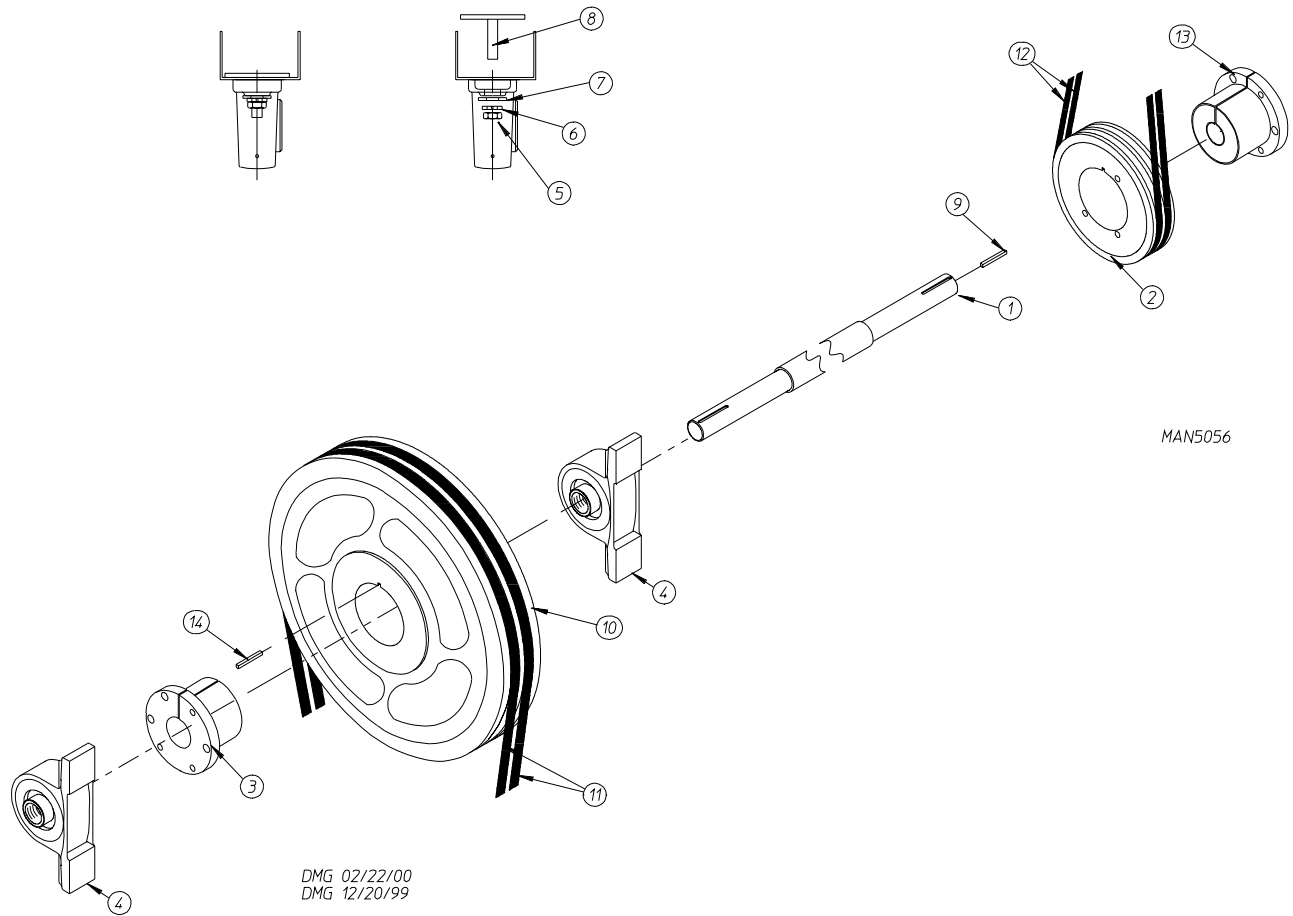
<u>Illus. No.</u>	<u>Part No.</u>	<u>Qty.</u>	<u>Description</u>
1	882460	1	Basket (tumbler) Shaft Assembly (includes illus. nos. 1 and 4)
2	180043	1	11" Drive Wheel
3	101234	1	1-3/8" Taper Lock Bushing
4	-----	2	1-1/2" Pillow Block Bearing (sold only as part of illus. no. 1)
5	152011	4	3/8-18 Hex Nut
6	153005	4	3/8" Lock Washer
7	153004	4	3/8" Flat Washer
8	835360	2	Bearing Backing Plate Assembly
9	101184	1	1-3/8" Bushing with Setscrew
10	101189	1	2B x 8.0 Pulley
11*	100140	2	BX-38 Cogged Belt
12	100717	1	5/16" x 5/16" x 2-3/4" Key

* Replace in matched sets (both belts).



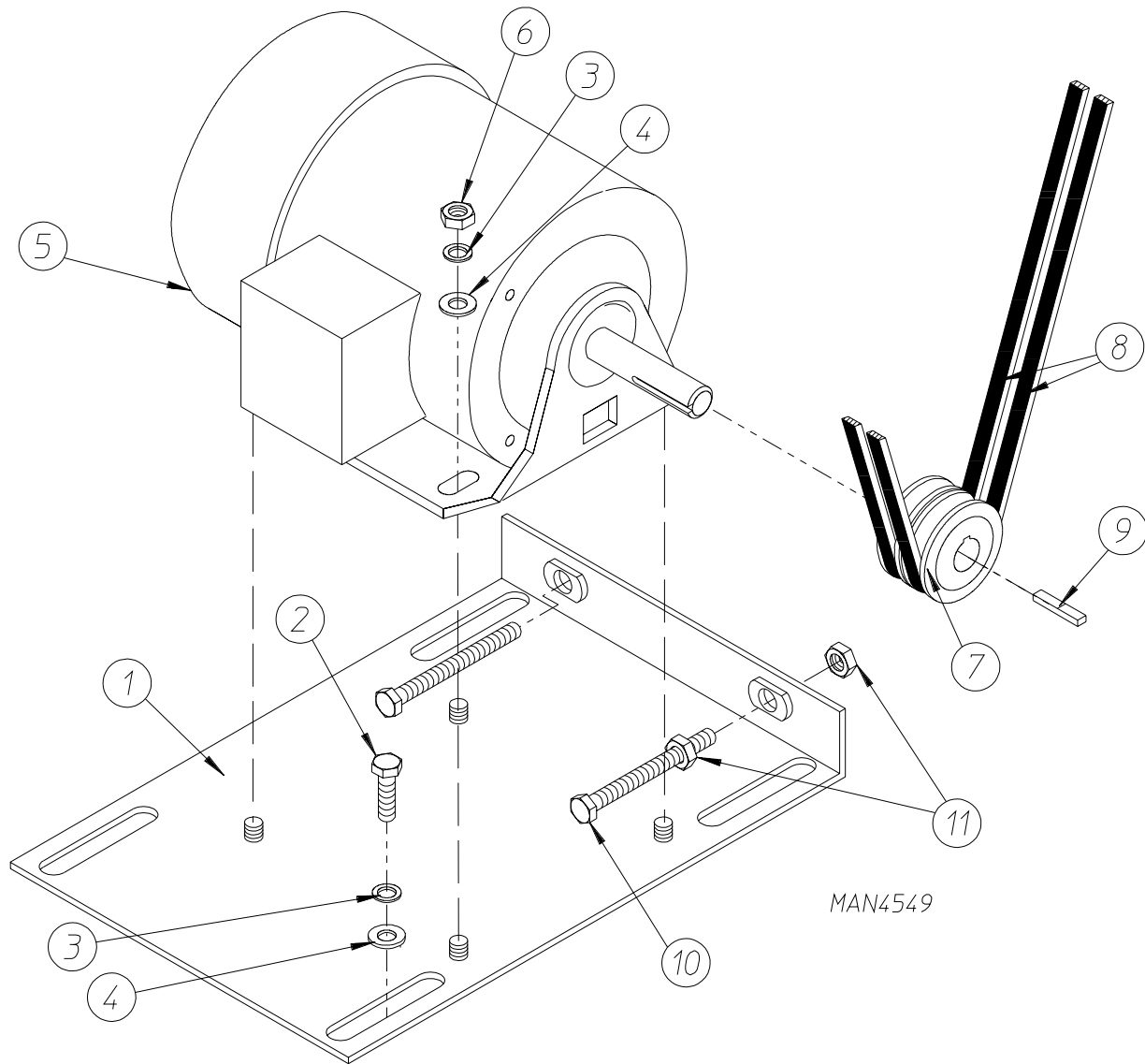
MAN4753

<u>Illus. No.</u>	<u>Part No.</u>	<u>Qty.</u>	<u>Description</u>
1	882460	1	Idler Shaft Assembly (includes illus. nos. 1 and 4)
2	180043	1	11" Drive Wheel
3	101234	1	1-3/8" Taper Lock Bushing
4	-----	2	1-3/8" Pillow Block Bearing (sold only as part of illus. no. 1)
5	152011	4	3/8-18 Hex Nut
6	153005	4	3/8" Lock Washer
7	153004	4	3/8" Flat Washer
8	835360	2	Bearing Backing Plate Assembly
9	100717	1	5/16" x 5/16" x 2-3/4" Long Key



<u>Illus. No.</u>	<u>Part No.</u>	<u>Qty.</u>	<u>Description</u>
1	882505	1	Speed Reducing Shaft Assembly (includes illus. nos. 1, 3, 4, and 10)
2	101160	1	2B x 3.4 SH Sheave (for models mfd. as of March 6, 2000)
	101187	1	2B x 4.0" Pulley (for models mfd. prior to March 6, 2000)
3	-----	1	1-3/8" Bushing with Setscrew (sold only as an assembly, illus. no. 1)
4	-----	2	1-3/8" Pillow Block Bearing (sold only as an assembly, illus. no. 1)
5	152005	4	3/8-16 Hex Nut
6	153005	4	3/8" Lock Washer
7	153004	4	3/8" Flat Washer
8	835361	2	Bearing Back Up Plate
9	100717	1	5/16" x 5/16" x 2-3/4" Long Key
10	-----	1	2B x 13.6" SK Sheave (sold only as an assembly, illus. no. 1)
11*	100124	2	BX-53 Belt
12*	100140	2	BX-38 Cogged Belt
13	101152	1	SH x 1-3/8" Bushing (60 Hz) (includes illus. no. 9)
14	100717	1	5/16" x 5/16" x 2-3/4" Key

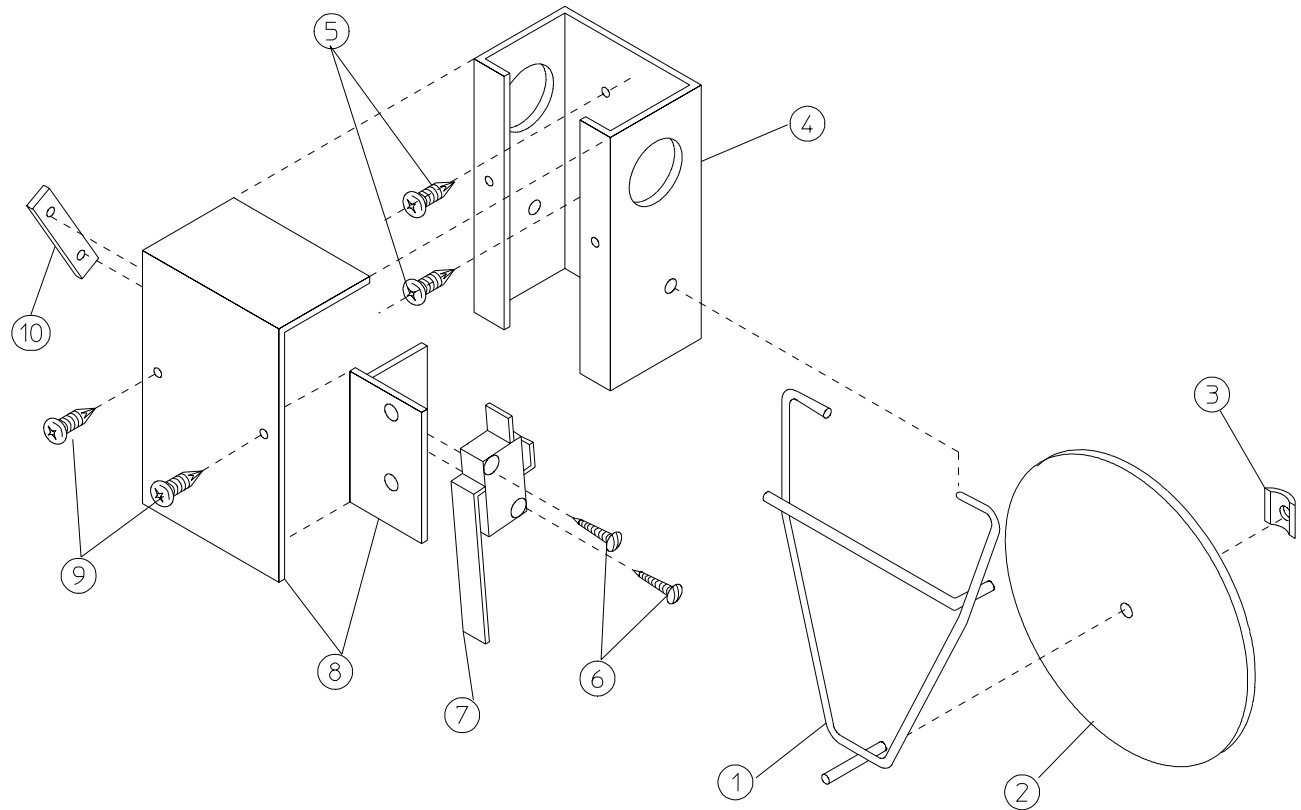
* Replace in matched sets (both belts).



<u>Illus. No.</u>	<u>Part No.</u>	<u>Qty.</u>	<u>Description</u>
1	835297	1	Motor Adjustment Plate
2	150501	4	5/16-18 x 3/4" Hex Head Machine Bolt
3	153002	8	5/16" Lock Washer
4	153001	8	5/16" Flat Washer
5	882078	1	3 HP 208-230/380/416/460v 3 ϕ 50/60 Hz Totally Enclosed, Non-Venting (T.E.N.V.) Motor
	181019	1	3 HP 575v 3 ϕ 60 Hz Totally Enclosed, Non-Venting (T.E.N.V.) Motor
6	152004	4	5/16" Hex Nut
7	101235	1	1-1/8" Pulley
8*	100124	2	BX-53 Cogged Belt
9**	-----	1	5/16" Key
10	150619	2	3/8-16 x 3" Tap Bolt
11	152005	4	3/8-16 Hex Nut

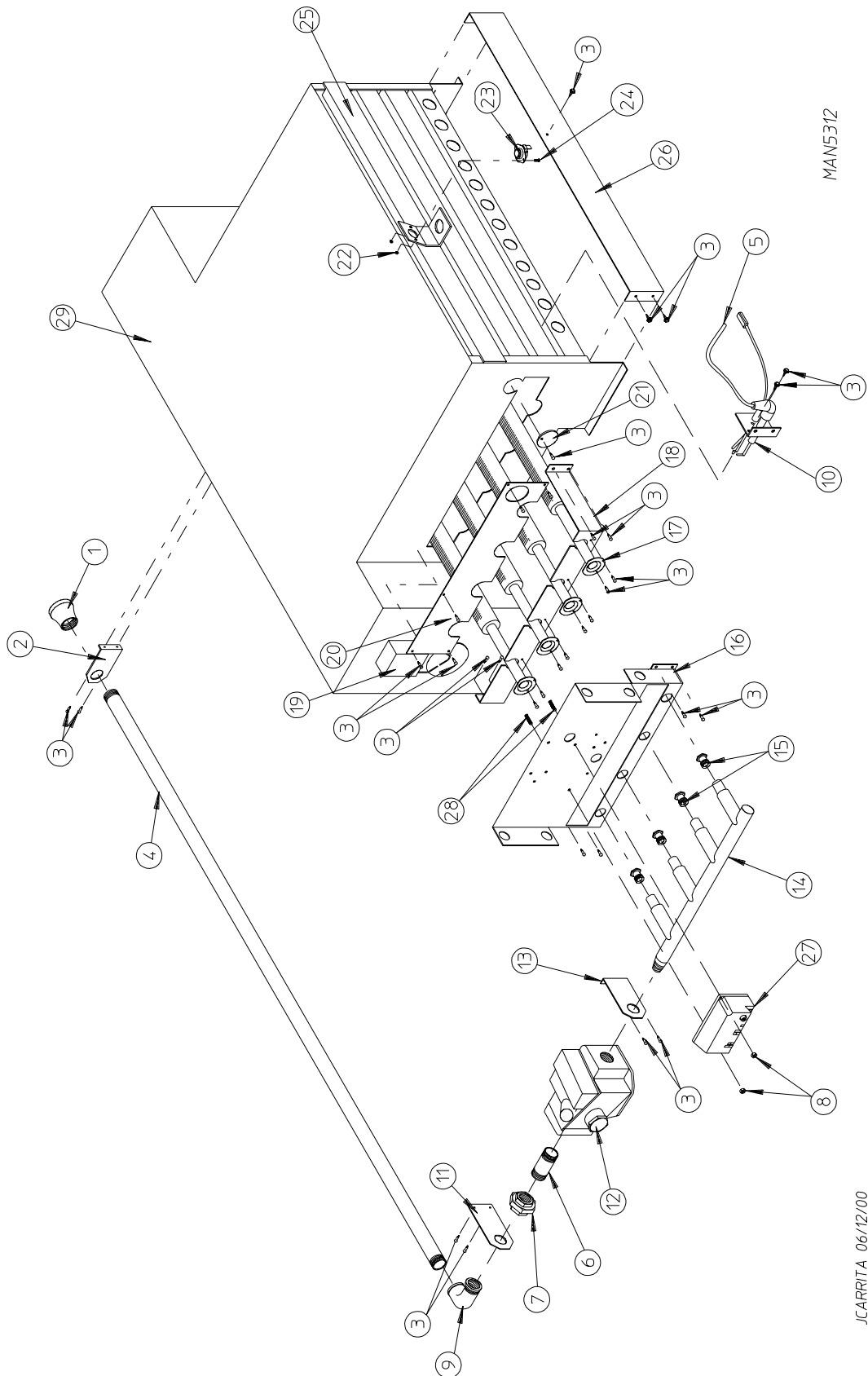
* Replace in matched sets (both belts).

** Consult factory.



MAN0440

<u>Illus. No.</u>	<u>Part No.</u>	<u>Qty.</u>	<u>Description</u>
1	105500	1	Sail Switch Actuator Rod
2	319202	1	Sail Switch Damper (flat)
3	154002	1	1/8" Push On Fastener
4	802800	1	Sail Switch Box with Cover and Bracket ONLY
	802801	1	Sail Switch Box Assembly Complete (includes illus. nos. 1 through 4 and 6 through 10)
5	150300	2	#10 x 1/2" Hex Washer TEK Screw
6	150303	2	#4 x 3/4" Pan Head "A" Machine Screw
7	122200	1	Sail Switch ONLY
8	802799	1	Sail Switch Box Cover and Bracket ONLY
9	150309	2	#10-16 x 1/2" Hex Head TEK Crimptite Screw
10	154004	1	Twin Speed Nut



<u>Illus. No.</u>	<u>Part No.</u>	<u>Qty.</u>	<u>Description</u>
1	142929	1	1-1/2" to 1" Reducing Coupling
2	332117	1	Pipe Bracket
3	150309	33	#10-16 x 1/2" Hex Head TEK Crimptite Screw
4	142583	1	1" x 40" Nipple
5	128919	1*	High Voltage (HV) Ignition Cable with Cap 36"
6	142808	1	1" x 3" Nipple
7	142602	1	1" Union
8	152013	2	#6-32 Hex Nut
9	142507	1	1" x 90° Street Elbow
10	128915	1	Direct Spark Ignition (DSI) Ignitor
11	332487	1	Gas Pipe Bracket Straight Extended
12	140017	1	1" 24 VAC Redundant Gas Valve (natural gas)
	882945	1	1" 24 VAC Gas Valve Liquid Propane (L.P.)
13	332486	1	Gas Pipe Bracket Bent Extended
14	141240	1	4-Port Manifold ONLY
15*	140839	4	#2 Burner Orifice (natural gas)
	140820	4	#29 Burner Orifice (liquid propane [L.P.] gas Only)
16	390169	1	Direct Spark Ignition (DSI) Mount Manifold Rest
17	881492	4	Burner Tube ONLY
18	332121	1	Burner Tube Support ONLY
19	-----	1	Sail Switch (refer to Sail Switch Assembly on page 19)
20	332113	1	Burner Box Cover Plate
21	331290	1	Ignitor/Flame-Probe Sight Hole Disc
22	151000	2	#6-32 Pal Nut
23	130201	1	330° Manual Reset Hi-Limit
24	150005	2	#6-32 x 1/4" Phillips Round Head Machine Screw
25	821457	1	Burner Hi-Limit Bracket
26	332256	1	Large Dryer Liquid Propane (L.P.) Burner Baffle (liquid propane [L.P.] models Only)
27	801048	1	Johnson Direct Spark Ignition (DSI) Module (3 tries)
28	153562	2	#6-32 x 3/4" Clinch Stud
29	835037**	1	Burner Assembly (natural gas Only) Complete (less orifice)
	821960**	1	Burner Assembly (liquid propane [L.P.] gas Only) Complete (less orifice)
	820904	1	Burner Box ONLY
	882118*	1	ML-175 Liquid Propane (L.P.) Conversion Kit

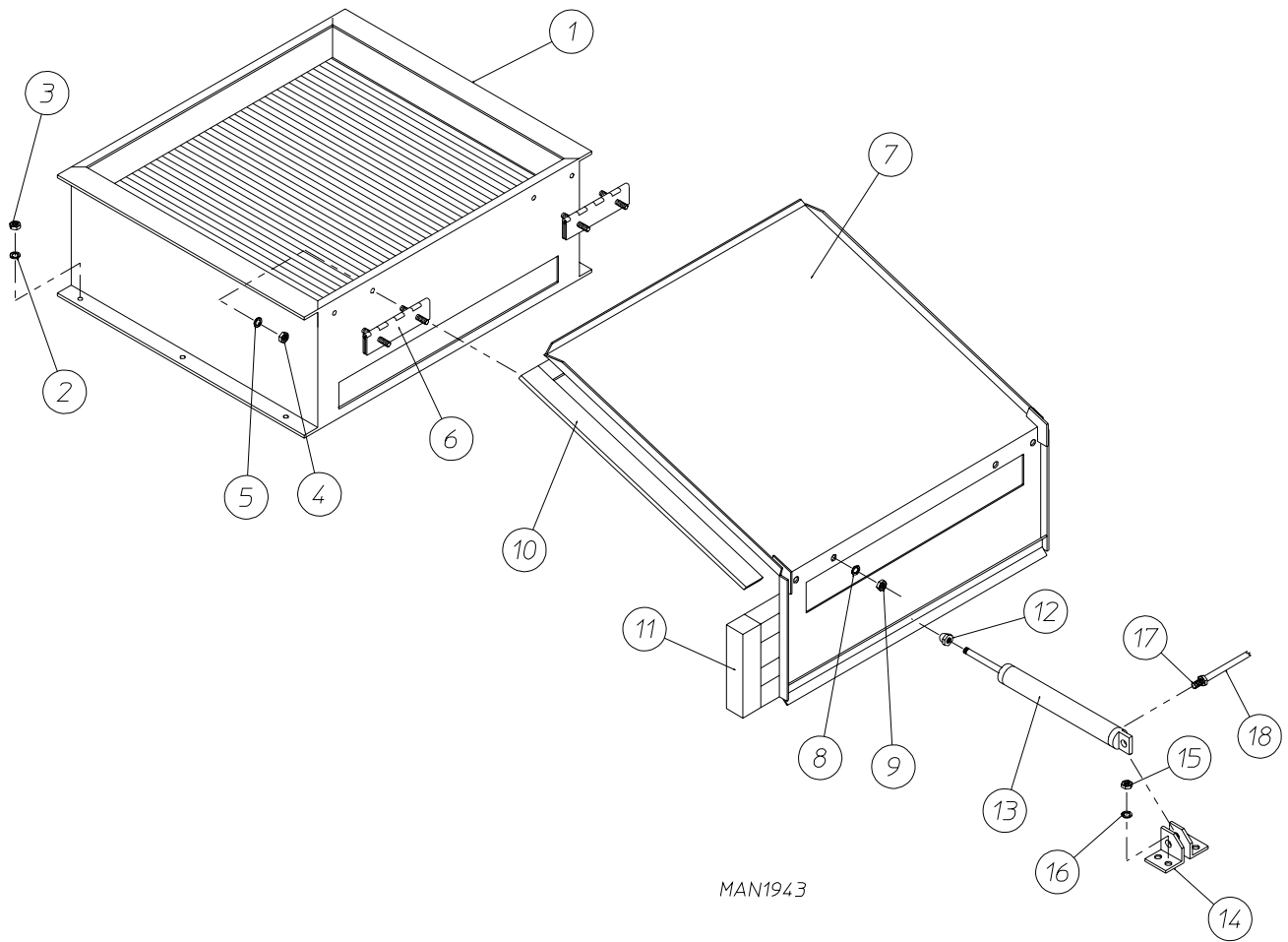
* Consult factory for elevations over 2,000 feet.

** Orifices *are not included* and **must be** ordered separately.

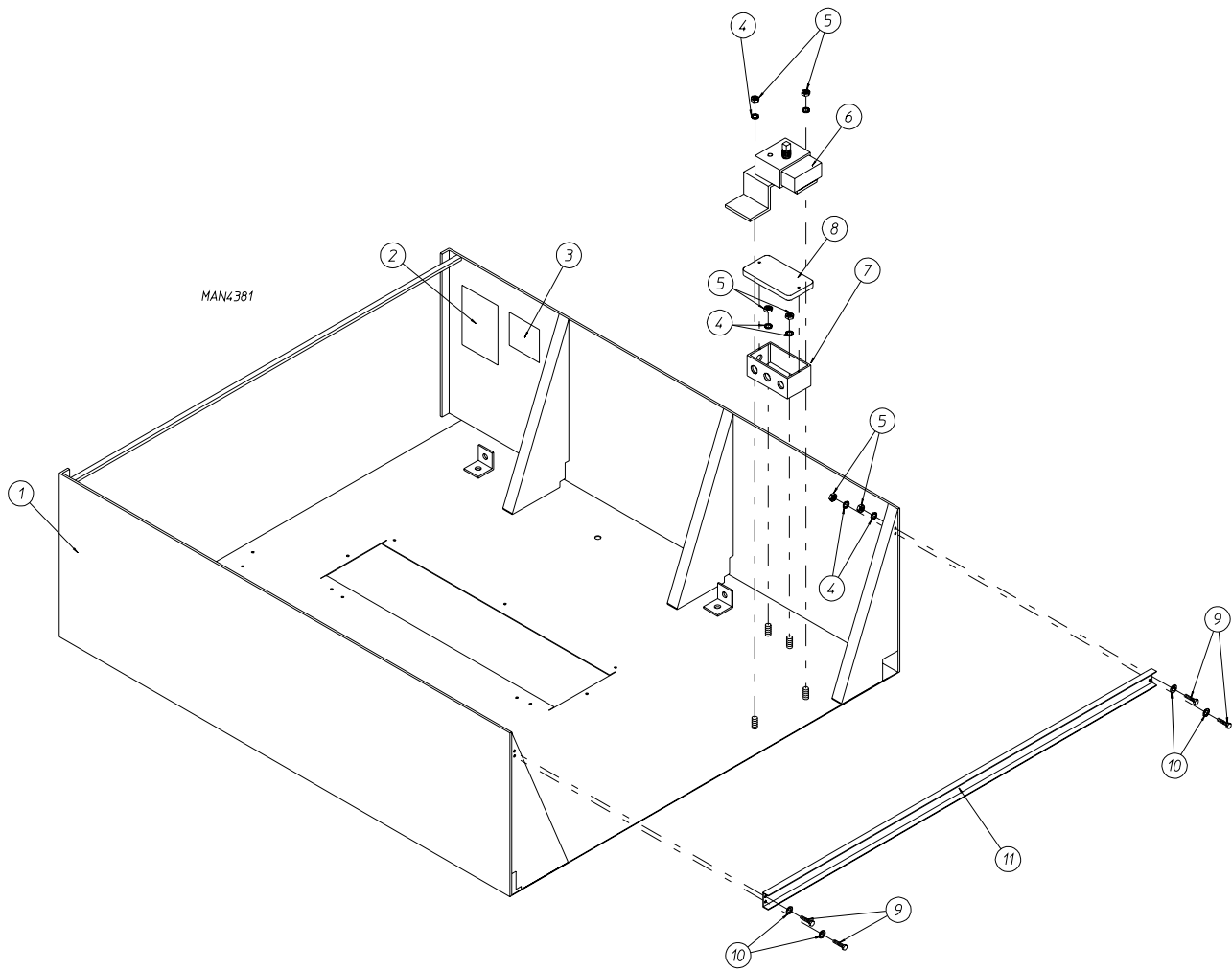
<u>Illus. No.</u>	<u>Part No.</u>	<u>Qty.</u>	<u>Description</u>
1	142929	1	1-1/2" to 1" Reducing Coupling
2	332117	1	Pipe Bracket
3	150309	33	#10-16 x 1/2" Hex Head TEK Crimptite Screw
4	142817	1	1" x 28-1/2" Pipe
5	141302	1	1" Union Shutoff
6	142724	1	1" x 2" Nipple
7	142602	1	1" Union
8	142581	2	1" x 5" Nipple
9	142548	1	1" x 90° Elbow
10	881597	1	Hot Surface Ignitor
11	332487	1	Gas Pipe Bracket Straight Extended
12	140017	1	1" x 1" 24 VAC Redundant (natural gas) Gas Valve ONLY
	882945	1	1" 24 VAC Gas Valve Liquid Propane (L.P.)
13	319014	1	Gas Valve Pipe Bracket
14	141239	1	4-Port Manifold ONLY
15*	140839	4	#2 Burner Orifice (natural gas) ONLY
	140820	4	#29 Burner Orifice Liquid Propane (L.P.) Gas ONLY
16	390169	1	Hot Surface Ignition (HSI) Module Mounting Bracket/Manifold Rest
17	881492	4	Burner Tube ONLY
18	332121	1	Burner Tube Support ONLY
19	-----	1	Sail Switch (refer to Sail Switch Assembly on page 19)
20	390170	1	Hot Surface Ignition (HSI) Burner Box Cover Plate ONLY
21	331290	1	Sight Hole Disc ONLY
22	128921	1	Hot Surface Ignition (HSI) Flame Sensor
23	151000	2	#6-32 Pal Nut
24	130201	1	330° Manual Reset Hi-Limit ONLY
25	150005	2	#6-32 x 1/4" Phillips Round Head Machine Screw
26	835152**	1	Natural Gas Burner Assembly Complete Less Orifices (includes illus. nos. 1 through 14 and 16 through 29) For Models Mfd. with Natural Gas ONLY
	819062**	1	Liquid Propane (L.P.) Burner Assembly Complete Less Orifice (includes illus. nos. 1 through 14 and 16 through 29)
	820904	1	Burner Box ONLY
	882118*	1	ML-175 Liquid Propane (L.P.) Conversion Kit
27	821457	1	Hi-Limit Mounting Bracket ONLY
28	881797	1	Hot Surface Ignition (HSI) Module II
29	151001	2	#8-32 Pal Nut

* Consult factory for elevations over 2,000 feet.

** Orifices *are not included* and **must be** ordered separately.

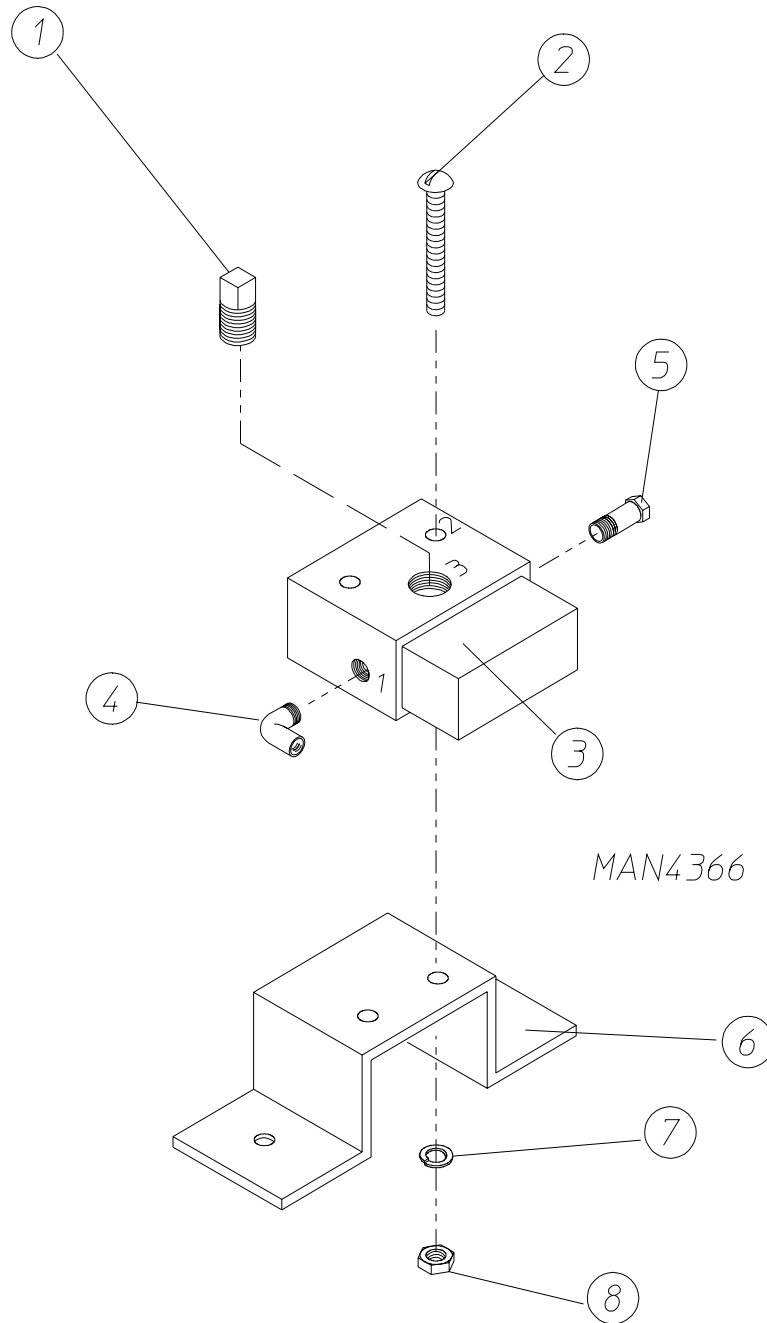


<u>Illus. No.</u>	<u>Part No.</u>	<u>Qty.</u>	<u>Description</u>
1	165017	1	Steam Coil ONLY (copper)
2	153002	6	5/16" Lock Washer
3	152004	6	5/16-18 Hex Nut
4	152002	4	1/4-20 Hex Nut
5	153007	4	1/4" Lock Washer
6	820321	2	Steam Damper Hinge Assembly
7	820994	1	Steam Damper Assembly (includes illus. nos. 7, 10, and 11)
8	153007	4	1/4" Lock Washer
9	152002	4	1/4-20 Hex Nut
10	115995	96	Steam Damper Gasket (sold by the inch)
11	102350	2	Steam Damper Foam (68-1/2" length)
12	151007	1	7/16-20 Stainless Steel Acorn Nut
13	100499	1	1-1/2" Bore x 3" Stroke Piston
14	100500	1	Piston Support Bracket
15	152002	4	1/4-20 Hex Nut
16	153007	4	1/4" Lock Washer
17	100472	1	1/4" x 1/8" M.P.T. Male Connector
18	143110	1	1/4" Poly-Flo Tubing (sold by the foot)



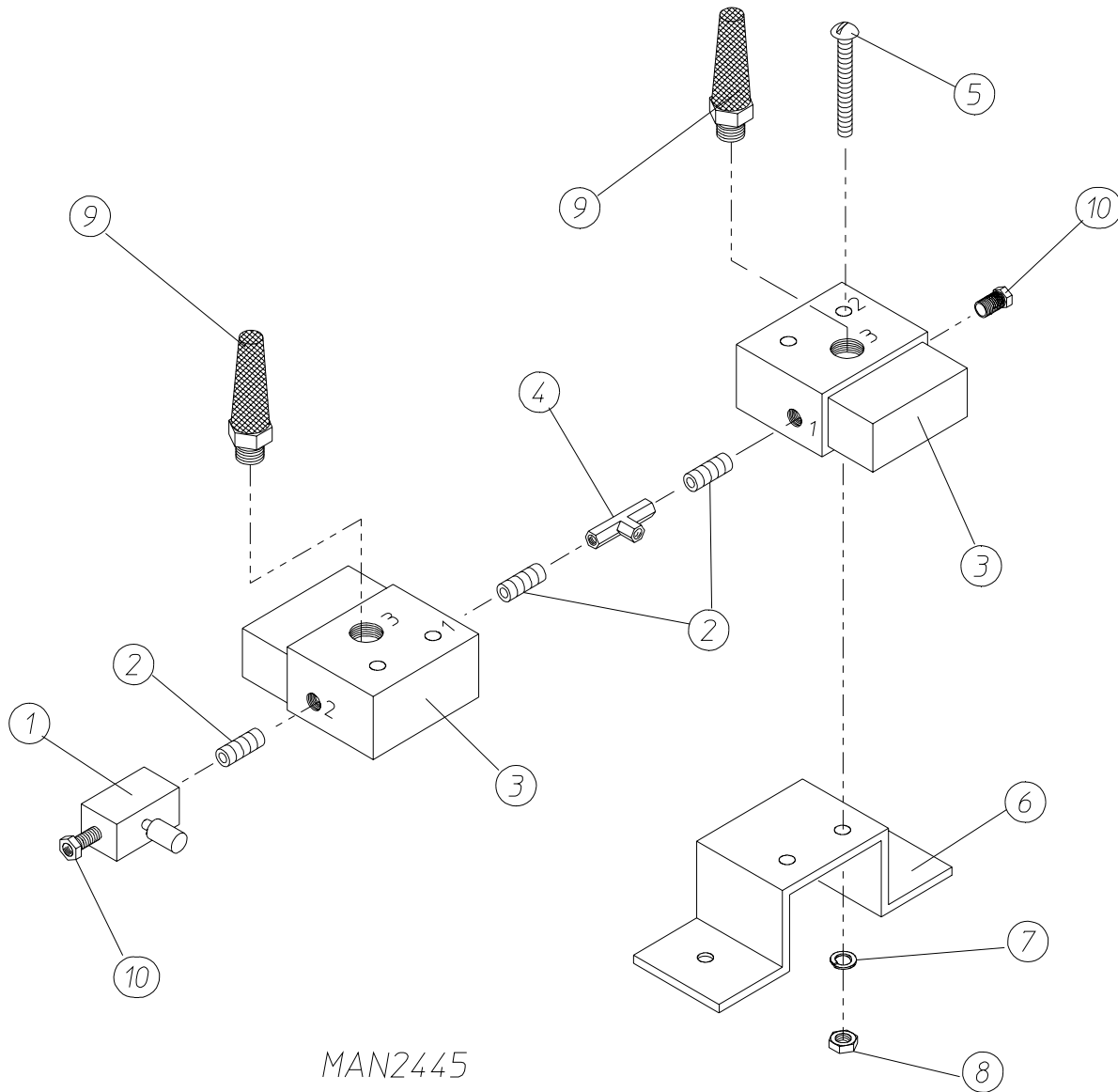
<u>Illus. No.</u>	<u>Part No.</u>	<u>Qty.</u>	<u>Description</u>
1	882499	1	White Top Console Assembly ONLY (for gas models Only)
	882500	1	Coral Wrinkle Blue Top Console Assembly ONLY (for gas models Only)
	882501	1	White Top Console Assembly ONLY (for steam models Only)
	882502	1	Coral Wrinkle Blue Top Console Assembly ONLY (for steam models Only)
2	112284	1	“Phase 6 OPL Program Location Summary” Label
3	-----	1	Dryer Data Label (not for resale by ADC)
4	153007	8	1/4” Lock Washer
5	152005	8	3/8-16 Hex Nut
6	821105	1	Pneumatic Valve Assembly ONLY (for gas models Only) Refer to Pneumatic Valve Assembly on page 27
	821104	1	Pneumatic Valve Assembly ONLY (for steam models Only) Refer to Pneumatic Valve Assembly on page 28
7	121104	1	2” x 4” Junction Box ONLY
8	121105	1	Junction Box Cover ONLY
9	150615	4	1/4-20 x 3/4” Tap Bolt
10	153018	4	1/4” Flat Washer
11	332186	1	Control Door Hinge Channel

For Gas Models ONLY



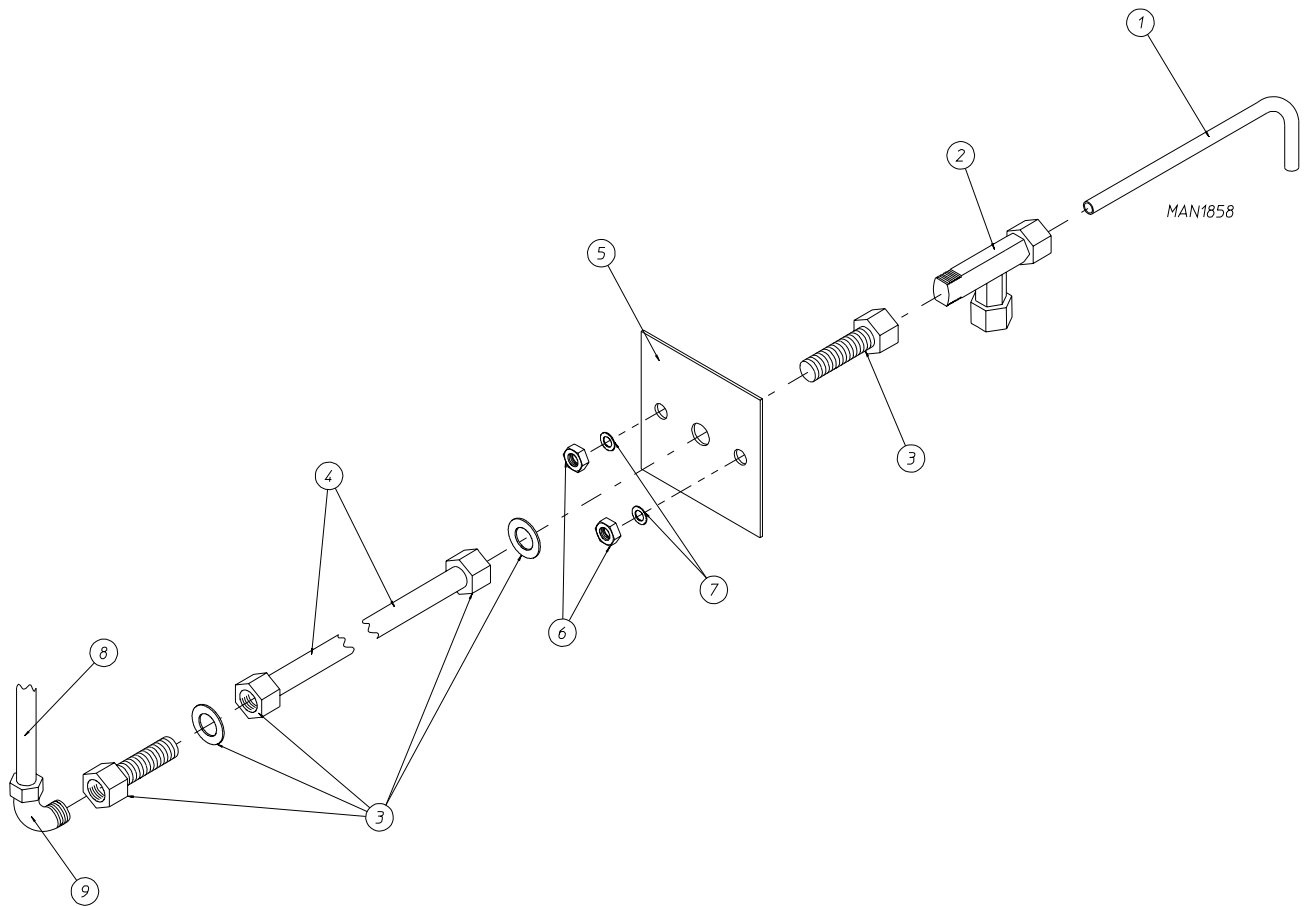
<u>Illus. No.</u>	<u>Part No.</u>	<u>Qty.</u>	<u>Description</u>
1	143250	1	1/8" M.P.T. Brass Plug
2	150002	1	#6-32 x 1" Slotted Machine Screw
3	100498	1	3-Way Micro Valve ONLY - 24 VAC
	821105	1	Pneumatic Valve Assembly Complete (includes illus. nos. 1 through 8)
4	143149	1	1/4" Poly x 1/8" M.P.T. x 90° Elbow
5	100472	1	1/4" x 1/8" M.P.T. Male Connector
6	330987	1	Micro Valve Support Bracket ONLY
7	153010	1	#6 Star Washer
8	152000	1	#6-32 Hex Nut

For Steam Models ONLY

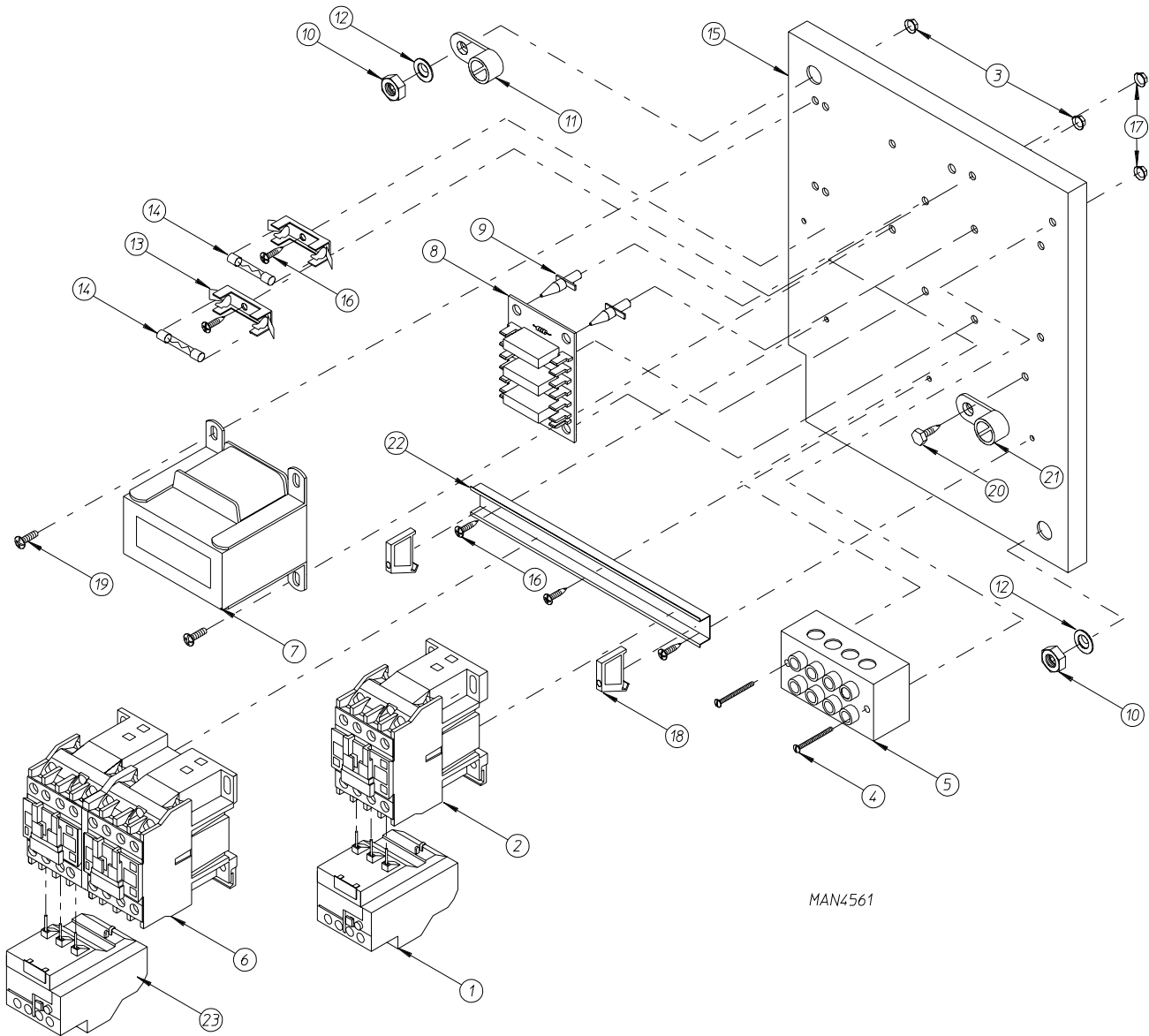


MAN2445

<u>Illus. No.</u>	<u>Part No.</u>	<u>Qty.</u>	<u>Description</u>
1	100496	1	1/8" Needle Valve
2	143238	3	1/8" Close Nipple
3	100498	2	3-Way Micro Valve ONLY - 24 VAC
	821104	1	Pneumatic Valve Assembly Complete (includes illus. nos. 1 through 10)
4	143223	1	1/8" F.P.T. Brass Tee
5	150002	2	#6-32 x 1" Slotted Machine Screw
6	330987	1	Micro Valve Support Bracket ONLY
7	153010	2	#6 Star Washer
8	152000	2	#6-32 Hex Nut
9	100520	2	1/8" N.P.T. Silencer (muffler)
10	100472	2	1/4" x 1/8" M.P.T. Male Connector

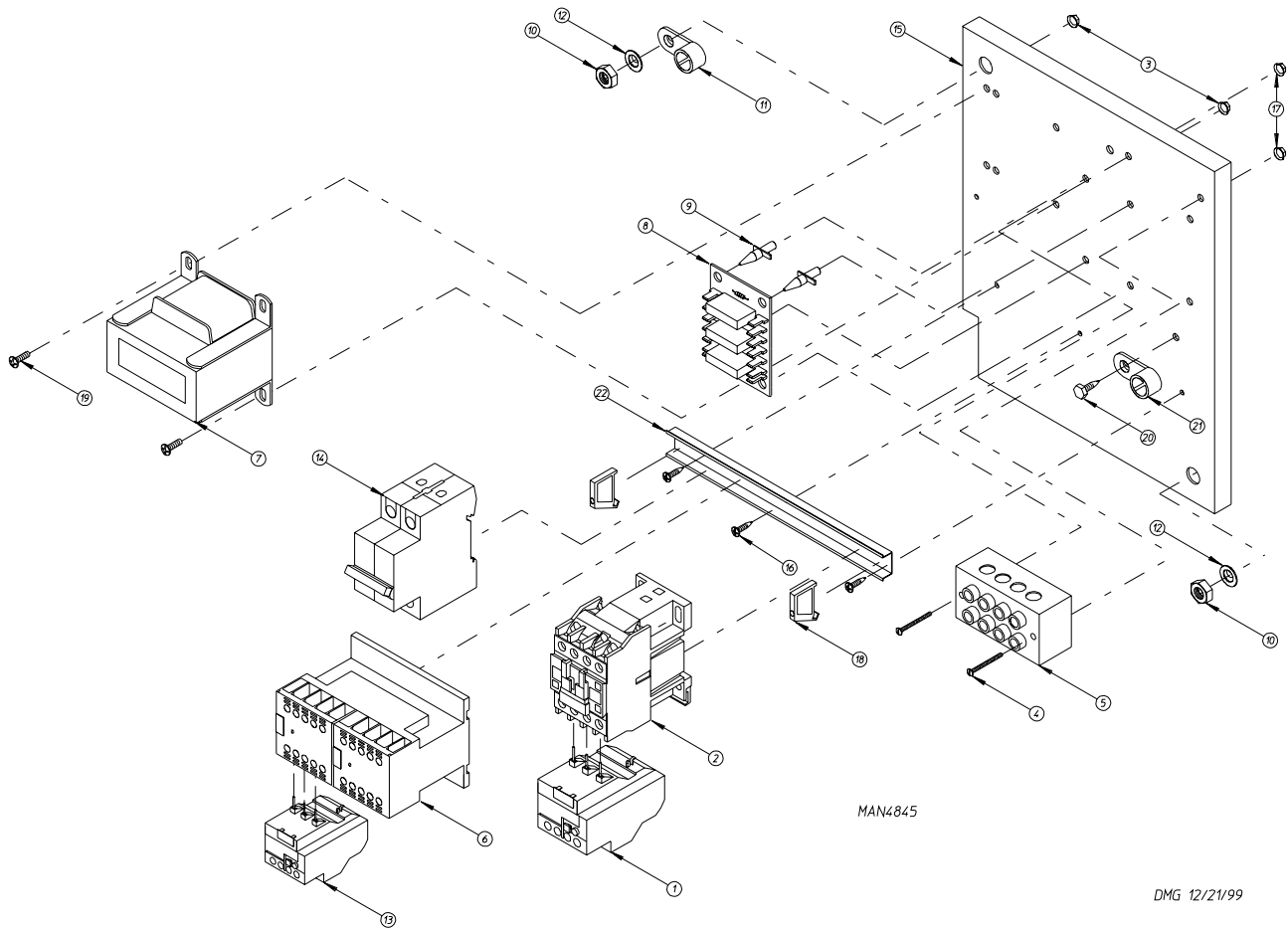


<u>Illus. No.</u>	<u>Part No.</u>	<u>Qty.</u>	<u>Description</u>
1	332700	1	Air Jet Tube ONLY
2	143287	1	1/4" x 1/8" M.P.T. Male Run Tee
3	143259	2	1/4" x 1/8" F.P.T. Bulkhead Fitting
4	143100	3	1/4" Aluminum Tube (sold by the foot)
5	821081	1	Air Jet Mounting Plate ONLY (includes illus. nos. 1 through 9)
	332531	1	Air Jet Mounting Plate ONLY
6	152002	2	1/4-20 Hex Nut
7	153007	2	1/4" Lock Washer
8	143110	5	1/4" Poly-Flo Tubing (sold by the foot)
9	143149	1	1/4" x 1/8" M.P.T. x 90° Elbow



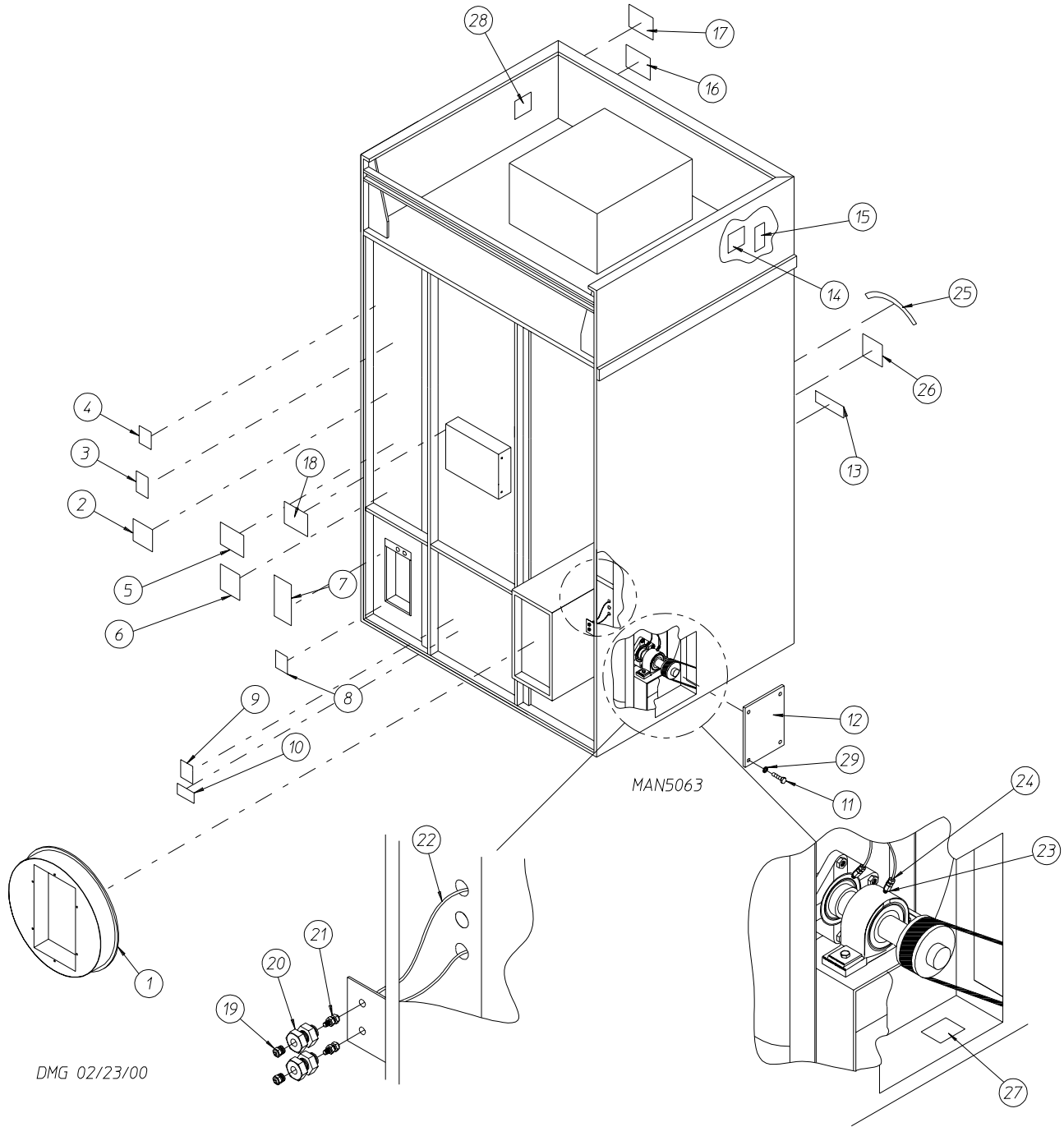
208-240v

<u>Illus. No.</u>	<u>Part No.</u>	<u>Qty.</u>	<u>Description</u>
1	132439	1	Blower Motor Overload
2	132465	1	24 VAC Contactor
3	151001	2	#8-32 Pal Nut
4	150008	2	#6-32 x 1-1/4" Slotted Round Head Machine Screw
5	120701	1	4-Position Terminal Block
6	132434	1	D-Line Reversing Contactor (for models mfd. as of April 20, 1999)
	132448	1	K-Line Reversing Contactor - 24 VAC (for models mfd. prior to April 20, 1999)
7	835148	1	208-240v 3 ϕ 60 Hz Transformer (for gas models Only)
	819057		208-240v 3 ϕ 60 Hz Transformer (for steam models Only)
8	137060	1	Arc Suppressor (A.S.) Board (3)
9	137013	4	Nylon Standoff
10	152004	2	5/16-18 Hex Nut
11	121012	1	Terminal/Ground Lug
12	153002	1	5/16" Lock Washer
13	136008	2	Fuse Block/Holder
14	136057	2	1/2-Amp (Slo-Blo) Fuse ONLY
15	332346	1	Contactor/Relay Mounting Panel ONLY
	819072		208-240v 3 ϕ 60 Hz Reversing Relay Panel Assembly For Gas Models ONLY (includes illus. nos. 1 through 23)
	819060		208-240v 3 ϕ 60 Hz Reversing Relay Panel Assembly For Steam Models ONLY (includes illus. nos. 1 through 23)
16	150301	2	#8-18 x 7/16" Phillips Pan Head TEK Screw
17	151000	2	#6-32 Pal Nut
18	120765	2	End Stop/Bracket
19	150108	2	#8-32 x 1/2" Phillips Pan Head Machine Screw
20	150297	1	#10 x 1/2" Hex Washer TEK Screw
21	121010	1	L-70 Ground Lug
22	120768	8	Din Mounting Rail (sold by the inch)
23	132467	1	9-13-Amp Drive Motor Overload 208-240v



460v and 575v

<u>Illus. No.</u>	<u>Part No.</u>	<u>Qty.</u>	<u>Description</u>
1	132467	1	9-13-Amp Overload (460v 3 ϕ 60 Hz)
	132436	1	7-10-Amp Overload (575v 3 ϕ 60 Hz)
2	132465	1	24 VAC Contactor
3	151001	2	#8-32 Pal Nut
4	150008	2	#6-32 x 1-1/4 Slotted Round Head Machine Screw
5	120701	1	4-Position Terminal Block
6	132448	1	“K Line” Reversing Contactor - 24 VAC
7	819004	1	460v Transformer Assembly
	837003	1	575v Transformer Assembly
8	137060	1	Arc Suppressor (A.S.) Board (3)
9	137013	4	Nylon Standoff
10	152004	2	5/16-18 Hex Nut
11	121012	1	Terminal/Ground Lug
12	153002	2	5/16” Lock Washer
13	132474	1	3.8-5.5A Overload (460v 3 ϕ 60 Hz)
	132457	1	2.6-3.7A Overload (575v 3 ϕ 60 Hz)
14	135501	1	1-Amp Double-Pole Circuit Breaker
15	332346	1	Relay Panel
	819003	1	460v 3 ϕ 60 Hz Reversing Relay Panel Assembly (includes illus. nos. 1 through 22)
	819998	1	575v 3 ϕ 60 Hz Reversing Relay Panel Assembly (includes illus. nos. 1 through 22)
16	150301	3	#8-18 x 7/16” Phillips Pan Head TEK Screw
17	151000	2	#6-32 Pal Nut
18	120765	2	End Stop
19	150108	2	#8-32 x 1/2” Phillips Pan Head Machine Screw
20	150297	1	#10 x 1/2” Hex Washer TEK Green
21	121010	1	L-70 14-4 Terminal Lug
22	120768	8	Din Mounting Rail (sold by the inch)



<u>Illus. No.</u>	<u>Part No.</u>	<u>Qty.</u>	<u>Description</u>
1	821793	1	Square Duct to 20" Round Duct Transition Piece Assembly with Optional Damper (steam)
	821956	1	Square Duct to 20" Round Duct Transition Piece Assembly (steam)
	821092	1	Square Duct to 18" Round Duct Transition Piece Assembly (gas)
	821720	1	Square Duct to 18" Round Duct Transition Piece Assembly with Optional Damper (gas)
2	-----	1	Wiring Diagram for Machine (contact factory with model and serial number)
3	112046	1	"Computer Ground" Label
4	114005	1	"DANGER - Hot" Label
5	112519	1	"Routine Maintenance" Label
6	114044	1	"High Voltage" Label
7	114007	1	"DANGER - High Voltage" Label
8	112014	1	"High Voltage" Label
9	114008	1	"WARNING - Fumes" Label
10	114001	1	"CAUTION - Exhaust/Lint Screen" Label
11	150512	4	1/4-20 x 1/2" Hex Head Machine Bolt
12	332309	1	Side Access Panel
13	112280	1	"Clean Lint Screen" Label
14	112017	1	"Address" Label (not for resale)
15	-----	1	"Serial Number" Label (not for resale)
16	-----	1	Wiring Diagram (contact factory with specific dryer serial number)
17	112284	1	"Phase 6 Program Location" Label
18	114093	1	"Important Manual Reset Hi-Limit" Label
19	170511	2	1/8" M.P.T. Zirc (grease) Fitting
20	143164	2	1/8" F.P.T. Bulkhead Fitting
21	100472	2	1/4" x 1/8" M.P.T. Male Connector
22	143115	4	1/4" Nylo-Seal Tube
23	100472	2	1/4" x 1/8" M.P.T. Male Connector
24	143246	2	1/4-28 x 18" F.P.T. Fitting
25	114095	1	"Do Not Dry Mop Heads" Label
26	114006	1	"WARNING - Fire Hazard" Label
27	114077	1	"Grease Instruction" Label
28	114093	1	"Important Manual Reset Hi-Limit" Label
29	153007	4	1/4" Lock Washer

ADC450071

1 - 03/09/00-25
4 * 12/17/02-25

2 - 06/05/00-25

3 * 01/04/01-25

