



AD-235 PARTS MANUAL

Single or Dual Coin Models
Direct Spark Ignition (DSI) Gas Models
120 VAC or 230 VAC

(for models mfd. between 1989 and 1991)

American Dryer Corporation

88 Currant Road

Fall River, MA 02720-4781

Telephone: (508) 678-9000 / Fax: (508) 678-9447

E-mail: techsupport@amdry.com

Retain This Manual In A Safe Place For Future Reference

American Dryer Corporation products embody advanced concepts in engineering, design, and safety. If this product is properly maintained, it will provide many years of safe, efficient, and trouble-free operation.

ONLY qualified technicians should service this equipment.

OBSERVE ALL SAFETY PRECAUTIONS displayed on the equipment or specified in the installation/operator's manual included with the dryer.

The following “**FOR YOUR SAFETY**” caution **must be** posted near the dryer in a prominent location.

FOR YOUR SAFETY

Do not store or use gasoline or other flammable vapors or liquids in the vicinity of this or any other appliance.

POUR VOTRE SÉCURITÉ

Ne pas entreposer ni utiliser d'essence ni d'autres vapeurs ou liquides inflammables dans le voisinage de cet appareil ou de tout autre appareil.

We have tried to make this manual as complete as possible and hope you will find it useful. **ADC** reserves the right to make changes from time to time, without notice or obligation, in prices, specifications, colors, and material, and to change or discontinue models.

Important

For your convenience, log the following information:

DATE OF PURCHASE _____ MODEL NO. **AD-235**

DISTRIBUTORS NAME _____

Serial Number(s) _____

Replacement parts can be obtained from your distributor or the **ADC** factory. When ordering replacement parts from the factory, you can FAX your order to **ADC** at (508) 678-9447 or telephone your orders directly to the **ADC** Parts Department at (508) 678-9000. Please specify the dryer **model number** and **serial number** in addition to the **description** and **part number**, so that your order is processed accurately and promptly.

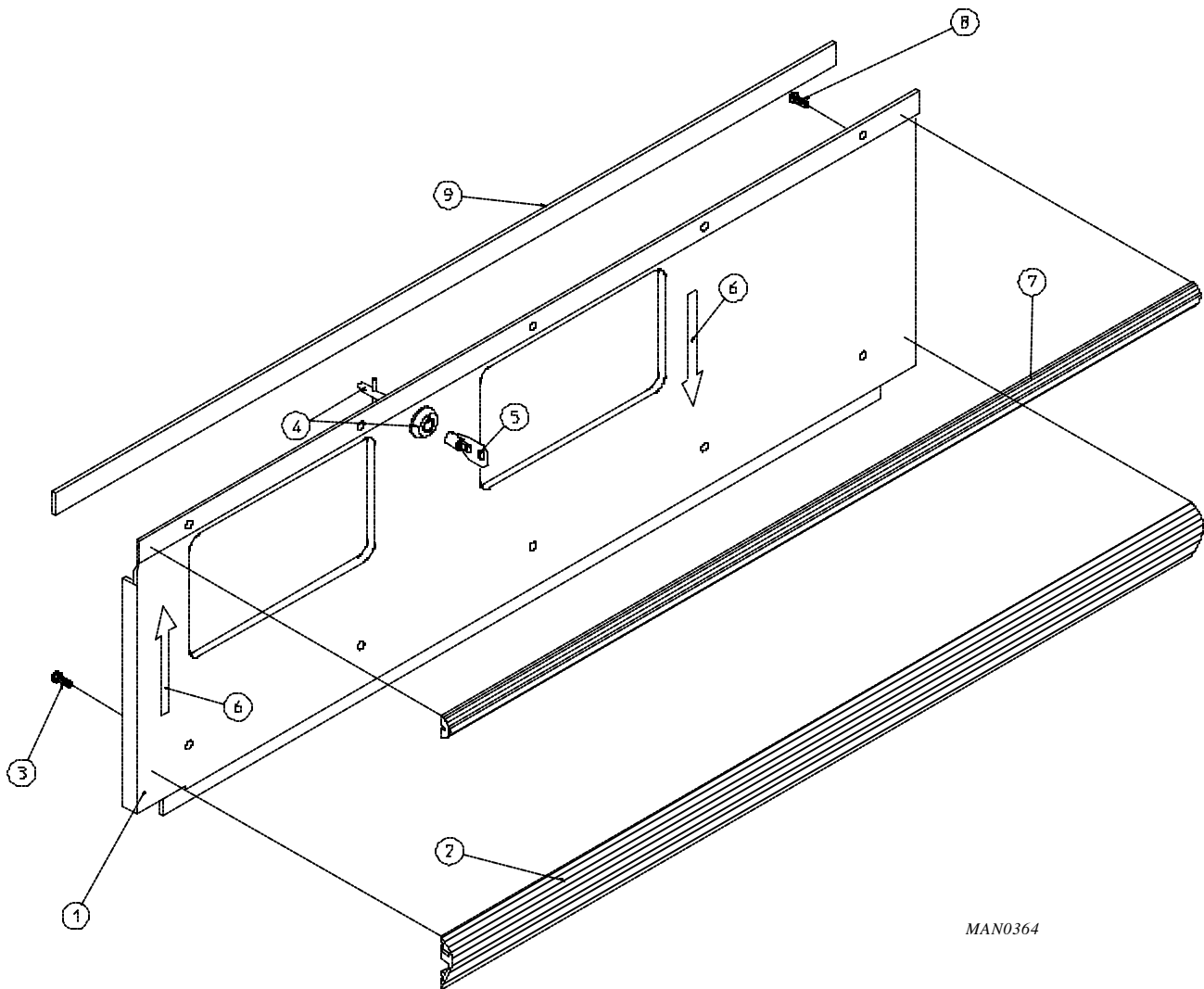
The illustrations on the following pages may not depict your particular dryer exactly. The illustrations are a composite of the various dryer models. Be sure to check the descriptions of the parts thoroughly before ordering.

“IMPORTANT NOTE TO PURCHASER”

Information must be obtained from your local gas supplier on the instructions to be followed if the user smells gas. These instructions must be posted in a prominent location near the dryer.

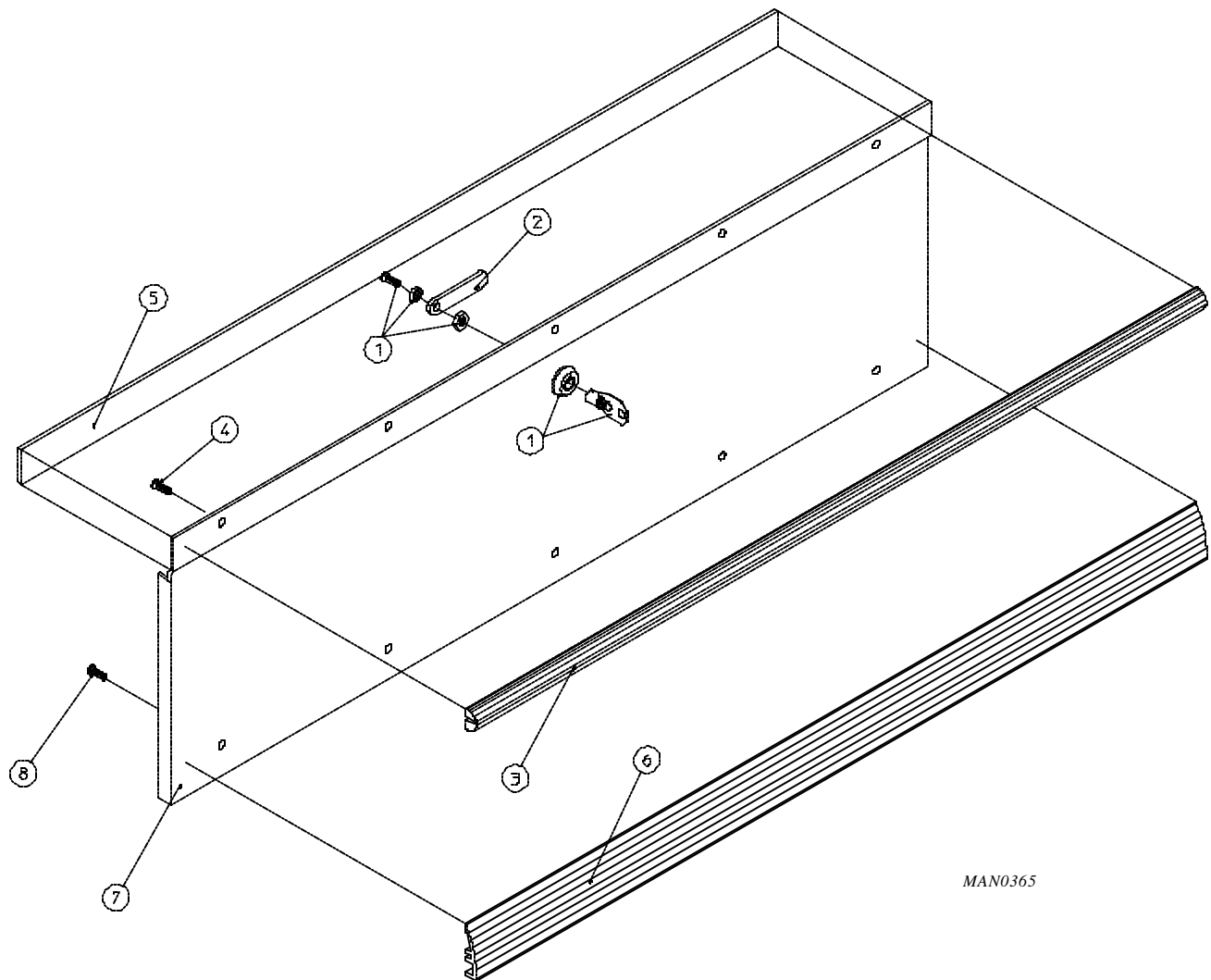
Table of Contents

Control Door Assembly	2
Lower Service Door Assembly	3
Coin Microprocessor Control Panel/Box Assemblies	4, 5
Front Panel Assembly	6
N. S. Series Main Door Switch Assembly	7
Main Door Assembly	8
Lint Drawer Assembly	9
Basket (Tumbler)/Support Assemblies	10, 11
Sensor Bracket Assembly	12
Idler Bearing Assembly	13
Tumbler Bearing Assembly	14, 15
Totally Enclosed, Fan-Cooled Motor Mount Assembly	16, 17
Direct Spark Ignition (DSI) Gas Valve/Burner Assembly	18, 19
Gas Piping Assembly	20
Sail Switch Assembly	21
Gas Burner Chamber Assembly	22
Exhaust Ducting Assembly	23
Back Guard Assembly	24
Microprocessor Coin Acceptor Listing	25
Additional Parts Available	26



<u>Illus. No.</u>	<u>Part No.</u>	<u>Qty.</u>	<u>Description</u>
1*	880249	1	Control Door Assembly Complete without Lock (includes illus. nos. 1 through 3 and 7 through 9)
2	180313	1	Lower Black Trim Strip (28-3/8" length)
3	150201	5	#10-32 x 1/4" Phillips Round Head Machine Screw
4	160040	1	ACE® Lock Assembly ONLY without Key
5	160140	1	ACE® Key ONLY (key no. XX4451)
6	112077	2	"Arrow" Label
7	180305	1	Upper Black Trim Strip (28-3/8" length)
8	150201	5	#10-32 x 1/4" Phillips Round Head Machine Screw
9	117604	3	Neoprene Sponge Tape (sold by the foot)

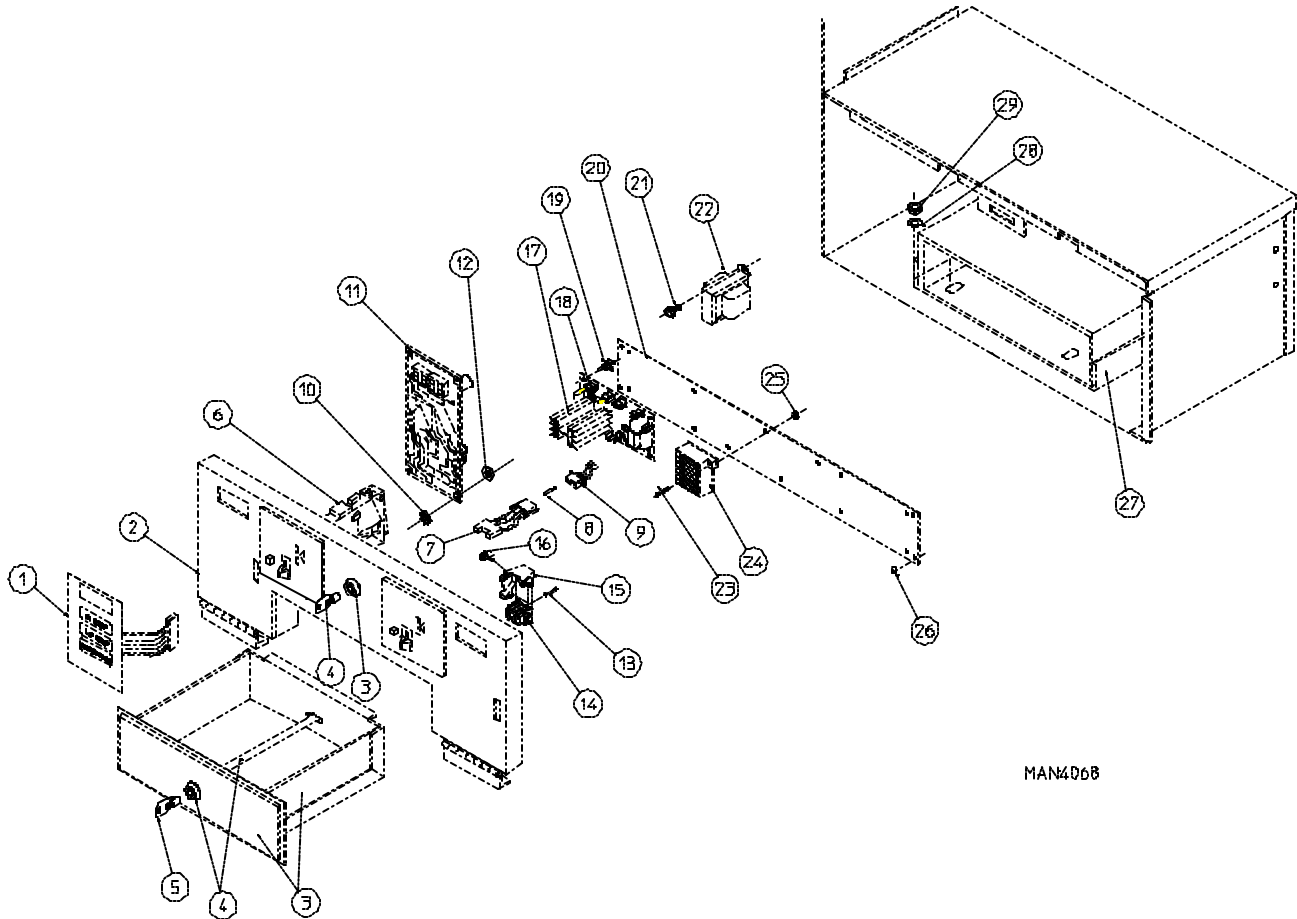
* Specify color when ordering.



MAN0365

<u>Illus. No.</u>	<u>Part No.</u>	<u>Qty.</u>	<u>Description</u>
1	160001	1	AD-100 Lock Assembly ONLY with Key
	160103	1	AD-100 Key ONLY
2	160016	1	1-1/4" Lock Cam ONLY
3	180305	1	Upper Black Trim Strip (28-3/8" length)
4	150201	5	#10-32 x 1/4" Phillips Round Head Machine Screw
5	117604	3	Neoprene Sponge Tape (sold by the foot)
6	180313	1	Lower Black Trim Strip (28-3/8" length)
7*	880260	1	Lower Service Door Assembly Complete Less Lock (includes illus. nos. 3 through 8)
8	150201	5	#10-32 x 1/4" Phillips Round Head Machine Screw

* Specify color when ordering.



NOTE: DUPLICATE ALL COMPONENTS ON RIGHT HAND SIDE OF CONTROL PANEL/BOX.

<u>Illus. No.</u>	<u>Part No.</u>	<u>Qty.</u>	<u>Description</u>
1	112526	1	Coin Keyboard (Touchpad) Label Assembly
2	800157	1	Phase 4.1 Control Panel Assembly (includes illus. nos. 1, 2, 10, 11, and 12)
	800103	1	Phase 4.1 Control Panel Assembly with Battery Option (includes illus. nos. 1, 2, 10, 11, and 12)
3	802142	1	Standard Coin Box Assembly Complete (includes illus. nos. 5 through 7 Only)
	802143	1	High Security Coin Box Assembly Complete (includes illus. nos. 5 through 7 Only)
4*	160042	1	ACE® Standard Coin Box Lock Assembly ONLY with Key
	160043	1	ACE® High Security Coin Box Lock Assembly ONLY with Key
	160022	1	High Security Coin Box Lock Assembly ONLY with Key
5*	160112	1	Key ONLY (for Standard Coin Box Lock)
	160113	1	Key ONLY (for High Security Coin Box Lock)

<u>Illus. No.</u>	<u>Part No.</u>	<u>Qty.</u>	<u>Description</u>
6	-----	1	Microprocessor Coin Acceptor (refer to Microprocessor Coin Acceptor Listing on page 26)
7	137056	1	Optical Switch ONLY (Greenwald)
8**	137021	3	Microprocessor Socket ONLY
	112800	1	Microprocessor (female) Pin Extraction Tool
9	137023***	1	Optical Switch Connector ONLY
	865050	1	Single Coin Optic Switch Harness ONLY
	865051	1	Dual Coin Optic Switch Harness ONLY
10	153012	4	#8 Star Washer
11	137130	1	Phase 4.1 Coin Microprocessor Controller (computer) ONLY
	137031	1	Phase 4.1 Coin Microprocessor Controller (computer) ONLY with Battery Clip
12	152001	4	#8-32 Hex Nut
13	137021	15	Microprocessor Socket ONLY
14	137020	1	15-Pin Microprocessor Connector ONLY
15	137022	1	15-Pin Strain Relief
16	150315	1	#6 x 3/8" Phillips Pan Head Screw
17	136151	1	Solid State Relay Board
18****	136057	***	1/2-Amp (Slo Blo) Fuse
19	137013	4	Nylon Standoff
20	800196	1	ADG-235 Control Panel/Box Assembly Complete (includes illus. nos. 17 through 21, 24, and 25) For Gas Models ONLY
21	150300	2	#10 x 1/2" Hex Washer TEK Screw
22	141403	1	DSI (Direct Spark Ignition) Transformer - 24 VAC
23	150002	2	#6-32 x 1" Phillips Round Head Machine Screw
24	120715	1	30-Position Terminal Block
25	151000	2	#6-32 Pal Nut
26	151001	6	#8-32 Pal Nuts
27	802142	1	Standard Coin Vault ONLY
	802143	1	High Security Coin Vault ONLY
28*****	153018	4	1/4" Flat Washer
29	152014	4	1/4-20 Free Spin Washnut
	152002*****	4	1/4" Hex Nut

* Specify key number when ordering.

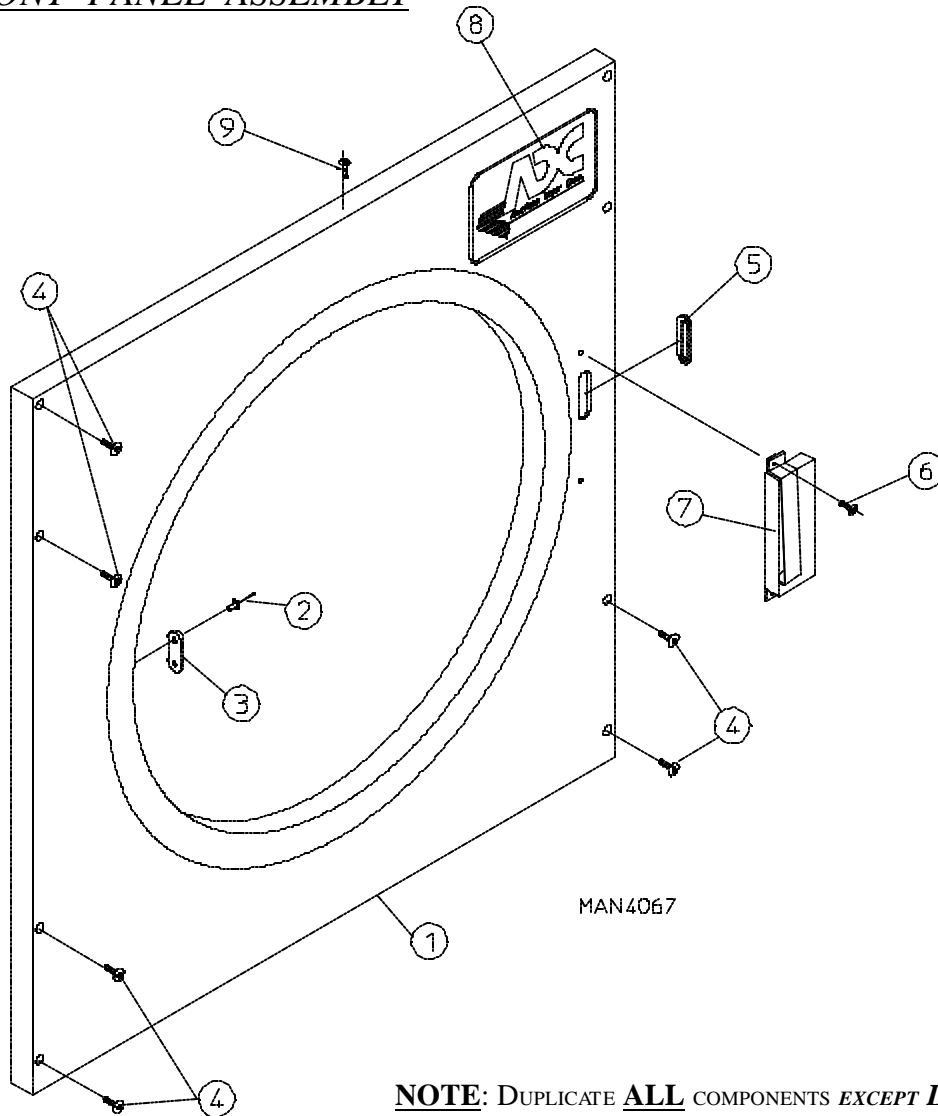
** Quantity is 3 or 6.

*** Quantity is 1 or 2.

**** Check fuse rating for verification.

***** For use on High Security Coin Vault ONLY.

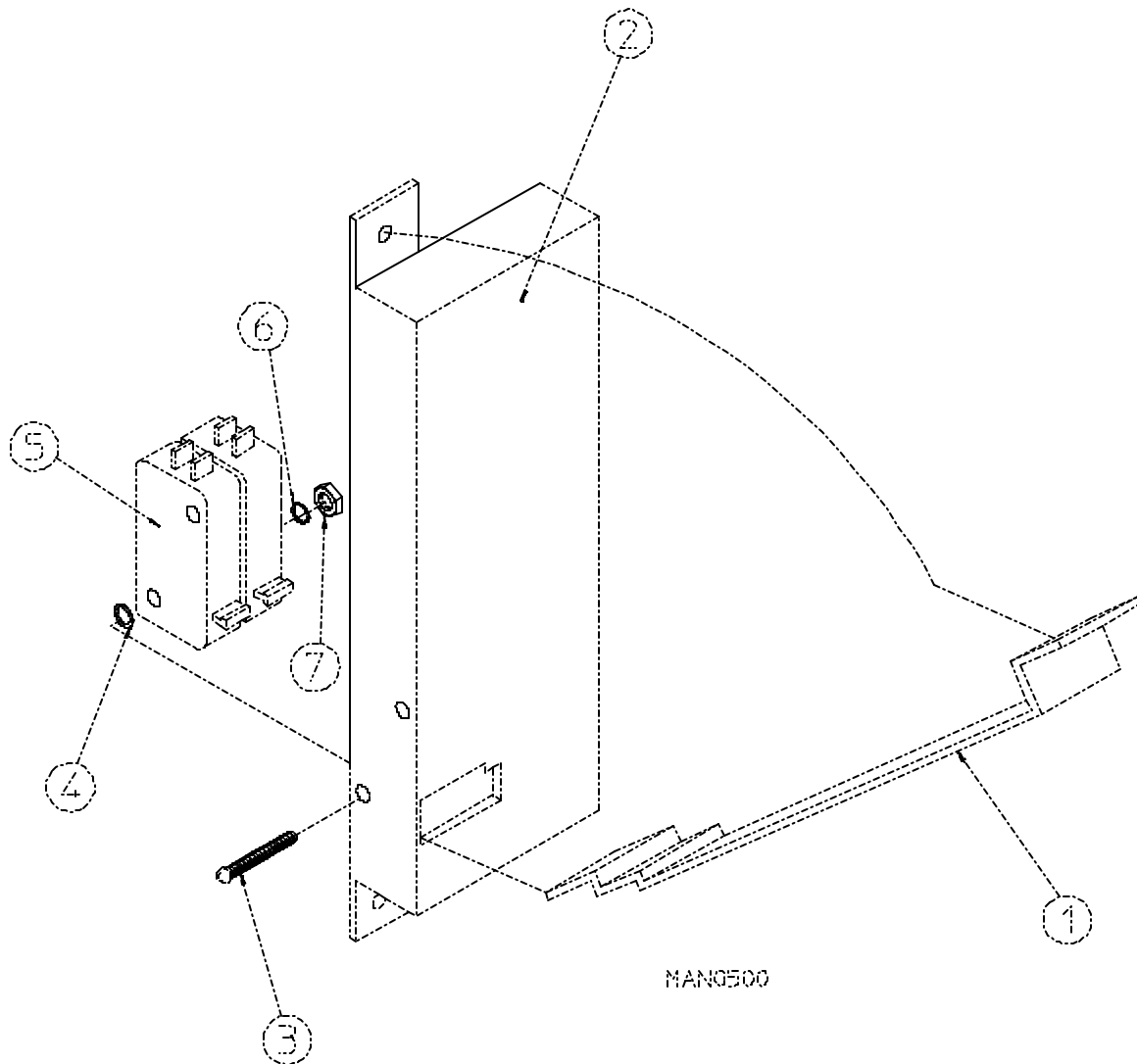
IMPORTANT: Check label on computer chip to verify correct part number for controller (computer).

UPPER FRONT PANEL ASSEMBLY

<u>Illus. No.</u>	<u>Part No.</u>	<u>Qty.</u>	<u>Description</u>
1*	800692	1	Right Hand Insulated Front Panel Assembly (includes illus. nos. 1, 2, 3, and 6)
2	154215	2	1/8" Pop Rivet
3	170330	1	Friction Door Catch
4	150309	8	#10-16 x 1/2" Hex Head TEK Crimptite Screw
5	121405	1	Rubber Grommet
6	150201	2	#10-16 x 1/2" Phillips Pan Head Machine Screw
7	-----	1	N.S. Series Main Door Switch (refer to N.S. Series Main Door Switch Assembly on page 7)
8	112350	1	ADC Logo ONLY
	870011	1	Logo Double Tape Kit
9	150300	1	#10 x 1/2" Hex Washer TEK Screw

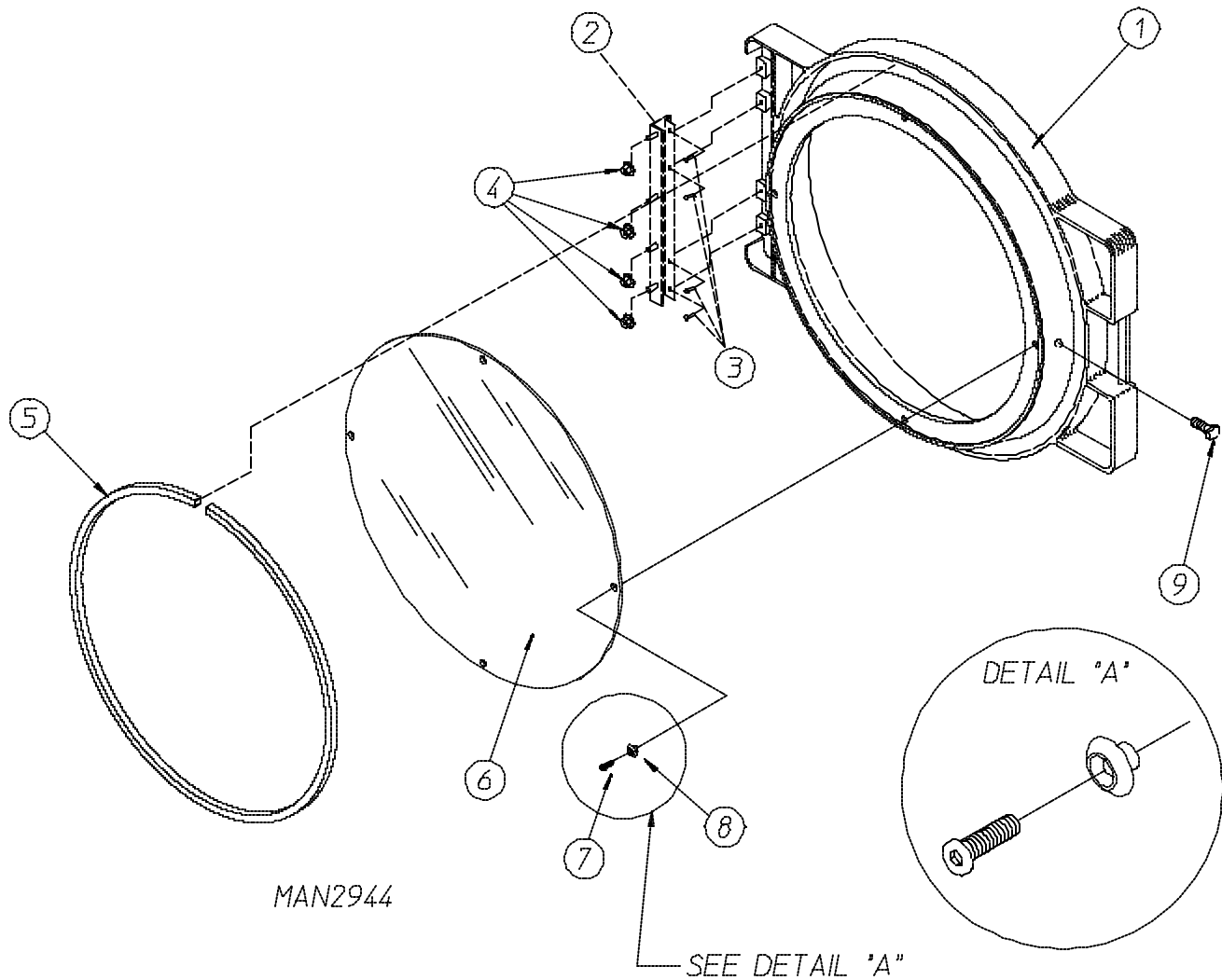
* Specify color when ordering.

UPPER MAIN DOOR SWITCH ASSEMBLY



NOTE: DUPLICATE **ALL** COMPONENTS FOR LOWER FRONT PANEL ASSEMBLY.

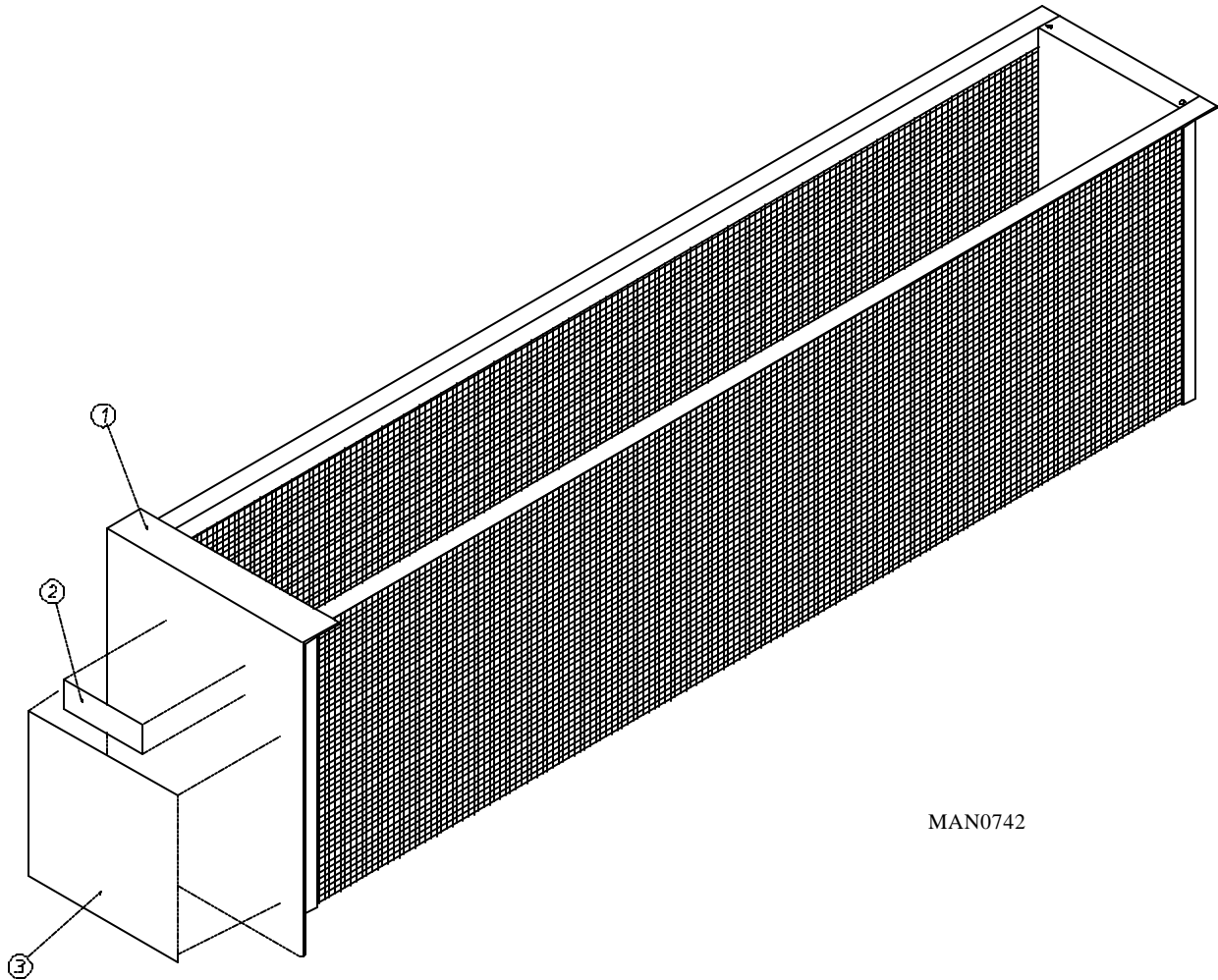
<u>Illus. No.</u>	<u>Part No.</u>	<u>Qty.</u>	<u>Description</u>
1	313215	1	Door Switch Actuator Arm
2	800445	1	N.S. Series Main Door Switch Assembly Complete (includes illus. nos. 1 through 7)
	313217	1	Main Door Switch Housing ONLY
3	150025	2	#4-40 x 1" Phillips Pan Head Machine Screw
4	153045	2	#4 Lock Washer
5	137003	2	N.S. Series Main Door Switch ONLY
6	153045	2	#4 Lock Washer
7	152016	2	#4-40 Hex Nut

UPPER MAIN DOOR ASSEMBLY

NOTE: DUPLICATE **ALL** COMPONENTS FOR LOWER MAIN DOOR ASSEMBLY.

<u>Illus. No.</u>	<u>Part No.</u>	<u>Qty.</u>	<u>Description</u>
1	881422	1	Black Plastic Main Door Assembly Complete with Mechanical Fasteners (includes illus. nos. 1 and 5 through 9)
2	800448	1	12-1/2" Stainless Steel Main Door Hinge Assembly
3	150410	4	#10-24 x 3/8" Phillips Pan Head Taptite Screw
4	152014	4	1/4-20 Free Spin Wash Nut
5	102349	1	Main Door Gasket
6	102212	1	20-7/16" Door Glass with (4) Holes
	170730	1	Main Door Glass Adhesive (10.3 oz. cartridge)
7	170319	4	1/2" Stainless Steel Flat Head Allen Screw
8	150448	4	Door Glass (Nylon) Spacer
9	150431	1	Main Door Latch Screw (#10 x 7/16" Dome Hex Head Screw)

UPPER LINT DRAWER ASSEMBLY

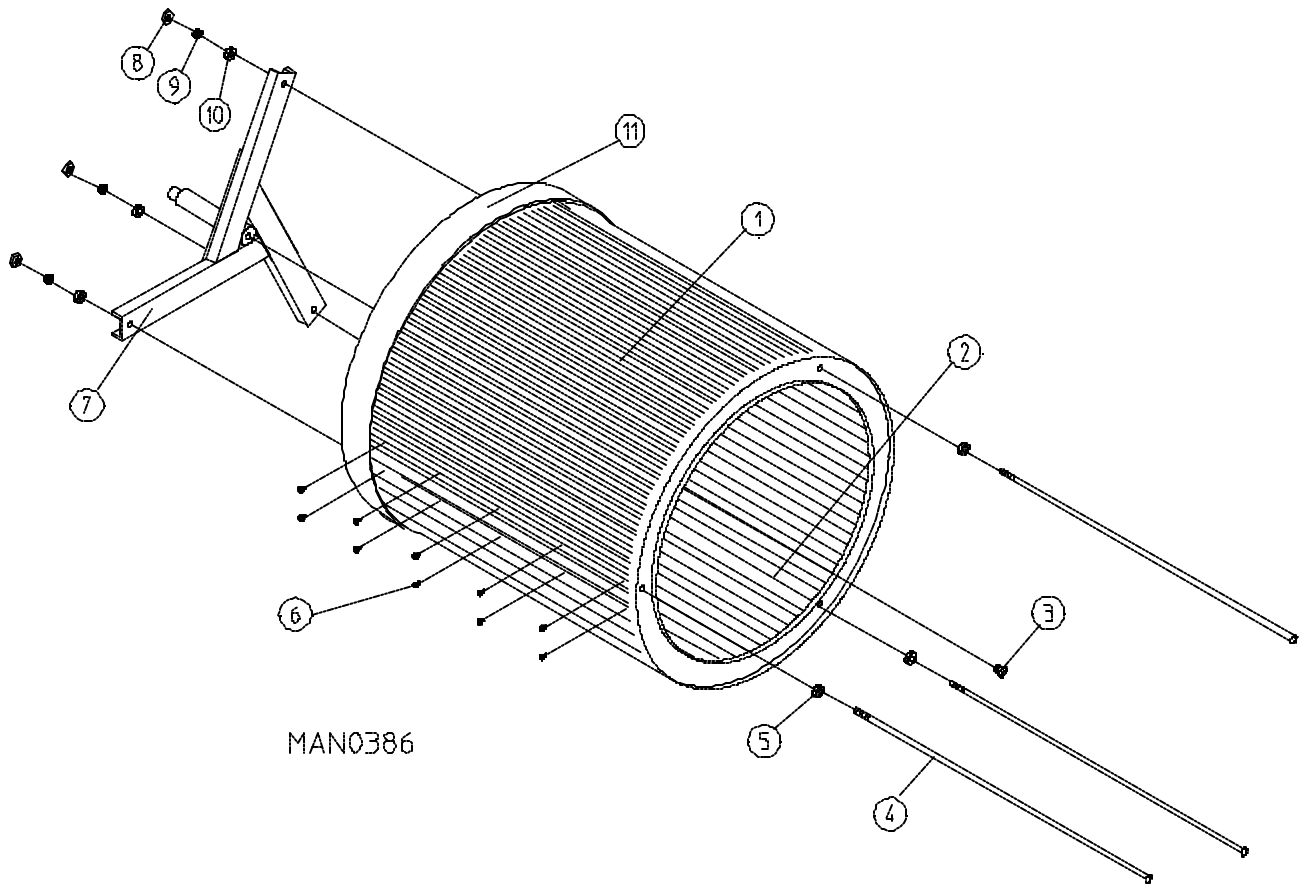


MAN0742

NOTE: DUPLICATE **ALL** COMPONENTS **EXCEPT PROGRAM LOCATION LABEL** FOR LOWER LINT DRAWER ASSEMBLY.

<u>Illus. No.</u>	<u>Part No.</u>	<u>Qty.</u>	<u>Description</u>
1	850667	1	Lint Drawer Assembly
2	112040	1	"Clean Lint Screen" Label
3	112530	1	"Coin Program Location Summary" Label

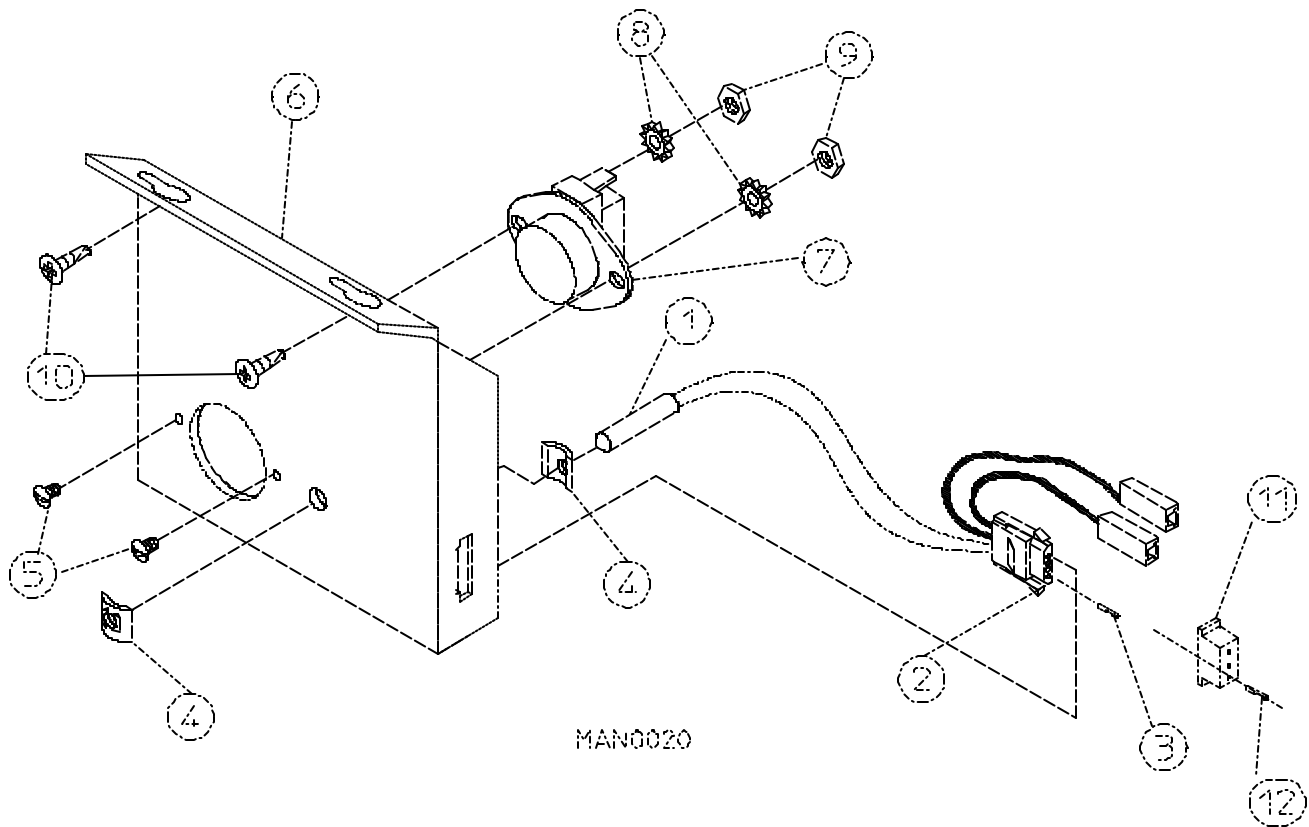
UPPER BASKET (TUMBLER)/SUPPORT ASSEMBLY



NOTE: DUPLICATE **ALL** COMPONENTS FOR LOWER BASKET (TUMBLER)/SUPPORT ASSEMBLIES.

<u>Illus. No.</u>	<u>Part No.</u>	<u>Qty.</u>	<u>Description</u>
1	800831	1	Basket (Tumbler) and Support Assembly Complete with Felt Collar (includes illus. nos. 1 through 11)
	800721*	1	Basket (Tumbler) ONLY (includes illus. nos. 1, 2, and 6)
	800891	1	Stainless Steel Basket (Tumbler) and Support Assembly Complete with Felt Collar (includes illus. nos. 1 through 11)
	800841*	1	Stainless Steel Basket (Tumbler) ONLY (includes illus. nos. 1, 2, and 6)
2	301315	2	Short Basket (Tumbler) Rib ONLY
	301316	1	Tall Basket (Tumbler) Rib ONLY
	301414	2	Stainless Steel Short Basket (Tumbler) Rib ONLY
	301415	1	Stainless Steel Tall Basket (Tumbler) Rib ONLY
3	150518	1	5/16-18 x 3/8" Socket Button Head Screw
4	100915	3	3/8-16 x 31" Tie Rod
5	153004	3	3/8" Flat Washer
6	154210	30	5/32" x 3/16" Pop Rivet
7	800617	1	Basket (Tumbler) Support ONLY
8	152005	3	3/8-16 Hex Nut
9	153005	3	3/8" Lock Washer
10	153004	3	3/8" Flat Washer
11	116003	1	Felt Collar ONLY
	401010	1	#847 Adhesive for Felt Collar (5 oz. tube)

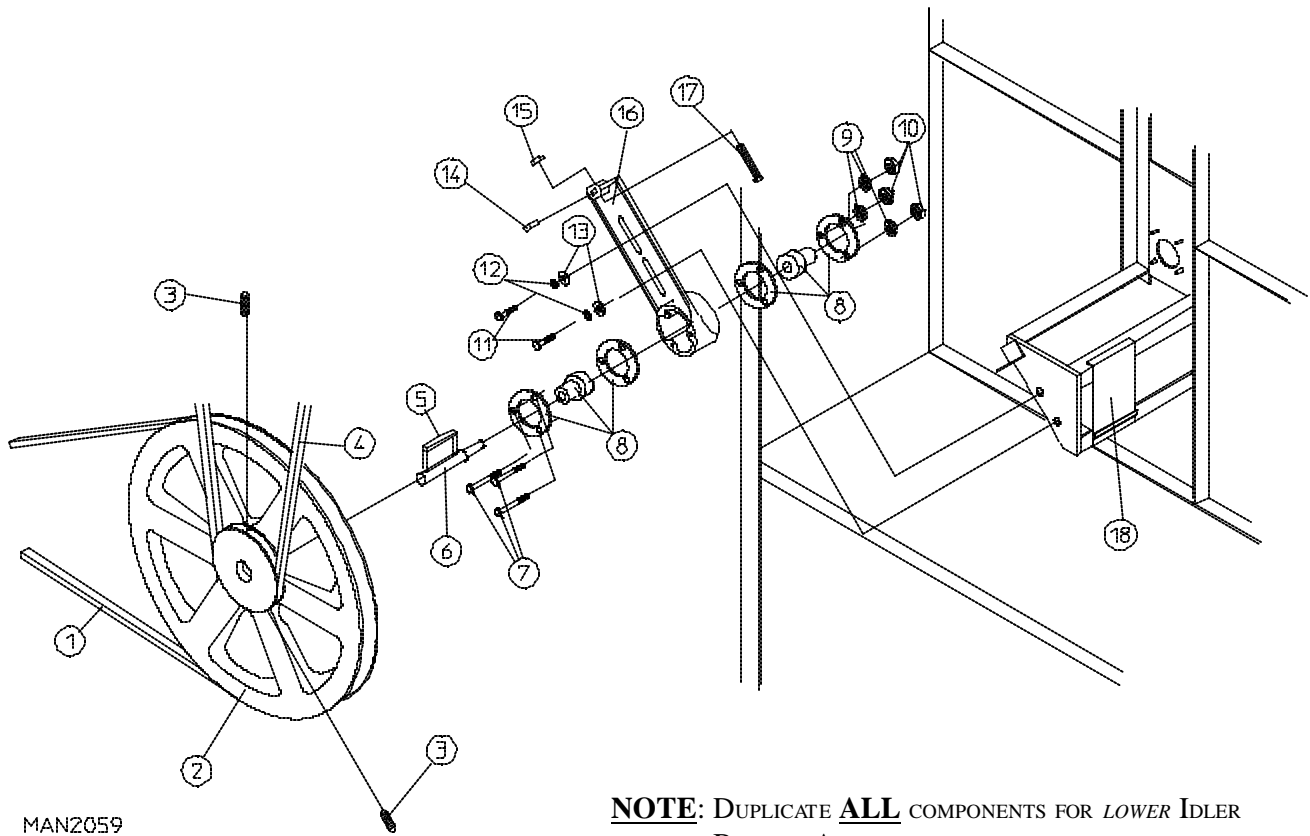
* Felt collar *is not included* and **must be** ordered separately.

UPPER SENSOR BRACKET ASSEMBLY

NOTE: DUPLICATE **ALL** COMPONENTS FOR LOWER SENSOR BRACKET ASSEMBLY.

<u>Illus. No.</u>	<u>Part No.</u>	<u>Qty.</u>	<u>Description</u>
1	880251	1	1/4" Temperature Sensor Probe Assembly (includes illus. nos. 1 through 4)
2	122605	1	4-Pin Socket Connector ONLY
3	122701	4	Socket Terminal ONLY
	122801	1	Pin/Socket Extraction Tool
4	154007	2	1/4" Tinnerman Push-on Fastener
5	150000	2	#6-32 x 1/4" Slotted Round Head Machine Screw
6	801428	1	Sensor Bracket Assembly Complete (includes illus. nos. 1 through 9)
	305107	1	Temperature Sensor Bracket ONLY
7	130103	1	225° Large Automatic Thermostat ONLY
8	153010	2	#6 Star Washer
9	152000	2	#6-32 Hex Nut
10	150301	2	#8-18 x 7/16" Phillips Pan Head TEK Screw
11	122604	1	4-Pin Connector ONLY
12	122700	4	Pin Terminal ONLY

UPPER IDLER BEARING ASSEMBLY

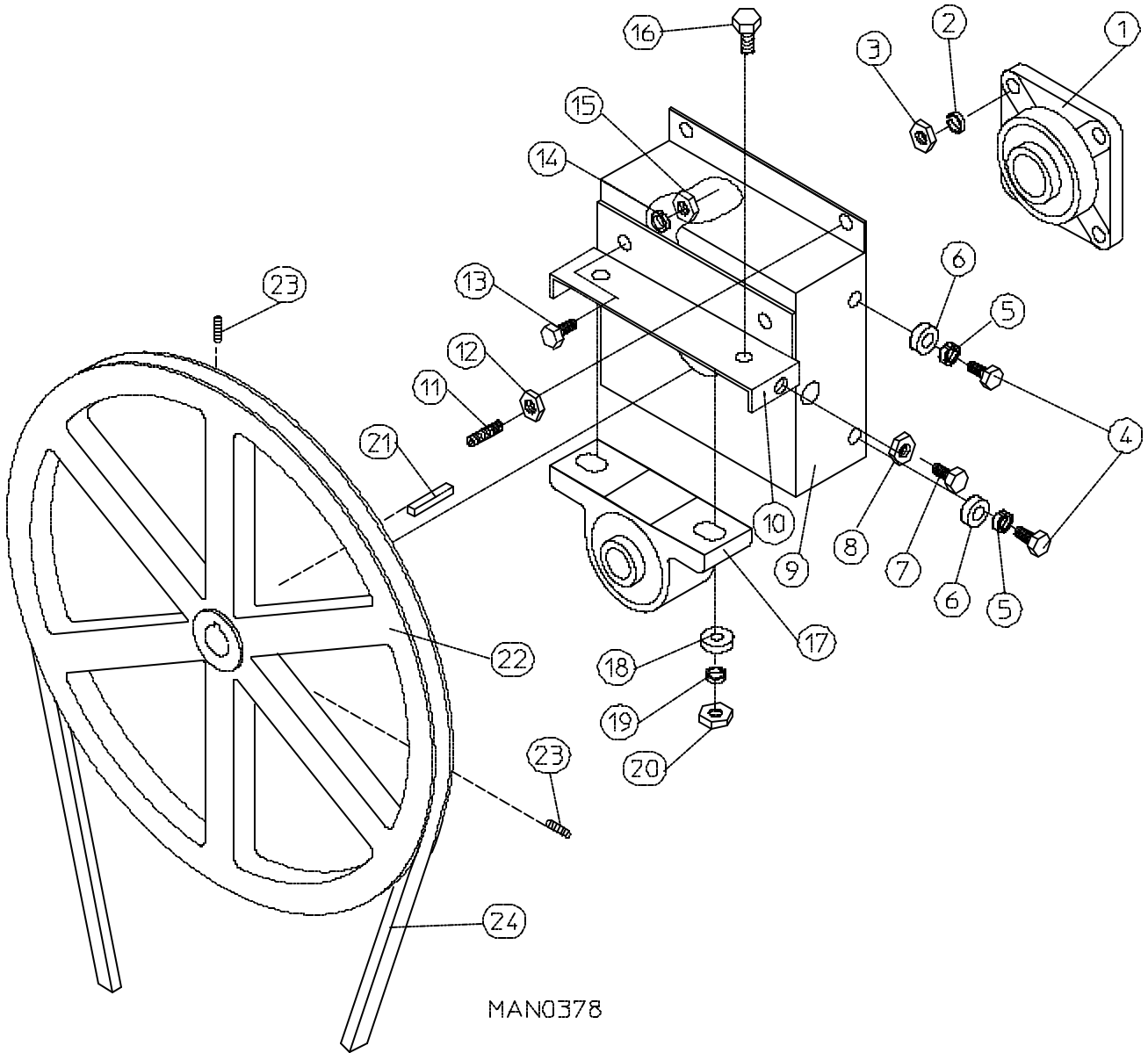


MAN2059

NOTE: DUPLICATE **ALL** COMPONENTS FOR *LOWER IDLER BEARING ASSEMBLY*.

<u>Illus. No.</u>	<u>Part No.</u>	<u>Qty.</u>	<u>Description</u>
1	100113	1	4L-400 V- Belt (idler to motor)
2	101129	1	9" x 2-1/2" Pulley with 3/16" Key
3	154301	2	5/16-18 x 5/16" Allen Set Screw
4	100100	1	5L-660 V-Belt (idler to basket [tumbler])
5	100705	1	3/16" x 3/16" x 1-3/8" Key
6	301850	1	5/8" x 3/4" Idler Shaft
7	150529	3	1/4-20 x 2-1/4" Carriage Bolt
8	100214	2	5/8" Flange Bearing
9	153007	3	1/4" Lock Washer
10	152002	3	1/4-20 Hex Nut
11	150617	2	3/8-16 x 1" Hex Head Machine Bolt
12	153005	2	3/8" Lock Washer
13	153004	2	3/8" Flat Washer
14	152020	1	5/16-18 Standard Square Nut
15	152004	1	5/16-18 Hex Nut
16	801010	1	Idler Bearing Assembly Complete (includes illus. nos. 6 through 17)
	100406	1	Idler Bearing Mount ONLY
17	150509	1	5/16-18 x 3" Hex Head Machine Bolt
18	-----	-	DSI Module Mounting Bracket (refer to DSI Gas Valve/Burner Assembly on page 20 and page 21)

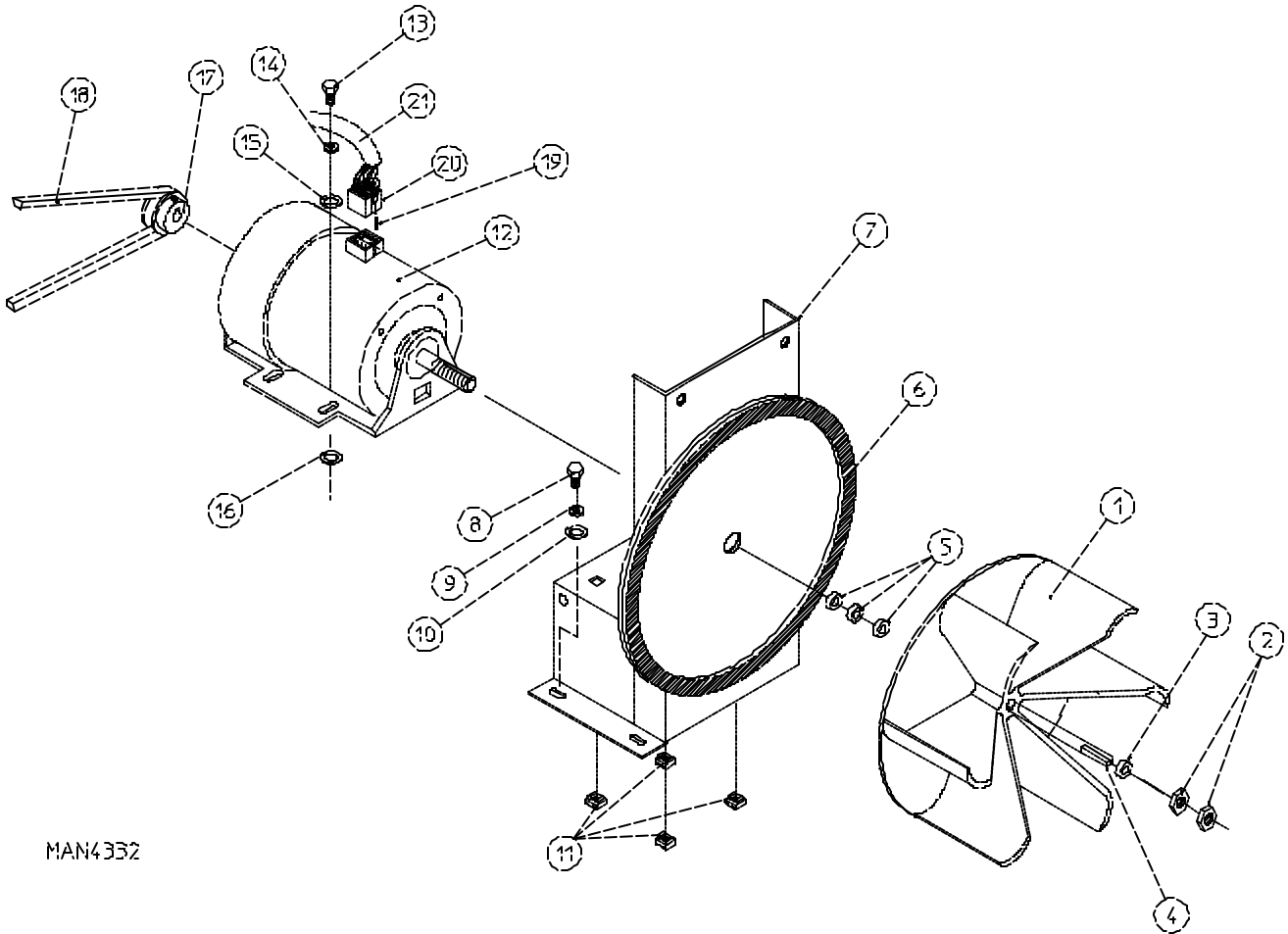
UPPER TUMBLER BEARING ASSEMBLY



NOTE: DUPLICATE **ALL** COMPONENTS FOR *LOWER* TUMBLER BEARING ASSEMBLY.

<u>Illus. No.</u>	<u>Part No.</u>	<u>Qty.</u>	<u>Description</u>
1	880203	1	1-3/8" Flange Bearing with Nylock Set Screw
2	153005	4	3/8" Lock Washer
3	152005	4	3/8-16 Hex Nut
4	150501	2	5/16-18 x 3/4" Hex Head Machine Bolt
5	153002	2	5/16" Lock Washer
6	152001	2	5/16" Flat Washer
7	150621	2	5/16-18 x 1-1/2" Hex Head Machine Bolt
8	152004	2	5/16-18 Hex Nut
9	801101	1	1-3/8" Bearing Box Assembly Complete (includes illus. nos. 9, 10, and 13 through 20)
	801103	1	1-3/8" Bearing Box and Support ONLY (includes illus. nos. 9, 10, and 13 through 15)
	801105	1	1-3/8" Bearing Box ONLY
10	801104	1	Pillow Block Bearing Support ONLY
11	150610	2	5/16-18 x 1-1/2" Allen Set Screw
12	152004	2	5/16-18 Hex Nut
13	150508	2	3/8-16 x 3/4" Hex Head Machine Bolt
14	153005	2	3/8" Lock Washer
15	152005	2	3/8-16 Hex Nut
16	150600	2	3/8-16 x 1-1/2" Hex Head Machine Bolt
17	880202	1	1-3/8" Pillow Block Bearing with Nylock Set Screw
18	153004	2	3/8" Flat Washer
19	153005	2	3/8" Lock Washer
20	152005	2	3/8-16 Hex Nut
21	100713	1	1/4" x 1/4" x 7/8" Key
22	101100	1	18" Cast Pulley
23	154301	2	5/16-18 x 5/16" Allen Set Screw
24	100100	1	5L-660 V-Belt (tumbler [basket] to idler)

UPPER T.E.F.C. MOTOR MOUNT ASSEMBLY



MAN4332

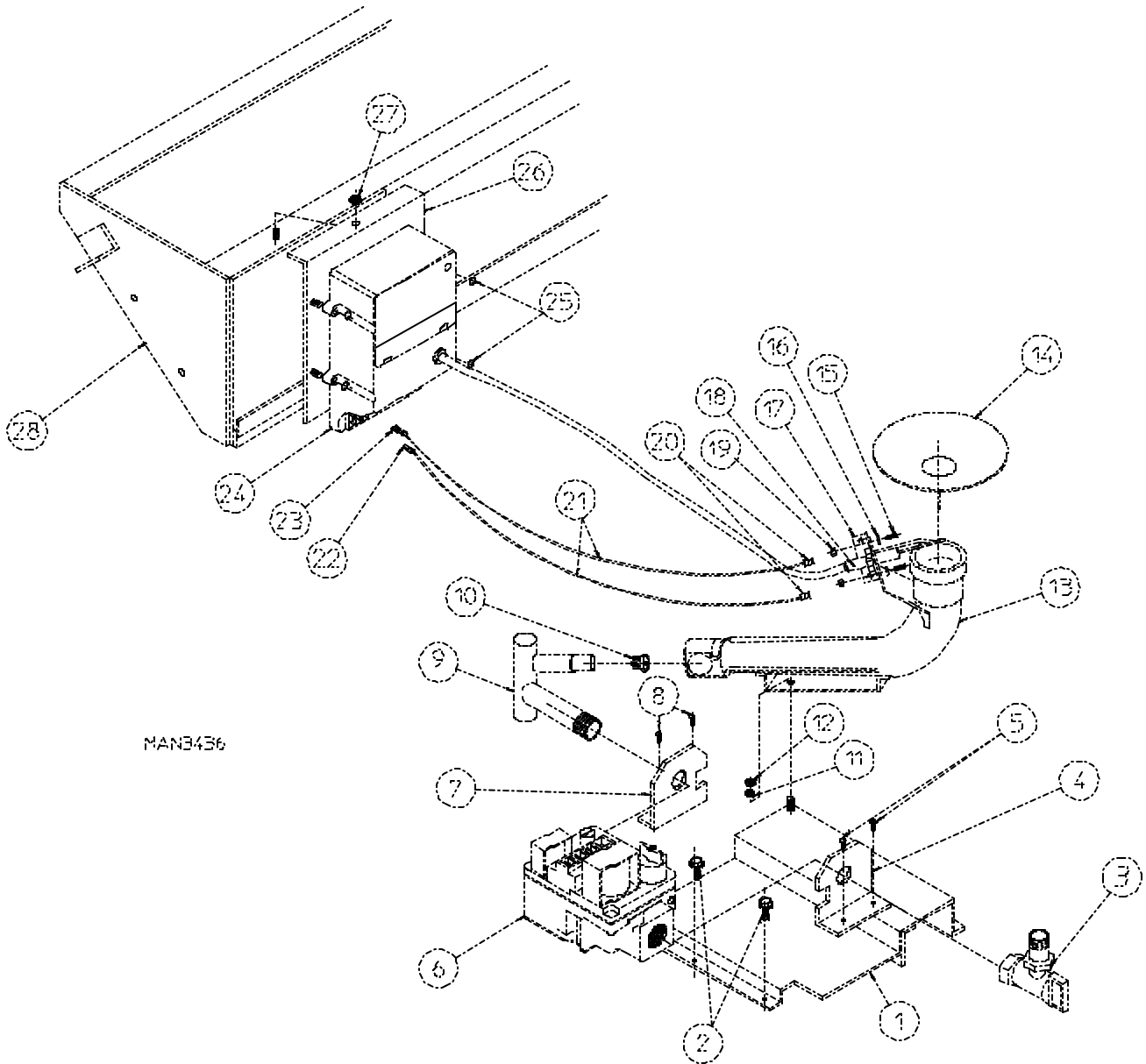
NOTE: DUPLICATE ALL COMPONENTS FOR LOWER T.E.F.C. MOTOR MOUNT ASSEMBLY.

<u>Illus. No.</u>	<u>Part No.</u>	<u>Qty.</u>	<u>Description</u>
1	100604	1	12-1/2" Impellor with 1/2" Bore
2	152006	2	1/2-20 Left Hand Jam Nut
3	153050	1	1/2" S.A.E. Flat Washer
4	100702	1	1/8" x 1/8" x 1-1/2" Key
5	153050	3	1/2" S.A.E. Flat Washer
6	117604	4	Neoprene Sponge Tape (sold by the foot)
7	850019	1	Motor Mount ONLY
	803967*	1	1/2 HP 100/120-230v 1ø 50/60 Hz T.E.F.C. Motor Mount Assembly Complete (includes illus. nos. 1 through 7 and 11 through 17) For use on 60 Hz Models ONLY
8	150501	4	5/16-18 x 3/4" Hex Head Machine Bolt
9	153002	4	5/16" Lock Washer
10	153001	4	5/16" Flat Washer
11	154000	4	5/16-18 Tinnerman Nut
12*	100065	1	1/2 HP 100-230v 1ø 50/60 Hz T.E.F.C. Motor with Plug
13	150501	4	5/16-18 x 3/4" Hex Head Machine Bolt
14	153002	4	5/16" Lock Washer
15	153001	4	5/16" Flat Washer
16	153001	**	5/16" Flat Washer
17	101131	1	1/2" x 2-1/4" Motor Pulley (for use on 60 Hz Models Only)
18	100113	1	4L-400 V-Belt (motor to idler) For use on 60 Hz Models ONLY
19	122701	8	Socket Terminal ONLY
	122801	1	Pin/Socket Extraction Tool
20	137030	1	8-Pin Housing ONLY
	122801	1	Pin/Socket Extraction Tool
21	837005	1	Low To High Voltage Conversion Harness (120 Volt to 230 Volt)
	837049	1	High To Low Voltage Conversion Harness (230 Volt to 120 Volt)

* Specify voltage when ordering.

** As required.

UPPER GAS VALVE/BURNER ASSEMBLY

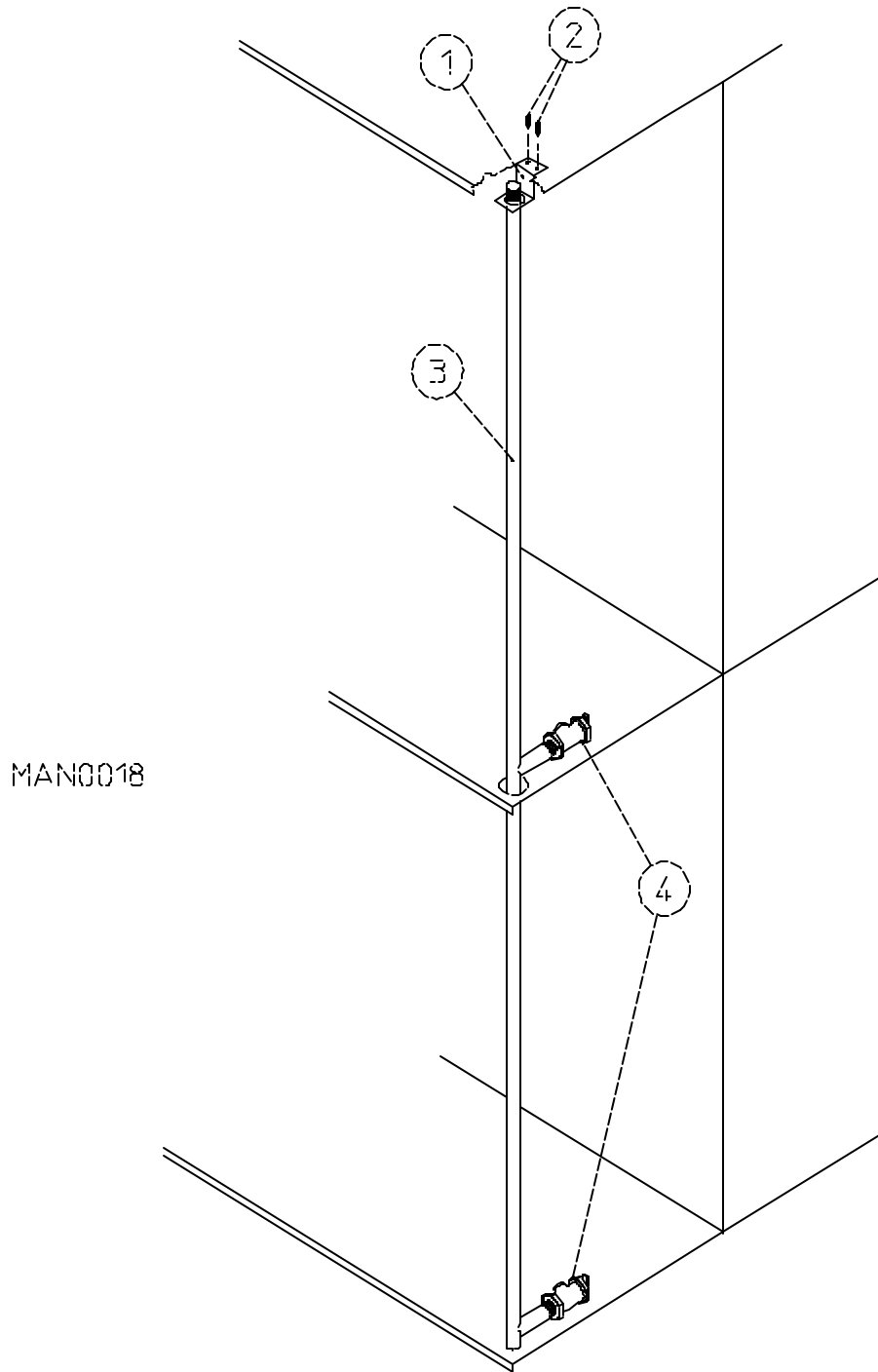


NOTE: DUPLICATE ALL COMPONENTS FOR LOWER GAS VALVE/BURNER ASSEMBLY.

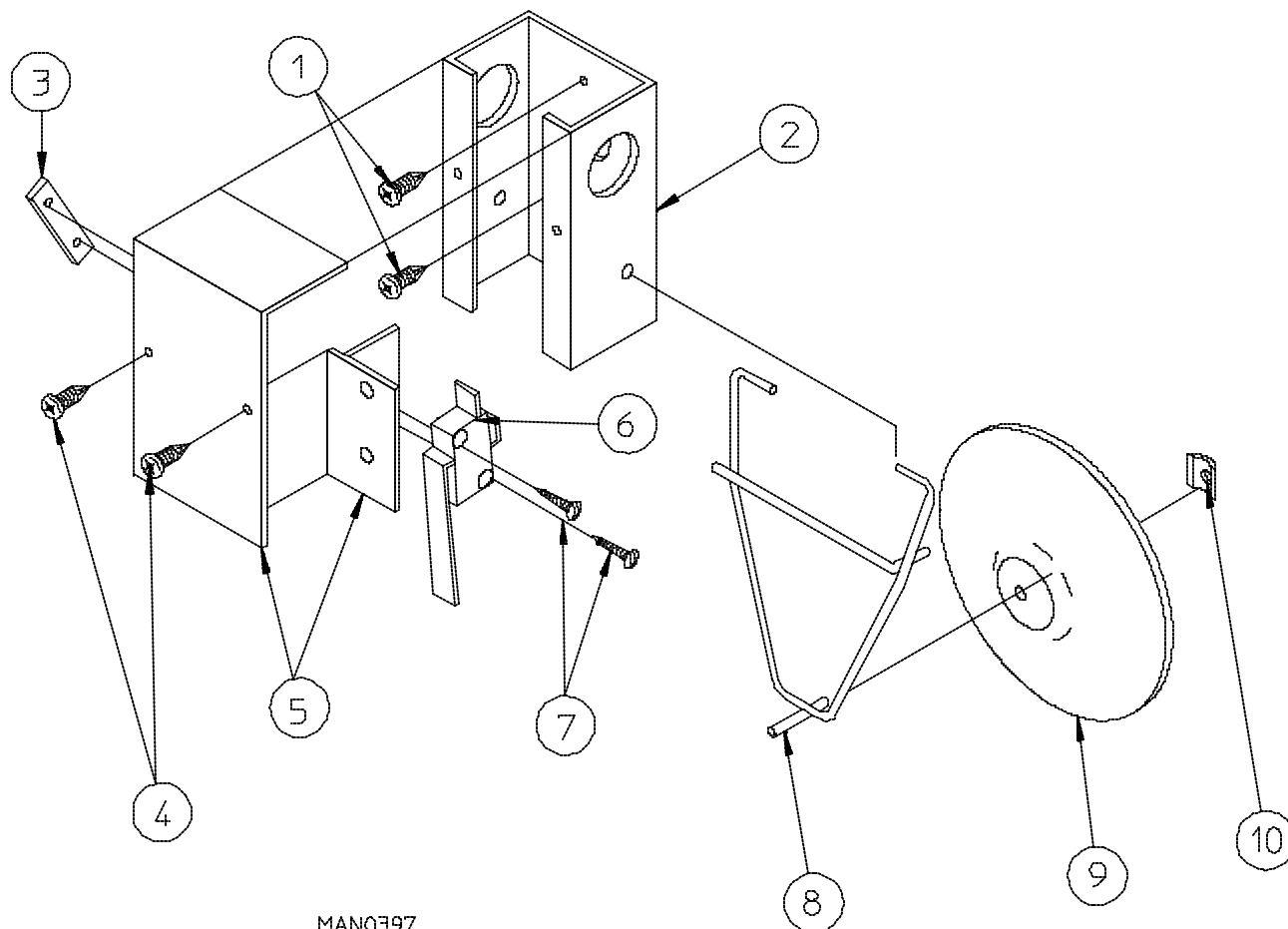
<u>Illus. No.</u>	<u>Part No.</u>	<u>Qty.</u>	<u>Description</u>
1	850804	1	DSI Gas Valve/Burner Tube Mounting Plate ONLY
	809313*	1	DSI (natural gas) Valve/Burner Assembly Complete Less Orifice (includes illus. nos. 1, 3, through 9 and 11 through 23)
	809314*	1	DSI (liquid propane) Gas Valve/Burner Assembly Complete Less Orifice (includes illus. nos. 1, 3, through 9 and 11 through 23)
2	150300	2	#10 x 1/2" Hex Washer TEK Screw
3	881367	1	Angle Union Shut Off with 1/2" Tail Piece
4	318650	1	Notched Pipe Bracket
5	150301	2	#8-18 x 7/16" Phillips Pan Head TEK Screw
6	128927	1	1/2" 24 VAC DSI Redundant (natural gas) Valve
	140411	1	DSI Gas Valve L.P. (liquid propane) Conversion Kit
7	318650	1	Notched Pipe Bracket
8	150301	2	#8-18 x 7/16" Phillips Pan Head TEK Screw
9	141235	1	1/2" Single Port Manifold
10	140828	1	#20 Burner Orifice (natural gas) ONLY
	140811	1	#41 Burner Orifice (L.P. [liquid propane] gas) ONLY
11	153000	1	#8 Steel Burr
12	152001	1	#8-32 Hex Nut
13	141131	1	DSI (Direct Spark Ignition) Up-Shot Burner Tube Assembly ONLY without Flame Spreader
14	141109	1	Flame Spreader ONLY
15	150108	2	#8-32 x 1/2" Slotted Pan Head Machine Screw
16	153000	2	#8 Steel Burr
17	880134	1	Ignitor/Flame-Probe Kit Assembly (includes illus. 18 and 19)
	305412	1	DSI Ignitor Gap Feeler Gauge ... Not Illustrated
18	880330	1	#20 Gauge-7/28 High Voltage (HV) Connector and Wire
19	152001	2	#8-32 Hex Nut
20	121014	1	1/4" Insulated Terminal
21	132607	2	#18 Gauge Red Silicone Wire (sold by the foot)
22	121028	1	1/4" x .032 Insulated Terminal
23	121014	1	1/4" Spade Terminal
24	880815	1	ADC DSI Module ONLY (50/60 Hz)
25	151000	4	#6-32 Pal Nut
26	801013	1	DSI Module Mounting Bracket ONLY
27	152014	1	1/4-20 Free Spin Wash Nut
28	-----	-	Idler Bearing Mount (refer to Idler Bearing Assembly on page 13)
--	874059**	1	ADG-235 Burner L.P. Conversion Kit with Orifices

* Burner Orifice *is not included* and **must be** ordered separately.

** Consult factory for elevations over 2,000 feet.



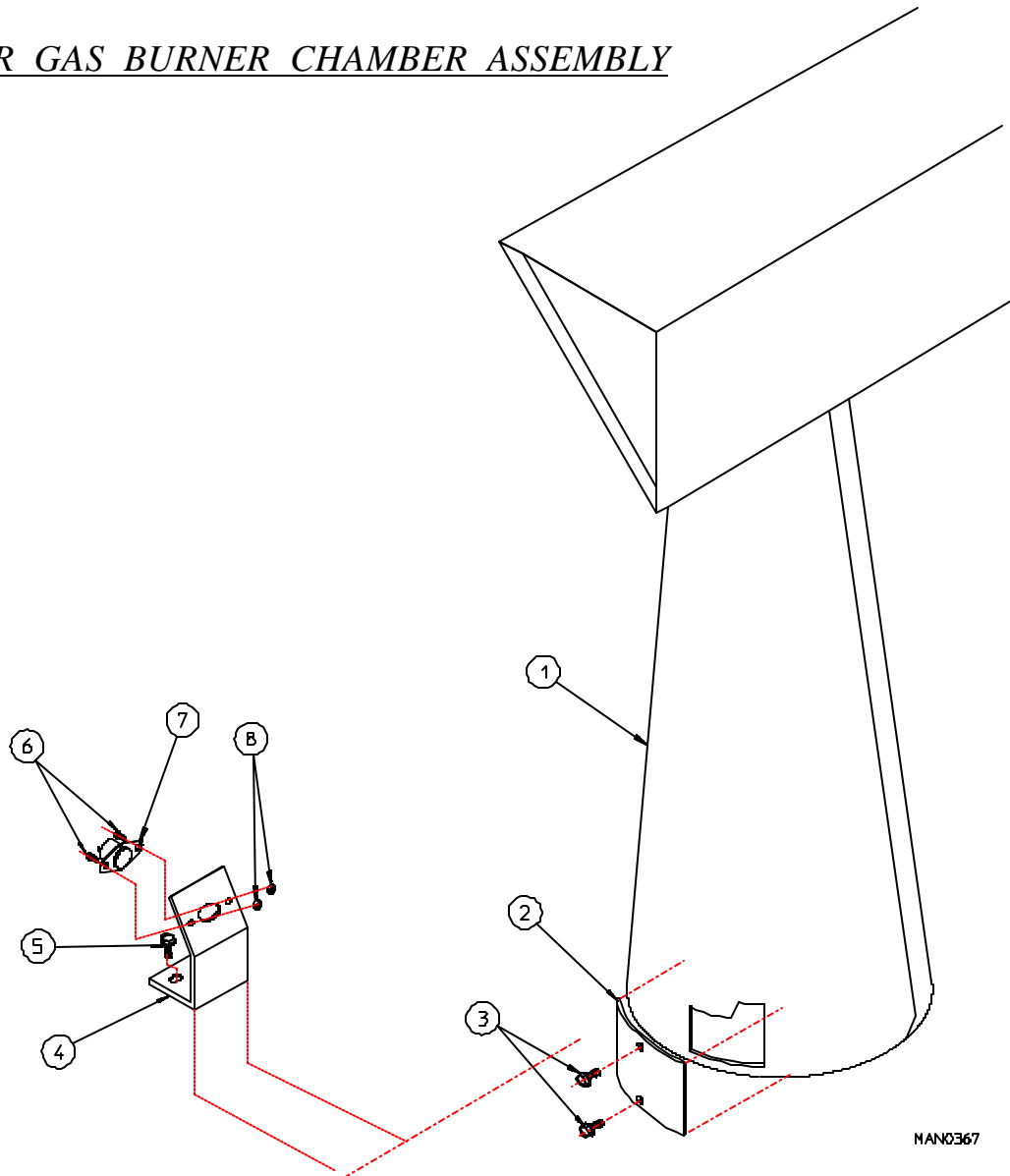
<u>Illus. No.</u>	<u>Part No.</u>	<u>Qty.</u>	<u>Description</u>
1	318702	1	Top Pipe Support Bracket ONLY
2	150300	2	#10 x 1/2" Hex Washer TEK Screw
3	141236	1	Gas Piping Manifold
4	881367	2	Angle Union Shut Off with 1/2" Tail Piece

UPPER SAIL SWITCH ASSEMBLY

MAN0397

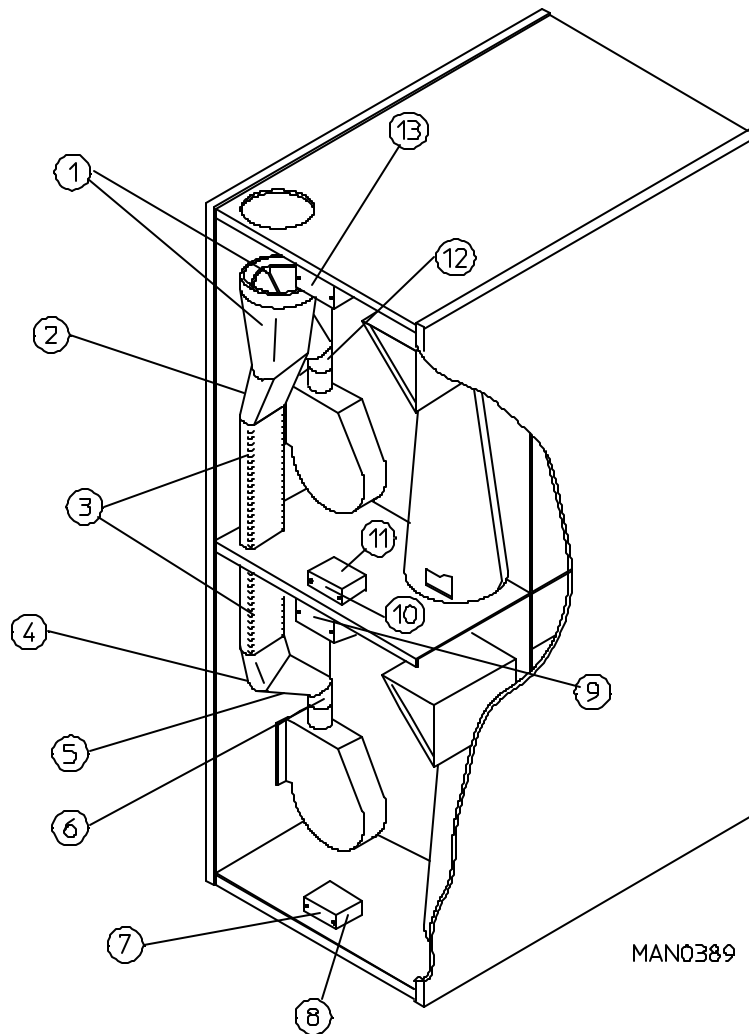
NOTE: DUPLICATE **ALL** COMPONENTS FOR LOWER LOWER SAIL SWITCH ASSEMBLY.

<u>Illus. No.</u>	<u>Part No.</u>	<u>Qty.</u>	<u>Description</u>
1	150301	2	#8-18 x 7/16" Phillips Pan Head TEK Screw
2	802800	1	Sail Switch Box with Cover and Bracket ONLY (includes illus. nos. 2, 4, and 5)
3	154004	1	Twin Speed Nut
4	150309	2	# 10-16 x 1/2" Hex Head TEK Crimptite Screw
5	802709	1	Sail Switch Box Cover and Bracket ONLY
6	122200	1	Sail Switch ONLY
7	150303	2	#4 x 3/4" Pan Head "A" Machine Screw
8	105500	1	Sail Switch Actuator Rod
9	319202	1	Sail Switch Damper (embossed)
10	154002	1	1/8" Push-on Fastener

UPPER GAS BURNER CHAMBER ASSEMBLY

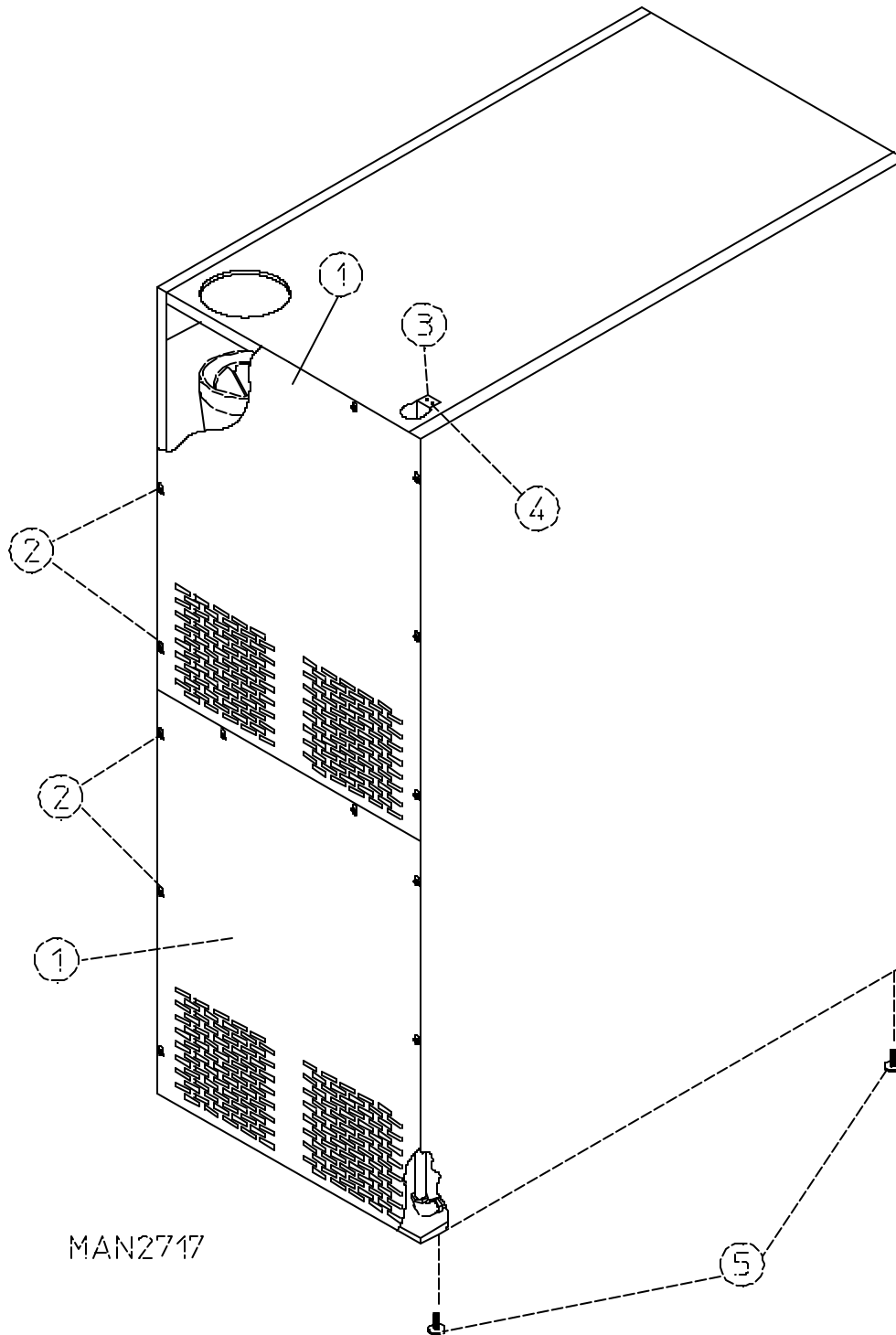
NOTE: DUPLICATE **ALL** COMPONENTS FOR LOWER GAS BURNER CHAMBER ASSEMBLY.

<u>Illus. No.</u>	<u>Part No.</u>	<u>Qty.</u>	<u>Description</u>
1	804025	1	Gas Burner/Electric Oven Chamber Assembly (includes illus. nos. 1, 2, and 3)
2	318006	1	Flame Viewing Plate
3	150300	2	#10 x 1/2" Hex Washer TEK Screw
4	802502	1	Hi-Limit Bracket Assembly (includes illus. nos. 4 through 8)
	319710	1	Hi-Limit Bracket ONLY
5	150301	2	#8-18 x 7/16" Phillips Pan Head TEK Screw
6	150001	2	#6-32 x 1/2" Phillips Round Hand Machine Screw
7	130103	1	225° Large Automatic Thermostat
8	151000	2	#6-32 Pal Nut



Illus. No.	Part No.	Qty.	Description
1	880505	1	Wye Branch Damper Assembly
2	143527	1	6" Round x 7" Oval Straight Boot
3	143539	1	15-1/2" x 7" Oval Duct
4	143537	1	7" Oval x 45° Elbow
5	143538	1	6" Round x 7" Oval Straight Boot
6	143536	1	6" Round x 45° Elbow
7	121104	1	Junction Box Only
8	121105	1	Junction Box Cover ONLY
	150301	2	#8-18 x 7/16" Phillips Pan Head TEK Screw ... Not Illustrated
9	315025	1	Rear Wiring Box Cover ONLY
	150300	2	#10 x 1/2" Hex Washer TEK Screw ... Not Illustrated
10	121104	1	Junction Box
11	121105	1	Junction Box Cover ONLY
	150301	2	#8-18 x 7/16" Phillips Head TEK Screw ... Not Illustrated
12	143536	1	6" Round x 45° Elbow
13	315025	1	Rear Wiring Box Cover ONLY
	150300	2	#10 x 1/2" Hex Washer TEK Screw ... Not Illustrated
---	117505	*	Aluminum Duct Tape (sold by the foot)

* As required.



<u>Illus. No.</u>	<u>Part No.</u>	<u>Qty.</u>	<u>Description</u>
1	311014	2	Upper/Lower Back Guard Assembly
2	150301	16	#8-18 x 7/16" Phillips Pan Head TEK Screw
3	318702	1	Top Pipe Support Bracket ONLY
4	150300	2	#10 x 1/2" Hex Washer TEK Screw
5	103500	4	Adjustable Leveling Leg

NOTE: Coin Acceptors listed included Optical Switch (ADC Part No. 137056).

Single Coin*

ADC Part No.	Nation	Description
125100	U.S. and Canada	25¢ Optic Coin Acceptor
125127	Canada	\$1 Canadian Optic Coin Acceptor
125101	United Kingdom	10 New Pence Optic Coin Acceptor
125114	United Kingdom	20 New Pence Optic Coin Acceptor
125115	United Kingdom	1 Pound Optic Coin Acceptor
125106	France	1 French Franc Optic Coin Acceptor
125120	France	2 French Franc Optic Coin Acceptor
125124	France	5 French Franc Optic Coin Acceptor
125109	Denmark	1 Danish Krone Optic Coin Acceptor
125125	Netherlands	25¢ Guilder Optic Coin Acceptor
125108	Australia	10¢ Australian Optic Coin Acceptor
125107	Australia	20¢ Australian Optic Coin Acceptor
125130	Australia	\$1 Australian Optic Coin Acceptor
125123	New Zealand	50¢ New Zealand Optic Coin Acceptor
125104	Japan	100 Yen Optic Coin Acceptor
125103	---	.882 Token Optic Coin Acceptor
125121	---	.800 Token Optic Coin Acceptor
125129	---	Muller Token Optic Coin Acceptor
125132	Singapore	50¢ Singapore Optic Coin Acceptor
125133	Hong Kong	\$1 Hong Kong Optic Coin Acceptor

Dual Coin*

125116	U.S. and Canada	10¢ / 25¢ Dual Optic Coin Acceptor
125128	Canada	25¢ / \$1 Dual Optic Coin Acceptor
125112	United Kingdom	10 / 20 Pence Dual Optic Coin Acceptor
125110	United Kingdom	10 / 50 Pence Dual Optic Coin Acceptor
125111	United Kingdom	20 / 50 Pence Dual Optic Coin Acceptor
125113	United Kingdom	1£ / 20 Pence Dual Optic Coin Acceptor
125122	France	2 / 5 Franc Dual Optic Coin Acceptor
125117	Denmark	1 / 5 Danish Krone Dual Optic Coin Acceptor
125131	Denmark	5 / 10 Danish Krone Dual Optic Coin Acceptor
125126	Netherlands	25¢ / 1 Guilder Dual Optic Coin Acceptor
125118	Singapore	20¢ / 50¢ Singapore Dual Optic Coin Acceptor
125105	Japan	50 / 100 Yen Dual Optic Coin Acceptor

* Consult factory for Coin Acceptors not listed.

<u>Part No.</u>	<u>Description</u>
112039	“Black/White/Green Ground” Label
114001	“CAUTION -Exhaust/Lint Screen” Label
114006	“WARNING - Fire Hazard” Label
120100	3/8” Straight BX Connector
120300	3/8” x 45° BX Connector
120400	3/8” Red Jacket (BX Insulator)
120500	3/8” Jiffy Clip (BX Retainer Clip)
120600	3/8” Greenfield (BX)
120800	1/4” In-Line Connector
120802	Red Butt Connector
120902	#74B Wire Nut
120903	Crimp-On Wire Nut
121014	1/4” Insulated Female Terminal
121499	4” Harness Tie
121500	7” Harness Tie
121503	Harness Tie Mounting Clip
122804	Manometer (water column test gauge)
170194	Tumbler Lint Cleaning Brush
404500	Almond Brush-In-Cap Bottle Touch-Up Paint
404502	White Brush-In-Cap Bottle Touch-Up Paint
404506	Beige Brush-In-Cap Bottle Touch-Up Paint
404507	Cornflower Blue Brush-In-Cap Bottle Touch-Up Paint
880200	Electric Terminal Assortment Kit

ADC 450117 1- 10/09/91-50 2- 10/23/95-100 3* 05/25/92-100
 4* 06/26/92-100 5* 06/11/97-50

