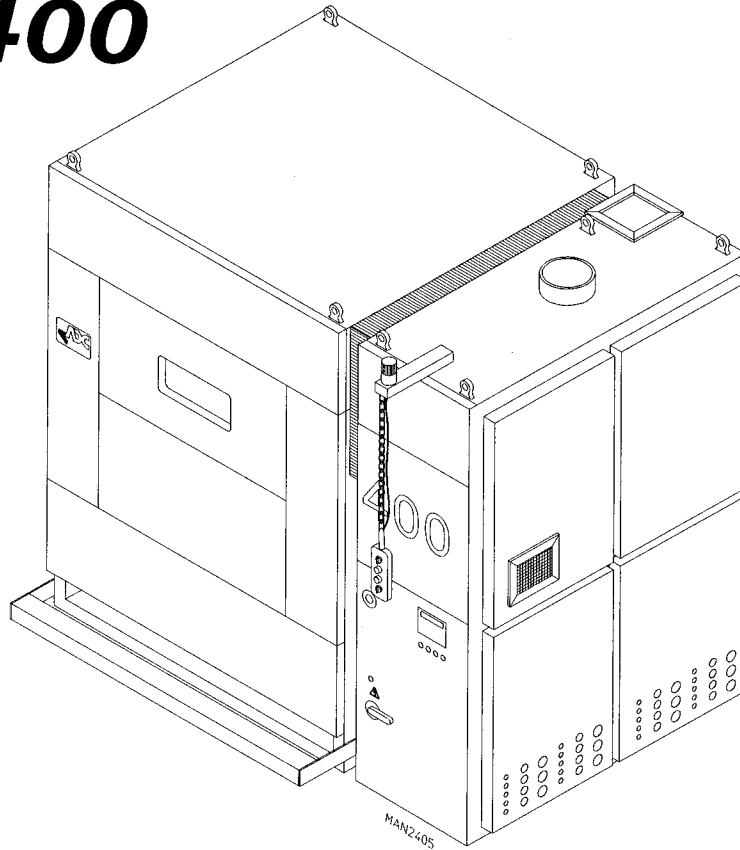




AD-400



Parts Manual
1995 thru 1998

American Dryer Corporation
88 Carrant Road
Fall River, MA 02720-4781
Telephone: (508) 678-9010 / Fax: (508) 678-9447
E-mail : service@amdry.com

Retain This Manual In A Safe Place For Future Reference

American Dryer Corporation products embody advanced concepts in engineering, design, and safety. If this product is properly maintained, it will provide many years of safe, efficient, and trouble-free operation.

ONLY properly licensed technicians should service this equipment.

OBSERVE ALL SAFETY PRECAUTIONS displayed on the equipment or specified in the installation/operator's manual included with the dryer.

WARNING: UNDER NO CIRCUMSTANCES should the door switch or the heat circuit devices ever be disabled.

WARNING: The dryer *must never* be operated with any of the back guards, outer tops, or service panels removed. PERSONAL INJURY or FIRE COULD RESULT.

We have tried to make this manual as complete as possible and hope you will find it useful. ADC reserves the right to make changes from time to time, without notice or obligation, in prices, specifications, colors, and material, and to change or discontinue models.

Important

For your convenience, log the following information:

DATE OF PURCHASE _____ MODEL NO. **AD-400** _____

DISTRIBUTORS NAME _____

Serial Number(s) _____

Replacement parts can be obtained from your distributor or the ADC factory. When ordering replacement parts from the factory, you can FAX your order to ADC at (508) 678-9447 or telephone your orders directly to the ADC Parts Department at (508) 678-9010. Please specify the dryer **model number** and **serial number** in addition to the **description** and **part number**, so that your order is processed accurately and promptly.

The illustrations on the following pages may not depict your particular dryer exactly. The illustrations are a composite of the various dryer models. Be sure to check the descriptions of the parts thoroughly before ordering.

INSTRUCTIONS TO BE FOLLOWED IN THE EVENT THE USER
SMELLS GAS MUST BE POSTED IN A PROMINENT LOCATION. THE
INSTRUCTIONS TO BE POSTED SHALL BE OBTAINED FROM THE
LOCAL GAS SUPPLIER.

Table of Contents

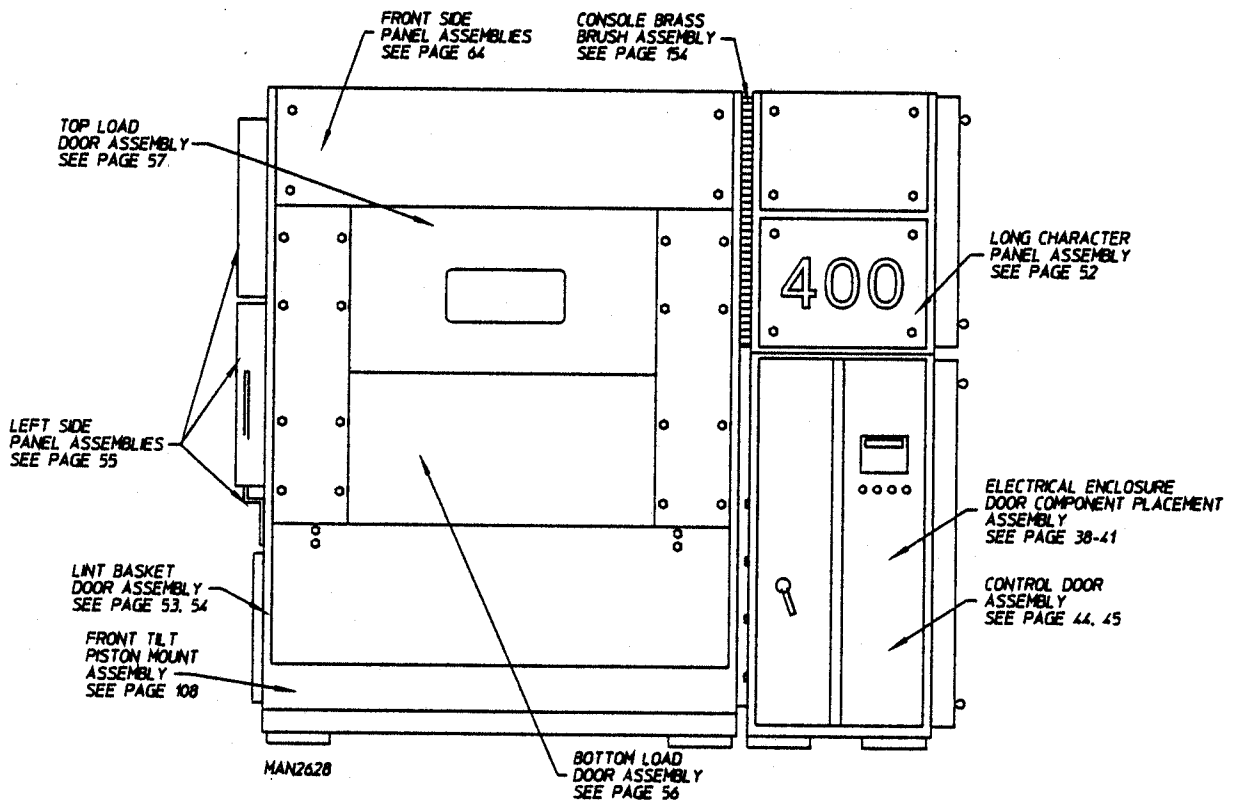
Quick Reference - Front View	5
Quick Reference - Right Side View, Gas	6
Quick Reference - Right Side View, Steam	7
ADG-400 Main Electrical Panel	8, 9
Electrical Panel Rail 1	10
Electrical Panel Rail 2 (Steam Dryers with Lint Vacuum Arm)	11
Electrical Panel Rail 2 (Steam Dryers with Lint Drawer)	12, 13
Electrical Panel Rail 2 (Gas Dryers with Lint Drawer)	14, 15
Electrical Panel Rail 2 (Gas Dryers with Lint Vacuum Arm)	16, 17
Electrical Panel Rails 3 & 4 (Gas Dryers with Lint Drawer)	18, 19
Electrical Panel Rails 3 & 4 (Steam Dryers with Lint Drawer)	20, 21
Electrical Panel Rails 3 & 4 (Steam Dryers with Lint Vacuum Arm)	22, 23
Electrical Panel Rails 3 & 4 (Gas Dryers with Lint Vacuum Arm)	24, 25
Electrical Panel Rail 5	26
Electrical Panel Rails 6 & 7 (Gas Dryers with Lint Vacuum Arm)	27
Electrical Panel Rails 6 & 7 (Gas One Door Forward Tilt Lint Drawer)	28
Electrical Panel Rails 6 & 7 (Steam 2 Door 2 Way Tilt Lint Drawer).....	29
Main Electrical Panel (Upper Section Gas °F).....	30, 31
Main Electrical Panel (Gas Dryer 208v °C)	32, 33
Main Electrical Panel (Steam °C)	34, 35
Main Electrical Panel (Steam °F).....	36, 37
Electrical Enclosure Door Component Placement Assembly	38, 39
Electrical Enclosure Door Component Placement Assembly	40, 41
Right Side Bottom Left Door Assembly	42, 43
Short Control Door Assembly (As of 9/24/92)	44
Control Door Assembly (Prior to 9/24/92)	45
Right Side Top Left Door Assembly (Steam Only)	46
Right Side Top Right Door Assembly	47
Right Side Bottom Right Door Assembly	48
Right Side Bottom Left Door Assembly	49
Rear Controls Assembly	50
Right Side Top Left Door Assembly (Gas Only)	51
Long Character Panel Weldment and Assembly	52
Lint Bag Door Assembly	53
Lint Basket Door Assembly	54

Left Side Panel Assembly	55
Bottom Load Door Assembly	56
Top Load Door Assembly	57
Rear Load Door Assembly	58, 59
Front Load Door Assembly	60, 61
Cylinder Clevis Assembly	62
Retaining Wheel Assembly	63
Front Panel Assembly	64
Rear Panel Assembly	65
Top Access Door Assembly (Steam Only)	66
Top Access Door Assembly (Gas Only)	67
Top Cover Assembly (Steam Only)	68
Inlet Air Adapter Assembly	69
Inlet Air Adapter Left Door Assembly	70
Inlet Air Adapter Right Door Assembly	71
Combustion Filter Box	72
Combustion Filter Box (Air Intake Option Only)	73
New Eclipse Valves (Gas Train Assembly)	74, 75, 76
Eclipse Burner	77
Honeywell Gas Train Assembly	78, 79, 80
Air Flow Switch (New Style)	81
Eclipse (Old style)	82, 83, 84
Base Lint Screen Assembly	85
Burner Box Housing Assembly	86, 87
Steam Coil Piping Assembly (New Style)	88, 89
Intake Air Damper Assembly	90, 91
Heat Reclaimer Diverter Assembly	92, 93
Dodge 50Hz Drive Shaft Assembly	94, 95
Dodge 60 Hz Drive Shaft Assembly	96, 97
Fenner 50 Hz Drive Shaft Assembly	98, 99
Fenner 60 Hz Drive Shaft Assembly	100, 101
Upper Sprinkler Assembly	102, 103
Lower Sprinkler Assembly	104, 105
Cool Down Damper Assembly	106
Air Jet Assembly	107
Front Tilt Piston Mount Assembly	108

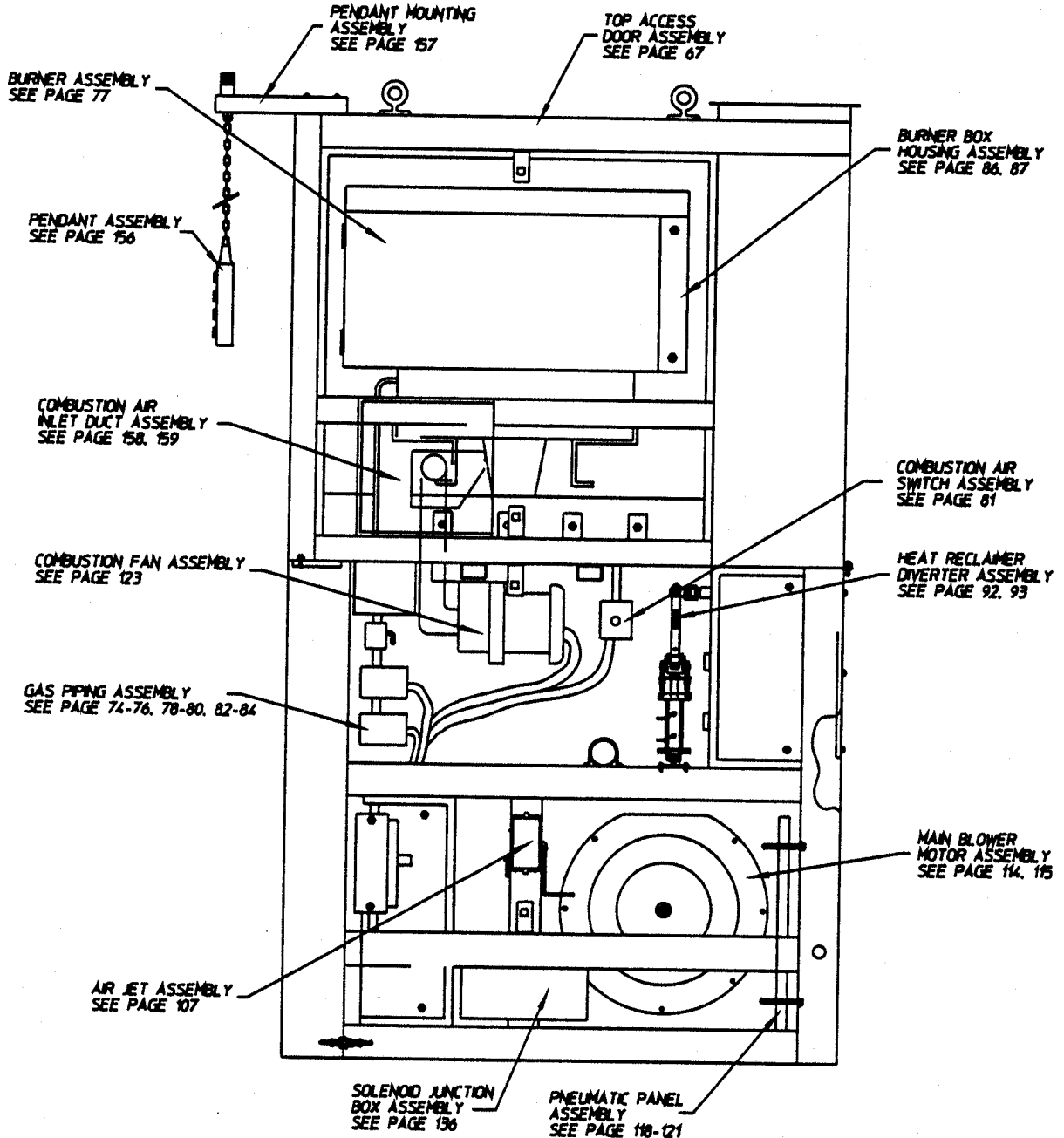
Rear Tilt Piston Mount Assembly	109
Piston Post Assembly	110
Combustion Air Switch Assembly (Gas Only As of Sep, 1994)	111
Lint Collector Air Sensor Assembly (Prior to 9/94)	112
Air Switch Assembly (Old Style Prior to 9/94) Gas Only	113
Main Blower Motor Assembly	114
Lint Vacuum Fan Assembly	115
Lower Sprinkler Assembly (Lint Vacuum)	116
Drive Motor Assembly	117
60 Hz Pneumatic Panel Assembly (Two Way Tilt)	118, 119
50 Hz Pneumatic Panel Assembly (One Way Tilt)	120, 121
Lint Vacuum Arm Assembly	122
Combustion Fan Assembly	123
Lint Vacuum Motor Assembly	124, 125
Lint Screen / Drawer Assembly (Left Hand)	126
Lint Screen / Drawer Assembly (Right Hand)	127
Vacuum Drive Assembly	128
Lint Vacuum Basket	129
Lint Bag Assembly	130
Exhaust Duct Liner Assembly	131
Door Switch Assembly	132
Burner Door Interlock Switch	133
Tilt Switch Assembly	134
Lint Drawer Switch Assembly	135
Solenoid Junction Box Assembly.....	136
Tumbler Stop Motion Detector Switch Assembly	137
Over-Burner RTD Assembly (Gas Only)	138
Intake RTD Assembly.....	139
Over Burner RTD Assembly	140, 141
Top of Blower Housing Assembly	142, 143

Base Junction Box Final Assembly	144, 145
Over Burner RTD Assembly (Steam Only)	146, 147
Burner Door Interlock Switch	148
Sprinkler Horn Assembly	149
Electrical Junction Box Assembly	150, 151
Electrical Junction Box Assembly (Lint Vacuum)	152, 153
Console Brass Brush Assembly	154
Tumbler Brush Holder Assembly	155
Pendant Assembly	156
Pendant Mounting Assembly	157
Combustion Air Inlet Duct (Gas Only)	158
Combustion Air Inlet Duct (Intake Air Option)	159

QUICK REFERENCE



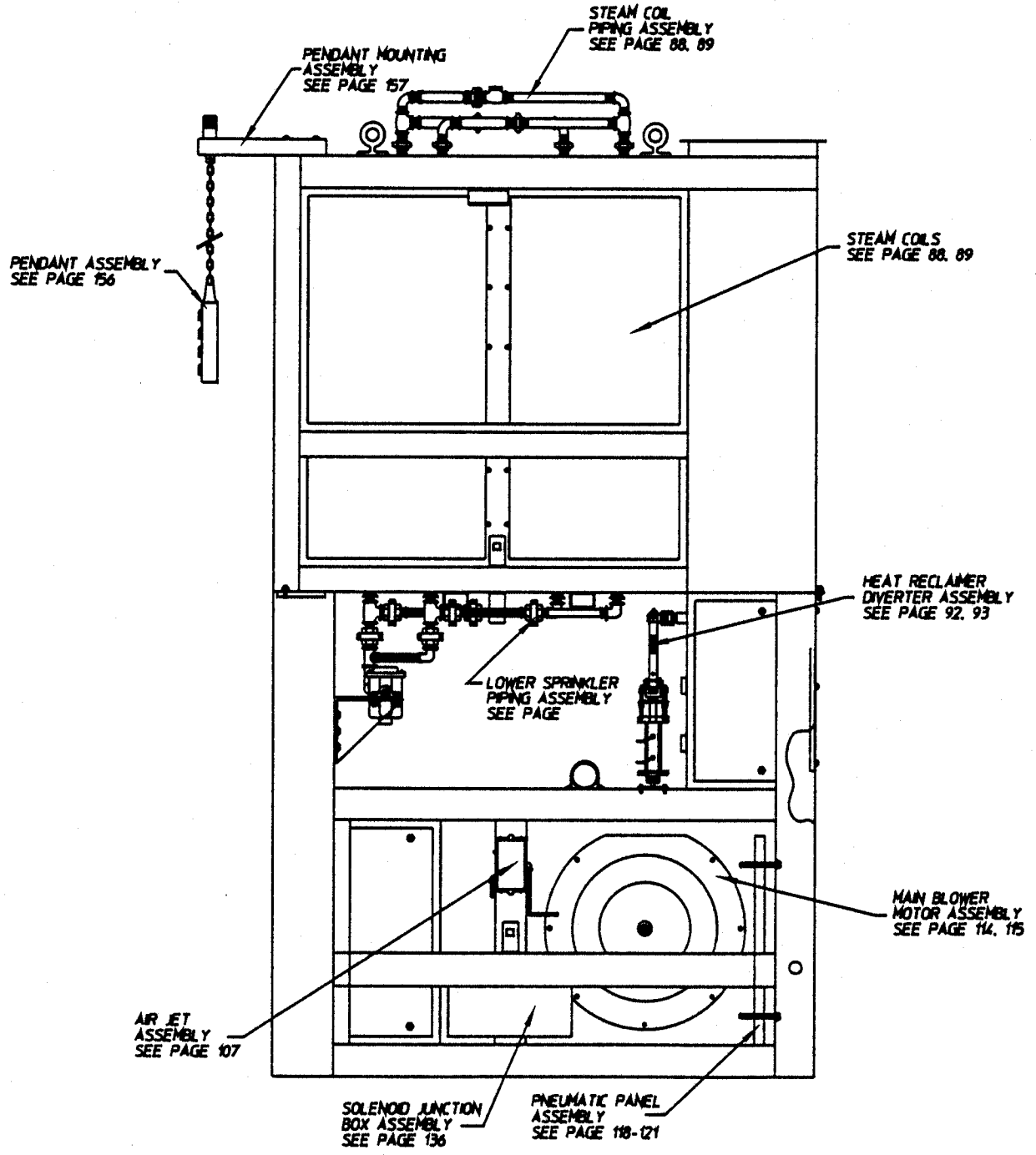
QUICK REFERENCE



**RIGHT VIEW
GAS DRYER**

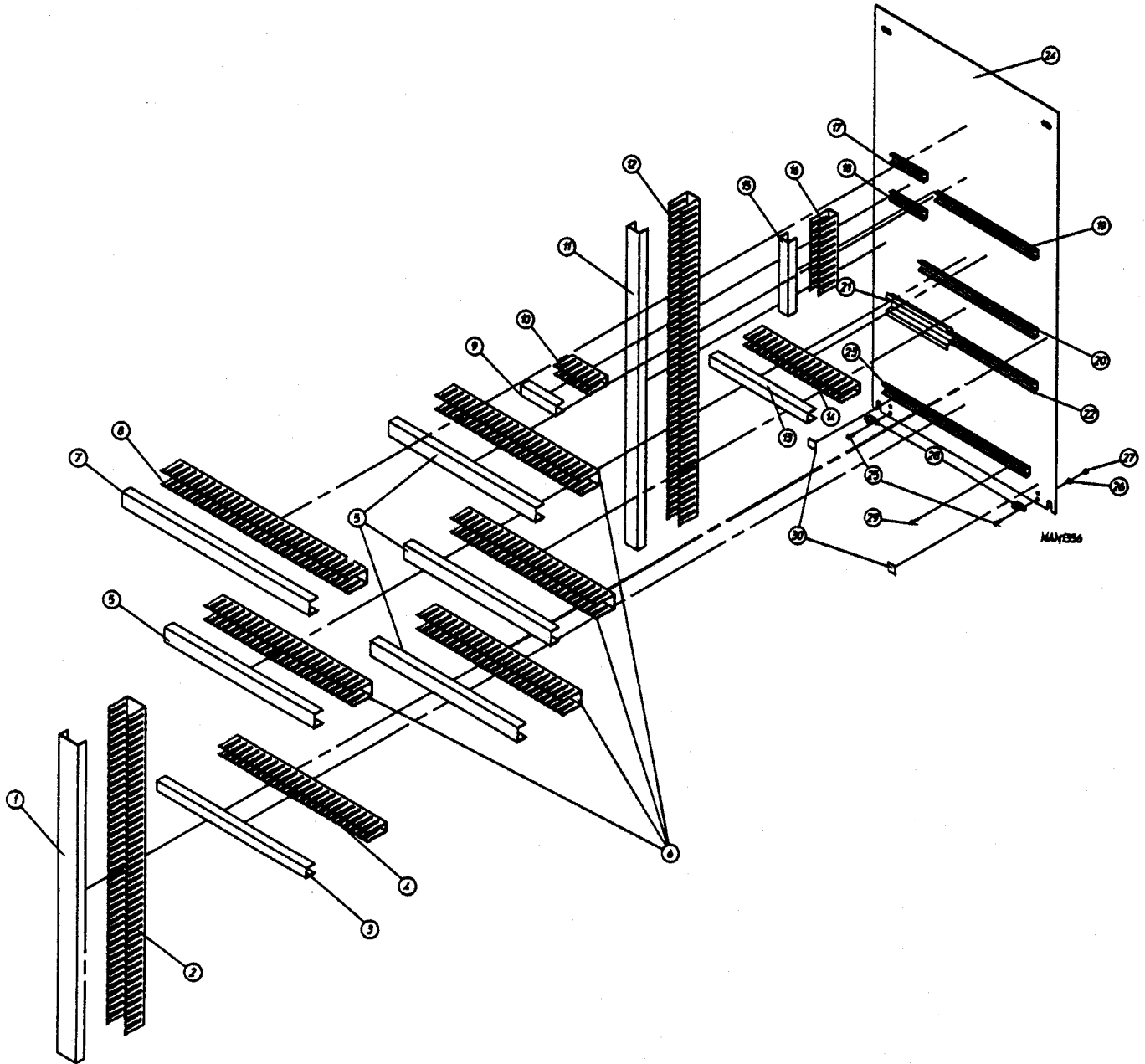
MAN2629

QUICK REFERENCE



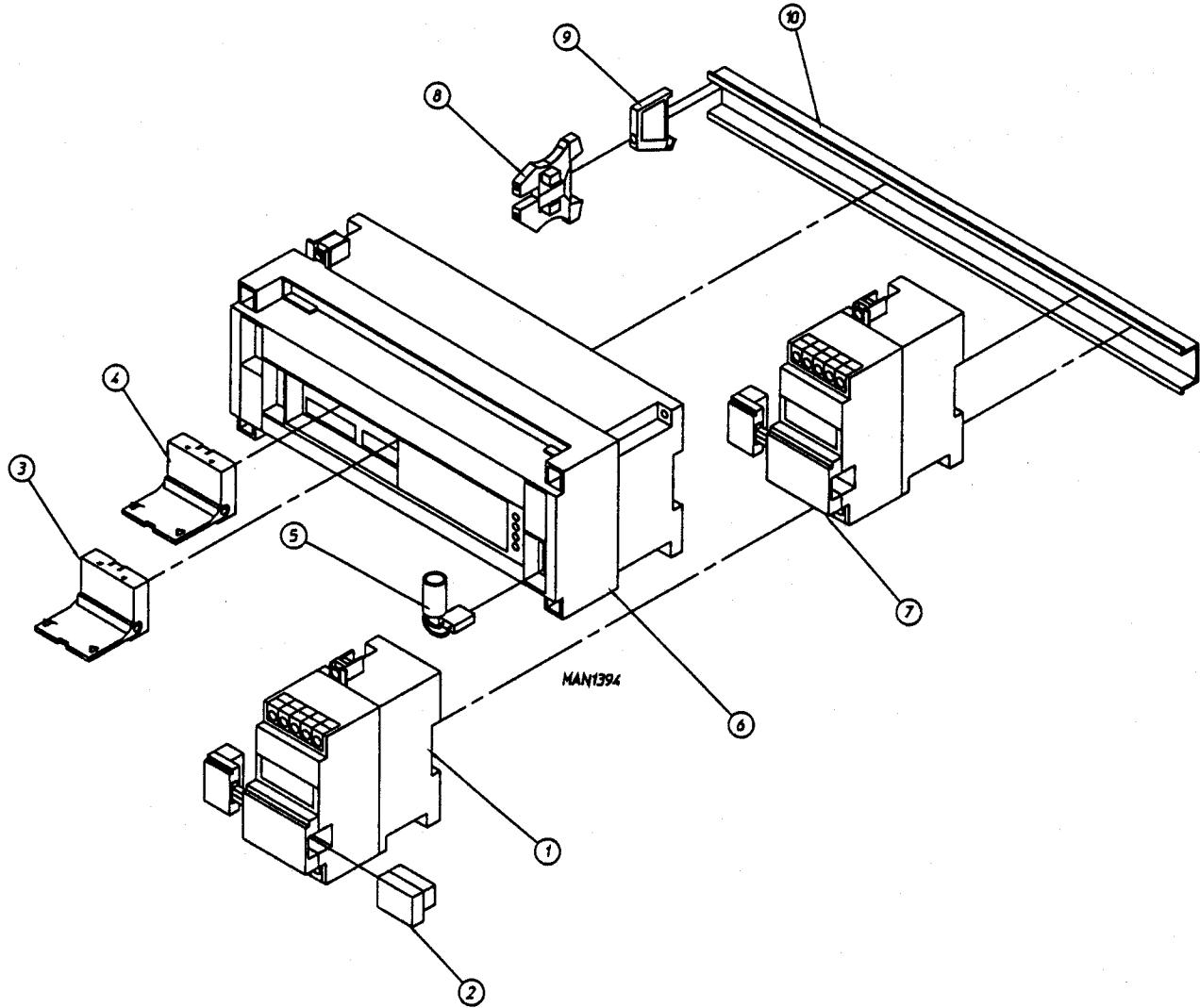
RIGHT VIEW
STEAM DRYER

MAN2630



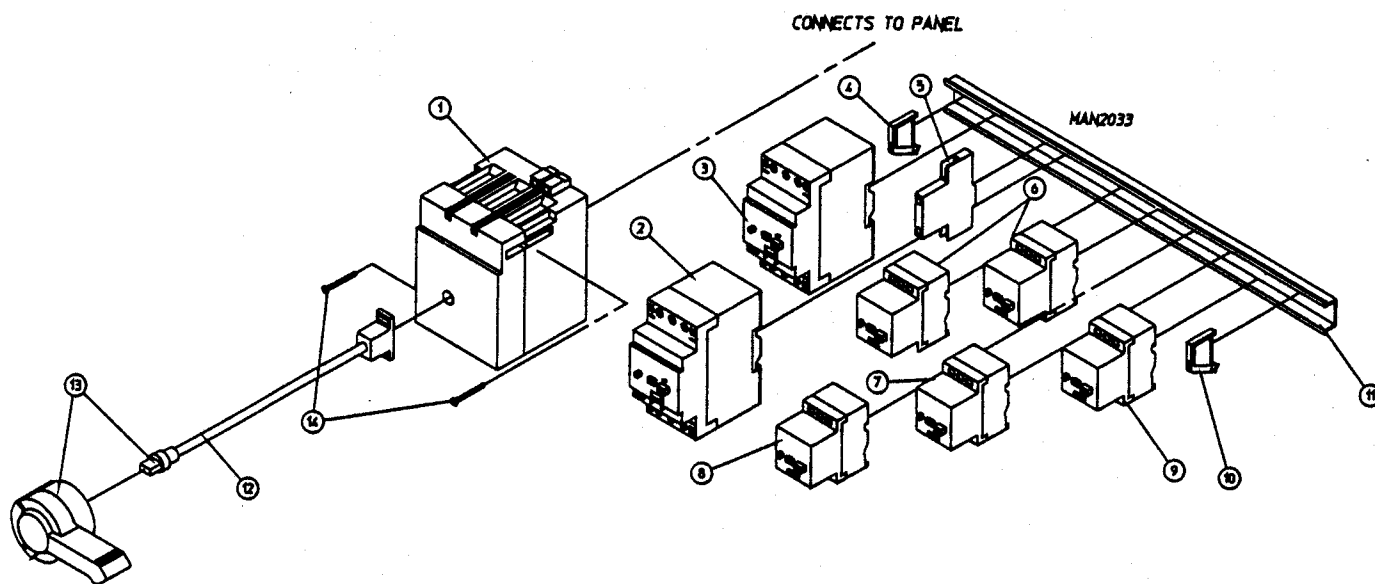
Illus. No.	Part No.	Qty.	Description
1*	121428	44	3" x 3" Trough Cover
2*	121427	48	3" x 3" Trough
3*	121422	24	1" x 3" Trough Cover
4*	121421	27	1" x 3" Trough
5*	121424	24	1 1/2" x 3" Trough Cover
6*	121423	27	1 1/2" x 3" Trough
7*	121424	30	1 1/2" x 3" Trough Cover
8*	121423	33	1 1/2" x 3" Trough
9*	121422	9	1" x 3" Trough Cover
10*	121421	9	1" x 3" Trough
11*	121426	44	2" x 3" Trough Cover
12*	121425	47	2" x 3" Trough
13*	121422	16	1" x 3" Trough Cover
14*	121421	19	1" x 3" Trough
15*	121422	10	1" x 3" Trough Cover
16*	121421	13	1 x 3" Trough
17*	120768	6	35mm x 15mm Rail
18*	120768	6	35mm x 15mm Rail
19*	120768	18	35mm x 15mm Rail
20*	120768	21	35mm x 15mm Rail
21*	120769	13	2 15/16mm x 15mm Rail
22*	120768	17	35mm x 15mm Rail
23*	120768	27	35mm x 15mm Rail
24	331869	1	Electrical Panel with Pilot Holes
25	150510	4	1/4-20 x 3/4" Hex Head Bolt
26	153007	4	1/4" Split Lock Washer
27	152002	4	1/4-20 Hex Nut
28	121012	4	L-125 Terminal Lug
29	150300	79	#10 x 1/2" TEK Screw

* Sold by the inch



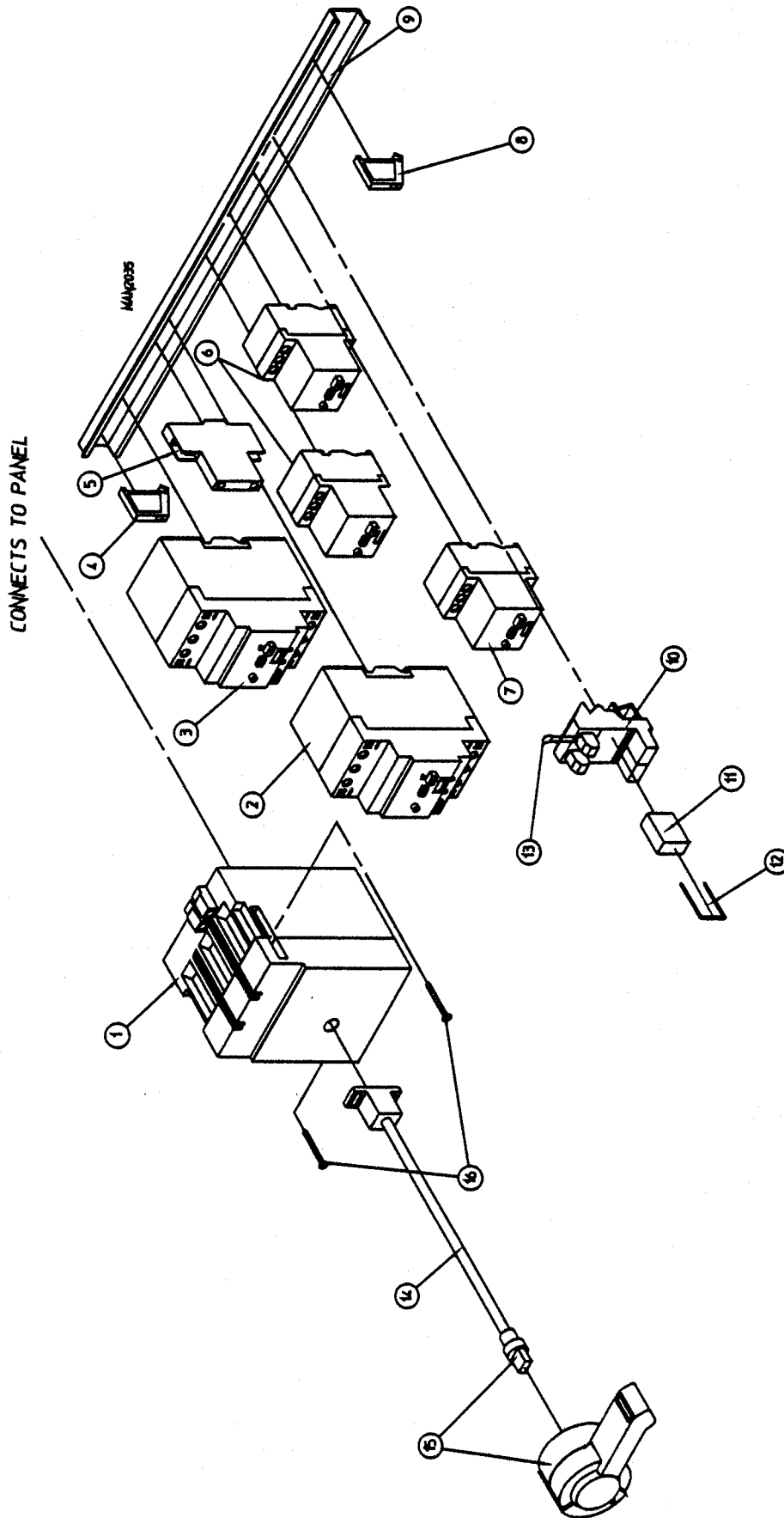
Illus. No.	Part No.	Qty.	Description
1	137920	1	Analog Input Module
2	137924	1	Bus Terminator
3	137910	1	24 KB Memory Cartridge
4	137915	1	Language Cartridge
5	137925	1	Lithium Battery
6	137900	1	Programmable Controller
7	137921	1	Output Module
8	120750	1	Ground Block
9	120765	2	End Stop
10*	120768	18	35mm x 15mm Rail

* Sold by the inch

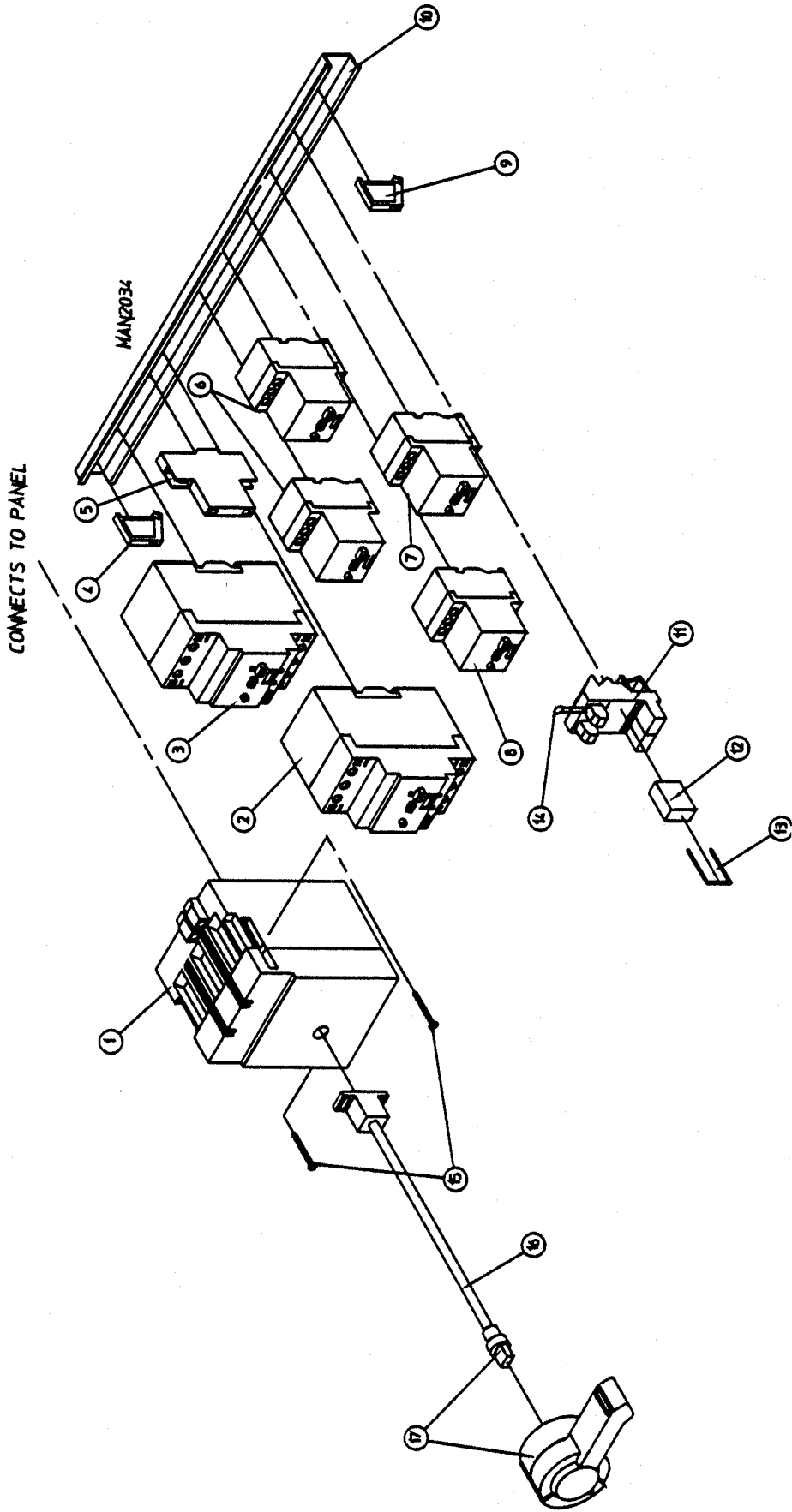


Illus. No.	Part No.	Qty.	Description
1	170216	1	40hp 100 Amp 3Ø Switch with 110° Under Voltage Switch (for 380° 50Hz)
2	131957	1	25-40 Amp Manual Starter (for 380° 50Hz)
3	131957	1	25-40 Amp Manual Starter (for 380° 50 Hz)
4	120765	1	Standard End Stop.
5	132384	1	Auxiliary Contact Block
6	131952	1	6-10 Amp Manual Starter (for 380° 50Hz)
7	131950	1	1-1.6 Amp Manual Starter (for 380° 50Hz)
8	131958	1	4-6 Amp Manual Starter (for 380° 50Hz)
9	131952	1	6-10 Amp Manual Starter (for 380° 50Hz)
10	120765	1	Standard End Stop
11*	120768	21	35mm x 15mm Rail
12	120713	1	Main Shut Off Shaft
13	120711	1	Main Door Handle Interlock
14	150109	2	#8-32 x 2" Screws

* Sold in inches

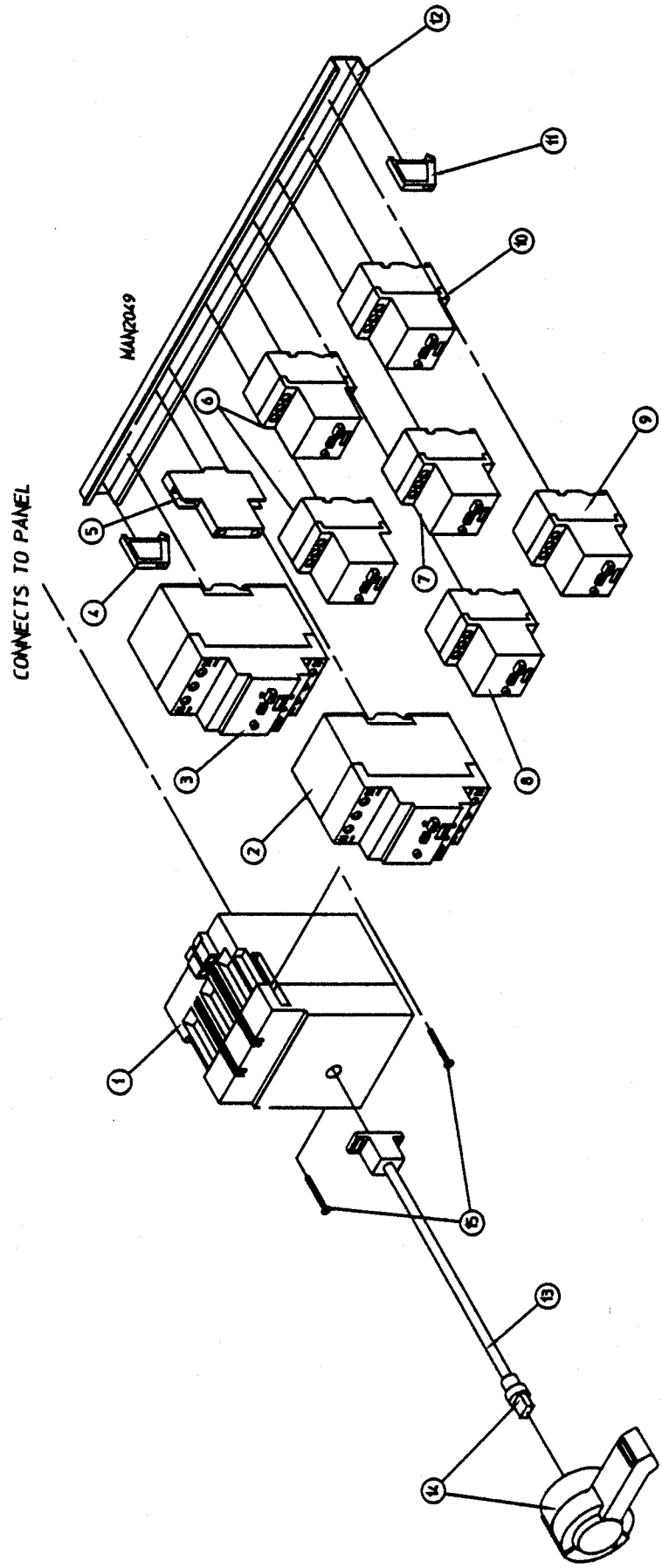


Illus. No.	Part No.	Qty.	Description
1	170209	1	40hp 63 Amp 3 phase Switch with 110v Under Voltage Switch (for 460v 50/60Hz)
	170216	1	40hp 100 Amp 3 phase Switch with 110v Under Voltage Switch (for 380v 50Hz & 416 50Hz)
	170212	1	40hp 125 Amp 3 phase Switch with 110v Under Voltage Switch (for 230v 50Hz & 208 50/60Hz)
2	131954	1	16-20 Amp Manual Starter (for 416v 50Hz)
	131957	1	25-40 Amp Manual Starter (for 230v 50/60Hz, 460v 50/60Hz, & 380v 50Hz)
	131955	1	40-63 Amp Manual Starter (for 208v 50/60Hz)
3	131957	1	25-40 Amp Manual Starter (for 460v 50/60Hz, 416v 50Hz, 230 50/60HZ & 380v 50Hz)
	131956	1	56-80 Amp Manual Starter (for 208v 50/60Hz)
4	120765	1	Standard End Stop
5	132384	5	Auxiliary Contact Block
6	131952	1	6-10 Amp Manual Starter (for 460v 50/60Hz, 416 50Hz & 380v 50Hz)
	131953	1	10-16 Amp Manual Starter (for 230v 50/60Hz)
	131954	1	16-20 Amp Manual Starter (for 208v 50/60Hz)
7	131952	1	6-10 Amp Manual Starter (for all voltages)
8	120765	1	Standard End Stop
9	120768	21	35mm x 15mm Rail
10	131401	1	2 Channel SPDT Relay Socket
11	131403	2	SPDT General Purpose Relay
12	131404	2	Relay Hold Down Wires
13	132446	1	Metal Oxide Varistor
14	170213	1	Main Shut Off Shaft
15	170211	1	Main Door Interlock Handle
16	150109	2	#8-32 x 2" Screws



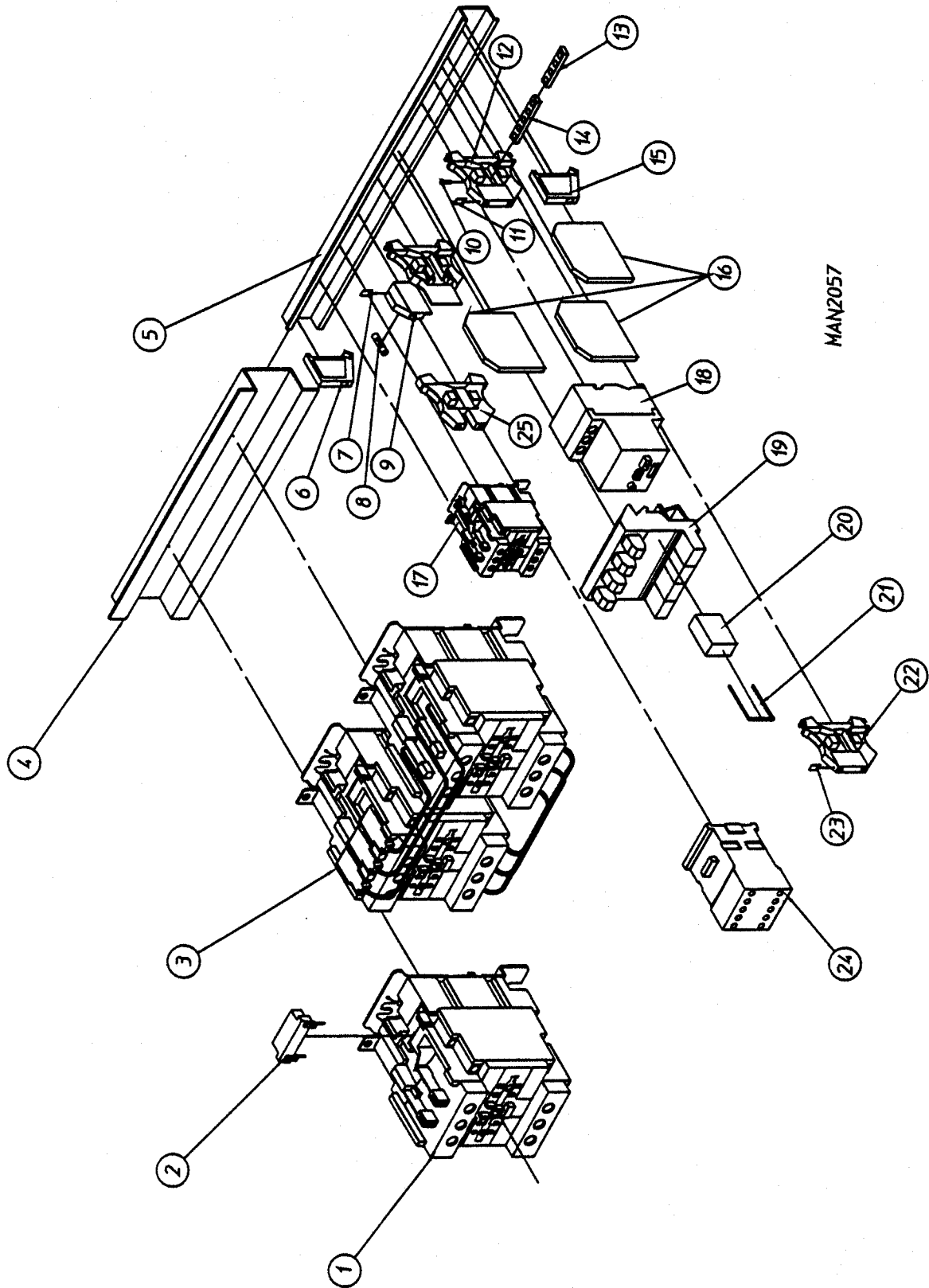
Illus. No.	Part No.	Qty.	Description
1	170209	1	40hp 63 Amp 3 phase Switch with 110v Under Voltage Switch (for 460v 50/60Hz)
	170212	1	40hp 125 Amp 3 phase Switch with 110v Under Voltage Switch (for 230v 50Hz & 208 50/60Hz)
2	131957	1	25-40 Amp Manual Starter (for 208v 50/60Hz, 460v 50/60Hz)
	131955	1	40-63 Amp Manual Starter (for 240v 50/60Hz)
3	131957	1	25-40 Amp Manual Starter (for 460v 50/60Hz)
	131956	1	56-80 Amp Manual Starter (for 230v 50/60Hz & 208v 50/60Hz)
4	120765	1	Standard End Stop
5	132384	5	Auxiliary Contact Block
6	131952	1	6-10 Amp Manual Starter (for 460v 50/60Hz)
	131954	1	16-20 Amp Manual Starter (for 230v 50/60Hz & 208v 50/60Hz)
7	131952	1	6-10 Amp Manual Starter (for all voltages)
8	131950	1	1-1.6 Amp Manual Starter (for 460v 50/60Hz)
	131951	1	2.5-4 Amp Manual Starter (for 230v 50/60Hz & 208 50/60Hz)
9	120765	1	Standard End Stop
10*	120768	21	35mm x 15mm Rail
11	131401	1	2 Channel SPDT Relay Socket
12	131403	2	SPDT General Purpose Relay
13	131404	2	Relay Hold Down Wires
14	132446	1	Metal Oxide Varistor
15	150109	2	#8-32 x 2" Screws
16	170213	1	Main Shut Off Shaft
17	170211	1	Main Door Interlock Handle

* Sold by the inch



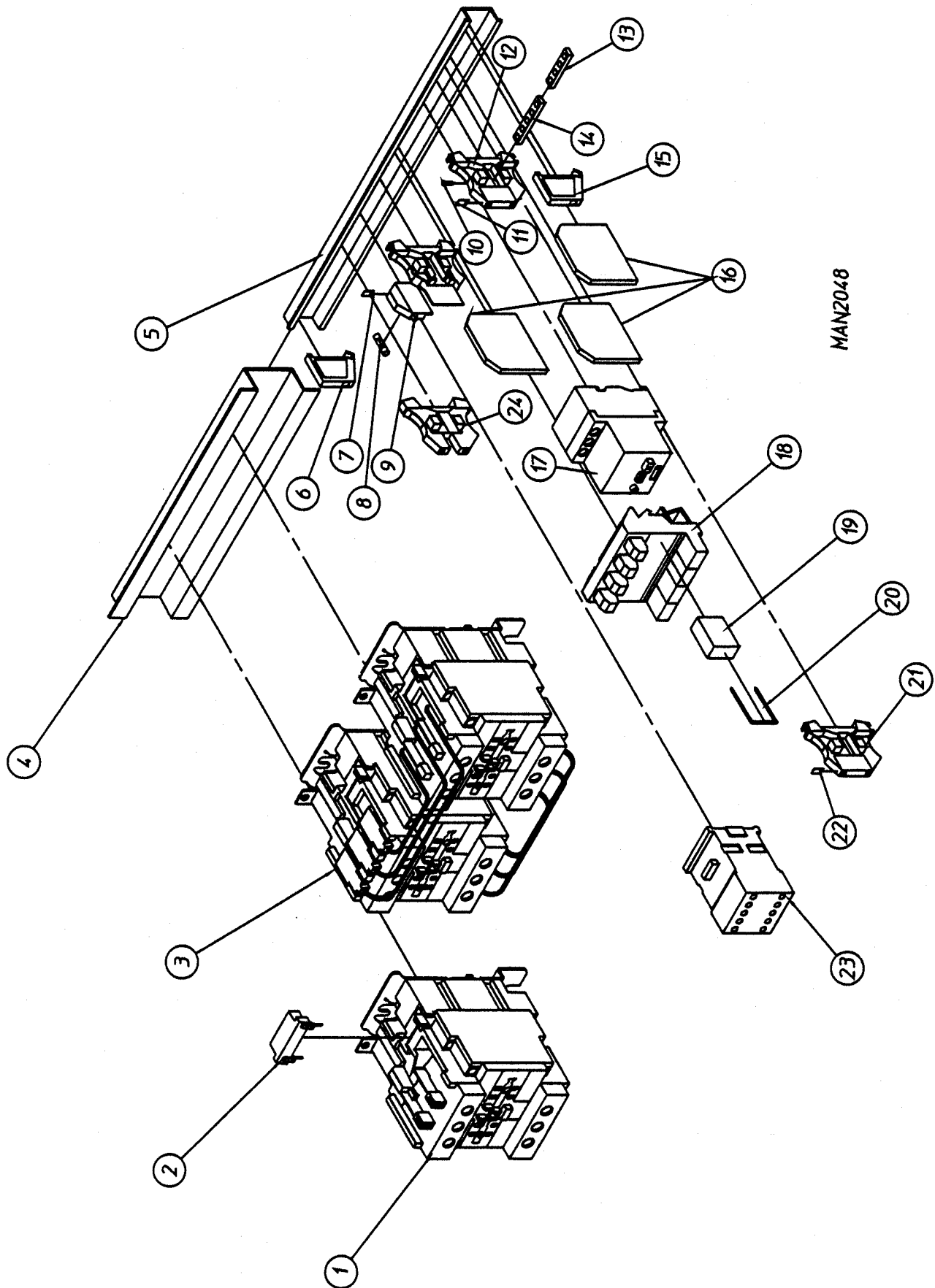
Illus. No.	Part No.	Qty.	Description
1	170212	1	40hp 125 Amp 3 phase Switch with 110v Under Voltage Switch (for 230v 50Hz & 208 50/60Hz)
2	131955	1	40-63 Amp Manual Starter (for 230v 50Hz/60Hz & 208v 50/60Hz)
3	131956	1	56-80 Amp Manual Starter (for 230v 50Hz/60Hz & 208v 50/60Hz)
4	120765	1	Standard End Stop
5	132384	5	Auxiliary Contact Block
6	131953	1	10-16 Amp Manual Starter (for 230v 50Hz)
	131954	1	16-20 Amp Manual Starter (for 208v 50/60Hz)
7	131950	1	1-1.6 Amp Manual Starter (for 208v 50/60Hz & 240 50/60Hz)
8	131953	1	10-16 Amp Manual Starter (for 230v 50/60Hz)
9	131952	1	6-10 Amp Manual Starter (for 208v 50/60Hz & 240 50/60Hz)
10	131951	1	2.5-4 Amp Manual Starter (for 230v 50/60Hz & 208 50/60Hz)
11	120765	1	Standard End Stop
12*	120768	21	35mm x 15mm Rail
13	170213	1	Main Shut Off Shaft
14	170211	1	Main Door Interlock Handle
15	150109	2	#8-32 x 2" Screws

* Sold by the inch



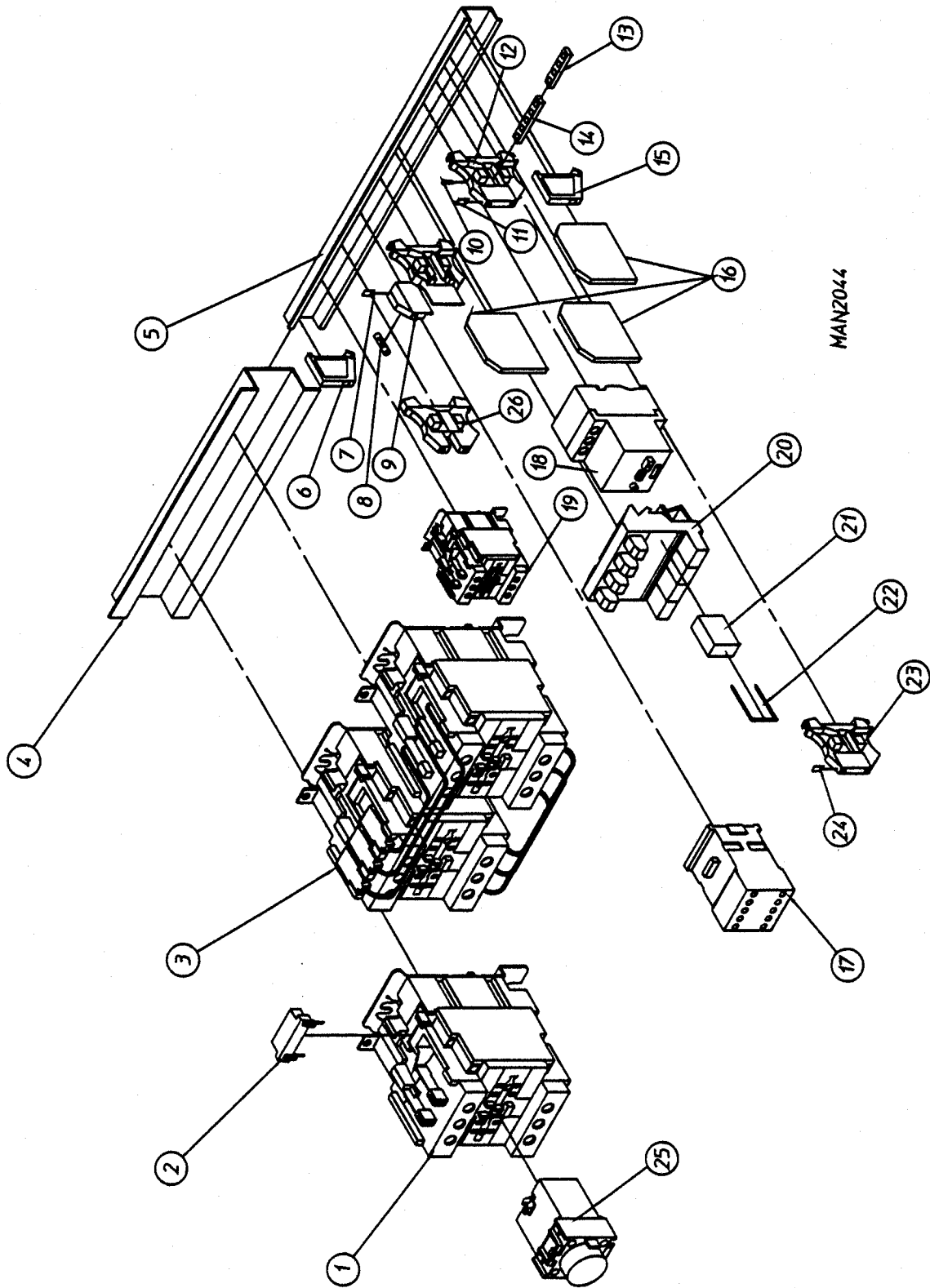
Illus. No.	Part No.	Qty.	Description
1	132443	1	25hp Contactor with a 110v Coil
2	137029	4	120v Mov Noise Suppressor
3	132442	1	15hp Reversing Contactor with a 110v Coil
4*	120769	13	2 15/16" X 15mm Rail
5*	120768	17	35mm x 15mm Rail
6	120765	1	End Stop Bracket
7	120999	1	Blank Marking Tag
8	136038	1	8 Amp 3 AC-250v Fuse
9	120756	1	Fuse Terminal Block with LED
10	120998	9	Bus Bar Screws
11	120999	1	Blank Marking Tag
12	120752	5	Disconnect block with Test Point
13	120991	1	4-Position Jumper Bar
14	120992	1	5-Position Jumper Bar
15	120765	1	Standard End Stop
16	120766	3	End Section (1.5mm Thick)
17	132440	1	2hp Contactor with a 110v Coil
18	131950	1	1-1.6 Amp Manual Starter
19	131400	1	Spot 110v 4-Channel Relay Module
20	131405	4	DPDT 110v General Purpose Relay
21	131404	4	Hold Down Relay Clip
22	120752	4	Disconnect Block with Test Point
23	120999	1	Blank Marking Tag
24	132444	1	3hp Contactor with a 110v Coil
25	120752	1	Ground Block

* Sold by the inch



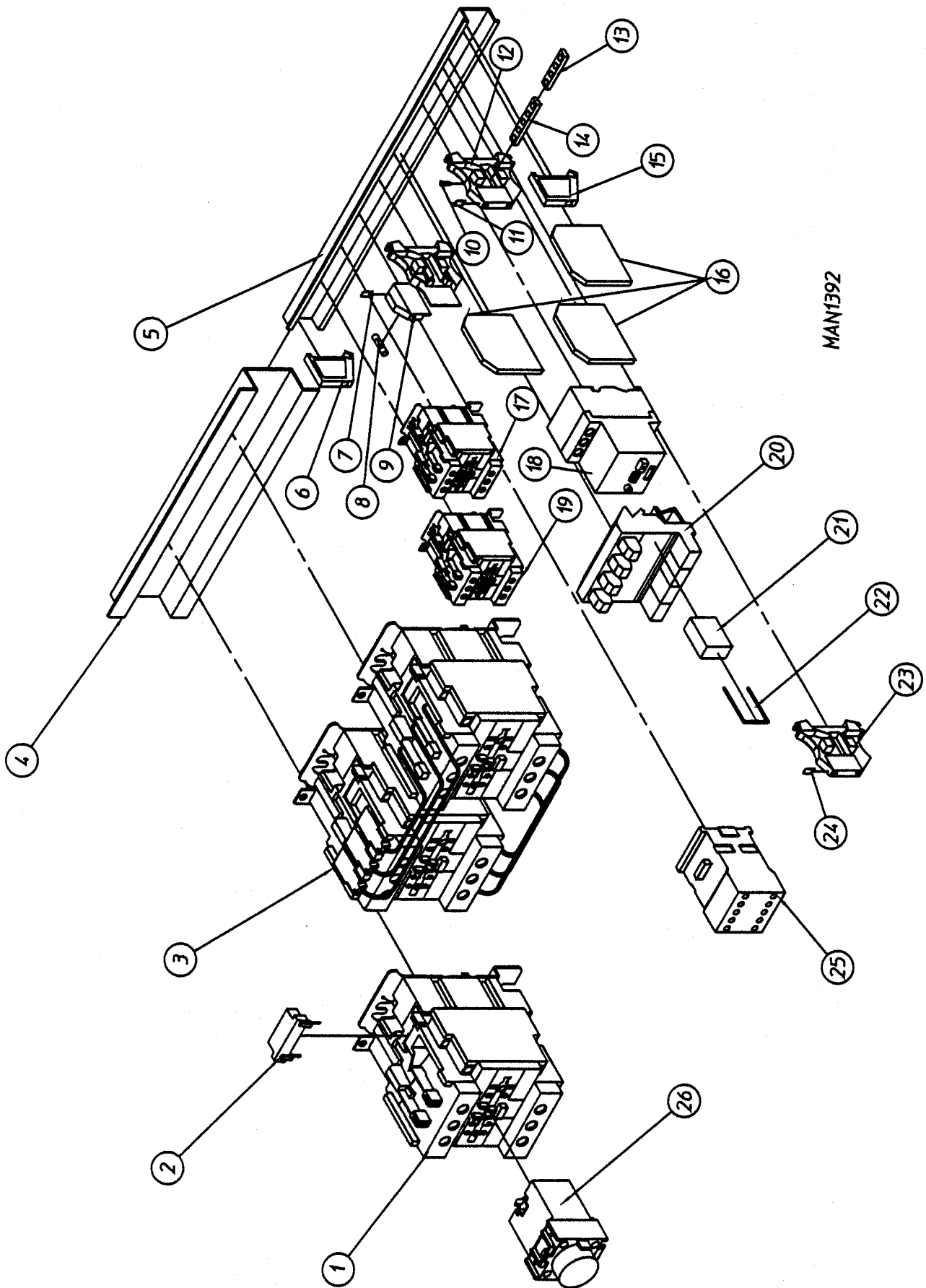
Illus. No.	Part No.	Qty.	Description
1	132443	1	25hp Contactor with a 110v Coil (for 208v 50/60Hz)
	132464	1	25hp Contactor with a 110v Coil (for 460v 50/60Hz)
	132470	1	25hp Contactor with a 110v Coil (for 380v 50Hz)
2	137029	4	120v Mov Noise Suppressor
3	132462	1	15hp Reversing Contactor (for 208v 50/60Hz)
	132463	1	15hp Reversing Contactor (for 460v 50/60Hz)
	132471	1	15hp Reversing Contactor (for 380v 50Hz)
4*	120769	12	2 15/16" X 15mm Rail
5*	120768	17	35mm x 15mm Rail
6	120765	2	End Stop Bracket
7	120999	3	Blank Marking Tag
8	136038	1	8 Amp 3 AC-280v Fuse
9	120756	1	Fuse Terminal Block with LED
10	120998	9	Bus Bar Screws
11	120999	3	Blank Marking Tag
12	120752	5	Disconnect block with Test Point
13	120991	1	4-Position Jumper Bar
14	120992	1	5-Position Jumper Bar
15	120765	2	Standard End Stop
16	120766	2	End Section (1.5mm Thick)
17	131950	1	1-1.6 Amp Manual Starter (for 208v 50/60Hz & 460v 50/60Hz) (380v 50Hz & & 416 50Hz)
18	131400	1	Spot 110v 4-Channel Relay Module
19	131405	4	DPDT 110v General Purpose Relay
20	131404	4	Hold Down Relay Clip
21	120752	4	Disconnect Block with Test Point
22	120999	1	Blank Marking Tag
23	132444	1	3hp Contactor with a 110v Coil
24	120750	1	Ground Block

* Sold by the inch



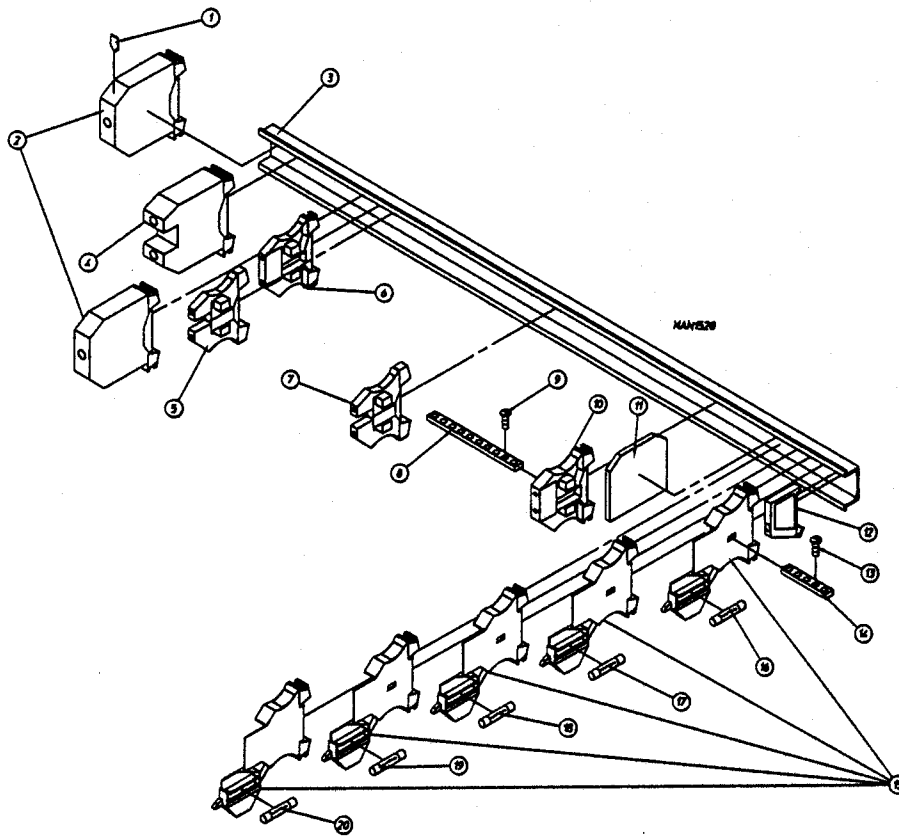
Illus. No.	Part No.	Qty.	Description
1	132470	1	25hp Contactor with a 110v Coil for 380v
2	137029	4	120v Mov Noise Suppressor
3	132471	1	15hp Reversing Contactor for 380v
4*	120769	13	2 15/16" X 15mm Rail
5*	120768	17	35mm x 15mm Rail
6	120765	2	End Stop Bracket
7	120999	3	Blank Marking Tag
8	136038	1	8 Amp 3 AC-250v Fuse
9	120756	1	Fuse Terminal Block with LED
10	120998	9	Bus Bar Screws
11	120999	3	Blank Marking Tag
12	120752	5	Disconnect Block with Test Point
13	120991	1	4-Position Jumper Bar
14	120992	1	5-Position Jumper Bar
15	120765	2	Standard End Stop
16	120766	3	End Section (1.5mm Thick)
17	132444	1	3hp 240v/110v Coil Contactor
18	131950	1	1-1.6 Amp Manual Starter
19	132472	1	5hp 110 Coil Contactor for 380v
20	131400	1	SPDT 110v 4 Channel Relay Module
21	131405	4	DPDT 110v General Purpose Relay
22	131404	4	Hold Down Relay Clip
23	120752	4	Disconnect Block with Test Point
24	120999	3	Blank Marking Tag
25	131317	1	Pneumatic Time Delay Relay
26	120750	1	Ground Block

* Sold by the inch



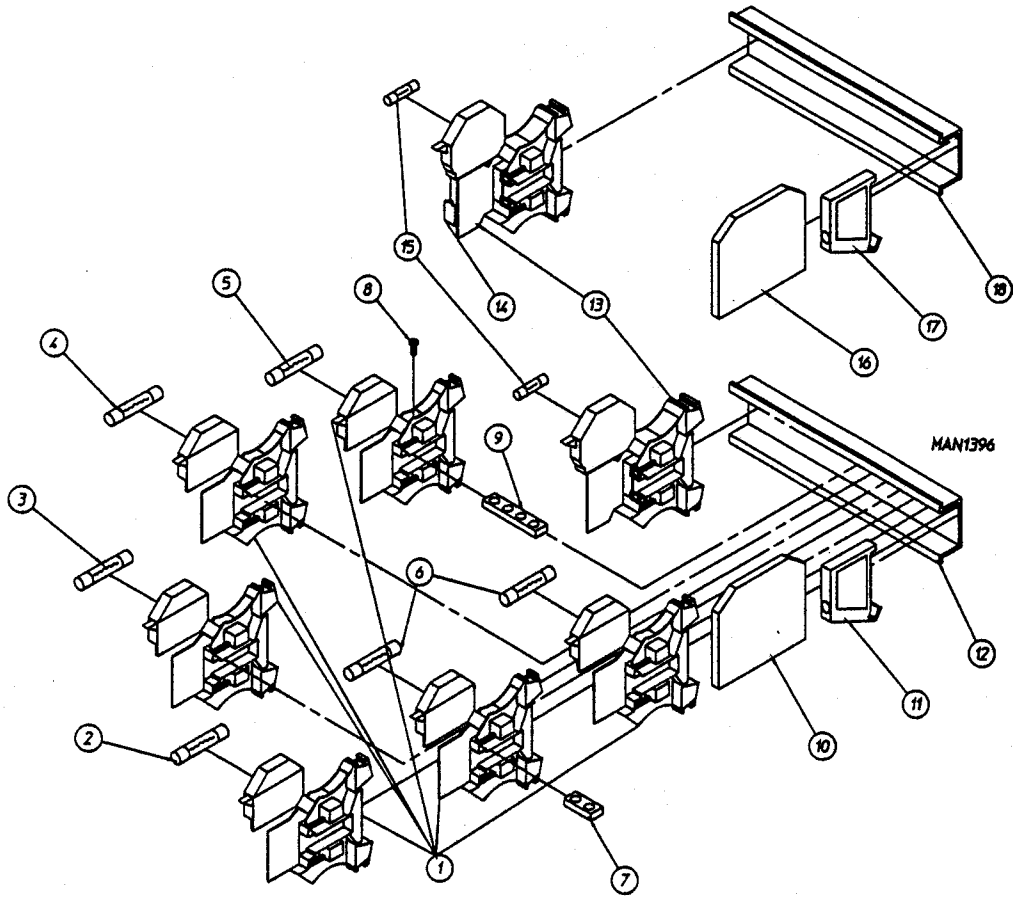
Illus. No.	Part No.	Qty.	Description
1	132443	1	25hp Contactor with a 110v Coil (for 208v 50/60Hz & 240v 50/60Hz)
	132464	1	25hp Contactor with a 110v Coil (for 460v 50/60Hz)
2	137029	5	120v Mov Noise Suppressor
3	132462	1	15hp Contactor with a 110v Coil (for 208v 50/60Hz)
	132463	1	15hp Contactor with a 110v Coil (for 460v 50/60Hz)
	132442	1	15hp Contactor with a 110v Coil (for 240v 50/60Hz)
4*	120769	13	2 15/16" X 15mm Rail
5*	120768	17	35mm x 15mm Rail
6	120765	2	End Stop Bracket
7	120999	3	Blank Marking Tag
8	136038	1	8 Amp 3 AC-280v Fuse
9	120756	1	Fuse Terminal Block with LED
10	120998	9	Bus Bar Screws
11	120999	3	Blank Marking Tag
12	120752	1	Disconnect Block with Test Point
13	120991	1	4-Position Jumper Bar
14	120992	1	5-Position Jumper Bar
15	120765	2	Standard End Stop
16	120766	3	End Section (1.5mm Thick)
17	132440	1	2hp Contactor with a 110v Coil (for 208v 50/60Hz, 240v 50/60Hz & 460v 50/60Hz)
18	131950	1	1-1.6 240v/110v Coil Contactor (for 208v 50/60Hz, 240v 50/60Hz & 460v 50/60 Hz)
19	132460	1	5hp Contactor with a 110v Coil (for 208v 50/60Hz)
	132441	1	5hp Contactor with a 110v Coil (for 240v 50/60Hz)
	132461	1	5hp Contactor with a 110v Coil (for 460v 50/60Hz)
20	131400	1	SPDT 110v 4 Channel Relay Module
21	131405	4	DPDT 110v General Purpose Relay
22	131404	4	Hold Down Relay Clip
23	120752	4	Disconnect Block with Test Point
24	120999	1	Blank Marking Tag
25	132444	1	3hp Control Relay with a 110 Coil (for 208v 50/60Hz, 240v 50/60Hz & 460v 50/60Hz)
26	131317	1	Pneumatic Time Delay Relay

* Sold by the inch



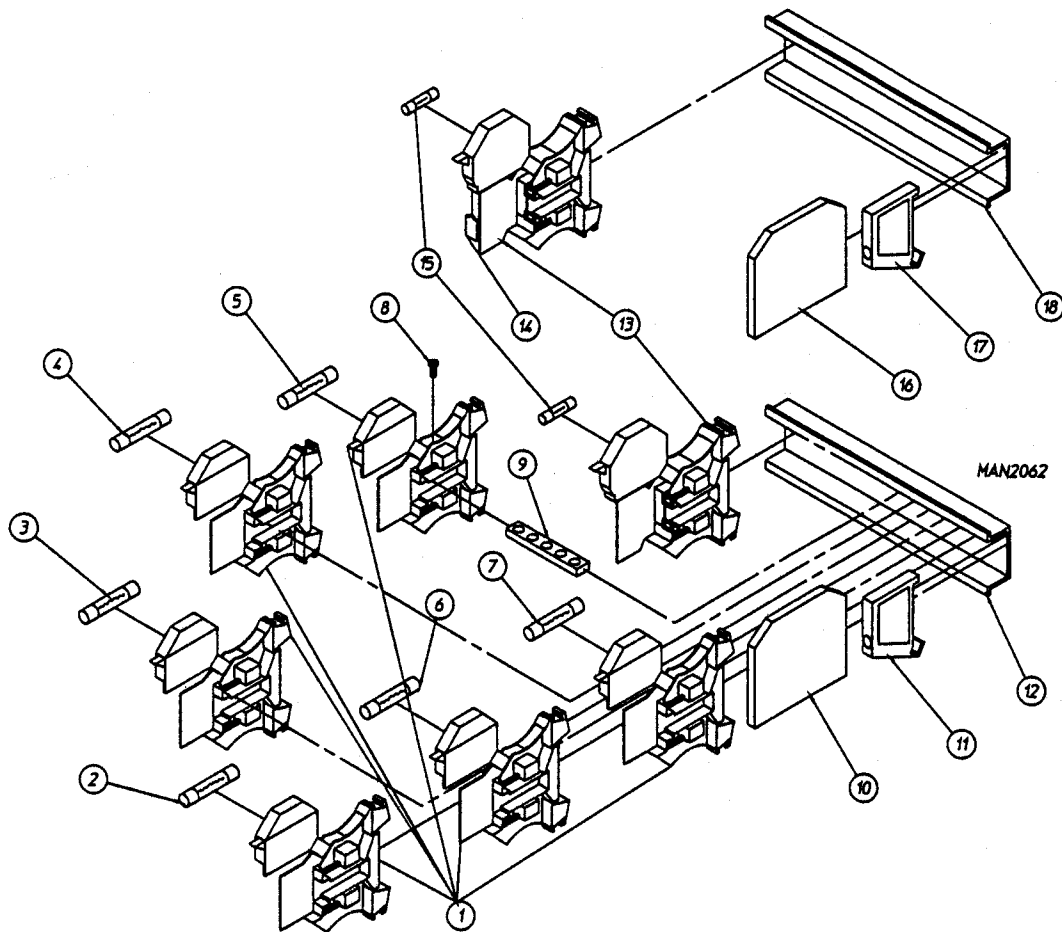
Illus. No.	Part No.	Qty.	Description
1	120999	23	Blank Marking Tag
2	120770	2	12mm End Bracket
3*	120768	27	35mm x 15mm Rail
4	120760	3	115A Terminal Block
5	120750	7	Ground Block
6	120758	49	Feed Through Terminal Block
7	120761	2	Four Position Feed Through Terminal Block
8	120996	1	10 Position Bus Bar
9	120998	10	Bus Bar Screw
10	120752	29	Disconnect Block With Test Point
11	120766	3	End Section
12	120765	2	End Stop Bracket
13	120995	5	Bus Bar Screw (for 5mm x 20mm Fuse Block)
14	120988	1	5-Position Bus Bar
15	120754	5	Fuse Terminal Block
16	136016	1	5 x 20mm 5.0 Amp 250v Fuse
17	136019	2	5 x 20mm 1.0 Amp 250v Fuse
18	136018	1	5 x 20mm 0.5 Amp 250v Fuse
19	136017	1	5 x 20mm 3.15 Amp 250v Fuse
20	136019	2	5 x 20mm 1.0 Amp 250v Fuse

*Sold by the inch



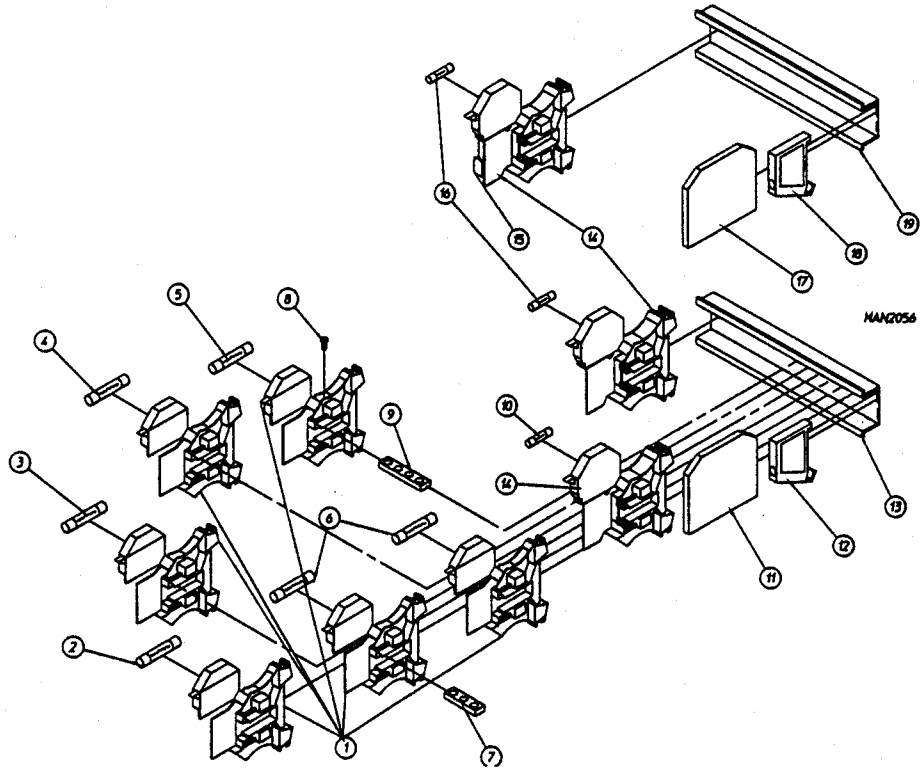
Illus. No.	Part No.	Qty.	Description
1	120754	6	5 x 20mm Fuse Terminal Block
2	136017	1	5 x 20mm 3.15 Amp 250v Fuse
3	136016	1	5 x 20mm 5.0 Amp 250v Fuse
4	136019	1	5 x 20mm 1.0 Amp 250v Fuse
5	136017	1	5 x 20mm 3.15 Amp 250v Fuse
6	136018	2	5 x 20mm 0.5 Amp 250v Fuse
7	120990	1	2 Position Bus Bar
8	120995	6	Bus Bar Screw
9	120987	1	4-Position Bus Bar
10	120766	1	End Section
11	120765	2	End Stop Bracket
12	120768	6	35mm x 15mm Rail
13	120756	18	Fuse Terminal Block with LED
14	120999	21	Blank Marking Tag
15	136033	18	3AG Fuse - 3 Amp
16	120766	1	End Section
17	120765	2	End Stop Bracket
18	120768	6	35mm x 15mm Rail

*Sold by the inch



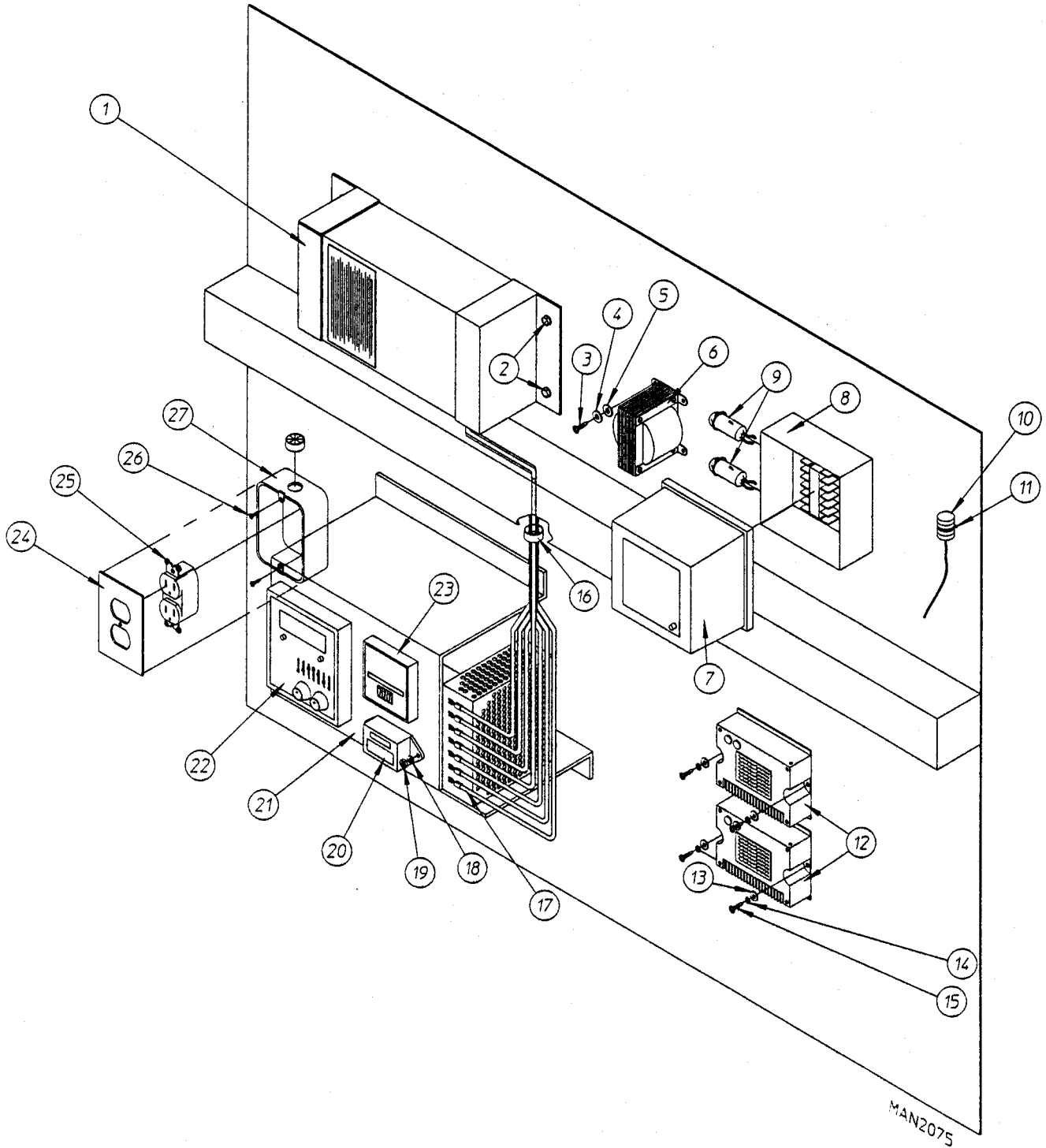
Illus. No.	Part No.	Qty.	Description
1	120754	6	5 x 20mm Fuse Terminal Block
2	136017	2	5 x 20mm 3.15 Amp 250v Fuse
3	136016	1	5 x 20mm 5.0 Amp 250v Fuse
4	136019	1	5 x 20mm 1.0 Amp 250v Fuse
5	136017	2	5 x 20mm 3.15 Amp 250v Fuse
6	136047	2	5 x 20mm 0.8 Amp 250v Fuse
7	136018	2	5 x 20mm 0.5 Amp 250v Fuse
8	120995	6	Bus Bar Screw (for fuse blocks)
9	120988	1	5-Position Bus Bar
10	120766	1	End Section
11	120765	2	End Stop Bracket
12	120768	6	35mm x 15mm Rail (sold by the inch)
13	120756	*	1/4" Fuse Terminal Block with LED
14	120999	*	Blank Marking Tag
15	136033	*	1/4" 3AG Fuse - 3 Amp
16	120766	2	End Section (1.5mm Thick)
17	120765	2	End Stop Bracket
18	120768	6	35mm x 15mm Rail (sold by the inch)

* As Required

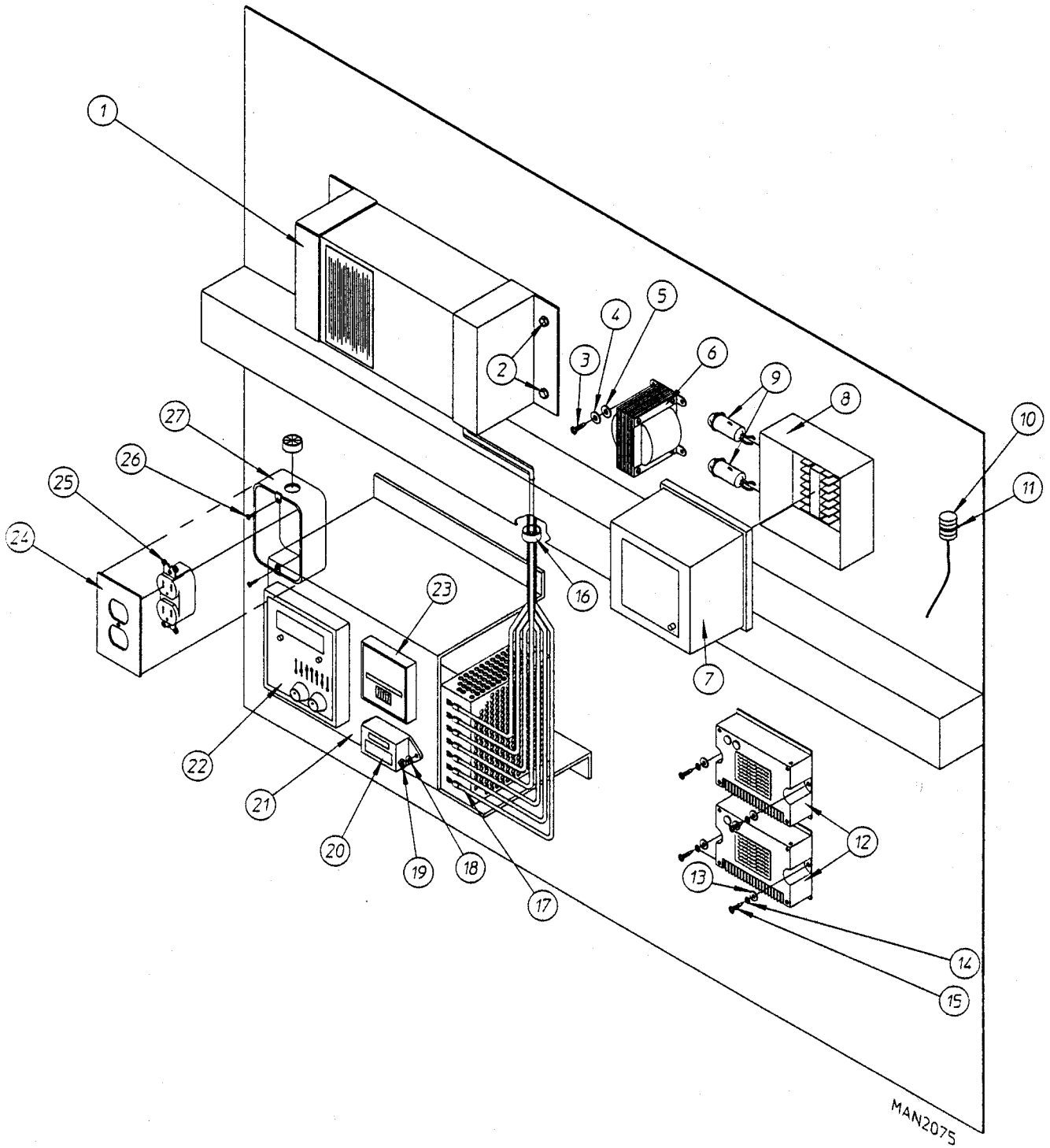


Illus. No.	Part No.	Qty.	Description
1	120754	7	5 x 20mm Fuse Terminal Block
2	136017	1	5 x 20mm 3.15 Amp 250v Fuse
3	136016	1	5 x 20mm 5.0 Amp 250v Fuse
4	136019	1	5 x 20mm 1.0 Amp 250v Fuse
5	136017	1	5 x 20mm 3.15 Amp 250v Fuse
6	136018	2	5 x 20mm 0.5 Amp 250v Fuse
7	120993	1	3 Position Bus Bar
8	120995	7	Bus Bar Screw
9	120987	1	4-Position Bus Bar
10	136047	2	5 x 20mm 0.8 Amp 250v Fuse
11	120766	1	End Section
12	120765	2	End Stop Bracket
13	120768	6	35mm x 15mm Rail (sold by the inch)
14	120756	*	1/4" Fuse Terminal Block with LED
15	120999	*	Blank Marking Tag
16	136033	*	1/4" 3AG Fuse - 3 Amp
17	120766	2	End Section (1.5mm Thick)
18	120765	2	End Stop Bracket
19	120768	6	35mm x 15mm Rail (sold by the inch)

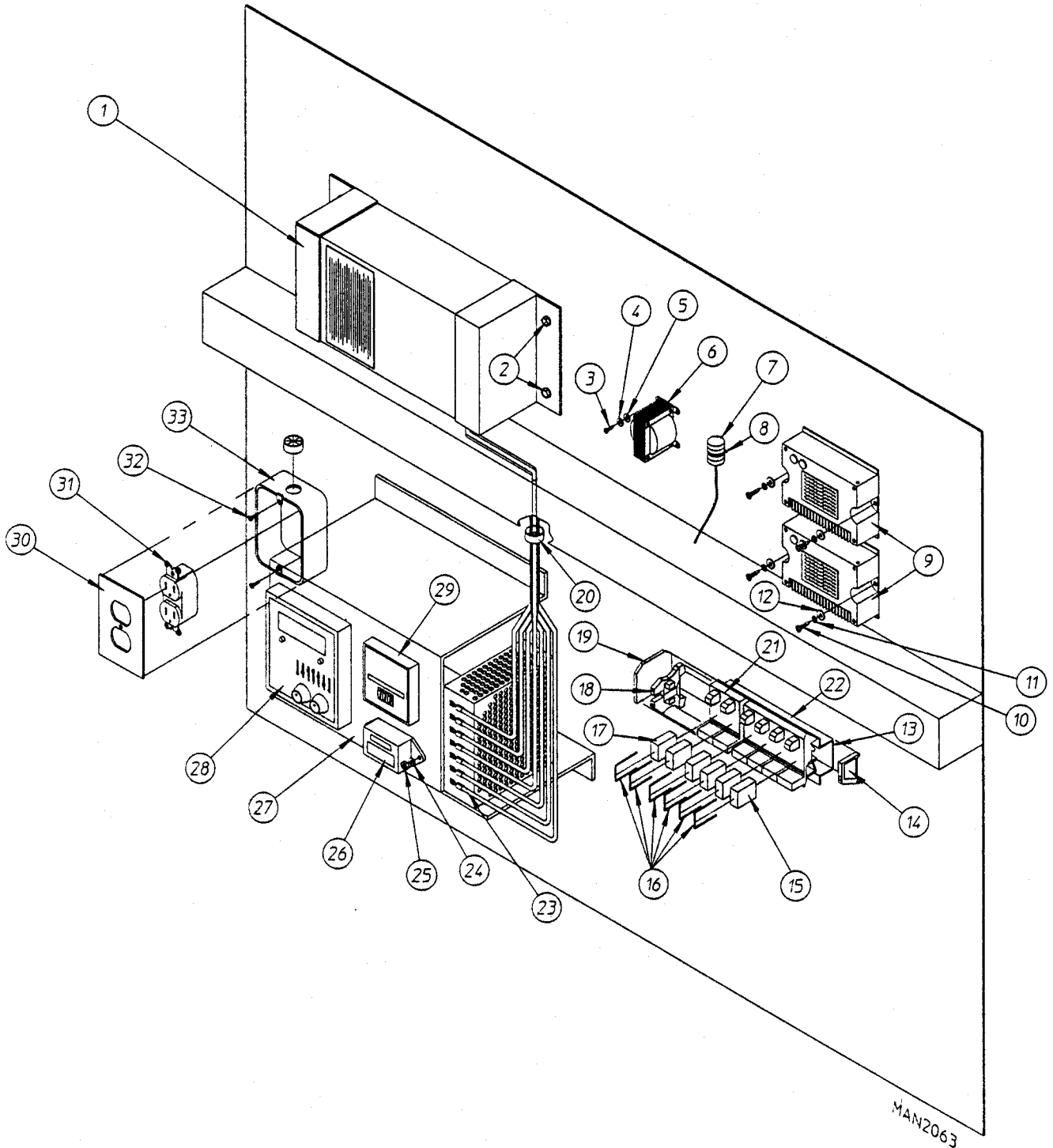
* As Required



Illus. No.	Part No.	Qty.	Description
1	132012	1	208v to 120v/240v 1 kva Control Transformer
	132013	1	240/480v to 120/240v 1 kva Control Transformer
2	150522	4	1/4-20 x 1/2" Self Tapping Hex Head Screw
3	150108	4	#8-32 x 1/2" Screw
4	153012	2	#8 Star Washer
5	153022	2	#10 Flat Washer
6	825020	1	208v Primary 120v Secondary Control Transformer
	825019	1	240v to 120v Sprinkler Transformer Assembly
	132005	1	240v/480v Primary 120v Secondary Transformer
7	141065	1	Burner Controller
8	820751	1	Burner Controller Base (modified)
9	123000	2	120v Red Indicator Light
10	825118	1	End of Cycle Flasher Assembly
11	150103	1	8/32 x 3/4" Round Head Machine Screw
12	138010	2	RTD 4-20 MA Transmitter
13	153022	4	#10 Flat Washer
14	153012	4	#8 Star Washer
15	150103	4	8/32 x 3/4" Round Head Machine Screw
16	121300	2	Open / Close Bushing
17	132030	1	110 VAC / 24 VDC .7 Amp Power Supply
18	153010	2	#6 Star Washer
19	152000	2	6-32 Hex Nut
20	825051	1	Panel Mount 24 VDC Hour Meter
21	825012	1	Digital Temperature Controller Assembly, °F
22	820741	1	Hi-Limit Alarm Assembly, F
23	820720	1	Digital Temperature Controller Assembly, °F
24	121126	1	1 Gang Duplex Receptical Cover - S.S.
25	121125	1	Grounded Duplex Receptical, Gray
26	150300	2	Self Tapping Screw
27	121104	1	Single Outlet Box, 4" x 2 1/8" x 1 7/8"

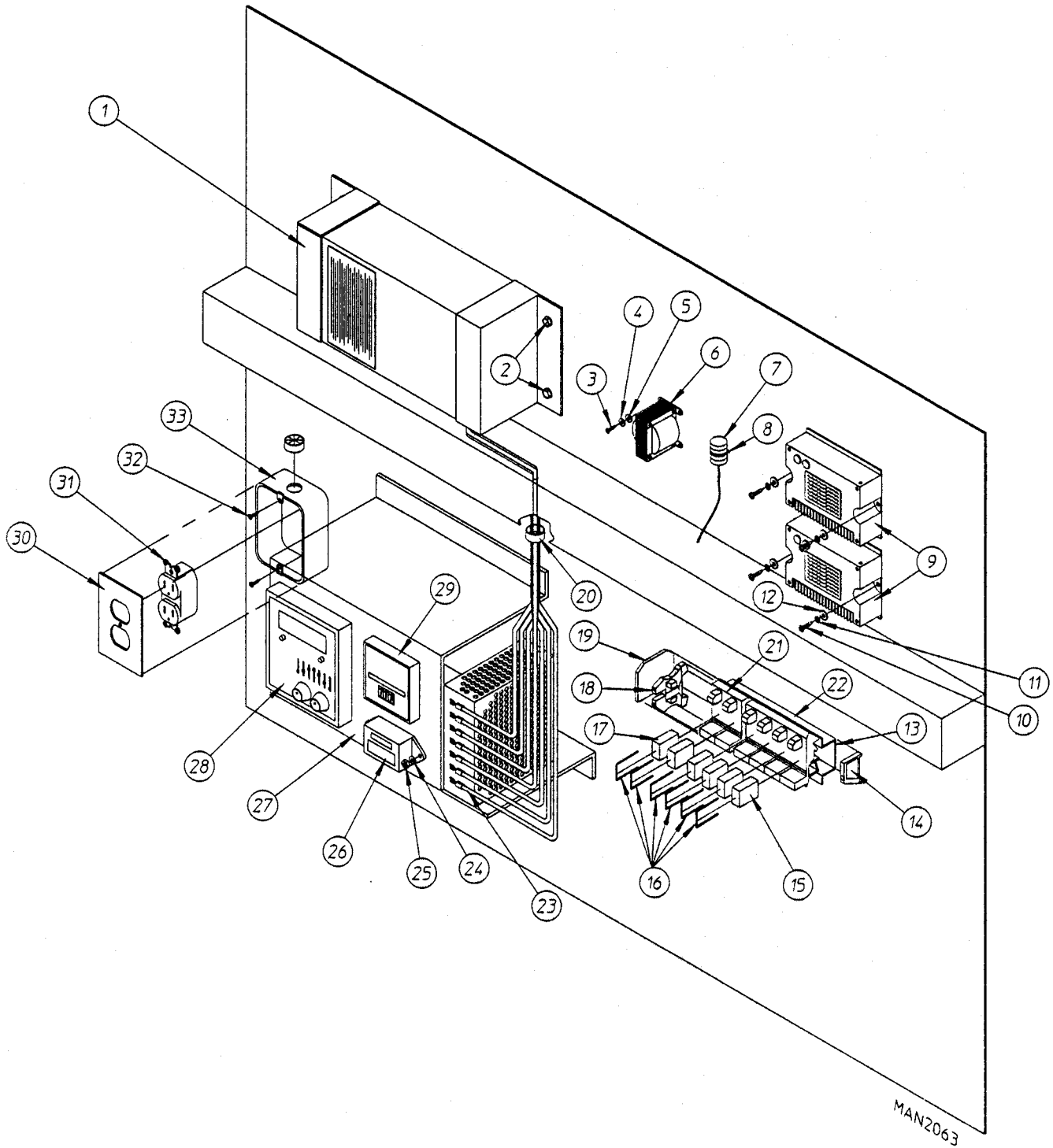


Illus. No.	Part No.	Qty.	Description
1	132012	1	208 to 120/240 1 kva Control Transformer
2	150522	1	1/4-20 x 1/2" Self Tapping Hex Head Screw
3	150108	4	#8-32 x 1/2" Screw for XFMR
4	153012	4	#8 Star Washer
5	153022	4	#10 Flat Washer
6	825020	1	208v Primary 120v Secondary 200W control XFMR Assembly
7	141065	1	Burner Controller
8	820751	1	Burner Controller Base
9	123000	2	120v Red Indicator Lamp
10	825118	1	End of Cycle Flasher Assembly
11	150103	1	8/32 x 3/4" Round Head Machine Screw
12	138010	4	RTD 4-20 MA Transmitter
13	153022	4	#10 Flat Washer
14	153012	4	#8 Star Washer
15	150103	4	8/32 x 3/4" Round Head Machine Screw
16	121300	2	Open / Close Bushing
17	132030	1	110 VAC / 24 VDC .7 Amp Power Supply
18	153010	2	#6 Star Washer
19	152000	2	6-32 Hex Nut
20	825051	1	24 Volt DC Clock
21	825013	1	Hi-Limit Switch Controller Assembly, °C
22	820741	1	Hi-Temperature Controller Assembly, °C
23	825015	1	Digital Temperature Controller Assembly, °C
24	121126	1	1 Gang Duplex Receptacle Cover S.S
25	121125	1	Grounded Duplex Receptacle Gray
26	150300	2	Self Tapping Screw
27	121104	1	Single Outlet Box 4" x 2 1/8" x 1 7/8"



Illus. No.	Part No.	Qty.	Description
1	132014	1	380 to 240 1 kva Control Transformer
	132013	1	480v to 240v 1kva Control Transformer
2	150522	4	1/4-20 x 1/2" Self Tapping Hex Head Screw
3	150106	2	8-32 x 1" Round Head Machine Screw
4	153012	2	#8 Star Washer
5	153022	2	#10 Flat Washer
6	825020	4	208v - 110v Transformer Assembly
	825019	1	240v - 110v Transformer Assembly
	825087	1	380v - 110v Transformer Assembly
	825129	1	416v - 110v Transformer Assembly
	132005	1	480v - 110v Transformer Assembly
7	825118	1	End of Cycle Flasher Assembly
8	150106	1	8-32 x 1" Round Head Machine Screw
9	138010	2	RTD 4-20 MA Transmitter
10	150106	4	8-32 x 1" Round Head Machine Screw
11	153012	4	#8 Star Washer
12	153022	4	#10 Flat Washer
13*	120760	1	35mm x 15mm Rail
14	120765	2	End Stop
15	131405	4	DPDT 110v Coil 10 Amp Relay
16	131404	6	Relay Hold Down Clip
17	131403	2	SPDT Relay 110v 10 Amps
18	120758	1	Disconnect Block
19	120766	1	End Section (1.5mm Thick)
20	121300	2	Open / Close Bushing
21	131401	1	2 Channel 110 VAC Socket
22	131402	1	4 Channel DPDT Relay w/Relays
23	132030	1	110 VAC / 24 VDC .7 Amp Power Supply
24	153010	2	#6 Star Washer
25	152000	2	6-32 Hex Nut
26	124850	1	Panel Mount 24V DC Hour Meter
27	825058	1	Hi-Temperature Controller & Hour Meter Complete Assembly °C
28	825059	1	Hi-Limit Alarm Assembly ° F
29	825015	1	Digital Temperature Controller Assembly °C
30	121126	1	1 Gang Duplex Receptacle Cover
31	121125	1	Grounded Duplex Receptacle - Gray
32	150300	2	Self Tapping Screw
33	121104	1	Single Outlet Box 4" x 2 1/8" x 1 7/8"

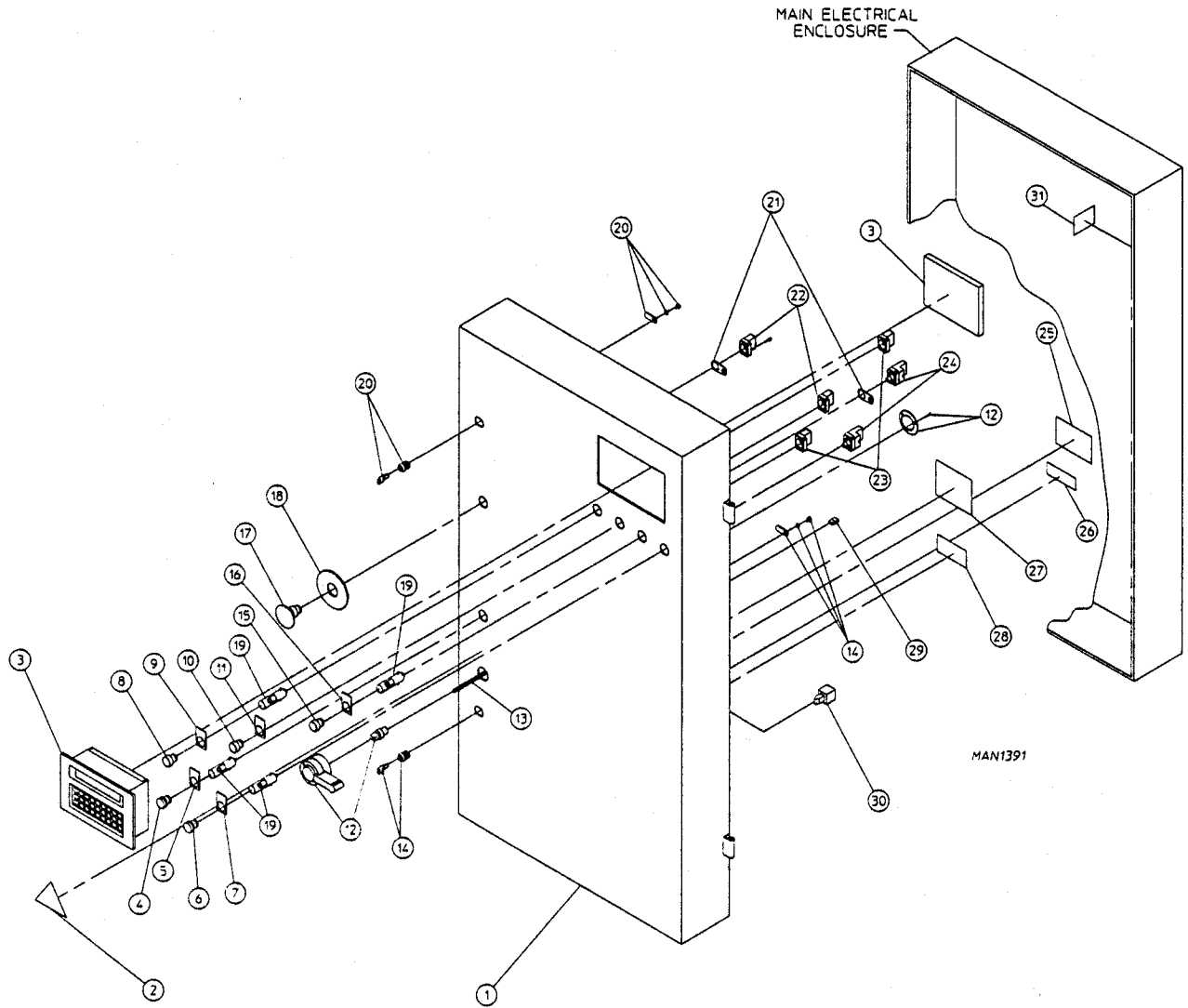
* Sold by the inch



Illus. No.	Part No.	Qty.	Description
1	132014	1	380 to 240 1 kva Control Transformer
	132013	1	480v to 240 1kva Control Transformer
2	150522	4	1/4-20 x 1/2" Self Tapping Hex Head Screw
3	150106	4	8-32 x 1" Round Head Machine Assembly
4	153012	4	#8 Star Washer
5	153022	4	#10 Flat Washer
6	825057	1	380v - 110v Transformer Assembly
	132005	1	480v - 110v Transformer Assembly
7	825118	1	End of Cycle Flasher Assembly
8	150106	1	8-32 x 3/4" Round Head Machine Screw
9	138010	2	RTD 4-20 MA Transmitter
10	150106	1	8-32 x 3/4" Round Head Machine Screw
11	153012	4	#8 Star Washer
12	153022	4	#10 Flat Washer
13	120768	1	35mm x 15mm Rail
14	120765	2	End Stop
15	131405	4	DPDT 110v Coil 10 Amp Relay
16	131404	6	Relay Hold Down Clip
17	131403	2	SPDT Relay 110v 10 Amps
18	120752	1	Disconnect Block
19	120766	1	End Section (1.5mm Thick)
20	121300	2	Open / Close Bushing
21	131401	1	2 Channel 110VAC Socket
22	131402	1	4 Channel DPDT Relay w/Relays
23	132030	1	110 VAC / 24 VDC .7 Amp Power Supply
24	153010	2	#6 Star Washer
25	152000	2	6-32 Hex Nut
26	124850	1	Panel Mount 24V DC Hour Meter
27	825050	1	Hi-Limit Controller & Hour Meter °F
28	825049	1	Hi-Limit Alarm Assembly °F
29	820720	1	Digital Temperature Controller Assembly °F
30	121126	1	1 Gang Duplex Receptacle Cover
31	121125	1	Grounded Duplex Receptacle - Gray
32	150300	2	Self Tapping Screw
33	121104	1	Single Outlet Box 4" x 2 1/8" x 1 7/8"

* Sold by the inch

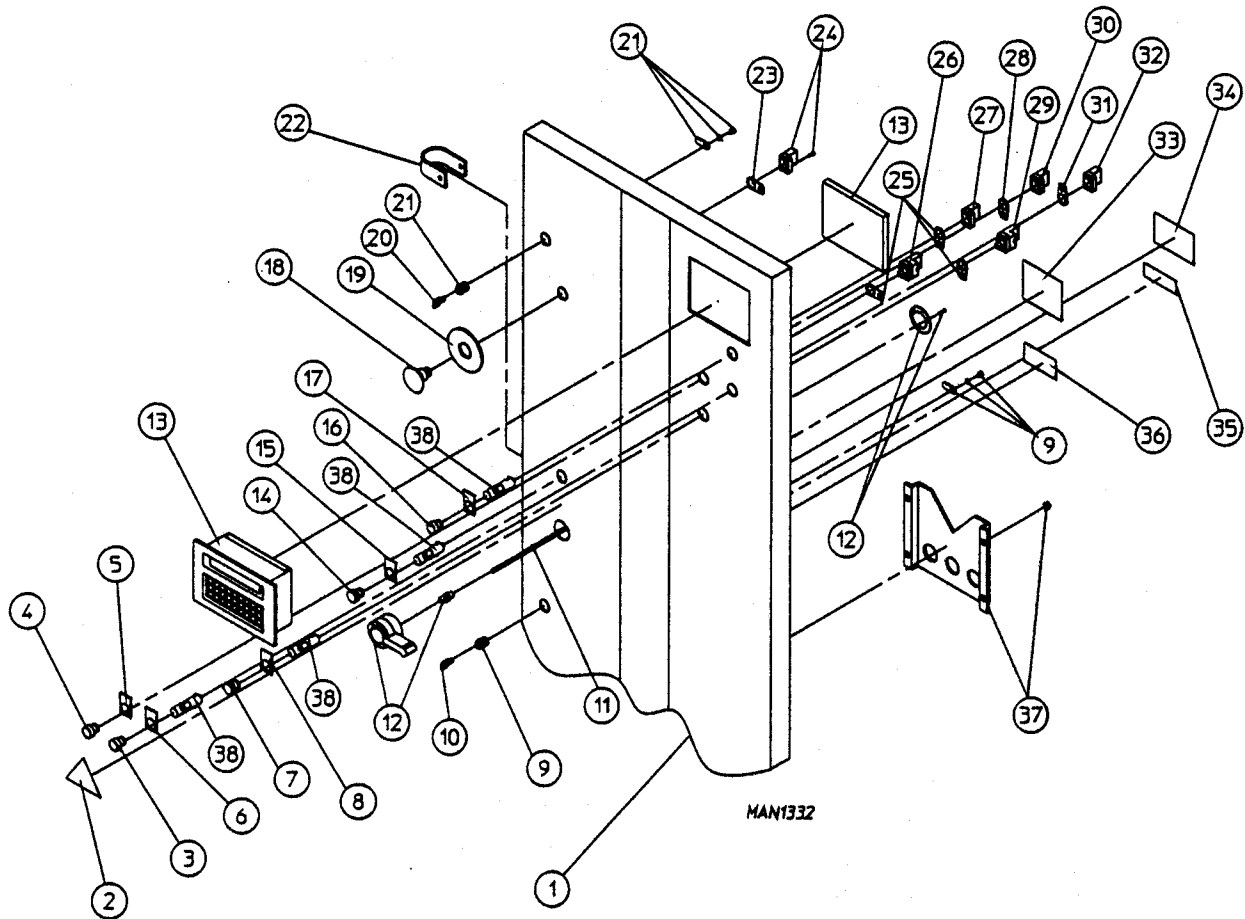
(Short Style)



(Short Style)

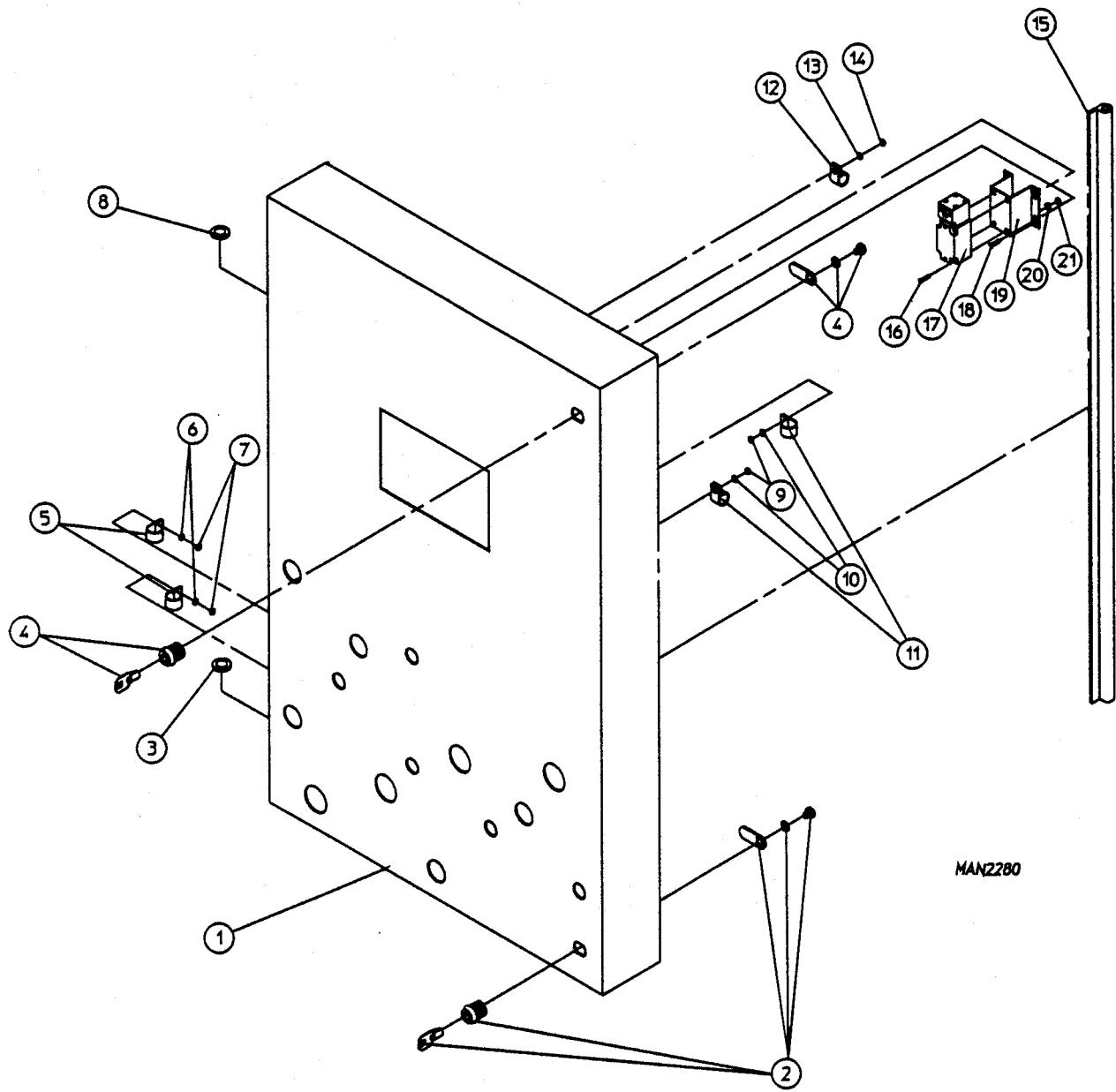
Illus. No.	Part No.	Qty.	Description
1	820819	1	AD-400 Short Door Weldment
2	122425	1	Power Warning Label (Large)
3	881031	1	Interface Terminal
4	123215	1	Pilot Light Blue Operator
5	122423	1	Nameplate "Power On"
6	123216	1	Pilot Light Red Operator
7	122414	1	Nameplate "Sprinkler Power"
8	123201	1	Lighted Green Push Button
9	122410	1	Nameplate "On"
10	123204	1	Non-Lighted - Red Push Button Operator
11	122421	1	Nameplate "Off"
12	170211	1	Main Door Interlock Handle
13	170213	1	Main Shaft Extension
14	160038	1	Door Lock
15	123200	1	Lighted Amber Push Button Operator
16	122420	1	Nameplate "Sprinkler Stop"
17	122351	1	Red Mushroom Head 60mm Operator
18	122419	1	Nameplate "Emergency Stop"
19	123211	1	120VAC Incandescent Bulb
20	160038	1	Door Lock
21	121505	2	Control Panel Tie-Wrap Mount
22	132395	2	Mounting Base with 1NC Contact Block
23	825114	2	120VAC Mounting Base w/no Contact Block
24	123209	2	Direct Supply Base 120VAC
25	112046	1	Label (It is Very Important this unit has a Separate Earth Ground).
26	112025	1	Caution Label (caution disconnect power before changing a fuse)
27	122426	1	Caution Label (More than one Disconnect)
28	112017	1	American Dryer Address Label
29	121509	1	Metal Clip On Mount
30	121493	7	Push in Tie-Wrap Mounts
31	-----	--	Serial Ticket Label

(Long Style)



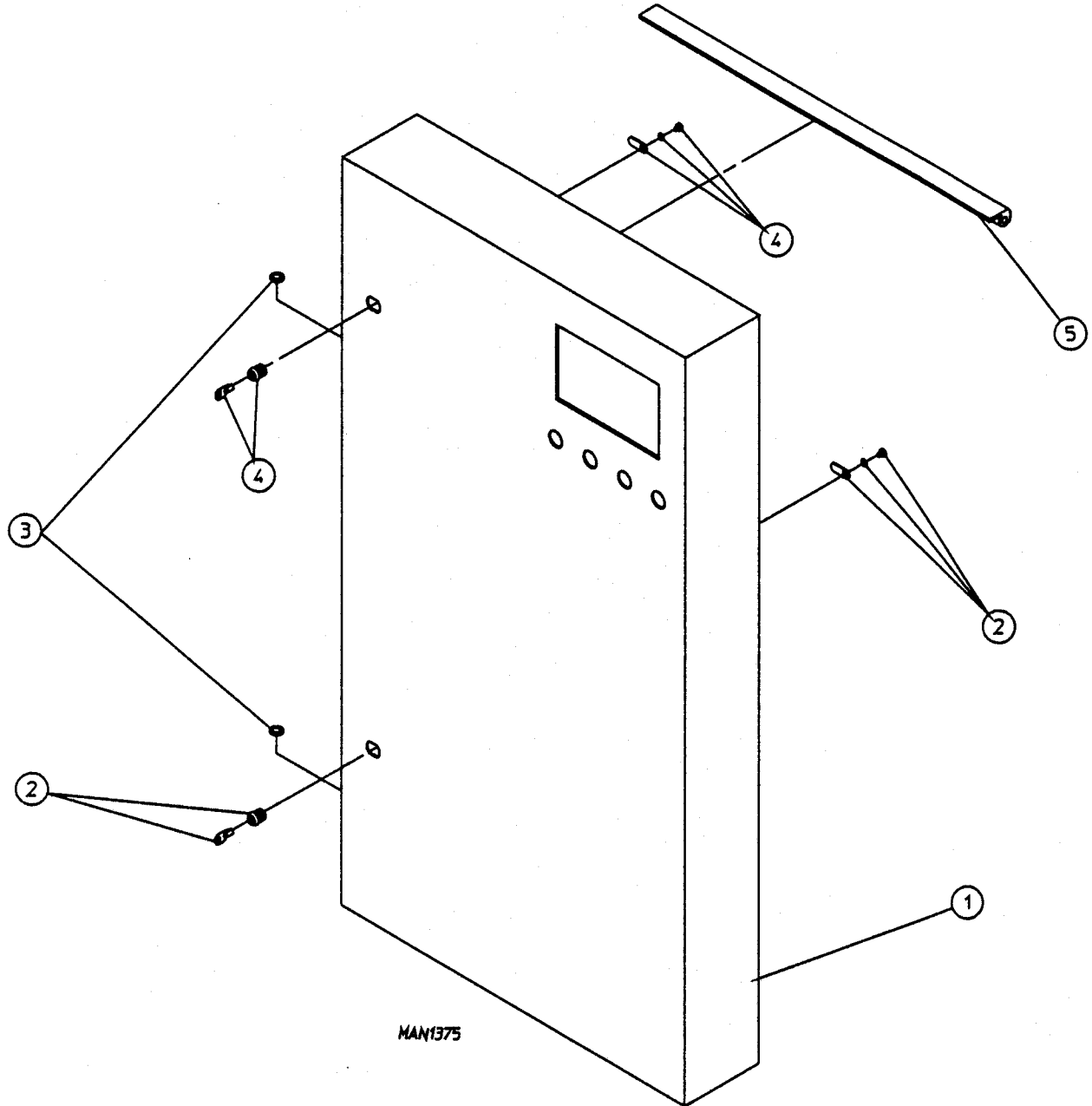
(Long Style)

Illus. No.	Part No.	Qty.	Description
1	820684	1	Control Door Assembly
2	122425	1	Power Warning Label (Large)
3	123200	1	Amber Lighted Operator
4	123204	1	Red Push Button Operator
5	122421	1	"Off" Label
6	122420	1	"Sprinkler Stop" Label
7	123216	1	Pilot Light Red Operator
8	122414	1	Nameplate "Sprinkler Power"
9	160038	1	Door Lock
10	160140	1	Key for Control Door Lock
11	170213	1	Main Shaft Extension
12	170211	1	Main Door Interlock Handle
13	881031	1	Interlock Terminal
14	123215	1	Blue "Power On" Lens
15	122423	1	Special "Power On" Nameplate
16	123201	1	Lighted Green Push Button
17	122410	1	Nameplate "On"
18	122351	1	Large E-Stop Twist Lock Switch
19	122419	1	"Emergency Stop" Label
20	160140	1	Key for Control Door Lock
21	160038	1	Control Door Lock
22	154005	8	1/4" Wire Clip
23	121505	6	Control Panel Tie-Wrap Mount
24	132395	2	Normally Closed Contact Block w/Base
25	121505	6	Control Panel Tie-Wrap Mount
26	123209	1	Normally Open Contact Block w/Base
27	132388	1	120v Direct Supply Base
28	121505	2	Control Panel Tie-Wrap Mount
29	123209	1	Normally Closed Contact Block w/Base
30	132395	2	Mounting Base with INC Contact Block
31	121505	2	Control Panel Tie-Wrap Mount
32	132388	1	120v Direct Supply Base
33	122426	1	"Multi Power Source" Caution Label
34	112046	1	Label (It is Very Important this unit has a Separate Earth Ground).
35	112025	1	Caution Label
	112072	1	"Disconnect Supply" Caution Label (before April 1, 1992)
36	112017	1	American Dryer Address Label
37	170214	1	Metal Clip On Mount
38	123211	4	120 VAC Incandescent Bulbs



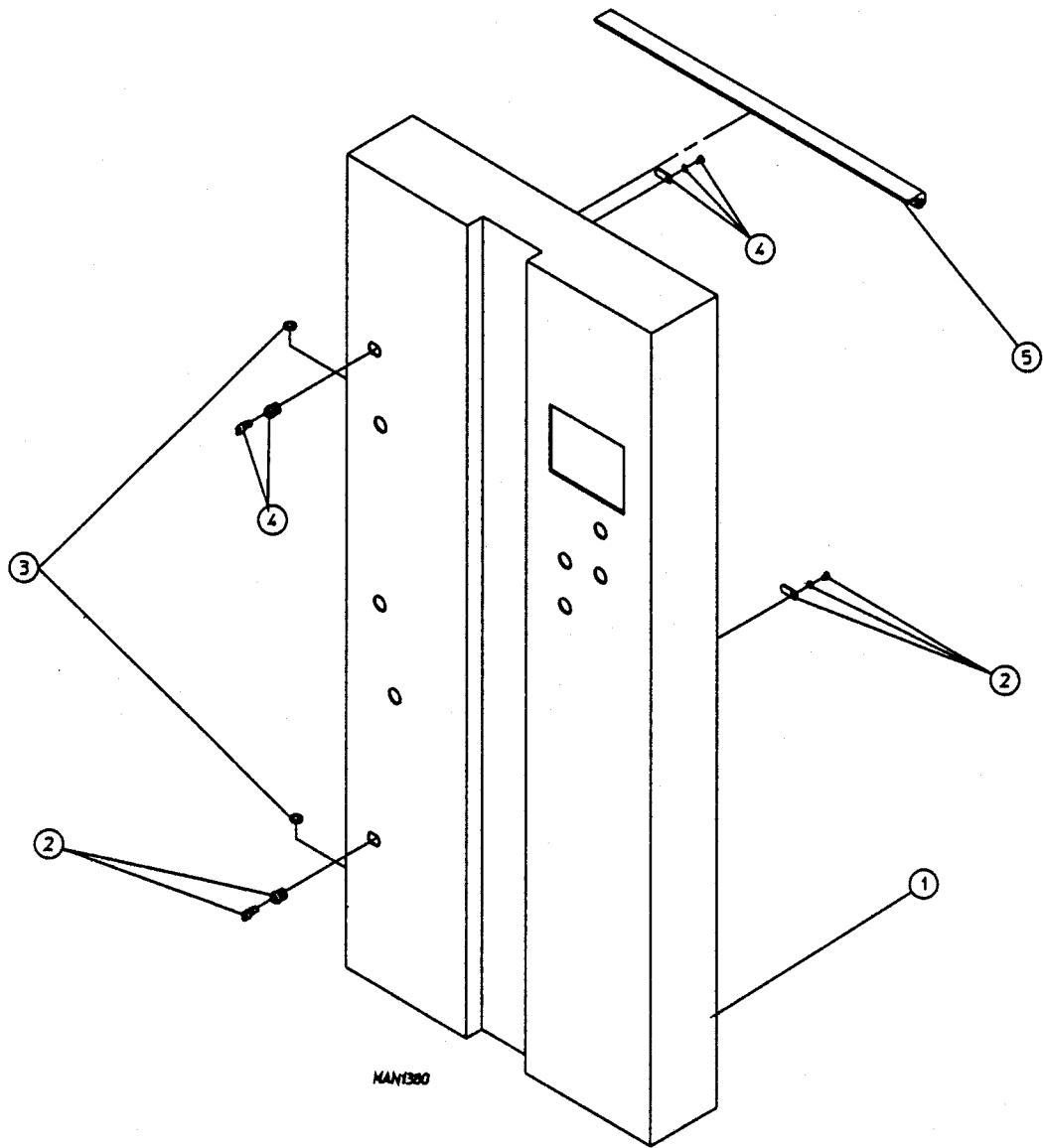
MAN2280

Illus. No.	Part No.	Qty.	Description
1	820866	1	Right Side Bottom Left Door
2	160055	1	Door Lock
3	153068	1	Brass Washer
4	160055	1	Door Lock
5	154012	2	1/2" Clamp
6	153012	2	#8 Star Washer
7	152001	2	#8-32 Hex Nut
8	153068	1	Brass Washer
9	152001	2	#8-32 Hex Nut
10	153012	2	#8 Star Washer
11	154012	2	1/2" Clamp
12	154012	1	1/2" Clamp
13	153012	1	#8 Star Washer
14	152001	1	#8-32 Hex Nut
15	102315	4	Extruded Gasket, Silicone Rubber
16	150109	4	8/32 x 2" Round Head Machine Screw
17	122353	1	Door Interlock Switch
18	150415	4	10-16 x 1/2" Phillips Crimptite Screw
19	331905	1	Burner Door Bracket
20	153012	4	#8 Star Washer
21	152001	4	#8-32 Hex Nuts



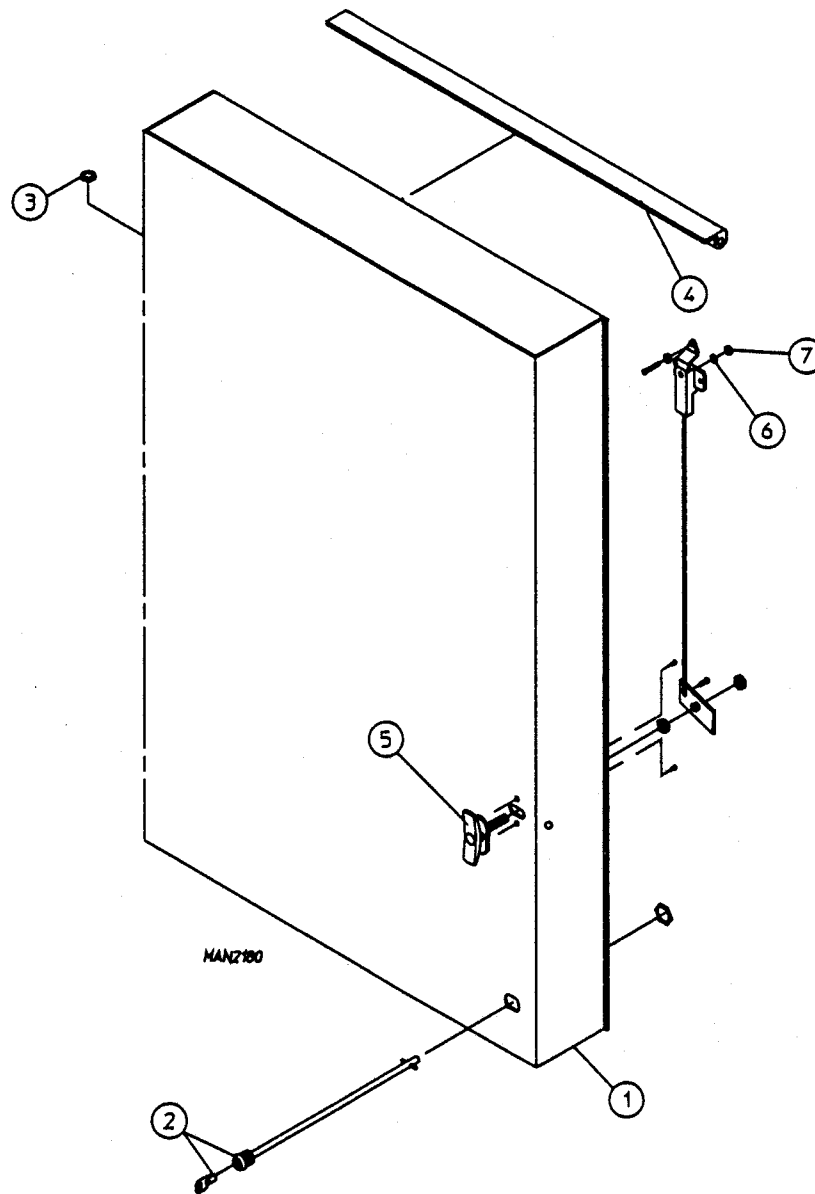
Illus. No.	Part No.	Qty.	Description
1	820819	1	Short Control Door Weldment
2	160038	2	Door Lock
3	153068	2	Brass Washer
4	160038	2	Door Lock
5	102315	21'	Extruded Gasket, Silicone Rubber
—	401050	*	Silicone Adhesive

* As Required



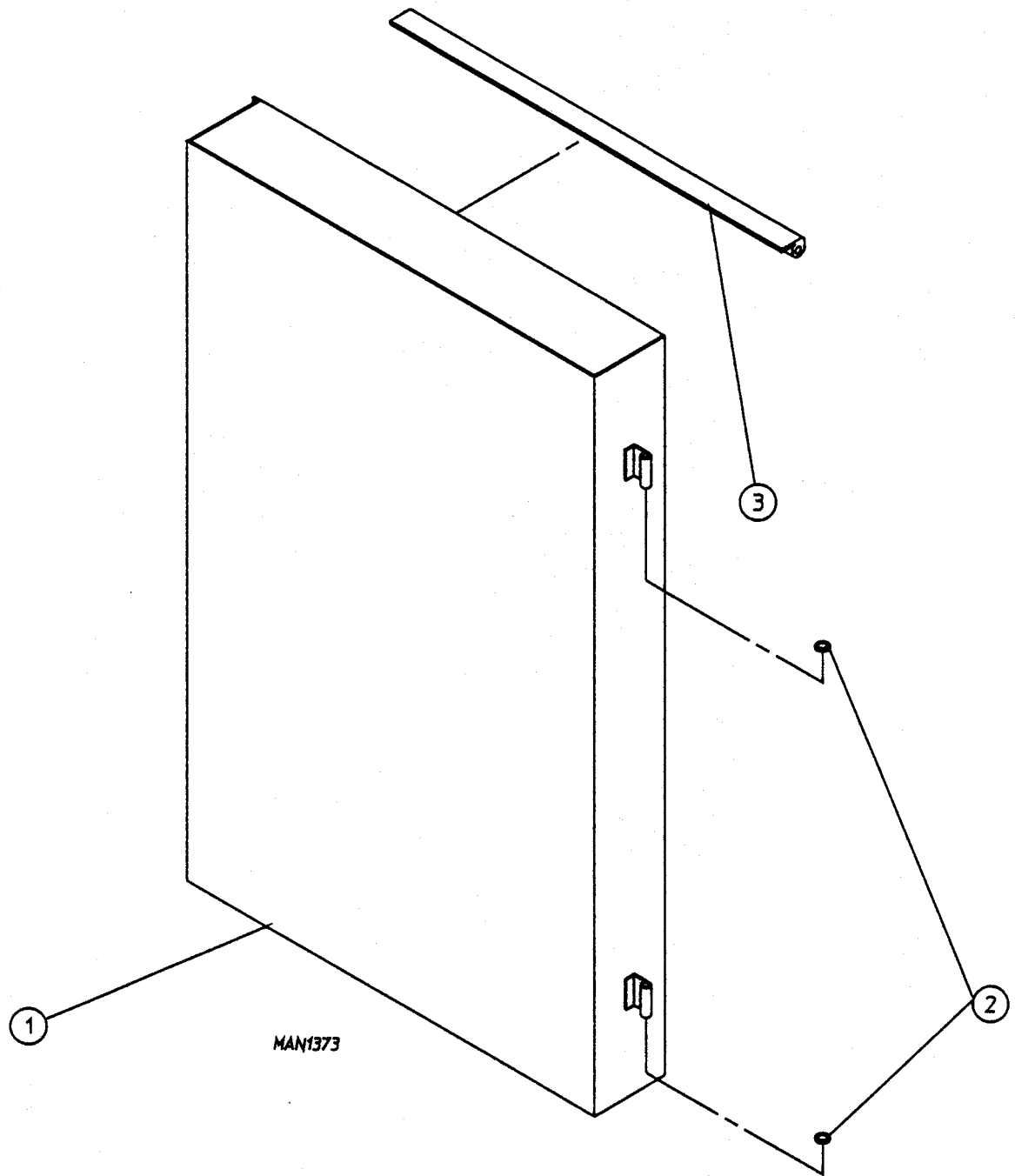
Illus. No.	Part No.	Qty.	Description
1	820595	1	Control Door Weldment
2	160038	2	Door Lock
3	153068	2	Brass Washer
4	160038	2	Door Lock
5	102315	21'	Extruded Gasket, Silicone Rubber
—	401050	*	Silicone Adhesive

* As Required



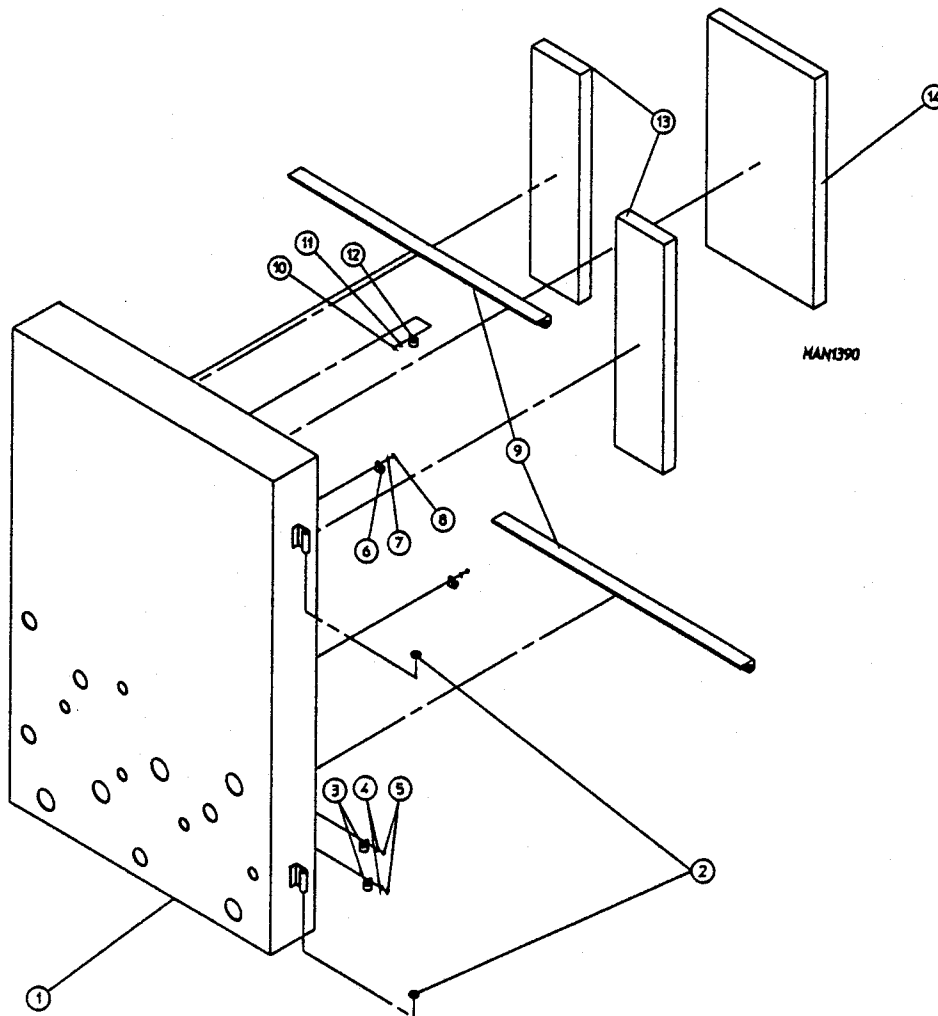
Illus. No.	Part No.	Qty.	Description
1	820817	1	Right Side Top Left Door Weldment
2	160055	1	Door Lock
3	153068	2	Brass Washer
4	102315	21'	Extruded Gasket, Silicone Rubber
—	401050	*	Silicone Adhesive
5	170221	1	Compression Latch
6	153012	2	#8 Star Washer
7	152001	2	#8-32 Hex Nut PLTD

* As Required



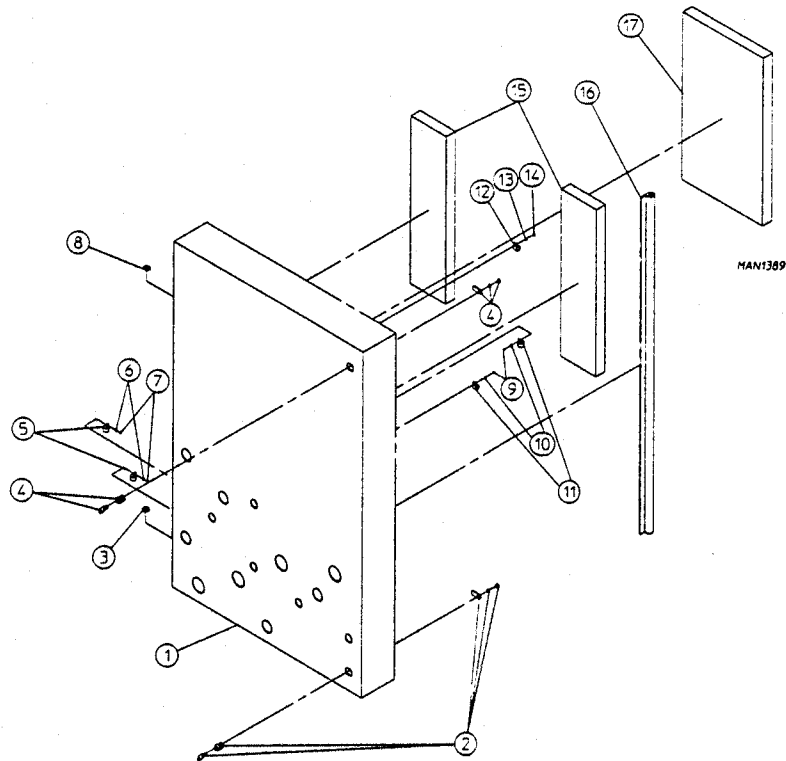
Illus. No.	Part No.	Qty.	Description
1	820691	1	Right Side Top Right Door Weldment(Steam Only)
	820598	1	Right Side Top Right Door Weldment(GasOnly)
2	153068	2	Brass Washer
	331714	2	Brass Washer (before January 28, 1992)
3	102315	10'	Extruded Gasket, Silicone Rubber
—	401050	*	Silicone Adhesive

* As Required



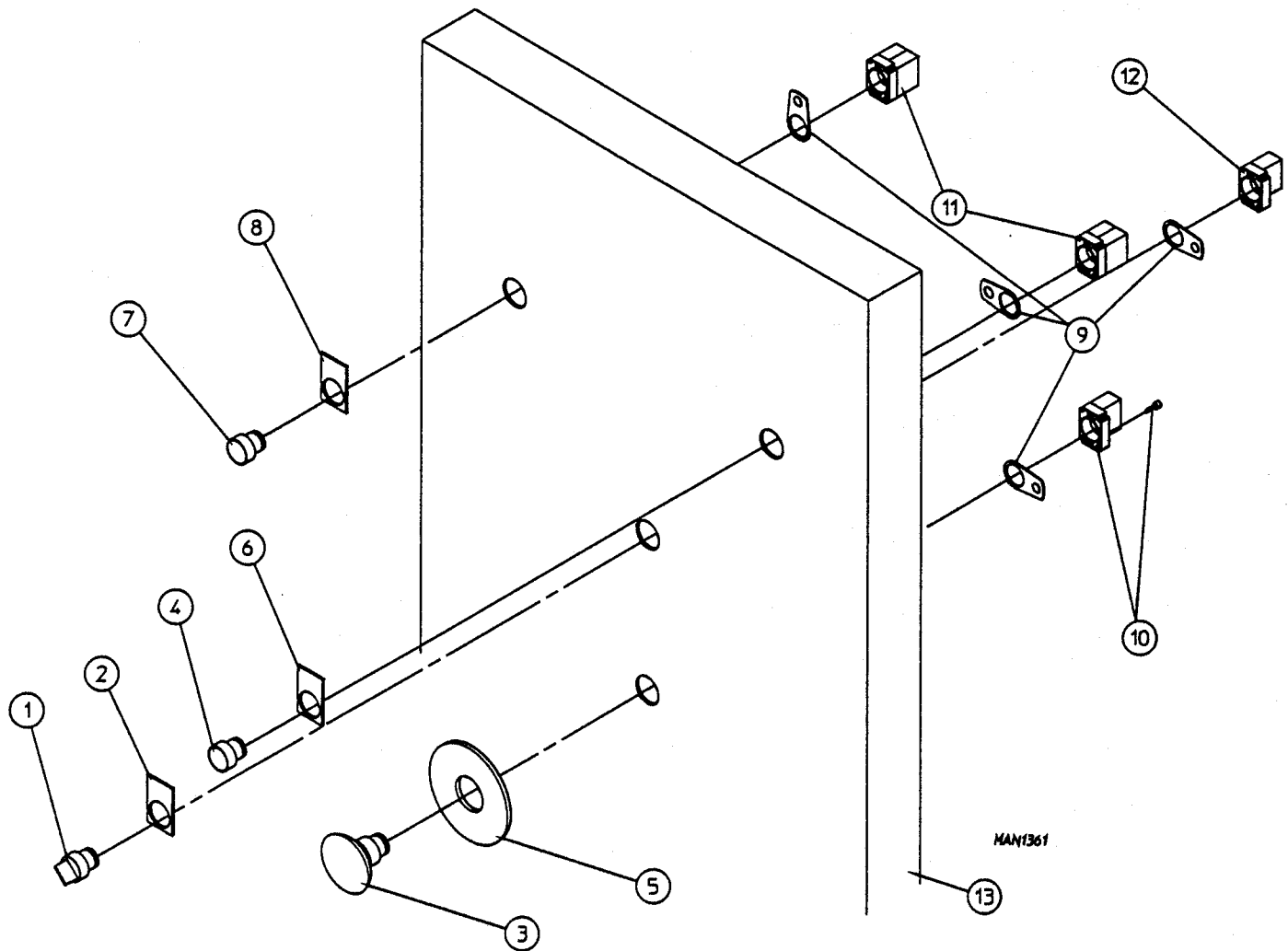
Illus. No.	Part No.	Qty.	Description
1	820673	1	Right Side Bottom Right Door Weldment
2	153068	2	Brass Washer
	331714	2	Brass Washer (before January 28, 1992)
3	154012	1	1/2" I.D. Clip
4	153012	1	#8 Star Washer
5	152001	1	#8-32 Hex Nut
6	154012	2	1/2" I.D. Clip
7	153012	2	#8 Star Washer
8	152001	2	#8-32 Hex Nut
9	102315	6'	Extruded Gasket, Silicone Rubber
10	152001	2	#8-32 Hex Nut
11	153012	2	#8 Star Washer
12	154012	2	1/2" I.D. Clip
13	116506	2	Console Door Foam
14	116507	1	Console Door Foam
—	401050	*	Silicone Adhesive

* As Required

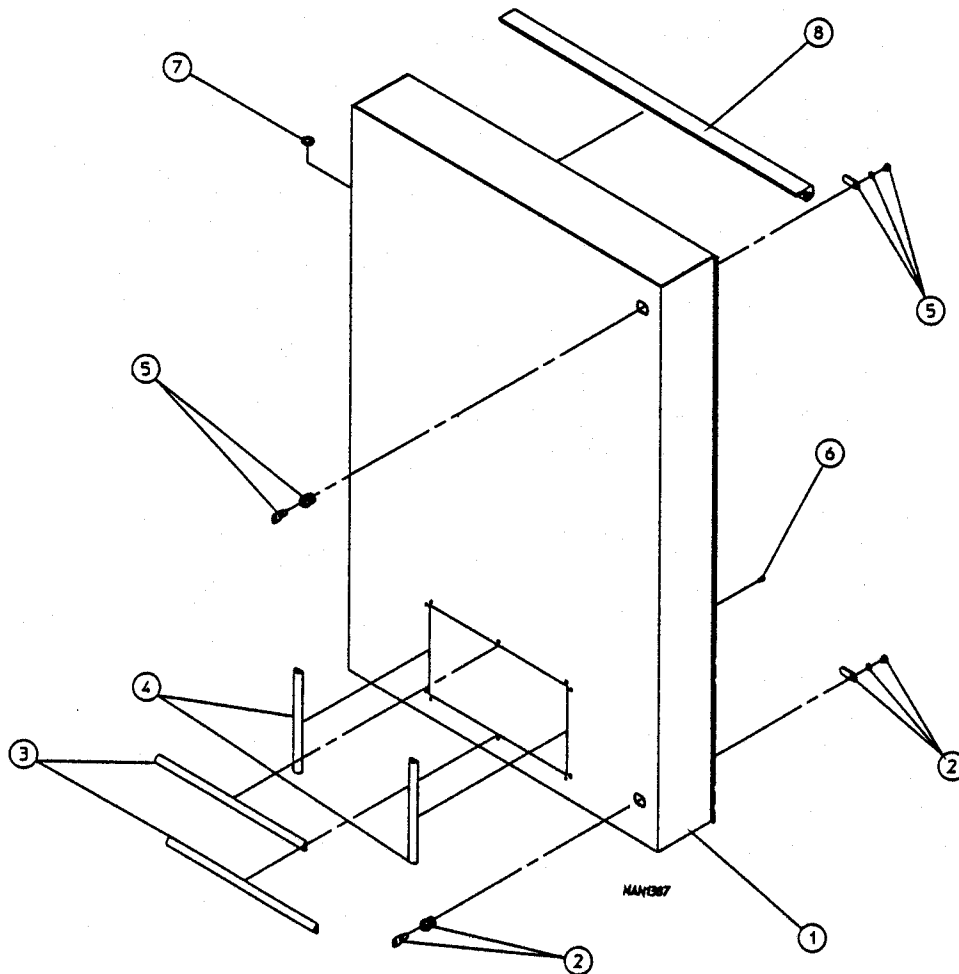


Illus. No.	Part No.	Qty.	Description
1	820620	1	Right Side Bottom Left Door Weldment
2	160055	2	Door Lock
	160042	2	Door Lock (before September 28, 1992)
3	153068	2	Brass Washer
	331714	2	Brass Washer (before January 28, 1992)
4	160055	2	Door Lock
	160042	2	Door Lock (before September 28, 1992)
5	154012	1	1/2" I.D. Clip
6	153012	1	#8 Star Washer
7	152001	1	#8-32 Hex Nut
8	153068	2	Brass Washer
	331714	2	Brass Washer (before January 28, 1992)
9	152001	2	#8-32 Hex Nut
10	153012	1	#8 Star Washer
11	154012	1	1/2" I.D. Clip
12	154012	3	1/2" I.D. Clip
13	153012	2	#8 Star Washer
14	152001	2	#8-32 Hex Nut
15	116506	2	Console Door Foam
16	102315	1'	Extruded Gasket, Silicone Rubber
17	116507	1	Console Door Foam
—	401050	*	Silicone Adhesive

* As Required

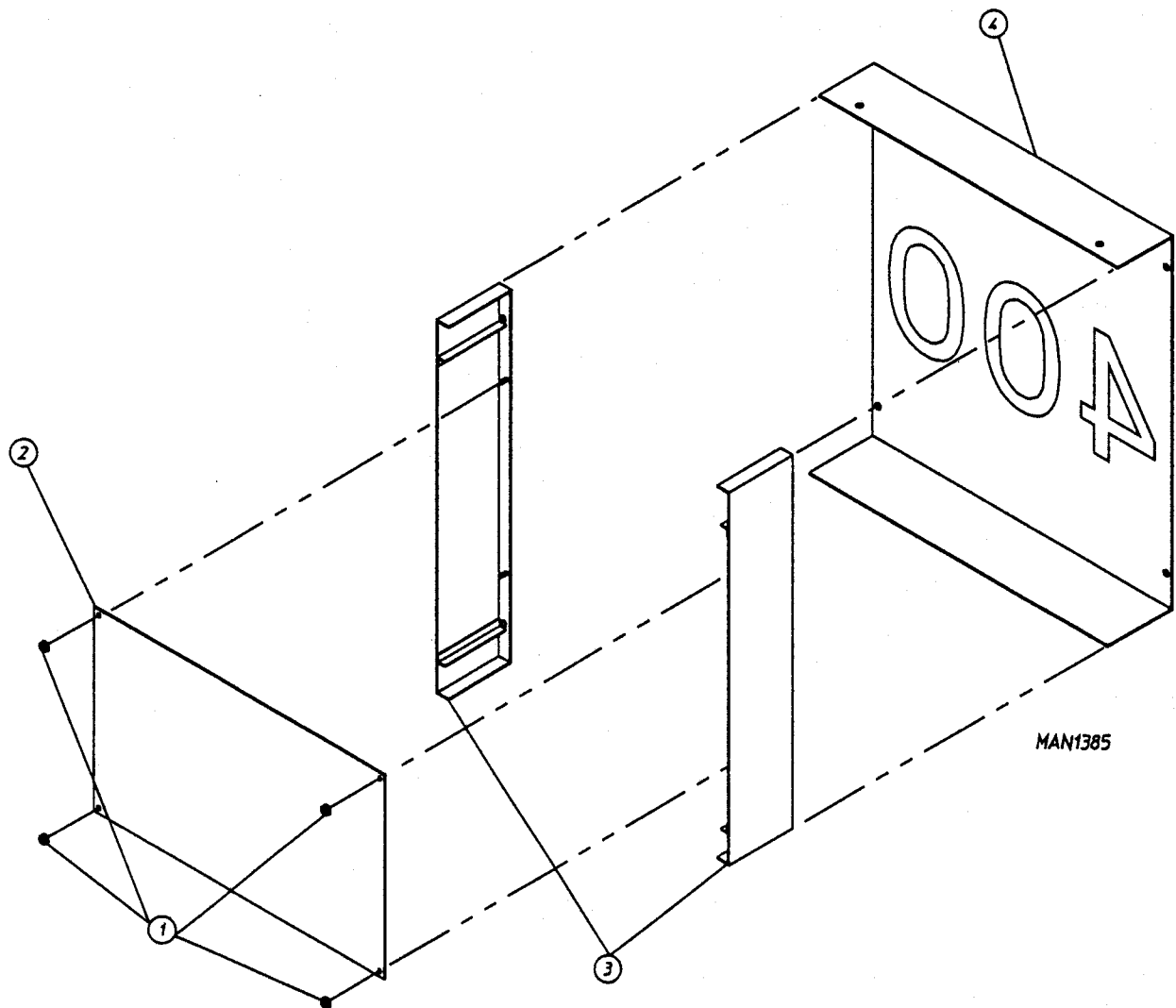


Illus. No.	Part No.	Qty.	Description
1	122360	1	SEL 4/2 Position Selector Switch
2	122422	1	SEL 4 / Name Plate "Unload"
3	122351	1	PB 7 / Mushroom Head
4	123203	1	PB 3 / Non-Illuminated Operator (Black)
5	122419	1	PB 7 / Name Plate "Emergency Stop"
6	122415	1	PB 3 / Name Plate "Forward"
7	123202	1	PB 4 / Non-Illuminated Operator (White)
8	122416	1	PB 4 / Name Plate "Reverse"
9	121505	4	Control Panel Tie-Wrap Mounts
10	132395	1	PB 7 / Mount Base with 1 Normally Closed Contact Block
11	132396	2	PB 4 and PB 3 / Mount Base with 1 Normally Open Contact Block
12	132394	1	SEL 4 / Mount Base with 1 Normally Open Contact Block
13	332017	1	Rear Control Panel

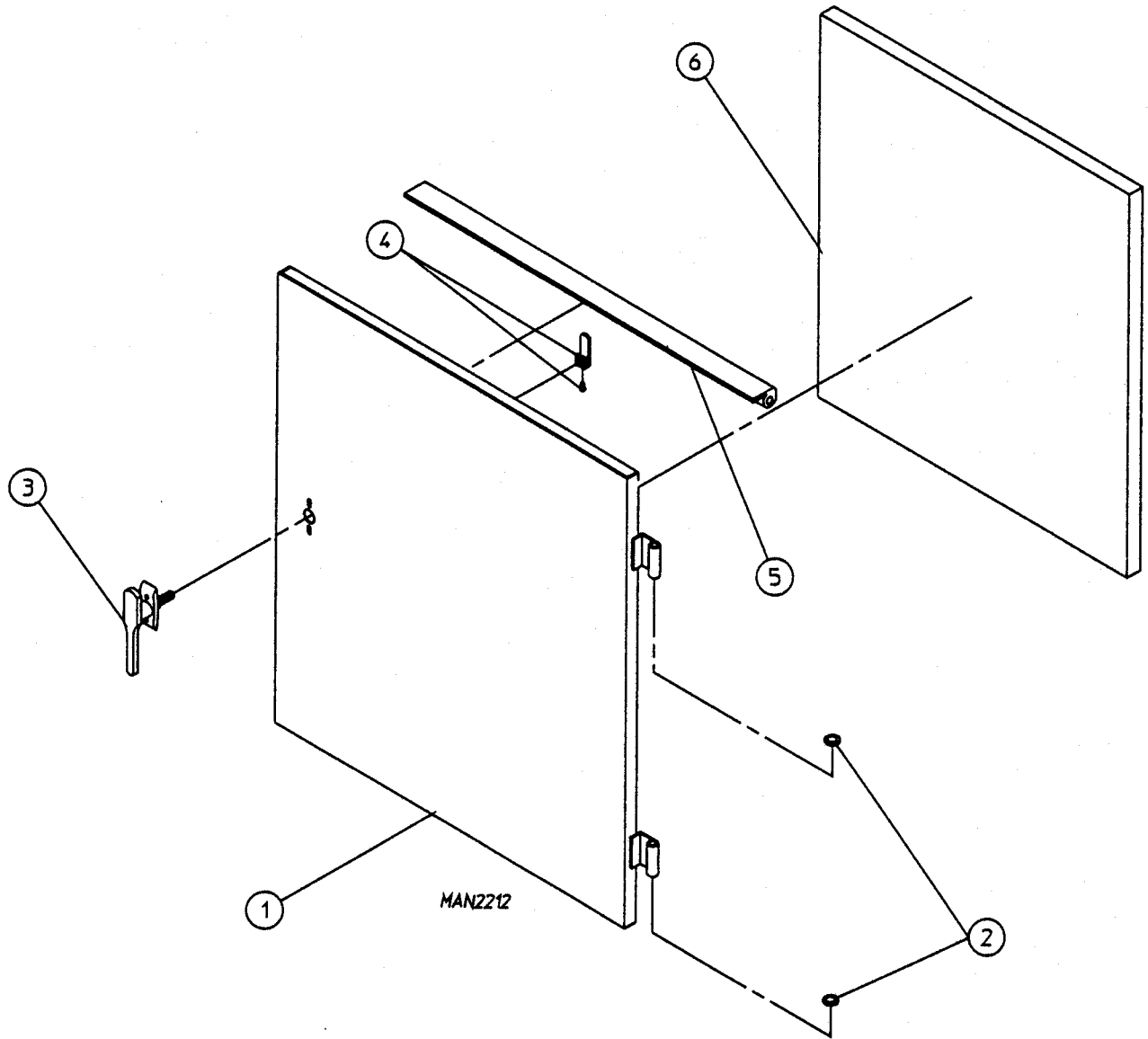


Illus. No.	Part No.	Qty.	Description
1	820622	1	Right Side Top Left Door Weldment
2	160055	2	Door Lock
	160042	2	Door Lock (before September 28, 1992)
3	180351	2	Combustion Blower Screen Trim (Horizontal) (after January 8, 1992)
	331970	2	Combustion Blower Screen Trim (Horizontal) (after December 12,1991)
4	180350	2	Combustion Blower Screen Trim (Vertical) (after January 8, 1992)
	331969	2	Combustion Blower Screen Trim (Vertical) (after December 12,1991)
5	160055	2	Door Lock
	160042	2	Door Lock (before September 28, 1992)
6	150201	2	#10-32 x 1/4" Self Tapping Screw (after December 12,1991)
7	153068	2	Brass Washer
	331714	2	Brass Washer (before January 28, 1992)
8	102353	1	Foam Gasket
	102310	1	Foam Gasket (after January 25, 1993 but before September 10, 1993)
	102315	1	Foam Gasket (before January 25, 1993)
—	401050	*	Silicone Adhesive

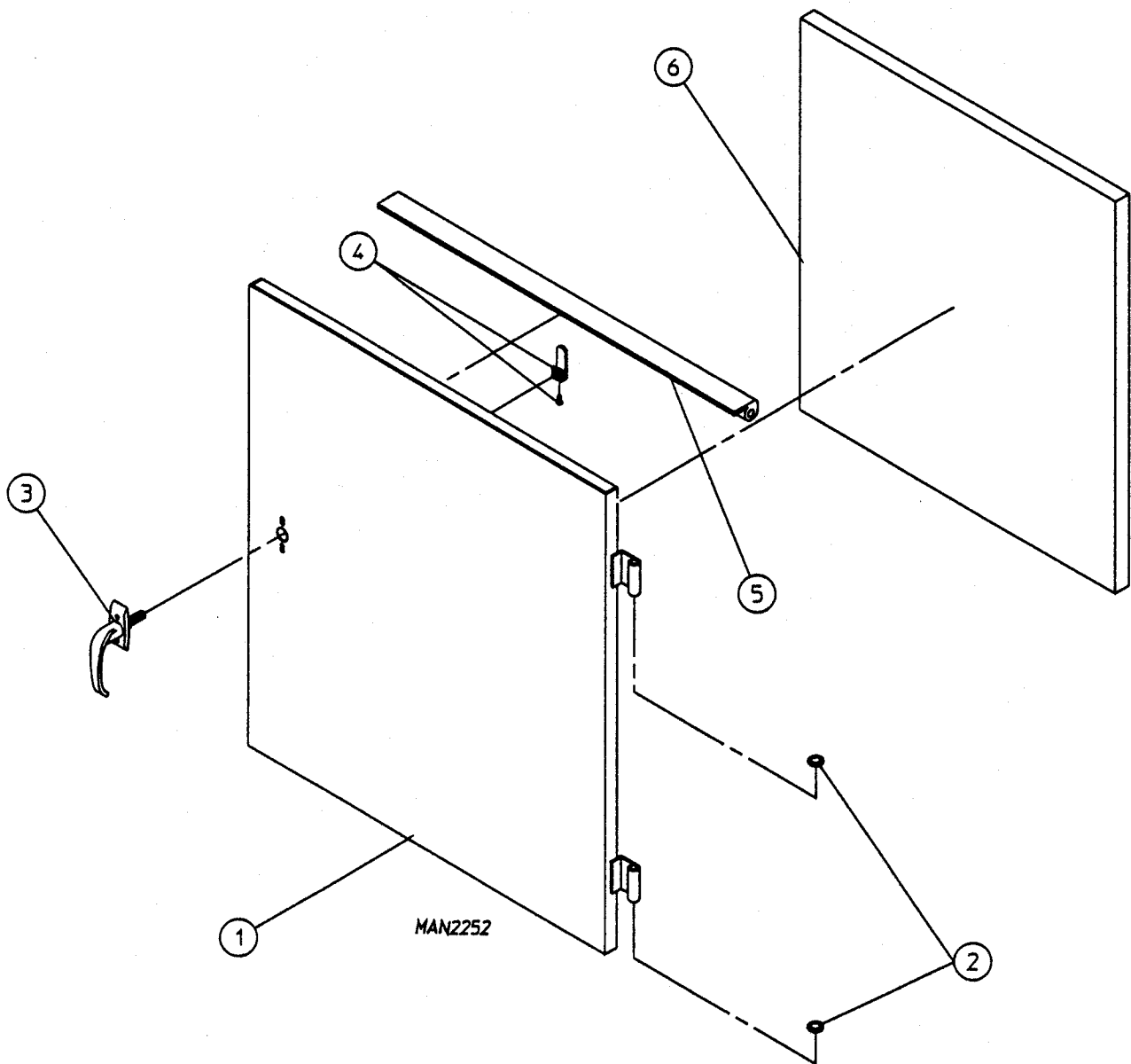
* As Required



Illus. No.	Part No.	Qty.	Description
1	152014	4	1/4-20 With 3/4" Free Spin Wash Nut
2	331959	1	Long Character Panel Backing Plate
3	881382	2	Long Character Panel End Cap
4	331957	1	Long Character Panel

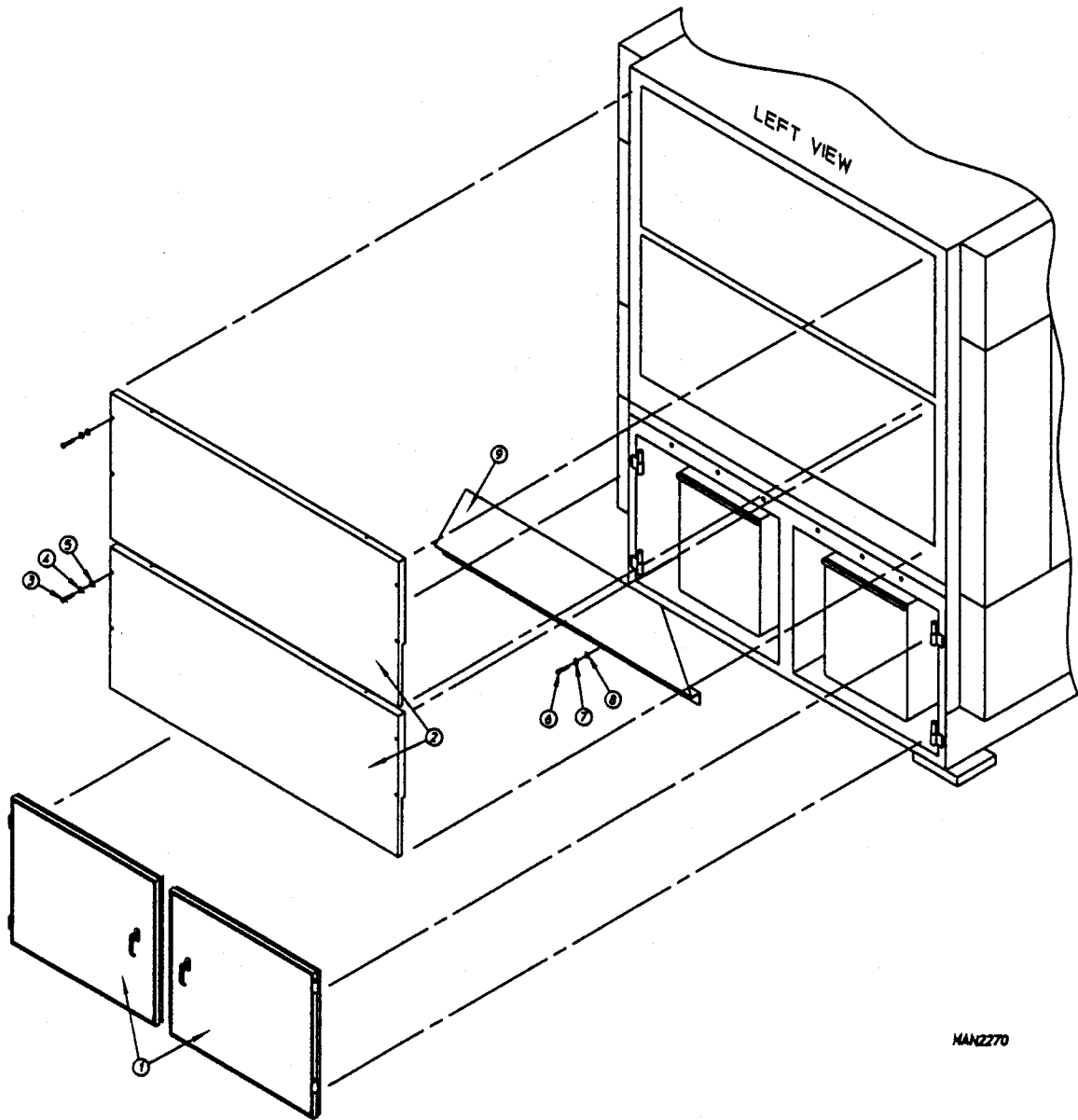


Illus. No.	Part No.	Qty.	Description
1	820599	1	Left Side Door Weldment
2	153068	2	Brass Washer
	331714	2	Brass Washer (before January 28, 1992)
3	170217	1	Knob Latch
4	160009	1	Adjustable Cam
5	102315	10'	Extruded Gasket, Silicone Rubber
6	116512	1	Lint Basket Foam

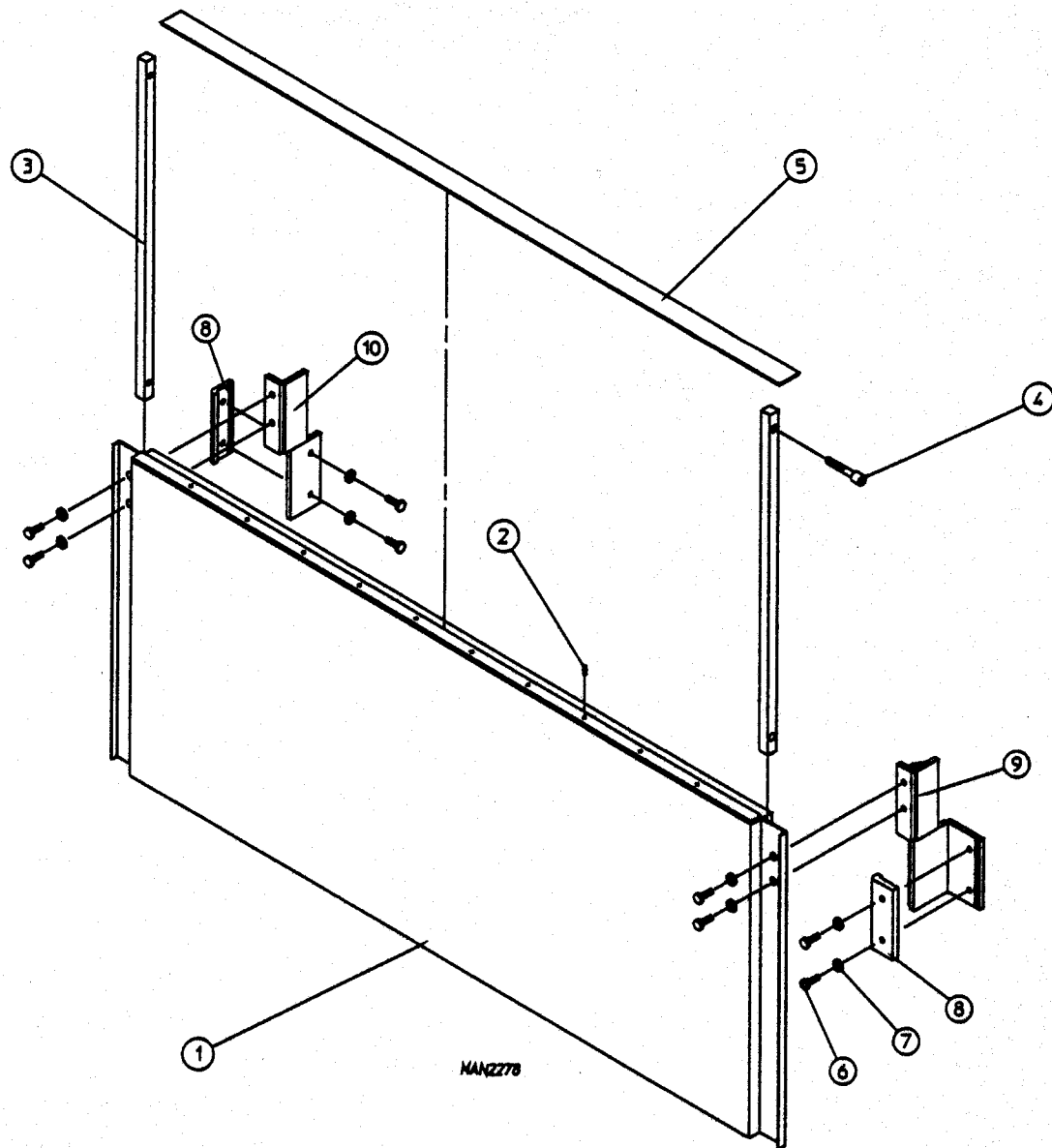


Illus. No.	Part No.	Qty.	Description
1	820842	1	Lint Basket Door Only (Left or Right)
2	153068	2	Brass Washer
3	170217	1	Knob Latch
4	160009	1	Adjustable Cam
5	102315	10'	Extruded Gasket, Silicone Rubber
6	116512	1	Lint Basket Foam
—	401050	*	Silicone Adhesive

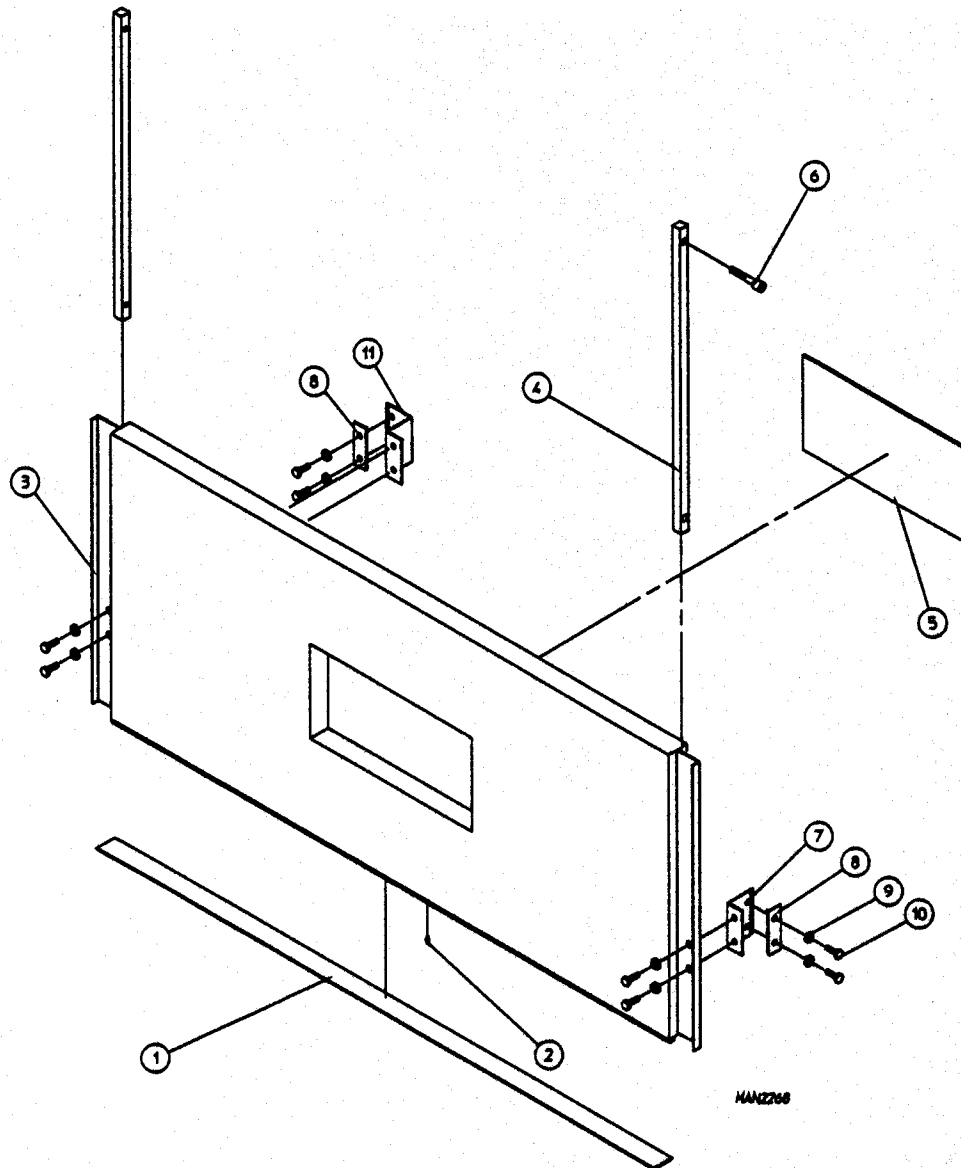
* Sold by the foot



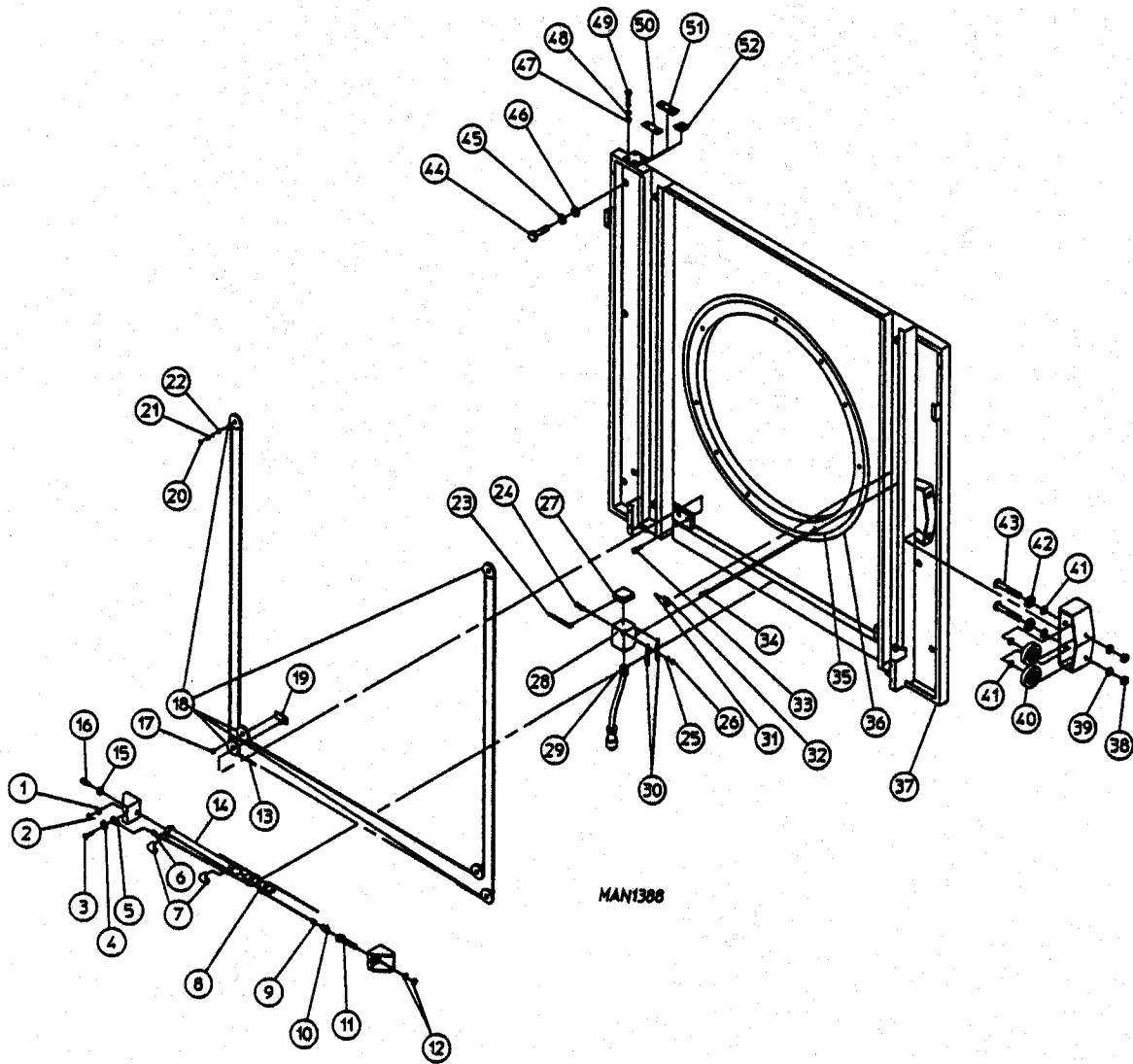
Illus. No.	Part No.	Qty.	Description
1	820841	2	Lint Basket Door Assembly
2	331805	2	Left Side Panel
3	150514	8	5/16-18 x 2 1/4" Long Hex Head Bolt
4	153002	8	5/16 Lock Washer
5	153001	8	5/16 Flat Washer
6	150514	6	5/16-18 x 2 1/4" Long Hex Head Bolt
7	153002	6	5/16" Lock Washer
8	153001	6	5/16 Flat Washer
9	331835	1	Shield Left Side



Illus. No.	Part No.	Qty.	Description
1	820521	1	Bottom Door Weldment
2	154200	10	5/32" Pop Rivet
3	331594	2	Brass Door Runner
4	150440	4	5/16-18 x 1" Socket Head Cap Screw
5	116008	1	54 7/8" x 1 3/4" x 1/8" Load Door Felt
6	150501	8	5/16-18 x 3/4" Bolt
7	153002	8	5/16" Lock Washer
8	331525	2	Cable Clamp Plate
9	820512	1	Clamp Plate Weldment, Lower Right
10	820511	1	Clamp Plate Weldment, Lower Left

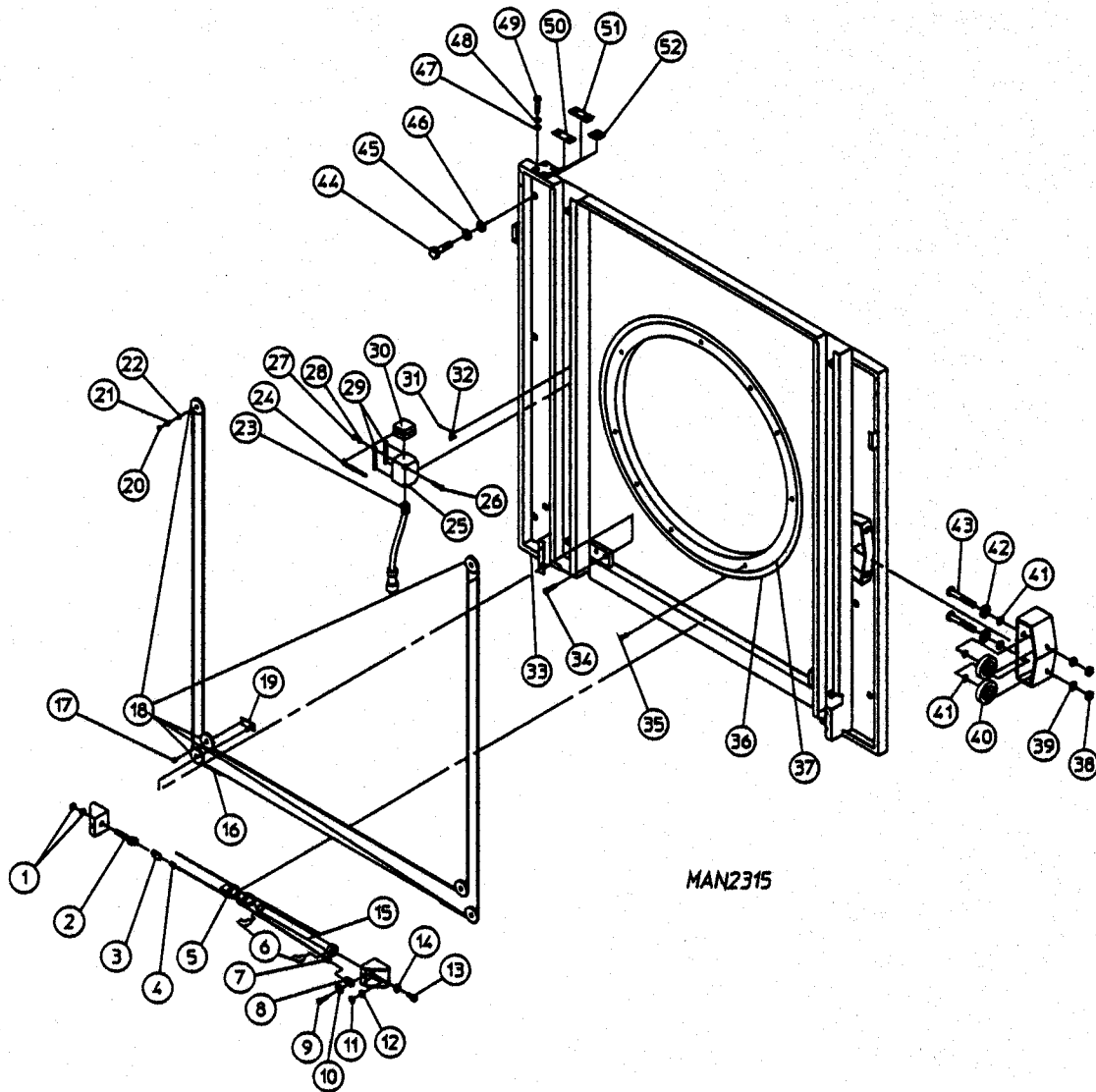


Illus. No.	Part No.	Qty.	Description
1	116008	1	54 7/8" x 1 3/4" x 1/8" Load Door Felt
2	154200	10	5/32" Pop Rivet
3	820519	1	Top Door Weldment
4	331594	2	Brass Door Runner
5	102215	1	7 3/4" x 15 3/4" Door Window
6	150440	4	5/16-18 x 1" Socket Head Cap Screw
	401050	*	Silicone Adhesive
7	820502	1	Clamp Plate Weldment (Upper Right)
8	331525	2	Cable Clamp Plate
9	153002	8	5/16" Lock Washer
10	150501	8	5/16-18 x 3/4" Bolt
11	820501	1	Clamp Plate Weldment, Upper Left



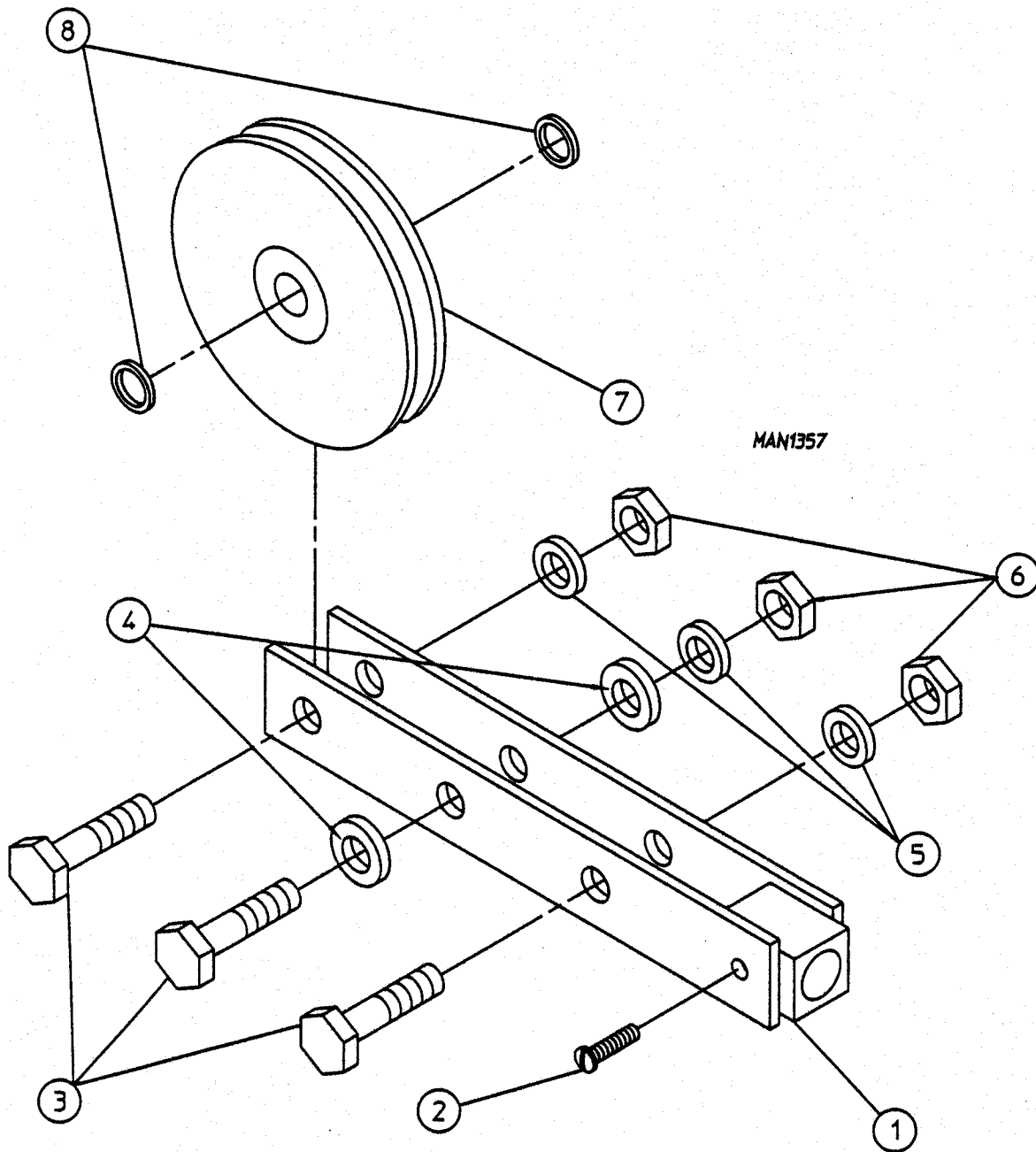
Illus. No.	Part No.	Qty.	Description
1	153005	1	3/8" Lock Washer
2	152005	1	3/8-16 Hex Nut
3	150617	1	3/8-16 x 1" Bolt
4	153003	1	3/8" I.D. x 1 1/2" O.D. Fender Washer
5	170373	1	Wire Rope Thimble
6	170371	1	Wire Rope Clamp
7	143153	2	1/4" x 1/4" M.P.T. Elbow
8	820630	1	Cylinder Clevis Assembly
9	170371	1	Wire Rope Clamp
10	170373	1	Wire Rope Thimble
11	170370	1	Turnbuckle
12	152004	2	5/16-18 Hex Nut
13	170732	1	Wire Rope 45ft. in Length
14	100554	1	Door Piston 2 1/2" x 12 9/16 Long
15	153002	4	5/16" Lock Washer

Illus. No.	Part No.	Qty.	Description
16	150439	4	5/16-24 x 3/4" Socket Cap Screw
17	331522	2	Bushing Cable Pulley
18	101190	6	Cable Pulley
19	820510	2	Pulley Shaft Plate Weldment
20	152005	4	3/8-16 Hex Nut
21	153005	4	3/8" Lock Washer
22	331524	4	Plain Bearing Cable Pulley
23	122368	1	Coil Spring Lever Arm
24	150211	4	#10-32 x 2" Machine Screw
25	153009	4	#10 Star Washer
26	152008	4	#10-32 Hex Nut
27	122365	1	Rotational Head
28	122367	1	Switch Body
29	120655	1	Cord Grip Spacer
30	331873	2	Door Spacer
31	154200	2	Pop Rivet
33	331909	1	Load Door Tab
34	150441	2	1/4-20 x 1 1/4" Flat Socket Head Cap Screw
35	102385	1	Nylon Load Door Gasket
36	116009	1	Tumbler Felt
37	820520	1	Front Panel Weldment
38	152005	4	3/8-16 Hex Nut
39	153005	4	3/8 Lock Washer
40	820566	4	Retaining Wheel Assembly
41	153062	8	Spherical Washers
42	153004	4	3/8" Flat Washer
43	150438	4	3/8-16 x 3 1/4" Long Bolt
44	150617	9	3/8-16 x 1" Bolt
45	153005	9	3/8" Lock Washer
46	153004	9	3/8" Flat Washer
47	153011	4	1/2" Flat Washer
48	153026	4	1/2" Lock Washer
49	150605	4	1/2-13 x 1 1/2" Bolt
50	331789	4	Top Shim
51	331786	2	Front Panel Hinge Top Spacer
52	820523	4	Bottom Spacer Weldment

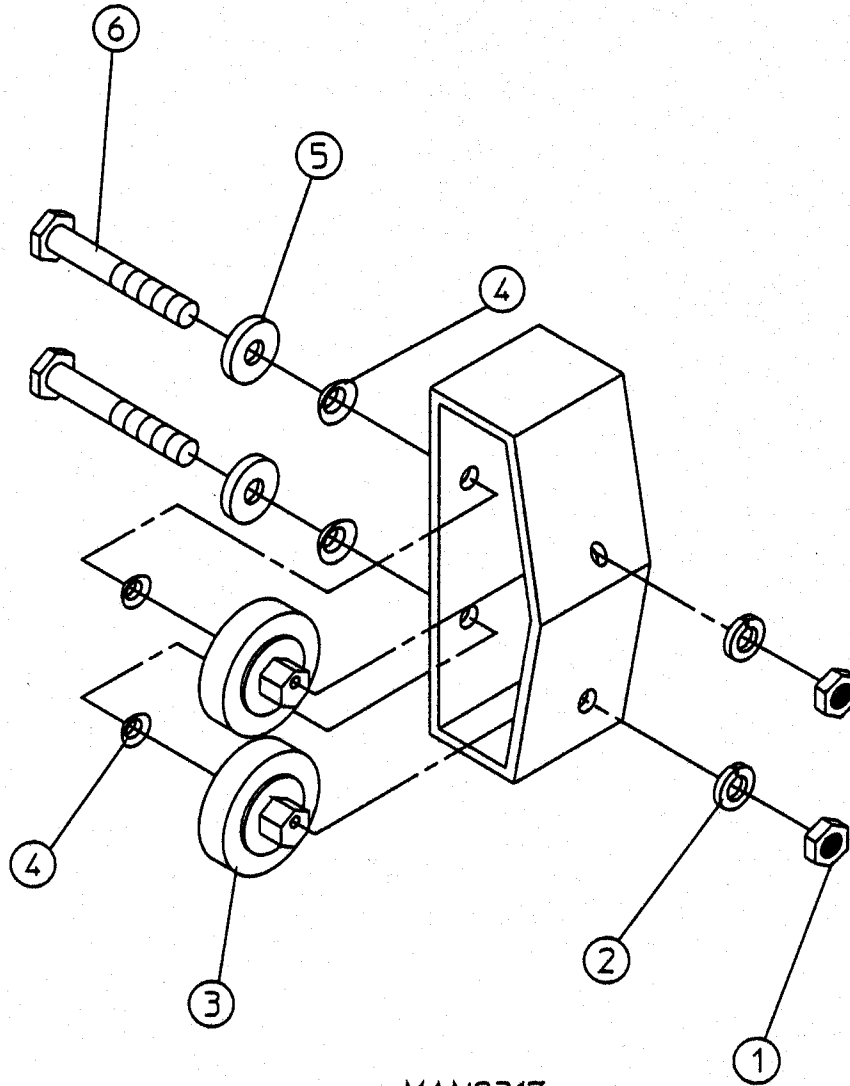


Illus. No.	Part No.	Qty.	Description
1	152004	2	5/16-18 Hex Nut
2	170370	1	Turnbuckle
3	170373	1	Wire Rope Thimble
4	170371	1	Wire Rope Clamp
5	820630	1	Cylinder Clevis Assembly
6	143153	2	1/4" x 1/4" M.P.T. Elbow
7	170371	1	Wire Rope Clamp
8	170373	1	Wire Rope Thimble
9	150617	1	3/8-16 x 1" Bolt
10	153003	1	3/8" I.D. x 11/2" O.D. Fender Washer
11	152005	1	3/8-16 Flat Washer
12	153005	1	3/8" Lock Washer
13	150439	4	5/16-24 x 3/4" Socket Cap Screw
14	153002	4	5/16" Lock Washer

Illus. No.	Part No.	Qty.	Description
15	100554	1	Door Piston 2 1/2" Dia x 12 9/16 Long
16	170372	1	Wire Rope 45ft. in Length
17	331522	2	Bushing Cable Pulley
18	101190	6	Cable Pulley
19	820510	2	Pulley Shaft Plate Weldment
20	152005	4	3/8-16 Hex Nut
21	153005	4	3/8" Lock Washer
22	331524	4	Plain Bearing Cable Pulley
23	120655	1	Cord Grip Spacer
24	122368	1	Coil Spring Lever Arm
25	122367	1	Switch Body
26	150211	4	#10-32 x 2" Machine Screw
27	152008	4	#10-32 Hex Nut
28	153009	4	#10 Star Washer
29	331873	2	Door Spacer
30	122365	1	Rotational Switch
31	154200	2	Pop Rivet
32	331909	1	Load Door Tab
33	820520	1	Front Panel Weldment
34	150441	2	1/4-20 x 1 1/4" Flat Socket Head Cap Screw
35	150412	9	#10-16 x 3/4" Crimptite Screw
36	116009	1	Tumbler Felt
37	102385	1	Nylon Load Door Gasket
38	152005	4	3/8-16 Hex Nut
39	153005	4	3/8 Lock Washer
40	820566	4	Retaining Wheel Assembly
41	153062	8	Spherical Washers
42	153004	4	3/8" Flat Washer
43	150438	4	3/8-16 x 3 1/4" Long Bolt
44	150617	9	3/8-16 x 1" Bolt
45	153005	9	3/8" Lock Washer
46	153004	9	3/8" Flat Washer
47	153011	4	1/2" Flat Washer
48	153026	4	1/2" Lock Washer
49	150605	4	1/2-13 x 1 1/2" Bolt
50	331789	4	Top Shim
51	331786	2	Front Panel Hinge Top Spacer
52	820523	4	Bottom Spacer Weldment



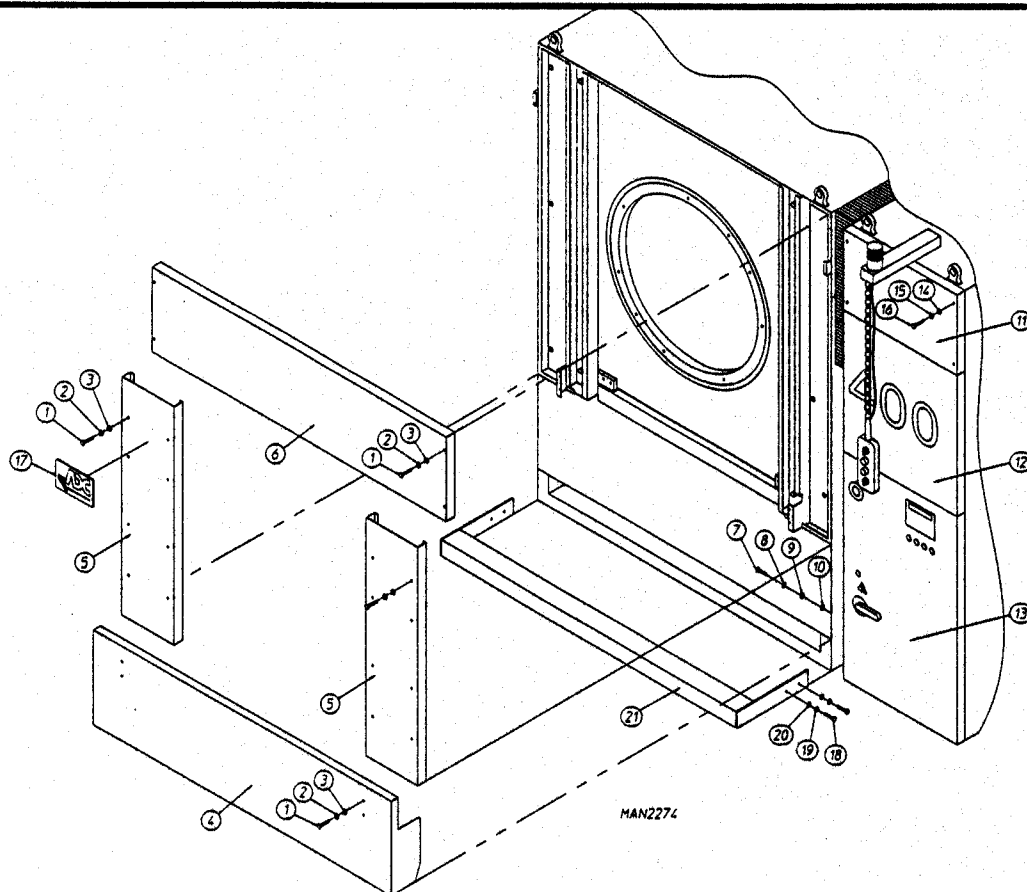
Illus. No.	Part No.	Qty.	Description
1	820517	1	Cylinder Clevis Weldment
2	154304	1	1/4-20 x 3/8" Set Screw (After 11/91)
3	154313	3	12mm Bolt
4	153011	2	1/2" Flat Washer
5	153026	3	1/2" Lock Washer
6	152040	3	12mm Nut
7	101190	2	Cable Pulley
8	331524	4	Plain Bearing Cable Pulley



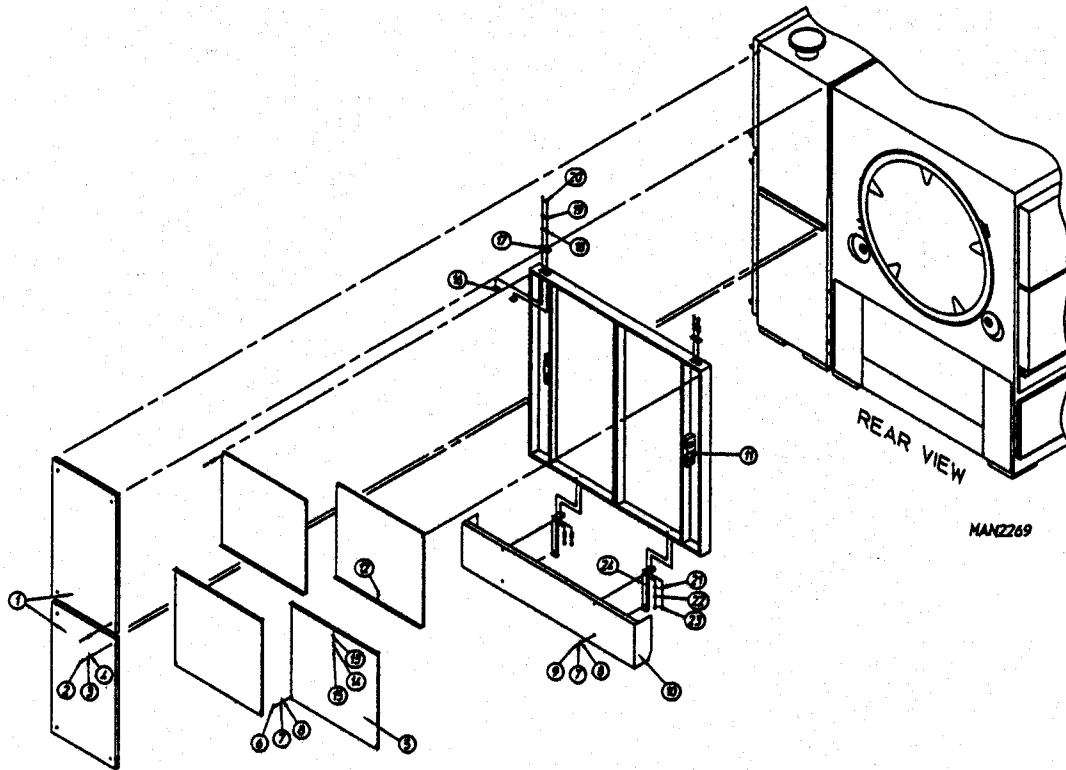
MAN2317

Illus. No.	Part No.	Qty.	Description
1	152005	1	3/8-16 Hex Nut
2	153005	1	3/8" Lock Washer
3	820566	1	Retaining Wheel Assembly
4	153062	1	Spherical Washer
5	153004	2	3/8" Flat Washer
6	150438	2	3/8-16 x 3/4" Long Bolt

Duplicate for Opposite Side

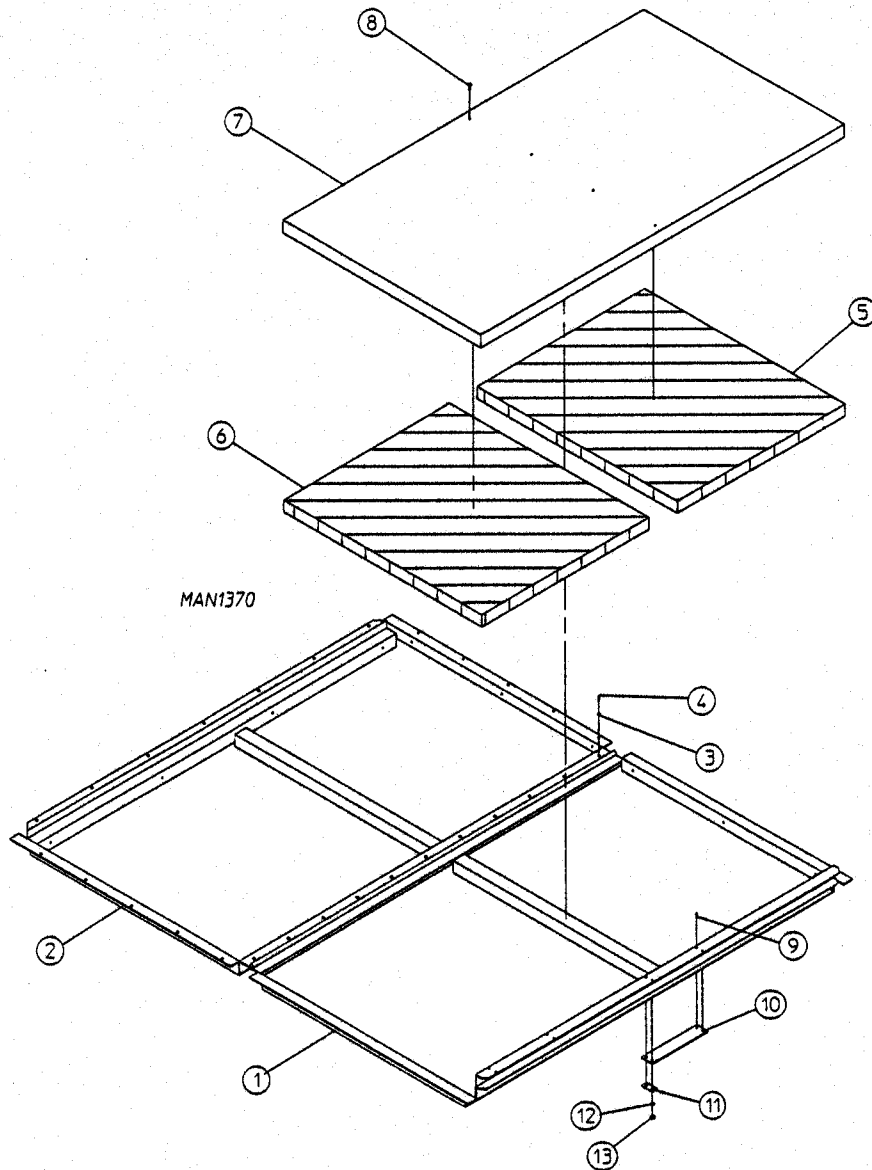


Illus. No.	Part No.	Qty.	Description
1	150114	4	5/16-18 x 2 1/4" Long Hex Head Bolt
2	153002	4	5/16" Lock Washer
3	153001	4	5/16" Flat Washer
4	820897	1	Rigid Bottom Panel
5	332018	2	Loading Door Side Panel
6	820594	1	Top Panel Weldment
7	150600	7	3/8-16 x 1 1/2" Bolt
8	153005	7	3/8" Lock Washer
9	153004	7	3/8" Flat Washer
10	154340	7	Bevelled Washer, 7/16 Dia.
11	820820	1	Flat Front Top Shaft Panel
12	820821	1	Long Character Panel
13	820831	1	Short Control Door
14	153001	8	5/16" Flat Washer
15	153002	8	5/16" Lock Washer
16	150515	8	5/16-18 x 7 1/2" Hex Head Bolt
17	112355	1	ADC Large Logo
	870011	1	Double Sided Tape Kit
18	150605	4	1/2-13 x 1 1/2" Long Bolt
19	153026	4	1/2" Lock Washer
20	153011	4	1/2" Flat Washer
21	820636	1	Step Bar Weldment



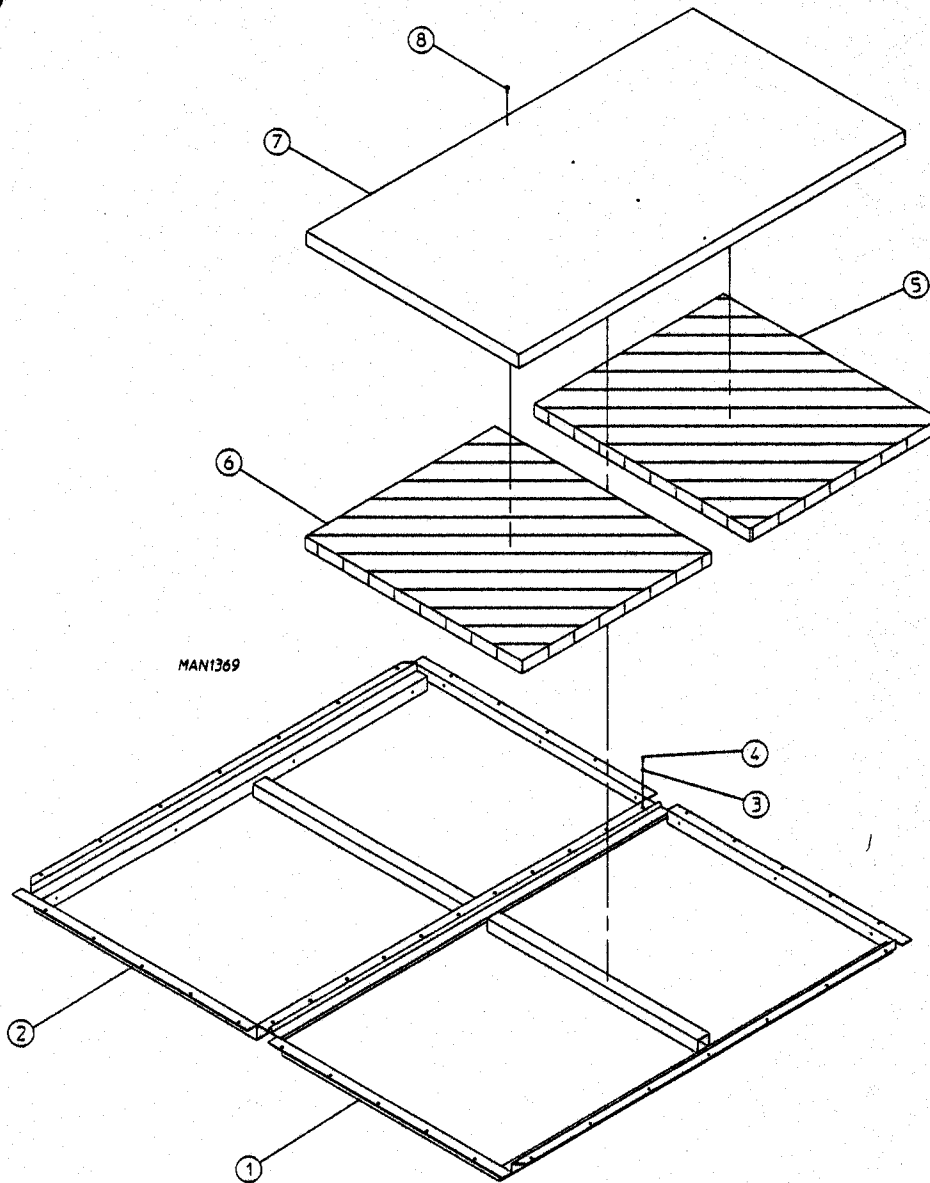
Illus. No.	Part No.	Qty.	Description
1	331884	2	Rear Left Panel
2	150514	4	5/16-18 x 2 1/4" Long Hex Head Bolt
3	153002	4	5/16" Lock Washer
4	153001	4	5/16" Flat Washer
5	331829	4	Solid Back Panel Cover
6	150621	16	5/16-18 x 1/2" Long Hex Head Bolt
7	153002	16	5/16" Lock Washer
8	153001	16	5/16" Flat Washer
9	150501	8	5/16-18 x 3/4" Long Hex Head Bolt
10	820855	1	Back Lower Panel
11	See page # 59 for Retaining Wheel Assembly		
12	150510	6	1/4-20 x 3/4" Large Hex Head Bolt
13	153018	6	1/4" Flat Washer
14	153007	6	1/4" Lock Washer
15	152002	6	1/4-20 Hex Nut
16	820523	4	Bottom Hinge Spacer Weldment
17	331786	2	Hinge Spacer
18	153026	4	1/2" Flat Washer
19	153011	4	1/2" Lock Washer
20	150605	4	1/2-13 x 1 1/2" Long Hex Head Bolt
21	153001	4	5/16" Flat Washer
22	153002	8	5/16" Lock Washer
23	150501	8	5/16-18 x 1 1/2" Hex Head Bolt
24	820856	2	Lower Guard Mounting Channel

(Steam Only)

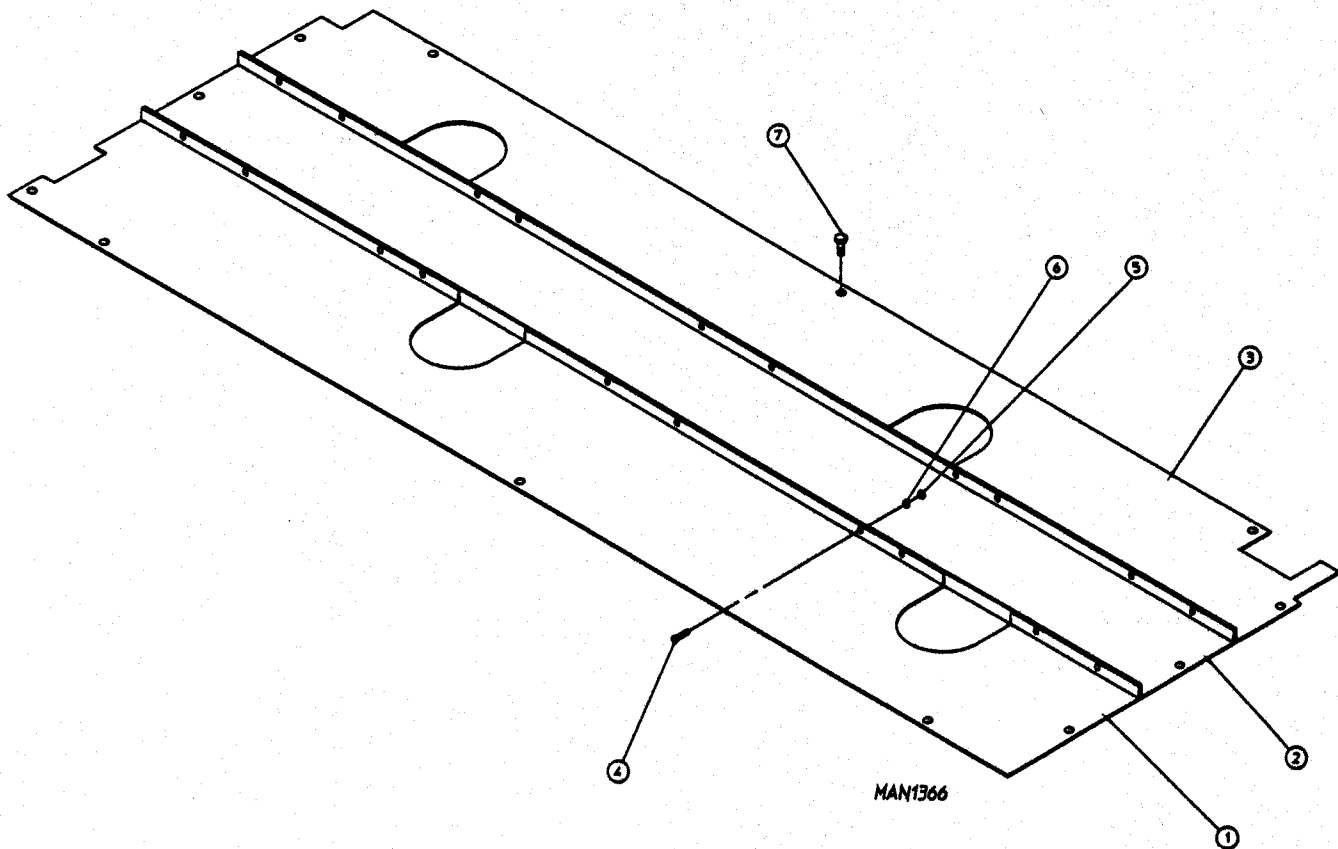


Illus. No.	Part No.	Qty.	Description
1	820650	1	Top Right Panel Weldment
2	820576	1	Top Left Panel Weldment
3	153007	11	1/4" Lock Washer
4	150512	11	1/4-20 x 1/2" Hex Head Machine Screw
5	116721	2	29 1/4" x 25 5/8" x 1 1/2" Rockboard Top Frame Door
6	116724	2	29 1/4" x 26 5/8" x 1 1/2" Rockboard Top Frame Door
7	331761	2	Top Door Panel
8	150301	8	#8-18 x 7/16" TEK Screw
9	150103	4	#8-32 x 3/4" Long Machine Screw
10	117705	1	Sliding Pad
11	331998	1	Sliding Pad Strip
12	153012	4	#8 Star Washer
13	152001	4	#8-32 Hex Nut

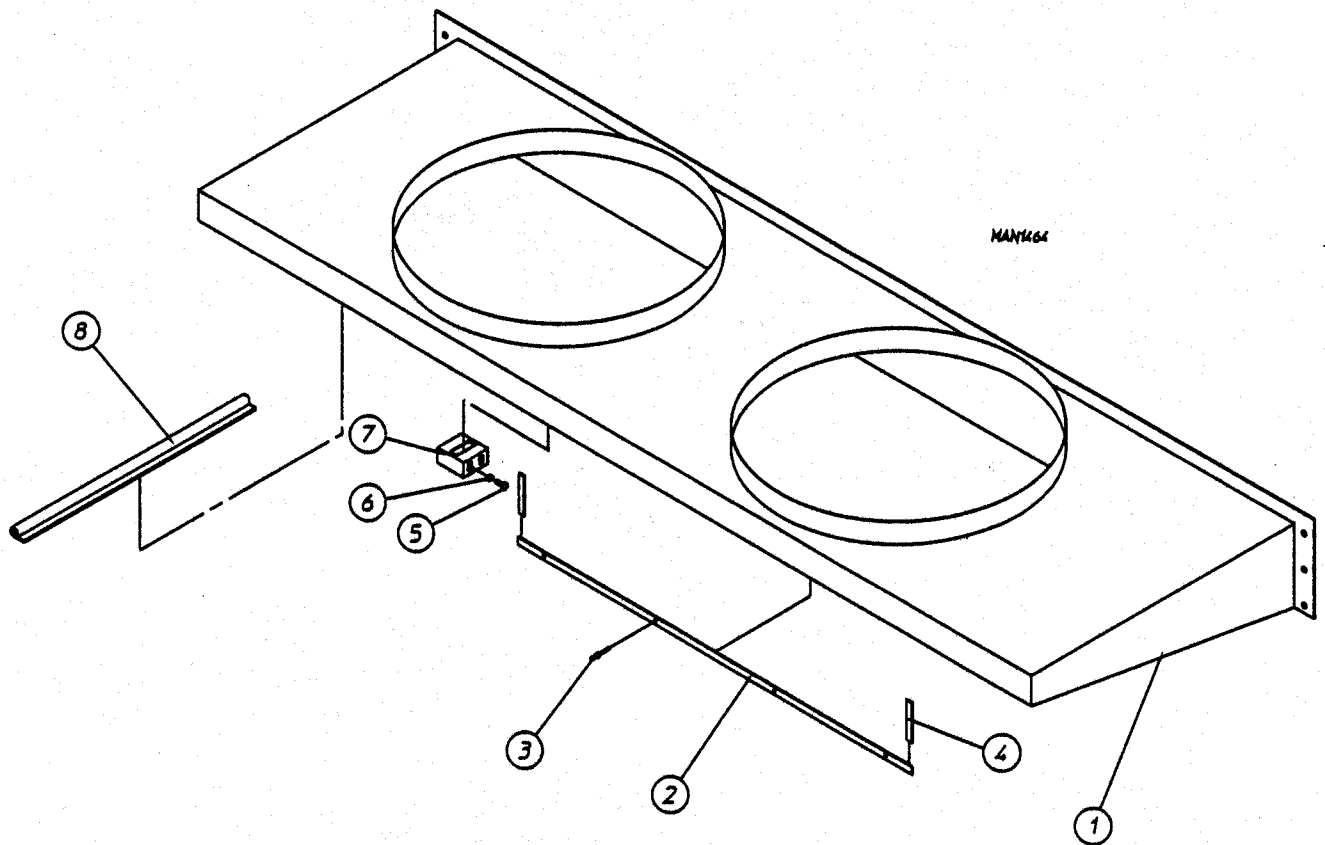
(Gas Only)



Illus. No.	Part No.	Qty.	Description
1	820575	1	Top Right Panel Weldment
2	820576	1	Top Left Panel Weldment
3	153007	11	1/4" Lock Washer
4	150512	11	1/4-20 x 1/2" Hex Head Machine Screw
5	116721	2	29 1/4" x 25 5/8" x 1 1/2" Rockboard Top Frame Door
6	116724	2	29 1/4" x 26 5/8" x 1 1/2" Rockboard Top Frame Door
7	331761	2	Top Door Panel
8	150301	8	#8-18 x 7/16" TEK Screw

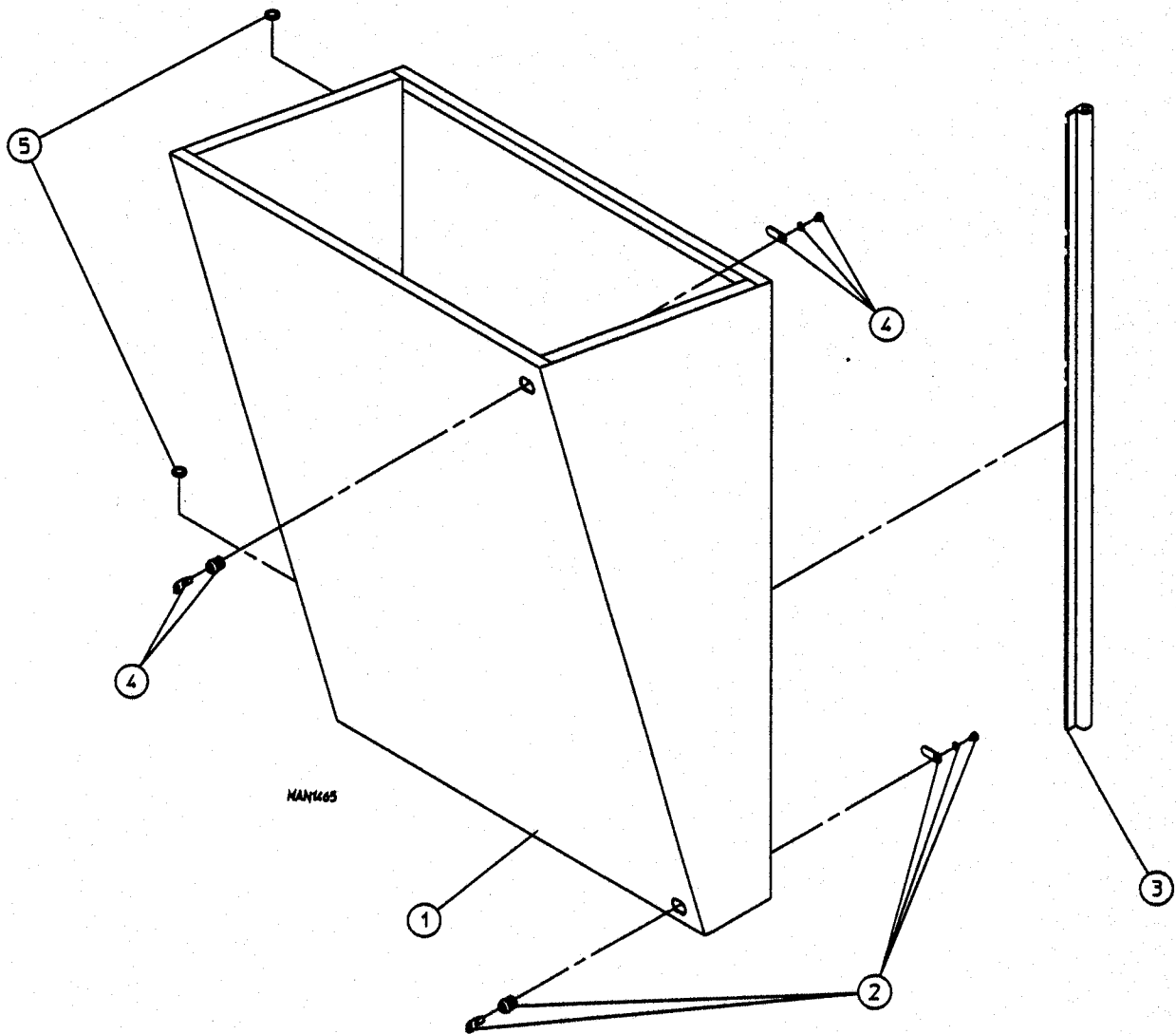


Illus. No.	Part No.	Qty.	Description
1	331992	1	Top Middle Cover
2	331991	1	Top Center Cover
3	331919	1	Top Left Cover
4	150415	20	Crimptite Screw
	150208	20	#10-32 x 1/2" Machine Screw (before April 1,1992)
5	152001	20	#8-32 Hex Nut
6	153012	20	#8 Star Washer
7	150522	12	1/4-20 x 1/2" TEK Screw



Illus. No.	Part No.	Qty.	Description
1	820858	1	Inlet Air Adapter Weldment
2	331459	4	Long Gasket Strip
3	154200	30	5/32" Pop Rivet
4	331458	4	Short Gasket Strip
5	150512	2	1/4-20 x 1/2" Bolt
6	153007	2	1/4" Lock Washer
7	331461	2	Top Door Lock Latch
8	102315	16'	Extruded Gasket, Silicone Rubber
	401050	*	Silicone Adhesive

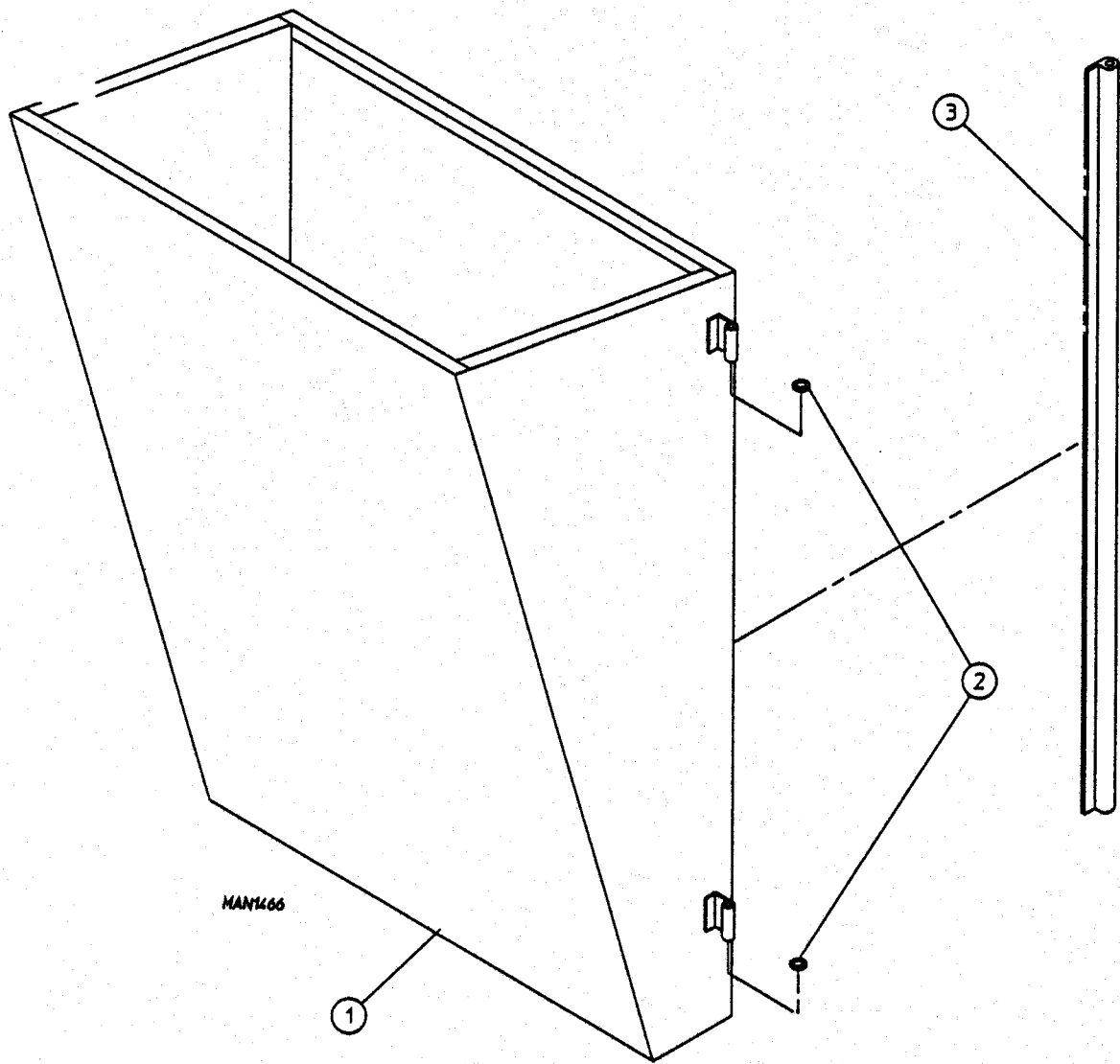
* As Required



Illus. No.	Part No.	Qty.	Description
1	820859	1	Left Door Weldment
2	160055	1	Door Lock
3*	102315	13	Extruded Gasket, Silicone Rubber
—	401050	**	Silicone Adhesive
4	160055	1	Door Lock
5	153068	2	Brass Washer

* Sold by the Foot

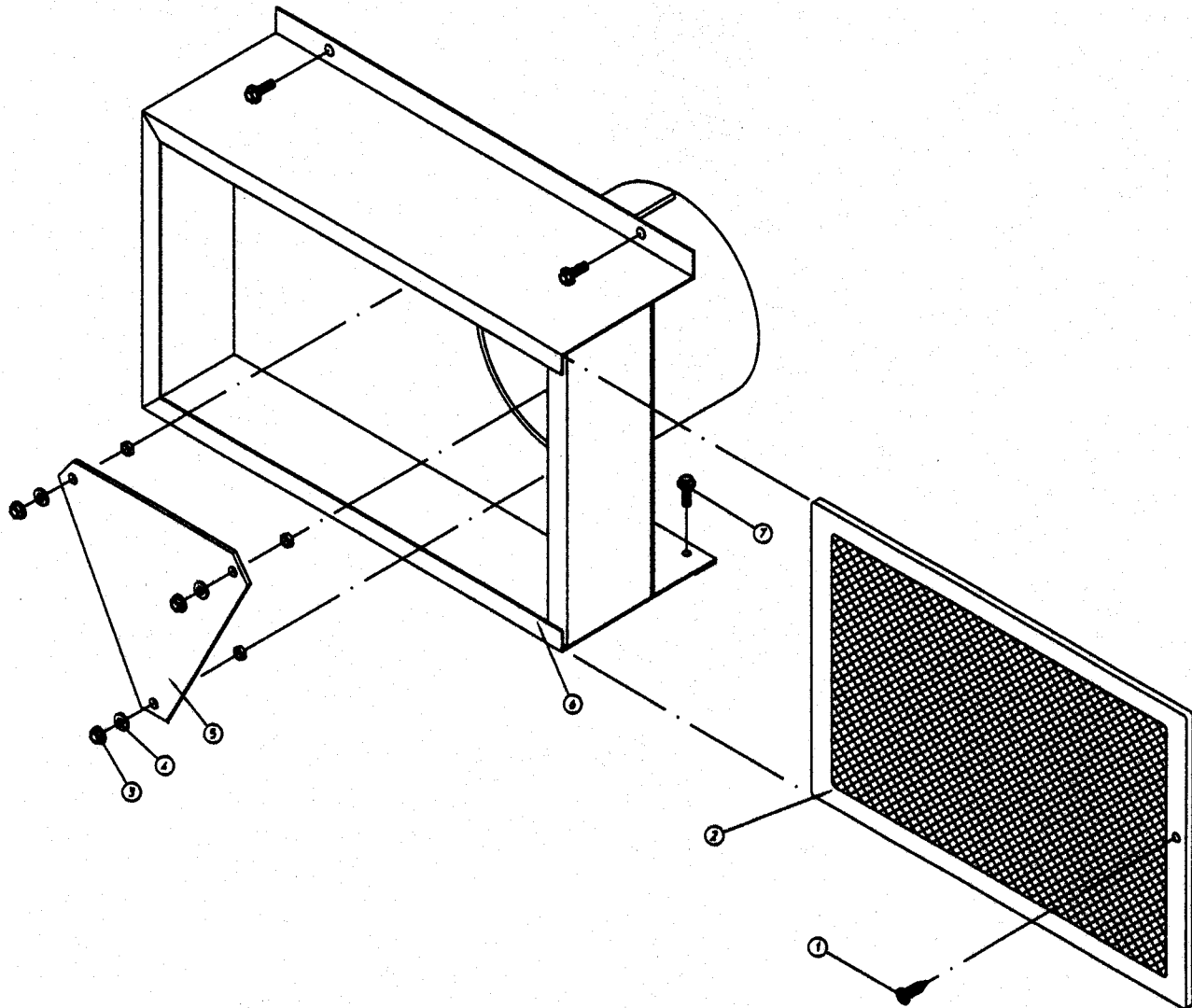
** As Required



Illus. No.	Part No.	Qty.	Description
1	820860	1	Right Door Weldment
2	153068	2	Brass Washer
3*	102315	13	Extruded Gasket, Silicone Rubber
—	401050	**	Silicone Adhesive

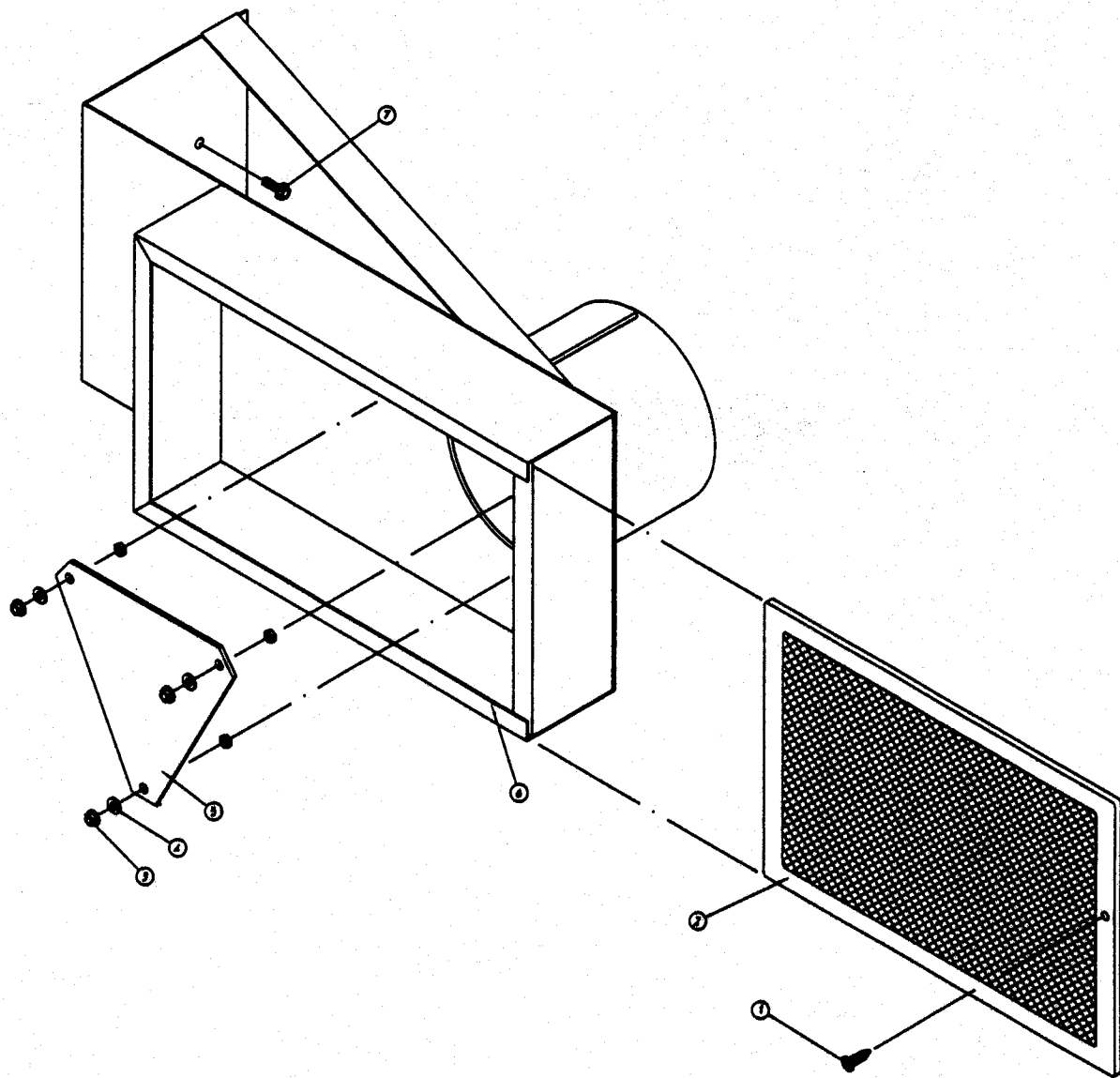
* Sold by the Foot

** As Required



MAN2282

Illus. No.	Part No.	Qty.	Description
1	150415	1	10-16 x 1/2" Phillips Crimptite Screw
2	820537	1	Combustion Air Lint Screen
3	152002	3	1/4-20 Hex Nuts
4	153007	3	1/4" Lock Washer
5	331782	1	Air Combustion Damper
6	820667	1	Air Combustion Filter Box
7	150522	4	1/4-20 x 1/2" TEK

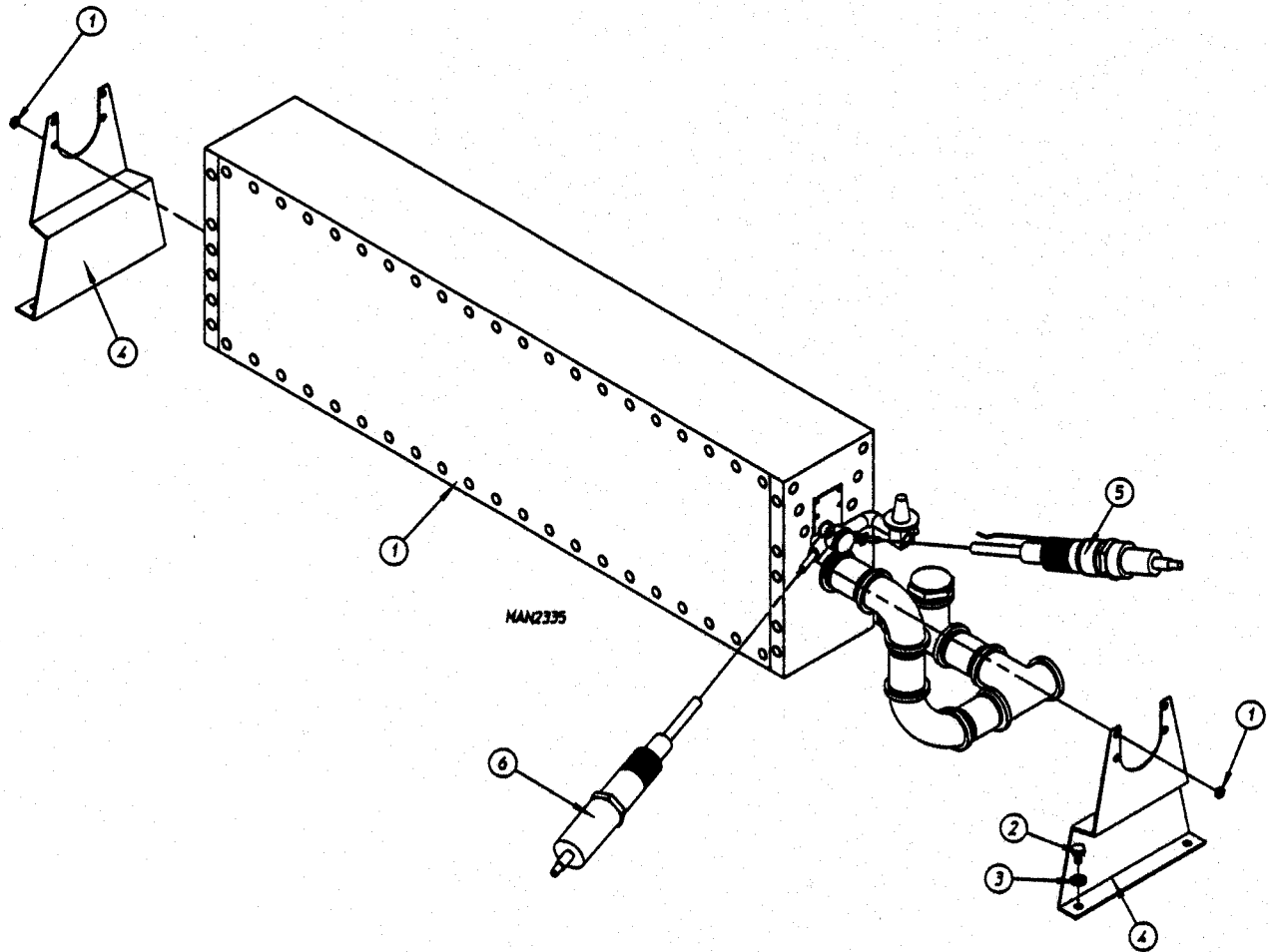


MANZ283

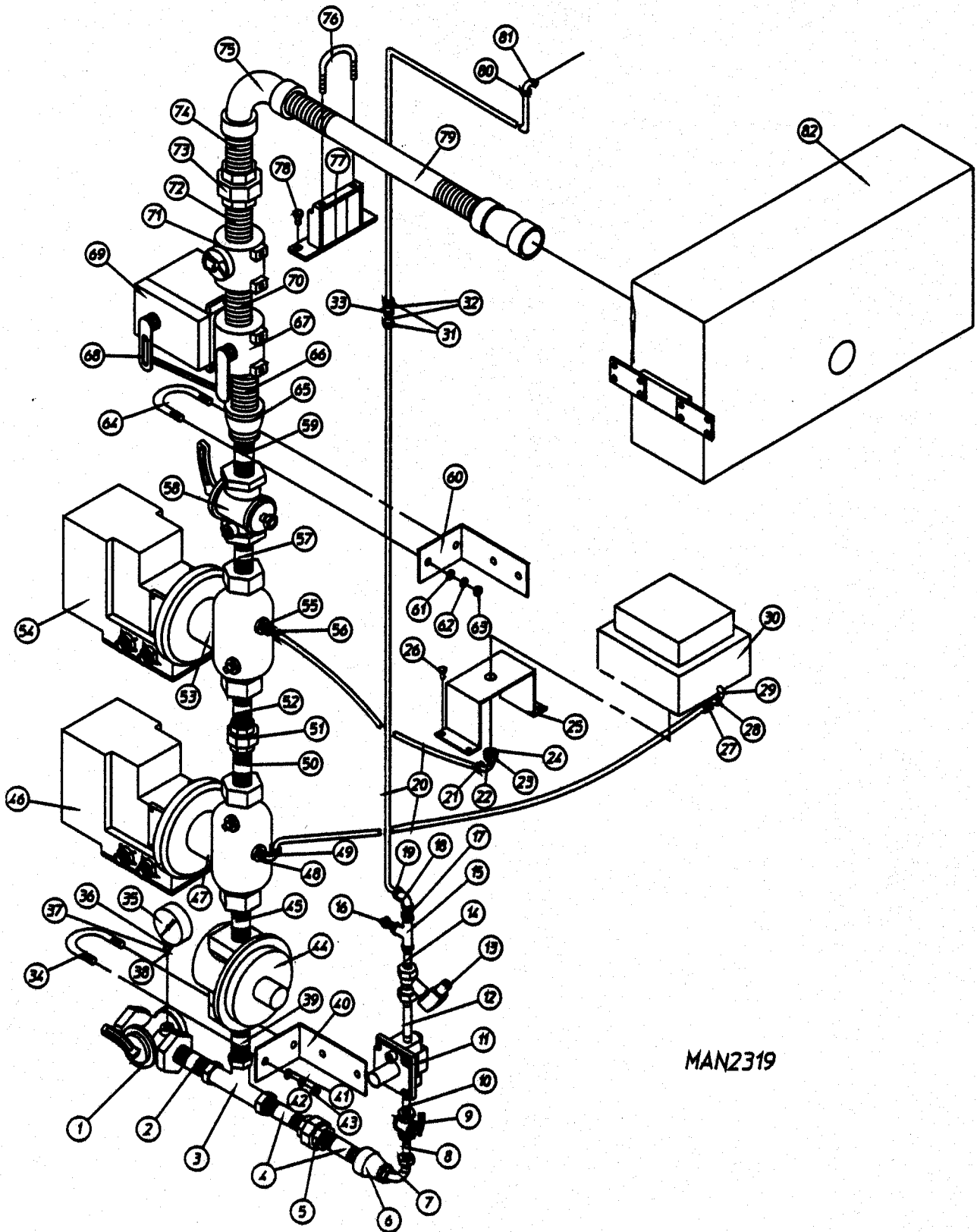
Illus. No.	Part No.	Qty.	Description
1	150415	1	10-16 x 1/2" Phillips Crimptite Screw
2	820870	1	Air Combustion Lint Screen
3	152002	3	1/4-20 Hex Nuts
4	153007	3	1/4" Lock Washer
5	820868	1	Air Combustion Damper
6	820869	1	Air Combustion Filter Box (air intake option)
7	150522	4	1/4-20 x 1/2" TEK

Illus. No.	Part No.	Qty.	Description
1	141053	1	Manual Shut Off Valve, 1 1/2" NPT
2	154351	1	1 1/2" Pipe "U" Bolt
3	143238	1	1/8" Close Nipple, Brass
4	143264	1	1/4" x 1/8" Reducing Bushing Brass
5	143273	1	1/4" Coupling Brass
6	168205	1	Gauge, 2 1/2" Nipple, Black Iron
7	142827	16	1 1/2" x 2 1/2" Nipple, Black Iron
8	142828	1	1 1/2" x 1 x 1 1/2" Tee, Black Iron
9	142808	2	1" x 3" Large Nipple
10	142602	1	1" Union, Black Iron
11	142919	1	1" x 1/2" Reducing Coupling
12	142506	1	1/2" Street Elbow
13	142707	1	1/2" x 1 1/2" Large Nipple
14	141059	1	Manual Shut Off Valve
15	153004	2	3/8" Flat Washer
16	153005	2	3/8" Lock Washer
17	152005	2	3/8-16 Hex Nut
18	820823	1	Mounting Bracket
19	142087	1	1 1/2" x 2 1/2" Large Nipple
20	141051	1	Gas Regulator
21	142707	2	1/2" x 1/2" Large Nipple
22	141060	1	Gas Regulator, Pilot, 1/2" NPT
23	142812	1	1/2" x 3" Large Nipple
24	141067	1	Gas Solenoid Valve , Pilot
25	142707	1	1/2" x 1 1/2" Large Nipple
26	142820	1	1/2' Tee
27	143261	1	1/2" to 3/8" Reducing Bushing (Brass)
28	142747	1	1/2" Pipe Plug
29	143140	1	Elbow 3/8" Flare x 3/8" MPT
30	143144	1	Long Forged Nut, 45° Flare
31	143148	6	3/8 SS Tubing (sold by the ft.)
32	142596	1	1 1/2" Dia. x 5" Long Nipple
33	141073	1	Auxiliary Switch
34	143141	2	90° Elbow, 45° Flare 3/8" Tube
35	143144	1	Long Forged Nut, 45° Flare
36	141071	1	Eclipse Dungs Gas Valve
37	142827	2	1 1/2" x 2 1/2" Nipple , Black Iron
38	142603	1	1 1/2" Union
39	142597	12	1 1/2" x 1 1/2" x 3/4" Tee
40	142834	1	3/4" Pipe Plug
41	143144	1	Long Forged Nut 45° Flare
42	143141	1	90° Elbow 45° Flare, 3/8" Tube
43	143262	2	3/8" to 1/4" Reducing Bushing Brass
44	153016	2	5/8" Flat Washer
45	331376	1	Hi/Lo Pressure Switch Bracket

Illus. No.	Part No.	Qty.	Description
46	150522	4	1/4-20 x 1/2 TEK
47	141063	1	Hi/Lo Gas Pressure Switch
48	143286	1	45° Flare Male Connector, 3/8" Tube x 1/4"
49	143144	1	Long Forged Nut, 45° Flare
50	143268	1	1/8 Brass Street Elbow
51	152005	2	3/8-16 Hex Nut
52	153005	2	3/8 Lock Washer
53	153004	2	3/8 Flat Washer
54	820823	1	Mounting Bracket
55	141072	1	Eclipse Dungs Gas Valve
56	143140	1	Elbow 3/8" Flare x 3/8 M.P.T
57	143144	1	Long Forged Nut, 45° Flare
58	143263	1	3/4" X 3/8" Reducing Bushing , Brass
59	142597	1	1 1/2" x 1 1/2" x 3/4" Tee
60	142827	2	1 1/2" x 2 1/2" Nipple Black Iron
61	141053	1	Manual Shut Off Valve, 1 1/2" N.P.T.
62	154351	1	1 1/2" Pipe "U" Bolt
63	142567	1	1 1/2" x 6 Large Pipe Nipple
64	142831	1	Reducing Coupling 2" to 1 1/2"
65	143257	1	3/8" FPT Brass Bulkhead Connector
66	143142	2	45° Straight Connector
67	143144	2	Long Forged Nut, 45° Flare
68	820662	1	Gas Pipe Support Weldment
69	142552	2	2" Ø x 3" Large Nipple
70	142542	1	2" Union
71	150522	2	1/4" x 1/2" TEK Screw
72	142541	1	2" 90° Elbow
73	154352	1	2" Pipe "U" Bolt
74	142592	1	2" Ø x 4" Large Nipple
75	143144	1	Long Forged Nut 45° Flare
76	143141	1	90° Elbow, 45° Flare , 3/8" Tube x 1/4" MPT
77	—————	1	Eclipse Burner Assembly see page 77.



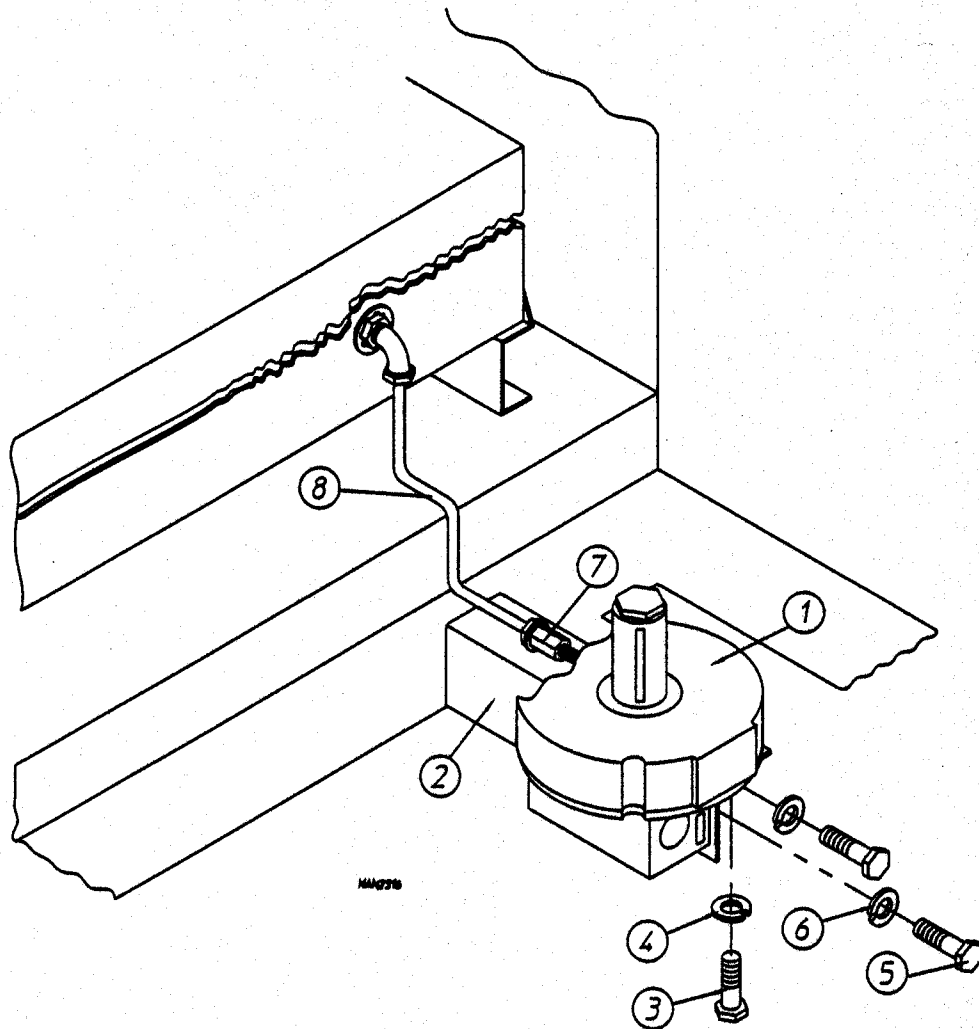
Illus. No.	Part No.	Qty.	Description
1	141050	1	Eclipse Burner
2	150508	1	3/8-16 x 3/4" Large Hex Head Bolt
3	153004	1	3/8" Flat Washer
4	331779	1	Burner Box Mounting Bracket
5	141179	1	Spark Ignitor
6	141178	1	Flame Rod



MAN2319

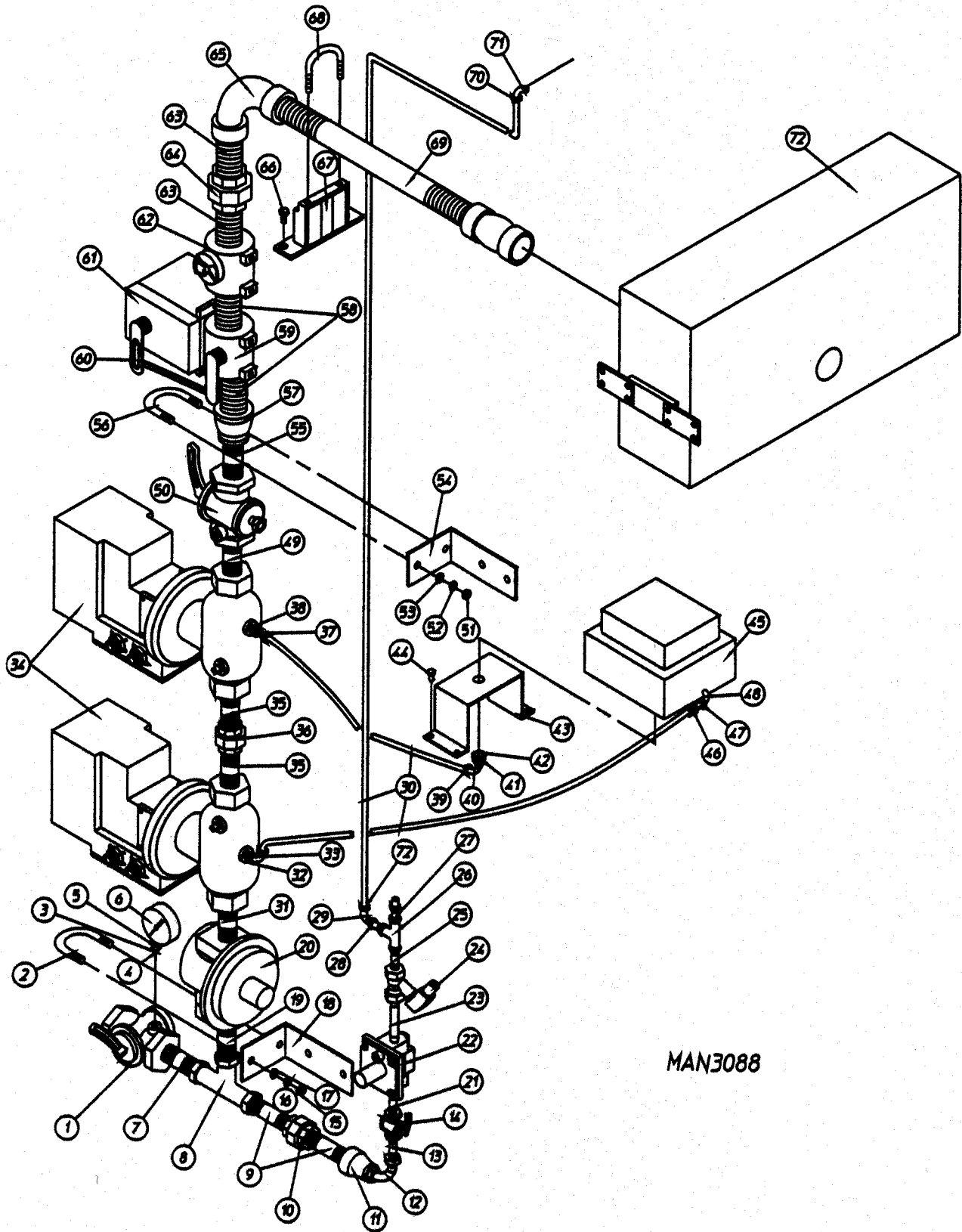
Illus. No.	Part No.	Qty.	Description
1	141053	1	Manual Shut Off Valve, 1 1/2" NPT
2	142827	1	1 1/2" x 2 1/2" Nipple, Black Iron
3	142828	1	1 1/2" x 1 x 1 1/2" Tee, Black Iron
4	142808	2	1" x 3" Large Nipple
5	142602	1	1" Union, Black Iron
6	142919	1	1" x 1/2" Reducing Coupling
7	142506	1	1/2" Street Elbow
8	142707	1	1/2" x 1 1/2" Large Nipple
9	141059	1	Manual Shut Off Valve
10	142707	2	1/2" x 1/2" Large Nipple
11	141060	1	Gas Regulator, Pilot, 1/2" NPT
12	142812	1	1/2" x 3" Large Nipple
13	141067	1	Gas Solenoid Valve , Pilot
14	142707	1	1/2" x 1 1/2" Large Nipple
15	142820	1	1/2" Tee
16	142747	1	1/2" Pipe Plug
17	143261	1	1/2" to 3/8" Reducing Bushing (Brass)
18	143140	1	Elbow 3/8" Flare x 3/8" MPT
19	143144	1	Long Forged Nut, 45° Flare
20	143148	*	3/8 SS Tubing (sold by the ft.)
21	143144	1	Long Forged Nut, 45° Flare
22	143141	2	90° Elbow, 45° Flare 3/8" Tube
23	143262	1	3/4" X 1/4" Reducing Bushing , Brass
24	153016	1	5/8" Flat Washer
25	331376	1	Hi/Lo Pressure Switch Bracket
26	150522	4	1/4-20 x 1/2" TEK Screw
27	143144	1	Long Forged Nut, 45° Flare
28	143286	1	45° Flare Male Connector, 3/8" Tube x 1/4"
29	143268	1	1/8" Brass Street Elbow
30	141063	1	Hi/Lo Gas Pressure Switch
31	143142	2	45° Straight Connector
32	143144	1	Long Forged Nut, 45° Flare
33	143257	1	3/8" FPT Brass Bulkhead Connector
34	154351	1	1 1/2" Pipe "U" Bolt
35	168205	1	Gauge, 2 1/2" 0-15" H2O
36	143273	1	1/4" Coupling, Brass
37	143264	1	1/4" x 1/8" Reducing Bushing
38	143238	1	1/8" Close Nipple
39	142827	1	1 1/2" x 2 1/2" Nipple
40	820823	1	Mounting Bracket
41	153005	2	3/8" Lock Washer
42	153004	2	3/8" Flat Washer
43	152005	2	3/8-16 Hex Nut
44	141051	1	Gas Regulator
45	142596	1	1 1/2" Dia. x 5" Long Nipple

Illus. No.	Part No.	Qty.	Description
46	141068	1	Honey Well Valve Motor
47	141069	1	Honey Well Gas Valve 1 1/2" Dia
48	143141	1	90° Elbow, 45° Flare, 3/8" Tube x 1/4" M.P.T.
49	143144	1	Long Forged Nut 45° Flare
50	142827	1	1 1/2" x 2 1/2" Nipple
51	142603	1	1 1/2" Union
52	142827	1	1 1/2" x 2 1/2" Nipple
53	141069	1	Honey Well Gas Valve
54	141068	1	Honey Well Valve Motor
55	143144	1	Long Forged Nut 45° Flare
56	143158	1	45° Flare, 3/8" Tube x 1/4" M.P.T., Straight
57	142827	2	1 1/2" x 2 1/2" Nipple Black Iron
58	141053	1	Manual Shut Off Valve, 1 1/2 N.P.T.
59	142827	2	1 1/2" x 2 1/2" Nipple Black Iron
60	820823	1	Mounting Bracket
61	153004	2	3/8" Flat Washer
62	153005	2	3/8" Lock Washer
63	152005	2	3/8-16 Hex Nut
64	154351	1	1 1/2" Pipe "U" Bolt
65	142831	1	Reducing Coupling 2" to 1 1/2"
66	142552	1	2" x 3" Nipple
67	141055	1	Automatic Butterfly Valve
68	141056	1	Actuator Parts Mounting Group
69	141057	1	Actuator Motor
70	142552	1	2" x 3" Nipple
71	141054	1	Manual Butterfly Valve, 2" N.P.T.
72	142517	1	2" Close Nipple
73	142542	1	2" Union
74	142517	1	2" Close Nipple
75	142541	1	2" 90° Elbow
76	154352	1	2" Pipe "U" Bolt
77	820662	1	Gas Pipe Support Weldment
78	150522	2	1/4" x 1/2" TEK Screw
79	142592	1	2" x 4" Large Nipple
80	143144	1	Long Forged Nut, 45° Flare
81	143141	1	90° Elbow, 45° Flare, 3/8" Tube
82	—————	1	Eclipse Burner Assembly see page 77.



Illus. No.	Part No.	Qty.	Description
1	136993	1	Air Flow Switch (As of September, 1994)
2	331470	1	Lint Air Switch Bracket
3	150501	1	5/16-18 x 3/4" Bolt
4	153002	1	5/16 Lock Washer
5	150510	2	1/4-20 x 3/4" Bolt
6	153007	2	1/4" Lock Washer
7	143152	1	1/4" Compression to 1/8" MPT Straight Connection
8	143100	*	1/4" Aluminum Tubing

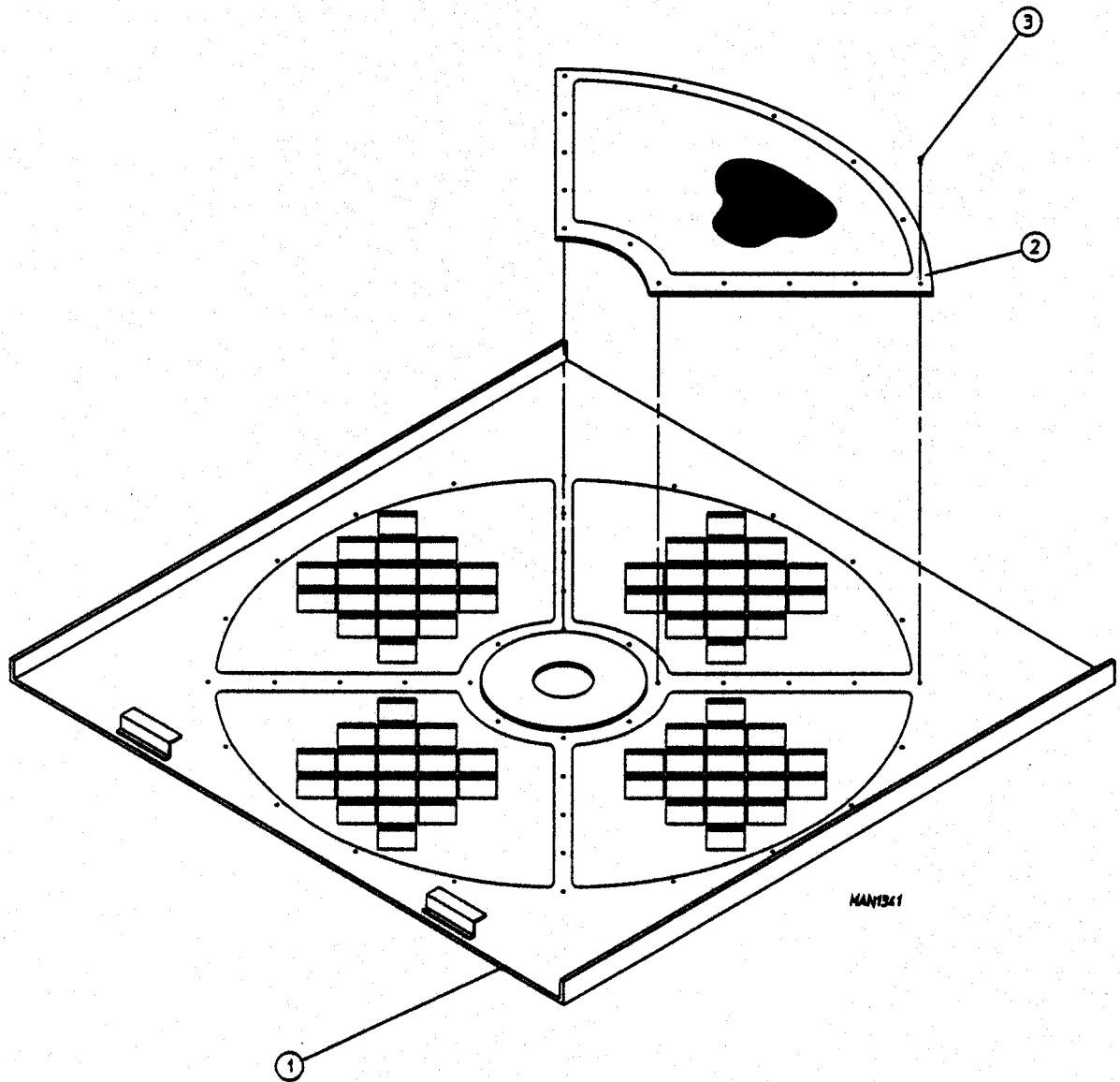
* As Required



MAN3088

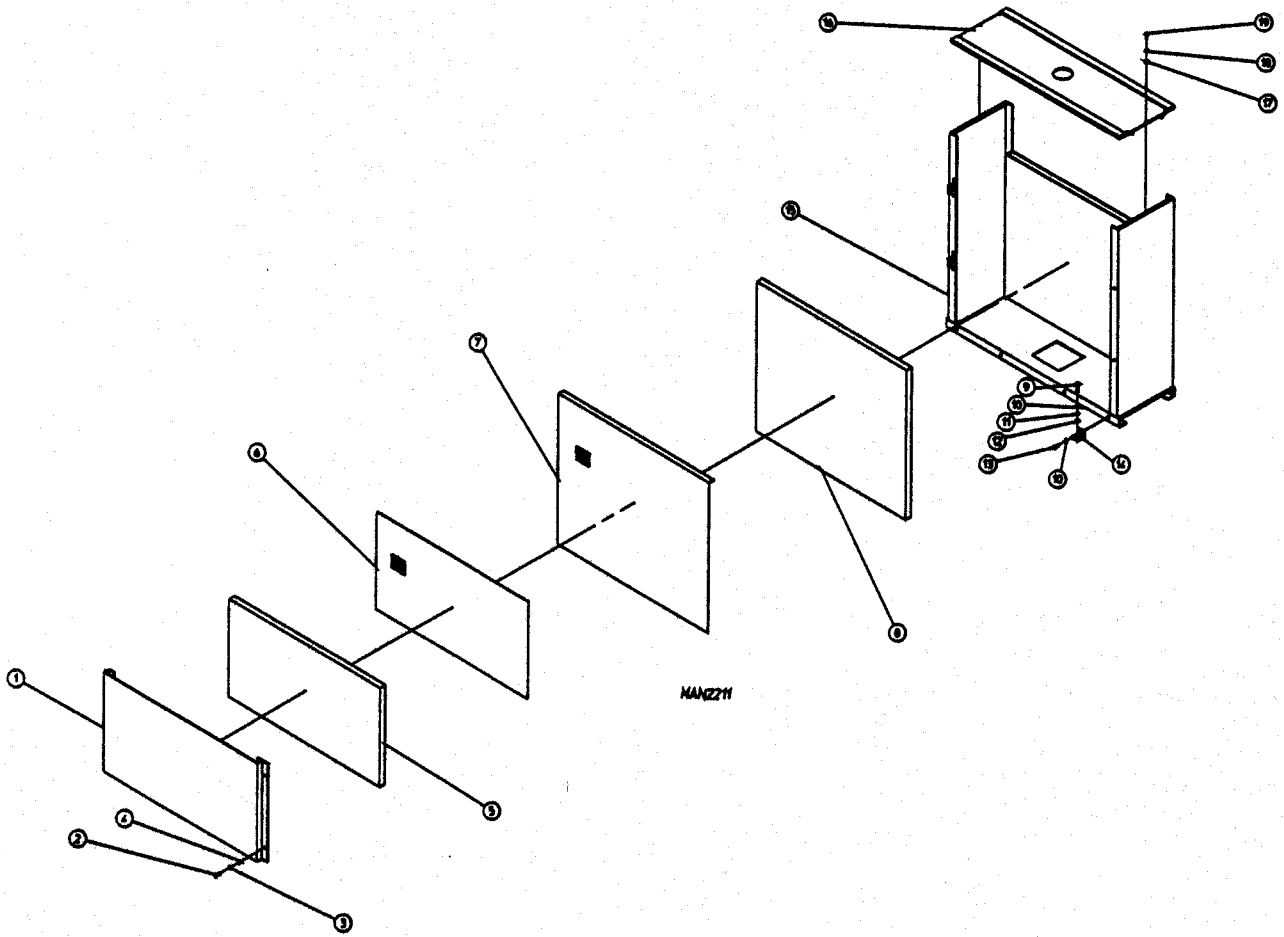
Illus. No.	Part No.	Qty.	Description
1	141053	1	Manual Shut Off Valve, 1 1/2" NPT
2	154351	1	1 1/2" Pipe "U" Bolt
3	143238	1	1/8" Close Nipple
4	143264	1	1/4" x 1/8" Reducing Bushing
5	143273	1	1/4" Coupling, Brass
6	168205	1	Gauge, 2 1/2" 0-15" H2O
7	142827	1	1 1/2" x 2 1/2" Nipple, Black Iron
8	142828	1	1 1/2" x 1 x 1 1/2" Tee, Black Iron
9	142808	2	1" x 3" Large Nipple
10	142602	1	1" Union, Black Iron
11	142919	1	1" x 1/2" Reducing Coupling
12	142506	1	1/2" Street Elbow
13	142707	1	1/2" x 1 1/2" Large Nipple
14	141059	1	Manual Shut Off Valve
15	152005	2	3/8-16 Hex Nut
16	153005	2	3/8" Lock Washer
17	153004	2	3/8" Flat Washer
18	820823	1	Mounting Bracket
19	142827	1	1 1/2" x 2 1/2" Nipple
20	141051	1	Gas Regulator
21	142707	2	1/2" x 1/2" Large Nipple
22	141060	1	Gas Regulator, Pilot, 1/2" NPT
23	142812	1	1/2" x 3" Large Nipple
24	141067	1	Gas Solenoid Valve, Pilot
25	142707	1	1/2" x 1 1/2" Large Nipple
26	142820	1	1/2" Tee
27	142747	1	1/2" Pipe Plug
28	143261	1	1/2" to 3/8" Reducing Bushing (Brass)
29	143140	1	Elbow 3/8" Flare x 3/8" MPT
30	143148	*	3/8 SS Tubing (sold by the ft.)
31	142596	1	1/2" Diameter 5" Long Nipple
32	143144	1	Long Forged Nut, 45° Flare
33	143141	2	90° Elbow, 45° Flare 3/8" Tube
34	141052	2	1 1/2" Motorized Gas Valve - Eclipse
35	142827	2	1 1/2" x 2 1/2" Nipple
36	142603	1	1 1/2" Union
37	143144	1	Long Forged Nut, 45° Flare
38	143141	1	90° Elbow, 45° Flare 3/8" Tube
39	143144	1	Long Forged Nut, 45° Flare
40	143141	1	90° Elbow, 45° Flare 3/8" Tube
41	143262	1	3/8" to 1/4" Reducing Bushing
42	153016	1	5/8" Flat Washer
43	331376	1	Hi/Lo Gas Pressure Switch Bracket
44	150522	4	1/4-20 x 1/2" TEK Screw
45	141063	1	Hi/Lo Gas Pressure Switch

Illus. No.	Part No.	Qty.	Description
46	143144	1	Long Forged Nut, 45° Flare
47	143286	1	45° Flare Male Connector, 3/8" Tube x 1/4"
48	143268	1	1/8" Brass Street Elbow
49	142827	1	1 1/2" x 2" Nipple
50	141053	1	Manual Shut Off Valve , 1 1/2" NPT
51	152005	2	3/8-16 Hex Nut
52	153005	2	3/8" Lock Washer
53	153004	2	3/8" Flat Washer
54	820823	1	Mounting Bracket
55	142827	2	1 1/2" x 2 1/2" Nipple Black Iron
56	154351	1	1 1/2" Pipe "U" Bolt
57	142831	1	Reducing Coupling 2" to 1 1/2"
58	142552	2	2" x 3" Nipple
59	141055	1	Automatic Butterfly Valve
60	141056	1	Actuator Parts Mounting Group
61	141057	1	Actuator Motor
62	141054	1	Manual Butterfly Valve, 2" NPT
63	142517	2	2" Close Nipple
64	142542	1	2" Union
65	142541	1	2" 90° Elbow
66	150522	2	1/4" x 1/2" TEK Screw
67	820662	1	Gas Pipe Support Weldment
68	154352	1	2" Pipe "U" Bolt
69	142592	1	2" x 4" Large Nipple
70	143144	1	Long Forged Nut, 45° Flare
71	143141	1	90° Elbow, 45° Flare
72	————	1	Eclipse Burner Assembly see page 77.

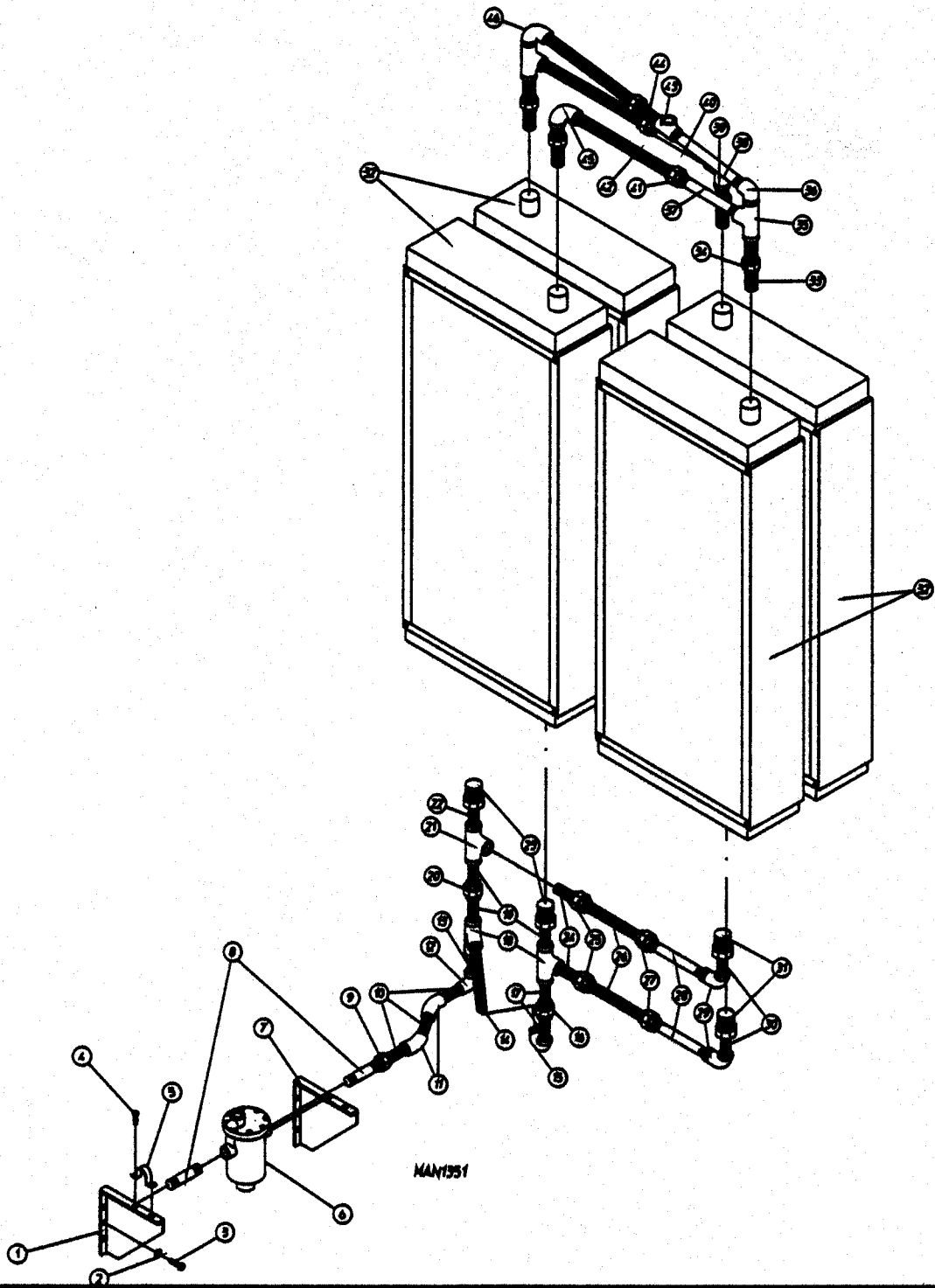


Illus. No.	Part No.	Qty.	Description
1	820560	1	Lint Screen Panel Weldment
2	820572	1	Base Lint Screen Weldment
3	150115	60	#8-32 x 1/4" Flat Head Machine Screw

(Gas Only)

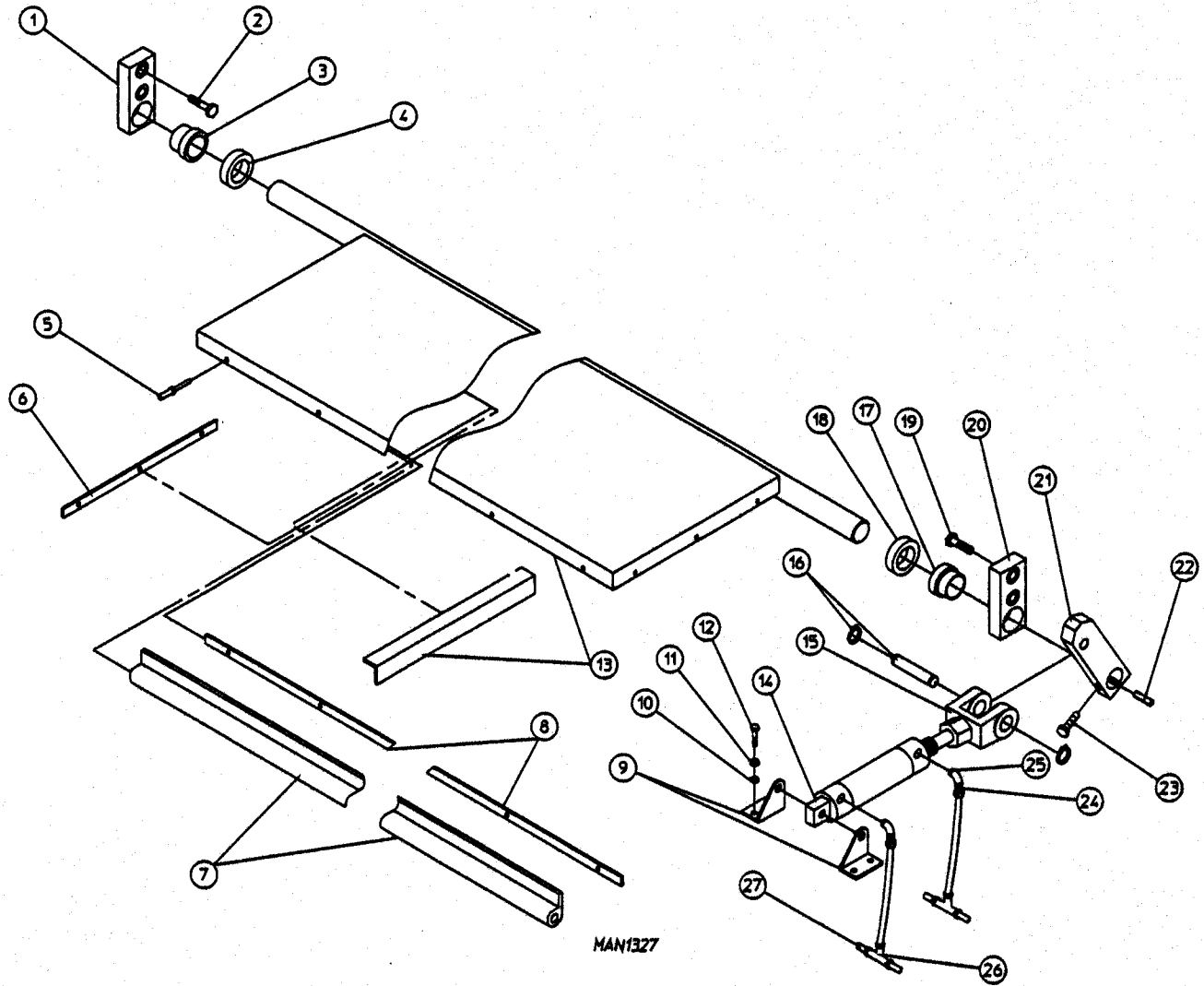


Illus. No.	Part No.	Qty.	Description
1	820536	1	Burner Box Door Weldment
2	150501	2	5/16-18 x 3/4" Hex Head Bolt
3	153002	2	5/16" Lock Washer
4	153001	2	5/16" Flat Washer
5	116206	1	Burner Box Door Insulation
6	331711	1	Burner Box Door Cover
7	331678	1	Rear Panel Cover
8	116205	1	Burner Box Housing Insulation
9	150600	4	3/8-16 x 1 1/2" Bolt
10	153005	12	3/8" Lock Washer
11	153004	8	3/8" Flat Washer
12	152005	4	3/8-16 Hex Nut
13	150508	8	3/8-16 x 3/4" Hex Head Bolt
14	331851	4	Burner Box Housing Anchor Bracket
15	820535	1	Burner Box Housing Weldment
16	331779	2	Burner Box Mounting Bracket
17	331779	2	Burner Box Mounting Bracket
18	153004	8	3/8" Flat Washer
19	153005	12	3/8" Lock Washer



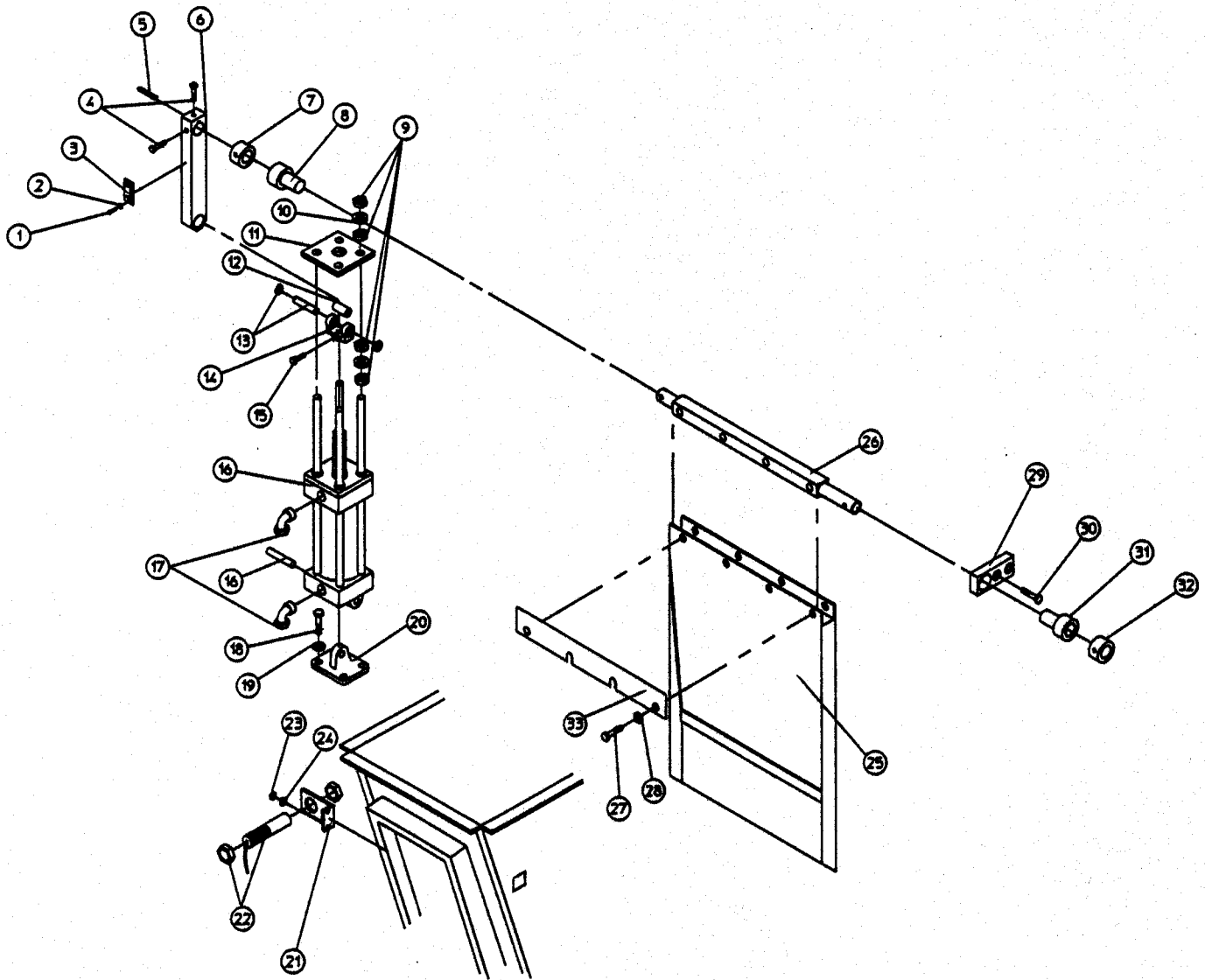
Illus. No.	Part No.	Qty.	Description
1	331752	1	Steam Trap Bracket
2	153018	6	1/4" Flat Washer
3	150522	6	1/4" TEK Screw
4	150522	4	1/4" TEK Screw
5	143195	2	1 1/4" Pipe Clip
6	165225	1	Steam Trap # 814

Illus. No.	Part No.	Qty.	Description
7	331752	1	Steam Trap Bracket
8	142565	1	1 1/4 x 3" Long Nipple
9	142558	1	1 1/4" Union
10	142713	3	1 1/4" Close Nipple
11	142560	2	1 1/4" x 45° Elbow
12	142554	1	1 1/4" Elbow 90°
13	142713	1	1 1/4" Close Nipple
14	143127	1	1 1/4" x 10 1/2' Long Flex Hose
15	142554	1	1 1/4" Elbow 90°
16	142558	1	1 1/4" Union
17	142713	1	1 1/4" Close Nipple
18	142922	2	1 1/4" Tee
19	142713	3	1 1/4" Close Nipple
20	142558	1	1 1/4" Union
21	142922	1	1 1/4" Tee
22	142713	1	1 1/4" Close Nipple
23	142520	1	2" x 1 1/4" Reducing Bushing
24	142713	2	1 1/4" Close Nipple
25	142558	2	1 1/4" Union
26	143127	2	1 1/4" x 10 1/2" Long Flex Hose
27	142558	2	1 1/4" Union
28	142559	2	1 1/4" x 6" Long Nipple
29	142554	2	1 1/4" Elbow 90°
30	142713	2	1 1/4" Close Nipple
31	142520	2	2" x 1 1/4" Reducing Bushing
32	165040	4	400 Steam Coil
33	142517	4	2" Close
34	142542	4	2" Union
35	142524	2	2" Tee
36	142519	1	2" Street Elbow
37	142595	1	2" x 7" Nipple
38	142594	1	2" 10 1/8" Nipple
39	142541	1	2" 90° Elbow
40	142595	1	2" X 7" Nipple
41	142542	1	2" Union
42	143128	3	2" Diameter x 13" Long Vibration Eliminator
43	142921	1	2" x 2" x 2 1/2" Tee
44	142517	1	2" Close
45	142541	1	2" 90° Elbow
46	142519	1	2" Street Elbow



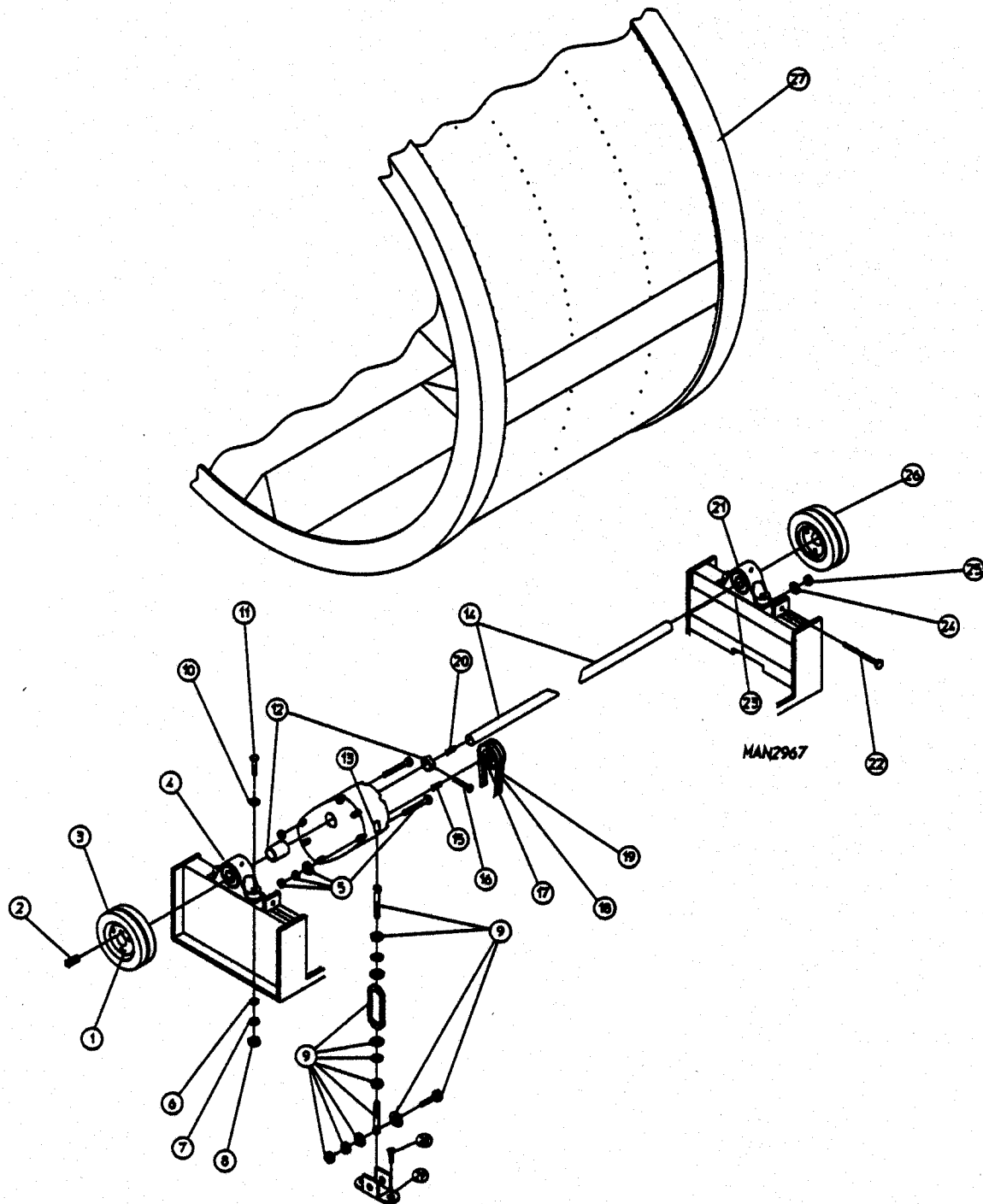
(Steam Only)

Illus. No.	Part No.	Qty.	Description
1	331618	1	Pivot Shaft Mounting Block
2	150437	4	3/8-16 x 1 11/4" Flat Socket Head Bolt
3	100227	2	Flanged Bronze Bushing
4	101174	2	Shaft Collar
5	154200	20	Pop Rivet
6	331932	2	Short Retainer Strip
	331364	3	Gasket Retainer Clip (after April 30, 1992)
7	102315	9'	Extruded Gasket, Silicone Rubber
8	331931	2	Long Retainer Strip
9	100500	1	Left and Right Piston Support
10	153007	4	1/4" Lock Washer
11	152002	4	1/4-20 Hex Nut
12	150510	4	1/4-20 x 3/4" Hex Head Bolt
13	820652	1	Intake Air Damper Weldment
14	100524	1	1 1/2" Diameter x 3" Stroke Piston
	100502	1	1 1/2" Diameter x 3" Stroke Position (before April 1, 1992)
15	100447	1	Clevis
16	100445	1	1/2" Clevis Pin
17	100227	2	Flanged Bronze Bushing
18	101174	2	Shaft Collar
19	150437	4	3/8-16 x 1 1/4" Flat Socket Head Bolt
20	331618	2	Pivot Shaft Mounting Block
21	331927	1	Lever Arm
22	100700	1	1/4" x 1/4" x 1 7/16" Key (after April 30, 1992)
23	154304	2	1/4-20 x 3/8" Set Screw
24	100472	2	1/4" Poly x 1/4" MPT Connector
25	143268	2	1/8" Brass Street Elbow
26	143156	2	1/4" Ploy Tee (after April 30, 1992)
27	143115	24'	1/4" Poly Tube

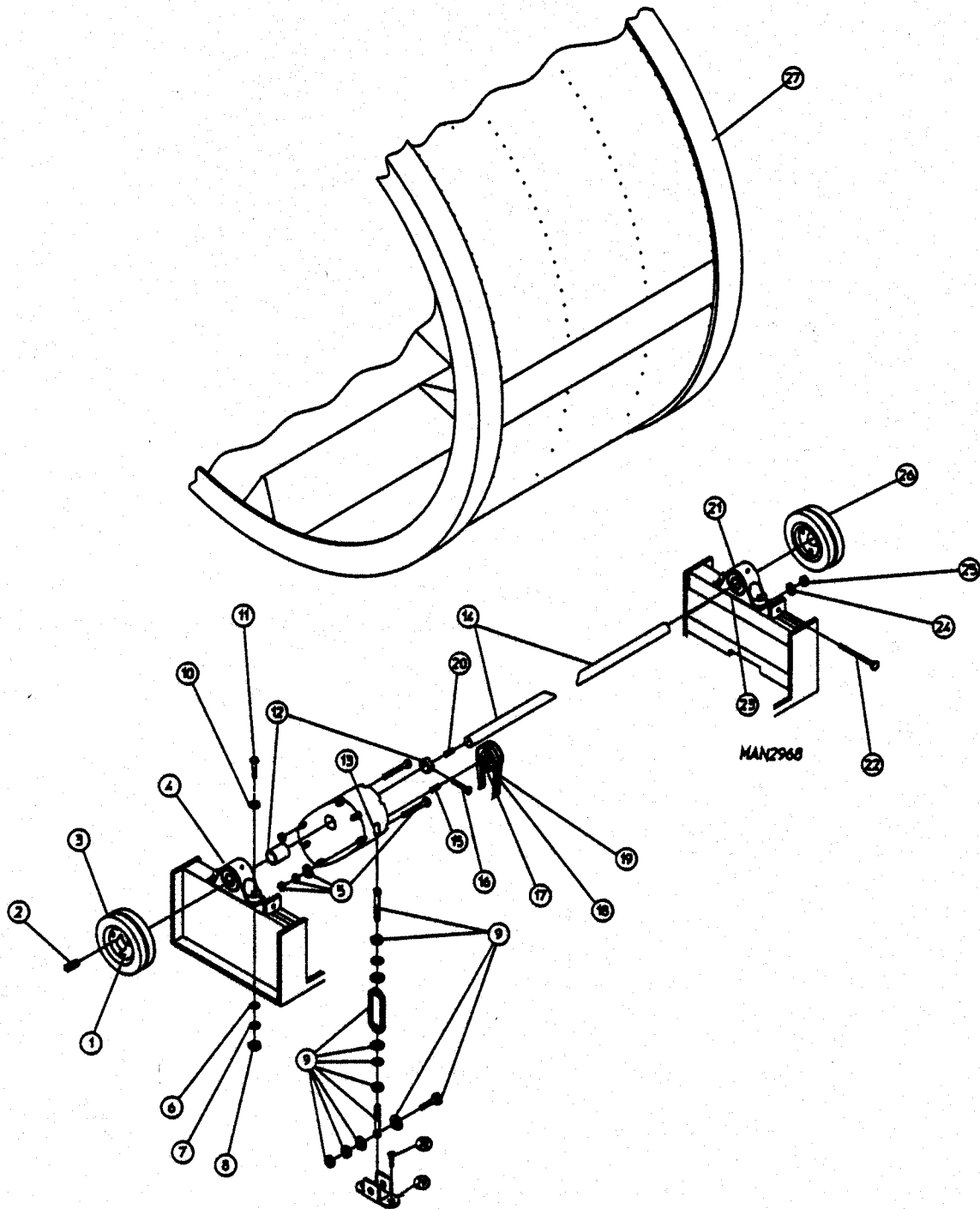


MAN2110

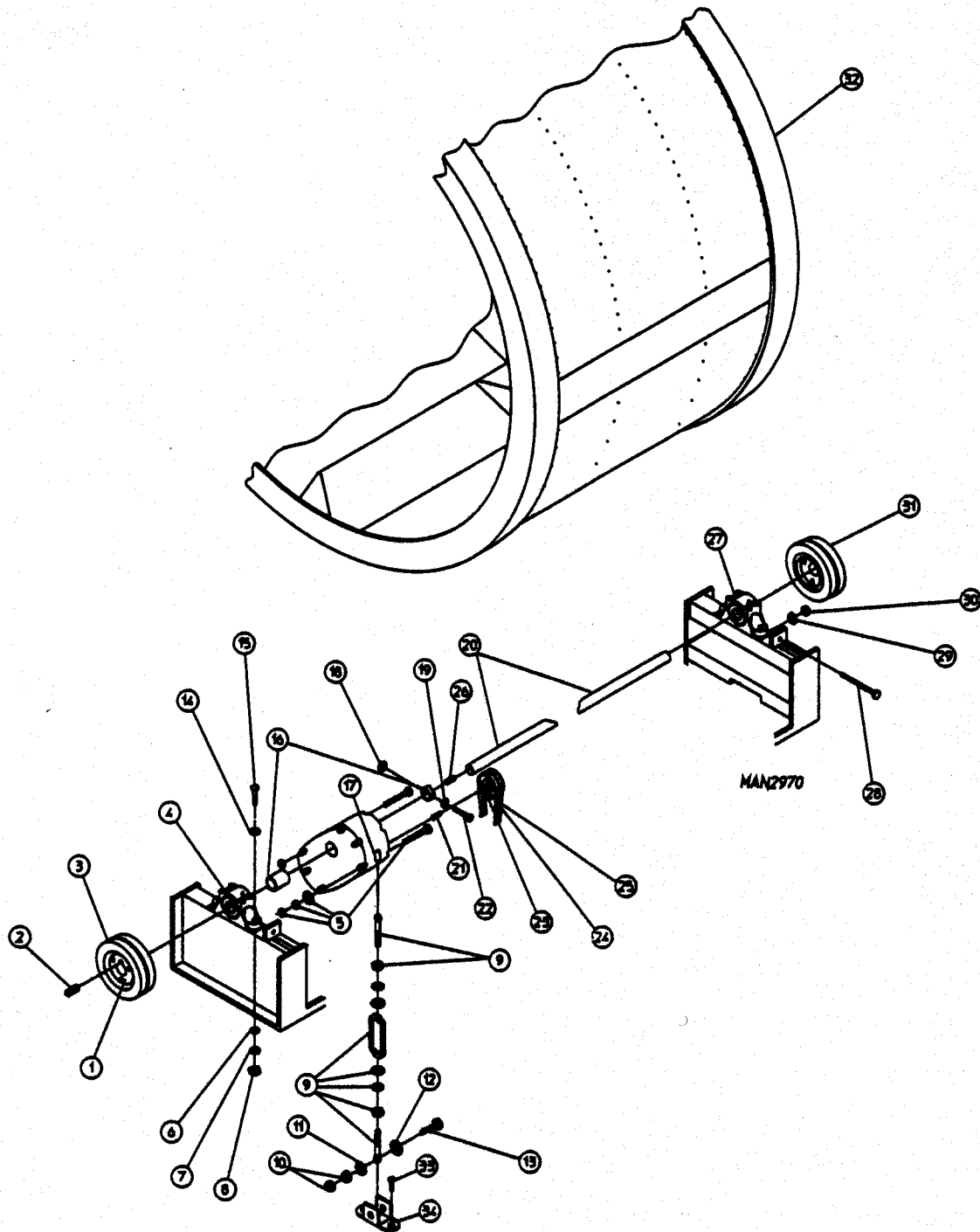
Illus. No.	Part No.	Qty.	Description
1	150207	2	#10-32 x 1/2" Machine Screw
2	153009	2	#10 Star washer
3	122357	1	Magnet Plate
4	154304	2	1/4-20 x 3/8" Set Screw
5	100700	1	1/4" x 1/4" x 1 1/16" Key
6	331605	1	Lever Arm
7	101174	2	1" Bore - Bronze Flanged Bearing
8	100227	2	Bost Bronze Flanged Bearing
9	152033	16	5/16-24 Hex Nut
10	153002	12	5/16" Split
11	331713	1	Cylinder Rest Plate
12	100228	1	Bost Bronzed Cylinder Bearing
13	100487	1	Pin with Rings for Bracket
14	100449	1	3/4-16 Rod Clevis
15	154304	1	1/4-20 x 3/8" Set Screw
16	100550	1	2 1/2" Bore x 6" Stroke Piston
17	143153	2	1/4" Poly x 1/4" MPT Elbow
18	150501	4	5/16-18 x 3/4" Bolt
19	153002	12	5/16" Split Lock Washer
20	100446	1	Eye Bracket
21	331588	1	Heat Reclaimer Sensor Bracket
22	122356	1	Proximity Switch for Heat
23	152008	2	7/16-14 Hex Nut
24	152009	2	#10 Star Washer
25	820514	1	Heat Reclaimer Diverter Weldment
26	331612	1	Pivot Shaft
27	150606	4	1/2-13 Hex Head Bolt
28	153026	4	1/2" Lock Washer
29	331618	1	Mounting Block
30	150437	2	3/8-16 x 1 1/4" Flat Socket Cap Screw
31	100227	2	Bost - Bronze Flanged Bearing
32	101174	2	1" Bore shaft Collar
33	331369	1	Heat Reclaimer Damper Top Plate



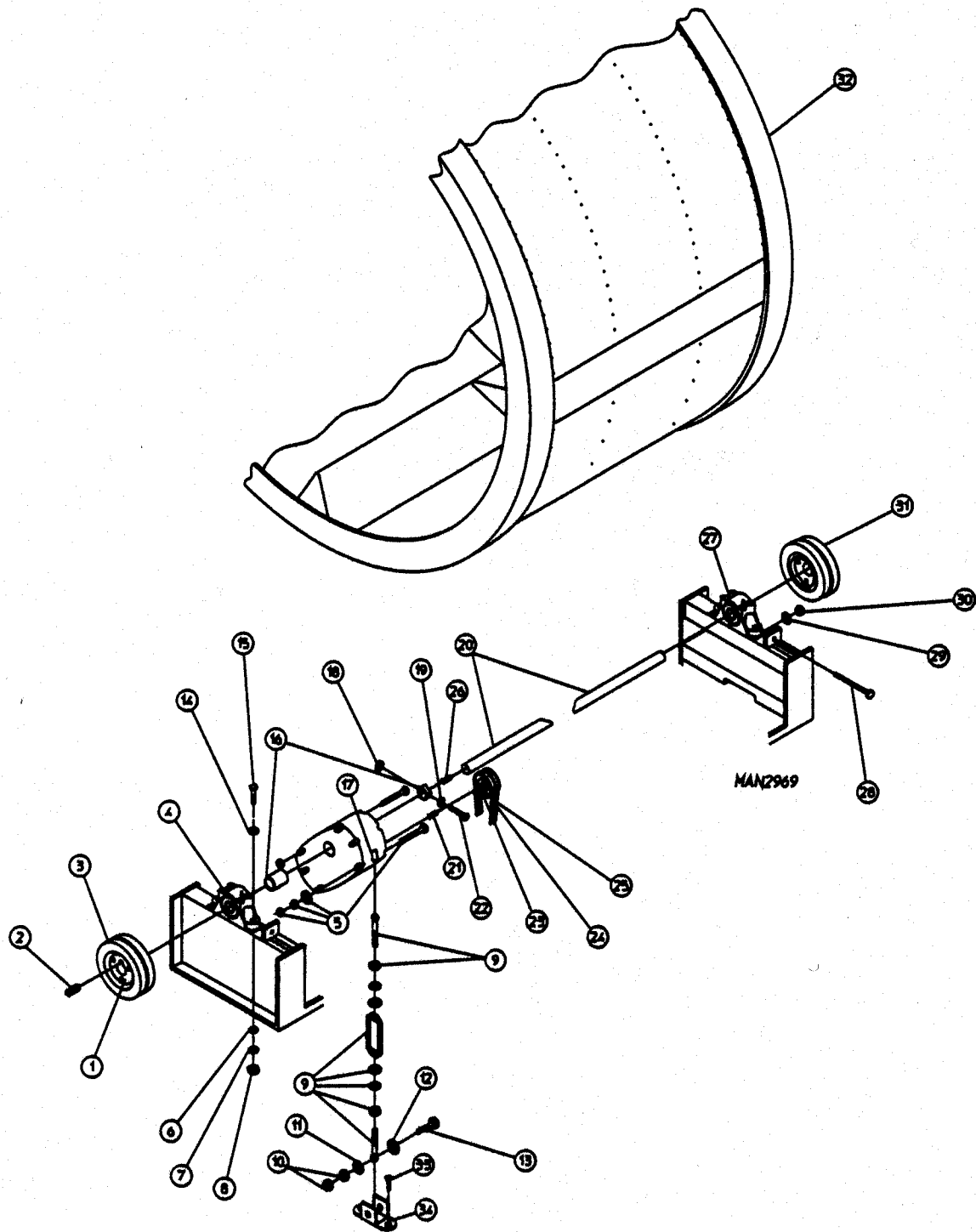
Illus. No.	Part No.	Qty.	Description
1	101191	2	Wheel Taper Lock Bushing 2" Dia. Bore
2	100712	2	Key 1/2" x 1/2" x 3" Long
3	820600	2	Drive Wheel Assembly with Hub
4	100234	1	2" Pillow Block Bearing
	154322	2	Set Screws
5	Hardware Nuts, Washers, Bolts, Cannot Be Purchased Separately		
6	153016	4	5/8" Flat Washer
7	153015	4	5/8" Lock Washer
8	152010	4	5/8-11 x 5 Hex Nut
9	154395	2	Complete Turnbuckle
10	153016	2	5/8" Flat Washer
11	150627	4	5/8-11 x 5" Hex Nut
12	101021	1	Bushing for Speed Reducer
13	101018	1	Speed Reducer (Dodge)
14	331548	1	Drive Shaft 2" x 64 11/16" Long
15	100709	1	3/8" x 3/8" Key x 2" Long
16	154308	1	Set Screw 3/8-16 x 1 1/2"
17	101176	1	Pulley 2B 5.6
18	101196	1	Bushing 1 5/8" Bore
19	100138	1	V-Belt A-30
20	Comes with Bushing P/N: 101021		
21	100234	1	Pillow Block 2" Dia.
	154322	2	3/8 - 24 x 7/16" Set Screw
22	150629	1	1/2-13 x 3 1/2" Full Thread Bolt
23	332838	1	Tumbler Bearing Spacer
24	153026	2	1/2" Lock Washer
25	152011	2	1/2-13 Hex Nut
26	820600	1	Drive Wheel Assembly 208/60-190 with Hub
27	820533	1	AD-400 Tumbler Assembly
28	101026	2	Torque Arm Fulcrum Screw
29	101025	1	Torque Arm Fulcrum



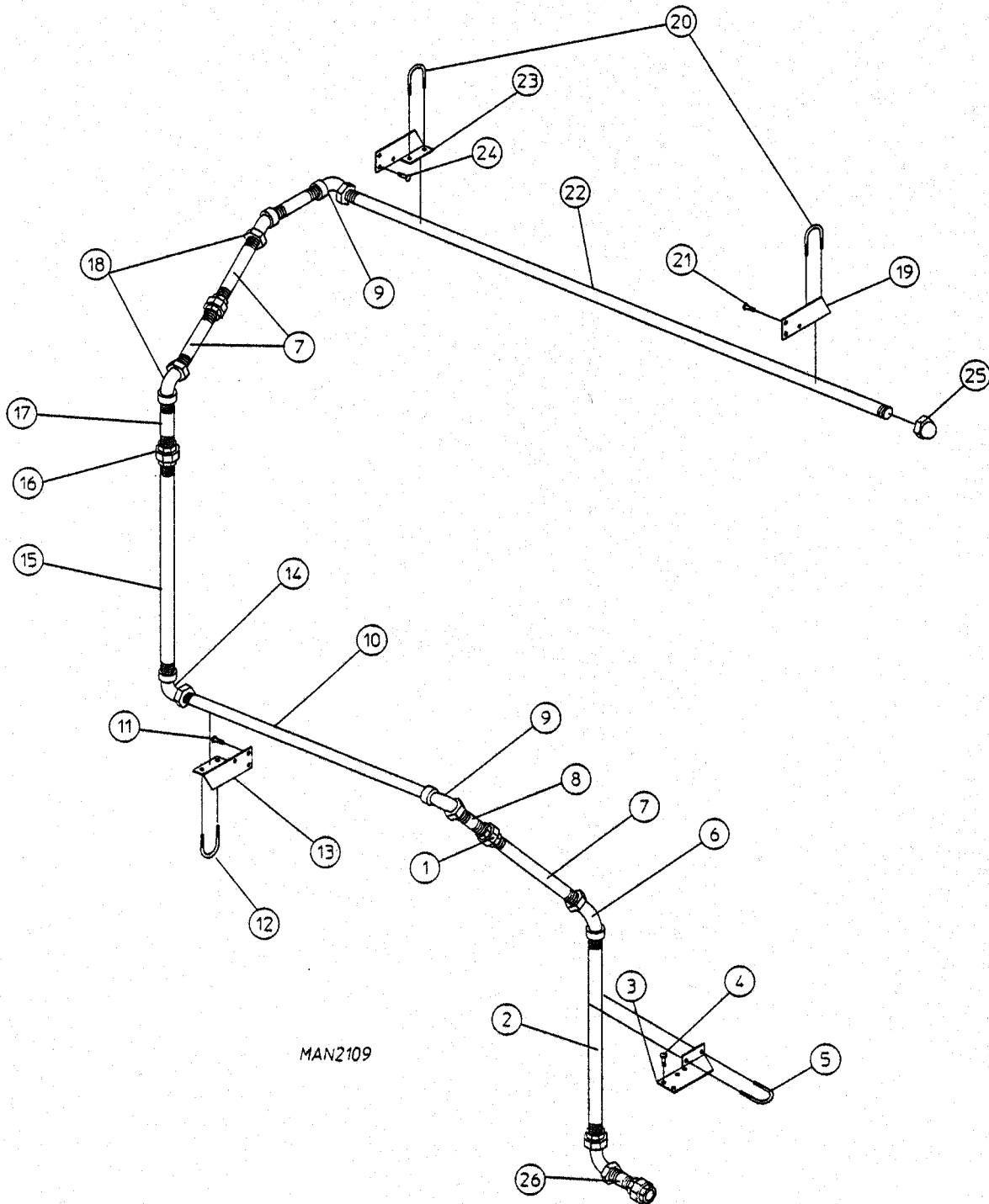
Illus. No.	Part No.	Qty.	Description
1	101191	2	Wheel Taper Lock Bushing 2" Dia. Bore
2	100712	2	Key 1/2" x 1/2" x 3" Long
3	820600	2	Drive Wheel Assembly with Hub
4	100234	1	2" Pillow Block Bearing
5	Hardware Nuts, Washers, Bolts, Cannot Be Purchased Separately		
6	153016	4	5/8" Flat Washer
7	153015	4	5/8" Lock Washer
8	152010	4	5/8-11 x 5 Hex Nut
9	154395	2	Complete Turnbuckle
10	153016	2	5/8" Flat Washer
11	150627	4	5/8-11 x 5" Long Bolt
12	101021	1	Bushing for Speed Reducer
13	101018	1	Speed Reducer (Dodge)
14	331548	1	Drive Shaft 2" x 64 11/16" Long
15	100703	1	1/2" x 1/2" Key x 2" Long
16	154308	1	Set Screw 3/8-16 x 1 1/2"
17	101176	1	Pulley 2B 5.6
18	101196	1	Bushing 1 5/8" Bore
19	100143	1	V-Belt A-29
20	Comes with Bushing P/N: 101021		
21	100234	1	Pillow Block 2" Dia.
22	150629	1	1/2-13 x 3 1/2" Full Thread Bolt
23	332838	1	Tumbler Bearing Spacer
24	153026	2	1/2" Lock Washer
25	152011	2	1/2-13 Hex Nut
26	820600	1	Drive Wheel Assembly 208/60-190 with Hub
27	820533	1	AD-400 Tumbler Assembly
28	101026	2	Torque Arm Fulcrum Screw
29	101025	1	Torque Arm Fulcrum



Illus. No.	Part No.	Qty.	Description
1	101191	2	Wheel Taper Lock Bushing 2" Dia. Bore
2	100712	2	Key 1/2" x 1/2" x 3" Long
3	820600	2	Drive Wheel Assembly with Hub
4	100224	1	Pillow Block Bearing
5	Hardware Nuts, Washers, Bolts, Cannot Be Purchased Separately		
6	153016	7	5/8" Flat Washer
7	153015	6	5/8" Lock Washer
8	152010	4	5/8-11 x 5 Hex Nut
9	154396	1	Fenner Turnbuckle for Gear Reducer
	* Also comes complete with Gear Reducer		
10	152011	4	1/2-13 Hex Nut
11	153026	2	1/2" Lock Washer
12	153011	1	1/2-13 Hex Nut
13	150620	1	1/2-13 x 2 1/2" Long Hex Head
14	153016	7	5/8" Flat Washer
15	150627	4	5/8-11 x 5" Bolt
16	101016	1	Bushing 55mm x 2" Dia.
17	101015	1	Speed Reducer Fenner (Prior to June, 1992)
18	152041	4	M8 x 1.25 Pitch Hex Nut
19	153002	4	5/16" Lock Washer
20	331548	1	Drive Shaft 2" Diameter x 64 11/16"
21	100740	1	Key (Also comes with Gear Reducer)
22	154318	4	M8 x 1.25 Pitch x 40 mm Long Set Screw
23	101185	1	Pulley 2B 6.2
24	101186	1	Bushing SDS x 25mm Bore
25	100141	2	V-Belt A-31
26	100706	1	5/16" x 5/16" x 1 3/8" Key
27	100224	1	Pillow Block Bearing
28	150629	2	1/2-13 x 3 1/2" Bolt
29	153026	1	1/2" Lock Washer
30	152011	2	1/2-13 Hex Nut
31	820600	1	Drive Wheel Assembly
32	820533	1	AD-400 Tumbler Assembly
33	101026	2	Torque Arm Fulcrum Screw
34	101025	1	Torque Arm Fulcrum

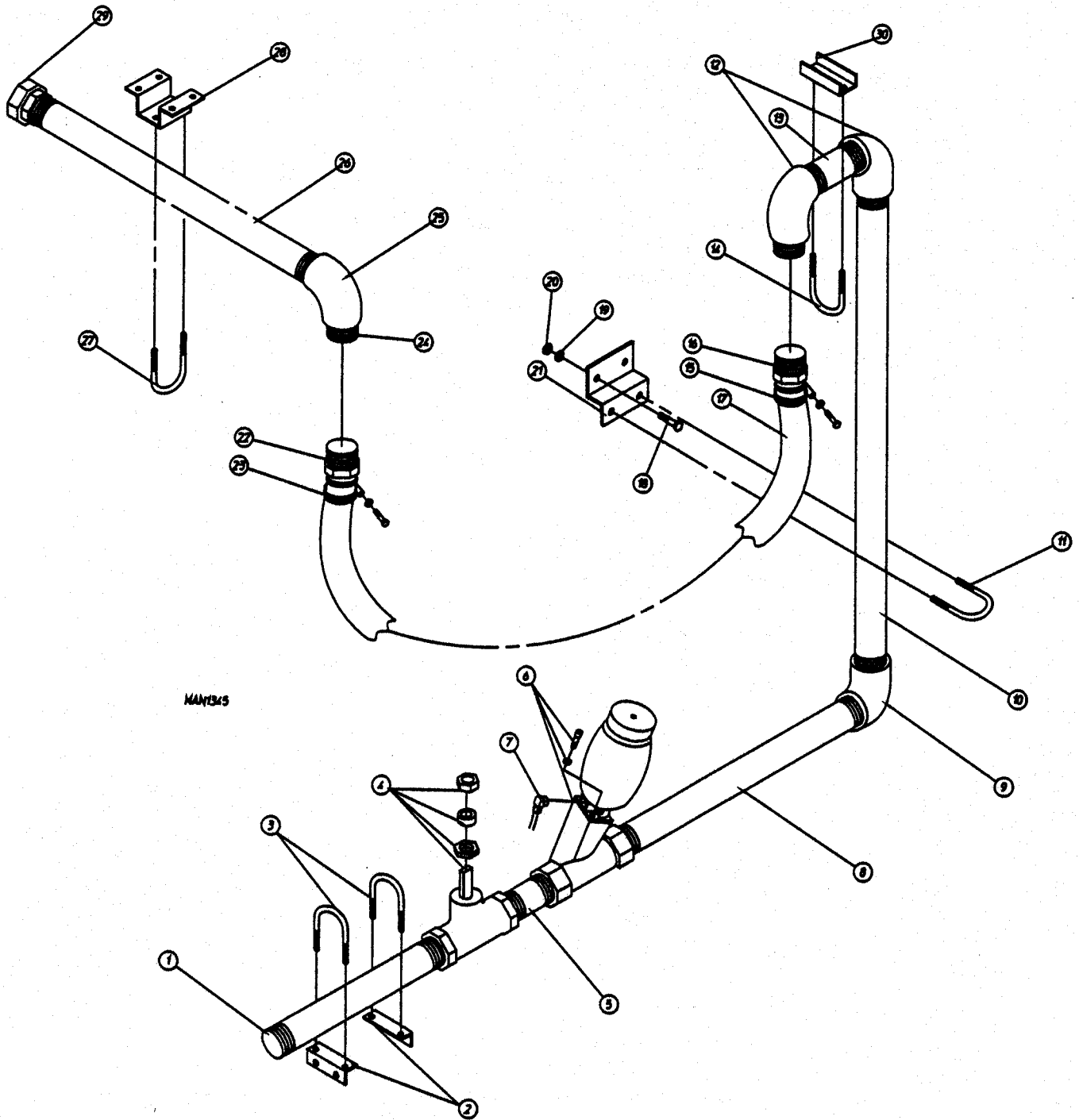


Illus. No.	Part No.	Qty.	Description
1	101191	2	Wheel Taper Lock Bushing 2" Dia. Bore
2	100712	2	Key 1/2" x 1/2" x 3" Long
3	820600	2	Drive Wheel Assembly with Hub
4	100224	1	Pillow Block Bearing
5	Hardware Nuts, Washers, Bolts, Cannot Be Purchased Separately		
6	153016	7	5/8" Flat Washer
7	153015	6	5/8" Lock Washer
8	152010	4	5/8-11 x 5 Hex Nut
9	154396	1	Fenner Turnbuckle for Gear Reducer
	* Also comes complete with Gear Reducer		
10	152011	4	1/2-13 Hex Nut
11	153026	2	1/2" Lock Washer
12	153011	1	1/2" Flat Washer
13	150620	1	1/2-13 x 2 1/2" Long Hex Head
14	153016	7	5/8" Flat Washer
15	150627	4	5/8-11 x 5" Hex Nut
16	101016	7	55m x 2" Bushing
17	101015	1	Speed Reducer Fenner (Prior to June, 1992)
18	152041	4	M8 x 1.25 Pitch Hex Nut
19	153002	4	5/16" Lock Washer
20	331548	1	Drive Shaft 2" Diameter x 64 11/16"
21	100706	1	5/16" x 5/16" x 1 3/8" Long Key
22	154318	4	M8 x 1.25 Pitch x 40 mm Long Set Screw
23	101185	1	Pulley 2B 6.2
24	101186	1	Bushing SDS x 25mm Bore
25	100138	2	V-Belt A-30
26	100740	1	Replacement Key for Gear Reducer
27	100224	1	Pillow Block Bearing
28	150629	2	1/2-13 x 3 1/2" Bolt
29	153026	1	1/2" Lock Washer
30	152011	2	1/2-13 Hex Nut
31	820600	1	Drive Wheel Assembly
32	820533	1	AD-400 Tumbler Assembly
33	101026	2	Torque Arm Fulcrum Screw
34	101025	1	Torque Arm Fulcrum



MAN2109

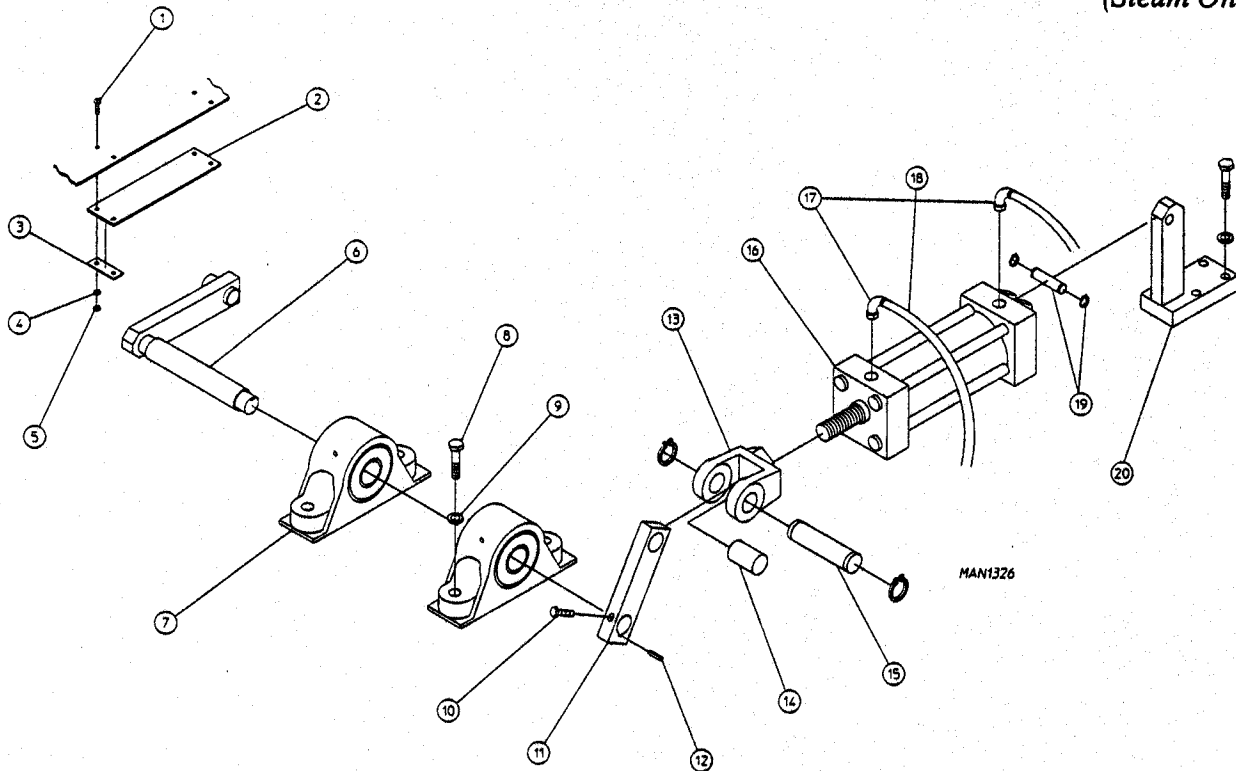
Illus. No.	Part No.	Qty.	Description
1	142602	2	1" Union
2	142745	1	1" x 15" Nipple (As of 8/10/93)
	142585	1	1" x 18" Nipple (Prior to 8/10/93)
3	331793	1	Sprinkler Bracket, Left
4	150522	3	1/4-20 x 1/2" TEK Screw
5	154350	1	1" Pipe U-Bolt
6	142590	1	1" 45° Elbow
7	142589	1	1" x 10" Nipple
8	142584	1	1" x 4 1/2" Nipple
9	142548	1	1" 90° Elbow
10	142587	1	1" x 27 1/2" Nipple
11	150522	3	1/4-20 x 1/2" TEK Screw
12	154350	1	1" Pipe U-Bolt
13	331792	1	Sprinkler Bracket, Right
14	142548	1	1" 90° Elbow
15	142588	1	1" x 23 1/4" Nipple
16	142602	2	1" Union
17	142581	1	1" x 5" Nipple
18	142590	2	1" 45° Elbow
19	331793	1	Sprinkler Bracket, Left
20	154350	2	1" Pipe U-Bolt
21	150522	3	1/4-20 x 1/2" TEK Screw
22	142586	1	1" x 60" Nipple
23	331792	1	Sprinkler Bracket, Right
24	150522	3	1/4-20 x 1/2" TEK Screw
25	142591	1	1" End Cap
26	142711	1	1" Close Nipple (As of 8/10/93)
	142808	1	1" x 3" Nipple (Prior to 8/10/93)



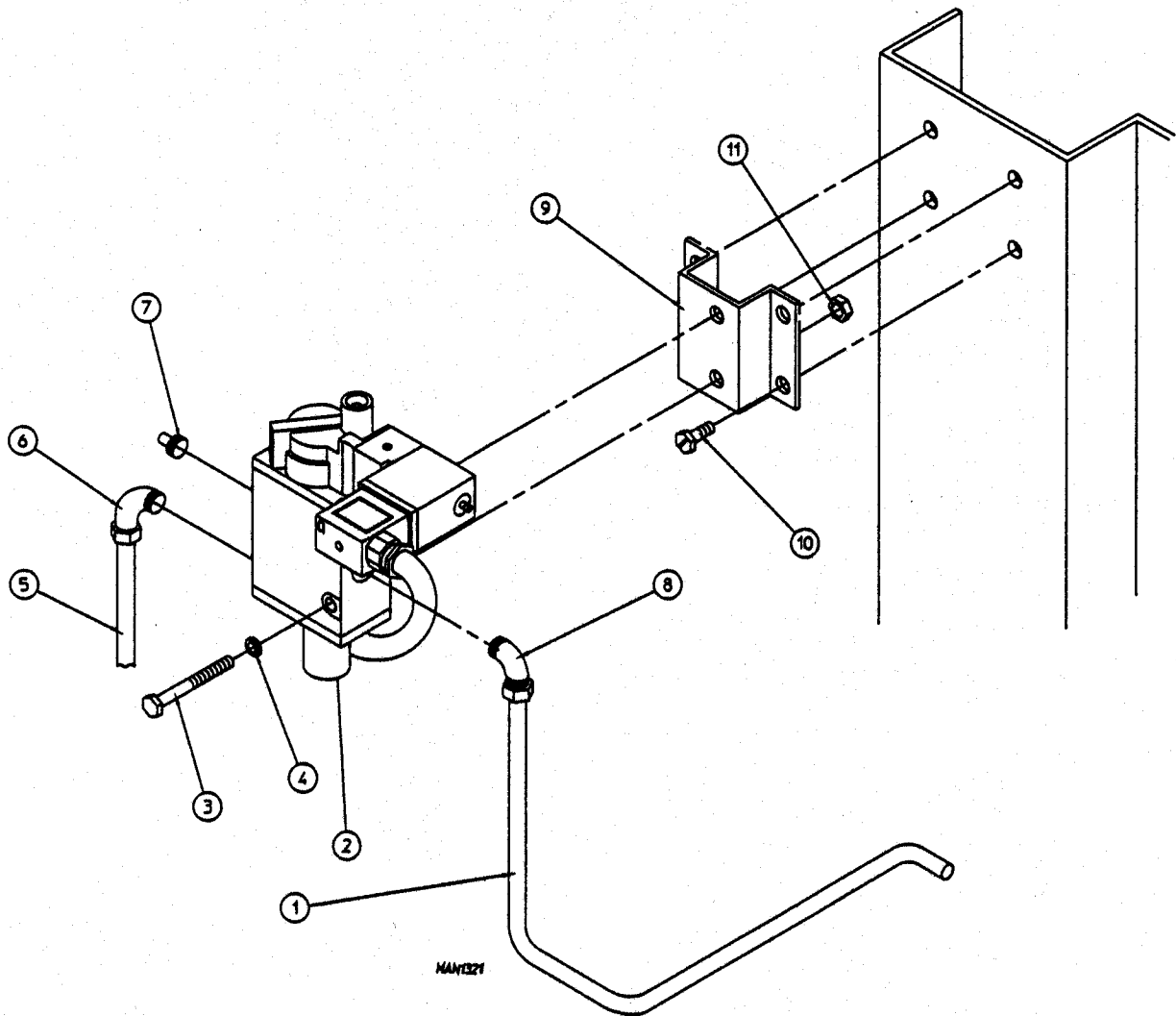
MANE345

Illus. No.	Part No.	Qty.	Description
1	142744	1	1" Dia x 12" Long Pipe
2	331417	1	Small Sprinkler Pipe Bracket
3	154350	2	1" Pipe U-Bolt
4	143556	1	1" Dia. Ball Valve
5	142808	1	1" Dia. x 3" Long Nipple
6	100565	1	Air Operated Sprinkler Valve(as of 9/09/96)
	881414	1	Air Operated Sprinkler Valve(prior to 9/09/96)
7	143210	1	1/4" Compression x 1/4" MPT Elbow
8	142745	1	1" x 15" Long Nipple
9	142548	1	1" Dia. 90° Elbow
10	142746	1	1" Dia. x 24" Long Nipple
11	154350	1	1" Dia. Pipe U-Bolt
12	142548	2	1" 90° Elbow
13	142808	1	1" Dia. x 3" Long Nipple
14	154350	1	1" Pipe U-Bolt
15	143137	1	Hose Clamp 13/16" x 1 3/4"
16	143136	1	1" Dia Steel Air Hose Nipple
17	143135	1	4' Long Super Flex Hose
18	150511	8	1/4-20 x 1" Bolt
19	153007	8	1/4" Lock Washer
20	152002	8	1/4-20 Hex Nut
21	331418	1	Center Sprinkler Pipe Bracket
22	143136	1	1" Dia Steel Air Hose Nipple
23	143137	1	Hose Clamp 13/16" x 1 3/4"
24	143136	1	1" Dia Steel Air Hose Nipple
25	142548	1	1" 90° Elbow
26	142587	1	1" Dia x 27 1/2" Long
27	154350	1	1" Dia Pipe U-Bolt
28	331419	1	Top Sprinkler Pipe Bracket
29	142602	1	1" Union Black Iron
30	332036	1	Channel Bracket

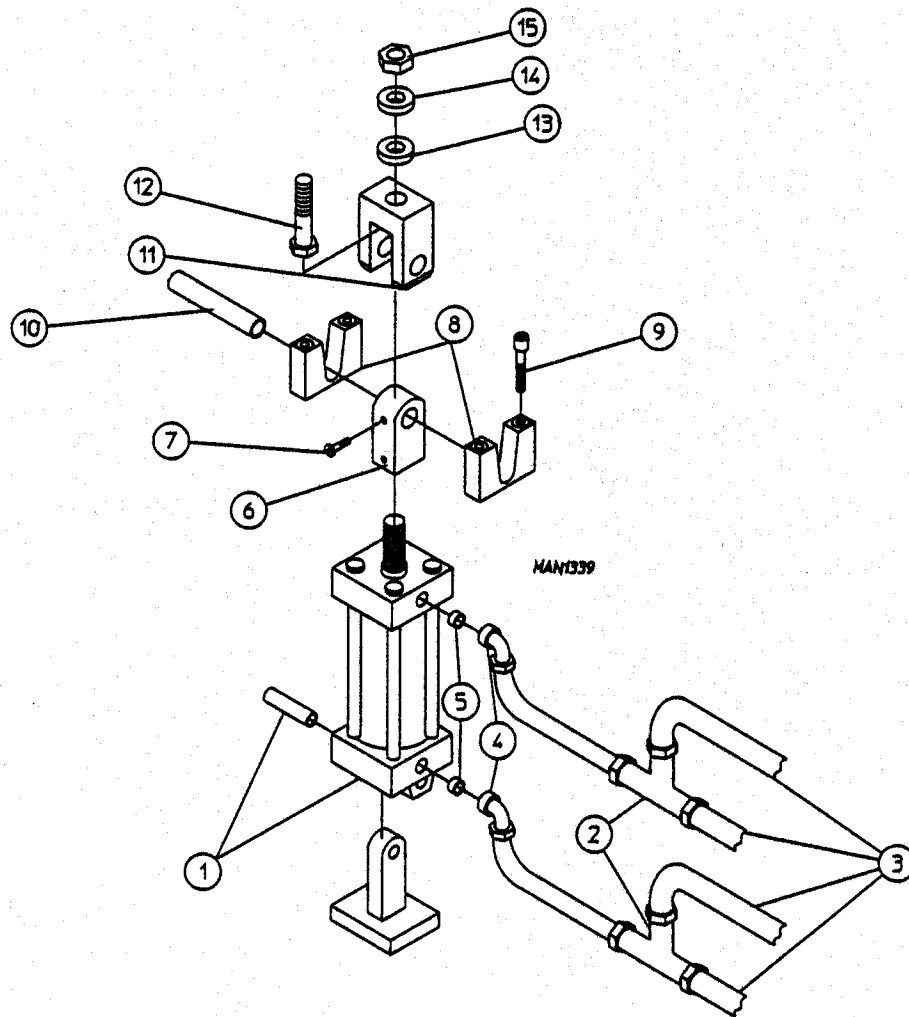
(Steam Only)



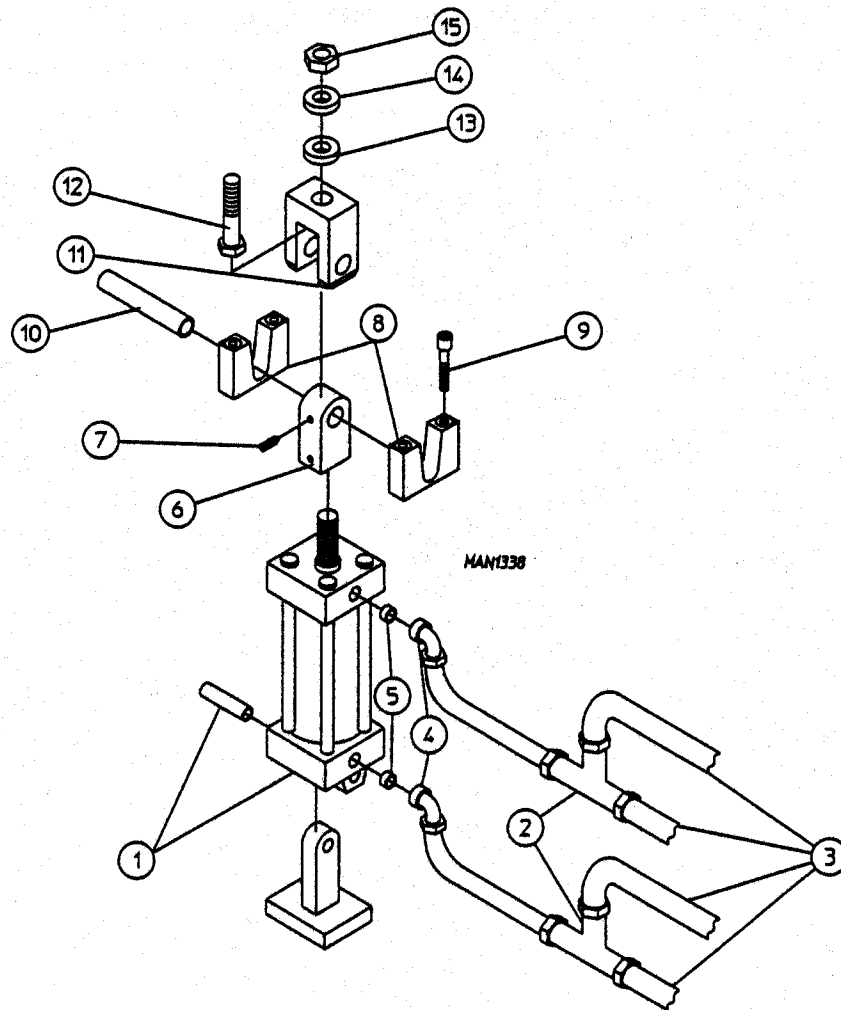
Illus. No.	Part No.	Qty.	Description
1	150103	4	8-32 x 3/4" Large Machine Screw
2	117705	1	Sliding Pad
3	331998	2	Sliding Pad Strip
4	153012	4	#8 Star Washer
5	152001	4	#8-32 Hex Nut
6	820648	1	Lifting Linkage Weldment
7	100219	2	1 1/4" Diameter Pillow Block Bearing
8	150600	8	3/8-16 x 1 1/2" Hex Head Bolt
9	153005	8	3/8" Lock Washer
10	154304	2	1/4-20 x 3/8" Set Screw
11	331935	1	Cylinder Linkage
12	100713	1	1/4" -20 x 3/8" Set Screw
13	100449	1	Clevis
14	100228	1	Cylinder Bronze Bushing
15	100487	1	Clevis Pin
16	100550	1	2 1/2" Bore, 6" Stroke Piston
17	143153	2	1/4" Poly x 1/4" MPT Elbow, Poly Fit
18	143115	40'	1/4" Poly Flo Tube
19	100487	1	Clevis Pin
20	820651	1	Damper Cylinder Mounting Plate Weldment



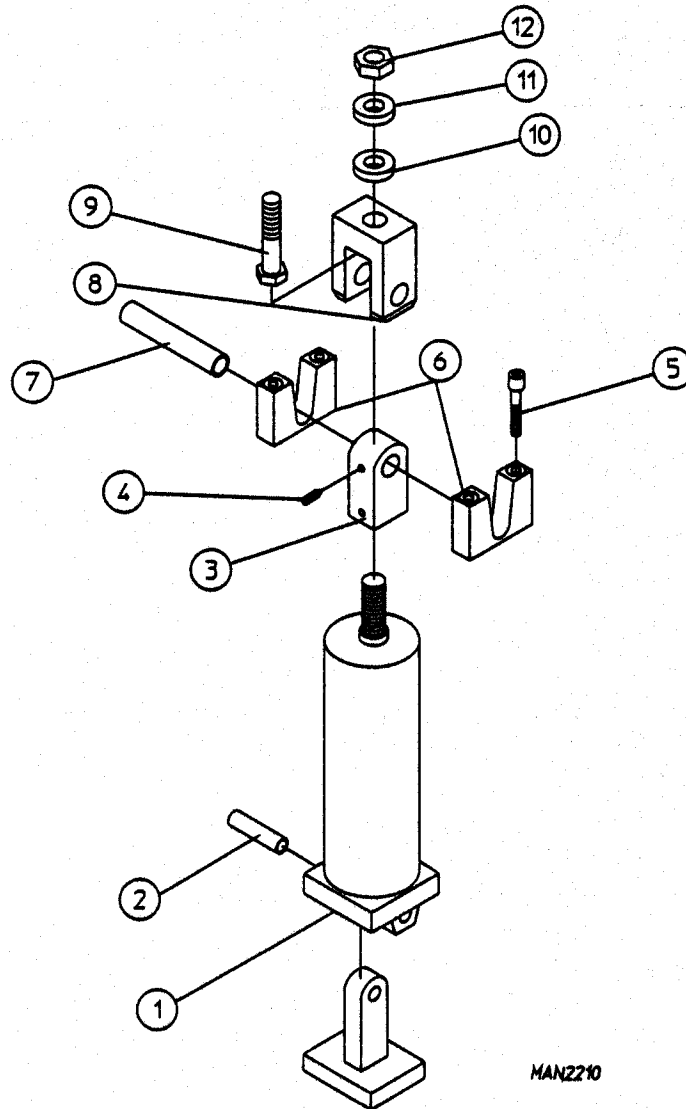
Illus. No.	Part No.	Qty.	Description
1	331973	1	Air Jet Tube
2	100464	1	Air Jet Solenoid
3	150524	2	1/4-20 x 2" Hex Head Bolt
4	153007	2	1/4" Lock Washer
5	143120	8'	3/8" Poly Flo Tubing
6	143213	1	3/8" Poly x 3/8" MPT Elbow
7	143251	1	3/8" Pipe Plug
8	142151	1	1/4" Compression x 3/8" MPT Elbow
9	331974	1	Air Jet Bracket
10	150522	4	1/4-20 x 1/2" TEK Screw
11	152002	2	1/4-20 Hex Nut



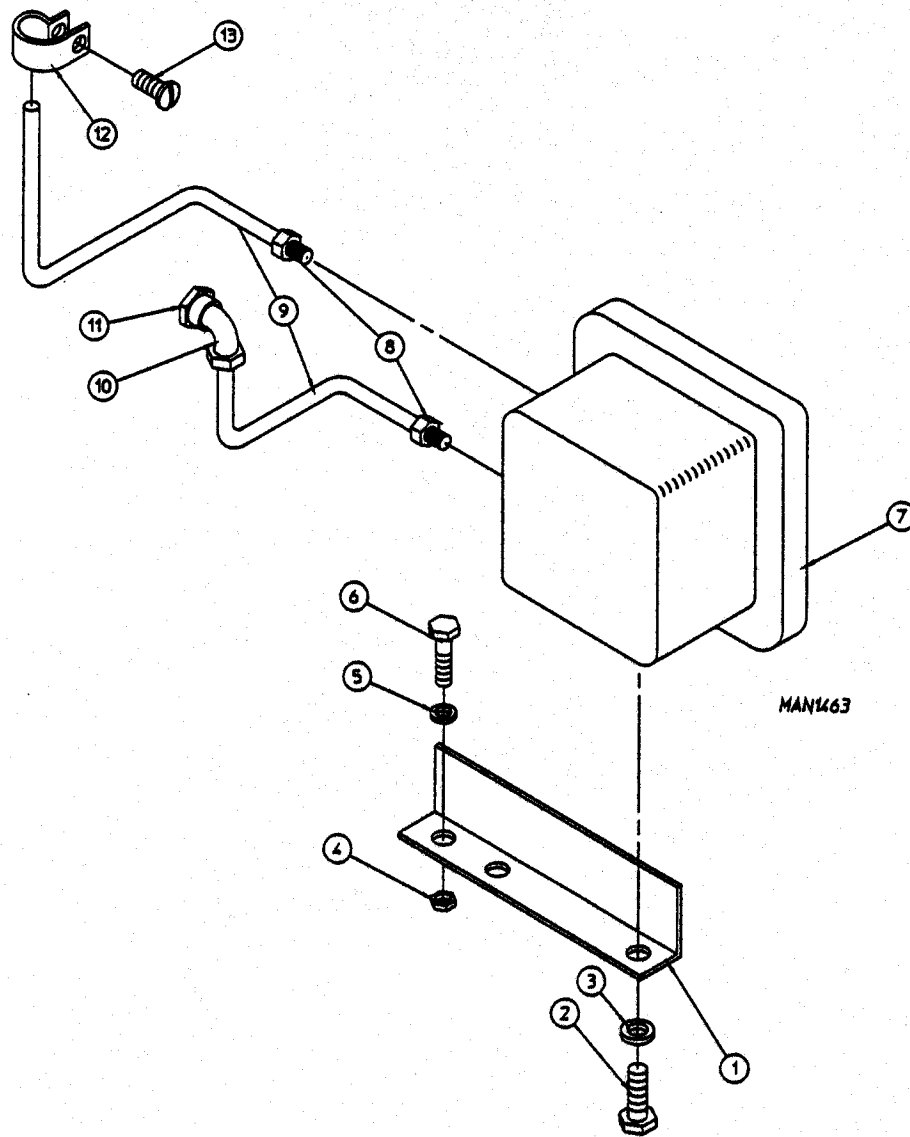
Illus. No.	Part No.	Qty.	Description
1	100551	1	Front Tilt Piston
2	143221	2	3/8" Brass Union Tee (After April 1992)
3	143120	10'	3/8" Poly Flo Tubing (After April 1992)
4	143213	2	3/8" MPT to 3/8" Poly Flo Elbow (After December 3, 1991)
5	143216	2	Adapter Elbow (After December 3, 1991)
6	100553	1	Rod Eye
7	154315	2	1/4-20 x 1" Socket Head Cap Screw
8	102381	2	Cylinder Pin Bumper Nylon
9	150435	4	3/8-16 x 3" Socket Head Cap Screw
10	331543	1	Rod Eye Pin
11	100444	1	Special Rod Clevis
	331764	1	Special Rod Clevis (Before June 1992)
12	150626	1	1-8 x 3 1/2" Bolt
13	153061	1	1" Flat Washer
14	153060	1	1" Lock Washer
15	152032	1	1-8 Hex Nut



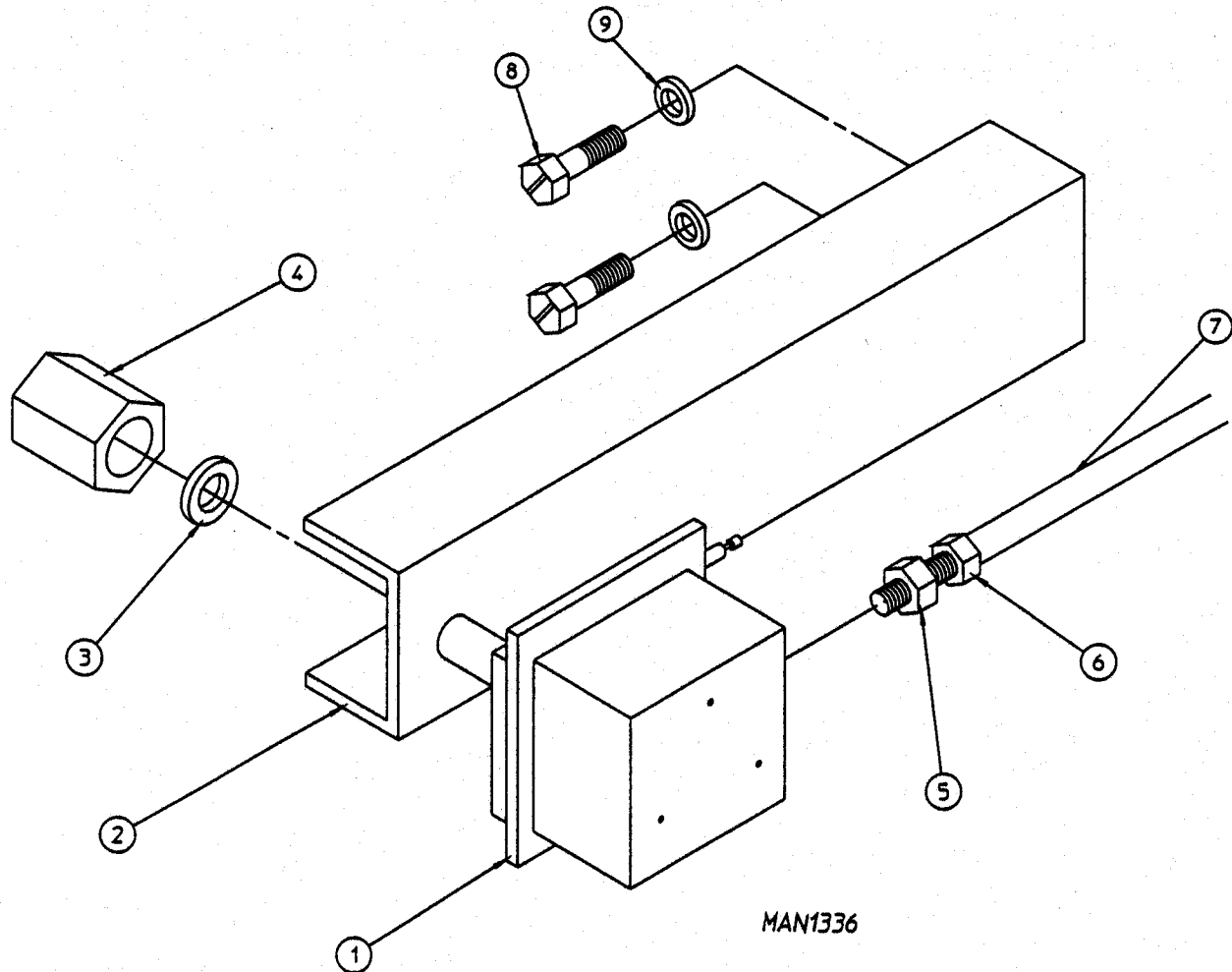
Illus. No.	Part No.	Qty.	Description
1	100552	1	5" Bore x 7 1/2" Stroke Piston (Prior to Sep, 1992)
	100560	1	5" Bore x 10.5" Stroke Piston
2	143221	2	3/8" Brass Union Tee (After April 1992)
3	143120	10'	3/8" Poly Flo Tubing (After April 1992)
4	143213	2	3/8" MPT to 3/8" Poly Flo Elbow (After December 3, 1991)
5	143216	2	Adapter Elbow (After December 3, 1991)
6	100553	1	Rod Eye
7	154315	2	1/4-20 x 1" Socket Head Cap Screw
8	102381	2	Cylinder Pin Bumper Nylon
9	150435	4	3/8-16 x 3" Socket Head Cap Screw
10	331543	1	Rod Eye Pin
11	100444	1	Special Rod Clevis
	331764	1	Special Rod Clevis (Before June 1992)
12	150626	1	1-8 x 3 1/2" Bolt
13	153061	1	1" Flat Washer
14	153060	1	1" Lock Washer
15	152032	1	1-8 Hex Nut



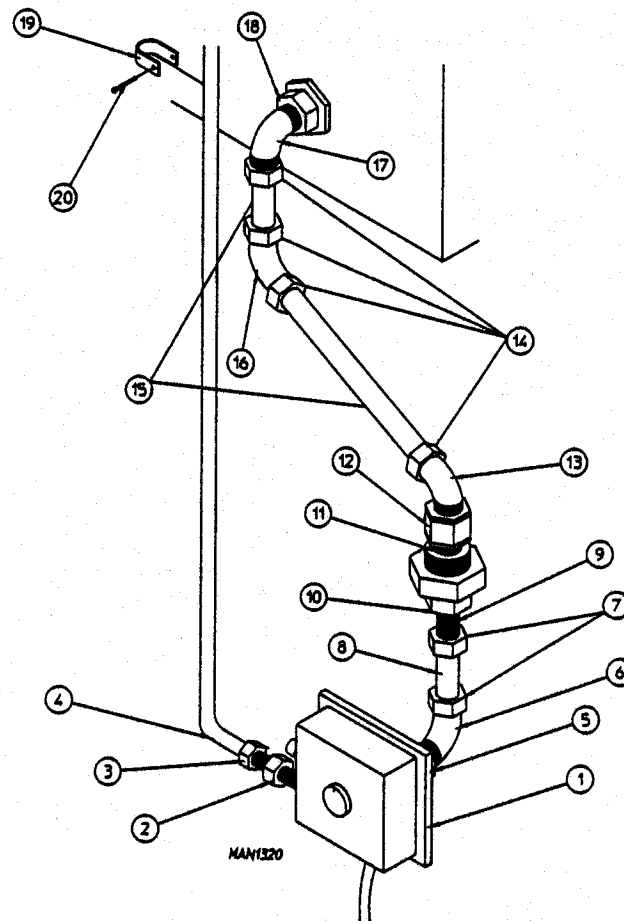
Illus. No.	Part No.	Qty.	Description
1	820845	1	Piston Bar Weldment
2	100487	1	Pin 3/4" Dia. x 2 1/2" Long
3	100553	1	Rod Eye
4	154315	2	Set Screw 1/4-20 x 1"
5	150435	4	3/8-16 x 3" Large Cap Screw
6	102381	2	Bumper
7	331543	1	Pin
8	100444	1	Clevis Block
9	150626	1	1-8 x 3 1/2" 3 1/2" Large Bolt
10	153061	1	1" Dia Flat Washer
11	153060	1	1" Dia. Lock Washer
12	152032	1	1-8 Hex Nut



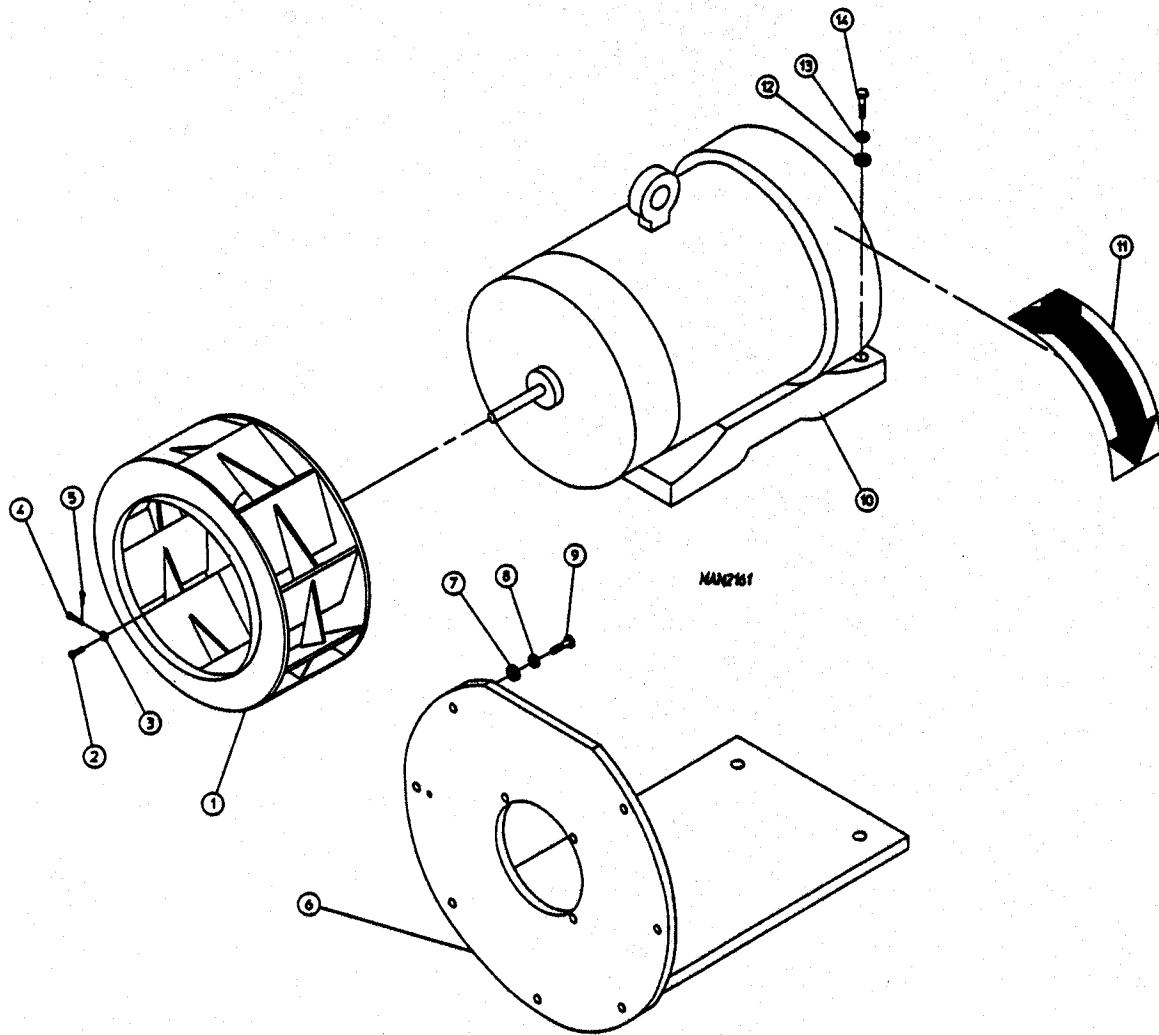
Illus. No.	Part No.	Qty.	Description
1	331471	1	Combustion Air Switch Bracket
2	150501	1	5/16-18 x 3/4" Bolt
3	153002	1	5/16" Lock Washer
4	152002	1	1/4-20 Hex Nut
5	153007	2	1/4" Lock Washer
6	150510	2	1/4-20 x 3/4" Bolt
7	136993	1	Air Flow Switch
8	143152	2	1/4" Compression to 1/8" M.P.T Straight Brass Connector
9	143100	4'	1/4" Aluminum Tubing
10	143151	1	1/4" Compression to 3/8" M.P.T Brass Elbow
11	143257	1	3/8" F.P.T. Bulkhead
12	154005	1	Clip
13	150301	1	#8-18 x 7/16" TEK Screw



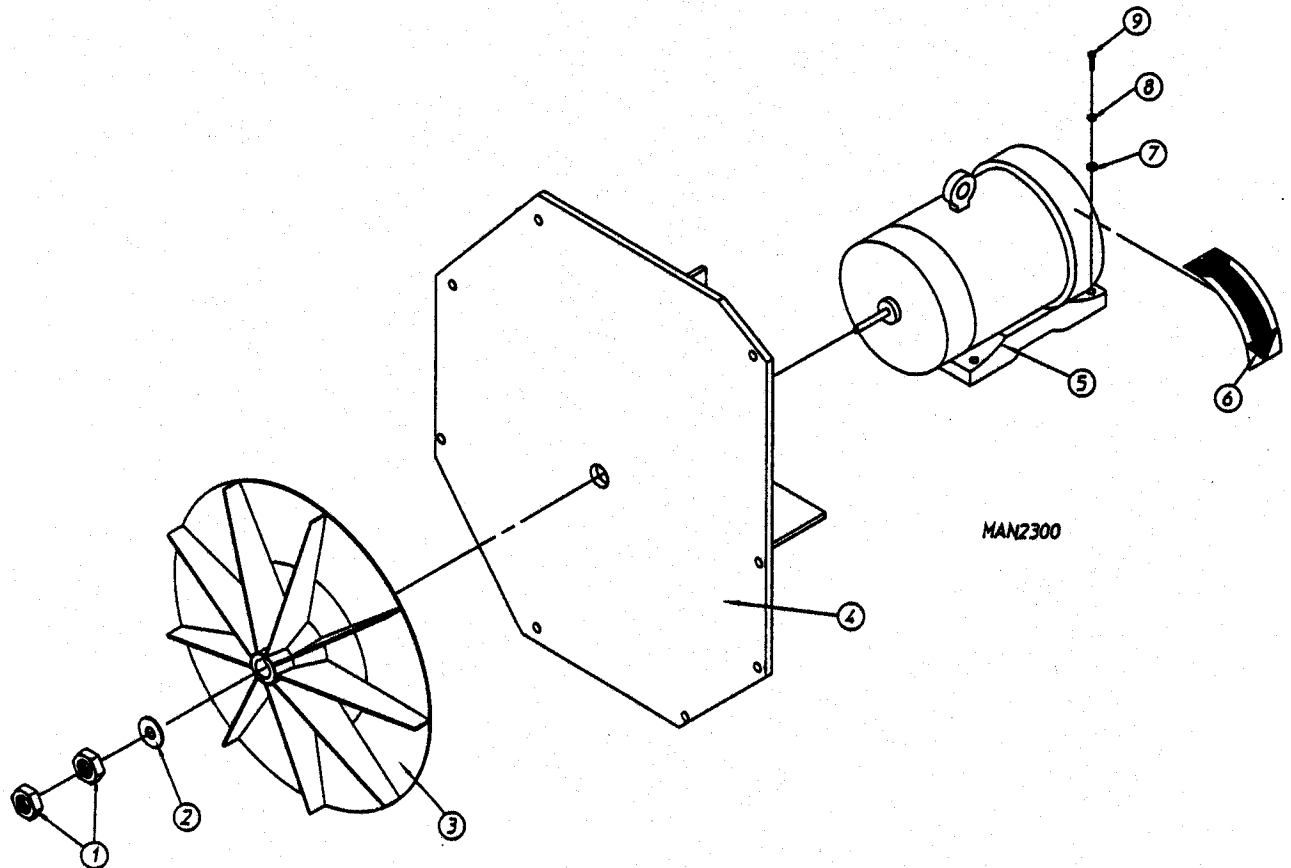
Illus. No.	Part No.	Qty.	Description
1	881236	1	Air Switch
2	331821	1	Air Switch Bracket
3	153026	1	1/2" Lock Washer
4	141257	1	1/4" R x 1/4" FPT Adapter
5	141265	1	1/8" R x 1/8" FPT Adapter
6	143152	1	1/4" Tube to 1/8" MPT Straight Adapter
7	143100	6"	1/4" Aluminum Tubing
8	150510	2	1/4-20 x 3/4" Machine Screw
9	153007	2	1/4" Lock Washer



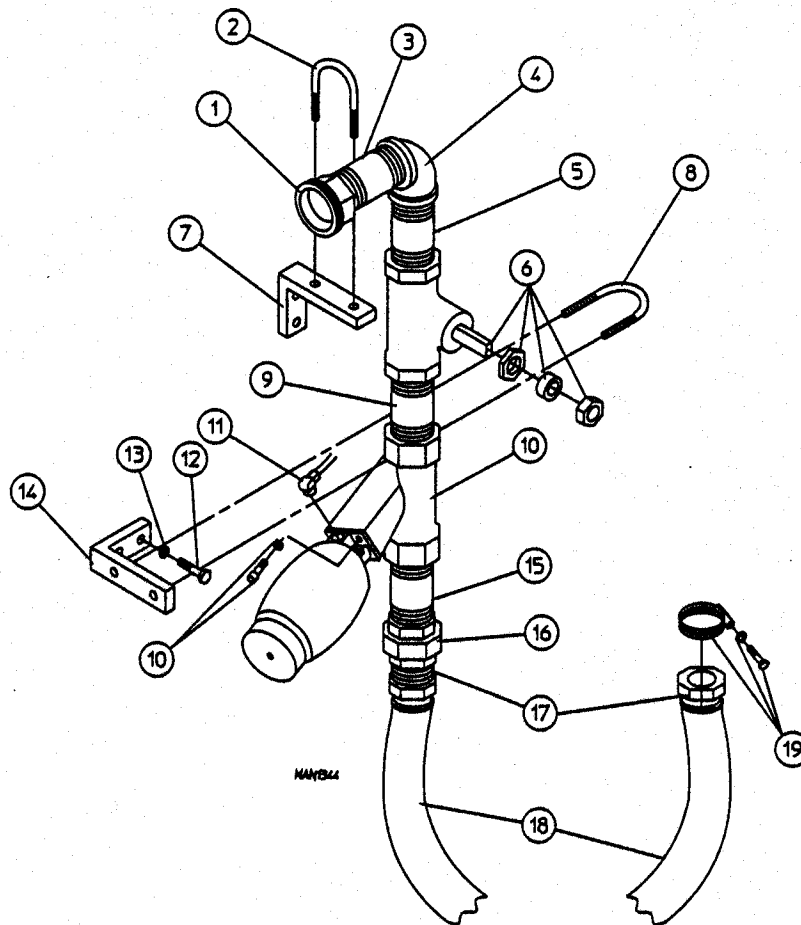
Illus. No.	Part No.	Qty.	Description
1	881236	1	Air Switch
2	141256	1	1/8" R x 1/8" FPT Adapter
3	143152	1	1/8" MPT x 1/4" Compression Straight Connector
4	143100	3'	1/4" Aluminum Tubing
5	141257	1	1/4" R x 1/4" FPT Adapter
6	143141	1	1/4" MPT x 3/8" Flare Elbow
7	143144	6	45° Flare Long Forged Nut
8	143148	1'	3/8" Diameter Tubing
9	143142	1	3/8" MPT x 3/8" Flare Straight Connector
10	143257	2	3/8" FPT Bullhead
11	143241	1	3/8" Close Brass Nipple
12	143270	1	3/8" Brass Coupling
13	143140	2	3/8" Flare x 3/8" MPT Elbow
14	143144	6	45° Flare Long Forged Nut
15	143148	1'	3/8" Diameter Tubing
16	143143	1	3/8" Flare Union Elbow
17	143140	2	3/8" Flare x 3/8" MPT Elbow
18	143257	2	3/8" FPT Bulkhead
19	154005	1	Clip
20	150301	1	#8-18 x 7/16" TEK Screw



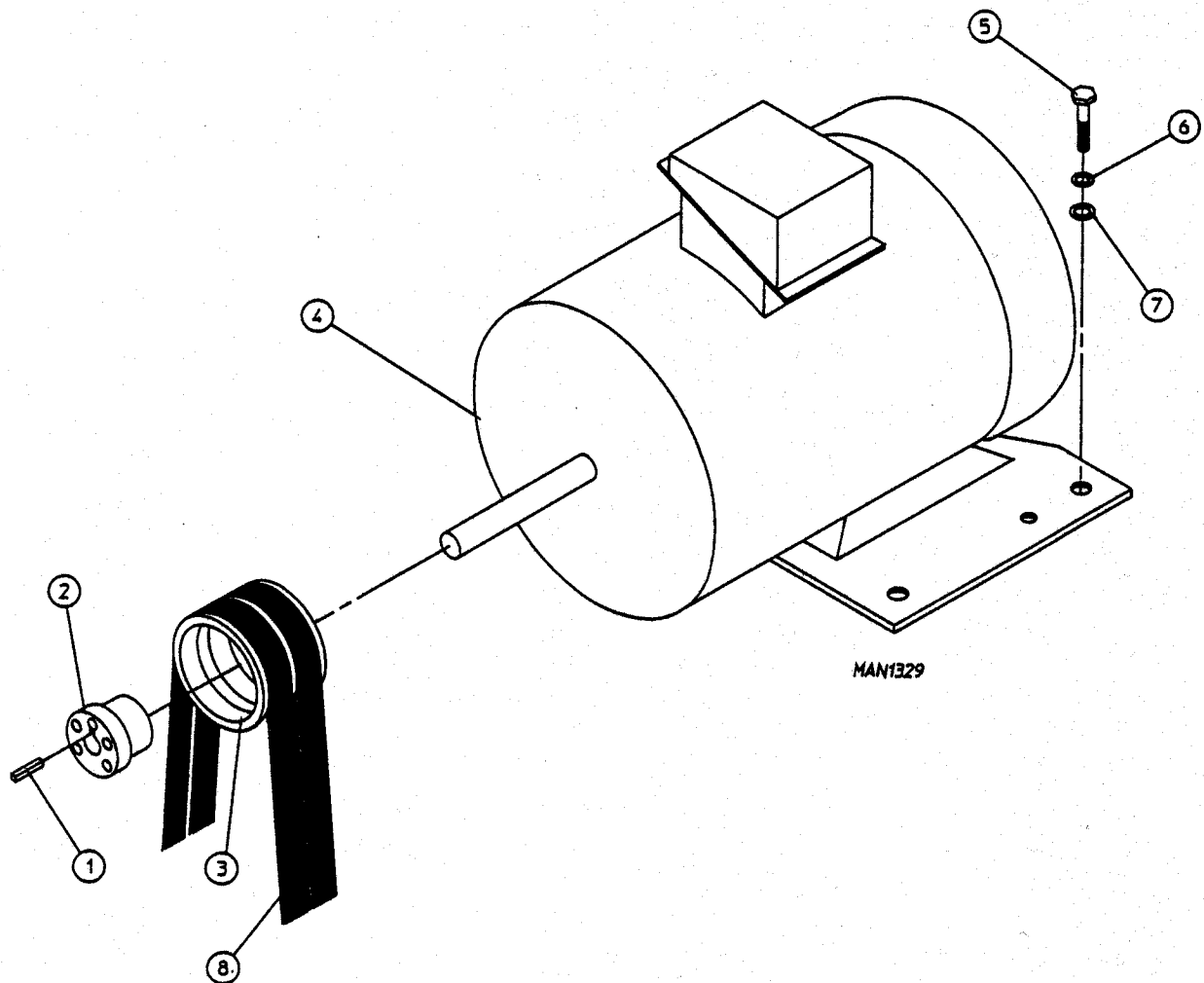
Illus. No.	Part No.	Qty.	Description
1	100630	1	20 PLR 1 5/8" Bore Plug Fan (50 Hz Only)
	100625	1	18 PLR 1 5/8" Bore Plug Fan (60 Hz Only)
2	150218	1	3/8-16 x 1" Socket Head Cap Screw
3	331862	1	Main Blower Washer
4	154330	1	3/16" Diameter x 1" Clevis Pin
5	154298	1	1/16" Diameter x 1/2" Cotter Pin
6	331615	1	Motor Mounting Plate
7	153011	7	1/2" Standard Flat Washer
8	153026	7	1/2" Lock Washer
9	150605	7	1/2-13 x 1/2" Long Machine Bolt
10	100097	1	3600 R.P.M. Horsepower Motor
11	112093	1	Arrow Decal
12	153011	4	1/2" Standard Flat Washer
13	153026	4	1/2" Lock Washer
14	150606	4	1/2-13 x 2" Long Bolt



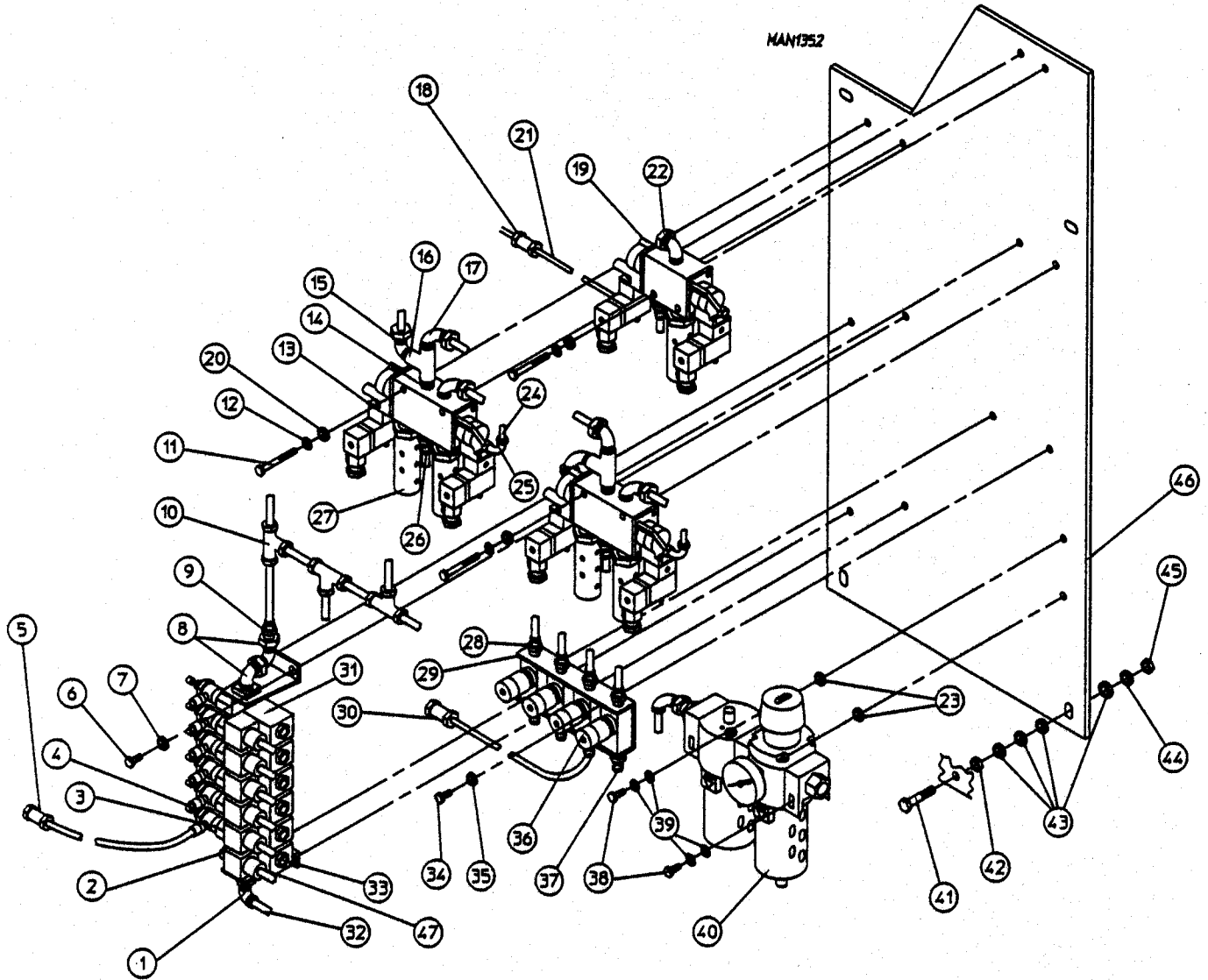
Illus. No.	Part No.	Qty.	Description
1	152030	2	5/8-18 R.H. Jam Nut
2	153070	1	Meter Washer 5/8" I.D. x 1 5/8" O.D.
3	820506	1	Impeller (60 Hz Only)
	820802	1	Impellore (50 Hz Only)
4	820803	1	Motor Mount for Lint Blower Motor
5	100078	1	3 Hp Lint Blower Motor
6	112093	1	Arrow Decal
7	153004	4	3/8" Flat Washer
8	153005	4	3/8" Split Washer
9	150600	4	3/8-16 x 1 1/2" Long Bolts



Illus. No.	Part No.	Qty.	Description
1	142602	2	1" Union
2	154350	2	1" Pipe U-Bolt
3	142808	1	1" x 3" Nipple
4	142548	1	1" 90° Elbow
5	142808	1	1" x 3" Nipple
6	143556	1	1" Ball Valve
7	331794	1	Sprinkler Bracket
8	154350	2	1" Pipe U-Bolt
9	142808	1	1" x 3" Nipple
10	100557	1	Air Operated Sprinkler Valve
11	143210	1	1/4" Brass MPT Compression Elbow (after November 1991)
12	150501	1	5/16-18 x 3/4" Hex Head Machine Screw
13	153002	4	5/16" Lock Washer
14	331794	1	Sprinkler Bracket
15	142808	1	1" x 3" Nipple
16	142602	2	1" Union
17	143136	2	1" Steel Air Hose Nipple
18	143135	1	1" x 4' Super Flex Hose (after January 1991)
19	143137	2	Hose Clamp 1 3/16" x 1 3/4"

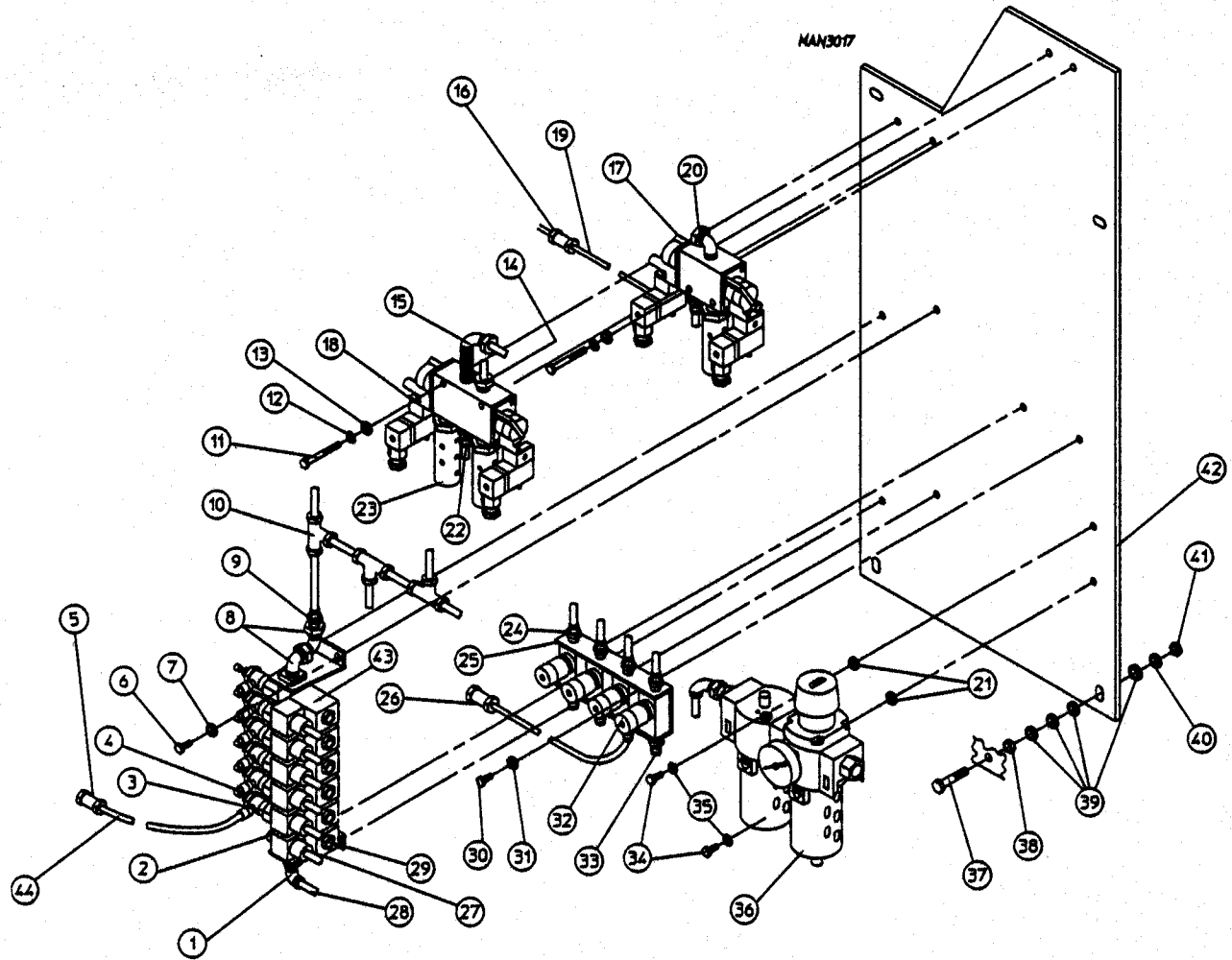


Illus. No.	Part No.	Qty.	Description
1	100704	1	1/4" x 1/4" x 1 3/4" Key
2	101144	1	Bushing SH x 1 1/8
3	101187	1	Pulley 2B 3.6 (60Hz Only)
	101195	1	Pulley 2B 4.4 (50Hz Only)
4	100096	1	5 HP Drive Motor (for 208-230/460 / 60Hz, 380 / 50Hz)
	181010	1	5 HP Drive Motor (for 230/50Hz)
	181004	1	5 HP Drive Motor (for 200-208/400-416 / 50HZ)
5	150501	4	3/8-16 x 3/4" Bolt
6	153005	4	3/8" Split Lock Washer
7	153004	4	3/8" Flat Washer
8	See Drive Shaft Assembly		



Illus. No.	Part No.	Qty.	Description
1	143213	4	3/8" Poly x 3/8" MPT Elbow
2	141252	1	Blank Station Plug
3	141251	6	Mounting Nut
4	141255	6	1/4" Flow Control
5	143154	4	1/4" Poly Union

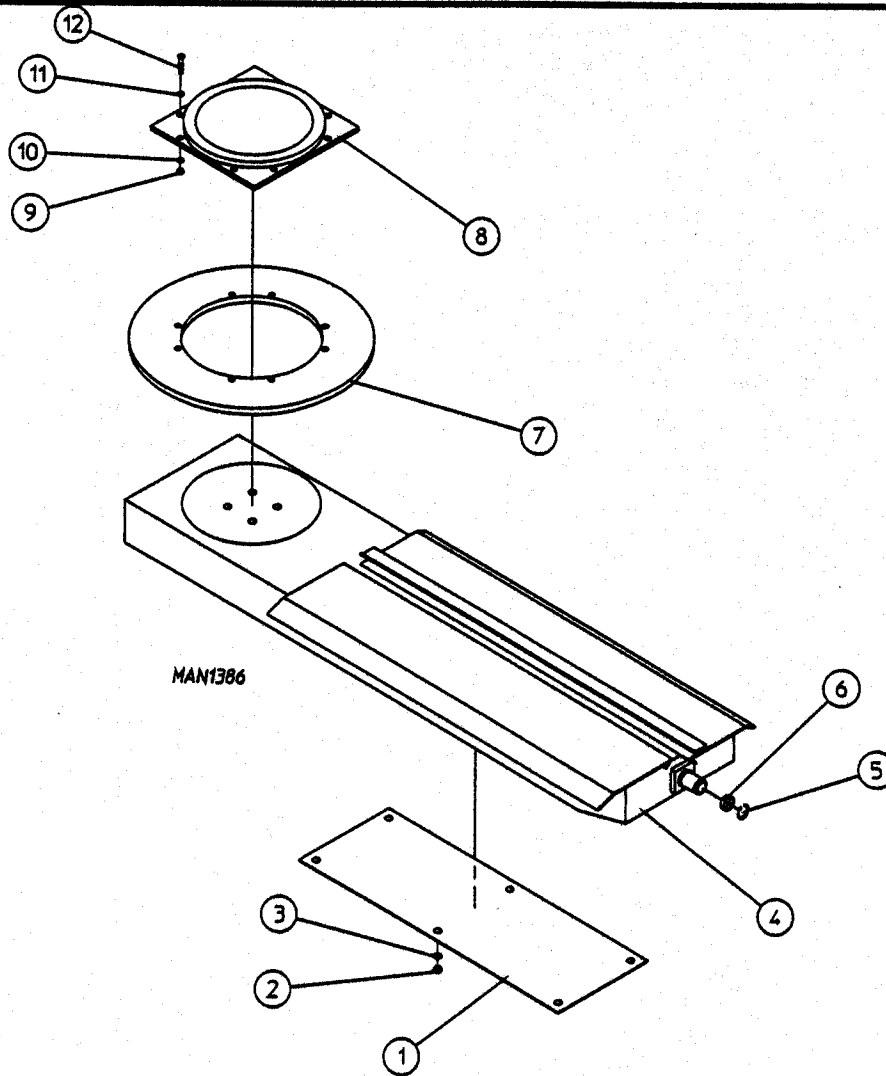
Illus. No.	Part No.	Qty.	Description
6	150512	8	1/4-20 x 1/2" Hex Head Machine Screw
7	153007	14	1/4" Split Lock Washer
8	143155	2	3/8" Brass Street Elbow
9	143283	14	3/8" Poly x 3/8" MPT Straight Brass Connector
10	143221	3	3/8" Brass Union Tee
11	150524	6	1/4-20 x 2" Hex Head Machine Screw
12	153007	14	1/4" Split Lock Washer
13	100555	2	4 Way 5 Port 3 Position Valve
	100549	1	Rebuild Kit
14	143283	2	3/8" Close Brass Nipple
15	143290	1	1/4" Poly x 3/8" MPT Brass Elbow
16	143220	2	3/8" Brass Tee
17	143213	4	3/8" Poly x 3/8" MPT Elbow
18	143150	1	1/4" Compression Union
19	100556	1	3 Way 3 Port # Position Valve
	100568	1	Rebuild Kit
20	153018	12	1/4" Flat Washer
21	143100	12'	1/4" Aluminum Tubing
22	143151	1	1/4" Compression x 3/8" MPT Brass Elbow
23	153007	2	1/4" Lock Washer
24	143115	40'	1/4" Poly Tubing
25	143149	2	1/4" Ploy x 1/8" MPT Elbow
26	143283	14	3/8" Poly x 3/8" MPT Straight Brass Connector
27	100462	5	3/8" Muffler
28	143283	14	3/8" Poly x 3/8" MPT Straight Brass Connector
29	331872	1	Flow Control Mounting Plate
30	143147	2	3/8" Poly Union
31	141250	1	Manifold Seven Station
32	143120	80'	3/8" Poly Tubing
33	141258	1	Blank Station Plug Manifold Screw
34	150512	8	1/4-20 x 1/2" Hex Head Machine Screw
35	153007	14	1/4" Split Lock Washer
36	143206	4	3/8" Flow Control
37	143283	14	3/8" Poly x 3/8" MPT Straight Brass Connector
38	150512	8	1/4-20 x 1/2" Hex Head Machine Screw
39	153007	14	1/4" Split Lock Washer
40	100516	1	Filter Regulator Lubricator
41	150600	4	3/8-16 X 1 1/2" Bolt
42	152005	4	3/8-16 Hex Nut
43	153004	16	3/8" Flat Washer
44	153005	4	3/8" Split Lock Washer
45	152005	4	3/8-16 Hex Nut
46	820639	1	Pneumatic Panel Weldment
47	141253	6	Valve Cartridge



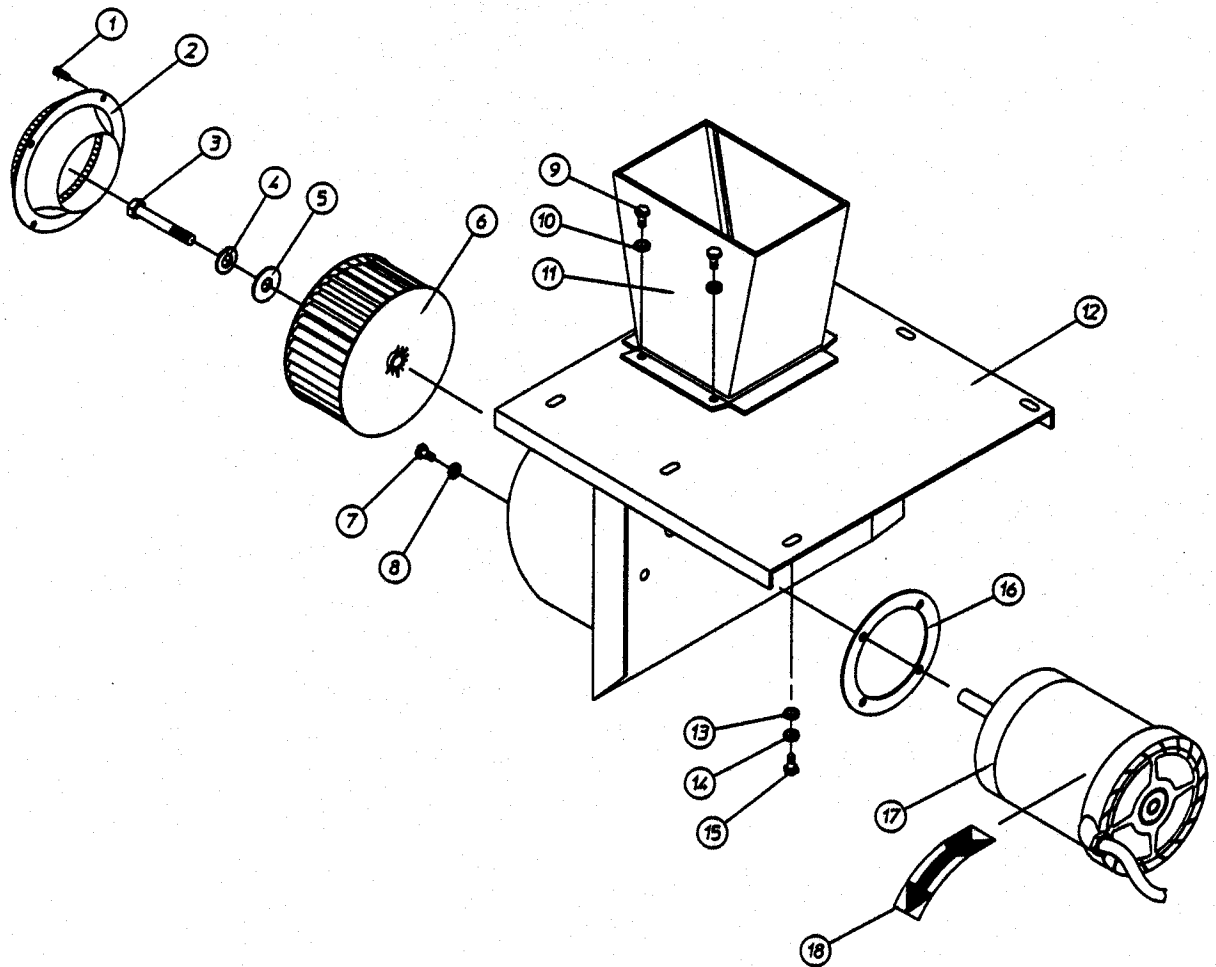
Illus. No.	Part No.	Qty.	Description
1	143213	2	3/8" Poly x 3/8" MPT Elbow
2	141252	1or3*	Blank Station Plug
3	141251	4or6*	Mounting Nut
4	141255	4or6*	1/4" Flow Control
5	143154	2	1/4" Poly Union

Illus. No.	Part No.	Qty.	Description
6	150512	4	1/4-20 x 1/2" Hex Head Machine Screw
7	153007	4	1/4" Split Lock Washer
8	143155	2	3/8" Brass Street Elbow
9	143283	1	3/8" Brass Straight Connector
10	143221	2	3/8" Brass Poly Tee
11	150524	4	1/4-20 x 2" Hex Head Machine Screw
12	153007	4	1/4" Split Lock Washer
13	153018	8	1/4" Flat Washer
14	143283	2	3/8" Brass Straight Connector
15	143213	1	3/8" Poly x 3/8" MPT Elbow
16	143150	1	1/4" Compression Union
17	100556	1	3 Way 3 Port # Sprinkler Solenoid Valve
	100568	1	Rebuild Kit
18	100555	1	Tilting Solenoid Valve 5 port 3 position
	100549	1	Rebuild Kit
19	143100	12'	1/4" Aluminium Tubing
20	143151	1	1/4" Compression x 3/8" MPT Brass Elbow
21	153007	2	1/4" Lock Washer
22	143283	1	3/8" Brass Straight Connector
23	100462	3	3/8" Muffler
24	143283	4	3/8" Poly x 3/8" MPT Straight Brass Connector
25	331872	1	Flow Control Mounting Plate
26	143147	2	3/8" Poly Union
27	141253	4or6*	Valve Cartridge
28	143120	60'or80**	3/8" Poly Tubing
29	141258	1or3*	Blank Station Plug Manifold Screw
30	150512	2	1/4-20 x 1/2" Hex Head Machine Screw
31	153007	2	1/4" Split Lock Washer
32	143206	2	3/8" Flow Control
33	143283	4	3/8" Poly x 3/8" MPT Straight Brass Connector
34	150512	2	1/4-20 x 1/2" Hex Head Machine Screw
35	153007	4	1/4" Split Lock Washer
36	100516	1	Filter Regulator Lubricator
37	150600	4	3/8-16 X 1 1/2" Bolt
38	152005	12	3/8-16 Hex Nut
39	153004	4	3/8" Flat Washer
40	153005	4	3/8" Split Lock Washer
41	152005	12	3/8-16 Hex Nut
42	820639	1	Pneumatic Panel Weldment
43	141250	1	Manifold Seven Station
44	143115	36'or40**	1/4" Poly Tubing

* Quantities are for one door.

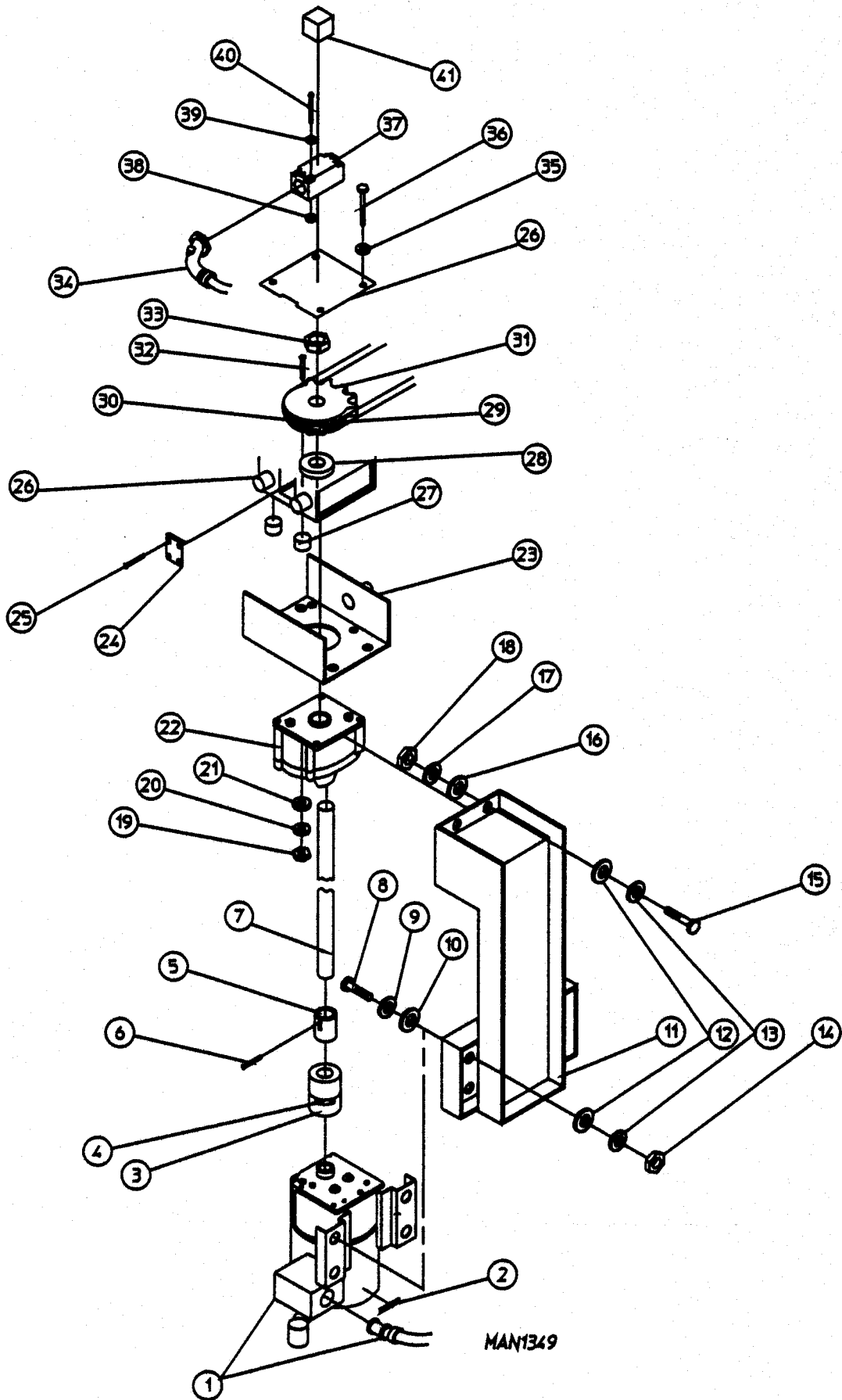


Illus. No.	Part No.	Qty.	Description
1	331584	1	Lint Arm Access Cover
2	152002	6	1/4-20 Hex Nut (After February 6, 1992)
3	153007	6	1/4" lock Washer (After February 6, 1992)
4	820574	1	Lint Vacuum Arm Weldment
5	100809	1	1Truarc Ring
6	100233	1	Roller Bearing
7	102379	1	Vacuum Arm Silicone Gasket (After May 5, 1992)
	331318	1	Vacuum Arm Silicone Gasket (After December 19, 1991)
8	102380	1	Vacuum Arm Gasket
9	152001	8	#8-32 Hex Nut
10	153012	8	#8 Lock Washer
11	153022	8	#10 Steel Burr (After December 19, 1991)
12	150103	8	#8-32 x 3/4" Slotted Machine Screw

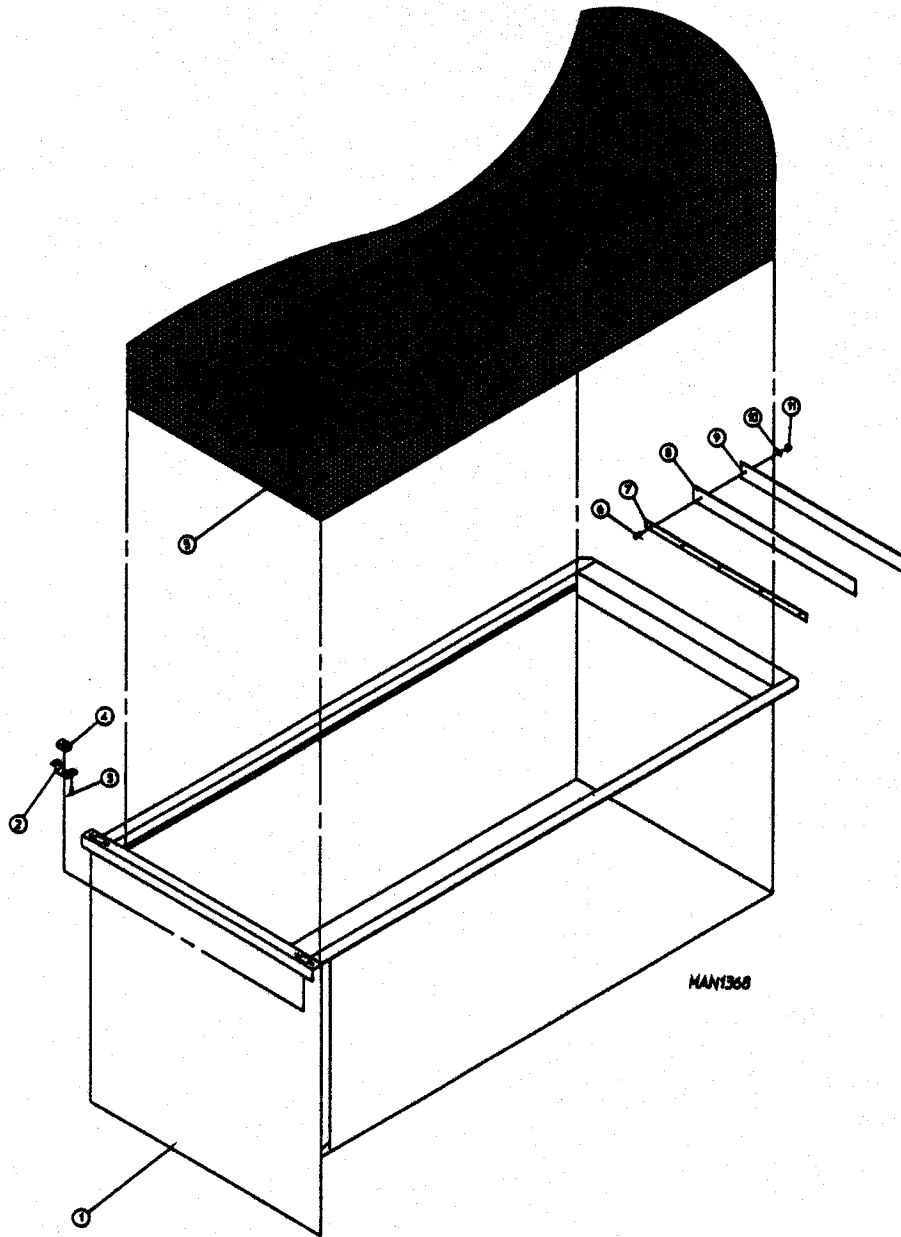


MAN2281

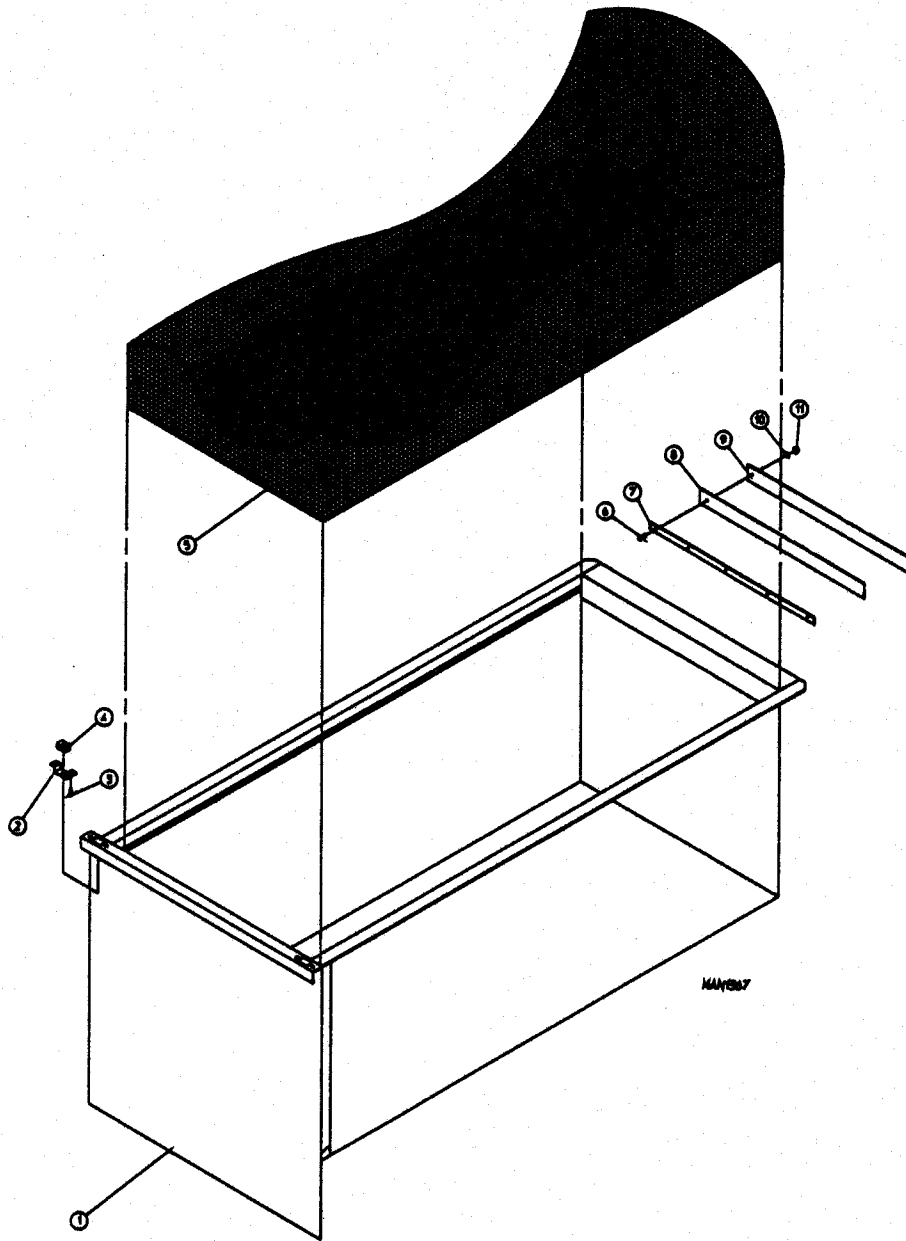
Illus. No.	Part No.	Qty.	Description
1	150301	4	#8-18 x 7/16 TEK Screw
2	820665	1	Inlet Ring Weldment
3	150216	1	#10-32 x 3/4" Large Machine Screw (Left Hand)
4	153024	1	#10 Split Lock Washer
5	153066	1	Washer, Combustion Blower
6	100655	1	Blower Wheel , Squirrel Cage
7	150508	4	3/8-16 x 3/4" Hex Head Bolt
8	153005	4	3/8" Lock Washer
9	150501	4	5/16-18 x 3/4" Hex Head Bolt
10	153002	4	5/16 Lock Washer
11	820542	1	Combustion Air Duct
12	820541	1	Combustion Air Mounting Plate
13	153004	6	3/8" Flat Washer
14	153005	6	3/8" Lock Washer
15	150508	6	3/8-16 x 3/4 Hex Head Bolt
16	331375	1	Combustion Motor Spacer
17	100094	1	3/4 HP Motor, C Frame, 3600 RPM
18	112093	1	Arrow Decal



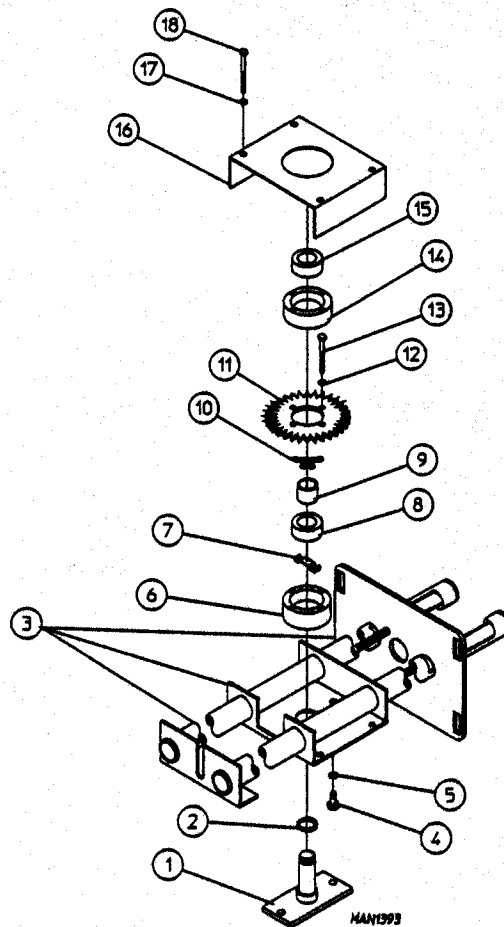
Illus. No.	Part No.	Qty.	Description
1	100091	1	30 R.P.M. Gear Motor
2	112093	1	Arrow Decal
3	101301	1	1/2" Jaw Coupling
4	101304	1	Coupling Insert
5	101303	1	5/8" Jaw Coupling
6	154304	2	1/4-20 x 3/8" Set Screw
7	331354	1	Jack Shaft
8	150510	4	1/4-20 x 3/4" Hex Head Machine Bolt
9	153007	4	1/4" Lock Washer
10	153018	4	1/4" Flat Washer
11	820811	1	Gear Motor Mount Weldment
12	153018	6	1/4" Flat Washer
13	153007	6	1/4" Lock Washer
14	152002	4	1/4-20 Hex Nut
15	150510	2	1/4-20 x 3/4" Hex Head Machine Bolt
16	153018	2	1/4" Flat Washer
17	153007	2	1/4" Lock Washer
18	152002	2	1/4-20 Hex Nut
19	152002	4	1/4-20 Hex Nut
20	153007	4	1/4" Lock Washer
21	153018	4	1/4" Flat Washer
22	101010	1	Speed Reducer
23	820570	1	Motor Mount Bracket Weldment
24	331985	1	Chain Housing Access Plate
25	150301	4	#8-18 x 7/16" TEK Screw (After December 3, 1991)
26	820826	1	Bracket Cover Weldment
	331689	1	Bracket Cover (Before August 19, 1992)
27	331847	4	Gear Reducer Spacer
28	102378	1	Gear Reducer Gasket
	331972	1	Gear Reducer Gasket (Before January 13, 1992)
29	101306	1	Connecting Link #35
30	101305	10'	Chain #35
31	101311	1	Sprocket for Overload Safety Device
	101302	1	Sprocket for Overload Safety Device (Before May 5, 1992)
32	150112	4	1/4-20 x 1 1/4" Hex Head Machine Screw
33	101310	1	Overload Safety Device (After May 5, 1992)
34	126051	1	1/2" N.P.T. 90° Cord Grip (Blue)
35	153007	18	1/4" Lock Washer
36	150526	4	1/4-20 x 3" Hex Head Machine Screw
37	122367	1	Switch Body
38	152008	4	#10-32 Hex Nut
39	153009	4	#10 Star Washer (After January 13, 1992)
	152009	4	7/16 - 14 Hex Nut (After 12/3/91)
40	150211	4	#10-32 x 2" Machine Screw
41	122366	1	Plunger Head



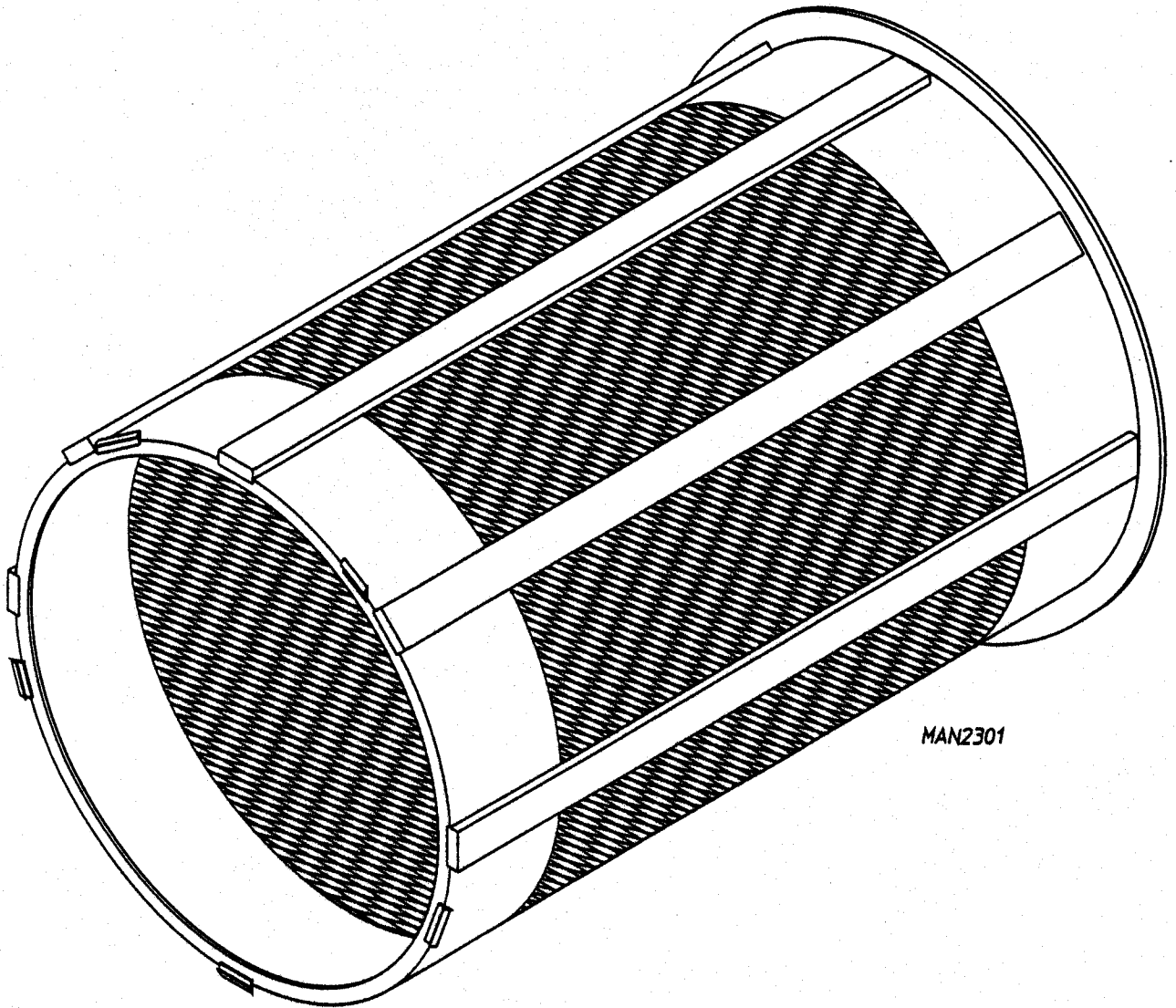
Illus. No.	Part No.	Qty.	Description
1	820895	1	AD-400 Left Lint Drawer Assembly
2	331421	1	Lint Drawer Magnet Holder
3	154200	2	Pop Rivets
4	102109	1	Magnet
5	820834	1	AD-400 Left Side Lint Bag
6	150108	4	#8-32 Machine Screws
7	331408	1	Felt Strip
8	116015	1	Felt
9	332050	1	Felt Reeinforcement
10	153012	4	#8 Star Washer
11	152001	4	#8-32 Hex Nut



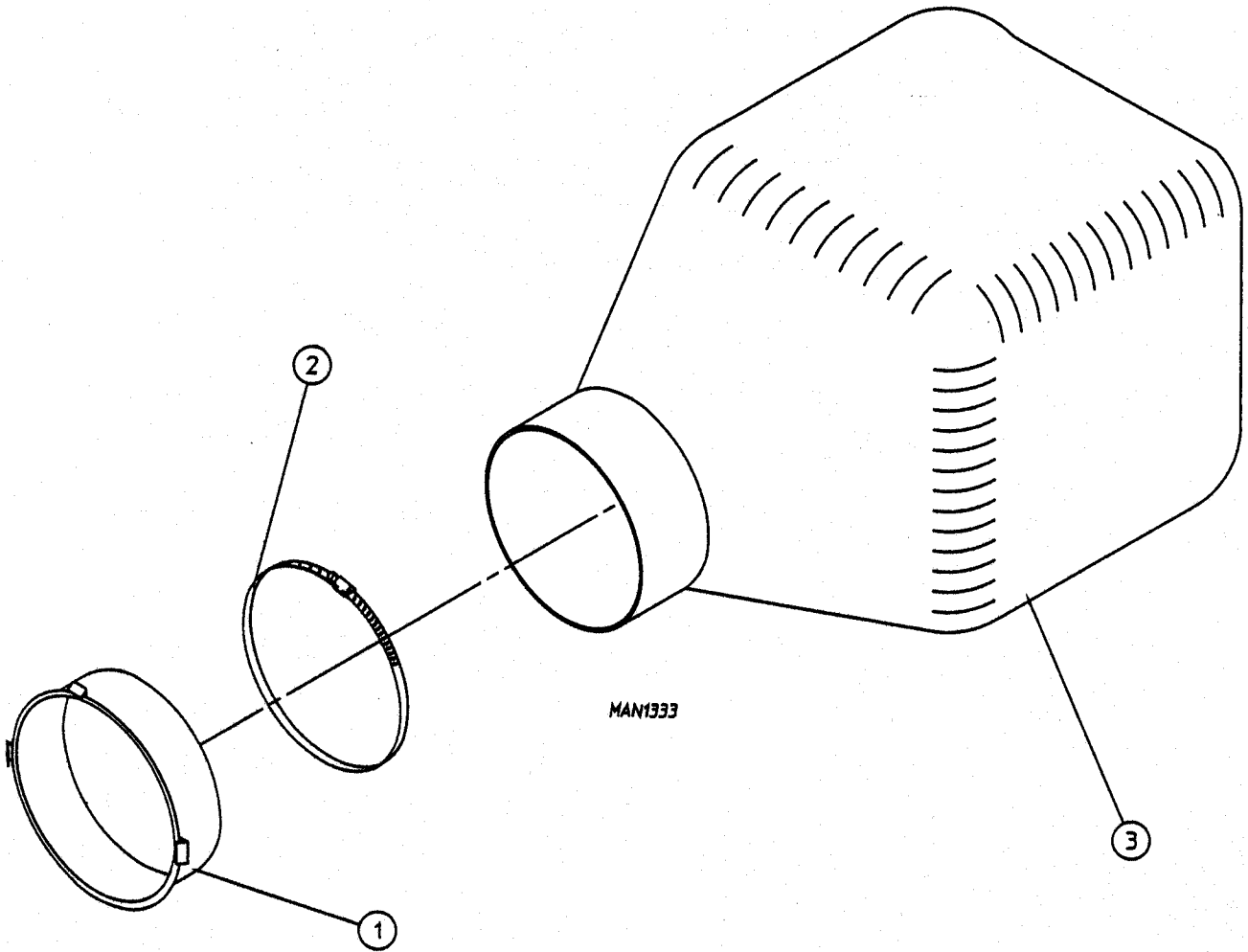
Illus. No.	Part No.	Qty.	Description
1	820895	1	AD-400 Left Lint Drawer Assembly
2	331421	1	Lint Drawer Magnet Holder
3	154200	2	Pop Rivets
4	102109	1	Magnet
5	820834	1	AD-400 Left Side Lint Bag
6	150108	4	#8-32 Machine Screws
7	331408	1	Felt Strip
8	116015	1	Felt
9	332050	1	Felt Reeinforcement
10	153012	4	#8 Star Washer
11	152001	4	#8-32 Hex Nut



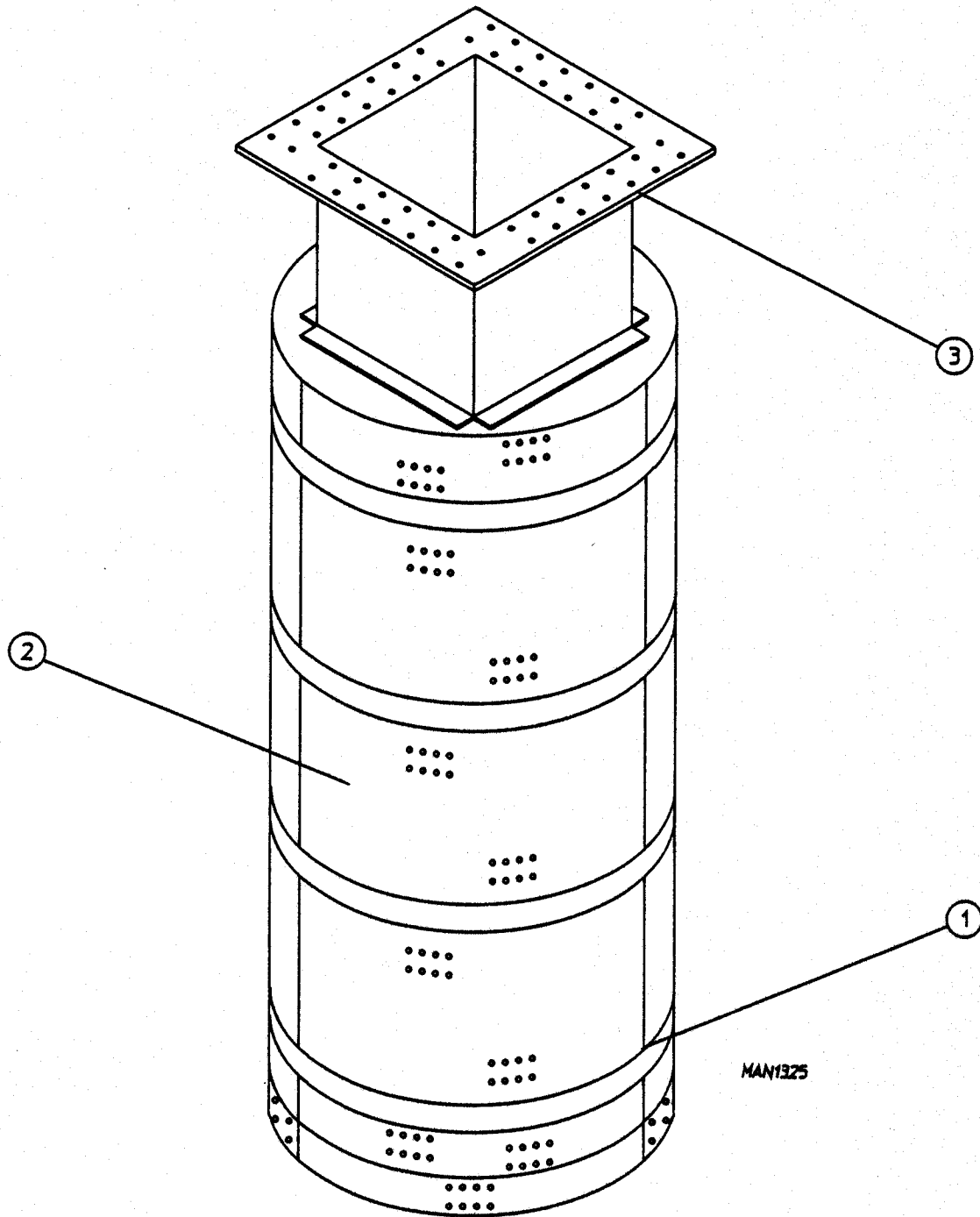
Illus. No.	Part No.	Qty.	Description
1	820549	1	Chain Drive Shaft Weldment
2	100808	1	Truarc Ring
3	820547	1	Vacuum Drive Weldment
4	150501	2	5/16-18 x 3/4" Bolt
5	153002	2	5/16" Lock Washer
6	331784	1	Sprocket Mounting Collar
7	100815	1	Nilos Ring
8	100231	2	Roller Bearing
9	331755	1	Chain Drive Shaft Spacer Tube
10	101305		#35 Roller Chain
11	101300	1	Machined Sprocket
12	331756	1	Top Collar
13	153007	8	1/4" Lock Washer
14	150524	4	1/4-20 x 2" Bolt
15	100231	2	Roller Bearing
16	331708	1	Sprocket Housing Top
17	153007	8	1/4" Lock Washer
18	150513	4	1/4-20 x 2 1/4" Bolt



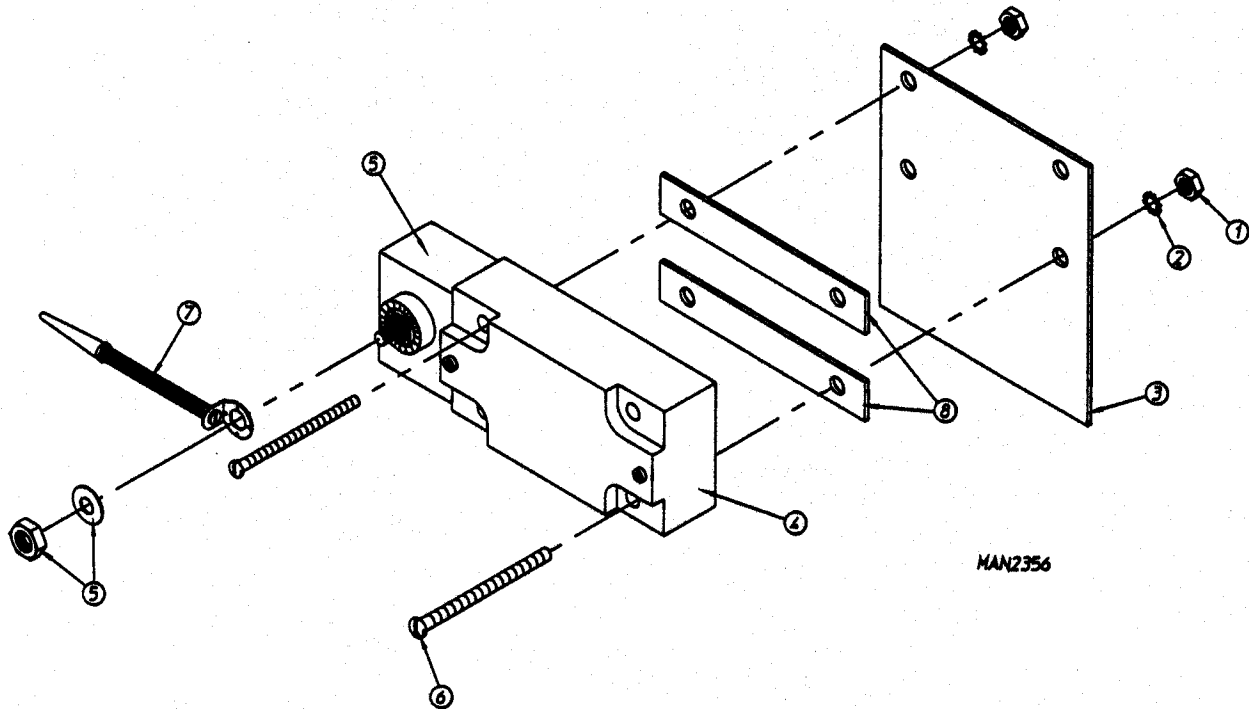
Illus. No.	Part No.	Qty.	Description
1	820871	1	Lint Vacuum Basket



Illus. No.	Part No.	Qty.	Description
1	820571	1	Vacuum Ring Weldment
2	143138	1	Hose Clamp
3	108025	1	Lint Bag
	820569	1	Lint Bag (Before July, 1992)

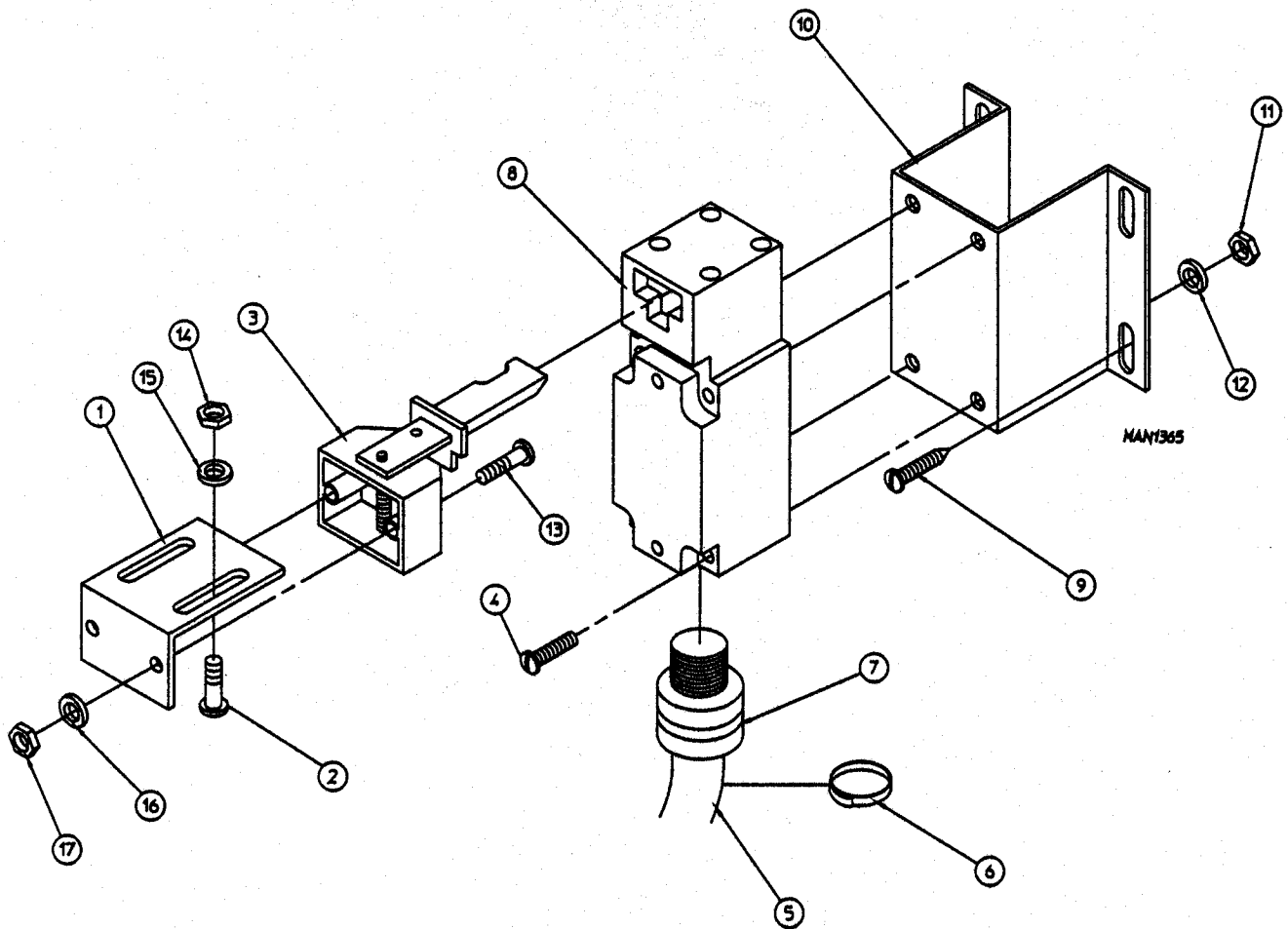


Illus. No.	Part No.	Qty.	Description
1	117505	24	Aluminum Heat Reclaimer Tape
2	116208	4	13 5/8" x 55 3/8" Exhaust Liner
3	820561	1	Exhaust Duct Liner Weldment

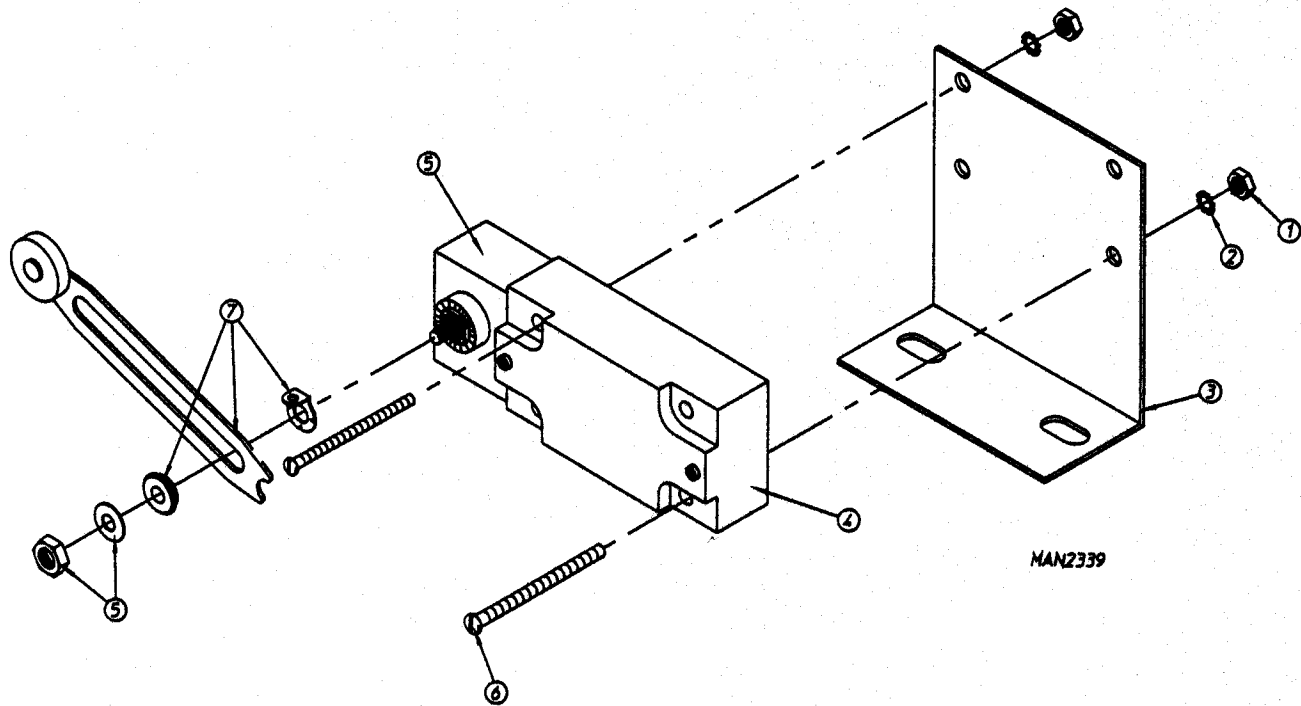


MAN2356

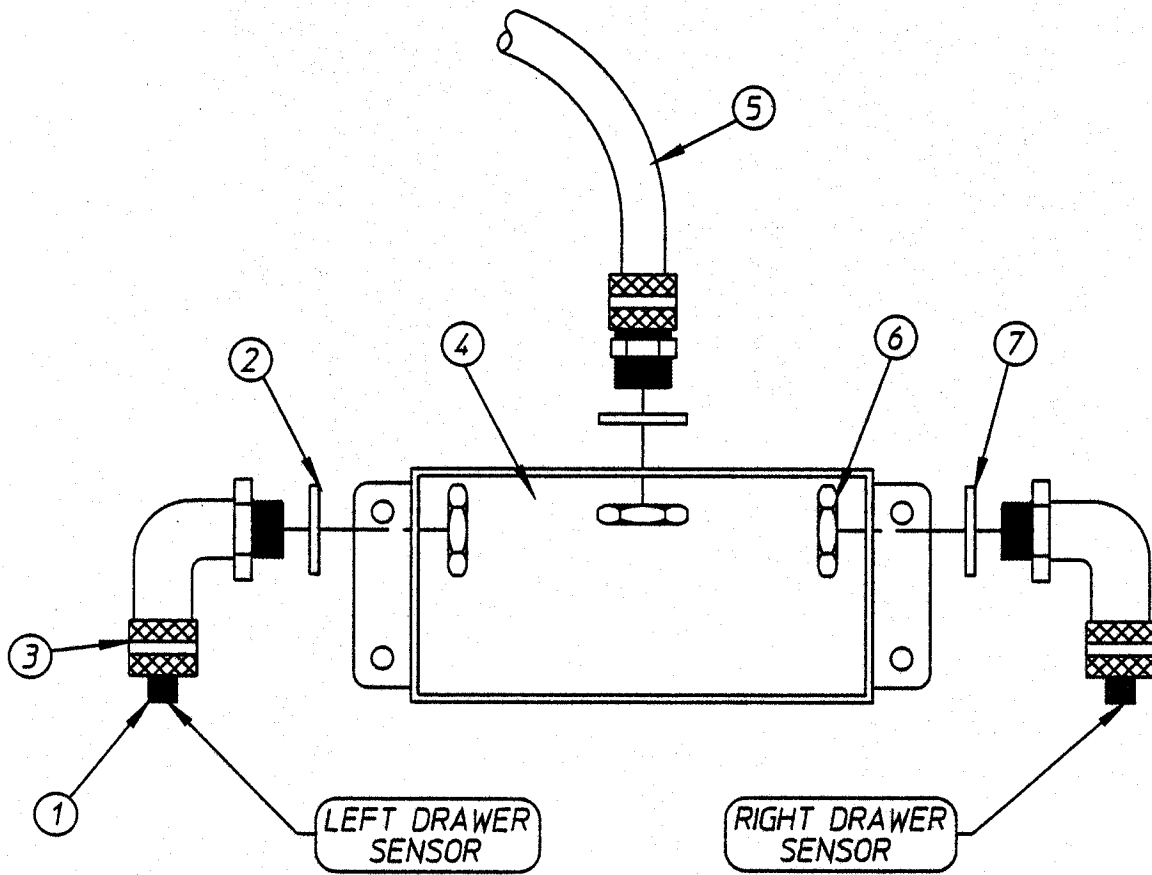
Illus. No.	Part No.	Qty.	Description
1	152008	4	#10-32 Hex Nut
2	153009	4	#10 Star Washer
3	Frame Of Machine		
4	122367	1	Limit Switch Body
5	122365	1	Rotary Head for Limit Switch
6	150211	4	#10-32 x 2" Machine Screw
7	122368	1	Coil Spring Lever Arm
8	331873	2	Space Bar for Door



Illus. No.	Part No.	Qty.	Description
1	331981	2	Door Sensor Mounting Bracket
2	150512	2	1/4-20 Hex Head Machine Bolt
3	122354	2	Pivoting Key
4	150109	4	#8-32 x 2" SHMS
5	133381	25	18 AWG 105° 5 Conductor Cable
6	121495	2	4" Identification Tie-Wrap
7	120655	2	Cord Grip Connector
8	122353	2	Door Interlock Switch
9	150412	4	#10-16 x 3/4" Phillips Round Head Crimptite Screw
10	331905	2	Door Sensor Switch Mounting Bracket
11	152001	4	#8-32 Hex Nut
12	153012	4	#8 Star Washer
13	150106	2	#8-32 x 1" Slotted Round Head Machine Screw
14	152002	2	1/4-20 Hex Nut
15	153007	2	1/4" Split Washer
16	153012	2	#8 Star Washer
17	152001	2	#8-32 Hex Nut

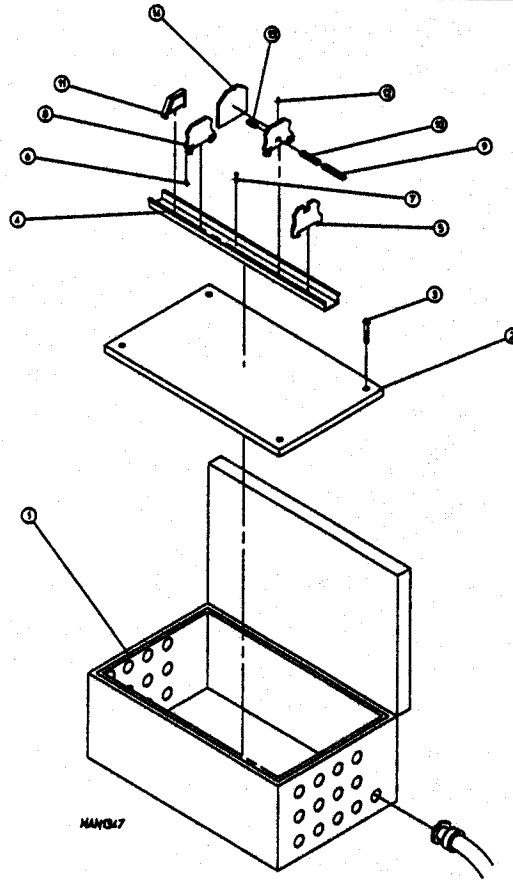


Illus. No.	Part No.	Qty.	Description
1	152008	4	#10-32 Hex Nut
2	153009	4	#10 Star Washer
3	331911	1	Tilt Switch Bracket
4	881252	1	Tilt Switch Assembly Complete
	122367	1	Limit Switch Body
5	122365	1	Rotary Head for Limit Switch
6	150211	4	#10-32 x 2" Machine Screw
7	122369	1	Roller Wheel Assembly for Tilt Switch



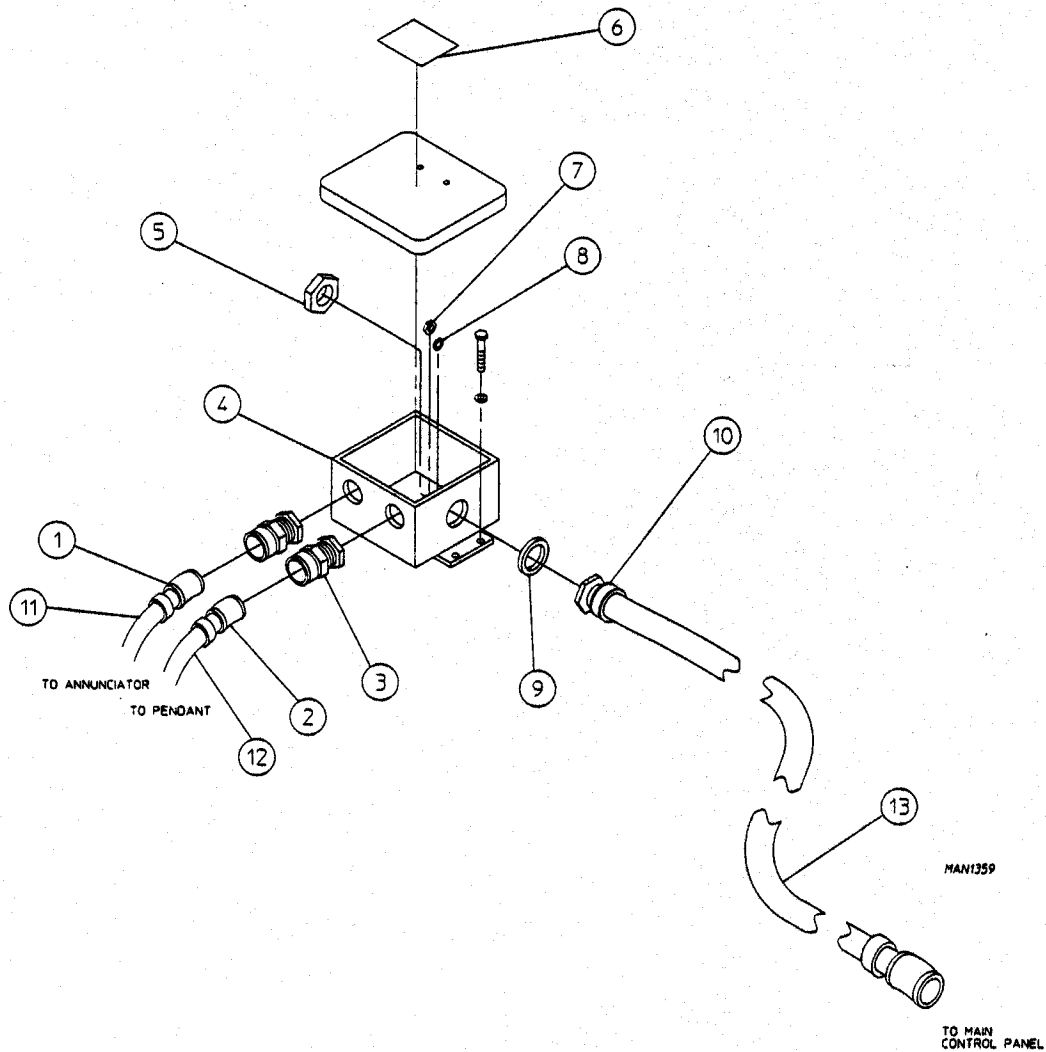
MAN2207

Illus. No.	Part No.	Qty.	Description
1	122326	2	Hi Voltage Tubular Proximity Sensor
2	120914	3	1/2" NPT Metal Clad "O" Ring
3	120650	2	90° NPT Cord Grip Connector (White)
4	825093	1	Lint Drawer Switch Assembly (Box Only)
5	825095	1	Lint Drawer Switch Cable
6	120915	3	1/2" NPT Lock Nut
7	120914	3	1/2" NPT Metal Clad "O" Ring

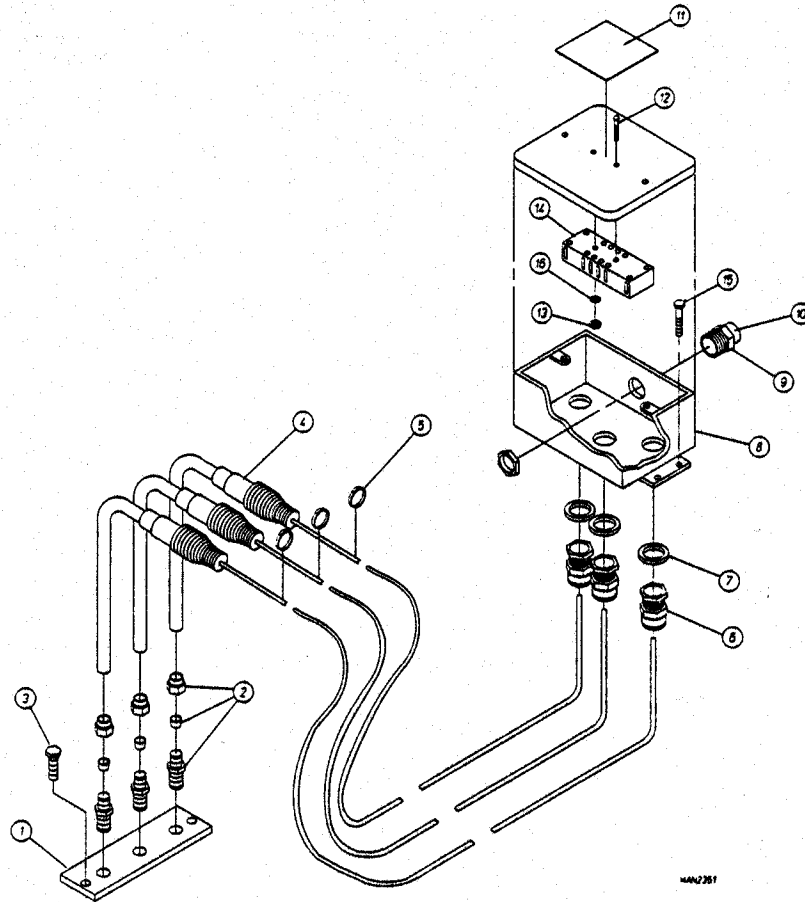


Illus. No.	Part No.	Qty.	Description
1	820716	1	16" x 10" x 6" Clamp Cover Box (Gas-2Door, 2 Way Tilt)
	825145	1	Gas Hi/Lo 1 Door, 2 Way Tilt
	825164	1	Gas 2 Door, 1 Way Tilt
	825183	1	1 Door, 2 Way Tilt Gas Non - Hi/Lo
	825143	1	Steam 1 Door, 2 Way Tilt
	825044	1	Steam 2 Door, 2 Way Tilt
	825174	1	Steam 1 Door, 1 Way Tilt
2	331499	1	14.75" x 8.88" Panel
3	Come with box		
4	120768	15	35mm x 15mm Mounting Rail
5	120750	13	Ground Terminal Block
6	120999	11	Blank Marking Tag
7	150300	*	#10 x 1/2" Hex Washer TEK Screw
8	120752	46	Terminal Block with Test Point
9	120992	1	5 Position Bus Bar
10	120991	1	4 Position Bus Bar
11	120765	1	End Stop Bracket
12	120998	1	Bus Bar Screw
13	120990	1	2 Position Bus Bar
14	120766	4	End Section

*As Required

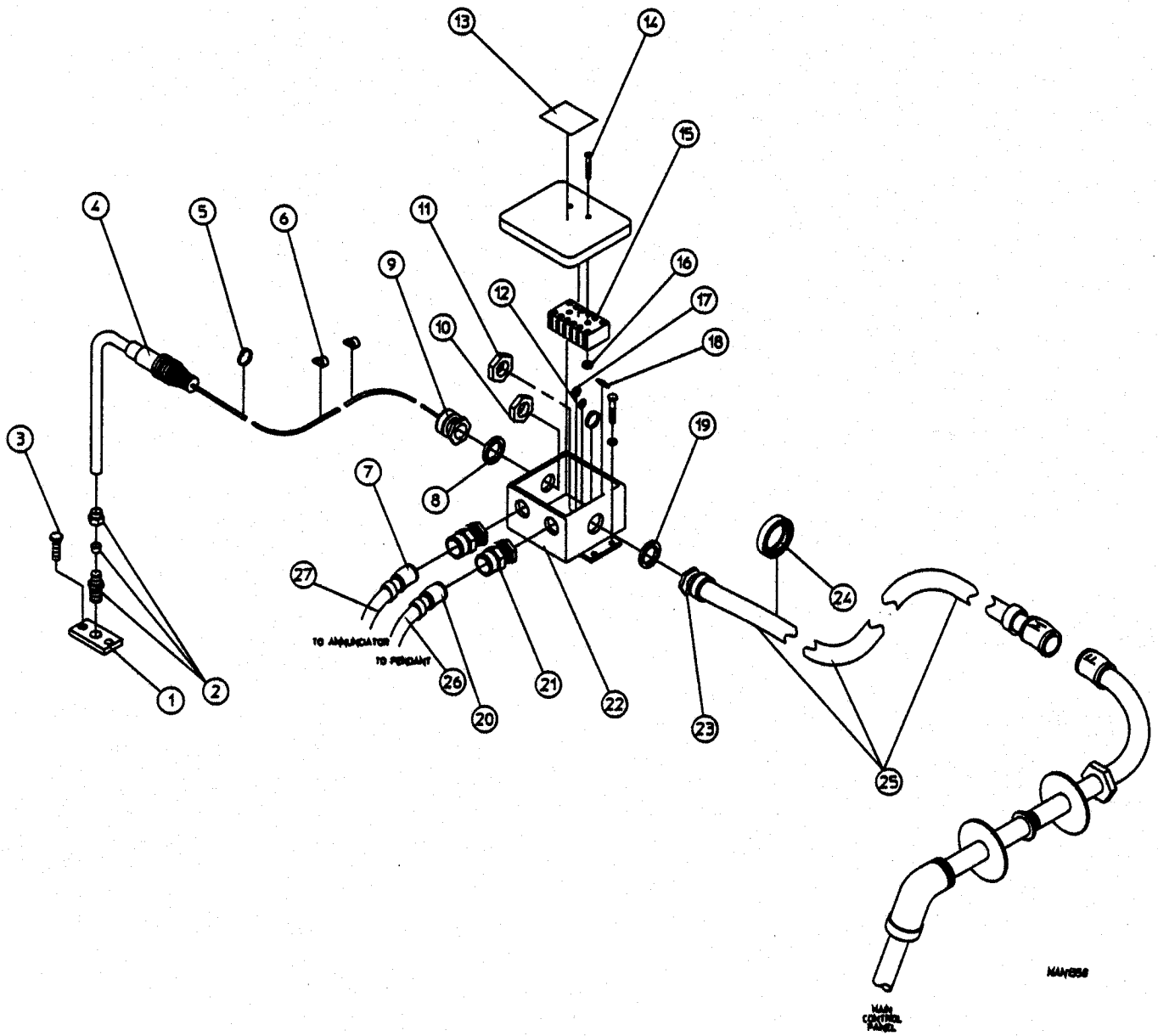


Illus. No.	Part No.	Qty.	Description
1	122650	1	5 Position Receptacle Connector with Sockets
2	122665	1	11 Position Socket Connector with Sockets
3	122660	2	Conduit Hub Back Shell
4	825065	1	Pendant / Annunciator Disconnect Box
5	120918	1	3/4" Lock Nut
6	122424	1	Power Warning Label
7	152001	1	#8-32 Nut
8	153012	1	#8 Star Washer
9	120917	1	3/4" NPT Metal Clad "O" Ring
10	122660	1	Cord Grip Connector 3/4" NPT Yellow
11	820725	1	Harness from Annunciator
12	820721	1	Harness from Pendant
13	825060	1	To Main Control Panel

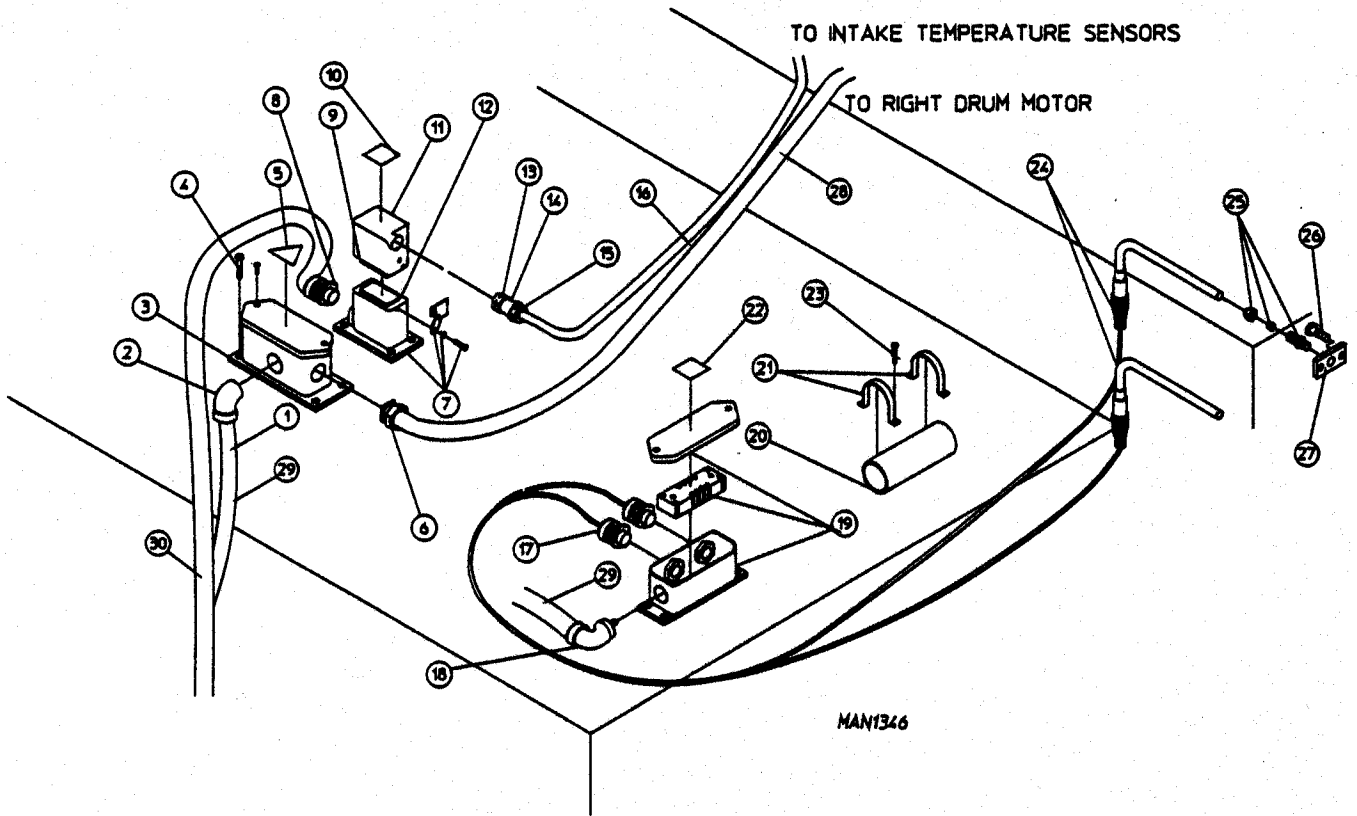


Illus. No.	Part No.	Qty.	Description
1	331877	3	Temperature Sensor Mounting Plate
2	143296	3	1/4" Compression Fitting
3	150522	4	1/4-20 x 1/2" Hex Washer Machine Bolt
4	880986	3	RTD Temperature Sensor with Ferrules
5	121495	6	Identification Tie-Wrap
6	120659	3	Cord Grip Connector (Orange)
7	120914	3	1/2" NPT Metal Clad "O" Ring
8	820712	1	Temperature Probe Disconnect Box
9	122660	1	Conduit Hub Back Shell
10	122665	1	Front Shell Assembly with 11 Position Insert Socket
11	122427	1	Caution Label "!"
12	150008*	2	#6-32 x 1 1/4" Round Head Machine Screw
13	153010*	2	# 6 Star Washer
14	120703	1	6 Position Screw Connector
15	150523	2	1/4-20 x 3/4" Long Self Tapping Bolt
16	153010	2	#6 Star washer

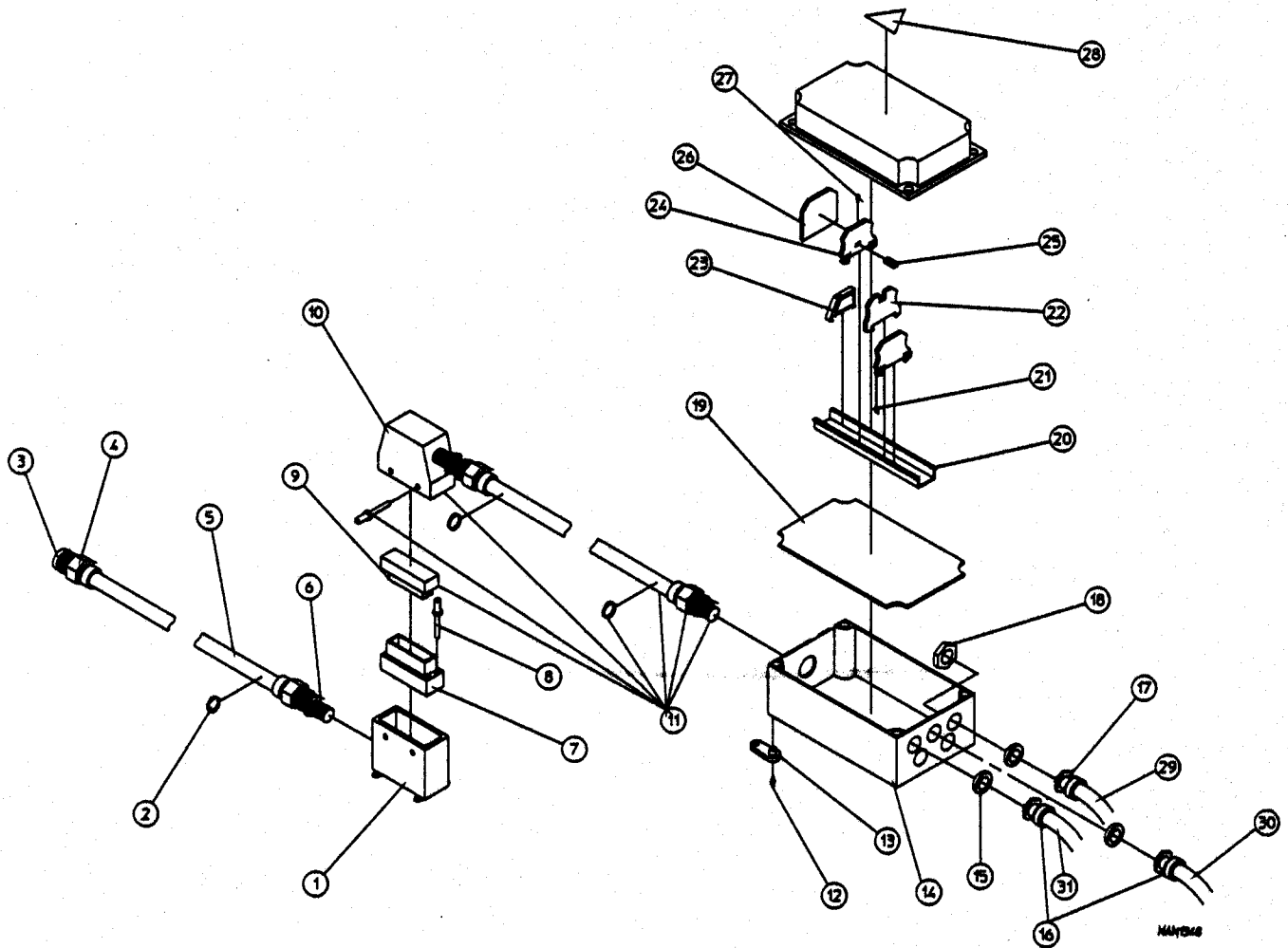
* Also included with "J" box assembly



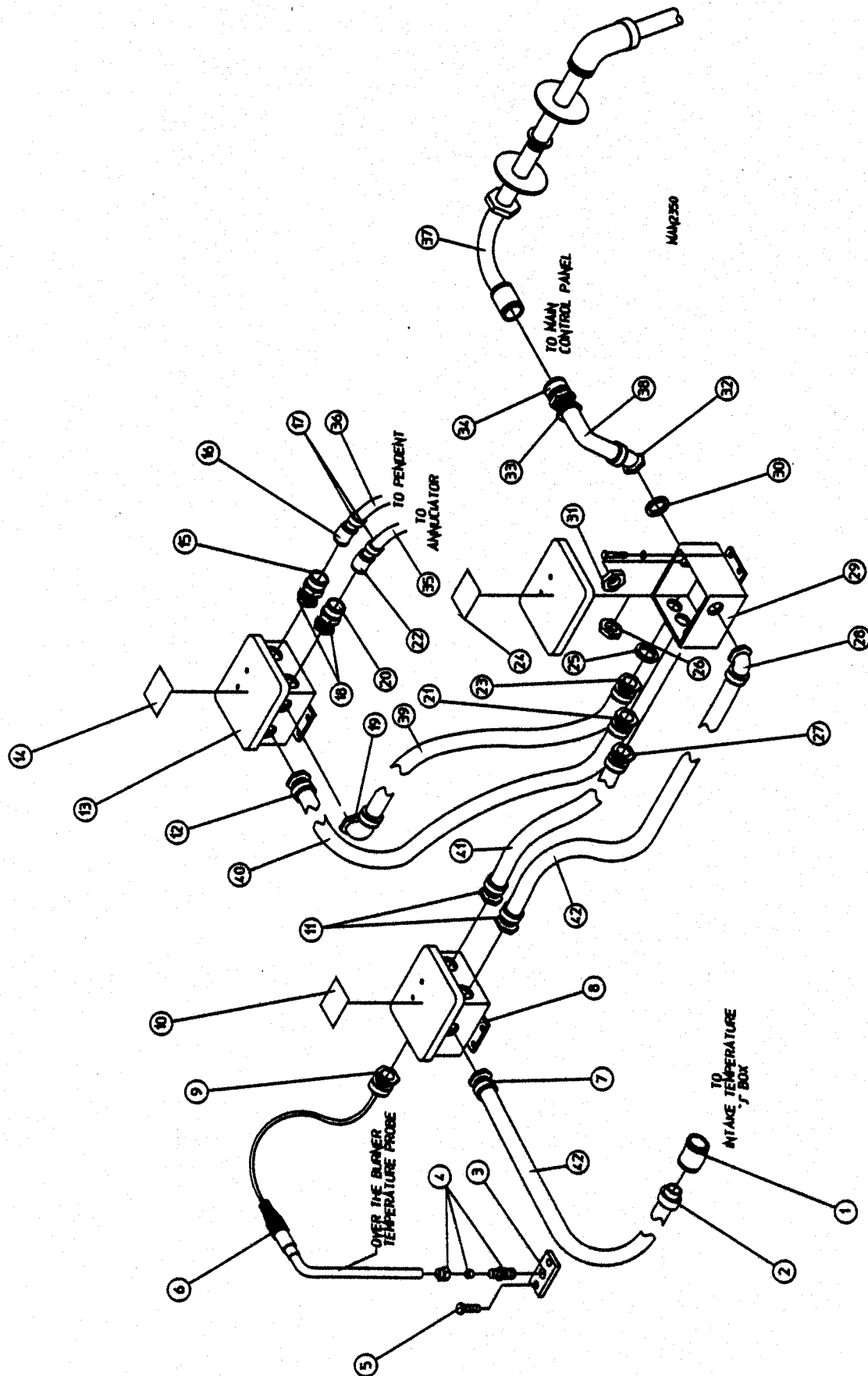
Illus. No.	Part No.	Qty.	Description
1	331877	1	Temperature Sensor Mounting Plate
2	143296	1	1/4" Compression Fitting
3	150522	2	1/4-20 x 1/2" Hex Head Machine Bolt-"F"
4	880986	1	RTD Temperature Sensor
5	121495	2	Identification Tie-Wrap
6	154005	2	1/4" Wire Clamp
7	122650	1	5 Position Receptacle Connector with Sockets
8	120914	1	1/2" Metal Clad "O" Ring
9	120569	1	1/2" NPT Cord Grip Connector .125-.187 (Orange)
10	120915	1	1/2" NPT Lock Nut
11	120918	1	3/4" Nut
12	153012	1	#8 Star Washer
13	122424	1	Power Warning Label
14	150008	2	#6-32 x 1 1/4" Round Head Machine Screw
15	120703	1	6 Position Screw Connector
16	152000	2	#6-32 Hex Nut
17	152001	1	#8-32 Hex Nut
18	122736	2	18 AWG Ferrule (Yellow)
19	120917	1	3/4" Metal Clad "O" Ring
20	122665	1	11 Position Socket Connector with Sockets
21	122660	2	Conduit Hub Back Shell
22	825029	1	Pendant / Annunciator Over Burner Disconnect Box
23	120660	1	Cord Grip Connector .625-.750 (Yellow)
24	156001	6"	Caterpillar Grommet
25	825036	1	Heater Section Disconnect Cable (Male)
26	820724	1	Pendant Cable
27	820725	1	Annunciator Cable



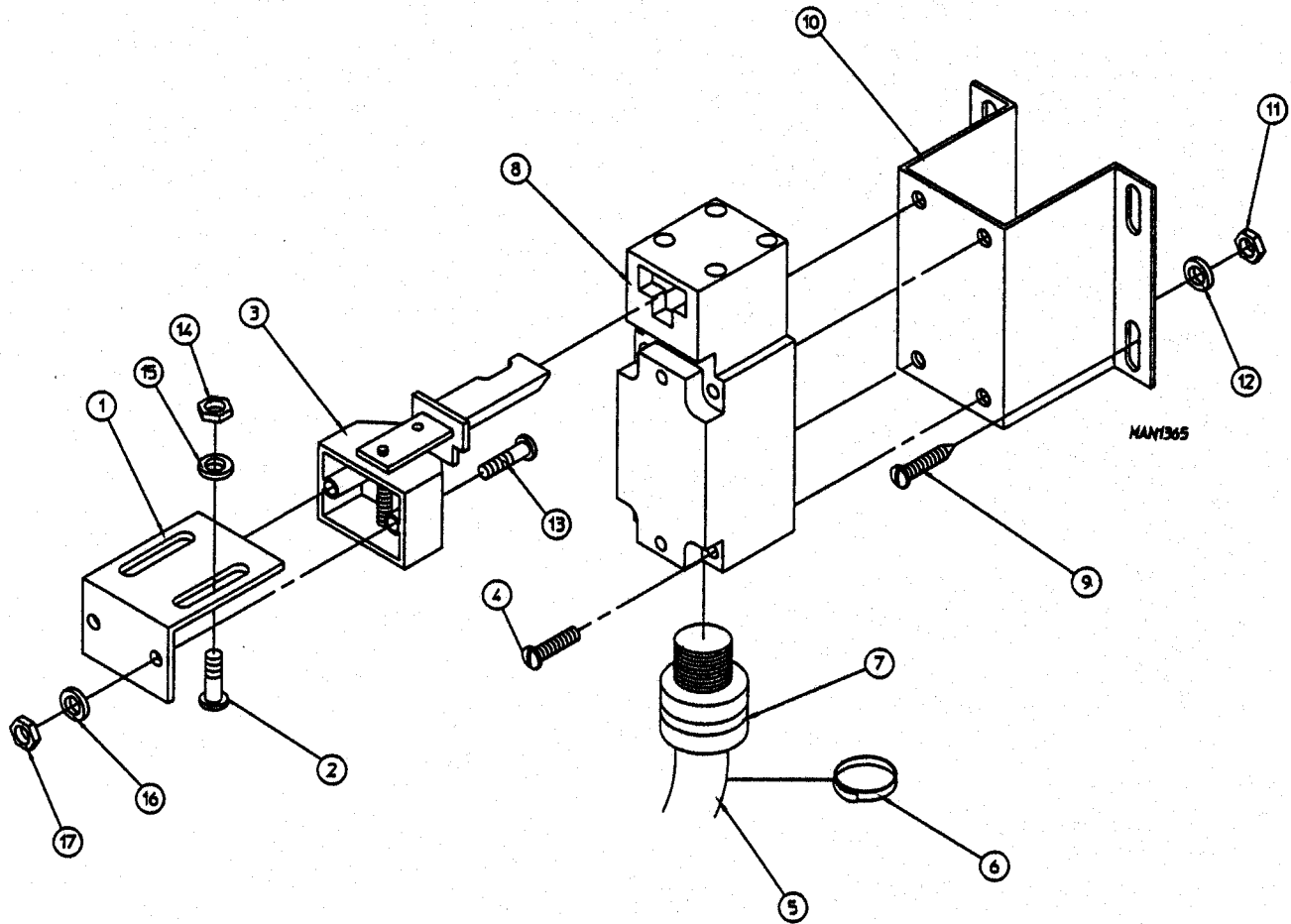
Illus. No.	Part No.	Qty.	Description
1	120602	53"	1/2" Liquid-Tite Conduit
2	120112	1	1/2" Liquid-Tite 90° Fitting
3	825064	1	Right Drum Motor Junction Box
4	150522	10	1/4-20 x 1/2" Hex Washer Machine Bolt-"F"
5	122425	1	Power Warning Label
6	120110	1	1/2" Liquid-Tite Straight Fitting
7	134013	1	Single Entry Surface Mounting Housing
8	134016	1	Universal Cable Protection Cord Grip
9	134011	1	6 Position Male Insert
10	122427	2	Caution Label
11	134012	1	Side Entry Hood
12	134010	1	6 Position Female Insert
13	134017	1	Hexagon Adapter
14	134015	1	Multi Seal and Pressure Rings
15	134014	1	Bell Mouth Cable Fitting With Strain Relief
16	825063	1	Intake Temperature Cable
17	120659	2	1/2" Cord Grip Connector
18	120651	1	1/2" 90° Cord Grip Connector
19	820726	1	Exhaust Temperature Junction Box
20	142998	1	1 1/2" Inside Diameter x 6" PVC Pipe
21	143197	2	1 1/2" Diameter Pipe Clip
22	122427	2	Caution Label
23	150415	4	1/4-20 x 1/2" TEK Screw
24	880986	2	Sensor Probe
25	143296	2	1/4" Compression Fitting
26	150522	10	1/4-20 X 1/2" Hex Washer Machine Bolt-"F"
27	331877	2	Temperature Sensor Mounting Plate
28	825081	1	Right Drum Motor Harness (208v Only) as of 4/30/92
	825054	1	Right Drum Motor Harness (240/380v Only) as of 4/30/92
29	825074	1	Exhaust Temperature Harness
30	133382	129"	9 Wire, 18 AWG, Cable
	825068	1	Steam /Tumbler Section Temperature Disconnect to Main Panel Cable Assembly
	825091	1	Gas/Tumbler Section Temperature Disconnect to Main Panel Cable Assembly



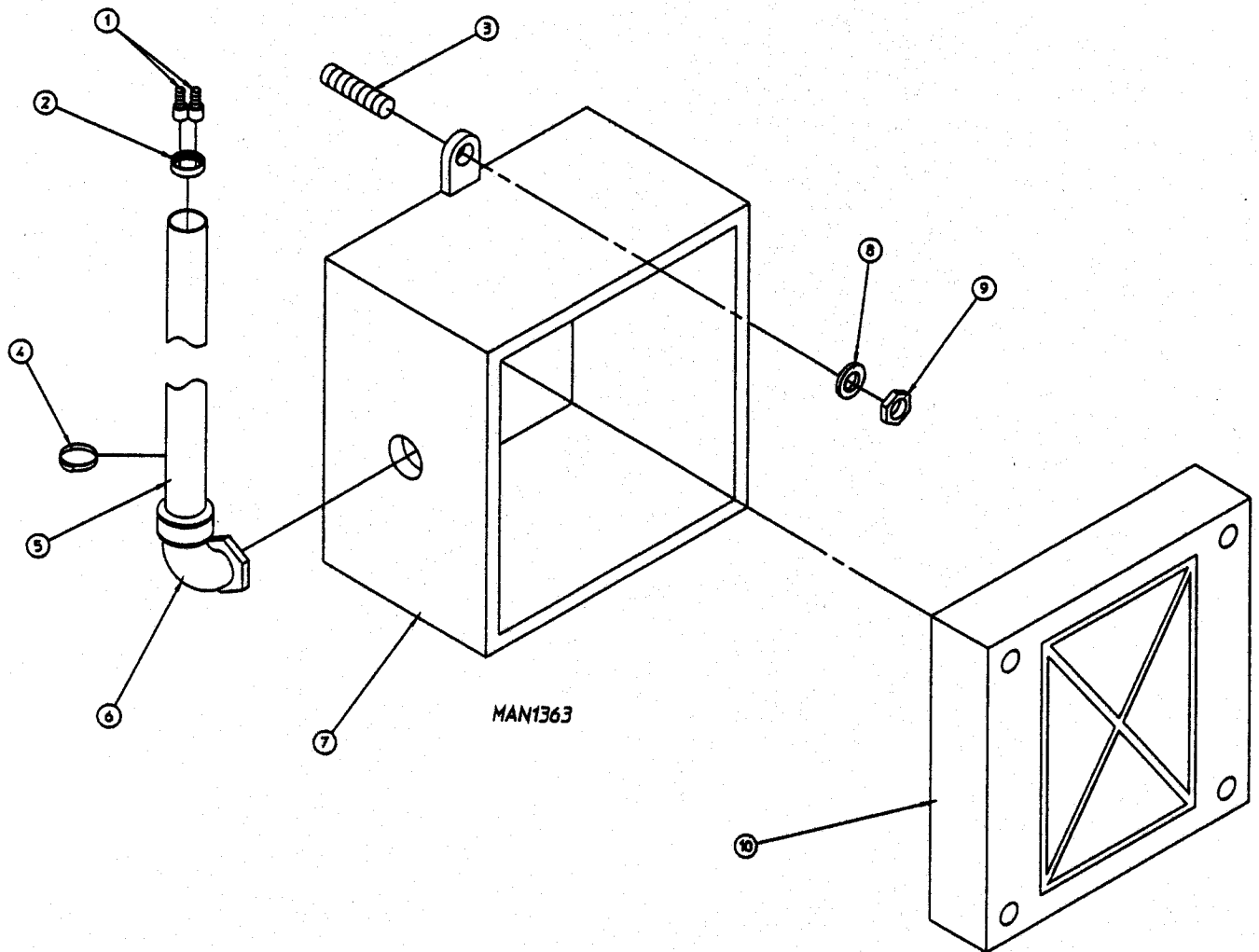
Illus. No.	Part No.	Qty.	Description
1	134003	1	16 Position Box Mounting Base
2	121496	2	7 1/2" Identification Tie-Wrap
3	120623	1	3/4" Chafe Bushing
4	120606	4	3/4" Straight Liquid-Tite Fitting
5	120604	17	3/4" Liquid-Tite Conduit
6	134007	2	3/4" Conduit Fitting Adapter
7	134006	1	16 Position Female Adapter
8	134004	4	Keying Pin
9	134005	1	16 Position Male Pin Connector Insert
10	134001	1	16 Position Lateral Hood
11	825004	1	Base Junction Box Cable Assembly
12	154210	4	5/32" x 3/16" Pop Rivet
13	121117	1	Non-Metallic Foot Kit
14	825006	1	Base Junction Box, Two Way Tilt
	825169	1	Base Junction Box for One-Way Tilt
15	120914	5	1/2" NPT Metal Clad "O" Ring
16	120653	2	1/2" Cord Grip Connector .312-.375 (White)
17	120655	3	1/2" Cord Grip Connector .375-.500 (Blue)
18	120915	5	1/2" NPT Lock Nut
19	121116	1	Junction Box Panel
20	120768	1	35mm x 15mm x 7 1/4" Mounting Rail
21	120999	4	Blank Marking Tag
22	120750	2	Ground Block
23	120765	2	End Stop
24	120752	2	Terminal Block with Test Point (After March, 1993)
25	120990	1	2 Position Jumper Bar
26	120766	2	End Section
27	120998	2	Bus Bar Screw
28	122424	1	Small Warning Label (After March 2, 1992)
29	820794	1	Lint Screen Limit Switch Cable
30	820797	1	Lint Pressure Switch Cable
31	820798	1	Sprinkler Horn Cable



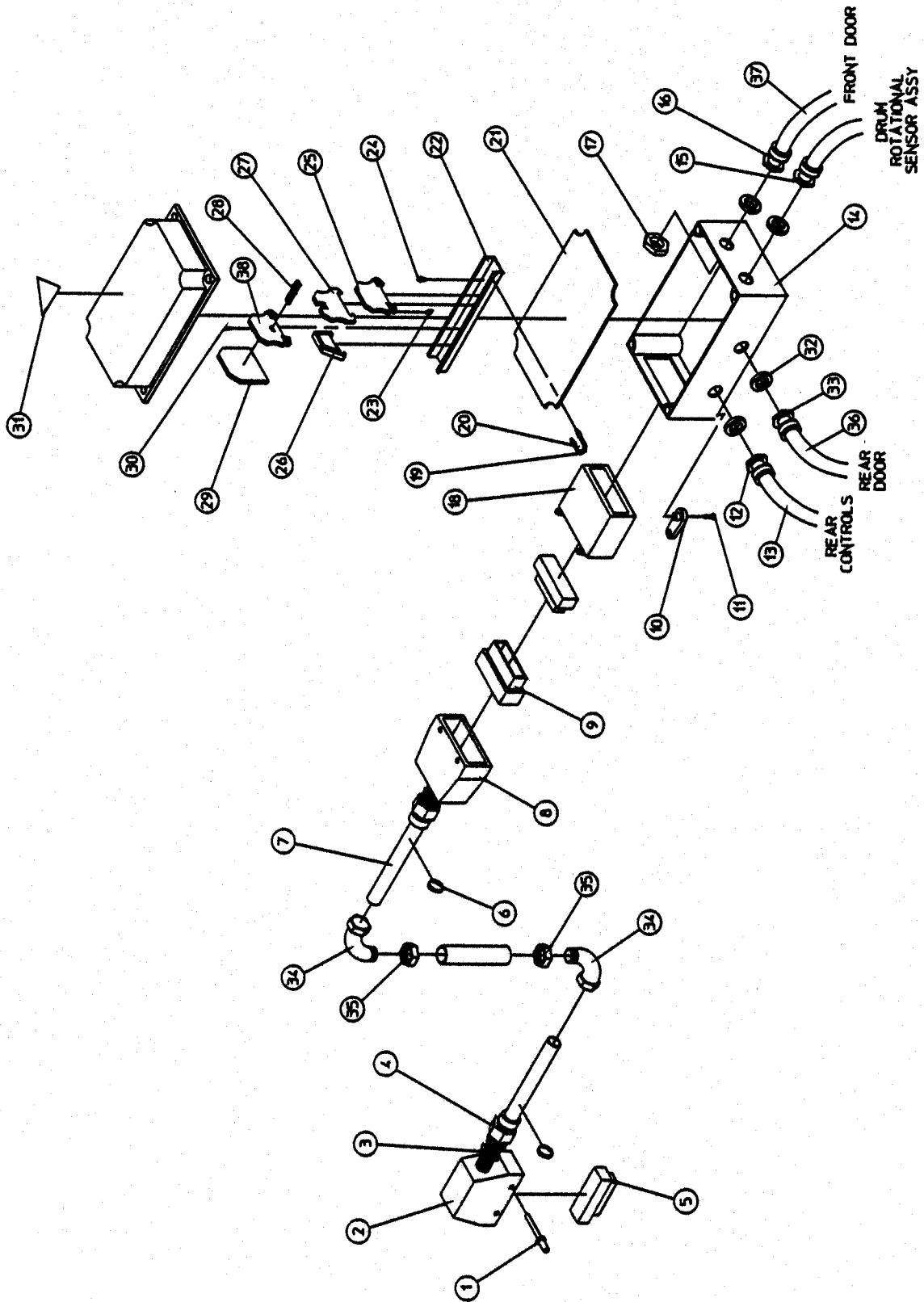
Illus. No.	Part No.	Qty.	Description
1	122665	2	11 Position Socket Connector with Sockets
2	122657	3	Back Shell (Short) .500-.650
3	331877	1	Temperature Sensor Mounting Plate
4	143296	1	1/4" Compression Fitting
5	150522	2	1/4-20 x 1/2" Hex Head Machine Bolt-"F"
6	880986	1	RTD Temperature Sensor
7	120656	4	Cord Grip Connector .500-.625 (Brown)
8	820729	1	Burner Temperature Disconnect Box
9	120656	4	Cord Grip Connector .500-.625 (Brown)
10	122427	2	Caution Label "!"
11	120653	2	Cord Grip Connector .250-.375 (White)
12	120656	4	Cord Grip Connector .500-.625 (Brown)
13	820730	1	Pendant /Annunciator
14	122424	1	Power Warning Label
15	122657	3	Back Shell (Short) .500-.650
16	122665	2	11 Position Socket Connector with Sockets
17	122650	1	5 Position Receptacle Connector with Sockets
18	122660	2	Conduit Hub Back Shell
19	120650	1	5 Position Receptacle Connector with Sockets
20	122661	1	Front Shell Assembly with 11 Position Pin Insert
21	120652	2	Cord Grip Connector .187-.250 (Red F1)
22	122651	1	5 Position Plug Connector .with Pins
23	120656	4	Cord Grip Connector .500-.625 (Brown)
24	122427	2	Caution Label " !"
25	120914	10	1/2" Metal Clad "O" Ring
26	120915	10	1/2" NPT Lock nut
27	120653	2	Cord Grip Connector .250-.375 (White)
28	120654	1	90° Cord Grip Connector .500-.625 (Brown)
29	820728	1	External Wire Pull Box
30	120917	2	3/4" Metal Clad "O" Ring
31	120918	2	3/4" Nut
32	120657	2	45° Cord Grip Connector .625-.750 (Yellow)
33	122664	2	Back Shell .700-.950
34	122663	1	19 Position Plug with Pins
35	820734	1	Cable Annunciator
36	820733	1	Cable to Pendant
37	820736	1	Cable to Main Control Panel
38	820735	1	Male, Burner Section Disconnect Cable
39	820734	1	Annunciator Cable
40	820733	1	Pendant Cable
41	820732	1	Over-Burner RTD Temp. Cable
42	820731	1	Intake RTD Temp. Cable



Illus. No.	Part No.	Qty.	Description
1	331981	1	Mounting Bracket for Pivot Key
2	150510	2	1/4-20 x 3/4" Hex Head Machine Bolt
3	122354	1	Pivoting Key for Door Interlock Switch
4	150109	4	#8/32 x 2 Right Head Machine Screw
5	881256	1	AD-400 Burner Door Switch Harness (Left Hand)
	881255	1	AD-400 Burner Door Switch Harness (Right Hand)
6	121495	1	4" Identification Tie-Wrap
7	120655	1	Cord Grip Connector 1/2" NPT Blue (5 Wire Cable)
8	122353	1	Door Interlock Switch
9	150415	4	10-16 x 1/2" Phillips Crimptite Screw
10	331905	1	Burner Door Bracket
11	152001	4	#8-32 Hex Nut
12	153012	4	#8 Star Washer
13	150106	2	#8-32 x 1" Machine Screw
14	152002	2	1/4-20 Hex Nut
15	153007	2	1/4-20 Split Washer
16	153012	2	#8 Star Washer
17	152001	2	#8-32 Hex Nut



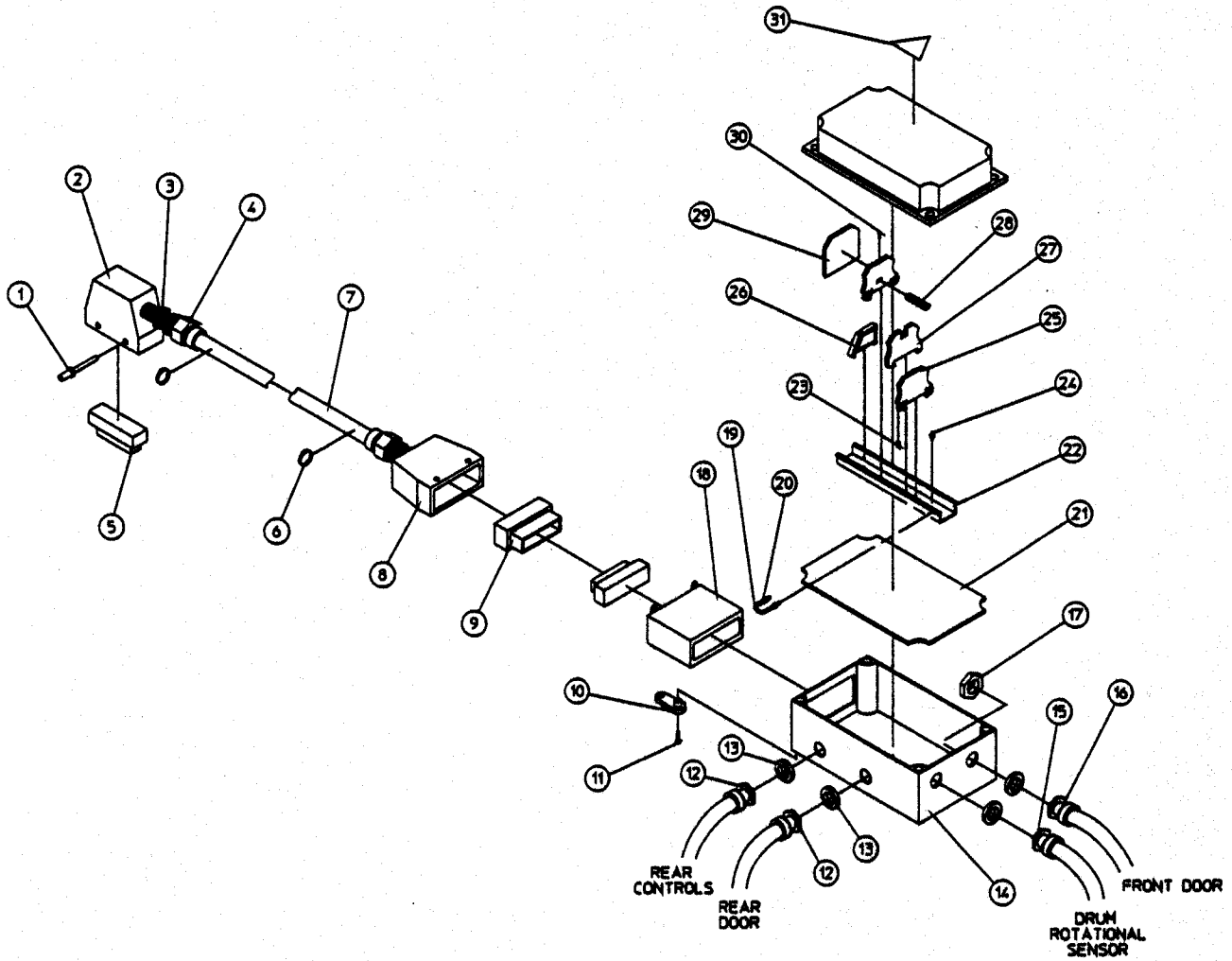
Illus. No.	Part No.	Qty.	Description
1	122736	6	18mm AWG Ferrule (Yellow)
2	121400	2	7/8" Chafe Bushing
3	153525	2	1/4-20 x 1" Clinch Stud
4	121495	2	4" Identification Tie-Wrap
5	133380	170"	3 Conductor Cable 18 AWG 105° C
6	120650	1	1/2" NPT 90° Cord Grip
7	128956	1	Alarm Horn Outdoor Box
8	153007	2	1/4" Split Lock Washer
9	152002	2	1/4-20 Hex Nut
10	128955	1	Alarm Horn 115 VAC



M49257

Illus. No.	Part No.	Qty.	Description
1	134004	2	Keying Pins
2	134001	1	16 Position Lateral Hood
3	134007	2	3/4" Liquid Tight Fitting Adapter
4	120606	2	3/4" Straight Liquid Tight Fitting
5	134005	1	16 Position Male Pin Insert
6	121496	1	7 1/2" Identification Tie Wrap
7	825097	1	Tumbler "J" Box Cable
	120604	19	3/4" Liquid Tight Conduit
8	134000	1	16 Position Hood (straight)
9	134006	1	16 Position Female Pin Insert
10	121117	1	Non-Metallic Foot Kit
11	150300	4	Sheet Metal Screw
12	120656	1	1/2" Cord Grip Connector (brown)
13	825003	1	Harness for Rear Controls
14	820727	1	2 Dr 1 or 2 way Tilt Electrical "J" Box.
	825147	1	1 Dr 1 or 2 way Tilt Electrical "J" Box.
15	120652	1	1/2" Cord Grip Connector (Red)
16	120655	1	1/2" Cord Grip Connector (Blue)
17	120915	4	1/2" NPT Lock Nut
18	134002	1	16 Position Panel Mounting Base
19	132650	6"	18 AWG THIN "Black" (after July 16, 1992)
20	122736	2	Yellow Ferrule (after July 16, 1992)
21	331499	1	Panel
22	120768	1	7 1/4" 35mm x 15mm Mounting Rail
23	120999	4	Black Marking Tag
24	154210	4	5/32" x 3/16" Pop Rivet
25	120750	2	Ground Block
26	120765	2	End Stop
27	170752	*	Disconnect Block
28	120991	1	4-Position Jumper Bar
29	120766	2	End Section
30	120998	4	Jumper Mounting Screw
31	122424	1	Small warning Label
32	120914	3or4	1/2" NPT Clad "O" Ring
33	120655	1	1/2" Cord Grip Connector (Blue Only on Two door machine)
34	120605	2	3/4" 90° Liquid Tite Connector
35	120918	2	3/4" NPT LOCK NUT
36	825002	1	Harness for Rear Door (Only on 2 Door machines)
37	825001	1	Harness for Front Door
38	120758	*	Feed through Terminal Block

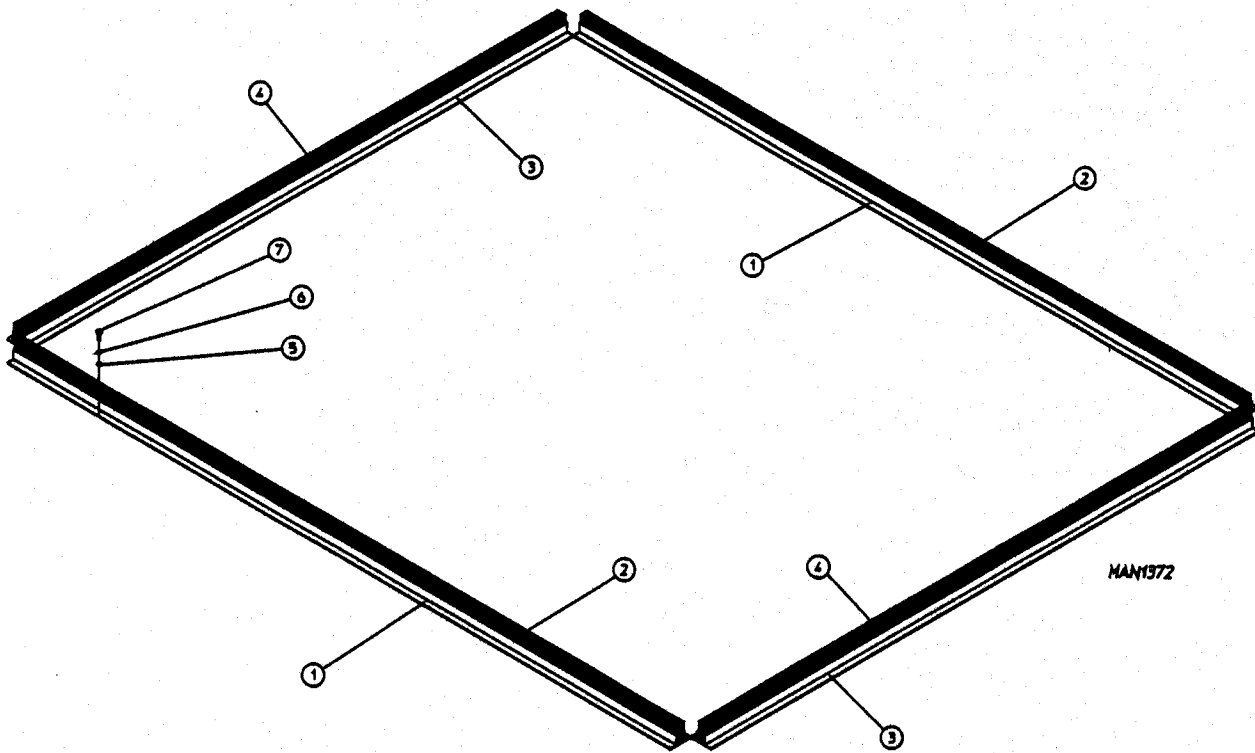
* As Required



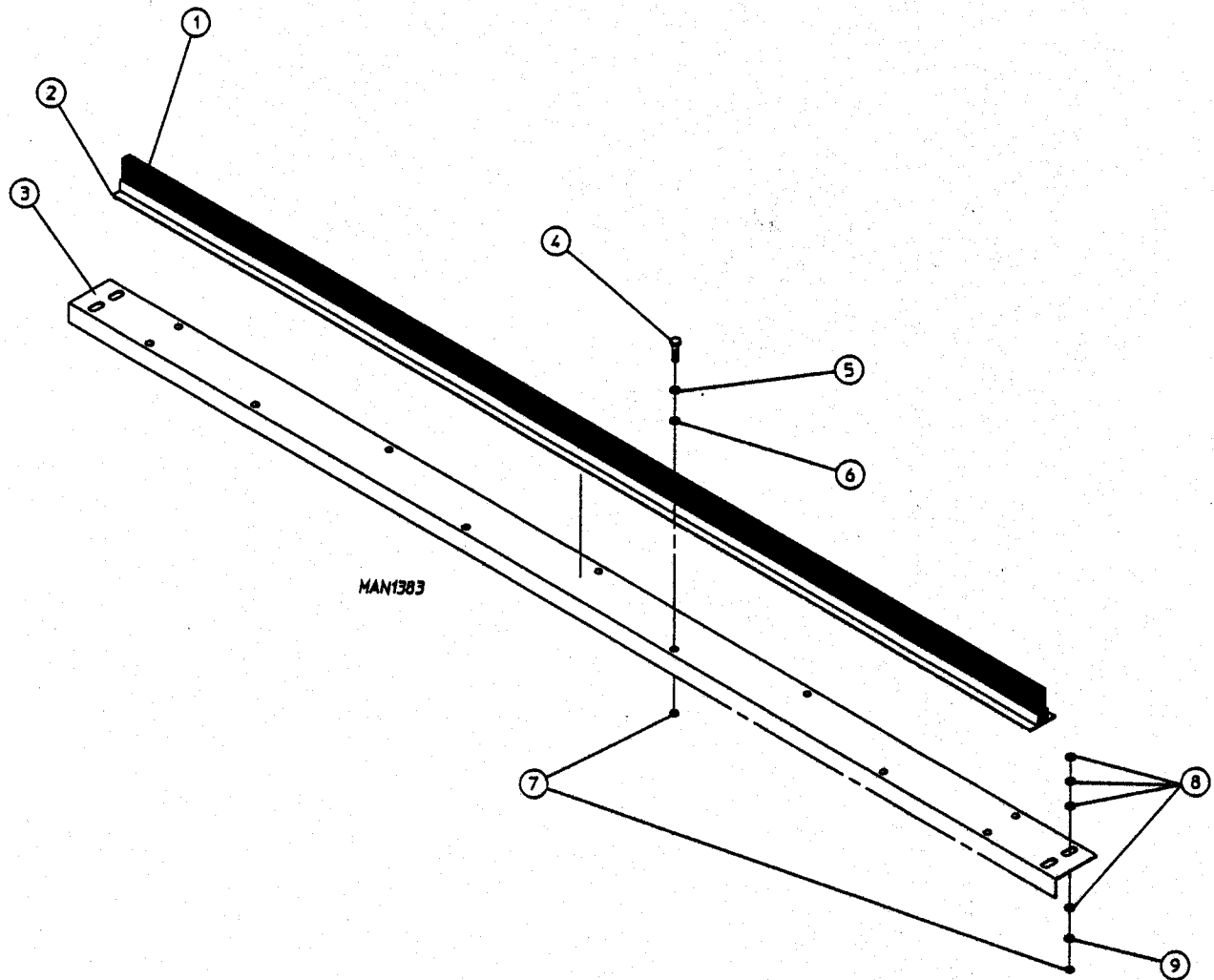
MANG31

Illus. No.	Part No.	Qty.	Description
1	134004	2	Keying Pins
2	134001	1	16 Position Lateral Hood
3	134007	2	3/4" Liquid Tight Fitting Adapter
4	120606	2	3/4" Straight Liquid Tight Fitting
5	134005	1	16 Position Male Pin Insert
6	121496	1	7 1/2" Identification Tie Wrap
7	825076	1	Tumbler "J" Box Cable
	120604	17	3/4" Liquid Tight Conduit
8	134000	1	16 Position Hood (straight)
9	134006	1	16 Position Female Pin Insert
10	121117	1	Non-Metallic Foot Kit
11	150300	4	Sheet Metal Screw
12	120656	1	1/2" Cord Grip Connector (brown)
13	120914	3or4*	1/2" NPT Clad "O" Ring
14	820727	1	2 Dr 1 or 2 way Tilt Electrical "J" Box.
	825147	1	1 Dr 1 or 2 way Tilt Electrical "J" Box.
15	120649	1	1/2" Cord Grip Connector (Green)
16	120655	1	1/2" Cord Grip Connector (Blue)
17	120915	3or4*	1/2" NPT Lock Nut
18	134002	1	16 Position Panel Mounting Base
19	132650	6"	18 AWG THIN "Black" (after July 16, 1992)
20	122736	2	Yellow Ferrule (after July 16, 1992)
21	331499	1	Panel
22	120768	1	7 1/4" 35mm x 15mm Mounting Rail
23	120999	4	Black Marking Tag
24	154210	4	5/32" x 3/16" Pop Rivet
25	120750	2	Ground Block
26	120765	2	End Stop
27	120752	17	Disconnect Block
28	120991	1	4-Position Jumper Bar
29	120766	2	End Section
30	120998	4	Jumper Mounting Screw
31	122424	1	Small warning Label

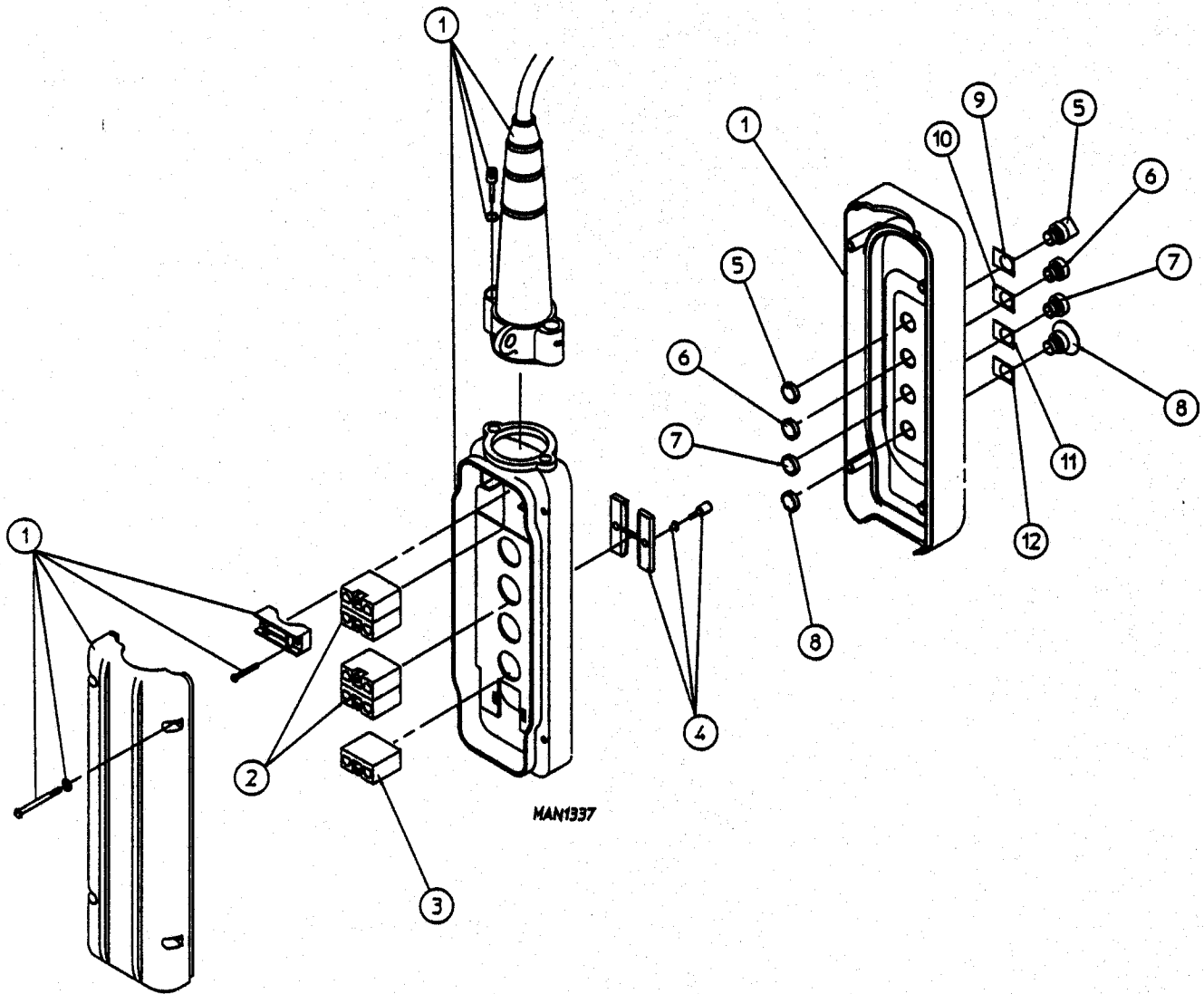
* As Required



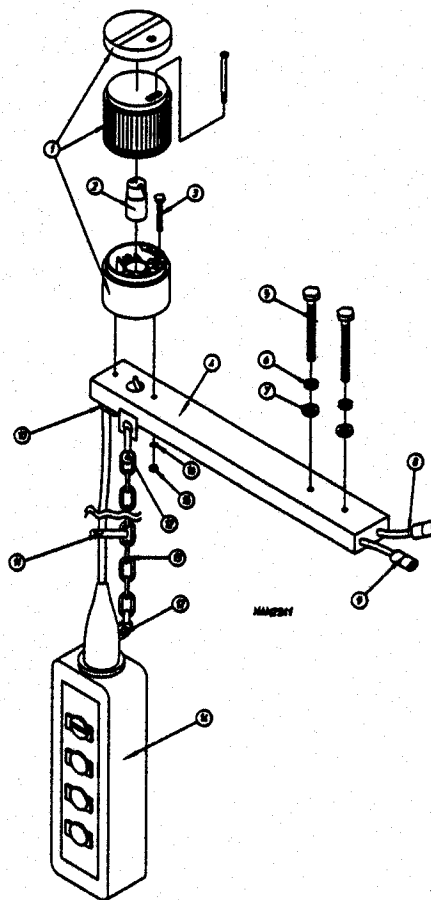
Illus. No.	Part No.	Qty.	Description
1	170188	2	Brush Holder (62 1/2" Long)
2	170189	2	Wire Brush (62 1/2" Long x 1 7/8" High)
3	170184	2	Brush Holder (62 1/2" Long)
4	170185	2	Wire Brush (51 7/16" Long)
5	153018	52	1/4" Flat Washer
6	153007	52	1/4" Lock Washer
7	150510	52	1/4-20 x 3/4" Bolt



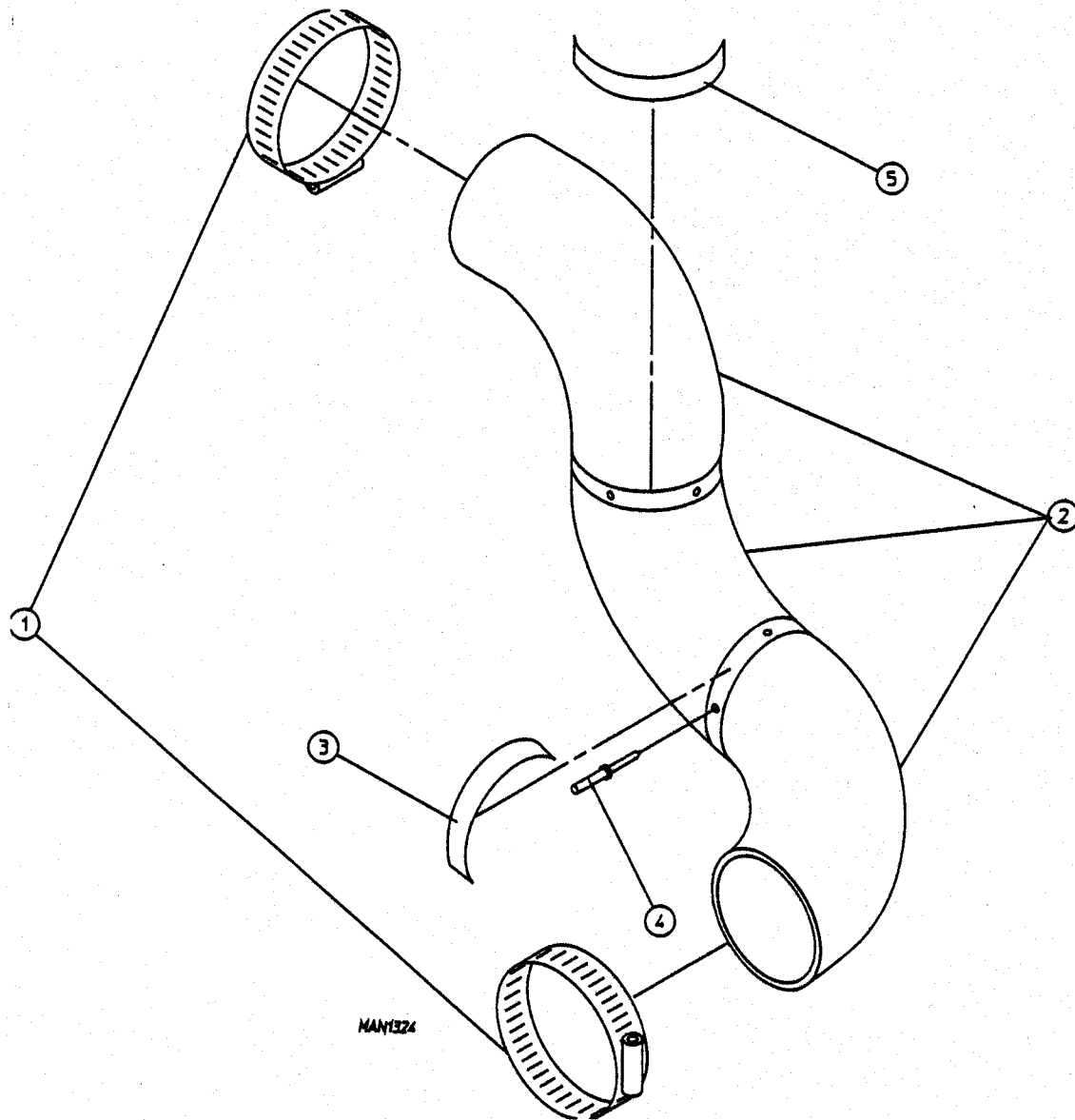
Illus. No.	Part No.	Qty.	Description
1	170187	1	Wire Brush (54 3/4" Long)
2	170186	1	Aluminum Holder (54 3/4" Long)
3	331622	1	Tumbler Brush Mounting Bracket
4	150510	11	1/4-20 x 3/4" Hex Head Machine Screw
5	153007	15	1/4" Lock Washer
6	153018	27	1/4" Flat Washer
7	152002	15	1/4-20 Hex Nut
8	153018	27	1/4" Flat Washer



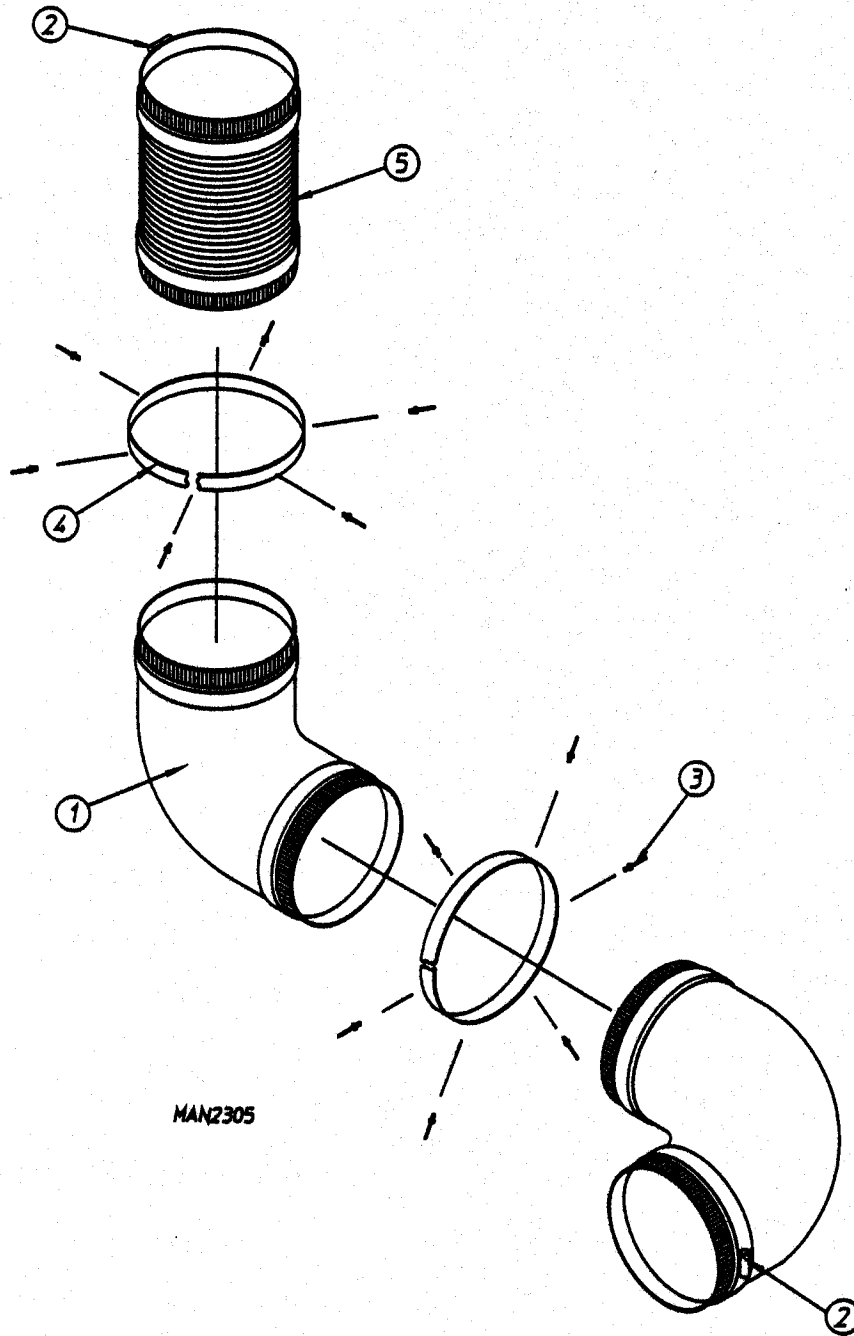
Illus. No.	Part No.	Qty.	Description
1	121149	1	4 Hole Pendant Enclosure
	820711	1	Complete Pendant Assembly (Includes Items 1 through 12)
2	132386	4	Normally Open Contact Block
3	132387	1	Normally Closed Contact Block
4	132385	1	Mechanical Interlock
5	122350	1	3-Position Selector Switch
6	123205	1	White Booted Push-Button
7	123206	1	Black Booted Push-Button
8	122352	1	Small E-Stop Twist Lock Switch
9	122418	1	Special Name Plate "Load-Level"
10	122416	1	Standard Name Plate "Reverse"
11	122415	1	Standard Name Plate "Forward"
12	122417	1	Special Name Plate "E-Stop"



Illus. No.	Part No.	Qty.	Description
1	123222	1	Lens Unit, Orange
	820722	1	Pendant/Annunciator Assembly (Includes Items 1 through 3, 5 through 7, and 10 through 13)
2	123219	1	110 VAC Replacement Lamp
3	150103	2	8-32 x 3/4" Machine Screw
4	820545	1	Mounting Arm and Control Weldment
5	150526	2	1/4 - 20 x 3" Long Bolt
6	153007	2	1/4" Split Lock Washer
7	153018	2	1/4" Flat Washer
8	847313	1	Annunciator Cable
9	847319	1	Pendant Cable
10	121400	1	7/8" Bushing
11	121508	6	Black Tie - Wrap
12	108126	2	Anchor Shackle with Pin
13	108125	1	6 Foot Chain
14	820711	1	Pendant Assembly
15	152001	2	#8-32 Hex Nut
16	153012	2	#8 Star Washer



Illus. No.	Part No.	Qty.	Description
1	143518	2	6" Diameter Hose Clamp
2	143544	2	6" Diameter 90° Elbow
3	117505	3'	Aluminum Heat Reclaimer Tape
4	154200	12	5/32" Pop Rivet
5	117505	3'	Aluminum Heater Reclaimer Tape



Illus. No.	Part No.	Qty.	Description
1	143544	2	6" Diameter 90° Elbow
2	143518	2	Hose Clamp
3	154200	12	Pop Rivet
4	117505	3	Aluminum Duct Tape
5	143519	1	Flex Duct 6" Diameter

ADC450118 1- 11/20/96-50 2- 01/29/98-25

