

AD-230 Parts Manual 24 Vac

American Dryer Corporation
88 Currant Road
Fall River, MA 02720-4781
Telephone: (508) 678-9010 / Cable: AMDRY / Fax: (508) 678-9447

051093

ADC Part No. 450128

Retain This Manual In A Safe Place For Future Reference

American Dryer Corporation products embody advanced concepts in engineering, design, and safety. If this product is properly maintained, it will provide many years of safe, efficient, and trouble-free operation.

ONLY properly licensed technicians should service this equipment.

Observe all safety precautions displayed on the equipment or specified in the installation/ operator's manual included with the dryer.

Under **NO circumstances should the dryer door switch or the heat circuit devices ever be disabled.**

We have tried to make this manual as complete as possible and hope you will find it useful. ADC reserves the right to make changes from time to time, without notice or obligation, in prices, specifications, colors, and materials and to change or discontinue models.

Important

For your convenience, log the following information:

DATE OF PURCHASE _____ MODEL NO. _____

DISTRIBUTOR'S NAME _____

Serial No.(s) _____

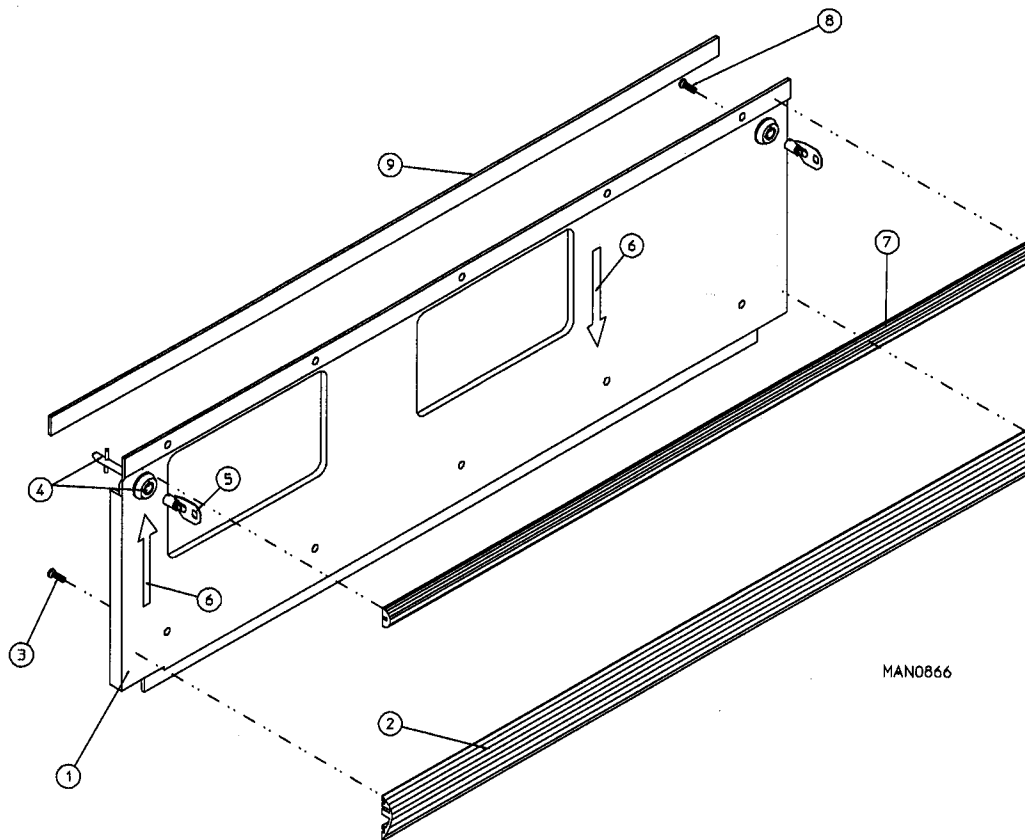
Replacement parts can be ordered from your distributor or the ADC factory. When ordering replacement parts from the factory, you can fax your order to ADC at (508) 678-9447 or telephone your orders directly to the ADC Parts Department at (508) 678-9010. Please specify the dryer **model number** and **serial number** in addition to the **description** and **part number**, so that your order is processed accurately and promptly.

The illustrations on the following pages may not depict your particular dryer exactly. The illustrations are a composite of the various dryer models. Be sure to check the descriptions of the parts thoroughly before ordering.

INSTRUCTIONS TO BE FOLLOWED IN THE EVENT THE
USER SMELLS GAS MUST BE POSTED IN A PROMINENT
LOCATION. THE INSTRUCTIONS TO BE POSTED SHALL BE
OBTAINED FROM THE LOCAL GAS SUPPLIER.

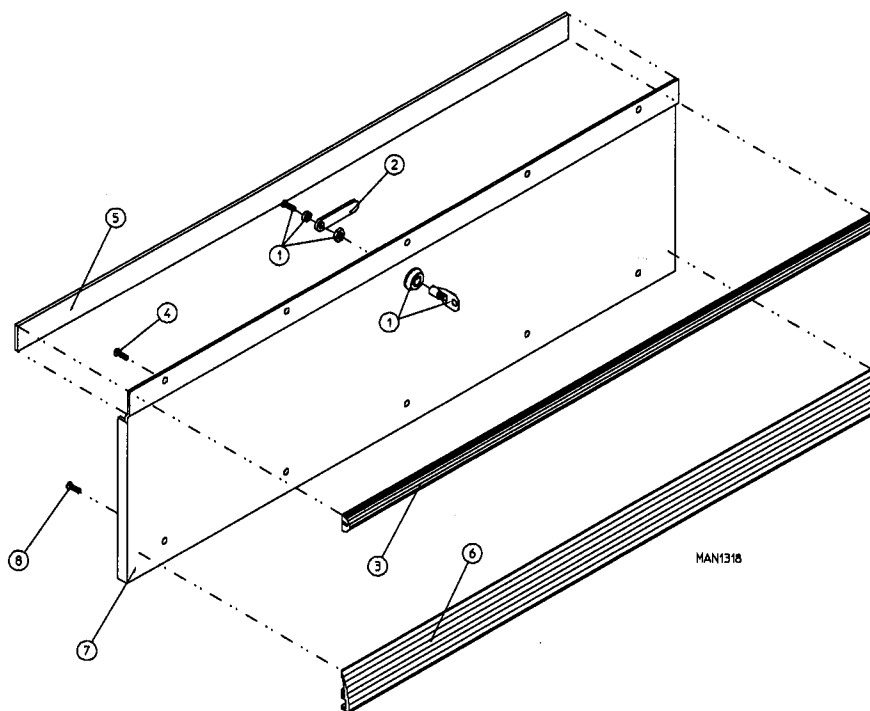
Table Of Contents

AD-230 Control Door Assembly	2
AD-230 Lower Service Door Assembly	3
AD-230 Microprocessor Control Panel/Box Assemblies (Coin Models Only)	4, 5
AD-230 Microprocessor Control Panel/Box Assemblies (Non-Coin Models Only)	6, 7
AD-230 Upper Front Panel Assembly	8
AD-230 Upper Lint Screen Assembly	9
Upper Main Door Assembly	10
Upper Main Door Switch Assembly	11
AD-230 Upper Basket (Tumbler) / Support Assembly	12
AD-230 Upper Temperature Sensor Bracket Assembly	13
Upper Tumbler Bearing Assembly	14, 15
Upper Idler Bearing Assembly	16, 17
AD-230 Upper Totally Enclosed, Fan-Cooled Motor Mount Assembly	18, 19
ADG-230 Upper DSI Gas Valve / Burner Assembly	20, 21
ADG-230 Upper Gas Burner Chamber	22
AD-230 3-Phase Motor, Electrical Relay Panel Assembly	23
Upper Sail Switch Assembly	24
ADG-230 Gas Piping Assembly	25
AD-230 Exhaust Ducting Assembly	26
AD-230 Back Guard Assembly	27
Microprocessor Coin Acceptor Listing	28
Additional Parts Available	29



Illus. No.	Part No.	Qty.	Description
1	880136*	1	AD-230 Control Door Assembly Complete Less Locks (includes illus. nos. 1, 2, 3, and 6 through 9)
	880135	1	AD-230 Stainless Steel Control Door Assembly Complete Less Locks (includes illus. nos. 1, 2, 3, and 6 through 9)
	850432*	1	AD-230 Control Door Only
	850416	1	AD-230 Stainless Steel Control Door Only
2	180213	1	Lower Trim Strip (28-3/8" length)
3	150201	5	#10-32 x 1/4" Phillips Round Head Machine Screw
4	160040	2	ACE® Lock Assembly Only without Key
5	160140	2	ACE® Key Only (key no. XX4451)
6	112077	2	"Arrow" Label
7	180205	1	Upper Trim Strip (28-3/8" length)
8	150201	5	#10-32 x 1/4" Phillips Round Head Machine Screw
9	117600	3	Noise Suppressor Tape (sold in feet)

* Specify Color When Ordering.

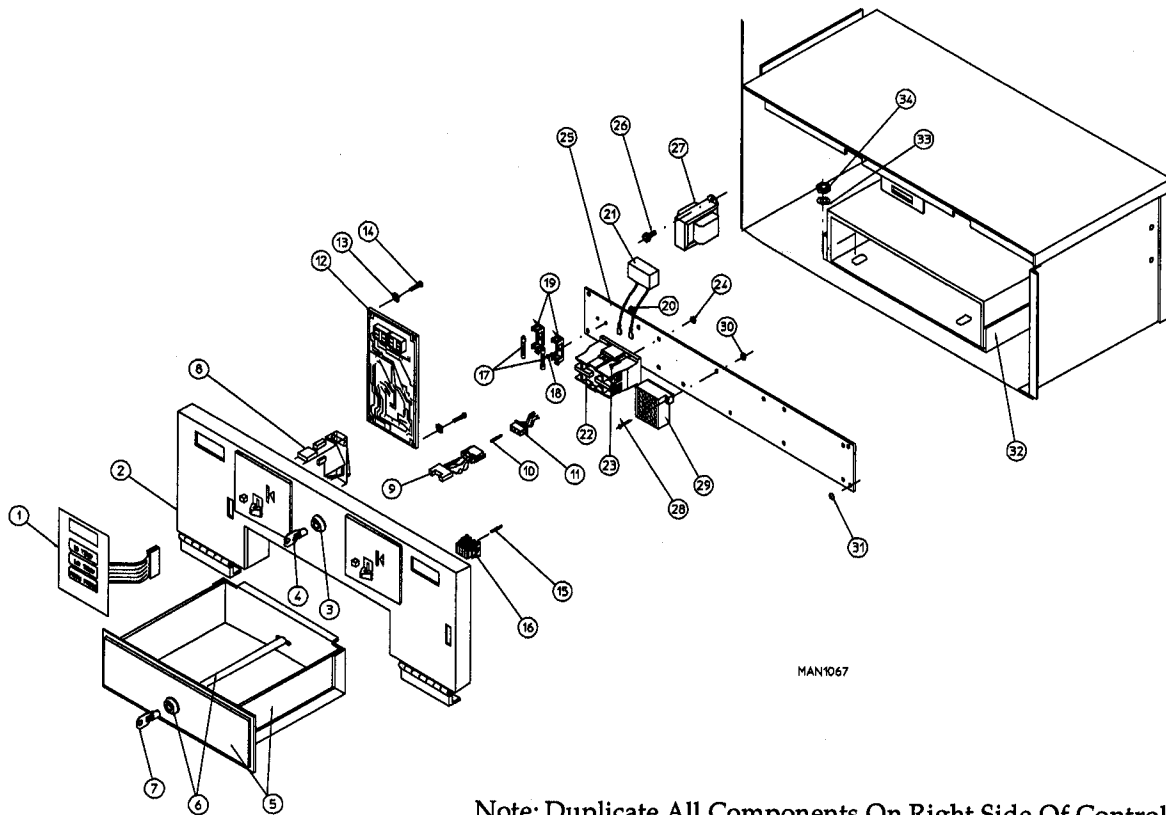


Illus. No.	Part No.	Qty.	Description
1	160038	1	ACE [®] Lock Assembly Only without Key
	160140*	1	ACE [®] Key Only (key no. XX4451)
2	160034*	1	1-3/8" Lock Cam Only
3	180205	1	Upper Trim Strip (28-3/8" length)
4	150201	5	#10-32 x 1/4" Phillips Round Head Machine Screw
5	117600	3	Noise Suppressor Tape (sold in feet)
6	180213	1	Lower Trim Strip (28-3/8" length)
7	880138**	1	AD-230 Lower Service Door Assembly Complete Less Lock (includes illus. nos. 3 through 8)
	880137	1	AD-230 Stainless Steel Lower Service Door Assembly Complete Less Lock (includes illus. nos. 3 through 8)
	850609**	1	AD-230 Lower Service Door Only
	850637	1	AD-230 Stainless Steel Lower Service Door Only
8	150201	5	#10-32 x 1/4" Phillips Round Head Machine Screw

* Parts must be purchased separately.

** Specify color when ordering.

For Coin Models Only



Note: Duplicate All Components On Right Side Of Control Box

Illus. No.	Part No.	Qty.	Description
1	112526	1	Coin Keyboard Label Assembly
2	801201	1	AD-230 Phase 5 Microprocessor Coin Control Panel Assembly (includes illus. nos. 1, 2, 12, 13, and 14 only)
	801251	1	AD-230 Phase 5 Microprocessor Coin Control Panel Only
3	160041	1	ACE [®] Lock Assembly Only without Key
4	160141	1	ACE [®] Key Only (key no. XX4469)
5	802142	1	AD-230 Standard Coin Box Assembly Complete (includes illus. nos. 5 through 7)
	802143	1	AD-230 High-Security Coin Box Assembly Complete (includes illus. nos. 5 through 7)
	802021	1	AD-230 Standard Coin Box Only
	802144	1	AD-230 High Security Coin Box Only
6*	160042	1	ACE [®] Standard Coin Box Lock Assembly Only with Key
	160043	1	ACE [®] High-Security Coin Box Lock Assembly Only with Key
7*	160136	1	Key Only (for standard coin box lock)
	160135	1	Key Only (for high-security coin box lock)

For Coin Models Only

Illus. No.	Part No.	Qty.	Description
8	-----	1	Microprocessor Coin Acceptor with Optical Switch (refer to Microprocessor Coin Acceptor Listing on page 28)
9	137056****	1	Optic Switch Only
10	137021****	3	Microprocessor Socket Only
11	137023****	1	Optical Switch Connector Only
	880772	1	Single Coin Optical Switch Harness Only
	824080	1	Dual Coin Optical Switch Harness Only
12	137213	1	Phase 5 Coin Controller Only
	824998	1	Phase 5 Battery Clip
13	153010	2	#6 Star Washer
14	150005	2	#6-32 x 1/4" Phillips Round Head Machine Screw
15	122706	**	Microprocessor Socket Only
16	122641	1	15-Pin Microprocessor Connector Only
	122800	1	Microprocessor (female) Pin Extraction Tool
17	136057	1 or 2	1/2-Amp (Slo-Blo) Fuse
18	150002	1 or 2	#6-32 x 1" Round Head Machine Screw
19	136008	1 or 2	3-position Fuse Block
20	151000	1 or 2	#6-32 Pal Nut
21	824828	1	RC Network with Connectors
22	132451	1	2-Pole Contactor
23	150103	2	#8-32 x 3/4" Round Head Machine Screw
24	151001	2	#8-32 Pal Nut
25	824435	1	AD-230 Control Box Panel Assembly Complete (Gas Models Only) (includes illus. nos. 19 through 22, 25, 26, and 27)
	824436	1	AD-230 Control Box Panel Assembly Complete (Electric Models Only) (includes illus. nos. 19 through 22, 25, 26, and 27)
26	150300	2	#10 x 1/2" Hex Washer TEK Screw
27	141403	1	24VAC Transformer (60Hz models)
	132023	1	24VAC Transformer (50Hz models)
28	150002	2	#6-32 x 1" Slotted Round Head Screw
29	120715	1	30-Position Terminal Block
30	151000	2	#6-32 Pal Nut
31	151001	6	#8-32 Hex Nut
32	802140	1	AD-230 Standard Coin Vault Only
	802141	1	AD-230 High-Security Coin Vault Only
33	153018***	4	1/4" Flat Washer
34	152104	4	1/4-20 Free Spin Wash Nut
	152002***	4	1/4-20 Hex Nut

IMPORTANT: Check label on computer chip to verify correct part number for controller.

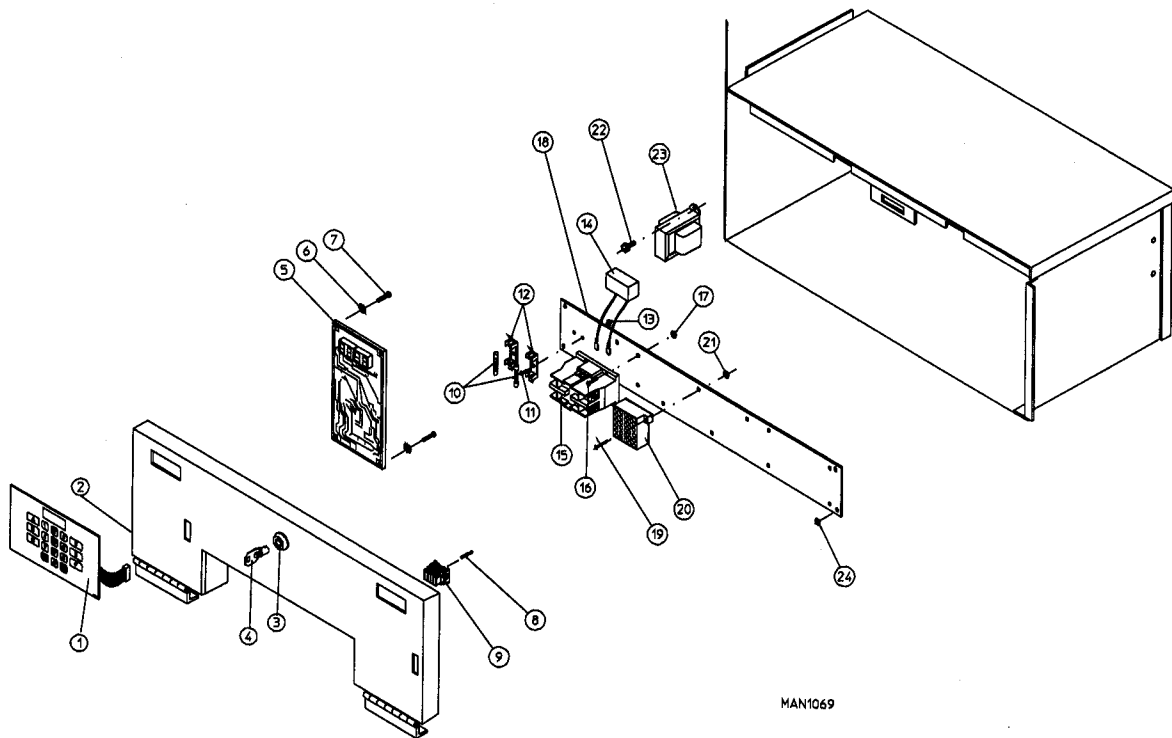
* Specify key number when ordering.

** Qty. as required.

*** For use on high-security coin vault only.

**** For dual coin, double the quantity.

For Non-Coin Models Only



Note: Duplicate All Components On Right Side Of Control Box

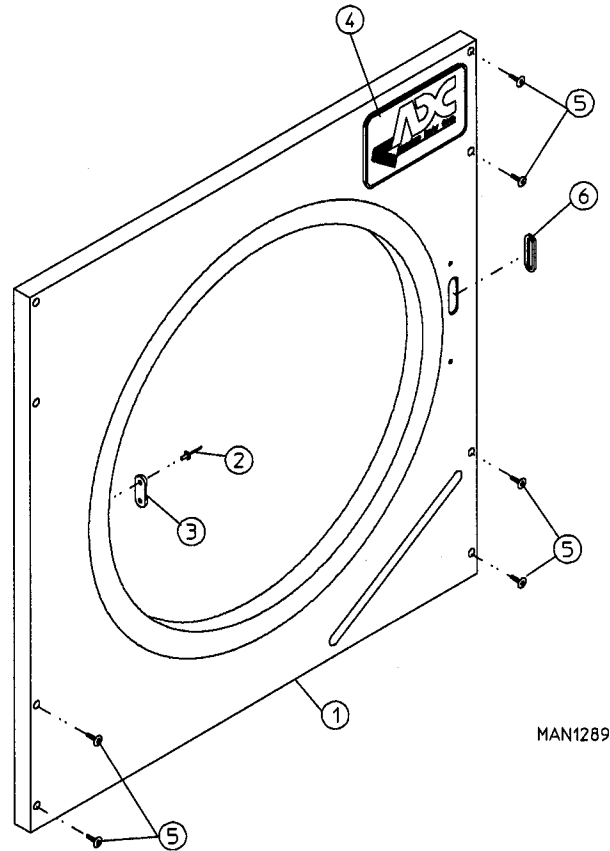
For Non-Coin Models Only

Illus. No.	Part No	Qty.	Description
1	112535	1	OPL English Keyboard Label Assembly
2	824444	1	AD-230 Phase 5 OPL Microprocessor Control Panel Assembly (includes illus. nos. 1, 2, 5, 6, and 7)
3	160041	1	ACE [®] Lock Assembly Only without Key (for control panel assembly)
4	160141	1	ACE [®] Key Only (key no. XX4469)
5	137222	1	Phase 5 OPL Controller
	824998	1	Phase 5 Battery Clip
6	153010	2	#6 Star Washer
7	150005	2	#6-32 x 1/4" Phillips Round Head Machine Screw
8	122706	*	Microprocessor Socket
9	122641	1	15-Pin Microprocessor Connector Only
10	136057	1 or 2	1/2-Amp (Slo-Blo) Fuse
11	150002	1 or 2	#6-32 x 1" Round Head Machine Screw
12	136008	1 or 2	3-Position Fuse Block
13	151000	1 or 2	#6-32 Pal Nut
14	824828	1	RC Network with Connectors
15	132451	1	2-Pole Contactor
16	150103	2	#8-32 x 3/4" Round Head Machine Screw
17	151001	2	#8-32 Pal Nut
18	824435	1	AD-230 Control Box Panel Assembly Complete (Gas Models Only) (includes illus. nos. 10 through 21)
	824436	1	AD-230 Control Box Panel Assembly Complete (Electric Models Only) (includes illus. nos. 10 through 21)
19	150002	2	#6-32 x 1" Slotted Round Head Screw
20	120715	1	30-Position Terminal Block
21	151000	2	#6-32 Pal Nut
22	150300	2	#10 x 1/2" Hex Washer TEK Screw
23	141403	1	24VAC Transformer (60Hz models)
	132023	1	24VAC Transformer (50Hz models)
24	151001	6	#8-32 Hex Nut

IMPORTANT: Check label on computer chip to verify correct part number for controller.

* Quantity as Required.

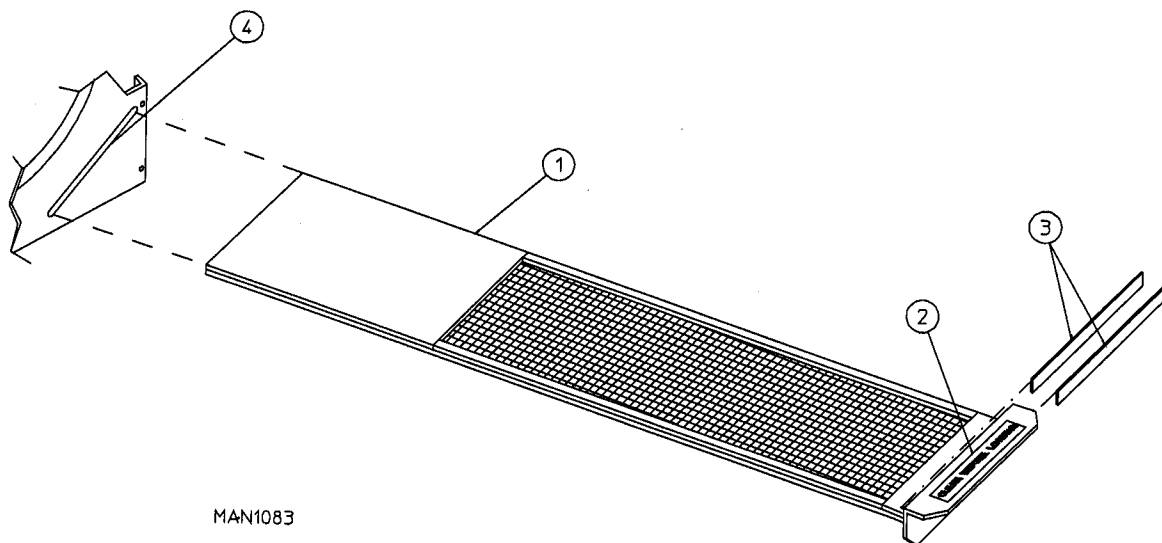
Note: Duplicate All Components Except Logo For Lower Front Panel Assembly



Illus. No.	Part No.	Qty.	Description
1	800680*	1	AD-230 Front Panel Assembly Complete with Hinge (includes illus. nos. 1 through 4)
	800681	1	AD-230 Stainless Steel Front Panel Assembly Complete with Hinge (includes illus. nos. 1 through 4)
2	154215	2	5/32" Pop Rivet
3	170330	1	Friction Door Latch
4	112350	1	ADC Logo Only (for upper panel assembly only)
	870011	1	Logo Double Tape Kit
5	150415	8	#10-16 x 1/2" Phillips Round Head Crimptite Screw
6	121405	1	Rubber Grommet

* Specify color when ordering.

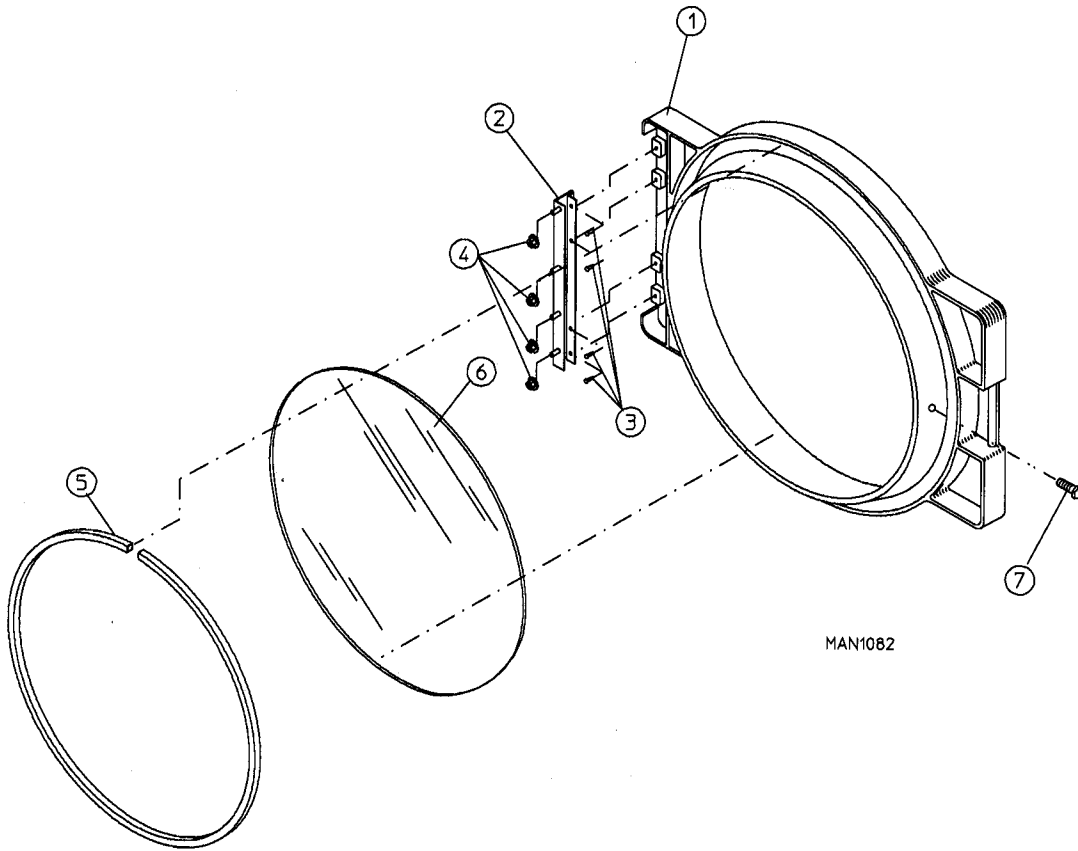
Note: Duplicate All Components For Lower Lint Screen Assembly



Illus. No.	Part No.	Qty.	Description
1	800416*	1	AD-230 Lint Screen Assembly Complete (includes illus. nos. 1 through 3)
	800430	1	AD-230 Stainless Steel Lint Screen Assembly Complete (includes illus. nos. 1 through 3)
2	112078	1	"Clean Before Loading" Decal
3	117600	2	Noise Suppressor Tape (sold in feet)
4	-----	1	Front Panel (refer to Upper Front Panel Assembly)
—	880660	1	AD-230 Lint Track Cleaning Tool

* Specify Color When Ordering.

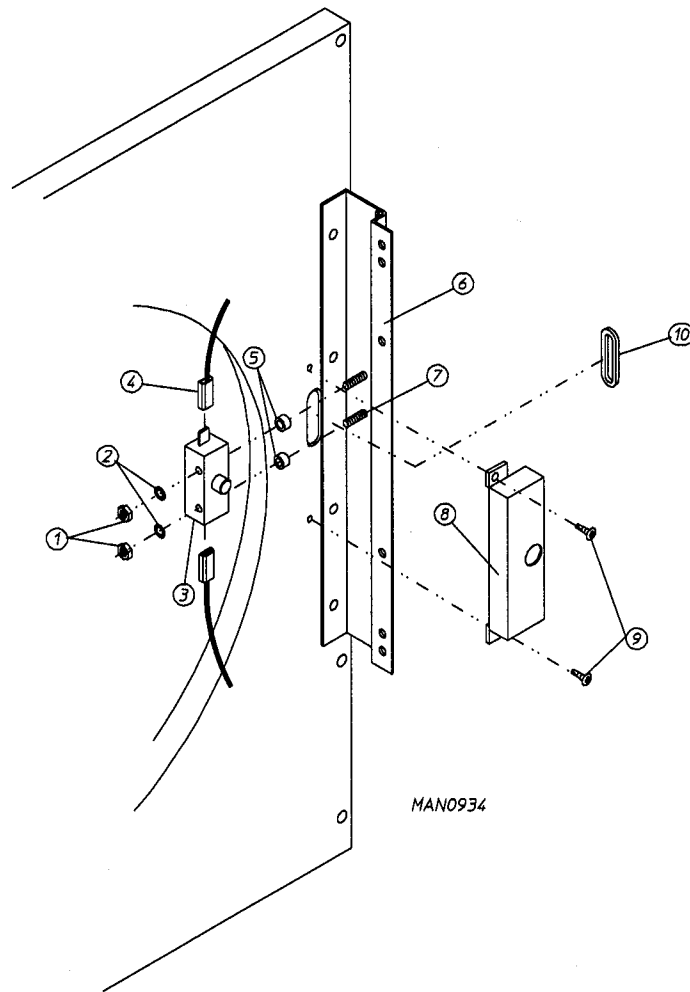
Note: Duplicate All Components For Lower Main Door Assembly



Illus. No.	Part No.	Qty.	Description
1*	800285	1	Gray Main Door Assembly (latch-type) Complete (includes illus. nos. 1 and 5, 6, and 7)
2	800448	1	12-1/2" Stainless Steel Main Door Hinge
3	150410	4	#10-24 x 3/8" Phillips Pan Head Taptite Screw
4	152014	4	1/4-20 Free Spin Wash Nut
5	102353	1	69 1/2" Main Door Gasket
	170730	1	Main Door Gasket Adhesive (10.3 oz. cartridge)
6	102210	1	20-7/16" Door Glass
	170730	1	Main Door Glass Adhesive (10.3 oz. cartridge)
7	150431	1	Main Door Latch Screw (#10 x 7/16" dome head screw)

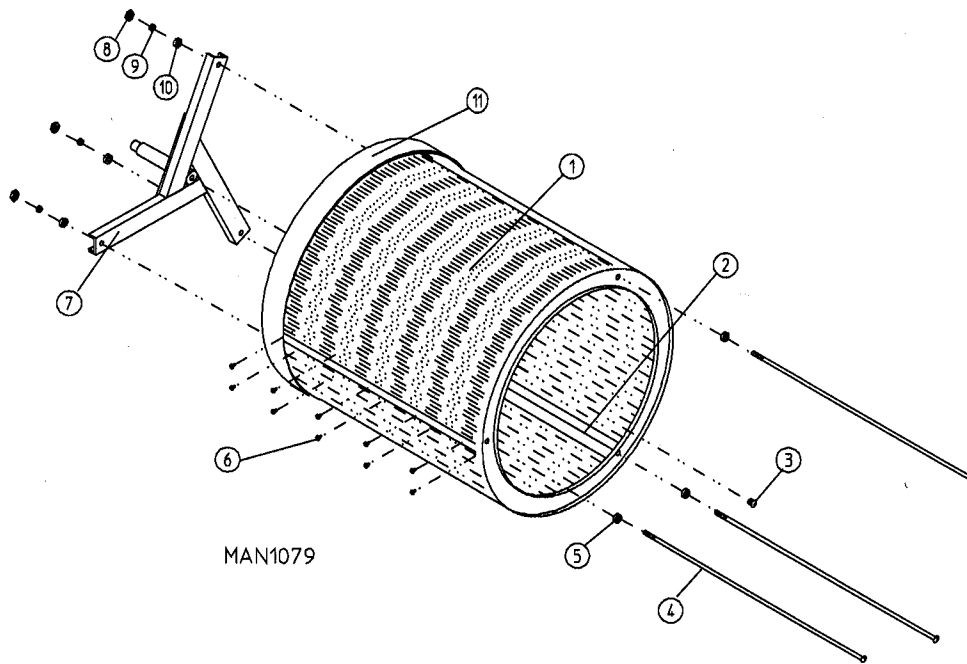
* Contact factory for colors other than gray.

Note: Duplicate All Components For Lower Main Door Switch Assembly



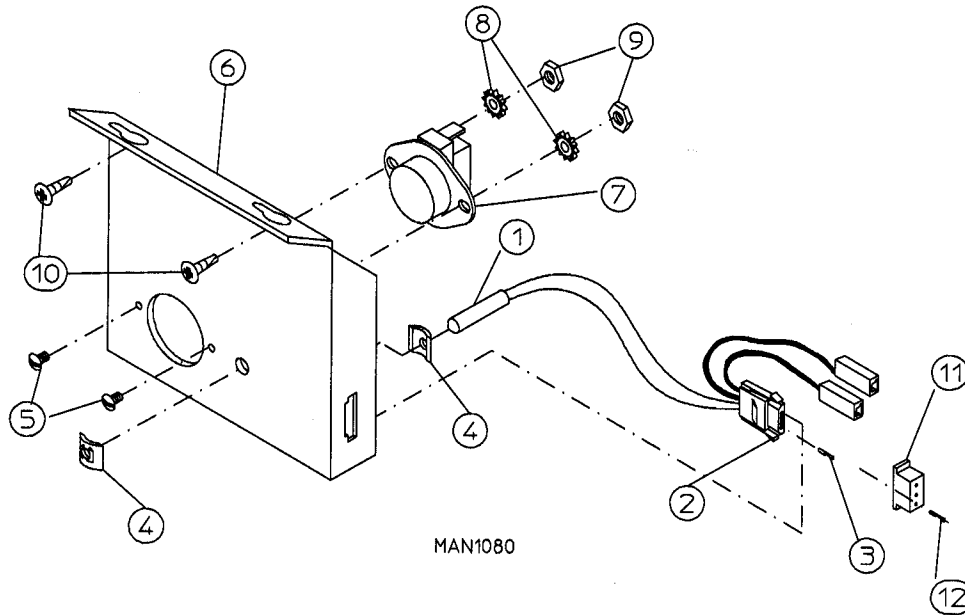
Illus. No.	Part No.	Qty.	Description
1	152012	2	#6-32 Hex Nut
2	153008	2	#6 Split Lock Washer
3	137005	1	Single Pole Door Switch
4	121028	2	Insulated Female Terminal
5	154281	2	3/8" Standard Nylon Spacer
6	800448	1	12 1/2" Stainless Steel Main Door Hinge (includes illus. nos. 6 and 7)
7	153565	2	#6 Stud
8	313218	1	Main Door Switch Housing
9	150201	2	#10-32 x 1/4" Phillips Pan Head Screw
10	121405	1	Rubber Grommet

Note: Duplicate All Components For Lower Basket (Tumbler)/Support Assembly



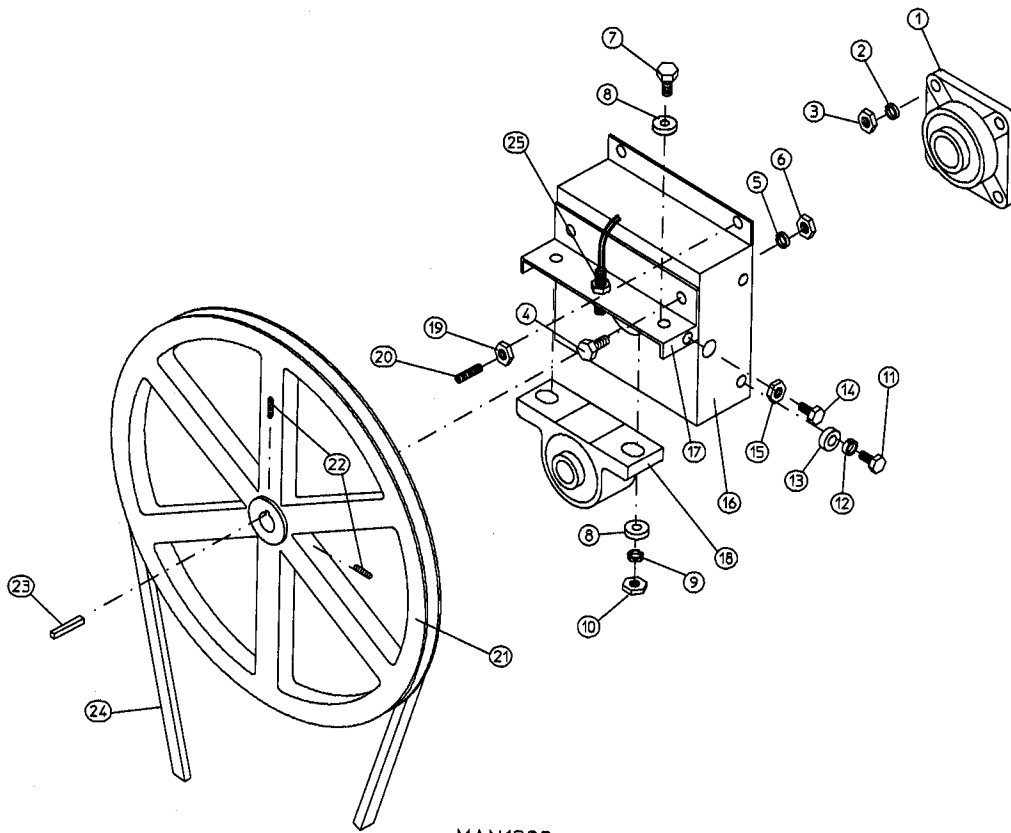
Illus. No.	Part No.	Qty.	Description
1	800831	1	AD-230 (Tapered Rib) Basket and Support Assembly Complete with Felt Collar (includes illus. nos. 1 through 11)
	800891	1	AD-230 Stainless Steel (Tapered Rib) Basket and Support Assembly Complete with Felt Collar (includes illus. nos. 1 through 11)
	800721	1	AD-230 (Tapered Rib) Basket Only without Felt Collar (includes illus. nos. 1, 2, and 6 only)
	800841	1	AD-230 Stainless Steel (Tapered Rib) Basket without Felt Collar (includes illus. nos. 1, 2, and 6 only)
2	301315	2	AD-230 Short Basket Rib Only
	301316	1	AD-230 Tall Basket Rib Only
	301414	2	AD-230 Stainless Steel Short Basket Rib Only
	301415	1	AD-230 Stainless Steel Tall Basket Rib Only
3	150518	1	#5/16-18 x 3/8" Socket Button Head Screw
4	100902	3	#5/16-18 x 31" Tie Rod
5	153001	3	5/16" Flat Washer
6	154210	30	5/32" x 3/16" Pop Rivet
7	800617	1	AD-230 Basket (Tumbler) Support Only
8	152004	3	#5/16-18 Hex Nut
9	153002	3	5/16" Lock Washer
10	153001	3	5/16" Flat Washer
11	116003	1	Felt Collar Only
---	401010	1	#847 Adhesive for Felt Collar (5 oz. tube)

Note: Duplicate All Components For Lower Temperature Sensor Bracket Assembly



Illus. No.	Part No.	Qty.	Description
1	880251	1	1/4" Temperature Sensor Probe Assembly (includes illus. nos. 1 through 4)
2	122605	1	4-Pin Socket Connector Only
3	122701	4	Socket Terminal Only
4	154007	2	1/4" Tinnerman Push-On Fastener
5	150000	2	#6-32 x 1/4" Round Head Machine Screw
6	801428	1	AD-230 Temperature Sensor Bracket Assembly Complete (includes illus. nos. 1 through 9)
	305107	1	Temperature Sensor Bracket Only
7	130103	1	225° Large Automatic Reset Thermostat
8	153010	2	#6 Star Washer
9	152000	2	#6-32 Hex Nut
10	150301	2	#8-18 x 7/16" Phillips Pan Head TEK Screw
11	122604	1	4-Pin Connector Only
12	122700	4	Pin Terminal Only
---	122801	1	Pin/Socket Extraction Tool

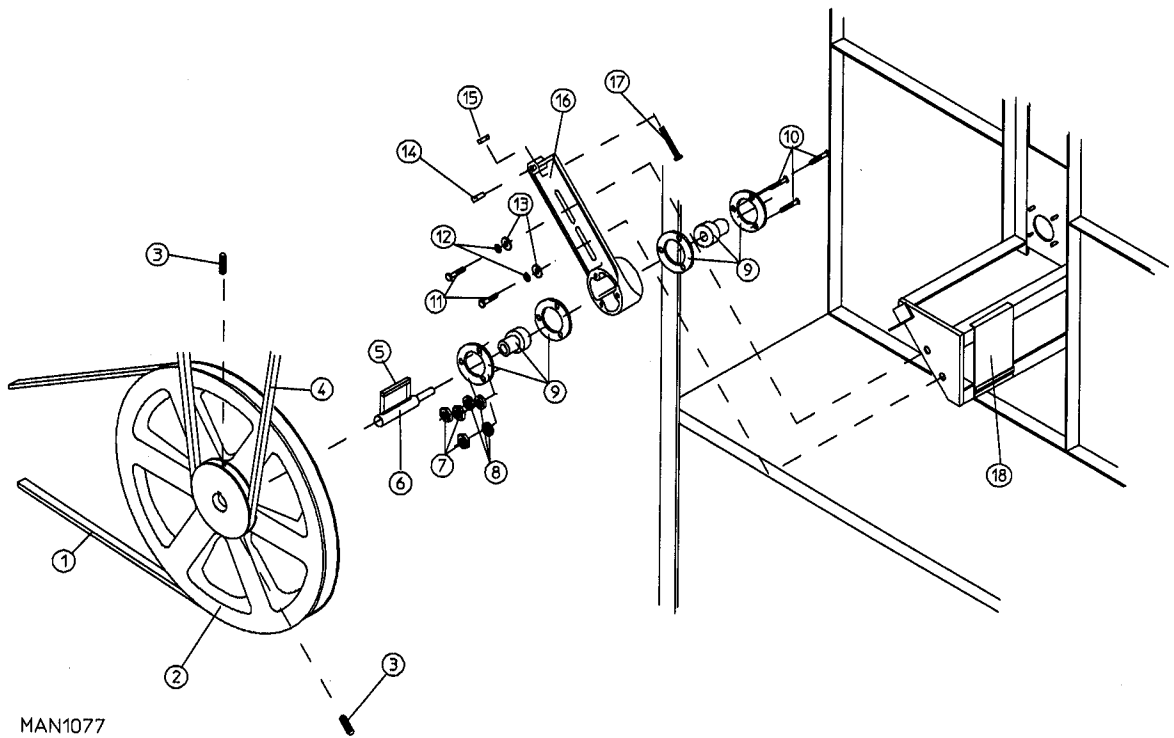
Note: Duplicate All Components For Lower Tumbler Bearing Assembly



MAN1299

Illus. No.	Part No.	Qty.	Description
1	100203	1	1-3/8" Flange Bearing
2	153005	4	3/8" Lock Washer
3	152005	4	#3/8-16 Hex Nut
4	150508	2	#3/8-16 x 3/4" Hex Head Machine Bolt
5	153005	2	3/8" Lock Washer
6	152005	2	#3/8-16 Hex Nut
7	150600	2	#3/8-16 x 1-1/2" Hex Head Machine Bolt
8	153004	2	3/8" Flat Washer
9	153005	2	3/8" Lock Washer
10	152005	2	#3/8-16 Hex Nut
11	150501	4	#5/16-18 x 3/4" Hex Head Machine Bolt
12	153002	4	5/16" Lock Washer
13	153001	4	5/16" Flat Washer
14	150621	2	#5/16-18 x 1-1/2" Hex Head Machine Bolt
15	152004	2	#5/16-18 Hex Nut
16	801101	1	1 3/8" Bearing Box Assembly Complete (for models without rotational sensor) (includes illus. nos. 4 through 20)
	801103	1	1 3/8" Bearing Box and Support Only (includes illus. nos. 9, 10, 13, 14, and 15)
	801105	1	1-3/8" Bearing Box Only
17	801104	1	Pillow Block Bearing Support Only
18	880779	1	1 3/8" Pillow Block Bearing Assembly with Magnet (for models with rotational sensor)
	100202	1	1 3/8" Pillow Block Bearing
19	152004	2	#5/16-18 Hex Nut
20	150610	2	#5/16-18 x 1-1/2" Allen Set Screw
21	101100	1	18" Pulley
22	154301	2	#5/16-18 x 5/16" Allen Set Screw
23	100713	1	1/4" x 1/4" x 7/8" Key
24	100100	1	5L660 "V" Belt (to idler assembly)
25	824807	1	Rotational Sensor Assembly

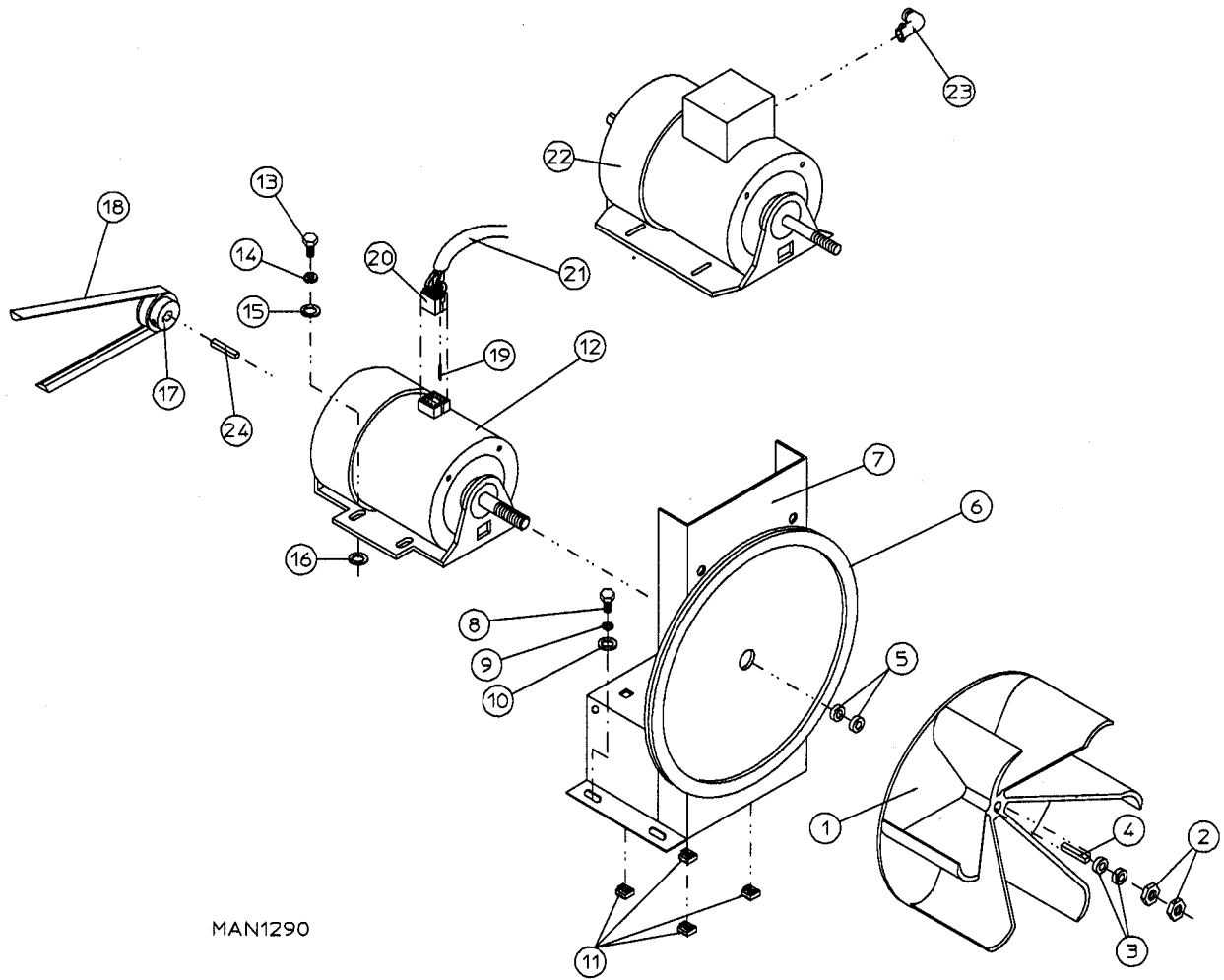
Note: Duplicate All Components For Lower Idler Bearing Assembly



MAN1077

Illus. No.	Part No.	Qty.	Description
1	100113	1	4L400 "V" Belt (to motor pulley) (for 60 Hz models ONLY)
	100115	1	4L410 "V" Belt (to motor pulley) (for 50 Hz models ONLY)
2	101129	1	9" x 2-1/2", 3/16" Key, Pulley
3	154301	2	5/16-18 x 5/16" Allen Set Screw
4	100100	1	5L660 "V" Belt (to tumbler pulley)
5	100705	1	3/16" x 3/16" x 1-3/8" Key
6	301850	1	5/8" x 3/4" Idler Shaft
7	152002	3	1/4-20 Hex Nut
8	153007	3	1/4" Lock Washer
9	100214	2	5/8" Flange Bearing
10	150521	3	1/4-20 x 2" Carriage Bolt
11	150617	2	#3/8-16 x 1" Hex Head Machine Bolt
12	153005	2	3/8" Lock Washer
13	153004	2	3/8" Flat Washer
14	152020	1	#5/16-18 Standard Square Nut
15	152004	1	#5/16-18 Hex Nut
16	801010	1	Idler Bearing Assembly Complete (includes illus. nos. 6 through 17)
	100406	1	Idler Bearing Mount Only
17	150509	1	#5/16-18 x 3" Hex Head Machine Bolt
18	-----		DSI Module Mounting Bracket (refer to Gas Valve/Burner Assemblies)

Note: Duplicate All Components For Lower Totally Enclosed, Fan-Cooled Motor Mount Assembly

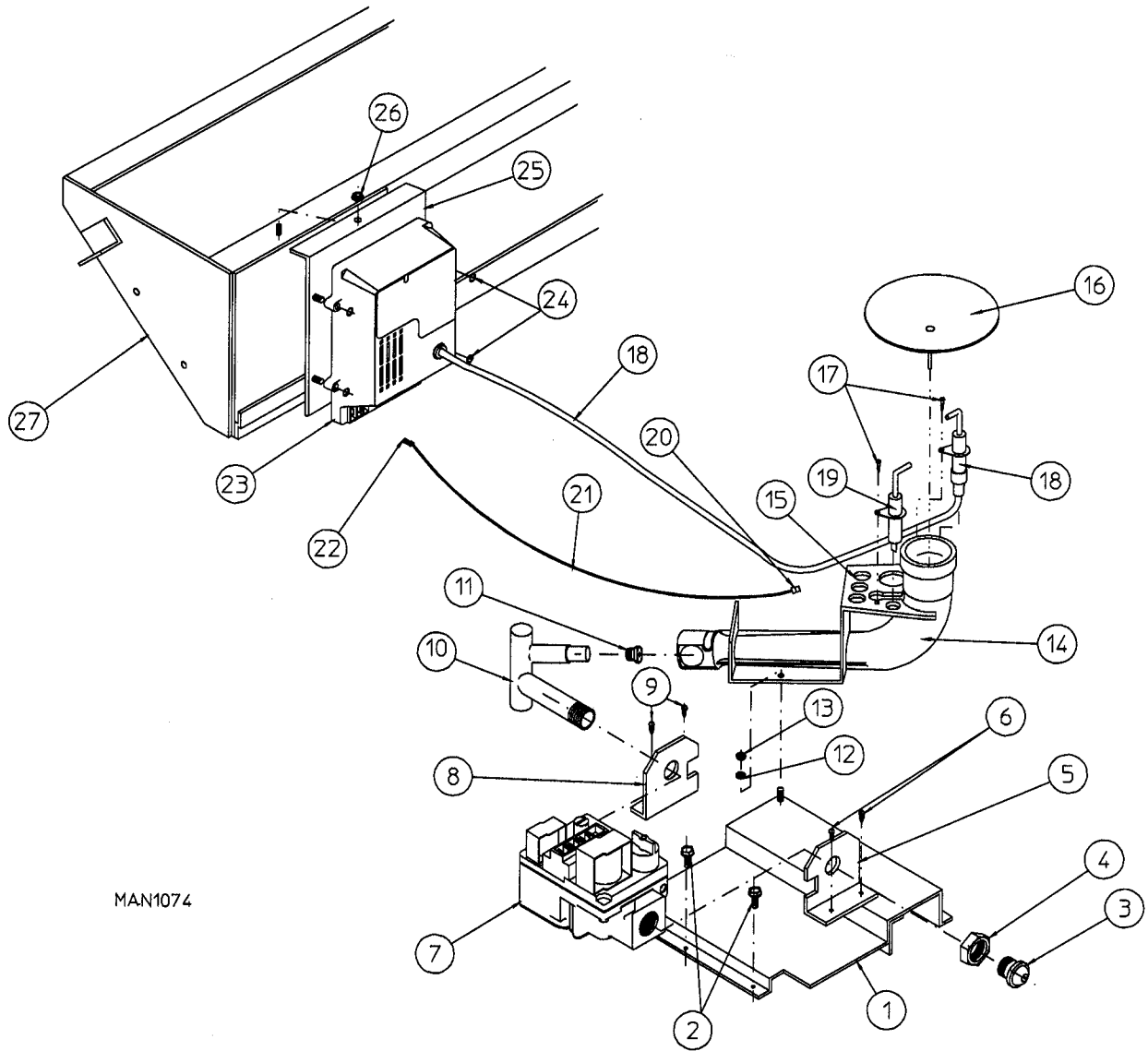


Illus. No.	Part No.	Qty.	Description
1	100604	1	12-1/2" Impellor with 1/2" Bore
2	152006	2	#1/2-20 Left Hand Jam Nut
3	153050	*	1/2" S.A.E. Flat Washer
4	100702	1	1/8" x 1/8" x 1-1/2" Key
5	153050	*	1/2" S.A.E. Flat Washer
6	117600	4	Noise Suppressor Tape (sold in feet)
7	850019	1	AD-230 Motor Mount Only
	803963**	1	1/2HP, 100v-50Hz/115-230v-60Hz 1Ø T.E.F.C. Motor Mount Assembly Complete with Plug Motor (includes illus. nos. 1 through 7 and 11 through 17)
	803961**	1	1/2HP 240v-50Hz 1Ø T.E.F.C. Motor Mount Assembly Complete with Plug Motor (includes illus. nos. 1 through 7 and 11 through 17) (models mfg. as of August 28, 1992)
	803902**	1	1/2HP 208/230/380/460v 50Hz 3Ø T.E.F.C. Motor Mount Assembly Complete (includes illus. nos. 1 through 7, 11, 13 through 17,22, and 23)
	880848**	1	1/2HP 208/230/380/460v 60Hz 3Ø T.E.F.C. Motor Mount Assembly Complete (includes illus. nos. 1 through 7, 11, 13 through 17,22, and 23)
	803887**	1	1/2HP 240v 50Hz 1Ø T.E.F.C. Motor Mount Assembly Complete without Plug Motor (includes illus. nos. 1 through 7, 11, 13 through 17,22, and 23) (models mfg. prior to August 28, 1992)
8	150501	4	#5/16-18 x 3/4" Hex Head Machine Bolt
9	153002	4	5/16" Lock Washer
10	153001	4	5/16" Flat Washer
11	154000	4	#5/16-18 Tinnerman Nut
12	100065	1	1/2HP, 100v-50Hz/115-230v-60Hz 1Ø T.E.F.C. Motor with Plug
	100066	1	1/2HP, 240v-50Hz-1Ø T.E.F.C. Motor with Plug (models mfg. as of August 28, 1992)
13	150501	4	#5/16-18 x 3/4" Hex Head Machine Bolt
14	153002	4	5/16" Lock Washer
15	153001	4	5/16" Flat Washer
16	153001	*	5/16" Flat Washer
17	101131	1	1/2" x 2 1/4" Motor Pulley (used on 1Ø, 60Hz motors only)
	101133	1	5/8" x 2 1/4" Motor Pulley (used on 3Ø, 60Hz motors only)
	101130	1	5/8" x 2 1/2" Motor Pulley (used on 1Ø/3Ø, 50Hz motors only)
18	100113	1	4L400 "V" Belt (to idler assembly) 60Hz Models Only
	100115	1	4L410 "V" Belt (to idler assembly) 50Hz Models Only
19	122701	8	Socket Terminal Only
20	137030	1	8-Pin Housing Only
	122801	1	Pin/Socket Extraction Tool
21	837005	1	AD-230 115V/1Ø Motor Harness with Plug
	837006	1	AD-230 230V/1Ø Motor Harness with Plug
22	100035	1	1/2HP 240v-50Hz-1Ø T.E.F.C. Motor (models mfg. prior to August 28, 1992)
	100007	1	1/2HP 208/230/380/460v-50/60Hz-3Ø T.E.F.C. Motor
23	120200	1	3/8" x 90° Connector
24	100701	1	3/16" x 3/16" x 1" Key (used on 3Ø models only)

* As required.

** Specify voltage when ordering.

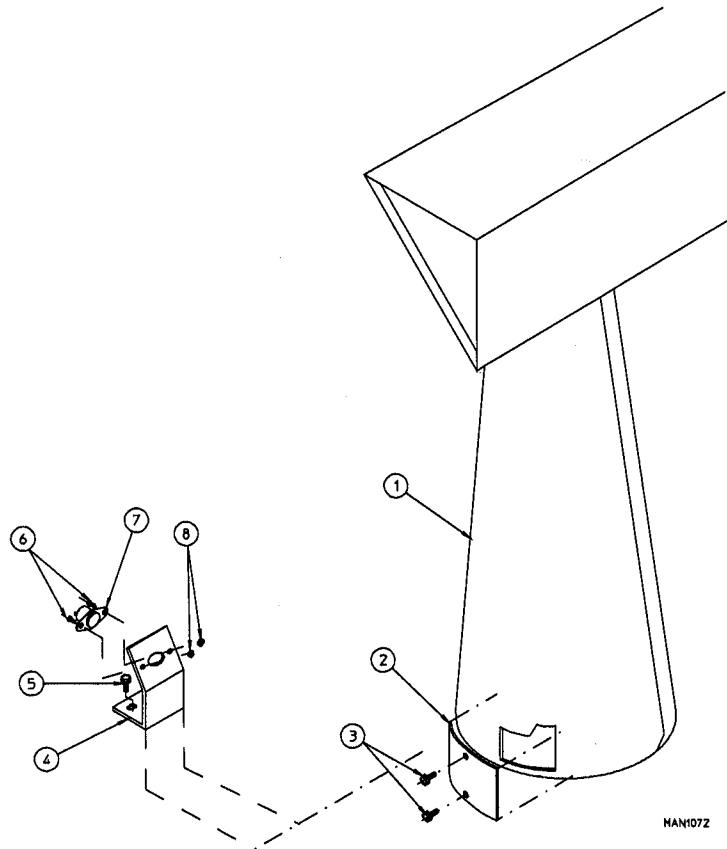
Note: Duplicate All Components For Lower DSI Gas Valve/Burner Assembly



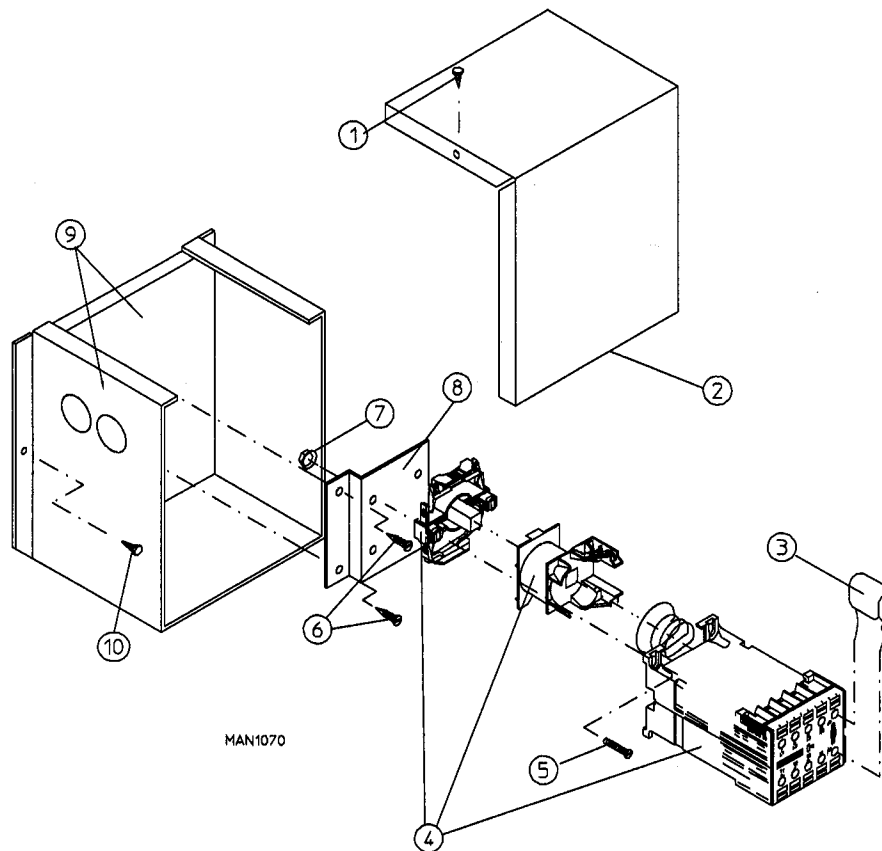
MAN1074

Illus. No.	Part No.	Qty.	Description
1	850804	1	ADG-230 DSI Gas Valve / Burner Tube Mounting Plate Only
	809313	1	ADG-230 DSI (natural gas) Gas Valve / Burner Assembly Complete Less Orifice (includes illus. nos. 1, 3, 5 through 10, and 12 through 22)
	809314	1	ADG-230 DSI (liquid propane) Gas Valve / Burner Assy. Complete Less Orifice (includes illus. nos. 1, 3, 5 through 10, and 12 through 22)
2	150300	2	#10 x 1/2" Hex Washer TEK Screw
3	141303	1	1/2" Union Tail Piece Only
4	141325	1	Tail Piece Collar Only
5	318650	1	ADG-230 Notched Pipe Bracket
6	150301	2	#8-18 x 7/16" Phillips Pan Head TEK Screw
7	128927	1	1/2" 24VAC Redundant (natural gas) Gas Valve
	140411	1	1/2" 24VAC Gas Valve L.P. (liquid propane) Conversion Kit
8	318650	1	ADG-230 Notched Pipe Bracket
9	150301	2	#8-18 x 7/16" Phillips Pan Head TEK Screw
10	141235	1	1/2" Single Port Manifold
11	140828	2	#20 Burner Orifice (Natural Gas)
	140811	2	#41 Burner Orifice (Liquid Propane Gas)
12	153000	1	#8 Steel Burr
13	152001	1	#8-32 Hex Nut
14	141130	1	ADG-230 DSI Up-Shot Burner Tube
15	318009	1	ADG-230 Burner Tube Bracket (PSE)
16	141109	1	ADG-230 Flame Spreader Only
17	150315	2	#6 x 3/8" Phillips Pan Head Machine Screw
18	128917	1	Spark Electrode with High Voltage (HV) Wire
	305412	1	ADG-230 DSI Ignitor Gap Feeler Gauge ... Not Illustrated
19	128918	1	Flame-Sensor Probe
20	121006	1	#10 Insulated Terminal
21	132607	2	#18 Gauge (red silicone) Wire (sold in feet)
22	121028	1	1/4" x .032 Insulated Terminal
23	880815	1	DSI Module Only (50/60 Hz)
24	151000	4	#6-32 Pal Nut
25	801013	1	ADG-230 DSI Module Mounting Bracket
26	152014	1	1/4-20 Free Spin Wash Nut
27	-----	-	Idler Bearing Mount (refer to Idler Bearing Assembly)
	874057	1	L.P. Conversion Kit

Note: Duplicate All Components For Lower Gas Burner Chamber Assembly

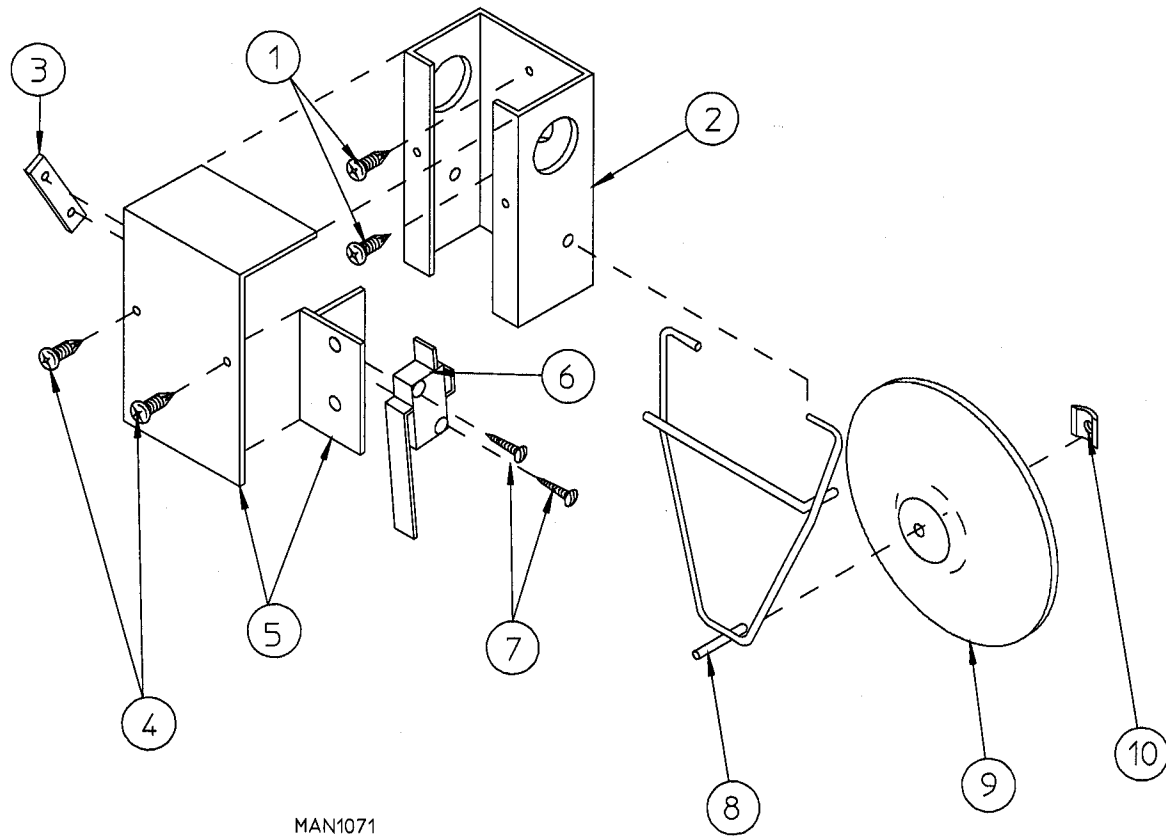


Illus. No.	Part No.	Qty.	Description
1	804025	1	AD-230 Gas Burner Chamber Only (includes illus. nos. 1, 2, and 3) For Non-Heat Reclaimer Models Only
2	318006	1	AD-230 Flame Viewing Plate
3	150300	2	#10 x 1/2" Hex Washer TEK Screw
4	802502	1	AD-230 Hi-Limit Bracket Assembly (includes illus. nos. 4 through 8)
	319710	1	AD-230 Hi-Limit Bracket Only
5	150301	2	#8-18 x 7/16" Phillips Pan Head TEK Screw
6	150001	2	#6-32 x 1/2" Phillips Head Machine Screw
7	130103	1	225° Large Automatic Reset Thermostat
8	151000	2	#6-32 Pal Nut



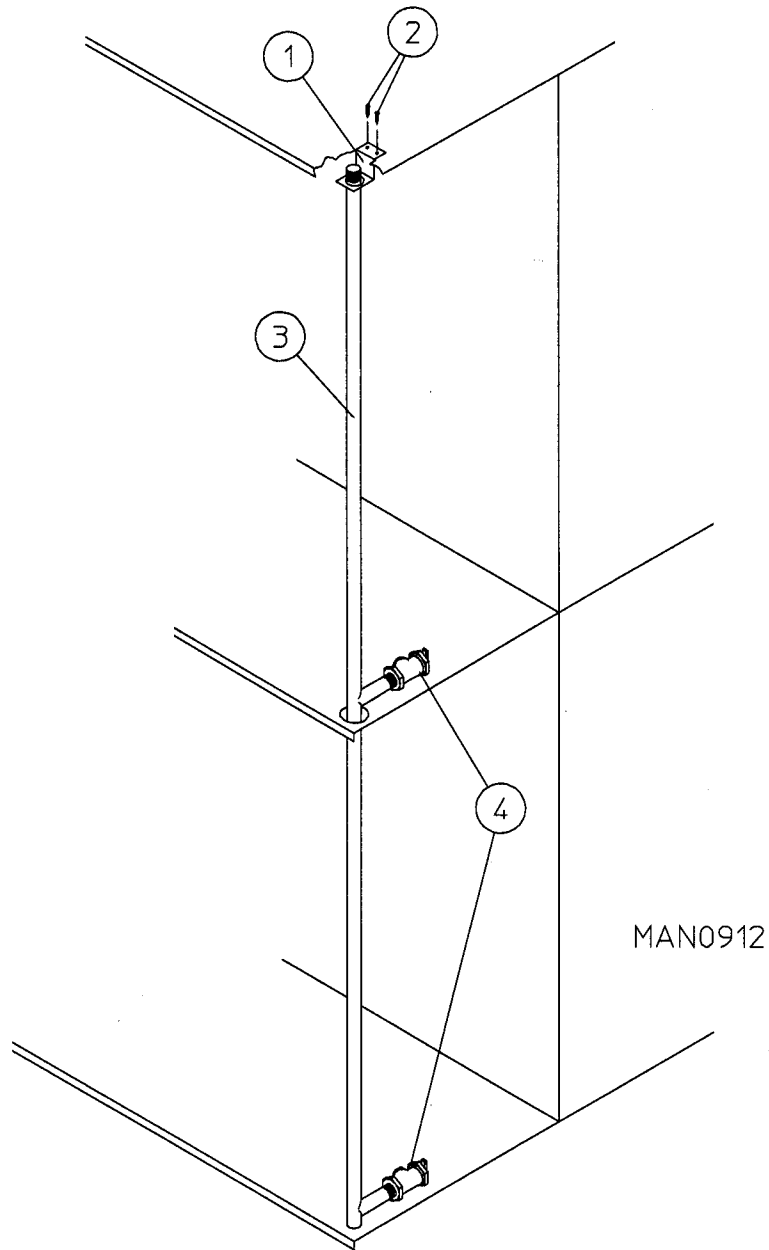
Illus. No.	Part No.	Qty.	Description
1	150300	2	#10 x 1/2" Hex Washer TEK Screw
2	321002	1	AD-230 Electrical Relay Panel Cover Only
3	137015	1	Arc Suppressor (capacitor) Only
4	132430	1	Impellor Contactor (208/230/240V, 50/60 Hz) 24VAC Coil
	132432	1	Impellor Contactor Replacement Coil (208/230/240V, 50/60 Hz) 24VAC Coil
5	150100	4	#8-32 x 1/2" Round Head Machine Screw
6	150300	2	#10 x 1/2" Hex Washer TEK Screw
7	151001	4	#8-32 Pal Nut
8	311920	1	3-Phase (3Ø) Contactor Mounting Bracket Only
9	850909	1	AD-230 Electrical Relay Panel Assembly (includes illus. nos. 1, 2, and 9 only)
10	150301	2	#8-18 x 7/16" Phillips Pan Head TEK Screw

Note: Duplicate All Components For Lower Sail Switch Assembly

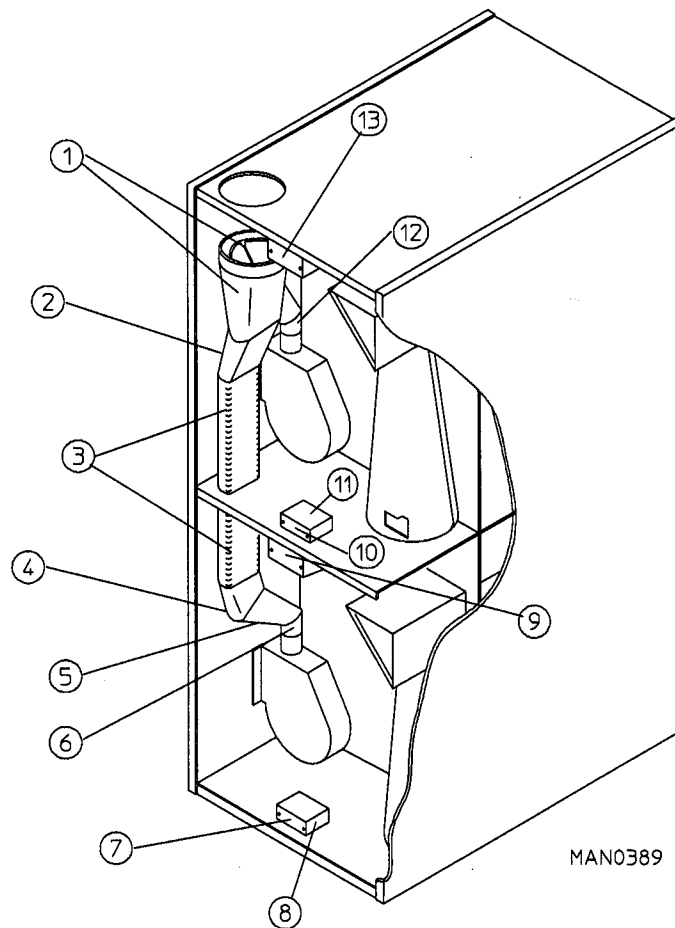


MAN1071

Illus. No.	Part No.	Qty.	Description
1	150301	2	#8-18 x 7/16" Phillips Pan Head TEK Screw
2	802800	1	Sail Switch Box with Cover and Bracket Only (includes illus. nos. 2, 4, and 5 only)
3	154004	1	Twin Speed Nut
4	150415	2	#10-16 x 1/2" Phillips Round Head Crimptite Screw
5	802799	1	Sail Switch Box Cover and Bracket Only
6	122200	1	Sail Switch
7	153303	2	#4 x 3/4" Pan Head "A" Machine Screw
8	105500	1	Sail Switch Actuator Rod
9	319206	1	Sail Switch Damper (embossed)
10	154002	1	1/8" Push-On Fastener

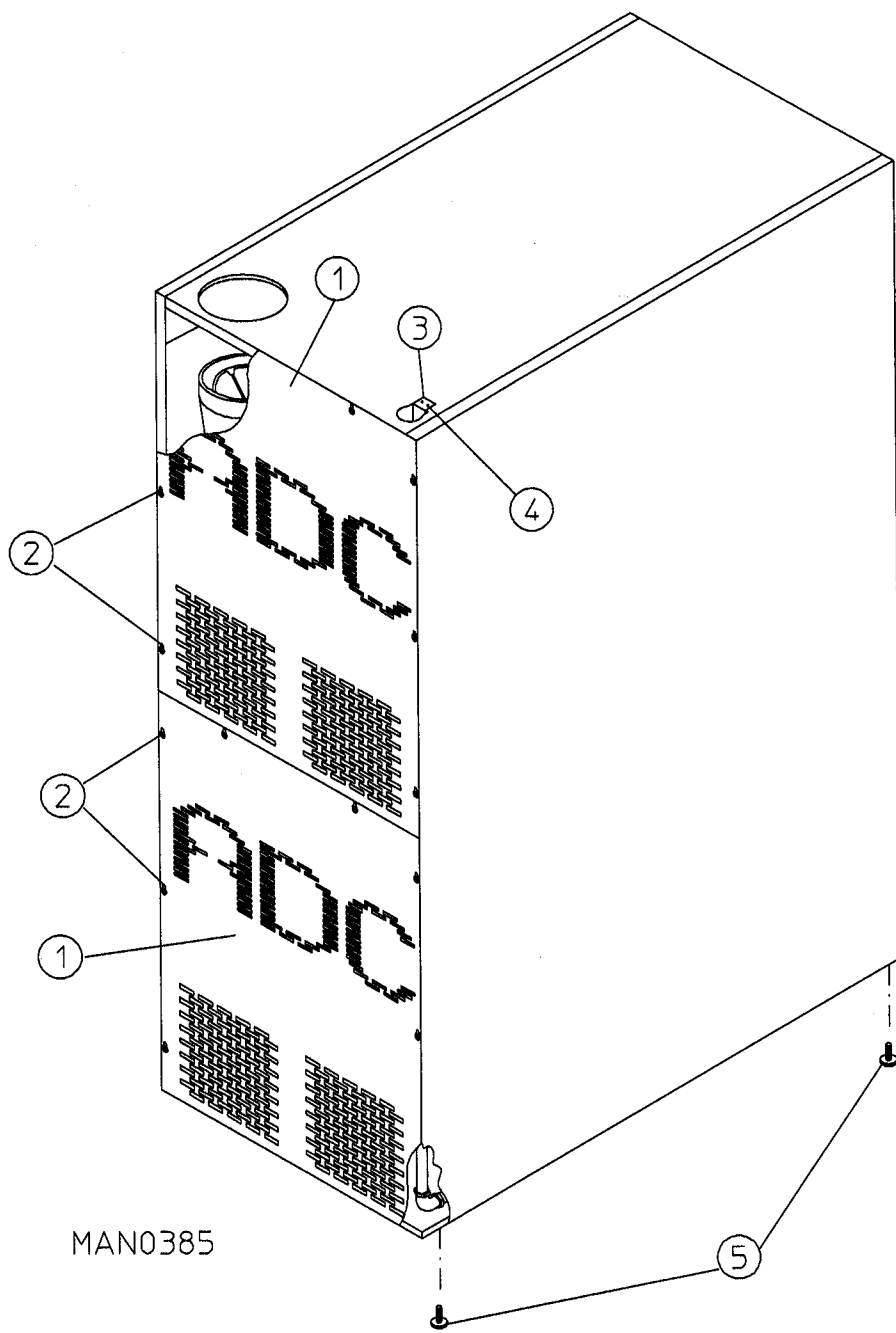


Illus. No.	Part No.	Qty.	Description
1	318702	1	Top Pipe Support Bracket
2	150300	2	#10 x 1/2" Hex Washer TEK Screw
3	141236	1	ADG-230 Inlet Manifold
4	141305	2	Union Shutoff Body



Illus. No.	Part No.	Qty.	Description
1	880505	1	Wye Branch Damper assembly
2	143527	1	6" Round - 7" Oval Straight Boot
3	143529	1	15-1/2" Long x 7" Oval Duct
4	143537	1	7" Oval x 45° Elbow
5	143538	1	6" Round x 7" Oval Straight Boot
6	143536	1	6" Round x 45° Elbow
7	121105	1	Junction Box Cover Only
	150301	2	#8-18 x 7/16" Phillips Pan Head TEK Screw (not illustrated)
8	121104	1	Junction Box Only
9	315025	1	AD-230 Rear Wiring Box Cover Only
	150300	2	#10 x 1/2" Hex Washer TEK Screw (not illustrated)
10	121104	1	Junction Box Only
	150301	2	#8-18 x 7/16" Phillips Pan Head TEK Screw (not illustrated)
11	121105	1	Junction Box Cover Only
12	143536	1	6" Round x 45° Elbow
13	315025	1	AD-230 Rear Wiring Box Cover Only
	150300	2	#10 x 1/2" Hex Washer TEK Screw (not illustrated)
---	117505	*	Aluminum Duct Tape (sold in feet)

* As required.



MAN0385

Illus. No.	Part No.	Qty.	Description
1	311014	2	AD-230 Upper/Lower Back Guard Assembly
2	150301	16	#8-18 x 7/16" Phillips Pan Head TEK Screw
3	318702	1	Top Pipe Support Bracket
4	150300	2	#10 x 1/2" Hex Washer TEK Screw
5	103500	4	Adjustable Leveling Leg

NOTE: Coin acceptors listed include optical switch (ADC Part No. 137056).

Single Coin*

ADC Part No.	Nation	Description
125100	United States and Canada	25¢ Optic Coin Acceptor
125127	Canada	\$1 Canadian Optic Coin Acceptor
125101	United Kingdom	10 New Pence Optic Coin Acceptor
125114	United Kingdom	20 New Pence Optic Coin Acceptor
125115	United Kingdom	1 English Pound (£1) Optic Coin Acceptor
125102	Belgium	5 Belgian Franc Optic Coin Acceptor
125106	France	1 French Franc Optic Coin Acceptor
125120	France	2 French Franc Optic Coin Acceptor
125124	France	5 French Franc Optic Coin Acceptor
125137	Denmark	New 1 Danish Krone Optic Coin Acceptor
125140	Denmark	New 2 Danish Krone Optic Coin Acceptor
125125	Netherlands	25¢ Dutch Guilder Optic Coin Acceptor
125108	Australia	10¢ Australian Optic Coin Acceptor
125107	Australia	20¢ Australian Optic Coin Acceptor
125130	Australia	\$1 Australian Optic Coin Acceptor
125123	New Zealand	50¢ New Zealand Optic Coin Acceptor
125132	Singapore	50¢ Singapore Optic Coin Acceptor
125104	Japan	100 Yen Optic Coin Acceptor
125133	Hong Kong	\$1 Hong Kong Optic Coin Acceptor
125103	---	.882 Token Optic Coin Acceptor
125121	---	.800 Token Optic Coin Acceptor
125129	---	Muller Token Optic Coin Acceptor

Dual Coin*

ADC Part No.	Nation	Description
125116	United States and Canada	10¢/25¢ Dual Optic Coin Acceptor
125128	Canada	25¢/\$1 Dual Optic Coin Acceptor
125112	United Kingdom	10/20 Pence Dual Optic Coin Acceptor
125110	United Kingdom	10/50 Pence Dual Optic Coin Acceptor
125111	United Kingdom	20/50 Pence Dual Optic Coin Acceptor
125113	United Kingdom	£1/20 Pence Dual Optic Coin Acceptor
125119	Belgium	5/20 Belgian Franc Dual Optic Coin Acceptor
125122	France	2/5 French Franc Dual Optic Coin Acceptor
125134	Denmark	New 1/5 Danish Krone Dual Optic Coin Acceptor
125138	Denmark	New 5/10 Danish Krone Dual Optic Coin Acceptor
125139	Denmark	New 2/5 Danish Krone Dual Optic Coin Acceptor
125126	Netherlands	25/1 Dutch Guilder Dual Optic Coin Acceptor
125118	Singapore	20¢/50¢ Singapore Dual Optic Coin Acceptor
125105	Japan	50/100 Yen Dual Optic Coin Acceptor

* Consult factory for coin acceptors not listed.

Part No.	Description
112027	"Water Washed Fabrics" Label
112040	"Lint Compartment" Label
112041	"Caution-Exhausted" Label
112534	"Phase 5 OPL Program Location Summary" Label
112533	"Phase 5 Coin Program Location Summary " Label
120100	3/8" Straight (BX) Connector
120300	3/8" x 45° (BX) Connector
120400	3/8" Red Jacket (BX) Insulator
120500	3/8" Jiffy Clip (BX Retainer Clip)
120600	3/8" Greenfield (BX)
120800	1/4" In-Line Connector
120802	Red Butt Connector
120902	#74B Wire Nut
120903	Crimp-on Wire Nut
121014	1/4" Insulated (female) Terminal
121499	4" Harness Tie
121500	7" Harness Tie
121503	Harness Tie Mounting Clip
122804	Manometer (water column test gauge)
170194	Tumbler Lint Cleaning Brush
404500	Almond Brush-In-Cap Touch-Up Paint
404502	White Brush-In-Cap Touch-Up Paint
404506	Almond "B" Brush-In-Cap Touch-Up Paint
404507	Cornflower Blue Brush-In-Cap Touch-Up Paint
880200	Electrical Terminal (assortment) Kit

ADC 450128 1-05/11/93-100 2-04/27/94-100

