

AD-200 Parts Manual Phase 4

(for models mfd. prior to 1992)

American Dryer Corporation
88 Currant Road
Fall River, MA 02720-4781
Telephone: (508) 678-9010 / Cable: AMDRY / Fax: (508) 678-9447

Retain This Manual In A Safe Place For Future Reference

American Dryer Corporation products embody advanced concepts in engineering, design, and safety. If this product is properly maintained, it will provide many years of safe, efficient, and trouble-free operation.

ONLY properly licensed technicians should service this equipment.

Observe all safety precautions displayed on the equipment or specified in the Installation/Operator's Manual included with the dryer.

WARNING: UNDER NO CIRCUMSTANCES should the dryer door switch or the heat circuit devices ever be disabled.

WARNING: The dryer must never be operated with any of the back guards, outer tops, or service panels removed. PERSONAL INJURY or FIRE COULD RESULT.

We have tried to make this manual as complete as possible and hope you will find it useful. ADC reserves the right to make changes from time to time, without notice or obligation, in prices, specifications, colors, and materials and to change or discontinue models.

Important

For your convenience, log the following information:

DATE OF PURCHASE _____ MODEL NO. AD-200

DISTRIBUTOR'S NAME _____

Serial Number(s) _____

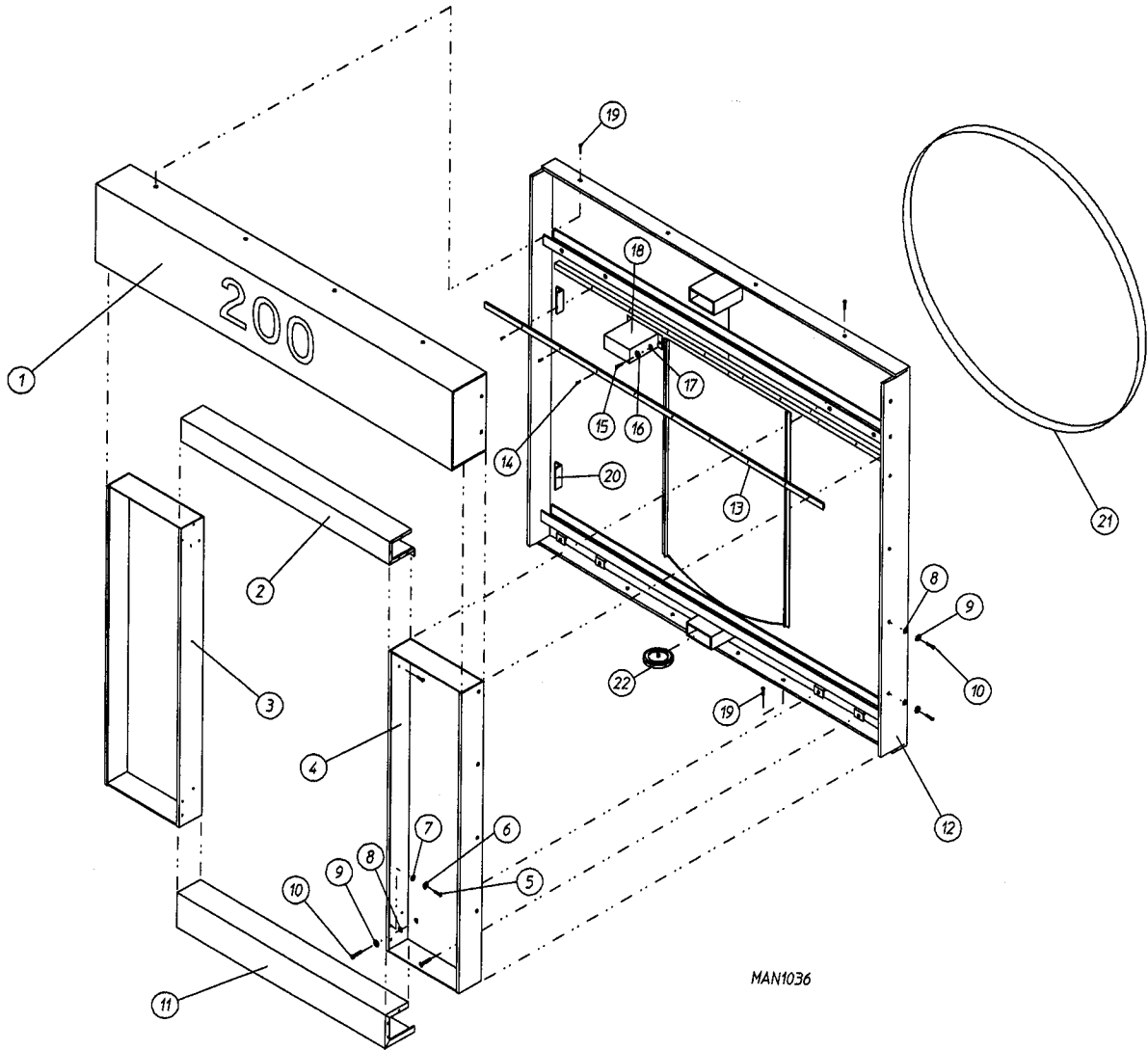
Replacement parts can be ordered from your distributor or the ADC factory. When ordering replacement parts from the factory, you can fax your order to ADC at (508) 678-9447 or telephone your orders directly to the ADC Parts Department at (508) 678-9010. Please specify the dryer model number and serial number in addition to the description and part number, so that your order is processed accurately and promptly.

The illustrations on the following pages may not depict your particular dryer exactly. The illustrations are a composite of the various dryer models. Be sure to check the descriptions of the parts thoroughly before ordering.

INSTRUCTIONS TO BE FOLLOWED IN THE EVENT THE USER SMELLS GAS MUST BE POSTED IN A PROMINENT LOCATION. THE INSTRUCTIONS TO BE POSTED SHALL BE OBTAINED FROM THE LOCAL GAS SUPPLIER.

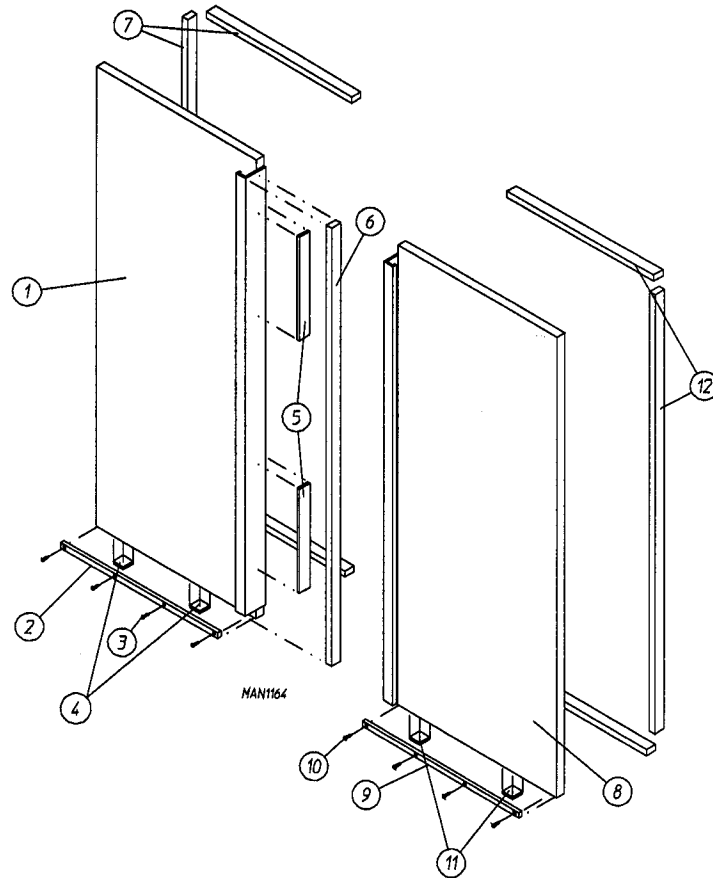
Table of Contents

| | |
|--|--------|
| AD-200 Front Panel Assembly | 2, 3 |
| AD-200 Left and Right Load Door Assemblies | 4 |
| AD-200 Door Slide Assembly | 5 |
| Magnetic Door Switch Assembly | 6 |
| AD-200 Left and Right Control Doors | 7 |
| AD-200 Side Panel Assemblies | 8 |
| AD-200 Back Panel Assembly | 9 |
| AD-200 Left Hand Control Panel Assembly | 10, 11 |
| AD-200 Right Hand Control Panel Assembly | 12 |
| AD-200 Lint Basket Assembly | 13 |
| AD-200 Tumbler and Idler Shaft Assemblies | 14, 15 |
| AD-200 Drive Shaft Assembly | 16 |
| AD-200 Tumbler Retaining Wheel Assembly | 17 |
| AD-200 Drive Motor Assembly | 18, 19 |
| AD-200 Blower Motor Assembly | 20, 21 |
| Temperature Sensor Bracket | 22 |
| DSI Module Assembly | 23 |
| ADG-200 Gas Burner Assembly | 24, 25 |
| Sail Switch Assembly | 26 |
| Air Jet Assembly | 27 |
| ADS-200 Steam Coil Assembly | 28, 29 |
| AD-200 Back Guard Assembly | 30 |



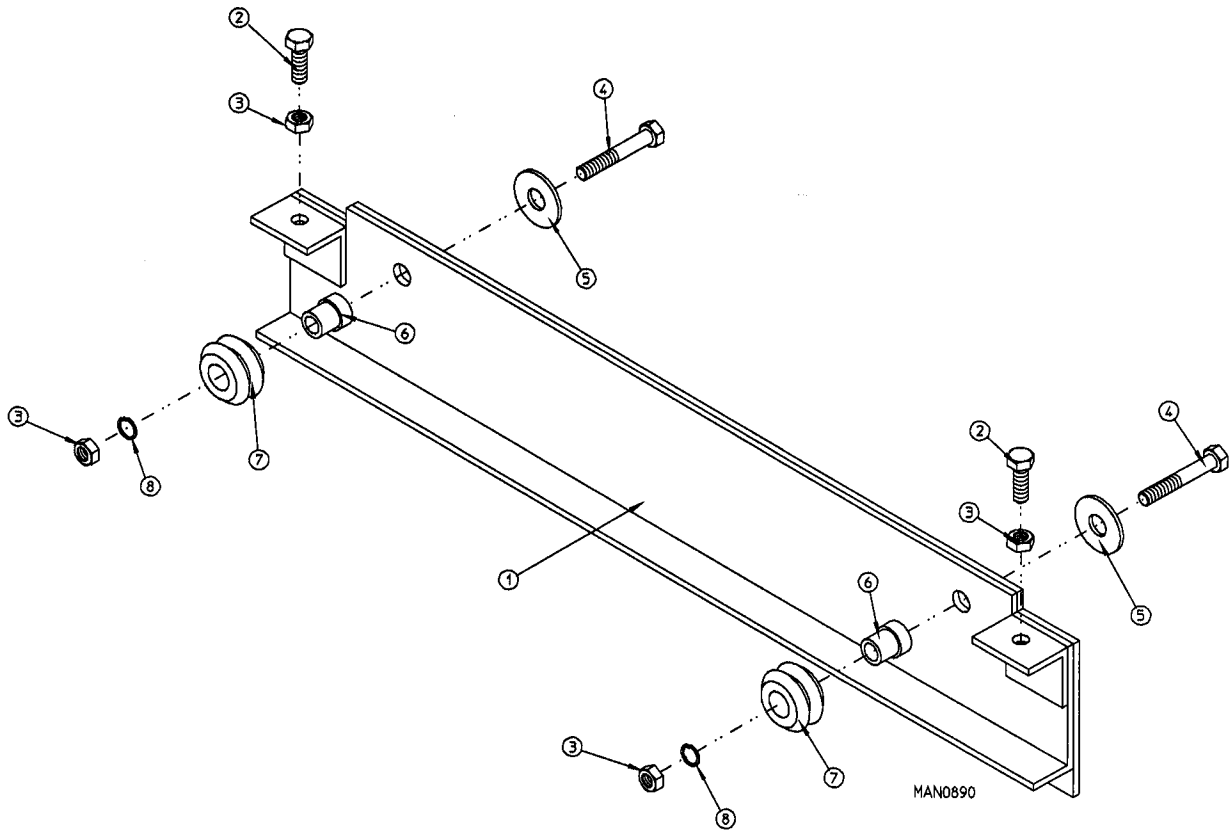
| <u>Illus. No.</u> | <u>Part No.</u> | <u>Qty.</u> | <u>Description</u> |
|-------------------|-----------------|-------------|---|
| 1* | 821241 | 1 | AD-200 Upper Guard ONLY |
| 2* | 821239 | 1 | AD-200 Middle Guard ONLY |
| 3* | 821236 | 1 | AD-200 Left Control Door Cabinet |
| 4* | 821238 | 1 | AD-200 Right Control Cabinet |
| 5 | 150510 | 12 | #1/4-20 x 3/4" Hex Head Machine Bolt |
| 6 | 153007 | 12 | 1/4" Lock Washer |
| 7 | 153018 | 12 | 1/4" Flat Washer |
| 8 | 153001 | 20 | 5/16" Flat Washer |
| 9 | 153002 | 20 | 5/16" Lock Washer |
| 10 | 150501 | 20 | #5/16-18 x 3/4" Hex Head Machine Bolt |
| 11* | 821285 | 1 | AD-200 Bottom Guard ONLY |
| 12* | 821237 | 1 | AD-200 Front Panel ONLY |
| 13 | 170365 | 1 | AD-200 Upper Door Track ONLY |
| 14 | 154312 | 15 | #10-32 x 3/4" Socket Head Cap Screw |
| 15 | 152002 | 4 | #1/4-20 Hex Nut |
| 16 | 153007 | 4 | 1/4" Lock Washer |
| 17 | 153018 | 4 | 1/4" Flat Washer |
| 18* | 821244 | 1 | AD-200 Tumbler Retaining Wheel Cover |
| 19 | 150523 | 10 | #1/4-20 x 3/4" Hex Washer Machine Bolt |
| 20 | 115998 | 8 | Felt (sold by the inch) |
| 21 | 115998 | 180 | Felt (sold by the inch) |
| 22 | ----- | — | Tumbler Retaining Wheel (refer to AD-200 Tumbler Retaining Wheel Assembly on page 17) |

* Specify color when ordering.



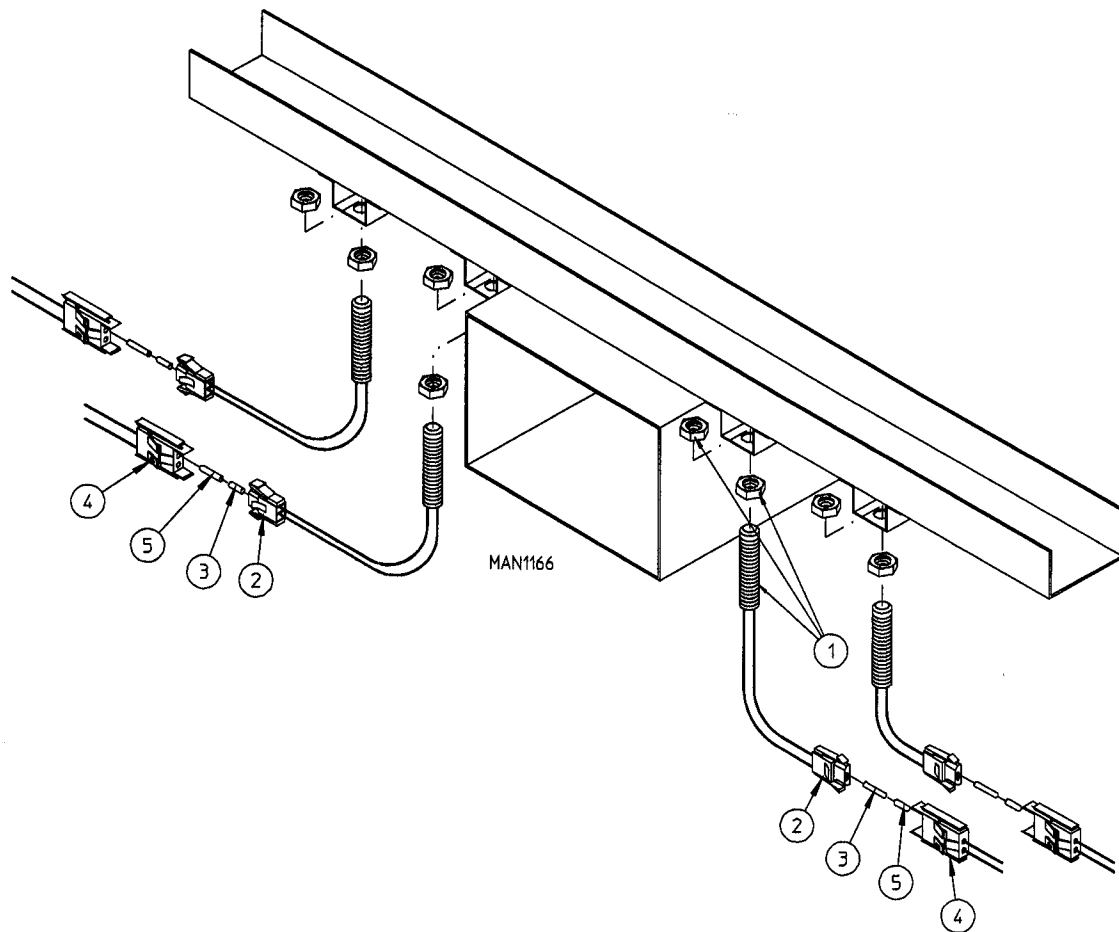
| Illus. No. | Part No. | Qty. | Description |
|------------|----------|------|---|
| 1* | 880812 | 1 | AD-200 Left Side Load Door Assembly (includes illus. nos. 1 through 7) |
| | 821226 | 1 | AD-200 Load Door Assembly ONLY |
| 2 | 170357 | 1 | AD-200 Lower Door Slide |
| 3 | 150301 | 4 | #8-18 x 7/16" Phillips Pan Head TEK Screw |
| 4 | 170605 | 2 | Sensor Magnet |
| 5 | 170600 | 2 | Door Magnet |
| 6 | 102375 | 1 | Door Gasket |
| 7 | 116005 | 78 | Door Felt (sold by the inch) |
| 8* | 880813 | 1 | AD-200 Right Side Load Door Assembly (includes illus. nos. 8 through 12) |
| | 821226 | 1 | AD-200 Load Door Assembly ONLY |
| 9 | 170357 | 1 | AD-200 Lower Door Slide |
| 10 | 150301 | 4 | #8-18 x 7/16" Phillips Pan Head TEK Screw |
| 11 | 170605 | 2 | Sensor Magnet |
| 12 | 116005 | 78 | Door Felt (sold by the inch) |

* Specify color when ordering.



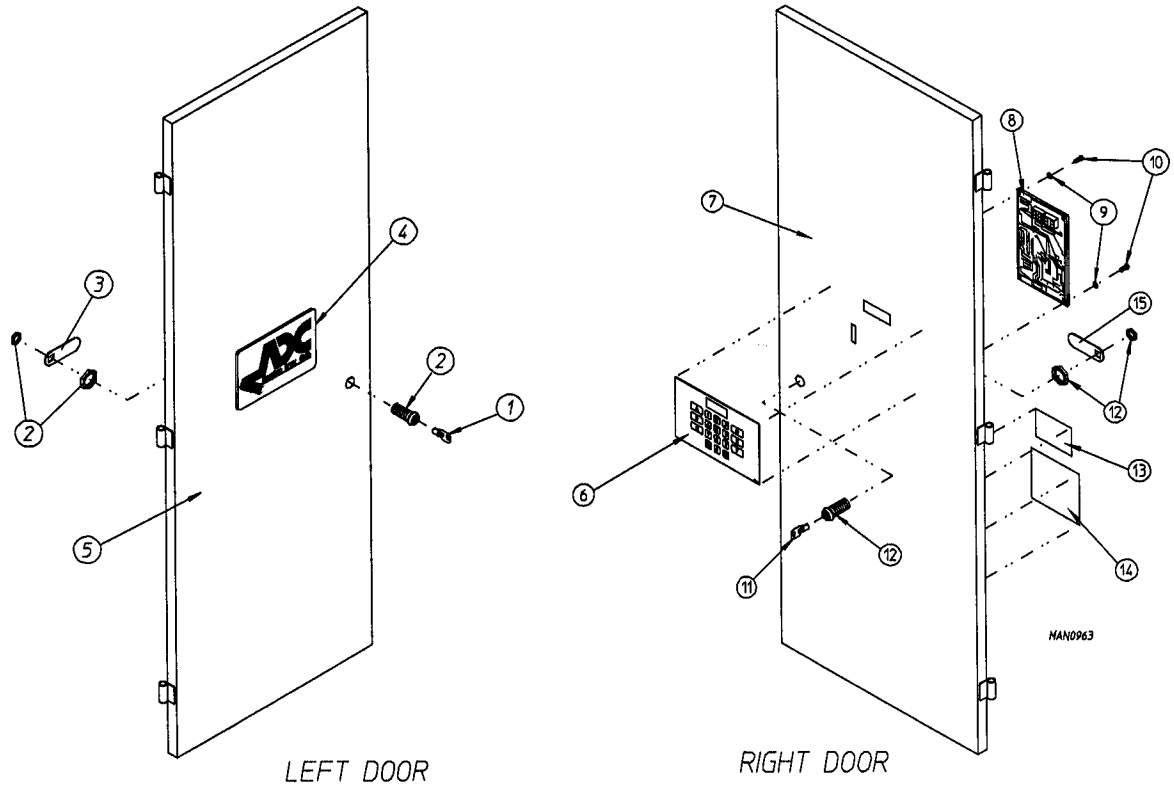
| Illus. No. | Part No. | Qty. | Description |
|------------|----------|------|---|
| 1* | 821340 | 1 | AD-200 Top Mounting Bracket Door Slide Assembly Complete (includes illus. nos. 1 through 8) |
| | 821245 | 1 | AD-200 Top Mounting Bracket Door Slide Weldment ONLY |
| 2 | 150510 | 2 | #1/4-20 x 3/4" Hex Head Machine Bolt |
| 3 | 152002 | 4 | #1/4-20 Hex Nut |
| 4 | 150112 | 2 | #1/4-20 x 1 1/4" Hex Head Machine Screw |
| 5 | 153018 | 2 | 1/4" Flat Washer |
| 6 | 170367 | 2 | AD-200 Door Slide Wheel Bushing |
| 7 | 170366 | 2 | AD-200 Door Slide Wheel |
| 8 | 153007 | 2 | 1/4" Lock Washer |

* Specify color when ordering.



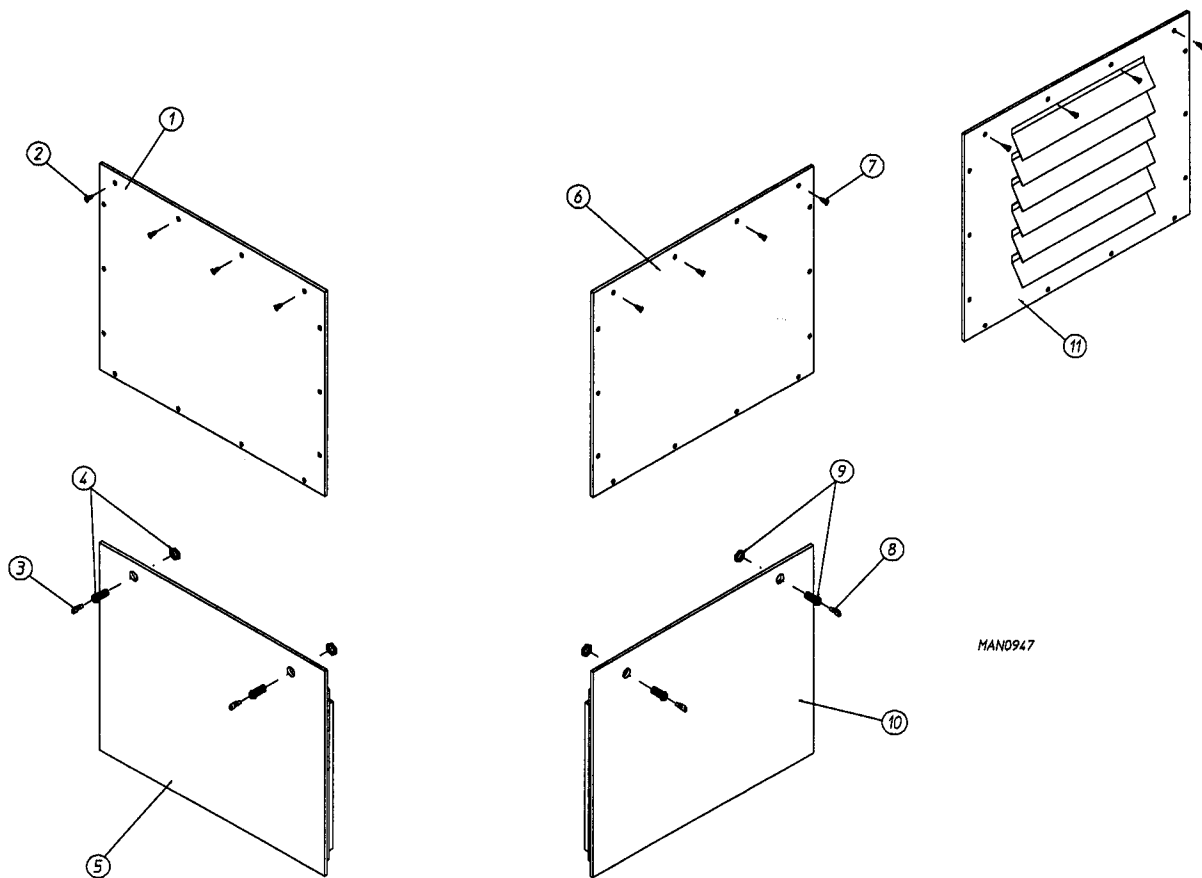
| Illus. No. | Part No. | Qty. | Description |
|------------|----------|------|-------------|
|------------|----------|------|-------------|

| | | | |
|---|--------|---|---|
| 1 | 880783 | 4 | Magnetic Door Switch Assembly with Nuts (includes illus. nos. 1, 2, and 3) |
| 2 | 122599 | 4 | 2-Pin Microprocessor Socket Connector (female) |
| 3 | 137021 | 8 | Microprocessor Sockets (female) |
| 4 | 122598 | 4 | 2-Pin Microprocessor Pin Connector (male) |
| 5 | 137028 | 8 | Microprocessor Pin (male) |
| | 122800 | 1 | Microprocessor Pin Extraction Tool |



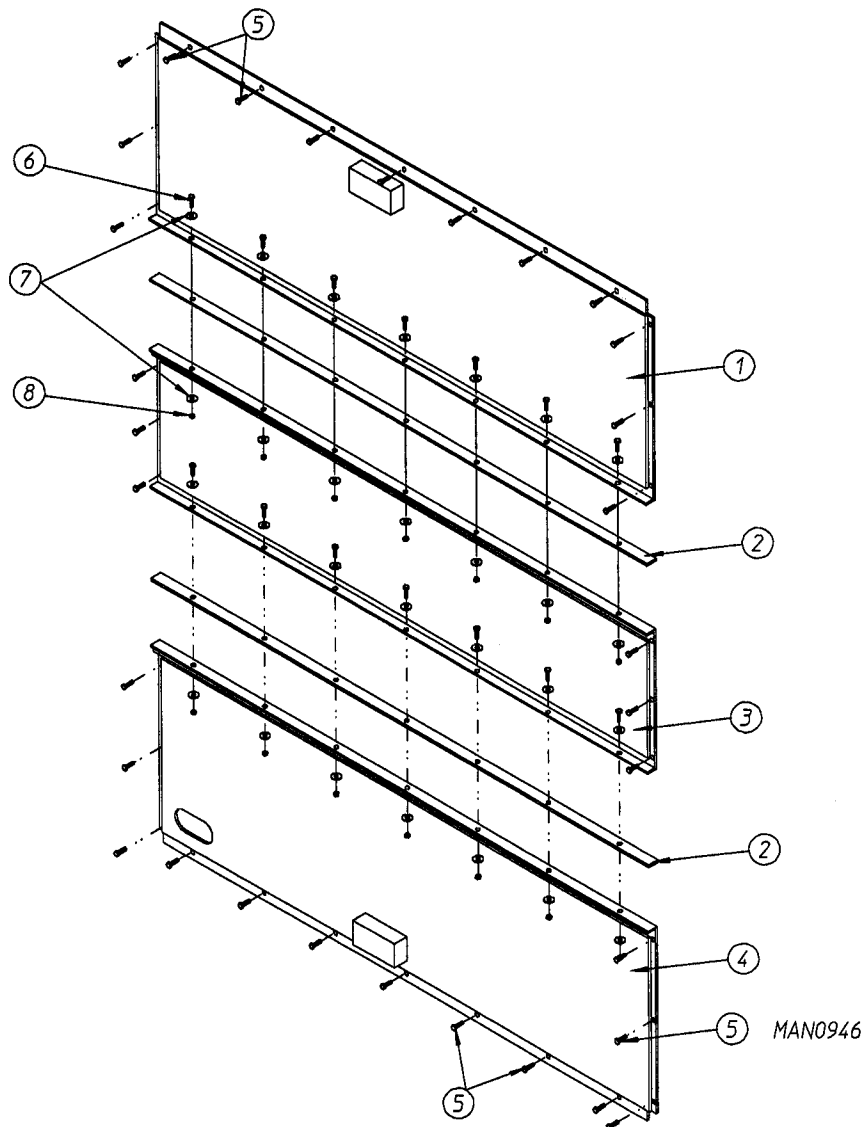
| Illus. No. | Part No. | Qty. | Description |
|------------|----------|------|--|
| 1 | 160140 | 1 | ACE® Key ONLY (key number XX4451) |
| 2 | 160038 | 1 | ACE® Control Door Lock Less Key (keyed to key number #XX4451) |
| 3 | 160014 | 1 | Cam |
| 4 | 112360 | 1 | ADC Logo ONLY |
| | 870011 | 27 | Double Sided Tape Kit |
| 5* | 821228 | 1 | AD-200 Left Hand Control Door ONLY |
| 6 | 112535 | 1 | OPL English Keyboard Label Assembly |
| 7* | 821227 | 1 | AD-200 Right Control Door ONLY (includes illus. nos. 7, 9, and 10) |
| 8 | 137127 | 1 | Phase 4 OPL Reversing Controller ONLY |
| 9 | 153012 | 4 | #8 Star Washer |
| 10 | 152001 | 4 | #8-32 Hex Nut |
| 11 | 160140 | 1 | ACE® Key ONLY (key number XX4451) |
| 12 | 160038 | 1 | ACE® Control Door Lock Less Key (keyed to key number #XX4451) |
| 13 | 112094 | 1 | "Phase 4 Computer System" Label ONLY |
| 14 | 112090 | 1 | "Phase 4 Program Location" Label ONLY |
| 15 | 160014 | 1 | Cam |

* Specify color when ordering.



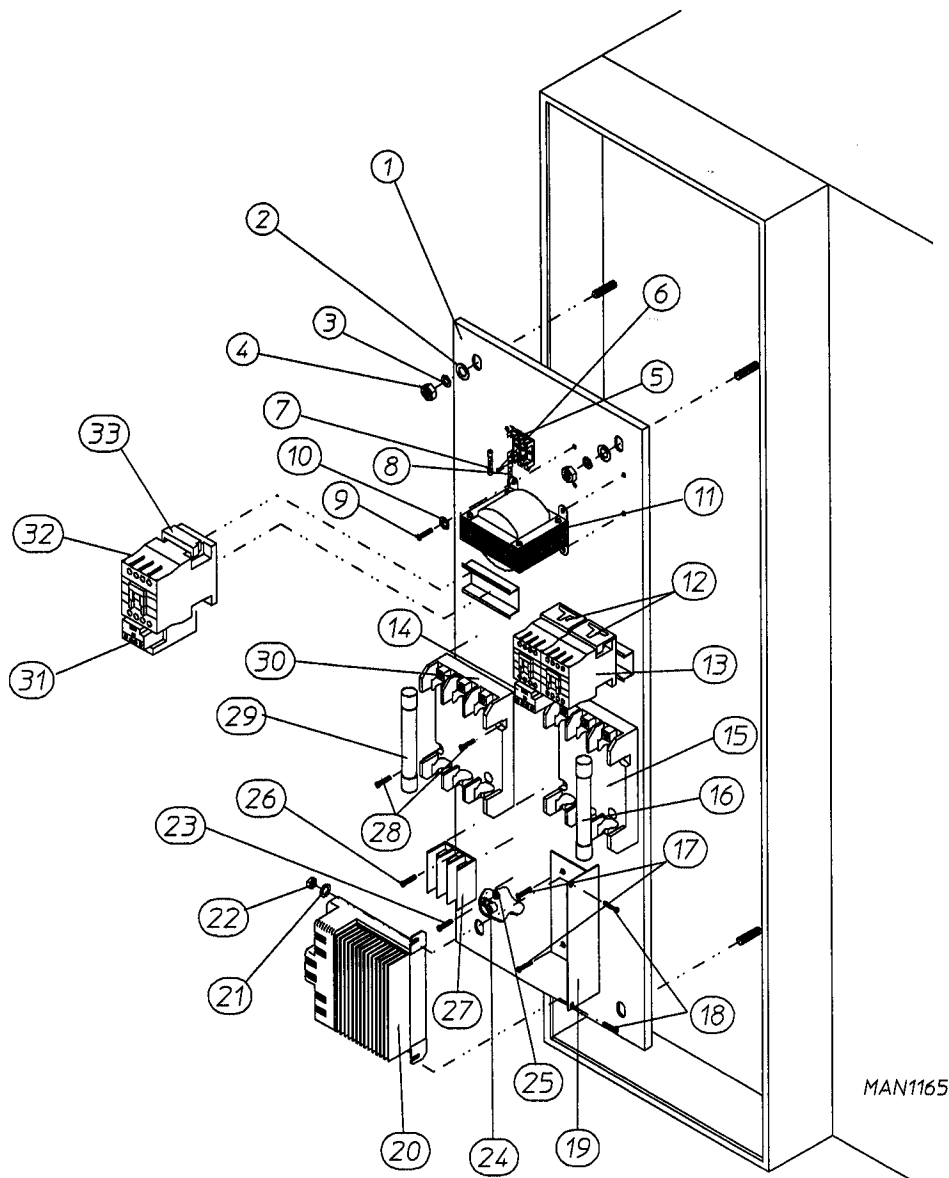
| Illus. No. | Part No. | Qty. | Description |
|------------|----------|------|---|
| 1* | 821283 | 1 | AD-200 Left Top Side Panel ONLY |
| 2 | 150523 | 14 | #1/4-20 x 3/4" Hex Washer Machine Bolt |
| 3 | 160140 | 2 | ACE® Key ONLY (key number XX4451) |
| 4 | 160040 | 2 | ACE® Door Lock Less Key (keyed to key number #XX4451) |
| 5* | 821341 | 1 | AD-200 Bottom Side Panel Assembly Complete Less Locks |
| 6* | 821283 | 1 | AD-200 Right Top Side Panel (for Steam Models ONLY) |
| 7 | 150523 | 14 | #1/4-20 x 3/4" Hex Washer Machine Bolt |
| 8 | 160140 | 2 | ACE® Key ONLY (key number XX4451) |
| 9 | 160040 | 2 | ACE® Door Lock Less Key (keyed to key number #XX4451) |
| 10* | 821341 | 1 | AD-200 Bottom Side Panel Assembly Complete Less Locks (for models mfd. as of June 15, 1991) |
| | 821318 | 1 | AD-200 Bottom Side Panel Assembly Complete Less Locks for (models mfd. prior to June 15, 1991) |
| 11* | 821242 | 1 | AD-200 Top Right Side Panel (for Gas Models ONLY) |

* Specify color when ordering.



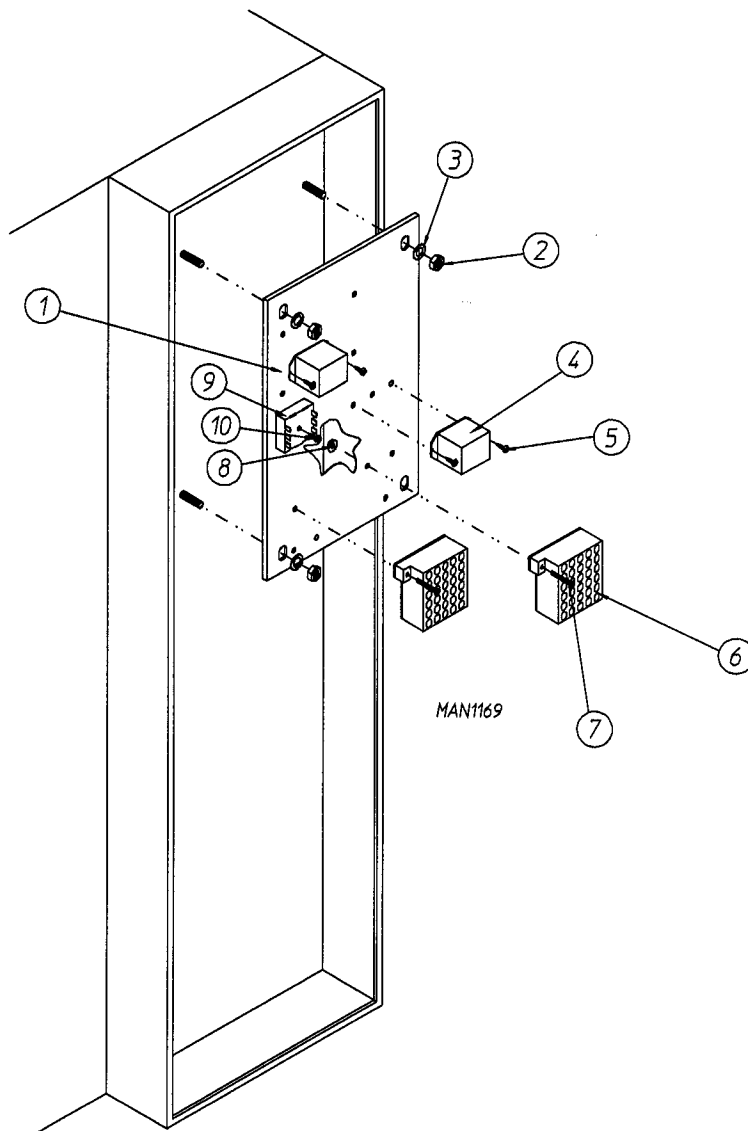
| Illus. No. | Part No. | Qty. | Description |
|------------|----------|------|--|
| 1* | 821310 | 1 | AD-200 Top Back Panel Assembly ONLY |
| 2* | 332571 | 2 | AD-200 Rear Panel Reinforcement ONLY |
| 3* | 821312 | 1 | AD-200 Middle Back Panel Assembly ONLY |
| 4* | 821311 | 1 | AD-200 Bottom Back Panel Assembly ONLY |
| 5 | 150523 | 32 | #1/4-20 x 3/4" Hex Washer Machine Bolt |
| 6 | 150504 | 14 | #5/16-18 x 1" Hex Head Machine Bolt |
| 7 | 153001 | 28 | 5/16" Flat Washer |
| 8 | 152004 | 14 | #5/16-18 Hex Nut |

* Specify color when ordering.

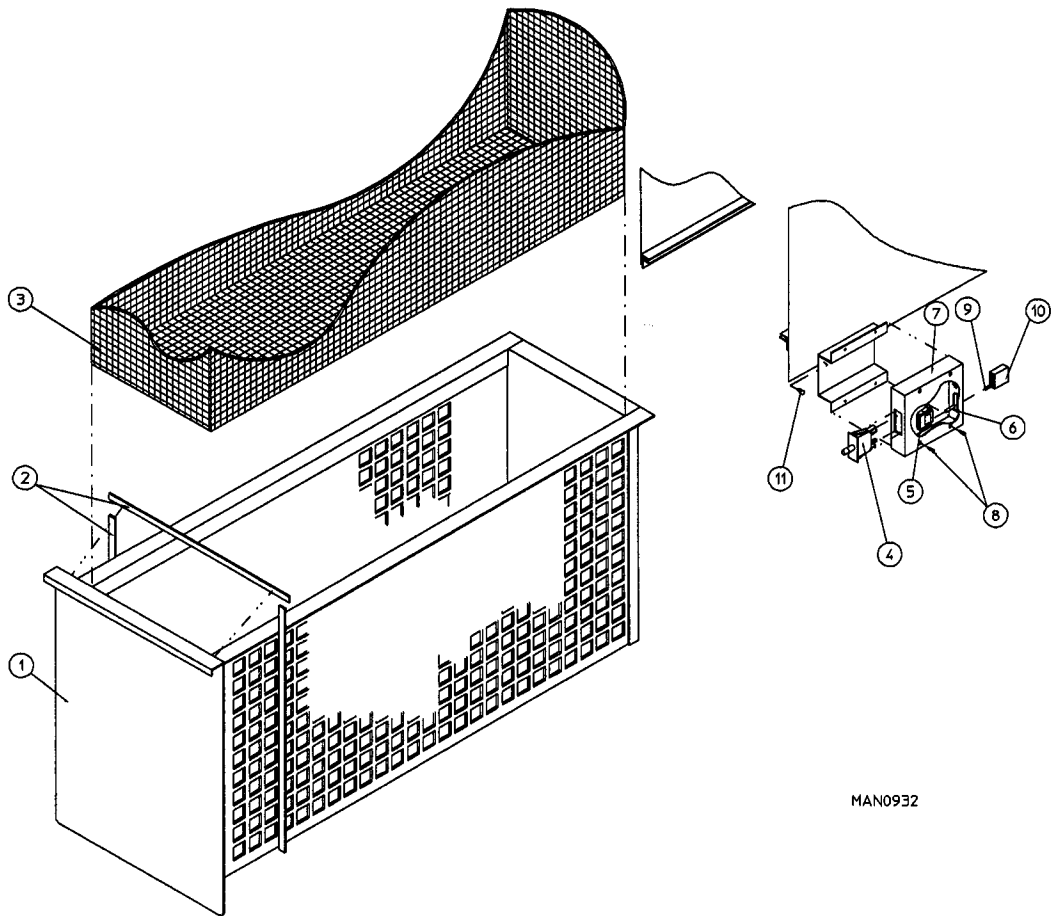


| <u>Illus. No.</u> | <u>Part No.</u> | <u>Qty.</u> | <u>Description</u> |
|-------------------|-----------------|-------------|---|
| 1 | 332594 | 1 | AD-200 Electrical Panel |
| 2 | 153001 | 4 | 5/16" Flat Washer |
| 3 | 153002 | 4 | 5/16" Lock Washer |
| 4 | 152004 | 4 | #5/16-18 Hex Nut |
| 5 | 136008 | 3 | Fuse Block/Strip |
| 6 | 150301 | 3 | #8-18 x 7/16" Phillips Pan Head TEK Screw |
| 7 | 136057 | 2 | 1/2-Amp (Slo Blo) Fuse ONLY |
| 8 | 136052 | 1 | 4-Amp Fuse ONLY |
| 9 | 150108 | 4 | #8-32 x 1/2" Pan Head Machine Screw |
| 10 | 153000 | 4 | #8 Steel Burr |

| <u>Illus. No.</u> | <u>Part No.</u> | <u>Qty.</u> | <u>Description</u> |
|-------------------|-----------------|-------------|---|
| 11 | 132094 | 1 | 208/25v Transformer (for 208 VAC Models ONLY) |
| | 132095 | 1 | 240/25v Transformer (for 240 VAC Models ONLY) |
| | 132093 | 1 | 380/25v Transformer (for 380 VAC Models ONLY) |
| | 132096 | 1 | 416/25v Transformer (for 416 VAC Models ONLY) |
| | 132098 | 1 | 460/25v Transformer (for 460 VAC Models ONLY) |
| 12 | 132437 | 2 | Varistor |
| 13 | 132434 | 1 | Reversing Drive Motor Contactor (for 208/230/380/416/460 VAC) |
| | 120768 | 1 | Mounting Rail ... Not Illustrated |
| | 150300 | 2 | #10 x 1/2" Hex Washer TEK Screw ... Not Illustrated |
| 14 | 132467 | 1 | Drive Motor Overload (for 208/230 VAC ONLY) |
| | 132468 | 1 | Drive Motor Overload (380/416/460 VAC ONLY) |
| 15 | 136004 | 1 | 600v Fuse Block |
| 16 | 136025 | 3 | 12-Amp Fuse (for 208/230 VAC Models ONLY) |
| | 136022 | 3 | 6-Amp Fuse (for 380/416 VAC Models ONLY) |
| | 136073 | 3 | 5-Amp Fuse (for 460 VAC Models ONLY) |
| 17 | 150106 | 4 | #8-32 x 1" Round Head Machine Screw |
| 18 | 150108 | 2 | #8-32 x 1/2" Round Head Machine Screw |
| 19 | 332701 | 1 | Soft Start Mounting Plate |
| 20 | 132250 | 1 | Soft Start (for 208/230 VAC Models ONLY) |
| | 132272 | 1 | Soft Start (for 380 VAC 60 Hz ONLY) |
| | 132273 | 1 | Soft Start (for 380/416 VAC 50 Hz Models ONLY) |
| | 132271 | 1 | Soft Start (for 460 VAC Models ONLY) |
| 21 | 153000 | 2 | #8 Steel Burr |
| 22 | 152001 | 2 | #8-32 Hex Nut |
| 23 | 150111 | 1 | 1/4-20 x 1/2" Round Head Machine Screw |
| 24 | 121012 | 1 | L-125 Ground Lug |
| 25 | 152002 | 1 | #1/4-20 Hex Nut |
| 26 | 150108 | 4 | #8-32 x 1/2" Pan Head Machine Screw |
| 27 | 120704 | 1 | 3-Position Power Distribution Block |
| 28 | 150108 | 2 | #8-32 x 1/2" Pan Head Machine Screw |
| 29 | 136027 | 3 | 30-Amp Fuse (for 208/230 VAC Models ONLY) |
| | 136021 | 3 | 15-Amp Fuse (for 380/416/460 VAC Models ONLY) |
| 30 | 136004 | 1 | 600v Fuse Holder |
| 31 | 132439 | 1 | Blower Motor Overload (for 208/230 VAC Models ONLY) |
| | 132435 | 1 | Blower Motor Overload (for 380/416/460 VAC Models ONLY) |
| 32 | 132465 | 1 | Blower Contactor |
| | 120768 | 1 | Mounting Rail ... Not Illustrated |
| | 150300 | 2 | #10 x 1/2" Hex Washer TEK Screw ... Not Illustrated |
| 33 | 132437 | 1 | Varistor |



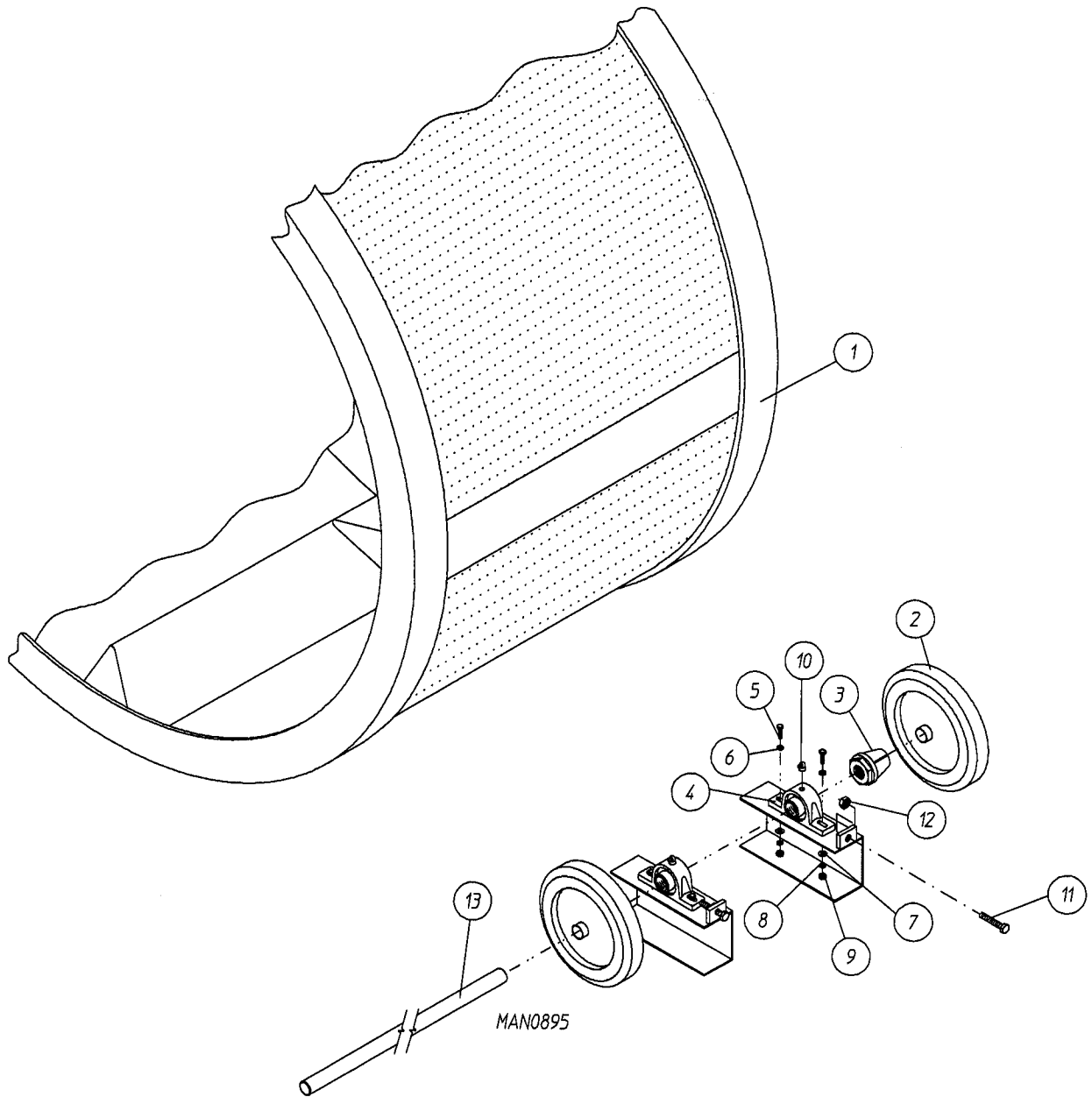
| Illus. No. | Part No. | Qty. | Description |
|------------|----------|------|--|
| 1 | 341370 | 1 | AD-200 DSI Control Panel ONLY |
| 2 | 152005 | 4 | 3/8-16 Hex Nut |
| 3 | 153004 | 4 | 3/8" Flat Washer |
| 4 | 131931 | 2 | SPDT (Single-Pole-Double-Throw) 24 VAC Relay |
| 5 | 150300 | 4 | #10 x 1/2" Hex Washer TEK Screw |
| 6 | 120715 | 2 | 30-Position Terminal Block |
| 7 | 150002 | 4 | #6-32 x 1" Round Head Machine Screw |
| 8 | 151000 | 4 | #6-32 Pal Nut |
| 9 | 124810 | 1 | Air Jet/ Audio Timer |
| 10 | 150299 | 1 | #10 x 1" Hex Washer TEK Screw |



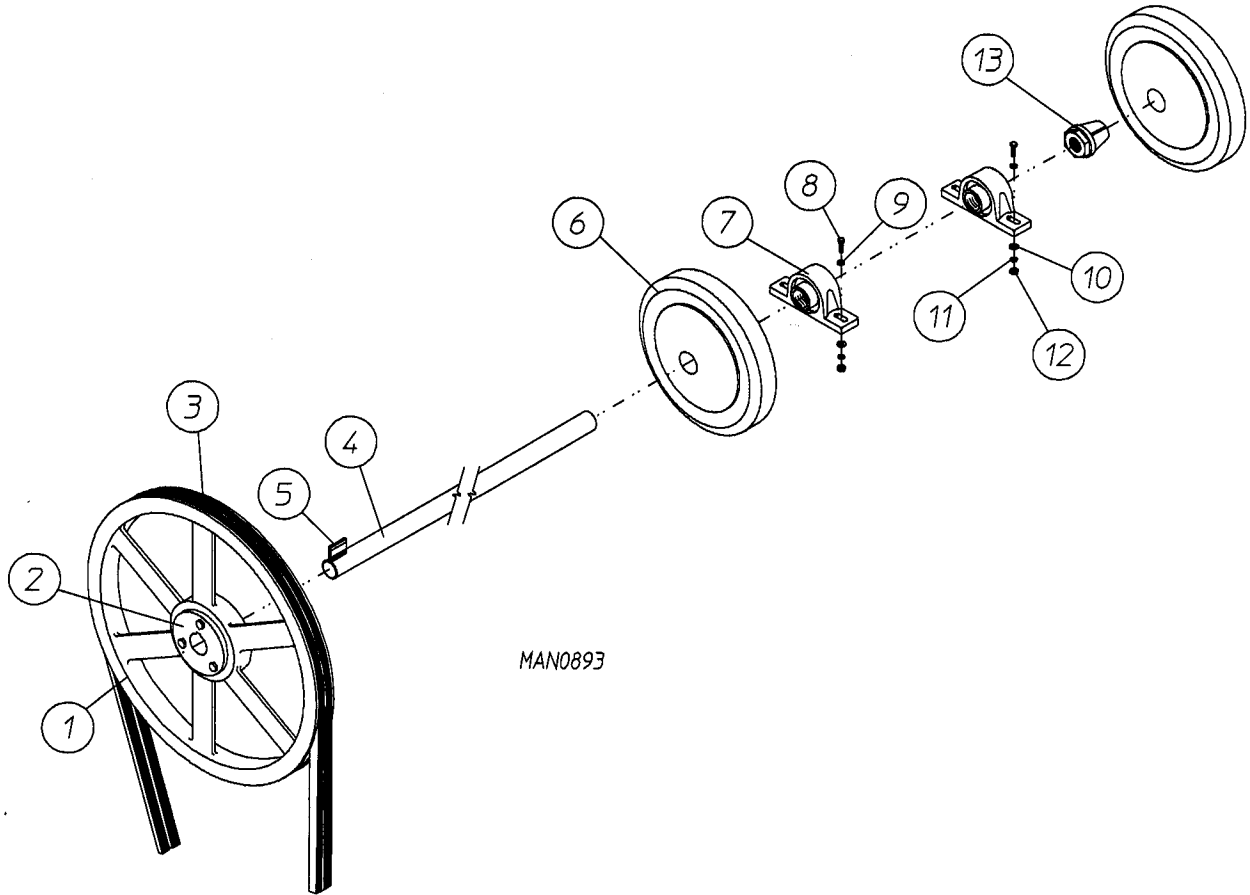
MAN0932

| <u>Illus. No.</u> | <u>Part No.</u> | <u>Qty.</u> | <u>Description</u> |
|-------------------|-----------------|-------------|--|
| 1* | 880786 | 1 | AD-200 Lint Drawer Assembly Complete (includes illus. nos. 1 and 2) |
| 2 | 117600 | 7 | Noise Suppressor Tape (sold by the foot) |
| 3 | 820017 | 1 | AD-200 Lint Screen Assembly |
| 4 | 122115 | 1 | Lint Drawer Switch ONLY |
| 5 | 122605 | 2 | 4-Pin Socket Connector ONLY |
| 6 | 122701 | 8 | Socket Terminal ONLY |
| | 122801 | 1 | Pin/Socket Extraction Tool |
| 7 | 800261 | 1 | Lint Drawer Switch Box Assembly Complete (includes illus. nos. 4 through 7) |
| | 304034 | 1 | Lint Drawer Switch Box Cover ONLY |
| 8 | 150301 | 4 | #8-18 x 7/16" Phillips Pan Head TEK Screw |
| 9 | 122700 | 8 | Pin Terminal ONLY |
| 10 | 122604 | 2 | 4-Pin Connector ONLY |
| 11 | 150301 | 2 | #8-18 x 7/16" Phillips Pan Head TEK Screw |

* Specify color when ordering.

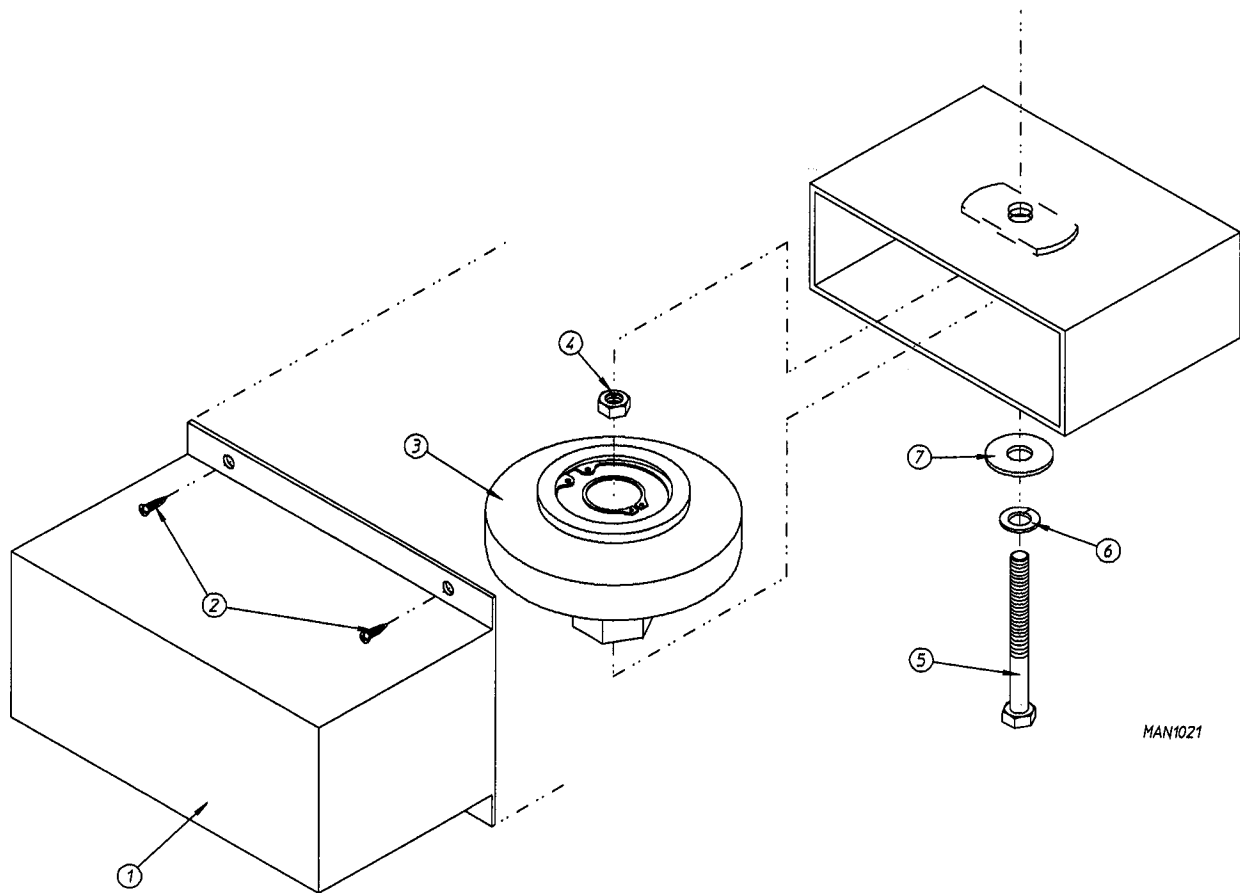


| <u>Illus. No.</u> | <u>Part No.</u> | <u>Qty.</u> | <u>Description</u> |
|-------------------|-----------------|-------------|---|
| 1 | 821217 | 1 | AD-200 Tumbler Assembly |
| 2 | 821215 | 2 | AD-200 Drive Wheel Assembly |
| 3 | 180007 | 2 | AD-200 1-1/2" Trantorque ONLY |
| 4 | 100217 | 2 | 1-1/2" Pillow Block Bearing ONLY |
| 5 | 150601 | 4 | #3/8-16 x 2" Hex Head Machine Bolt |
| 6 | 153004 | 4 | 3/8" Flat Washer |
| 7 | 153004 | 4 | 3/8" Flat Washer |
| 8 | 153005 | 4 | 3/8" Lock Washer |
| 9 | 152005 | 4 | #3/8-16 Hex Nut |
| 10 | 143217 | 2 | #1/4-28 x 90° Lubrication Fitting |
| 11 | 150619 | 2 | #3/8-16 x 3" Hex Head Machine Bolt |
| 12 | 152005 | 2 | #3/8-16 Hex Nut |
| 13 | 332507 | 1 | AD-200 1-1/2" Diameter Idler Shaft ONLY |



| <u>Illus. No.</u> | <u>Part No.</u> | <u>Qty.</u> | <u>Description</u> |
|-------------------|-----------------|-------------|---|
| 1 | 101193 | 1 | 2B x 13.6" Pulley |
| 2 | 101150 | 1 | SK x 1 1/2" Bushing |
| 3* | 100129 | 2 | B x 94" V-Belt For (for 60Hz Models ONLY) |
| | 100136 | 2 | B x 95" V-Belt For (for 50Hz Models ONLY) |
| 4 | 332508 | 1 | AD-200 Tumbler Drive Shaft ONLY |
| 5 | 100704 | 1 | 1/4" x 1/4" x 1-3/4" Key |
| 6 | 821215 | 2 | AD-200 Drive Wheel Assembly |
| 7 | 100217 | 2 | 1-1/2" Pillow Block Bearing ONLY |
| 8 | 150601 | 4 | #3/8-16 x 2" Hex Head Machine Bolt |
| 9 | 153004 | 4 | 3/8" Flat Washer |
| 10 | 153004 | 4 | 3/8" Flat Washer |
| 11 | 153005 | 4 | 3/8" Lock Washer |
| 12 | 152005 | 4 | #3/8-16 Hex Nut |
| 13 | 180007 | 2 | AD-200 1-1/2" Trantorque ONLY |

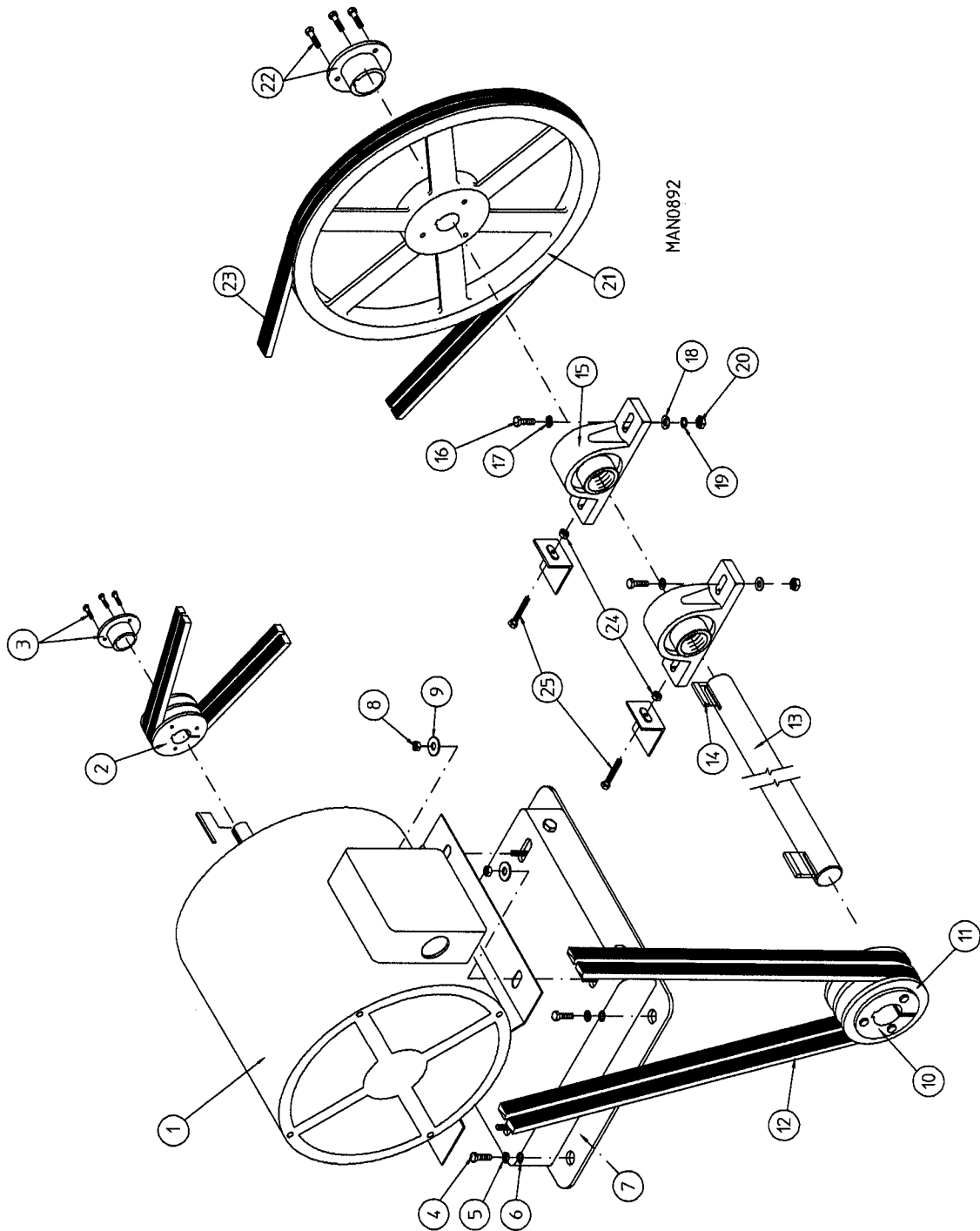
* Replace in matched sets (both belts).



Illus. No. Part No. Qty. Description

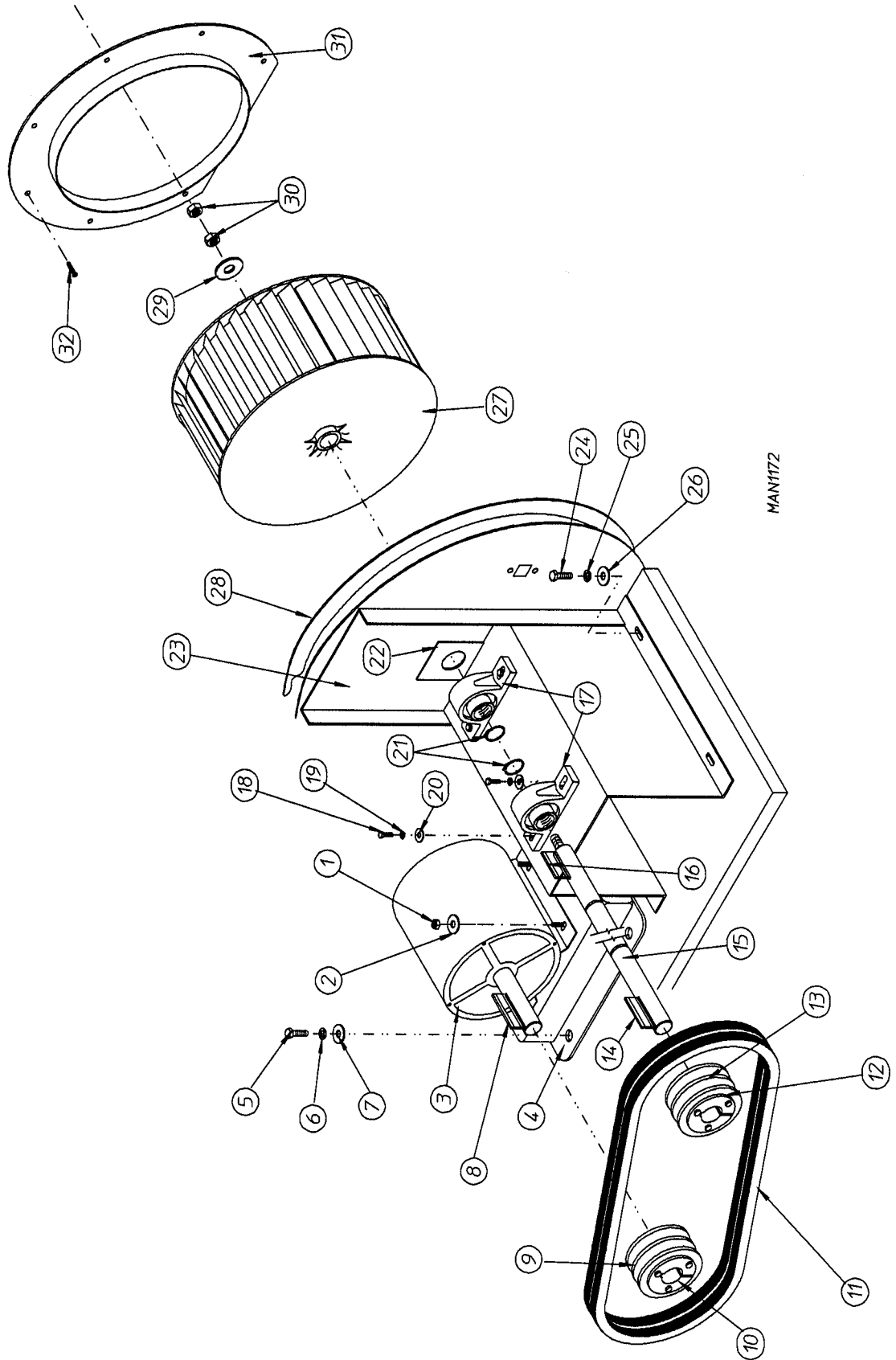
| | | | |
|----|--------|---|---|
| 1* | 821244 | 1 | AD-200 Tumbler Retaining Wheel Cover |
| 2 | 150301 | 4 | #8-18 x 7/16" Phillips Pan Head TEK Screw |
| 3 | 820566 | 1 | AD-200 Tumbler Retaining Wheel Assembly |
| 4 | 152004 | 1 | #5/16-18 Hex Nut |
| 5 | 150509 | 1 | #5/16-18 x 3" Hex Head Machine Bolt |
| 6 | 153002 | 1 | 5/16" Lock Washer |
| 7 | 153001 | 1 | 5/16" Flat Washer |

* Specify color when ordering.



| <u>Illus. No.</u> | <u>Part No.</u> | <u>Qty.</u> | <u>Description</u> |
|-------------------|-----------------|-------------|---|
| 1 | 100043 | 1 | 3 HP Motor with Key |
| 2 | 101143 | 1 | 2B x 3.8" Pulley |
| 3 | 101144 | 1 | SH x 1-1/8" Bushing |
| 4 | 150617 | 4 | #3/8-16 x 1" Hex Head Machine Bolt |
| 5 | 153005 | 4 | 3/8" Lock Washer |
| 6 | 153004 | 4 | 3/8" Flat Washer |
| 7 | 100060 | 1 | AD-200 Motor Base ONLY |
| 8 | 152005 | 4 | #3/8-16 Hex Nut |
| 9 | 153004 | 4 | 3/8" Flat Washer |
| 10 | 101149 | 1 | SH x 1-1/4" Bushing (for 60 Hz Models ONLY) |
| | 101166 | 1 | SDS x 1-1/4" Bushing (for 50 Hz Models ONLY) |
| 11 | 101148 | 1 | 2B x 4.0 Pulley (for 60 Hz Models ONLY) |
| | 101147 | 1 | 2B x 4.8 Pulley (for 50 Hz Models ONLY) |
| 12* | 100129 | 2 | BX-94 Cogged V-Belt (for 60 Hz Models ONLY) |
| | 100136 | 2 | BX -95 Cogged V-Belt (for 50 Hz Models ONLY) |
| 13 | 341033 | 1 | AD-200 1-1/4" Idler Shaft (Drive Motor) |
| 14 | 100704 | 2 | 1/4" Square x 1-3/4" Key |
| 15 | 100219 | 2 | 1-1/4" Idler Bearing ONLY |
| 16 | 150600 | 4 | #3/8-16 x 1 1/2" Hex Head Machine Bolt |
| 17 | 153004 | 4 | 3/8" Flat Washer |
| 18 | 153004 | 4 | 3/8" Flat Washer |
| 19 | 153005 | 4 | 3/8" Lock Washer |
| 20 | 152005 | 4 | #3/8-16 Hex Nut |
| 21 | 101145 | 1 | 2B x 11.0 Pulley |
| 22 | 101146 | 1 | SK x 1 1/4" Bushing |
| 23* | 100128 | 2 | BX-50 Cogged V-Belt |
| 24 | 152005 | 2 | #3/8-16 Hex Nut |
| 25 | 880799 | 2 | #3/8-16 x 4" Hex Head Machine Bolt |

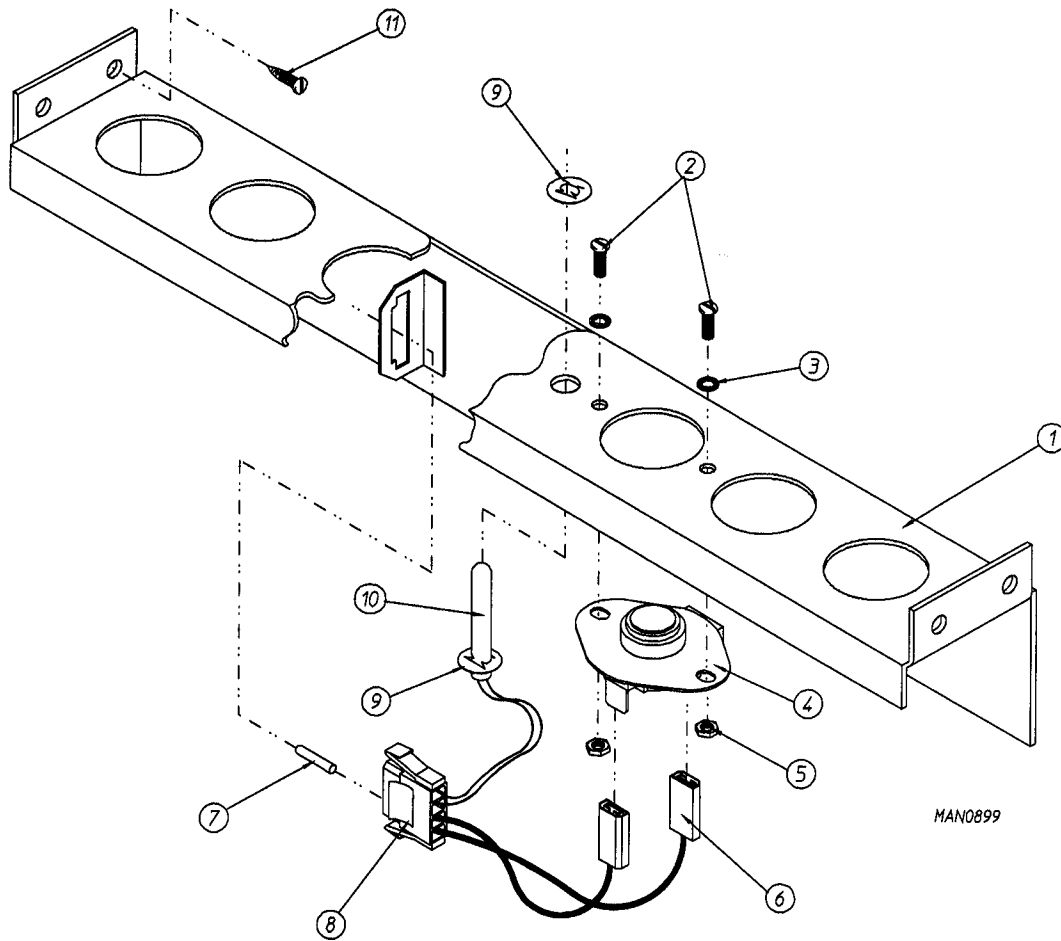
* Replace in matched sets (both belts).



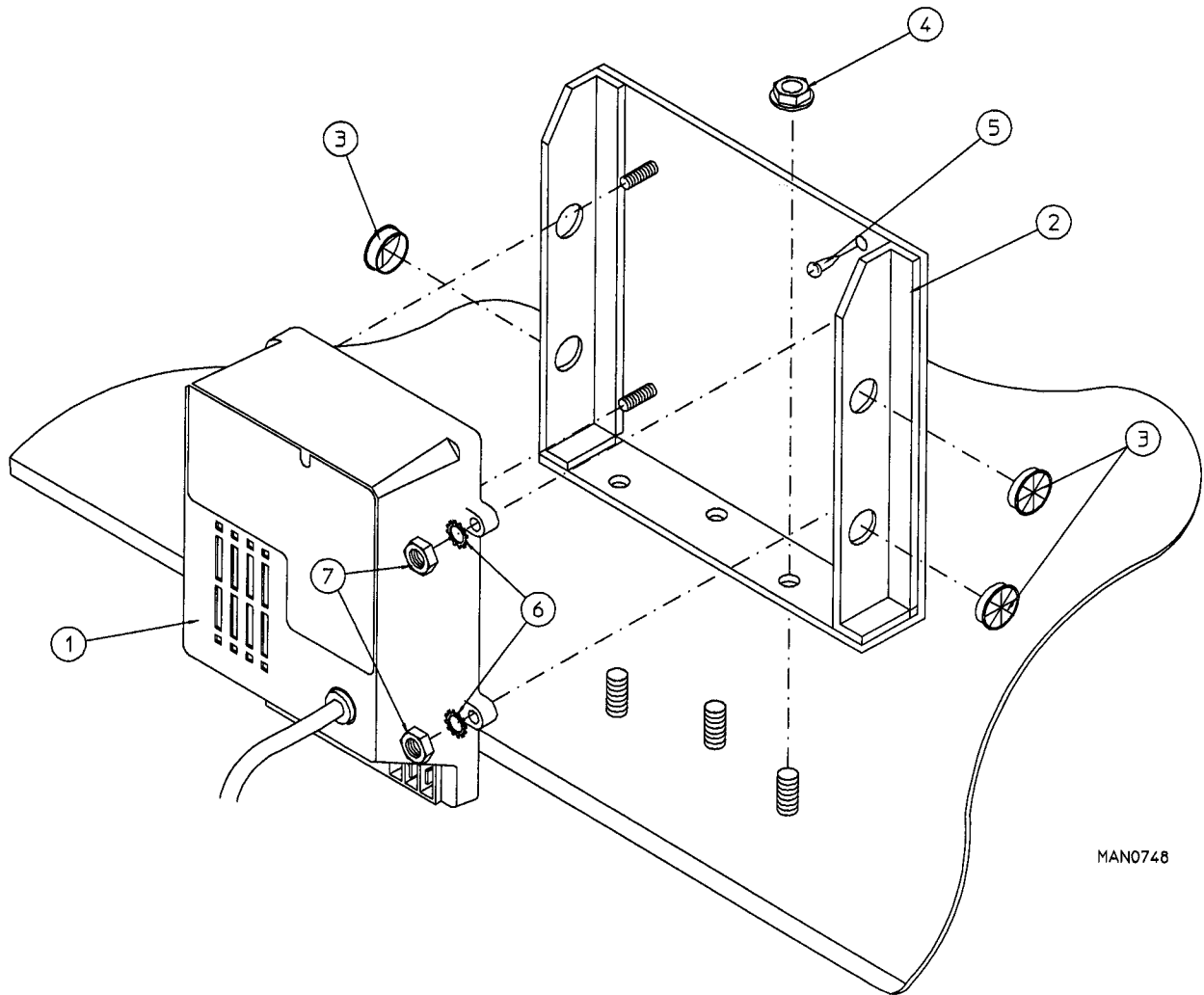
| <u>Illus. No.</u> | <u>Part No.</u> | <u>Qty.</u> | <u>Description</u> |
|-------------------|-----------------|-------------|---|
| 1 | 152005 | 4 | #3/8-16 Hex Nut |
| 2 | 153004 | 4 | 3/8" Flat Washer |
| 3 | 100046 | 1 | 7.5 HP Blower Motor (for 60 Hz Models ONLY) |
| | 100092 | 1 | 7.5 HP Blower Motor (for 50 Hz Models ONLY) |
| 4 | 100062 | 1 | AD-200 Blower Motor Slide Base |
| 5 | 150617 | 4 | #3/8-16 x 1" Hex Head Machine Bolt |
| 6 | 153005 | 4 | 3/8" Lock Washer |
| 7 | 153004 | 4 | 3/8" Flat Washer |
| 8 | 100706 | 1 | #5/16" x 5/16" x 1 3/8" Key |
| 9 | 101148 | 1 | 2B x 4.0 (for 60 Hz Models ONLY) |
| | 101147 | 1 | 2B x 4.8 Sheave (for 50 Hz Models ONLY) |
| 10 | 101152 | 1 | SH x 1 3/8" Bushing (for 60 Hz Models ONLY) |
| | 101194 | 1 | SDS x 1 3/8" Bushing (for 50 Hz Models ONLY) |
| 11* | 100140 | 2 | BX-38 Cogged V-Belt |
| 12 | 101152 | 1 | SH x 1 3/8" Bushing |
| 13 | 101148 | 1 | 2B x 4.0 Pulley |
| 14 | 100706 | 1 | 5/16" x 5/16" x 1-3/8" Key |
| 15 | 332626 | 1 | AD-200 Squirrel Cage Shaft |
| 16 | 100706 | 1 | 5/16" x 5/16" x 1-3/8" Key |
| 17 | 100202 | 2 | 1-3/8" Pillow Block Bearing ONLY |
| 18 | 150617 | 4 | 3/8-16 x 1" Hex Head Machine Bolt |
| 19 | 153005 | 4 | 3/8" Lock Washer |
| 20 | 153004 | 4 | 3/8" Flat Washer |
| 21 | 100802 | 2 | 1-3/8" Retaining Ring |
| 22 | 116014 | 1 | Felt Seal (2" x 2") |
| 23** | 821229 | 1 | AD-200 Motor Mount Assembly (includes illus. nos. 23 and 28) |
| 24 | 150617 | 4 | #3/8-16 x 1" Hex Head Machine Bolt |
| 25 | 153005 | 4 | 3/8" Lock Washer |
| 26 | 153004 | 4 | 3/8" Flat Washer |
| 27 | 100612 | 1 | AD-200 1-1/4" Bore x 15" Diameter Blower Wheel ONLY |
| 28 | 117600 | 4 | Noise Suppressor Tape (sold in feet) |
| 29 | 153050 | 1 | 1/2" Flat Washer |
| 30 | 152006 | 2 | #1/2-20 Left Hand Jam Nut |
| 31 | 100643 | 1 | AD-200 15" Inlet Cone ONLY |
| 32 | 150415 | 7 | #10-16 x 1/2" Phillips Round Head Crimptite Screw |

* Replace in matched sets (both belts).

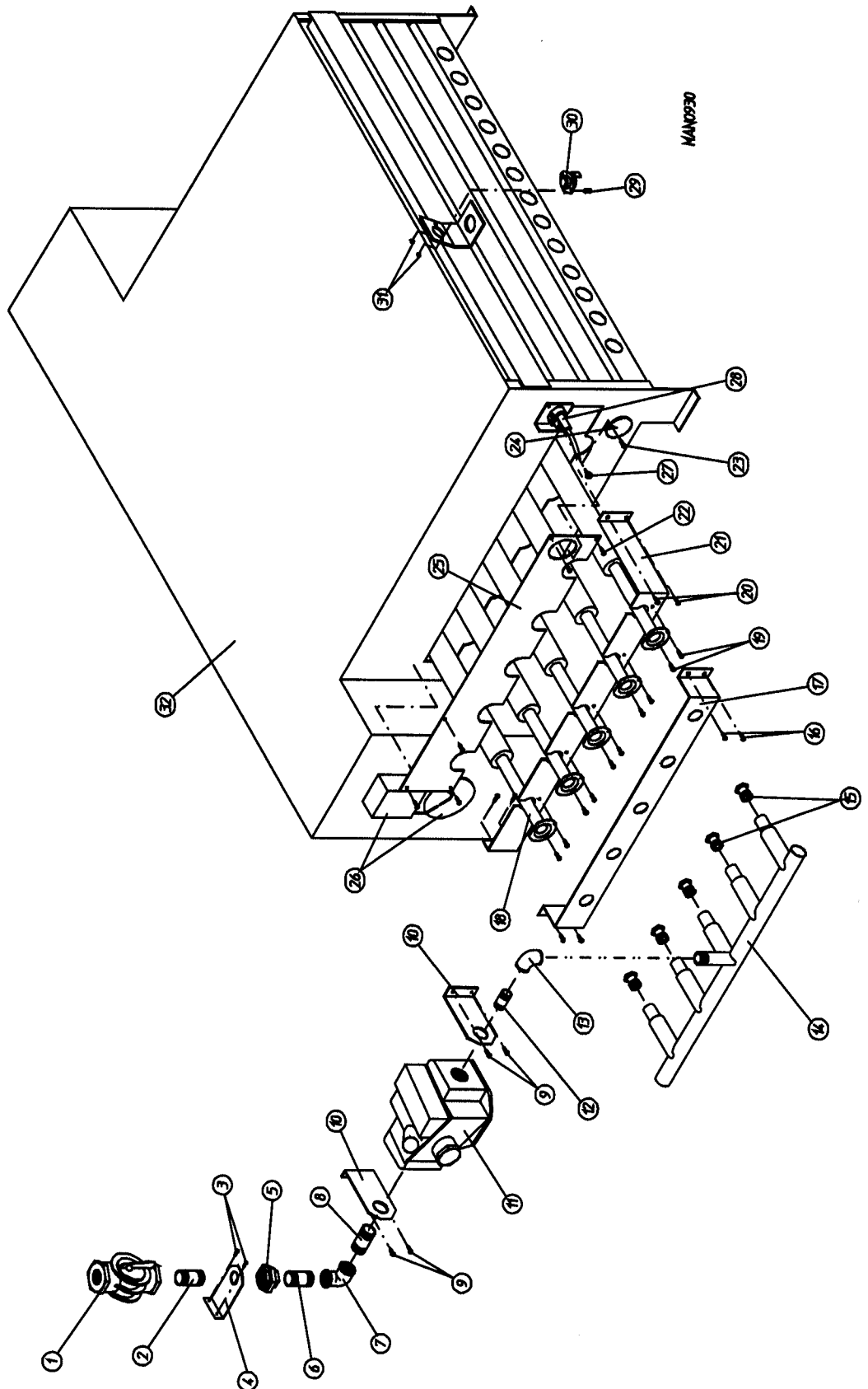
** Specify color when ordering.



| Illus. No. | Part No. | Qty. | Description |
|------------|----------|------|--|
| 1 | 820968 | 1 | Temperature Sensor Bracket Assembly Complete (includes illus. nos. 1 through 10) |
| | 820967 | 1 | Temperature Sensor Bracket ONLY |
| 2 | 150000 | 2 | #6-32 x 1/4" Slotted Round Head Machine Screw |
| 3 | 153010 | 2 | #6 Star Washer |
| 4 | 130112 | 1 | 225° Large Thermostat ONLY |
| 5 | 152000 | 2 | #6-32 Hex Nut |
| 6 | 121028 | 2 | 1/4" x .032 Insulated Terminal |
| 7 | 122701 | 4 | Socket ONLY |
| 8 | 122605 | 1 | 4-Pin Socket Connector (female) |
| 9 | 154007 | 2 | 1/4" Push-On Fastener |
| 10 | 880251 | 1 | 1/4" Temperature Sensor Probe |
| 11 | 150301 | 4 | #8-18 x 7/16" Phillips Pan Head TEK Screw |

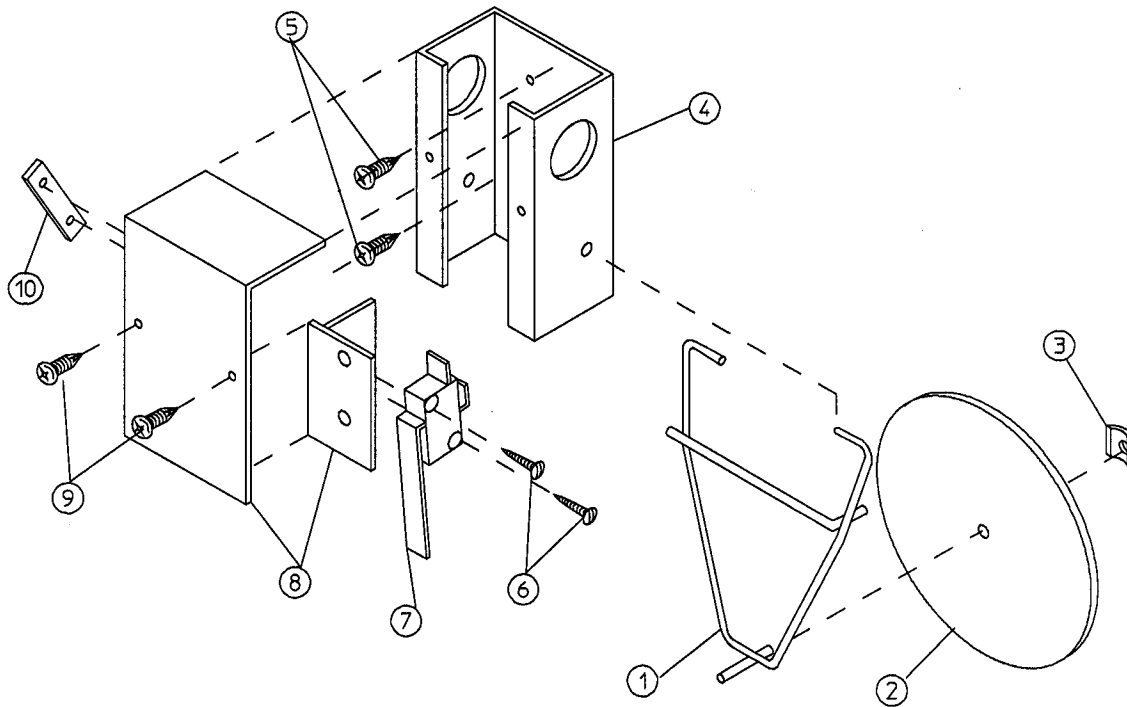


| Illus. No. | Part No. | Qty. | Description |
|------------|----------|------|---|
| 1 | 880815 | 1 | ADC DSI Module ONLY |
| 2 | 820100 | 1 | DSI Module Mount Assembly ONLY |
| 3 | 121400 | 3 | Universal Bushing |
| 4 | 152014 | 3 | #1/4-20 Free Spin Wash Nut |
| 5 | 150301 | 1 | #8-18 x 7/16" Phillips Pan Head TEK Screw |
| 6 | 153010 | 4 | #6 Star Washer |
| 7 | 152000 | 4 | #6-32 Hex Nut |



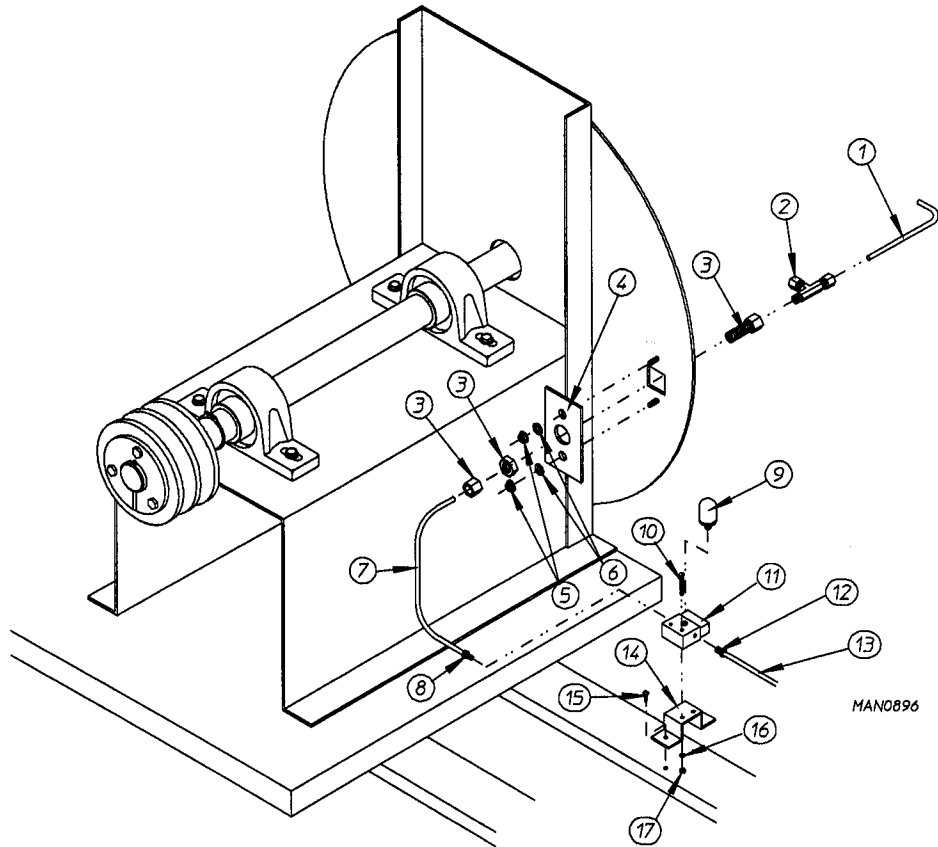
| <u>Illus. No.</u> | <u>Part No.</u> | <u>Qty.</u> | <u>Description</u> |
|-------------------|-----------------|-------------|--|
| 1 | 141302 | 1 | 1" Shut-Off Valve |
| 2 | 142711 | 1 | 1" Close Nipple |
| 3 | 150301 | 2 | #8-18 x 7/16" Phillips Pan Head TEK Screw |
| 4 | 332605 | 1 | Short Pipe Bracket |
| 5 | 142602 | 1 | 1" Union |
| 6 | 142711 | 1 | 1" Close Nipple |
| 7 | 142548 | 1 | 1" x 90° Elbow |
| 8 | 142711 | 1 | 1" Close Nipple |
| 9 | 150301 | 2 | #8-18 x 7/16" Phillips Pan Head TEK Screw |
| 10 | 332604 | 2 | Long Pipe Bracket |
| 11 | 140017 | 1 | 1" x 1" 24 VAC Gas Valve |
| 12 | 142711 | 1 | 1" Close Nipple |
| 13 | 142548 | 1 | 1" x 90° Elbow |
| 14 | 141244 | 1 | 5-Port Manifold |
| 15 | 140839 | 5 | #2 Orifice (for Natural Gas Models ONLY) |
| | 140820 | 5 | #29 Orifice (for L.P. Gas Models ONLY) |
| 16 | 150301 | 4 | #8-18 x 7/16" Phillips Pan Head Tek Screw |
| 17 | 332606 | 1 | Manifold Rest |
| 18 | 141110 | 5 | Burner Tube |
| 19 | 150301 | 10 | #8-18 x 7/16" Phillips Pan Head TEK Screw |
| 20 | 150301 | 4 | #8-18 x 7/16" Phillips Pan Head TEK Screw |
| 21 | 332607 | 1 | Burner Tube Rest |
| 22 | 150301 | 5 | #8-18 x 7/16" Phillips Pan Head TEK Screw |
| 23 | 150301 | 1 | #8-18 x 7/16" |
| 24 | 331290 | 1 | Sight Hole Disk |
| 25 | 332597 | 1 | Burner Box Cover Plate |
| 26 | ----- | 1 | Sail Switch (refer to Sail Switch Assembly on page 26) |
| 27 | 150415 | 2 | #10-16 x 1/2" Phillips Round Head Crimptite Screw |
| 28 | 880325 | 1 | Ignitor/Flame Probe Assembly Kit |
| | 880330 | 1 | DSI Ignitor HV Wire / Connector ONLY |
| | 305410 | 1 | DSI Gap Feeler Gauge |
| 29 | 150001 | 2 | #6-32 x 1/2" Round Head Machine Screw |
| 30 | 130401 | 1 | 330° Hi-Limit |
| 31 | 151000 | 2 | #6-32 Pal Nut |
| 32 | 880789 | 1 | ADG-200 Burner Box ONLY |
| | 880790 | 1 | ADG-200 Natural Gas Burner Box Assembly Complete Less Orifices |
| | 880791 | 1 | ADG-200 LP Gas Burner Box Assembly Complete Less Orifices |

NOTE: Burner assemblies **do not** include burner orifices. They **must** be ordered separately.

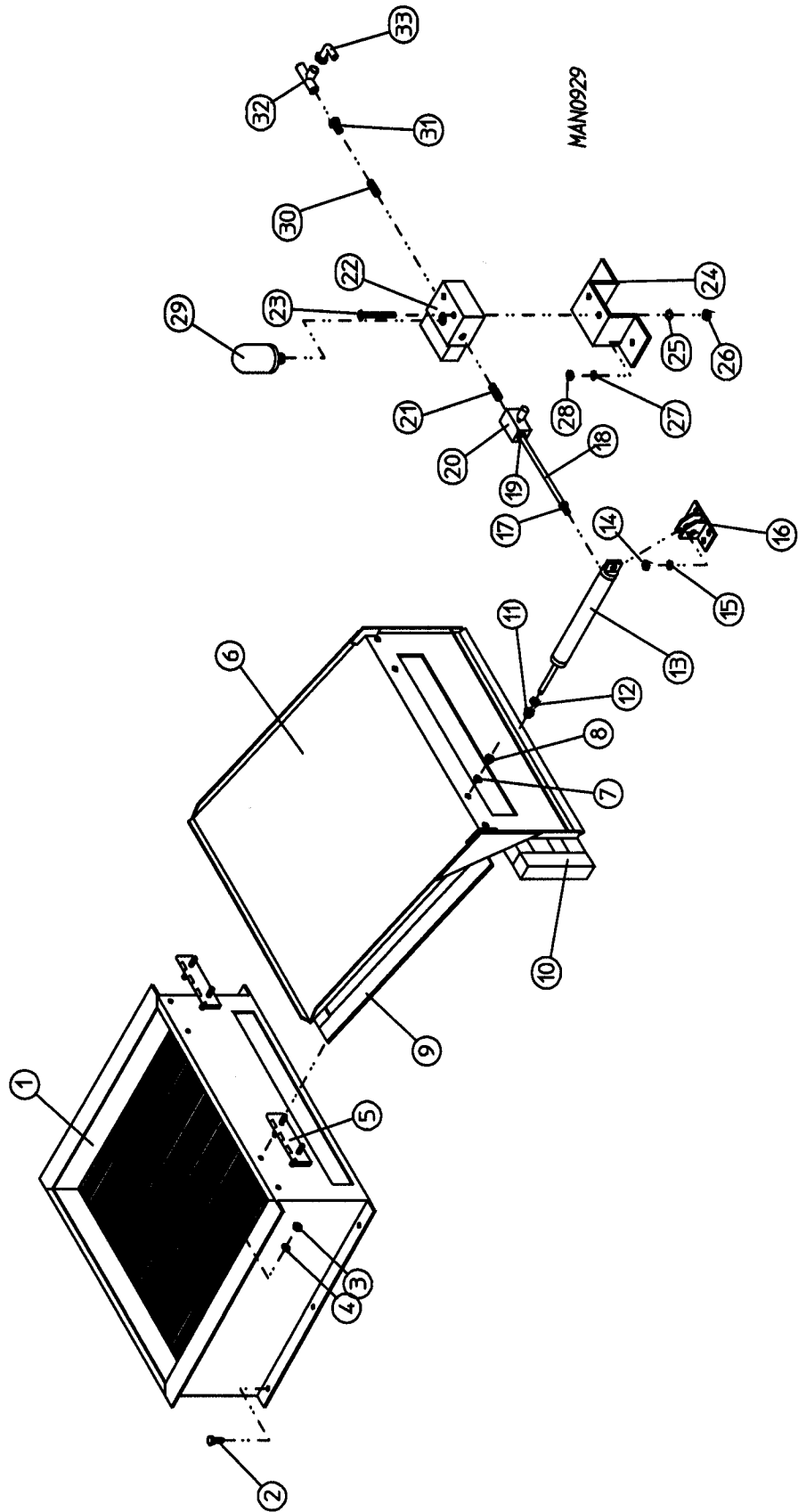


MAN0440

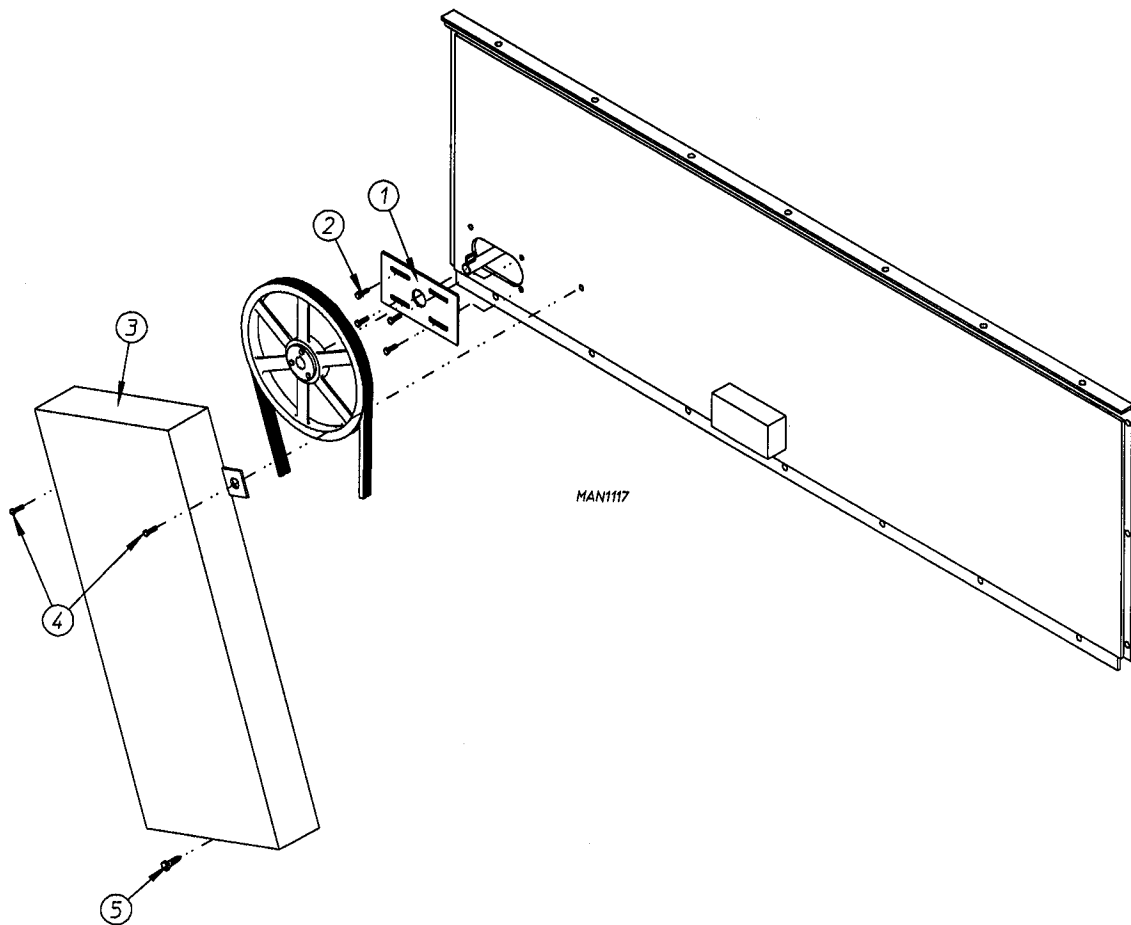
| Illus. No. | Part No. | Qty. | Description |
|------------|----------|------|--|
| 1 | 105500 | 1 | Sail Switch Actuator Rod |
| 2 | 332689 | 1 | Sail Switch Damper (flat) |
| 3 | 154002 | 1 | 1/8" Push-On Fastener |
| 4 | 802800 | 1 | Sail Switch Box With Cover and Bracket ONLY (includes illus. nos. 4 and 8) |
| | 880793 | 1 | Sail Switch Box Assembly Complete (includes illus. nos. 1 through 4 and 6 through 10) |
| 5 | 150300 | 2 | #10 x 1/2" Hex Washer TEK Screw |
| 6 | 150303 | 2 | #4 x 3/4" Pan Head "A" Machine Screw |
| 7 | 122200 | 1 | Sail Switch ONLY |
| 8 | 802799 | 1 | Sail Switch Box Cover and Bracket ONLY |
| 9 | 150415 | 2 | #10-16 x 1/2" Phillips Round Head Crimptite Screw |
| 10 | 154004 | 1 | Twin Speed Nut |



| Illus. No. | Part No. | Qty. | Description |
|------------|----------|------|--|
| 1 | 332700 | 1 | Air Jet Tube |
| 2 | 143287 | 1 | 1/4" Tube x 1/8" MPT |
| 3 | 143259 | 1 | 1/4" Compression Fitting x 1/8" FPT |
| 4 | 332531 | 1 | Air Jet Mounting Plate |
| 5 | 152002 | 2 | #1/4-20 Hex Nut |
| 6 | 153007 | 2 | 1/4" Lock Washer |
| 7 | 143100 | 1 | 1/4" Diameter Tube (sold by the foot) |
| 8 | 143152 | 1 | 1/4" Compression Fitting x 1/8" MPT Connector |
| 9 | 100520 | 1 | 1/8" Muffler |
| 10 | 150002 | 1 | #6-32 x 1" Phillips Round Head Machine Screw |
| 11 | 100498 | 1 | 3-Way Valve |
| 12 | 100472 | 1 | 1/4" Poly x 1/8" MPT Connector (for Steam Models ONLY) |
| 13 | 143110 | 10 | 1/4" Poly Flow Tube (sold by the foot) For Steam Models ONLY) |
| 14 | 330987 | 1 | Valve Support Bracket |
| 15 | 150415 | 2 | #10-16 x 1/2" Phillips Round Head Crimpite Screw |
| 16 | 153010 | 2 | #6 Star Washer |
| 17 | 152000 | 2 | #6-32 Hex Nut |



| <u>Illus. No.</u> | <u>Part No.</u> | <u>Qty.</u> | <u>Description</u> |
|-------------------|-----------------|-------------|---|
| 1 | 165020 | 1 | ADS-200 Steam Coil Assembly |
| 2 | 150523 | 6 | #1/4-20 x 3/4" Machine Bolt |
| 3 | 152002 | 4 | #1/4-20 Hex Nut |
| 4 | 153007 | 4 | 1/4" Lock Washer |
| 5 | 820321 | 2 | Steam Damper Hinge Assembly |
| 6 | 880792 | 1 | Steam Damper Assembly (includes illus nos. 6, 9, and 10) |
| 7 | 153007 | 4 | 1/4" Lock Washer |
| 8 | 152002 | 4 | #1/4-20 Hex Nut |
| 9 | 115995 | 108 | Steam Damper Gasket (sold by the inch) |
| 10 | 102350 | 1 | Steam Damper Foam (68-1/2" long) |
| 11 | 151007 | 1 | #7/16-20 Stainless Steel Acorn Nut |
| 12 | 152007 | 1 | #7/16-20 Jam Nut |
| 13 | 100502 | 1 | 1-1/2" x 4" Stroke Piston |
| 14 | 152002 | 4 | #1/4-20 Hex Nut |
| 15 | 153007 | 4 | 1/4" Lock Washer |
| 16 | 100500 | 1 | Piston Support |
| 17 | 100472 | 1 | 1/4" Poly x 1/8" MPT Connector |
| 18 | 143110 | 1 | 1/4" Poly Flow Tubing (sold by the foot) |
| 19 | 100472 | 1 | 1/4" Poly x 1/8" MPT Connector |
| 20 | 100496 | 1 | 1/8" Needle Valve |
| 21 | 143238 | 1 | 1/8" Brass Close Nipple |
| 22 | 100498 | 1 | 3-Way Micro Valve |
| 23 | 150002 | 2 | #6-32 x 1" Phillips Round Head Machine Screw |
| 24 | 330987 | 1 | Micro Valve Support |
| 25 | 153010 | 2 | #6 Star Washer |
| 26 | 152000 | 2 | #6-32 Hex Nut |
| 27 | 153007 | 2 | 1/4" Lock Washer |
| 28 | 152002 | 2 | #1/4-20 Hex Nut |
| 29 | 100520 | 1 | 1/8" NPT Silencer #N-125 |
| 30 | 153238 | 1 | 1/8" Brass Close Nipple |
| 31 | 143264 | 1 | 1/4" x 1/8" Reducing Bushing |
| 32 | 143219 | 1 | 1/4" Brass Tee |
| 33 | 143153 | 1 | 1/4" Poly x 1/4" MPT Elbow |



| Illus. No. | Part No. | Qty. | Description |
|------------|----------|------|---|
| 1* | 880794 | 1 | AD-200 Back Cover Plate |
| 2 | 150522 | 4 | #1/4-20 x 1/2" Hex Washer Machine Bolt |
| 3* | 821204 | 1 | Belt Guard |
| 4 | 150301 | 2 | #8-18 x 7/16" Phillips Pan Head Tek Screw |
| 5 | 150522 | 1 | #1/4-20 x 1/2" Hex Washer Machine Bolt |

* Specify color when ordering.

ADC 450135 1-12/24/92-50 2*-05/04/95-100

