



AD-145 Parts Manual

Phase 6 Microprocessor Models
1997/1998

American Dryer Corporation
88 Currant Road
Fall River MA 02720-4781
Telephone: (508) 678-9000 / Fax: (508) 678-9447
E-mail: techsupport@amdry.com

Retain This Manual In A Safe Place For Future Reference

American Dryer Corporation products embody advanced concepts in engineering, design, and safety. If this product is properly maintained, it will provide many years of safe, efficient, and trouble-free operation.

ONLY properly licensed technicians should service this equipment.

OBSERVE ALL SAFETY PRECAUTIONS displayed on the equipment or specified in the installation/operator's manual included with the dryer.

WARNING: UNDER NO CIRCUMSTANCES should the door switch or the heat circuit devices ever be disabled.

WARNING: The dryer *must never* be operated with any of the back guards, outer tops, or service panels removed. PERSONAL INJURY or FIRE COULD RESULT.

We have tried to make this manual as complete as possible and hope you will find it useful. ADC reserves the right to make changes from time to time, without notice or obligation, in prices, specifications, colors, and material, and to change or discontinue models.

Important

For your convenience, log the following information:

DATE OF PURCHASE _____ MODEL NO. **AD-145** _____

DISTRIBUTORS NAME _____

Serial Number(s) _____

Replacement parts can be obtained from your distributor or the ADC factory. When ordering replacement parts from the factory, you can FAX your order to ADC at (508) 678-9447 or telephone your orders directly to the ADC Parts Department at (508) 678-9000. Please specify the dryer **model number** and **serial number** in addition to the **description** and **part number**, so that your order is processed accurately and promptly.

The illustrations on the following pages may not depict your particular dryer exactly. The illustrations are a composite of the various dryer models. Be sure to check the descriptions of the parts thoroughly before ordering.

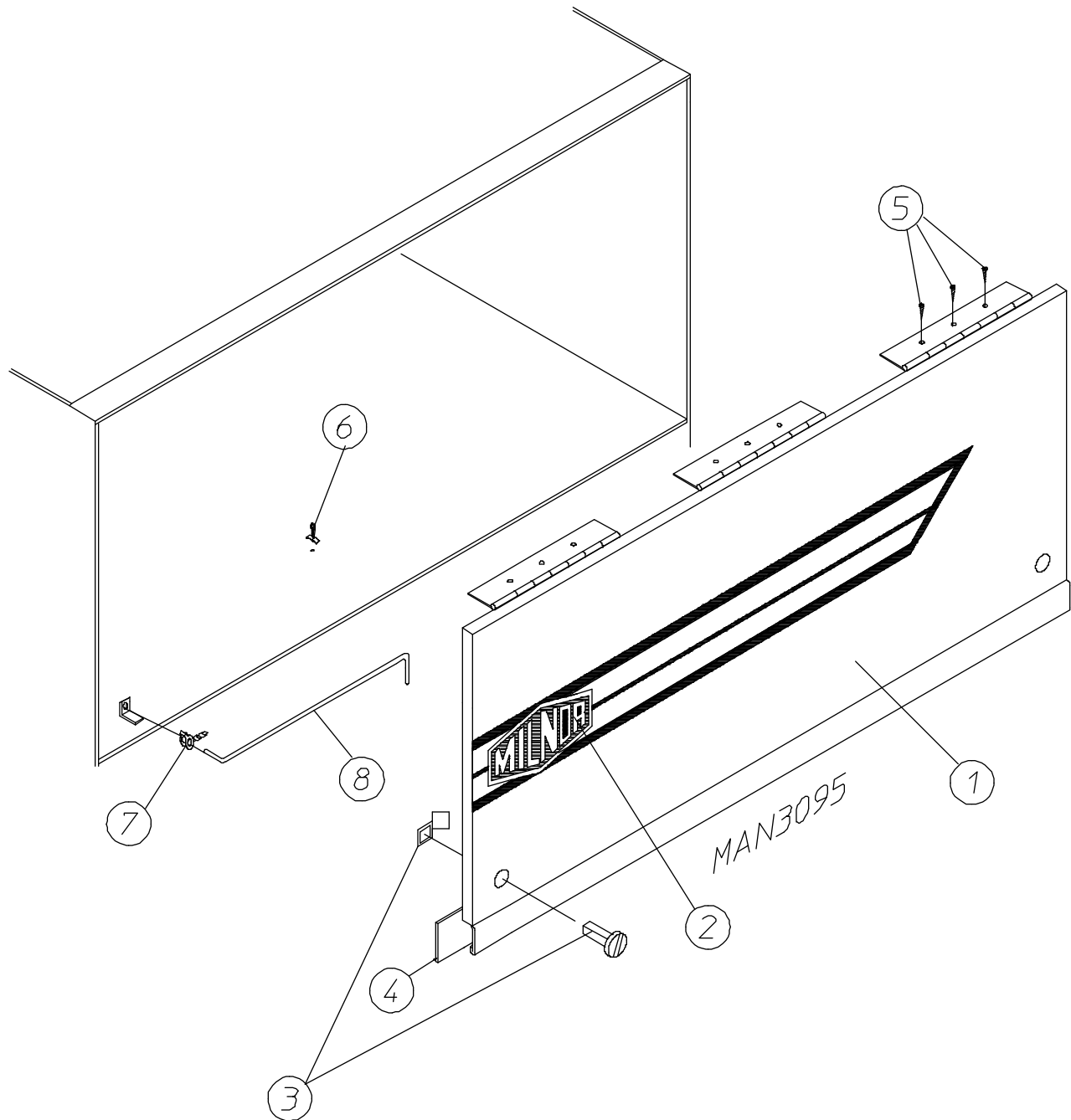
“IMPORTANT NOTE TO PURCHASER”

Information must be obtained from your local gas supplier on the instructions to be followed if the user smells gas. These instructions must be posted in a prominent location near the dryer.

Table of Contents

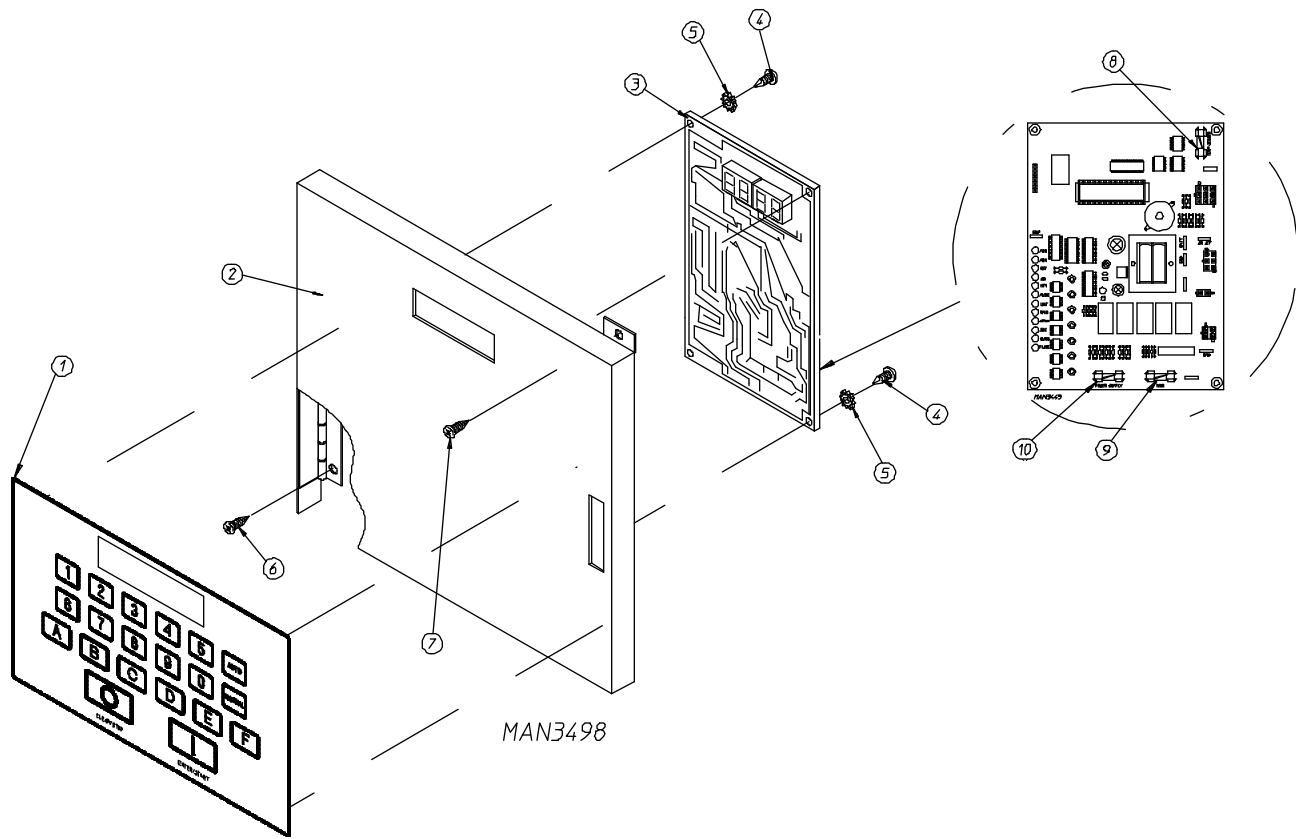
Control Door Assembly	3
Microprocessor Control Panel Assembly	4
Microprocessor Control Box Assembly	5
Front Panel/Main Door Assemblies for models mfd. as of October 24, 1997	6
Front Panel/Main Door Assemblies for models mfd. prior to October 24, 1997	7
Main Door Switch Assembly for models mfd. as of October 24, 1997	8, 9
Main Door Switch Assembly for models mfd. prior to October 24, 1997	10
Lint Door Assembly	11
Lint Drawer/Lint Drawer Switch Box Assemblies	12
Microprocessor Temperature Sensor Bracket Assembly	13
Tumbler Support Assemblies	14, 15
Tumbler Bearing Mount Assembly	16, 17
Idler Bearing Mount Assembly	18, 19
Totally Enclosed, Fan-Cooled (T.E.F.C.) Motor Mount Assembly	20, 21
Blower Motor Mount Assembly	22
Fan Shaft Mount Assembly	23
ADG-145 Hot Surface Ignition (HSI) Burner Assembly	24, 25
Microprocessor Reversing Contactor Mounting Panel Assembly	26, 27
Sail Switch Assembly	28

Air Jet Assembly	29
Top Console Assembly	30
Pneumatic Valve Assembly	31
Back Guard Assemblies	32
Step Down Transfaormer Application Listing	33
Additional Parts Available	34

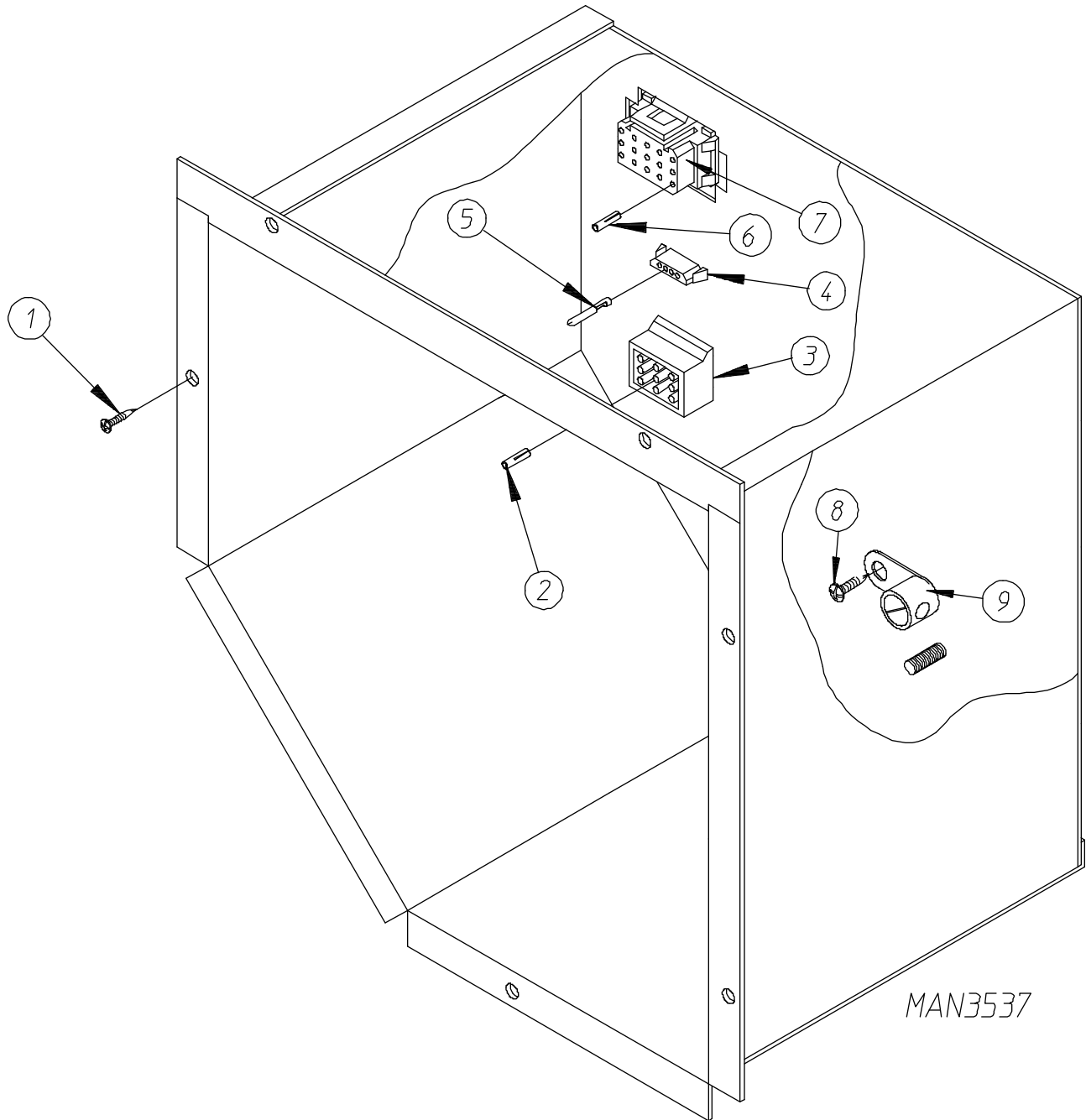


Illus. No.	Part No.	Qty.	Description
1*	881603	1	Control Door Assembly (includes illus. nos. 1, 3, and 4 Only)
2	112368	1	Logo/Label ONLY
3	160005	2	Spring Turn Latch (2-piece)
4	117603	6	Gasket (sold by the foot)
5	150309	9	#10-16 x 1/2" Hex Head TEK Crimptite Screw
6	102600	1	Control Door Support Rod Catch
7	102601	1	Control Door Rod Retainer Clip
8	102505	1	Control Door Support Rod

* Specify color when ordering.

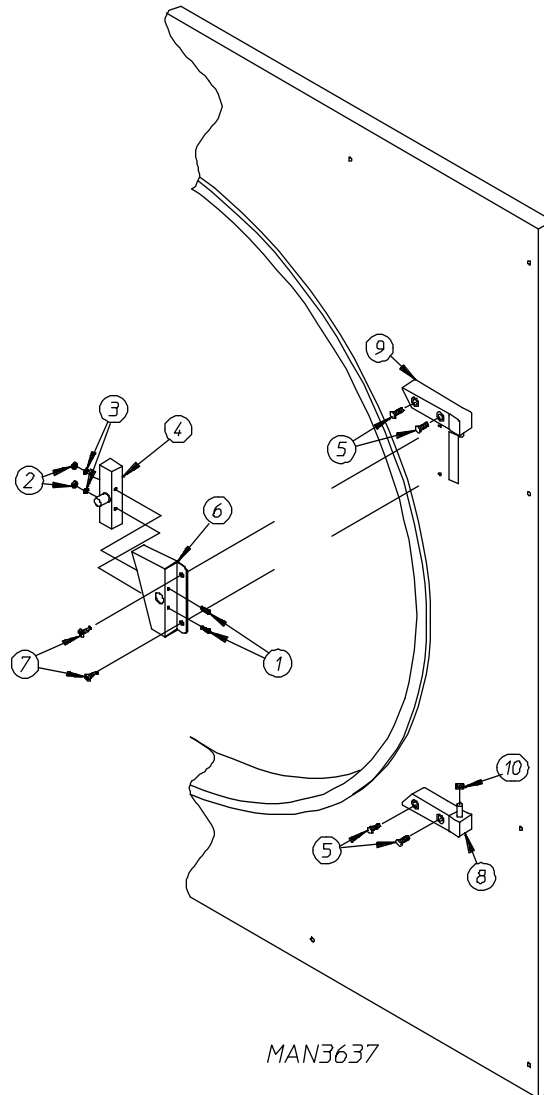


Illus. No.	Part No.	Qty.	Description
1	112537	1	Phase 6 OPL Keypad
	112276	1	OPL Stick-on Labels (English Only) ... Not Illustrated
	112275	1	OPL Stick-on Labels (Spanish, Italian, and Hebrew) ... Not Illustrated
	112277	1	3 Language OPL Stick-on Labels (English, Spanish, and Hebrew) ... Not Illustrated
	112278	1	5 Language OPL Stick-on Labels (Italian, Dutch, French, German, and Chinese) ... Not Illustrated
2	881633	1	Computer Door ONLY
	881635	1	Computer Door Complete (includes illus. nos. 1 through 5 and 8 through 10)
	881634	1	Computer Door with Battery Bracket
	881643	1	Computer Door Complete with Battery Option (includes illus. nos. 1 through 5 and 8 through 10)
3	137124	1	Phase 6 OPL Reversing Microprocessor Controller with Air Jet
4	150005	2	#6-32 x 1/4" Phillips Round Head Machine Screw
5	153010	2	#6 Star Washer
6	150000	3	#6-32 x 1/4" Slotted Round Head Machine Screw
7	150309	1	#10-16 x 1/2" Hex Head TEK Crimptite Screw
8	136048	1	1/8-Amp (Slo Blo) Fuse
9	136017	1	3.15-Amp (Fast Acting) Fuse
10	136019	1	1-Amp (Fast Acting) Fuse



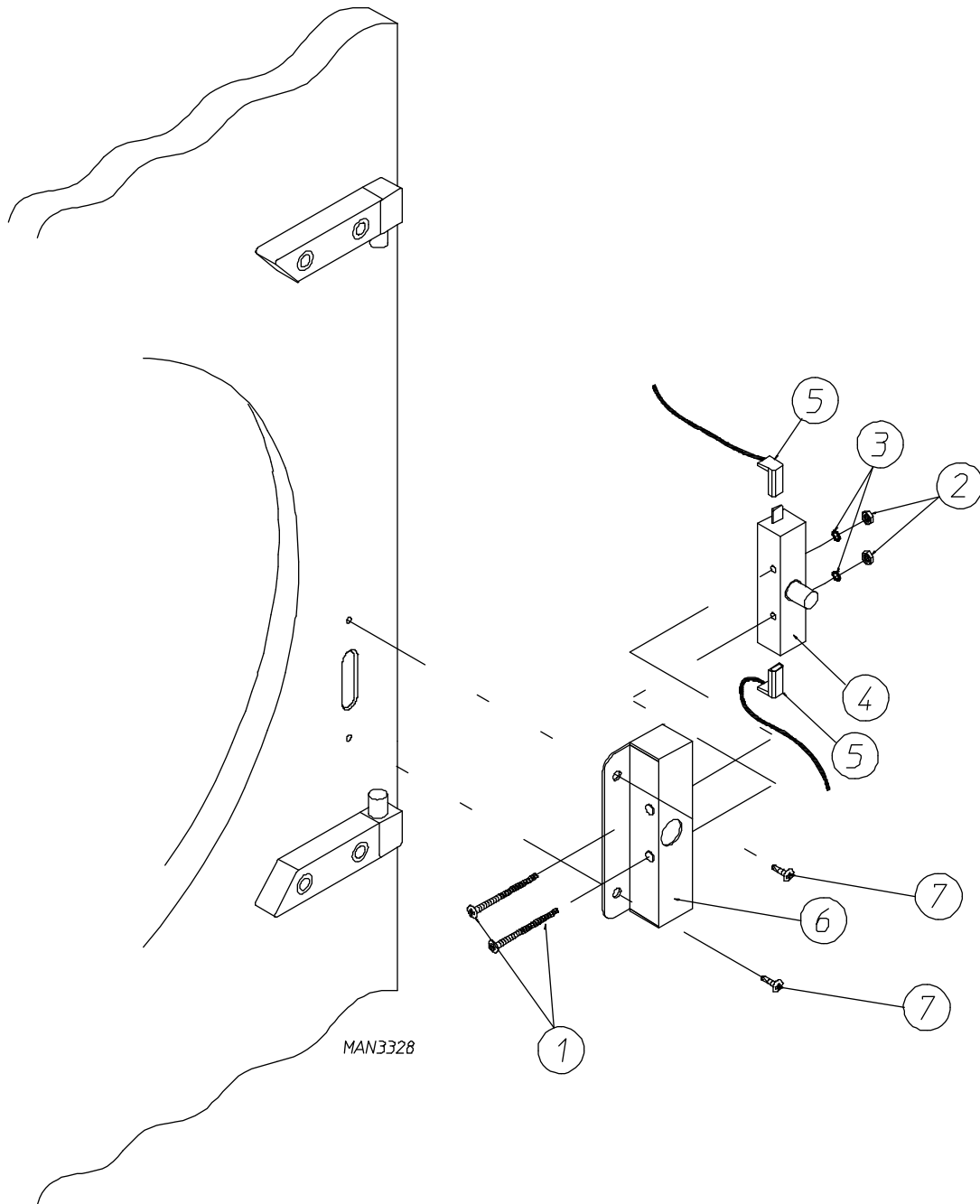
Illus. No.	Part No.	Qty.	Description
1	150301	6	#8-18 x 7/16" Phillips Pan Head TEK Screw
2	122701	8	M-N-L (Mate-N-Lok) Socket
3	122603	1	9-Pin Socket Connector
4	122621	1	4-Position M-N-L (Mate-N-Lok) Connector
5	122704	2	Split Pin ONLY
6	122705	15	Socket ONLY
7	122626	1	15-Pin Female Connector
8	150309	1	#10-16 x 1/2" Hex Head TEK Crimptite Screw
9	121010	1	L-70 Terminal Lug

for models mfd. as of October 24, 1997

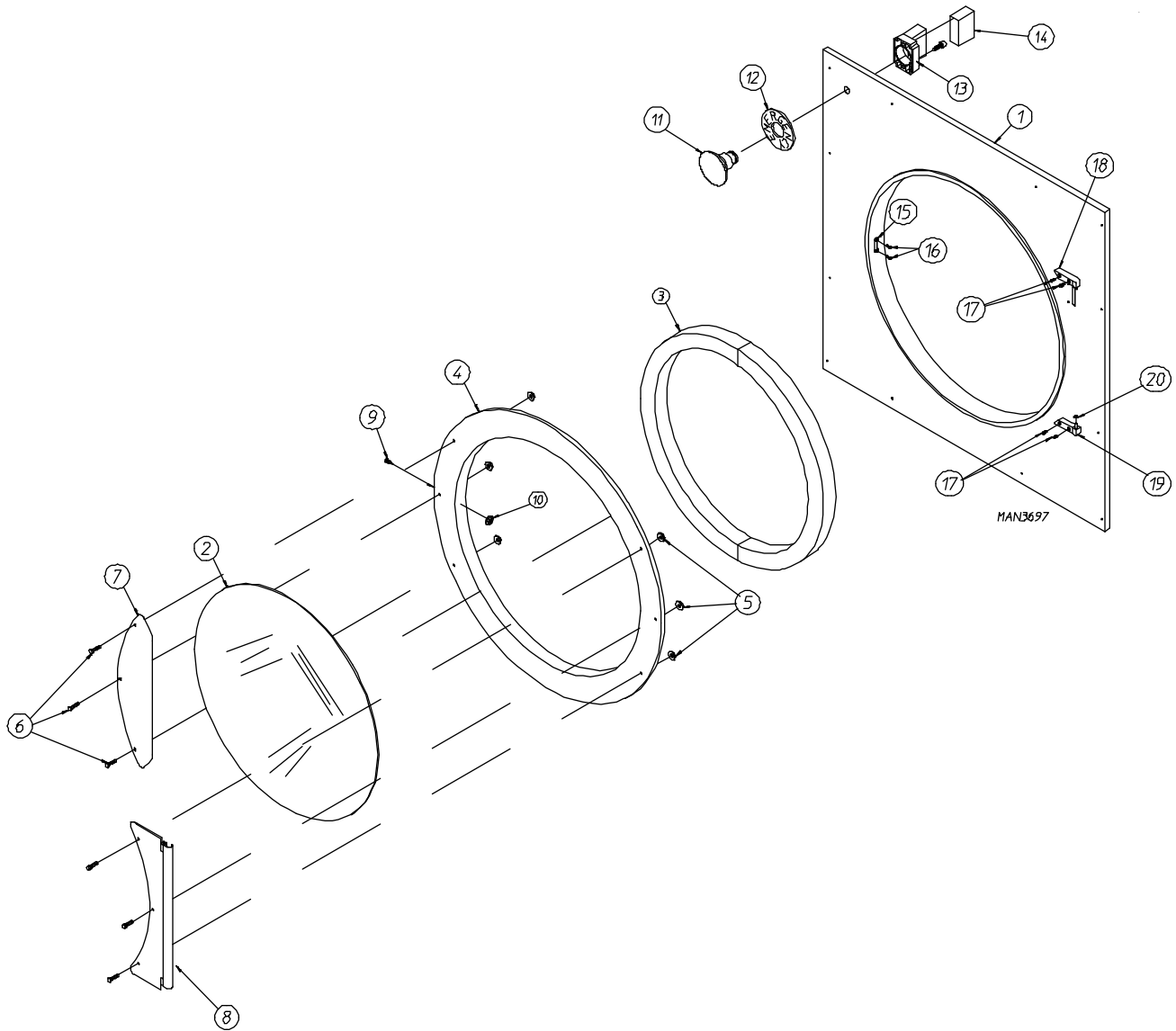


Illus. No.	Part No.	Qty.	Description
1	150006	2	#6-32 x 7/8" Phillips Pan Head Machine Screw
2	152013	2	#6-32 Hex Nut
3	153010	2	#6 Star Washer
4	137005	1	Single Pole Door Switch
5	150443	4	1/4-20 x 3/4" Stainless Steel Cap Screw
6	881687	1	White Main Door Switch Housing ONLY
	881695	1	Blue Main Door Switch Housing ONLY
	881702	1	White Main Door Switch with Housing Assembly (includes illus. nos. 1 through 4 and 6)
	881700	1	Blue Main Door Switch with Housing Assembly (includes illus. nos. 1 through 4 and 6)
7	150443	2	1/4-20 x 3/4" Stainless Steel Cap Screw
8	881441	1	White Bottom Hinge Block
	881735	1	Blue Bottom Hinge Block
9	881440	1	White Top Hinge Block
	881736	1	Blue Top Hinge Block
10	153031	1	Nylon Washer

for models mfd. prior to October 24, 1997



Illus. No.	Part No.	Qty.	Description
1	150006	2	#6-32 x 7/8" Phillips Pan Head Machine Screw
2	152013	2	#6-32 Hex Nut
3	153010	2	#6 Star Washer
4	137005	1	Door Switch
5	122636	2	Flag Terminal
6	881726	1	White Main Door Switch Housing
	881698	1	White Main Door Switch Housing Complete (includes illus. nos. 1 through 4 and 6)
7	150301	2	#8-18 x 7/16" Phillips Pan Head TEK Screw

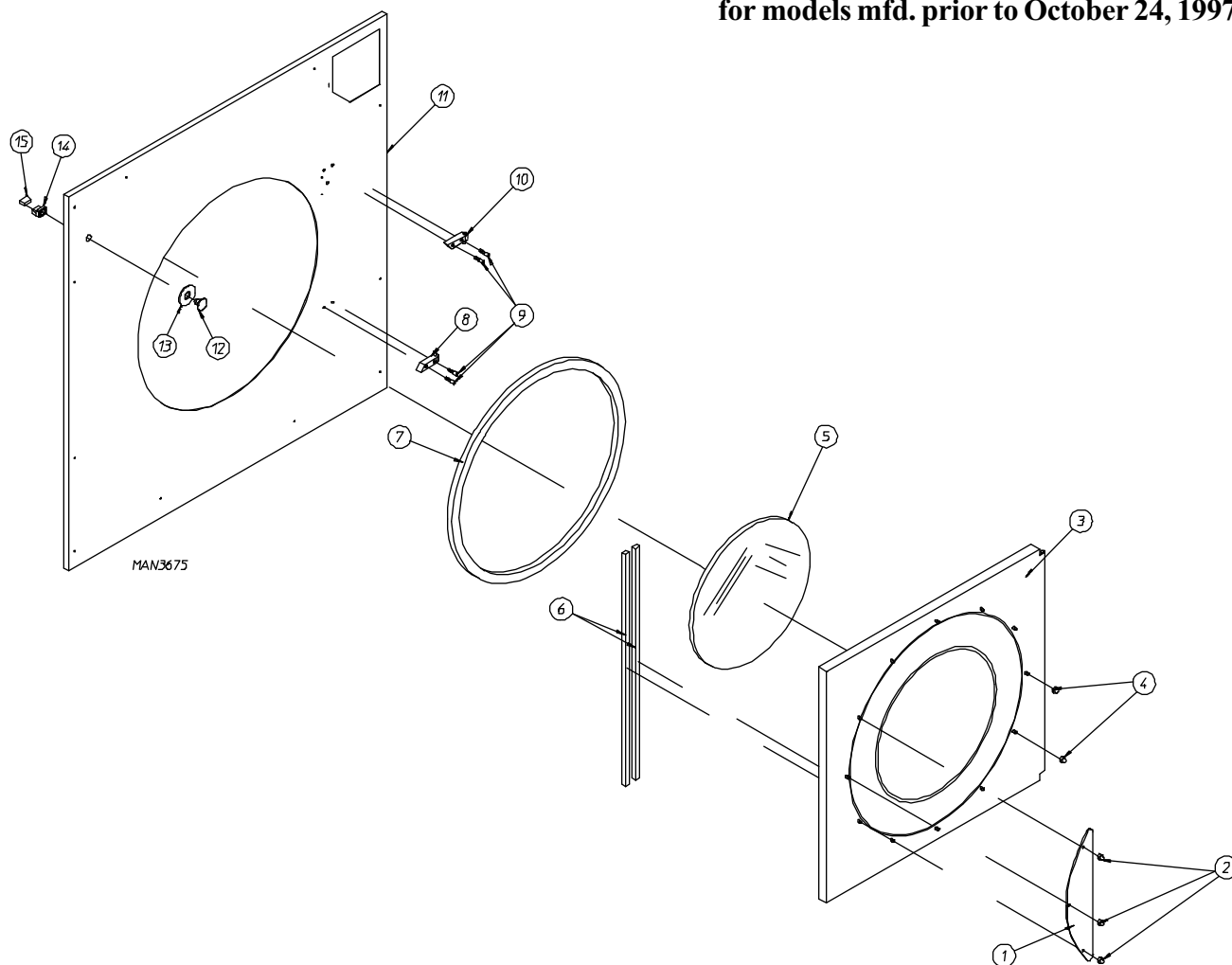


for models mfd. as of October 24, 1997

<u>Illus. No.</u>	<u>Part No.</u>	<u>Qty.</u>	<u>Description</u>
1*	881690	1	Front Panel Assembly (includes illus. nos. 1, 15, and 16)
2	102213	1	29-7/8" Door Glass
	170730	1	Door Glass Adhesive (10.3 oz. cartridge)
3	102354	2	Main Door Gasket (7/8" x 7/8" x 73")
4	881761	1	Blue Main Door Assembly Complete (includes illus. nos. 2 through 10)
	881689	1	White Main Door Assembly Complete (includes illus. nos. 2 through 10)
	881684	1	White Main Door Ring
	881756	1	Blue Main Door Ring
5	881806	6	1/4-20 Free Spin Wash Nut (White)
	881807	6	1/4-20 Free Spin Wash Nut (Blue)
6	881740	6	1/4-20 x 5/8" (White) Carriage Bolt
	881739	6	1/4-20 x 5/8" (Blue) Carriage Bolt
7	881688	1	White Main Door Handle
	881737	1	Blue Main Door Handle
8	881685	1	White Main Door Hinge
	881757	1	Blue Main Door Hinge
9	150120	1	Main Door Latch Screw (#10-32 Dome Hex Head Screw)
10	151010	1	#10-32 Acorn Nut
11	122351	1	"EMERGENCY STOP" Push-Pull Button
12	122419	1	"EMERGENCY STOP" Nameplate
13	132387	1	Normally Closed (N.C.) Contact Block
14	132395	1	Normally Closed (N.C.) Contact Block with Base
15	170330	1	Friction Door Latch
16	154215	2	5/32" Pop Rivet
17	150443	4	1/4-20 x 3/4" Stainless Steel Cap Screw
18	881440	1	White Top Hinge Block (includes illus. nos. 17 and 18)
	881736	1	Blue Top Hinge Block (includes illus. nos. 17 and 18)
19	881441	1	White Bottom Hinge Block (includes illus. nos. 17 and 18)
	881735	1	Blue Bottom Hinge Block (includes illus. nos. 17 and 18)
20	153031	1	Nylon Washer

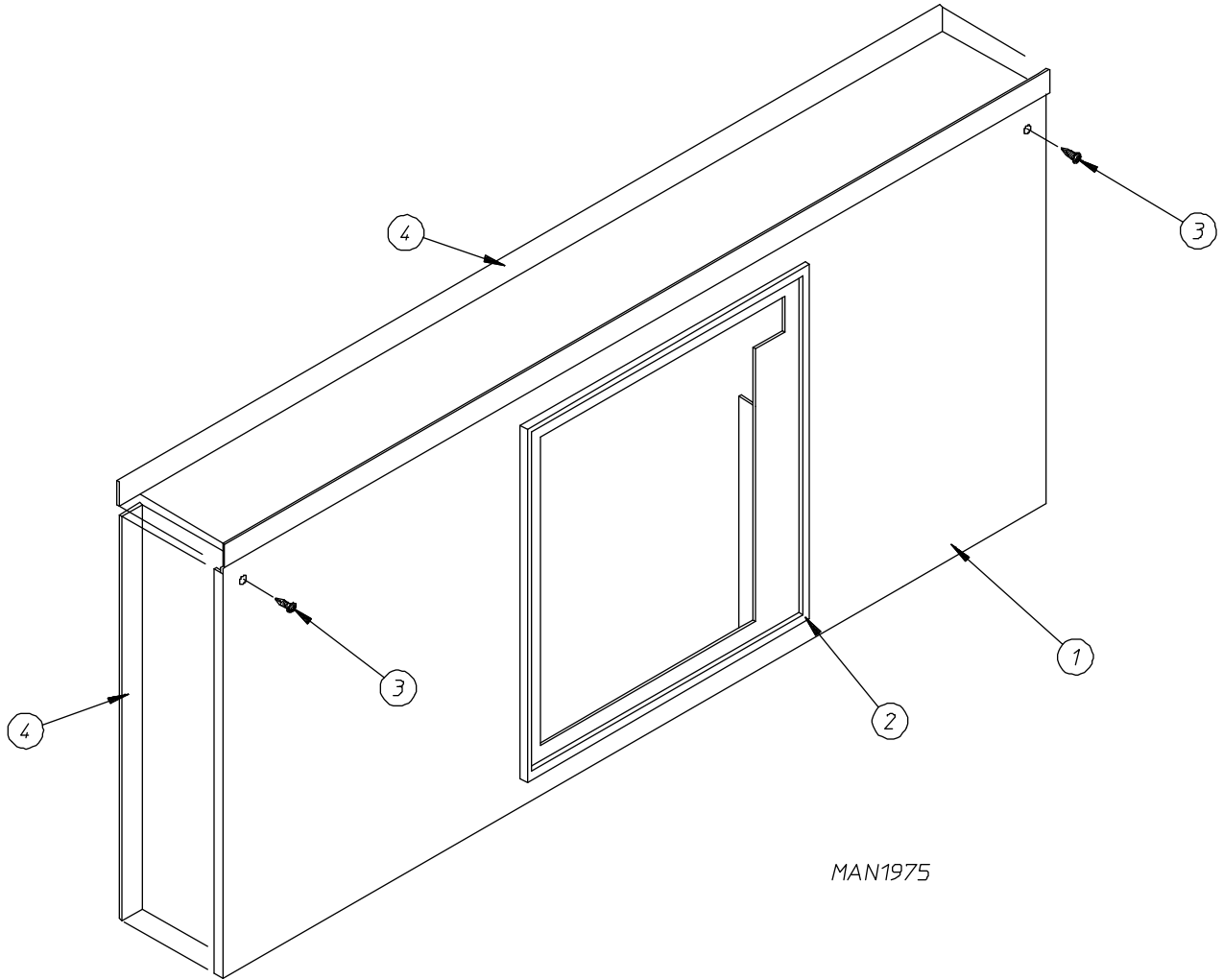
* Specify color when ordering.

for models mfd. prior to October 24, 1997



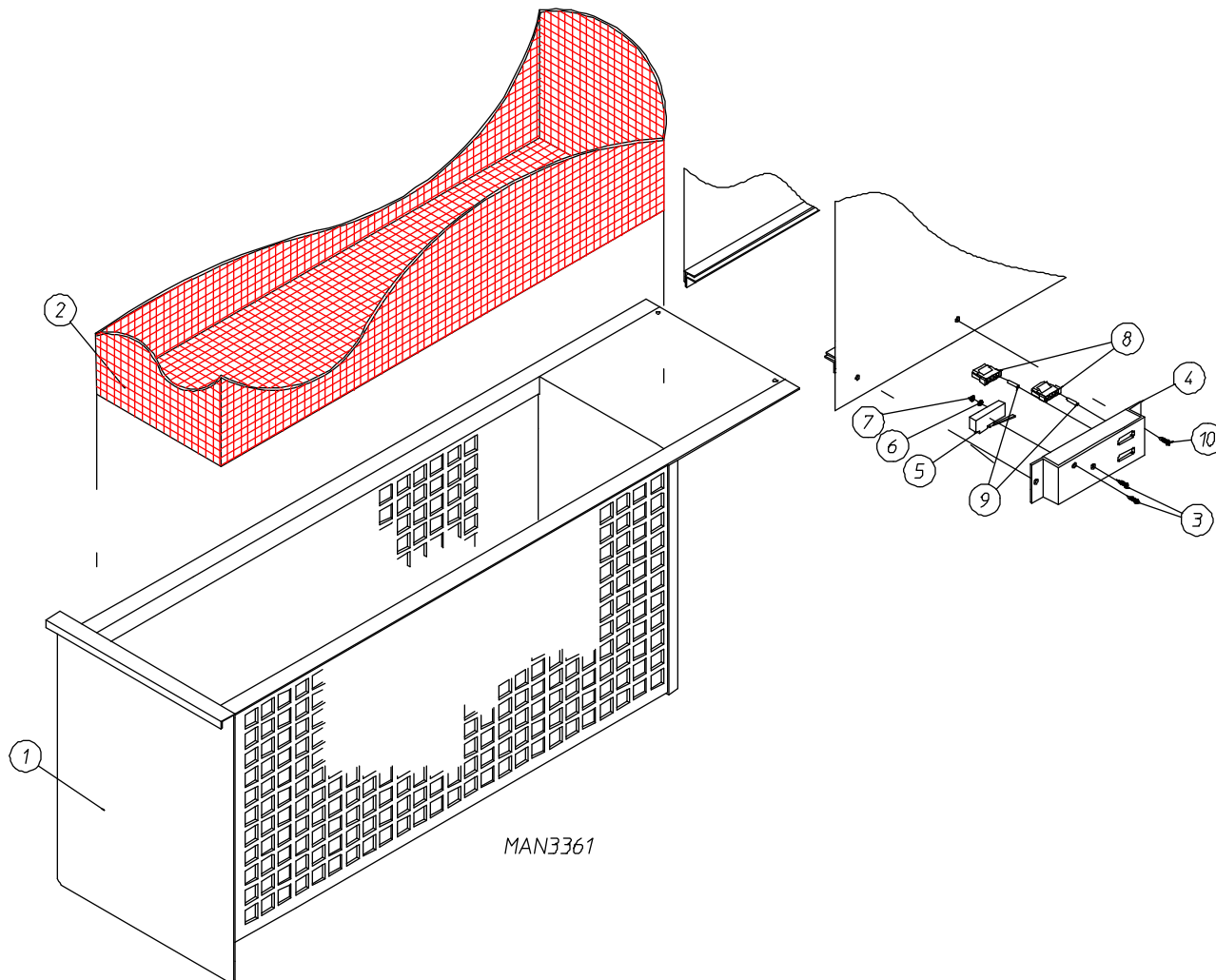
Illus. No.	Part No.	Qty.	Description
1	881741	1	Flat Door Handle
2	151011	3	5/16-18 (Nickel Plated) Acorn Nut
3*	881552	1	Main Door Less Accessories
	881816	1	Main Door Assembly Complete (includes illus. nos. 1 through 7)
4	151011	9	5/16-18 Acorn Nut
5	102210	1	20-7/16" Door Glass
	170730	1	Door Glass Adhesive (10.3 oz. cartridge)
6	102112	2	Door Magnet (5/16" x 1/4" x 34-3/4")
7	102356	1	Main Door Gasket (13-1/6" x 1-3/8" x 97-1/2")
8	881441	1	White Bottom Hinge Block
9	150445	4	1/4-20 x 3/4" Stainless Steel Black Head Cap Screw
10	881440	1	White Top Hinge Block
11*	881553	1	Front Panel Assembly
12	122351	1	"EMERGENCY STOP" Push-Pull Button
13	122419	1	"EMERGENCY STOP" Nameplate
14	132395	1	Normally Closed (N.C.) Contact Block with Base
15	132387	1	Normally Closed (N.C.) Contact Block

* Specify color when ordering.



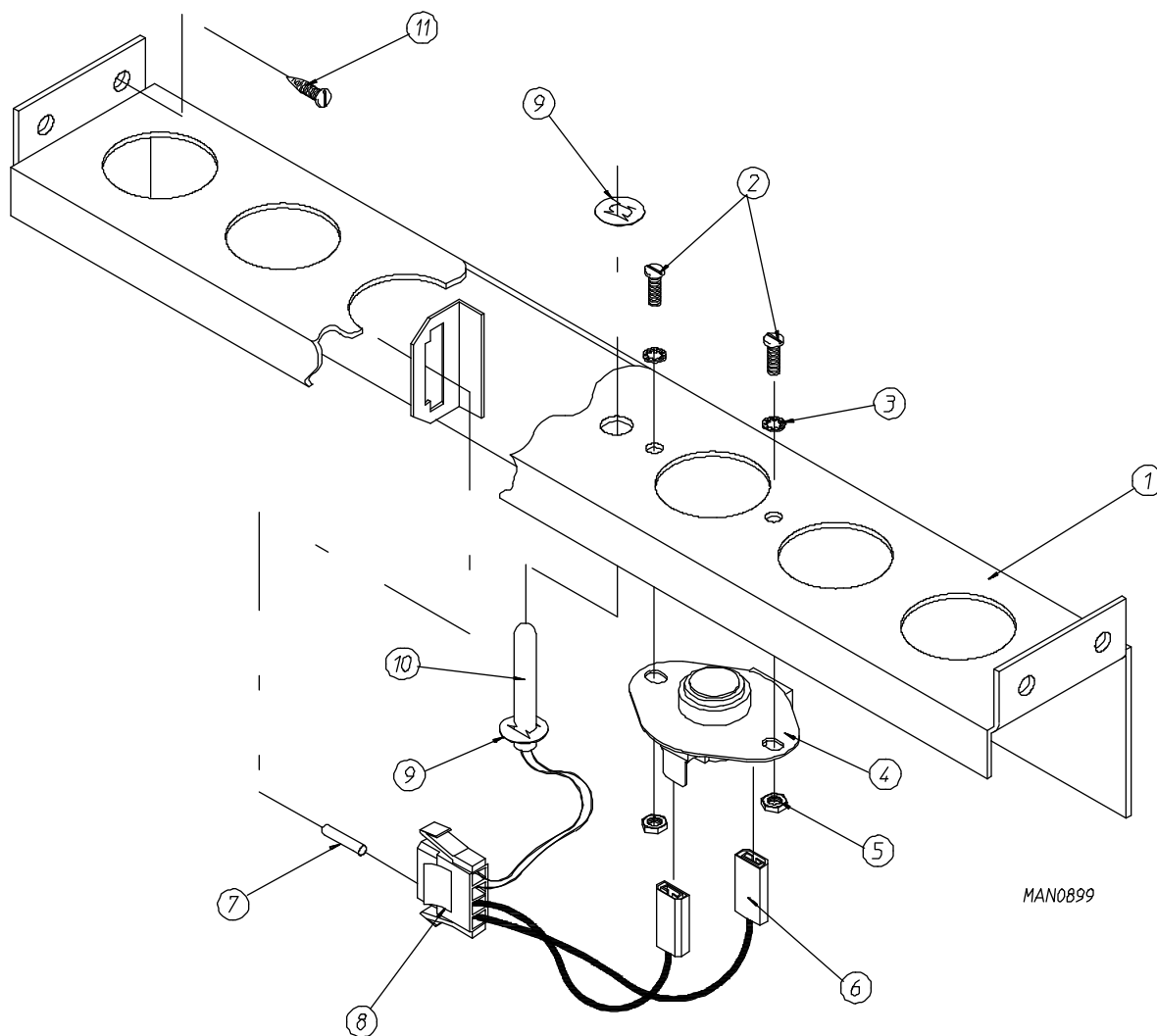
Illus. No.	Part No.	Qty.	Description
1*	820945	1	Lint Door Assembly Complete (includes illus. nos. 1, 2, and 4)
2	117602	5	Gasket (sold in feet)
3	150309	5	#10-16 x 1/2" Hex Head TEK Crimptite Screw
4	117600	9	Noise Suppressor Tape (sold by the foot)

* Specify color when ordering.

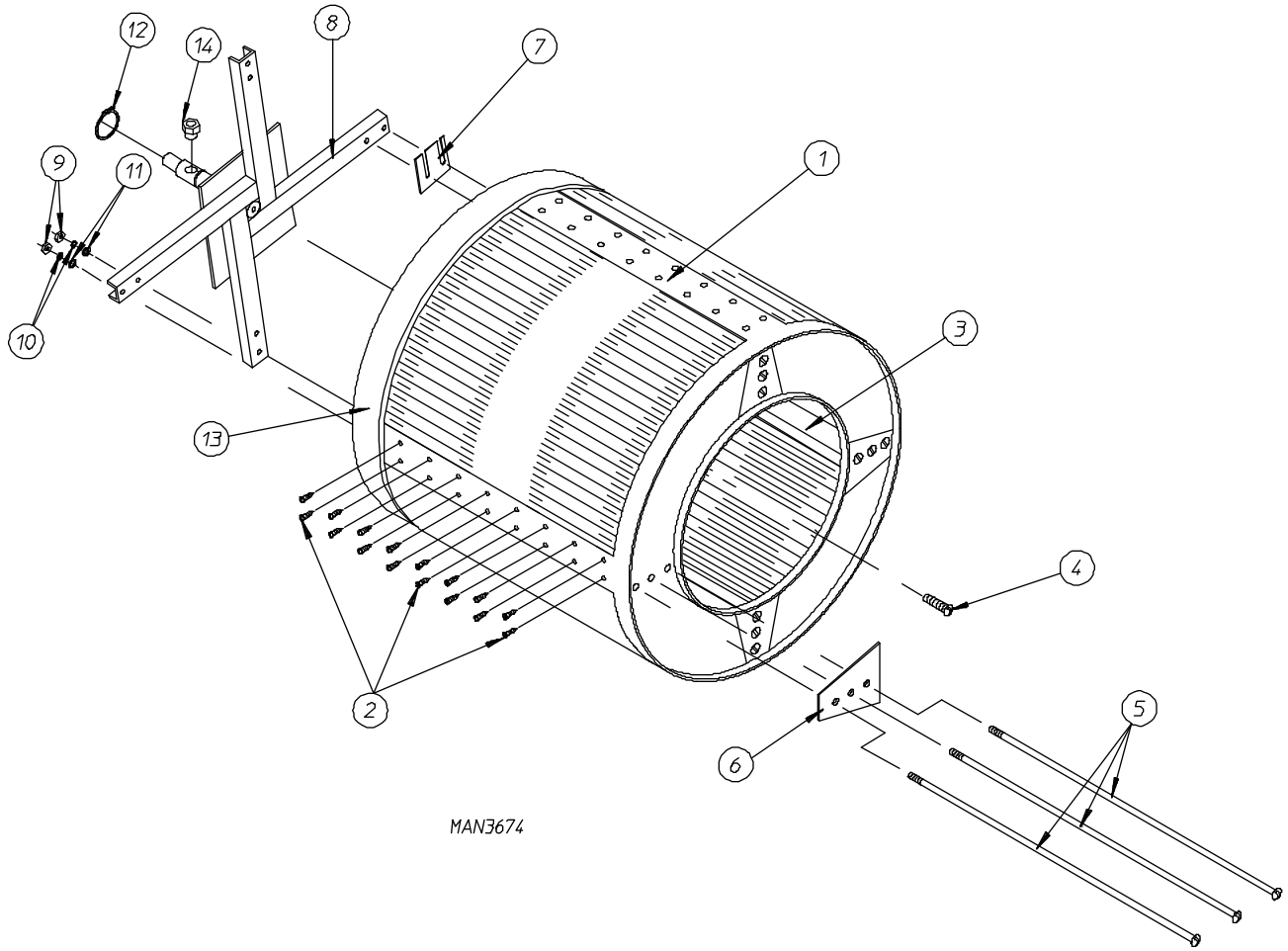


Illus. No.	Part No.	Qty.	Description
1*	881554	1	Lint Drawer Assembly
2	821076	1	Lint Screen Assembly
3	150002	2	#6-32 x 1" Phillips Round Head Machine Screw
4	821116	1	Lint Drawer Switch Mounting Bracket (includes illus. nos. 3 and 4)
	821119	1	Lint Drawer Switch Mounting Bracket Assembly Complete (includes illus. nos. 3 through 10)
5	136992	1	Lint Drawer Switch
6	153010	2	#6 Star Washer
7	152000	2	#6-32 Hex Nut
8	122605	2	4-Pin Socket Connector
9	122701	4	Socket Terminal
	122801	1	Pin/Socket Extraction Tool
10	150309	2	#10-16 x 1/2" Hex Head TEK Crimptite Screw

* Specify color when ordering.



Illus. No.	Part No.	Qty.	Description
1	820967	1	Microprocessor Temperature Sensor Bracket
	820968	1	Microprocessor Temperature Sensor Bracket Complete (includes illus. nos. 1 through 10)
2	150005	2	#6-32 x 1/4" Phillips Round Head Machine Screw
3	153010	2	#6 Star Washer
4	130112	1	225° Large Automatic Reset Thermostat
5	152000	2	#6-32 Hex Nut
6	121028	2	1/4" x .032 Insulated Terminal
7	122701	4	Socket Terminal
	122801	1	Pin/Socket Extraction Tool
8	122605	1	4-Pin Socket Connector
9	154007	2	1/4" Push-on Fastener
10	880251	1	1/4" Temperature Sensor Probe Assembly (includes illus. nos. 6 through 10)
11	150301	2	#8-18 x 7/16" Phillips Pan Head TEK Screw



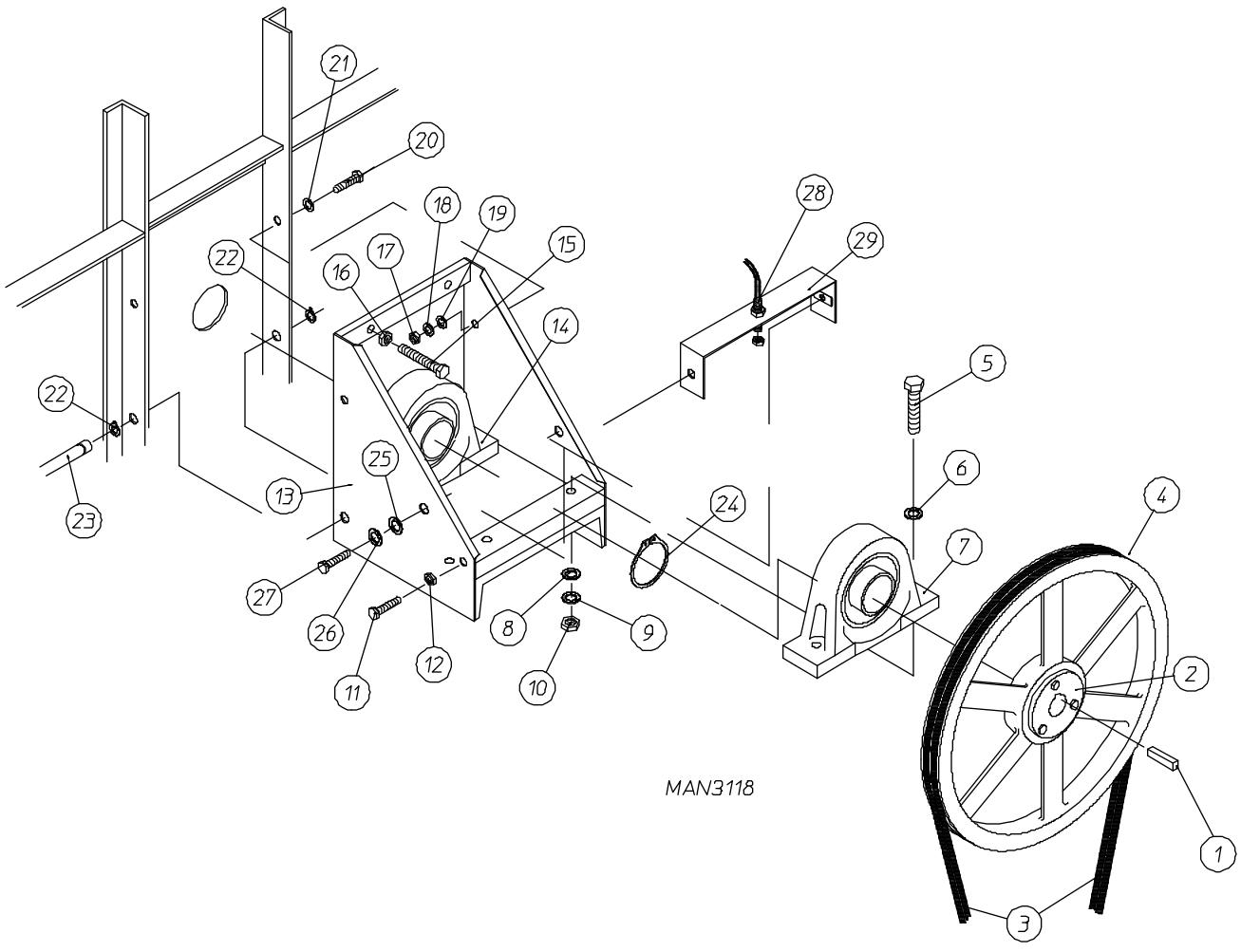
MAN3674

<u>Illus. No.</u>	<u>Part No.</u>	<u>Qty.</u>	<u>Description</u>
1	881556*	1	Galvanized Basket (Tumbler) without Felt Collar
	881558	1	Galvanized Basket (Tumbler) and Support Assembly Complete (includes illus. nos. 1 through 13) For models mfd. as of August 27, 1997
	881642	1	Galvanized Basket (Tumbler) and Support Assembly Complete (includes illus. nos. 1 through 13) For models mfd. prior to August 27, 1997
2	150309	64	#10-16 x 1/2" Hex Head TEK Crimptite Screw
3	335028	4	Galvanized Basket (Tumbler) Rib
4	150500	1	5/16-18 x 3/4" Socket Button Head Screw
5	100911	12	1/2-13 x 37" Tie Rod
6	332139	4	Basket (Tumbler) Reinforcing Plate
7	332177	**	Basket (Tumbler) Shim
8	881555	1	Basket (Tumbler) Support (for models mfd. as of August 27, 1997)
	820909	1	Basket (Tumbler) Support (for models mfd. prior to August 27, 1997)
9	152009	12	1/2-13 Hex Nut
10	153013	12	1/2" Lock Washer
11	153011	12	9/16" Flat Washer
12	100810	1***	3-1/8" Retaining Ring
13	116007	1	Felt Collar
14	881619	1	Rotational Sensor Magnet Assembly

* Felt collar *is not included* and **must be** ordered separately.

** As required.

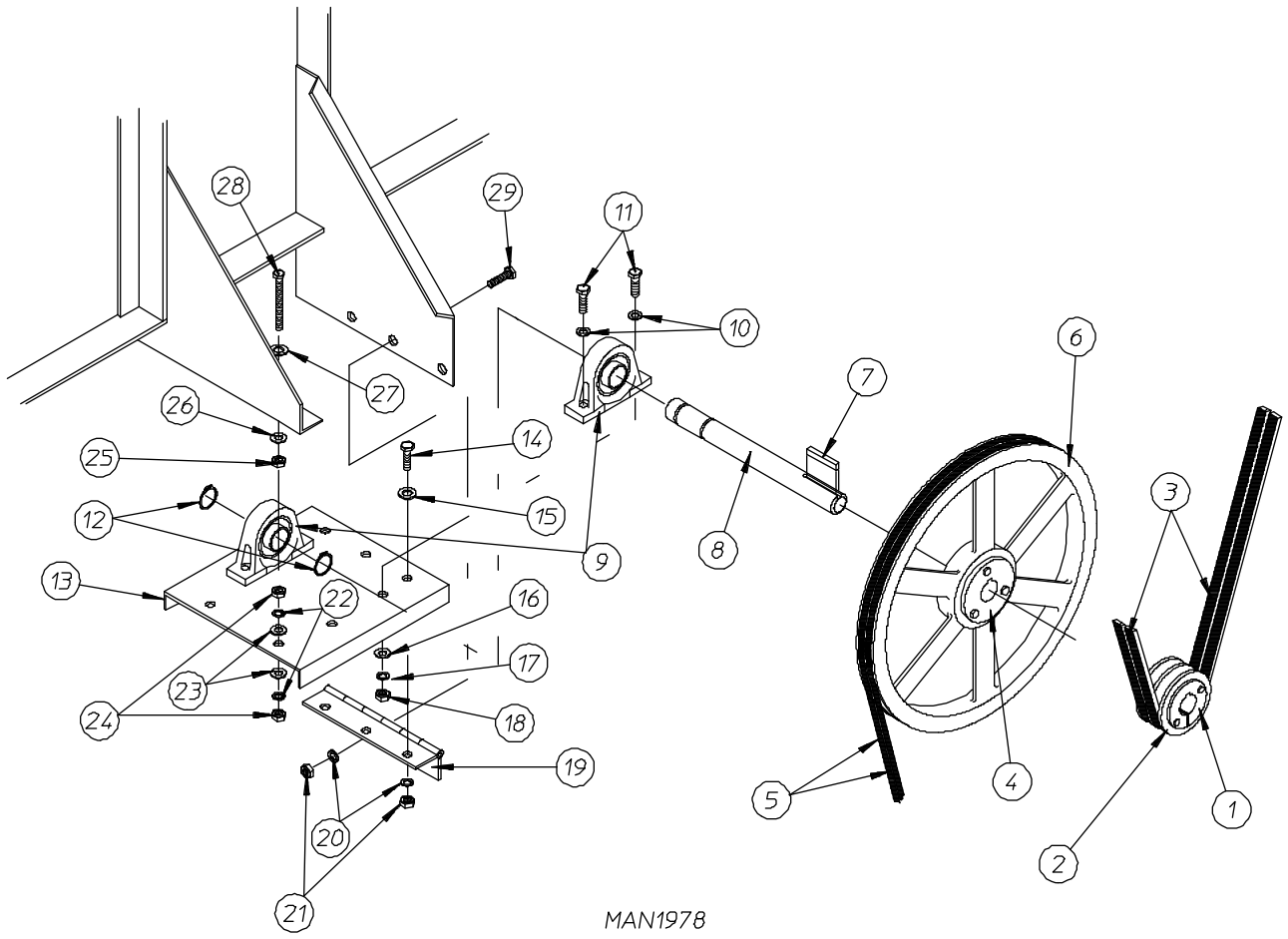
*** For models mfd. prior to August 27, 1997 a quantity of 2 was used.



<u>Illus. No.</u>	<u>Part No.</u>	<u>Qty.</u>	<u>Description</u>
1	100703	1	1/2" x 1/2" x 2" Key
2	101217	1	2-1/2" Bushing (for models mfd. as of August 27, 1997)
	101137	1	2-1/4" Bushing (for models mfd. prior to August 27, 1997)
3*	100137	2	AB-91 V-Belt (to idler assembly)
4	101182	1	25" Tumbler Pulley
5	150602	4	5/8-11 x 3" Hex Head Bolt
6	153016	4	5/8" Flat Washer
7	100242	1	2-1/2" Pillow Block Bearing (for models mfd. as of August 27, 1997)
	880883	1	3-1/8" Pillow Block Bearing with Nylock Set Screws (for models mfd. prior to August 27, 1997)
8	153016	4	5/8" Flat Washer
9	153015	2	5/8" Lock Washer
10	152010	2	5/8-11 Hex Nut
11	150600	2	3/8-16 x 1-1/2" Hex Head Bolt
12	152005	2	3/8-16 Hex Nut
13	821175	1	Tumbler Bearing Mount (for models mfd. as of August 27, 1997)
	820910	1	Tumbler Bearing Mount (for models mfd. prior to August 27, 1997)
14	880883	1	3-1/8" Pillow Block Bearing with Nylock Set Screws
15	150604	2	1/2-20 x 3" Hex Head Bolt
16	152012	2	1/2-20 Hex Nut
17	152005	2	3/8-16 Hex Nut
18	153005	2	3/8" Lock Washer
19	153004	4	3/8" Flat Washer
20	150600	2	3/8-16 x 1-1/2" Hex Head Bolt
21	153004	2	3/8" Flat Washer
22	100801	2	5/8" Retaining Ring
23	332153	1	5/8" Hinge Pin
24	100810	1**	3-1/8" Retaining Ring
25	153018	2	1/4" Flat Washer
26	153007	2	1/4" Lock Washer
27	150512	2	1/4-20 x 1/2" Hex Head Bolt
28	824807	1	Rotational Sensor Assembly
29	880841	1	Rotational Sensor Mounting Bracket

* Replace in matched sets (both belts).

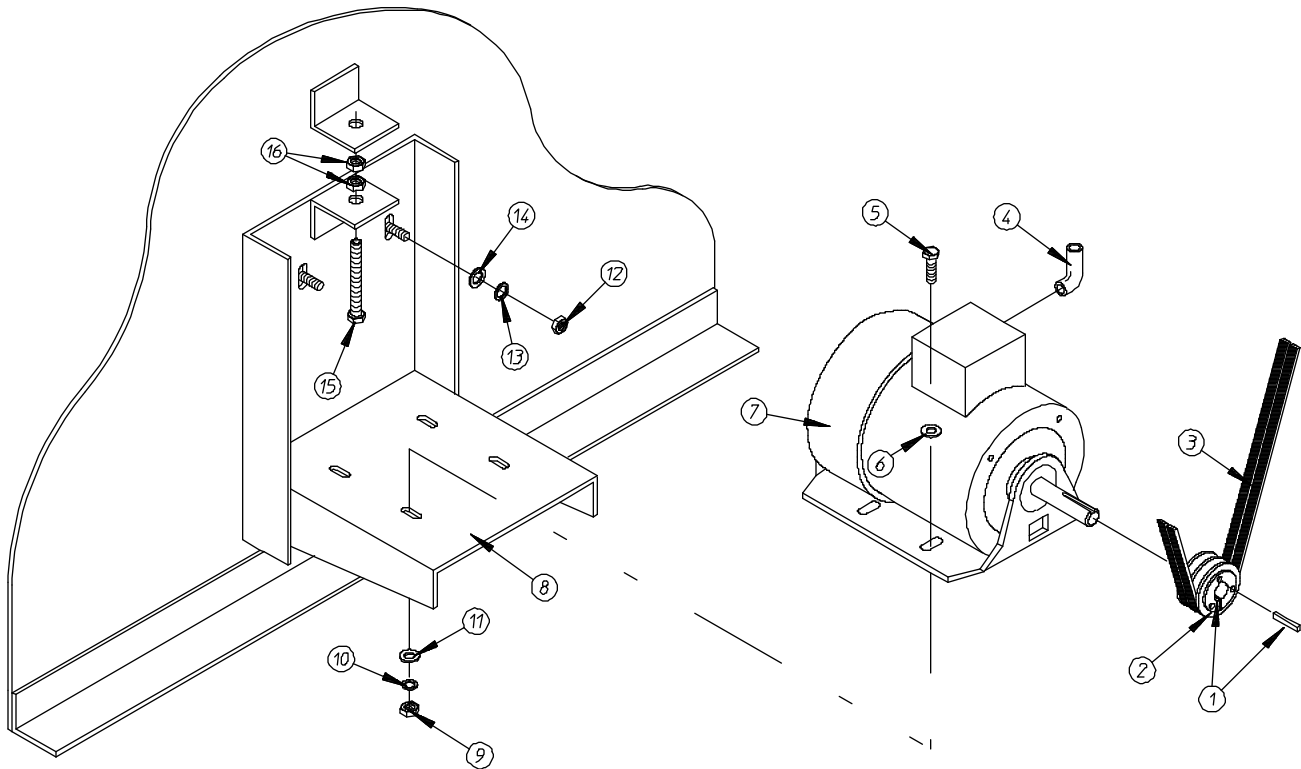
** For models mfd. prior to August 27, 1997 a quantity of 2 was used.



MAN1978

<u>Illus. No.</u>	<u>Part No.</u>	<u>Qty.</u>	<u>Description</u>
1	101152	1	SH x 1-3/8" Bushing
2	101143	1	2B x 3.8 Pulley
3*	100137	2	AB-91 "V" Belt (idler to basket [tumbler])
4	101184	1	SK x 1-3/8" Bushing
5*	100102	2	3V-740 "V" Belt (idler to motor)
6	101112	1	19" Idler Pulley
7	100730	1	5/16" x 5/16" x 4" Key
8	332152	1	Idler Shaft ONLY
9	880879	2	1-3/8" Pillow Block Bearing with Set Screws and Grease Fitting
10	153011	4	9/16" Flat Washer
11	150606	4	1/2-13 x 2" Hex Head Bolt
12	100802	2	1-3/8" Retaining Ring
13	332151	1	Idler Bearing Mount
	820932	1	Idler Bearing Mount Assembly Complete (includes illus. nos. 8 through 11 and 17 through 25)
14	150501	3	5/16-18 x 3/4" Hex Head Bolt
15	153001	3	5/16" Flat Washer
16	153011	4	9/16" Flat Washer
17	153026	4	1/2" Lock Washer
18	152011	4	1/2-13 Hex Nut
19	103005	1	Idler Adjustment Hinge
20	153002	6	5/16" Lock Washer
21	152004	6	5/16-18 Hex Nut
22	153005	4	3/8" Lock Washer
23	153004	4	3/8" Flat Washer
24	152005	4	3/8-16 Hex Nut
25	152005	2	3/8-16 Hex Nut
26	153005	2	3/8" Lock Washer
27	153005	2	3/8" Lock Washer
28	152034	2	3/8-16 x 3-1/2" Hex Head Bolt
29	150501	3	5/16 x 3/4" Hex Head Bolt

* Replace in matched sets (both belts).



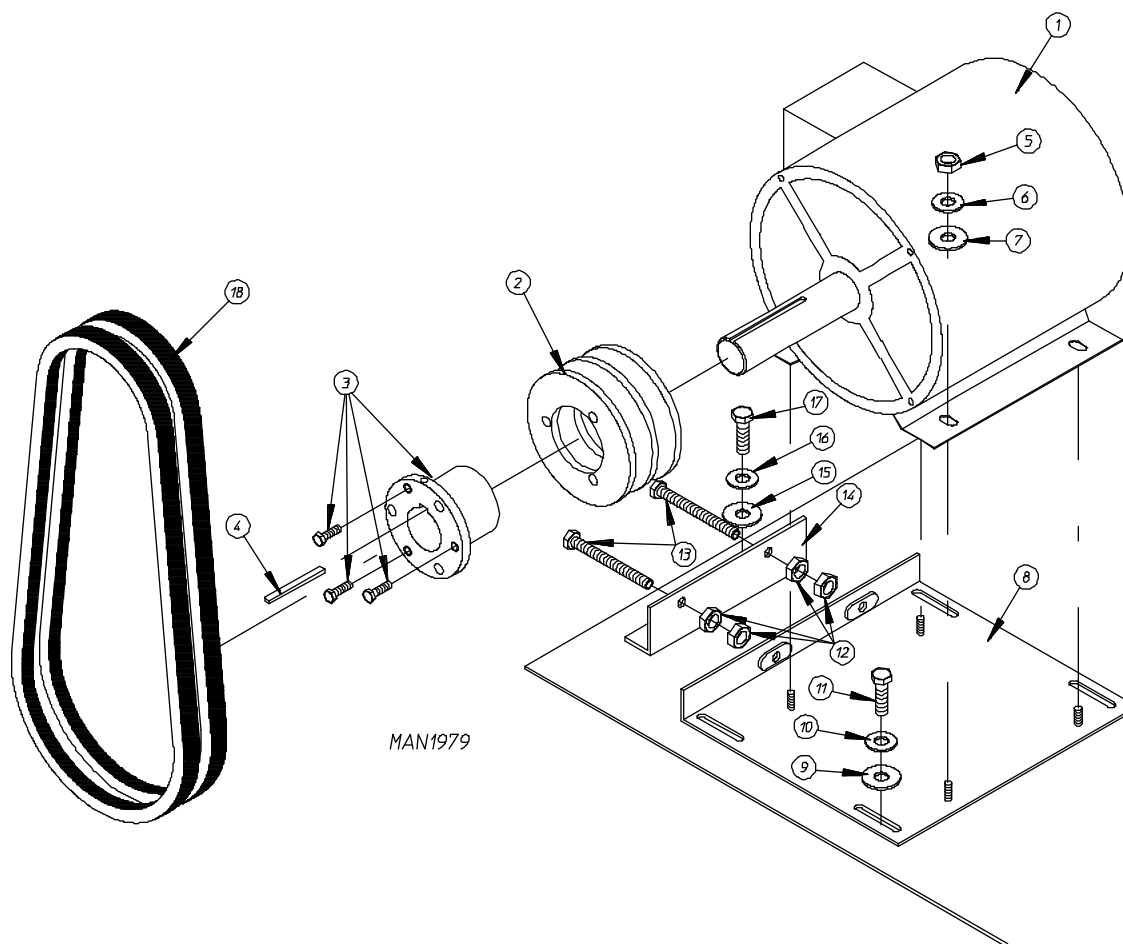
MAN0329

<u>Illus. No.</u>	<u>Part No.</u>	<u>Qty.</u>	<u>Description</u>
1	101121	1	5/8" SK Bushing
2	101114	1	2.65 Pulley (for 60 Hz Models)
3*	100102	2	3V-740 V-Belt (motor to idler)
4	120200	1	3/8" x 90° Connector
5	150501	4	5/16 x 3/4" Hex Head Bolt
6	153001	4	5/16" Flat Washer
7	100050	1	1 HP 208/230/380/460v 3ø 50/60 Hz T.E.F.C. Motor (56Z frame)
8	800952	1	Tumbler Motor Mount (56Z frame)
	820941**	1	50/60 Hz T.E.F.C. Tumbler Motor Mount Assembly Complete (includes illus. nos. 1, 4 through 11, 15, and 16)
			NOTE: MOTOR PULLEY MUST BE ORDERED SEPARATELY.
9	152004	4	5/16-18 Hex Nut
10	153002	4	5/16" Lock Washer
11	153001	4	5/16" Flat Washer
12	152004	4	5/16-18 Hex Nut
13	153002	4	5/16" Lock Washer
14	153001	4	5/16" Flat Washer
15	150619	4	3/8-16 x 3" Hex Head Machine Bolt
16	152005	2	3/8-16 Hex Nut

* Replace in matched sets (both belts).

** Specify voltage when ordering.

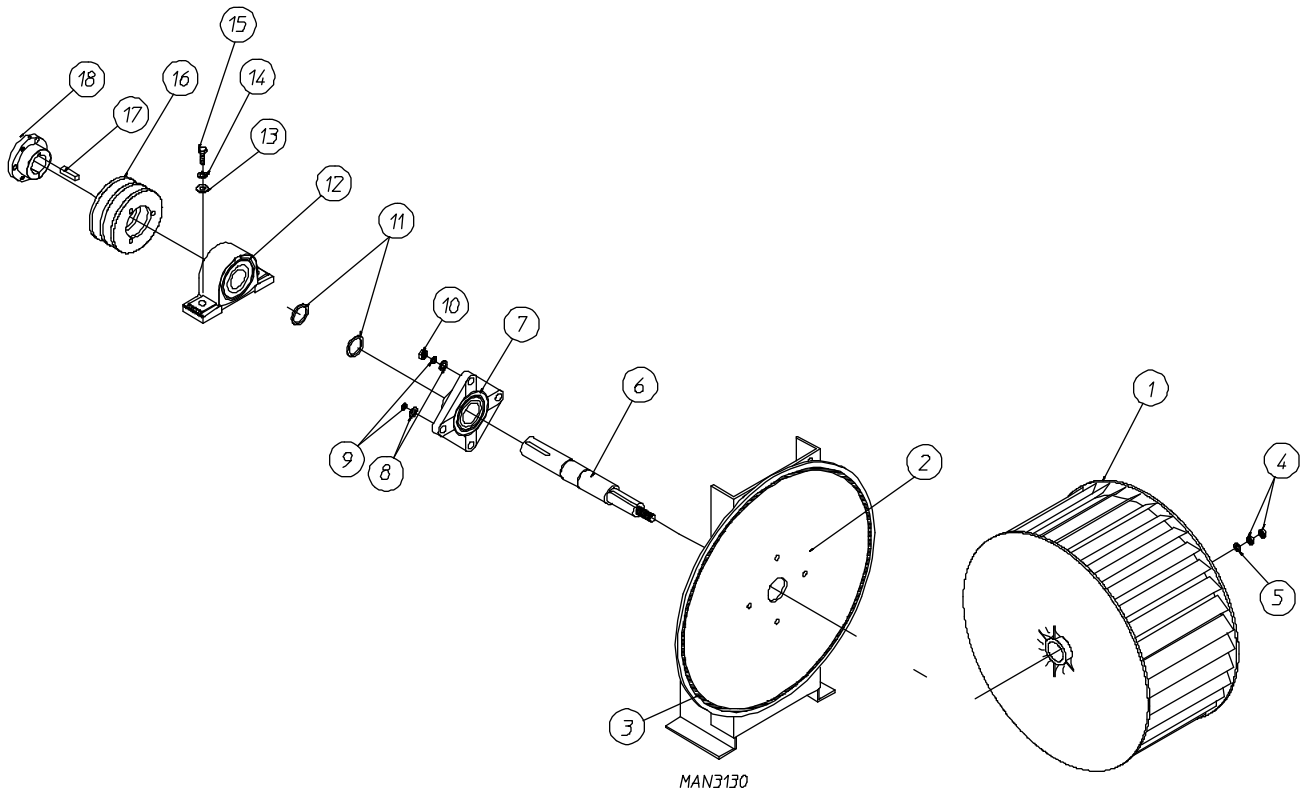
IMPORTANT: For voltages higher than 460 volts, contact the factory for correct part number of motor and/or motor mount assembly.



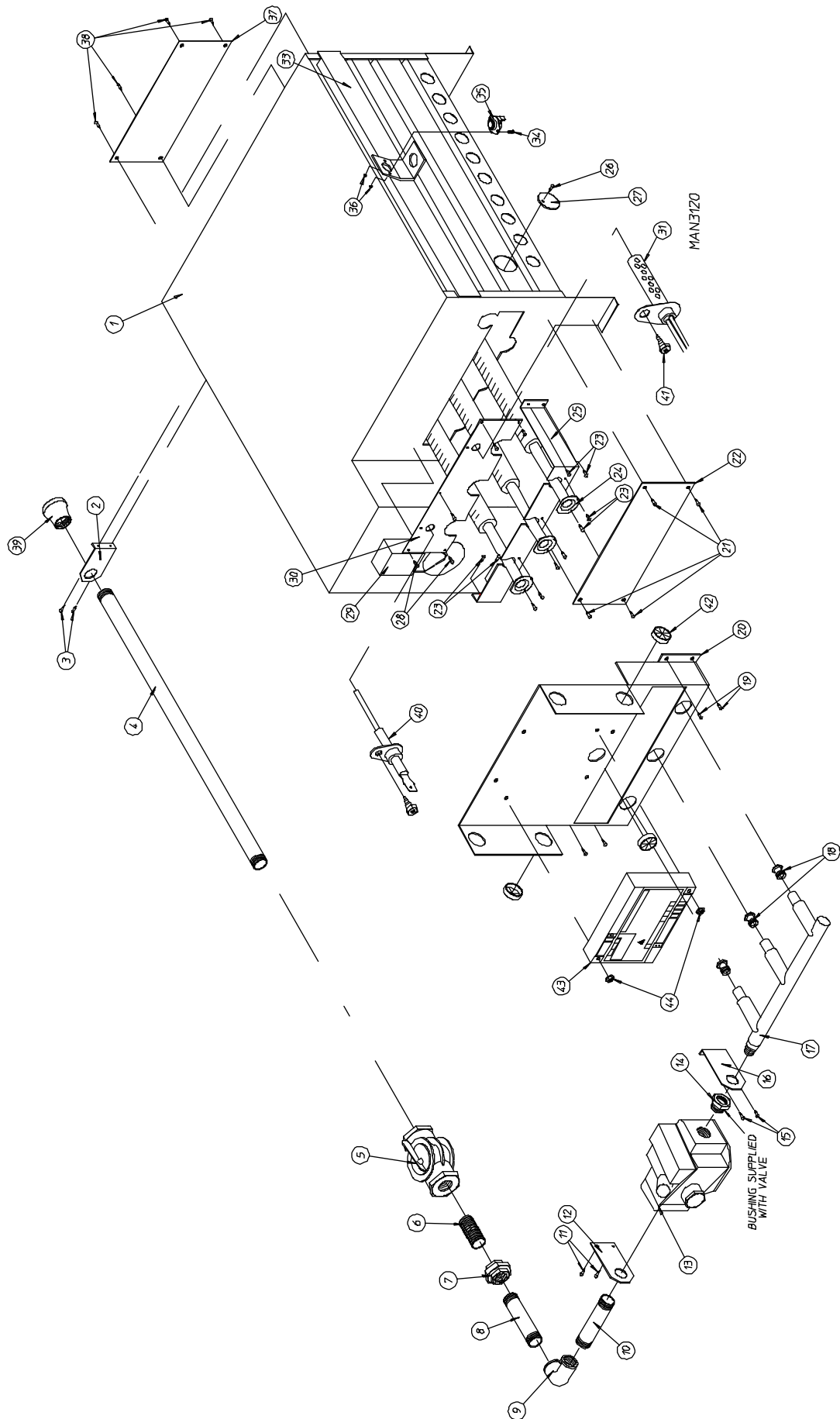
Illus. No.	Part No.	Qty.	Description
1	100045*	1	5 HP 208/230/460v 3ø 60 Hz Blower (Fan/Impellor) Motor
	100020	1	5 HP 380v 3ø 60 Hz (Fan/Impellor) Motor
2	101148	1	2B x 4.0 Pulley
3	101144	1	SH x 1-1/8" Bushing
4	100704	1	1/4" x 1/4" x 1-3/4" Key
5	152004	4	5/16-18 Hex Nut
6	153002	4	5/16" Lock Washer
7	153001	4	5/16" Flat Washer
8	835114	1	Motor Mount Adjustment Plate
9	153001	4	5/16" Flat Washer
10	153002	4	5/16" Lock Washer
11	150501	4	5/16-18 x 3/4" Hex Head Bolt
12	152004	4	5/16-18 Hex Nut
13	150503	2	5/16-18 x 2" Hex Head Bolt
14	332322	1	Motor Mount Adjustment Angle
15	153001	2	5/16" Flat Washer
16	153002	2	5/16" Lock Washer
17	150501	2	5/16-18 x 3/4" Hex Head Bolt
18**	100164	2	BX-51 V-Belt (motor to idler)

* Specify voltage when ordering.

** Replace in matched sets (both belts).



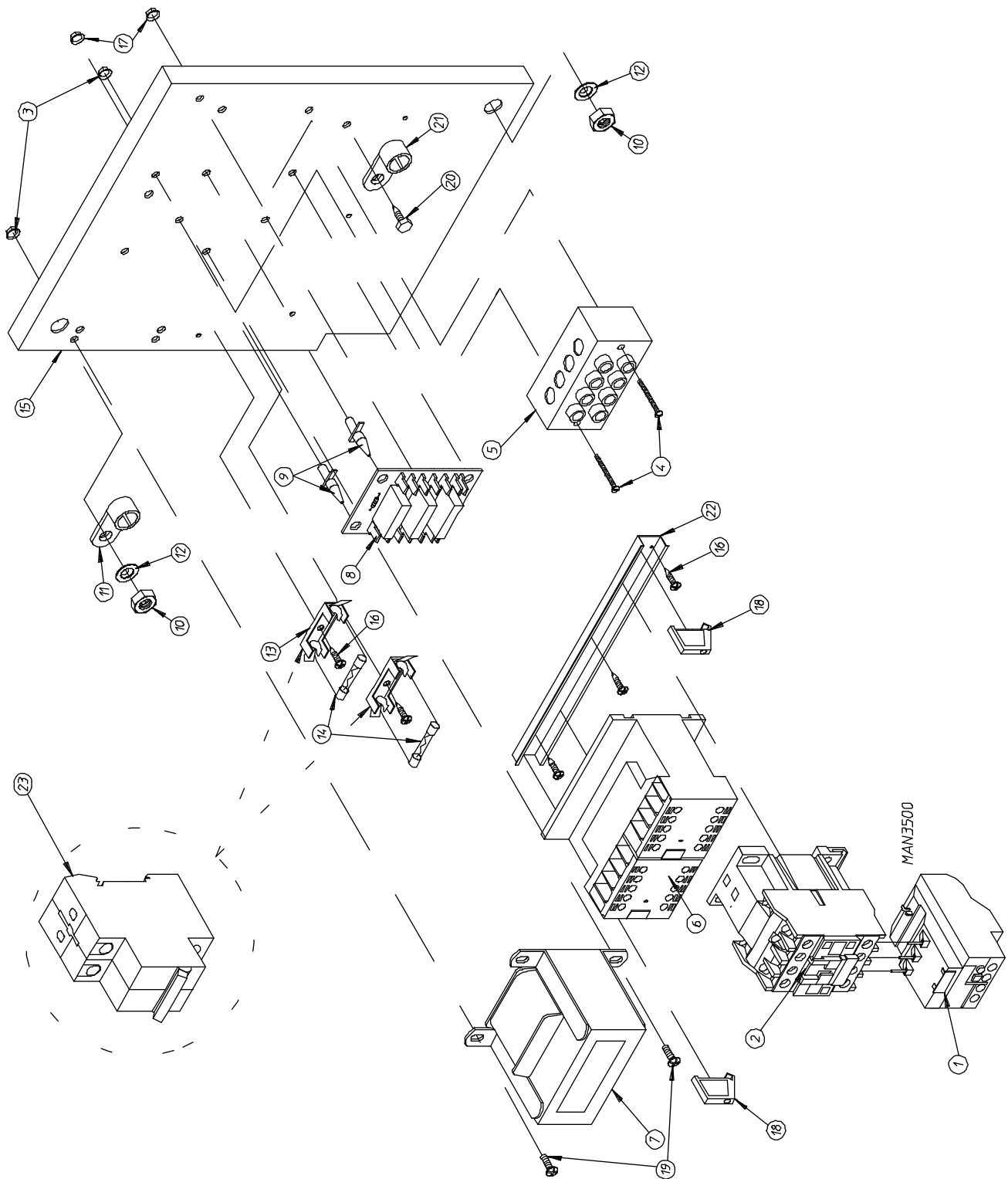
Illus. No.	Part No.	Qty.	Description
1	100612	1	1-1/4" Bore x 15" Diameter Blower (Impellor/Fan) Wheel (Squirrel Cage)
2	821073	1	Fan Shaft Mount ONLY
	835131	1	60 Hz Fan (Impellor/Blower) Shaft Mount Assembly Complete (includes illus. nos. 1 through 18)
3	117600	4	Noise Suppressor Tape (sold by the foot)
4	152006	2	1/2-20 Left Hand Jam Nut
5	153050	1	1/2" Flat Washer
6	332280	1	Fan Shaft
7	881061	2	1-3/8" Flange Bearing with Set Screws and Grease Fitting
8	153004	4	3/8" Flat Washer
9	153005	4	3/8" Lock Washer
10	152005	4	3/18-16 Hex Nut
11	100812	2	1-3/8" Retaining Ring
12	880879	2	1-3/8" Pillow Block Bearing with Set Screws and Grease Fitting
13	153004	2	3/8" Flat Washer
14	153005	2	3/8" Lock Washer
15	150617	2	3/8-16 x 1" Hex Head Bolt
16	101185	1	2B x 6.2 Pulley (for 60 Hz Only)
17	100706	1	5/16" x 5/16" x 1-3/8" Key
18	101194	1	SDS x 1-3/8" Bushing



Illus. No.	Part No.	Qty.	Description
1	881570*	1	Natural Gas Burner Assembly Complete Less Orifices (includes illus. nos. 1 through 17 and 19 through 39)
	881571*	1	L.P. Gas Burner Assembly Complete Less Orifices (includes illus. nos. 1 through 17 and 19 through 39)
	881557	1	Burner Box ONLY
2	331291	1	Pipe Bracket
3	150309	2	#10-16 x 1/2" Hex Head TEK Crimptite Screw
4	142813	1	3/4" x 32-1/2" Nipple
5	141300	1	3/4" Union Shut-off
6	142701	1	3/4" Closed Nipple
7	142601	1	3/4" Union
8	142710	1	3/4" x 4" Nipple
9	142504	1	3/4" x 90° Elbow
10	142734	1	3/4" x 5-1/2" Nipple
11	150309	2	#10-16 x 1/2" Hex Head TEK Crimptite Screw
12	331089	1	Gas Valve Pipe Bracket
13	140026	1	3/4" 24 VAC Redundant (natural gas) Gas Valve (includes illus. nos. 13 and 14)
	140411	-	24 VAC Gas Valve L.P. (liquid propane) Conversion Kit
	881499**	1	ADG-145 L.P. (liquid propane) Conversion Kit
14	142902	1	3/4" to 1/2" Reducing Bushing (included with gas valve)
15	150309	2	#10-16 x 1/2" Hex Head TEK Crimptite Screw
16	331088	1	Gas Valve Pipe Bracket
17	141208	1	3-Port Manifold
18**	140839	3	#2 Burner Orifice (natural gas) ONLY
	140820	3	#29 Burner Orifice (liquid propane gas) ONLY
19	150309	4	#10-16 x 1/2" Hex Head TEK Crimptite Screw
20	335031	1	3-Port Manifold Support
21	150309	4	#10-16 x 1/2" Hex Head TEK Crimptite Screw
22	335037	1	Burner Box Front Cover Plate
23	150309	10	#10-16 x 1/2" Hex Head TEK Crimptite Screw
24	141110	3	Burner Tube
25	331287	1	Burner Tube Support
26	150309	1	#10-16 x 1/2" Hex Head TEK Crimptite Screw
27	331290	1	Ignitor/Flame Probe Sight Hole
28	150309	5	#10-16 x 1/2" Hex Head TEK Crimptite Screw
29	-----	1	Sail Switch (refer to Sail Switch Assembly on page 28)
30	390098	1	Burner Box Cover Plate
31	881597	1	Hot Surface Ignitor
32	150309	2	#10-16 x 1/2" Hex Head TEK Crimptite Screw
33	821457	1	Hi-Limit Mounting Bracket
34	150001	2	#6-32 x 1/2" Phillips Round Head Machine Screw
35	130401	1	330° Hi-Limit
36	151000	2	#6-32 Pal Nut
37	335037	1	Burner Box Back Cover Plate
38	150309	4	#10-16 x 1/2" Hex Head TEK Crimptite Screw
39	142753	1	1-1/4" x 3/4" Reducing Coupling
40	128921	1	Flame Probe
41	150301	2	#8-18 x 7/16 Phillips Pan Head TEK Screw
42	121400	3	7/8" Universal Bushing
43	881797	1	HSI (Hot Surface Ignition) Module II
44	151001	2	#8-32 Pal Nut

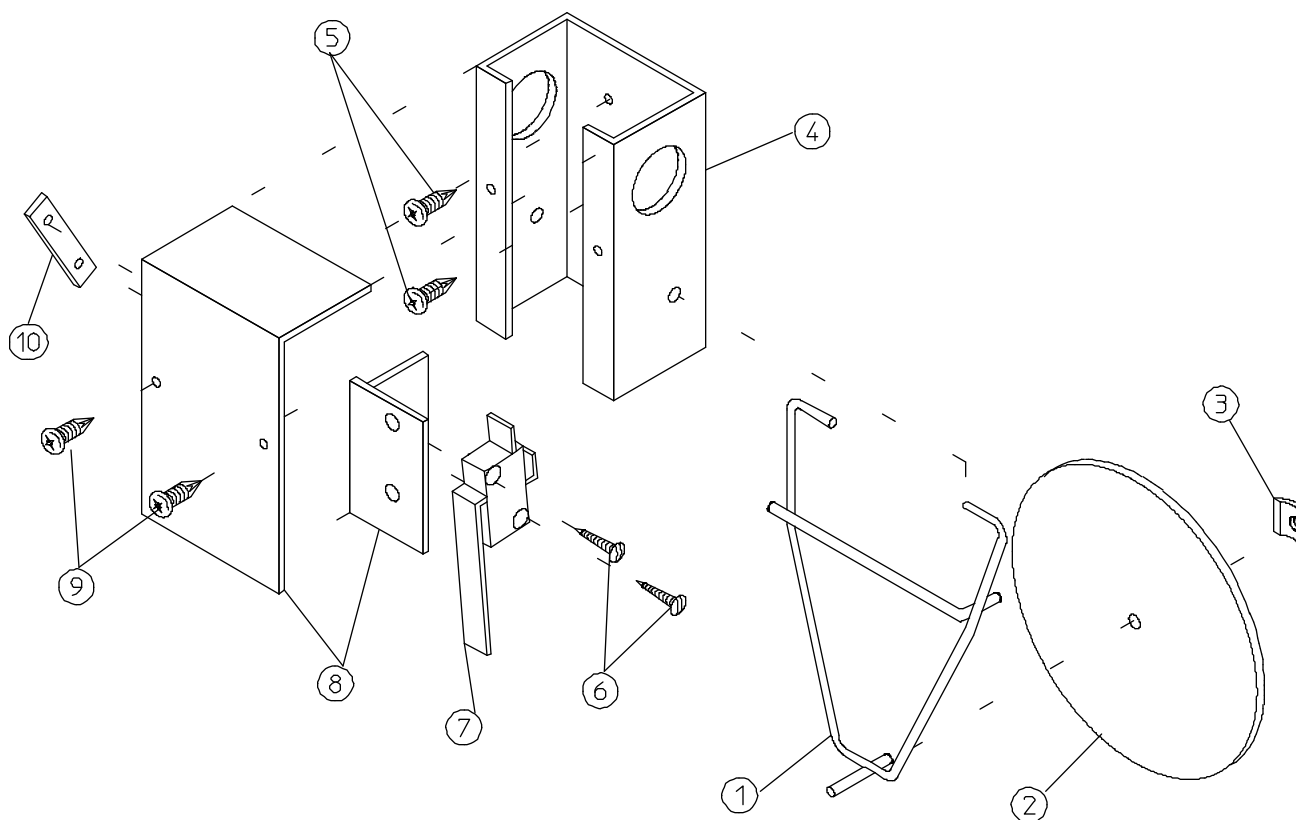
* Orifices are not included and **must be** ordered separately.

** Consult factory for elevations over 2,000 feet.



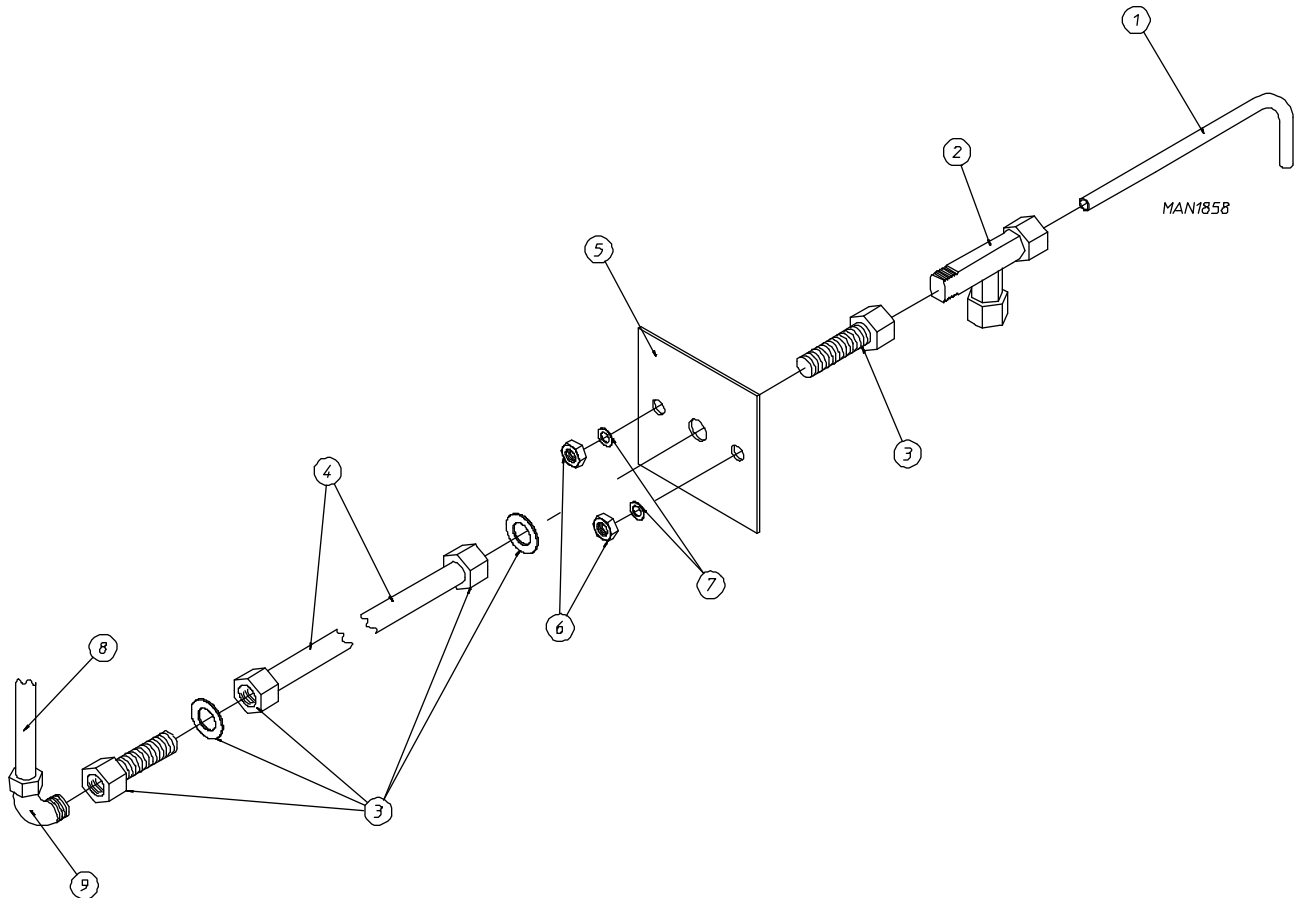
Illus. No.	Part No.	Qty.	Description
1	132435	1	12-18 Amp Overload <i>(for 208/240 volt Only)</i>
	132436	1	7-10 Amp Overload <i>(for 460/480 volt Only)</i>
2	132433	1	5 HP Contactor <i>(for 208/240 volt Only)</i>
3	151001	2	#8-32 Pal Nut
4	150008	2	#6-32 x 1-1/4" Round Head Machine Screw
5	120701	1	4-Position Terminal Block
6	132448	1	Reversing Contactor
7	-----	1	Transformer (refer to Step Down Transformer Application Listing on page 33)
	881763	1	Transformer Termination Kit
8	137060	1	Arc Suppressor Board
9	137013	4	Nylon Stand Off
10	152004	2	5/16-18 Hex Nut
11	121012	1	Ground Lug
12	153002	2	5/16" Lock Washer
13*	136008	2	Fuse Holder
14*	136057	2	1/2-Amp (Slo Blo) Fuse
15	332346	1	Relay Panel
16	150301	3* or 5	#8-18 x 7/16" Phillips Pan Head TEK Screw
17	151000	2	#6-32 Pal Nut
18	120765	2	End Stop
19	150108	2	#8-32 x 1/2" Phillips Pan Head Machine Screw
20	150297	1	#10 x 1/2" Hex Washer TEK Screw
21	121010	1	L-70 Terminal Lug
22	120758	8	Din Mounting Rail (sold by the inch) <i>For 208/240 volt models ONLY</i>
	120758	9	Din Mounting Rail (sold by the inch) <i>For 460/480 volt models ONLY</i>
23	135501	1	Double Pole Circuit Breaker <i>(for 460/480 volt models Only)</i>

* For 208/240 volt models ONLY.

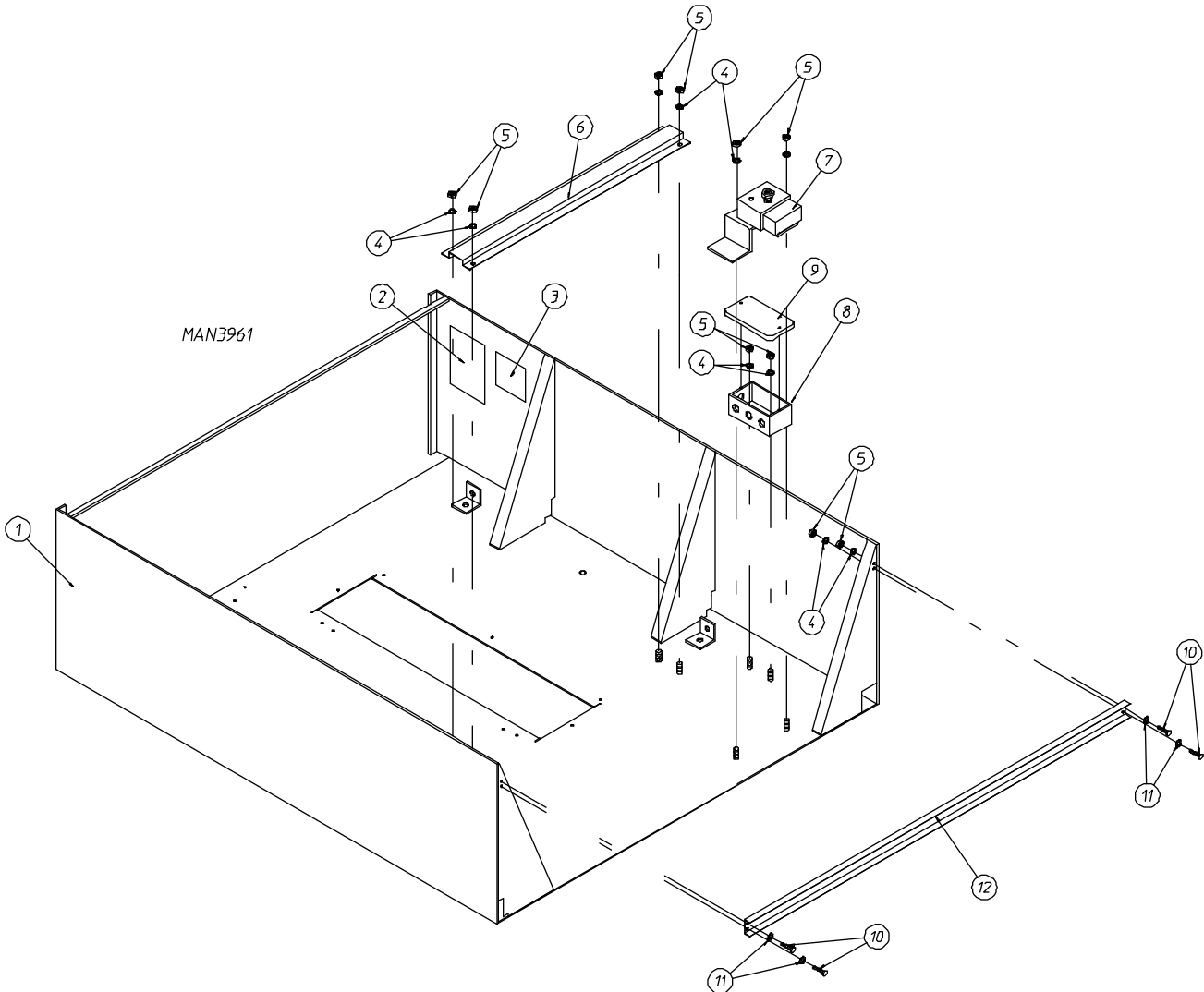


MAN0440

Illus. No.	Part No.	Qty.	Description
1	105500	1	Sail Switch Actuator Rod
2	319202	1	Sail Switch Damper (flat)
3	154002	1	1/8" Push-on Fastener
4	802800	1	Sail Switch Box with Cover and Bracket (includes illus. nos. 4 and 8)
	880793	1	Sail Switch Box Assembly Complete (includes illus. nos. 1 through 4 and 6 through 10)
5	150300	2	#10 x 1/2" Hex Washer TEK Screw
6	150303	2	#4 x 3/4" Pan Head "A" Machine Screw
7	122200	1	Sail Switch ONLY
8	802799	1	Sail Switch Box Cover and Bracket
9	150309	2	#10-16 x 1/2" Hex Head TEK Crimptite Screw
10	154004	1	Twin Speed Nut

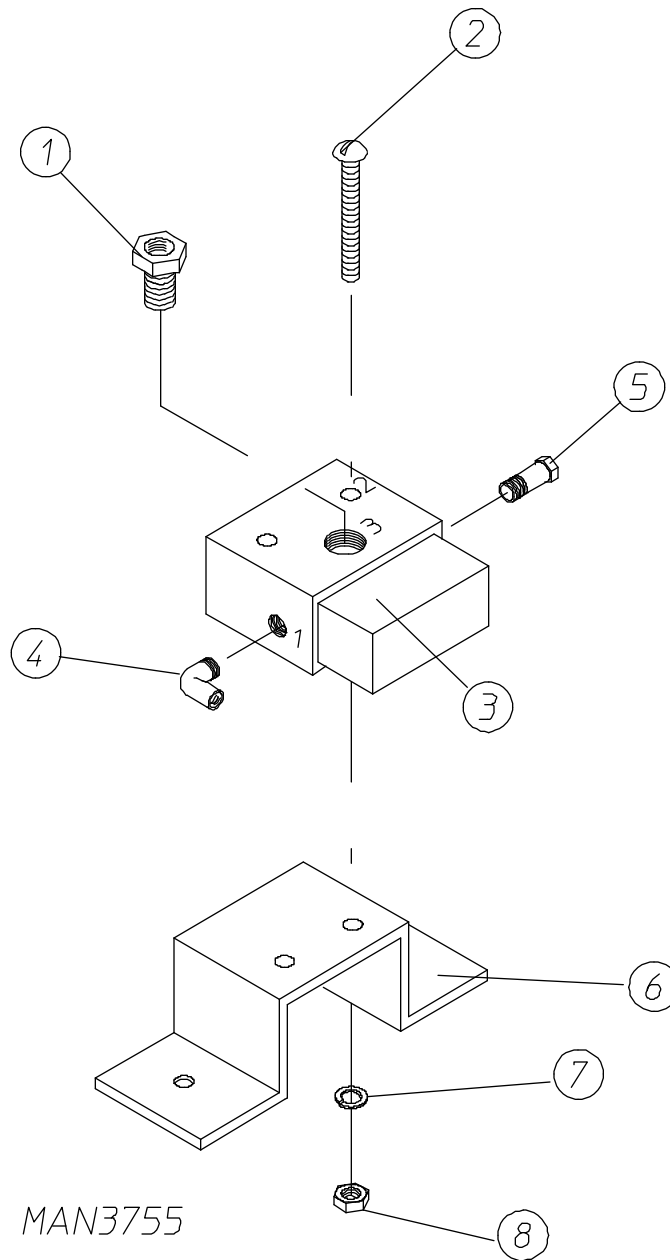


Illus. No.	Part No.	Qty.	Description
1	332700	1	Air Jet Tube
2	143287	1	1/4" x 1/8" M.P.T. Male Run Tee
3	143259	2	1/4" x 1/8" F.P.T. Bulkhead Fitting
4	143100	3	1/4" Aluminum Tube (sold by the foot)
5	332531	1	Air Jet Mounting Tube
6	152002	2	1/4-20 Hex Nut
7	153007	2	1/4" Lock Washer
8	143110	5	1/4" Poly Flow Tubing (sold by the foot)
9	143149	1	1/4" x 1/8" M.P.T. 90° Elbow
	821081	1	Air Jet Assembly Complete (includes illus. nos. 1 through 9)

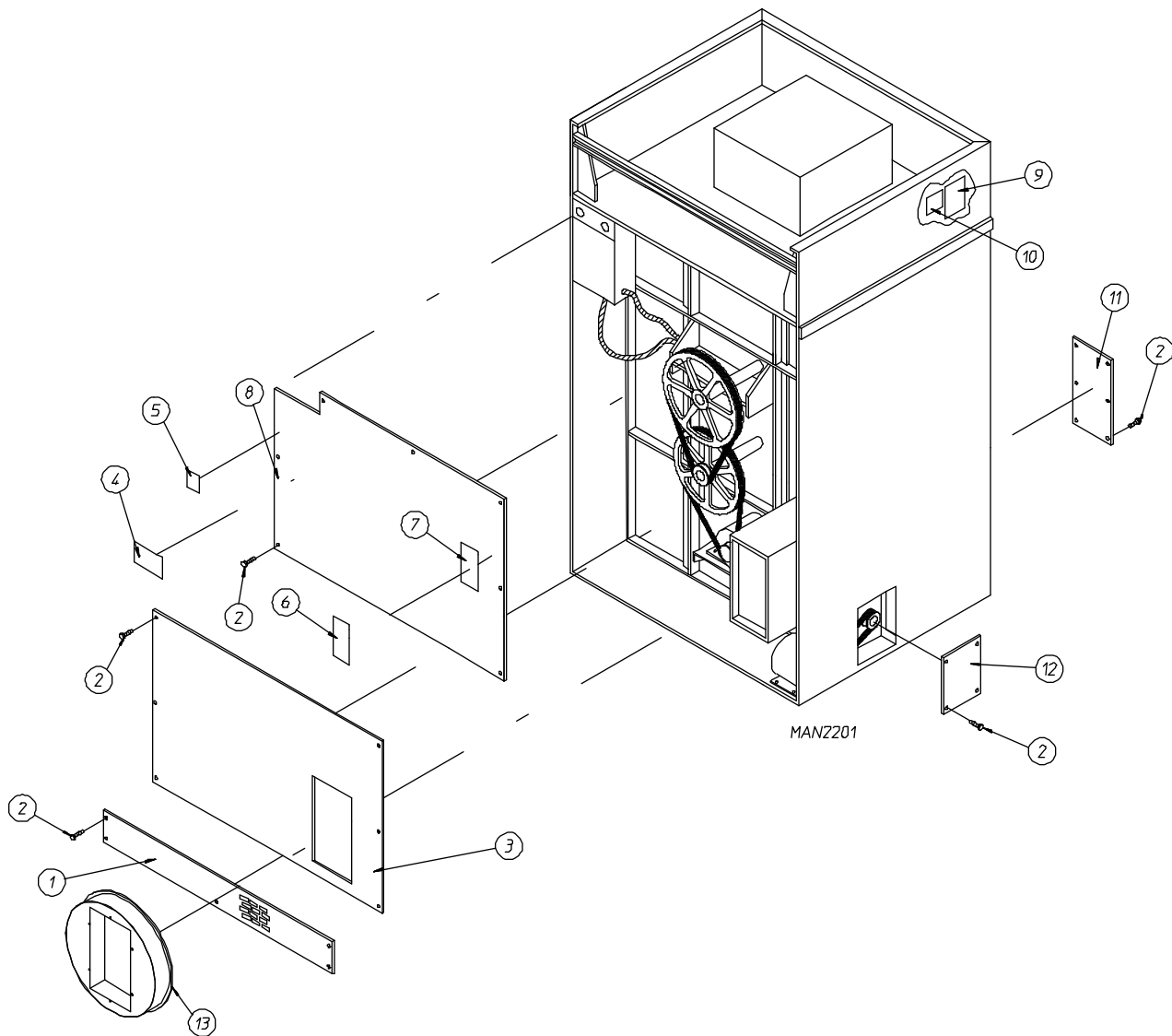


<u>Illus. No.</u>	<u>Part No.</u>	<u>Qty.</u>	<u>Description</u>
1*	881568	1	Top Console ONLY (for Gas Models Only)
2	112284	1	"Phase 6 OPL Program Location Summary" Label
3	-----	1	Dryer Data Label (not for resale by ADC)
4	153007	12	1/4" Lock Washer
5	152005	12	1/4-20 Hex Nut
6	332323	1	32" Wire Channel
7	-----	1	Pneumatic Valve (refer to Pneumatic Valve Assembly on page 31)
8	121104	1	2" x 4" Junction Box
9	121105	1	Junction Box Cover
10	150510	4	1/4-20 x 3/4" Hex Head Machine Bolt
11	153018	4	1/4" Flat Washer
12*	332186	1	Control Door Channel

* Specify color when ordering.



Illus. No.	Part No.	Qty.	Description
1	143250	1	1/8" M.P.T. Brass Plug (for models mfd. as of February 3, 1998)
	100520	1	1/8" N.P.T. Silencer (muffler) ... Not Illustrated (for models mfd. prior to February 3, 1998)
2	150002	1	#6-32 x 1" Phillips Round Head Machine Screw
3	100498	1	3-Way Micro Valve - 24 VAC
4	143268	1	1/8" Street Elbow
5	100472	1	1/4" x 1/8" Connector
6	330987	1	Micro Valve Support Bracket
7	153010	1	#6 Star Washer
8	152000	1	#6-32 Hex Nut
-	821105	1	Pneumatic Valve Assembly Complete (includes illus. nos. 1 through 8)



Illus. No.	Part No.	Qty.	Description
1	332328	1	Bottom Back Guard
2	150301	28	#8-18 x 7/16" Phillips Pan Head TEK Screw
3	821096	1	Middle Back Guard
4	112014	1	"High Voltage" Label
5	112017	1	"ADC Name, Address, Telephone Number" Label
6	112230	1	"Installation Instructions" Label
8	821095	1	Top Back Guard
9	112284	1	"Phase 6 OPL Program Location Summary" Label
10	-----	1	Dryer Data Label (not for resale by ADC)
11*	332295	1	Blower Housing Front Access Panel
12*	332309	1	Side Access Panel
13	835123	1	Square Duct to Round Duct Transition Piece Assembly
--	117505	**	Aluminum Duct Tape (sold by the foot)

* Specify color when ordering.

NOTE: Each transformer requires one (1) Transformer Termination Kit (ADC Part No. 881763).

STEP DOWN TRANSFORMER USAGE LISTING			
VOLTAGE	WIRE SERVICE	ADC PART No.	
		GAS	STEAM
208/240	3	132070	N/A *
380	3 or 4	N/A *	N/A *
380	3	N/A *	132082
416	4	N/A *	N/A *
416	3	N/A *	N/A *
460/480	4	132067	N/A *
575	3	N/A *	N/A *

* Not Available at time of printing. Contact factory for information not listed.

<u>Part No.</u>	<u>Description</u>
112098	“Rotation” Label
112280	“Clean Lint Screen” Label
114001	“CAUTION - Exhaust/Lint Screen” Label
114006	“WARNING - Fire Hazards” Label
120800	1/4” In-Line Connector
120802	Red Butt Connector
120902	#74B Wire Nut
120903	Crimp-On Wire Nut
120904	Red Wire Nut
121014	1/4” Insulated (female) Terminal
121499	4” Harness Tie
121500	7” Harness Tie
122804	Manometer/Hydro Gauge (for measuring gas pressure)
404502	White Brush-In-Cap Bottle Touch-Up Paint
404506	Beige Brush-In-Cap Bottle Touch-Up Paint
404507	Cornflower Blue-In-Cap Bottle Touch-Up Paint

