



AD-78

Parts Manual

American Dryer Corporation
88 Currant Road
Fall River, MA 02720-4781
Telephone: (508) 678-9000 / Fax: (508) 678-9447
E-mail: techsupport@amdry.com
www.amdry.com

Retain This Manual In A Safe Place For Future Reference

American Dryer Corporation products embody advanced concepts in engineering, design, and safety. If this product is properly maintained, it will provide many years of safe, efficient, and trouble free operation.

ONLY qualified technicians should service this equipment.

OBSERVE ALL SAFETY PRECAUTIONS displayed on the equipment or specified in the installation manual included with the dryer.

The following “**FOR YOUR SAFETY**” caution **must be** posted near the dryer in a prominent location.

FOR YOUR SAFETY

Do not store or use gasoline or other flammable vapors and liquids in the vicinity of this or any other appliance.

POUR VOTRE SÉCURITÉ

Ne pas entreposer ni utiliser d'essence ni d'autres vapeurs ou liquides inflammables à proximité de cet appareil ou de tout autre appareil.

We have tried to make this manual as complete as possible and hope you will find it useful. **ADC** reserves the right to make changes from time to time, without notice or obligation, in prices, specifications, colors, and material, and to change or discontinue models.

Important

For your convenience, log the following information:

DATE OF PURCHASE _____ **MODEL NO.** AD-78

RESELLER'S NAME _____

Serial Number(s) _____

Replacement parts can be obtained from your reseller or the **ADC** factory. When ordering replacement parts from the factory, you can FAX your order to **ADC** at (508) 678-9447 or telephone your order directly to the **ADC** Parts Department at (508) 678-9000. Please specify the dryer **model number** and **serial number** in addition to the **description** and **part number**, so that your order is processed accurately and promptly.

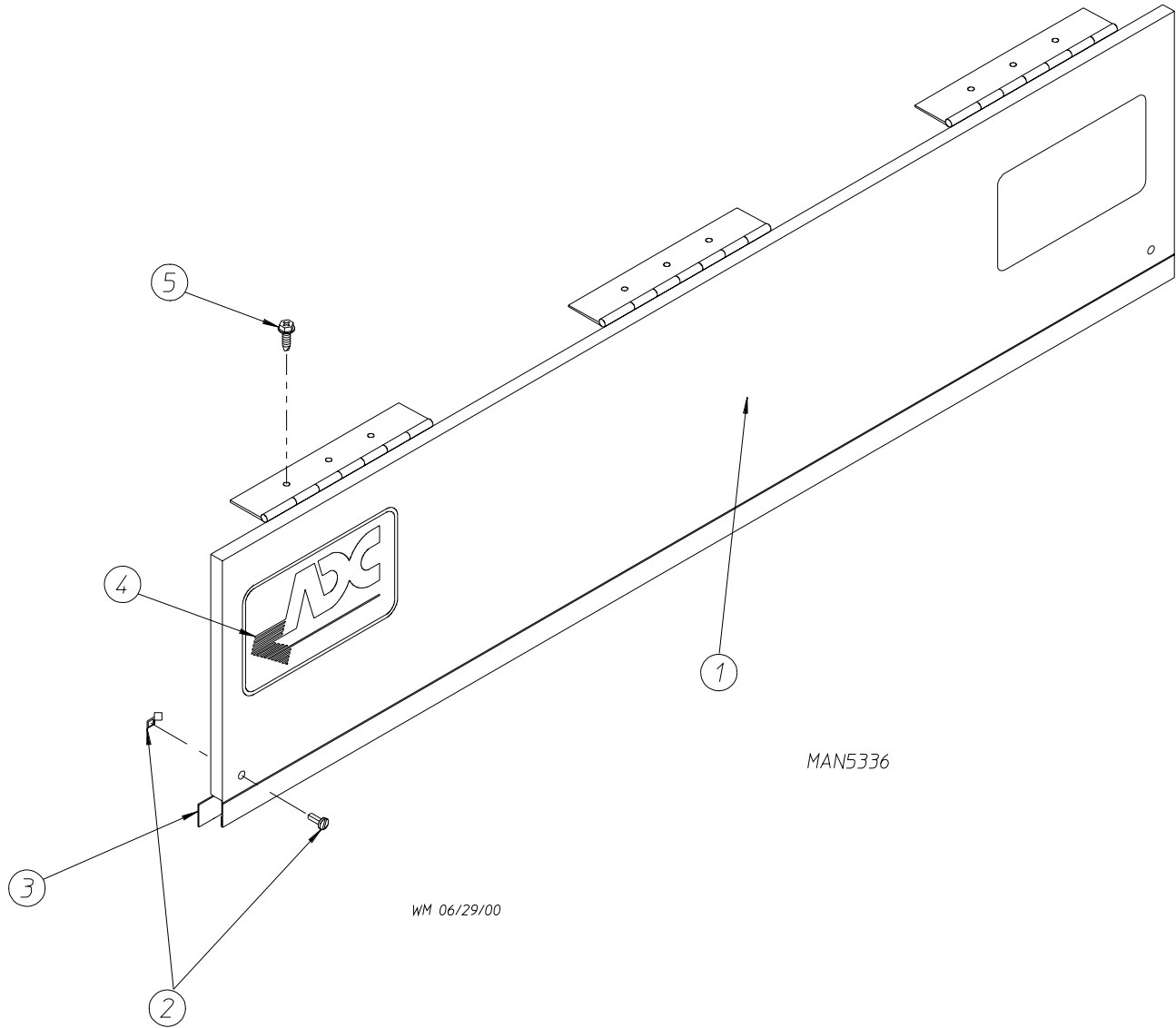
The illustrations on the following pages may not depict your particular dryer exactly. The illustrations are a composite of the various dryer models. Be sure to check the descriptions of the parts thoroughly before ordering.

“IMPORTANT NOTE TO PURCHASER”

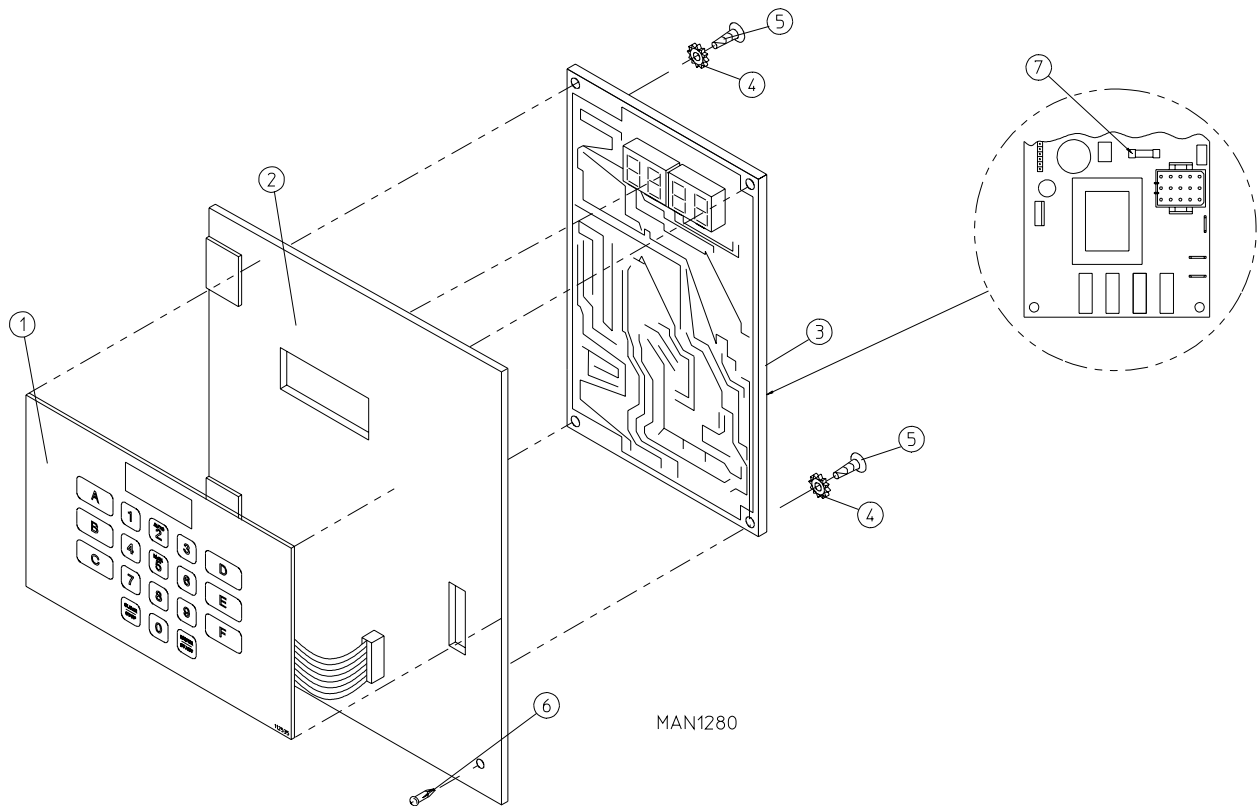
Information **must be** obtained from your local gas supplier on the instructions to be followed if the user smells gas. These instructions **must be** posted in a prominent location near the dryer.

Table of Contents

Control Door Assembly	2
Phase 5 OPL Microprocessor Control Panel Assembly	3
Main Door Assembly (Round Door)	4, 5
Front Panel and Main Door Assemblies (Square Door)	6, 7
Main Door Switch Assembly for Round Main Door	8
Main Door Switch Assembly for Square Main Door	9
Sensor Bracket Assembly	10
Lint Trap Assembly	11
Drop Lint Door Assembly	12
Basket (Tumbler) Support Assembly	13
Basket (Tumbler) Bearing Assembly	14, 15
Single-Phase (1 ϕ) Motor, Electric Relay Panel Assembly	16
3-Phase (3 ϕ) Motor, Non-Reversing Electric Relay Panel Assembly	17
3-Phase (3 ϕ) Motor, Reversing Electric Relay Panel Assembly	18, 19
Sail Switch Assembly	20
Idler Bearing Assembly	21
Non-Reversing Totally Enclosed, Fan-Cooled (T.E.F.C.) Motor Mount Assembly	22, 23
Reversing Totally Enclosed, Fan-Cooled (T.E.F.C.) Motor Mount Assembly	24, 25
Direct Spark Ignition (DSI) Burner Assembly	
For Models Mfd. as of April 11, 2000	26, 27
Hot Surface Ignition (HSI) Burner Assembly	
For Models Mfd. prior to April 11, 2000	28, 29
Back Guard Assemblies	30
Additional Parts Available	31

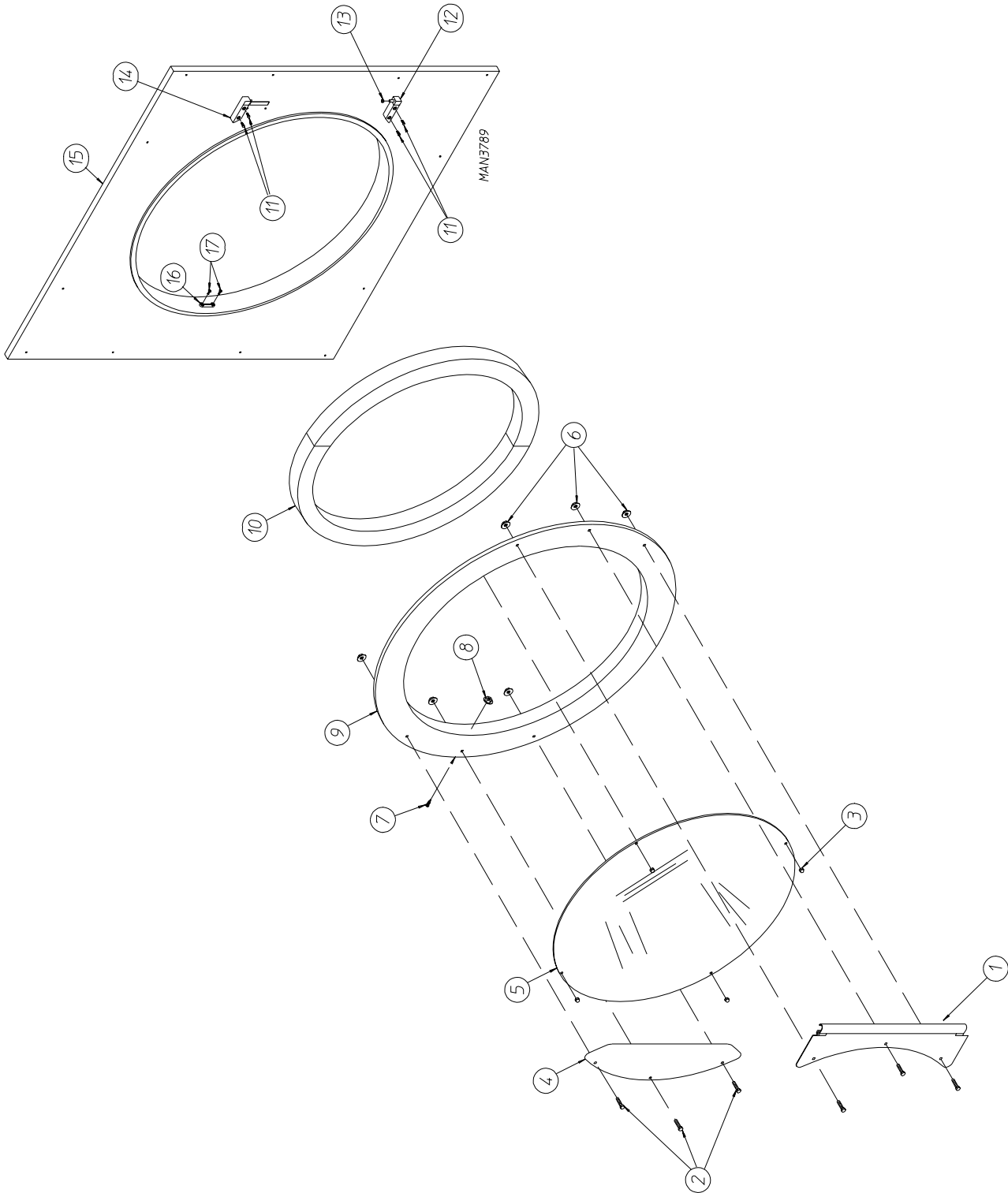


<u>Illus. No.</u>	<u>Part No.</u>	<u>Qty.</u>	<u>Description</u>
1	881910	1	Control Door Assembly White (includes illus. nos. 1 through 3)
	881911		Control Door Assembly Blue (includes illus. nos. 1 through 3)
2	882541	2	Spring Turn Latch (2 piece)
3	117603	4	Noise Suppression Tape (sold by the foot)
4	112350	1	ADC Logo ONLY
	870011	1	Logo Double Tape Kit
5	150309	9	#10-16 x 1/2" Hex Head TEK Crimptite Screw

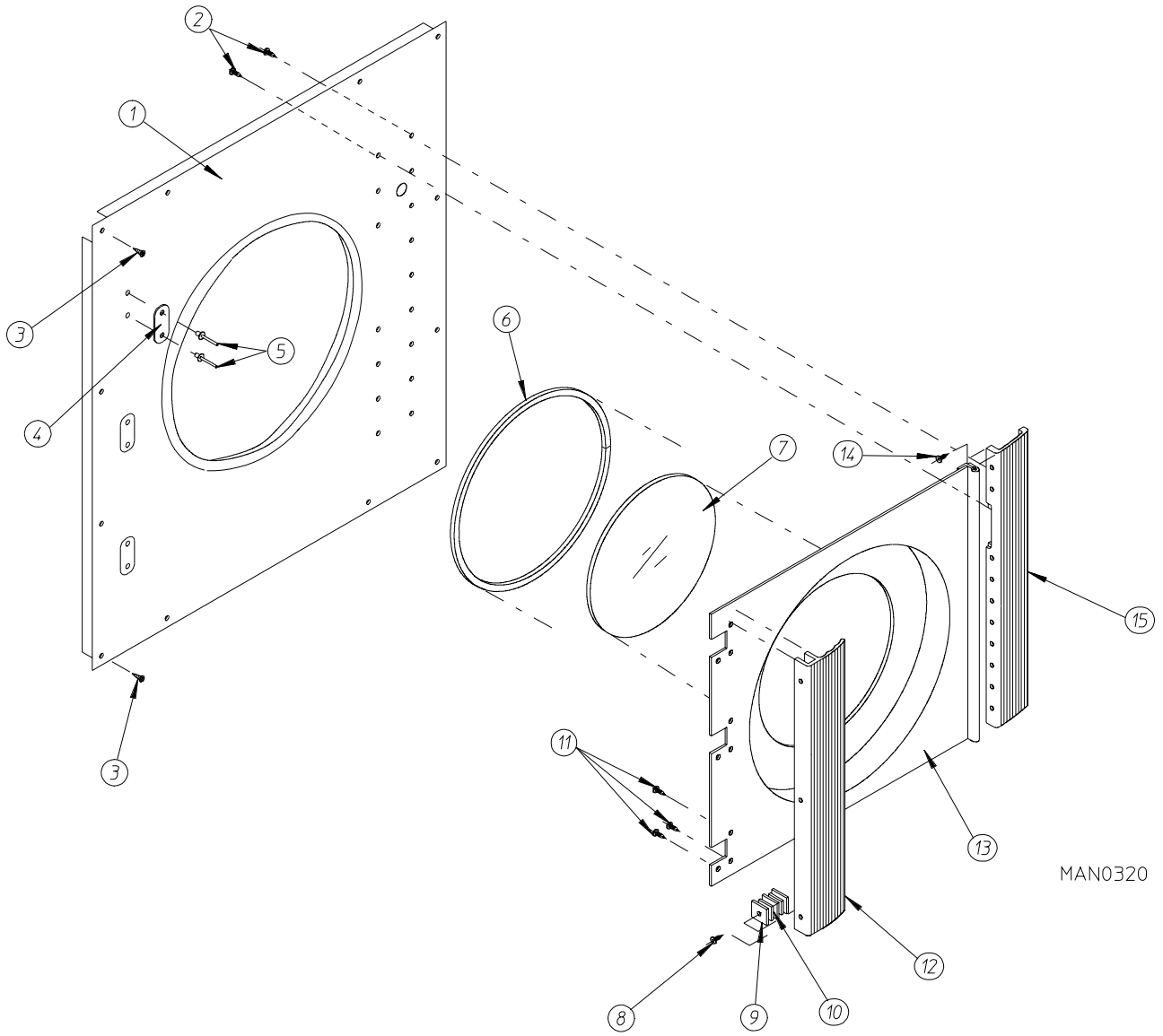


<u>Illus. No.</u>	<u>Part No.</u>	<u>Qty.</u>	<u>Description</u>
1	112535	1	OPL English Keyboard Label Assembly
	112276	1	OPL Stick-On Labels (English Only)...Not Illustrated
	112275	1	3-Language OPL Stick-On Labels (Spanish, Italian, and Hebrew)...Not Illustrated
	112277	1	3-Language OPL Stick-On Labels (English, Spanish, and Hebrew)...Not Illustrated
	112278	1	5-Language OPL Stick-On Labels (Italian, Dutch, French, German, and Chinese)...Not Illustrated
2	801255	1	Phase 5 Microprocessor Control Panel ONLY
	801256	1	Phase 5 Microprocessor Control Panel ONLY with Battery Bracket
	801206	1	Phase 5 OPL Non-Reversing Microprocessor Control Panel Assembly Complete (includes illus. nos. 1 through 7)
	801207	1	Phase 5 OPL Reversing Microprocessor Control Panel Assembly Complete (includes illus. nos. 1 through 7)
3	137222	1	Phase 5 OPL Non-Reversing Microprocessor Controller ONLY
	137231	1	Phase 5 OPL Reversing Controller ONLY
	824998	1	Phase 5 Battery Clip
4	153010	2	#6 Star Washer
5	150005	2	#6-32 x 1/4" Phillips Round Head Machine Screw
6	150413	1	#10-16 x 1/2" Torx Crimp-tite
7	136048	1	1/8-Amp (Slo-Blo) Fuse

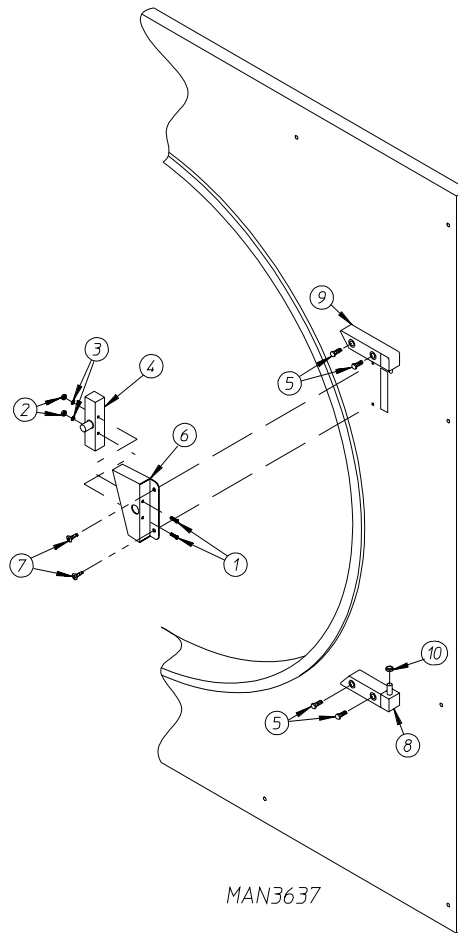
IMPORTANT: Check label on computer chip to verify correct part number for controller.



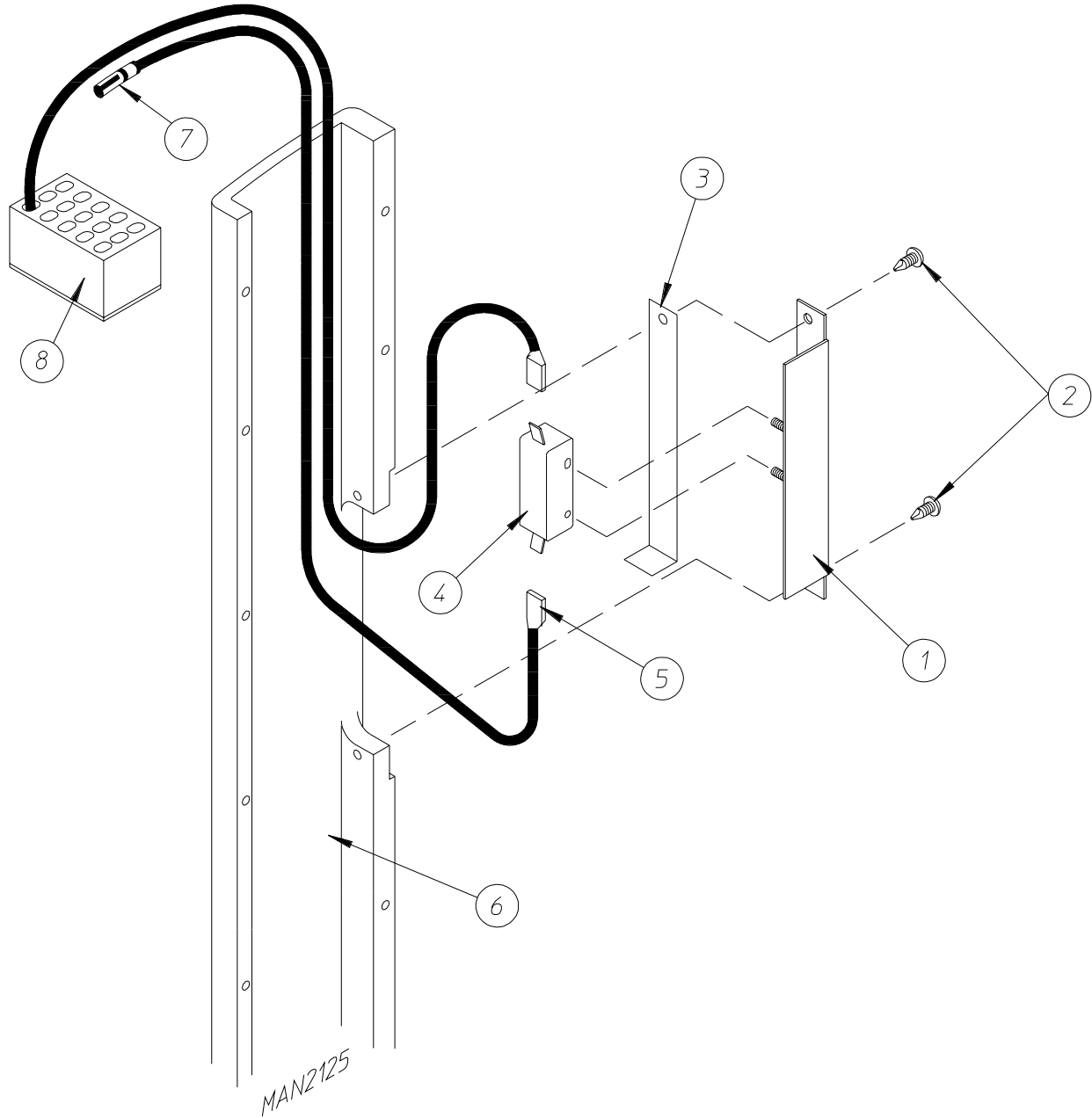
<u>Illus. No.</u>	<u>Part No.</u>	<u>Qty.</u>	<u>Description</u>
1	881685	1	White Main Door Hinge
	881757	1	Blue Main Door Hinge
2	881740	6	1/4-20 x 5/8" (white) Carriage Bolt
	881739	6	1/4-20 x 5/8" (blue) Carriage Bolt
3	151012	4	#10-32 White Nylon Acorn Nut
	151014	4	#10-32 Blue Nylon Acorn Nut
4	881688	1	White CRS Main Door Handle
	881737	1	Blue CRS Main Door Handle
5	102213	1	29-7/8" Door Glass
	170730	1	Clear Adhesive (10.3 oz. cartridge)
6	881806	6	1/4-20 Free Spin Wash Nut (white)
	881807	6	1/4-20 Free Spin Wash Nut (blue)
7	150120	1	Main Door Latch Screw
8	151010	1	#10-32 Hex Acorn Nut (black)
9	881689	1	White Main Door Assembly Complete (includes illus. nos. 1 through 10)
	881738	1	Blue Main Door Assembly Complete (includes illus. nos. 1 through 10)
	881684	1	White Main Door Ring
	881756	1	Blue Main Door Ring
10	102356	1	97-1/2" Main Door Gasket
11	150443	2	1/4-20 x 3/4" Stainless Steel Cap Screw
12	881441	1	White Bottom Hinge Block (includes illus. nos. 11 and 12)
	881735	1	Blue Bottom Hinge Block (includes illus. nos. 11 and 12)
13	153031	1	Nylon Washer
14	881440	1	White Top Hinge Block (includes illus. nos. 11 and 14)
	881736	1	Blue Top Hinge Block (includes illus. nos. 11 and 14)
15	882057	1	White Front Panel Assembly (includes illus. nos. 15 through 17)
	882058	1	Blue Front Panel Assembly (includes illus. nos. 15 through 17)
16	170330	1	Friction Door Catch
17	154215	2	5/32" Pop Rivet



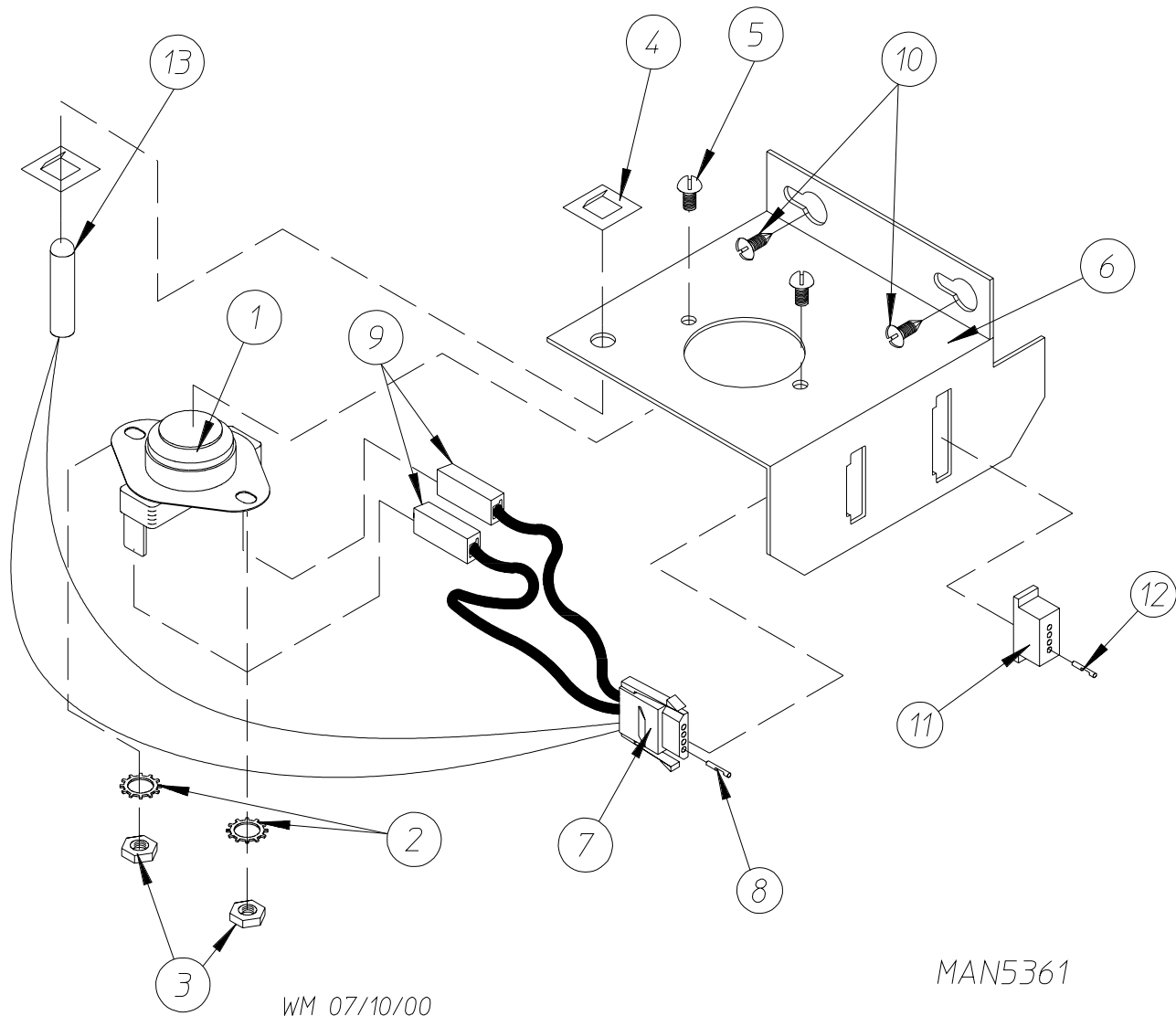
<u>Illus. No.</u>	<u>Part No.</u>	<u>Qty.</u>	<u>Description</u>
1	881916	1	White Right Hand Front Panel Assembly (includes illus. nos. 1, 4, and 5)
	881917	1	Blue Right Hand Front Panel Assembly (includes illus. nos. 1, 4, and 5)
2	150413	15	#10-16 x 1/2" Torx Crimptite
3	150412	12	#10-16 x 3/4" Phillips Round Head Crimptite Screw
4	170340	3	3-1/2" Stainless Steel Striker Pad
5	154200	6	5/32" Pop Rivet
6	102308	1	Door Gasket ONLY (94" length)
7	102210	1	20-7/16" Door Glass ONLY
	170730	1	Clear Adhesive (10.3 oz. cartridge)
8	150401	3	#10-24 x 1-1/4" Phillips Taptite Screw
9	306801	9	Magnet Keeper ONLY
10	102102	6	1.0 x .75 x .197" Magnet
11	150413	9	#10-16 x 1/2" Torx Crimptite
12	180150	1	35" Granite Main Door Handle ONLY
13	881914	1	(white) Main Door Assembly Complete with Cross Gray Handle (includes illus. nos. 6 through 13)
	881915	1	(blue) Main Door Assembly Complete with Cross Gray Handle (includes illus. nos. 6 through 13)
	881918	1	White Main Door Assembly with Glass and Gasket ONLY (includes illus. nos. 6, 7, and 13)
	881919	1	Blue Main Door Assembly with Glass and Gasket ONLY (includes illus. nos. 6, 7, and 13)
14	150430	10	#10 x 1/2" Phillips Self-Drilling Screw
15	180155	1	35" Cross Gray Main Door Hinge Block



<u>Illus. No.</u>	<u>Part No.</u>	<u>Qty.</u>	<u>Description</u>
1	150006	2	#6-32 x 7/8" Phillips Pan Head Machine Screw
2	152013	2	#6-32 Hex Nut
3	153010	2	#6 Star Washer
4	137005	1	Single Pole Door Switch
5	150443	4	1/4-20 x 3/4" Stainless Steel Cap Screw
6	881687	1	White Main Door Switch Housing ONLY
	881695	1	Blue Main Door Switch Housing ONLY
	881702	1	White Main Door Switch with Housing Assembly (includes illus. nos. 1 through 4 and 6)
	881700	1	Blue Main Door Switch with Housing Assembly (includes illus. nos. 1 through 4 and 6)
7	150301	2	#8-18 x 7/16" Phillips Pan Head TEK Screw
8	881441	1	White Bottom Hinge Block (includes illus. nos. 5 and 8)
	881735	1	Blue Bottom Hinge Block (includes illus. nos. 5 and 8)
9	881440	1	White Top Hinge Block (includes illus. nos. 5 and 9)
	881736	1	Blue Top Hinge Block (includes illus. nos. 5 and 9)
10	153031	1	Nylon Washer



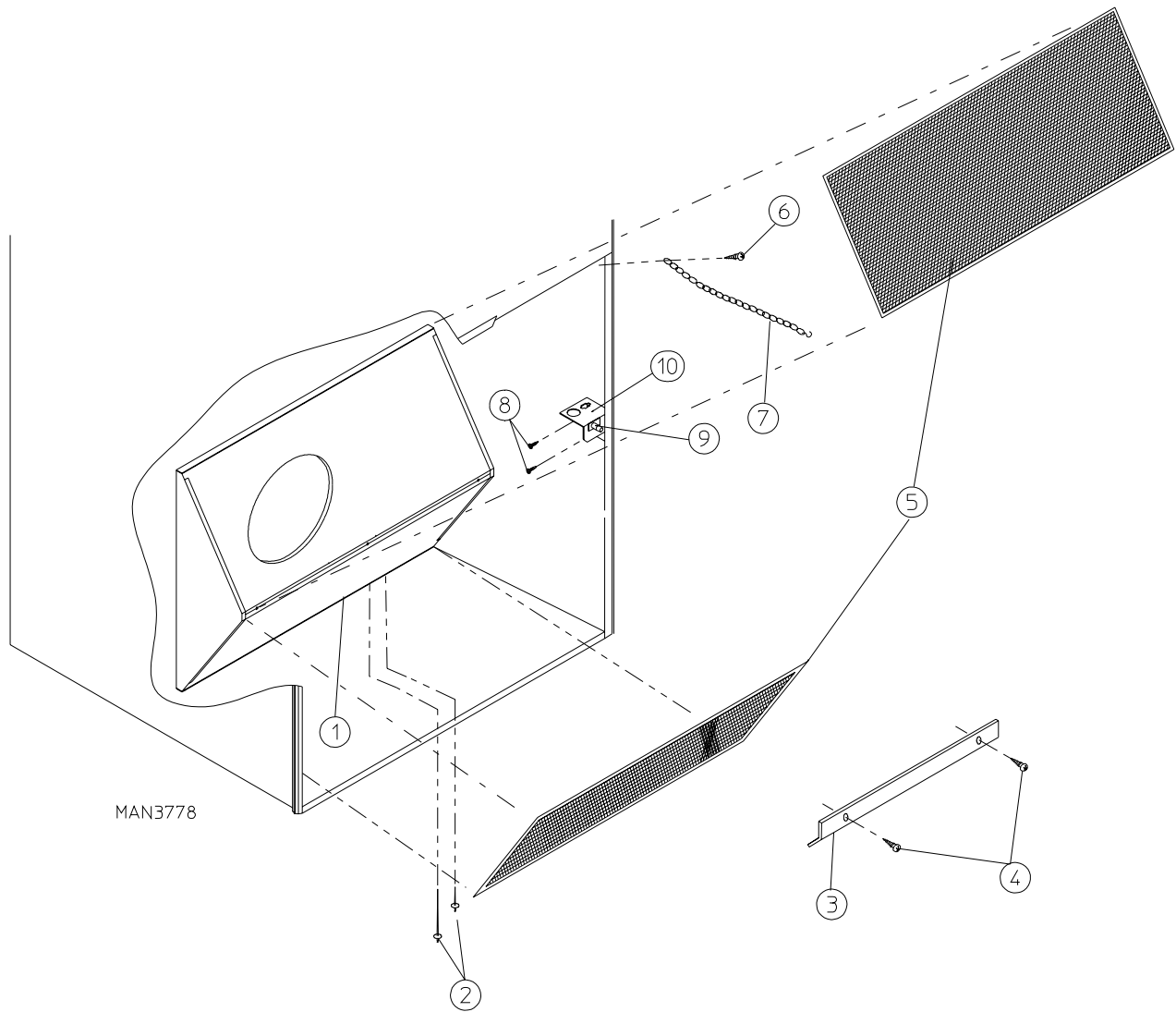
<u>Illus. No.</u>	<u>Part No.</u>	<u>Qty.</u>	<u>Description</u>
1	821098	1	Main Door Switch Assembly Complete (includes illus. nos. 1 through 4 and 6)
	821097	1	Main Door Switch Bracket Assembly ONLY
	102405	1	Main Door Switch Actuator ONLY
2	150309	2	#10-16 x 1/2" Hex Head TEK Crimptite Screw
3	102405	1	Main Door Switch Actuator
4	137005	1	Single Pole Door Switch
5	121028	2	1/4" x .032 Insulated Terminal ONLY
6	180155	1	35" Cross Gray Main Door Hinge Block
7	122705	2	Socket Mate to Split Pin
8	122626	1	15-Pin Cap Housing ONLY (M/L)



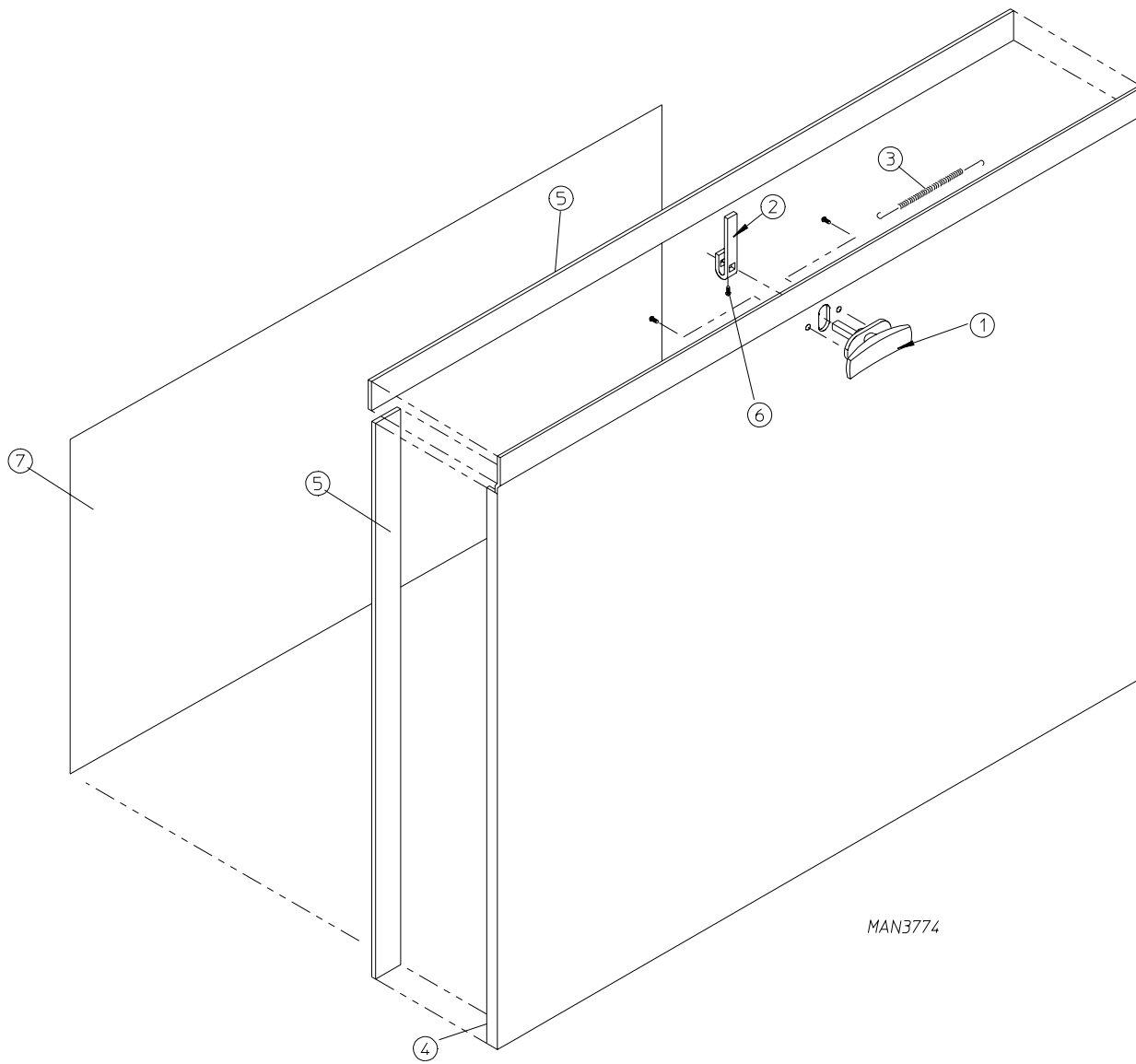
WM 07/10/00

MAN5361

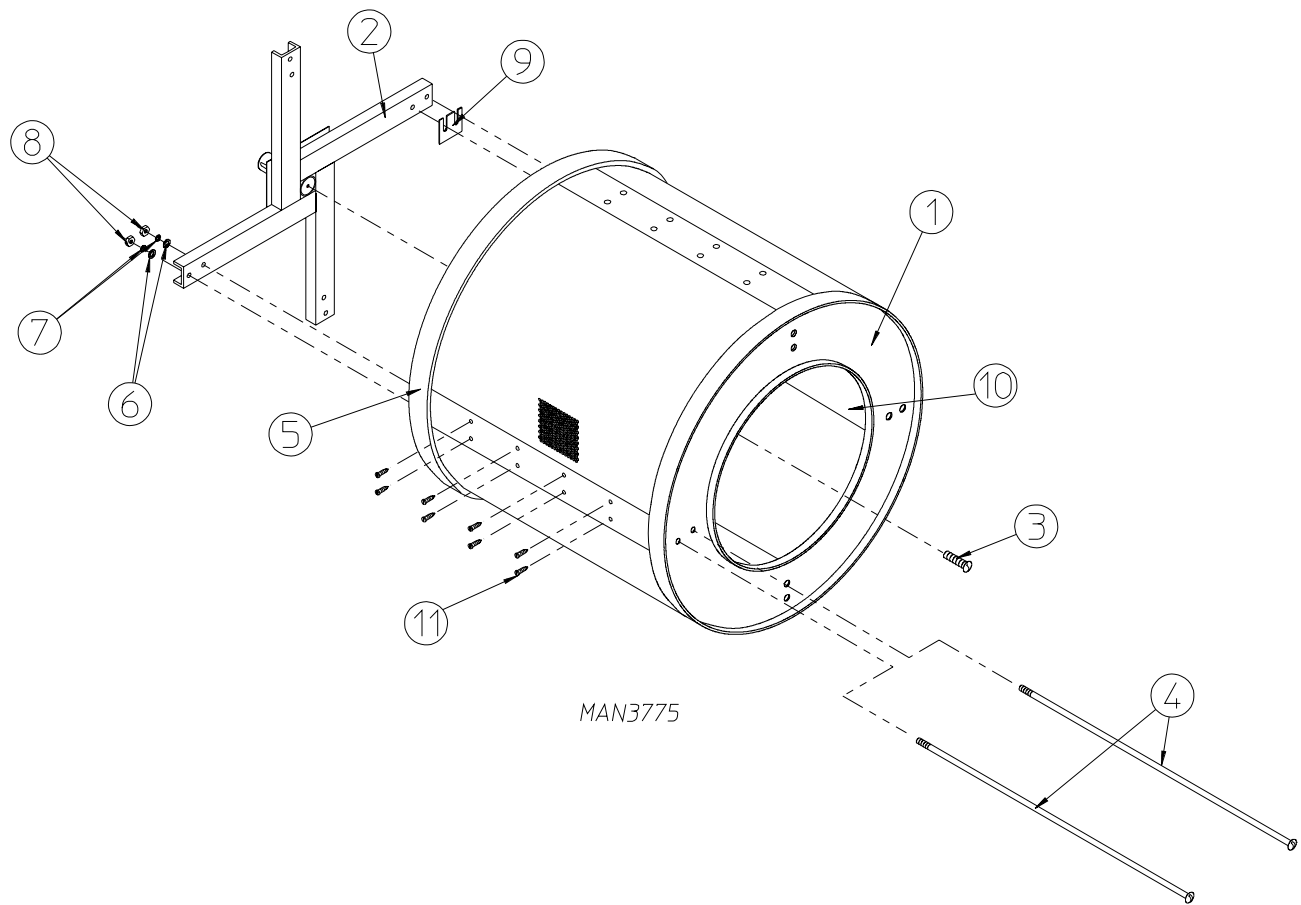
<u>Illus. No.</u>	<u>Part No.</u>	<u>Qty.</u>	<u>Description</u>
1	130103	1	225° Large Automatic Thermostat ONLY
2	153010	2	#6 Star Washer
3	152000	2	#6-32 Hex Nut
4	154007	2	1/4" Tinnerman Push On Fastener
5	150005	2	#6-32 x 1/4" Phillips Round Head Machine Screw
6	881912	1	Temperature Sensor Bracket Complete (includes illus. nos. 1 through 7)
7	122605	1	4-Pin Socket Connector
8	122701	4	Mate-N-Lock Socket Terminal
9	121028	2	Insulated Terminal ONLY
10	150301	2	#8-18 x 7/16" Phillips Pan Head TEK Screw
11	122604	1	4-Pin Connector ONLY
12	122700	4	Pin Terminal ONLY
	122801	1	Pin/Socket Extraction Tool (for removal of illus. nos. 8 and 12)
13	880251	1	1/4" Temperature Sensor Probe Assembly



<u>Illus. No.</u>	<u>Part No.</u>	<u>Qty.</u>	<u>Description</u>
1	881904	1	Lint Coupe Assembly Complete (includes illus. nos. 1 and 3 through 5)
	801767	1	Lint Coupe ONLY
2	154200	7	5/32" Pop Rivet
3	304100	1	Lint Screen Held Down
4	150300	3	#10 x 1/2" Hex Washer TEK Screw
5	800500	2	Lint Screen
6	150419	2	#6 x 1/2" Tamperproof TEK Screw
7	108120	1	Chain for Drop Lint Door
	150418	1	Tamperproof Screw Hand Driver
8	150425	2	#12-24 x 3/8" Phillips Round Head Machine Screw ONLY
9	122116	1	Lint Drawer Switch ONLY
10	323724	1	Lint Drawer Switch Bracket

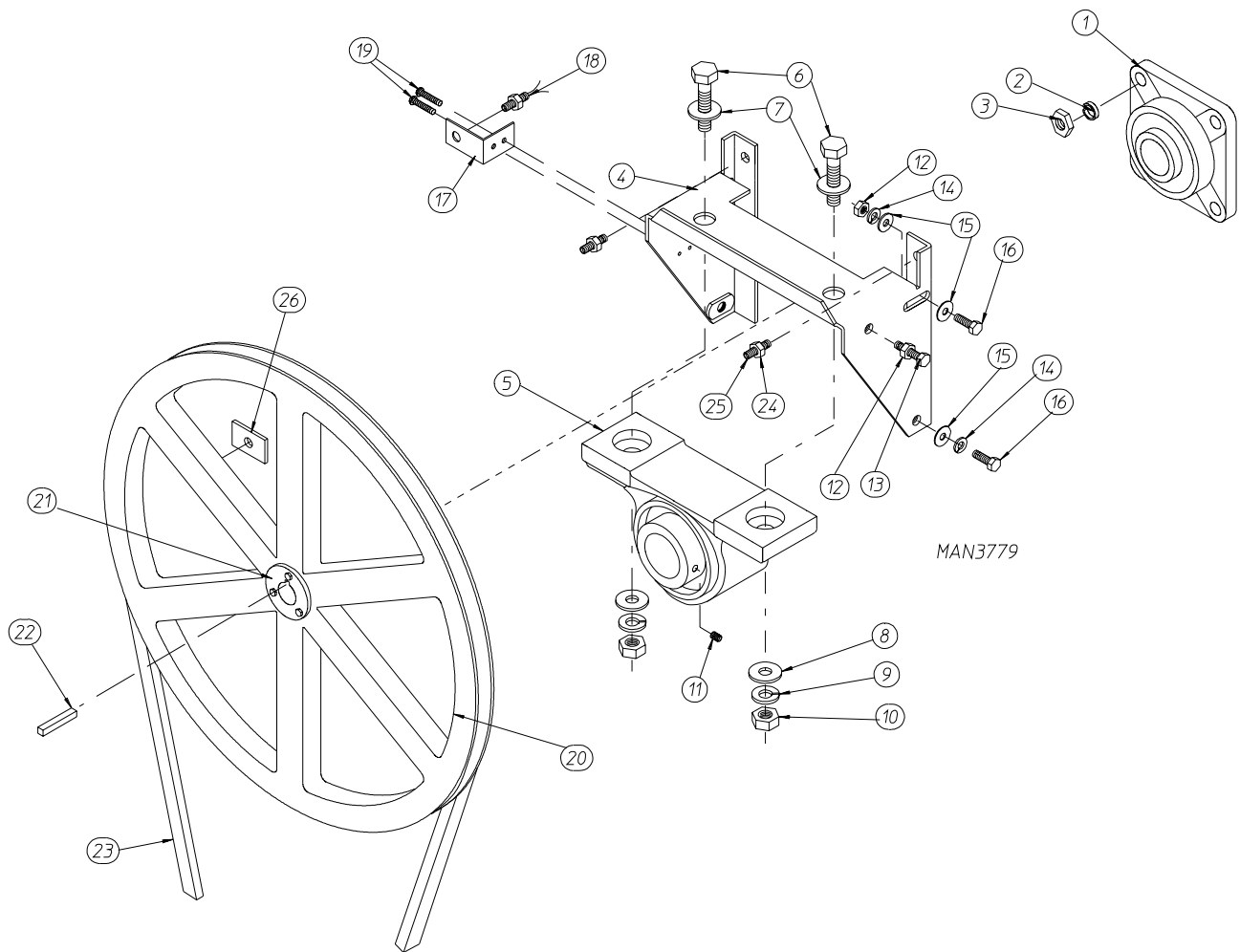


<u>Illus. No.</u>	<u>Part No.</u>	<u>Qty.</u>	<u>Description</u>
1	800150	1	Knob Latch Kit Assembly (includes illus. nos. 1 and 2)
	160003	1	Dummy Lock ONLY
	160104	1	MK100 Key ONLY (for dummy lock)
2	160008	1	Lock Cam for Dummy Lock
	160009	1	Knob Latch Adjustable Cam ONLY
3	157000	1	Drop Lint Door Spring
4	881906	1	White Insulated Drop Lint Door Assembly (includes illus. nos. 4, 5, and 7)
	881907	1	Blue Insulated Drop Lint Door Assembly (includes illus. nos. 4, 5, and 7)
5	117600	7	Noise Suppressor Tape (sold by the foot)
6	150425	1	#12-24 x 3/8" Phillips Round Head Machine Screw ONLY (screw for knob latch adjustable cam)
7	116322	1	Lint Door Insulation

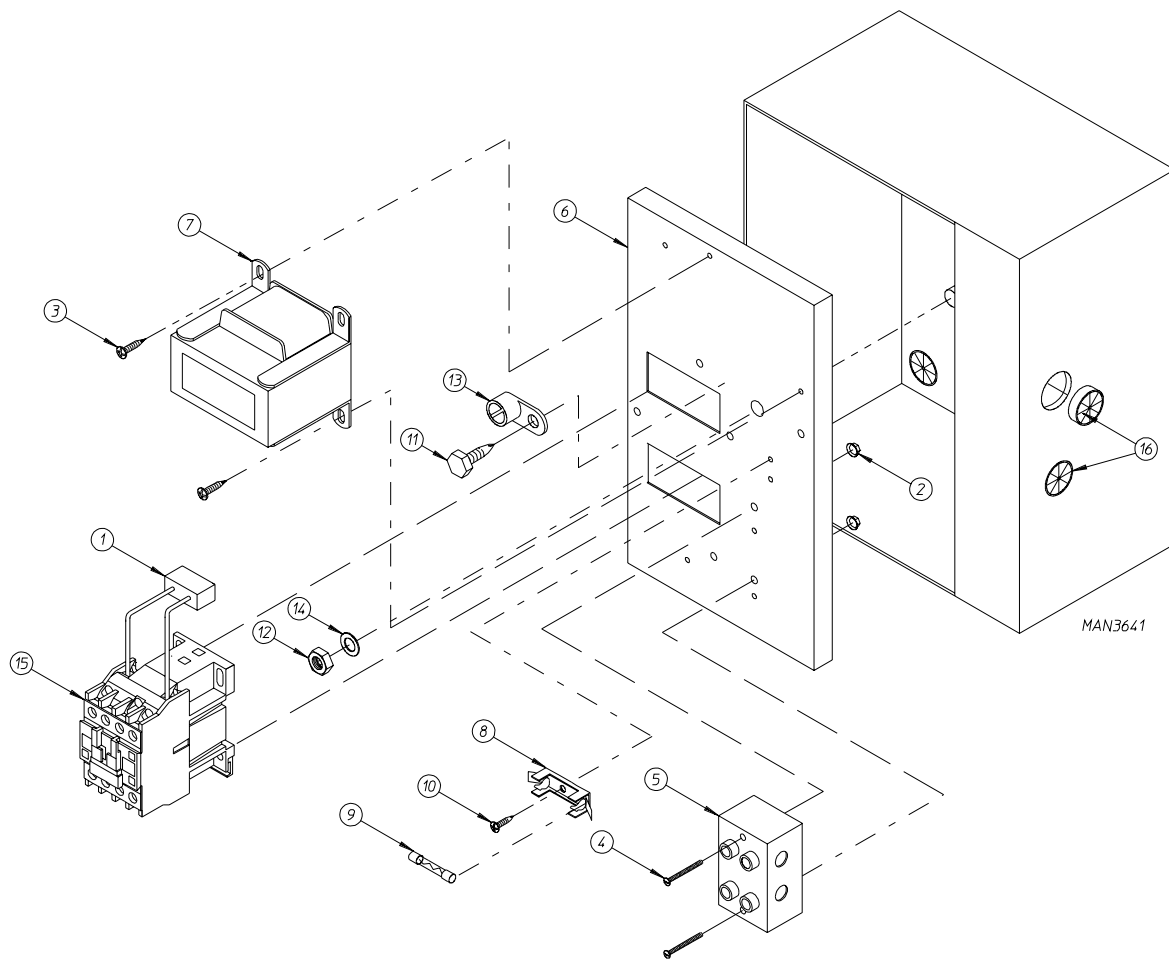


<u>Illus. No.</u>	<u>Part No.</u>	<u>Qty.</u>	<u>Description</u>
1	883523	1	Basket (tumbler) ONLY with Felt Collar
	801773	1	Basket (tumbler) and Support Assembly Complete (includes illus. nos. 1 through 11)
2	801774	1	Basket (tumbler) Support ONLY
3	150500	1	5/16-18 x 3/4" Socket Button Head Screw
4	100912	8	1/2"-13 x 25-3/8" Tie Rod
5	116006	1	Felt Collar
	170730	1	Clear Adhesive (10.3 oz. cartridge)
6	153011	8	9/16" Flat Washer
7	153026	8	1/2" Lock Washer
8	152011	8	1/2-13 Hex Nut
9	301701	*	Basket (tumbler) Shims
10	314701	4	Basket (tumbler) Ribs
11	150413	32	#10-16 x 1/2" Torx Crimptite

* As required.

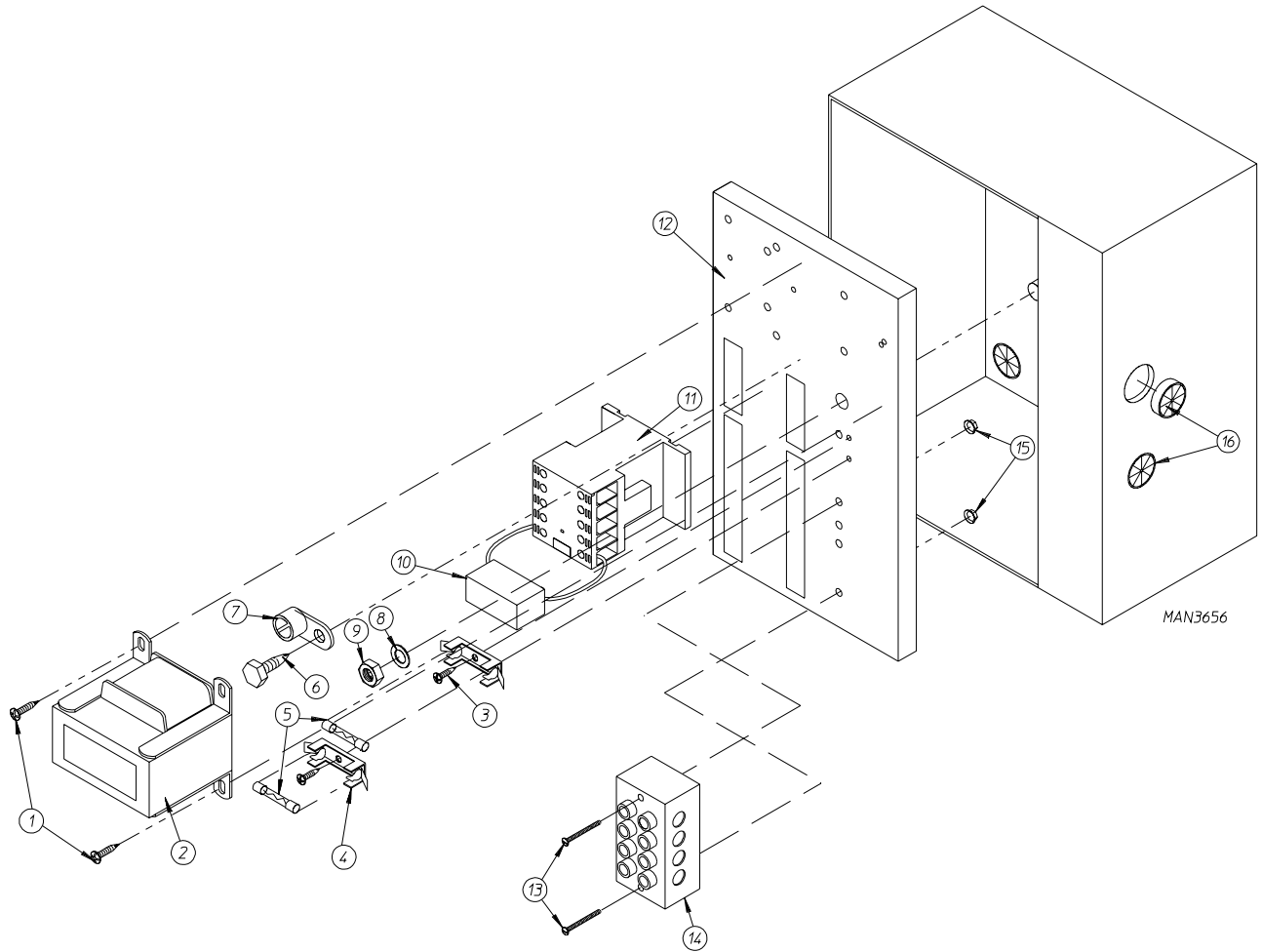


<u>Illus. No.</u>	<u>Part No.</u>	<u>Qty.</u>	<u>Description</u>
1	100244	1	1-15/16" Flange Bearing
2	153025	4	Lock Washer
3	152050	4	Hex Nut
4	801775	1	Pillow Block Bearing Assembly Complete (includes illus. nos. 4 through 13)
	801761	1	Pillow Block Bearing Housing ONLY
5	100245	1	1-15/16" Pillow Block Bearing
6	150633	2	1/2-13 x 2-1/4" Hex Head Bolt
7	153011	2	9/16" Flat Washer
8	153011	2	9/16" Flat Washer
9	153026	2	1/2" Lock Washer
10	152011	2	1/2-13 Hex Nut
11	154322	2	3/8-24 x 7/16 Setscrew
12	152004	2	5/16-18 Hex Nut
13	150621	2	5/16-18 x 3/4" Hex Bolt
14	153002	4	5/16" Lock Washer
15	153001	6	5/16" Flat Washer
16	150621	4	5/16-18 x 3/4" Hex Bolt
17	314746	1	Rotational Sensor Bracket
18	824807	1	Rotational Sensor Assembly
19	150413	2	#10-16 x 1/2" Torx Crimptite
20	101219	1	18" Pulley
21	101220	1	1-15/16" Taper Lock Bushing
22	100719	1	1/2" x 1/2" x 1-3/8 Key
23	100185	1	5L-780 V-Belt
24	152004	2	5/16-18 Hex Nut
25	150610	2	5/16-18 x 1-1/2" Allen Setscrew
26	102102	1	1.0 x .75 x .197" Magnet
	401010	1	Adhesive for Magnet

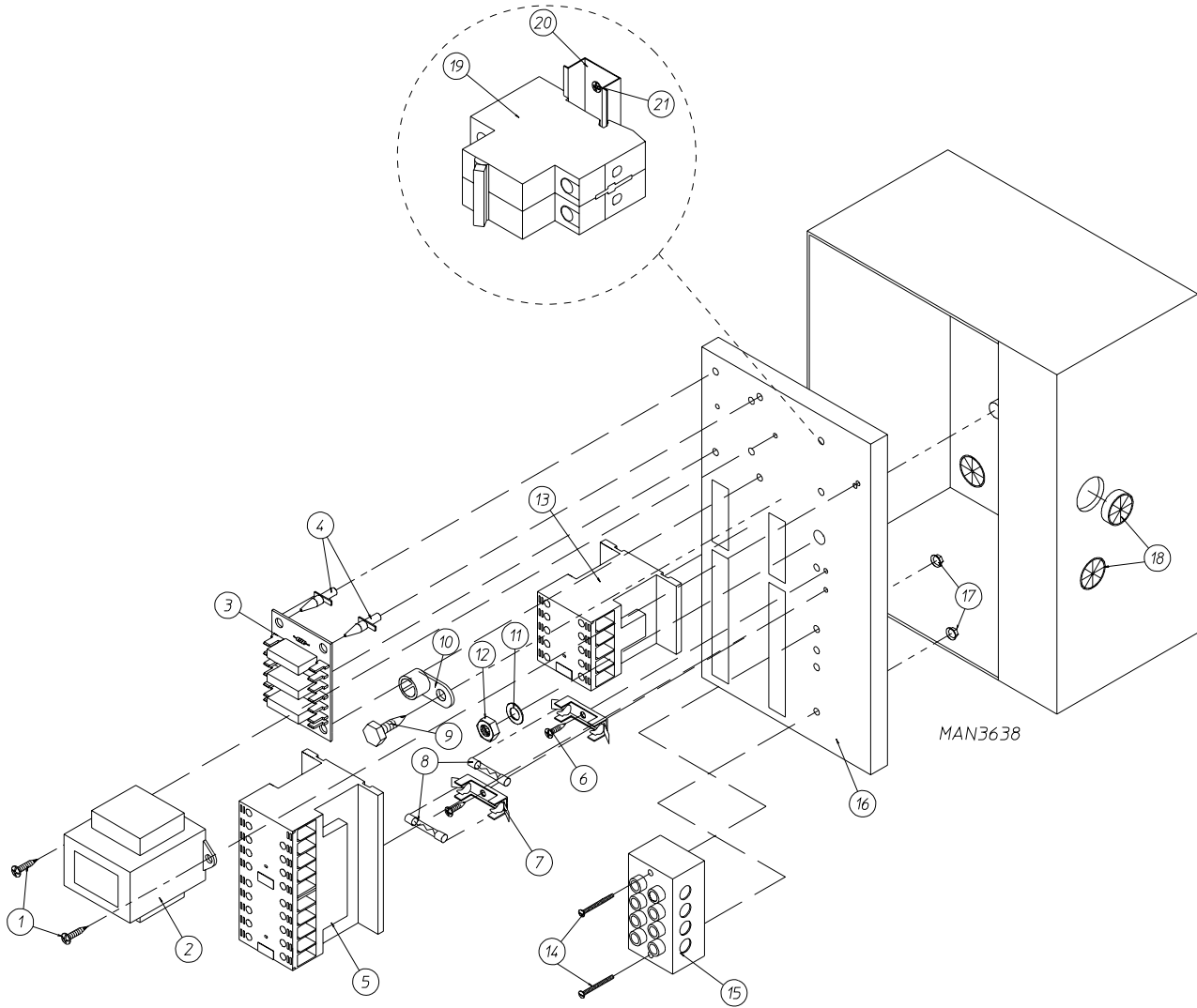


<u>Illus. No.</u>	<u>Part No.</u>	<u>Qty.</u>	<u>Description</u>
1	137015	1	RC Network
2	151000	2	#6-32 Pal Nut
3	150300	2	#10 x 1/2" Hex Washer TEK Screw
4	150008	2	#6-32 x 1-1/4" Phillips Pan Head Machine Screw
5	120716	1	2-Position Terminal Block
6	306304	1	Electric Relay Panel Mounting Plate ONLY
7	132083	1	Step Down Transformer (for 120/240 volt 1 ϕ Only)
	881763	1	Termination Kit
8	136008	*	Fuse Holder ONLY
9	136049	1	3/4-Amp (Slo-Blo) Fuse (for 120 volt models Only)
	136057	2	1/2-Amp (Slo-Blo) Fuse (for 208/240 volt Only)
10	150301	*	#8-18 x 7/16" Phillips Pan Head TEK Screw
11	150247	1	#10 x 1/2" Hex Washer TEK Screw - Green
12	152004	1	5/16-18 Hex Nut
13	121010	1	L-70 Ground Lug
14	153002	1	5/16" Lock Washer
15	132445	1	3-Pole Contactor - 24 VAC
16	121300	3	Open/Closed Bushing

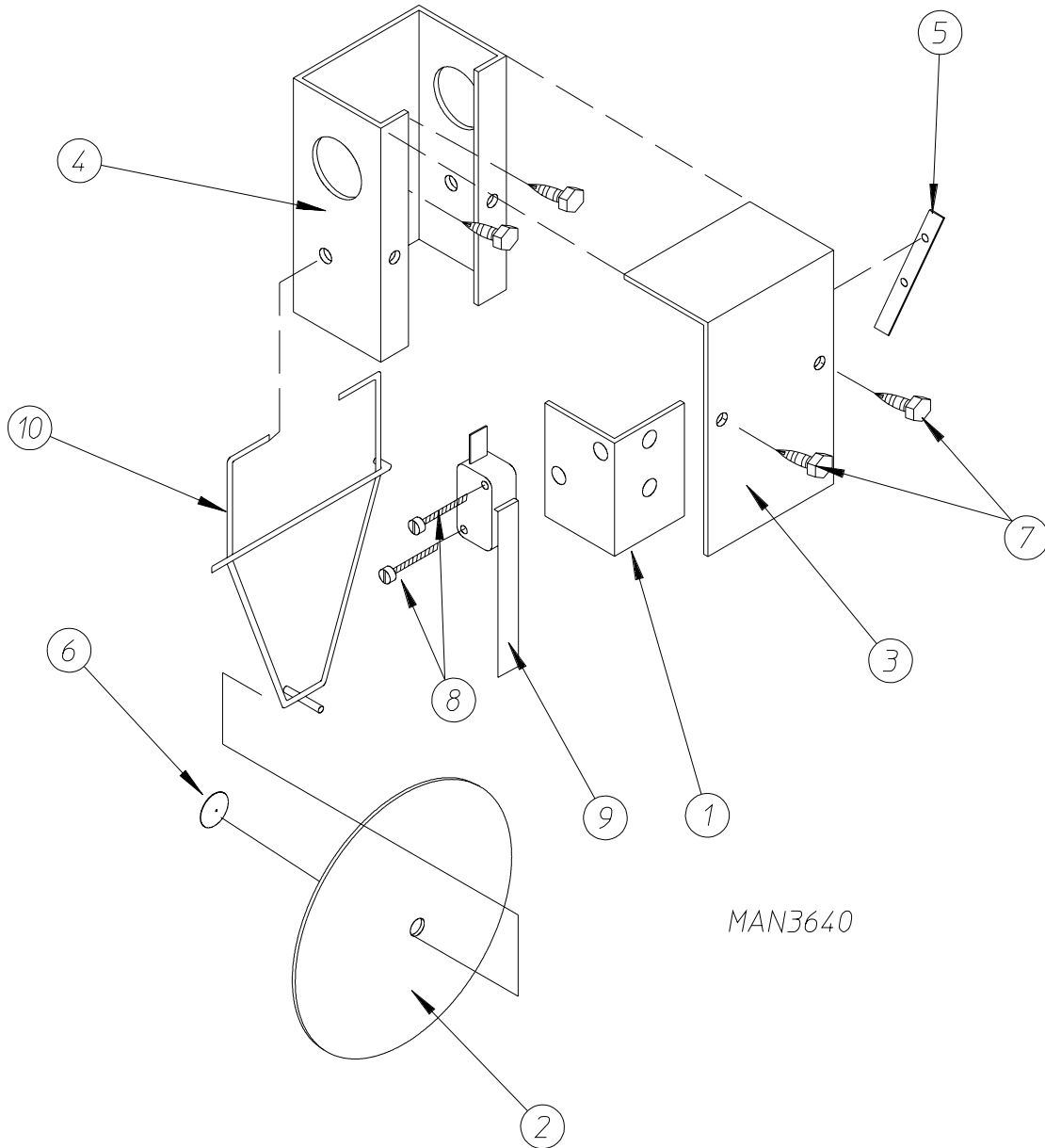
* As required.



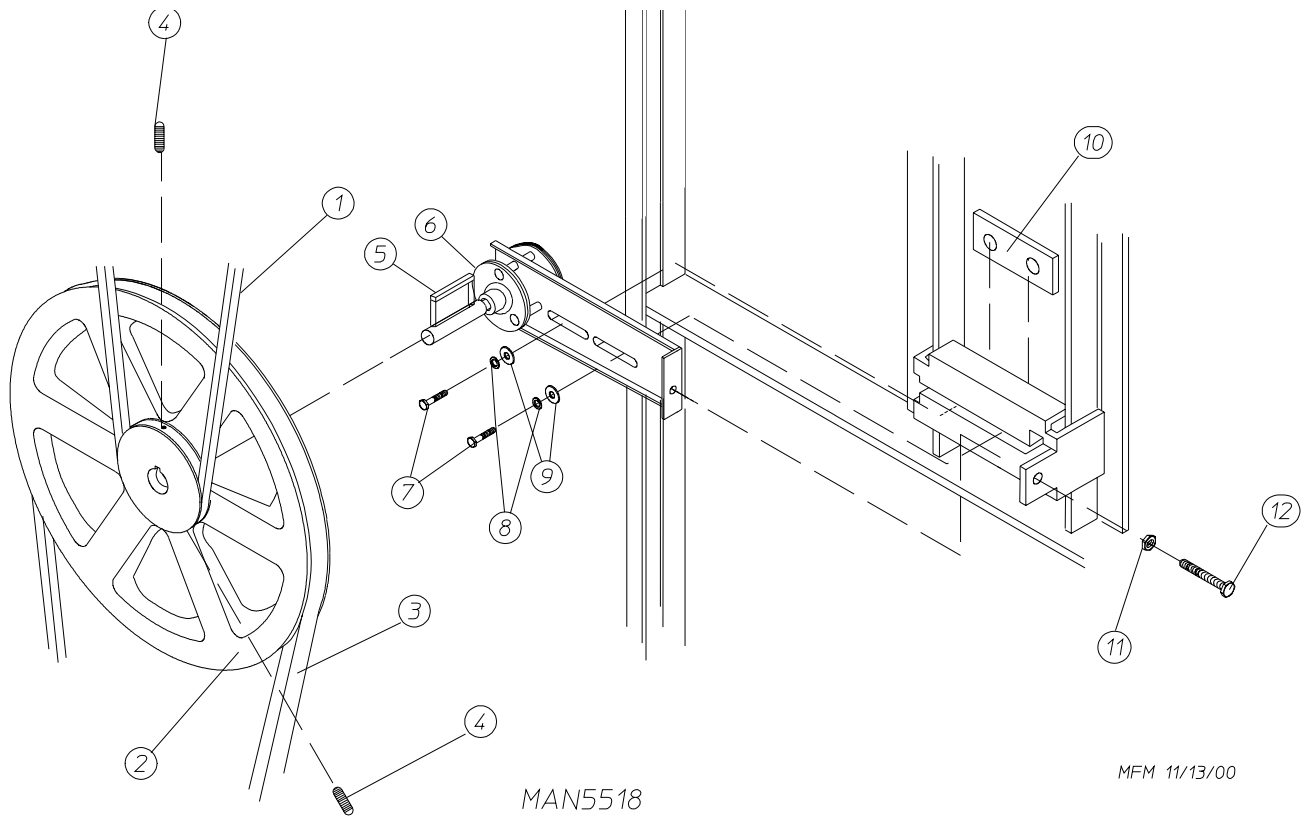
<u>Illus. No.</u>	<u>Part No.</u>	<u>Qty.</u>	<u>Description</u>
1	150300	2	#10 x 1/2" Hex Washer TEK Screw
2	132083	1	Step Down Transformer (for 208/240 volts Only)
	881763		Termination Kit
3	150301	2	#8-18 x 7/16" Phillips Pan Head TEK Screw
4	136008	2	Fuse Holder ONLY
5	136057	2	1/2-Amp (Slo-Blo) Fuse
6	150247	1	#10 x 1/2" Hex Washer TEK Screw - Green
7	121010	1	L-70 Ground Lug
8	153002	1	5/16" Lock Washer
9	152004	1	5/16-18 Hex Nut
10	137015	1	RC Network
11	132447	1	3-Pole Contactor - 24 VAC
12	322812	1	Electric Relay Panel Mounting Plate ONLY
13	150008	2	#6-32 x 1-1/4" Phillips Pan Head Machine Screw
14	120701	1	4-Position Terminal Block
15	151000	2	#6-32 Pal Nut
16	121300	3	Open/Closed Bushing



<u>Illus. No.</u>	<u>Part No.</u>	<u>Qty.</u>	<u>Description</u>
1	150300	2	#10 x 1/2" Hex Washer TEK Screw
2	132083	1	Step Down Transformer (for 208/230 volt models Only)
	881763	1	Termination Kit
3	137060	1	Arc Suppressor (A.S.) Board
4	137013	4	Nylon Standoff
5	132448	1	Reversing Contactor (208/230/240/380/460 volt) 24 VAC
6	150301	2	#8-18 x 7/16" Phillips Pan Head TEK Screw
7	136008	2	Fuse Holder ONLY (for 208-230/240 volt models Only)
8	136057	2	1/2-Amp (Slo-Blo) Fuse (for 208-230/240 volt models Only)
9	150297	1	#10 x 1/2" Hex Washer TEK Screw - Green
10	121010	1	L-70 Ground Lug
11	153002	1	5/16" Lock Washer
12	152004	1	5/16-18 Hex Nut
13	132447	1	3-Pole Contactor - 24 VAC
14	150008	2	#6-32 x 1-1/4" Phillips Pan Head Machine Screw
15	120701	1	4-Position Terminal Block
16	322812	1	Electric Relay Panel Mounting Plate ONLY
17	151000	2	#6-32 Pal Nut
18	121300	3	Open/Closed Bushing
19	135501	1	1-Amp Double Pole Circuit Breaker (for 460/480 volt models Only)
20	120768	2	Din Mounting Rail (sold by the inch) (for 460/480 volt models Only)
21	150300	2	#10 x 1/2" Hex Washer TEK Screw (for 460/480 volt models Only)

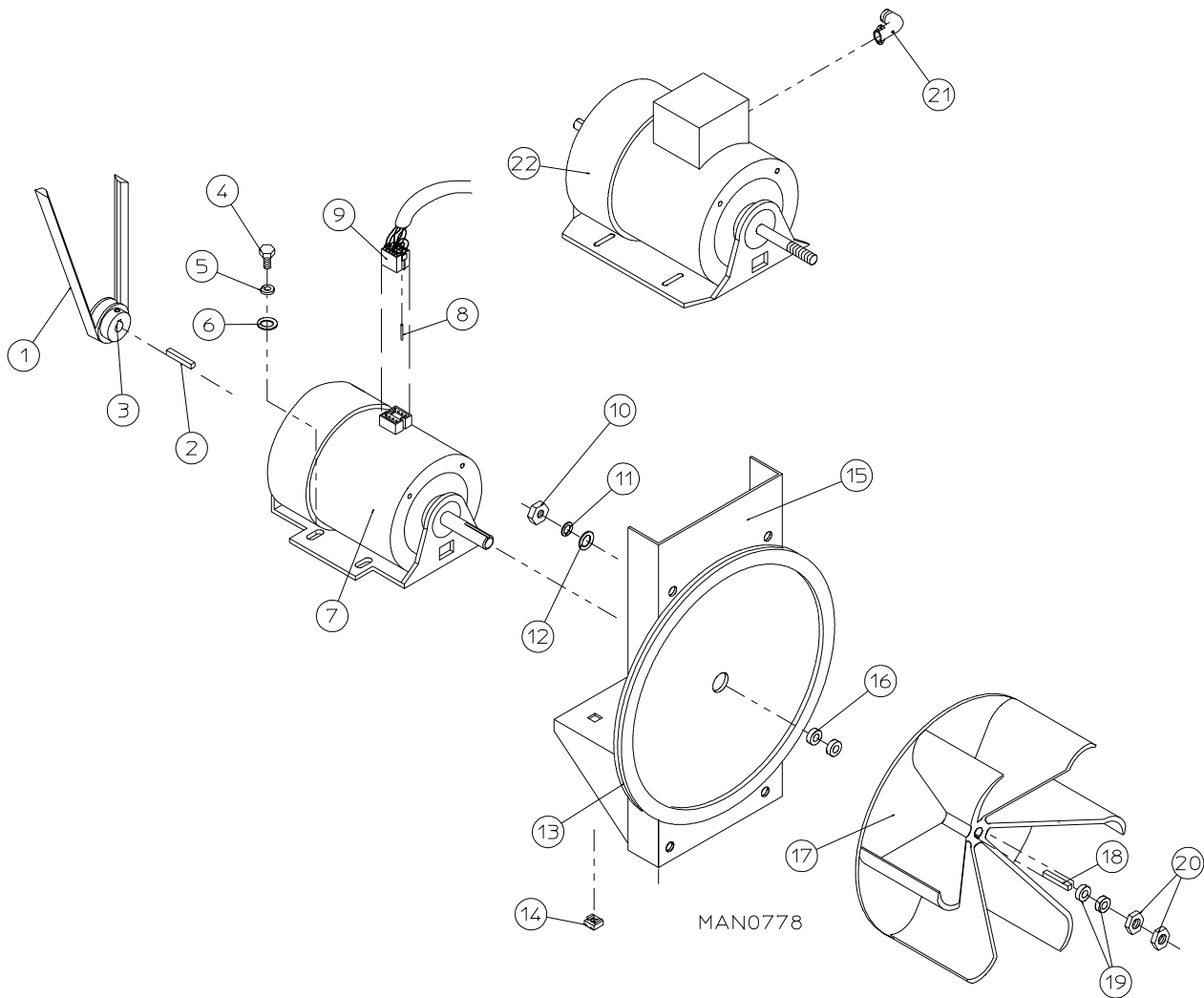


<u>Illus. No.</u>	<u>Part No.</u>	<u>Qty.</u>	<u>Description</u>
1	319203	1	Sail Switch Mounting Bracket
2	319202	1	Sail Switch Damper (flat)
3	319201	1	Sail Switch Box Cover
4	319200	1	Sail Switch Box
5	154004	1	Twin Speed Nut
6	154002	1	1/8" Push On Fastener
7	150309	4	#10-16 x 1/2" Hex Head TEK Crimptite Screw
8	150303	2	#4 x 3/4" Pan Head "A" Machine Screw
9	122200	1	Sail Switch
	881706	1	Sail Switch Box Assembly Complete (includes illus. nos. 1 through 10)
10	105500	1	Sail Switch Actuator Rod



<u>Illus. No.</u>	<u>Part No.</u>	<u>Qty.</u>	<u>Description</u>
1	100185	1	5L-780 V-Belt (basket [tumbler] to idler)
2	101140	1	14" x 3" Compound Pulley
3	100178	1	4L-570 V-Belt (idler to motor)
4	154301	2	5/16-18 x 1" Allen Setscrew
5	100705	1	3/16" x 3/16" x 1-3/8" Key
6	883473	1	Idler Bearing Assembly Complete (includes illus. nos. 5 through 12)
7	150617	2	3/8-16 x 1" Hex Head Machine Bolt
8	153005	2	3/8" Lock Washer
9	153004	2	3/8" Flat Washer
10	801009	1	Idler Square Washer
11	152005	1	3/8-16 Hex Nut
12	150623	1	3/8-16 x 5" Hex Head Machine Bolt

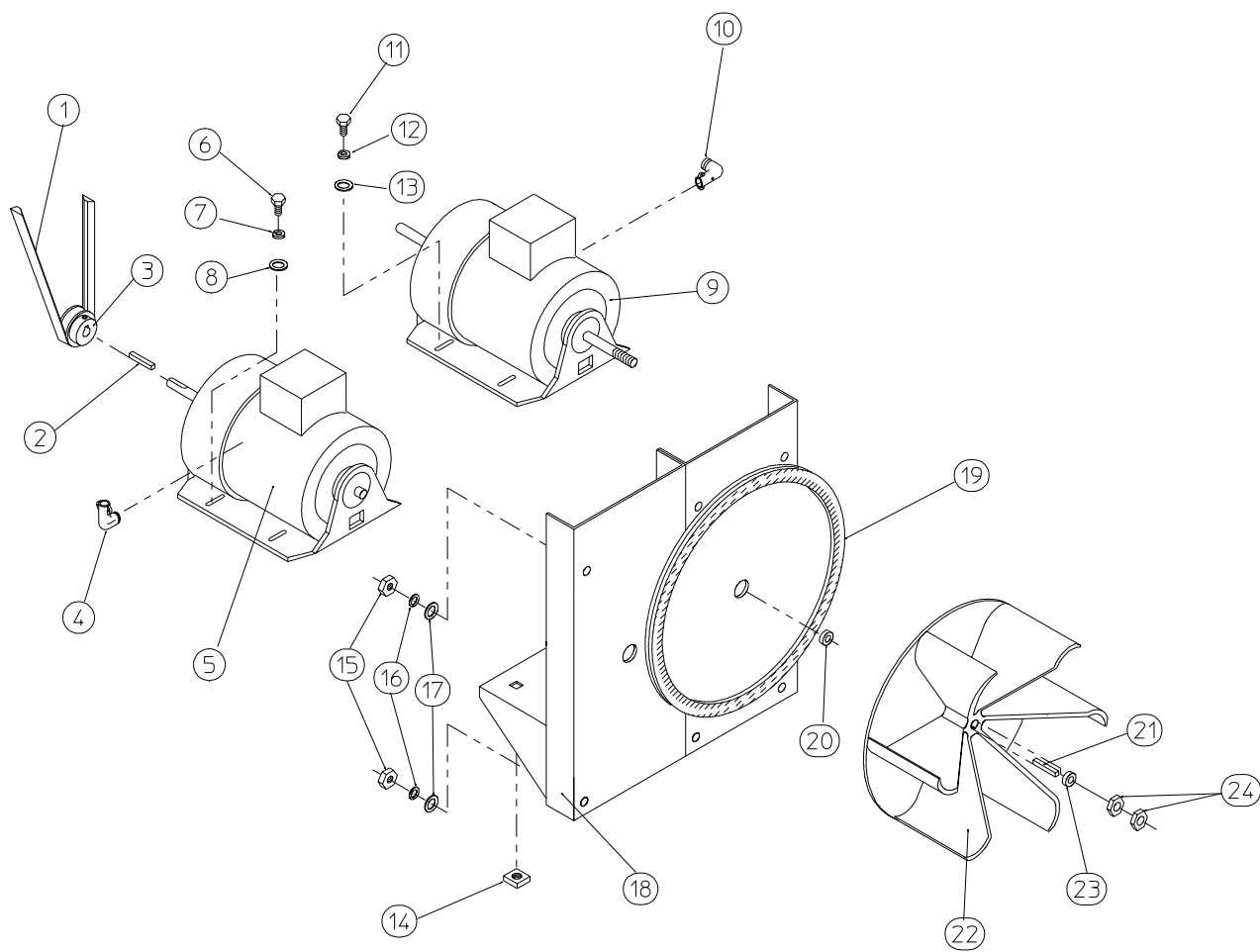
22 Non-Reversing Totally Enclosed, Fan-Cooled (T.E.F.C.) Motor Mount Assembly



<u>Illus. No.</u>	<u>Part No.</u>	<u>Qty.</u>	<u>Description</u>
1	100178	1	4L-570 V-Belt (motor to idler)
2	100701	1	3/16" x 3/16" x 1" Key
3	101133	1	5/8" x 2-1/4" Motor Pulley (60 Hz Only)
4	150501	4	5/16-18 x 3/4" Hex Head Machine Bolt
5	153002	4	5/16" Lock Washer
6	153001	4	5/16" Flat Washer
7	100073*	1	1 HP 120/208/230v 1 ϕ 60 Hz T.E.F.C. Motor with Plug (56Z frame)
8	122701	8	Mate-N-Lock Socket Terminal
	122801	1	Pin/Socket Extraction Tool
9	137030	1	8-Pin Housing Connector
	814764	1	120 Volt - 1 ϕ Motor Harness
10	152004	4	5/16-18 Hex Nut
11	153002	4	5/16" Lock Washer
12	153001	4	5/16" Flat Washer
13	117600	4	Noise Suppressor Tape (sold by the foot)
14	154000	4	5/16-18 Tinnerman Nut
15	800919	1	Non-Reversing Motor Mount ONLY (56Z frame)
	803992*	1	1 HP 120/230v 1 ϕ 60 Hz T.E.F.C. Motor Mount Assembly with Plug Complete (includes illus. nos. 2 through 7 and 13 through 20) For Models Mfd. as of September 14, 1992
	803955*	1	1 HP 230/380/460v 3 ϕ 60 Hz Non-Reversing T.E.F.C. Motor Mount Assembly Complete (includes illus. nos. 2 through 6 and 13 through 22)
16	153051	1	3/4" S.A.E. Flat Washer
17	100603	1	16" Impellor with 3/4" Bore
18	100714	1	3/16" x 3/16" x 1-7/8" Key
19	153050	2	1/2" S.A.E. Flat Washer
20	152006	2	1/2-20 Left Hand Jam Nut
21	120200	1	3/8" x 90° Connector
	814772	1	3-Phase (3 ϕ) Motor Harness
22*	100075	1	1 HP 200-230/460v 3 ϕ 60 Hz, 380-415v 3 ϕ 50 Hz T.E.F.C. Motor with 3/4" Shaft (56Z frame)

* Specify voltage when ordering.

24 Reversing Totally Enclosed, Fan-Cooled (T.E.F.C.) Motor Mount Assembly

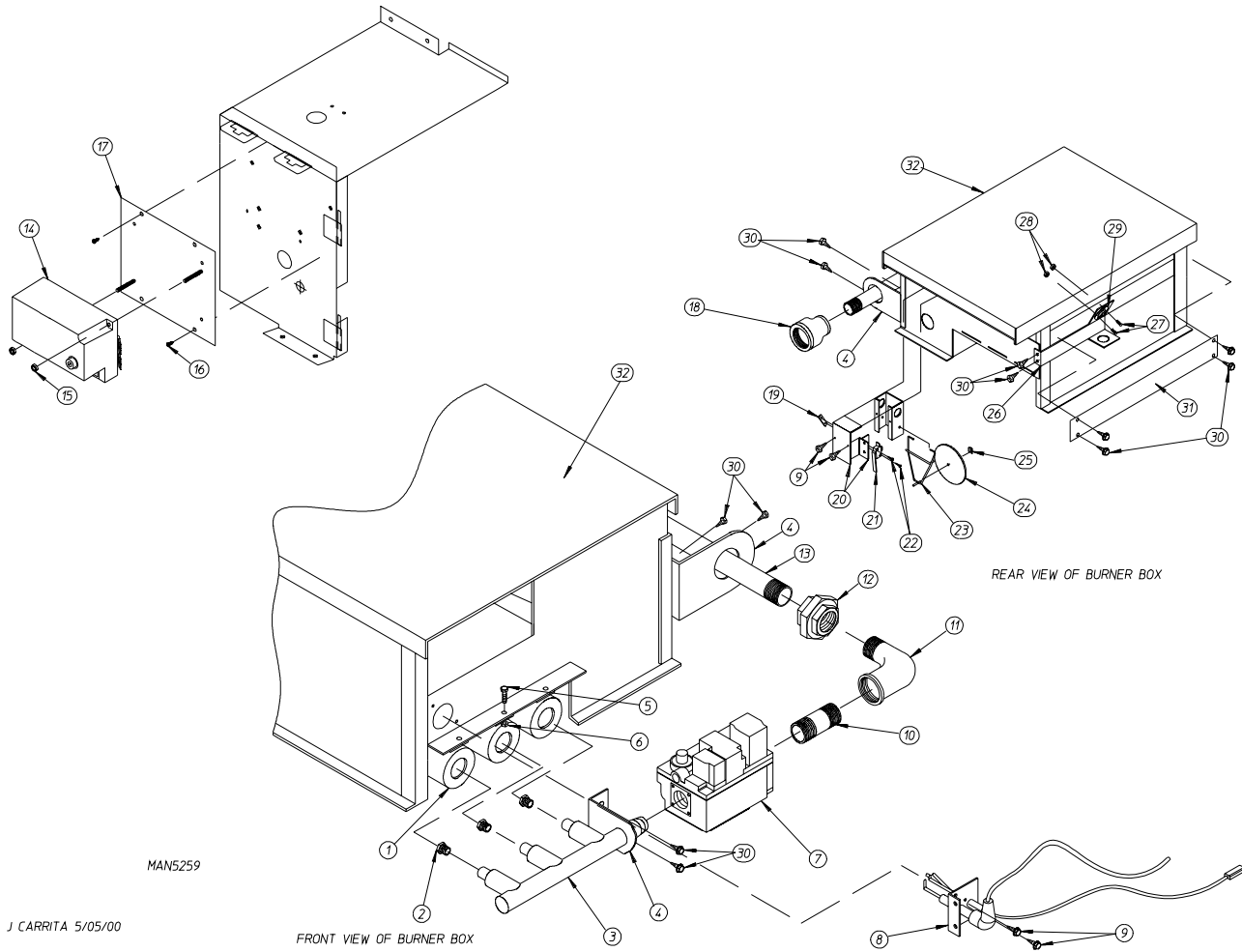


MAN0250

<u>Illus. No.</u>	<u>Part No.</u>	<u>Qty.</u>	<u>Description</u>
1	100112	1	4L-610 V-Belt (motor to idler)
2	100701	1	3/16" x 3/16" x 1" Key
3	101130	1	5/8" x 2-1/2" Motor Pulley (60 Hz Only)
4	120200	1	3/8" x 90° Connector
	814780	1	3-Phase (3 ϕ) Drive Motor Harness
5*	181003	1	1/2 HP 208/230/380/460v 3 ϕ 50/60 Hz T.E.F.C. (56Z frame)
6	150501	4	5/16-18 x 3/4" Hex Head Machine Bolt
7	153002	4	5/16" Lock Washer
8	153001	4	5/16" Flat Washer
9*	100075	1	1 HP 200-230/460v 3 ϕ 60 Hz, 380-415v 3 ϕ 50 Hz T.E.F.C. Motor with 3/4" Shaft (56Z frame)
10	120200	1	3/8" x 90° Connector
	814779	1	3-Phase (3 ϕ) Blower (fan/impellor) Motor Harness
11	150501	4	5/16-18 x 3/4" Hex Head Machine Bolt
12	153002	4	5/16" Lock Washer
13	153001	4	5/16" Flat Washer
14	154000	8	5/16-18 Tinnerman Nut
15	152004	7	5/16-18 Hex Nut
16	153002	4	5/16" Lock Washer
17	153001	4	5/16" Flat Washer
18	800912	1	Reversing Motor Mount ONLY (56Z frame)
	803952*	1	Reversing T.E.F.C. Motor Mount Assembly Complete (for 60 Hz models Only) (includes illus. nos. 2 through 14 and 18 through 24)
19	117600	4	Noise Suppressor Tape (sold by the foot)
20	153050	1	1/2" S.A.E. Flat Washer
21	100702	1	1/8" x 1/8" x 1-1/2" Key
22	100603	1	16" Impellor with 3/4" Bore
23	153050	**	1/2" S.A.E. Flat Washer
24	152006	2	1/2-20 Left Hand Jam Nut

* Specify voltage when ordering.

** As required.

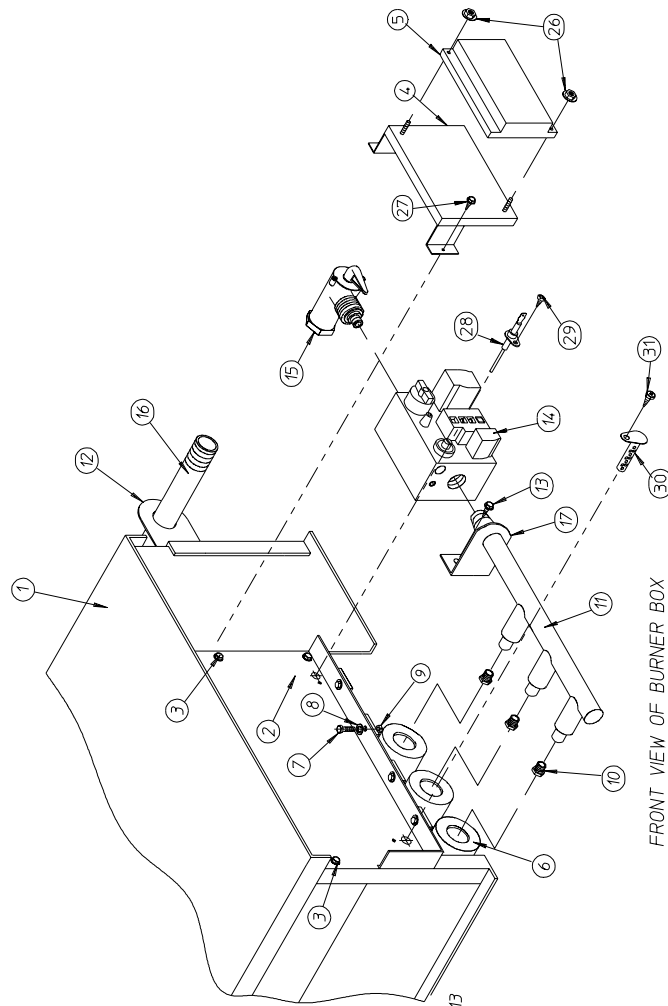


For Models Mfd. as of April 11, 2000

<u>Illus. No.</u>	<u>Part No.</u>	<u>Qty.</u>	<u>Description</u>
1	141105	3	Large Gas "T" Burner
2*	140856	3	#23 Burner Orifice (natural gas Only)
	140810	3	#42 Burner Orifice (liquid propane [L.P.] gas Only)
3	141232	1	1/2" Manifold (3-port)
4	318700	3	Pipe Bracket (bent)
5	150108	3	#8-32 x 1/2" Pan Head Machine Screw
6	151001	3	#8-32 Pal Nut
7	128927	1	1/2" 24 VAC Redundant (natural gas) Gas Valve
	880960	1	1/2" 24 VAC Liquid Propane (L.P.) Gas Valve Assembly
	140411	1	24 VAC Gas Valve Liquid Propane (L.P.) Conversion Kit
8	809309	1	Ignitor Probe Assembly
9	150300	8	#10 x 1/2" Hex Washer TEK Screw
10	142707	1	1" x 1-1/2" Nipple
11	142506	1	1/2" x 1/2" Street Elbow
12	142600	1	1/2" Black Union
13	142804	1	1/2" x 24" Pipe
14	128935	1	Direct Spark Ignition (DSI) Module with Three Tries
15	152013	2	#6-32 Hex Nut
16	150301	2	#8-18 x 7/16 Phillips Pan Head TEK Screw
17	801708	1	Direct Spark Ignition (DSI) Module Mounting Plate Assembly
18	143000	1	1/2" x 3/4" Reducing Coupling
19	154004	1	Twin Speed Nut
20	802799	1	Sail Switch Top and Switch Bracket (Refer to Sail Switch Assembly on page 20)
21	122200	1	Sail Switch
22	150303	2	#4 x 3/4" Pan Head "A" Machine Screw
23	105500	1	Sail Switch Actuator Rod
24	319202	1	Sail Switch Damper (flat)
25	154002	1	1/8" Push On Fastener
26	319704	1	Hi-Limit Mounting Bracket
27	150001	2	#6-32 x 1/2" Phillips Round Head Machine Screw
28	151000	2	#6-32 Pal Nut
29	130201	1	330° Hi-Limit Manual Reset
30	150309	11	#10-16 x 1/2" Hex Head TEK Crimptite Screw
31	314762	1	Liquid Propane (L.P.) Cover Plate (for liquid propane [L.P.] Only)
32	801704	1	Natural Gas Burner Assembly Complete (includes illus. nos. 1 through 13 and 18 through 30)
	801705	1	Liquid Propane (L.P.) Gas Burner Assembly Complete (includes illus. nos. 1 through 13 and 18 through 31)
	801703	1	Burner Box ONLY
33	881655	1*	Liquid Propane (L.P.) Conversion Kit...Not Illustrated

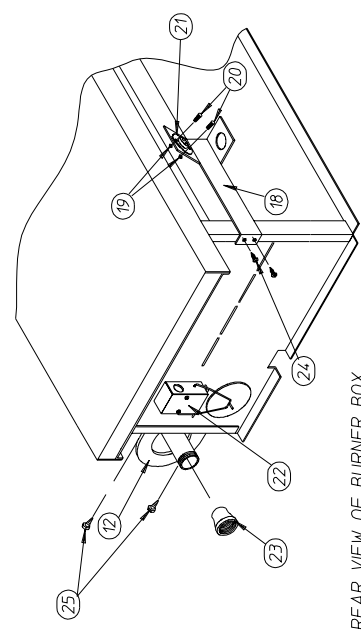
* Consult factory for elevations over 2,000 feet.

For Models Mfd. prior to April 11, 2000



FRONT VIEW OF BURNER BOX

MAN3913



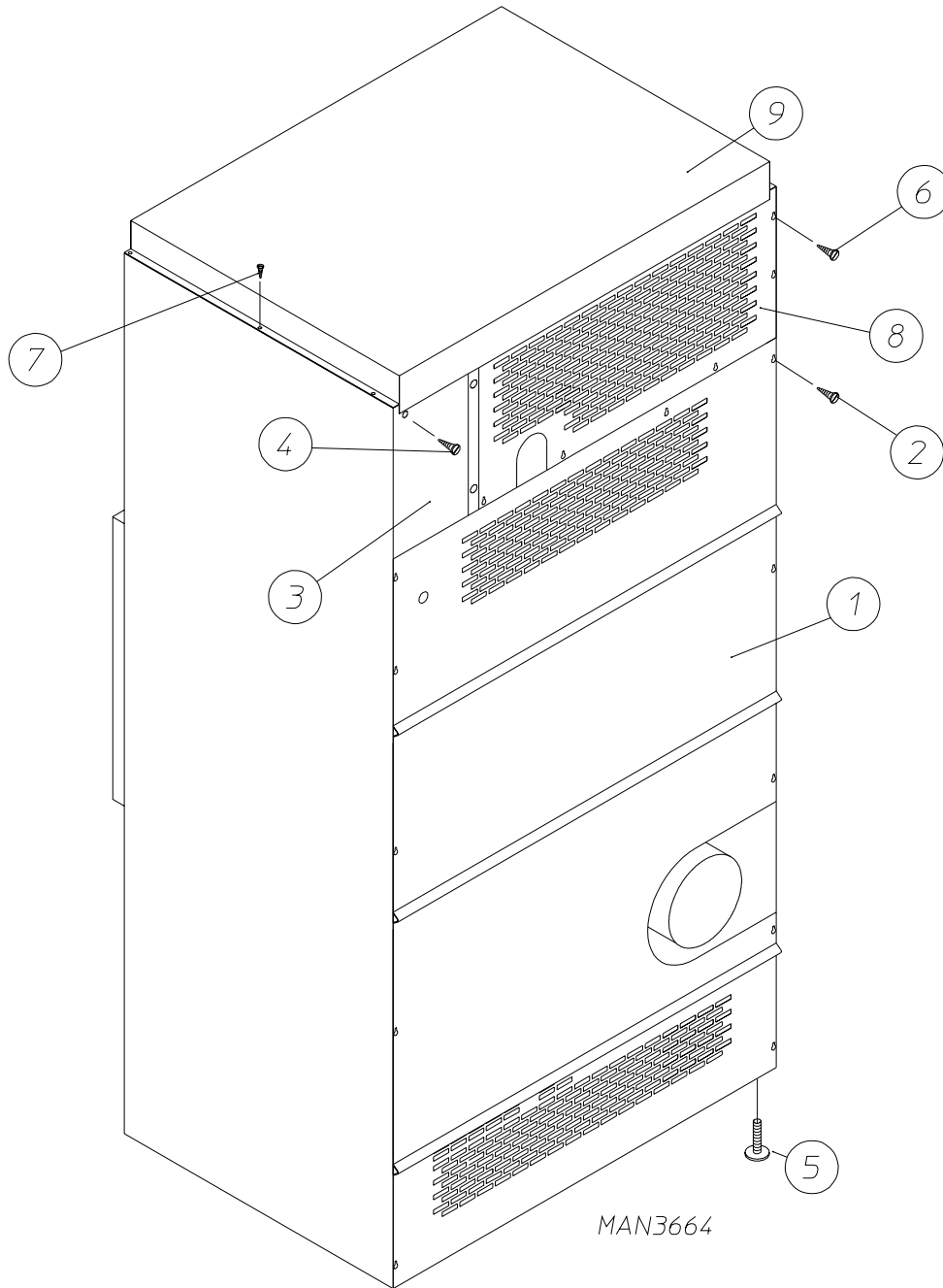
REAR VIEW OF BURNER BOX

For Models Mfd. prior to April 11, 2000

<u>Illus. No.</u>	<u>Part No.</u>	<u>Qty.</u>	<u>Description</u>
1	882022	1	Natural Gas Burner Assembly Complete Less Orifices (includes illus. nos. 1 through 9 and 11 through 29) For Models Mfd. with Natural Gas ONLY
	882023	1	Liquid Propane (L.P.) Gas Burner Assembly Complete Less Orifices (includes illus. nos. 1 through 9 and 11 through 29) For Models Mfd. with Liquid Propane (L.P.) Gas ONLY
	802237	1	Burner Box ONLY
	881655**	1	Burner Liquid Propane (L.P.) Conversion Kit
2	353260	1	Burner Box Front ONLY
3	150309	5	#10-16 x 1/2" Hex Head TEK Crimptite Screw
4	810029	1	Hot Surface Ignition (HSI) Module Mounting Bracket
5	881797	1	Hot Surface Ignition (HSI) Module II
6	141105	3	Large Gas "T" Burner
7	150103	3	#8-32 x 1/2" Phillips Round Head Machine Screw
8	153000	3	#8 Steel Burr
9	151001	3	#8-32 Pal Nut
10**	140828	3	20 Burner Orifice (natural gas) ONLY
	140810	3	42 Burner Orifice (liquid propane [L.P.] gas) ONLY
11	141232	1	1/2" Manifold (3-port)
12	318700	2	Pipe Bracket
13	150300	2	#10 x 1/2" Hex Washer TEK Screw
14	128927	1	1/2" 24 VAC Redundant (natural gas) Gas Valve
	880960	1	1/2" 24 VAC Liquid Propane (L.P.) Gas Valve Assembly
	140411	1	24 VAC Gas Valve Liquid Propane (L.P.) Conversion Kit
15	881367	1	1/2" Union Shut Off with Tail Piece
16	142809	1	1/2" x 29-1/8" Nipple
17	323737	1	Pipe Bracket
18	319704	1	Hi-Limit Mounting Bracket
19	151000	2	#6-32 Pal Nut
20	150001	2	#6-32 x 1/2" Phillips Round Head Machine Screw
21	130401	1	330° Hi-Limit ONLY
22	-----	1	Sail Switch (refer to Sail Switch Assembly on page 20)
23	143000	1	3/4" to 1/2" Reducing Coupling
24	150309	1	#10-16 x 1/2" Hex Head TEK Crimptite Screw
25	150309	1	#10-16 x 1/2" Hex Head TEK Crimptite Screw
26	151001	2	#8-32 Pal Nut
27	150309	1	#10-16 x 1/2" Hex Head TEK Crimptite Screw
28	128921	1	Hot Surface Ignition (HSI) Flame Sensor
29	150301	1	#8-18 x 7/16" Phillips Pan Head TEK Screw
30	881597	1	Hot Surface Ignitor (2-1/2" length) - 24 VAC
31	150309	1	#10-16 x 1/2" Hex Head TEK Crimptite Screw

* Burner orifices *are not included* and **must be** ordered separately.

** Consult factory for elevations over 2,000 feet.



<u>Illus. No.</u>	<u>Part No.</u>	<u>Qty.</u>	<u>Description</u>
1	314739	1	Bottom Back Guard
2	150301	12	#8-18 x 7/16" Phillips Pan Head TEK Screw
3	322809	1	Rear Electrical Box Cover
4	150301	4	#8-18 x 7/16" Phillips Pan Head TEK Screw
5	103500	4	Leveling Leg
6	150301	7	#8-18 x 7/16" Phillips Pan Head TEK Screw
7	150301	12	#8-18 x 7/16" Phillips Pan Head TEK Screw
8	314738	1	Top Back Guard
9	314737	1	Outer Top

<u>Part No.</u>	<u>Description</u>
112039	“Black/White/Green Ground” Label
112040	“Lint Compartment” Label
112041	“CAUTION - Exhausted” Label
112284	“Phase 6 OPL Program Location Summary” Label
114006	“WARNING - Fire Hazards” Label
120100	3/8” Straight (BX) Connector
120300	3/8” x 45° (BX) Connector
120400	3/8” Red Jacket (BX) Insulator
120500	3/8” Jiffy Clip (BX retainer clip)
120600	3/8” Greenfield (BX)
120800	1/4” In-Line Connector
120802	Red Butt Connector
120902	#74B Wire Nut
120903	Crimp-On Wire Nut
121014	1/4” Insulated (female) Terminal
121499	5-1/2” Harness Tie
121500	8” Harness Tie
121503	Harness Tie Mounting Clip
122804	Manometer (hydro gauge) for Measuring Gas Pressure
404502	White Brush-In-Cap Bottle Touch-Up Paint
404507	Cornflower Blue Brush-In-Cap Bottle Touch-Up Paint
880884	Basket (tumbler) Bearing Puller

ADC450184

1 - 05/27/98-50

2* 07/20/00-25

3* 03/24/03-20

