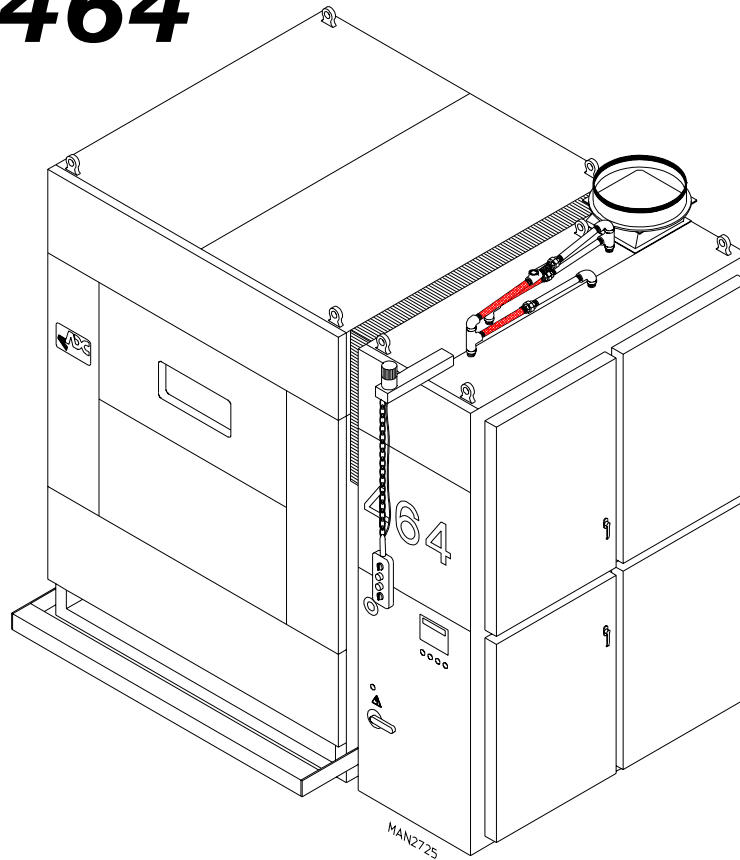




**AD-464**



***Parts Manual***  
*1995 thru 2002*

**American Dryer Corporation**  
88 Currant Road  
Fall River, MA 02720-4781  
Telephone: (508) 678-9000 / Fax: (508) 678-9447  
e-mail: [techsupport@amdry.com](mailto:techsupport@amdry.com)  
[www.amdry.com](http://www.amdry.com)

031500DMG/pb

ADC Part No. 450190

# Retain This Manual In A Safe Place For Future Reference

American Dryer Corporation products embody advanced concepts in engineering, design, and safety. If this product is properly maintained, it will provide many years of safe, efficient, and trouble-free operation.

*ONLY qualified technicians should service this equipment.*

**OBSERVE ALL SAFETY PRECAUTIONS** displayed on the equipment or specified in the installation manual included with the dryer.

The following “**FOR YOUR SAFETY**” caution **must be** posted near the dryer in a prominent location.

**FOR YOUR SAFETY**

Do not store or use gasoline or other flammable vapors and liquids in the vicinity of this or any other appliance.

**POUR VOTRE SÉCURITÉ**

Ne pas entreposer ni utiliser d'essence ni d'autres vapeurs ou liquides inflammables à proximité de cet appareil ou de tout autre appareil.

We have tried to make this manual as complete as possible and hope you will find it useful. **ADC** reserves the right to make changes from time to time, without notice or obligation, in prices, specifications, colors, and material, and to change or discontinue models.

## Important

For your convenience, log the following information:

**DATE OF PURCHASE** \_\_\_\_\_ **MODEL NO.** AD-464

**RESELLER'S NAME** \_\_\_\_\_

**Serial Number(s)** \_\_\_\_\_

\_\_\_\_\_

\_\_\_\_\_

Replacement parts can be obtained from your reseller or the **ADC** factory. When ordering replacement parts from the factory, you can FAX your order to **ADC** at (508) 678-9447 or telephone your order directly to the **ADC** Parts Department at (508) 678-9000. Please specify the dryer **model number** and **serial number** in addition to the **description** and **part number**, so that your order is processed accurately and promptly.

The illustrations on the following pages may not depict your particular dryer exactly. The illustrations are a composite of the various dryer models. Be sure to check the descriptions of the parts thoroughly before ordering.

**“IMPORTANT NOTE TO PURCHASER”**

Information **must be** obtained from your local gas supplier on the instructions to be followed if the user smells gas. These instructions **must be** posted in a prominent location near the dryer.

# ***Table of Contents***

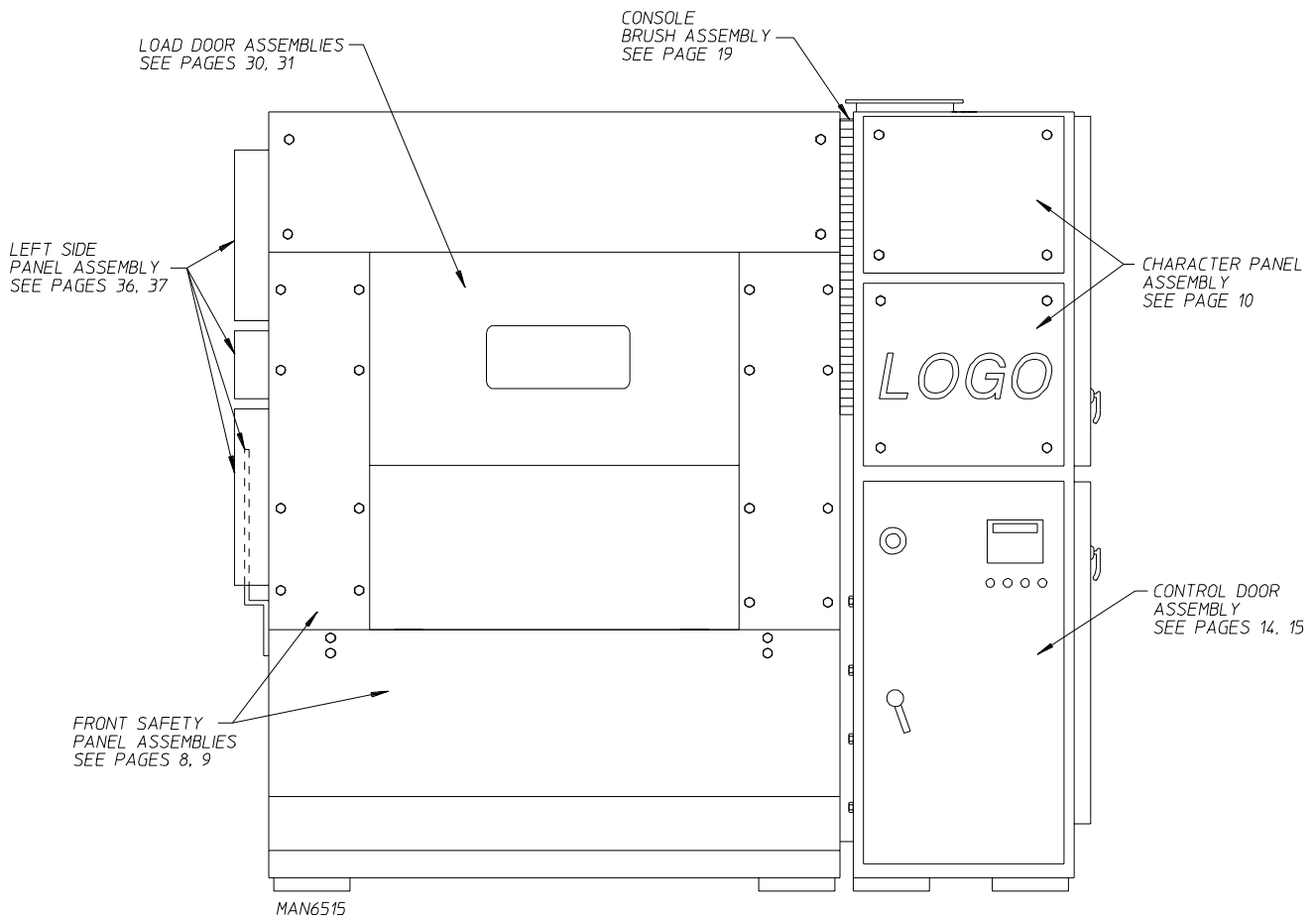
Quick Reference	
Front View .....	4
Quick Reference	
Right Side View (Console Section)	
Gas Models Only .....	5
Quick Reference	
Right Side View (Console Section)	
Steam Models Only .....	6
Quick Reference	
Left Side View .....	7
Front Safety Panel Assemblies .....	8, 9
Character Panel Assembly .....	10
Pendant Assembly .....	11
Pendant Mounting Assembly .....	12, 13
Control Door Assembly .....	14, 15
Front Load Door Panel Assembly .....	16, 17
Cylinder Clevis Assembly .....	18
Console Brush Assembly .....	19
Top Access Door Assembly	
For Gas Models Only .....	20
Top Access Door Assembly	
For Steam Models Only .....	21
Top Console Panel Assembly	
For Gas Models Only .....	22
Top Console Panel Assembly	
For Steam Models Only .....	23
Top Console Left Hand Door Assembly	
For Gas Models Only .....	24
Top Console Left Hand Door Assembly	
For Steam Models Only .....	25
Lower Console Left Hand Door Assembly	
For Gas Models Only .....	26
Lower Console Left Hand Door Assembly	
For Steam Models Only .....	27
Top Console Right Hand Door Assembly .....	28
Heat Console Right Hand Door Assembly .....	29
Top Load Door Assembly .....	30
Bottom Load Door Assembly .....	31

Load Door Closed Switch Assembly .....	32
Inlet Air Adapter Assembly .....	33
Inlet Air Adapter Left Door Assembly .....	34
Inlet Air Adapter Right Door Assembly .....	35
Left Side Panel Assembly .....	36, 37
Lint Chamber Air Switch Assembly .....	38
Lint Basket Door Assembly .....	39
Left Lint Drawer/Basket Assembly .....	40
Right Lint Drawer/Basket Assembly .....	41
Solid Back Panel Assembly .....	42, 43
Basket (Tumbler) Drive Shaft Assembly .....	44, 45
Basket (Tumbler) Retaining Wheel Mount Assembly .....	46
Drive Motor Assembly .....	47
Basket (Tumbler) Section Temperature Sensor Assembly .....	48, 49
Basket (Tumbler) Section Temperature Sensor Assembly For Fabric Conditioning Option Only .....	50, 51
Basket (Tumbler) Brush Holder Assembly .....	52
Basket (Tumbler) Rotational Sensor (Motion Detector) Switch Assembly .....	53
Basket (Tumbler) Junction Box Assembly .....	54, 55
Upper Sprinkler Assembly .....	56, 57
Lower Sprinkler Assembly .....	58, 59
Sprinkler Horn Assembly .....	60
Front/Rear Tilting Switch .....	61
Tilting Piston Assembly .....	62
Piston Post Assembly For One-Way Tilt Models Only .....	63
Main Blower Assembly .....	64, 65
Combustion Air Assembly For Gas Models Only .....	66, 67
Combustion Air Switch Assembly For Gas Models Only .....	68
Burner Assembly For Gas Models Only .....	69
Gas Piping Assembly For Gas Models Mfd. as of October 31, 1997 .....	70, 71, 72
Burner Box Housing Assembly For Gas Models Only .....	73
Burner Door Interlock Switch Assembly For Gas Models Only .....	74
Cool Down Damper Assembly For Steam Models Only .....	75

Steam Coil Piping Assembly	
For Steam Models Only .....	76, 77
Intake Air Damper Assembly	
For Steam Models Only .....	78, 79
Over the Burner Resistance Temperature Detector (RTD) Assembly	
For Gas Models Only .....	80, 81
Top of Dryer Pendant/Annunciator Assembly .....	82, 83
Burner Shelf Assembly	
For Models Mfd. as of March 4, 1997 .....	84, 85
Burner Shelf Assembly	
For Models Mfd. prior to March 4, 1997 .....	86, 87
Heat Reclaimer Damper Assembly	
For Models Mfd. as of March 3, 1997 .....	88, 89
Heat Reclaimer Damper Assembly	
For Models Mfd. prior to March 3, 1997 .....	90, 91
Pneumatic Panel Assembly	
1-Way Tilt	
For Models Mfd. as of February 13, 1997 .....	92, 93
Pneumatic Panel Assembly	
1-Way Tilt	
For Models Mfd. prior to February 13, 1997 .....	94, 95
Pneumatic Panel Assembly	
2-Way Tilt	
For Models Mfd. as of February 13, 1997 .....	96, 97
Pneumatic Panel Assembly	
2-Way Tilt	
For Models Mfd. prior to February 13, 1997 .....	98, 99
Electrical Panel Rail and Wire Way Assembly .....	100, 101
Filter/Regulator Assembly .....	102
Main Electrical Panel Rail #1 Assembly .....	103
Main Electrical Panel Rail #2 Assembly .....	104
Main Electrical Panel Rail #3 and Rail #4 Assemblies .....	105
Main Electrical Panel Rail #5 Assembly .....	106
Main Electrical Panel Rail #6 and Rail #7 Assemblies .....	107
Main Electrical Panel Upper Component Assembly	
For Gas Models Only .....	108, 109
Main Electrical Panel Upper Component Assembly	
For Steam Models Only .....	110, 111
Solenoid Junction Box and Rail Assembly .....	112, 113
Base Junction Box Assembly .....	114, 115

# AD-464

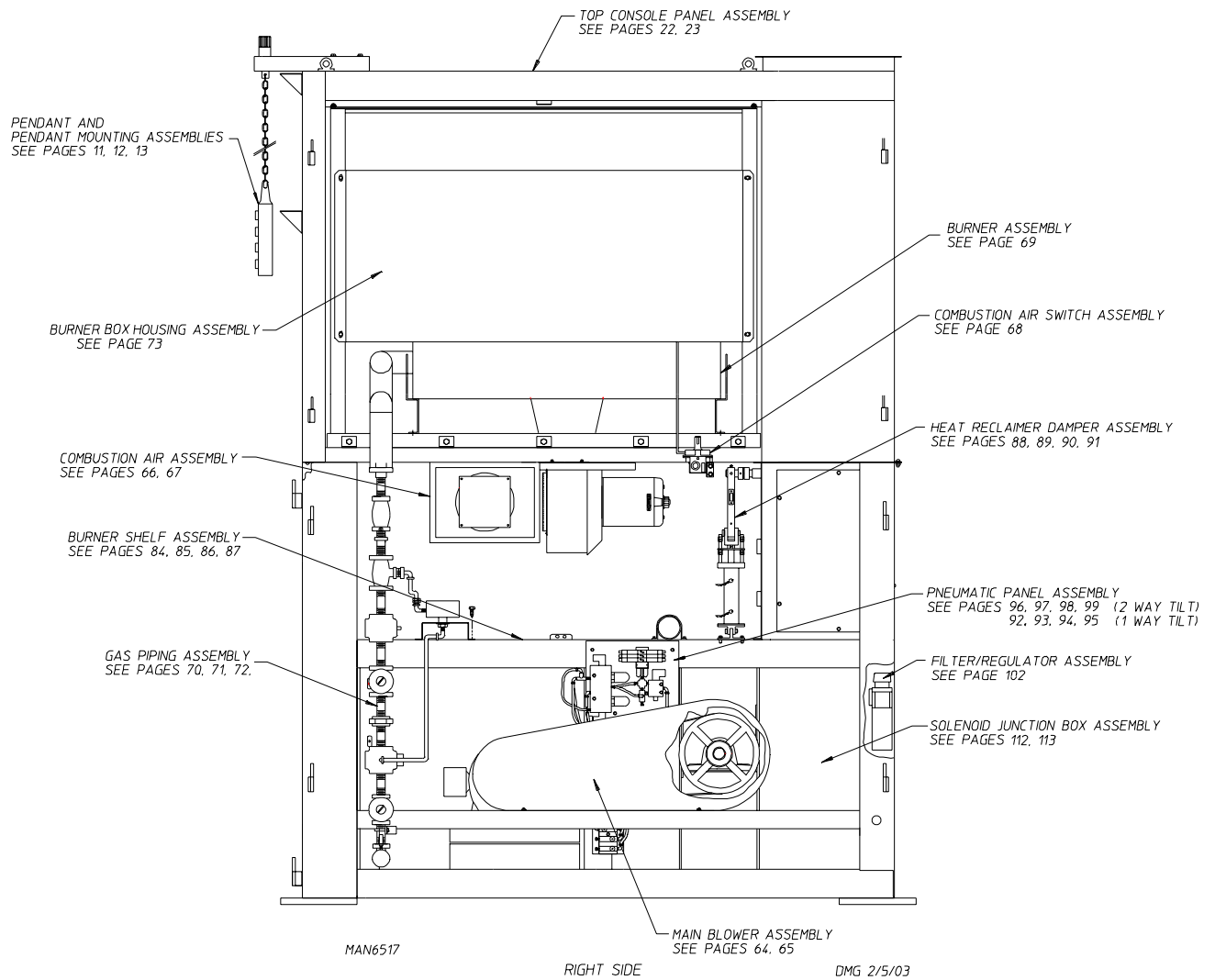
## QUICK REFERENCE



**Right Side View (Console Section)**  
*Gas Models ONLY*

# ADG-464

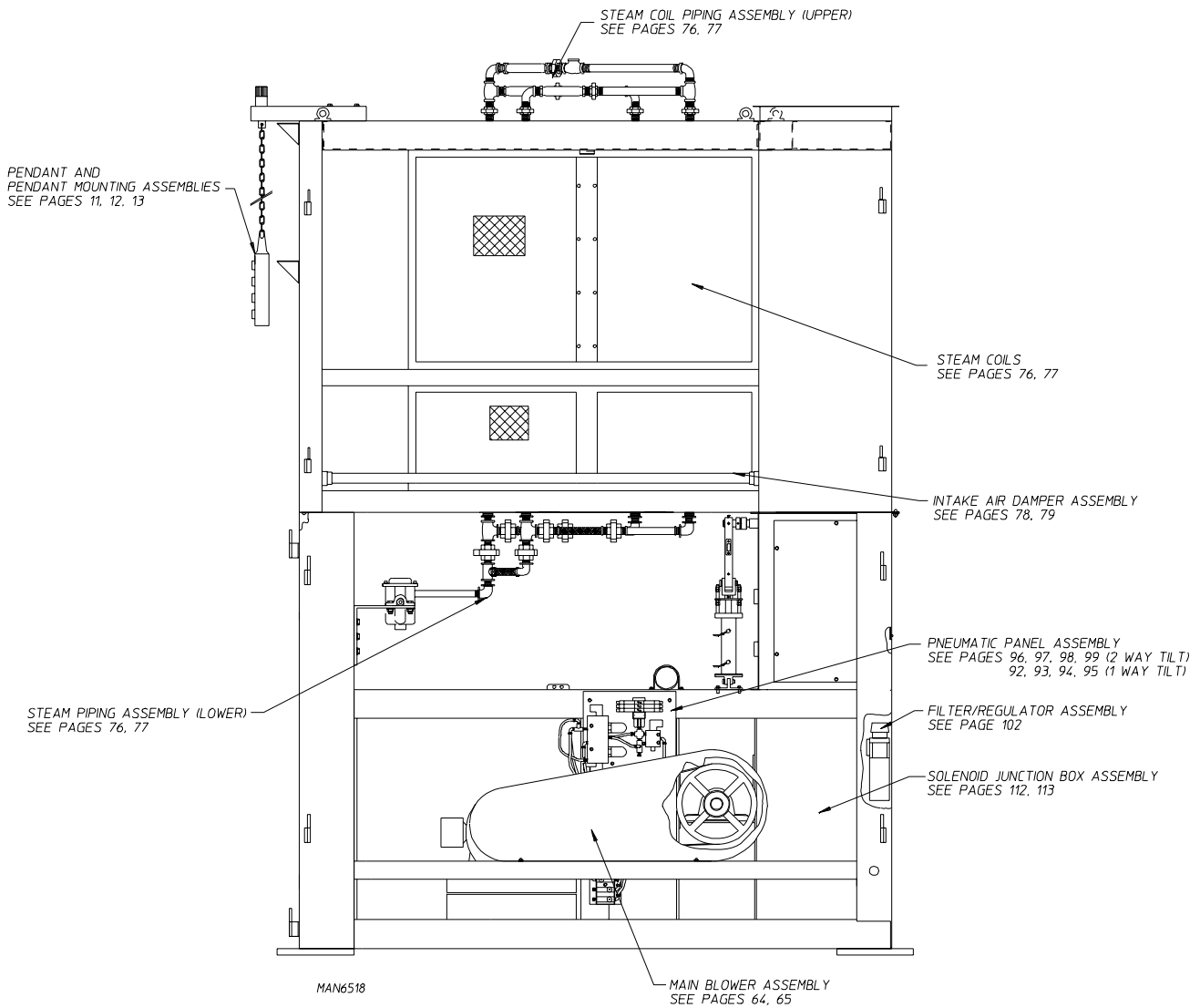
## QUICK REFERENCE



Right Side View (Console Section)  
Steam Models ONLY

# ADS-464

## QUICK REFERENCE

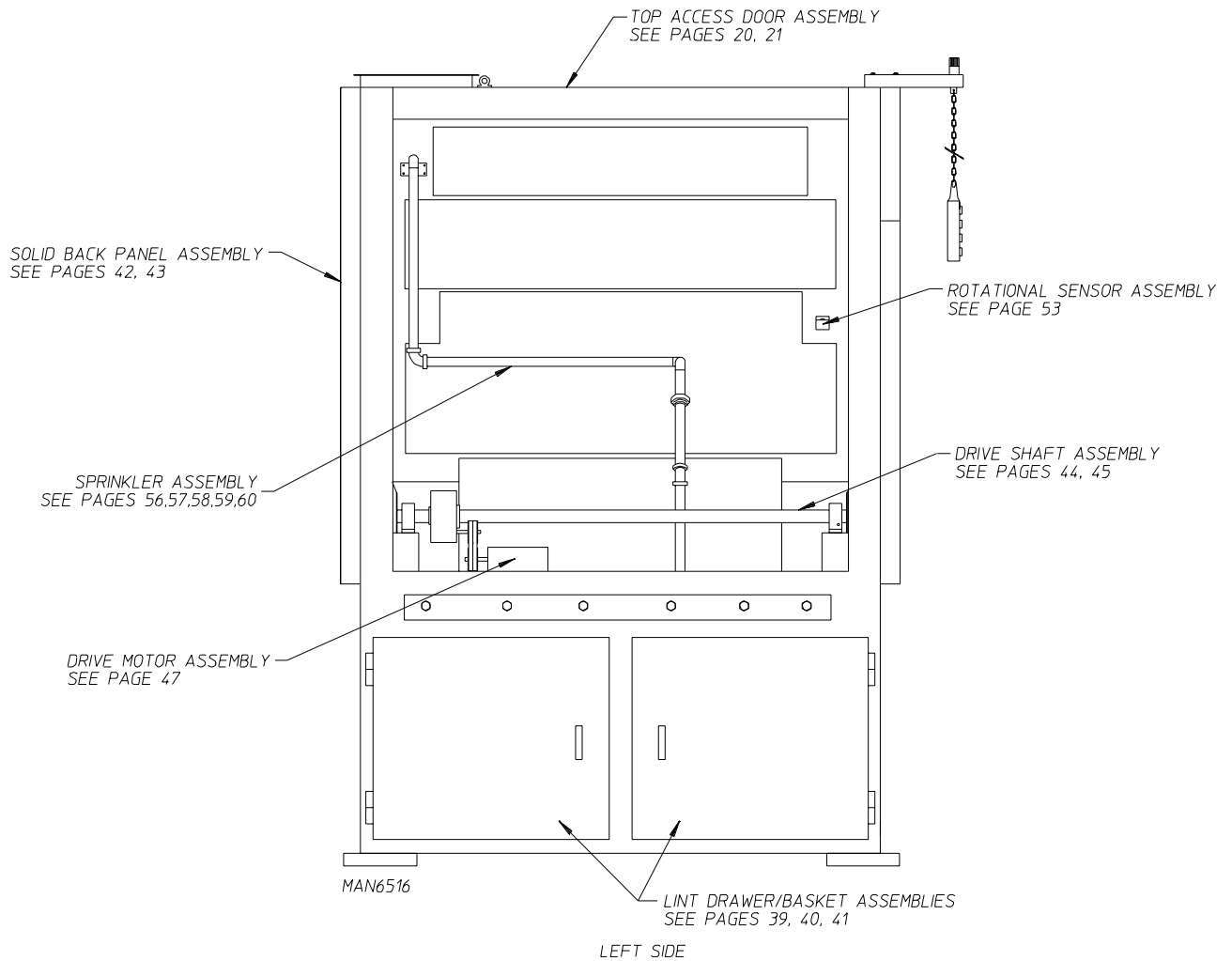




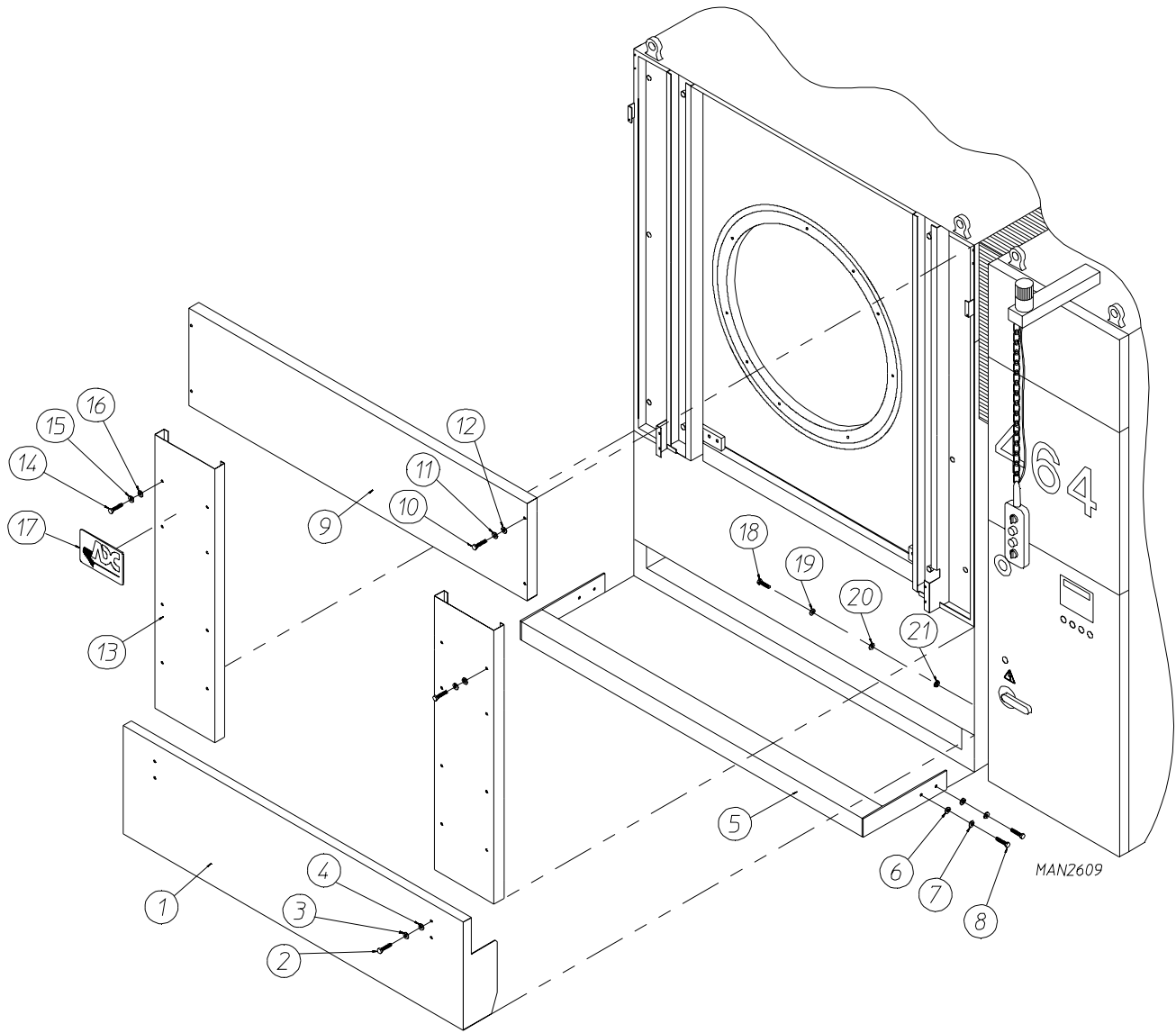
Left Side View

# AD-464

## QUICK REFERENCE

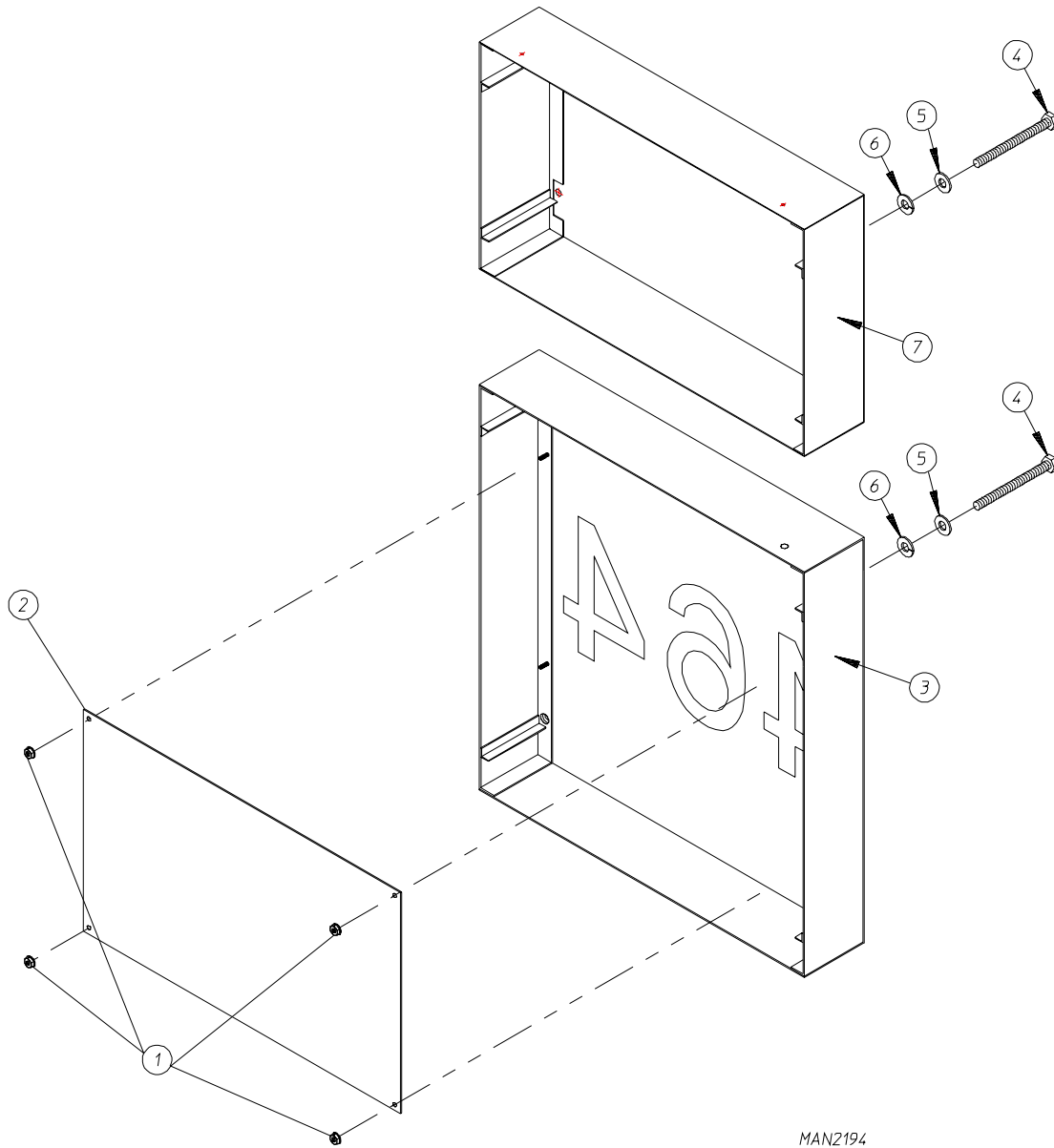


DMG 2/05/03



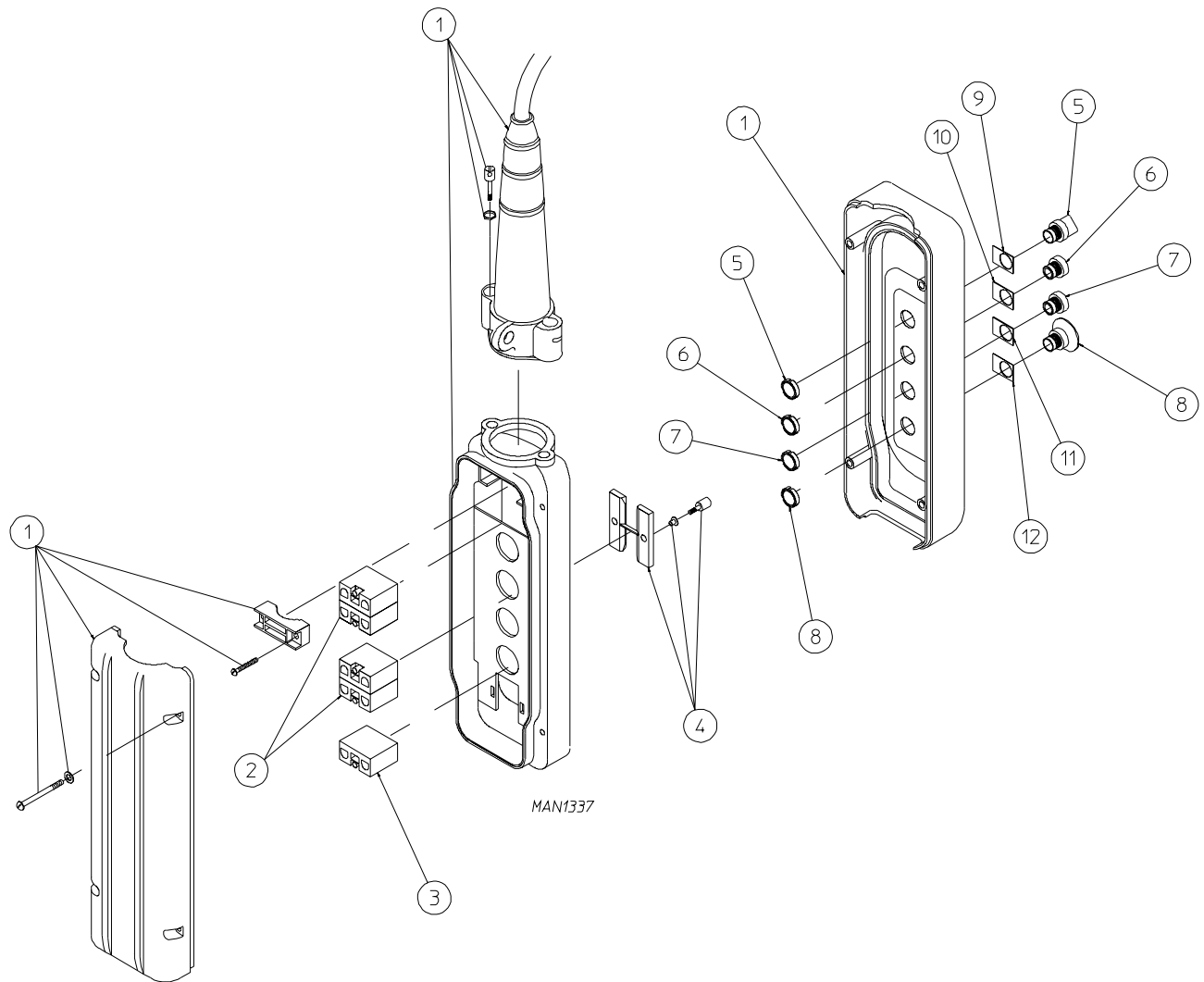
<u>Illus. No.</u>	<u>Part No.</u>	<u>Qty.</u>	<u>Description</u>
1*	820897	1	Rigid Bottom Safety Panel
2	150501	4	5/16-18 x 3/4" Tap Bolt
3	153002	4	5/16" Lock Washer
4	153001	4	5/16" Flat Washer
5	820636	1	Step Bar
6	153011	4	1/2" Flat Washer
7	153026	4	1/2" Lock Washer
8	150605	4	1/2-13 x 1-1/2" Tap Bolt
9*	820594	1	Top Panel
10	150514	4	5/16-18 x 2-1/4" Tap Bolt
11	153002	4	5/16" Lock Washer
12	153001	4	5/16" Flat Washer
13*	332018	2	Loading Door Side Panel
14	150501	16	5/16-18 x 3/4" Tap Bolt
15	153002	16	5/16" Lock Washer
16	153001	16	5/16" Flat Washer
17	123555	1	<b>ADC</b> Large Logo
	870011	1	Double Tape Kit ONLY
18	150600	7	3/8-16 x 1-1/2" Tap Bolt
19	153005	7	3/8" Lock Washer
20	153004	7	3/8" Flat Washer
21	154340	7	7/16" Beveled Washer

\* Specify color when ordering.

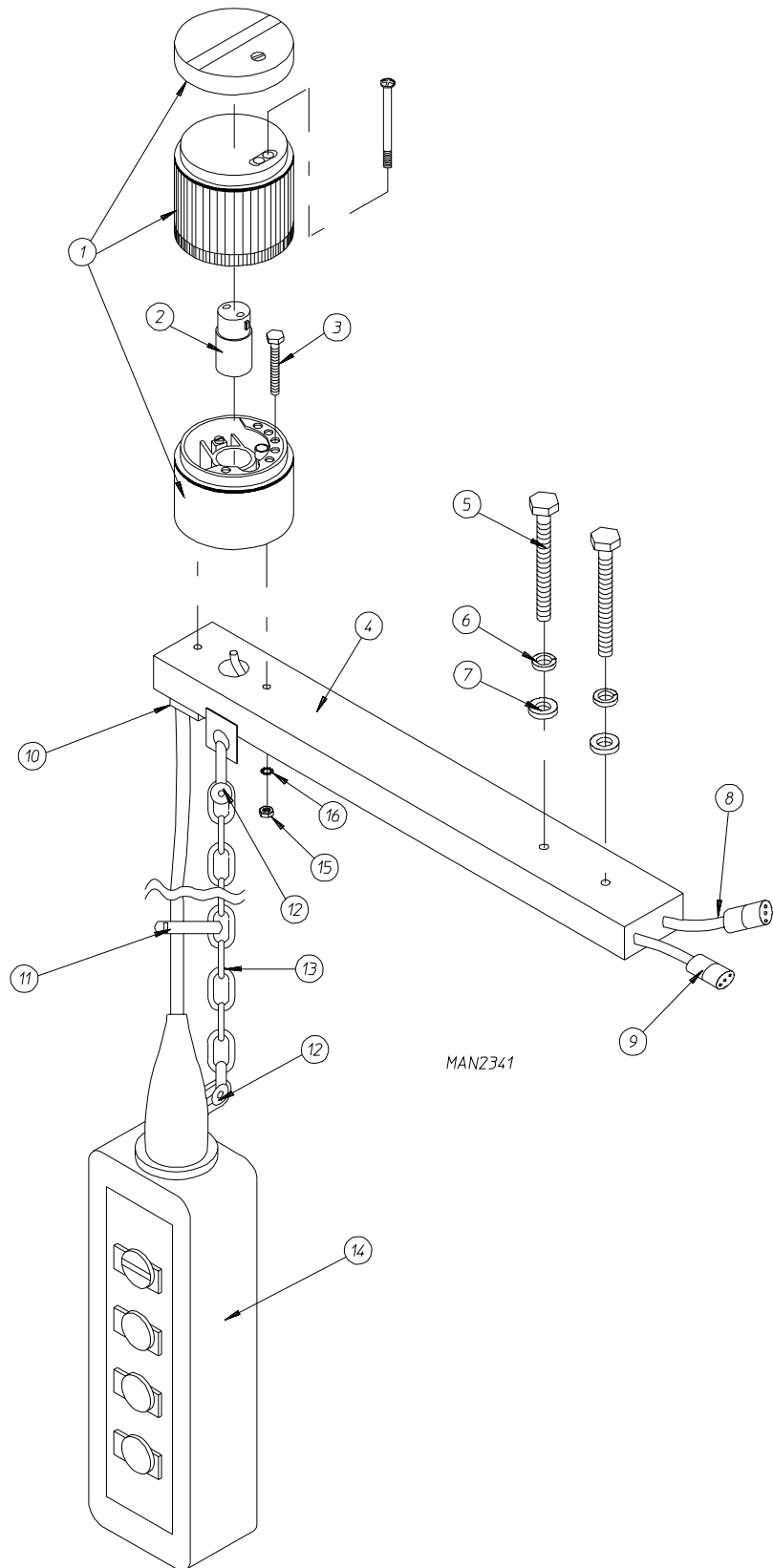


<u>Illus. No.</u>	<u>Part No.</u>	<u>Qty.</u>	<u>Description</u>
1	152014	4	1/4-20 Free Spin Wash Nut
2	331959	1	Character Panel Backing Plate
3*	846792	1	Character Panel
4	150515	8	5/16-18 x 7-1/2" Hex Head Bolt
5	153002	8	5/16" Lock Washer
6	153001	8	5/16" Flat Washer
7*	846793	1	Heat Console Top Front Safety Panel

\* Specify color when ordering.



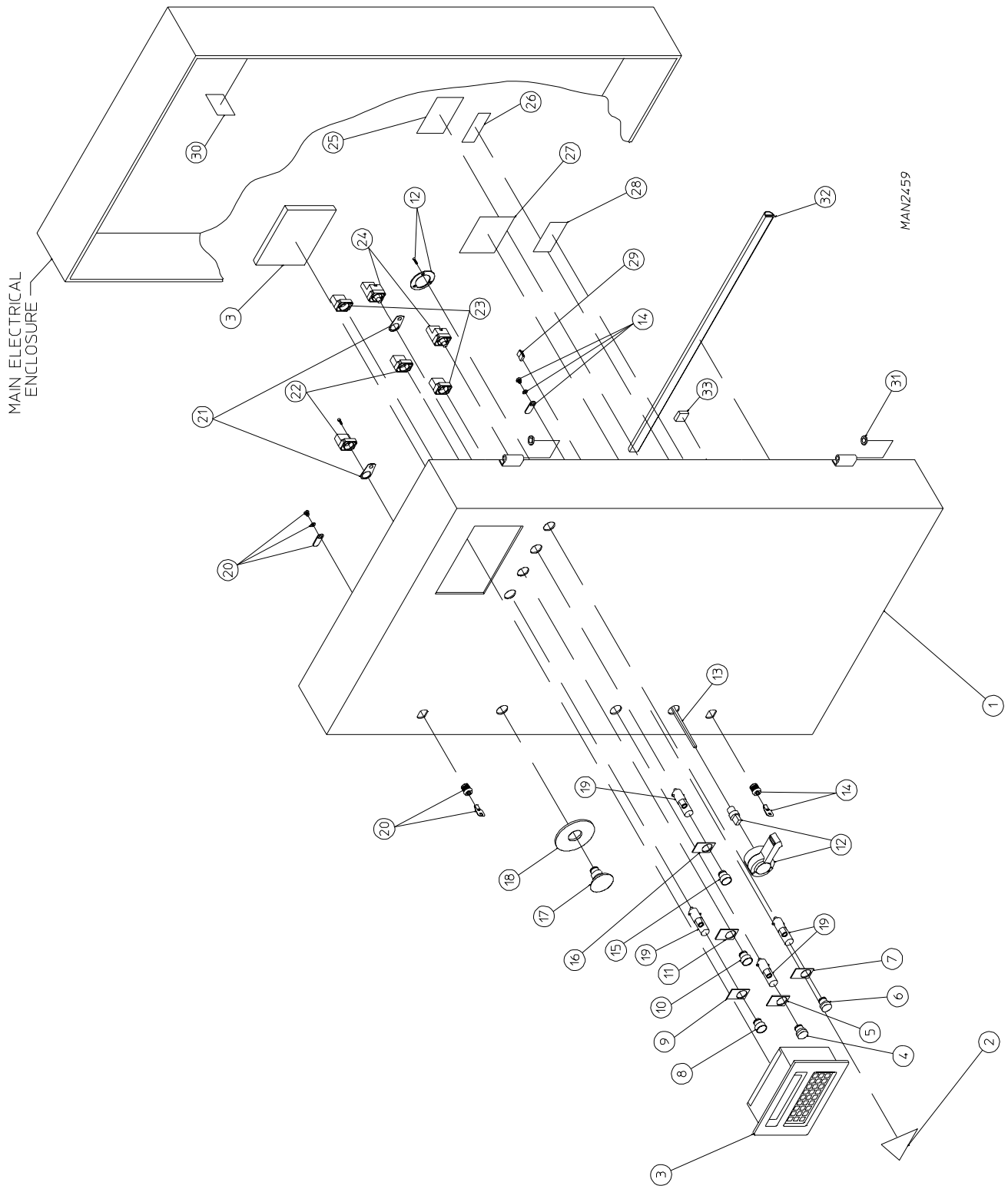
<u>Illus. No.</u>	<u>Part No.</u>	<u>Qty.</u>	<u>Description</u>
1	881302	1	Pendant Assembly Complete (includes illus. nos. 1 through 12)
	121149	1	4-Hole Pendant Enclosure
2	132386	4	Normally Open (N.O.) Contact Block
3	132387	1	Normally Closed (N.C.) Contact Block
4	132385	1	Mechanical Interlock
5	122350	1	3-Position Selector Switch
6	123205	1	“White” Booted Push-Button
7	123206	1	“Black” Booted Push-Button
8	122352	1	Small “EMERGENCY STOP” (E-STOP) Twist Lock Switch
9	122418	1	“LOAD LEVEL” Special Nameplate
10	122416	1	“REVERSE” Standard Nameplate
11	122415	1	“FORWARD” Standard Nameplate
12	122417	1	“EMERGENCY STOP” (E-STOP) Special Nameplate



MAN2341

---

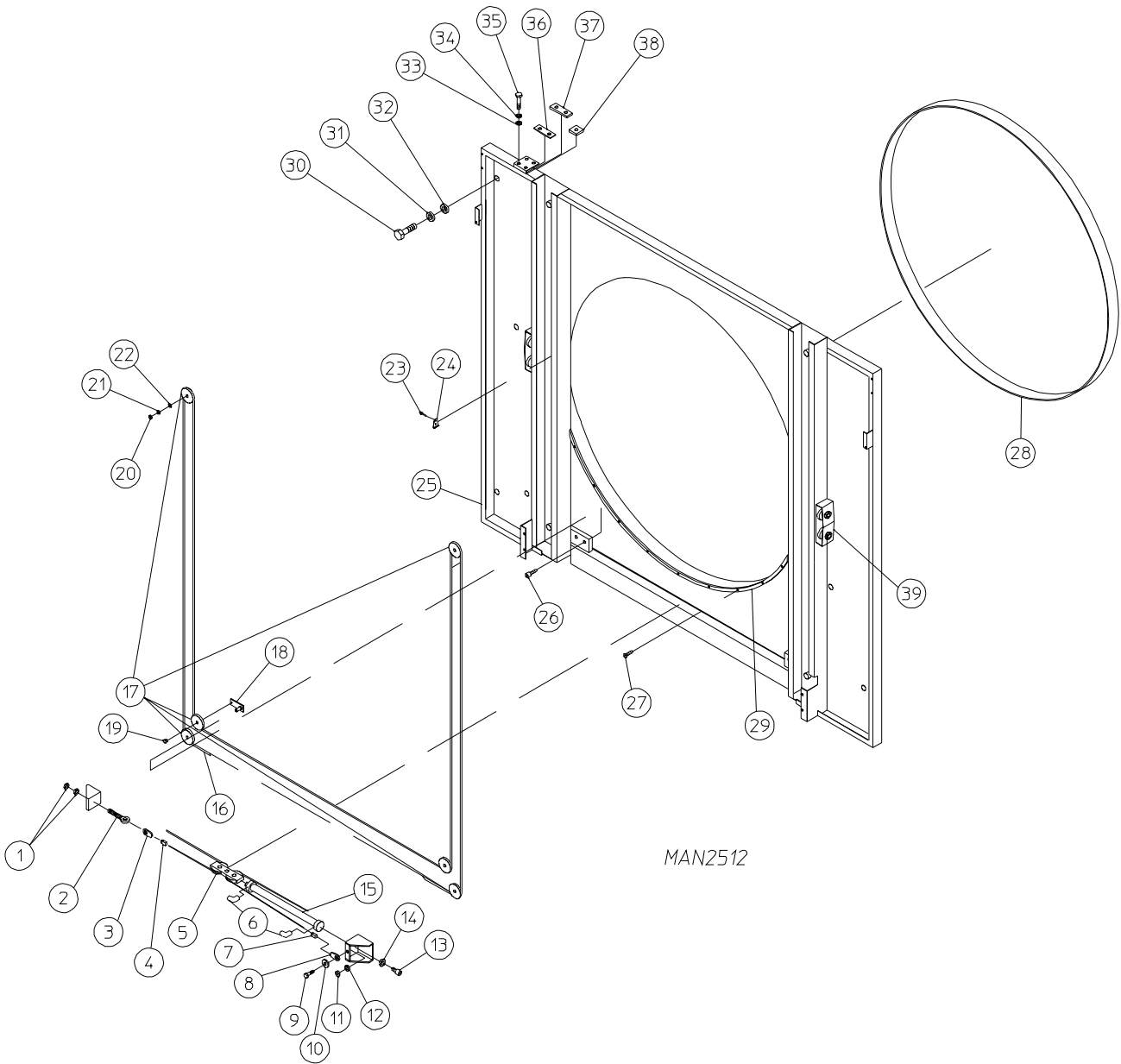
<u>Illus. No.</u>	<u>Part No.</u>	<u>Qty.</u>	<u>Description</u>
1	123218	1	“Orange” Lens Unit
2	123219	1	110 VAC Replacement Lamp
3	150103	2	#8-32 x 3/4” Machine Screw
4	820545	1	Mounting Arm and Hand Control Assembly
5	150526	2	1/4-20 x 3” Hex Head Machine Bolt
6	153007	2	1/4” Lock Washer
7	153018	2	1/4” Flat Washer
8	847313	1	Annunciator Cable
9	847319	1	Pendant Cable
10	121400	1	7/8” Bushing
11	121508	6	Black Wire Tie
12	108126	2	Anchor Shackle with Pin
13	108125	1	6-Foot Chain
14	881302	1	Pendant Assembly (includes illus. nos. 1 through 16)
15	152001	2	#8-32 Hex Nut
16	153012	2	#8 Star Washer





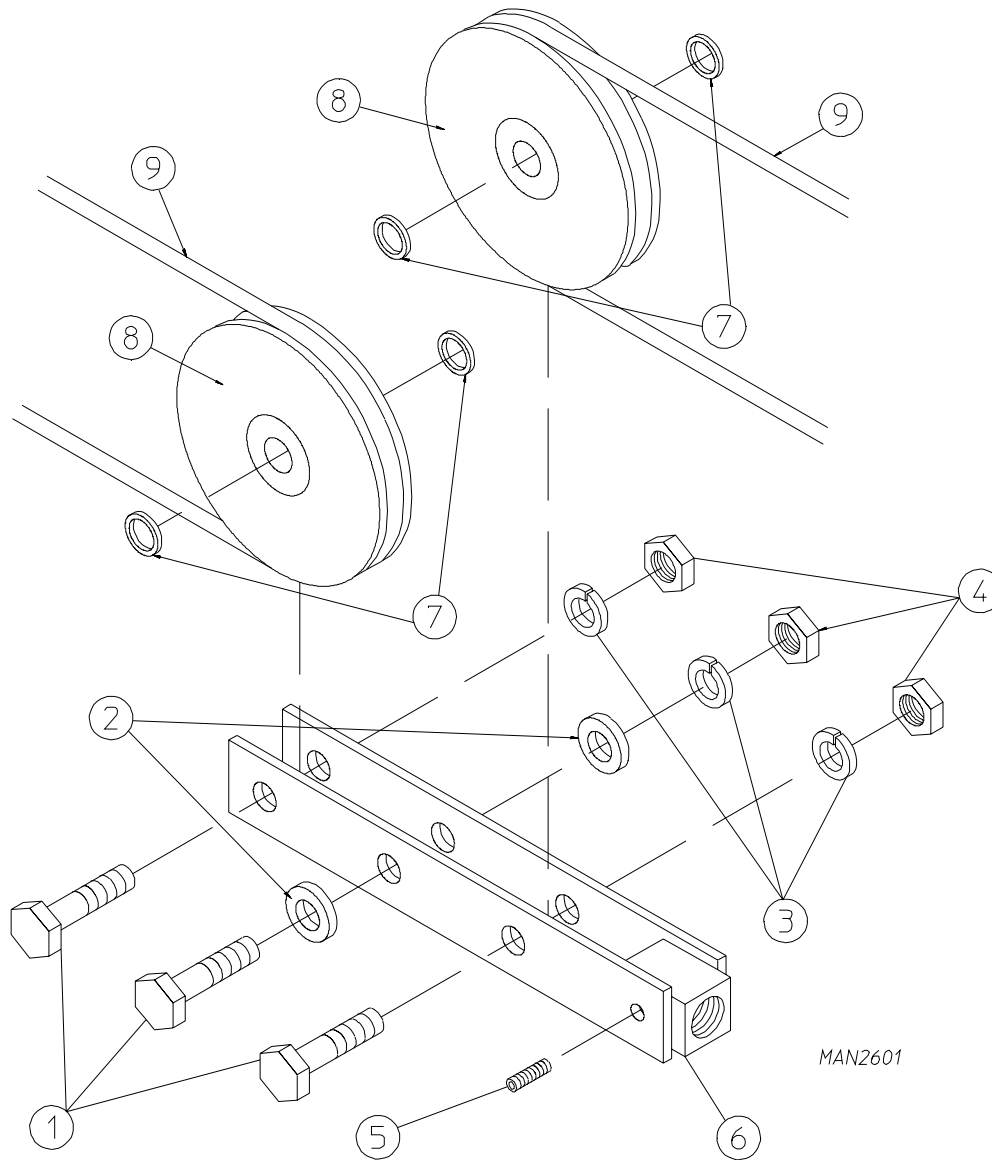
<u>Illus. No.</u>	<u>Part No.</u>	<u>Qty.</u>	<u>Description</u>
1*	847336	1	Control Door Assembly Complete (includes illus. nos. 1 through 29 and 32)
	846785	1	Control Door Assembly (includes illus. nos. 14, 20, 31, and 32)
2	122425	1	“POWER WARNING CAUTION” Label
3	137922	1	Input/Output (I/O) Interface Terminal - Empty
4	123215	1	“Blue” POWER ON Lens
5	122423	1	“POWER ON” Nameplate
6	123216	1	“Red” SPRINKLER ON Lens
7	122414	1	“SPRINKLER POWER ON” Label
8	123201	1	Green Lighted Operator
9	122410	1	“ON” Legend Plate
10	123204	1	“Red” Push-Button Operator
11	122421	1	“OFF” Engraved Nameplate
12	170211	1	Main Door Interlock Handle
13	170213	1	Main Shaft Extension
14	160050	1	Door Lock ONLY Less Key (keyed to number XX4451) For Models Mfd. as of March 8, 1996
	160038	1	Door Lock ONLY Less Key (keyed to number XX4451) For Models Mfd. prior to March 8, 1996
15	123200	1	“Amber” Push-Button Lighted Operator
16	122420	1	“SPRINKLER STOP” Label
17	122351	1	Large “EMERGENCY STOP” (E-STOP) Twist Lock Switch
18	122419	1	“EMERGENCY STOP” Label
19	123211	2	Incandescent Bulb - 120 VAC
20	160050	1	Door Lock ONLY Less Key (keyed to number XX4451) For Models Mfd. as of March 8, 1996
	160038	1	Door Lock ONLY Less Key (keyed to number XX4451) For Models Mfd. prior to March 8, 1996
21	121505	2	Control Panel Tie Wrap Mount
22	132395	2	Normally Closed (N.C.) Contact Block with Base
23	847335	2	Enclosure Door Lights and Control Cable
24	123209	2	Direct Supply Base - 120 VAC
25	112046	1	Important for Computer Ground Label
26	112017	1	ADC Name, Address, Phone No. Label
27	122426	1	“MULTI-POWER SOURCE” Caution Label
28	112025	1	“CAUTION-DISCONNECT SUPPLY” Label
29	121509	3	Ty-Wrap Metal Clip on Mount
30	112060	1	Model Number/Serial Number Label
31	153068	2	Brass Hinge Washer
32	102312	16	Gray Silicone Gasket (sold by the foot)
33	121493	7	Nylon Push-In Mount

\* Specify color when ordering.

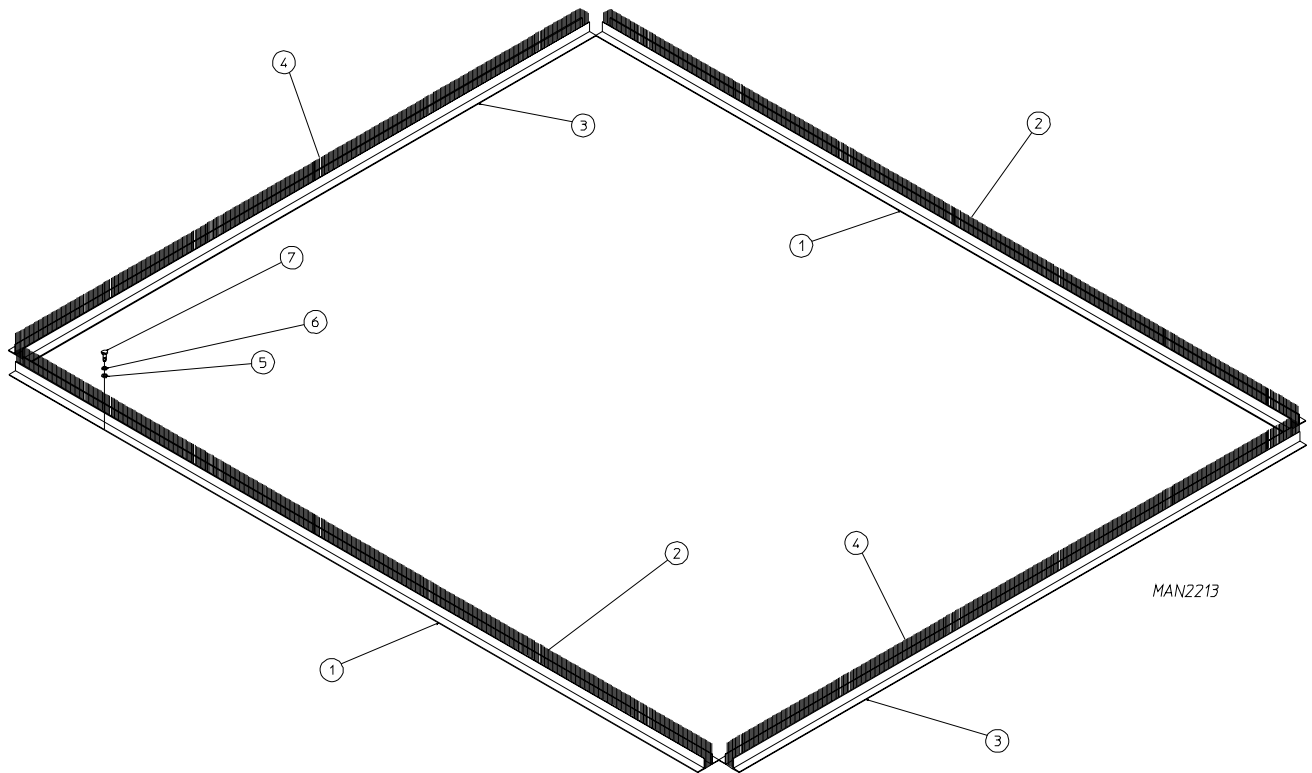


<u>Illus. No.</u>	<u>Part No.</u>	<u>Qty.</u>	<u>Description</u>
1	152004	2	5/16-18 Hex Nut
2	170370	1	Turnbuckle
3	170373	1	Wire Rope Thimble
4	170371	1	Wire Rope Clamp
5	-----	1	Cylinder Clevis (refer to <b>Cylinder Clevis Assembly</b> on <b>page 18</b> )
6	143153	2	1/4" x 1/4" M.P.T. Elbow
7	170371	1	Wire Rope Clamp
8	170373	1	Wire Rope Thimble
9	150617	1	3/8-16 x 1" Hex Head Machine Bolt
10	153003	1	3/8" I.D. x 1-1/2" O.D. Fender Washer
11	152005	1	3/8-16 Hex Nut
12	153005	1	3/8" Lock Washer
13	150439	4	5/16-24 x 3/4" Socket Cap Screw
14	153002	4	5/16" Lock Washer
15	100554	1	2-1/2" Bore x 12-9/16" Door Piston
16	170372	1	Wire Rope (45 foot length)
17	101190	6	Cable Pulley
18	820510	2	Pulley Shaft Plate
19	331522	2	Bushing for Cable Pulley
20	152005	4	3/8-16 Hex Nut
21	153005	4	3/8" Lock Washer
22	331524	4	Plain Bearing for Cable Pulley
23	154200	2	5/32" Pop Rivet
24	331909	1	Load Door Tab
25*	820880	1	Front Panel ONLY
26	150441	2	1/4-20 x 1-3/8" Flat Head Socket Cap Screw
27	150412	9	#10-16 x 3/4" Phillips Round Head Crimptite Screw
28	116009	1	200" x 1-3/8" x 3/8" Basket (tumbler) Felt ONLY
	881448	1	Basket (tumbler) Felt Replacement Kit
29	102385	1	Nylon Load Door Gasket
30	150617	8	3/8-16 x 1" Hex Head Bolt
31	153005	8	3/8" Lock Washer
32	153004	8	3/8" Flat Washer
33	153011	4	1/2" Flat Washer
34	153026	4	1/2" Lock Washer
35	150605	4	1/2-13 x 1-1/2" Tap Bolt
36	331789	4	Front Panel Hinge Top Shim
37	331786	2	Front Panel Hinge Top Spacer
38	820523	4	Bottom Hinge Spacer
39	820664	4	Basket (tumbler) Retaining Wheel Mount Assembly

\* Specify color when ordering.

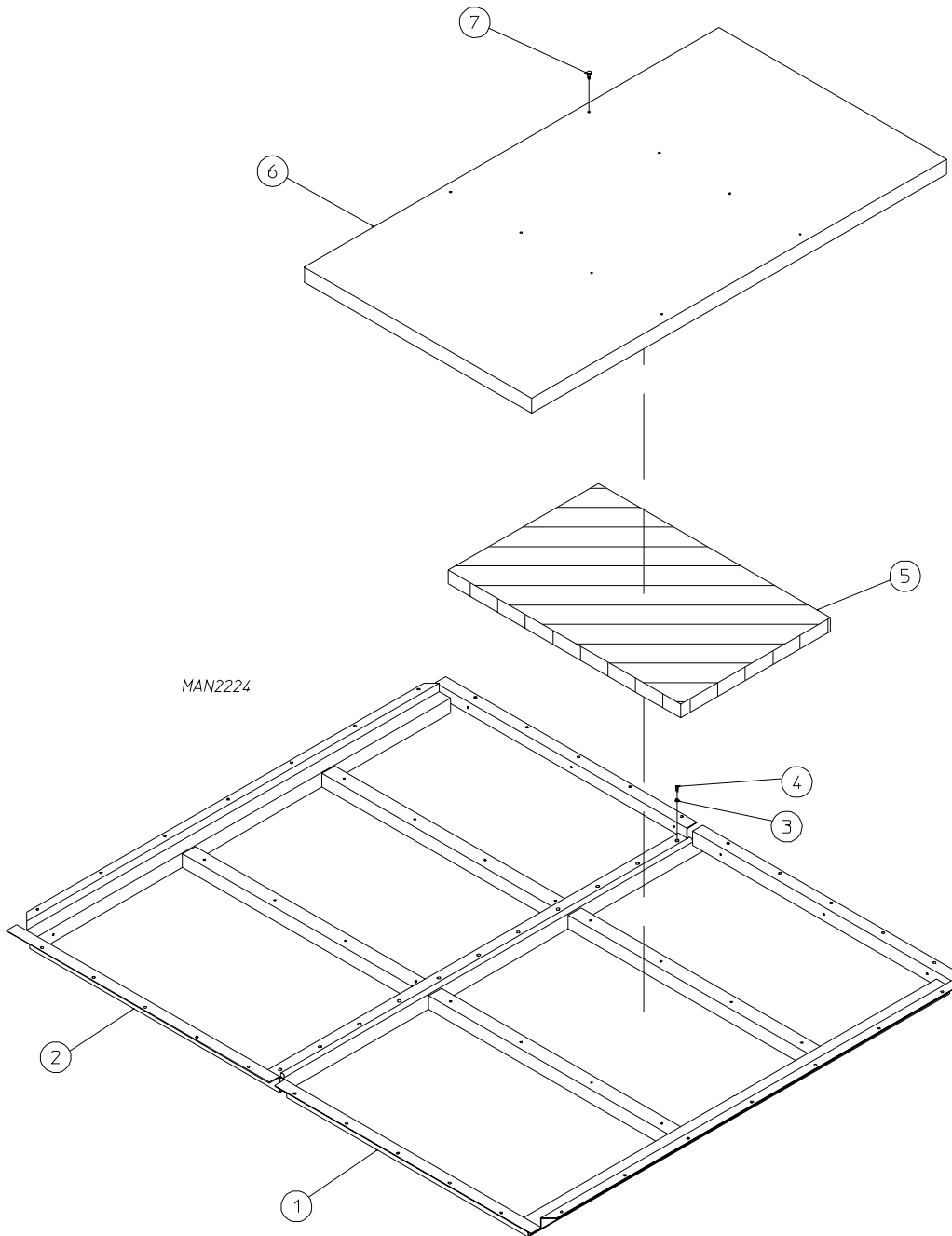


<u>Illus. No.</u>	<u>Part No.</u>	<u>Qty.</u>	<u>Description</u>
1	154313	3	12 mm x 44 mm Hex Head Cap Screw
2	153011	2	9/16" I.D. x 1-3/8" O.D. Flat Washer
3	153026	3	1/2" Lock Washer
4	152040	3	12 mm Hex Nut
5	154304	1	1/4-20 x 3/8" Knurled Socket Setscrew
6	820630	1	Cylinder Clevis Assembly Complete (includes illus. nos. 1 through 8)
	820517	1	Cylinder Clevis ONLY
7	331524	4	Plain Bearing for Cable Pulley
8	101190	2	4" Cable Pulley
9	-----	1	Wire Rope (refer to <b>Front Load Door Panel Assembly</b> on <b>page 16</b> and <b>page 17</b> )



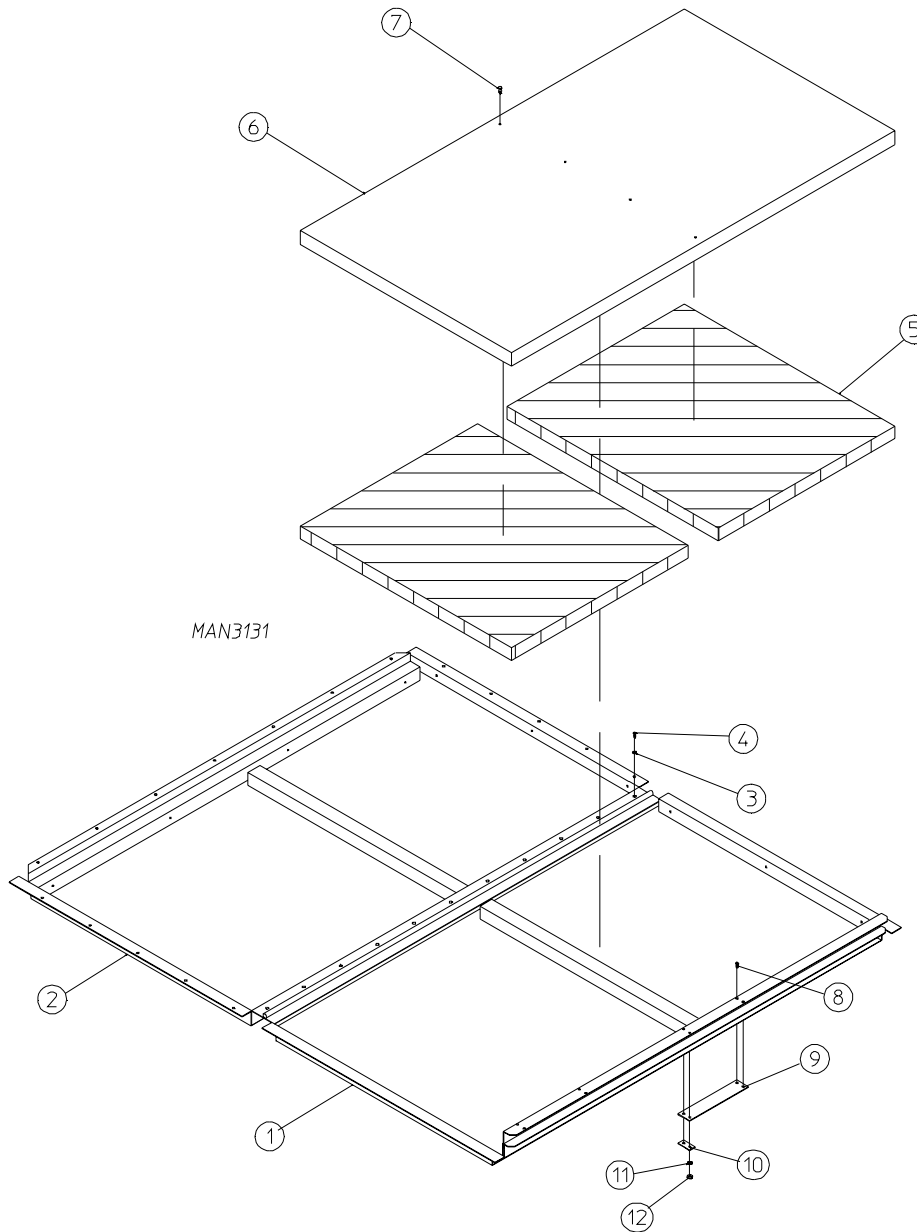
<u>Illus. No.</u>	<u>Part No.</u>	<u>Qty.</u>	<u>Description</u>
1	170177	2	76-9/16" Brush Holder
2	170178	2	76-9/16" x 2-1/8" Wire Brush
3	170184	2	51-7/16" Brush Holder
4	170179	2	51-7/16" x 2-1/8" Wire Brush
5	153018	52	1/4" Flat Washer
6	153007	52	1/4" Lock Washer
7	150510	52	1/4-20 x 3/4" Hex Head Machine Bolt

For Gas Models ONLY



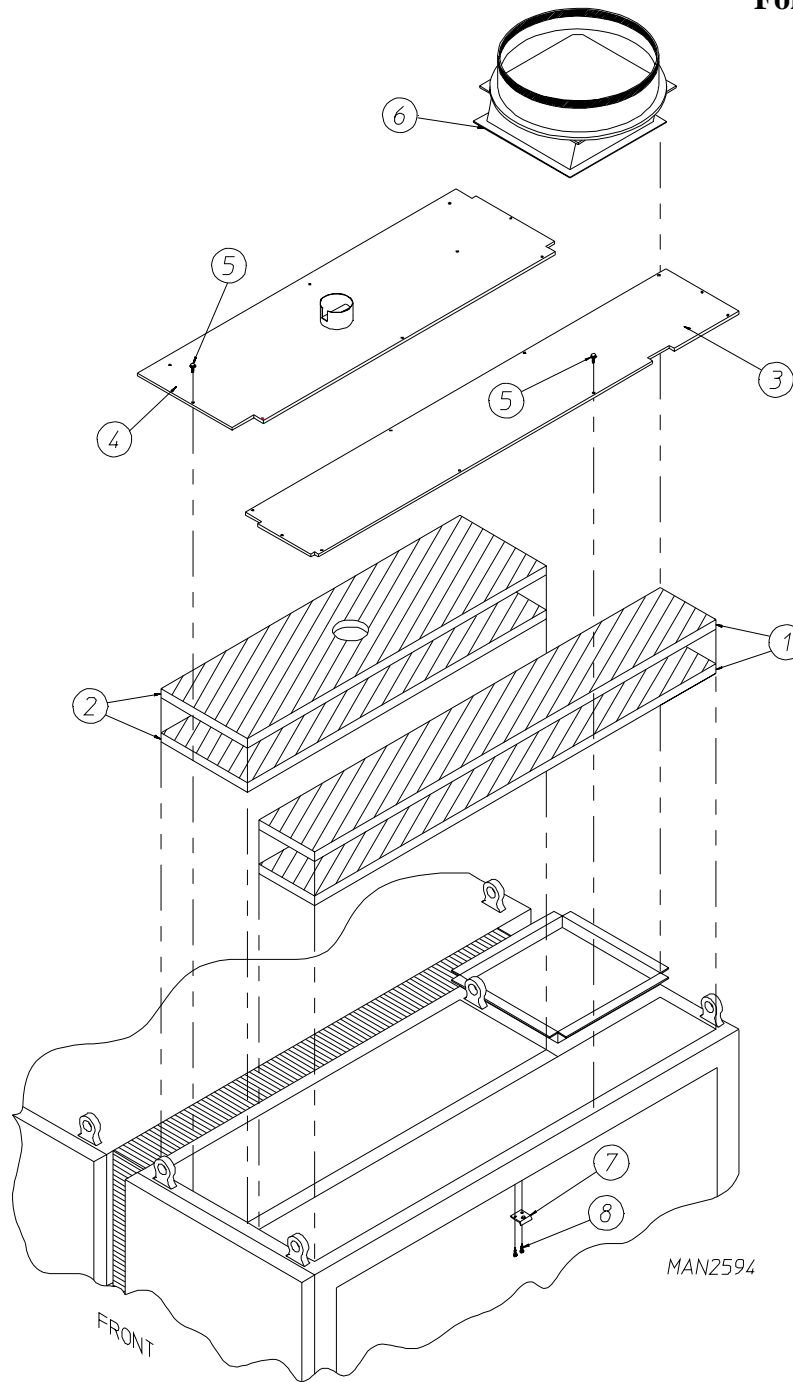
<u>Illus. No.</u>	<u>Part No.</u>	<u>Qty.</u>	<u>Description</u>
1	846769	1	Top Right Access Door Assembly
2	846771	1	Top Left Access Door Assembly
3	153007	11	1/4" Lock Washer
4	150512	11	1/4-20 x 1/2" Hex Head Machine Screw
5	116765	6	Top Access Door Insulation
6	346516	2	Top Access Door Cover
7	150301	16	#8-18 x 7/16" Phillips Pan Head TEK Screw

**For Steam Models ONLY**



<u>Illus. No.</u>	<u>Part No.</u>	<u>Qty.</u>	<u>Description</u>
1	846821	1	Top Right Panel Assembly
2	846771	1	Top Left Panel Assembly
3	153007	11	1/4" Lock Washer
4	150512	11	1/4-20 x 1/2" Hex Head Machine Bolt
5	116765	6	Top Access Door Insulation
6	346516	2	Top Door Panel
7	150301	8	#8-18 x 7/16" Phillips Pan Head TEK Screw
8	150103	4	#8-32 x 3/4" Phillips Round Head Machine Screw
9	117705	1	Sliding Pad
10	331998	1	Sliding Pad Strip
11	153012	4	#8 Star Washer
12	152001	4	#8-32 Hex Nut

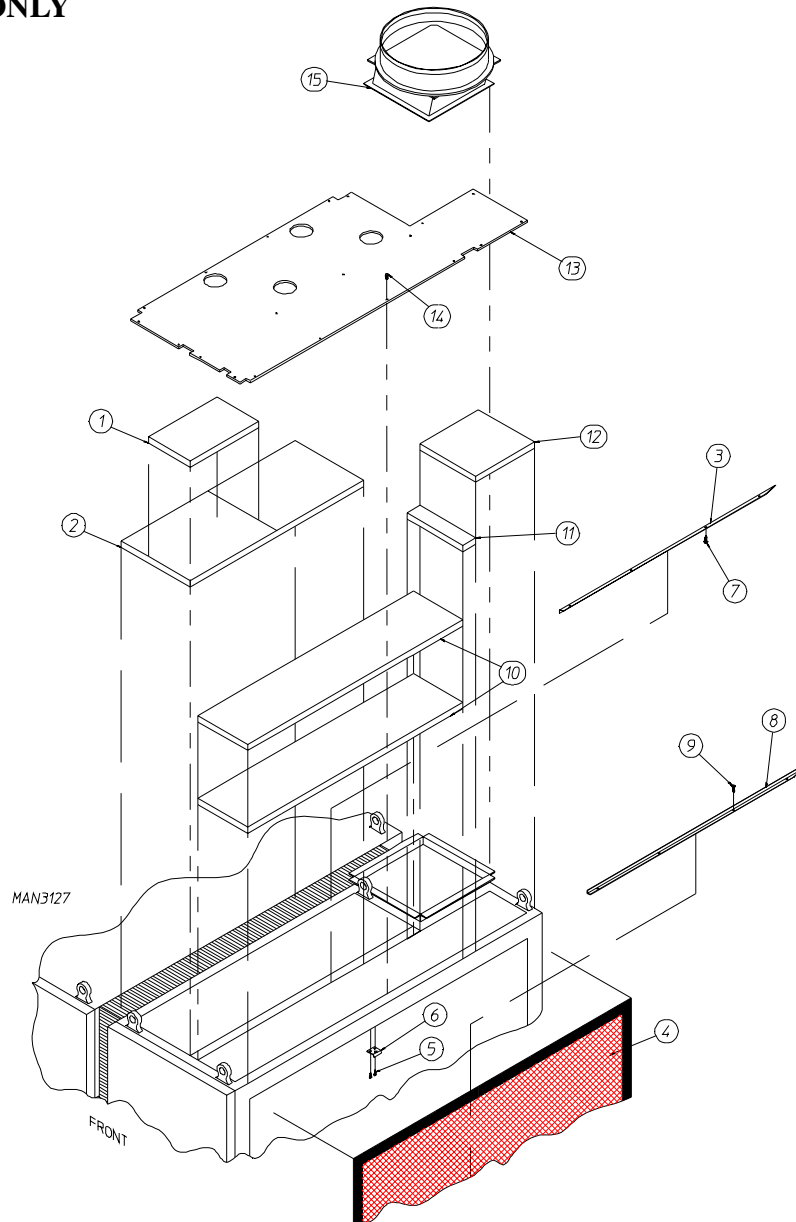
For Gas Models ONLY



<u>Illus. No.</u>	<u>Part No.</u>	<u>Qty.</u>	<u>Description</u>
1	116764	2	Top Right Insulation
2	116763	2	Top Left Insulation
3	346464	1	Top Right Cover
4	346463	1	Top Left Cover
5	150522	18	1/4-20 x 1/2" Hex Head Washer TEK Screw
6	846796	1	Transition Piece
7	346612	1	Door Catch (for Top Console Left Hand Door Assembly)
8	150522	2	1/4-20 x 1/2" Hex Head Washer TEK Screw

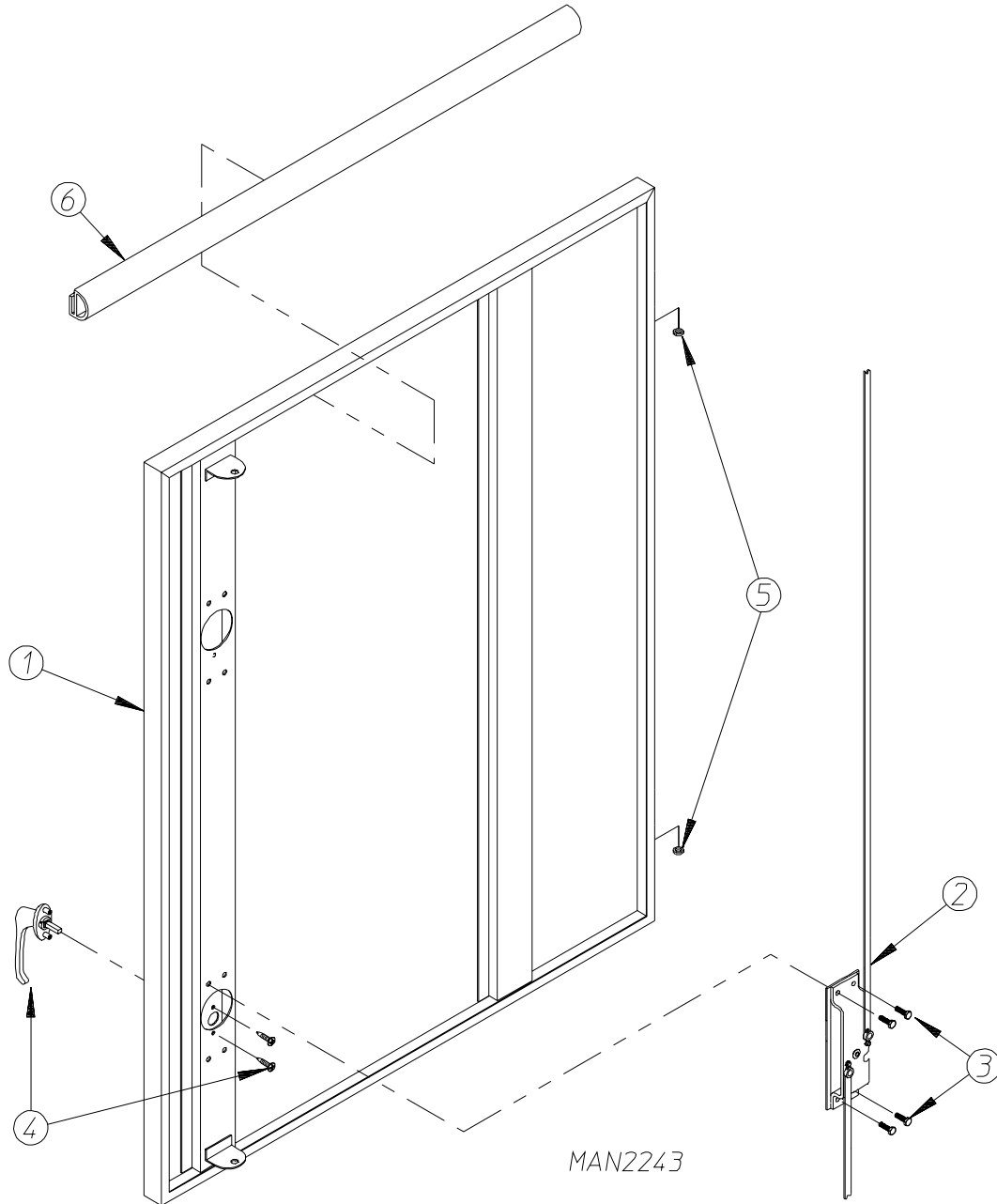


**For Steam Models ONLY**



<u>Illus. No.</u>	<u>Part No.</u>	<u>Qty.</u>	<u>Description</u>
1	116771	1	19" x 48" Steam Coil Top Insulation
2	116770	2	11-1/2" x 19" Next To Steam Coil Insulation
3	346587	1	Upper Angle Lint Screen Support
4	846813	1	Steam Coil Screen
5	150522	2	1/4-20 x 1/2" Hex Head Washer TEK Screw
6	346612	1	Door Catch
7	150522	4	1/4-20 x 1/2" Hex Head Washer TEK Screw
8	346586	1	Lower Angle Lint Screen Support
9	150522	4	1/4-20 x 1/2" Hex Head Washer TEK Screw
10	116767	2	13-3/4" x 59-1/2" Center Console Insulation
11	116769	1	3-1/2" x 15-1/2" Small Steam Box Insulation
12	116768	2	15-1/2" x 16-1/4" Steam Box Insulation
13	346665	1	Steam Console Top
14	150522	17	1/4-20 x 1/2" Hex Head Washer TEK Screw
15	846796	1	Transition Piece

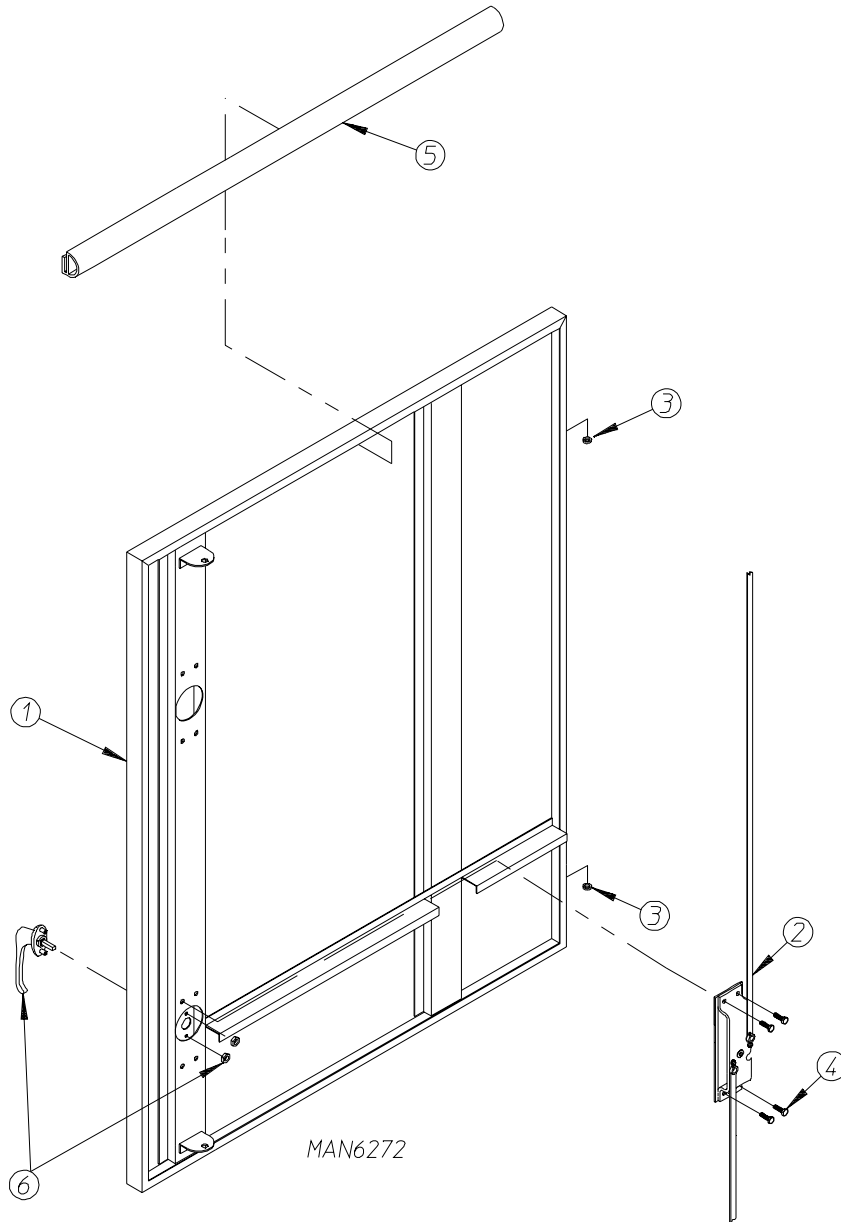
For Gas Models ONLY



Illus. No.	Part No.	Qty.	Description
1*	846783	1	Top Console Left Door Assembly Complete (includes illus. nos. 1 through 6)
	881363	1	Top Console Left Door Assembly with Gasket ONLY (includes illus. nos. 1 and 6)
2	160205	1	2-Point Dead Bolt Latch
3	150512	4	1/4-20 x 1/2" Hex Head Machine Bolt
4	170217	1	Door Handle
5	153068	2	Brass Washer
6	102312	10	Gray Extruded Gasket (sold by the foot)

\* Specify color when ordering.

For Steam Models ONLY

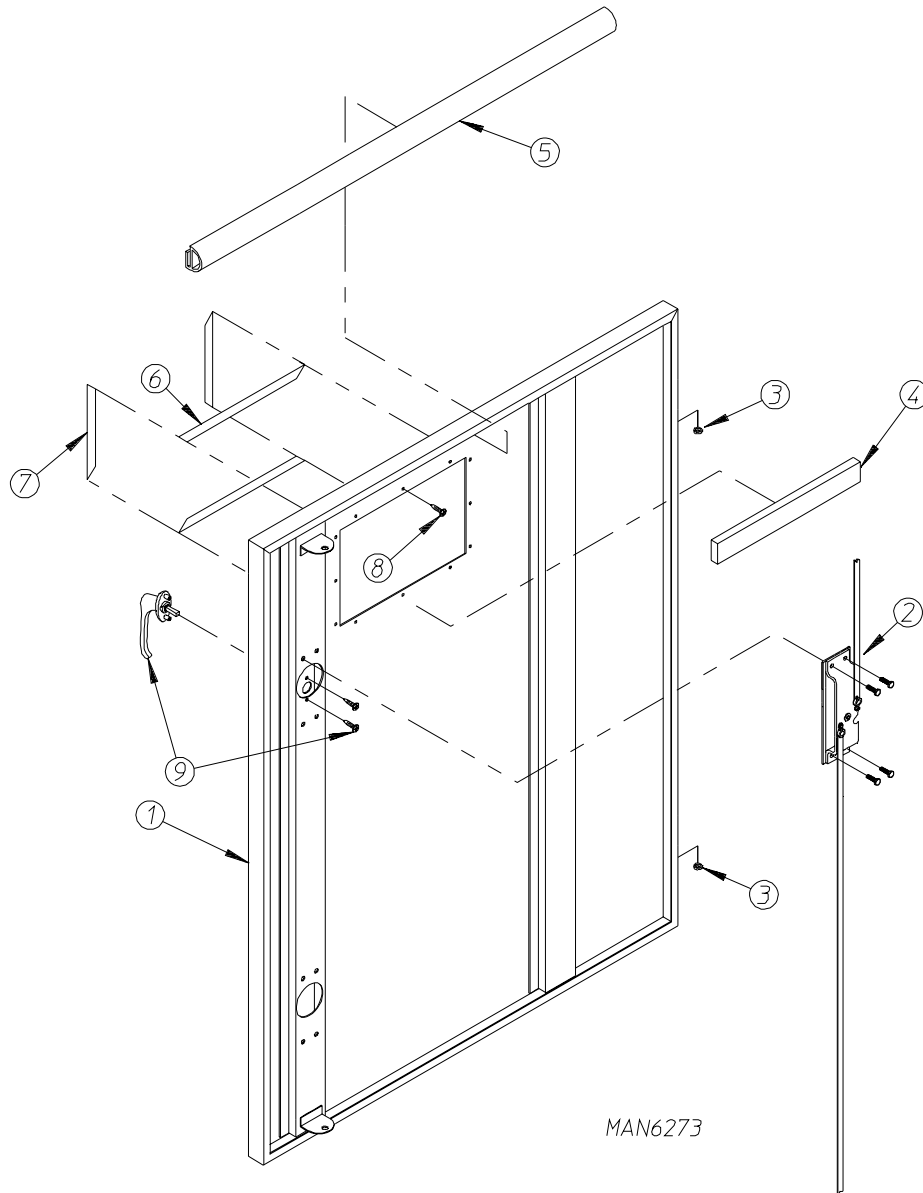


DMG 9/10/02

Illus. No.	Part No.	Qty.	Description
1*	846828	1	Top Console Left Door Assembly Complete (includes illus. nos. 1 through 6)
	881489	1	Top Console Left Door Assembly with Gasket ONLY (includes illus. nos. 1 and 6)
2	160205	1	2-Point Dead Bolt Latch
3	153068	2	Brass Washer
4	150512	4	1/4-20 x 1/2" Hex Head Machine Bolt
5	102312	10	Gray Extruded Gasket (sold by the foot)
6	170217	1	Door Handle

\* Specify color when ordering.

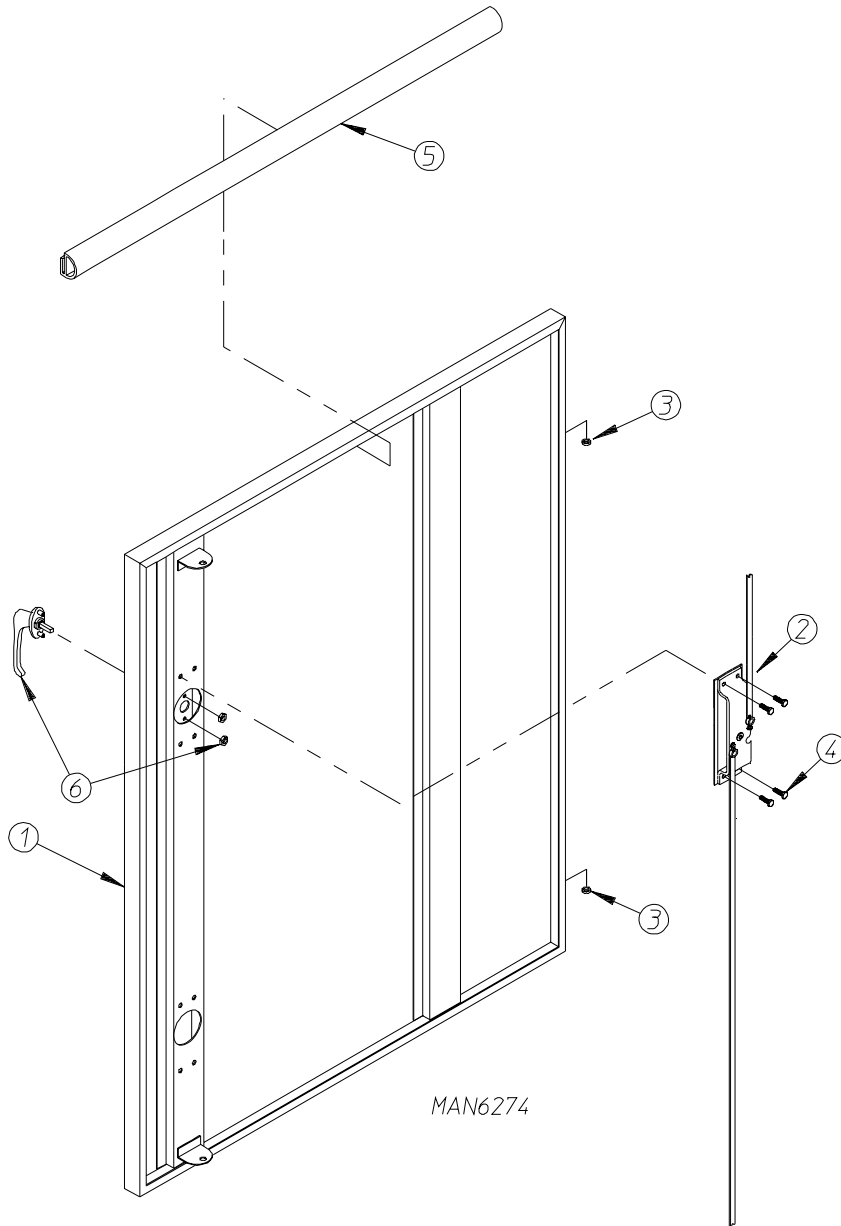
For Gas Models ONLY



<u>Illus. No.</u>	<u>Part No.</u>	<u>Qty.</u>	<u>Description</u>
1*	846779	1	Lower Console Left Door Assembly Complete (includes illus. nos. 1 through 9)
	881365	1	Lower Console Left Door Assembly with Gasket ONLY (includes illus. nos. 1 and 5)
2	160205	1	2-Point Dead Bolt Latch
3	153068	2	Brass Washer
4	102350	1	68-1/2" Gasket
5	102312	10	Gray Extruded Gasket (sold by the foot)
6	180307	2	Horizontal Trim (sold by the foot)
7	180308	2	Vertical Trim (sold by the foot)
8	150201	12	#10-32 x 1/4" Slotted Pan Head TEK Screw
9	170217	1	Door Handle

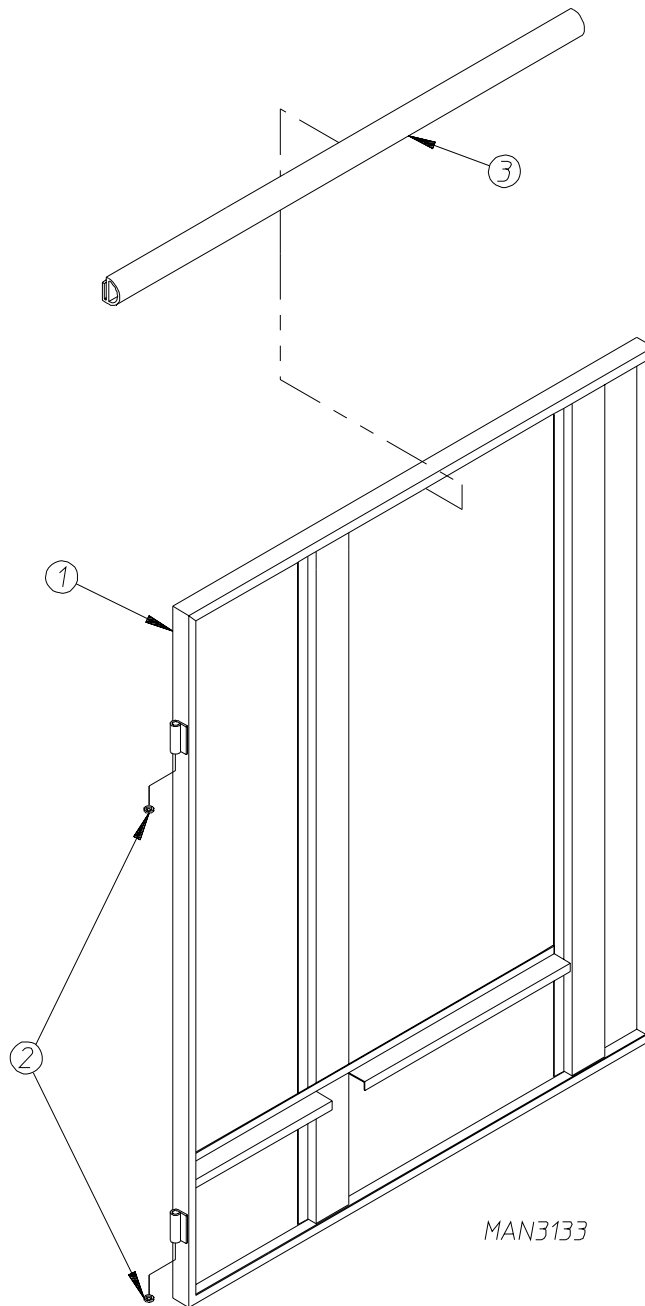
\* Specify color when ordering.

For Steam Models ONLY



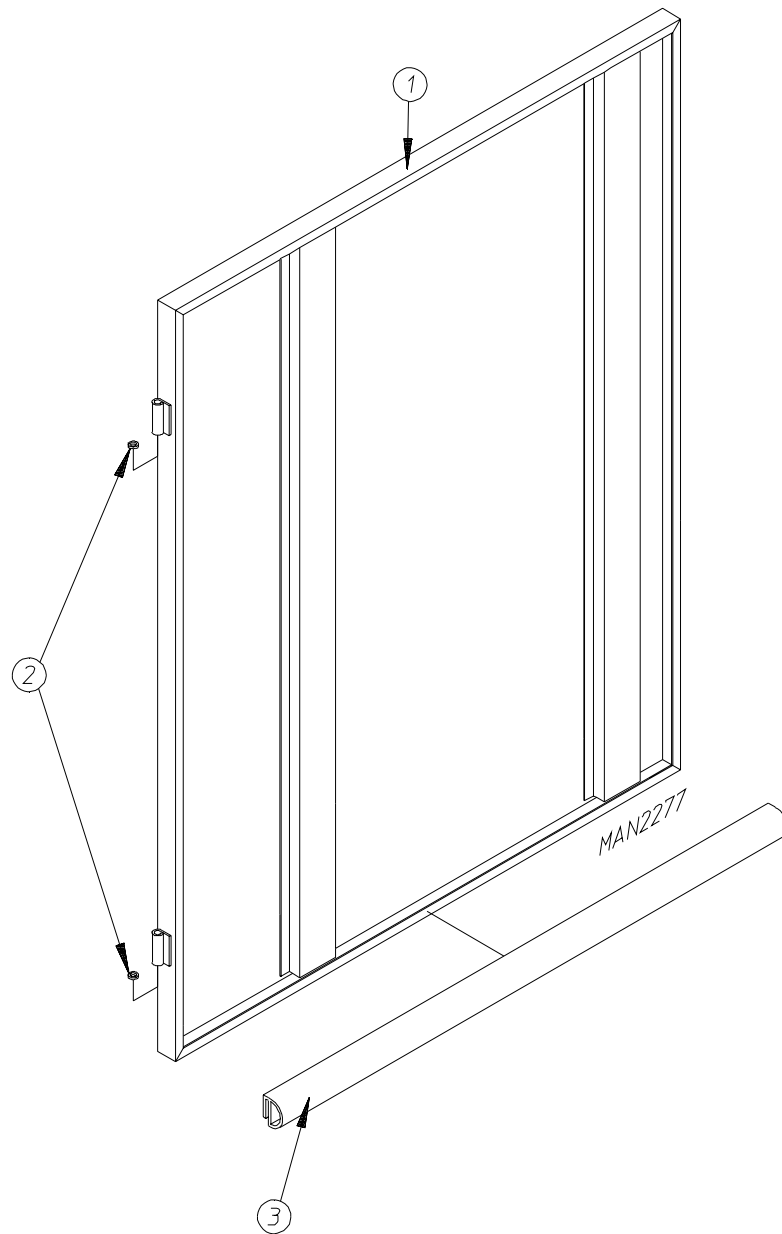
Illus. No.	Part No.	Qty.	Description
1*	846824	1	Lower Console Left Door Assembly Complete (includes illus. nos. 1 through 6)
	881490	1	Lower Console Left Door Assembly with Gasket ONLY (includes illus. nos. 1 and 5)
2	160205	1	2-Point Dead Bolt Latch
3	153068	2	Brass Washer
4	150512	4	1/4-20 x 1/2" Hex Head Machine Bolt
5	102312	11	Gray Extruded Gasket (sold by the foot)
6	170217	1	Door Handle

\* Specify color when ordering.



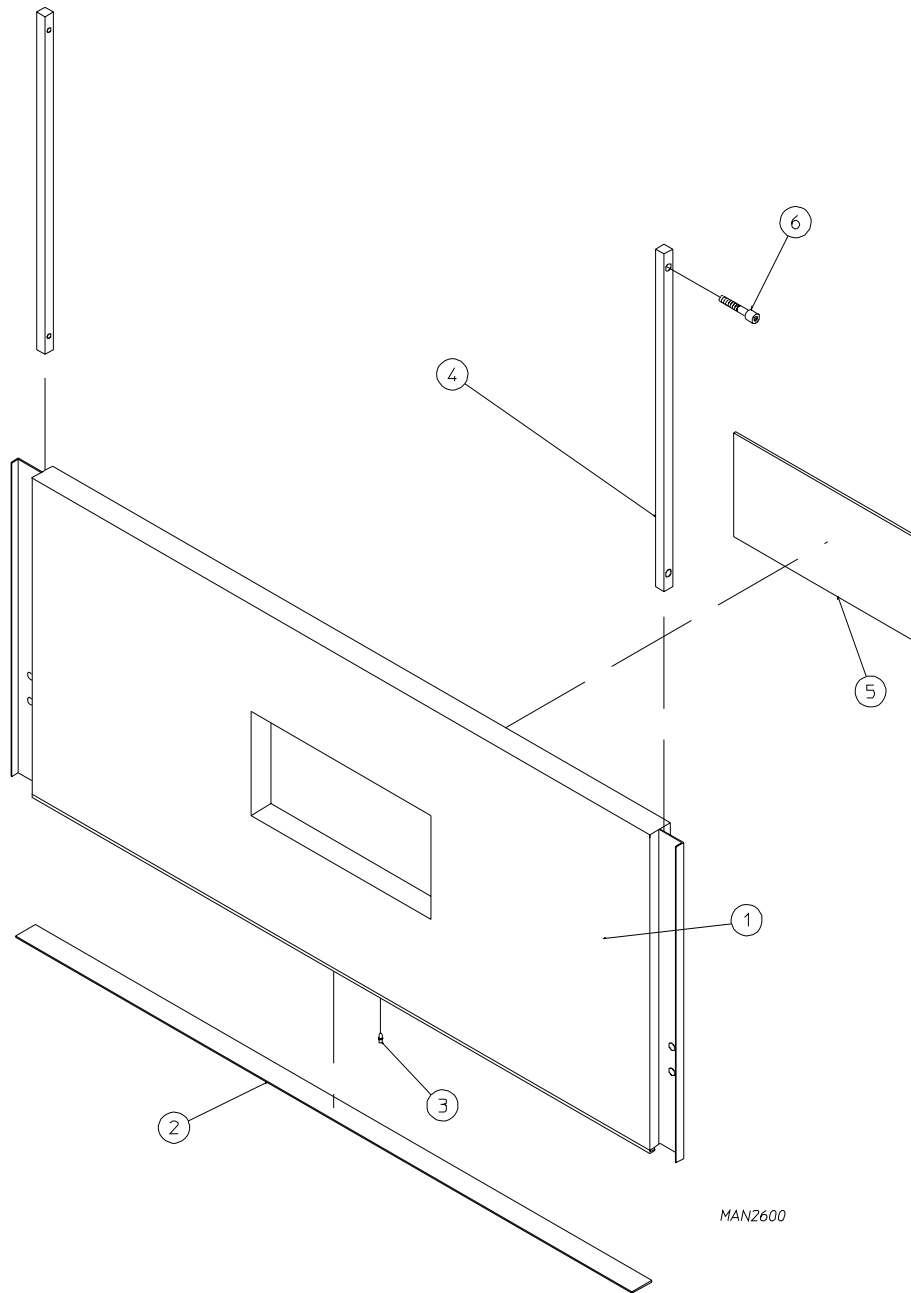
<u>Illus. No.</u>	<u>Part No.</u>	<u>Qty.</u>	<u>Description</u>
1*	846830	1	Top Console Right Hand Door Assembly Complete (includes illus. nos. 1 through 3)
	881488	1	Top Console Right Door Assembly with Gasket ONLY (includes illus. nos. 1 and 3)
2	153068	2	Brass Washer
3	102312	10	Gray Extruded Gasket (sold by the foot)

\* Specify color when ordering.



<u>Illus. No.</u>	<u>Part No.</u>	<u>Qty.</u>	<u>Description</u>
1*	846781	1	Heat Console Right Door Assembly (includes illus. nos. 1 through 3)
2	153068	2	Brass Hinge Washer
3	102312	10	Gray Silicone Extruded Gasket (sold by the foot)

\* Specify color when ordering.

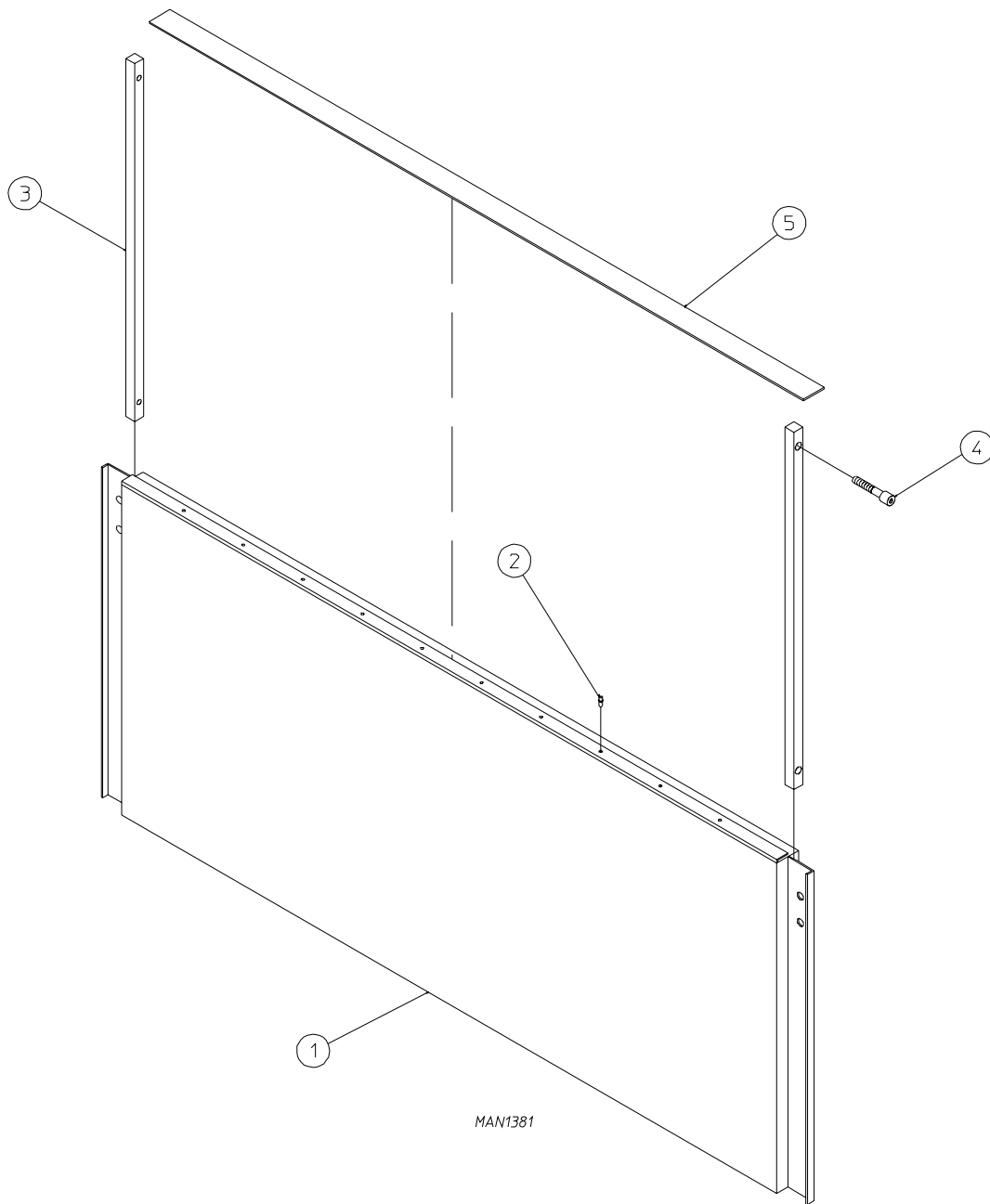


MAN2600

<u>Illus. No.</u>	<u>Part No.</u>	<u>Qty.</u>	<u>Description</u>
1*	820882	1	Top Load Door Assembly Complete (includes illus. nos. 1 through 6)
	820881	1	Top Load Door ONLY
2	116008	1	1-3/4" x 1/8" x 55" Load Door Felt
3	154200	10	5/32" Pop Rivet
4	331594	2	Brass Door Runner
5	102215	1	Door Window
6	150440	4	5/16-18 x 1" Socket Cap Screw
-	170730	1	Silicone Adhesive (10.3 oz. cartridge)

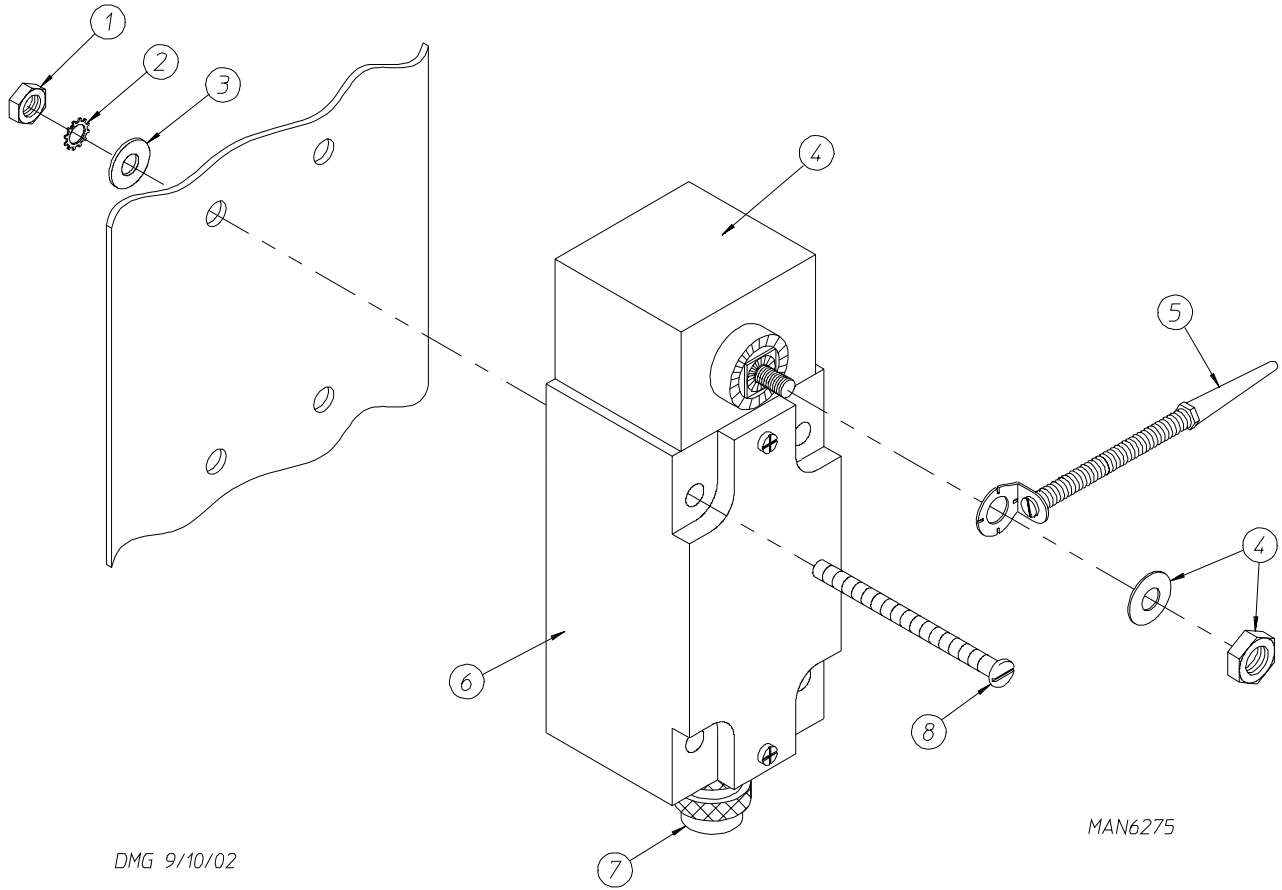
\* Specify color when ordering.





Illus. No.	Part No.	Qty.	Description
1*	820884	1	Bottom Load Door Assembly Complete (includes illus. nos. 1 through 5)
	820883	1	Bottom Load Door ONLY
2	154200	10	5/32" Pop Rivet
3	331594	2	Brass Door Runner
4	150440	4	5/16-18 x 1" Socket Cap Screw
5	116008	1	1-3/4" x 1/8" x 55" Load Door Felt
-	170730	1	Silicone Adhesive (10.3 oz. cartridge)

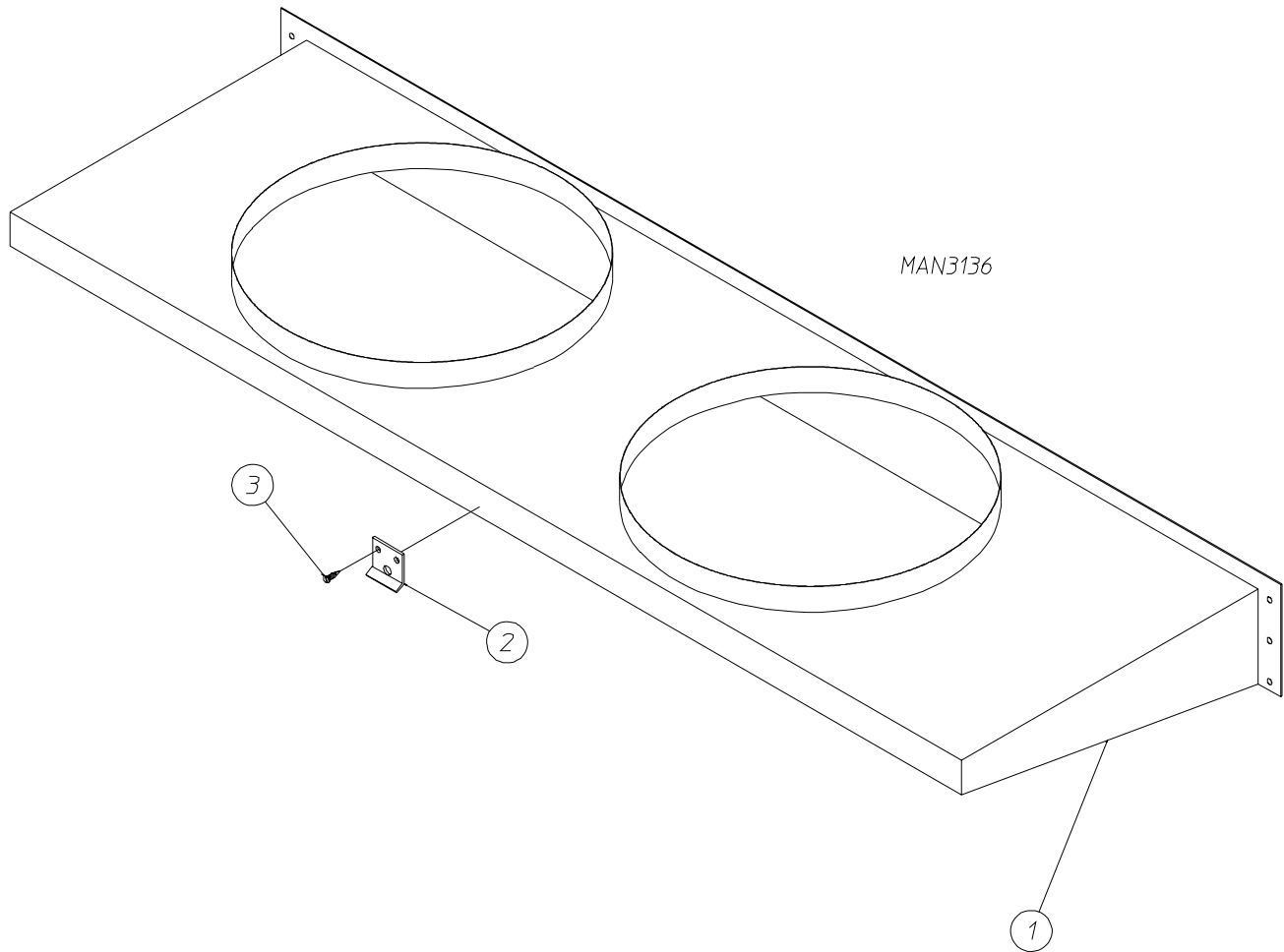
\* Specify color when ordering.



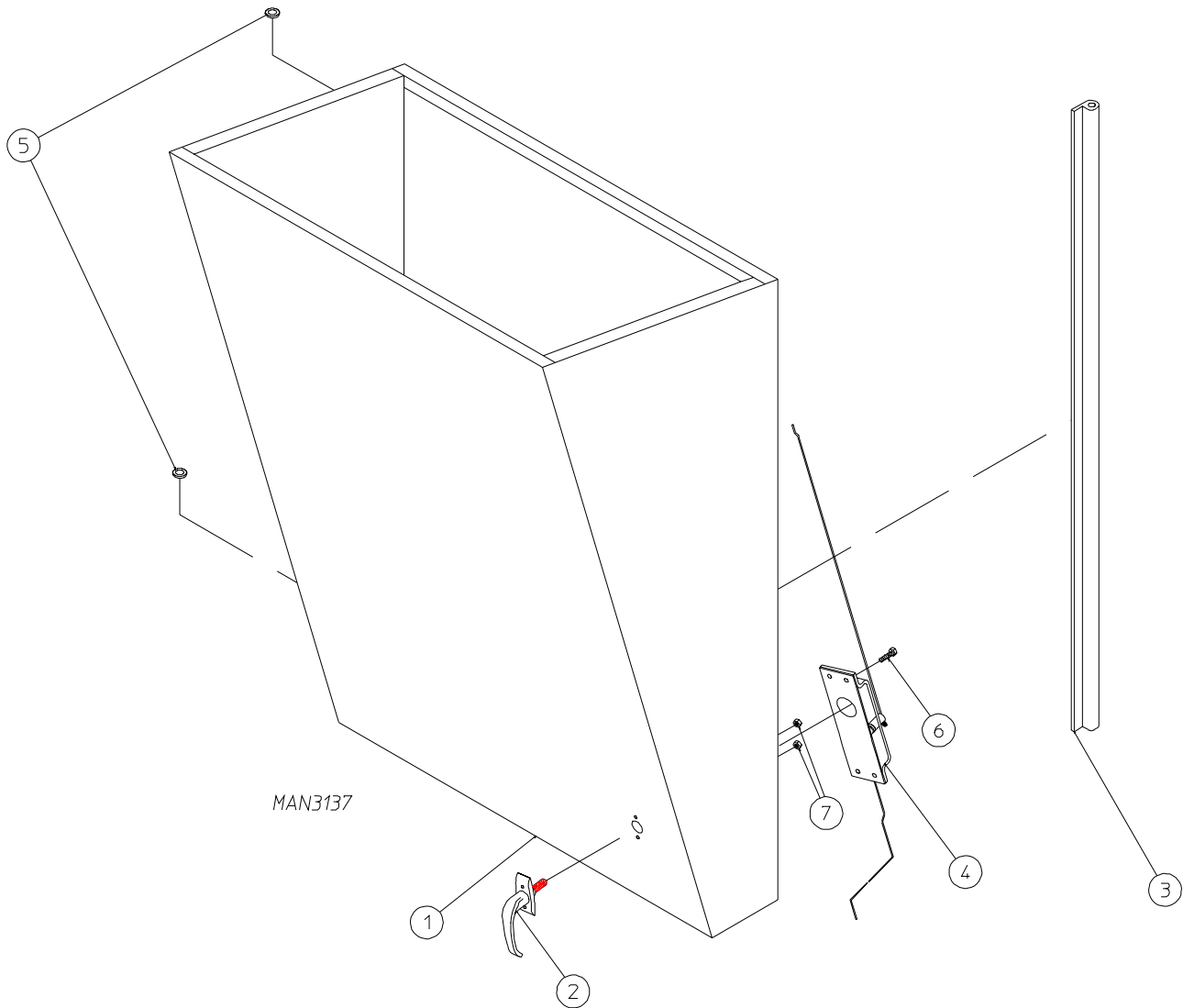
DMG 9/10/02

MAN6275

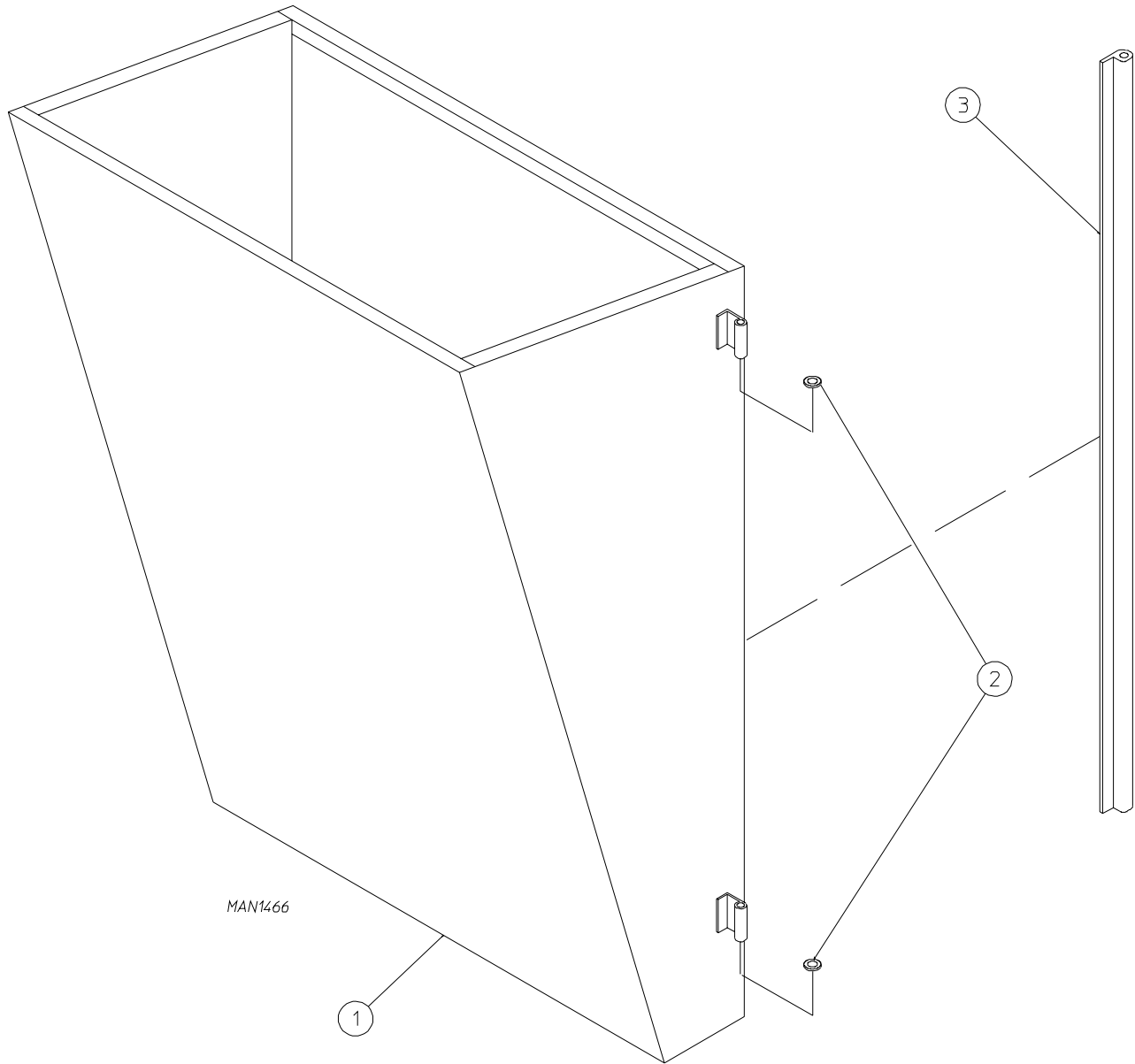
<u>Illus. No.</u>	<u>Part No.</u>	<u>Qty.</u>	<u>Description</u>
1	152001	4	#8-32 Hex Nut
2	153012	4	#8 Star Washer
3	153000	4	#8 Flat Washer
4	122365	1	Rotational Head
5	122368	1	Coil Spring Lever Arm
6	122367	1	Limit Switch Body
7	120655	1	Blue Cord Grip Connector
8	150109	4	#8-32 x 2" Phillips Round Head Machine Screw



<u>Illus. No.</u>	<u>Part No.</u>	<u>Qty.</u>	<u>Description</u>
1	846838	1	Inlet Air Adapter Assembly
2	346612	1	Door Catch
3	150522	3	1/4-20 x 1/2" Hex Head Washer TEK Screw
-	346631	1	Base Side Cover...Not Illustrated



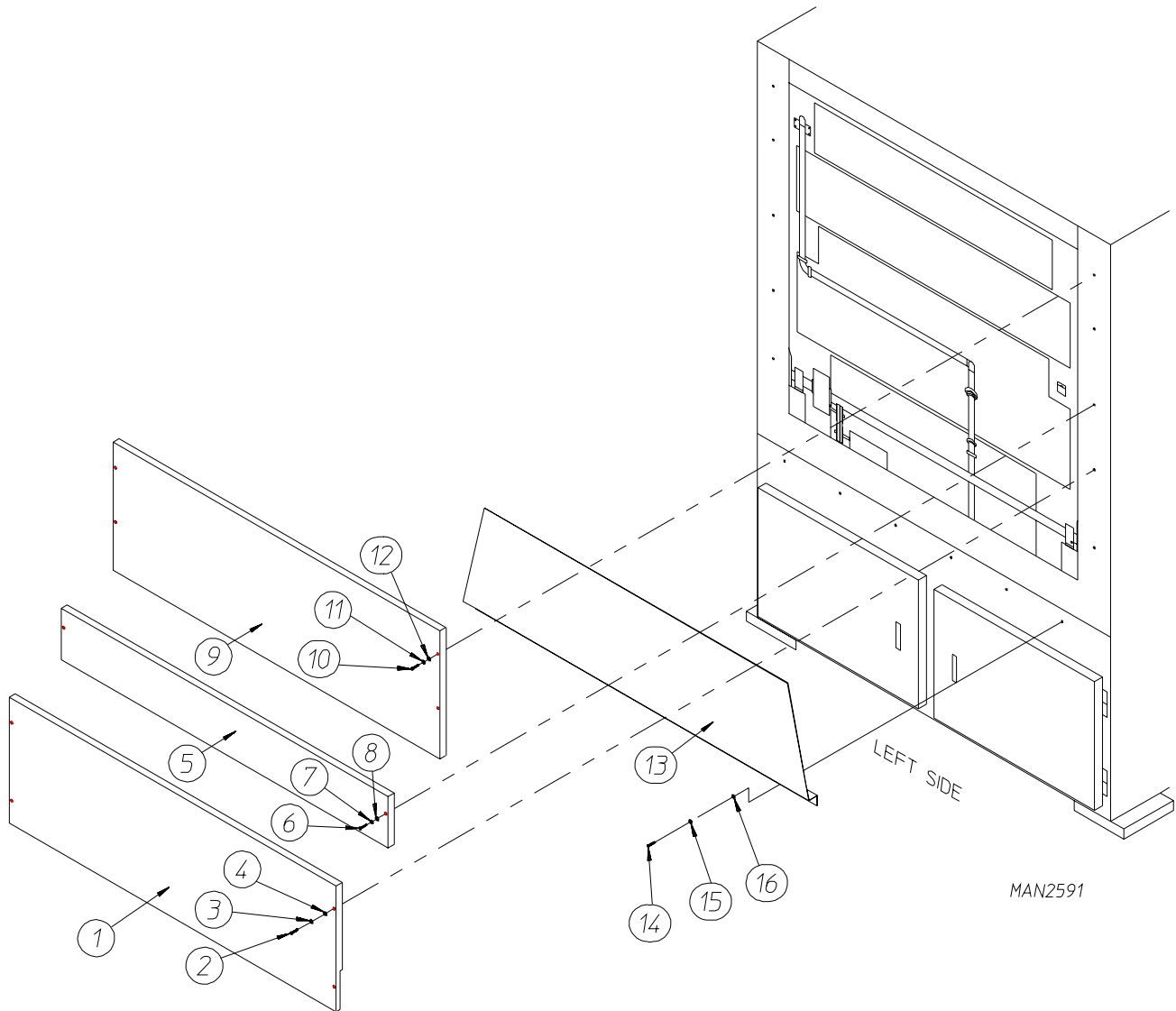
<u>Illus. No.</u>	<u>Part No.</u>	<u>Qty.</u>	<u>Description</u>
1	846837	1	Left Door Assembly
2	170217	1	Door Handle
3	102315	23	Silicone Rubber Extruded Gasket (sold by the foot)
	170730	1	Silicone Adhesive (10.3 oz. cartridge)
4	160205	1	Door Latch
5	153068	2	Brass Washer
6	150512	4	1/4-20 x 1/2" Hex Head Machine Bolt
7	152018	2	1/4-28 Hex Nut



---

<u>Illus. No.</u>	<u>Part No.</u>	<u>Qty.</u>	<u>Description</u>
1	846841	1	Right Door Assembly
2	153068	2	Brass Washer
3	102315	3	Silicone Rubber Extruded Gasket (sold by the foot)
-	170730	1	Silicone Adhesive (10.3 oz. cartridge)

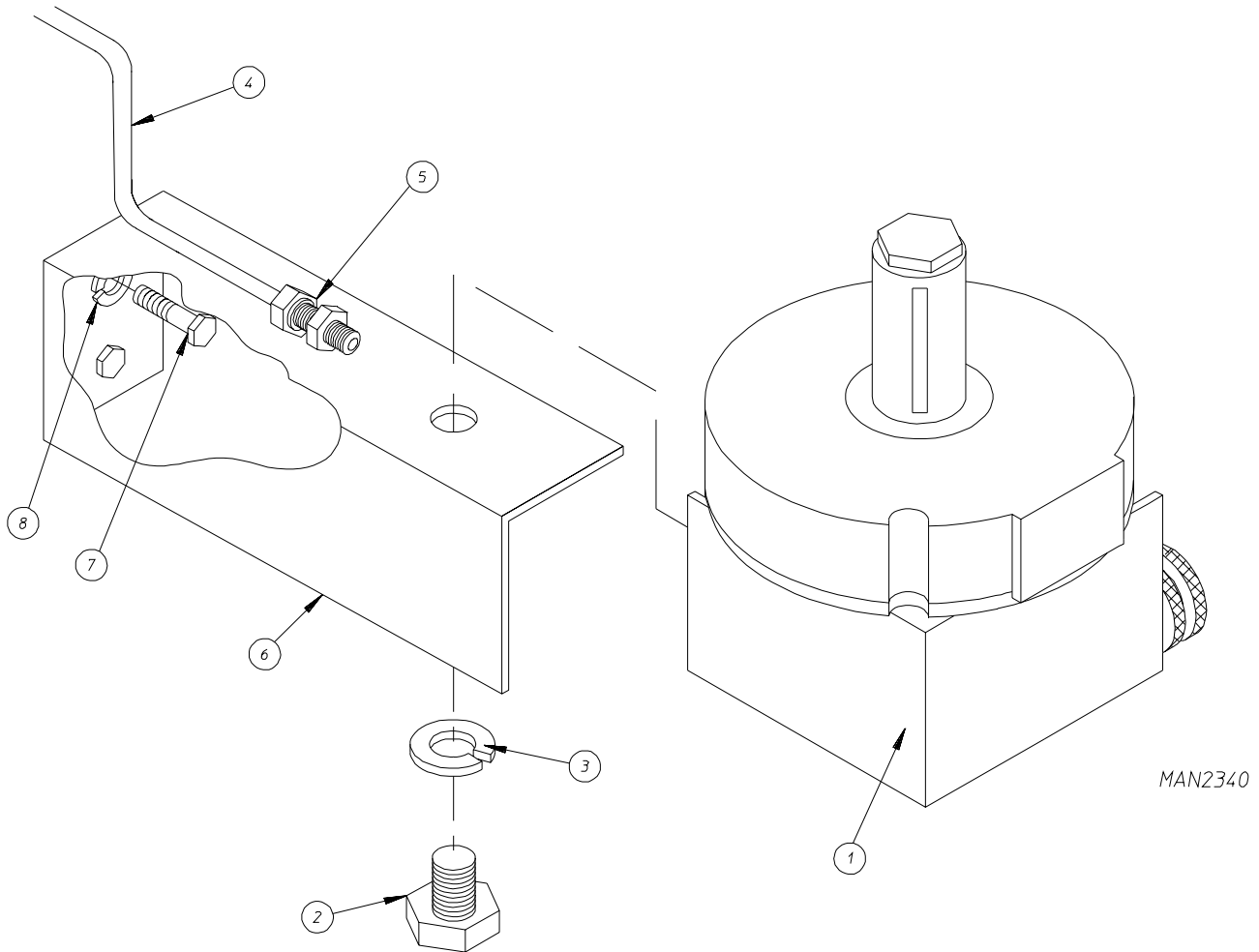
---



---

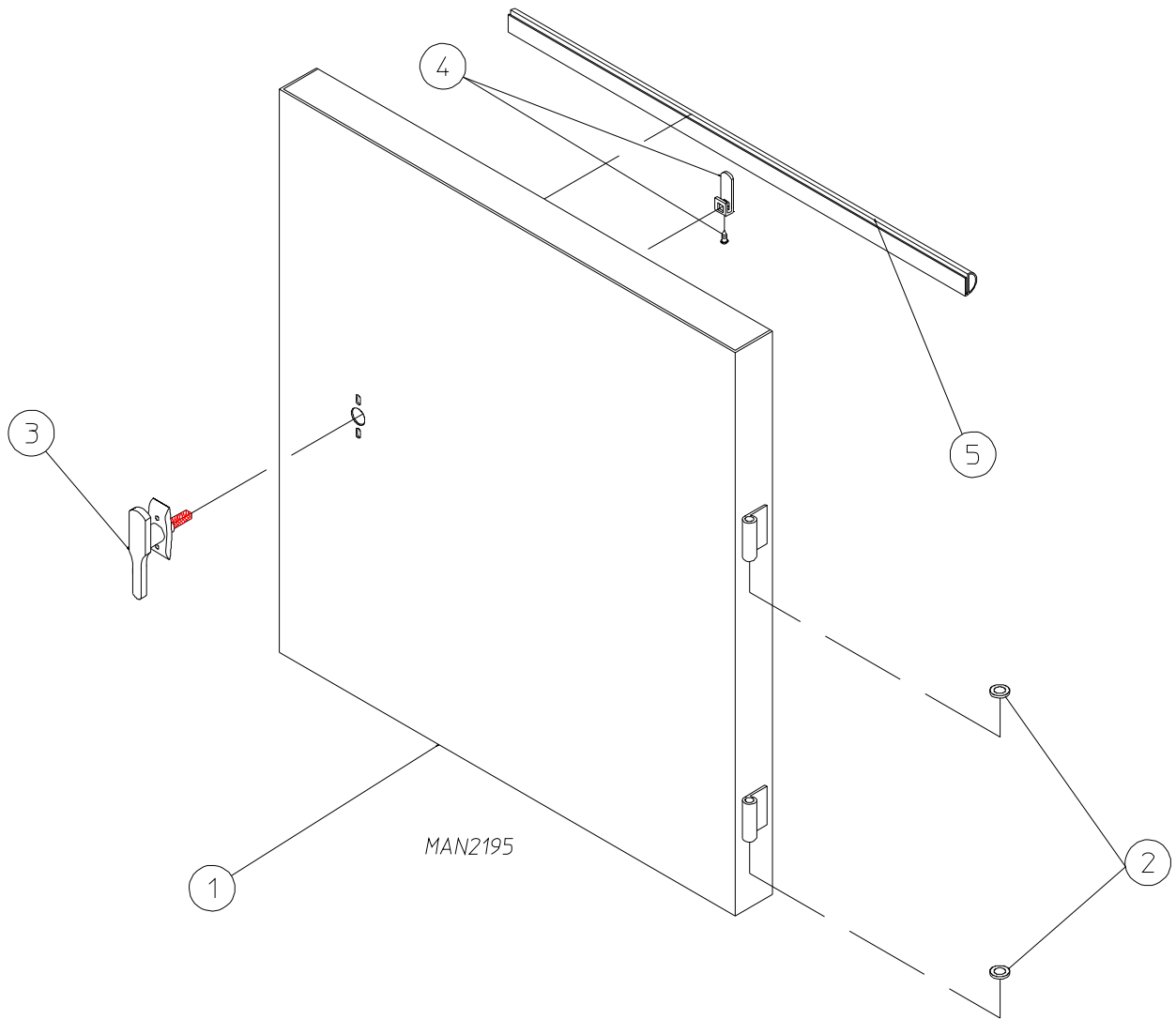
<u>Illus. No.</u>	<u>Part No.</u>	<u>Qty.</u>	<u>Description</u>
1*	346522	1	Lower Left Side Safety Panel
2	150514	4	5/16-18 x 2-1/4" Hex Head Bolt
3	153001	4	5/16" Flat Washer
4	153002	4	5/16" Lock Washer
5*	846847	1	Middle Left Side Safety Panel
6	150514	2	5/16-18 x 2-1/4" Hex Head Bolt
7	153001	2	5/16" Flat Washer
8	153002	2	5/16" Lock Washer
9*	846848	1	Upper Left Side Safety Panel
10	150514	4	5/16-18 x 2-1/4" Hex Head Bolt
11	153001	4	5/16" Flat Washer
12	153002	4	5/16" Lock Washer
13*	346521	1	Basket (tumbler) Base Tilt Safety Panel
14	150501	6	5/16-18 x 3/4" Hex Head Tap Bolt
15	153001	6	5/16" Flat Washer
16	153002	6	5/16" Lock Washer

\* Specify color when ordering.



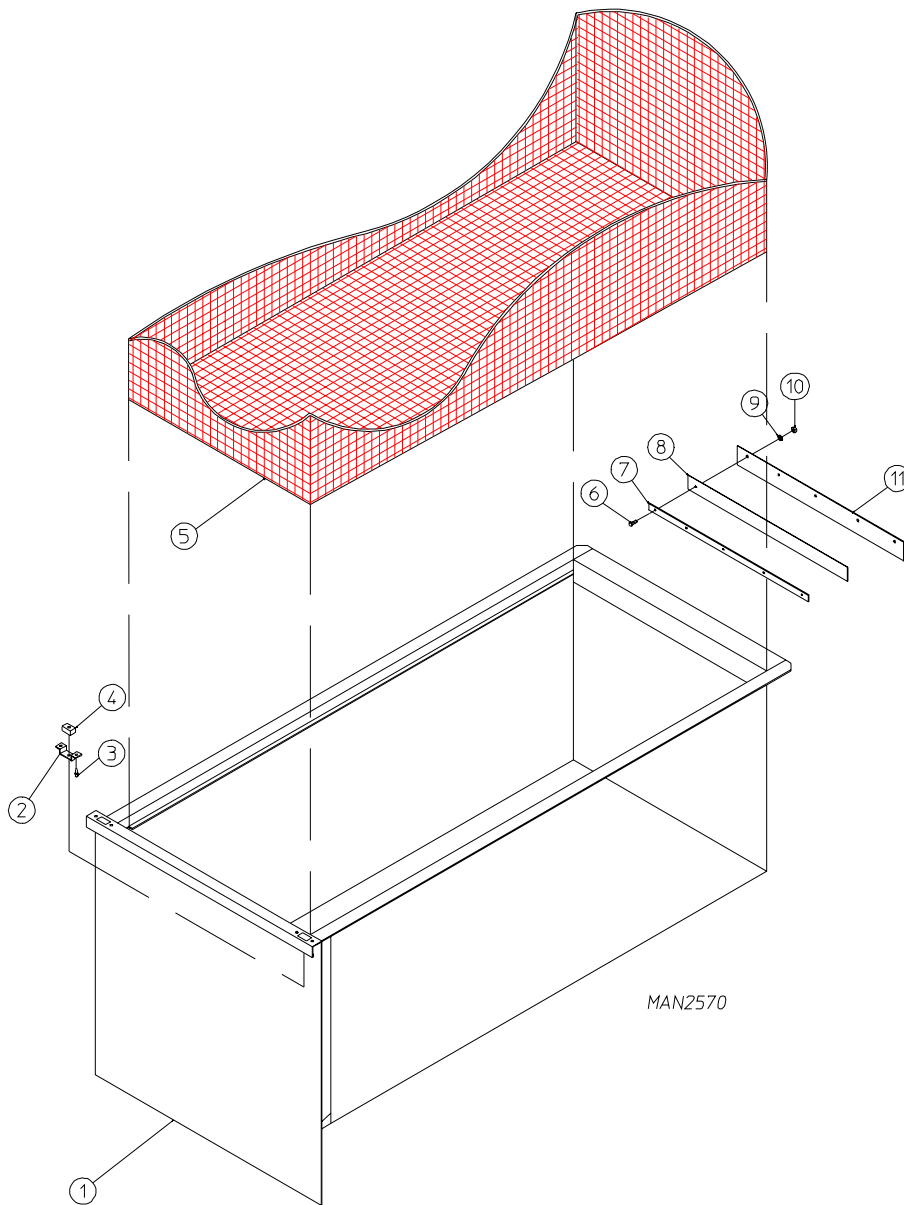
<u>Illus. No.</u>	<u>Part No.</u>	<u>Qty.</u>	<u>Description</u>
1	136993	1	Air Differential Switch with Dust Proof Cap
2	150501	1	5/16-18 x 3/4" Tap Bolt
3	153002	1	5/16" Lock Washer
4	882157	1	1/4" Aluminum Tubing (sold by the foot)
5	143152	1	1/4" x 1/8" M.P.T. Straight Connector
6	331470	1	Lint Air Switch Bracket
7	150510	2	1/4-20 x 3/4" Hex Head Machine Bolt
8	153007	2	1/4" Lock Washer





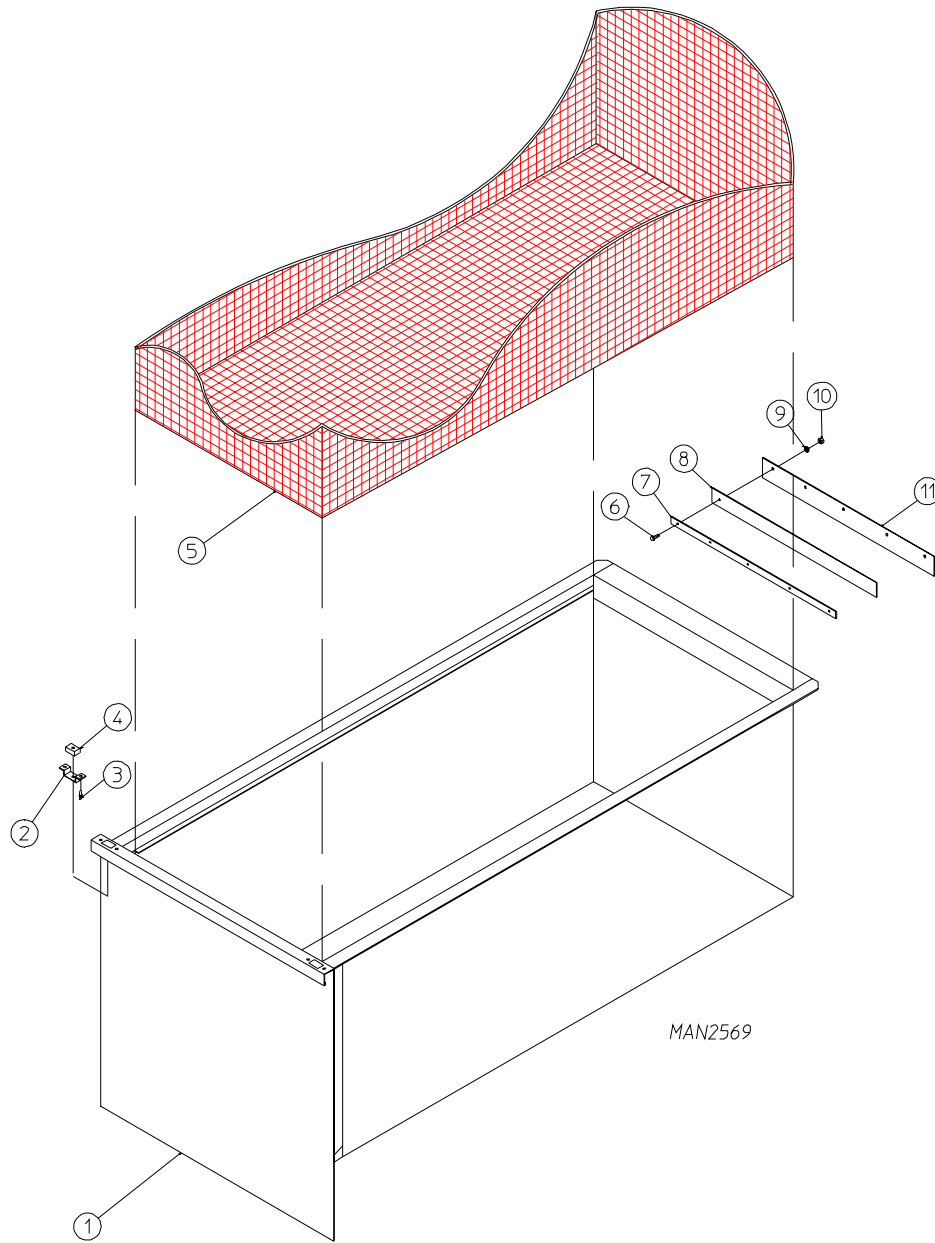
<u>Illus. No.</u>	<u>Part No.</u>	<u>Qty.</u>	<u>Description</u>
1*	846795	1	Lint Basket Door Assembly Complete (includes illus. nos. 1 through 5)
2	153068	2	Brass Hinge Washer
3	170217	1	Large Dryer Door Handle
4	160009	1	Adjustable Cam
5	102312	8	Gray Silicone Extruded Gasket (sold by the foot)

\* Specify color when ordering.



<u>Illus. No.</u>	<u>Part No.</u>	<u>Qty.</u>	<u>Description</u>
1*	881265	1	Left Lint Drawer/Basket Assembly Complete (includes illus. nos. 1 through 4)
2	331421	1	Lint Drawer/Basket Magnet Holder
3	154200	3	5/32" Rivet
4	102109	1	7/8" x 1/2" x 1/2" Magnet
5	108217	1	Lint Drawer/Basket Screen Assembly
6	150108	5	#8-32 x 1/2" Phillips Pan Head Machine Screw
7	346492	1	Base Lint Drawer/Basket Felt Strip
8	115989	1	Base Lint Drawer/Basket Felt
9	153012	5	#8 Star Washer
10	152001	5	#8-32 Hex Nut
11	346650	1	Lint Drawer/Basket Felt Stiffener

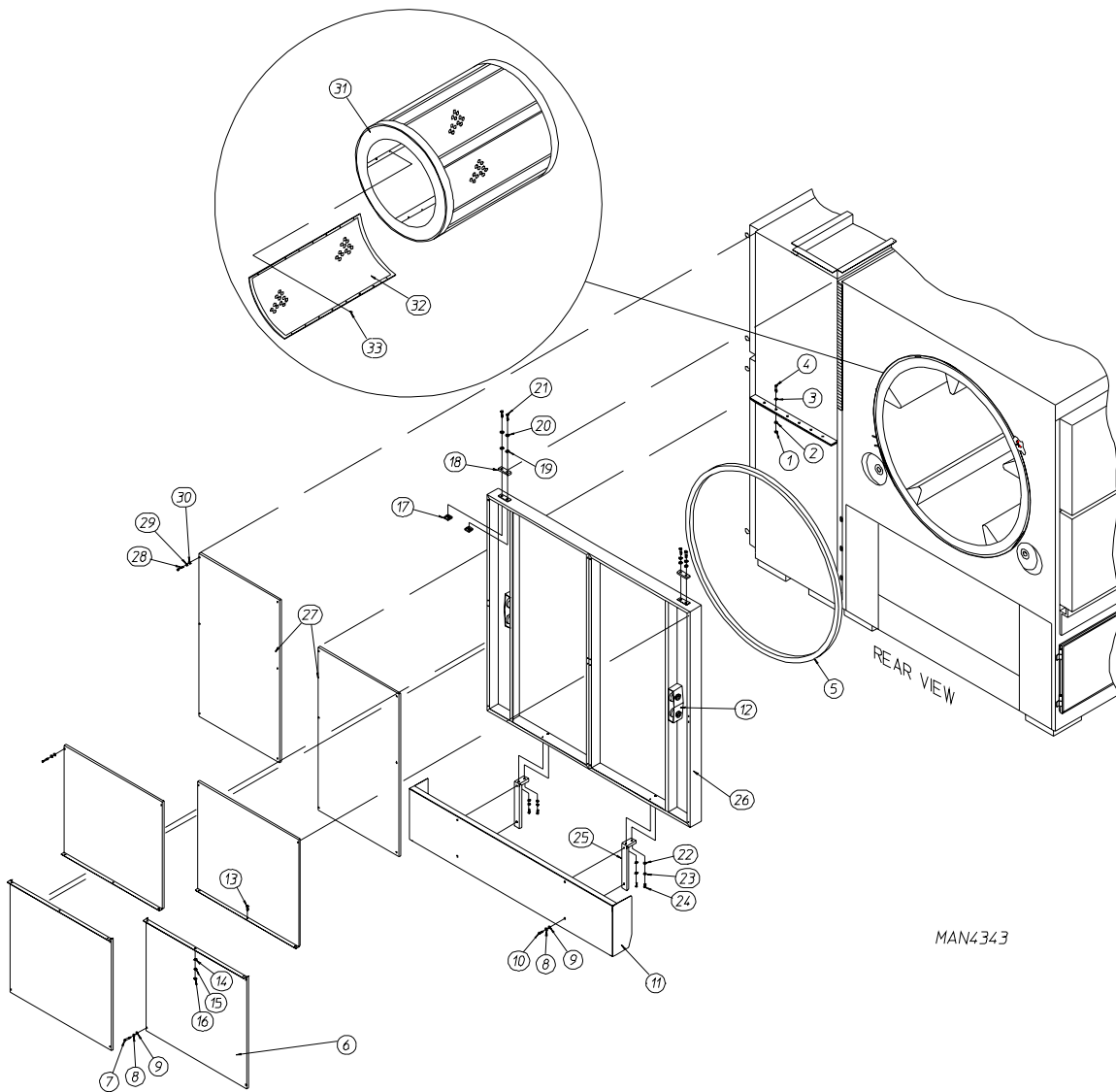
\* Specify color when ordering.



MAN2569

<u>Illus. No.</u>	<u>Part No.</u>	<u>Qty.</u>	<u>Description</u>
1*	881264	1	Right Lint Drawer/Basket Assembly Complete (includes illus. nos. 1 through 4)
2	331421	1	Lint Drawer/Basket Magnet Holder
3	154200	3	5/32" Rivet
4	102109	1	7/8" x 1/2" x 1/2" Magnet
5	108217	1	Lint Drawer/Basket Screen Assembly
6	150108	5	#8-32 x 1/2" Phillips Pan Head Machine Screw
7	346492	1	Base Lint Drawer/Basket Felt Strip
8	115989	1	Base Lint Drawer/Basket Felt
9	153012	5	#8 Star Washer
10	152001	5	#8-32 Hex Nut
11	346650	1	Lint Drawer/Basket Felt Stiffener

\* Specify color when ordering.



MAN4343

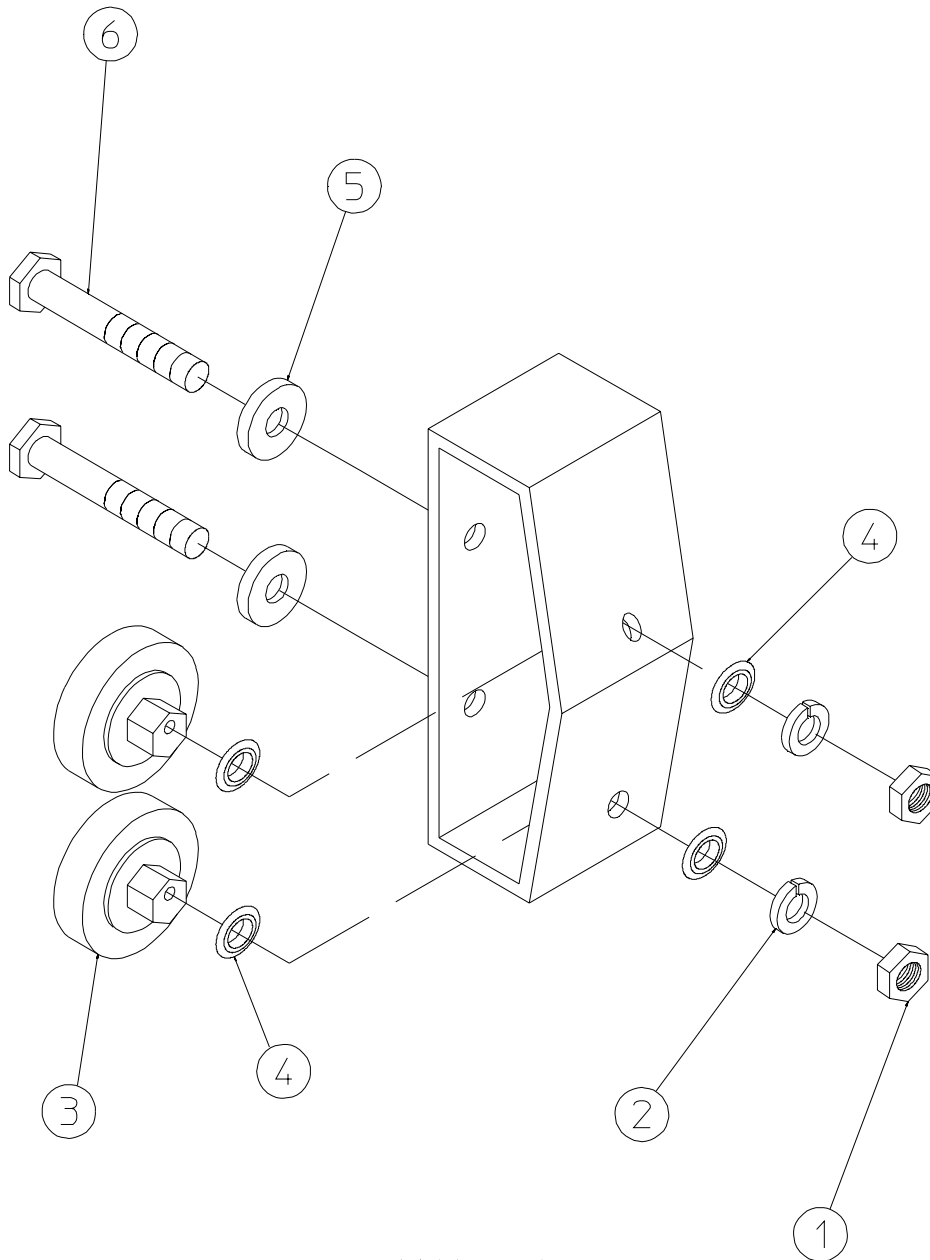
<u>Illus. No.</u>	<u>Part No.</u>	<u>Qty.</u>	<u>Description</u>
1	152005	16	3/8-16 Hex Nut
2	153005	16	3/8" Lock Washer
3	153004	16	3/8" Flat Washer
4	150508	16	3/8-16 x 3/4" Hex Head Machine Bolt
5	116009	1	200" x 1-3/8" x 3/8" Basket (tumbler) Felt
6*	331829	4	Solid Back Panel Cover
7	150621	16	5/16-18 x 1-1/2" Tap Bolt
8	153001	20	5/16" Flat Washer
9	153002	20	5/16" Lock Washer
10	150501	4	5/16-18 x 3/4" Tap Bolt
11*	820855	1	Solid Back Panel Lower Guard
12	820664	4	Basket (tumbler) Retaining Wheel Mount Assembly
13	150615	6	1/4-20 x 3/4" Tap Bolt
14	153018	6	1/4" Flat Washer
15	153007	6	1/4" Lock Washer
16	152002	6	1/4-20 Hex Nut
17	820523	4	Bottom Hinge Spacer
18	331786	2	Top Spacer Front Panel Hinge
19	153011	4	9/16" I.D. x 1-3/8" O.D. Flat Washer
20	153026	4	1/2" Lock Washer
21	150605	4	1/2-13 x 1-1/2" Tap Bolt
22	153002	4	5/16" Lock Washer
23	153001	4	5/16" Flat Washer
24	150501	4	5/16-18 x 3/4" Tap Bolt
25	820856	2	Lower Guard Mounting Channel
26	820603	1	Solid Back Panel
27	846846	2	Exhaust Insulation Panel (for models mfd. as of March 4, 1997)
28	150225	12	5/16-18 x 3-1/2" Hex Head Machine Screw (for models mfd. as of March 4, 1997)
29	153002	12	5/16" Lock Washer (for models mfd. as of March 4, 1997)
30	153001	12	5/16" Flat Washer (for models mfd. as of March 4, 1997)
31	846716	1	Basket (tumbler) ONLY
	882009	1	Basket (tumbler) with Removable Perforated Panel
	846902	1	Basket (tumbler) with Perforated Ribs (for <b>Fabric Conditioning Option Only</b> )
32	881646	5	Removable Basket (tumbler) Perforated Panel
33	150122	80	1/4-20 x 3/8" Stainless Steel Socket Button Head Countersunk Screw

\* Specify color when ordering.



<u>Illus. No.</u>	<u>Part No.</u>	<u>Qty.</u>	<u>Description</u>
1	820600	2	Drive Wheel Assembly with Hub
2	100712	2	1/2" x 1/2" x 3" Key
3	331760	2	Bearing Mount
4	880882	2	2" Pillow Block Bearing with Setscrews and Grease Fitting
5	153016	4	5/8" Flat Washer
6	150627	4	5/8-11 x 5" Hex Head Bolt
7	153016	2	5/8" Flat Washer
8	153015	4	5/8" Lock Washer
9	152010	4	5/8-11 Hex Nut
10	101022	1	2" Bore Tapered Bushing
11	101019	1	Taper Bushed Speed Reducer
12	154395	1	Gear Reducer Turnbuckle
13	150508	2	3/8-16 x 3/4" Bolt
14	153005	2	3/8" Lock Washer
15	153004	2	3/8" Flat Washer
16	101176	1	2B x 5.6 Pulley
17*	100143	2	A29 V-Belt (basket [tumbler] to drive motor) For 60 Hz Models ONLY
	100138	2	A30 V-Belt (basket [tumbler] to drive motor) For 50 Hz Models ONLY
18	100709	1	3/8" x 3/8" x 2" Key
19	101196	1	SDS x 1-5/8" Bushing with Setscrew
20	346510	1	2" x 79-1/16" Drive Shaft
21	332838	2	Basket (tumbler) Bearing Spacer
22	150629	2	1/2-13 x 3-1/2" Hex Head Bolt
23	153026	2	1/2" Lock Washer
24	152011	2	1/2-13 Hex Nut
25	101191	2	2" Bore Tapered Bushing
26	101171	2	Lock Collar - 2" Bore
27	101025	1	Fulcrum

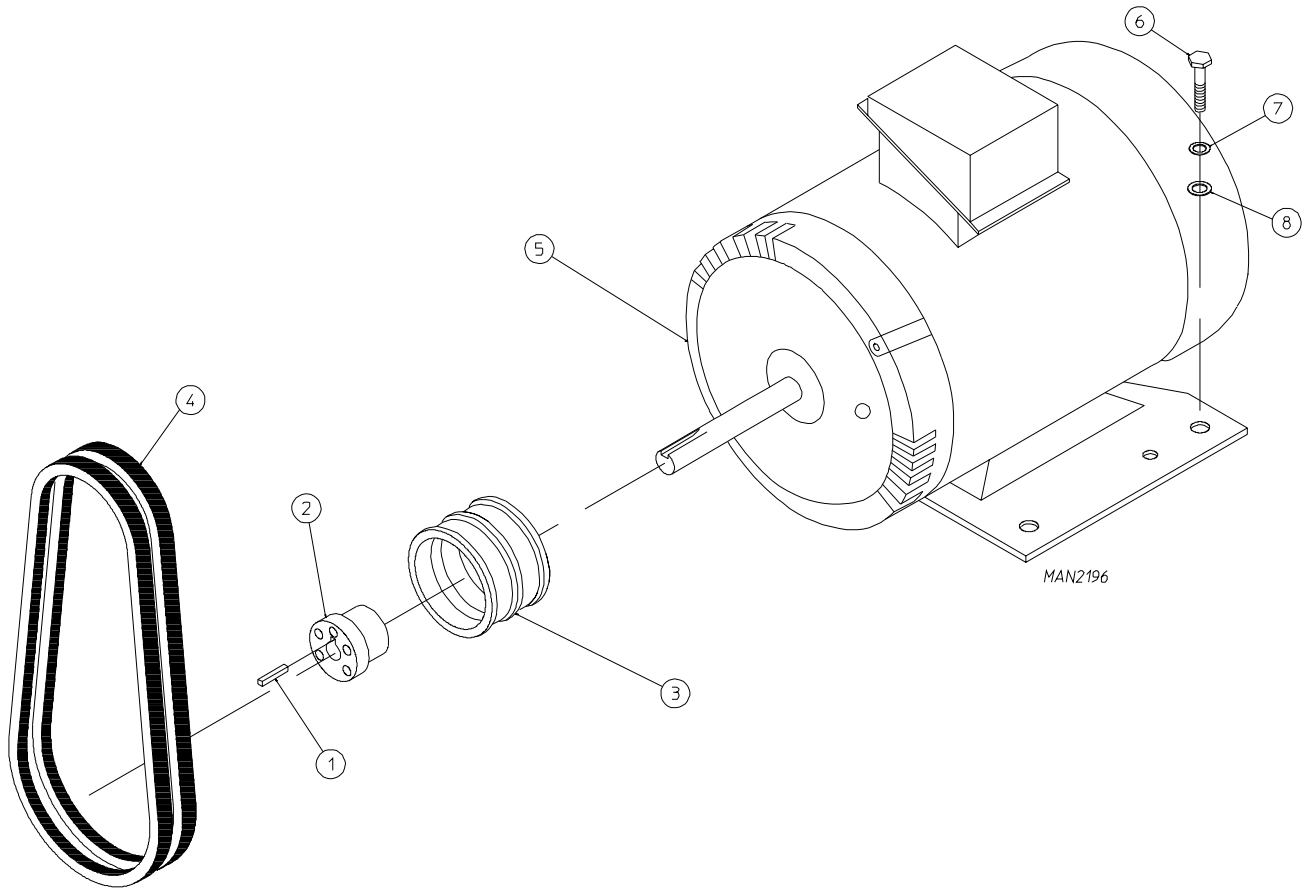
\* Replace in matched sets (both belts).



MAN2317

<u>Illus. No.</u>	<u>Part No.</u>	<u>Qty.</u>	<u>Description</u>
1	152005	2	3/8-16 Hex Nut
2	153005	2	3/8" Lock Washer
3	820566	2	Retaining Wheel Assembly
4	153062	4	5/16" x 7/8" x 1/4" Spherical Washer
5	153004	2	3/8" Flat Washer
6	150438	2	3/8-16 x 3-1/4" Hex Head Machine Bolt

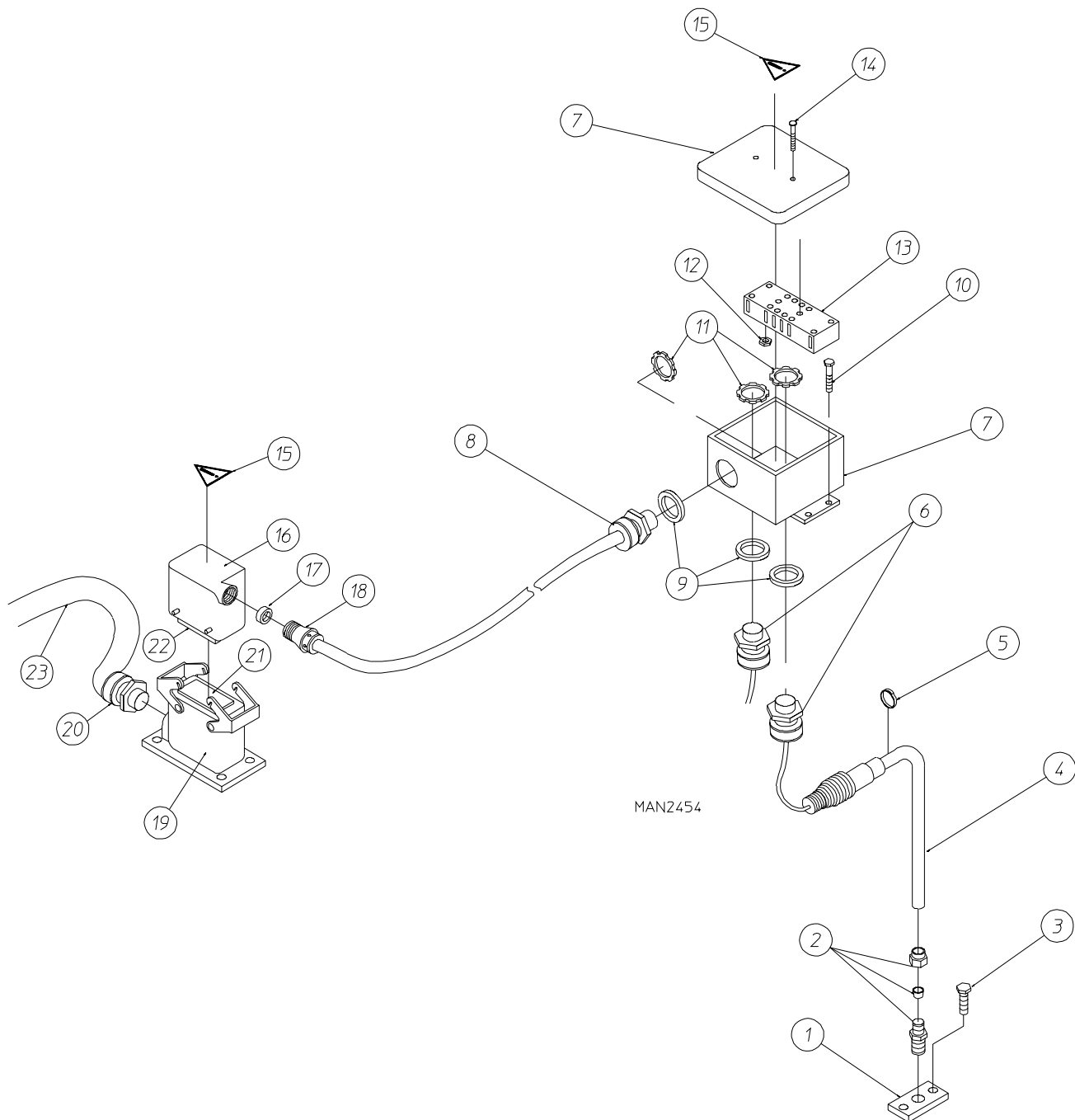




<u>Illus. No.</u>	<u>Part No.</u>	<u>Qty.</u>	<u>Description</u>
1	100704	1	1/4" x 1/4" x 1-3/4" Key
2	101144	1	SH x 1-1/8" Bushing
3	101187	1	2B x 3.6 Pulley (for 60 Hz models Only)
	101195	1	2B x 4.4 Pulley (for 50 Hz models Only)
4*	100143	2	A29 V-Belt (motor to basket [tumbler] drive shaft) For 60 Hz Models ONLY
	100177	2	AX-29 V-Belt - Heavy Duty (motor to basket [tumbler] drive shaft) For 60 Hz Models ONLY
	100138	2	A30 V-Belt (motor to basket [tumbler] drive shaft) For 50 Hz Models ONLY
5**	181020	1	5 HP Drive Motor (208-230 240v 3ø 60 Hz) (230-380 416v 3ø 50 Hz)
6	150508	4	3/8-16 x 3/4" Hex Head Bolt
7	153005	4	3/8" Lock Washer
8	153004	4	3/8" Flat Washer

\* Replace in matched sets (both belts).

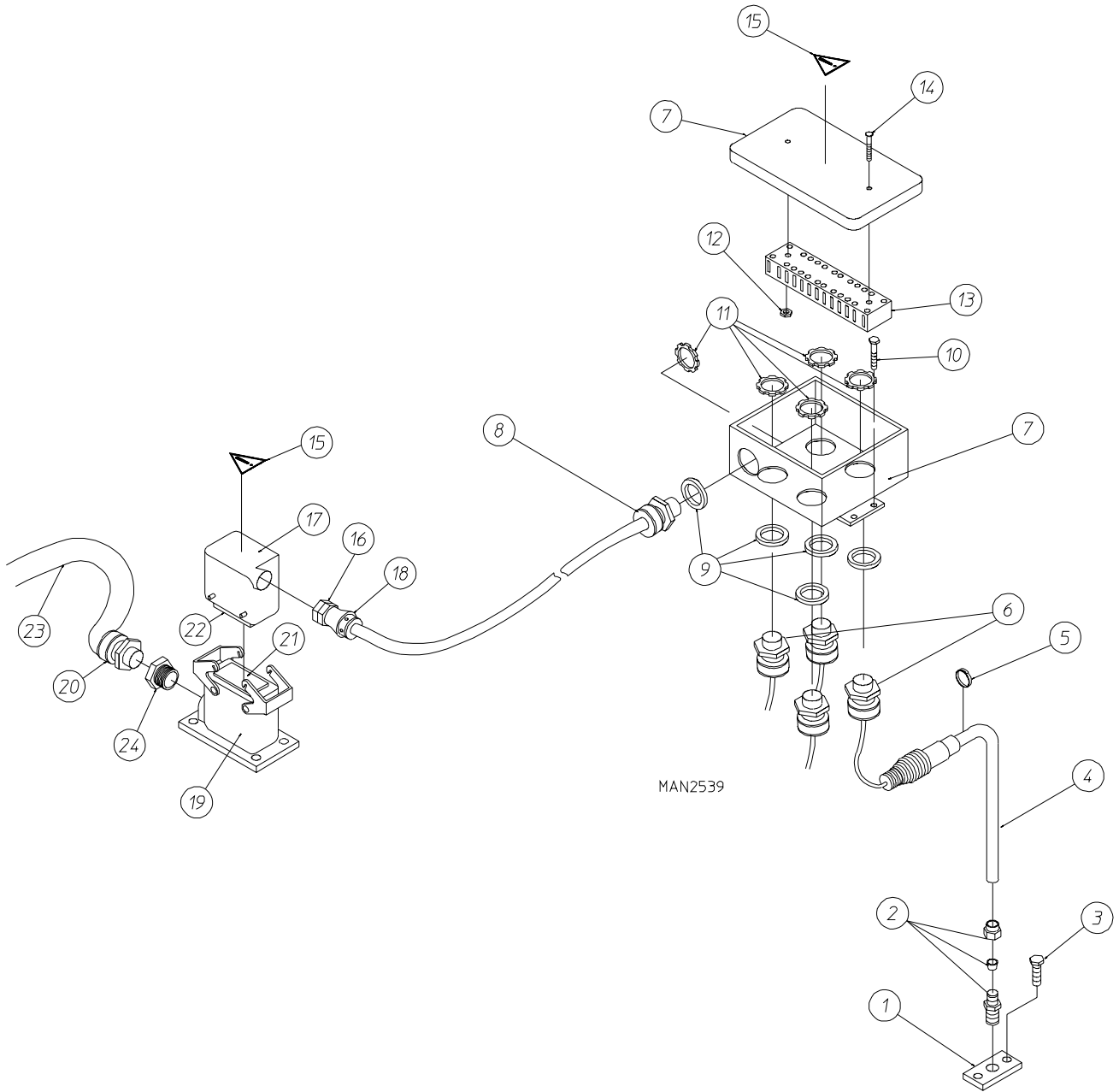
\*\* Specify voltage when ordering.



---

<u>Illus. No.</u>	<u>Part No.</u>	<u>Qty.</u>	<u>Description</u>
1	331877	2	Temperature Sensor Mounting Plate
2	143296	2	1/4" Compression Fitting
3	150522	4	1/4-20 x 1/2" Hex Head Washer TEK Screw
4	881455	2	9" Resistance Temperature Detector (RTD) Sensor
5	121495	2	4" Identification Wire-Ty
6	120659	2	Orange Cord Grip Connector
7	847322	1	Temperature Probe Disconnect Box
8	120656	1	Brown Cord Grip Connector
9	120914	3	1/2" N.P.T. Metal Clad O-Ring
10	150523	4	1/4-20 x 3/4" Hex Head Machine Bolt
11	120915	3	1/2" N.P.T. Lock Nut
12	152000	2	#6-32 Hex Nut
13	120703	1	6-Position Screw Connector
14	150008	2	#6-32 x 1-1/4" Phillips Round Head Machine Screw
15	122427	2	"!" Caution Label
16	134012	1	Side Entry Hood
17	134015	1	Multiple Seal
18	134014	1	Bell Mouth Cable Fitting with Strain Relief
19	134013	1	Single Entry Surface Mount Housing
20	134016	1	Universal Cable Protection
21	134010	1	6-Position Screw Terminal Female Insert
22	134011	1	6-Position Screw Terminal Male Insert
23	847376	1	Basket (tumbler) Section Temperature Disconnect Cable Assembly

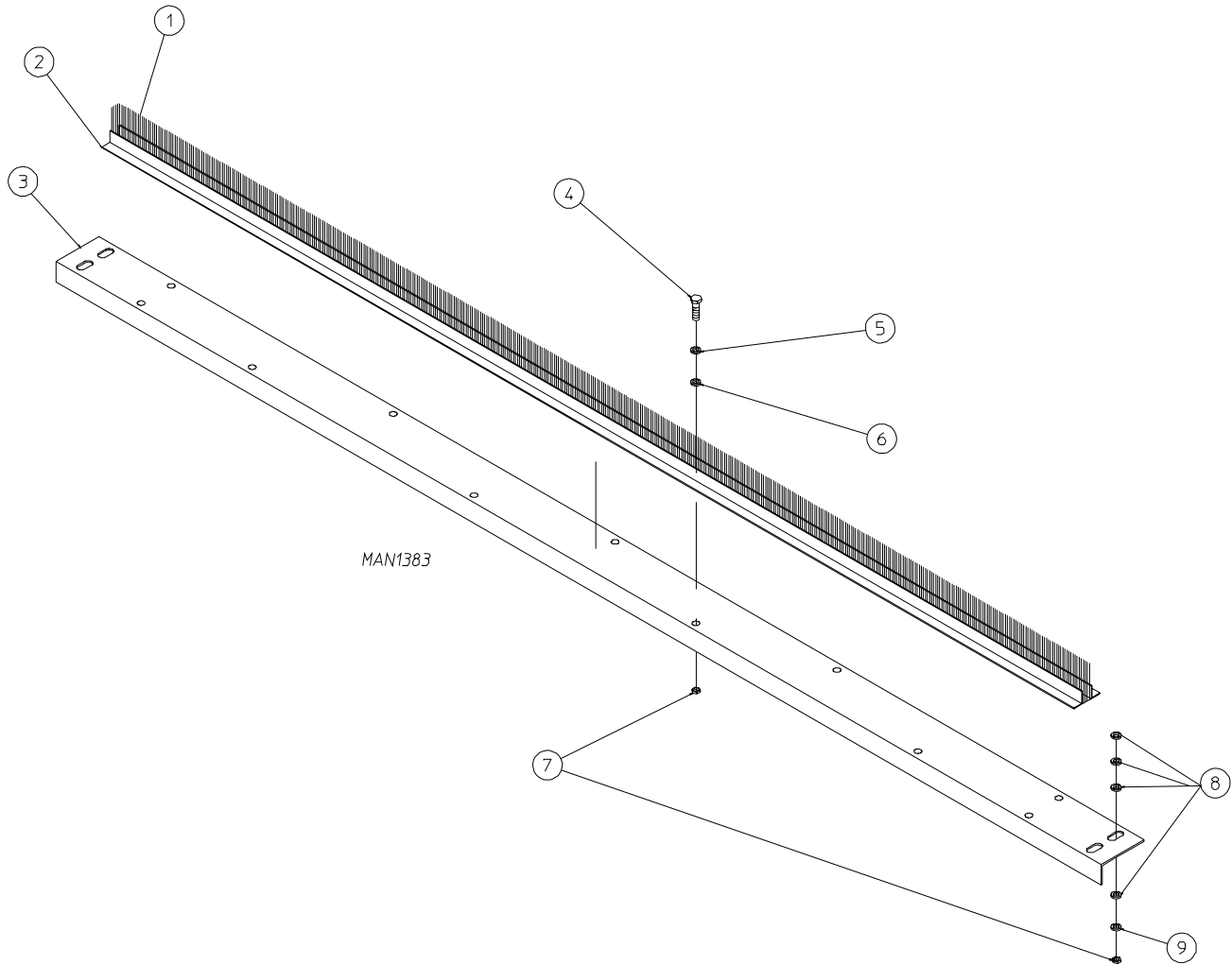
For Fabric Conditioning Option ONLY



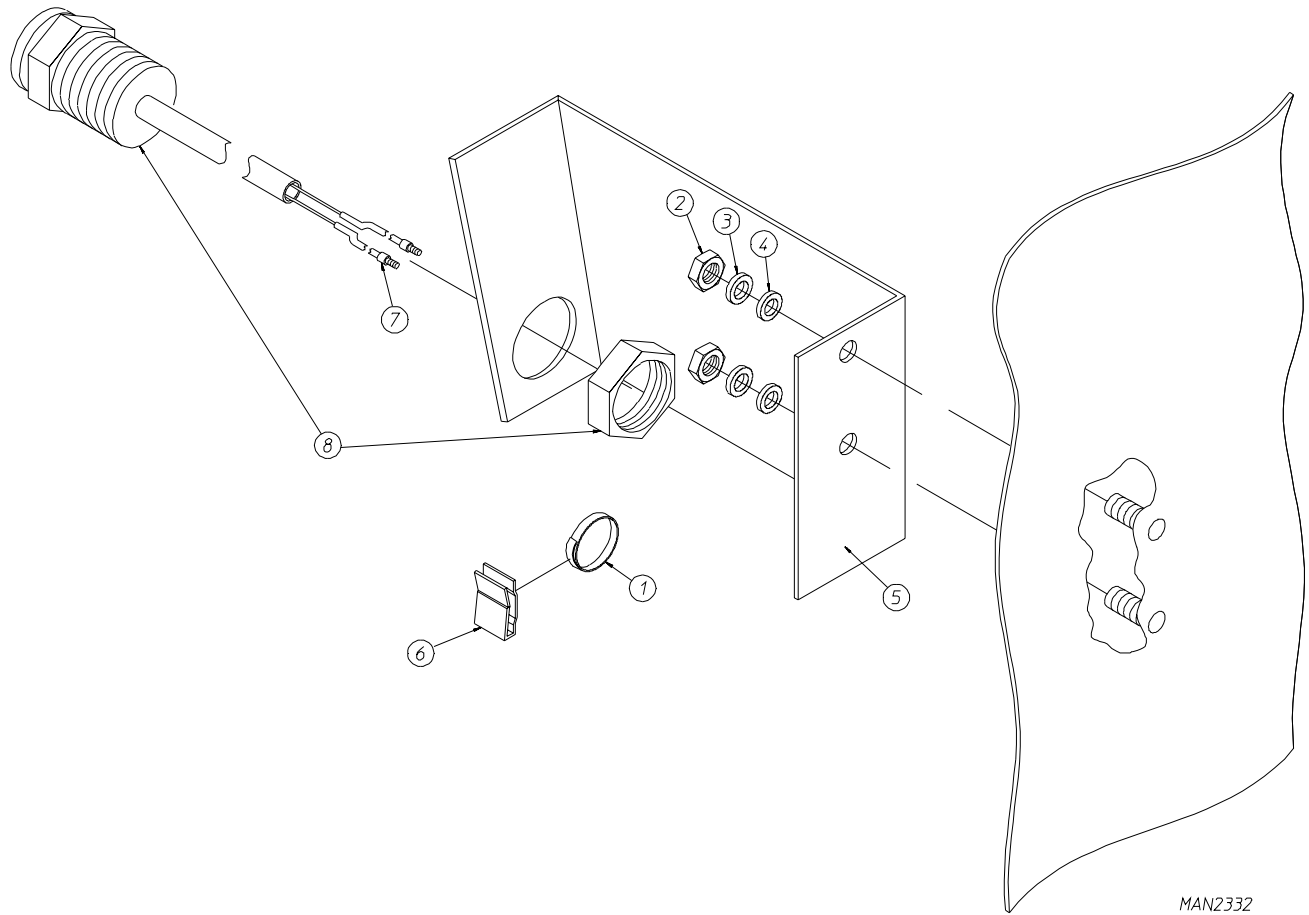
**For Fabric Conditioning Option ONLY**

---

<u>Illus. No.</u>	<u>Part No.</u>	<u>Qty.</u>	<u>Description</u>
1	331877	4	Temperature Sensor Mounting Plate
2	143296	4	1/4" Compression Fitting
3	150522	8	1/4-20 x 1/2" Hex Head Washer TEK Screw
4	881455	4	9" Resistance Temperature Detector (RTD) Sensor
5	121495	4	4" Identification Wire-Ty
6	120659	4	Orange Cord Grip Connector
7	847398	1	Temperature Probe Disconnect Box
8	120660	1	Cord Grip Connector
9	120914	5	1/2" N.P.T. Metal Clad O-Ring
10	150523	4	1/2-20 x 3/4" Hex Head Machine Bolt
11	120915	4	1/2" N.P.T. Lock Nut
12	152000	2	#6-32 Hex Nut
13	120702	1	12-Position Screw Connector
14	150008	2	#6-32 x 1-1/4" Phillips Round Head Machine Screw
15	122427	2	"!" Caution Label
16	134007	1	Liquid-Tite Adapter
17	134001	1	16-Position Lateral Hood
18	120660	1	Cord Grip Connector
19	134003	1	Surface Mount Housing
20	120657	1	Yellow Cord Grip (for 3/4" N.P.T.)
21	134006	1	16-Position Terminal Female Insert
22	134005	1	16-Position Screw Terminal Male Insert
23	847401	1	Tumbler Section Temperature Disconnect Cable #62 Assembly
24	134007	1	Liquid-Tite Adapter



<u>Illus. No.</u>	<u>Part No.</u>	<u>Qty.</u>	<u>Description</u>
1	170189	1	62-1/2" Wire Brush
2	170188	1	62-1/2" Aluminum Basket (tumbler) Brush Holder
3	346537	1	Basket (tumbler) Brush Mounting Bracket
4	150510	11	1/4-20 x 3/4" Hex Head Machine Bolt
5	153007	11	1/4" Lock Washer
6	153018	11	1/4" Flat Washer
7	152002	15	1/4-20 Hex Nut
8	153018	16	1/4" Flat Washer
9	153007	4	1/4" Lock Washer



MAN2332

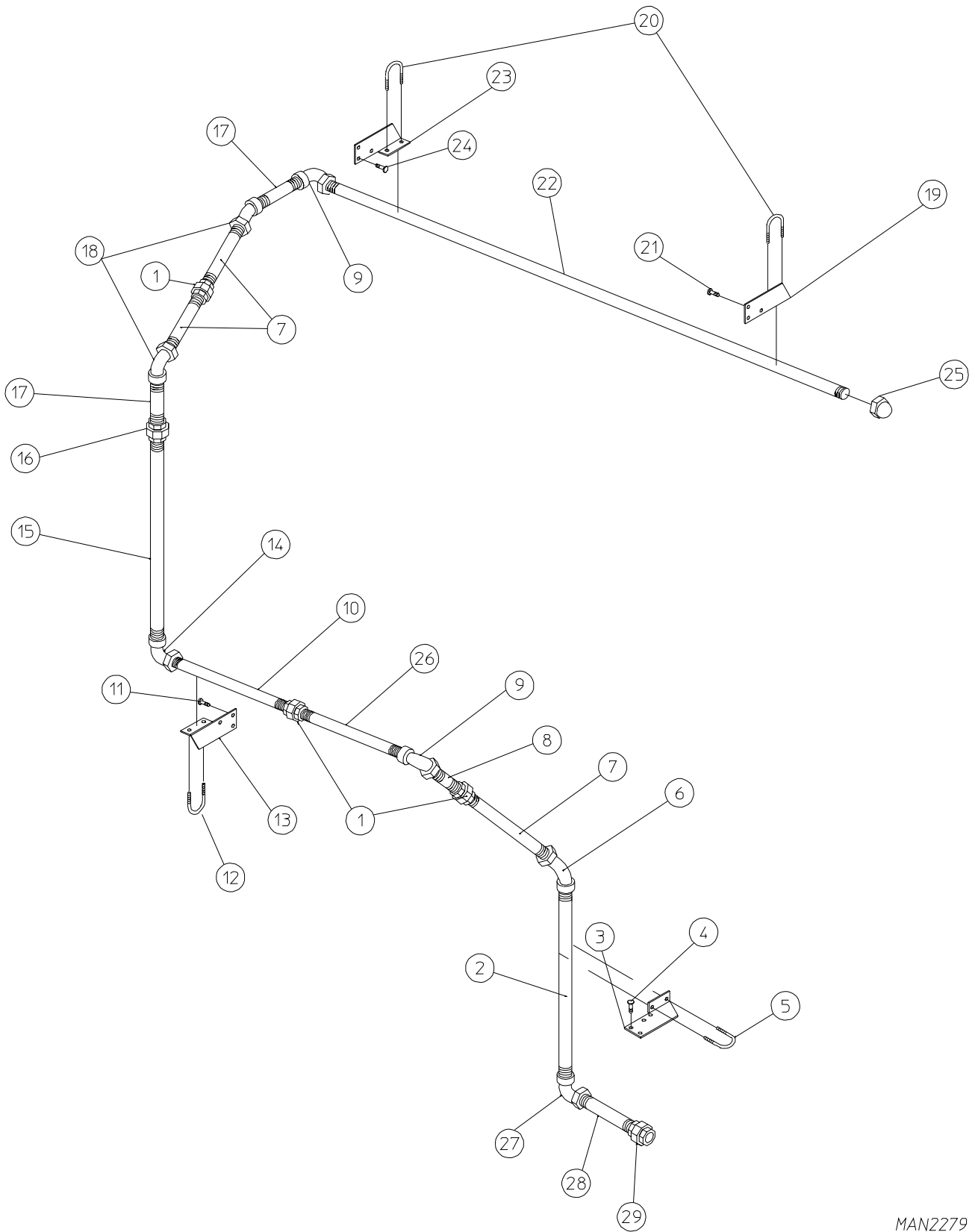
<u>Illus. No.</u>	<u>Part No.</u>	<u>Qty.</u>	<u>Description</u>
1	121499	3	5-1/2" Wire Tie
2	152002	2	1/4-20 Hex Nut
3	153007	2	1/4" Lock Washer
4	153018	2	1/4" Flat Washer
5	331420	1	Rotational Sensor Bracket
6	121509	3	Ty-Wrap Metal Clip-On Mount
7	122736	2	#8 AWG Yellow Ferrule
8	122380	1	Rotational Sensor (motion detector) Switch





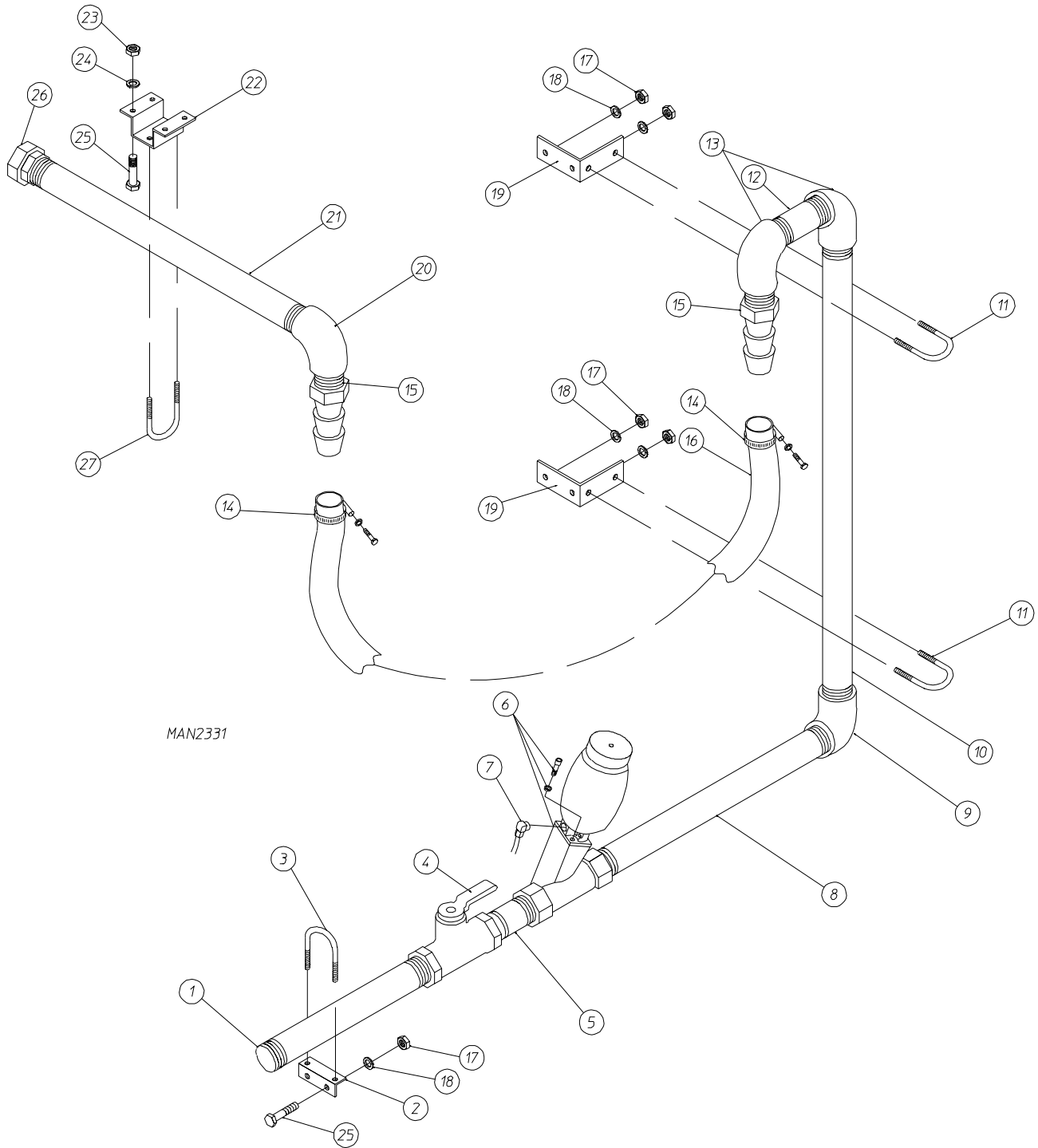
---

<u>Illus. No.</u>	<u>Part No.</u>	<u>Qty.</u>	<u>Description</u>
1	847354	1	Junction Box Cable Assembly (includes illus. nos. 1 through 12)
	134005	1	16-Position Male Pin Insert
2	134004	2	Keying Pin
3	134001	1	16-Position Lateral Hood
4	134007	2	3/4" Liquid-Tite Fitting Adapter
5	120606	2	3/4" Straight Liquid-Tite Fitting
6	120605	2	3/4" x 90° Liquid-Tite Connector
7	120918	1	3/4" N.P.T. Lock Nut
8	120918	1	3/4" N.P.T. Lock Nut
9	121496	2	7-1/2" Identification Wire-Ty
10	120604	20	3/4" Liquid-Tite Conduit (sold by the foot)
11	134000	1	16-Position Hood
12	134006	1	16-Position Female Pin Insert
13	121117	1	Non-Metallic Foot Kit
14	150300	4	#10-16 x 1/2" Hex Washer TEK Screw
15	134002	1	16-Position Panel Mounting Base
16	120999	2	Blank Marking Tab
17	120765	2	End Stop
18	120766	1	End Section
19	122424	1	Small Warning Label
20	120752	1	Disconnect Block
21	120750	1	Ground Block
22	120758	5	Feed Thru Terminal Block
23	154210	4	5/32" Pop Rivet
24	120768	1	7-1/4" Slotted Mounting Rail (sold by the foot)
25	331533	1	Panel for Junction Box
26	120915	2	1/2" N.P.T. Lock Nut
27	820727	1	Basket (tumbler) Electrical Junction Box Assembly
28	120914	2	1/2" N.P.T. Metal Clad O-Ring
29	120652	1	Red Cord Grip Connector
30	120655	1	Blue Cord Grip Connector
31	825001	1	Front Door Cable #36 Assembly

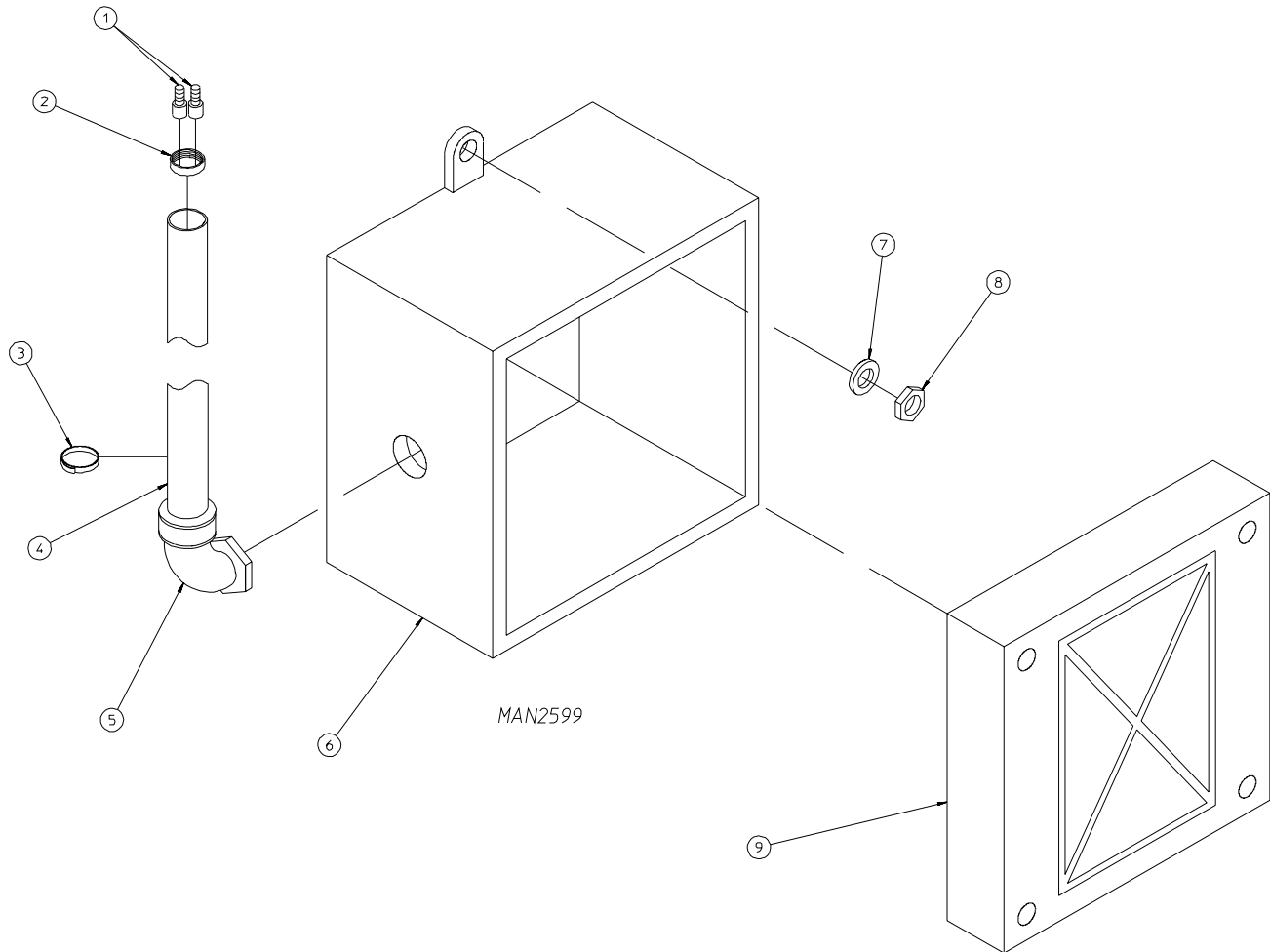


MAN2279

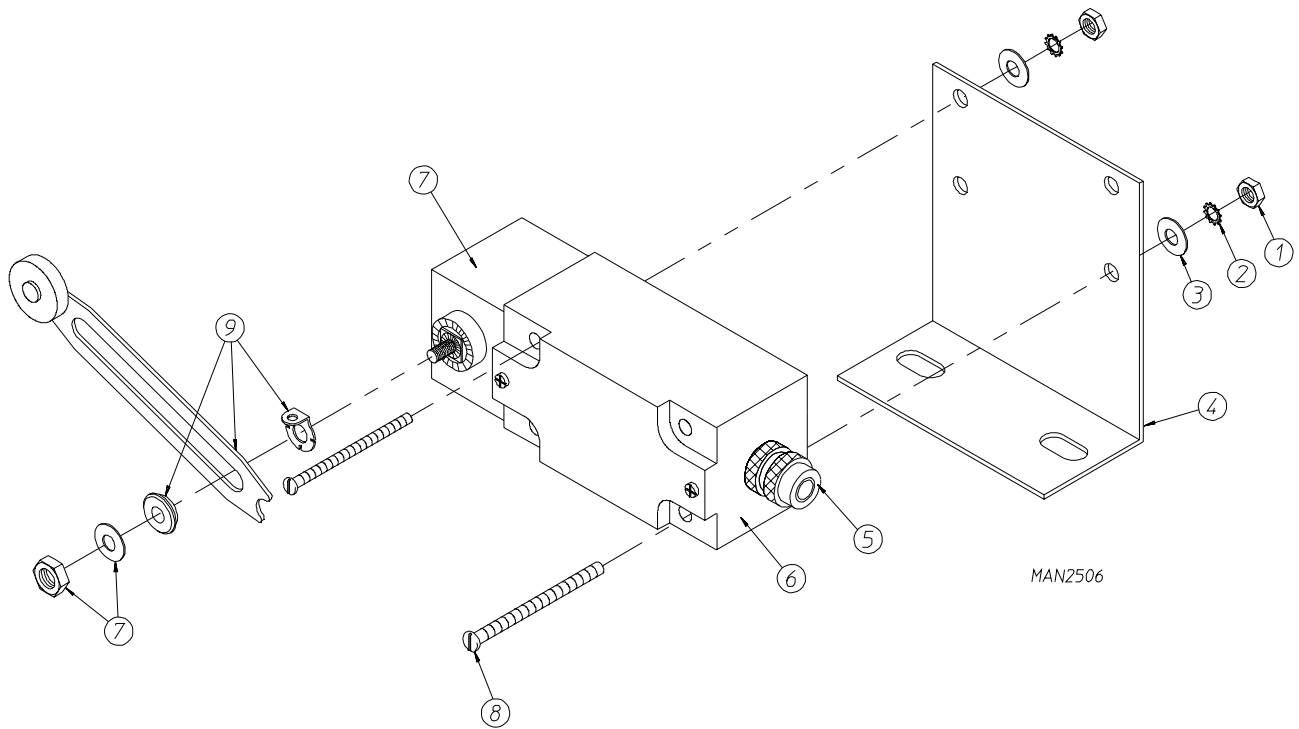
<u>Illus. No.</u>	<u>Part No.</u>	<u>Qty.</u>	<u>Description</u>
1	142602	3	1" Union
2	142745	1	1" x 15" Nipple
3	331793	1	Left Sprinkler Bracket
4	150522	3	1/4-20 x 1/2" Hex Head Washer TEK Screw
5	154350	1	1" Pipe U-Bolt
6	142590	1	1" x 45° Elbow
7	142589	3	1" x 10" Nipple
8	142584	1	1" x 4-1/2" Nipple
9	142548	2	1" x 90° Elbow
10	142598	1	1" x 17" Nipple (for models mfd. as of March 28, 1996)
	142745	1	1" x 15" Nipple (for models mfd. prior to March 28, 1996)
11	150522	3	1/4-20 x 1/2" Hex Head Washer TEK Screw
12	154350	1	1" Pipe U-Bolt
13	331792	1	Right Sprinkler Bracket
14	142548	1	1" x 90° Elbow
15	142588	1	1" x 23-1/4" Nipple
16	142602	1	1" Union
17	142581	2	1" x 5" Nipple
18	142590	2	1" x 45° Elbow
19	331793	1	Left Sprinkler Bracket
20	154350	2	1" Pipe U-Bolt
21	150522	3	1/4-20 x 1/2" Hex Head Washer TEK Screw
22	142608	1	1" x 74" Nipple
23	331792	1	Right Sprinkler Bracket
24	150522	3	1/4-20 x 1/2" Hex Head Washer TEK Screw
25	142591	1	1" End Cap
26	142585	1	1" x 18" Nipple
27	142548	1	1" x 90° Elbow
28	142593	1	1" x 7" Nipple
29	142602	1	1" Union



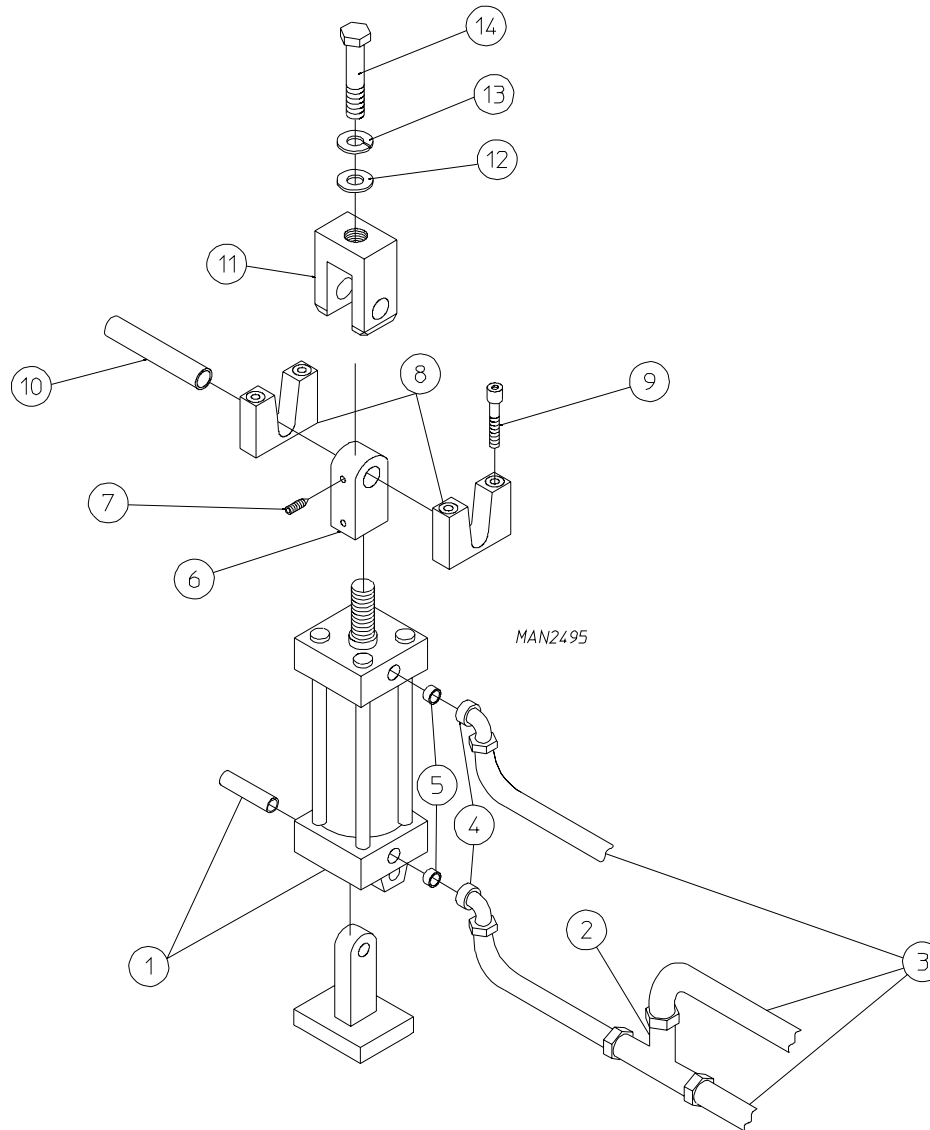
<u>Illus. No.</u>	<u>Part No.</u>	<u>Qty.</u>	<u>Description</u>
1	142744	1	1" x 12" Nipple
2	331417	1	Sprinkler Pipe Bracket
3	154350	1	U-Bolt for 1" Pipe
4	143556	1	1" F.P.T. Ball Valve
5	142808	1	1" x 3" Nipple
6	100565	1	Sprinkler Valve (for models mfd. as of July 25, 1996)
	881414	1	Sprinkler Valve (for models mfd. prior to July 25, 1996)
	100567	1	Sprinkler Valve Rebuilt Kit
7	143210	1	1/4" M.P.T. Compression Elbow
8	142598	1	1" x 17" Nipple
9	142548	1	1" x 90° Elbow
10	142746	1	1" x 24" Nipple
11	154350	2	U-Bolt for 1" Pipe
12	142808	1	1" x 3" Nipple
13	142548	2	1" x 90° Elbow
14	143137	2	13/16-1 x 3/4" Hose Clamp
15	143136	2	1" I.D. Steel Air Hose Nipple
16	143135	1	1" I.D. x 4' Super Flex Rubber Hose
17	152002	6	1/4-20 Hex Nut
18	153007	6	1/4" Lock Washer
19	346535	2	Basket (tumbler) Base Sprinkler Pipe Mounting Bracket
20	142548	1	1" x 90° Elbow
21	142587	1	1" x 27-1/2" Nipple
22	331419	1	Top Sprinkler Pipe Bracket
23	152002	4	1/4-20 x 1" Hex Nut
24	153007	4	1/4" Lock Washer
25	150511	6	1/4-20 x 1" Hex Head Machine Bolt
26	142602	1	1" Union
27	154350	1	U-Bolt for 1" Pipe



<u>Illus. No.</u>	<u>Part No.</u>	<u>Qty.</u>	<u>Description</u>
1	122736	6	#18 AWG Yellow Ferrule
2	121400	2	7/8" Universal Bushing
3	121495	2	4" Identification Wire Tie
4	133380	16	#18 AWG Cable (sold by the foot)
5	120650	1	90° Cord Grip
6	128956	1	Alarm Horn Box
7	153007	2	1/4" Lock Washer
8	152002	2	1/4-20 Hex Nut
9	128955	1	Alarm Horn - 120 VAC



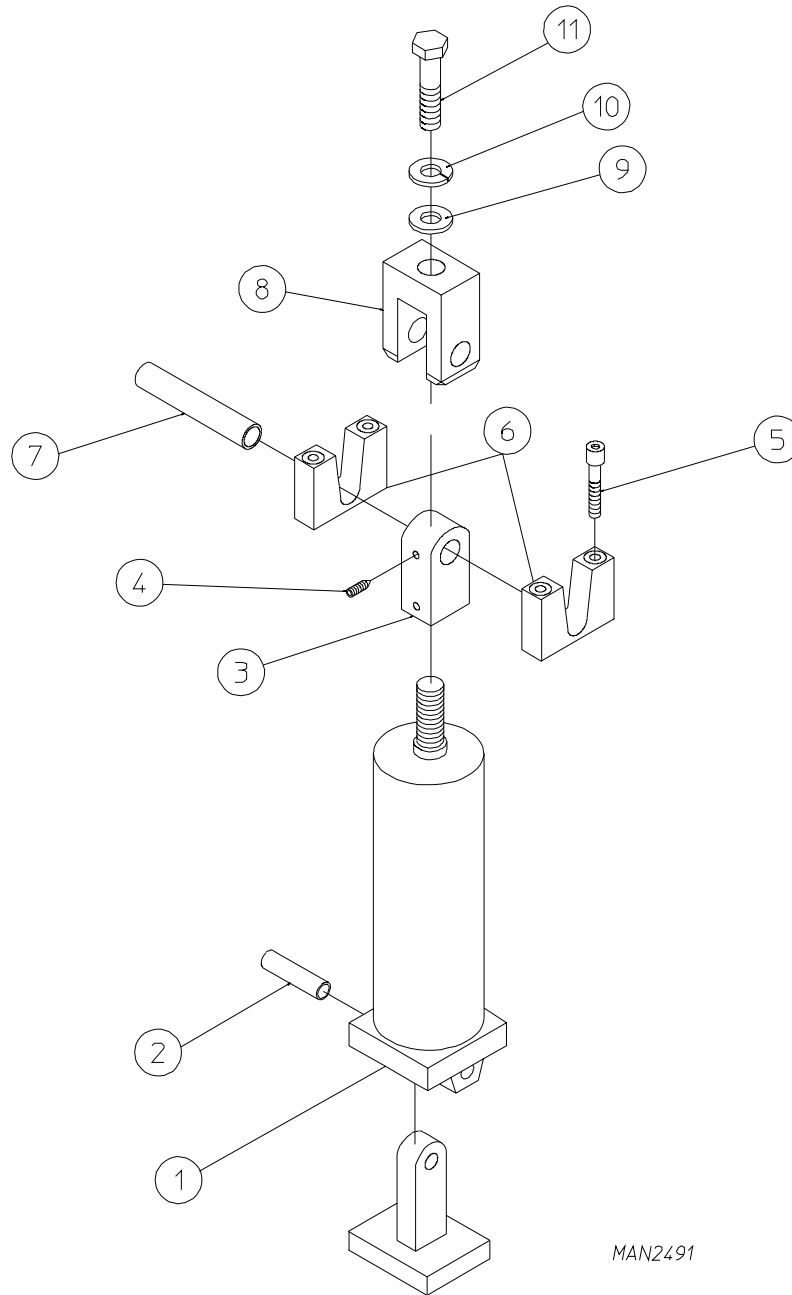
<u>Illus. No.</u>	<u>Part No.</u>	<u>Qty.</u>	<u>Description</u>
1	152001	4	#8-32 Hex Nut
2	153012	4	#8 Star Washer
3	153000	4	#8 Flat Washer
4	331911	1	Tilt Switch Bracket
5	120655	1	Blue Cord Grip Connector
6	122367	1	Limit Switch Body
7	122365	1	Limit Switch ONLY
8	150109	4	#8-32 x 2" Phillips Round Head Machine Screw
9	122369	1	Roller Lever Arm



<u>Illus. No.</u>	<u>Part No.</u>	<u>Qty.</u>	<u>Description</u>
1	100563	1	6" Bore x 19" Stroke Cylinder with Clevis Pin
	100433	1	6" Bore x 15" Stroke Cylinder with Clevis Pin (optional)
	100488	1	Clevis Pin ONLY
2	143221	1	3/8" Brass Union Tee
3	143120	10	3/8" O.D. Poly-Flo Tubing (sold by the foot)
4	143298	2	3/8" x 90° Compression Elbow
5	143299	2	3/8" Tube Insert
6	100442	1	Rod Eye
7	154333	2	1/4-20 x 1" Cup Point Setscrew
8	102383	2	Cylinder Pin Bumper
9	150435	4	3/8-16 x 3" Socket Cap Screw
10	346491	1	1-3/8" Clevis Pin
11	100484	1	Rod Clevis
12	153034	1	1-1/4" Flat Washer
13	153036	1	1-1/4" Lock Washer
14	150516	1	1-1/4-12 x 2" Hex Head Bolt

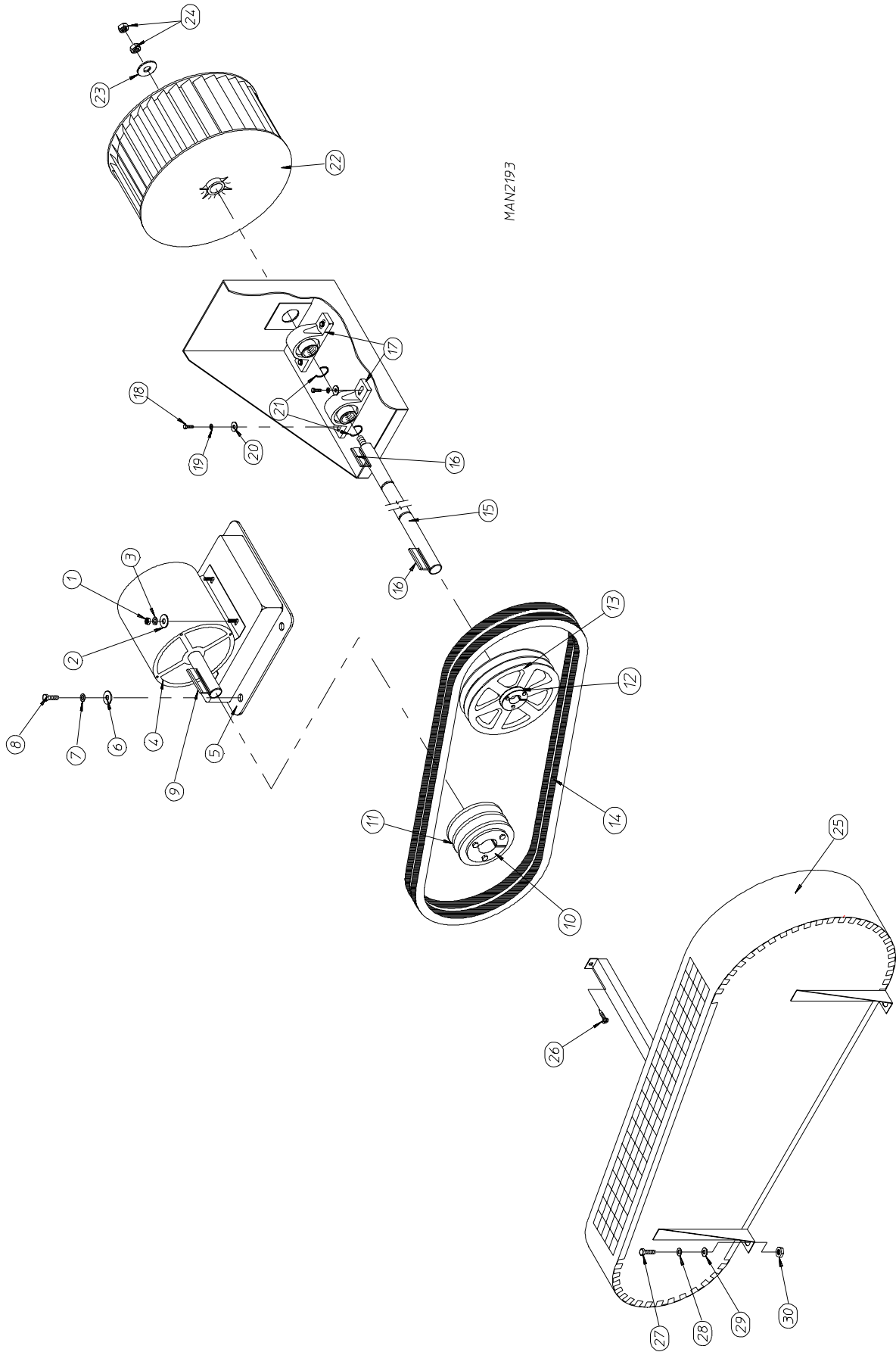


**For One-Way Tilt Models ONLY**



MAN2491

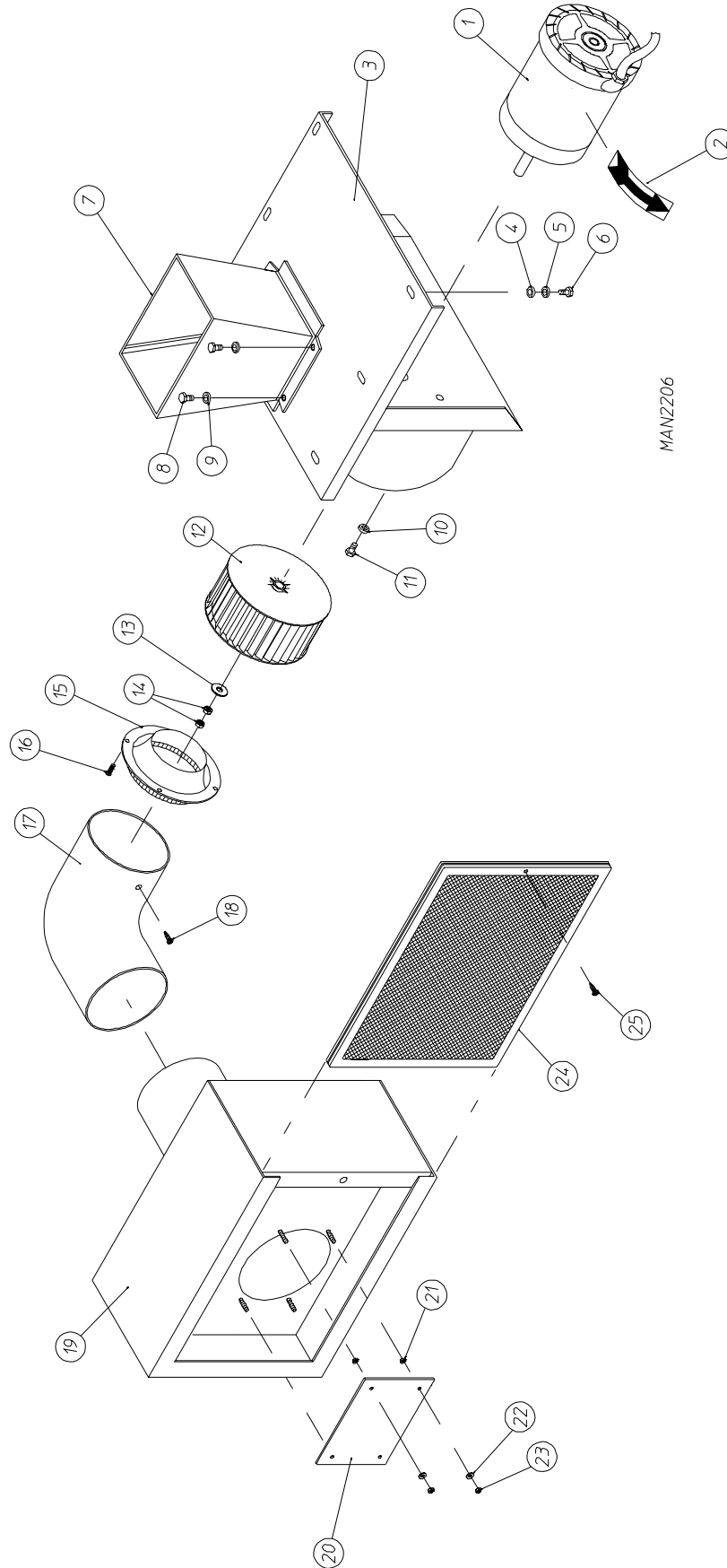
<u>Illus. No.</u>	<u>Part No.</u>	<u>Qty.</u>	<u>Description</u>
1	846763	1	Piston Bar
2	100448	1	1" Pivot Pin
3	100442	1	Rod Eye
4	154333	2	1/4-20 x 1" Setscrew
5	150435	4	3/8-16 x 3" Socket Cap Screw
6	102383	2	Cylinder Pin Bumper
7	346491	1	1-3/8" Clevis Pin
8	100484	1	Clevis Block
9	153034	1	1-1/4" Flat Washer
10	153036	1	1-1/4" Lock Washer
11	150516	1	1-1/4-12 x 2" Hex Head Bolt



<u>Illus. No.</u>	<u>Part No.</u>	<u>Qty.</u>	<u>Description</u>
1	152011	4	1/2-13 Hex Nut
2	153014	4	1/2" Flat Washer
3	153026	4	1/2" Lock Washer
4	181021	1	25 HP 3 $\phi$ 50/60 Hz Motor
5	181104	1	284T Frame Slide Motor Base (for models mfd. as of February 20, 1996)
	181007	1	256T Frame Slide Motor Base (for models mfd. prior to February 20, 1996)
6	153014	4	1/2" Flat Washer
7	153026	4	1/2" Lock Washer
8	150605	4	1/2-13 x 1-1/2" Tap Bolt
9	100709	1	3/8" x 3/8" x 2" Key
10	101214	1	SK x 1-7/8" Bushing (for models mfd. as of August 13, 1996)
	101213	1	SDS x 1-7/8" Bushing (for models mfd. between February 20, 1996 and August 13, 1996)
	101196	1	SDS x 1-5/8" Bushing (for models mfd. prior to February 20, 1996)
11	101176	1	2B x 5.6 Pulley (for 60 Hz models Only)
	101189	1	2B x 8.0 Pulley (for 50 Hz models Only) For Models Mfd. as of October 25, 1995
	101175	1	2B x 6.8 Pulley (for 50 Hz models Only) For Models Mfd. prior to October 25, 1995
12	101154	1	SK x 1-3/4" Bushing
13	101145	1	2B x 11.0 Pulley
14*	100122	2	BX 84 V-Belt
15	346402	1	Blower Shaft ONLY
16	100710	2	3/8" x 3/8" x 3" Key
17	100239	2	1-3/4" Pillow Block Bearing
18	150606	4	1/2-13 x 2" Tap Bolt
19	153026	4	1/2" Lock Washer
20	153011	4	1/2" Flat Washer
21	100816	2	1-3/4" E-Clip
22	100661	1	22-1/4" Blower Wheel
23	153071	1	Fan Washer
24	152053	2	3/4-16 Left Hand Jam Nut
25	846801	1	Belt Guard ONLY
26	150301	1	#8-18 x 7/16" Phillips Pan Head TEK Screw
27	150512	2	1/4-20 x 1/2" Hex Head Machine Bolt
28	153007	2	1/4" Lock Washer
29	153018	2	1/4" Flat Washer
30	152002	2	1/4-20 Hex Nut

\* Replace in matched sets (both belts).

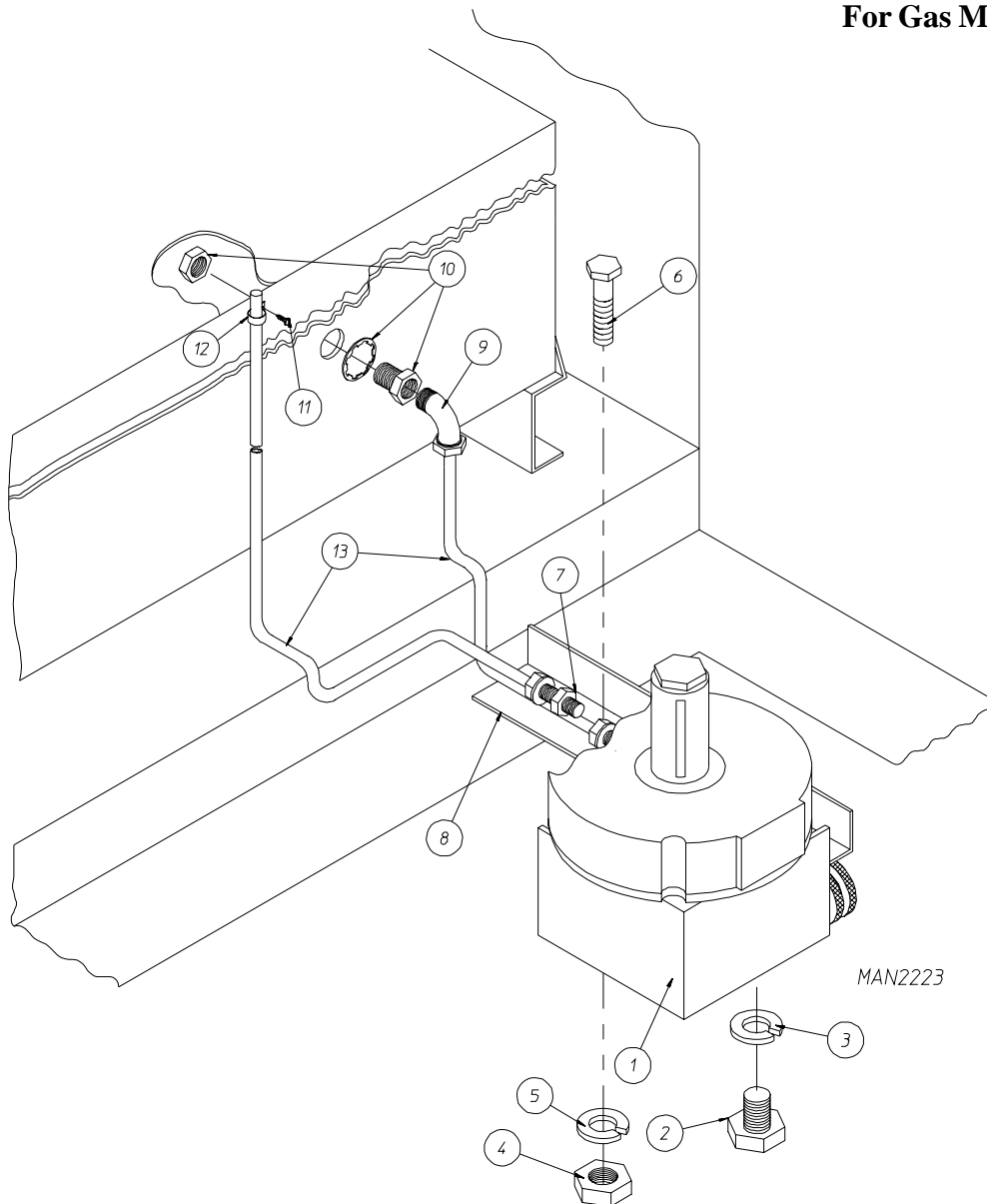
For Gas Models ONLY



**For Gas Models ONLY**

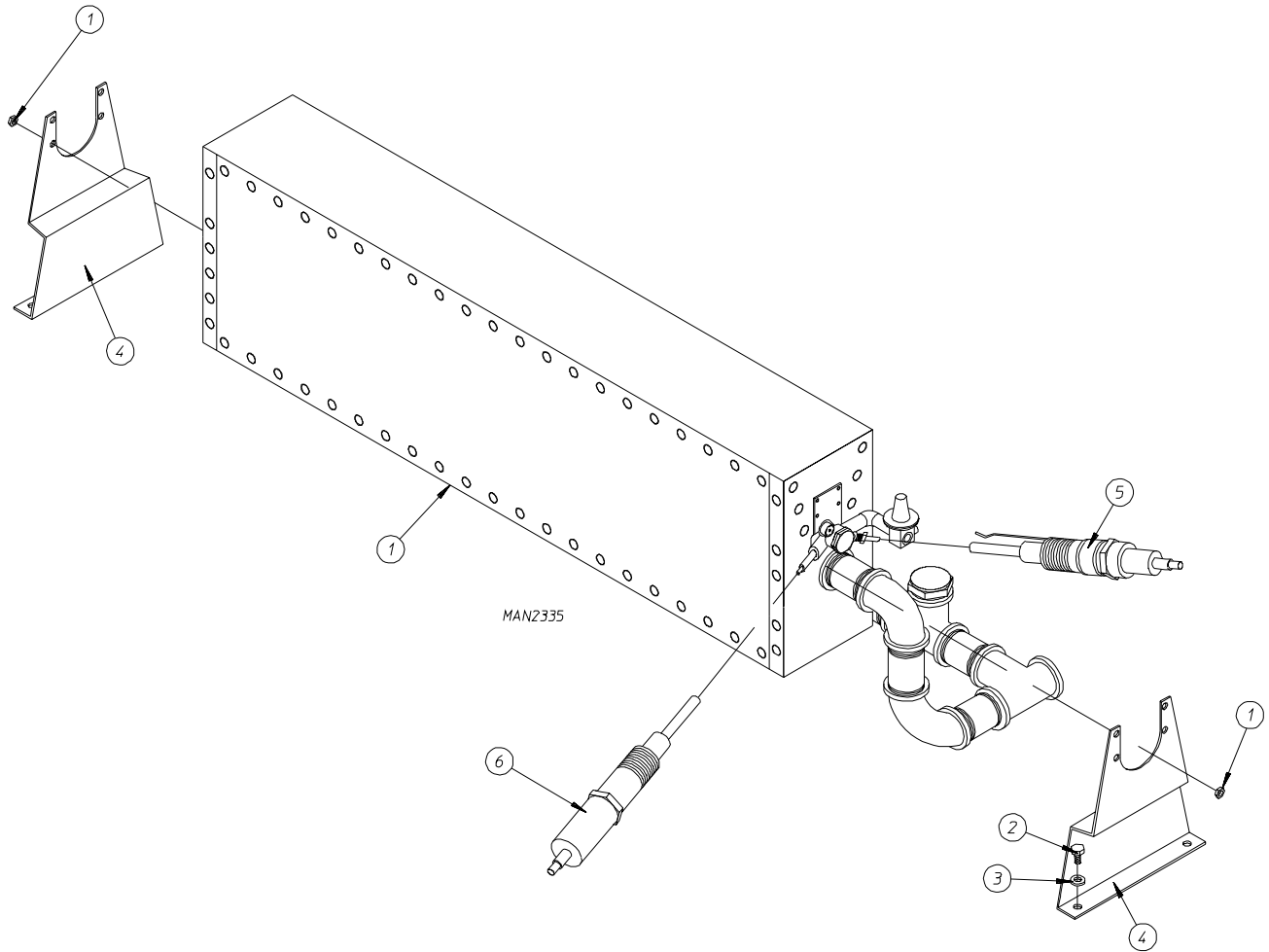
<u>Illus. No.</u>	<u>Part No.</u>	<u>Qty.</u>	<u>Description</u>
1	181005	1	1-1/2 HP Motor
2	112093	1	“Arrow” Decal
3	846735	1	Combustion Air Mounting Assembly
4	153004	6	3/8” Flat Washer
5	153005	6	3/8” Lock Washer
6	150508	6	3/8-16 x 3/4” Hex Head Bolt
7	846737	1	Combustion Air Duct Assembly
8	150501	4	5/16-18 x 3/4” Hex Head Bolt
9	153002	4	5/16” Lock Washer
10	153005	4	3/8” Lock Washer
11	150508	4	3/8-16 x 3/4” Hex Head Bolt
12	100659	1	Blower Wheel
13	153050	1	1/2” Flat Washer
14	152006	2	1/2-20 Jam Nut
15	846736	1	Inlet Ring Assembly
16	150301	1	#8-18 x 7/16” Phillips Pan Head TEK Screw
17	143502	1	8” x 90° Galvanized Elbow
18	150301	1	#8-18 x 7/16” Phillips Pan Head TEK Screw
19	846743	1	Combustion Air Filter Box Assembly
20	346457	1	Combustion Air Damper
21	152002	4	1/4-20 Hex Nut
22	153007	4	1/4” Lock Washer
23	152002	4	1/4-20 Hex Nut
24	846744	1	Combustion Air Lint Screen Assembly
25	150301	1	#8-18 x 7/16” Phillips Pan Head TEK Screw

For Gas Models ONLY



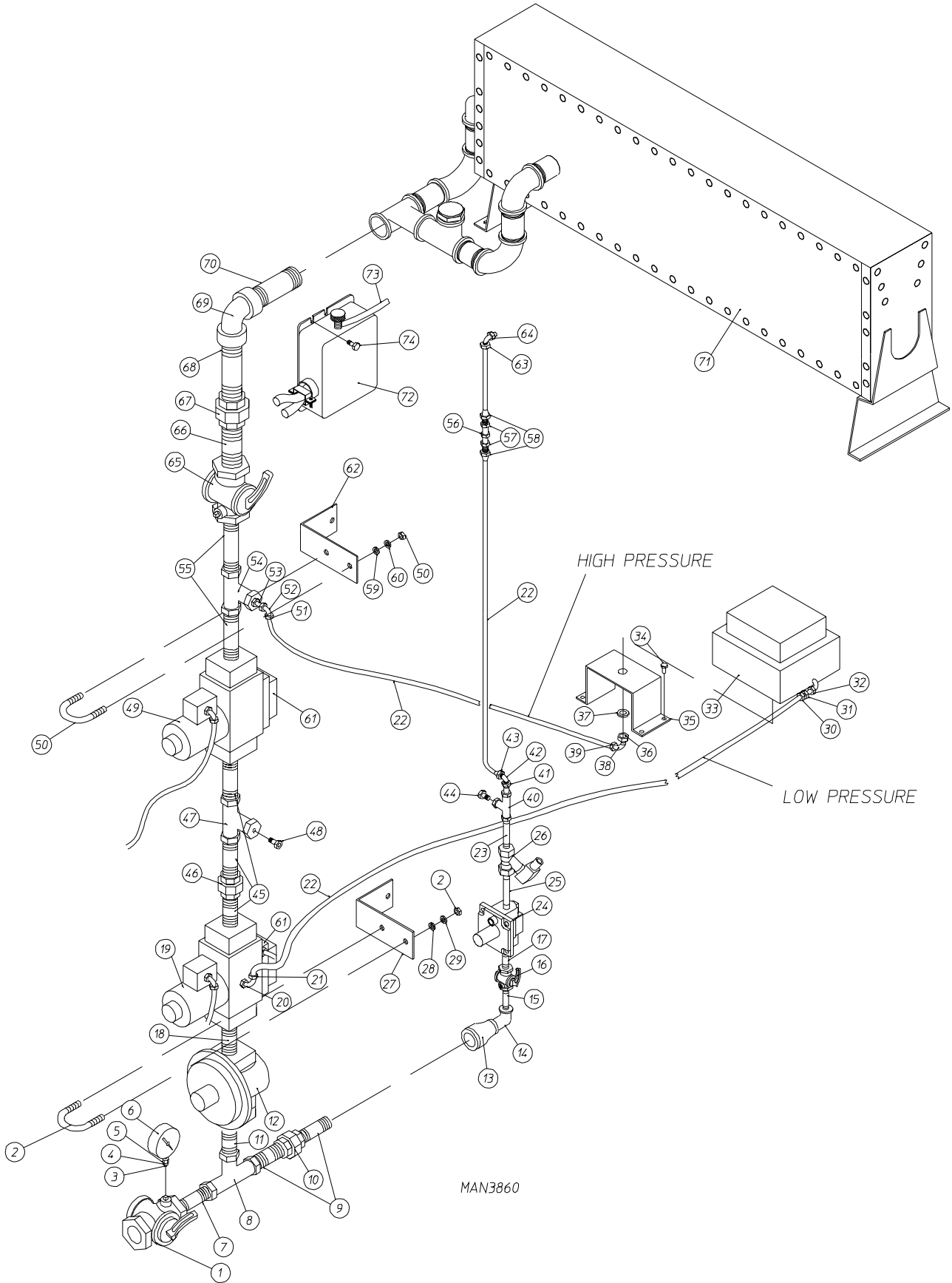
<u>Illus. No.</u>	<u>Part No.</u>	<u>Qty.</u>	<u>Description</u>
1	820864	1	Combustion Air Differential Switch Assembly Complete (includes illus. nos. 1 through 13)
	136993	1	Combustion Air Differential Switch ONLY
2	150501	1	5/16-18 x 3/4" Tap Bolt
3	153002	1	5/16" Lock Washer
4	152002	2	1/4-20 Hex Nut
5	153007	2	1/4" Lock Washer
6	150510	2	1/4-20 x 3/4" Hex Head Machine Bolt
7	143152	2	1/4" x 1/8" M.P.T. Straight Brass Connector
8	331471	1	Combustion Air Switch Bracket
9	143151	1	1/4" to 3/8" M.P.T. Brass Elbow
10	143257	1	3/8" F.P.T. Brass Bulkhead Adaptor
11	150301	1	#8-18 x 7/16" Phillips Pan Head TEK Screw
12	154005	1	Tinnerman Clip
13	882157	4	1/4" Aluminum Tubing (sold by the foot)

**For Gas Models ONLY**



<u>Illus. No.</u>	<u>Part No.</u>	<u>Qty.</u>	<u>Description</u>
1	141127	1	280 RAH Air-Heat Burner
2	150508	4	3/8-16 x 3/4" Hex Head Bolt
3	153004	4	3/8" Flat Washer
4	331779	2	Burner Box Mounting Bracket
5	141179	1	Spark Plug
6	141178	1	Flame Rod

For Gas Models Mfd. as of October 31, 1997





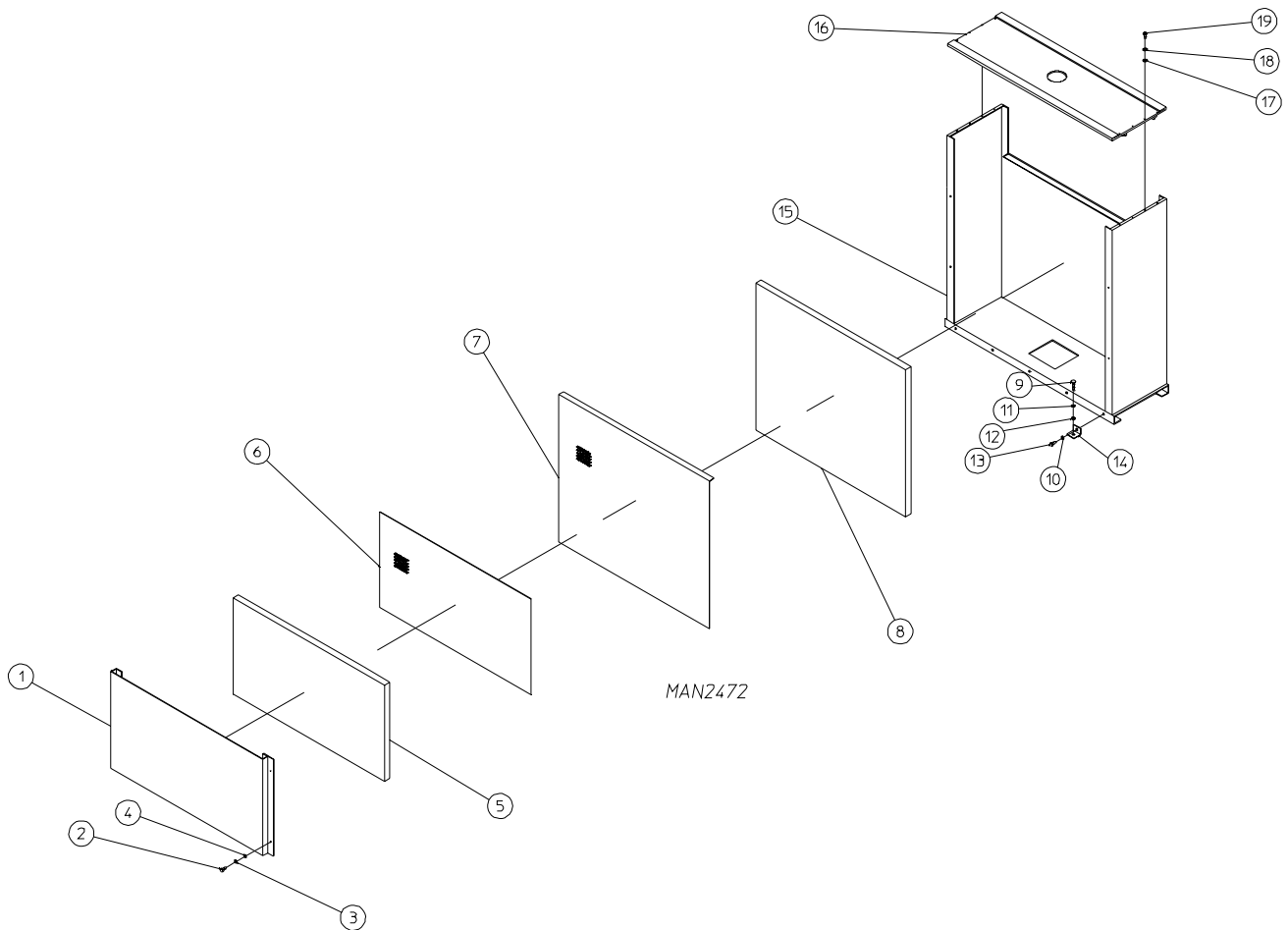
## For Gas Models Mfd. as of October 31, 1997

<u>Illus. No.</u>	<u>Part No.</u>	<u>Qty.</u>	<u>Description</u>
1	141311	1	2" N.P.T. Manual Shutoff Valve with 1/8" Tap
2	154352	1	2" Pipe U-Bolt
3	143238	1	1/8" Close Brass Nipple
4	143264	1	1/4" x 1/8" Brass Reducing Bushing
5	143273	1	1/4" Brass Coupling
6	168205	1	0" through 15" Water Column Gauge
7	142552	1	2" x 3" Nipple
8	142606	1	2" x 1-1/2" x 2" Tee
9	142827	2	1-1/2" x 2-1/2" Nipple
10	142603	1	1-1/2" Union
11	142552	1	2" x 3" Nipple
12	141310	1	1" PSIG - 2" N.P.T. Gas Regulator
13	142930	1	1-1/2" x 1/2" Reducing Coupling
14	142506	1	1/2" Street Elbow
15	142707	1	1/2" x 1-1/2" Nipple
16	141059	1	1/2" N.P.T. Manual Gas Shutoff Valve
17	142707	1	1/2" x 1-1/2" Nipple
18	142552	1	2" x 3" Nipple
19	141308	1	2" Shutoff (fast opening) Gas Valve
20	143141	1	45° Flare x 90° Elbow
21	143144	1	45° Flare Forged Nut
22	143148	8	3/8" Stainless Steel Tubing (sold by the foot)
23	142707	1	1/2" x 1-1/2" Nipple
24	141060	1	1/2" N.P.T. Pilot Gas Regulator
25	142812	1	1/2" x 3" Nipple
26	141067	1	1/2" N.P.T. Pilot Gas Solenoid Valve
27	820823	1	Gas Piping Mounting Bracket
28	153004	2	3/8" Flat Washer
29	153005	2	3/8" Lock Washer
30	143144	1	45° Flare Forged Nut
31	143286	1	45° Flare Male Connector
32	143268	1	1/8" Brass Street Elbow
33	141063	1	Hi/Low Gas Pressure Switch
34	150522	4	1/4-20 x 1/2" Hex Head Washer TEK Screw
35	331376	1	Hi/Low Pressure Switch Bracket
36	143262	1	3/8" to 1/4" Brass Reducing Bushing
37	153016	1	5/8" Flat Washer
38	143141	1	45° Flare x 90° Elbow
39	143144	1	45° Flare Forged Nut
40	142820	1	1/2" Tee

For Gas Models Mfd. as of October 31, 1997

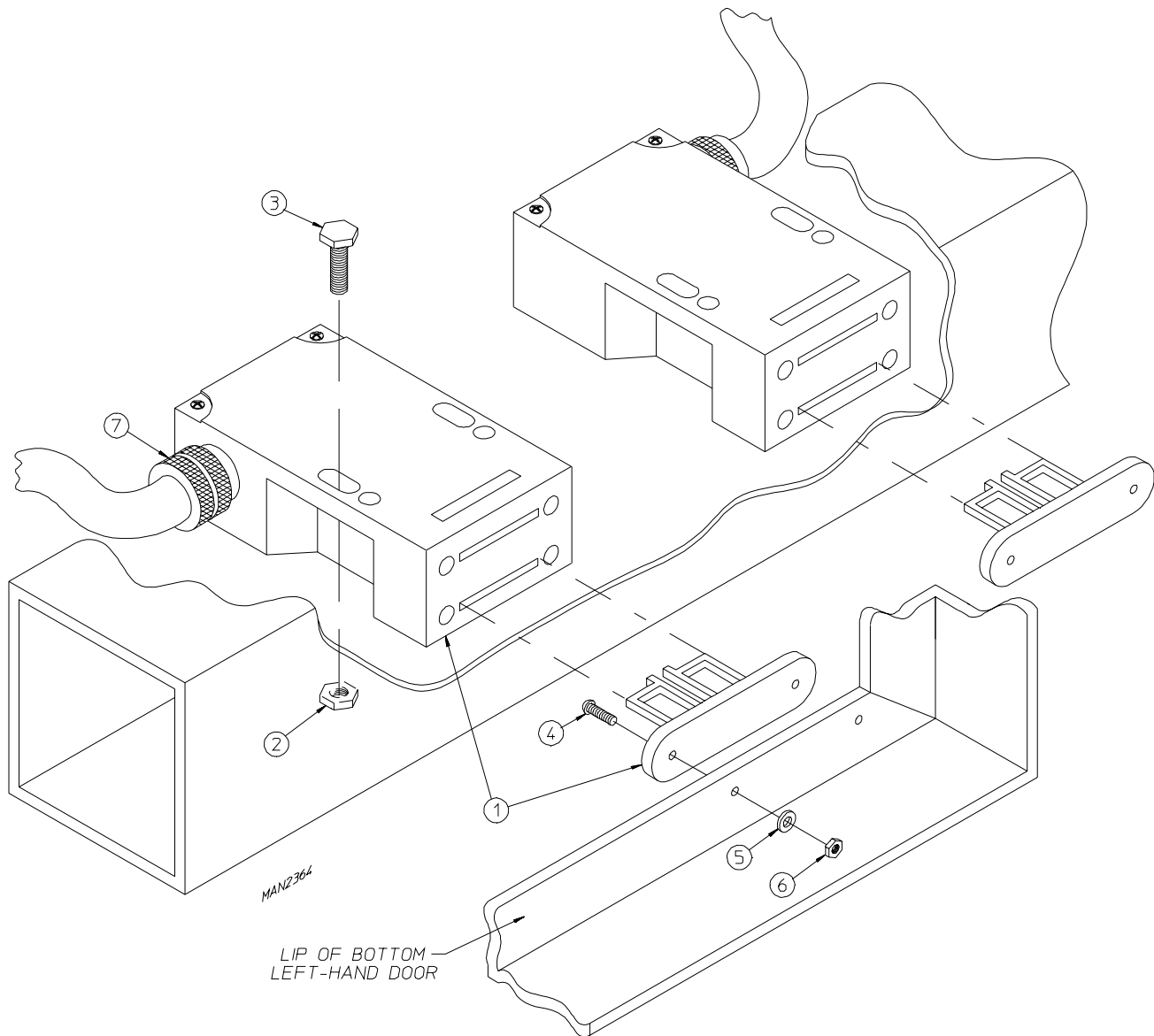
<u>Illus. No.</u>	<u>Part No.</u>	<u>Qty.</u>	<u>Description</u>
41	143261	1	1/2" to 3/8" Brass Reducing Bushing
42	143140	1	3/8" Flare x 3/8" M.P.T. Elbow
43	143144	1	45° Flare Forged Nut
44	142747	1	1/2" Pipe Plug
45	142552	3	2" x 3" Nipple
46	142542	1	2" Union
47	142605	1	2" x 2" x 3/4" Tee
48	142834	1	3/4" Pipe Plug
49	141307	1	2" Shutoff (slow opening) Gas Valve
50	154352	1	2" Pipe U-Bolt
51	143144	1	45° Flare Forged Nut
52	143140	1	3/8" Flare x 3/8" M.P.T. Elbow
53	143263	1	3/4" x 3/8" Brass Reducing Bushing
54	142605	1	2" x 2" x 3/4" Tee
55	142552	2	2" x 3" Nipple
56	143257	1	3/8" F.P.T. Brass Bulkhead Connector
57	143144	2	45° Flare Forged Nut
58	143142	2	45° Flare Straight Connector
59	153004	2	3/8" Flat Washer
60	153005	2	3/8" Lock Washer
61	141086	1	Auxiliary Switch for Gas Valve (for models mfd. as of October 31, 1997)
	141073	1	Auxiliary Switch for Gas Valve (for models mfd. prior to October 31, 1997)
62	820823	1	Gas Piping Mounting Bracket
63	143144	2	45° Flare Forged Nut
64	143141	1	45° Flare x 90° Elbow
65	141311	1	2" N.P.T. Manual Shutoff Valve with 1/8" Tap
66	142552	1	2" x 3" Nipple
67	142542	1	2" Union
68	142552	1	2" x 3" Nipple
69	142541	1	2" x 90° Elbow
70	142592	1	2" x 4" Nipple
71	141127	1	280 RAH Air-Heat Burner
72	141064	1	Ignition Transformer
73	141062	1	High-Temperature Ignition Cable
74	150522	4	1/4-20 x 1/2" Hex Head Washer TEK Screw

**For Gas Models ONLY**

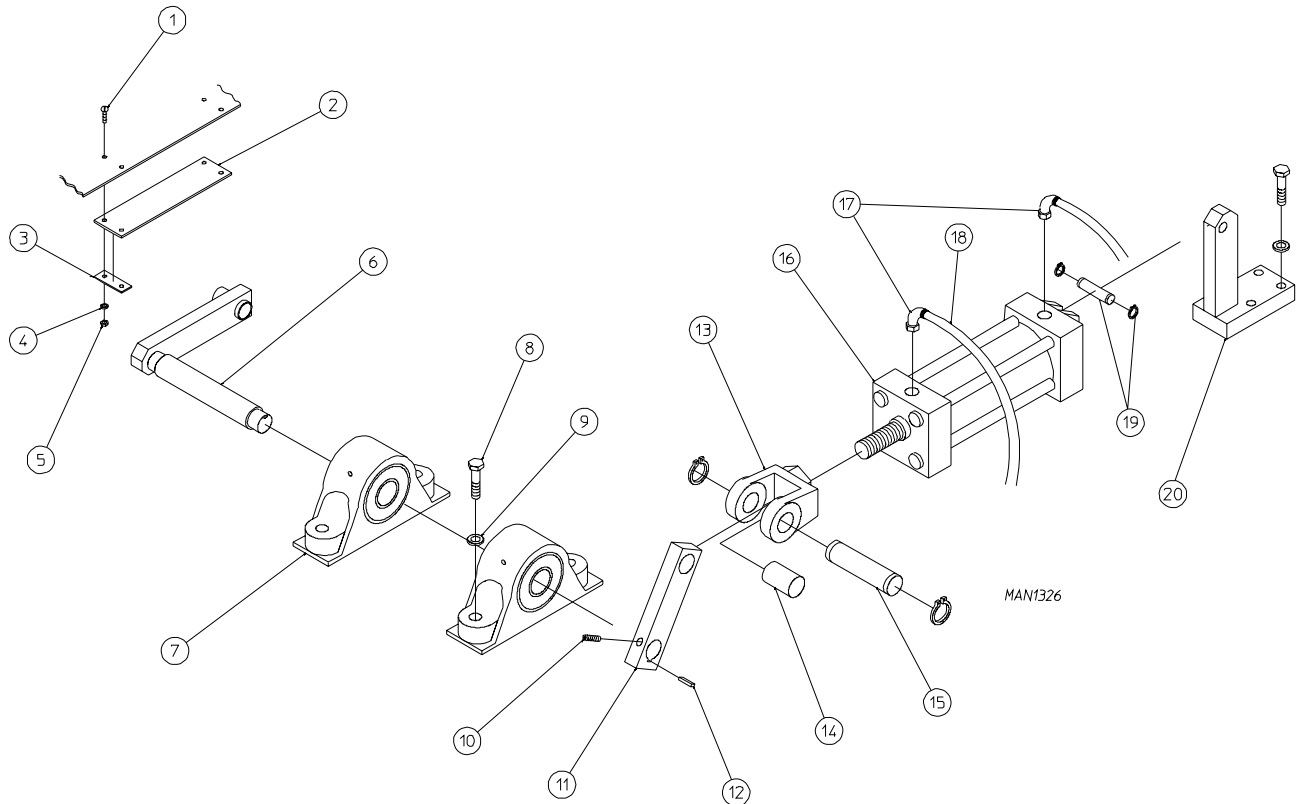


<u>Illus. No.</u>	<u>Part No.</u>	<u>Qty.</u>	<u>Description</u>
1	846731	1	Burner Box Housing Door
2	150501	4	5/16-18 x 3/4" Tap Bolt
3	153002	4	5/16" Lock Washer
4	153001	4	5/16" Flat Washer
5	116227	1	Burner Box Door Insulation
6	846731	1	Front Burner Box Housing
7	346437	1	Rear Insulation Cover
8	116228	1	Burner Box Housing Insulation
9	150600	5	3/8-16 x 1-1/2" Tap Bolt
10	153005	5	3/8" Lock Washer
11	153005	5	3/8" Lock Washer
12	153004	5	3/8" Flat Washer
13	150508	5	3/8-16 x 3/4" Hex Head Bolt
14	331851	5	Burner Box Housing Anchor Bracket
15	846728	1	Burner Box Housing
16	846732	1	Burner Box Housing Top Panel
17	153018	8	1/4" Flat Washer
18	153007	8	1/4" Lock Washer
19	150510	8	1/4-20 x 3/4" Hex Head Machine Screw

For Gas Models ONLY

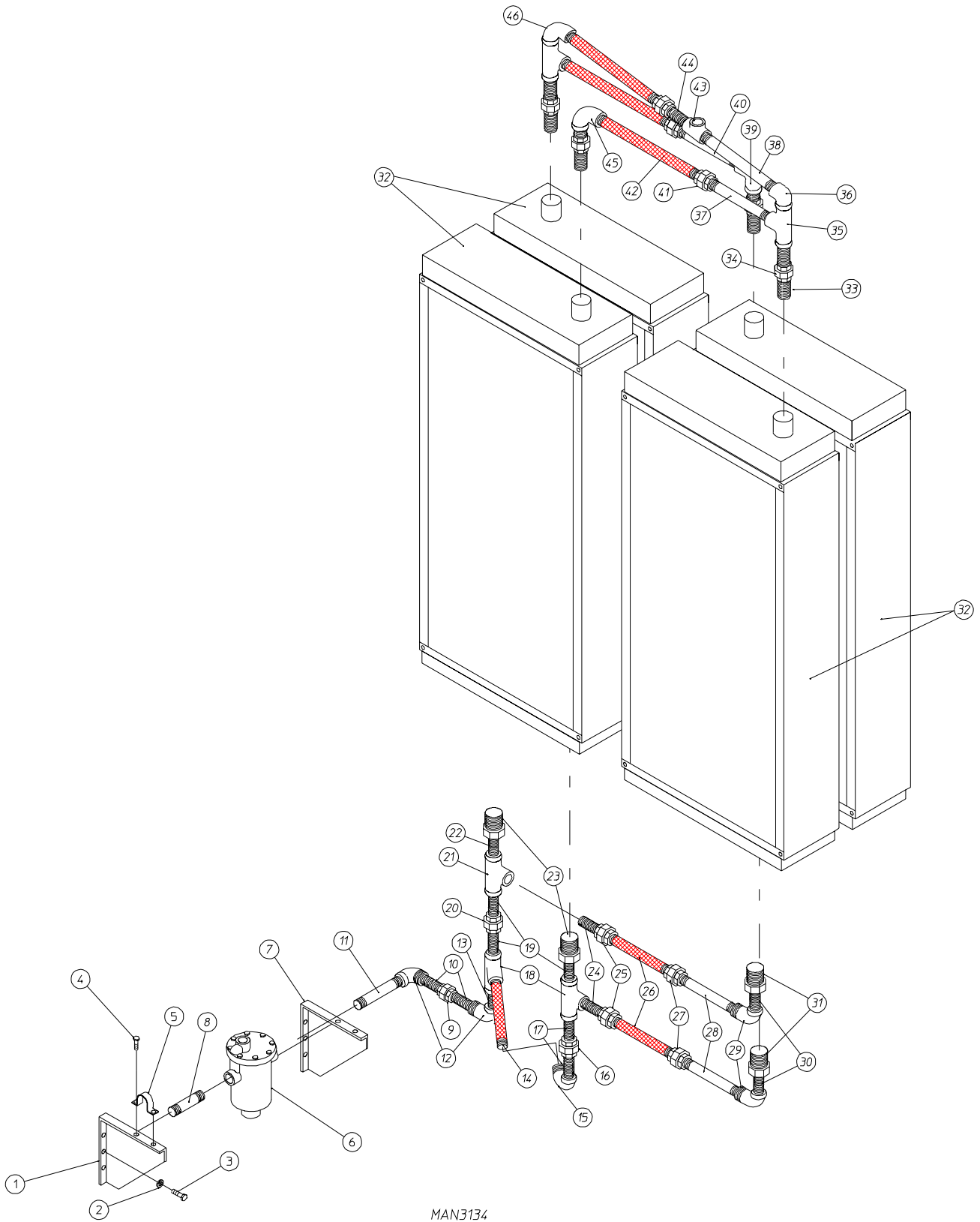


<u>Illus. No.</u>	<u>Part No.</u>	<u>Qty.</u>	<u>Description</u>
1	122381	2	Door Interlock Switch
2	152002	4	1/4-20 Hex Nut
3	150510	4	1/4-20 x 3/4" Hex Head Machine Bolt
4	150108	4	#8-32 x 1/2" Phillips Pan Head Machine Screw
5	153012	4	#8 Star Washer
6	152001	4	#8-32 Hex Nut
7	120655	2	Blue Cord Grip Connector

**For Steam Models ONLY**

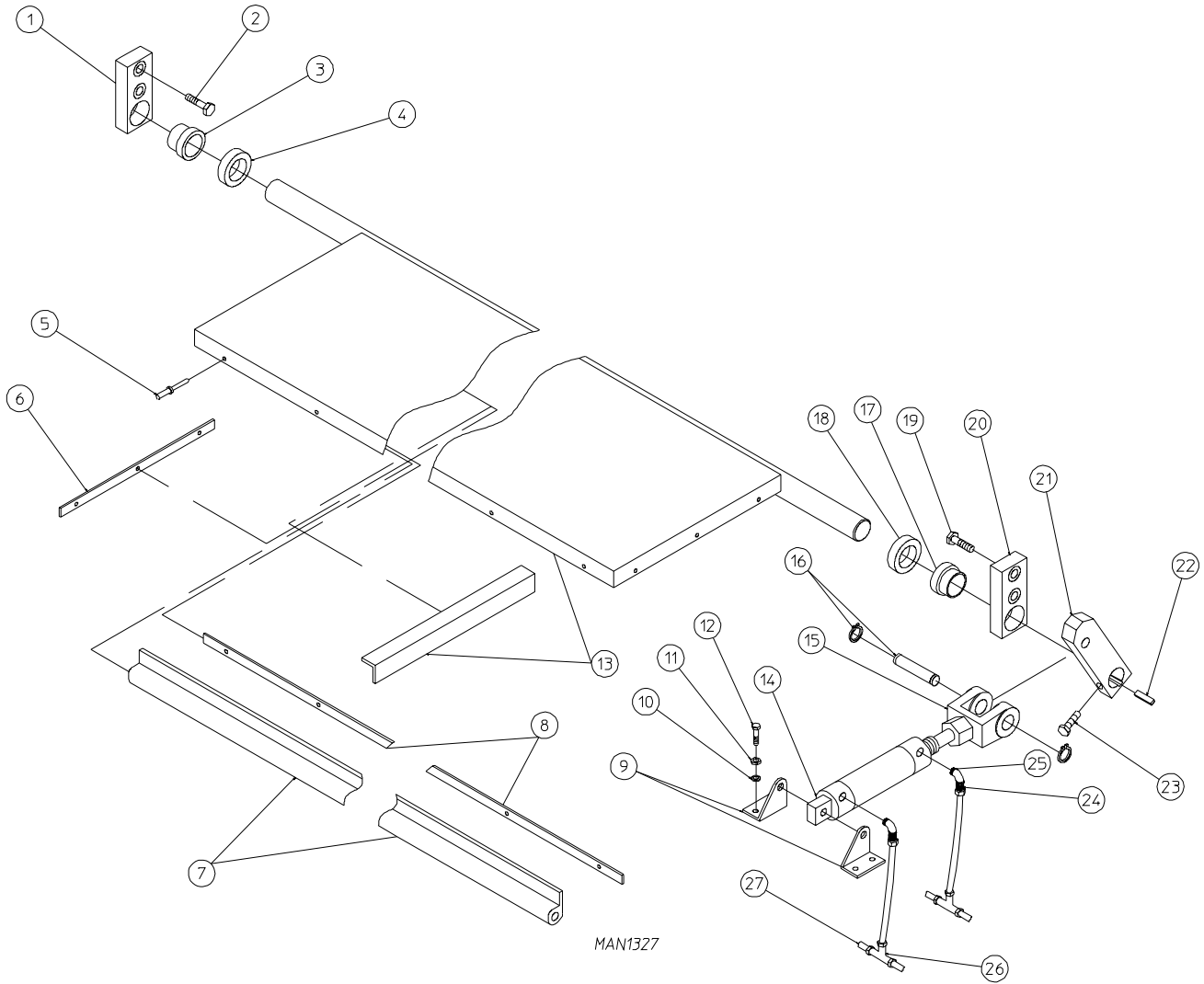
<u>Illus. No.</u>	<u>Part No.</u>	<u>Qty.</u>	<u>Description</u>
1	150103	4	#8-32 x 3/4" Phillips Round Head Machine Screw
2	117705	1	Sliding Pad
3	331998	2	Sliding Pad Strip
4	153012	4	#8 Star Washer
5	152001	4	#8-32 Hex Nut
6	820648	1	Lifting Linkage Assembly
7	100219	2	1-1/4" Diameter Pillow Block Bearing
8	150600	8	3/8-16 x 1-1/2" Hex Head Bolt
9	153005	8	3/8" Lock Washer
10	154327	2	1/4-20 x 3/8" Socket Setscrew
11	331935	1	Cylinder Linkage
12	100713	1	1/4" x 1/4" x 7/8" Key
13	100449	1	Clevis
14	100228	1	Cylinder Bronze Bushing
15	100487	1	Clevis Pin
16	100550	1	2-1/2" Bore x 6" Stroke Piston
17	143153	2	1/4" Poly x 1/4" M.P.T. Elbow
18	143115	40	1/4" Poly-Flo Tube (sold by the foot)
19	100487	1	Clevis Pin
20	820651	1	Damper Cylinder Mounting Plate Assembly

For Steam Models ONLY



**For Steam Models ONLY**

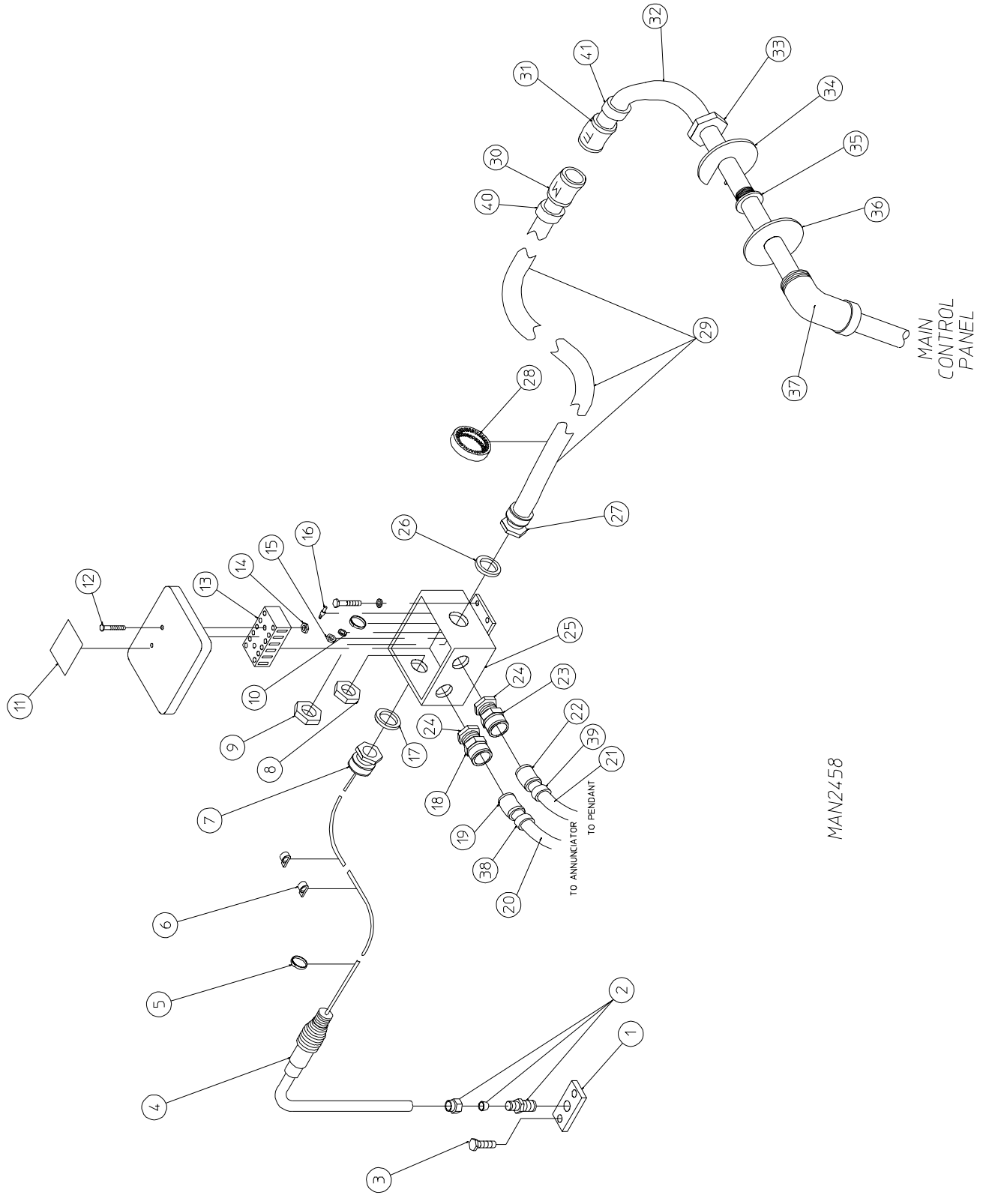
<u>Illus. No.</u>	<u>Part No.</u>	<u>Qty.</u>	<u>Description</u>
1	331752	1	Steam Trap Bracket
2	153018	6	1/4" Flat Washer
3	150522	6	1/4" Hex Head Washer TEK Screw
4	150522	4	1/4" Hex Head Washer TEK Screw
5	143195	2	1-1/4" Pipe Clip
6	165225	1	1-1/4" Inverted Steam Trap
7	331752	1	Steam Trap Bracket
8	142565	1	1-1/4" x 3" Long Nipple
9	142558	1	1-1/4" Union
10	142565	2	1-1/4" x 3" Nipple
11	142562	1	1-1/4" x 10" Nipple
12	142554	2	1-1/4" x 90° Elbow
13	142713	1	1-1/4" Close Nipple
14	143119	1	1 x 11-3/4" Long Flex Hose
15	142554	1	1-1/4" x 90° Elbow
16	142558	1	1-1/4" Union
17	142713	2	1-1/4" Close Nipple
18	142558	2	1-1/4" Union
19	142713	3	1-1/4" Close Nipple
20	142558	1	1-1/4" Union
21	142922	1	1-1/4" Tee
22	142713	1	1-1/4" Close Nipple
23	142520	2	2" x 11-1/4" Reducing Bushing
24	142713	2	1-1/4" Close Nipple
25	142558	2	1-1/4" Union
26	143119	2	1-1/4" x 11-3/8" Flex Hose
27	142558	2	1-1/4" Union
28	142559	2	1-1/4" x 6" Long Nipple
29	142554	2	1-1/4" x 90° Elbow
30	142713	2	1-1/4" Close Nipple
31	142520	2	2" x 1-1/4" Reducing Bushing
32	165040	8	Steam Coil
33	142517	8	2" Close Nipple
34	142542	4	2" Union
35	142524	2	2" Tee
36	142519	1	2" Street Elbow
37	142595	1	2" x 7" Nipple
38	142594	1	2" x 10-1/8" Nipple
39	142541	1	2" x 90° Elbow
40	142595	1	2" x 7" Nipple
41	142542	3	2" Union
42	143128	3	2" x 13" Flex Hose
43	142921	1	2" x 2" x 2-1/2" Tee
44	142836	1	2" x 2-1/2" Nipple
45	142541	1	2" x 90° Elbow
46	142519	1	2" Street Elbow





**For Steam Models ONLY**

<u>Illus. No.</u>	<u>Part No.</u>	<u>Qty.</u>	<u>Description</u>
1	331618	1	Pivot Shaft Mounting Block
2	150437	4	3/8-16 x 1-1/4" Flat Socket Head Bolt
3	100227	2	Flanged Bronze Bushing
4	101174	2	Shaft Collar
5	154200	20	5/32" Pop Rivet
6	331364	3	Gasket Retainer Clip
7	102315	9	Extruded Gasket (sold by the foot)
8	331931	2	Long Retainer Strip
9	100500	1	Left and Right Piston Support
10	153007	4	1/4" Lock Washer
11	152002	4	1/4-20 Hex Nut
12	150510	4	1/4-20 x 3/4" Hex Head Bolt
13	846809	1	Intake Air Damper Assembly
14	100524	1	1-1/2" Bore x 3" Stroke Piston
15	100447	1	7/16-20 Clevis Rod
16	100445	1	1/2" Clevis Pin
17	100227	2	Flanged Bronze Bushing
18	101174	2	Shaft Collar
19	150437	4	3/8-16 x 1-1/4" Flat Socket Head Bolt
20	331618	2	Pivot Shaft Mounting Block
21	331927	1	Lever Arm
22	100700	1	1/4" x 1/4" x 1-7/16" Key
23	154304	2	1/4-20 x 3/8" Knurled Socket Setscrew
24	100472	2	1/4" Poly x 1/4" M.P.T. Connector
25	143268	2	1/8" Brass Street Elbow
26	143156	2	1/4" Poly Tee
27	143115	24'	1/4" Poly Tube (sold by the foot)



MAN2458

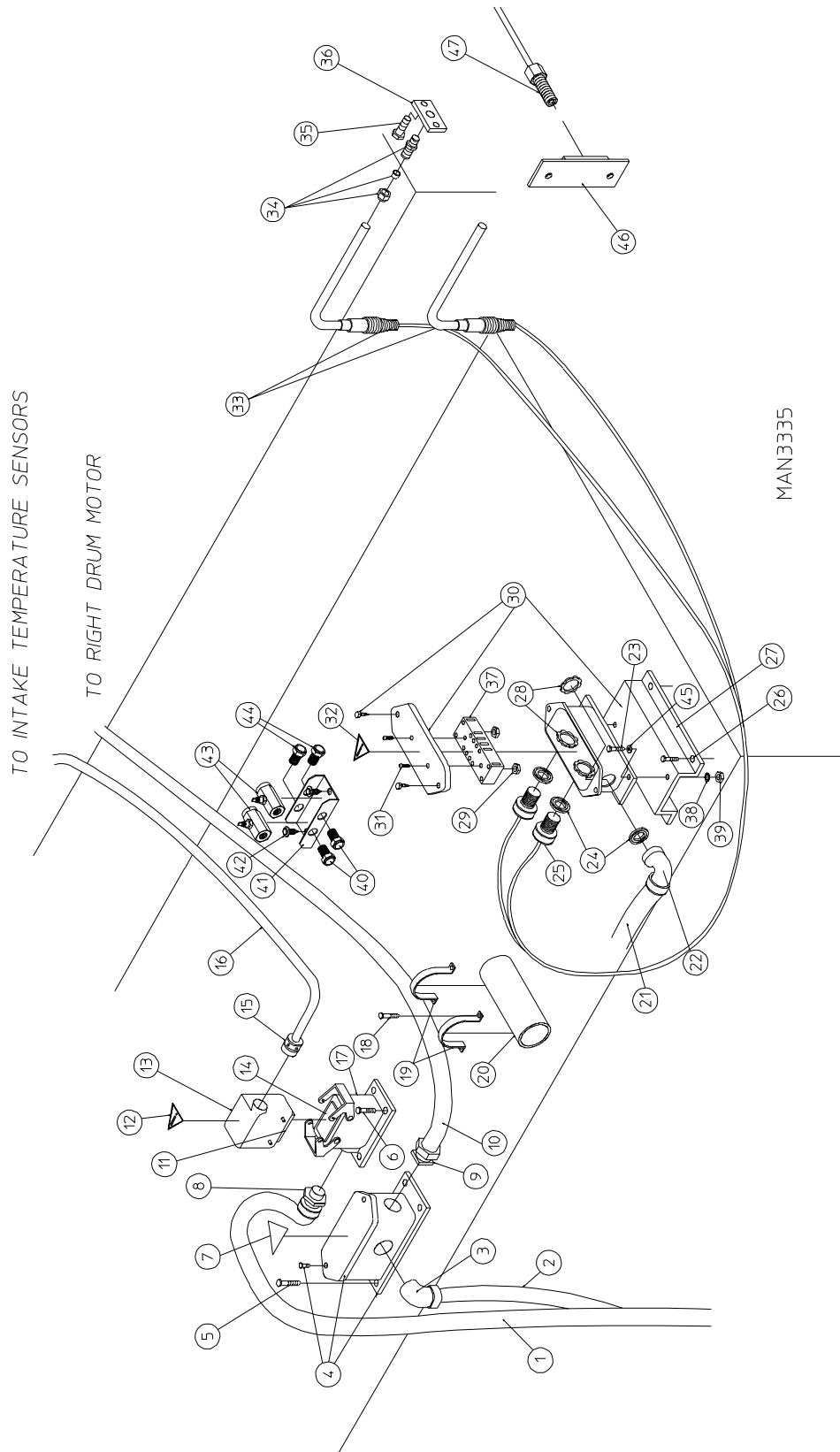
**For Gas Models ONLY**

<u>Illus. No.</u>	<u>Part No.</u>	<u>Qty.</u>	<u>Description</u>
1	331877	1	Temperature Sensor Mounting Plate
2	143296	1	1/4" Compression Fitting
3	150522	2	1/4-20 x 1/2" Hex Head Washer TEK Screw
4	881455	1	Resistance Temperature Detector (RTD) Temperature Sensor
5	121495	2	Identification Ty-Wrap
6	154005	2	1/4" Wire Clamp
7	120659	1	1/2" N.P.T. Orange Cord Grip Connector
8	120915	1	1/2" N.P.T. Lock Nut
9	120918	1	3/4" Lock Nut
10	153012	1	#8 Star Washer
11	122424	1	Power Warning Label
12	150008	2	#6-32 x 1-1/4" Phillips Round Head Machine Screw
13	120703	1	6-Position Screw Connector
14	152000	2	#6-32 Hex Nut
15	152001	1	#8-32 Hex Nut
16	122736	2	#18 AWG Yellow Ferrule
17	134013	1	Single Entry Surface Mount Housing
18	122650	1	5-Position Receptacle Connector with Socket
19	122651	1	5-Position Connector Plug
20	820725	1	Annunciator Cable #15 Assembly
21	820724	1	Pendant Cable #1 Assembly
22	122661	1	11-Position Shell Front Plug
23	122665	1	11-Position Socket Connection with Socket
24	122660	2	Conduit Hub Shell Back
25	847371	1	Pendant/Annunciator Over the Burner Disconnect Box
26	120917	1	3/4" Metal Clad O-Ring
27	120660	1	Yellow Cord Grip Connector
28	156001	1	Caterpillar Grommet
29	847389	1	Heater Section (male) Disconnect Cable
30	122663	1	19-Position Pin Shell Front
31	122666	1	19-Position Socket Shell Front
32	847388	1	Heater Section (female) Disconnect Cable
33	120919	1	1" N.P.T. Lock Nut
34	156100	1	1-1/2" Hole Seal
35	142916	1	1" to 3/4" Reducing Bushing
36	156105	1	2" Hole Seal
37	120657	1	45° Yellow Cord Grip Connector
38	122652	1	5-Position Connector Shell Back
39	122657	1	11-Position Connector Shell Back
40	122664	1	Shell Back (for cable)
41	122664	1	Shell Back (for cable)



<u>Illus. No.</u>	<u>Part No.</u>	<u>Qty.</u>	<u>Description</u>
1	120918	1	3/4" Lock Nut
2	153012	1	#8 Star Washer
3	122424	1	Power Warning Label
4	150008	2	#6-32 x 1-1/4" Phillips Round Head Machine Screw
5	120703	1	6-Position Screw Connector
6	152000	2	#6-32 Hex Nut
7	152001	1	#8-32 Hex Nut
8	122736	2	#18 AWG Yellow Ferrule
9	134013	1	Single Entry Surface Mount Housing
10	122650	1	5-Position Receptacle Connector with Socket
11	122651	1	5-Position Connector Plug
12	820725	1	Annunciator Cable #15 Assembly
13	820724	1	Pendant Cable #1 Assembly
14	122661	1	11-Position Shell Front Plug
15	122665	1	11-Position Socket Connection with Socket
16	122660	2	Conduit Hub Shell Back
17	847371	1	Pendant/Annunciator Over the Burner Disconnect Box
18	120917	1	3/4" Metal Clad O-Ring
19	120660	1	Yellow Cord Grip Connector
20	156001	1	Caterpillar Grommet
21	847389	1	Heater Section (male) Disconnect Cable
22	122663	1	19-Position Pin Shell Front
23	122666	1	19-Position Socket Shell Front
24	847388	1	Heater Section (female) Disconnect Cable
25	120919	1	1" N.P.T. Lock Nut
26	156100	1	1-1/2" Hole Seal
27	142916	1	1" to 3/4" Reducing Bushing
28	156105	1	2" Hole Seal
29	120657	1	45° Yellow Cord Grip Connector
30	122652	1	5-Position Connector Shell Back
31	122657	1	11-Position Connector Shell Back
32	122664	1	Shell Back (for cable)
33	122664	1	Shell Back (for cable)

For Models Mfd. as of March 4, 1997



## For Models Mfd. as of March 4, 1997

<u>Illus. No.</u>	<u>Part No.</u>	<u>Qty.</u>	<u>Description</u>
1	847376	1	Temperature Disconnect Cable #62 Assembly
2	847396	1	5 HP Right Drum Motor Conduit Cable #3 Assembly
3	120112	1	1/2" Liquid-Tite 90° Connector ONLY
4	825064	1	Drum Motor Junction Box
5	150522	2	1/4-20 x 1/2" Hex Head Washer TEK Screw
6	150522	2	1/4-20 x 1/2" Hex Head Washer TEK Screw
7	122425	1	"Power Warning" Label
8	134016	1	Universal Cable Protection Cord Grip
9	120110	1	1/2" Liquid-Tite Straight Connector ONLY
10	847395	1	5 HP Right Drum Motor Cable #2 Assembly
11	134011	1	6-Position Screw Terminal Male Insert
12	122425	1	Power Warning Label
13	134012	1	Side Entry Hood
14	134010	1	6-Position Screw Terminal Female Insert
15	134014	1	Bell Mouth Cable Fitting with Strain Relief
16	847311	1	Temperature Disconnect Cable #58 Assembly
17	134013	1	Surface Mount Housing
18	150522	4	1/4-20 x 1/2" Hex Head Washer TEK Screw
19	143197	2	1-1/2" Pipe Clip
20	142998	1	1-1/2" x 6" PVC Pipe
21	847312	1	5-Conductor Cable #38 Assembly
22	120651	1	1/2" x 90° Blue Cord Grip
23	150103	2	#8-32 x 3/4" Long Phillips Round Head Machine Screw
24	120914	3	1/2" N.P.T. Metal Clad O-Ring
25	120659	2	Orange Cord Grip Connector
26	150522	4	1/4-20 x 1/2" Hex Head Washer TEK Screw
27	332794	1	Burner Shelf Switch Bracket
28	120915	3	1/2" N.P.T. Lock Nut
29	152000	2	#6-32 Hex Nut
30	847323	1	Exhaust Temperature Junction Box
31	150008	2	#6-32 x 1-1/4" Phillips Round Head Machine Screw
32	122427	1	"!" Caution Label
33	881455	2	9" Resistance Temperature Detector (RTD) Sensor
34	143296	2	1/4" Compression Fitting
35	150522	4	1/4-20 x 1/2" Hex Head Washer TEK Screw
36	331877	2	Temperature Sensor Mounting Plate
37	120703	1	6-Position Screw Connector
38	153012	2	#8 Internal Star Washer
39	152001	2	#8-32 Hex Nut
40	100472	2	1/4" x 1/8" M.P.T. Straight Connector
41	346546	1	1/8" Needle Valve Mounting Bracket
42	150309	2	#10-16 x 1/2" Hex Head Crimptite Screw
43	100496	2	1/8" Needle Valve
44	100472	2	1/4" x 1/8" M.P.T. Straight Connector
45	153000	2	#8 Steel Burr
46	122357	1	Magnet for Proximity Switch
47	122356	1	Proximity Switch

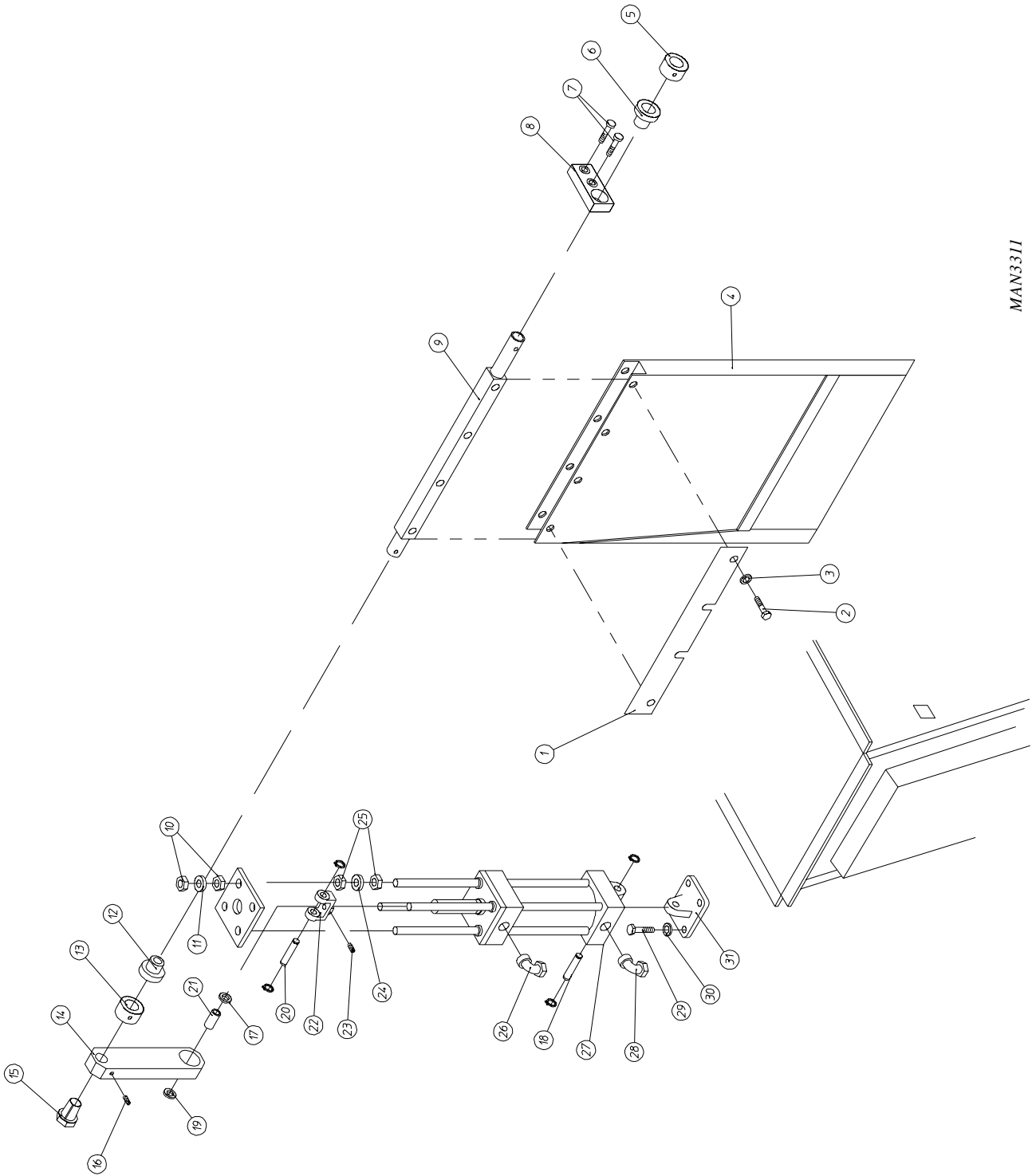




---

**For Models Mfd. prior to March 4, 1997**

<u>Illus. No.</u>	<u>Part No.</u>	<u>Qty.</u>	<u>Description</u>
1	847376	1	Temperature Disconnect Cable #62 Assembly
2	847396	1	5 HP Right Drum Motor Conduit Cable #3 Assembly
3	120112	1	1/2" Liquid-Tite 90° Connector ONLY
4	825064	1	Drum Motor Junction Box
5	150522	2	1/4-20 x 1/2" Hex Head Washer TEK Screw
6	150522	2	1/4-20 x 1/2" Hex Head Washer TEK Screw
7	122425	1	"Power Warning" Label
8	134016	1	Universal Cable Protection Cord Grip
9	120110	1	1/2" Liquid-Tite Straight Connector ONLY
10	847395	1	5 HP Right Drum Motor Cable #2 Assembly
11	134011	1	6-Position Screw Terminal Male Insert
12	122425	1	Power Warning Label
13	134012	1	Side Entry Hood
14	134010	1	6-Position Screw Terminal Female Insert
15	134014	1	Bell Mouth Cable Fitting with Strain Relief
16	847311	1	Temperature Disconnect Cable #58 Assembly
17	134013	1	Surface Mount Housing
18	150522	4	1/4-20 x 1/2" Hex Head Washer TEK Screw
19	143197	2	1-1/2" Pipe Clip
20	142998	1	1-1/2" x 6" PVC Pipe
21	847312	1	5-Conductor Cable #38 Assembly
22	120651	1	1/2" x 90° Blue Cord Grip
23	150103	2	#8-32 x 3/4" Long Phillips Round Head Machine Screw
24	120914	3	1/2" N.P.T. Metal Clad O-Ring
25	120659	2	Orange Cord Grip Connector
26	150522	4	1/4-20 x 1/2" Hex Head Washer TEK Screw
27	332794	1	Burner Shelf Switch Bracket
28	120915	3	1/2" N.P.T. Lock Nut
29	152000	2	#6-32 Hex Nut
30	847323	1	Exhaust Temperature Junction Box
31	150008	2	#6-32 x 1-1/4" Phillips Round Head Machine Screw
32	122427	1	Caution Label "!"
33	881455	2	9" Resistance Temperature Detector (RTD) Sensor
34	143296	2	1/4" Compression Fitting
35	150522	4	1/4-20 x 1/2" Hex Head Washer TEK Screw
36	331877	2	Temperature Sensor Mounting Plate
37	120703	1	6-Position Screw Connector
38	153012	2	#8 Internal Star Washer
39	152001	2	#8-32 Hex Nut
40	100472	2	1/4" x 1/8" M.P.T. Straight Connector
41	346546	1	1/8" Needle Valve Mounting Bracket
42	150309	2	#10-16 x 1/2" Hex Head TEK Crimptite Screw
43	100496	2	1/8" Needle Valve
44	100472	2	1/4" x 1/8" M.P.T. Straight Connector
45	153000	2	#8 Steel Burr



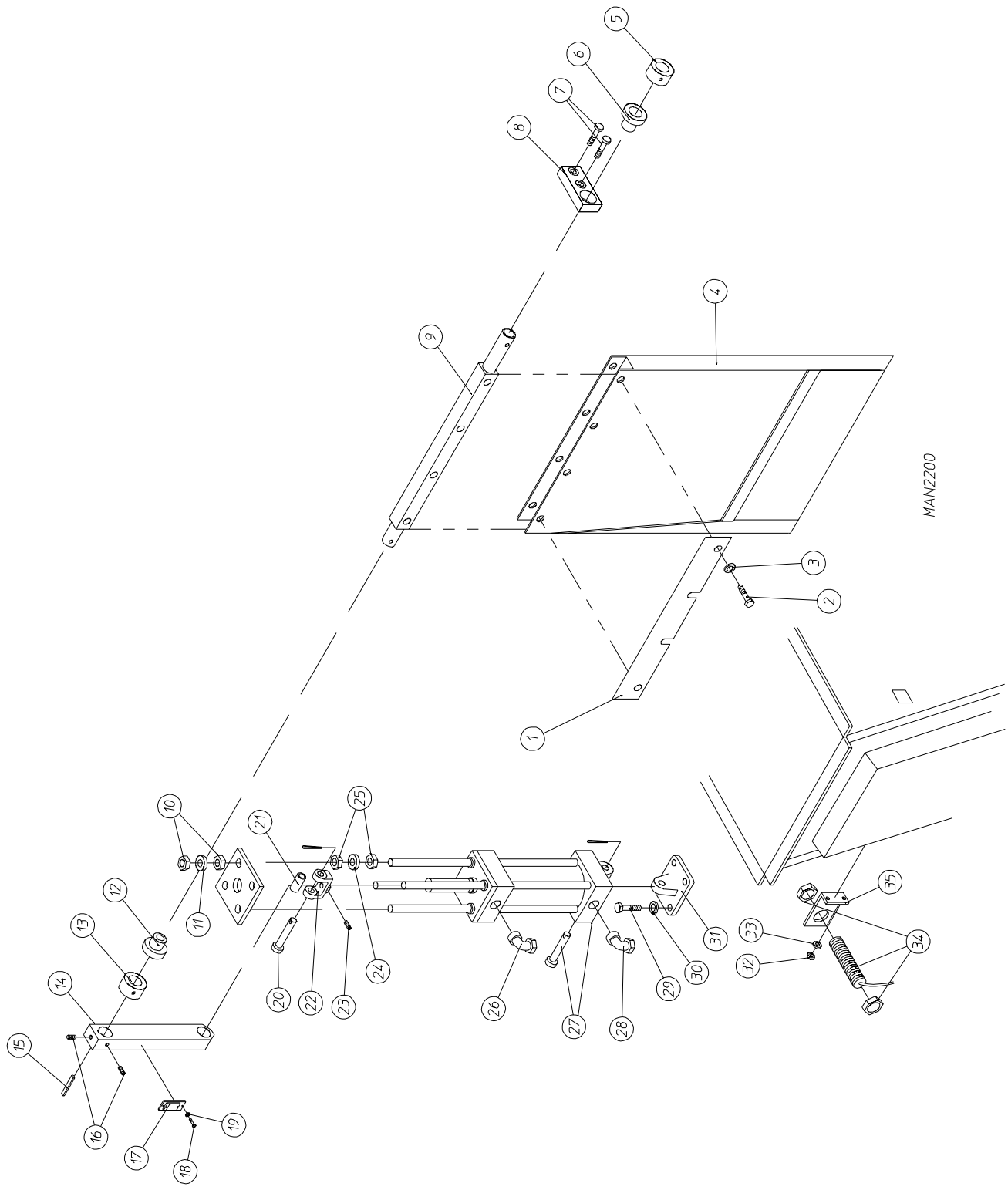
MAN3311

---

**For Models Mfd. as of March 3, 1997**

<u>Illus. No.</u>	<u>Part No.</u>	<u>Qty.</u>	<u>Description</u>
1	346420	1	Heat Reclaimer Damper Top Plate
2	150606	4	1/2-13 x 2" Tap Bolt
3	153026	4	1/2" Lock Washer
4	846722	1	Heat Reclaimer Damper Panel ONLY
5	101174	1	Shaft Collar
6	100227	1	Flanged Bronze Bushing
7	150437	2	3/8-16 x 1-1/4" Flat Head Socket Bolt
8	331618	1	Mounting Block
9	346423	1	Pivot Shaft
10	152033	8	5/16-24 Hex Nut
11	153002	4	5/16" Lock Washer
12	100227	1	Flanged Bronze Bushing
13	101174	1	1" Bore Shaft Collar
14	331605	1	Lever Arm
15	180006	1	1" Trantorque
16	154304	1	1/4-20 x 3/8" Knurled Socket Setscrew
17	153028	2	3/4" I.D. Teflon Washer
18	100541	1	Heat Reclaimer Base Pin
19	153028	2	3/4" I.D. Teflon Washer
20	100487	1	Clevis Pin
21	100228	1	Bronze Cylindrical Bearing
22	100449	1	3/4-16 Clevis Rod
23	154304	1	1/4 -20 x 3/8" Knurled Socket Setscrew
24	153002	4	5/16" Lock Washer
25	152033	8	5/16-24 Hex Nut
26	143153	1	1/4" x 1/4" M.P.T. Elbow
27	100550	1	2-1/2" Bore x 6" Stroke Heat Reclaimer Piston
28	143153	1	1/4" x 1/4" M.P.T. Elbow
29	150501	4	5/16-18 x 3/4" Tap Bolt
30	153002	4	5/16" Lock Washer
31	100446	1	Eye Bracket

For Models Mfd. prior to March 3, 1997

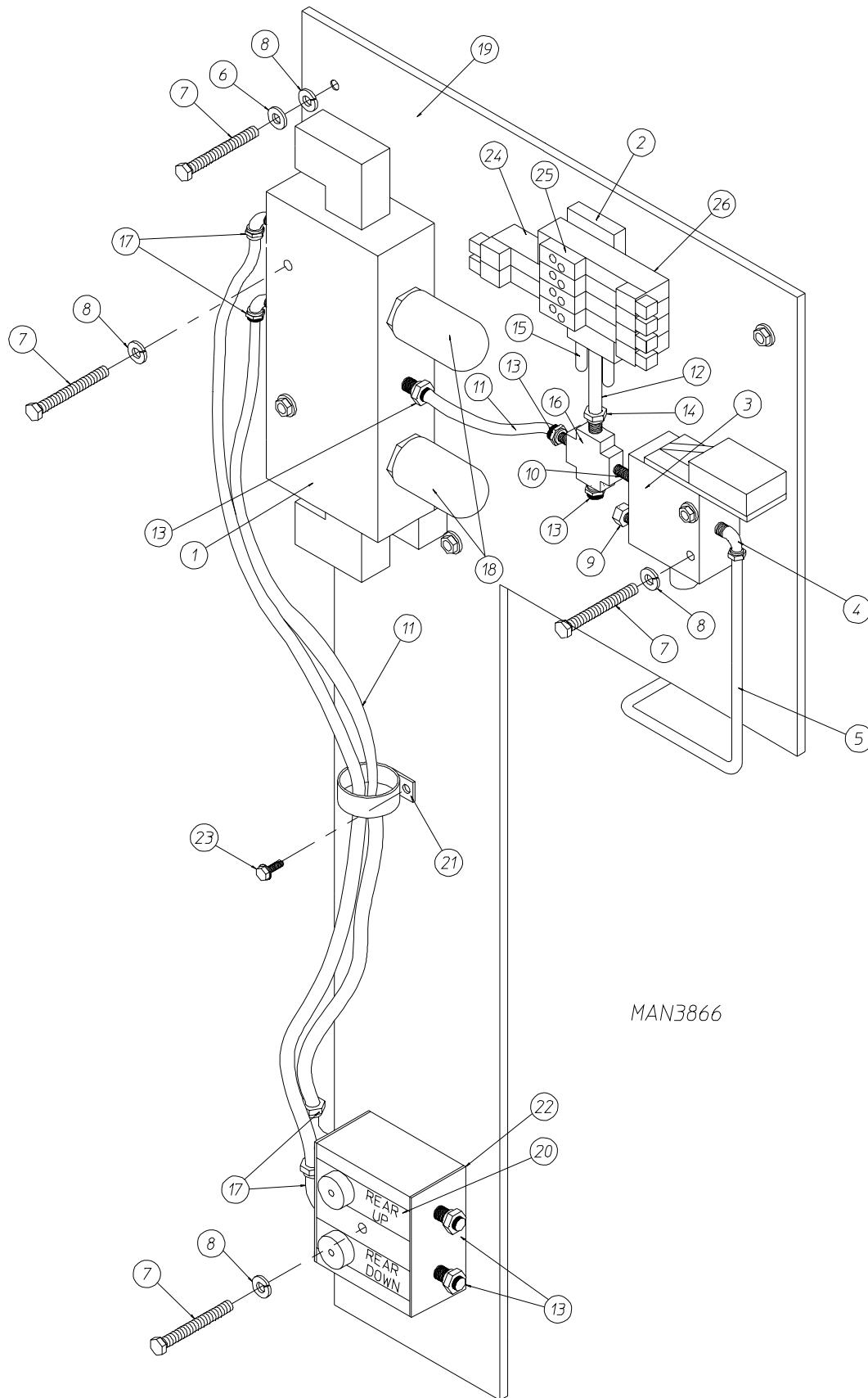


---

**For Models Mfd. prior to March 3, 1997**

<u>Illus. No.</u>	<u>Part No.</u>	<u>Qty.</u>	<u>Description</u>
1	346420	1	Heat Reclaimer Damper Top Plate
2	150606	4	1/2-13 x 2" Tap Bolt
3	153026	4	1/2" Lock Washer
4	846722	1	Heat Reclaimer Damper Panel ONLY
5	101174	1	Shaft Collar
6	100227	1	Flanged Bronze Bushing
7	150437	2	3/8-16 x 1-1/4" Flat Head Socket Bolt
8	331618	1	Mounting Block
9	346423	1	Pivot Shaft
10	152033	8	5/16-24 Hex Nut
11	153002	4	5/16" Lock Washer
12	100227	1	Flanged Bronze Bushing
13	101174	1	1" Bore Shaft Collar
14	331605	1	Lever Arm
15	100700	1	1/4" x 1/4" x 1-1/16" Key
16	154304	2	1/4-20 x 3/8" Knurled Socket Setscrew
17	122357	1	Magnet Plate
18	150207	2	#10-24 x 1/2" Machine Screw
19	153009	2	#10 Star Washer
20	100487	1	Clevis Pin
21	100228	1	Bronze Cylindrical Bearing
22	100449	1	3/4-16 Clevis Rod
23	154304	1	1/4-20 x 3/8" Knurled Socket Setscrew
24	153002	4	5/16" Lock Washer
25	152033	8	5/16-24 Hex Nut
26	143153	1	1/4" x 1/4" M.P.T. Elbow
27	100550	1	2-1/2" Bore x 6" Stroke Heat Reclaimer Piston
28	143153	1	1/4" x 1/4" M.P.T. Elbow
29	150501	4	5/16-18 x 3/4" Tap Bolt
30	153002	4	5/16" Lock Washer
31	100446	1	Eye Bracket
32	152008	2	#10-32 Hex Nut
33	153009	2	#10 Star Washer
34	122356	1	Proximity Switch for Heat Reclaimer
35	331588	1	Heat Reclaimer Sensor Bracket

*1-Way Tilt*  
For Models Mfd. as of February 13, 1997

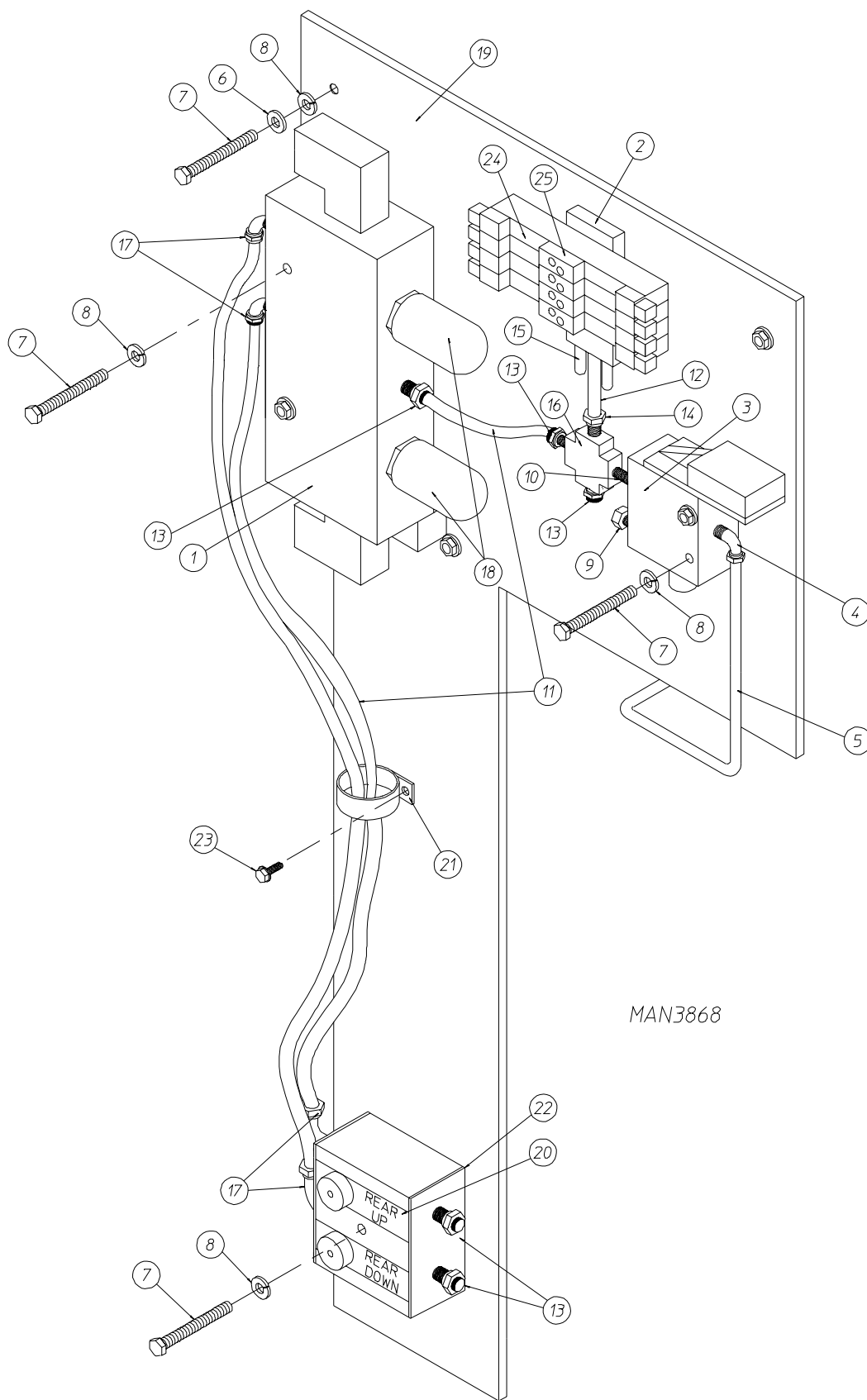


MAN3866

*1-Way Tilt***For Models Mfd. as of February 13, 1997**

<u>Illus. No.</u>	<u>Part No.</u>	<u>Qty.</u>	<u>Description</u>
1	100564	1	5-Port/3-Position 1/2" N.P.T. Valve
2	100480	1	6-Station Manifold Valve Stack Assembly (includes illus. nos. 24 through 26)
3	100464	1	3/8" N.P.T. Air Jet Valve
4	143159	1	3/8" M.P.T. x 90° Male Elbow
5	141212	1	Stainless Steel Air Jet Tube
6	153018	4	1/4" Flat Washer
7	150513	8	1/4-20 x 2-1/4" Hex Head Machine Bolt
8	153007	8	1/4" Lock Washer
9	143251	1	3/8" Brass Plug
10	143241	2	3/8" Close Brass Nipple
11	143120	6	3/8" O.D. Poly-Flo Tubing (sold by the foot)
12	143161	1	1/8" x 2" Brass Nipple
13	143283	5	3/8" M.P.T. Straight Brass Connector
14	143160	1	3/8" to 1/8" Reducing Bushing
15	100520	2	1/8" M.P.T. Silencer (muffler)
16	143236	1	3/8" F.P.T. Brass Cross
17	143213	5	3/8" M.P.T. x 90° Elbow
18	100462	2	3/8" M.P.T. Silencer (muffler)
19	881952	1	1 Door/1-Way Tilt Pneumatic Panel Assembly Complete (includes illus. nos. 1 through 26)
	881951	1	2 Door/1-Way Tilt Pneumatic Panel Assembly Complete (includes illus. nos. 1 through 26)
	846786	1	Pneumatic Panel ONLY
20	143206	2	3/8" Flow Control
21	120501	1	1" Jiffy Clip
22	331872	1	2-Position Flow Control Mounting Bracket
23	150522	1	1/4-20 x 1/2" Hex Head Washer TEK Screw
24	100476	2	5-Port/2-Position Valve Stack Assembly (includes illus. nos. 24 and 25)
25	100477	4	1/4" O.D. Tubing Saddle Block
26	100482	2	5-Port/2-Position Valve Stack Assembly (includes illus. nos. 25 and 26)

*1-Way Tilt*  
**For Models Mfd. prior to February 13, 1997**



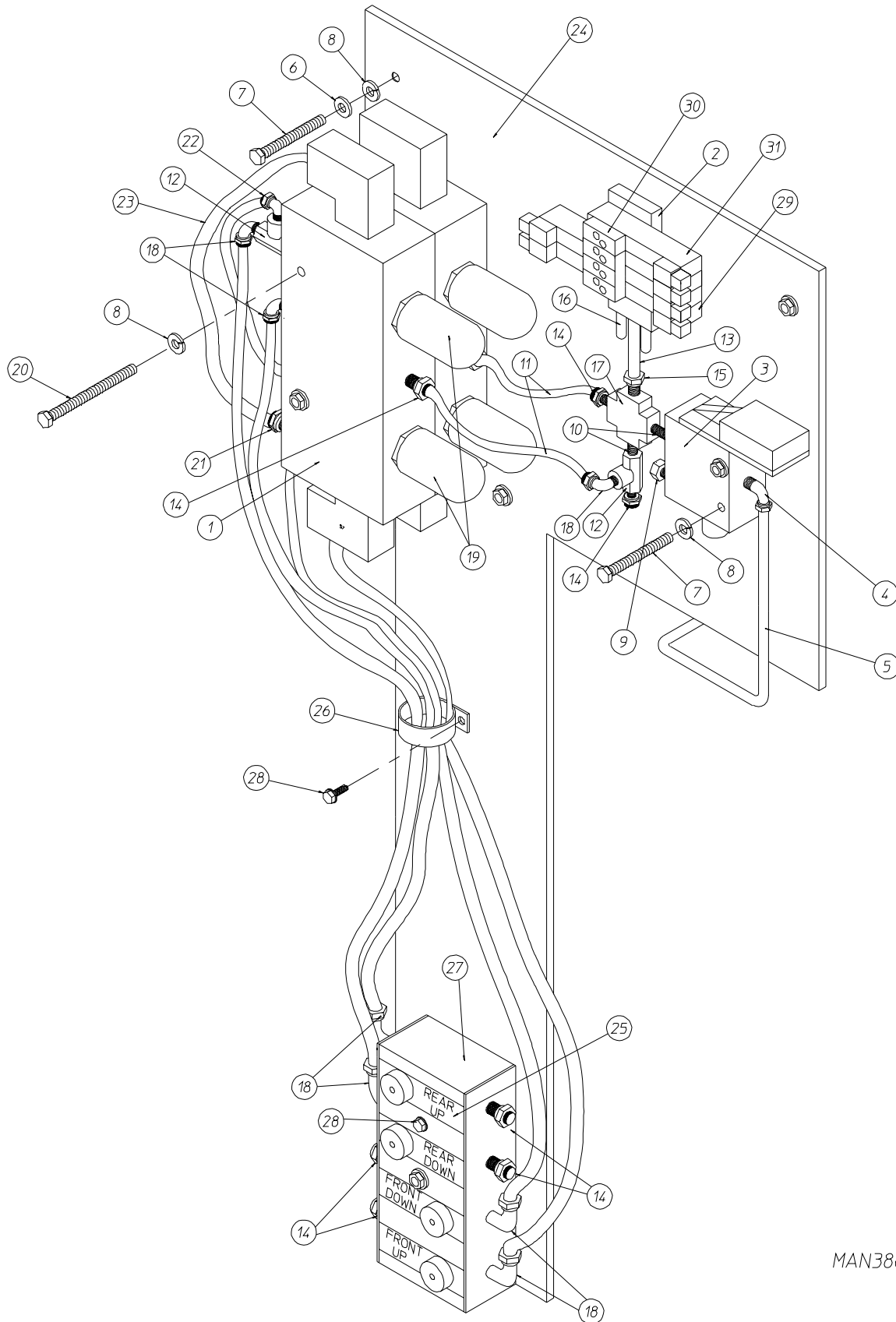
MAN3868



***1-Way Tilt*****For Models Mfd. prior to February 13, 1997**

<u>Illus. No.</u>	<u>Part No.</u>	<u>Qty.</u>	<u>Description</u>
1	100564	2	5-Port/3-Position 1/2" N.P.T. Valve
2	100475	1	Valve Stack Assembly
3	100464	1	3/8" N.P.T. Air Jet Valve
4	143159	1	3/8" M.P.T. x 90° Male Elbow
5	141212	1	Stainless Steel Air Jet Tube
6	153018	4	1/4" Flat Washer
7	150513	6	1/4-20 x 2-1/4" Hex Head Machine Bolt
8	153007	8	1/4" Lock Washer
9	143251	1	3/8" M.P.T. Brass Plug
10	143241	4	3/8" Close Brass Nipple
11	143120	10	3/8" O.D. Poly-Flo Tubing (sold by the foot)
12	143161	1	1/8" x 2" Brass Nipple
13	143283	5	3/8" M.P.T. Straight Brass Connector
14	143160	1	3/8" to 1/8" Reducing Bushing
15	100520	2	1/8" N.P.T. Silencer (muffler)
16	143236	1	3/8" F.P.T. Brass Pipe Cross
17	143213	5	3/8" M.P.T. x 90° Elbow
18	100462	2	3/8" M.P.T. Silencer (muffler)
19	881952	1	1 Door/1-Way Tilt Pneumatic Panel Assembly Complete (includes illus. nos. 1 through 25)
	881951	1	2 Door/1-Way Tilt Pneumatic Panel Assembly Complete (includes illus. nos. 1 through 25)
	846786	1	Pneumatic Panel ONLY
20	143206	2	3/8" Flow Control
21	120501	1	1" Jiffy Clip
22	331872	1	2-Position Flow Control Mounting Bracket
23	331872	1	Flow Control Mounting Plate
24	150522	1	1/4-20 x 1/2" Hex Head Washer TEK Screw
25	100477	4	1/4" O.D. Tubing Saddle Block

2-Way Tilt  
For Models Mfd. as of February 13, 1997

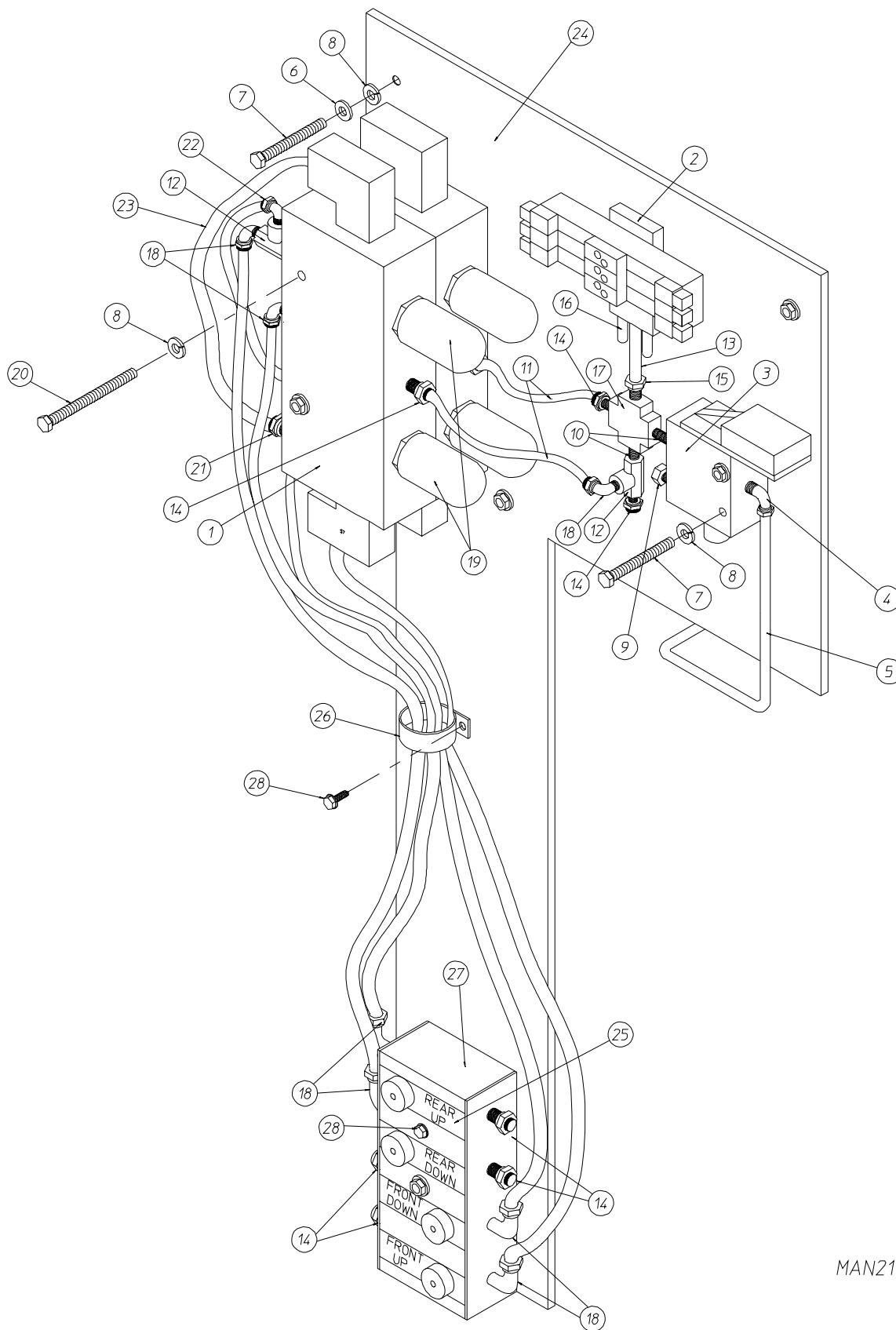


MAN3867

**2-Way Tilt****For Models Mfd. as of February 13, 1997**

<u>Illus. No.</u>	<u>Part No.</u>	<u>Qty.</u>	<u>Description</u>
1	100564	2	5-Port/3-Position 1/2" N.P.T. Valve
2	100480	1	6-Station Manifold Valve Stack Assembly (includes illus. nos. 29 through 31)
3	100464	1	3/8" N.P.T. Air Jet Valve
4	143159	1	3/8" M.P.T. x 90° Male Elbow
5	141212	1	Stainless Steel Air Jet Tube
6	153018	4	1/4" Flat Washer
7	150513	6	1/4-20 x 2-1/4" Hex Head Machine Bolt
8	153007	8	1/4" Lock Washer
9	143251	1	3/8" M.P.T. Brass Plug
10	143241	4	3/8" Close Brass Nipple
11	143120	10	3/8" O.D. Poly-Flo Tubing (sold by the foot)
12	143220	3	3/8" F.P.T. Brass Tee
13	143161	1	1/8" x 2" Brass Nipple
14	143283	6	3/8" M.P.T. Straight Brass Connector
15	143160	1	3/8" to 1/8" Reducing Bushing
16	100520	2	1/8" N.P.T. Silencer (muffler)
17	143236	1	3/8" F.P.T. Brass Pipe Cross
18	143213	9	3/8" M.P.T. x 90° Elbow
19	100462	4	3/8" M.P.T. Silencer (muffler)
20	150444	2	1/4-20 x 3-1/2" Hex Head Cap Screw
21	100472	2	1/8" M.P.T. Straight Connector
22	143290	2	3/8" M.P.T. x 90° Brass Elbow
23	143115	3	1/4" Nylo-Seal Tubing (sold by the foot)
24	881950	1	1 Door/2-Way Tilt Pneumatic Panel Assembly Complete (includes illus. nos. 1 through 31)
	881953	1	2 Door/2-Way Tilt Pneumatic Panel Assembly Complete (includes illus. nos. 1 through 31)
	846786	1	Pneumatic Panel ONLY
25	143206	4	3/8" Flow Control
26	120501	1	1" Jiffy Clip
27	331872	1	Flow Control Mounting Plate
28	150522	2	1/4-20 x 1/2" Hex Head Washer TEK Screw
29	100476	2	5-Port/2-Position Valve for Stack Assembly (includes illus. nos. 29 and 30)
30	100477	4	1/4" O.D. Tubing Saddle Block
31	100482	2	5-Port/2-Position Valve Stack Assembly (includes illus. nos. 30 and 31)

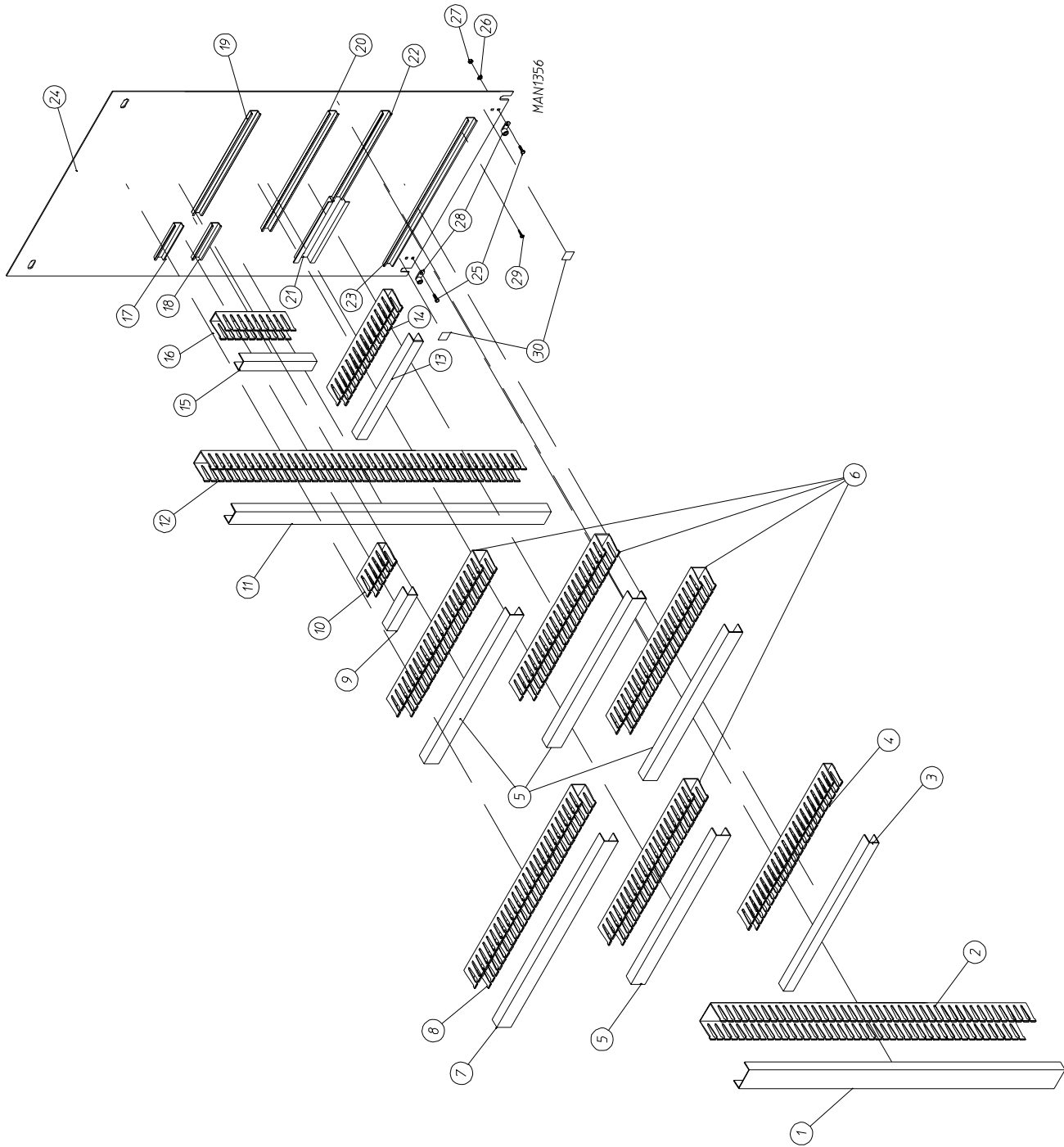
2-Way Tilt  
For Models Mfd. prior to February 13, 1997



MAN2199

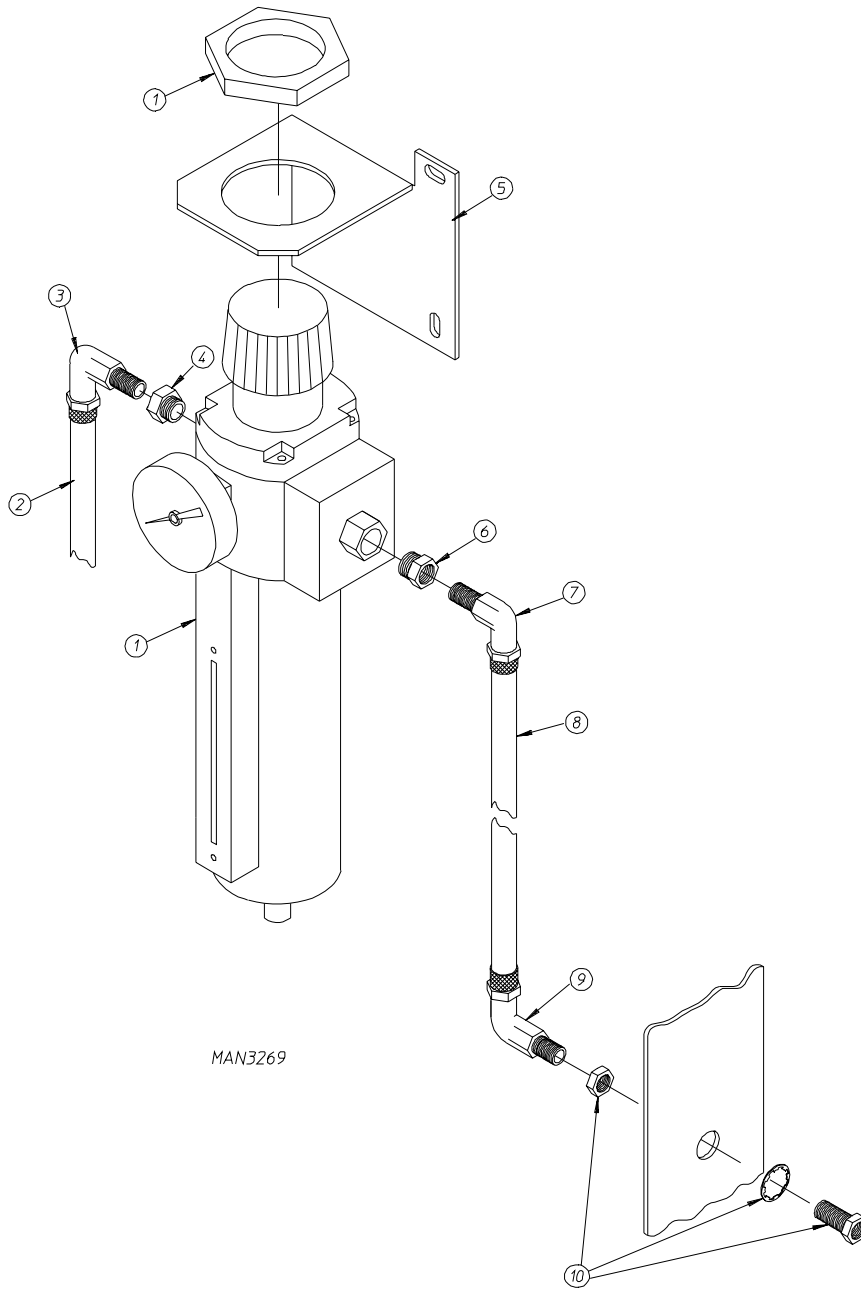
**2-Way Tilt****For Models Mfd. prior to February 13, 1997**

<u>Illus. No.</u>	<u>Part No.</u>	<u>Qty.</u>	<u>Description</u>
1	100564	2	5-Port/3-Position 1/2" N.P.T. Valve
2	100475	1	Valve Stack Assembly
3	100464	1	3/8" N.P.T. Air Jet Valve
4	143159	1	3/8" M.P.T. x 90° Male Elbow
5	141212	1	Stainless Steel Air Jet Tube
6	153018	4	1/4" Flat Washer
7	150513	6	1/4-20 x 2-1/4" Hex Head Machine Bolt
8	153007	8	1/4" Lock Washer
9	143251	1	3/8" M.P.T. Brass Plug
10	143241	4	3/8" Close Brass Nipple
11	143120	10	3/8" O.D. Poly-Flo Tubing (sold by the foot)
12	143220	3	3/8" F.P.T. Brass Tee
13	143161	1	1/8" x 2" Brass Nipple
14	143283	6	3/8" M.P.T. Straight Brass Connector
15	143160	1	3/8" to 1/8" Reducing Bushing
16	100520	2	1/8" N.P.T. Silencer (muffler)
17	143236	1	3/8" F.P.T. Brass Pipe Cross
18	143213	9	3/8" M.P.T. x 90° Elbow
19	100462	4	3/8" M.P.T. Silencer (muffler)
20	150444	2	1/4-20 x 3-1/2" Hex Head Cap Screw
21	100472	2	1/8" M.P.T. Straight Connector
22	143290	2	3/8" M.P.T. x 90° Brass Elbow
23	143115	3	1/4" Nylo-Seal Tubing (sold by the foot)
24	881950	1	1 Door/2-Way Tilt Pneumatic Panel Assembly Complete (includes illus. nos. 1 through 28)
	881953	1	2 Door/2-Way Tilt Pneumatic Panel Assembly Complete (includes illus. nos. 1 through 28)
	846786	1	Pneumatic Panel ONLY
25	143206	4	3/8" Flow Control
26	120501	1	1" Jiffy Clip
27	331872	1	Flow Control Mounting Plate
28	150522	2	1/4-20 x 1/2" Hex Head Washer TEK Screw



---

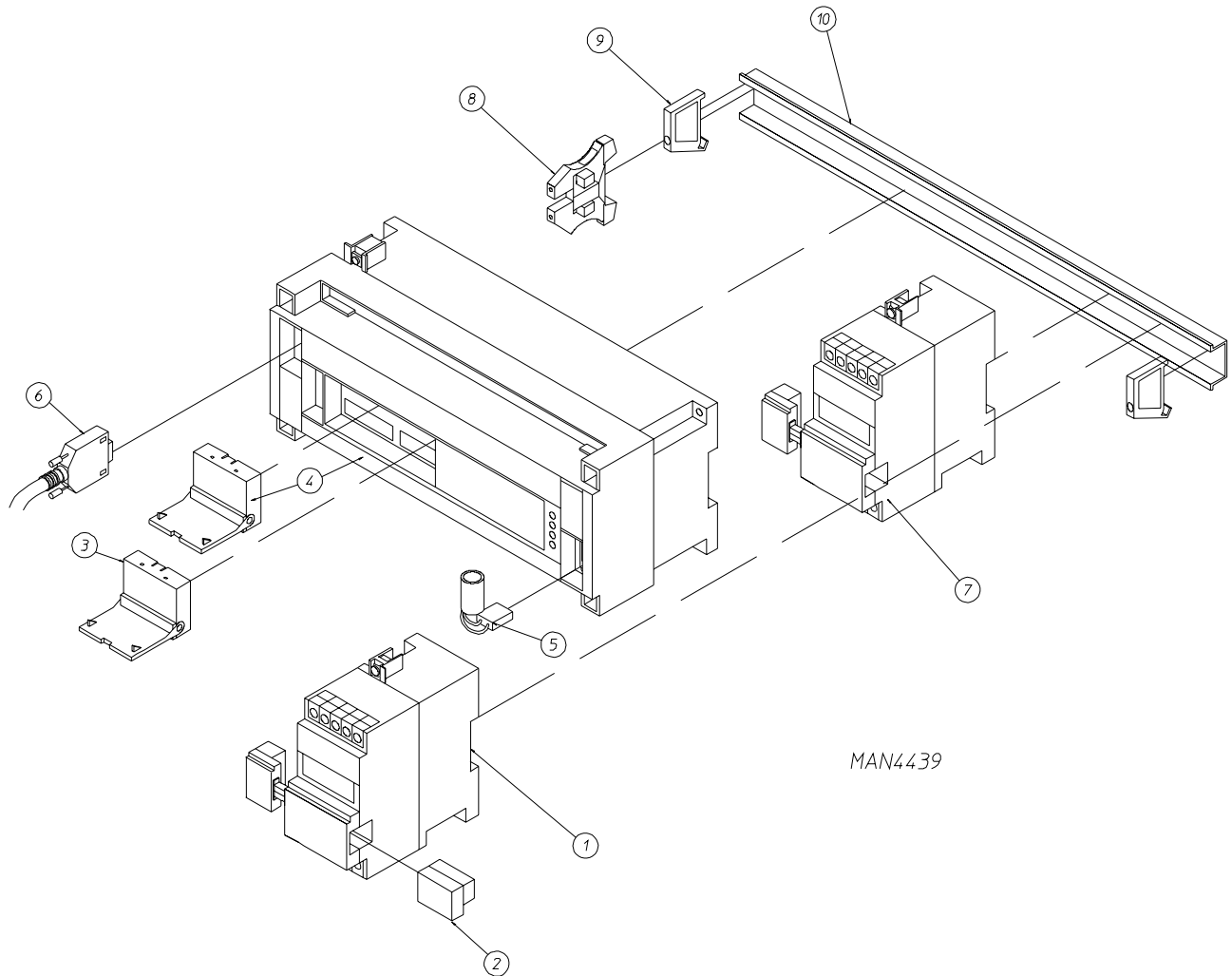
<u>Illus. No.</u>	<u>Part No.</u>	<u>Qty.</u>	<u>Description</u>
1	121428	1	43-3/4" Panduit Wire Way Cover (sold by the inch)
2	121427	1	43-3/4" Wiring Duct (sold by the inch)
3	121422	1	23-1/2" Panduit Wire Way Cover (sold by the inch)
4	121421	1	23-1/2" Panduit Wiring Duct (sold by the inch)
5	121424	1	23-1/2" Panduit Wire Way Cover (sold by the inch)
6	121423	1	23-1/2" Panduit Wiring Duct (sold by the inch)
7	121424	1	29-1/2" Panduit Wire Way Cover (sold by the inch)
8	121423	1	29-1/2" Panduit Wiring Duct (sold by the inch)
9	121422	1	5-7/8" Panduit Wire Way Cover (sold by the inch)
10	121421	1	5-7/8" Panduit Wiring Duct (sold by the inch)
11	121428	1	43-3/4" Panduit Wire Way Cover (sold by the inch)
12	121427	1	43-3/4" Wiring Duct (sold by the inch)
13	121422	1	16" Panduit Wire Way Cover (sold by the inch)
14	121421	1	16" Panduit Wiring Duct (sold by the inch)
15	121422	1	9-1/8" Panduit Wire Way Cover (sold by the inch)
16	121421	1	9-1/8" Panduit Wiring Duct (sold by the inch)
17	120768	1	6" Din Mounting Rail (sold by the inch)
18	120768	1	6" Din Mounting Rail (sold by the inch)
19	120768	1	16-1/4" Din Mounting Rail (sold by the inch)
20	120768	1	18-3/4" Din Mounting Rail (sold by the inch)
21	120769	1	10" Steel Rail (sold by the inch)
22	120768	1	13-1/2" Din Mounting Rail (sold by the inch)
23	120768	1	23-1/2" Din Mounting Rail (sold by the inch)
24	820857	1	Electrical Panel ONLY
25	150510	4	1/4-20 x 3/4" Hex Head Machine Bolt
26	153007	4	1/4" Lock Washer
27	152002	4	1/4-20 Hex Nut
28	121012	4	L-125 Terminal Lug
29	150300	79	#10-16 x 1/2" Hex Washer TEK Screw
30	112075	2	"GROUND HERE" Label



<u>Illus. No.</u>	<u>Part No.</u>	<u>Qty.</u>	<u>Description</u>
1	100478	1	1/2" N.P.T. Filter/Regulator Assembly
2	143120	*	Poly-Flo Tubing
3	143155	1	3/8" Street Elbow
4	143162	1	1/2" to 3/8" Reducing Bushing
5	332640	1	Filter/Regulator Mounting Bracket
6	143162	1	1/2" to 3/8" Reducing Bushing
7	143155	1	3/8" Street Elbow
8	143120	*	Poly-Flo Tubing
9	143155	1	3/8" Street Elbow
10	143257	1	3/8" Bulkhead Fitting

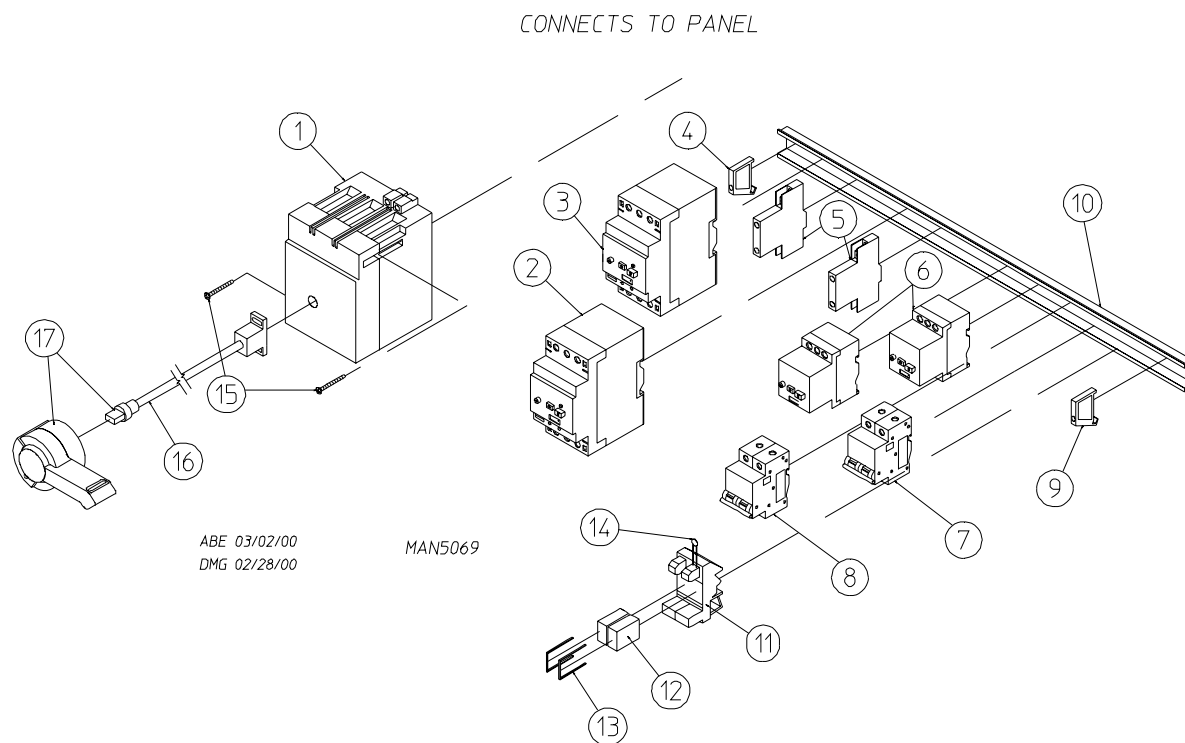
\* As required.



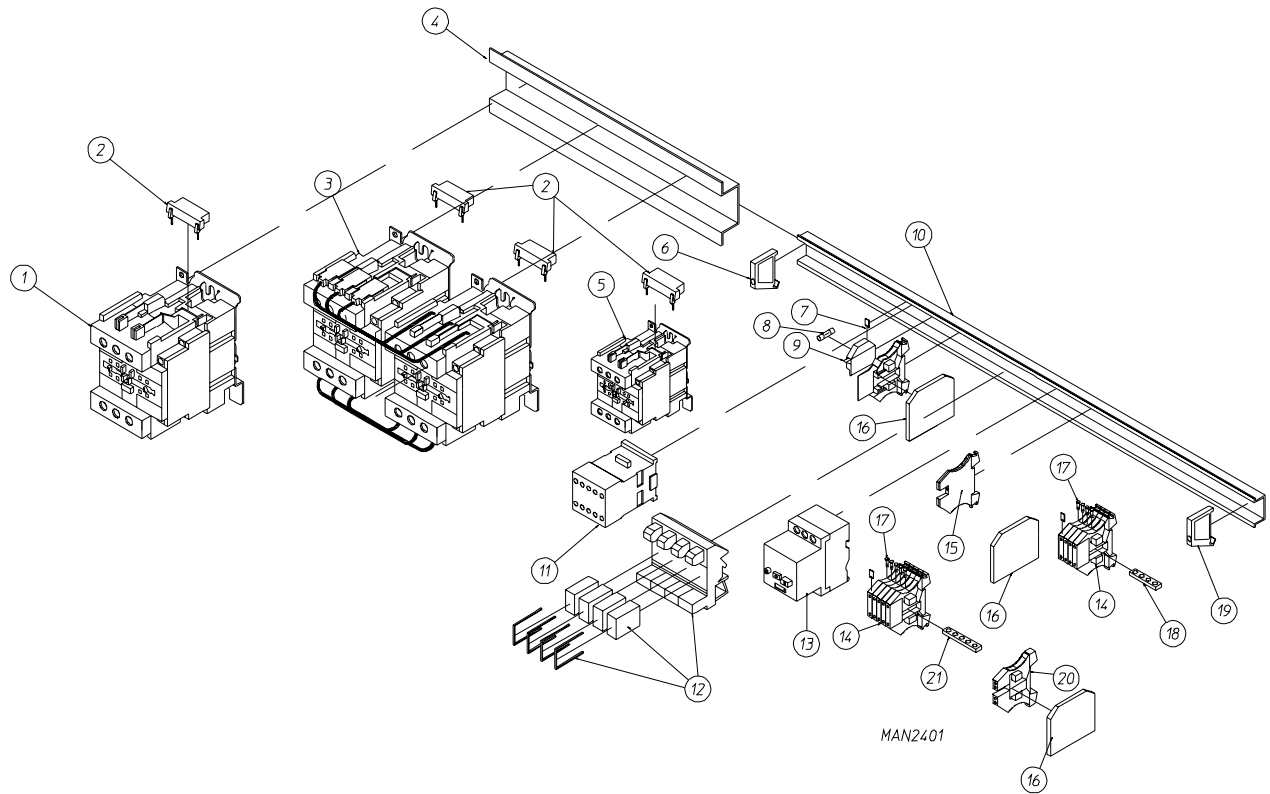


<u>Illus. No.</u>	<u>Part No.</u>	<u>Qty.</u>	<u>Description</u>
1	137920	1	Analog Input Module
2	137924	1	Bus Terminator
3	881030	1	Programmable Logic Controller (PLC) Memory Cartridge
4*	882161	1	Language Cartridge with Programmable Controller
5	137925	1	RAM Back-Up Lithium Battery
6	137923	1	RS232C Cable
7	137921	1	Output Module
8	120750	1	Ground Block
9	120765	2	End Stop Bracket
10	120768	1	16-1/4" Din Mounting Rail (sold by the foot)

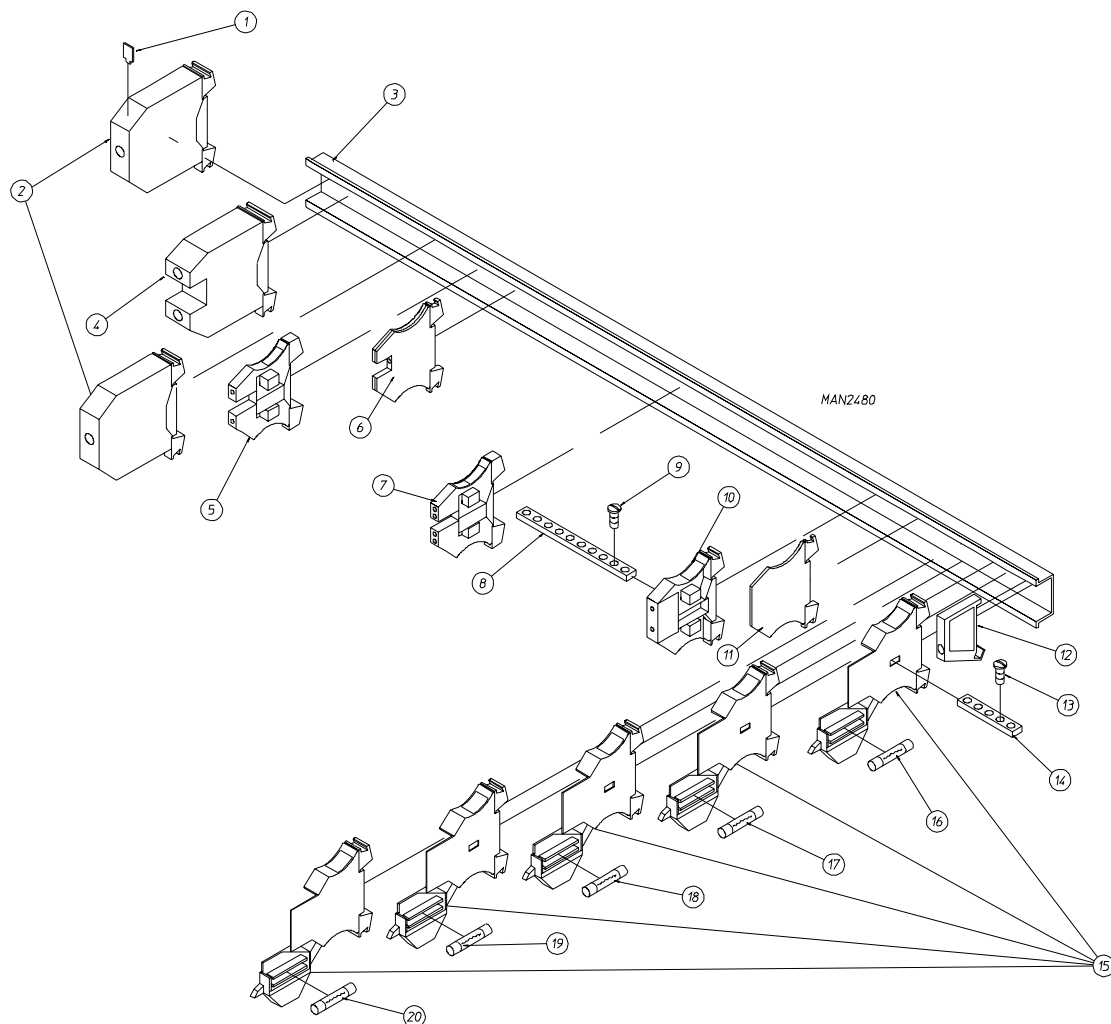
\* Programmed by factory, must have serial number.



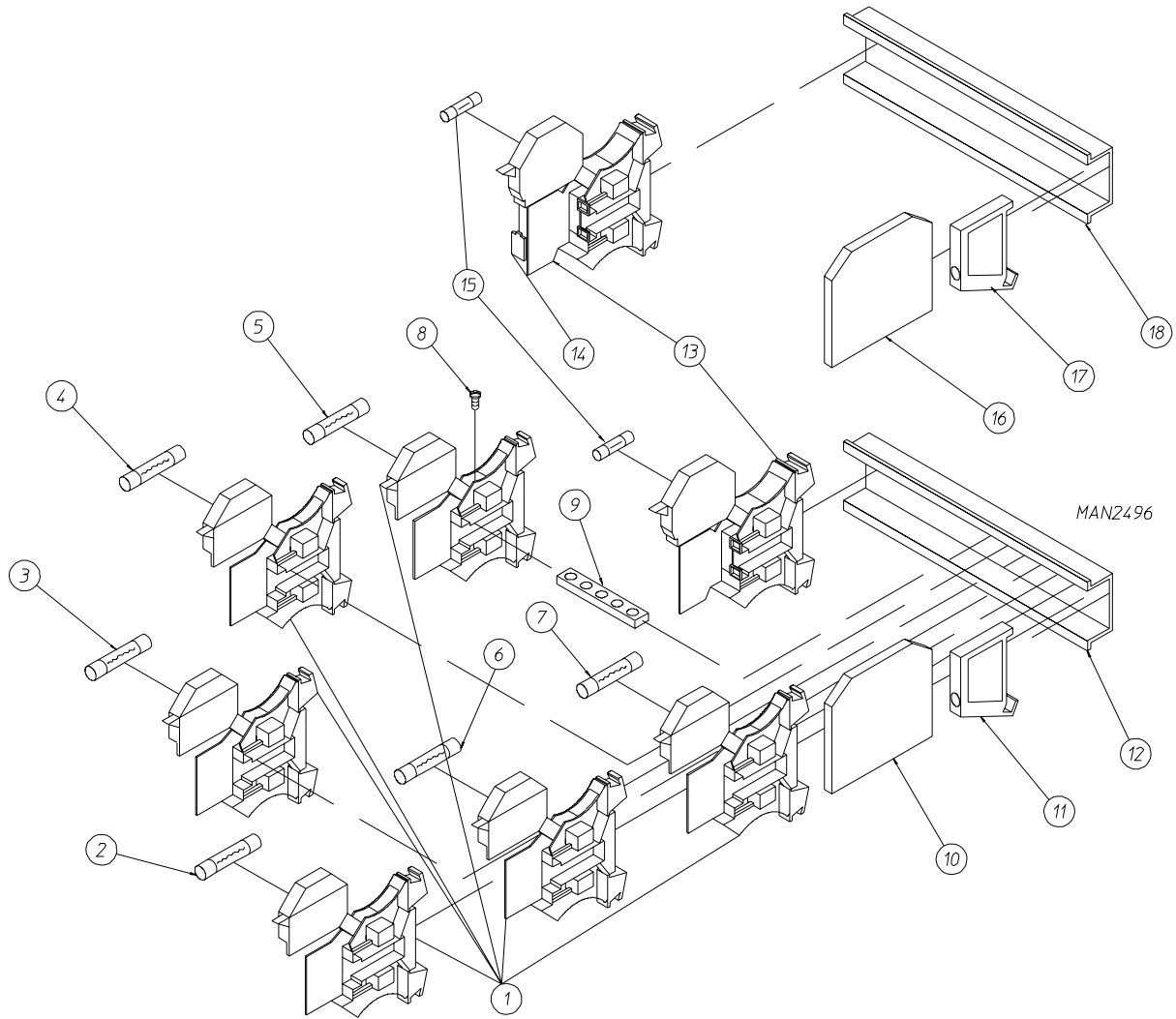
<u>Illus. No.</u>	<u>Part No.</u>	<u>Qty.</u>	<u>Description</u>
1	170212	1	40 HP 25-Amp 110 VAC Under Voltage Switch 208/230V 3 $\phi$ 50/60 Hz
	170209	1	40 HP 63-Amp 110 VAC Under Voltage Switch 460V 3 $\phi$ 50/60 Hz
	170216	1	40 HP 100-Amp 110 VAC Under Voltage Switch 380/416V 3 $\phi$ 50/60 Hz
2	131955	1	40-63-Amp Manual Starter
3	131956	1	56-80-Amp Manual Starter
4	120765	1	Standard End Stop
5	132384	5	Auxiliary Contact Block - GV1 ONLY
	132389	5	Auxiliary Contact Block - GV2 ONLY
6	131954	2	16-20-Amp Manual Starter
7	135507	1	6-Amp 2-Pole Breaker (for models mfd. as of December 17, 1998)
	131962	1	16-10-Amp Manual Starter (for models mfd. prior to December 17, 1998)
8	135506	1	3-Amp 2-Pole Breaker (for models mfd. as of December 17, 1998)
	131968	1	4-6.3-Amp Manual Starter (for models mfd. prior to December 17, 1998)
	131961	1	2.5-4-Amp Manual Starter (for models mfd. prior to December 17, 1998)
9	120765	1	Standard End Stop
10	120768	1	18-3/4" Din Mounting Rail (sold by the inch)
11	131401	1	2-Channel Single-Pole-Double-Throw (SPDT) Relay Socket
12	131403	2	Single-Pole-Double-Throw (SPDT) Relay
13	131404	2	Relay Hold Down Wire
14	132446	1	Metal Oxide Varistor
15	150109	2	#8-32 x 2" Phillips Round Head Machine Screw
16	170213	1	Door Handle Extension
17	170211	1	Main Door Interlock Handle



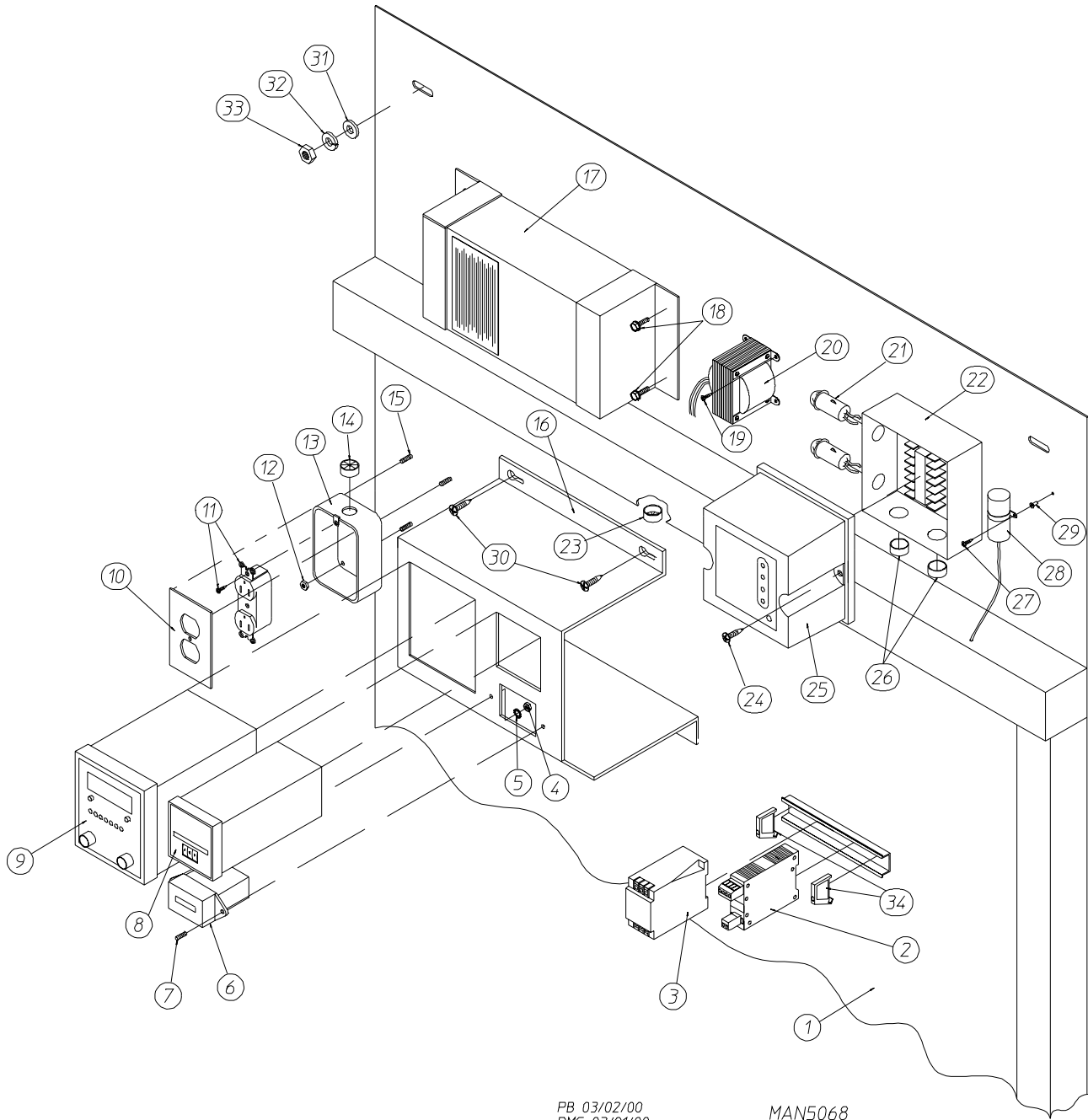
<u>Illus. No.</u>	<u>Part No.</u>	<u>Qty.</u>	<u>Description</u>
1	132433	1	Coil Contactor - 110 VAC
2	137029	4	Variable Noise Suppressor
3	132462	2	Reversing Contactor with 110 VAC Control
4	120769	1	10" Steel Rail (sold by the inch)
5	132440	1	Contactor
6	120765	1	End Stop Bracket
7	120999	3	Blank Marking Tab
8	136038	1	8-Amp Fuse
9	120756	1	1/4" Fuse Terminal Block with Light Emitting Diode (L.E.D.)
10	120768	1	13-1/2" Din Mounting Rail (sold by the inch)
11	132444	1	3 HP - 240 Volt Coil Control Relay
12	131400	1	Single-Pole-Double-Throw (SPDT) 110 VAC 4-Channel Relay Module
13	131950	1	1-1.6-Amp Manual Starter
14	120752	9	Disconnect Block with Test Point
15	120750	1	Ground Terminal Block
16	120766	3	End Section Plate Wrap
17	120998	9	Bus Bar Screw
18	120991	1	4-Pole Bus Bar
19	120765	1	End Stop Bracket
20	120761	1	4-Position Terminal Block
21	120992	1	5-Pole Bus Bar



<u>Illus. No.</u>	<u>Part No.</u>	<u>Qty.</u>	<u>Description</u>
1	120999	24	Blank Marking Tab
2	120770	2	End Bracket
3	120768	1	23-1/2" Din Mounting Rail (sold by the inch)
4	120760	3	Terminal Block
5	120758	49	Feed Thru Terminal Block
6	120750	7	Ground Block
7	120761	2	4-Position Feed Thru Terminal Block
8	120996	1	10-Position Jumper Bar
9	120998	10	Bus Bar Screw
10	120752	29	Disconnect Block with Test Point
11	120766	3	Small End Section
12	120765	1	End Stop Bracket
13	120995	5	Bus Bar Screw
14	120988	1	5-Position Jumper Bar
15	120754	5	Fuse Terminal Block
16	136016	1	5-Amp Fuse
17	136019	1	1-Amp Fuse
18	136018	1	1/2-Amp Fuse
19	136017	1	3.15-Amp Fuse
20	136019	1	1/2-Amp Fuse



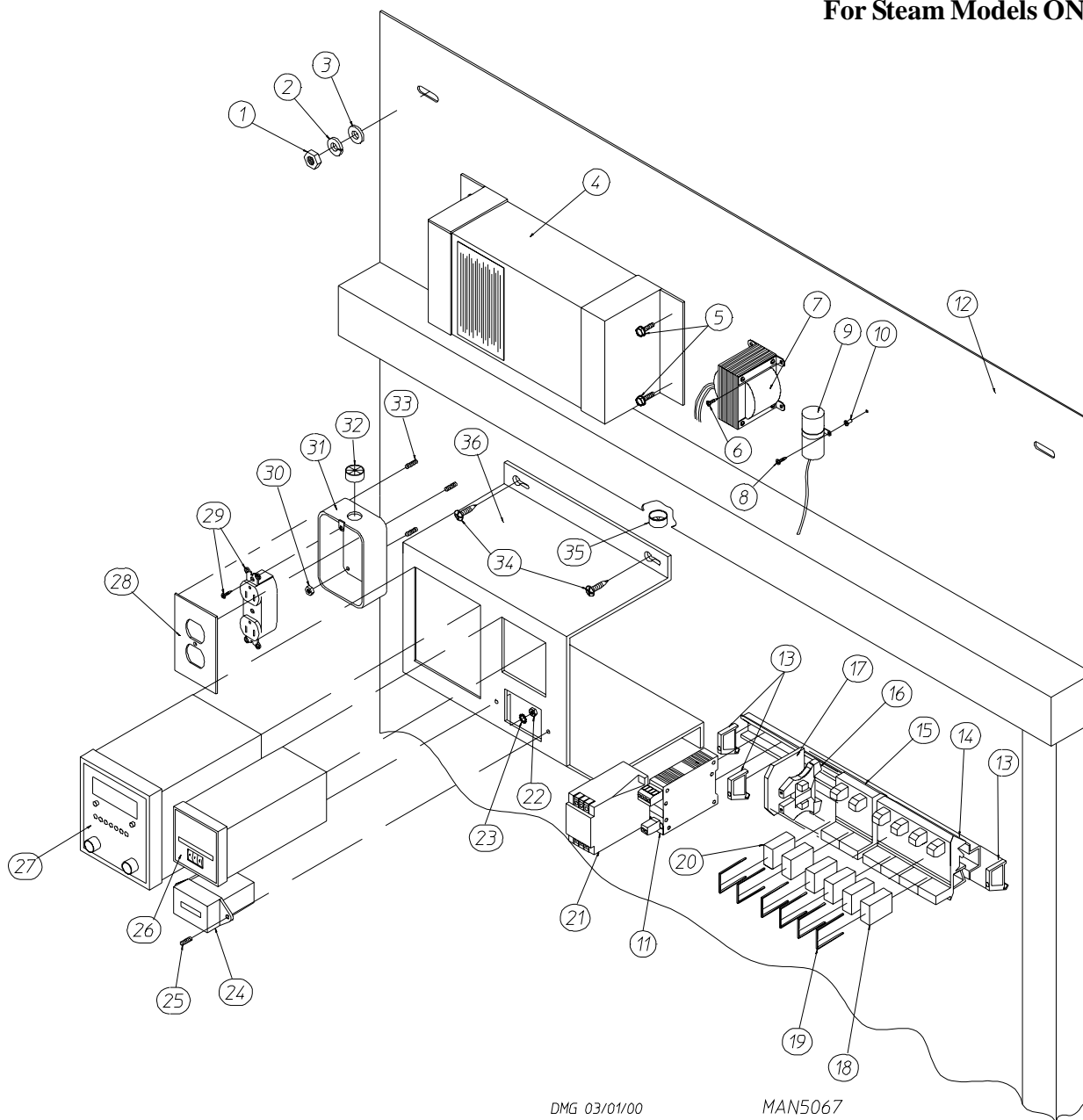
<u>Illus. No.</u>	<u>Part No.</u>	<u>Qty.</u>	<u>Description</u>
1	120754	6	Fuse Terminal Block with Light Emitting Diode (L.E.D.)
2	136017	1	3.15-Amp Fuse
3	136016	1	5-Amp Fuse
4	136019	1	1-Amp Fuse
5	136017	1	3.15-Amp Fuse
6	136047	1	0.8-Amp Fuse
7	136018	1	1/2-Amp Fuse
8	120995	5	Bus Bar Screw
9	120988	1	5-Position Bus Bar
10	120766	1	Small End Section
11	120765	2	End Stop Bracket
12	120768	1	6" Din Mounting Rail (sold by the inch)
13	120756	15	1/4" Fuse Terminal Block with Light Emitting Diode (L.E.D.)
14	120999	23	Blank Marking Tab
15	136033	15	3-Amp Fuse
16	120766	1	Small End Section
17	120765	2	End Stop Bracket
18	120768	1	6" Din Mounting Rail (sold by the inch)



**For Gas Models ONLY**

<u>Illus. No.</u>	<u>Part No.</u>	<u>Qty.</u>	<u>Description</u>
1	846831	1	Electrical Panel Assembly
2	882266	1	Omega Resistance Temperature Detector (RTD) to Moore Resistance Temperature Detector (RTD) Conversion Kit
	882607	1	Resistance Temperature Detector (RTD) Transmitter Programmed
3	881954	1	110 VAC/24 VDC Power Supply Assembly
	132031	1	110 VAC/24 VDC Power Supply ONLY
4	152000	2	#6-32 Hex Nut
5	153010	2	#6 Star Washer
6	847314	1	System Clock - 24 VAC
7	153562	2	#6-32 x 3/4" Clinch Stud
8	847360	1	Digital Temperature Controller Assembly - °F
	825015	1	Digital Temperature Controller Assembly - °C
9	847357	1	Hi-Temperature Alarm Assembly - °F
	881037	1	Hi-Temperature Alarm Assembly - °C
10	121126	1	Stainless Steel Duplex Receptacle Cover
11	121125	1	Duplex Receptacle
12	152000	4	#6-32 Hex Nut
13	121104	1	4" x 2-1/8" x 1-7/8" Single Outlet Box
14	121400	1	7/8" Universal Bushing
15	153562	4	#6-32 x 3/4" Clinch Stud
16	820685	1	Hi-Limit Controller Bracket
17	132013	1	1-KVA Control Transformer - 240-480v 60 Hz
	132014	1	1-KVA Control Transformer - 208v 60 Hz /190/440v 50 Hz
18	150522	4	1/4-20 x 1/2" Hex Head Washer TEK Screw
19	150103	2	#8-32 x 3/4" Phillips Round Head Machine Screw
20	132091	1	208-240 Volt Transformer
	132092	1	380 Volt Transformer
	132078	1	480 Volt Transformer
			(for models mfd. as of March 19, 1997)
	132005	1	480 Volt Transformer
			(for models mfd. prior to March 19, 1997)
21	123000	2	Red Pilot Light
22	141066	1	Relay Base
23	121400	1	7/8" Universal Bushing
24	150103	2	#8-32 x 3/4" Phillips Round Head Machine Screw
25	141065	1	Burner Controller
26	121400	2	7/8" Universal Bushing
27	150103	1	#8-32 x 3/4" Phillips Round Head Machine Screw
28	123224	1	120 VAC 1-Second Flasher
29	154100	1	#8-32 Rivet Nut
30	150103	4	#8-32 x 3/4" Phillips Round Head Machine Screw
31	153050	4	1/2" Flat Washer
32	153026	4	1/2" Lock Washer
33	152011	4	1/2-13 Hex Nut
34	120765	2	End Stop Bracket

For Steam Models ONLY



DMG 03/01/00

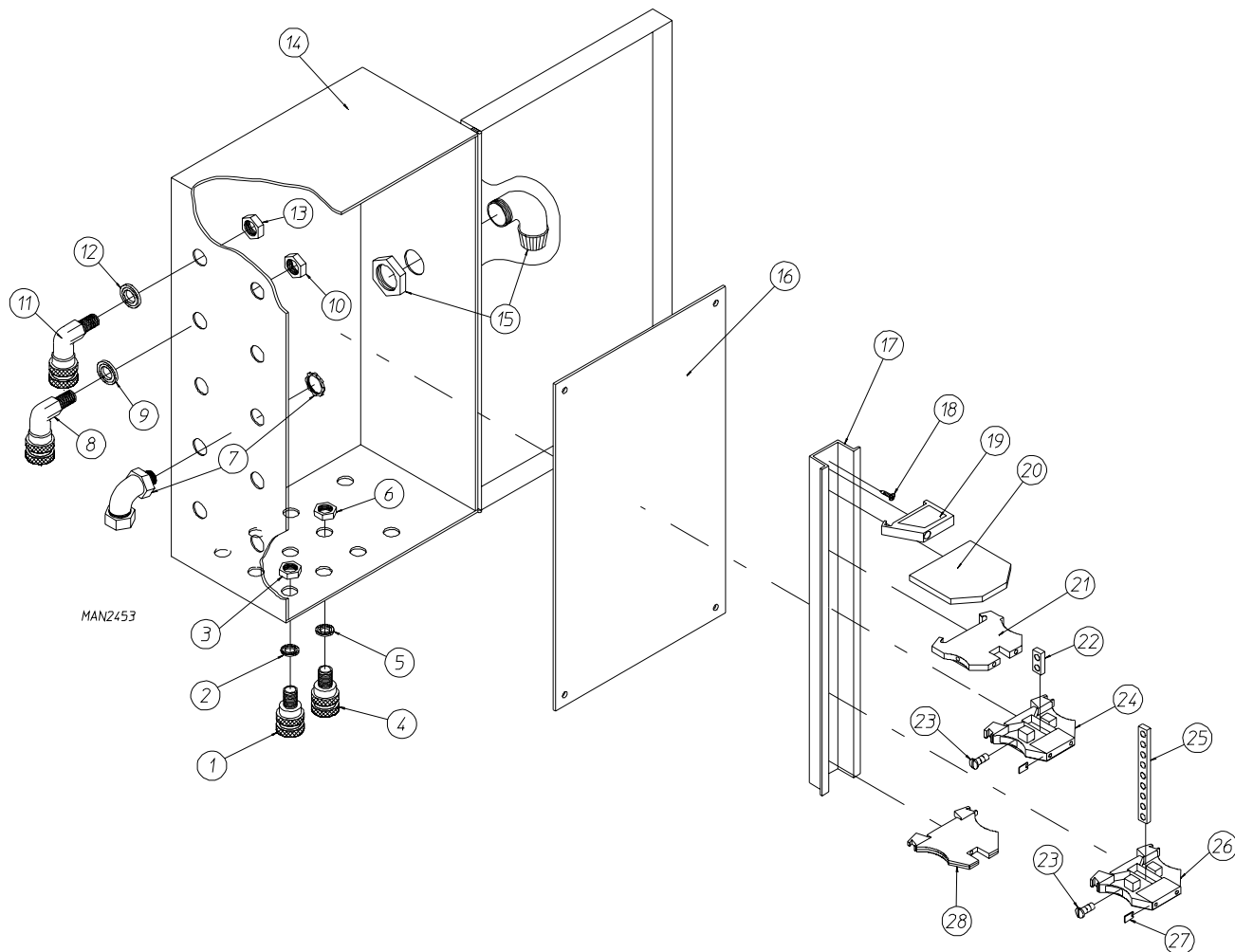
MAN5067

<u>Illus. No.</u>	<u>Part No.</u>	<u>Qty.</u>	<u>Description</u>
1	152011	4	1/2-13 Hex Nut
2	153026	4	1/2" Lock Washer
3	153050	4	1/2" Flat Washer
4	132013	1	1-KVA Control Transformer - 240-480v 60 Hz
	132014	1	1-KVA Control Transformer - 208v 60 Hz /190/440v 50 Hz
5	150522	4	1/4-20 x 1/2" Hex Head Washer TEK Screw
6	150103	2	#8-32 x 3/4" Phillips Round Head Machine Screw
7	132091	1	208-240 Volt Transformer
	132092	1	380 Volt Transformer
	132078	1	480 Volt Transformer (for models mfd. as of March 19, 1997)
	132005	1	480 Volt Transformer (for models mfd. prior to March 19, 1997)



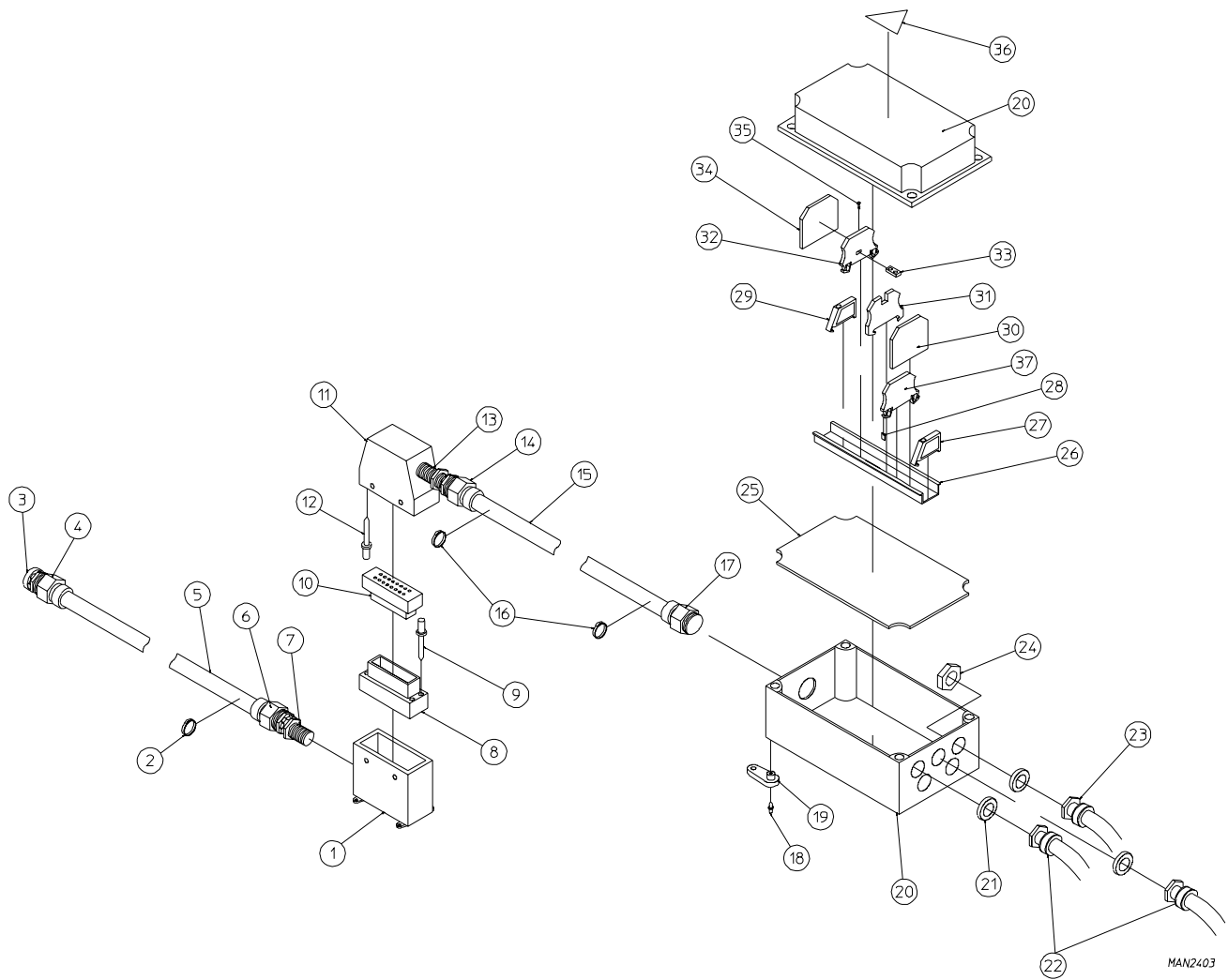
**For Steam Models ONLY**

<u>Illus. No.</u>	<u>Part No.</u>	<u>Qty.</u>	<u>Description</u>
8	150103	1	#8-32 x 3/4" Phillips Round Head Machine Screw
9	123224	1	120 VAC 1-Second Flasher
10	154100	1	#8-32 Rivet Nut
11	882266	1	Omega Resistance Temperature Detector (RTD) to Moore Resistance Temperature Detector (RTD) Conversion Kit
12	846831	1	Electrical Panel Assembly
	882607	1	Resistance Temperature Detector (RTD) Transmitter Programmed
13	120765	3	End Stop Bracket
14	131402	1	4-Channel Double-Pole-Double-Throw (DPDT) Socket with Relay
15	131401	1	2-Channel Single-Pole-Double-Throw (SPDT) Socket without Relay
16	120758	1	Feed Thru Terminal Block
17	120766	1	Small End Section
18	131405	4	Double-Pole-Double-Throw (DPDT) 110 VAC 10-Amp Relay
19	131404	6	Relay Hold Down Clip
20	131403	2	Single-Pole-Double-Throw (SPDT) 110 VAC 10-Amp Relay
21	881954	1	110 VAC/24 VDC Power Supply Assembly
	132031	1	110 VAC/24 VDC Power Supply ONLY
22	152000	2	#6-32 Hex Nut
23	153010	2	#6 Star Washer
24	847314	1	System Clock - 24 VAC
25	153562	2	#6-32 x 3/4" Clinch Stud
26	847360	1	Digital Temperature Controller Assembly - °F
	847430	1	Digital Temperature Controller Assembly - °C
27	847419	1	Hi-Temperature Alarm Assembly - °F
	847429	1	Hi-Temperature Alarm Assembly - °C
28	121126	1	Stainless Steel Duplex Receptacle Cover
29	121125	1	Duplex Receptacle
30	152000	4	#6-32 Hex Nut
31	121104	1	4" x 2-1/8" x 1-7/8" Single Outlet Box
32	121400	1	7/8" Universal Bushing
33	153562	4	#6-32 x 3/4" Clinch Stud
34	150103	4	#8-32 x 3/4" Phillips Round Head Machine Screw
35	121400	1	7/8" Universal Bushing
36	820685	1	Hi-Limit Controller Bracket



<u>Illus. No.</u>	<u>Part No.</u>	<u>Qty.</u>	<u>Description</u>
1	120653	5	White Straight Cord Grip Connector
2	120914	5	1/2" Metal Clad O-Ring
3	120915	5	1/2" N.P.T. Lock Nut
4	120652	6	Red Straight Cord Grip Connector
5	120914	6	1/2" Metal Clad O-Ring
6	120915	6	1/2" N.P.T. Lock Nut
7	120200	2	3/8" x 90° Liquid-Tite Fitting
8	120651	5	90° Blue Cord Grip Connector
9	120914	5	1/2" Metal Clad O-Ring
10	120915	5	1/2" N.P.T. Lock Nut
11	120650	3	90° White Cord Grip Connector
12	120914	3	1/2" Metal Clad O-Ring

<u>Illus. No.</u>	<u>Part No.</u>	<u>Qty.</u>	<u>Description</u>
13	120915	3	1/2" N.P.T. Lock Nut
14	881939	1	1 Auto Door/Rear Tilt Solenoid Junction Box Assembly (for gas models Only)
	881940	1	1 Auto Door/Rear Tilt Solenoid Junction Box Assembly (for steam models Only)
	881937	1	1 Auto Door/Forward Tilt Solenoid Junction Box Assembly (for gas models Only)
	881938	1	1 Auto Door/Forward Tilt Solenoid Junction Box Assembly (for steam models Only)
	881943	1	2 Auto Doors/Rear Tilt Solenoid Junction Box Assembly (for gas models Only)
	881944	1	2 Auto Doors/Rear Tilt Solenoid Junction Box Assembly (for steam models Only)
	881945	1	1 Auto Door/2-Way Tilt Solenoid Junction Box Assembly (for gas models Only)
	881946	1	1 Auto Door/2-Way Tilt Solenoid Junction Box Assembly (for steam models Only)
	881941	1	1 Auto Door/Forward Tilt Solenoid Junction Box Assembly (for gas models Only)
	881942	1	1 Auto Door/Forward Tilt Solenoid Junction Box Assembly (for steam models Only)
	881947	1	2 Auto Doors/2-Way Tilt Solenoid Junction Box Assembly (for gas models Only)
	881948	1	2 Auto Doors/2-Way Tilt Solenoid Junction Box Assembly (for steam models Only)
15	120617	1	1" x 90° Plastic Elbow
16	331499	1	Panel for Enclosure
17	120768	1	14-3/4" Din Mounting Rail (sold by the inch)
18	150300	5	#10-16 x 1/2" Hex Washer TEK Screw
19	120765	1	End Stop
20	120766	4	Small End Section
21	120758	34	Feed Thru Terminal Block
22	120990	1	2-Position Jumper Bar
23	120998	10	Jumper Mounting Screw
24	120752	2	Disconnect Block
25	120989	1	9-Position Bus Bar
26	120752	8	Disconnect Block
27	120999	10	Blank Marking Tab
28	120750	10	Ground Block



<u>Illus. No.</u>	<u>Part No.</u>	<u>Qty.</u>	<u>Description</u>
1	134003	1	16-Position Box Mounting Base
2	121496	2	7-1/2" Identification Ty-Wrap
3	120623	1	3/4" Chafe Bushing
4	120606	1	3/4" Straight Liquid-Tite Fitting
5	120604	17	Liquid-Tite Flexible Conduit (sold by the inch)
6	120606	1	3/4" Straight Liquid-Tite Fitting
7	134007	1	3/4" Conduit Fitting Adapter
8	134006	1	16-Position Female Insert
9	134004	1	Keying Pin
10	134005	1	16-Position Male Pin Connector Insert
11	134001	1	16-Position Lateral Hood
12	134004	1	Keying Pin
13	134007	1	3/4" Conduit Fitting Adapter
14	120606	1	3/4" Straight Liquid-Tite Fitting
15	120604	122	Liquid-Tite Flexible Conduit (sold by the inch)
16	121496	2	7-1/2" Identification Ty-Wrap
17	120606	1	3/4" Straight Liquid-Tite Fitting
18	154210	4	3/16" Pop Rivet
19	121117	1	Non-Metallic Foot Kit
20	825169	1	Base Junction Box
21	120914	5	1/2" N.P.T. Metal Clad O-Ring
22	120653	2	1/2" White Cord Grip Connector
23	120655	3	1/2" Blue Cord Grip Connector
24	120915	5	1/2" N.P.T. Lock Nut
25	121116	1	Junction Box Panel
26	331533	1	7-1/4" Mounting Rail
27	120765	1	End Stop
28	120999	4	Blank Marking Tab
29	120765	1	End Stop
30	120766	1	End Section
31	120750	2	Ground Block
32	120752	2	Disconnect Block with Test Point
33	120990	1	2-Position Jumper Bar
34	120766	1	End Section
35	120998	2	Bus Bar Screw
36	122424	1	Small Warning Label
37	120758	13	Feed Thru Terminal Block

ADC 450190

1 - 05/06/96-50  
4 \* 03/03/03-15

2 \* 05/27/97-50

3 \* 03/13/00-20

