



AD-330/AD-320 Parts Manual 24 VAC Phase 5

For Models Manufactured as of July 2002

American Dryer Corporation
88 Currant Road
Fall River, MA 02720-4781
Telephone: (508) 678-9000 / Fax: (508) 678-9447
e-mail: techsupport@amdry.com
www.amdry.com

Retain This Manual In A Safe Place For Future Reference

American Dryer Corporation products embody advanced concepts in engineering, design, and safety. If this product is properly maintained, it will provide many years of safe, efficient, and trouble free operation.

ONLY qualified technicians should service this equipment.

OBSERVE ALL SAFETY PRECAUTIONS displayed on the equipment or specified in the installation manual included with the dryer.

The following “**FOR YOUR SAFETY**” caution **must be** posted near the dryer in a prominent location.

FOR YOUR SAFETY

Do not store or use gasoline or other flammable vapors and liquids in the vicinity of this or any other appliance.

POUR VOTRE SÉCURITÉ

Ne pas entreposer ni utiliser d'essence ni d'autres vapeurs ou liquides inflammables à proximité de cet appareil ou de tout autre appareil.

We have tried to make this manual as complete as possible and hope you will find it useful. **ADC** reserves the right to make changes from time to time, without notice or obligation, in prices, specifications, colors, and material, and to change or discontinue models.

Important

For your convenience, log the following information:

DATE OF PURCHASE _____ **MODEL NO.** _____

RESELLER'S NAME _____

Serial Number(s) _____

Replacement parts can be obtained from your reseller or the **ADC** factory. When ordering replacement parts from the factory, you can FAX your order to **ADC** at (508) 678-9447 or telephone your order directly to the **ADC** Parts Department at (508) 678-9000. Please specify the dryer **model number** and **serial number** in addition to the **description** and **part number**, so that your order is processed accurately and promptly.

The illustrations on the following pages may not depict your particular dryer exactly. The illustrations are a composite of the various dryer models. Be sure to check the descriptions of the parts thoroughly before ordering.

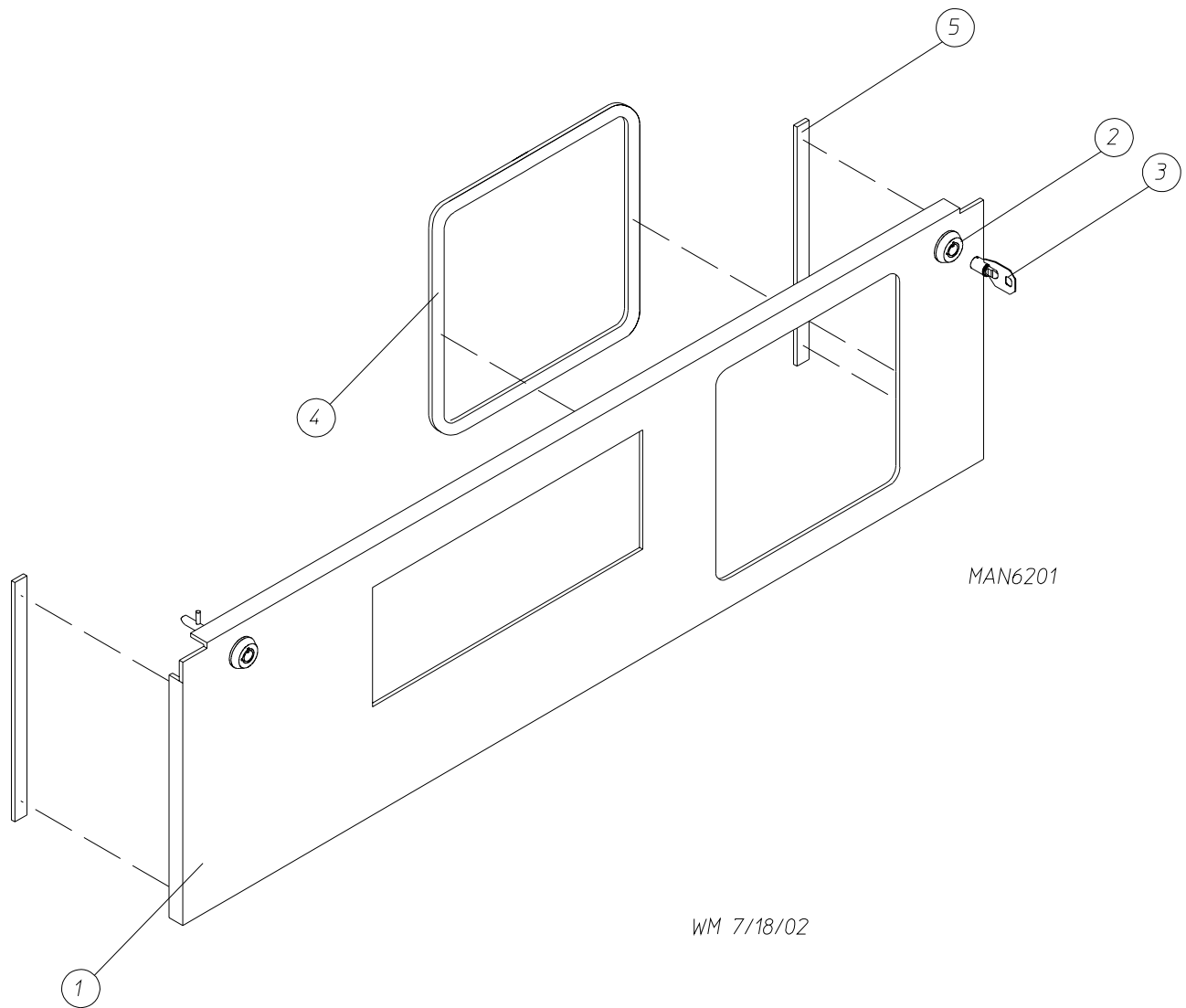
“IMPORTANT NOTE TO PURCHASER”

Information **must be** obtained from your local gas supplier on the instructions to be followed if the user smells gas. These instructions **must be** posted in a prominent location near the dryer.

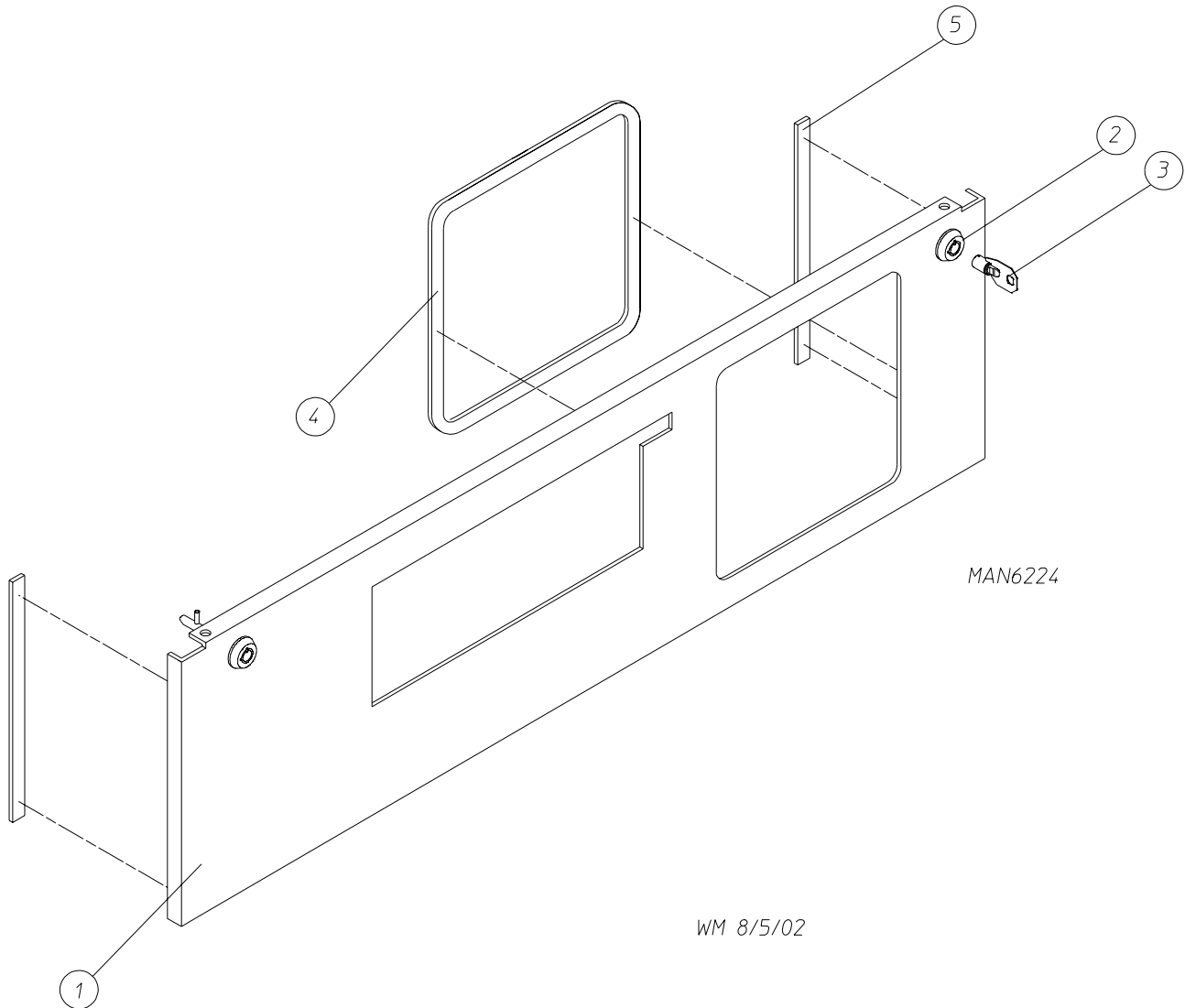
Table of Contents

AD-330 Coin and Debit Card Control Door Assembly	3
AD-320 Coin and Debit Card Control Door Assembly	4
AD-330 OPL Control Door Assembly	5
AD-320 OPL Control Door Assembly	6
AD-330 Lint Door Assembly	7
AD-320 Lint Door Assembly	8
AD-330 Lint Drawer (Basket) Assembly	9
AD-320 Lint Drawer (Basket) Assembly	10
AD-330 Locking Lint Drawer (Basket) Assembly	11
AD-320 Locking Lint Drawer (Basket) Assembly	12
Single Hanke Coin, DMC Control Panel Assembly	
For Domestic Single Coin (25¢) Models	13
Dual Coin, Hanke Control Panel Assembly	14
OPL Microprocessor (DMC) Control Panel Assembly	15
Hanke Microprocessor Coin Acceptor Listing	16
Coin Vault Assembly	17
DMC Control Box Assembly	18, 19
AD-330/AD-320 Cold Rolled Steel (CRS) Door Top Front Panel	20
AD-330/AD-320 Cold Rolled Steel (CRS) Door Bottom Front Panel	21
Main Door Cold Rolled Steel (CRS) Assembly	22
Main Door Switch Assembly For Cold Rolled Steel (CRS) Type Door	23
AD-330 Basket (Tumbler)/Support Assemblies	24
AD-320 Basket (Tumbler)/Support Assemblies	25
Basket (Tumbler) Brush Assembly	26
Temperature Sensor Probe Assembly	27
Basket (Tumbler) Bearing Assembly	28, 29

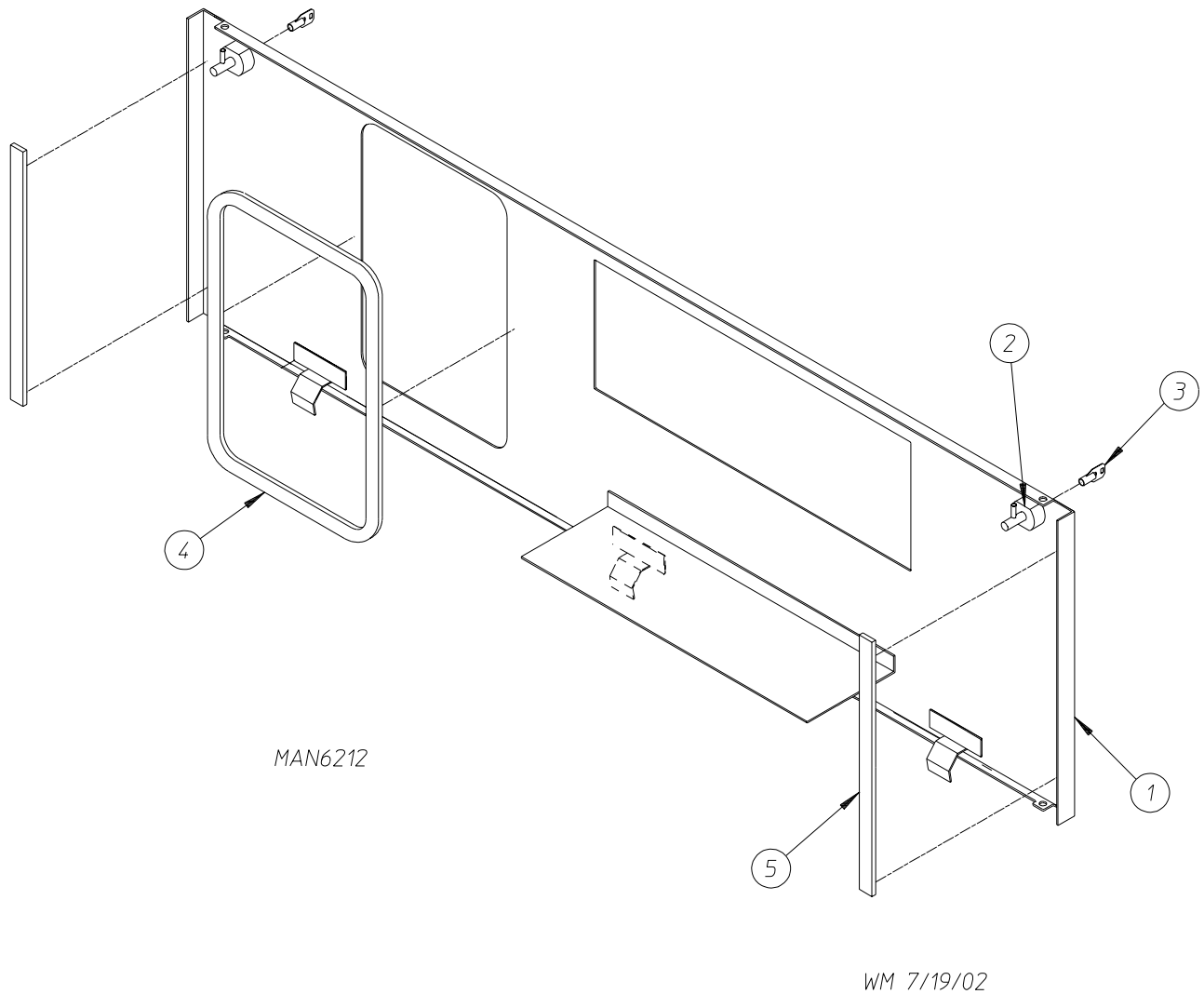
AD-330 Lint Drawer (Basket) Switch Assembly	30
AD-320 Lint Drawer (Basket) Switch Assembly	31
Totally Enclosed, Non-Vent (T.E.N.V.) Motor/Idler Assemblies	32, 33
AD-330 Gas Train Assembly	34, 35
AD-320 Gas Train Assembly	36, 37
Electric Oven Assembly	38, 39
Burner Box/Piping Assemblies	40
ADS-330/ADS-320 Steam Damper Assembly	41
Sail Switch Assembly	42
Back Guard Assemblies	43
Optional Gas Piping and Exhaust Ducting Kits	44
12-Rib 95" (J) Poly Belt Arrangement	45
Bottom Exhaust Duct Assembly and Cabinet Hi-Limit	46
Electric Oven Component Chart	47
Step Down Transformer Usage Listing	48
Additional Parts Available	49



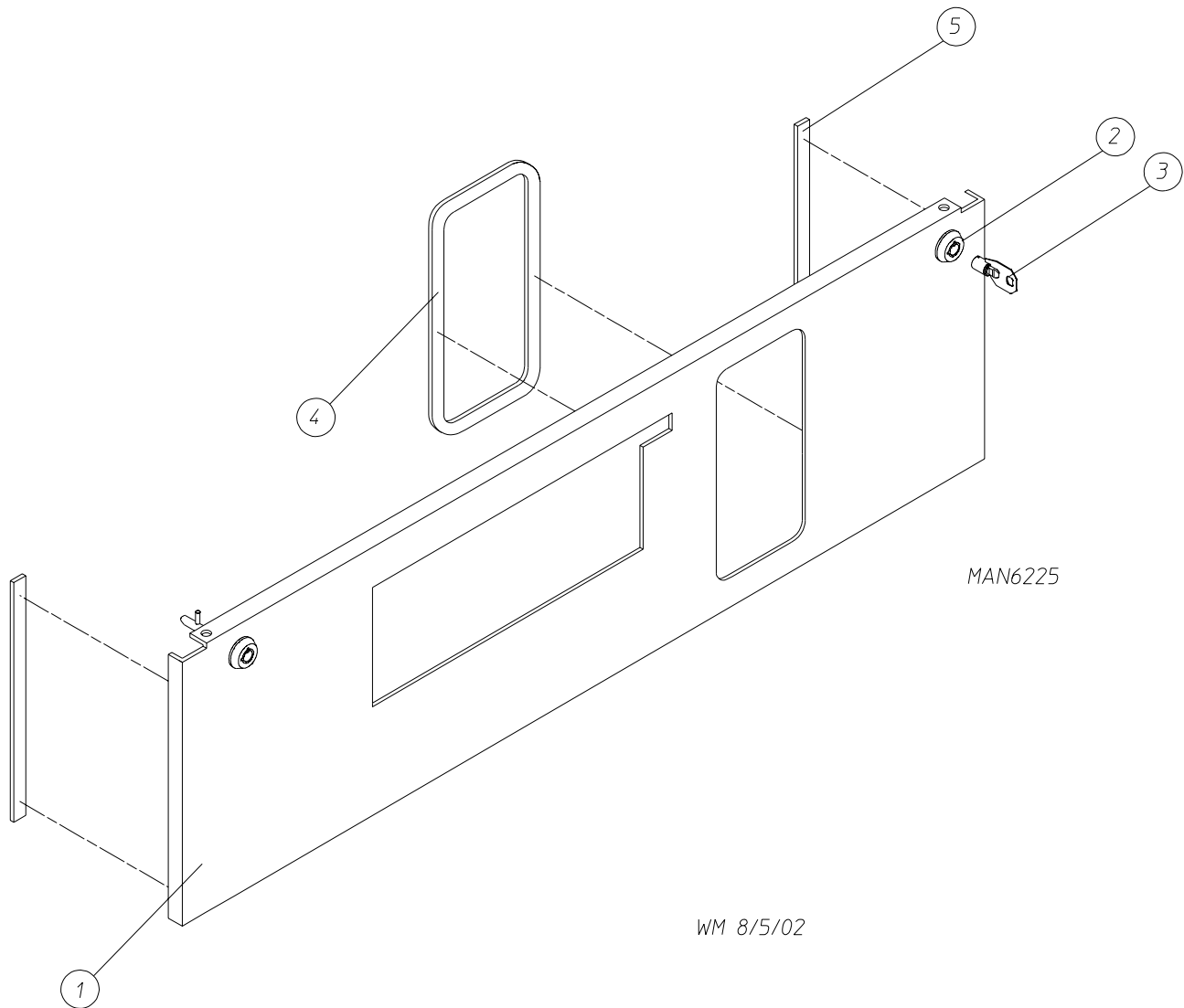
<u>Illus. No.</u>	<u>Part No.</u>	<u>Qty.</u>	<u>Description</u>
1	883394	1	AD-330 White Coin Control Door Assembly Less Locks (includes illus. nos. 1, 4, and 5)
	883396	1	AD-330 Ivory Coin Control Door Assembly Less Locks (includes illus. nos. 1, 4, and 5)
	883395	1	AD-330 Coral Blue Coin Control Door Assembly Less Locks (includes illus. nos. 1, 4, and 5)
	883420	1	AD-330 Stainless Steel Coin Control Door Assembly Less Locks (includes illus. nos. 1, 4, and 5)
2	160040	2	ACE® Lock Assembly (no key)
3	160140	-	Key ONLY (key number XX4451)
4	117605	2	Neoprene Gasket Tape (sold by the foot)
5	117603	2	Neoprene Gasket Tape (sold by the foot)



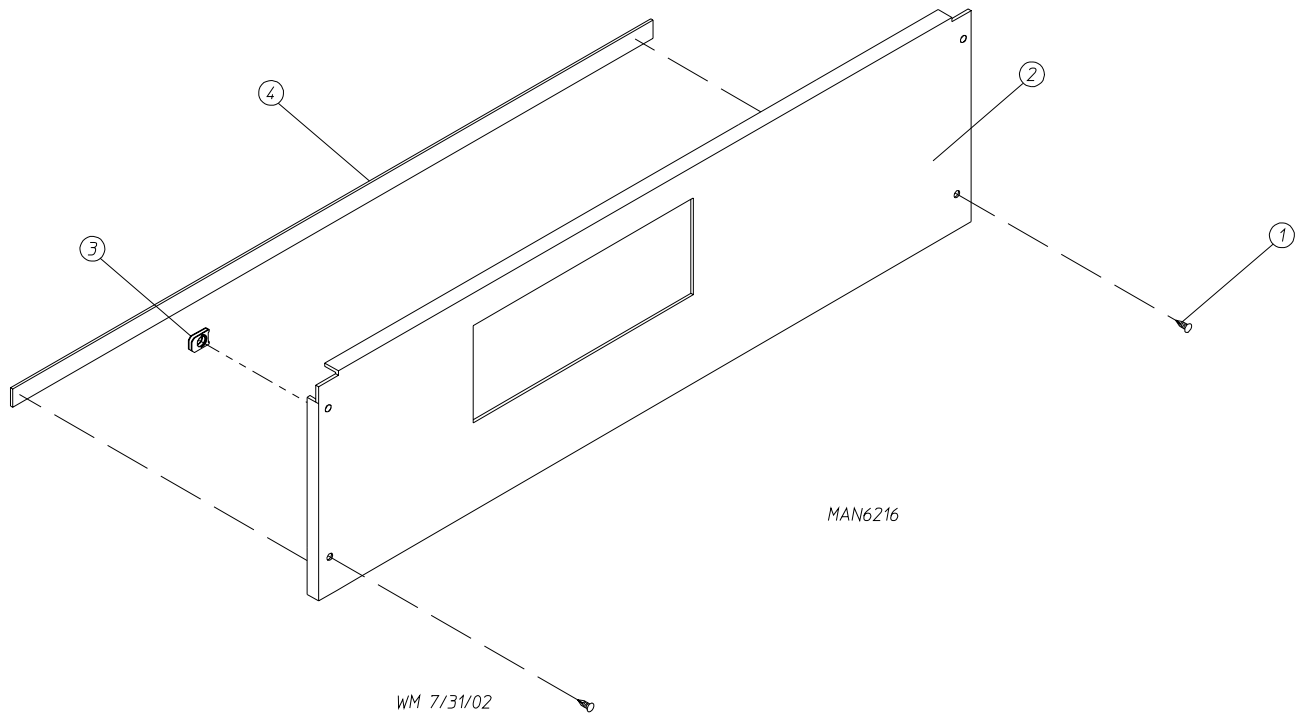
<u>Illus. No.</u>	<u>Part No.</u>	<u>Qty.</u>	<u>Description</u>
1	883441	1	AD-320 White Coin and Debit Card Control Door Assembly Less Locks (includes illus. nos. 1, 4, and 5)
	883442	1	AD-320 Ivory Coin and Debit Card Control Door Assembly Less Locks (includes illus. nos. 1, 4, and 5)
	883443	1	AD-320 Coral Blue Coin and Debit Card Control Door Assembly Less Locks (includes illus. nos. 1, 4, and 5)
	883444	1	AD-320 Stainless Steel Coin and Debit Card Control Door Assembly Less Locks (includes illus. nos. 1, 4, and 5)
2	160040	2	ACE® Lock Assembly (no key)
3	160140	-	Key ONLY (key number XX4451)
4	117605	2	Neoprene Gasket Tape (sold by the foot)
5	117603	2	Neoprene Gasket Tape (sold by the foot)



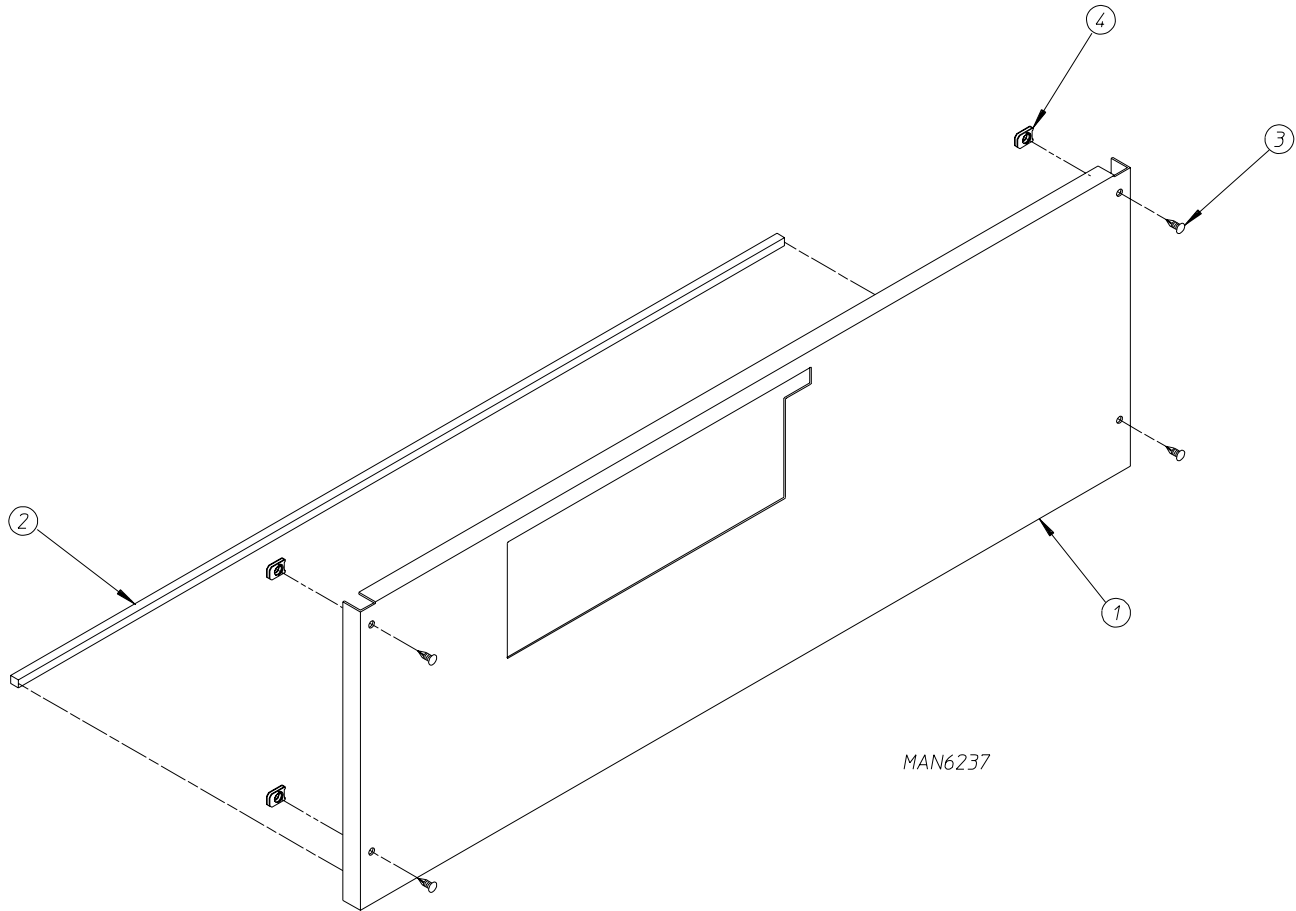
<u>Illus. No.</u>	<u>Part No.</u>	<u>Qty.</u>	<u>Description</u>
1	883408	1	AD-330 White OPL Control Door Assembly (includes illus. nos. 1, 4, and 5)
	883410	1	AD-330 Ivory OPL Control Door Assembly (includes illus. nos. 1, 4, and 5)
	883409	1	AD-330 Coral Blue OPL Control Door Assembly (includes illus. nos. 1, 4, and 5)
2	160040	2	ACE® Lock Assembly (no key)
3	160140	-	Key ONLY (key number XX4451)
4	117605	2	Neoprene Gasket Tape (sold by the foot)
5	117603	2	Neoprene Gasket Tape (sold by the foot)



<u>Illus. No.</u>	<u>Part No.</u>	<u>Qty.</u>	<u>Description</u>
1	883445	1	AD-320 White OPL Control Door Assembly Less Locks (includes illus. nos. 1, 4, and 5)
	883447	1	AD-320 Ivory OPL Control Door Assembly Less Locks (includes illus. nos. 1, 4, and 5)
	883446	1	AD-320 Coral Blue OPL Control Door Assembly Less Locks (includes illus. nos. 1, 4, and 5)
2	160040	2	ACE® Lock Assembly (no key)
3	160140	-	Key ONLY (key number XX4451)
4	117605	2	Neoprene Gasket Tape (sold by the foot)
5	117603	2	Neoprene Gasket Tape (sold by the foot)



<u>Illus. No.</u>	<u>Part No.</u>	<u>Qty.</u>	<u>Description</u>
1	150314	4	#10-32 x 1/2" TORX + BTN Head Machine Screw
2	883432	1	AD-330 White Lint Door Assembly (includes illus. nos. 2 and 4)
	883431	1	AD-330 Ivory Lint Door Assembly (includes illus. nos. 2 and 4)
	883433	1	AD-330 Coral Blue Lint Door Assembly (includes illus. nos. 2 and 4)
3	154011	4	#10-32 Multi-Thread U-Nut
4	117604	3	Neoprene Gasket Tape (sold by the foot)

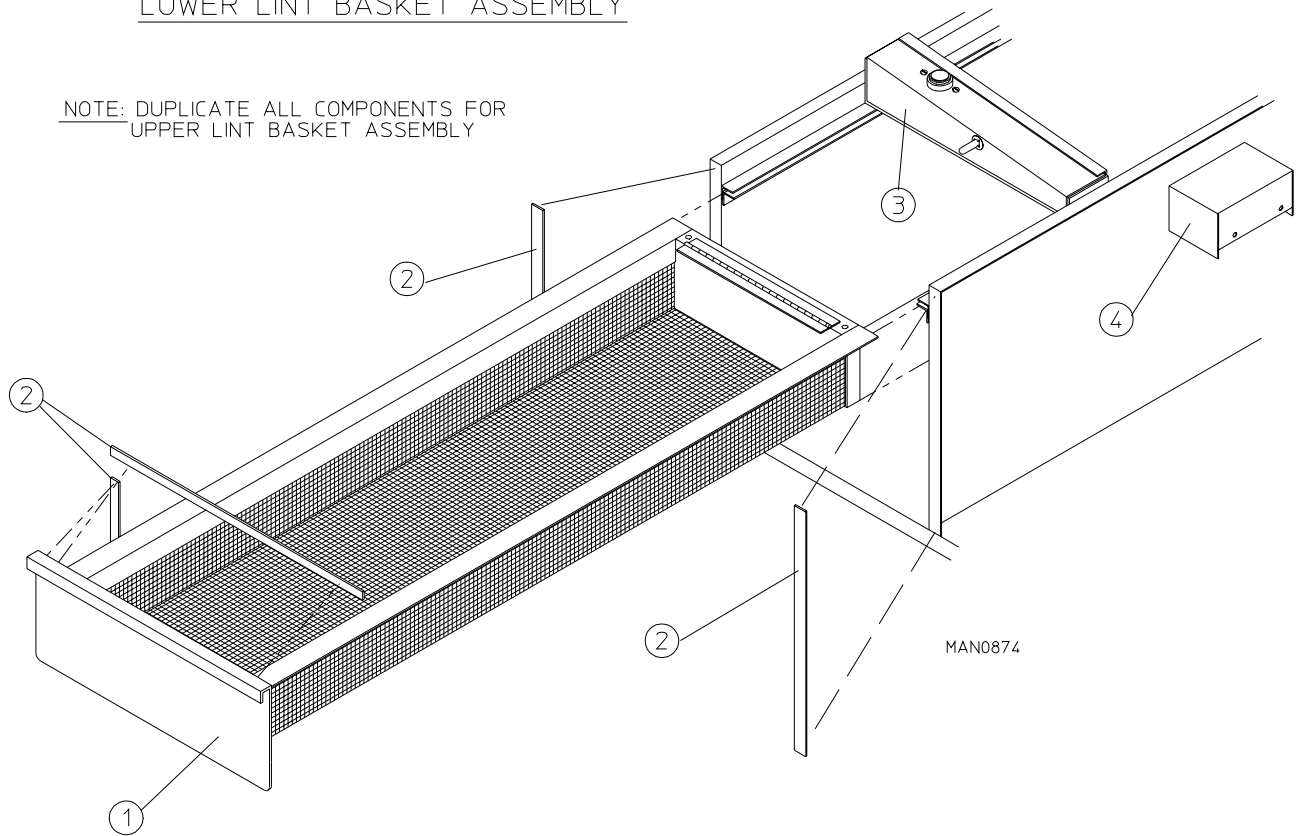


WM 8/7/02

<u>Illus. No.</u>	<u>Part No.</u>	<u>Qty.</u>	<u>Description</u>
1	883463	1	AD-320 White Lint Door Assembly (includes illus. nos. 1 and 2)
	883464	1	AD-320 Ivory Lint Door Assembly (includes illus. nos. 1 and 2)
	883465	1	AD-320 Coral Blue Lint Door Assembly (includes illus. nos. 1 and 2)
2	117604	3	Neoprene Gasket Tape (sold by the foot)
3	150314	4	#10-32 x 1/2" TORX + BTN Head Machine Screw
4	154011	4	#10-32 Multi-Thread U-Nut

LOWER LINT BASKET ASSEMBLY

NOTE: DUPLICATE ALL COMPONENTS FOR UPPER LINT BASKET ASSEMBLY

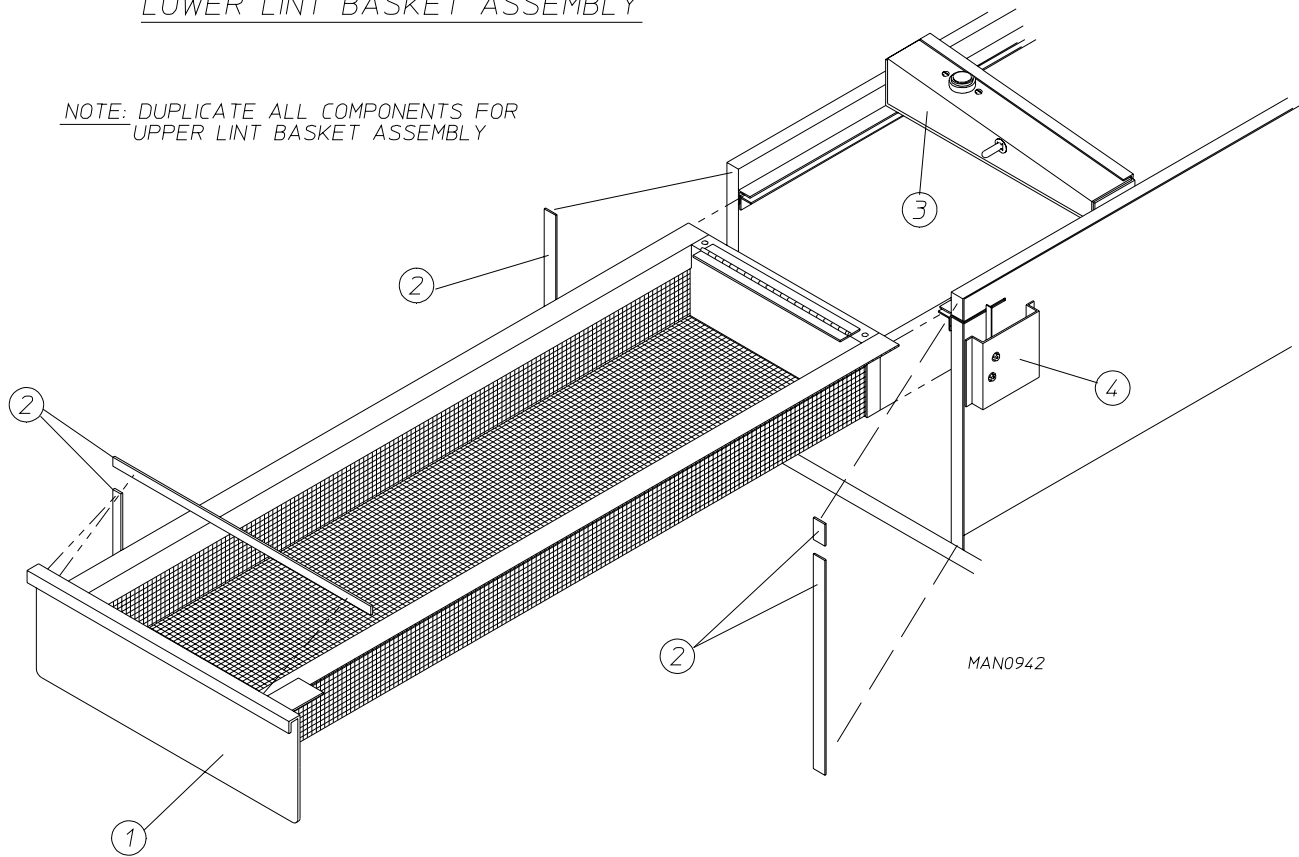


<u>Illus. No.</u>	<u>Part No.</u>	<u>Qty.</u>	<u>Description</u>
1	883401	1	AD-330 White Lint Drawer (basket) Assembly Complete (includes illus. nos. 1 and 2)
	883402	1	AD-330 Ivory Lint Drawer (basket) Assembly Complete (includes illus. nos. 1 and 2)
	883403	1	AD-330 Coral Blue Lint Drawer (basket) Assembly Complete (includes illus. nos. 1 and 2)
	883404	1	AD-330 Black Lint Drawer (basket) Assembly Complete For Stainless Steel Models ONLY
2	117604	3	Neoprene Sponge Tape (sold by the foot)
3	-----	1	Temperature Sensor Bracket (refer to Temperature Sensor Probe Assembly on page 27)
4	-----	1	Lint Drawer (basket) Switch (refer to AD-330 Lint Drawer [Basket] Switch Assembly on page 30)

IMPORTANT: For models with optional lock refer to **AD-330 Locking Lint Drawer (Basket) Assembly** on **page 11**.

LOWER LINT BASKET ASSEMBLY

NOTE: DUPLICATE ALL COMPONENTS FOR
UPPER LINT BASKET ASSEMBLY

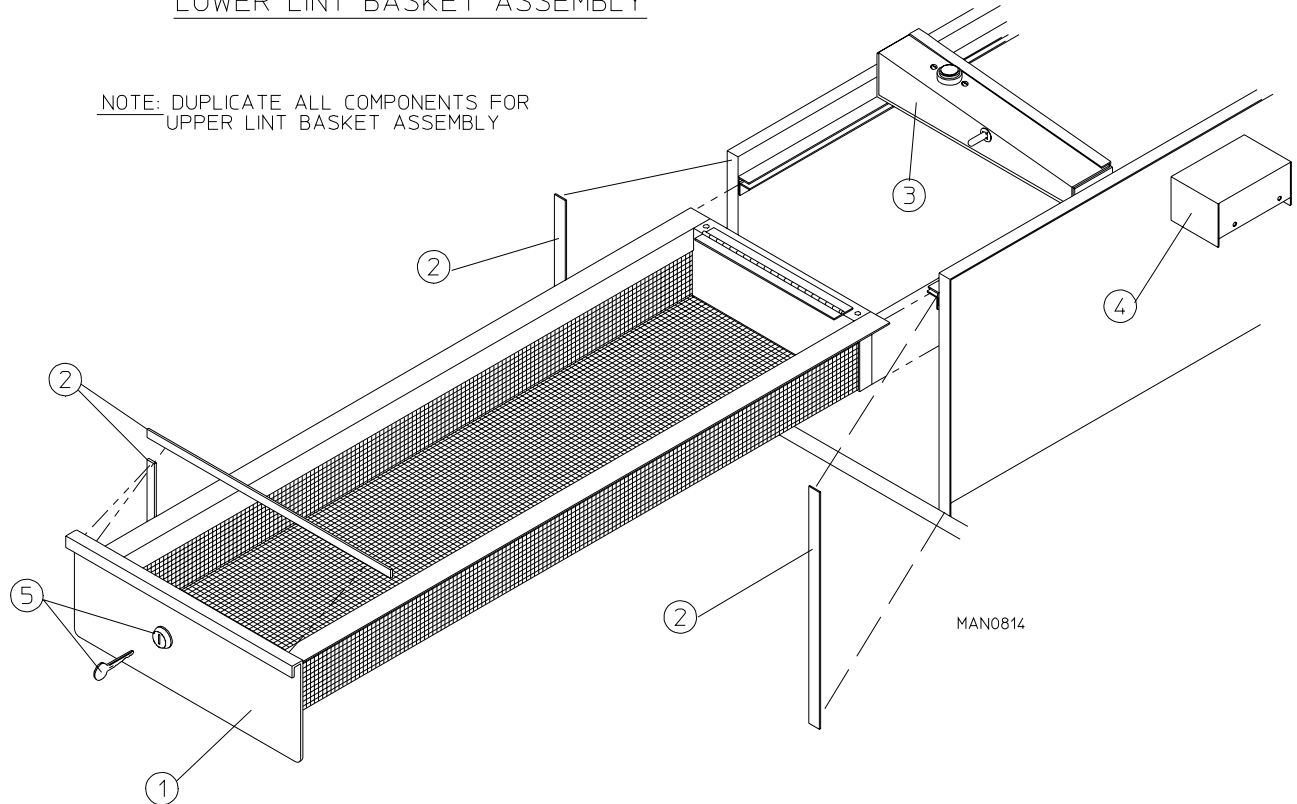


<u>Illus. No.</u>	<u>Part No.</u>	<u>Qty.</u>	<u>Description</u>
1	883455	1	AD-320 White Lint Drawer (basket) Assembly Complete (includes illus. nos. 1 and 2)
	883457	1	AD-320 Ivory Lint Drawer (basket) Assembly Complete (includes illus. nos. 1 and 2)
	883456	1	AD-320 Coral Blue Lint Drawer (basket) Assembly Complete (includes illus. nos. 1 and 2)
	883458	1	AD-320 Black Lint Drawer (basket) Assembly Complete For Stainless Steel Models ONLY
2	117604	1	Neoprene Sponge Tape (sold by the foot)
3	-----	1	Temperature Sensor Bracket (refer to Temperature Sensor Probe Assembly on page 27)
4	-----	1	Lint Drawer (basket) Switch (refer to AD-320 Lint Drawer [Basket] Switch Assembly on page 31)

IMPORTANT: For models with optional lock refer to **AD-320 Locking Lint Drawer (Basket) Assembly** on **page 12**.

LOWER LINT BASKET ASSEMBLY

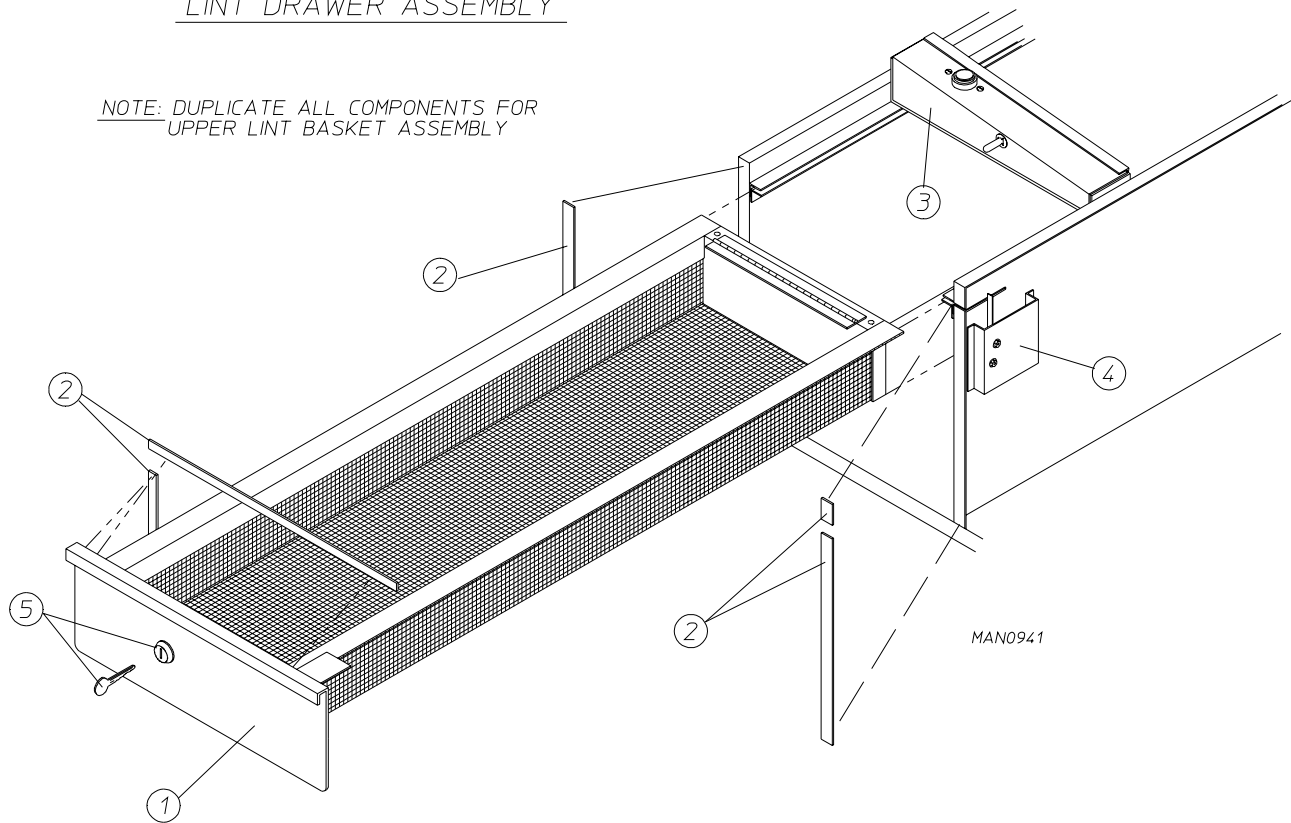
NOTE: DUPLICATE ALL COMPONENTS FOR UPPER LINT BASKET ASSEMBLY



<u>Illus. No.</u>	<u>Part No.</u>	<u>Qty.</u>	<u>Description</u>
1	883397	1	AD-330 White Locking Lint Drawer (basket) Assembly Less Lock and Key (includes illus. nos. 1 and 2)
	883398	1	AD-330 Ivory Locking Lint Drawer (basket) Assembly Less Lock and Key (includes illus. nos. 1 and 2)
	883399	1	AD-330 Coral Blue Locking Lint Drawer (basket) Assembly Less Lock and Key (includes illus. nos. 1 and 2)
	883400	1	AD-330 Black Locking Lint Drawer (basket) Assembly Less Lock and Key for Stainless Steel Models ONLY
2	117604	3	Neoprene Sponge Tape (sold by the foot)
3	-----	1	Temperature Sensor Bracket (refer to Temperature Sensor Probe Assembly on page 27)
4	-----	1	Lint Drawer (basket) Switch (refer to AD-330 Lint Drawer [Basket] Switch Assembly on page 30)
5	160038	1	Lint Drawer Lock Assembly (keyed to number XX4451)
	160140	1	Key ONLY (key number XX4451)
	160034	1	Cam ONLY

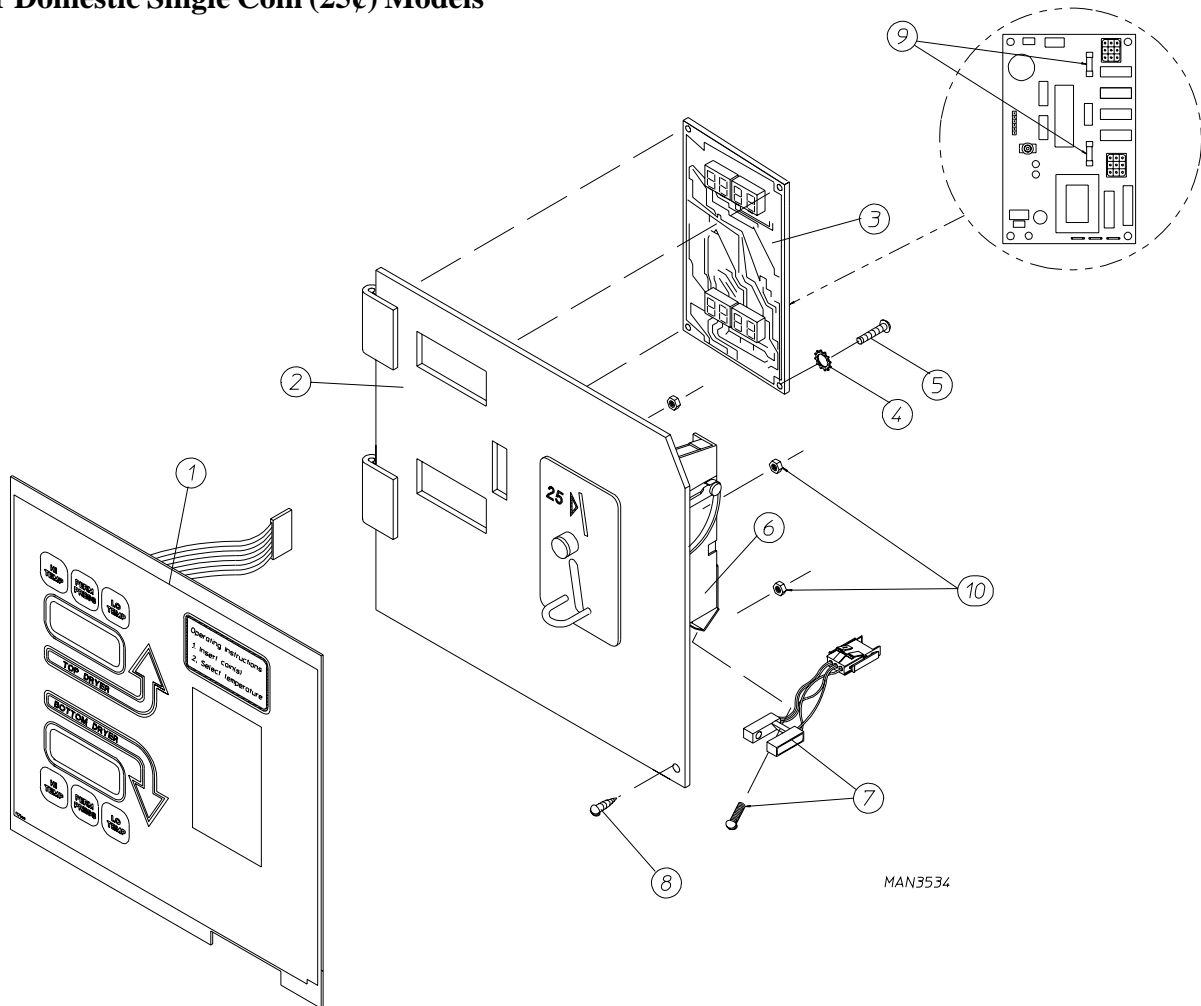
LINT DRAWER ASSEMBLY

NOTE: DUPLICATE ALL COMPONENTS FOR
UPPER LINT BASKET ASSEMBLY

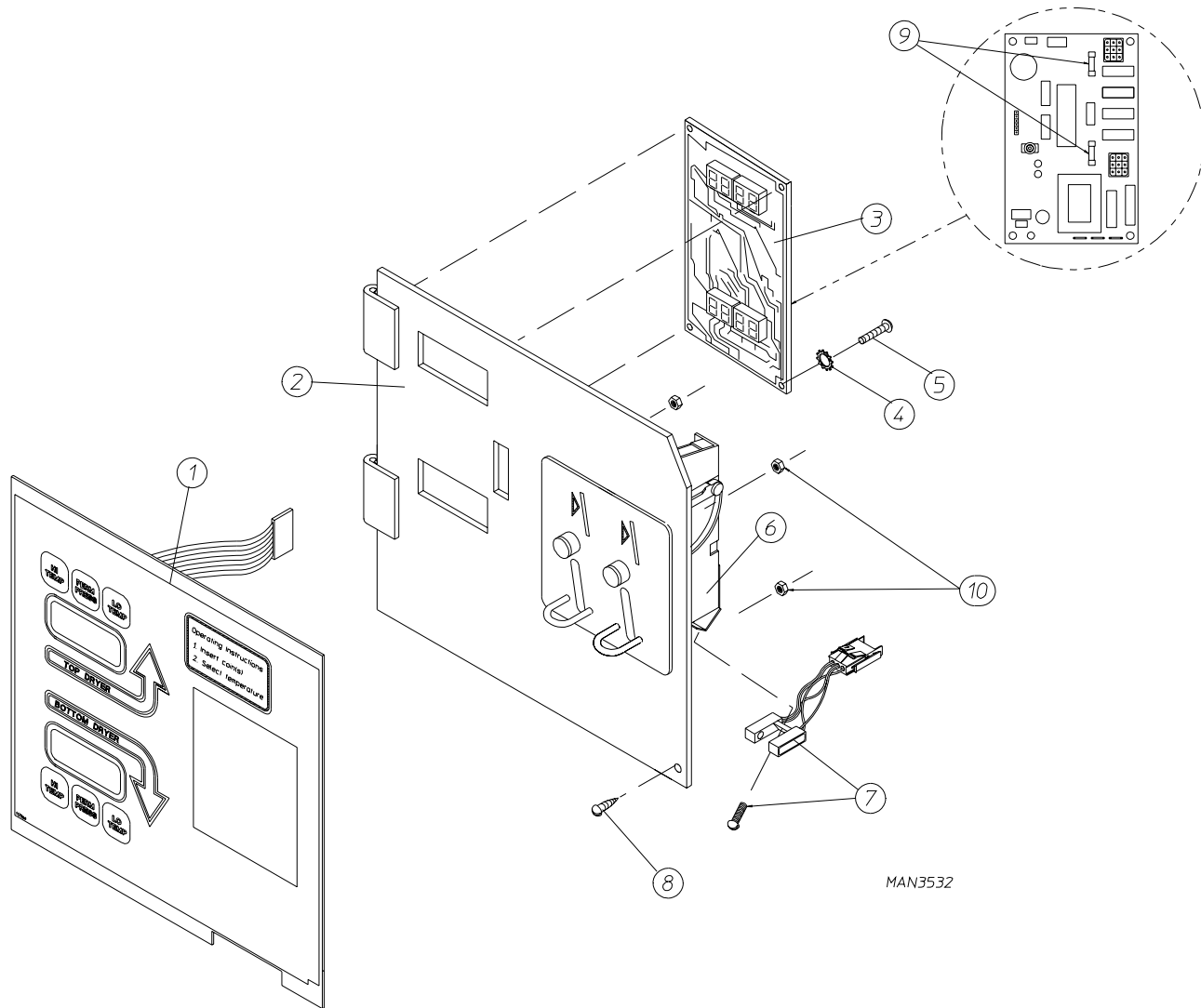


<u>Illus. No.</u>	<u>Part No.</u>	<u>Qty.</u>	<u>Description</u>
1	883459	1	AD-320 White Locking Lint Drawer (basket) Assembly Complete Less Lock (includes illus. nos. 1 and 2)
	883460	1	AD-320 Ivory Locking Lint Drawer (basket) Assembly Complete Less Lock (includes illus. nos. 1 and 2)
	883461	1	AD-320 Coral Blue Locking Lint Drawer (basket) Assembly Complete Less Lock (includes illus. nos. 1 and 2)
	883462	1	AD-320 Black Locking Lint Drawer (basket) Assembly Complete Less Lock for Stainless Steel Models ONLY
2	117604	3	Neoprene Sponge Tape (sold by the foot)
3	-----	1	Temperature Sensor Bracket (refer to Temperature Sensor Probe Assembly on page 27)
4	-----	1	Lint Drawer (basket) Switch (refer to AD-320 Lint Drawer [Basket] Switch Assembly on page 31)
5	160038	1	Lint Drawer Lock Assembly (keyed to number XX4451)
	160140	1	Key ONLY (key number XX4451)
	160034	1	Cam ONLY

For Domestic Single Coin (25¢) Models

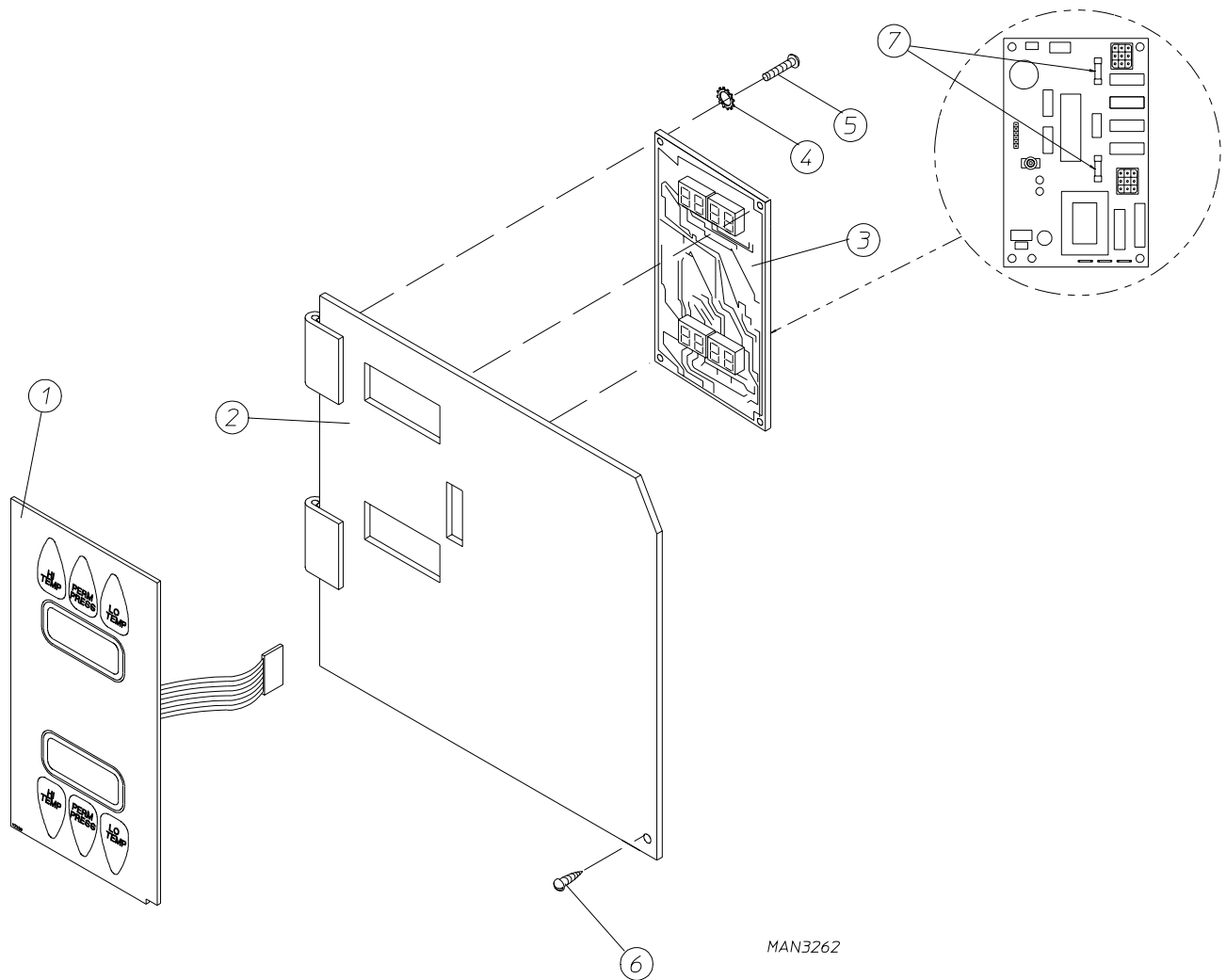


<u>Illus. No.</u>	<u>Part No.</u>	<u>Qty.</u>	<u>Description</u>
1	112566	1	Hanke Single Coin Twin Keyboard (touch pad) Label
2	881482	1	Single Coin Control Panel Complete Less Acceptor - 24 VAC (includes illus. nos. 1 through 5, 9, and 10)
	881485	1	Microprocessor Control Panel Complete with Battery Option - 24 VAC (includes illus. nos. 1 through 5, 9, and 10)
	881483	1	Hanke Dual Microprocessor Controller (DMC) Control Panel with Keyboard (touch pad) Label ONLY (includes illus. nos. 1 and 2)
3	137234	1	Phase 5 Dual Microprocessor Controller (DMC) ONLY
	824998	1	Phase 5 Battery Clip...Not Illustrated
4	153010	2	#6 Star Washer
5	150005	2	#6-32 x 1/4" Phillips Round Head Machine Screw
6	-----	-	Coin Acceptor with Optical Switch (refer to Hanke Microprocessor Coin Acceptor Listing on page 16)
7	881143	1	Hanke Optical Switch ONLY
8	150309	1	#10-16 x 1/2" Hex Head TEK Crimpite Screw
9	136048	2	1/8-Amp (Slo-Blow) Fuse
10	152102	4	M3 Metric Hex Nut



MAN3532

<u>Illus. No.</u>	<u>Part No.</u>	<u>Qty.</u>	<u>Description</u>
1	112567	1	Hanke Dual Coin Keyboard (touch pad) Label
2	881626	1	Hanke Phase 5 Dual Coin Control Panel Assembly Complete Less Acceptor (includes illus. nos. 1 through 5, 9, and 10)
	881627	1	Hanke Dual Coin Control Panel with Label ONLY (includes illus. nos. 1 and 2)
	881628	1	Hanke Dual Coin Control Panel ONLY
3	137234	1	Phase 5 Dual Microprocessor Controller (DMC) ONLY
	824998	1	Phase 5 Battery Clip...Not Illustrated
4	153010	2	#6 Star Washer
5	150005	2	#6-32 x 1/4" Phillips Round Head Machine Screw
6	-----	-	Coin Acceptor with Optic Switch (refer to Hanke Microprocessor Coin Acceptor Listing on page 16)
7	881143	1	Hanke Optical Switch ONLY
8	150309	1	#10-16 x 1/2" Hex Head TEK Crimpite Screw
9	136048	2	1/8-Amp (Slo-Blo) Fuse
10	152102	4	M3 Metric Hex Nut



MAN3262

<u>Illus. No.</u>	<u>Part No.</u>	<u>Qty.</u>	<u>Description</u>
1	112559	1	OPL Keyboard (touch pad) Label ONLY
2	824009	1	OPL Control Panel Assembly Complete - 24 VAC (includes illus. nos. 1 through 5 and 7)
	824011	1	OPL Control Panel Assembly Complete with Battery Option - 24 VAC (includes illus. nos. 1 through 5 and 7)
	882232	1	OPL Control Panel ONLY
3	137234	1	Phase 5 Dual Microprocessor Controller (DMC) ONLY
	824998	1	Phase 5 Battery Clip...Not Illustrated
4	153010	2	#6 Star Washer
5	150005	2	#6-32 x 1/4" Phillips Round Head Machine Screw
6	150309	1	#10-16 x 1/2" Hex Head TEK Crimpite Screw
7	136048	2	1/8-Amp (Slo-Blo) Fuse

NOTE: Coin acceptors listed include optical switch(es).

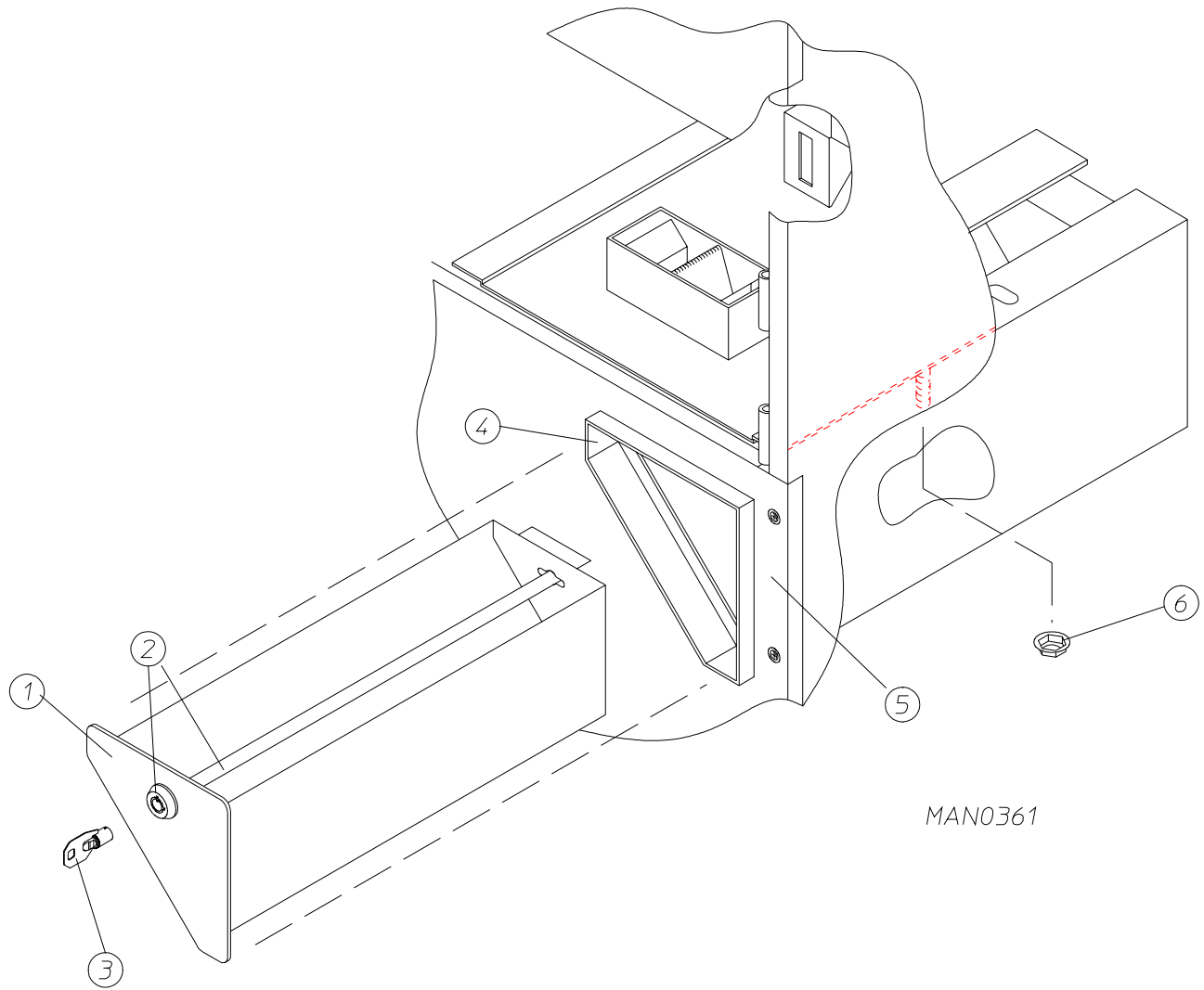
Single Coin*

<u>ADC Part No.</u>	<u>Nation</u>	<u>Description</u>
881163	United States	25¢ Optic Coin Acceptor
881450	Canada	25¢ Canadian Optic Coin Acceptor
881451	-----	0.880 x 0.062 Token Optic Coin Acceptor
881636	-----	0.800 x 0.07 Token Optic Coin Acceptor
881546	Japan	100 Yen Optic Coin Acceptor

Dual Coin*

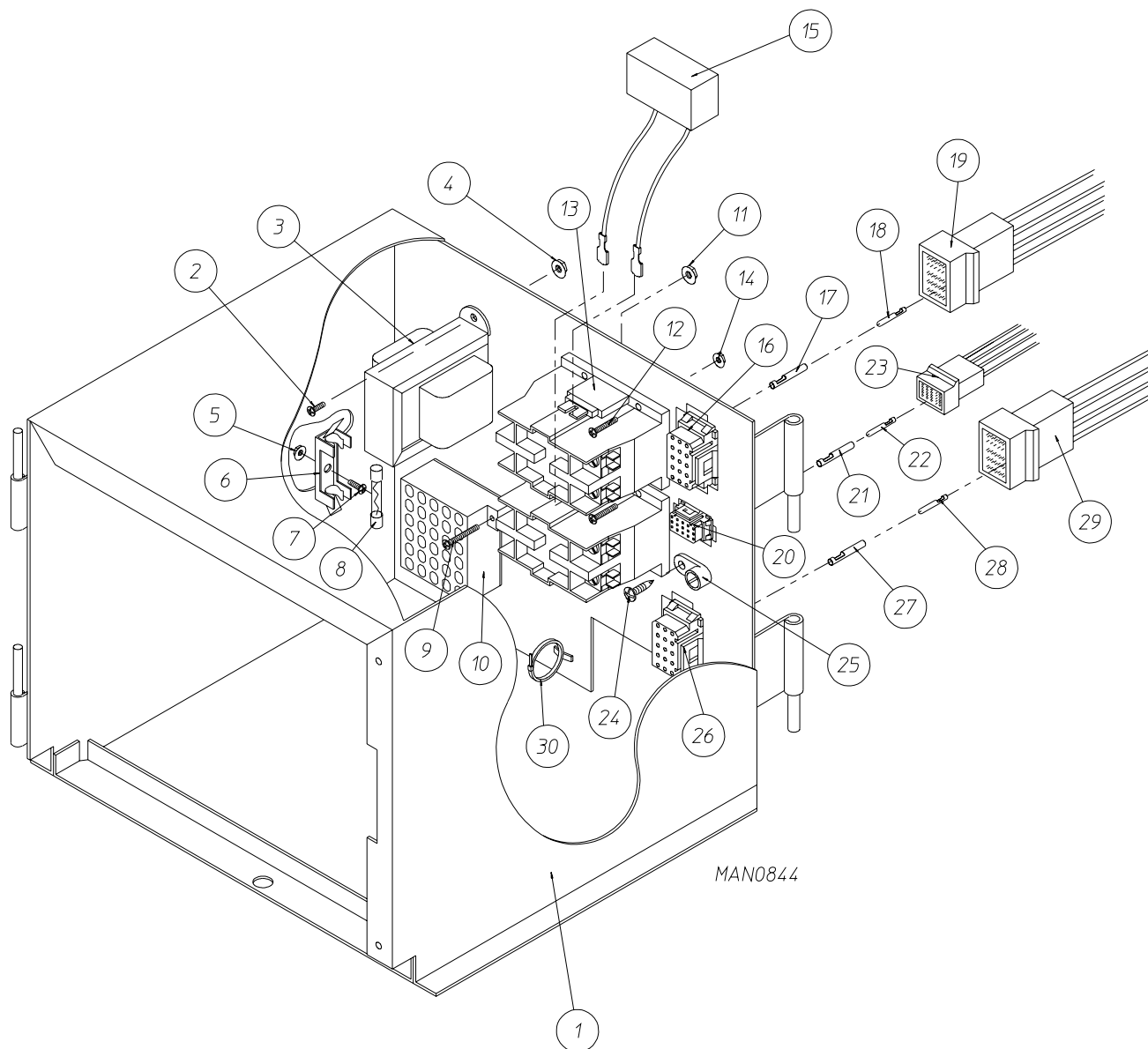
<u>ADC Part No.</u>	<u>Nation</u>	<u>Description</u>
881609	France	2/5 French Franc Dual Optic Coin Acceptor
881610	Belgium	5/20 Belgian Franc Dual Optic Coin Acceptor

* Consult factory for coin acceptors not listed.



<u>Illus. No.</u>	<u>Part No.</u>	<u>Qty.</u>	<u>Description</u>
1	883347	1	AD-330/AD-320 Coin Box Assembly with Black Faceplate Less Lock
	883348	1	AD-330/AD-320 Black Coin Box Faceplate ONLY
	883393	1	AD-330/AD-320 Black Debit Card/OPL Faceplate
2*	160036	1	ACE® Lock Assembly with Key
3*	160136	1	ACE® Key ONLY
4	883382	1	AD-330/AD-320 Coin Vault Assembly ONLY
5	-----	1	AD-330/AD-320 Bottom Front Panel Assembly Complete with Hinge (refer to AD-330/AD-320 Cold Rolled Steel [CRS] Door Bottom Front Panel on page 21)
6	152014	4	1/4-20 Free Spin Wash Nut

* Specify key number when ordering.



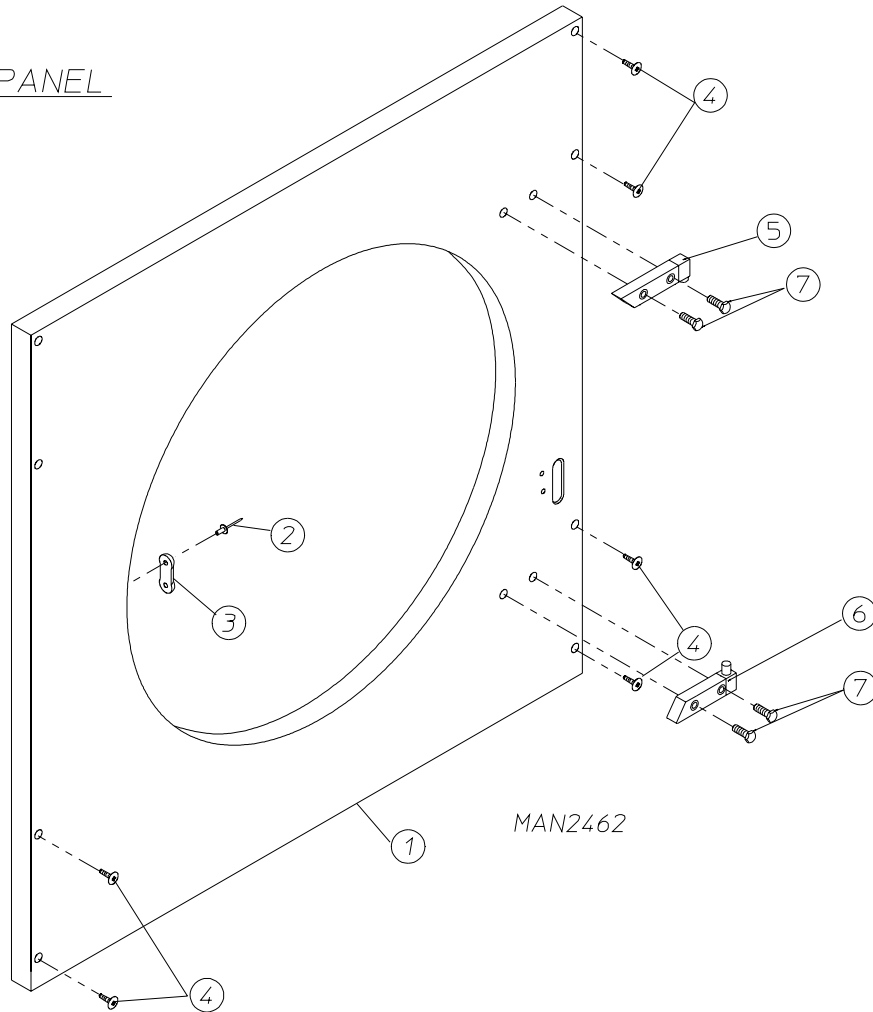
<u>Illus. No.</u>	<u>Part No.</u>	<u>Qty.</u>	<u>Description</u>
1	824439	1	AD-330/AD-320 Electric Box Complete - 120 Volt (includes illus. nos. 1 through 17, 20, 21, and 24 through 27)
	824437	1	AD-330/AD-320 Electric Box Complete - 208 Volt (includes illus. nos. 1 through 17, 20, 21, and 24 through 27)
	824438	1	AD-330/AD-320 Electric Box Complete - 240 Volt (includes illus. nos. 1 through 17, 20, 21, and 24 through 27)
2	150103	2	#8-32 x 3/4" Phillips Round Head Machine Screw
3	141403	1	Transformer - 24 VAC (gas models Only) (for electrically heated models refer to page 48)
4	151001	2	#8-32 Pal Nut
5	151000	1	#6-32 Pal Nut

<u>Illus. No.</u>	<u>Part No.</u>	<u>Qty.</u>	<u>Description</u>
6*	136008	**	3-Position Fuse Block
7	150002	1	#6-32 x 1" Round Head Machine Screw
8*	136057	3**	1/2-Amp (Slo-Blo) Fuse ONLY
9	150002	2	#6-32 x 1" Round Head Machine Screw
10	120715	1	30-Position Terminal Block
11	151000	2	#6-32 Pal Nut
12	150103	4	#8-32 x 3/4" Phillips Round Head Machine Screw
13	132451	2	2-Pole Contactor
14	151001	4	#8-32 Pal Nut
15	824828	2	RC Network with Connectors
16	122626	1	15-Pin Socket Connector ONLY
17	122705	9	Socket Terminal ONLY
18	122704	9	Pin Terminal ONLY
19	122625	1	15-Pin Connector ONLY
	137025	1	6/15-Position Strain Relief...Not Illustrated
20	122631	1	6-Pin Socket Connector ONLY
21	122705	6	Socket Terminal ONLY
22	122704	6	Pin Terminal ONLY
23	122630	1	6-Pin Connector ONLY
	137025	1	6/15-Position Strain Relief...Not Illustrated
24	150309	1	#10-16 x 1/2" Hex Head TEK Crimptite Screw
25	121010	1	L-70 Terminal Lug
26	122626	1	15-Pin Socket Connector ONLY
27	122705	7	Socket Terminal ONLY
28	122704	7	Pin Terminal ONLY
29	122625	1	15-Pin Connector ONLY
	137025	1	6/15-Position Strain Relief...Not Illustrated
30	121494	10	Push-Mount Wire Tie
--	122801	1	Pin/Socket Extraction Tool...Not Illustrated
--	122800	1	Microprocessor (female) Pin Extraction Tool

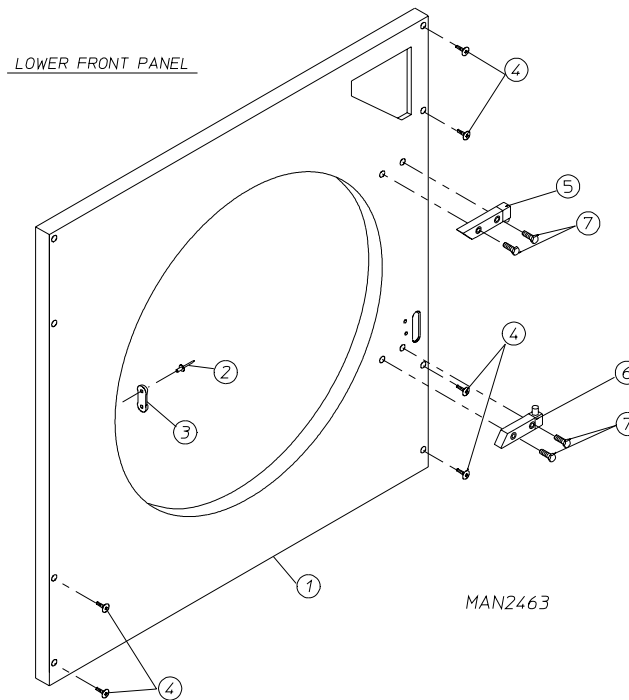
* Check fuse rating for verification.

** For 120 volt application the quantity is 1. For 208/240 volt application the quantity is 2.

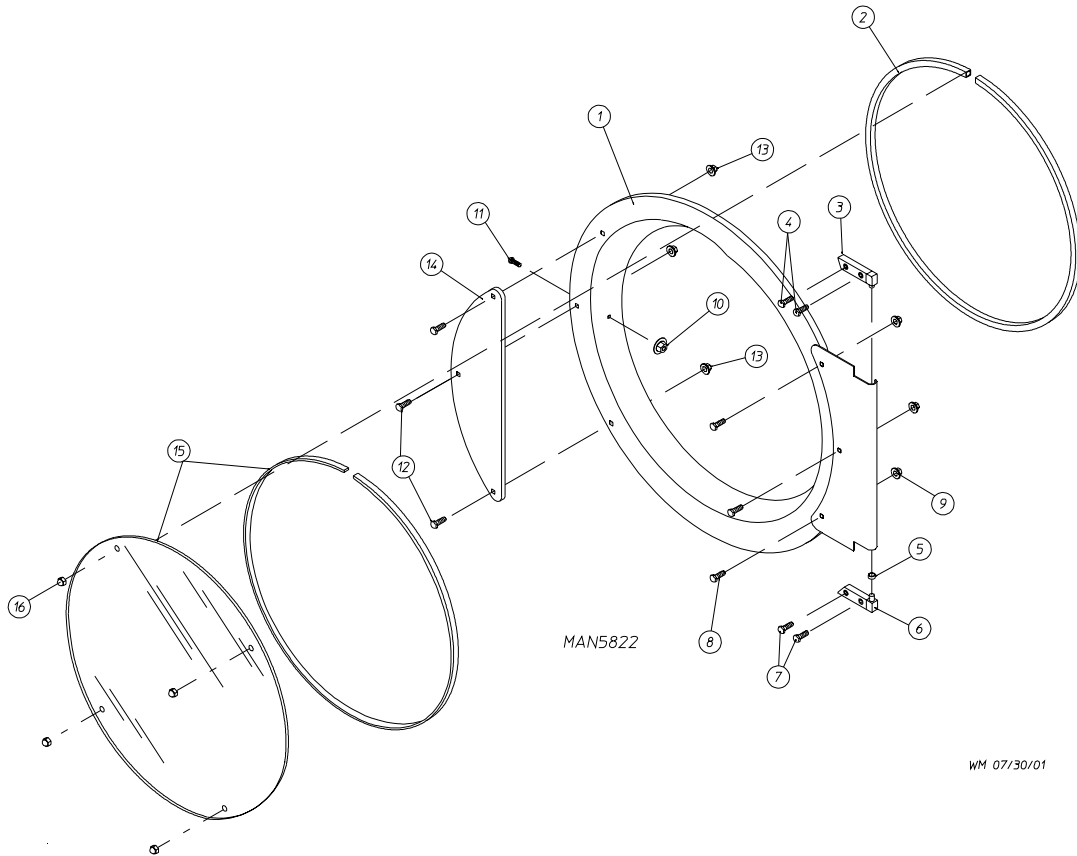
UPPER FRONT PANEL



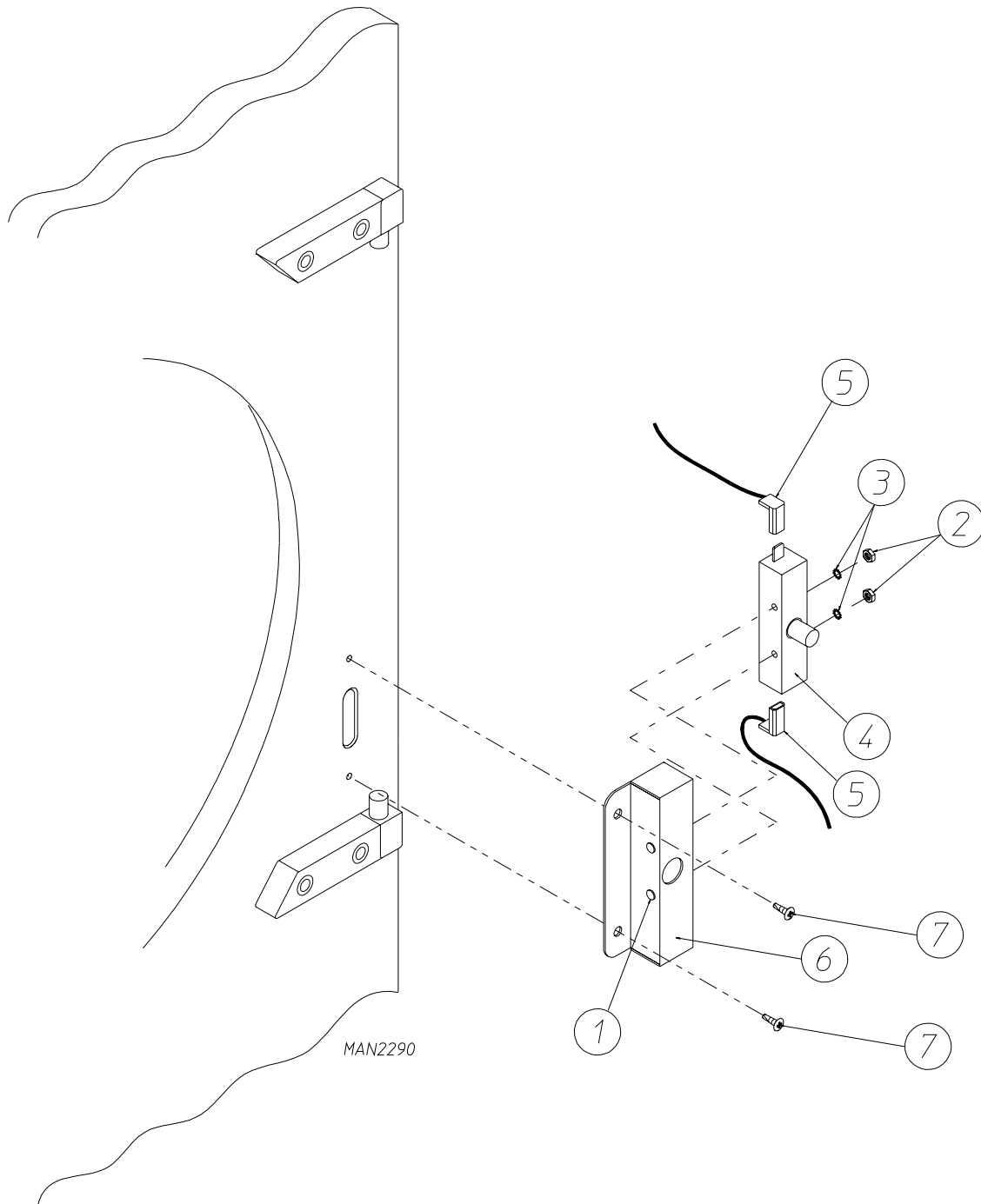
<u>Illus. No.</u>	<u>Part No.</u>	<u>Qty.</u>	<u>Description</u>
1	883411	1	AD-330/AD-320 White Front Panel Assembly (includes illus. nos. 1 through 3)
	883413	1	AD-330/AD-320 Ivory Front Panel Assembly (includes illus. nos. 1 through 3)
	883412	1	AD-330/AD-320 Coral Blue Front Panel Assembly (includes illus. nos. 1 through 3)
	883415	1	AD-330/AD-320 Stainless Steel Front Panel Assembly (includes illus. nos. 1 through 3)
2	154215	2	1/8" Pop Rivet
3	170330	1	Friction Door Latch
4	150313	8	#10-16 x 1/2" TORX + BTN Head Screw
5	881152	1	Black Top Hinge Block Assembly
	881208	1	Stainless Steel Top Hinge Block Assembly
6	881151	1	Black Bottom Hinge Block Assembly
	881209	1	Stainless Steel Bottom Hinge Block Assembly
7	150445	4	1/4-20 x 7/8" Black Cap Head Setscrew
	150443	4	1/4-20 x 7/8" Stainless Steel Cap Head Setscrew



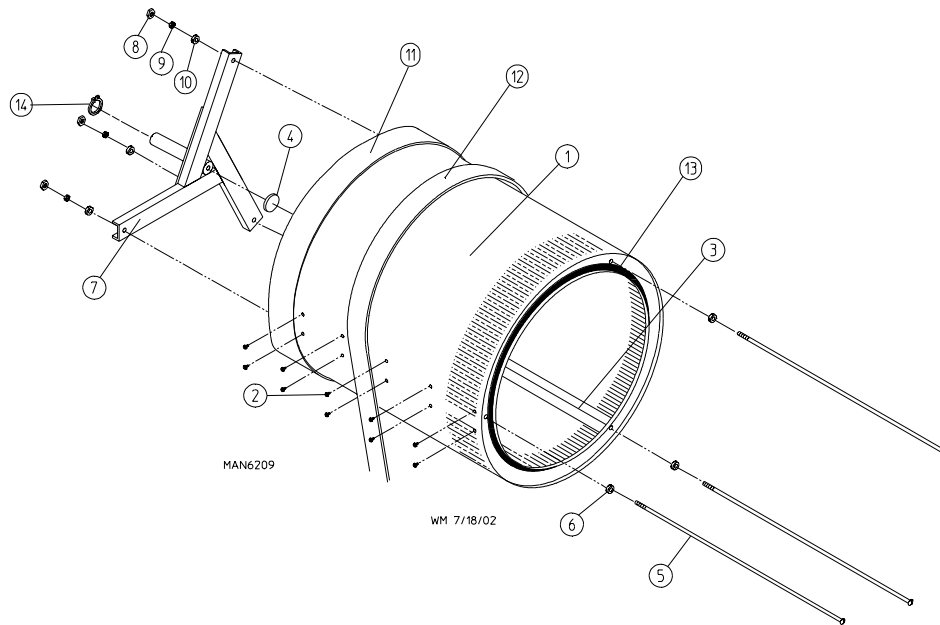
<u>Illus. No.</u>	<u>Part No.</u>	<u>Qty.</u>	<u>Description</u>
1	883405	1	White Bottom Front Panel Assembly (for coin models Only) (includes illus. nos. 1 through 3)
	883407	1	Ivory Bottom Front Panel Assembly (for coin models Only) (includes illus. nos. 1 through 3)
	883406	1	Coral Blue Bottom Front Panel Assembly (for coin models Only) (includes illus. nos. 1 through 3)
	883414	1	Stainless Steel Bottom Front Panel Assembly (for coin models Only) (includes illus. nos. 1 through 3)
	883411	1	White OPL Bottom Front Panel Assembly (includes illus. nos. 1 through 3)
	883413	1	Ivory OPL Bottom Front Panel Assembly (includes illus. nos. 1 through 3)
	883412	1	Coral Blue OPL Bottom Front Panel Assembly (includes illus. nos. 1 through 3)
	883415	1	Stainless Steel OPL Bottom Front Panel Assembly (includes illus. nos. 1 through 3)
2	154215	2	1/8" Pop Rivet
3	170330	1	Friction Door Latch
4	150313	8	#10-16 x 1/2" TORX + BTN Head Screw
5	881152	1	Black Top Hinge Block Assembly (includes illus. nos. 5 and 7)
	881208	1	Stainless Steel Top Hinge Block Assembly
6	881151	1	Black Bottom Hinge Block Assembly (includes illus. nos. 6 and 7)
	881209	1	Stainless Steel Bottom Hinge Block Assembly (includes illus. nos. 6 and 7)
7	150445	4	1/4-20 x 7/8" Black Cap Head Setscrew
	150443	4	1/4-20 x 7/8" Stainless Steel Cap Head Setscrew



<u>Illus. No.</u>	<u>Part No.</u>	<u>Qty.</u>	<u>Description</u>
1	881150	1	Black Main Door Assembly Complete (includes illus. nos. 1, 2, and 8 through 15)
2	102354	1	Door Gasket
	170730	1	Clear Glass Adhesive (10.3 oz. cartridge)
	170731	1	Black Glass Adhesive (10.3 oz. cartridge)
3	881152	1	Black Top Hinge Block Assembly (includes illus. nos. 3 and 4)
4	150445	2	1/4-20 x 3/4" Black Cap Head Setscrew
5	153031	1	1/4" Nylon Washer
6	881151	1	Black Bottom Hinge Block Assembly (includes illus. nos. 5 through 7)
7	150445	2	1/4-20 x 3/4" Black Cap Head Setscrew
	150443	2	1/4-20 x 3/4" Stainless Steel Cap Head Setscrew
8	150683	3	1/4-20 x 5/8" Black Carriage Bolt
9	152014	3	1/4-20 Free Spin Wash Nut
10	151010	1	#10-32 Black Hex Acorn Nut
11	150120	1	Door Latch Screw
12	150683	3	1/4-20 x 5/8" Black Carriage Bolt
13	152014	3	1/4-20 Free Spin Wash Nut
14	881210	1	Black Main Door Handle ONLY
15	102218	1	20-7/16" Door Glass
	170731	1	Black Glass Adhesive (10.3 oz. cartridge)
16	151013	4	#10-32 Black Nylon Acorn Nut

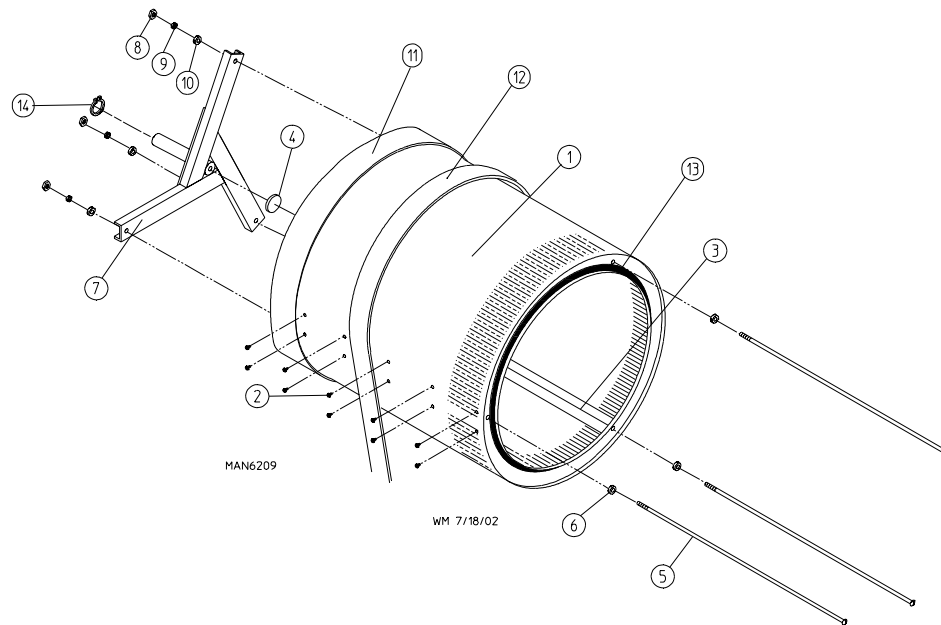


<u>Illus. No.</u>	<u>Part No.</u>	<u>Qty.</u>	<u>Description</u>
1	153566	2	#6-32 x 7/8" Clinch Stud
2	152013	2	#6-32 Hex Nut
3	153010	2	#6 Star Washer
4	137005	1	Single-Pole Door Switch
5	122636	2	Flag Terminal
6	881211	1	Main Door Switch Housing (includes illus. nos. 1 through 3 and 6)
7	150301	2	#8-18 x 7/16" Phillips Pan Head TEK Screw



<u>Illus. No.</u>	<u>Part No.</u>	<u>Qty.</u>	<u>Description</u>
1	800763	1	Basket (tumbler) and Support Assembly Complete with Felt Collars (includes illus. nos. 1 through 11, 13, and 14)
	800765	1	Stainless Steel Basket (tumbler) and Support Assembly Complete with Felt Collars (includes illus. nos. 1 through 11, 13, and 14)
	800722*	1	Basket (tumbler) ONLY without Felt (includes illus. nos. 1 through 3)
	800740*	1	Stainless Steel Basket (tumbler) ONLY without Felt Collars (includes illus. nos. 1 through 3)
2	150313	30	#10-16 x 1/2" TORX + BTN Head Screw
3	301315	2	Short Basket (tumbler) Rib ONLY
	301316	1	Tall Basket (tumbler) Rib ONLY
	301433	2	Stainless Steel Short Basket Rib
	301434	1	Stainless Steel Tall Basket Rib
4	115986	1	1/4" x 2" Basket (tumbler) Felt Pad
5	882050	3	Tie Rod (includes illus. nos. 5, 6, and 8 through 10)
6	153004	3	3/8" Flat Washer
7	850066	1	Basket (tumbler) Support ONLY
8	152027	3	3/8-18 Hex Lock Nut
9	153005	3	3/8" Lock Washer
10	153004	3	3/8" Flat Washer
11	115999	1	Felt Collar ONLY
	401010	1	#847 Adhesive for Felt Collar (5 oz. tube)
12	100173	1	12-Rib 95" (J) Poly Belt (refer to 12-Rib 95" [J] Poly Belt Arrangement on page 45)
13	115992	1	Inner Ring Felt Collar ONLY
14	100812	1	1-3/8" Retaining Ring

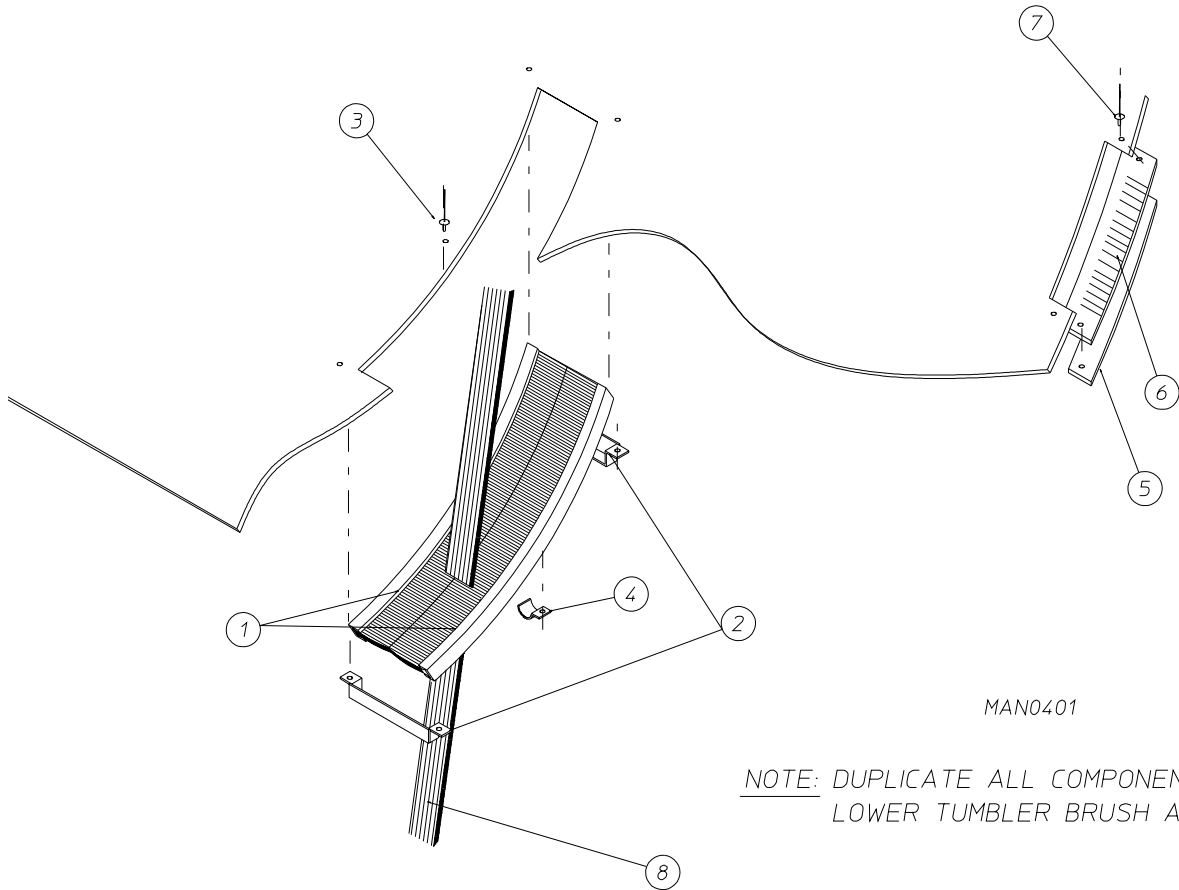
* Felt collars are not included and **must be** ordered separately.



<u>Illus. No.</u>	<u>Part No.</u>	<u>Qty.</u>	<u>Description</u>
1	800835	1	Basket (tumbler) and Support Assembly Complete with Felt Collars (includes illus. nos. 1 through 11, 13, and 14)
	800760	1	Stainless Steel Basket (tumbler) and Support Assembly Complete with Felt Collars (includes illus. nos. 1 through 11, 13, and 14)
	800726*	1	Basket (tumbler) ONLY without Felt (includes illus. nos. 1 through 3)
	800739*	1	Stainless Steel Basket (tumbler) ONLY without Felt Collars (includes illus. nos. 1 through 3)
2	150313	30	#10-16 x 1/2" TORX + BTN Head Screw
3	301318	2	Short Basket (tumbler) Rib ONLY
	301317	1	Tall Basket (tumbler) Rib ONLY
	301432	2	Stainless Steel Short Basket (tumbler) Rib
	301431	1	Stainless Steel Tall Basket (tumbler) Rib
4	115986	1	1/4" x 2" Basket (tumbler) Felt Pad
5	882051	3	Tie Rod (includes illus. nos. 5, 6, and 8 through 10)
6	153004	3	3/8" x 1-1/2" Fender Washer
7	850066	1	Basket (tumbler) Support ONLY
8	152027	3	3/8-18 Hex Lock Nut
9	153005	3	3/8" Lock Washer
10	153004	3	3/8" Flat Washer
11	115999	1	Felt Collar ONLY
	401010	1	#847 Adhesive for Felt Collar (5 oz. tube)
12	100173	1	12-Rib 95" (J) Poly Belt (refer to 12-Rib 95" [J] Poly Belt Arrangement on page 45)
13	115992	1	Inner Ring Felt Collar ONLY
14	100812	1	1-3/8" Retaining Ring

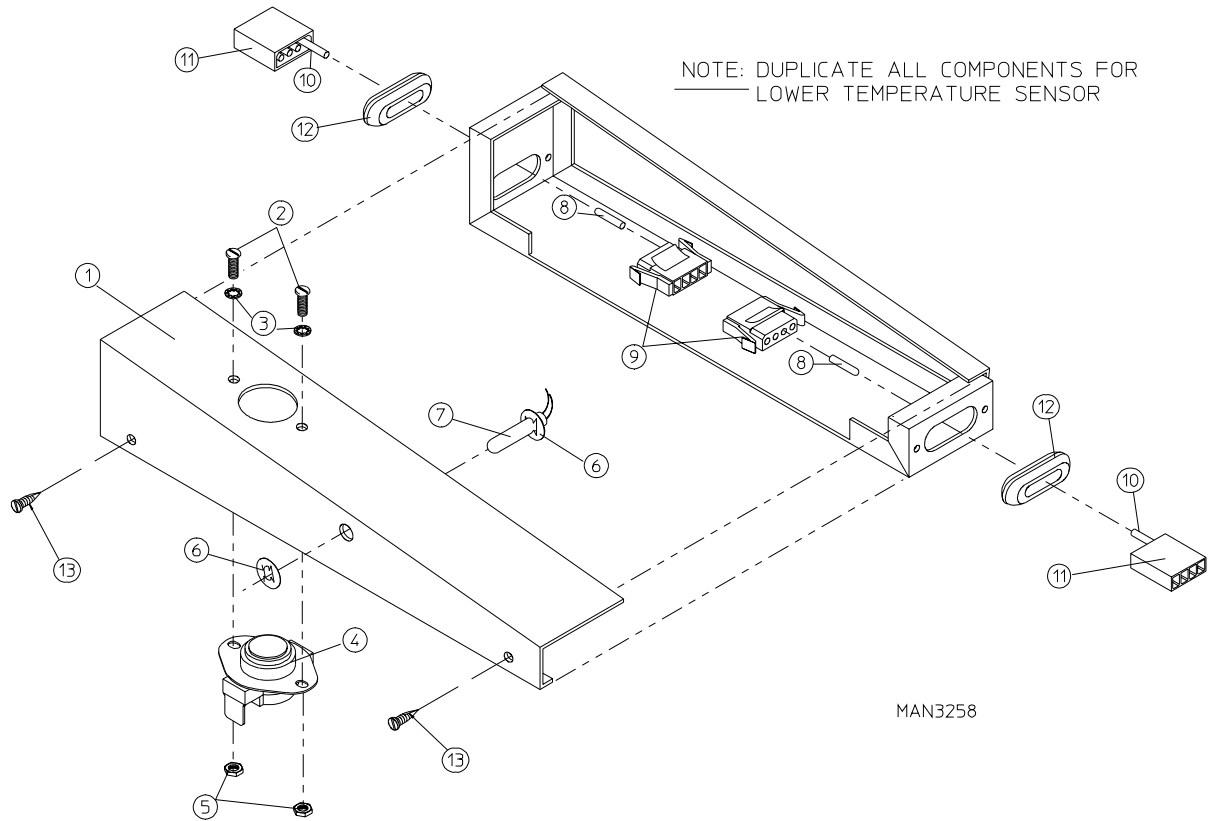
* Felt collars are not included and **must be** ordered separately.

UPPER TUMBLER BRUSH

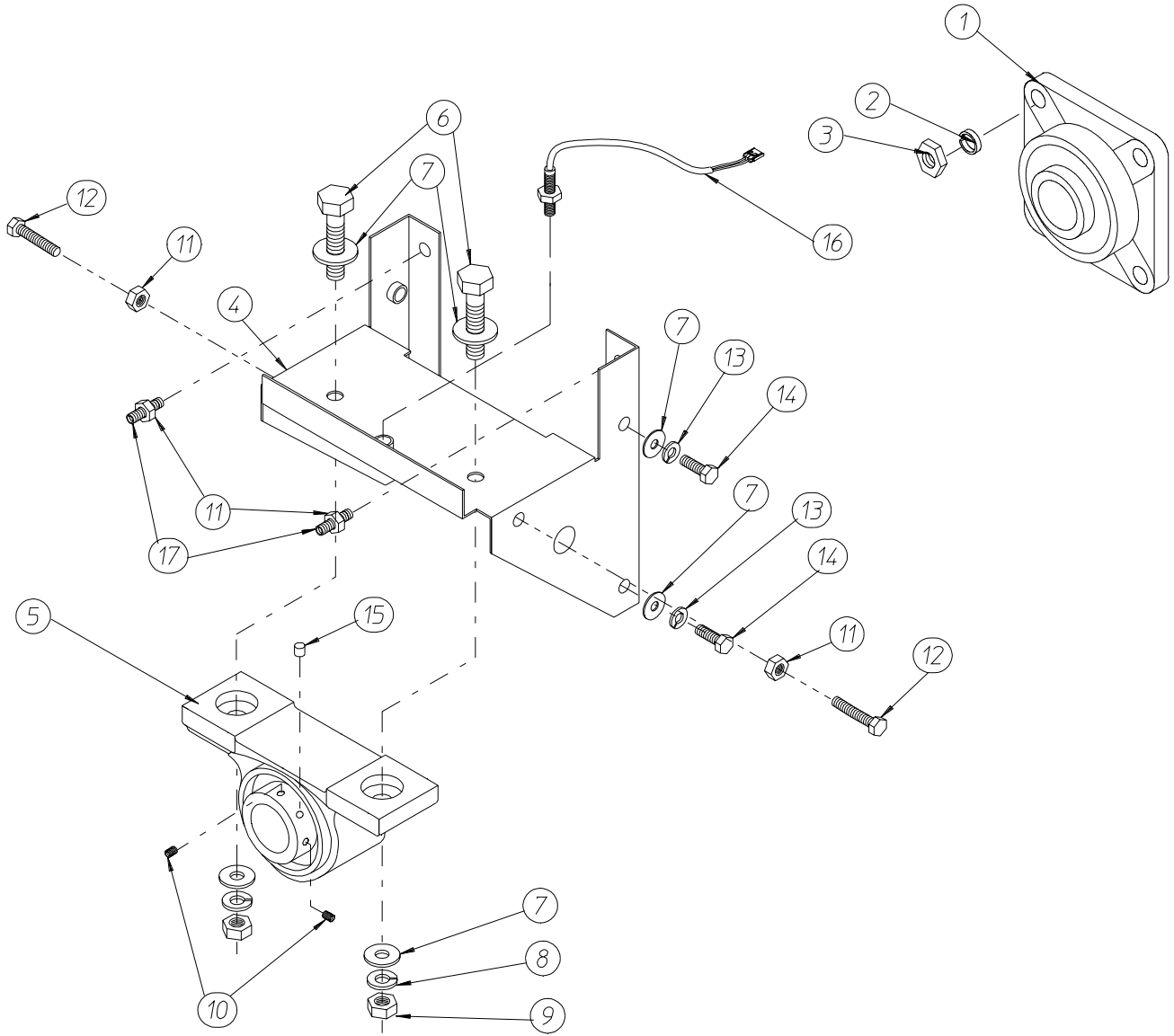


<u>Illus. No.</u>	<u>Part No.</u>	<u>Qty.</u>	<u>Description</u>
1	170198	2	AD-330/AD-320 Drive Belt Sealing Brush
2	317656	2	AD-330/AD-320 Sealing Brush Clip End
3	154210	6	5/32" x 3/16" Pop Rivet
4	120117	2	3/8" EMT Hanger
5	317651	1	AD-330/AD-320 Wrapper Gasket Strip
6	102325	1	8-1/2" x 1-1/2" x 1/8" Wrapper Channel Gasket
7	154210	2	5/32" x 3/16" Pop Rivet
8	100173	1	12-Rib 95" (J) Poly Belt (refer to 12-Rib 95" [J] Poly Belt Arrangement on page 45)

UPPER TEMPERATURE SENSOR

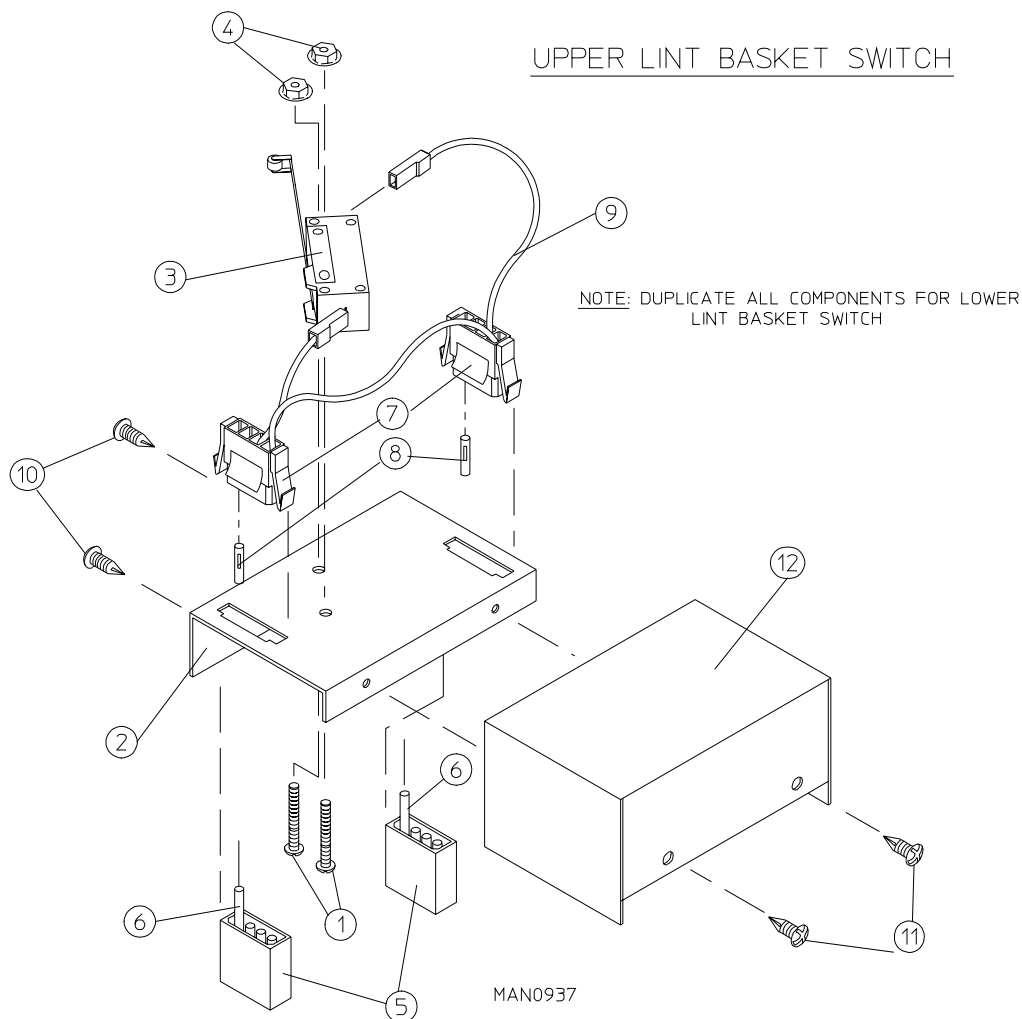


Illus. No.	Part No.	Qty.	Description
1	801409	1	AD-330/AD-320 Temperature Sensor Bracket Assembly Complete (includes illus. nos. 1 through 9, 12, and 13)
2	150000	2	#6-32 x 1/4" Round Head Machine Screw
3	153010	2	#6 Star Washer
4	130106	1	170° Large Thermostat
5	152013	2	#6-32 Hex Nut
6	154007	2	1/4" Tinnerman Push On Fastener
7	880111	1	Dual Microprocessor Controller (DMC) 1/4" Temperature Sensor Probe Assembly (includes illus. nos. 6 through 9)
8	122701	8	Socket Terminal ONLY
9	122605	2	4-Pin Socket Connector ONLY
10	122700	8	Pin Terminal ONLY
11	122604	2	4-Pin Connector ONLY
	122801	1	Pin/Socket Extraction Tool...Not Illustrated
12	121405	2	Rubber Grommet
13	150301	2	#8-18 x 7/16" Phillips Pan Head TEK Screw



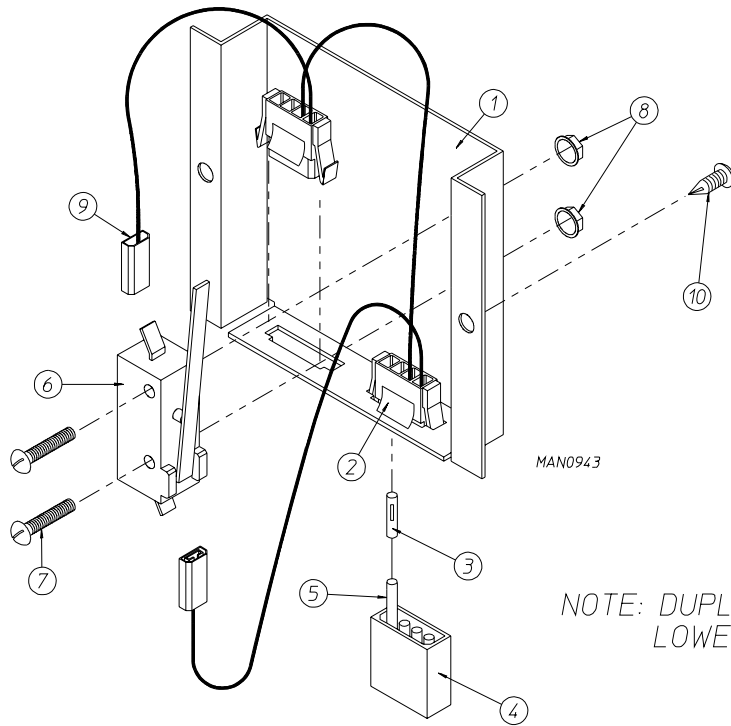
MAN6036

<u>Illus. No.</u>	<u>Part No.</u>	<u>Qty.</u>	<u>Description</u>
1	880203	1	1-3/8" Flange Bearing ONLY
2	153005	4	3/8" Lock Washer
3	152005	4	3/8-16 Hex Nut
4	882544	1	Pillow Block Bearing Assembly Complete (includes illus. nos. 4 through 14 and 17)
	882545	1	Bearing Assembly Complete (for models mfd. with rotational sensor) (includes illus. nos. 4 through 17)
	882542	1	Bearing Support ONLY
	882543	1	Bearing Support ONLY (for models mfd. with rotational sensor)
5	880202	1	1-3/8" Pillow Block Bearing ONLY
	880779	1	1-3/8" Pillow Block Bearing (for models mfd. with rotational sensor)
6	150601	2	3/8-16 x 2" Hex Bolt
7	153004	8	3/8" Flat Washer
8	153005	2	3/8" Lock Washer
9	152005	2	3/8-16 Hex Nut
10	154326	2	5/16-24 x 3/8" Setscrew (black)
11	152004	4	5/16-18 Hex Nut
12	150621	2	5/16-18 x 1-1/2" Tap Bolt
13	153002	4	5/16" Lock Washer
14	150501	4	5/16-18 x 3/4" Tap Bolt
15	102120	1	Sintered 8 Magnet
16	824807	1	Rotational Sensor Assembly (for models mfd. with rotational sensor)
17	150610	2	5/16-18 x 1-1/2" Allen Setscrew



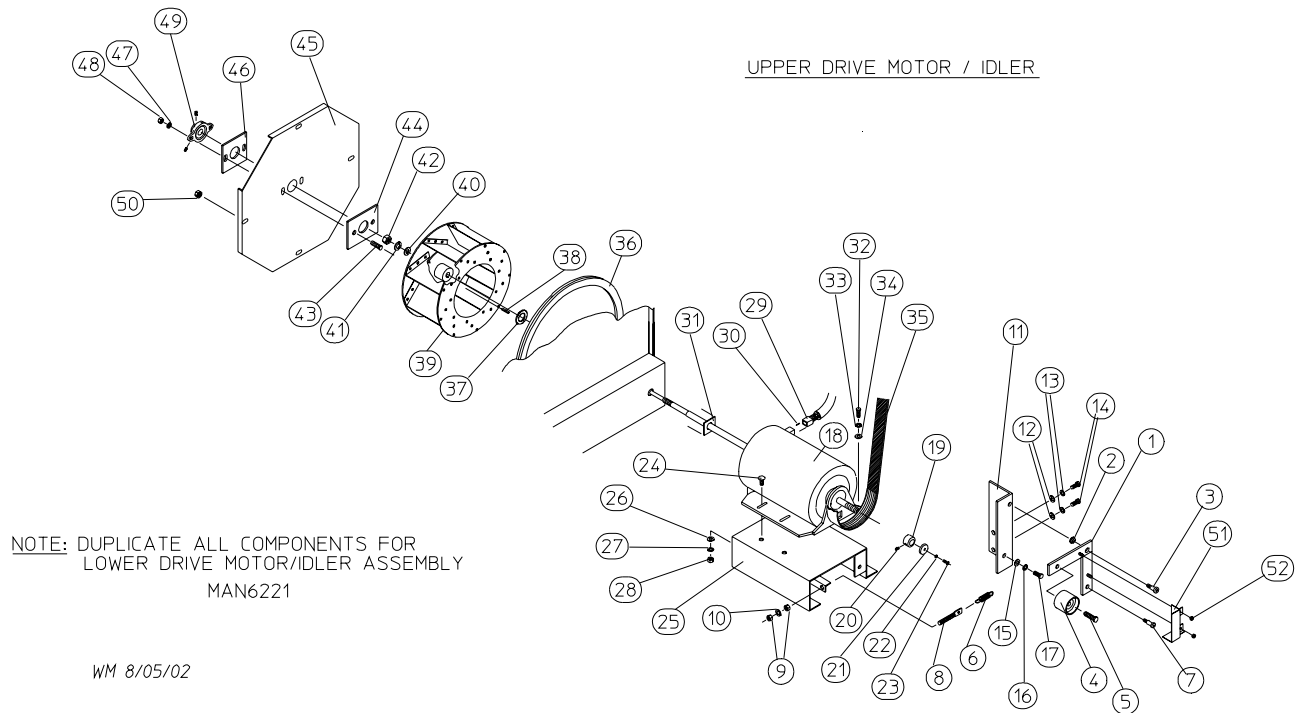
<u>Illus. No.</u>	<u>Part No.</u>	<u>Qty.</u>	<u>Description</u>
1	150006	2	#6-32 x 7/8" Round Head Machine Screw
2	802816	1	AD-330 Lint Drawer (basket) Switch Assembly Complete (includes illus. nos. 1 through 4 and 7 through 9)
	307204	1	AD-330 Lint Switch Mounting Bracket ONLY
3	136990	1	AD-330 Lint Drawer (basket) Safety Switch ONLY
4	152013	2	#6-32 Hex Nut
5	122604	2	4-Pin Connector ONLY
6	122700	4	Pin Terminal ONLY
7	122605	2	4-Pin Socket Connector ONLY
8	122701	4	Socket Terminal ONLY
	122801	1	Pin/Socket Extraction Tool...Not Illustrated
9	824848	1	AD-330 Lint Switch Bottom Harness (includes illus. nos. 7 through 9)
	824849	1	AD-330 Lint Switch Top Harness (includes illus. nos. 7 through 9)
10	150309	2	#10-16 x 1/2" Hex Head TEK Crimpite Screw
11	150309	2	#10-16 x 1/2" Hex Head TEK Crimpite Screw
12	307203	1	AD-330 Lint Switch Cover ONLY

UPPER LINT BASKET SWITCH



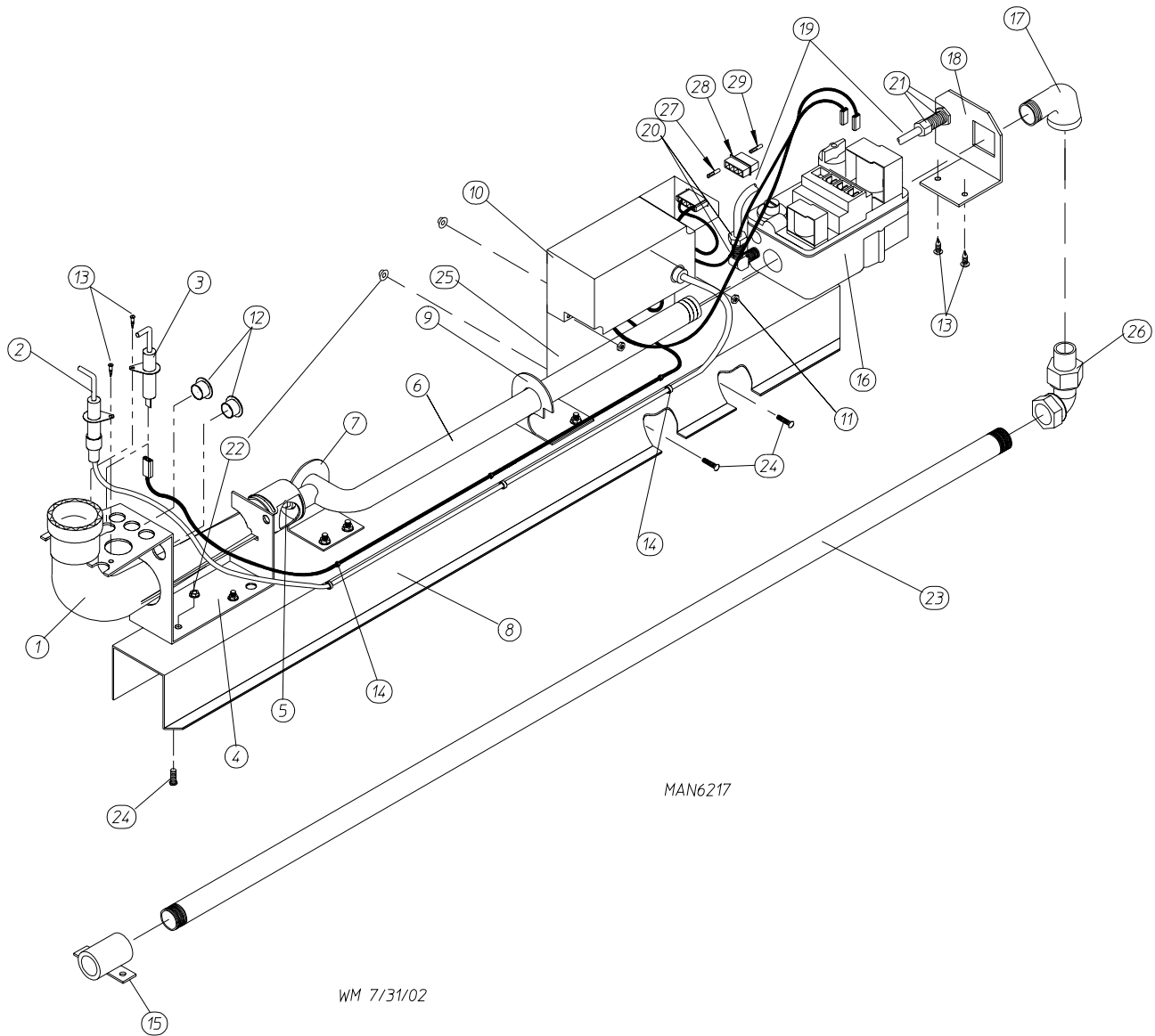
NOTE: DUPLICATE ALL COMPONENTS FOR LOWER LINT BASKET SWITCH

<u>Illus. No.</u>	<u>Part No.</u>	<u>Qty.</u>	<u>Description</u>
1	304039	1	AD-320 Lint Drawer (basket) Switch Bracket/Cover
2	122605	2	4-Pin Socket Connector ONLY
3	122701	4	Socket Terminal ONLY
4	122604	2	4-Pin Connector ONLY
5	122700	4	Pin Terminal ONLY
6	136992	1	AD-320 Lint Drawer (basket) Safety Switch ONLY
7	150006	2	#6-32 x 7/8" Round Head Machine Screw
8	152013	2	#6-32 Hex Nut
9	824848	1	AD-320 Lint Switch Bottom Harness
	824849	1	AD-320 Lint Switch Top Harness
10	150309	2	#10-16 x 1/2" Hex Head TEK Crimp Screw
---	122801	1	Pin/Socket Extraction Tool...Not Illustrated



<u>Illus. No.</u>	<u>Part No.</u>	<u>Qty.</u>	<u>Description</u>
1	882910	1	AD-330/AD-320 Upper and Lower Idler Arm ONLY
	801019	1	AD-330/AD-320 Upper and Lower Idler Arm Assembly with Hardware (includes illus. nos. 1 through 10)
2	121350	1	13/32" x 3/8" I.D. Bronze
3	154266	1	3/8" x 3/8" Shoulder Screw
4	100250	1	AD-330/AD-320 Back Side Idler Assembly
5	150600	1	3/8-16 x 1-1/2" Hex Head Machine Bolt
6	157010	1	1-7/8" Extension Spring
7	154276	1	1/4-20 x 5/8" Shoulder Bolt
8	154275	1	3/8-16 x 3-3/8" Spade Bolt
9	152005	2	3/8-16 Hex Nut
10	153005	1	3/8" Lock Washer
11	850135	1	AD-330/AD-320 Idler Angle
12	153001	2	5/16" Flat Washer
13	153002	2	5/16" Lock Washer
14	150501	2	5/16-18 x 3/4" Hex Head Machine Bolt
15	153001	2	5/16" Flat Washer
16	153002	2	5/16" Lock Washer
17	150501	2	5/16-18 x 3/4" Hex Head Machine Bolt
18	100064	1	1/3 HP 120/230v 1ø 60 Hz Totally Enclosed, Non-Vent (T.E.N.V.) Motor with Plug
	100049	1	1/3 HP 100-230v 1ø 50 Hz Totally Enclosed, Non-Vent (T.E.N.V.) Motor with Plug
19	101097	1	AD-330/AD-320 Rear Motor Shaft Bushing (for 60 Hz models)
	101099	1	AD-330/AD-320 Rear Motor Shaft Bushing (for 50 Hz models)
20	154327	1	1/4-20 x 3/8" Socket Setscrew
21	101096	1	AD-330/AD-320 Front Motor Shaft Bushing (50/60 Hz)
22	153024	1	#10 Lock Washer

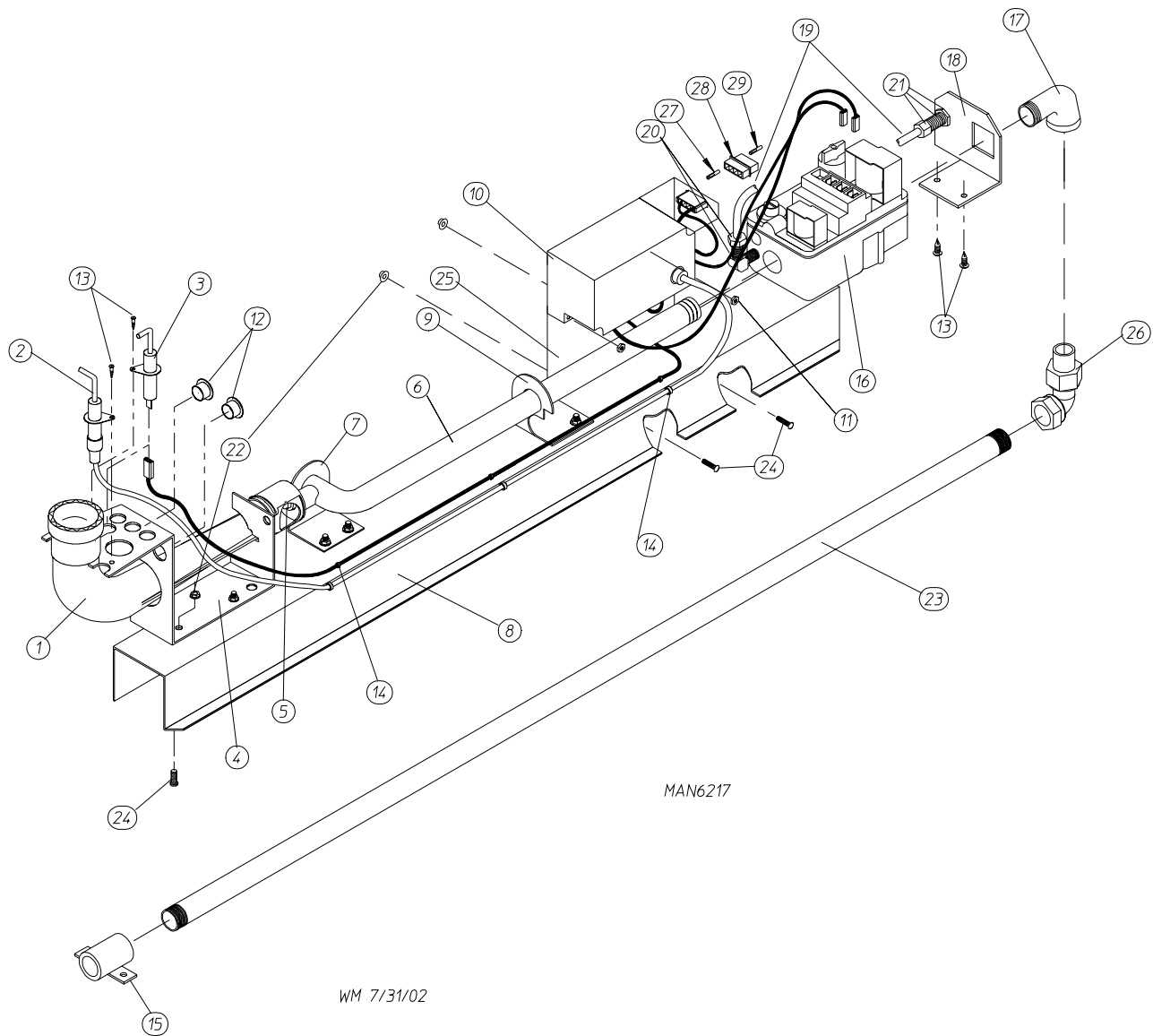
<u>Illus. No.</u>	<u>Part No.</u>	<u>Qty.</u>	<u>Description</u>
23	150216	1	#10-32 x 3/4" Left Hand Phillips Round Head Screw
24	154279	4	5/16-18 x 3/4" Carriage Bolt
25	800917	1	AD-330/AD-320 Motor Mount ONLY
	803918	1	1/3 HP 120/230v 1ø 60 Hz Totally Enclosed, Non-Vent (T.E.N.V.) Motor Mount Assembly Complete (includes illus. nos. 11 through 28 and 31)
	803926	1	1/3 HP 120/230v 1ø 50 Hz Totally Enclosed, Non-Vent (T.E.N.V.) Motor Mount Assembly Complete (includes illus. nos. 11 through 28 and 31)
26	153001	4	5/16" Flat Washer
27	153002	4	5/16" Lock Washer
28	152004	4	5/16-18 Hex Nut
29	137030	1	8-Pin Housing
30	122701	8	Socket Terminal ONLY
	122801	1	Pin/Socket Extraction Tool...Not Illustrated
31	116010	1	AD-330/AD-320 Felt Motor Seal ONLY
32	150501	4	5/16-18 x 3/4" Hex Head Machine Bolt
33	153002	4	5/16" Lock Washer
34	153001	4	5/16" Flat Washer
35	100173	1	12-Rib 95" Belt
36	117604	3	Neoprene Sponge Tape (sold by the foot)
37	153054	1	AD-330/AD-320 Motor Washer (for 50 Hz models)
38	100705	1	3/16" x 3/16" x 1-3/8" Key
39	802831	1	12-1/2" Riveted Impellor with 3/4" Bore (for 60 Hz models)
	802830	1	12-1/2" Riveted Impellor with 5/8" Bore (for 50 Hz models)
40	153051	1	3/4" Flat Washer (for 60 Hz models)
	153054	1	AD-330/AD-320 Motor Washer (for 50 Hz models)
41	153040	1	3/4" Lock Washer (for 60 Hz models)
	153015	1	5/8" Lock Washer (for 50 Hz models)
42	152025	1	3/4-16 Jam Nut (for 60 Hz models)
	152030	1	5/8-18 Jam Nut (for 50 Hz models)
43	153525	2	1/4-20 x 1" Self-Clinching Stud
44	850132	1	AD-330/AD-320 Bearing Backup Plate (includes illus. nos. 43 and 44)
	852104	1	AD-330/AD-320 Bearing Backup Plate Assembly (includes illus. nos. 43, 44, and 46 through 48)
45	880885	1	AD-330/AD-320 Impellor Cover
46	116011	1	AD-330/AD-320 Bearing Felt Seal
47	153007	2	1/4" Lock Washer
48	152002	2	1/4-20 Hex Nut
49	880225	1	1/2" Flange Bearing
50	152014	4	1/4-20 Free Spin Wash Nut
51	314423	1	AD-330/AD-320 Belt Guard
52	150212	2	#10-32 x 5/16" Phillips Pan Head Stainless Steel Screw



<u>Illus. No.</u>	<u>Part No.</u>	<u>Qty.</u>	<u>Description</u>
1	141130	1	Up-Shot Gas Burner
2	128917	1	Spark Ignitor
3	128918	1	Flame Sensor
4	318009	1	Burner Tube Bracket
5	140856**	1	#23 Burner Orifice (natural gas) ONLY
	140810**	1	#42 Burner Orifice (liquid propane [L.P.] gas) ONLY
6	141225	1	Single-Port Manifold
7	318600	1	Manifold Bracket
8	883436*	1	Direct Spark Ignition (DSI) Natural Gas Train Assembly Complete (includes illus. nos. 1 through 4, 6 through 14, 16 through 22, and 24 through 26)
	883437*	1	Direct Spark Ignition (DSI) Liquid Propane (L.P.) Gas Train Assembly Complete (includes illus. nos. 1 through 4, 6 through 14, 16 through 22, and 24 through 26)
	319522	1	AD-330 Gas Train Slide ONLY
9	318711	1	Notched Pipe Bracket
10	128935	1	Direct Spark Ignition (DSI) Module with Three Tries
11	152013	2	#6-32 Hex Nut
12	121300	2	Open/Closed Bushing
13	150301	4	#8-18 x 7/16" Phillips Pan Head TEK Screw
14	121499	6	3/16" Push Mount Wire Tie
15	142934	1	1/2" Coupling with Mounting Tabs
16	128927	1	1/2" 24 VAC Direct Spark Ignition (DSI) Redundant Gas Valve (natural gas) ONLY
	880960	1	Direct Spark Ignition (DSI) Gas Valve (liquid propane [L.P.] gas) ONLY
17	142506	1	1/2" x 1/2" Street Elbow
18	318712	1	Gas Valve Pipe Bracket
19	882157	1	1/4" Aluminum Tubing (12" length)
20	143203	1	Aluminum Tubing Adapter
21	143259	1	Aluminum Tubing Compression Fitting
22	151001	8	#8-32 Pal Nut
23	142805	1	1/2" x 3/4-1/2" Pipe
24	153528	8	#8-32 x 1/2" Self-Clinching Stud
25	815974	1	Direct Spark Ignition (DSI) Module Mounting Bracket (Johnson)
26	141317	1	1/2" Bronze Union Elbow
27	122701	2	Socket Terminal ONLY
28	122604	1	4-Pin Connector ONLY
29	122700	2	Pin Terminal ONLY

* Orifice is not included and **must be** ordered separately.

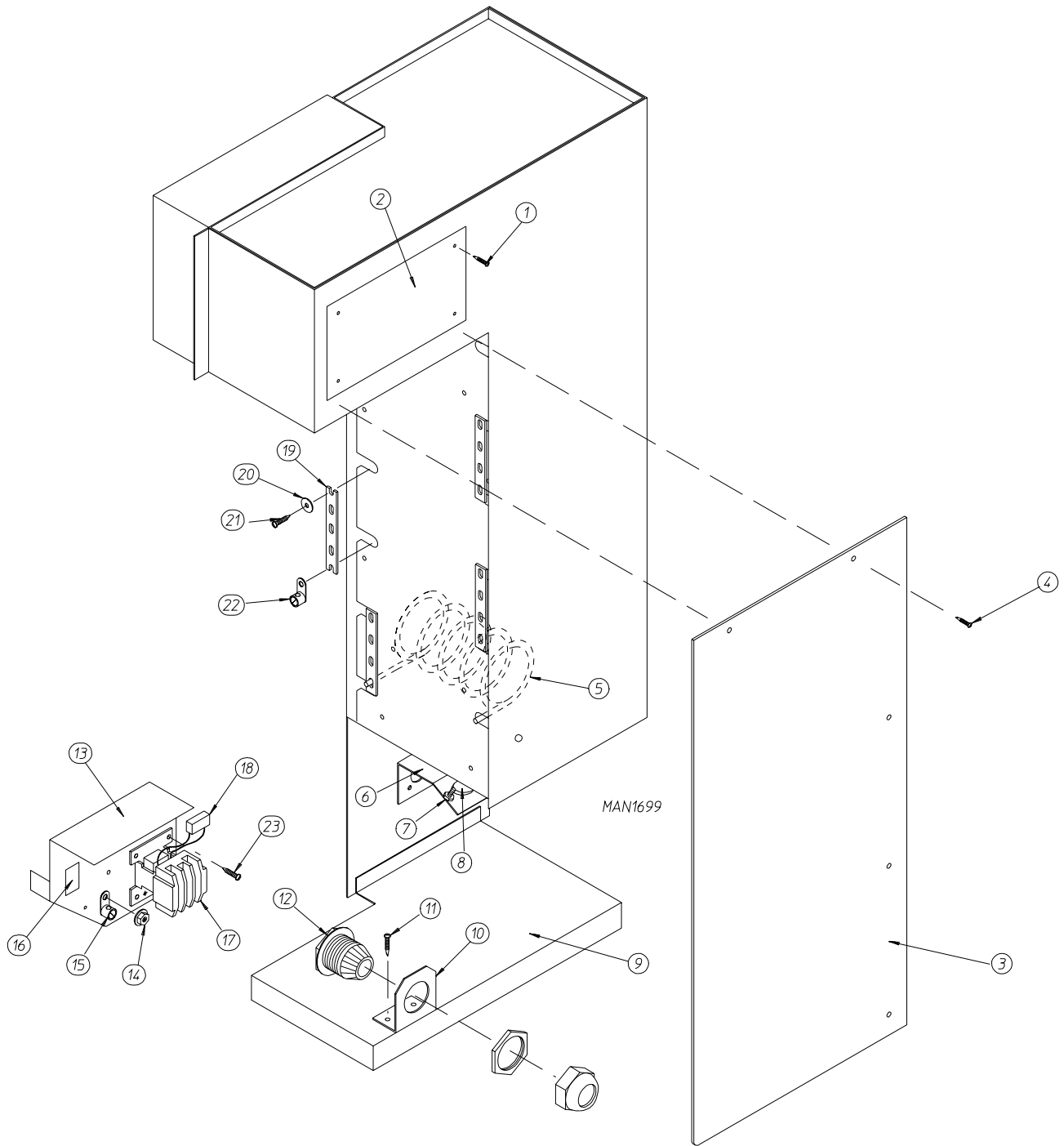
** Consult factory for elevations over 2,000 feet.



<u>Illus. No.</u>	<u>Part No.</u>	<u>Qty.</u>	<u>Description</u>
1	141130	1	Up-Shot Burner
2	128917	1	Spark Ignitor
3	128918	1	Flame Sensor
4	318009	1	Burner Tube Bracket
5	140823**	1	#26 Burner Orifice (natural gas) ONLY
	140809**	1	#43 Burner Orifice (liquid propane [L.P.] gas) ONLY
6	141225	1	Single-Port Manifold
7	318600	1	Manifold Bracket
8	883439*	1	Direct Spark Ignition (DSI) Natural Gas Train Assembly Complete (includes illus. nos. 1 through 4, 6 through 14, 16 through 22, and 24 through 26)
	883438*	1	Direct Spark Ignition (DSI) Liquid Propane (L.P.) Gas Train Assembly Complete (includes illus. nos. 1 through 4, 6 through 14, 16 through 22, and 24 through 26)
	319525	1	AD-320 Gas Train Slide ONLY
9	318711	1	Notched Pipe Bracket
10	128935	1	Direct Spark Ignition (DSI) Module with Three Tries
11	152013	2	#6-32 Hex Nut
12	121300	2	Open/Closed Bushing
13	150301	4	#8-18 x 7/16" Phillips Pan Head TEK Screw
14	121499	6	3/16" Push Mount Wire Tie
15	142934	1	1/2" Coupling with Mounting Tabs
16	128927	1	1/2" 24 VAC Direct Spark Ignition (DSI) Redundant Gas Valve (natural gas) ONLY
	880960	1	Direct Spark Ignition (DSI) Gas Valve (liquid propane [L.P.] gas) ONLY
17	142506	1	1/2" x 1/2" Street Elbow
18	318712	1	Gas Valve Pipe Bracket
19	882157	1	1/4" Aluminum Tubing (12" length)
20	143203	1	Aluminum Tubing Adapter
21	143259	1	Aluminum Tubing Compression Fitting
22	151001	8	#8-32 Pal Nut
23	142809	1	1/2" x 29-1/8" Pipe
24	153528	8	#8-32 x 1/2" Self-Clinching Stud
25	815974	1	Direct Spark Ignition (DSI) Module Mounting Bracket (Johnson)
26	141317	1	1/2" Bronze Union Elbow
27	122701	2	Socket Terminal ONLY
28	122604	1	4-Pin Connector ONLY
29	122700	2	Pin Terminal ONLY

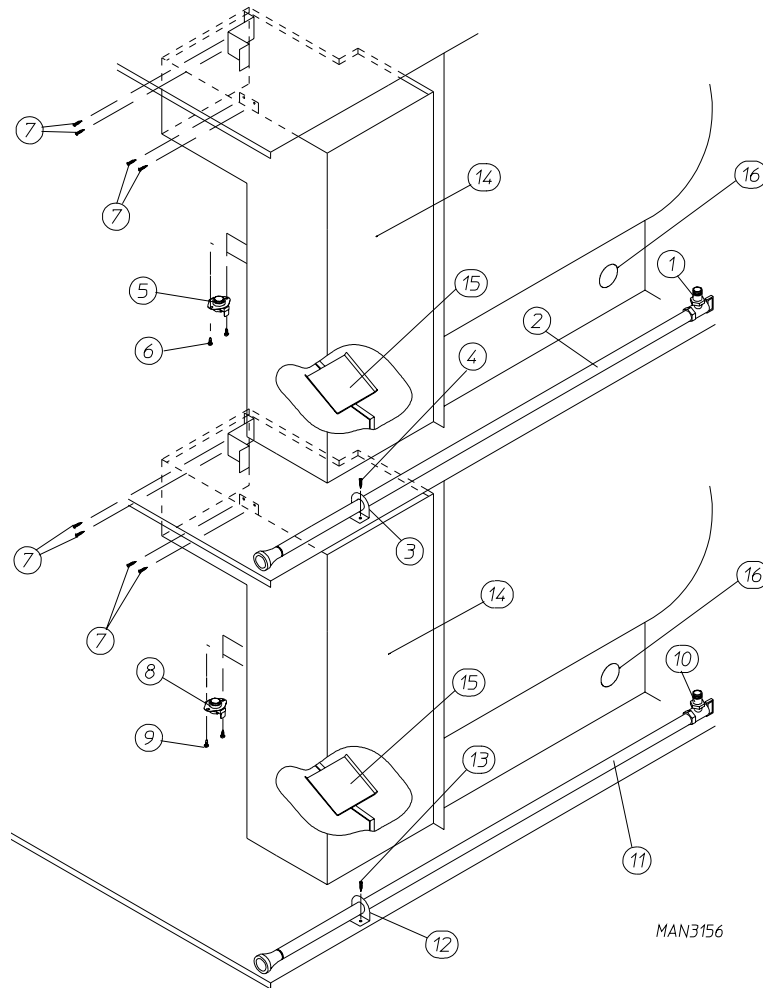
* Orifice is not included and **must be** ordered separately.

** Consult factory for elevations over 2,000 feet.

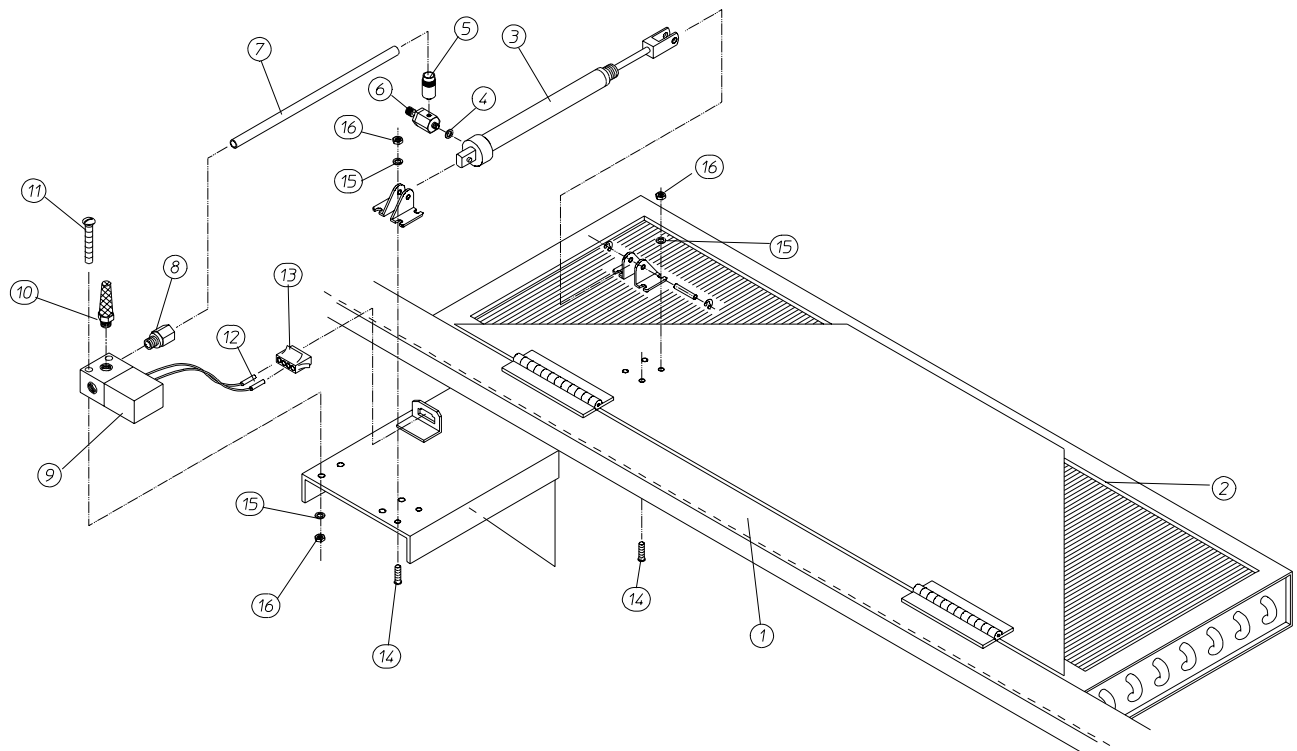


<u>Illus. No.</u>	<u>Part No.</u>	<u>Qty.</u>	<u>Description</u>
1	150300	4	#10-16 x 1/2" Hex Washer TEK Screw
2	318065	1	Burner Box Clean Out Plate
3	320656	1	Back Plate Cover
4	150302	5	#6 x 3/8" Phillips Pan Head TEK Screw
5	-----	6	Heating Elements (refer to Electric Oven Component Chart on page 47)
6	319703	1	Hi-Limit Bracket
7	151001	2	#8-32 Pal Nut
8	130400	1	290° Thermostat
9	320653	1	ADE-330/ADE-320 Stainless Steel Electric Reflector
10	318651	1	ADE-330/ADE-320 Oven Wire Bracket
11	150300	2	#10-16 x 1/2" Hex Washer TEK Screw
12	137027	1	Strain Relief
13	320655	1	ADE-330/ADE-320 Contactor Bracket
14	152014	1	1/4-20 Free Spin Wash Nut
15	121010	1	L-70 Terminal Lug
16	112075	1	"GROUND HERE" Label
17	-----	1	Oven Contactor (refer to Electric Oven Component Chart on page 47)
18	824828	1	RC Network with Connectors
19	121011	*	Bus Bar
20	153009	15	#10 Star Washer
21	150212	15	#10-32 x 5/16" Phillips Pan Head Stainless Steel Screw
22	-----	*	Terminal Lug (refer to Electric Oven Component Chart on page 47)
23	150309	4	#10-16 x 1/2" Hex Head TEK Crimptite Screw

* As required.



<u>Illus. No.</u>	<u>Part No.</u>	<u>Qty.</u>	<u>Description</u>
1	881367	1	1/2" Union Shut Off with Tail Piece
2	142805	1	1/2" x 34-1/2" Pipe (for ADG-330 Only)
	142809	1	1/2" x 29-1/8" Pipe (for ADG-320 Only)
3	318700	1	Pipe Bracket
4	150300	2	#10-16 x 1/2" Hex Washer TEK Screw
5	130403	1	330° Burner Hi-Limit Thermostat
6	150300	2	#10-16 x 1/2" Hex Washer TEK Screw
7	150309	8	#10-16 x 1/2" Hex Head TEK Crimptite Screw
8	130403	1	330° Burner Hi-Limit Thermostat
9	150300	2	#10-16 x 1/2" Hex Washer TEK Screw
10	881367	1	1/2" Union Shut Off with Tail Piece
11	142805	1	1/2" x 34-1/2" Pipe (for ADG-330 Only)
	142809	1	1/2" x 29-1/8" Pipe (for ADG-320 Only)
12	318700	1	Pipe Bracket
13	150300	2	#10-16 x 1/2" Hex Washer TEK Screw
14	850854	2	ADG-330/ADG-320 Burner Box without Flame Spreader
15	850912	2	ADG-330/ADG-320 Flame Spreader
16	-----	-	Sail Switch (refer to Sail Switch Assembly on page 42)

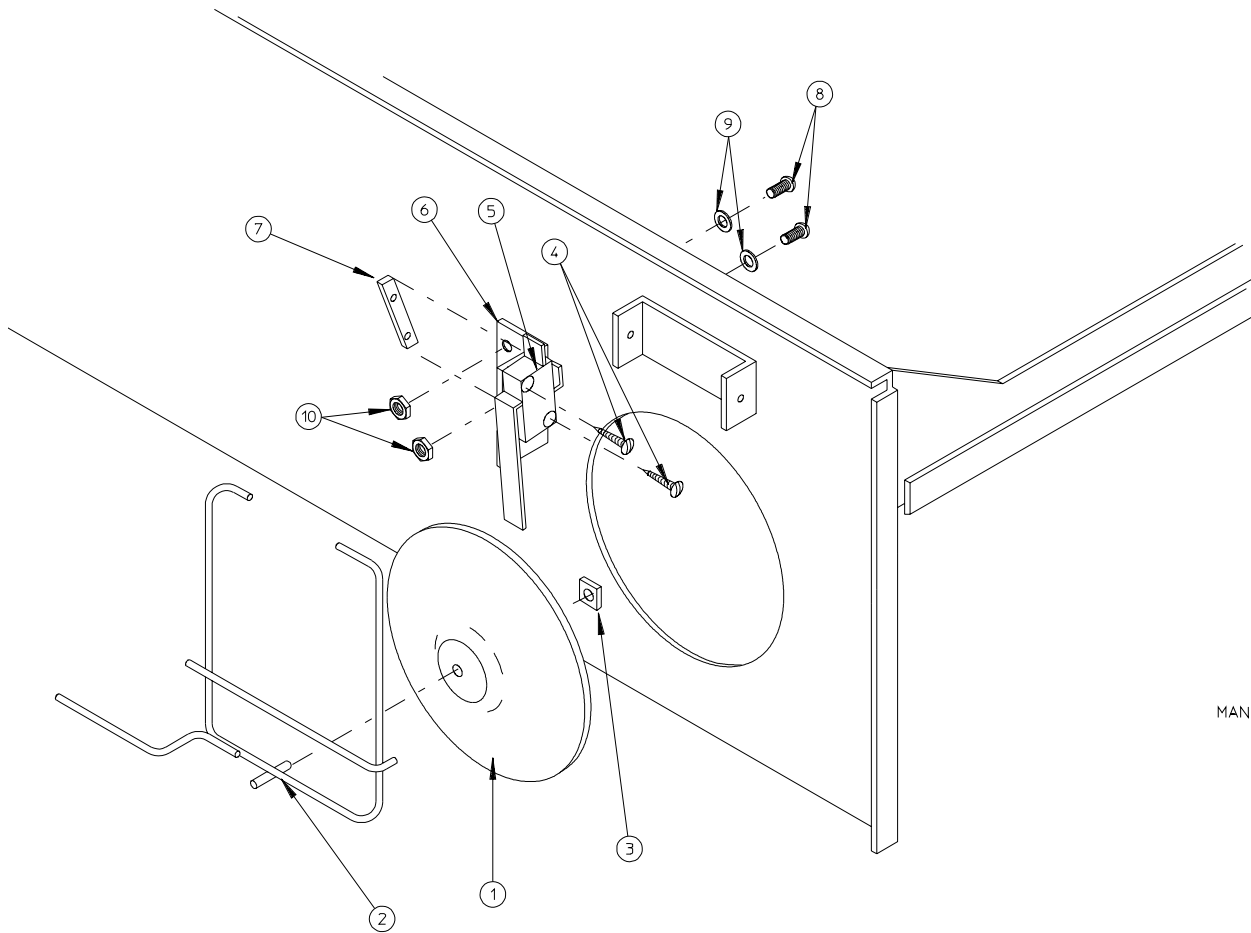


MAN6552

JNERY 2/26/03

<u>Illus. No.</u>	<u>Part No.</u>	<u>Qty.</u>	<u>Description</u>
1	850875	1	ADS-330/ADS-320 Steam Damper Assembly
2	165035	1	ADS-330/ADS-320 Steam Coil Assembly
3	100540	1	Steam Damper Piston (cylinder) Assembly with Pivots and Clevis (includes illus. nos. 4 through 10)
4	115994	1	Needle Valve Gasket
5	100471	1	1/4" x 10/32" Connector (male)
6	100534	1	Needle Valve
7	143110	1	1/4" Poly-Flo Tubing
8	100472	1	1/4" Poly x 1/8" M.P.T. Connector
9	100498	1	3-Way Micro Valve
10	100520	1	1/8" N.P.T. Silencer (muffler)
11	150002	2	#6-32 x 1" Round Head Machine Screw
12	122701	2	Socket Terminal ONLY
13	122605	1	4-Pin Socket Connector (female)
	122801	1	Pin/Socket Extraction Tool...Not Illustrated
14	153560	8	#6-32 x 1/2" Self-Clinching Stud
15	153008	10	#6 Lock Washer
16	152013	10	#6-32 Hex Nut

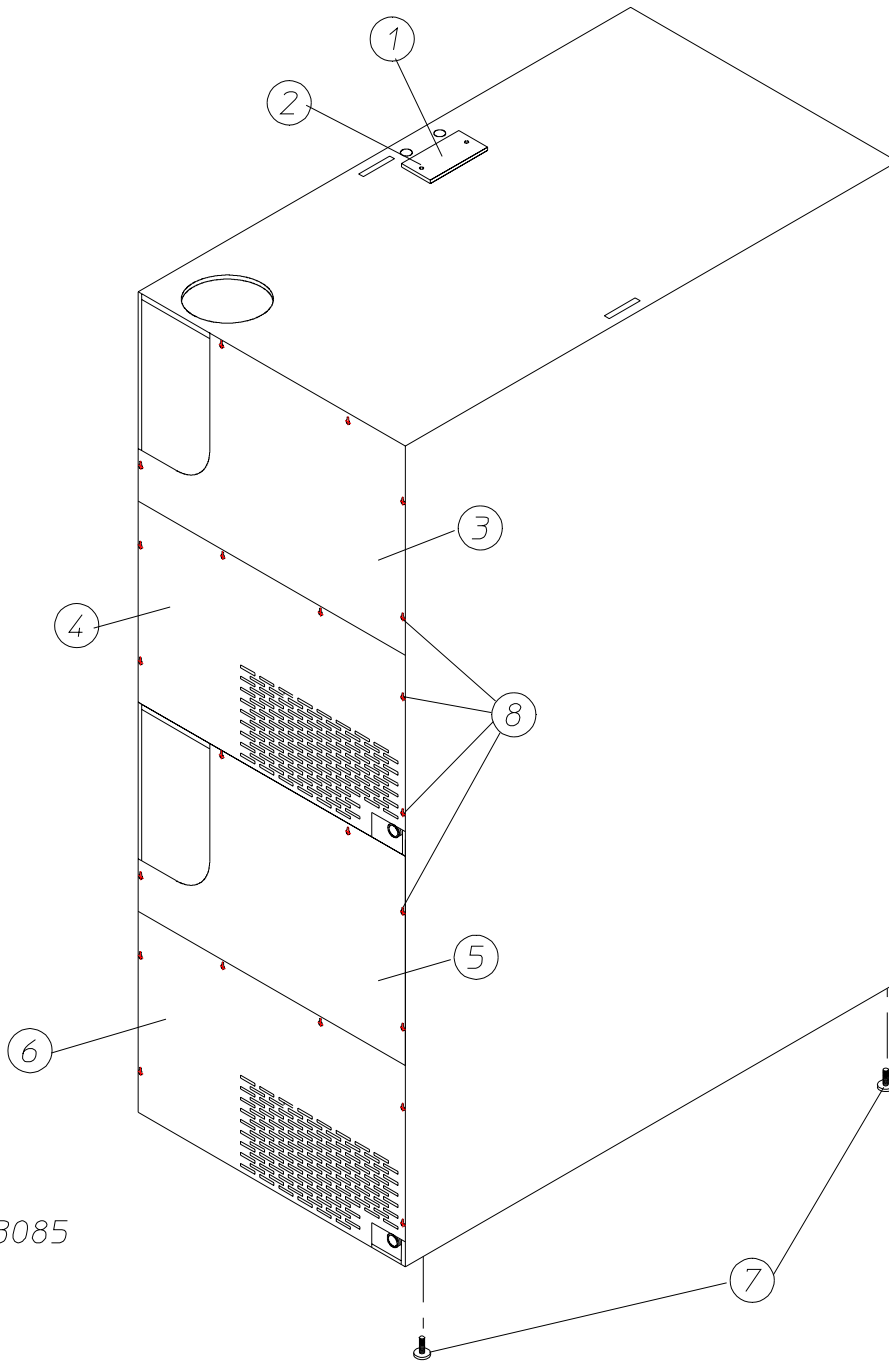
UPPER SAIL SWITCH ASSEMBLY



MAN0570

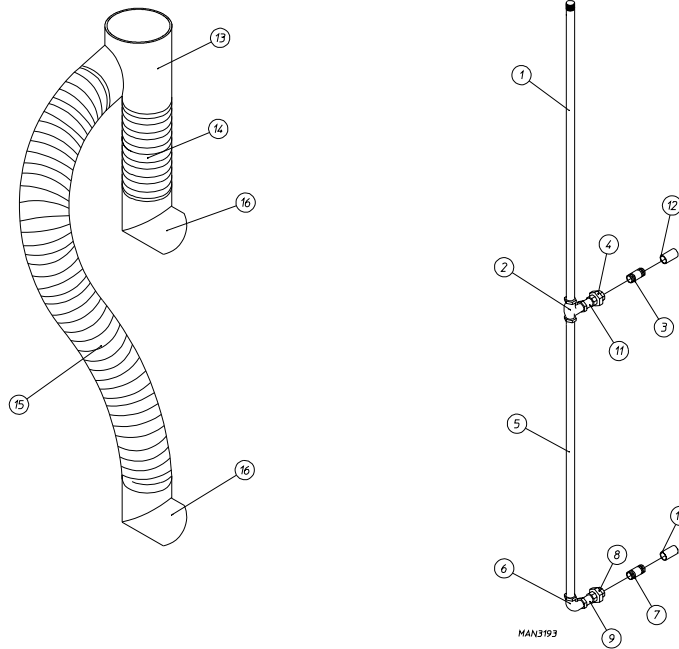
NOTE: DUPLICATE ALL COMPONENTS FOR LOWER SAIL SWITCH ASSEMBLY

Illus. No.	Part No.	Qty.	Description
1	319202	1	Sail Switch Damper
	802805	1	AD-330/AD-320 Sail Switch Rod and Damper Assembly (includes illus. nos. 1 through 3)
2	105550	1	AD-330/AD-320 Sail Switch Rod
3	154002	1	1/8" Push On Fastener
4	150303	2	#4 x 3/4" Pan Head "A" Machine Screw
5	122200	1	Sail Switch ONLY
	802807	1	AD-330/AD-320 Sail Switch Bracket Assembly (includes illus. nos. 4 through 7)
6	319208	1	AD-330/AD-320 Sail Switch Bracket
7	154004	1	Twin Speed Nut
8	150001	2	#6-32 x 1/2" Round Head Machine Screw
9	153010	2	#6 Star Washer
10	152000	2	#6-32 Hex Nut



MAN3085

<u>Illus. No.</u>	<u>Part No.</u>	<u>Qty.</u>	<u>Description</u>
1	315014	1	Top Electric Box Cover Plate
2	150309	2	#10-16 x 1/2" Hex Head TEK Crimptite Screw
3	314404	1	AD-330/AD-320 Top Upper Guard
4	314405	1	AD-330/AD-320 Top Lower Guard
5	314404	1	AD-330/AD-320 Bottom Upper Guard
6	314405	1	AD-330/AD-320 Bottom Lower Guard
7	103500	4	Adjustable Leveling Leg
8	150309	22	#10-16 x 1/2" Hex Head TEK Crimptite Screw



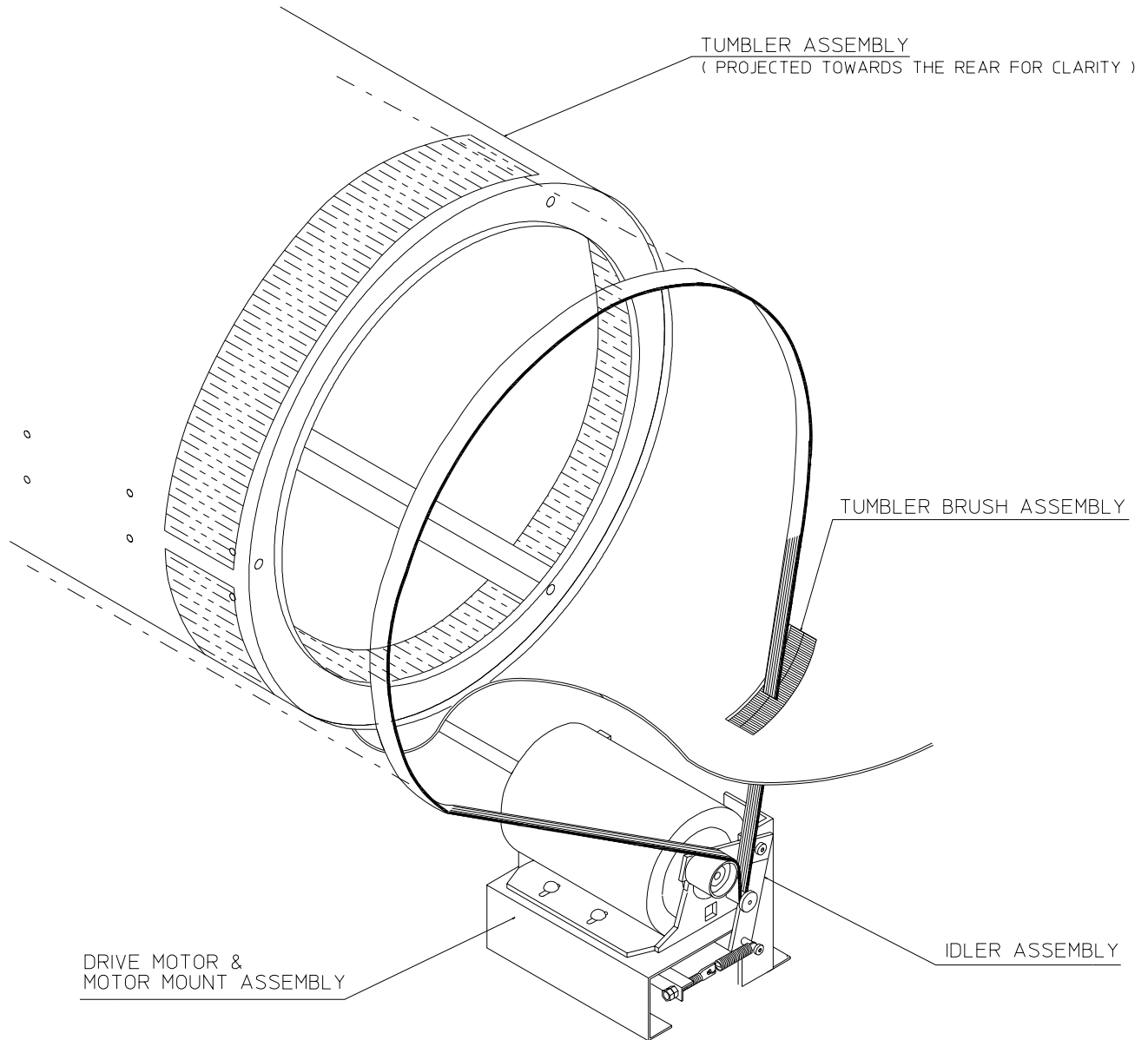
ADG-330/ADG-320 Optional Gas Piping Kit

<u>Illus. No.</u>	<u>Part No.</u>	<u>Qty.</u>	<u>Description</u>
---	880128	1	ADG-330/ADG-320 Gas Piping Kit (includes illus. nos. 1 through 12)
1	142821	1	3/4" x 36" Pipe
2	142505	1	3/4" x 1/2" x 1/2" Tee
3	142814	1	1/2" x 2-1/2" Nipple
4	142600	1	1/2" Union
5	142824	1	1/2" x 37-1/4" Pipe
6	142500	1	1/2" x 90° Elbow
7	142814	1	1/2" x 2-1/2" Nipple
8	142600	1	1/2" Union
9	142700	1	1/2" Close Nipple
10	143001	1	1/2" Coupling
11	142700	1	1/2" Close Nipple
12	143001	1	1/2" Coupling

ADG-330/ADG-320 Optional Exhaust Ducting Kit

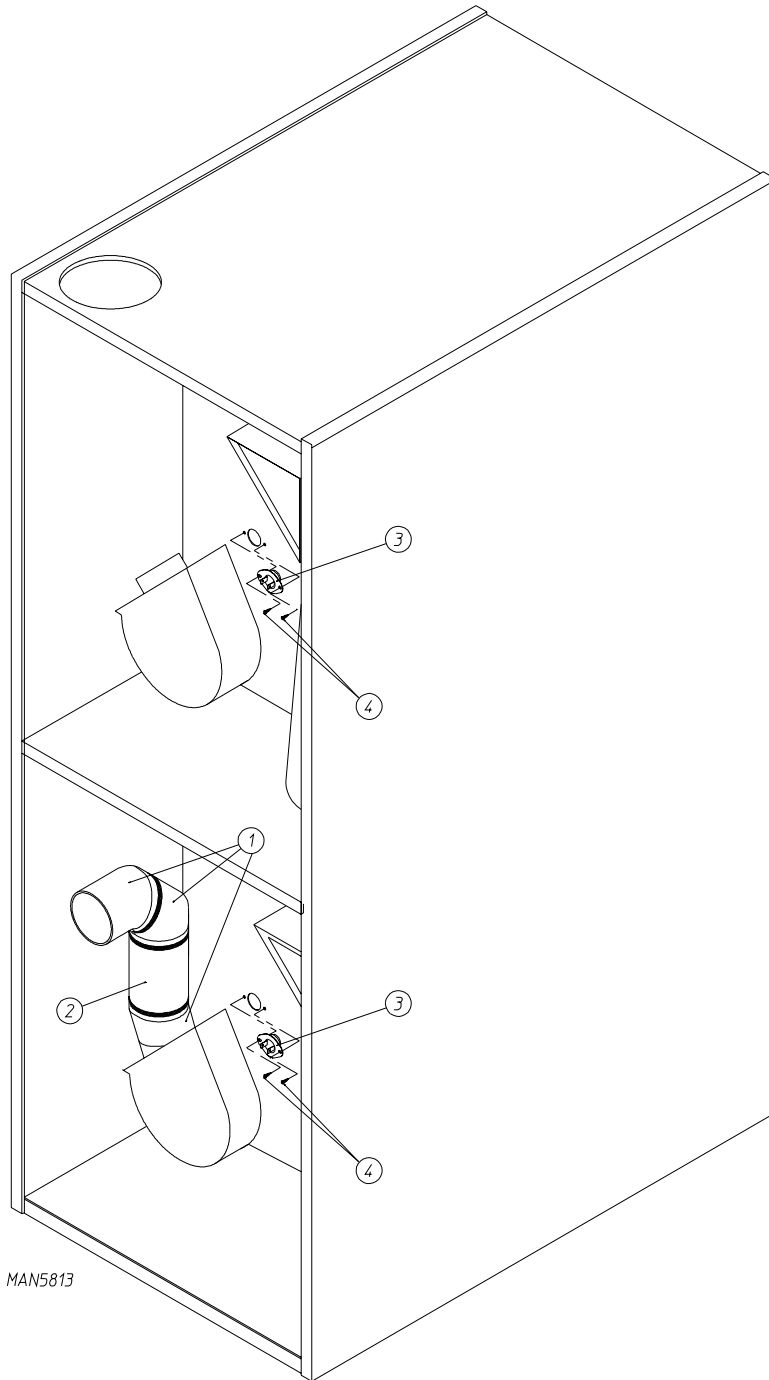
---	882035	1	AD-330/AD-320 Exhaust Ducting Kit (includes illus. nos. 13 through 16)
13	143600	1	10" x 6" x 6" Wye Branch Duct
14	143519	1	6" Round x 4' Long Flexible Exhaust Duct
15	143509	1	6" Round x 8' Long Flexible Exhaust Duct
16	143536	2	6" Round x 45° Elbow
---	150300*	12	#10-16 x 1/2" Hex Washer TEK Screw
---	117505*	12	Aluminum Duct Tape (sold by the foot)

* Included with Exhaust Ducting Kit (ADC Part No. 882035).



MAN0433

12-RIB 95" (J) POLY BELT ARRANGEMENT



MFM 06/20/01

<u>Illus. No.</u>	<u>Part No.</u>	<u>Qty.</u>	<u>Description</u>
1	143536	2	6" Round x 45° Elbow
2	143545	1	6" Round x 6" Long Duct
-	117505*	5	Aluminum Duct Tape (sold by the foot)
3	130107	2	Cabinet Hi-Limit 160°
4	150301	4	#8-18 x 7/16" Phillips Pan Head Screw

* Tape **ALL** joints.

OVEN SIZE (KW)	SERVICE VOLTAGE	PHASE	WIRE SIZE	ELECTRIC OVEN ASSEMBLY*	ELEMENTS			OVEN WIRE			TERMINAL LUG		BUS BAR	ELECTRIC OVEN RELAY	
					QTY.	KW SIZE	PART NO.	QTY.	SIZE	PART NO.	QTY.	PART NO.	PART NO. 112011	CAT. NO.	PART NO.
15	208	1∅	2	824957	6	2.5	120036	1	#4	830421	1	121012	6'	DPA 73	131376
15	240	1∅	2	843243	6	2.5	120040	1	#4	830421	1	121012	6'	DPA 63	131369
15	208	3∅	3 or 4	883802	6	2.5	120036	1	#8	830422	1	121012	2'	DPA 43	131357
15	240	3∅	3 or 4	883803	6	2.5	120040	1	#8	830422	1	121010	2'	DPA 43	131357
15	380	3∅	3 or 4	883804	6	2.5	120038	1	#8	830423	1	121010	2'	DPA 33	131352
15	416	3∅	3 or 4	883805	6	2.5	120036	1	#8	830423	1	121010	2'	DPA 33	131352

* When ordering electric oven assembly complete, specify 3-wire or 4-wire when applicable.

STEP DOWN TRANSFORMER USAGE LISTING				
HEAT	VOLTAGE	PHASE	WIRE SERVICE	TRANSFORMER PART NUMBER
ELECTRIC	208	1 \emptyset	2	132063
	240	1 \emptyset	2	132070
	208	3 \emptyset	3 or 4	141403
	240	3 \emptyset	3 or 4	141403
	380	3 \emptyset	3 or 4	141403
	460/480	3 \emptyset	3 or 4	141403

<u>Part No.</u>	<u>Description</u>
100405	Bearing Puller (for fan [impellor] shaft bearing)
112039	“Black/White/Green Ground” Label
112119	Phase 5 Dual Microprocessor Controller (DMC) User’s Manual
112144	AD-330/AD-320 Installation Manual
112530	“Program Location Summary” Coin Label
114001	“CAUTION - Exhaust/Lint Screen” Label
114006	“WARNING - Fire Hazards” Label
120802	Red Butt Connector
120903	#74B Wire Nut
121014	Crimp-On Wire Nut
121499	5-1/2” Harness Tie
121500	8” Harness Tie
121503	Harness Tie Mounting Clip
112804	Manometer (hydro gauge) for Measuring Gas Pressure
112280	“Lint Compartment” Label
404500	Almond Brush-In-Cap Bottle Touch-Up Paint
404502	White Brush-In-Cap Bottle Touch-Up Paint
404506	Beige Brush-In-Cap Bottle Touch-Up Paint
404507	Cornflower Blue Brush-In-Cap Bottle Touch-Up Paint
404515	Coral Blue Brush-In-Cap Bottle Touch-Up Paint
404516	Ivory Brush-In-Cap Bottle Touch-Up Paint
410001	1/2” Allen Wrench (for gas valve tail piece removal)
450403	ADG-320D and ADG-330 Service Procedures
450142	ADC Direct Spark Ignition (DSI) Technical Manual
450426	Johnson Controls Direct Spark Ignition (DSI) Technical Manual
880200	Electrical Terminal (assortment) Kit
880884	Basket (tumbler) Puller Assembly
881299	Loctite Adhesive Kit (for setscrews)

ADC450212

1 - 08/21/02-25

2* 04/24/03-20

