



AD-115ES Parts Manual

24 VAC Phase 7

July 2002

American Dryer Corporation
88 Currant Road
Fall River MA 02720-4781
Telephone: (508) 678-9000 / Fax: (508) 678-9447
E-mail: techsupport@amdry.com
www.amdry.com

Retain This Manual In A Safe Place For Future Reference

American Dryer Corporation products embody advanced concepts in engineering, design, and safety. If this product is properly maintained, it will provide many years of safe, efficient, and trouble free operation.

ONLY qualified technicians should service this equipment.

OBSERVE ALL SAFETY PRECAUTIONS displayed on the equipment or specified in the installation manual included with the dryer.

The following “**FOR YOUR SAFETY**” caution **must be** posted near the dryer in a prominent location.

FOR YOUR SAFETY

Do not store or use gasoline or other flammable vapors and liquids in the vicinity of this or any other appliance.

POUR VOTRE SÉCURITÉ

Ne pas entreposer ni utiliser d'essence ni d'autres vapeurs ou liquides inflammables à proximité de cet appareil ou de tout autre appareil.

We have tried to make this manual as complete as possible and hope you will find it useful. **ADC** reserves the right to make changes from time to time, without notice or obligation, in prices, specifications, colors, and material, and to change or discontinue models.

Important

For your convenience, log the following information:

DATE OF PURCHASE _____ **MODEL NO.** AD-115ES

RESELLER'S NAME _____

Serial Number(s) _____

Replacement parts can be obtained from your reseller or the **ADC** factory. When ordering replacement parts from the factory, you can FAX your order to **ADC** at (508) 678-9447 or telephone your order directly to the **ADC** Parts Department at (508) 678-9000. Please specify the dryer **model number** and **serial number** in addition to the **description** and **part number**, so that your order is processed accurately and promptly.

The illustrations on the following pages may not depict your particular dryer exactly. The illustrations are a composite of the various dryer models. Be sure to check the descriptions of the parts thoroughly before ordering.

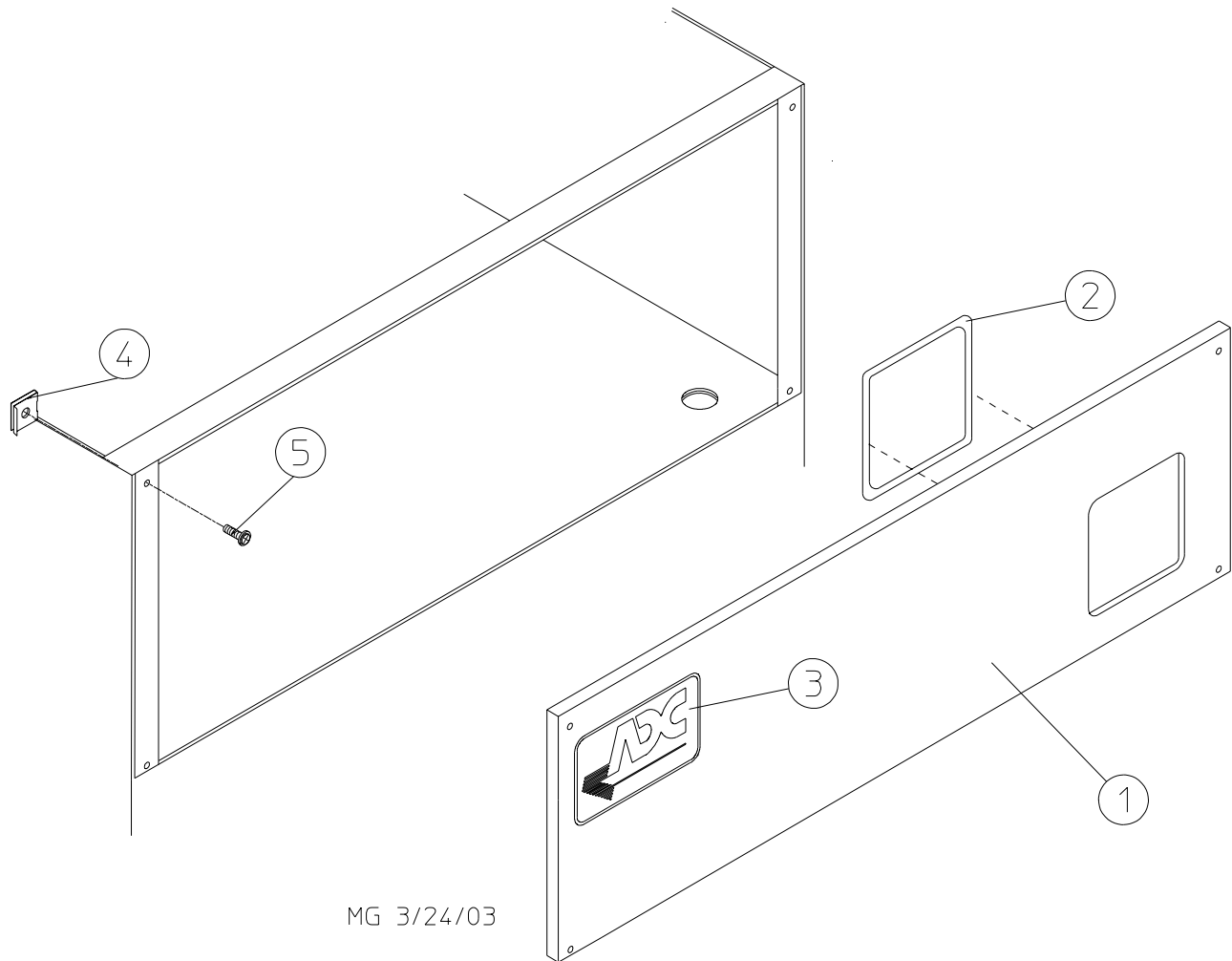
“IMPORTANT NOTE TO PURCHASER”

Information **must be** obtained from your local gas supplier on the instructions to be followed if the user smells gas. These instructions **must be** posted in a prominent location near the dryer.

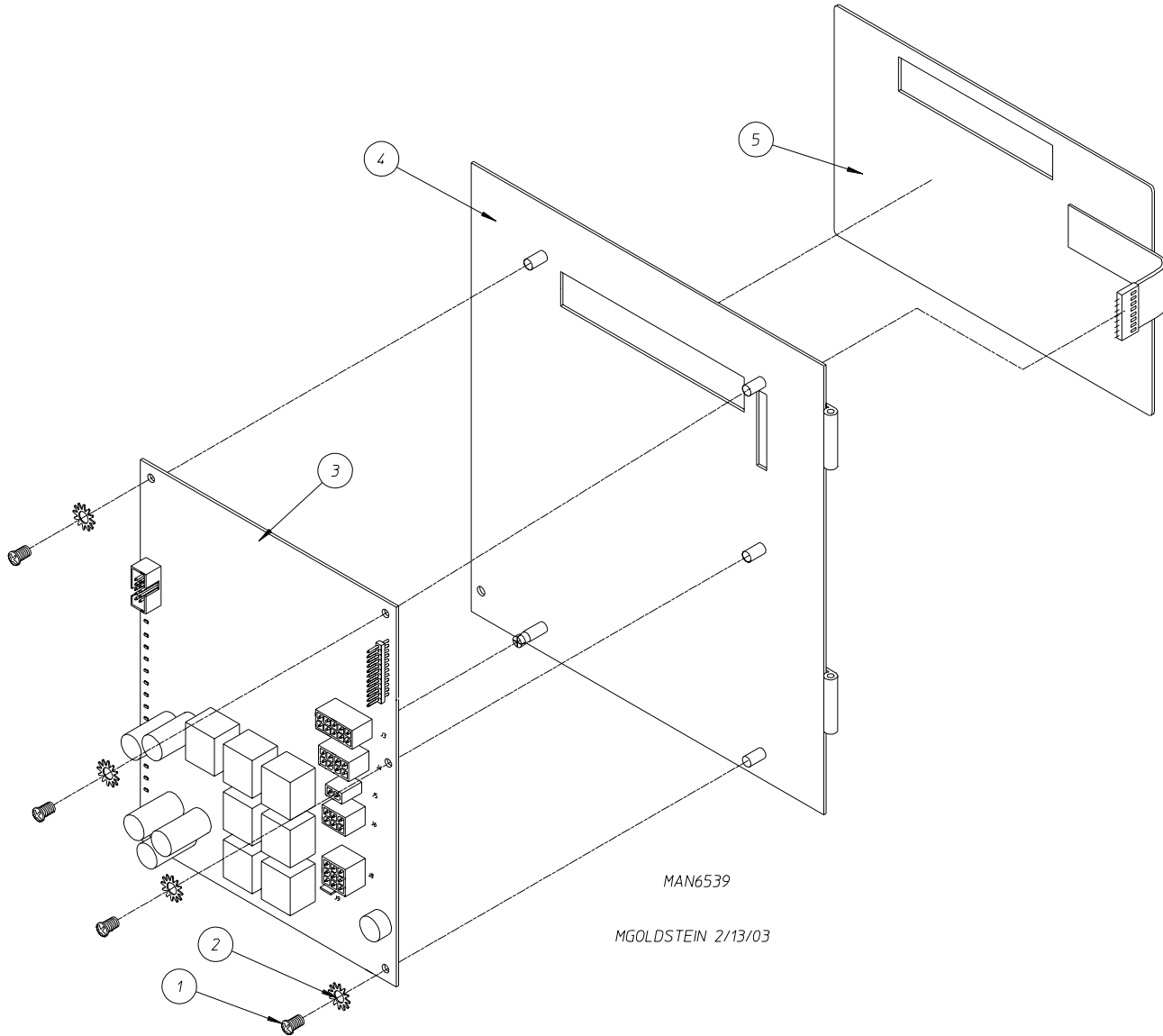
Table of Contents

Control Door Assembly	3
Computer Panel Assembly	4
Dual Timer “Tap Touch” Controls	5
Control Box Assembly	6
Dual Timer Control Box Assembly	7
Lint Drawer/Lint Drawer Switch Box Assemblies	
For Models Mfd. as of April 12, 2003	8
Lint Drawer/Lint Drawer Switch Box Assemblies	
For Models Mfd. prior to April 12, 2003	9
Drop Lint Door Assembly	10
Front Panel Main Door Assembly	11
Microprocessor Temperature Sensor Bracket Assembly	12
Non-Microprocessor Temperature Sensor Bracket Assembly	13
Basket (Tumber)/Support Assemblies	14, 15
Basket (Tumbler) Bearing Mount Assembly	16, 17
Idler Bearing Mount Assembly	18, 19
T.E.F.C. Basket (Tumbler) Motor Mount Assembly	20, 21
Blower Motor Mount Assembly	22, 23
Direct Spark Ignition (DSI) Burner Assembly	
For Gas Models ONLY	24, 25
Electric Oven Assembly	26, 27
280-240 VAC 3-Phase (3 ϕ) Electric Oven Relay Box Assembly	
For 50/60 Hz Models	28
308/416/480 VAC 3-Phase (3 ϕ) Electric Oven Relay Box Assembly	
For 50/60 Hz Models	29
Steam Damper Assembly	30, 31
Microprocessor Reversing Contactor Mounting Panel Assembly (Electric)	
208-240 Volt 3 ϕ	
For Models Mfd. as of February 2003	32
Microprocessor Reversing Contactor Mounting Panel Assembly (Electric)	
380-480 Volt 3 ϕ	
For Models Mfd. as of February 2003	33
208-240V 3-Phase (3 ϕ) Microprocessor Reversing Relay Panel Assembly	
For Models Mfd. prior to February 2003	34
575V 3-Phase (3 ϕ) Microprocessor Reversing Relay Panel Assembly	
For Models Mfd. prior to February 2003	35
208-240V 3-Phase (3 ϕ) Timer Reversing Relay Panel Assembly	
For Models Mfd. as of March 2003	36
208-240V 3-Phase (3 ϕ) Timer Reversing Relay Panel Assembly	
For Models Mfd. prior to February 2003	37
460-480V 3-Phase (3 ϕ) Timer Reversing Relay Panel Assembly	
For Models Mfd. prior to February 2003	38

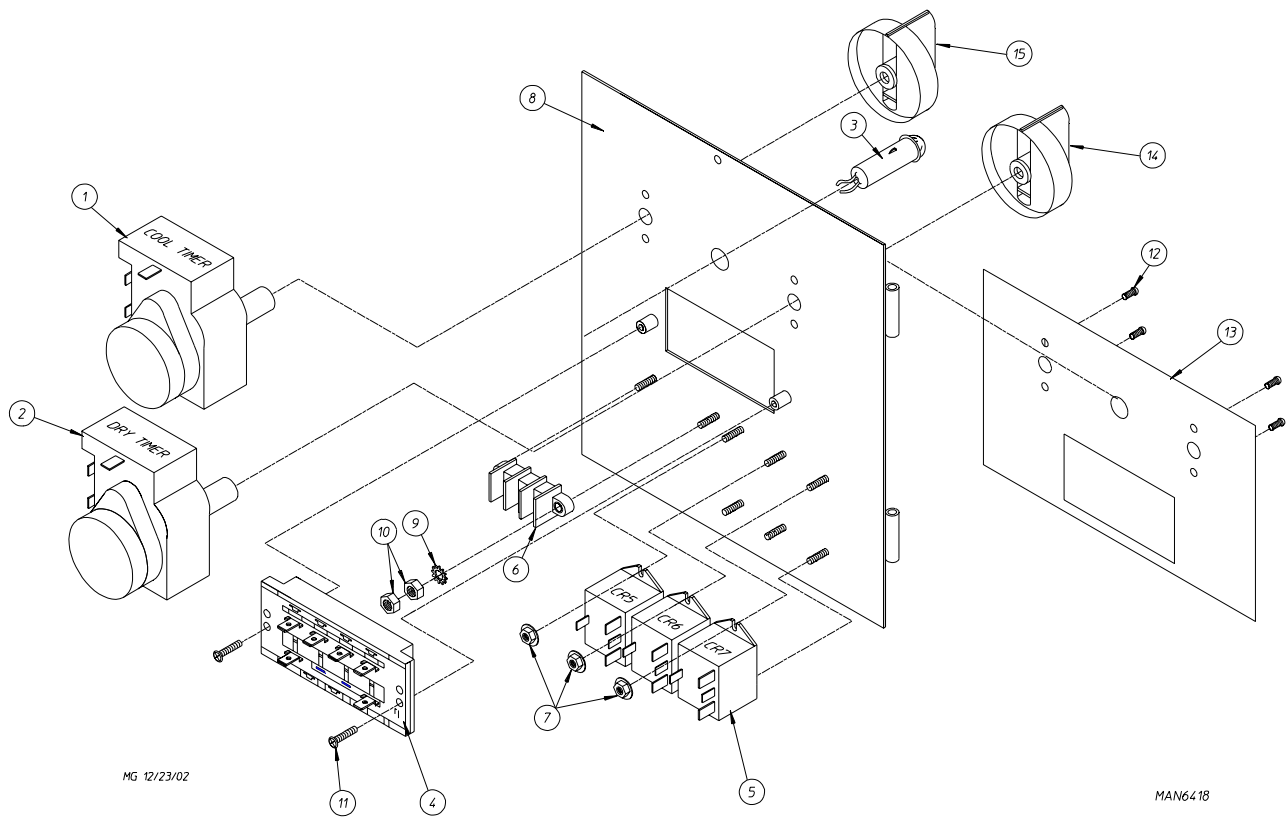
Back Guard Assembly	39
Step Down Transformer Usage Listing	40
Direct Spark Ignition (DSI) Burner Assembly Specifications	41
60 Kw and 72 Kw Phase 7 Electric Oven Component Application Charts	42
Electric Oven Power Distribution	
For 60 Kw 380/416/480 VAC Microprocessor Models	43
Electric Oven Power Distribution	
For 60 Kw 380/416/480 VAC Dual Timer Models	44
Electric Oven Power Distribution	
For 72 Kw 208/240 VAC Microprocessor Models	45
Electric Oven Power Distribution	
For 72 Kw 380/416/480 VAC Microprocessor Models	46
Electric Oven Power Distribution	
For 72 Kw 208/240 VAC Dual Timer Models	47
Electric Oven Power Distribution	
For 72 Kw 380/416/480 VAC Dual Timer Models	48
Electric Oven Power Distribution	
For 72 Kw 380/416/480 VAC Models	49
Electric Oven Wiring	
For <u>ALL</u> 208/240 VAC Models	50
Electric Oven Wiring	
For <u>ALL</u> 380/416/480 VAC Models	51
Additional Parts Available	52
S.A.F.E. System Piping Assembly	53
S.A.F.E. Temperature Probe Assembly	54



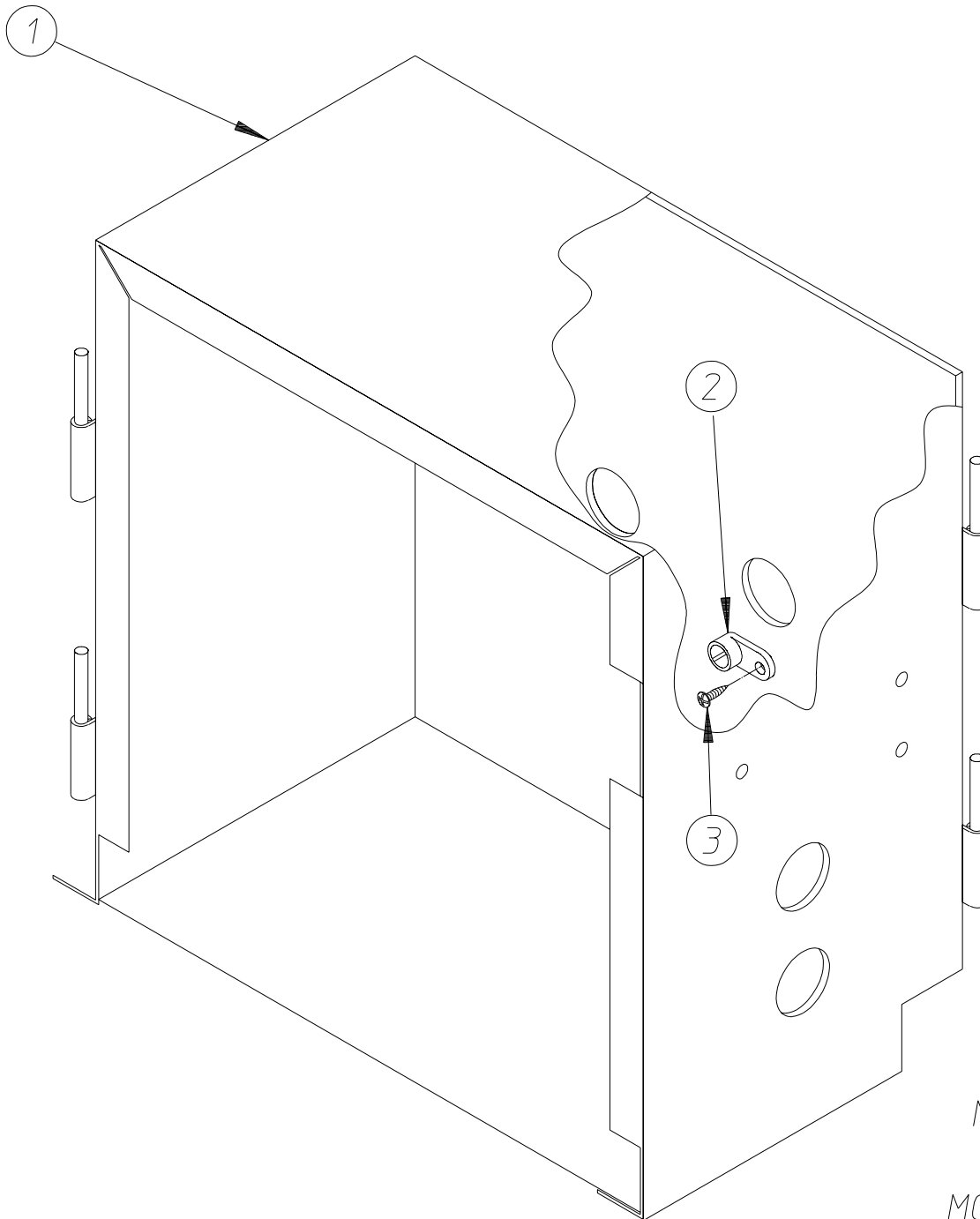
<u>Illus. No.</u>	<u>Part No.</u>	<u>Qty.</u>	<u>Description</u>
1	825339	1	Control Door Assembly ONLY (for gas models and electric models Only)
	825365	1	Short Control Door ONLY (for steam models Only)
2	117604	28"	Noise Suppression Tape (sold by the foot)
3	112360	1	ADC Logo ONLY
	870011	1	Logo Double-Sided Tape Kit
4	154011	4	Multi-Thread U-Nut
5	150321	4	#10-32 x 1/2" Phillips Head Machine Screw



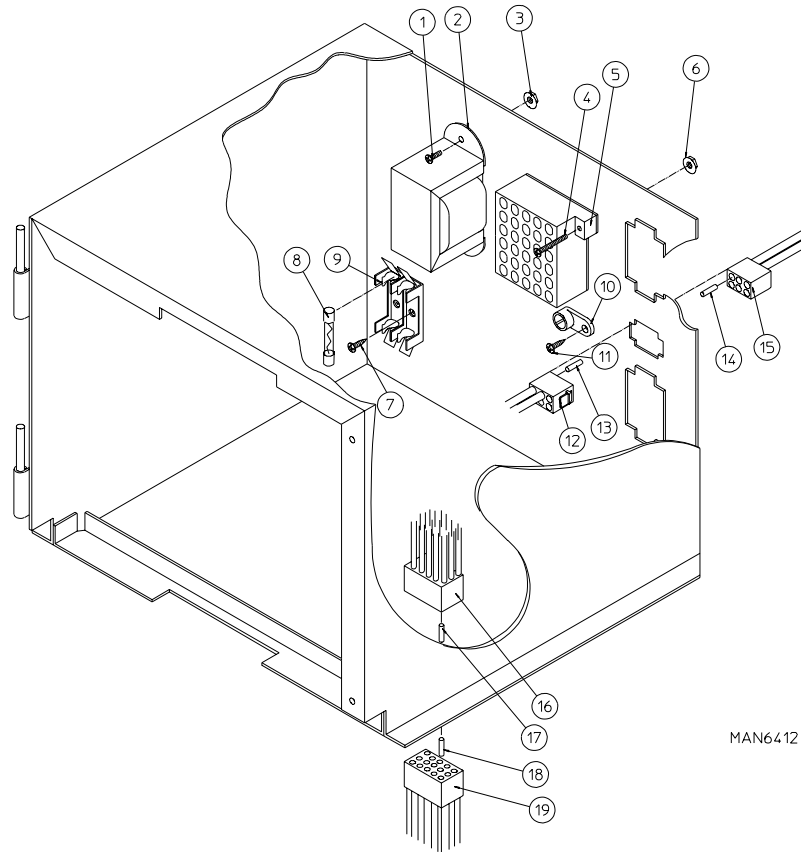
<u>Illus. No.</u>	<u>Part No.</u>	<u>Qty.</u>	<u>Description</u>
1	150005	4	#6-32 x 1/4" Phillips Round Head Machine Screw
2	153010	4	#6 Star Washer
3	137247	1	Phase 7 Computer Board Full Option
4	850979	1	Phase 7 Micro Noncoin Panel
5	112571	1	Phase 7 OPL Keyboard (touch pad)



<u>Illus. No.</u>	<u>Part No.</u>	<u>Qty.</u>	<u>Description</u>
1	124030	1	15 Minute Timer - 24 VAC
2	124025	1	60 Minute Timer - 24 VAC
3	824175	1	Red Pilot Light - 24 VAC
4	122301	1	"Tap Touch" Switch
5	131932	3	Relay SPST 24V
6	120708	1	Terminal Closed Block
7	151000	6	#6-32 Pal Nut
8	824296	1	Dual Timer Panel Complete Assembly (includes illus. nos. 1 through 15)
	824067	1	Dual Timer Panel ONLY
9	153010	2	#6 Star Washer
10	152000	2	#6-32 Hex Nut
11	150207	2	#10-24 x 1/2" Phillips Pan Head Machine Screw
12	150110	4	#8-32 x 1/4" Phillips Round Head Machine Screw
13	112563	1	Dual Timer Panel Overlay
14	124104	1	Pure Touch Knob with Red Pointer
15	124105	1	Pure Touch Knob with Blue Pointer



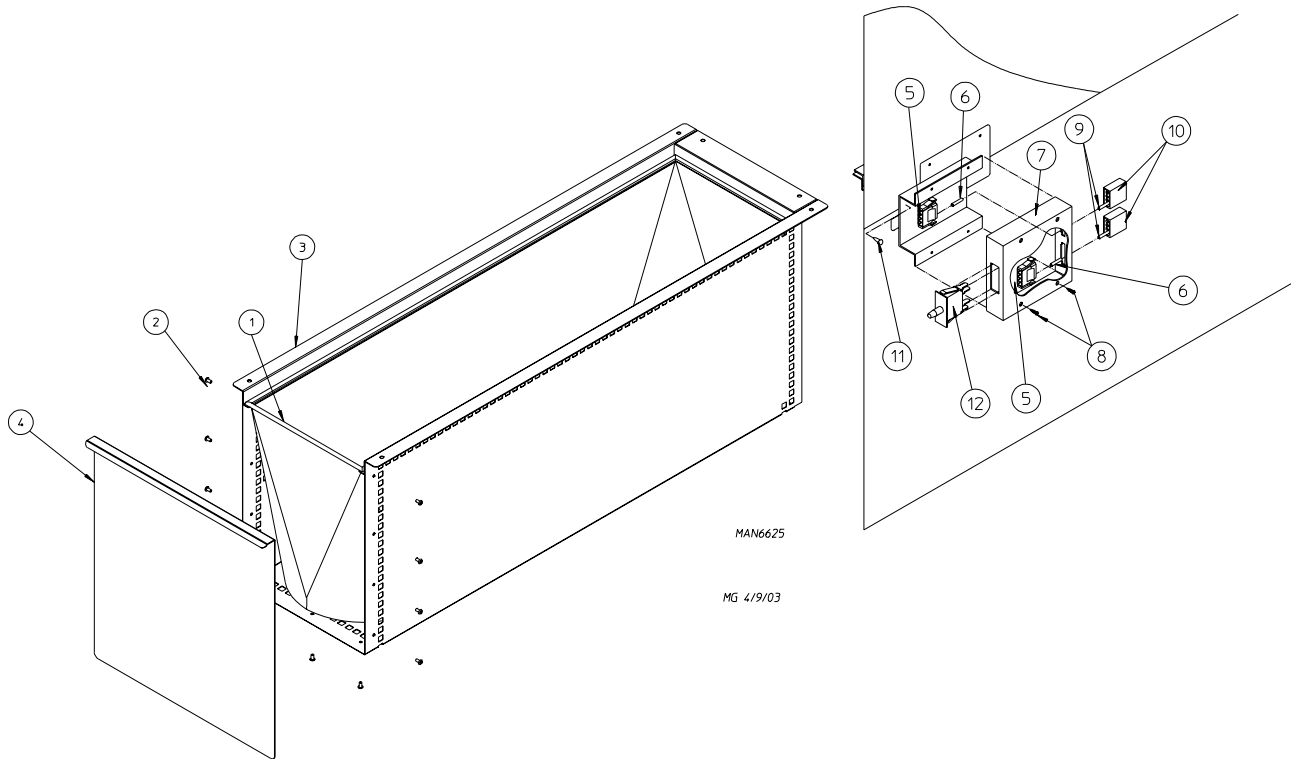
<u>Illus. No.</u>	<u>Part No.</u>	<u>Qty.</u>	<u>Description</u>
1	853122	1	Electric Box
2	121010	1	L-70 Ground Lug
3	150309	1	#10-16 x 1/2" Hex Head TEK Crimpite Screw



<u>Illus. No.</u>	<u>Part No.</u>	<u>Qty.</u>	<u>Description</u>
1	150100	2	#8-32 x 1/2" Phillips Round Head Machine Screw
2	141403	1	24 VAC Transformer - 50/60 Hz (for gas and steam models Only)
3	151001	2	#8-32 Pal Nut
4	150002	2	#6-32 x 1" Phillips Round Head Machine Screw
5	120715	1	30-Position Terminal Block
6	151000	2	#6-32 Pal Nut
7	150102	2 or 3	#8 x 3/8" Phillips Round Head Machine Screw
8	136057	2	1/2-amp (Slo-Blo) Fuse ONLY
	182453	1	6-amp (fast acting) Fuse (for electric models Only)
9	136008	2 or 3	Fuse Block/Strip ONLY
10	121010	1	L-70 Ground Lug
11	150413	1	#10-16 x 1/2" TORX Crimptite Screw
12	122631	1	6-Pin Connector ONLY
13	122705	*	Socket Terminal ONLY
14	122704	*	Pin Terminal ONLY
15	122630	1	6-Pin Connector ONLY
	137025	1	6-15-Position Strain Relief
16	122625	1	15-Pin Connector ONLY
17	122704	12	Pin Terminal ONLY
18	122705	12	Socket Terminal ONLY
19	122626	1	15-Pin Socket Connector ONLY
	122801	1	Pin/Socket Extraction Tool...Not Illustrated

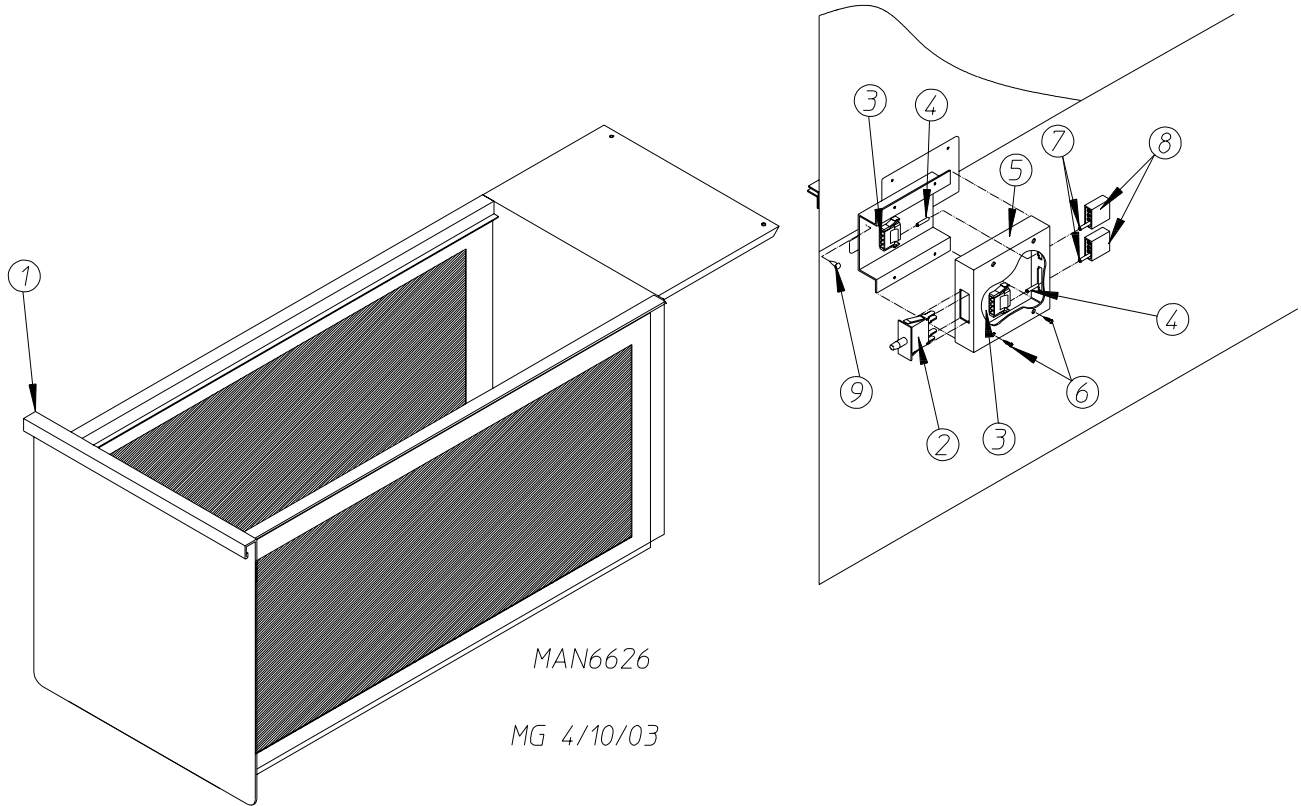
* As required (either 2 or 3).

For Models Mfd. as of April 12, 2003

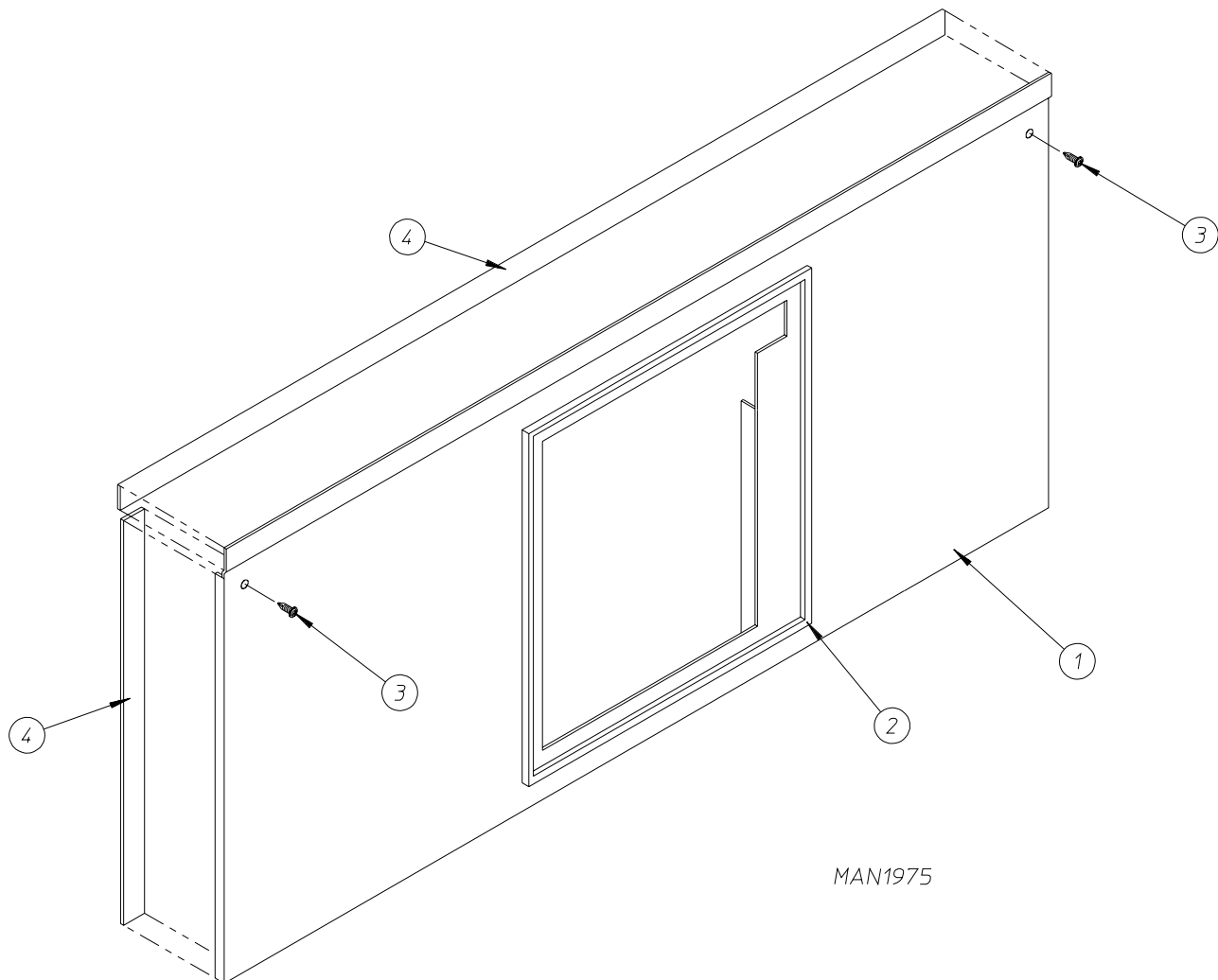


<u>Illus. No.</u>	<u>Part No.</u>	<u>Qty.</u>	<u>Description</u>
1	108209	1	Lint Bag
2	154211	11	Button Head Rivet
3	850947	1	Lint Basket
	883870	1	Lint Basket Assembly (includes illus. nos. 2 through 4)
4	801137	1	Lint Drawer Handle
5	122605	2	4-Pin Connector (female)
6	122701	4	Socket Terminal ONLY
	122801	1	Pin/Socket Extraction Tool...Not Illustrated
7	800478	1	Guarded Lint Drawer Switch Assembly (includes illus. nos. 4 through 7)
8	150301	2	#8-18 x 7/16" Phillips Pan Head TEK Screw
9	122700	4	Pin Terminal ONLY
10	122604	2	4-Pin Connector (male)
11	150301	2	#8-18 x 7/16" Phillips Pan Head TEK Screw
12	122116	1	Lint Drawer Switch ONLY

For Models Mfd. prior to April 12, 2003



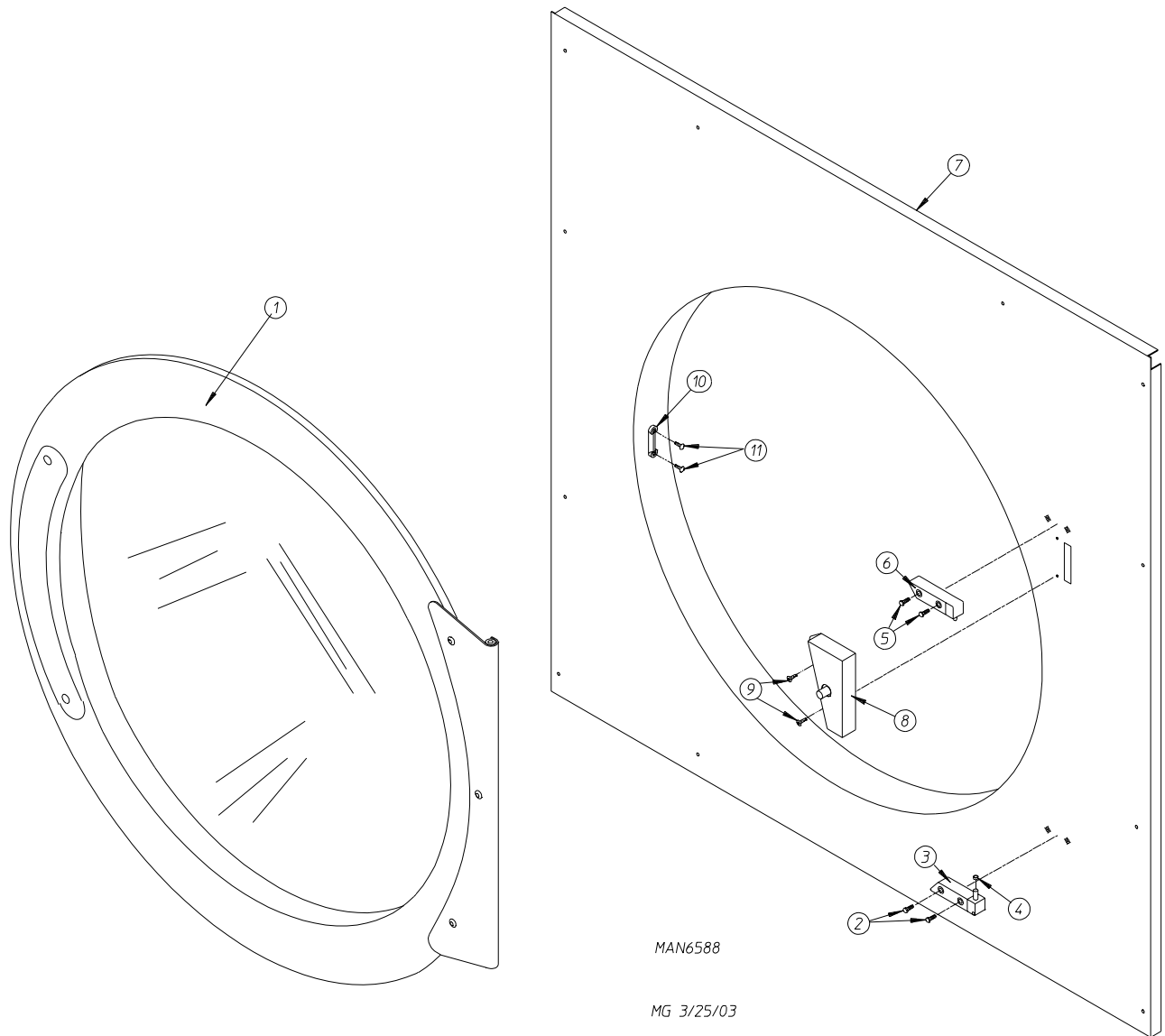
<u>Illus. No.</u>	<u>Part No.</u>	<u>Qty.</u>	<u>Description</u>
1	803023	1	Lint Basket Assembly
2	122116	1	Lint Drawer Switch ONLY
3	122605	2	4-Pin Connector (female)
4	122701	4	Socket Terminal ONLY
	122801	1	Pin/Socket Extraction Tool...Not Illustrated
5	800478	1	Guarded Lint Drawer Switch Assembly (includes illus. nos. 3 through 6)
6	150301	2	#8-18 x 7/16" Phillips Pan Head TEK Screw
7	122700	4	Pin Terminal ONLY
8	122604	2	4-Pin Connector (male)
9	150301	2	#8-18 x 7/16" Phillips Pan Head TEK Screw



MAN1975

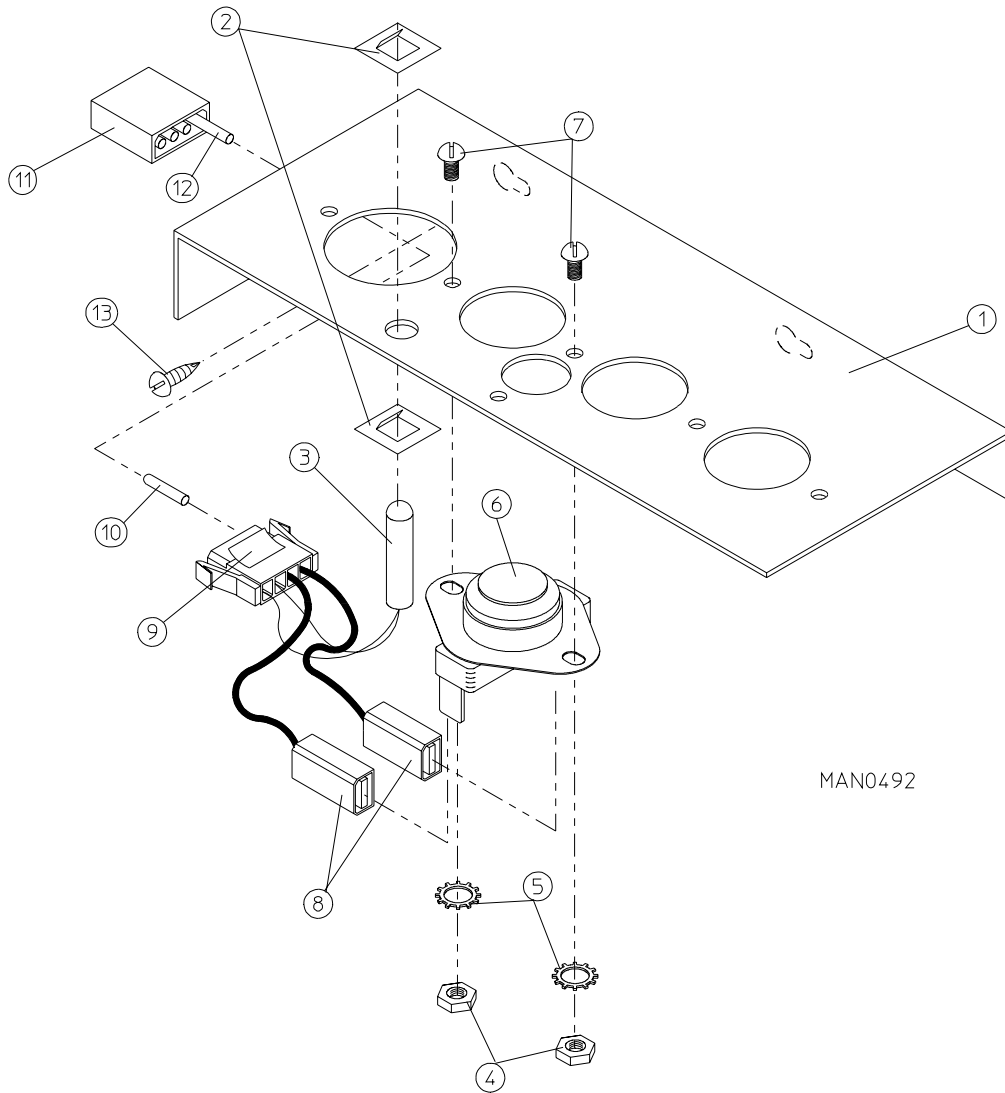
<u>Illus. No.</u>	<u>Part No.</u>	<u>Qty.</u>	<u>Description</u>
1	880870*	1	Drop Lint Door Assembly (includes illus. nos. 1, 2, and 4)
	880872	1	Stainless Steel Drop Lint Door Assembly (includes illus. nos. 1, 2, and 4)
2	117602	5	Gasket (sold by the foot)
3	150309	5	#10-16 x 1/2" Hex Head TEK Crimptite Screw
4	117604	5	Noise Suppression Tape (sold by the foot)

* Specify color when ordering.



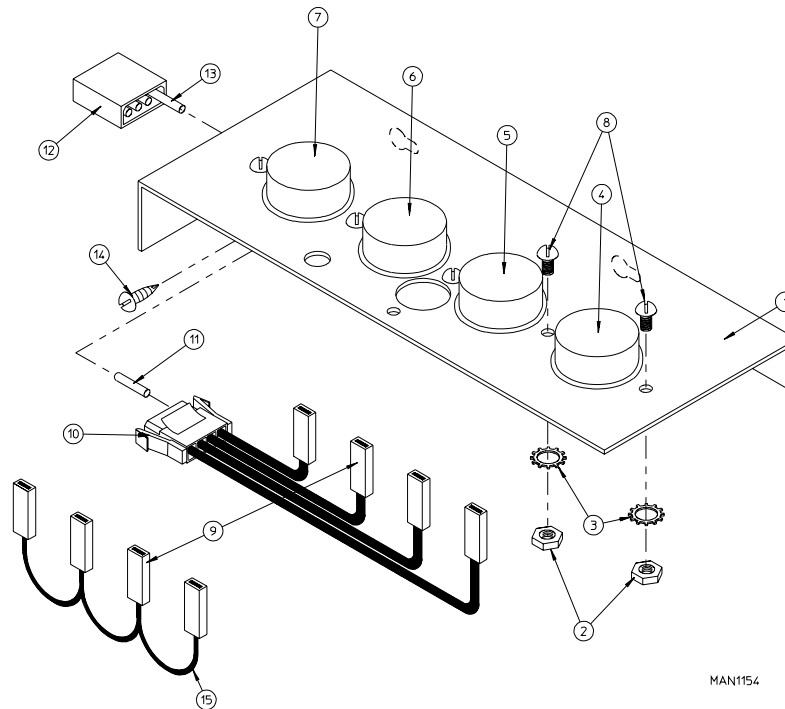
<u>Illus. No.</u>	<u>Part No.</u>	<u>Qty.</u>	<u>Description</u>
1	835055	1	Black Cold Rolled Steel (CRS) Main Door Assembly
2	150445	2	Black Socket Cap Screw
3	170331	1	Bottom Hinge Block
4	153031	1	Nylon Washer
5	150445	2	Black Socket Cap Screw
6	170329	1	Top Hinge Block
7	851079	1	Front Panel Assembly for Cold Rolled Steel (CRS) Door
8	801786	1	Main Door Switch Housing Assembly for Round Door
9	150301	2	#8-18 x 7/16" Phillips Pan Head TEK Screw
10	170330	1	Friction Door Latch
11	154215	2	5/32" x 1/4" Alum Rivet
	883806*	1	Front Panel (includes illus. nos. 7, 10, and 11)

* Specify color when ordering.

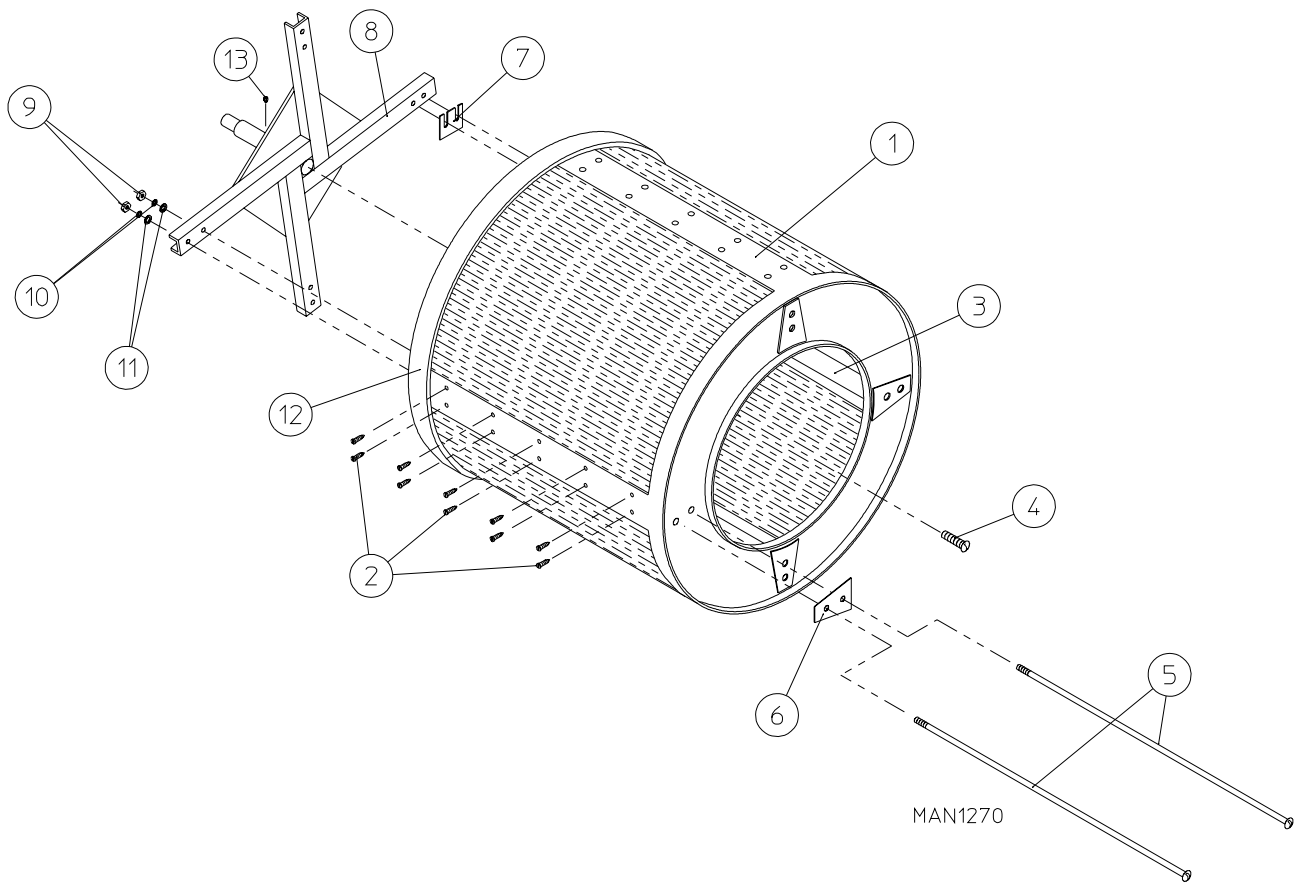


MAN0492

<u>Illus. No.</u>	<u>Part No.</u>	<u>Qty.</u>	<u>Description</u>
1	820022	1	Temperature Sensor Bracket Assembly Complete (includes illus. nos. 1 through 10)
	331295	1	Temperature Sensor Bracket ONLY
2	154007	2	1/4" Tinnerman Push On Fastener
3	880251	1	1/4" Temperature Sensor Probe Assembly (includes illus. nos. 2, 3, and 8 through 10)
4	152000	2	#6-32 Hex Nut
5	153010	2	#6 Star Washer
6	130112	1	225° Large Automatic Reset Thermostat ONLY
7	150005	2	#6-32 x 1/4" Phillips Round Head Machine Screw
8	121028	2	1/4" x 0.032 Insulated Terminal ONLY
9	122605	1	4-Pin Connector (female)
10	122701	4	Socket Terminal ONLY
11	122604	1	4-Pin Connector (male)
12	122700	4	Pin Terminal ONLY
	122801	1	Pin/Socket Extraction Tool...Not Illustrated
13	150301	2	#8-18 x 7/16" Phillips Pan Head TEK Screw



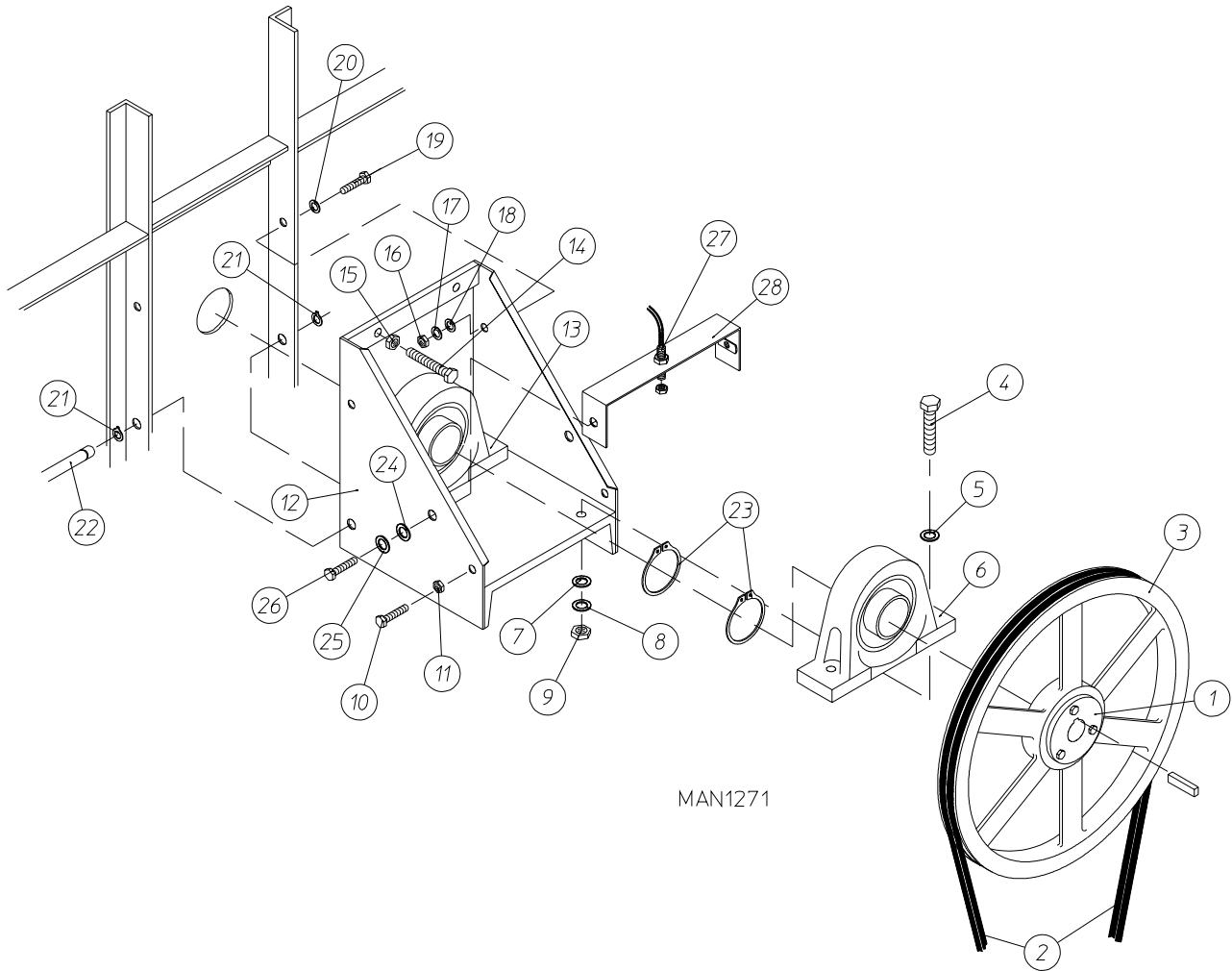
<u>Illus. No.</u>	<u>Part No.</u>	<u>Qty.</u>	<u>Description</u>
1	801404	1	Non-Microprocessor Sensor Bracket Assembly Complete For Gas and Electric Models ONLY (includes illus. nos. 1 through 11 and 15)
	880839	1	Non-Microprocessor Sensor Bracket Assembly Complete For Steam Models ONLY (includes illus. nos. 1 through 11 and 15)
	331295	1	Temperature Sensor Bracket ONLY
2	152000	5	#6-32 Hex Nut
3	153010	5	#6 Star Washer
4	130101	1	180° Large Thermostat (for gas and electric models Only)
	130104	1	215° Large Thermostat (for steam models Only)
5	130109	1	140° Large Thermostat (for gas and electric models Only)
	130100	1	150° Large Thermostat (for steam models Only)
6	130107	1	160° Large Thermostat (for gas and electric models Only)
	130101	1	180° Large Thermostat (for steam models Only)
7	130112	1	225° Large Automatic Reset Thermostat ONLY
8	150005	5	#6-32 x 1/4" Phillips Round Head Machine Screw
9	121028	8	1/4" x 0.032 Insulated Terminal ONLY
10	122605	1	4-Pin Connector (female)
	840062	1	Sensor (4) Bracket Harness Assembly (includes illus. nos. 9 through 11)
11	122701	4	Socket Terminal ONLY
12	122604	1	4-Pin Connector (male)
13	122700	4	Pin Terminal ONLY
	122801	1	Pin/Socket Extraction Tool...Not Illustrated
14	150301	2	#8-18 x 7/16" Phillips Pan Head TEK Screw
15	831701	1	Sensor Jumper (4) ONLY



<u>Illus. No.</u>	<u>Part No.</u>	<u>Qty.</u>	<u>Description</u>
1	800707*	1	Basket (tumbler) ONLY
	800858*	1	Stainless Steel Basket (tumbler) ONLY
	820054	1	Basket (tumbler) and Support Assembly Complete For Models with Rotation Sensor ONLY (includes illus. nos. 1 through 12)
	820053	1	Stainless Steel Basket (tumbler) and Support Assembly Complete For Models with Rotation Sensor ONLY (includes illus. nos. 1 through 12)
2	150309	40	#10-16 x 1/2" Hex Head TEK Crimptite Screw
3	301300	4	Basket (tumbler) Rib ONLY
	301400	4	Stainless Steel Basket (tumbler) Rib ONLY
4	150500	1	5/16-18 x 3/4" Socket Button Head Screw
5	100909	8	1/2-13 x 43" Tie Rod
6	301700	4	Basket (tumbler) Reinforcing Plate ONLY
7	301701	**	Basket (tumbler) Shim ONLY
8	800607	1	Basket (tumbler) Support ONLY
	880821	1	Basket (tumbler) Support ONLY (for models with rotation sensor Only)
9	152011	8	1/2-13 Hex Nut
10	153026	16	1/2" Lock Washer
11	153014	8	7/16" Flat Washer
12	116004	1	Felt Collar ONLY
	401010	1	#847 Adhesive for Felt Collar...Not Illustrated
13	821002	1	Rotation Magnet Holder Assembly

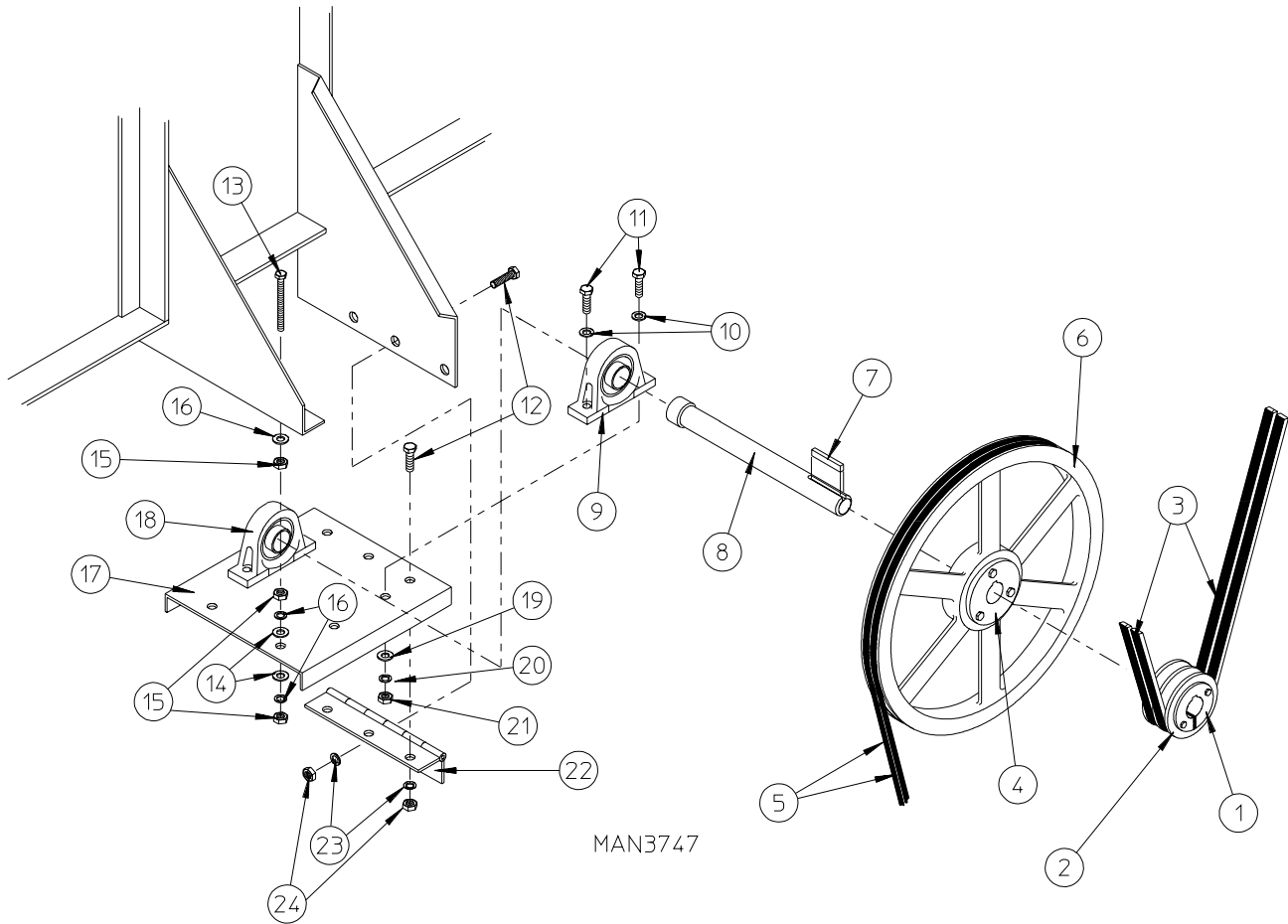
* Felt collar *is not included* and **must be** ordered separately.

** As required.



<u>Illus. No.</u>	<u>Part No.</u>	<u>Qty.</u>	<u>Description</u>
1	101108	1	2-1/4" SK Bushing
2*	100104	2	A68 V-Belt
3	101111	1	18" Basket (tumbler) Pulley
4	150602	4	5/8-11 x 3" Hex Head Machine Bolt
5	153016	4	5/8" Flat Washer
6	100258	1	2-1/4" Pillow Bearing Griplock ONLY
7	153016	4	5/8" Flat Washer
8	153015	4	5/8" Lock Washer
9	152010	4	5/8-11 Hex Nut
10	150600	2	3/8-16 x 1-1/2" Hex Head Machine Bolt
11	152005	2	3/8-16 Hex Nut
12	801102	1	Basket (tumbler) Bearing Mount Assembly (includes illus. nos. 4 through 13)
13	100258	1	2-1/4" Pillow Bearing Griplock ONLY
14	150603	2	1/2-13 x 3" Square Head Machine Bolt
15	152011	2	1/2-13 Hex Nut
16	152005	2	3/8-16 Hex Nut
17	153005	2	3/8" Lock Washer
18	153004	4	3/8" Flat Washer
19	150600	2	3/8-16 x 1-1/2" Hex Head Machine Bolt
20	153004	2	3/8" Flat Washer
21	100801	2	5/8" Retaining Ring
22	301810	1	5/8" Hinge Pin
23	100811	2	2-1/4" Retaining Ring
24	153018	2	1/4" Flat Washer
25	153007	2	1/4" Split Lock Washer
26	150512	2	1/4-20 x 1/2" Hex Head Machine Bolt
27	824807	1	Rotational Sensor Assembly
28	880841	1	Rotational Sensor Mounting Bracket

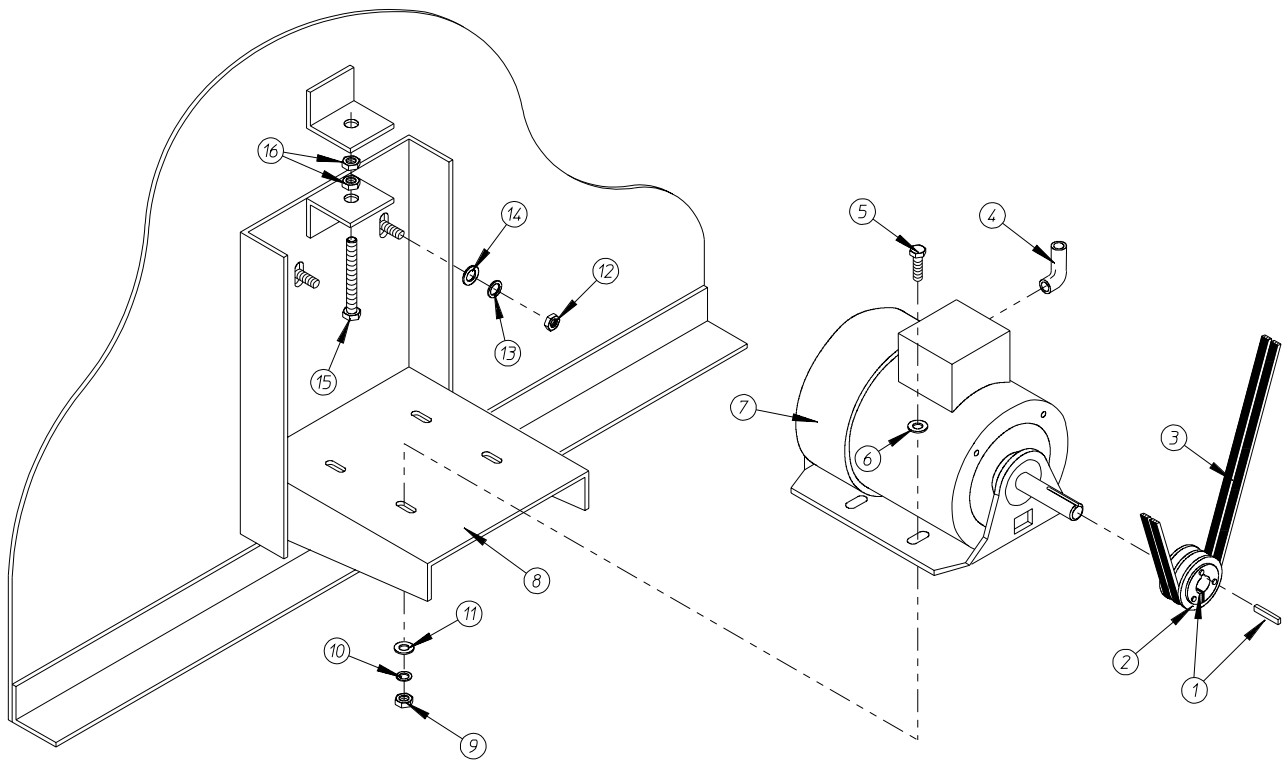
* Replace in matched sets (both belts).



MAN3747

<u>Illus. No.</u>	<u>Part No.</u>	<u>Qty.</u>	<u>Description</u>
1	101110	1	1" Bushing
2	101113	1	2A3.0 Pulley
3*	100104	2	A68 V-Belt
4	101107	1	1" SK Bushing
5*	100102	2	3V 740 V-Belt
6	101112	1	19" Idler Pulley
7	100715	1	1/4" x 1/4" x 4-5/8" Key
8	301852	1	1" Idler Shaft ONLY
9	880205	1	1" Pillow Block Bearing with Set
10	153004	4	3/8" Flat Washer
11	150600	4	3/8-16 x 1-1/2" Hex Head Machine Bolt
12	150510	6	1/4-20 x 1/2" Hex Head Machine Bolt
13	150509	2	5/16-18 x 3" Hex Head Machine Bolt
14	153001	6	5/16" Flat Washer
15	152004	6	5/16-18 Hex Nut
16	153002	4	5/16" Lock Washer
17	801001	1	Idler Bearing Mount Assembly Complete (includes illus. nos. 7 through 11 and 17 through 24)
	311401	1	Idler Bearing Mount ONLY
18	880205	1	1" Pillow Block Bearing with Set
19	153004	4	3/8" Flat Washer
20	153005	4	3/8" Lock Washer
21	152005	4	3/8-16 Hex Nut
22	103005	1	Idler Adjustment Hinge ONLY
23	153007	6	1/4" Lock Washer
24	152002	6	1/4-20 Hex Nut

* Replace in matched sets (both belts).



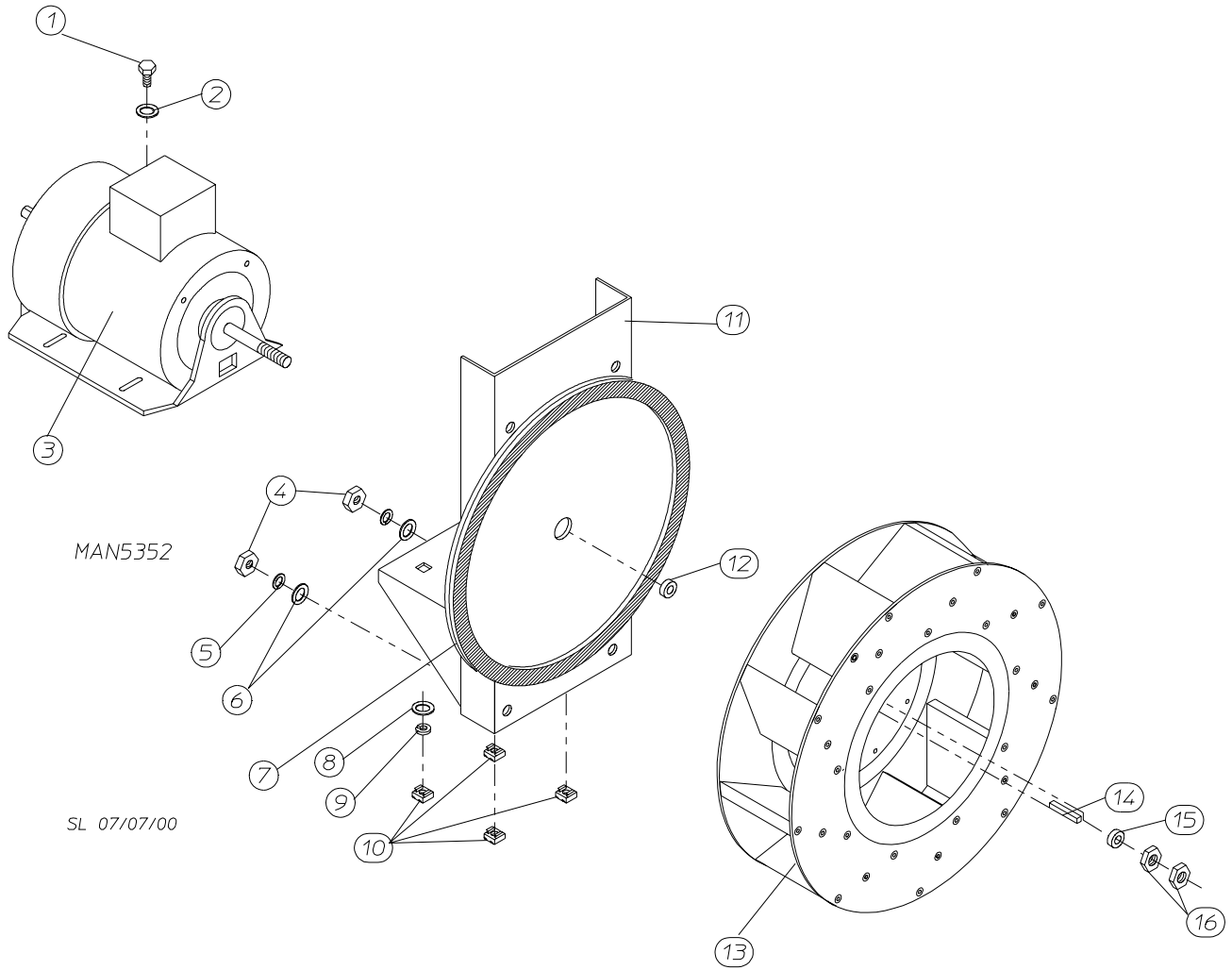
MAN0329

<u>Illus. No.</u>	<u>Part No.</u>	<u>Qty.</u>	<u>Description</u>
1	101121	1	5/8" SK Bushing
2	101114	1	2.65" Pulley (for 60 Hz models Only)
	101120	1	3.15" Pulley (for 50 Hz models Only)
3*	100102	2	3V 740 V-Belt
4	120201	1	1/2" x 90° Connector
5	150501	4	5/16-18 x 3/4" Hex Head Machine Bolt
6	153001	4	5/16" Flat Washer
7	100029	1	3/4 hp 208/230/280/460v 3 ϕ 50/60 Hz Totally Enclosed, Fan-Cooled (T.E.F.C.) Motor (56Z frame)
8	800952	1	Basket (tumbler) Motor Mount ONLY (56Z frame)
	800953**	1	Totally Enclosed, Fan-Cooled (T.E.F.C.) Basket (tumbler) Motor Mount Assembly Complete for 60 Hz Models ONLY (includes illus. nos. 1, 2, 5 through 11, 15, and 16)
	800955**	1	Totally Enclosed, Fan-Cooled (T.E.F.C.) Basket (tumbler) Motor Mount Assembly Complete for 50 Hz Models ONLY (includes illus. nos. 1, 2, 5 through 11, 15, and 16)
9	152004	4	5/16-18 Hex Nut
10	153002	4	5/16" Lock Washer
11	153001	4	5/16" Flat Washer
12	152004	4	5/16-18 Hex Nut
13	153002	4	5/16" Lock Washer
14	153001	4	5/16" Flat Washer
15	150619	1	3/18-16 x 3" Hex Head Machine Bolt
16	152005	2	3/8-16 Hex Nut

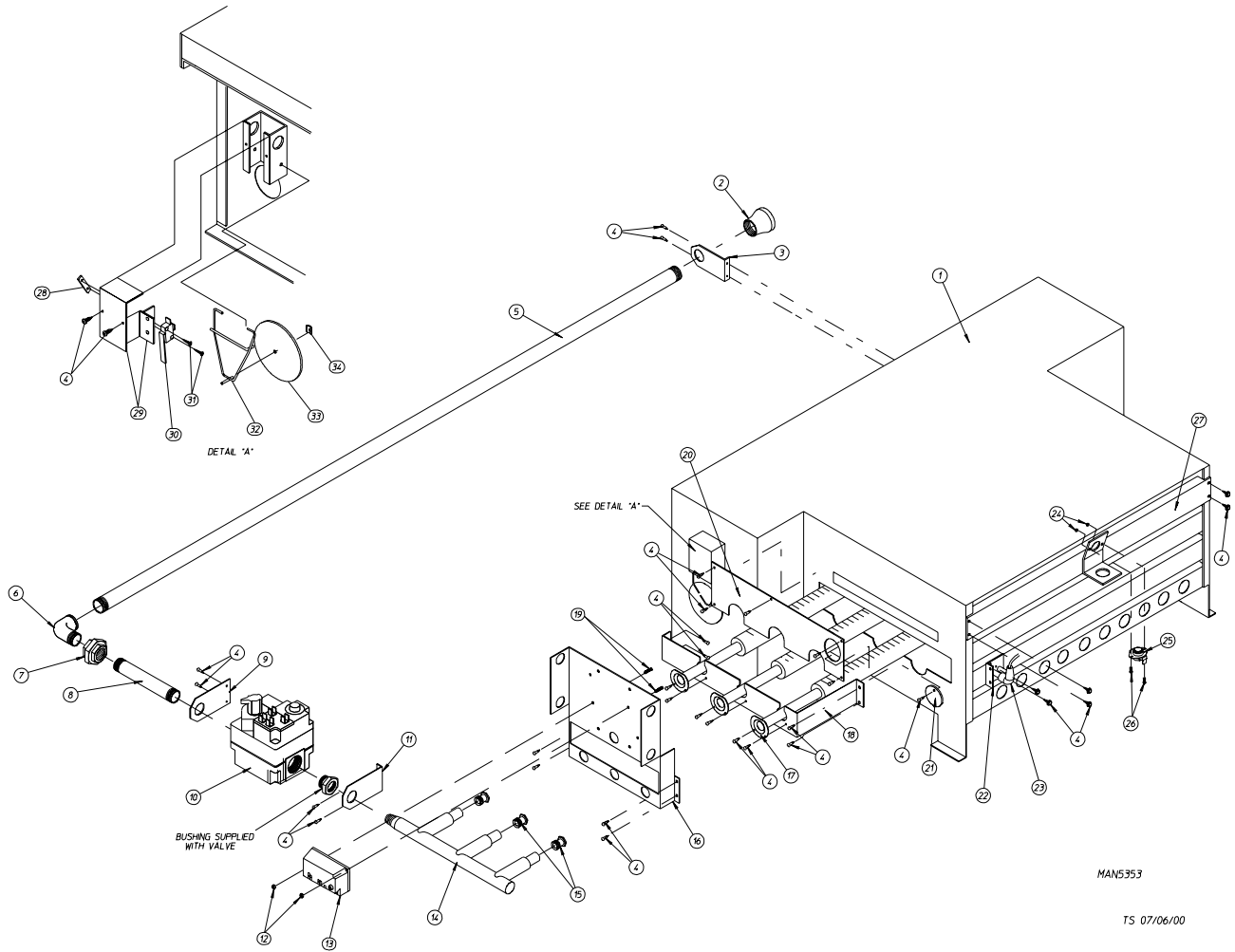
* Replace in matched sets (both belts).

** Specify voltage when ordering.

IMPORTANT: For voltages higher than 460 VAC - 50 Hz, contact the factory for correct part number of motor or motor mount assembly.

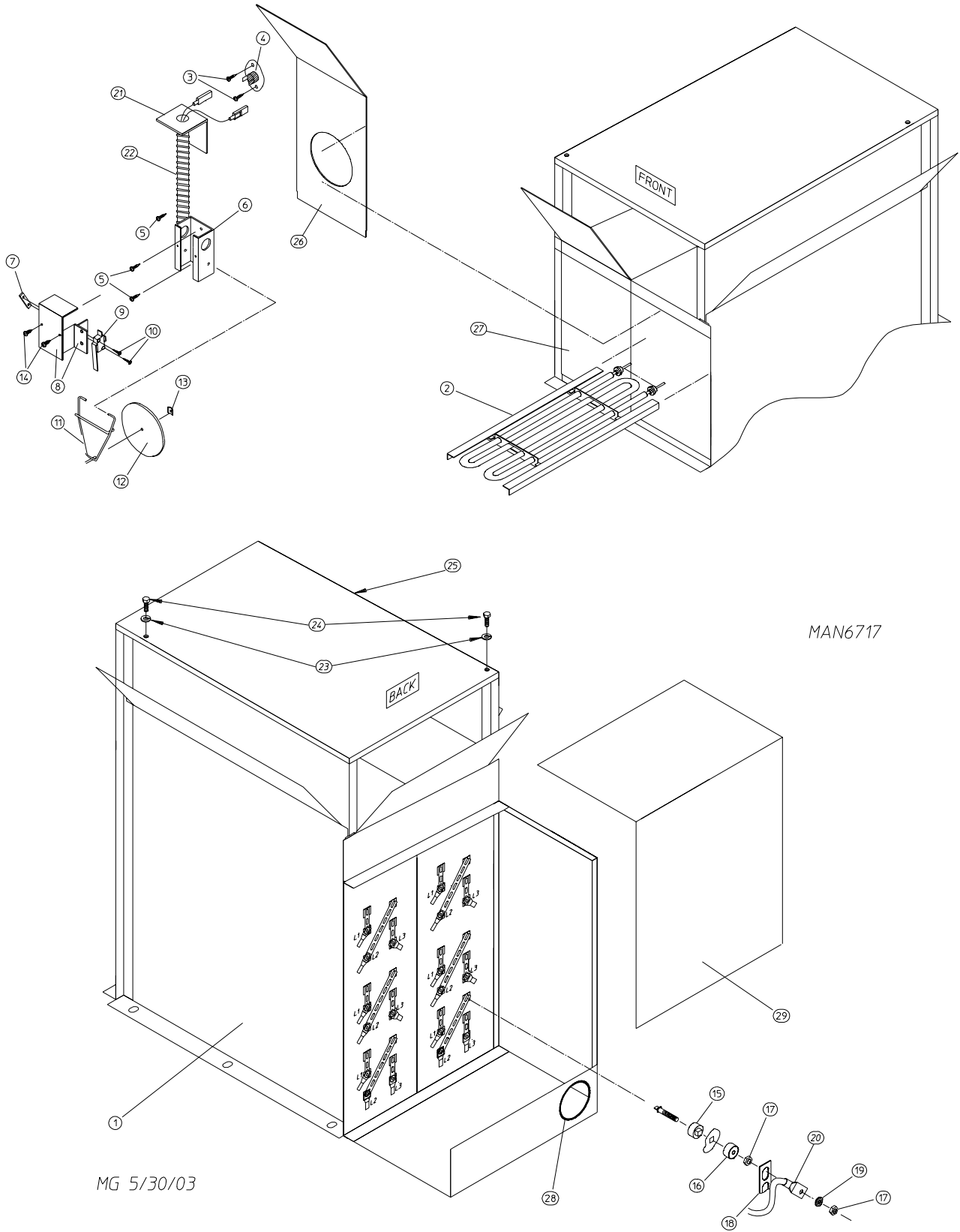


<u>Illus. No.</u>	<u>Part No.</u>	<u>Qty.</u>	<u>Description</u>
1	150504	4	5/16-18 x 1" Hex Head Bolt
2	153001	4	5/16" Flat Washer
3	100051	1	3 hp Motor 208/230/460v 60 Hz
	100022	1	3 hp Motor 380v 3ø 60 Hz
	100088	1	3 hp Motor 575v 3ø 60 Hz
	100031	1	3 hp Motor 208-416v 3ø 50 Hz
4	152004	4	5/16-18 Hex Nut
5	153002	4	5/16" Lock Washer
6	153001	4	5/16" Flat Washer
7	117604	4	Noise Suppression Tape (sold by the foot)
8	153001	4	5/16" Flat Washer
9	153002	4	5/16" Lock Washer
10	152004	4	5/16-18 Hex Nut
11	803555	1	Blower Motor Mount
12	153055	1	5/8" Motor Washer
13	802027	1	16" Riveted High Flow Impellor 7/8" Bore (60 Hz dryers)
	802024	1	16" Riveted Impellor 7/8" Bore (50 Hz dryers)
14	100705	1	3/16" x 3/16" x 1-3/8" Key
15	153055	1	5/8" Motor Washer
16	152006	2	1/2-20 Left Hand Jam Nut



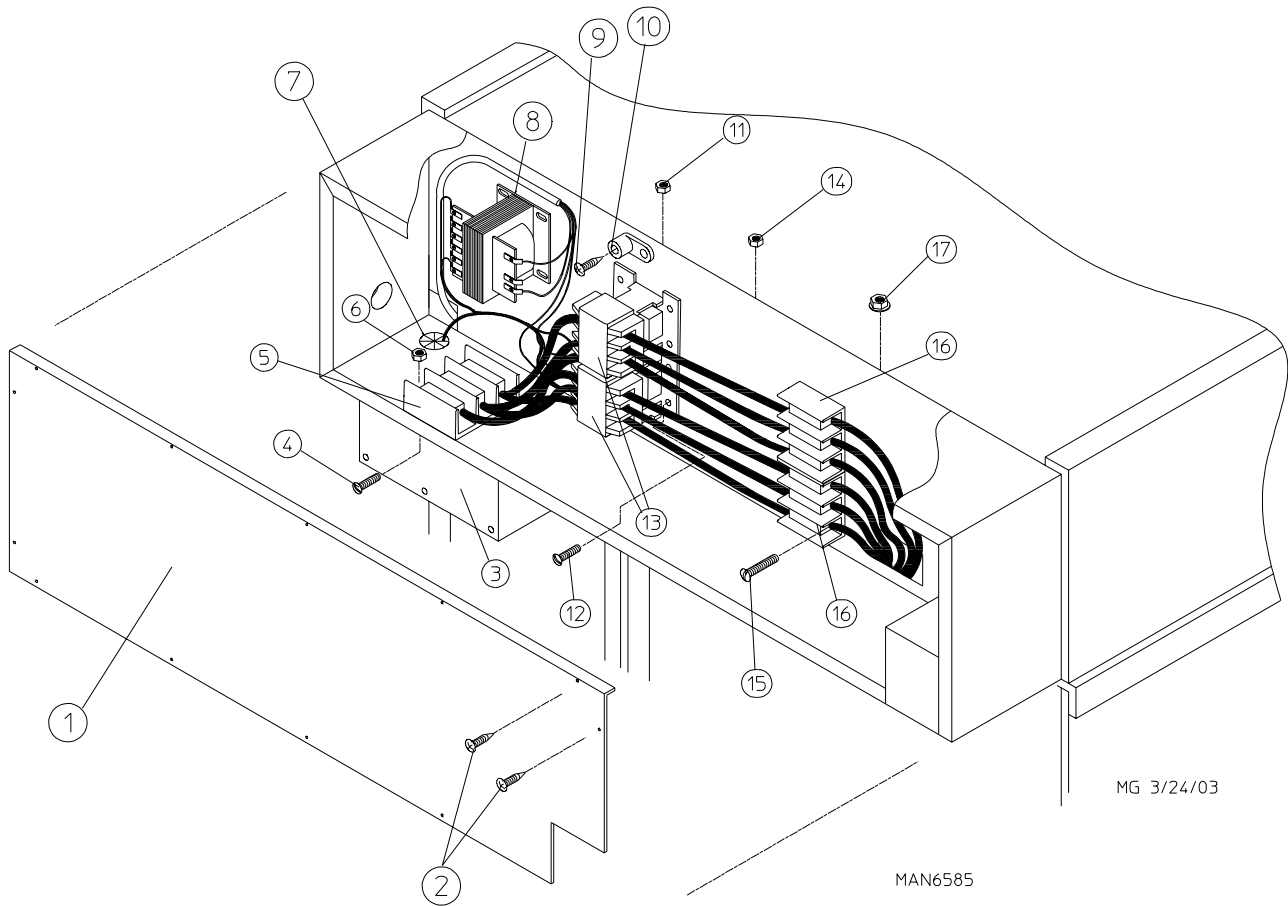
For Gas Models ONLY

<u>Illus. No.</u>	<u>Part No.</u>	<u>Qty.</u>	<u>Description</u>
1	882728	1	Direct Spark Ignition (DSI) Natural Gas Burner Assembly Complete Less Orifices
	882729	1	Direct Spark Ignition (DSI) Liquid Propane (L.P.) Burner Assembly Complete Less Orifices
	820201	1	Burner Box ONLY
2	142924	1	1" to 3/4" Reducing Coupling
3	331291	1	Pipe Bracket
4	150309	34	#10-16 x 1/2" Hex Head TEK Crimptite Screw
5	142807	1	3/4" x 40" Nipple
6	142854	1	3/4" Street Elbow
7	142601	1	3/4" Union
8	142710	1	3/4" x 4" Nipple
9	331089	1	Extended Pipe Bracket Flat
10	140026	1	Direct Spark Ignition (DSI) 3/4" 24 VAC Redundant (natural gas) Gas Valve
11	331088	1	Extended Pipe Bracket (bent)
12	152013	2	#6-32 Hex Nut
13	128935	1	Direct Spark Ignition (DSI) Module with Three (3) Tries
14	141208	1	3-Port Manifold
15	140844	3	Burner Orifice
16	335031	1	Direct Spark Ignition (DSI) Mount Manifold Rest
17	141110	3	Burner Tube ONLY
18	331287	1	Burner Tube Support ONLY
19	153562	2	#6-32 x 3/4" Clinch Stud
20	331289	1	Burner Box
21	331290	1	Ignitor/Flame-Probe Sight Hole Disc ONLY
22	128915	1	Ignitor/Flame-Probe Assembly
23	880330	1	Ignitor Cable 36"
24	151000	2	#6-32 Pal Nut
25	130201	1	330° Manual Reset Hi-Limit ONLY
26	150001	2	#6-32 x 1/2" Right Hand Machine Screw
27	821457	1	Hi-Limit Bracket
28	154004	1	Twin Speed Nut
29	802799	1	Sail Switch Box Cover and Bracket ONLY
30	122200	1	Sail Switch ONLY
31	150303	2	#4 x 3/4" Pan Head "A" Machine Screw
32	105500	1	Sail Switch Actuator Rod
33	319202	1	Sail Switch Damper (flat)
34	154002	1	1/8" Push On Fastener



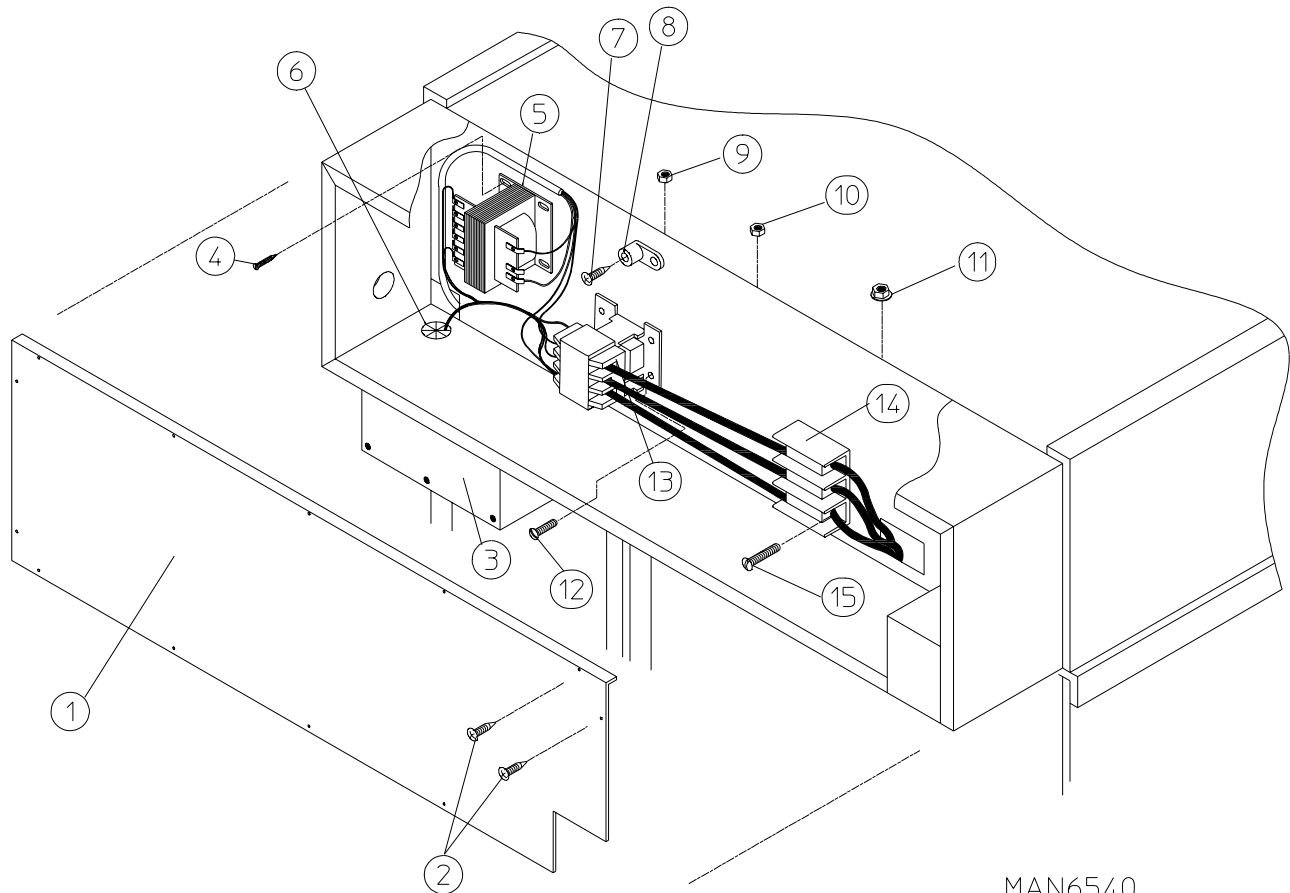
<u>Illus. No.</u>	<u>Part No.</u>	<u>Qty.</u>	<u>Description</u>
1	883855	1	Electric Oven Box ONLY
2	-----*	18	3.3 kW at 208V Open Coil Element
3	150301	2	#8-18 x 7/16" Phillips Pan Head TEK Screw
4	130400	1	290° Hi-Limit ONLY
5	150309	4	#10-16 x 1/2" Hex Head TEK Crimptite Screw
6	319200	1	Sail Switch Box
7	154004	1	Twin Speed Nut
8	802799	1	Sail Switch Box Cover and Bracket ONLY
9	122200	1	Sail Switch ONLY
10	150303	2	#4 x 3/4" Pan Head "A" Machine Screw
11	105500	1	Sail Switch Actuator Rod
12	319202	1	Sail Switch Damper (flat)
13	154002	1	1/8" Push On Fastener
14	150309	28	#10-16 x 1/2" Hex Head TEK Crimptite Screw
15	120081	36	Internal Ceramic Insulator
16	120080	36	External Ceramic Insulator
17	152008	72	#10-32 Hex Nut
18	121011	6'	Bus Bar (sold by the foot)
19	153009	36	#10 Star Washer
20	121032	1	#8 Connector
21	353222	1	Pipe Bracket
22	815706	1	Hi-Limit and Sail Switch Harness
23	153007	2	1/4" Lock Washer
24	150512	2	1/4-20 x 1/2" Hex Head Machine Bolt
25	819961	1	Burner Cover Assembly
26	331278	1	Right Front Oven Panel
27	331276	1	Left Front Oven Panel
28	156001	1	Caterpillar Grommet
	815709*	1	#8 Oven Assembly Wiring...Not Illustrated
29	331279	1	Oven Electrical Cover

* Refer to **60 Kw and 72 Kw Electric Oven Component Application Charts** on page 42.



<u>Illus. No.</u>	<u>Part No.</u>	<u>Qty.</u>	<u>Description</u>
1	320909	1	Phase 7 Electric Oven Relay Box Cover
2	150301	12	#8-18 x 7/16" Phillips Pan Head TEK Screw
3	322808	1	Control Box Cover Plate ONLY
4	150108	2	#8-32 x 1/2" Phillips Pan Head Machine Screw
5	120710	1	Power Distribution Block
6	151001	1	#8-32 Pal Nut
7	121400	2	Universal Bushing
8	132004	1	Transformer (for ALL microprocessor controller [computer] models and timer models)
9	150108	1	#8-32 x 1/2" Phillips Pan Head Machine Screw
10	121010	1	L-70 Ground Lug
11	151001	1	#8-32 Pal Nut
12	150108	3	#8-32 x 1/2" Phillips Pan Head Machine Screw
13	131385	2	TPST 120-amp 24 VAC Relay
14	151001	3	#8-32 Pal Nut
15	150521	4	1/4-20 x 2" Carriage Bolt
16	120706	2	Power Distribution Block
17	152014	4	1/4-20 Free Spin Wash Nut

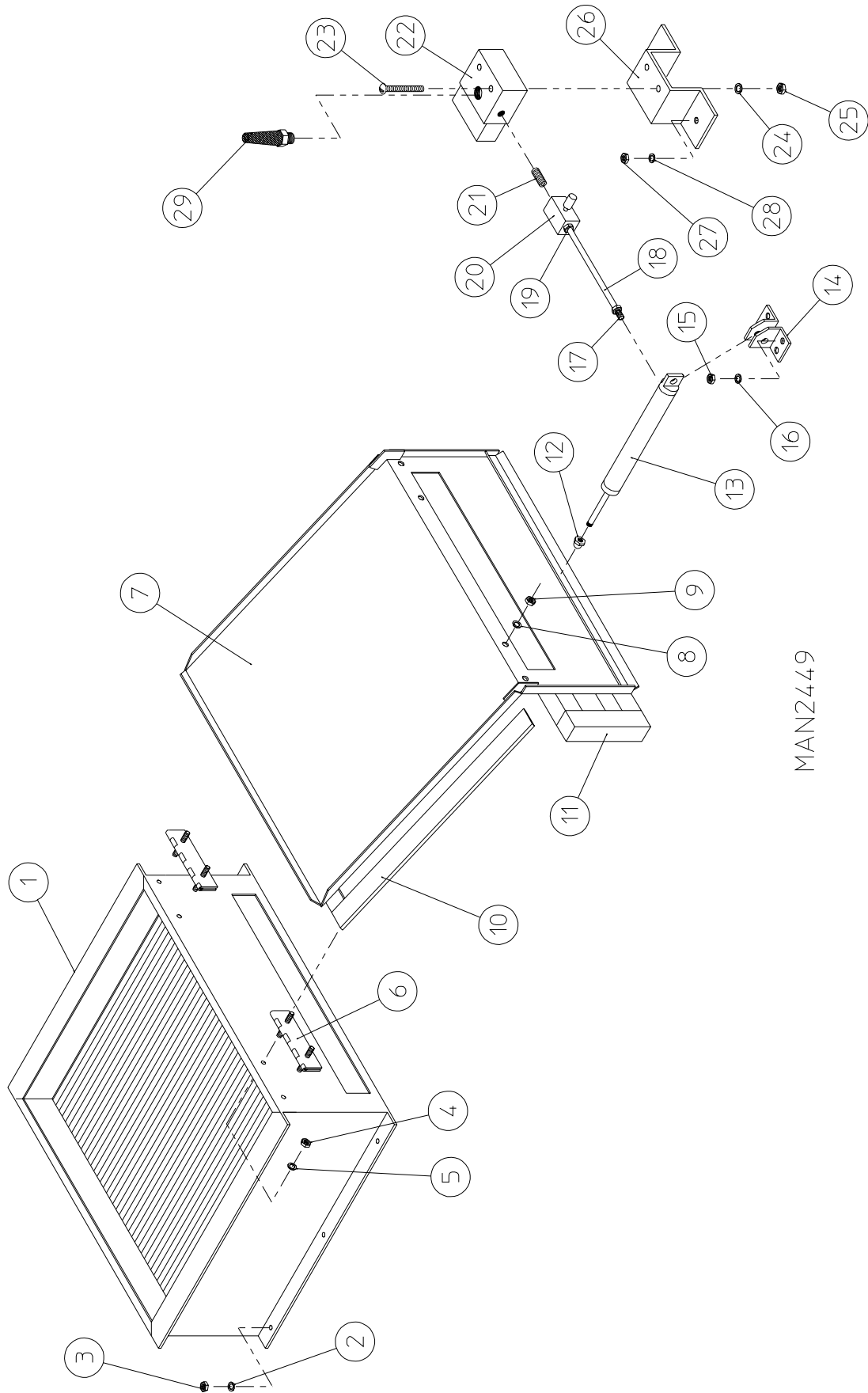
For 50/60 Hz Models



MAN6540

MGOLDSTEIN 2/13/03

Illus. No.	Part No.	Qty.	Description
1	320909	1	Phase 7 Electric Oven Relay Box Cover
2	150301	12	#8-18 x 7/16" Phillips Pan Head TEK Screw
3	322808	1	Control Box Cover Plate ONLY
4	150300	3	#10-16 x 1/2" Hex Washer TEK Screw
5	132004	1	Transformer (for ALL electric models - 380 VAC through 480 VAC)
6	121400	2	Universal Bushing
7	150108	3	#8-32 x 1/2" Phillips Pan Head Machine Screw
8	121010	1	L-70 Ground Lug
9	151001	1	#8-32 Pal Nut
10	151001	3	#8-32 Pal Nut
11	152014	2	1/4-20 Free Spin Wash Nut
12	150108	1	#8-32 x 1/2" Phillips Pan Head Machine Screw
13	131385	1	TSPT 120-amp 24 VAC Relay
14	120706	1	Power Distribution Block
15	150521	2	1/4-20 x 2" Carriage Bolt

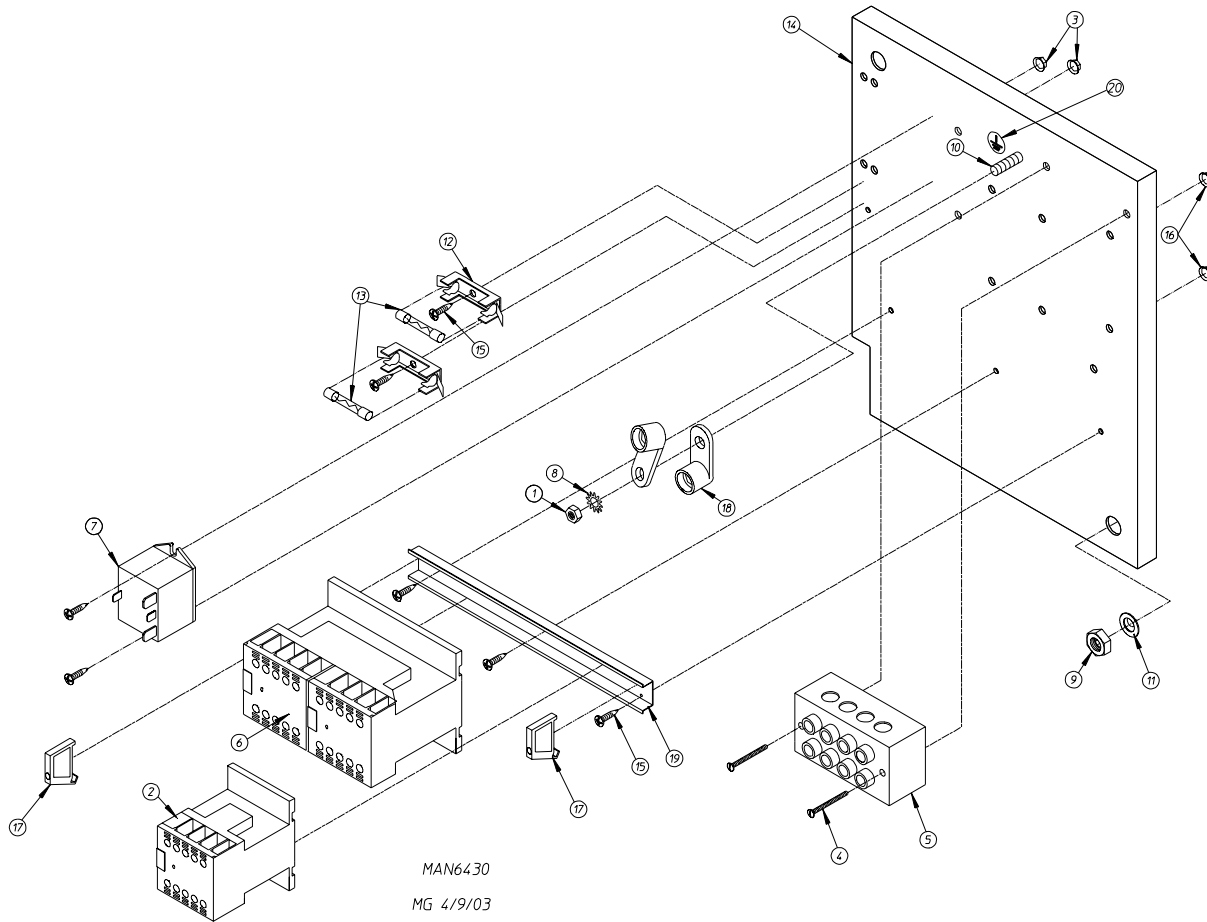


MAN2449

<u>Illus. No.</u>	<u>Part No.</u>	<u>Qty.</u>	<u>Description</u>
1	165012	1	Steam Coil Assembly
	165019	1	Steel Steam Coil Assembly
2	153002	6	5/16" Lock Washer
3	152004	6	5/16-18 Hex Nut
4	152002	4	1/4-20 Hex Nut
5	153007	4	1/4" Lock Washer
6	820321	2	Steam Damper Hinge Assembly
7	820320	1	Steam Damper Assembly (includes illus. nos. 7, 10, and 11)
8	153007	4	1/4" Lock Washer
9	152002	4	1/4-20 Hex Nut
10	115995	84	Steam Damper Gasket (sold by the inch)
11	102350	1	Steam Damper Foam (68-1/2" length)
12	151007	1	7/16-20 Stainless Steel Acorn Nut
13	100499	1	1-1/2" Bore x 3" Stroke Piston
14	100500	1	Piston Support Bracket
15	152002	4	1/4-20 Hex Nut
16	153007	4	1/4" Lock Washer
17	100472	1	1/4" x 1/8" Connector
18	143110	1	1/4" Tubing (sold by the foot)
19	100472	1	1/4" x 1/8" Connector
20	100496	1	1/8" Needle Valve
21	143238	1	1/8" Close Nipple
22	100498	1	3-Way Micro Valve - 24 VAC
23	150002	2	#6-32 x 1" Phillips Round Head Machine Screw
24	153010	2	#6 Star Washer
25	152000	2	#6-32 Hex Nut
26	330987	1	Micro Valve Support Bracket
27	152002	2	1/4-20 Hex Nut
28	153007	2	1/4" Lock Washer
29	100520	1	1/8" N.P.T. Silencer (muffler)

32 Microprocessor Reversing Contactor Mounting Panel Assembly (Electric)

208-240 Volt 3 ϕ
For Models Mfd. as of February 2003

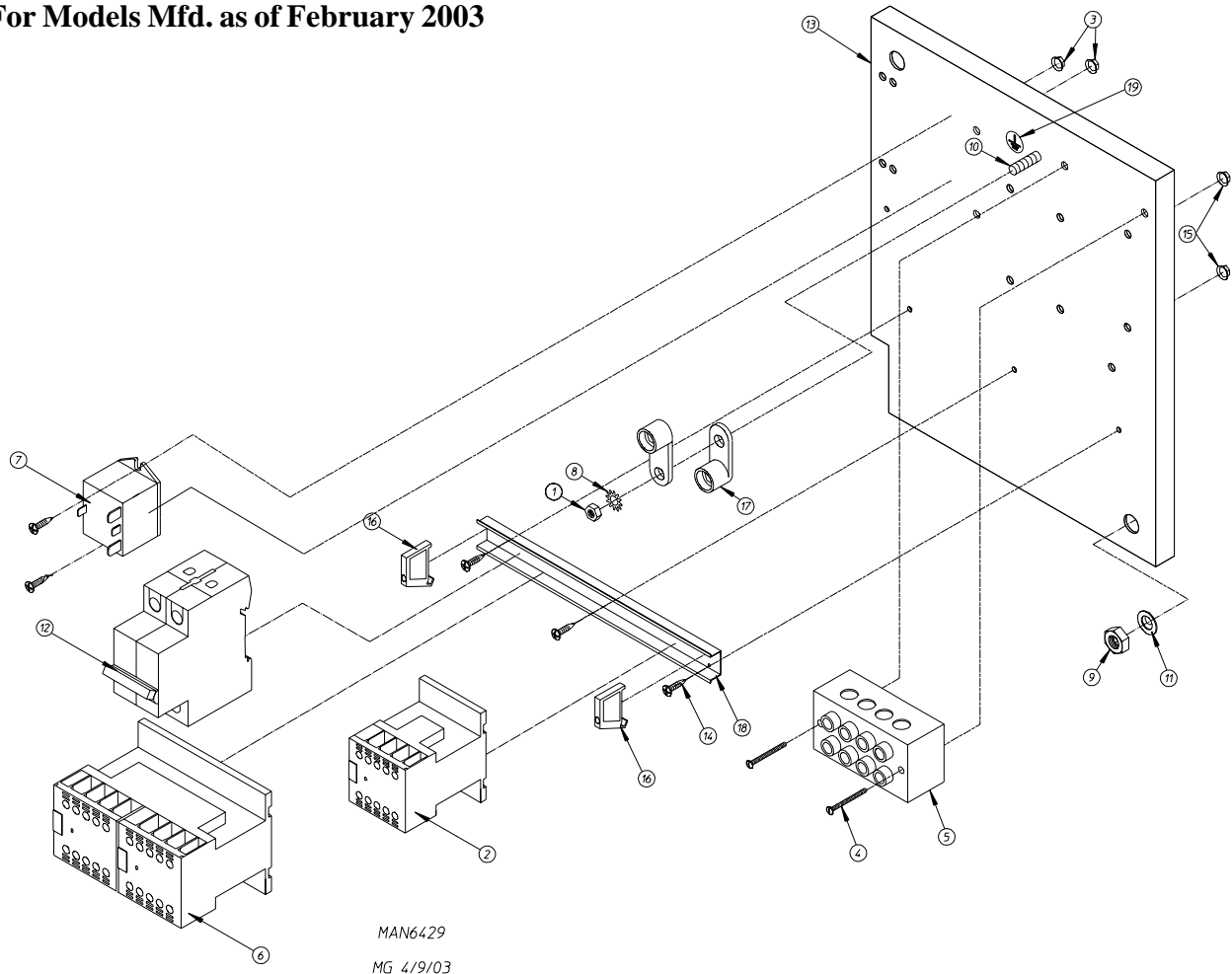


Illus. No.	Part No.	Qty.	Description
1	152002	1	1/4-20 Hex Nut
2	132514	1	3-Phase (3 ϕ) Contactor with Arc Suppressor
3	151001	2	#8-32 Pal Nut
4	150009	2	#6-32 x 1-1/2" Slotted Round Head Machine Screw
5	120701	1	4-Position Terminal Block
6	132497	1	Reversing Contactor
7	131932	1	Relay
8	153021	1	1/4" Shake Proof Washer
9	152004	1	5/16-18 Hex Nut
10	153525	2	1/4-20 x 1" Self-Clinching Stud
11	153002	1	5/16" Lock Washer
12	136008	2	Fuse Holder
13	136112	2	1.5-amp 3 AG (Slo-Blo) Fuse
14	332346	1	Relay Panel
15	150301	7	#8-18 x 7/16" Phillips Pan Head TEK Screw
16	151000	2	#6-32 Pal Nut
17	120765	2	End Stop
18	121010	2	L-70 Ground Lug
19	120768	7-3/4"	35 x 15mm Din Rail
20	112075	1	Ground Label

Microprocessor Reversing Contactor Mounting Panel Assembly (Electric) 33

380-480 Volt 3 ϕ

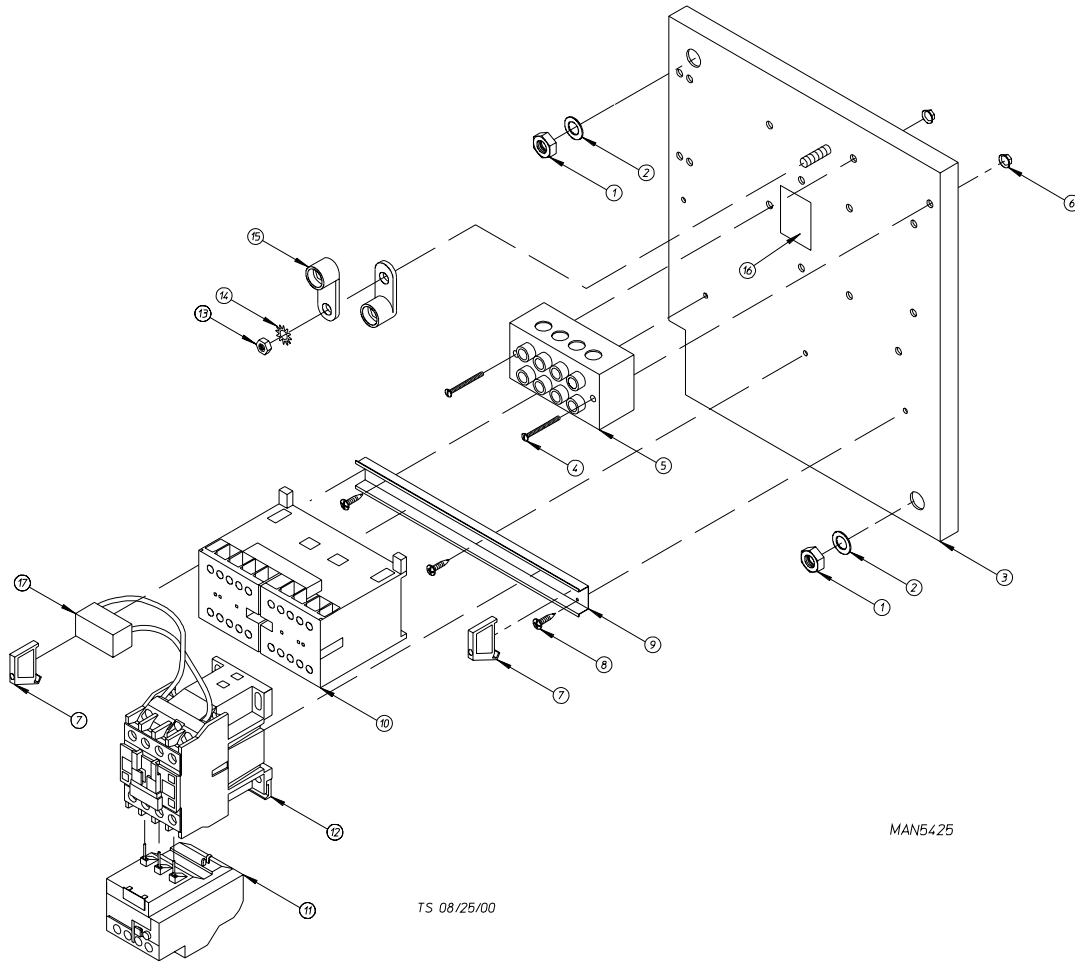
For Models Mfd. as of February 2003



<u>Illus. No.</u>	<u>Part No.</u>	<u>Qty.</u>	<u>Description</u>
1	152002	1	1/4-20 Hex Nut
2	132514	1	3-Phase (3 ϕ) Contactor with Arc Suppressor
3	151001	2	#8-32 Pal Nut
4	150009	2	#6-32 x 1-1/2" Slotted Round Head Machine Screw
5	120701	1	4-Position Terminal Block
6	132497	1	Reversing Contactor with Arc Suppressor
7	131932	1	Relay
8	153021	1	1/4" Shake Proof Washer
9	152004	1	5/16-18 Hex Nut
10	153525	2	1/4-20 x 1" Self-Clinching Stud
11	153002	1	5/16" Lock Washer
12	135501	1	1-amp 2-Pole Circuit Breaker
13	332346	1	Relay Panel
14	150301	7	#8-18 x 7/16" Phillips Pan Head TEK Screw
15	151000	2	#6-32 Pal Nut
16	120765	2	End Stop
17	121010	2	L-70 Ground Lug
18	120768	7-3/4"	35 x 15mm Din Rail
19	112075	1	Ground Label

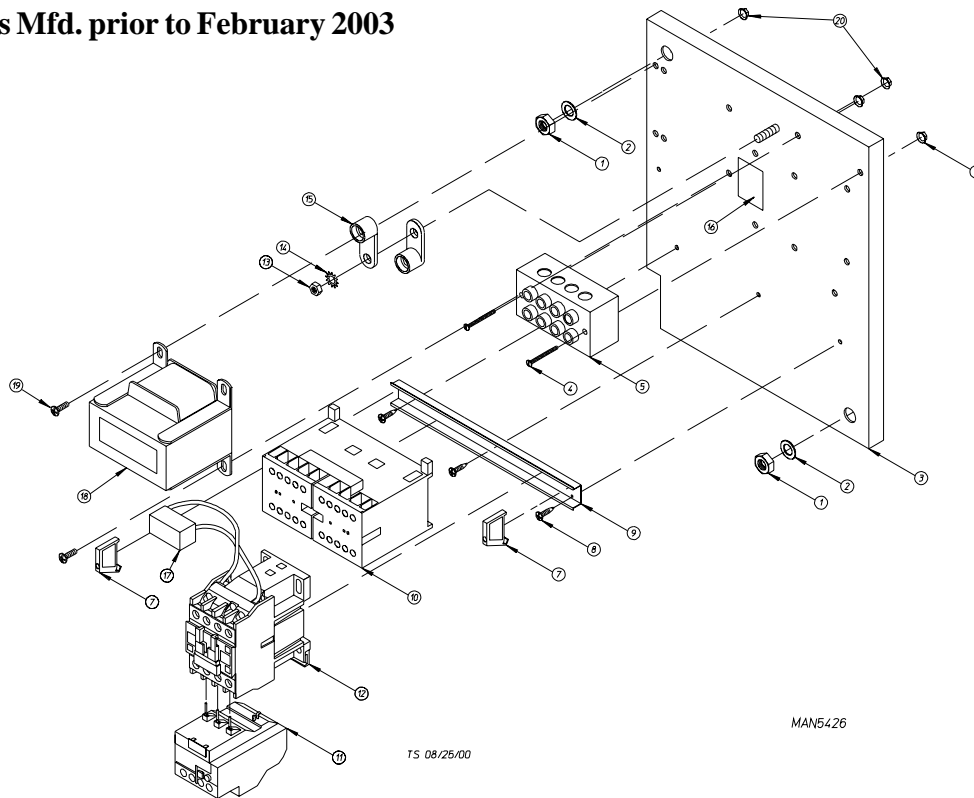
34 208-240V 3-Phase (3 ϕ) Microprocessor Reversing Relay Panel Assembly

For Models Mfd. prior to February 2003



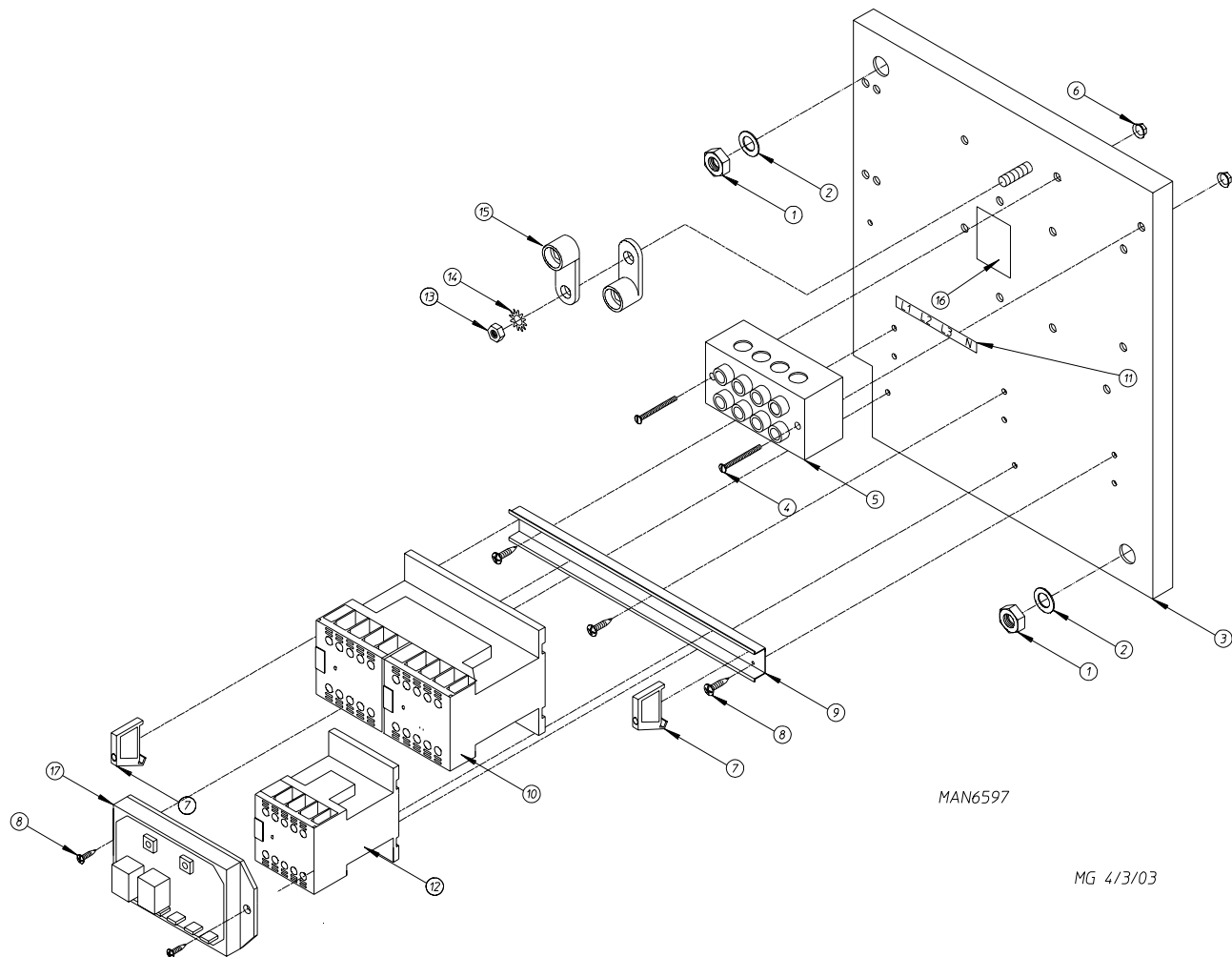
<u>Illus. No.</u>	<u>Part No.</u>	<u>Qty.</u>	<u>Description</u>
1	152004	2	5/16-18 Hex Nut
2	153002	2	5/16" Lock Washer
3	803632	1	Relay Panel
4	150008	2	#6-32 x 1-1/4" Round Head Machine Screw
5	120701	1	4-Position Terminal Block
6	151000	2	#6-32 Pal Nut
7	120765	2	End Stop
8	150301	3	#8-18 x 7/16" Phillips Pan Head TEK Screw
9	120768	7-3/4"	35 x 15mm Din Mounting Rail
10	132458	1	Reversing Contactor with Coil Suppression
11	132436	1	7-10A Overload
12	132445	1	3 hp Contactor
13	152002	1	1/4-20 Hex Nut
14	153021	1	1/4" Shake Proof Washer
15	121010	2	L-70 Ground Lug
16	112075	1	Ground Label
17	137015	1	Arc Suppressor with 3" Insulated Leads
	803631	1	Panel Wiring (no Arc Suppressor [A.S.] Board)...Not Illustrated
	824732	1	Drive Contactor Wiring...Not Illustrated
	824731	1	Blower Contactor Wiring...Not Illustrated

For Models Mfd. prior to February 2003



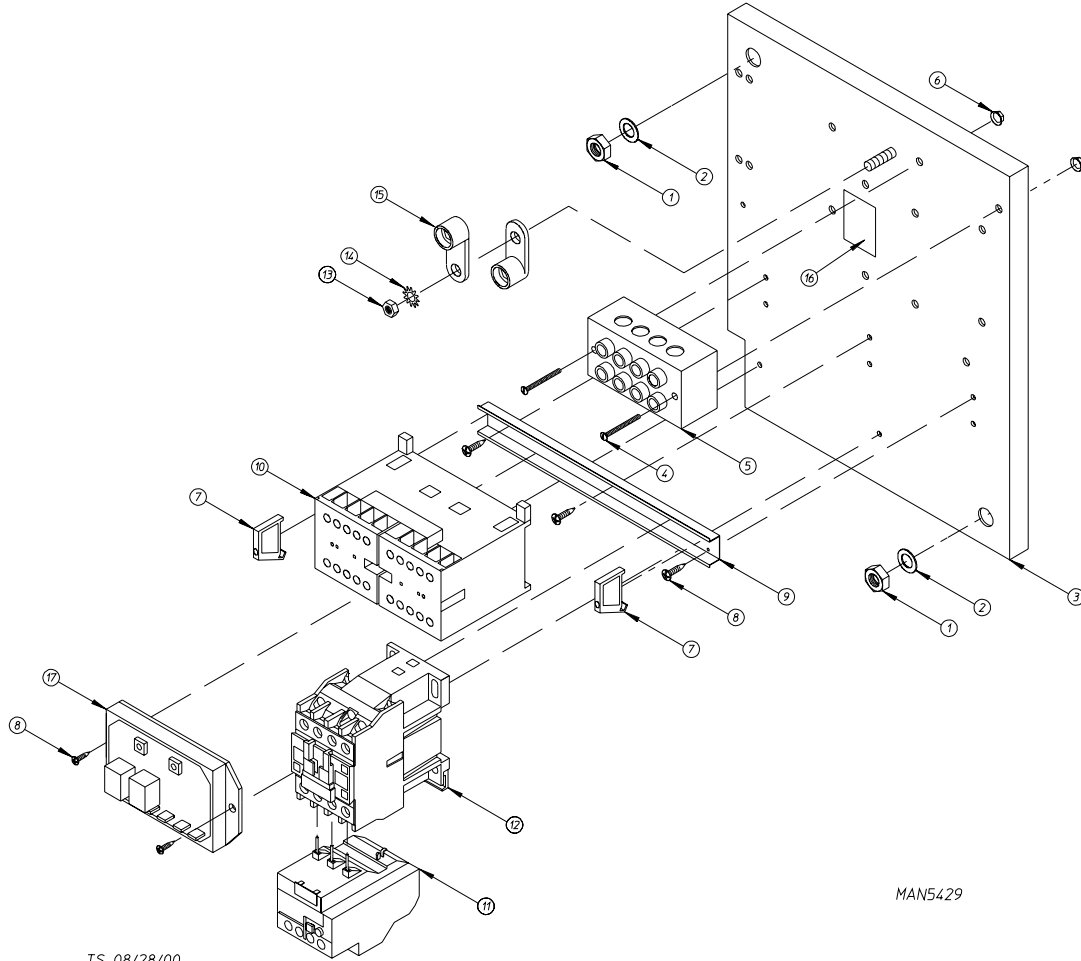
<u>Illus. No.</u>	<u>Part No.</u>	<u>Qty.</u>	<u>Description</u>
1	152004	2	5/16-18 Hex Nut
2	153002	2	5/16" Lock Washer
3	803632	1	Relay Panel
4	150008	2	#6-32 x 1-1/4" Round Head Machine Screw
5	120701	1	4-Position Terminal Block
6	151000	2	#6-32 Pal Nut
7	120765	2	End Stop
8	150301	3	#8-18 x 7/16" Phillips Pan Head TEK Screw
9	120768	7-3/4"	35 x 15mm Din Mounting Rail
10	132458	1	Reversing Contactor with Coil Suppression
11	132468	1	4-6A Overload
12	132445	1	3 hp Contactor
13	152002	1	1/4-20 Hex Nut
14	153021	1	1/4" Shake Proof Washer
15	121010	2	L-70 Ground Lug
16	112075	1	Ground Label
17	137015	1	Arc Suppressor with 3" Insulated Leads
18	803693	1	380V Transformer Assembly
	803702	1	416V Transformer Assembly
	803701	1	460-480V Transformer Assembly
	803703	1	575V Transformer Assembly
19	150108	2	#8-32 x 1/2" Phillips Pan Head Machine Screw
20	151001	2	#8-32 Pal Nut
	803641	1	Panel Wiring (no Arc Suppressor [A.S.] Board)...Not Illustrated
	824732	1	Drive Contactor Wiring...Not Illustrated
	824731	1	Blower Contactor Wiring...Not Illustrated

For Models Mfd. as of March 2003



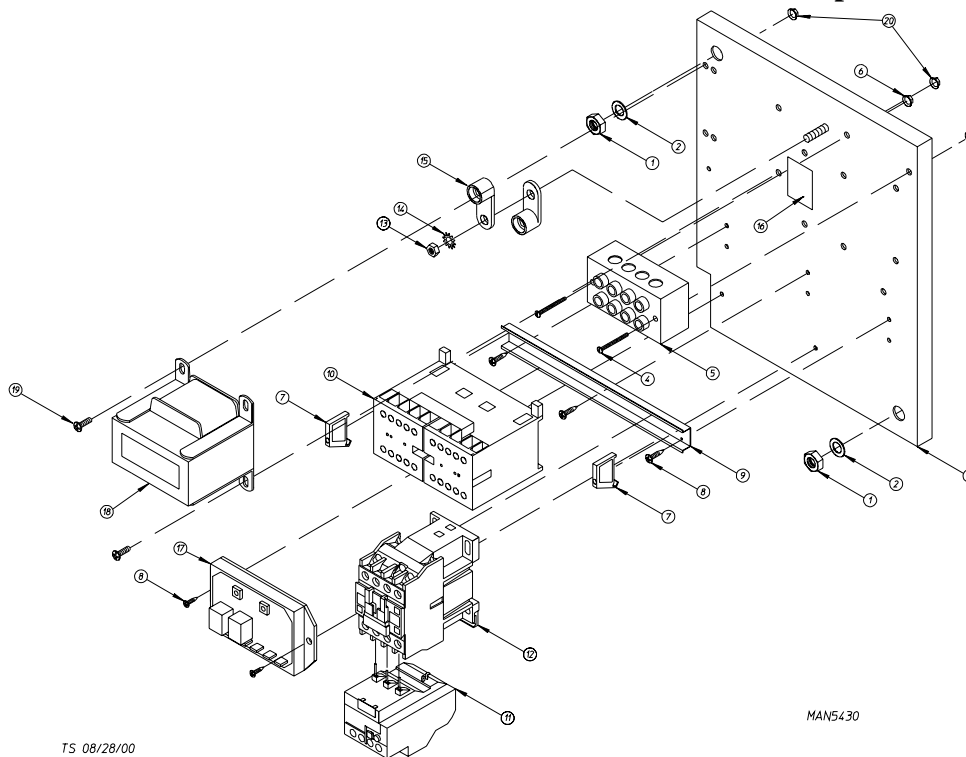
<u>Illus. No.</u>	<u>Part No.</u>	<u>Qty.</u>	<u>Description</u>
1	152004	2	5/16-18 Hex Nut
2	153002	2	5/16" Lock Washer
3	803632	1	Relay Panel
4	150009	2	#6-32 x 1-1/2" Slotted Round Head Machine Screw
5	120701	1	4-Position Terminal Block
6	151000	2	#6-32 Pal Nut
7	120765	2	End Stop
8	150301	5	#8-18 x 7/16" Phillips Pan Head TEK Screw
9	120768	7-3/4"	35 x 15mm Din Mounting Rail
10	132497	1	Reversing Contactor with Arc Suppression
11	112068	1	3-Phase (3 ϕ) Power Input Label
12	132514	1	3 hp Contactor with Arc Suppression
13	152002	1	1/4-20 Hex Nut
14	153021	1	1/4" Shake Proof Washer
15	121010	2	L-70 Ground Lug
16	112075	1	Ground Label
17	132198	1	Reversing Timer

For Models Mfd. prior to February 2003

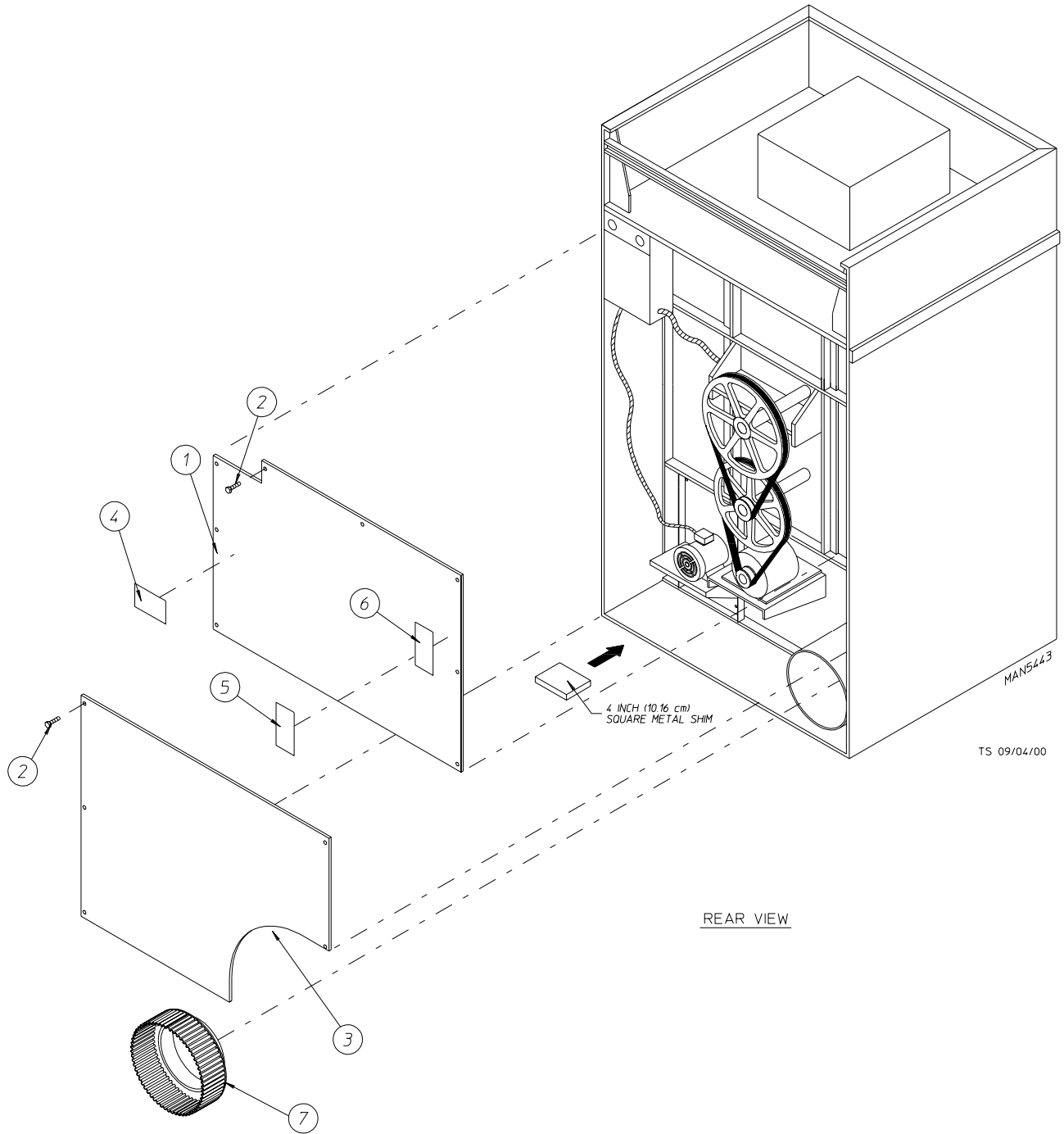


<u>Illus. No.</u>	<u>Part No.</u>	<u>Qty.</u>	<u>Description</u>
1	152004	2	5/16-18 Hex Nut
2	153002	2	5/16" Lock Washer
3	803632	1	Relay Panel
4	150008	2	#6-32 x 1-1/4" Round Head Machine Screw
5	120701	1	4-Position Terminal Block
6	151000	2	#6-32 Pal Nut
7	120765	2	End Stop
8	150301	5	#8-18 x 7/16" Phillips Pan Head TEK Screw
9	120768	7-3/4"	35 x 15mm Din Mounting Rail
10	132458	1	Reversing Contactor with Coil Suppression
11	132468	1	4-6A Overload
12	132445	1	3 hp Contactor
13	152002	1	1/4-20 Hex Nut
14	153021	1	1/4" Shake Proof Washer
15	121010	2	L-70 Ground Lug
16	112075	1	Ground Label
17	132198	1	Reversing Timer
	803643	1	Panel Wiring...Not Illustrated
	824732	1	Drive Contactor Wiring...Not Illustrated
	824731	1	Blower Contactor Wiring...Not Illustrated

For Models Mfd. prior to February 2003



Illus. No.	Part No.	Qty.	Description
1	152004	2	5/16-18 Hex Nut
2	153002	2	5/16" Lock Washer
3	803632	1	Relay Panel
4	150008	2	#6-32 x 1-1/4" Round Head Machine Screw
5	120701	1	4-Position Terminal Block
6	151000	2	#6-32 Pal Nut
7	120765	2	End Stop
8	150301	5	#8-18 x 7/16" Phillips Pan Head TEK Screw
9	120768	7-3/4"	35 x 15mm Din Mounting Rail
10	132458	1	Reversing Contactor with Coil Suppression
11	132468	1	4-6A Overload
12	132445	1	3 hp Contactor
13	152002	1	1/4-20 Hex Nut
14	153021	1	1/4" Shake Proof Washer
15	121010	2	L-70 Ground Lug
16	112075	1	Ground Label
17	132198	1	Reversing Timer
18	803693	1	380V Transformer Assembly
	803701	1	460-480V Transformer Assembly
	803702	1	416V Transformer Assembly
	803703	1	575V Transformer Assembly
19	150108	2	#8-32 x 1/2" Phillips Pan Head Machine Screw
20	151001	2	#8-32 Pal Nut
	803644	1	Panel Wiring...Not Illustrated
	824732	1	Drive Contactor Wiring...Not Illustrated
	824731	1	Blower Contactor Wiring...Not Illustrated



<u>Illus. No.</u>	<u>Part No.</u>	<u>Qty.</u>	<u>Description</u>
1	317239	1	Top Back Guard
2	150301	12	#8-18 x 7/16" Phillips Pan Head TEK Screw
3	317235	1	Lower Back Guard
4	112017	1	ADC Name and Address Label
5	112229	1	Installation Instructions Label
6	112519	1	Routine Maintenance Label
7	850185	1	12" to 14" Increaser Gas/Steam/Electric

STEP DOWN TRANSFORMER USAGE LISTING (REVERSING RELAY BOX)

Heat	Voltage	Wire Service	Transformer Part Number	
			Microprocessor Models	Timer Models
Gas / Steam	380	3 or 4	132059	132059
	416	3 or 4	132062	132062
	400	3 or 4	132056	132056
	460/480	3 or 4	132053	132053
	575	3	132050	132050

N/A = Not available.

N/R = Not required.

ADG-115ESD DIRECT SPARK IGNITION (DSI) BURNER ORIFICE SPECIFICATION*				
Qty.	Natural Gas		Liquid Propane (L.P.) Gas	
	D.M.S.	Part No.	D.M.S.	Part No.
3	#8	140837	#31	140818
* Consult factory for elevations over 2,000 feet.				

ADG-115ESD DIRECT SPARK IGNITION (DSI) BURNER ASSEMBLY SPECIFICATION		
BTU/H Rating	Natural Gas	Liquid Propane (L.P.) Gas
343,000	880874	880875
NOTES: 1. Burner assemblies DO NOT include burner orifices. They must be ordered separately. 2. When ordering burner assembly, specify model number and serial number of the dryer.		

ADG-115ESD DIRECT SPARK IGNITION (DSI) LIQUID PROPANE (L.P.) KIT SPECIFICATION*
Kit Part No.
880876
* Consult factory for elevations over 2,000 feet.

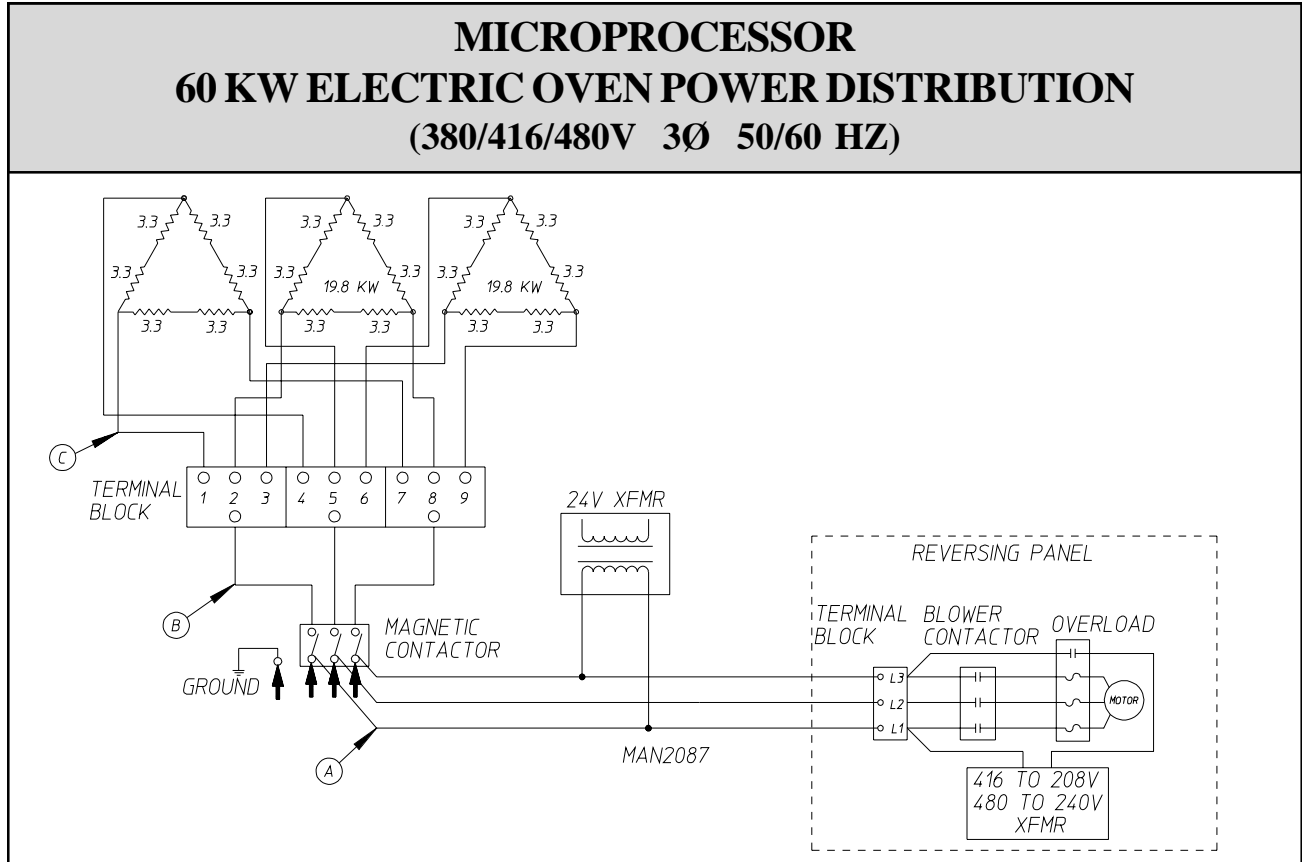
42 60 Kw and 72 Kw Phase 7 Electric Oven Component Application Charts

60 Kw Oven	Volts		208	230	380	480
	Phase		---	---	3Ø	3Ø
	Wire		---	---	3 or 4	3 or 4
	Oven Assy Part No.		---	---	802770	803872
	Elements	Qty.	---	---	18	18
		Size	---	---	3.3 Kw	3.3 Kw
		Part No.	---	---	120074	120076
	Oven Wire	Qty.	---	---	34'	34'
		Size	---	---	8	8
		Part No.	---	---	815710	815710
Bus Bar Part No. 121011		---	---	3'	3'	

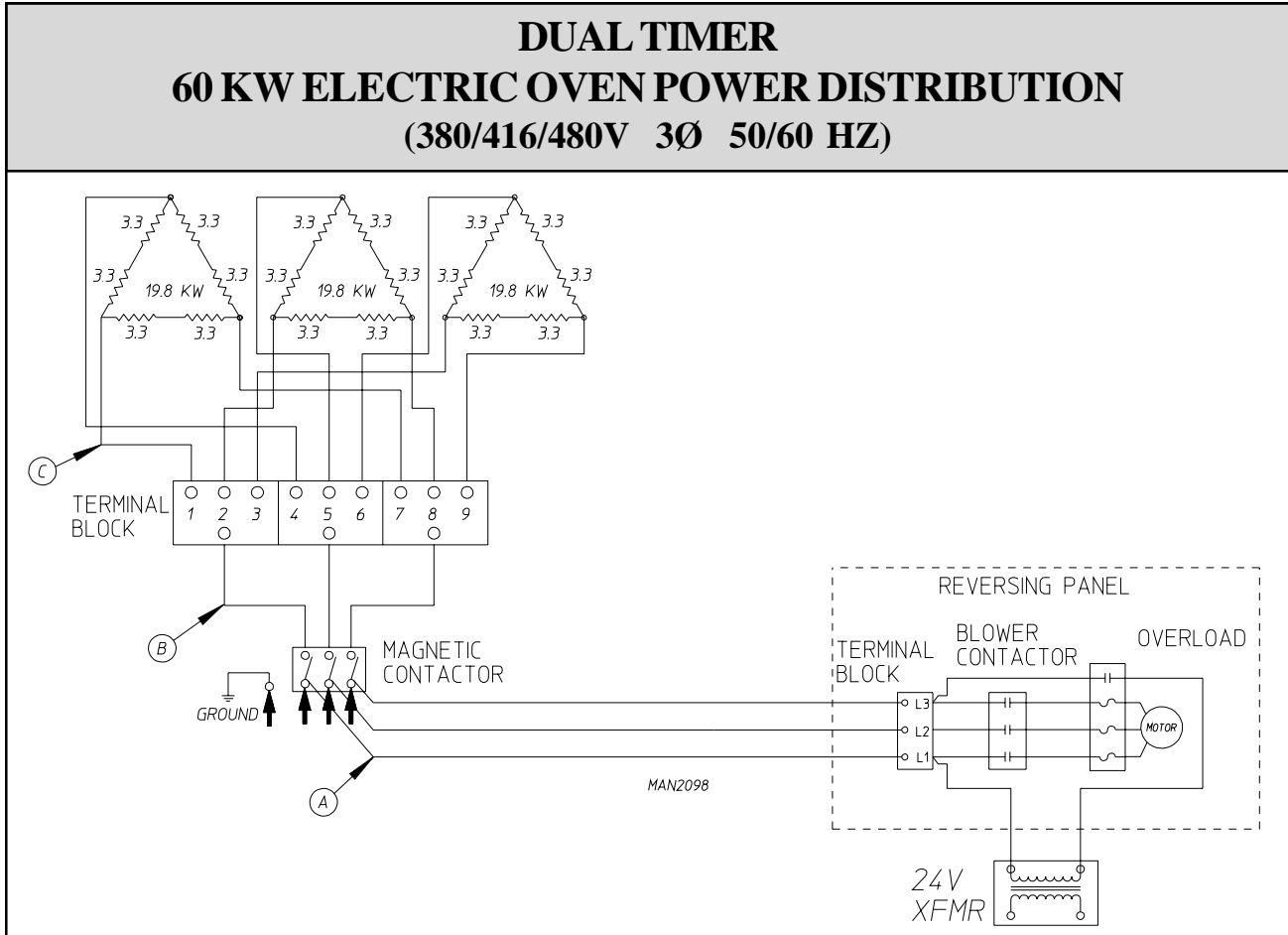
72 Kw Oven	Volts		208	240	380	400	480				
	Phase		---	3Ø	3Ø	3Ø	3Ø				
	Wire		---	3	3 or 4	3 or 4	3 or 4				
	Oven Assy Part No.		---	802761	802769	802777	815735				
	Elements	Qty.	---	18	18	18	18				
		Size	---	4 Kw	4 Kw	4 Kw	4 Kw				
		Part No.	---	120011	120073	120010	120011				
	Oven Wire	Qty.	---	62'	34'	34'	34'				
		Size	---	8	8	8	8				
		Part No.	---	815709	815710	815710	815710				
	Terminal Lug	Qty.	---	13	6	9	1	9	1	9	1
		Part No.	---	121010	121012	121010	121012	121010	121012	121010	121012
	Bus Bar Part No. 121011		---	6'	3'	3'	3'				

NOTE: Oven wire and bus bar are sold by the foot.

For 60 Kw 380/416/480 VAC Microprocessor Models

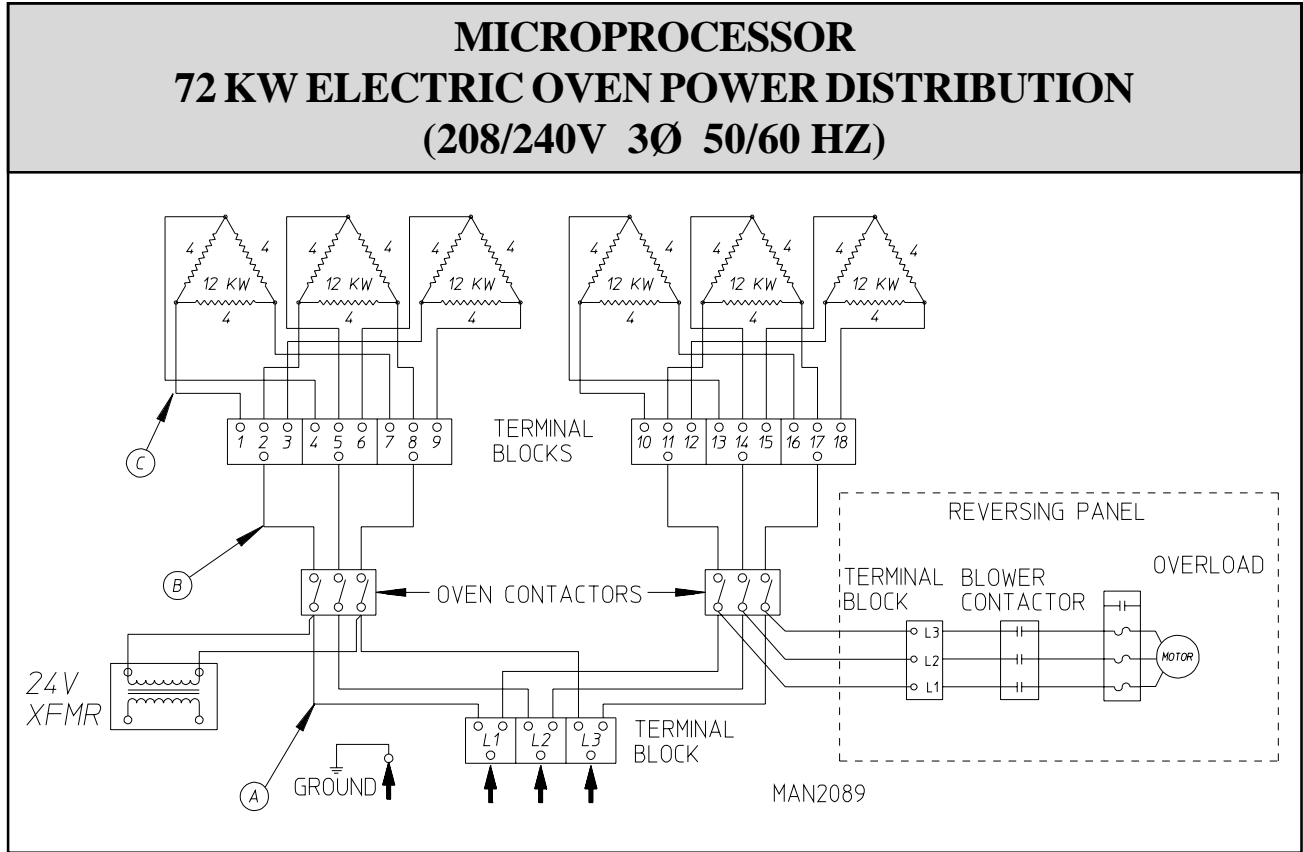


Electric Service	Qty. Elements	Element Part Number	Oven Amps	Wire Service			Contactor	24 VAC Step Down Transformer
				A	B	C		
380v 3Ø 3, 4w	18	120074	92	8	8	10	131385	132004
480v 3Ø 3, 4w	18	120076	73	8	8	10	131385	132004

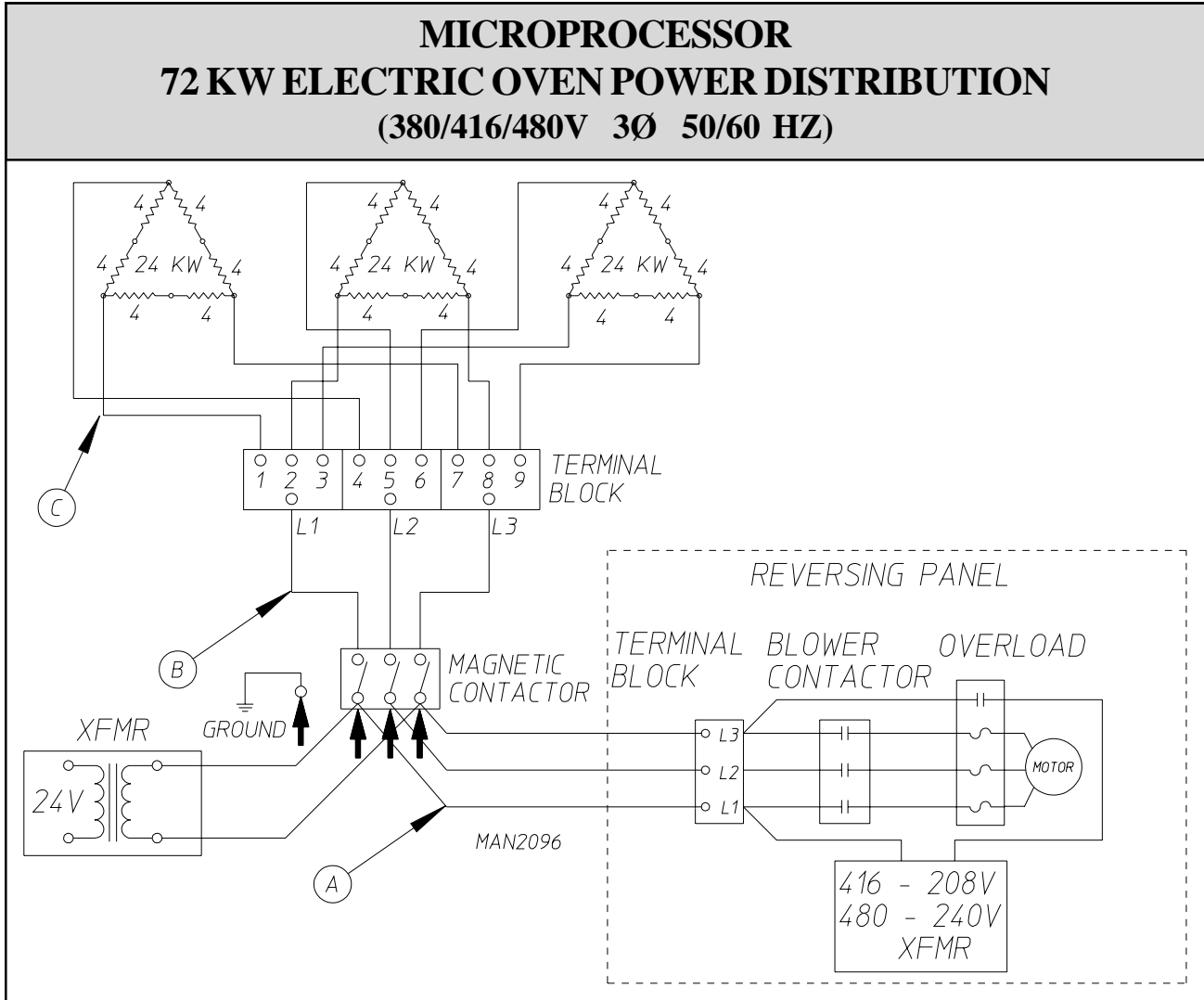


Electric Service	Qty. Elements	Element Part Number	Oven Amps	Wire Service			Contactor	24 VAC Step Down Transformer
				A	B	C		
380v 3Ø 3, 4w	18	120074	92	8	8	10	131385	132004
480v 3Ø 3, 4w	18	120076	73	8	8	10	131385	132004

For 72 Kw 208/240 VAC Microprocessor Models

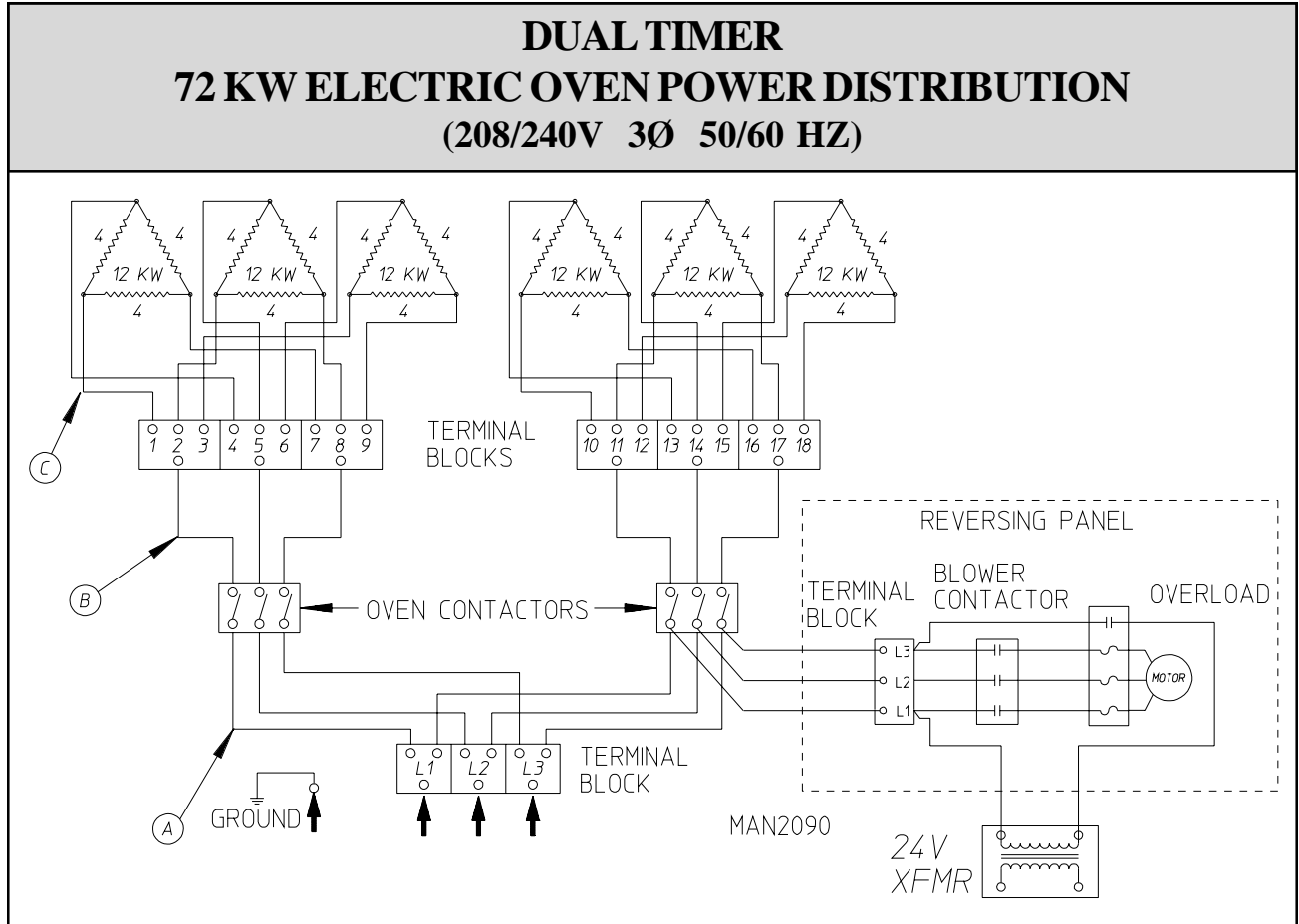


Electric Service	Qty. Elements	Element Part Number	Oven Amps	Wire Service			Contactor	24 VAC Step Down Transformer
				A	B	C		
240v 3Ø 3, 4w	18	120011	174	2	2	8	131385	132004

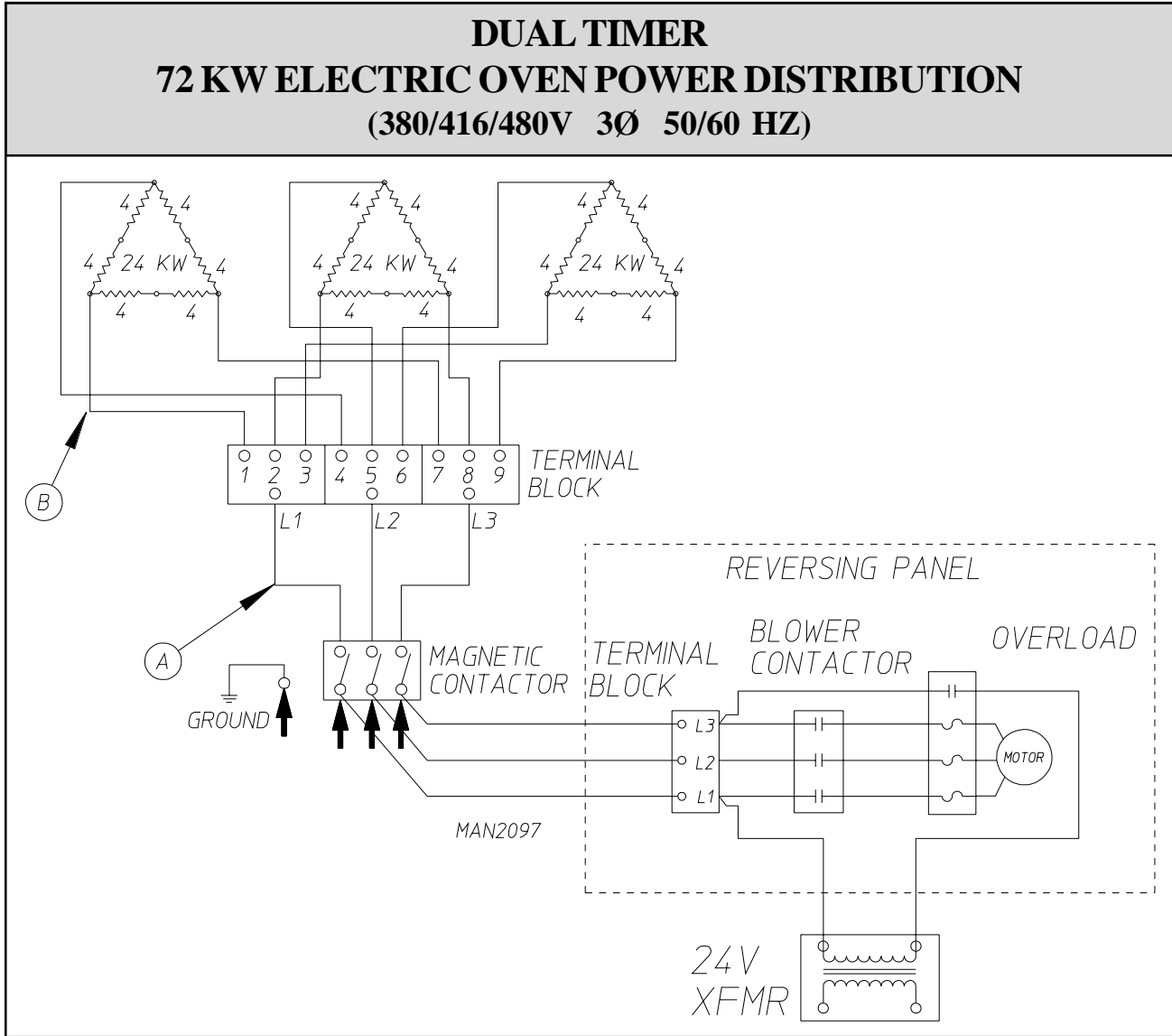


Electric Service	Qty. Elements	Element Part Number	Oven Amps	Wire Service		Contactor	24 VAC Step Down Transformer
				A	B		
380v 3Ø 3, 4w	18	120073	110	2	8	131385	132004
416v 3Ø 3, 4w	18	120010	100	2	8	131385	132004
480v 3Ø 3, 4w	18	120011	87	2	8	131385	132004

For 72 Kw 208/240 VAC Dual Timer Models

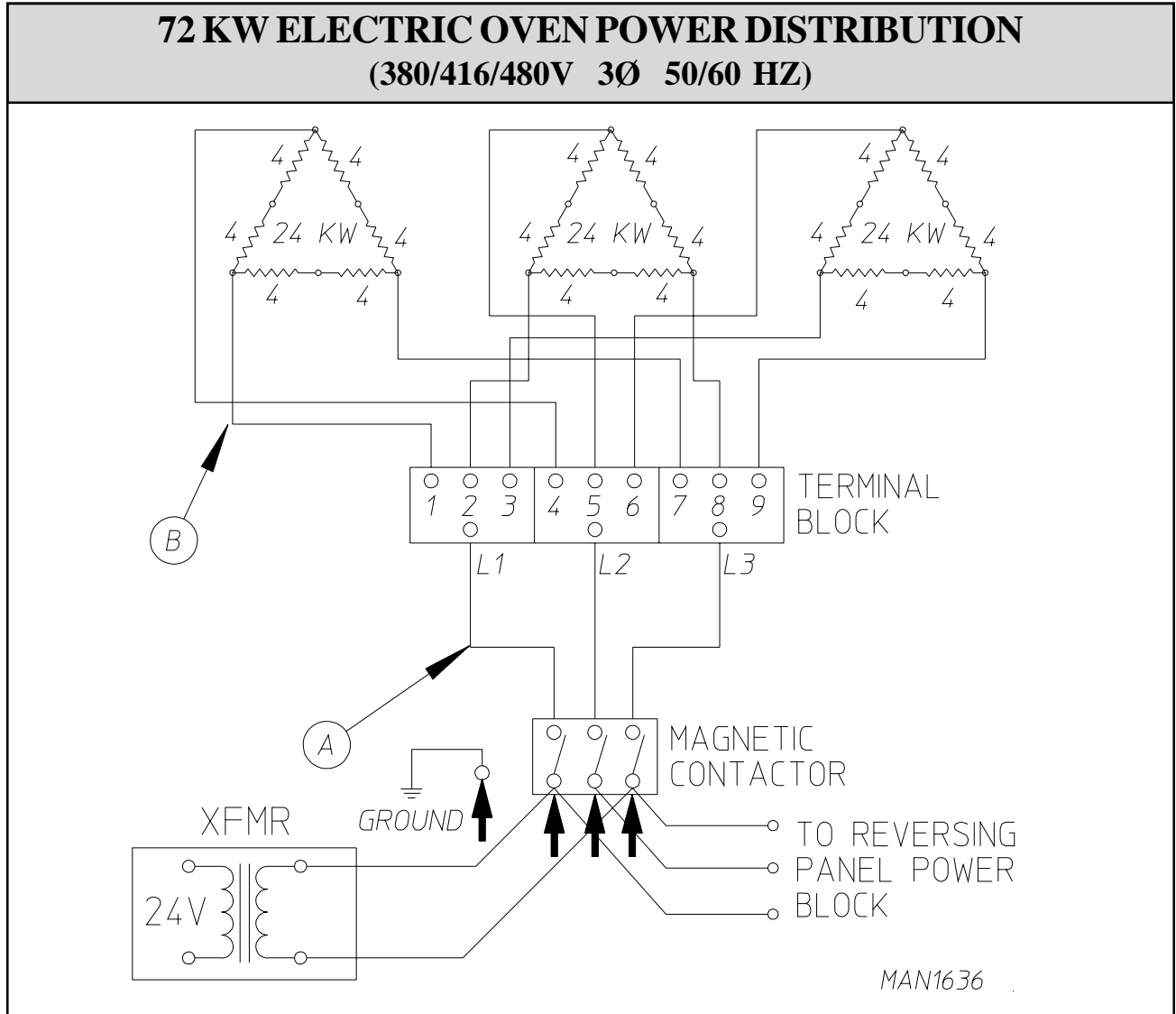


Electric Service	Qty. Elements	Element Part Number	Oven Amps	Wire Service			Contactor	24 VAC Step Down Transformer
				A	B	C		
240v 3Ø 3, 4w	18	120011	174	2	2	8	131385	132004



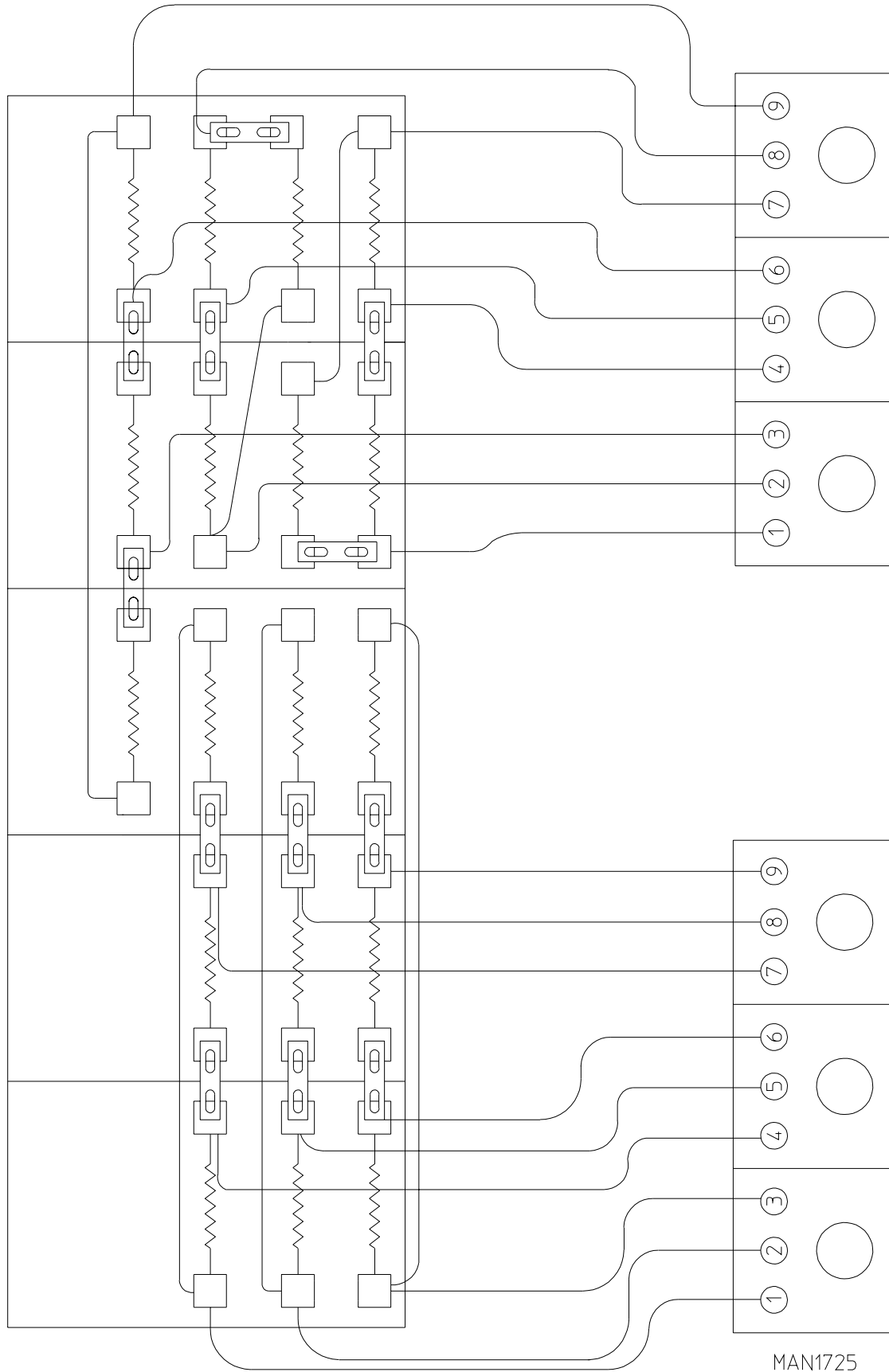
Electric Service	Qty. Elements	Element Part Number	Oven Amps	Wire Service		Contactor	24 VAC Step Down Transformer
				A	B		
380v 3Ø 3, 4w	18	120073	110	2	8	131385	132004
400v 3Ø 3, 4w	18	120010	100	2	8	131385	132004
480v 3Ø 3, 4w	18	120011	87	2	8	131385	132004

For 72 Kw 380/416/480 VAC Models



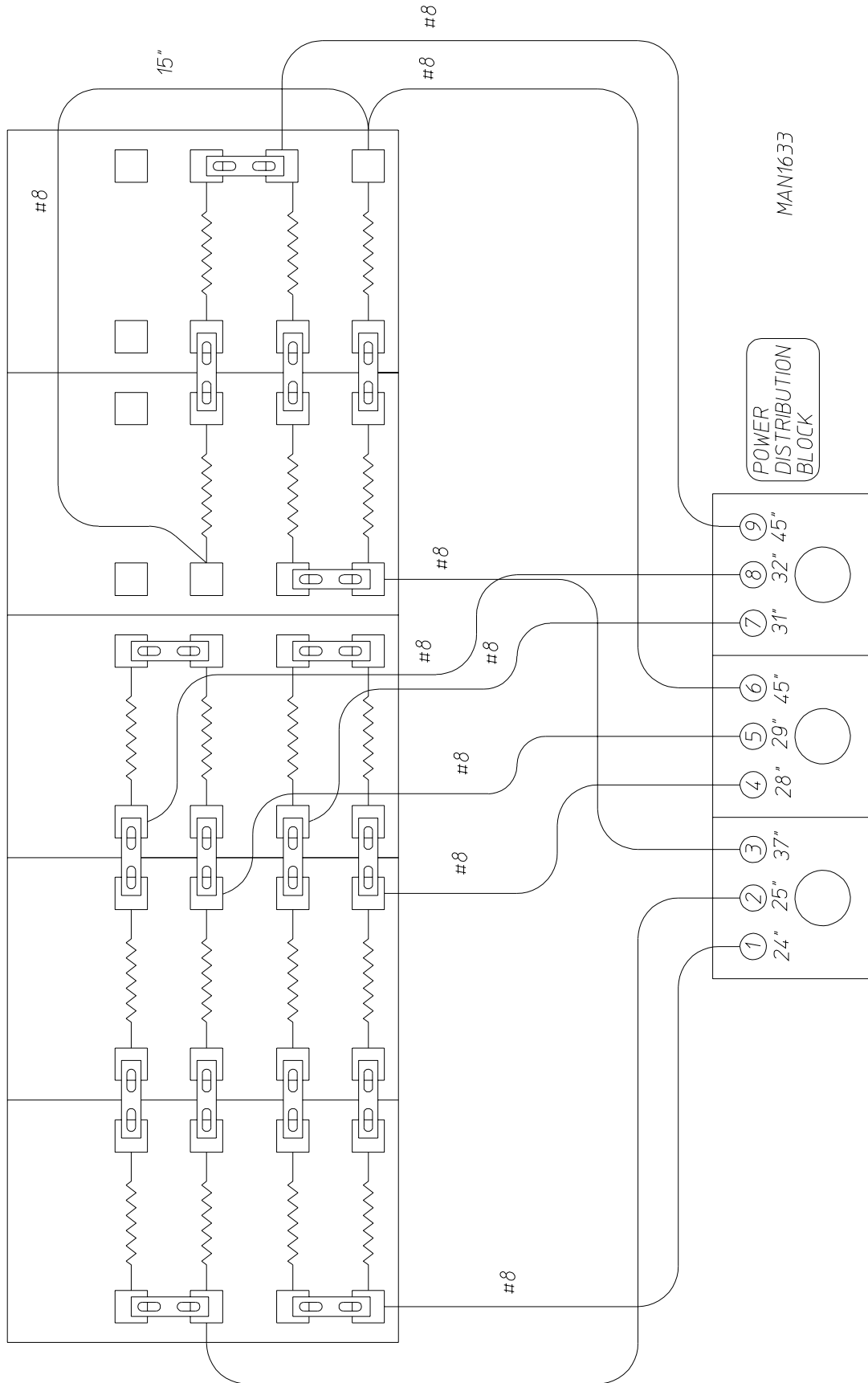
Electric Service	Qty. Elements	Element Part Number	Oven Amps	Wire Service		Contactor	24 VAC Step Down Transformer
				A	B		
380v 3Ø 3, 4w	18	120073	110	2	8	131385	132004
400v 3Ø 3, 4w	18	120010	100	2	8	131385	132004
480v 3Ø 3, 4w	18	120011	87	2	8	131385	132004

For ALL 208/240 VAC Models

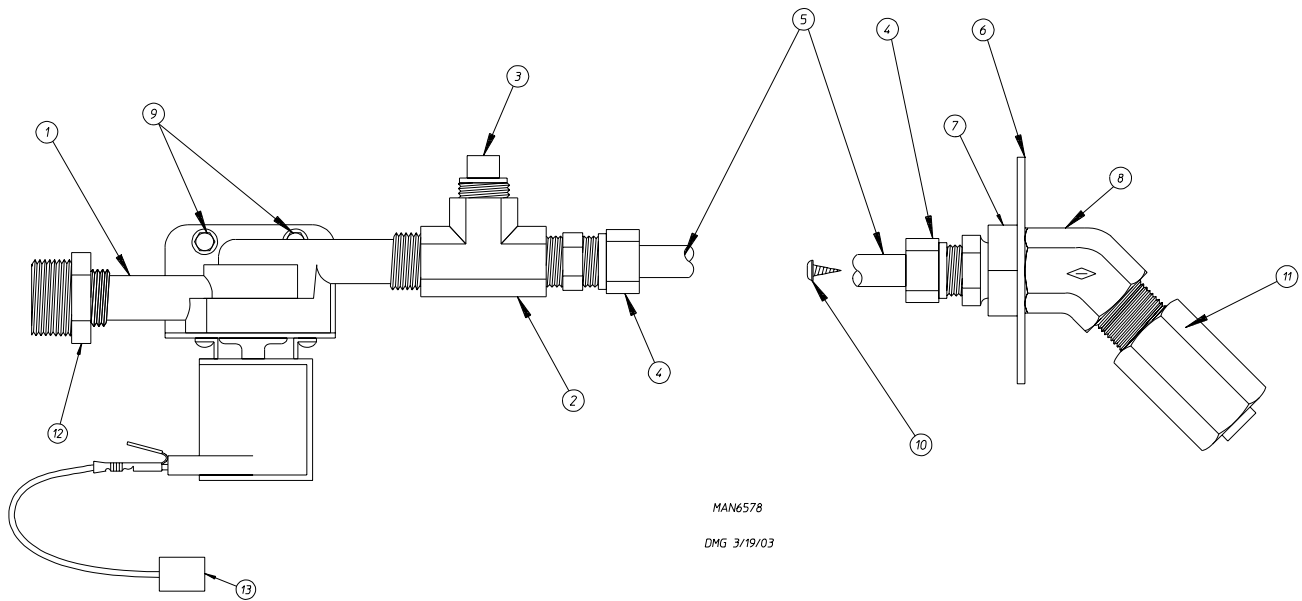


MAN1725

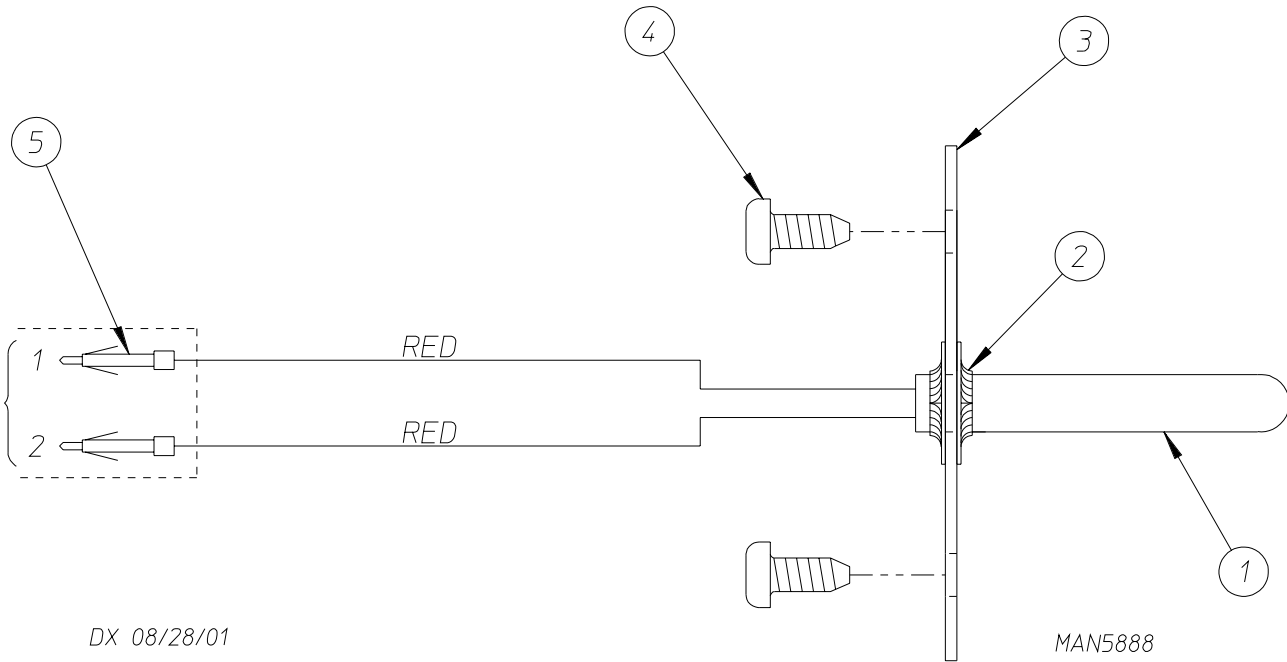
For ALL 380/416/480 VAC Models



<u>Part No.</u>	<u>Description</u>
112280	“Clean Lint Screen” Label
112534	“Phase 5 OPL Program Location Summary” Label
114006	“WARNING - Fire Hazards” Label
114001	“CAUTION - Exhaust/Lint Screen” Label
120100	3/8” Straight (BX) Connector
120300	3/8” x 45° (BX) Connector
120400	3/8” Red Jacket (BX) Insulator
120500	3/8” Jiffy Clip (BX retainer clip)
120600	3/8” Greenfield (BX)
120800	1/4” In-Line Connector
120802	Red Butt Connector
120902	#74B Wire Nut
120903	Closed End Connector
121014	1/4” Insulated (female) Terminal
121499	5-1/2” Wire Tie
121500	8” Harness Tie
121503	Harness Tie Mounting Clip
122804	Manometer (water column test gauge)
404502	White Brush-In-Cap Bottle Touch-Up Paint (0.6 oz. bottle)
401010	#847 Adhesive for Felt Collar
880200	Electrical Terminal (assortment) Kit



<u>Illus. No.</u>	<u>Part No.</u>	<u>Qty.</u>	<u>Description</u>
1	165114	1	Sensor Activated Fire Extinguishing (S.A.F.E.) System Solenoid Valve 24V 50/60 Hz
2	143220	1	3/8" F.P.T. Brass Tee
3	143251	1	3/8" M.P.T. Brass Plug
4	143208	2	3/8" Comp x 3/8" M.P.T. Brass Connector
5	143099	2'	3/8" OD x 0.035 Wall Copper Tubing
6	311588	1	Sprinkler Head Mounting Plate
7	143303	1	3/8" N.P.T. Brass Lock Nut
8	143301	1	3/8" Brass 45° Elbow
9	152001	2	#8-32 x 3/8" Hex Nut
10	150301	2	#8-18 x 7/16" Phillips Pan Head TEK Screw
11	143581	1	3 GPM 3/8" F.P.T. Spray Nozzle
12	142888	1	1/2" M.P.T. x 3/8" F.P.T. Hex Bushing
13	824081	1	R.C. Network Assembly



<u>Illus. No.</u>	<u>Part No.</u>	<u>Qty.</u>	<u>Description</u>
1	822752	1	Sensor Activated Fire Extinguishing (S.A.F.E.) System Temperature Probe Assembly (includes illus. nos. 1 through 5)
2	154007	2	Push On Fastener
3	390390	1	Sensor Bracket ONLY
4	150301	2	#8-18 x 7/16" Phillips Pan Head TEK Screw
5	122647	1	Connector ONLY
	122700	2	Pins

