



SUPER AD-50 Parts Manual

24 VAC

1994 thru 1998

MODELS: ADG-50DS
ADE-50S
ADS-50S

American Dryer Corporation
88 Currant Road
Fall River, MA 02720-4781
Telephone: (508) 678-9000 / Fax: (508) 678-9447
E-mail: techsupport@amdry.com

012095
072297WM/tf

ADC Part No. 450302

Retain This Manual In A Safe Place For Future Reference

American Dryer Corporation products embody advanced concepts in engineering, design, and safety. If this product is properly maintained, it will provide many years of safe, efficient, and trouble-free operation.

ONLY properly licensed technicians should service this equipment.

OBSERVE ALL SAFETY PRECAUTIONS displayed on the equipment or specified in the installation/operator's manual included with the dryer.

WARNING: UNDER NO CIRCUMSTANCES should the door switch or the heat circuit devices ever be disabled.

WARNING: The dryer must never be operated with any of the back guards, outer tops, or service panels removed. **PERSONAL INJURY or FIRE COULD RESULT.**

We have tried to make this manual as complete as possible and hope you will find it useful. ADC reserves the right to make changes from time to time, without notice or obligation, in prices, specifications, colors, and material, and to change or discontinue models.

Important

For your convenience, log the following information:

DATE OF PURCHASE _____ **MODEL NO.** SUPER AD-50

DISTRIBUTORS NAME _____

Serial Number(s) _____

Replacement parts can be obtained from your distributor or the **ADC** factory. When ordering replacement parts from the factory, you can FAX your order to **ADC** at (508) 678-9447 or telephone your orders directly to the **ADC** Parts Department at (508) 678-9000. Please specify the dryer **model number** and **serial number** in addition to the **description** and **part number**, so that your order is processed accurately and promptly.

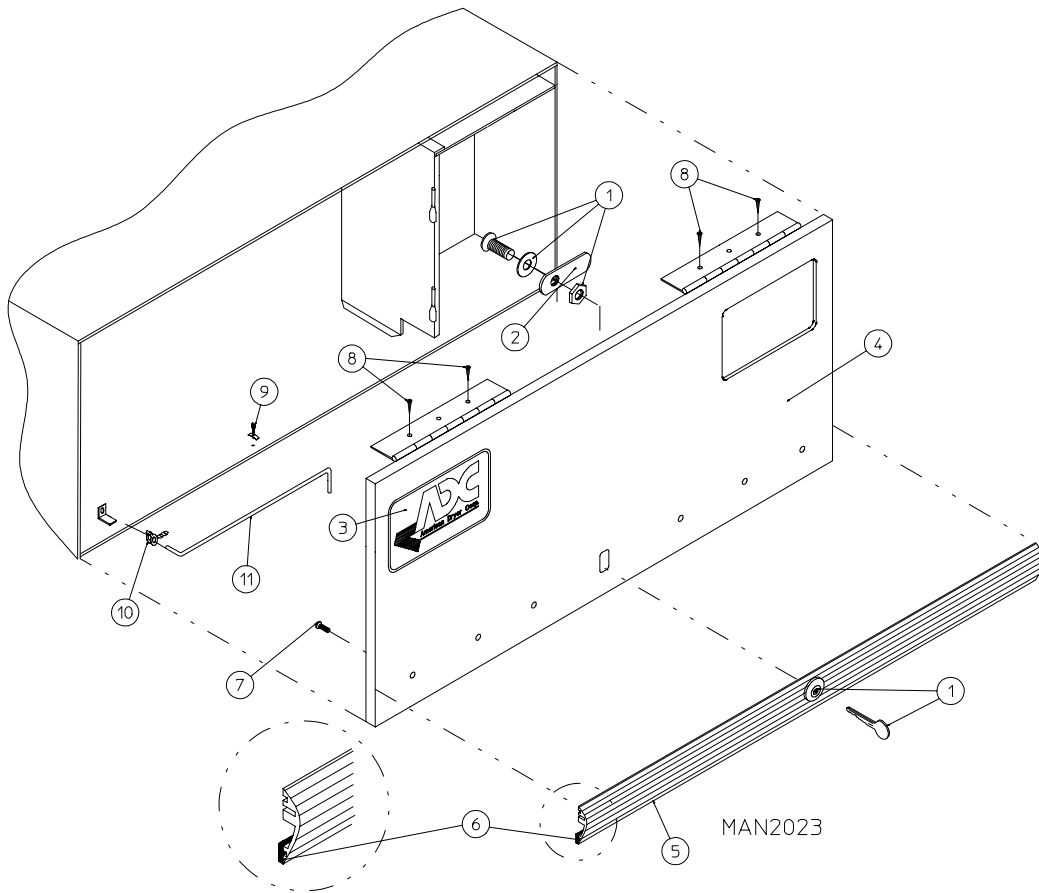
The illustrations on the following pages may not depict your particular dryer exactly. The illustrations are a composite of the various dryer models. Be sure to check the descriptions of the parts thoroughly before ordering.

"IMPORTANT NOTE TO PURCHASER"

Information must be obtained from your local gas supplier on the instructions to be followed if the user smells gas. These instructions must be posted in a prominent location near the dryer.

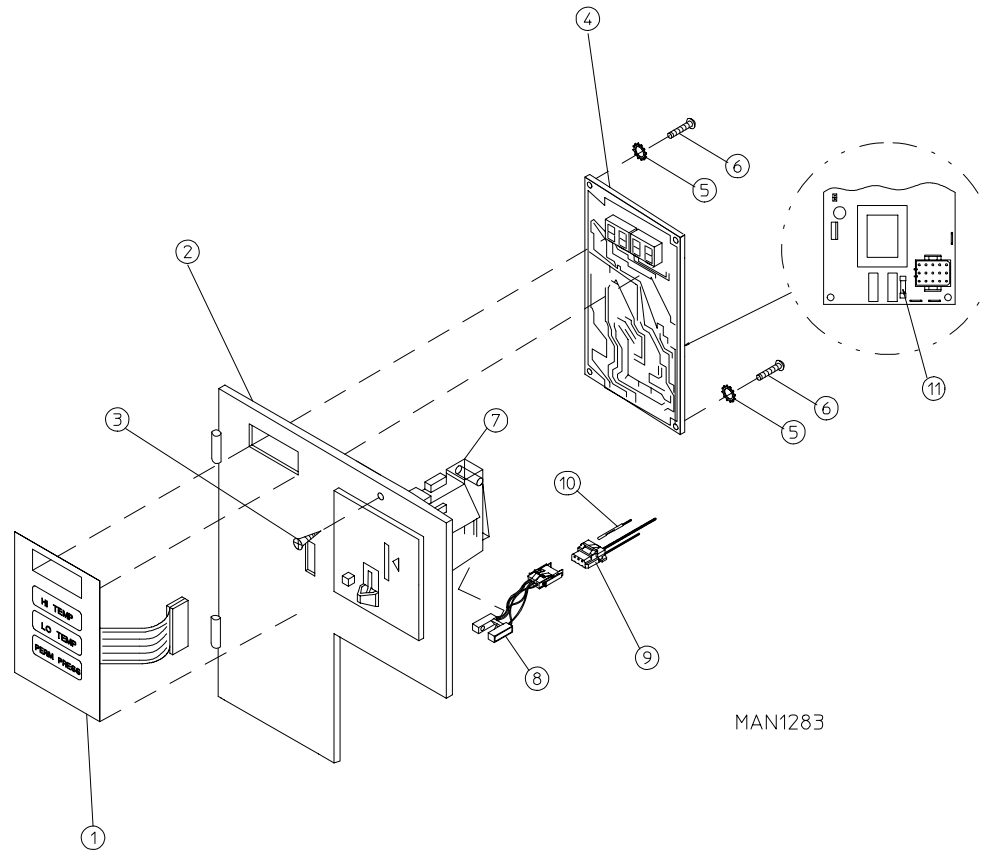
Table of Contents

High Security Control Door Assembly	2
Phase 5 Coin Microprocessor Control Panel Assembly	3
Phase 5 OPL Microprocessor Control Panel Assembly	4
Phase 5 OPL and Coin Microprocessor Control Box Assembly	5
Dual Timer Control Panel Assembly	6
Dual Timer Control Box Assembly	7
Non-Microprocessor Coin Meter Control Panel Assembly	8
Non-Microprocessor Coin Meter Control Box Assembly	9
Coin Meter Replacement Parts	10
Coin Vault Assembly	11
Main Door Assembly	12
Front Panel Assembly	13
Main Door Switch	14
Lint Trap Assembly	15
Drop Lint Door Assembly	16
Tumbler/Support Assemblies	17
Tumbler Bearing Assembly	18, 19
Idler Bearing Assembly	20, 21
Non-Reversing Totally Enclosed, Fan-Cooled Motor Mount Assembly	22, 23
Reversing Totally Enclosed, Fan-Cooled Motor Mount Assembly	24, 25
Sensor Bracket Assemblies	26, 27
Direct Spark Ignition (DSI) Burner Assembly	28, 29
Electric Oven Assembly	30, 31
Steam Coil/Air Operated Steam Damper Assembly	32, 33
Sail Switch/Hi-Limit Assembly	34
Single Phase Motor, Electric Relay Panel Assembly	35
3-Phase Motor, Electric Relay Panel Assembly	36
Microprocessor Reversing Rear Control Box Assembly	37
Dual Timer Reversing Rear Control Box Assembly	38
Outer Top/Back Guard Assemblies	39
Electric Oven Chart	40
Transformer Listing Gas/Steam Dryers	41
Transformer Usage Listing for Electric Dryers	42
Coin Acceptors Listing	43
Additional Parts Available	44



<u>Illus. No.</u>	<u>Part No.</u>	<u>Qty.</u>	<u>Description</u>
1	160015	1	High Security MK-100 Lock Assembly with Key (for Coin models Only)
	160104	1	MK-100 Key ONLY
	160017	1	Special Dummy Lock ONLY (for Non-Coin models Only)
2	160032	1	Lock Cam ONLY
3	881053	1	ADC Logo with Tape Kit
	112350	1	ADC Logo ONLY
	870011	1	Double Sided Tape Kit
4*	800022	1	High Security Control Door Assembly Less Lock (includes illus. nos. 4 through 7)
	800141	1	High Security Stainless Steel Control Door Assembly Less Locks (includes illus. nos. 4 through 7)
5	180201	1	Top Trim with Lock Hole
6	117603	3	Suppressor Tape/Gasket (sold by the foot) For models mfd. as of February 6, 1995
	102307	3	Trim Bumper Gasket (sold by the foot) For models mfd. prior to February 6, 1995
7	150201	5	#10-32 x 1/4" Phillips Round Head Machine Screw
8	150300	4	#10 x 1/2" Hex Washer TEK Screw
9	102600	1	Control Door Support Rod Catch
10	102601	1	Control Door Rod Retainer Clip
11	102502	1	Control Door Support Rod

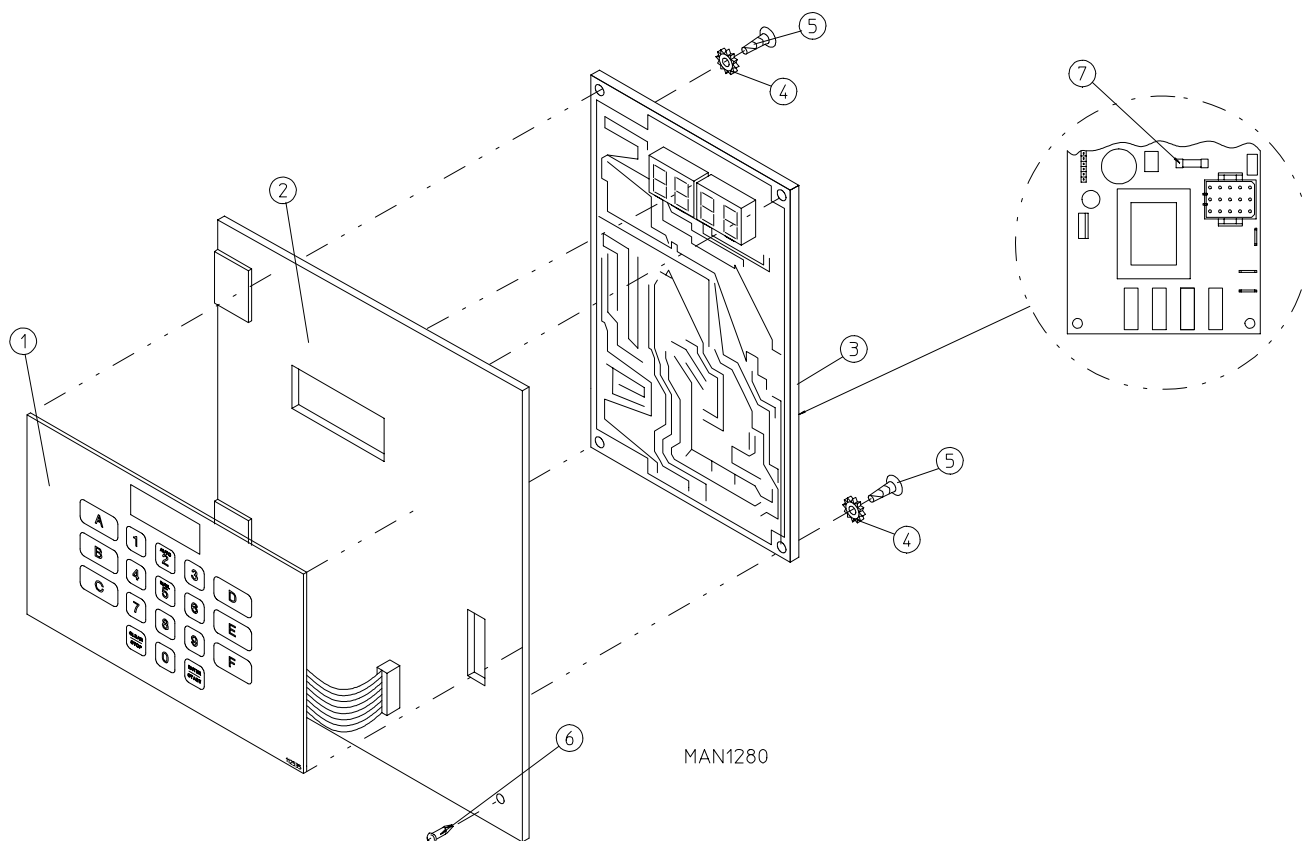
* Specify color when ordering.



<u>Illus. No.</u>	<u>Part No.</u>	<u>Qty.</u>	<u>Description</u>
1	112526	1	Coin Keyboard Label Assembly
2	801213	1	Phase 5 Coin Control Panel Assembly (includes illus. nos. 1, 2, 4 through 6 and 11)
	801229	1	Phase 5 Coin Control Panel Assembly with Battery Option (includes illus. nos. 1, 2, 4 through 6 and 11)
	801259	1	Coin Control Panel ONLY
	801258	1	Coin Control Panel with Battery Bracket
3	150309	1	#10-16 x 1/2" Hex Head TEK Crimptite Screw
4	137213	1	Phase 5 Coin Controller ONLY
	824998	1	Phase 5 Battery Clip
5	153010	2	#6 Star Washer
6	150005	2	#6-32 x 1/4" Phillips Round Head Machine Screw
7	-----	1	Microprocessor Coin Acceptor with Optical Switch (refer to Microprocessor Coin Acceptor Listing on page 43)
8	137056	1*	Optic Switch ONLY
9	137023	1*	Optic Switch Connector ONLY
10	137021	3*	Microprocessor Socket ONLY
	880772	1	Single Coin Optical Switch Harness
	824080	1	Dual Coin Optical Switch Harness
	122800	1	Microprocessor (female) Pin Extraction Tool
11	136048	1	1/8-Amp (Slo Blo) Fuse

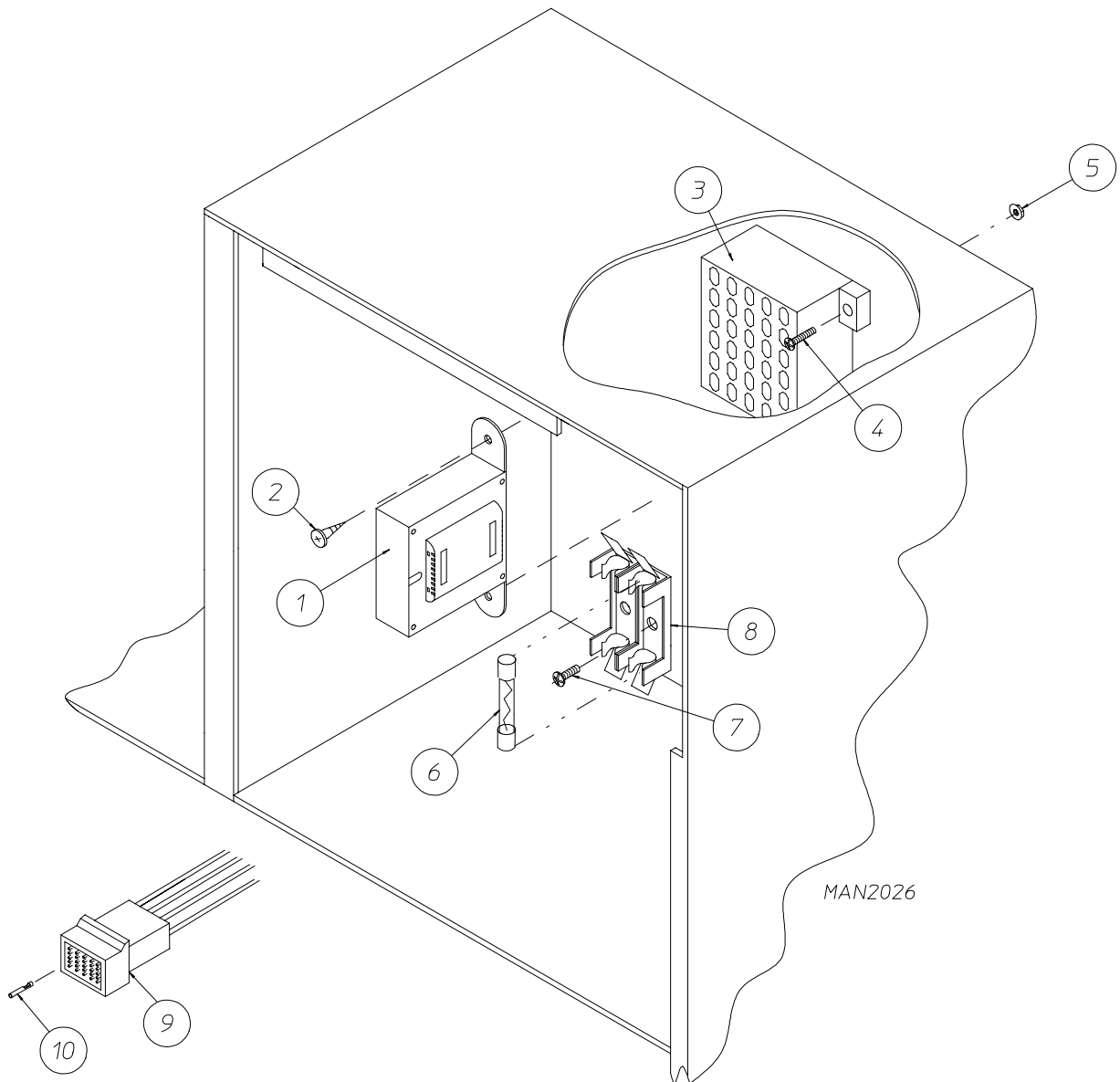
* For Dual Coin Models, double the quantity.

IMPORTANT: Check label on computer chip to verify correct part number for controller.



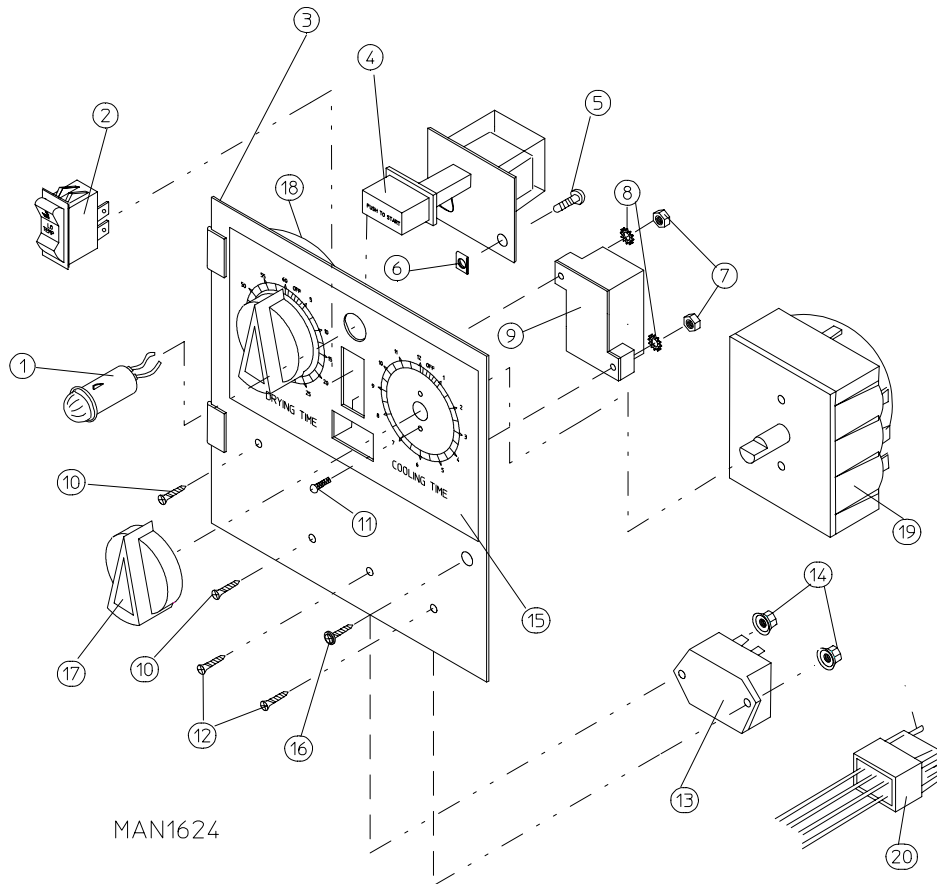
<u>Illus. No.</u>	<u>Part No.</u>	<u>Qty.</u>	<u>Description</u>
1	112535	1	OPL English Keyboard Label Assembly
	112276	1	OPL Stick-on Labels (English Only) ... Not Illustrated
	112275	1	OPL Stick-on Labels ... Not Illustrated (Spanish, Italian, and Hebrew)
	112277	1	3-Language OPL Stick-on Labels ... Not Illustrated (English, Spanish, and Hebrew)
	112278	1	5-Language OPL Stick-on Labels ... Not Illustrated (Italian, Dutch, French, German, and Chinese)
2	801255	1	Phase 5 Microprocessor Control Panel ONLY
	801256	1	Phase 5 Microprocessor Control Panel ONLY with Battery Bracket
	801206	1	Phase 5 OPL Non-Reversing Microprocessor Control Panel Assembly Complete (includes illus. nos. 1 through 6 and 7)
	801207	1	Phase 5 OPL Reversing Microprocessor Control Panel Assembly Complete (includes illus. nos. 1 through 6 and 7)
3	137222	1	Phase 5 OPL Non-Reversing Controller ONLY
	137231	1	Phase 5 OPL Reversing Controller ONLY
	824998	1	Phase 5 Battery Clip
4	153010	2	#6 Star Washer
	150005	2	#6-32 x 3/4" Phillips Round Head Machine Screw
6	150309	1	#10-16 x 1/2" Hex Head TEK Crimptite Screw
7	136048	1	1/8-Amp (Slo Blo) Fuse

IMPORTANT: Check label on computer chip to verify correct part number for controller.

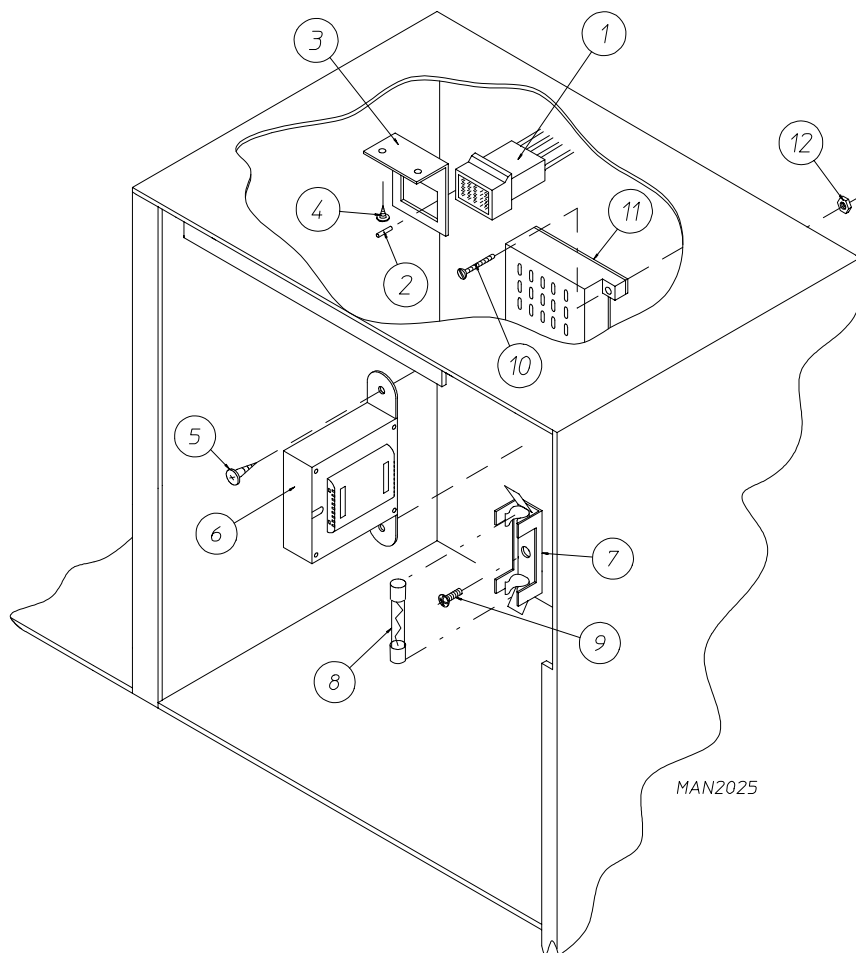


<u>Illus. No.</u>	<u>Part No.</u>	<u>Qty.</u>	<u>Description</u>
1	132070	1	24 VAC Transformer (84VA) For ALL Gas and Steam Models, and Electric Models of 380/416/480 Volt
	132070	1	24 VAC Transformer (for Electric Models of 208 /240 Volt)
2	150300	2	#10 x 1/2" Hex Washer TEK Screw
3	120715	1	30-Position Terminal Block
4	150002	2	#6-32 x 1" Phillips Round Head Machine Screw
5	151000	2	#6-32 Pal Nut
6	136057	*	1/2-Amp (Slo Blo) Fuse
7	150301	*	#8-18 x 7/16" Phillips Pan Head TEK Screw
8	136008	*	Fuse Block / Strip ONLY
9	122641	1	15-Pin Microprocessor Connector
10	122706	*	Socket

* As required.



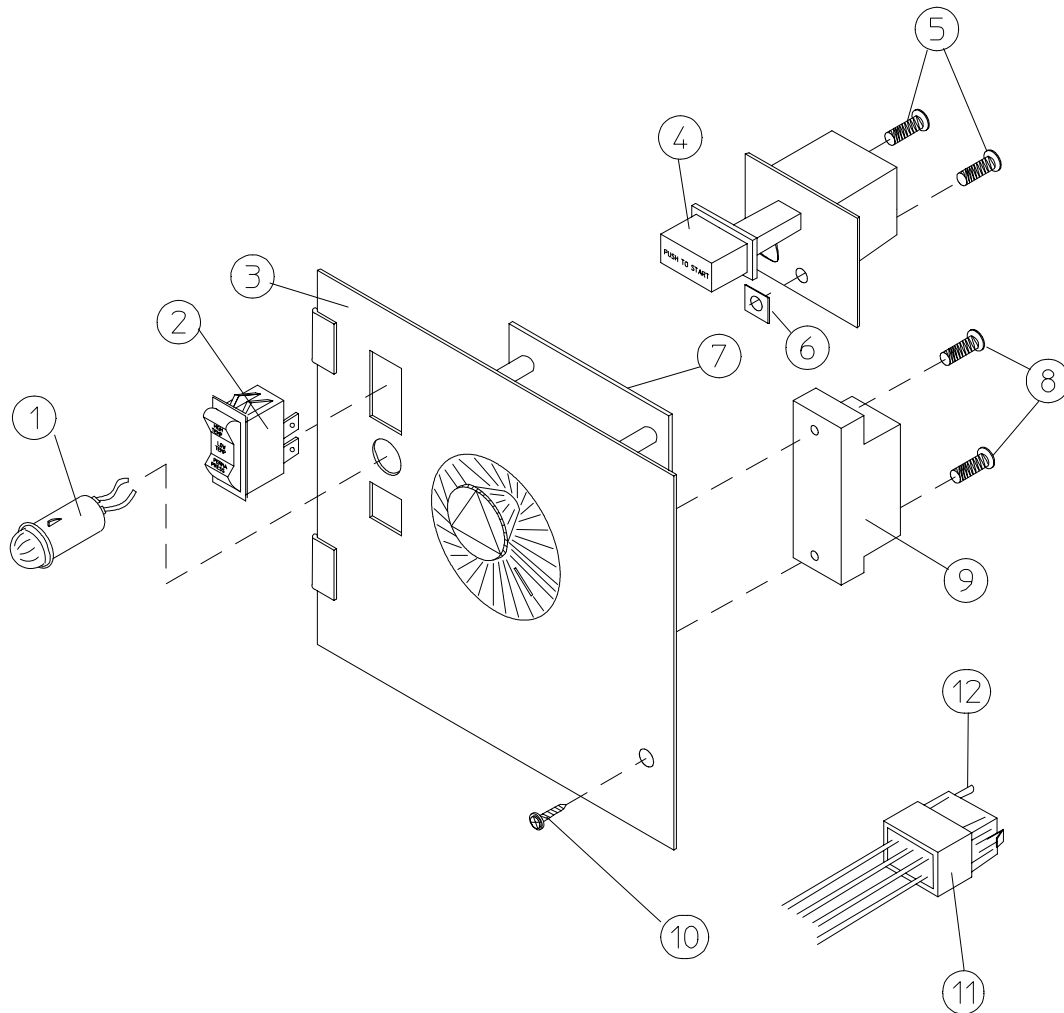
<u>Illus. No.</u>	<u>Part No.</u>	<u>Qty.</u>	<u>Description</u>
1	123005	1	Red Indicator Light - 24 VAC
2	122400	1	Rocker Heat Selector Switch
3	824015	1	Dual Timer Control Panel Assembly Complete - 24 VAC (includes illus. nos. 1 through 21)
	800051	1	Dual Timer Control Panel ONLY
4	131917	1	Push-to-Start Relay - 24 VAC
5	150207	2	#10-24 x 1/2" Round Head Machine Screw
6	154001	2	#10-24 Speed Nut
7	152000	2	#6-32 Hex Nut
8	153010	2	#6 Star Washer
9	120713	1	18-Position Terminal Block
10	150002	2	#6-32 x 1" Round Head Machine Screw
11	150110	4	#8-32 x 1/4" Phillips Machine Screw
12	150001	2	#6-32 x 1/2" Round Head Machine Screw
13	131931	1	Dual Timer Relay - 24 VAC
14	151000	2	#6-32 Pal Nut
15	112050	1	Dual Timer Label ONLY
16	150309	1	#10-16 x 1/2" Hex Head TEK Crimpite Screw
17	124103	2	Arrow Timer - 24 VAC
18	124025	1	60 Minute Timer - 24 VAC
19	124030	1	15 Minute Timer - 24 VAC
20	122602	1	9-Pin Connector ONLY
21	122700	8	Pin Terminal ONLY
--	122801	1	Pin / Socket Extraction Tool



<u>Illus. No.</u>	<u>Part No.</u>	<u>Qty.</u>	<u>Description</u>
1	122603	1	9-Pin Socket Connector
2	122701	9	Socket Terminal ONLY
	122801	1	Pin/Socket Extraction Tool
3	315010	1	9-Pin Connector Bracket
4	150300	2	#10 x 1/2" Hex Washer TEK Screw
5	150300	2	#10 x 1/2" Hex Washer TEK Screw
6	132070	1	24 VAC Transformer (84VA)
			For ALL Gas and Steam Models, and Electric Models of 380416/480 Volt
	132070	1	24 VAC Transformer (for Electric Models of 208 Volt/240 Volt)
7	136008	*	Fuse Block / Strip ONLY
8**	136057	*	1/2-Amp (Slo Blo) Fuse
9	150301	*	#8 x 7/16" Phillips Pan Head TEK Screw
10	150002	2	#6-32 x 1" Phillips Round Head Machine Screw
11	120715	1	30-Position Terminal Block
12	151000	2	#6-32 Pal Nut

* As required.

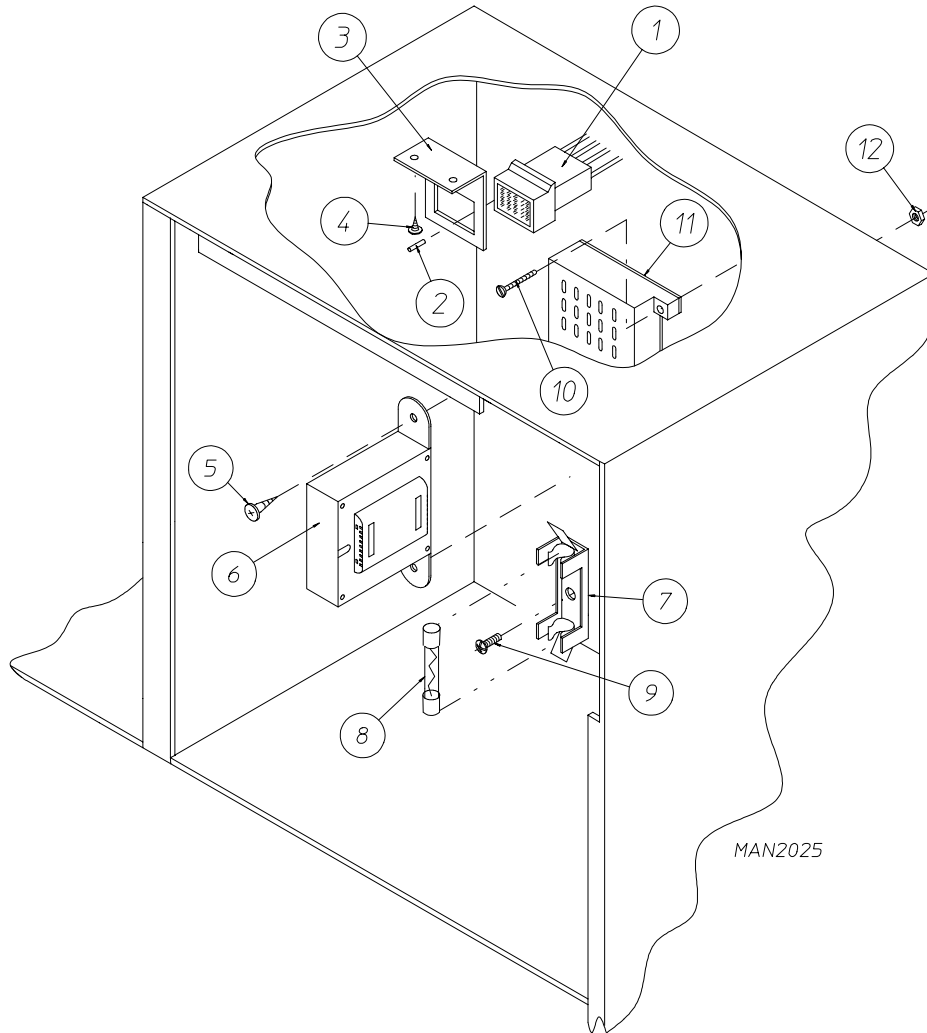
** Check fusing on dryer for verification.



MAN1625

<u>Illus. No.</u>	<u>Part No.</u>	<u>Qty.</u>	<u>Description</u>
1	123005	1	Red Indicator Light - 24 VAC
2	122400	1	Rocker Heat Selector Switch
3	824020	1	Coin Meter Control Panel Assembly Complete - 24 VAC (includes illus. nos. 1 through 6 and 8 through 12)
	800054	1	Coin Meter Control Panel ONLY
4	131917	1	Push-to-Start Relay - 24 VAC
5	150207	2	#10-24 x 1/2" Round Head Machine Screw
6	154001	2	#10-24 Speed Nut
7*	125601	1	25¢ Coin Meter 24v (Specify Timing)
8	150303	2	#4 x 3/4" Pan Head "A" Screw
9	120712	1	12-Position Terminal Block
10	150309	1	#10-16 x 1/2" Hex Head TEK Crimptite Screw
11	122602	1	9-Pin Connector ONLY
12	122700	9	Pin Terminal ONLY
--	122801	1	Pin/Socket Extraction Tool

* Consult factory for coin meters not listed

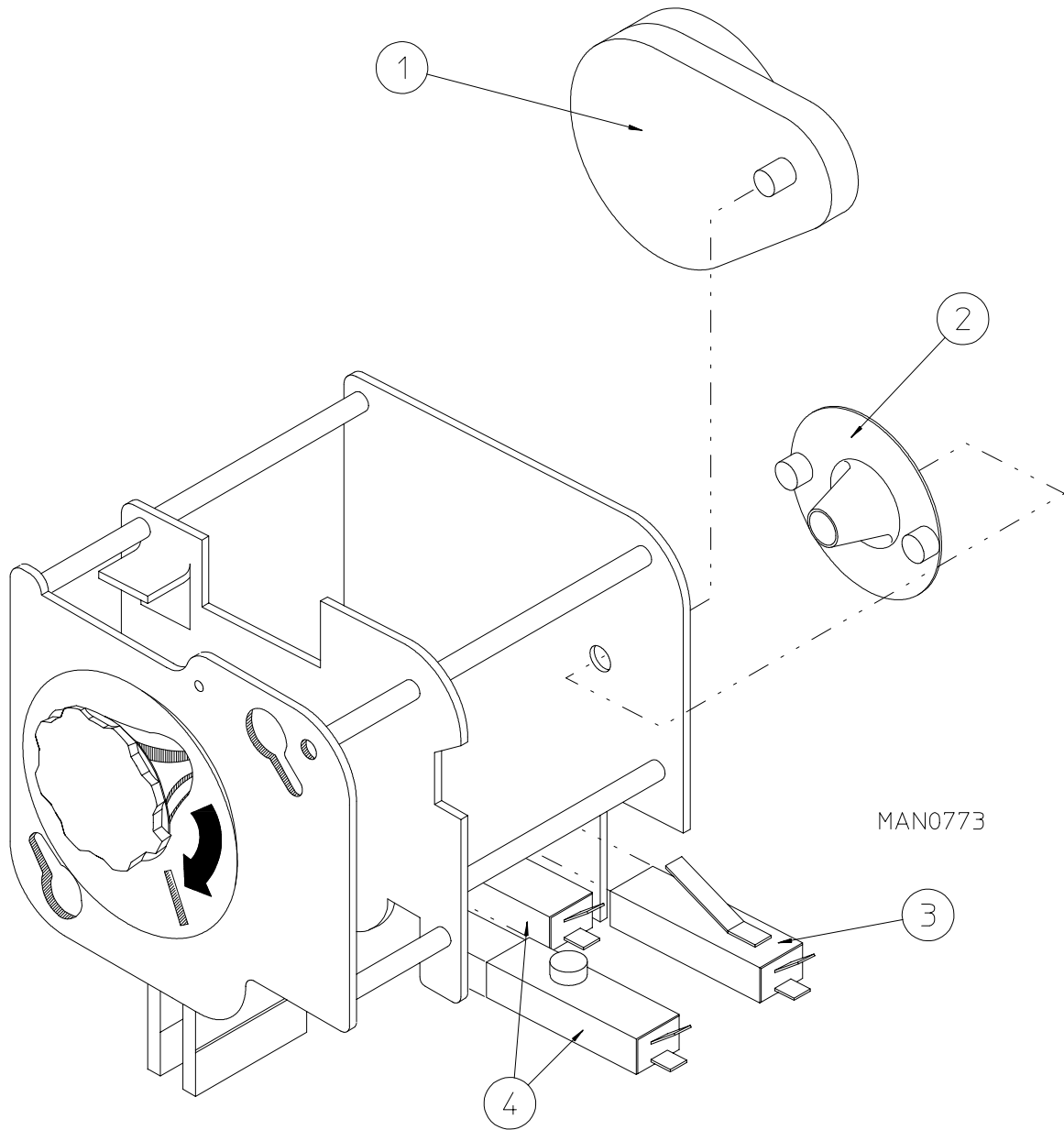


MAN2025

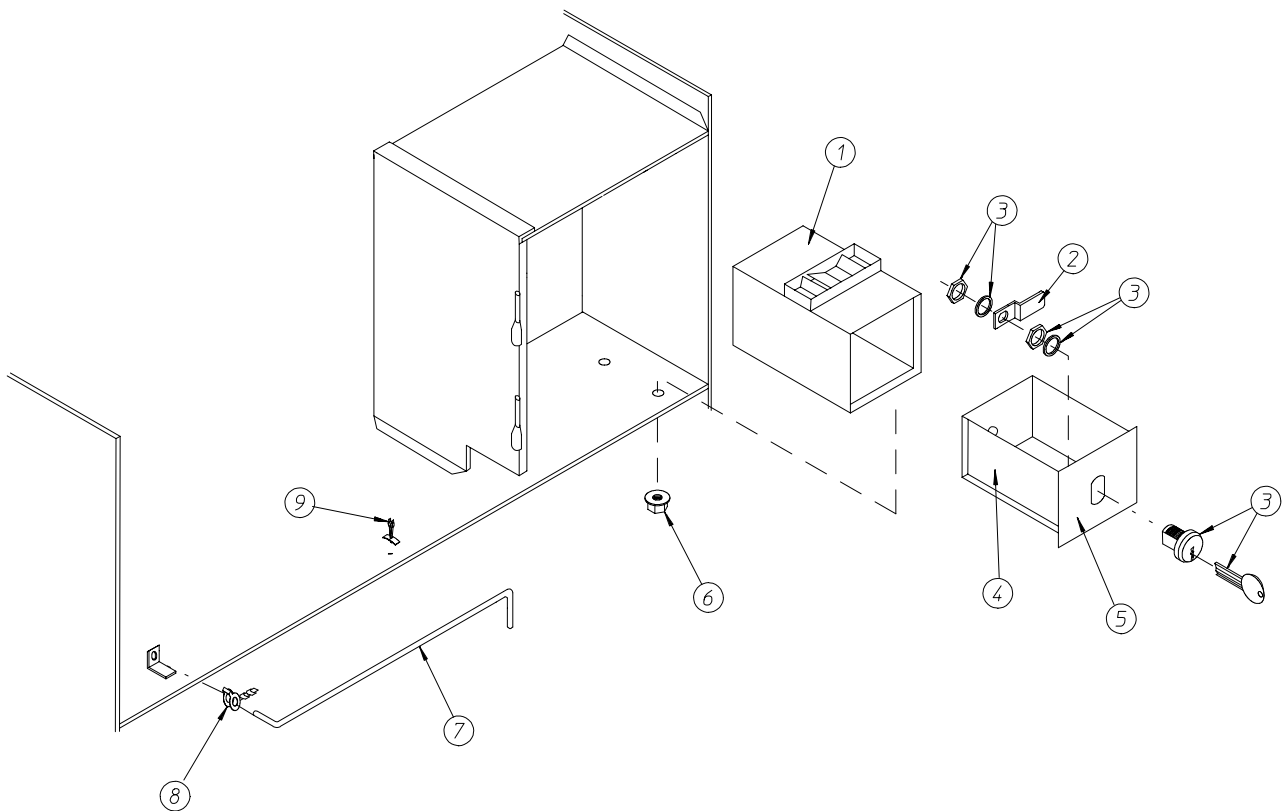
<u>Illus. No.</u>	<u>Part No.</u>	<u>Qty.</u>	<u>Description</u>
1	122603	1	9-Pin Socket Connector
2	122701	9	Socket Terminal ONLY
	122801	1	Pin/Socket Extraction Tool
3	315010	1	9-Pin Connector Bracket
4	150300	2	#10 x 1/2" Hex Washer TEK Screw
5	150300	2	#10 x 1/2" Hex Washer TEK Screw
6	132070	1	24 VAC Transformer (84VA)
			For ALL Gas and Steam Models, and Electric Models of 380/416/480 Volt
	132070	1	24 VAC Transformer (for Electric Models of 208/240 Volt)
7	136008	*	Fuse Block / Strip ONLY
8**	136057	*	1/2-Amp (Slo Blo) Fuse
9	150301	*	#8 x 7/16" Phillips Pan Head TEK Screw
10	150002	2	#6-32 x 1" Phillips Round Head Machine Screw
11	120715	1	30-Position Terminal Block
12	151000	2	#6-32 Pal Nut

* As required.

** Check fusing on dryer for verification.



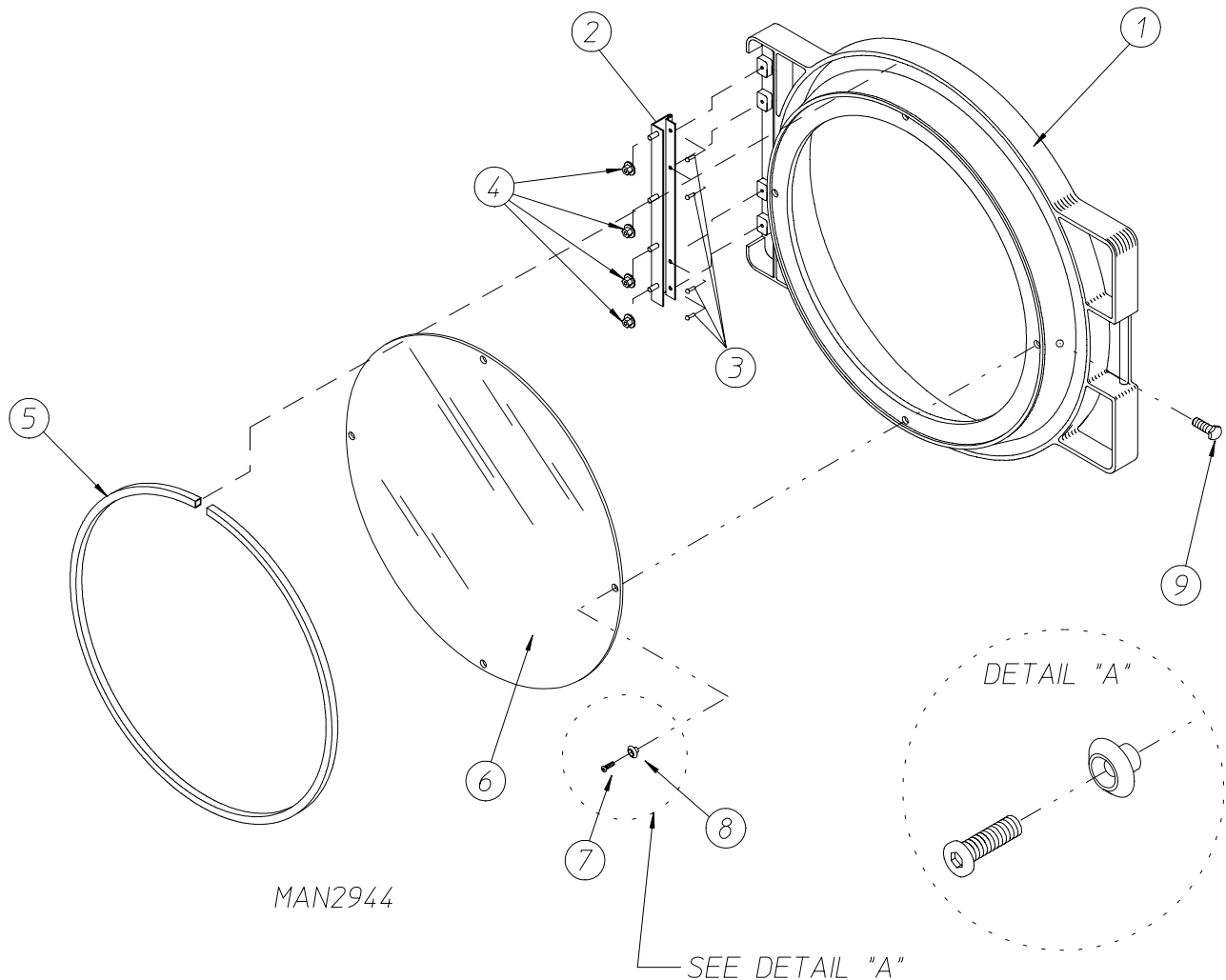
<u>Illus. No.</u>	<u>Part No.</u>	<u>Qty.</u>	<u>Description</u>
1	125541	1	1/60 RPM 24v / 60 Hz Meter Motor
	125540	1	1/30 RPM 24v / 50 Hz Meter Motor
2	125500	1	2-Point Cam
	125501	1	3-Point Cam
	125502	1	4-Point Cam
	125503	1	5-Point Cam
	125504	1	6-Point Cam
	125506	1	8-Point Cam
	125507	1	9-Point Cam
	125508	1	10-Point Cam
	125510	1	12-Point Cam
	3	125515	1
4	125516	2	Meter Switch "A" or "C"



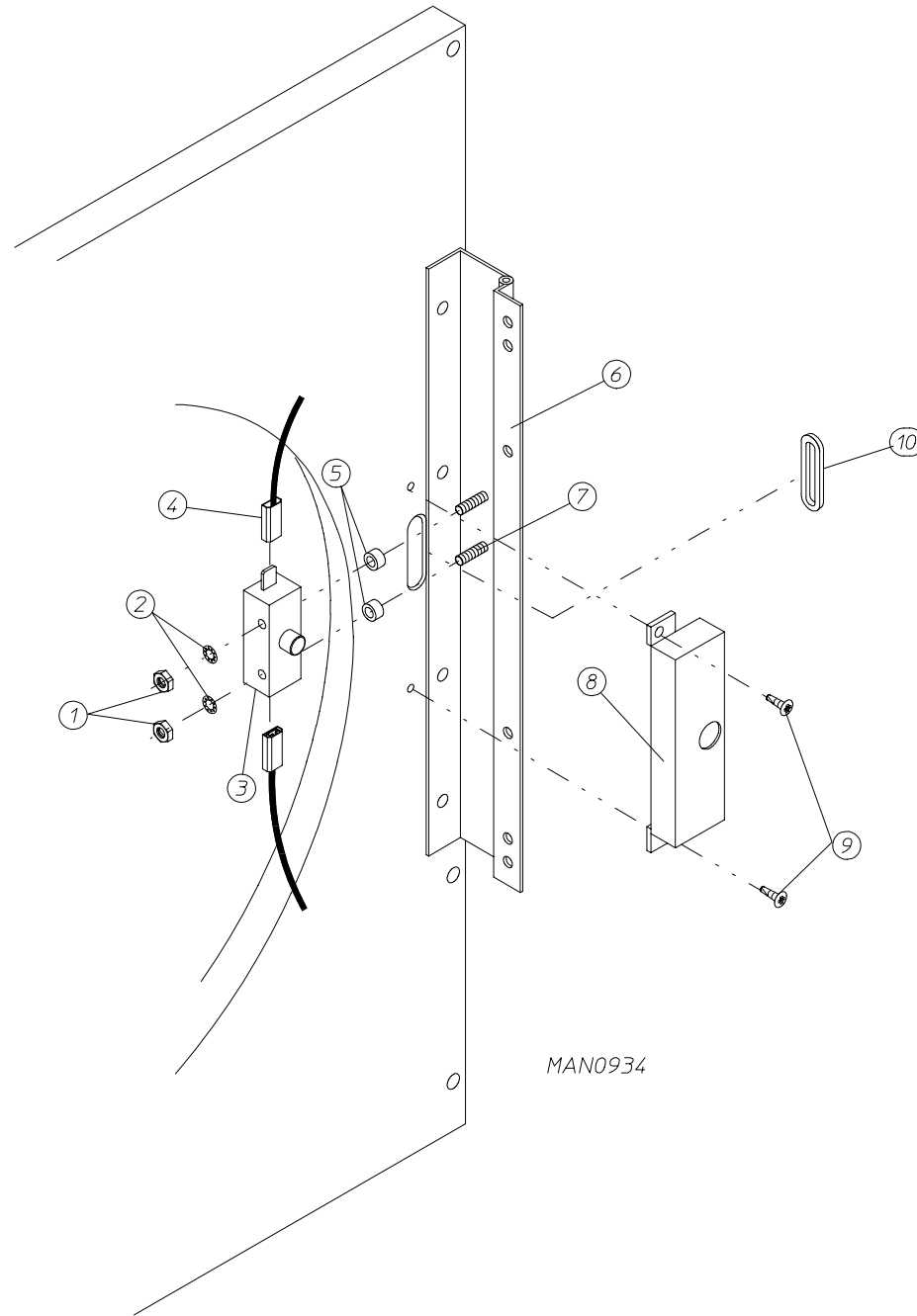
MAN1734

<u>Illus. No.</u>	<u>Part No.</u>	<u>Qty.</u>	<u>Description</u>
1	802112	1	Microprocessor Coin Vault Assembly Complete (includes illus. nos. 1 through 6)
	802117	1	Microprocessor Coin Vault ONLY
	802110	1	Non-Microprocessor Coin Vault Assembly Complete (includes illus. nos. 1 through 6)
	802115	1	Non-Microprocessor Coin Vault ONLY
2	160006	1	Cam for 1/4 Turn Lock ONLY
3	875061	1	1/4 Turn Lock with Key and Cam
	160105*	1	1/4 Turn Mer-Pel Key ONLY
4	802020	1	1/4 Turn Coin Box Assembly (includes illus. nos. 2 through 5)
	802019	1	1/4 Turn Coin Box Only without Face Plate
	125915	1	High Security (Greenwald) Coin Box ONLY with Key
5	802018	1	1/4 Turn Coin Box Face Plate Assembly (includes illus. nos. 2 through 5)
6	152014	4	1/4 -20 Freespin Wash Nut
7	102502	1	Control Door Support Rod
8	102601	1	Control Door Rod Retainer Clip
9	102600	1	Control Door Rod Catch

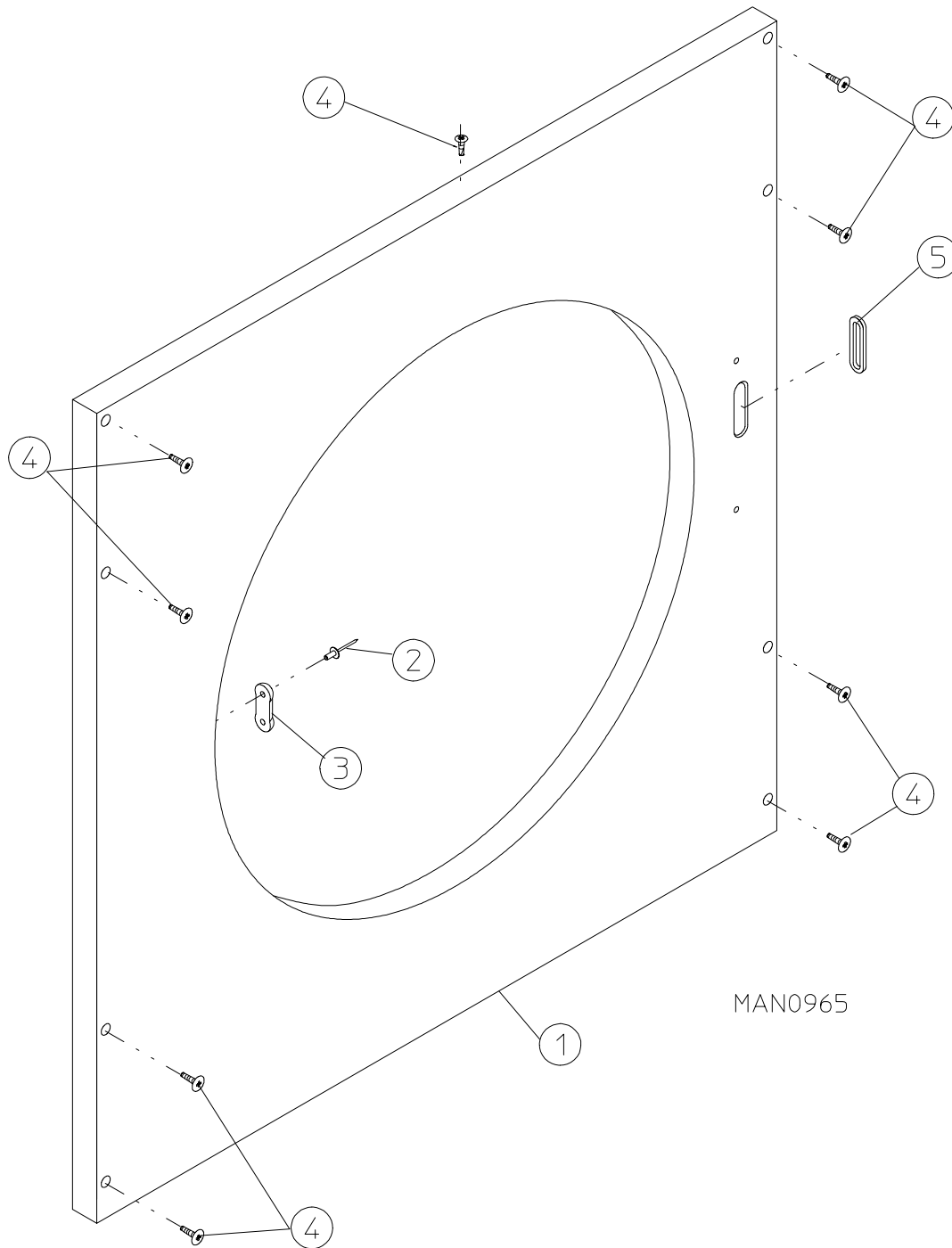
* Specify key number when ordering.



<u>Illus. No.</u>	<u>Part No.</u>	<u>Qty.</u>	<u>Description</u>
1	881421	1	Gray Plastic Main Door Assembly Complete with Mechanical Fasteners (includes illus. nos. 1 and 5 through 9)
2	800448	4	12-1/2" Stainless Steel Main Door Hinge Assembly
3	150410	4	#10-24 x 3/8" Phillips Pan Head Taptite Screw
4	152014	1	1/4-20 Free Spin Wash Nut
5	102349	1	Main Door Gasket
6	102212	1	20-7/16" Door Glass with (4) Holes
	170730	1	Main Door Glass Adhesive (10.3 oz. cartridge)
7	150448	4	1/2" Stainless Steel Flat Head Allen Screw
8	170319	4	Door Glass (Nylon) Spacer
9	150431	1	Main Door Latch Screw (#10 x 7/16" Dome Hex Head)

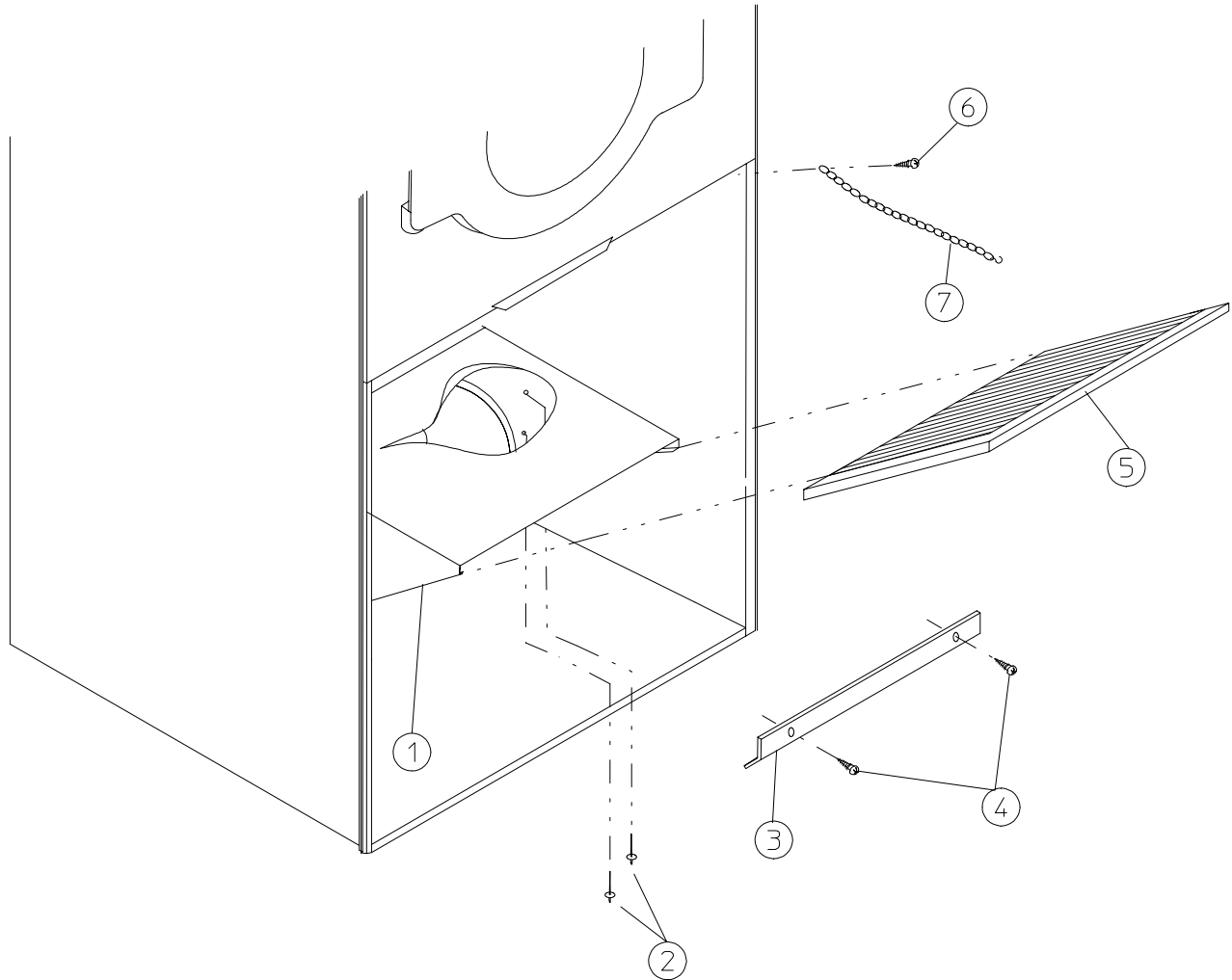


<u>Illus. No.</u>	<u>Part No.</u>	<u>Qty.</u>	<u>Description</u>
1	152013	2	#6-32 Hex Nut
2	153008	2	#6 Lock Washer
3	137005	1	Single Pole Door Switch
4	121028	2	Insulated Female Terminal
5	154281	2	3/8" Standard Nylon Spacers
6	800448	1	12-1/2" Stainless Steel Main Door Hinge Assembly (includes illus. nos. 6 and 7)
7	153565	2	#6 Stud
8	313218	1	Main Door Switch Housing ONLY
9	150201	2	#10-32 x 1 / 4" Phillips Pan Head Screw
10	121405	1	Rubber Grommet



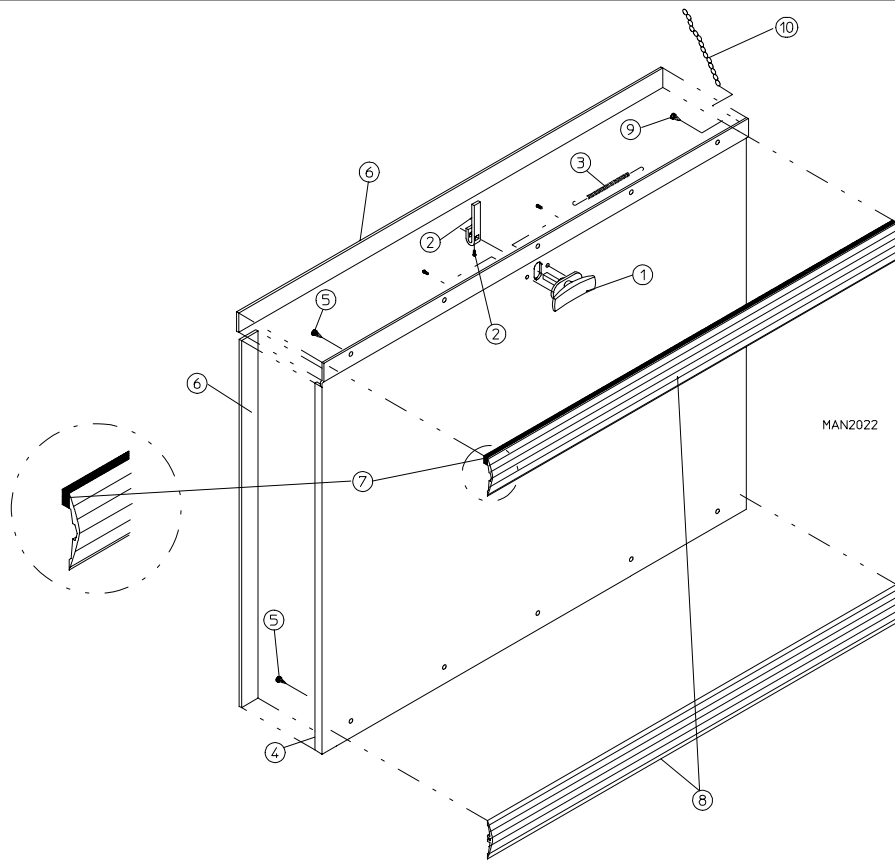
<u>Illus. No.</u>	<u>Part No.</u>	<u>Qty.</u>	<u>Description</u>
1	875301*	1	Insulated Front Panel Assembly Complete - Latch Type (includes illus. nos. 1 through 3 and 6)
	875312	1	Stainless Steel R.H. Insulated Front Panel Assembly Complete - Latch Type (includes illus. nos. 1 through 3 and 5)
2	154215	2	1/8" Pop Rivet
3	170330	1	Friction Door Latch
4	150309	9	#10-16 x 1/2" Hex Head TEK Crimptite Screw
5	121405	1	Rubber Grommet

* Specify color when ordering.



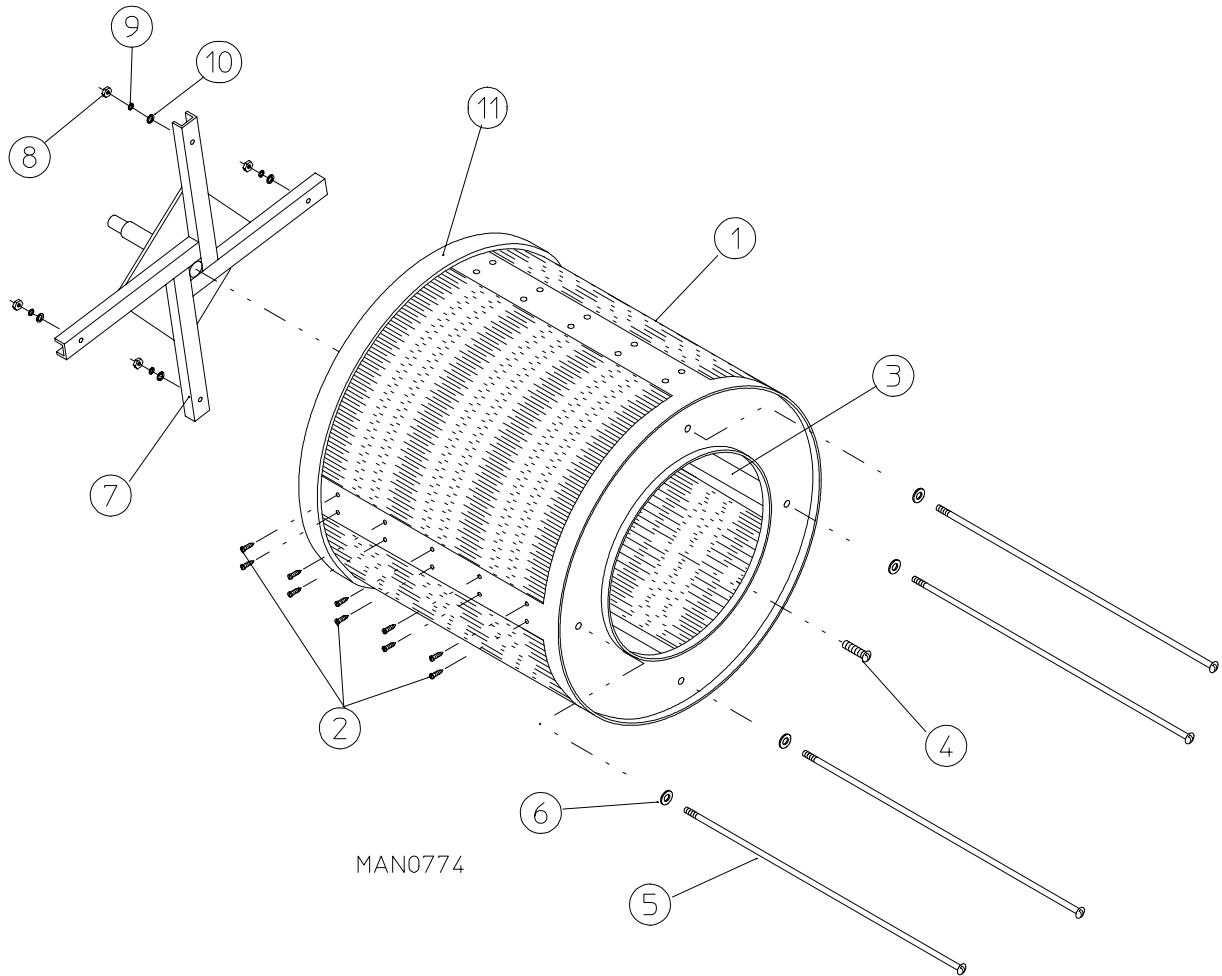
MAN0107

Illus. No.	Part No.	Qty.	Description
1	881064	1	Lint Trap Assembly Complete (includes illus. nos. 1 and 3 through 5)
	881063	1	Lint Trap ONLY
2	154200	7	5/32" Pop Rivet
3	150300	3	#10 x 1/2" Hex Washer TEK Screw
4	304100	1	Lint Screen Hold Down
5	800506	1	Lint Screen ONLY
6	150419	2	#6 x 1/2" Tamper Proof TEK Screw
7	108120	1	Chain For Drop Lint Door
--	150418	1	Tamper Proof Screw Hand Driver



<u>Illus. No.</u>	<u>Part No.</u>	<u>Qty.</u>	<u>Description</u>
1	160001	1	AD-100 Lock Assembly with Key
	160103	1	AD-100 Key Only
	800150	1	Knob Latch Kit Assembly (for Non-Coin models) (includes illus. nos. 1 and 2)
	160200	1	Knob Latch Kit with Two (2) Screws (for Non-Coin models)
	160003	1	Dummy Lock Only (for Non-Coin models)
	160104	1	MK-100 Key Only
2	160008	1	Lock Cam For AD-100 Lock
	160009	1	Knob Latch Adjustable Cam (for Non-Coin models)
	150425	1	#12-24 x 3/8" Round Head Machine Screw (for Knob Latch Adjustable Cam)
3	157000	1	Drop Lint Door Spring
4	800219*	1	Super AD-50 Drop Lint Door Assembly (includes illus. nos. 4 through 8)
	800232*	1	Super AD-50 Insulated Drop Lint Door Assembly (includes illus. nos. 4 through 8)
	800243	1	Super AD-50 Stainless Steel Drop Lint Door Assembly
5	150201	10	#10-32 x 1/4" Phillips Pan Head Machine Screw
6	117600	7	Noise Suppressor Tape (sold by the foot)
7	117603	3	Suppressor Tape/Gasket (sold by the foot)
8	180211	2	SUPER AD-50 Trim / Kick Plate (31-1 / 8" length)
	150419	2	#6 x 1/2" Tamper Proof Screw
9	150418	1	Tamper Proof Screw Hand Driver
	108120	1	Chain for Drop Lint Door

* Specify color when ordering.

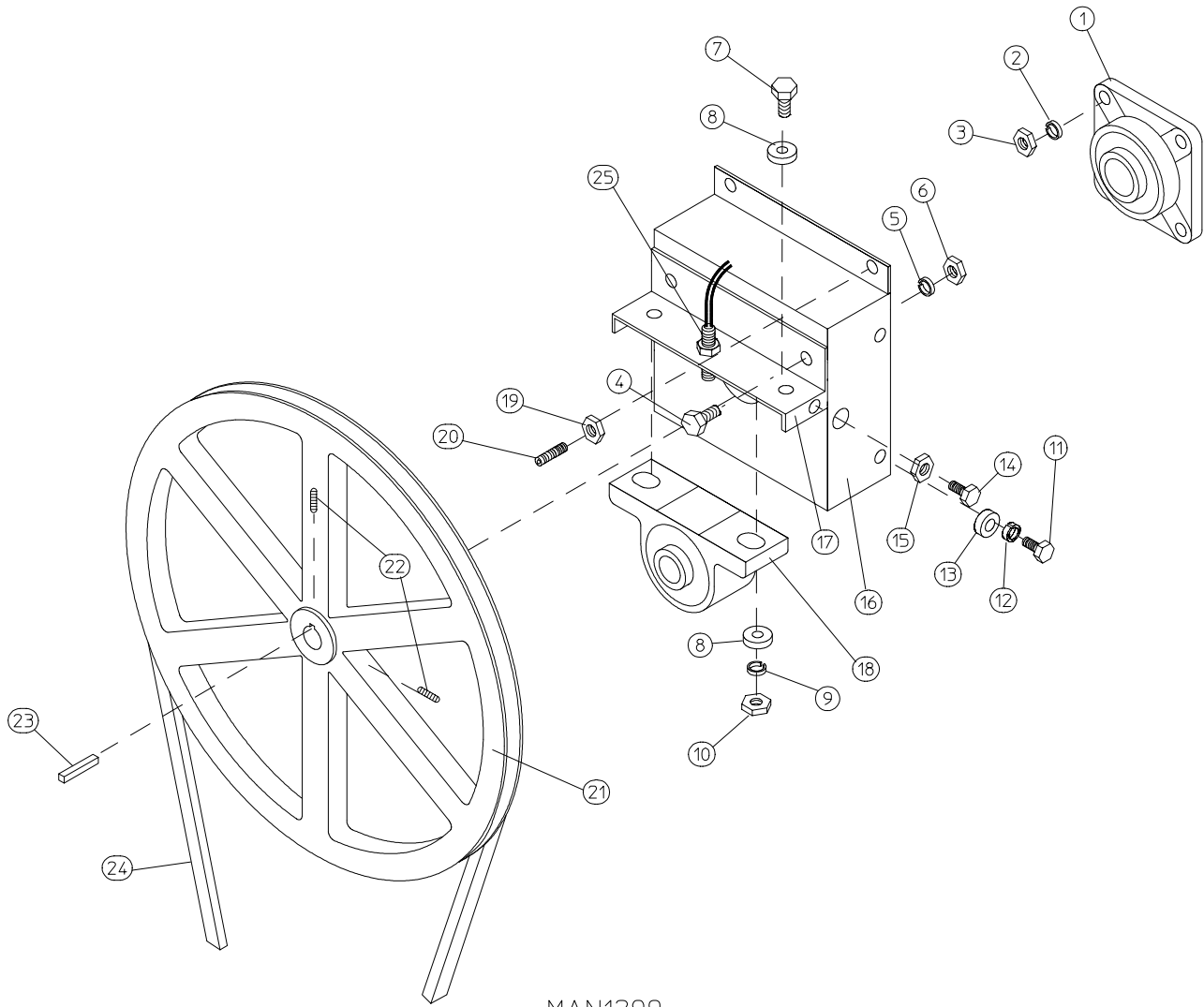


MAN0774

Illus. No.	Part No.	Qty.	Description
1*	800838	1	SUPER AD-50 Tumbler ONLY with Tapered Rib (without felt collar)
	800837**	1	SUPER AD-50 Non-Reversing Tumbler and Support Assembly with Tapered Rib (includes illus. nos. 1 through 10)
	800839**	1	SUPER AD-50 Reversing Tumbler and Support Assembly with Tapered Rib (includes illus. nos. 1 through 10)
2	150309	40	#10-16 x 1/2" Hex Head TEK Crimptite Screw
3	301302	2	SUPER AD-50 Tumbler Rib ONLY (Low Rib)
	301311	2	SUPER AD-50 Tapered Tumbler Baffle Rib ONLY (High Rib)
4	150500	1	5/16-18 x 3/8" Socket Button Head Screw
5	100903	4	5/16-18 x 38-1/2" Tie Rod
6	153004	4	3/8" Flat Washer
7	800616	1	SUPER AD-50 Non-Reversing Tumbler Support ONLY
	800614	1	SUPER AD-50 Reversing Tumbler Support ONLY
8	152005	4	3/8-16 Hex Nut
9	153005	4	3/8" Lock Washer
10	153004	4	3/8" Flat Washer
11	116001	1	Felt Collar ONLY
---	401010	1	#847 Adhesive for Felt Collar (5.0 oz. tube)

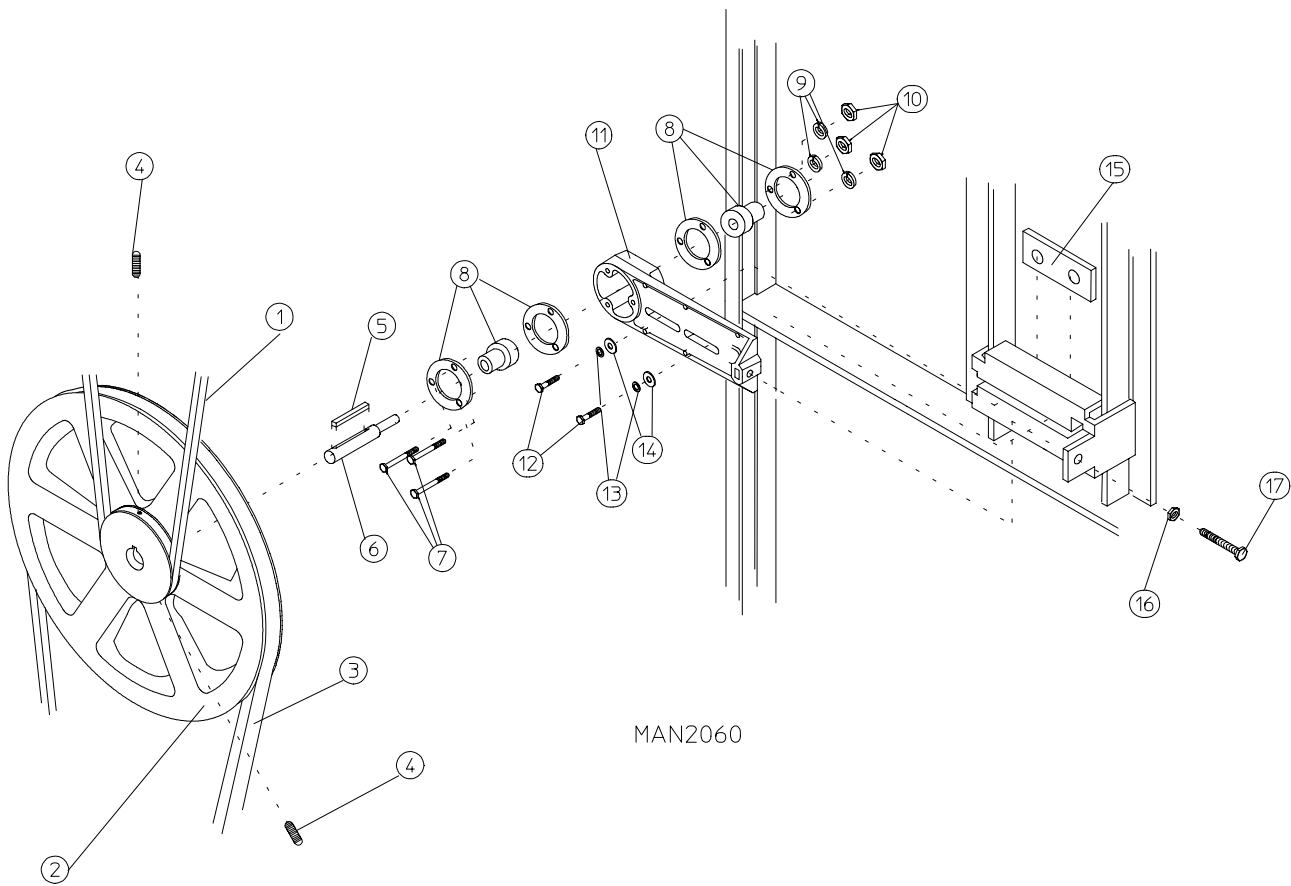
* For Stainless Steel tumbler, contact the factory.

** Felt collar *is not included* and **must be** ordered separately.



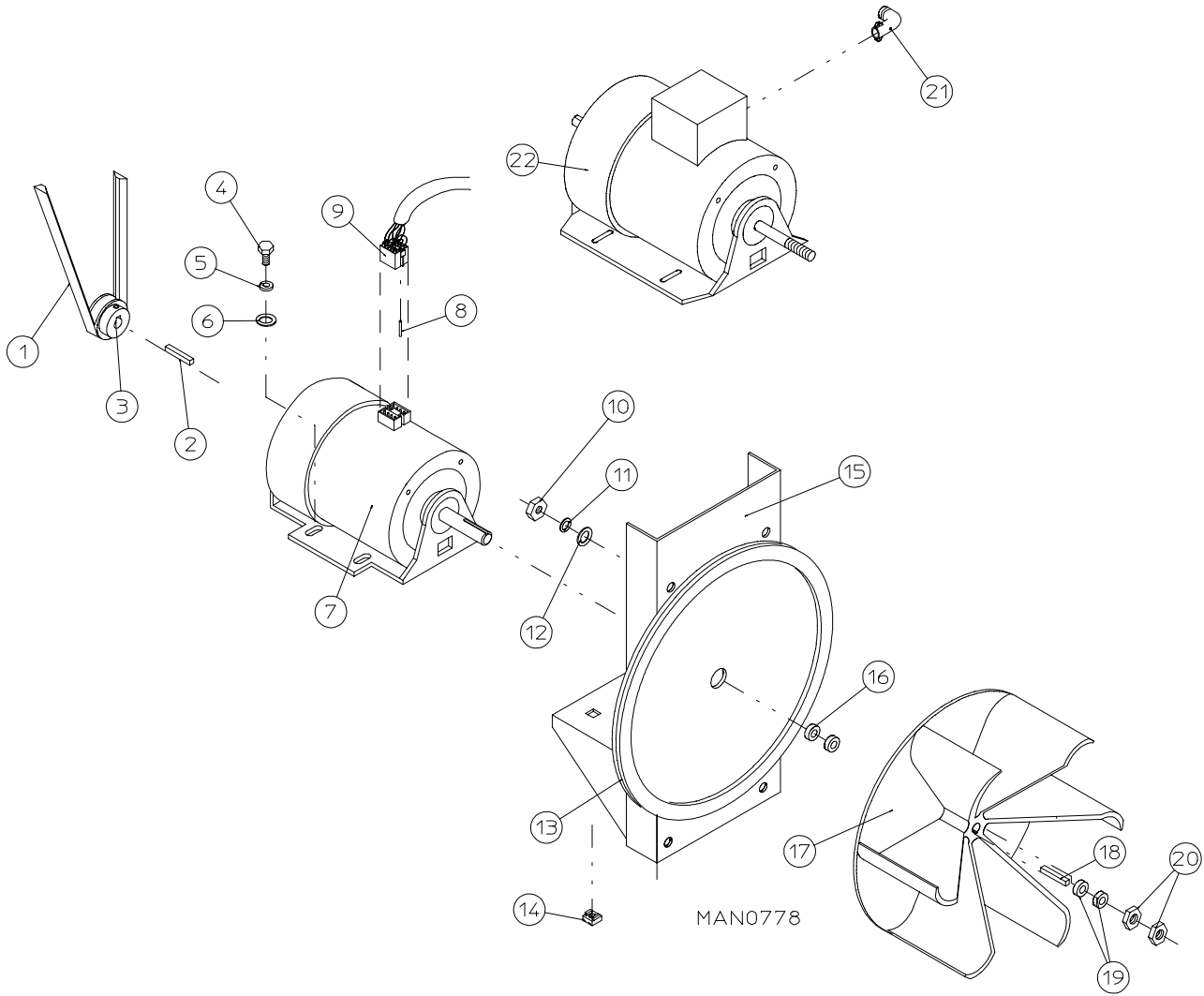
<u>Illus. No.</u>	<u>Part No.</u>	<u>Qty.</u>	<u>Description</u>
1	880220	1	1-3/4" Flange Bearing
2	153025	4	9/16" Lock Washer
3	152050	4	9/16-12 Hex Nut
4	150508	2	3/8-16 x 3/4" Hex Head Machine Bolt
5	153005	2	3/8" Lock Washer
6	152005	2	3/8-16 Hex Nut
7	150600	2	3/8-16 x 1-1/2" Hex Head Machine Bolt
8	153004	*	3/8" Flat Washer
9	153005	2	3/8" Lock Washer
10	152005	2	3/8-16 Hex Nut
11	150501	4	5/16-18 x 3/4" Hex Head Machine Bolt
12	153002	4	5/16" Lock Washer
13	153001	4	5/16" Flat Washer
14	150621	2	5/16-18 x 1-1/2" Hex Head Machine Bolt
15	152004	2	5/16-18 Hex Nut
16	801101	1	1-3/8" Bearing Box Assembly Complete (includes illus. nos. 4 through 20) For models mfd. without Rotational Sensor
	801103	1	1-3/8" Bearing Box and Support ONLY (includes illus. nos. 4 through 6, 16 and 17)
	801105	1	1-3/8" Bearing Box ONLY
17	801104	1	Pillow Block Bearing Support ONLY
18	880779	1	1-3/8" Pillow Block Bearing Assembly with Magnet (for models mfd. with Rotational Sensor)
	100202	1	1-3/8" Pillow Block Bearing
19	152004	2	5/16-18 Hex Nut
20	150610	2	5/16-18 x 1-1/2" Allen Set Screw
21	101100	1	18" Pulley (for Non-Reversing models Only)
	101118	1	18-3/4" Pulley (for Reversing models Only)
	101119	1	1-3/8" Taper Lock Hub (for Reversing models Only)
	100735	1	Shaft key (for taper lock hub)
22	154301	2	5/16-18 x 5/16" Allen Set Screw
23	100713	1	1/4" x 1/4" x 7/8" Key
24	100165	1	5L-610 V-Belt (tumbler to idler) For Non-Reversing models ONLY
	100106	1	5L-690 V-Belt (tumbler to idler) For reversing models ONLY
25	824807	1	Rotational Sensor Assembly

* As required.



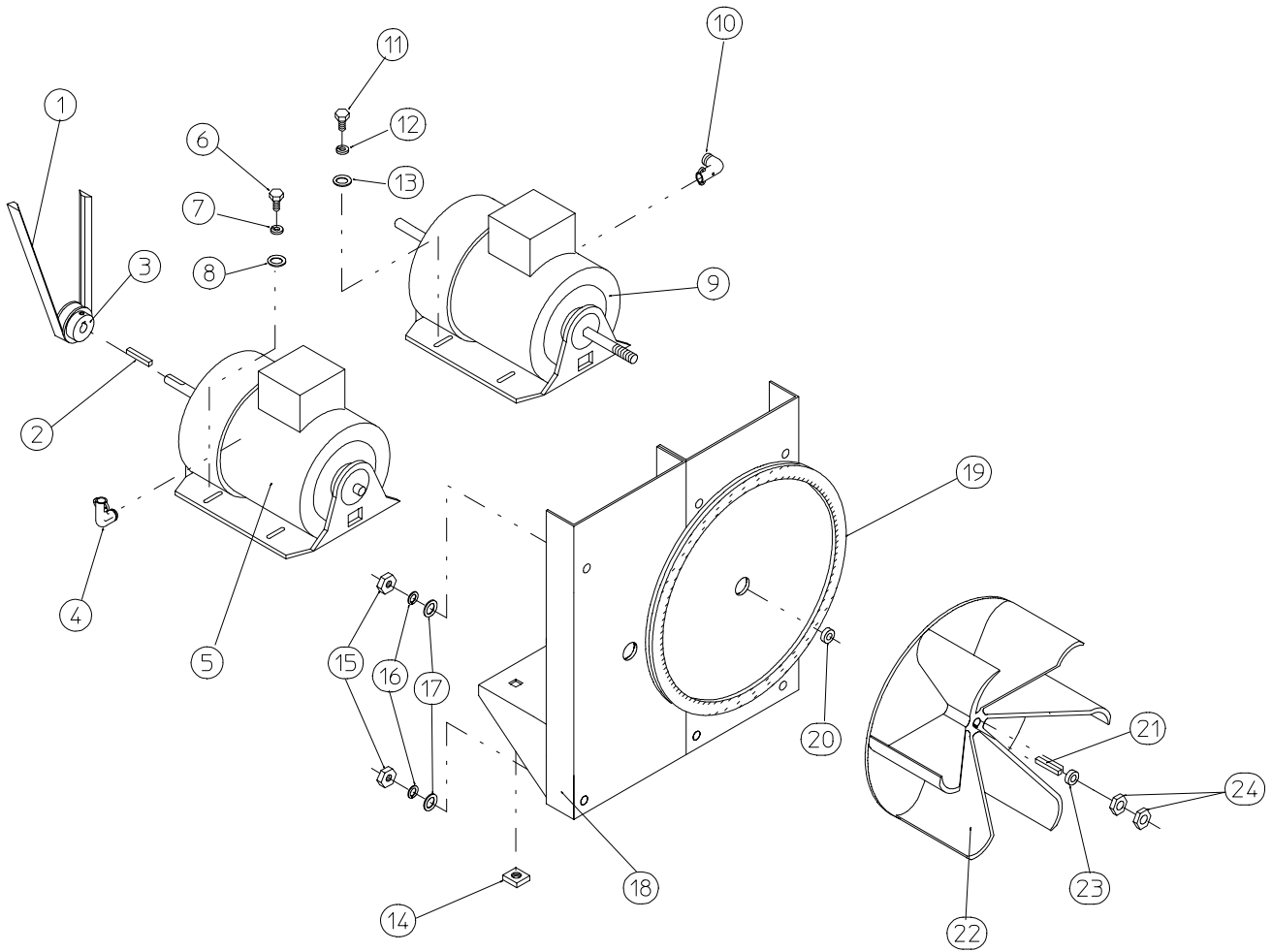
<u>Illus. No.</u>	<u>Part No.</u>	<u>Qty.</u>	<u>Description</u>
1	100165	1	5L-610 V-Belt (idler to tumbler) For Non-Reversing models ONLY
	100106	1	5L-690 V-Belt (idler to tumbler) For Reversing models ONLY
2	101140	1	14" x 3" Compound Pulley
3	100166	1	4L-790 V-Belt (idler to motor) 60 Hz (for Non-Reversing models Only)
	100167	1	4L-800 V-Belt (idler to motor) 50 Hz (for Non-Reversing models Only)
	100109	1	4L-650 V-Belt (idler to motor) 50/60 Hz (for Reversing models Only)
4	154301	2	5/16-18 x 5/16" Allen Set Screw
5	100705	1	3/16" x 3/16" x 1-3/8" Key
6	301850	1	5/8" x 3/4" Idler Shaft
7	150529	3	1/4-20 x 2-1/4" Carriage Bolt
8	100214	2	5/8" Flange Bearing
9	153007	3	1/4" Lock Washer
10	152002	3	1/4-20 Hex Nut
11	801007	1	Idler Bearing Assembly Complete (includes illus. nos. 5 through 17)
12	150617	2	3/8-16 x 1" Hex Head Machine Bolt
13	153005	2	3/8" Lock Washer
14	153004	2	3/8" Flat Washer
15	801009	1	Idler Square Washer
16	152004	1	5/16-18 Hex Nut
17	150509	1	5/16-18 x 3" Hex Head Machine Bolt

22 Non-Reversing Totally Enclosed, Fan-Cooled Motor Mount Assembly



<u>Illus. No.</u>	<u>Part No.</u>	<u>Qty.</u>	<u>Description</u>
1	100166	1	4L-790 V-Belt (to idler assembly) 50/60 Hz ONLY (for models as of January 30, 1998)
	100167	1	4L-800 V-Belt (to idler assembly) 50 Hz ONLY (for models prior to January 30, 1998)
2	100701	1	3/16" x 3/16" x 1" Key
3	101130	1	5/8" x 2-1/2" Motor Pulley (60Hz motors Only)
	101139	1	5/8" x 2-3/4" Motor Pulley (50Hz motors Only)
4	150501	4	5/16-18 x 3/4" Hex Head Machine Bolt
5	153002	4	5/16" Lock Washer
6	153001	4	5/16" Flat Washer
7	100073	1	1 HP 115-230v / 1 ϕ / 60 Hz T.E.F.C Motor (plug type)
	181016	1	3/4 HP 240v / 1 ϕ / 60 Hz T.E.F.C. Motor (plug type) (for models mfd. as of February 21, 1995)
8	122701	8	Socket Terminal ONLY
	122801	1	Pin / Socket Extraction Tool
9	137030	1	8-Pin Housing Connector
10	152004	4	5/16-18 Hex Nut
11	153002	4	5/16" Lock Washer
12	153001	4	5/16" Flat Washer
13	117600	4	Noise Suppressor Tape (sold in feet)
14	154000	4	5/16-18 Tinnerman Nut
15	800919	1	1 HP Motor Mount Only (56Z Frame) (includes illus. no. 13)
	803903	1	1 HP 115-230v / 1 ϕ / 60 Hz T.E.F.C. Motor Mount Assembly Complete with Plug Motor (includes illus. nos. 2 through 7 and 13 through 20)
	881080	1	3/4 HP 240v / 1 ϕ / 60 Hz T.E.F.C. Motor Mount Assembly Complete (includes illus. nos. 2 through 7 and 13 through 20) (for models mfd. as of February 21, 1995)
	803904	1	3/4 HP 240v / 1 ϕ / 50 Hz T.E.F.C. Motor Mount Assembly Complete (includes illus. nos. 2 through 6 and 13 through 22) (for models mfd. prior to February 21, 1995)
	803905*	1	1 HP 208/230/380/460v / 3 ϕ 50 Hz T.E.F.C. Motor Mount Assembly Complete (includes illus. nos. 2 through 6 and 13 through 22)
	881065*	1	1 HP 208/230/380/460v / 3 ϕ / 50 Hz T.E.F.C. Motor Mount Assembly Complete (includes illus. nos. 2 through 6 and 13 through 22)
16	153050	2	1/2" S.A.E.. Flat Washer
17	100603	1	16" Impellor with 3/4" Bore
18	100702	1	1/8" x 1/8" x 1-1/2" Key
19	153050	2	1/2" S.A.E. Flat Washer
20	152006	2	1/2-20 Left Hand Jam Nut
21	120200	1	3/8 x 90° Connector
22	100075	1	1 HP 208 / 230 / 380 / 460v / 3 ϕ / 50/60 Hz T.E.F.C. Motor (56Z Frame)
	100076	1	3/4 HP 240v / 1 ϕ / 50 Hz T.E.F.C. Motor (56Z Frame) For models mfd. prior to February 21, 1995

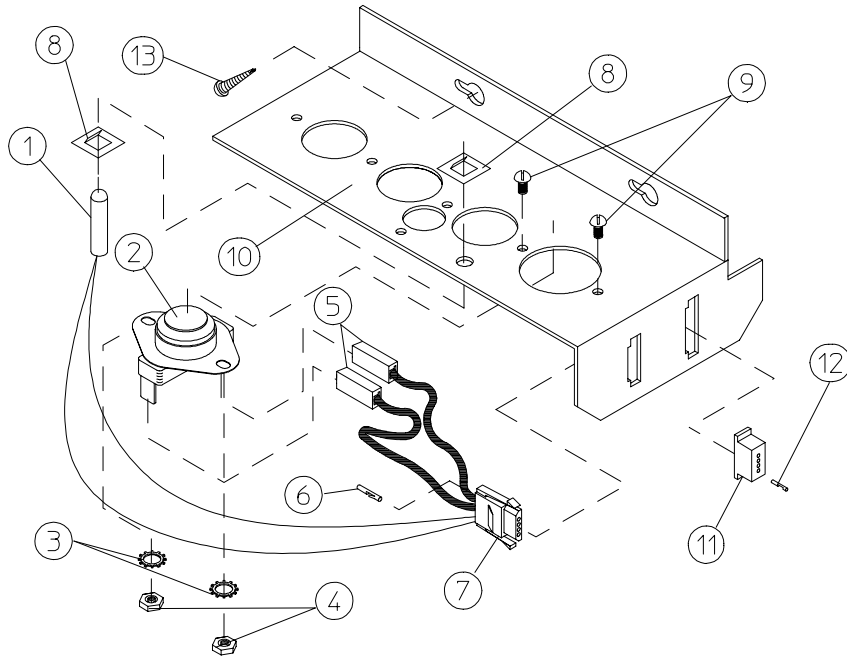
* Specify voltage when ordering.



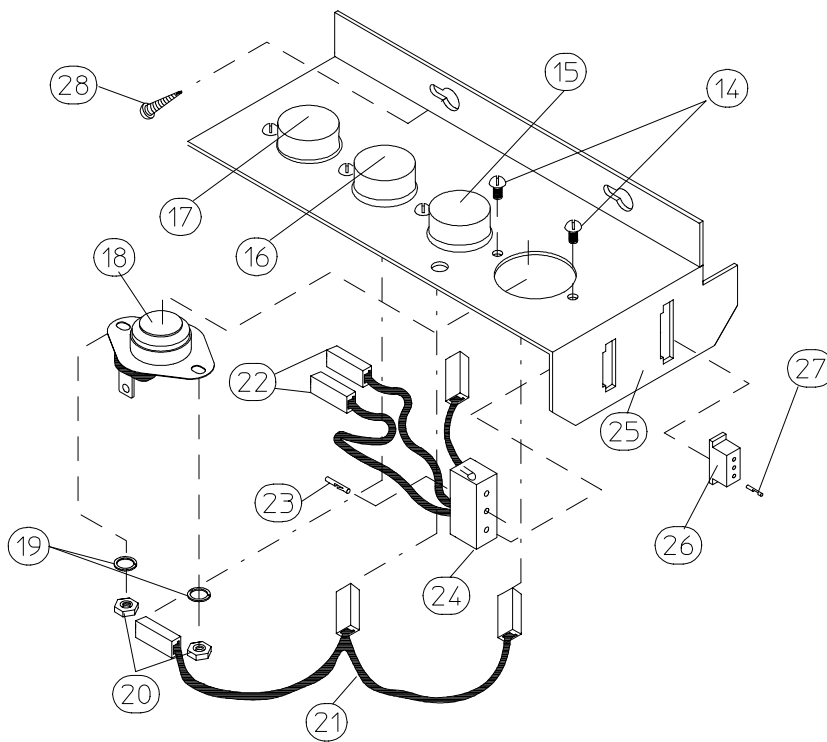
MAN0250

<u>Illus. No.</u>	<u>Part No.</u>	<u>Qty.</u>	<u>Description</u>
1	100109	1	4L-650 V-Belt (to idler assembly)
2	100701	1	3/16" x 3/16" x 1" Key
3	101130	1	5/8" x 2-1/2" Motor Pulley (60Hz)
	101139	1	5/8" x 2-3/4" Motor Pulley (50Hz)
4	120200	1	3/8" x 90° Connector
5	181003	1	1/2 HP 208/230/380 /460v / 3 ϕ / 50/60 Hz T.E.F.C. Motor (56Z Frame)
6	150501	4	5/16-18 x 3/4" Hex Head Machine Bolt
7	153002	4	5/16" Lock Washer
8	153001	4	5/16" Flat Washer
9	100075	1	1 HP 208/230/380 /460v / 3 ϕ / 50/60 Hz T.E.F.C. Motor (56Z Frame)
10	120200	1	3/8" x 90° Connector
11	150501	4	5/16-18 x 3/4" Hex Head Machine Bolt
12	153002	4	5/16" Lock Washer
13	153001	4	5/16" Flat Washer
14	154000	8	5/16" Tinnerman
15	152004	4	5/16"-18 Hex Nut
16	153002	4	5/16" Lock Washer
17	153001	4	5/16" Flat Washer
18	800920	1	SUPER AD-50 Reversing Motor Mount ONLY (56Z Frame) (includes Illus. no. 19)
	881067*	1	SUPER AD-50 Reversing T.E.F.C. Motor Mount Assembly Complete (includes illus. nos. 2 through 14, and 18 through 24) For 60 Hz models ONLY
	881066*	1	SUPER AD-50 Reversing T.E.F.C. Motor Mount Assembly Complete (includes illus. nos. 2 through 14, and 18 through 24) For 50 Hz models ONLY
19	117600	5	Noise Suppressor Tape (sold by the foot)
20	153050	2	1/2" S.A.E. Flat Washer
21	100702	1	1/8" x 1/8" 1-1/2" Key
22	100603	1	16" Impellor with 3/4 Bore
23	153050	2	1/2" S.A.E. Flat Washer
24	152006	2	1/2-20 Left Hand Jam Nut

* Specify voltage when ordering.



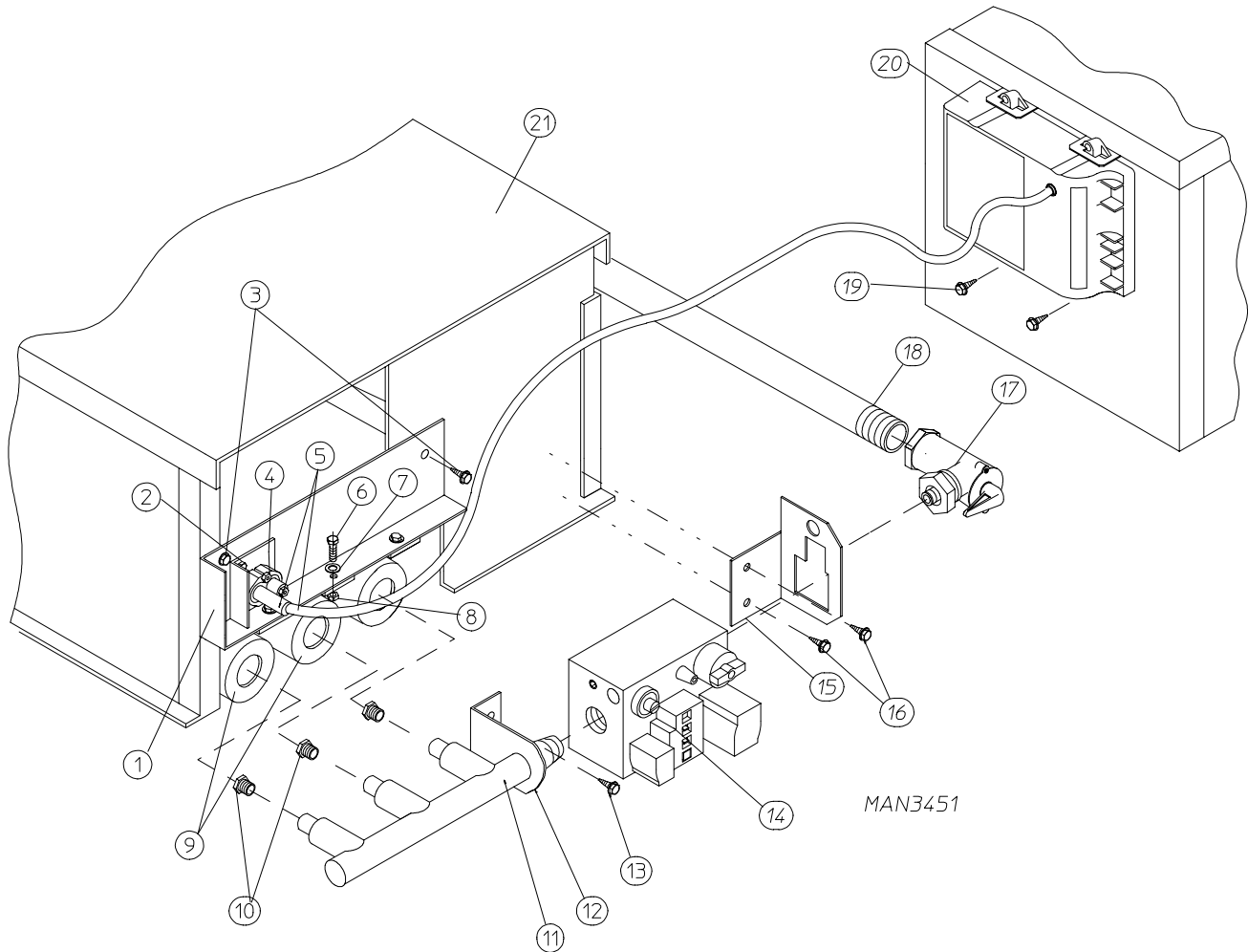
MICROPROCESSOR SENSOR BRACKET ASSEMBLY



NON-COMPUTER SENSOR BRACKET ASSEMBLY

MAN0238

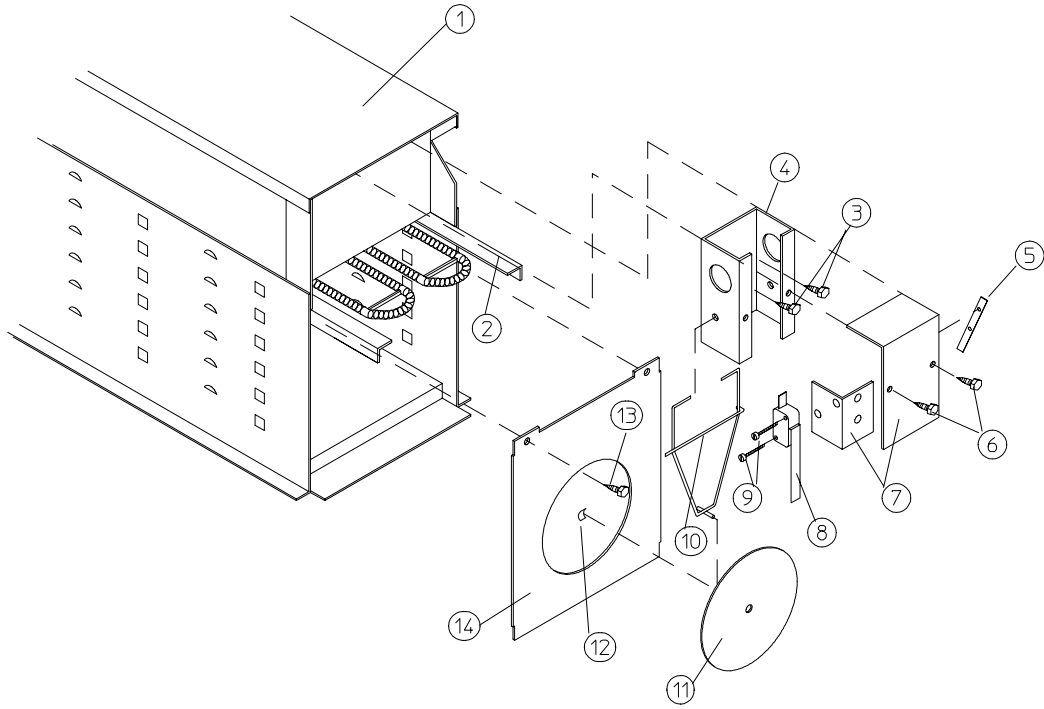
<u>Illus. No.</u>	<u>Part No.</u>	<u>Qty.</u>	<u>Description</u>
1	880251	1	1/4" Temperature Sensor Probe Assembly (includes illus. nos. 1 and 5 through 8)
2	130103	1	225° Large Automatic Thermostat
3	153010	2	#6 Star Washer
4	152000	2	#6-32 Hex Nut
5	121028	2	Insulated Terminal ONLY
6	122701	4	Socket Terminal ONLY
7	122605	1	4-Pin Socket Connector ONLY
8	154007	2	1/4" Tinnerman Push-on Fastener
9	150005	2	#6-32 x 1/4" Round Head Machine Screw
10	801425	1	Microprocessor Sensor Bracket Assembly Complete (includes illus. nos. 1 through 10)
	305007	1	Universal Sensor Bracket Only
11	122604	1	4-Pin Connector ONLY
12	122700	4	Pin Terminal ONLY
13	150301	2	#8-18 x 7/16" Phillips Pan Head TEK Screw
14	150005	5	#6-32 x 1/4" Round Head Machine Screw
15	130111	1	130° Large Thermostat
16	130100	1	150° Large Thermostat
17	130103	1	225° Large Automatic Reset Thermostat
18	130101	1	180° Large Thermostat
19	153010	5	#6 Star Washer
20	152000	5	#6-32 Hex Nut
21	840065	1	Sensor Jumper (4)
22	121028	8	Insulated Terminal ONLY
23	122701	4	Socket Terminal ONLY
24	122605	1	4-Pin Socket Connector ONLY
	831702	1	Sensor (4) Bracket Harness Assembly (includes illus. nos. 22 through 24)
25	801418	1	Non-Computer Sensor (4) Bracket Assembly Complete (includes thermostats) (includes illus. nos. 14 through 25)
	305007	1	Universal Sensor Bracket ONLY
26	122604	1	4-Pin Connector ONLY
27	122700	4	Pin Terminal ONLY
	122801	1	Pin / Socket Extraction Tool
28	150301	2	#8-18 x 7/16" Phillips Pan Head TEK Screw



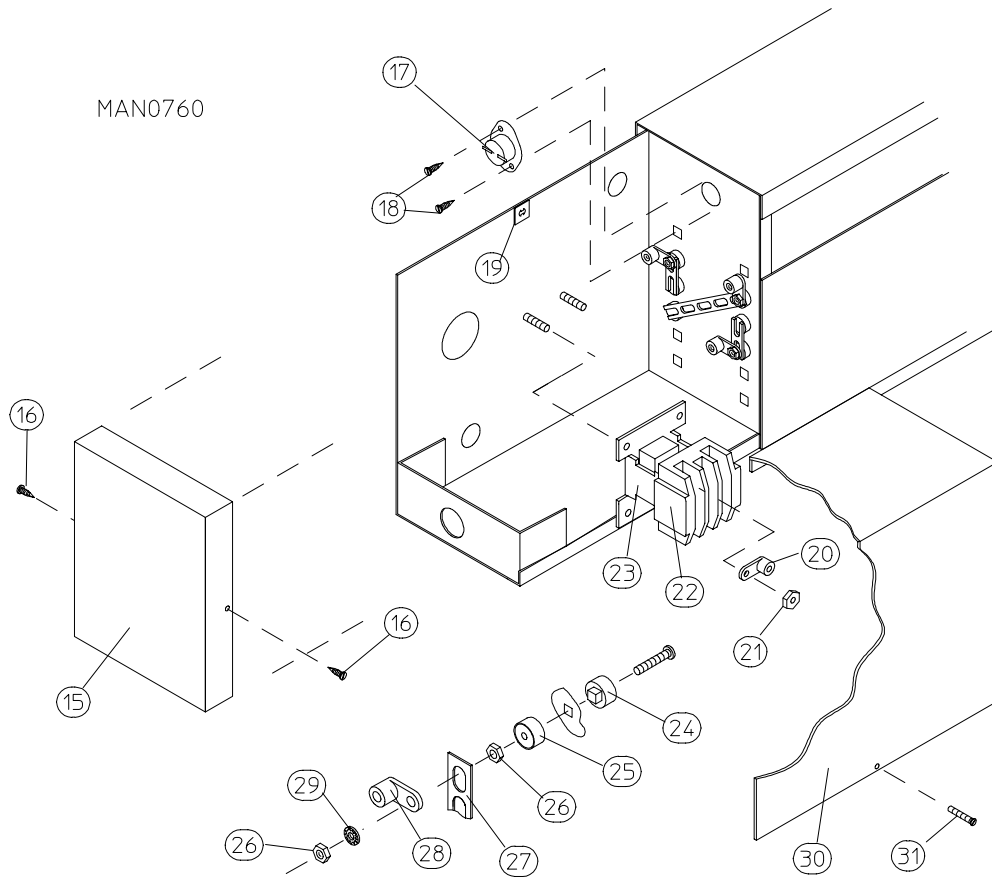
<u>Illus. No.</u>	<u>Part No.</u>	<u>Qty.</u>	<u>Description</u>
1	318030	1	DSI Burner Shield
2	150300	2	#10 x 1/2" Hex Washer TEK Screw
3	150309	2	#10-16 x 1/2" Hex Head TEK Crimptite Screw
4	128915	1	DSI Ignitor / Flame Probe Assembly
	880134	1	Ignitor/Flame Probe Kit Assembly (includes illus. nos. 4 and 5)
5	880330	1	High Voltage (HV) Wire and Connector Assembly
6	150103	3	#8-32 x 1/2" Pan Head Machine Screw
7	153000	3	#8 Steel Burr
8	151001	3	#8-32 Pal Nut
9	141105	3	Large Tube Burner
10*	140828	3	#20 Natural Gas Burner Orifice (60 Hz Only)
	140810	3	#42 L.P. Gas Burner Orifice (60 Hz Only)
	140821	3	#28 Natural Gas Burner Orifice (50 Hz Only)
	140808	3	#44 L.P. Gas Burner Orifice (50 Hz Only)
11	141232	1	1/2" DSI Manifold (3-Port)
12	318700	2	Pipe Bracket (bent)
13	150300	4	#10 x 1/2" Hex Washer TEK Screw
14	128927	1	1/2" 24 VAC Redundant (natural gas) Gas Valve
	880960	1	1/2" 24 VAC Redundant (L.P. gas) Gas Valve
	140411	1	1/2" Valve Conversion Kit (liquid propane)
15	318712	1	GV Pipe Bracket (for models mfd. as of August 10, 1995)
16	150309	2	#10-16 x 1/2" Phillips Round Head Crimptite (for models mfd. as of August 10, 1995)
17	881367	1	1/2" Union Shut Off with Tail Piece
18	142809	1	1/2" x 29-1/8" Pipe
19	150299	2	#10 x 1" Hex Washer TEK Screw
20	880815	1	ADC DSI Module ONLY (50/60 Hz)
21	850898	1	Non-Heat Reclaimer Burner Box ONLY
---	809627**	1	Natural Gas Burner Assembly Complete Less Orifices
---	809628**	1	L.P. Gas Burner Assembly Complete Less Orifices
---	880984*	1	Super AD-50 L.P. Conversion Kit (60 Hz models)
---	880985*	1	Super AD-50 L.P. Conversion Kit (50 HZ models)

* Consult factory for elevations over 2,000 feet.

** Orifices *are not included* and **must be** ordered separately.



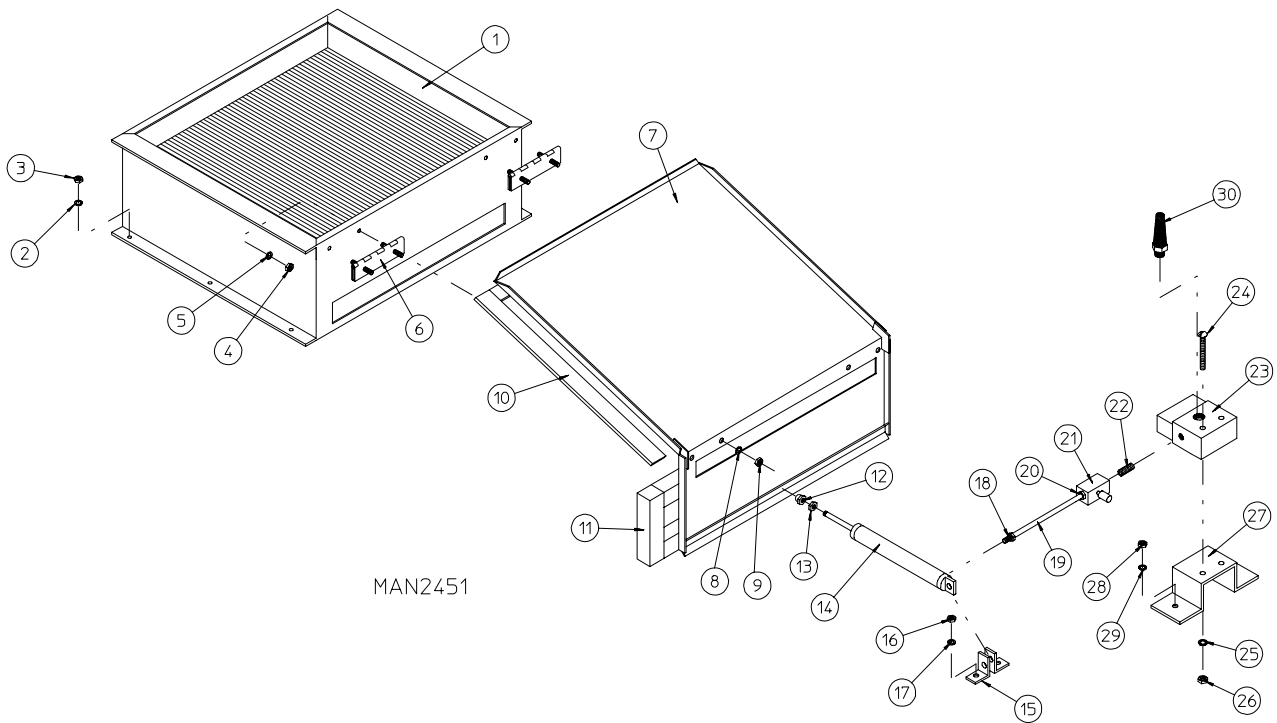
ELECTRIC OVEN (FRONT VIEW)



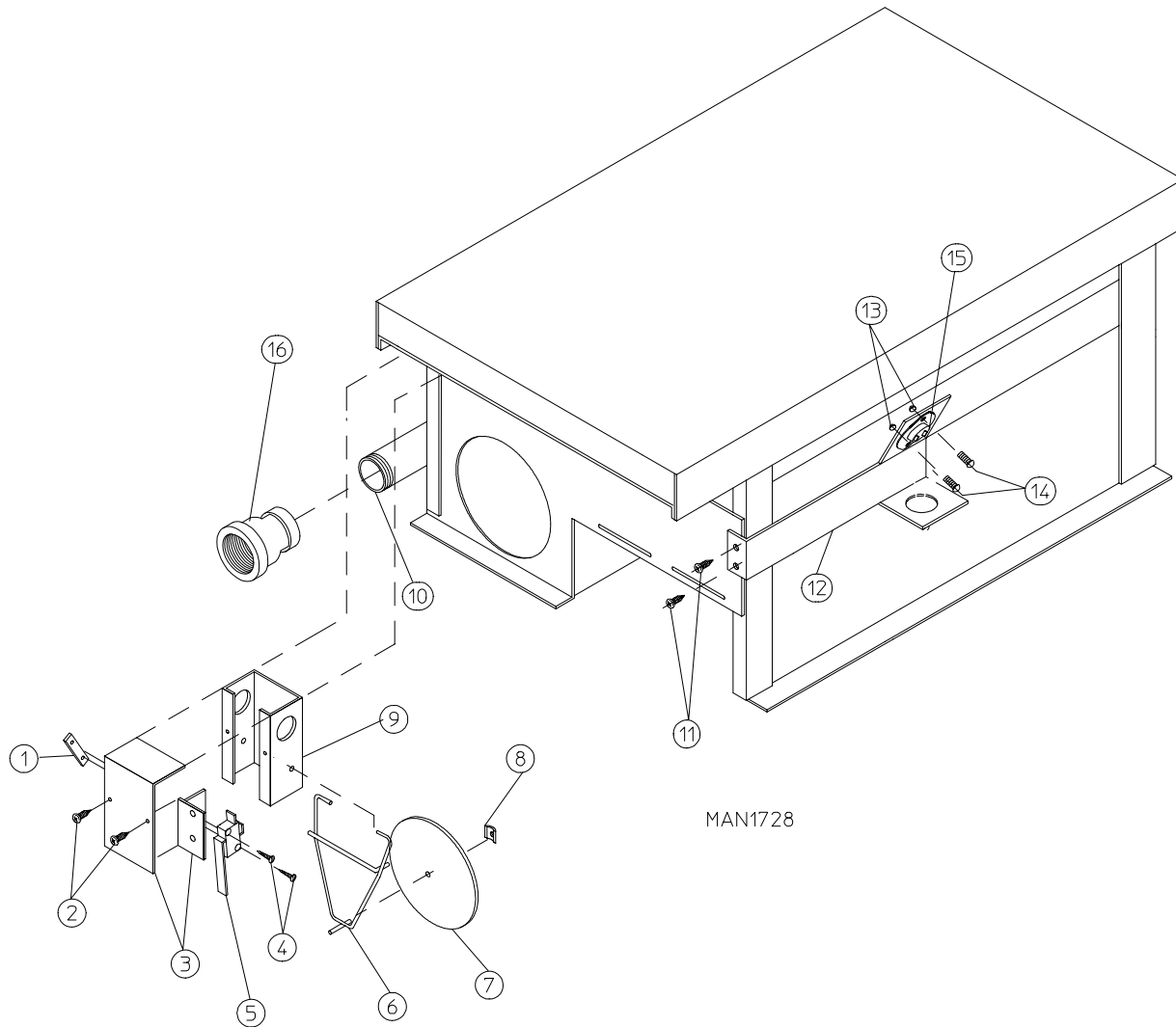
MAN0760

<u>Illus. No.</u>	<u>Part No.</u>	<u>Qty.</u>	<u>Description</u>
1	803007*	1	Large Electric Oven Box ONLY
	-----*	1	Electric Oven Assembly Complete
2	-----*	-	Electric Element
3	150300	2	#10 x 1/2" Hex Washer TEK Screw
4	802800	1	Sail Switch Box with Cover and Bracket ONLY
	802801	1	Sail Switch Box Assembly Complete (includes illus. nos. 4 through 12)
5	154004	1	Twin Speed Nut
6	150309	2	#10-16 x 1/2" Hex Head TEK Crimptite Screw
7	802799	1	Sail Switch Box Cover ONLY
8	122200	1	Sail Switch
9	150303	2	#4 x 3/4" Pan Head " A" Machine Screw
10	105500	1	Sail Switch Actuator Rod
11	319202	1	Sail Switch Damper (flat)
12	154002	1	1/8" Push-On Fastener
13	150300	2	#10 x 1/2" Hex Washer TEK Screw
14	803100	1	Electric Oven Front Cover ONLY
15	320611	1	Large Relay Box Cover ONLY
16	150402	2	#10-24 x 5/8" Slotted Truss Head Machine Screw
17	130400	1	290° Hi-Limit
18	150300	2	#10 x 1/2" Hex Washer TEK Screw
19	154001	1	#10-24 Speed Nut
20	121010	1	L-70 Ground Lug
21	152014	3	1/4"-20 Free Spin Wash Nut
22	-----*	1	Oven Relay
23	-----*	1	Oven Relay Replacement Coil
24	120081	-	Internal Ceramic Insulator (2 per element)
25	120080	-	External Ceramic Insulator (2 per element)
26	152008	-	#10-32 Hex Nut (4 per element)
27	121011*	-	Bus Bar (sold in feet)
28	-----*	-	Terminal Lug
29	153009	-	#10 Star Washer (2 per element)
30	320607	1	Large Electric Oven Right Side Cover ONLY
31	150402	2	#10-24 x 5 / 8" Slotted Truss Head Machine Screw

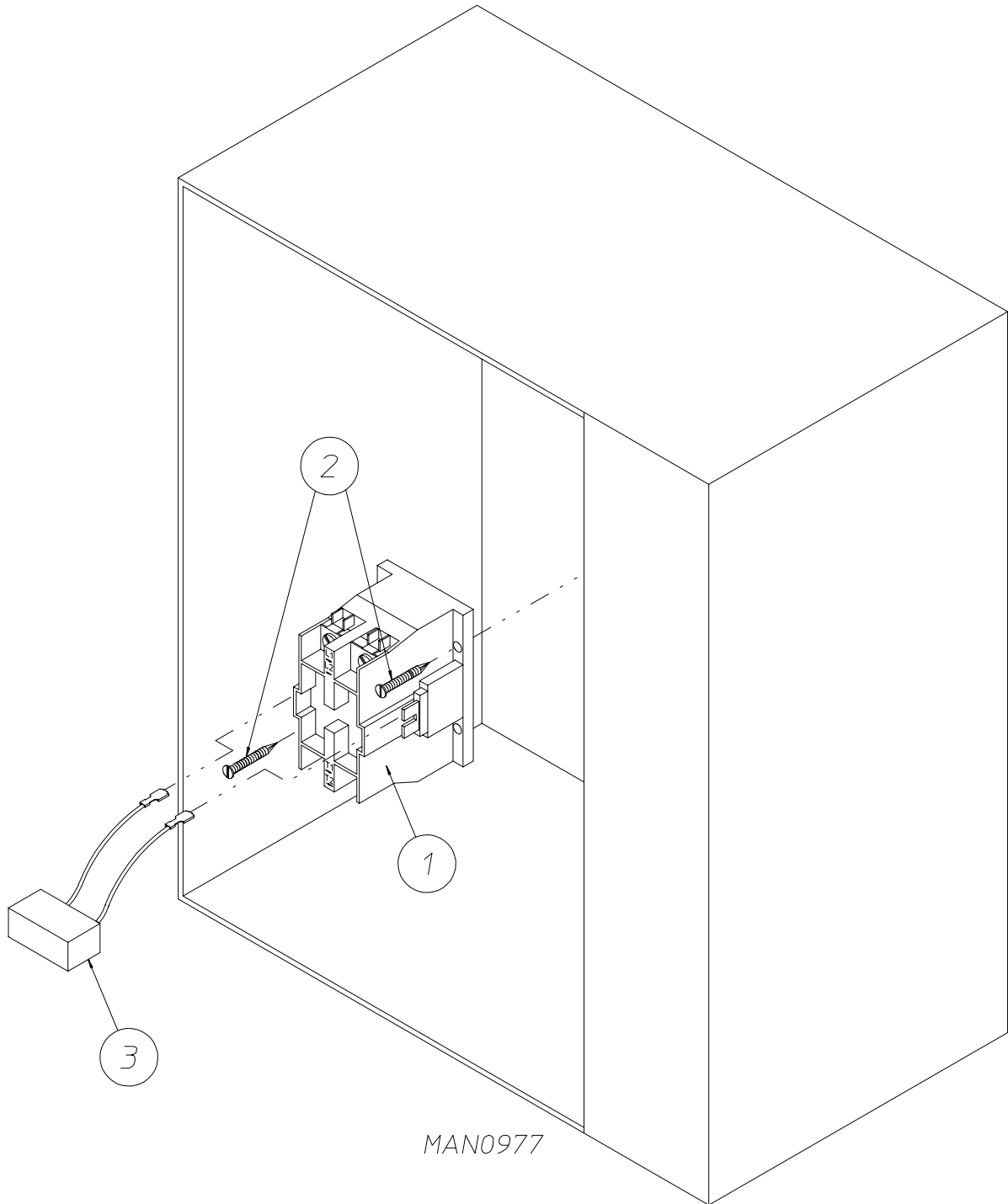
* Refer to **Electric Oven Component Application Chart** on **page 40**.



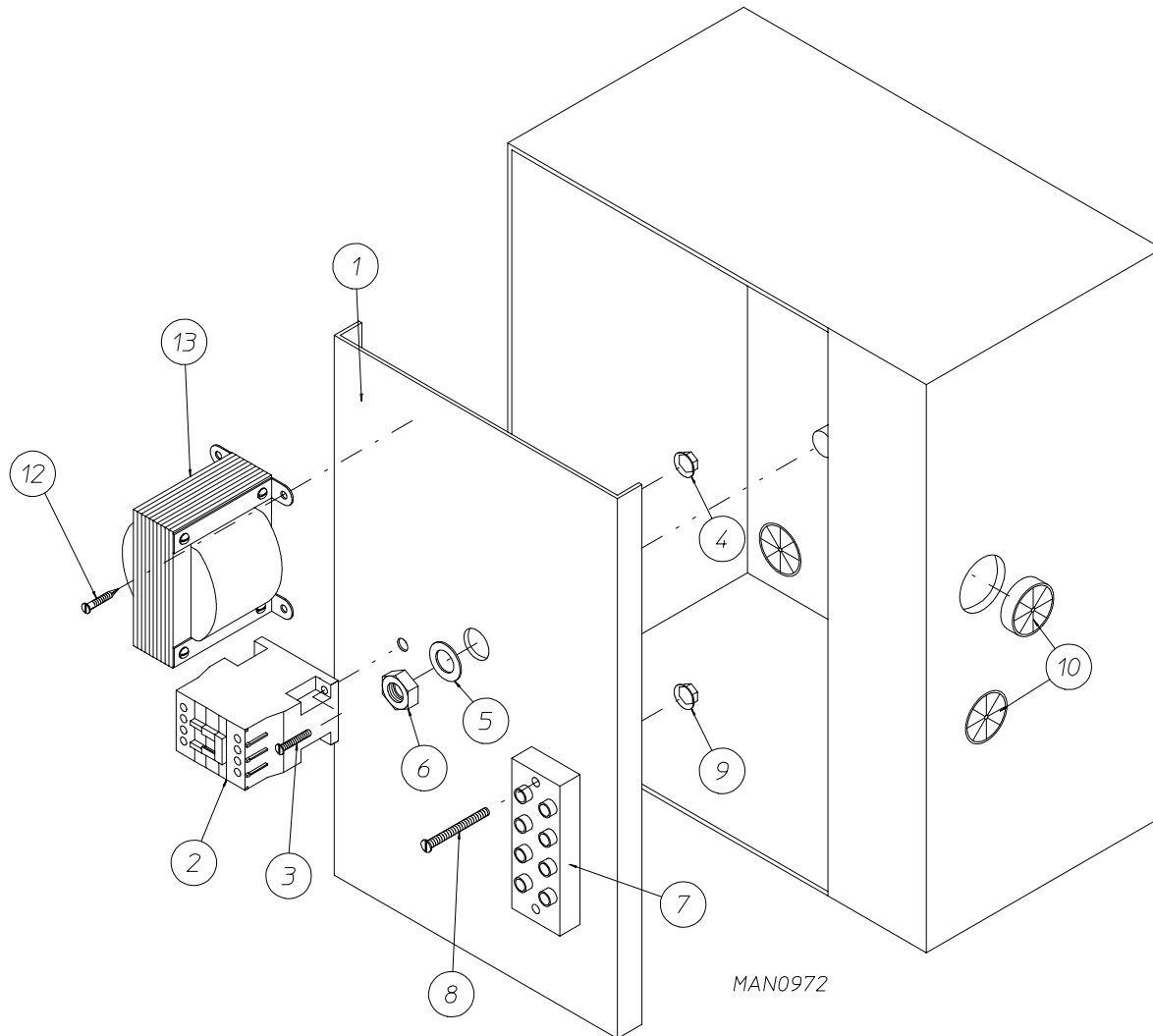
<u>Illus. No.</u>	<u>Part No.</u>	<u>Qty.</u>	<u>Description</u>
1	165009	1	Super AD-50 Steam Coil Assembly
2	153002	6	5/16" Lock Washer
3	152004	6	5/16-18 Hex Nut
4	152002	4	1/4-20 Hex Nut
5	153007	4	1/4" Lock Washer
6	820321	2	Steam Damper Hinge Assembly
7	803415	1	Super AD-50 Steam Damper Assembly (includes illus. nos. 7, 10, and 11)
8	153007	4	1/4" Lock Washer
9	152002	4	1/4-20 Hex Nut
10	115995	60	Steam Damper Gasket (sold by the inch)
11	102350	1	68-1/2" Long Steam Damper Foam Gasket
12	151007	1	7/16-20 S / S Acorn Nut
13	152007	1	7/16-20 Hex Nut
14	100497	1	1-1/4" Dia. x 3" Stroke Piston
15	100492	1	Piston Support Bracket
16	152002	2	1/4-20 Hex Nut
17	153007	2	1/4" Lock Washer
18	100472	1	1/4" Poly x 1 / 8" MPT Connector
19	143110	1	1/4" Poly Flow Tubing (sold in feet)
20	100472	1	1/4" Poly x 1/ 8" M.P.T. Connector
21	100496	1	1/8" Needle Valve
22	143238	1	1/8" Brass Close Nipple
23	100498	1	3-Way Micro Valve 24 VAC
24	150002	2	#6-32 x 1" Machine Bolt
25	153010	2	#6 Star Washer
26	152000	2	#6-32 Hex Nut
27	330987	1	Micro Valve Support
28	152002	2	1/4-20 Hex Nut
29	153007	2	1/4" Lock Washer
30	100520	1	1/8" NPT Silencer (muffler)



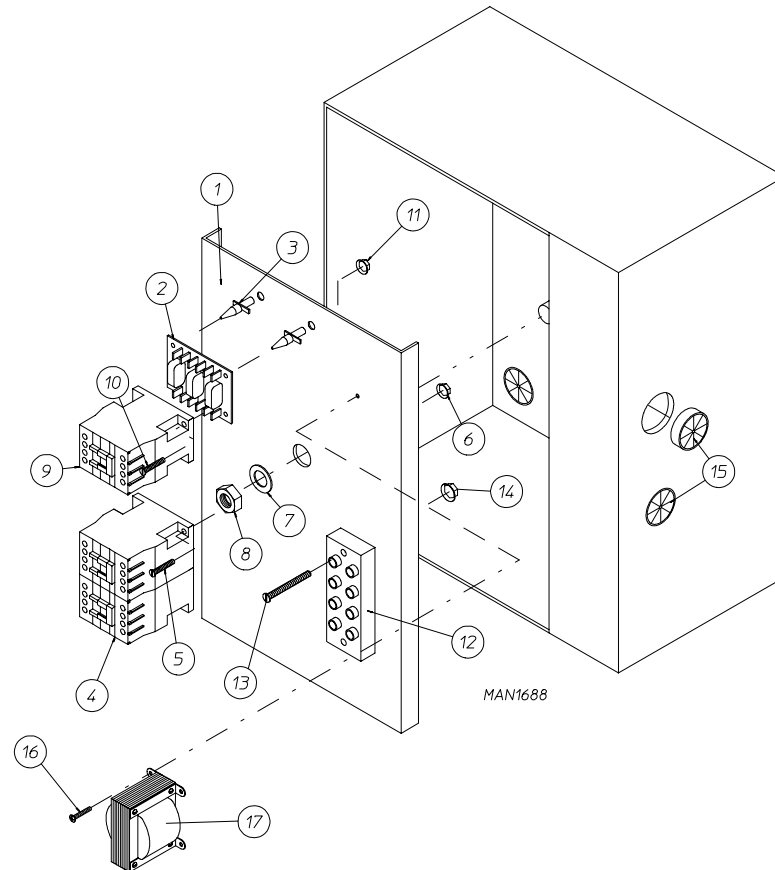
<u>Illus. No.</u>	<u>Part No.</u>	<u>Qty.</u>	<u>Description</u>
1	154004	1	Twin Speed Nut
2	150309	2	#10-16 x 1/2" Hex Head TEK Crimptite Screw
3	802799	1	Sail Switch Box Cover and Bracket ONLY
4	150303	2	#4 x 3/4" Pan Head "A" Machine Screw
5	122200	1	Sail Switch ONLY
6	105500	1	Sail Switch Actuator Rod
7	319202	1	Sail Switch Damper (flat)
8	154002	1	1/8" Push-on Fastener
9	802800	1	Sail Switch Box with Cover and Bracket ONLY
	802801	1	Sail Switch Assembly Complete (includes illus. nos. 1 through 8)
10	142809	1	1/2" x 29-1/8" Pipe
11	150309	2	#10-16 x 1/2" Round Head Machine Screw
12	319704	1	Hi-Limit Mounting Bracket ONLY
13	151000	2	#6-32 Pal Nut
14	151001	2	#6-32 x 1/2" Round Head Machine Screw
15	130401	1	330° Hi-Limit
16	143000	1	1/2" x 3/4" Reducing Coupling



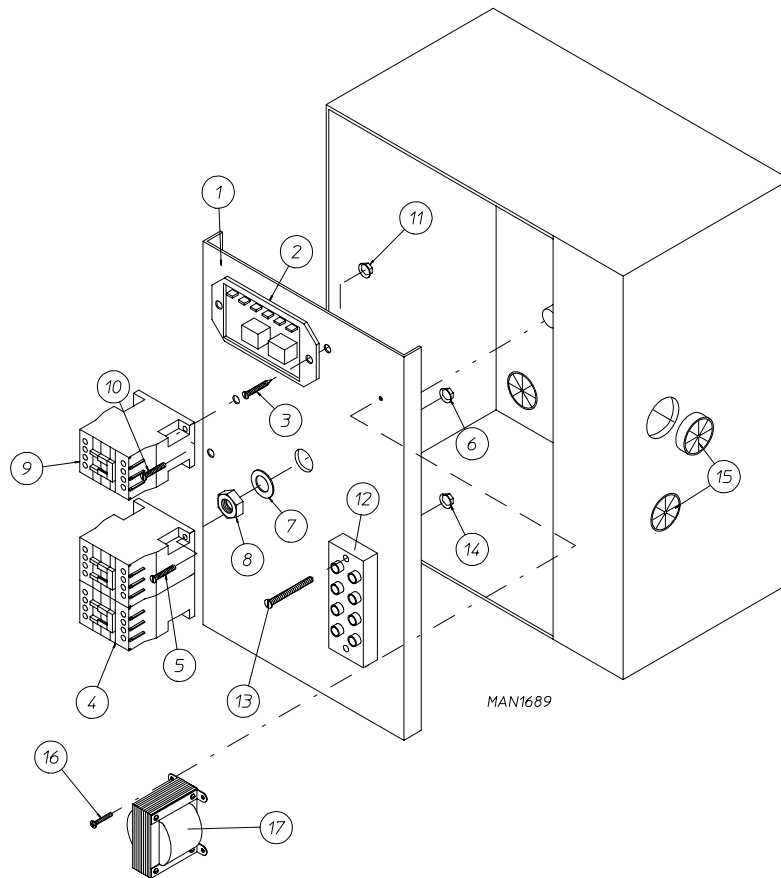
<u>Illus. No.</u>	<u>Part No.</u>	<u>Qty.</u>	<u>Description</u>
1	132451	1	2-Pole Contactor 24 VAC
2	150299	2	#10 x 1" Hex Head Screw
3	824828	1	RC Network with Connectors (for Microprocessor Controlled Models Only)
-	322809	1	Back Electrical Box Cover ... Not Illustrated
-	150301	4	#8-18 x 7/16" Phillips Pan Head TEK Screw ... Not Illustrated



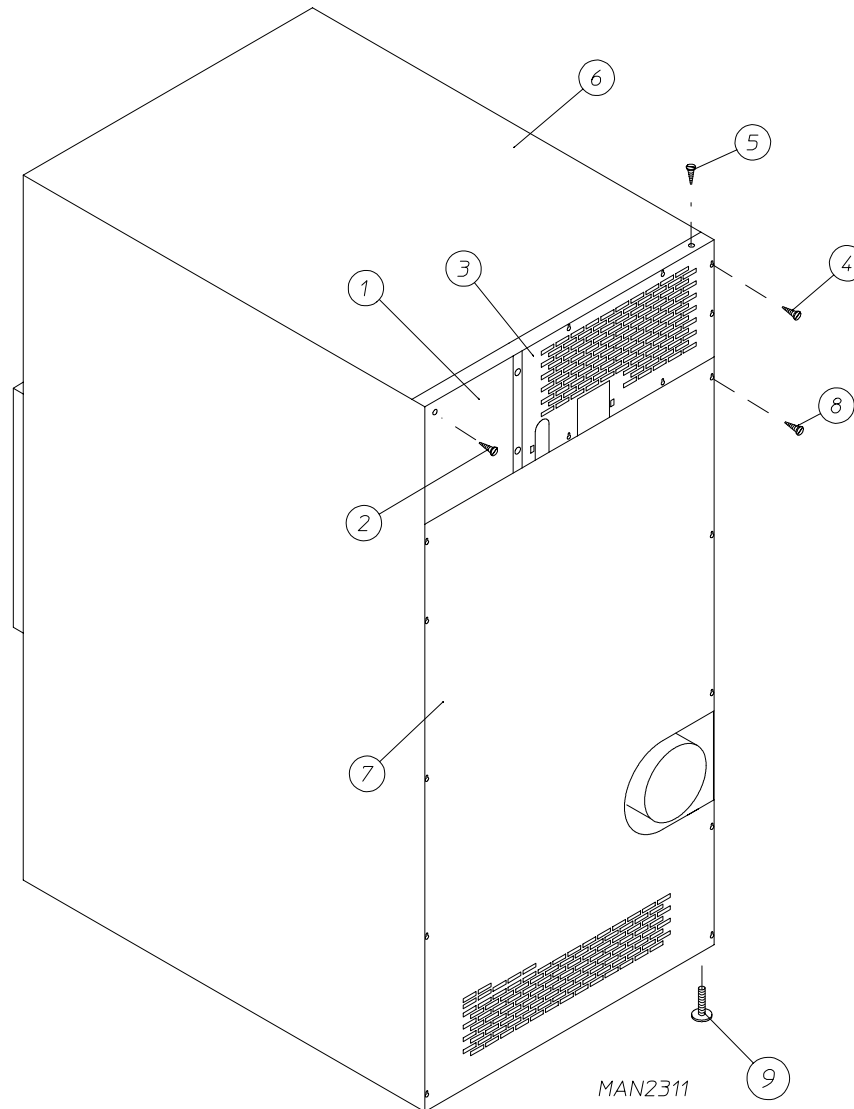
<u>Illus. No.</u>	<u>Part No.</u>	<u>Qty.</u>	<u>Description</u>
1	322812	1	Back Electrical Box Component Plate
2	132430	1	Impellor Contactor (208 / 230 / 240v, 50 / 60Hz) 24v Coil
	132432	1	Impellor Contactor Replacement Coil (208 / 230 / 240v, 50 / 60Hz) 24v Coil
3	150103	2	#8-32 x 3/4" Phillips Round Head Machine Screw
4	151001	2	#8-32 Pal Nut
5	153002	1	5/16-18 Lock Washer
6	152004	1	5/16-18 Hex Nut
7	120701	1	4-Position Terminal Block
8	150008	2	#6-32 x 1-1/4" Slotted Round Head Machine Screw
9	151000	2	#6-32 Pal Nut
10	121300	3	Open / Close Bushing
11	137015	1	RC Filter (for Microprocessor Controlled Models Only)
12	150300	2	#10 x 1/2" Hex Washer TEK Screw
13	-----	-	Transformer (refer to Transformer Listing on page 41 and page 42)
--	322809	1	Back Electrical Box Cover (not illustrated)
--	150301	4	#8-18 x 7/16" Phillips Pan Head TEK Screw ... Not Illustrated



<u>Illus. No.</u>	<u>Part No.</u>	<u>Qty.</u>	<u>Description</u>
1	322812	1	Back Electrical Box Component Plate
2	137060	1	Arc Suppressor Board
3	137013	4	Nylon Standoff
4	132431	1	Reversing Contactor (208 / 230 / 240v, 50 / 60 Hz) 24v Coil
	132432	1	Reversing Contactor Replacement Coil (208 / 230 / 240v, 50 / 60 Hz) 24v Coil
5	150103	2	#8-32 x 3/4" Phillips Round Head Machine Screw
6	151001	2	#8-32 Pal Nut
7	153002	1	5/16-18 Lock Washer
8	152004	1	5/16-18 Hex Nut
9	132430	1	Impellor Contactor (208 / 230 / 240v, 50 / 60Hz) 24v Coil
	132432	1	Impellor Contactor Replacement Coil (208 / 230 / 240v, 50 / 60Hz) 24v Coil
10	150103	2	#8-32 x 3/4" Phillips Round Head Machine Screw
11	151001	2	#8-32 Pal Nut
12	120701	1	4-Position Terminal Block
13	150008	2	#6-32 x 1-1/4" Slotted Round Head Machine Screw
14	151000	2	#6-32 Pal Nut
15	121300	3	Open / Close Bushing
16	150300	2	#10 x 1/2" Hex Washer TEK Screw
17	-----	-	Transformer (refer to Transformer Listing on page 41 and page 42)
--	322809	1	Back Electrical Box Cover (not illustrated)
--	150301	4	#8-18 x 7/16" Phillips Pan Head TEK Screw ... Not Illustrated



<u>Illus. No.</u>	<u>Part No.</u>	<u>Qty.</u>	<u>Description</u>
1	322812	1	Back Electrical Box Component Plate
2	132198	1	Reversing Timer 24Vac 50 / 60Hz
3	150301	2	#8-18 x 7 / 16" Phillips Pan Head TEK Screw
4	132431	1	Reversing Contactor (208 / 230 / 240v, 50 / 60 Hz) 24v Coil
	132432	-	Reversing Contactor Replacement Coil (208 / 230 / 240v, 50 / 60 Hz) 24v Coil
5	150103	2	#8-32 x 3/4" Phillips Round Head Machine Screw
6	151001	2	#8-32 Pal Nut
7	153002	1	5/16-18 Lock Washer
8	152004	1	5/16-18 Hex Nut
9	132430	1	Impellor Contactor (208 / 230 / 240v, 50 / 60Hz) 24v Coil
	132432	-	Impellor Contactor Replacement Coil (208 / 230 / 240v, 50 / 60Hz) 24v Coil
10	150103	2	#8-32 x 3/4" Phillips Round Head Machine Screw
11	151001	2	#8-32 Pal Nut
12	120701	1	4-Position Terminal Block
13	150008	2	#6-32 x 1-1/4" Slotted Round Head Machine Screw
14	151000	2	#6-32 Pal Nut
15	121300	3	Open / Close Bushing
16	150300	2	#10 x 1/2" Hex Washer TEK Screw
17	-----	-	Transformer (refer to Transformer Listing on page 41 and page 42)
--	322809	1	Back Electrical Box Cover (not illustrated)
--	150301	4	#8-18 x 7/16" Phillips Pan Head TEK Screw ... Not Illustrated



<u>Illus. No.</u>	<u>Part No.</u>	<u>Qty.</u>	<u>Description</u>
1	322809	1	Back Electrical Box Cover
2	150301	4	#8-18 x 7/16" Phillips Pan Head TEK Screw
3	314421	1	Super ADG-50DS Top Back Guard For models mfd as of April 20, 1998
	314422	1	Super ADE-50S Top Back Guard For models mfd as of April 20, 1998
	314411	1	Super ADG-50DS and Super ADE-50S Top Back Guard For models mfd prior to April 20, 1998 (No Top Back Guard on Steam Models)
4	150301	7	#8-18 x 7/16" Phillips Pan Head TEK Screw
5	150301	10	#8-18 x 7/16" Phillips Pan Head TEK Screw
6	801577	1	Super AD-50 Outer Top (Electric Models Only)
	312533	1	Super AD-50 Outer Top (Gas Models Only) (No Outer Top on Steam Models)
7	314412	1	Super AD-50 Bottom Back Guard
8	150301	13	#8-18 x 7/16" Phillips Pan Head TEK Screw
9	103500	4	Leveling Legs

SUPER AD-50

Kw	Volt	Phase	Wire	Oven Assy	Element			Oven Wire			Terminal Lug		Bus Bar	Oven Relay	
					Qty.	Kw	Part #	Qty.	Size	Part #	Qty.	Part #		Cat #	Part #
48	208	3Ø	3 or 4	881624	6	8	120051	5	#4	133300	6	121010	1	DPA63	131369
48	240	3Ø	3	--	--	--	--	--	--	--	--	--	--	--	--
48	380	3Ø	3 or 4	--	--	--	--	--	--	--	--	--	--	--	--
48	416	3Ø	3 or 4	--	--	--	--	--	--	--	--	--	--	--	--
48	460/480	3Ø	3 or 4	--	--	--	--	--	--	--	--	--	--	--	--
42	208	3Ø	3 or 4	881629	6	7	120034	5	#6	133200	6	121010	1	DPA63	131369
42	240	3Ø	3	881630	6	7	120035	5	#2	133302	5	121012	1	GEAJ	131385
42	380	3Ø	3 or 4	--	--	--	--	--	--	--	--	--	--	--	--
42	416	3Ø	3 or 4	--	--	--	--	--	--	--	--	--	--	--	--
42	460/480	3Ø	3 or 4	--	--	--	--	--	--	--	--	--	--	--	--
40	208	3Ø	3 or 4	--	--	--	--	--	--	--	--	--	--	--	--
40	240	3Ø	3	--	--	--	--	--	--	--	--	--	--	--	--
40	380	3Ø	3 or 4	--	--	--	--	--	--	--	--	--	--	--	--
40	416	3Ø	3 or 4	824922	6	6.6	120027	4	#6	133200	6	121010	1	DFAJ	131361
40	460/480	3Ø	3 or 4	--	--	--	--	--	--	--	--	--	--	--	--
36	208	3Ø	3 or 4	824921	6	6	120015	4	#2	133302	8	121012	1	GEAJ	131385
36	240	3Ø	3	824920	6	6	120014	4	#2	133302	6	121010	1	FEAJ	131375
36	380	3Ø	3 or 4	--	--	--	--	--	--	--	--	--	--	--	--
36	416	3Ø	3 or 4	824921	6	6	120015	4	#2	133302	3	121012	1	DFAJ	131361
36	460/480	3Ø	3 or 4	824920	6	6	120014	4	#2	133302	6	121010	1	CEAJ	131355
30	208	3Ø	3 or 4	824917	6	5	120012	3	#4	133300	5	121012	1	DPA43	131357
30	240	3Ø	3	824934	6	5	120013	3	#4	133300	5	121012	1	EEAJ	131370
30	380	3Ø	3 or 4	824976	6	5	120000	4	#8	133100	6	121010	2	FEAJ	131375
30	416	3Ø	3 or 4	824949	6	5	120012	4	#8	133100	6	121010	2	DPA43	131357
30	480	3Ø	3 or 4	824955	6	5	120013	4	#8	133100	6	121010	2	DPA43	131357
44	460	3Ø	3	824003	8	6	120052	4	#2	133302	6	121010	1	DEAJ	131351

NOTE: Information not listed was not available at time of printing contact factory.

Super AD-50				
Heat	Voltage	Wire Service	Stepdown Transformer Part No.	Control Vo Part No
Gas / Steam	208-240	3 or 4	---	141403
	380	3	132059	141403
	380	4	132059	141403
	416	3	132062	141403
	416	4	132062	141403
	460/480	3	132053	141403
	460/480	4	132053	141403
	575	3	132050	141403

SUPER AD-50

Kw	Volt	Phase	Wire	Stepdown Transformer Part No.	Control Voltage Transformer Part No.
48	208	3Ø	3 or 4	--	132070
48	240	3Ø	3	--	132070
48	380	3Ø	3 or 4	132059	132070
48	416	3Ø	3 or 4	132062	132070
48	460/480	3Ø	3 or 4	132053	132070
42	208	3Ø	3 or 4	--	--
42	240	3Ø	3	--	--
42	380	3Ø	3 or 4	--	--
42	416	3Ø	3 or 4	--	--
42	460/480	3Ø	3 or 4	--	--
40	208	3Ø	3 or 4	--	--
40	240	3Ø	3	--	--
40	380	3Ø	3 or 4	132059	141403
40	416	3Ø	3 or 4	132062	141403
40	460/480	3Ø	3 or 4	132053	141403
36	208	3Ø	3 or 4	--	132070
36	240	3Ø	3	--	132070
36	380	3Ø	3 or 4	132059	141403
36	416	3Ø	3 or 4	132062	141403
36	460/480	3Ø	3 or 4	132053	141403
30	208	3Ø	3 or 4	--	132070
30	240	3Ø	3	--	132070
30	380	3Ø	3 or 4	132059	141403
30	416	3Ø	3 or 4	132062	141403
30	480	3Ø	3 or 4	132053	141403

NOTE: Information not listed was not available at time of printing contact factory.

NOTE: Coin Acceptors Listed Include Optical Switch (Part No. 137056)

SINGLE COIN *

ADC Part No.	Nation	Description
125100	U.S. and Canada	25¢ Optic Coin Acceptor
125127	Canada	\$1 Canadian Optic Coin acceptor
125101	United Kingdom	10 New Pence Optic Coin Acceptor
125114	United kingdom	20 New Pence Optic Coin Acceptor
125115	United Kingdom	£1 Optic Coin Acceptor
125106	France	1 French Franc Optic Coin Acceptor
125120	France	2 French Franc Optic Coin Acceptor
125124	France	5 French Franc Optic Coin Acceptor
125137	Denmark	New 1 Danish Krone Optic Coin Acceptor
125140	Denmark	New 2 Danish Krone Optic Coin Acceptor
125125	Netherlands	25¢ Guilder Optic Coin Acceptor
125108	Australian	10¢ Australian Optic Coin Acceptor
125107	Australian	20¢ Australian Optic Coin Acceptor
125130	Australian	\$1 Australian Optic Coin Acceptor
125123	New Zealand	50¢ New Zealand Optic Coin Acceptor
125104	Japan	100 Yen Optic Coin Acceptor
125103	---	.882 Token Optic Coin Acceptor
125121	---	.800 Token Optic Coin Acceptor
125129	---	Muller Token Optic Coin Acceptor
125132	Singapore	50¢ Singapore Optic Coin Acceptor
125133	Hong Kong	\$1 Hong Kong Coin Acceptor

DUAL COIN*

ADC Part No.	Nation	Description
125116	U.S. and Canada	10¢ / 25¢ Dual Optic Coin Acceptor
125128	Canada	25¢ / \$1 Dual Optic Coin Acceptor
125112	United Kingdom	10 / 20 Pence Dual Optic Coin Acceptor
125110	United Kingdom	10 / 50 Pence Dual Optic Coin Acceptor
125111	United Kingdom	20 / 50 Pence Dual Optic Coin Acceptor
125113	United Kingdom	£1 / 20 Pence Dual Optic Coin Acceptor
125122	France	2 / 5 French Franc Dual Optic Coin Acceptor
125134	Denmark	New 1/5 Danish Krone Dual Optic Coin Acceptor
125138	Denmark	New 5/10 Danish Krone Dual Optic Coin Acceptor
125126	Netherlands	25¢ / \$1 Guilder Dual Optic Coin Acceptor
125118	Singapore	20¢ / 50¢ Singapore Dual Optic Coin Acceptor
125105	Japan	50 / 100 Yen Dual Optic Coin Acceptor

* Consult factory for coin acceptors not listed.

<u>Part Number</u>	<u>Description</u>
112039	"Black / White / Green Ground" Label
112280	"Clean Lint Screen" Label
112534	"Phase 5 OPL Program Location Summary" Label
112533	"Phase 5 Coin Program Location Summary" Label
114001	"CAUTION - Exhaust/Lint Screen" Label
114006	"WARNING - Fire Hazards" Label
120100	3/8" Straight BX Connector
120200	3/8" x 90° BX Connector
120300	3/8" x 45° BX Connector
120400	3/8" Red Jacket BX Insulator
120500	3/8" Jiffy Clip BX Retainer Clip
120600	3/8" Greenfield BX
120800	1/4" In-Line Connector
120802	Red Butt Connector
120902	#74B Wire Nut
120903	Crimp-on Wire Nut
121006	#10 Insulated Ring Terminal
121014	1/4" Insulated (Female) Terminal
121026	Tab Receptacle Combination
121499	4" Harness Tie
121500	7" Harness Tie
121503	Harness Tie Mounting Clip
122804	Manometer (water column test gauge)
404500	Almond Brush-in-Cap Bottle Touch-Up Paint
404502	White Brush-in-Cap Bottle Touch-Up Paint
404506	Beige Brush-in-Cap Bottle Touch-Up Paint
404507	Cornflower Blue Brush-in-Cap Bottle Touch-Up Paint
880200	Electrical Terminal Kit

