



AD-200 Parts Manual

Phase 5

(with Tilt Options)

1993 thru 1999

American Dryer Corporation
88 Currant Road
Fall River MA 02720-4781
Telephone: (508) 678-9000 / Fax: (508) 678-9447
E-mail: techsupport@amdry.com
www.amdry.com

072092
050197WL/abe
123098MFM/abe
012799DMG/mcronan

ADC Part No. 450305

Retain This Manual In A Safe Place For Future Reference

American Dryer Corporation products embody advanced concepts in engineering, design, and safety. If this product is properly maintained, it will provide many years of safe, efficient, and trouble-free operation.

ONLY qualified technicians should service this equipment.

OBSERVE ALL SAFETY PRECAUTIONS displayed on the equipment or specified in the installation manual included with the dryer.

The following “**FOR YOUR SAFETY**” caution **must be** posted near the dryer in a prominent location.

FOR YOUR SAFETY

Do not store or use gasoline or other flammable vapors and liquids in the vicinity of this or any other appliance.

POUR VOTRE SÉCURITÉ

Ne pas entreposer ni utiliser d'essence ni d'autres vapeurs ou liquides inflammables à proximité de cet appareil ou de tout autre appareil.

We have tried to make this manual as complete as possible and hope you will find it useful. **ADC** reserves the right to make changes from time to time, without notice or obligation, in prices, specifications, colors, and material, and to change or discontinue models.

Important

For your convenience, log the following information:

DATE OF PURCHASE _____ **MODEL NO.** **AD-200 Tilt Phase 5**

RESELLER'S NAME _____

Serial Number(s) _____

Replacement parts can be obtained from your reseller or the **ADC** factory. When ordering replacement parts from the factory, you can FAX your order to **ADC** at (508) 678-9447 or telephone your order directly to the **ADC** Parts Department at (508) 678-9000. Please specify the dryer **model number** and **serial number** in addition to the **description** and **part number**, so that your order is processed accurately and promptly.

The illustrations on the following pages may not depict your particular dryer exactly. The illustrations are a composite of the various dryer models. Be sure to check the descriptions of the parts thoroughly before ordering.

“IMPORTANT NOTE TO PURCHASER”

Information **must be** obtained from your local gas supplier on the instructions to be followed if the user smells gas. These instructions **must be** posted in a prominent location near the dryer.

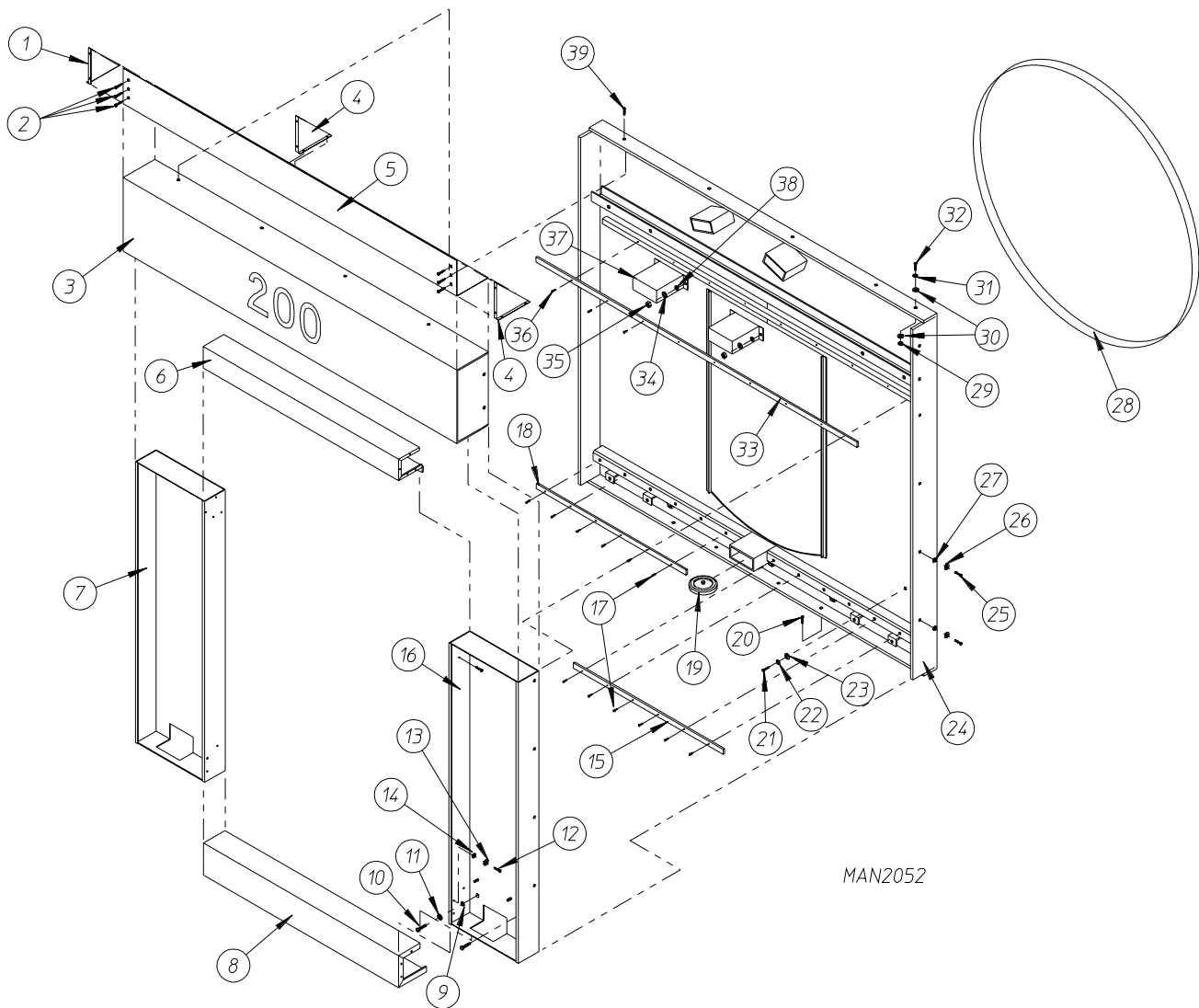
Table of Contents

Front Panel Assembly	
Automatic Door	
1-Way Forward Tilt	4, 5
Front Panel Assembly	
Automatic Door	
2-Way Tilt or Rear Tilt ONLY	6, 7
Front Panel Assembly	
Manual Door	
1-Way Forward Tilt	8, 9
Front Panel Assembly	
Manual Door	
2-Way Tilt or Rear Tilt ONLY	10, 11
Rear Panel Assembly	
Forward Tilt ONLY	12
Rear Panel Assembly	
1 Door/2-Way Tilt	13
Rear Panel Assembly	
Automatic Door	
Rear Tilt ONLY	14, 15
Rear Panel Assembly	
Automatic Door	
2-Way Tilt	16, 17
Rear Panel Assembly	
Manual Door	
Rear Tilt ONLY	18, 19
Rear Panel Assembly	
Manual Door	
2-Way Tilt	20, 21
Side Panel Assemblies	22
Left Control Door Assembly	
for 1 Door or 2 Door Models	23
Right Front Control Door Assembly	24, 25
Left Load Door Assembly	
Automatic Door	26, 27
Right Load Door Assembly	
Automatic Door	28, 29
Left Load Door Assembly	
Manual Door	
for models mfd. as of November 1, 1995	30, 31

Right Load Door Assembly	
Manual Door	
for models mfd. as of November 1, 1995	32, 33
Left Load Door Assembly	
Manual Door	
for models mfd. prior to November 1, 1995	34, 35
Right Load Door Assembly	
Manual Door	
for models mfd. prior to November 1, 1995	36, 37
Right Rear Control Door Assembly	
2 Door Models ONLY	38, 39
Pneumatic Assembly	
Automatic Door	40
Magnetic Door Switch Assembly	41
Left Hand Electrical Control Panel Assembly	
for models mfd. with Thermal-Magnetic Protection ONLY	42, 43
Left Hand Electrical Control Panel Assembly	
for models mfd. with Fuse Protection ONLY	44, 45
Top of Right Hand Electrical Control Panel.....	46, 47
Bottom of Right Hand Electrical Control Panel	48, 49
Base Main Electrical Junction Box Assembly	
for models mfd. with Thermal-Magnetic Protection ONLY	50, 51
Base Main Electrical Junction Box Assembly	
for models mfd. with Fuse Protection ONLY	52, 53
Tumbler and Idler Shaft Assemblies	54
Tumbler Retaining Wheel Assembly	55
Tumbler Drive Shaft Assembly	56, 57
Lint Drawer/Basket Assembly	58
Temperature Sensor Bracket Assembly	59
ADG-200 Tilt Fan Motor Assembly	
for Gas Models ONLY	60, 61
ADS-200 Tilt Fan Motor Assembly	
for Steam Models ONLY	62, 63
Drive Motor Assembly	64
Air Jet Assembly	65
ADG-200 Gas Burner Assembly	66, 67
Sail Switch Assembly	68
Direct Spark Ignition (DSI) Module Assembly	
for Gas Models ONLY	69
ADG-200 Tilt Gas Piping Assembly	
for models mfd. as of August 15, 1995	70, 71
ADG-200 Tilt Gas Piping Assembly	
for models mfd. prior to August 15, 1995	72, 73

ADS-200 Steam Coil Assembly	74, 75
ADS-200 Steam Piping Assembly	
1-Way Tilt	76, 77, 78
Tilt Switch Assembly	79
Steam Piping Assembly	
2-Way Tilt	80, 81, 82
Tilt Piston Assembly	
1-Way Tilt	83
Tilt Piston Assembly	
2-Way Tilt	84
Pneumatic Assembly	
for 1 Automatic Door	85
Pneumatic Assembly	
for 2 Automatic Doors	86, 87
Pneumatic Panel Assembly	
1-Way Tilt	
for models mfd. as of July 14, 1997	88, 89
Pneumatic Panel Assembly	
1-Way Tilt	
for models mfd. prior to July 14, 1997	90, 91
Pneumatic Panel Assembly	
2-Way Tilt	
for models mfd. as of July 14, 1997	92, 93
Pneumatic Panel Assembly	
2-Way Tilt	
for models mfd. prior to July 14, 1997	94, 95
Optional Sprinkler Assembly	96, 97, 98
Pneumatic Assembly For Sprinkler Option	99
Sprinkler Control Panel Assembly	100, 101
Sprinkler Temperature Probe Junction Box Assembly	102
Rotational Sensor Assembly	103
End of Cycle Light Assembly	104
Guard Panel Assemblies	
Forward Tilt	105
Guard Panel Assemblies	
2-Way Tilt	106, 107
Base Panel Assemblies	
1-Way Tilt	108
Base Panel Assemblies	
2-Way Tilt	109
Selector Switch, Nameplate, and Mounting Base Chart	110

AUTOMATIC DOOR
1-Way Forward Tilt



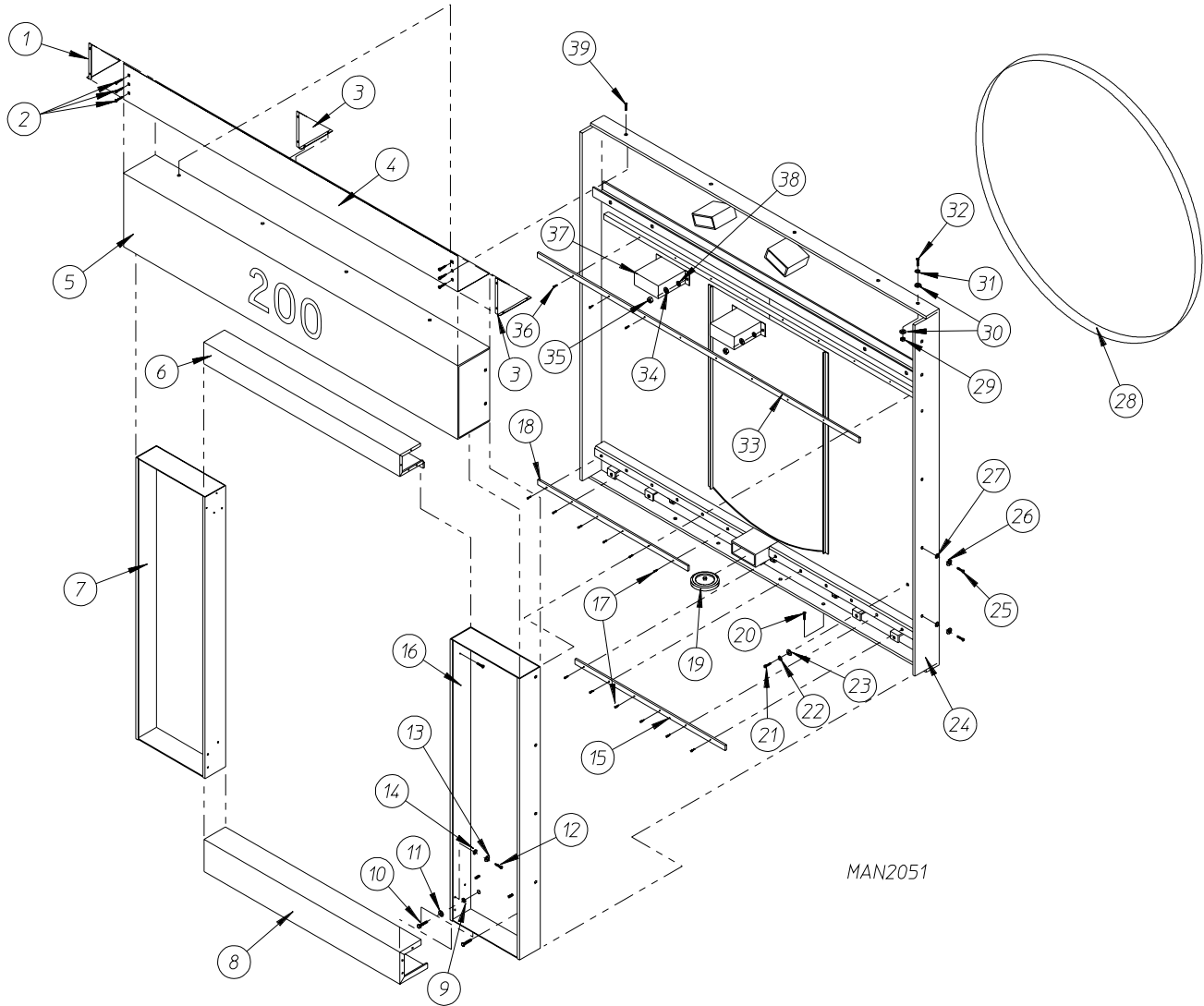
<u>Illus. No.</u>	<u>Part No.</u>	<u>Qty.</u>	<u>Description</u>
1	332680	1	Left Gusset (for Gas Models Only)
2	150522	15	1/4-20 x 1/2" Hex Washer TEK Screw (for Gas Models Only)
3*	821241	1	Upper Guard
4	332681	2	Right Gusset (for Gas Models Only)
5*	332679	1	Top Front Panel (for Gas Models Only)

AUTOMATIC DOOR**1-Way Forward Tilt**

<u>Illus. No.</u>	<u>Part No.</u>	<u>Qty.</u>	<u>Description</u>
6*	821239	1	Middle Guard
7*	881114	1	Left Control Door Cabinet
8*	821285	1	Bottom Guard
9	153001	8	5/16" Flat Washer
10	150501	8	5/16-18 x 3/4" Hex Head Machine Bolt
11	153002	8	5/16" Lock Washer
12	150510	12	1/4-20 x 3/4" Hex Head Machine Bolt
13	153007	12	1/4" Lock Washer
14	153018	12	1/4" Flat Washer
15	170364	1	Bottom Door Track
16*	881115	1	Right Control Door Cabinet
17	154312	14	#10-32 x 3/4" Socket Head Cap Screw
18	170364	1	Bottom Door Track
19	-----	-	Tumbler Retaining Wheel (refer to Tumbler Retaining Wheel Assembly on page 55)
20	150523	5	1/4-20 x 3/4" Hex Washer Machine Bolt
21	150617	8	3/8-16 x 1" Hex Head Machine Bolt
22	153005	8	3/8" Lock Washer
23	153004	8	3/8" Flat Washer
24*	881109	1	Front Panel Assembly
25	150501	12	5/16-18 x 3/4" Hex Head Machine Bolt
26	153002	12	5/16" Lock Washer
27	153001	12	5/16" Flat Washer
28	115998	180	Tumbler Ring Felt (sold by the inch)
	170730	-	Felt Adhesive - Clear (10.3 oz cartridge)
	170731	-	Felt Adhesive - Black (10.3 oz cartridge)
29	152011	4	1/2-13 Hex Nut
30	153050	8	1/2" x 1-1/16" Flat Washer
31	153026	4	1/2" Lock Washer
32	150605	4	1/2-13 x 1-1/2" Hex Head Bolt
33	170365	1	Upper Door Track
34	153007	12	1/4" Lock Washer
35	152002	12	1/4-20 Hex Nut
36	154312	15	#10-32 x 3/4" Socket Head Cap Screw
37*	821244	2	Tumbler Retaining Wheel Cover
38	153018	12	1/4" Flat Washer
39	150523	5	1/4-20 x 3/4" Hex Washer Machine Bolt

* Specify color when ordering.

AUTOMATIC DOOR
2-Way Tilt or Rear Tilt ONLY



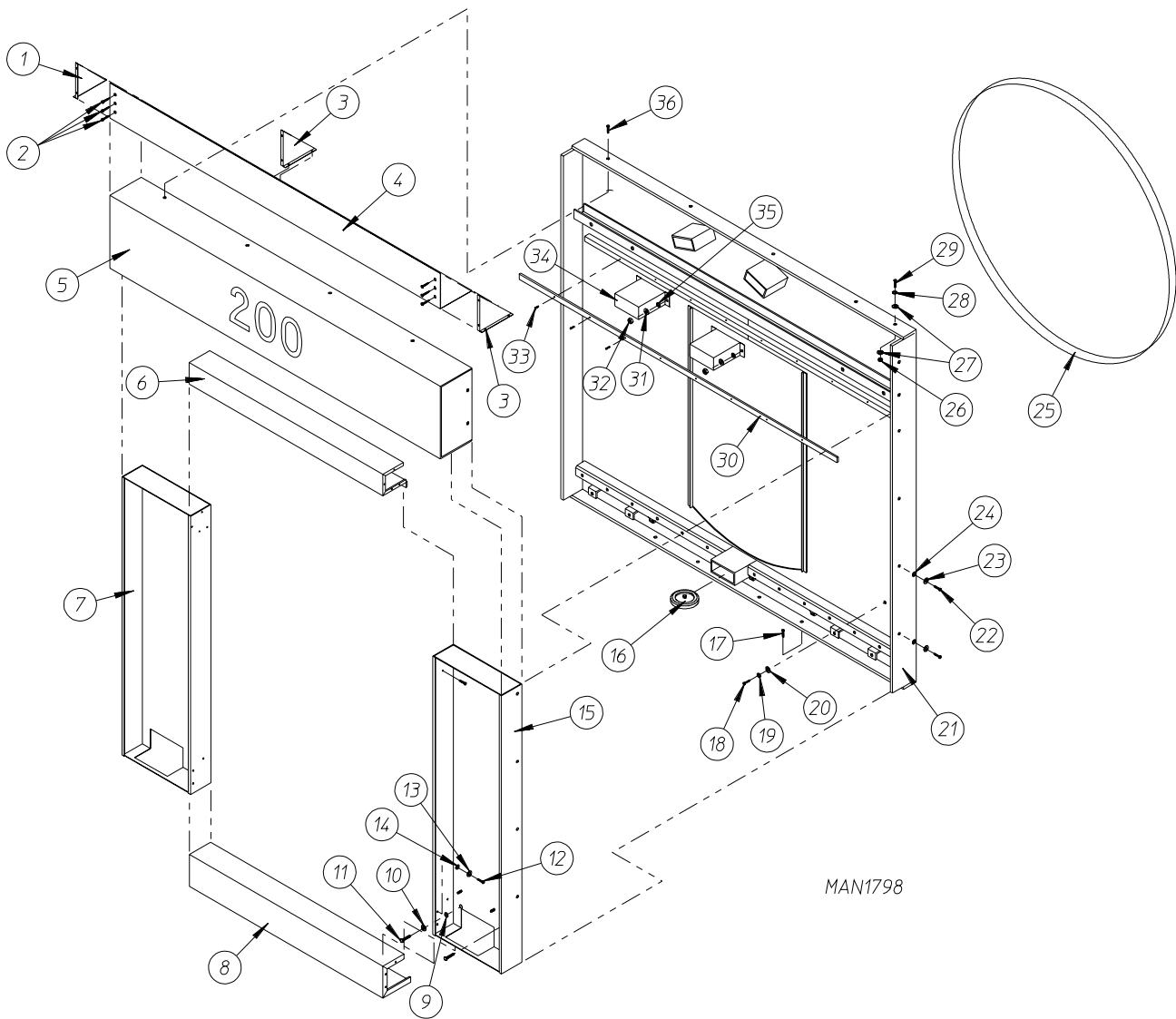
<u>Illus. No.</u>	<u>Part No.</u>	<u>Qty.</u>	<u>Description</u>
1	332680	1	Left Gusset (for Gas Models Only)
2	150522	15	1/4-20 x 1/2" Hex Washer TEK Screw (for Gas Models Only)
3	332681	2	Right Gusset (for Gas Models Only)
4*	332679	1	Top Front Panel (for Gas Models Only)
5*	821241	1	Upper Guard

AUTOMATIC DOOR
2-Way Tilt or Rear Tilt ONLY

<u>Illus. No.</u>	<u>Part No.</u>	<u>Qty.</u>	<u>Description</u>
6*	821239	1	Middle Guard
7*	881117	1	Left Control Cabinet
8*	821285	1	Bottom Guard
9	153001	8	5/16" Flat Washer
10	150501	8	5/16-18 x 3/4" Hex Head Machine Bolt
11	153002	8	5/16" Lock Washer
12	150510	12	1/4-20 x 3/4" Hex Head Machine Bolt
13	153007	12	1/4" Lock Washer
14	153018	12	1/4" Flat Washer
15	170364	1	Bottom Door Track
16*	881116	1	Right Control Cabinet
17	154312	14	#10-32 x 3/4" Socket Head Cap Screw
18	170364	1	Bottom Door Track
19	-----	-	Tumbler Retaining Wheel (refer to Tumbler Retaining Wheel Assembly on page 55)
20	150523	5	1/4-20 x 3/4" Hex Washer Machine Bolt
21	150617	8	3/8-16 x 1" Hex Head Machine Bolt
22	153005	8	3/8" Lock Washer
23	153004	8	3/8" Flat Washer
24*	881109	1	Front Panel Assembly
25	150501	12	5/16-18 x 3/4" Hex Head Machine Bolt
26	153002	12	5/16" Lock Washer
27	153001	12	5/16" Flat Washer
28	115998	180	Tumbler Ring Felt (sold by the inch)
	170730	-	Felt Adhesive - Clear (10.3 oz cartridge)
	170731	-	Felt Adhesive - Black (10.3 oz cartridge)
29	152011	4	1/2-13 Hex Nut
30	153050	8	1/2" x 1-1/16" Flat Washer
31	153026	4	1/2" Lock Washer
32	150605	4	1/2-13 x 1-1/2" Hex Head Bolt
33	170365	1	Upper Door Track
34	153007	12	1/4" Lock Washer
35	152002	12	1/4-20 Hex Nut
36	154312	15	#10-32 x 3/4" Socket Head Cap Screw
37*	821244	2	Tumbler Retaining Wheel Cover
38	153018	12	1/4" Flat Washer
39	150523	5	1/4-20 x 3/4" Hex Washer Machine Bolt

* Specify color when ordering.

MANUAL DOOR
1-Way Forward Tilt



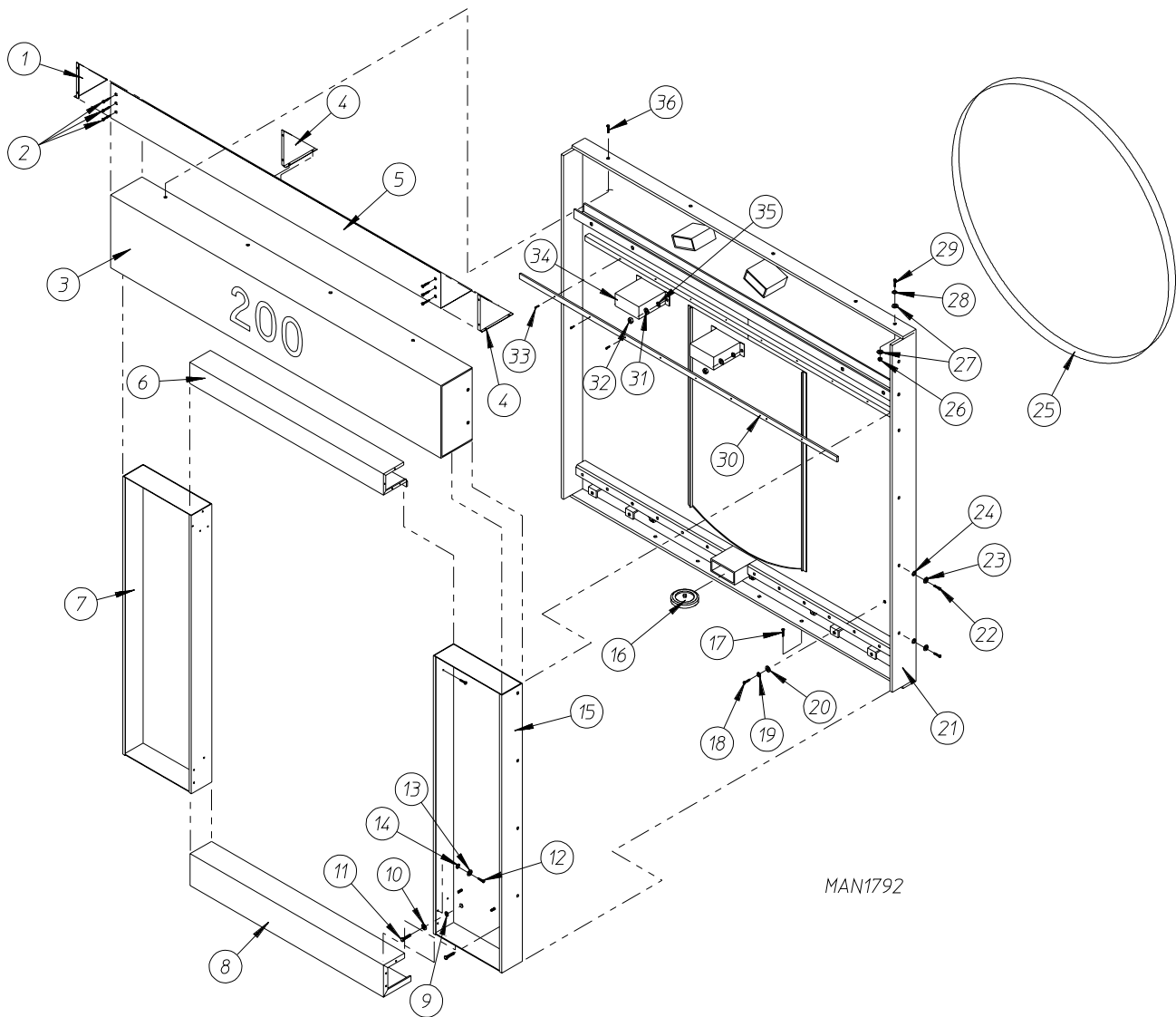
<u>Illus. No.</u>	<u>Part No.</u>	<u>Qty.</u>	<u>Description</u>
1	332680	1	Left Gusset (for Gas Models Only)
2	150522	15	1/4-20 x 1/2" Hex Washer TEK Screw (for Gas Models Only)
3	332681	2	Right Gusset (for Gas Models Only)
4*	332679	1	Top Front Panel (for Gas Models Only)
5*	821241	1	Upper Guard

MANUAL DOOR
1-Way Forward Tilt

<u>Illus. No.</u>	<u>Part No.</u>	<u>Qty.</u>	<u>Description</u>
6*	821239	1	Middle Guard
7*	881114	1	Left Control Door Cabinet
8*	821285	1	Bottom Guard
9	153001	8	5/16" Flat Washer
10	153002	8	5/16" Lock Washer
11	150501	8	5/16-18 x 3/4" Hex Head Machine Bolt
12	150510	12	1/4-20 x 3/4" Hex Head Machine Bolt
13	153007	12	1/4" Lock Washer
14	153018	12	1/4" Flat Washer
15*	881115	1	Right Control Door Cabinet
16	-----	-	Tumbler Retaining Wheel (refer to Tumbler Retaining Wheel Assembly on page 55)
17	150523	5	1/4-20 x 3/4" Hex Washer Machine Bolt
18	150617	8	3/8-16 x 1" Hex Head Machine Bolt
19	153005	8	3/8" Lock Washer
20	153004	8	3/8" Flat Washer
21*	881109	1	Front Panel Assembly
22	150501	12	5/16-18 x 3/4" Hex Head Machine Bolt
23	153002	12	5/16" Lock Washer
24	153001	12	5/16" Flat Washer
25	115998	180	Tumbler Ring Felt (sold by the inch)
	170730	-	Felt Adhesive - Clear (10.3 oz cartridge)
	170731	-	Felt Adhesive - Black (10.3 oz cartridge)
26	152011	4	1/2-13 Hex Nut
27	153050	8	1/2" x 1-1/16" Flat Washer
28	153026	4	1/2" Lock Washer
29	150605	4	1/2-13 x 1-1/2" Hex Head Bolt
30	170365	1	Upper Door Track
31	153007	12	1/4" Lock Washer
32	152002	12	1/4-20 Hex Nut
33	154312	15	#10-32 x 3/4" Socket Head Cap Screw
34*	821244	2	Tumbler Retaining Wheel Cover
35	153018	12	1/4" Flat Washer
36	150523	5	1/4-20 x 3/4" Hex Washer Machine Bolt

* Specify color when ordering.

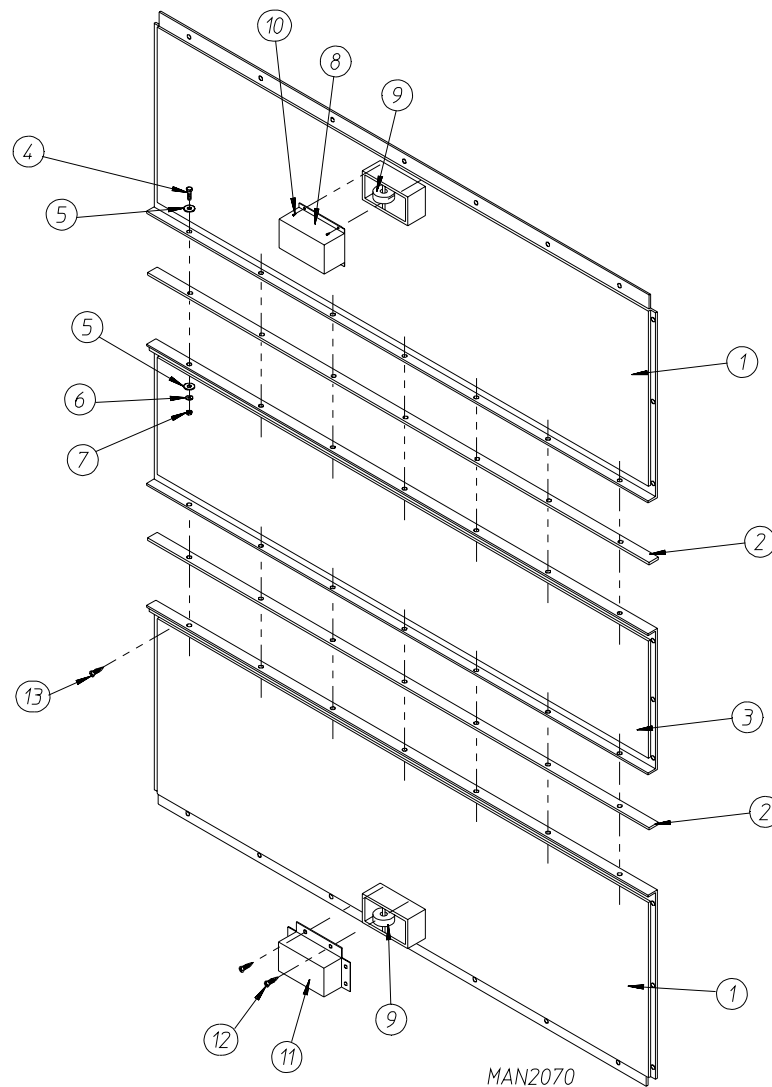
MANUAL DOOR
2-Way Tilt or Rear Tilt ONLY



MANUAL DOOR**2-Way Tilt or Rear Tilt ONLY**

<u>Illus. No.</u>	<u>Part No.</u>	<u>Qty.</u>	<u>Description</u>
1	332680	1	Left Gusset (for Gas Models Only)
2	150522	15	1/4-20 x 1/2" Hex Washer TEK Screw (for Gas Models Only)
3*	821241	1	Upper Guard
4	332681	2	Right Gusset (for Gas Models Only)
5*	332679	1	Top Front Panel (for Gas Models Only)
6*	821239	1	Middle Guard
7*	881117	1	Left Control Door Cabinet
8*	821285	1	Bottom Guard
9	153001	8	5/16" Flat Washer
10	153002	8	5/16" Lock Washer
11	150501	8	5/16-18 x 3/4" Hex Head Machine Bolt
12	150510	12	1/4-20 x 3/4" Hex Head Machine Bolt
13	153007	12	1/4" Lock Washer
14	153018	12	1/4" Flat Washer
15*	881116	1	Right Control Door Cabinet
16	-----	-	Tumbler Retaining Wheel (refer to Tumbler Retaining Wheel Assembly on page 55)
17	150523	5	1/4-20 x 3/4" Hex Washer Machine Bolt
18	150617	8	3/8-16 x 1" Hex Head Machine Bolt
19	153005	8	3/8" Lock Washer
20	153004	8	3/8" Flat Washer
21*	881108	1	Front Panel Assembly
22	150501	12	5/16-18 x 3/4" Hex Head Machine Bolt
23	153002	12	5/16" Lock Washer
24	153001	12	5/16" Flat Washer
25	115998	180	Tumbler Ring Felt (sold by the inch)
	170730	-	Felt Adhesive - Clear (10.3 oz cartridge)
	170731	-	Felt Adhesive - Black (10.3 oz cartridge)
26	152011	4	1/2-13 Hex Nut
27	153050	8	1/2" x 1-1/16" Flat Washer
28	153026	4	1/2" Lock Washer
29	150605	4	1/2-13 x 1-1/2" Hex Head Bolt
30	170365	1	Upper Door Track
31	153007	12	1/4" Lock Washer
32	152002	12	1/4-20 Hex Nut
33	154312	15	#10-32 x 3/4" Socket Head Cap Screw
34*	821244	2	Tumbler Retaining Wheel Cover
35	153018	12	1/4" Flat Washer

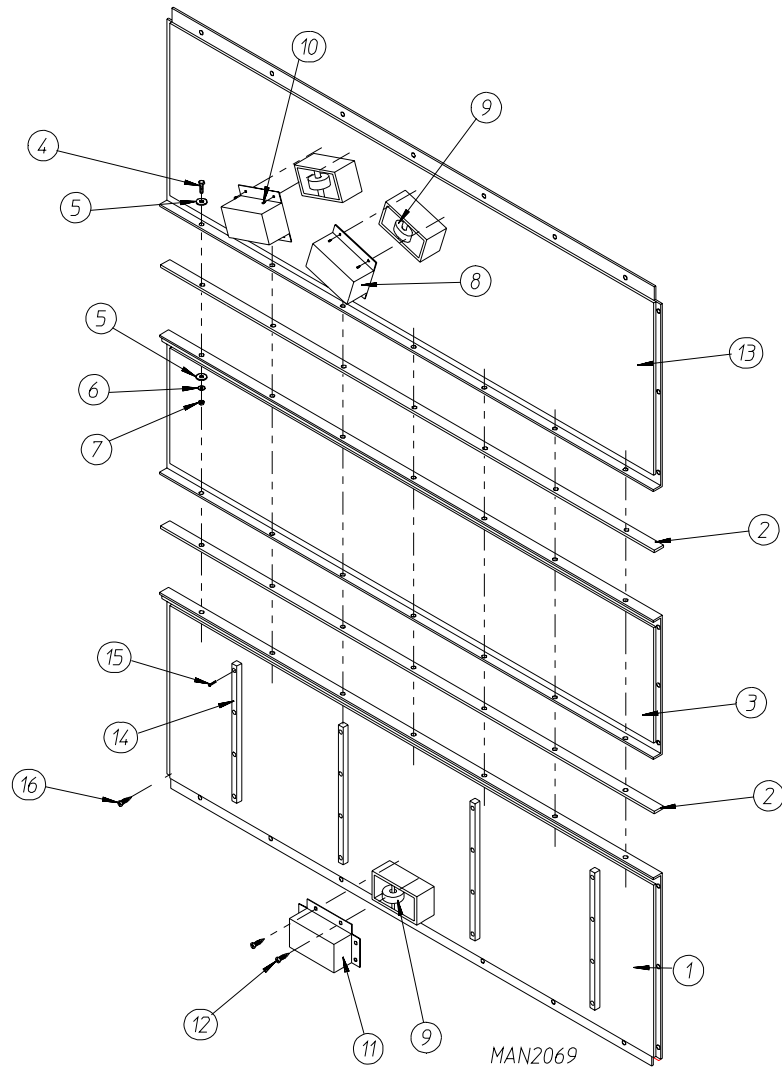
* Specify color when ordering.



Illus. No.	Part No.	Qty.	Description
1*	821310	2	Top and Bottom Panel Assembly
2	332571	2	Rear Panel Reinforcement
3*	821312	1	Middle Back Panel Assembly
4	150625	14	5/16-18 x 1-1/4" Hex Head Machine Bolt
5	153001	28	5/16" Flat Washer
6	153002	14	5/16" Lock Washer
7	152004	14	5/16-18 Hex Nut
8*	821244	1	Tumbler Retaining Wheel Cover
9	-----	2	Tumbler Retaining Wheel (refer to Tumbler Retaining Wheel Assembly on page 55)
10	150301	4	#8-18 x 7/16" Phillips Pan Head TEK Screw
11*	332787	1	Tumbler Retaining Wheel Guard
12	150301	6	#8-18 x 7/16" Phillips Pan Head TEK Screw
13	150523	32	1/4-20 x 3/4" Hex Head Machine Bolt

* Specify color when ordering.

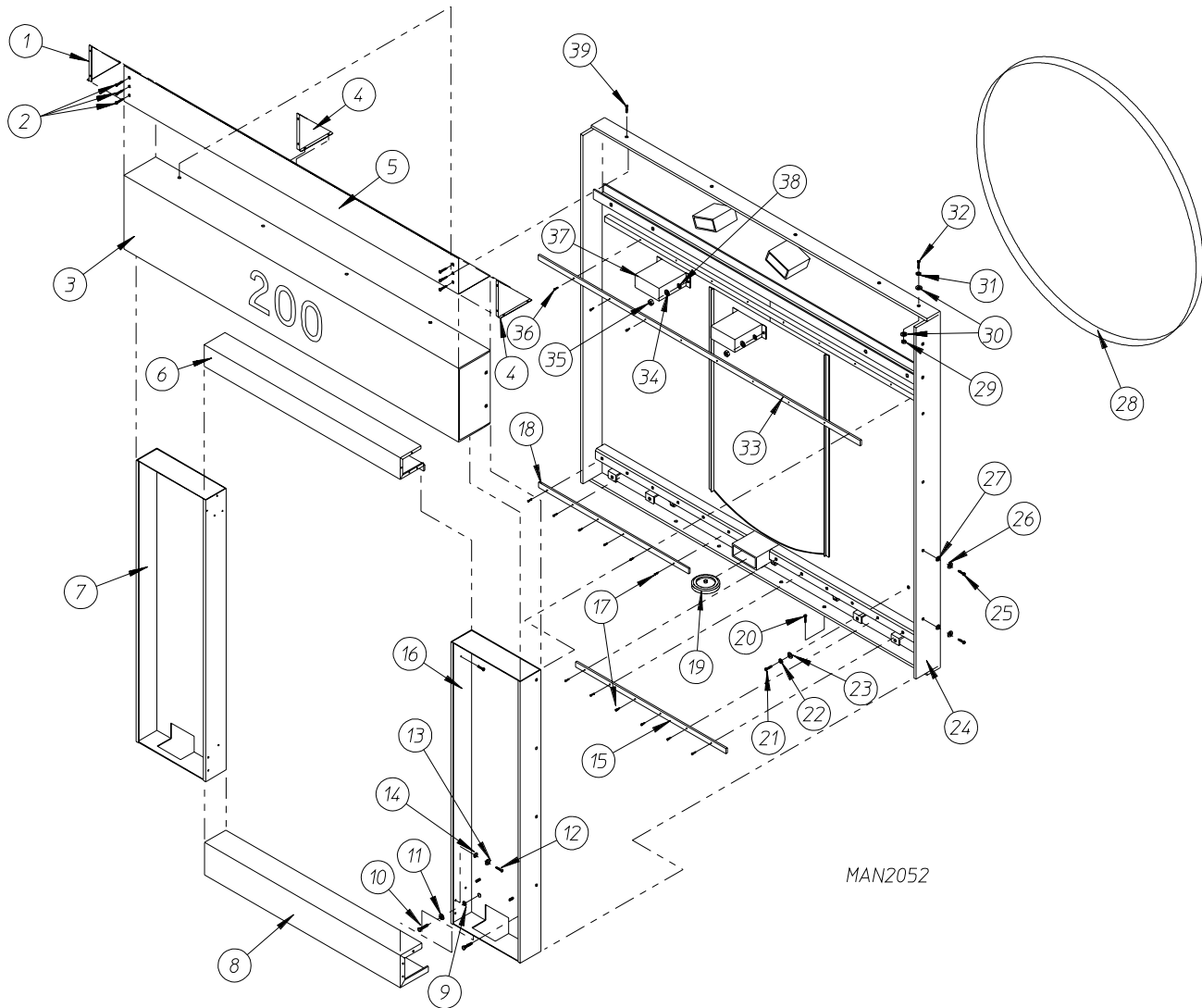
1 Door/2-Way Tilt



<u>Illus. No.</u>	<u>Part No.</u>	<u>Qty.</u>	<u>Description</u>
1*	821310	1	Bottom Back Panel Assembly
2	332571	2	Rear Panel Reinforcement
3*	821312	1	Middle Back Panel Assembly
4	150625	14	5/16-18 x 1-1/4" Hex Head Machine Bolt
5	153001	28	5/16" Flat Washer
6	153002	14	5/16" Lock Washer
7	152004	14	5/16-18 Hex Nut
8*	821244	2	Tumbler Retaining Wheel Cover
9	-----	3	Tumbler Retaining Wheel (refer to Tumbler Retaining Wheel Assembly on page 55)
10	150301	8	#8-18 x 7/16" Phillips Pan Head TEK Screw
11*	332787	1	Tumbler Retaining Wheel Guard
12	150301	6	#8-18 x 7/16" Phillips Pan Head TEK Screw
13*	881118	1	Top Back Panel Assembly
14	170346	4	Nylon Guide
15	150309	16	#10-16 x 1/2" Hex Head TEK Crimpite Screw
16	150523	32	1/4-20 x 3/4" Hex Head Machine Bolt

* Specify color when ordering.

AUTOMATIC DOOR
Rear Tilt ONLY



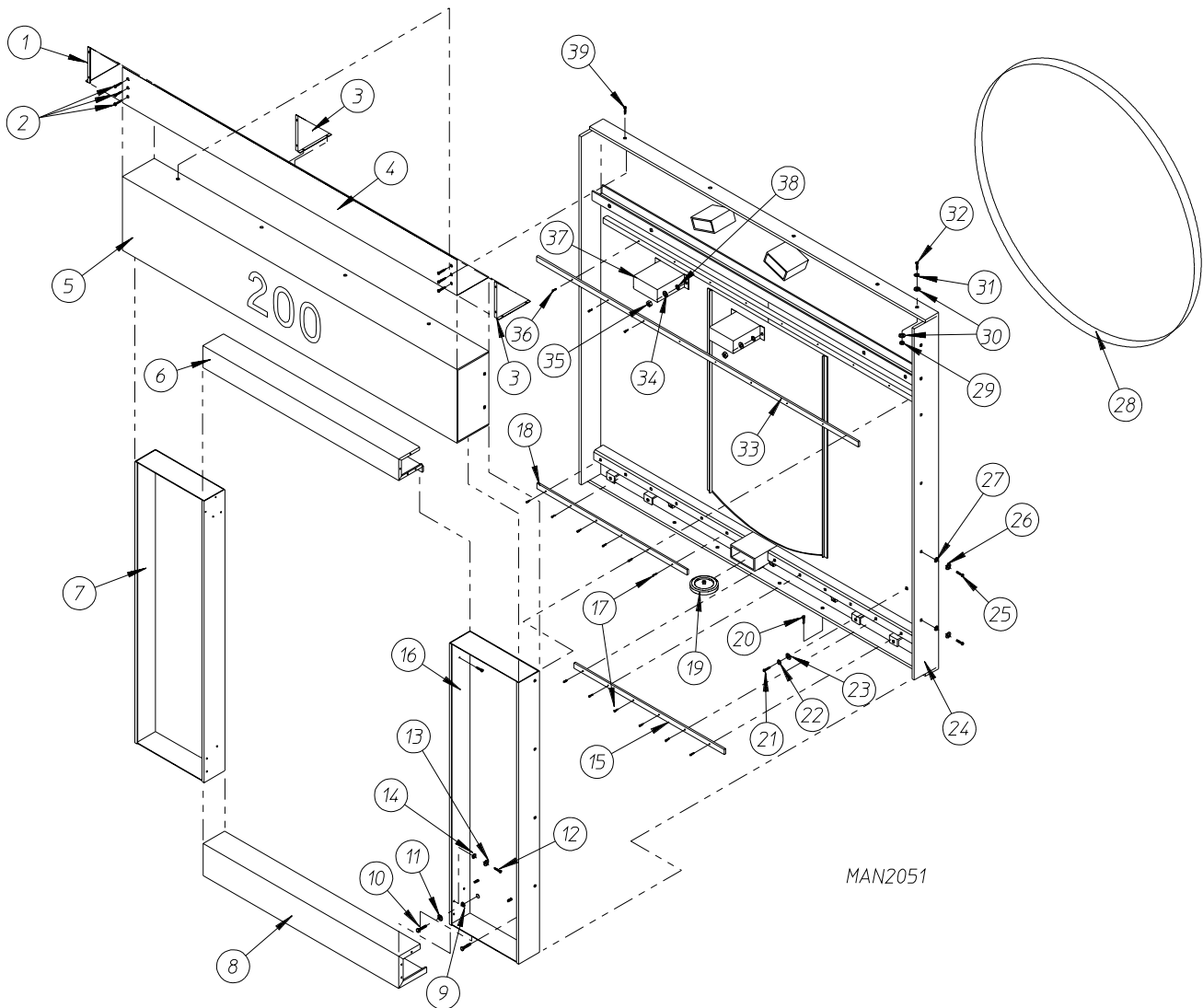
<u>Illus. No.</u>	<u>Part No.</u>	<u>Qty.</u>	<u>Description</u>
1	332680	1	Left Gusset (for Gas Models Only)
2	150522	15	1/4-20 x 1/2" Hex Washer TEK Screw (for Gas Models Only)
3*	821241	1	Upper Guard
4	332681	2	Right Gusset (for Gas Models Only)
5*	332679	1	Top Front Panel (for Gas Models Only)

AUTOMATIC DOOR**Rear Tilt ONLY**

<u>Illus. No.</u>	<u>Part No.</u>	<u>Qty.</u>	<u>Description</u>
6*	821239	1	Middle Guard
7*	881114	1	Left Control Door Cabinet
8*	821285	1	Bottom Guard
9	153001	8	5/16" Flat Washer
10	150501	8	5/16-18 x 3/4" Hex Head Machine Bolt
11	153002	8	5/16" Lock Washer
12	150510	12	1/4-20 x 3/4" Hex Head Machine Bolt
13	153007	12	1/4" Lock Washer
14	153018	12	1/4" Flat Washer
15	170364	1	Bottom Door Track
16*	881115	1	Right Control Door Cabinet
17	154312	14	#10-32 x 3/4" Socket Head Cap Screw
18	170364	1	Bottom Door Track
19	-----	-	Tumbler Retaining Wheel (refer to Tumbler Retaining Wheel Assembly on page 55)
20	150523	5	1/4-20 x 3/4" Hex Washer Machine Bolt
21	150617	8	3/8-16 x 1" Hex Head Machine Bolt
22	153005	8	3/8" Lock Washer
23	153004	8	3/8" Flat Washer
24*	881109	1	Front Panel Assembly
25	150501	12	5/16-18 x 3/4" Hex Head Machine Bolt
26	153002	12	5/16" Lock Washer
27	153001	12	5/16" Flat Washer
28	115998	180	Tumbler Ring Felt (sold by the inch)
	170730	-	Felt Adhesive - Clear (10.3 oz cartridge)
	170731	-	Felt Adhesive - Black (10.3 oz cartridge)
29	152011	4	1/2-13 Hex Nut
30	153050	8	1/2" x 1-1/16" Flat Washer
31	153026	4	1/2" Lock Washer
32	150605	4	1/2-13 x 1-1/2" Hex Head Bolt
33	170365	1	Upper Door Track
34	153007	12	1/4" Lock Washer
35	152002	12	1/4-20 Hex Nut
36	154312	15	#10-32 x 3/4" Socket Head Cap Screw
37*	821244	2	Tumbler Retaining Wheel Cover
38	153018	12	1/4" Flat Washer
39	150523	5	1/4-20 x 3/4" Hex Washer Machine Bolt

* Specify color when ordering.

**AUTOMATIC DOOR
2-Way Tilt**



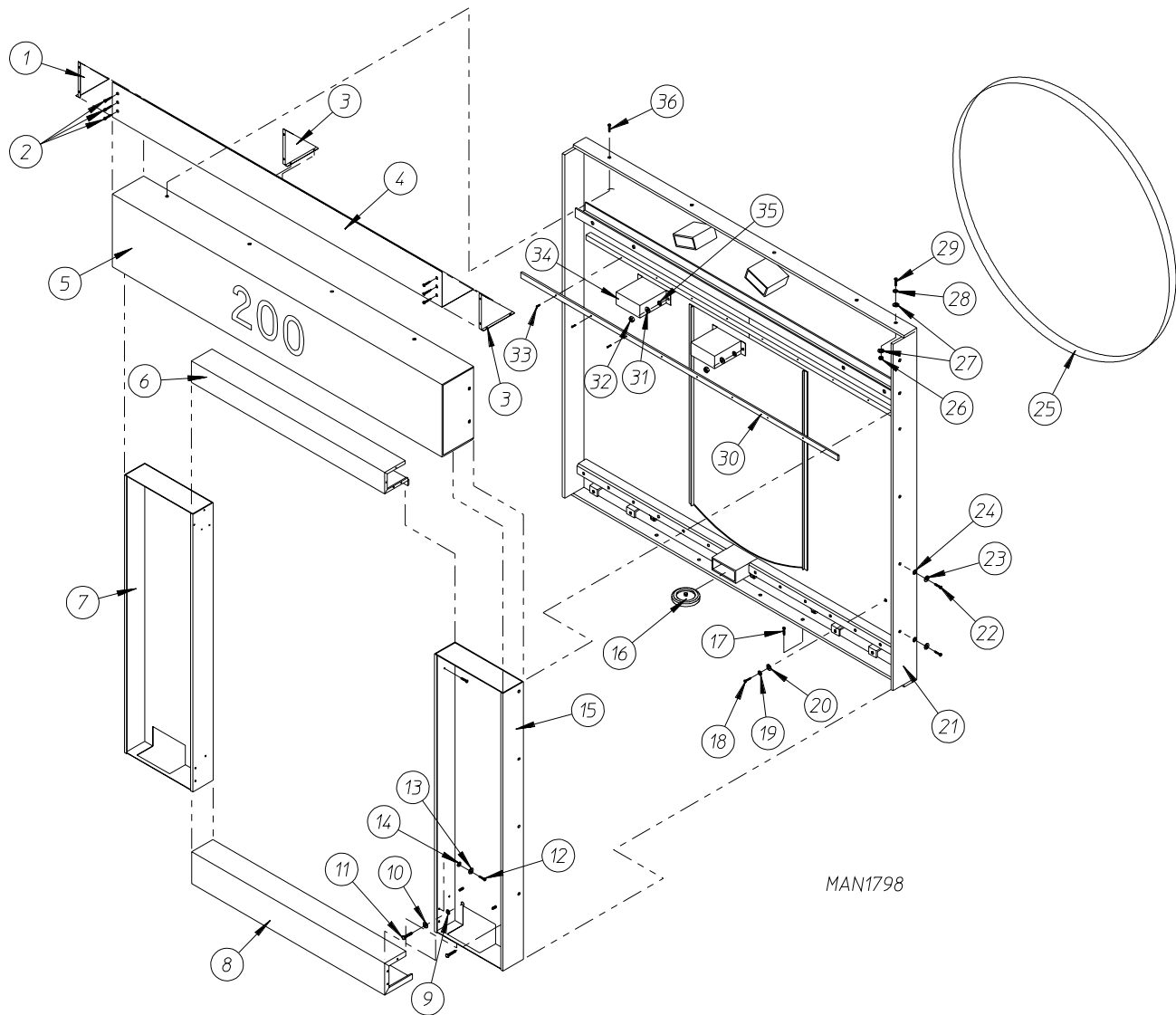
<u>Illus. No.</u>	<u>Part No.</u>	<u>Qty.</u>	<u>Description</u>
1	332680	1	Left Gusset (for Gas Models Only)
2	150522	15	1/4-20 x 1/2" Hex Washer TEK Screw (for Gas Models Only)
3	332681	2	Right Gusset (for Gas Models Only)
4*	332679	1	Top Front Panel (for Gas Models Only)
5*	821241	1	Upper Guard

AUTOMATIC DOOR**2-Way Tilt**

<u>Illus. No.</u>	<u>Part No.</u>	<u>Qty.</u>	<u>Description</u>
6*	821239	1	Middle Guard
7*	881117	1	Left Control Door Cabinet
8*	821285	1	Bottom Guard
9	153001	8	5/16" Flat Washer
10	150501	8	5/16-18 x 3/4" Hex Head Machine Bolt
11	153002	8	5/16" Lock Washer
12	150510	12	1/4-20 x 3/4" Hex Head Machine Bolt
13	153007	12	1/4" Lock Washer
14	153018	12	1/4" Flat Washer
15	170364	1	Bottom Door Track
16*	881116	1	Right Control Door Cabinet
17	154312	14	#10-32 x 3/4" Socket Head Cap Screw
18	170364	1	Bottom Door Track
19	-----	-	Tumbler Retaining Wheel (refer to Tumbler Retaining Wheel Assembly on page 55)
20	150523	5	1/4-20 x 3/4" Hex Washer Machine Bolt
21	150617	8	3/8-16 x 1" Hex Head Machine Bolt
22	153005	8	3/8" Lock Washer
23	153004	8	3/8" Flat Washer
24*	881109	1	Front Panel Assembly
25	150501	12	5/16-18 x 3/4" Hex Head Machine Bolt
26	153002	12	5/16" Lock Washer
27	153001	12	5/16" Flat Washer
28	115998	180	Tumbler Ring Felt (sold by the inch)
	170730	-	Felt Adhesive - Clear (10.3 oz cartridge)
	170731	-	Felt Adhesive - Black (10.3 oz cartridge)
29	152011	4	1/2-13 Hex Nut
30	153050	8	1/2" x 1-1/16" Flat Washer
31	153026	4	1/2" Lock Washer
32	150605	4	1/2-13 x 1-1/2" Hex Head Bolt
33	170365	1	Upper Door Track
34	153007	12	1/4" Lock Washer
35	152002	12	1/4-20 Hex Nut
36	154312	15	#10-32 x 3/4" Socket Head Cap Screw
37*	821244	2	Tumbler Retaining Wheel Cover
38	153018	12	1/4" Flat Washer
39	150523	5	1/4-20 x 3/4" Hex Washer Machine Bolt

* Specify color when ordering.

MANUAL DOOR
Rear Tilt ONLY



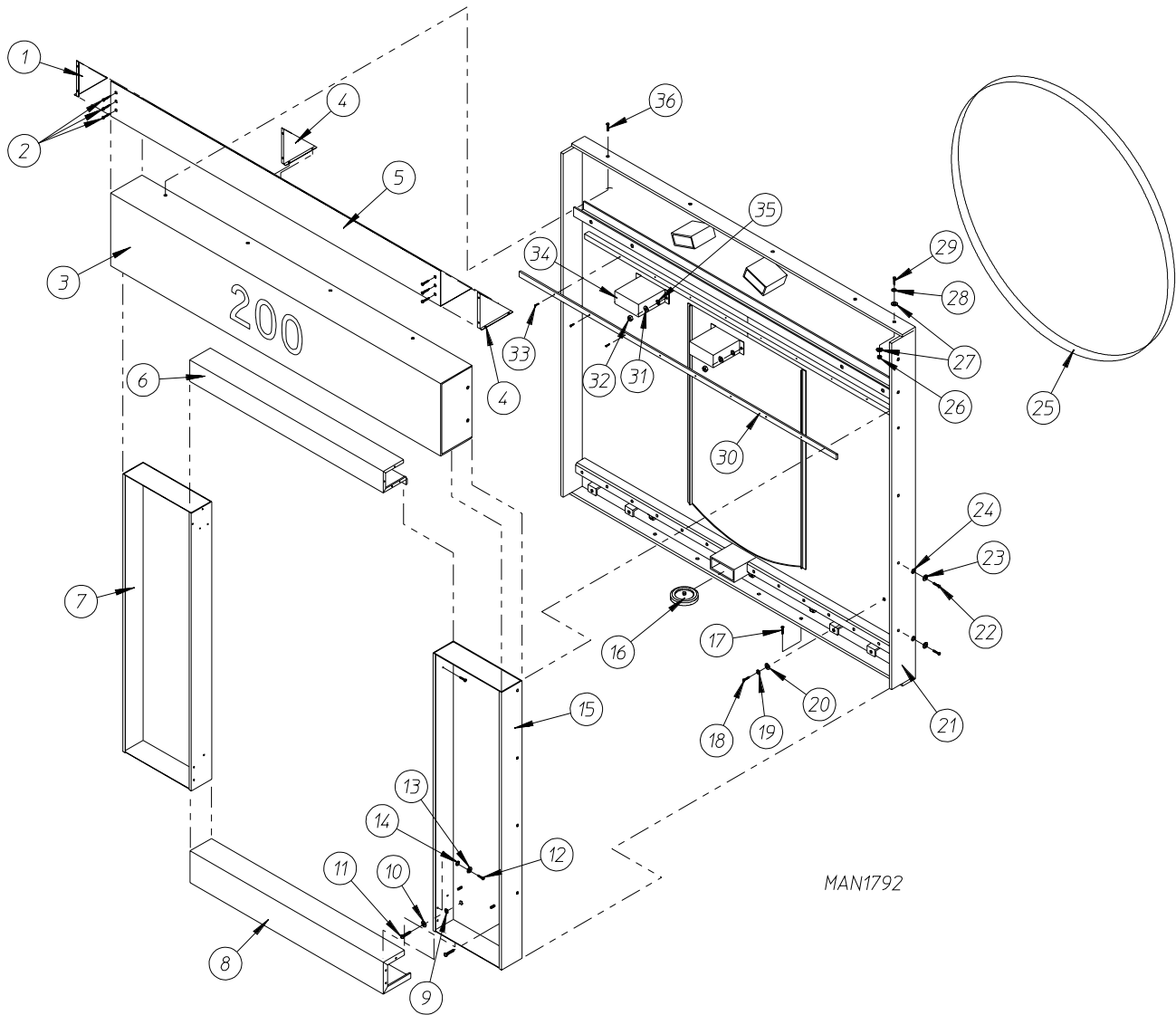
<u>Illus. No.</u>	<u>Part No.</u>	<u>Qty.</u>	<u>Description</u>
1	332680	1	Left Gusset (for Gas Models Only)
2	150522	15	1/4-20 x 1/2" Hex Washer TEK Screw (for Gas Models Only)
3	332681	2	Right Gusset (for Gas Models Only)
4*	332679	1	Top Front Panel (for Gas Models Only)
5*	821241	1	Upper Guard

MANUAL DOOR**Rear Tilt ONLY**

<u>Illus. No.</u>	<u>Part No.</u>	<u>Qty.</u>	<u>Description</u>
6*	821239	1	Middle Guard
7*	881114	1	Left Control Door Cabinet
8*	821285	1	Bottom Guard
9	153001	8	5/16" Flat Washer
10	153002	8	5/16" Lock Washer
11	150501	8	5/16-18 x 3/4" Hex Head Machine Bolt
12	150510	12	1/4-20 x 3/4" Hex Head Machine Bolt
13	153007	12	1/4" Lock Washer
14	153018	12	1/4" Flat Washer
15*	881115	1	Right Control Door Cabinet
16	-----	-	Tumbler Retaining Wheel (refer to Tumbler Retaining Wheel Assembly on page 55)
17	150523	5	1/4-20 x 3/4" Hex Washer Machine Bolt
18	150617	8	3/8-16 x 1" Hex Head Machine Bolt
19	153005	8	3/8" Lock Washer
20	153004	8	3/8" Flat Washer
21*	881108	1	Front Panel Assembly
22	150501	12	5/16-18 x 3/4" Hex Head Machine Bolt
23	153002	12	5/16" Lock Washer
24	153001	12	5/16" Flat Washer
25	115998	180	Tumbler Ring Felt (sold by the inch)
	170730	-	Felt Adhesive - Clear (10.3 oz cartridge)
	170731	-	Felt Adhesive - Black (10.3 oz cartridge)
26	152011	4	1/2-13 Hex Nut
27	153050	8	1/2" x 1-1/16" Flat Washer
28	153026	4	1/2" Lock Washer
29	150605	4	1/2-13 x 1-1/2" Hex Head Bolt
30	170365	1	Upper Door Track
31	153007	12	1/4" Lock Washer
32	152002	12	1/4-20 Hex Nut
33	154312	15	#10-32 x 3/4" Socket Head Cap Screw
34*	821244	2	Tumbler Retaining Wheel Cover
35	153018	12	1/4" Flat Washer
36	150523	5	1/4-20 x 3/4" Hex Washer Machine Bolt

* Specify color when ordering.

**MANUAL DOOR
2-Way Tilt**

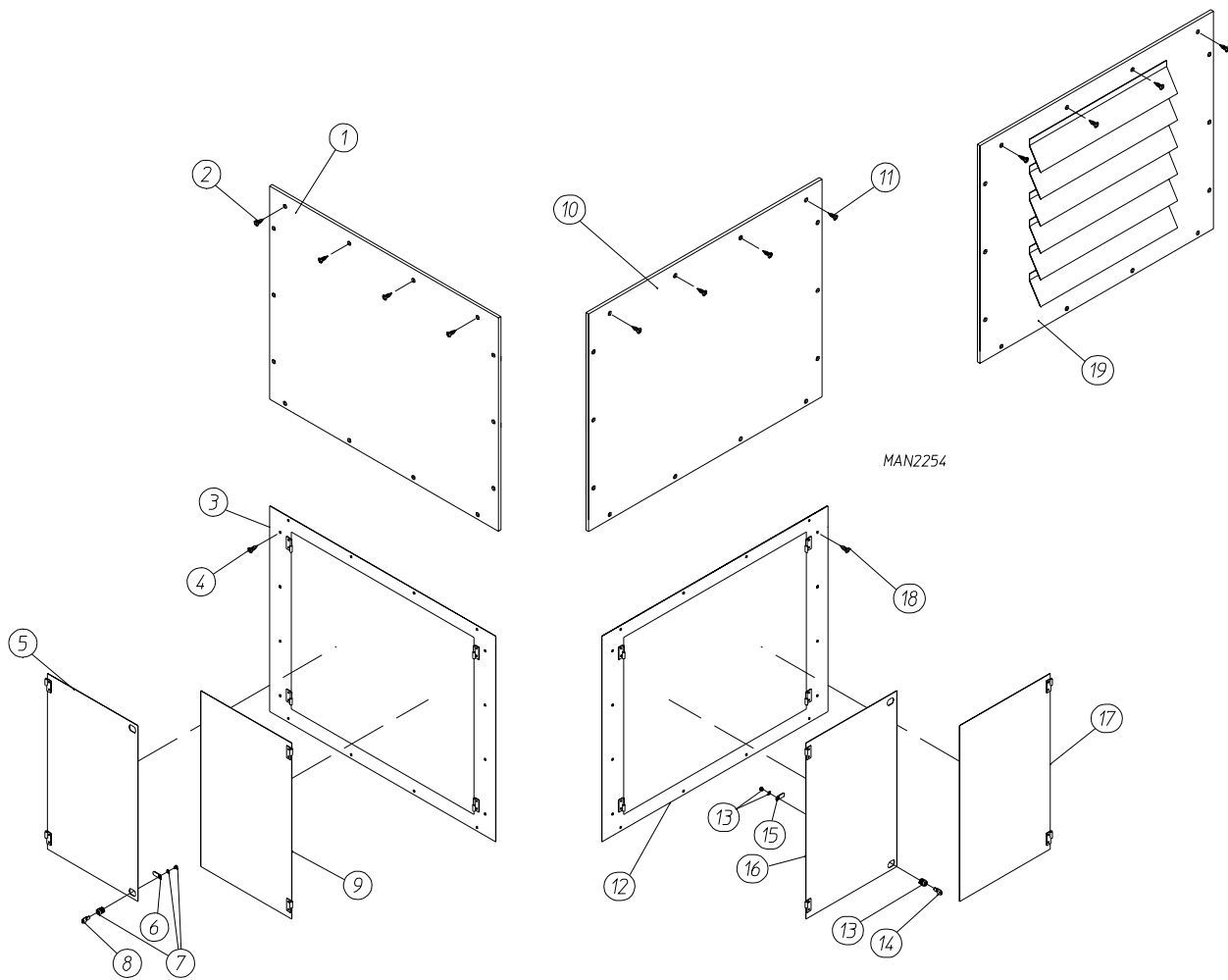


<u>Illus. No.</u>	<u>Part No.</u>	<u>Qty.</u>	<u>Description</u>
1	332680	1	Left Gusset (for Gas Models Only)
2	150522	15	1/4-20 x 1/2" Hex Washer TEK Screw (for Gas Models Only)
3*	821241	1	Upper Guard
4	332681	2	Right Gusset (for Gas Models Only)
5*	332679	1	Top Front Panel (for Gas Models Only)

MANUAL DOOR**2-Way Tilt**

<u>Illus. No.</u>	<u>Part No.</u>	<u>Qty.</u>	<u>Description</u>
6*	821239	1	Middle Guard
7*	881117	1	Left Control Door Cabinet
8*	821285	1	Bottom Guard
9	153001	8	5/16" Flat Washer
10	153002	8	5/16" Lock Washer
11	150501	8	5/16-18 x 3/4" Hex Head Machine Bolt
12	150510	12	1/4-20 x 3/4" Hex Head Machine Bolt
13	153007	12	1/4" Lock Washer
14	153018	12	1/4" Flat Washer
15*	881116	1	Right Control Door Cabinet
16	-----	-	Tumbler Retaining Wheel (refer to Tumbler Retaining Wheel Assembly on page 55)
17	150523	5	1/4-20 x 3/4" Hex Washer Machine Bolt
18	150617	8	3/8-16 x 1" Hex Head Machine Bolt
19	153005	8	3/8" Lock Washer
20	153004	8	3/8" Flat Washer
21*	881108	1	Front Panel Assembly
22	150501	12	5/16-18 x 3/4" Hex Head Machine Bolt
23	153002	12	5/16" Lock Washer
24	153001	12	5/16" Flat Washer
25	115998	180	Tumbler Ring Felt (sold by the inch)
	170730	-	Felt Adhesive - Clear (10.3 oz cartridge)
	170731	-	Felt Adhesive - Black (10.3 oz cartridge)
26	152011	4	1/2-13 Hex Nut
27	153050	8	1/2" x 1-1/16" Flat Washer
28	153026	4	1/2" Lock Washer
29	150605	4	1/2-13 x 1-1/2" Hex Head Bolt
30	170365	1	Upper Door Track
31	153007	12	1/4" Lock Washer
32	152002	12	1/4-20 Hex Nut
33	154312	15	#10-32 x 3/4" Socket Head Cap Screw
34*	821244	2	Tumbler Retaining Wheel Cover
35	153018	12	1/4" Flat Washer
36	150523	5	1/4-20 x 3/4" Hex Washer

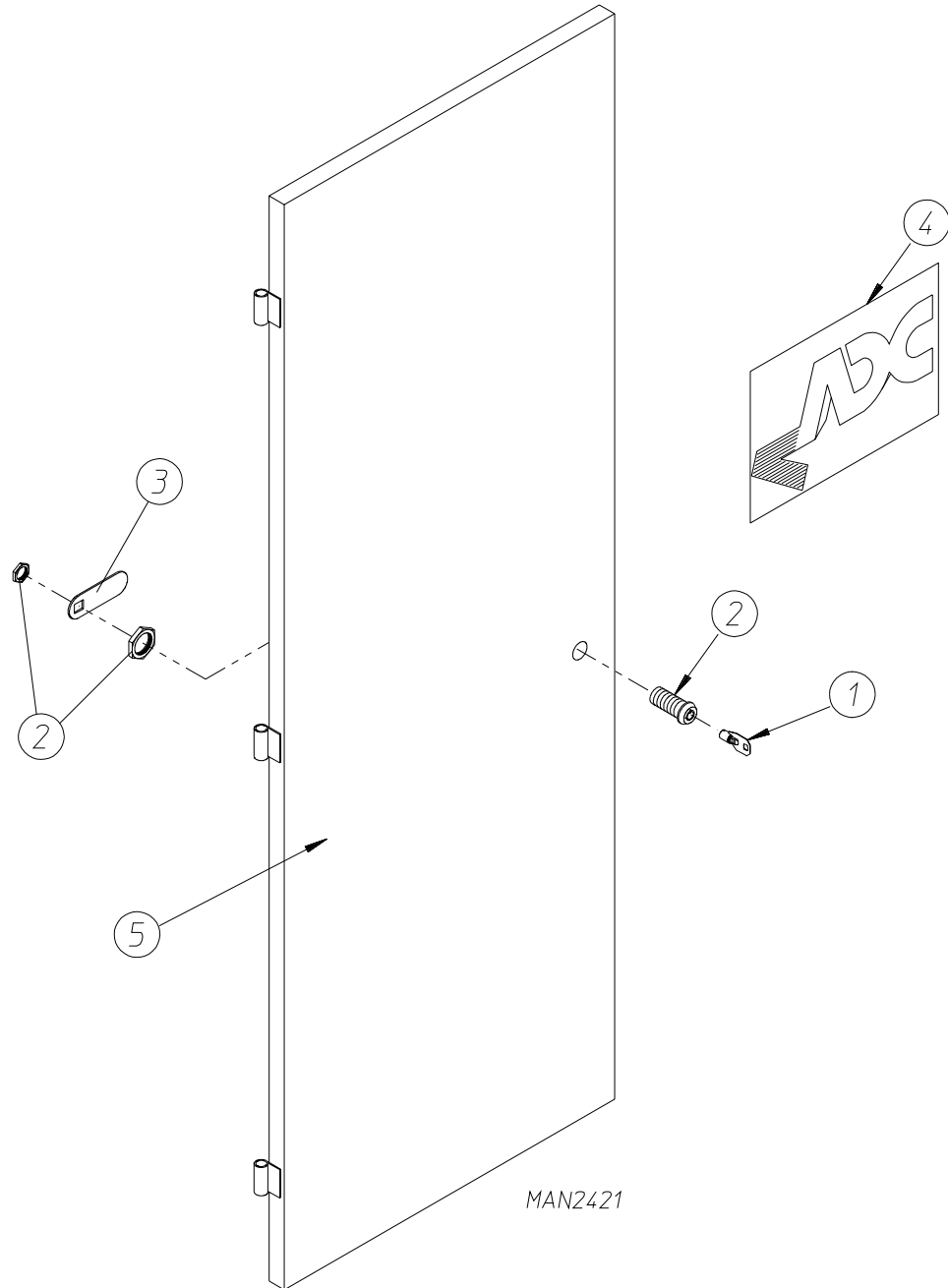
* Specify color when ordering.



Illus. No.	Part No.	Qty.	Description
1*	821283	1	Left Top Side Panel
2	150523	14	1/4-20 x 3/4" Hex Head TEK Screw
3*	881189	1	Lower Side Panel for Hinged Doors
4	150523	16	1/4-20 x 3/4" Hex Head TEK Screw
5*	881190	1	Locking Hinged Side Panel Door Less Locks
6	160034	2	Lock Cam ONLY
7	160050	2	ACE® Door Lock ONLY less Key (keyed to XX4451)
8	160140	2	ACE® XX4451 Key ONLY
9*	881191	1	Hinged Side Panel Door Assembly
10*	881283	1	Right Top Side Panel (for Steam Models Only)
11	150523	14	1/4-20 x 3/4" Hex Head TEK Screw
12*	881189	1	Lower Side Panel for Hinged Doors
13	160050	2	ACE® Door Lock ONLY less Key (keyed to XX4451)
14	160140	2	ACE® XX4451 Key ONLY
15	160034	2	Lock Cam ONLY
16*	881190	1	Locking Hinged Side Panel Door less Locks
17*	881191	1	Hinged Side Panel Door Assembly
18	150523	16	1/4-20 x 3/4" Hex Head TEK Screw
19*	821242	1	Top Right Side Panel (for Gas Models Only)

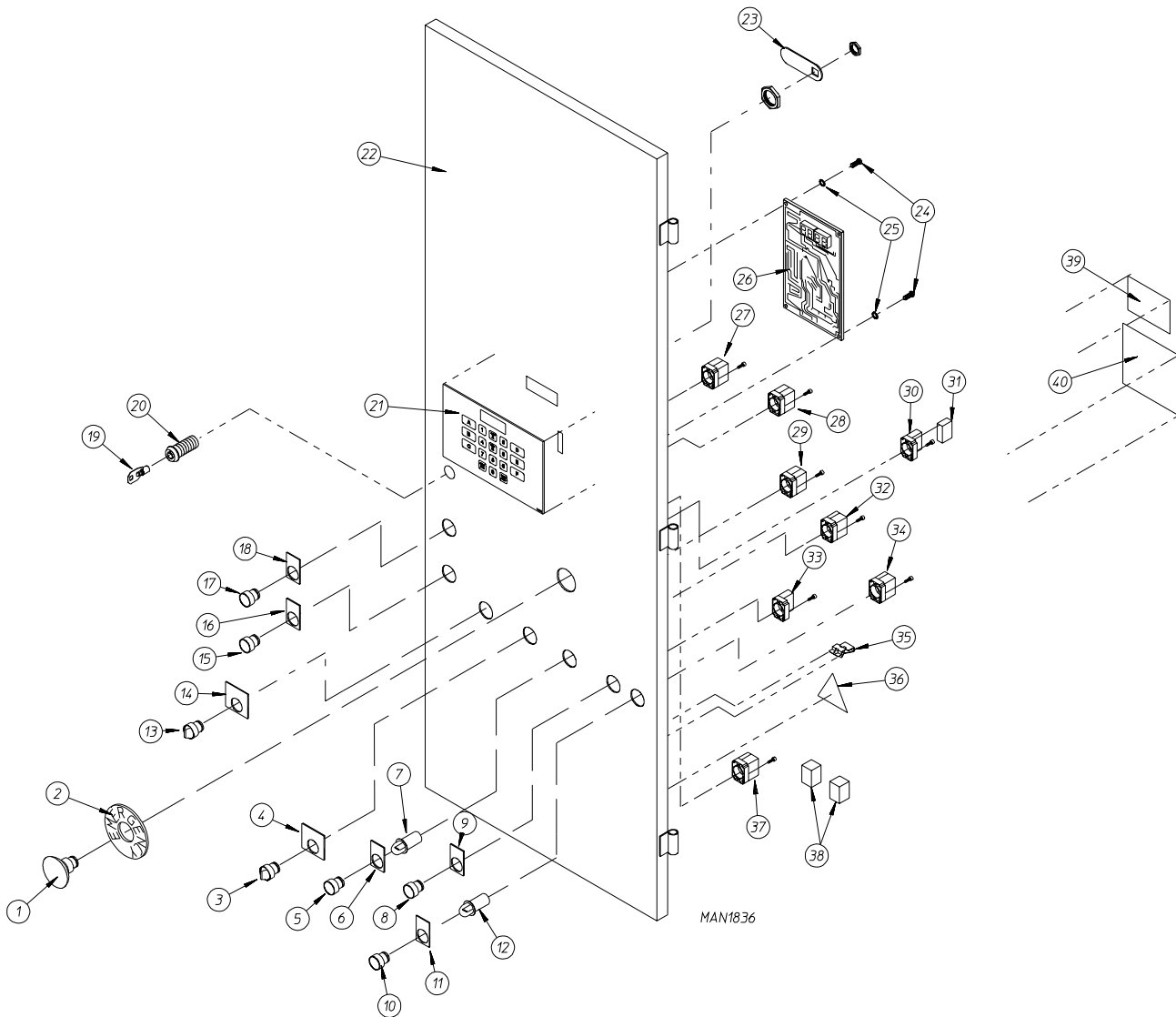
* Specify color when ordering.

for 1 Door or 2 Door Models



Illus. No.	Part No.	Qty.	Description
1	160140	1	ACE® XX4451 Key ONLY
2	160050	1	ACE® Control Door Lock ONLY less Key (keyed to XX4451)
3	160014	1	Cam ONLY
4	112360*	1	ADC Logo ONLY
	870011	1	Logo Double Tape Kit
5**	821334	1	Left Hand Control Door

* Logo Tape Kit is not included and **must be** ordered separately.
 ** Specify color when ordering.



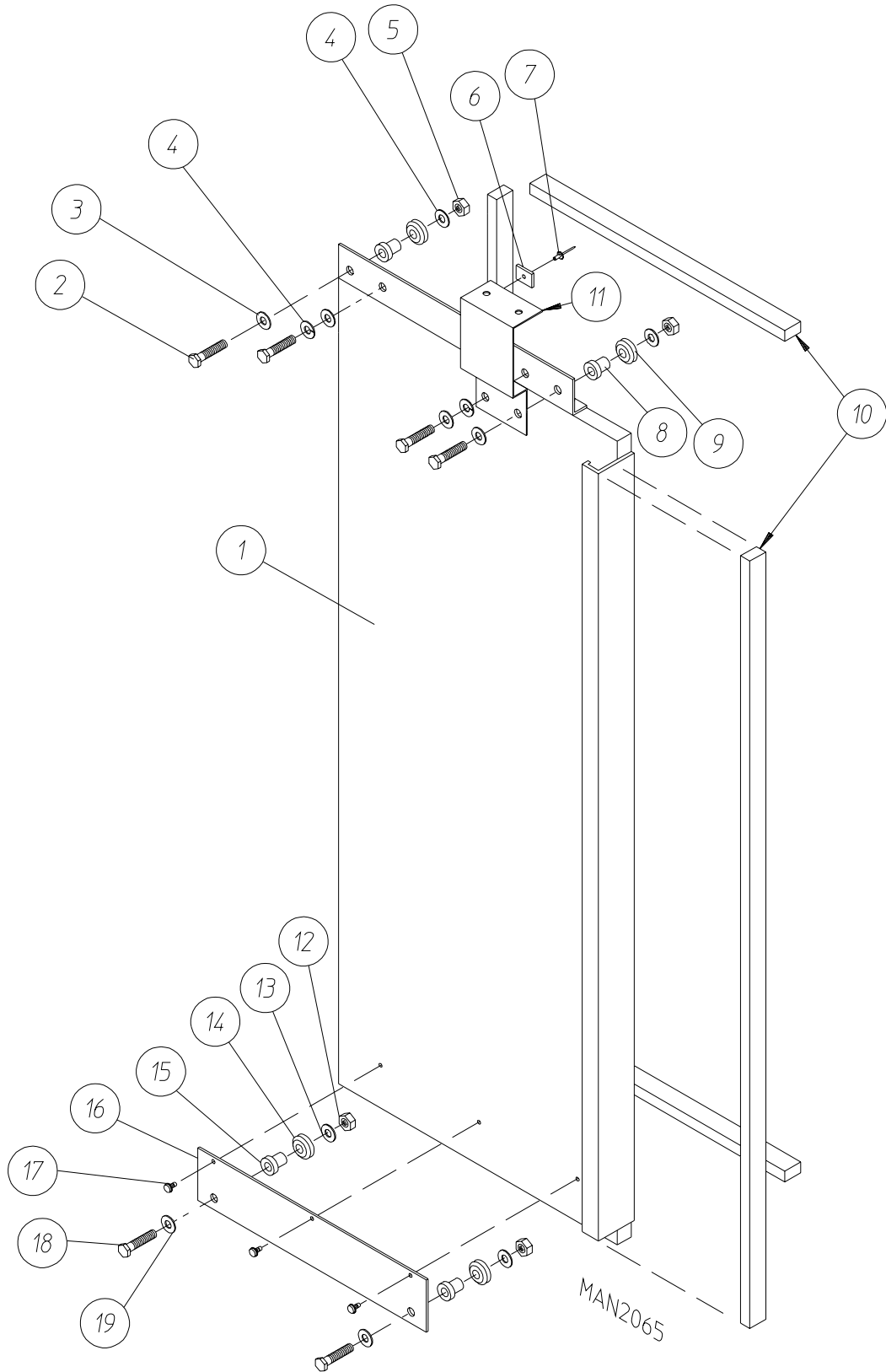
<u>Illus. No.</u>	<u>Part No.</u>	<u>Qty.</u>	<u>Description</u>
1	122351	1	Large "EMERGENCY STOP" (Mushroom Head) Button
2	122419	1	"EMERGENCY STOP" Nameplate
3*	122360	1	2-Position Selector Switch
4*	122413	1	"TILT OFF - TILT ON" Nameplate
5	123201	1	Green "CONTROL VOLTAGE ON" Button
6	122410	1	Power "ON" Nameplate
7	123212	1	Incandescent Bulb - 24 VAC
8	123204	1	Red "CONTROL VOLTAGE OFF" Button
9	122421	1	Power "OFF" Nameplate
10**	123200	1	Amber "Push Button" Lighted Operator
11**	122420	1	Engraved "SPRINKLER STOP" Nameplate
12**	123211	1	120 VAC Incandescent Bulb

<u>Illus. No.</u>	<u>Part No.</u>	<u>Qty.</u>	<u>Description</u>
13	-----	-	Selector Switch (refer to Selector Switch, Nameplate, and Mounting Base Chart on page 110)
14	-----	-	Nameplate (refer to Selector Switch, Nameplate, and Mounting Base Chart on page 110)
15	123202	1	White "Push Button" Lighted Operator
16	122416	1	"REVERSE" Nameplate
17	123203	1	Black "Push Button" Lighted Operator
18	122415	1	"FORWARD" Nameplate
19	160140	1	ACE® XX4451 Key ONLY
20	160050	1	ACE® Control Door Lock ONLY less Key (keyed to #XX4451)
21	112535	1	OPL English Keyboard Label Assembly
	112276	1	OPL Stick-On Labels (English ONLY)...Not Illustrated
	112275	1	OPL Stick-On Labels (Spanish, Italian, and Hebrew ONLY)...Not Illustrated
	112277	1	3-Language OPL Stick-On Labels (English, Spanish, and Hebrew ONLY)...Not Illustrated
	112278	1	5-Language OPL Stick-On Labels (Italian, Dutch, French, German, and Chinese ONLY)...Not Illustrated
22***	-----	1	Right Hand Control Door Assembly (contact factory with dryer <i>serial number</i>)
23	160014	1	Cam ONLY
24	150005	2	#6-32 x 1/4" Phillips Round Head Machine Screw
25	153010	2	#6 Star Washer
26	881129	1	Phase 5 OPL Reversing Microprocessor with External PLC Interface
	137227	1	Phase 5 OPL Reversing Microprocessor with Interface Connector
27	132396	1	Mounting Base with 1 N.O. and 1 N.C. Contact Block
28	132396	1	Mounting Base with 1 N.O. and 1 N.C. Contact Block
29	132394	1	Mounting Base with 1 Normally Open (N.O.) Contact Block
30	132395	1	Mounting Base with 1 Normally Closed (N.C.) Contact Block
31	132387	1	Normally Closed (N.C.) Contact Block
32	132388	1	Normally Open (N.O.) Contact Block with Direct Supply Base
33	132395	1	Mounting Base with 1 Normally Closed (N.C.) Contact Block
34**	132388	1	Normally Open (N.O.) Contact Block with Direct Supply Base
35	121509	3	Metal Clip-On Mount
36	122424	1	"POWER WARNING" Label (Small Triangle)
37	-----	-	Mounting Base (refer to Selector Switch, Nameplate, and Mounting Base Chart on page 110)
38	-----	-	Mounting Base (refer to Selector Switch, Nameplate, and Mounting Base Chart on page 110)
39	112905	1	"Phase 5 Computer System" Label
40	112534	1	"Phase 5 Computer Location" Label

* For 2-Way Tilt Models ONLY.

** For models with the *Sprinkler Option*.

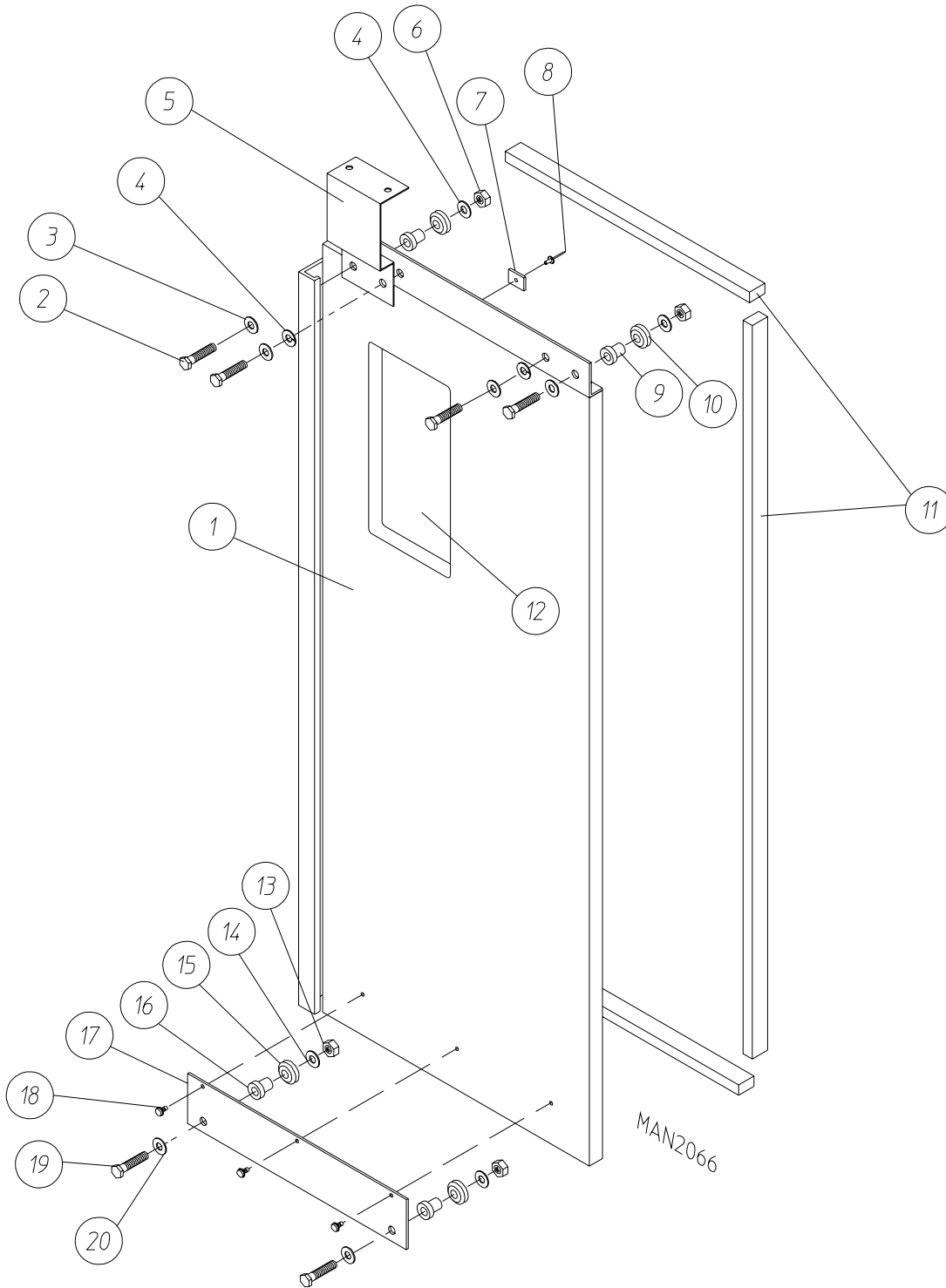
*** Specify color when ordering.



AUTOMATIC DOOR

<u>Illus. No.</u>	<u>Part No.</u>	<u>Qty.</u>	<u>Description</u>
1*	881112	1	Left Automatic Load Door Assembly Complete (includes illus. nos. 1 through 11)
	881106	1	Left Automatic Load Door ONLY
2	150112	4	1/4-20 x 1-1/4" Hex Head Machine Screw
3	153018	4	1/4" Flat Washer
4	153007	4	1/4" Lock Washer
5	152002	2	1/4-20 Hex Nut
6	102102	1	Door Magnet
7	154200	1	5/32" Pop Rivet
8	170367	2	Stainless Steel Stationary Bushing
9	170366	2	Stainless Steel Sealed Wheel
10	115995	125	Felt Gasket (sold by the inch)
11*	334134	1	Automatic Door Bracket
12	152002	2	1/4-20 Hex Nut
13	153007	2	1/4" Lock Washer
14	170366	2	Stainless Steel Sealed Wheel
15	170367	2	Stainless Steel Stationary Bushing
16*	881133	1	Lower Trolley Assembly Complete (includes illus. nos. 12 through 16, 18, and 19)
	334123	1	Lower Trolley ONLY
17	150301	3	#8-18 x 7/16" Phillips Pan Head TEK Screw
18	150112	2	1/4-20 x 1-1/4" Hex Head Machine Screw
19	153018	2	1/4" Flat Washer

* Specify color when ordering.

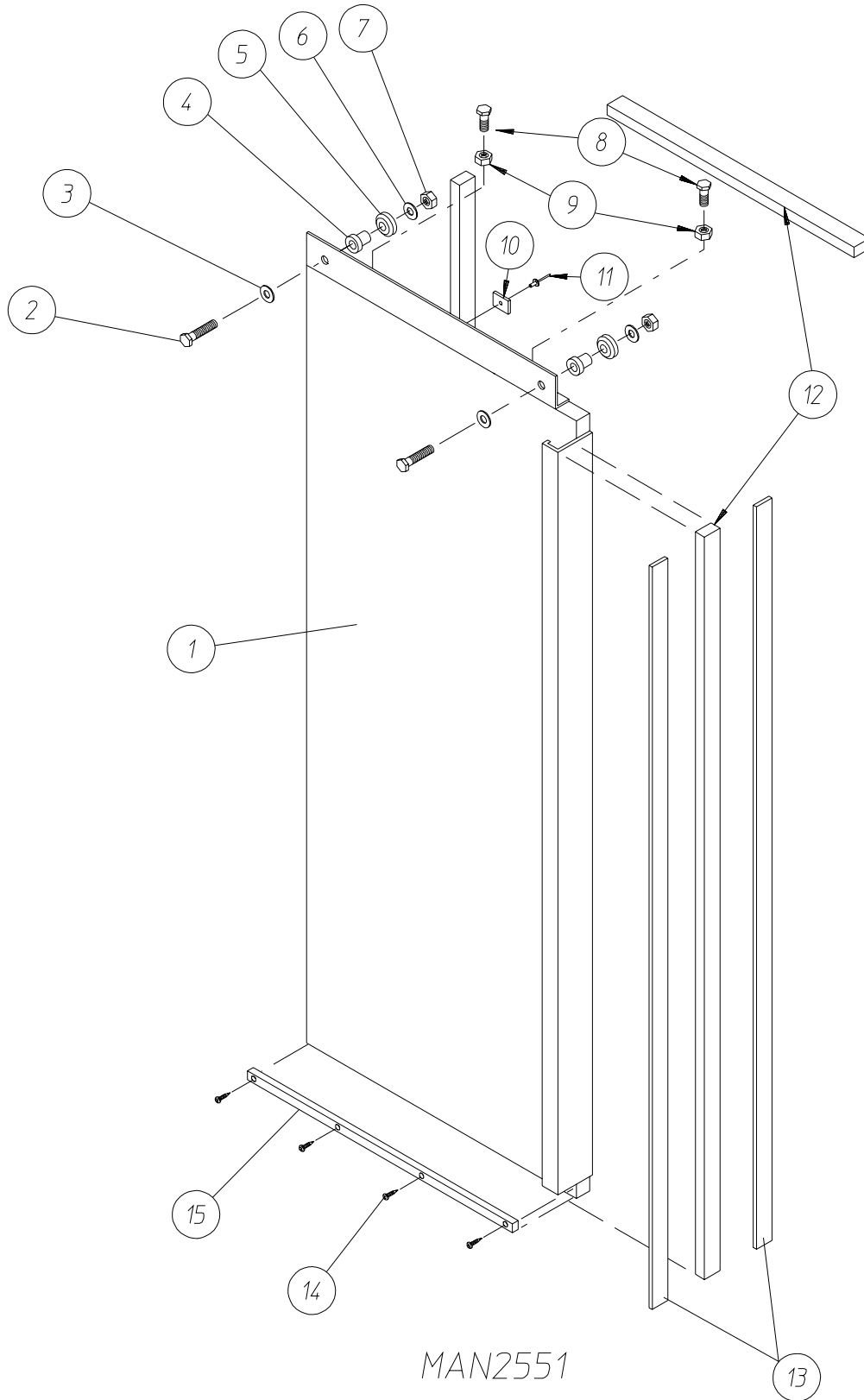


AUTOMATIC DOOR

<u>Illus. No.</u>	<u>Part No.</u>	<u>Qty.</u>	<u>Description</u>
1*	881113	1	Right Automatic Load Door Assembly Complete (includes illus. nos. 1 through 12)
	881107	1	Right Automatic Load Door ONLY
2	150112	4	1/4-20 x 1-1/4" Hex Head Machine Screw
3	153018	4	1/4" Flat Washer
4	153007	4	1/4" Lock Washer
5*	334134	1	Automatic Door Bracket
6	152002	2	1/4-20 Hex Nut
7	102102	1	Door Magnet
8	154200	1	5/32" Pop Rivet
9	170367	2	Stainless Steel Stationary Bushing
10	170366	2	Stainless Steel Sealed Wheel
11	115995	80	Felt Gasket (sold by the inch)
12	102215	1	Door Window
	170730	-	Door Window Adhesive (10.3 oz. cartridge)
13	152002	2	1/4-20 Hex Nut
14	153007	2	1/4" Lock Washer
15	170366	2	Stainless Steel Sealed Wheel
16	170367	2	Stainless Steel Stationary Bushing
17*	881133	1	Lower Trolley Assembly Complete (includes illus. nos. 13 through 17, 19, and 20)
	334123	1	Lower Trolley ONLY
18	150301	3	#8-18 x 7/16" Phillips Pan Head TEK Screw
19	152112	2	1/4-20 x 1-1/4" Hex Head Machine Screw
20	153018	2	1/4" Flat Washer

* Specify color when ordering.

MANUAL DOOR
for models mfd. as of November 1, 1995

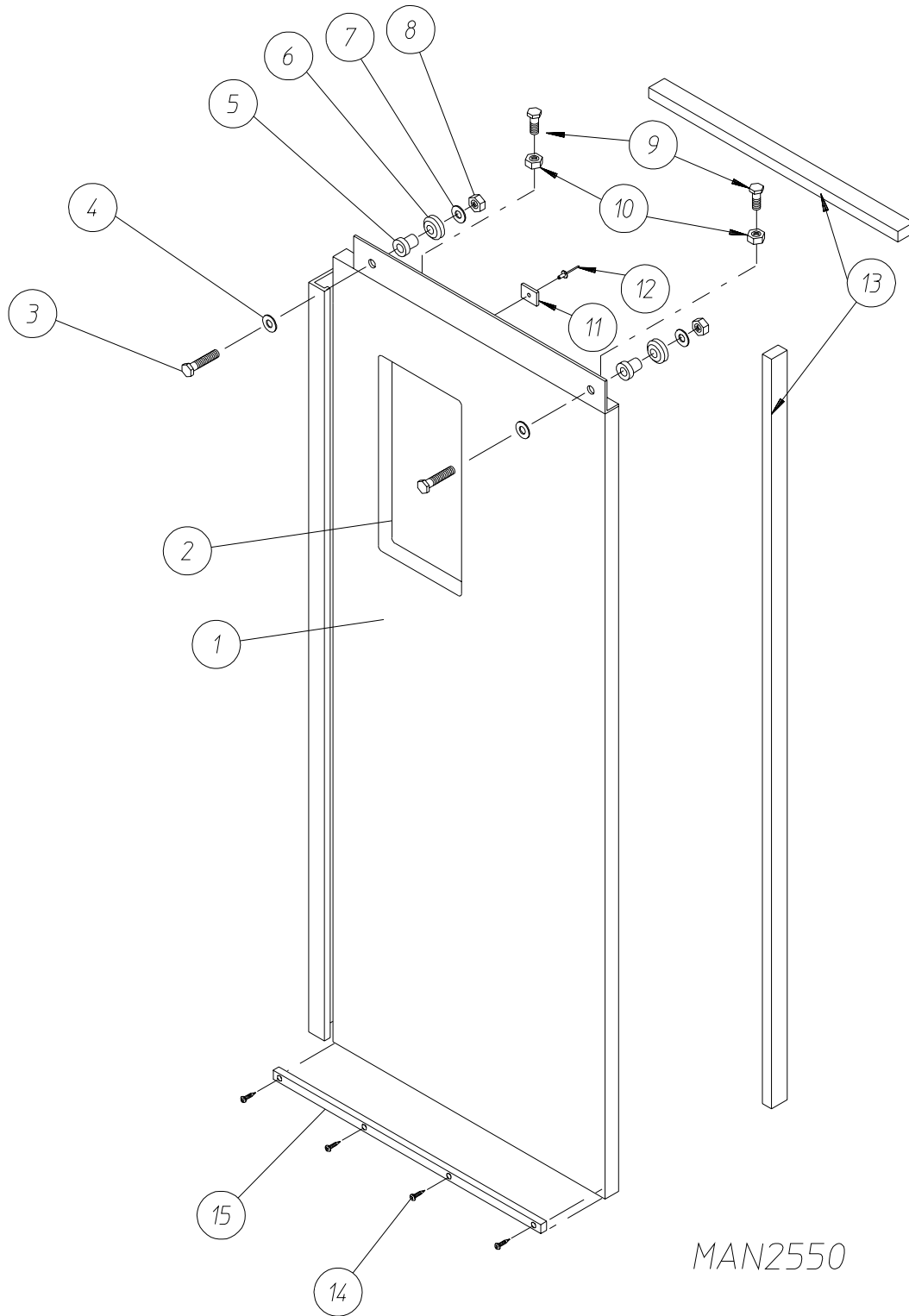


MANUAL DOOR**for models mfd. as of November 1, 1995**

<u>Illus. No.</u>	<u>Part No.</u>	<u>Qty.</u>	<u>Description</u>
1*	821728	1	Left Manual Load Door Assembly Complete (includes illus. nos. 1 through 15)
2	150112	2	1/4-20 x 1-1/4" Hex Head Machine Screw
3	153018	2	1/4" Flat Washer
4	170367	2	Stainless Steel Stationary Bushing
5	170366	2	Stainless Steel Sealed Wheel
6	153007	4	1/4" Lock Washer
7	152002	2	1/4-20 Hex Nut
8	150512	2	1/4-20 x 1/2" Hex Head Machine Bolt
9	152002	2	1/4-20 Hex Nut
10	102102	1	Door Magnet
11	154200	1	5/32" Pop Rivet
12	115995	125	Felt Gasket (sold by the inch)
13	102111	2	Door Magnet
14	150301	4	#8-18 x 7/16" Phillips Pan Head TEK Screw
15	170357	1	Lower Door Slide

* Specify color when ordering.

MANUAL DOOR
for models mfd. as of November 1, 1995



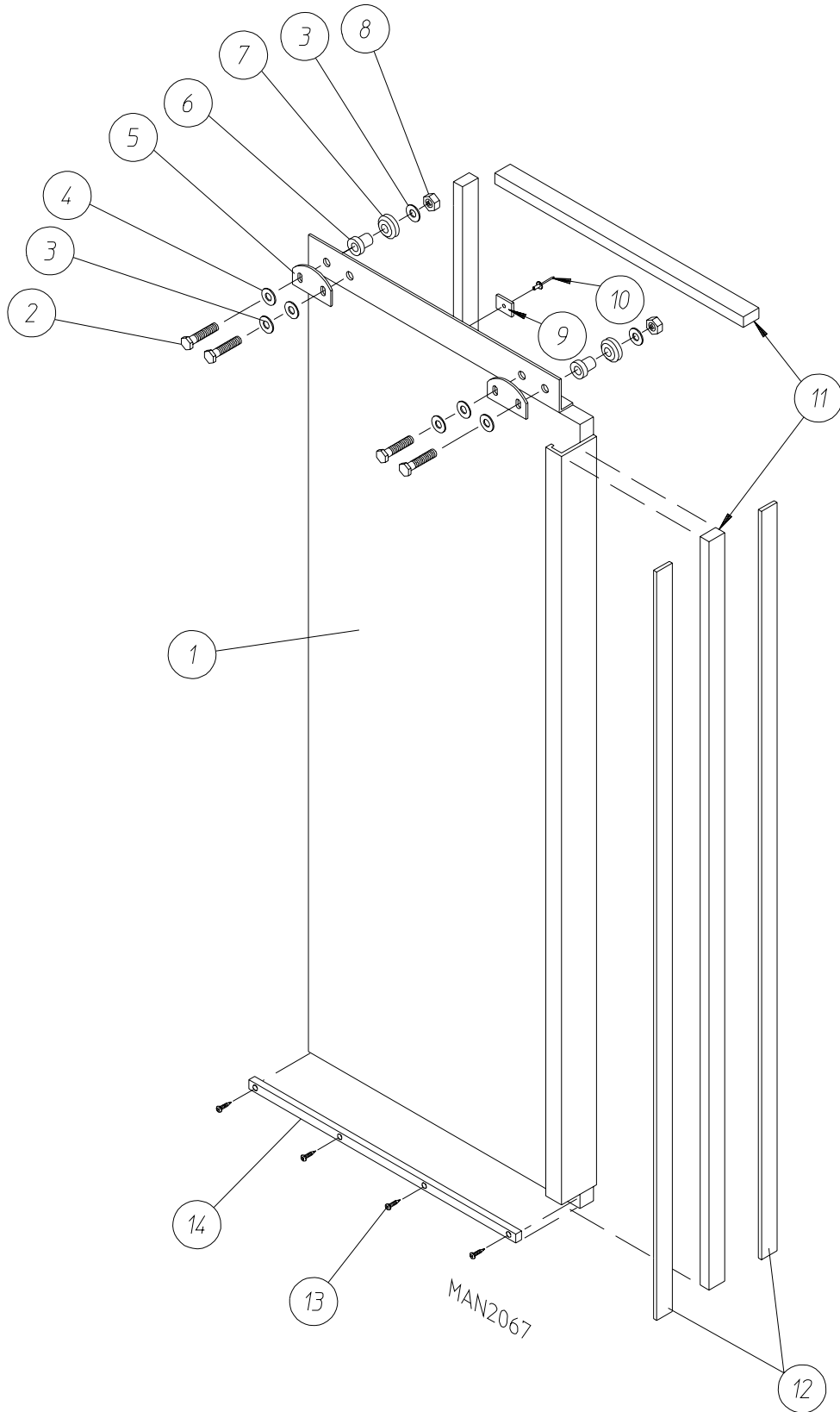
MAN2550

MANUAL DOOR**for models mfd. as of November 1, 1995**

<u>Illus. No.</u>	<u>Part No.</u>	<u>Qty.</u>	<u>Description</u>
1*	821727	1	Right Manual Load Door Assembly Complete (includes illus. nos. 1 through 15)
2	102215	1	Door Window
	170730	-	Door Window Adhesive (10.3 oz. cartridge)
3	150112	2	1/4-20 x 1-1/4" Hex Head Machine Screw
4	153018	2	1/4" Flat Washer
5	170367	2	Stainless Steel Stationary Bushing
6	170366	2	Stainless Steel Sealed Wheel
7	153007	2	1/4" Lock Washer
8	152002	2	1/4-20 Hex Nut
9	150512	2	1/4-20 x 1/2" Hex Head Machine Bolt
10	152002	2	1/4-20 Hex Nut
11	102102	1	Door Magnet
12	154200	1	5/32" Pop Rivet
13	115995	80	Felt Gasket (sold by the inch)
14	150301	4	#8-18 x 7/16" Phillips Pan Head TEK Screw
15	170357	1	Lower Door Slide

* Specify color when ordering.

MANUAL DOOR
for models mfd. prior to November 1, 1995

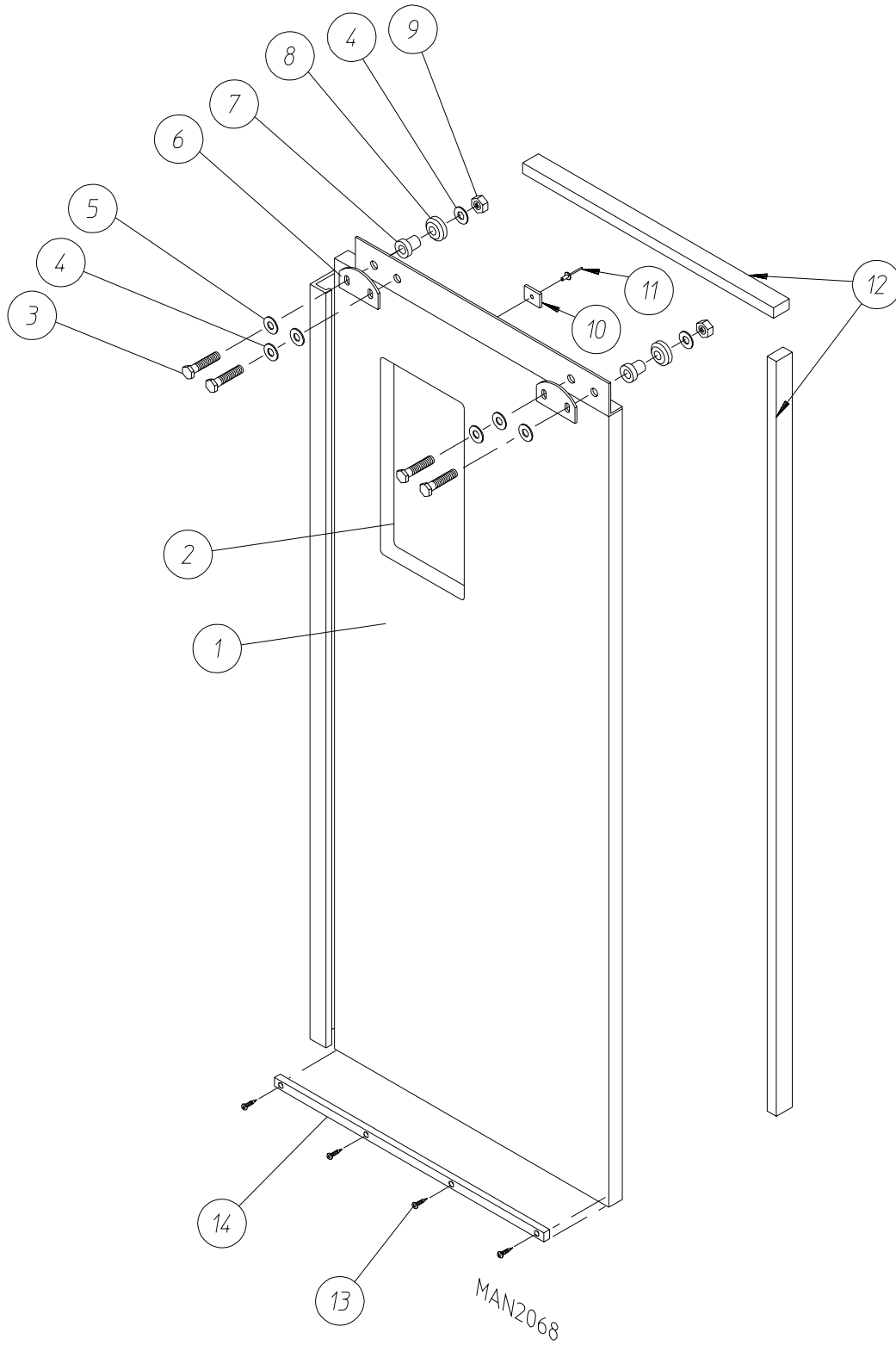


MANUAL DOOR**for models mfd. prior to November 1, 1995**

<u>Illus. No.</u>	<u>Part No.</u>	<u>Qty.</u>	<u>Description</u>
1*	881110	1	Left Manual Load Door Assembly Complete (includes illus. nos. 1 through 14)
	881106	1	Left Manual Load Door ONLY
2	150112	4	1/4-20 x 1-1/4" Hex Head Machine Screw
3	153007	4	1/4" Lock Washer
4	153018	4	1/4" Flat Washer
5*	332996	2	Door Trolley Adjustment Plate
6	170367	2	Stainless Steel Stationary Bushing
7	170366	2	Stainless Steel Sealed Wheel
8	152002	2	1/4-20 Hex Nut
9	102102	1	Door Magnet
10	154200	1	5/32" Pop Rivet
11	115995	125	Felt Gasket (sold by the inch)
12	102111	2	Door Magnet
13	150301	4	#8-18 x 7/16" Phillips Pan Head TEK Screw
14	170357	1	Lower Door Slide

* Specify color when ordering.

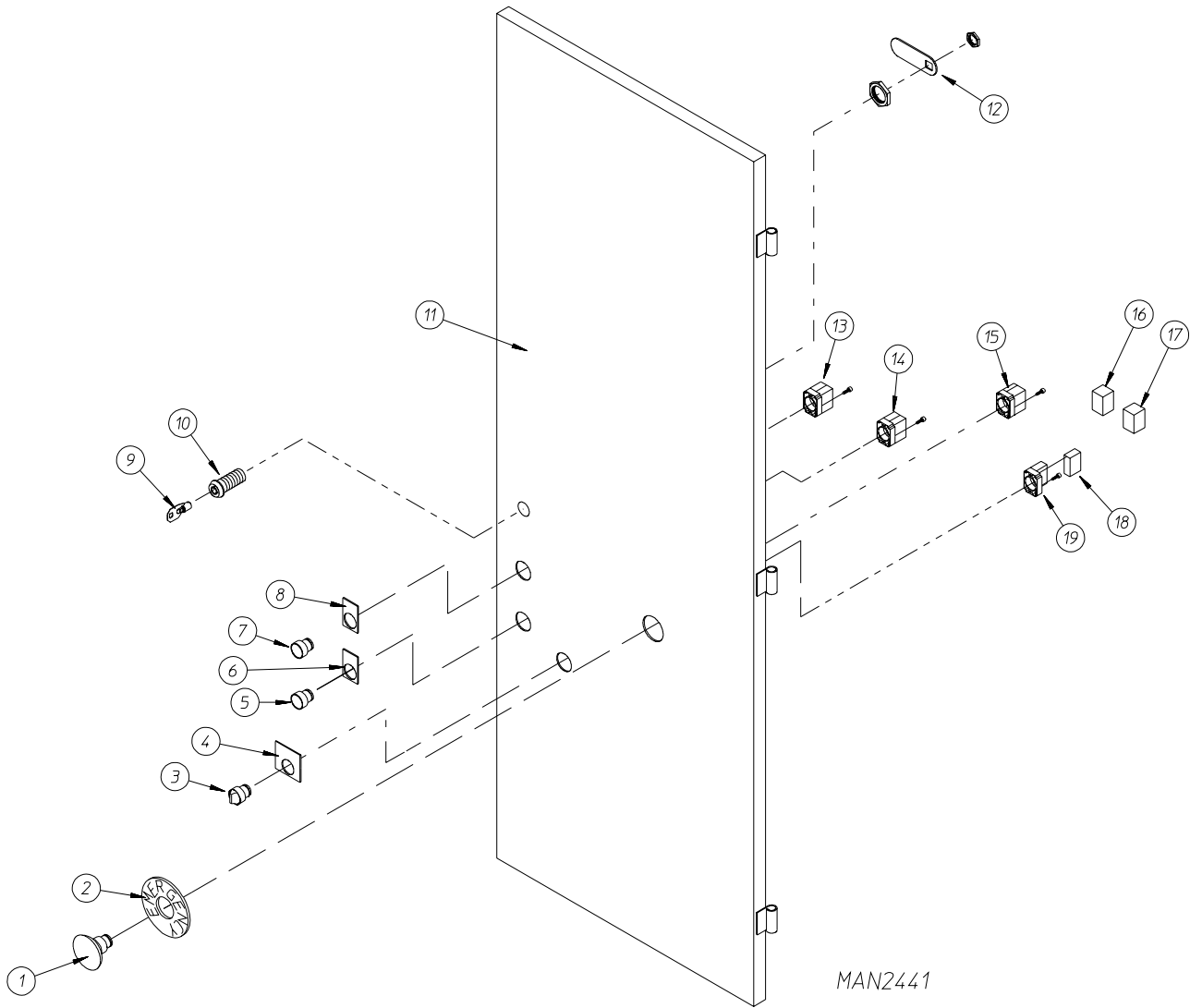
MANUAL DOOR
for models mfd. prior to November 1, 1995



MANUAL DOOR**for models mfd. prior to November 1, 1995**

<u>Illus. No.</u>	<u>Part No.</u>	<u>Qty.</u>	<u>Description</u>
1*	881111	1	Right Manual Load Door Assembly Complete (includes illus. nos. 1 through 14)
	881107	1	Right Manual Load Door ONLY
2	102215	1	Door Window
	170730	-	Door Window Adhesive (10.3 oz. cartridge)
3	150112	4	1/4-20 x 1-1/4" Hex Head Machine Screw
4	153007	4	1/4" Lock Washer
5	153018	4	1/4" Flat Washer
6*	332996	2	Door Trolley Adjustment Plate
7	170367	2	Stainless Steel Stationary Bushing
8	170366	2	Stainless Steel Sealed Wheel
9	152002	2	#1/4-20 Hex Nut
10	102102	1	Door Magnet
11	154200	1	5/32" Pop Rivet
12	115995	80	Felt Gasket (sold by the inch)
13	150301	4	#8-18 x 7/16" Phillips Pan Head TEK Screw
14	170357	1	Lower Door Slide

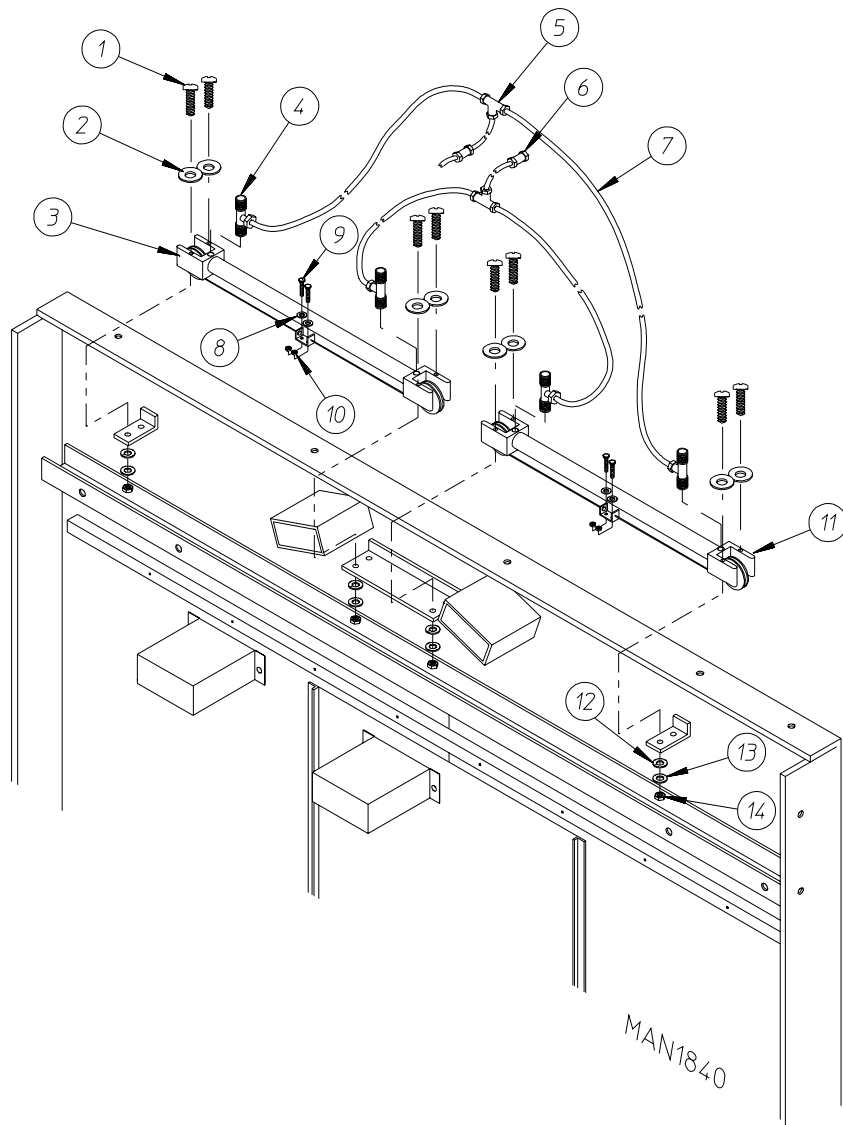
* Specify color when ordering.



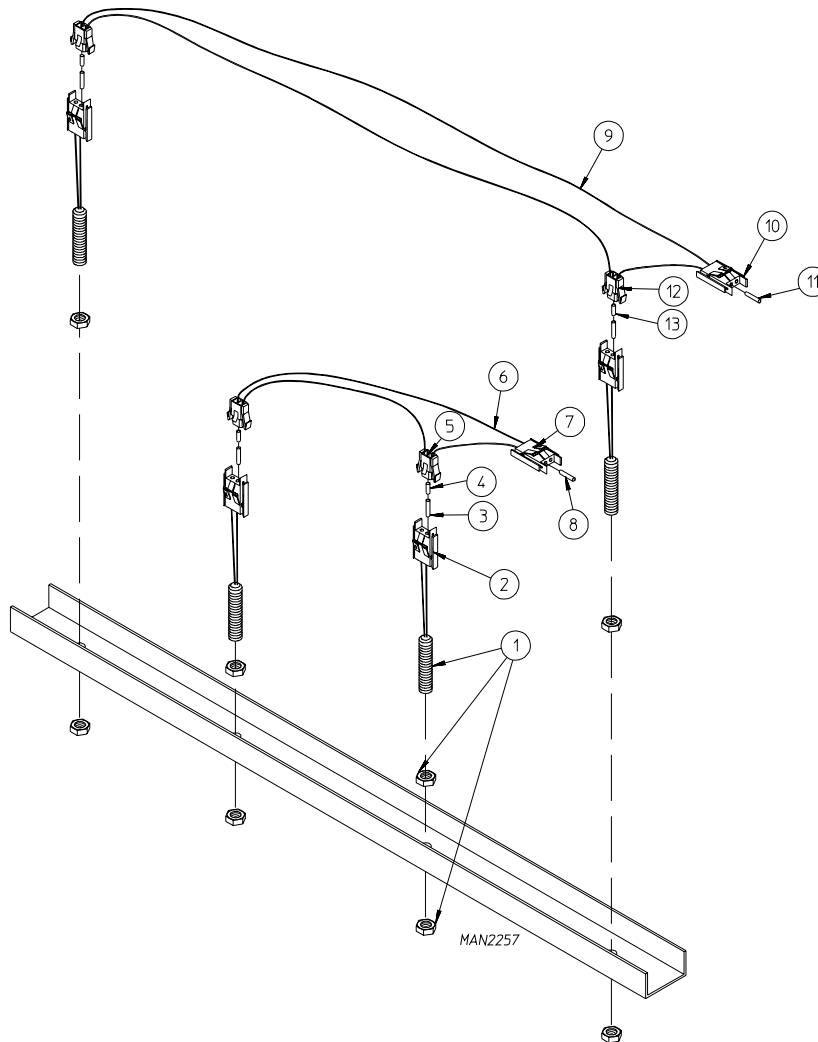
2 Door Models ONLY

<u>Illus. No.</u>	<u>Part No.</u>	<u>Qty.</u>	<u>Description</u>
1	122351	1	Large "EMERGENCY STOP" (Mushroom Head) Button
2	122419	1	"EMERGENCY STOP" Nameplate
3	122361	1	3-Position Maintained Operator
4	122436	1	Special Nameplate "UNLOAD, LEVEL-OFF-TILTED"
5	123202	1	White "Push Button" Operator
6	122416	1	"REVERSE" Nameplate
7	123203	1	Black "Push Button" Operator
8	122415	1	"FORWARD" Nameplate
9	160140	1	ACE® XX4451 Key ONLY
10	160050	1	ACE® Control Door Lock ONLY less Key (keyed to #XX4451)
11*	-----	1	Right Hand Control Door Assembly (<i>contact factory with dryer serial number</i>)
12	160014	1	Cam ONLY
13	132396	1	Mounting Base with 1 Normally Open (N.O.) Contact Block and 1 Normally Closed (N.C.) Contact Block
14	132396	1	Mounting Base with 1 Normally Open (N.O.) Contact Block and 1 Normally Closed (N.C.) Contact Block
15	132394	1	Mounting Base with Normally Open (N.O.) Contact Block
16	132386	1	Normally Open (N.O.) Contact Block
17	132387	4	Normally Closed (N.C.) Contact Block
18	132387	1	Normally Closed (N.C.) Contact Block
19	132395	1	Mounting Base with Normally Closed (N.C.) Contact Block

* Specify color when ordering.



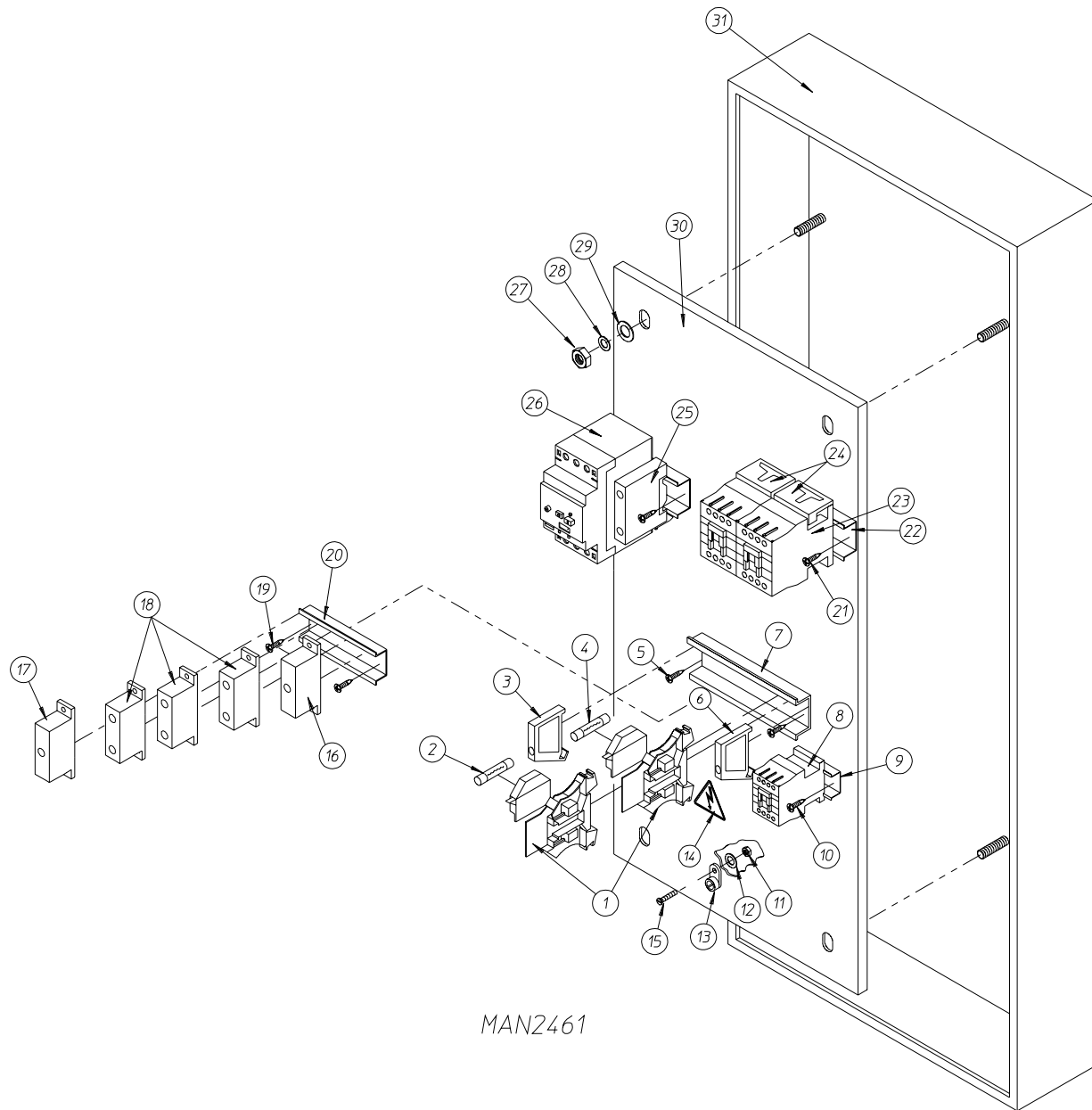
<u>Illus. No.</u>	<u>Part No.</u>	<u>Qty.</u>	<u>Description</u>
1	150308	8	#8-32 x 2-1/2" Phillips Pan Head Machine Screw
2	153000	8	#8 Flat Washer
3	100431	1	Cable Cylinder
4	128978	4	1/8" N.P.T. x 1/4" Tube Flow Control
5	143156	2	1/4" Poly Tee
6	143154	2	1/4" Brass Poly Connector
7	143110	38	1/4" Poly Flo Tubing (sold by the foot)
8	153012	4	#8 Star Washer
9	150103	4	#8-32 x 3/4" Phillips Round Head Machine Screw
10	152001	4	#8-32 Hex Nut
11	100431	1	Cable Cylinder
12	153000	8	#8 Flat Washer
13	153012	8	#8 Star Washer
14	152001	8	#8-32 Hex Nut



<u>Illus. No.</u>	<u>Part No.</u>	<u>Qty.</u>	<u>Description</u>
1	826514	4	Magnetic Door Switch Assembly with Nuts (includes illus. nos. 1 through 3)
2	122598	1	2-Pin Connector (male)
3	137028	2	Pin
4	137021	4	Microprocessor Socket
5	122599	2	2-Pin Socket Connector (female)
6	881240	1	Door Switch "Closed Position" Harness (includes illus. nos. 4 through 8)
7	122598	1	2-Pin Connector (male)
8	137028	2	Pin
9	881241	1	Door Switch "Open Position" Harness (includes illus. nos. 9 through 13)
10	122598	1	2-Pin Connector (male)
11	137028	2	Pin
12	122599	2	2-Pin Socket Connector (female)
13	137021	4	Microprocessor Socket

Left Hand Electrical Control Panel Assembly

for models mfd. with Thermal-Magnetic Protection ONLY



Illus. No.	Part No.	Qty.	Description
1	120721	2	Fuse Holder ONLY
2	136101	1	0.8 Amp (Slo Blo) Fuse <i>(for 208/240 volt models Only)</i>
	136057	1	0.5 Amp (Slo Blo) Fuse <i>(for 380 volt models Only)</i>
	136102	1	0.4 Amp (Slo Blo) Fuse <i>(for 416/460 volt models Only)</i>
	136105	1	0.3 Amp (Slo Blo) Fuse <i>(for 575 volt models Only)</i>
3	120765	1	End Stop
4	136101	1	0.8 Amp (Slo Blo) Fuse <i>(for 208/240 volt models Only)</i>
	136057	1	0.5 Amp (Slo Blo) Fuse <i>(for 380 volt models Only)</i>
	136102	1	0.4 Amp (Slo Blo) Fuse <i>(for 416/460 volt models Only)</i>
	136105	1	0.3 Amp (Slo Blo) Fuse <i>(for 575 volt models Only)</i>
5	150309	2	#10-16 x 1/2" Hex Head TEK Crimpite Screw

for models mfd. with Thermal-Magnetic Protection ONLY

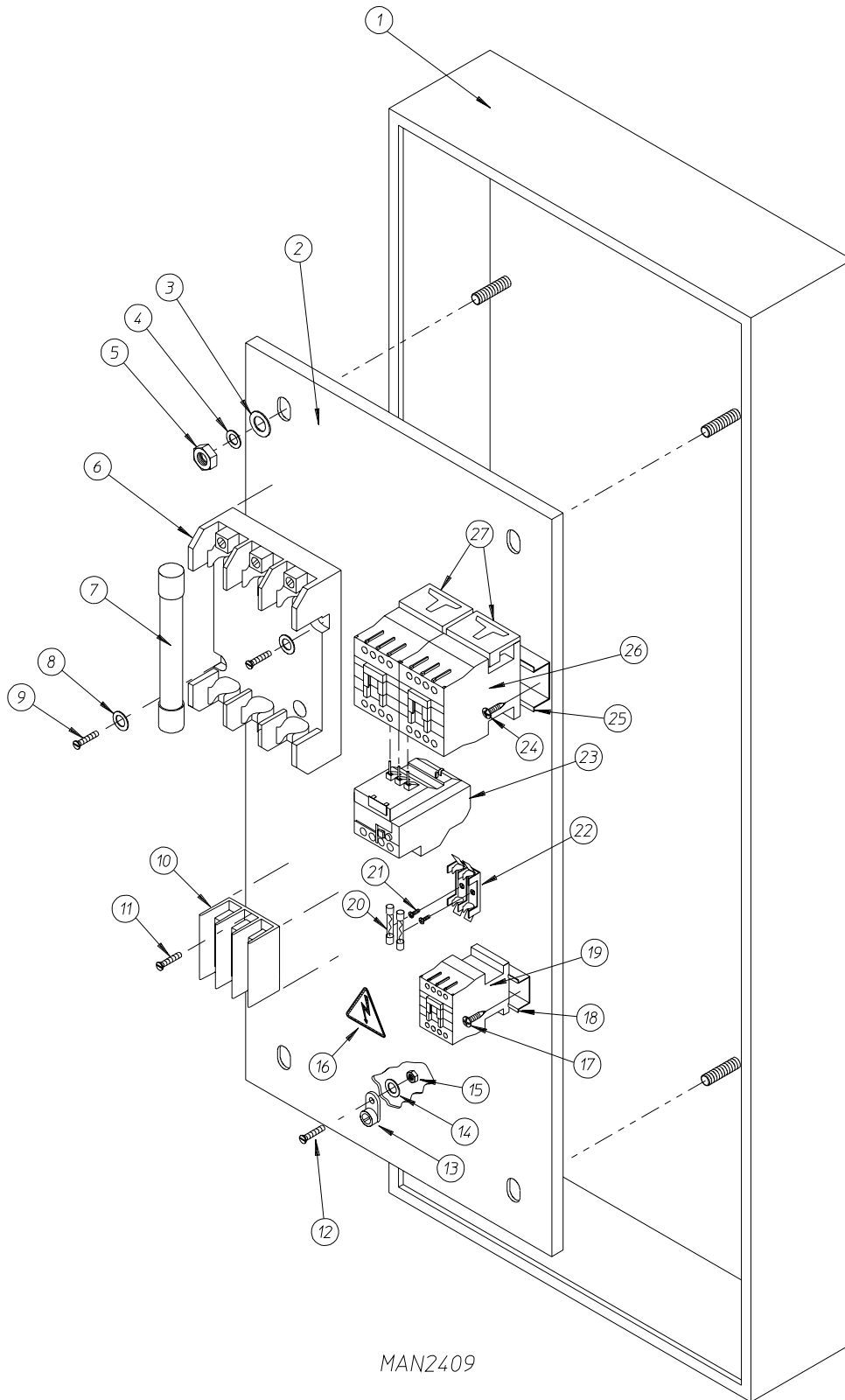
<u>Illus. No.</u>	<u>Part No.</u>	<u>Qty.</u>	<u>Description</u>
6	120750	1	Ground Block (for models mfd. as of May 30, 1996)
	120765	1	End Stop (for models mfd. prior to May 30, 1996)
7	120768	-	Din Mounting Rail (sold by the inch)
8*	132444	1	Control Relay
9*	120768	-	Din Mounting Rail (sold by the inch)
10*	150309	2	#10-16 x 1/2" Hex Head TEK Crimptite Screw
11	152002	1	1/4-20 Hex Nut
12	153007	1	1/4" Lock Washer
13	121012	1	Ground Lug
14	122424	1	"POWER WARNING" Caution Label
15	150512	1	1/4-20 x 1/2" Hex Head Machine Bolt
16	120770	1	End Stop
17	120770	1	End Stop
18	120760	3	Power Distribution Block
19	150309	2	#10-16 x 1/2" Hex Head TEK Crimptite Screw
20	120768	-	Din Mounting Rail (sold by the inch)
21	150309	2	#10-16 x 1/2" Hex Head TEK Crimptite Screw
22	120768	-	Din Mounting Rail (sold by the inch)
23	132434	1	Reversing Contactor
24	132437	2	Varistor
25	132389	1	Auxiliary Contact Block (used with P/N 131970 and P/N 131968 Manual Starters)
	132384	1	Auxiliary Contact Block (used with P/N 131953, P/N 131958, and P/N 131951 Manual Starters)
26	131970	1	Thermal Magnetic Starter (for <u>208/240 volt models Only</u>) For models mfd. as of May 17, 1996
	131953**	1	Thermal Magnetic Starter (for <u>208/240 volt models Only</u>) For models mfd. prior to May 17, 1996
	131968	1	Thermal Magnetic Starter (for <u>380/416/460 volt models Only</u>) For models mfd. as of March 18, 1996
	131958***	1	Thermal Magnetic Starter (for <u>380/416/460 volt models Only</u>) For models mfd. prior to March 18, 1996
	131951	1	Thermal Magnetic Starter (for <u>575 volt models Only</u>)
27	152005	4	3/8-16 Hex Nut
28	153005	4	3/8" Lock Washer
29	153004	4	3/8" Flat Washer
30	334269	1	Left Hand Electrical Panel
31	-----	-	Left Control Cabinet (refer to appropriate Front Panel Assembly or Rear Panel Assembly)

* For models mfd. with *Sprinkler Option*.

** For models mfd. prior to May 17, 1996, Part No. 131953 **must be** replaced with Part No. 881340 (Thermal Magnetic Starter Kit [which includes illus. nos. 25 and 26]).

*** For models mfd. prior to March 18, 1996, Part No. 131958 **must be** replaced with Part No. 881338 (Thermal Magnetic Starter Kit [which includes illus. nos. 25 and 26])

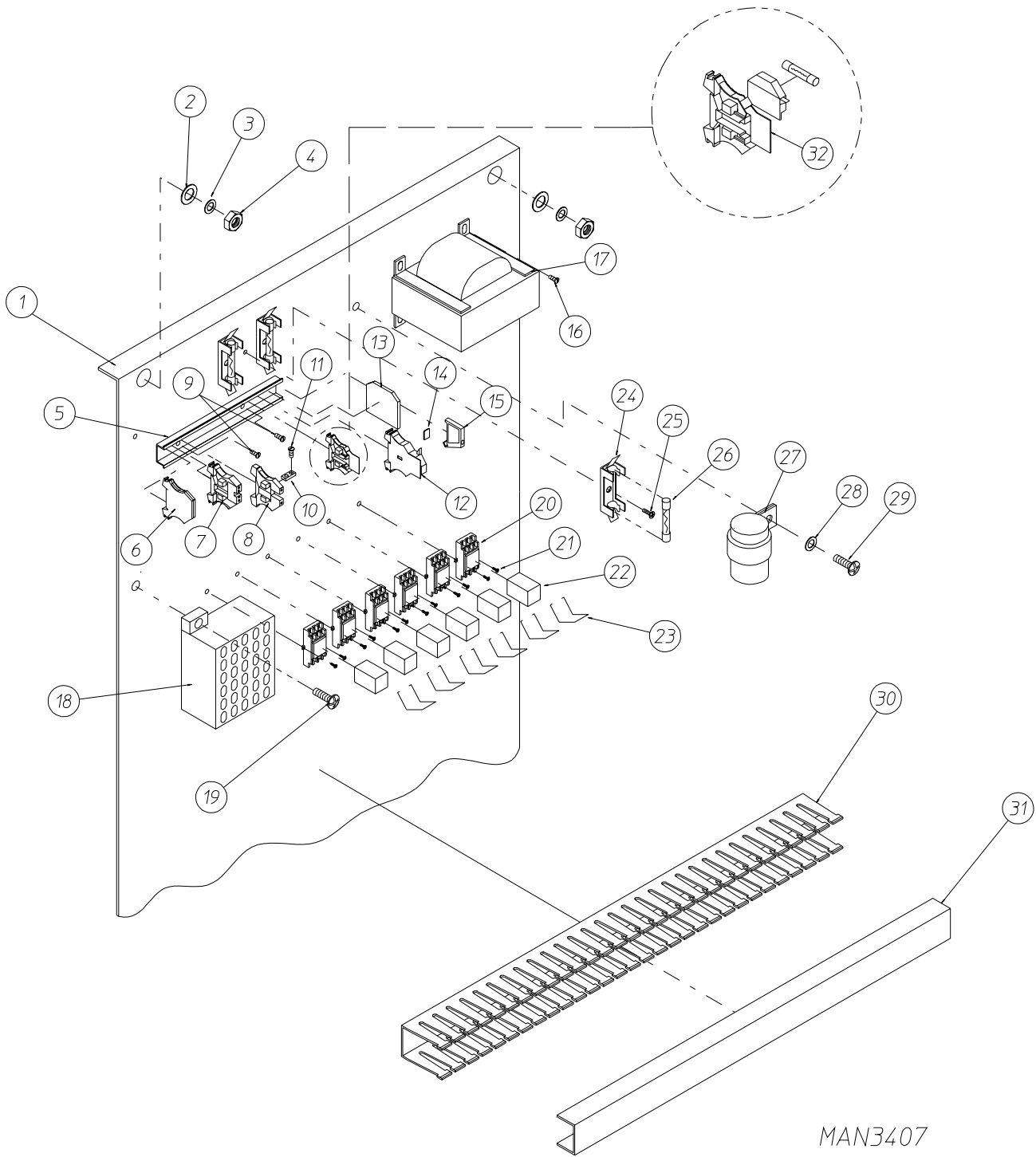
for models mfd. with Fuse Protection ONLY



for models mfd. with Fuse Protection ONLY

<u>Illus. No.</u>	<u>Part No.</u>	<u>Qty.</u>	<u>Description</u>
1	-----	-	Left Control Cabinet (refer to appropriate Front Panel Assembly or Rear Panel Assembly)
2	341370	1	Left Hand Electrical Panel
3	153004	4	3/8" Flat Washer
4	153005	4	3/8" Lock Washer
5	152005	4	3/8-16 Hex Nut
6	136004	1	Fuse Holder ONLY
7	136025	3	12-Amp Dual Element Fuse (<i>for 208/240 volt models Only</i>)
	136022	3	6-Amp Dual Element Fuse (<i>for 380/460 volt models Only</i>)
8	153000	4	#8 Washer
9	150103	4	#8-32 x 3/4" Phillips Round Head Machine Screw
10	120704	1	Power Distribution Block
11	150103	4	#8-32 x 3/4" Phillips Round Head Machine Screw
12	150512	1	1/4-20 x 1/2" Hex Head Machine Bolt
13	121012	1	Ground Lug
14	153007	1	1/4" Lock Washer
15	152002	1	1/4-20 Hex Nut
16	122424	1	"POWER WARNING" Caution Label
17*	150309	2	#10-16 x 1/2" Hex Head TEK Crimptite Screw
18*	120768	-	Din Mounting Rail (sold by the inch)
19*	132444	1	3 HP Control Relay
20	136101	2	0.8-Amp (Slo Blo) Fuse (<i>for 208/240 volt models Only</i>)
	136057	2	0.5-Amp (Slo Blo) Fuse (<i>for 380 volt models Only</i>)
	136102	2	0.4-Amp (Slo Blo) Fuse (<i>for 416/460 volt models Only</i>)
21	150301	2	#8-18 x 7/16" Phillips Pan Head TEK Screw
22	136008	2	Fuse Holder ONLY
23	132467	1	12-18 Amp Overload (<i>for 208/240 volt models Only</i>)
	132468	1	7-10 Amp Overload (<i>for 380/460 volt models Only</i>)
24	150309	2	#10-16 x 1/2" Hex Head TEK Crimptite Screw
25	120768	-	Din Mounting Rail (sold by the inch)
26	132434	1	3 HP Reversing Contactor
27	132437	2	Varistor

* For models mfd. with *Sprinkler Option*.



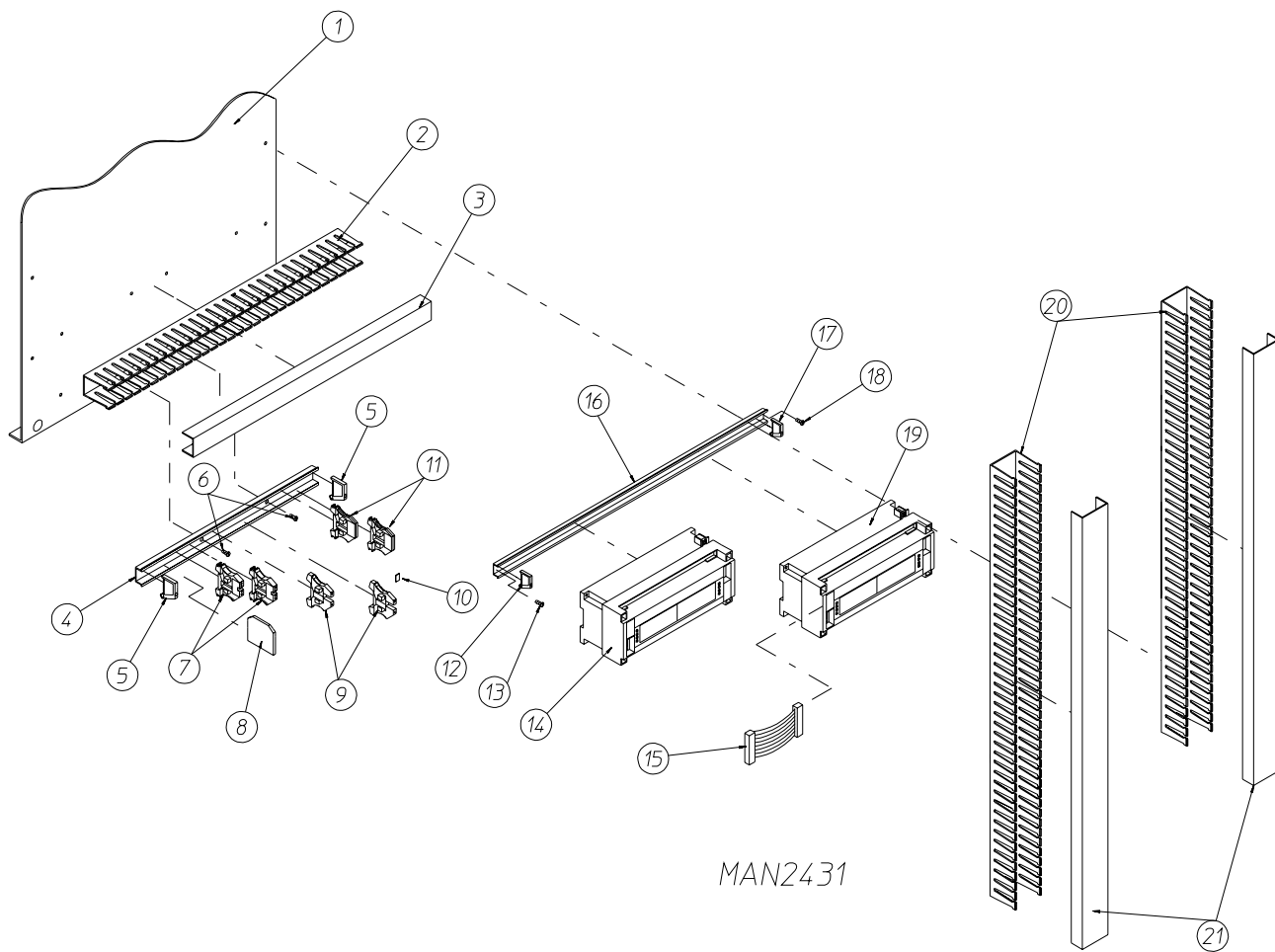
MAN3407

<u>Illus. No.</u>	<u>Part No.</u>	<u>Qty.</u>	<u>Description</u>
1	334934	1	Right Hand Electrical Panel
2	153004	4	3/8" Flat Washer
3	153005	4	3/8" Lock Washer
4	152005	4	3/8-16 Hex Nut
5	120768	-	Din Mounting Rail (sold by the inch)
6	120750	*	Ground Block
7	120761	*	4-Position Feed Thru Terminal Block
8	120758	*	Feed Thru Terminal Block

<u>Illus. No.</u>	<u>Part No.</u>	<u>Qty.</u>	<u>Description</u>
9	150309	2	#10-16 x 1/2" Hex Head TEK Crimptite Screw
10	120990	*	2-Pole Bus Bar for Disconnect Block
11	120998	*	Screw for Bus Bar
12	120752	*	Terminal Block with Disconnect
13	120766	1	End Plate
14	120999	*	Marking Tab
15	120765	1	End Stop
16	150108	4	#8-32 x 1/2" Phillips Head Machine Screw
17	132087	1	300 VA Transformer (for <u>208/240 volt models Only</u>) For models mfd as of August 26, 1997
	132071	1	150 VA Transformer (for <u>208 volt models Only</u>) For models mfd prior to August 26, 1997
	132072	1	150 VA Transformer (for <u>240 volt models Only</u>) For models mfd prior to August 26, 1997
	132073	1	150 VA Transformer (for <u>380 volt models Only</u>)
	132074	1	150 VA Transformer (for <u>416 volt models Only</u>)
	132075	1	150 VA Transformer (for <u>480 volt models Only</u>)
	132076	1	150 VA Transformer (for <u>600 volt models Only</u>)
18	120730	1	30-Position Terminal Block
19	150106	2	#8-32 x 1" Phillips Head Machine Screw
20	131408	*	DPDT (Double-Pole-Double-Throw) Relay Socket
	131022	*	SPDT (Single-Pole-Double-Throw) Relay Socket
21	150103	*	#8-32 x 3/4" Phillips Head Machine Screw
22	131407	*	DPDT (Double-Pole-Double-Throw) Relay
	131021	*	SPDT (Single-Pole-Double-Throw) Relay
23	131409	*	Hold Down (for DPDT relay)
	131023	*	Hold Down (for SPDT relay)
24	136008	3	Fuse Block (for models mfd. prior to September 14, 1995)
25	150301	3	#8-18 x 7/16" Phillips Pan Head TEK Screw
26**	136057	2	1/2-Amp (Slo Blo) Fuse
	136052	1	4-Amp Fuse
	136038	1	8-Amp Fuse
27	123223	1	1-Second Flasher 24 VAC with Clip
28	153000	1	#8 Flat Washer
29	150108	1	#8-32 x 1/2" Phillips Pan Head Machine Screw
30	121429	-	2" x 1" Slotted Wall Wireway (sold by the inch)
31	121422	-	1" Panduit Wireway Cover (sold by the inch)
32	120721	3	Fused Disconnect Terminal Block (for models mfd. as of September 14, 1995)

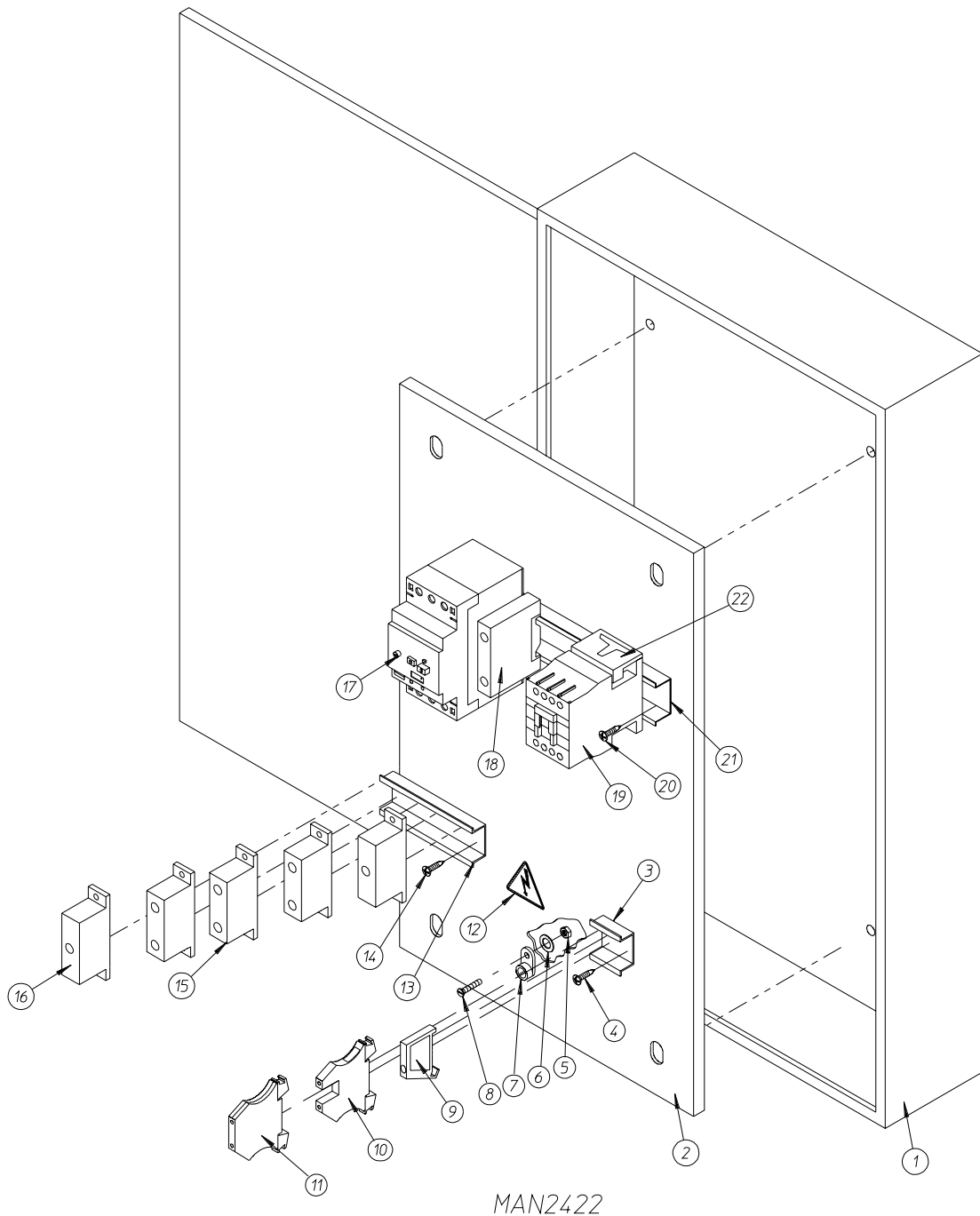
* As required

** Check fuse rating for verification.



<u>Illus. No.</u>	<u>Part No.</u>	<u>Qty.</u>	<u>Description</u>
1	332934	1	Right Hand Electrical Panel
2	121429	-	2" x 1" Slotted Wall Wireway (sold by the inch)
3	121422	-	1" Panduit Wireway Cover (sold by the inch)
4	120768	-	Din Mounting Rail (sold by the inch)
5	120765	2	End Stop
6	150309	2	#10-16 x 1/2" Hex Head TEK Crimptite Screw
7	120761	*	4-Position Feed Thru Terminal Block
8	120766	1	End Plate
9	120758	*	Feed Thru Terminal Block
10	120999	*	Marking Tab
11	120750	*	Ground Terminal Block
12	120765	1	End Stop
13	150309	2	#10-16 x 1/2" Phillips Round Head Crimptite Screw
14	881029	1	Micro-1 Computer Control (preprogrammed)
15	137914	1	Micro-1 Computer Expansion Cable
16	120768	-	Din Mounting Rail (sold by the inch)
17	120765	1	End Stop
18	150309	2	#10-16 x 1/2" Hex Head TEK Crimptite Screw
19	137913	1	Micro-1 Expansion Computer
20	121429	-	2" x 1" Slotted Wall Wireway (sold by the inch)
21	121422	-	1" Panduit Wireway Cover (sold by the inch)

*As required...quantity will vary depending on options chosen.



<u>Illus. No.</u>	<u>Part No.</u>	<u>Qty.</u>	<u>Description</u>
1	826532	1	Base Electrical Junction Box (for 1-Way Tilt Models)
	826746	1	Base Electrical Junction Box (for 2-Way Tilt Models)
2	332847	1	Power Junction Box Panel
3*	120768	-	Din Mounting Rail (sold by the inch)
4*	150309	2	#10-16 x 1/2" Hex Head TEK Crimpite Screw
5	152002	1	1/4-20 Hex Nut
6	153007	1	1/4" Lock Washer
7	121012	1	Ground Lug

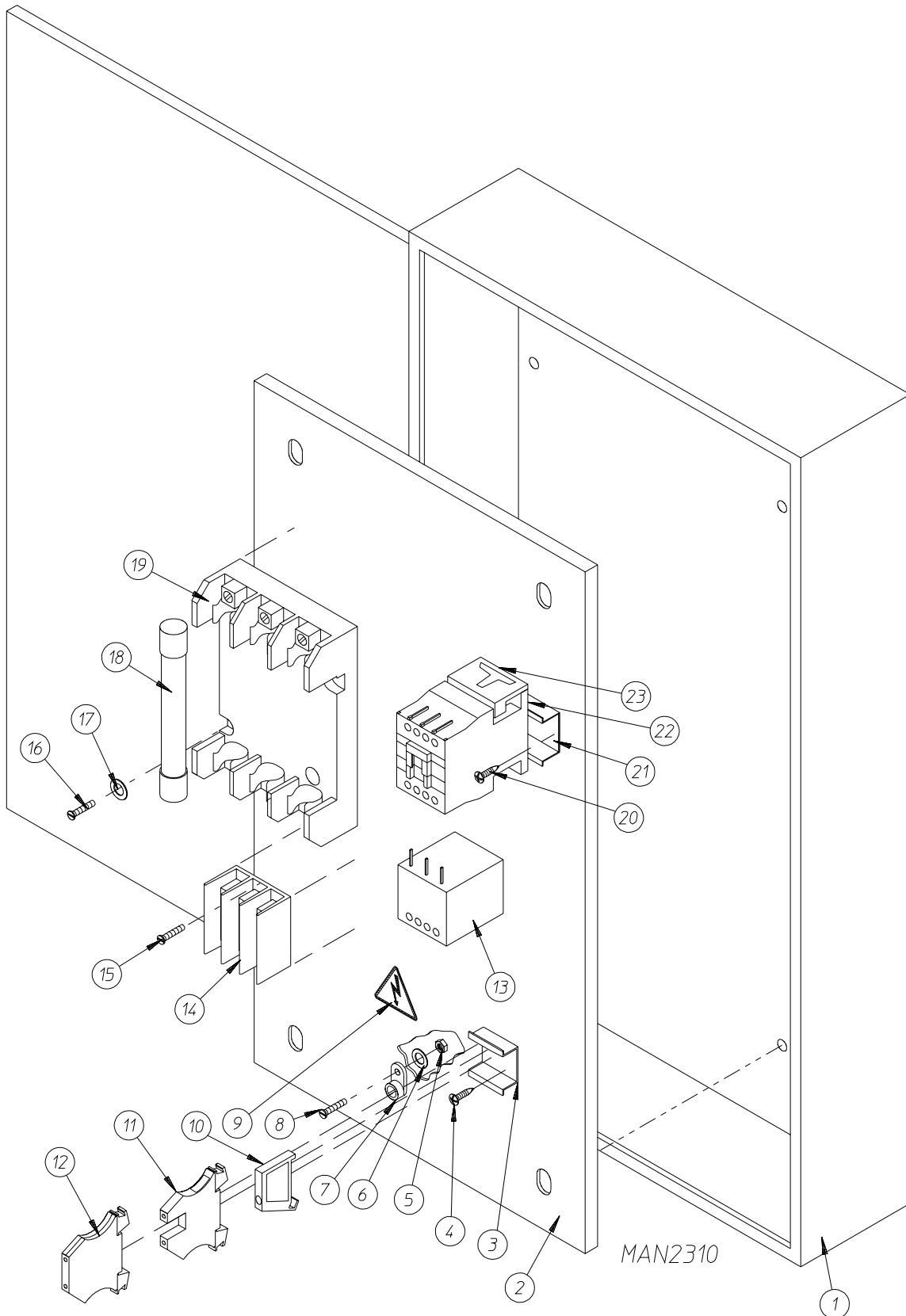
for models mfd. with Thermal-Magnetic Protection ONLY

<u>Illus. No.</u>	<u>Part No.</u>	<u>Qty.</u>	<u>Description</u>
8	150512	1	1/4-20 x 1/2" Hex Head Machine Bolt
9*	120765	1	End Stop
10*	120758	2	Feed Thru Terminal Block
11*	120750	1	Ground Block
12	122424	1	"POWER WARNING" Caution Label
13	120768	-	Din Mounting Rail (sold by the inch)
14	150309	2	#10-16 x 1/2" Hex Head TEK Crimptite Screw
15	120760	3	Terminal Block
16	120770	2	End Bracket
17	131969	1	Thermal Magnetic Starter (<i>for 208/240 volt Gas Models ONLY</i>) For models mfd. as of February 16, 1996
	131959**	1	Thermal Magnetic Starter (<i>for 208/240 volt Gas Models ONLY</i>) For models mfd. prior to February 16, 1996
	131970	1	Thermal Magnetic Starter (<i>for 380/416/460/575 volt Gas Models ONLY</i>) For models mfd. as of May 17, 1996
	131953***	1	Thermal Magnetic Starter (<i>for 380/416/460 volt Gas Models ONLY</i>) For models mfd. prior to May 17, 1996
	131952***	1	Thermal Magnetic Starter (<i>for 575 volt Gas Models ONLY</i>) For models mfd. prior to May 17, 1996
	131955	1	Thermal Magnetic Starter (<i>for 208/240 volt Steam Models ONLY</i>)
	131969	1	Thermal Magnetic Starter (<i>for 380/416/460 volt Steam Models ONLY</i>) For models mfd. as of February 16, 1996
	131959**	1	Thermal Magnetic Starter (<i>for 380/416/480 volt Steam Models ONLY</i>) For models mfd. prior to February 16, 1996
18	132384	1	Auxiliary Contact Block (used with P/N 131959, 131953, 131952, and 131955 Manual Starters)
	132389	1	Auxiliary Contact Block (used with P/N 131969 and P/N 131970 Manual Starters)
19	132465	1	3-Phase (3 ϕ) Blower Contactor (<i>for 208/240/380/416 volt Gas Models ONLY</i>) <i>and</i> <i>380/416/460 volt Steam Models ONLY</i>)
	132445	1	3-Phase (3 ϕ) Blower Contactor (<i>for 460/575 volt Gas Models ONLY</i>)
	132480	1	3-Phase (3 ϕ) Blower Contactor (<i>for 208/240 volt Steam Models ONLY</i>)
20	150309	2	#10-16 x 1/2" Hex Head TEK Crimptite Screw
21	120768	-	Din Mounting Rail (sold by the inch)
22	132485	1	Varistor (<i>for 208/240 volt Steam Models ONLY</i>)
	132437	1	Varistor (<i>for ALL Gas Models and 380/416/460 volt Steam Models ONLY</i>)

* For models mfd. with *Sprinkler Option*.

** For models mfd. prior to February 16, 1996, Part No. 131959 **must be** replaced with Part No. 881343 (Thermal Magnetic Starter Kit [which includes illus. nos. 17 and 18]).

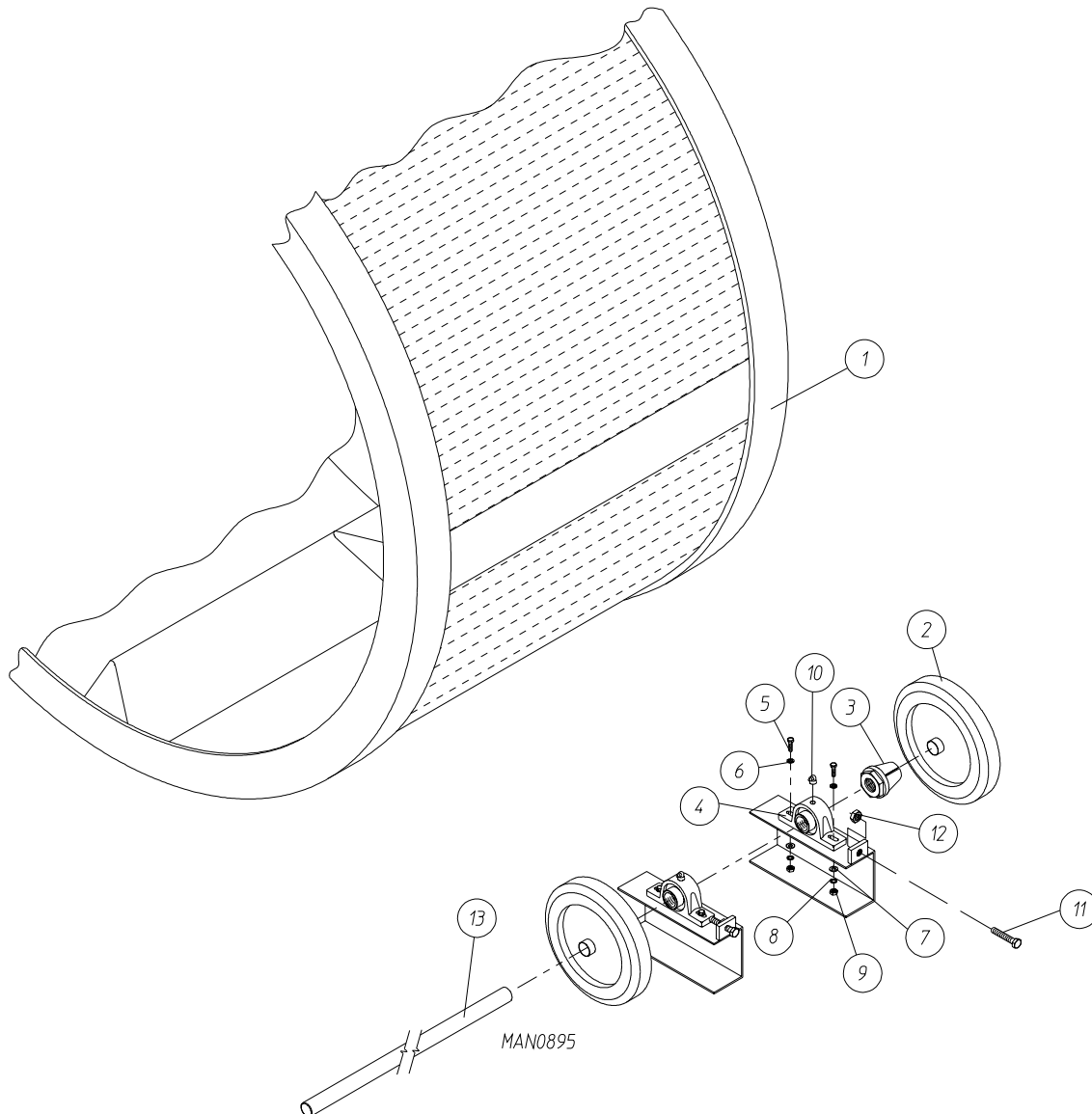
*** For models mfd. prior to May 17, 1996, Part No. 131953 and Part No. 131952 **must be** replaced with Part No. 881340 (Thermal Magnetic Starter Kit [which includes illus. nos. 17 and 18]).



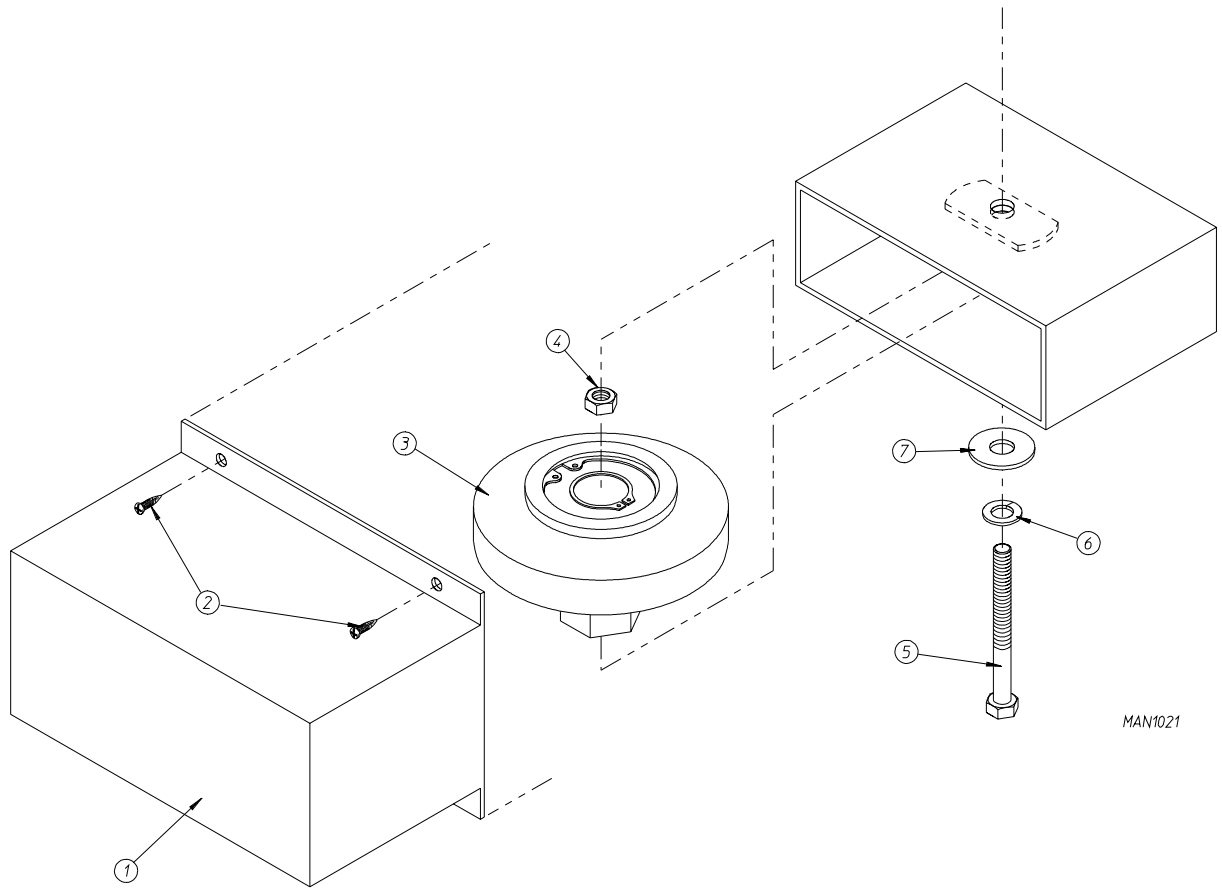
for models mfd. with Fuse Protection ONLY

<u>Illus. No.</u>	<u>Part No.</u>	<u>Qty.</u>	<u>Description</u>
1	826532	1	Base Electrical Junction Box (for 1-Way Tilt Models)
	826746	1	Base Electrical Junction Box (for 2-Way Tilt Models)
2	332847	1	Power Junction Box Panel
3*	120768	-	Din Mounting Rail (sold by the inch)
4*	150309	2	#10-16 x 1/2" Hex Head TEK Crimptite Screw
5	152002	1	1/4-20 Hex Nut
6	153007	1	1/4" Lock Washer
7	121012	1	Ground Lug
8	150512	1	1/4-20 x 1/2" Hex Head Machine Bolt
9	122424	1	"POWER WARNING" Caution Label
10*	120765	1	End Stop
11*	120758	2	Feed Thru Terminal Block
12*	120750	1	Ground Block
13	132439	1	Overload (<i>for 208/240 volt models Only</i>)
	132467	1	Overload (<i>for 380/416/460 volt models Only</i>)
14	120704	1	Power Distribution Block
15	150103	4	#8-32 x 3/4" Phillips Round Head Machine Screw
16	150103	4	#8-32 x 3/4" Phillips Round Head Machine Screw
17	153000	4	#8 Steel Burr
18	136027	3	30-Amp Fuse (<i>for 208/240 volt models Only</i>)
	136024	3	20-Amp Fuse (<i>for 380/416/460 volt models Only</i>)
19	136004	1	Fuse Block
20	150309	2	#10-16 x 1/2" Hex Head TEK Crimptite Screw
21	120768	-	Din Mounting Rail (sold by the inch)
22	132480	1	3-Phase (3 ϕ) Motor Contactor
23	132437	1	Varistor

* For models mfd. with *Sprinkler Option*.



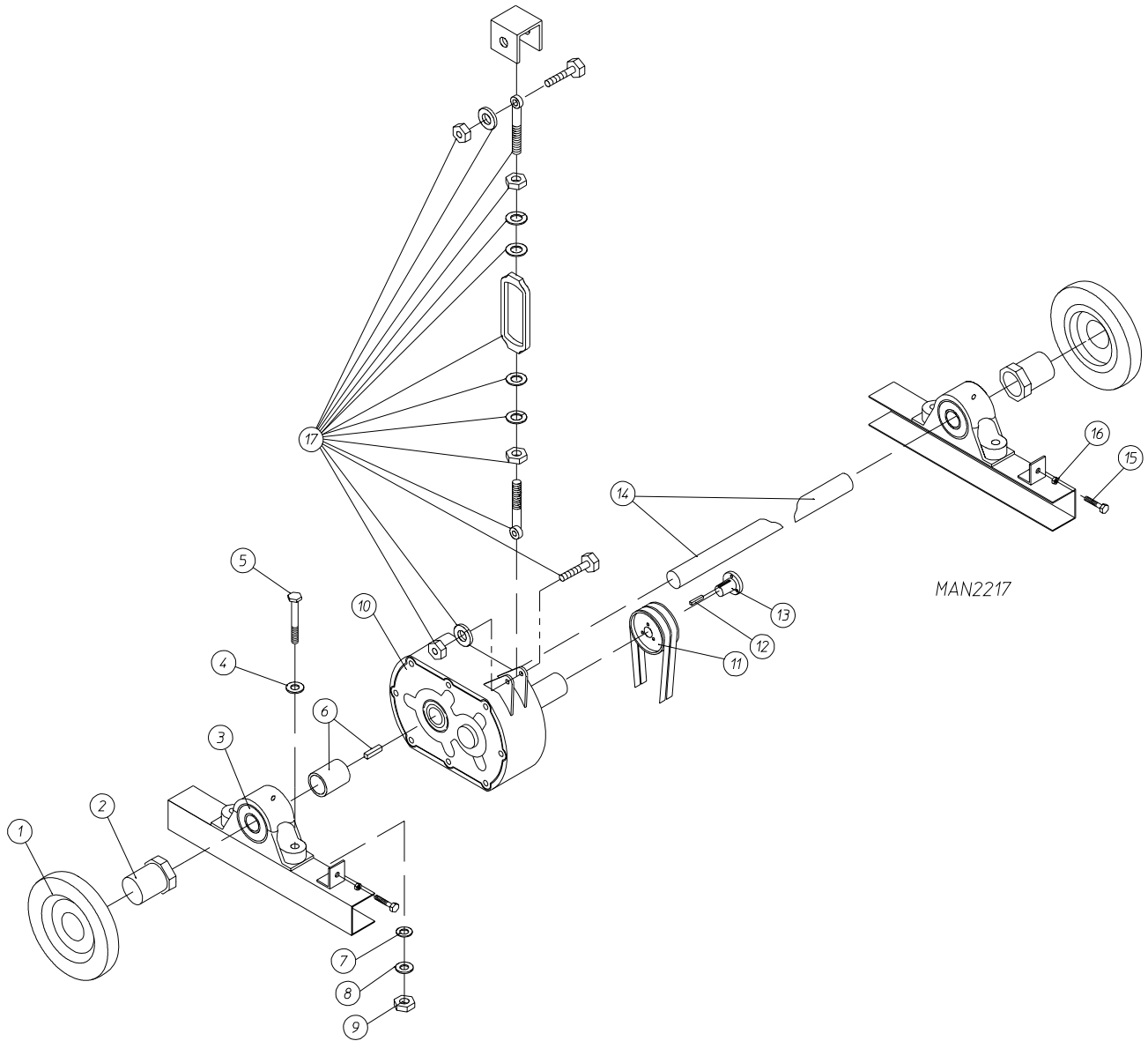
<u>Illus. No.</u>	<u>Part No.</u>	<u>Qty.</u>	<u>Description</u>
1	821217	1	Tumbler Assembly (for 1 Door Models)
	821645	1	Tumbler Assembly (for 2 Door Models)
2	821215	2	Drive Wheel Assembly
3	180007	2	1-1/2" Trantorque
4	880880	2	1-1/2" Pillow Block Bearing with Set Screws and Grease Fitting
5	150620	4	1/2-13 x 2-1/2" Hex Head Machine Bolt
6	153016	4	1/2" Flat Washer
7	153016	4	1/2" Flat Washer
8	153026	4	1/2" Lock Washer
9	152011	4	1/2-13 Hex Nut
10	170511	2	1/8-27 N.P.T. Grease Fitting
11	150609	2	1/2-13 x 4-1/2" Hex Head Machine Bolt
12	152011	2	1/2-13 Hex Nut
13	332507	1	1-1/2" Dia. Idler Shaft



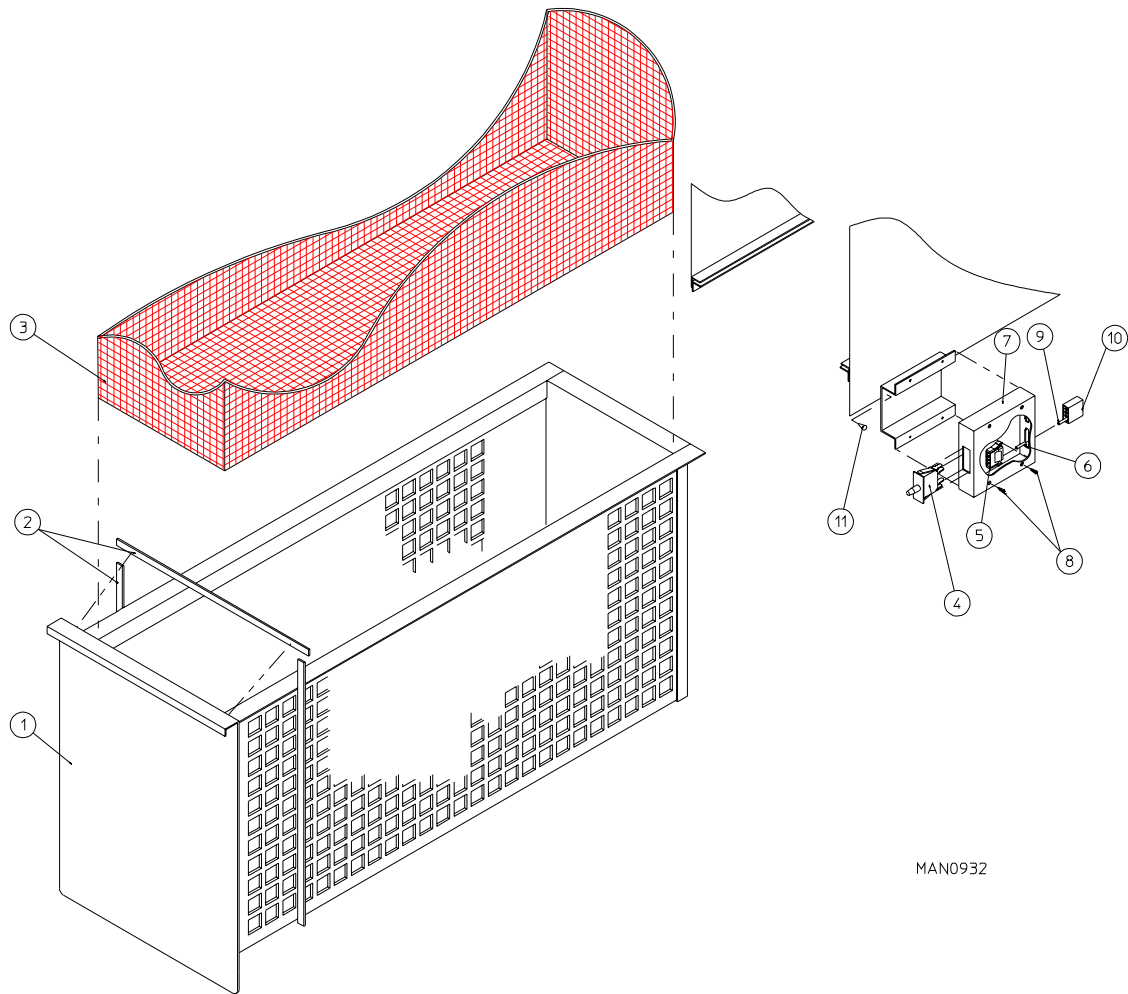
MAN1021

Illus. No.	Part No.	Qty.	Description
1*	-----	1	Tumbler Retaining Wheel Cover/Guard (refer to appropriate Front Panel Assembly or Rear Panel Assembly)
2	150301	4	#8-18 x 7/16" Phillips Pan Head TEK Screw
3	820566	1	Tumbler Retaining Wheel Assembly
4	152004	1	5/16-18 Hex Nut
5	150509	1	5/16-18 x 3" Hex Head Machine Bolt
6	153002	1	5/16" Lock Washer
7	153001	1	5/16" Flat Washer

* Specify color when ordering.



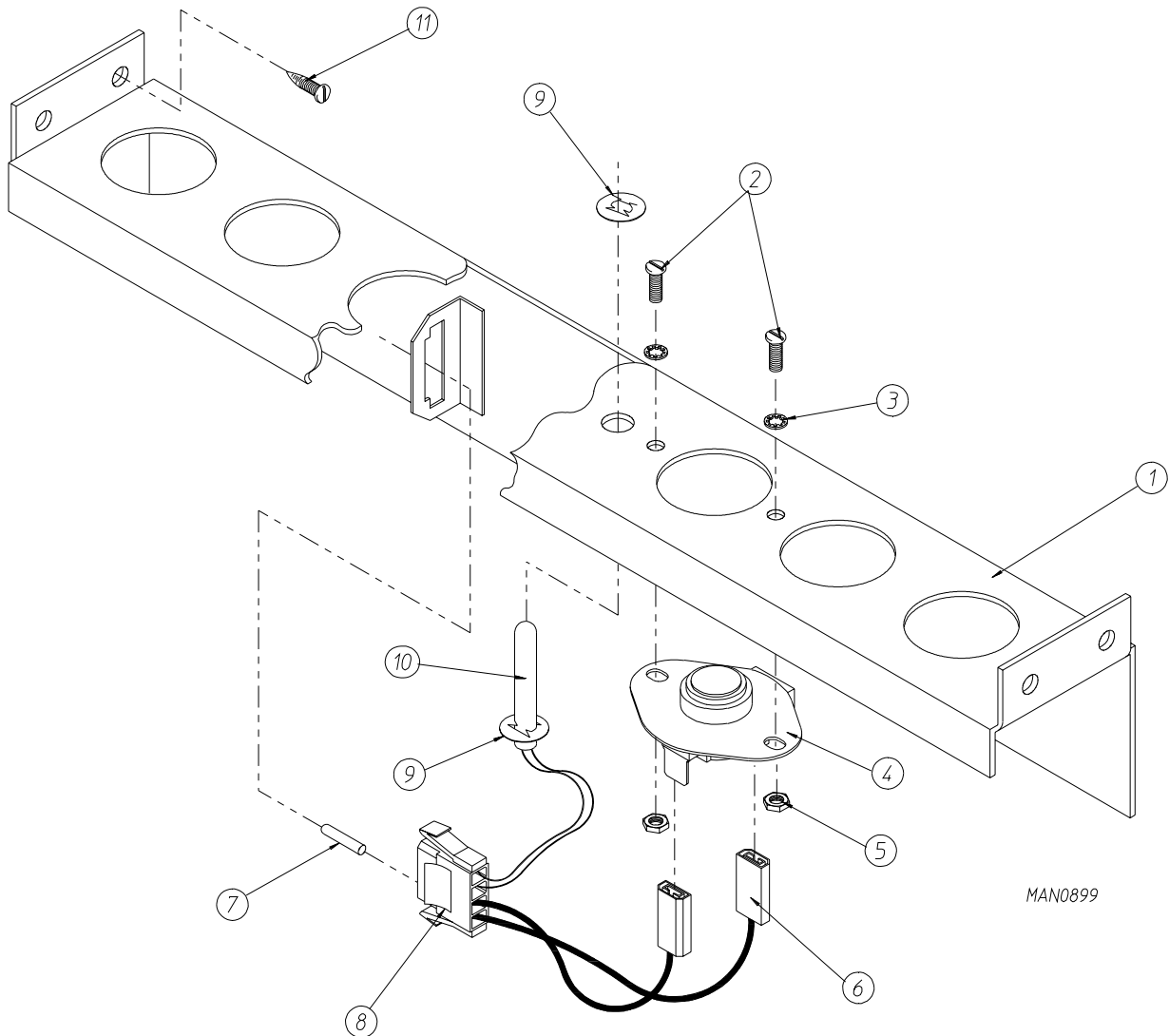
<u>Illus. No.</u>	<u>Part No.</u>	<u>Qty.</u>	<u>Description</u>
1	821215	2	11" Drive Wheel Assembly
2	180007	2	1-1/2" Trantorque
3	880880	2	1-1/2" Pillow Block Bearing with Grease Fitting
	170511	2	1/8-27 N.P.T. Grease Fitting
4	153011	4	1/2" Flat Washer
5	150620	4	1/2-13 x 2-1/2" Hex Head Machine Bolt
6	101023	1	1-1/2" Taper Bushing (for models mfd. as of September 9, 1995)
	101020	1	1-1/2" Straight Bushing (for models mfd. prior to September 9, 1995)
7	153011	4	1/2" Flat Washer
8	153026	4	1/2" Lock Washer
9	152011	4	1/2-13 Hex Nut
10	101019	1	Dodge Taper Bore Speed Reducer (for models mfd. as of September 9, 1995)
	101018	1	Dodge Speed Reducer (for models mfd. prior to September 9, 1995)
11	101177	1	2B x 5.8 Pulley
12	100709	1	3/8" x 3/8" x 2" Key
13	101196	1	SDS x 1-5/8" Bushing
14	334058	1	Tumbler Drive Shaft
15	150609	2	1/2-13 x 4-1/2" Hex Head Machine Bolt
16	152011	2	1/2-13 Hex Nut
17	154395	1	Gear Reducer Turnbuckle



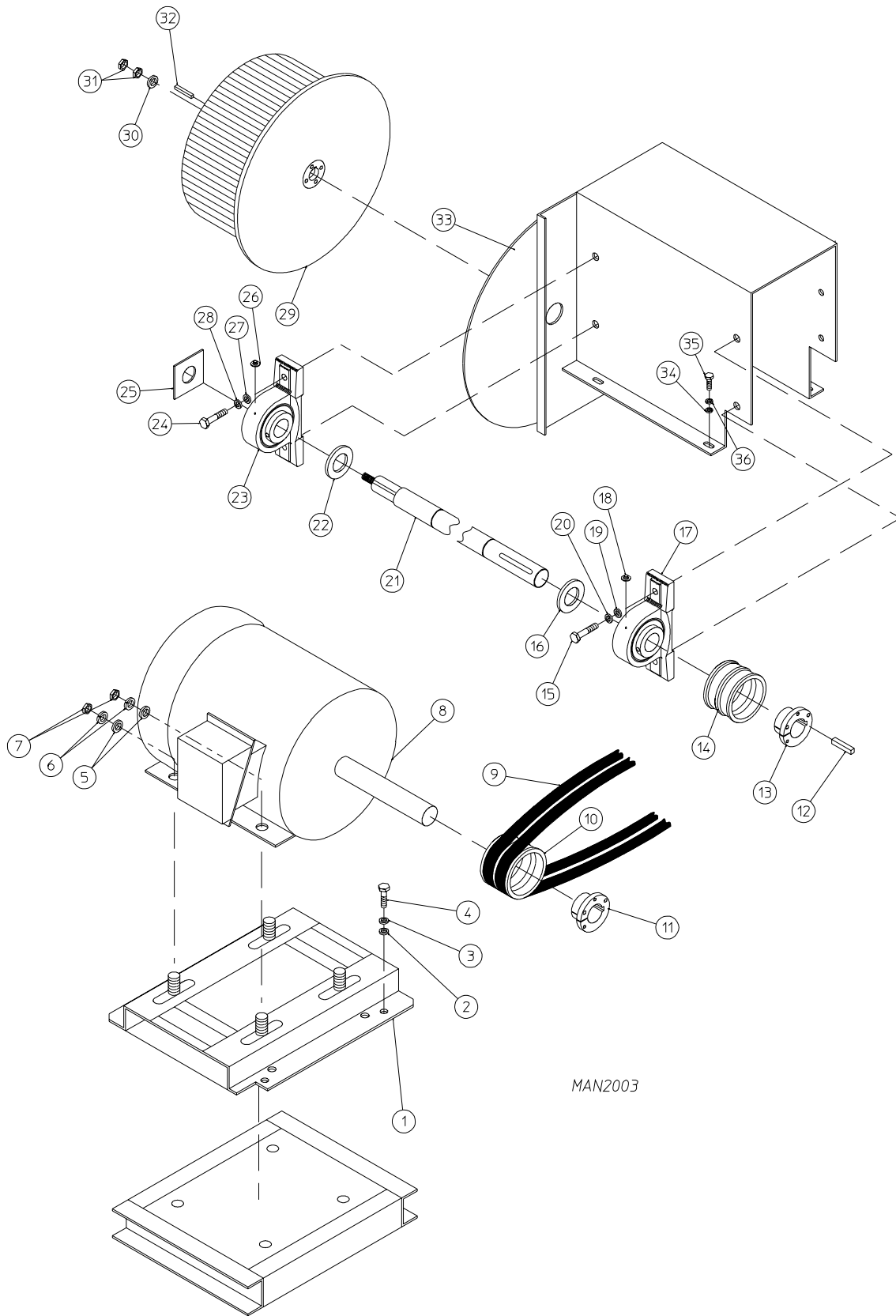
MAN0932

Illus. No.	Part No.	Qty.	Description
1*	880787	1	Lint Drawer/Basket Assembly Complete (includes illus. nos. 1 and 2) For Forward Tilt Models ONLY
	881185	1	Lint Drawer/Basket Assembly Complete (includes illus. nos. 1 and 2) For 2-Way Tilt and Rear Tilt Models ONLY
2	117605	7	Neoprene Sponge Tape (sold by the foot)
3	821276	1	Lint Screen Assembly
4	122116	1	Lint Drawer/Basket Switch ONLY
5	122605	2	4-Pin Socket Connector ONLY
6	122701	4	Socket Terminal ONLY
	122801	1	Pin/Socket Extraction Tool
7	800264	1	Lint Drawer/Basket Switch Box Assembly Complete (includes illus. nos. 4 through 7)
	304034	1	Lint Drawer/Basket Switch Cover ONLY
8	150301	4	#8-18 x 7/16" Phillips Pan Head TEK Screw
9	122700	4	Pin Terminal ONLY
10	122604	2	4-Pin Connector ONLY
11	150301	2	#8-18 x 7/16" Phillips Pan Head TEK Screw

* Specify color when ordering.



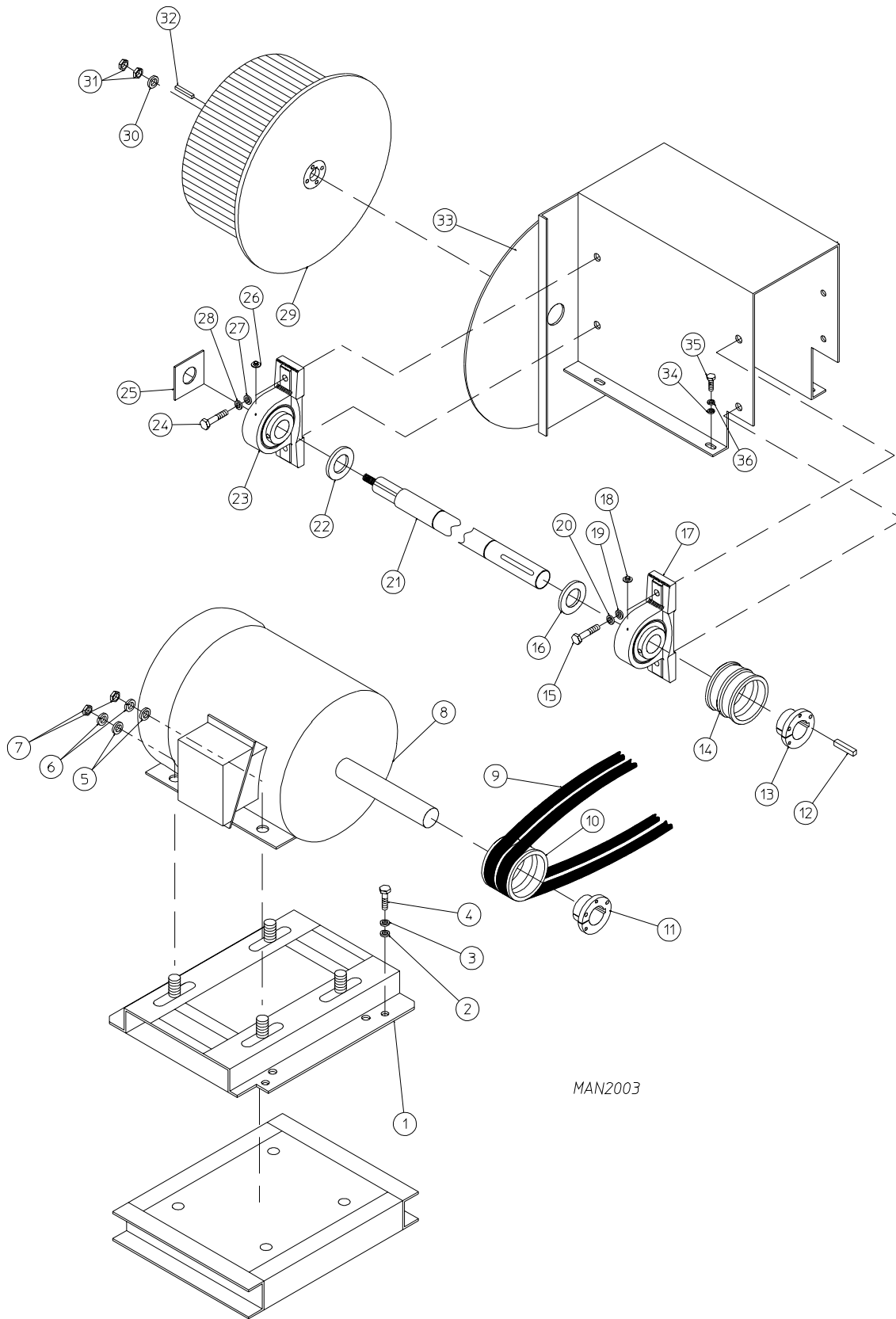
<u>Illus. No.</u>	<u>Part No.</u>	<u>Qty.</u>	<u>Description</u>
1	820967	1	Sensor Bracket Assembly
	820968	1	Sensor Bracket Assembly Complete (includes illus. nos. 1 through 10)
2	150000	2	#6-32 x 1/4" Slotted Round Head Machine Screw
3	153010	2	#6 Star Washer
4	130112	1	225° Thermostat ONLY
5	152000	2	#6-32 Hex Nut
6	121028	2	1/4" x .032 Insulated Terminal
7	122701	4	Socket Terminal ONLY
8	122605	1	4-Pin Socket Connector (female)
9	154007	2	1/4" Push-On Fastener
10	880251	1	1/4" Temperature Sensor Probe Assembly (includes illus. nos. 6 through 10)
11	150301	4	#8-18 x 7/16" Phillips Pan Head TEK Screw



for Gas Models ONLY

<u>Illus. No.</u>	<u>Part No.</u>	<u>Qty.</u>	<u>Description</u>
1	100062	1	Motor Base 213T Frame
2	153004	4	3/8" Flat Washer
3	153005	4	3/8" Lock Washer
4	150617	4	3/8-16 x 1" Hex Head Machine Bolt
5	153004	4	3/8" Flat Washer
6	153005	4	3/8" Lock Washer
7	152005	4	3/8-16 Hex Nut
8	100046	1	7-1/2 HP 208-230/460v 3ø 50/60 Hz Motor
	100092	1	7-1/2 HP 190-220/380-416v 3ø 50 Hz Motor (for 50 Hz models Only)
			and
			380v 3ø 60 Hz Motor (for 60 Hz models Only)
	100021	1	7-1/2 HP 575v 3ø 60 Hz Motor
9*	100145	2	BX 32 V-Belt
10	101148	1	2B x 4.0 Pulley (for 60 Hz models Only)
	101147	1	2B x 4.8 Pulley (for 50 Hz models Only)
11	101152	1	SH x 1-3/8" Bushing (for 60 Hz models Only)
	101194	1	SDS x 1-3/8" Bushing (for 50 Hz models Only)
12	100706	1	5/16" x 5/16" x 1-3/8" Key
13	101152	1	SH x 1-3/8" Bushing
14	101195	1	2B x 4.4 Pulley
15	150600	2	3/8-16 x 1-1/2" Hex Head Machine Bolt
16	100802	1	1-3/8" Retaining Ring
17	880879	1	1-3/8" Shrouded Pillow Block Bearing (includes illus. nos. 17 and 18)
18	170511	1	Grease Fitting
19	153004	2	3/8" Flat Washer
20	153005	2	3/8" Lock Washer
21	332703	1	Fan Shaft
22	100802	1	1-3/8" Retaining Ring
23	880879	1	1-3/8" Shrouded Pillow Block Bearing (includes illus. nos. 23 and 26)
24	150600	2	3/8-16 x 1-1/2" Hex Head Machine Bolt
25	116014	1	Felt Seal
26	170511	1	Grease Fitting
27	153004	2	3/8" Flat Washer
28	153005	2	3/8" Lock Washer
29	100612	1	15" Dia. Squirrel Cage Fan
30	153065	1	Fan Washer
31	152006	2	1/2-20 Left Hand Jam Nut
32	100704	1	1/4" x 1/4" x 1-3/4" Key
33	881169	1	Tilt Fan Shaft Bearing Mount Assembly
34	153004	4	3/8" Flat Washer
35	150617	4	3/8-16 x 1" Hex Head Machine Bolt
36	153005	4	3/8" Lock Washer

* Replace belts in matched sets (both belts).

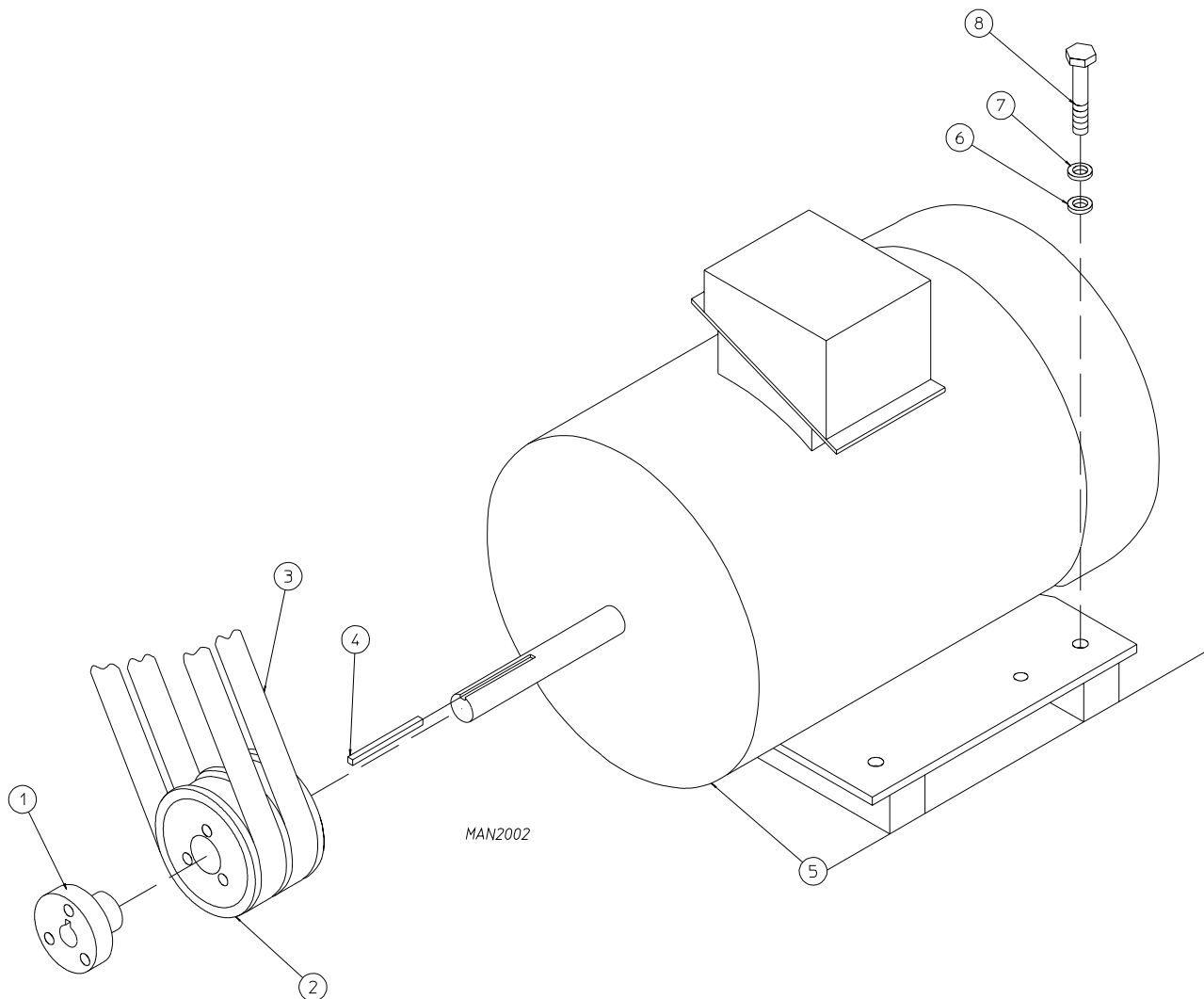


MAN2003

for Steam Models ONLY

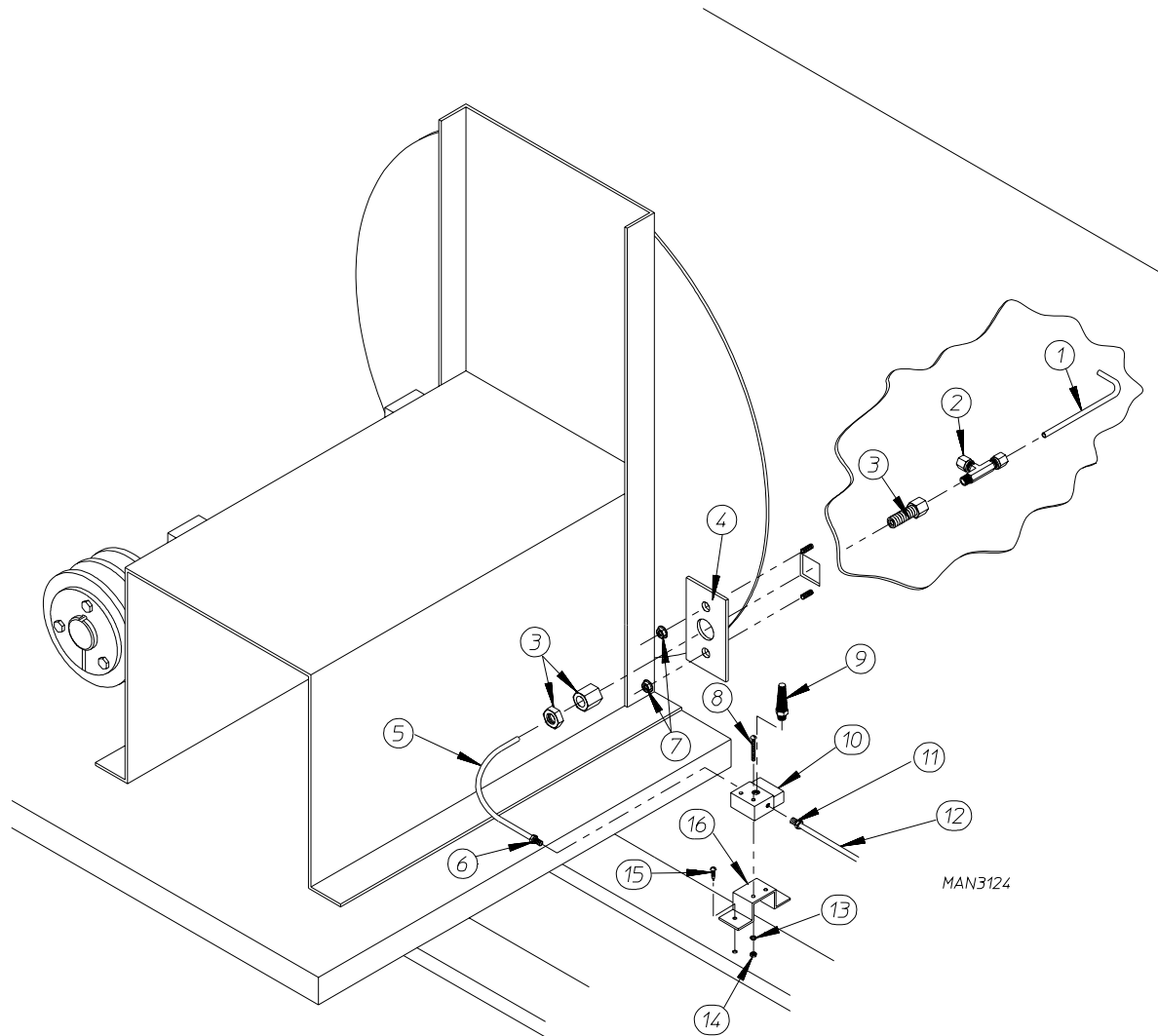
<u>Illus. No.</u>	<u>Part No.</u>	<u>Qty.</u>	<u>Description</u>
1	100062	1	Motor Base 213T Frame
2	153004	4	3/8" Flat Washer
3	153005	4	3/8" Lock Washer
4	150617	4	3/8-16 x 1" Hex Head Machine Bolt
5	153004	4	3/8" Flat Washer
6	153005	4	3/8" Lock Washer
7	152005	4	3/8-16 Hex Nut
8	100087	1	15 HP 208-230/460v 3ø 60 Hz Motor (for 60 Hz models Only) and 190-220/380-440v 3ø 50 Hz Motor (for 50 Hz models Only)
	100082	1	15 HP 380v 3ø 60 Hz Motor
	181001	1	15 HP 575v 3ø 60 Hz Motor
9*	100157	2	BX 36 V-Belt
10	101148	1	2B x 4.0 Pulley (for ALL 60 Hz models <i>except</i> 380 volt)
	101143	1	2B x 3.8 Pulley (for 380 volt - 60 Hz models Only)
	101195	1	2B x 4.4 Pulley (for 50 Hz models Only)
11	101152	1	SH x 1-3/8" Bushing
12	100706	1	5/16" x 5/16" x 1-3/8" Key
13	101194	1	SDS x 1-3/8" Bushing
14	101175	1	2B x 6.8 Pulley
15	150600	2	3/8-16 x 1-1/2" Hex Head Machine Bolt
16	100802	1	1-3/8" Retaining Ring
17	880879	1	1-3/8" Shrouded Pillow Block Bearing (includes illus. nos. 17 and 18)
18	170511	1	Grease Fitting
19	153004	2	3/8" Flat Washer
20	153005	2	3/8" Lock Washer
21	332703	1	Fan Shaft
22	100802	1	1-3/8" Retaining Ring
23	880879	1	1-3/8" Shrouded Pillow Block Bearing (includes illus. nos. 23 and 26)
24	150600	2	3/8-16 x 1-1/2" Hex Head Machine Bolt
25	116014	1	Felt Seal
26	170511	1	Grease Fitting
27	153004	2	3/8" Flat Washer
28	153005	2	3/8" Lock Washer
29	100612	1	15" Dia. Squirrel Cage Fan
30	153065	1	Fan Washer
31	152006	2	1/2-20 Left Hand Jam Nut
32	100704	1	1/4" x 1/4" x 1-3/4" Key
33	881169	1	Tilt Fan Shaft Bearing Mount Assembly
34	153004	4	3/8" Flat Washer
35	150617	4	3/8-16 x 1" Hex Head Machine Bolt
36	153005	4	3/8" Lock Washer

* Replace belts in matched sets (both belts).

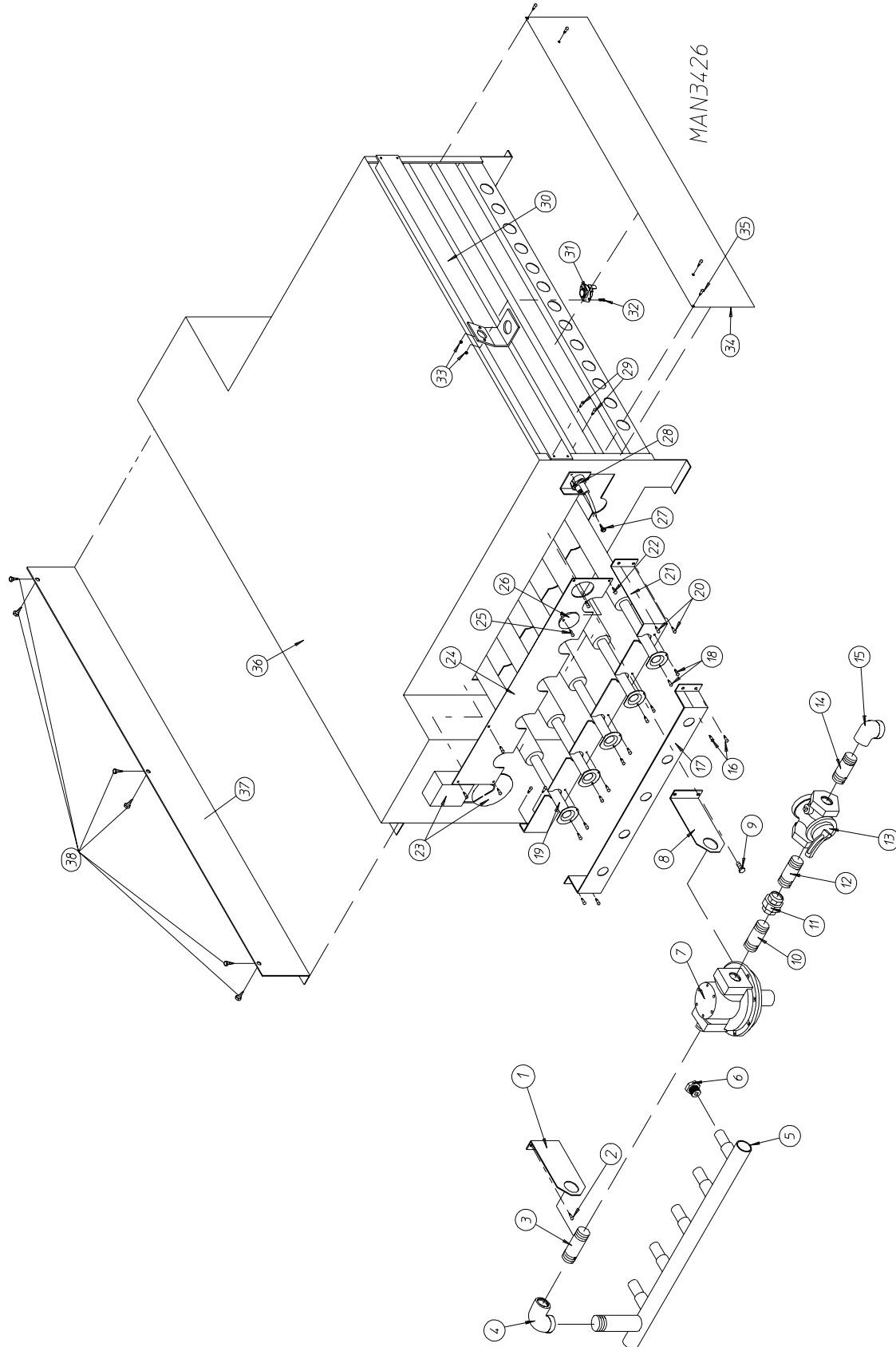


<u>Illus. No.</u>	<u>Part No.</u>	<u>Qty.</u>	<u>Description</u>
1	101198	1	SH x 7/8" Bushing
2	101187	1	2B x 3.6 Motor Pulley (for 60 Hz models Only)
	101195	1	2B x 4.4 Motor Pulley (for 50 Hz models Only)
3*	100152	2	AX-25 V-Belt (for 60 Hz models Only)
	100160	2	AX-26 V-Belt (for 50 Hz models Only)
4	100705	1	3/16" x 3/16" x 1-3/8" Key
5	100051	1	3 HP 208-230/460v 3 ϕ 60 Hz Drive Motor (for 60 Hz models Only) and 190-208/380-416v 3 ϕ 50 Hz Drive Motor (for 50 Hz models Only)
	100022	1	3 HP 380v 3 ϕ 60 Hz Drive Motor
	100088	1	3 HP 575v 3 ϕ 60 Hz Drive Motor
6	153001	4	5/16" Flat Washer
7	153005	4	5/16" Lock Washer
8	150504	4	5/16-18 x 1" Hex Head Machine Bolt

* Replace belts in matched sets (both belts).



<u>Illus. No.</u>	<u>Part No.</u>	<u>Qty.</u>	<u>Description</u>
1	332700	1	Air Jet Tube
2	143287	1	1/4" x 1/8" M.P.T. Tee
3	143259	1	1/4" Compression x 1/8" F.P.T. Bulkhead Fitting
4	332531	1	Air Jet Mounting Plate
5	143100	1	1/4" Dia. Aluminum Tube (sold by the foot)
6	143152	1	1/4" Compression x 1/8" M.P.T. Connector
7	152014	2	1/4-20 Free Spin Nut
8	150002	1	#6-32 x 1" Phillips Round Head Machine Screw
9	100520	1	1/8" N.P.T. Silencer (muffler)
10	100498	1	3-Way Micro Valve
11	100472	1	1/4" Poly x 1/8" M.P.T. Connector
12	143110	10	1/4" Poly Flow Tubing (sold by the foot)
13	153010	2	#6 Star Washer
14	152000	2	#6-32 Hex Nut
15	150309	2	#10-16 x 1/2" Hex Head TEK Crimptite Screw
16	330987	1	Micro Valve Support Bracket

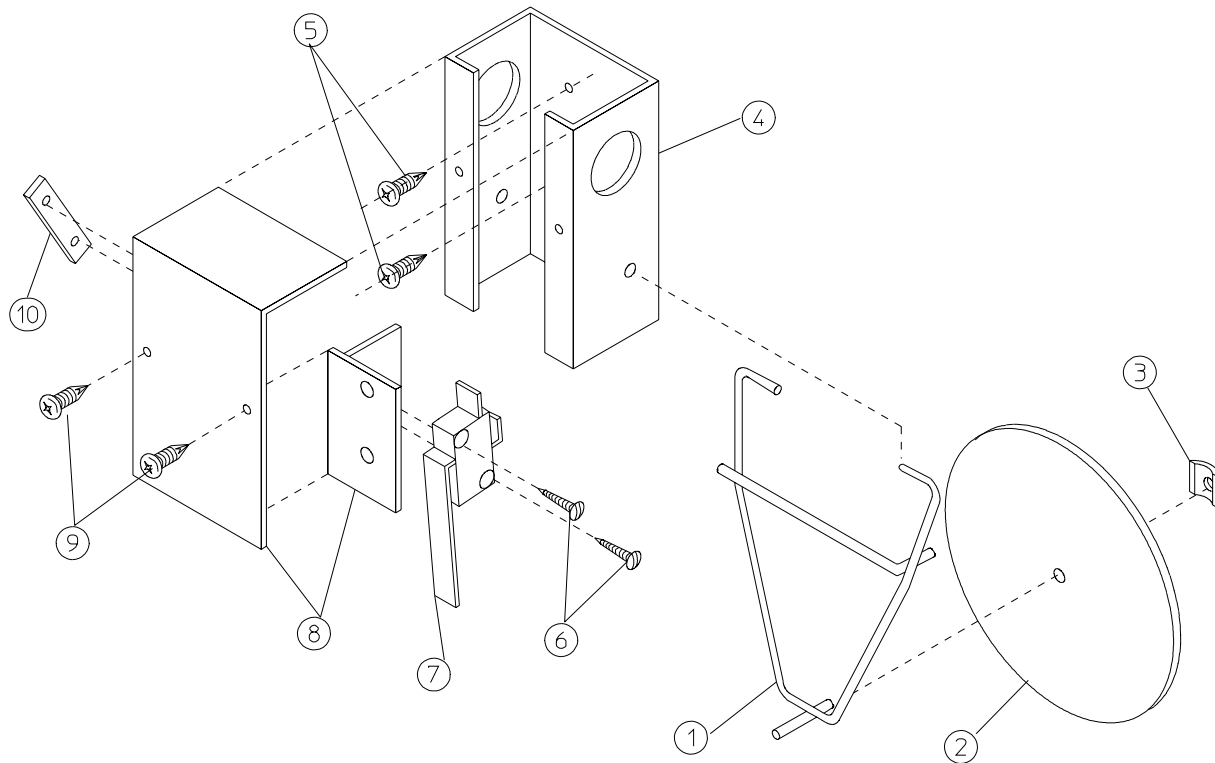


<u>Illus. No.</u>	<u>Part No.</u>	<u>Qty.</u>	<u>Description</u>
1	332604	1	Pipe Bracket
2	150301	2	#8-18 x 7/16" Phillips Pan Head TEK Screw
3	142724	1	1" x 2" Nipple
4	142548	1	1" x 90° Elbow
5	141243	1	5-Port Manifold
6*	140840	5	#1 Burner Orifice (for Natural Gas models)
	140821	5	#28 Burner Orifice (for L.P. Gas models)
7	140017	1	1" x 1" 24 VAC Gas Valve
	140018	1	1" x 24 VAC Gas Valve Conversion Kit
8	332604	1	Pipe Bracket
9	150301	2	#8-18 x 7/16" Phillips Pan Head TEK Screw
10	142724	1	1" x 2" Nipple
11	142602	1	1" Union
12	142724	1	1" x 2" Nipple
13	141302	1	1" Shut-Off Valve
14	142724	1	1" x 2" Nipple
15	142728	1	1" to 1-1/4" x 90° Reducing Elbow
16	150301	4	#8-18 x 7/16" Phillips Pan Head TEK Screw
17	332606	1	Manifold Rest
18	150301	10	#8-18 x 7/16" Phillips Pan Head TEK Screw
19	881492	5	Burner Tube Assembly
20	150301	4	#8-18 x 7/16" Phillips Pan Head TEK Screw
21	332607	1	Burner Tube Rest
22	150301	5	#8-18 x 7/16" Phillips Pan Head TEK Screw
23	-----	1	Sail Switch (refer to Sail Switch Assembly on page 68)
24	332597	1	Burner Box Cover Plate
25	150301	1	#8-18 x 7/16" Phillips Pan Head TEK Screw
26	331290	1	Sight Hole Disc
27	150309	2	#10-16 x 1/2" Hex Head TEK Crimptite Screw
28	880943	1	Direct Spark Ignition (DSI) Ignitor/Flame-Probe Assembly Kit
	880330	1	DSI Ignitor HV (High Voltage) Wire/Connector ONLY
	305410	1	DSI Gap Feeler Gauge ... Not Illustrated
29	150309	4	#10-16 x 1/2" Phillips Round Head Crimptite Screw
30	881144	1	Hi-Limit Mounting Bracket
31	130201	1	330° Manual Reset Hi-Limit ONLY (for models mfd. as of May 26, 1998)
	130401	1	330° Hi-Limit ONLY (for models mfd. prior to May 26, 1998)
32	150001	2	#6-32 x 1/2" Round Head Machine Screw
33	151000	2	#6-32 Pal Nut
34	332826	1	ADG-200 (Right Side) Ignition Baffle
35	150309	4	#10-16 x 1/2" Phillips Round Head Crimptite Screw
36	880789	1	ADG-200 Burner Box ONLY
	881145**	1	ADG-200 (Tilt) Natural Gas Burner Box Assembly Complete less Orifices (includes illus. nos. 1 through 5 and 7 through 38)
	881146**	1	ADG-200 (Tilt) L.P. Gas Burner Box Assembly Complete less Orifices (includes illus. nos. 1 through 5 and 7 through 38)
---	880754*	1	ADG-200 DSI L.P. Conversion Kit
37***	332622	1	ADG-200 (Left Side) Baffle/Cover
38***	150309	6	#10-16 x 1/2" Hex Head TEK Crimptite Screw

* Contact factory for elevations over 2,000 feet.

** Orifices *are not included* and **must be** ordered separately.

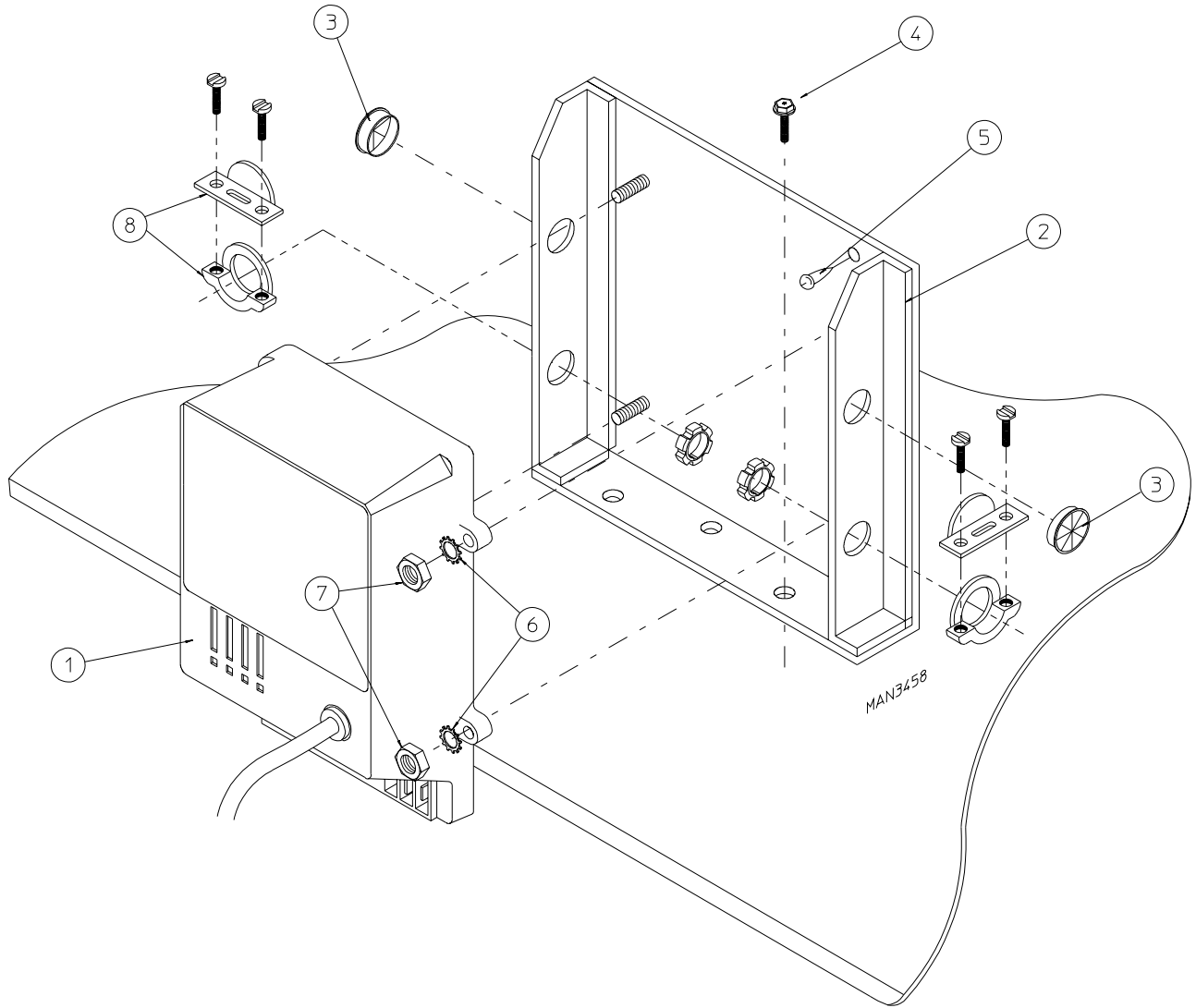
*** For use on models with L.P. Gas ONLY.



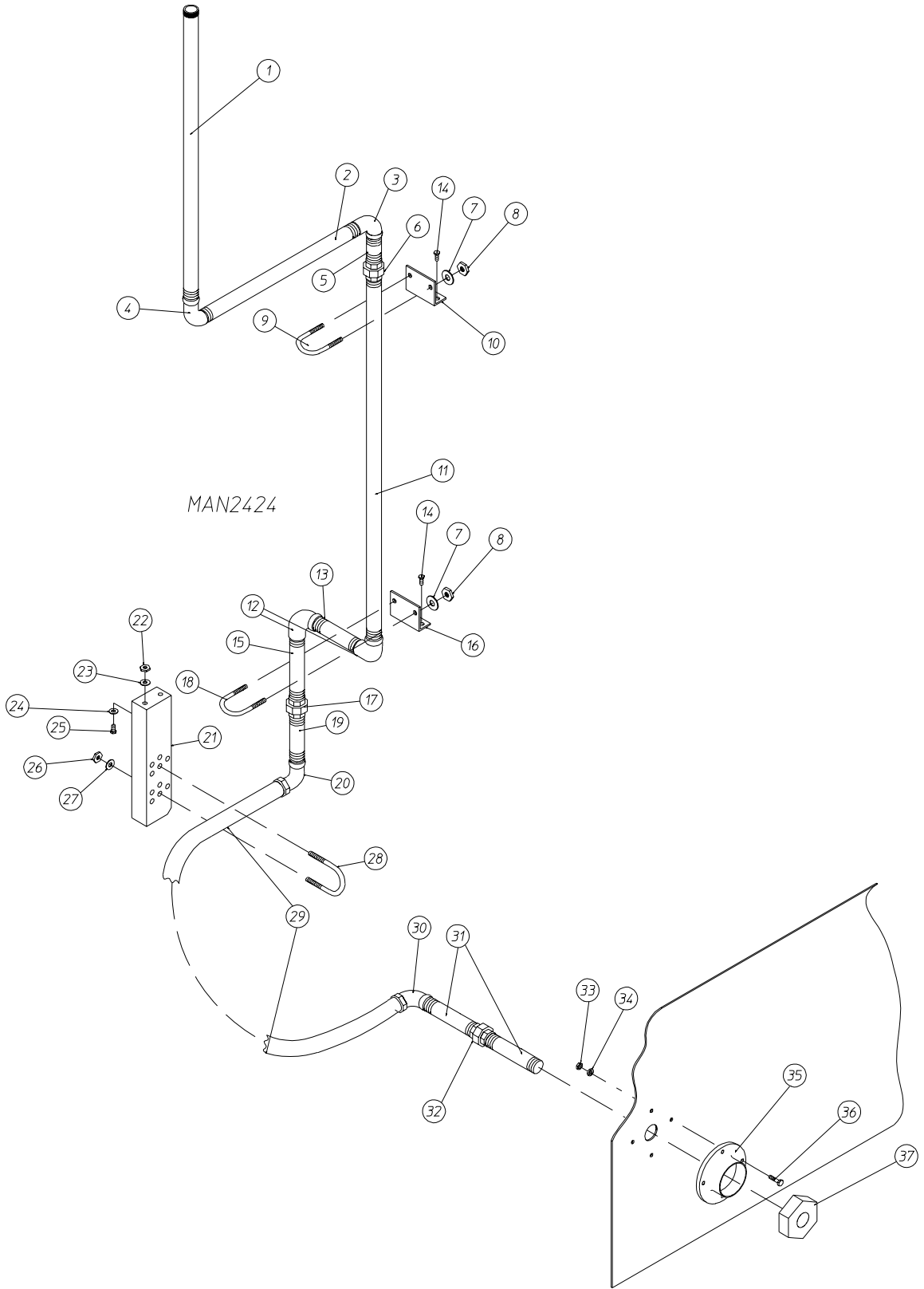
MAN0440

<u>Illus. No.</u>	<u>Part No.</u>	<u>Qty.</u>	<u>Description</u>
1	105500	1	Sail Switch Actuator Rod
2	820100	1	Sail Switch Damper (flat)
3	154002	1	1/8" Push-on Fastener
4	802800	1	Sail Switch Box with Cover and Bracket ONLY (includes illus. nos. 4 and 8)
	880793	1	Sail Switch Box Assembly Complete (includes illus. nos. 1 through 4 and 6 through 10)
5	150300	2	#10 x 1/2" Hex Washer TEK Screw
6	150303	2	#4 x 3/4" Pan Head "A" Machine Screw
7	122200	1	Sail Switch ONLY
8	802799	1	Sail Switch Box Cover and Bracket ONLY
9	150309	2	#10-16 x 1/2" Hex Head TEK Crimptite Screw
10	154004	1	Twin Speed Nut

for Gas Models ONLY

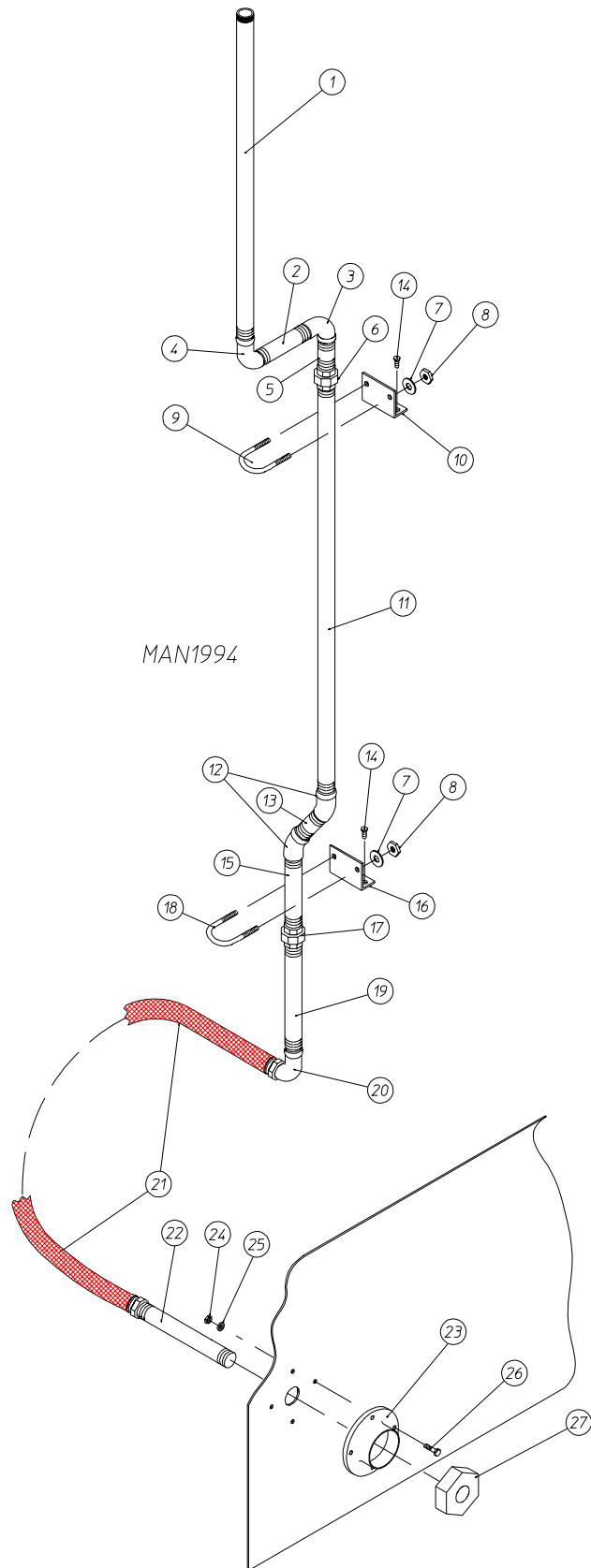


<u>Illus. No.</u>	<u>Part No.</u>	<u>Qty.</u>	<u>Description</u>
1	880815	1	ADC DSI (Direct Spark Ignition) Module ONLY - 50/60 Hz
2	820100	1	DSI Module Mount Assembly ONLY
3	121400	2	Universal Bushing
4	150522	3	1/4-20 x 1/2" Hex Head TEK Screw
5	150301	1	#8-18 x 7/16" Phillips Pan Head TEK Screw
6	153010	4	#6 Star Washer
7	152000	4	#6-32 Hex Nut
8	120102	2	3/8" Straight x 1/2" Knock-Out Connector



 for models mfd. as of August 15, 1995

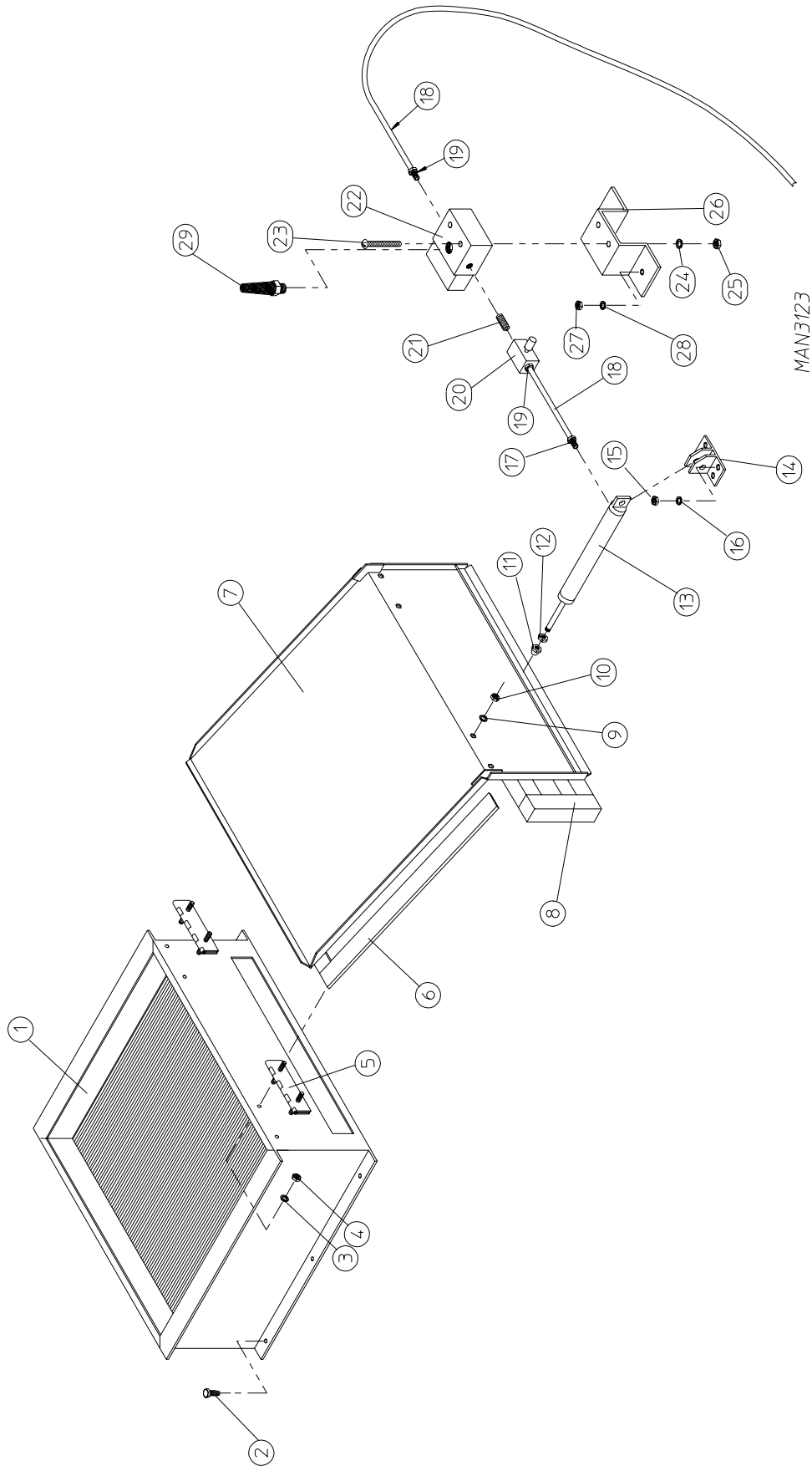
<u>Illus. No.</u>	<u>Part No.</u>	<u>Qty.</u>	<u>Description</u>
1	142726	1	1-1/4" x 24" Nipple
2	142555	1	1-1/4" x 15" Nipple
3	142554	1	1-1/4" 90° Elbow
4	142554	1	1-1/4" 90° Elbow
5	142725	1	1-1/4" x 2" Nipple
6	142558	1	1-1/4" Union
7	153002	4	5/16" Lock Washer
8	152004	4	5/16-18 Hex Nut
9	154353	1	1-1/4" Pipe U-Bolt
10	332781	1	Small Pipe Bracket
11	142610	1	1-1/4" x 32" Nipple
12	142554	2	1-1/4" 90° Elbow
13	142609	1	1-1/4" x 4-1/2" Nipple
14	150522	4	1/4-20 x 1/2" Hex Head TEK Screw
15	142564	1	1-1/4" x 5" Nipple
16	332781	1	Small Pipe Bracket
17	142558	1	1-1/4" Union
18	154353	1	1-1/4" Pipe U-Bolt
19	142725	1	1-1/4" x 2" Nipple
20	142554	1	1-1/4" 90° Elbow
21	333073	1	Flex Hose Bracket
22	152002	2	1/4-20 Hex Nut
23	153007	2	1/4" Lock Washer
24	153016	2	1/4" Flat Washer
25	150511	2	1/4-20 x 1" Hex Head Bolt
26	152004	2	5/16-18 Hex Nut
27	153002	2	5/16" Lock Washer
28	154351	1	1-1/2" Pipe U-bolt
29	141416	1	1-1/4" x 48" Non-Swivel Flex Hose
30	142554	1	1-1/4" 90° Elbow
31	142727	2	1-1/4" x 4" Nipple
32	142558	1	1-1/4" Union
33	152004	4	5/16-18 Hex Nut
34	153002	4	5/16" Lock Washer
35	142514	1	2" Floor Flange
36	150504	4	5/16-18 x 1" Hex Head Machine Bolt
37	142513	1	2" x 1-1/4" Double Tapped Bushing



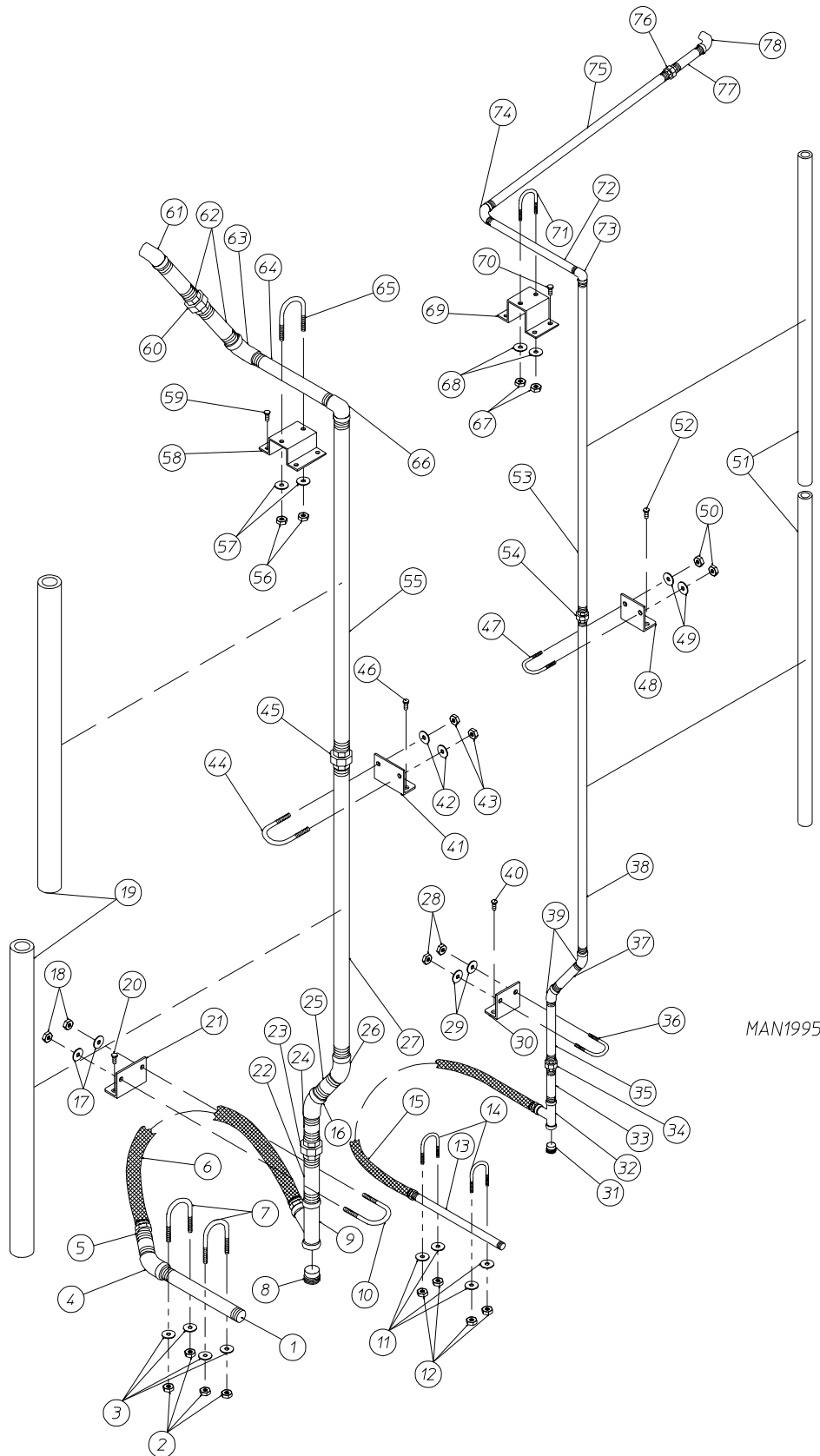
for models mfd. prior to August 15, 1995

<u>Illus. No.</u>	<u>Part No.</u>	<u>Qty.</u>	<u>Description</u>
1	142726	1	1-1/4" x 24" Nipple
2	142727	1	1-1/4" x 4" Nipple (for 1-Way Tilt Models Only)
	142555	1	1-1/4" x 15" Nipple (for 2-Way Tilt Models Only)
3	142554	1	1-1/4" 90° Elbow
4	142554	1	1-1/4" 90° Elbow
5	142725	1	1-1/4" x 2" Nipple
6	142558	1	1-1/4" Union
7	153002	4	5/16" Lock Washer
8	152004	4	5/16" Hex Nut
9	154353	1	1-1/4" Pipe U-Bolt
10	332781	1	Small Pipe Bracket
11	142726	1	1-1/4" x 24" Nipple
12	142560	2	1-1/4" 45° Elbow
13	142725	1	1-1/4" x 2" Nipple
14	150522	4	1/4-20 x 1/2" Hex Head TEK Screw
16	332781	1	Small Pipe Bracket
17	142558	1	1-1/4" Union
18	154353	1	1-1/4" Pipe U-Bolt
19	142729	1	1-1/4" x 8" Nipple
20	142554	1	1-1/4" 90° Elbow
21	141415	1	1-1/4" x 48" Flex Hose
22	142729	1	1-1/4" x 8" Nipple
23	881166	1	2" Floor Flange Replacement Kit (includes illus. nos. 23 and 27)
	142514	1	2" Floor Flange (for models mfd. as of April 25, 1995)
	142515*	1	2-1/2" Floor Flange - <i>part is OBSOLETE</i> (for models mfd. prior to April 25, 1995)
24	152004	4	5/16-18 Hex Nut
25	153002	4	5/16" Lock Washer
26	150504	4	5/16-18 x 1" Hex Head Machine Bolt
27	881166	1	2" Floor Flange Replacement Kit (includes illus. nos. 23 and 27)
	142513	1	2" x 1 1/4" Double Tapped Bushing (for models mfd. as of April 25, 1995)
	142996*	1	2-1/2" x 1 1/4" Double Tapped Bushing - <i>part is OBSOLETE</i> (for models mfd. prior to April 25, 1995)

* *Part number has been obsoleted* and **must be** replaced with **ADC** Part No. 881166 (2" Floor Flange Replacement Kit [which includes illus. nos. 23 and 27]).



<u>Illus. No.</u>	<u>Part No.</u>	<u>Qty.</u>	<u>Description</u>
1	165020	1	Steam Coil Assembly
2	150523	6	1/4-20 x 3/4" Hex Head TEK Screw
3	153007	4	1/4" Lock Washer
4	152002	4	1/4-20 Hex Nut
5	820321	2	Steam Damper Hinge Assembly
6	115995	108	Steam Damper Gasket (sold by the inch)
7	880792	1	Steam Damper Assembly (includes illus. nos. 6 through 8)
8	102350	1	Steam Damper Foam
9	153007	4	1/4" Lock Washer
10	152002	4	1/4-20 Hex Nut
11	151008	1	5/8-18 Stainless Steel Acorn Nut
12	152030	1	5/8-18 Jam Nut
13	100542	1	2" Bore x 4" Stroke Piston (for models mfd. as of January 21, 1999)
	882197	1	2" Bore x 4" Piston Pivot Assembly (for models mfd. prior to January 21, 1999)
14	100544	1	Piston Pivot Bracket (for models mfd. as of January 21, 1999)
	-----	1	Piston Pivot Bracket (refer to illus. no. 13 [2" Bore x 4" Piston Pivot Assembly])
15	152002	4	1/4-20 Hex Nut
16	153007	4	1/4" Lock Washer
17	143165	1	1/4" Poly x 1/8" M.P.T. Connector (for models mfd. as of January 1, 1998)
	105609	1	1/4" Poly x 1/4" M.P.T. Connector (for models mfd. prior to January 1, 1998)
18	143115	16	1/4" O.D. Tubing (sold by the foot)
19	143163	1	1/4" Poly x 1/8" M.P.T. Connector (for models mfd. as of January 1, 1998)
	100472	2	1/4" Poly x 1/8" M.P.T. Connector (for models mfd. prior to January 1, 1998)
20	100496	1	1/8" Needle Valve
21	143238	1	1/8" Brass Close Nipple
22	100498	1	3-Way Micro Valve
23	150002	2	#6-32 x 1" Phillips Round Head Machine Screw
24	153010	2	#6 Star Washer
25	152000	2	#6-32 Hex Nut
26	330987	1	Micro Valve Support
27	152002	2	1/4-20 Hex Nut
28	153007	2	1/4" Lock Washer
29	100520	1	1/8" N.P.T. Silencer (muffler)



MAN1995

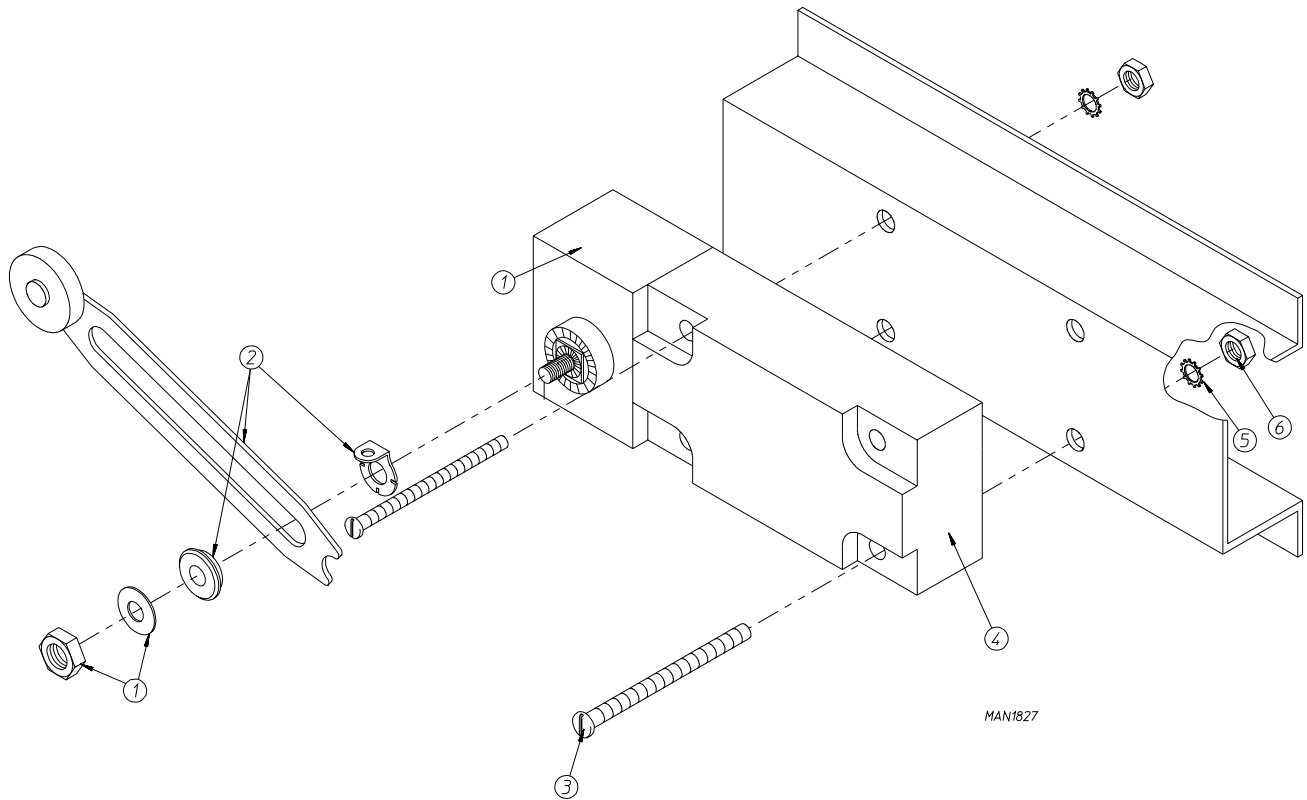
1-WAY TILT

<u>Illus. No.</u>	<u>Part No.</u>	<u>Qty.</u>	<u>Description</u>
1	142737	1	1-1/2" x 7 3/4" Nipple
2	152004	4	5/16-18 Hex Nut
3	153002	4	5/16" Lock Washer
4	142915	1	1-1/2" x 45° Elbow
5	142738	1	1-1/2" x 2" Nipple
6	143139	1	1-1/2" x 60" Flex Hose
7	154351	2	1-1/2" Dia. Pipe U-Bolt
8	142747	1	1/2" Pipe Plug
9	142743	1	1-1/2" x 1/2" x 1-1/2" Tee
10	154351	1	1-1/2" Dia. Pipe U-Bolt
11	153007	4	1/4" Lock Washer
12	152002	4	1/4-20 Hex Nut
13	142732	1	3/4" x 9-1/4" Nipple
14	154354	2	3/4" Dia. Pipe U-Bolt
15	143132	1	3/4" x 60" Flex Hose
16	142915	1	1-1/2" x 45° Elbow
17	153002	2	5/16" Lock Washer
18	152004	2	5/16-18 Hex Nut
19	142995	2	1-1/2" Dia. Pipe Insulation
20	150522	2	1/4-20 x 1/2" Hex Head TEK Screw
21	332828	1	Steam Inlet Pipe Bracket
22	142843	1	1-1/2" x 4" Nipple
23	142603	1	1-1/2" Union
24	142738	1	1-1/2" x 2" Nipple
25	142738	1	1-1/2" x 2" Nipple
26	142915	1	1-1/2" x 45° Elbow
27	142833	1	1-1/2" x 26" Nipple
28	152002	2	1/4-20 Hex Nut
29	153007	2	1/4" Lock Washer
30	332830	1	Condensate Pipe Bracket
31	142834	1	3/4" Pipe Plug
32	142909	1	3/4" Tee
33	142720	1	3/4" x 11" Nipple
34	142601	1	3/4" Union
35	142709	1	3/4" x 2" Nipple
36	154354	1	3/4" Dia. Pipe U-Bolt
37	142708	1	3/4" x 3" Nipple
38	142721	1	3/4" x 28" Nipple
39	142741	2	3/4" x 45° Elbow
40	150522	2	1/4-20 x 1/2" Hex Head TEK Screw
41	332828	1	Steam Inlet Pipe Bracket
42	153002	2	5/16" Lock Washer
43	152004	2	5/16-24 Hex Nut
44	154351	1	1-1/2" Dia. Pipe U-Bolt
45	142603	1	1-1/2" Union

continued on page 78

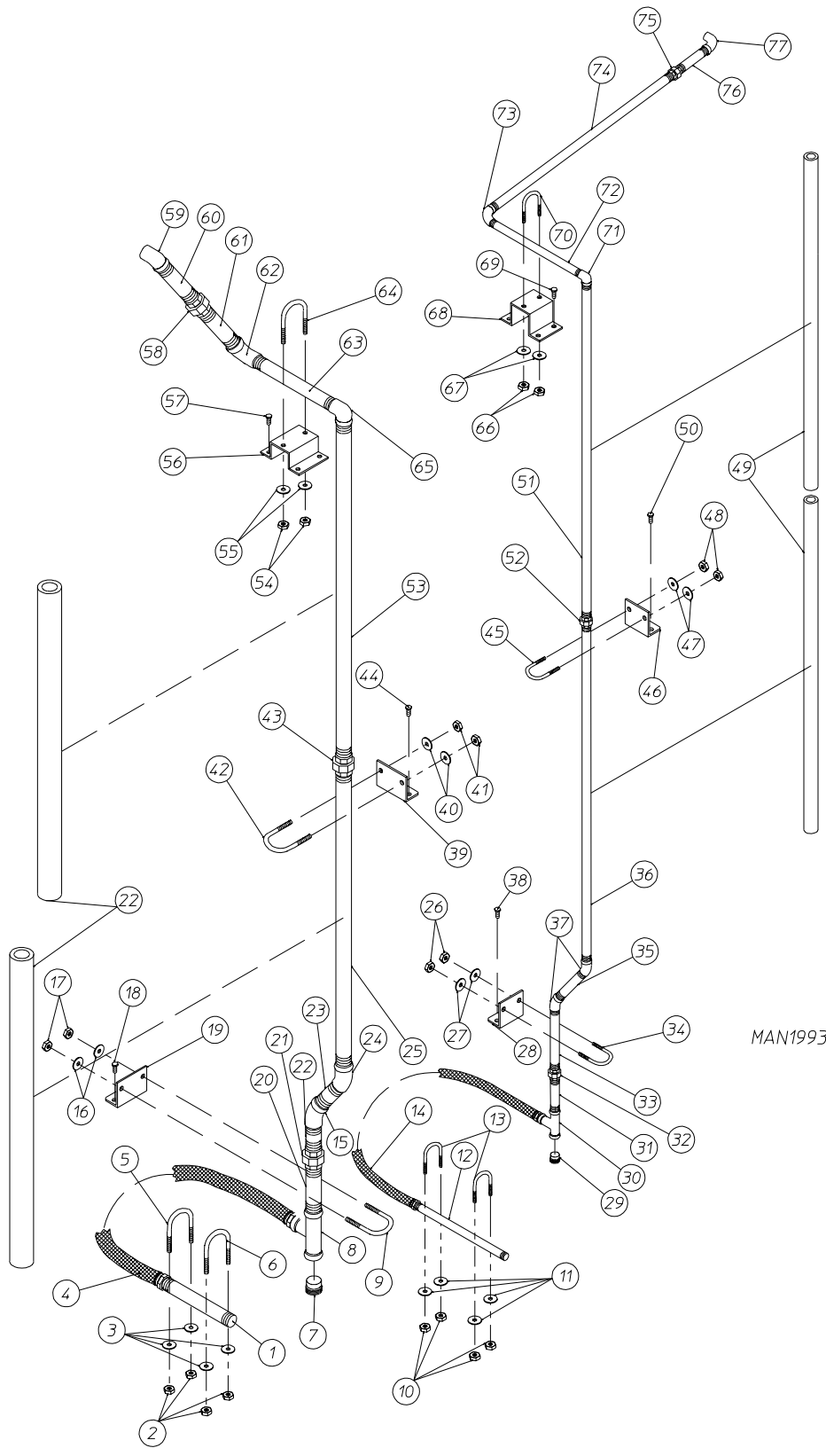
continued from page 77

<u>Illus. No.</u>	<u>Part No.</u>	<u>Qty.</u>	<u>Description</u>
46	150522	2	1/4-20 x 1/2" Hex Head TEK Screw
47	154354	1	3/4" Dia. Pipe U-Bolt
48	332830	1	Condensate Pipe Bracket
49	153007	2	1/4" Lock Washer
50	152002	2	1/4-20 Hex Nut
51	142994	2	3/4" Dia. Pipe Insulation
52	150522	2	1/4-20 x 1/2" Hex Head TEK Screw
53	142733	1	3/4" x 30" Nipple
54	142601	1	3/4" Union
55	142570	1	1-1/2" x 30" Nipple
56	152004	2	5/16-24 Hex Nut
57	153002	2	5/16" Lock Washer
58	332827	1	Top Steam Inlet Pipe Bracket
59	150522	4	1/4-20 x 1/2" Hex Head TEK Screw
60	142603	1	1-1/2" Union
61	142742	1	2" x 1-1/2" 90° Reducing Elbow
62	142843	2	1-1/2" x 4" Nipple
63	142512	1	1-1/2" x 90° Elbow
64	142737	1	1-1/2" x 7-3/4" Nipple
65	154351	1	1-1/2" Dia. Pipe U-Bolt
66	142512	1	1-1/2" x 90° Elbow
67	152002	2	1/4-20 Hex Nut
68	153007	2	1/4" Lock Washer
69	332829	1	Top Condensate Pipe Bracket
70	150522	4	1/4-20 x 1/2" Hex Head TEK Screw
71	154354	1	3/4" Dia. Pipe U-Bolt
72	142732	1	3/4" x 9-1/4" Nipple
74	142504	1	3/4" x 90° Elbow
75	142829	1	3/4" x 20" Nipple
76	142601	1	3/4" Union
77	142709	1	3/4" x 2" Nipple
78	142740	1	2" x 3/4" 90° Reducing Elbow



NOTE: One (1) Assembly required for 1-Way Tilt Models
 Two (2) Assemblies required for 2-Way Tilt Models

<u>Illus. No.</u>	<u>Part No.</u>	<u>Qty.</u>	<u>Description</u>
1	881252	1	Tilt Switch Assembly Complete (includes illus. nos. 1, 2, and 4)
	122365	1	Limit Switch Rotary Head
2	122369	1	Tilt Switch Arm
3	150211	4	#10-32 x 2" Phillips Pan Head Machine Screw
4	122367	1	Tilt Switch Body
5	153009	4	#10 Star Washer
6	152008	4	#10-32 Hex Nut



MAN1993

2-WAY TILT

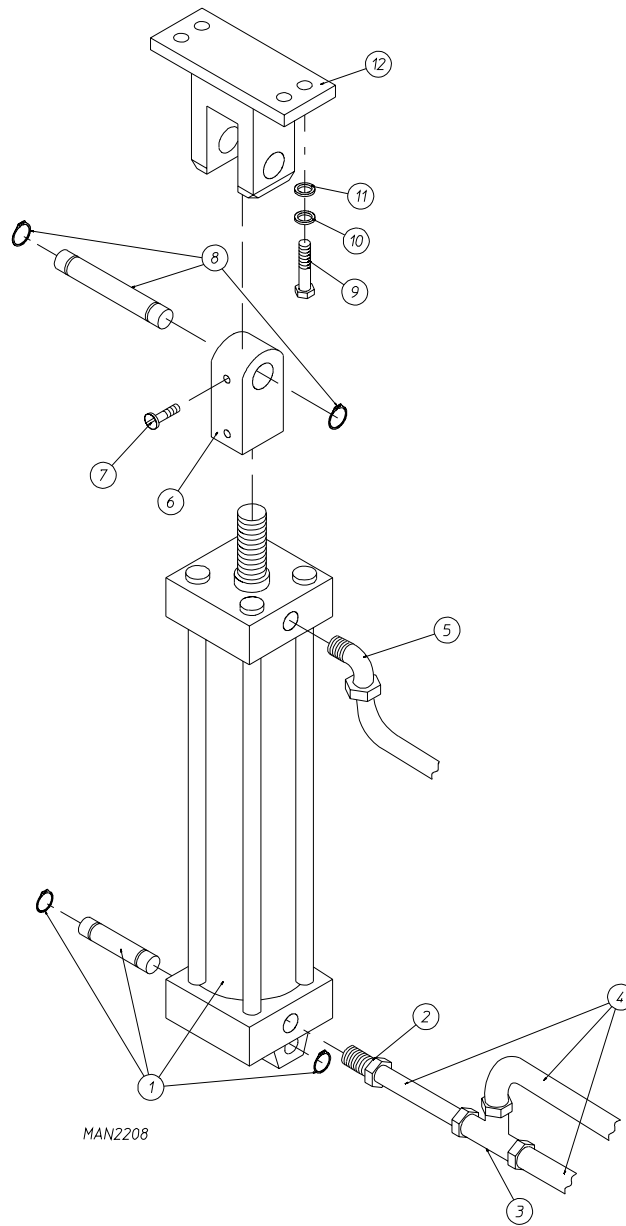
<u>Illus. No.</u>	<u>Part No.</u>	<u>Qty.</u>	<u>Description</u>
1	142843	1	1-1/2" x 4" Nipple
2	152004	4	5/16-18 Hex Nut
3	153002	4	5/16" Lock Washer
4	143139	1	1-1/2" x 60" Flex Hose
5	154352	1	2" Dia. Pipe U-Bolt
6	154351	1	1-1/2" Dia. Pipe U-Bolt
7	142747	1	1/2" Pipe Plug
8	142743	1	1-1/2" x 1/2" x 1 1/2" Tee
9	154351	1	1-1/2" Dia. Pipe U-Bolt
10	152002	4	1/4-20 Hex Nut
11	153007	4	1/4" Lock Washer
12	142732	1	3/4" x 9-1/4" Nipple
13	154354	2	3/4" Dia. Pipe U-Bolt
14	143132	1	3/4" x 60" Flex Hose
15	142915	1	1-1/2" x 45° Elbow
16	153002	2	5/16" Lock Washer
17	152004	2	5/16-18 Hex Nut
18	150522	2	1/4-20 x 1/2" Hex Head TEK Screw
19	332828	1	Steam Inlet Pipe Bracket
20	142843	1	1-1/2" x 4" Nipple
21	142603	1	1-1/2" Union
22	142738	1	1-1/2" x 2" Nipple
23	142738	1	1-1/2" x 2" Nipple
24	142915	1	1-1/2" x 45° Elbow
25	142833	1	1-1/2" x 26" Nipple
26	152002	2	1/4-20 Hex Nut
27	153007	2	1/4" Lock Washer
28	332830	1	Condensate Pipe Bracket
29	142834	1	3/4" Pipe Plug
30	142909	1	3/4" Tee
31	142720	1	3/4" x 11" Nipple
32	142601	1	3/4" Union
33	142709	1	3/4" x 2" Nipple
34	154354	1	3/4" Dia. Pipe U-Bolt
35	142708	1	3/4" x 3" Nipple
36	142721	1	3/4" x 28" Nipple
37	142741	2	3/4" x 45° Elbow
38	150522	2	1/4-20 x 1/2" Hex Head TEK Screw
39	332828	1	Steam Inlet Pipe Bracket
40	153002	2	5/16" Lock Washer
41	152004	2	5/16-18 Hex Nut
42	154351	1	1-1/2" Diameter Pipe U-Bolt
43	142603	1	1-1/2" Union
44	150522	2	1/4-20 x 1/2" Hex Head TEK Screw
45	154354	1	3/4" Dia. Pipe U-Bolt

continued on page 82

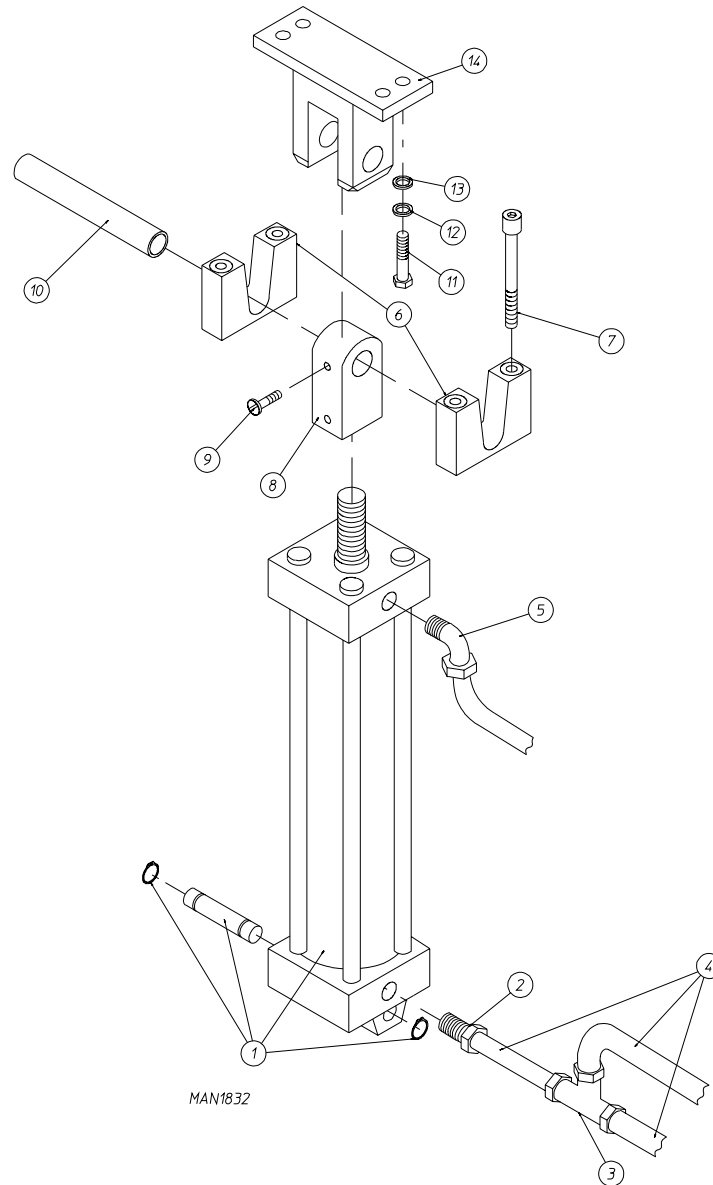
continued from page 81

<u>Illus. No.</u>	<u>Part No.</u>	<u>Qty.</u>	<u>Description</u>
46	332830	1	Condensate Pipe Bracket
47	153007	2	1/4" Lock Washer
48	152002	2	1/4-20 Hex Nut
49	142994	2	3/4" Dia. Pipe Insulation
50	150522	2	1/4-20 x 1/2" Hex Head TEK Screw
51	142733	1	3/4" x 30" Nipple
52	142601	1	3/4" Union
53	142570	1	1-1/2" x 30" Nipple
54	152004	2	5/16-18 Hex Nut
55	153002	2	5/16" Lock Washer
56	332827	1	Top Steam Inlet Pipe Bracket
57	150522	4	1/4-20 x 1/2" Hex Head TEK Screw
58	142603	1	1-1/2" Union
59	142742	1	2" x 1-1/2" 90° Reducing Elbow
60	142905	1	1-1/2" x 3" Nipple
61	142572	1	1-1/2" x 12" Nipple
62	142512	1	1-1/2" x 90° Elbow
63	142737	1	1-1/2" x 7 3/4" Nipple
64	154351	1	1-1/2" Dia. Pipe U-Bolt
65	142512	1	1-1/2" x 90° Elbow
66	152002	2	1/4-20 Hex Nut
67	153007	2	1/4" Lock Washer
68	332829	1	Top Condensate Pipe Bracket
69	150522	4	1/4-20 x 1/2" Hex Head TEK Screw
70	154354	1	3/4" Dia. Pipe U-Bolt
71	142504	1	3/4" x 90° Elbow
72	142732	1	3/4" x 9 1/4" Nipple
73	142504	1	3/4" x 90° Elbow
74	142720	1	3/4" x 11" Nipple
75	142601	1	3/4" Union
76	142708	1	3/4" x 3" Nipple
77	142740	1	2" x 3/4" 90° Reducing Elbow

1-WAY TILT

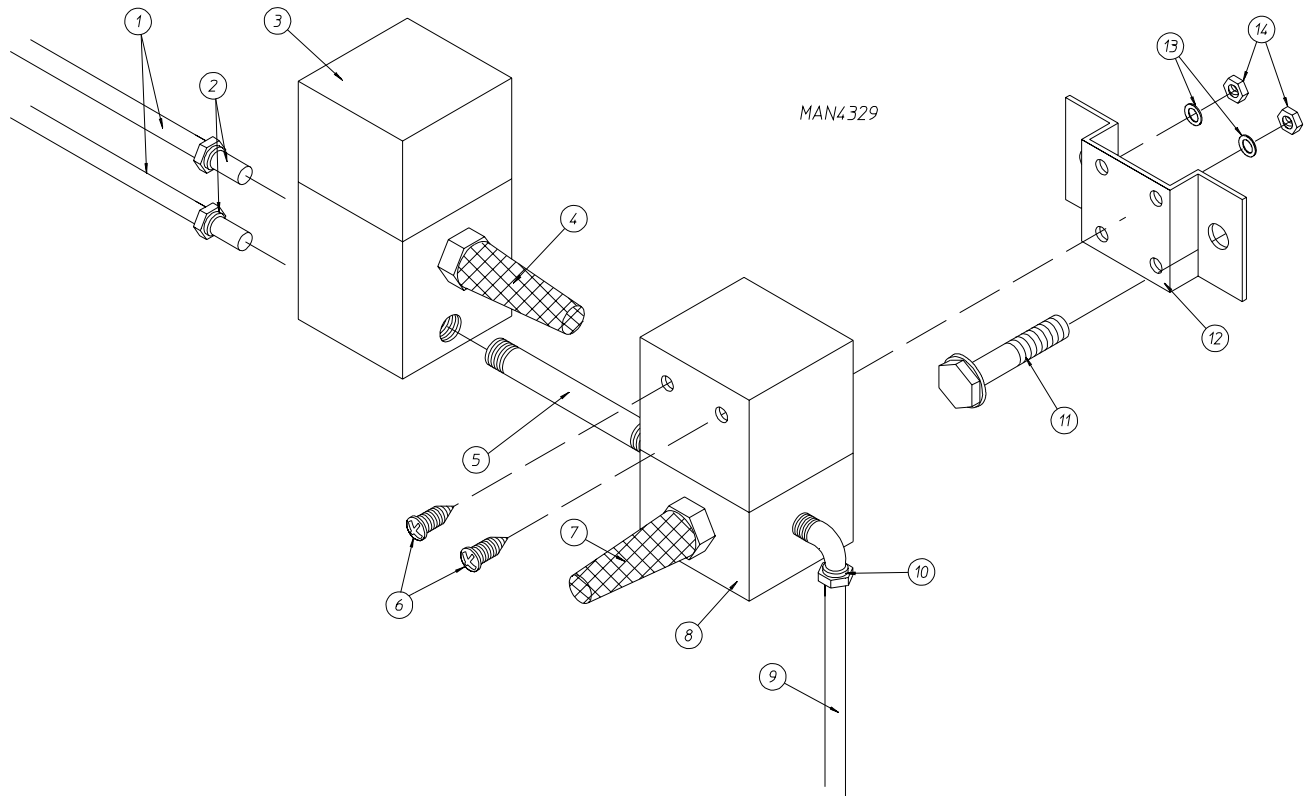


<u>Illus. No.</u>	<u>Part No.</u>	<u>Qty.</u>	<u>Description</u>
1	100450	1	5" Bore x 11" Stroke Piston
2	143283	1	3/8" Poly x 3/8" M.P.T. Connector
3	143221	1	3/8" Poly Brass Tee
4	143120	20	3/8" Poly Tubing (sold by the foot)
5	143213	1	3/8" Poly x 3/8" M.P.T. Brass Elbow
6	100553	1	Rod Eye
7	154315	2	1/4-20 x 1" Socket Head Set Screw
8	100488	1	1" Pin with Rings
9	150605	4	1/2-13 x 1-1/2" Hex Head Machine Bolt
10	153026	4	1/2" Lock Washer
11	153011	4	9/16" Flat Washer
12	881171	1	Clevis Assembly

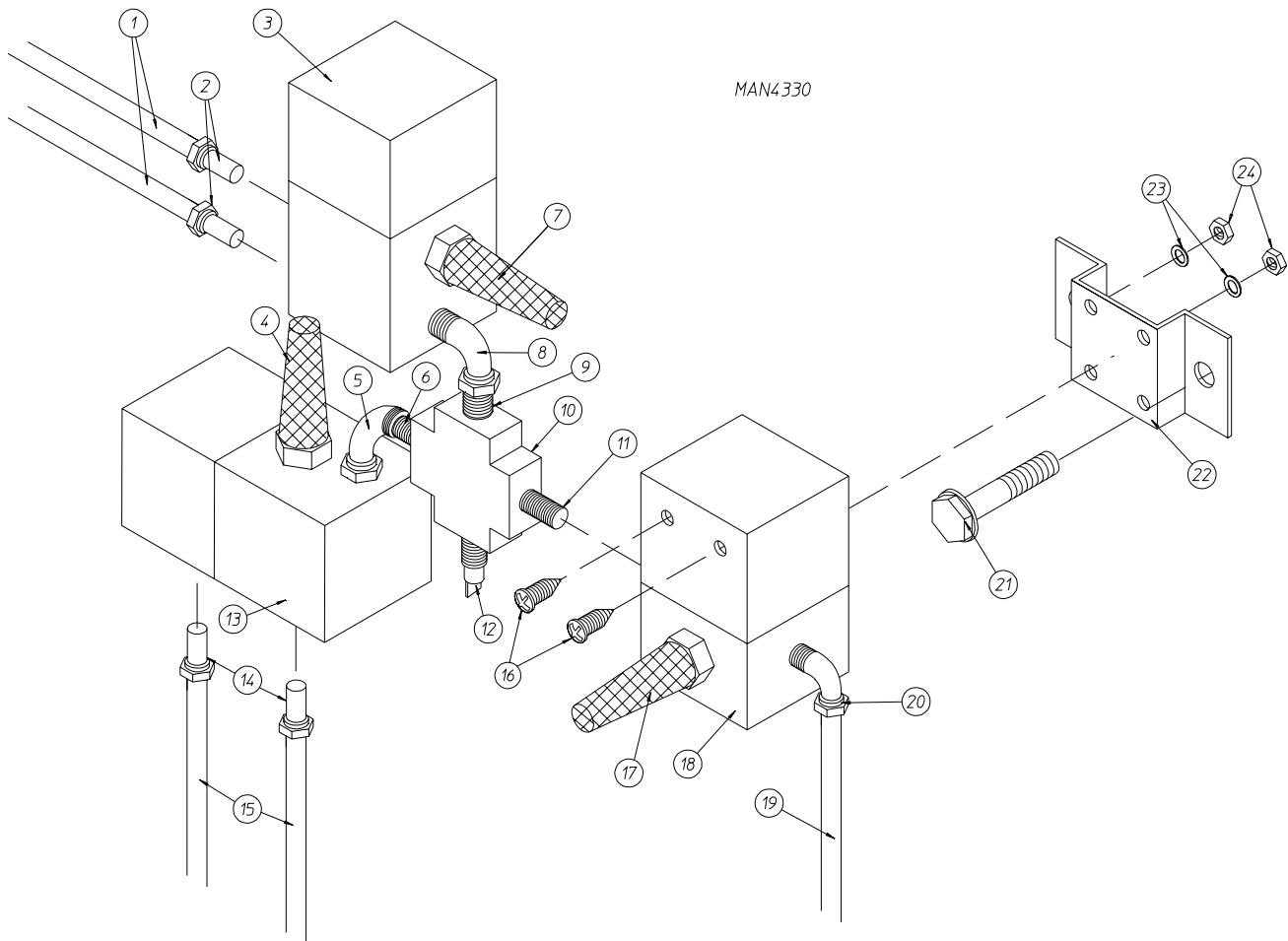


<u>Illus. No.</u>	<u>Part No.</u>	<u>Qty.</u>	<u>Description</u>
1	100450	1	5" Bore x 11" Stroke Piston
2	143283	1	3/8" Poly x 3/8" M.P.T. Connector
3	143221	1	3/8" Brass Poly Tee
4	143120	20	3/8" Poly Tubing (sold by the foot)
5	143213	1	3/8" Poly x 3/8" M.P.T. Brass Elbow
6	102381	2	Cylinder Pin Nylon Bumper
7	150435	4	3/8-16 x 3" Socket Head Cap Screw
8	100553	1	Rod Eye
9	154315	2	1/4-20 x 1" Socket Head Set Screw
10	331543	1	1" Dia. Pin
11	150599	4	1/2-20 x 1-1/4" Hex Head Machine Bolt
12	153026	4	1/2" Lock Washer
13	153011	4	9/16" Flat Washer
14	881170	1	Clevis Assembly

for 1 AUTOMATIC DOOR

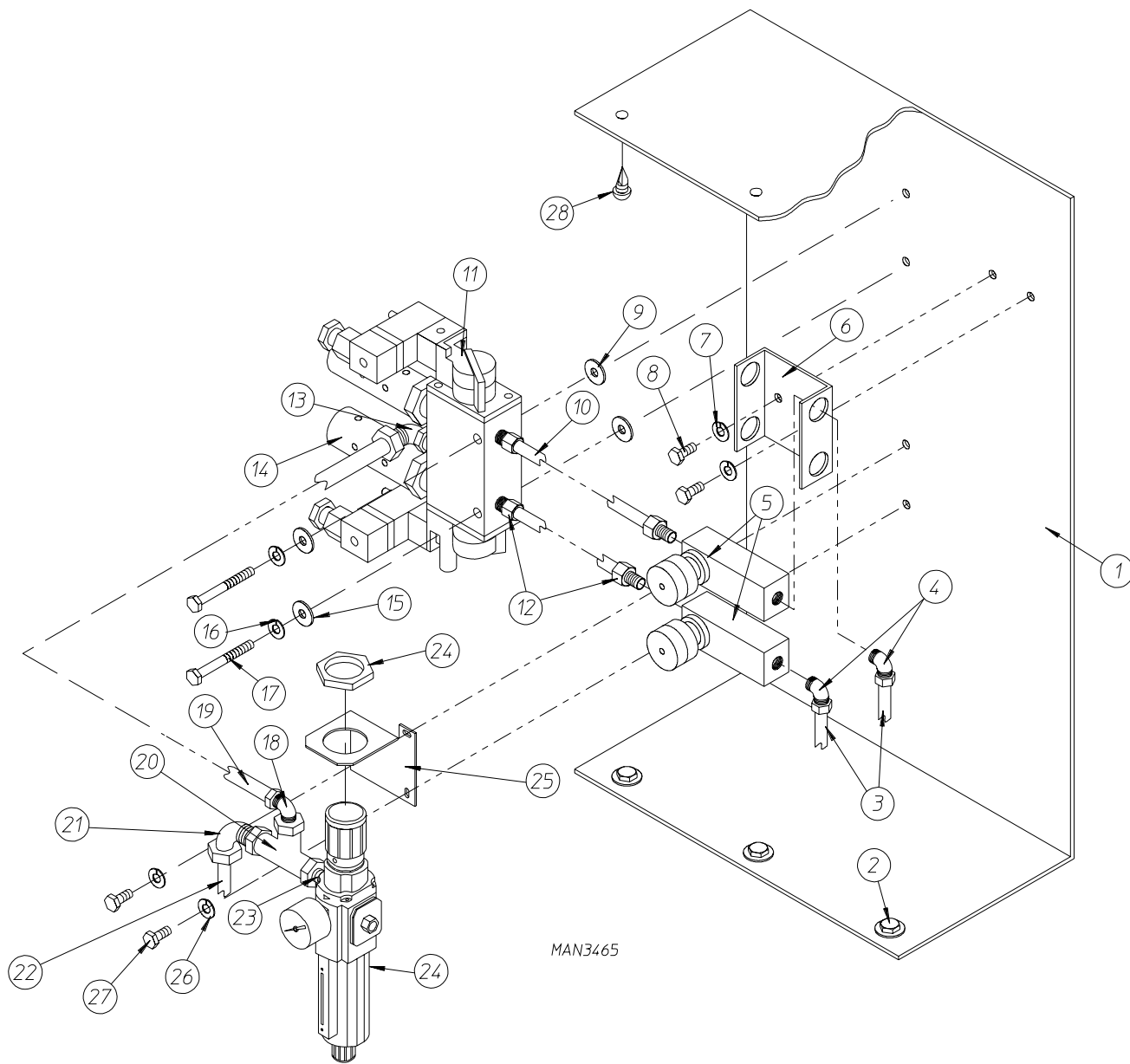


<u>Illus. No.</u>	<u>Part No.</u>	<u>Qty.</u>	<u>Description</u>
1	143115	-	1/4" Poly Flow Tubing (sold by the foot)
2	100472	2	1/4" Poly x 1/8" M.P.T. Connector
3	100468	1	4-Way Valve - 24 VAC
4	100520	1	1/8" N.P.T. Silencer (muffler)
5	143239	1	1/8" x 2-1/2" Brass Nipple
6	150002	2	#6-32 x 1" Phillips Round Head Machine Screw
7	100520	1	1/8" N.P.T. Silencer (muffler)
8	100498	1	3-Way Valve - 24 VAC
9	143115	-	1/4" Poly Flow Tubing (sold by the foot)
10	143149	1	1/4" Poly x 1/8" M.P.T. Connector Elbow
11	150522	2	1/4-20 x 1/2" Hex Head Machine Bolt
12	330987	1	Valve Mounting Bracket
13	153010	2	#6 Star Washer
14	152000	2	#6-32 Hex Nut



for 2 AUTOMATIC DOORS

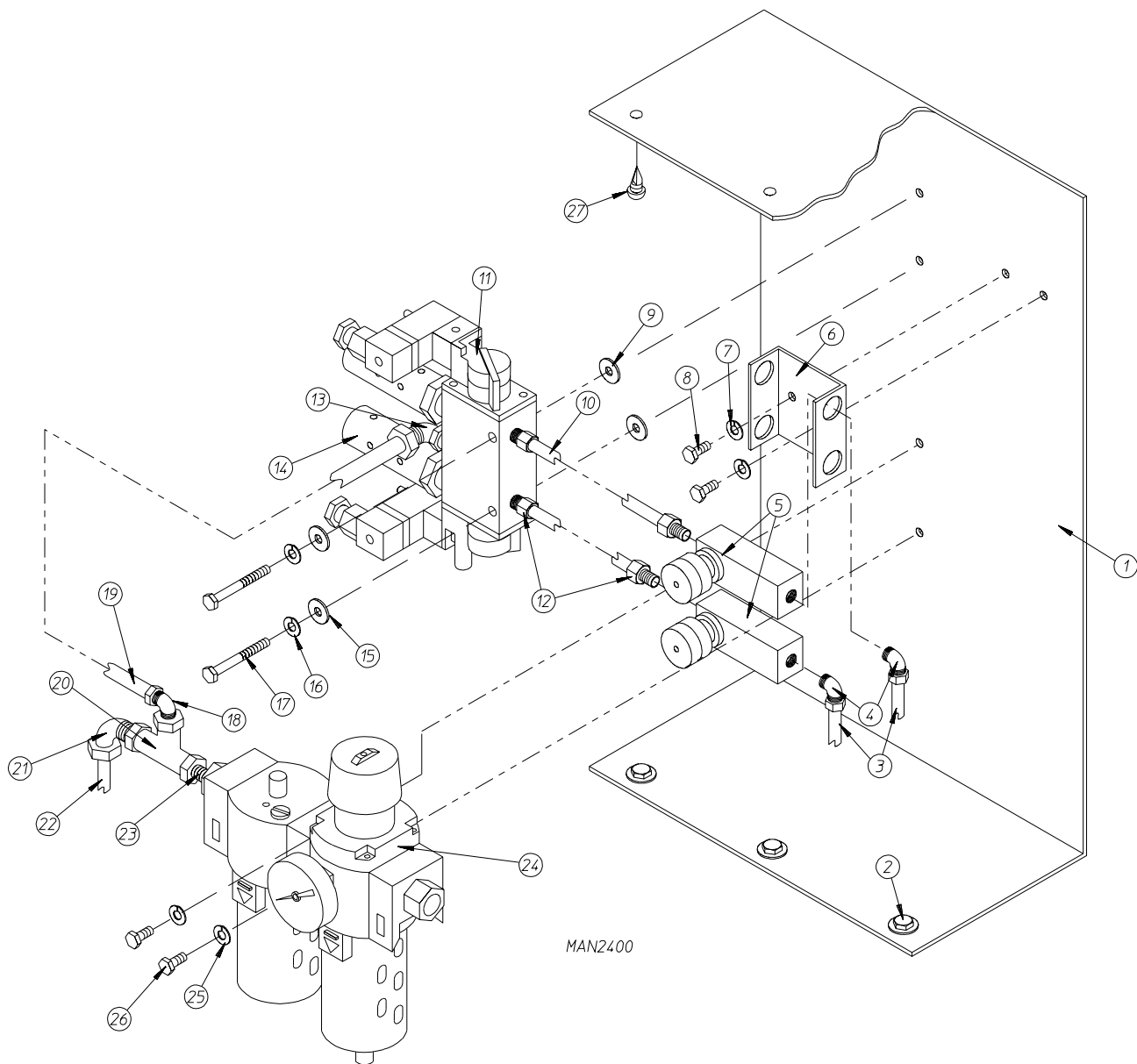
<u>Illus. No.</u>	<u>Part No.</u>	<u>Qty.</u>	<u>Description</u>
1	143115	-	1/4" Poly Flow Tubing (sold by the foot)
2	100472	2	1/4" Poly x 1/8" M.P.T. Connector
3	100468	1	4-Way Valve - 24 VAC
4	100520	1	1/8" N.P.T. Silencer (muffler)
5	143268	1	1/8" Brass Street Elbow
6	143238	1	1/8" Close Nipple
7	100520	1	1/8" N.P.T. Silencer (muffler)
8	143268	1	1/8" Brass Street Elbow
9	143238	1	1/8" Close Nipple
10	143237	1	1/8" Brass Cross
11	143238	1	1/8" Close Nipple
12	143250	1	1/8" Brass Plug
13	100468	1	4-Way Valve - 24 VAC
14	100472	2	1/4" Poly x 1/8" M.P.T. Connector
15	143115	-	1/4" Poly Flow Tubing (sold by the foot)
16	150002	2	#6-32 x 1" Phillips Round Head Machine Screw
17	100520	1	1/8" N.P.T. Silencer (muffler)
18	100498	1	3-Way Valve - 24 VAC
19	143115	-	1/4" Poly Flow Tubing
20	143149	1	1/4" Poly x 1/8" M.P.T. Connector Elbow
21	150522	2	1/4-20 x 1/2" Hex Head Machine Bolt
22	330987	1	Valve Mounting Bracket
23	153010	2	#6 Star Washer
24	152000	2	#6-32 Hex Nut



1-WAY TILT**for models mfd. as of July 14, 1997**

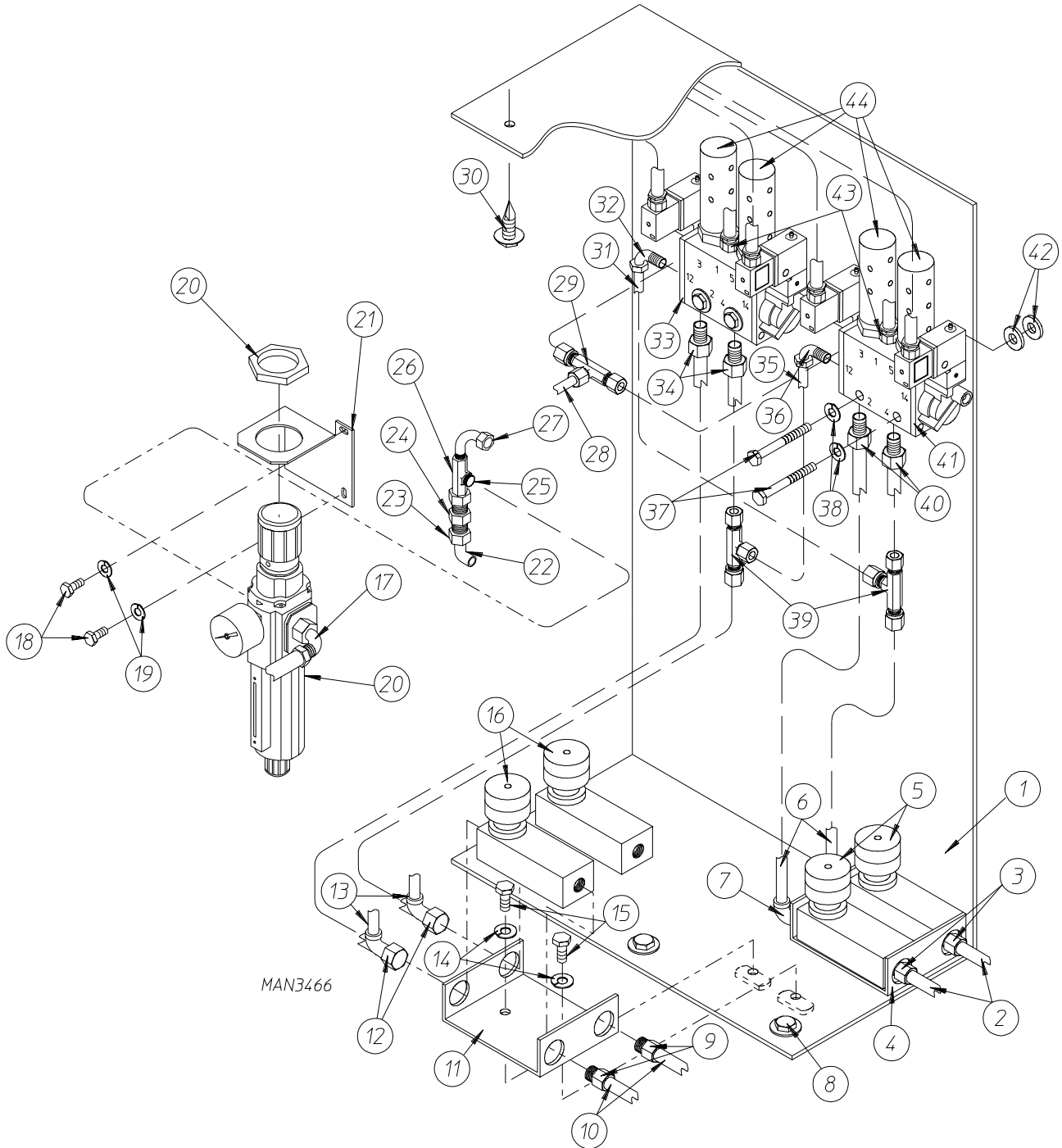
<u>Illus. No.</u>	<u>Part No.</u>	<u>Qty.</u>	<u>Description</u>
1	881203	1	1-Way Tilt Pneumatic Panel
2	150522	3	1/4-20 x 1/2" Hex Head TEK Screw
3	143120	-	3/8" Poly Flow Tubing (sold by the foot)
4	143213	2	3/8" Poly x 3/8" M.P.T. 90° Brass Elbow
5	143206	2	3/8" F.P.T. Flow Control Valve
6	332841	1	Flow Valve Mounting Plate
7	153007	2	1/4" Lock Washer
8	150512	2	1/4-20 x 1/2" Hex Head Machine Bolt
9	153018	2	1/4" Flat Washer
10	143120	-	3/8" Poly Flow Tubing (sold by the foot)
11	100558	1	5-Port - 3-Position Tilting Solenoid - 24 VAC
12	143283	4	3/8" Poly x 3/8" M.P.T. Straight Connector
13	143213	1	3/8" Poly x 3/8" M.P.T. 90° Brass Elbow
14	100462	1	3/8" Muffler
15	153018	2	1/4" Flat Washer
16	153007	2	1/4" Lock Washer
17	150524	2	1/4-20 x 2" Hex Head Machine Bolt
18	143213	1	3/8" Poly x 3/8" M.P.T. 90° Brass Elbow
19	143120	-	3/8" Poly Flow Tubing (sold by the foot)
20	143220	1	3/8" Brass Tee
21	143290	1	1/4" Poly x 3/8" M.P.T. 90° Brass Elbow
22	143115	-	1/4" O.D. Nylo-Seal Tubing (sold by the foot)
23	143241	1	3/8" Close Nipple
24	100479	1	Filter/Regulator Assembly
25	332624	1	Filter/Regulator Adapter Bracket
26	153007	2	1/4" Lock Washer
27	150512	2	1/4-20 x 1/2" Hex Head Machine Bolt
28	150522	6	1/4-20 x 1/2" Hex Washer

1-WAY TILT
for models mfd. prior to July 14, 1997



1-WAY TILT**for models mfd. prior to July 14, 1997**

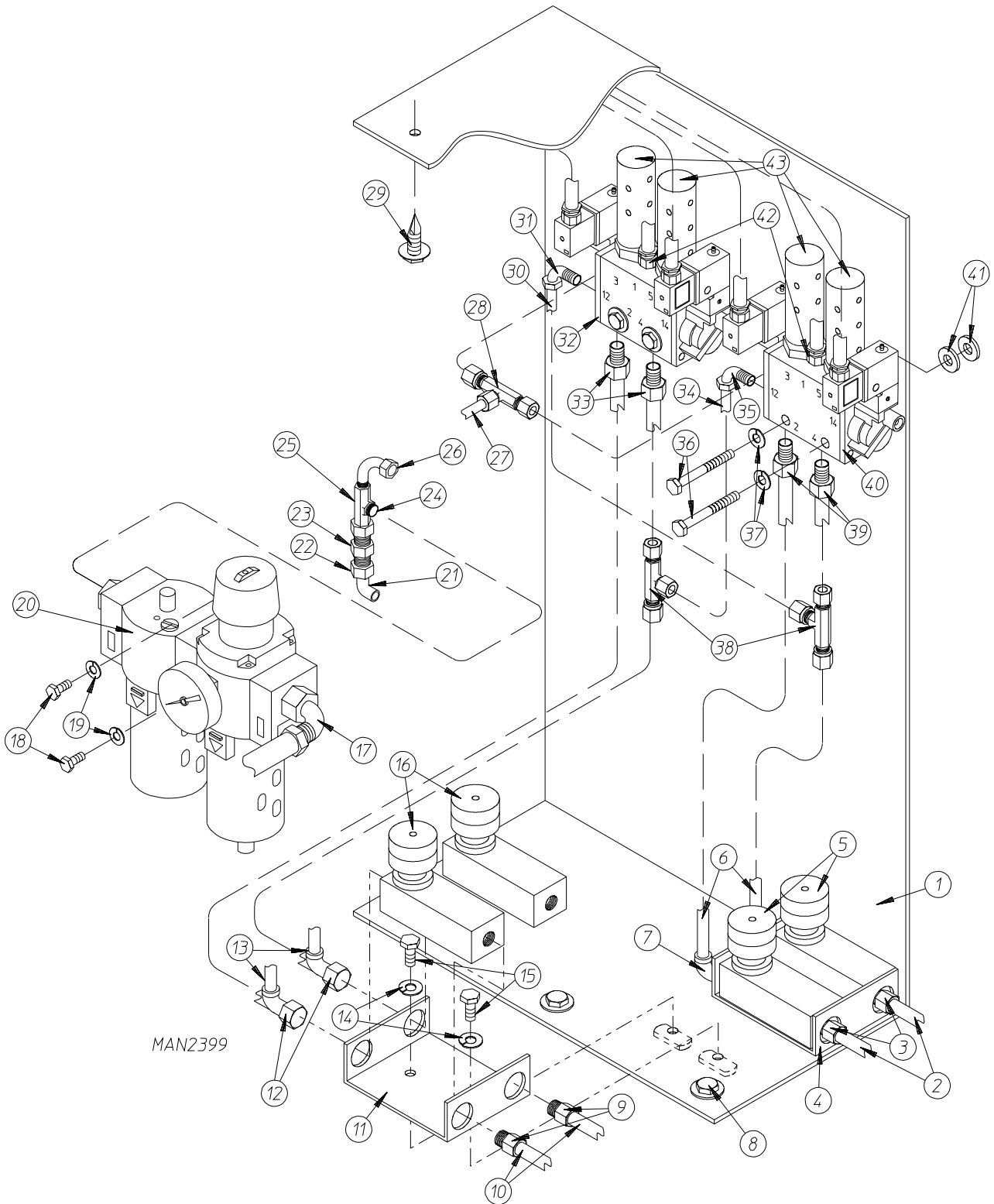
<u>Illus. No.</u>	<u>Part No.</u>	<u>Qty.</u>	<u>Description</u>
1	881203	1	1-Way Tilt Pneumatic Panel
2	150522	3	1/4-20 x 1/2" Hex Head TEK Screw
3	143120	-	3/8" Poly Flow Tubing (sold by the foot)
4	143213	2	3/8" Poly x 3/8" M.P.T. 90° Brass Elbow
5	143206	2	3/8" F.P.T. Flow Control Valve
6	332841	1	Flow Valve Mounting Plate
7	153007	2	1/4" Lock Washer
8	150512	2	1/4-20 x 1/2" Hex Head Machine Bolt
9	153018	2	1/4" Flat Washer
10	143120	-	3/8" Poly Flow Tubing (sold by the foot)
11	100558	1	5-Port - 3-Position Tilting Solenoid - 24 VAC
12	143283	4	3/8" Poly x 3/8" M.P.T. Straight Connector
13	143213	1	3/8" Poly x 3/8" M.P.T. 90° Brass Elbow
14	100462	1	3/8" Muffler
15	153018	2	1/4" Flat Washer
16	153007	2	1/4" Lock Washer
17	150524	2	1/4-20 x 2" Hex Head Machine Bolt
18	143213	1	3/8" Poly x 3/8" M.P.T. 90° Brass Elbow
19	143120	-	3/8" Poly Flow Tubing (sold by the foot)
20	143220	1	3/8" Brass Tee
21	143290	1	1/4" Poly x 3/8" M.P.T. 90° Brass Elbow
22	143115	-	1/4" O.D. Nylo-Seal Tubing (sold by the foot)
23	143241	1	3/8" Close Nipple
24	100516	1	F/R/L (Filter/Regulator/Lubricator) Assembly
25	153007	2	1/4" Lock Washer
26	150512	2	1/4-20 x 1/2" Hex Head Machine Bolt
27	150522	6	1/4-20 x 1/2" Hex Washer



2-WAY TILT**for models mfd. as of July 14, 1997**

<u>Illus. No.</u>	<u>Part No.</u>	<u>Qty.</u>	<u>Description</u>
1	881202	1	2-Way Tilt Pneumatic Panel
2	143120	-	3/8" Poly Flow Tubing (sold by the foot)
3	143283	2	3/8" Poly x 3/8" M.P.T. Straight Connector
4	332841	1	Air Flow Valve Mounting Plate
5	143206	2	3/8" F.P.T. Flow Control
6	143120	-	3/8" Poly Flow Tubing (sold by the foot)
7	143213	2	3/8" Poly x 3/8" M.P.T. 90° Brass Elbow
8	150522	3	1/4-20 x 1/2" Hex Head TEK Screw
9	143283	2	3/8" Poly x 3/8" M.P.T. Straight Connector
10	143120	-	3/8" Poly Flow Tubing (sold by the foot)
11	332841	1	Air Flow Valve Mounting Plate
12	143213	2	3/8" Poly x 3/8" M.P.T. 90° Brass Elbow
13	143120	-	3/8" Poly Flow Tubing (sold by the foot)
14	153007	2	1/4" Lock Washer
15	150512	2	1/4-20 x 1/2" Hex Head Machine Bolt
16	143206	2	3/8" Flow Control
17	143213	1	3/8" Poly x 3/8" M.P.T. 90° Brass Elbow
18	150512	2	1/4-20 x 1/2" Hex Head Machine Bolt
19	153007	2	1/4" Lock Washer
20	100479	1	Filter/Regulator Assembly
21	332640	1	Filter/Regulator Adapter Bracket
22	143115	-	1/4" O.D. Nylo-Seal Tubing (sold by the foot)
23	105609	1	1/4" Poly x 1/4" M.P.T. Straight Connector
24	143262	1	3/8" To 1/4" Brass Reducing Bushing
25	143241	1	3/8" Close Nipple
26	143220	1	3/8" Brass Tee
27	143213	1	3/8" Poly x 3/8" M.P.T. 90° Brass Elbow
28	143120	-	3/8" Poly Flow Tubing (sold by the foot)
29	143221	1	3/8" Poly Tee
30	150522	3	1/4-20 x 1/2" Hex Head TEK Screw
31	143115	-	1/4" O.D. Nylo-Seal Tubing (sold by the foot)
32	143149	1	1/4" Poly x 1/8" M.P.T. Elbow
33	100558	1	5-Port - 3-Position Tilting Solenoid - 24 VAC
34	143283	2	3/8" Poly x 3/8" M.P.T. Straight Connector
35	143115	-	1/4" O.D. Nylo-Seal Tubing (sold by the foot)
36	143149	1	1/4" Poly x 1/8" M.P.T. Elbow
37	150524	4	1/4-20 x 2" Hex Head Machine Bolt
38	153007	4	1/4" Lock Washer
39	143157	2	3/8" x 3/8" x 1/4" Reducing Poly Tee
40	143283	2	3/8" Poly x 3/8" M.P.T. Straight Connector
41	100558	1	5-Port 3-Position Tilting Solenoid - 24 VAC
42	153018	8	1/4" Flat Washer
43	143283	2	3/8" Poly x 3/8" M.P.T. Straight Connector
44	100462	4	3/8" Muffler

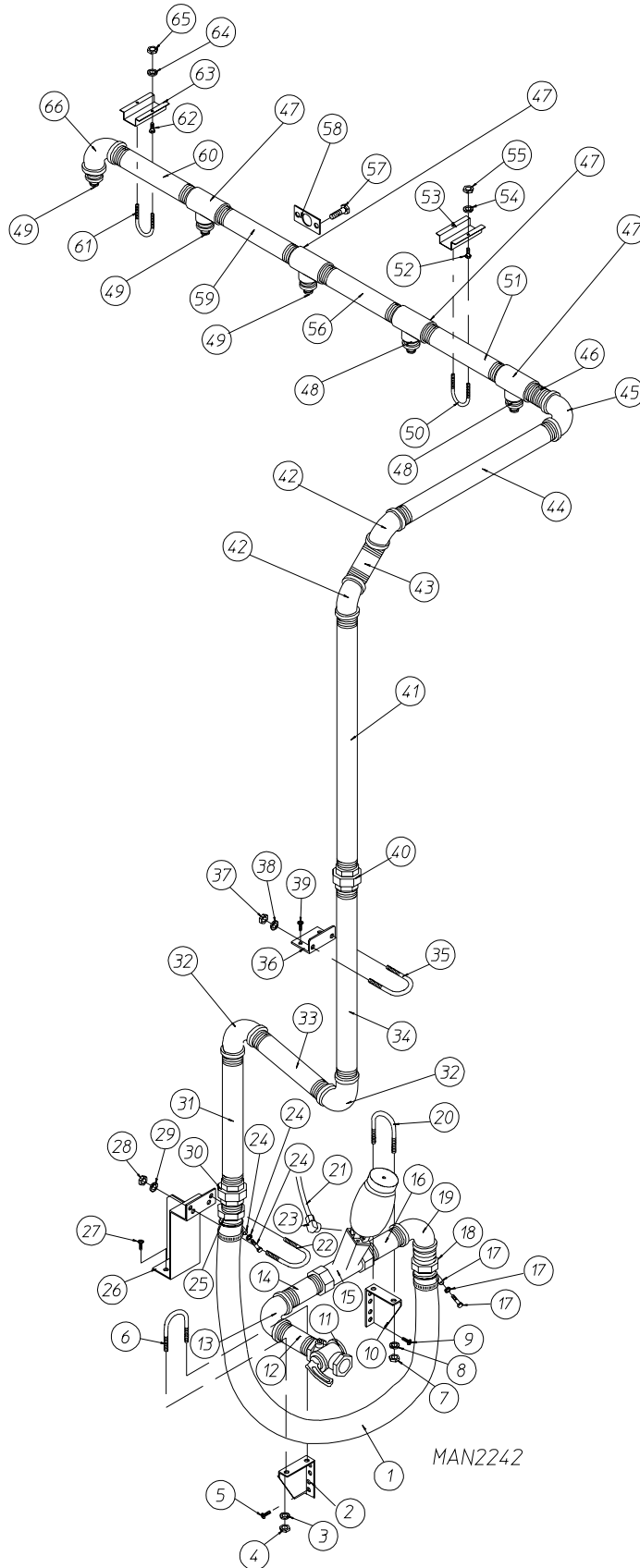
2-WAY TILT
for models mfd. prior to July 14, 1997



MAN2399

2-WAY TILT**for models mfd. prior to July 14, 1997**

<u>Illus. No.</u>	<u>Part No.</u>	<u>Qty.</u>	<u>Description</u>
1	881202	1	2-Way Tilt Pneumatic Panel
2	143120	-	3/8" Poly Flow Tubing (sold by the foot)
3	143283	2	3/8" Poly x 3/8" M.P.T. Straight Connector
4	332841	1	Air Flow Valve Mounting Plate
5	143206	2	3/8" F.P.T. Flow Control
6	143120	-	3/8" Poly Flow Tubing (sold by the foot)
7	143213	2	3/8" Poly x 3/8" M.P.T. 90° Brass Elbow
8	150522	3	1/4-20 x 1/2" Hex Head TEK Screw
9	143283	2	3/8" Poly x 3/8" M.P.T. Straight Connector
10	143120	-	3/8" Poly Flow Tubing (sold by the foot)
11	332841	1	Air Flow Valve Mounting Plate
12	143213	2	3/8" Poly x 3/8" M.P.T. 90° Brass Elbow
13	143120	-	3/8" Poly Flow Tubing (sold by the foot)
14	153007	2	1/4" Lock Washer
15	150512	2	1/4-20 x 1/2" Hex Head Machine Bolt
16	143206	2	3/8" Flow Control
17	143213	1	3/8" Poly x 3/8" M.P.T. 90° Brass Elbow
18	150512	2	1/4-20 x 1/2" Hex Head Machine Bolt
19	153007	2	1/4" Lock Washer
20	100516	1	FRL (Filter/Regulator/Lubricator) Assembly
21	143115	-	1/4" O.D. Nylo-Seal Tubing (sold by the foot)
22	105609	1	1/4" Poly x 1/4" M.P.T. Straight Connector
23	143262	1	3/8" To 1/4" Brass Reducing Bushing
24	143241	1	3/8" Close Nipple
25	143220	1	3/8" Brass Tee
26	143213	1	3/8" Poly x 3/8" M.P.T. 90° Brass Elbow
27	143120	-	3/8" Poly Flow Tubing (sold by the foot)
28	143221	1	3/8" Poly Tee
29	150522	3	1/4-20 x 1/2" Hex Head TEK Screw
30	143115	-	1/4" O.D. Nylo-Seal Tubing (sold by the foot)
31	143149	1	1/4" Poly x 1/8" M.P.T. Elbow
32	100558	1	5-Port - 3-Position Tilting Solenoid - 24 VAC
33	143283	2	3/8" Poly x 3/8" M.P.T. Straight Connector
34	143115	-	1/4" O.D. Nylo-Seal Tubing (sold by the foot)
35	143149	1	1/4" Poly x 1/8" M.P.T. Elbow
36	150524	4	1/4-20 x 2" Hex Head Machine Bolt
37	153007	4	1/4" Lock Washer
38	143157	2	3/8" x 3/8" x 1/4" Reducing Poly Tee
39	143283	2	3/8" Poly x 3/8" M.P.T. Straight Connector
40	100558	1	5-Port 3-Position Tilting Solenoid - 24 VAC
41	153018	8	1/4" Flat Washer
42	143283	2	3/8" Poly x 3/8" M.P.T. Straight Connector
43	100462	4	3/8" Muffler

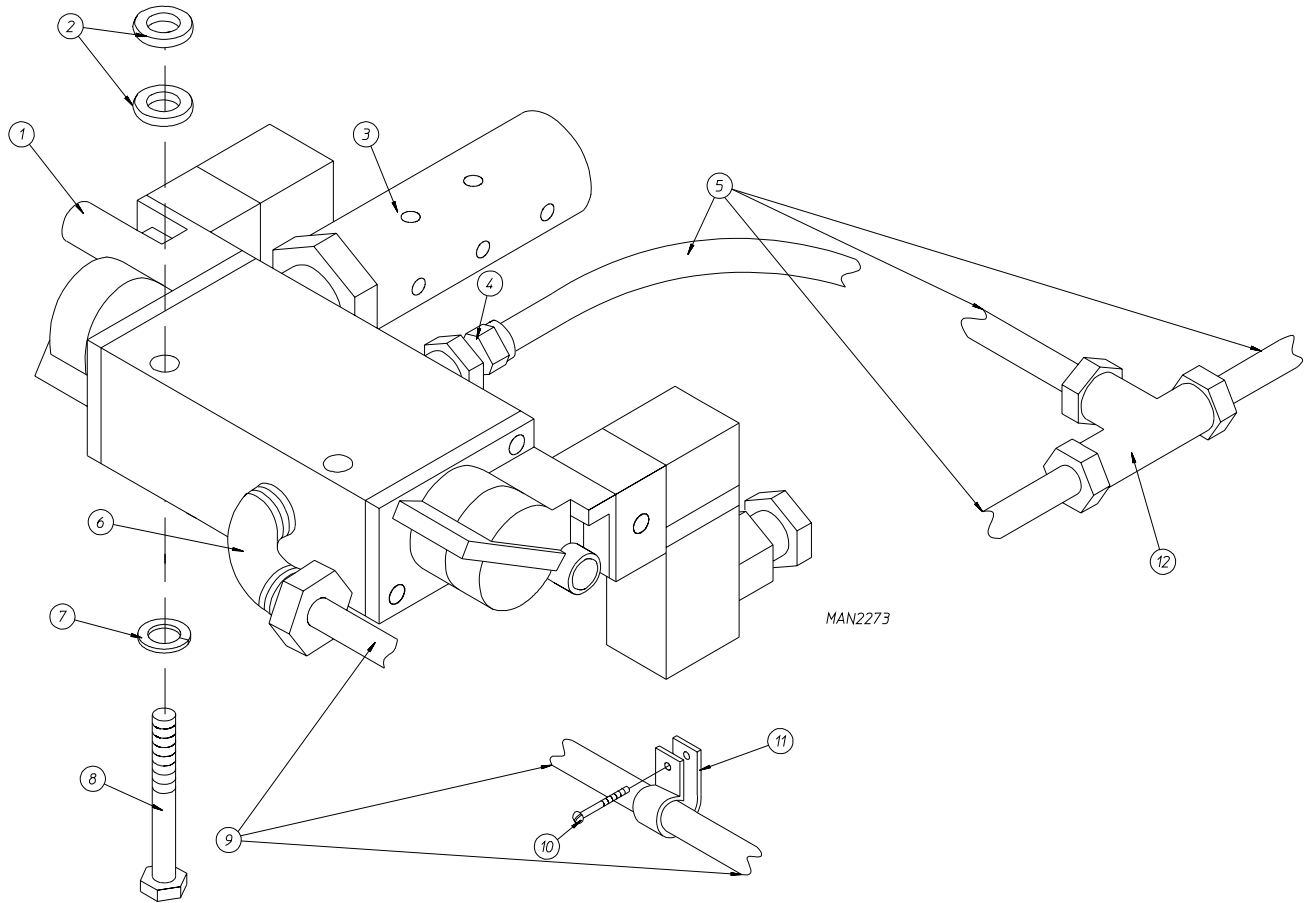


<u>Illus. No.</u>	<u>Part No.</u>	<u>Qty.</u>	<u>Description</u>
1	143135	1	48" Flex Hose
2	331794	1	Inlet Pipe Bracket
3	153007	2	1/4" Lock Washer
4	152002	2	1/4-20 Hex Nut
5	150522	2	1/4-20 x 1/2" Hex Head TEK Screw
6	154350	1	1" Pipe U-Bolt
7	152002	2	1/4-20 Hex Nut
8	153007	2	1/4" Lock Washer
9	150522	2	1/4-20 x 1/2" Hex Head TEK Screw
10	331794	1	Inlet Pipe Bracket
11	143556	1	1" Ball Valve
12	142808	1	1" x 3" Nipple
13	142548	1	1" x 90° Elbow
14	142808	1	1" x 3" Nipple
15	100557	1	1" Air Operated Water Valve
16	142808	1	1" x 3" Nipple
17	143137	1	Hose Clamp
18	143136	1	1" Hose Nipple
19	142548	1	1" x 90° Elbow
20	154350	1	1" Pipe U-Bolt
21	143100	12	1/4" Aluminum Tubing (sold by the foot)
22	154350	1	1" Pipe U-Bolt
23	143210	1	1/4" Compression x 1/4" M.P.T. Elbow
24	143137	1	Hose Clamp
25	143136	1	1" Hose Nipple
26	881232	1	Lower Sprinkler Bracket
27	150522	2	1/4-20 x 1/2" Hex Head TEK Screw
28	152002	2	1/4-20 Hex Nut
29	153007	2	1/4" Lock Washer
30	142602	1	1" Union
31	142585	1	1" x 18" Nipple
32	142548	2	1" x 90° Elbow
33	142579	1	1" x 6" Nipple
34	142744	1	1" x 12" Nipple
35	154350	1	1" Pipe U-Bolt
36	334255	1	Pipe Bracket
37	152002	2	1/4-20 Hex Nut
38	153007	2	1/4" Lock Washer
39	150522	2	1/4-20 x 1/2" Hex Head TEK Screw
40	142602	1	1" Union

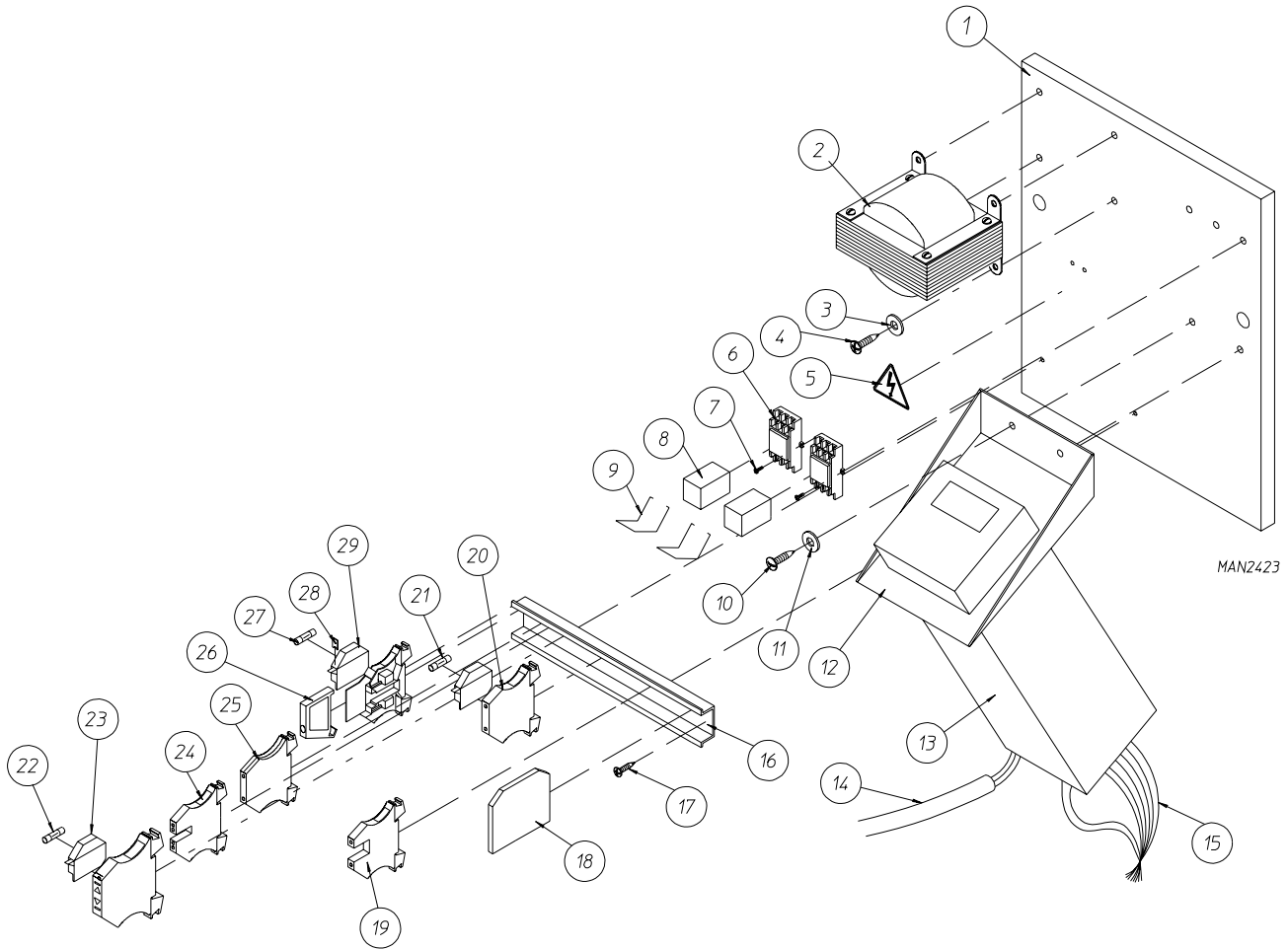
continued on page 94

continued from page 93

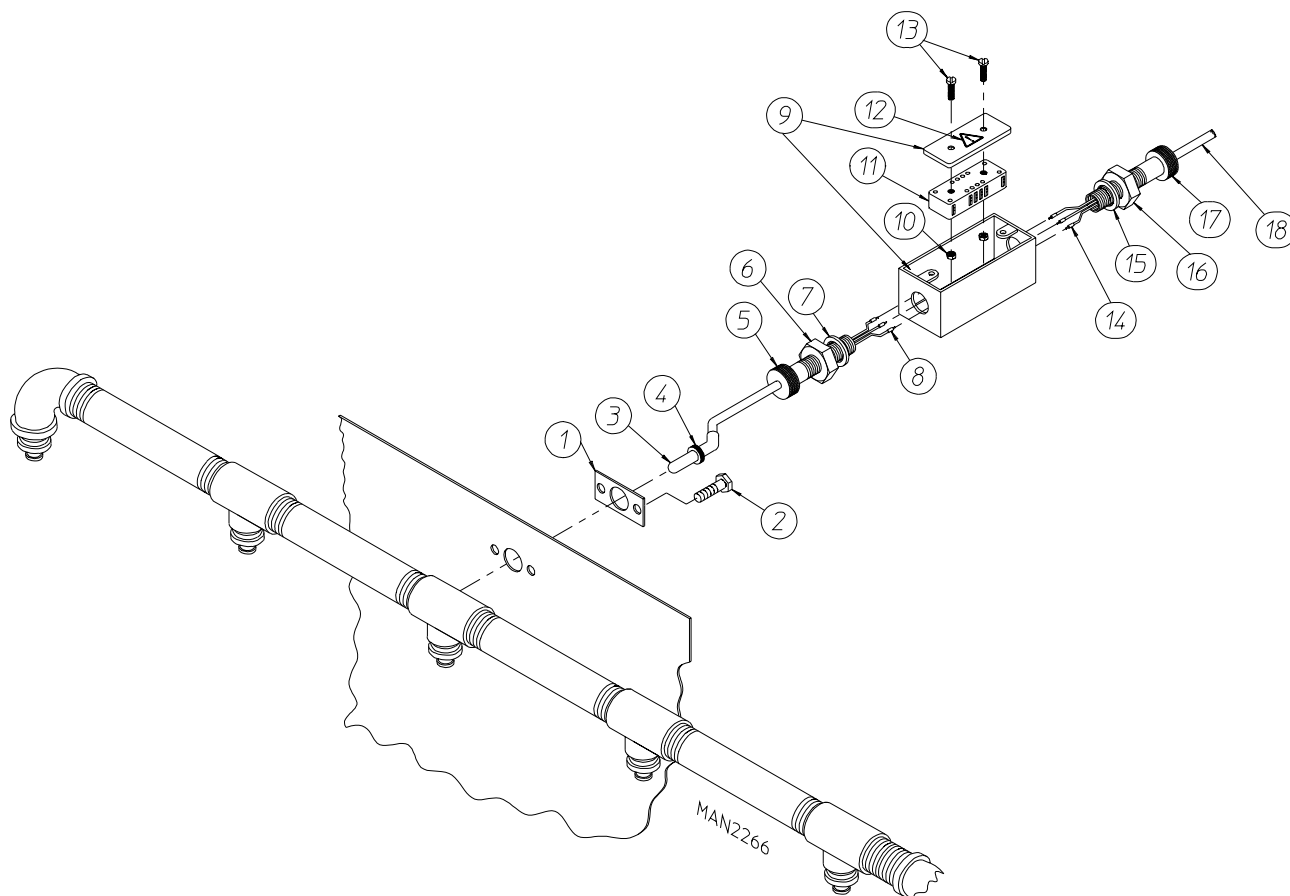
<u>Illus. No.</u>	<u>Part No.</u>	<u>Qty.</u>	<u>Description</u>
41	142746	1	1" x 24" Nipple
42	142590	2	1" x 45° Elbow
43	142808	1	1" x 3" Nipple
44	142598	1	1" x 17" Nipple
45	142548	1	1" x 90° Elbow
46	142724	1	1" x 2" Nipple
47	142508	4	1" Tee
48	142926	5	1" x 1/4" Reducing Bushing
49	140927	5	1/4" Sprinkler Nozzle
50	154350	1	1" Pipe U-Bolt
51	142579	1	1" x 6" Nipple
52	150522	4	1/4-20 x 1/2" Hex Head TEK Screw
53	332941	1	Sprinkler Pipe Bracket
54	153007	2	1/4" Lock Washer
55	152002	2	1/4-20 Hex Nut
56	142579	1	1" x 6" Nipple
57	150523	2	1/4-20 x 3/4" Hex Head TEK Screw
58	331877	1	Temperature Probe Mounting Plate
59	142579	1	1" x 6" Nipple
60	142579	1	1" x 6" Nipple
61	154350	1	1" Pipe U-Bolt
62	150522	4	1/4-20 x 1/2" Hex Head TEK Screw
63	332941	1	Sprinkler Pipe Bracket
64	153007	2	1/4" Lock Washer
65	152002	2	1/4-20 Hex Nut
66	142548	1	1" x 90° Elbow



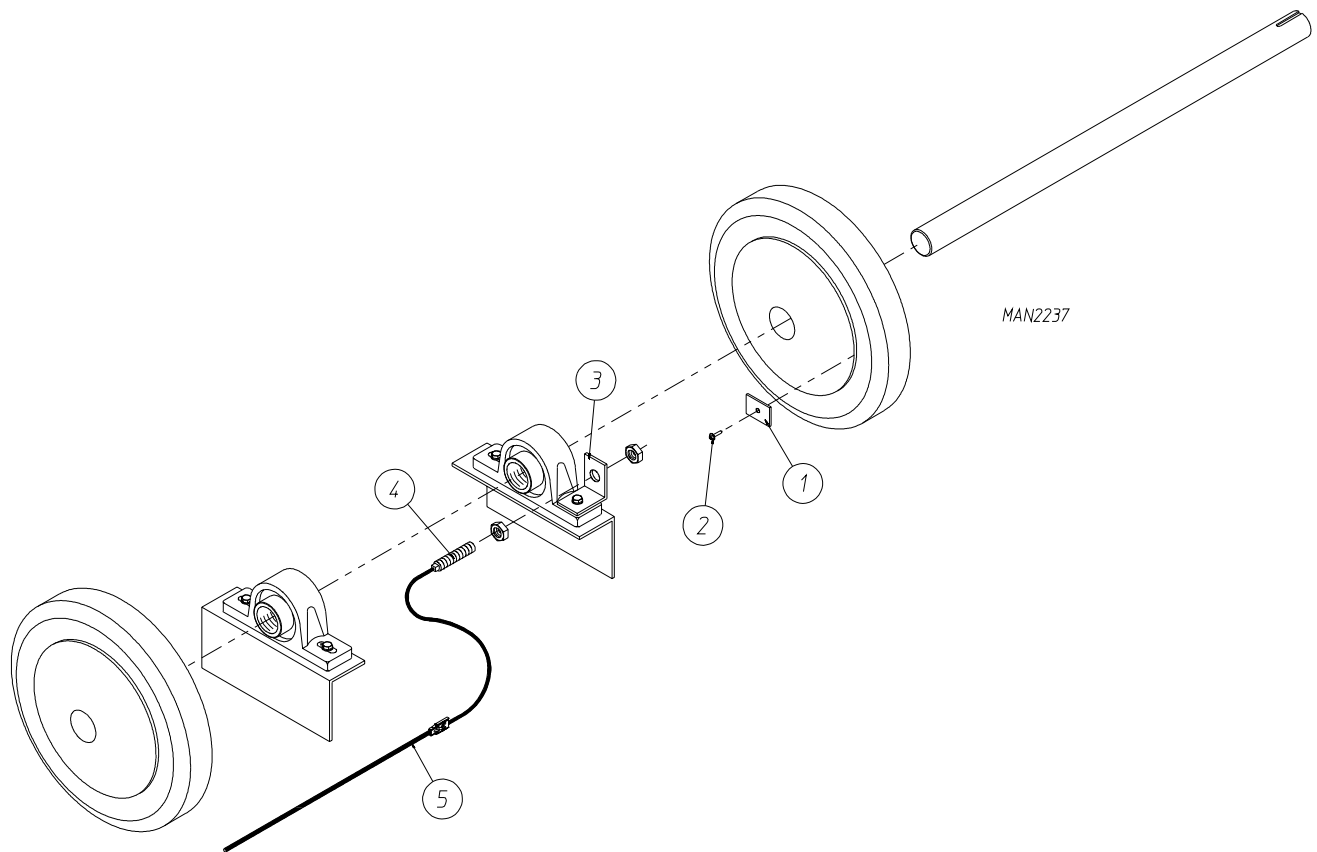
<u>Illus. No.</u>	<u>Part No.</u>	<u>Qty.</u>	<u>Description</u>
1	100556	1	120 VAC Sprinkler Solenoid
2	153018	4	1/4" Flat Washer
3	100462	1	3/8" Valve Muffler
4	143283	1	3/8" Poly x 3/8" M.P.T. Brass Connector
5	143120	6	3/8" Poly Flow Tubing (sold by the foot)
6	143151	1	1/4" Compression x 3/8" M.P.T. Brass Elbow
7	153007	2	1/4" Lock Washer
8	150524	2	1/4-20 x 2" Hex Head Machine Bolt
9	143100	12	1/4" Aluminum Tubing (sold by the foot)
10	150309	2	#10-16 x 1/2" Hex Head TEK Crimpite Screw
11	154005	2	1/4" Tube Clip
12	143221	1	3/8" Poly Tee



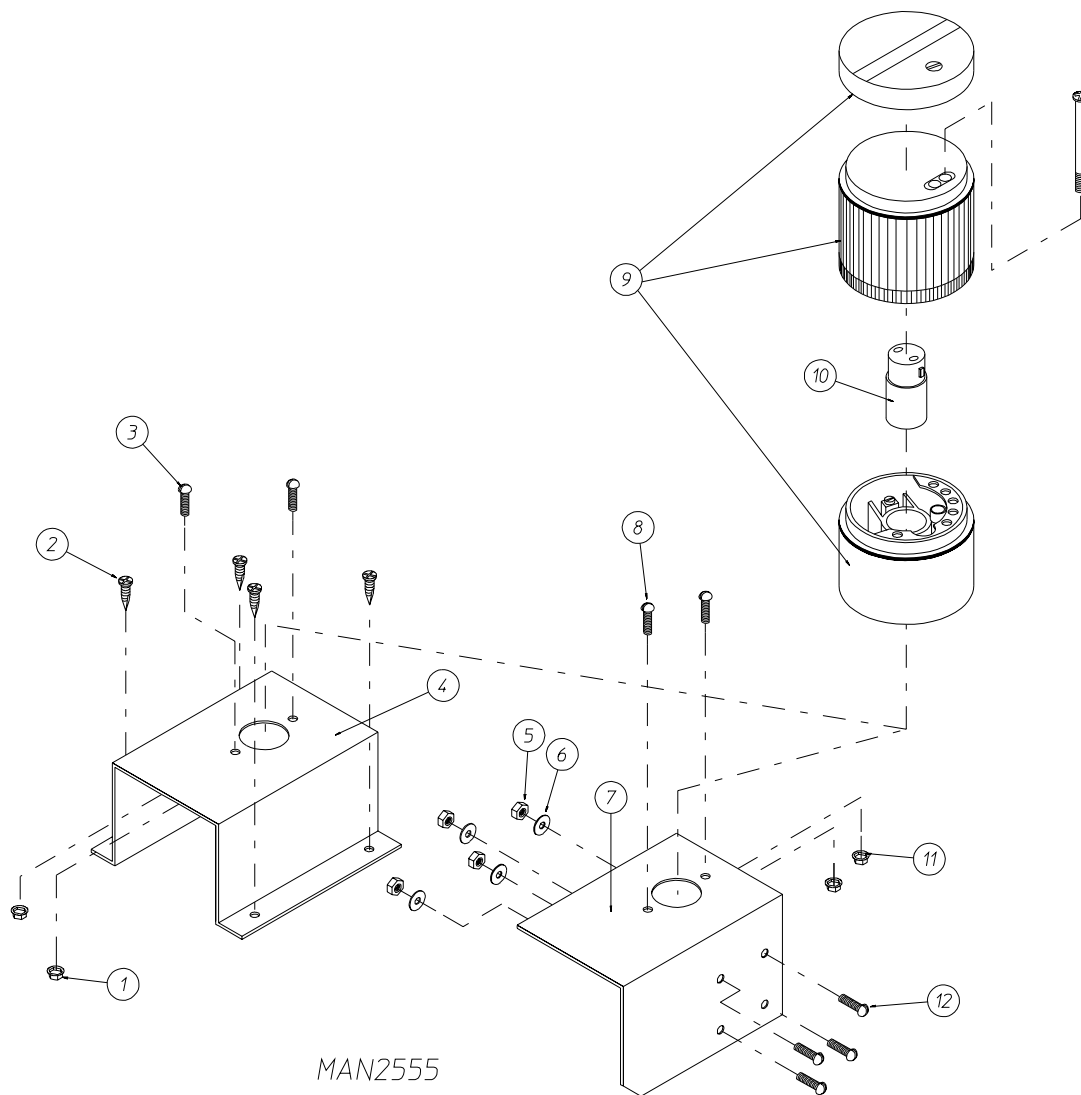
<u>Illus. No.</u>	<u>Part No.</u>	<u>Qty.</u>	<u>Description</u>
1	334259	1	Sprinkler Electrical Panel
2	132091	1	208/240 Volt Transformer
	132092	1	380 Volt Transformer
3	153000	4	#8 Flat Washer
4	150108	4	#8-32 x 1/2" Phillips Pan Head Machine Screw
5	122424	1	"POWER WARNING" Caution Label
6	131408	2	Relay Socket
7	150106	3	#8-32 x 1" Phillips Pan Head Machine Screw
8	131405	2	DPDT (Double-Pole-Double-Throw) Plug-In Relay
9	131409	2	Hold Down Spring
10	150108	2	#8-32 x 1/2" Phillips Pan Head Machine Screw
11	153000	2	#8 Flat Washer
12	333002	1	Temperature Controller Mounting Bracket
13	881249	1	Sprinkler Digital Temperature Control Assembly Complete with Harness (includes illus. nos. 13 through 15)
	128964	1	Sprinkler Digital Temperature Control
14	881251	1	Sprinkler Temperature Control RTD (Resistive Temperature Device) Harness
15	881250	1	Sprinkler Temperature Control Power Harness
16	120768	-	Din Rail (sold by the inch)
17	150309	2	#10-16 x 1/2" Hex Head TEK Crimptite Screw
18	120766	1	End Section
19	120758	7	Feed Thru Terminal Block
20	120754	1	Fuse Terminal Block with L.E.D. (Light Emitting Diode)
21	136039	1	250 mA (Slo Blo) Fuse
22	136033	1	3-Amp Fuse
23	120756	1	1/4" Fuse Terminal Block with L.E.D. (Light Emitting Diode)
24	120761	7	4-Position Feed Thru Terminal Block
25	120750	2	Ground Terminal Block
26	120765	1	End Stop
27	136050	2	1-Amp (Slo Blo) Fuse
28	120999	5	Blank Marking Tab
29	120721	2	Disconnect Fuse Block



Illus. No.	Part No.	Qty.	Description
1	331877	1	Temperature Sensor Mounting Plate
2	150523	2	1/4-20 x 3/4" Hex Head TEK Screw
3	881227	1	RTD (Resistive Temperature Device) Sprinkler Temperature Probe Assembly (includes illus. nos. 3, 4, and 8)
4	143296	1	1/4" Compression Fitting
5	120652	1	1/2" N.P.T. Cord Grip (Red)
6	120915	1	1/2" N.P.T. Locknut
7	120914	1	1/2" Metal "O" Ring
8	122736	3	Yellow Ferrule
9	881228	1	Sprinkler Temperature Probe Box Assembly (includes illus. nos. 9 and 12)
10	152000	2	#6-32 Hex Nut
11	120703	1	6-Position Terminal Block
12	122427	1	"!" Caution Label
13	150008	2	#6-32 x 1-1/4" Phillips Round Head Machine Screw
14	122736	3	Yellow Ferrule
15	120914	1	1/2" Metal "O" Ring
16	120915	1	1/2" N.P.T. Lock Nut
17	120650	1	1/2" N.P.T. Cord Grip (White)
18	881229	1	Sprinkler Temperature Probe Harness



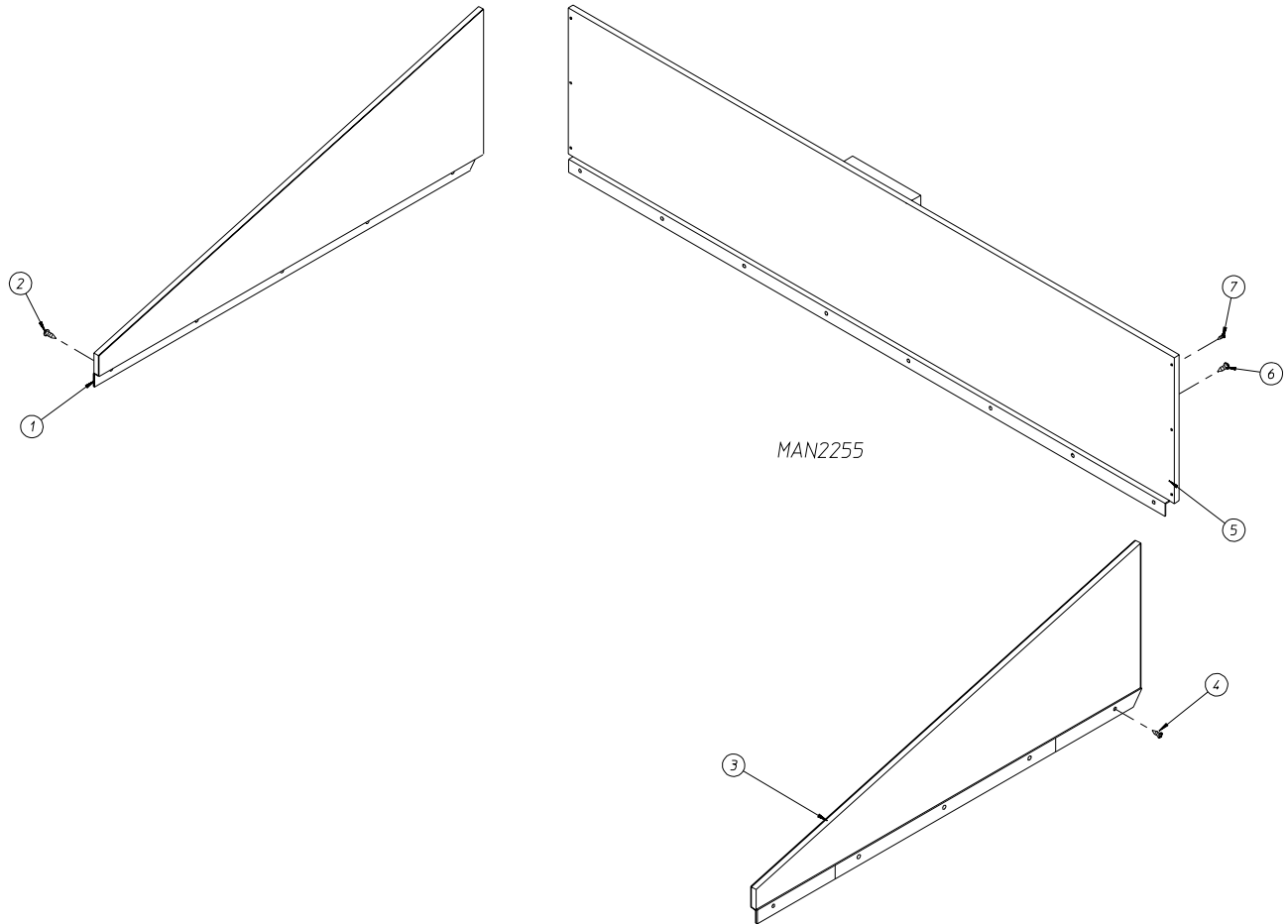
Illus. No.	Part No.	Qty.	Description
1	102013	1	Tumbler Sensor Magnet
2	154200	1	5/32" Pop Rivet
3	332750	1	Rotational Sensor Mounting Bracket
4	881383	1	Rotational Sensor Assembly
5	881384	1	Rotational Sensor Harness



<u>Illus. No.</u>	<u>Part No.</u>	<u>Qty.</u>	<u>Description</u>
1	151001	2	#8-32 Pal Nut
2	150309	4	#10-16 x 1/2" Hex Head TEK Crimptite Screw
3	150108	2	#8-32 x 1/2" Phillips Pan Head Machine Screw
4*	821480	1	Cycle Light Bracket (for Steam Models Only)
5	152001	4	#8-32 Hex Nut
6	153012	4	#8 Star Washer
7*	332850	1	Cycle Light Bracket (for Gas Models Only)
8	150108	2	#8-32 x 1/2" Phillips Pan Head Machine Screw
9	123222	1	"Orange" Cycle Light
10	123221	1	Bulb - 24 VAC
11	151001	2	#8-32 Pal Nut
12	150108	4	#8-32 x 1/2" Phillips Pan Head Machine Screw

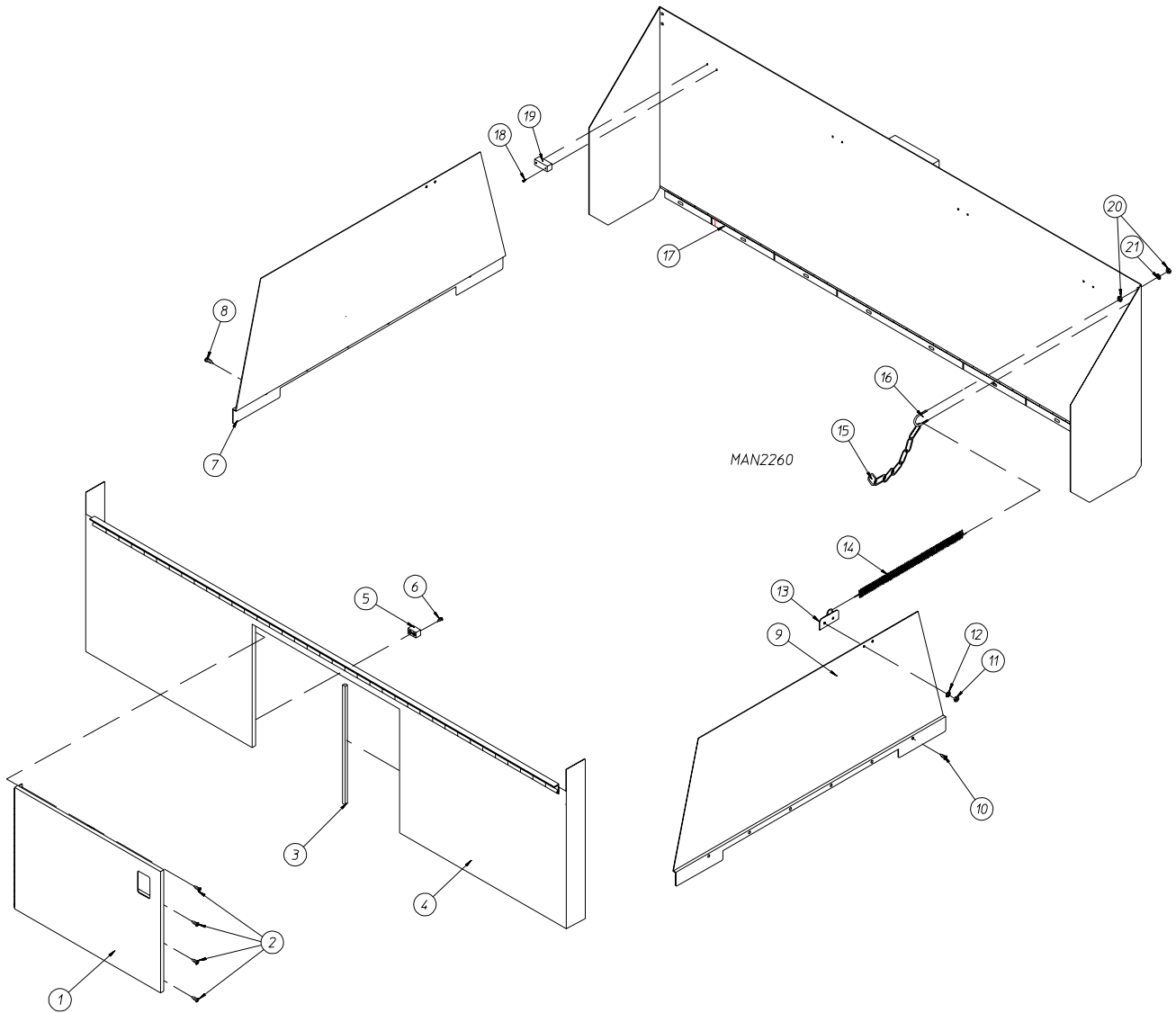
* Specify color when ordering.

FORWARD TILT



Illus. No.	Part No.	Qty.	Description
1*	881195	1	Forward Tilt Left Guard Assembly
2	150522	5	1/4-20 x 1/2" Hex Head TEK Screw
3*	881194	1	Forward Tilt Right Guard Assembly
4	150522	5	1/4-20 x 1/2" Hex Head TEK Screw
5*	881193	1	Forward Tilt Rear Guard Assembly
6	150522	9	1/4-20 x 1/2" Hex Head TEK Screw
7	150309	6	#10-16 x 1/2" Hex Head TEK Crimpite Screw

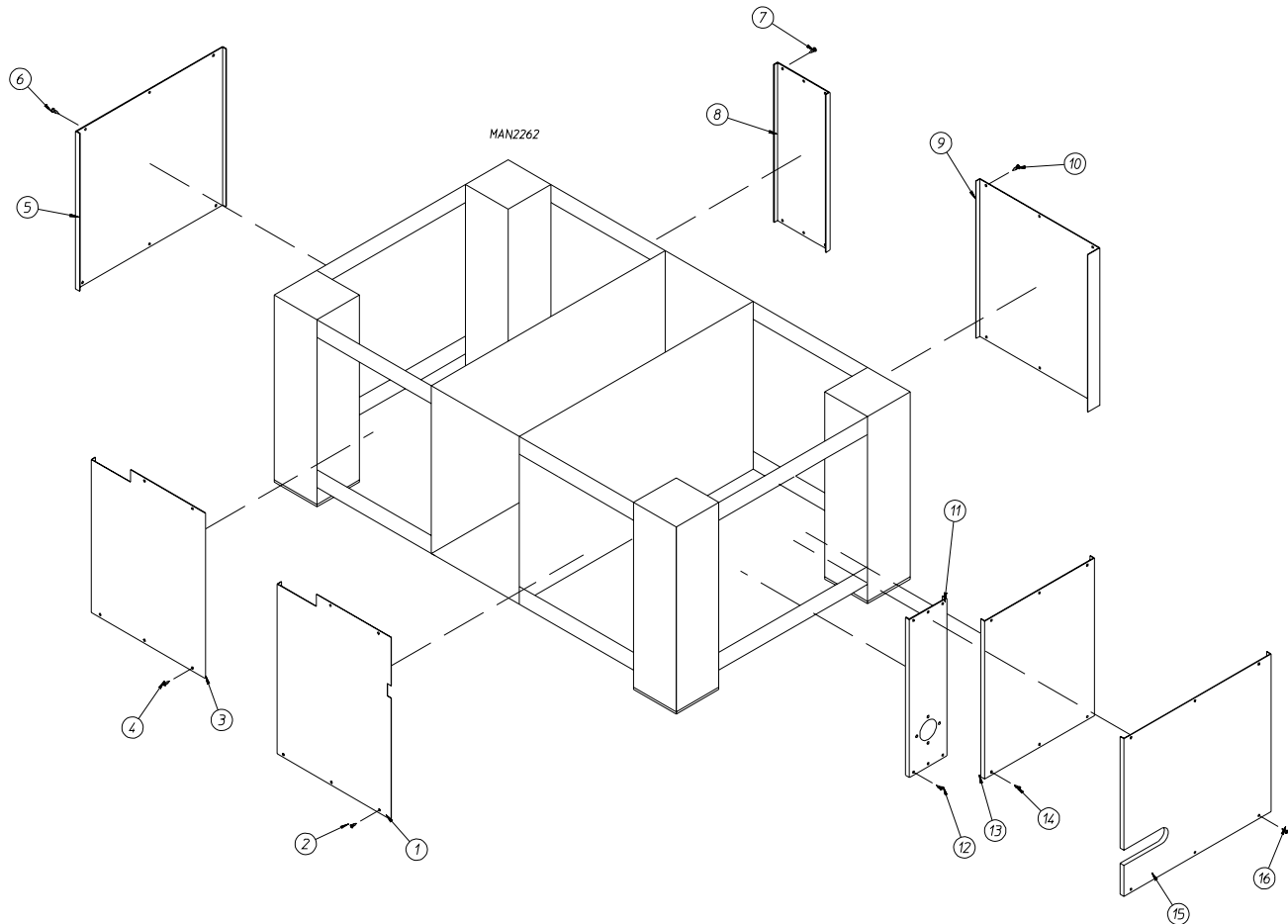
* Specify color when ordering.



2-WAY TILT

<u>Illus. No.</u>	<u>Part No.</u>	<u>Qty.</u>	<u>Description</u>
1*	881200	1	Front Guard Door ONLY
2	150300	4	#10 x 1/2" Hex Head TEK Screw
3*	170606	1	Door Magnet
4*	881199	1	Front Guard Panel ONLY (includes illus. nos. 3 through 6)
	881201	1	Front Guard Assembly Complete (includes illus. nos. 1 through 6)
5	170348	4	Front Guard Nylon Glide
6	150412	8	#10-16 x 3/4" Phillips Round Head Crimptite Screw
7*	881196	1	Side Shield Assembly
8	150522	6	1/4-20 x 1/2" Hex Head TEK Screw
9	881196	1	Side Shield Assembly
10*	150522	6	1/4-20 x 1/2" Hex Head TEK Screw
11	152002	4	1/4-20 Hex Nut
12	153007	4	1/4" Lock Washer
13	881188	2	Spring Catch Assembly
14	157014	2	Spring
15	108121	2	Rear Panel Chain
16	154354	2	3/4" Pipe U-Bolt
17*	881198	1	Rear Guard Assembly Complete (includes illus. nos. 15 through 21)
	881197	1	Rear Guard ONLY
18	150309	8	#10-16 x 1/2" Phillips Round Head Crimptite Screw
19	170345	4	Rear Guard Nylon Glide
20	152002	8	1/4-20 Hex Nut
21	153007	4	1/4" Lock Washer

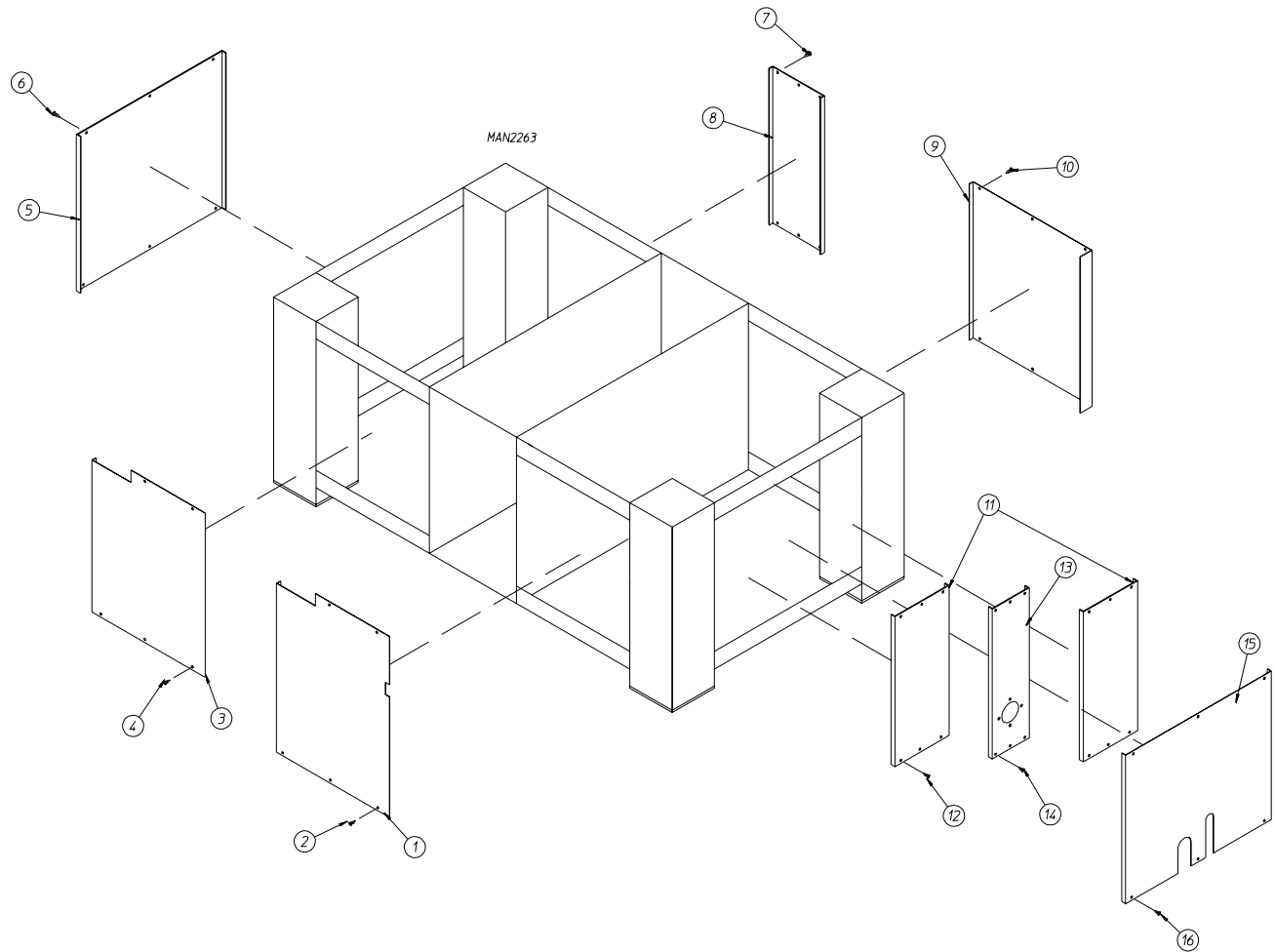
* Specify color when ordering.



Illus. No.	Part No.	Qty.	Description
1*	332835	1	Front Right Base Panel
2	150522	6	1/4-20 x 1/2" Hex Head TEK Screw
3*	332834	1	Front Left Base Panel
4	150522	6	1/4-20 x 1/2" Hex Head TEK Screw
5*	332790	1	Left Side Base Panel
6	150522	6	1/4-20 x 1/2" Hex Head TEK Screw
7	150522	6	1/4-20 x 1/2" Hex Head TEK Screw
8*	332791	1	Rear Right Base Panel
9*	332738	1	Rear Left Base Panel
10	150522	6	1/4-20 x 1/2" Hex Head TEK Screw
11*	332788	1	Gas Inlet Base Panel (for Gas Models ONLY)
12	150522	6	1/4-20 x 1/2" Hex Head TEK Screw
13*	332789	1	Right Side Base Panel (for Gas Models ONLY)
14	150522	6	1/4-20 x 1/2" Hex Head TEK Screw
15*	332821	1	Right Side Base Panel (for Steam Models ONLY)
16	150522	6	1/4-20 x 1/2" Hex Head TEK Screw

* Specify color when ordering.

2-WAY TILT



Illus. No.	Part No.	Qty.	Description
1*	332967	1	Front Base Panel
2	150522	6	1/4-20 x 1/2" Hex Head TEK Screw
3*	332967	1	Front Base Panel
4	150522	6	1/4-20 x 1/2" Hex Head TEK Screw
5*	332896	1	Left Side Base Panel
6	150522	6	1/4-20 x 1/2" Hex Head TEK Screw
7	150522	6	1/4-20 x 1/2" Hex Head TEK Screw
8*	332895	1	Rear Right Base Panel
9*	332968	1	Rear Left Base Panel
10	150522	6	1/4-20 x 1/2" Hex Head TEK Screw
11*	332970	2	Right Side Base Panel (for Gas Models Only)
12	150522	1	1/4-20 x 1/2" Hex Head TEK Screw
13*	332969	1	Gas Inlet Base Panel (for Gas Models Only)
14	150522	6	1/4-20 x 1/2" Hex Head TEK Screw
15*	332892	1	Right Side Base Panel (for Steam Models Only)
16	150522	6	1/4-20 x 1/2" Hex Head TEK Screw

* Specify color when ordering.

SELECTOR SWITCH, NAMEPLATE, AND MOUNTING BASE CHART

	MODELS WITH 2-WAY TILT MANUAL/AUTOMATIC DOORS	MODELS WITH FWD TILT AND MANUAL DOORS	MODELS WITH FWD TILT AND AUTOMATIC DOORS	MODELS WITH REAR TILT MANUAL/AUTOMATIC DOORS
ILLUS. No. 13 SELECTOR SWITCH	ADC Part No. 122348 3-Position Cam Selector Switch	ADC Part No. 122360 2-Position Switch	ADC Part No. 122348 3-Position Cam Selector Switch	ADC Part No. 122348 3-Position Cam Selector Switch
ILLUS. No. 14 NAMEPLATE	ADC Part No. 122412 "Load-Dry-Unload"	ADC Part No. 122422 Unload "0-1"	ADC Part No. 122412 "Load-Dry-Unload"	ADC Part No. 122435 Load "Level-Off-Tilted"
ILLUS. No. 37 AND ILLUS. No. 38 MOUNTING BASE	Included with Selector Switch	NO-NC Contact Block with Base	Included with Selector Switch	Included with Selector Switch

ADC450305

1 - 04/19/96-50
4 * 11/21/01-25

2 * 07/31/97-50

3 - 02/25/98-50

