

Fur Machine
ADMD 50 & ADCMC 50
(Drum) (Cage)

115/230 VAC - 1 Phase
24 VAC / Microprocessor
1992-1993

American Dryer Corporation
88 Currant Road
Fall River, MA 02720-4781
Telephone: (508) 678-9010 / Cable: AMDRY / Fax: (508) 678-9447

060593

ADC Part No. 450351

Retain This Manual In A Safe Place For Future Reference

American Dryer Corporation products embody advanced concepts in engineering, design, and safety. If this product is properly maintained, it will provide many years of safe, efficient, and trouble-free operation.

ONLY properly licensed technicians should service this equipment.

Observe all safety precautions displayed on the equipment or specified in the installation/operator's manual included with the dryer.

Under **NO circumstances should the main door switch or other safety circuit devices ever be disabled.**

We have tried to make this manual as complete as possible and hope you will find it useful. ADC reserves the right to make changes from time to time, without notice or obligation, in prices, specifications, colors, and materials and to change or discontinue models.

Important

For your convenience, log the following information:

DATE OF PURCHASE _____ MODEL NO. _____

DISTRIBUTOR'S NAME _____

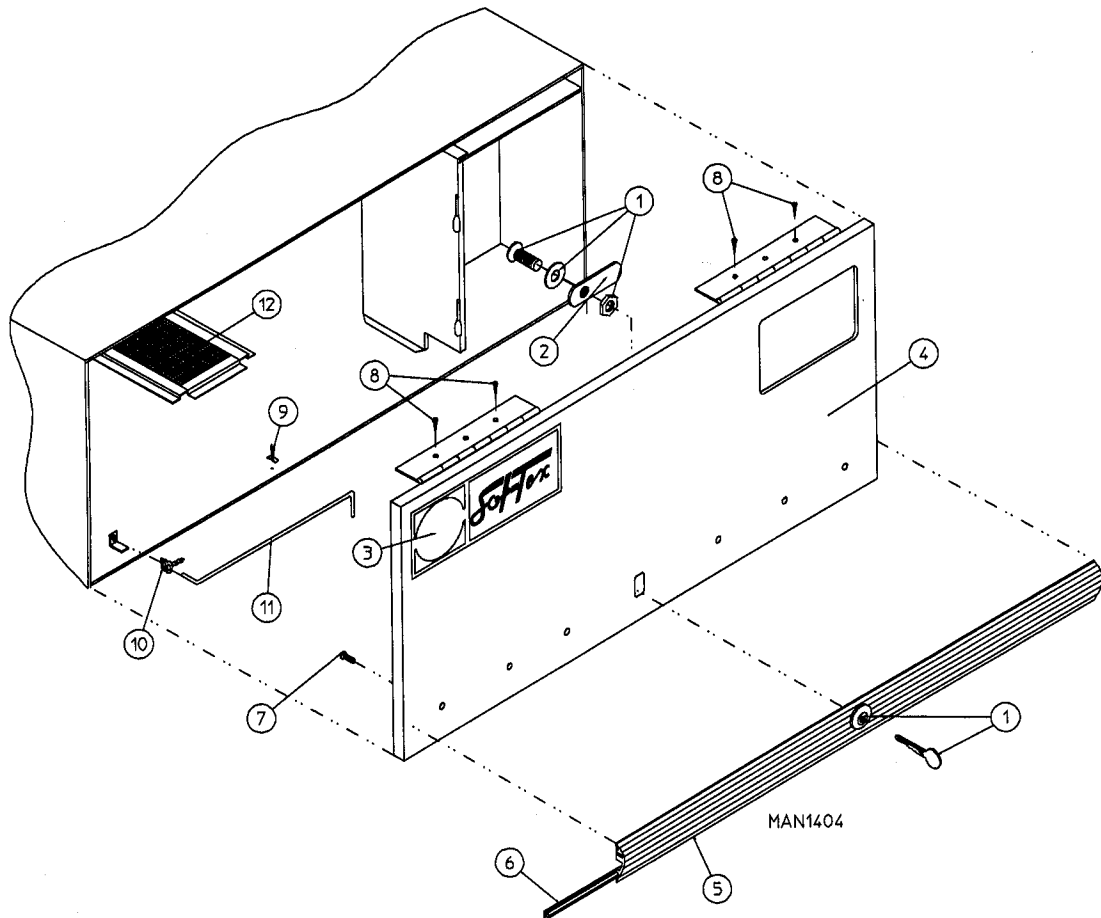
Serial No.(s) _____

Replacement parts can be ordered from your distributor or the ADC factory. When ordering replacement parts from the factory, you can fax your order to ADC at (508) 678-9447 or telephone your orders directly to the ADC Parts Department at (508) 678-9010. Please specify the machine **model number** and **serial number** in addition to the **description** and **part number**, so that your order is processed accurately and promptly.

The illustrations on the following pages may not depict your particular dryer exactly. The illustrations are a composite of the various models. Be sure to check the descriptions of the parts thoroughly before ordering.

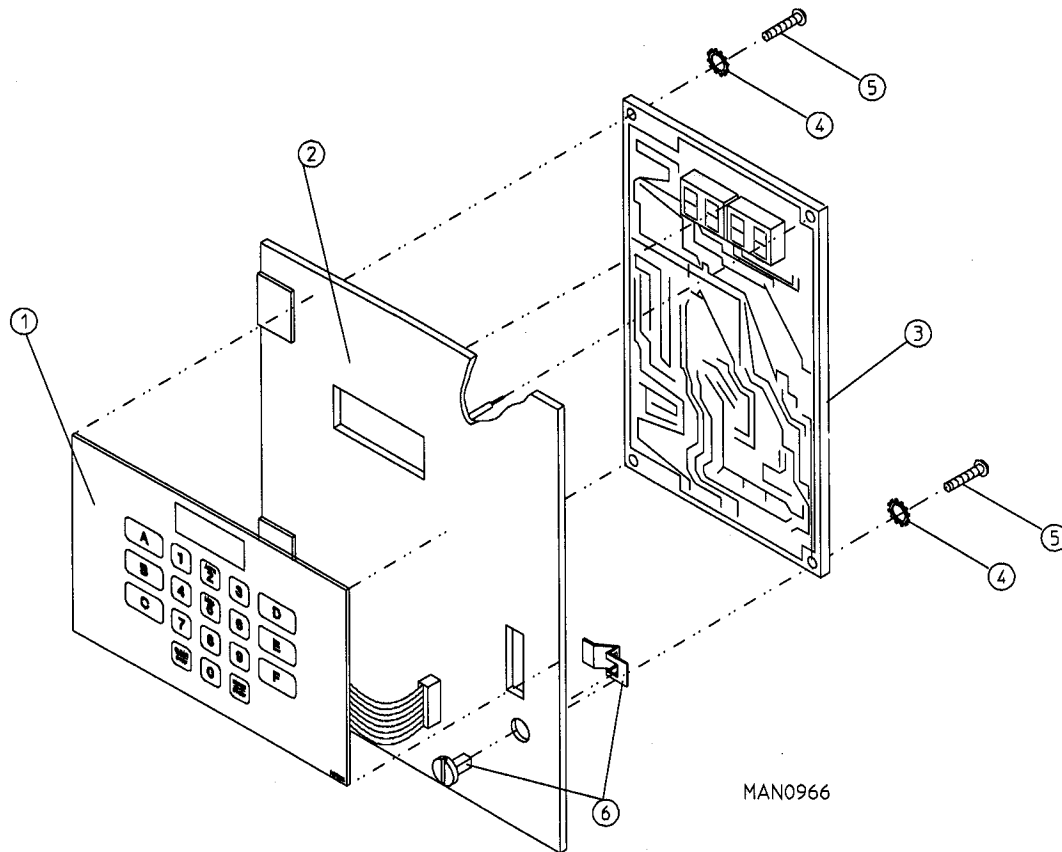
Table Of Contents

AD-50 Drum & Cage Control Door Assembly	2
Phase 5 OPL Microprocessor Control Panel Assembly	3
Phase 5 OPL Microprocessor Control Box Assembly	4
Main Door Assembly	5
Main Door Switch Assembly	6
AD-50 Drum & Cage Front Panel Assembly	7
AD-50 Cage Lint Trap Assembly	8
AD-50 Drum Lower Drop Door Assembly	9
AD-50 Cage Lower Drop Door Assembly	10
AD-50 Drum & Cage Bearing Assembly	11, 12
AD-50 Drum & Cage Idler Bearing Assembly	13
AD-50 Drum/Support Assembly	14
AD-50 Cage/Support Assembly	15
AD-50 Drum Totally Enclosed Fan Cooled Motor Mount Assembly	16, 17
AD-50 Cage Totally Enclosed Fan Cooled Motor Mount Assembly	18, 19
Drum Single Phase Motor, Electric Relay Panel Assembly	20
Cage Single Phase Motor, Electric Relay Panel Assembly	21
Outer Top / Back Guard Assembly	22



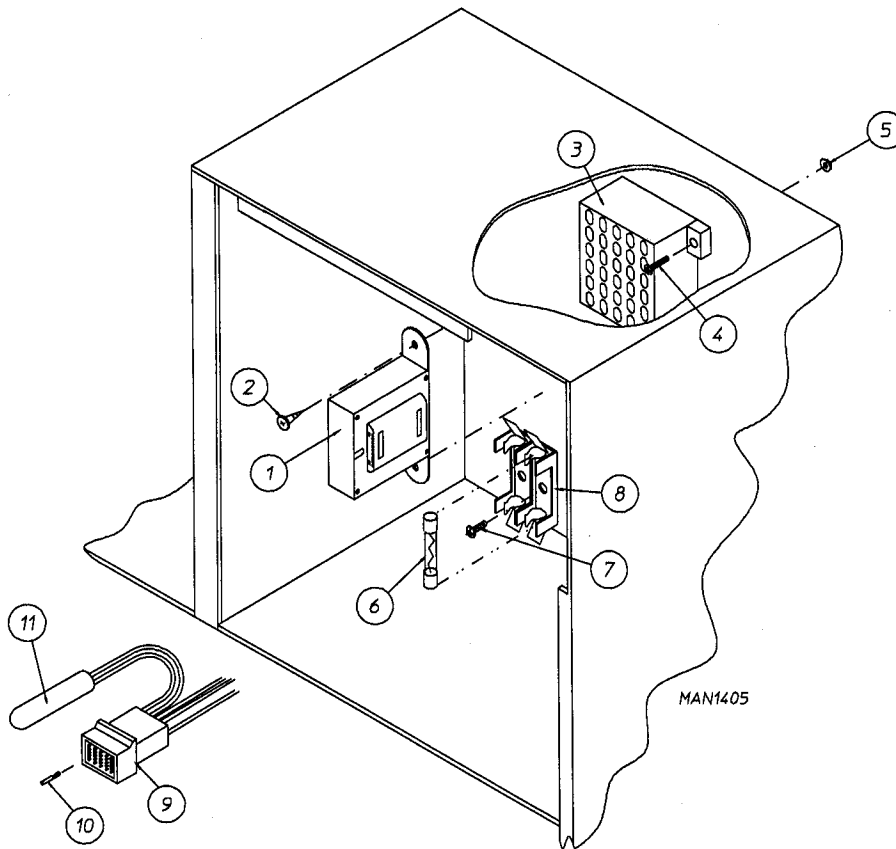
Illus. No.	Part No.	Qty.	Description
1	160017	1	Special Dummy Lock Only
2	160016	1	Lock Cam Only
3	-----	1	Softex Logo Only (Contact Softex Processing)
4*	800022	1	AD-50 High Security Control Door Assembly Less Lock (includes illus. nos. 4 through 7)
5	180201	1	AD-50 Top Trim Strip with Lock Hole
6	102307	3	Trim Bumper gasket (sold in feet)
7	150201	6	#10-32 x 1/4" Phillips Round Head Machine Screw
8	150300	4	#10 x 1/2" Hex Washer Tek Screw
9	102600	1	Control Door Support Rod Catch
10	102601	1	Control Door Rod Retainer Clip
11	102502	1	Control Door Support Rod
12	141005	1	Filter (Cage Only)

* Specify color when ordering.



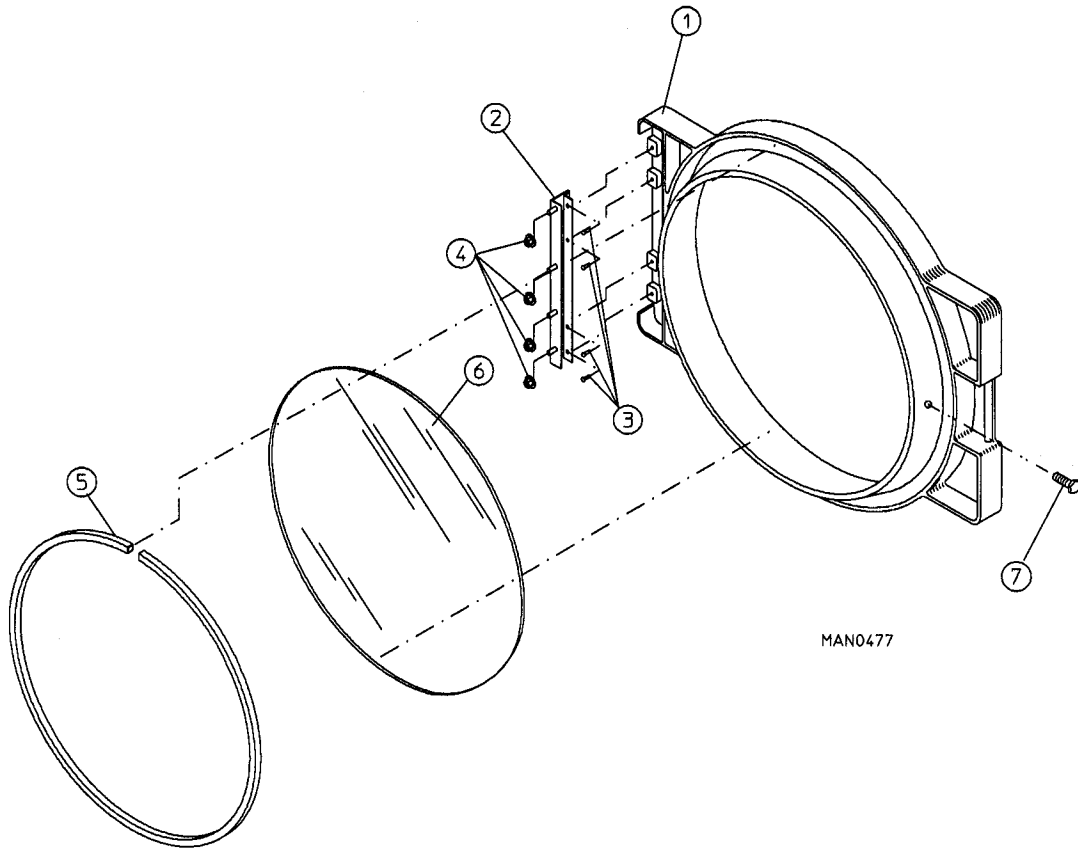
Illus. No.	Part No.	Qty.	Description
1	112535	1	OPL English Keyboard Label Assembly
2	801255	1	Phase 5 Microprocessor Control Panel Only
	801206	1	Phase 5 OPL Non-Reversing Microprocessor Control Panel Assembly Complete (includes illus. nos. 1 through 6)
3	137222	1	Phase 5 OPL Non-Reversing Controller Only
4	153010	2	#6 Star Washer
5	150005	2	#6-32 x 3/4" Phillips Round Head Machine Screw
6	160005	1	Spring Turn Latch (2-piece)

IMPORTANT: Check label on computer chip to verify correct part number for controller.

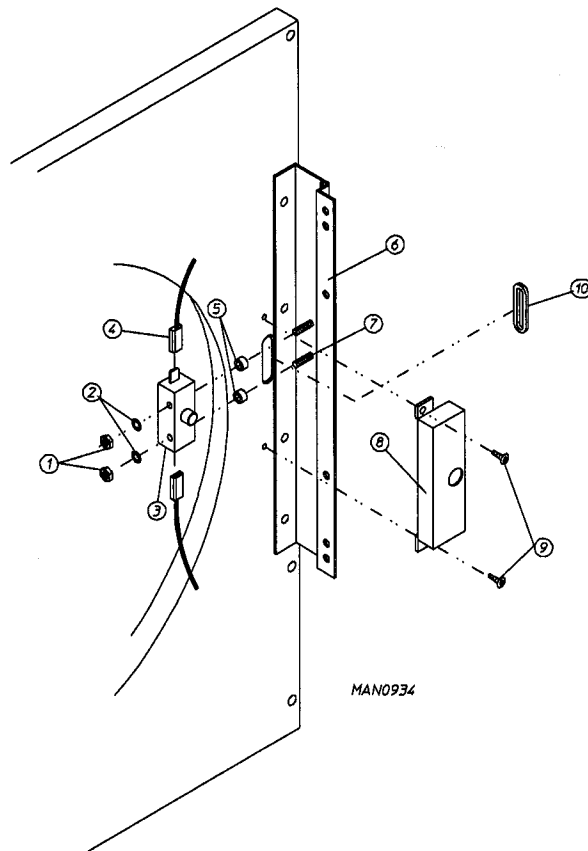


Illus. No.	Part No.	Qty.	Description
1	141403	1	24VAC Transformer
2	150300	2	#10 x 1/2" Hex Washer Tek Screw
3	120715	1	30-Position Terminal Block
4	150002	2	#6-32 x 1" Slotted Round Head Machine Screw
5	151000	2	#6-32 Pal Nut
6	136057	*	1/2 Amp (Slo-Blo) Fuse Block
7	150301	*	#8 x 7/16" Phillips Pan Head Tek Screw
8	136008	*	Fuse Block / Strip Only
9	122641	1	15 Pin Microprocessor Connector
10	122706	*	Sockets
11	880858	1	Microprocessor Sensor Probe

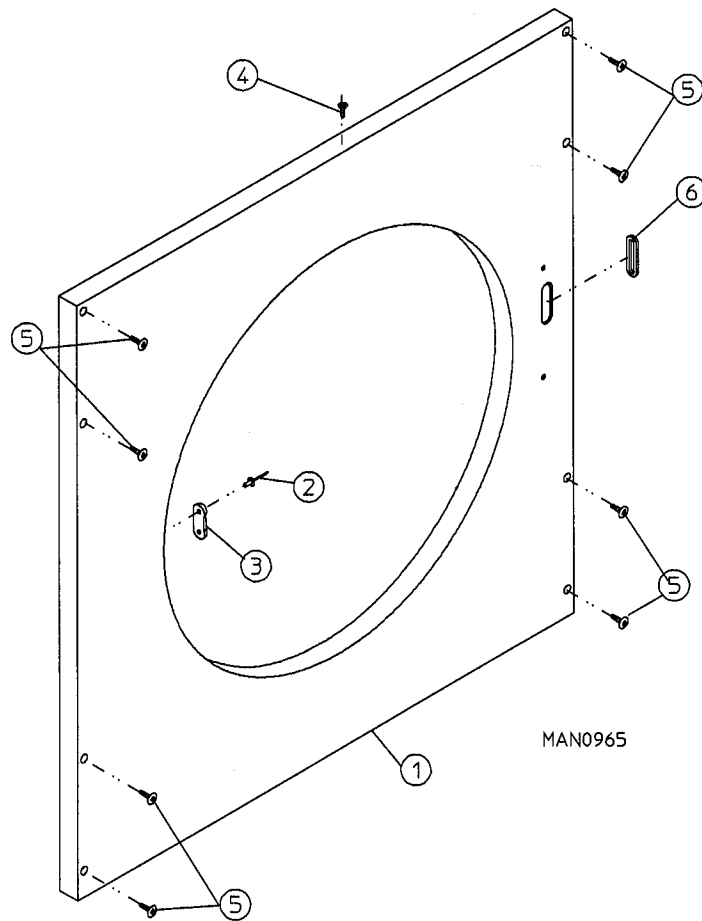
* As Required.



Illus. No.	Part No.	Qty.	Description
1	800285	1	Gray Main Door Assembly (Latch Type) Complete (includes illus. nos. 1, 5, 6, and 7)
2	800448	1	12 1/2" Stainless Steel Main Door Hinge Assembly
3	150410	4	#10-24 x 3/8" Phillips Pan Head Taptite Screw
4	152014	4	1/4-20 Free Spin Wash Nut
5	102350	1	68 1/2" Main Door Gasket
	170730	1	Main Door Gasket Adhesive (10.3 oz cartridge)
6	102210	1	20 7/16" Door Glass
	170730	1	Main Door Glass Adhesive (10.3 oz cartridge)
7	150431	1	Main Door Latch Screw (#10 x 7/16" Dome hex Head Screw)

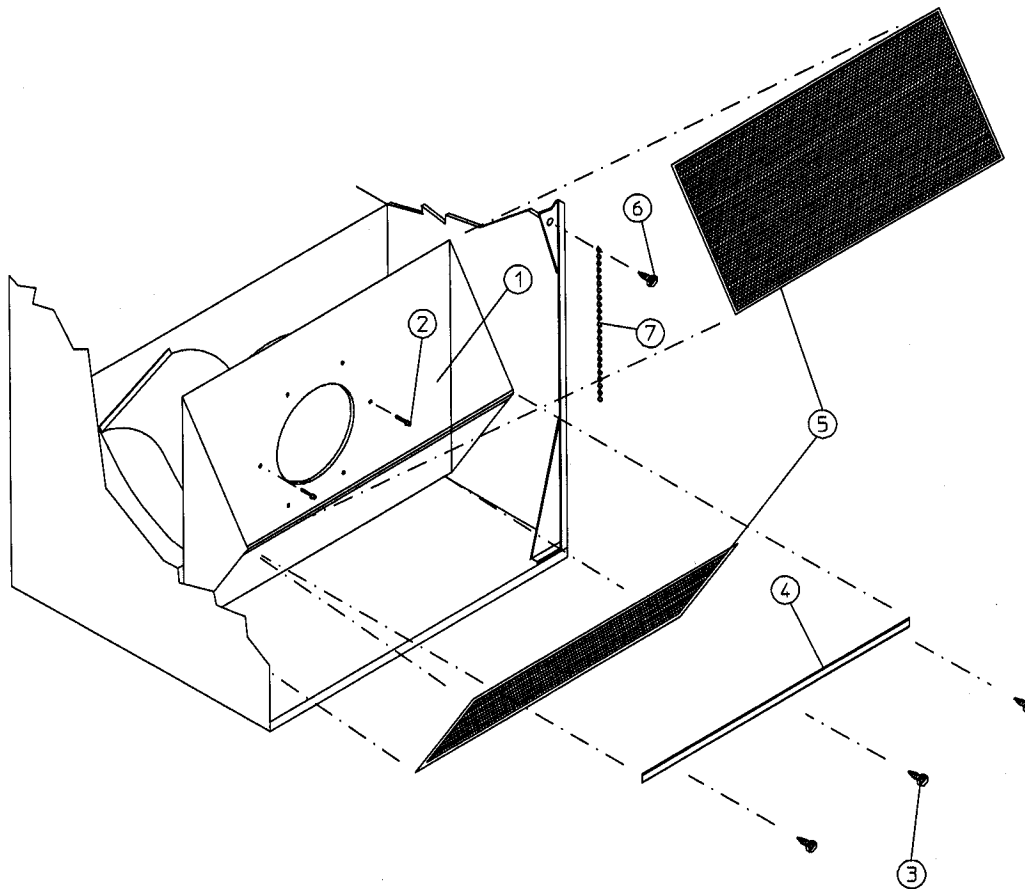


Illus. No.	Part No.	Qty.	Description
1	152013	2	#6-32 Hex Nut
2	153008	2	#6 Split Lock Washer
3	137005	1	Single Pole Door Switch
4	121028	2	Insulated Female Terminal
5	154281	2	3/8" Standard Nylon Spacers
6	800448	1	12 1/2" Stainless Steel Main Door Hinge Assembly (includes illus. nos. 6 and 7)
7	153565	2	#6 Stud
8	313218	1	Door Switch Housing
9	150201	2	#10-32 x 1/4" Phillips Pan Head Screw
10	121405	1	Rubber Grommet



Illus. No.	Part No.	Qty.	Description
1	875301*	1	AD-50 Right Hand Cage Insulated Front Panel Assembly Complete (Latch Type) (includes illus. nos. 1, 2, 3, and 6)
	875308*	1	AD-50 Left Hand Drum Insulated Front Panel Assembly Complete (Latch Type) (includes illus. nos. 1, 2, 3, and 6)
2	154215	2	1/8" Pop Rivet
3	170330	1	Friction Door Latch
4	150300	1	#10 x 1/2" Hex Washer Tek Screw
5	150415	8	#10 - 16 x 1/2" Phillips Round Head Crimpite Screw
6	121405	1	Rubber Grommet

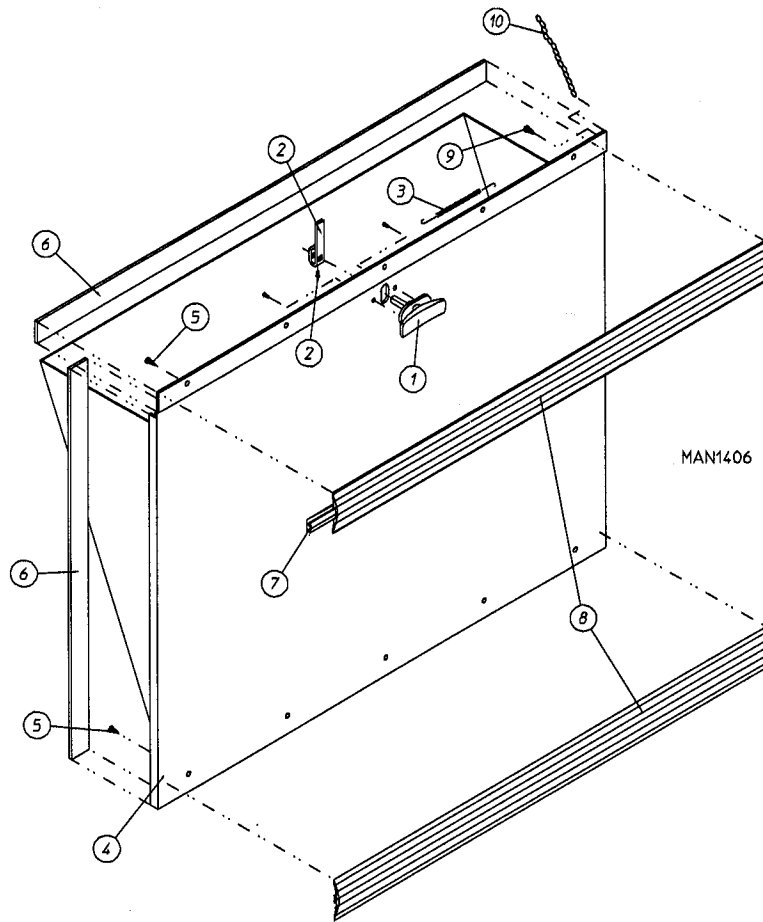
* Specify color when ordering.



MAN0275

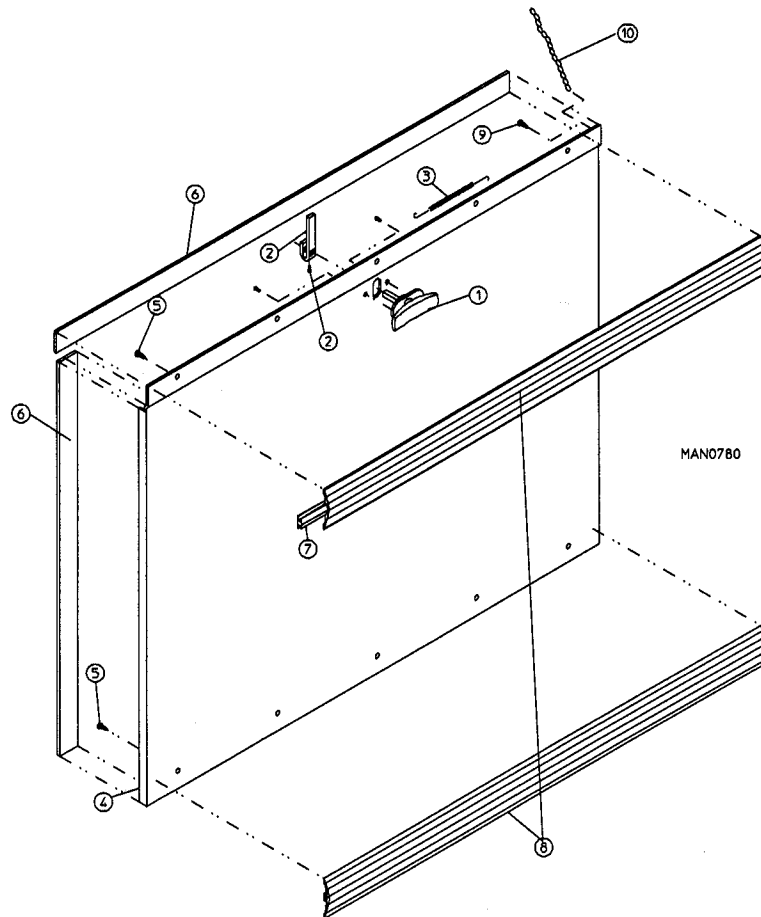
Illus. No.	Part No.	Qty.	Description
1	*	1	AD-50 Cage Lint Trap Only
2	154200	6	5/32" Pop Rivet
3	150300	3	#10 x 1/2" Hex Washer Tek Screw
4	304100	1	Lint Screen Holer Only
5	800500	2	AD-25 Cage Lint Screen Only
6	150419	2	#6 x 1/2" Tamper Proof Lint Door
7	108120	1	Chain For Drop Lint Door
—	150418	1	Tamper Proof Screw Hand Driver

* Contact Factory for Availability.



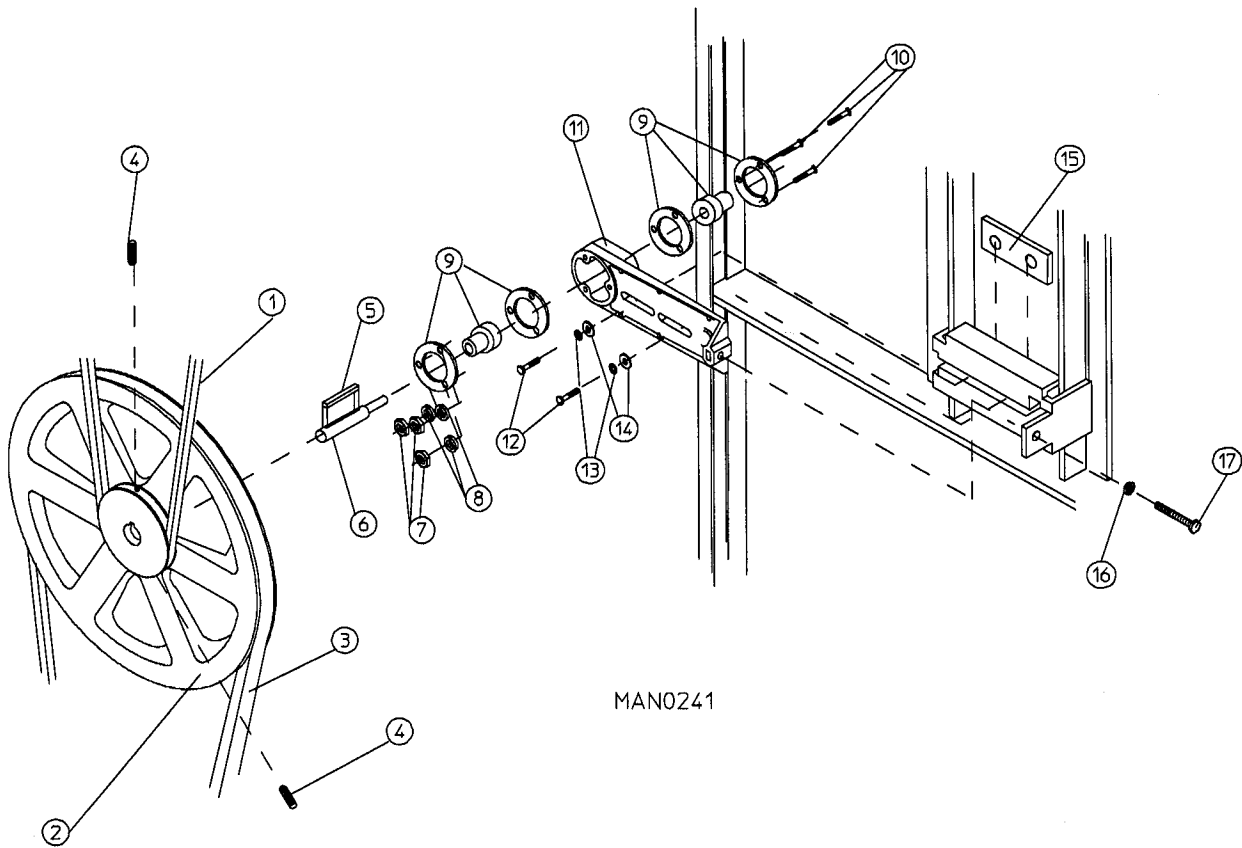
Illus. No.	Part No.	Qty.	Description
1	800150	1	Knob Latch Kit Assembly
	160200	1	Knob Latch Kit with Two (2) Screw
2	160009	1	Knob Latch Adjustable Cam
	150425	1	#12-24 x 3/8" R.H. Machine Screw (For Knob Latch Adjustable Cam)
3	157000	1	Drop Lint Door Spring
4*	880857	1	AD-50 Drum Lower Drop Door Assembly (includes illus. nos. 4 through 8)
5	150201	10	#10-32 x 1/4" Phillips Pan Head Machine Screw
6	117600	7	Noise Suppressor Tape (sold in feet)
7	102307	3	Trim Bumper Gasket (sold in feet)
8	180211	2	AD-50 Trim/Kick Plate (34 1/8" Long)
9	150419	2	#6 x 1/2" Tamper Proof Tek Screw
	150418	1	Tamper Proof Screw Hand Driver
10	108120	1	Chain For Drop Door

* Specify color when ordering.

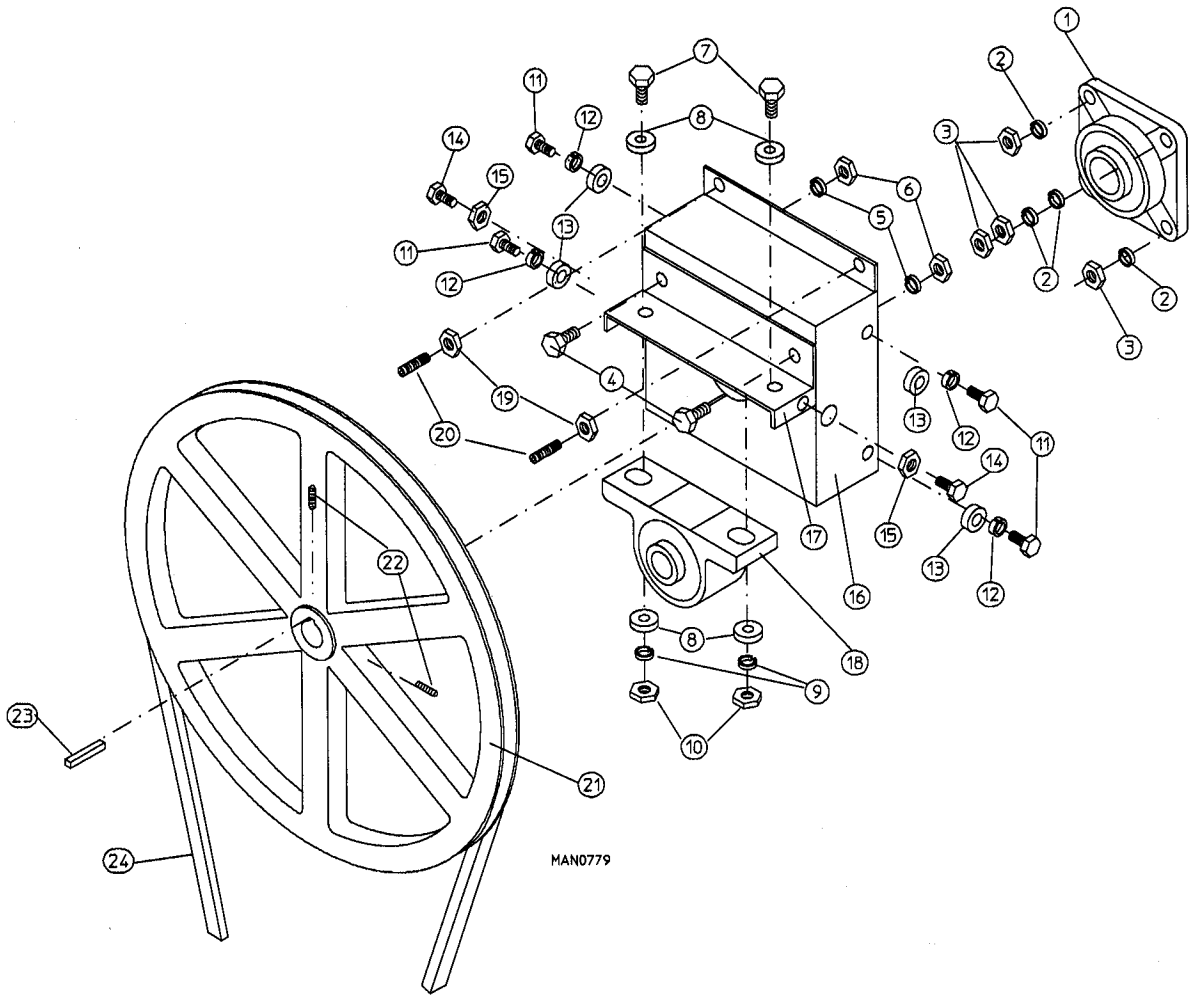


Illus. No.	Part No.	Qty.	Description
1	800150	1	Knob Latch Kit Assembly
	160200	1	Knob Latch Kit with Two (2) Screw
2	160009	1	Knob Latch Adjustable Cam
	150425	1	#12-24 x 3/8" R.H. Machine Screw (For Knob Latch Adjustable Cam)
3	157000	1	Drop Lint Door Spring
4	800219*	1	AD-50 Cage Drop Lint Door Assembly (includes illus. nos. 4 through 8)
5	150201	10	#10-32 x 1/4" Phillips Pan Head Machine Screw
6	117600	7	Noise Suppressor Tape (sold in feet)
7	102307	3	Trim Bumper Gasket (sold in feet)
8	180211	2	AD-50 Trim/Kick Plate (34 1/8" Long)
9	150419	2	#6 x 1/2" Tamper Proof Tek Screw
	150418	1	Tamper Proof Screw Hand Driver
10	108120	1	Chain For Drop Door

* Specify color when ordering.

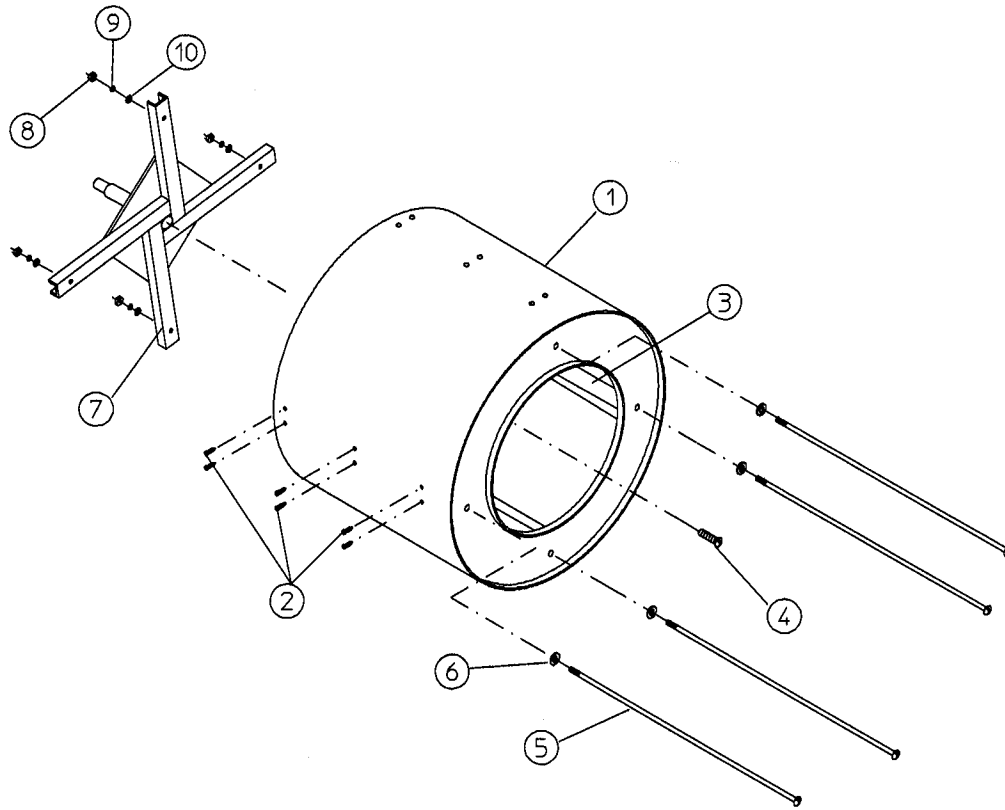


Illus. No.	Part No.	Qty.	Description
1	100108	1	5L680 "V" Belt (idler to tumbler)
2	101140	1	14" x 3" Compound Pulley
3	100112	1	4L-610 "V" Belt (idler to motor)
4	154301	2	5/16-18 x 5/16" Allen Set Screw
5	100705	1	3/16" x 3/16" x 1 3/8" Key
6	301850	1	5/8" x 3/4" Idler Shaft
7	152002	3	1/4-20 Hex nut
8	153007	3	1/4" Lock Washer
9	100214	2	5/8" Flange Bearing
10	150521	3	1/4-20 x 2" Carriage Bolt
11	801007	1	Idler Bearing Assembly Complete (includes illus. nos. 6 through 15)
12	150617	2	3/8-16 x 1" Hex head Machine Bolt
13	153005	2	3/8" Lock Washer
14	153004	2	3/8" Flat Washer
15	801009	1	Idler Square Washer
16	152004	1	5/16-18 Hex Nut
17	150509	1	5/16-18 x 3" Hex Head Machine Screw



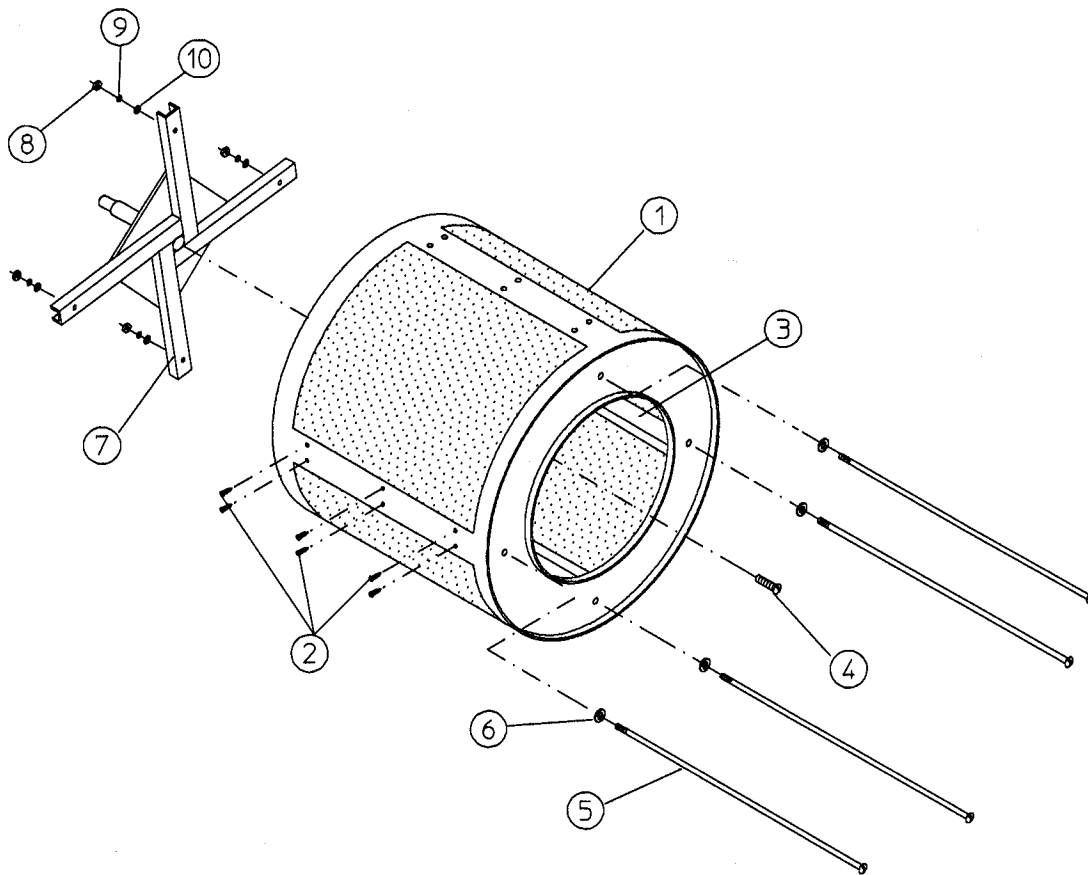
Illus. No.	Part No.	Qty.	Description
1	100220	1	1 3/4" Flange Bearing
2	153025	4	9/16" Lock Washer
3	152050	4	9/16-12 Hex Nut
4	150508	2	3/8-16 x 3/4" Hex Head Machine Bolt
5	153005	2	3/8" Lock Washer
6	152005	2	3/8-16 Hex Nut
7	150600	2	3/8-16 x 1 1/2" Hex Head Machine Bolt
8	153004	*	3/8" Flat Washer
9	153005	2	3/8" Lock Washer
10	152005	2	3/8-16 Hex Nut
11	150501	4	5/16-18 x 3/4" Hex Head Machine Bolt
12	153002	4	5/16" Lock Washer
13	153001	4	5/16" Flat Washer
14	150621	2	5/16-18 x 1 1/2" Hex Head Machine Bolt
15	152004	2	5/16-18 Hex Nut
16	801101	1	1 3/8" Bearing Box Assembly Complete (includes illus. nos. 4 through 20)
	801103	1	1 3/8" Bearing Box And Support Only (includes illus. nos. 4, 5, 6, 16, and 17)
	801105	1	1 3/8" Bearing Box Only
17	801104	1	Pillow Block Bearing Support Only
18	100202	1	1 3/8" Pillow Block bearing
19	152004	2	5/16-18 Hex Nut
20	150610	2	5/16-18 x 1 1/2" Allen Set Screw
21	101100	1	18" Pulley
22	154301	2	5/16-18 x 5/16" Allen Set Screw
23	100713	1	1/4" x 1/4" x 7/8" Key
24	100108	1	5L-680 "V" Belt (tumbler to idler)

* As Required



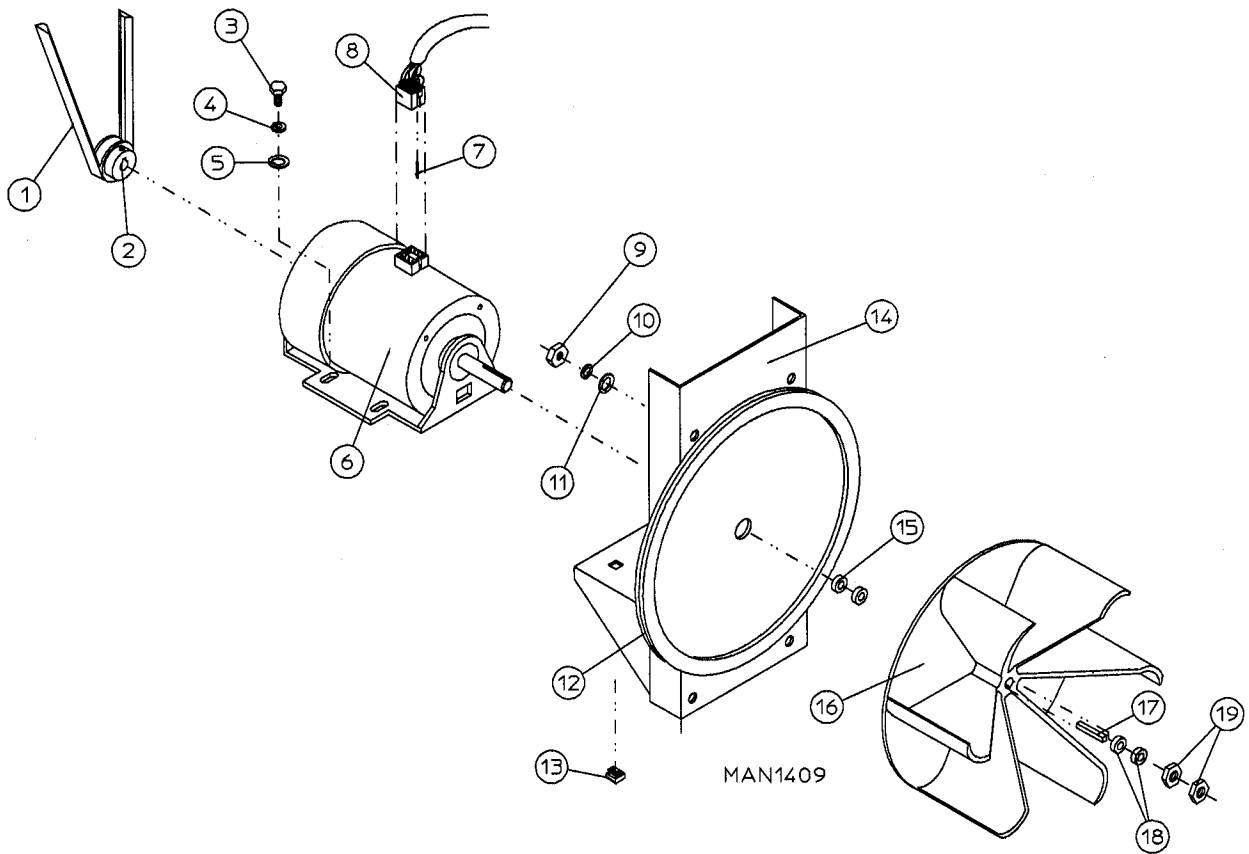
MAN1407

Illus. No.	Part No.	Qty.	Description
1	880856	1	AD-50 Stainless Steel Drum Only with Tapered Ribs
	800886	1	AD-50 Stainless Steel Drum and Support Assembly (includes illus. nos. 1 through 10)
2	150415	24	#10-16 x 1/2" Phillips Round Head Crimptite Screw
3	301402	4	AD-50 Stainless Steel Drum Rib Only
4	150500	1	5/16-18 x 3/4" Socket Button Head Screw
5	100903	4	5/16-18 x 38 1/2" Tie Rod
6	153001	4	5/16" Flat Washer
7	800616	1	AD-50 Tumbler Support Only
8	152004	4	5/16-18 Hex nut
9	153002	4	5/16" Lock Washer
10	153001	4	5/16" Flat Washer

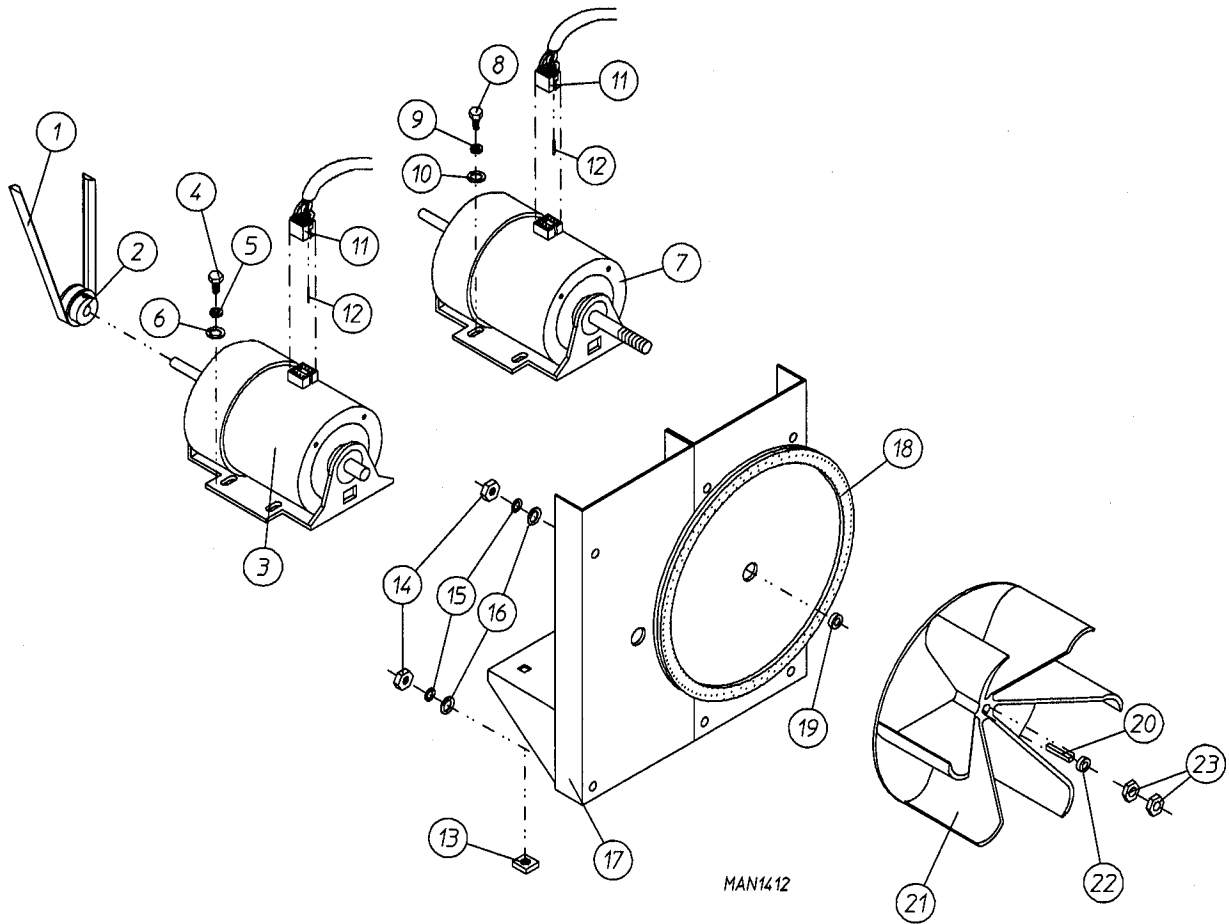


MAN1408

Illus. No.	Part No.	Qty.	Description
1	800838	1	AD-50 Cage Only
	800837	1	AD-50 Cage and Support Assembly (includes illus. nos. 1 through 10)
2	150415	24	#10-16 x 1/2" Phillips Round Head Crimpite Screw
3	301302	2	AD-50 Cage Rib Only (Low Rib)
	301311	2	AD-50 Cage Rib Only (High Rib)
4	150500	1	5/16-18 x 3/4" Socket Button Head Screw
5	100903	4	5/16-18 x 38 1/2" Tie Rod
6	153001	4	5/16" Flat Washer
7	800616	1	AD-50 Tumbler Support Only
8	152004	4	5/16-18 Hex nut
9	153002	4	5/16" Lock Washer
10	153001	4	5/16" Flat Washer

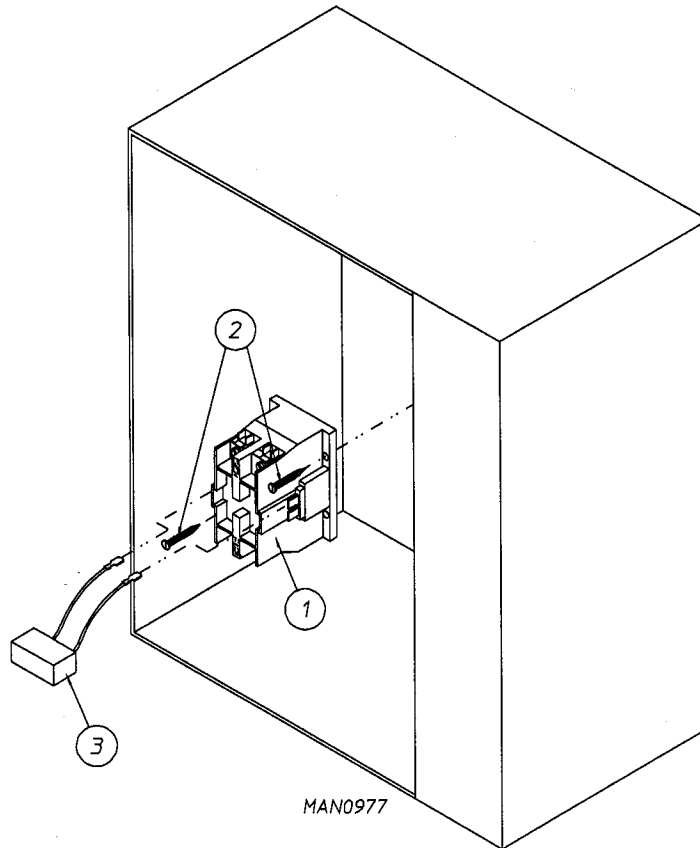


Illus. No.	Part No.	Qty.	Description
1	100112	1	4L-610 "V" Belt (toilder assembly)
2	101125	1	1/2" x 2 1/2" Motor Pulley
3	450501	4	5/16-18 x 3/4" Hex Head Machine Bolt
4	153002	4	5/16" Lock Washer
5	153001	4	5/16" Flat Washer
6	100065	1	1/2 HP 100v-50Hz/115-230v 60Hz 1Ø T.E.F.C. Motor (plug type)
7	122701	8	Socket Terminal Only
	122801	1	Pin/Socket Extraction Tool
8	137030	1	8-Pin Housing Connector
9	152004	4	5/16-18 Hex Nut
10	153002	4	5/16" Lock Washer
11	153001	4	5/16" Flat Washer
12	117600	4	Noise Suppressor Tape (sold in feet)
13	154000	4	5/16-18 Tinnerman Nut
14	800905	1	1/2 HP Motor Mount Only (56Z Frame)
15	153050	2	1/2" S.A.E. Flat Washer
16	100604	1	12 1/2" Impellor with 1/2" Bore
17	100702	1	1/8" x 1/8" x 1 1/2" Key
18	153050	2	1/2" S.A.E. Flat Washer
19	152006	2	1/2-20 Left Hand Jam Nut

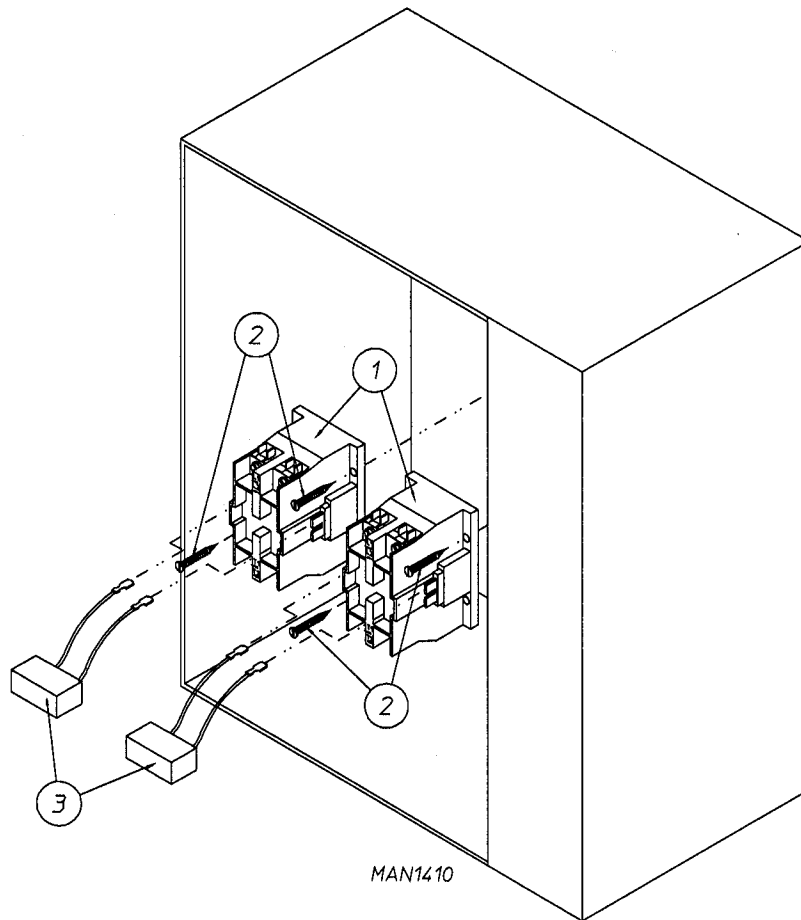


MAN1412

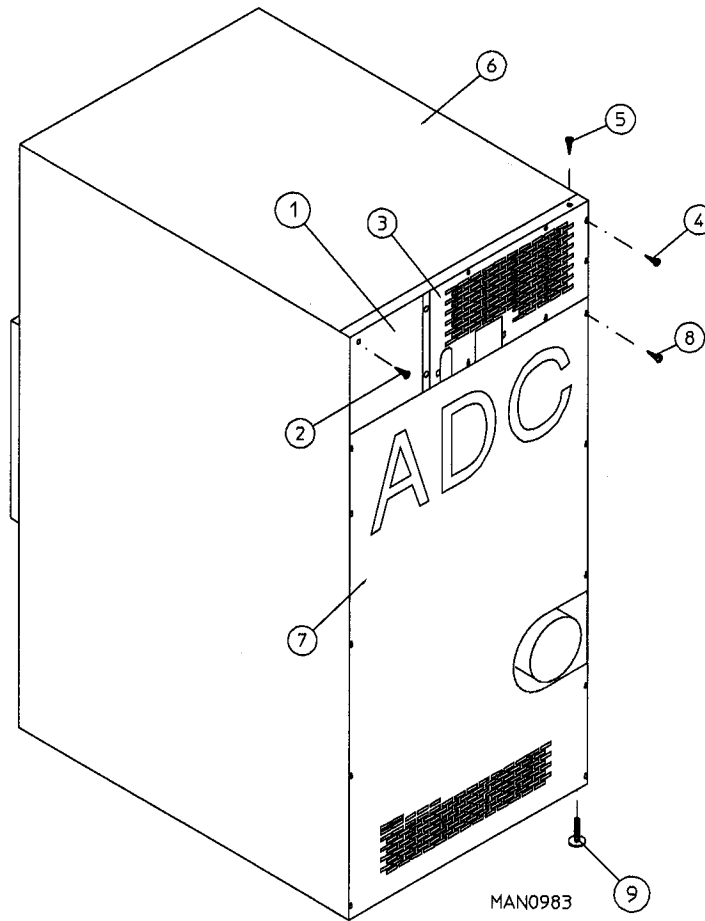
Illus. No.	Part No.	Qty.	Description
1	100112	1	4L-610 "V" Belt (to idler assembly)
2	101125	1	1/2" x 2 1/2" Motor Pulley
3	100065	1	1/2 HP 115v/230v 50/60Hz 1 Ø T.E.F.C. Motor (56Z Frame)
4	150501	4	5/16-18 x 3/4" Hex Head Machine Bolt
5	153002	4	5/16" Lock Washer
6	153001	4	5/16" Flat Washer
7	100065	1	1/2 HP 115v/230v 50/60Hz 1 Ø T.E.F.C. Motor (56Z Frame)
8	150501	4	5/16-18 x 3/4" Hex Head Machine Bolt
9	153002	4	5/16" Lock Washer
10	153001	4	5/16" Flat Washer
11	137030	1	8-Pin Housing Connector
12	122701	8	Socket Terminal Only
	122801	1	Pin/Socket Extraction Tool
13	154000	8	5/16" Tinnerman
14	152004	4	5/16-18 Hex Nut
15	153002	4	5/16" Lock Washer
16	153001	4	5/16" Flat Washer
17	800912	1	AD-50 Reversing motor Mount Only (56Z Frame)
18	117600	4	Noise Suppressor Tape (sold in feet)
19	153050	2	1/2" S.A.E. Flat Washer
20	100702	1	1/8" x 1/8" x 1 1/2" Key
21	100604	1	12 1/2" Impellor with 1/2" Bore
22	153050	2	1/2" S.A.E. Flat Washer
23	152006	2	1/2-20 Left Hand Jam Nut



Illus. No.	Part No.	Qty.	Description
1	132451	1	2-Pole Contactor 24VAC
2	150299	2	#10 x 1" Hex Washer Tek Screw
3	824828	1	RC Network With Connectors
—	322809	1	Back Electrical Box Cover (not shown)
—	150301	4	#8-18 x 7/16" Phillips Pan Head Tek Screw (not shown)



Illus. No.	Part No.	Qty.	Description
1	132451	2	2-Pole Contactor 24VAC
2	150299	4	#10 x 1" Hex Washer Tek Screw
3	824828	2	RC Network With Connectors
—	322809	1	Back Electrical Box Cover (not shown)
—	150301	4	#8-18 x 7/16" Phillips Pan Head Tek Screw (not shown)



Illus. No.	Part No.	Qty.	Description
1	322809	1	Back Electrical Box Cover
2	150301	4	#8-18 x 7/16" Phillips Pan Head Tek Screw
3	314411	1	AD-50 Top Back Guard
4	150301	7	#8-18 x 7/16" Phillips Pan Head Tek Screw
5	150301	10	#8-18 x 7/16" Phillips Pan Head Tek Screw
6	312535	1	AD-50 Outer Top
7	314412	1	AD-50 Bottom Backguard
8	150301	13	#8-18 x 7/16" Phillips Pan Head Tek Screw
9	103500	4	Leveling Legs

ADC 450351 1-06/08/93-25

