



AD-75D II

Parts Manual

American Dryer Corporation
88 Currant Road
Fall River, MA 02720-4781
Telephone: (508) 678-9000 / Fax: (508) 678-9447
E-mail: techsupport@amdry.com

Retain This Manual In A Safe Place For Future Reference

American Dryer Corporation products embody advanced concepts in engineering, design, and safety. If this product is properly maintained, it will provide many years of safe, efficient, and trouble-free operation.

ONLY qualified technicians should service this equipment.

OBSERVE ALL SAFETY PRECAUTIONS displayed on the equipment or specified in the installation manual included with the dryer.

The following “**FOR YOUR SAFETY**” caution **must be** posted near the dryer in a prominent location.

FOR YOUR SAFETY

Do not store or use gasoline or other flammable vapors or liquids in the vicinity of this or any other appliance.

POUR VOTRE SÉCURITÉ

Ne pas entreposer ni utiliser d'essence ni d'autres vapeurs ou liquides inflammables dans le voisinage de cet appareil ou de tout autre appareil.

We have tried to make this manual as complete as possible and hope you will find it useful. **ADC** reserves the right to make changes from time to time, without notice or obligation, in prices, specifications, colors, and material, and to change or discontinue models.

Important

For your convenience, log the following information:

DATE OF PURCHASE _____ **MODEL NO.** AD-75D II

RESELLER'S NAME _____

Serial Number(s) _____

Replacement parts can be obtained from your reseller or the **ADC** factory. When ordering replacement parts from the factory, you can FAX your order to **ADC** at (508) 678-9447 or telephone your order directly to the **ADC** Parts Department at (508) 678-9000. Please specify the dryer **model number** and **serial number** in addition to the **description** and **part number**, so that your order is processed accurately and promptly.

The illustrations on the following pages may not depict your particular dryer exactly. The illustrations are a composite of the various dryer models. Be sure to check the descriptions of the parts thoroughly before ordering.

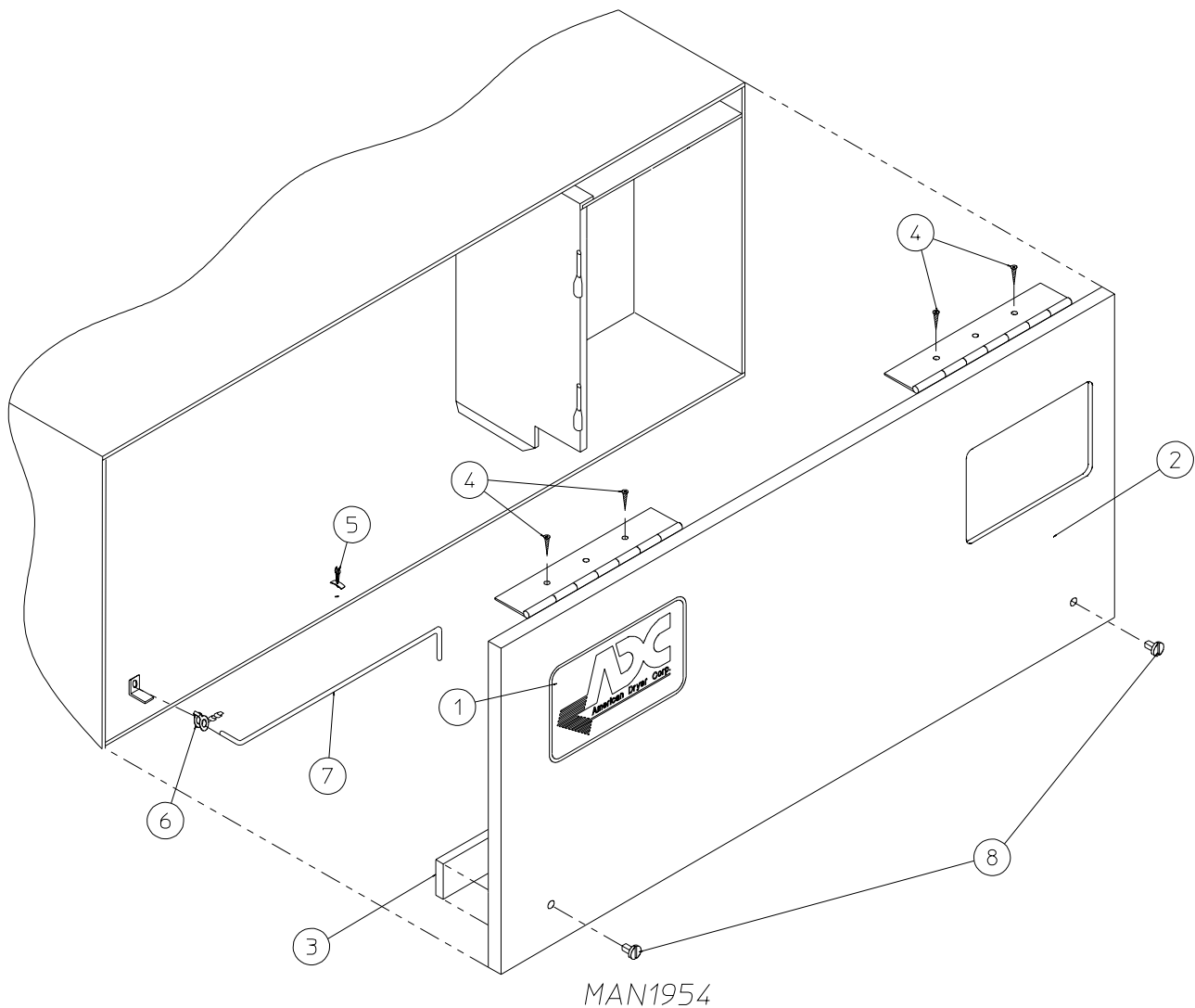
“IMPORTANT NOTE TO PURCHASER”

Information **must be** obtained from your local gas supplier on the instructions to be followed if the user smells gas. These instructions **must be** posted in a prominent location near the dryer.

Table of Contents

Control Door Assembly Without Trim	
For OPL (Non-Coin) Models Mfd. as of July 13, 1998	2
Control Door Assembly With Trim	
For ALL Coin Models and ONLY OPL Models Mfd. prior to July 13, 1998	3
Phase 5 Coin Microprocessor Control Panel Assembly	4
Phase 5 OPL Microprocessor Control Panel Assembly	5
Phase 5 Coin and OPL Microprocessor Control Box Assembly	6
Coin Vault Assembly	7
Dual Timer Control Panel Assembly	
For Models Mfd. prior to November 3, 2000	8, 9
Dual Timer “Tap Touch” Controls	
For Models Mfd. as of November 3, 2000	10
Dual Timer Control Box Assembly	11
“Plastic” Door Front Panel Assembly	12
Cold Rolled Steel (CRS) Door Front Panel	13
“Plastic” Door Main Door Switch Housing	14
Main Door Switch Assembly Cold Rolled Steel (CRS) Door	15
Cold Rolled Steel (CRS) Main Door Assembly	16, 17
“Plastic” Main Door Assembly	18
Basket (Tumbler)/Support Assemblies	19
Drop Lint Door Assembly Without Trim	
For OPL (Non-Coin) Models	20
Drop Lint Door Assembly With Trim	
For ALL Coin Models	21
Basket (Tumbler) Bearing Assembly	22, 23
Lint Trap Assembly	24
Idler Bearing Assembly	25
Non-Reversing Totally Enclosed, Fan-Cooled (T.E.F.C.) Motor Mount Assembly	26, 27
Reversing Totally Enclosed, Fan-Cooled (T.E.F.C.) Motor Mount Assembly	28, 29
Sensor Bracket Assemblies	30, 31
Electric Oven Assembly	32, 33
4-Tube Burner Assembly	34, 35
Single-Phase (1Ø) Motor, Electric Relay Panel Assembly	36
3-Phase (3Ø) Motor, Electric Relay Panel Assembly	37
Microprocessor Reversing Rear Control Box Assembly	
For Gas, Electric, and Steam Models	38
Dual Timer Reversing Rear Control Box Assembly	
For Gas, Electric, and Steam Models	39
Air Operated Steam Damper Assembly	40, 41
Outer Top/Back Guard Assemblies	
For Gas and Electric Models ONLY	42
Back Guard Assembly	
For Steam Models ONLY	43
Microprocessor Coin Acceptors Listing	44
Electric Oven Component Application Chart	45
Step Down Transformer Usage Listing	46
Additional Parts Available	47

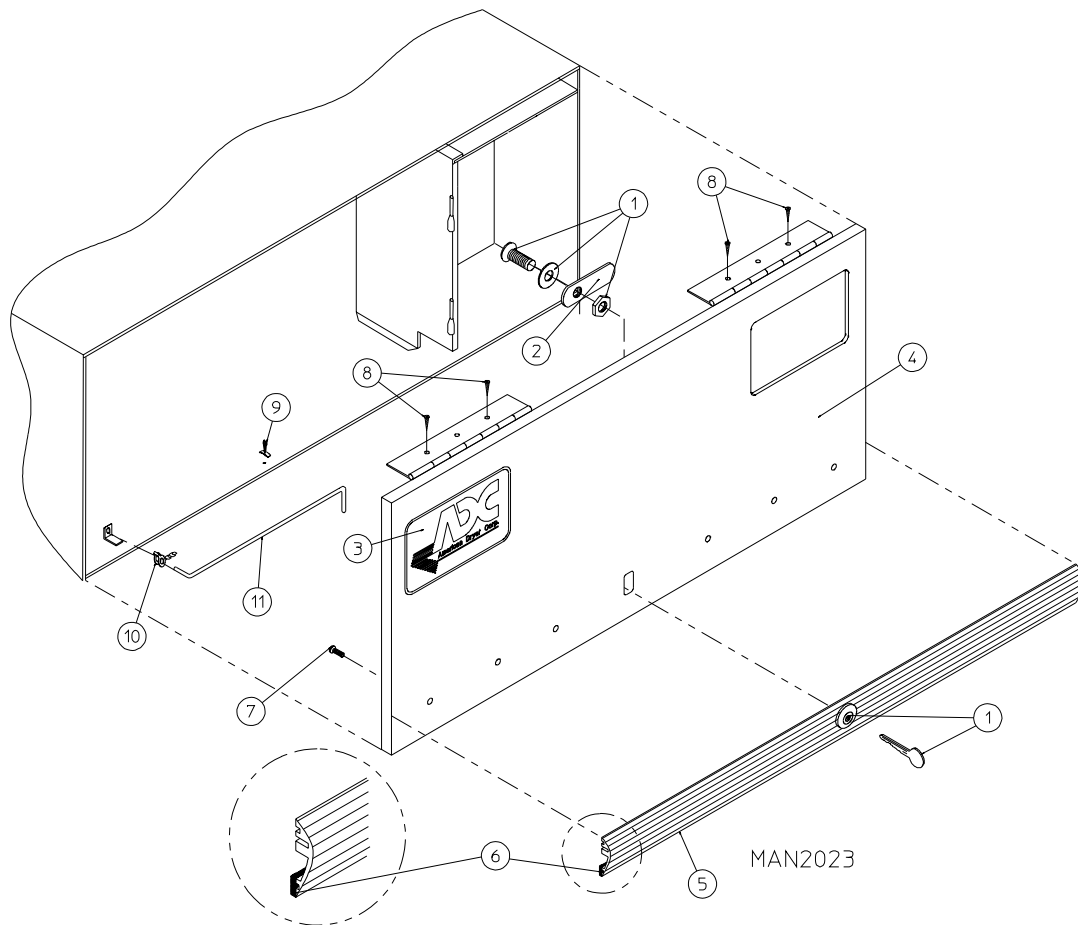
For OPL (Non-Coin) Models Mfd. as of July 13, 1998



<u>Illus. No.</u>	<u>Part No.</u>	<u>Qty.</u>	<u>Description</u>
1	881053	1	ADC Logo ONLY (with double adhesive tape)
	870011	1	Logo Double Tape Kit
2	881045*	1	Control Door (includes illus. nos. 2 and 3)
	881046	1	Stainless Steel Control Door (includes illus. nos. 2 and 3)
3	117604	4	Neoprene Sponge Tape (sold by the foot)
4	150300	4	#10 x 1/2" Hex Washer TEK Screw
5	102603	1	Control Door Rod Support Catch
6	102601	1	Control Door Rod Retainer Clip
7	102502	1	Control Door Support Rod
8	882541	2	Spring Turn Latch Assembly

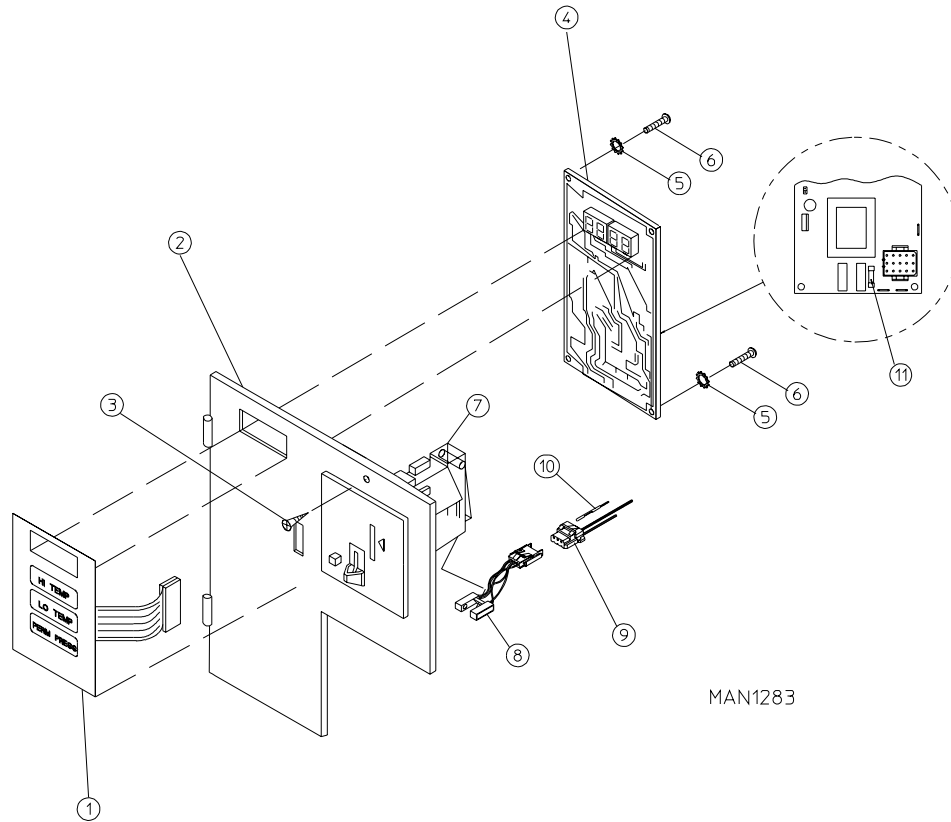
* Specify color when ordering.

For ALL Coin Models and ONLY OPL Models Mfd. prior to July 13, 1998



Illus. No.	Part No.	Qty.	Description
1	160015	1	High Security MK-100 Lock Assembly with Key (for coin models Only)
	160017	1	Special Dummy Lock ONLY (for non-coin models Only)
	160104	1	MK-100 Key ONLY (for dummy lock also)
2	160016	1	Lock Cam ONLY
3	112350	1	ADC Logo ONLY
	870011	1	Logo Double Tape Kit
4	800020*	1	High Security Control Door Assembly (includes illus. nos. 4 through 7)
	800144	1	Stainless Steel High Security Control Door Assembly (includes illus. nos. 4 through 7)
5	180202	1	Top Trim Strip (gray) with Lock Hole (38-1/4" length)
6	117603	3	Suppressor Tape/Gasket (sold by the foot)
7	150201	6	#10-32 x 1/4" Phillips Pan Head TEK Screw
8	150309	4	#10-16 x 1/2" Hex Head TEK Crimptite Screw
9	102603	1	Control Door Rod Support Catch
10	102601	1	Control Door Rod Retainer Clip
11	102502	1	Control Door Support Rod

* Specify color when ordering.

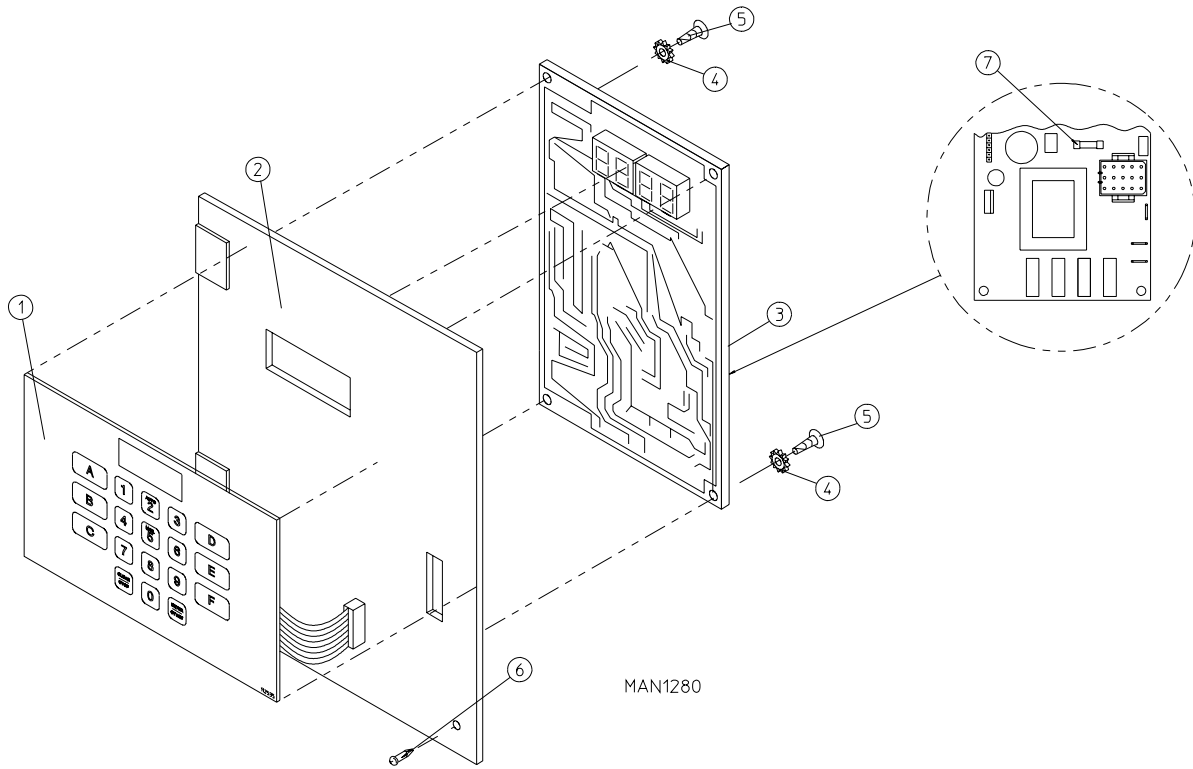


MAN1283

<u>Illus. No.</u>	<u>Part No.</u>	<u>Qty.</u>	<u>Description</u>
1	112526	1	Coin Keyboard Label Assembly
2	801213	1	Phase 5 Coin Control Panel Assembly (includes illus. nos. 1, 2, 4, 5, and 6)
	801229	1	Phase 5 Coin Control Panel Assembly with Battery Option (includes illus. nos. 1, 2, 4, 5, and 6)
	801259	1	Coin Control Panel ONLY
	801258	1	Coin Control Panel ONLY with Battery Bracket
3	150309	1	#10-16 x 1/2" Hex Head TEK Crimptite Screw
4	137213	1	Phase 5 Coin Controller ONLY
	824998	1	Phase 5 Battery Clip
5	153010	2	#6 Star Washer
6	150005	2	#6-32 x 1/4" Phillips Round Head Machine Screw
7	-----	1	Coin Acceptor (refer to Microprocessor Coin Acceptors Listing on page 44)
8*	-----	1	Optic Switch ONLY (refer to Microprocessor Coin Acceptors Listing on page 44)
9*	137023	1	Optic Switch Connector ONLY
10	137021*	3	Microprocessor Socket ONLY
	880772	1	Single Coin Optical Switch Harness
	824080	1	Dual Coin Optical Switch Harness
	122800	1	Microprocessor (female) Pin Extraction Tool
11	136048	1	1/8-Amp (slo blo) Fuse

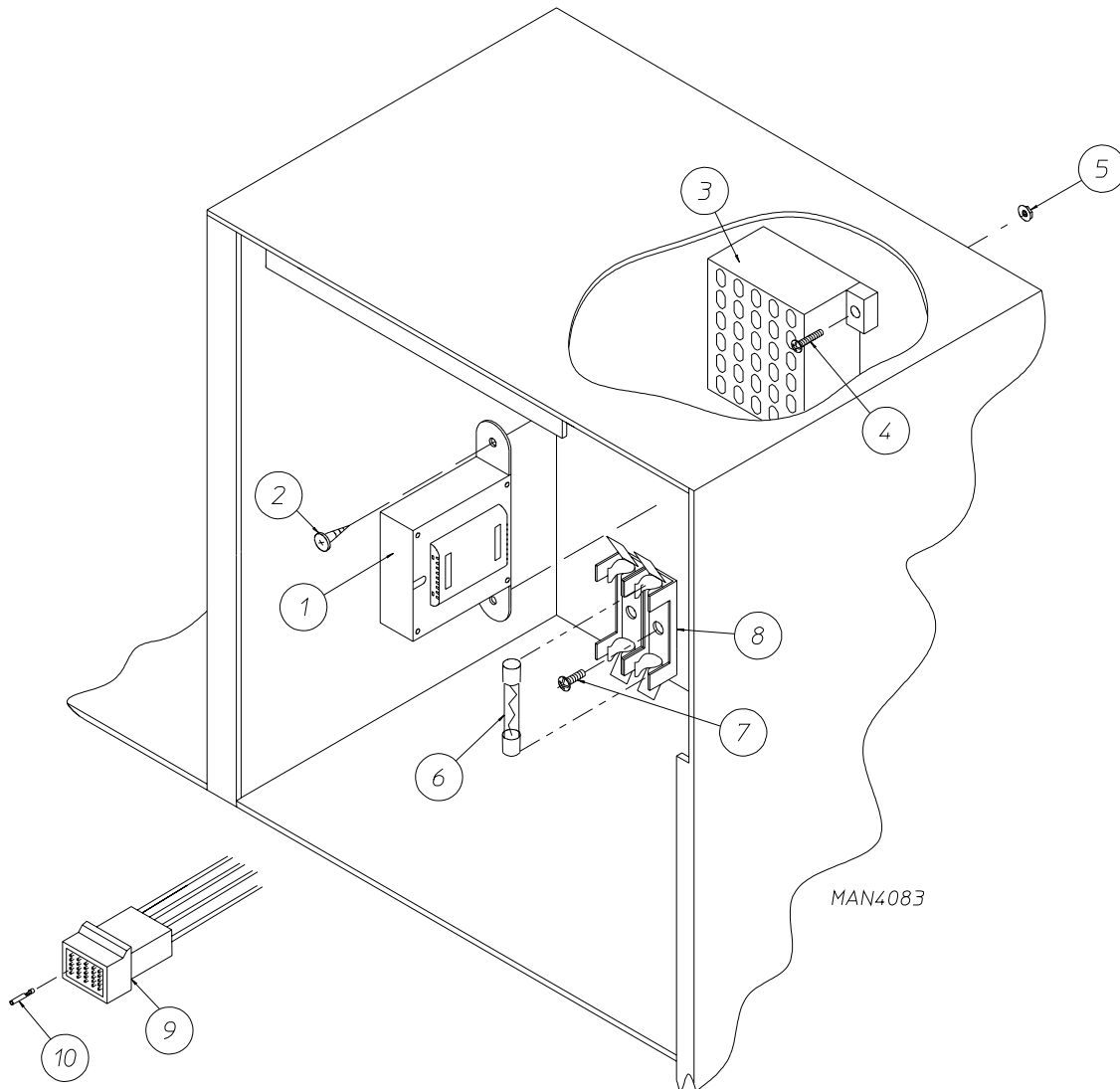
* For dual coin models double the quantity shown.

IMPORTANT: Check label on computer chip to verify correct part number of controller.



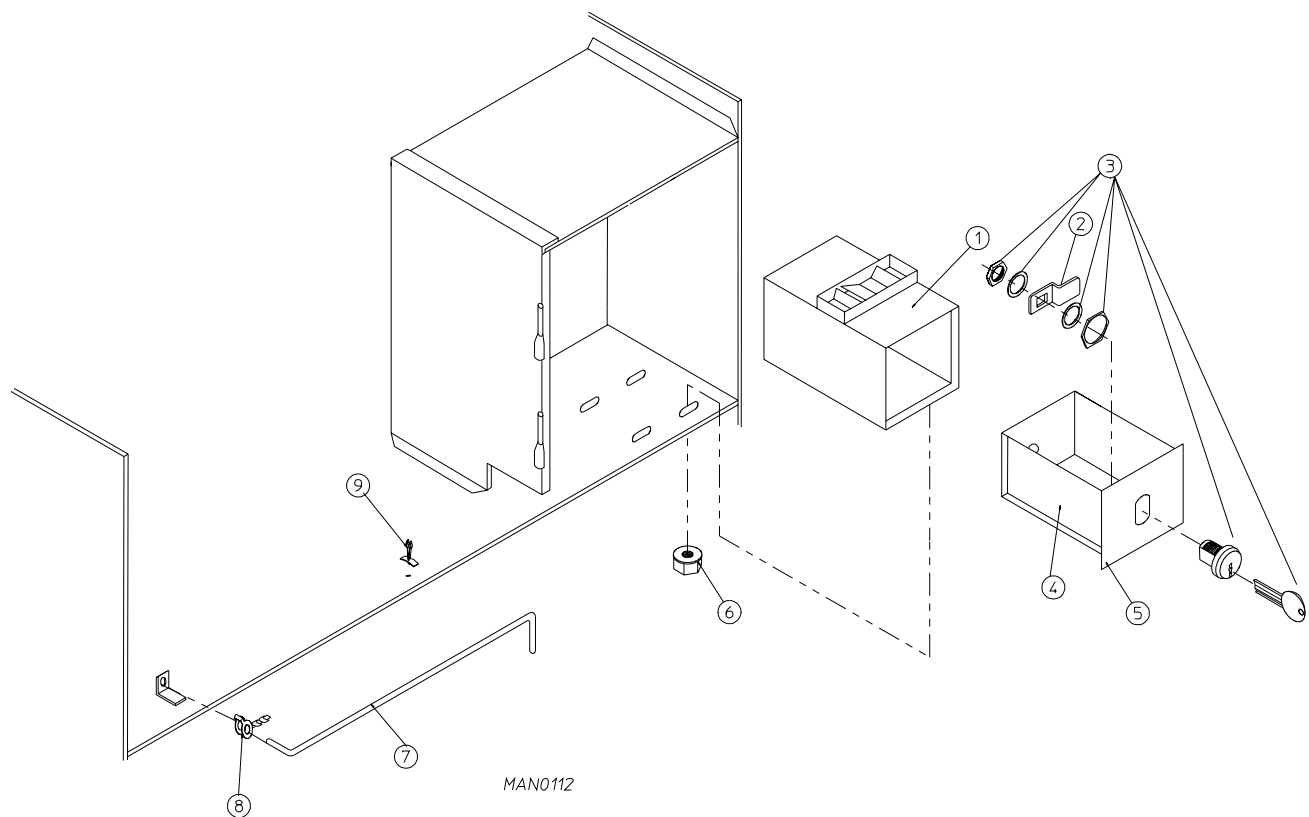
<u>Illus. No.</u>	<u>Part No.</u>	<u>Qty.</u>	<u>Description</u>
1	112535	1	OPL English Keyboard Label Assembly
	112276	1	OPL Stick-On Labels (English Only) ... Not Illustrated
	112275	1	OPL Stick-On Labels ... Not Illustrated (Spanish, Italian, and Hebrew)
	112277	1	3-Language OPL Stick-On Labels ... Not Illustrated (English, Spanish, and Hebrew)
	112278	1	5-Language OPL Stick-On Labels ... Not Illustrated (Italian, Dutch, French, German, and Chinese)
2	801255	1	Phase 5 Microprocessor Control Panel ONLY
	801256	1	Phase 5 Microprocessor Control Panel ONLY with Battery Bracket
	801206	1	Phase 5 OPL Non-Reversing Microprocessor Control Panel Assembly Complete (includes illus. nos. 1 through 6)
	801207	1	Phase 5 OPL Reversing Microprocessor Control Panel Assembly Complete (includes illus. nos. 1 through 6)
3	137222	1	Phase 5 OPL Non-Reversing Controller ONLY
	137231	1	Phase 5 OPL Reversing Controller ONLY
	824998	1	Phase 5 Battery Clip
4	153010	2	#6 Star Washer
5	150005	2	#6-32 x 1/4" Phillips Round Head Machine Screw
6	150413	1	#10-16 x 1/2" TORX Crimptite
7	136048	1	1/8-Amp (slo blo) Fuse

IMPORTANT: Check label on computer chip to verify correct part number for controller.



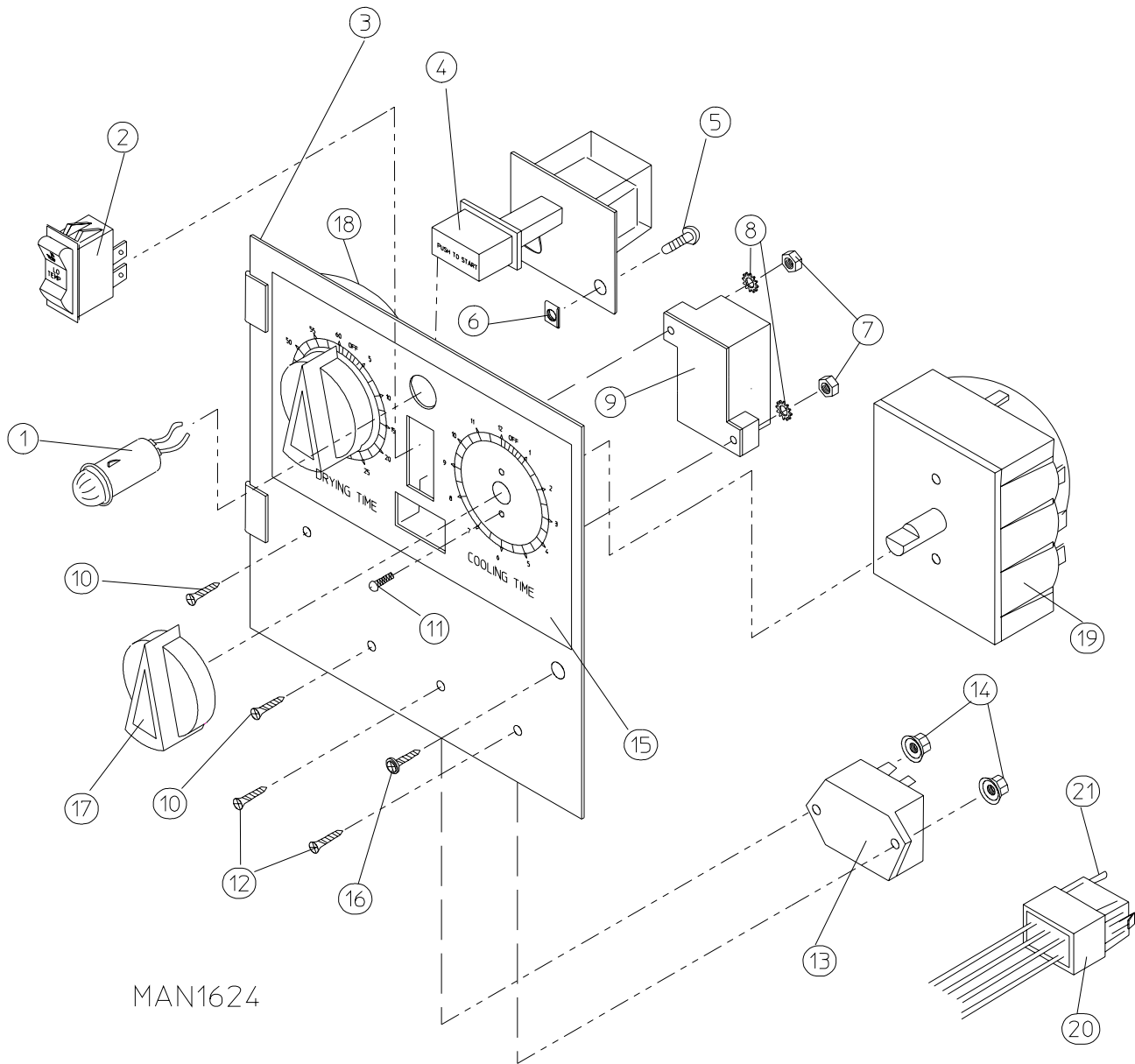
<u>Illus. No.</u>	<u>Part No.</u>	<u>Qty.</u>	<u>Description</u>
1	141403	1	Transformer - 24 VAC (for ALL 120/208/240/380/416/480 volt gas and steam models) (for 380/416/480 volt electric models)
	132070	1	Transformer - 24 VAC (for 208/240 volt electric models)
2	150300	2	#10 x 1/2" Hex Washer TEK Screw
3	120715	1	30-Position Terminal Block
4	150002	2	#6-32 x 1" Phillips Round Head Machine Screw
5	151000	2	#6-32 Pal Nut
6	136057	*	1/2-Amp (slo blo) Fuse ONLY
7	150301	*	#8-18 x 7/16" Phillips Pan Head TEK Screw
8	136008	*	Fuse Block/Strip ONLY
9	122641	1	15-Pin Microprocessor Connector
10	122706	*	Socket ONLY
	112801	1	Pin/Socket Extraction Tool

* As required.



<u>Illus. No.</u>	<u>Part No.</u>	<u>Qty.</u>	<u>Description</u>
1	802112	1	Microprocessor Coin Vault Assembly Complete (includes illus. nos. 1 through 6)
	802117	1	Microprocessor Coin Vault ONLY
2	160028	1	Cam For 1/4 Turn Lock ONLY
3	875061	1	1/4 Turn Lock with Key and Cam
	160105*	1	1/4 Turn Mer-Pel Key ONLY
4	802020	1	1/4 Turn Coin Box Assembly (includes illus. nos. 2 through 5)
	802019	1	1/4 Turn Coin Box ONLY without Face Plate
	125915	1	High Security (Greenwald) Coin Box ONLY with Key
5	802018	1	1/4 Turn Coin Box Face Plate ONLY
6	152014	4	1/4-20 Free Spin Wash Nut
7	102502	1	Control Door Support Rod
8	102601	1	Control Door Rod Retainer Clip
9	102603	1	Control Door Rod Support Catch

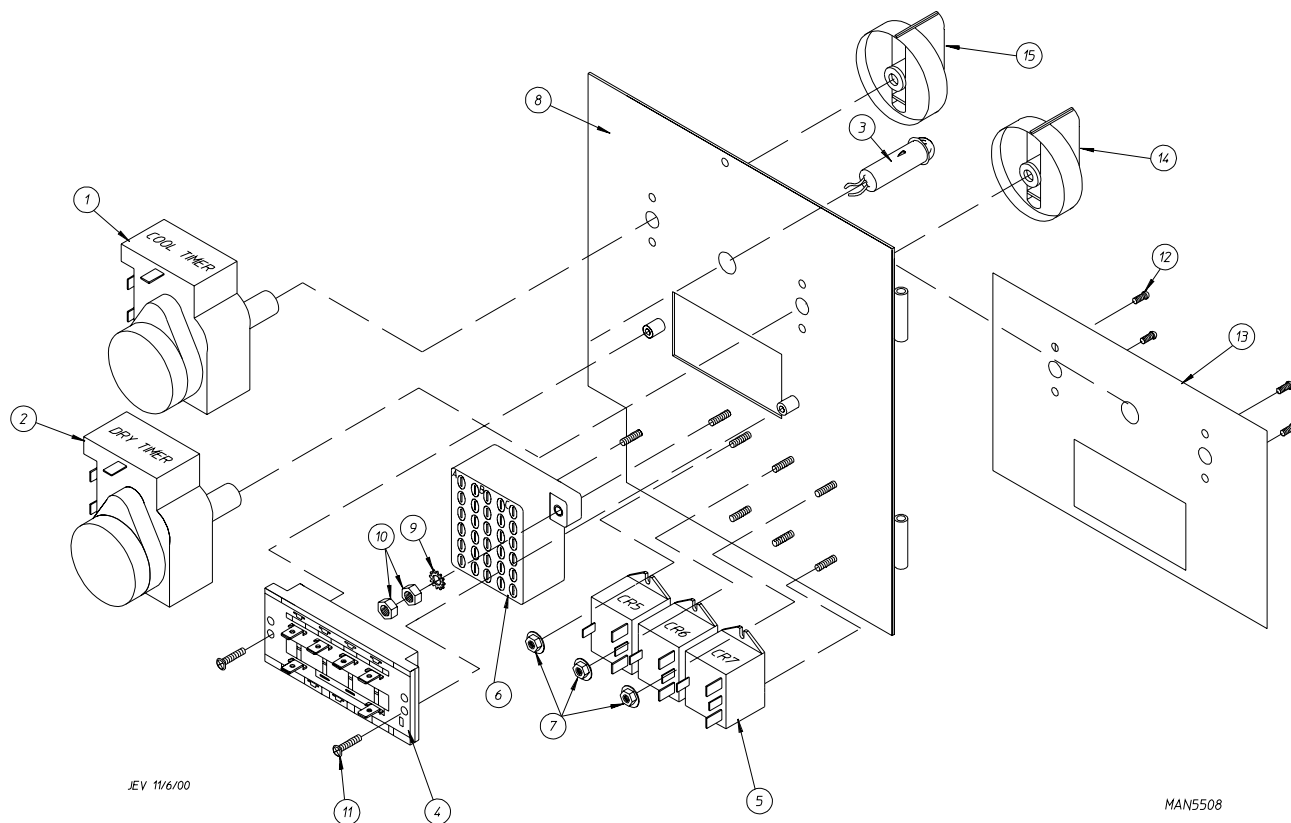
* Specify key number when ordering.



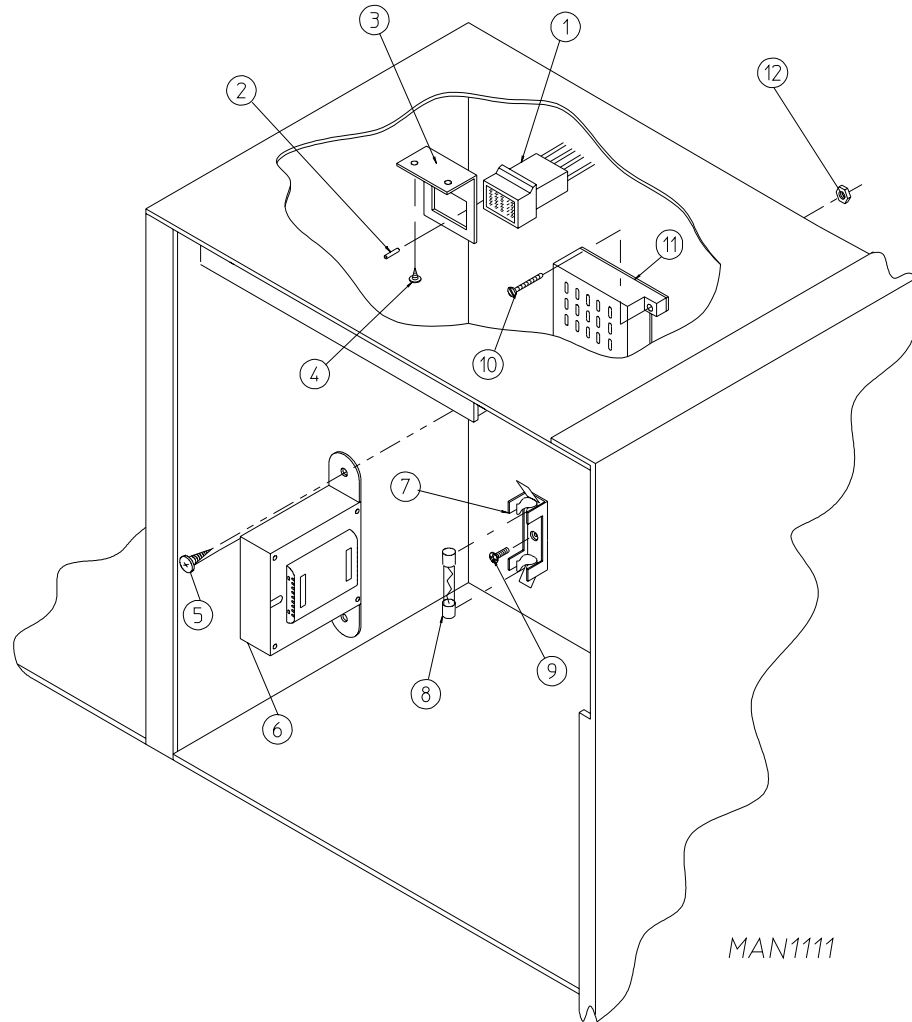
MAN1624

For Models Mfd. prior to November 3, 2000

<u>Illus. No.</u>	<u>Part No.</u>	<u>Qty.</u>	<u>Description</u>
1	123005	1	Red Indicator Light - 24 VAC
2	122400	1	Rocker Heat Selector Switch
3	824015	1	Dual Timer Control Panel Assembly Complete - 24 VAC (includes illus. nos. 1 through 21)
	800051	1	Dual Timer Control Panel ONLY
4	131917	1	Push-to-Start Relay - 24 VAC
5	150207	2	#10-24 x 1/2" Phillips Pan Head Machine Screw
6	154001	2	#10-24 Speed Nut
7	152000	2	#6-32 Hex Nut
8	153010	2	#6 Star Washer
9	120730	1	30-Position Terminal Block
10	150002	2	#6-32 x 1" Phillips Round Head Machine Screw
11	150110	4	#8-32 x 1/4" Phillips Round Head Machine Screw
12	150001	2	#6-32 x 1/2" Phillips Round Head Machine Screw
13	131931	1	Dual Timer Relay - 24 VAC
14	151000	2	#6-32 Pal Nut
15	112050	1	Dual Timer Label ONLY
16	150309	1	#10-16 x 1/2" Hex Head TEK Crimptite Screw
17	124103	2	Arrow Timer Knob
18	124025	1	60 Minute Timer - 24 VAC
19	124030	1	15 Minute Timer - 24 VAC
20	122602	1	9-Pin Connector ONLY
21	122700	8	Pin Terminal ONLY
---	122801	1	Pin/Socket Extraction Tool



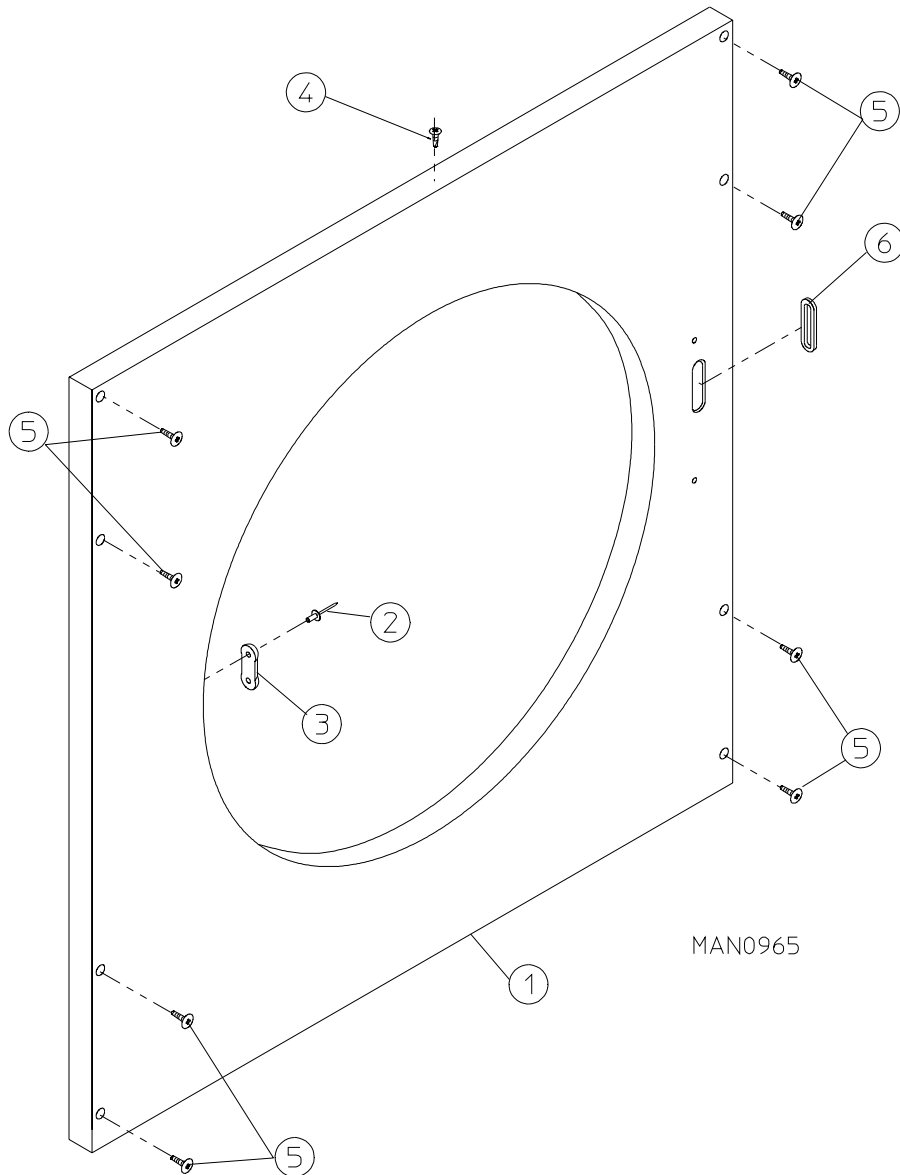
<u>Illus. No.</u>	<u>Part No.</u>	<u>Qty.</u>	<u>Description</u>
1	124030	1	15 Minute Timer - 24 VAC
2	124025	1	60 Minute Timer - 24 VAC
3	824175	1	Red Pilot Light - 24 VAC
4	122301	1	"Tap Touch" Switch
5	131932	3	Relay SPST 24v
6	120730	1	30-Position Terminal Block
7	151000	6	#6-32 Pal Nut
8	882903	1	Dual Timer Panel Complete (includes illus. nos. 1 through 15)
	850392	-	Dual Timer Panel ONLY
9	153010	2	#6 Star Washer
10	152000	3	#6-32 Hex Nut
11	150207	2	#10-24 x 1/2" Phillips Pan Head Machine Screw
12	150110	4	#8-32 x 1/4" Phillips Round Head Machine Screw
13	112563	1	Dual Timer Panel Overlay
14	124104	1	Pure Touch Knob with Red Pointer
15	124105	1	Pure Touch Knob with Blue Pointer



Illus. No.	Part No.	Qty.	Description
1	122603	1	9-Pin Socket Connector
2	122701	8	Socket Terminal ONLY
	122801	1	Pin/Socket Extraction Tool
3	315010	1	9-Pin Connector Bracket
4	150300	2	#10 x 1/2" Hex Washer TEK Screw
5	150300	2	#10 x 1/2" Hex Washer TEK Screw
6	141403	1	Transformer - 24 VAC (for ALL 120/208/240/380/416/480 volt gas and steam models) (for 380/416/480 volt electric models)
	132070	1	Transformer - 24 VAC (for 208/240 volt electric models)
7	136008	*	Fuse Block/Strip ONLY
8**	136057	*	1/2-Amp (slo blo) Fuse ONLY
9	150301	*	#8-18 x 7/16" Phillips Pan Head TEK Screw
10	150002	2	#6-32 x 1" Phillips Round Head Machine Screw
11	120715	1	30-Position Terminal Block
12	151000	2	#6-32 Pal Nut

* As required.

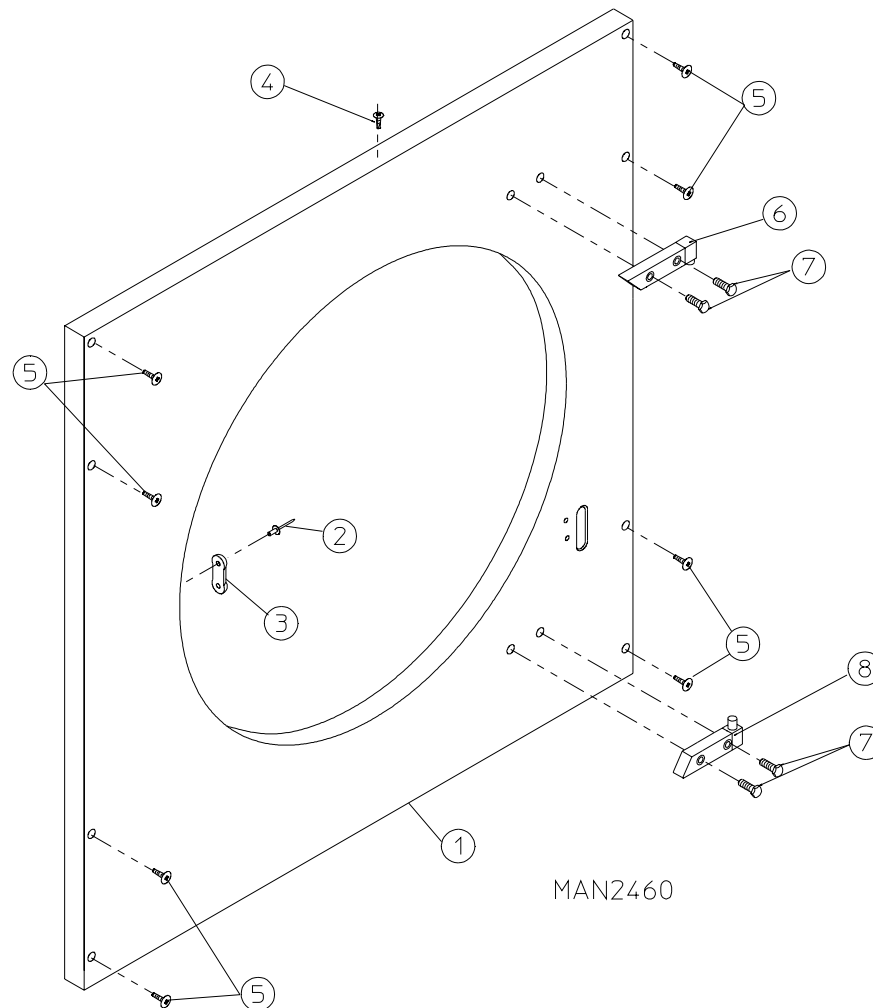
** Check fuse rating for verification.



<u>Illus. No.</u>	<u>Part No.</u>	<u>Qty.</u>	<u>Description</u>
1	875302*	1	Right Hand Insulated Front Panel Assembly Complete (includes illus. nos. 1, 2, 3, and 6)
	875313	1	Stainless Steel Right Hand Insulated Front Panel Assembly Complete (includes illus. nos. 1, 2, 3, and 6)
2	154215	2	5/32 x 1/4" Rivet
3	170330	1	Friction Door Latch
4	150300	1	#10 x 1/2" Hex Washer TEK Screw
5	150313	8	#10-16 x 1/2" TORX-Plus BTN, Type 1 (for models mfd. as of October 2, 2000)
	150309	8	#10-16 x 1/2" Hex Head TEK Crimptite Screw
	150318	**	25IP Stick-Fit TORX-Plus Bit
6	121405	1	Rubber Grommet

* Specify color when ordering.

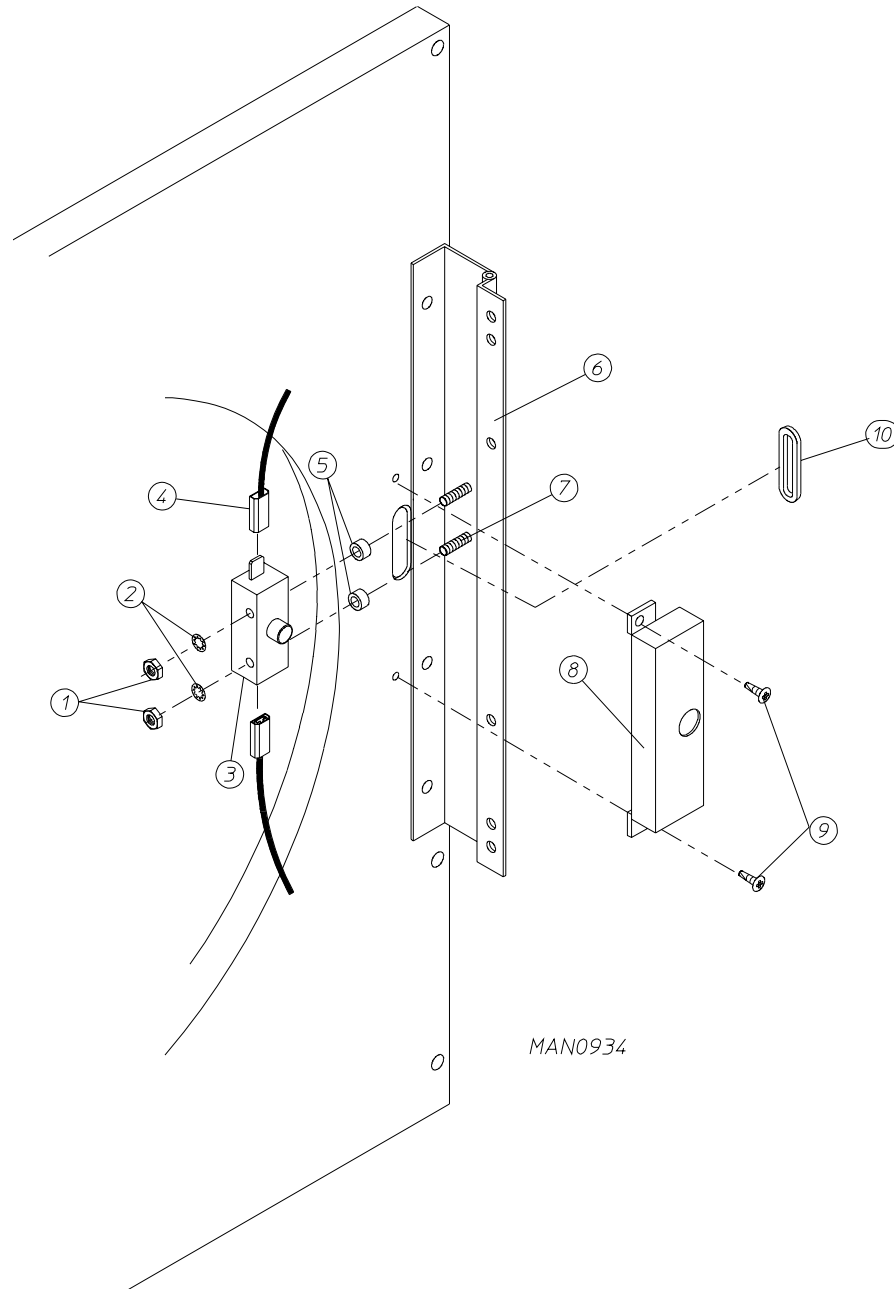
** As required.



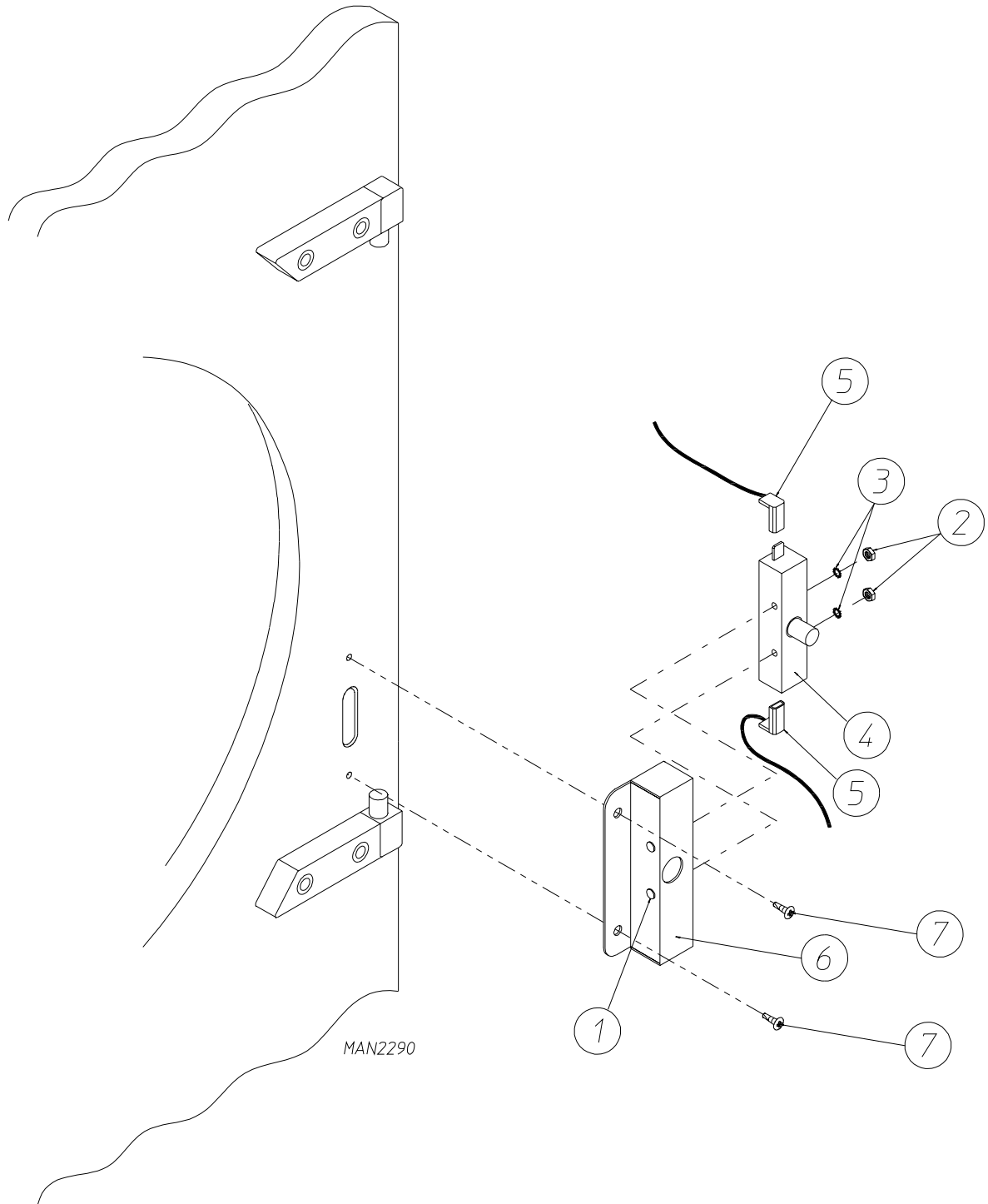
Illus. No.	Part No.	Qty.	Description
1	881273*	1	Front Panel Assembly (cold rolled steel [CRS] door) (includes illus. nos. 1 through 3)
	881289	1	Stainless Steel Front Panel Assembly (cold rolled steel [CRS] door) (includes illus. nos. 1 through 3)
2	154215	2	5/32 x 1/4" Rivet
3	170330	1	Friction Door Latch
4	150300	1	#10 x 1/2" Hex Washer TEK Screw
5	150313	8	#10-16 x 1/2" TORX-Plus BTN, Type 1 (for models mfd. as of October 2, 2000)
	150309	8	#10-16 x 1/2" Hex Head TEK Crimptite Screw
	150318	**	25IP Stick-Fit TORX-Plus Bit
6	881152	1	Black Top Hinge Block Assembly
	881208	1	Stainless Steel Top Hinge Block Assembly
7	150445	4	1/4-20 x 7/8" Black Cap Head Setscrew
	150443	4	1/4-20 x 7/8" Stainless Steel Cap Head Setscrew
8	881151	1	Black Bottom Hinge Block Assembly
	881209	1	Stainless Steel Bottom Hinge Block Assembly

* Specify color when ordering.

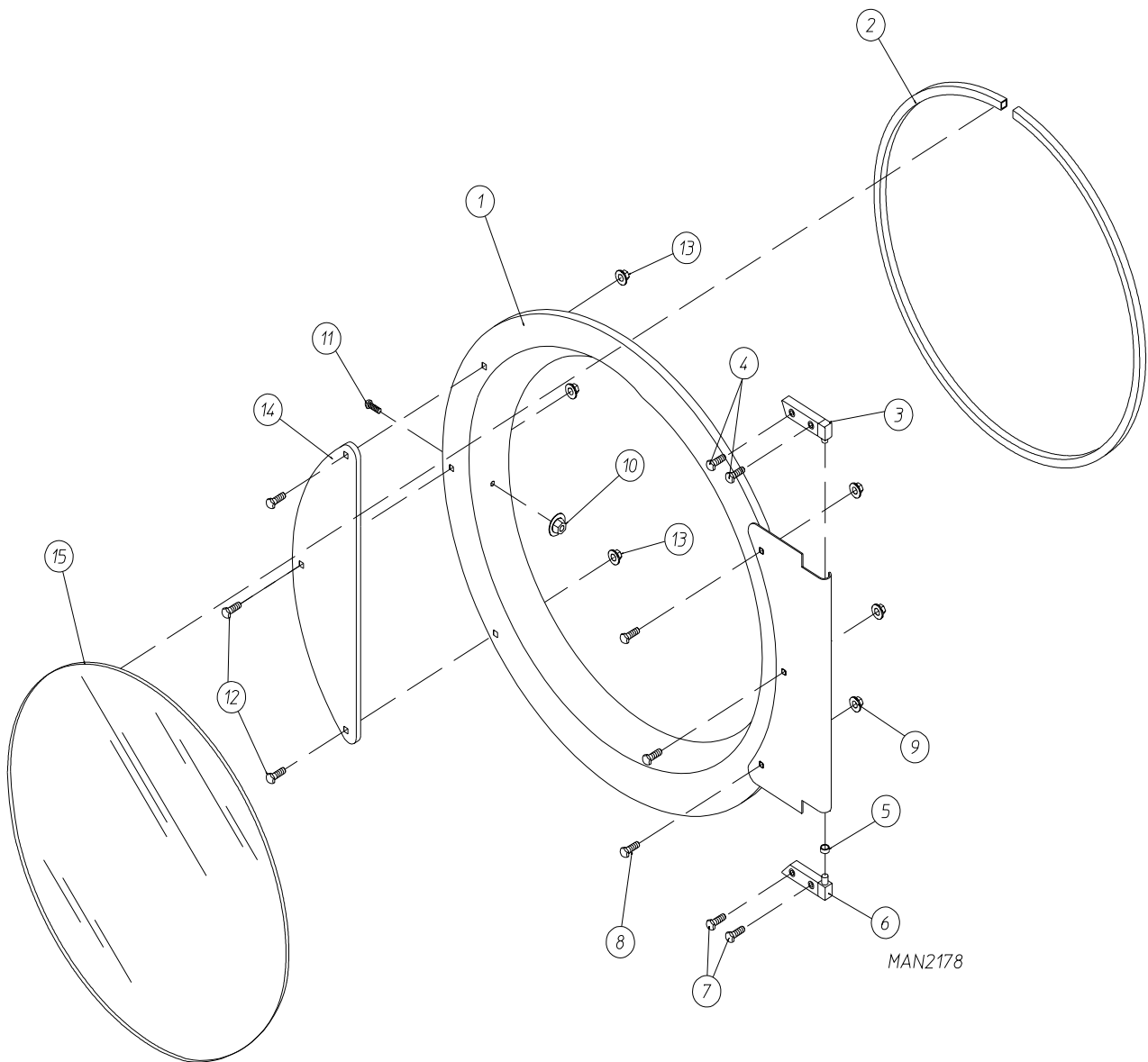
** As required.



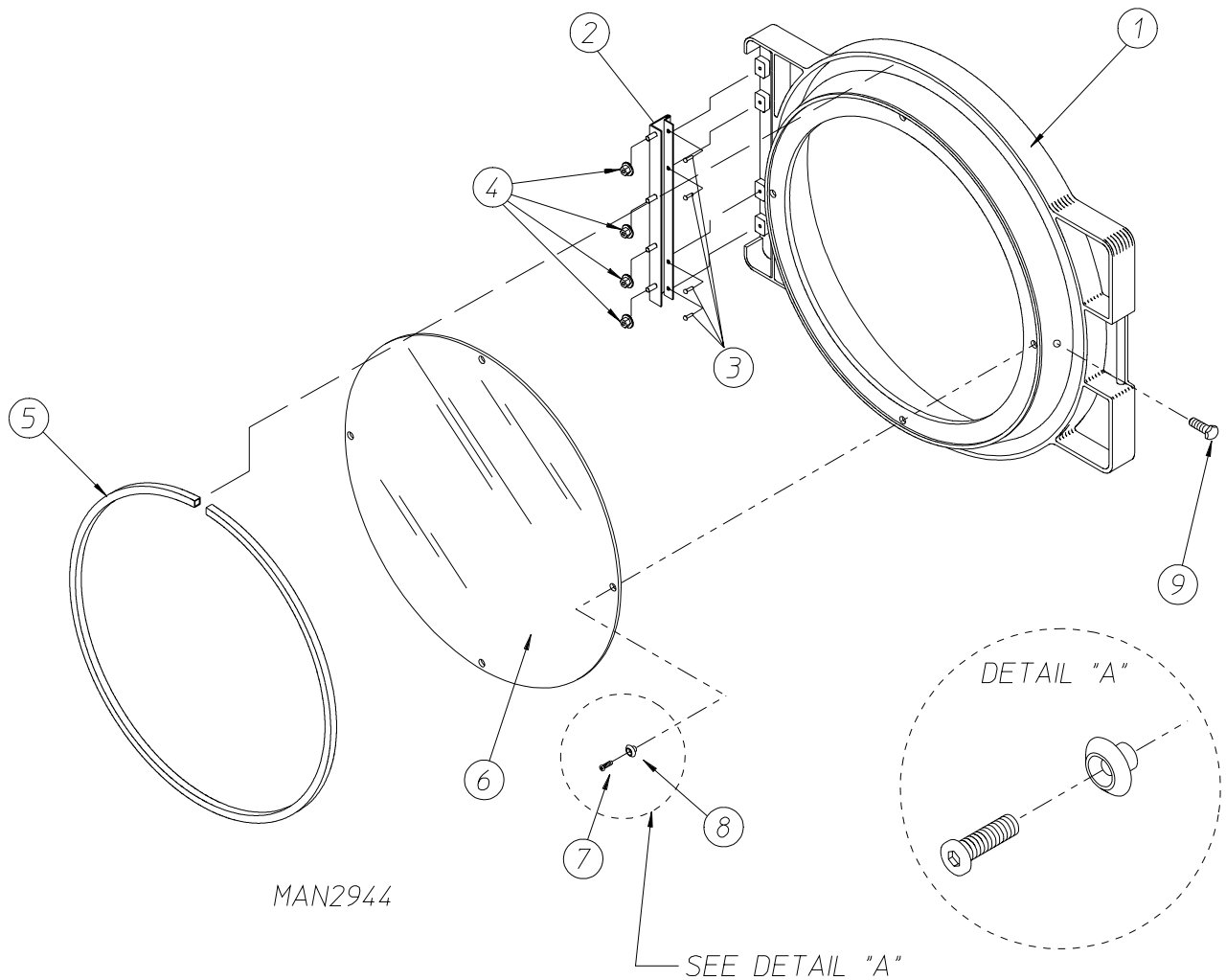
<u>Illus. No.</u>	<u>Part No.</u>	<u>Qty.</u>	<u>Description</u>
1	152013	2	#6-32 Hex Nut 1/4" ATF Zinc Plated
2	153008	2	#6 Lock Washer
3	137005	1	Single-Pole Door Switch (SDS)
4	121028	2	Insulated Terminal ONLY
5	154281	2	3/8" Standard Nylon Spacer
6	800448	1	12-1/2" Stainless Steel Main Door Hinge Assembly (includes illus. nos. 6 and 7)
7	153565	2	#6-32 x 1" Self Clinching Stud
8	313218	1	Main Door Switch Housing
9	150201	2	#10-32 x 1/4" Phillips Pan Head TEK Screw
10	121405	1	Rubber Grommet



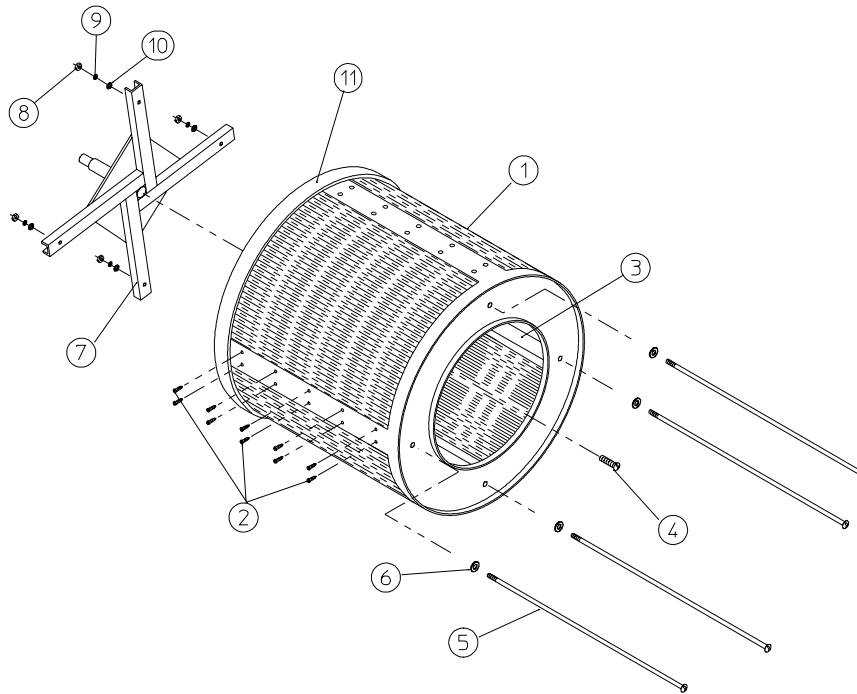
<u>Illus. No.</u>	<u>Part No.</u>	<u>Qty.</u>	<u>Description</u>
1	153566	2	#6-32 x 7/8" Clinch Stud
2	152013	2	#6-32 Hex Nut 1/4" ATF Zinc Plated
3	153010	2	#6 Star Washer
4	137005	1	Single-Pole Door Switch (SDS)
5	122636	2	Flag Terminal
6	881211	1	Main Door Switch Housing
7	150301	2	#8-18 x 7/16" Phillips Pan Head TEK Screw



<u>Illus. No.</u>	<u>Part No.</u>	<u>Qty.</u>	<u>Description</u>
1	881150	1	Black Main Door Assembly Complete (includes illus. nos. 1, 2, and 8 through 15)
	881207	1	Stainless Steel Main Door Assembly Complete (includes illus. nos. 1, 2, and 8 through 15)
2	102354	1	Door Gasket
	170730	1	Clear Glass and Gasket Adhesive (10.3 oz. cartridge)
	170731	1	Black Glass and Gasket Adhesive (10.3 oz. cartridge)
3	881152	1	Black Top Hinge Block Assembly (includes illus. nos. 3 and 4)
	881208	1	Stainless Steel Top Hinge Block Assembly (includes illus. nos. 3 and 4)
4	150445	2	1/4-20 x 7/8" Black Cap Head Setscrew
	150443	2	1/4-20 x 7/8" Stainless Steel Cap Head Setscrew
5	153031	1	1/4" Nylon Washer
6	881151	1	Black Bottom Hinge Block Assembly (includes illus. nos. 5, 6, and 7)
	881209	1	Stainless Steel Bottom Hinge Block Assembly (includes illus. nos. 5, 6, and 7)
7	150445	2	1/4-20 x 7/8" Black Cap Head Setscrew
	150443	2	1/4-20 x 7/8" Stainless Steel Cap Head Setscrew
8	150683	3	1/4-20 x 5/8" Black Carriage Bolt
	150682	3	1/4-20 x 5/8" Stainless Steel Carriage Bolt (for models with stainless steel doors)
9	152014	3	1/4-20 Free Spin Wash Nut
10	151010	1	#10-32 Black Hex Acorn Nut
	151009	1	#10-32 Stainless Steel Hex Acorn Nut
11	150120	1	Door Latch Screw
12	150683	3	1/4-20 x 5/8" Black Carriage Bolt
	150682	3	1/4-20 x 5/8" Stainless Steel Carriage Bolt (for models with stainless steel doors)
13	152014	3	1/4-20 Free Spin Wash Nut
14	881210	1	Black Main Door Handle ONLY
	170333	1	Stainless Steel Main Handle ONLY
15	102210	1	20-7/16" Door Glass
	170730	1	Clear Glass and Gasket Adhesive (10.3 oz. cartridge)



<u>Illus. No.</u>	<u>Part No.</u>	<u>Qty.</u>	<u>Description</u>
1	881421	1	Gray Plastic Main Door Assembly Complete with Mechanical Fasteners (includes illus. nos. 1 and 5 through 9)
2	800448	4	12-1/2" Stainless Steel Main Door Hinge Assembly
3	150410	4	#10-24 x 3/8" Phillips Pan Head Taptite Screw
4	152014	4	1/4-20 Free Spin Wash Nut
5	102349	1	Main Door Gasket
6	102212	1	20-7/16" Door Glass with (4) Holes
	170730	1	Clear Glass and Gasket Adhesive (10.3 oz. cartridge)
7	150448	4	1/2" Stainless Steel Flat Head Allen Screw
8	170319	4	Door Glass (nylon) Spacer
9	150431	1	Main Door Latch Screw (#10 x 7/16" dome hex head)

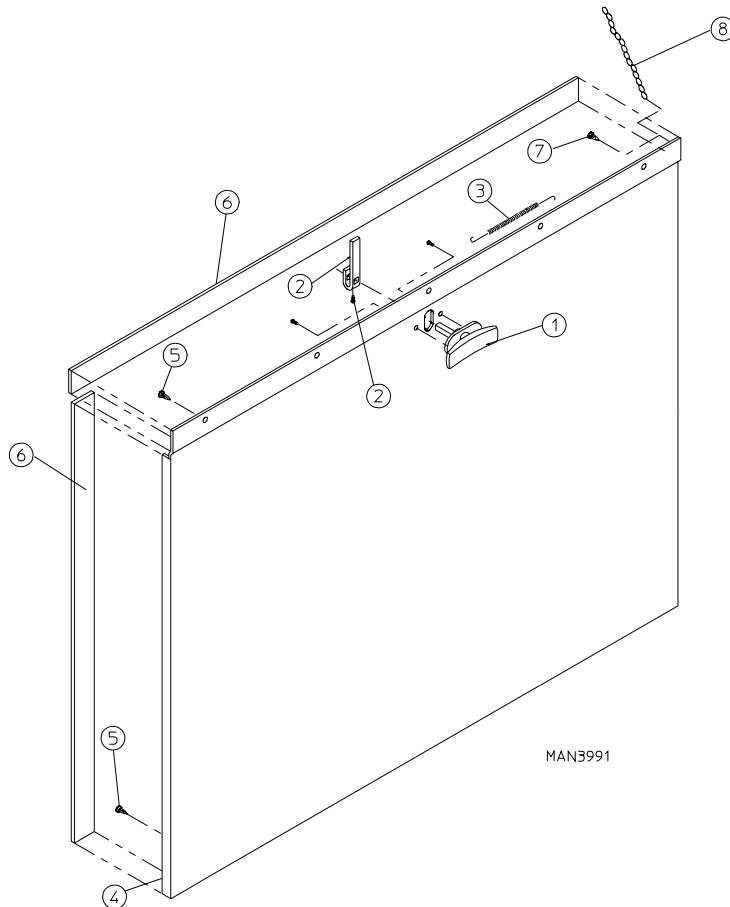


MAN0251

<u>Illus. No.</u>	<u>Part No.</u>	<u>Qty.</u>	<u>Description</u>
1*	800708	1	Basket (tumbler) ONLY without Felt Collar
	800857	1	Stainless Steel Basket (tumbler) ONLY without Felt Collar
	800816	1	Non-Reversing Basket (tumbler) and Support Assembly Complete (includes illus. nos. 1 through 10)
	800873	1	Stainless Steel Non-Reversing Basket (tumbler) and Support Assembly Complete (includes illus. nos. 1 through 10)
	800819	1	Reversing Basket (tumbler) and Support Assembly Complete (includes illus. nos. 1 through 10)
	800876	1	Stainless Steel Reversing Basket (tumbler) and Support Assembly Complete (includes illus. nos. 1 through 10)
2	150413	40	#10-16 x 1/2" TORX Crimptite
	150429	1	TORX Hand Driver (for removal of TORX head screw)
3	301308	4	Basket (tumbler) Rib ONLY
	301408	4	Stainless Steel Basket (tumbler) Rib ONLY
4	150500	1	5/16-18 x 3/4" Socket Button Head Screw
5	100905	4	3/8-16 x 37" Tie Rod
6	153004	4	3/8" Flat Washer
7	800613	1	Non-Reversing Basket (tumbler) Support ONLY
	800615	1	Reversing Basket (tumbler) Support ONLY
8	152005	4	3/8" Hex Nut
9	153005	4	3/8" Lock Washer
10	153004	4	3/8" Flat Washer
11	116000	1	Felt Collar ONLY
---	401010	1	#847 Adhesive For Felt Collar

* Felt collar is not included and **must be** ordered separately.

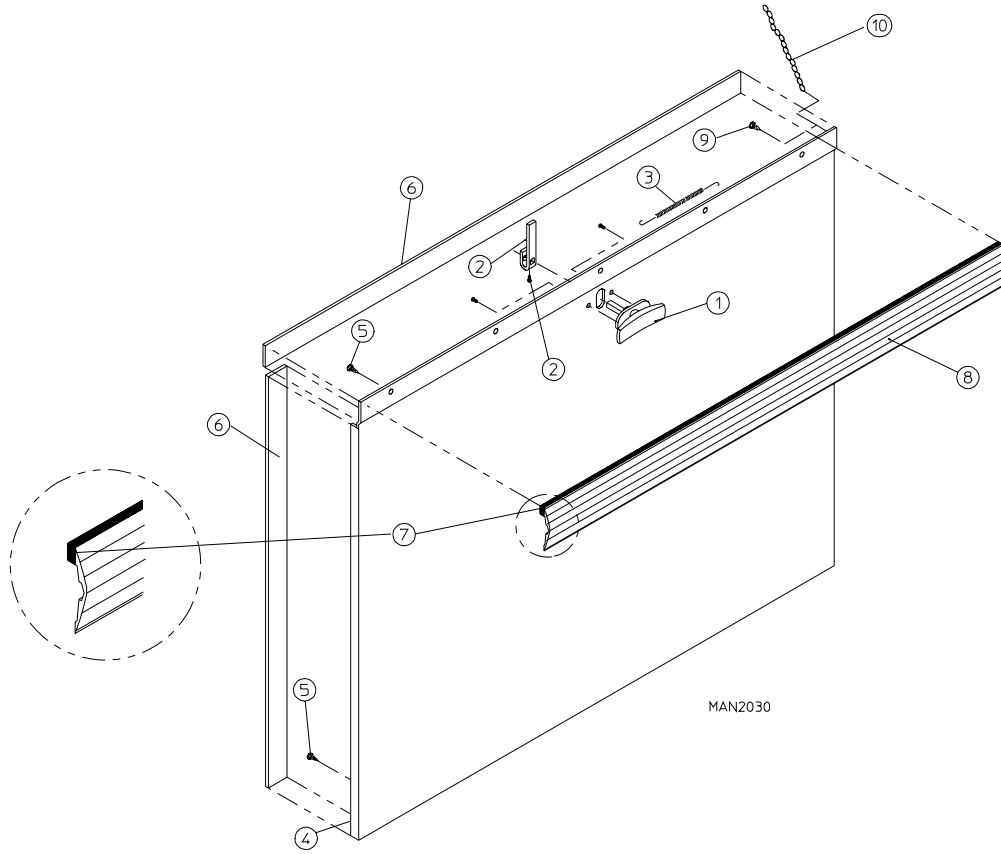
For OPL (Non-Coin) Models



<u>Illus. No.</u>	<u>Part No.</u>	<u>Qty.</u>	<u>Description</u>
1	160001	1	AD-100 Lock Assembly with Key (for coin models Only)
	160103	1	AD-100 Key ONLY
	800150	1	Knob Latch Kit Assembly (includes illus. nos. 1 and 2)
	160003	1	Dummy Lock ONLY (for non-coin models)
	160104	1	MK-100 Key ONLY (for dummy lock)
2	160008	1	Lock Cam For AD-100 and Dummy Lock
	160009	1	Knob Latch Adjustable Cam ONLY
	150425	1	#12-24 x 3/8" Round Head Machine Screw ONLY (screw for knob latch adjustable cam)
3	157000	1	Drop Lint Door Spring
4	802104*	1	Insulated Drop Lint Door Assembly (includes illus. nos. 4 through 8)
	882106	1	Stainless Steel Insulated Drop Lint Drawer Assembly (includes illus. nos. 4 through 8)
5	150201	6	#10-32 x 1/4" Phillips Pan Head TEK Screw
6	117604	7	Neoprene Sponge Tape (sold by the foot)
7	150419	2	#6 x 1/2" Tamperproof TEK Screw
8	108120	1	Chain For Drop Lint Door (10-1/2" length)
-	150418	1	Tamperproof Screw Hand Driver

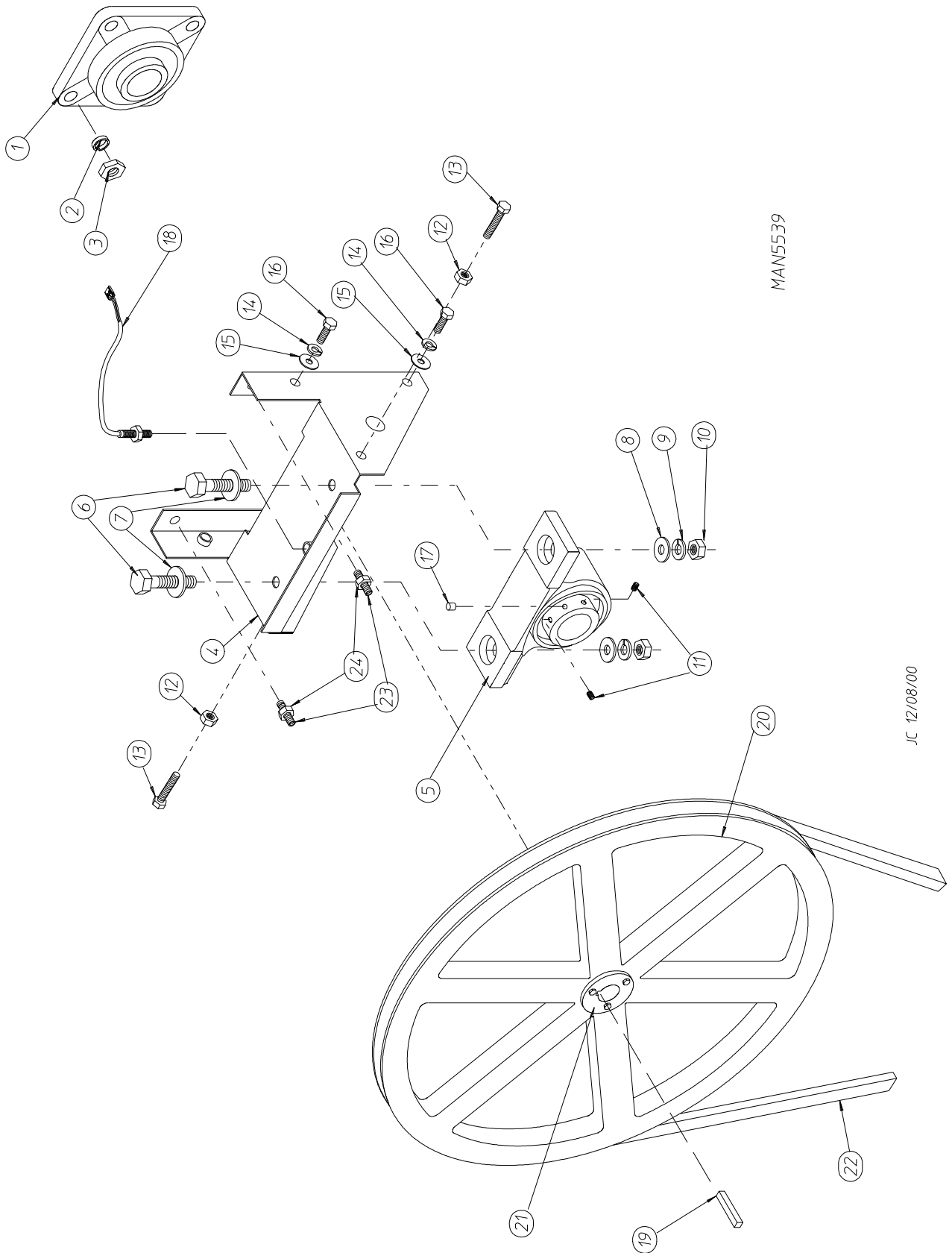
* Specify color when ordering.

For ALL Coin Models

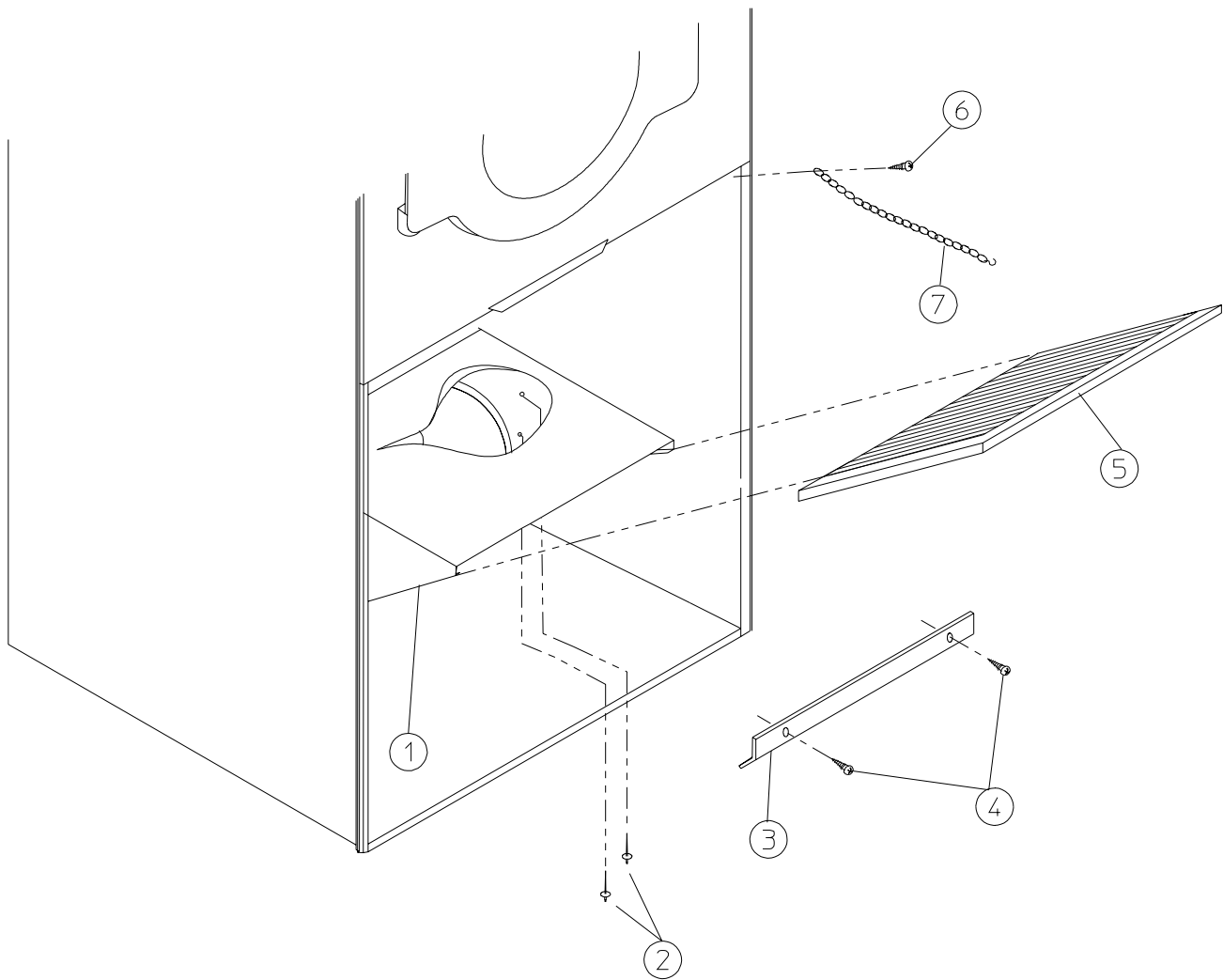


<u>Illus. No.</u>	<u>Part No.</u>	<u>Qty.</u>	<u>Description</u>
1	160001	1	AD-100 Lock Assembly with Key (for coin models Only)
	160103	1	AD-100 Key ONLY
	800150	1	Knob Latch Kit Assembly (includes illus. nos. 1 and 2)
	160003	1	Dummy Lock ONLY (for non-coin models)
2	160104	1	MK-100 Key ONLY (for dummy lock)
	160008	1	Lock Cam For AD-100 and Dummy Lock
	160009	1	Knob Latch Adjustable Cam ONLY
3	150425	1	#12-24 x 3/8" Round Head Machine Screw ONLY (screw for knob latch adjustable cam)
4	157000	1	Drop Lint Door Spring
4	800237*	1	Insulated Drop Lint Door Assembly (includes illus. nos. 4 through 8)
	880229	1	Stainless Steel Insulated Drop Lint Drawer Assembly (includes illus. nos. 4 through 8)
5	150201	6	#10-32 x 1/4" Phillips Pan Head TEK Screw
6	117604	7	Neoprene Sponge Tape (sold by the foot)
7	117603	3	Suppressor Tape/Gasket (sold by the foot)
8	180212	1	Mid Trim/Kick Plate - Gray (8-1/4" length)
9	150419	2	#6 x 1/2" Tamperproof TEK Screw
10	108120	1	Chain For Drop Lint Door (10-1/2" length)
---	150418	1	Tamperproof Screw Hand Driver

* Specify color when ordering.

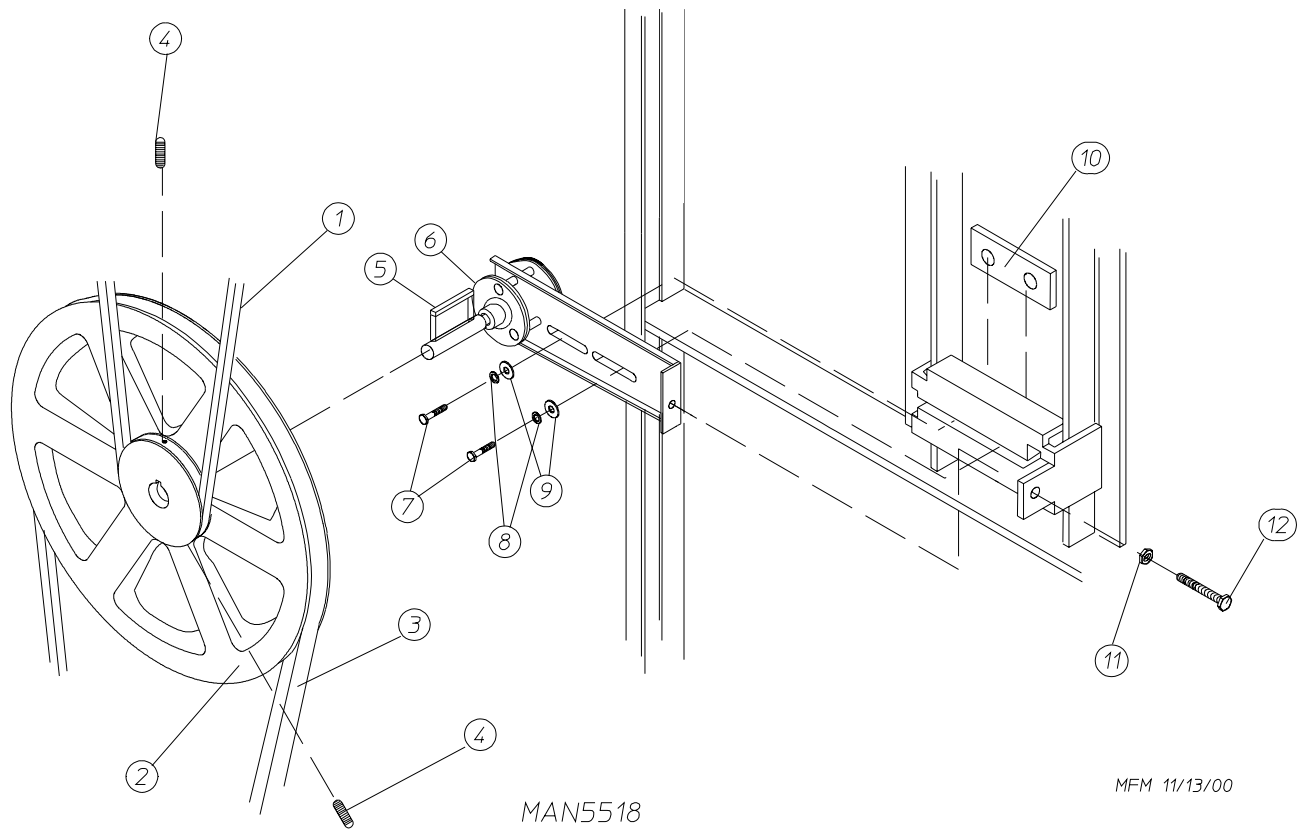


<u>Illus. No.</u>	<u>Part No.</u>	<u>Qty.</u>	<u>Description</u>
1	880220	1	1-3/4" Flange Bearing
2	153025	4	9/16" Lock Washer
3	152050	4	9/16-12 Hex Nut
4	882544	1	Pillow Block Bearing Assembly Complete (includes illus. nos. 4 through 17)
	882545	1	Pillow Block Bearing Assembly Complete with Rotational Sensor (includes illus. nos. 4 through 18)
	882542	1	Pillow Block Bearing Platform ONLY
	882543	1	Pillow Block Bearing Platform ONLY (for models with rotational sensor)
5	880202	1	1-3/8" Pillow Block Bearing
	880779	1	1-3/8" Pillow Block Bearing (for reversing models Only)
6	150601	2	3/8-16 x 2" Hex Bolt
7	153004	2	3/8" Flat Washer
8	153004	2	3/8" Flat Washer
9	153005	2	3/8" Lock Washer
10	152005	2	3/8-16 Hex Nut
11	154326	2	5/16-24 x 3/8" Setscrew
12	152004	2	5/16-18 Hex Nut
13	150621	2	5/16-18 x 1-1/2" Tap Bolt Zinc
14	153002	4	5/16" Lock Washer
15	153004	6	3/8" Flat Washer
16	150501	4	5/16-18 x 3/4" Tap Bolt Zinc
17	102120	1	Sintered 8 Magnet (for reversing models Only)
18	824807	1	Rotational Sensor Assembly
19	100735	1	Shaft Key (for reversing models Only)
20	101100	1	18" Pulley (for non-reversing models Only)
	101118	1	18-3/4" Pulley (for reversing models Only)
21	101119	1	1-3/8" Taper Lock Bushing (for reversing models Only)
22	100108	1	5L-680 V-Belt (basket [tumbler] to idler)
	100106	1	5L-690 V-Belt (for reversing gas and electric models Only)
23	150610	2	5/16-18 x 1-1/2 Allen Setscrew
24	152004	2	5/16-18 Hex Nut



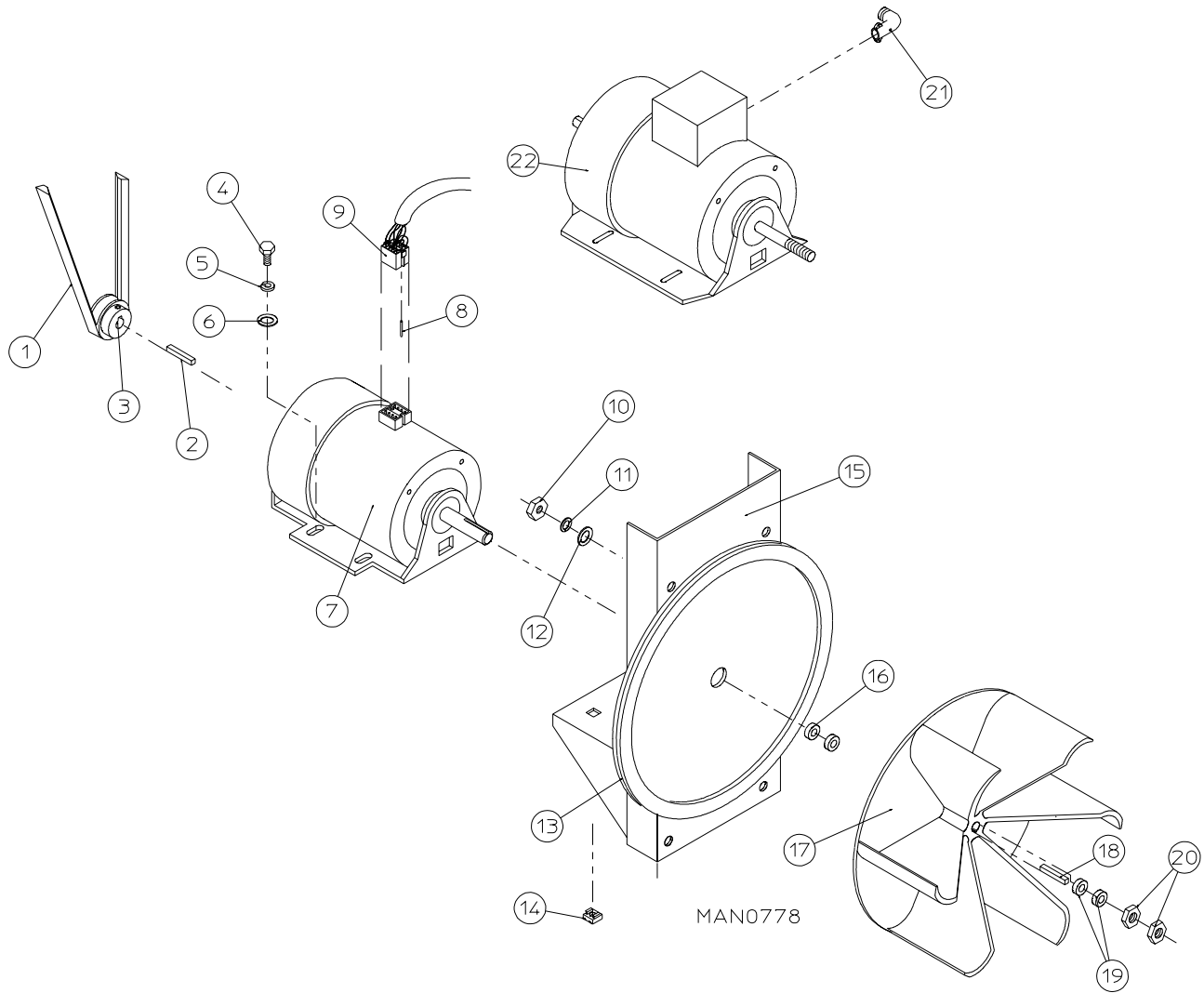
MAN0107

<u>Illus. No.</u>	<u>Part No.</u>	<u>Qty.</u>	<u>Description</u>
1	800440	1	Non-Reversing Lint Trap Assembly Complete (includes illus. nos. 1, 3, 4, and 5)
	800433	1	Non-Reversing Lint Trap ONLY
	800441	1	Reversing Lint Trap Assembly Complete (includes illus. nos. 1, 3, 4, and 5)
	800434	1	Reversing Lint Trap ONLY
2	154200	7	5/32" Pop Rivet
3	304101	1	Lint Screen Holder ONLY
4	150300	3	#10 x 1/2" Hex Washer TEK Screw
5	800506	1	Lint Screen ONLY
6	150419	2	#6 x 1/2" Tamperproof TEK Screw
7	108120	1	Chain For Drop Lint Door (10-1/2" length)
-	150418	1	Tamperproof Screw Hand Driver



<u>Illus. No.</u>	<u>Part No.</u>	<u>Qty.</u>	<u>Description</u>
1	100108	1	5L-680 V-Belt
	100106	1	5L-690 V-Belt (for reversing gas and electric models Only)
2	101140	1	14" x 3" Compound Pulley
3	100114	1	4L-630 V-Belt
	100109	1	4L-650 V-Belt (for reversing steam models Only)
4	154301	2	5/16-18 x 1" Allen Setscrew
5	100705	1	3/16" x 3/16" x 1-3/8" Key
6	882576	1	Idler Bearing Assembly Complete (includes illus. nos. 5 through 12)
7	150617	2	3/8-16 x 1" Hex Head Machine Bolt
8	153005	2	3/8" Lock Washer
9	153004	2	3/8" Flat Washer
10	801009	1	Idler Square Washer
11	152004	1	5/16-18 Hex Nut
12	150509	1	5/16-18 x 3" Hex Head Machine Bolt

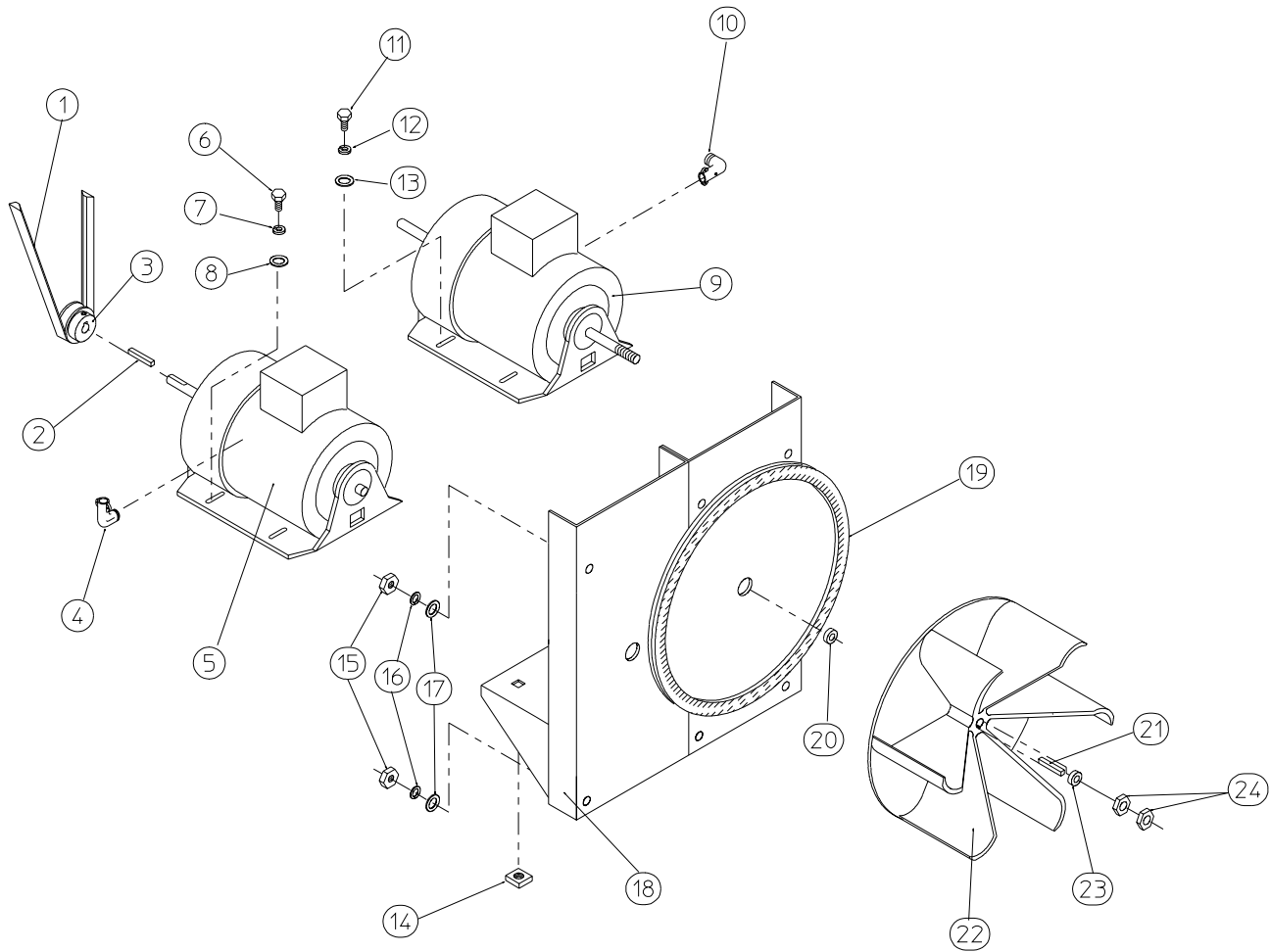
26 Non-Reversing Totally Enclosed, Fan-Cooled (T.E.F.C.) Motor Mount Assembly



<u>Illus. No.</u>	<u>Part No.</u>	<u>Qty.</u>	<u>Description</u>
1	100114	1	4L-630 V-Belt (motor to idler)
2	100701	1	3/16" x 3/16" x 1" Key
3	101133	1	5/8" x 2-1/4" Motor Pulley (60 Hz Only)
	101130	1	5/8" x 2-1/2" Motor Pulley (60 Hz Only)
4	150501	4	5/16-18 x 3/4" Hex Head Machine Bolt
5	153002	4	5/16" Lock Washer
6	153001	4	5/16" Flat Washer
7*	100073	1	1 HP 120/208/230v 1ø 60 Hz Totally Enclosed, Fan-Cooled (T.E.F.C.) Motor with Plug (56Z frame)
8	122701	8	Socket Terminal ONLY
	122801	1	Pin/Socket Extraction Tool
9	137030	1	8-Pin Housing Connector
10	152004	4	5/16-18 Hex Nut
11	153002	4	5/16" Lock Washer
12	153001	4	5/16" Flat Washer
13	117604	4	Neoprene Sponge Tape (sold by the foot)
14	154000	4	5/16-18 Tinnerman Nut
15	800919	1	Non-Reversing Motor Mount ONLY (56Z frame)
	803992*	1	1 HP 120/230v 1ø 60 Hz Totally Enclosed, Fan-Cooled (T.E.F.C.) Motor Mount Assembly with Plug Complete (includes illus. nos. 2 through 7 and 13 through 20)
	803953	1	3/4 HP 230v 1ø 50 Hz Non-Reversing Totally Enclosed, Fan-Cooled (T.E.F.C.) Motor Mount Assembly Complete (includes illus. nos. 2 through 6 and 13 through 22)
	803955*	1	1 HP 230/380/460v 3ø 60 Hz Non-Reversing Totally Enclosed, Fan-Cooled (T.E.F.C.) Motor Mount Assembly Complete (includes illus. nos. 2 through 6 and 13 through 22)
	803958*	1	1 HP 230/380/460v 3ø 50 Hz Non-Reversing Totally Enclosed, Fan-Cooled (T.E.F.C.) Motor Mount Assembly Complete (includes illus. nos. 2 through 6 and 13 through 22)
16	153051	1	3/4" S.A.E. Flat Washer
17	882670	1	16" Fab Fan Assembly (rivets)
18	100714	1	3/16" x 3/16" x 1-7/8" Key
19	153050	2	1/2" S.A.E. Flat Washer
20	152006	2	1/2-20 Left Hand Jam Nut
21	120200	1	3/8" x 90° Connector
22	100075*	1	1 HP 208/230/240/460v 3ø 50/60 Hz Totally Enclosed, Fan-Cooled (T.E.F.C.) Motor
	100076	1	3/4 HP 230v 1ø Totally Enclosed, Fan-Cooled (T.E.F.C.) Motor 56Z Frame (50 Hz Only)

* Specify voltage when ordering.

28 Reversing Totally Enclosed, Fan-Cooled (T.E.F.C.) Motor Mount Assembly



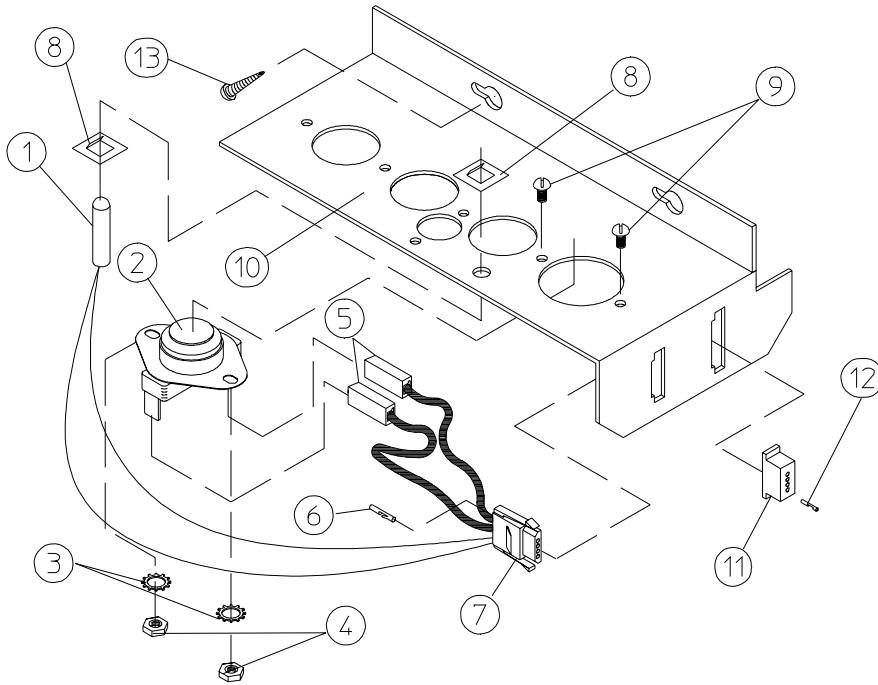
MAN0250

<u>Illus. No.</u>	<u>Part No.</u>	<u>Qty.</u>	<u>Description</u>
1	100114	1	4L-630 V-Belt (motor to idler) For Reversing Gas and Electric Models ONLY
	100109	1	4L-650 V-Belt (motor to idler) For Reversing Steam Models ONLY
2	100701	1	3/16" x 3/16" x 1" Key
3	101130	1	5/8" x 2-1/2" Motor Pulley (60 Hz Only)
	101139	1	5/8" x 2-3/4" Motor Pulley (50 Hz Only)
4	120200	1	3/8" x 90° Connector
5	181003	1	1/2 HP 208/230/380/460v 3ø 50/60 Hz Totally Enclosed, Fan-Cooled (T.E.F.C.) Motor (56Z frame)
6	150501	4	5/16-18 x 3/4" Hex Head Machine Bolt
7	153002	4	5/16" Lock Washer
8	153001	4	5/16" Flat Washer
9*	100075	1	1 HP 208/230/240/460v 3ø 50/60 Hz Totally Enclosed, Fan-Cooled (T.E.F.C.) Motor with 3/4" Shaft (56Z frame)
10	120200	1	3/8" x 90° Connector
11	150501	4	5/16-18 x 3/4" Hex Head Machine Bolt
12	153002	4	5/16" Lock Washer
13	153001	4	5/16" Flat Washer
14	154000	8	5/16-18 Tinnerman Nut
15	152004	7	5/16-18 Hex Nut
16	153002	7	5/16" Lock Washer
17	153001	7	5/16" Flat Washer
18	800920	1	Reversing Motor Mount ONLY (56Z frame)
	803952**	1	60 Hz Reversing Totally Enclosed, Fan-Cooled (T.E.F.C.) Motor Mount Assembly Complete (includes illus. nos. 2 through 14 and 18 through 24)
	803987**	1	50 Hz Reversing Totally Enclosed, Fan-Cooled (T.E.F.C.) Motor Mount Assembly Complete (includes illus. nos. 2 through 14 and 18 through 24)
19	117604	4	Neoprene Sponge Tape (sold by the foot) For Models Mfd. as of August 6, 1998
20	153051	1	3/4" S.A.E. Flat Washer
21	100702	1	1/8" x 1/8" x 1-1/2" Key
22	882670	1	16" Fab Fan Assembly (rivets)
	881428	1	13" Impellor with 3/4" Bore (for models mfd. prior to March 1, 1995)
23	153050	***	1/2" S.A.E. Flat Washer
24	152006	2	1/2-20 Left Hand Jam Nut

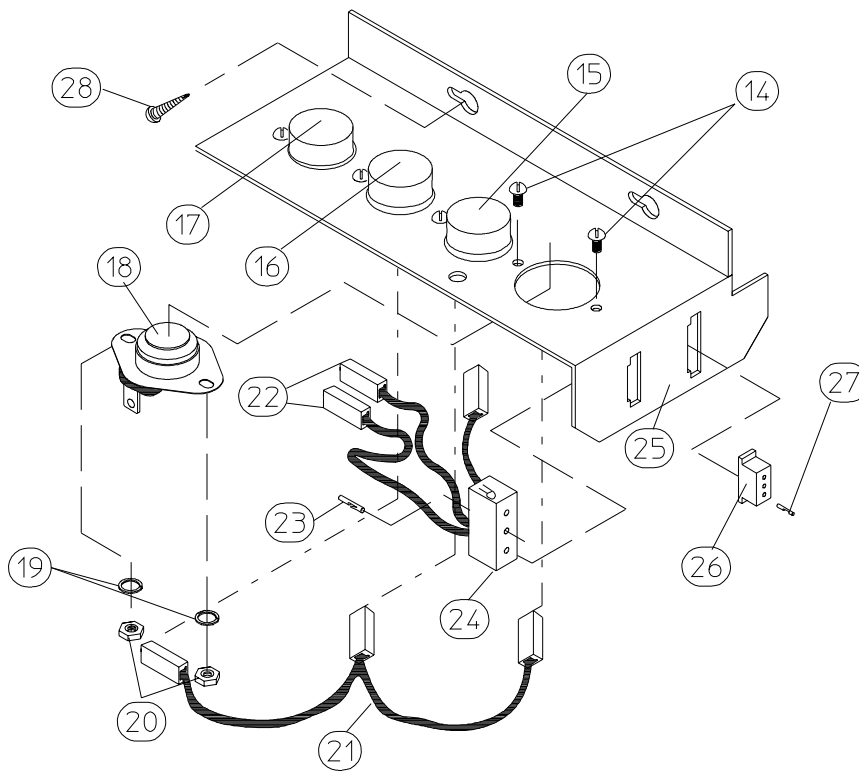
* Check part number on motor data label to verify correct motor.

** Specify voltage when ordering.

*** As required.



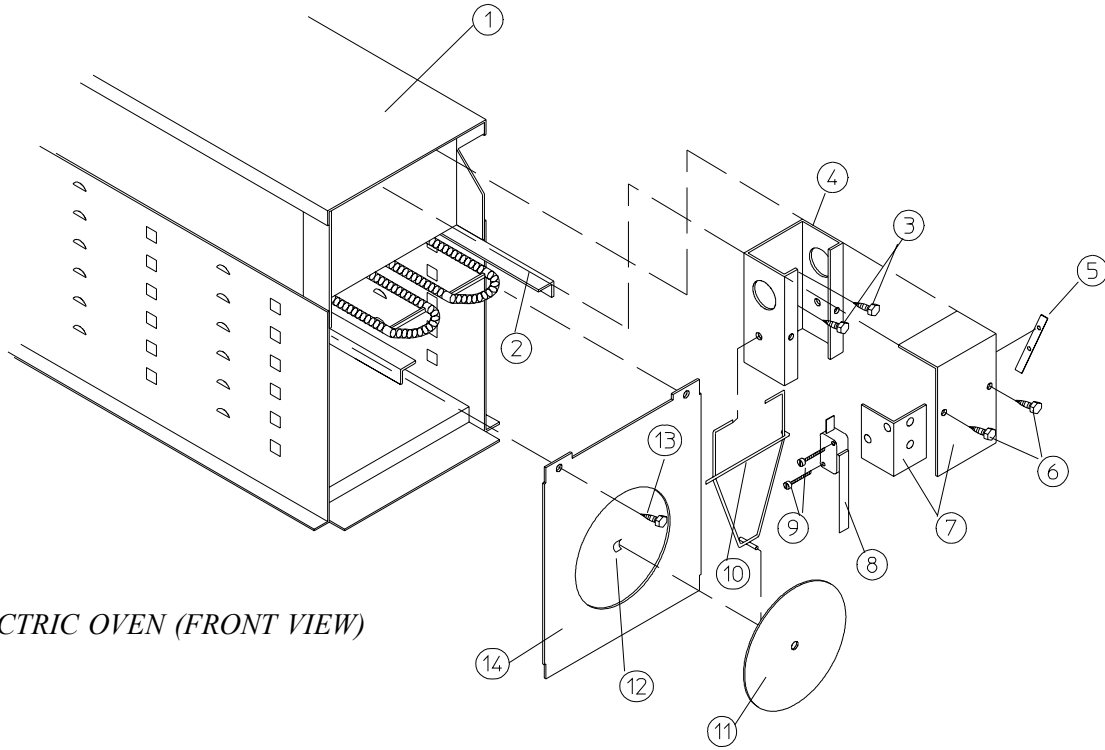
MICROPROCESSOR SENSOR BRACKET ASSEMBLY



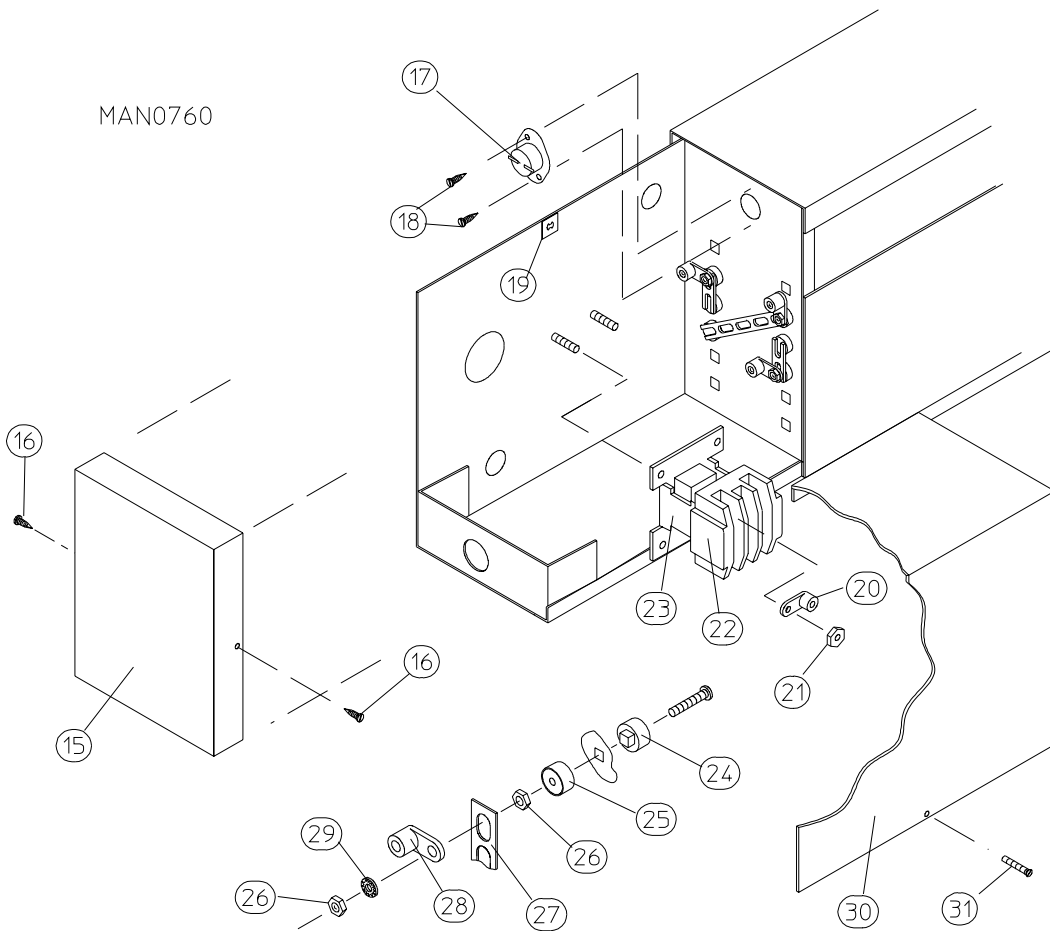
NON-COMPUTER SENSOR BRACKET ASSEMBLY

MAN0238

<u>Illus. No.</u>	<u>Part No.</u>	<u>Qty.</u>	<u>Description</u>
1	880251	1	1/4" Temperature Sensor Probe Assembly (includes illus. nos. 1 and 5 through 8)
2	130301	1	225° Large Manual Reset Thermostat
3	153010	2	#6 Star Washer
4	152000	2	#6-32 Hex Nut
5	121028	2	Insulated Terminal ONLY
6	122701	4	Socket Terminal ONLY
7	122605	1	4-Pin Socket Connector ONLY
8	154007	2	1/4" Tinnerman Push On Fastener
9	150005	2	#6-32 x 1/4" Phillips Round Head Machine Screw
10	801425	1	Microprocessor Sensor Bracket Assembly Complete (includes illus. nos. 1 through 10)
	305007	1	Universal Sensor Bracket ONLY
11	122604	1	4-Pin Connector ONLY
12	122700	4	Pin Terminal ONLY
13	150301	2	#8-18 x 7/16" Phillips Pan Head TEK Screw
14	150005	5	#6-32 x 1/4" Phillips Round Head Machine Screw
15	130111	1	130° Large Thermostat
16	130110	1	150° Large Thermostat
17	130301	1	225° Large Manual Reset Thermostat
18	130101	1	180° Large Thermostat
19	153010	5	#6 Star Washer
20	152000	5	#6-32 Hex Nut
21	840065	1	Sensor Jumper (4)
22	121028	8	Insulated Terminal ONLY
23	122701	4	Socket Terminal ONLY
24	122605	1	4-Pin Socket Connector ONLY
	831702	1	Sensor (4) Bracket Harness Assembly (includes illus. nos. 22 through 24)
25	801418	1	Non-Computer Sensor (4) Bracket Assembly Complete - Includes Thermostats (includes illus. nos. 14 through 25)
	305007	1	Universal Sensor Bracket ONLY
26	122604	1	4-Pin Connector ONLY
27	122700	4	Pin Terminal ONLY
	122801	1	Pin/Socket Extraction Tool
28	150301	2	#8-18 x 7/16" Phillips Pan Head TEK Screw



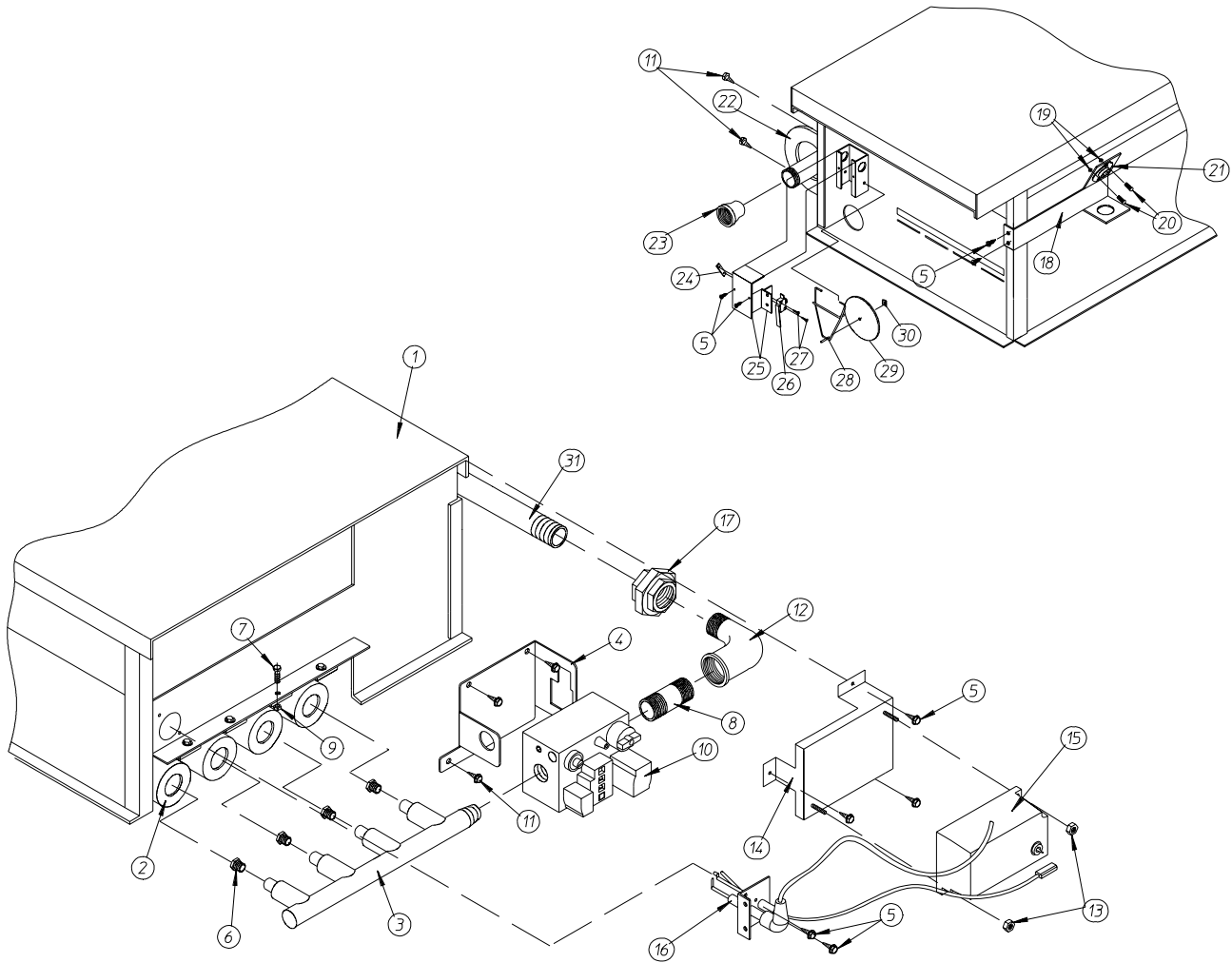
ELECTRIC OVEN (FRONT VIEW)



ELECTRIC OVEN (REAR VIEW)

<u>Illus. No.</u>	<u>Part No.</u>	<u>Qty.</u>	<u>Description</u>
1	803005	1	Large Electric Oven Box ONLY
	-----*	1	Electric Oven Assembly Complete
2	-----*	-	Electric Element
3	150300	2	#10 x 1/2" Hex Washer TEK Screw
4	802800	1	Sail Switch Box with Bracket and Cover ONLY
	802801	1	Sail Switch Box Assembly Complete (includes illus. nos. 4 through 12)
5	154004	1	Twin Speed Nut
6	150413	2	#10-16 x 1/2" TORX Crimptite
7	802799	1	Sail Switch Box Cover and Bracket ONLY
8	122200	1	Sail Switch ONLY
9	150303	2	#4 x 3/4" Pan Head "A" Machine Screw
10	105500	1	Sail Switch Actuator Rod
11	319202	1	Sail Switch Damper (flat)
12	154002	1	1/8" Push On Fastener
13	150300	2	#10 x 1/2" Hex Washer TEK Screw
14	803100	1	Electric Oven Front Cover ONLY
15	320611	1	Large Relay Box Cover ONLY
16	150402	2	#10-24 x 5/8" Slotted Truss Head Machine Screw
17	130400	1	290° Hi-Limit
18	150300	2	#10 x 1/2" Hex Washer TEK Screw
19	154001	1	#10-24 Speed Nut
20	121012	1	Terminal Lug For 110-8 Wire
21	152014	3	1/4-20 Free Spin Wash Nut
22	-----*	1	Oven Relay
23	-----*	1	Oven Relay Replacement Coil
24	120081	-	Internal Ceramic Insulator (2 per element)
25	120080	-	External Ceramic Insulator (2 per element)
26	152008	-	#10-32 Hex Nut (4 per element)
27	121011*	-	Bus Bar
28	-----*	-	Terminal Lug
29	153009	-	#10 Star Washer (2 per element)
30	320607	1	Large Electric Oven Right Side Cover ONLY
31	150402	2	#10-24 x 5/8" Slotted Truss Head Machine Screw

* Refer to **Electric Oven Component Application Chart** on **page 45**.



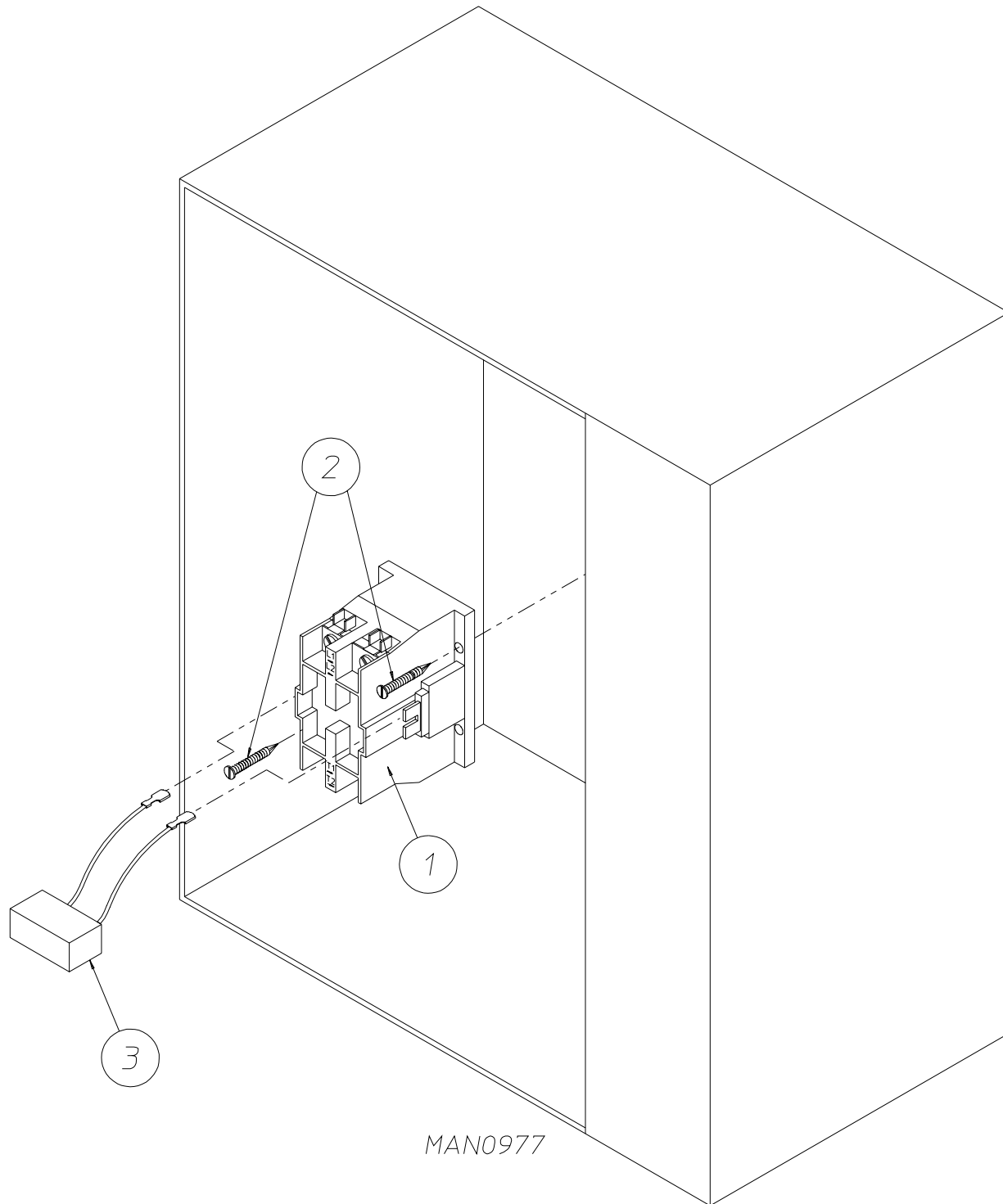
TCOSTA 9/14/00

MAN5464

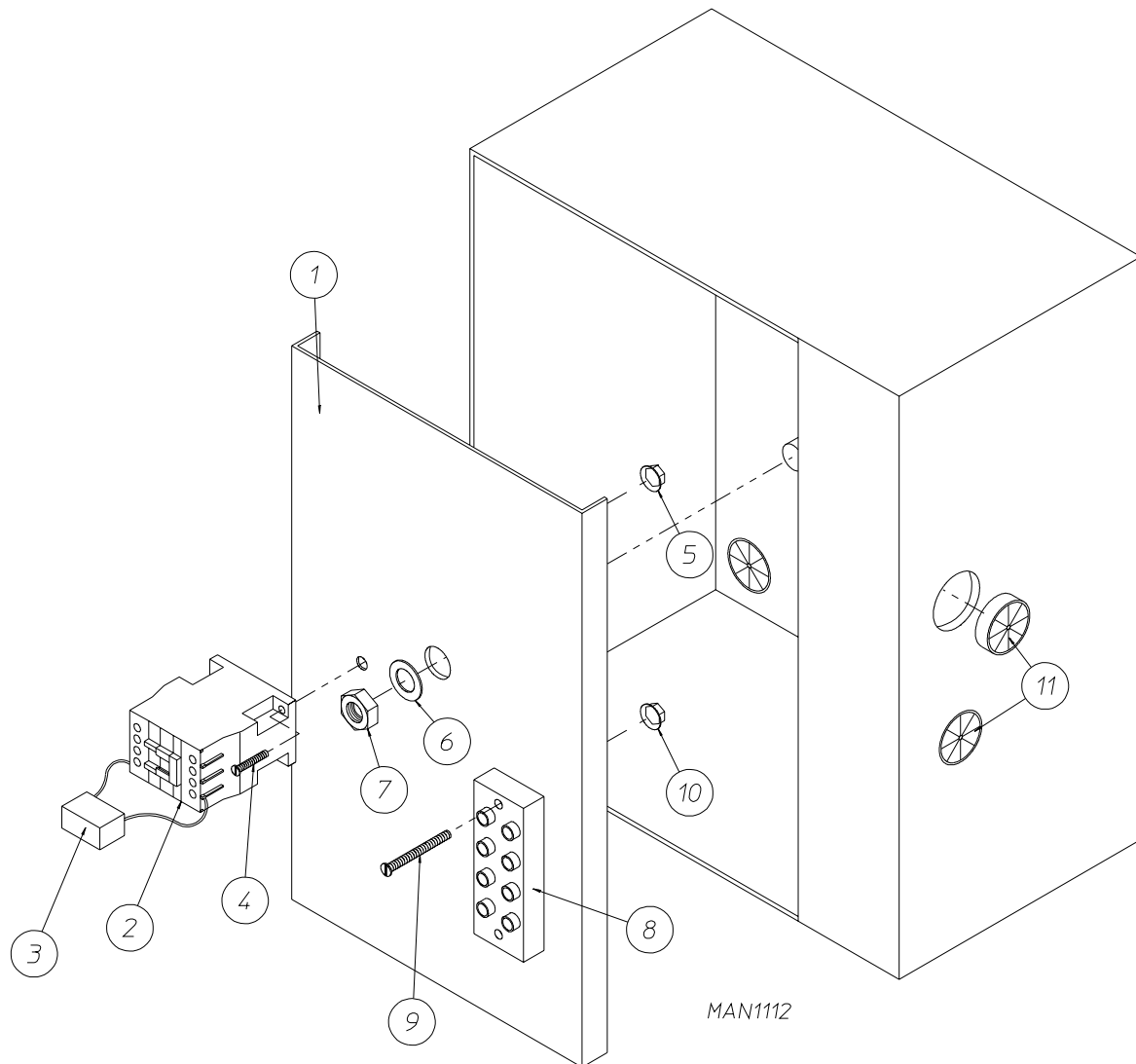
<u>Illus. No.</u>	<u>Part No.</u>	<u>Qty.</u>	<u>Description</u>
1	810047	1	Direct Spark Ignition (DSI) Burner Box 4-Tube Burner
**	882802	1	Burner Assembly (4-tube) Natural Gas
**	882801	1	Burner Assembly (4-tube) Liquid Propane (L.P.) Gas
2	141105	4	Large Burner Tube
3	141210	1	3/4" Direct Spark Ignition (DSI) Manifold (4-port)
4	318714	1	Bracket For Horizontal Facing Gas Valve
5	150300	9	#10 x 1/2" Hex Washer TEK Screw
6*	140820	4	Natural Orifice #29
	140805	4	Liquid Propane (L.P.) Gas Orifice #47
7	150108	4	#8-32 x 1/2" Pan Head Machine Screw
8	142707	1	1/2" x 1-1/2" B.I. Nipple
9	151001	4	#8-32 Pal Nut
10	128927	1	24 VAC Gas Valve
11	150309	5	#10-16 x 1/2" Hex Head TEK Crimptite Screw
12	142506	1	1/2" Street Elbow
13	152013	2	#6-32 Hex Nut 1/4" ATF Zinc Plated
14	810030	1	Johnson Controls Direct Spark Ignition (DSI) Module Mounting Bracket
15	128935	1	Direct Spark Ignition (DSI) Module with Three Tries
16	809309	1	Ignitor Probe Assembly with 19" Leads
17	142600	1	1/2" Black Union
18	319704	1	Hi-Limit Mounting Bracket
19	151000	2	#6-32 Pal Nut
20	150001	2	#6-32 x 1/2" Phillips Round Head Machine Screw
21	130201	1	330° Hi-Limit Manual Reset
22	318700	1	Pipe Bracket (bent)
23	143000	1	3/4" to 1/2" Reducing Coupling
24	154004	1	Twin Speed Nut
25	802799	1	Sail Switch Box Cover and Bracket ONLY
26	122200	1	Sail Switch ONLY
27	150303	2	#4 x 3/4" Pan Head "A" Machine Screw
28	105500	1	Sail Switch Actuator Rod
29	319202	1	Sail Switch Damper (flat)
30	154002	1	1/8" Push On Fastener
31	142809	1	1/2" x 29-1/8" Pipe
-	881231	1	AD-75D II Liquid Propane (L.P.) Conversion Kit ... Not Illustrated

* Orifices are at sea level for elevations above 2,000 feet. Consult the factory.

** Orifices *are not included*.



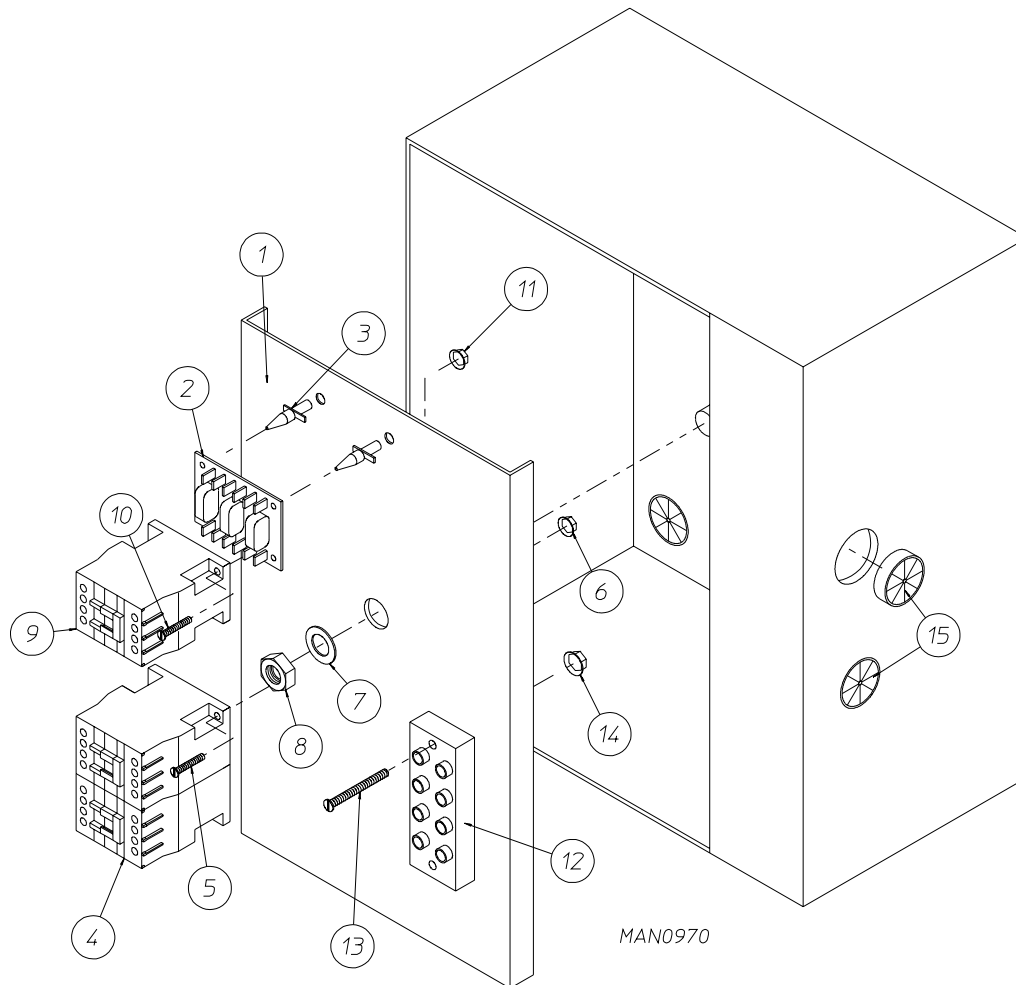
<u>Illus. No.</u>	<u>Part No.</u>	<u>Qty.</u>	<u>Description</u>
1	132475	1	2-Pole Contactor - 24 VAC
2	150299	2	#10 x 1" Hex Head TEK Screw
3	824828	1	RC Network with Connectors (for microprocessor controller [computer] models Only)
-	322809	1	Back Electrical Box Cover ... Not Illustrated
-	150301	4	#8-18 x 7/16" Phillips Pan Head TEK Screw ... Not Illustrated



<u>Illus. No.</u>	<u>Part No.</u>	<u>Qty.</u>	<u>Description</u>
1	322812	1	Back Electrical Box Component Plate
2	132430	1	Impellor Contactor (208/230/240v, 50/60 Hz) - 24 VAC
3	137015	1	RC Network (for microprocessor controller [computer] models Only)
4	150103	2	#8-32 x 3/4" Phillips Round Head Machine Screw
5	151001	2	#8-32 Pal Nut
6	153002	1	5/16" Lock Washer
7	152004	1	5/16-18 Hex Nut
8	120701	1	4-Position Terminal Block
9	150008	2	#6-32 x 1-1/4" Slotted Round Head Machine Screw
10	151000	2	#6-32 Pal Nut
11	121300	3	Open/Closed Bushing
---	322809	1	Back Electrical Box Cover ... Not Illustrated
---	150301	4	#8-18 x 7/16" Phillips Pan Head TEK Screw ... Not Illustrated
---	-----*	1	Transformer

* Refer to **Step Down Transformer Usage Listing** on **page 46**.

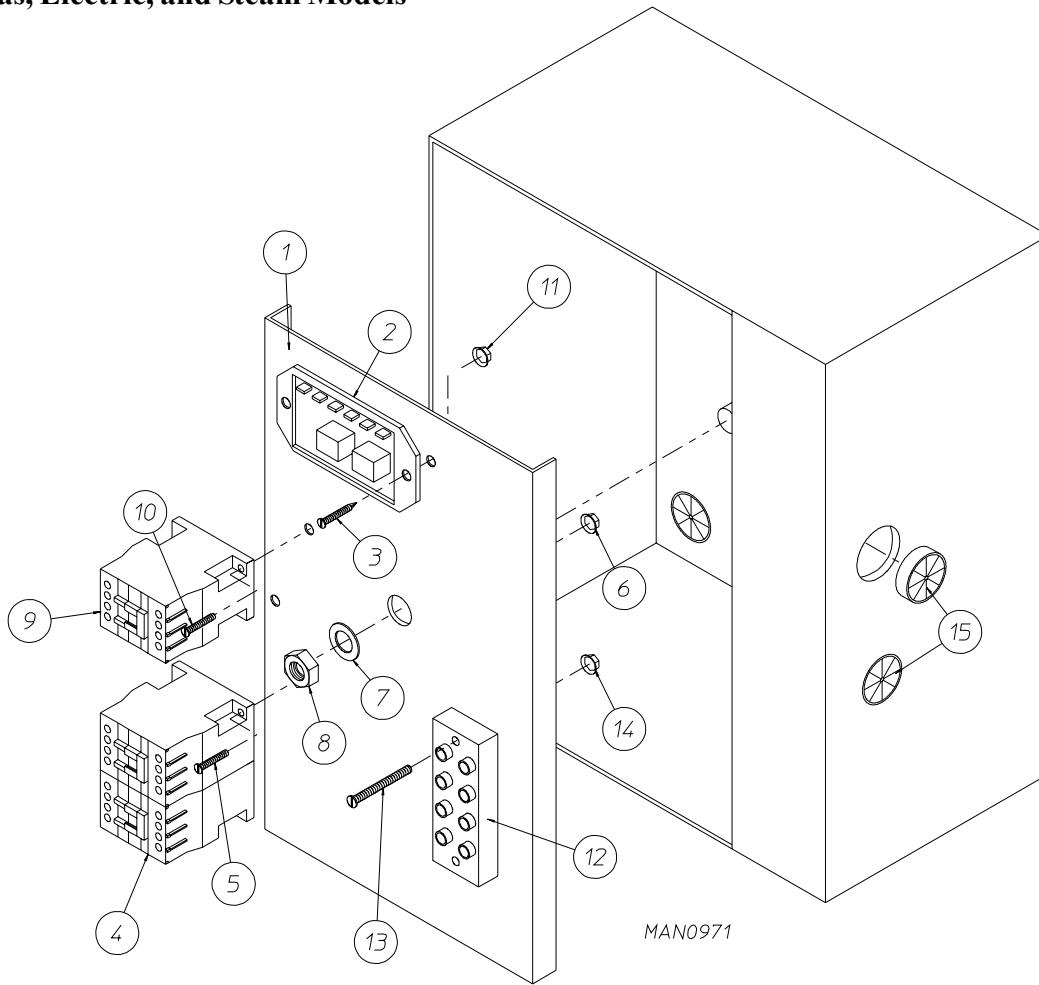
For Gas, Electric, and Steam Models



<u>Illus. No.</u>	<u>Part No.</u>	<u>Qty.</u>	<u>Description</u>
1	322812	1	Back Electrical Box Component Plate
2	137060	1	Arc Suppressor (A.S.) Board
3	137013	4	Nylon Standoff
4	882386	1	Reversing Contactor (208/230/240v, 50/60 Hz) - 24 VAC
5	150103	2	#8-32 x 3/4" Phillips Round Head Machine Screw
6	151001	2	#8-32 Pal Nut
7	153002	1	5/16" Lock Washer
8	152004	1	5/16-18 Hex Nut
9	132430	1	Impellor Contactor (208/230/240v, 50/60 Hz) - 24 VAC
10	150103	2	#8-32 x 3/4" Phillips Round Head Machine Screw
11	151001	2	#8-32 Pal Nut
12	120701	1	4-Position Terminal Block
13	150008	2	#6-32 x 1-1/4" Slotted Round Head Machine Screw
14	151000	2	#6-32 Pal Nut
15	121300	3	Open/Closed Bushing
---	322809	1	Back Electrical Box Cover ... Not Illustrated
---	150301	4	#8-18 x 7/16" Phillips Pan Head TEK Screw ... Not Illustrated
---	-----*	1	Transformer

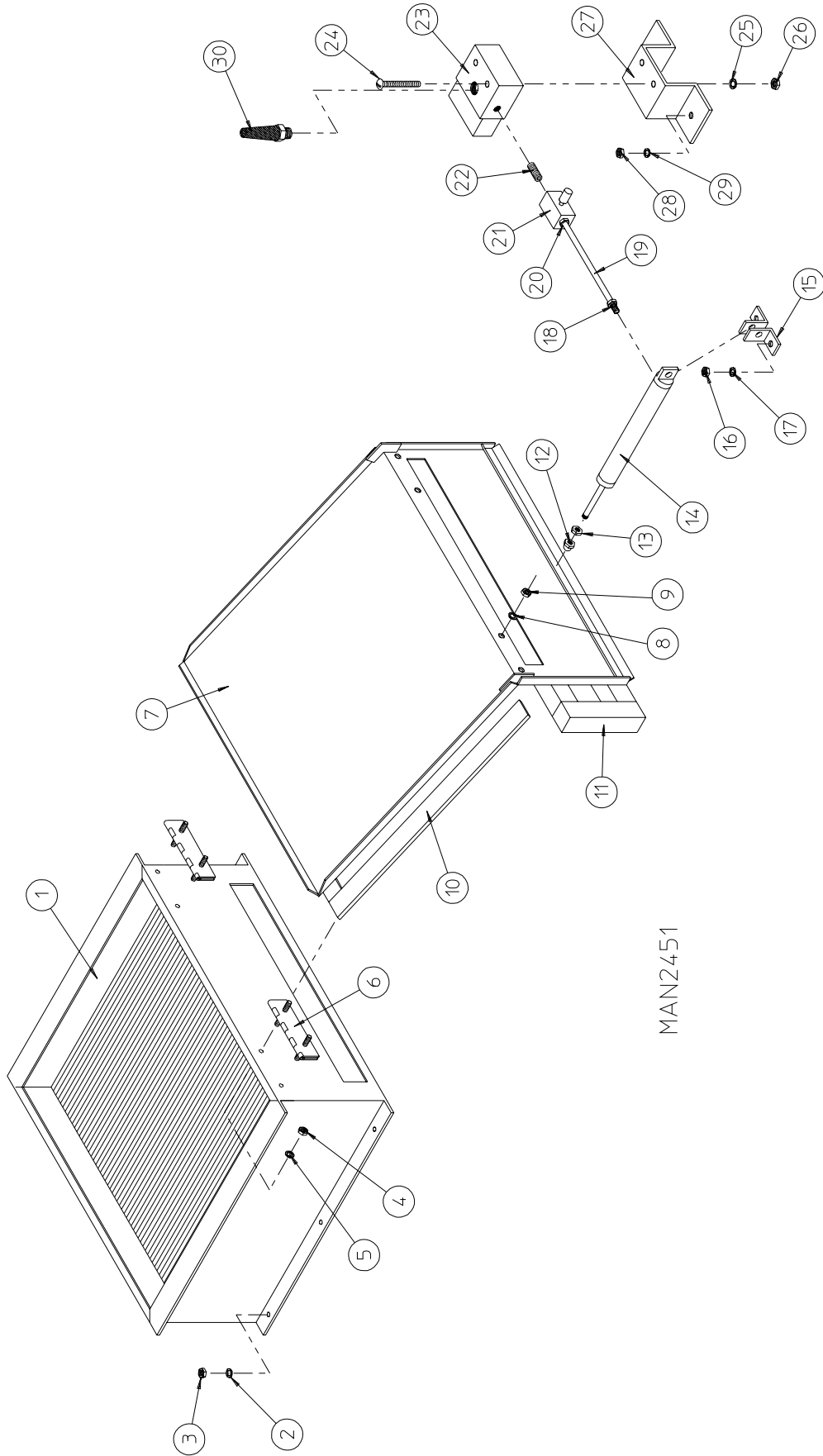
* Refer to **Step Down Transformer Usage Listing** on **page 46**.

For Gas, Electric, and Steam Models



<u>Illus. No.</u>	<u>Part No.</u>	<u>Qty.</u>	<u>Description</u>
1	322812	1	Back Electrical Box Component Plate
2	132198	1	Reversing Timer (50/60 Hz) - 24 VAC
3	150301	2	#8-18 x 7/16" Phillips Pan Head TEK Screw
4	882386	1	Reversing Contactor (208/230/240v, 50/60 Hz) - 24 VAC
5	150103	2	#8-32 x 3/4" Phillips Round Head Machine Screw
6	151001	2	#8-32 Pal Nut
7	153002	1	5/16" Lock Washer
8	152004	1	5/16-18 Hex Nut
9	132430	1	Impellor Contactor (208/230/240v, 50/60 Hz) - 24 VAC
10	150103	2	#8-32 x 3/4" Phillips Round Head Machine Screw
11	151001	2	#8-32 Pal Nut
12	120701	1	4-Position Terminal Block
13	150008	2	#6-32 x 1-1/4" Slotted Round Head Machine Screw
14	151000	2	#6-32 Pal Nut
15	121300	3	Open/Closed Bushing
---	322809	1	Back Electrical Box Cover ... Not Illustrated
---	150301	4	#8-18 x 7/16" Phillips Pan Head TEK Screw ... Not Illustrated
---	-----*	1	Transformer

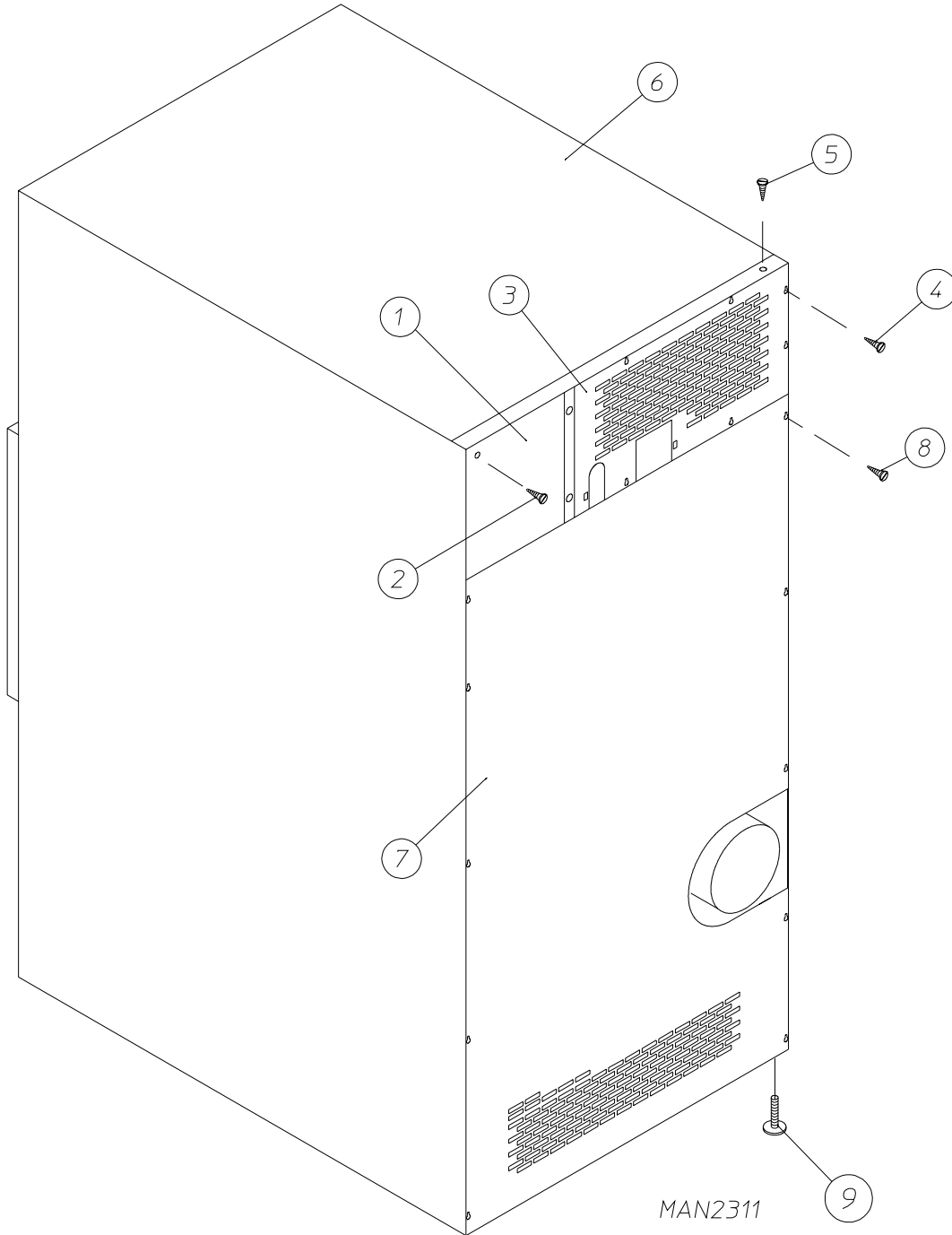
* Refer to **Step Down Transformer Usage Listing** on page 46.



MAN2451

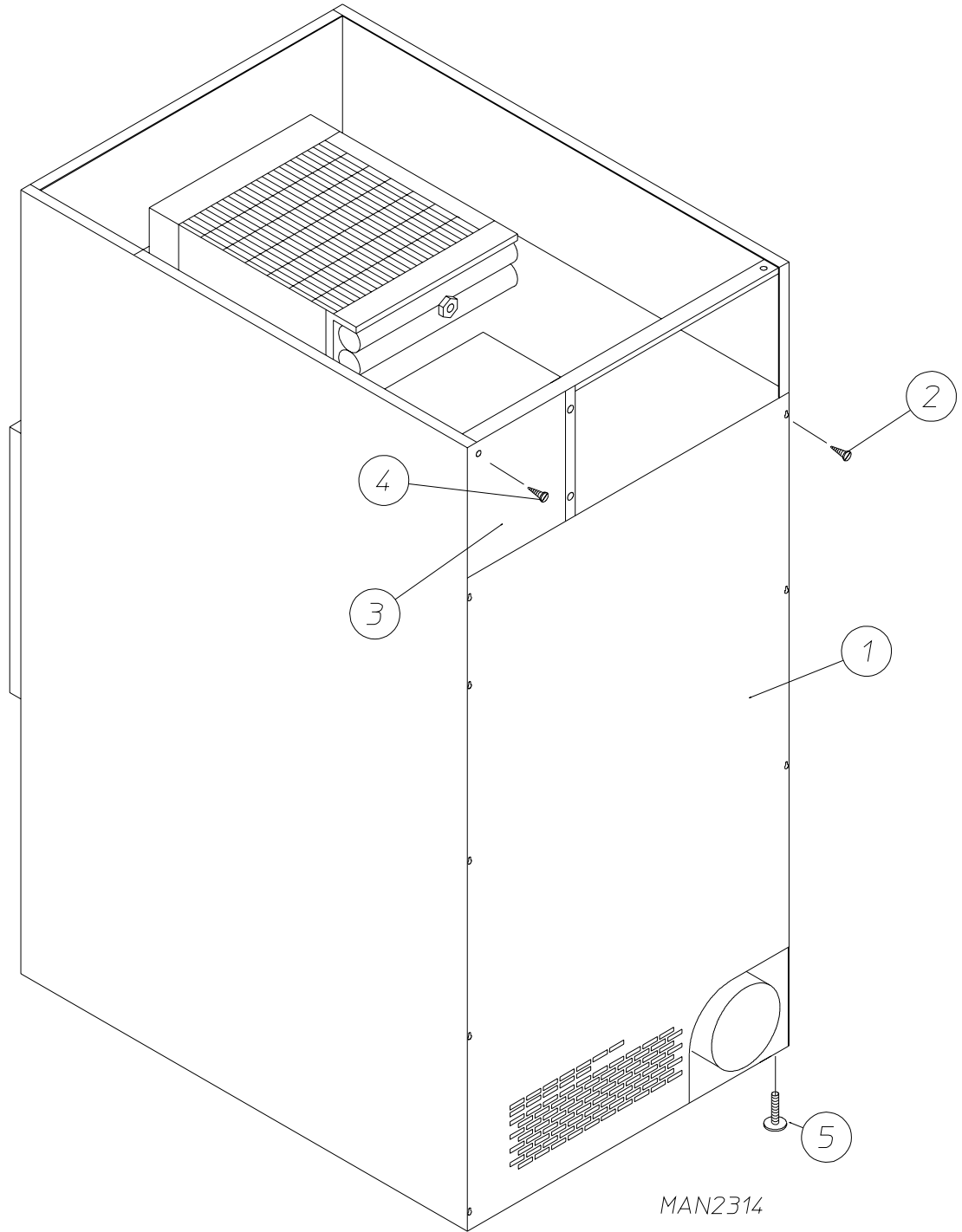
<u>Illus. No.</u>	<u>Part No.</u>	<u>Qty.</u>	<u>Description</u>
1	165009	1	Steam Coil Assembly
2	153002	6	5/16" Lock Washer
3	152004	6	5/16-18 Hex Nut
4	152002	4	1/4-20 Hex Nut
5	153007	4	1/4" Lock Washer
6	820321	2	Steam Damper Hinge Assembly
7	803415	1	Steam Damper Assembly (includes illus. nos. 7, 10, and 11)
8	153007	4	1/4" Lock Washer
9	152002	4	1/4-20 Hex Nut
10	115995	108	Steam Damper Gasket (sold by the inch)
11	102350	1	Steam Damper Foam (68-1/2" length)
12	151007	1	7/16-20 Stainless Steel Acorn Nut
13	152007	1	7/16-20 Hex Nut
14	100497	1	1-1/4" Bore x 3" Stroke Piston
15	100492	1	Piston Support Bracket
16	152002	4	1/4-20 Hex Nut
17	153007	4	1/4" Lock Washer
18	100472	1	1/4" x 1/8" Connector
19	143110	1	1/4" Tubing (sold by the foot)
20	100472	1	1/4" x 1/8" Connector
21	100496	1	1/8" Needle Valve
22	143238	1	1/8" Close Nipple
23	100498	1	3-Way Micro Valve - 24 VAC
24	150002	2	#6-32 x 1" Phillips Round Head Machine Screw
25	153010	2	#6 Star Washer
26	152000	2	#6-32 Hex Nut
27	330987	1	Micro Valve Support Bracket
28	152002	2	1/4-20 Hex Nut
29	153007	2	1/4" Lock Washer
30	100520	1	1/8" N.P.T. Silencer (muffler)

For Gas and Electric Models ONLY



<u>Illus. No.</u>	<u>Part No.</u>	<u>Qty.</u>	<u>Description</u>
1	322809	1	Back Electrical Box Cover
2	150301	5	#8-18 x 7/16" Phillips Pan Head TEK Screw
3	323738	1	Top Back Guard
4	150301	6	#8-18 x 7/16" Phillips Pan Head TEK Screw
5	150301	8	#8-18 x 7/16" Phillips Pan Head TEK Screw
6	312527	1	Outer Top Guard
7	314526	1	Lower Back Guard
8	150301	10	#8-18 x 7/16" Phillips Pan Head TEK Screw
9	103500	4	Leveling Leg

For Steam Models ONLY



<u>Illus. No.</u>	<u>Part No.</u>	<u>Qty.</u>	<u>Description</u>
1	314511	1	Bottom Back Guard
2	150300	2	#10 x 1/2" Hex Washer TEK Screw
	150301	8	#8-18 x 7/16" Phillips Pan Head TEK Screw
3	322809	1	Back Electrical Box Cover
4	150301	4	#8-18 x 7/16" Phillips Pan Head TEK Screw
5	103500	4	Leveling Leg

NOTE: Coin acceptors listed include optical switch.
 Replacement optic switch for Hanke acceptors is Part No. 881143.
 Replacement optic switch for Greenwald acceptors is Part No. 137056.

Single Coin*

<u>ADC Part No.</u>	<u>Nation</u>	<u>Description</u>
882689	United States	25¢ Hanke Optic Coin Acceptor (includes optic switch PN-881143) For Models Mfd. as of June 15, 2000
125100	U.S. and Canada	25¢ Optic Coin Acceptor (for models mfd. prior to June 15, 2000)
125107	Australia	20¢ Greenwald Australian Optic Coin Acceptor
881768	Australia	\$1 Hanke Australian Optic Coin Acceptor
881604	Japan	100 Yen Hanke Optic Coin Acceptor
125103	---	0.882 Token Greenwald Optic Coin Acceptor
125121	---	0.800 Token Greenwald Optic Coin Acceptor
125133	Hong Kong	\$1 Greenwald Hong Kong Optic Coin Acceptor

Dual Coin*

881508	U.S. and Canada	10¢ / 25¢ Hanke Dual Optic Coin Acceptor
881842	Canada	25¢ / \$1 Hanke Dual Optic Coin Acceptor
881542	United Kingdom	1£ / 20 Pence Hanke Dual Optic Coin Acceptor
881846	France	2 / 5 Franc Hanke Dual Optic Coin Acceptor
881541	Netherlands	25¢ / 1 Guilder Hanke Dual Optic Coin Acceptor

* Consult factory for coin acceptors not listed.

ADE-75D II

Kw	Volt	Phase	Wire	Oven Assembly* Part No.	Elements			Oven Wire			Terminal Lug		Bus Bar P/N 121011	Oven Relay	
					Qty.	Size	Part No.	Qty.	Size	Part No.	Qty.	Part No.		Cat. No.	Part No.
40	416	3ø	3 or 4	824822	6	6.6	120027	4	#6	133200	9	121010	1	DFAG	131361
36	208	3ø	3 or 4	824921	6	6	120015	4	#2	133302	4	121012	1	GEAJ	131385
36	230	3ø	3	824920	6	6	120014	4	#2	133302	9	121012	1	FEAJ	131375
36	416	3ø	3 or 4	824921	6	6	120015	4	#4	133300	4	121012	1	DFAG	131361
36	460/480	3ø	3 or 4	824920	6	6	120014	4	#2	133302	9	121012	1	DPA43	131357
33	380	3ø	3 or 4	825078	6	6.6	120015	5	#2	-----	4	121012**	1	DFAJ	131361
30	208	3ø	3 or 4	824918	6	5	120012	6	#4	133300	3	121012	1	FEAJ	131375
30	230	3ø	3	824935	6	5	120013	3	#4	133300	4	121012	1	FEAJ	131375
30	416	3ø	3 or 4	824947	6	5	120012	4	#8	133100	6	121010	2	DPA43	131357
30	460/480	3ø	3 or 4	824953	6	5	120013	4	#8	133100	6	121010	2	BFAJ	131351
25	380	3ø	3 or 4	824940	6	5	120012	4	#8	133100	6	121010	2	BFAJ	131351
24	208	3ø	3 or 4	824916	6	4	120010	3	#4	133300	4	121012	1	DPA63	131369
24	230	3ø	3	824933	6	4	120011	3	#6	133200	3	121010	1	DFAG	131361
24	416	3ø	3 or 4	824946	6	4	120010	4	#8	133100	6	121010	2	BFAJ	131351
24	460/480	3ø	3 or 4	824952	6	4	120011	4	#10	133000	6	121010	2	BFAJ	131351
20	208	1ø	2	824904	5	4	120010	2	#4	133300	2	121010	2	GEAJ	131385
20	230	1ø	2	824926	5	4	120011	2	#4	133300	3	121010	2	FEAJ	131375
20	380	3ø	3 or 4	824939	6	4	120010	4	#10	133000	6	121010	2	BFAJ	131351

* Oven assembly complete *does not include* oven relay. This item **must be** ordered separately. When ordering Oven Assembly Complete, specify 3 wire or 4 wire when applicable, as well as if dryer has microprocessor controller (computer) or non-microprocessor controls.

** Wire is included with the terminal lugs.

STEP DOWN TRANSFORMER USAGE LISTING			
Heat	Voltage	Wire Service	Transformer Part No.
GAS ELECTRIC STEAM	380	3	132059
	380	4	132059
	416	3	132062
	416	4	132062
	460/480	3	132053
	460/480	4	132053
	575	3	132050

<u>Part No.</u>	<u>Description</u>
112039	“Black/White/Green Ground” Label
112280	“Clean Lint Screen” Label
112041	“CAUTION - Exhaust” Label
112534	“Phase 5 OPL Program Location Summary” Label
114006	“WARNING - Fire Hazards” Label
120100	3/8” Straight (BX) Connector
120300	3/8” x 45° (BX) Connector
120400	3/8” Red Jacket (BX) Insulator
120500	3/8” Jiffy Clip (BX retainer clip)
120600	3/8” Greenfield (BX)
120800	1/4” In-Line Connector
120802	Red Butt Connector
120902	#74B Wire Nut
120903	Closed End Connector
121014	1/4” Insulated (female) Terminal
121499	5-1/2” Harness Tie
121500	7” Harness Tie
121503	Harness Tie Mounting Clip
122804	Manometer (hydro gauge) For Measuring Gas Pressure
404500	Almond Brush-In-Cap Bottle Touch-Up Paint
404502	White Brush-In-Cap Bottle Touch-Up Paint
404506	Almond “B” Brush-In-Cap Bottle Touch-Up Paint
404507	Cornflower Blue Brush-In-Cap Bottle Touch-Up Paint
410001	1/2” Allen Wrench (for removal of shutoff valve tail piece)
880200	Electrical Terminal (assortment) Kit
880884	Basket (tumbler) Bearing Puller

