



**AD-30V/AD-50V Parts Manual
Phase 7/Dual Timer
(for models mfd. as of July 1, 2002)**

American Dryer Corporation
88 Currant Road
Fall River, MA 02720-4781
Telephone: (508) 678-9000 / Fax: (508) 678-9447
e-mail: techsupport@amdry.com
www.amdry.com

Retain This Manual In A Safe Place For Future Reference

American Dryer Corporation products embody advanced concepts in engineering, design, and safety. If this product is properly maintained, it will provide many years of safe, efficient, and trouble free operation.

ONLY qualified technicians should service this equipment.

OBSERVE ALL SAFETY PRECAUTIONS displayed on the equipment or specified in the installation manual included with the dryer.

The following “**FOR YOUR SAFETY**” caution **must be** posted near the dryer in a prominent location.

FOR YOUR SAFETY

Do not store or use gasoline or other flammable vapors and liquids in the vicinity of this or any other appliance.

POUR VOTRE SÉCURITÉ

Ne pas entreposer ni utiliser d'essence ni d'autres vapeurs ou liquides inflammables à proximité de cet appareil ou de tout autre appareil.

We have tried to make this manual as complete as possible and hope you will find it useful. **ADC** reserves the right to make changes from time to time, without notice or obligation, in prices, specifications, colors, and material, and to change or discontinue models.

Important

For your convenience, log the following information:

DATE OF PURCHASE _____ **MODEL NO.** AD-30V/AD-50V

RESELLER'S NAME _____

Serial Number(s) _____

Replacement parts can be obtained from your reseller or the **ADC** factory. When ordering replacement parts from the factory, you can FAX your order to **ADC** at (508) 678-9447 or telephone your order directly to the **ADC** Parts Department at (508) 678-9000. Please specify the dryer **model number** and **serial number** in addition to the **description** and **part number**, so that your order is processed accurately and promptly.

The illustrations on the following pages may not depict your particular dryer exactly. The illustrations are a composite of the various dryer models. Be sure to check the descriptions of the parts thoroughly before ordering.

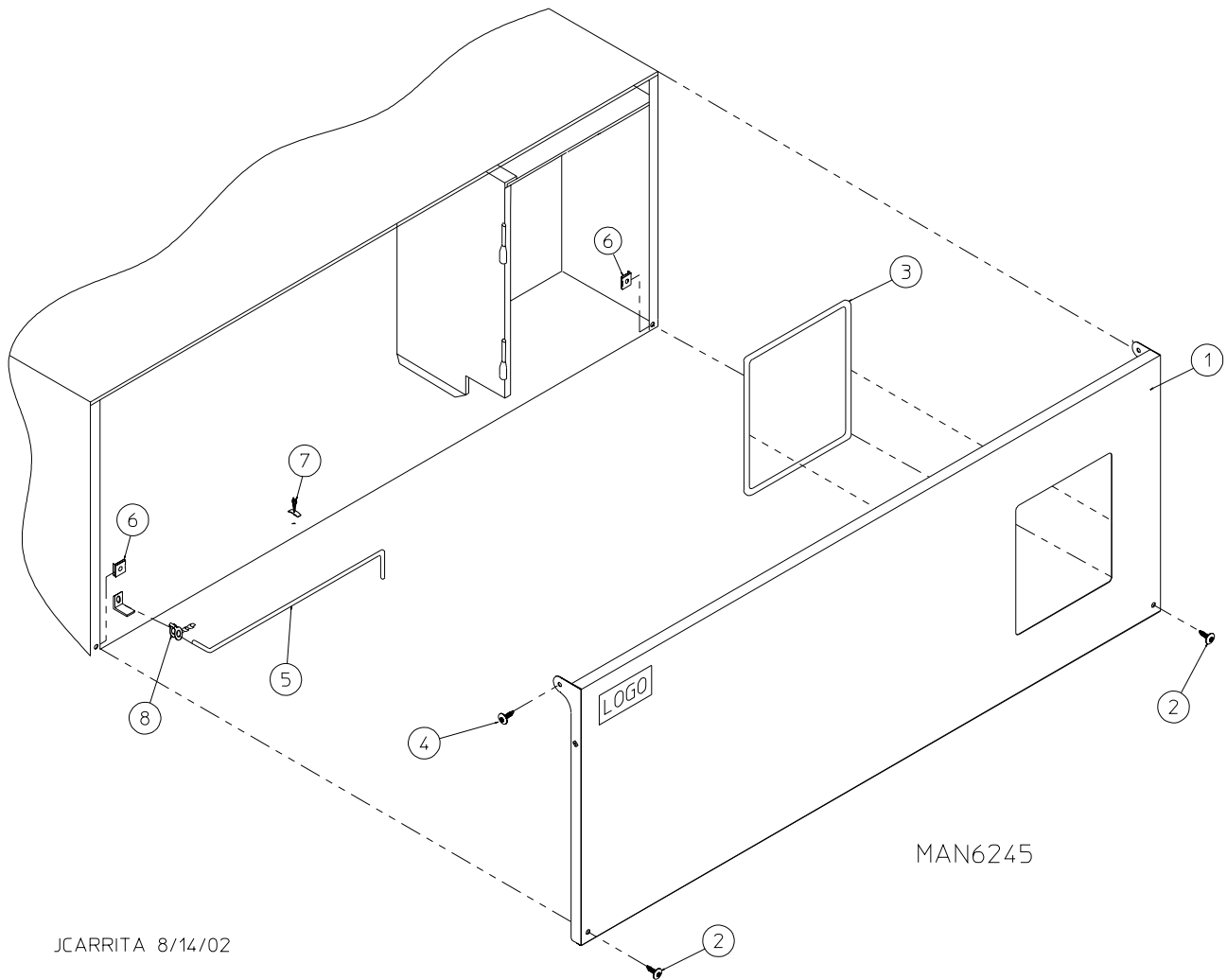
“IMPORTANT NOTE TO PURCHASER”

Information **must be** obtained from your local gas supplier on the instructions to be followed if the user smells gas. These instructions **must be** posted in a prominent location near the dryer.

Table of Contents

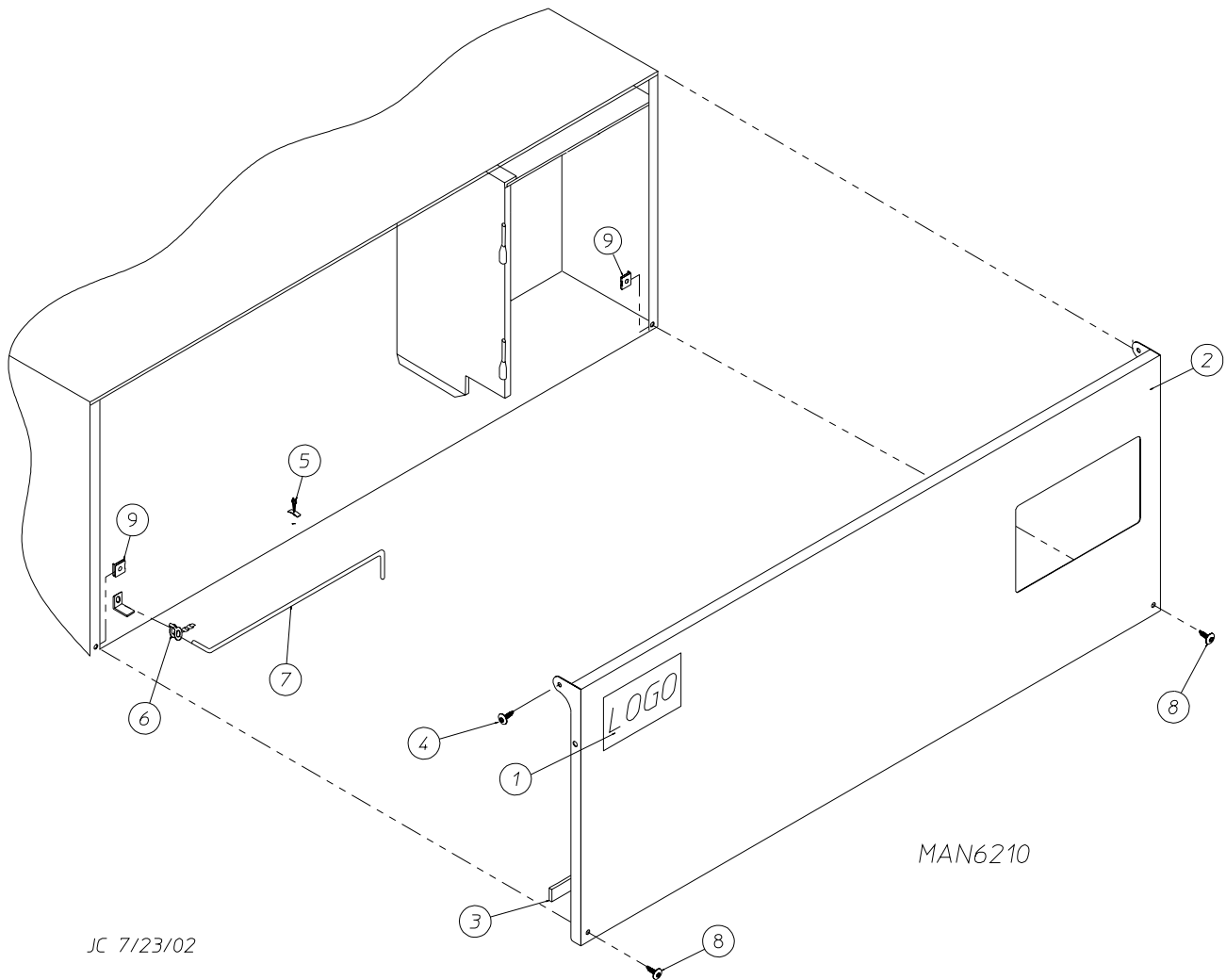
Phase 7 OPL Control Door Assembly	3
Dual Timer Control Door Assembly	4
Phase 7 OPL Microprocessor Control Panel Assembly	5
Phase 7 OPL Microprocessor Control Box Assembly	6
Dual Timer “Tap Touch” Controls	7
Dual Timer Control Box Assembly	8
AD-30V Front Panel Assembly	9
AD-50V Front Panel Assembly	10
Main Door “Steel” Assembly	11
Main Door Switch Assembly	12
AD-30V Drop Lint Door Assembly	13
AD-30V Lint Trap Assembly	14
Lint Drawer/Lint Drawer Switch Assemblies	15
Idler Bearing Assembly	16, 17
Basket (Tumbler) Bearing Assembly	
For Models Mfd. with Griplock Type Bearings	18, 19
Basket (Tumbler) Bearing Assembly	
For Models Mfd. with Setscrew Type Bearings	20, 21
AD-30V Basket (Tumbler)/Support Assemblies	22
AD-50V Basket (Tumbler)/Support Assemblies	23
AD-30V Non-Reversing Motor Mount Assembly	24, 25
AD-30V Reversing Motor Mount Assembly	26, 27
AD-50V Non-Reversing Motor Mount Assembly	28, 29
AD-50V Reversing Motor Mount Assembly	30, 31
AD-30V Sensor Bracket Assemblies	32, 33
AD-50V Sensor Bracket Assemblies	34, 35
AD-30V Gas Burner Assembly	36, 37
AD-30V CE Burner Assembly	38, 39
AD-50V Burner Assembly	40, 41
AD-50V CE Burner Assembly	42, 43
Electric Oven Assembly	44, 45
Gas Burner Sail Switch/Hi-Limit Assemblies	46, 47

Phase 7 OPL Single-Phase (1 ϕ) Rear Relay Panel Assembly	48, 49
Phase 7 OPL 208-416V 3-Phase (3 ϕ) Rear Relay Panel Assembly	50, 51
Phase 7 OPL 460-480V Rear Relay Panel Assembly	52, 53
Phase 7 OPL 208-416V Reversing Rear Relay Panel Assembly	54, 55
Phase 7 OPL 460-480V Reversing Rear Relay Panel Assembly	56, 57
D.T. Single-Phase (1 ϕ) Relay Panel Assembly	58, 59
D.T. 208-416V 3-Phase (3 ϕ) Relay Panel Assembly	60, 61
D.T. 460-480V Electric Relay Panel Assembly	62
D.T. 208-416V Reversing Relay Panel Assembly	63
D.T. 460-480V Reversing Relay Panel Assembly	64, 65
AD-30V Steam Coil/Air-Operated Steam Damper Assembly	66, 67
AD-50V Steam Coil/Air-Operated Steam Damper Assembly	68, 69
S.A.F.E. Temperature Probe Assembly	70
S.A.F.E. Solenoid and Piping Assembly	71
AD-30V Outer Top/Back Guard Assemblies	72
AD-50V Outer Top/Back Guard Assemblies	73
AD-30V Micro Electric Oven Component Application Chart	74
AD-30V Dual Timer Electric Oven Component Application Chart	75
AD-50V Micro Electric Oven Component Application Chart	76
AD-50V Dual Timer Electric Oven Component Application Chart	77
Additional Parts Available	78

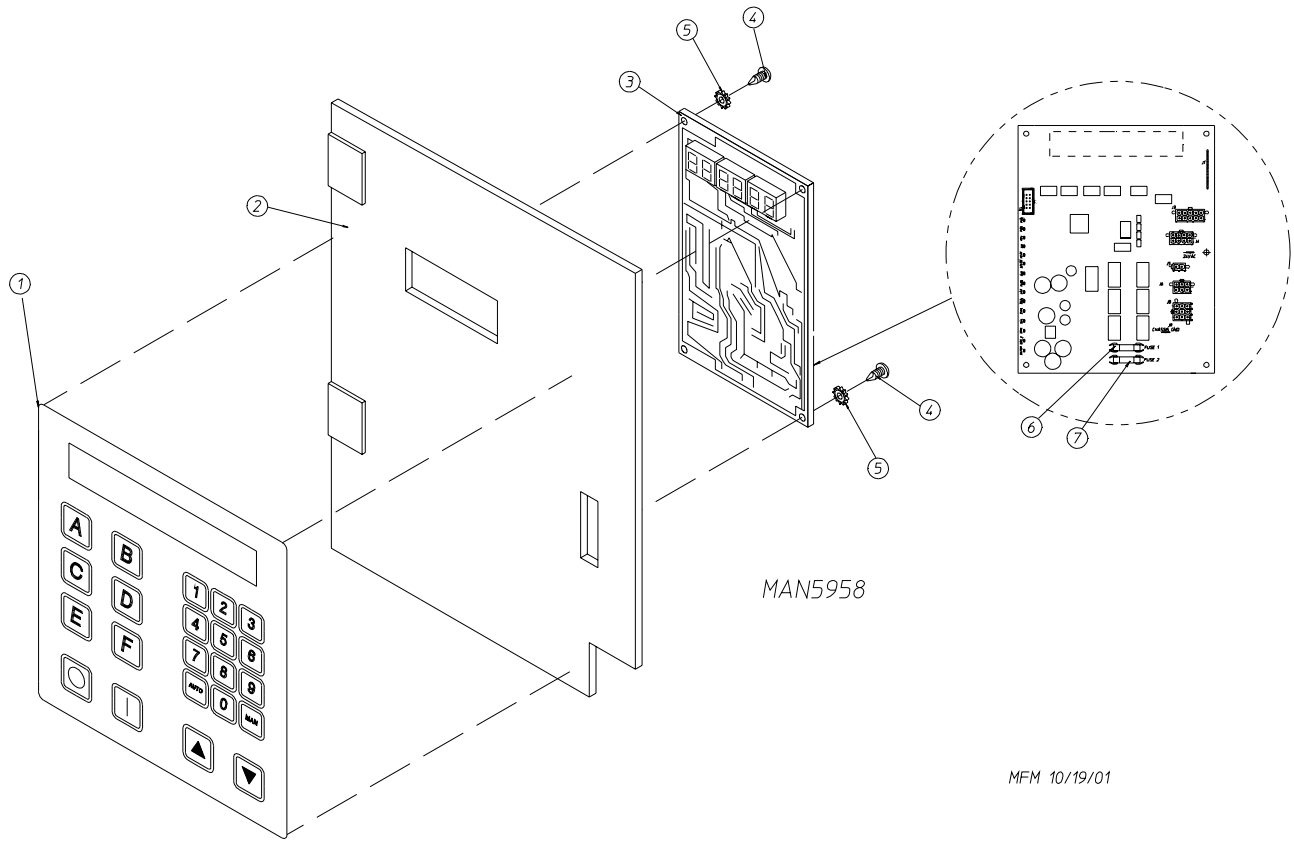


JCARRITA 8/14/02

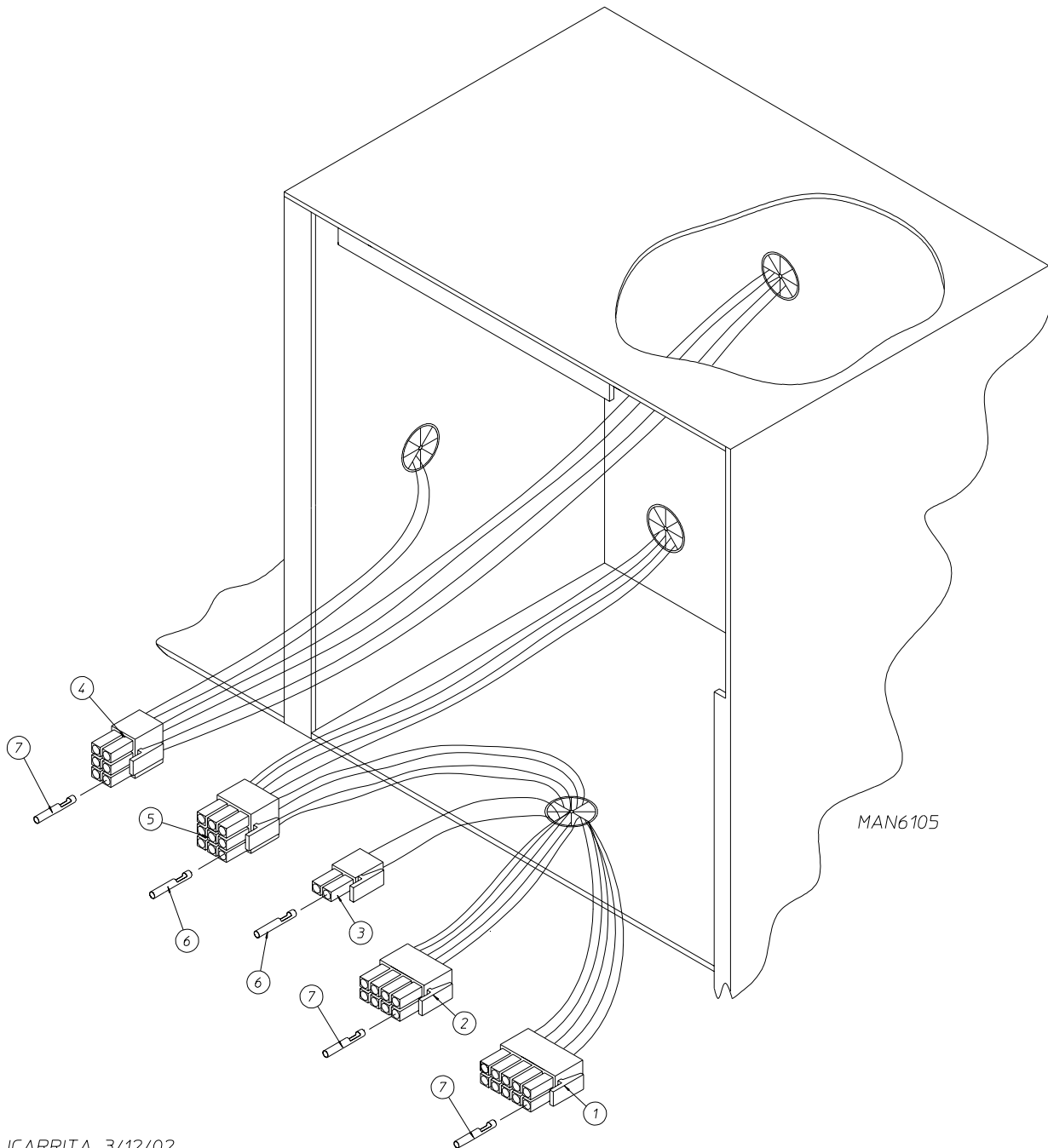
<u>Illus. No.</u>	<u>Part No.</u>	<u>Qty.</u>	<u>Description</u>
1	883574	1	White OPL Control Door (includes illus. nos. 1 and 3)
	883746	1	Coral Blue OPL Control Door (includes illus. nos. 1 and 3)
	883747	1	Ivory OPL Control Door (includes illus. nos. 1 and 3)
2	150321	2	#10-32 x 1/2" Phillips Machine Screw
3	117604	4	Noise Suppression Tape (sold by the foot)
4	150317	2	#10-16 x 3/4" TORX + Screw
5	102502	1	Control Door Support Rod
6	154011	2	#10-32 Multi-Thread U-Nut
7	102603	1	Control Door Rod Support Catch
8	102601	1	Control Door Retainer Clip



Illus. No.	Part No.	Qty.	Description
1	881053	1	ADC Logo with Tape
	870011	1	Double Sided Tape Kit
2	883550	1	White Control Door Assembly (includes illus. nos. 2 and 3)
	883551	1	Ivory Control Door Assembly (includes illus. nos. 2 and 3)
	883552	1	Coral Blue Control Door Assembly (includes illus. nos. 2 and 3)
3	117604	3	Noise Suppression Tape (sold by the foot)
4	150317	2	#10-16 x 3/4" TORX + Screw
5	102603	1	Control Door Rod Support Catch
6	102601	1	Control Door Rod Retainer Clip
7	102502	1	Control Door Support Rod
8	150321	2	#10-32 x 1/2" Phillips Machine Screw
9	154011	2	#10-32 Multi-Thread U-Nut



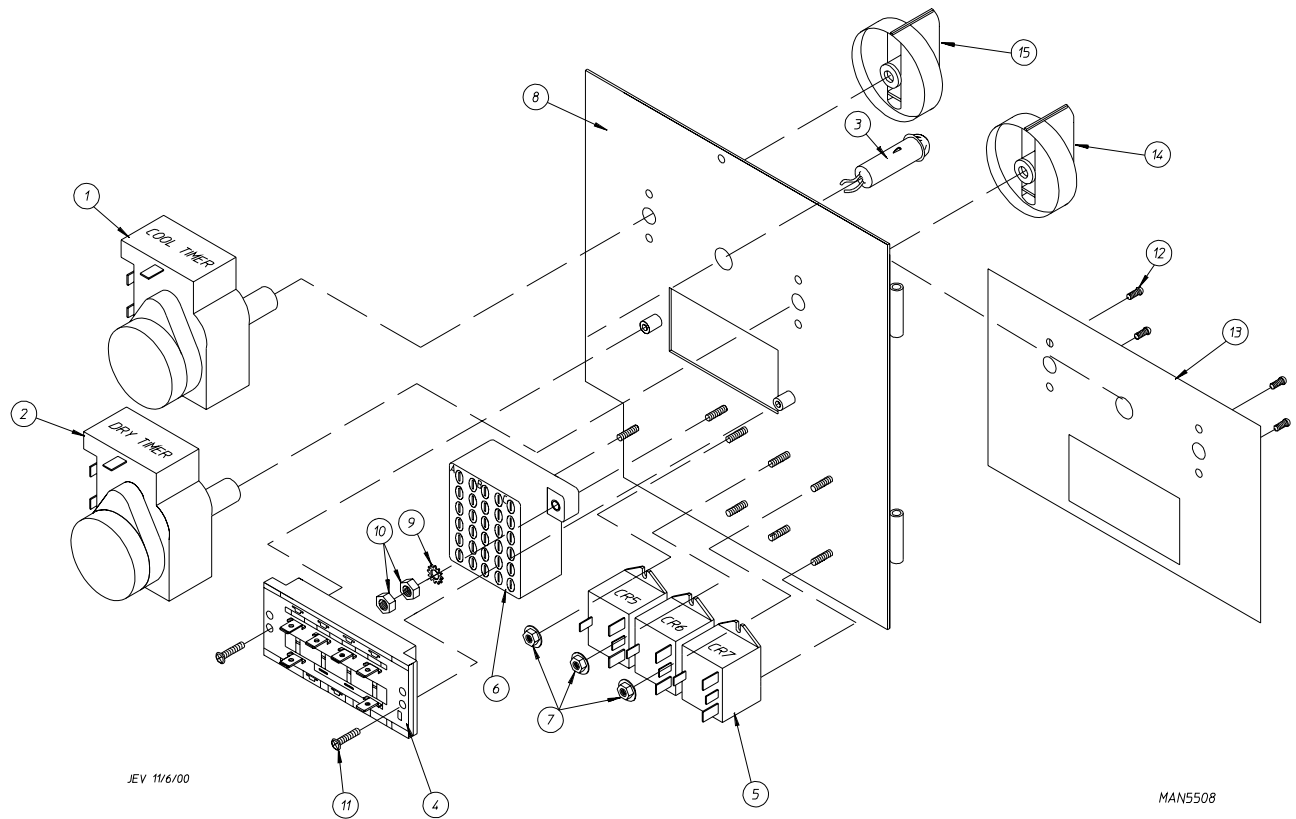
<u>Illus. No.</u>	<u>Part No.</u>	<u>Qty.</u>	<u>Description</u>
1	112571	1	Phase 7 OPL Keyboard
2	850984	1	Phase 7 OPL Microprocessor Panel ONLY
	883748	1	Phase 7 OPL Microprocessor Control Panel Assembly Complete (includes illus. nos. 1 through 7)
3	883745	1	Phase 7 OPL Microprocessor ONLY
4	150005	2	#6-32 x 3/4" Phillips Round Head Machine Screw
5	153010	2	#6 Star Washer
6	136016	1	5-Amp Fuse
7	136097	1	500 mA Fuse



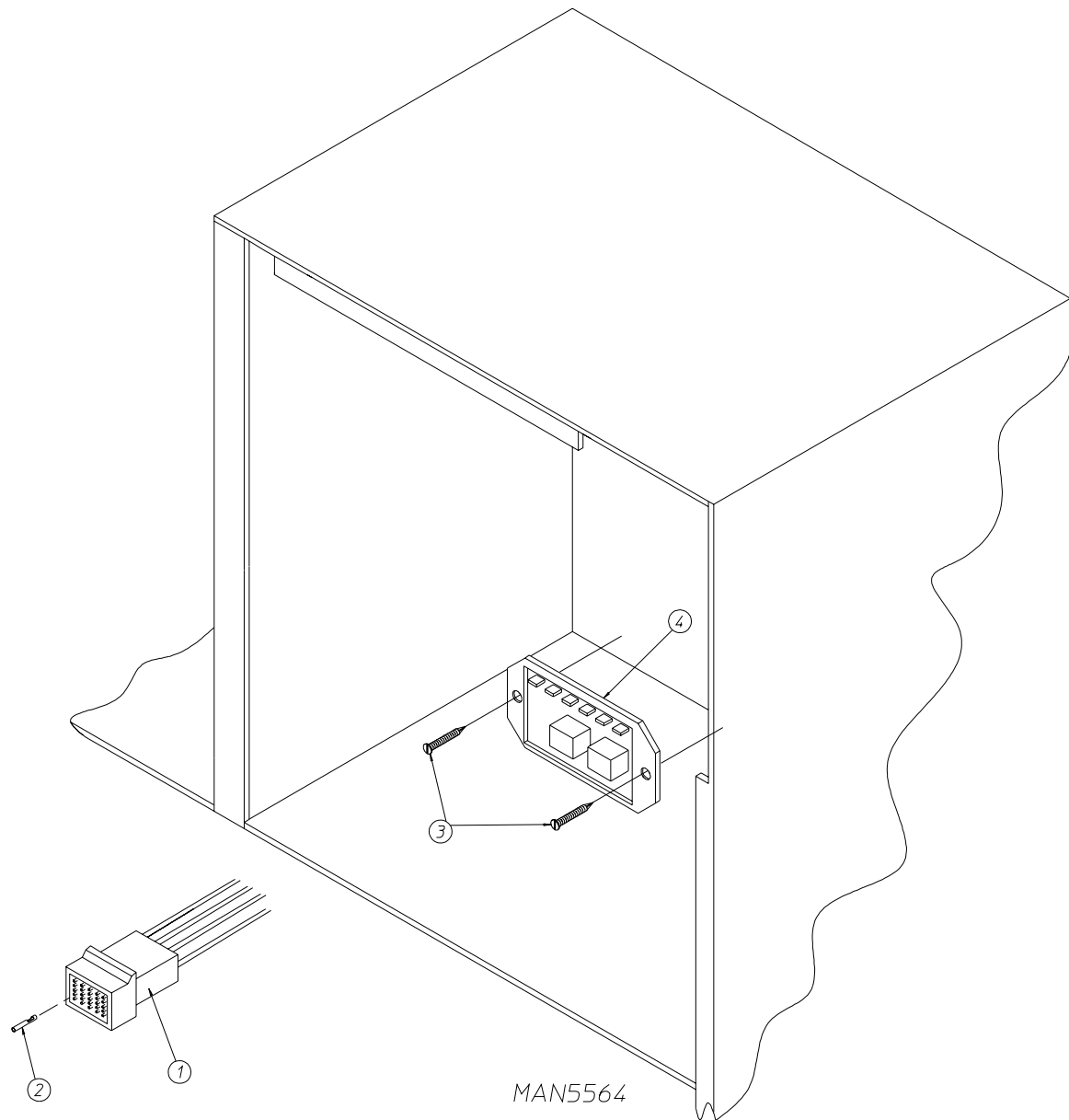
JCARRITA 3/12/02

<u>Illus. No.</u>	<u>Part No.</u>	<u>Qty.</u>	<u>Description</u>
1	122681	1	10-Pin Connector
2	122676	1	8-Pin Connector
3	122646	1	2-Pin Connector
4	122683	1	6-Pin Connector
5	122640	1	9-Pin Connector
6	122706	*	#20-16 U.M.N.L. Socket
7	122669	*	Female Crimp Terminal

* As needed.



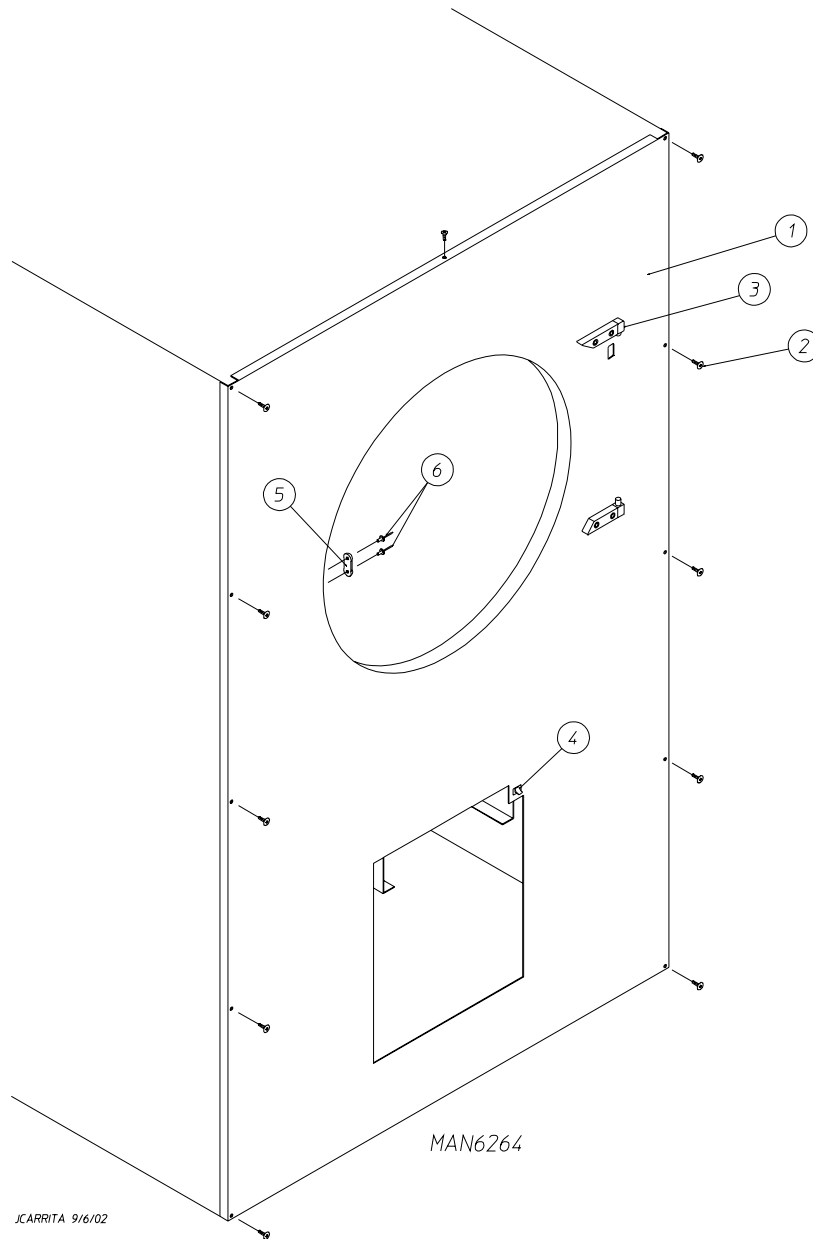
<u>Illus. No.</u>	<u>Part No.</u>	<u>Qty.</u>	<u>Description</u>
1	824298	1	15 Minute Timer - 24 VAC
2	824299	1	60 Minute Timer - 24 VAC
3	824175	1	Red Pilot Light - 24 VAC
4	122301	1	"Tap Touch" Switch
5	131932	3	Relay SPST 24v
6	120730	1	30-Position Terminal Block
7	151000	6	#6-32 Pal Nut
8	882903	1	Dual Timer Panel Complete (includes illus. nos. 1 through 15)
	850392	-	Dual Timer Panel ONLY
9	153010	2	#6 Star Washer
10	152000	2	#6-32 Hex Nut
11	150108	2	#8-32 x 1/2" Phillips Pan Head Machine Screw
12	150110	4	#8-32 x 1/4" Phillips Round Head Machine Screw
13	112563	1	Dual Timer Panel Overlay
14	124104	1	Pure Touch Knob with Red Pointer
15	124105	1	Pure Touch Knob with Blue Pointer



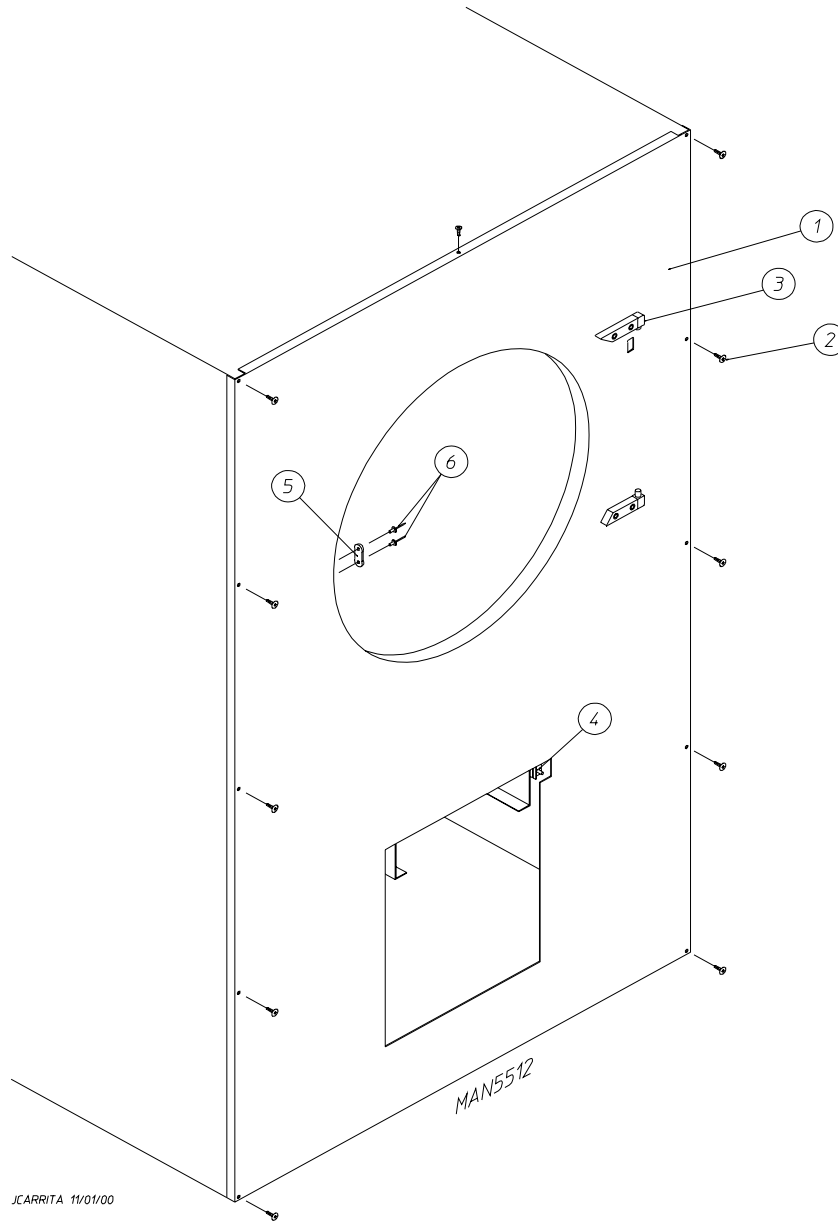
JCARRITA 12/26/00

<u>Illus. No.</u>	<u>Part No.</u>	<u>Qty.</u>	<u>Description</u>
1	122641	1	15-Pin Connector
2	122706	*	Socket Terminal
	122801	1	Pin/Socket Extraction Tool...Not Illustrated
3	150301	2	#8-18 x 7/16" Phillips Pan Head TEK Screw
4	132198	1	Reversing Timer 24v (for reversing dual timer models Only)

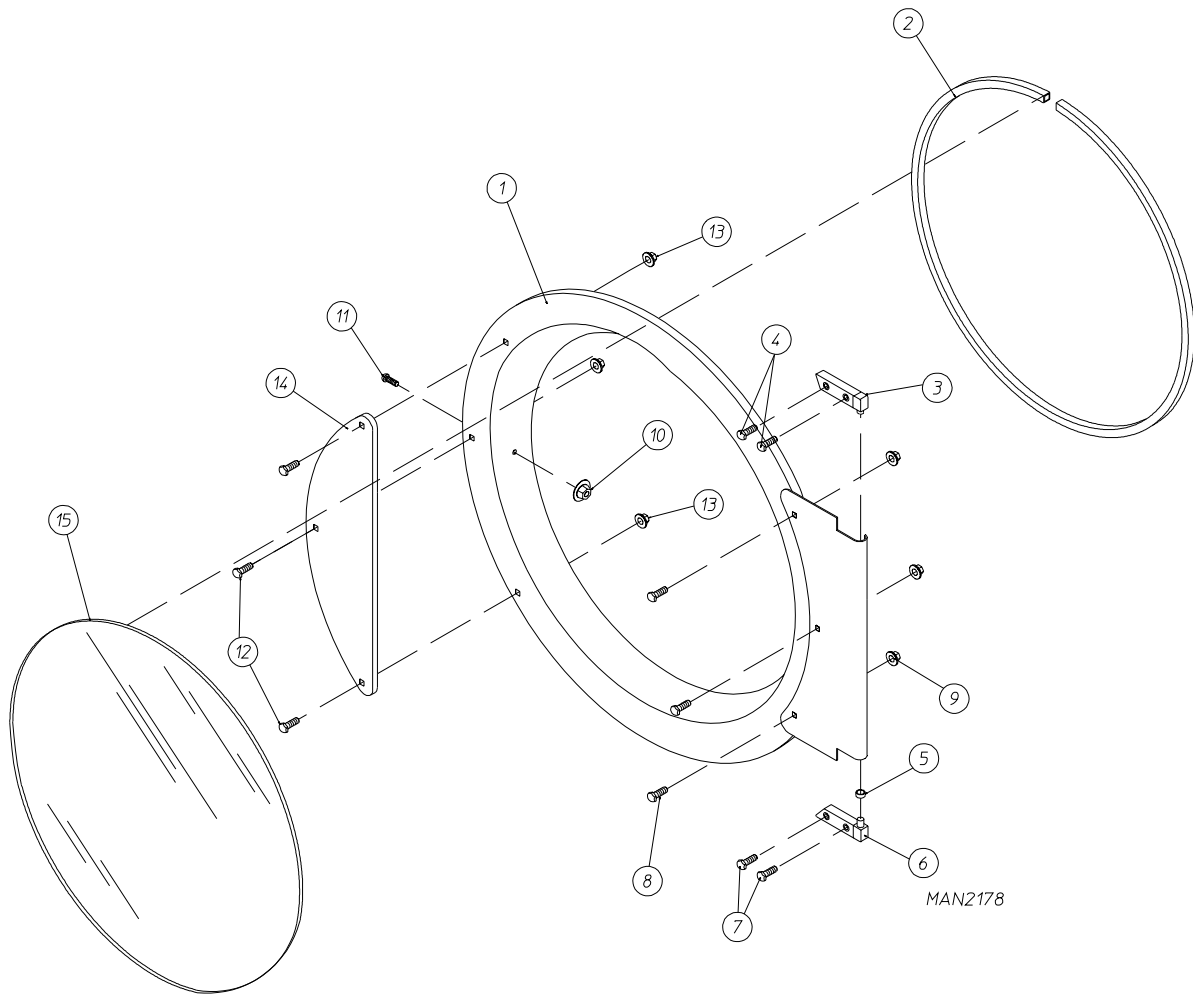
* As required.



<u>Illus. No.</u>	<u>Part No.</u>	<u>Qty.</u>	<u>Description</u>
1	883567	1	White Front Panel Assembly (includes illus. nos. 1, 5, and 6)
	883568	1	Coral Blue Front Panel Assembly (includes illus. nos. 1, 5, and 6)
	883569	1	Ivory Front Panel Assembly (includes illus. nos. 1, 5, and 6)
2	150313	11	#10-16 x 1/2" TORX + Screw
	150318	1	25 IP TORX + Bit (for removal of TORX head screw)
3	-----	1	Main Door Hinge (refer to Main Door "Steel" Assembly on page 11)
4	122002	1	Lint Drawer Switch
5	170330	1	Friction Door Latch
6	154215	2	5/32" Pop Rivet

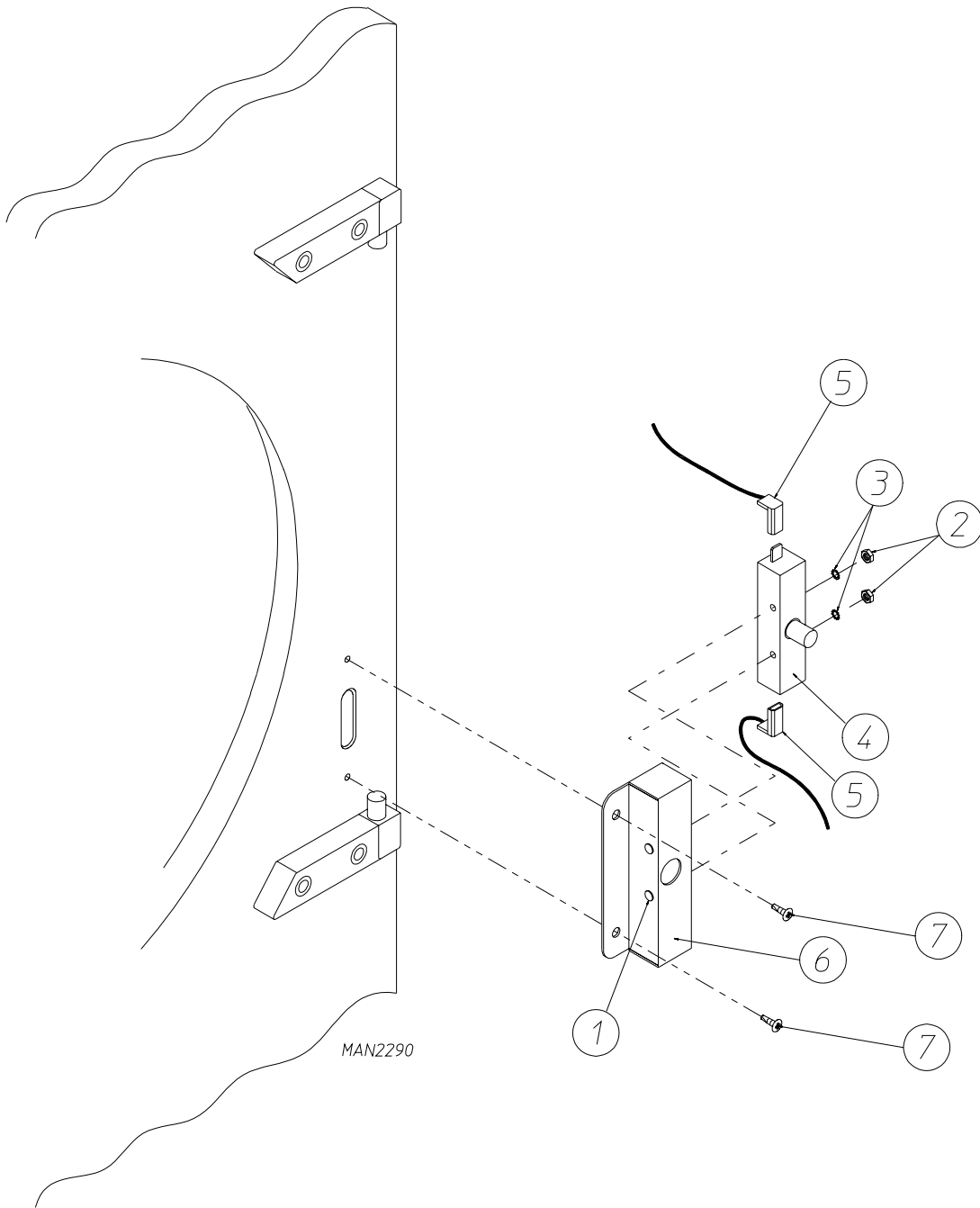


<u>Illus. No.</u>	<u>Part No.</u>	<u>Qty.</u>	<u>Description</u>
1	883137	1	White Front Panel Assembly (includes illus. nos. 1, 5, and 6)
	883138	1	Coral Blue Front Panel Assembly (includes illus. nos. 1, 5, and 6)
	883139	1	Ivory Front Panel Assembly (includes illus. nos. 1, 5, and 6)
2	150313	11	#10-16 x 1/2" TORX + Screw
	150318	1	25 IP TORX + Bit (for removal of TORX head screw)
3	-----	1	Main Door Hinge
4	-----	1	Lint Drawer Switch (refer to Lint Drawer/Lint Drawer Switch Assemblies on page 15)
5	170330	1	Friction Door Latch
6	154215	2	5/32" Pop Rivet

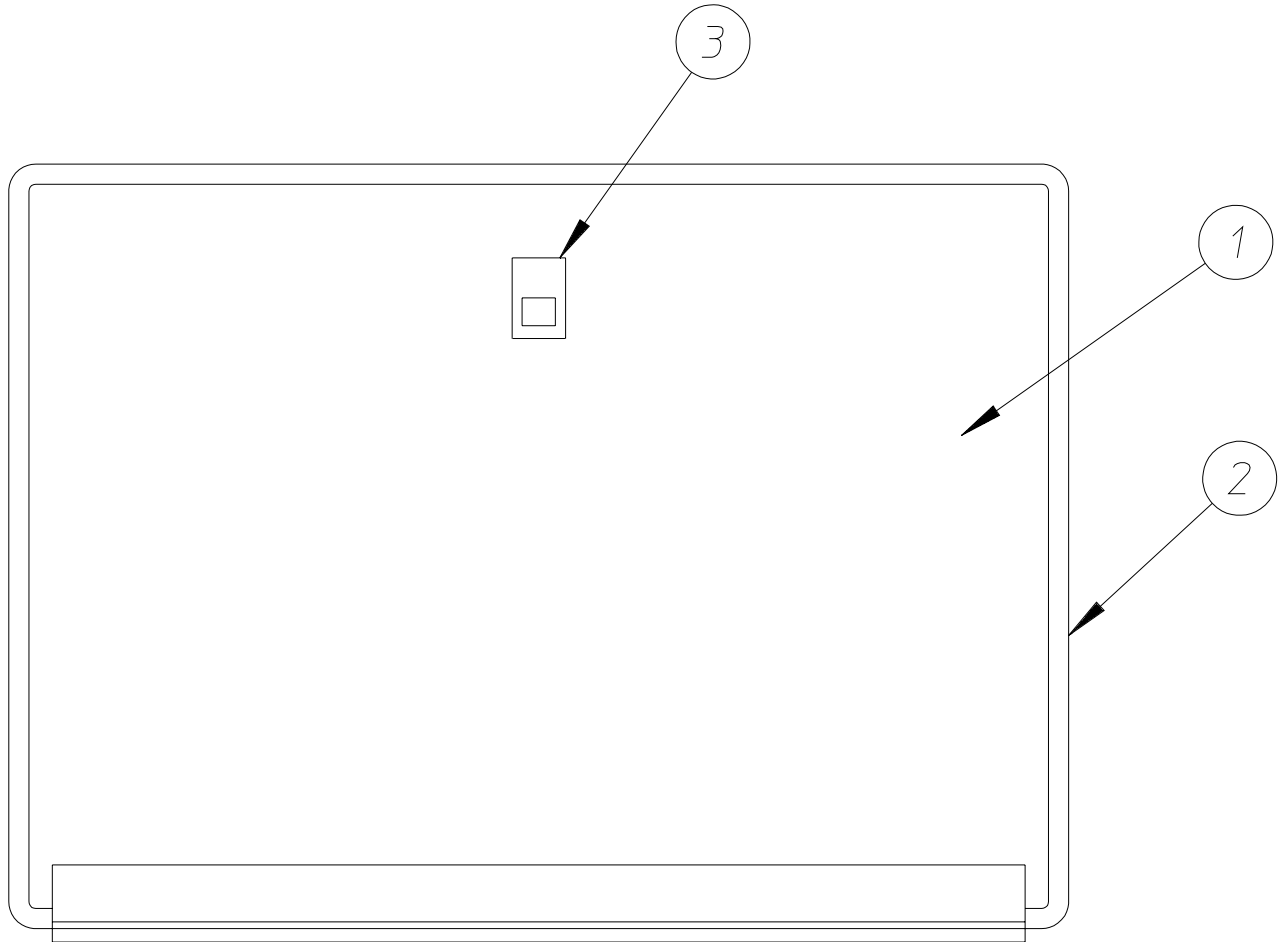


MAN2178

<u>Illus. No.</u>	<u>Part No.</u>	<u>Qty.</u>	<u>Description</u>
1	881150	1	Black Main Door Assembly Complete (includes illus. nos. 1, 2, and 8 through 15)
2	102354	1	Door Gasket
	170731	1	Black Gasket Adhesive (10.7 oz. cartridge)
3	881152	1	Black Top Hinge Block Assembly (includes illus. nos. 3 and 4)
4	150445	2	1/4-20 x 3/4" Black Cap Head Screw
5	153031	1	1/4" Nylon Washer
6	881151	1	Black Bottom Hinge Block Assembly (includes illus. nos. 5 through 7)
7	150445	2	1/4-20 x 3/4" Black Cap Head Screw
8	150683	3	1/4-20 x 5/8" Black Carriage Bolt
9	152014	3	1/4-20 Free Spin Wash Nut
10	151010	1	#10-32 Black Hex Acorn Nut
11	150120	1	Door Latch Screw
12	150683	3	1/4-20 x 5/8" Black Carriage Bolt
13	152014	3	1/4-20 Free Spin Wash Nut
14	881210	1	Black Main Door Handle ONLY
15	102211	1	20-7/16" Door Glass
	170731	1	Black Glass Adhesive (10.3 oz. cartridge)



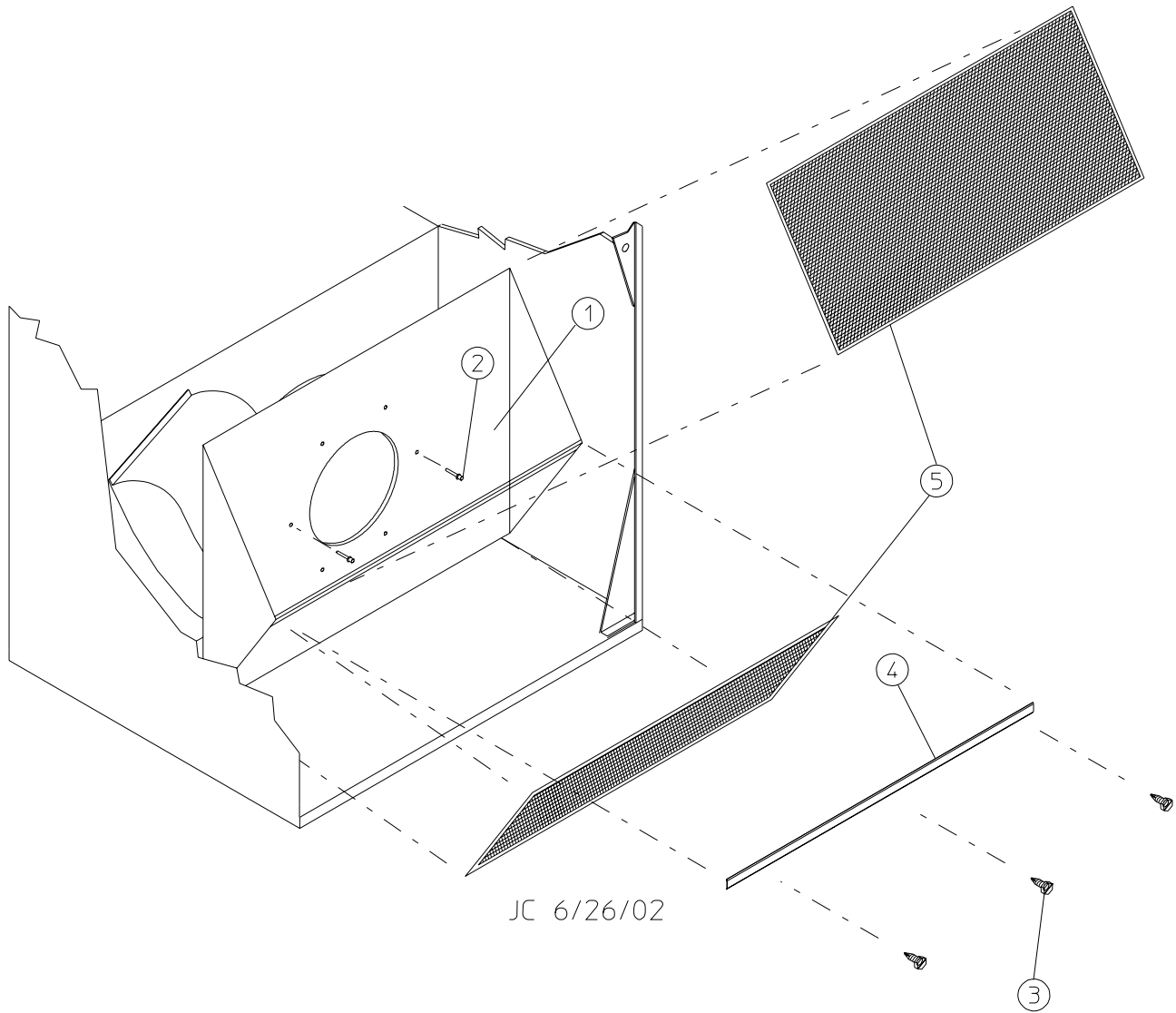
<u>Illus. No.</u>	<u>Part No.</u>	<u>Qty.</u>	<u>Description</u>
1	150006	2	#6-32 x 7/8" Phillips Pan Head Machine Screw
2	152013	2	#6-32 Hex Nut
3	153010	2	#6 Star Washer
4	137005	1	Door Switch
5	122636	2	Flag Terminal
6	881211	1	Black Main Door Switch Housing ONLY (includes illus. nos. 1 and 6)
	881153	1	Black Main Door Switch Housing Complete (includes illus. nos. 1 through 4 and 6)
7	150301	2	#8-18 x 7/16" Phillips Pan Head TEK Screw



ST 12/11/01

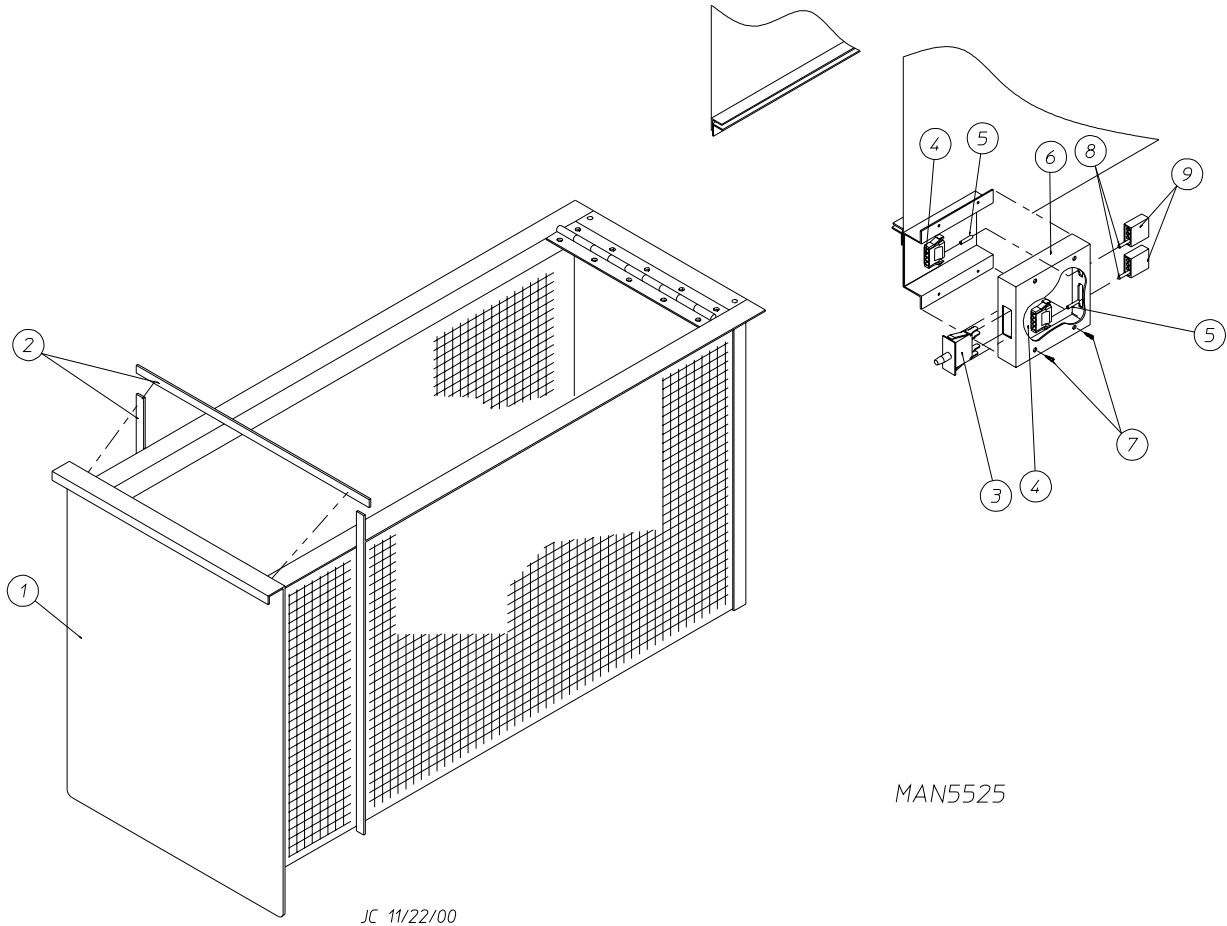
MAN6030

<u>Illus. No.</u>	<u>Part No.</u>	<u>Qty.</u>	<u>Description</u>
1	883680	1	White Drop Lint Door Assembly (includes illus. nos. 1 through 3)
	883656	1	Coral Blue Drop Lint Door Assembly (includes illus. nos. 1 through 3)
	883657	1	Ivory Drop Lint Door Assembly (includes illus. nos. 1 through 3)
2	117604	6	Noise Suppression Tape (sold by the foot)
3	170226	1	Slide Latch



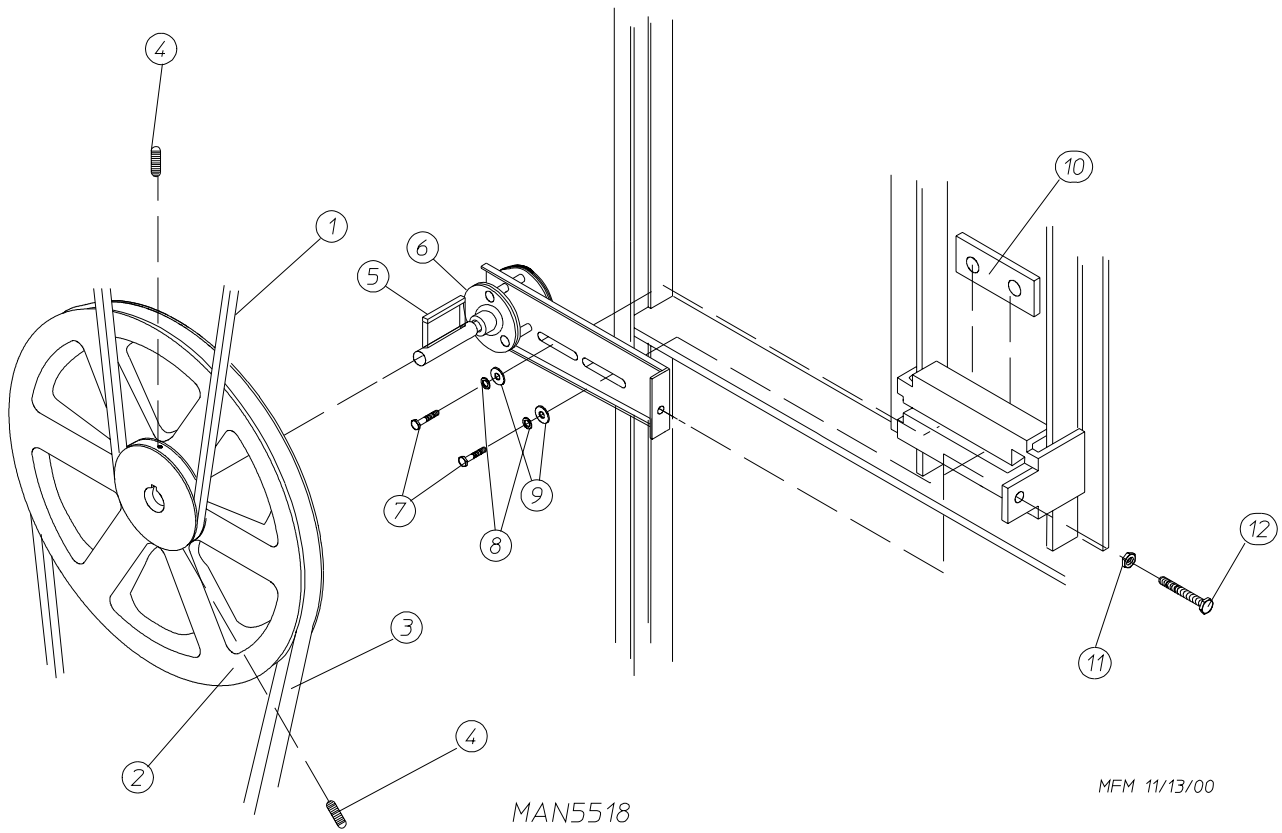
MAN6192

<u>Illus. No.</u>	<u>Part No.</u>	<u>Qty.</u>	<u>Description</u>
1	801070	1	Lint Trap Assembly Complete (for 60 Hz models Only) (includes illus. nos. 1 and 3 through 5)
	800401	1	Lint Trap Assembly Complete (for 50 Hz models Only) (includes illus. nos. 1 and 3 through 5)
	801069	1	Lint Trap ONLY (for 60 Hz models Only)
	800443	1	Lint Trap ONLY (for 50 Hz models Only)
2	154200	6	5/32" Pop Rivet
3	150300	3	#10-16 x 1/2" Hex Washer TEK Screw
4	304100	1	Lint Screen Holder
5	800500	2	Lint Screen Assembly

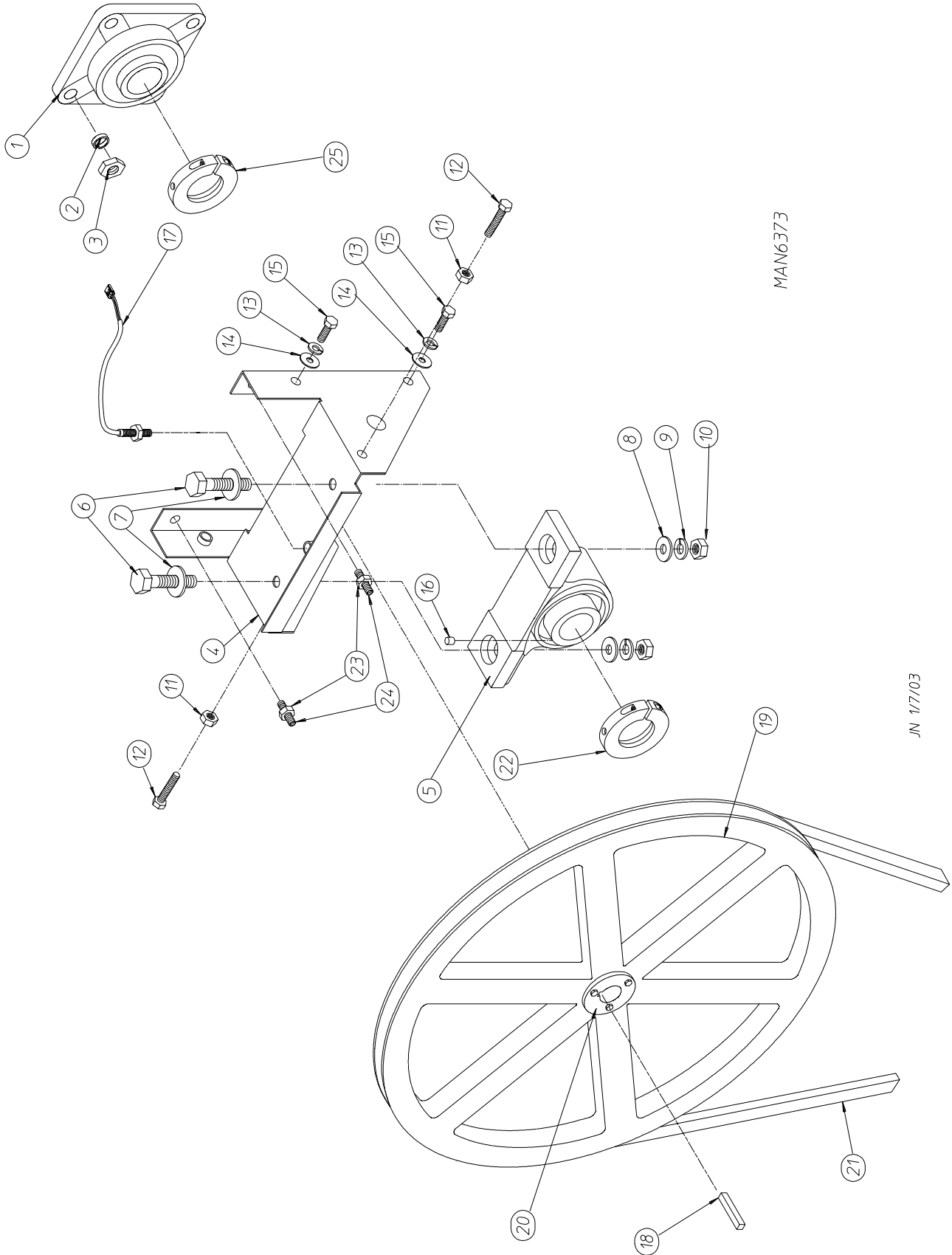


Illus. No.	Part No.	Qty.	Description
1	883795	1	White Lint Drawer Assembly (includes illus. nos. 1 and 2)
	883796	1	Coral Blue Lint Drawer Assembly (includes illus. nos. 1 and 2)
	883797	1	Ivory Lint Drawer Assembly (includes illus. nos. 1 and 2)
2	117605	5	Noise Suppression Tape (sold by the foot)
3	122116	1	Lint Drawer Switch
4	122605	*	4-Pin Connector (female)
5	122701	*	Socket Terminal
	122801	1	Pin/Socket Extraction Tool...Not Illustrated
6	833123	1	Lint Drawer Switch Box Assembly (for Phase 7 models Only) (includes illus. nos. 3 through 6)
	818087	1	Lint Drawer Switch Box Assembly (for dual timer models Only) (includes illus. nos. 3 through 6)
	304136	1	Lint Drawer Switch Box Cover ONLY
7	150301	2	#8-18 x 7/16" Phillips Pan Head TEK Screw
8	122700	*	Pin Terminal
9	122604	*	4-Pin Connector (male)

* As required.

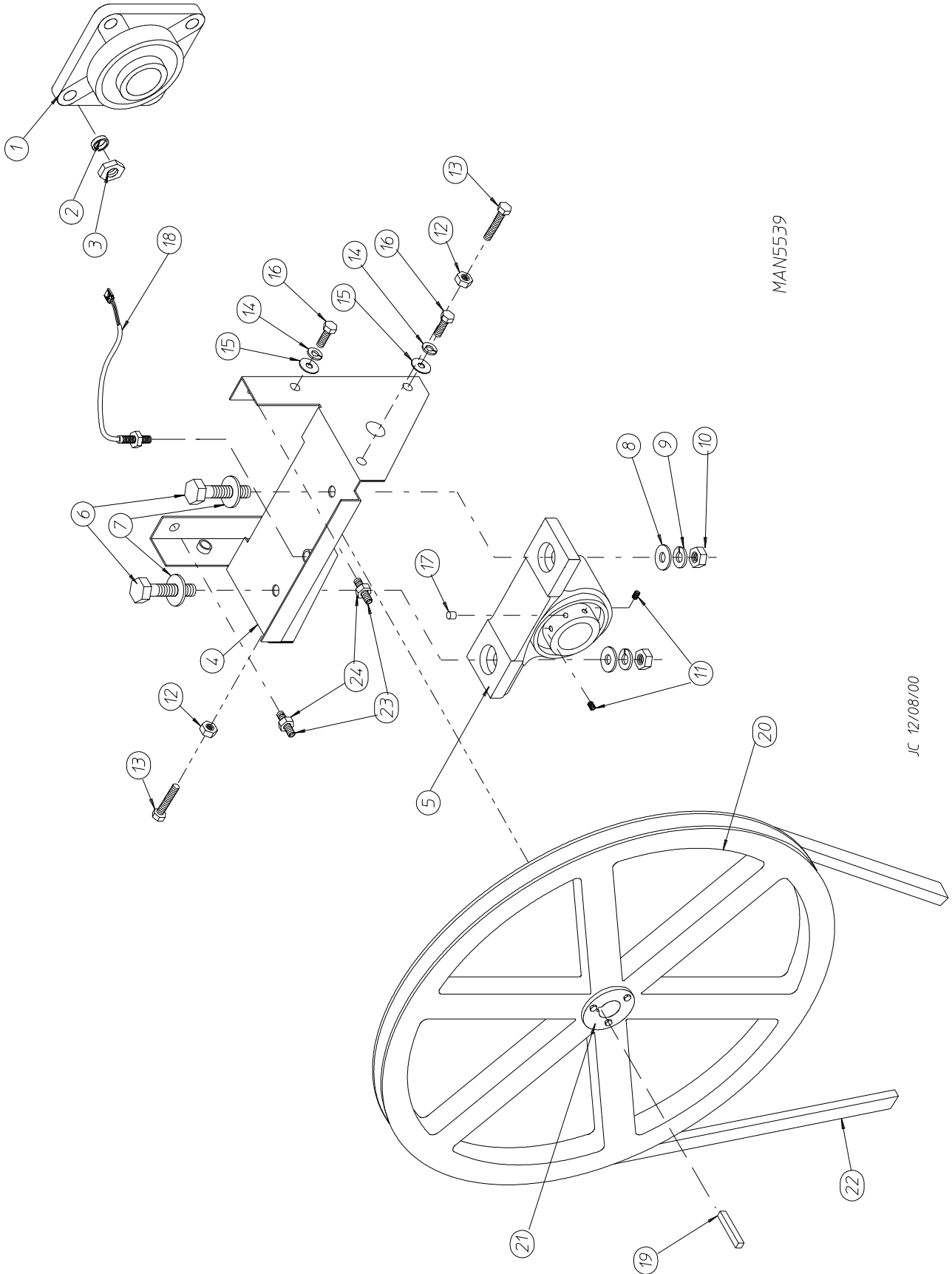


<u>Illus. No.</u>	<u>Part No.</u>	<u>Qty.</u>	<u>Description</u>
1	100100	1	5L-660 V-Belt (basket [tumbler] to idler) For Non-Reversing Models ONLY
	100108	1	5L-680 V-Belt (basket [tumbler] to idler) For Reversing Models ONLY
2	101129	1	9" x 2-1/2" Compound Pulley
3	100105	1	4L-520 V-Belt For Non-Reversing Models ONLY
	100112	1	4L-610 V-Belt (idler to motor) For Reversing Models ONLY
4	154301	2	5/16-18 x 1" Allen Setscrew
5	100705	1	3/16" x 3/16" x 1-3/8" Key
6	882576	1	Idler Bearing Assembly Complete (includes illus. nos. 5 through 12)
7	150617	2	3/8-16 x 1" Hex Head Machine Bolt
8	153005	2	3/8" Lock Washer
9	153004	2	3/8" Flat Washer
10	801009	1	Idler Square Washer
11	152004	1	5/16-18 Hex Nut
12	150509	1	5/16-18 x 3" Hex Head Machine Bolt



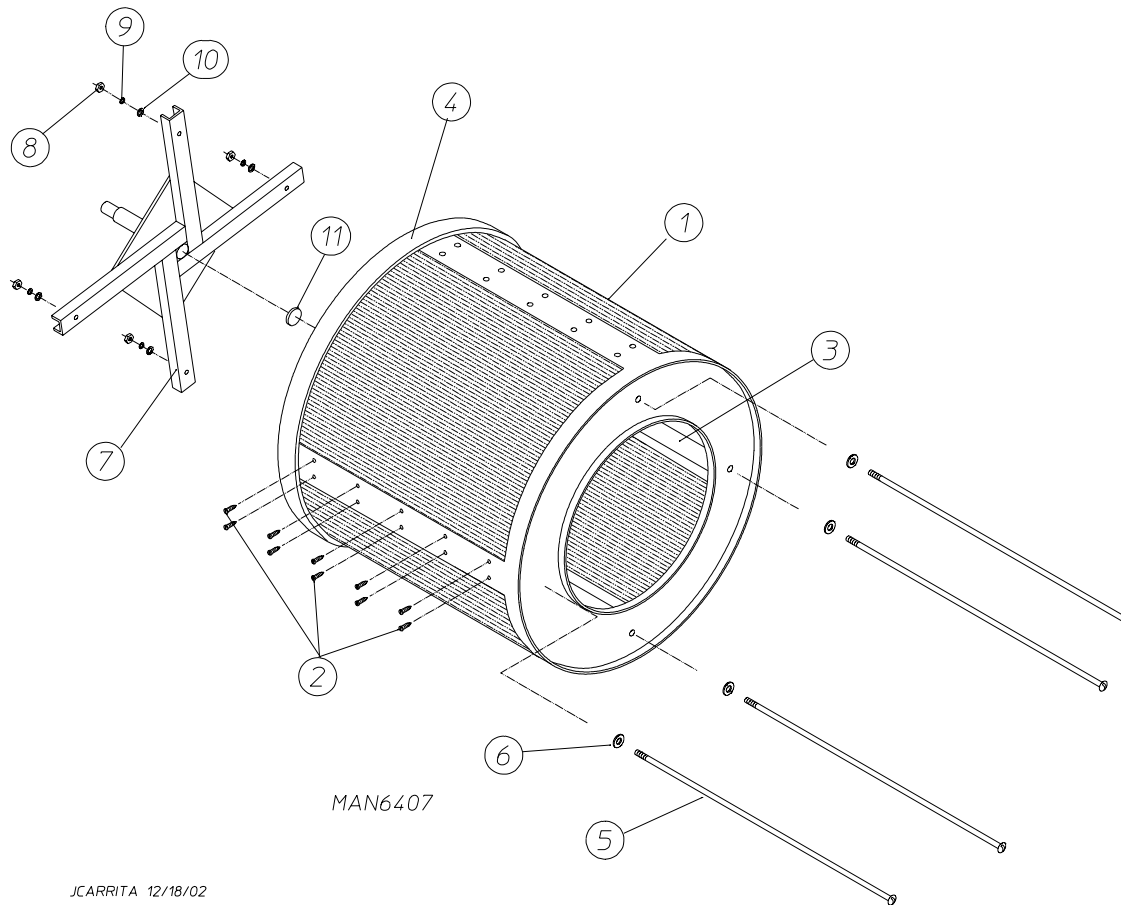
For Models Mfd. with Griplock Type Bearings

<u>Illus. No.</u>	<u>Part No.</u>	<u>Qty.</u>	<u>Description</u>
1	883735	1	1-3/4" Flange Bearing
2	153025	4	9/16" Lock Washer
3	152050	4	9/16-12 Hex Nut
4	883736	1	Pillow Block Bearing Assembly Complete (for micro models Only) (includes illus. nos. 4 through 17 and 22 through 24)
	882544	1	Pillow Block Bearing Assembly Complete (for dual timer models Only) (includes illus. nos. 4 through 15 and 22 through 24)
	882543	1	Pillow Block Bearing Platform ONLY (for micro models Only)
	882542	1	Pillow Block Bearing Platform ONLY (for dual timer models Only)
5	883710	1	1-3/8" Pillow Block Bearing (for micro models Only)
	883737	1	1-3/8" Pillow Block Bearing (for dual timer models Only)
6	150601	2	3/8-16 x 2" Hex Bolt
7	153004	2	3/8" Flat Washer
8	153004	2	3/8" Flat Washer
9	153005	2	3/8" Lock Washer
10	152005	2	3/8-16 Hex Nut
11	152004	2	5/16-18 Hex Nut
12	150621	2	5/16-18 x 1-1/2" Tap Bolt
13	153002	4	5/16" Lock Washer
14	153004	6	3/8" Flat Washer
15	150501	4	5/16-18 x 3/4" Tap Bolt
16	102120	1	Sintered 8 Magnet (for micro models Only)
17	883386	1	Rotational Sensor Assembly (for micro models Only)
18	100735	1	Shaft Key (for reversing models Only)
19	101100	1	18" Pulley (for non-reversing models Only)
	101118	1	18-3/4" Pulley (for reversing models Only)
20	101110	1	1" Taper Lock Bushing (for reversing models Only)
21	100100	1	5L-660 V-Belt (basket [tumbler] to idler) for Non-Reversing Models ONLY
	100108	1	5L-680 V-Belt (basket [tumbler] to idler) for Reversing Models ONLY
22	100270	1	1-3/8" Griplock Collar
23	150610	2	5/16-18 x 1-1/2" Allen Setscrew
24	152004	2	5/16-18 Hex Nut
25	100272	1	1-3/4" Griplock Collar



For Models Mfd. with Setscrew Type Bearings

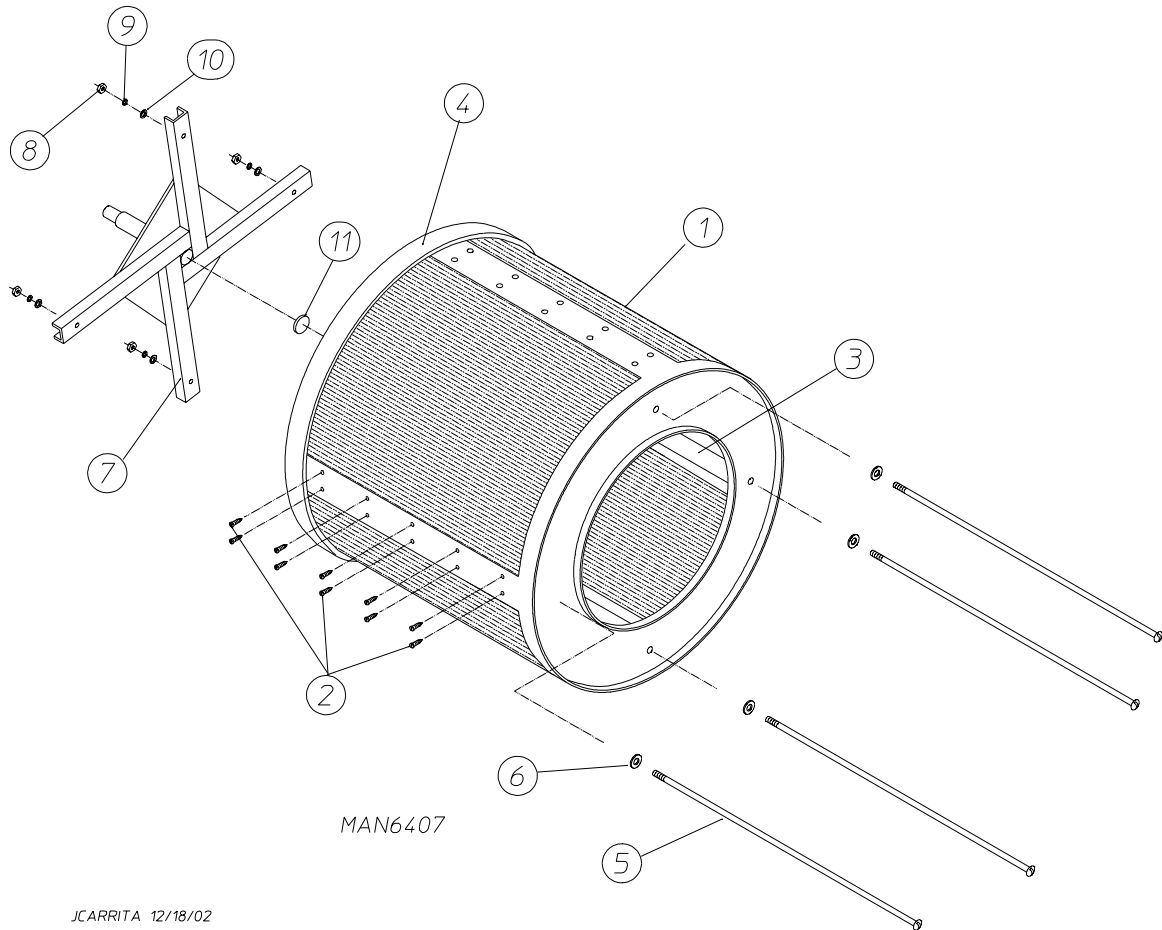
<u>Illus. No.</u>	<u>Part No.</u>	<u>Qty.</u>	<u>Description</u>
1	880220	1	1-3/4" Flange Bearing
2	153025	4	9/16" Lock Washer
3	152050	4	9/16-12 Hex Nut
4	883387	1	Pillow Block Bearing Assembly Complete (for micro models Only) (includes illus. nos. 4 through 18, 23, and 24)
	882544	1	Pillow Block Bearing Assembly Complete (for dual timer models Only) (includes illus. nos. 4 through 16, 23, and 24)
	882543	1	Pillow Block Bearing Platform ONLY (for micro models Only)
	882542	1	Pillow Block Bearing Platform ONLY (for dual timer models Only)
5	880779	1	1-3/8" Pillow Block Bearing (for micro models Only)
	880202	1	1-3/8" Pillow Block Bearing (for dual timer models Only)
6	150601	2	3/8-16 x 2" Hex Bolt
7	153004	2	3/8" Flat Washer
8	153004	2	3/8" Flat Washer
9	153005	2	3/8" Lock Washer
10	152005	2	3/8-16 Hex Nut
11	154326	2	5/16-24 x 3/8" Setscrew
12	152004	2	5/16-18 Hex Nut
13	150621	2	5/16-18 x 1-1/2" Tap Bolt
14	153002	4	5/16" Lock Washer
15	153004	6	3/8" Flat Washer
16	150501	4	5/16-18 x 3/4" Tap Bolt
17	102120	1	Sintered 8 Magnet (for micro models Only)
18	883386	1	Rotational Sensor Assembly (for micro models Only)
19	100735	1	Shaft Key (for reversing models Only)
20	101100	1	18" Pulley (for non-reversing models Only)
	101118	1	18-3/4" Pulley (for reversing models Only)
21	101110	1	1" Taper Lock Bushing (for reversing models Only)
22	100100	1	5L-660 V-Belt (basket [tumbler] to idler) for Non-Reversing Models ONLY
	100108	1	5L-680 V-Belt (basket [tumbler] to idler) for Reversing Models ONLY
23	150610	2	5/16-18 x 1-1/2" Allen Setscrew
24	152004	2	5/16-18 Hex Nut



JCARRITA 12/18/02

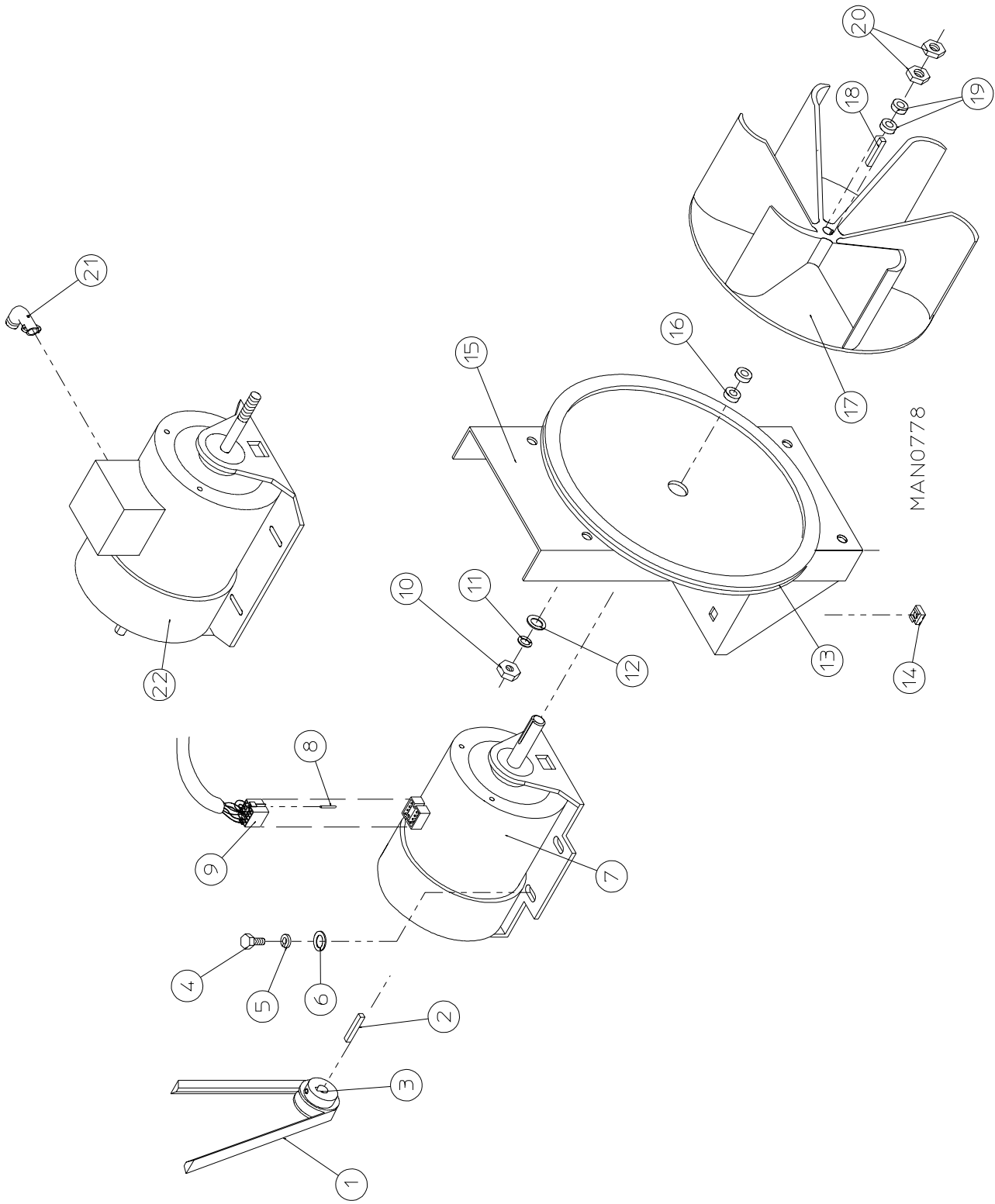
<u>Illus. No.</u>	<u>Part No.</u>	<u>Qty.</u>	<u>Description</u>
1*	882519	1	Galvanized Basket (tumbler) ONLY
	882520	1	Stainless Steel Basket (tumbler) ONLY
	882522	1	Galvanized Basket (tumbler)/Support Assemblies (includes illus. nos. 1 through 3 and 5 through 11)
	882524	1	Stainless Steel Basket (tumbler)/Support Assemblies (includes illus. nos. 1 through 3 and 5 through 11)
2	150313	40	#10-16 x 1/2" TORX + Screw
	150318	1	25 IP TORX + Bit (for removal of TORX head screw)
3	322002	2	Galvanized Taper Basket (tumbler) Rib
	322003	2	Galvanized Straight Basket (tumbler) Rib
	322001	2	Stainless Steel Straight Basket (tumbler) Rib
	322000	2	Stainless Steel Tapered Basket (tumbler) Rib
4	116002	1	Felt Collar ONLY
5	100918	4	3/8-16 x 26-3/4" Tie Rod
6	153004	4	3/8" Flat Washer
7	882517	1	Basket (tumbler) Support ONLY
8	152005	4	3/8-16 Hex Nut
9	153005	4	3/8" Lock Washer
10	153004	4	3/8" Flat Washer
11	115986	1	1/4" x 2" Felt Basket (tumbler) Pad
	401010	1	#847 Adhesive for Felt Collar (5.0 oz. tube)...Not Illustrated

* Felt collar is not included and **must be** ordered separately.



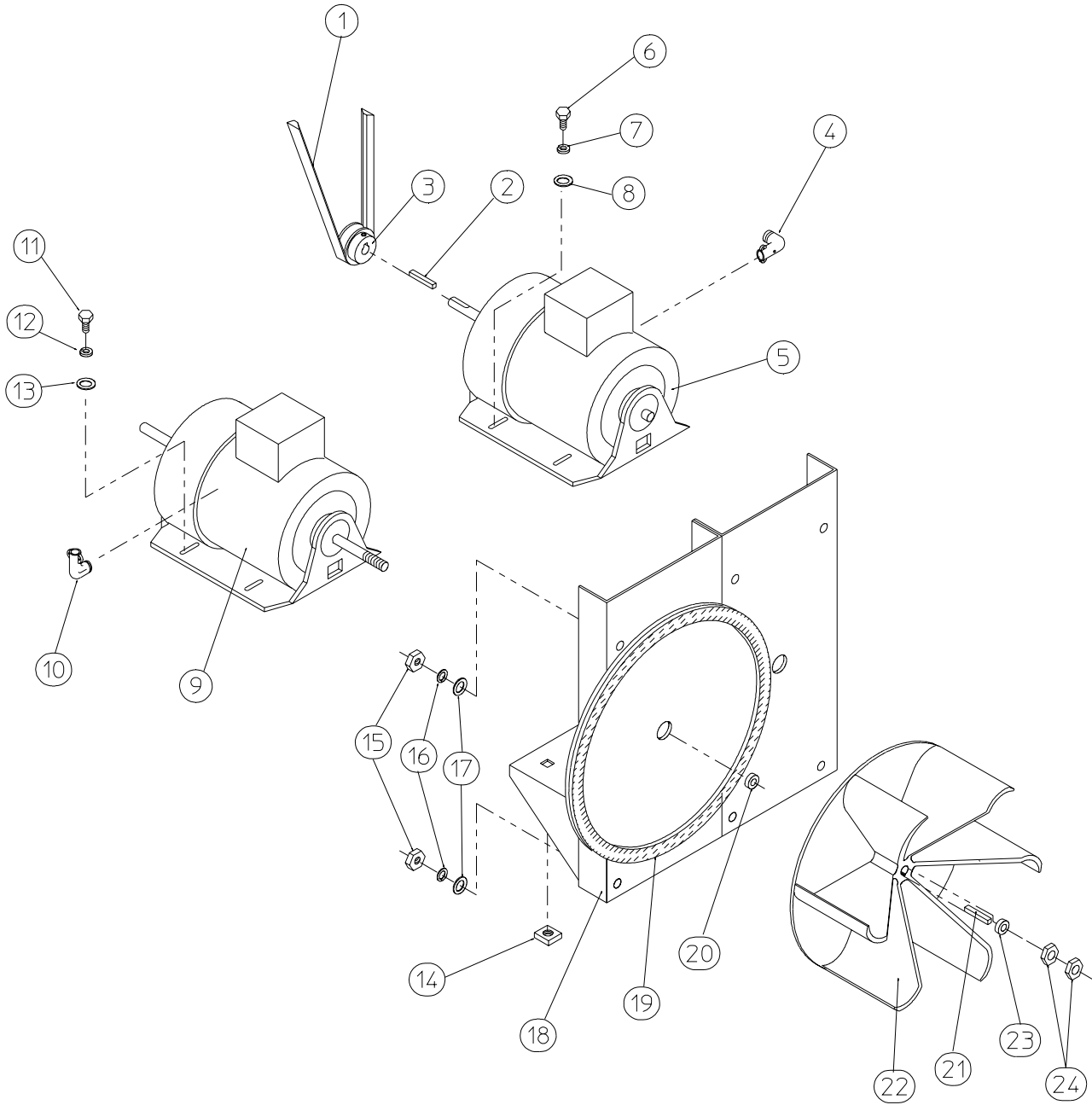
Illus. No.	Part No.	Qty.	Description
1*	800838	1	Galvanized Basket (tumbler) ONLY
	800736	1	Stainless Steel Basket (tumbler) ONLY
	800837	1	Galvanized Basket (tumbler) and Support Assembly with Tapered Ribs (includes illus. nos. 1 through 3 and 5 through 11)
	882683	1	Stainless Steel Basket (tumbler) and Support Assembly with Tapered Ribs (includes illus. nos. 1 through 3 and 5 through 11)
2	150313	40	#10-16 x 1/2" TORX + Crimptite Screw
	150318	1	25 IP TORX + Bit (for removal of TORX head screw)
3	301302	2	Basket (tumbler) Rib (low rib) ONLY
	301311	2	Basket (tumbler) Rib (high rib) ONLY
4	116001	1	Felt Collar ONLY
5	100903	4	3/8-16 x 38-1/2" Tie Rod
6	153004	4	3/8" Flat Washer
7	800616	1	Basket (tumbler) Support ONLY
8	152005	4	3/8-16 Hex Nut
9	153005	4	3/8" Lock Washer
10	153004	4	3/8" Flat Washer
11	115986	1	1/4" x 2" Felt Basket (tumbler) Pad
	401010	1	#847 Adhesive for Felt Collar (5.0 oz. tube)...Not Illustrated

* Felt collar is not included and **must be** ordered separately.



<u>Illus. No.</u>	<u>Part No.</u>	<u>Qty.</u>	<u>Description</u>
1	100105	1	4L-520 V-Belt (to idler motor)
2	100701	1	3/16" x 3/16" x 1" Key
3	101104	1	1/2" x 2" Motor Pulley (for use on 1 ϕ - 60 Hz models Only)
	101132	1	5/8" x 2" Motor Pulley (for use on 3 ϕ - 60 Hz models Only)
	101131	1	1/2" x 2-1/4" Motor Pulley (for use on 1 ϕ 50 Hz models mfd. as of August 22, 2002)
	101133	1	5/8" x 2-1/4" Motor Pulley (for use on ALL 3 ϕ 50 Hz and 1 ϕ 50 Hz models mfd. prior to August 22, 2002)
4	150501	4	5/16-18 x 3/4" Hex Head Machine Bolt
5	153002	4	5/16" Lock Washer
6	153001	4	5/16" Flat Washer
7	181049	1	1/2 HP 120-230v 1 ϕ 60/50 Hz Motor with Plug
	883572	1	1/2 HP 240v 1 ϕ 50 Hz Motor with Plug (includes motor pulley) (for 1 ϕ 50 Hz models mfd. prior to August 22, 2002 Only)
8	122701	8	Socket Terminal ONLY
	122801	1	Pin/Socket Extraction Tool...Not Illustrated
9	137030	1	8-Pin Housing Connector
10	152004	4	5/16-18 Hex Nut
11	153002	4	5/16" Lock Washer
12	153001	4	5/16" Flat Washer
13	117604	4	Noise Suppression Tape (sold by the foot)
14	154000	4	5/16-18 Nut
15	850017	1	Non-Reversing Motor Mount ONLY (56Z frame)
	803938	1	1/2 HP 120-230v 1 ϕ 60 Hz Motor Mount Assembly Complete with Plug Motor (includes illus. nos. 2 through 7 and 13 through 20)
	817076	1	1/2 HP 240v 1 ϕ 50 Hz Motor Mount Assembly Complete with Plug Motor (includes illus. nos. 2 through 7 and 13 through 20)
	803809*	1	1/2 HP 208/230/380/460v 3 ϕ 60 Hz Totally Enclosed, Fan-Cooled (T.E.F.C.) Motor Mount Assembly Complete (includes illus. nos. 2 through 6 and 13 through 22)
	803810*	1	1/2 HP 208/230/380/460v 3 ϕ 50 Hz Non-Reversing Totally Enclosed, Fan-Cooled (T.E.F.C.) Motor Mount Assembly Complete (includes illus. nos. 2 through 6 and 13 through 22)
16	153050	2	1/2" S.A.E. Flat Washer
17	100604	1	12-1/2" Impellor with 1/2" Bore
18	100702	1	1/8" x 1/8" x 1-1/2" Key
19	153050	2	1/2" S.A.E. Flat Washer
20	152006	2	1/2-20 Left Hand Jam Nut
21	120200	1	3/8" 90° Connector
22	100007*	1	1/2 HP 208-460 3 ϕ 50/60 Hz Motor

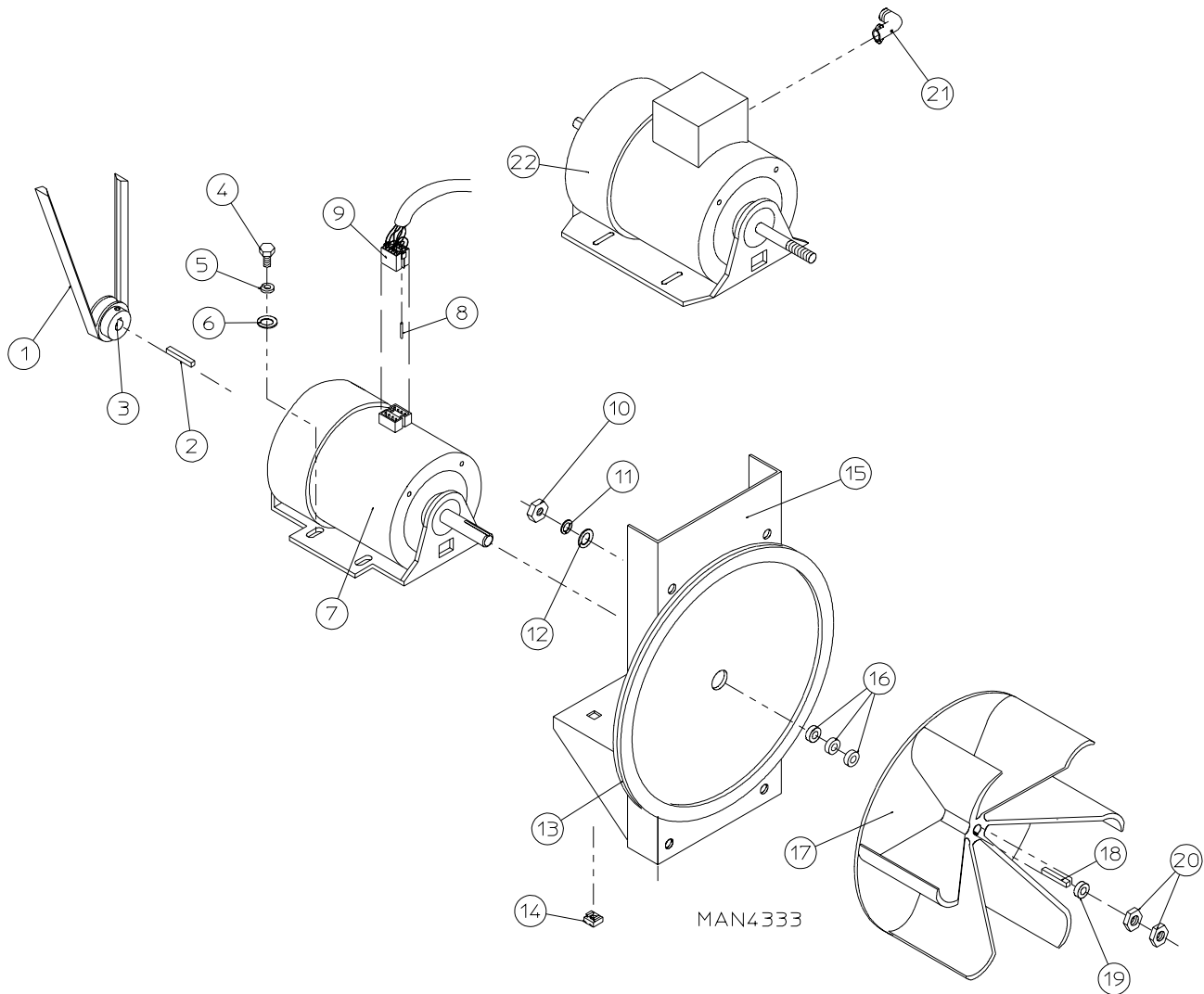
* Specify voltage when ordering.



MAN1970

<u>Illus. No.</u>	<u>Part No.</u>	<u>Qty.</u>	<u>Description</u>
1	100112	1	4L-610 V-Belt (to idler motor)
2	100701	1	3/16" x 3/16" x 1" Key
3	101132	1	5/8" x 2" Motor Pulley (for 60 Hz models Only)
	101133	1	5/8" x 2-1/4" Motor Pulley (for 50 Hz models Only)
4	120200	1	3/8" x 90° Connector
5*	181003	1	1/2 HP 208/230/380/460v 3ø 50/60 Hz Motor (56Z frame)
6	150501	4	5/16-18 x 3/4" Hex Head Machine Bolt
7	153002	4	5/16" Lock Washer
8	153001	4	5/16" Flat Washer
9*	100007	1	1/2 HP 208/230/380/460v 3ø 50/60 Hz Totally Enclosed, Fan-Cooled (T.E.F.C.) Motor (56Z frame)
10	120200	1	3/8" x 90° Connector
11	150501	4	5/16-18 x 3/4" Hex Head Machine Bolt
12	153002	4	5/16" Lock Washer
13	153001	4	5/16" Flat Washer
14	154000	8	5/16-18 Nut
15	152004	4	5/16-18 Hex Nut
16	153002	4	5/16" Lock Washer
17	153001	4	5/16" Flat Washer
18	850070	1	Motor Mount ONLY (56Z frame) (includes illus. nos. 18 and 19)
	803802*	1	Totally Enclosed, Fan-Cooled (T.E.F.C.) Motor Mount Assembly Complete (includes illus. nos. 2 through 14 and 18 through 24) For 60 Hz Models ONLY
	803803*	1	Totally Enclosed, Fan-Cooled (T.E.F.C.) Motor Mount Assembly Complete (includes illus. nos. 2 through 14 and 18 through 24) For 50 Hz Models ONLY
19	117604	4	Noise Suppression Tape (sold by the foot)
20	153050	2	1/2" S.A.E. Flat Washer
21	100702	1	1/8" x 1/8" x 1-1/2" Key
22	100604	1	12-1/2" Impellor with 1/2" Bore
23	153050	2	1/2" S.A.E. Flat Washer
24	152006	2	1/2-20 Left Hand Jam Nut

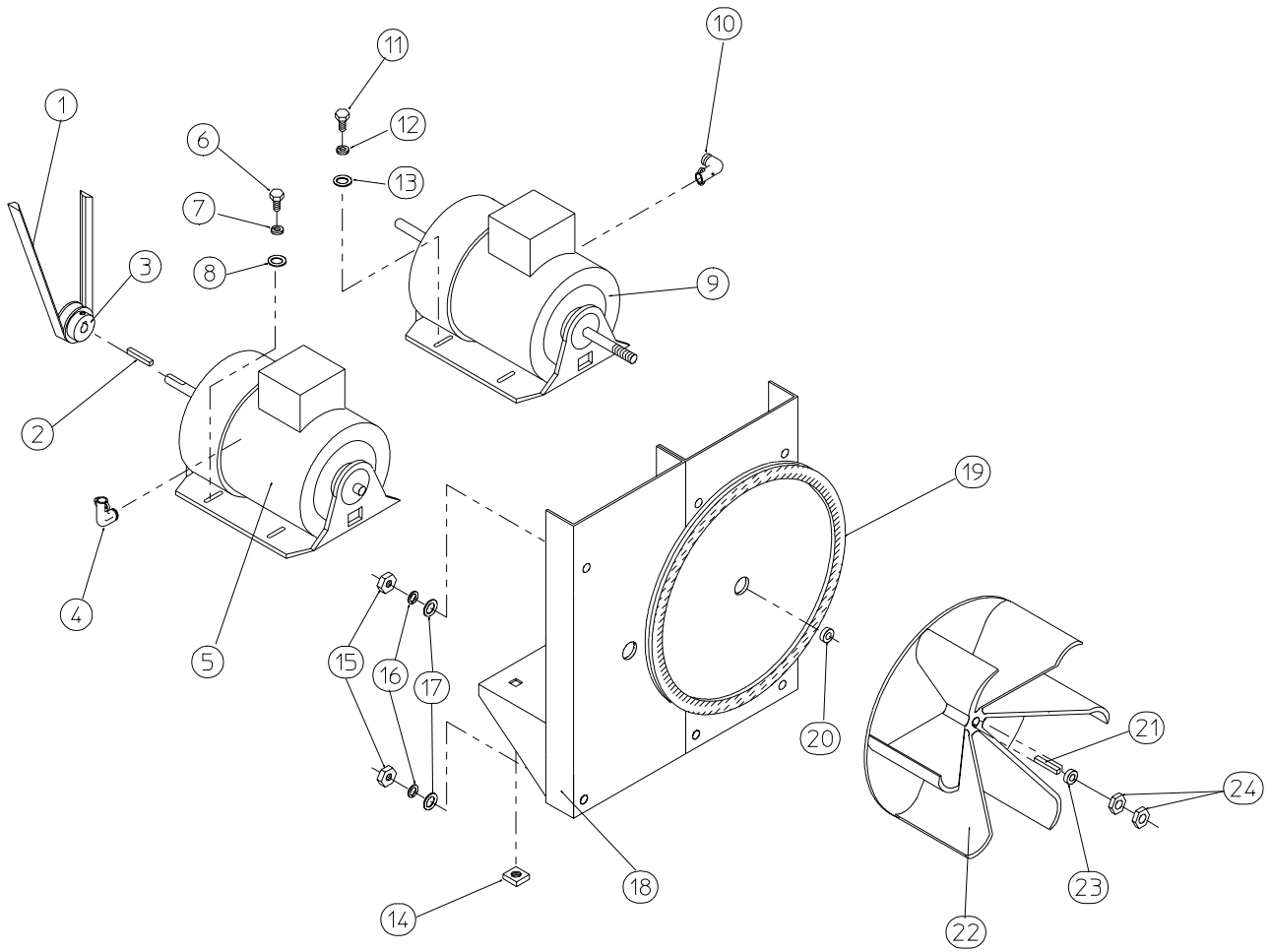
* Specify voltage when ordering.



<u>Illus. No.</u>	<u>Part No.</u>	<u>Qty.</u>	<u>Description</u>
1	100105	1	4L-520 V-Belt (motor to idler)
2	100701	1	3/16" x 3/16" x 1" Key
3	101132	1	5/8" x 2" Motor Pulley (for use on 60 Hz models Only)
	101133	1	5/8" x 2-1/4" Motor Pulley (for use on 50 Hz models Only)
4	150501	4	5/16-18 x 3/4" Hex Head Machine Bolt
5	153002	4	5/16" Lock Washer

<u>Illus. No.</u>	<u>Part No.</u>	<u>Qty.</u>	<u>Description</u>
6	153001	4	5/16" Flat Washer
7	100069	1	3/4 HP 120-230v 1 ϕ Totally Enclosed, Fan-Cooled (T.E.F.C.) Motor with Plug (56Z frame) For 60 Hz Models ONLY
	100068	1	3/4 HP 240v 1 ϕ Totally Enclosed, Fan-Cooled (T.E.F.C.) Motor with Plug (56Z frame) For 50 Hz Models ONLY
8	122701	8	Socket Terminal ONLY
	122801	1	Pin/Socket Extraction Tool...Not Illustrated
9	137030	1	8-Pin Housing Connector
10	152004	4	5/16-18 Hex Nut
11	153002	4	5/16" Lock Washer
12	153001	4	5/16" Flat Washer
13	117604	4	Noise Suppression Tape (sold by the foot)
14	154000	4	5/16-18 Nut
15	850017	1	Non-Reversing Motor Mount ONLY with Gasket (56Z frame) (includes illus. nos. 13 and 15)
	817029	1	3/4 HP 120-230v 1 ϕ 60 Hz Totally Enclosed, Fan-Cooled (T.E.F.C.) Motor Mount Assembly Complete with Plug Motor (includes illus. nos. 2 through 7 and 13 through 20)
	817074	1	3/4 HP 240v 1 ϕ 50 Hz Totally Enclosed, Fan-Cooled (T.E.F.C.) Motor Mount Assembly Complete with Plug Motor (includes illus. nos. 2 through 7 and 13 through 20)
	817080*	1	1/2 HP 208/230/380/460v 3 ϕ 60 Hz Totally Enclosed, Fan-Cooled (T.E.F.C.) Motor Mount Assembly Complete (includes illus. nos. 2 through 6 and 13 through 22)
	883271*	1	1/2 HP 208/230/380/460v 3 ϕ 50 Hz Totally Enclosed, Fan-Cooled (T.E.F.C.) Motor Mount Assembly Complete (includes illus. nos. 2 through 6 and 13 through 22)
16	153050	3	1/2" S.A.E. Flat Washer
17	100604	1	12-1/2" Impellor with 1/2" Bore
18	100702	1	1/8" x 1/8" x 1-1/2" Key
19	153050	1	1/2" S.A.E. Flat Washer
20	152006	2	1/2-20 Left Hand Jam Nut
21	120200	1	3/8" x 90° Connector
22	100007*	1	1/2 HP 208/230/380/460v 3 ϕ 50/60 Hz Totally Enclosed, Fan-Cooled (T.E.F.C.) Motor (56Z frame)

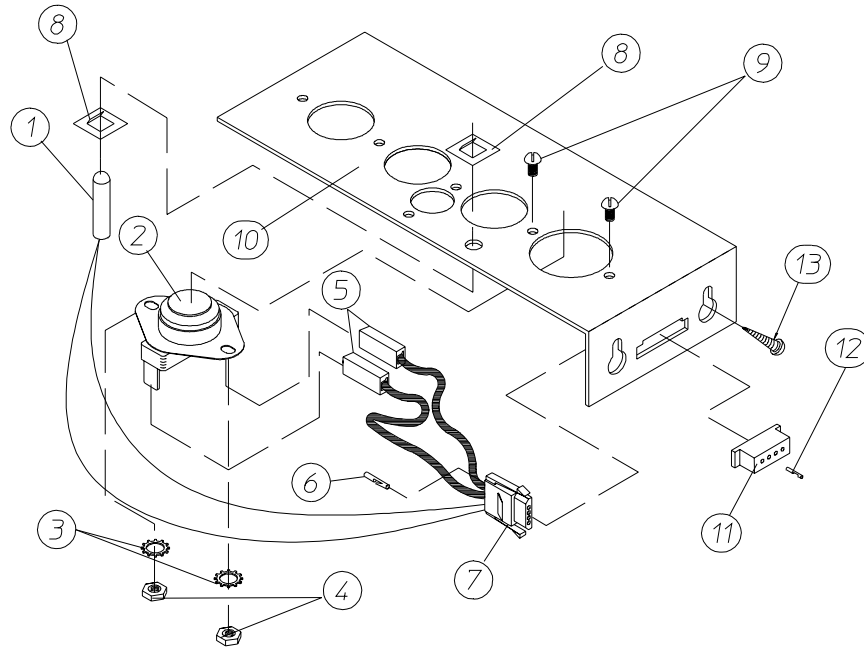
* Specify voltage when ordering.



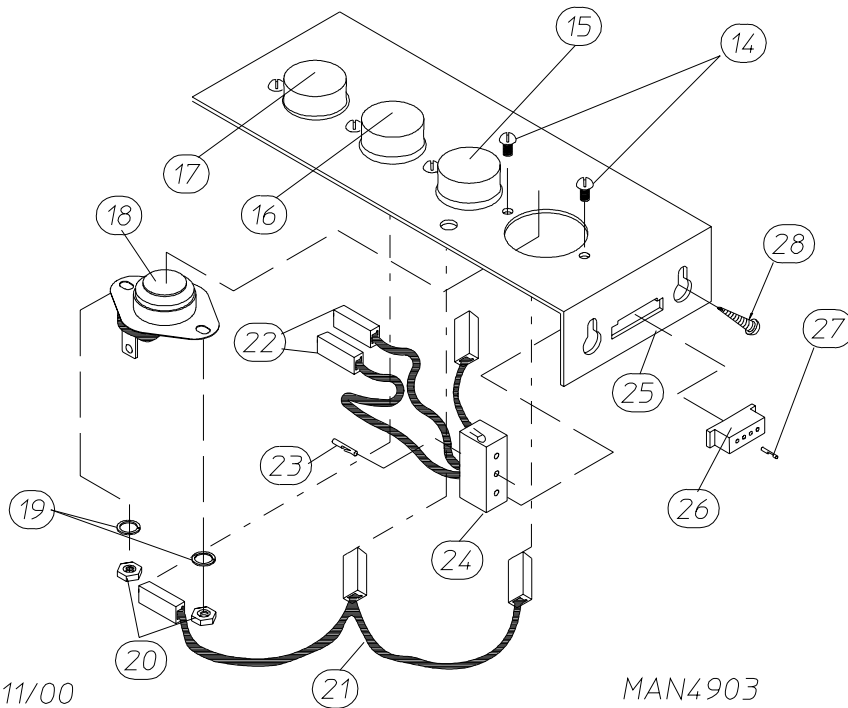
MAN0250

<u>Illus. No.</u>	<u>Part No.</u>	<u>Qty.</u>	<u>Description</u>
1	100112	1	4L-610 V-Belt (motor to idler)
2	100701	1	3/16" x 3/16" x 1" Key
3	101132	1	5/8" x 2" Motor Pulley (for 60 Hz models Only)
	101133	1	5/8" x 2-1/4" Motor Pulley (for 50 Hz models Only)
4	120200	1	3/8" x 90° Connector
5*	181003	1	1/2 HP 208/230/380/460v 3ø 50/60 Hz Totally Enclosed, Fan-Cooled (T.E.F.C) (56Z frame)
6	150501	4	5/16-18 x 3/4" Hex Head Machine Bolt
7	153002	4	5/16" Lock Washer
8	153001	4	5/16" Flat Washer
9*	100007	1	1/2 HP 208/230/380/460v 3ø 50/60 Hz Totally Enclosed, Fan-Cooled (T.E.F.C.) Motor (56Z frame)
10	120200	1	3/8" x 90° Connector
11	150501	4	5/16-18 x 3/4" Hex Head Machine Bolt
12	153002	4	5/16" Lock Washer
13	153001	4	5/16" Flat Washer
14	154000	8	5/16" Nut
15	152004	7	5/16" Hex Nut
16	153002	4	5/16" Lock Washer
17	153001	4	5/16" Flat Washer
18	850070	1	Motor Mount ONLY with Gasket (56Z frame) (includes illus. nos. 18 and 19)
	803802*	1	60 Hz Totally Enclosed, Fan-Cooled (T.E.F.C.) Motor Mount Assembly Complete (includes illus. nos. 2 through 14 and 18 through 24)
	803803*	1	50 Hz Totally Enclosed, Fan-Cooled (T.E.F.C.) Motor Mount Assembly Complete (includes illus. nos. 2 through 14 and 18 through 24)
19	117604	4	Noise Suppression Tape (sold by the foot)
20	153050	1	1/2" S.A.E. Flat Washer
21	100702	1	1/8" x 1/8" x 1-1/2" Key
22	100604	1	12-1/2" Impellor with 1/2" Bore
23	153050	2	1/2" S.A.E. Flat Washer
24	152006	2	1/2-20 Left Hand Jam Nut

* Specify voltage when ordering.



MICROPROCESSOR SENSOR BRACKET ASSEMBLY

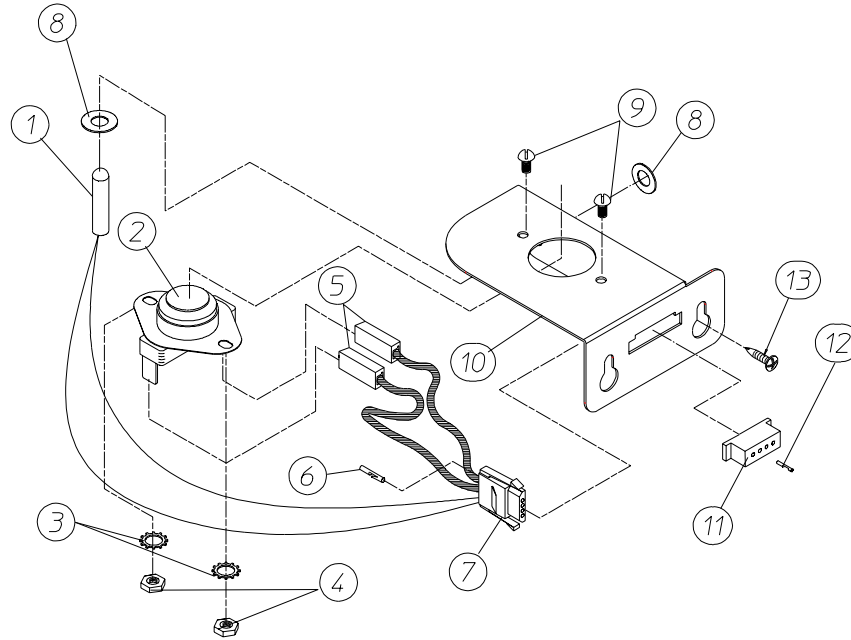


DX 01/11/00

MAN4903

NON-COMPUTER SENSOR BRACKET ASSEMBLY

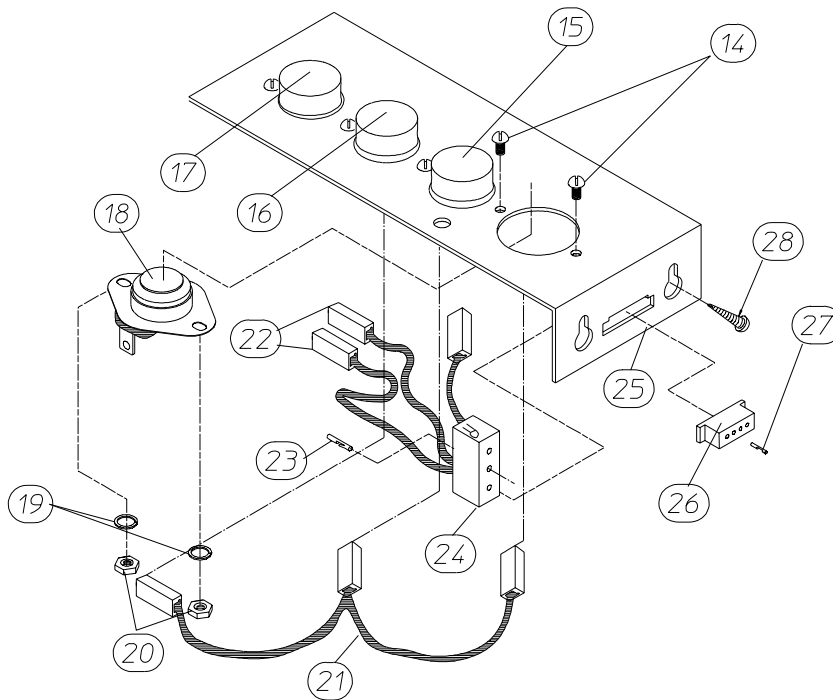
<u>Illus. No.</u>	<u>Part No.</u>	<u>Qty.</u>	<u>Description</u>
1	880251	1	1/4" Temperature Sensor Probe Assembly (includes illus. nos. 1 and 5 through 8)
2	130301	1	225° Hi-Limit Thermostat
3	153010	2	#6 Star Washer
4	152000	2	#6-32 Hex Nut
5	121028	2	Insulated Terminal
6	122701	4	Socket Terminal
7	122605	1	4-Pin Connector (female)
8	154007	2	1/4" Push On Fastener
9	150005	2	#6-32 x 1/4" Round Head Machine Screw
10	801424	1	Microprocessor Sensor Bracket Assembly Complete (includes illus. nos. 1 through 10)
	305007	1	Sensor Bracket ONLY
11	122604	1	4-Pin Connector (male)
12	122700	4	Pin Terminal
13	150301	2	#8-18 x 7/16" Phillips Pan Head TEK Screw
14	150005	5	#6-32 x 1/4" Phillips Round Head Machine Screw
15	130111	1	130° Thermostat
16	130100	1	150° Thermostat
17	130301	1	225° Hi-Limit Thermostat
18	130101	1	180° Thermostat
19	153010	5	#6 Star Washer
20	152000	5	#6-32 Hex Nut
21	882535	1	Sensor Jumper
22	121028	4	Insulated Terminal
23	122701	4	Socket Terminal
24	122605	1	4-Pin Connector (female)
	882534	1	Sensor Bracket Harness Assembly (includes illus. nos. 22 through 24)
25	818321	1	Noncomputer Sensor Bracket Assembly Complete (includes illus. nos. 14 through 25)
	305007	1	Sensor Bracket ONLY
26	122604	1	4-Pin Connector (male)
27	122700	4	Pin Terminal
	122801	1	Pin/Socket Extraction Tool...Not Illustrated
28	150301	2	#8-18 x 7/16" Phillips Pan Head TEK Screw



MICROPROCESSOR SENSOR BRACKET ASSEMBLY

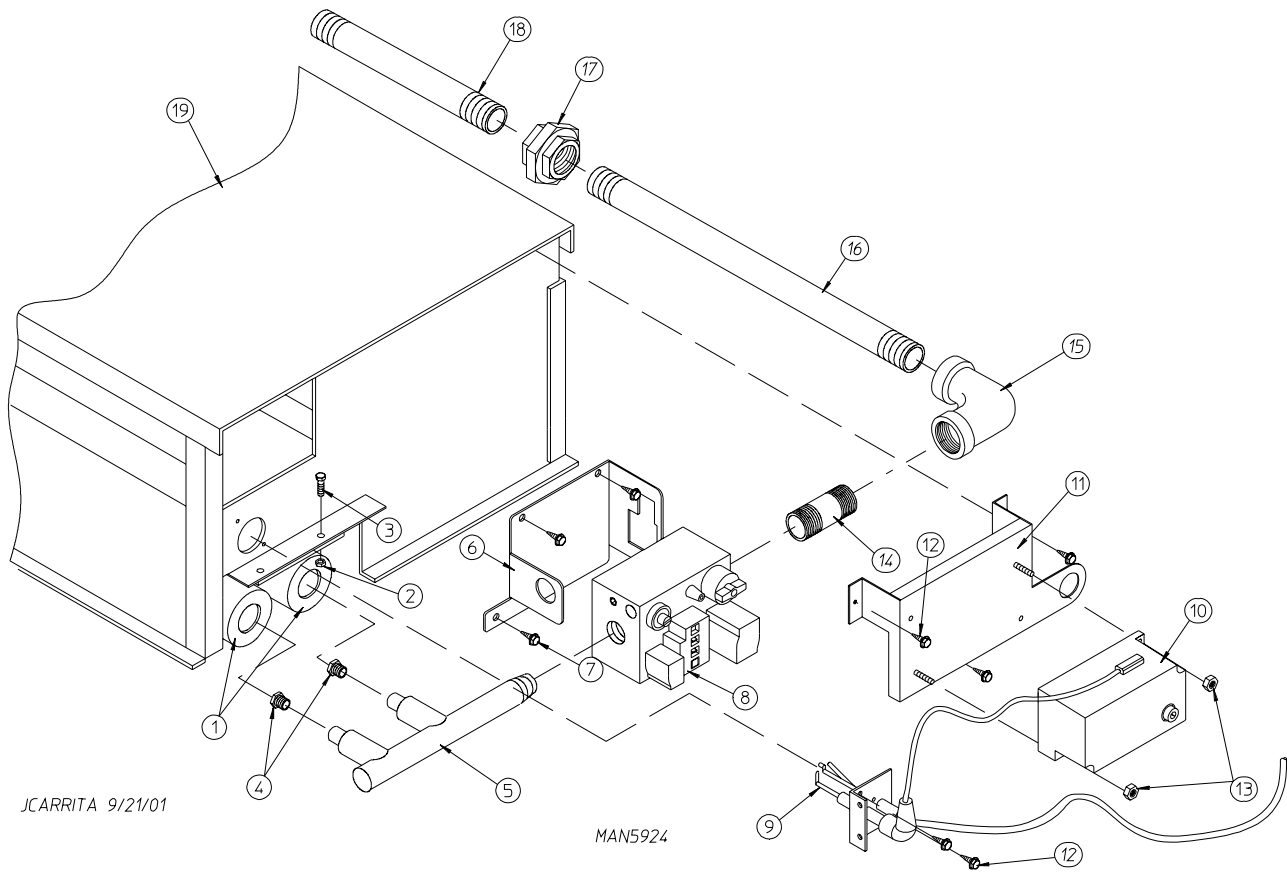
MAN6453

JNERY 1/23/03



NON-COMPUTER SENSOR BRACKET ASSEMBLY

<u>Illus. No.</u>	<u>Part No.</u>	<u>Qty.</u>	<u>Description</u>
1	880251	1	1/4" Temperature Sensor Probe Assembly (includes illus. nos. 1 and 5 through 8)
2	130301	1	225° Hi-Limit Thermostat
3	153010	2	#6 Star Washer
4	152000	2	#6-32 Hex Nut
5	121028	2	Insulated Terminal
6	122701	4	Socket Terminal
7	122605	1	4-Pin Connector (female)
8	154007	2	1/4" Push On Fastener
9	150005	2	#6-32 x 1/4" Phillips Round Head Machine Screw
10	817046	1	Microprocessor Sensor Bracket Assembly Complete (includes illus. nos. 1 through 10)
	322214	1	Micro Sensor Bracket ONLY
11	122604	1	4-Pin Connector (male)
12	122700	4	Pin Terminal
13	150301	2	#8-18 x 7/16" Phillips Pan Head TEK Screw
14	150005	5	#6-32 x 1/4" Phillips Round Head Machine Screw
15	130111	1	130° Thermostat
16	130100	1	150° Thermostat
17	130301	1	225° Hi-Limit Thermostat
18	130101	1	180° Thermostat
19	153010	5	#6 Star Washer
20	152000	5	#6-32 Hex Nut
21	882535	1	Sensor Jumper
22	121028	4	Insulated Terminal
23	122701	4	Socket Terminal
24	122605	1	4-Pin Connector (female)
	882534	1	Sensor Bracket Harness Assembly (includes illus. nos. 22 through 24)
25	882536	1	Noncomputer Sensor Bracket Assembly Complete (includes illus. nos. 14 through 25)
	322062	1	Universal Sensor Bracket ONLY
26	122604	1	4-Pin Connector (male)
27	122700	4	Pin Terminal
	122801	1	Pin/Socket Extraction Tool...Not Illustrated
28	150301	2	#8-18 x 7/16" Phillips Pan Head TEK Screw



JCARRITA 9/21/01

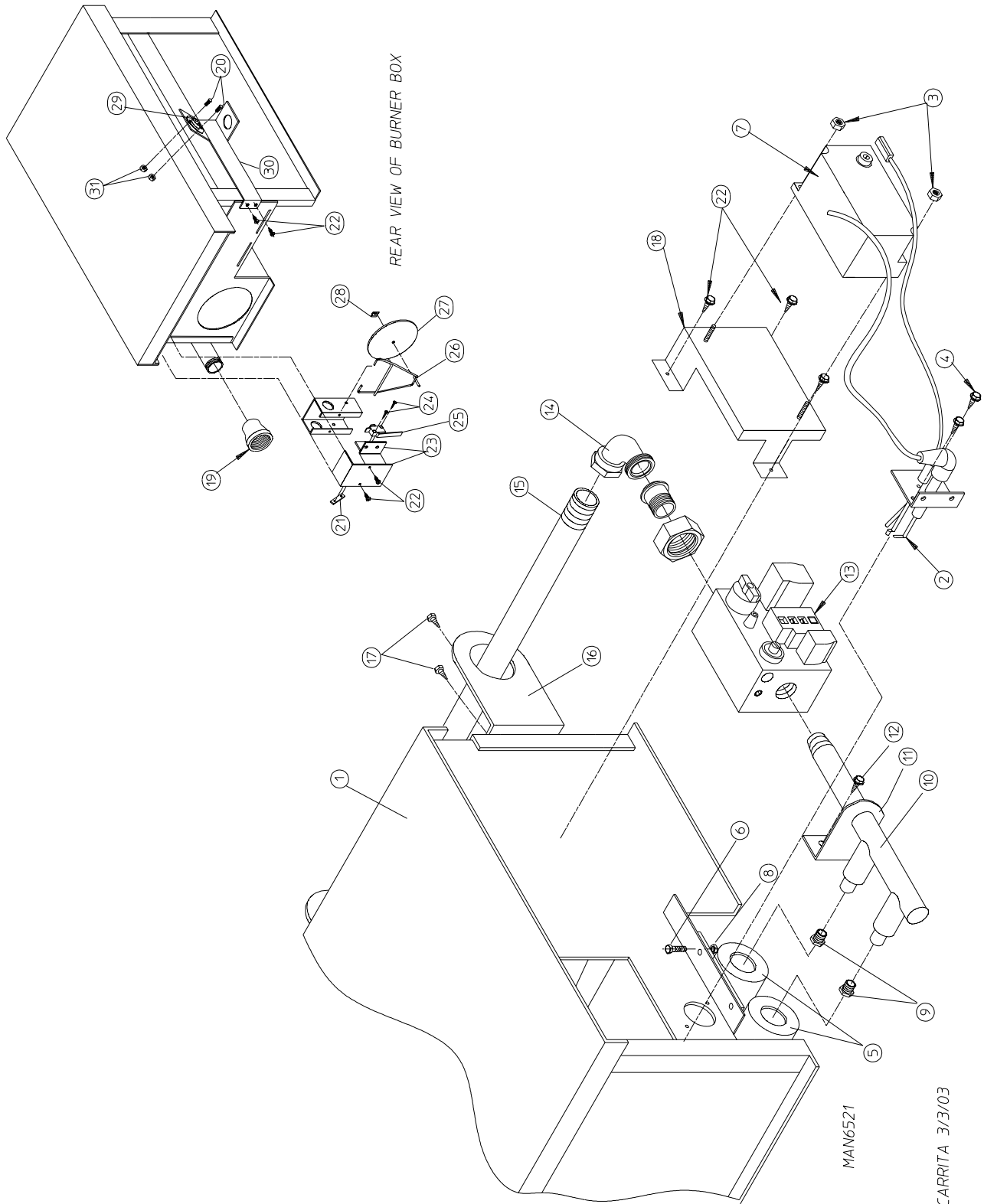
MAN5924

<u>Illus. No.</u>	<u>Part No.</u>	<u>Qty.</u>	<u>Description</u>
1	141104	2	Small Tube Burner
2	151001	2	#8-32 Pal Nut
3	150108	2	#8-32 x 1/2" Phillips Pan Head Machine Screw
4	140820*	2	#29 Burner Orifice (natural gas)
	140806*	2	#46 Burner Orifice (liquid propane [L.P.] gas)
5	141230	1	1/2" Manifold (2-port)
6	318714	1	1-Piece Gas Valve Bracket
7	150309	5	#10-16 x 1/2" Hex Head TEK Crimptite Screw
8	128927	1	1/2" 24 VAC (natural gas) Gas Valve
	880960	1	1/2" 24 VAC (liquid propane [L.P.] gas) Gas Valve
9	809307	1	Ignitor-Probe Assembly with High Voltage (HV) Wire
10	801048	1	Direct Spark Ignition (DSI) Module (three [3] tries)
11	810030	1	Direct Spark Ignition (DSI) Module Mounting Bracket
12	150300	9	#10-16 x 1/2" Hex Washer TEK Screw
13	152013	2	#6-32 Hex Nut
14	142707	1	1/2" x 1-1/2" Long Black Nipple
15	142500	1	1/2" 90° Elbow
16	142800	1	1/2" x 18" Pipe
17	142600	1	1/2" Black Union
18	142818	1	1/2" x 9-1/2" B.I. Nipple
19	817060**	1	Direct Spark Ignition (DSI) Burner Box (natural gas) (includes illus. nos. 1 through 3 and 5 through 19)
	817061**	1	Direct Spark Ignition (DSI) Burner Box (liquid propane [L.P.] gas) (includes illus. nos. 1 through 3 and 5 through 19)
	850858	1	Direct Spark Ignition (DSI) Burner Box ONLY
	882269*	1	AD-30V Liquid Propane (L.P.) Conversion Kit (includes orifices)
	880603***	1	Steam to Gas Interface Assembly

* Consult factory for elevations over 2,000 feet.

** Burner orifices *are not included* and **must be** ordered separately.

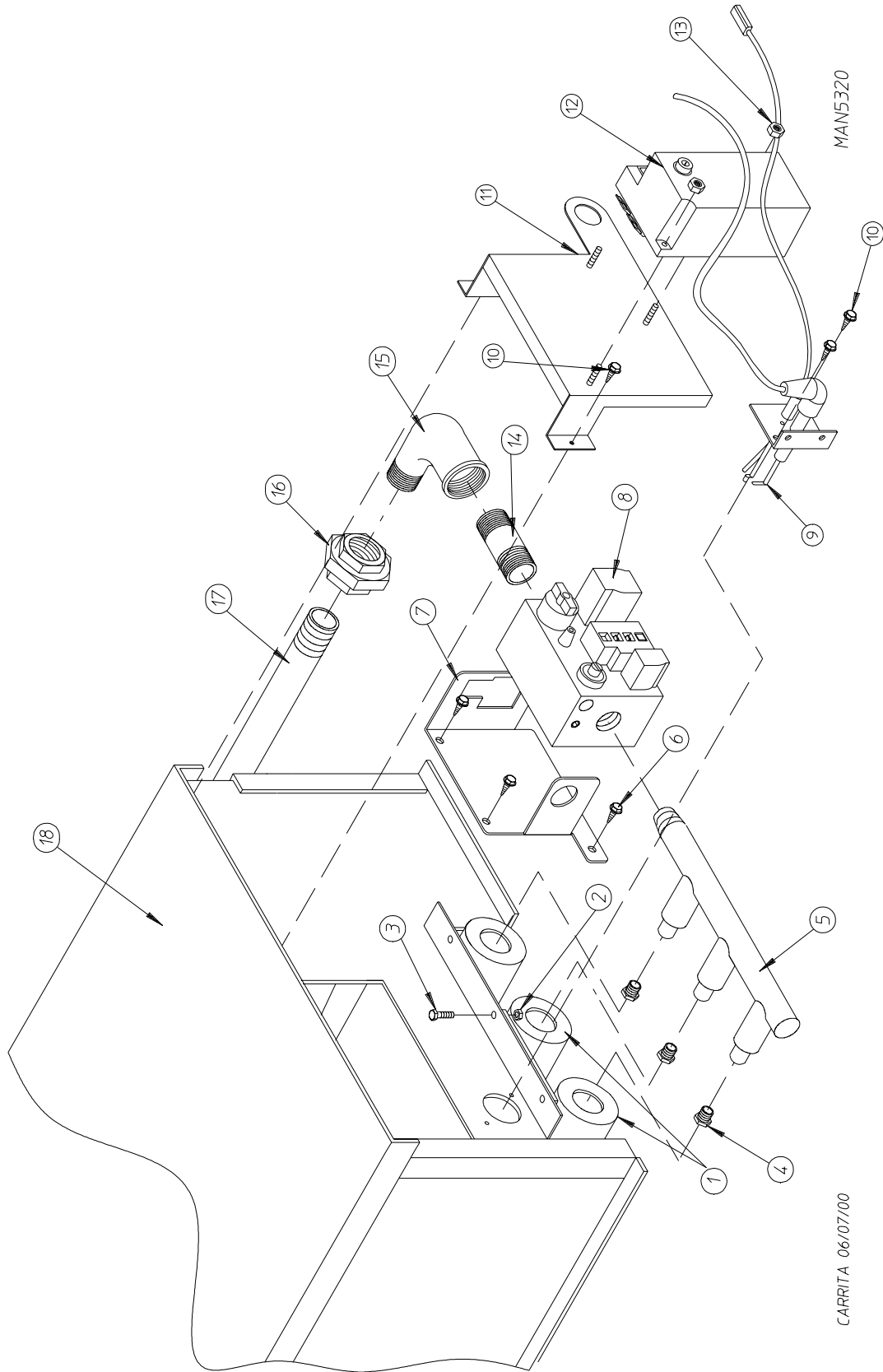
*** Needed when converting steam heat to gas heat.



<u>Illus. No.</u>	<u>Part No.</u>	<u>Qty.</u>	<u>Description</u>
1	850858	1	Direct Spark Ignition (DSI) Burner Box ONLY
	801190**	1	Natural Gas Burner Assembly (includes illus. nos. 1 through 8 and 10 through 31)
	817208**	1	Liquid Propane (L.P.) Gas Burner Assembly (includes illus. nos. 1 through 8 and 10 through 31)
	883283*	1	Liquid Propane (L.P.) Conversion Kit
2	809307	1	Ignitor Probe Assembly with High Voltage (HV) Wire
3	152013	2	#6-32 Hex Nut
4	150309	5	#10-16 x 1/2" Hex Head TEK Crimptite Screw
5	141105	2	Large Tube Burner
6	150108	2	#8-32 x 1/2" Pan Head Machine Screw
7	128941	1	CE Direct Spark Ignition (DSI) Module (two [2] tries)
8	151001	2	#8-32 Pal Nut
9	140819*	2	#30 Burner Orifice (natural gas)
	140804*	2	#48 Burner Orifice (liquid propane [L.P.] gas)
10	141230	1	1/2" Manifold (2-port)
11	318700	1	Pipe Bracket (bent)
12	150300	2	#10-16 x 1/2" Hex Washer TEK Screw
13	128933	1	1/2" 24 VAC CE Gas Valve (natural gas)
	883255	1	1/2" 24 VAC CE Gas Valve (liquid propane [L.P.] gas)
14	141317	1	1/2" Bronze Union Elbow
15	142809	1	1/2" x 29-1/8" Pipe
16	318700	2	Pipe Bracket (bent)
17	150309	4	#10-16 x 1/2" Hex Head TEK Crimptite Screw
18	817027	1	Direct Spark Ignition (DSI) Module Mounting Bracket
19	142935	1	1/2" BSPT x 1/2" N.P.T. Transition Coupling
20	150005	2	#6-32 x 1/4" Round Head Machine Screw
21	154004	1	Twin Speed Nut
22	150300	9	#10-16 x 1/2" Hex Washer TEK Screw
23	802799	1	Sail Switch Top and Switch Bracket
24	150303	2	#4 x 3/4" Pan Head Machine Screw
25	122200	1	SPST Sail Switch (for micro models Only)
	122404	1	SPDT Sail Switch (for dual timer models Only)
26	105500	1	Sail Switch Actuator Rod
27	319202	1	Sail Switch Damper (flat)
28	154002	1	1/8" Push On Fastener
29	130201	1	330° Hi-Limit Thermostat
30	319704	1	Hi-Limit Mounting Bracket
31	152013	2	#6-32 Hex Nut

* Consult factory for elevations over 2,000 feet.

** Burner orifices *are not included* and **must be** ordered separately.



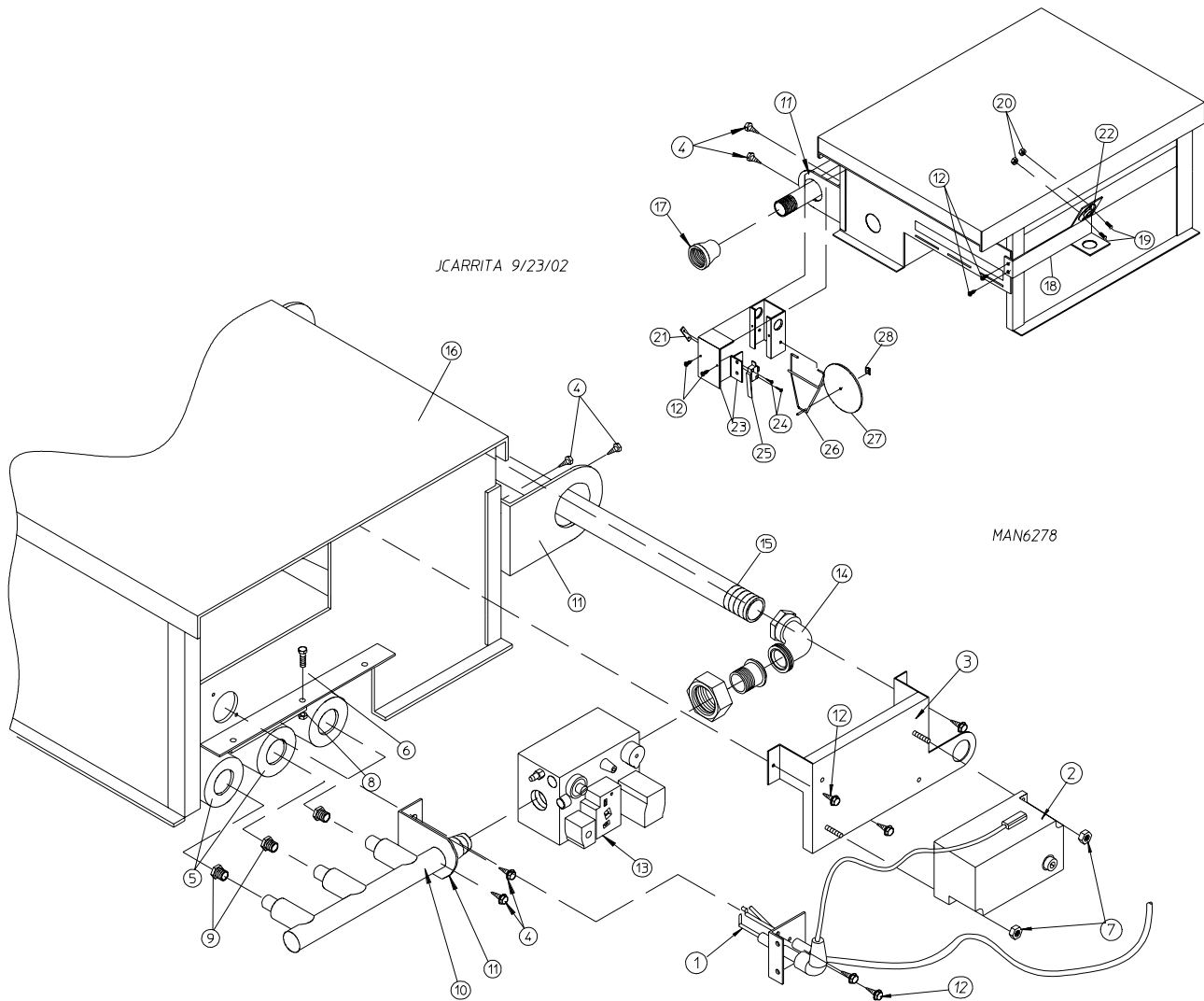
CARRITA 06/07/00

<u>Illus. No.</u>	<u>Part No.</u>	<u>Qty.</u>	<u>Description</u>
1	141105	3	Large Tube Burner
2	151001	3	#8-32 Pal Nut
3	150108	3	#8-32 x 1/2" Pan Head Machine Screw
4*	140820	3	#29 Natural Gas Burner Orifice
	140806	3	#46 Liquid Propane (L.P.) Burner Orifice
5	141232	1	1/2" Manifold (3-port)
6	150309	3	#10-16 x 1/2" Hex Head TEK Crimptite Screw
7	318714	1	Gas Valve Bracket (horizontal)
8	128927	1	1/2" 24 VAC Redundant (natural gas) Gas Valve
	880960	1	1/2" 24 VAC Redundant (liquid propane [L.P.] gas) Gas Valve
9	880134	1	Ignitor Probe Assembly with High Voltage (HV) Wire
	882537	1	Flame-Probe Wire
10	150300	2	#10-16 x 1/2" Hex Washer TEK Screw
11	817027	1	Direct Spark Ignition (DSI) Module Mounting Bracket Assembly
12	128935	1	Direct Spark Ignition (DSI) Module with Three (3) Tries
13	152013	2	#6-32 Hex Nut
14	142707	1	1/2" x 1-1/2" Black Nipple
15	142506	1	1/2" Street Elbow
16	142600	1	1/2" Black Union
17	142809	1	1/2" x 29" Pipe/Nipple
18	817062***	1	Direct Spark Ignition (DSI) Burner Assembly Complete (natural gas) (includes illus. nos. 1 through 3 and 5 through 18)
	817063***	1	Direct Spark Ignition (DSI) Burner Assembly Complete (liquid propane [L.P.] gas) (includes illus. nos. 1 through 3 and 5 through 18)
---	850899	1	Direct Spark Ignition (DSI) Burner Box ONLY
---	882271*	1	ADG-50V Liquid Propane (L.P.) Conversion Kit (includes orifices)
	883310**	1	Steam to Gas Transition Plate...Not Illustrated

* Consult factory for elevations over 2,000 feet.

** Needed when converting dryer from steam heat to gas heat.

*** Burner orifices *are not included* and **must be** ordered separately.

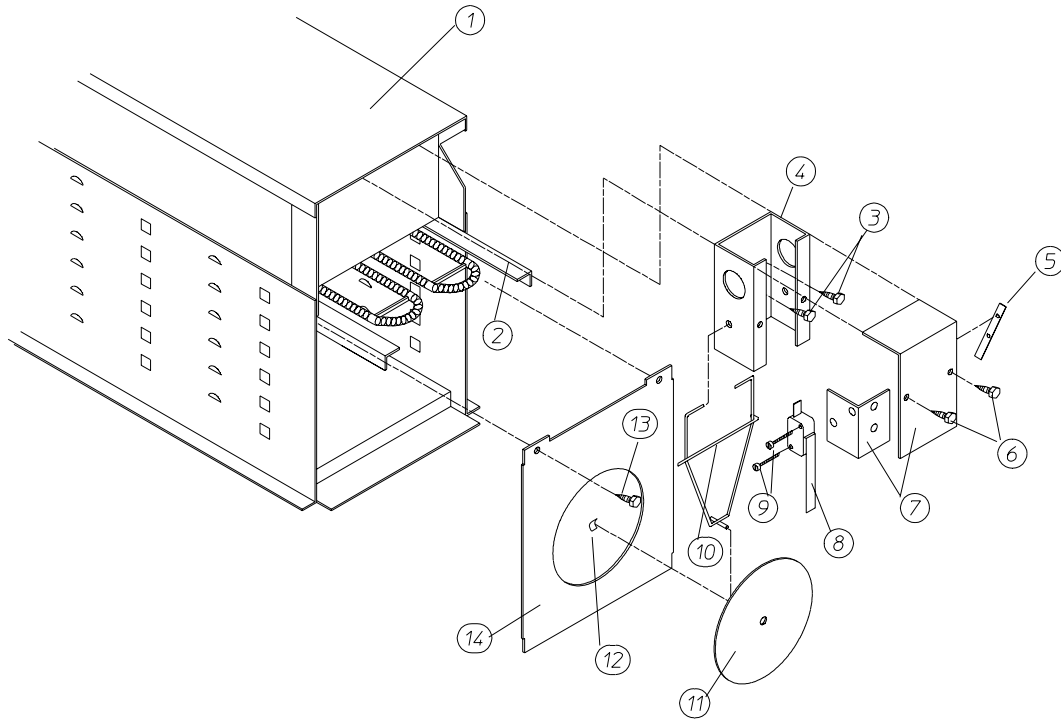


<u>Illus. No.</u>	<u>Part No.</u>	<u>Qty.</u>	<u>Description</u>
1	809307	1	Ignitor Probe Assembly with High Voltage (HV) Wire
2	128941	1	CE Direct Spark Ignition (DSI) Module with Two (2) Tries
3	817027	1	Direct Spark Ignition (DSI) Module Mounting Bracket Assembly
4	150309	6	#10-16 x 1/2" Hex Head TEK Crimptite Screw
5	141105	3	Large Tube Burner
6	150108	3	#8-32 x 1/2" Pan Head Machine Screw
7	152013	2	#6-32 Hex Nut
8	151001	3	#8-32 Pal Nut
9	140820*	3	#29 Burner Orifice (natural gas)
	140804*	3	#48 Burner Orifice (liquid propane [L.P.] gas)
10	141232	1	1/2" Manifold (3-port)
11	318700	3	Pipe Bracket (bent)
12	150300	9	#10-16 x 1/2" Hex Washer TEK Screw
13	128933	1	CE Gas Valve (natural gas)
	883255	1	CE Gas Valve (liquid propane [L.P.] gas)
14	141317	1	1/2" Union Elbow
15	142809	1	1/2" x 29-1/8" Pipe
16	850899	1	Direct Spark Ignition (DSI) Burner Box ONLY
	817174**	1	Natural Gas Burner Assembly Complete (includes illus. nos. 1 through 8 and 10 through 28)
	817207**	1	Liquid Propane (L.P.) Gas Burner Assembly Complete (includes illus. nos. 1 through 8 and 10 through 28)
	883282*	1	Liquid Propane (L.P.) Conversion Kit
	883310***	1	Steam to Gas Interface Plate...Not Illustrated
17	142935	1	1/2" Coupling
18	319704	1	Hi-Limit Mounting Bracket
19	150001	2	#6-32 x 1/2" Round Head Machine Screw
20	151000	2	#6-32 Pal Nut
21	154004	1	Twin Speed Nut
22	130201	1	330° Hi-Limit Thermostat
23	802799	1	Sail Switch Top and Switch Bracket
24	150303	2	#4 x 3/4" Pan Head Machine Screw
25	122200	1	SPST Sail Switch (for micro models Only)
	122404	1	SPDT Sail Switch (for dual timer models Only)
26	105500	1	Sail Switch Actuator Rod
27	319202	1	Sail Switch Damper (flat)
28	154002	1	1/8" Push On Fastener

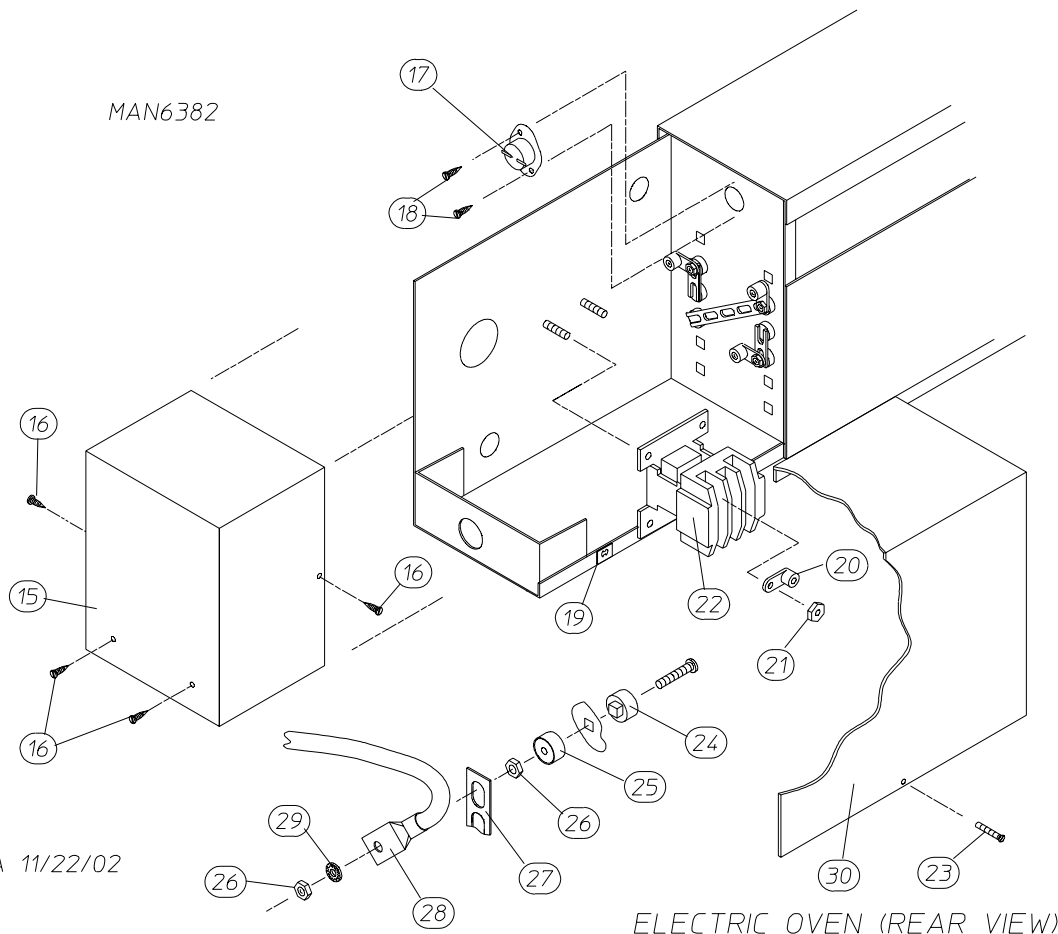
* Consult factory for elevations over 2,000 feet.

** Burner orifices *are not included* and **must be** ordered separately.

*** Needed when converting from steam heat to gas heat.



ELECTRIC OVEN (FRONT VIEW)



MAN6382

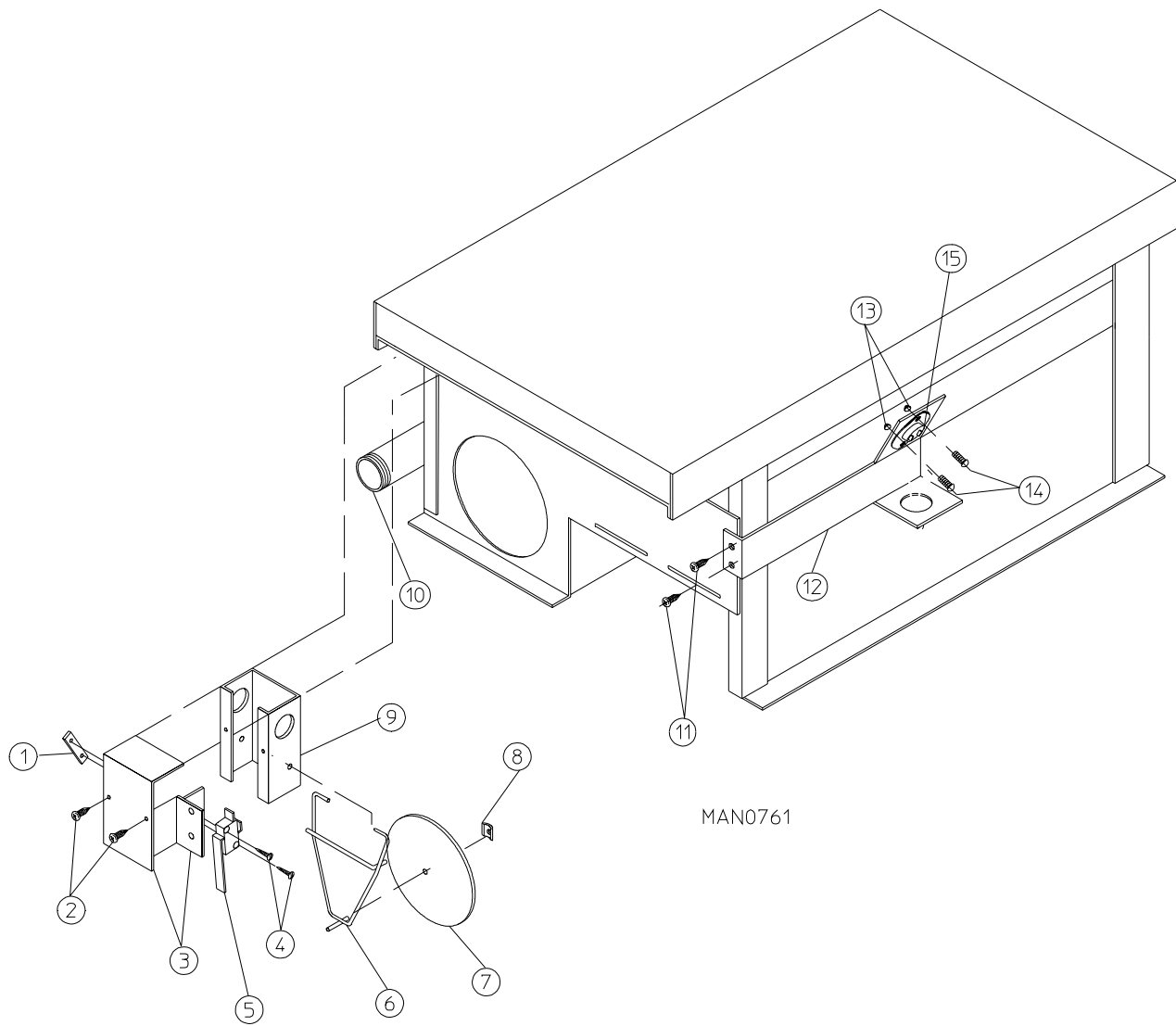
JCARRITA 11/22/02

ELECTRIC OVEN (REAR VIEW)

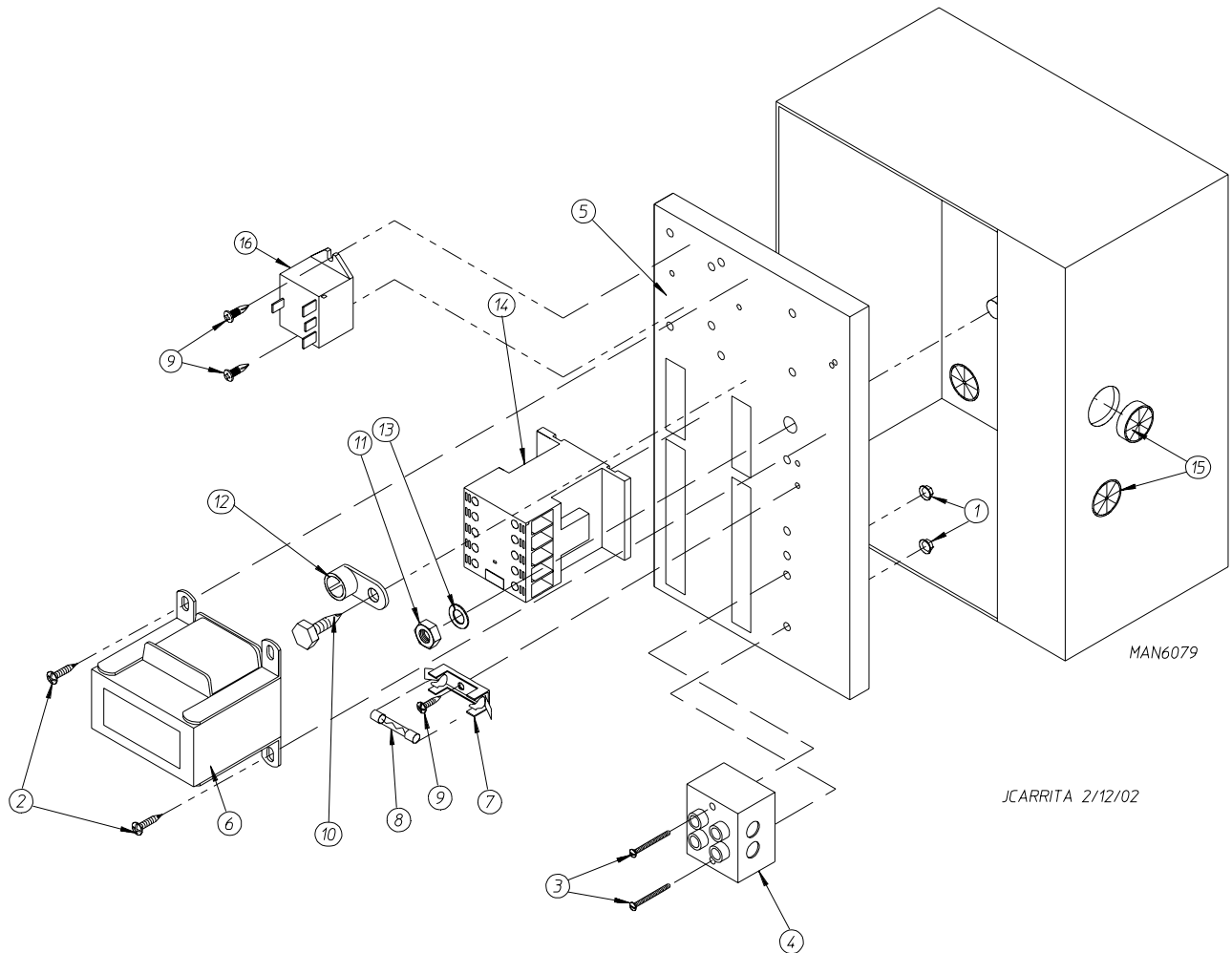
<u>Illus. No.</u>	<u>Part No.</u>	<u>Qty.</u>	<u>Description</u>
1	803007	1	Large Electric Oven Box ONLY
	-----*	1	Electric Oven Assembly Complete
2	-----*	-	Electric Element
3	150300	2	#10-16 x 1/2" Hex Washer TEK Screw
4	802800	1	Sail Switch Box with Bracket and Cover ONLY
	802801	1	Sail Switch Box Assembly Complete (includes illus. nos. 4 through 12)
	802804	1	Sail Switch Box Assembly Complete (for dual timer CE models Only) (includes illus. nos. 4 through 12)
5	154004	1	Twin Speed Nut
6	150300	2	#10-16 x 1/2" Hex Washer TEK Screw
7	802799	1	Sail Switch Box Cover and Bracket ONLY
8	122200	1	SPST Sail Switch
	122404	1	SPDT Sail Switch (for dual timer CE models Only)
9	150303	2	#4 x 3/4" Pan Head Machine Screw
10	105500	1	Sail Switch Actuator Rod
11	319202	1	Sail Switch Damper (flat)
12	154002	1	1/8" Push On Fastener
13	150300	2	#10-16 x 1/2" Hex Washer TEK Screw
14	803100	1	Electric Oven Front Cover
15	320611	1	Large Relay Box Cover
16	150301	2	#8-18 x 7/16" Phillips Pan Head TEK Screw
17	130400	1	290° Hi-Limit Thermostat
18	150300	2	#10-16 x 1/2" Hex Washer TEK Screw
19	154001	2	#10-24 Speed Nut
20	121010	1	L-70 Ground Lug
21	152014	3	1/4-20 Free Spin Wash Nut
22	-----*	1	Oven Relay
23	150207	2	#10-24 x 1/2" Phillips Pan Head Machine Screw
24	120081	-	Internal Ceramic Insulator (2 per element)
25	120080	-	External Ceramic Insulator (2 per element)
26	152008	-	#10-32 Hex Nut (4 per element)
27	121011*	-	Bus Bar (sold by the foot)
28	-----*	-	Oven Wire
29	153009	-	#10 Star Washer (2 per element)
30	321301	1	Large Electric Oven Right Side Cover
	883310**	1	Steam to Electric Transition Plate...Not Illustrated

* Refer to **Electric Oven Component Application Charts** on **page 74 through page 77.**

** Needed when converting dryer from steam heat to electric heat.

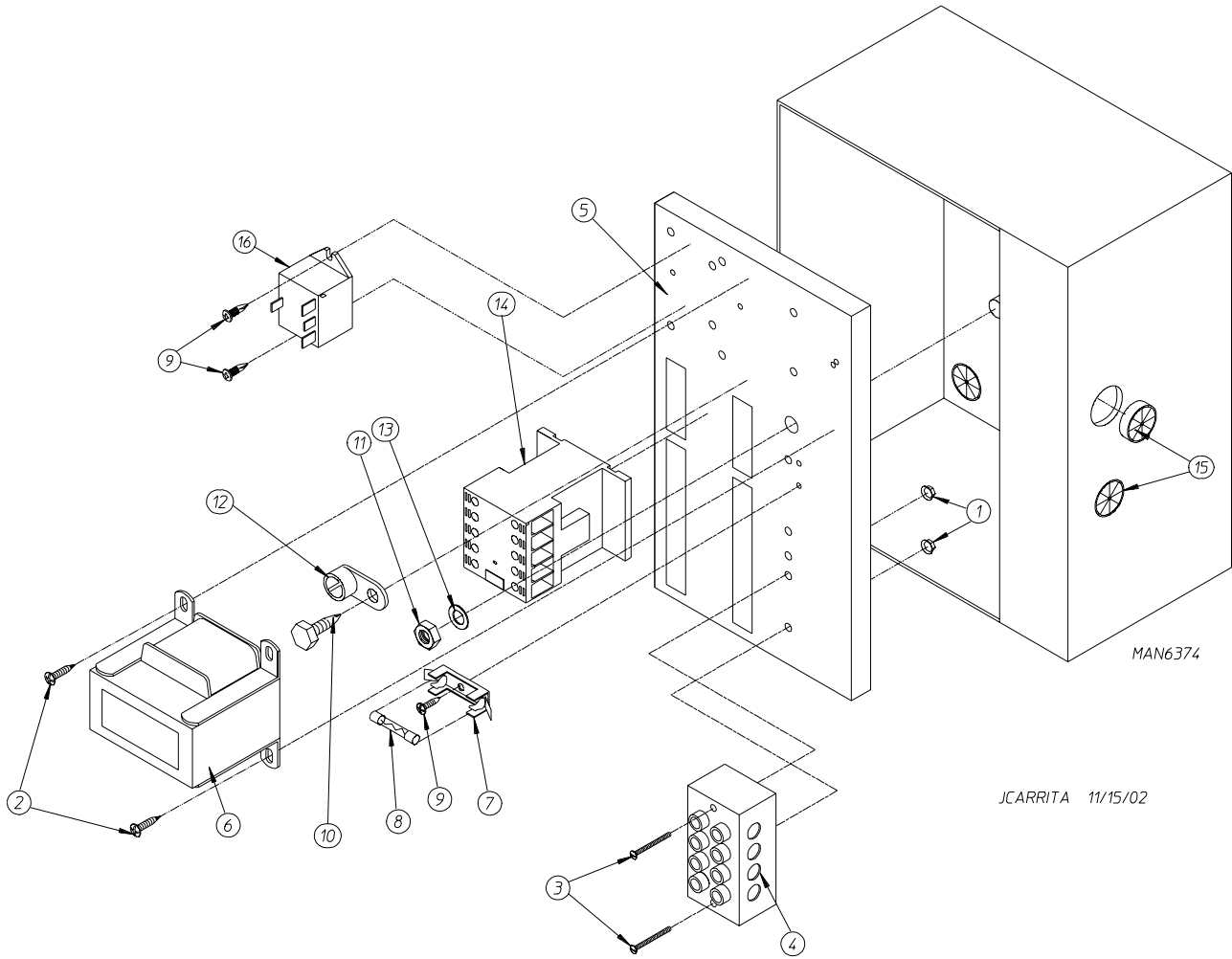


<u>Illus. No.</u>	<u>Part No.</u>	<u>Qty.</u>	<u>Description</u>
1	154004	1	Twin Speed Nut
2	150300	2	#10-16 x 1/2" Hex Washer TEK Screw
3	802799	1	Sail Switch Box Cover and Bracket ONLY
4	150303	2	#4 x 3/4" Pan Head Machine Screw
5	122200	1	SPST Sail Switch
	122404	1	SPDT Sail Switch (for dual timer CE models Only)
6	105500	1	Sail Switch Actuator Rod
7	319202	1	Sail Switch Damper (flat)
8	154002	1	1/8" Push On Fastener
9	802800	1	Sail Switch Box with Cover and Bracket ONLY
	802801	1	Sail Switch Assembly Complete (includes illus. nos. 1 through 9)
	802804	1	Sail Switch Assembly Complete (for dual timer CE models Only) (includes illus. nos. 1 through 9)
10	-----	1	1/2" Pipe (refer to Burner Assembly on page 36 through page 43)
11	150300	2	#10-16 x 1/2" Hex Washer TEK Screw
12	319704	1	Hi-Limit Mounting Bracket
13	151000	2	#6-32 Pal Nut
14	150001	2	#6-32 x 1/2" Phillips Round Head Machine Screw
15	130201	1	330° Hi-Limit Thermostat



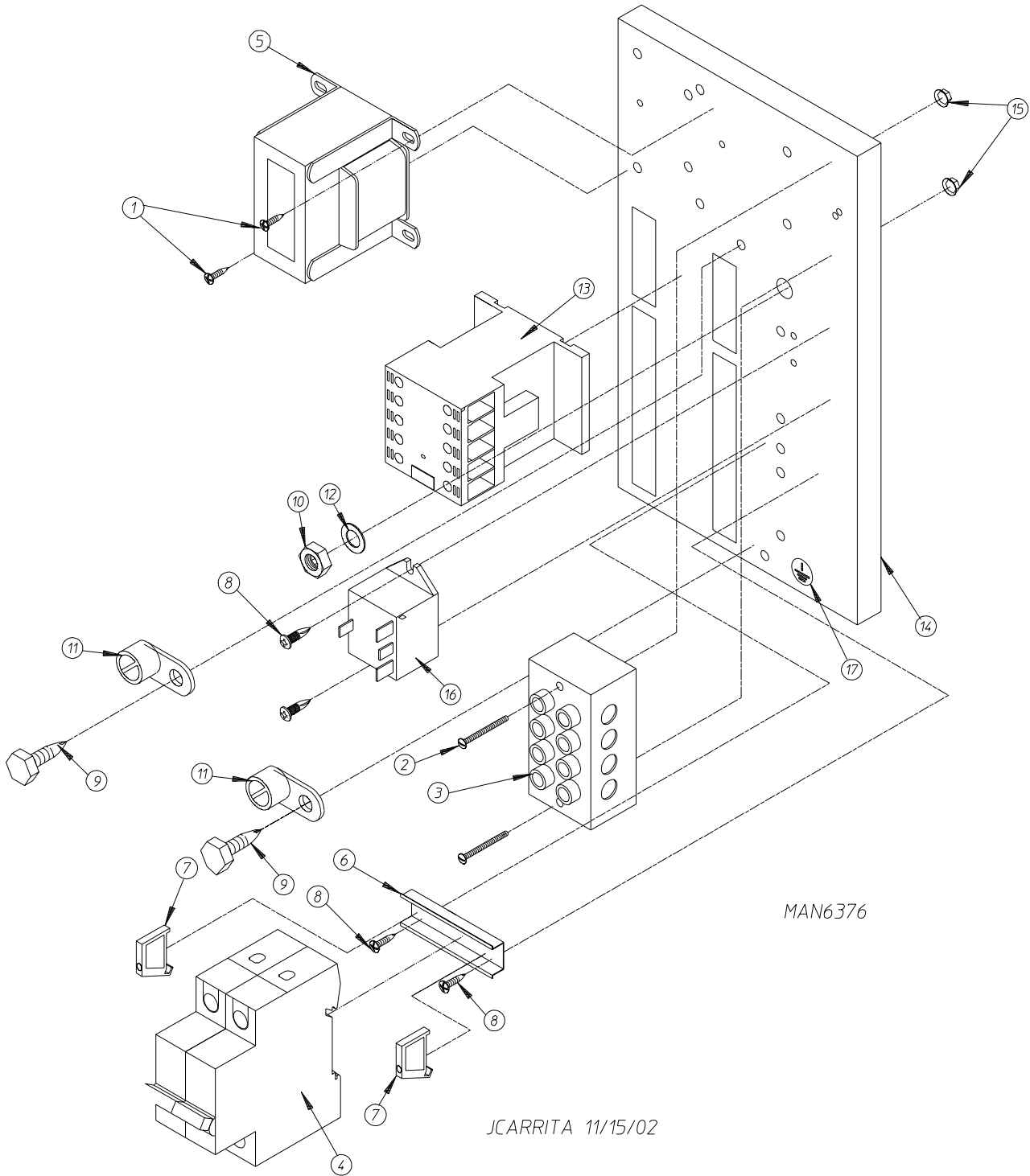
<u>Illus. No.</u>	<u>Part No.</u>	<u>Qty.</u>	<u>Description</u>
1	151000	2	#6-32 Pal Nut
2	150300	2	#10-16 x 1/2" Hex Washer TEK Screw
3	150008	2	#6-32 x 1-1/4" Phillips Pan Head Machine Screw
4	120716	1	2-Position Terminal Block
5	322812	1	Rear Electric Mounting Plate ONLY
	822796	1	Rear Electric Panel Assembly Complete - 115 Volt (for gas models Only) (includes illus. nos. 1 through 14)
	830153	1	Rear Electric Panel Assembly Complete - 115 Volt (for steam models Only) (includes illus. nos. 1 through 14)
	822798	1	Rear Electric Panel Assembly Complete - 208-240 Volt (for gas models Only) (includes illus. nos. 1 through 14)
	830273	1	Rear Electric Panel Assembly Complete - 208-240 Volt (for steam models Only) (includes illus. nos. 1 through 14)
	830131	1	Rear Electric Panel Assembly Complete - 208-240 Volt (for electric models Only) (includes illus. nos. 1 through 14 and 16)
	830426	1	Rear Electric Panel Assembly Complete - 380-416 Volt (for electric models with 1 ϕ motors Only) (includes illus. nos. 1 through 14 and 16)
6	830151	1	Transformer Assembly - 115 Volt
	822799	1	Transformer Assembly - 208-240 Volt (for gas and steam models Only)
	822792	1	Transformer Assembly - 208-240 Volt (for electric models Only)
	830141	1	Transformer Assembly - 380-416 Volt
7	136008	*	Fuse Holder
8	136057	*	1/2-Amp (Slo-Blo) Fuse (for 208-416 volt models Only)
	136049	*	3/4-Amp (Slo-Blo) Fuse (for 115 volt models Only)
9	150301	4	#8-18 x 7/16" Phillips Pan Head TEK Screw
10	150297	1	#10 x 1/2" Green Hex Washer TEK Screw
11	152004	1	5/16-18 Hex Nut
12	121010	1	L-70 Ground Lug
13	153002	1	5/16" Lock Washer
14	132495	1	3-Pole Contactor
15	121300	3	Open/Closed Bushing
16	131932	1	24V SPST Relay (for electric models Only)

* Quantity is 1 for 115v and 380-416v. Quantity is 2 for 208-240v.

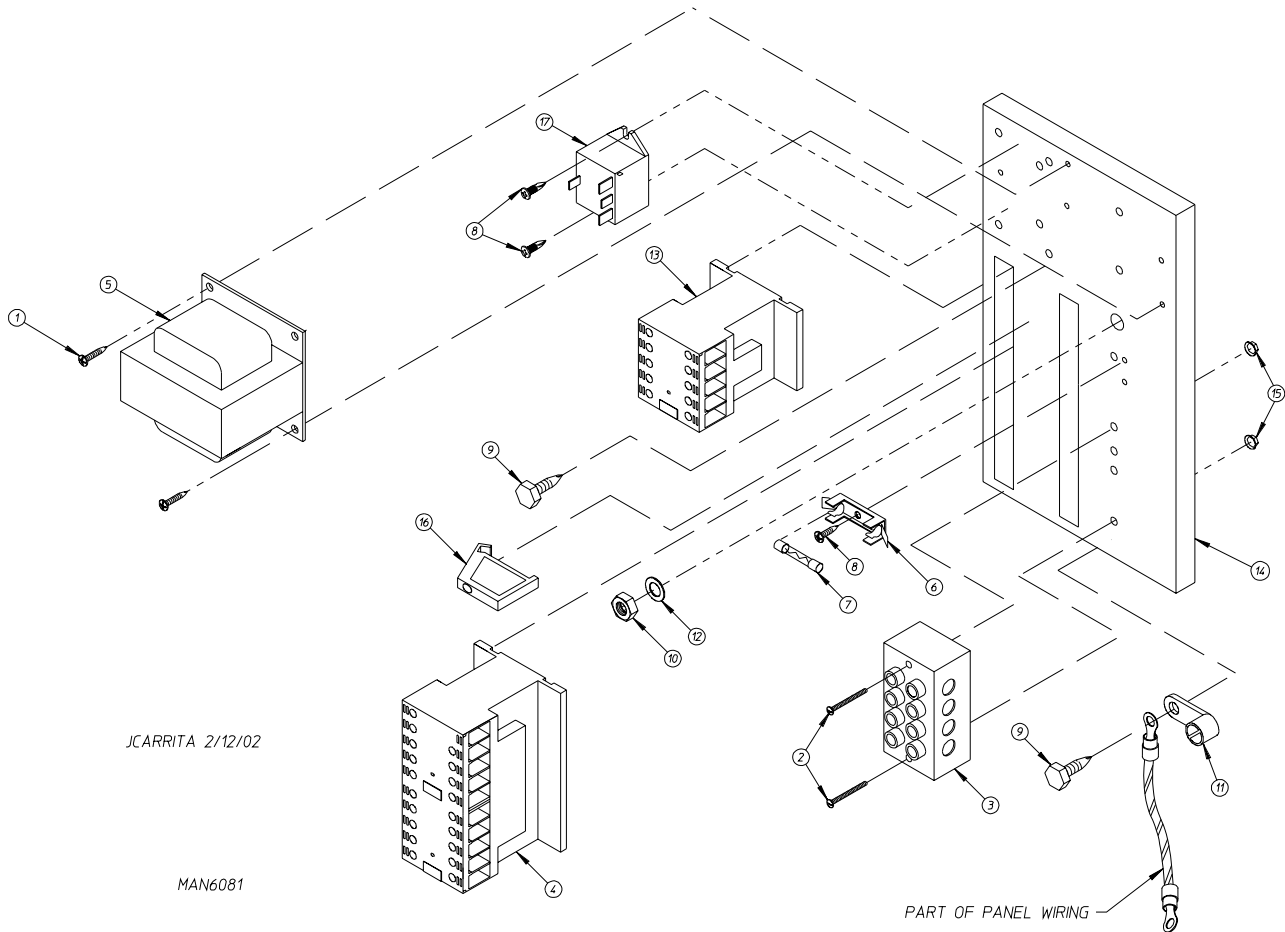


<u>Illus. No.</u>	<u>Part No.</u>	<u>Qty.</u>	<u>Description</u>
1	151000	2	#6-32 Pal Nut
2	150300	2	#10-16 x 1/2" Hex Washer TEK Screw
3	150008	2	#6-32 x 1-1/4" Phillips Pan Head Machine Screw
4	120701	1	4-Position Terminal Block
5	322812	1	Rear Electric Mounting Plate ONLY
	830154	1	Rear Electric Panel Assembly Complete - 208-240 Volt (for gas models Only) (includes illus. nos. 1 through 14)
	830322	1	Rear Electric Panel Assembly Complete - 208-240 Volt (for steam models Only) (includes illus. nos. 1 through 14)
	830157	1	Rear Electric Panel Assembly Complete - 208-240 Volt (for electric models Only) (includes illus. nos. 1 through 14 and 16)
	-----*	1	Rear Electric Panel Assembly Complete - 380-416 Volt (for gas models Only) (includes illus. nos. 1 through 14)
	803834	1	Rear Electric Panel Assembly Complete - 380-416 Volt (for steam models Only) (includes illus. nos. 1 through 14)
	830140	1	Rear Electric Panel Assembly Complete - 380-416 Volt (for electric models with 3 ϕ motors Only) (includes illus. nos. 1 through 14 and 16)
6	822799	1	Transformer Assembly - 208-240 Volt (for gas and steam models Only)
	822792	1	Transformer Assembly - 208-240 Volt (for electric models Only)
	822784	1	Transformer Assembly - 380-416 Volt (for gas and steam models Only)
	830141	1	Transformer Assembly - 380-416 Volt (for electric models Only)
7	136008	1 or 2	Fuse Holder
8	136057	1 or 2	1/2-Amp (Slo-Blo) Fuse
9	150301	2 or 4	#8-18 x 7/16" Phillips Pan Head TEK Screw
10	150297	1	#10 x 1/2" Green Hex Washer TEK Screw
11	152004	1	5/16-18 Hex Nut
12	121010	1	L-70 Ground Lug
13	153002	1	5/16" Lock Washer
14	132495	1	3-Pole Contactor
15	121300	3	Open/Closed Bushing
16	131932	1	24V SPST Relay (for electric models Only)

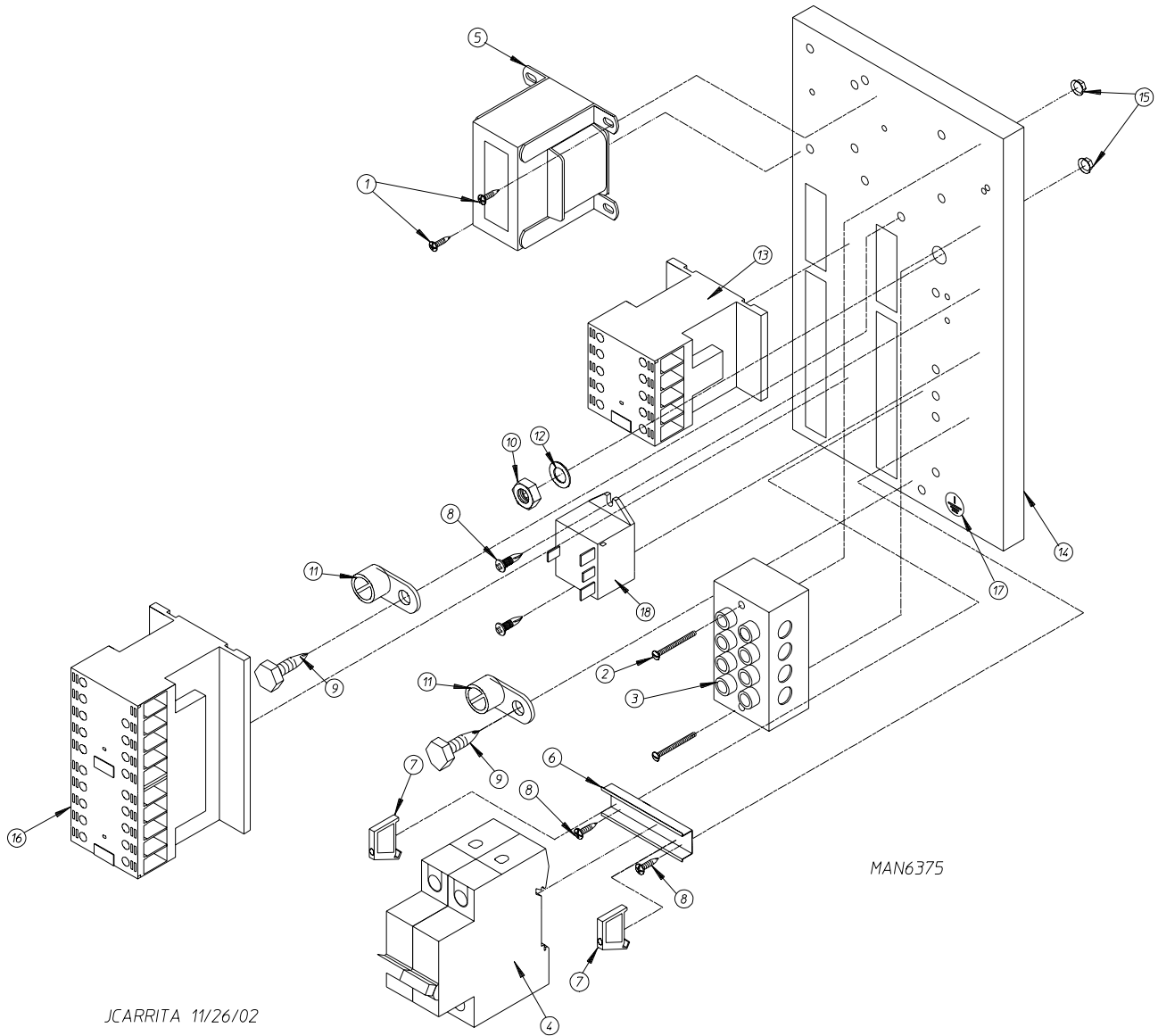
* Not available at time of printing.



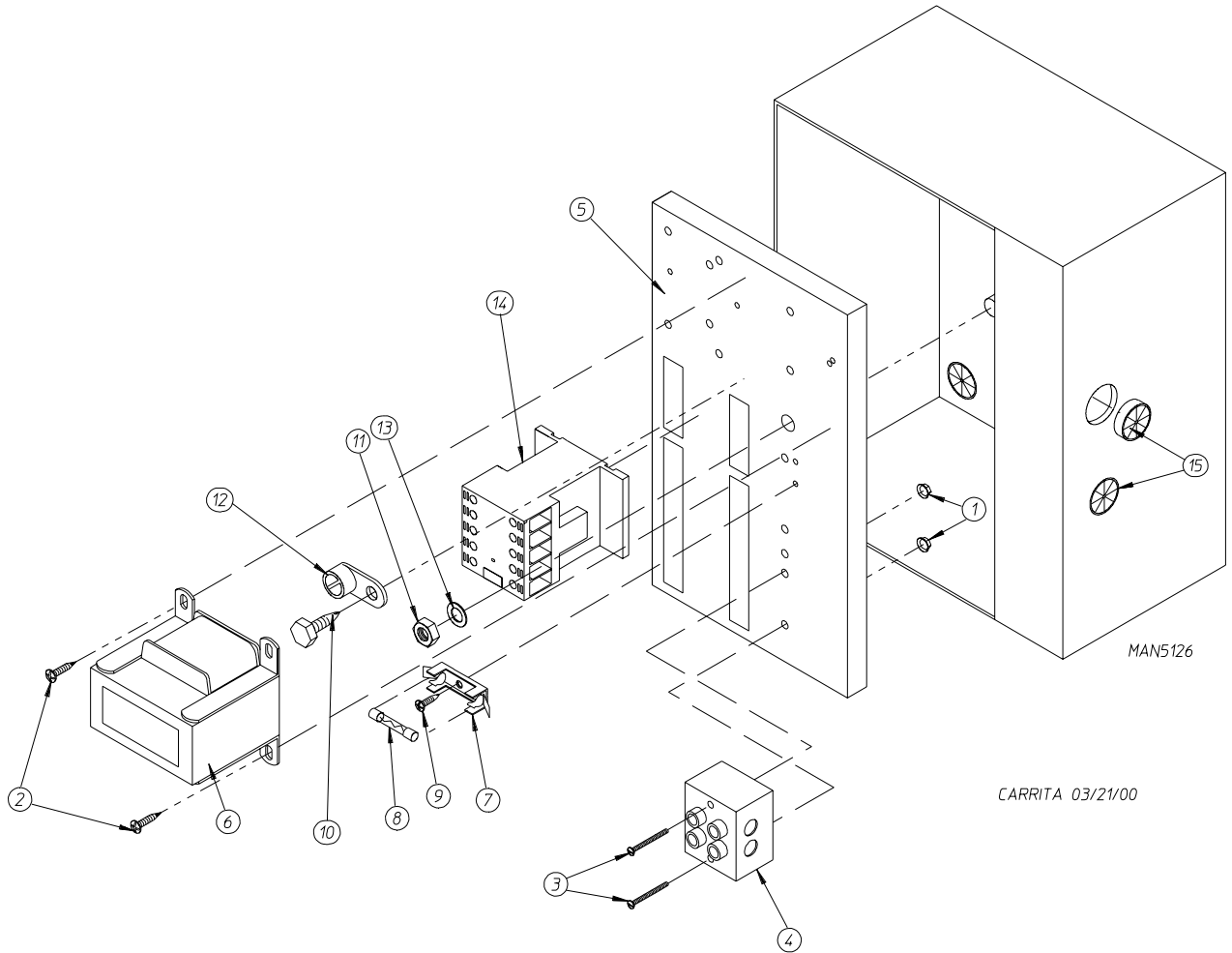
<u>Illus. No.</u>	<u>Part No.</u>	<u>Qty.</u>	<u>Description</u>
1	150300	2	#10-16 x 1/2" Hex Washer TEK Screw
2	150008	2	#6-32 x 1-1/4" Phillips Pan Head Machine Screw
3	120701	1	4-Position Terminal Block
4	135501	1	2-Pole 1-Amp Circuit Breaker
5	824221	1	Transformer Assembly - 460-480 Volt
6	120768	2	35 x 15mm Din Rail
7	120765	2	Standard End Bracket
8	150301	4	#8-18 x 7/16" Phillips Pan Head TEK Screw
9	150297	2	#10 x 1/2" Green Hex Washer TEK Screw
10	152004	1	5/16-18 Hex Nut
11	121010	2	L-70 Ground Lug
12	153002	1	5/16" Lock Washer
13	132495	1	3-Pole Contactor
14	322812	1	Rear Electric Mounting Plate ONLY
	830263	1	Rear Electric Panel Assembly Complete - 460-480 Volt (for gas models Only) (includes illus. nos. 1 through 15 and 17)
	830137	1	Rear Electric Panel Assembly Complete - 460-480 Volt (for steam models Only) (includes illus. nos. 1 through 15 and 17)
	830199	1	Rear Electric Panel Assembly Complete - 460-480 Volt (for electric models Only) (includes illus. nos. 1 through 17)
15	151000	2	#6-32 Pal Nut
16	131932	1	24V SPST Relay (for electric models Only)
17	112075	1	Ground Label



<u>Illus. No.</u>	<u>Part No.</u>	<u>Qty.</u>	<u>Description</u>
1	150300	2	#10-16 x 1/2" Hex Washer TEK Screw
2	150008	2	#6-32 x 1-1/4" Phillips Pan Head Machine Screw
3	120701	1	4-Position Terminal Block
4	132497	1	3-Pole Reversing Contactor
5	822799	1	Transformer Assembly - 208-240 Volt (for gas and steam models Only)
	822792	1	Transformer Assembly - 208-240 Volt (for electric models Only)
	822784	1	Transformer Assembly - 380-416 Volt
6	136008	1 or 2	Fuse Holder
7	136057	1 or 2	1/2-Amp (Slo-Blo) Fuse
8	150301	2 or 4	#8-18 x 7/16" Phillips Pan Head TEK Screw
9	150297	2	#10 x 1/2" Green Hex Washer TEK Screw
10	152004	1	5/16-18 Hex Nut
11	121010	2	L-70 Ground Lug
12	153002	1	5/16" Lock Washer
13	132495	1	3-Pole Contactor
14	322812	1	Rear Electric Mounting Plate ONLY
	822771	1	Rear Electric Panel Assembly Complete - 208-240 Volt (for gas models Only) (includes illus. nos. 1 through 16)
	830167	1	Rear Electric Panel Assembly Complete - 208-240 Volt (for steam models Only) (includes illus. nos. 1 through 16)
	822789	1	Rear Electric Panel Assembly Complete - 208-240 Volt (for electric models Only) (includes illus. nos. 1 through 17)
	822783	1	Rear Electric Panel Assembly Complete - 380-416 Volt (for gas models Only) (includes illus. nos. 1 through 16)
	830117	1	Rear Electric Panel Assembly Complete - 380-416 Volt (for steam models Only) (includes illus. nos. 1 through 16)
	818397	1	Rear Electric Panel Assembly Complete - 380-416 Volt (for electric models Only) (includes illus. nos. 1 through 17)
15	151000	2	#6-32 Pal Nut
16	120765	1	Standard End Bracket
17	131932	1	24V SPST Relay (for electric models Only)

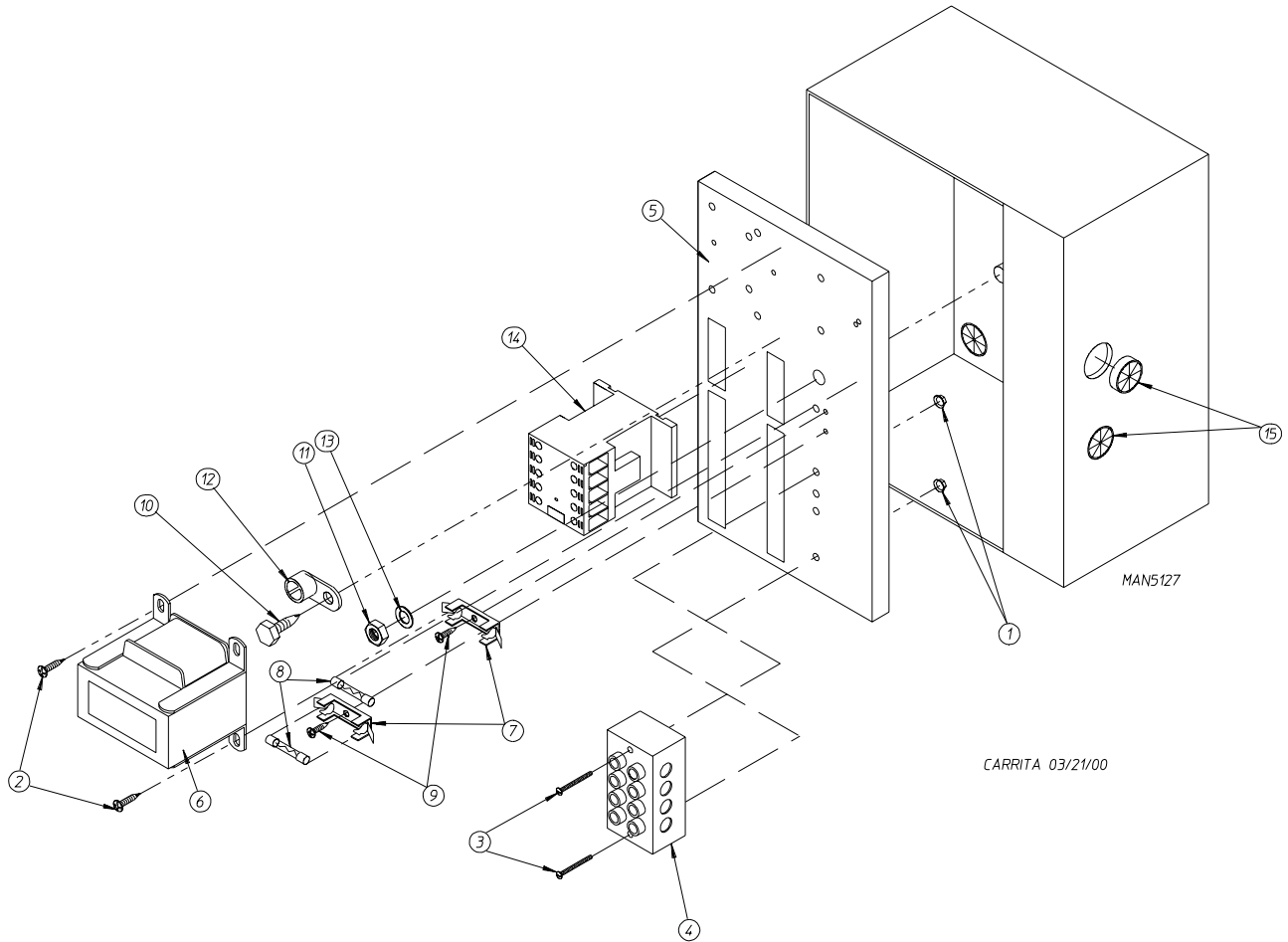


<u>Illus. No.</u>	<u>Part No.</u>	<u>Qty.</u>	<u>Description</u>
1	150300	2	#10-16 x 1/2" Hex Washer TEK Screw
2	150008	2	#6-32 x 1-1/4" Phillips Pan Head Machine Screw
3	120701	1	4-Position Terminal Block
4	135501	1	2-Pole 1-Amp Circuit Breaker
5	824221	1	Transformer Assembly - 460-480 Volt
6	120768	2	35 x 15mm Din Rail
7	120765	2	Standard End Bracket
8	150301	4	#8-18 x 7/16" Phillips Pan Head TEK Screw
9	150297	2	#10 x 1/2" Green Hex Washer TEK Screw
10	152004	1	5/16-18 Hex Nut
11	121010	2	L-70 Ground Lug
12	153002	1	5/16" Lock Washer
13	132495	1	3-Pole Contactor
14	322812	1	Rear Electric Mounting Plate ONLY
	830147	1	Rear Electric Panel Assembly Complete - 460-480 Volt (for gas models Only) (includes illus. nos. 1 through 17)
	830103	1	Rear Electric Panel Assembly Complete - 460-480 Volt (for steam models Only) (includes illus. nos. 1 through 17)
	824371	1	Rear Electric Panel Assembly Complete - 460-480 Volt (for electric models Only) (includes illus. nos. 1 through 18)
15	151000	2	#6-32 Pal Nut
16	132497	1	3-Pole Reversing Contactor
17	112075	1	Ground Label
18	131932	1	24V SPST Relay (for electric models Only)



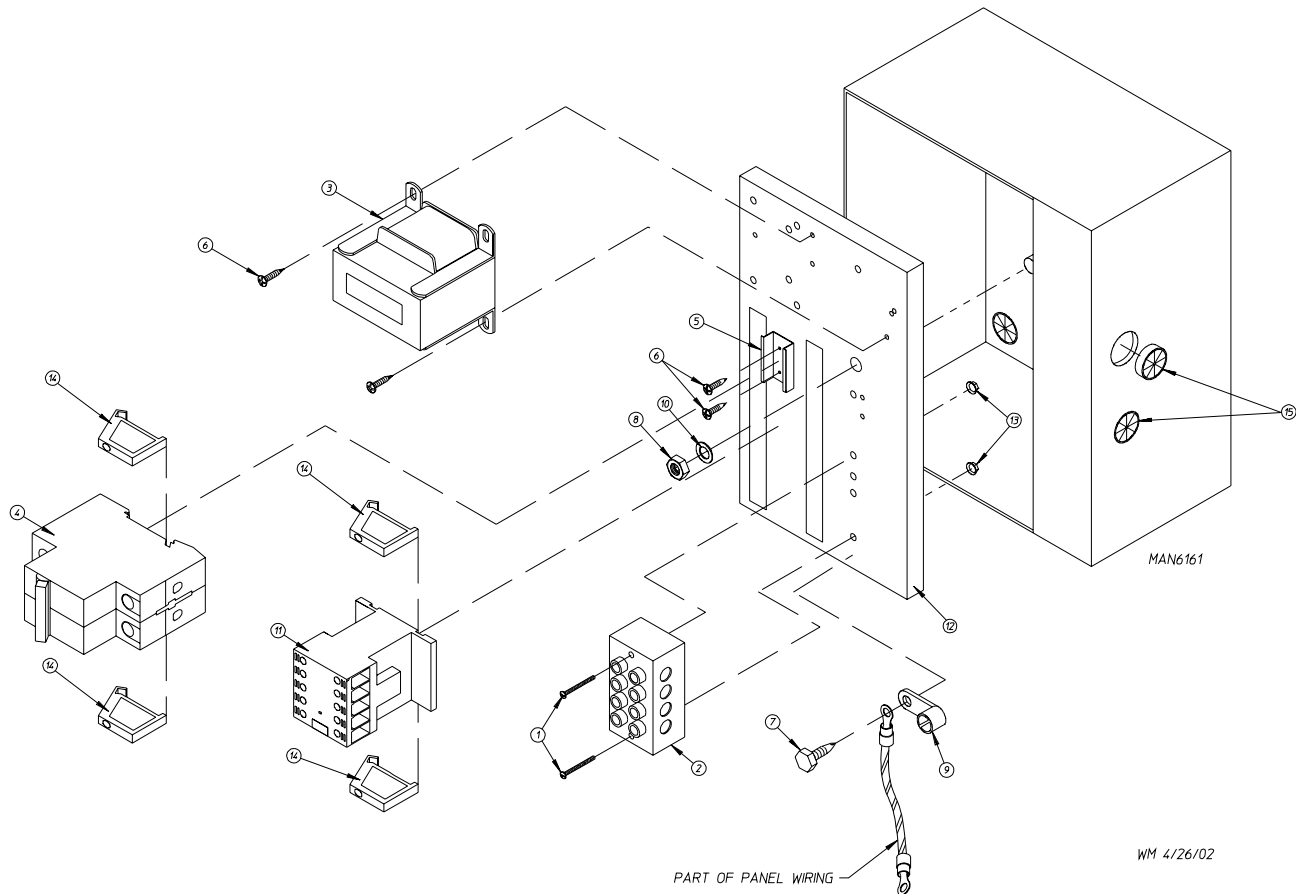
<u>Illus. No.</u>	<u>Part No.</u>	<u>Qty.</u>	<u>Description</u>
1	151000	2	#6-32 Pal Nut
2	150300	2	#10-16 x 1/2" Hex Washer TEK Screw
3	150008	2	#6-32 x 1-1/4" Phillips Pan Head Machine Screw
4	120716	1	2-Position Terminal Block
5	322817	1	Rear Electric Mounting Plate ONLY
	882662	1	Rear Electric Panel Assembly Complete - 120 Volt (includes illus. nos. 1 through 14)
	882663	1	Rear Electric Panel Assembly Complete - 208-240 Volt (for gas and steam models Only) (includes illus. nos. 1 through 14)
	818395	1	Rear Electric Panel Assembly Complete - 208-240 Volt (for electric models mfd. with single-phase [1 ϕ] motor Only) (includes illus. nos. 1 through 14)
	882667	1	Rear Electric Panel Assembly Complete - 380-416 Volt (for electric models mfd. with single-phase [1 ϕ] motor Only) (includes illus. nos. 1 through 14)
6	882652	1	Transformer Assembly - 120 Volt
	882653	1	Transformer Assembly - 208-240 Volt (for gas and steam models Only)
	818396	1	Transformer Assembly - 208-240 Volt (for electric models Only)
	882654	1	Transformer Assembly - 380-416 Volt
7	136008	*	Fuse Holder
8	136049	*	3/4-Amp (Slo-Blo) Fuse - 120 Volt
	136057	*	1/2-Amp (Slo-Blo) Fuse - 208-416 Volt
9	150301	*	#8-18 x 7/16" Phillips Pan Head TEK Screw
10	150297	1	#10 x 1/2" Green Hex Washer TEK Screw
11	152004	1	5/16-18 Hex Nut
12	121010	1	L-70 Ground Lug
13	153002	1	5/16" Lock Washer
14	132459	1	3-Pole Contactor
15	121300	3	Open/Closed Bushing

* Quantity is 1 for 115v and 380-416v. Quantity is 2 for 208-240v.

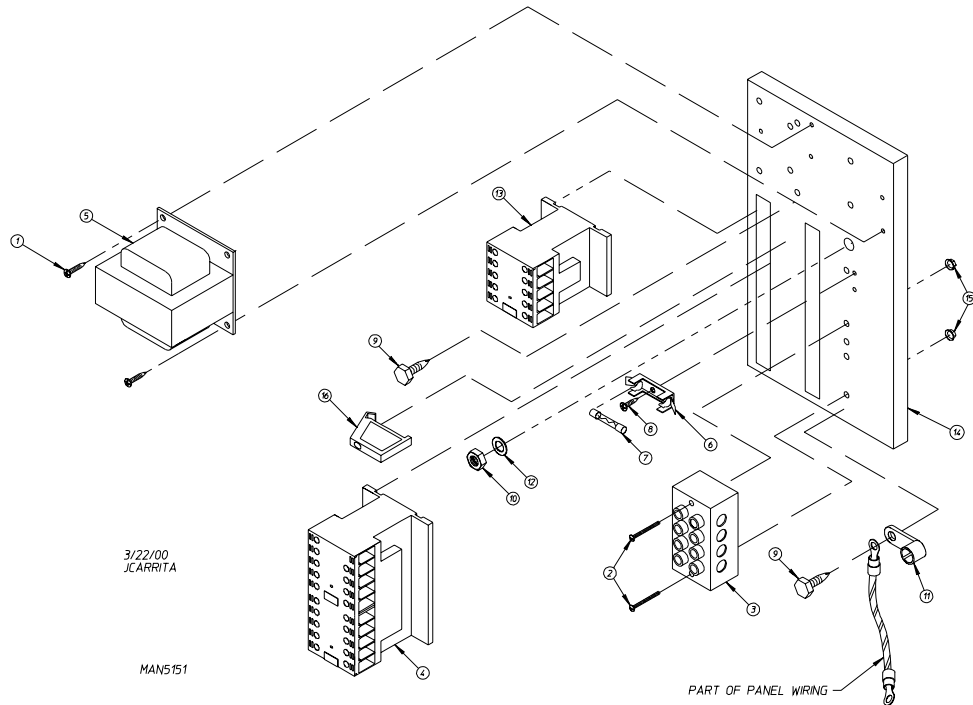


<u>Illus. No.</u>	<u>Part No.</u>	<u>Qty.</u>	<u>Description</u>
1	151000	2	#6-32 Pal Nut
2	150300	2	#10-16 x 1/2" Hex Washer TEK Screw
3	150008	2	#6-32 x 1-1/4" Phillips Pan Head Machine Screw
4	120701	1	4-Position Terminal Block (for models mfd. with 3-phase [3 ϕ] motors)
5	322817	1	Rear Electric Mounting Plate ONLY
	882664	1	Rear Electric Panel Assembly Complete - 208-240 Volt (for gas and steam models Only) (includes illus. nos. 1 through 14)
	818400	1	Rear Electric Panel Assembly - 208-240 Volt (for electric models Only) (includes illus. nos. 1 through 14)
	882665	1	Rear Electric Panel Assembly Complete - 380-416 Volt (for gas and steam models Only) (includes illus. nos. 1 through 14)
6	882653	1	Transformer Assembly - 208-240 Volt (for gas and steam models Only)
	818396	1	Transformer Assembly - 208-240 Volt (for electric models Only)
	882654	1	Transformer Assembly - 380-416 Volt
7	136008	*	Fuse Holder
8	136057	*	1/2-Amp (Slo-Blo) Fuse
9	150301	*	#8-18 x 7/16" Phillips Pan Head TEK Screw
10	150297	1	#10 x 1/2" Green Hex Washer TEK Screw
11	152004	1	5/16-18 Hex Nut
12	121010	1	L-70 Ground Lug
13	153002	1	5/16" Lock Washer
14	132459	1	3-Pole Contactor
15	121300	3	Open/Closed Bushing

* Quantity is 1 for 380-416v and 2 for 208-240v.

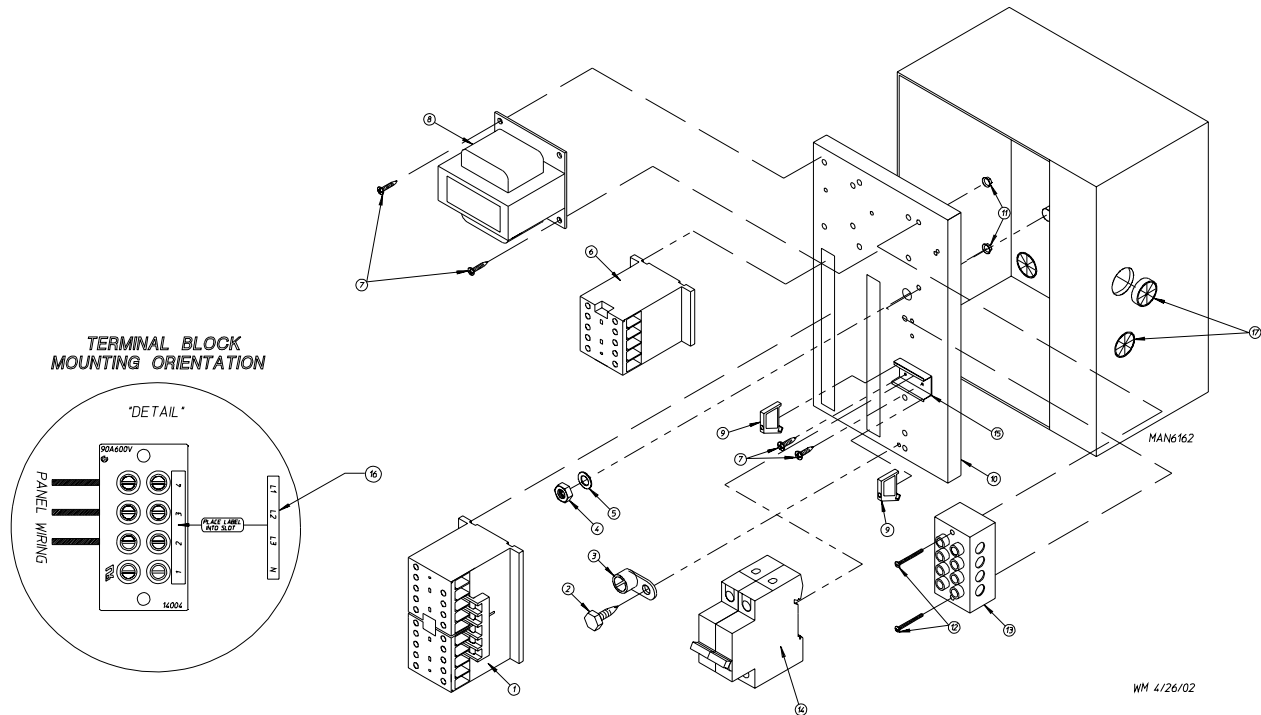


<u>Illus. No.</u>	<u>Part No.</u>	<u>Qty.</u>	<u>Description</u>
1	150009	2	#6-32 x 1-1/2" Phillips Pan Head Machine Screw
2	120701	1	4-Position Terminal Block
3	824161	1	Transformer Assembly
4	135501	1	2-Pole 1-Amp Circuit Breaker
5	120768	2	35 x 15mm Din Rail
6	150301	4	#8-18 x 7/16" Phillips Pan Head TEK Screw
7	150297	1	#10 x 1/2" Green Hex Washer TEK Screw
8	152004	1	5/16-18 Hex Nut
9	121010	1	L-70 Ground Lug
10	153002	1	5/16" Lock Washer
11	132459	1	24 VAC 3-Pole Contactor
12	322817	1	Mounting Plate ONLY
	830262	1	Rear Panel Assembly Complete (includes illus. nos. 1 through 14)
13	151000	2	#6-32 Pal Nut
14	120765	4	End Stop
15	121300	3	Open/Closed Bushing

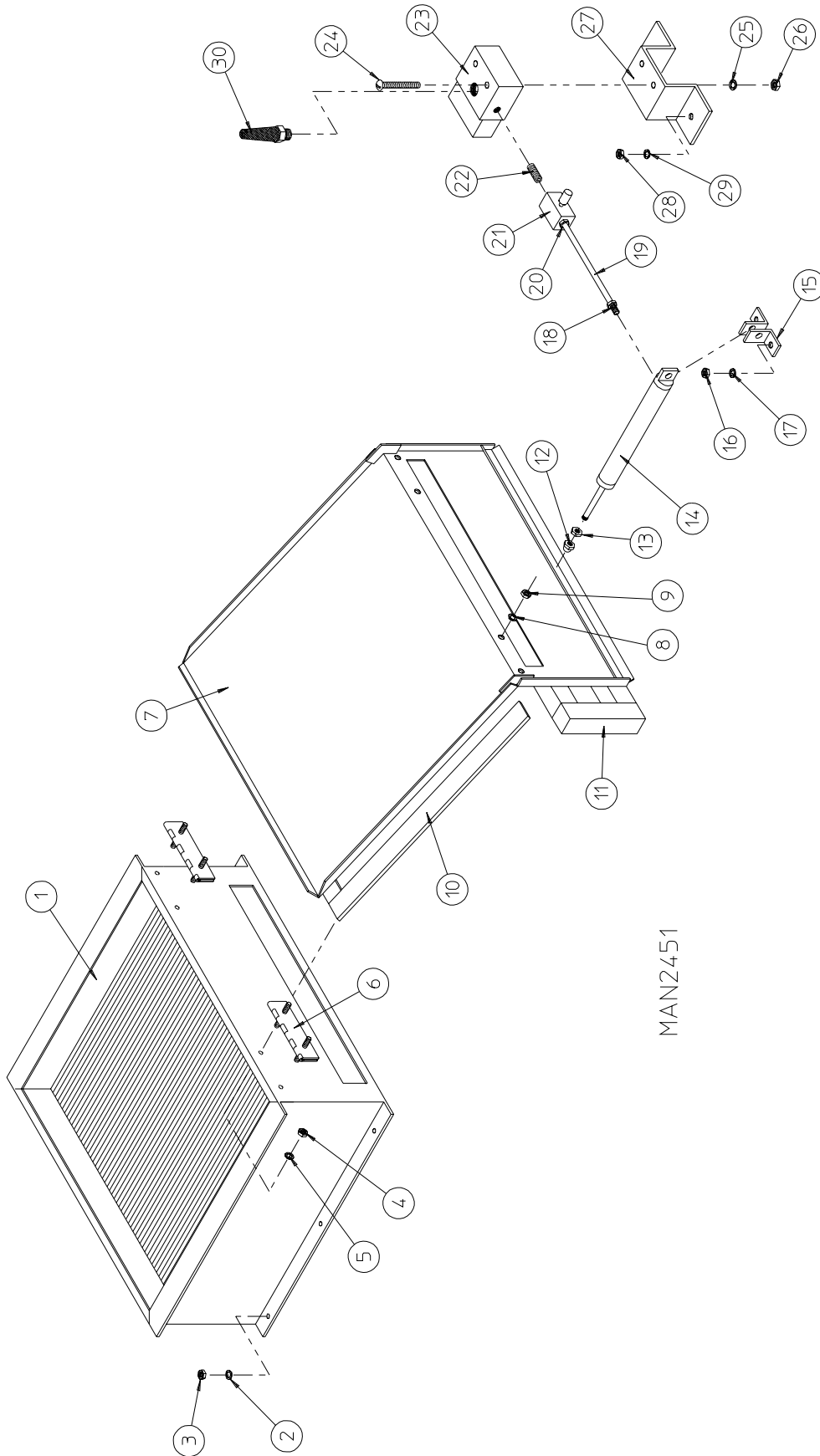


<u>Illus. No.</u>	<u>Part No.</u>	<u>Qty.</u>	<u>Description</u>
1	150300	2	#10-16 x 1/2" Hex Washer TEK Screw
2	150008	2	#6-32 x 1-1/4" Phillips Pan Head Machine Screw
3	120701	1	4-Position Terminal Block
4	132458	1	3-Pole Reversing Contactor
5	882653	1	Transformer Assembly - 208-240 Volt (for gas and steam models Only)
	825428	1	Transformer Assembly - 208-240 Volt (for electric models Only)
	882654	1	Transformer Assembly - 380-416 Volt
6	136008	*	Fuse Holder
7	136057	*	1/2-Amp (Slo-Blo) Fuse
8	150301	*	#8-18 x 7/16" Phillips Pan Head TEK Screw
9	150297	2	#10 x 1/2" Green Hex Washer TEK Screw
10	152004	1	5/16-18 Hex Nut
11	121010	1	L-70 Ground Lug
12	153002	1	5/16" Lock Washer
13	132459	1	3-Pole Contactor
14	322812	1	Rear Electric Mounting Plate ONLY
	882673	1	Rear Electric Panel Assembly Complete - 208-240 Volt (for gas and steam models Only) (includes illus. nos. 1 through 16)
	883335	1	Rear Electric Panel Assembly Complete - 208-240 Volt (for electric models Only) (includes illus. nos. 1 through 16)
	882676	1	Rear Electric Panel Assembly Complete - 380-416 Volt (includes illus. nos. 1 through 16)
15	151000	2	#6-32 Pal Nut
16	120765	1	Standard End Bracket

* Quantity is 2 for 208-240v and 1 for 380-416v.

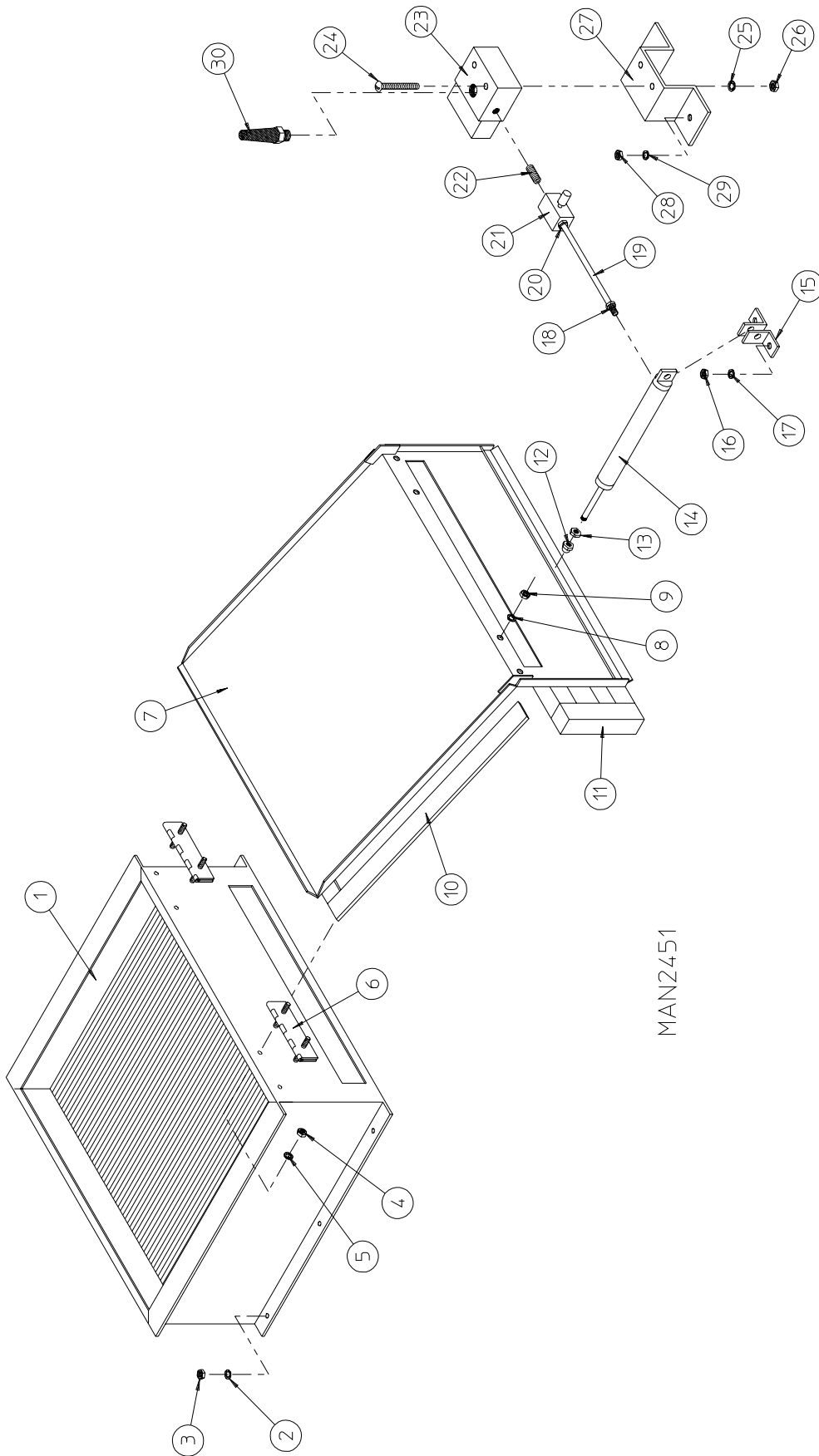


<u>Illus. No.</u>	<u>Part No.</u>	<u>Qty.</u>	<u>Description</u>
1	132458	1	24 VAC Reversing Contactor
2	150297	1	#10 x 1/2" Green Hex Washer TEK Screw
3	121010	1	L-70 Ground Lug
4	152004	1	5/16-18 Hex Nut
5	153002	1	5/16" Lock Washer
6	132459	1	24 VAC 3-Pole Blower Contactor
7	150301	4	#8-18 x 7/16" Phillips Pan Head TEK Screw
8	824161	1	Transformer Assembly
9	120765	2	Standard End Bracket
10	322817	1	Mounting Plate ONLY
	824412	1	Rear Electric Panel Assembly Complete (includes illus. nos. 1 through 16)
11	151000	2	#6-32 Pal Nut
12	150009	2	#6-32 x 1-1/2" Phillips Pan Head Machine Screw
13	120701	1	4-Position Terminal Block
14	135501	1	2-Pole 1-Amp Circuit Breaker
15	120768	2	35 x 15mm Din Rail (sold by the inch)
16	112068	1	3-Phase (3 ϕ) Power Input Label
17	121300	3	Open/Closed Bushing

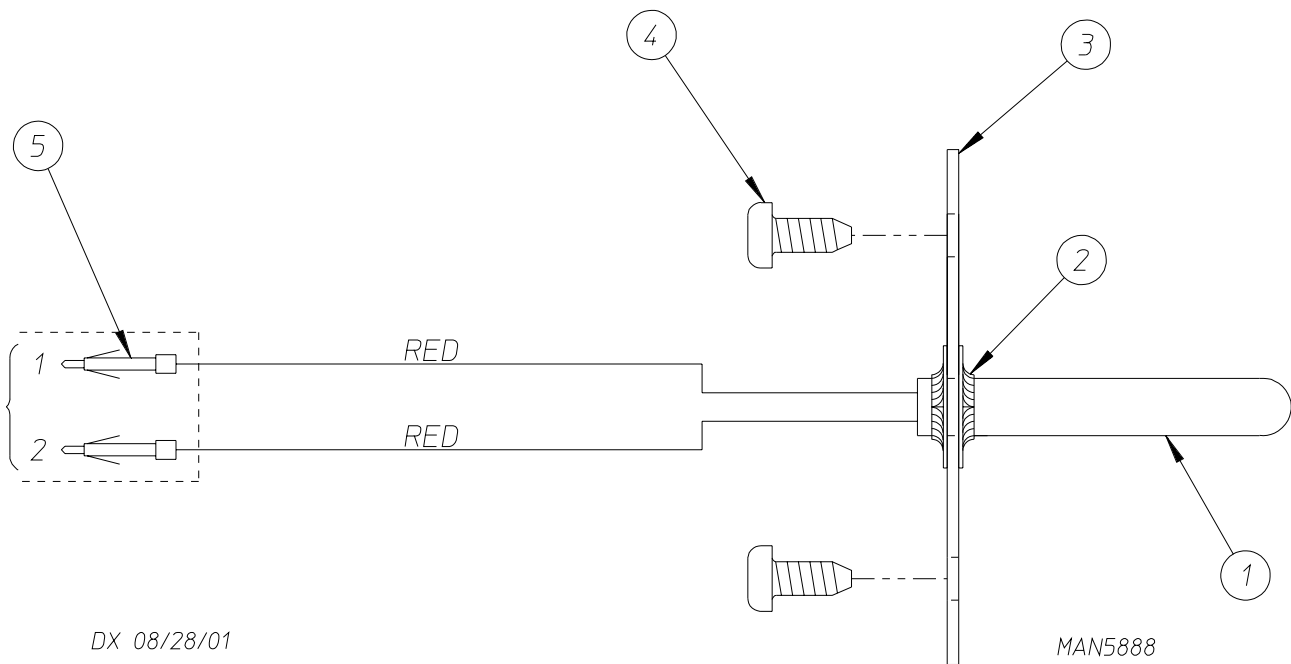


MAN2451

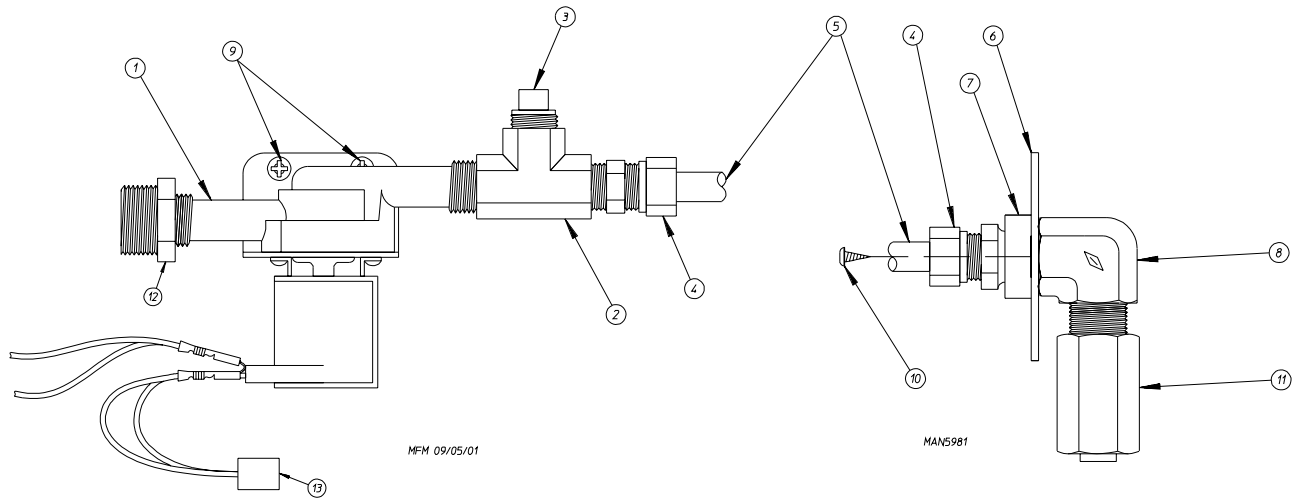
<u>Illus. No.</u>	<u>Part No.</u>	<u>Qty.</u>	<u>Description</u>
1	165008	1	Steam Coil Assembly
2	153002	6	5/16" Lock Washer
3	152004	6	5/16-18 Hex Nut
4	152002	4	1/4-20 Hex Nut
5	153007	4	1/4" Lock Washer
6	820321	2	Steam Damper Hinge Assembly
7	803416	1	Steam Damper Assembly (includes illus. nos. 7, 10, and 11)
8	153007	4	1/4" Lock Washer
9	152002	4	1/4-20 Hex Nut
10	115995	60	Steam Damper Gasket (sold by the inch)
11	102350	1	Steam Damper Foam (68-1/2" length)
12	151006	1	5/16-24 Stainless Steel Acorn Nut
13	152051	1	5/16-24 Right Hand Jam Nut
14	100495	1	1-1/16" Dia. x 3" Stroke Piston
15	323365	2	Left and Right Piston Support
16	152002	2	1/4-20 Hex Nut
17	153007	2	1/4" Lock Washer
18	100472	1	1/4" x 1/8" Connector
19	143110	1	1/4" Tubing (sold by the foot)
20	100472	1	1/4" x 1/8" Connector
21	100496	1	1/8" Needle Valve
22	143238	1	1/8" Close Nipple
23	100498	1	3-Way Micro Valve - 24 VAC
24	150002	2	#6-32 x 1" Slotted Machine Screw
25	153010	2	#6 Star Washer
26	152000	2	#6-32 Hex Nut
27	330987	1	Micro Valve Support Bracket
28	152002	2	1/4-20 Hex Nut
29	153007	2	1/4" Lock Washer
30	100520	1	1/8" N.P.T. Silencer (muffler)



<u>Illus. No.</u>	<u>Part No.</u>	<u>Qty.</u>	<u>Description</u>
1	165011	1	Steam Coil Assembly
2	153002	6	5/16" Lock Washer
3	152004	6	5/16-18 Hex Nut
4	152002	4	1/4-20 Hex Nut
5	153007	4	1/4" Lock Washer
6	820321	2	Steam Damper Hinge Assembly
7	880280	1	Steam Damper Assembly (includes illus. nos. 7, 10, and 11)
8	153007	4	1/4" Lock Washer
9	152002	4	1/4-20 Hex Nut
10	115995	60	Steam Damper Gasket (sold by the inch)
11	102350	1	Steam Damper Foam (68-1/2" length)
12	151006	1	5/16-24 Stainless Steel Acorn Nut
13	152051	1	5/16-24 Right Hand Jam Nut
14	100495	1	1-1/16" x 3" Stroke Piston
15	323365	2	Left and Right Piston Support
16	152002	2	1/4-20 Hex Nut
17	153007	2	1/4" Lock Washer
18	143163	1	1/4" x 1/8" Connector
19	143110	1	1/4" Tubing (sold by the foot)
20	143163	1	1/4" x 1/8" Connector
21	100496	1	1/8" Needle Valve
22	143238	1	1/8" Close Nipple
23	100498	1	3-Way Micro Valve - 24 VAC
24	150002	2	#6-32 x 1" Slotted Machine Screw
25	153010	2	#6 Star Washer
26	152000	2	#6-32 Hex Nut
27	330987	1	Micro Valve Support Bracket
28	152002	2	1/4-20 Hex Nut
29	153007	2	1/4" Lock Washer
30	100520	1	1/8" N.P.T. Silencer (muffler)

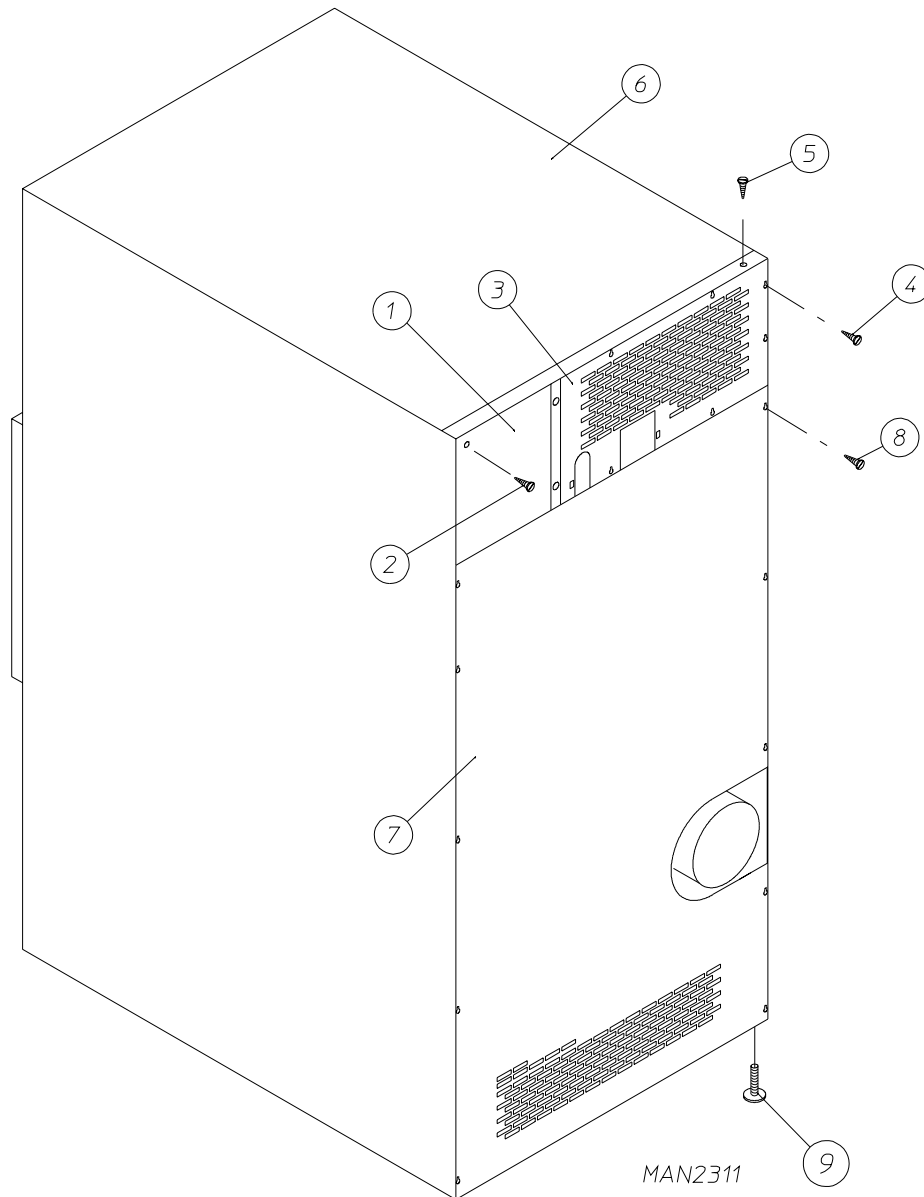


<u>Illus. No.</u>	<u>Part No.</u>	<u>Qty.</u>	<u>Description</u>
1	822752	1	Sensor Activated Fire Extinguishing (S.A.F.E.) System Temperature Probe Assembly (includes illus. nos. 1 through 3 and 5)
2	154007	2	Push On Fastener
3	390390	1	Sensor Bracket ONLY
4	150301	2	#8-18 x 7/16" Phillips Pan Head TEK Screw
5	122647	1	Connector ONLY (does not include terminals)



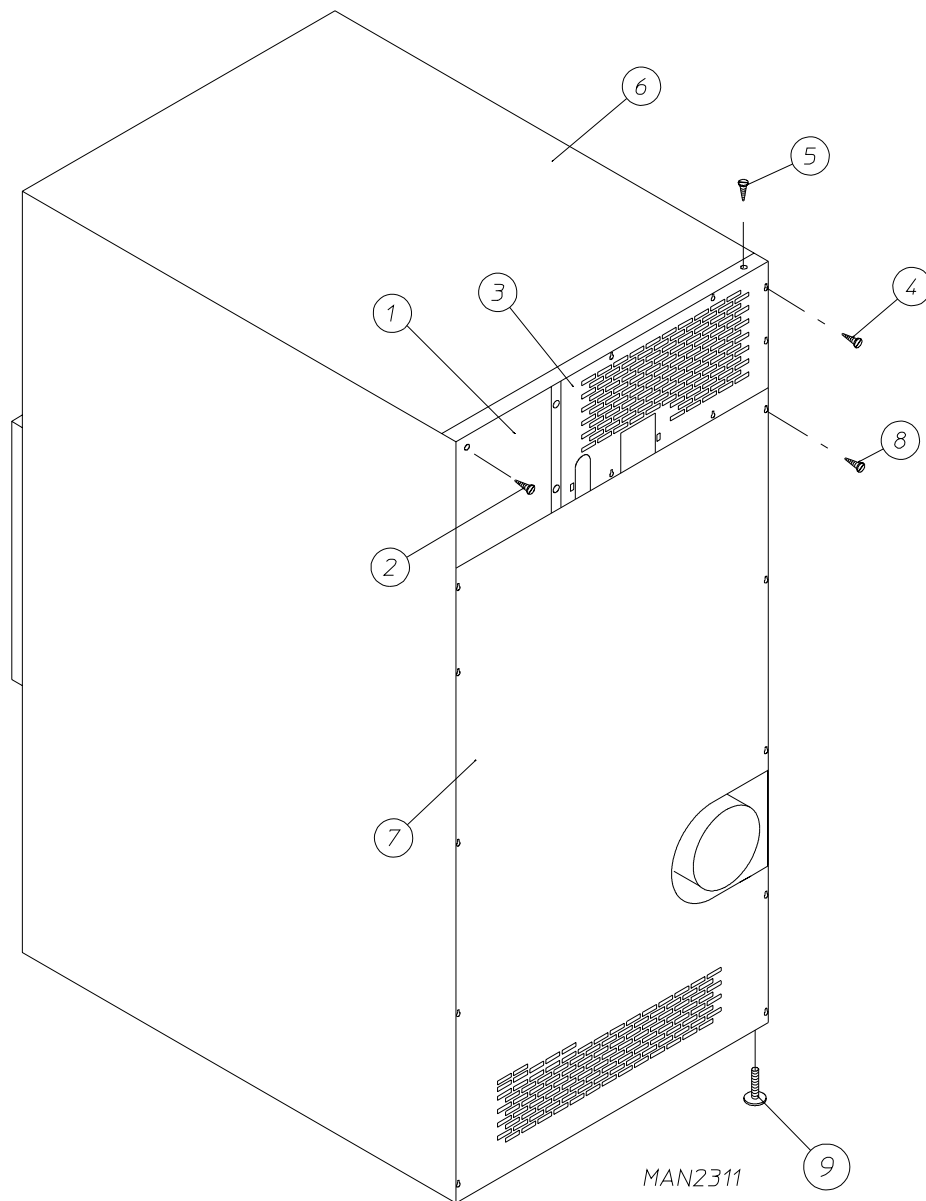
<u>Illus. No.</u>	<u>Part No.</u>	<u>Qty.</u>	<u>Description</u>
1	165114	1	Sensor Activated Fire Extinguishing (S.A.F.E.) System Solenoid Valve 24V
2	143220	1	3/8" F.P.T. Brass Tee
3	143251	1	3/8" M.P.T. Brass Plug
4	143208	2	3/8" Comp x 3/8" M.P.T. Brass Connector
5	143099*	6	3/8" OD x 0.035 Wall Copper Tubing
6	311588	1	Sprinkler Head Mounting Plate
7	143303	1	3/8" N.P.T. Brass Lock Nut
8	143155	1	3/8" Brass Elbow 90°
9	150430	2	#10 x 1/2" Self Drilling Screw
10	150301	2	#8-18 x 7/16" Phillips Pan Head TEK Screw
11	143581	1	3 GPM 3/8" F.P.T. Spray Nozzle
12	142888	1	1/2" x 3/8" Bushing
13	824081	1	R.C. Network Assembly

* Sold by the foot.



<u>Illus. No.</u>	<u>Part No.</u>	<u>Qty.</u>	<u>Description</u>
1	322809	1	Back Electrical Box Cover
2	150301	4	#8-18 x 7/16" Phillips Pan Head TEK Screw
3*	314424	1	Gas Top Back Guard
	322155	1	Electric Top Back Guard (for microprocessor models Only)
	314422	1	Electric Top Back Guard (for dual timer models Only)
4	150301	7	#8-18 x 7/16" Phillips Pan Head TEK Screw
5	150300	10	#10-16 x 1/2" Hex Washer TEK Screw
6*	322015	1	Outer Top (for all gas and dual timer electric models Only)
	322834	1	Outer Top (for electric microprocessor models Only)
7	322082	1	Bottom Back Guard
8	150301	13	#8-18 x 7/16" Phillips Pan Head TEK Screw
9	103500	4	Leveling Leg

* There is no outer top or top back guard on steam models.



<u>Illus. No.</u>	<u>Part No.</u>	<u>Qty.</u>	<u>Description</u>
1	322809	1	Back Electrical Box Cover
2	150301	4	#8-18 x 7/16" Phillips Pan Head TEK Screw
3*	314424	1	Top Back Guard (for gas models Only)
	322155	1	Top Back Guard (for micro electric models Only)
	314422	1	Top Back Guard (for dual timer electric models Only)
4	150301	7	#8-18 x 7/16" Phillips Pan Head TEK Screw
5	150300	10	#10-16 x 1/2" Hex Washer TEK Screw
6*	312533	1	Outer Top (for ALL gas and dual timer electric models Only)
	322159	1	Outer Top (for micro electric models Only)
7	322018	1	Bottom Back Guard
8	150301	13	#8-18 x 7/16" Phillips Pan Head TEK Screw
9	103500	4	Leveling Leg

* There is no outer top or top back guard on steam models.

Kw	Voltage	Phase	Wire	Oven Assembly*	Element			Oven Wire with Crimp Terminal			Terminal Lug		Bus Bar P/N: 121011	Oven Relay	
					Qty	Kw	Part No.	Qty	Size	Part No.	Qty	Part No.		Cat. No.	Part No.
24	208	3Ø	3 or 4	-----	6	4	120010	1	#4	882566	1	121010	1	DPA73	131376
24	240	3Ø	3	-----	6	4	120011	1	#6	882568	1	121010	1	DPA63	131369
24	460/480	3Ø	3 or 4	-----	6	4	120011	1	#8	882572	1	121010	2	DPA33	131352
20	208	1Ø	2	-----	5	4	120010	1	#2	883384	1	121010	2	DPA93	131358
20	240	1Ø	2	-----	5	4	120011	1	#2	883384	1	121010	2	DPA93	131358

* Not available at time of printing contact factory for further information.
When ordering oven assembly complete, specify 3 or 4 wire when applicable.

Kw	Voltage	Phase	Wire	Oven Assembly*	Element			Oven Wire with Crimp Terminal			Terminal Lug		Bus Bar P/N: 121011	Oven Relay	
					Qty	Kw	Part No.	Qty	Size	Part No.	Qty	Part No.		Cat. No.	Part No.
24	208	3Ø	3 or 4	815887	6	4	120010	1	#4	882566	1	121010	1	DPA73	131376
24	240	3Ø	3	883506	6	4	120011	1	#6	882568	1	121010	1	DPA63	131369
24	460/480	3Ø	3 or 4	883504	6	4	120011	1	#8	882572	1	121010	2	DPA33	131352
20	208	1Ø	2	824904	5	4	120010	1	#2	883384	1	121010	2	DPA93	131358
20	240	1Ø	2	883505	5	4	120011	1	#2	883384	1	121010	2	DPA93	131358

* When ordering oven assembly complete, specify 3 or 4 wire when applicable.

Kw	Voltage	Phase	Wire	Oven Assembly*	Element			Oven Wire with Crimp Terminal			Terminal Lug		Bus Bar P/N: 121011	Oven Relay	
					Qty	Kw	Part No.	Qty	Size	Part No.	Qty	Part No.		Cat. No.	Part No.
30	208	3 \emptyset	3 or 4	835060	6	5	120012	1	#4	882566	1	121010	1	DPA93	131358
30	240	3 \emptyset	3	833124	6	5	120013	1	#4	882566	1	121010	1	DPA73	131376
30	460/480	3 \emptyset	3 or 4	826222	6	5	120013	1	#8	882572	1	121010	1	DPA43	131357

* When ordering oven assembly complete, specify 3 or 4 wire when applicable.

Kw	Voltage	Phase	Wire	Oven Assembly*	Element			Oven Wire with Crimp Terminal			Terminal Lug		Bus Bar P/N: 121011	Oven Relay	
					Qty	Kw	Part No.	Qty	Size	Part No.	Qty	Part No.		Cat. No.	Part No.
30	208	3ø	3 or 4	825376	6	5	120012	1	#4	882566	1	121010	1	DPA93	131358
30	240	3ø	3	816129	6	5	120013	1	#4	882566	1	121010	1	DPA73	131376
30	460/480	3ø	3 or 4	824162	6	5	120013	1	#8	882572	1	121010	1	DPA43	131357

* When ordering oven assembly complete, specify 3 or 4 wire when applicable.

<u>Part No.</u>	<u>Description</u>
112280	“Clean Lint Screen” Label
114001	“CAUTION Exhaust/Lint Screen” Label
114006	“WARNING - Fire Hazards” Label
114521	“Phase 7 OPL Program Location Summary” Label
120800	1/4” In-Line Connector
120802	Red Butt Connector
120902	#74B Wire Nut
120903	Crimp-On Wire Nut
121499	5-1/2” Harness Tie
121500	8” Harness Tie
122804	Manometer (hydro gauge) for Measuring Gas Pressure
404502	White Brush-In-Cap Bottle Touch-Up Paint (0.6 oz. bottle)
404513	Wrinkle Blue Brush-In-Cap Bottle Touch-Up Paint (0.6 oz. bottle)
404516	Ivory Brush-In-Cap Bottle Touch-Up Paint (0.6 oz. bottle)
882206	CD Rom (ADC Publications)

