



**ML-75 Parts Manual
Dual Timer/Phase 7 OPL
with FSS Options
Through June 2002**

American Dryer Corporation
88 Currant Road
Fall River, MA 02720-4781
Telephone: (508) 678-9000 / Fax: (508) 678-9447
E-mail: techsupport@amdry.com
www.amdry.com

Retain This Manual In A Safe Place For Future Reference

American Dryer Corporation products embody advanced concepts in engineering, design, and safety. If this product is properly maintained, it will provide many years of safe, efficient, and trouble free operation.

ONLY qualified technicians should service this equipment.

OBSERVE ALL SAFETY PRECAUTIONS displayed on the equipment or specified in the installation manual included with the dryer.

The following “**FOR YOUR SAFETY**” caution **must be** posted near the dryer in a prominent location.

FOR YOUR SAFETY

Do not store or use gasoline or other flammable vapors and liquids in the vicinity of this or any other appliance.

POUR VOTRE SÉCURITÉ

Ne pas entreposer ni utiliser d'essence ni d'autres vapeurs ou liquides inflammables à proximité de cet appareil ou de tout autre appareil.

We have tried to make this manual as complete as possible and hope you will find it useful. **ADC** reserves the right to make changes from time to time, without notice or obligation, in prices, specifications, colors, and material, and to change or discontinue models.

Important

For your convenience, log the following information:

DATE OF PURCHASE _____ **MODEL NO.** ML-75 Phase 7

RESELLER'S NAME _____

Serial Number(s) _____

Replacement parts can be obtained from your reseller or the **ADC** factory. When ordering replacement parts from the factory, you can FAX your order to **ADC** at (508) 678-9447 or telephone your order directly to the **ADC** Parts Department at (508) 678-9000. Please specify the dryer **model number** and **serial number** in addition to the **description** and **part number**, so that your order is processed accurately and promptly.

The illustrations on the following pages may not depict your particular dryer exactly. The illustrations are a composite of the various dryer models. Be sure to check the descriptions of the parts thoroughly before ordering.

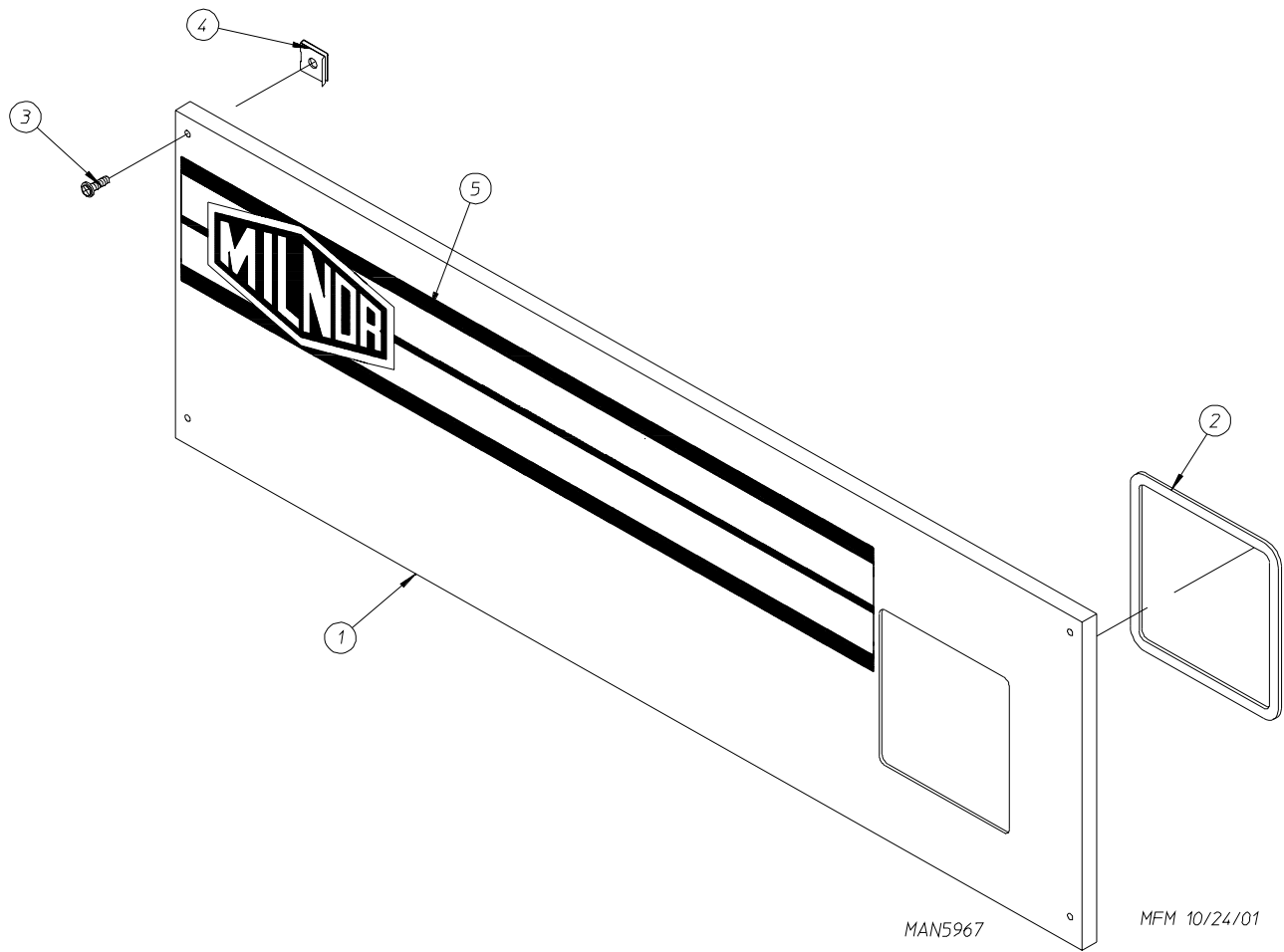
“IMPORTANT NOTE TO PURCHASER”

Information **must be** obtained from your local gas supplier on the instructions to be followed if the user smells gas. These instructions **must be** posted in a prominent location near the dryer.

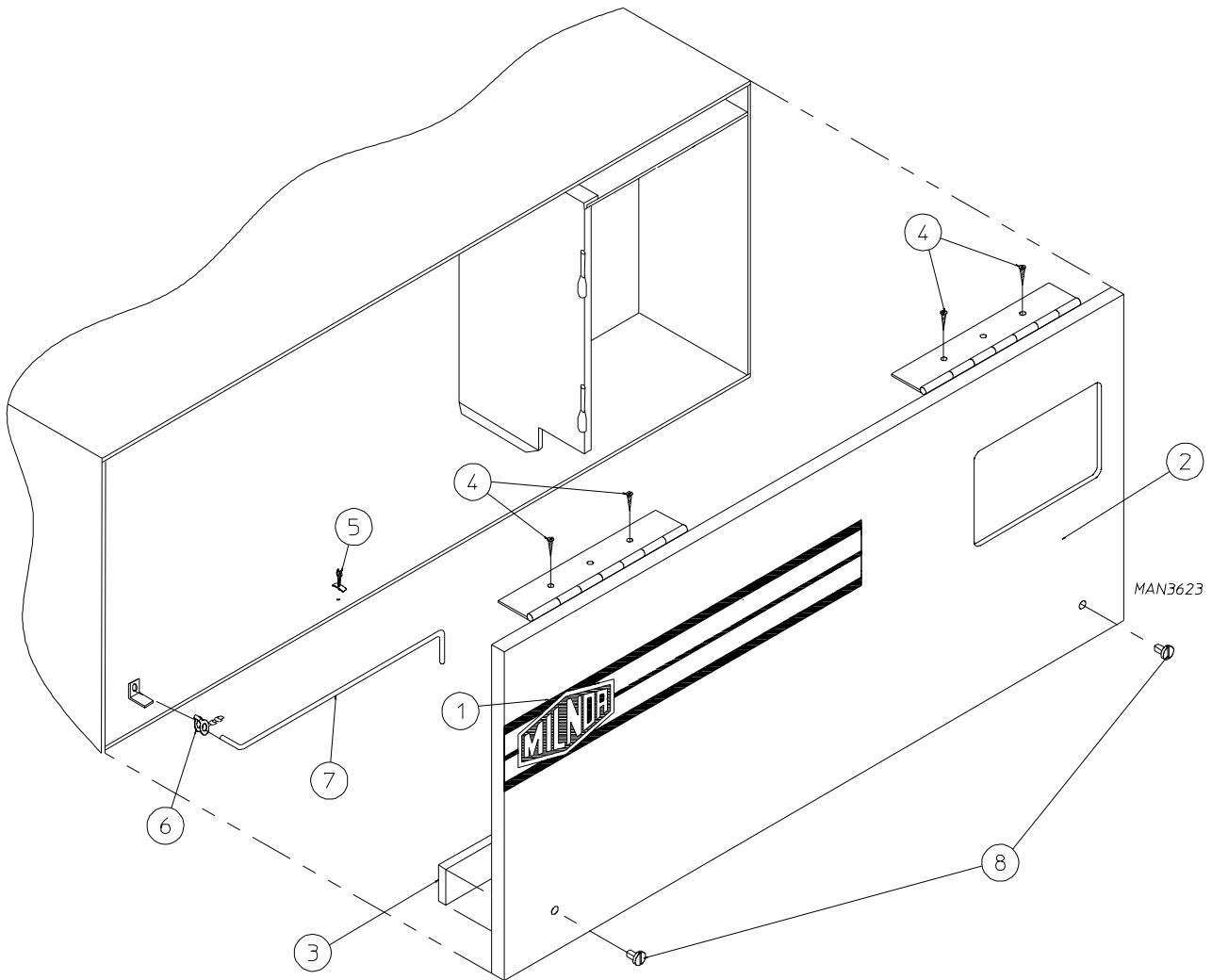
Table of Contents

Phase 7 OPL Microprocessor Control Door Assembly	3
Dual Timer Control Door Assembly	4
Phase 7 OPL Microprocessor Control Door Assembly	5
Dual Timer “Tap Touch” Controls	6
Phase 7 OPL Microprocessor Control Box Assembly	7
Dual Timer Control Box Assembly	8
Front Panel/Main Door Assemblies	9
Main Door Switch	10
Drop Lint Door Assembly	11
Lint Trap Assembly	
For Gas and Electric Models Only	12
Lint Trap Assembly	
For Steam Models Only	13
Basket (Tumbler)/Support Assemblies	14, 15
Sensor Bracket Assemblies	16, 17
Idler Bearing Assembly	18, 19
Basket (Tumbler) Bearing Assembly	20, 21
Non-Reversing Motor Mount Assembly	22, 23
Reversing Motor Mount Assembly	24, 25
Direct Spark Ignition (DSI) Burner Assembly	26, 27
Electric Oven Assembly	28, 29
Air Operated Steam Damper Assembly	30, 31

Fire Suppression System (FSS) Temperature Probe Assembly	32
Fire Suppression System (FSS) Solenoid Assembly	33
Single Phase (1 \emptyset) MP Rear Electric Relay Panel Assembly	34, 35
208-240V 3-Phase (3 \emptyset) MP Rear Electric Relay Panel Assembly	36
480V MP Rear Electric Relay Panel Assembly	37
208-240V MP Reversing Rear Electric Relay Panel Assembly	38, 39
460-480V MP Reversing Rear Electric Relay Panel Assembly	40, 41
Single Phase (1 \emptyset) D.T. Rear Electric Relay Panel Assembly	42
460-480V D.T. Rear Electric Relay Panel Assembly	43
208-240V D.T. Reversing Rear Electric Relay Panel Assembly	44
Sail Switch Assembly	45
Back Guard Assemblies	
For Gas and Electric Models Only	46
Back Guard Assembly	
For Steam Models Only	47
Electric Oven Component Application Chart	48, 49
Additional Parts Available	50

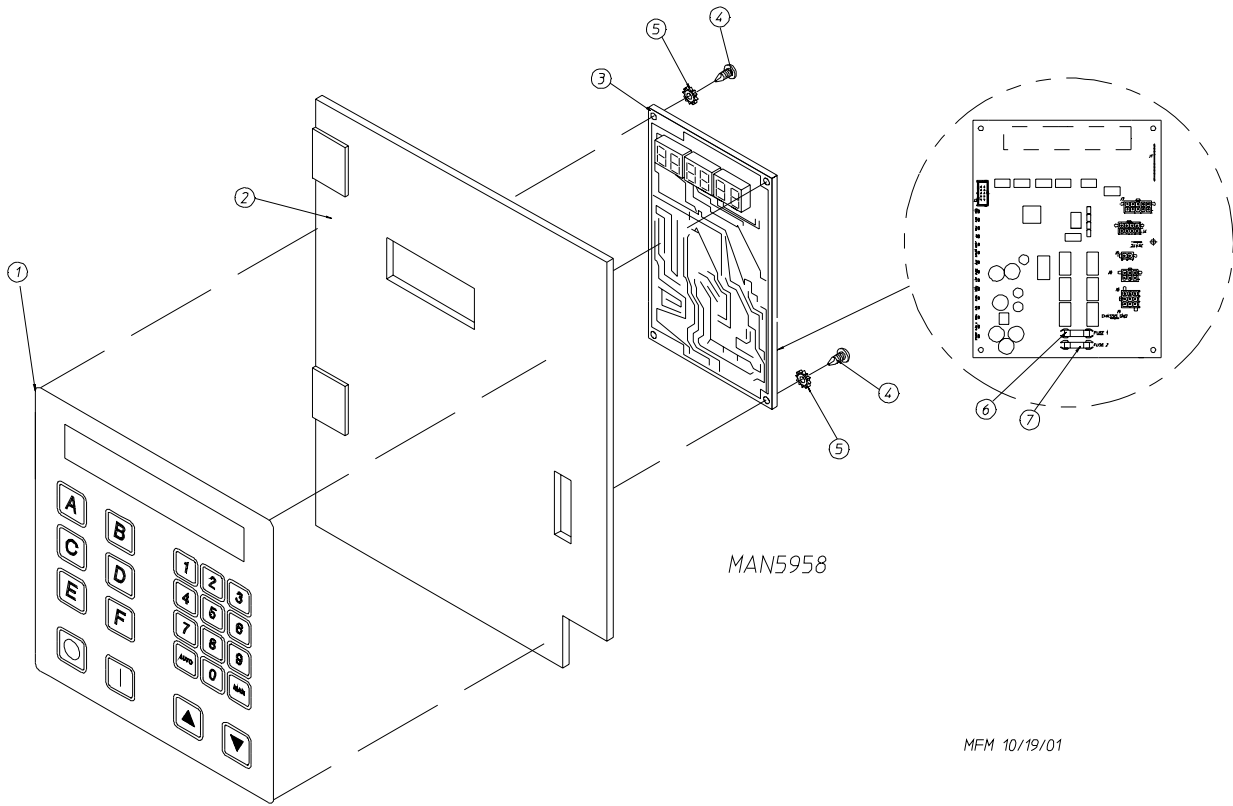


<u>Illus. No.</u>	<u>Part No.</u>	<u>Qty.</u>	<u>Description</u>
1	824254	1	Phase 7 Control Door without Hinge
2	117604	2	Noise Suppression Tape (sold by the foot)
3	150314	4	#10-32 x 1/2" TORX Screw
	150318	1	Torx + Bit 1/4" (for removal of TORX head screw)
4	154011	4	#10-32 Multi-Thread U-Nut
5	112366	1	Milnor Logo

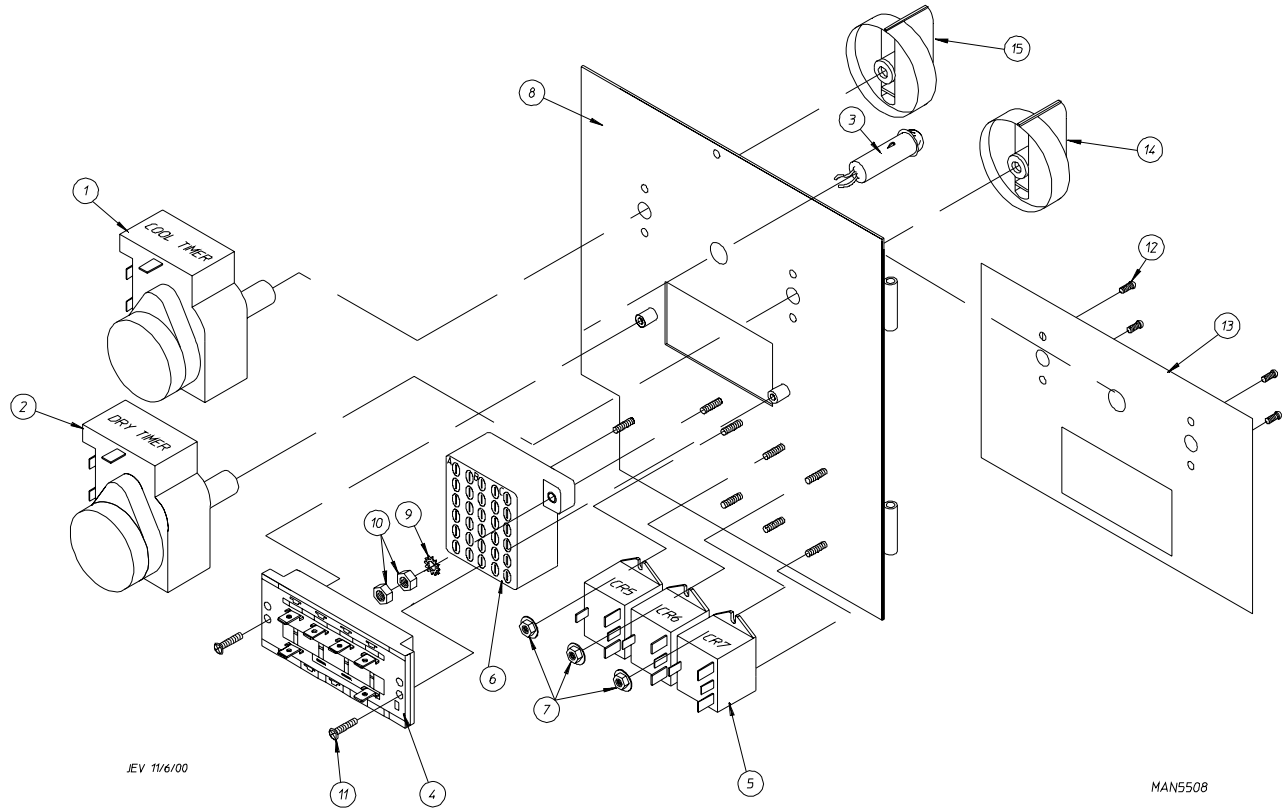


<u>Illus. No.</u>	<u>Part No.</u>	<u>Qty.</u>	<u>Description</u>
1	-----*	1	Logo ONLY
2	883733	1	White Control Door Assembly (includes illus. nos. 2, 3, and 8)
3	117604	4	Noise Suppression Tape (sold by the foot)
4	150309	4	#10-16 x 1/2" Hex Head TEK Crimptite Screw
5	102603	1	Control Door Rod Support Catch
6	102601	1	Control Door Rod Retainer Clip
7	102502	1	Control Door Support Rod
8	882541	2	Spring Turn Latch (2-piece)

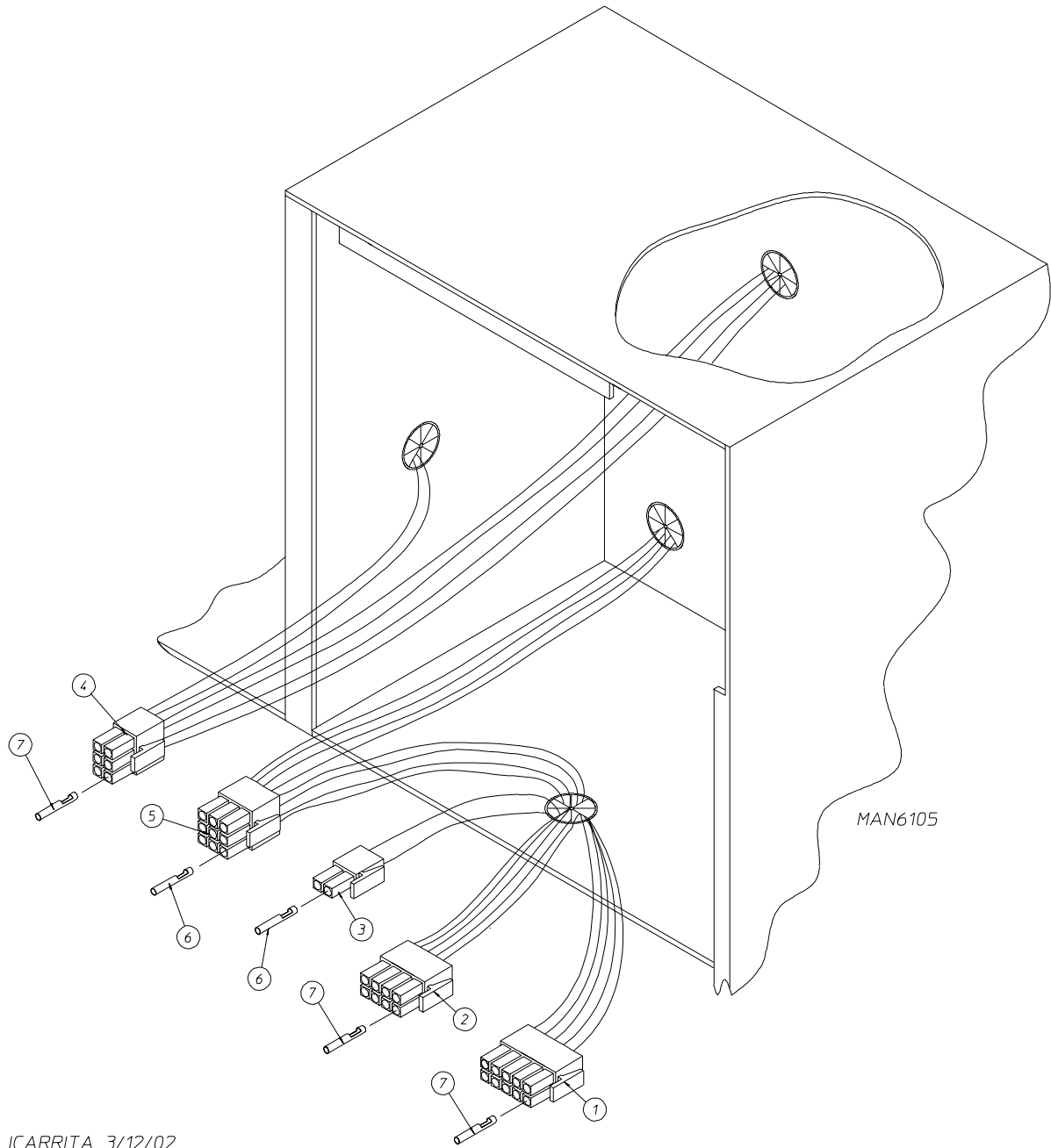
* Contact reseller for logo.



<u>Illus. No.</u>	<u>Part No.</u>	<u>Qty.</u>	<u>Description</u>
1	112571	1	Phase 7 OPL Keyboard
2	850984	1	Phase 7 OPL Microprocessor Controller (computer) Panel ONLY
	883749	1	Phase 7 OPL Reversing Microprocessor Controller (computer) Control Panel Assembly Complete with Fire Suppression System (FSS) (includes illus. nos. 1 through 7)
3	883744	1	Phase 7 OPL Microprocessor Controller (computer) ONLY with Fire Suppression System (FSS)
4	150005	2	#6-32 x 3/4" Phillips Round Head Machine Screw
5	153010	2	#6 Star Washer
6	136016	1	5-Amp Fuse
7	136097	1	500 mA Fuse



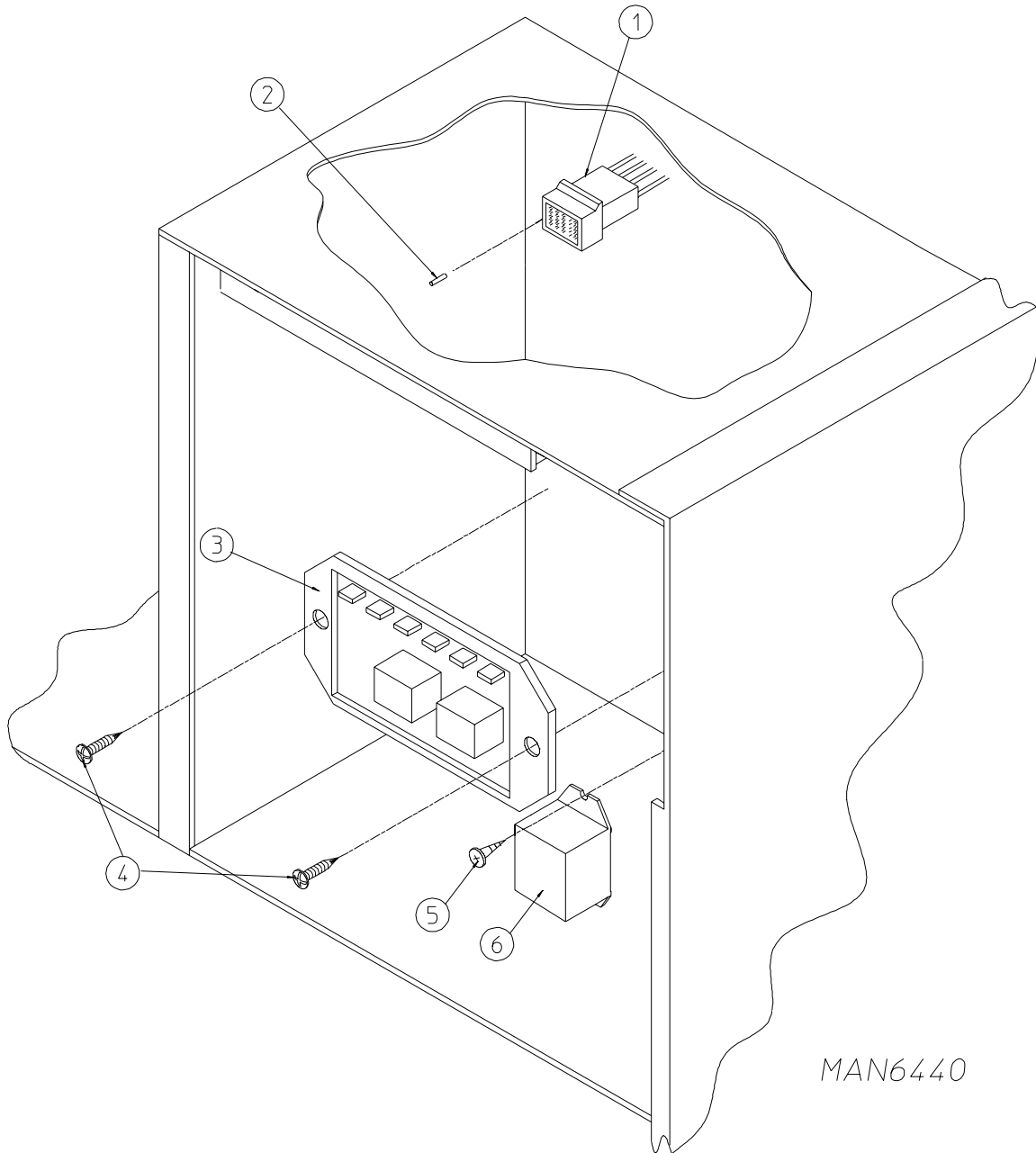
<u>Illus. No.</u>	<u>Part No.</u>	<u>Qty.</u>	<u>Description</u>
1	124030	1	15 Minute Timer - 24 VAC
2	124025	1	60 Minute Timer - 24 VAC
3	824175	1	Red Pilot Light - 24 VAC
4	122301	1	"Tap Touch" Switch
5	131932	3	Relay SPST 24v
6	120730	1	30-Position Terminal Block
7	151000	6	#6-32 Pal Nut
8	882903	1	Dual Timer Panel Complete (includes illus. nos. 1 through 15)
	850392	1	Dual Timer Panel ONLY
9	153010	2	#6 Star Washer
10	152000	3	#6-32 Hex Nut
11	150207	2	#10-24 x 1/2" Phillips Pan Head Machine Screw
12	150110	4	#8-32 x 1/4" Phillips Round Head Machine Screw
13	112563	1	Dual Timer Panel Overlay
14	124104	1	Pure Touch Knob with Red Pointer
15	124105	1	Pure Touch Knob with Blue Pointer



JCARRITA 3/12/02

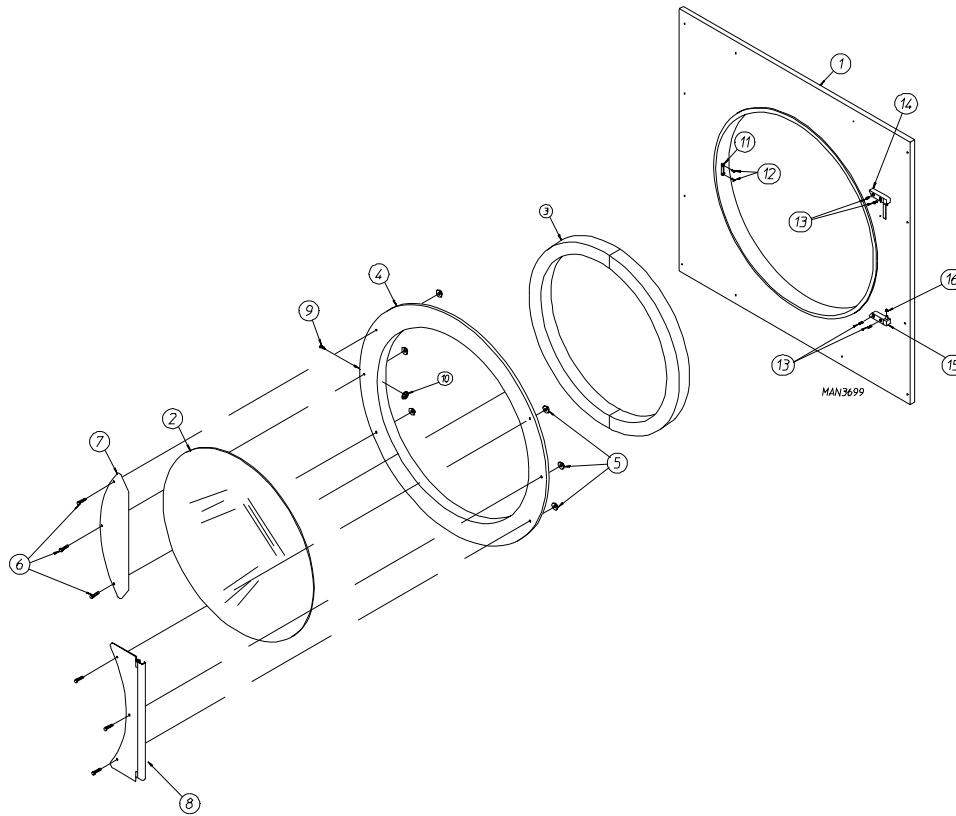
<u>Illus. No.</u>	<u>Part No.</u>	<u>Qty.</u>	<u>Description</u>
1	122681	1	10-Pin Connector
2	122676	1	8-Pin Connector
3	122646	1	2-Pin Connector
4	122683	1	6-Pin Connector
5	122640	1	9-Pin Connector
6	122706	*	#20-16 U.M.N.L. Socket
7	122669	*	Female Crimp Terminal

* As needed.



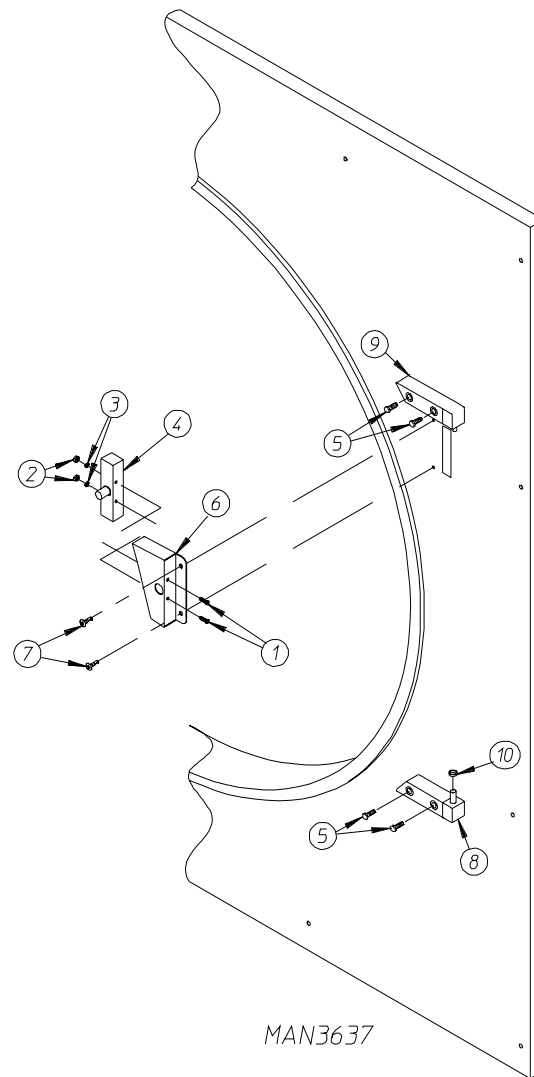
JNERY 1/9/03

<u>Illus. No.</u>	<u>Part No.</u>	<u>Qty.</u>	<u>Description</u>
1	122601	1	9-Pin Connector
2	122701	8	Socket Terminal ONLY
	122801	1	Pin/Socket Extraction Tool
3	132198	1	Reversing Timer (for reversing models Only)
4	150301	2	#8-18 x 7/16" Phillips Pan Head TEK Screw
5	150300	2	#10-16 x 1/2" Hex Washer TEK Screw
6	131932	1	Heat Relay - 24 VAC (for gas models Only)



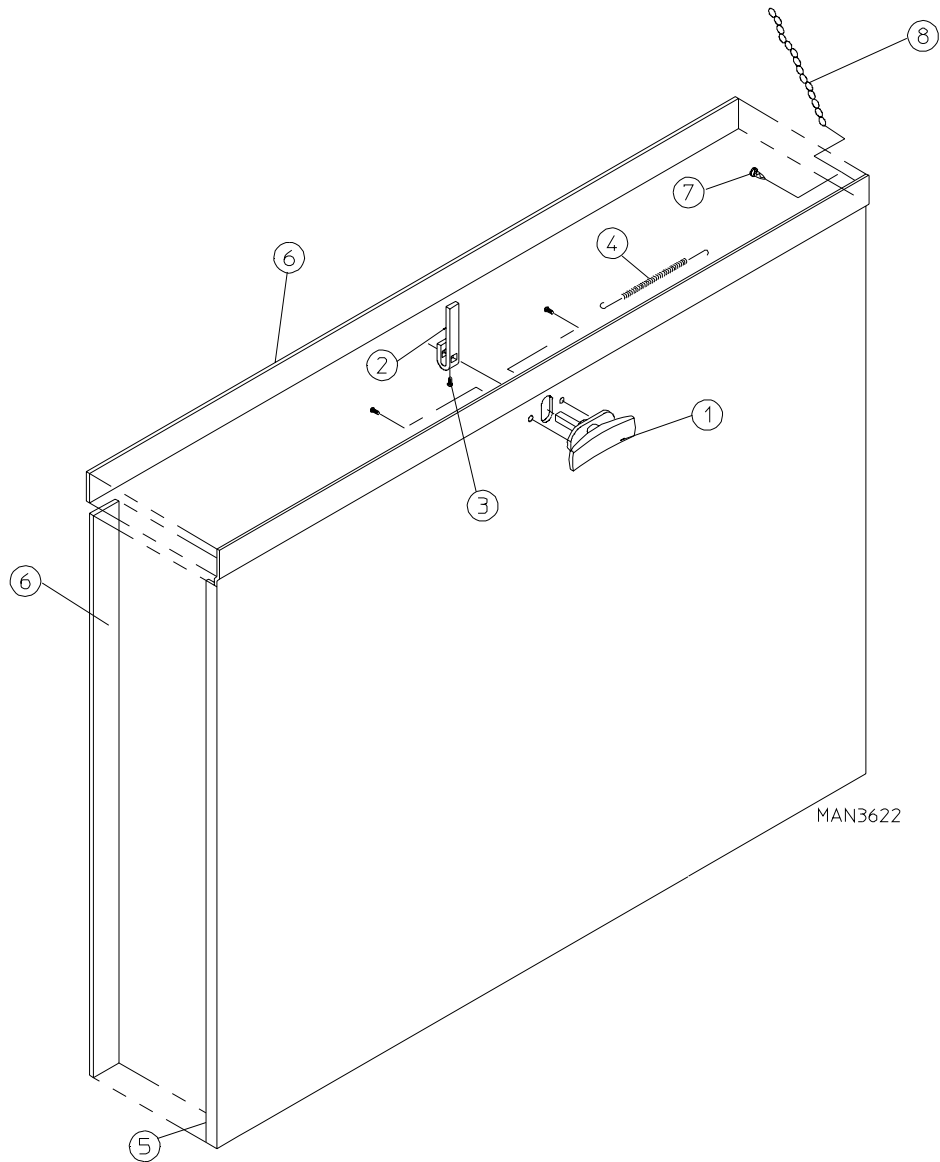
Illus. No.	Part No.	Qty.	Description
1	881871*	1	White Front Panel Assembly (includes illus. nos. 1, 11, and 12)
2	102214	1	30" Door Glass
	170730	1	Door Glass Adhesive (10.3 oz. cartridge)...Not Illustrated
3	882411	1	Main Door Extruded Gasket (104")
	170730	1	Door Gasket Adhesive (10.3 oz. cartridge)
4	881689*	1	White Main Door Assembly Complete (includes illus. nos. 2 through 10)
	881684*	1	White Main Door Ring
5	152014*	6	1/4-20 Hex Flange Nut
6	881740*	6	1/4-20 x 5/8" White Carriage Bolt
7	881688*	1	White Cold Rolled Steel (CRS) Main Door Handle
8	881685*	1	White Main Door Hinge
9	150120	1	Main Door Latch Screw
10	151009	1	#10-32 Stainless Steel Acorn Nut
11	170330	1	Friction Door Catch
12	154215	2	5/32" Pop Rivet
13	150445	4	1/4-20 x 3/4" Cap Screw
14	881440*	1	White Top Hinge Block (includes illus. nos. 13 and 14)
15	881441*	1	White Bottom Hinge Block (includes illus. nos. 13, 15, and 16)
16	153031	1	Nylon Washer

* Specify color if other than white.



<u>Illus. No.</u>	<u>Part No.</u>	<u>Qty.</u>	<u>Description</u>
1	150006	2	#6-32 x 7/8" Phillips Pan Head Machine Screw
2	152013	2	#6-32 Hex Nut
3	153010	2	#6 Star Washer
4	137005	1	Single-Pole Door Switch
5	150445	4	1/4-20 x 3/4" Cap Screw
6	881687*	1	White Main Door Switch Housing ONLY
	881702*	1	White Main Door Switch with Housing Assembly (includes illus. nos. 1 through 4 and 6)
7	150301	2	#8-18 x 7/16" Phillips Pan Head TEK Screw
8	881441*	1	White Bottom Hinge Block (includes illus. nos. 5, 8, and 10)
9	881440*	1	White Top Hinge Block (includes illus. nos. 5 and 9)
10	153031	1	Nylon Washer

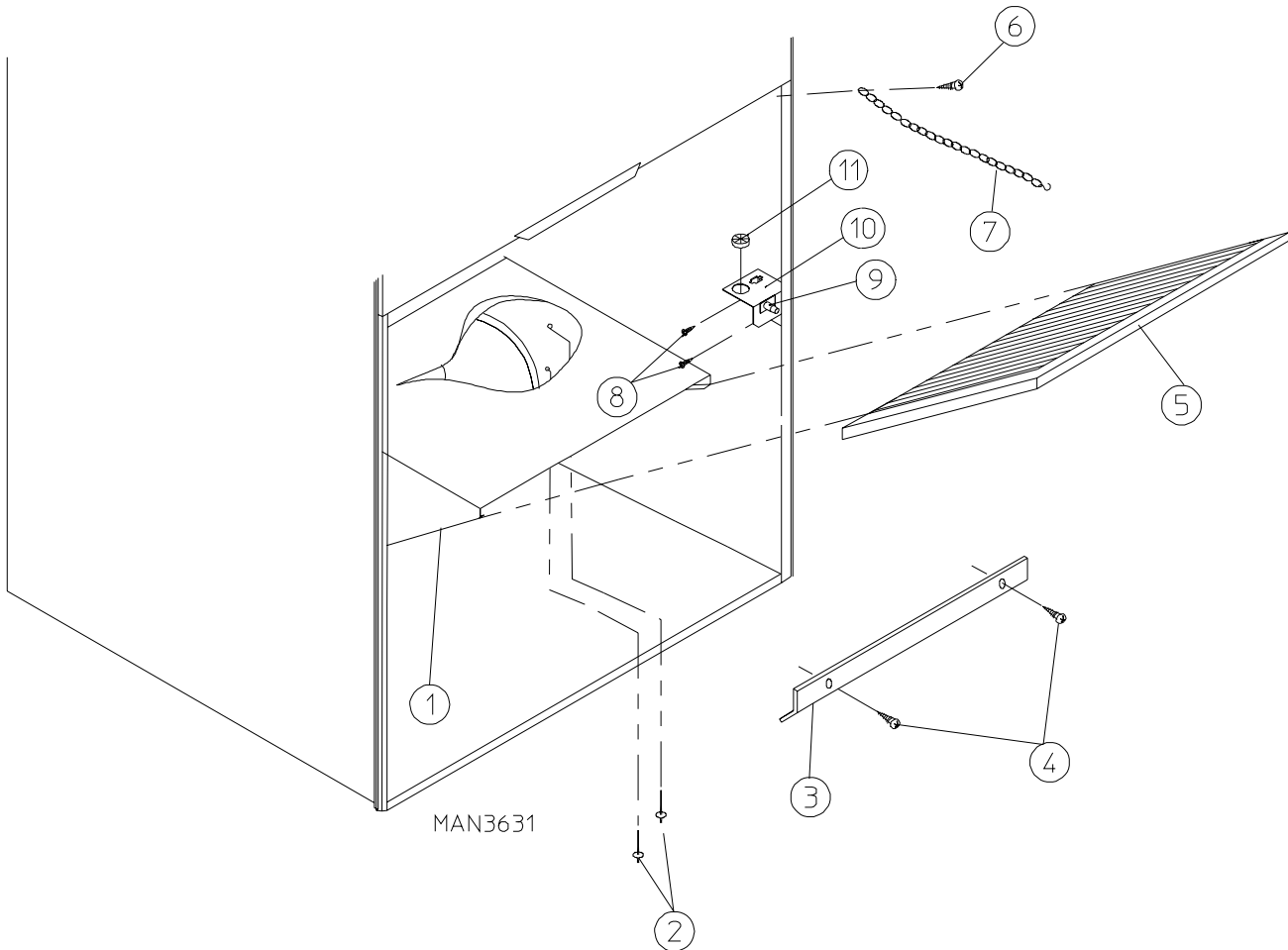
* Specify color if other than white.



<u>Illus. No.</u>	<u>Part No.</u>	<u>Qty.</u>	<u>Description</u>
1	800150	1	Knob Latch Kit Assembly (includes illus. nos. 1 through 3)
2	160009	1	Knob Latch Adjustable Cam ONLY
3	150425	1	#12-24 x 3/8" Round Head Machine Screw ONLY (screw for knob latch adjustable cam)
4	157000	1	Drop Lint Door Spring
5	881692*	1	Insulated Drop Lint Door Assembly (includes illus. nos. 5 and 6)
6	117604	7	Noise Suppressor Tape (sold by the foot)
7	150419	2	#6 x 1/2" Tamperproof TEK Screw
	150418	1	Tamperproof Screw Hand Driver
8	108120	1	Chain for Drop Lint Door (10-1/2" length)

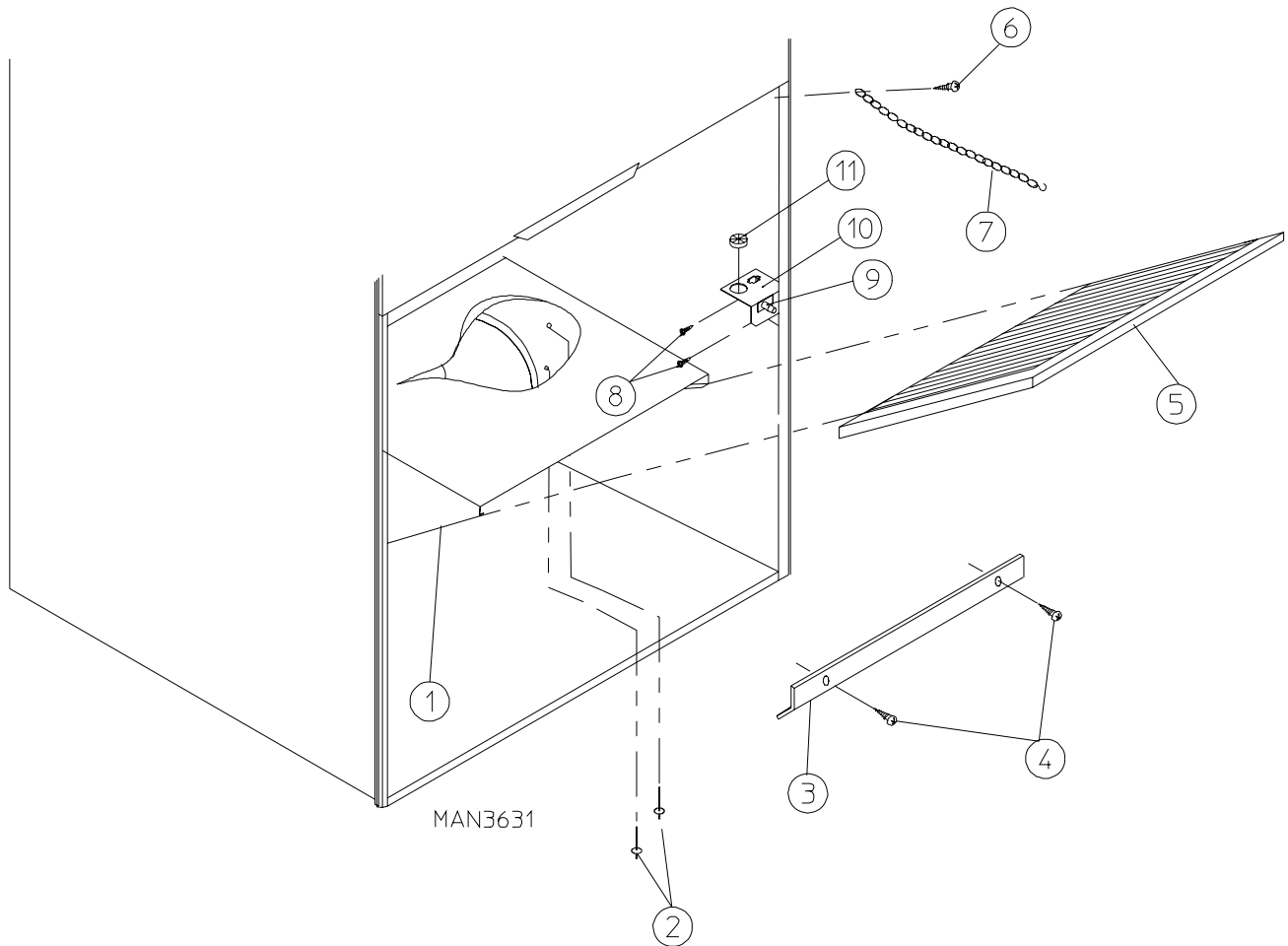
* Specify color when ordering.

For Gas and Electric Models ONLY

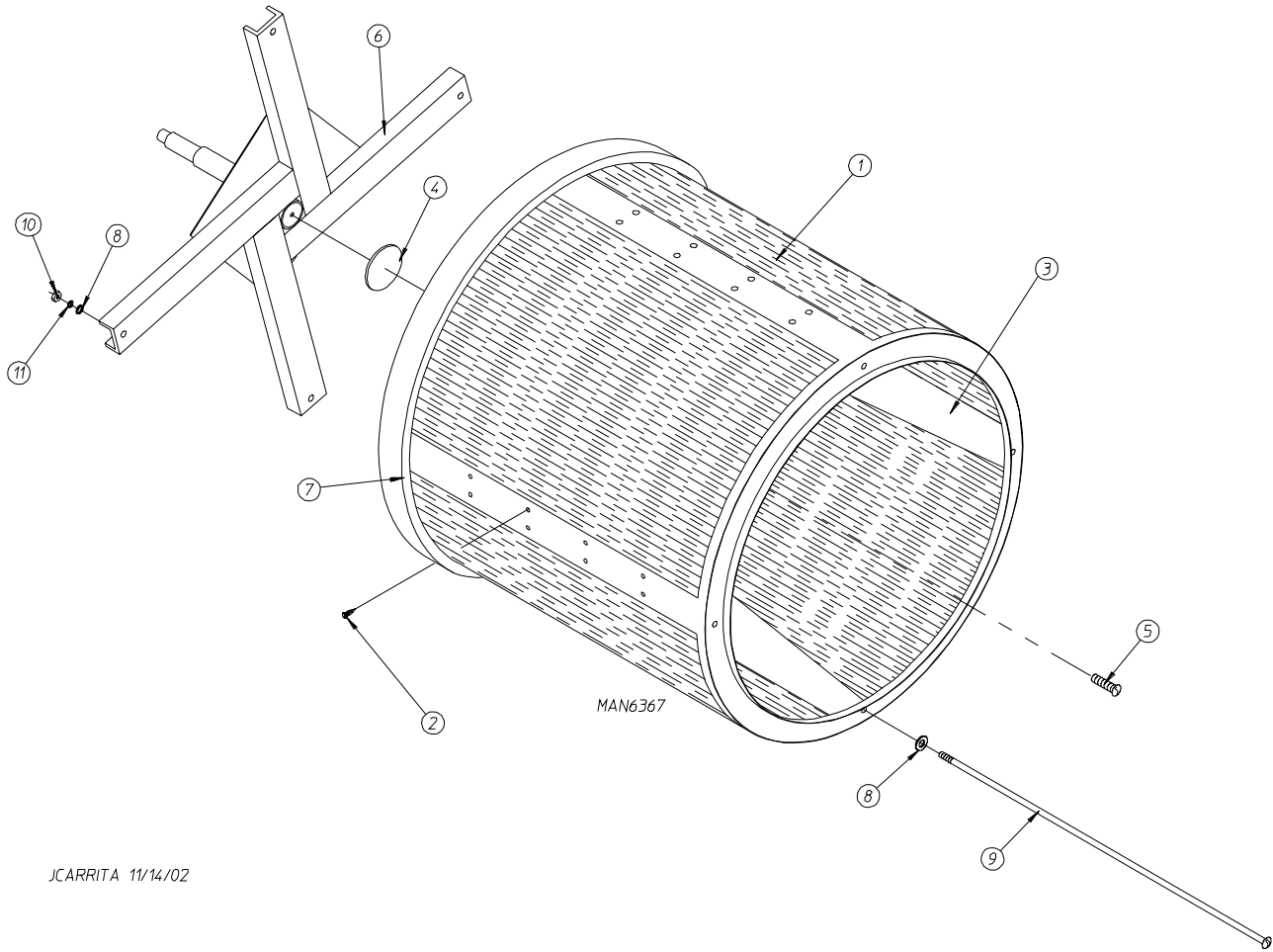


<u>Illus. No.</u>	<u>Part No.</u>	<u>Qty.</u>	<u>Description</u>
1	800420	1	Non-Reversing Lint Trap Assembly Complete (includes illus. nos. 1 and 3 through 5)
	800421	1	Non-Reversing Lint Trap ONLY
	800422	1	Reversing Lint Trap Assembly Complete (includes illus. nos. 1 and 3 through 5)
	800423	1	Reversing Lint Trap ONLY
2	154200	7	5/32" Pop Rivet
3	304101	1	Lint Screen Holder ONLY
4	150300	2	#10-16 x 1/2" Hex Washer TEK Screw
5	800506	1	Lint Screen ONLY
6	150419	2	#6 x 1/2" Tamperproof TEK Screw
	150418	1	Tamperproof Screw Hand Driver...Not Illustrated
7	108120	1	Chain for Drop Lint Door (10-1/2" length)
8	150425	2	#12-24 x 3/8" Phillips Round Head Screw
9	122116	1	Lint Drawer Switch ONLY
10	323724	1	Lint Drawer Switch Bracket
11	121400	1	Universal Bushing

For Steam Models ONLY

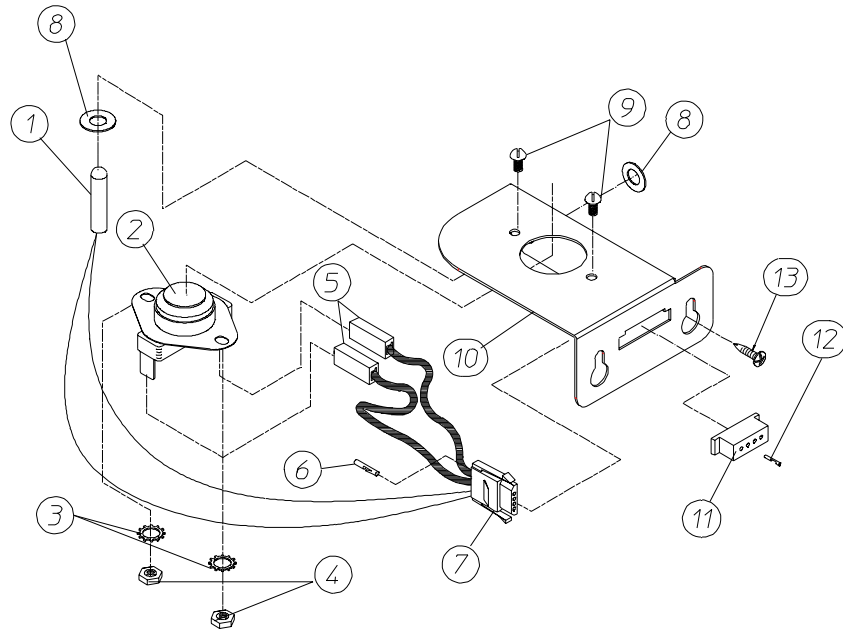


<u>Illus. No.</u>	<u>Part No.</u>	<u>Qty.</u>	<u>Description</u>
1	800440	1	Non-Reversing Lint Trap Assembly Complete (includes illus. nos. 1 and 3 through 5)
	800433	1	Non-Reversing Lint Trap ONLY
	800441	1	Reversing Lint Trap Assembly Complete (includes illus. nos. 1 and 3 through 5)
	800434	1	Reversing Lint Trap ONLY
2	154200	7	5/32" Pop Rivet
3	304101	1	Lint Screen Holder ONLY
4	150300	2	#10-16 x 1/2" Hex Washer TEK Screw
5	800506	1	Lint Screen ONLY
6	150419	2	#6 x 1/2" Tamperproof TEK Screw
	150418	1	Tamperproof Screw Hand Driver...Not Illustrated
7	108120	1	Chain for Drop Lint Door (10-1/2" length)
8	150425	2	#12-24 x 3/8" Phillips Round Head Screw
9	122116	1	Lint Drawer Switch ONLY
10	323724	1	Lint Drawer Switch Bracket
11	121400	1	Universal Bushing



JCARRITA 11/14/02

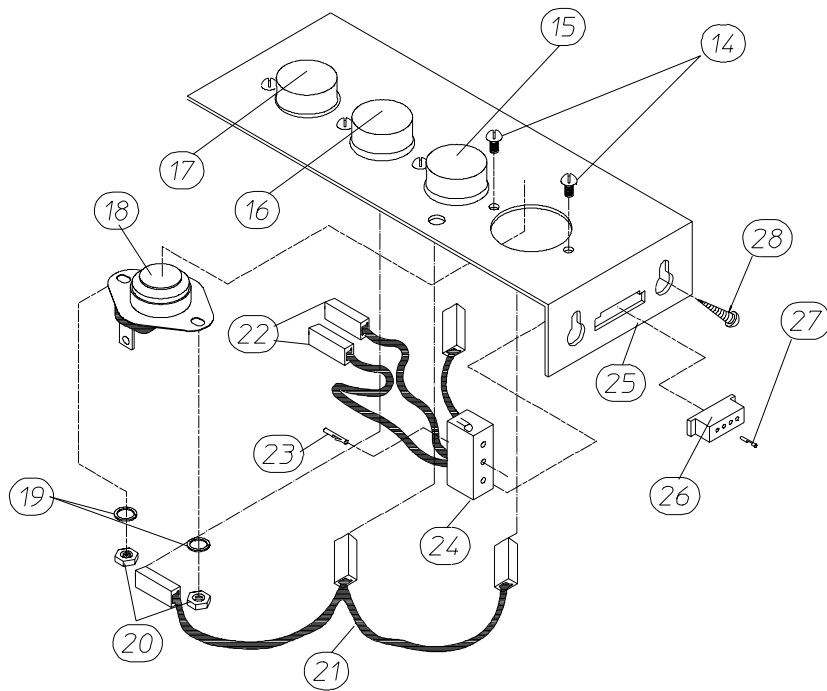
<u>Illus. No.</u>	<u>Part No.</u>	<u>Qty.</u>	<u>Description</u>
1	881780	1	Basket (tumbler) ONLY
	859305	1	1-3/4" Basket (tumbler)/Support Assembly Complete (includes illus. nos. 1 through 6 and 8 through 11)
2	150313	40	#10-16 x 1/2" TORX Head Crimptite Screw
	150318	1	TORX + Bit 1/4" Hex (for removal of TORX head screw)
3	390074	4	Basket (tumbler) Rib
4	115986	1	Felt Basket (tumbler) Pad (for models mfd. as of January 22, 2002)
5	150518	1	5/16-18 x 3/4" Socket Button Head Screw (for models mfd. prior to January 22, 2002)
6	800613	1	Basket (tumbler) Support
7	116000	1	Felt Collar
	401010	1	#847 Adhesive for Felt Collar (5 oz. tube)
8	153004	8	3/8" Flat Washer
9	100905	4	3/8-16 x 37" Tie Rod
10	152027	4	3/8-16 Hex Lock Nut
11	153005	4	3/8" Lock Washer



MICROPROCESSOR SENSOR BRACKET ASSEMBLY

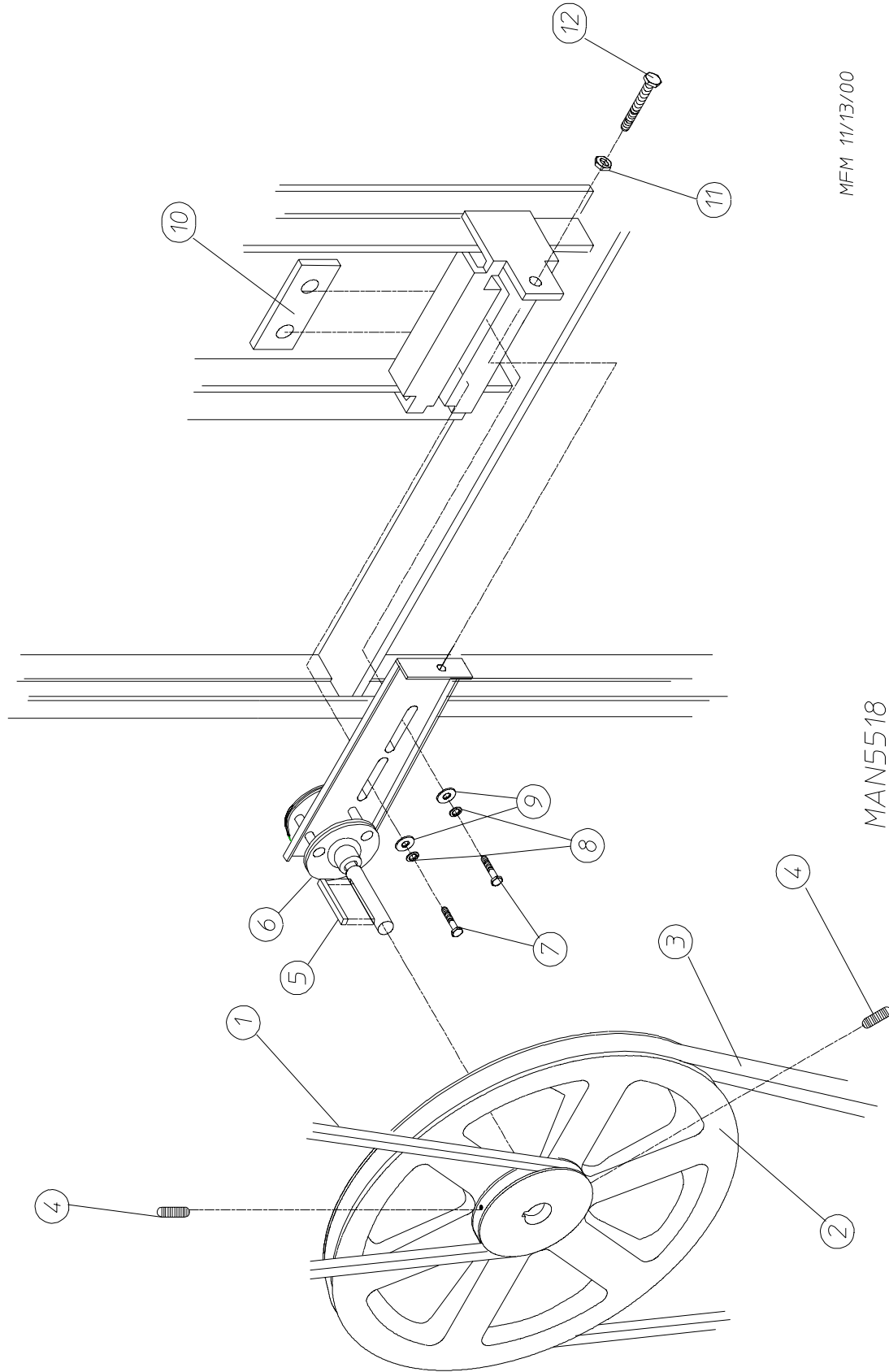
MAN6453

JNERY 1/23/03



NON-COMPUTER SENSOR BRACKET ASSEMBLY

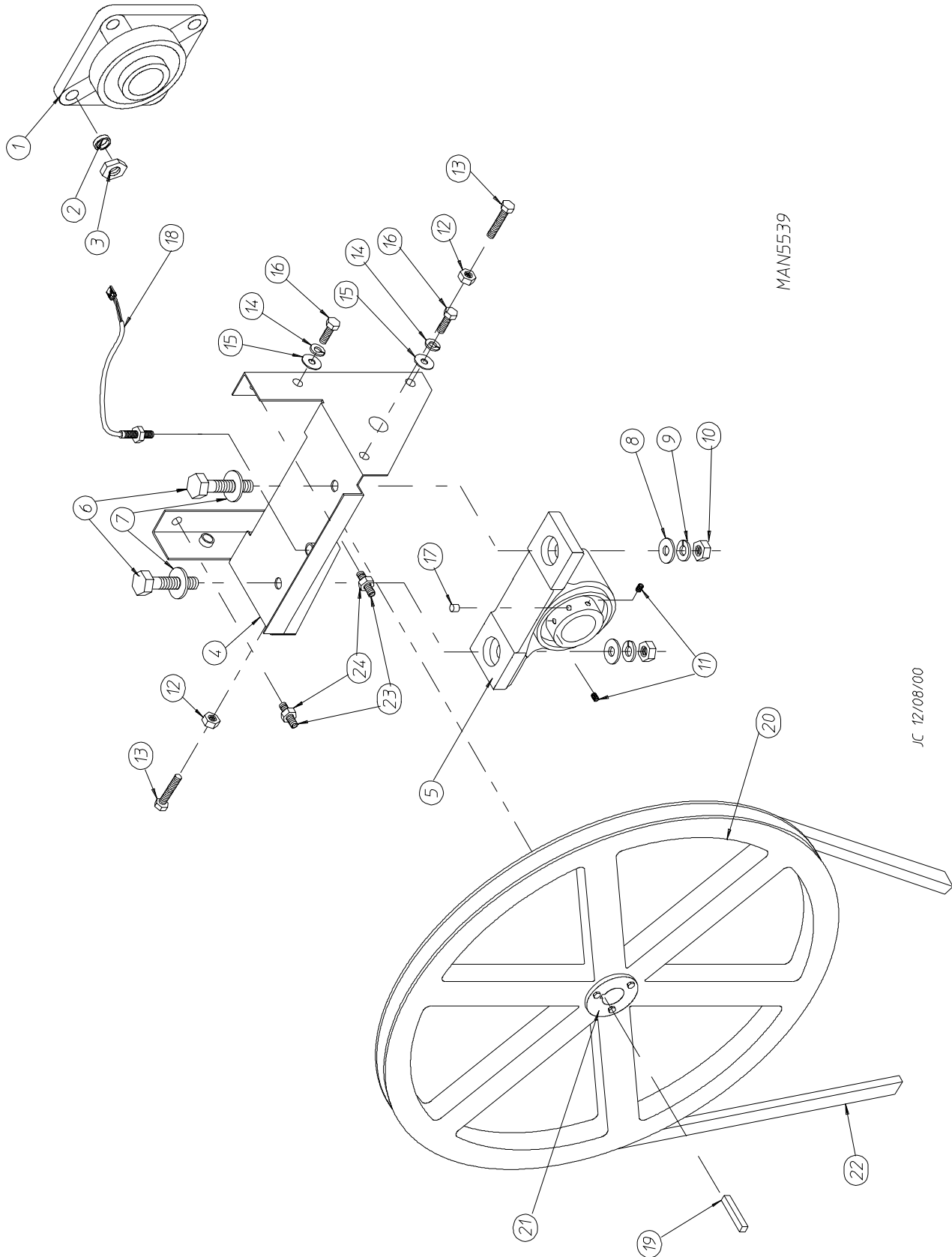
<u>Illus. No.</u>	<u>Part No.</u>	<u>Qty.</u>	<u>Description</u>
1	880251	1	1/4" Temperature Sensor Probe Assembly (includes illus. nos. 1 and 5 through 8)
2	130103	1	225° Large Automatic Thermostat
3	153010	2	#6 Star Washer
4	152000	2	#6-32 Hex Nut
5	121028	2	Insulated Terminal ONLY
6	122701	4	Socket Terminal ONLY
7	122605	1	4-Pin Socket Connector ONLY
8	154007	2	1/4" Tinnerman Push On Fastener
9	150005	2	#6-32 x 1/4" Round Head Machine Screw
10	817046	1	Microprocessor Sensor Bracket Assembly Complete (includes illus. nos. 1 through 10)
	322214	1	Microprocessor Sensor Bracket ONLY
11	122604	1	4-Pin Connector ONLY
12	122700	4	Pin Terminal ONLY
13	150301	2	#8-18 x 7/16" Phillips Pan Head TEK Screw
14	150005	5	#6-32 x 1/4" Phillips Round Head Machine Screw
15	130111	1	130° Large Thermostat
16	130100	1	150° Large Thermostat
17	130103	1	225° Large Automatic Reset Thermostat
18	130101	1	180° Large Thermostat
19	153010	5	#6 Star Washer
20	152000	5	#6-32 Hex Nut
21	840065	1	Sensor Jumper (4) ONLY
22	121028	8	Insulated Terminal ONLY
23	122701	4	Socket Terminal ONLY
24	122605	1	4-Pin Socket Connector ONLY
	840062	1	Sensor (4) Bracket Harness Assembly (includes illus. nos. 22 through 24)
25	801418	1	Noncomputer Sensor (4) Bracket Assembly Complete (includes illus. nos. 14 through 25)
	305007	1	Universal Sensor Bracket ONLY
26	122604	1	4-Pin Connector ONLY
27	122700	4	Pin Terminal ONLY
	122801	1	Pin/Socket Extraction Tool
28	150301	2	#8-18 x 7/16" Phillips Pan Head TEK Screw



MFM 11/13/00

MAN5518

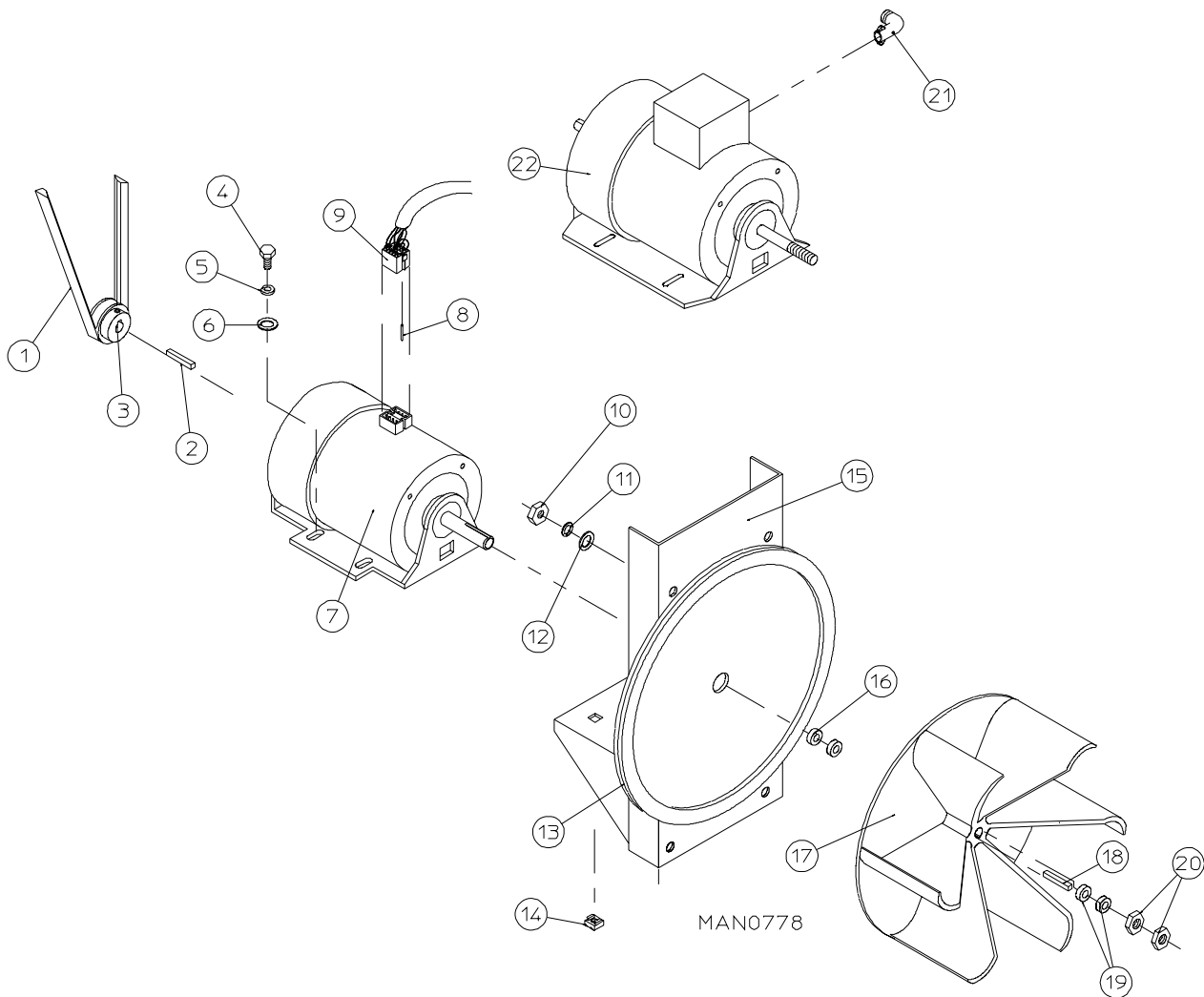
<u>Illus. No.</u>	<u>Part No.</u>	<u>Qty.</u>	<u>Description</u>
1	100108	1	5L-680 V-Belt (for non-reversing models Only)
	100106	1	5L-690 V-Belt (for reversing models Only)
2	101140	1	14" x 3" Compound Pulley
3	100114	1	4L-630 V-Belt (for all except reversing steam models)
	100109	1	4L-650 V-Belt (for reversing steam models Only)
4	154301	2	5/16-18 x 1" Allen Setscrew
5	100705	1	3/16" x 3/16" x 1-3/8" Key
6	882576	1	Idler Bearing Assembly Complete (includes illus. nos. 5 through 12)
7	150617	2	3/8-16 x 1" Hex Head Machine Bolt
8	153005	2	3/8" Lock Washer
9	153004	2	3/8" Flat Washer
10	801009	1	Idler Square Washer
11	152004	1	5/16-18 Hex Nut
12	150509	1	5/16-18 x 3" Hex Head Machine Bolt



MAN5539

JC 12/08/00

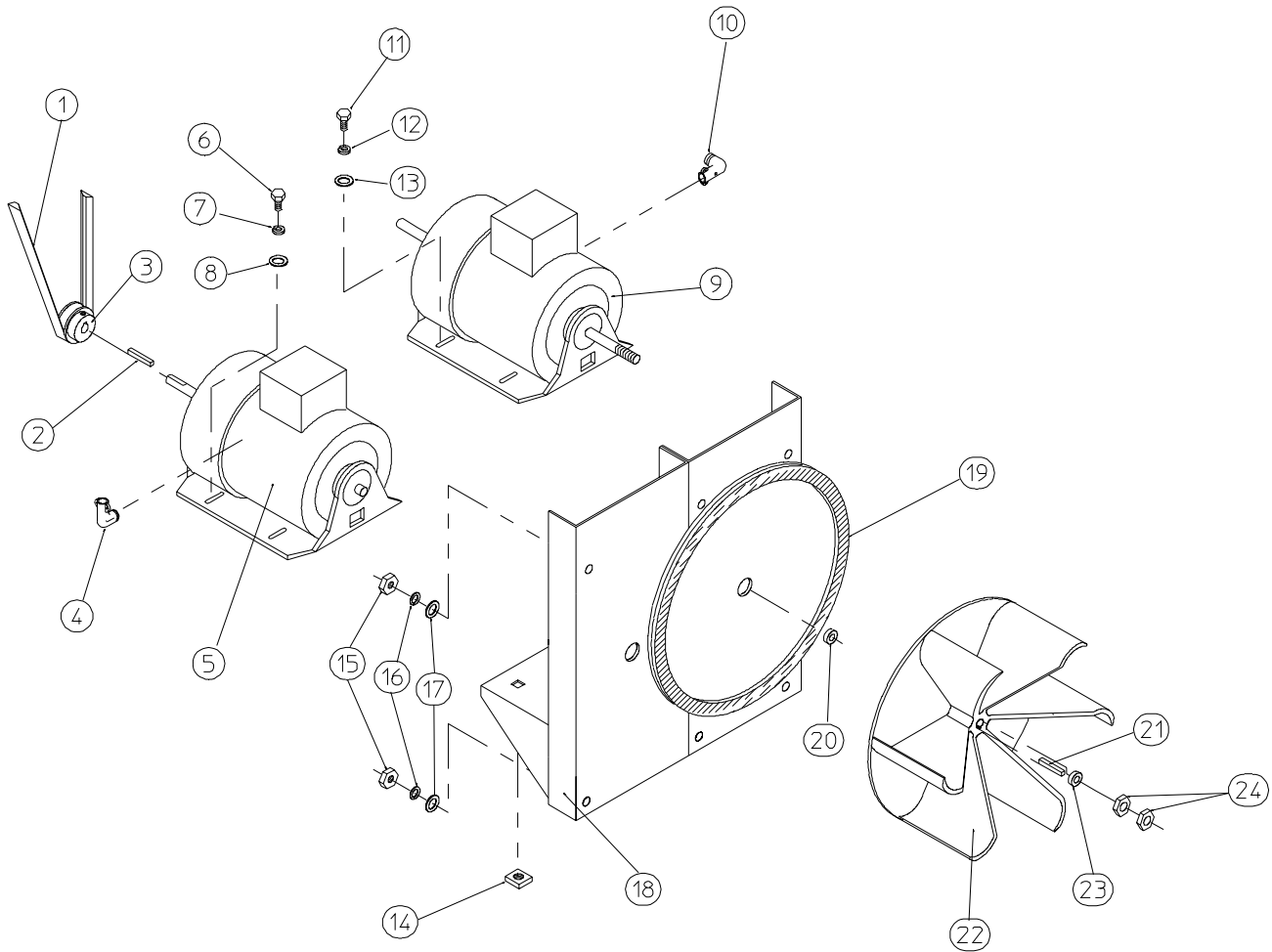
<u>Illus. No.</u>	<u>Part No.</u>	<u>Qty.</u>	<u>Description</u>
1	880220	1	1-3/4" Flange Bearing
2	153025	4	9/16" Lock Washer
3	152050	4	9/16-12 Hex Nut
4	883387	1	Pillow Block Bearing Assembly Complete (includes illus. nos. 4 through 18, 23, and 24)
	882543	1	Pillow Block Bearing Platform ONLY
5	880779	1	1-3/8" Pillow Block Bearing
6	150601	2	3/8-16 x 2" Hex Bolt
7	153004	2	3/8" Flat Washer
8	153004	2	3/8" Flat Washer
9	153005	2	3/8" Lock Washer
10	152005	2	3/8-16 Hex Nut
11	154326	2	5/16-24 x 3/8" Setscrew
12	152004	2	5/16-18 Hex Nut
13	150621	2	5/16-18 x 1-1/2" Tap Bolt
14	153002	4	5/16" Lock Washer
15	153004	6	3/8" Flat Washer
16	150501	4	5/16-18 x 3/4" Tap Bolt
17	102120	1	Sintered 8 Magnet
18	883386	1	Rotational Sensor Assembly
19	100724	1	Shaft Key (for non-reversing models Only)
	100735	1	Shaft Key (for reversing models Only)
20	101100	1	18" Pulley (for non-reversing models Only)
	101118	1	18-3/4" Pulley (for reversing models Only)
21	101110	1	1" Taper Lock Bushing (for reversing models Only)
22	100108	1	5L-680 V-Belt (basket [tumbler] to idler) For Non-Reversing Models ONLY
	100106	1	5L-690 V-Belt (basket [tumbler] to idler) For Reversing Models ONLY
23	150610	2	5/16-18 x 1-1/2 Allen Setscrew
24	152004	2	5/16-18 Hex Nut



<u>Illus. No.</u>	<u>Part No.</u>	<u>Qty.</u>	<u>Description</u>
1	100114	1	4L-630 V-Belt (motor to idler) for Electric and Gas Models ONLY
	100109	1	4L-650 V-Belt (motor to idler) for Steam Models ONLY
2	100701	1	3/16" x 3/16" x 1" Key
3	101133	1	5/8" x 2-1/4" Motor Pulley (60 Hz Only)
	101130	1	5/8" x 2-1/2" Motor Pulley (50 Hz Only)
4	150501	4	5/16-18 x 3/4" Hex Head Machine Bolt
5	153002	4	5/16" Lock Washer
6	153001	4	5/16" Flat Washer
7	100073*	1	1 HP 120/208/230v 1ø 60 Hz Motor with Plug (56Z frame)
	181050	1	1 HP 230v 1ø 50 Hz Non-Reversing Motor
8	122701	8	Socket Terminal
	122801	1	Pin/Socket Extraction Tool...Not Illustrated
9	137030	1	8-Pin Housing Connector
10	152004	4	5/16-18 Hex Nut

<u>Illus. No.</u>	<u>Part No.</u>	<u>Qty.</u>	<u>Description</u>
11	153002	4	5/16" Lock Washer
12	153001	4	5/16" Flat Washer
13	117604	4	Noise Suppressor Tape (sold by the foot)
14	154000	4	5/16-18 Tinnerman Nut
15	803561	1	Non-Reversing Motor Mount ONLY (56Z frame)
	803945	1	1 HP 120/230v 1 ϕ 60 Hz Motor Mount Assembly Complete (includes illus. nos. 2 through 7 and 13 through 20)
	801824	1	1 HP 230v 1 ϕ 50 Hz Non-Reversing Motor Mount Assembly Complete (includes illus. nos. 2 through 7 and 13 through 20)
	803955*	1	1 HP 230/380/460v 3 ϕ 60 Hz Non-Reversing Motor Mount Assembly Complete (includes illus. nos. 2 through 6 and 13 through 22)
	803958*	1	1 HP 230/380/460v 3 ϕ 50 Hz Motor Mount Assembly Complete (includes illus. nos. 2 through 6 and 13 through 22)
16	153051	1	3/4" S.A.E. Flat Washer
17	882670	1	16" Impellor with 3/4" Bore
18	100714	1	3/16" x 3/16" x 1-7/8" Key
19	153050	2	1/2" S.A.E. Flat Washer
20	152006	2	1/2-20 Left Hand Jam Nut
21	120200	1	3/8" x 90° Connector
22	100075*	1	1 HP 208/230/240/460v 3 ϕ 50/60 Hz Motor

* Specify voltage when ordering.

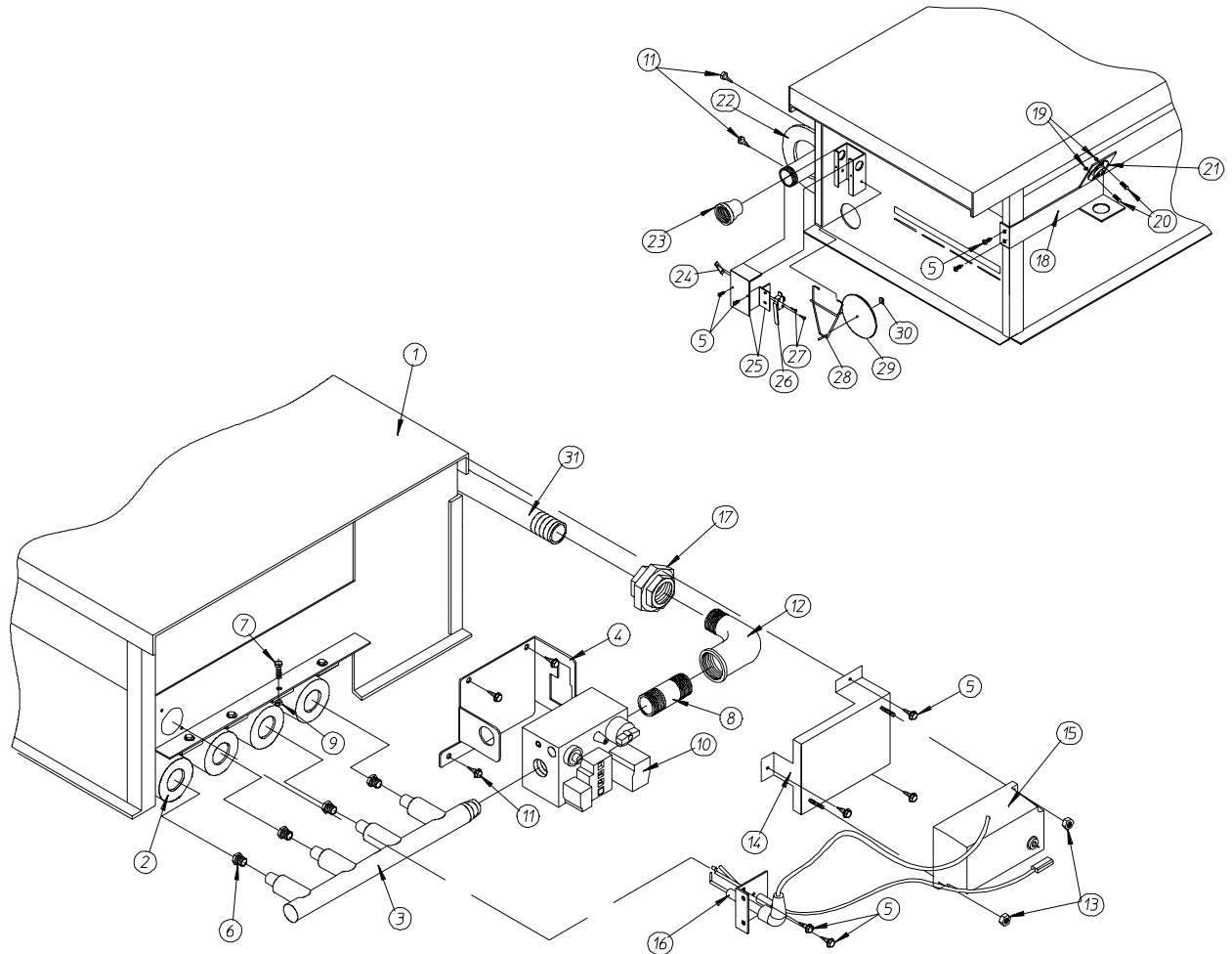


MAN0250

<u>Illus. No.</u>	<u>Part No.</u>	<u>Qty.</u>	<u>Description</u>
1	100114	1	4L-630 V-Belt (motor to idler) for All Except Steam Models
	100109	1	4L-650 V-Belt (motor to idler) for Steam Models ONLY
2	100701	1	3/16" x 3/16" x 1" Key
3	101133	1	5/8" x 2-1/4" Motor Pulley (60 Hz Only)
	101130	1	5/8" x 2-1/2" Motor Pulley (50 Hz Only)
4	120200	1	3/8" x 90° Connector
5	181003*	1	1/2 HP 208/230/380/460v 3ø 50/60 Hz 56Z Frame
6	150501	4	5/16-18 x 3/4" Hex Head Machine Bolt
7	153002	4	5/16" Lock Washer
8	153001	4	5/16" Flat Washer
9	100075*	1	1 HP 220/230/380/460v 3ø 50/60 Hz Motor with 3/4" Shaft (56Z frame)
10	120200	1	3/8" x 90° Connector
11	150501	4	5/16-18 x 3/4" Hex Head Machine Bolt
12	153002	4	5/16" Lock Washer
13	153001	4	5/16" Flat Washer
14	154000	8	5/16" Tinnerman Nut
15	152004	6	5/16" Hex Nut
16	153002	6	5/16" Lock Washer
17	153001	6	5/16" Flat Washer
18	803566	1	Reversing Motor Mount ONLY (56Z frame)
	804029	1	Reversing Motor Mount Assembly Complete (for 60 Hz models Only) (includes illus. nos. 2 through 14 and 18 through 24)
	804030	1	Reversing Motor Mount Assembly Complete (for 50 Hz models Only) (includes illus. nos. 2 through 14 and 18 through 24)
19	117604	4	Noise Suppressor Tape (sold by the foot)
20	153051	1	3/4" S.A.E. Flat Washer
21	100714	1	3/16" x 3/16" x 1-7/8" Key
22	882670	1	16" Impellor with 3/4" Bore
23	153050	**	1/2" S.A.E. Flat Washer
24	152006	2	1/2-20 Left Hand Jam Nut

* Specify voltage when ordering.

** As required.



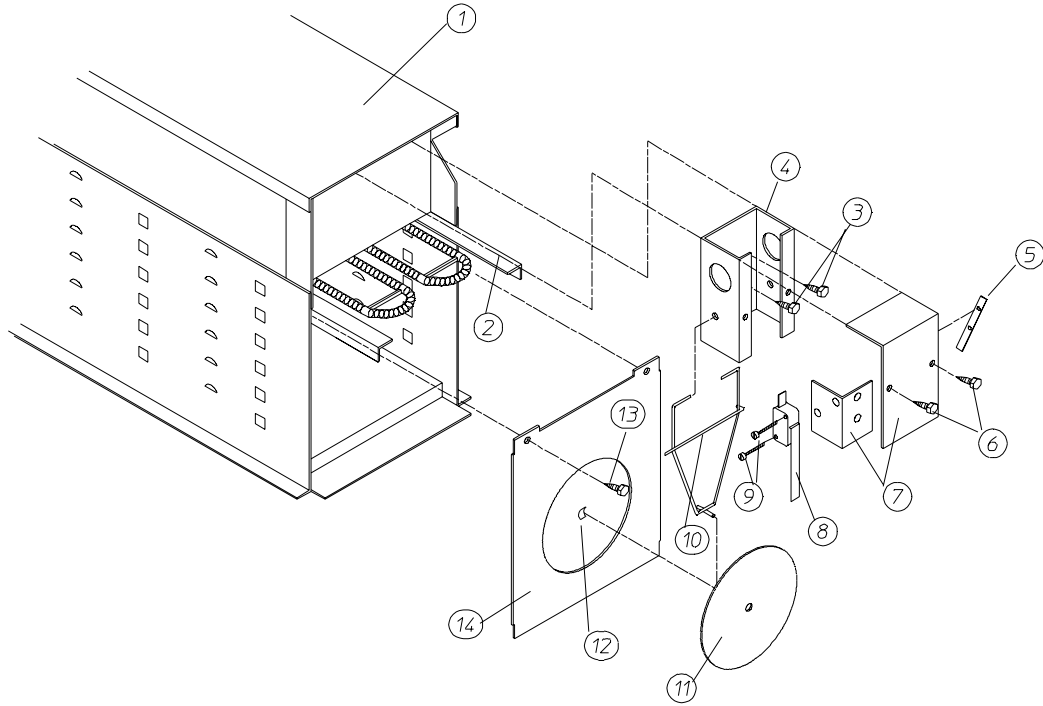
MFM 12/20/01

MAN6037

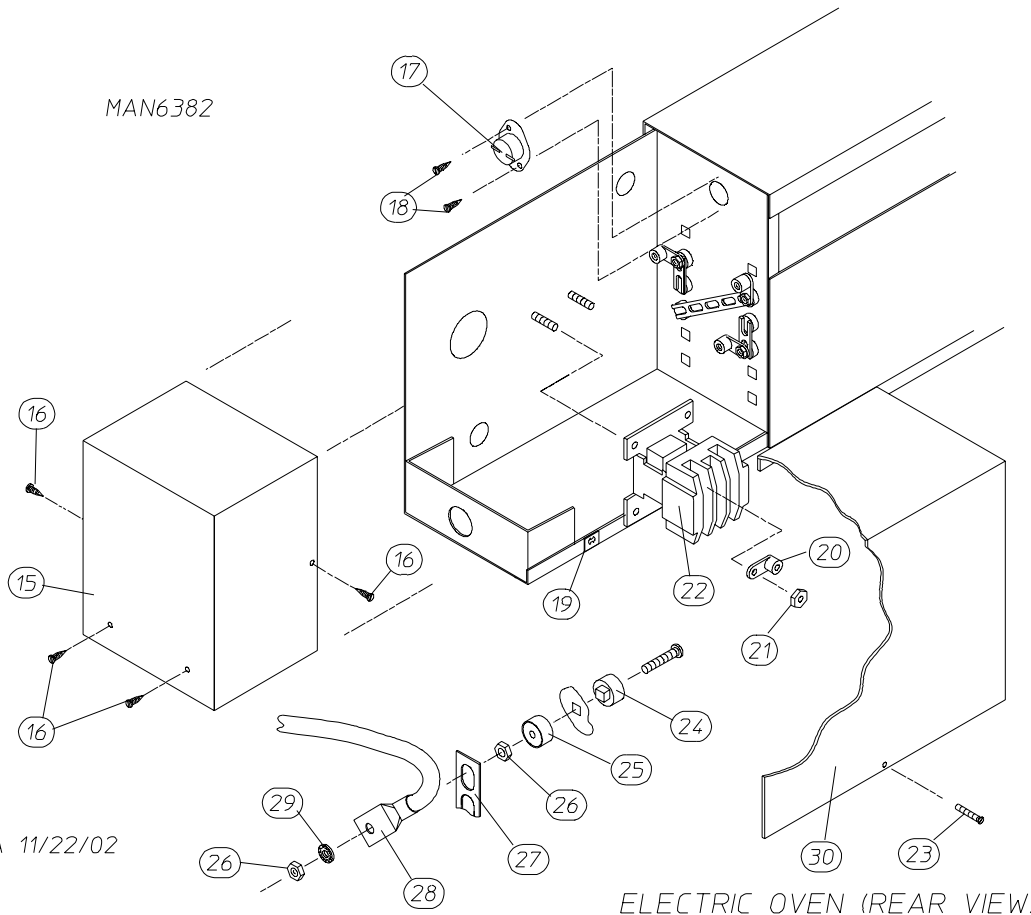
<u>Illus. No.</u>	<u>Part No.</u>	<u>Qty.</u>	<u>Description</u>
1	809716*	1	Natural Gas Burner Assembly Complete For Models Mfd. with Natural Gas ONLY (includes illus. nos. 1 through 31)
	809717	1	Liquid Propane (L.P.) Gas Burner Assembly Complete For Models Mfd. with Liquid Propane (L.P.) Gas ONLY (includes illus. nos. 1 through 31)
	810047	1	Burner Box ONLY
	881231*	1	Burner Liquid Propane (L.P.) Conversion Kit
2	141105	4	Large Burner Tube
3	141210	1	3/4" Direct Spark Ignition (DSI) Manifold (4-port)
4	318714	1	Bracket for Horizontal Facing Gas Valve
5	150300	9	#10-16 x 1/2" Hex Washer TEK Screw
6	140820*	4	#29 Burner Orifice (natural gas) ONLY
	140805	4	#47 Burner Orifice (liquid propane [L.P.] gas) ONLY
7	150108	4	#8-32 x 1/2" Phillips Round Head Machine Screw
8	142707	1	1/2" x 1-1/2" Long Black Nipple
9	151001	4	#8-32 Pal Nut

<u>Illus. No.</u>	<u>Part No.</u>	<u>Qty.</u>	<u>Description</u>
10	128927	1	1/2" 24 VAC Redundant (natural gas) Gas Valve
	880960	1	1/2" 24 VAC Direct Spark Ignition (DSI) Liquid Propane (L.P.) Gas Valve Assembly
11	150309	5	#10-16 x 1/2" Hex Head TEK Crimptite Screw
12	142506	1	1/2" Street Elbow
13	152013	2	#6-32 Hex Nut
14	810030	1	Johnson Controls Direct Spark Ignition (DSI) Module Mounting Bracket
15	128935	1	Direct Spark Ignition (DSI) Module with 3 Tries
16	809309	1	Ignitor Probe Assembly with 19" Leads
17	142600	1	1/2" Black Union
18	319704	1	Hi-Limit Mounting Bracket
19	151000	2	#6-32 Pal Nut
20	150001	2	#6-32 x 1/2" Phillips Round Head Machine Screw
21	130201	1	330° Hi-Limit Manual Reset
22	318700	1	Pipe Bracket (bent)
23	143000	1	3/4" x 1/2" Reducing Coupling
	142936	1	3/4" BSPT x 1/2" N.P.T. Coupling (CE Only)
24	154004	1	Twin Speed Nut
25	802799	1	Sail Switch Box Cover and Bracket ONLY (refer to Sail Switch Assembly on page 45)
26	122200	1	Sail Switch ONLY
27	150303	2	#4 x 3/4" Pan Head "A" Machine Screw
28	105500	1	Sail Switch Actuator Rod
29	319202	1	Sail Switch Damper (flat)
30	154002	1	1/8" Push On Fastener
31	142809	1	1/2" x 29-1/8" Nipple

* Consult factory for elevations over 2,000 feet.



ELECTRIC OVEN (FRONT VIEW)



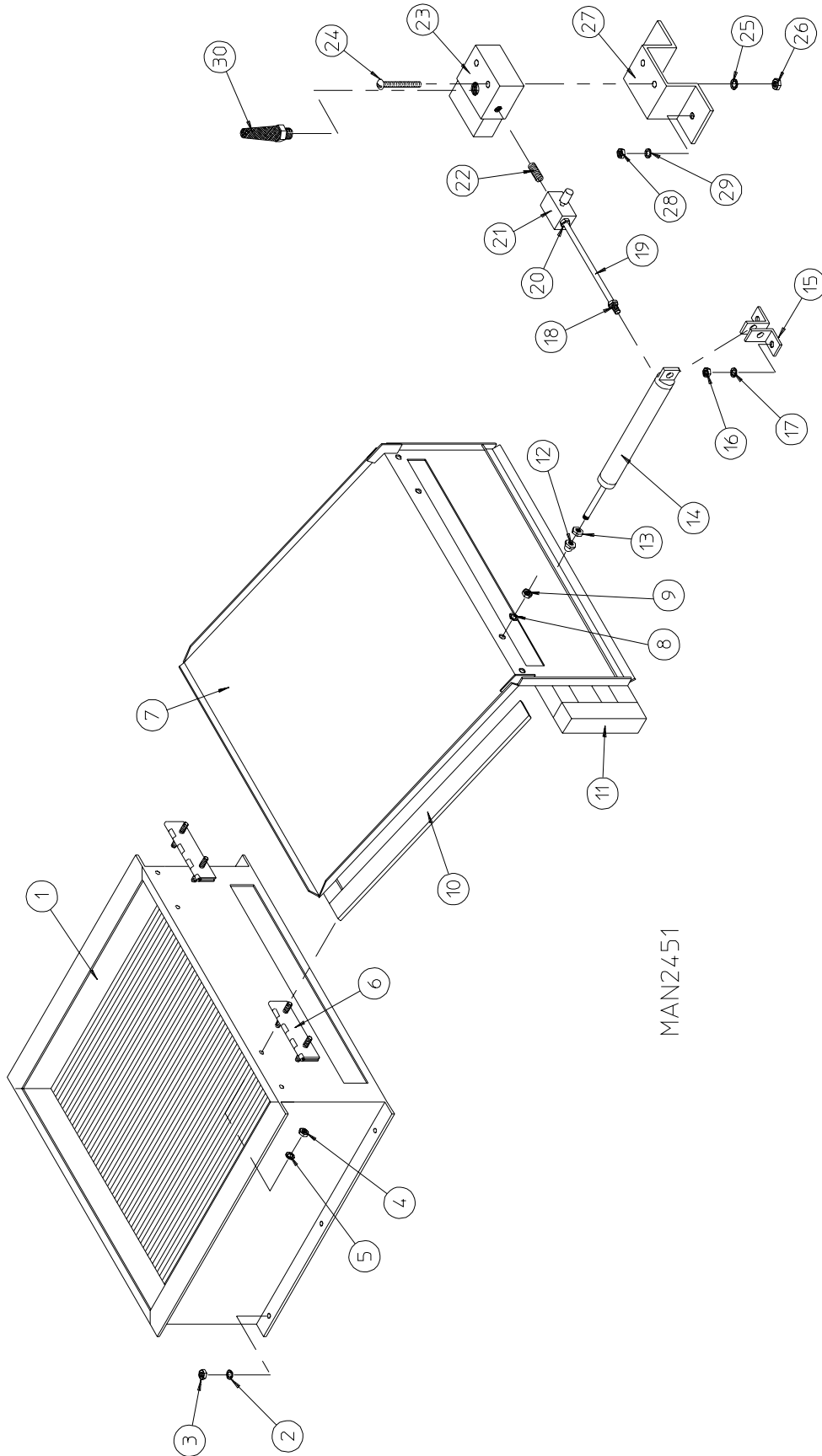
ELECTRIC OVEN (REAR VIEW)

MAN6382

JCARRITA 11/22/02

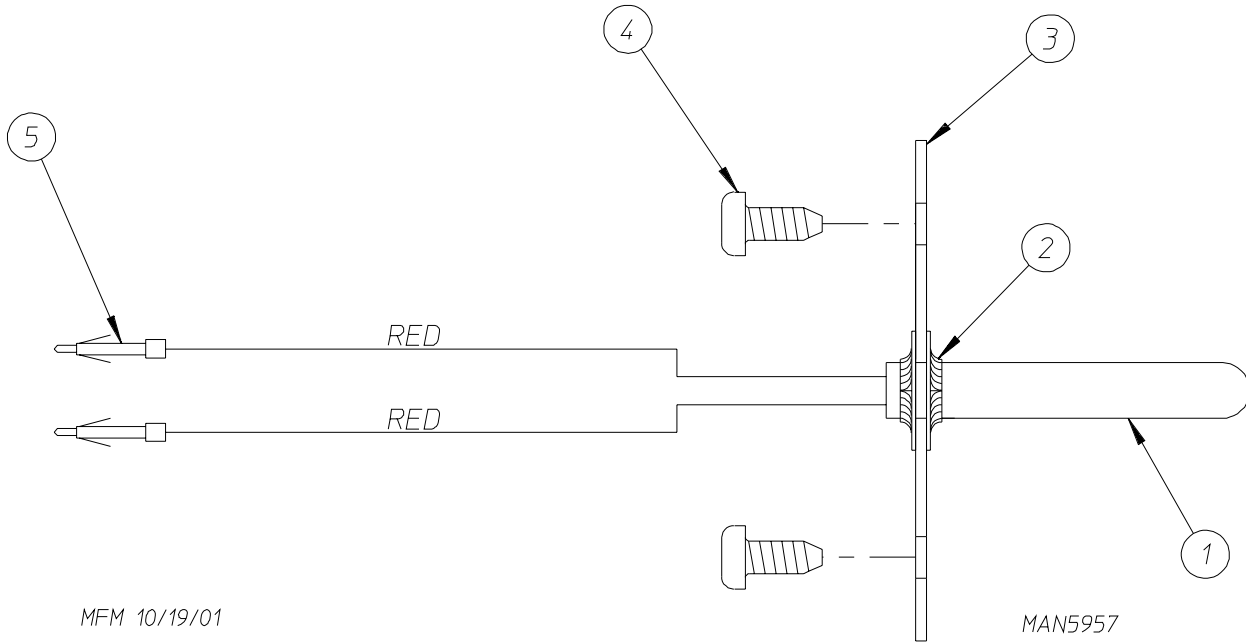
<u>Illus. No.</u>	<u>Part No.</u>	<u>Qty.</u>	<u>Description</u>
1	803005	1	Large Electric Oven Box ONLY
	-----*	1	Electric Oven Assembly Complete
2	-----*	-	Electric Element
3	150300	2	#10-16 x 1/2" Hex Washer TEK Screw
4	802800	1	Sail Switch Box with Bracket and Cover ONLY
	802801	1	Sail Switch Box Assembly Complete (includes illus. nos. 4 through 12)
5	154004	1	Twin Speed Nut
6	150309	2	#10-16 x 1/2" Hex Head TEK Crimptite Screw
7	802799	1	Sail Switch Box Cover and Bracket ONLY (refer to Sail Switch Assembly on page 45)
8	122200	1	Sail Switch ONLY
9	150303	2	#4 x 3/4" Pan Head "A" Machine Screw
10	105500	1	Sail Switch Actuator Rod
11	319202	1	Sail Switch Damper (flat)
12	154002	1	1/8" Push On Fastener
13	150300	2	#10-16 x 1/2" Hex Washer TEK Screw
14	803100	1	Electric Oven Front Cover ONLY
15	320611	1	Large Relay Box Cover ONLY
16	150207	2	#10-24 x 1/2" Phillips Round Head Machine Screw
17	130400	1	290° Hi-Limit
18	150300	2	#10-16 x 1/2" Hex Washer TEK Screw
19	154001	2	#10-24 Speed Nut
20	121012	1	Terminal Lug for 8-1/0 Wire
21	152014	3	1/4-20 Free Spin Wash Nut
22	-----*	1	Oven Relay
23	150207	2	#10-24 x 1/2" Phillips Round Head Machine Screw
24	120081	-	Internal Ceramic Insulator (2 per element)
25	120080	-	External Ceramic Insulator (2 per element)
26	152008	-	#10-32 Hex Nut (4 per element)
27	121011*	-	Bus Bar
28	-----*	-	Terminal Lug
29	153009	-	#10 Star Washer (2 per element)
30	320607	1	Large Electric Oven Right Side Cover ONLY

* Refer to **Electric Oven Component Application Charts** on **page 48** and **page 49**.

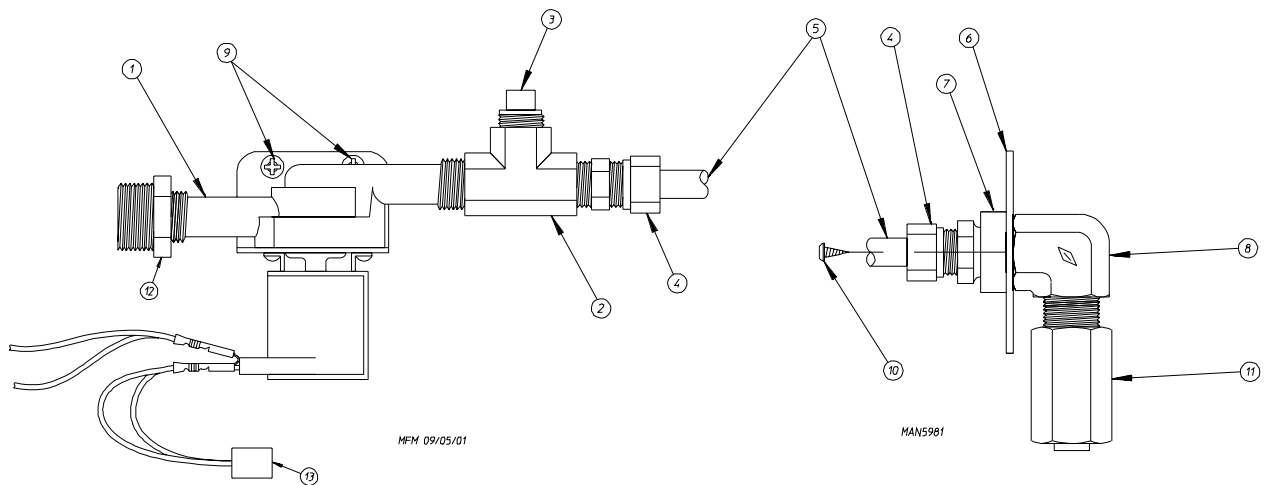


MAN2451

<u>Illus. No.</u>	<u>Part No.</u>	<u>Qty.</u>	<u>Description</u>
1	165009	1	Steam Coil Assembly
2	153002	6	5/16" Lock Washer
3	152004	6	5/16-18 Hex Nut
4	152002	4	1/4-20 Hex Nut
5	153007	4	1/4" Lock Washer
6	820321	2	Steam Damper Hinge Assembly
7	803415	1	Steam Damper Assembly (includes illus. nos. 7, 10, and 11)
8	153007	4	1/4" Lock Washer
9	152002	4	1/4-20 Hex Nut
10	115995	108	Steam Damper Gasket (sold by the inch)
11	102350	1	Steam Damper Foam (68-1/2" length)
12	151007	1	7/16-20 Stainless Steel Acorn Nut
13	152007	1	7/16-20 Hex Nut
14	100497	1	1-1/4" Bore x 3" Stroke Piston
15	100492	1	Piston Support Bracket
16	152002	4	1/4-20 Hex Nut
17	153007	4	1/4" Lock Washer
18	100472	1	1/4" x 1/8" Connector
19	143110	1	1/4" Tubing (sold by the foot)
20	100472	1	1/4" x 1/8" Connector
21	100496	1	1/8" Needle Valve
22	143238	1	1/8" Close Nipple
23	100498	1	3-Way Micro Valve - 24 VAC
24	150002	2	#6-32 x 1" Phillips Round Head Machine Screw
25	153010	2	#6 Star Washer
26	152000	2	#6-32 Hex Nut
27	330987	1	Micro Valve Support Bracket
28	152002	2	1/4-20 Hex Nut
29	153007	2	1/4" Lock Washer
30	100520	1	1/8" N.P.T. Silencer (muffler)

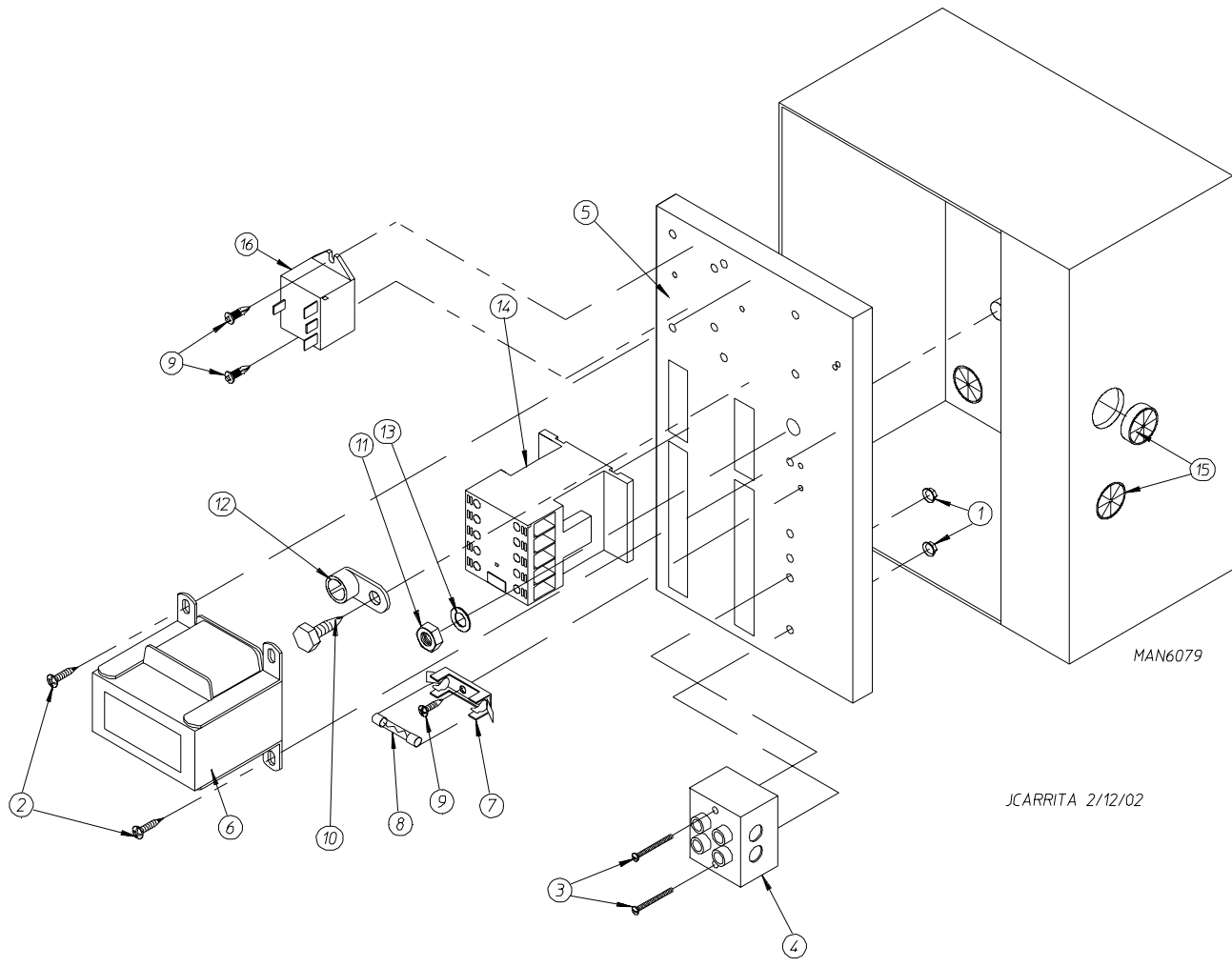


<u>Illus. No.</u>	<u>Part No.</u>	<u>Qty.</u>	<u>Description</u>
1	822752	1	Fire Suppression System (FSS) Probe Assembly (includes illus. nos. 1 through 5)
2	154007	2	Push On Fastener
3	390390	1	Sensor Bracket ONLY
4	150301	2	#8-18 Phillips Pan Head TEK Screw
5	122643	2	Pins
	122647	1	Connector ONLY...Not Illustrated (<u>does not</u> include pins)



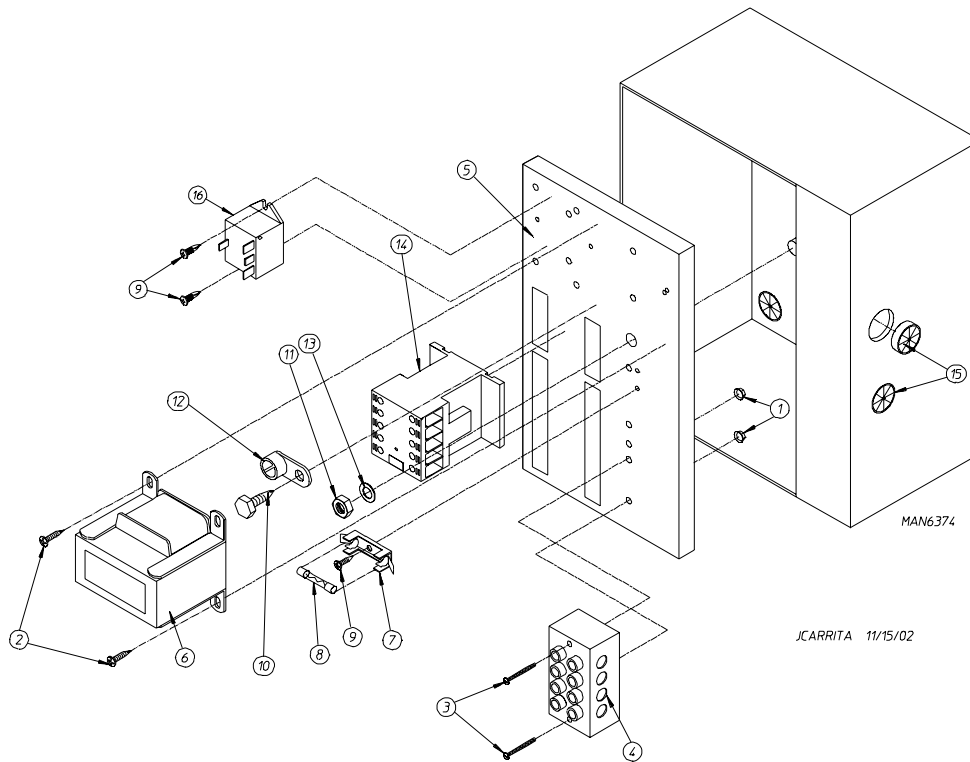
Illus. No.	Part No.	Qty.	Description
1	165114	1	Fire Suppression System (FSS) Solenoid Valve 24V 50/60 Hz
2	143220	1	3/8" F.P.T. Brass Tee
3	143251	1	3/8" M.P.T. Brass Plug
4	143208	2	3/8" Comp x 3/8" M.P.T. Brass Connector
5	143099*	6'	3/8" OD x 0.035 Wall Copper Tubing
6	311588	1	Sprinkler Head Mounting Plate
7	143303	1	3/8" N.P.T. Brass Locknut
8	143155	1	3/8" Brass Elbow 90°
9	150430	2	#10 x 1/2" Self Drilling Screw
10	150301	2	#8-18 x 7/16" Phillips Pan Head TEK Screw
11	143581	1	3 GPM 3/8" F.P.T. Spray Nozzle
12	142888	1	1/2" to 3/8" Bushing for Fire Suppression System (FSS) Valve
13	824828	1	RC Network

* Sold by the foot.

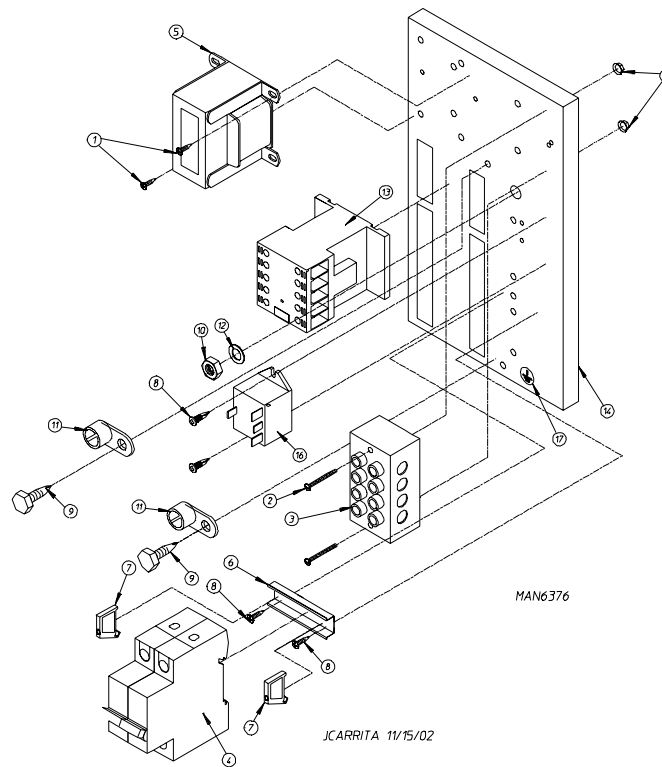


<u>Illus. No.</u>	<u>Part No.</u>	<u>Qty.</u>	<u>Description</u>
1	151000	2	#6-32 Pal Nut
2	150300	2	#10-16 x 1/2" Hex Washer TEK Screw
3	150009	2	#6-32 x 1-1/2" Phillips Pan Head Machine Screw
4	120716	1	2-Position Terminal Block
5	322812	1	Rear Electric Mounting Plate ONLY
	822796	1	Rear Electric Panel Assembly Complete - 115 Volt 1 ϕ (for gas models Only) (includes illus. nos. 1 through 14)
	830153	1	Rear Electric Panel Assembly Complete - 115 Volt 1 ϕ (for steam models Only) (includes illus. nos. 1 through 14)
	822798	1	Rear Electric Panel Assembly Complete - 208-240 Volt 1 ϕ (for gas models Only) (includes illus. nos. 1 through 14)
	830273	1	Rear Electric Panel Assembly Complete - 208-240 Volt 1 ϕ (for steam models Only) (includes illus. nos. 1 through 14)
	830131	1	Rear Electric Panel Assembly Complete - 208-240 Volt (for electric models Only) (includes illus. nos. 1 through 14 and 16)
6	830151	1	Transformer Assembly - 115 Volt
	822799	1	Transformer Assembly - 208-240 Volt (for gas and steam models Only)
	822792	1	Transformer Assembly - 208-240 Volt (for electric models Only)
7	136008	*	Fuse Holder ONLY
8	136057	*	1/2-Amp (Slo-Blo) Fuse ONLY
9	150301	4	#8-18 x 7/16" Phillips Pan Head TEK Screw
10	150297	1	#10 x 1/2" Green Hex Washer TEK Screw
11	152004	1	5/16-18 Hex Nut
12	121010	1	L-70 Ground Lug
13	153002	1	5/16" Lock Washer
14	132495	1	3-Pole Contactor
15	121300	3	Open/Closed Bushing
16	131932	1	24V SPST Relay (for electric models Only)

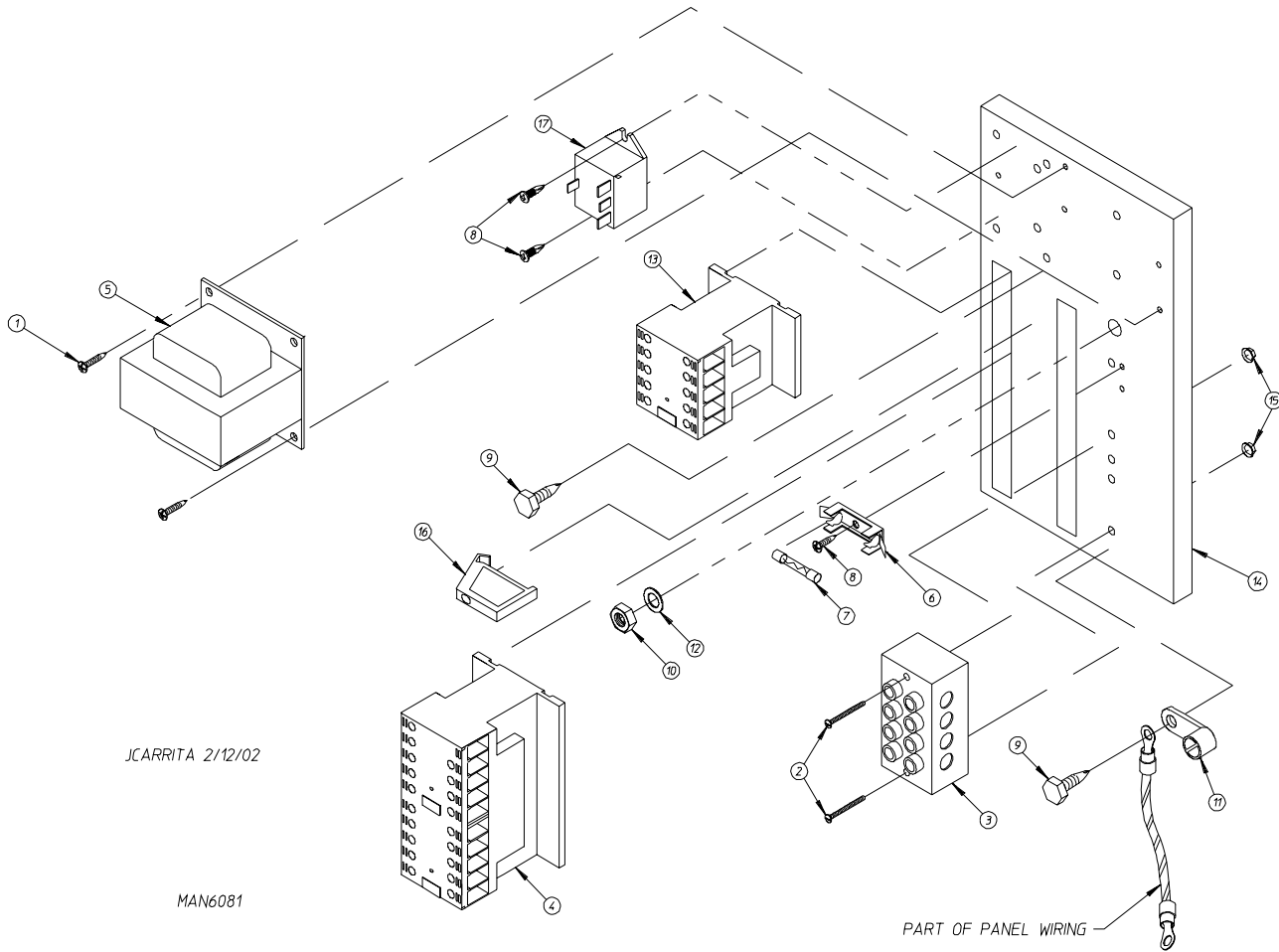
* Quantity is 1 for 115v and 2 for 208-240v.



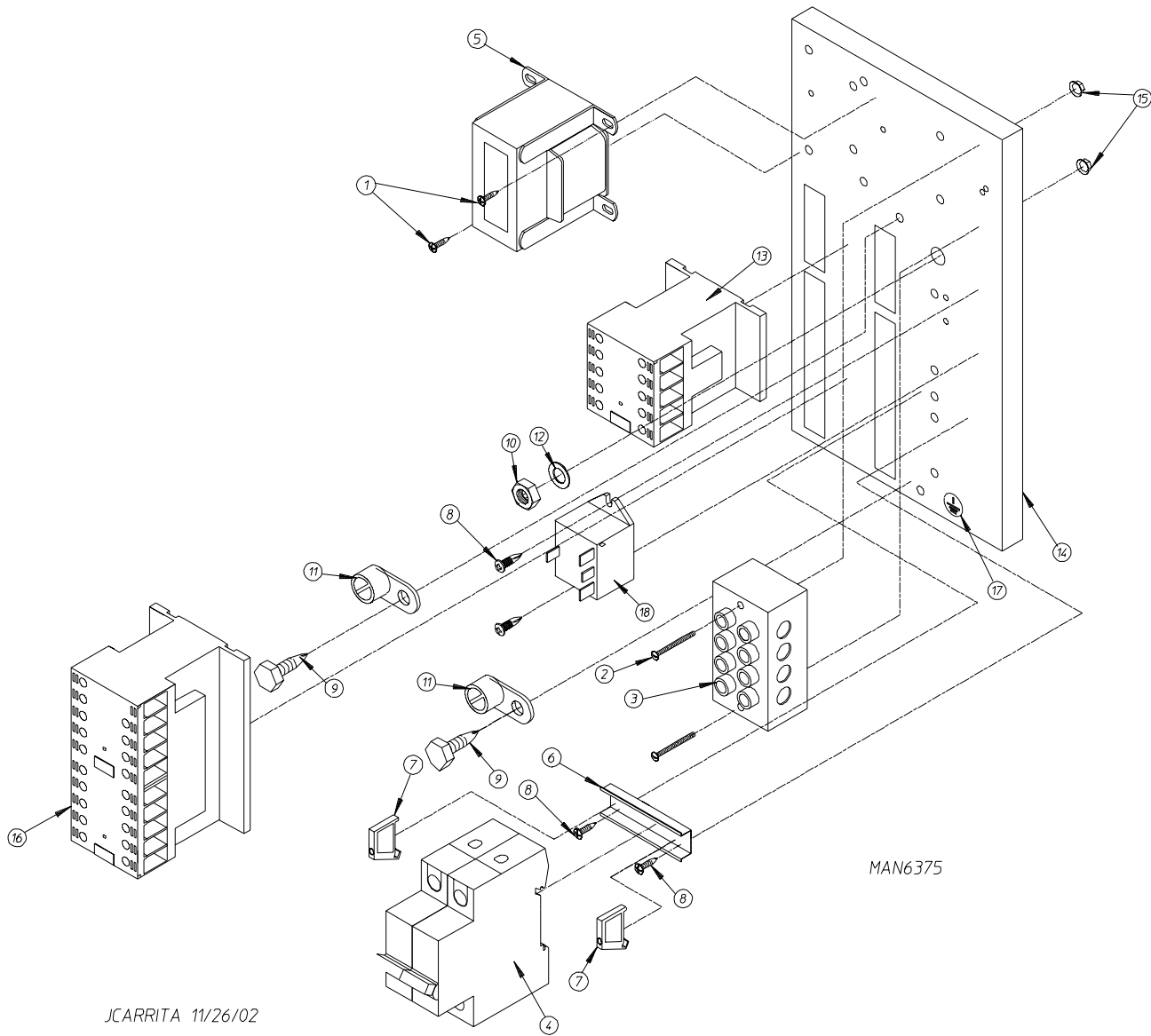
<u>Illus. No.</u>	<u>Part No.</u>	<u>Qty.</u>	<u>Description</u>
1	151000	2	#6-32 Pal Nut
2	150300	2	#10-16 x 1/2" Hex Washer TEK Screw
3	150008	2	#6-32 x 1-1/4" Phillips Pan Head Machine Screw
4	120701	1	4-Position Terminal Block
5	322812	1	Rear Electric Mounting Plate ONLY
	830154	1	Rear Electric Panel Assembly Complete - 208-240 Volt (for gas models Only) (includes illus. nos. 1 through 14)
	830322	1	Rear Electric Panel Assembly Complete - 208-240 Volt (for steam models Only) (includes illus. nos. 1 through 14)
	830157	1	Rear Electric Panel Assembly Complete - 208-240 Volt (for electric models Only) (includes illus. nos. 1 through 14 and 16)
6	822799	1	Transformer Assembly (for gas and steam models Only)
	822792	1	Transformer Assembly (for electric models Only)
7	136008	2	Fuse Holder ONLY
8	136057	2	1/2-Amp (Slo-Blo) Fuse ONLY
9	150301	4	#8-18 x 7/16" Phillips Pan Head TEK Screw
10	150297	1	#10 x 1/2" Green Hex Washer TEK Screw
11	152004	1	5/16-18 Hex Nut
12	121010	1	L-70 Ground Lug
13	153002	1	5/16" Lock Washer
14	132495	1	3-Pole Contactor
15	121300	3	Open/Closed Bushing
16	131932	1	24V SPST Relay (for electric models Only)



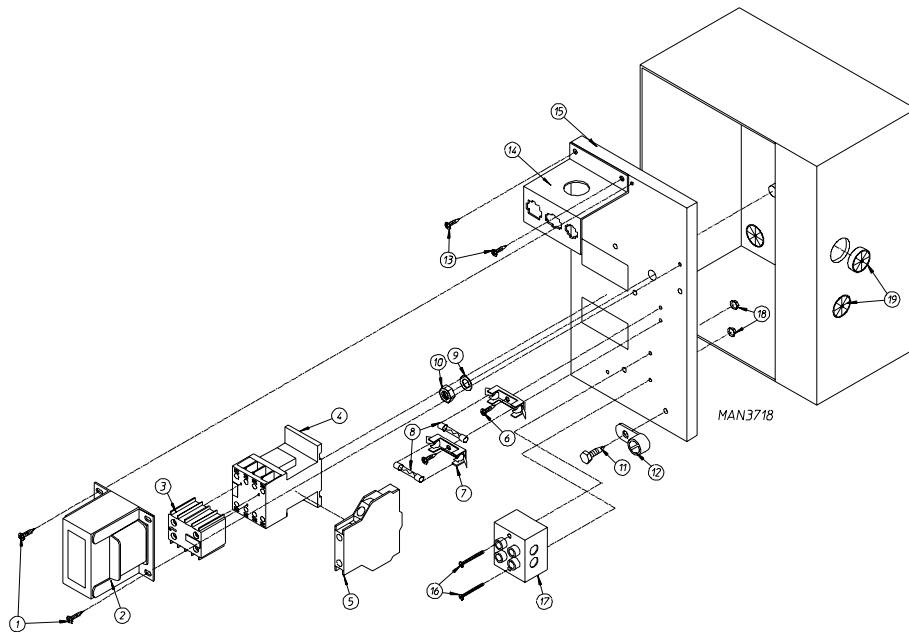
<u>Illus. No.</u>	<u>Part No.</u>	<u>Qty.</u>	<u>Description</u>
1	150300	2	#10-16 x 1/2" Hex Washer TEK Screw
2	150008	2	#6-32 x 1-1/4" Phillips Pan Head Machine Screw
3	120701	1	4-Position Terminal Block
4	135501	1	2-Pole 1-Amp Circuit Breaker
5	824221	1	Transformer Assembly - 460-480 Volt
6	120768	2	35 x 15mm Din Rail
7	120765	2	End Stop
8	150301	4	#8-18 x 7/16" Phillips Pan Head TEK Screw
9	150297	2	#10 x 1/2" Green Hex Washer TEK Screw
10	152004	1	5/16-18 Hex Nut
11	121010	2	L-70 Ground Lug
12	153002	1	5/16" Lock Washer
13	132495	1	3-Pole Contactor
14	322812	1	Rear Electric Mounting Plate ONLY
	830263	1	Rear Electric Panel Assembly Complete - 460-480 Volt (for gas models Only) (includes illus. nos. 1 through 14)
	830137	1	Rear Electric Panel Assembly Complete - 460-480 Volt (for steam models Only) (includes illus. nos. 1 through 14)
	830199	1	Rear Electric Panel Assembly Complete - 460-480 Volt (for electric models Only) (includes illus. nos. 1 through 14 and 16)
15	151000	2	#6-32 Pal Nut
16	131932	1	24V SPST Relay (for electric models Only)
17	112075	1	Ground Label



<u>Illus. No.</u>	<u>Part No.</u>	<u>Qty.</u>	<u>Description</u>
1	150300	2	#10-16 x 1/2" Hex Washer TEK Screw
2	150008	2	#6-32 x 1-1/4" Phillips Pan Head Machine Screw
3	120701	1	4-Position Terminal Block
4	132497	1	3-Pole Reversing Contactor
5	822799	1	Transformer Assembly - 208-240 Volt (for gas and steam models Only)
	822792	1	Transformer Assembly - 208-240 Volt (for electric models Only)
6	136008	2	Fuse Holder ONLY
7	136057	2	1/2-Amp (Slo-Blo) Fuse ONLY
8	150301	4	#8-18 x 7/16" Phillips Pan Head TEK Screw
9	150297	2	#10 x 1/2" Green Hex Washer TEK Screw
10	152004	1	5/16-18 Hex Nut
11	121010	1	L-70 Ground Lug
12	153002	1	5/16" Lock Washer
13	132495	1	3-Pole Contactor
14	322812	1	Rear Electric Mounting Plate ONLY
	822771	1	Rear Electric Panel Assembly Complete - 208-240 Volt 3ø (for gas models Only) (includes illus. nos. 1 through 16)
	830167	1	Rear Electric Panel Assembly Complete - 208-240 Volt 3ø (for steam models Only) (includes illus. nos. 1 through 16)
	822789	1	Rear Electric Panel Assembly Complete - 208-240 Volt 3ø (for electric models Only) (includes illus. nos. 1 through 17)
15	151000	2	#6-32 Pal Nut
16	120765	1	Standard End Bracket
17	131932	1	24V SPST Relay (for electric models Only)



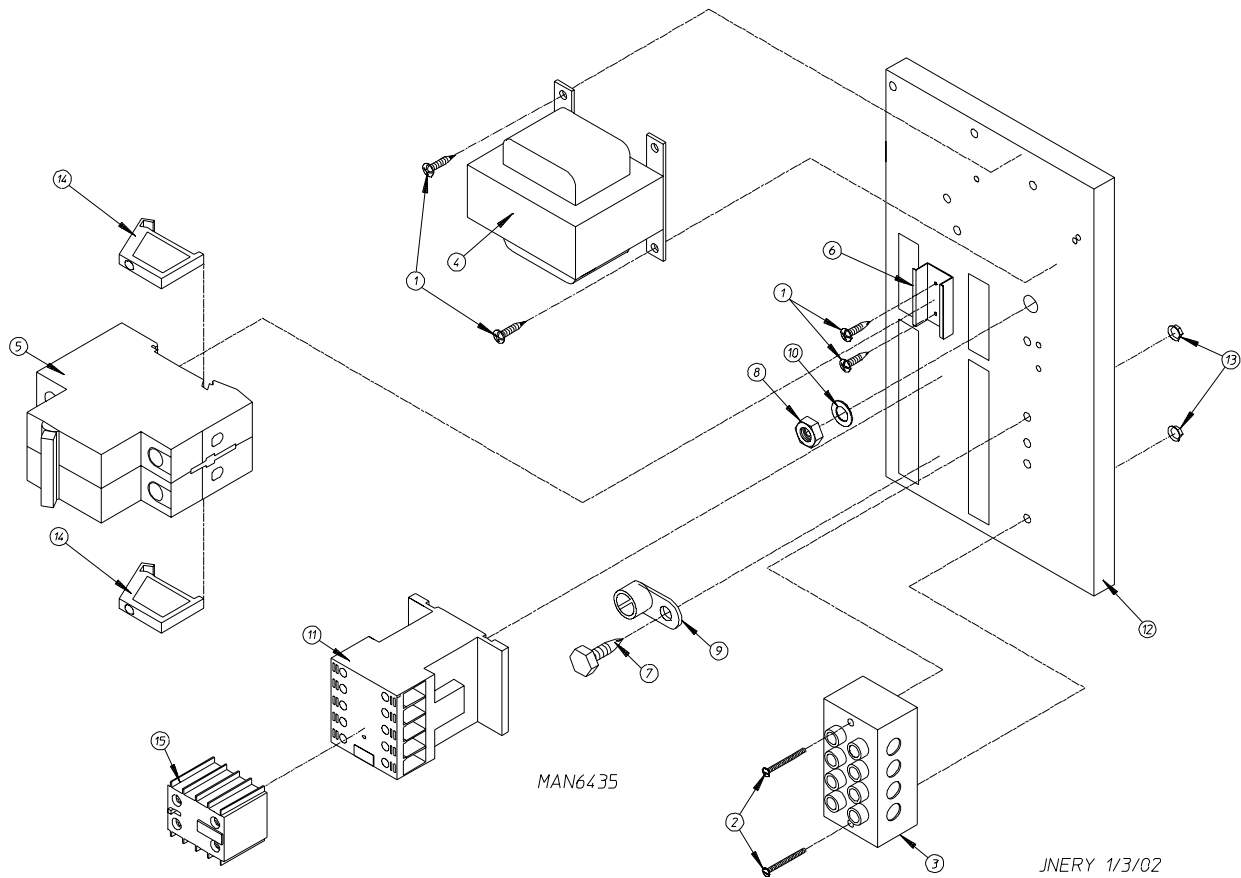
<u>Illus. No.</u>	<u>Part No.</u>	<u>Qty.</u>	<u>Description</u>
1	150300	2	#10-16 x 1/2" Hex Washer TEK Screw
2	150009	2	#6-32 x 1-1/2" Phillips Pan Head Machine Screw
3	120701	1	4-Position Terminal Block
4	135501	1	2-Pole 1-Amp Circuit Breaker
5	824221	1	Transformer Assembly - 460-480 Volt
6	120768	2	35 x 15mm Din Rail
7	120765	2	Standard End Bracket
8	150301	4	#8-18 x 7/16" Phillips Pan Head TEK Screw
9	150297	2	#10 x 1/2" Green Hex Washer TEK Screw
10	152004	1	5/16-18 Hex Nut
11	121010	2	L-70 Ground Lug
12	153002	1	5/16" Lock Washer
13	132495	1	3-Pole Contactor
14	322812	1	Rear Electric Mounting Plate ONLY
	830147	1	Rear Electric Panel Assembly Complete - 460-480 Volt (for gas models Only) (includes illus. nos. 1 through 16)
	830103	1	Rear Electric Panel Assembly Complete - 460-480 Volt (for steam models Only) (includes illus. nos. 1 through 16)
	824371	1	Rear Electric Panel Assembly Complete - 460-480 Volt (for electric models Only) (includes illus. nos. 1 through 17)
15	151000	2	#6-32 Pal Nut
16	132497	1	3-Pole Reversing Contactor
17	112075	1	Ground Label
18	131932	1	24V SPST Relay (for electric models Only)



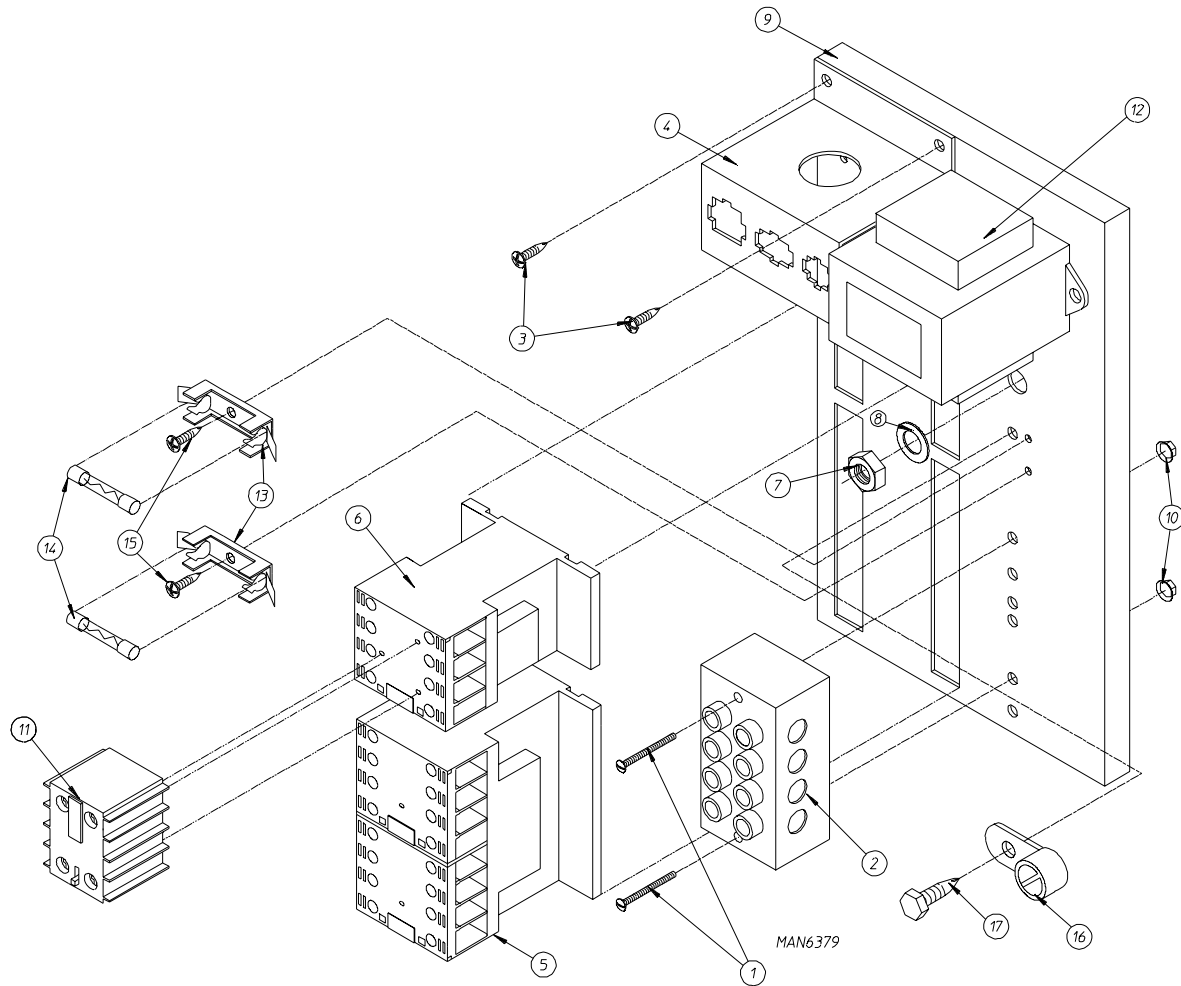
<u>Illus. No.</u>	<u>Part No.</u>	<u>Qty.</u>	<u>Description</u>
1	150300	2	#10-16 x 1/2" Hex Washer TEK Screw
2	830247	1	24 VAC Transformer (for 115 volt gas models Only)
		1**	24 VAC Transformer (for 208-240 volt gas models Only)
3	132449	1	2-Pole Contact Block (for 208-240 volt models Only)
4	132445	1	3-Pole Contactor (for 120 volt models Only)
	132447	1	3-Pole Contactor (for 208-240 volt models Only)
5	132383	1	2-Pole Contact Block (for 120 volt models Only)
6	150301	*	#8-18 x 7/16" Phillips Pan Head TEK Screw
7	136008	*	Fuse Holder ONLY
8	136057	*	1/2-Amp (Slo-Blo) Fuse
9	153002	1	5/16" Lock Washer
10	152004	1	5/16-18 Hex Nut
11	150297	1	#10 x 1/2" Hex Washer TEK Screw - Green
12	121010	1	L-70 Ground Lug
13	150300	2	#10-16 x 1/2" Hex Washer TEK Screw
14	353258	1	Rear Panel Connector Bracket
15	306304	1	Rear Electric Mounting Panel ONLY
	830245	1	Rear Electric Panel Assembly Complete - 115 Volt (for gas models Only) (includes illus. nos. 1, 2, and 4 through 18)
		1**	Rear Electric Panel Assembly Complete - 208-240 Volt (for gas models Only) (includes illus. nos. 1 through 4 and 6 through 18)
16	150009	2	#6-32 x 1-1/2" Phillips Round Head Machine Screw
17	120716	1	2-Position Terminal Block
18	151000	2	#6-32 Pal Nut
19	121300	3	Open/Closed Bushing

* Quantity is 1 for 115v and 2 for 208-240v.

** Not available at time of printing. Contact factory for additional information.

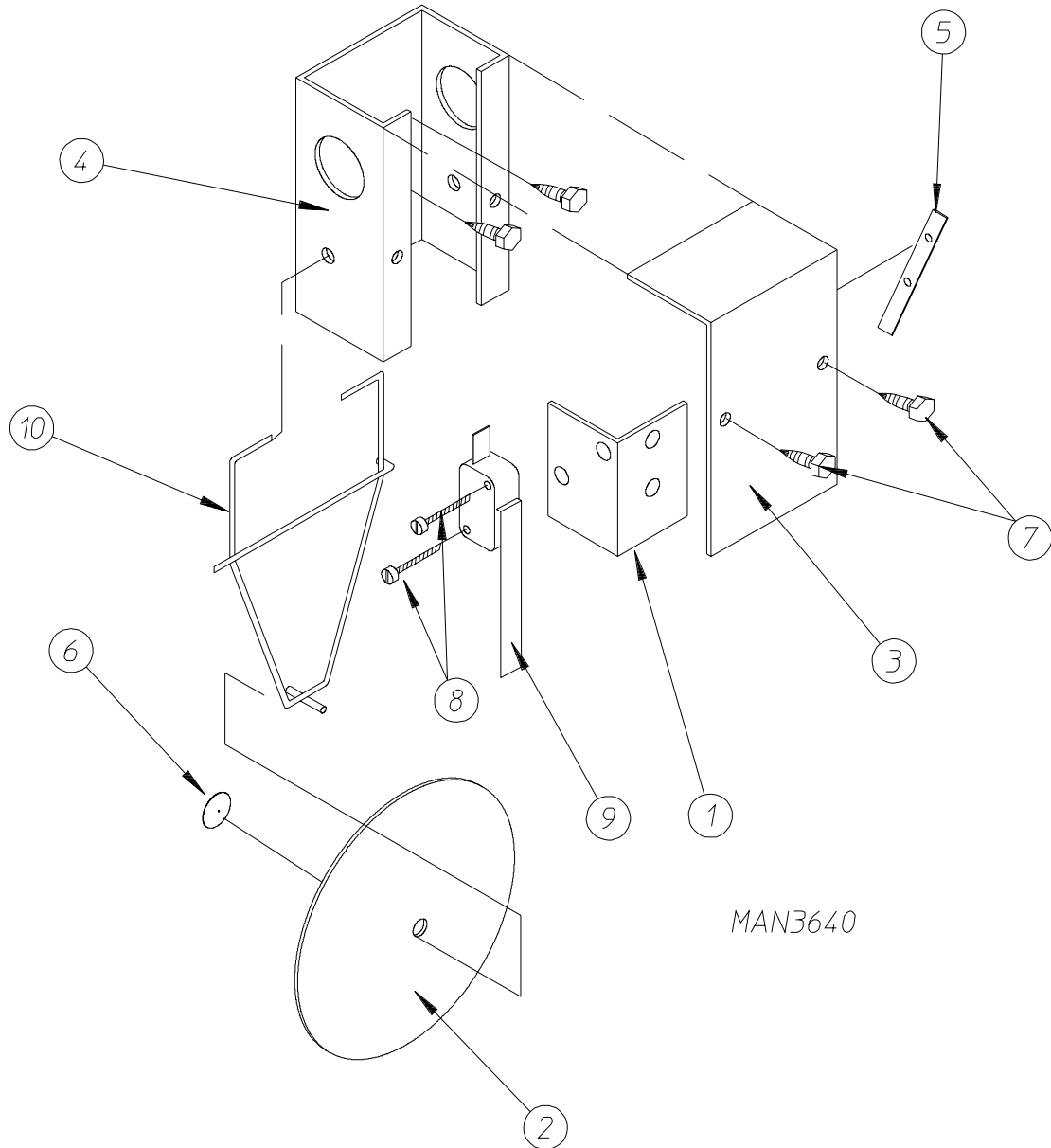


<u>Illus. No.</u>	<u>Part No.</u>	<u>Qty.</u>	<u>Description</u>
1	150300	2	#10-16 x 1/2" Hex Washer TEK Screw
2	150009	2	#6-32 x 1-1/2" Phillips Round Head Machine Screw
3	120701	1	4-Position Terminal Block
4	835143	1	24 VAC Transformer (for gas models Only)
5	135501	1	1-Amp Double-Pole Circuit Breaker
6	120768	2	Din Rail (sold by the inch)
7	150297	1	#10 x 1/2" Hex Washer TEK Screw - Green
8	152004	1	5/16-18 Hex Nut
9	121010	1	L-70 Ground Lug
10	153002	1	5/16" Lock Washer
11	132447	1	3-Pole Contactor
12	322812	1	Rear Electric Mounting Panel ONLY
	824231	1	Rear Electric Panel Assembly Complete (for gas models Only) (includes illus. nos. 1 through 15)
13	151000	2	#6-32 Pal Nut
14	120765	2	Din Rail End Stop
15	132449	1	2-Pole Contact Block



JCARRITA 11/15/02

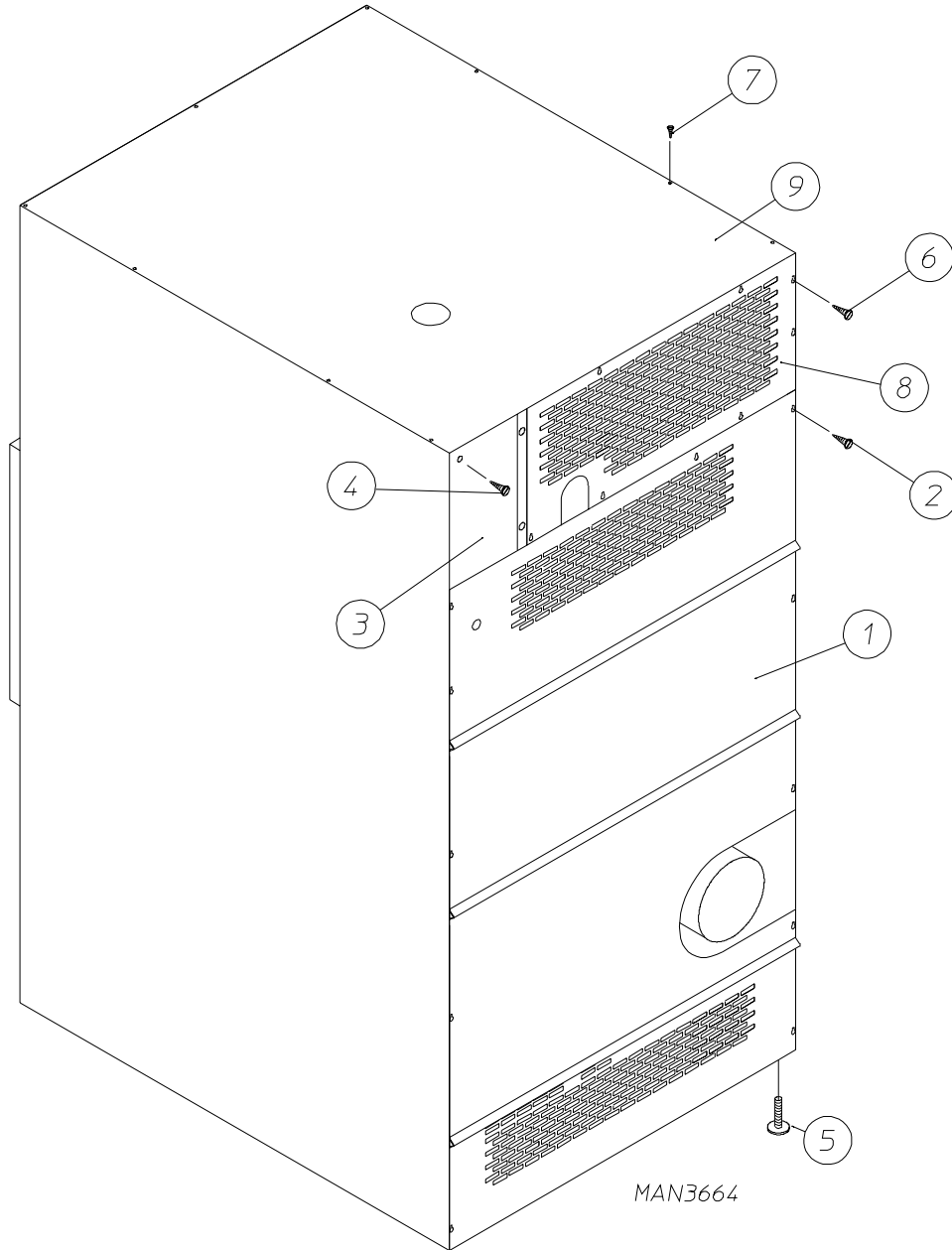
<u>Illus. No.</u>	<u>Part No.</u>	<u>Qty.</u>	<u>Description</u>
1	150009	2	#6-32 x 1-1/2" Phillips Round Head Machine Screw
2	120701	1	4-Position Terminal Block
3	150300	2	#10-16 x 1/2" Hex Washer TEK Screw
4	353258	1	Rear Panel Connector Bracket
5	132448	1	Reversing Contactor
6	132447	1	Blower Motor Contactor
7	152004	1	5/16-18 Hex Nut
8	153002	1	5/16" Lock Washer
9	322812	1	Rear Electric Mounting Panel ONLY
	830236	1	Rear Electric Panel Assembly Complete (for gas models Only) (includes illus. nos. 1 through 17)
10	151000	2	#6-32 Pal Nut
11	132449	1	2-Pole Contact Block
12	830238	1	24 VAC Transformer (for gas models Only)
13	136008	2	Fuse Holder ONLY
14	136057	2	1/2-Amp (Slo-Blo) Fuse
15	150301	2	#8-18 x 7/16" Phillips Pan Head TEK Screw
16	121010	1	L-70 Ground Lug
17	150297	1	#10 x 1/2" Hex Washer TEK Screw - Green



MAN3640

<u>Illus. No.</u>	<u>Part No.</u>	<u>Qty.</u>	<u>Description</u>
1	319203	1	Sail Switch Mounting Bracket
2	319202	1	Sail Switch Damper (flat)
3	319201	1	Sail Switch Box Cover
4	319200	1	Sail Switch Box
5	154004	1	Twin Speed Nut
6	154002	1	1/8" Push On Fastener
7	150309	4	#10-16 x 1/2" Hex Head TEK Crimptite Screw
8	150303	2	#4 x 3/4" Pan Head "A" Machine Screw
9	122200	1	Sail Switch ONLY
	881706	1	Sail Switch Box Assembly Complete (includes illus. nos. 1 through 10)
10	105500	1	Sail Switch Actuator Rod

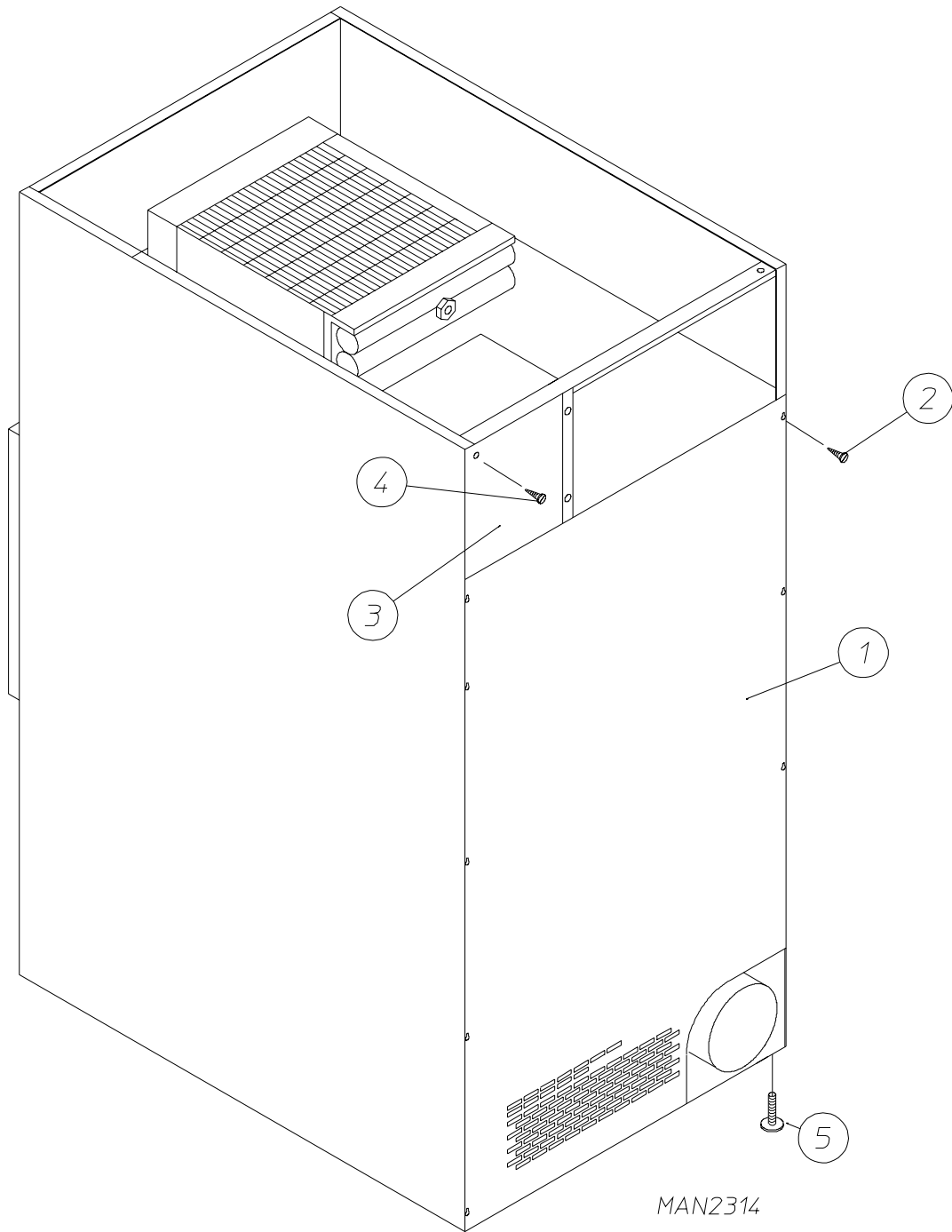
For Gas and Electric Models ONLY



MAN3664

<u>Illus. No.</u>	<u>Part No.</u>	<u>Qty.</u>	<u>Description</u>
1	314518	1	Bottom Back Guard
2	150301	12	#8-18 x 7/16" Phillips Pan Head TEK Screw
3	322809	1	Rear Electrical Box Cover
4	150301	4	#8-18 x 7/16" Phillips Pan Head TEK Screw
5	103500	4	Leveling Leg
6	150301	7	#8-18 x 7/16" Phillips Pan Head TEK Screw
7	150300	12	#10-16 x 1/2" Hex Washer TEK Screw
8	323738	1	Top Back Guard (for gas models Only)
	320008	1	Top Back Guard (for electric models Only)
9	312527	1	Outer Top (for gas models Only)
	320007	1	Outer Top (for electric models Only)

For Steam Models ONLY



<u>Illus. No.</u>	<u>Part No.</u>	<u>Qty.</u>	<u>Description</u>
1	314511	1	Bottom Back Guard
2	150300	2	#10-16 x 1/2" Hex Washer TEK Screw
	150301	8	#8-18 x 7/16" Phillips Pan Head TEK Screw
3	322809	1	Rear Electrical Box Cover
4	150301	4	#8-18 x 7/16" Phillips Pan Head TEK Screw
5	103500	4	Leveling Leg

MLE-75 Phase 7 MP

Kw	Volt	Phase	Wire	Oven Assembly* Part No.	Elements			Oven Wire			Terminal Lug		Bus Bar P/N 121011	Oven Relay	
					Qty.	Kw	Part No.	Qty.	Size	Part No.	Qty.	Part No.		Cat. No.	Part No.
36	480	3Ø	3 or 4	824408	6	6	120014	1	#8	882572	1	121010	DPA53	131359	
33	380	3Ø	3 or 4	830904	6	6	120002	1	#4	882566	1	121010	DPA53	131359	
30	208	3Ø	3 or 4	835060	6	5	120012	1	#4	882566	1	121010	DPA93	131358	
30	240	3Ø	3	833124	6	5	120013	1	#4	882566	1	121010	DPA73	131376	
30	480	3Ø	3 or 4	826222	6	5	120013	1	#8	822572	1	121010	DPA43	131357	
25	380	3Ø	3 or 4	833136	6	5	120013	1	#8	822571	1	121010	DPA43	131357	
24	208	3Ø	3 or 4	835054	6	4	120010	1	#4	882566	1	121010	DPA73	131376	

* Consult factory for oven assemblies not listed.

MLE-75 Dual Timer

Kw	Volt	Phase	Wire	Oven Assembly* Part No.	Elements			Oven Wire			Terminal Lug		Bus Bar P/N 121011	Oven Relay	
					Qty.	Size	Part No.	Qty.	Size	Part No.	Qty.	Part No.		Cat. No.	Part No.
36	208	3ø	3 or 4	824921	6	6	120015	1	#2	882562	1	121010	1	DPA93	131358
36	240	3ø	3	824026	6	6	120014	1	#2	882562	1	121010	1	DPA93	131358
36	460/480	3ø	3 or 4	824920	6	6	120014	1	#8	882572	1	121010	1	DPA53	131359
33	380	3ø	3 or 4	827044	6	6.6	120002	1	#6	882568	1	121010	1	DPA53	131359
30	208	3ø	3 or 4	824918	6	5	120012	1	#4	882566	1	121010	1	DPA93	131358
30	240	3ø	3	840259	6	5	120013	1	#4	882566	1	121010	1	DPA73	131376
30	416	3ø	3 or 4	835064	6	5	120013	1	#8	882571	1	121010	1	DPA43	131357
30	460/480	3ø	3 or 4	824953	6	5	120013	1	#8	882572	1	121010	1	DPA43	131357
25	380	3ø	3 or 4	826391	6	5	120013	1	#8	882571	1	121010	1	DPA43	131357
24	208	3ø	3 or 4	824916	6	4	120010	1	#4	882566	1	121010	1	DPA73	131376
24	240	3ø	3	883391	6	4	120011	1	#6	882568	1	121010	1	DPA63	131369
24	460/480	3ø	3 or 4	883392	6	4	120011	1	#8	882572	1	121010	1	DPA33	131352

* When ordering Oven Assembly Complete, specify 3 wire or 4 wire when applicable, as well as if dryer has microprocessor controller (computer) or non-microprocessor controls.

<u>Part No.</u>	<u>Description</u>
112280	“Clean Lint Screen” Label
114001	“CAUTION - Exhaust/Lint Screen” Label
114006	“WARNING - Fire Hazards” Label
114533	“120v Electric Service” Label
120100	3/8” Straight (BX) Connector
120300	3/8” x 45° (BX) Connector
120400	3/8” Red Jacket (BX) Insulator
120500	3/8” Jiffy Clip (BX retainer clip)
120600	3/8” Greenfield (BX)
120800	1/4” In-Line Connector
120802	Red Butt Connector
120902	#74B Wire Nut
120903	Crimp-On Wire Nut
121014	1/4” Insulated (female) Terminal
121499	5-1/2” Harness Tie
121500	8” Harness Tie
121503	Harness Tie Mounting Clip
122804	Manometer (hydro gauge) for Measuring Gas Pressure
404502	White Brush-In-Cap Bottle Touch-Up Paint
404507	Cornflower Blue Brush-In-Cap Bottle Touch-Up Paint
882458	Basket (tumbler) Bearing Puller

ADC 450565

1 - 01/02/02-25

2* 02/24/03-15

