



ML-130 Parts Manual Phase 7

American Dryer Corporation
88 Currant Road
Fall River, MA 02720-4781
Telephone: (508) 678-9000 / Fax: (508) 678-9447
e-mail: techsupport@amdry.com
www.amdry.com

Retain This Manual In A Safe Place For Future Reference

American Dryer Corporation products embody advanced concepts in engineering, design, and safety. If this product is properly maintained, it will provide many years of safe, efficient, and trouble-free operation.

ONLY qualified technicians should service this equipment.

OBSERVE ALL SAFETY PRECAUTIONS displayed on the equipment or specified in the installation manual included with the dryer.

The following “**FOR YOUR SAFETY**” caution **must be** posted near the dryer in a prominent location.

FOR YOUR SAFETY

Do not store or use gasoline or other flammable vapors and liquids in the vicinity of this or any other appliance.

POUR VOTRE SÉCURITÉ

Ne pas entreposer ni utiliser d'essence ni d'autres vapeurs ou liquides inflammables à proximité de cet appareil ou de tout autre appareil.

We have tried to make this manual as complete as possible and hope you will find it useful. **ADC** reserves the right to make changes from time to time, without notice or obligation, in prices, specifications, colors, and material, and to change or discontinue models.

Important

For your convenience, log the following information:

DATE OF PURCHASE _____ MODEL NO. **ML-130** _____

RESELLER'S NAME _____

Serial Number(s) _____

Replacement parts can be obtained from your reseller or the **ADC** factory. When ordering replacement parts from the factory, you can FAX your order to **ADC** at (508) 678-9447 or telephone your order directly to the **ADC** Parts Department at (508) 678-9000. Please specify the dryer **model number** and **serial number** in addition to the **description** and **part number**, so that your order is processed accurately and promptly.

The illustrations on the following pages may not depict your particular dryer exactly. The illustrations are a composite of the various dryer models. Be sure to check the descriptions of the parts thoroughly before ordering.

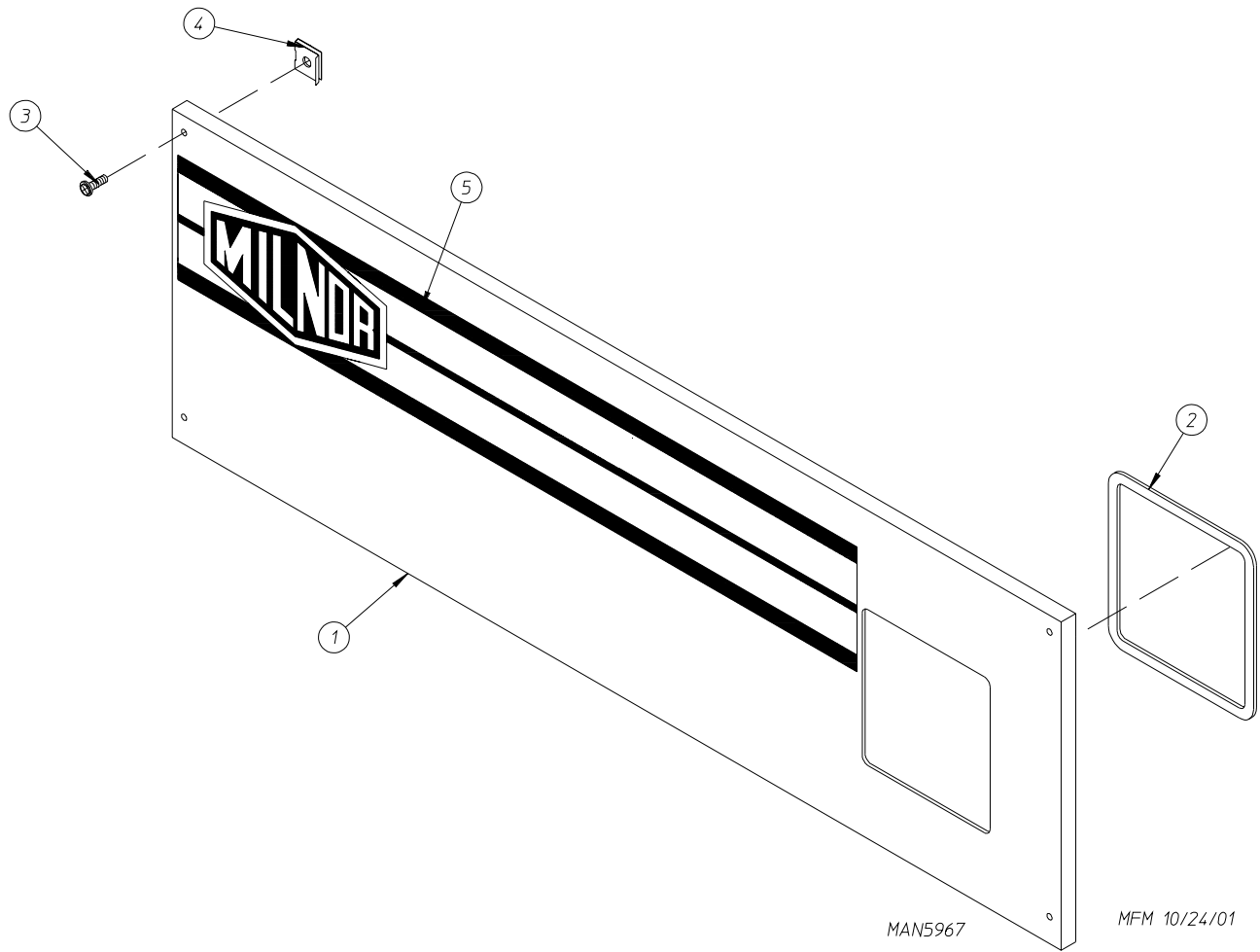
“IMPORTANT NOTE TO PURCHASER”

Information **must be** obtained from your local gas supplier on the instructions to be followed if the user smells gas. These instructions **must be** posted in a prominent location near the dryer.

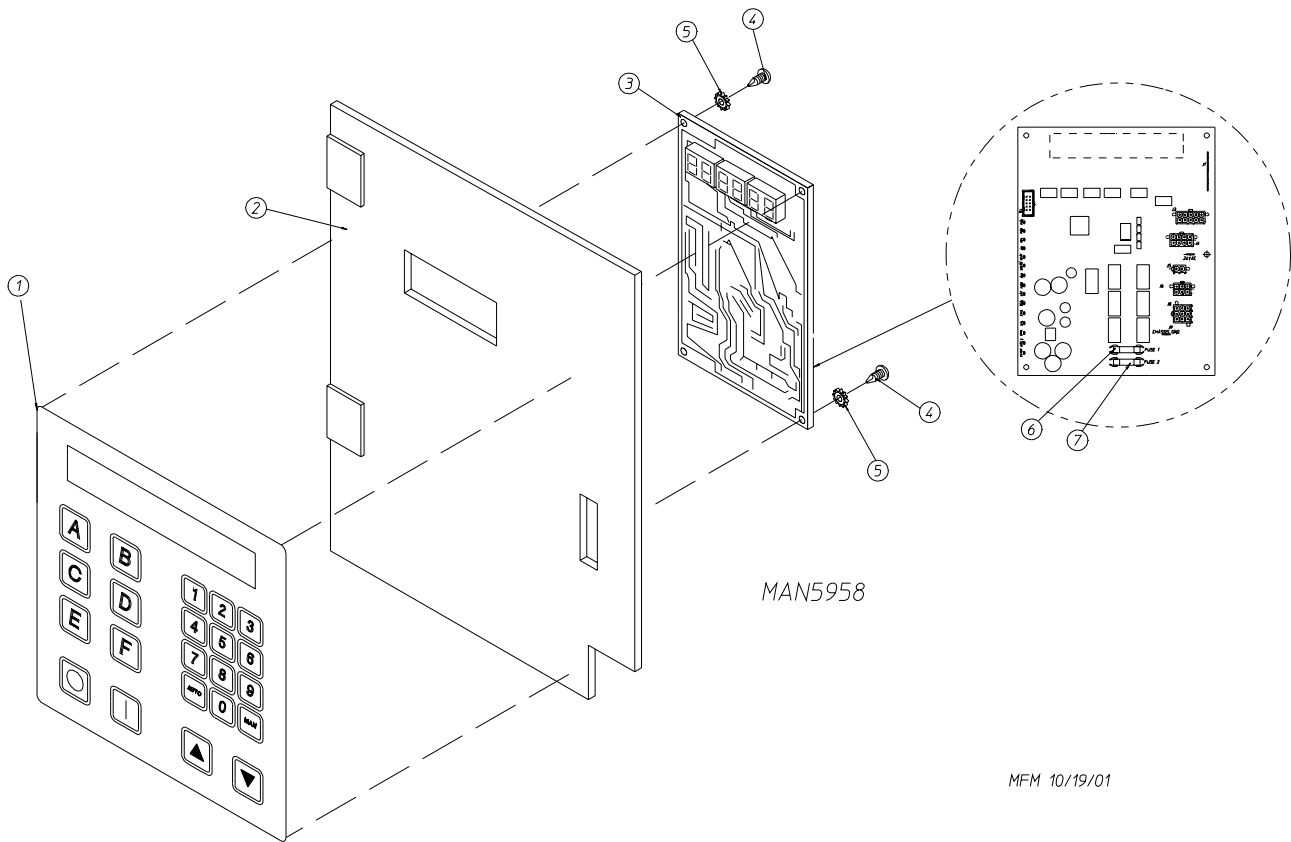
Table of Contents

Control Door Assembly	3
Phase 7 OPL Microprocessor Control Panel Assembly	4
Dual Timer Control Panel Assembly	5
Dual Timer Control Box Assembly	6, 7
Front Panel/Main Door Assemblies	8, 9
Main Door Assembly	10
Main Door Switch	11
Lint Drawer/Lint Drawer Switch Box Assemblies	12
Lint Door Assembly	13
Microprocessor Controller (Computer) Temperature Sensor Bracket Assembly	14
Dual Timer Temperature Sensor Bracket Assembly	15
Basket (Tumbler)/Support Assemblies	16, 17
Basket (Tumbler) Bearing Mount Assembly	18, 19
Idler Bearing Mount Assembly	20, 21
Basket (Tumbler) Drive Motor Mount Assembly	22, 23
Blower Motor Mount Assembly	24, 25
Direct Spark Ignition (DSI) Burner Assembly	
For Gas Models Only	26, 27
Direct Spark Ignition (DSI) Module Assembly	28, 29
60 Kw 208-240 Volt Electric Oven Assembly	30, 31
60 Kw 380-416-480 Volt Electric Oven Assembly	32, 33
72 Kw 208-240 Volt Electric Oven Assembly	34, 35
72 Kw 380-416-480 Volt Electric Oven Assembly	36, 37
208-240 Volt Oven Relay Box Assembly	38, 39
380-480 Volt Oven Relay Box Assembly	40, 41
Sail Switch Assembly	42, 43
Steam Damper Assembly	44, 45
Phase 7 Reversing Relay Panel Assembly	
For 208-240 Volt 3-Phase (3 ϕ) Gas and Steam Models Only	46, 47
Phase 7 Reversing Relay Panel Assembly	
For 208-240 Volt 3-Phase (3 ϕ) Electric Models Only	48, 49

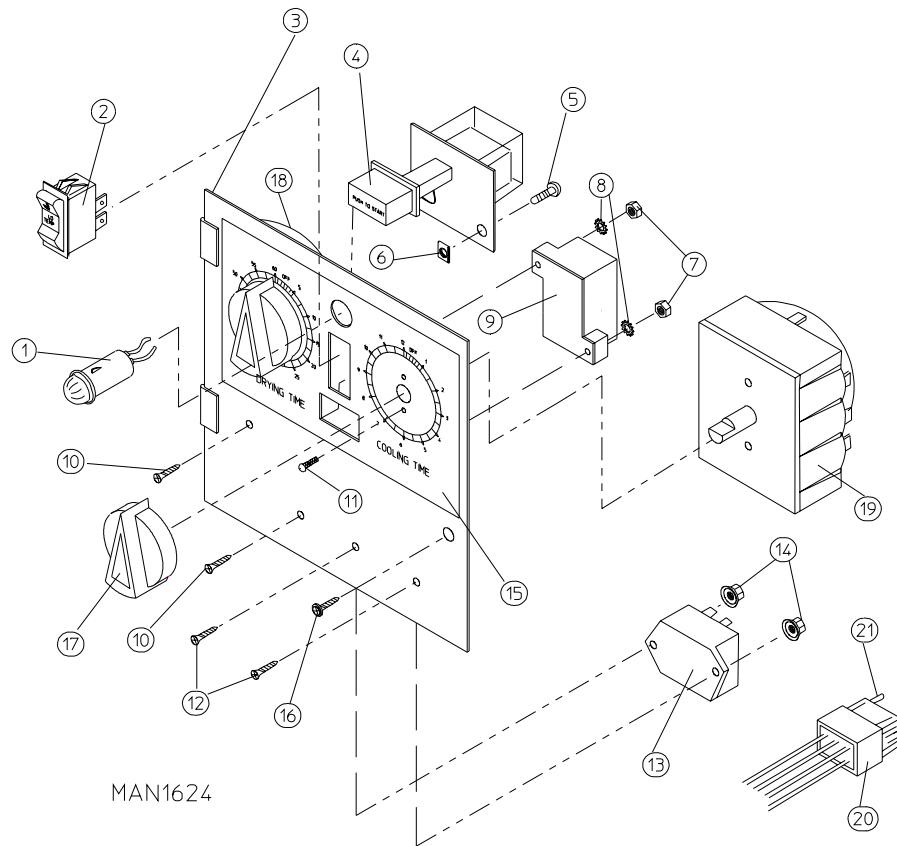
Phase 7 Reversing Relay Panel Assembly	
For 380-416 Volt 3-Phase (3 ϕ) 4 Wire CE/GD Models Only	50, 51
Phase 7 Reversing Relay Panel Assembly	
For 460-480 Volt 3-Phase (3 ϕ) Models Only	52, 53
Dual Timer Reversing Relay Mounting Panel Assembly	
For 208-240 Volt Models Only	54
Dual Timer Reversing Relay Mounting Panel Assembly	
For 380-600 Volt Models Only	55
FSS Solenoid Assembly	56
FSS Temperature Probe Assembly	57
Back Guard Assembly	58
Additional Parts Available	59



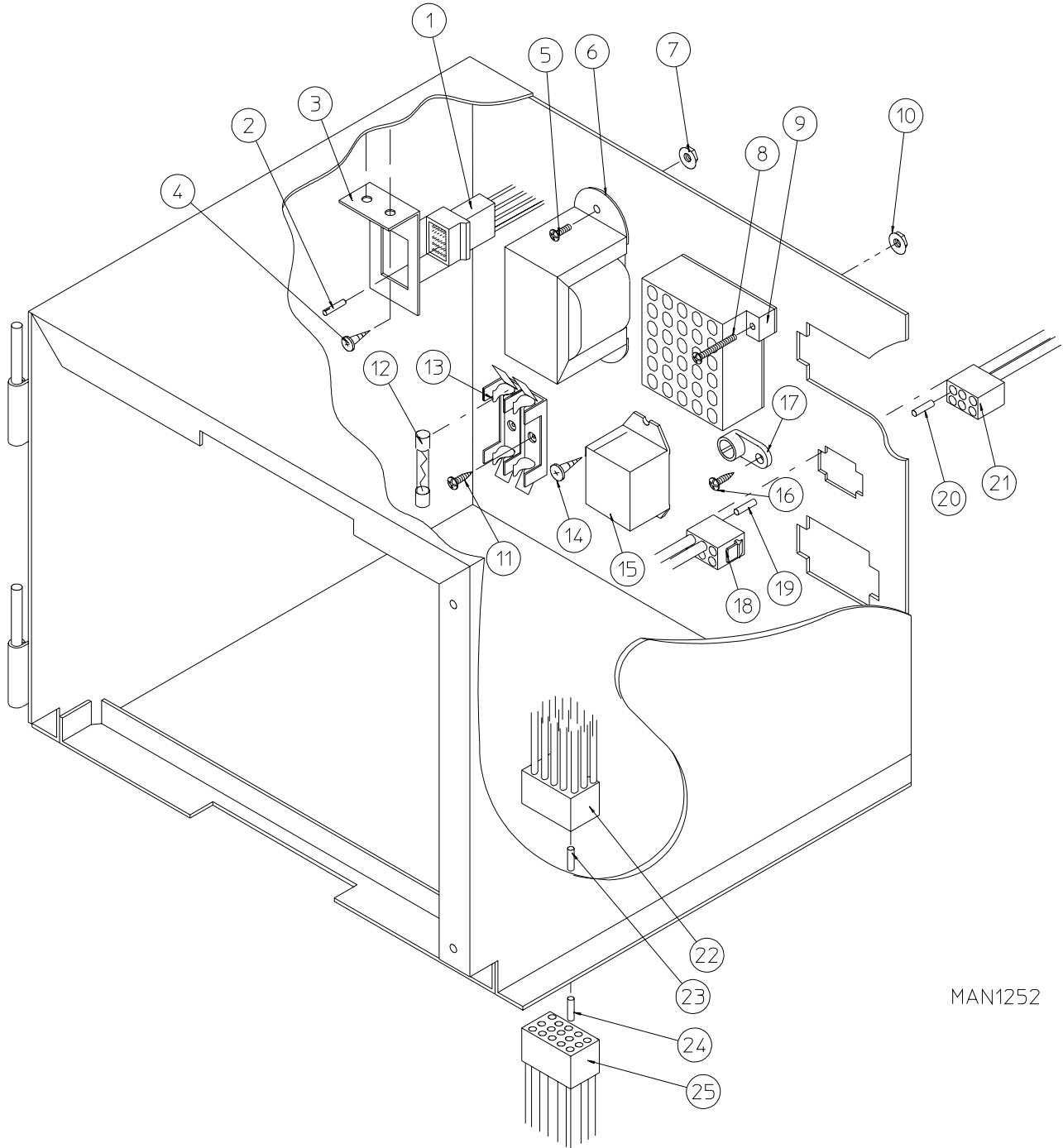
<u>Illus. No.</u>	<u>Part No.</u>	<u>Qty.</u>	<u>Description</u>
1	827039	1	Phase 7 Control Door without Hinge
2	117604	3	1/8" x 3/8" Neoprene Sponge Tape (sold by the foot)
3	150314	4	#10-32 x 1/2" TORX Screw
4	154011	4	#10-32 Multi-Thread U-Nut
5	112368	1	Milnor Logo



<u>Illus. No.</u>	<u>Part No.</u>	<u>Qty.</u>	<u>Description</u>
1	112571	1	Phase 7 OPL Keyboard
2	850979	1	Phase 7 Microprocessor Controller (computer) Panel ONLY
3	822753	1	Phase 7 OPL Reversing Microprocessor Controller (computer) Control Panel Assembly Complete (includes illus. nos. 1 through 7)
	137247	1	Phase 7 OPL Microprocessor Controller (computer) ONLY
4	150005	4	#6-32 x 3/4" Phillips Round Head Machine Screw
5	153010	4	#6 Star Washer
6	136016	1	5-Amp Fuse
7	136097	1	500-mA Fuse



<u>Illus. No.</u>	<u>Part No.</u>	<u>Qty.</u>	<u>Description</u>
1	123005	1	Red Indicator Light - 24 VAC
2	122400	1	Rocker Heat Selector Switch
3	880838	1	Dual Timer Control Panel Assembly Complete - 24 VAC (includes illus. nos. 1 through 15 and 17 through 21)
	880837	1	Dual Timer Control Panel ONLY
4	131917	1	Push-to-Start Relay - 24 VAC
5	150207	2	#10-24 x 1/2" Phillips Round Head Machine Screw
6	154001	2	#10-24 Speed Nut
7	152000	2	#6-32 Hex Nut
8	153010	2	#6 Star Washer
9	120730	1	30-Position Terminal Block
10	153565	2	#6-32 x 1" Clinch Stud
11	150110	4	#8-32 x 1/4" Phillips Round Head Machine Screw
12	153560	2	#6-32 x 1/2" Clinch Stud
13	131931	1	Dual Timer Relay - 24 VAC
14	151000	1	#10-16 x 1/2" Pal Nut
15	112050	1	Dual Timer Label ONLY
16	150309	1	#10-16 x 1/2" Hex Head TEK CrimpTite Screw
17	124103	2	Arrow Timer Knob
18	124025	1	60 Minute Timer - 24 VAC
19	124030	1	15 Minute Timer - 24 VAC
20	122602	1	9-Pin Connector ONLY
21	122700	7	Pin Terminal ONLY
---	122801	1	Pin/Socket Extraction Tool



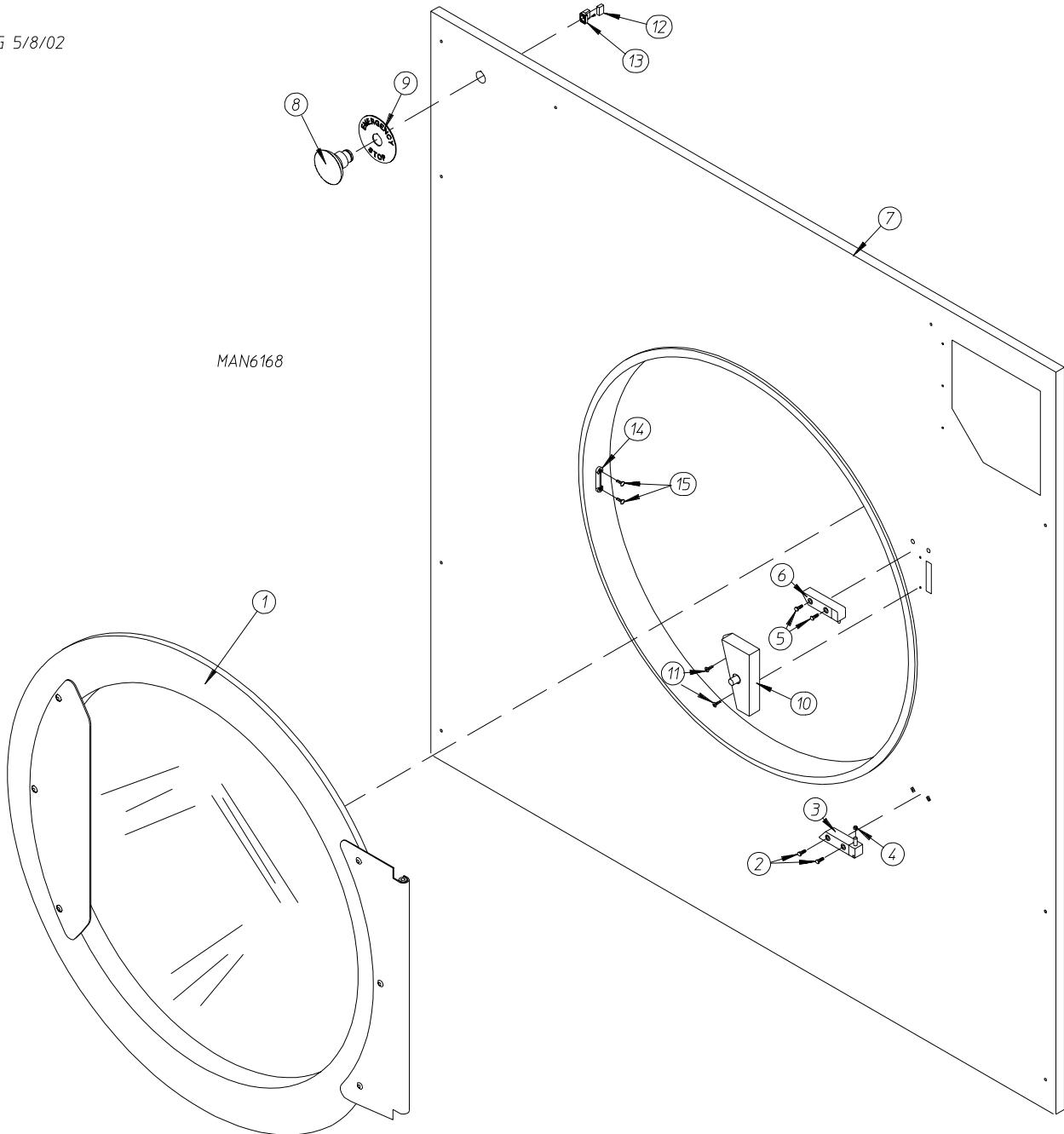
MAN1252

<u>Illus. No.</u>	<u>Part No.</u>	<u>Qty.</u>	<u>Description</u>
1	122603	1	9-Pin Socket Connector
2	122701	7	Socket Terminal ONLY
	122801	1	Pin/Socket Extraction Tool
3	315010	1	9-Pin Connector Bracket
4	150300	2	#10-16 x 1/2" Hex Washer TEK Screw
5	150100	2	#8-32 x 1/2" Phillips Round Head Machine Screw
6	141403	1	24 VAC Transformer - 50/60 Hz (for gas models and steam models Only)
7	151001	2	#8-23 Pal Nut
8	150002	2	#6-32 x 1" Phillips Round Head Machine Screw
9	120715	1	30-Position Terminal Block
10	151000	2	#6-32 Pal Nut
11	150102	2 or 3	#8 x 3/8" Phillips Round Head TEK Screw
12	136057	2	1/2-Amp (Slo-Blo) Fuse ONLY
	182453	1	6-Amp (fast acting) Fuse (for electric models Only)
13	136008	2 or 3	Fuse Block/Strip ONLY
14	150413	2	#10-16 x 1/2" TORX Crimptite Screw
15	131932	1	24 VAC Relay (for electric models Only)
16	150413	1	#10-16 x 1/2" TORX Crimptite Screw
17	121010	1	L-70 Ground Lug
18	122631	1	6-Pin Connector ONLY
19	122705	*	Socket Terminal ONLY
20	122704	*	Pin Terminal ONLY
21	122630	1	6-Pin Connector ONLY
	137025	1	6/15-Position Strain Relief...Not Illustrated
22	122625	1	15-Pin Connector ONLY
23	122704	12	Pin Terminal ONLY
24	122705	12	Socket Terminal ONLY
25	122626	1	15-Pin Socket Connector ONLY
---	122801	1	Pin/Socket Extraction Tool

* As required (either 2 or 3).

DMG 5/8/02

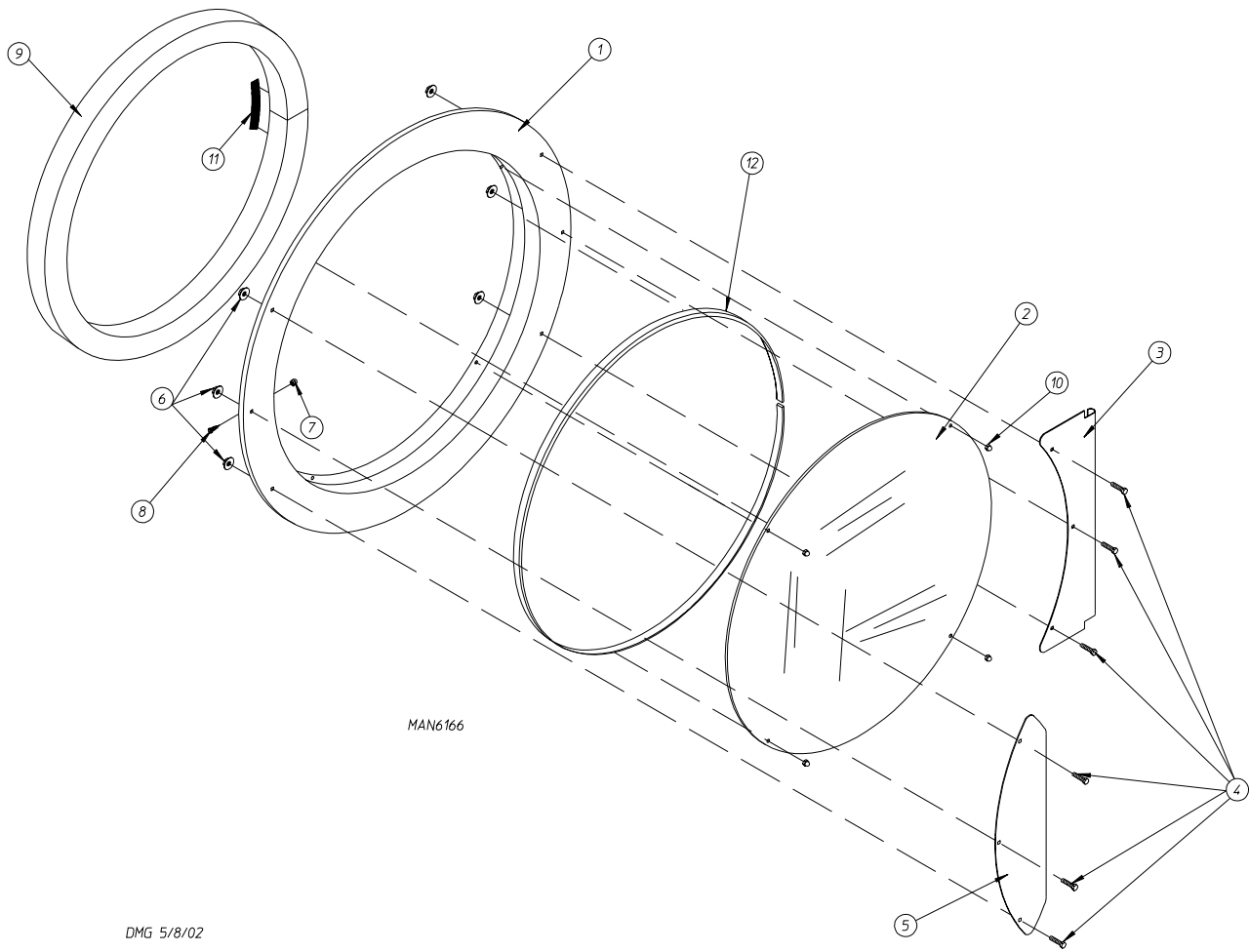
MAN6168



<u>Illus. No.</u>	<u>Part No.</u>	<u>Qty.</u>	<u>Description</u>
1	835003*	-	Cold Rolled Steel (CRS) Main Door Assembly (refer to Main Door Assembly on page 10)
2	150443	2	Socket Cap Screw
3	170331	1	Bottom Hinge Block
4	153031	1	Nylon Washer
5	150443	2	Socket Cap Screw
6	170329	1	Top Hinge Block
7	825411*	1	Front Panel Assembly for Round Door
8	122351	1	Large "EMERGENCY STOP" (E-Stop) Mushroom Head Switch
9	122419	1	"EMERGENCY STOP" (E-Stop) Nameplate
10	801786*	1	Milnor Main Door Switch and Housing for Round Door (refer to Main Door Switch on page 11)
11	150301	2	#8 x 7/16" Phillips Head TEK Screw
12	132387	1	Normally Closed (N.C.) Contact Block
13	132395	1	Normally Closed (N.C.) Contact Block with Base
14	170330	1	Friction Door Latch
15	154215	2	5/32" Pop Rivet
**	116260	1	8-3/8" x 56-1/8" Front Panel Left Side Insulation
**	116261	1	7-3/8" x 56-1/8" Front Panel Right Side Insulation
**	116252	1	Top Front Panel Insulation
**	116253	1	Bottom Front Panel Insulation
**	116290	1	11-1/2" x 26-1/2" Front Panel Top Center Insulation
**	116291	1	1-1/2" x 51" Hat Stiffener Insulation

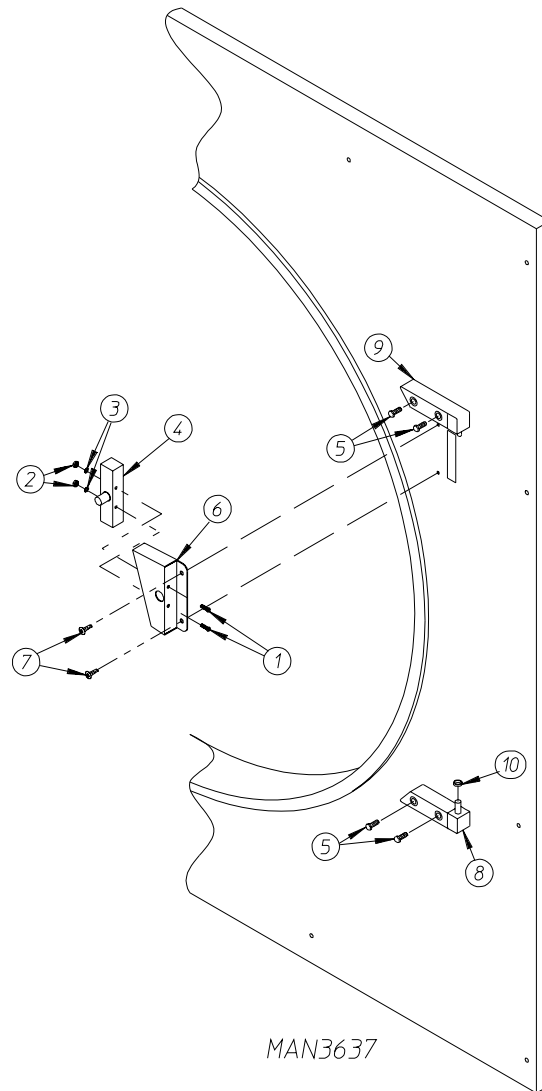
* Specify color when ordering.

** Not illustrated.

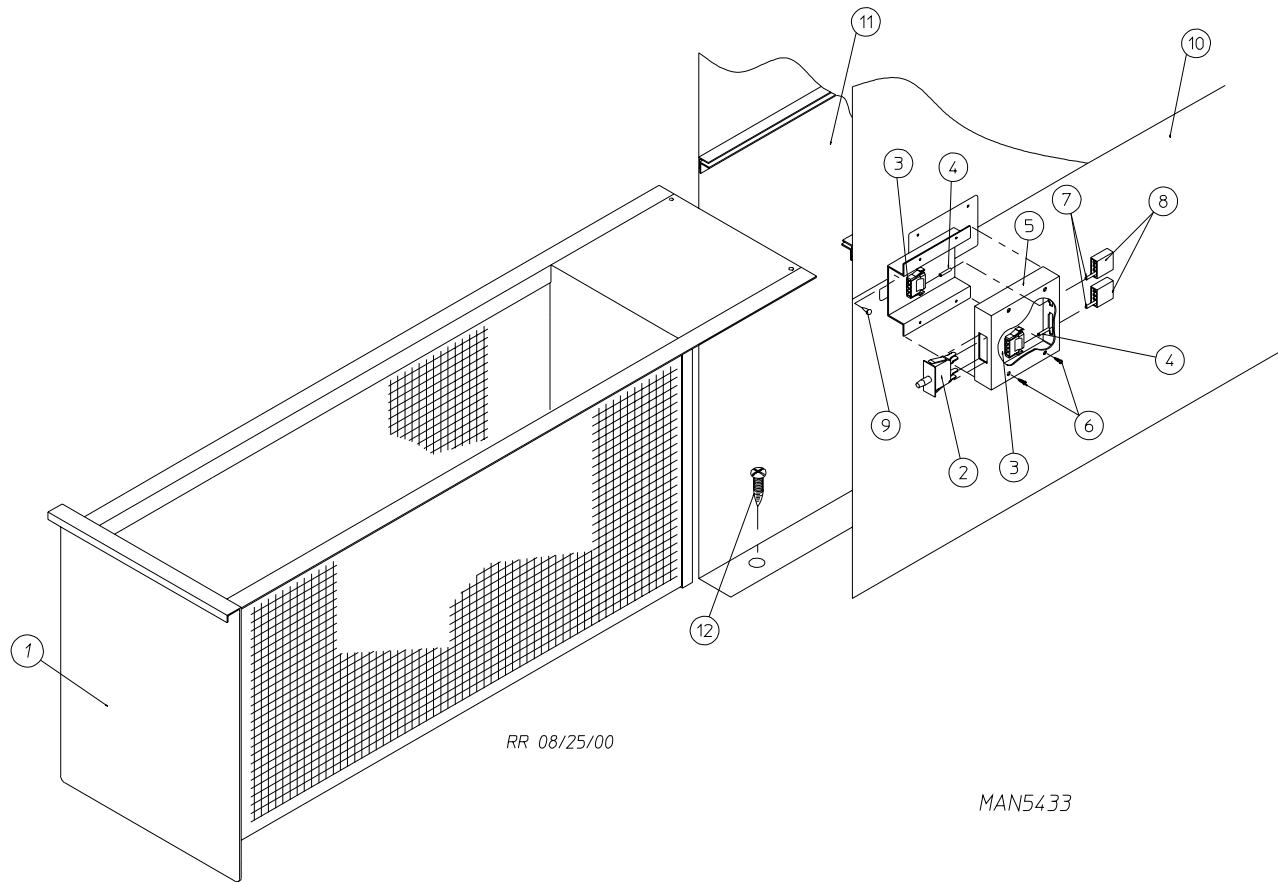


<u>Illus. No.</u>	<u>Part No.</u>	<u>Qty.</u>	<u>Description</u>
1	835057*	1	Large Main Door Ring
2	102214	1	30" Door Glass
3	835128*	1	Large Main Door Hinge
4	150683	6	1/4-20 x 5/8" Carriage Bolt (black)
5	314729*	1	Large Main Door Handle
6	152014	6	1/4-20 Free Spin Wash Nut
7	151009	1	Stainless Steel Hex Acorn Lock Nut
8	150120	1	#10-32 x 7/16" Door Latch Screw
9	102357	1	Extruded Steel Door Gasket
10	151012	4	#10-32 Nylon Acorn Nut (white)
11	110006	2"	1/2" Strapping Tape (black)
12	102362	8'	Gasket Tape (white)

* Specify color when ordering.

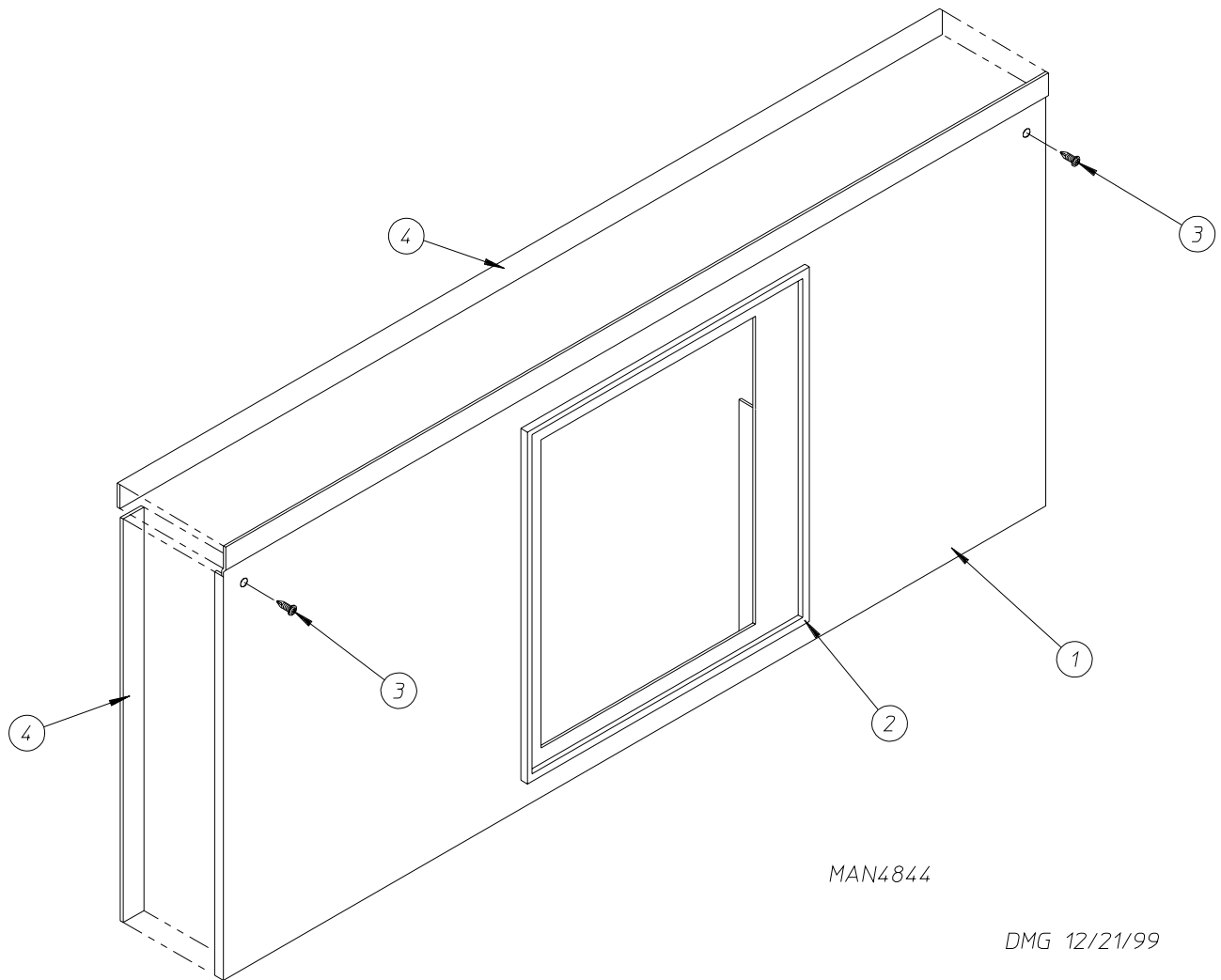


<u>Illus. No.</u>	<u>Part No.</u>	<u>Qty.</u>	<u>Description</u>
1	150006	2	#6-32 x 7/8" Phillips Pan Head Machine Screw
2	152013	2	#6-32 Hex Nut
3	153010	2	#6 Star Washer
4	137005	1	Single-Pole Door Switch
5	150443	4	1/4-20 x 3/4" Stainless Steel Cap Screw
6	881687	1	Main Door Switch Housing ONLY (white)
	882291	1	Main Door Switch Housing ONLY (coral wrinkle blue)
	881702	1	Main Door Switch with Housing Assembly (white) (includes illus. nos. 1 through 4 and 6)
	882298	1	Main Door Switch Housing Assembly (coral wrinkle blue) (includes illus. nos. 1 through 4 and 6)
7	150201	2	#10-32 x 1/4" Phillips Pan Head Screw
8	881441	1	Bottom Hinge Block (white)
	882283	1	Bottom Hinge Block (coral wrinkle blue)
9	881440	1	Top Hinge Block (white)
	882284	1	Top Hinge Block (coral wrinkle blue)
10	153031	1	Nylon Washer



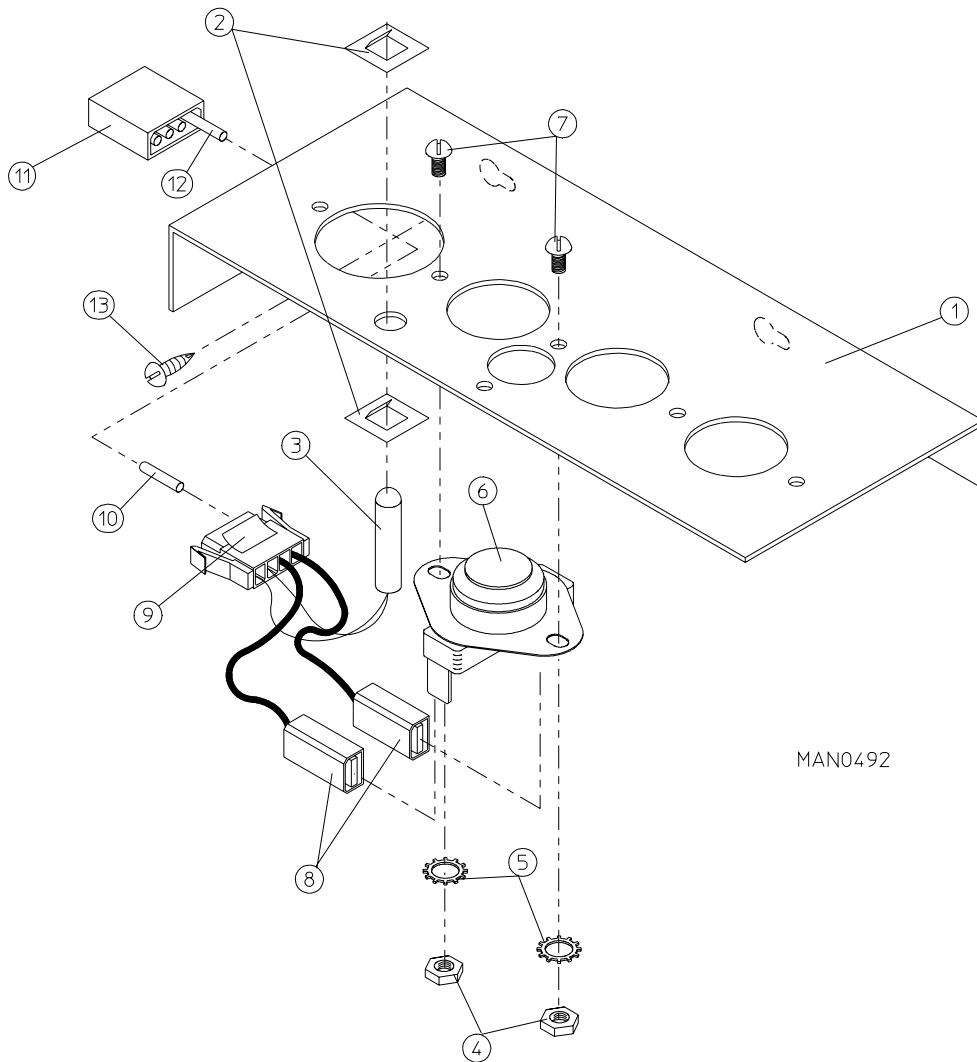
<u>Illus. No.</u>	<u>Part No.</u>	<u>Qty.</u>	<u>Description</u>
1	802106*	1	Lint Basket Assembly
	802125	1	Stainless Steel Lint Basket Assembly
2	122116	1	Lint Drawer Switch ONLY
3	122605	1	4-Pin Socket Connector
4	122701	2	Socket Terminal ONLY
	122801	1	Pin/Socket Extraction Tool
5	882507	1	Lint Drawer Switch Box Assembly Complete (includes illus. nos. 3 through 6)
6	150301	4	#8-18 x 7/16" Phillips Pan Head TEK Screw
7	122700	2	Pin Terminal ONLY
8	122604	1	4-Pin Connector
9	150301	2	#8-18 x 7/16" Phillips Pan Head TEK Screw
10	319076	1	Right Hand Divider Panel
11	319077	1	Left Hand Divider Panel
12	150301	14	#8-18 x 7/16" Phillips Pan Head TEK Screw

* Specify color when ordering.



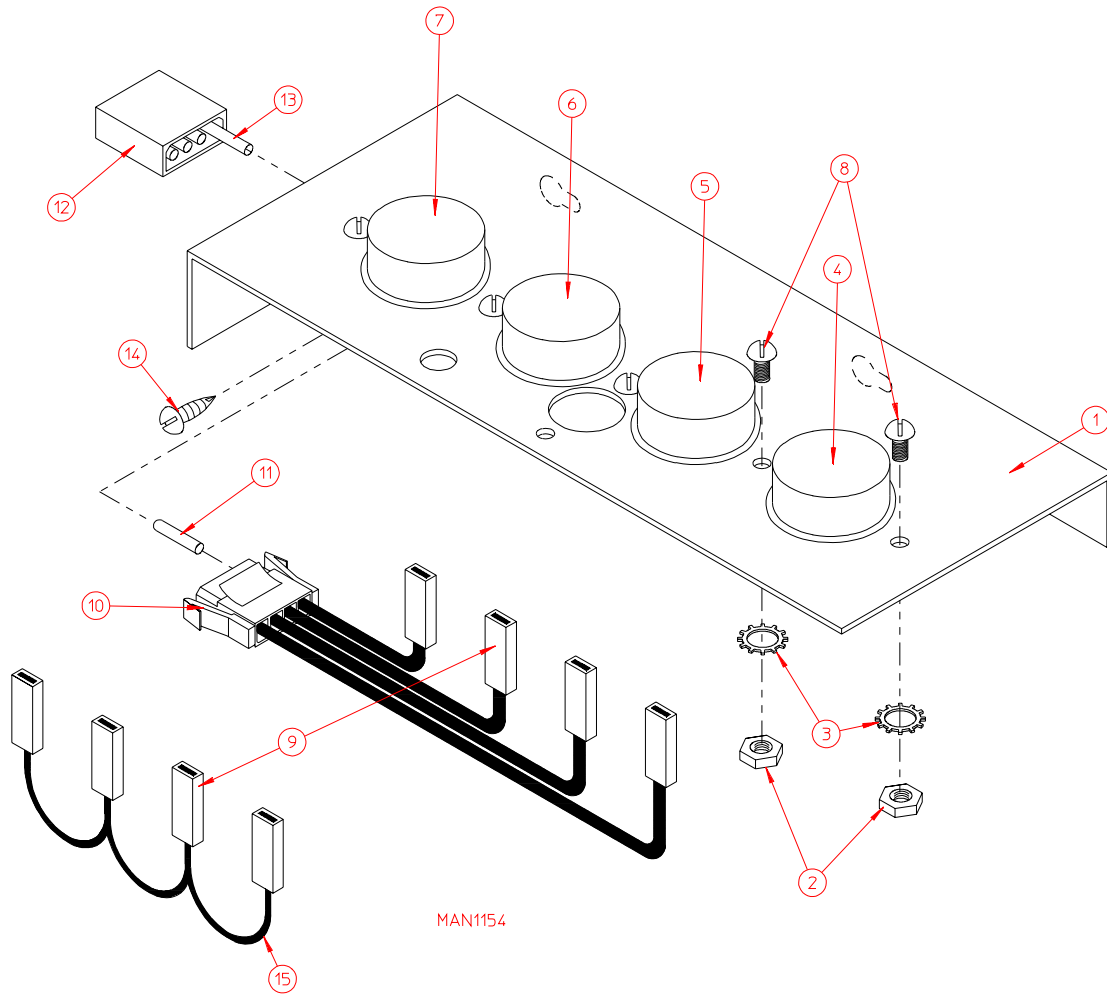
<u>Illus. No.</u>	<u>Part No.</u>	<u>Qty.</u>	<u>Description</u>
1	824256*	1	Lint Door Assembly (includes illus. nos. 1, 2, and 4)
	820021	1	Stainless Steel Lint Door Assembly
2	117604	8	Gasket (sold by the foot)
3	150314	5	#10-32 x 1/2" TORX Screw
4	117607	5	Neoprene Sponge Tape (sold by the foot)

* Specify color when ordering.

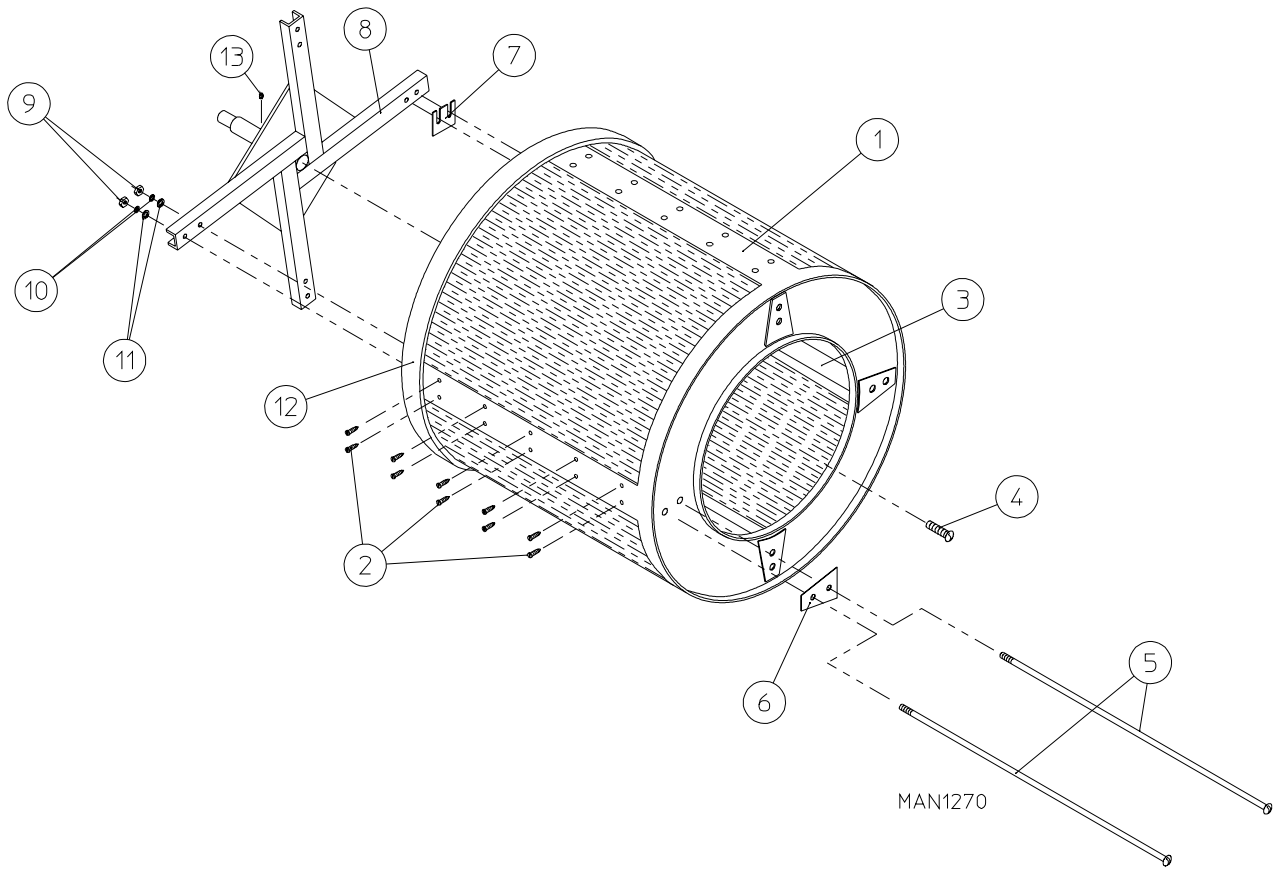


MAN0492

<u>Illus. No.</u>	<u>Part No.</u>	<u>Qty.</u>	<u>Description</u>
1	820022	1	Microprocessor Controller (computer) Temperature Sensor Bracket Assembly Complete (includes illus. nos. 1 through 10)
	331295	1	Temperature Sensor Bracket ONLY
2	154007	2	1/4" Tinnerman Push On Fastener
3	880251	1	1/4" Temperature Sensor Probe Assembly (includes illus. nos. 2, 3, and 8 through 10)
4	152000	2	#6-32 Hex Nut
5	153010	2	#6 Star Washer
6	130302	1	225° Large Automatic Reset Thermostat ONLY
7	150000	2	#6-32 x 1/4" Round Head Machine Screw
8	121028	2	Insulated Terminal
9	122605	1	4-Pin Socket Connector ONLY
10	122701	4	Socket Terminal ONLY
11	122604	1	4-Pin Connector ONLY
12	122700	4	Pin Terminal ONLY
	122801	1	Pin/Socket Extraction Tool
13	150301	2	#8-18 x 7/16" Phillips Pan Head TEK Screw



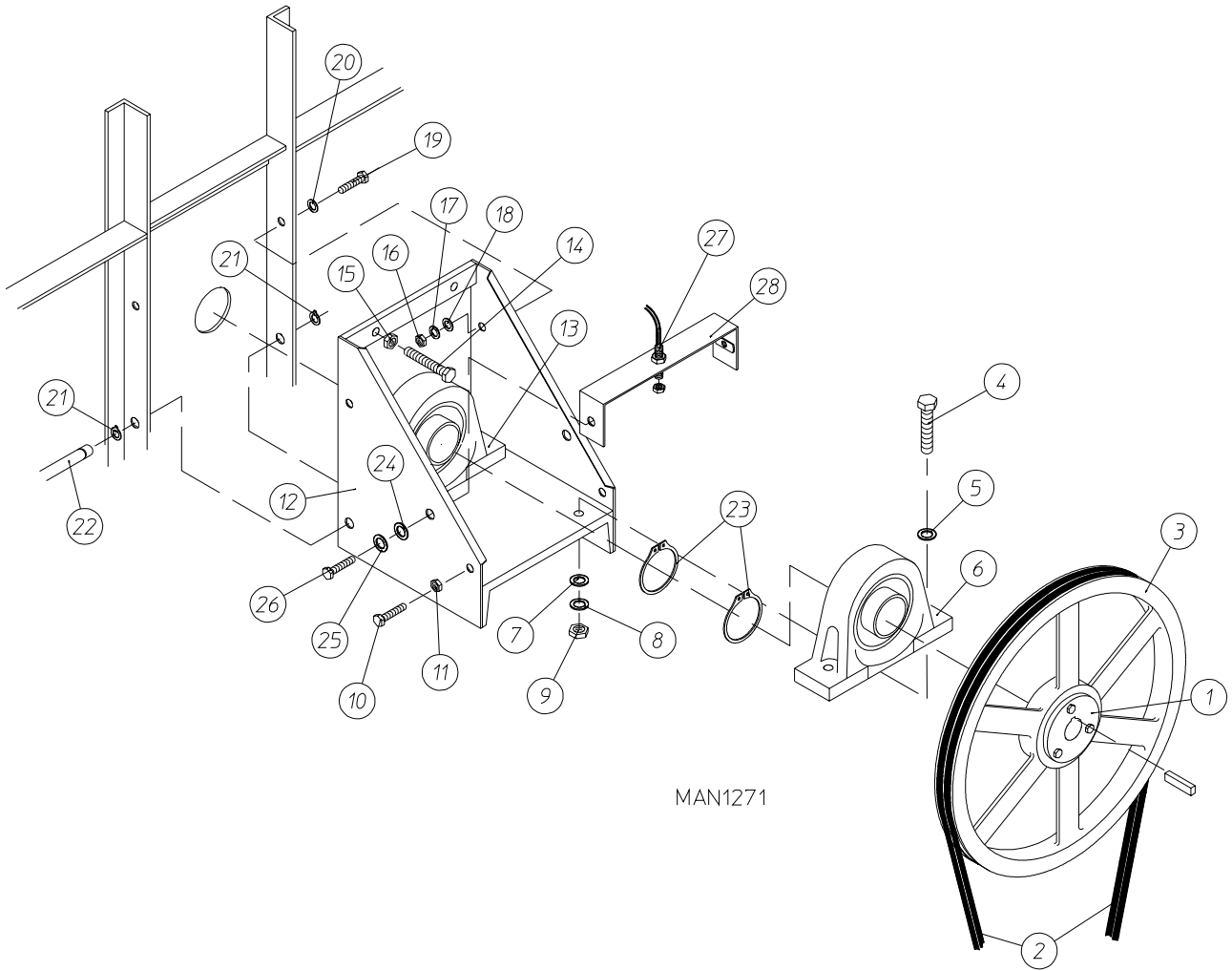
<u>Illus. No.</u>	<u>Part No.</u>	<u>Qty.</u>	<u>Description</u>
1	801404	1	Dual Timer Sensor Bracket Assembly Complete (includes illus. nos. 1 through 11 and 15)
	331295	1	Sensor Bracket ONLY
2	152000	5	#6-32 Hex Nut
3	153010	5	#6 Star Washer
4	130302	1	225° Large Thermostat ONLY
5	130107	1	160° Large Thermostat ONLY
6	130109	1	140° Large Thermostat ONLY
7	130101	1	180° Large Thermostat ONLY
8	150001	5	#6-32 x 1/2" Phillips Round Head Machine Screw
9	121028	8	Insulated Terminal
10	122605	1	4-Pin Socket (female) Connector ONLY
	840062	1	Sensor Bracket Harness Assembly (includes illus. nos. 9 through 11)
11	122701	4	Socket Terminal ONLY
12	122604	1	4-Pin Connector ONLY
13	122700	4	Pin Terminal ONLY
	122801	1	Pin/Extraction Tool
14	150301	2	#8-18 x 7/16" Phillips Pan Head TEK Screw
15	840065	1	Sensor Jumper Harness ONLY



<u>Illus. No.</u>	<u>Part No.</u>	<u>Qty.</u>	<u>Description</u>
1	820110*	1	Basket (tumbler) ONLY without Felt Collar
	820111*	1	Stainless Steel Basket (tumbler) ONLY without Felt Collar
	820020	1	Basket (tumbler) and Support Assembly Complete (includes illus. nos. 1 through 12)
	820052	1	Basket (tumbler) and Support Assembly Complete with Rotational Sensor Option (includes illus. nos. 1 through 12)
	820030	1	Stainless Steel Basket (tumbler) and Support Assembly Complete (includes illus. nos. 1 through 12)
	820029	1	Stainless Steel Basket (tumbler) and Support Assembly Complete with Rotational Sensor Option (includes illus. nos. 1 through 12)
2	150413	40	#10-16 x 1/2" TORX Crimptite Screw
3	331105	4	Basket (tumbler) Rib ONLY
	331106	4	Stainless Steel Basket (tumbler) Rib ONLY
4	150500	1	5/16-18 x 3/4" Socket Button Head Screw
5	100910	8	1/2-13 x 44" Tie Rod
6	301700	4	Basket (tumbler) Reinforcing Plate ONLY
7	301701	**	Basket (tumbler) Shim ONLY
8	820115	1	Basket (tumbler) Support ONLY
	820116	1	Basket (tumbler) Support ONLY with Rotational Sensor Option
9	152011	8	1/2-13 Hex Nut
10	153026	8	1/2" Lock Washer
11	153011	8	9/16" Flat Washer
12	116006	1	Felt Collar ONLY
	401010	1	#847 Adhesive for Felt Collar (5 oz. tube)
13	821002	1	Rotational Magnet Holder Assembly (for microprocessor models with optional rotational sensor)

* Felt collar *is not included* and **must be** ordered separately.

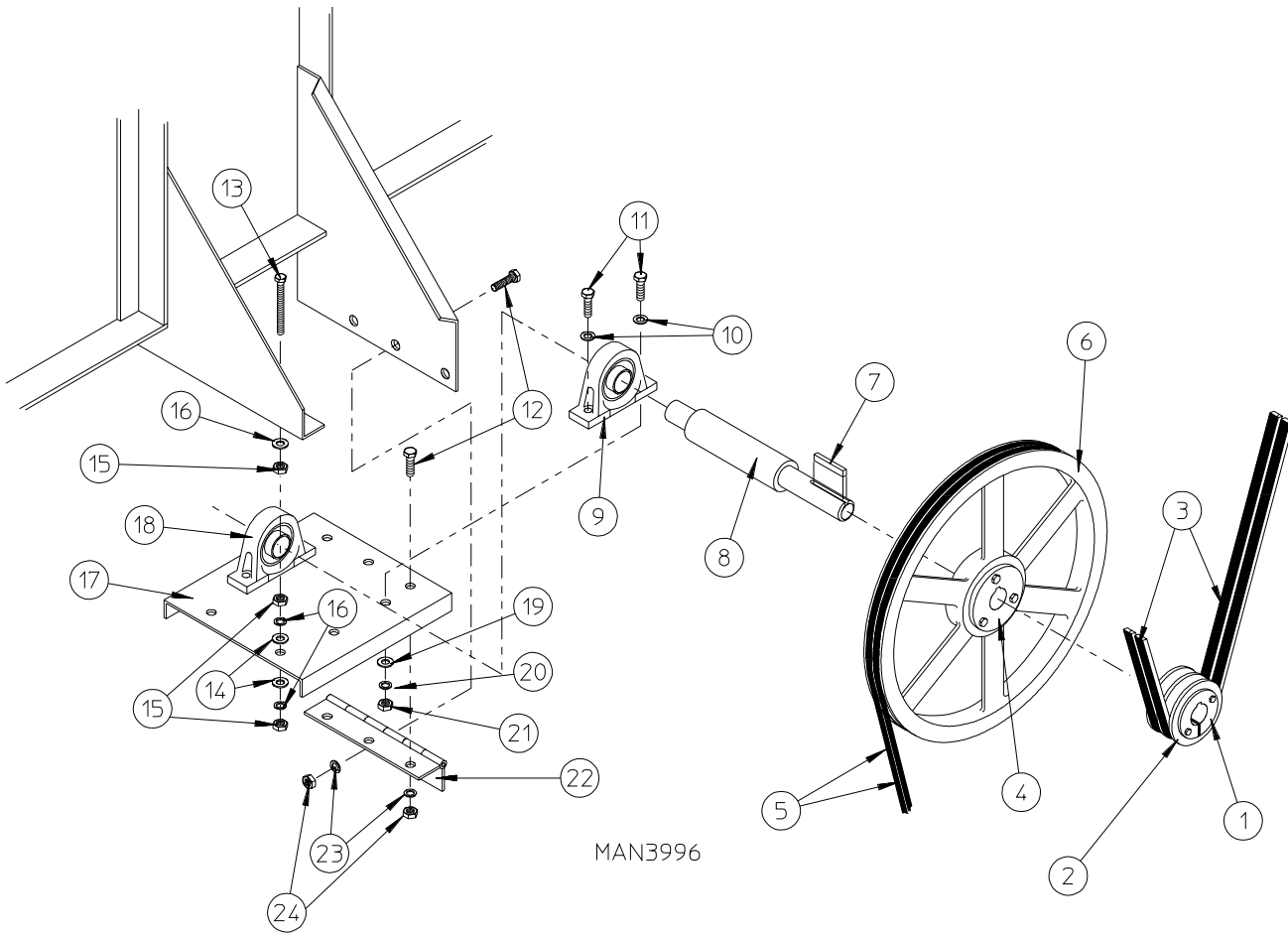
** As required.



MAN1271

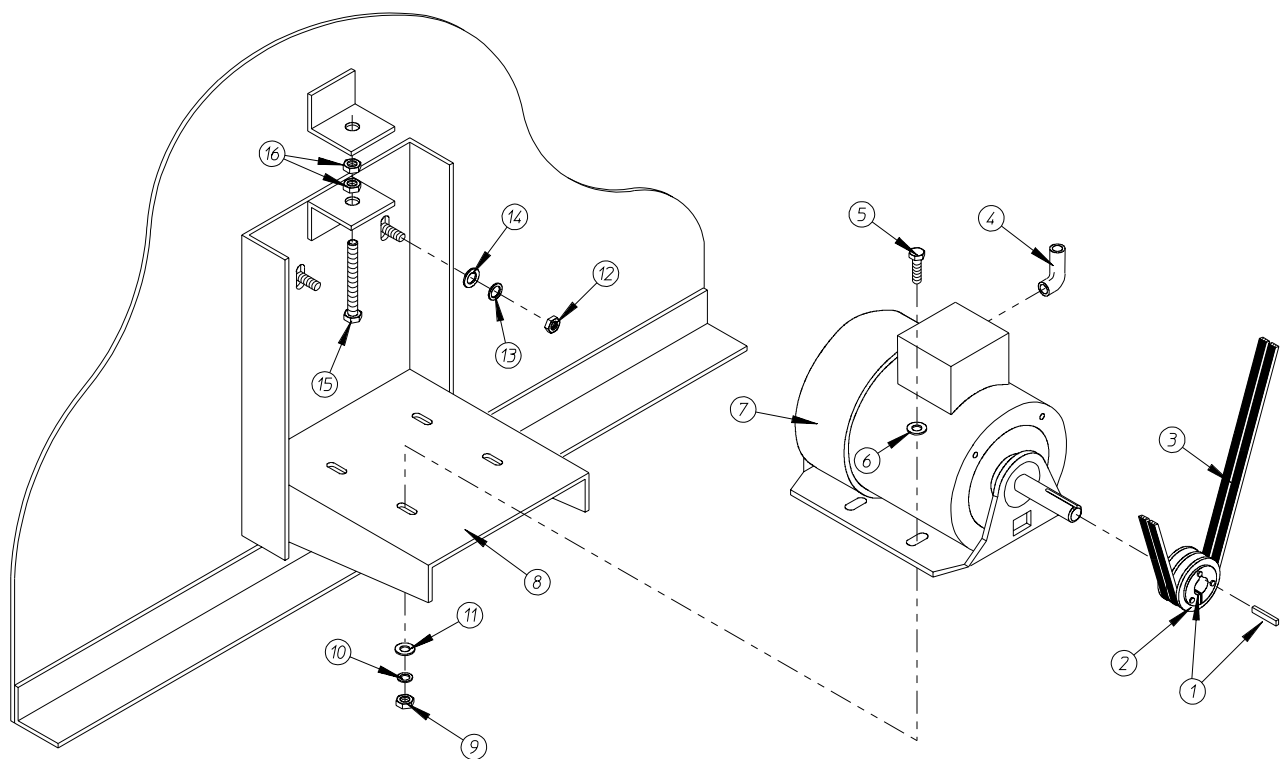
<u>Illus. No.</u>	<u>Part No.</u>	<u>Qty.</u>	<u>Description</u>
1	101137	1	2-1/4" SFX Bushing
2*	100135	2	AP-74 V-Belt
3	101136	1	20" Basket (tumbler) Pulley
4	150602	4	5/8-11 x 3" Hex Head Machine Bolt
5	153016	4	5/8" Flat Washer
6	880204	1	2-1/4" Pillow Block Bearing ONLY
7	153016	4	5/8" Flat Washer
8	153015	4	5/8" Lock Washer
9	152010	4	5/8-11 Hex Nut
10	150600	2	3/8-16 x 1-1/2" Hex Head Machine Bolt
11	152005	2	3/8-16 Hex Nut
12	801102	1	Basket (tumbler) Bearing Mount Assembly (includes illus. nos. 4 through 13)
13	880204	1	2-1/4" Pillow Block Bearing ONLY
14	150603	2	1/2-13 x 3" Square Head Machine Bolt
15	152011	2	1/2-13 Hex Nut
16	152005	2	3/8-16 Hex Nut
17	153005	2	3/8" Lock Washer
18	153004	4	3/8" Flat Washer
19	150600	2	3/8-16 x 1-1/2" Hex Head Machine Bolt
20	153004	2	3/8" Flat Washer
21	100801	2	5/8" Retaining Ring
22	301810	1	5/8" Hinge Pin
23	100811	2	2-1/4" Retaining Ring
24	153018	2	1/4" Flat Washer
25	153007	2	1/4" Lock Washer
26	150512	2	1/4-20 x 1/2" Hex Head Machine Bolt
27	824807	1	Rotational Sensor Assembly
28	880841	1	Rotational Sensor Mounting Bracket

* Replace in matched sets (both belts).



<u>Illus. No.</u>	<u>Part No.</u>	<u>Qty.</u>	<u>Description</u>
1	101110	1	1" Bushing
2	101113	1	2A3.0 Pulley
3*	100135	1	AP-74 V-Belt
4	101107	1	1" SK Bushing
5*	100170	1	3V-710 V-Belt
6	101112	1	19" Idler Pulley
7	100715	1	1/4" x 1/4" x 4-5/8" Key
8	301852	1	1" Idler Shaft ONLY
9	880205	1	1" Pillow Block Bearing ONLY
10	153004	4	3/8" Flat Washer
11	150600	4	3/8-16 x 1-1/2" Hex Head Machine Bolt
12	150512	6	1/4-20 x 1/2" Hex Head Machine Bolt
13	150509	2	5/16-18 x 3" Hex Head Machine Bolt
14	153001	4	5/16" Flat Washer
15	152004	6	5/16" Hex Nut
16	153002	8	5/16" Lock Washer
17	801001	1	Idler Bearing Mount Assembly Complete (includes illus. nos. 8 through 11 and 17 through 24)
	311401	1	Idler Bearing Mount ONLY
18	880205	1	1" Pillow Block Bearing ONLY
19	153004	4	3/8" Flat Washer
20	153005	4	3/8" Lock Washer
21	152005	4	3/8-16 Hex Nut
22	103005	1	Idler Adjustment Hinge ONLY
23	153007	6	1/4" Lock Washer
24	152002	6	1/4-20 Hex Nut

* Replace in matched sets (both belts).



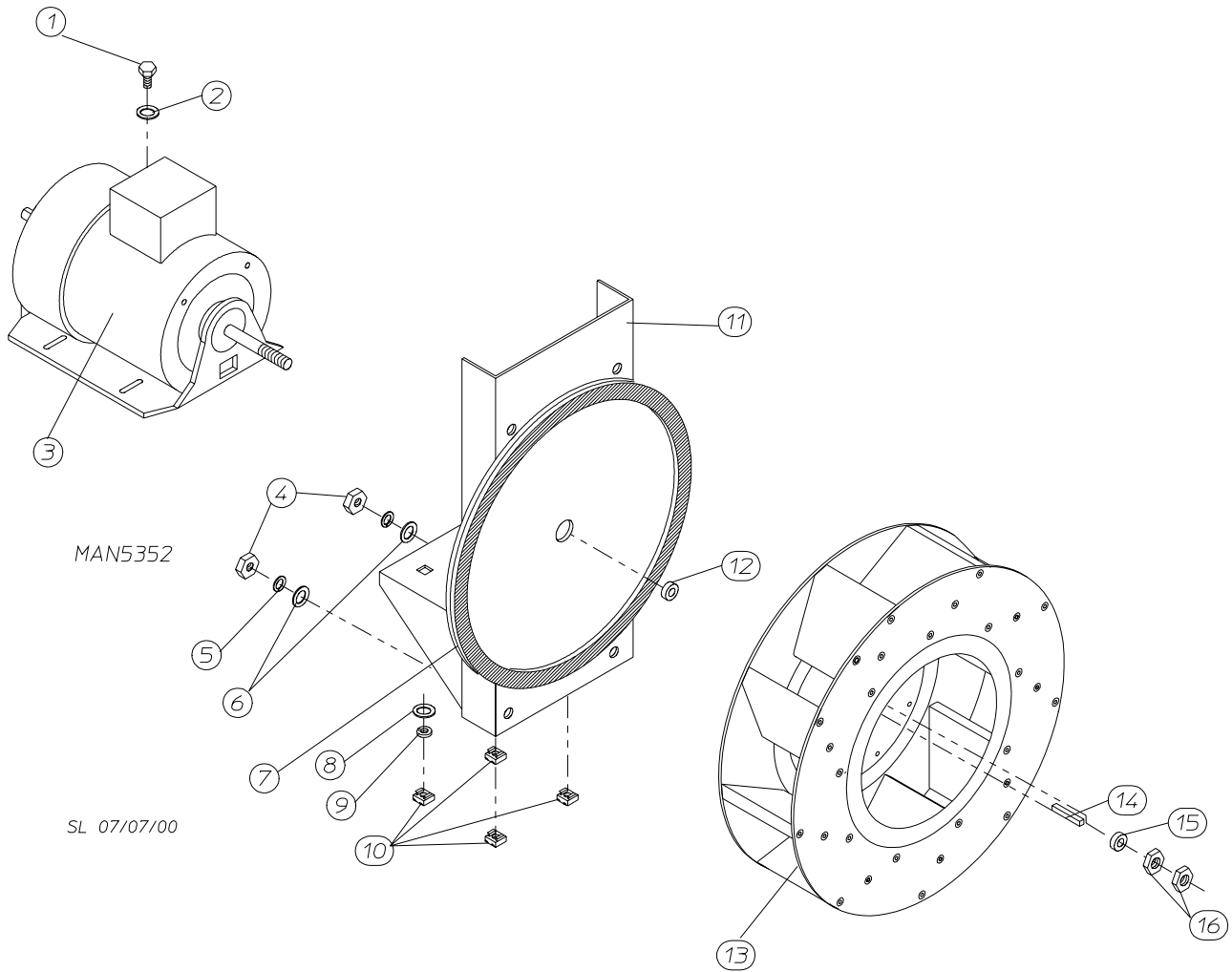
MAN0329

<u>Illus. No.</u>	<u>Part No.</u>	<u>Qty.</u>	<u>Description</u>
1	101121	1	5/8" SK Bushing
2	101114	1	2.65" Pulley (for 60 Hz models Only)
	101120	1	3.15" Pulley (for 50 Hz models Only)
3*	100170	1	3V-710 V-Belt
4	120200	1	3/8" x 90° Connector
5	150501	4	5/16-18 x 3/4" Hex Head Machine Bolt
6	153001	4	5/16" Flat Washer
7	100029	1	3/4 HP 208/230/460v 3ø 50/60 Hz and 380v 3ø 50 Hz Totally Enclosed, Fan-Cooled (T.E.F.C.) Motor (56Z frame)
	100084	1	3/4 HP 380v 3ø 60 Hz Totally Enclosed, Fan-Cooled (T.E.F.C.) Motor (56Z frame)
8	800952	1	Basket (tumbler) Motor Mount ONLY (56Z frame)
	800953**	1	3/4 HP 208/230/460v 3ø 60 Hz Basket (tumbler) Motor Mount Assembly Complete (includes illus. nos. 1, 2, 4 through 11, 15, and 16)
	800955**	1	3/4 HP 208/230/380/460v 3ø 50 Hz Motor Mount Assembly Complete (includes illus. nos. 1, 2, 4 through 11, 15, and 16)
	800956**	1	3/4 HP 380v 3ø 60 Hz Basket (tumbler) Motor Mount Assembly Complete (includes illus. nos. 1, 2, 4 through 11, 15, and 16)
9	152004	4	5/16-18 Hex Nut
10	153002	4	5/16" Lock Washer
11	153001	4	5/16" Flat Washer
12	152004	4	5/16-18 Hex Nut
13	153002	4	5/16" Lock Washer
14	153001	4	5/16" Flat Washer
15	150619	1	3/8-16 x 3" Hex Head Machine Bolt
16	152005	2	3/8-16 Hex Nut

* Replace in matched sets (both belts).

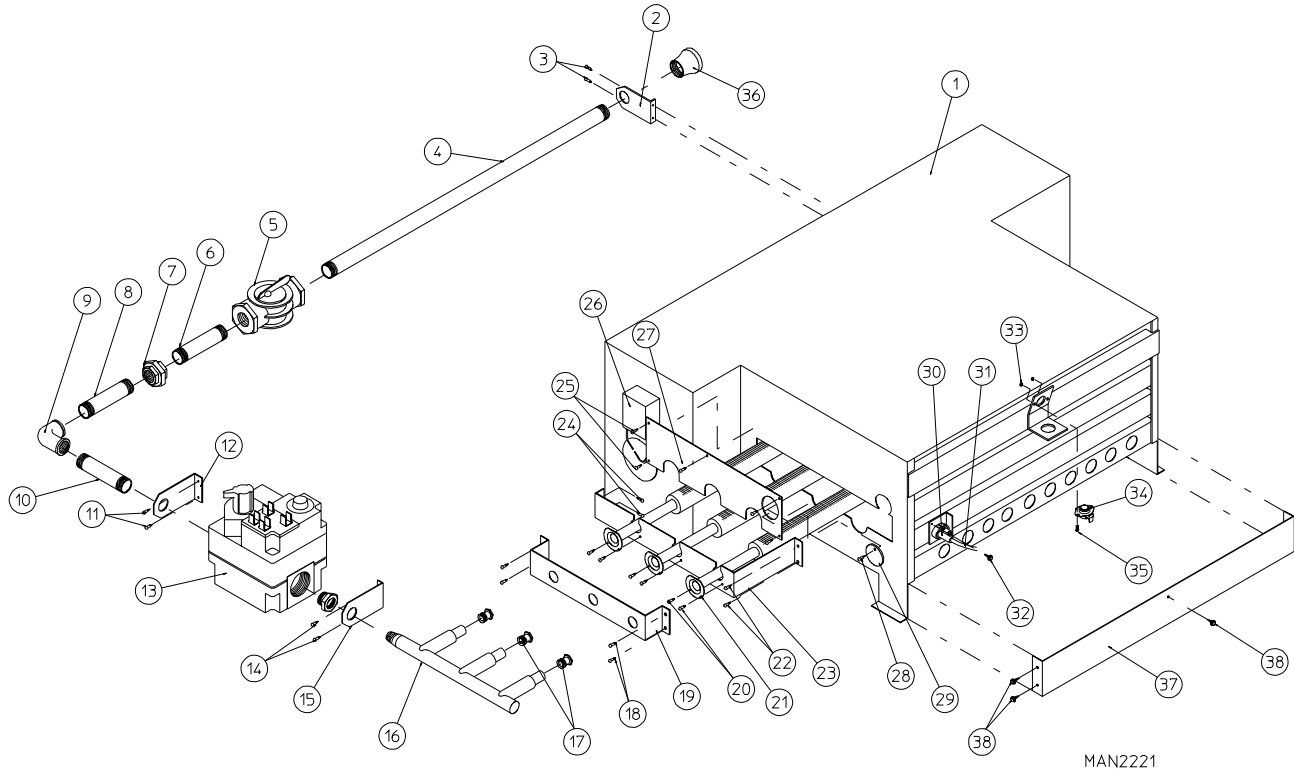
** Specify voltage when ordering.

IMPORTANT: For voltages higher than 460 VAC, contact the **ADC** factory for correct part number of motor mount assembly.



<u>Illus. No.</u>	<u>Part No.</u>	<u>Qty.</u>	<u>Description</u>
1	150501	4	5/16-18 x 1" Hex Head Bolt
2	153001	4	5/16" Flat Washer
3	181043	1	3 HP Motor 208/230/460/416v 50 Hz
	100022	1	3 HP Motor 380v 3 ϕ 60 Hz
	100088	1	3 HP Motor 575v 3 ϕ 60 Hz
4	152004	4	5/16-18 Hex Nut
5	153002	4	5/16" Lock Washer
6	153001	4	5/16" Flat Washer
7	117604	4'	Noise Suppressor Tape (sold by the foot)
8	153001	4	5/16" Flat Washer
9	153002	4	5/16" Lock Washer
10	152004	4	5/16-18 Hex Nut
11	803561	1	Blower Motor Mount ONLY
12	153055	1	5/8" Motor Washer
13	802027	1	16" Riveted High Flow Impellor 7/8" Bore (60 Hz dryers)
	802024	1	16" Riveted Impellor 7/8" Bore (50 Hz dryers)
14	100705	1	3/16" x 3/16" x 1-3/8" Key
15	153055	1	5/8" Motor Washer
16	152006	2	1/2-20 Left Hand Jam Nut

For Gas Models ONLY



MAN2221

<u>Illus. No.</u>	<u>Part No.</u>	<u>Qty.</u>	<u>Description</u>
1	880874*	1	Direct Spark Ignition (DSI) Natural Gas Burner Assembly Complete Less Orifices (includes illus. nos. 1 through 16 and 18 through 36)
	880875*	1	Direct Spark Ignition (DSI) Liquid Propane (L.P.) Gas Burner Assembly Complete Less Orifices (includes illus. nos. 1 through 16 and 18 through 38)
	820201	1	Burner Box ONLY
2	331291	1	Pipe Bracket
3	150309	2	#10-16 x 1/2" Hex Head TEK Crimptite Screw
4	142813	1	3/4" x 32-1/2" Pipe
5	141300	1	3/4" Union Shut Off
6	142701	1	3/4" Closed Nipple
7	142601	1	3/4" Union
8	142710	1	3/4" x 4" Nipple
9	142504	1	3/4" x 90° Elbow
10	142734	1	3/4" x 5 1/2" Nipple
11	150413	2	#10-16 x 1/2" TORX Crimptite Screw
12	331291	1	Gas Valve Pipe Bracket
13	140026	1	3/4" Direct Spark Ignition (DSI) 24 VAC Redundant (natural gas) Gas Valve (3/4" to 1/2" reducing bushing included with gas valve)
	140411	-	24 VAC Gas Valve Liquid Propane (L.P.) Conversion Kit
14	150309	2	#10-16 x 1/2" Hex Head TEK Crimptite Screw
15	331291	1	Gas Valve Pipe Bracket
16	141208	1	3-Port Manifold

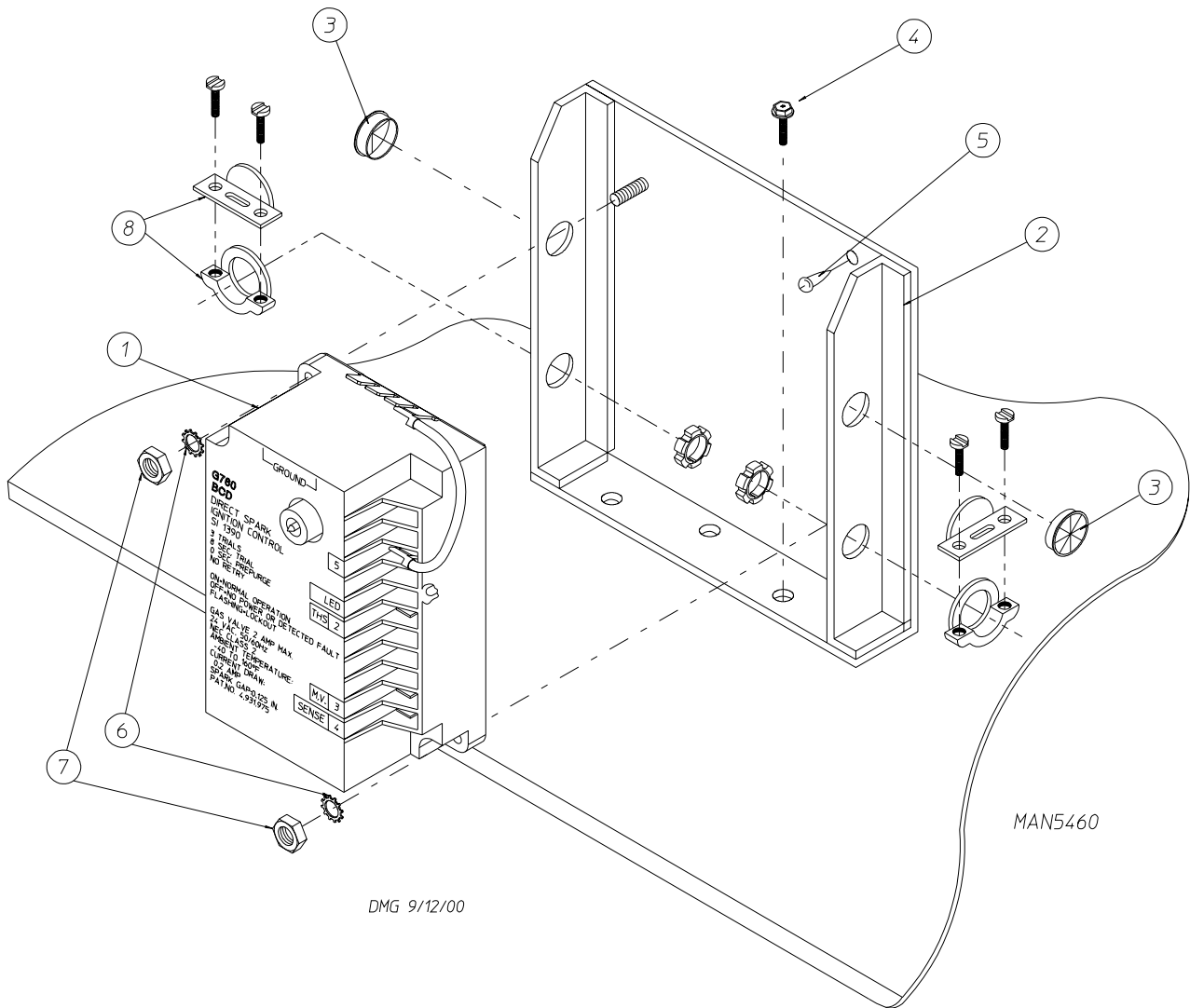
For Gas Models ONLY

<u>Illus. No.</u>	<u>Part No.</u>	<u>Qty.</u>	<u>Description</u>
17**	140832	3	#4 Burner Orifice (natural gas) ONLY
	140819	3	#30 Burner Orifice (liquid propane [L.P.] gas) ONLY
18	150309	4	#10-16 x 1/2" Hex Head TEK Crimptite Screw
19	331288	1	Manifold Support ONLY
20	150309	6	#10-16 x 1/2" Hex Head TEK Crimptite Screw
21	141110	3	Burner Tube ONLY
22	150309	2	#10-16 x 1/2" Hex Head TEK Crimptite Screw
23	331287	1	Burner Tube Support ONLY
24	150309	2	#10-16 x 1/2" Hex Head TEK Crimptite Screw
25	150309	6	#10-16 x 1/2" Hex Head TEK Crimptite Screw
26	-----	1	Sail Switch (refer to Sail Switch Assembly on page 42 and page 43)
27	331289	1	Burner Box Cover Plate ONLY
28	150413	1	#10-16 x 1/2" Phillips Round Head Screw
29	331290	1	Ignitor/Flame-Probe Sight Hole Disc ONLY
30	882451	1	Direct Spark Ignition (DSI) Ignitor/Flame-Probe with High Voltage (HV) Wire
	305410	1	Direct Spark Ignition (DSI) Ignitor Gap Feeler Gauge...Not Illustrated
31	880330	1	Direct Spark Ignition (DSI) Ignitor High Voltage (HV) Wire/Connector ONLY
32	150413	2	#10-16 x 1/2" Phillips Round Head Screw
33	151000	2	#6-32 Pal Nut
34	130201	1	330° Hi-Limit Small Manual Reset Thermostat ONLY
35	150001	2	#6-32 x 1/2" Round Head Machine Screw
36	142924	1	1" to 3/4" Reducing Coupling
	142937	1	1" BSPT x 3/4" N.P.T. Coupling (for CE models Only)
37***	332256	1	Liquid Propane (L.P.) Burner Baffle ONLY
38***	150309	5	#10-16 x 1/2" Hex Head TEK Crimptite Screw
---	880886**	1	Direct Spark Ignition (DSI) Liquid Propane (L.P.) Conversion Kit (with 3/4" White-Rodgers gas valve)

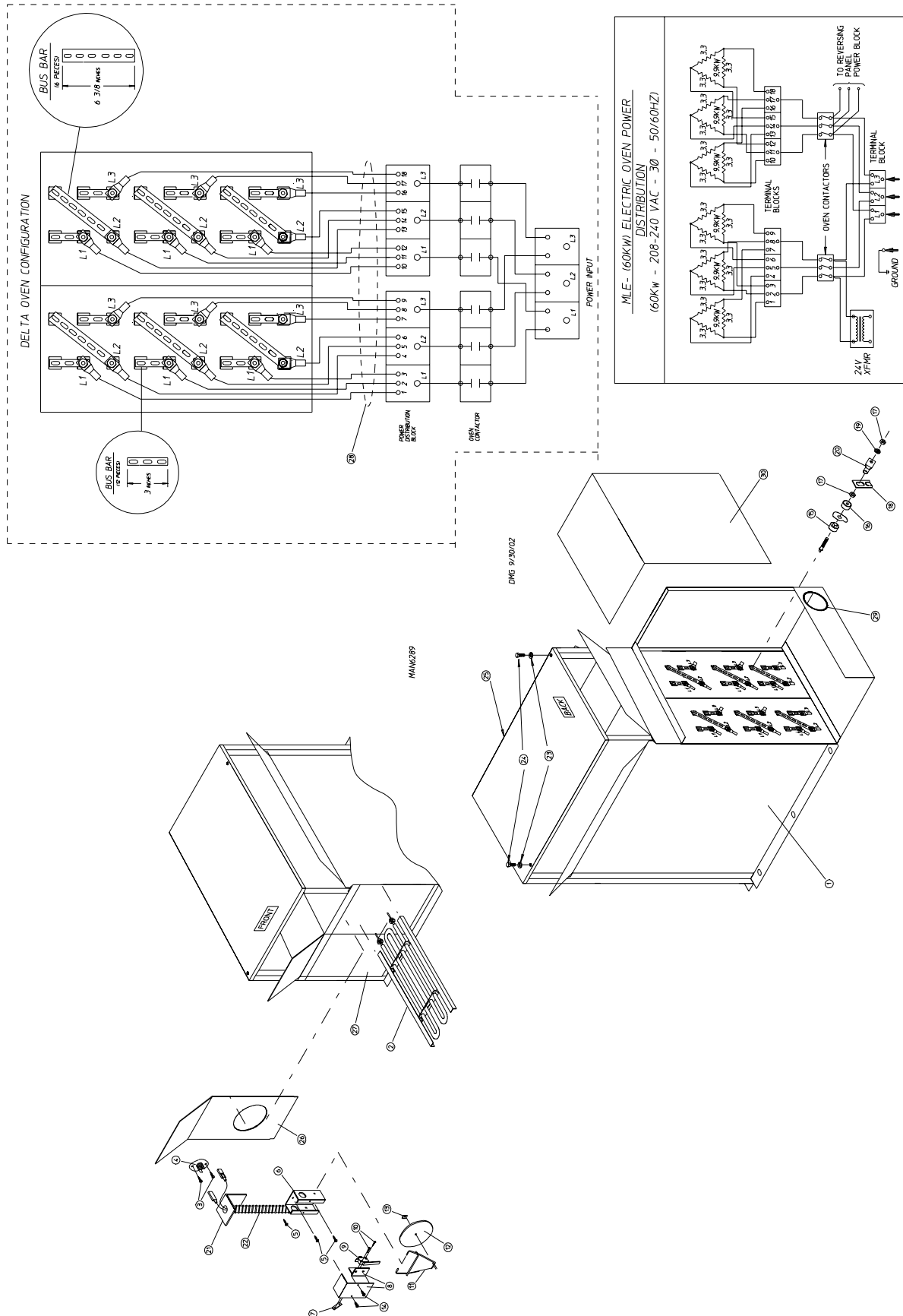
* Burner orifices *are not included* and **must be** ordered separately.

** Consult factory for elevations over 2,000 feet.

*** For liquid propane (L.P.) gas models ONLY.

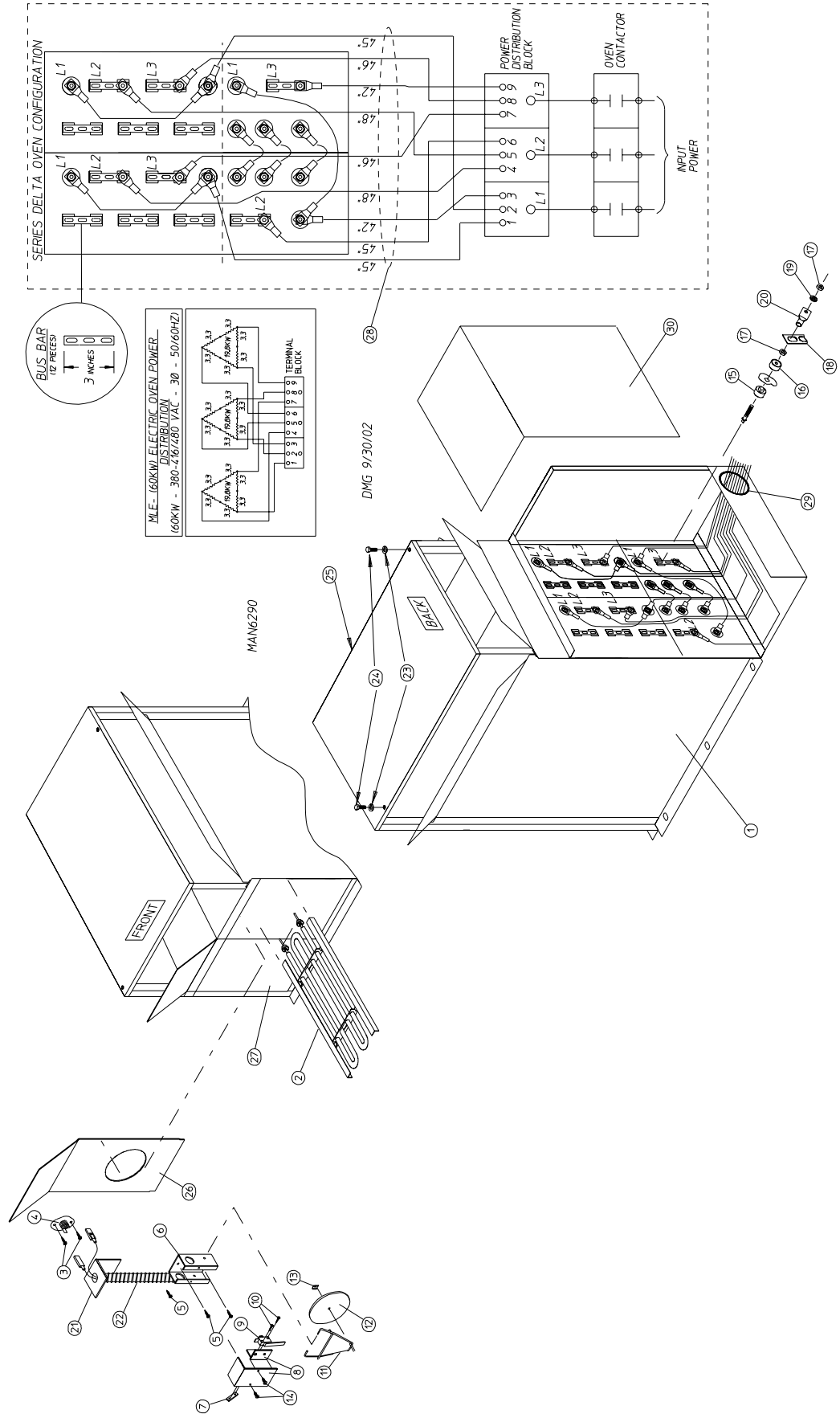


<u>Illus. No.</u>	<u>Part No.</u>	<u>Qty.</u>	<u>Description</u>
1	128935	1	Direct Spark Ignition (DSI) Module ONLY - 50/60 Hz
2	820100	1	Direct Spark Ignition (DSI) Module Mount Assembly ONLY
3	121400	2	Universal Bushing
4	150522	3	1/4-20 x 1/2" Hex Head TEK Screw
5	150301	1	#8-18 x 7/16" Phillips Pan Head TEK Screw
6	153010	4	#6 Star Washer
7	152000	4	#6-32 Hex Nut
8	120102	2	3/8" Straight x 1/2" Knock-Out Connector



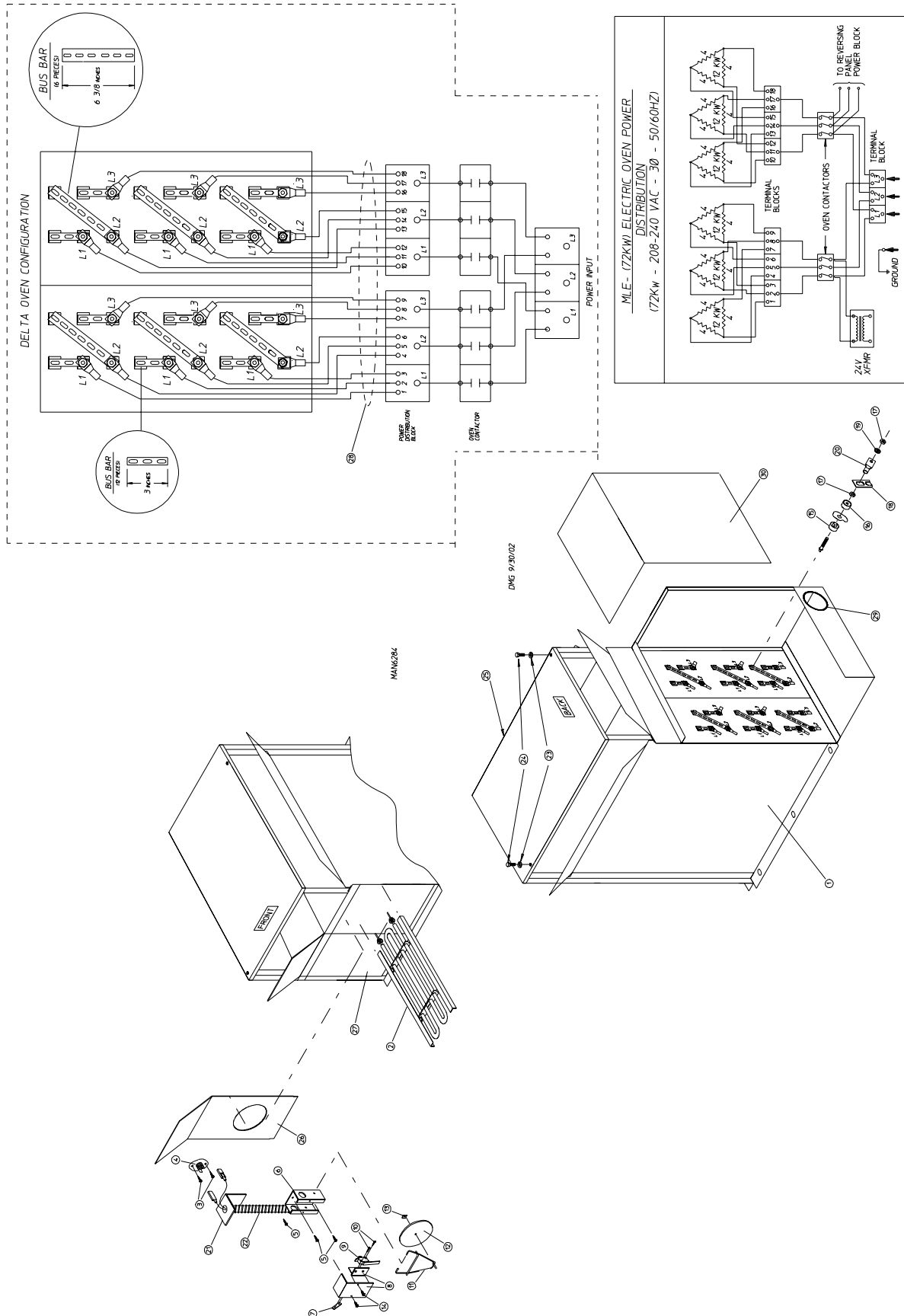
<u>Illus. No.</u>	<u>Part No.</u>	<u>Qty.</u>	<u>Description</u>
1	815998	1	Electric Oven Box ONLY
2	120076	18	3.3 Kw/240 Volt Open Coil Element
3	150301	2	#8-18 x 7/16" Phillips Pan Head TEK Screw
4	130400	1	290° Hi-Limit ONLY
5	150309	4	#10-16 x 1/2" Hex Head TEK Crimptite Screw
6	319200	1	Sail Switch Box
7	154004	1	Twin Speed Nut
8	802799	1	Sail Switch Box Cover
9	122200	1	Sail Switch ONLY
10	150303	2	#4 x 3/4" Pan Head "A" Machine Screw
11	105500	1	Sail Switch Actuator Rod
12	319202	1	Sail Switch Damper (flat)
13	154002	1	1/8" Push On Fastener
14	150309	28	#10-16 x 1/2" Hex Head TEK Crimptite Screw
15	120081	36	Internal Ceramic Insulator
16	120080	36	External Ceramic Insulator
17	152008	72	#10-32 Hex Nut
18	121011*	6'	Bus Bar
19	153009	36	#10 Star Washer
20	121032	18	#8 Connector
21	353222	1	Pipe Bracket
22	815708	1	Hi-Limit and Sail Switch Harness
23	153007	2	1/4" Lock Washer
24	150512	2	1/4-20 x 1/2" Long Bolt
25	819961	1	Burner Cover Assembly
26	331278	1	Right Front Oven Panel
27	331276	1	Left Front Oven Panel
28	815709	1	#8 Oven Assembly Wiring
29	156001	1	Caterpillar Grommet
30	331279	1	Oven Electrical Cover

* Sold by the foot.



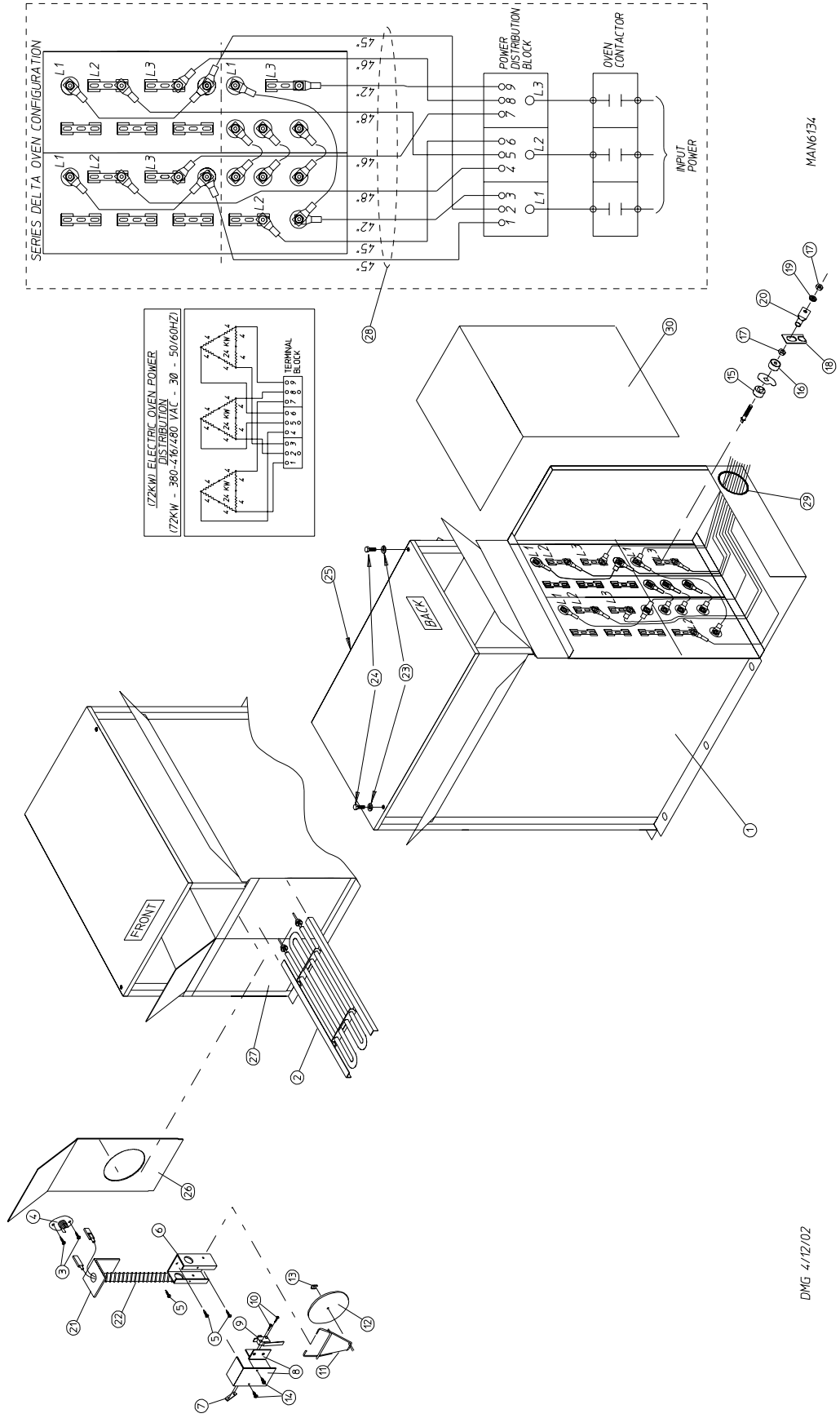
<u>Illus. No.</u>	<u>Part No.</u>	<u>Qty.</u>	<u>Description</u>
1	815998	1	Electric Oven Box ONLY
2	120076	18	3.3 Kw/240 Volt Open Coil Element
3	150301	2	#8-18 x 7/16" Phillips Pan Head TEK Screw
4	130400	1	290° Hi-Limit ONLY
5	150309	4	#10-16 x 1/2" Hex Head TEK Crimptite Screw
6	319200	1	Sail Switch Box
7	154004	1	Twin Speed Nut
8	802799	1	Sail Switch Box Cover
9	122200	1	Sail Switch ONLY
10	150303	2	#4 x 3/4" Pan Head "A" Machine Screw
11	105500	1	Sail Switch Actuator Rod
12	319202	1	Sail Switch Damper (flat)
13	154002	1	1/8" Push On Fastener
14	150309	28	#10-16 x 1/2" Hex Head TEK Crimptite Screw
15	120081	36	Internal Ceramic Insulator
16	120080	36	External Ceramic Insulator
17	152008	72	#10-32 Hex Nut
18	121011*	3'	Bus Bar
19	153009	36	#10 Star Washer
20	121032	21	#8 Connector
21	353222	1	Pipe Bracket
22	815708	1	Hi-Limit and Sail Switch Harness
23	153007	2	1/4" Lock Washer
24	150512	2	1/4-20 x 1/2" Long Bolt
25	819961	1	Burner Cover Assembly
26	331278	1	Right Front Oven Panel
27	331276	1	Left Front Oven Panel
28	815710	1	#8 Oven Assembly Wiring
29	156001	1	Caterpillar Grommet
30	331279	1	Oven Electrical Cover

* Sold by the foot.



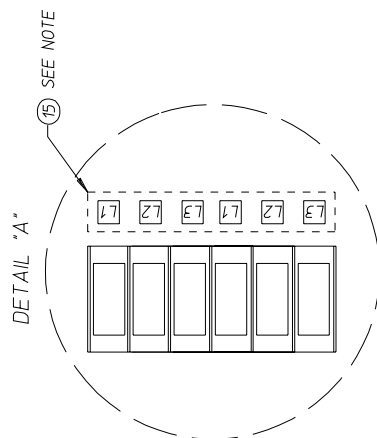
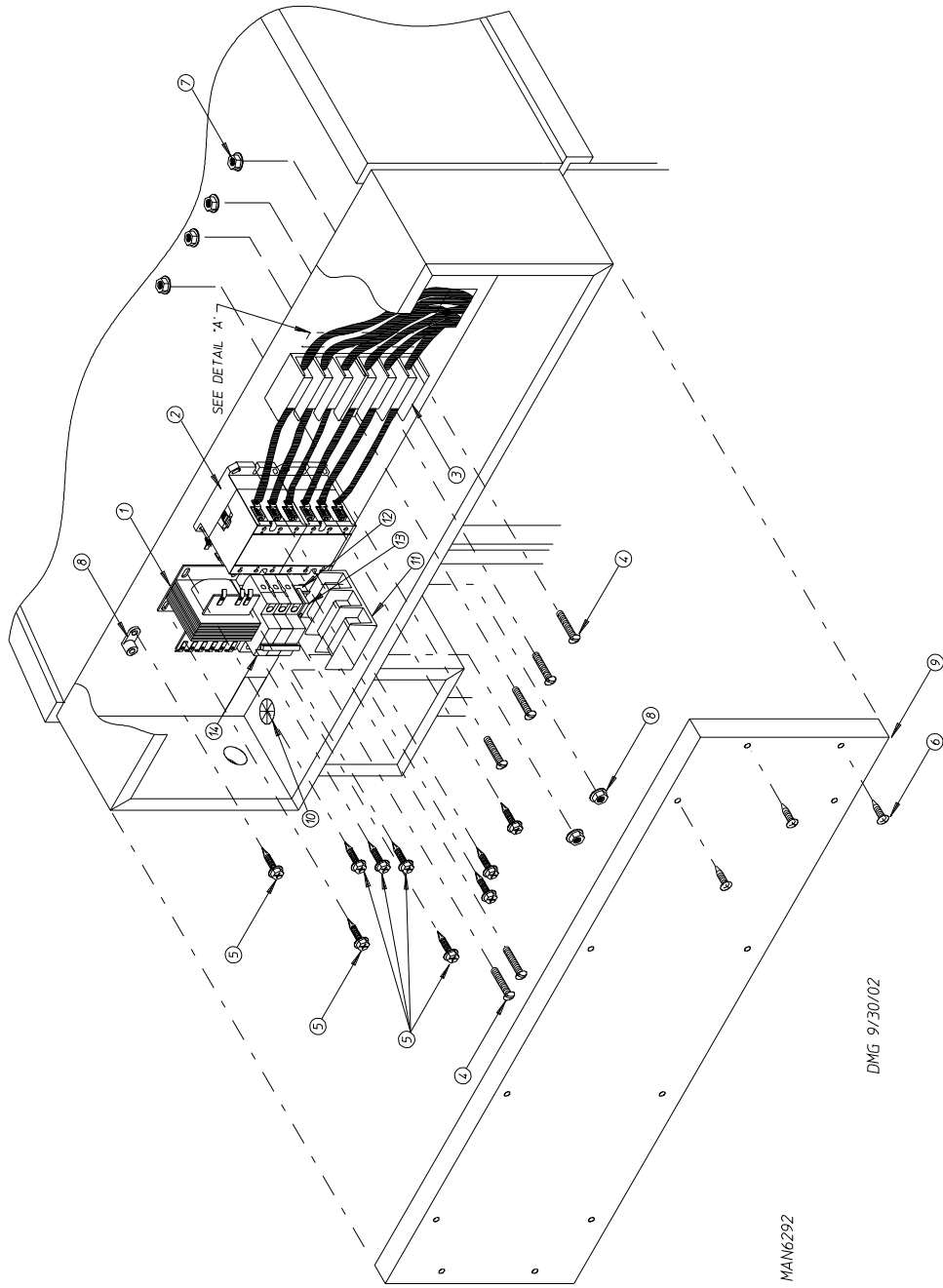
<u>Illus. No.</u>	<u>Part No.</u>	<u>Qty.</u>	<u>Description</u>
1	815998	1	Electric Oven Box ONLY
2	120011	18	4 Kw/240 Volt Open Coil Element
3	150301	2	#8-18 x 7/16" Phillips Pan Head TEK Screw
4	130400	1	290° Hi-Limit ONLY
5	150309	4	#10-16 x 1/2" Hex Head TEK Crimptite Screw
6	319200	1	Sail Switch Box
7	154004	1	Twin Speed Nut
8	802799	1	Sail Switch Box Cover
9	122200	1	Sail Switch ONLY
10	150303	2	#4 x 3/4" Pan Head "A" Machine Screw
11	105500	1	Sail Switch Actuator Rod
12	319202	1	Sail Switch Damper (flat)
13	154002	1	1/8" Push On Fastener
14	150309	28	#10-16 x 1/2" Hex Head TEK Crimptite Screw
15	120081	36	Internal Ceramic Insulator
16	120080	36	External Ceramic Insulator
17	152008	72	#10-32 Hex Nut
18	121011*	6'	Bus Bar
19	153009	36	#10 Star Washer
20	121032	36	#8 Connector
21	353222	1	Pipe Bracket
22	815708	1	Hi-Limit and Sail Switch Harness
23	153007	2	1/4" Lock Washer
24	150512	2	1/4-20 x 1/2" Long Bolt
25	819961	1	Burner Cover Assembly
26	331278	1	Right Front Oven Panel
27	331276	1	Left Front Oven Panel
28	815709	1	#8 Oven Assembly Wiring
29	156001	1	Caterpillar Grommet
30	331279	1	Oven Electrical Cover

* Sold by the foot.



<u>Illus. No.</u>	<u>Part No.</u>	<u>Qty.</u>	<u>Description</u>
1	815998	1	Electric Oven Box ONLY
2	120011	18	4 Kw/240 Volt Open Coil Element
	120073	18	4 Kw/190 Volt Open Coil Element
	120010	18	4 Kw/208 Volt Open Coil Element
3	150301	2	#8-18 x 7/16" Phillips Pan Head TEK Screw
4	130400	1	290° Hi-Limit ONLY
5	150309	4	#10-16 x 1/2" Hex Head TEK Crimptite Screw
6	319200	1	Sail Switch Box
7	154004	1	Twin Speed Nut
8	802799	1	Sail Switch Box Cover
9	122200	1	Sail Switch ONLY
10	150303	2	#4 x 3/4" Pan Head "A" Machine Screw
11	105500	1	Sail Switch Actuator Rod
12	319202	1	Sail Switch Damper (flat)
13	154002	1	1/8" Push On Fastener
14	150309	28	#10-16 x 1/2" Hex Head TEK Crimptite Screw
15	120081	36	Internal Ceramic Insulator
16	120080	36	External Ceramic Insulator
17	152008	72	#10-32 Hex Nut
18	121011*	3'	Bus Bar
19	153009	36	#10 Star Washer
20	121032	21	#8 Connector
21	353222	1	Pipe Bracket
22	815708	1	Hi-Limit and Sail Switch Harness
23	153007	2	1/4" Lock Washer
24	150512	2	1/4-20 x 1/2" Long Bolt
25	819961	1	Burner Cover Assembly
26	331278	1	Right Front Oven Panel
27	331276	1	Left Front Oven Panel
28	815709	1	#8 Oven Assembly Wiring
29	156001	1	Caterpillar Grommet
30	331279	1	Oven Electrical Cover

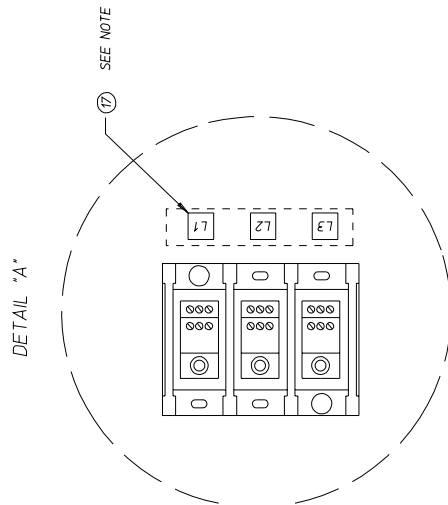
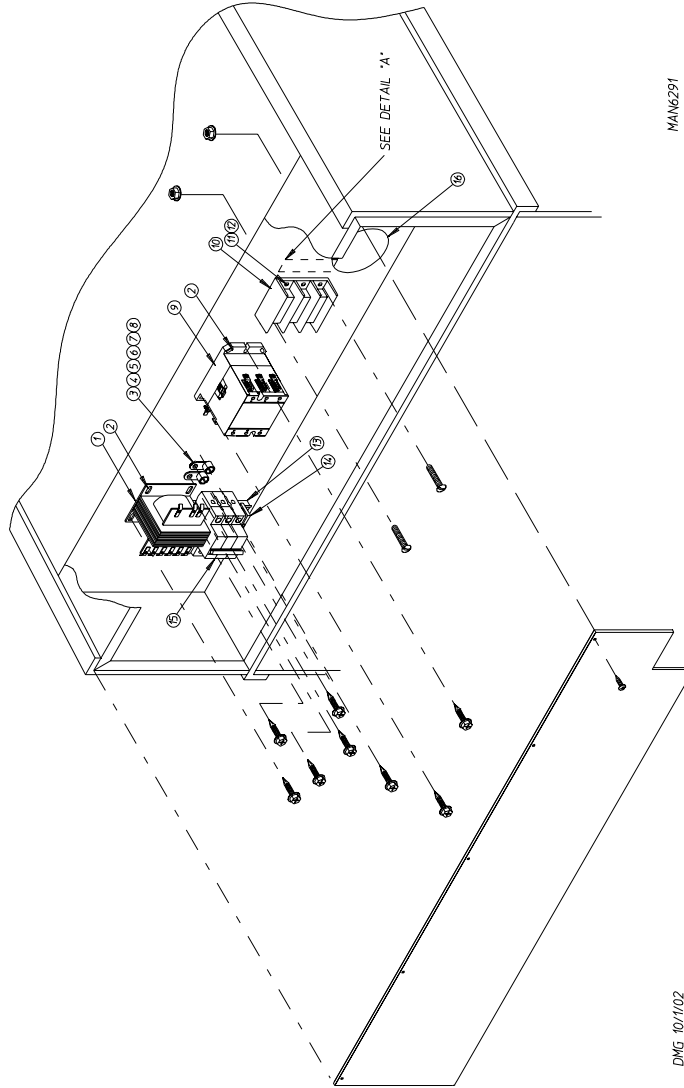
* Sold by the foot.



NOTE: PLACE I.D. LABEL ON PANEL
BESIDE POWER BLOCK AS SHOWN.

<u>Illus. No.</u>	<u>Part No.</u>	<u>Qty.</u>	<u>Description</u>
1	132087	1	Transformer
2	131358	2	120-Amp - 24 VAC Relay
3	120706	2	Power Distributions Block
4	150521	6	1/4-20 x 2" Carriage Bolt
5	150309	9	#10-16 x 1/2" Hex Head TEK Crimptite Screw
6	150301	12	#8-18 x 7/16" Phillips Pan Head TEK Screw
7	152014	6	1/4-20 Free Spin Wash Nut
8	121010	1	L-70 Terminal Lug
9	331293	1	Box Cover
10	121400	1	Universal Bushing
11	120710	1	Power Distribution Block
12	120768	3"	35 x 15mm Din Rail
13	120765	2	Din Rail End Stop
14	135499	1	25-Amp/3-Pole Circuit Breaker
15	114518	2	Power Block Label
*	825200	1	Oven Relay Box

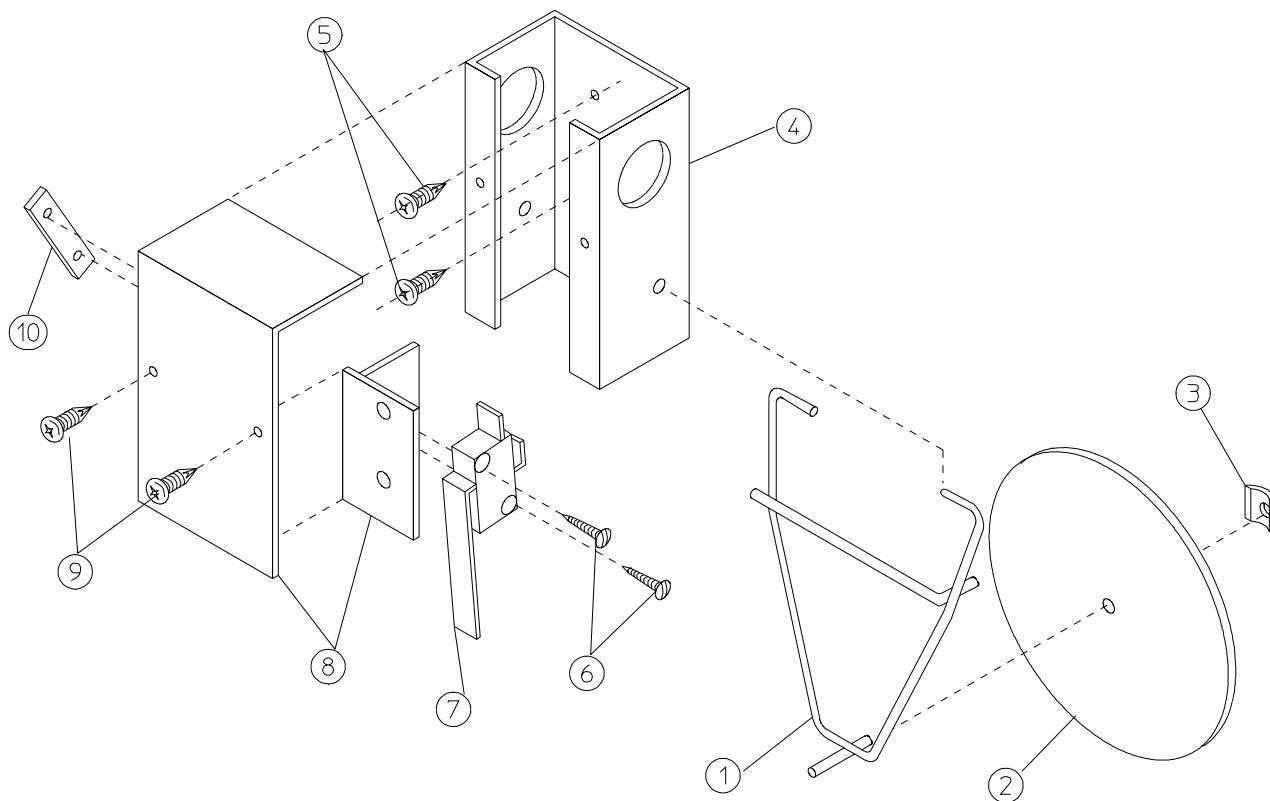
* Not illustrated.



NOTE: PLACE ID. LABELS ON PANEL BESIDE POWER BLOCK AS SHOWN.

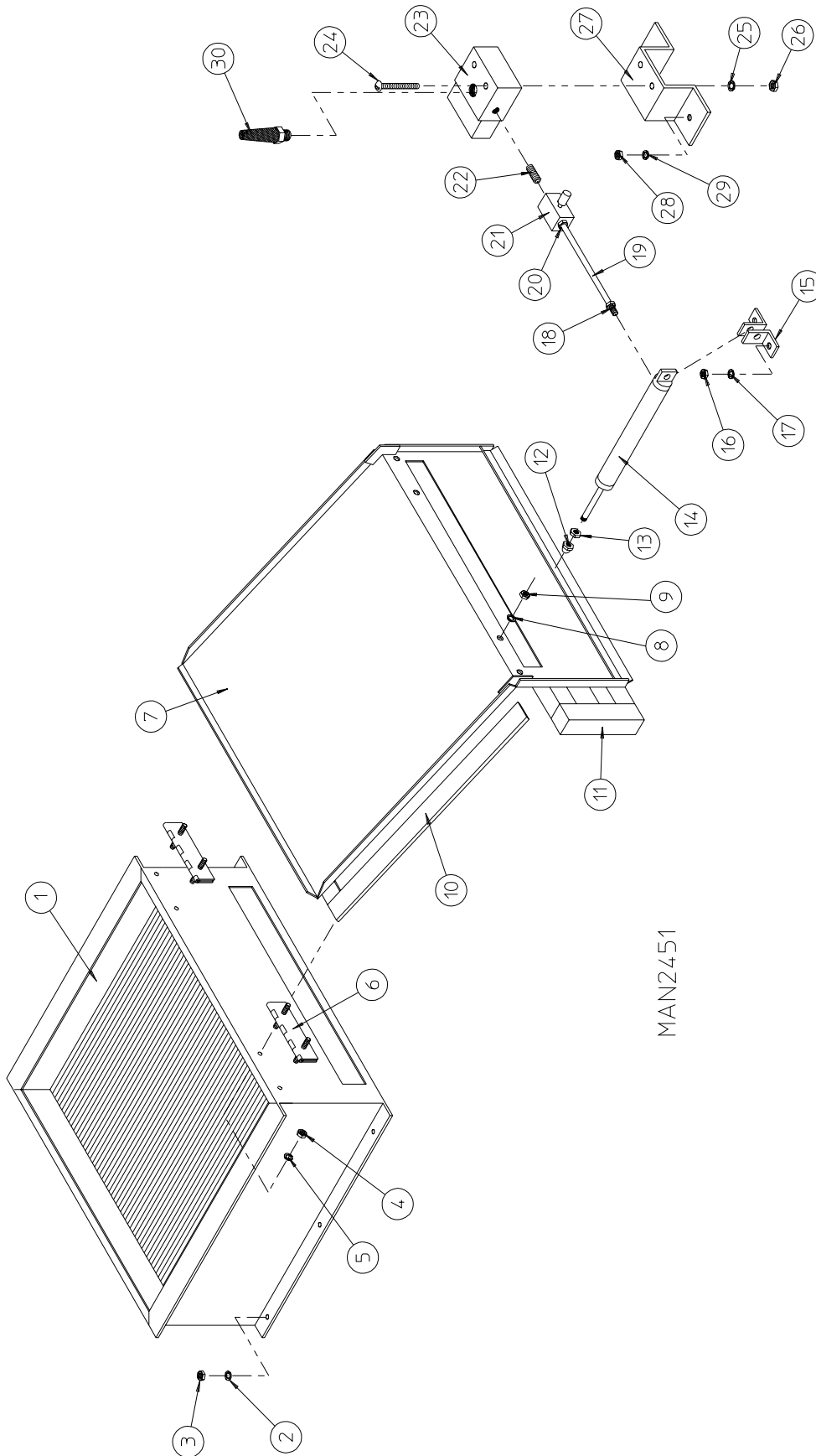
<u>Illus. No.</u>	<u>Part No.</u>	<u>Qty.</u>	<u>Description</u>
1	132004	1	Transformer
2	150309	10	#10-16 x 1/2" Hex Head TEK Crimptite Screw
3	121012	1	L-125 Ground Lug
4	121010	1	L-70 Ground Lug
5	150511	1	1/4-20 x 1" Tap Bolt
6	153018	1	1/4" Flat Washer
7	153007	1	1/4" Lock Washer
8	152002	1	1/4-20 Hex Nut
9	131358	1	120-Amp 24 Volt Relay
10	120706	1	Power Distribution Block
11	150521	2	1/4-20 x 2" Carriage Bolt
12	152014	2	1/4-20 Free Spin Wash Nut
13	120768	3"	35 x 15mm Din Rail
14	120765	2	Din Rail End Stop
15	135499	1	25-Amp/3-Pole Circuit Breaker
16	121400	1	Universal Bushing
17	114518	1	Power Block Label
--	815878	*	Oven Power Wires

* Not illustrated.



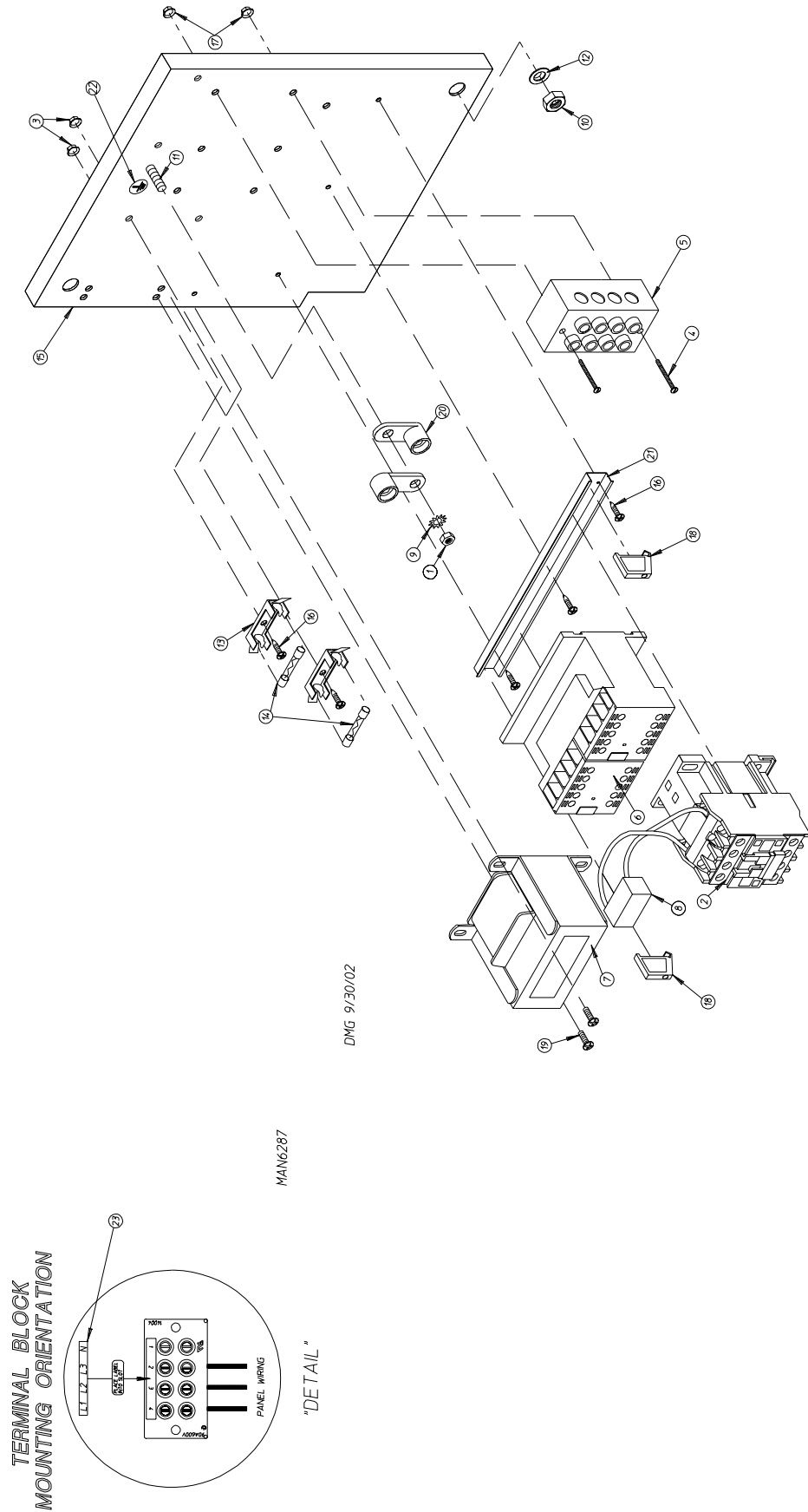
MAN0440

<u>Illus. No.</u>	<u>Part No.</u>	<u>Qty.</u>	<u>Description</u>
1	105500	1	Sail Switch Actuator Rod
2	319202	1	Sail Switch Damper (flat)
3	154002	1	1/8" Push On Fastener
4	802800	1	Sail Switch Box Cover and Bracket ONLY
	802801	1	Sail Switch Box Assembly Complete (includes illus. nos. 1 through 4 and 6 through 10)
5	150309	2	#10-16 x 1/2" Hex Head TEK Crimptite Screw
6	150303	2	#4 x 3/4" Pan Head "A" Machine Screw
7	122200	1	Sail Switch ONLY
8	802799	1	Sail Switch Box Cover and Bracket ONLY
9	150413	2	#10-16 x 1/2" TORX Crimptite Screw
10	154004	1	Twin Speed Nut



<u>Illus. No.</u>	<u>Part No.</u>	<u>Qty.</u>	<u>Description</u>
1	165012	1	Steam Coil Assembly
	165019	1	Steel Steam Coil Assembly (optional)
2	153002	6	5/16" Lock Washer
3	152004	6	5/16-18 Hex Nut
4	152002	4	1/4-20 Hex Nut
5	153007	4	1/4" Lock Washer
6	820321	2	Steam Damper Hinge Assembly
7	820320	1	Steam Damper Assembly (includes illus. nos. 7, 10, and 11)
8	153007	4	1/4" Lock Washer
9	152002	4	1/4-20 Hex Nut
10	115995	84	Steam Damper Gasket (sold by the inch)
11	102350	1	Gasket (68-12" length)
12	151007	1	7/16-20 Stainless Steel Acorn Nut
13	152007	1	7/16-20 Hex Nut
14	100499	1	1-1/4" Bore x 3" Stroke Piston
15	100500	1	Piston Support Bracket
16	152002	4	1/4-20 Hex Nut
17	153007	4	1/4" Lock Washer
18	100472	1	1/4" x 1/8" Connector
19	143110	1	1/4" Tubing (sold by the foot)
20	100472	1	1/4" x 1/8" Connector
21	100496	1	1/8" Needle Valve
22	143238	1	1/8" Close Nipple
23	100498	1	3-Way Micro Valve 24 VAC
24	150002	2	#6-32 x 1" Round Head Machine Screw
25	153010	2	#6 Star Washer
26	152000	2	#6-32 Hex Nut
27	330987	1	Micro Valve Support Bracket
28	152002	2	1/4-20 Hex Nut
29	153007	2	1/4" Lock Washer
30	100520	1	1/8" N.P.T. Silencer (muffler)

For 208-240 Volt 3-Phase (3Ø) Gas and Steam Models ONLY



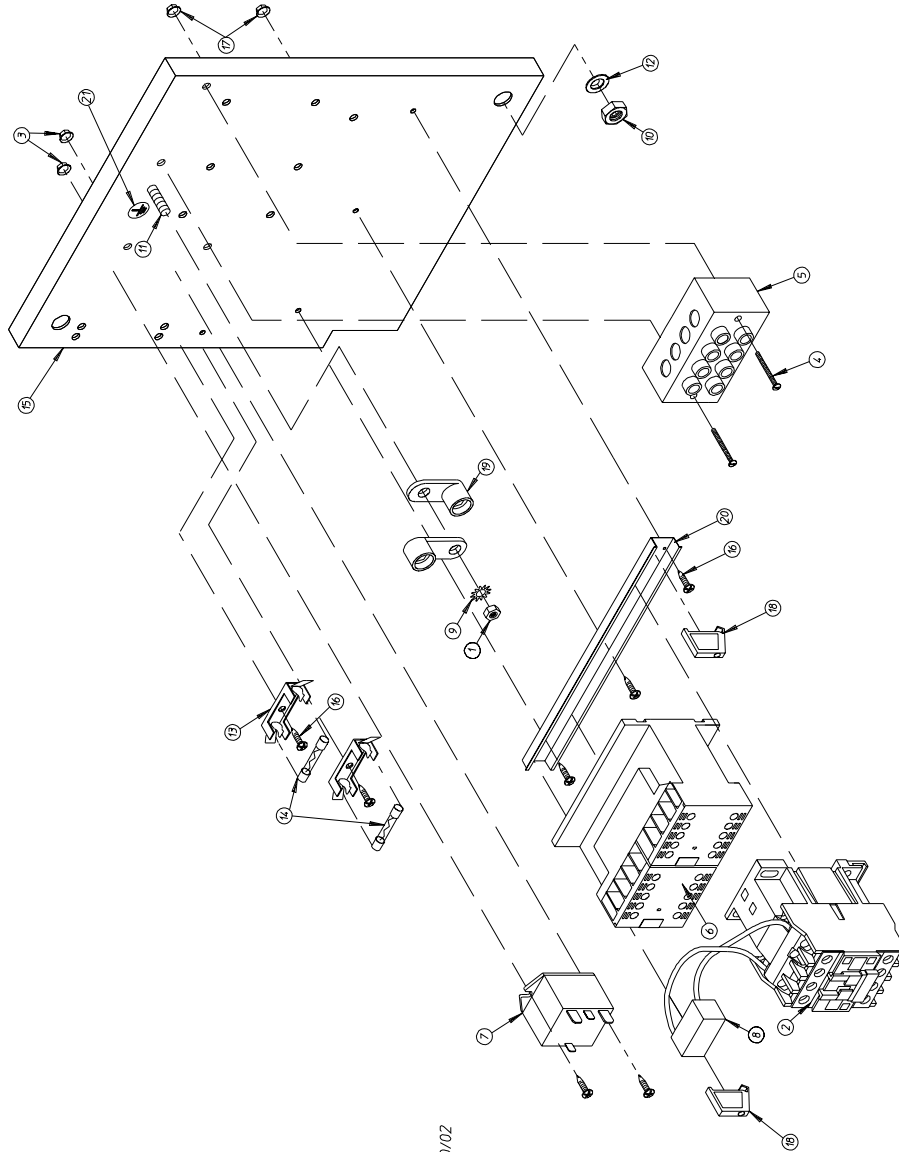
For 208-240 Volt 3-Phase (3 ϕ) Gas and Steam Models ONLY

<u>Illus. No.</u>	<u>Part No.</u>	<u>Qty.</u>	<u>Description</u>
1	152002	1	1/4-20 Hex Nut
2	132445	1	3 HP Contactor
3	151001	2	#8-32 Pal Nut
4	150009	2	#6-32 x 1-1/2" Slotted Round Head Machine Screw
5	120701	1	4-Position Terminal Block
6	132497	1	Reversing Contactor
7	822745	1	208-240 Volt Transformer Assembly
8	137015	1	Arc Suppressor (A.S.) Board
9	153021	1	1/4" Star Washer
10	152004	1	5/16-18 Hex Nut
11	153525	2	1/4-20 x 1" Self-Clinching Stud
12	153002	1	5/16" Lock Washer
13	136008	2	Fuse Holder
14	136057	2	1/2-Amp 3AG (Slo-Blo) Fuse
15	332346	1	Relay Panel
16	150301	5	#8-18 x 7/16" Phillips Head TEK Screw
17	151000	2	#6-32 Pal Nut
18	120765	2	End Stop
19	150108	2	#8-32 x 1/2" Phillips Pan Head Machine Screw
20	121010	2	L-70 Ground Lug
21	120768	7-3/4"	35 x 15mm Din Rail
22	112075	1	Ground Label
23	112068	1	3-Phase (3 ϕ) Power Input Label
*	830197	1	Relay Panel Wiring

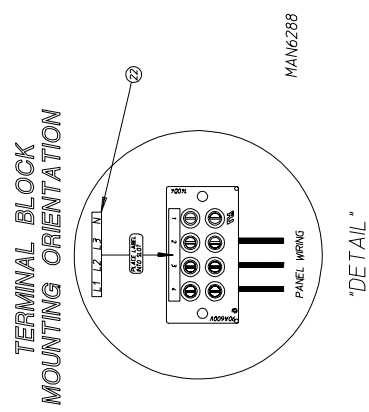
* Not illustrated.

Phase 7 Reversing Relay Panel Assembly

For 208-240 Volt 3-Phase (3 ϕ) Electric Models ONLY



DMG 6/30/06 DMG

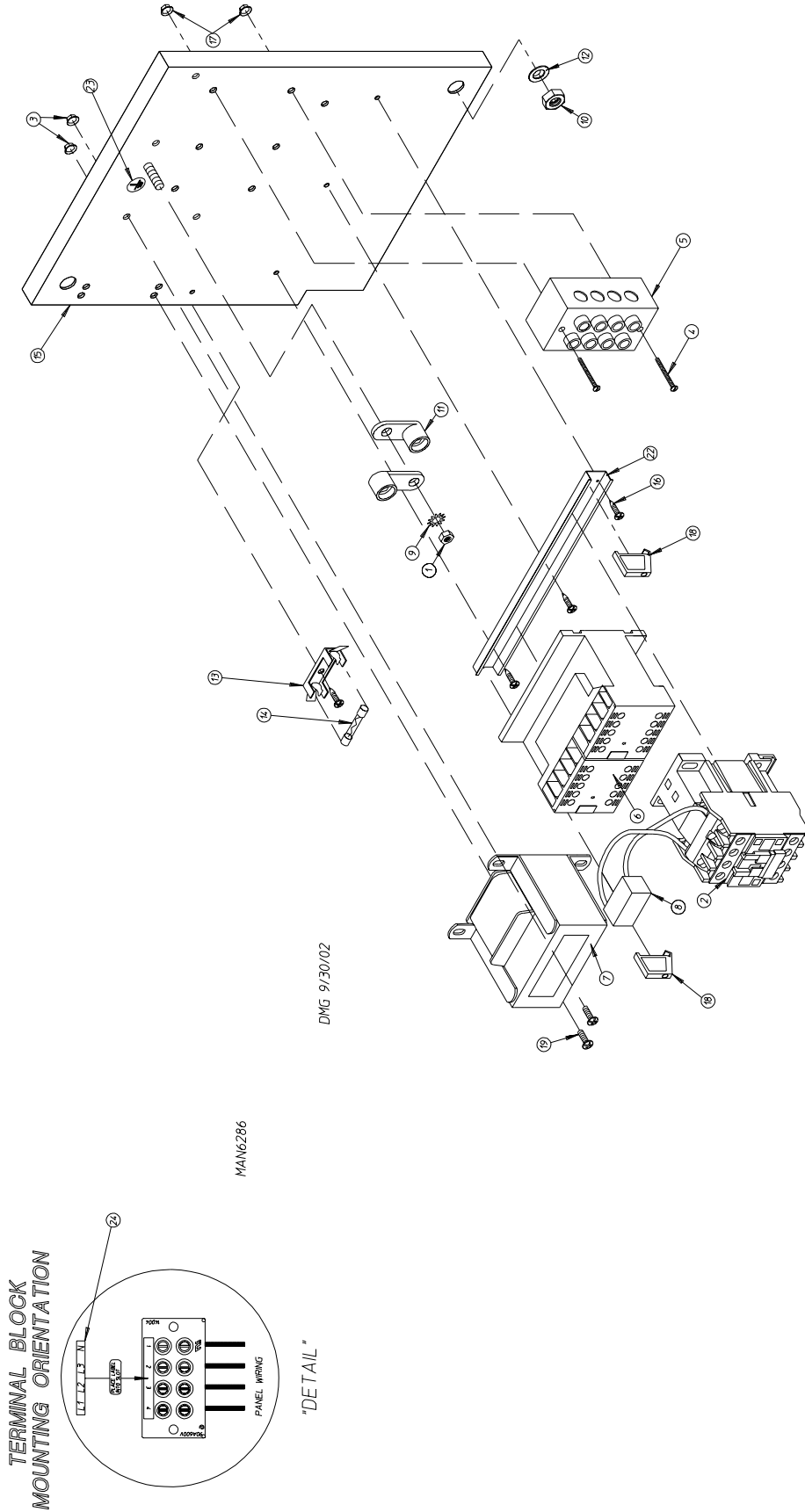


For 208-240 Volt 3-Phase (3 ϕ) Electric Models ONLY

<u>Illus. No.</u>	<u>Part No.</u>	<u>Qty.</u>	<u>Description</u>
1	152002	1	1/4-20 Hex Nut
2	132445	1	3 HP Contactor
3	151001	2	#8-32 Pal Nut
4	150009	2	#6-32 x 1-1/2" Slotted Round Head Machine Screw
5	120701	1	4-Position Terminal Block
6	132497	1	Reversing Contactor
7	131932	1	Relay
8	137015	1	Arc Suppressor (A.S.) Board
9	153021	1	1/4" Star Washer
10	152004	1	5/16-18 Hex Nut
11	153525	2	1/4-20 x 1" Self-Clinching Stud
12	153002	1	5/16" Lock Washer
13	136008	2	Fuse Holder
14	136057	2	1/2-Amp 3AG (Slo-Blo) Fuse
15	332346	1	Relay Panel
16	150301	7	#8-18 x 7/16" Phillips Head TEK Screw
17	151000	2	#6-32 Pal Nut
18	120765	2	End Stop
19	121010	2	L-70 Ground Lug
20	120768	7-3/4"	35 x 15mm Din Rail
21	112075	1	Ground Label
22	112068	1	3-Phase (3 ϕ) Power Input Label
*	802766	1	Relay Panel Plug Harness
*	802767	1	Relay Panel Wiring

* Not illustrated.

For 380-416 Volt 3-Phase (3 ϕ) 4 Wire CE/GD Models ONLY

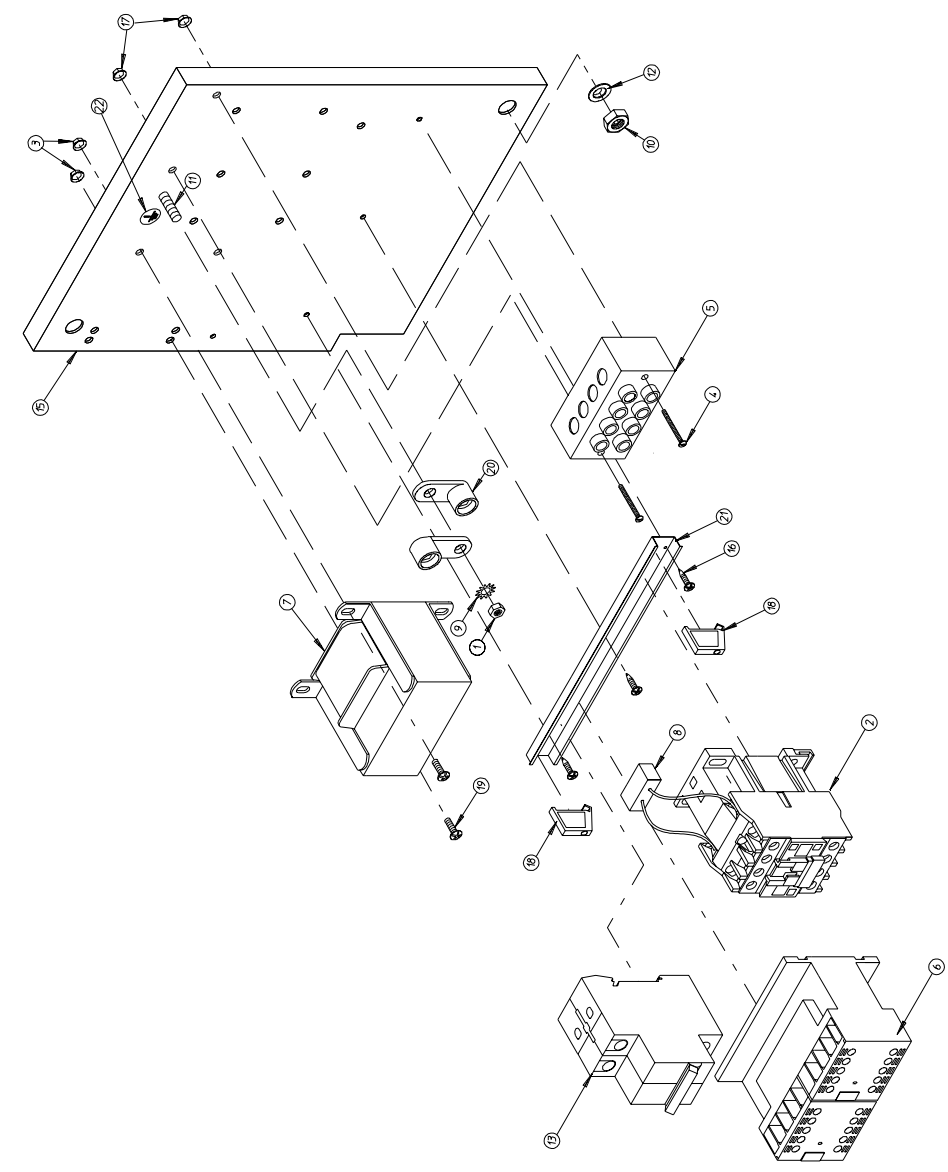


For 380-416 Volt 3-Phase (3 ϕ) 4 Wire CE/GD Models ONLY

<u>Illus. No.</u>	<u>Part No.</u>	<u>Qty.</u>	<u>Description</u>
1	152002	1	1/4-20 Hex Nut
2	132445	1	3 HP Contactor
3	151001	2	#8-32 Pal Nut
4	150009	2	#6-32 x 1-1/2" Slotted Round Head Machine Screw
5	120701	1	4-Position Terminal Block
6	132497	1	Reversing Contactor
7	801580	1	380-416 Volt Transformer Assembly
8	137015	1	Arc Suppressor (A.S.) Board
9	153021	1	1/4" Star Washer
10	152004	1	5/16-18 Hex Nut
11	121012	1	Ground Lug
12	153002	1	5/16" Lock Washer
13	136008	1	Fuse Holder
14	136057	1	1/2-Amp 3AG (Slo-Blo) Fuse
15	332346	1	Relay Panel
16	150301	4	#8-18 x 7/16" Phillips Head TEK Screw
17	151000	2	#6-32 Pal Nut
18	120765	2	End Stop
19	150108	2	#8-32 x 7/16" Phillips Pan Head Machine Screw
20	150297	1	#10 x 1/2" Hex Washer TEK Screw (green)
21	121010	1	L-70 Ground Lug
22	120768	7-3/4"	35 x 15mm Din Rail
23	112075	1	Ground Label
24	112068	1	3-Phase (3 ϕ) Power Input Label
*	825105	1	Relay Panel Wiring

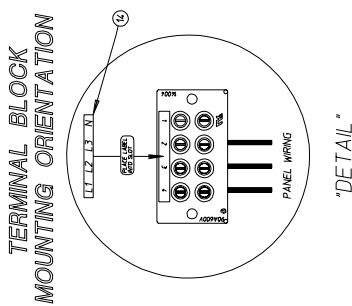
* Not illustrated.

For 460-480 Volt 3-Phase (3 ϕ) Models ONLY



DMG 9/30/02

MAN6285

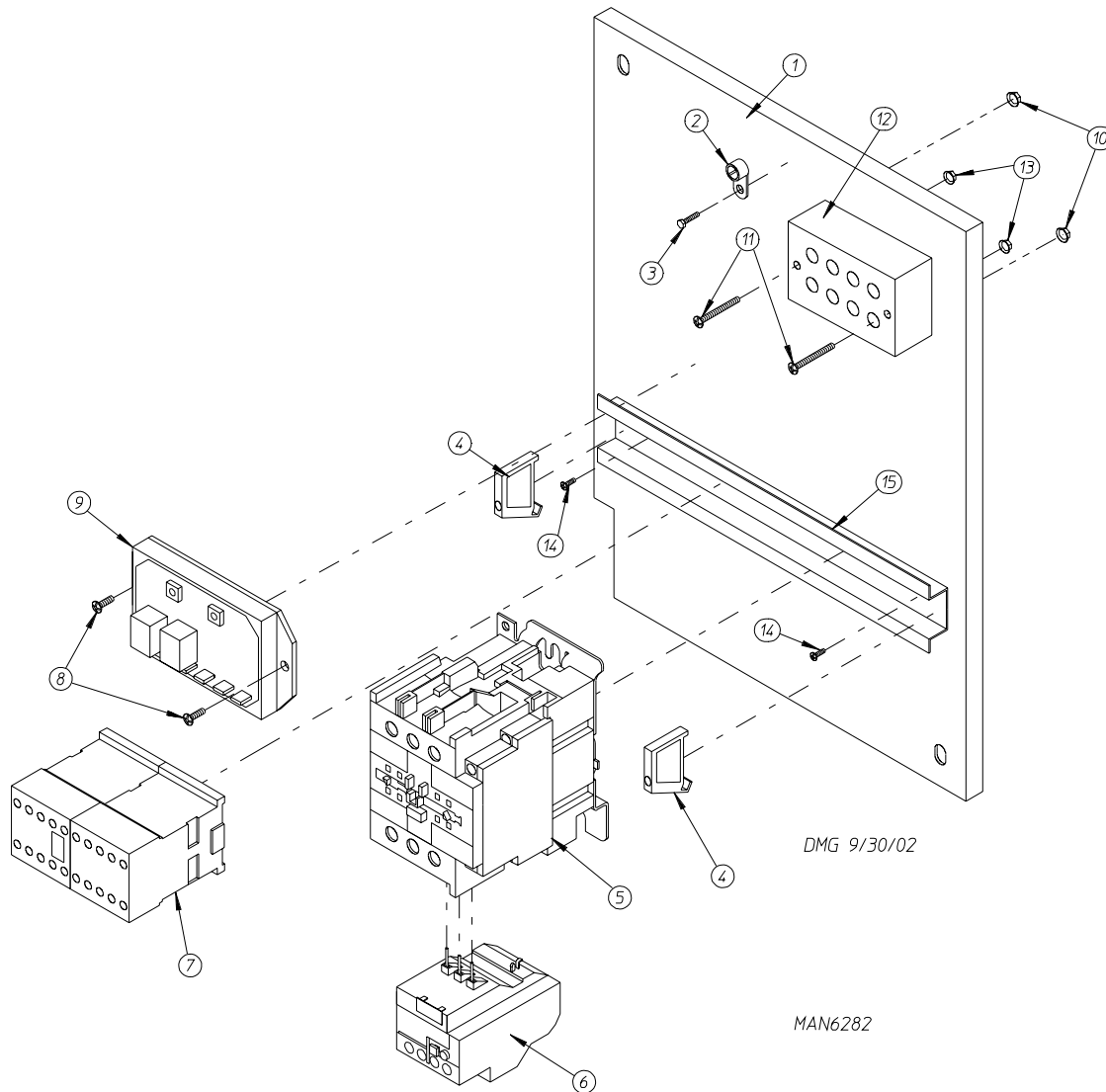


For 460-480 Volt 3-Phase (3 ϕ) Models ONLY

<u>Illus. No.</u>	<u>Part No.</u>	<u>Qty.</u>	<u>Description</u>
1	152002	1	1/4-20 Hex Nut
2	132445	1	3 HP Contactor
3	151001	2	#8-32 Pal Nut
4	150009	2	#6-32 x 1-1/2" Slotted Round Head Machine Screw
5	120701	1	4-Position Terminal Block
6	132497	1	Reversing Contactor
7	830193	1	460-480 Volt Transformer Assembly
8	137015	1	Arc Suppressor (A.S.) Board
9	153021	1	1/4" Star Washer
10	152004	1	5/16-18 Hex Nut
11	153525	1	1/4-20 x 1" Self-Clinching Stud
12	153002	1	5/16" Lock Washer
13	135501	1	2-Pole 1-Amp Circuit Breaker
14	112068	1	3-Phase (3 ϕ) Power Input Label
15	332346	1	Relay Panel
16	150301	3	#8-18 x 7/16" Phillips Head TEK Screw
17	151000	2	#6-32 Pal Nut
18	120765	2	End Stop
19	150108	2	#8-32 x 7/16" Phillips Pan Head Machine Screw
20	121010	2	L-70 Ground Lug
21	120768	8-1/4"	35 x 15mm Din Rail
22	112075	1	Ground Label
*	830284	1	Relay Panel Wiring

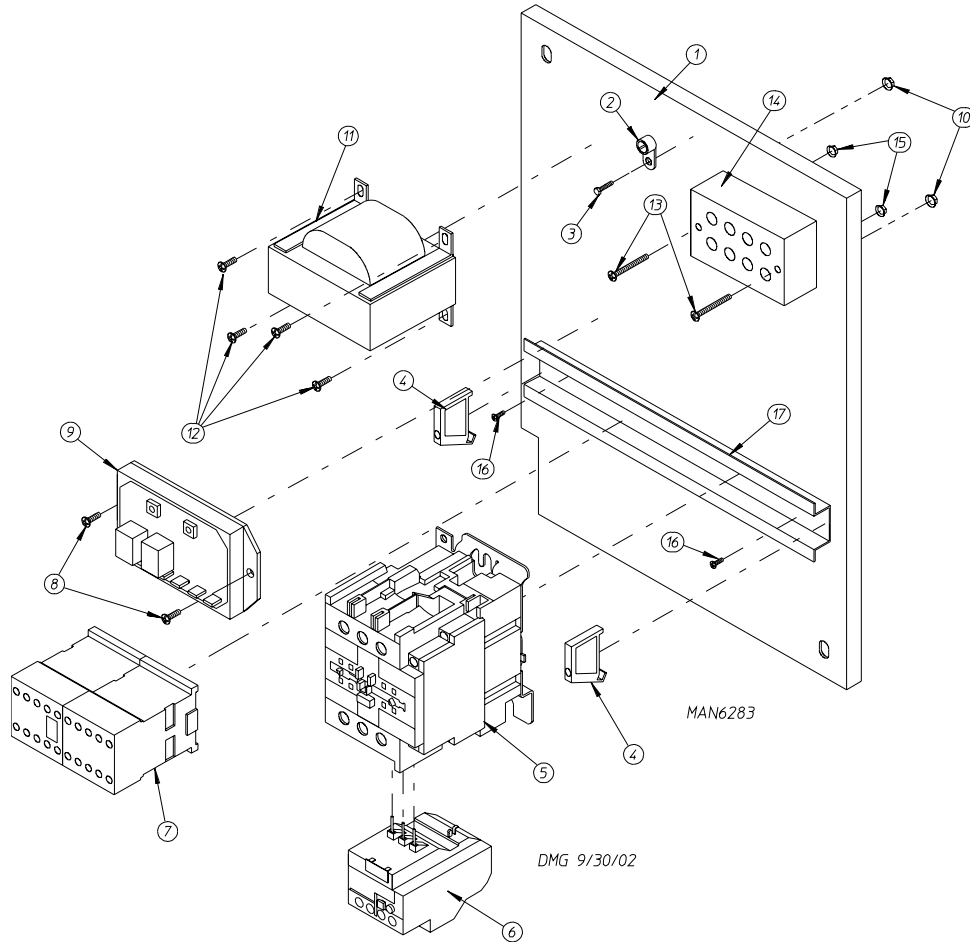
* Not illustrated.

For 208-240 Volt Models ONLY

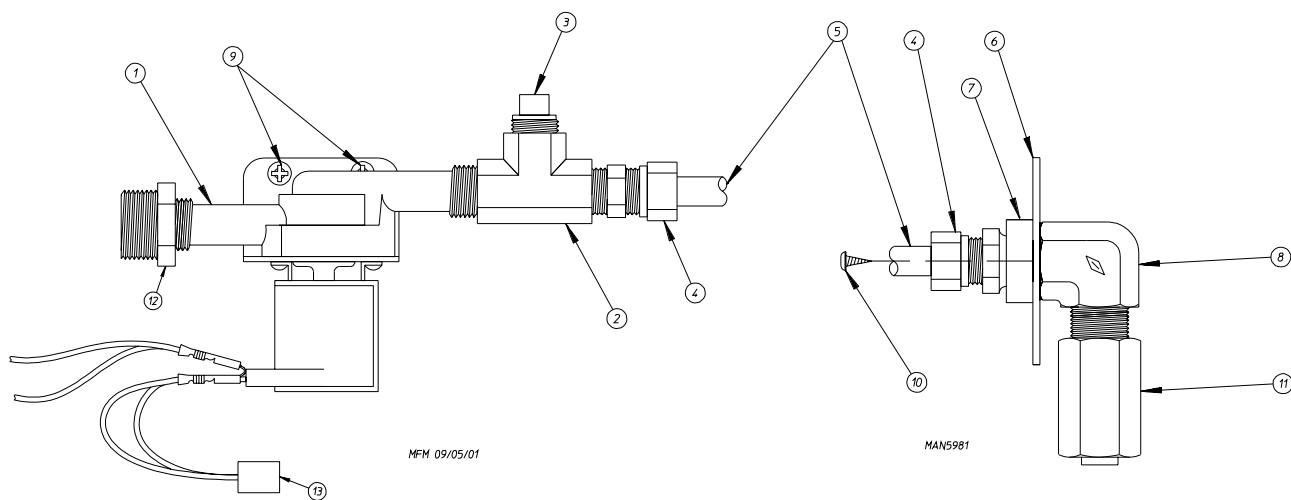


<u>Illus. No.</u>	<u>Part No.</u>	<u>Qty.</u>	<u>Description</u>
1	332346	1	Contactor/Relay Mounting Panel
2	121010	1	L-70 Ground Lug
3	150108	1	#8-32 x 1/2" Phillips Pan Head Machine Screw
4	120765	2	End Stop/Bracket
5	132445	1	3 HP Impellor (fan/blower) Contactor
6	132467	1	208-284 Volt Blower Overload
7	132431	1	Reversing (impellor/blower/fan) Contactor - 24 VAC
8	150100	2	#8-32 x 1/2" Phillips Round Head Screw
9	132198	1	Reversing Timer (50/60 Hz) - 24 VAC
10	151001	2	#8-32 Pal Nut
11	150009	2	#6-32 x 1-1/2" Phillips Round Head Machine Screw
12	120701	1	4-Position Power Distribution Block
13	151000	2	#6-32 Pal Nut
14	150309	2	#10-16 x 1/2" Hex Head TEK Crimptite Screw
15	120768	9"	Din Mounting Rail

For 380-600 Volt Models ONLY

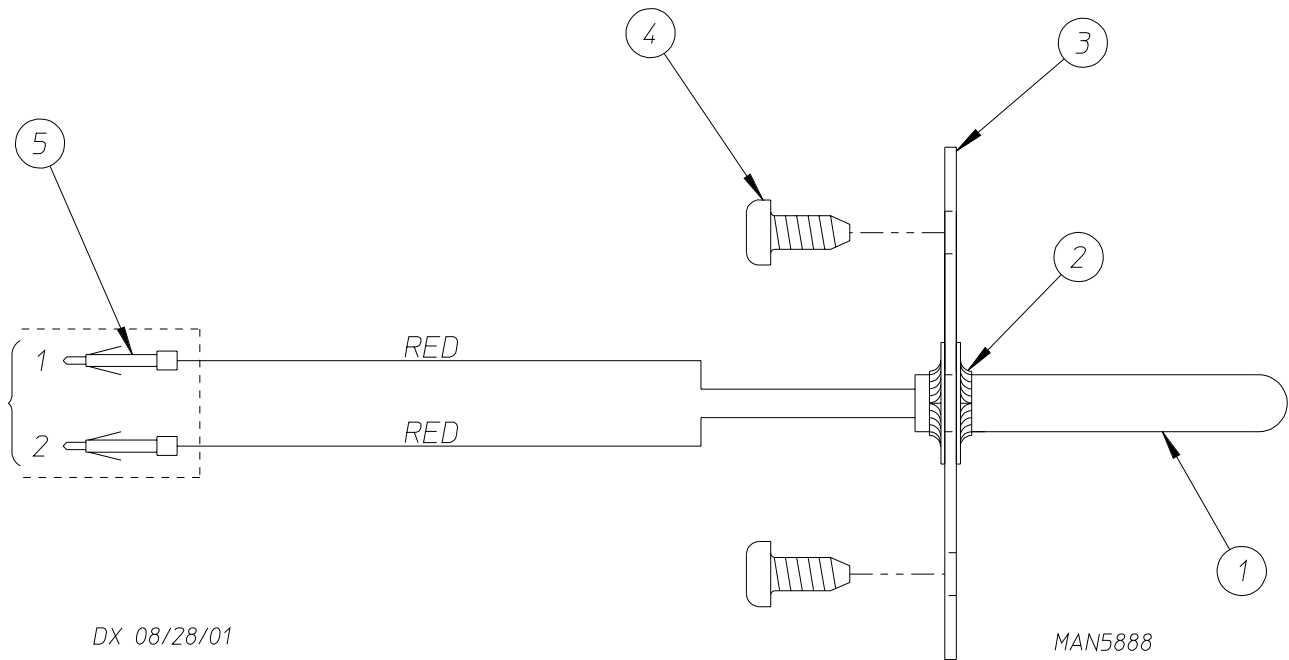


<u>Illus. No.</u>	<u>Part No.</u>	<u>Qty.</u>	<u>Description</u>
1	332346	1	Contacting/Relay Mounting Panel
2	121010	1	L-70 Ground Lug
3	150108	1	#8-32 x 1/2" Phillips Pan Head Machine Screw
4	120765	2	End Stop/Bracket
5	132445	1	3 HP Impellor (fan/blower) Contactor
6	132468	1	380-600 Volt Blower Overload
7	132431	1	Reversing (impellor/blower/fan) Contactor - 24 VAC
8	150100	2	#8-32 x 1/2" Phillips Round Head Screw
9	132198	1	Reversing Timer (50/60 Hz) - 24 VAC
10	151001	2	#8-32 Pal Nut
11	132059	1	380 Volt Step Down Transformer
	132062	1	416 Volt Step Down Transformer
	132053	1	460 Volt Step Down Transformer
	132050	1	575 Volt Step Down Transformer
12	150300	4	#10-16 x 1/2" Hex Washer TEK Screw
13	150009	2	#6-32 x 1-1/2" Phillips Round Head Machine Screw
14	120701	1	4-Position Power Distribution Block
15	151000	2	#6-32 Pal Nut
16	150309	2	#10-16 x 1/2" Hex Head TEK Crimpite Screw
17	120768	9"	Din Mounting Rail

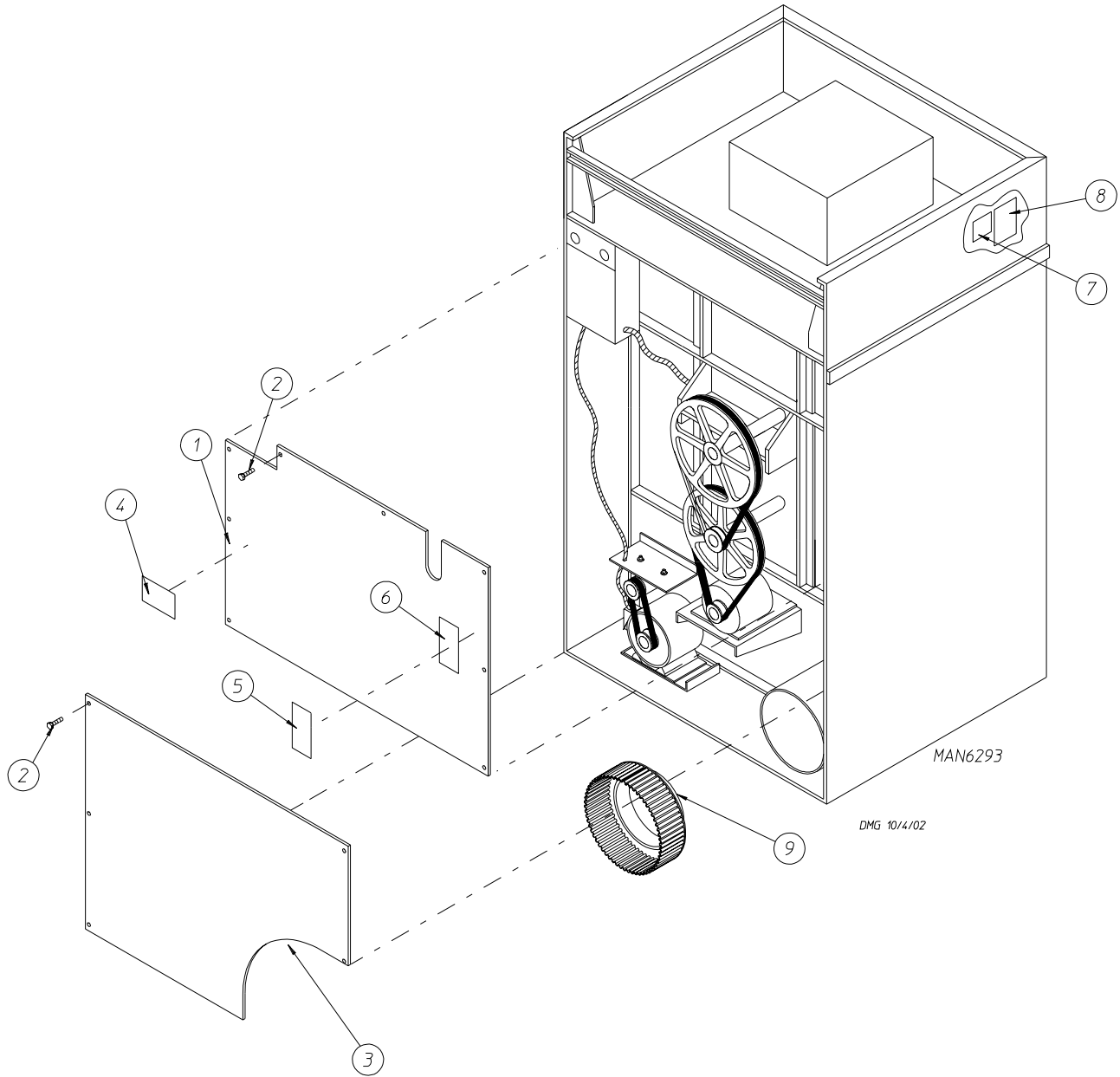


Illus. No.	Part No.	Qty.	Description
1	165114	1	Fire Suppression System (FSS) Solenoid Valve 24 Volt 50/60 Hz
2	143220	1	3/8" F.P.T. Brass Tee
3	143251	1	3/8" M.P.T. Brass Plug
4	143208	2	3/8" Comp x 3/8" M.P.T. Brass Connector
5	143099*	6'	3/8" OD x 0.035 Wall Copper Tubing
6	311588	1	Sprinkler Head Mounting Plate
7	143303	1	3/8" N.P.T. Brass Locknut
8	143155	1	3/8" Brass Elbow 90°
9	150430	2	#10 x 1/2" Self Drilling Screw
10	150301	2	#8-18 x 7/16" TEK Screw
11	143581	1	3 GPM 3/8" F.P.T. Spray Nozzle
12	142888	1	1/2" to 3/8" Bushing for Fire Suppression System (FSS) Valve
13	824828	1	Arc Suppressor

* Sold by the foot.



<u>Illus. No.</u>	<u>Part No.</u>	<u>Qty.</u>	<u>Description</u>
1	822752	1	Fire Suppression System (FSS) Temperature Probe Assembly (includes illus. nos. 1 through 5)
2	154007	2	Push On Fastener
3	390390	1	Sensor Bracket ONLY
4	150301	2	#8-18 Phillips Pan Head TEK Screw
5	122647	1	Connector ONLY
	122700	2	Pins



<u>Illus. No.</u>	<u>Part No.</u>	<u>Qty.</u>	<u>Description</u>
1	881306	1	Top Back Guard
2	150301	12	#8-18 x 7/16" Phillips Pan Head TEK Screw
3	354000	1	Lower Back Guard
4	112017	1	ADC Name and Address Label
5	112229	1	Installation Instructions Label
6	112519	1	Routine Maintenance Label
7	-----	1	Dryer Data Label (not for resale)
8	112534	1	Phase 7 OPL Program Location Label (for microprocessor models Only)
9	850187	1	12" to 14" Increaser for Gas Models
	850184	1	12" to 16" Increaser for Electric and Steam Models

<u>Part No.</u>	<u>Description</u>
112280	“Clean Lint Screen” Label
114001	“CAUTION-Exhausted/Lint Screen” Label
114006	“WARNING - Fire Hazards” Label
120100	3/8” Straight (BX) Connector
120300	3/8” x 45° (BX) Connector
120400	3/8” Red Jacket (BX) Insulator
120500	3/8” Jiffy Clip (BX retainer clip)
120600	3/8” Greenfield (BX)
120800	1/4” In-Line Connector
120802	Red Butt Connector
120902	#74B Wire Nut
120903	Crimp-On Wire Nut
121014	1/4” Insulated (female) Terminal
121026	Tab Receptacle Combination
121499	5-1/2” Harness Tie
121500	8” Harness Tie
122503	Harness Tie Mounting Clip
122804	Manometer (water column test gauge)
121507	Snap Wire Tie Screw Mount
880200	Electrical Terminal (assortment) Kit

