



D-90

Parts Manual

J.L.A.

Meadowcroft Lane, Halifax Road

Ripponden W. Yorkshire, England

HX6 4AJ

Telephone: 1 422 822282 / Fax: 1 422 824390

Retain This Manual In A Safe Place For Future Reference

This product embodies advanced concepts in engineering, design, and safety. If this product is properly maintained, it will provide many years of safe, efficient, and trouble-free operation.

ONLY qualified technicians should service this equipment.

OBSERVE ALL SAFETY PRECAUTIONS displayed on the equipment or specified in the installation manual included with the dryer.

The following “**FOR YOUR SAFETY**” caution **must be** posted near the dryer in a prominent location.

FOR YOUR SAFETY

Do not store or use gasoline or other flammable vapors and liquids in the vicinity of this or any other appliance.

POUR VOTRE SÉCURITÉ

Ne pas entreposer ni utiliser d'essence ni d'autres vapeurs ou liquides inflammables à proximité de cet appareil ou de tout autre appareil.

We have tried to make this manual as complete as possible and hope you will find it useful. The manufacturer reserves the right to make changes from time to time, without notice or obligation, in prices, specifications, colors, and material, and to change or discontinue models.

Important

For your convenience, log the following information:

DATE OF PURCHASE _____ **MODEL NO.** _____ **D-90**

DISTRIBUTOR'S NAME _____

Serial Number(s) _____

Replacement parts can be obtained from your distributor or **J.L.A.** When ordering replacement parts from the factory, you can FAX your order to **J.L.A.** at 1 422-824390 or telephone your order directly to the **J.L.A.** Parts Department at 1 422-822282. Please specify the dryer **model number** and **serial number** in addition to the **description** and **part number**, so that your order is processed accurately and promptly.

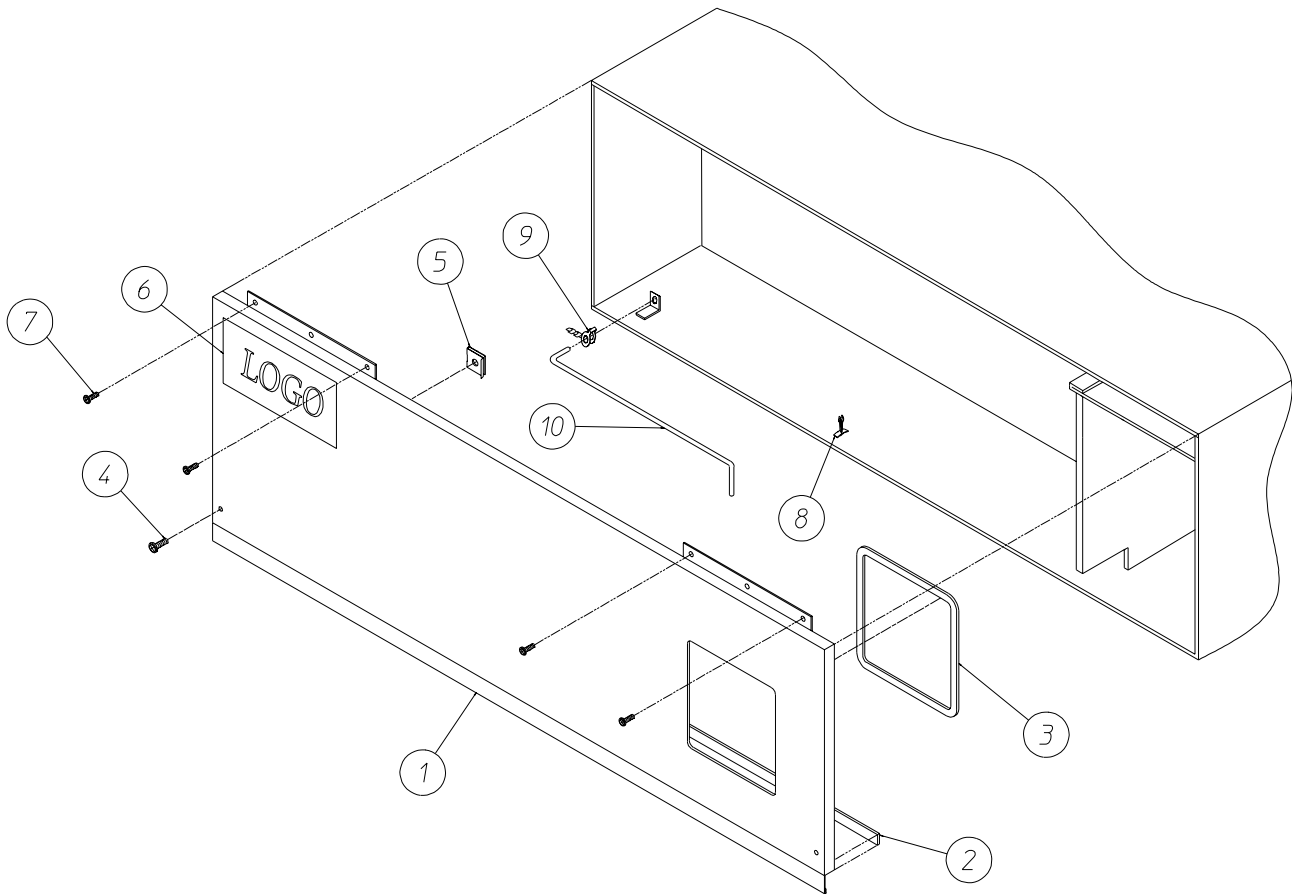
The illustrations on the following pages may not depict your particular dryer exactly. The illustrations are a composite of the various dryer models. Be sure to check the descriptions of the parts thoroughly before ordering.

“IMPORTANT NOTE TO PURCHASER”

Information **must be** obtained from your local gas supplier on the instructions to be followed if the user smells gas. These instructions **must be** posted in a prominent location near the dryer.

Table of Contents

| | |
|---|--------|
| Control Door Assembly | 2 |
| Phase 7 OPL Microprocessor Control Panel Assembly | 3 |
| Main Door/Front Panel Assembly | 4 |
| Main Door Assembly | 5 |
| Main Door Switch Assembly | 6 |
| Temperature Sensor Bracket Assembly | 7 |
| Wrapper Assembly | 8 |
| Lint Drawer Assembly | 9 |
| Basket (Tumbler) Assembly | 10 |
| Phase 7 Rotational Sensor Assembly | 11 |
| Idler Shaft Assembly | 12 |
| Drive Shaft Assembly | 13 |
| Drive Motor Assembly | 14, 15 |
| Direct Spark Ignition (DSI) Burner Assembly | 16, 17 |
| Motorized Impellor (Fan) Assembly | 18 |
| Reversing Relay Panel Assembly | 19 |
| Pneumatic Valve Assembly | 20 |
| Air Jet Assembly | 21 |
| Sail Switch Assembly | 22 |
| S.A.F.E. Temperature Probe Assembly | 23 |
| S.A.F.E. Solenoid Assembly | 24 |
| Exhaust Collar Assembly | 25 |



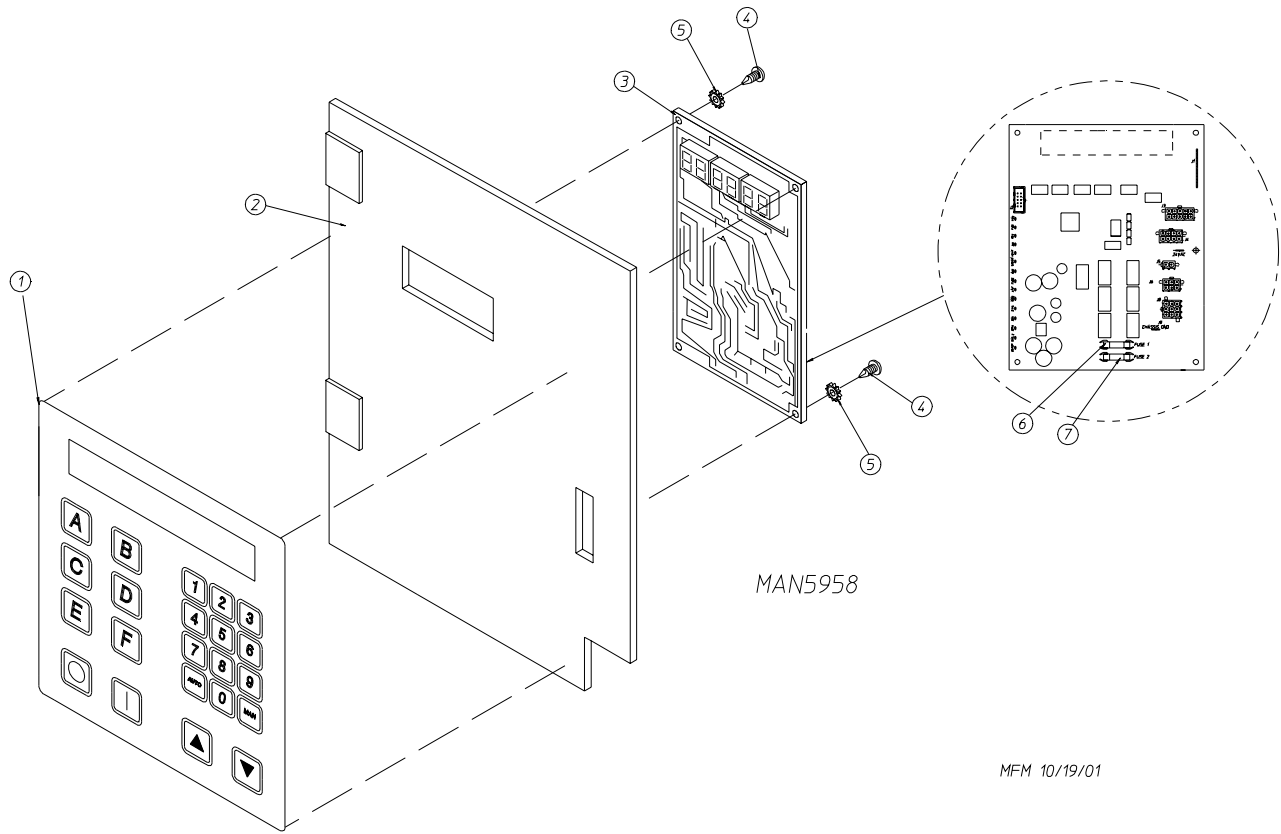
MAN6131

DMG 4/16/02

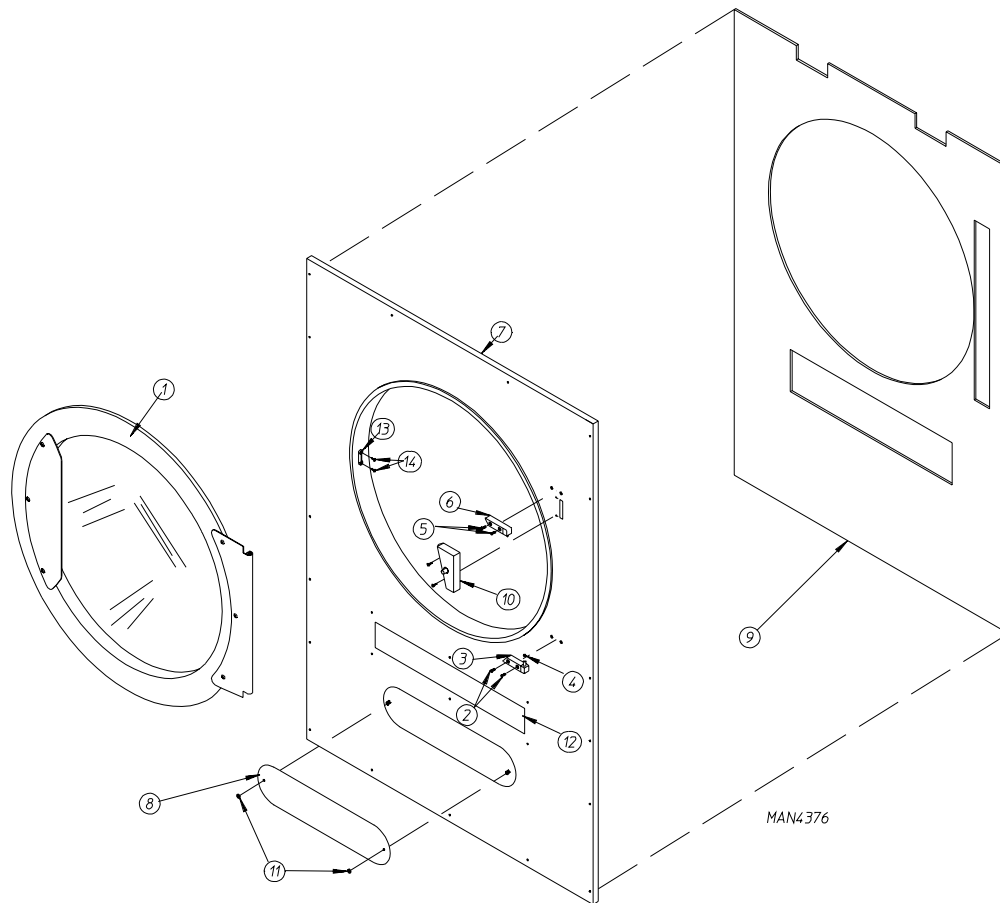
| <u>Illus. No.</u> | <u>Part No.</u> | <u>Qty.</u> | <u>Description</u> |
|-------------------|-----------------|-------------|---|
| 1 | 883293* | 1 | Phase 7 Control Door with Hinge (includes illus. nos. 2 and 3) |
| 2 | 117603 | 2 | 1/8" x 9/16" Noise Suppressor Tape |
| 3 | 117604 | 4 | Neoprene Sponge Tape (sold by the foot) |
| 4 | 150314 | 2 | #10-32 x 1/2" TORX Screw |
| 5 | 154011 | 2 | #10-32 Multi-Thread U-Nut |
| 6 | -----** | 1 | Logo ONLY |
| 7 | 150309 | 4 | #10-16 x 1/2" Hex Head TEK Crimpite Screw |
| 8 | 102603 | 1 | Control Door Rod Support Catch |
| 9 | 102601 | 1 | Control Door Retainer Clip |
| 10 | 102502 | 1 | Control Door Rod |

* Specify color when ordering.

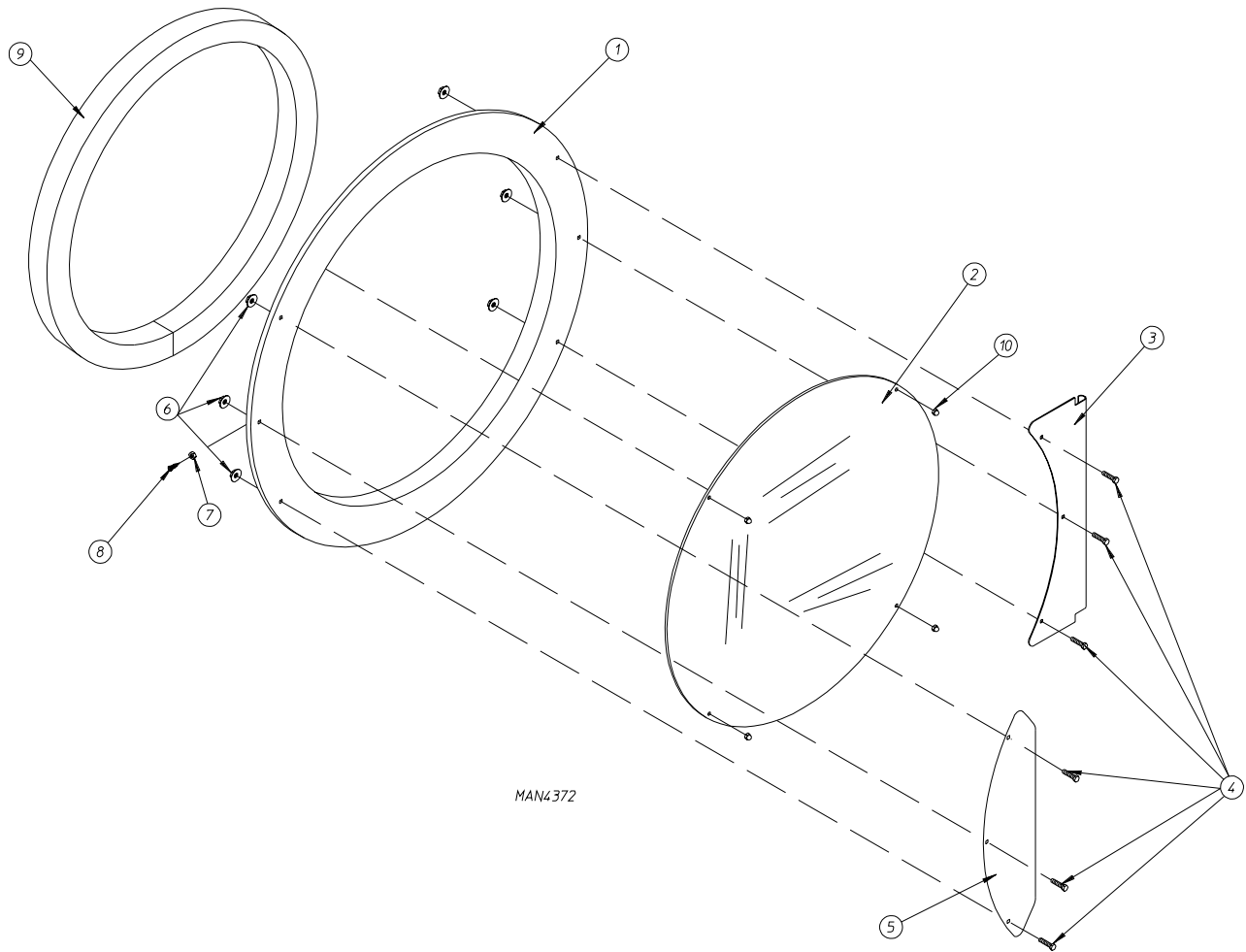
** Contact distributor for logo.



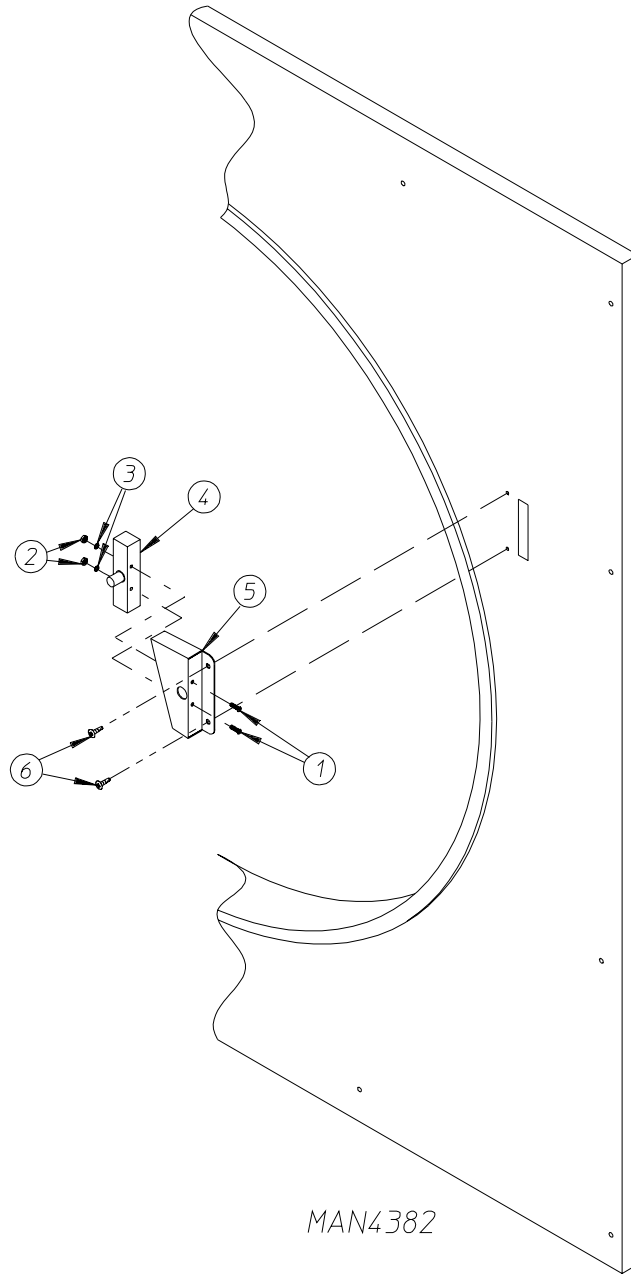
| <u>Illus. No.</u> | <u>Part No.</u> | <u>Qty.</u> | <u>Description</u> |
|-------------------|-----------------|-------------|--|
| 1 | 112537 | 1 | Phase 7 OPL Keyboard |
| 2 | 850984 | 1 | Phase 7 Microprocessor Controller (computer) Panel ONLY |
| 3 | 822767 | 1 | Phase 7 OPL Reversing Microprocessor Controller (computer) Control Panel Assembly Complete (includes illus. nos. 1 through 7) |
| | 137247 | 1 | Phase 7 OPL Microprocessor Controller (computer) ONLY |
| 4 | 150005 | 2 | #6-32 x 3/4" Phillips Round Head Machine Screw |
| 5 | 153010 | 2 | #6 Star Washer |
| 6 | 136016 | 1 | 5-Amp Fuse |
| 7 | 136097 | 1 | 500-mA Fuse |



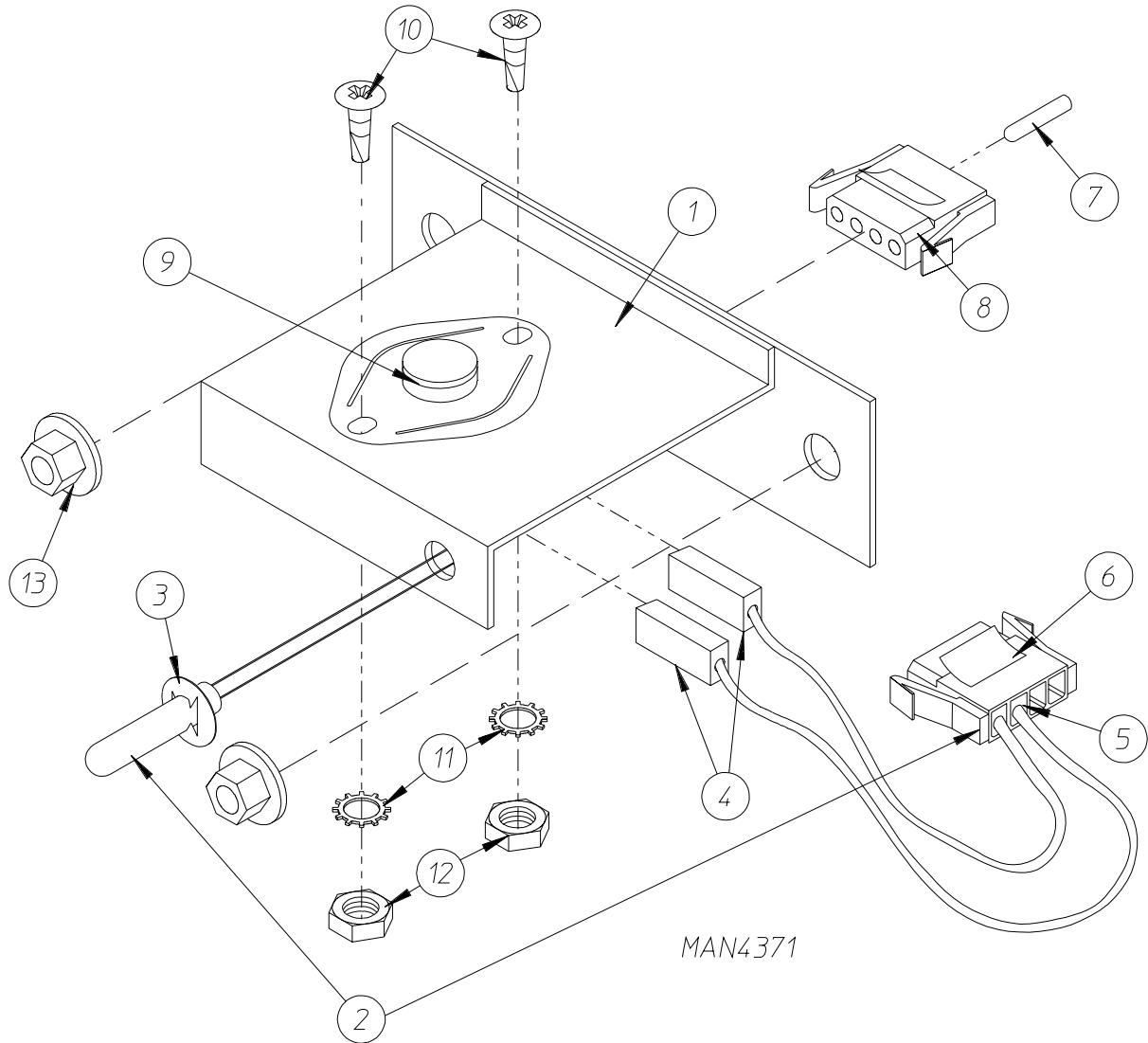
| <u>Illus. No.</u> | <u>Part No.</u> | <u>Qty.</u> | <u>Description</u> |
|-------------------|-----------------|-------------|---|
| 1 | ----- | 1 | Main Door (refer to Main Door Assembly on page 5) |
| 2 | 150443 | 2 | Socket Cap Screw |
| 3 | 881441 | 1 | Bottom Hinge Block (white) |
| | 882283 | 1 | Bottom Hinge Block (wrinkle coral blue) |
| 4 | 153031 | 1 | Nylon Washer |
| 5 | 150443 | 2 | Socket Cap Screw |
| 6 | 881440 | 1 | Top Hinge Block (white) |
| | 882284 | 1 | Top Hinge Block (wrinkle coral blue) |
| 7 | 882236 | 1 | Front Panel (white) (includes illus. nos. 7, 13, and 14) |
| | 882345 | 1 | Front Panel Assembly (wrinkle coral blue) (includes illus. nos. 7, 13, and 14) |
| 8 | ----- | 1 | Emblem |
| 9 | 116326 | 1 | Front Panel Insulation |
| 10 | ----- | 1 | Main Door Switch (refer to Main Door Switch Assembly on page 6) |
| 11 | 182507 | 2 | 1/4-20 High Crown Acorn Nut |
| 12 | ----- | 1 | Lint Screen (refer to Lint Door Assembly on page 9) |
| 13 | 170330 | 1 | Friction Door Latch |
| 14 | 154215 | 2 | 5/32" x 1/4" Rivet |



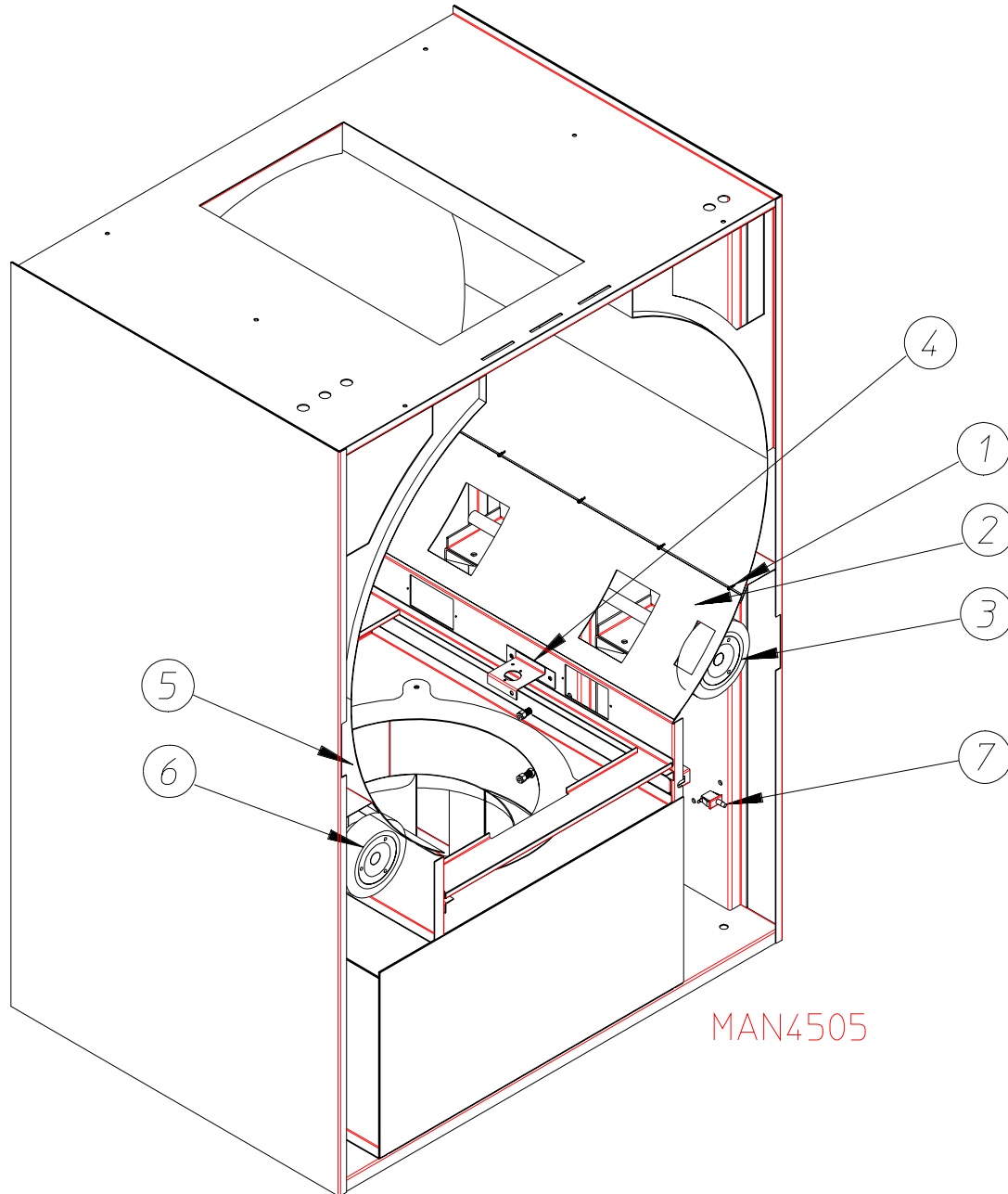
| <u>Illus. No.</u> | <u>Part No.</u> | <u>Qty.</u> | <u>Description</u> |
|-------------------|-----------------|-------------|--|
| 1 | 881968 | 1 | Cold Rolled Steel (CRS) Main Door Assembly (white) (includes illus. nos. 1 through 10) |
| | 882292 | 1 | Cold Rolled Steel (CRS) Main Door Assembly (wrinkle coral blue) (includes illus. nos. 1 through 10) |
| | 881966 | 1 | Cold Rolled Steel (CRS) Large Main Door Ring (white) |
| | 882305 | 1 | Cold Rolled Steel (CRS) Large Main Door Ring (wrinkle coral blue) |
| 2 | 102214 | 1 | 30" Main Door Glass |
| 3 | 881685 | 1 | Main Door Hinge (white) |
| | 882296 | 1 | Main Door Hinge (wrinkle coral blue) |
| 4 | 881740 | 6 | 1/4-20 x 5/8" Carriage Bolt (white) |
| | 882339 | 6 | 1/4-20 Carriage Bolt (wrinkle coral blue) |
| 5 | 881688 | 1 | Main Door Handle (white) |
| | 882295 | 1 | Main Door Handle (wrinkle coral blue) |
| 6 | 881806 | 6 | 1/4-20 Free Spin Wash Nut (white) |
| | 882293 | 6 | 1/4-20 Free Spin Wash Nut (wrinkle coral blue) |
| 7 | 152008 | 1 | #10-32 Hex Nut |
| 8 | 150120 | 1 | Door Latch Screw |
| 9 | 102357 | 1 | 7/8" x 7/8" x 104" Door Gasket |
| 10 | 151012 | 4 | #10-32 Nylon Acorn Nut |



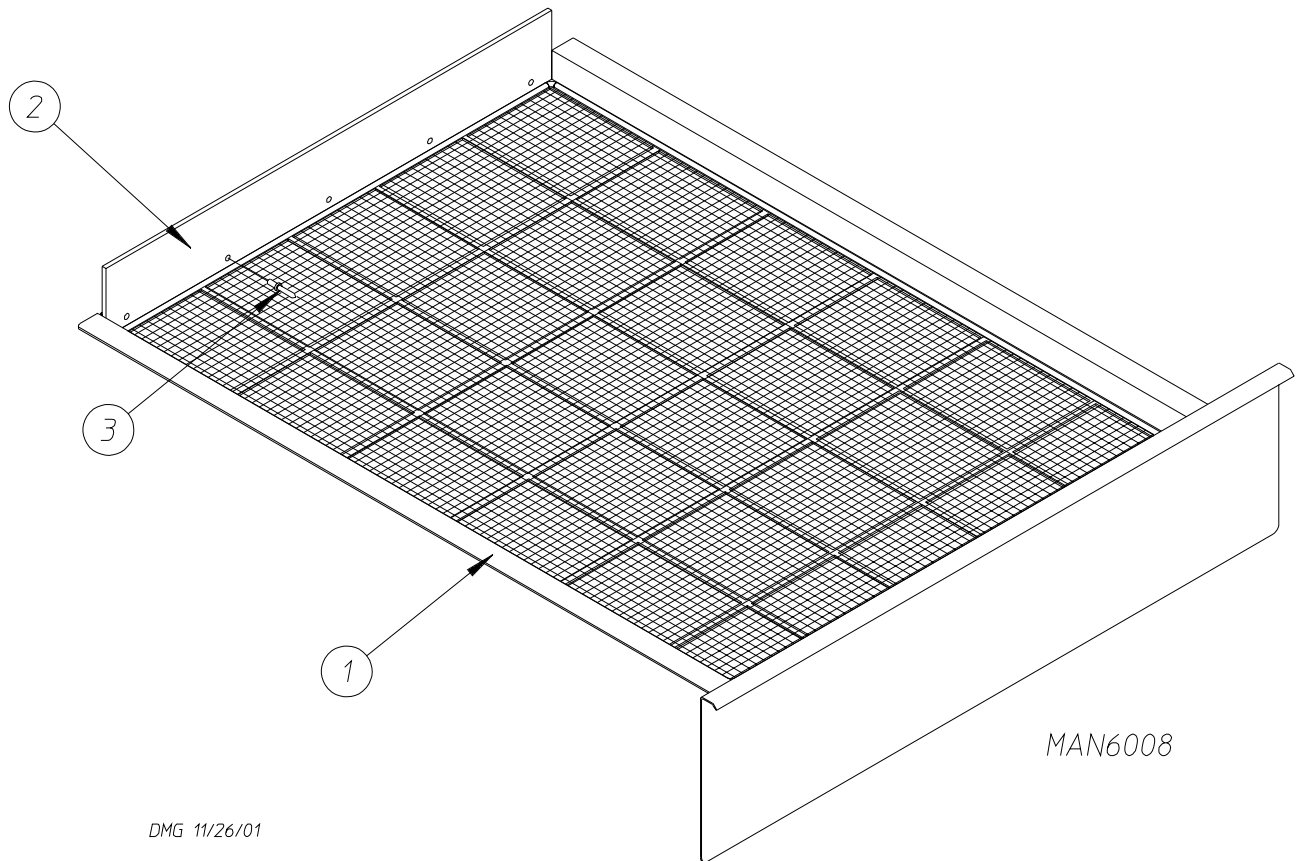
| <u>Illus. No.</u> | <u>Part No.</u> | <u>Qty.</u> | <u>Description</u> |
|-------------------|-----------------|-------------|--|
| 1 | 150006 | 2 | #6-32 x 7/8" Phillips Pan Head Machine Screw |
| 2 | 152013 | 2 | #6-32 Hex Nut |
| 3 | 153010 | 2 | #6 Star Washer |
| 4 | 137005 | 1 | Main Door Switch ONLY |
| 5 | 881702 | 1 | Main Door Switch Housing Assembly Complete (white) (includes illus. nos. 1 through 5) |
| | 882298 | 1 | Main Door Switch Housing Assembly (wrinkle coral blue) (includes illus. nos. 1 through 5) |
| | 881687 | 1 | Main Door Switch Housing ONLY (white) |
| | 882291 | 1 | Main Door Switch Housing ONLY (wrinkle coral blue) |
| 6 | 150301 | 2 | #8-18 x 7/16" Phillips Pan Head TEK Screw |



| <u>Illus. No.</u> | <u>Part No.</u> | <u>Qty.</u> | <u>Description</u> |
|-------------------|-----------------|-------------|--|
| 1 | 859372 | 1 | Temperature Sensor Bracket Complete (includes illus. nos. 1 through 6 and 9 through 12) |
| | 881089 | 1 | Sensor Bracket |
| 2 | 880252 | 1 | 4" Temperature Sensor Probe Assembly |
| 3 | 154007 | 2 | 1/4" Push On Fastener |
| 4 | 121028 | 1 | 1/4" Terminal |
| 5 | 122701 | 4 | Socket Terminal ONLY |
| 6 | 122605 | 1 | 4-Position Female Connector |
| 7 | 122700 | 4 | Pin Terminal ONLY |
| 8 | 122604 | 1 | 4-Position Male Connector |
| 9 | 130302 | 1 | 225° Thermostat |
| 10 | 150005 | 2 | #6-32 x 1/4" Phillips Round Head Machine Screw |
| 11 | 153010 | 2 | #6 Star Washer |
| 12 | 152013 | 2 | #6-32 Hex Nut |
| 13 | 152014 | 2 | 1/4-20 Free Spin Wash Nut |



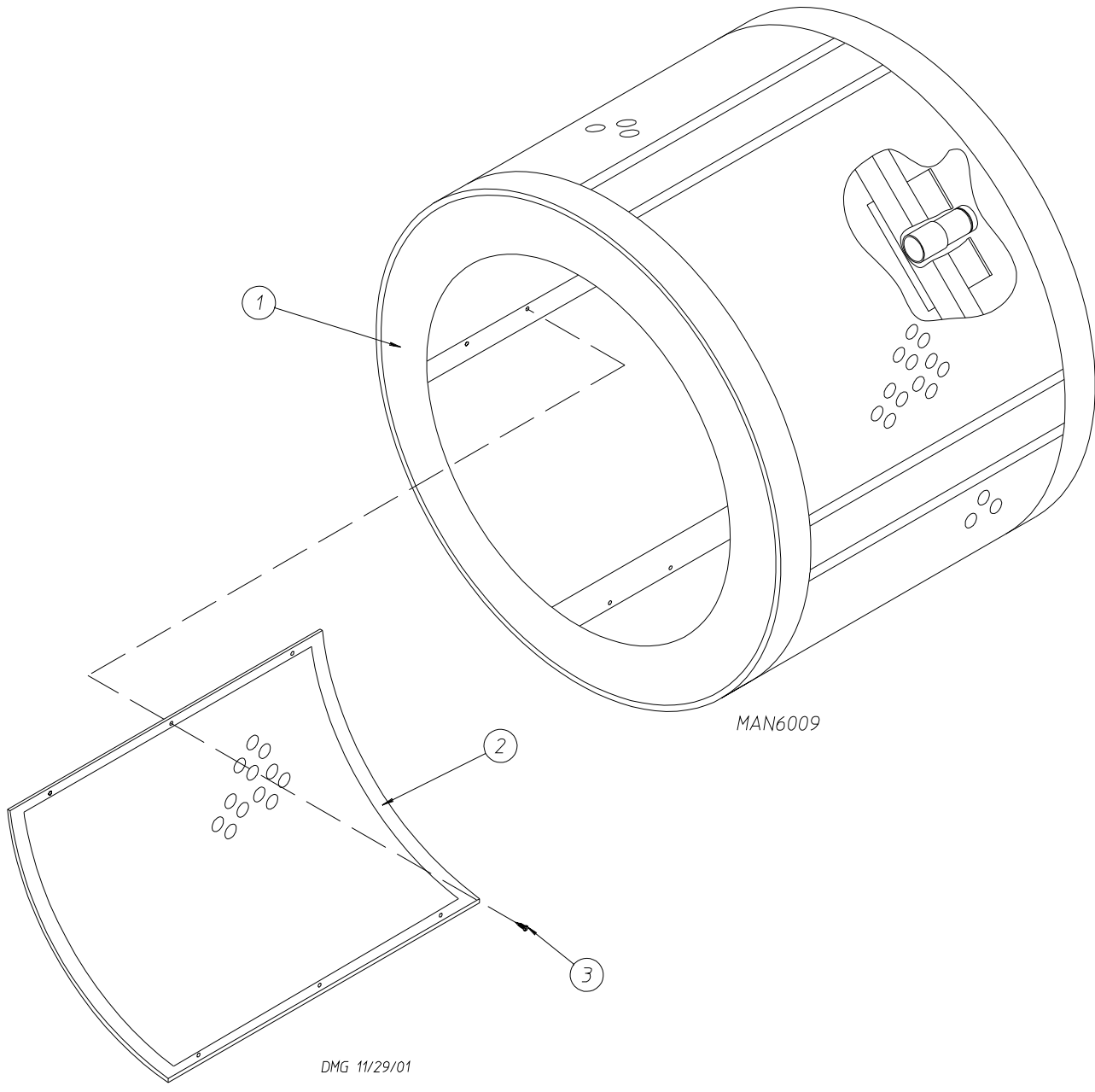
| <u>Illus. No.</u> | <u>Part No.</u> | <u>Qty.</u> | <u>Description</u> |
|-------------------|-----------------|-------------|--|
| 1 | 150309 | 20 | #10-16 x 1/2" Hex Head TEK Crimptite Screw |
| 2 | 859367 | 1 | Bottom Right Wrapper |
| 3 | ----- | 1 | Idler Shaft (refer to Idler Shaft Assembly on page 12) |
| 4 | ----- | 1 | Temperature Sensor Bracket (refer to Temperature Sensor Bracket Assembly on page 7) |
| 5 | 859368 | 1 | Bottom Left Wrapper |
| 6 | ----- | 1 | Drive Shaft (refer to Drive Shaft Assembly on page 13) |
| 7 | 122116 | 1 | Lint Door Switch - 24 VAC |



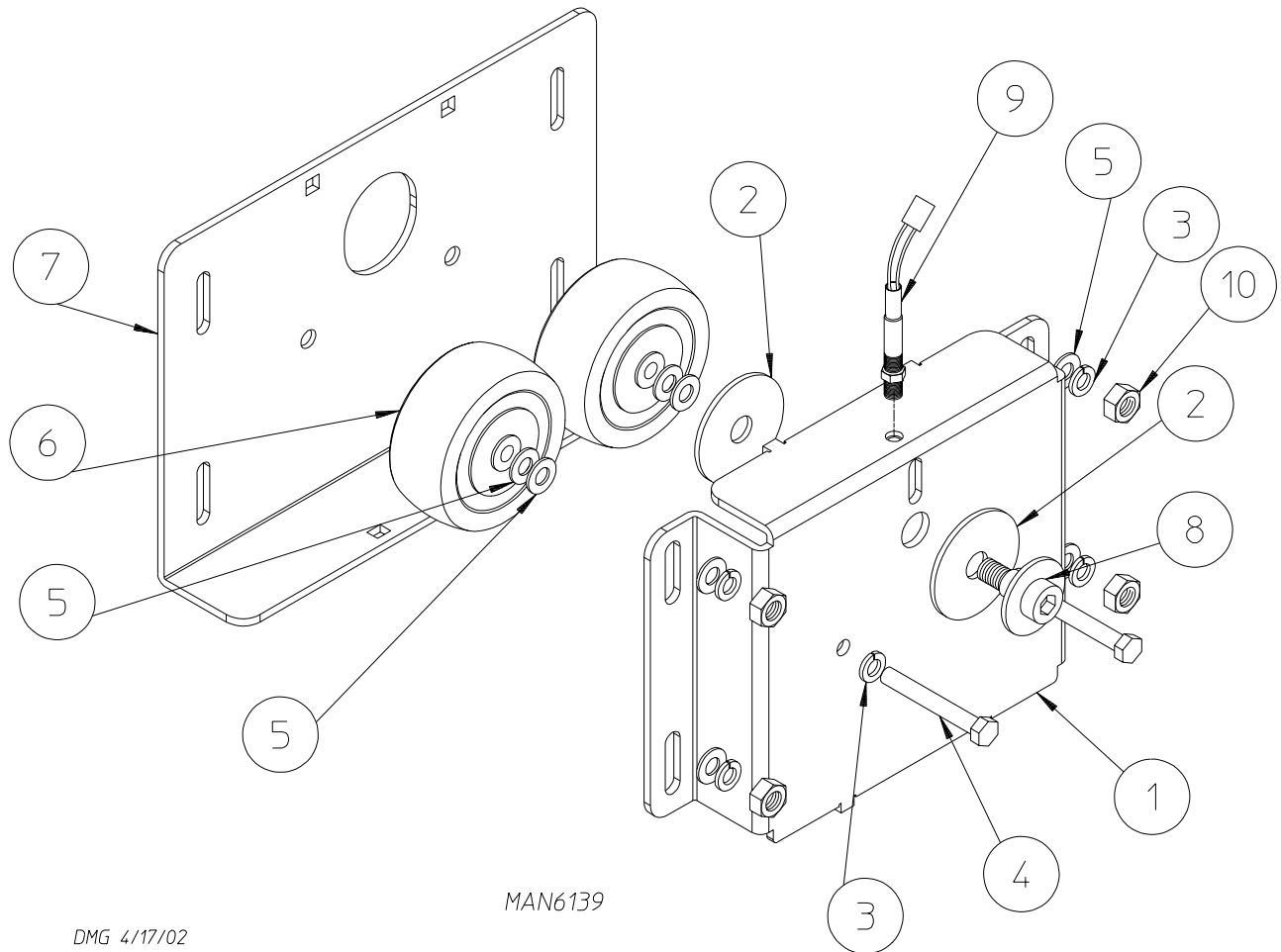
DMG 11/26/01

| <u>Illus. No.</u> | <u>Part No.</u> | <u>Qty.</u> | <u>Description</u> |
|-------------------|-----------------|-------------|--|
| 1* | 883305 | 1 | Lint Drawer Assembly (includes illus. nos. 1 through 3) |
| 2 | 115902 | 1 | Lint Basket Felt |
| 3 | 154215 | 5 | 5/32" x 1/4" Rivet |

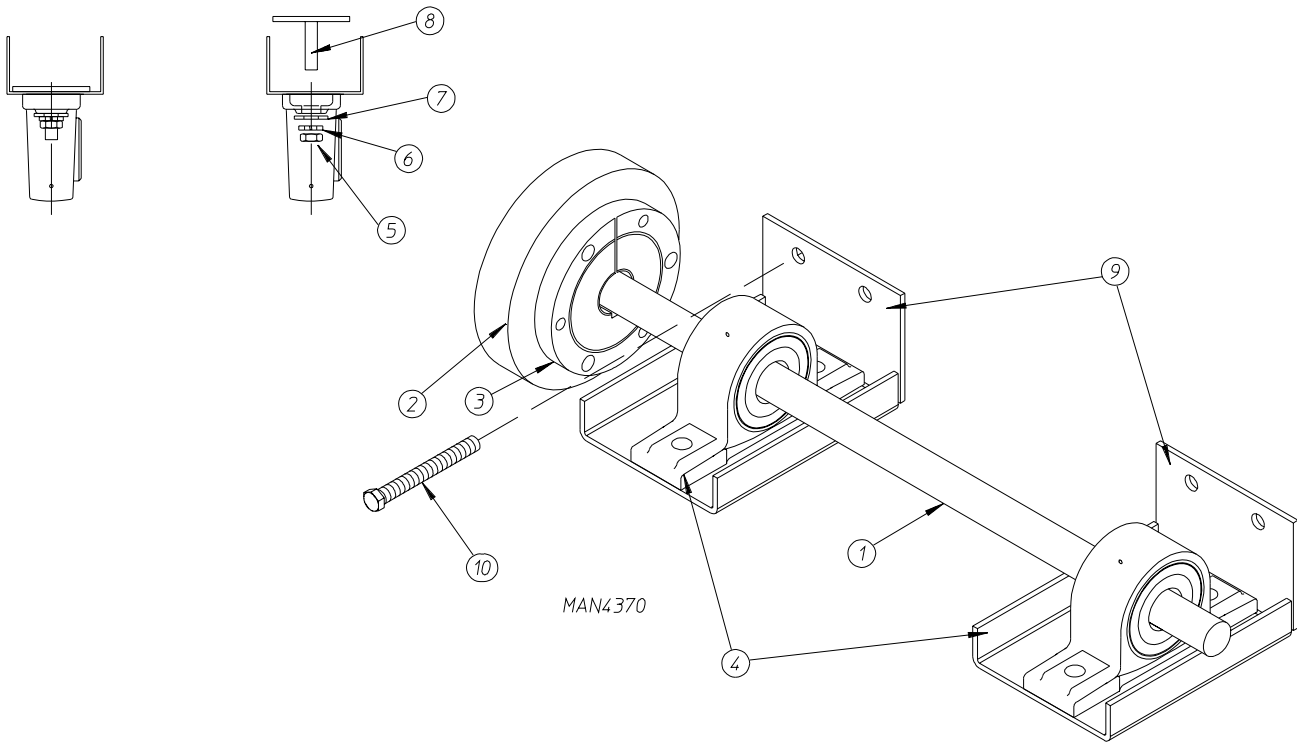
* Specify color when ordering.



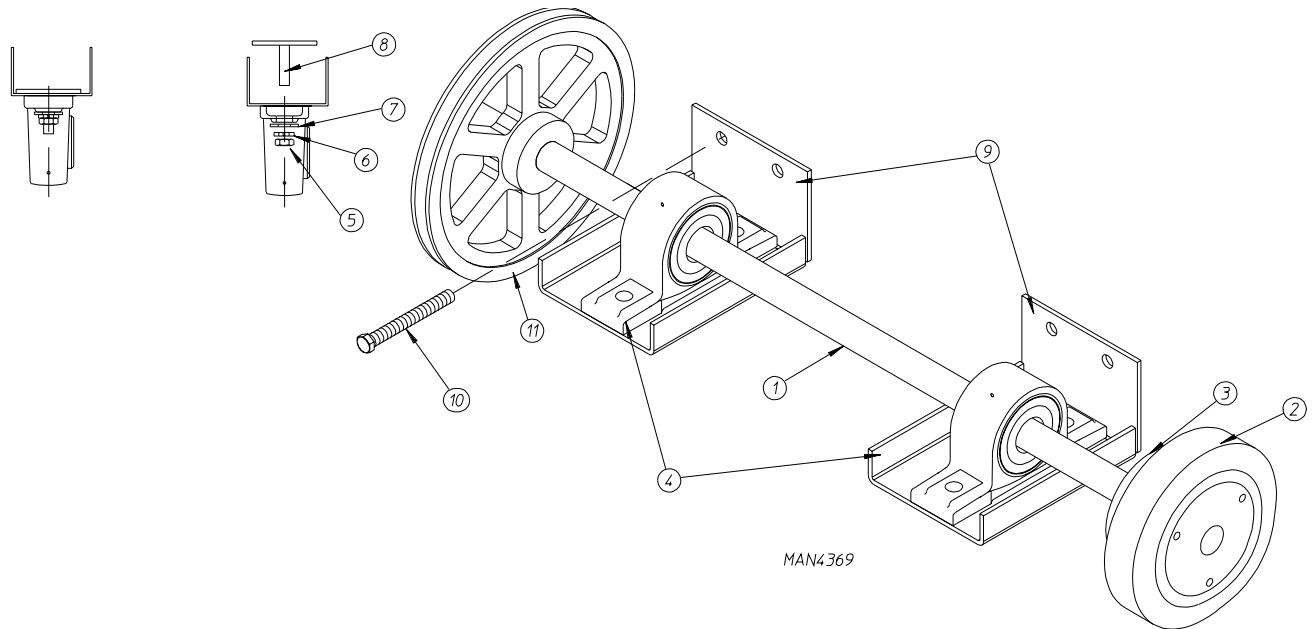
| <u>Illus. No.</u> | <u>Part No.</u> | <u>Qty.</u> | <u>Description</u> |
|-------------------|-----------------|-------------|--|
| 1 | 859389 | 1 | Basket (tumbler) Assembly Complete (includes illus. nos. 1 through 3) |
| 2 | 882234 | 4 | Perforated Basket (tumbler) Panel |
| 3 | 150118 | 24 | 1/4-20 x 1/4" Phillips Pan Head Screw |



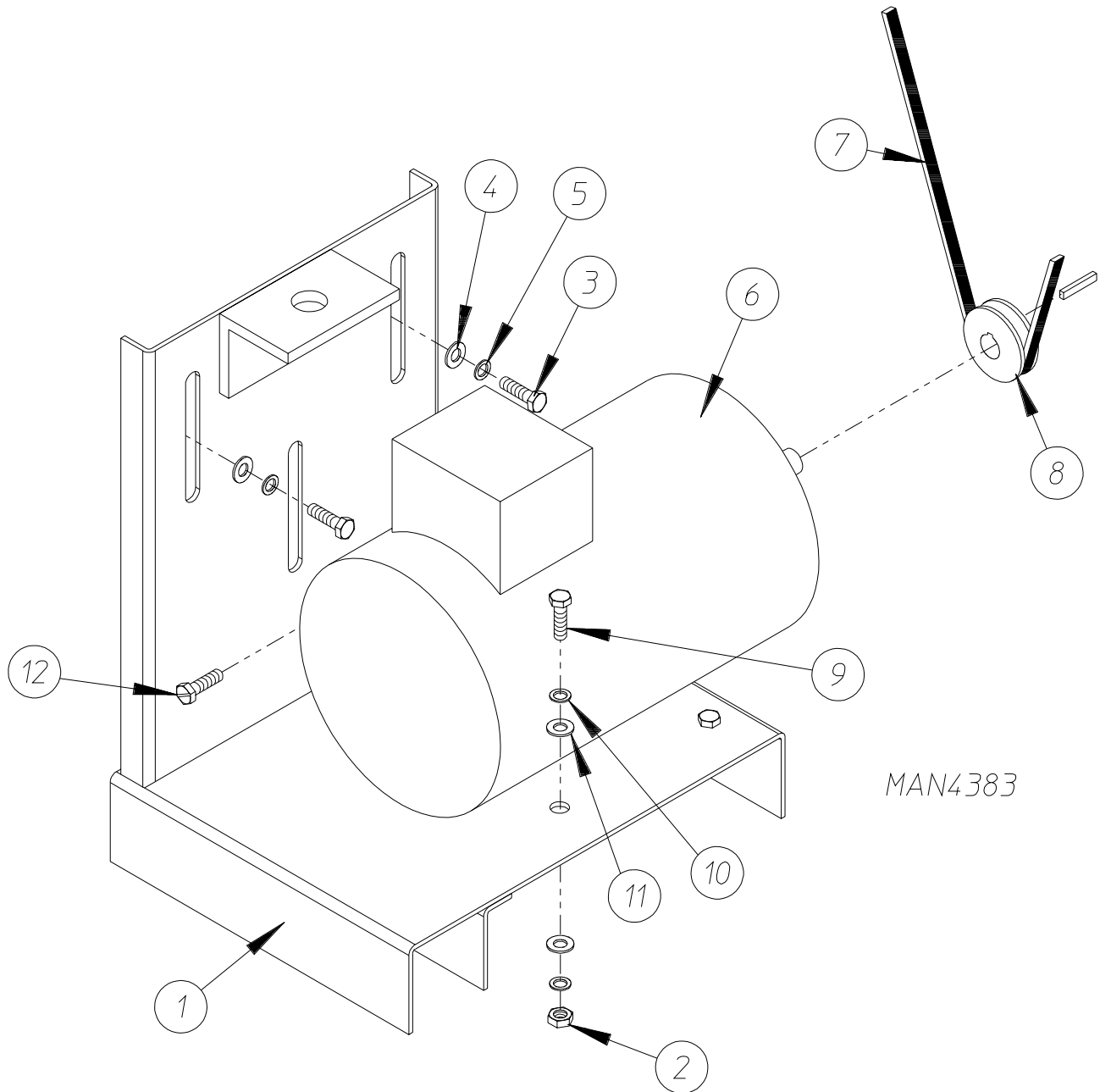
| <u>Illus. No.</u> | <u>Part No.</u> | <u>Qty.</u> | <u>Description</u> |
|-------------------|-----------------|-------------|--|
| 1 | 819064 | 1 | Basket (tumbler) Shaft Support Assembly Complete (includes illus. nos. 1 through 8) |
| | 835339 | 1 | Basket (tumbler) Shaft Support Bracket |
| 2 | 102394 | 2 | Basket (tumbler) Friction Pad |
| 3 | 153005 | 6 | 3/8" Lock Washer |
| 4 | 150619 | 2 | 3/8-16 x 1" Tap Bolt |
| 5 | 153004 | 8 | 3/8" Flat Washer |
| 6 | 180018 | 4 | 4" x 1-1/2" Hi-Impact Wheel |
| 7 | 819046 | 1 | Basket (tumbler) Adjustment Plate |
| 8 | 819065 | 1 | Basket (tumbler) Shoulder Screw |
| 9 | 822735 | 1 | Phase 7 Rotational Sensor Assembly |
| 10 | 152005 | 4 | 3/8-16 Hex Nut |



| <u>Illus. No.</u> | <u>Part No.</u> | <u>Qty.</u> | <u>Description</u> |
|-------------------|-----------------|-------------|--|
| 1 | 859328 | 1 | Idler Shaft Assembly Complete (includes illus. nos. 1 through 10) |
| | 390232 | 1 | Idler Shaft ONLY |
| 2 | 180033 | 2 | 6" Wheel |
| 3 | 180038 | 2 | 1" Taper Lock Bushing |
| 4 | 880205 | 2 | 1" Pillow Block Bearing |
| 5 | 152004 | 4 | 5/16-18 Hex Nut |
| 6 | 153002 | 4 | 5/16" Lock Washer |
| 7 | 153001 | 4 | 5/16" Flat Washer |
| 8 | 859008 | 2 | Bearing Bolt Plate Assembly |
| 9 | 859327 | 2 | Bearing Pad |
| 10 | 150509 | 4 | 5/16-18 x 3" Tap Bolt |



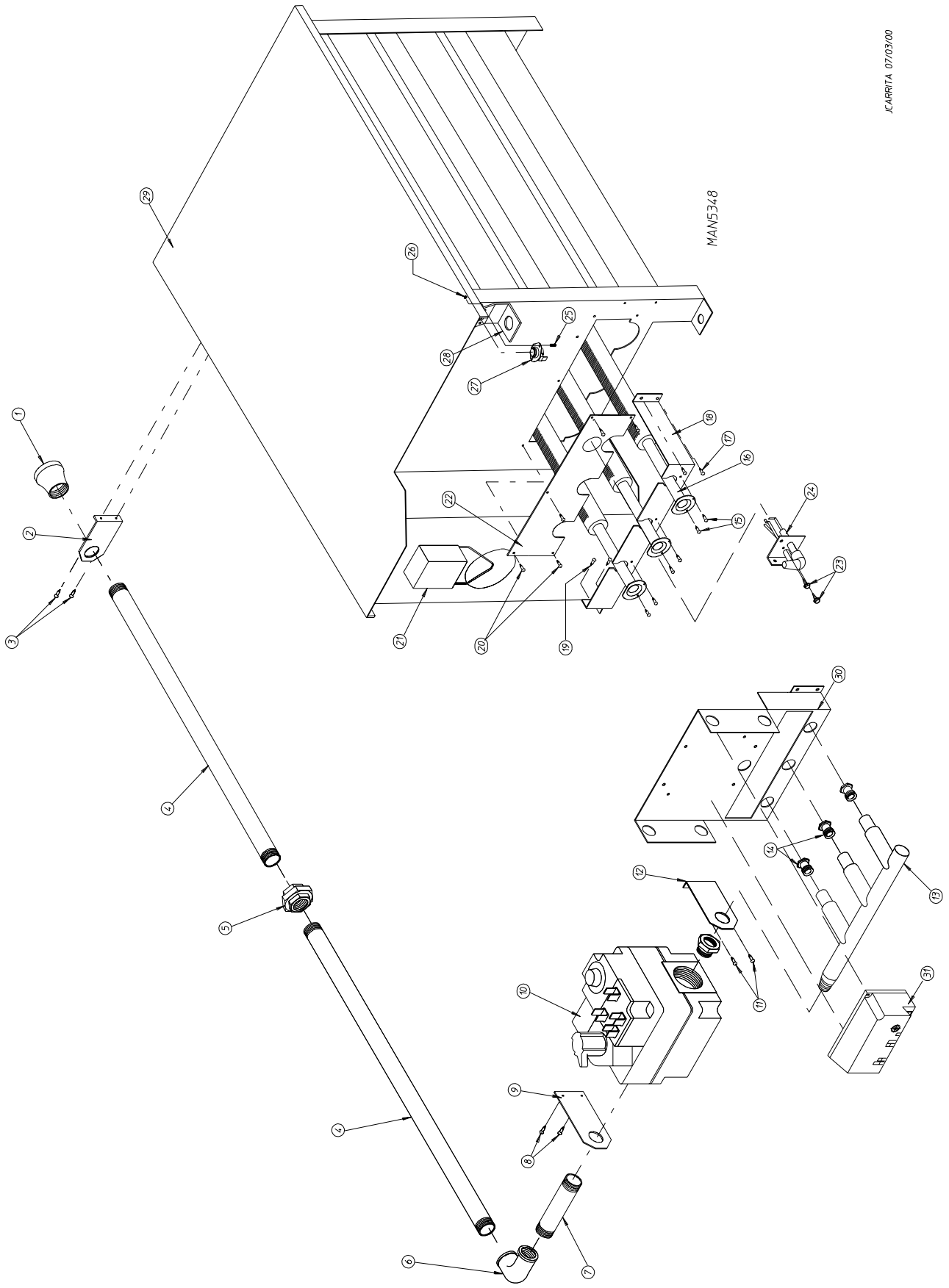
| <u>Illus. No.</u> | <u>Part No.</u> | <u>Qty.</u> | <u>Description</u> |
|-------------------|-----------------|-------------|--|
| 1 | 859329 | 1 | Drive Shaft Assembly Complete (includes illus. nos. 1 through 11) |
| | 390423 | 1 | Drive Shaft ONLY |
| 2 | 180033 | 2 | 6" Wheel |
| 3 | 180038 | 2 | 1" Taper Lock Bushing |
| 4 | 880205 | 2 | 1" Pillow Block Bearing |
| 5 | 152004 | 4 | 5/16-18 Hex Nut |
| 6 | 153002 | 4 | 5/16" Lock Washer |
| 7 | 153001 | 4 | 5/16" Flat Washer |
| 8 | 859008 | 2 | Bearing Bolt Plate Assembly |
| 9 | 859327 | 2 | Bearing Pad |
| 10 | 150509 | 4 | 5/16-18 x 3" Tap Bolt |
| 11 | 101209 | 1 | 9" Pulley |



| <u>Illus. No.</u> | <u>Part No.</u> | <u>Qty.</u> | <u>Description</u> |
|-------------------|-----------------|-------------|---|
| 1 | 882245 | 1 | Motor Mount Assembly Complete (includes illus. nos. 1, 2, 6, and 9 through 11) |
| | 882237 | 1 | Motor Mount ONLY |
| 2 | 152004 | 4 | 5/16-18 Hex Nut |
| 3 | 150501 | 3 | 5/16-18 x 3/4" Tap Bolt |
| 4 | 153001 | 3 | 5/16" Flat Washer |
| 5 | 153002 | 3 | 5/16" Lock Washer |
| 6 | 181106 | 1 | 1/2 HP 208-480v 3 ϕ 50/60 Hz Motor |
| 7 | 100174 | 1 | AX-53 Cogged V-Belt |
| 8 | 101132 | 1 | 5/8" x 2" Motor Pulley |
| 9 | 150501 | 4 | 5/16-18 x 3/4" Tap Bolt |
| 10 | 153002 | 8 | 5/16" Lock Washer |
| 11 | 153001 | 8 | 5/16" Flat Washer |
| 12 | 150523 | 1 | 1/4-20 x 3/4" Hex Washer Machine Bolt |

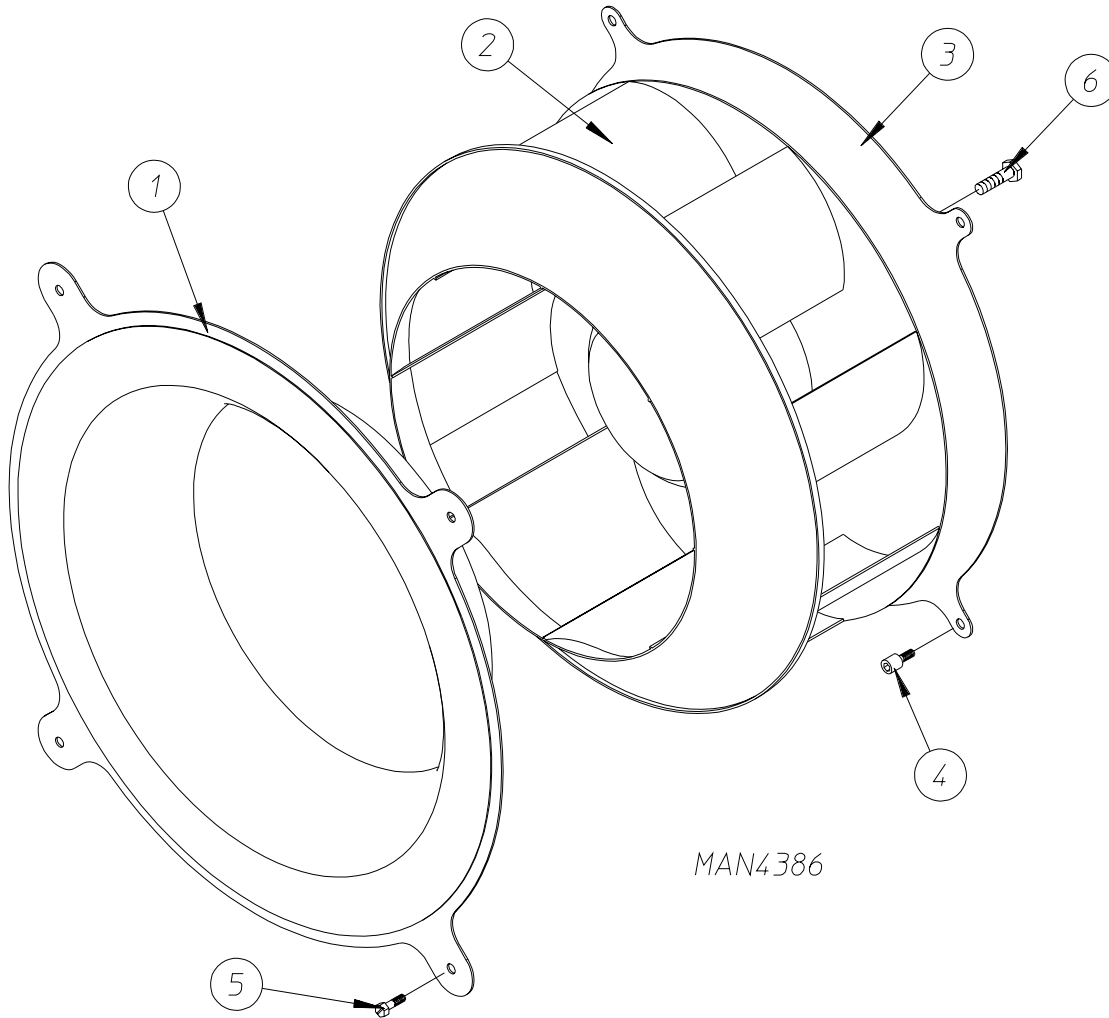
JCARRITA 07/03/00

MAN5348



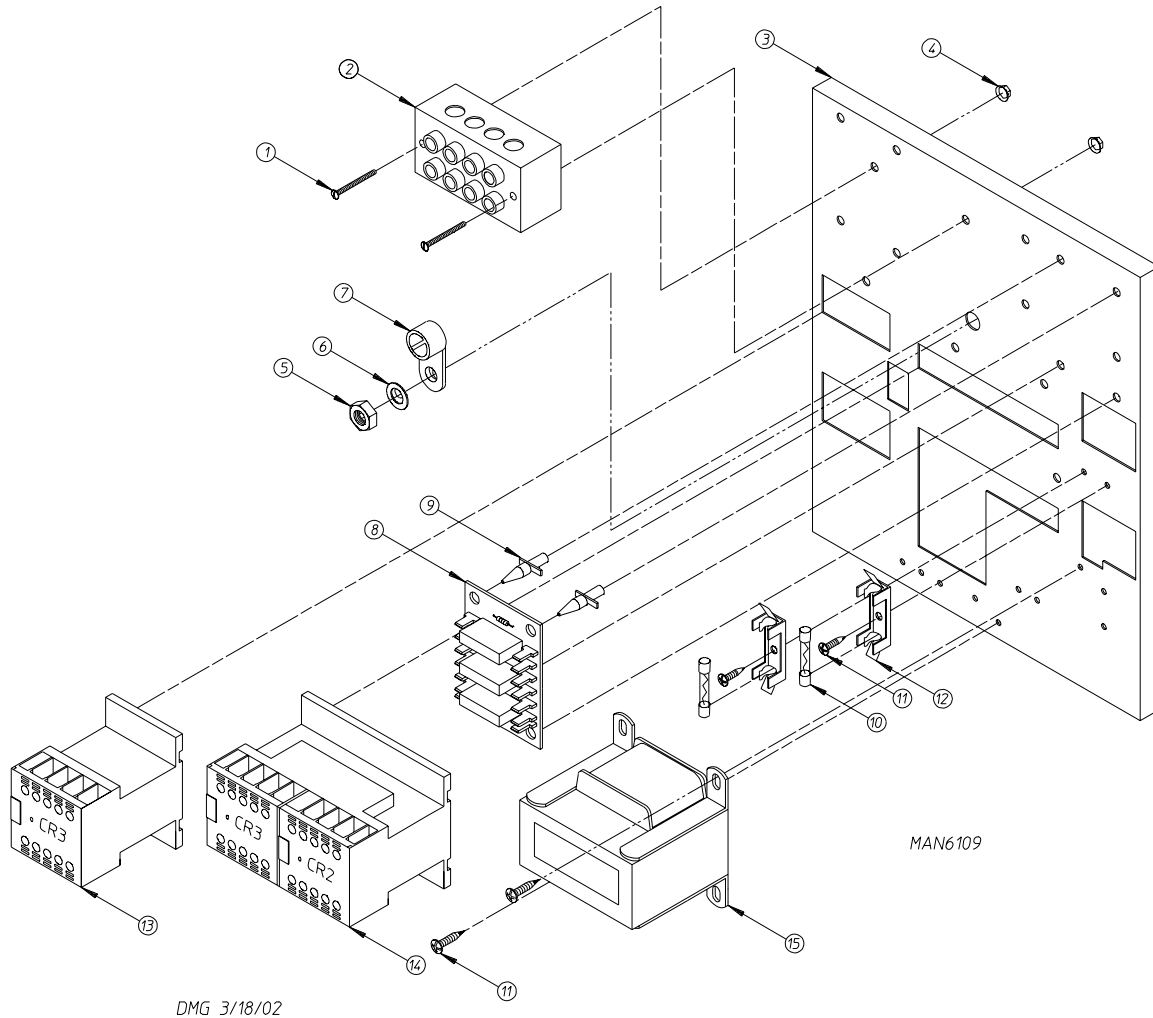
| <u>Illus. No.</u> | <u>Part No.</u> | <u>Qty.</u> | <u>Description</u> |
|-------------------|-----------------|-------------|--|
| 1 | 142924 | 1 | 1" to 3/4" Reducing Coupling |
| 2 | 331291 | 1 | Gas Valve Pipe Bracket |
| 3 | 150309 | 2 | #10-16 x 1/2" Hex Head TEK Crimptite Screw |
| 4 | 142735 | 1 | 3/4" x 14" Bi Nipple |
| 5 | 142601 | 1 | 3/4" Union |
| 6 | 142504 | 1 | 3/4" x 90° Elbow |
| 7 | 142734 | 1 | 3/4" x 5-1/2" Nipple |
| 8 | 150309 | 2 | #10-16 x 1/2" Hex Head TEK Crimptite Screw |
| 9 | 390125 | 1 | Gas Valve Flat Pipe Bracket |
| 10 | 140026 | 1 | 3/4" 24 VAC Redundant (natural gas) Gas Valve |
| | 882098 | 1 | 3/4" 24 VAC Redundant (liquid propane [L.P.] gas) Gas Valve |
| | 140411 | 1 | 24 VAC Gas Valve Liquid Propane (L.P.) Conversion Kit |
| 11 | 150415 | 2 | #10-16 x 1/2" Hex Head TEK Crimptite Screw |
| 12 | 331291 | 1 | Gas Valve Pipe Bracket |
| 13 | 141219 | 1 | 3-Port Manifold |
| 14* | 140862 | 3 | #7 Burner Orifice (natural gas) ONLY |
| | 140818 | 3 | #31 Burner Orifice (liquid propane [L.P.] gas) ONLY |
| 15 | 150309 | 2 | #10-16 x 1/2" Hex Head TEK Crimptite Screw |
| 16 | 141123 | 3 | Gas Burner Tube |
| 17 | 150309 | 2 | #10-16 x 1/2" Hex Head TEK Crimptite Screw |
| 18 | 390124 | 1 | Burner Tube Support ONLY |
| 19 | 150309 | 2 | #10-16 x 1/2" Hex Head TEK Crimptite Screw |
| 20 | 150309 | 6 | #10-16 x 1/2" Hex Head TEK Crimptite Screw |
| 21 | 821456 | 1 | Sail Switch (refer to Sail Switch Assembly on page 22) |
| 22 | 331289 | 1 | Burner Box Cover Plate ONLY |
| 23 | 150309 | 2 | #10-16 x 1/2" Hex Head TEK Crimptite Screw |
| 24 | 128914 | 1 | Ignitor/Flame-Probe Assembly |
| 25 | 150001 | 2 | #6-32 x 1/2" Phillips Round Head Machine Screw |
| 26 | 151000 | 2 | #6-32 Pal Nut |
| 27 | 130201 | 1 | 330° Manual Reset Hi-Limit ONLY |
| 28 | 319703 | 1 | Hi-Limit Bracket |
| 29* | 882677 | 1 | Natural Gas Burner Assembly Complete (includes illus. nos. 1 through 31) For Models Mfd. with Natural Gas ONLY |
| | 882678 | 1 | Liquid Propane (L.P.) Gas Burner Assembly Complete (includes illus. nos. 1 through 31) For Models Mfd. with Liquid Propane (L.P.) Gas ONLY |
| | 859374 | 1 | Burner Box ONLY |
| 30 | 335031 | 1 | Ignition Module Mounting Bracket/Manifold Rest |
| 31 | 128935 | 1 | Direct Spark Ignition (DSI) Module (Johnson Control) |

* Consult factory for elevations over 2,000 feet.

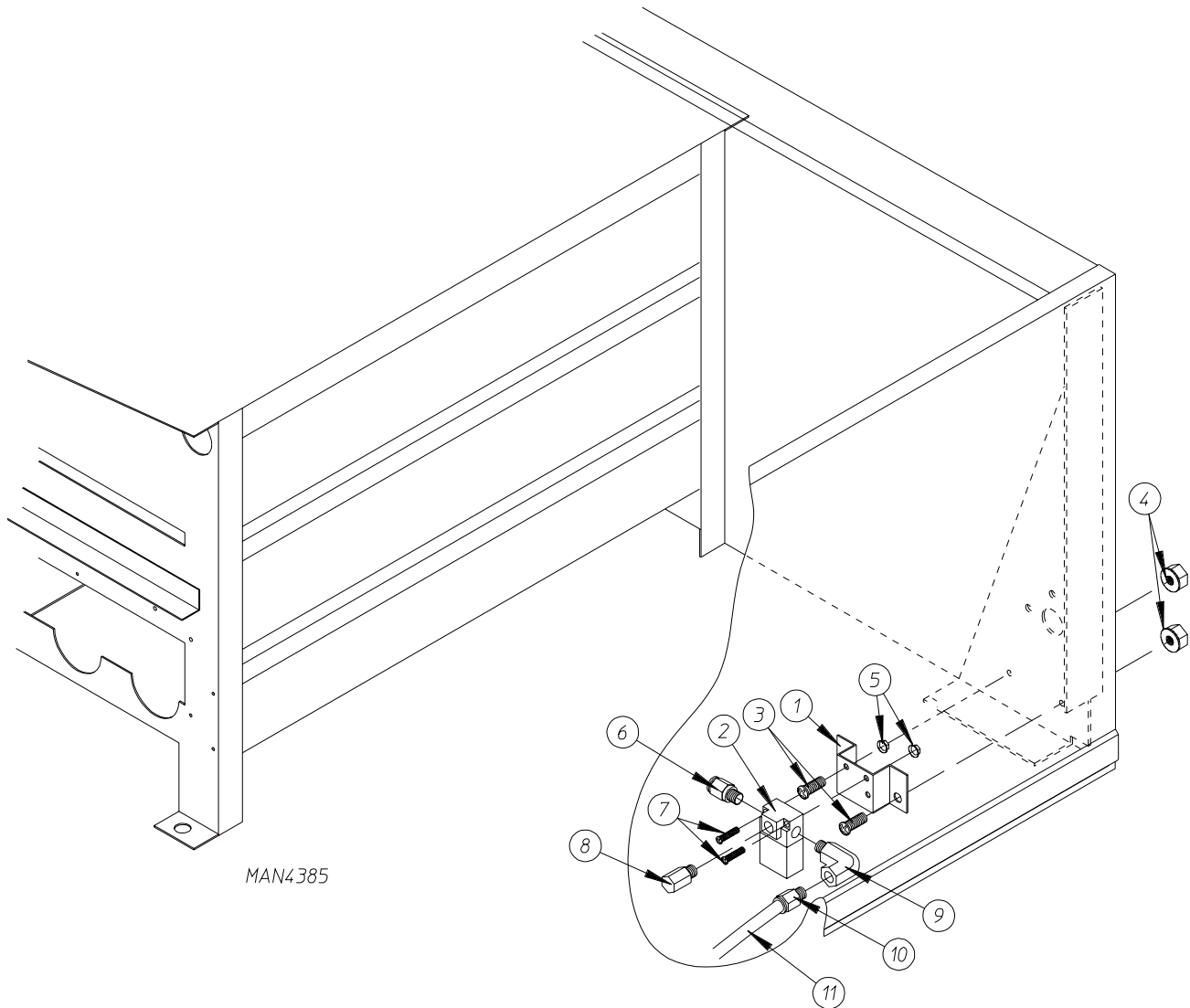


MAN4386

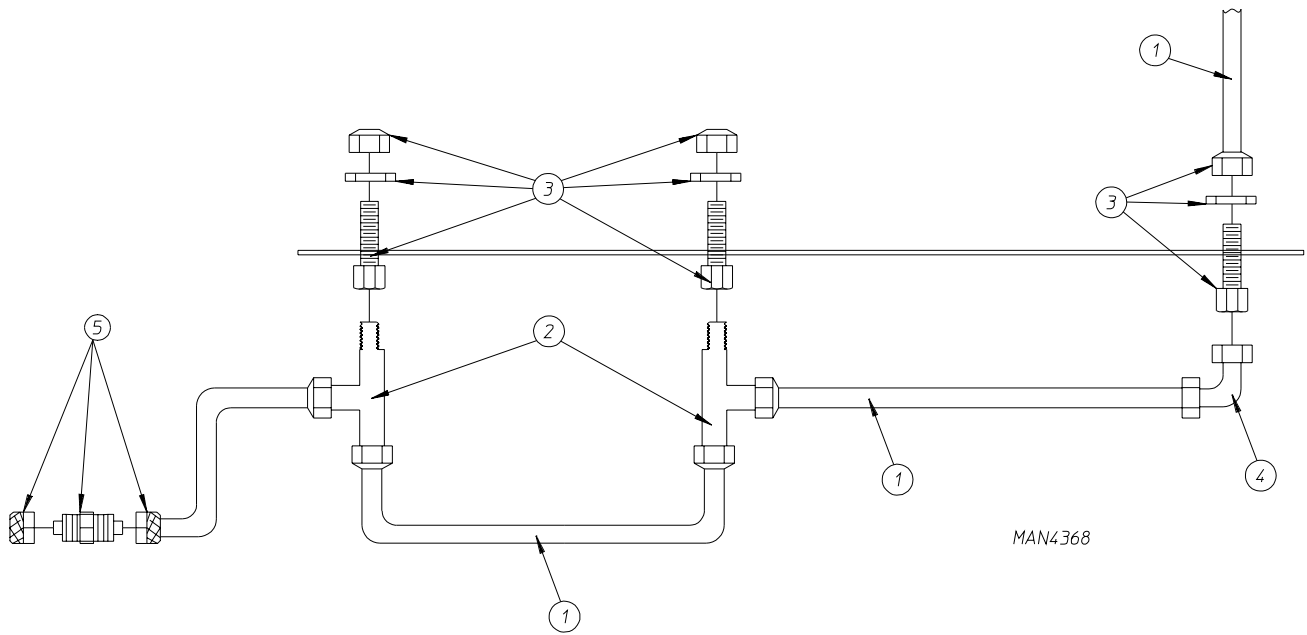
| <u>Illus. No.</u> | <u>Part No.</u> | <u>Qty.</u> | <u>Description</u> |
|-------------------|-----------------|-------------|---|
| 1 | 882319 | 1 | Coop Cone (white) |
| | 882328 | 1 | Coop Cone (wrinkle coral blue) |
| 2 | 100617 | 1 | Motorized Impellor (fan) - 208 Volt 60 Hz ONLY |
| | 100622 | 1 | Motorized Impellor (fan) - 230 Volt 60 Hz ONLY |
| | 100619 | 1 | Motorized Impellor (fan) - 230/400 Volt 50 Hz, 460/480 Volt 60 Hz ONLY |
| | 859363 | 1 | Motorized Impellor (fan) Assembly Complete - 208 Volt 60 Hz (includes illus. nos. 1, 2, 3, and 6) |
| | 859361 | 1 | Motorized Impellor (fan) Assembly Complete - 230 Volt 60 Hz (includes illus. nos. 1, 2, 3, and 6) |
| | 816086 | 1 | Motorized Impellor (fan) Assembly Complete - 230/400 Volt 50 Hz, 460/480 Volt 60 Hz (includes illus. nos. 1, 2, 3, and 6) |
| 3 | 882323 | 1 | Motor Plate (white) |
| | 882326 | 1 | Motor Plate (wrinkle coral blue) |
| 4 | 150511 | 4 | 1/4-20 x 1" Hex Head Machine Bolt |
| 5 | 150512 | 4 | 1/4-20 x 1/2" Hex Head Machine Bolt |
| 6 | 154335 | 8 | M10 x 16 Metric Bolt |



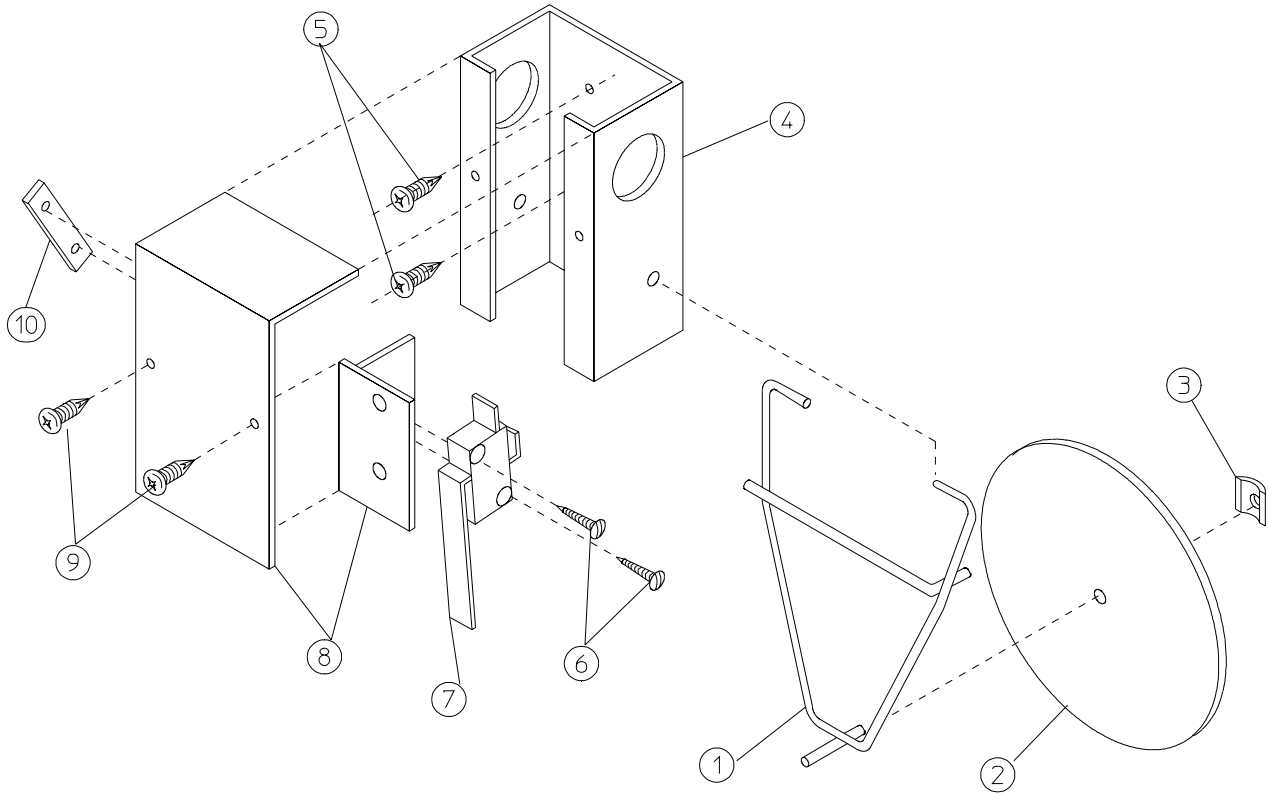
| <u>Illus. No.</u> | <u>Part No.</u> | <u>Qty.</u> | <u>Description</u> |
|-------------------|-----------------|-------------|---|
| 1 | 150008 | 2 | #6-32 x 1-1/4" Phillips Round Head Machine Screw |
| 2 | 120701 | 1 | 4-Position Terminal Block |
| 3 | 859356 | 1 | 208 Volt Reversing Relay Panel Assembly Complete (includes illus. nos. 1 through 15) |
| | 323743 | 1 | Reversing Relay Panel ONLY |
| 4 | 151000 | 1 | #6-32 Pal Nut |
| 5 | 152004 | 1 | 5/16-18 Hex Nut |
| 6 | 153002 | 1 | 5/16" Lock Washer |
| 7 | 121012 | 1 | Ground Lug |
| 8 | 137060 | 1 | Arc Suppressor (A.S.) Board |
| 9 | 137013 | 4 | Nylon Standoff |
| 10 | 136057 | 2 | 1/2-Amp (slo blo) Fuse |
| 11 | 150301 | 4 | #8-18 x 7/16" Phillips Pan Head TEK Screw |
| 12 | 136008 | 2 | Fuse Holder ONLY |
| 13 | 132455 | 1 | 1 HP 3 ϕ Contactor |
| 14 | 132448 | 1 | Reversing Contactor |
| 15 | 132070 | 1 | 208-240 Volt Transformer |
| | 881763 | 1 | Transformer Terminal Kit |



| <u>Illus. No.</u> | <u>Part No.</u> | <u>Qty.</u> | <u>Description</u> |
|-------------------|-----------------|-------------|---|
| 1 | 330987 | 1 | Micro Valve Bracket |
| 2 | 836002 | 1 | Air Jet Solenoid |
| 3 | 150111 | 2 | 1/4-20 x 1/2" Phillips Round Head Machine Screw |
| 4 | 152014 | 2 | 1/4-20 Free Spin Wash Nut |
| 5 | 151000 | 2 | #6-32 Pal Nut |
| 6 | 100472 | 1 | 1/4" x 1/8" Male Connector |
| 7 | 150002 | 2 | #6-32 x 1" Phillips Round Head Machine Screw |
| 8 | 100520 | 1 | 1/8" N.P.T. Silencer (muffler) |
| 9 | 143268 | 1 | 1/8" x 90° Brass Straight Elbow |
| 10 | 100472 | 1 | 1/4" x 1/8" Male Connector |
| 11 | 143115 | 4 | 1/4" Poly-Flo Tubing (sold by the foot) |

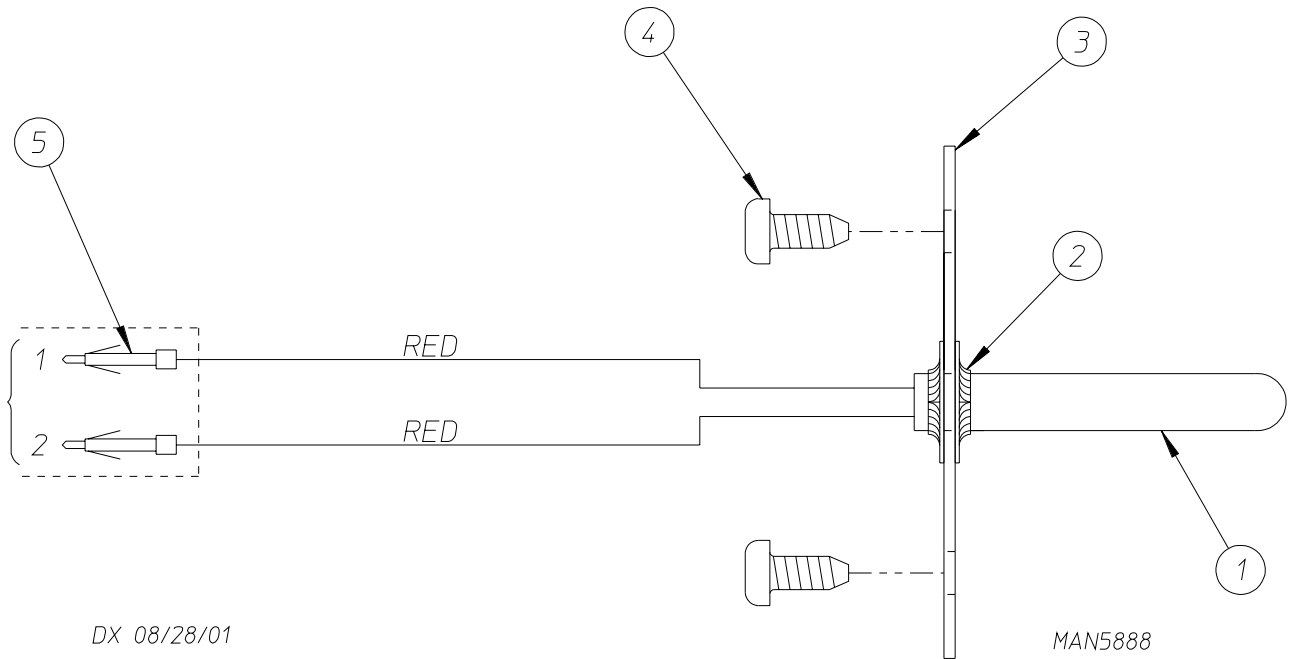


| <u>Illus. No.</u> | <u>Part No.</u> | <u>Qty.</u> | <u>Description</u> |
|-------------------|-----------------|-------------|---|
| 1 | 143100 | 6 | 1/4" Aluminum Tubing (sold by the foot) |
| 2 | 143287 | 2 | 1/4" x 1/8" M.P.T. Male Run Tee |
| 3 | 143259 | 3 | 1/4" x 1/8" F.P.T. Bulkhead Fitting |
| 4 | 143115 | 4 | 1/4" Poly-Flo Tubing (sold by the foot) |
| 5 | 143154 | 1 | 1/4" Poly Union |

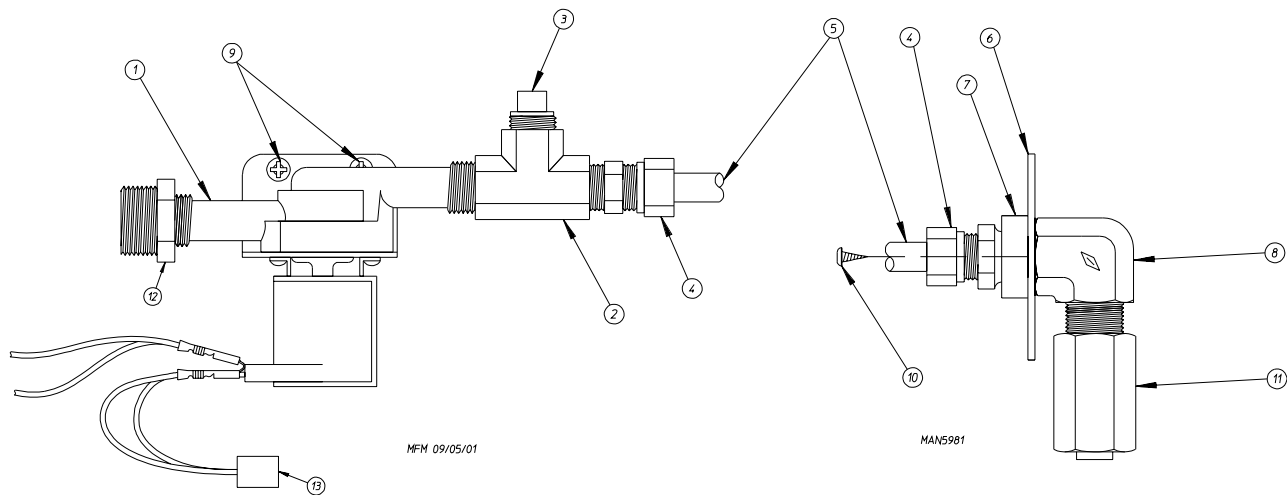


MAN0440

| <u>Illus. No.</u> | <u>Part No.</u> | <u>Qty.</u> | <u>Description</u> |
|-------------------|-----------------|-------------|--|
| 1 | 105500 | 1 | Sail Switch Actuator Rod |
| 2 | 319202 | 1 | Sail Switch Damper (flat) |
| 3 | 154002 | 1 | 1/8" Push On Fastener |
| 4 | 802800 | 1 | Sail Switch Box with Cover and Bracket ONLY |
| | 802801 | 1 | Sail Switch Box Assembly Complete (includes illus. nos. 1 through 4 and 6 through 10) |
| 5 | 150309 | 2 | #10-16 x 1/2" Hex Head TEK Crimptite Screw |
| 6 | 150303 | 2 | #44 x 3/4" Pan Head "A" Machine Screw |
| 7 | 122200 | 1 | Sail Switch ONLY |
| 8 | 802799 | 1 | Sail Switch Box Cover and Bracket ONLY |
| 9 | 150309 | 2 | #10-16 x 1/2" Hex Head TEK Crimptite Screw |
| 10 | 154004 | 1 | Twin Speed Nut |

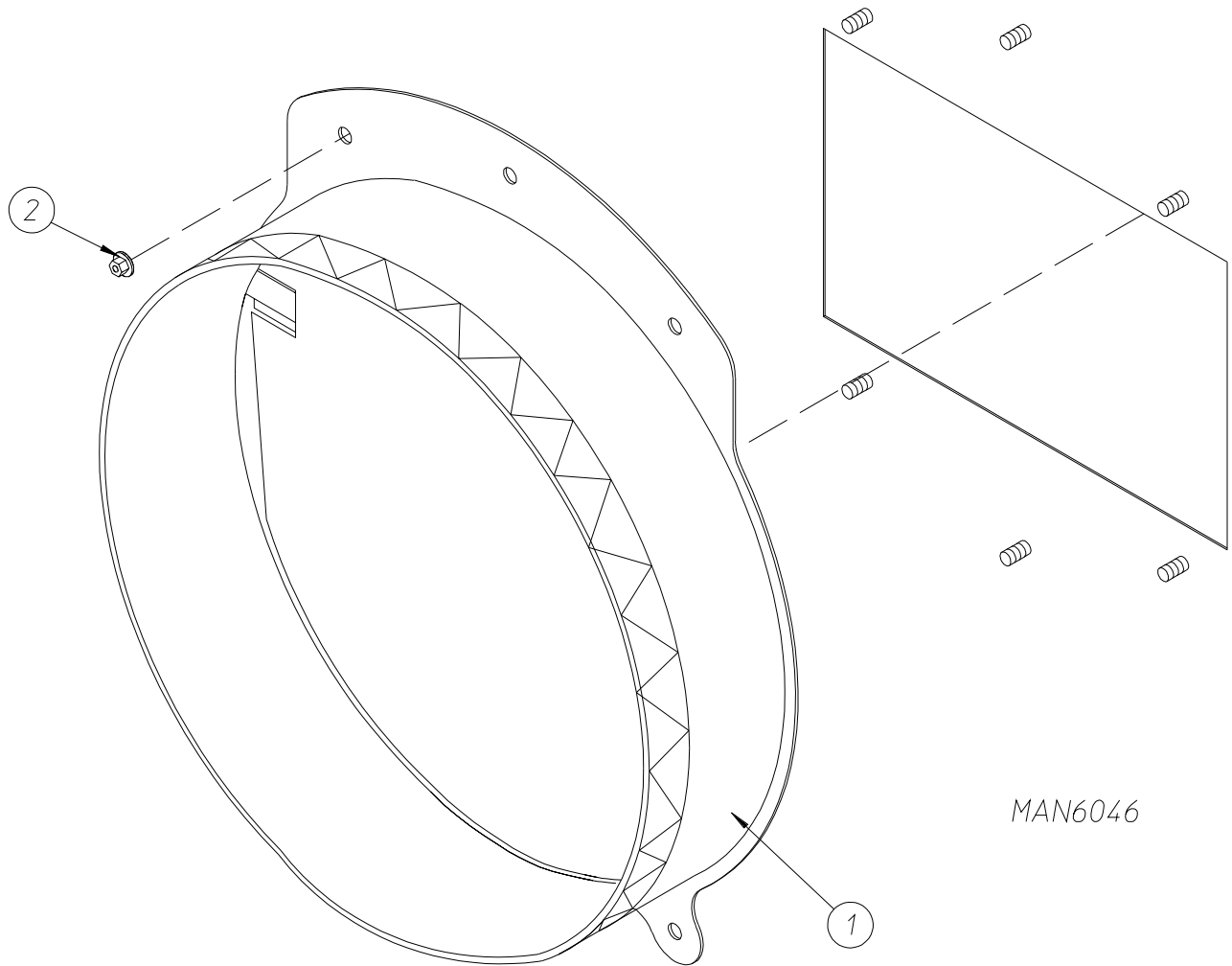


| <u>Illus. No.</u> | <u>Part No.</u> | <u>Qty.</u> | <u>Description</u> |
|-------------------|-----------------|-------------|--|
| 1 | 822752 | 1 | Sensor Activated Fire Extinguishing (S.A.F.E.) Temperature Probe Assembly (includes illus. nos. 1 through 5) |
| 2 | 154007 | 2 | Push On Fastener |
| 3 | 390390 | 1 | Sensor Bracket (Only) |
| 4 | 150301 | 2 | #8-18 Phillips Pan Head TEK Screw |
| 5 | 122647 | 1 | Connector ONLY |
| | 122700 | 2 | Pins |



| <u>Illus. No.</u> | <u>Part No.</u> | <u>Qty.</u> | <u>Description</u> |
|-------------------|-----------------|-------------|---|
| 1 | 165114 | 1 | Sensor Activated Fire Extinguishing (S.A.F.E.) Solenoid Valve 24V 50/60 Hz |
| 2 | 143220 | 1 | 3/8" F.P.T. Brass Tee |
| 3 | 143251 | 1 | 3/8" M.P.T. Brass Plug |
| 4 | 143208 | 2 | 3/8" Comp x 3/8" M.P.T. Brass Connector |
| 5 | 143099* | 6' | 3/8" OD x 0.035 Wall Copper Tubing |
| 6 | 311588 | 1 | Sprinkler Head Mounting Plate |
| 7 | 143303 | 1 | 3/8" N.P.T. Brass Locknut |
| 8 | 143155 | 1 | 3/8" Brass Elbow 90° |
| 9 | 150430 | 2 | #10 x 1/2" Self Drilling Screw |
| 10 | 150301 | 2 | #8-18 x 7/16" TEK Screw |
| 11 | 143581 | 1 | 3 GPM 3/8" F.P.T. Spray Nozzle |
| 12 | 142888 | 1 | 1/2" to 3/8" Bushing for Sensor Activated Fire Extinguishing (S.A.F.E.) Valve |
| 13 | 824828 | 1 | Arc Suppressor |

* Sold by the foot.



DMG 1/2/02

| <u>Illus. No.</u> | <u>Part No.</u> | <u>Qty.</u> | <u>Description</u> |
|-------------------|-----------------|-------------|---------------------------------------|
| 1 | 883281 | 1 | Adapter Collar with Back Draft Damper |
| 2 | 152014 | 5 | 1/4-20 Free Spin Wash Nut |
