



**AD-15 Parts Manual
24 VAC Phase 5
For models as of July 1, 2002**

American Dryer Corporation
88 Currant Road
Fall River, MA 02720-4781
Telephone: (508) 678-9000 / Fax: (508) 678-9447
E-mail: techsupport@amdry.com
www.amdry.com

Retain This Manual In A Safe Place For Future Reference

American Dryer Corporation products embody advanced concepts in engineering, design, and safety. If this product is properly maintained, it will provide many years of safe, efficient, and trouble-free operation.

ONLY qualified technicians should service this equipment.

OBSERVE ALL SAFETY PRECAUTIONS displayed on the equipment or specified in the installation manual included with the dryer.

The following “**FOR YOUR SAFETY**” caution **must be** posted near the dryer in a prominent location.

FOR YOUR SAFETY

Do not store or use gasoline or other flammable vapors and liquids in the vicinity of this or any other appliance.

POUR VOTRE SÉCURITÉ

Ne pas entreposer ni utiliser d'essence ni d'autres vapeurs ou liquides inflammables à proximité de cet appareil ou de tout autre appareil.

We have tried to make this manual as complete as possible and hope you will find it useful. **ADC** reserves the right to make changes from time to time, without notice or obligation, in prices, specifications, colors, and material, and to change or discontinue models.

Important

For your convenience, log the following information:

DATE OF PURCHASE _____ **MODEL NO.** AD-15

RESELLER'S NAME _____

Serial Number(s) _____

Replacement parts can be obtained from your reseller or the **ADC** factory. When ordering replacement parts from the factory, you can FAX your order to **ADC** at (508) 678-9447 or telephone your order directly to the **ADC** Parts Department at (508) 678-9000. Please specify the dryer **model number** and **serial number** in addition to the **description** and **part number**, so that your order is processed accurately and promptly.

The illustrations on the following pages may not depict your particular dryer exactly. The illustrations are a composite of the various dryer models. Be sure to check the descriptions of the parts thoroughly before ordering.

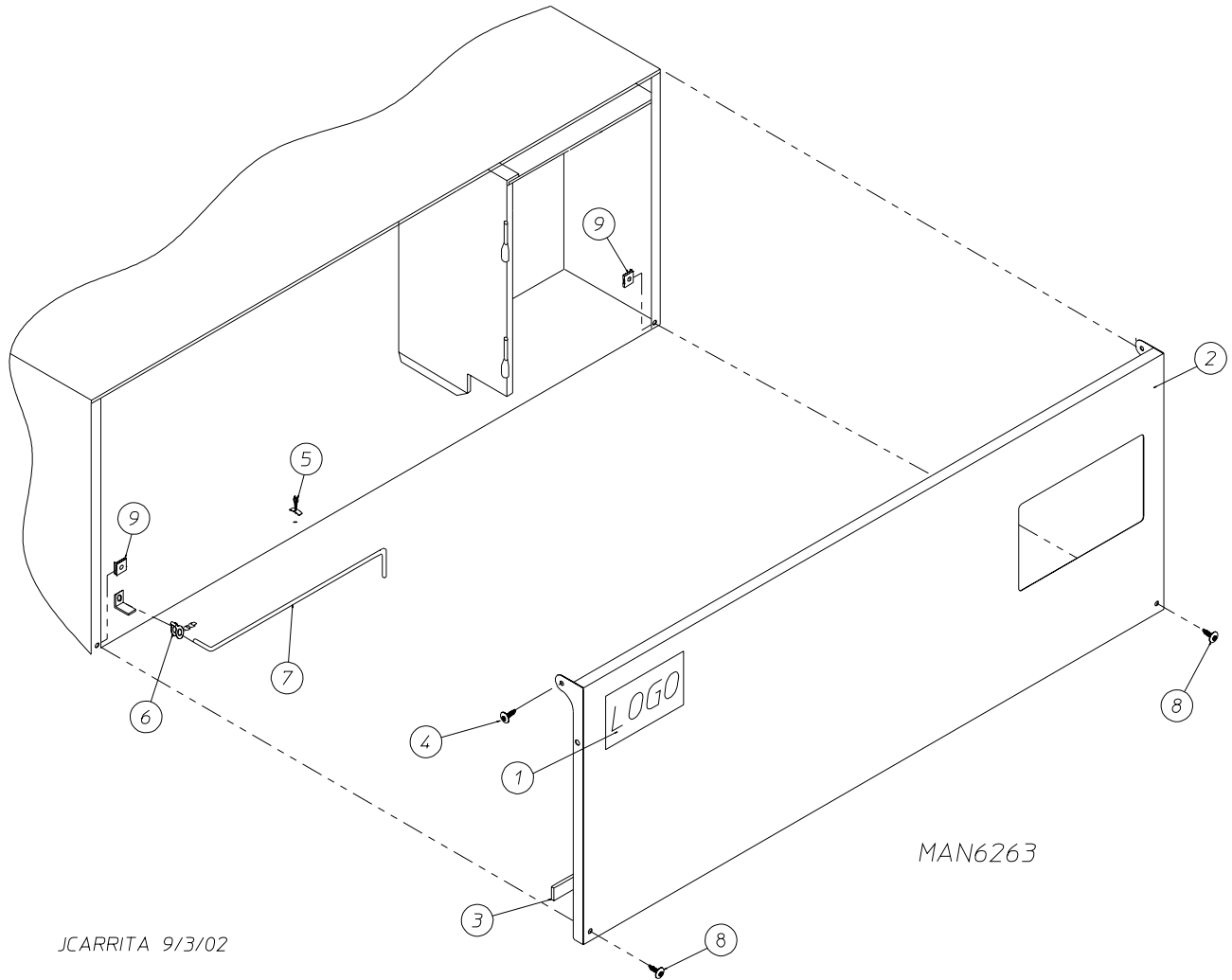
“IMPORTANT NOTE TO PURCHASER”

Information **must be** obtained from your local gas supplier on the instructions to be followed if the user smells gas. These instructions **must be** posted in a prominent location near the dryer.

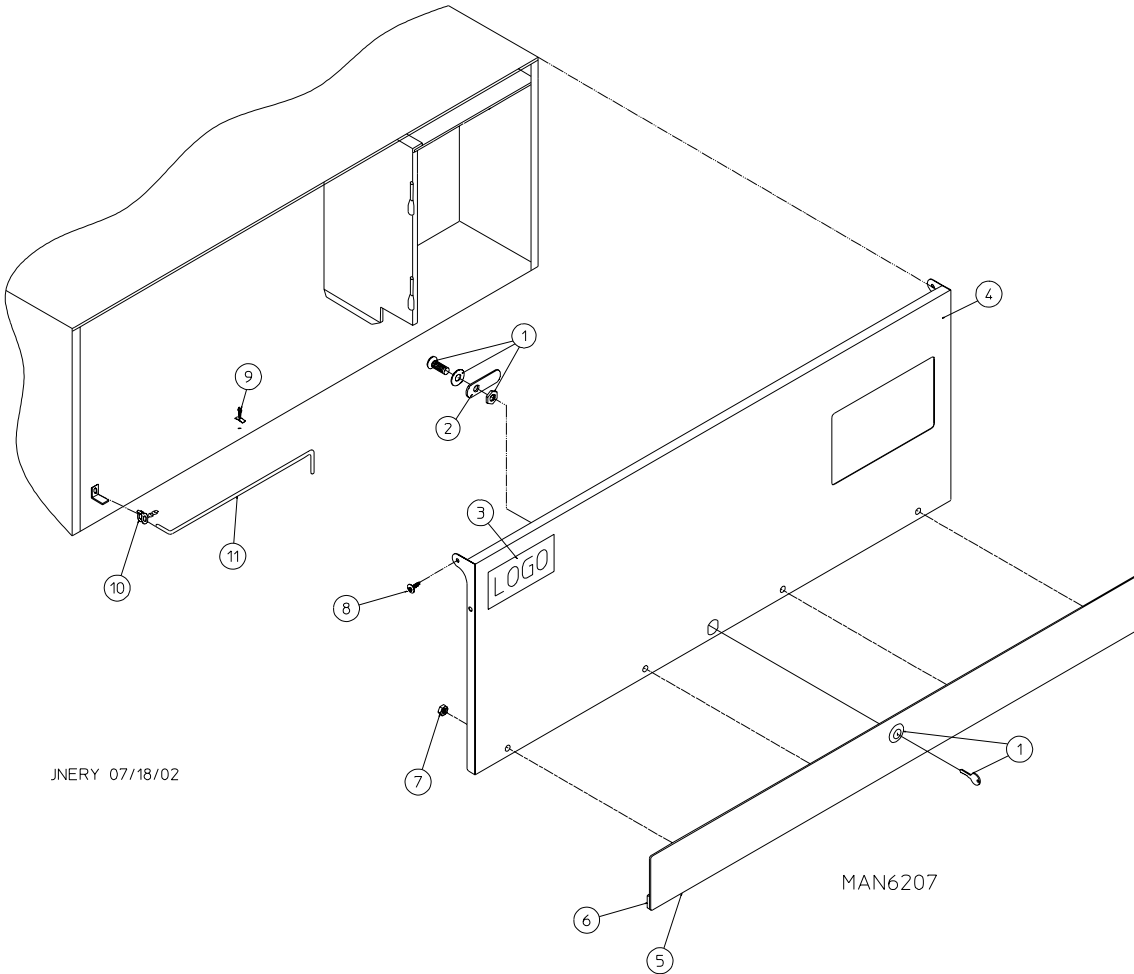
Table of Contents

OPL Control Door Assembly	3
Coin Control Door Assembly	4
Phase 5 Coin Microprocessor Control Panel Assembly	5
Phase 5 OPL Microprocessor Control Panel Assembly	6
Phase 5 Coin and OPL Microprocessor Control Box Assembly	7
Control Vault Assembly	8
Dual Timer “Tap Touch” Controls	9
Non-Microprocessor Coin Meter Control Panel Assembly	10
Non-Microprocessor Control Box Assembly	11
Slide Meter Case Assembly	12
Main Door Assembly	13
Main Door Switch Assembly	14
Front Panel Assembly	15
Basket (Tumbler)/Support Assembly	16
OPL Drop Lint Door Assembly without Trim	17
Coin Drop Lint Door Assembly	18
Lint Trap Assembly	19
Basket (Tumbler) Bearing Assembly	20
Idler Bearing Assembly	21
Non-Reversing Motor Mount Assembly	22, 23
Sensor Bracket Assemblies	24, 25
Direct Spark Ignition (DSI) Burner Assembly	26, 27
Electric Oven Assembly	28, 29
DSI Control Module Assembly	30
Single-Phase (1 ϕ) Motor, Electric Relay Panel Assembly	31
3-Phase (3 ϕ) Motor, Electric Relay Panel Assembly	32

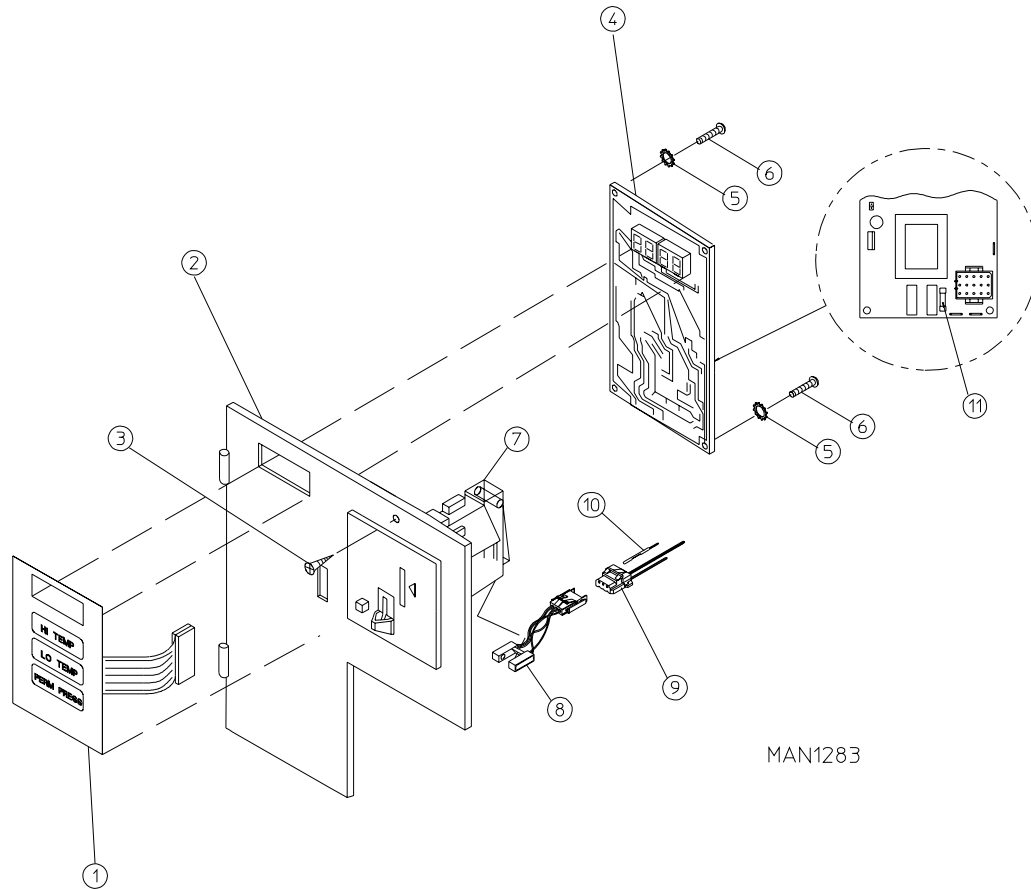
Slide Meter Control Box Assembly	33
Steam Coil/Air-Operated Steam Damper Assembly	34, 35
Steam Coil/Mechanical Steam Damper Assembly	36, 37
Outer Top/Back Guard Assembly	38
Coin Meter Replacement Parts	39
Transformer Usage Listing for Gas/Steam Dryers	40
Transformer Usage Listing for Electric Dryers	41
Electric Oven Component Application Chart	42
Additional Parts Available	43



<u>Illus. No.</u>	<u>Part No.</u>	<u>Qty.</u>	<u>Description</u>
1	881053	1	ADC Logo ONLY (with double adhesive tape)
	870011	1	Logo Double Tape Kit
2	883388	1	White Control Door (includes illus. nos. 2 and 3)
	883389	1	Coral Blue Control Door (includes illus. nos. 2 and 3)
	883390	1	Ivory Control Door (includes illus. nos. 2 and 3)
	817180	1	Stainless Steel Control Door (includes illus. nos. 2 and 3)
3	117604	4	Neoprene Sponge Tape (sold by the foot)
4	150317	2	#10-16 x 3/4" TORX Plus BTN Type 1
5	102603	1	Control Door Rod Support Catch
6	102601	1	Control Door Retainer Clip
7	102502	1	Control Door Support Rod
8	150321	2	#10-32 x 1/2" Phillips Machine Screw
9	154011	2	#10-32 Multi-Thread U-Nut



<u>Illus. No.</u>	<u>Part No.</u>	<u>Qty.</u>	<u>Description</u>
1	160015	1	High Security MK-100 Lock Assembly with Key (for coin models Only)
	160104	1	MK-100 Key ONLY
2	160016	1	Lock Cam ONLY
3	881053	1	ADC Logo with Tape
	870011	1	Double Sided Tape Kit
4	883416	1	White High Security Control Door Assembly with Black Trim (includes illus. nos. 4 through 7)
	883417	1	Stainless Steel High Security Control Door with Black Trim (includes illus. nos. 4 through 7)
	883418	1	Coral Blue High Security Door Assembly with Black Trim (includes illus. nos. 4 through 7)
	883419	1	Ivory High Security Door Assembly with Black Trim (includes illus. nos. 4 through 7)
5	883525	1	Top Black Trim Strip with Lock Hole
6	117604	6	Sponge Tape (sold by the foot)
7	152014	4	1/4-20 with 3/4" Free Spin Wash Nut
8	150317	2	#10-16 x 3/4" TORX Plus BTN Type 1
9	102603	1	Control Door Rod Support Catch
10	102601	1	Control Door Rod Retainer Clip
11	102502	1	Control Door Support Rod

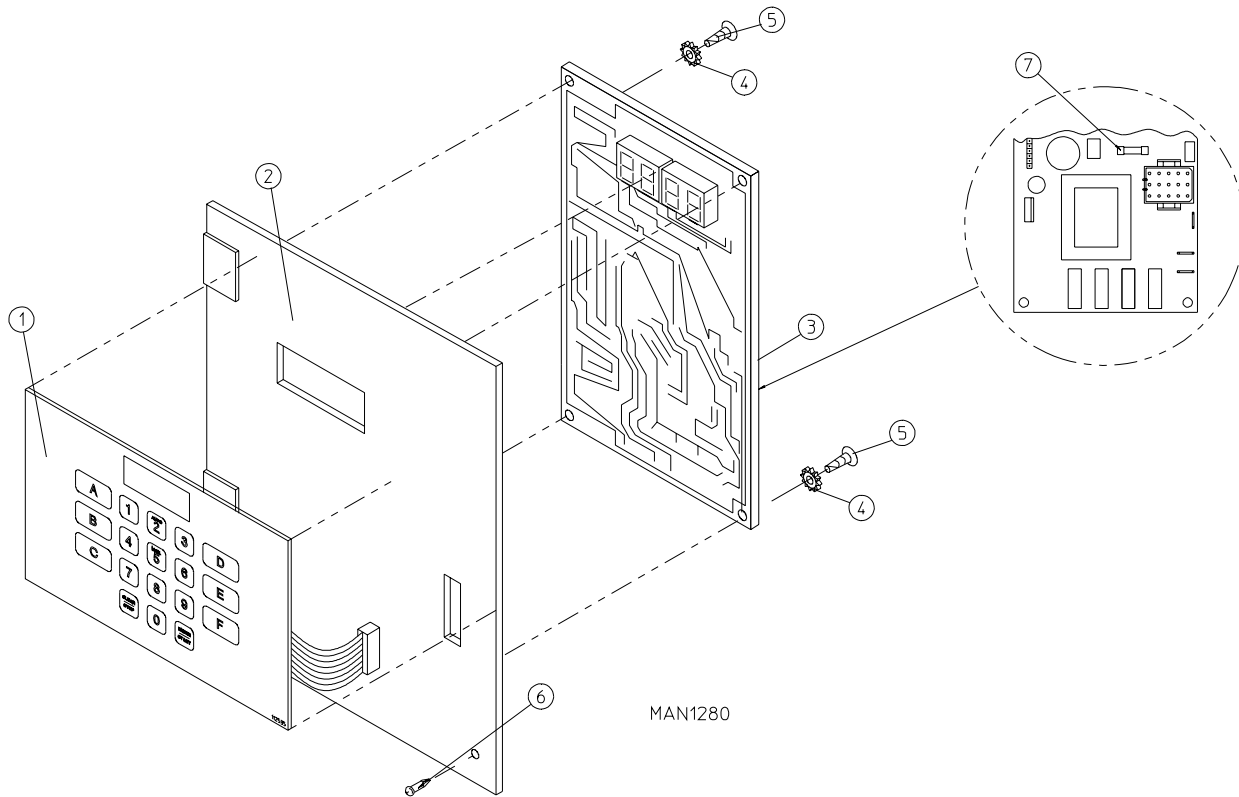


MAN1283

<u>Illus. No.</u>	<u>Part No.</u>	<u>Qty.</u>	<u>Description</u>
1	112526	1	Coin Keyboard Label Assembly
2	883537	1	Phase 5 Coin Control Panel Assembly (includes illus. nos. 1, 2, 4 through 6 and 11)
	883538	1	Phase 5 Coin Control Panel Assembly ONLY with Battery Option (includes illus. nos. 1, 2, 4 through 6 and 11)
	883539	1	Coin Control Panel ONLY
	883540	1	Coin Control Panel with Battery Bracket
3	150309	1	#10-16 x 1/2" Hex Head CrimpTite Screw
4	137213	1	Phase 5 Coin Controller ONLY
	824998	1	Phase 5 Battery Clip
5	153010	2	#6 Star Washer
6	150005	2	#6-32 x 1/4" Phillips Round Head Machine Screw
7	883363	1	Microprocessor Coin Acceptor with Optical Switch
8	881143	1	Optic Switch ONLY
9	137023	1*	Optic Switch Connector ONLY
10	137021	3*	Microprocessor Socket ONLY
	122800	1	Microprocessor (female) Pin Extraction Tool
11	136048	1	1/8-Amp (Slo-Bl) Fuse ONLY

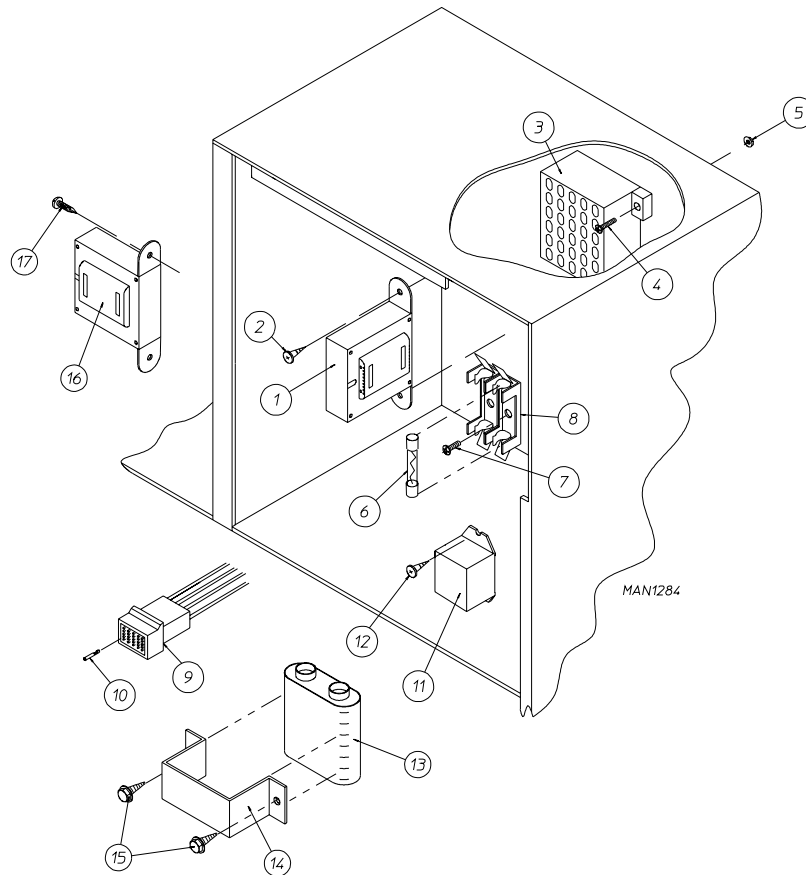
* For dual coin models, double the quantity.

IMPORTANT: Check label on computer chip to verify correct part number for controller.



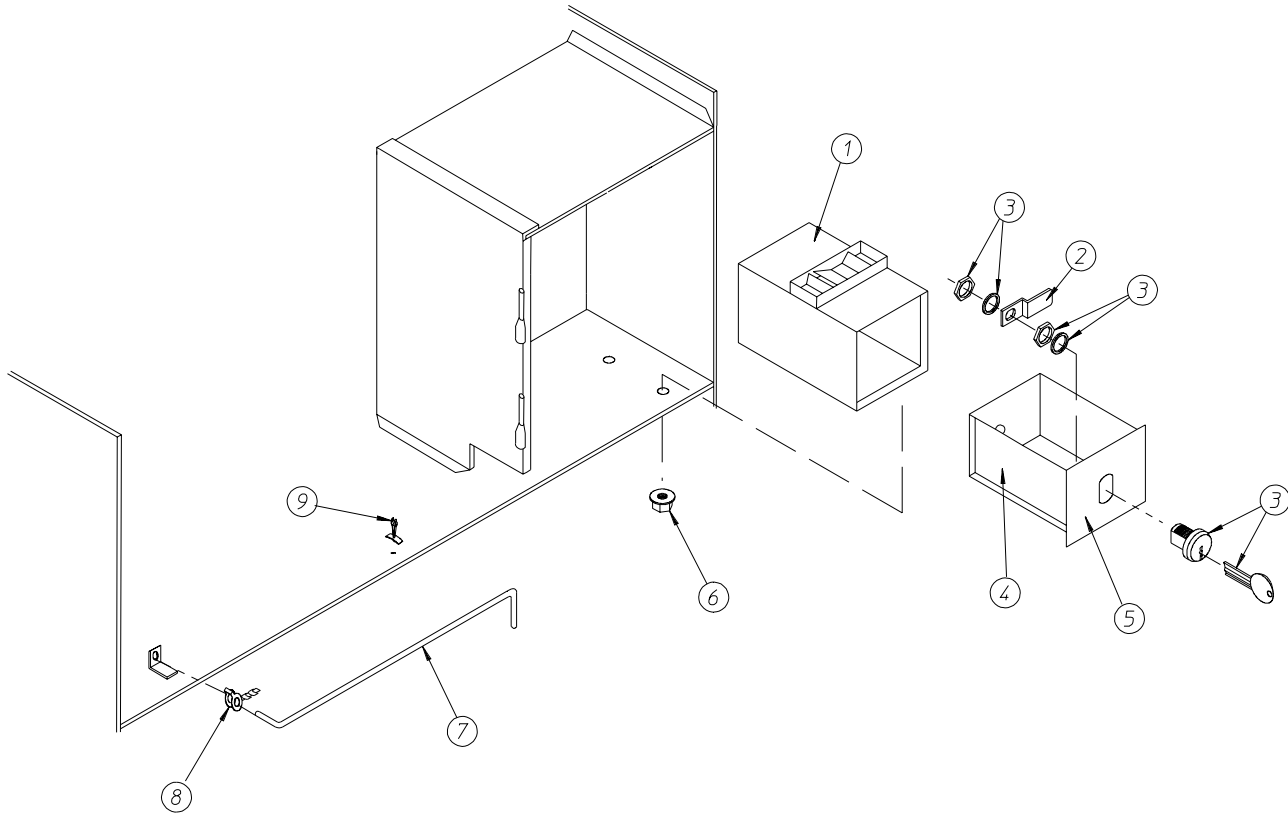
<u>Illus. No.</u>	<u>Part No.</u>	<u>Qty.</u>	<u>Description</u>
1	112535	1	OPL English Keyboard Label Assembly
	112276	1	OPL Stick-On Labels (English Only)...Not Illustrated
	112275	1	3-Language OPL Stick-On Labels...Not Illustrated (Spanish, Italian, and Hebrew)
	112277	1	3-Language OPL Stick-On Labels...Not Illustrated (English, Spanish, and Hebrew)
	112278	1	5-Language OPL Stick-On Labels...Not Illustrated (Italian, Dutch, French, German, and Chinese)
2	801255	1	Phase 5 Microprocessor Control Panel ONLY
	801256	1	Phase 5 Microprocessor Control Panel ONLY with Battery Bracket
	801206	1	Phase 5 OPL Non-Reversing Microprocessor Control Panel Assembly Complete (includes illus. nos. 1 through 6)
	801207	1	Phase 5 OPL Reversing Microprocessor Control Panel Assembly Complete (includes illus. nos. 1 through 6)
3	137222	1	Phase 5 OPL Non-Reversing Controller ONLY
	137231	1	Phase 5 OPL Reversing Controller ONLY
	824998	1	Phase 5 Battery Clip
4	153010	2	#6 Star Washer
5	150005	2	#6-32 x 1/4" Phillips Round Head Machine Screw
6	150300	1	#10-16 x 1/2" Hex Washer TEK Screw
7	136048	1	1/8-Amp (Slo-Blo) Fuse

IMPORTANT: Check label on computer chip to verify correct part number for controller.



<u>Illus. No.</u>	<u>Part No.</u>	<u>Qty.</u>	<u>Description</u>
1	-----	1	24 VAC Control Voltage Transformer (refer to Transformer Usage Listing for Gas/Steam Dryers on page 40) (refer to Transformer Usage Listing for Electric Dryers on page 41)
2	150300	2	#10-16 x 1/2" Hex Washer TEK Screw
3	120715	1	30-Position Terminal Block
4	150002	2	#6-32 x 1" Phillips Round Head Screw
5	151000	2	#6-32 Pal Nut
6	136057	*	1/2-Amp (Slo-Blo) Fuse
7	150301	*	#8-18 x 7/16" Self Drilling Screw
8	136008	*	Fuse Block/Strip ONLY
9	122641	1	15-Pin Microprocessor Connector
10	122706	*	Sockets ONLY
11	131931	1	Steam Valve Relay - 24 VAC (for mechanical steam damper models Only)
12	150309	2	#10-16 x 1/2" Hex Head Crimptite Screw
13	137035	1	Motor Capacitor (for mechanical steam damper models Only)
14	323583	1	Capacitor Bracket (for mechanical steam damper models Only)
15	150300	2	#10-16 x 1/2" Hex Washer TEK Screw
16	132002	1	Transformer (for mechanical steam damper models 208 volts and higher)
17	150300	2	#10-16 x 1/2" Hex Washer TEK Screw

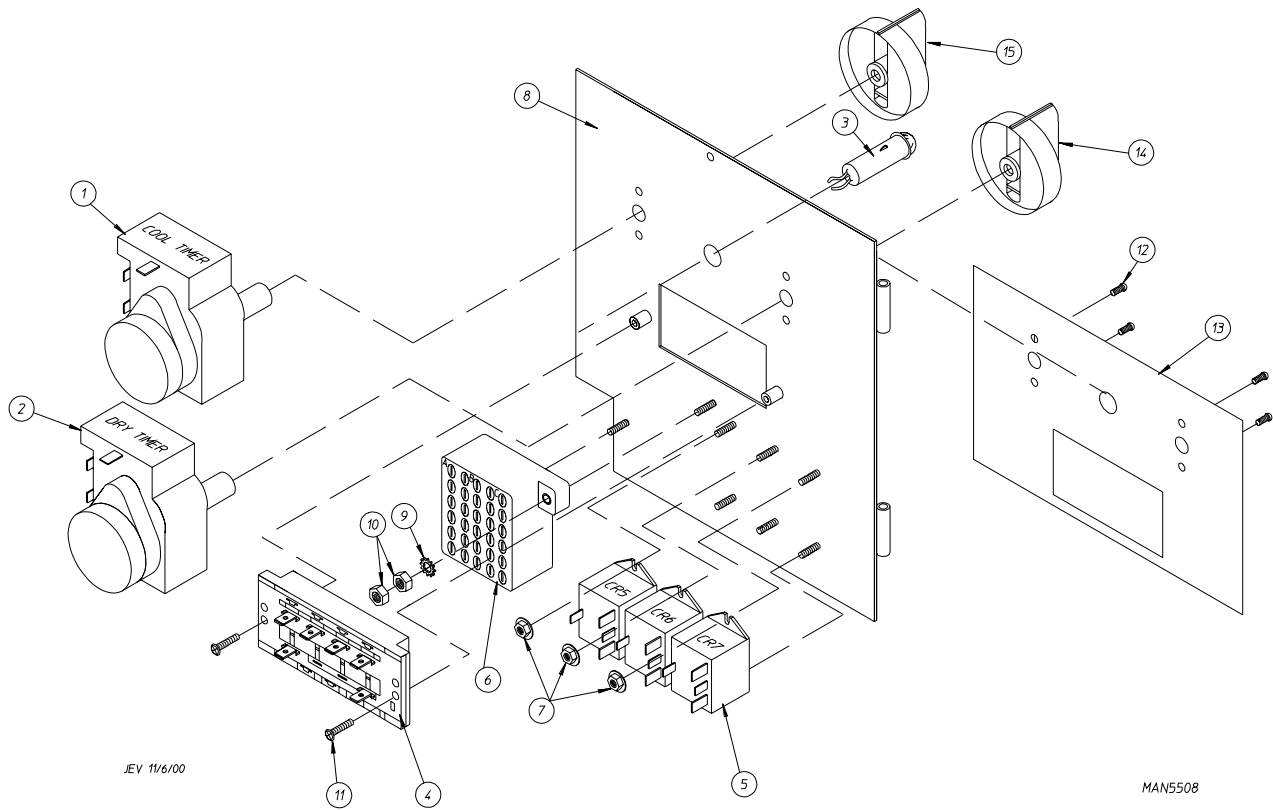
* As required.



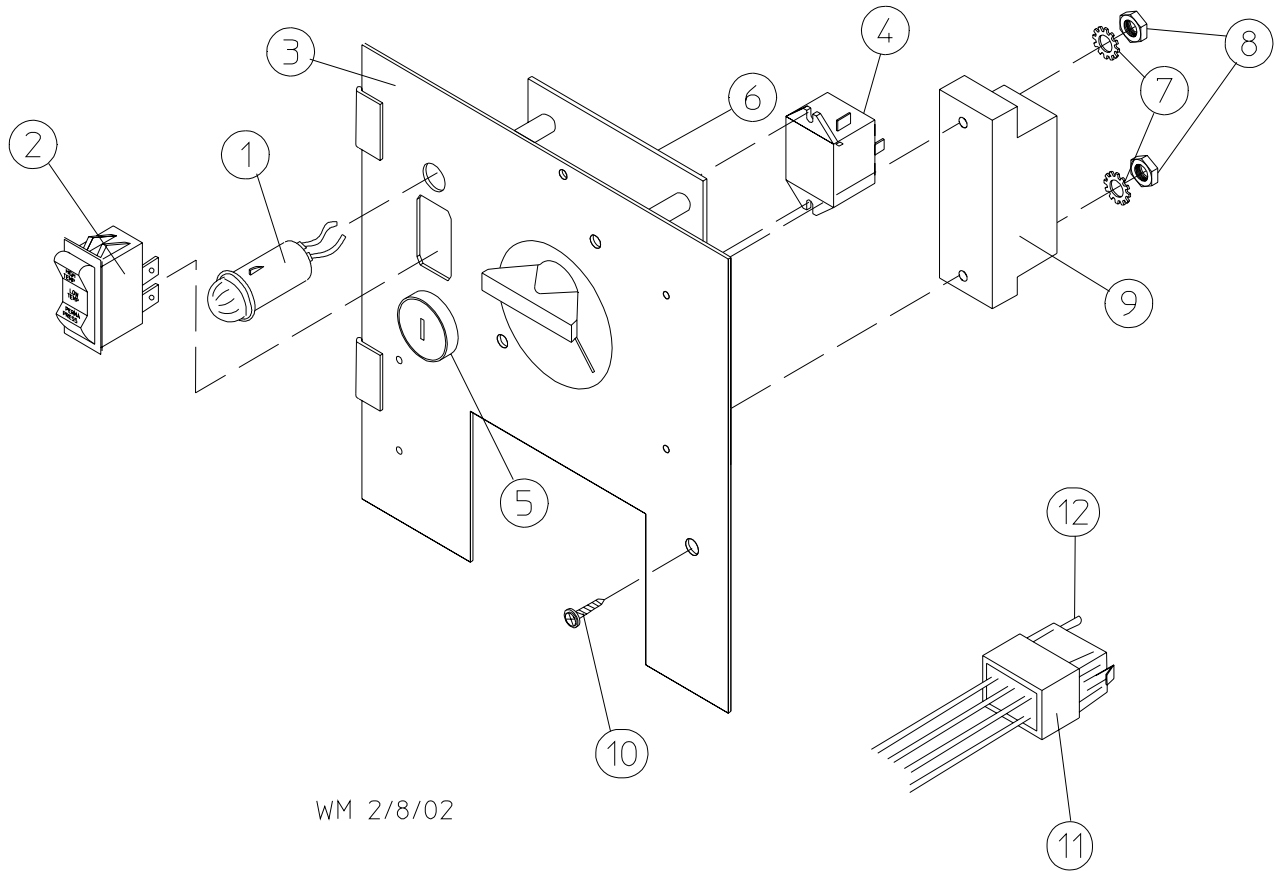
MAN1734

<u>Illus. No.</u>	<u>Part No.</u>	<u>Qty.</u>	<u>Description</u>
1	802112	1	Microprocessor Coin Vault Assembly Complete (includes illus. nos. 1 through 6)
	802117	1	Microprocessor Coin Vault ONLY
	802110	1	Non-Microprocessor Coin Vault Assembly Complete (includes illus. nos. 1 through 6)
	802115	1	Non-Microprocessor Coin Vault ONLY
2	160028	1	Cam for 1/4 Turn Lock ONLY
3	875061	1	1/4 Turn Lock with Key and Cam
	160105*	1	1/4 Turn Mer-Pel Key ONLY
4	802020	1	1/4 Turn Coin Box Assembly (includes illus. nos. 2 and 5)
	802019	1	1/4 Turn Coin Box ONLY without Faceplate
	125915	1	High Security (Greenwald) Coin Box ONLY with Key
5	802018	1	1/4 Turn Coin Box Faceplate ONLY
6	152014	4	1/4-20 Free Spin Wash Nut
7	102502	1	Control Door Support Rod
8	102601	1	Control Door Rod Retainer Clip
9	102603	1	Control Door Rod Catch

* Specify key number when ordering.



<u>Illus. No.</u>	<u>Part No.</u>	<u>Qty.</u>	<u>Description</u>
1	124030	1	15 Minute Timer - 24 VAC
2	124025	1	60 Minute Timer - 24 VAC
3	824175	1	Red Pilot Light - 24 VAC
4	122301	1	"Tap Touch" Switch
5	131932	3	Relay SPST 24v
6	120730	1	30-Position Terminal Block
7	151000	6	#6-32 Pal Nut
8	882903	1	Dual Timer Panel Complete (includes illus. nos. 1 through 15)
	850392	-	Dual Timer Panel ONLY
9	153010	2	#6 Star Washer
10	152000	3	#6-32 Hex Nut
11	150207	2	#10-24 x 1/2" Phillips Pan Head Machine Screw
12	150110	4	#8-32 x 1/4" Phillips Round Head Machine Screw
13	112563	1	Dual Timer Panel Overlay
14	124104	1	Pure Touch Knob with Red Pointer
15	124105	1	Pure Touch Knob with Blue Pointer

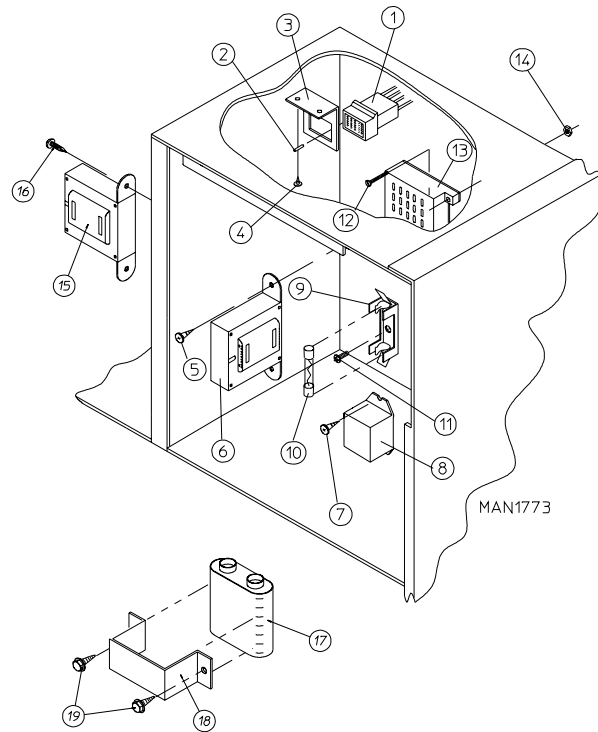


WM 2/8/02

MAN6086

<u>Illus. No.</u>	<u>Part No.</u>	<u>Qty.</u>	<u>Description</u>
1	123005	1	Red Indicator Light - 24 VAC
2	122400	1	Rocker Heat Selector Switch
3	824172	1	Coin Meter Control Panel Assembly Less Coin Meter (includes illus. nos. 2 through 5, 7, and 8)
	824109	1	Coin Meter Control Panel ONLY
4	131932	1	24 VAC Relay
	154001	2	#10-24 Speed Nut (used on P/N 131932, 24 VAC Relay)
5	123225	1	Green Push-To-Start Button
6	125601	1	25¢ Coin Meter - 24 VAC (specify timing)
7	153010	2	#6 Star Washer
8	152016	2	Hex Nut
9	120712	1	12-Position Terminal Block
10	150300	1	#10-16 x 1/2" Hex Washer TEK Screw
11	122602	1	9-Pin Connector
12	122700	7	Pin Terminal ONLY
---	122801	1	Pin Extraction Tool

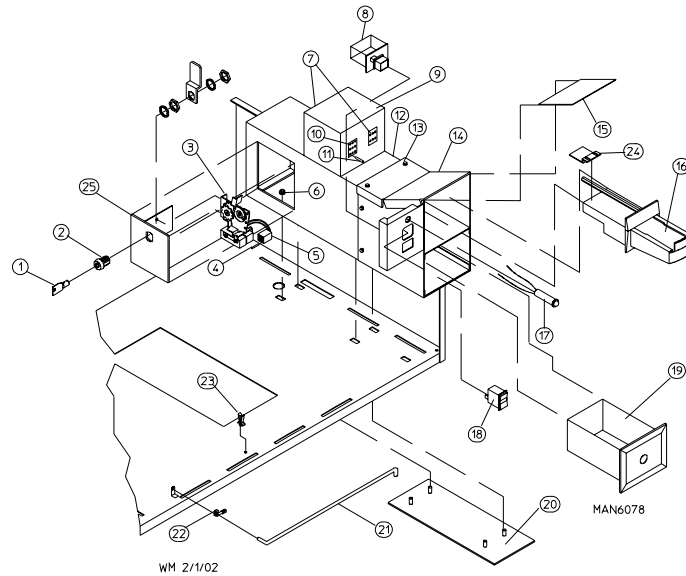
NOTE: For Coin Meter Replacement Parts refer to **page 39**.



<u>Illus. No.</u>	<u>Part No.</u>	<u>Qty.</u>	<u>Description</u>
1	122603	1	9-Pin Socket Connector
2	122701	9	Socket Terminal ONLY
	122801	1	Pin/Socket Extraction Tool
3	315010	1	9-Pin Connector Bracket
4	150300	2	#10-16 x 1/2" Hex Washer TEK Screw
5	150300	2	#10-16 x 1/2" Hex Washer TEK Screw
6	-----	1	24 VAC Control Voltage Transformer (refer to Transformer Usage Listing for Gas/Steam Dryers on page 40) (refer to Transformer Usage Listing for Electric Dryers on page 41)
7	150309	2	#10-16 x 1/2" Hex Head Crimptite Screw
8	131931	1	Steam Valve Relay (for mechanical steam damper models Only) - 24 VAC
9	136008	*	Fuse Block/Strip ONLY
10**	136057	*	1/2-Amp (Slo-Blo) Fuse ONLY
11	150301	*	#8-18 x 7/16" Phillips Pan Head TEK Screw
12	150002	2	#6-32 x 1" Phillips Round Head Machine Screw
13	120715	1	30-Position Terminal Block
14	151000	2	#6-32 Pal Nut
15	132002	1	Transformer (for mechanical steam damper 208 VAC and higher)
16	150300	2	#10-16 x 1/2" Hex Washer TEK Screw
17	137035	1	Motor Capacitor (for mechanical steam damper models Only)
18	323583	1	Capacitor Bracket (for mechanical steam damper models Only)
19	150300	2	#10-16 x 1/2" Hex Washer TEK Screw

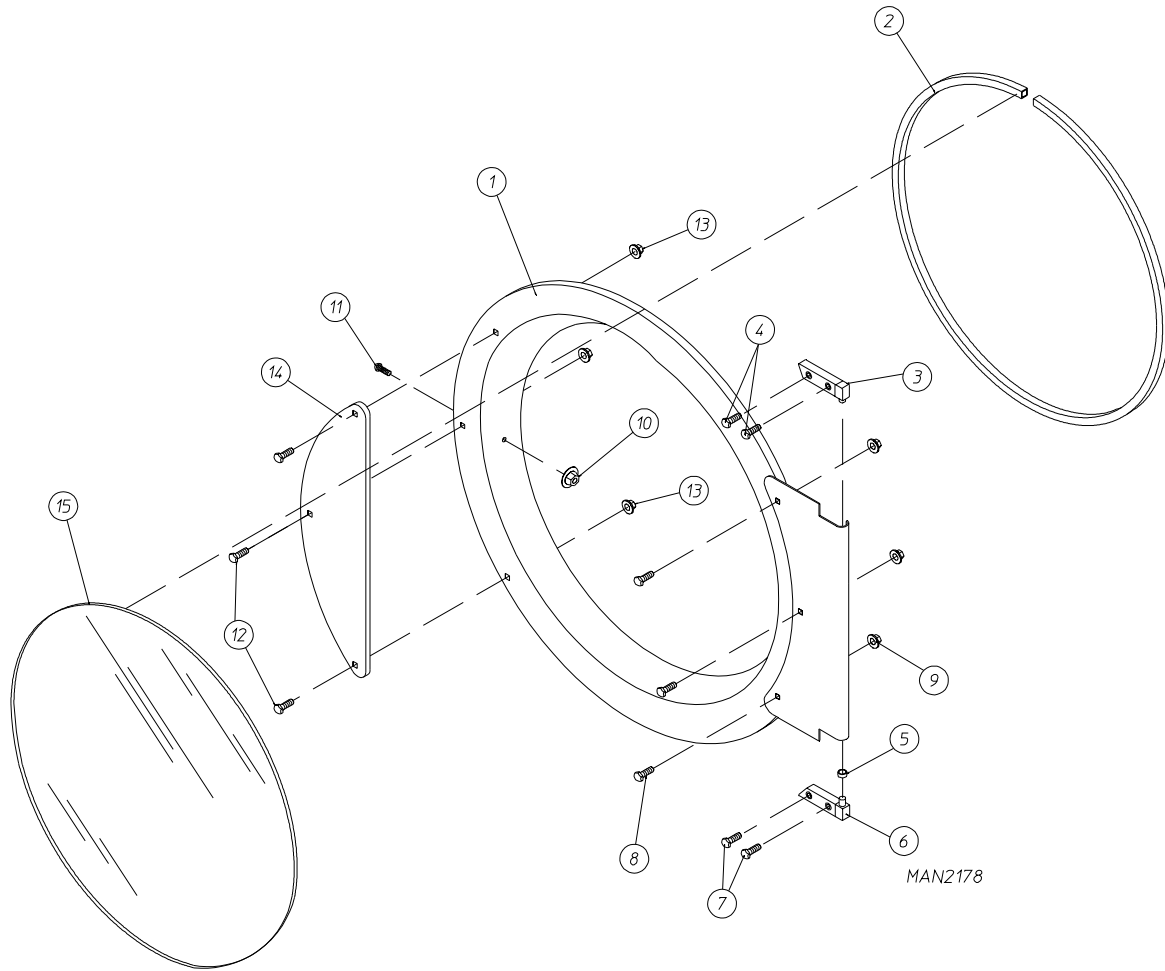
* As required.

** Check fuse on dryer for verification.

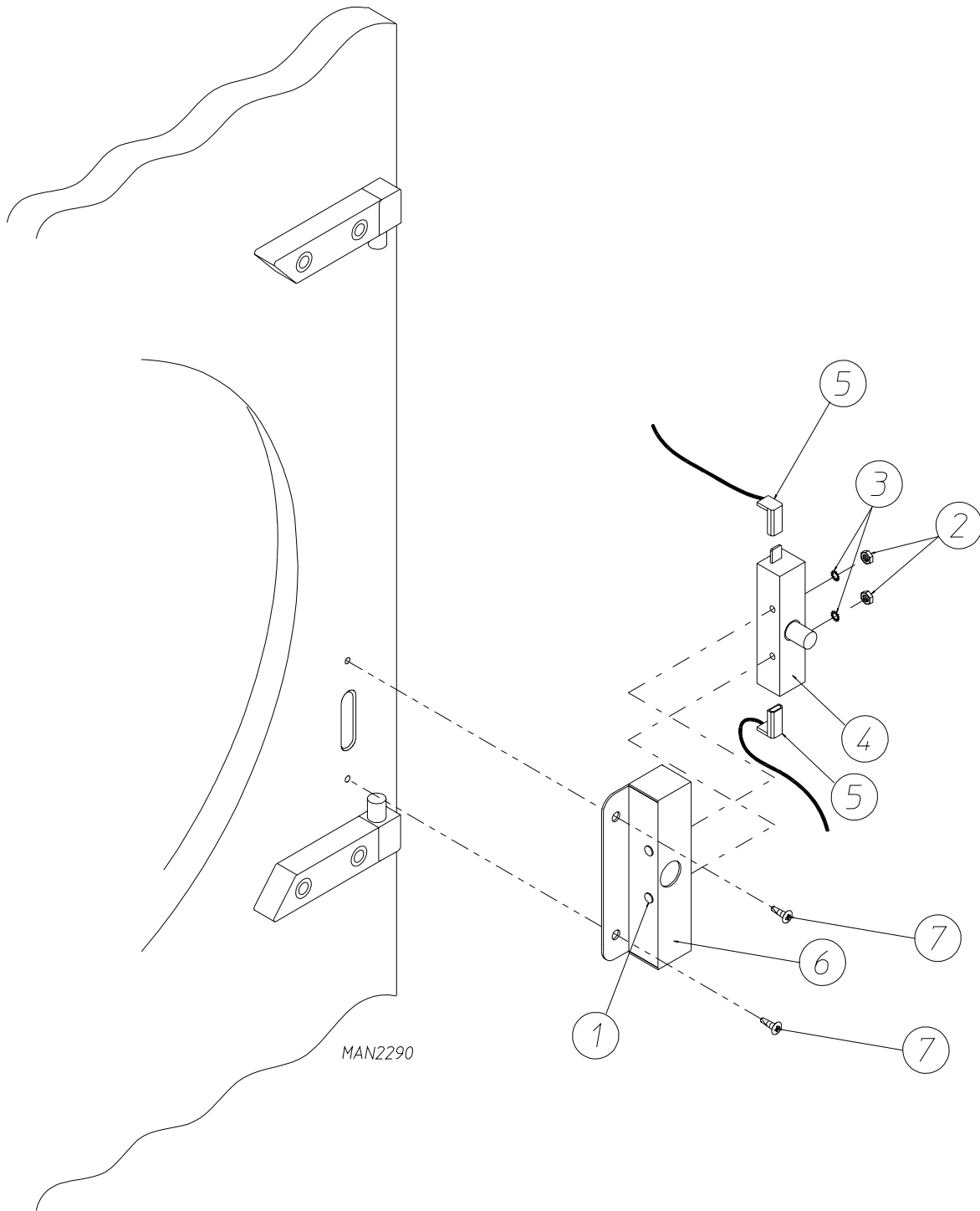


<u>Illus. No.</u>	<u>Part No.</u>	<u>Qty.</u>	<u>Description</u>
1*	160199	1	Key ONLY for Slide Meter Lock
2	160099	1	Lock/Key/Cam and Hardware
3	125908	1	Slide Meter Accumulator - 24 VAC
4	122643	9	Mate-N-Lock Pin ONLY
5	122642	1	9-Position Mini-Universal Socket
6	152014	4	1/4-20 Free Spin Wash Nut
7	122631	2	6-Position Connector (mate-n-lock)
8	131917	1	Push-To- Start Relay - 24 VAC
9	883034	1	White Slide Meter Case
	883035	1	Coral Blue Slide Meter Case
	883036	1	Ivory Slide Meter Case
10	122603	1	9-Position Connector (mate-n-lock)
11	122701	21	Socket Terminal ONLY
12	883165	1	Slide Meter Case ONLY with Door Less Lock
13	154203	6	1/4" Drive Rivet
14	801700	1	Slide Meter Extension ONLY with Mirror (includes illus. nos. 14 and 15)
15	315404	1	Stainless Steel Mirror ONLY
16	-----	1	Typical Slide Meter Coin Chute (not available from ADC)
17	123005	1	Red Indicator Light - 24 VAC
18	122400	1	Rocker Heat Selector Switch
19	-----	1	Typical Slide Meter Coin Box (not available from ADC)
20	801701	1	Slide Meter Case Mounting Plate
21	102502	1	Control Door Support Rod
22	102601	1	Control Door Rod Retainer Clip
23	102603	1	Control Door Support Rod Catch
24	883044	1	Slide Meter Extension
25	883038	1	White Slide Meter Timer Door
	883039	1	Coral Blue Slide Meter Timer Door
	883040	1	Ivory Slide Meter Timer Door

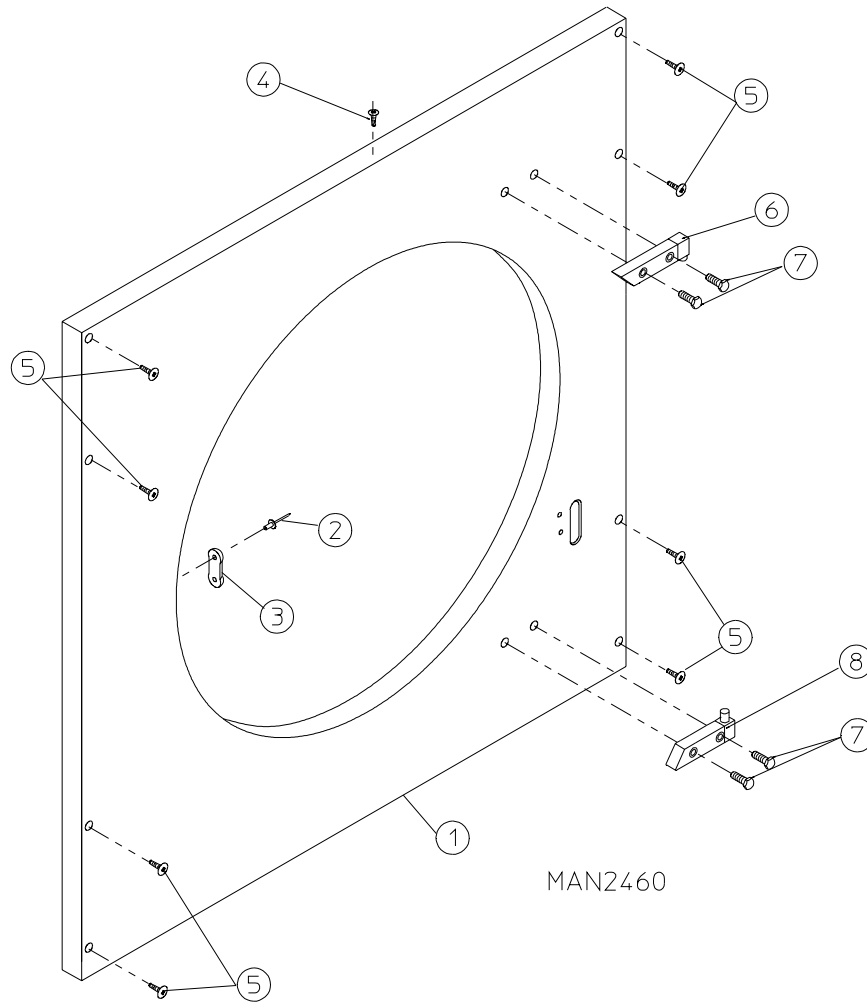
* Specify key number when ordering.



<u>Illus. No.</u>	<u>Part No.</u>	<u>Qty.</u>	<u>Description</u>
1	881150	1	Black Main Door Assembly Complete (includes illus. nos. 1, 2, and 8 through 15)
2	102354	1	Door Gasket
	170731	1	Black Glass Adhesive (10.3 oz. cartridge)
3	881152	1	Black Top Hinge Block Assembly (includes illus. nos. 3 and 4)
4	150445	2	1/4-20 x 3/4" Black Cap Head Setscrew
5	153031	1	1/4" Nylon Washer
6	881151	1	Black Bottom Hinge Block Assembly (includes illus. nos. 5 through 7)
7	150445	2	1/4-20 x 3/4" Black Cap Head Setscrew
8	150683	3	1/4-20 x 5/8" Black Carriage Bolt
9	152014	3	1/4-20 Free Spin Wash Nut
10	151010	1	#10-32 Black Hex Acorn Nut
11	150120	1	Door Latch Screw
12	150683	3	1/4-20 x 5/8" Black Carriage Bolt
13	152014	3	1/4-20 Free Spin Wash Nut
14	881210	1	Black Main Door Handle ONLY
15	102211	1	20-7/16" Door Glass
	170731	1	Black Glass Adhesive (10.3 oz. cartridge)

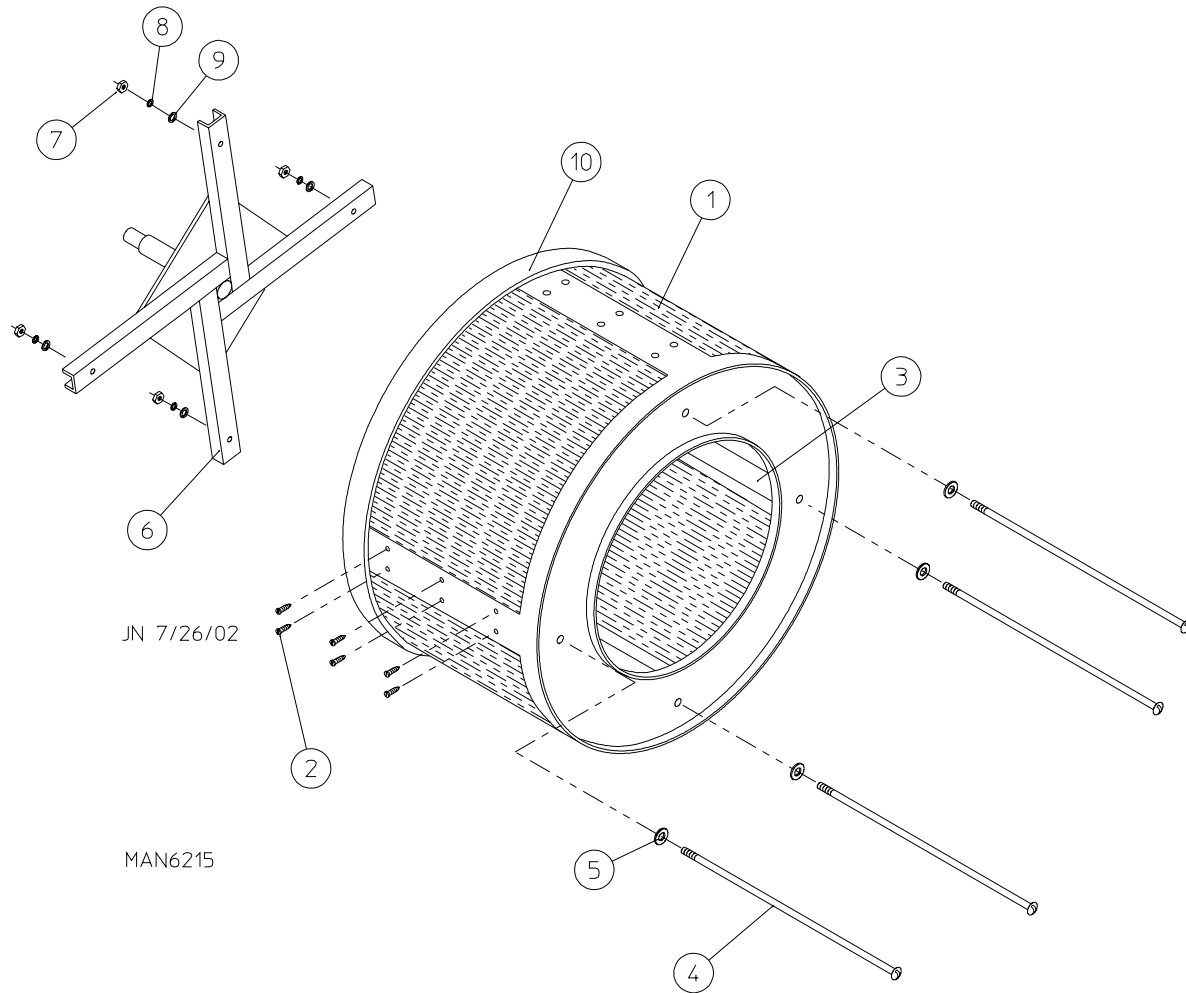


<u>Illus. No.</u>	<u>Part No.</u>	<u>Qty.</u>	<u>Description</u>
1	150006	2	#6-32 x 7/8" Pan Head Phillips
2	152013	2	#6-32 Hex Nut
3	153010	2	#6 Star Washer
4	137005	1	Single-Pole Door Switch (SDS)
5	122636	2	Flag Terminal
6	881211	1	Main Door Switch Housing
7	150301	2	#8-18 x 7/16" Phillips Pan Head TEK Screw



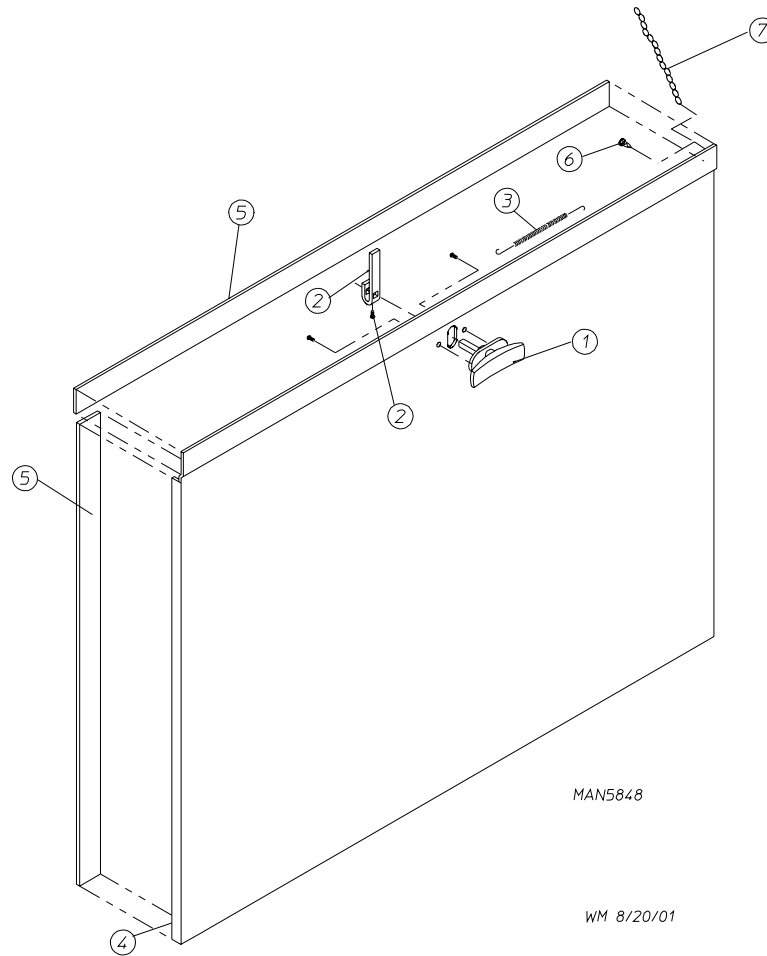
MAN2460

<u>Illus. No.</u>	<u>Part No.</u>	<u>Qty.</u>	<u>Description</u>
1	883553	1	White Front Panel Assembly (includes illus. nos. 1 through 3)
	881287	1	Stainless Steel Front Panel Assembly (includes illus. nos. 1 through 3)
	883554	1	Ivory Front Panel Assembly (includes illus. nos. 1 through 3)
	883555	1	Coral Blue Front Panel Assembly (includes illus. nos. 1 through 3)
2	154215	2	5/32" x 1/4" Rivet
3	881987	1	Friction Door Latch Kit (includes illus. nos. 2 and 3)
4	150300	1	#10-16 x 1/2" Hex Washer TEK Screw
5	150309	8	#10-16 x 1/2" Phillips Hex Head TEK Crimptite Screw
6	881152	1	Black Top Hinge Block Assembly
	881208	1	Stainless Steel Top Hinge Block Assembly
7	150445	4	1/4-20 x 7/8" Black Cap Head Setscrew
	150443	4	1/4-20 x 7/8" Stainless Steel Cap Head Setscrew
8	881151	1	Black Bottom Hinge Block Assembly
	881209	1	Stainless Steel Bottom Hinge Assembly

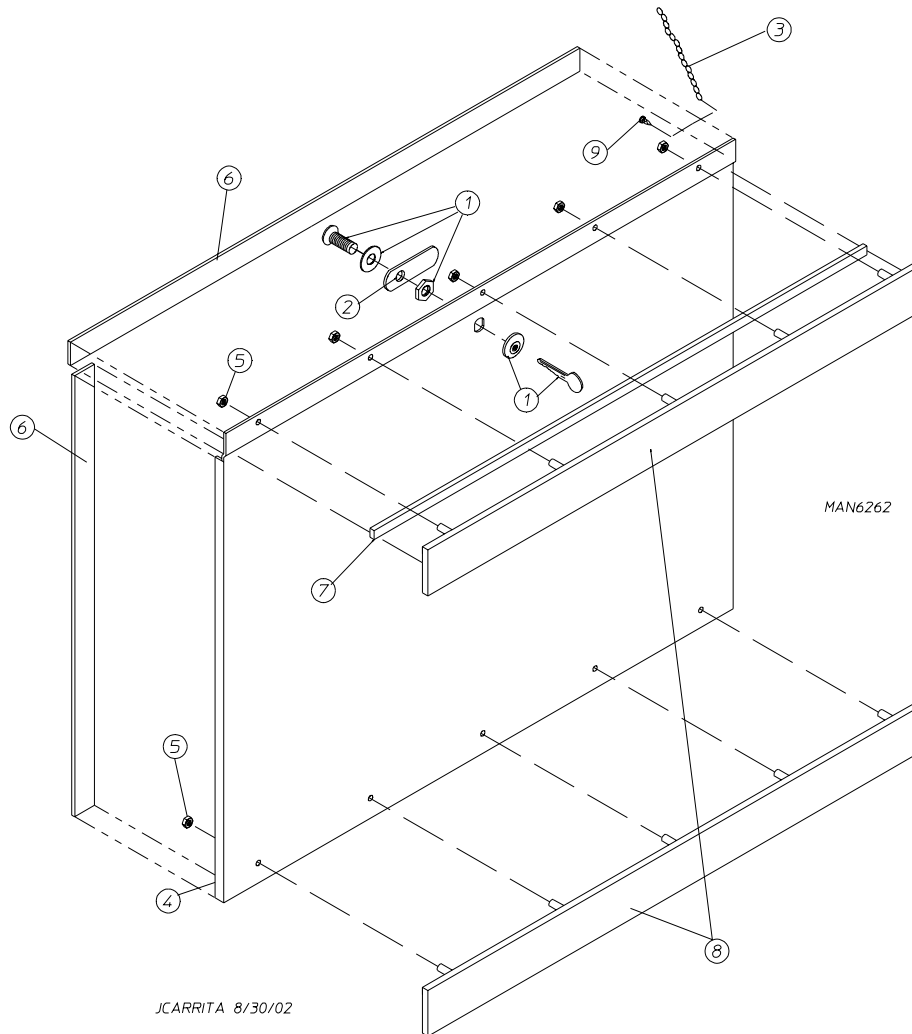


<u>Illus. No.</u>	<u>Part No.</u>	<u>Qty.</u>	<u>Description</u>
1*	800700	1	Galvanized Basket (tumbler) ONLY (without felt collar)
	800850	1	Stainless Steel Basket (tumbler) ONLY (without felt collar)
	800812	1	Galvanized Basket (tumbler) and Support Assembly (includes illus. nos. 1 through 10)
	800860	1	Stainless Steel Basket (tumbler) and Support Assembly (includes illus. nos. 1 through 10)
2	150313	24	#10-16 x 1/2" TORX Plus BTN Type 1
3	301307	4	Galvanized Basket (tumbler) Rib ONLY
	301407	4	Stainless Steel Basket (tumbler) Rib ONLY
4	100900	4	5/16-18 x 17-1/2" Tie Rod
5	153001	4	5/16" Flat Washer
6	800610	1	Basket (tumbler) Support ONLY
7	152004	4	5/16-18 Hex Nut
8	153002	4	5/16" Lock Washer
9	153001	4	5/16" Flat Washer
10	116002	1	Felt Collar ONLY
--	401010	1	#847 Adhesive for Felt Collar (5.0 oz. tube)

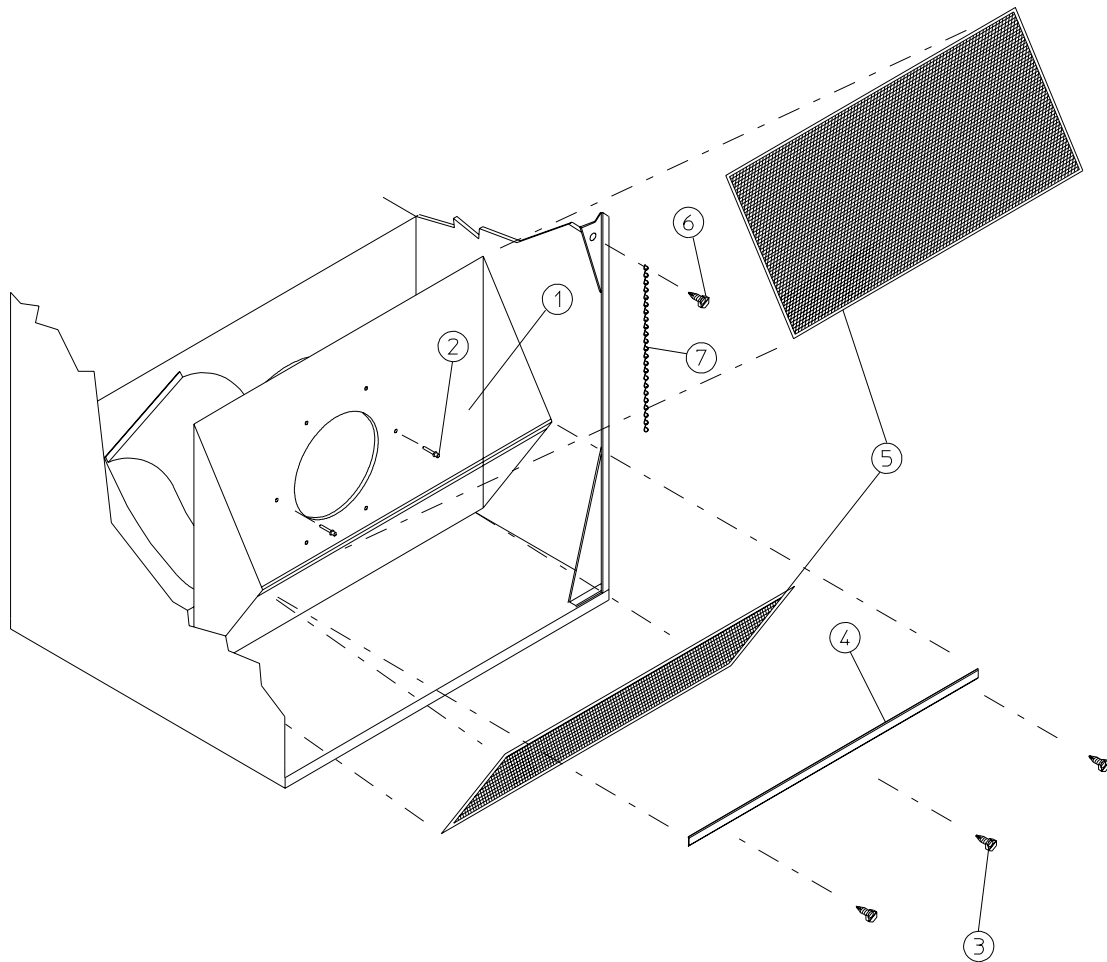
* Felt collar is not included and **must be** ordered separately.



<u>Illus. No.</u>	<u>Part No.</u>	<u>Qty.</u>	<u>Description</u>
1	800150	1	Knob Latch Kit Assembly (includes illus. nos. 1 and 2)
	160003	1	Dummy Lock ONLY (for non-coin models Only)
	160104	1	MK-100 Key ONLY (for dummy lock)
2	160008	1	Lock Cam for Dummy Lock
	160009	1	Knob Latch Adjustable Cam ONLY
	150425	1	#12-24 x 3/8" Round Head Machine Screw ONLY (screw for knob latch adjustable cam)
3	157000	1	Drop Lint Door Spring
4	883564	1	White Drop Lint Door Assembly without Trim (includes illus. nos. 4 and 5)
	883565	1	Ivory Drop Lint Door Assembly without Trim (includes illus. nos. 4 and 5)
	883566	1	Coral Blue Drop Lint Door Assembly without Trim (includes illus. nos. 4 and 5)
	883141	1	Stainless Steel Lint Door Assembly without Trim
5	117604	7	Neoprene Sponge Tape (sold by the foot)
6	150419	2	#6 x 1/2" Tamperproof TEK Screw
7	108120	1	Chain for Drop Lint Door (10-1/2" length)
	150418	1	Tamperproof Screw Hand Driver



<u>Illus. No.</u>	<u>Part No.</u>	<u>Qty.</u>	<u>Description</u>
1	160001	1	Lock Assembly with Key
	160103	1	Key ONLY
2	160008	1	Lock Cam
3	108120	1	Chain for Drop Lint Door
4	883421	1	White Drop Lint Door Assembly with Black Trim (includes illus. nos. 4 through 8)
	883423	1	Ivory Drop Lint Door Assembly with Black Trim (includes illus. nos. 4 through 8)
	883424	1	Coral Blue Drop Lint Door Assembly with Black Trim (includes illus. nos. 4 through 8)
	883422	1	Stainless Steel Drop Lint Door Assembly with Black Trim (includes illus. nos. 4 through 8)
5	152014	10	1/4-20 with 3/4" Free Spin Wash Nut
6	117604	7	Noise Suppressor Tape (sold by the foot)
7	117603	3	1/8" x 3/8" Sponge Tape (sold by the foot)
8	883531	2	Black Drop Lint Door Trim
9	150419	2	#6 x 1/2" Tamperproof TEK Screw
	150418	1	Tamperproof Screw Hand Driver

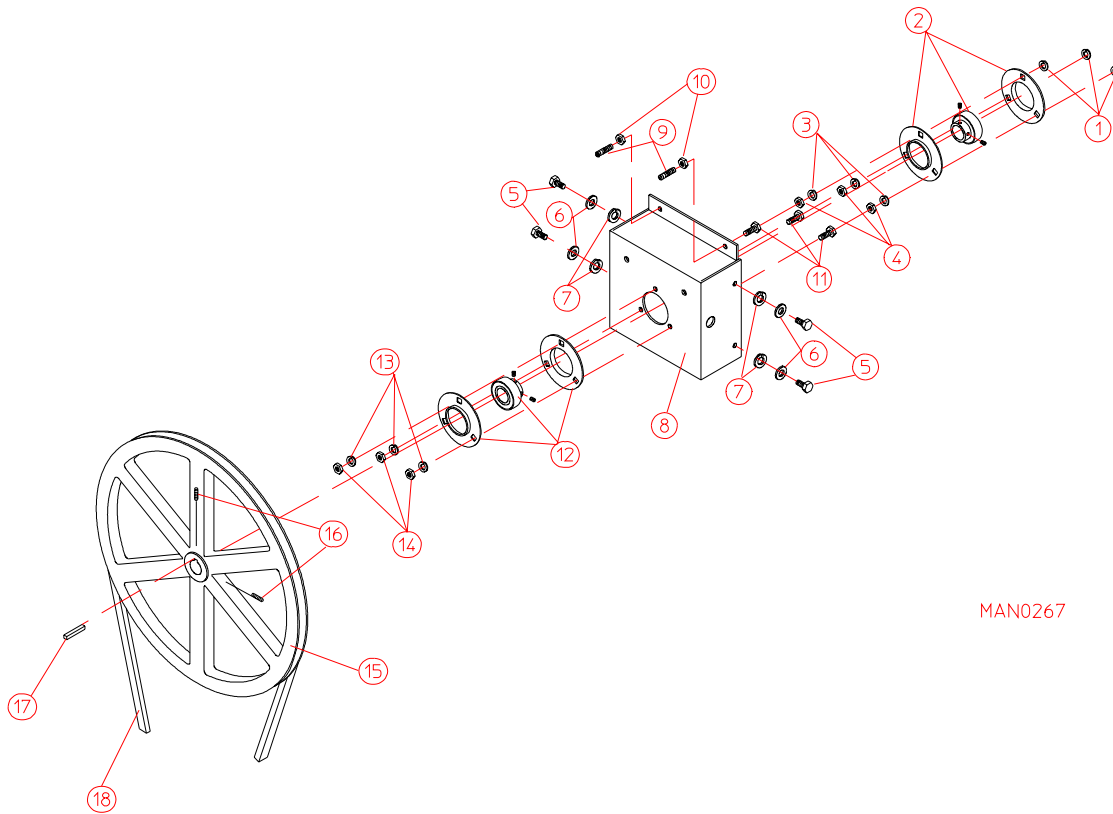


MAN0275

<u>Illus. No.</u>	<u>Part No.</u>	<u>Qty.</u>	<u>Description</u>
1	800425*	1	Choked Lint Trap Assembly Complete (includes illus. nos. 1 and 3 through 5)
	800426*	1	Choked Lint Trap ONLY
	800400**	1	Lint Trap Assembly Complete (includes illus. nos. 1 and 3 through 5)
	800403**	1	Lint Trap ONLY
2	154200	6	5/32" Pop Rivet
3	150300	3	#10-16 x 1/2" Hex Washer TEK Screw
4	304100	1	Lint Screen Holder ONLY
5	800500	2	Lint Screen ONLY
6	150419	2	#6 x 1/2" Tamperproof TEK Screw
7	108120	1	Chain for Drop Lint Door
-	150418	1	Tamperproof Screw Hand Driver

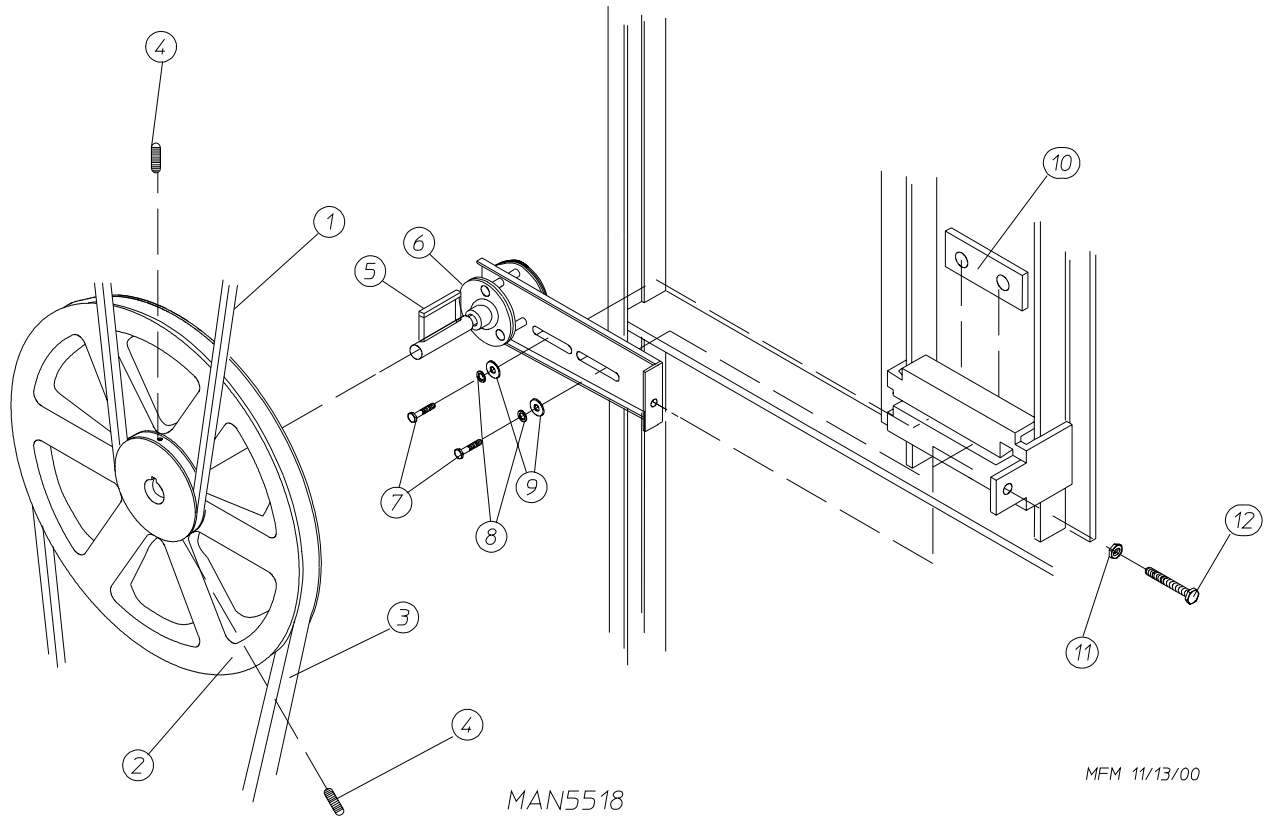
* For gas models ONLY.

** For electric models and steam models ONLY.

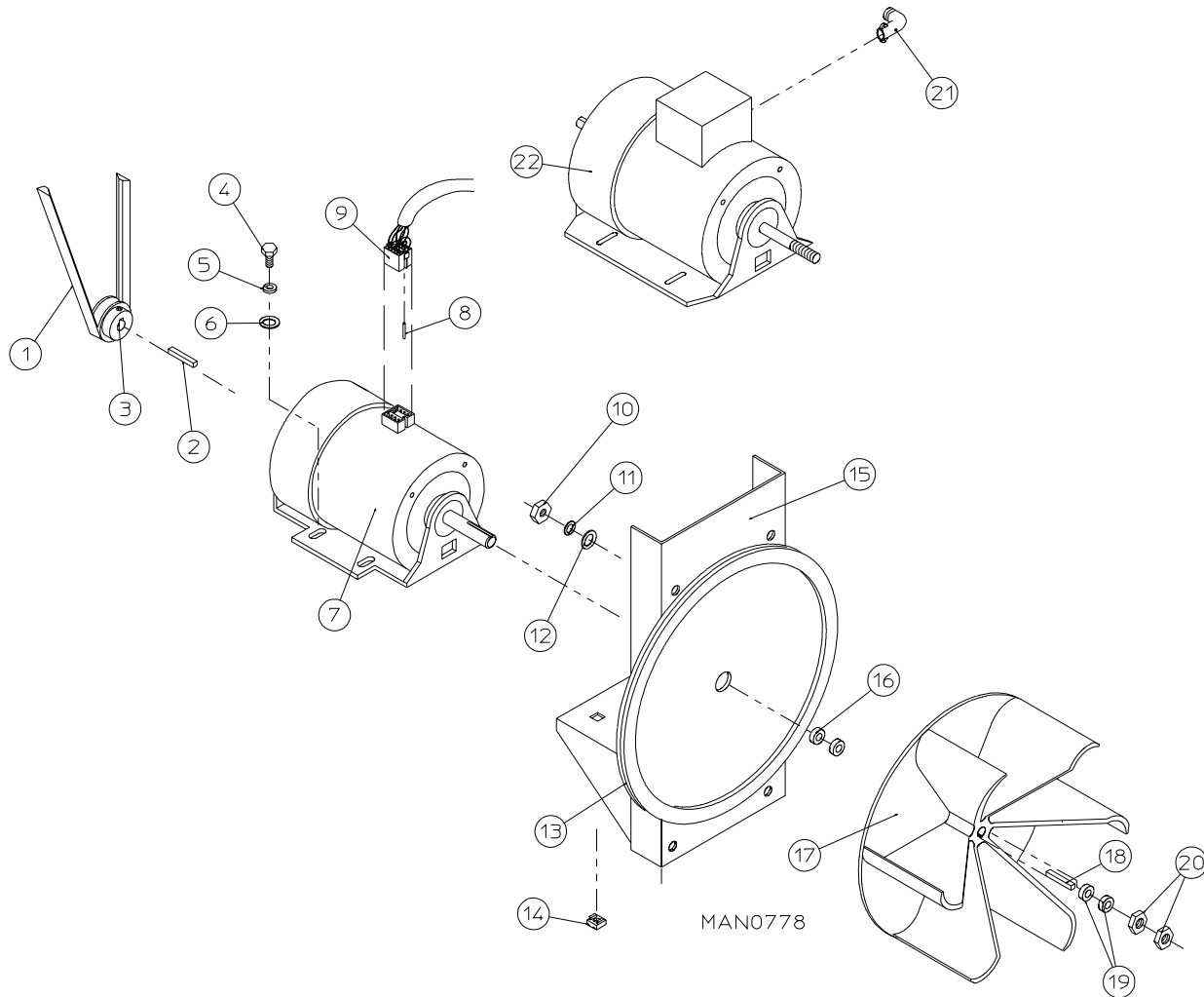


MAN0267

<u>Illus. No.</u>	<u>Part No.</u>	<u>Qty.</u>	<u>Description</u>
1	153002	3	5/16" Lock Washer
2	880213	1	1-1/4" Flange Bearing ONLY
3	153002	3	5/16" Lock Washer
4	152004	3	5/16-18 Hex Nut
5	150501	4	5/16-18 x 3/4" Hex Head Machine Bolt
6	153002	4	5/16" Lock Washer
7	153004	4	3/8" Flat Washer
8	801100	1	1" Bearing Box Assembly Complete (includes illus. nos. 8 through 14)
	801105	1	Bearing Box ONLY
9	150610	2	5/16-18 x 1-1/2" Allen Setscrew
10	152004	2	5/16-18 Hex Nut
11	150501	3	5/16-18 x 3/4" Hex Head Machine Bolt
12	880201	1	1" Flange Bearing ONLY
13	153002	3	5/16" Lock Washer
14	152004	3	5/16-18 Hex Nut
15	101100	1	18" Pulley ONLY
16	154301	2	5/16-18 x 5/16" Setscrew
17	100713	1	1/4" x 1/4" x 7/8" Key
18	100108	1	5L-680 V-Belt (basket [tumbler] to idler)



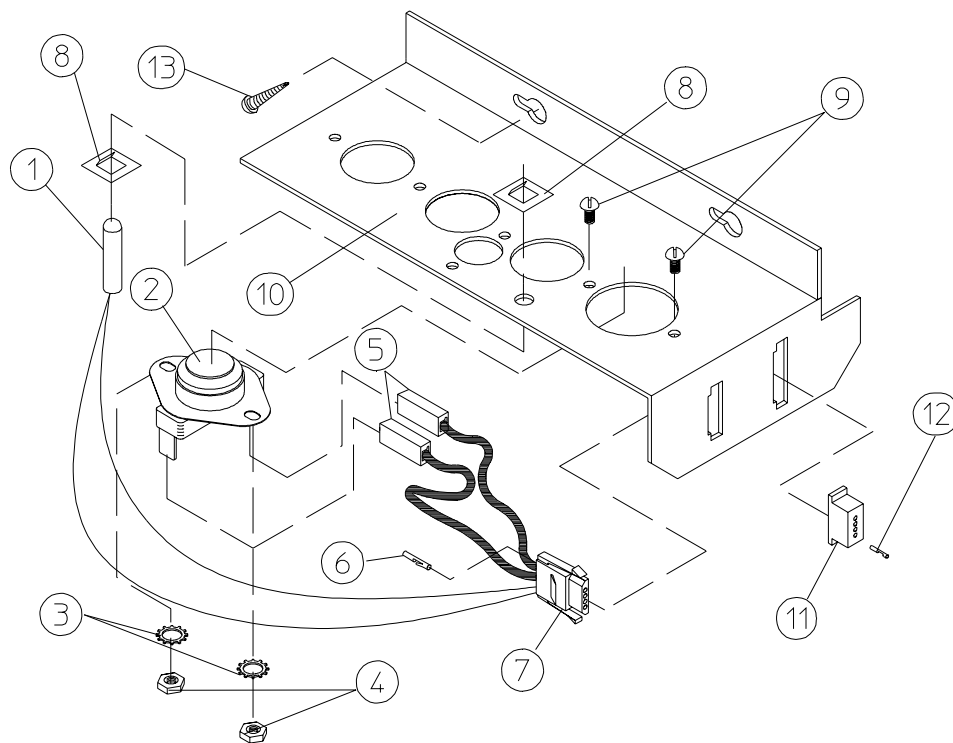
<u>Illus. No.</u>	<u>Part No.</u>	<u>Qty.</u>	<u>Description</u>
1	100108	1	5L-680 V-Belt (idler to basket [tumbler])
2	101129	1	9" x 2-1/2" Compound Pulley
3	100110	1	4L-500 V-Belt (idler to motor)
4	154301	2	5/16-18 x 1" Allen Setscrew
5	100705	1	3/16" x 3/16" x 1-3/8" Key
6	882576	1	Idler Bearing Assembly Complete (includes illus. nos. 5 through 12)
7	150617	3	3/8-16 x 1" Hex Head Machine Bolt
8	153005	2	3/8" Lock Washer
9	153004	2	3/8" Flat Washer
10	801009	1	Idler Square Washer
11	152004	1	5/16-18 Hex Nut
12	150509	2	5/16-18 x 3" Hex Head Machine Bolt



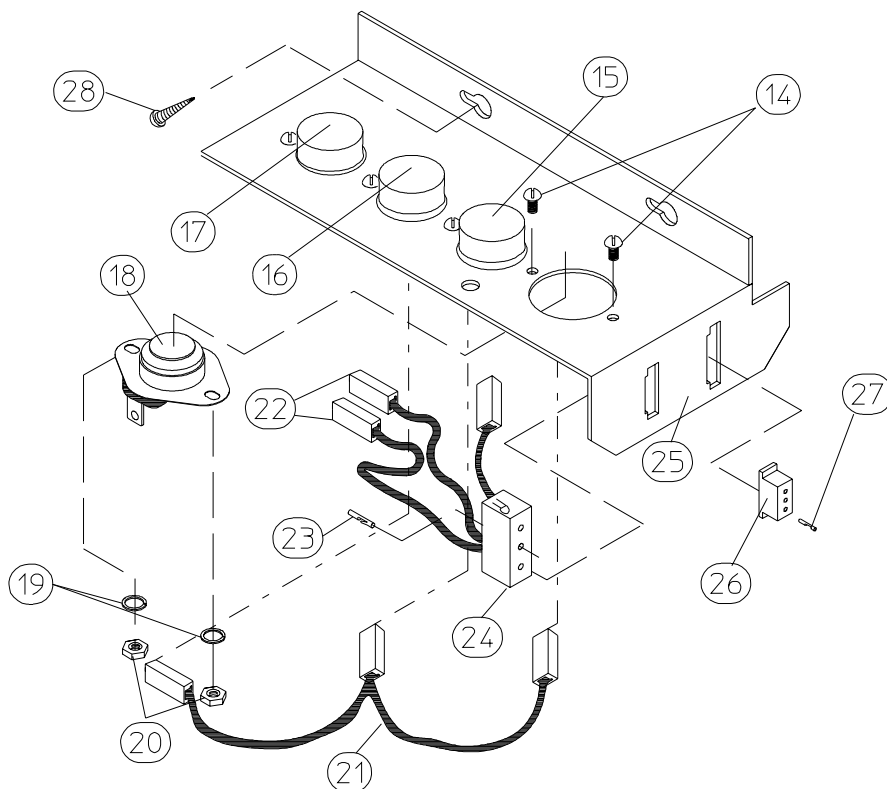
<u>Illus. No.</u>	<u>Part No.</u>	<u>Qty.</u>	<u>Description</u>
1	100110	1	4L-500 V-Belt (motor to idler)
2	100701	1	3/16" x 3/16" x 1" Key (for use on 3 ϕ models Only)
3	101104	1	1/2" x 2" Motor Pulley (for use on 1 ϕ - 60 Hz motors Only)
	101132	1	5/8" x 2" Motor Pulley (for use on 3 ϕ - 60 Hz motors Only)
	101133	1	5/8" x 2-1/4" Motor Pulley (for use on 100066 and 100007 - 50 Hz motors Only)
	101131	1	1/2" x 2-1/4" Motor Pulley (for use on 181049 - 50 Hz motors Only)
4	150501	4	5/16-18 x 3/4" Hex Head Machine Bolt
	153002	4	5/16" Lock Washer
	153001	4	5/16" Flat Washer
7	181049	1	1/2 HP 100-230v 1 ϕ 50/60 Hz Plug-Type Motor
	100066	1	1/2 HP 240v 1 ϕ 50 Hz Totally Enclosed, Fan-Cooled (T.E.F.C.) Plug-Type Motor (for 50 Hz models mfd. prior to August 22, 2002)

<u>Illus. No.</u>	<u>Part No.</u>	<u>Qty.</u>	<u>Description</u>
8	122701	8	Socket Terminal ONLY
	122801	1	Pin/Socket Extraction Tool
9	137030	1	8-Pin Housing Connection
10	152004	4	5/16-18 Hex Nut
11	153002	4	5/16" Lock Washer
12	153001	4	5/16" Flat Washer
13	117604	4	1/8" x 3/8" Sponge Tape (sold by the foot)
14	154000	4	5/16-18 Tinnerman Nut
15	800908	1	1/2 HP Motor Mount ONLY (56Z frame)
	803930*	1	1/2 HP 115-230v 1 ϕ 50/60 Hz Motor Mount Assembly Complete with Plug Motor (includes illus. nos. 2 through 7 and 13 through 20)
	880819	1	1/2 HP 240v 1 ϕ 50 Hz Motor Mount Assembly Complete with Plug Motor (includes illus. nos. 2 through 7 and 13 through 20)
	803801*	1	1/2 HP 208/230/380/460v 3 ϕ 60 Hz Motor Mount Assembly Complete (includes illus. nos. 2 through 6 and 13 through 22)
	803800*	1	1/2 HP 208/230/380/460v 3 ϕ 50 Hz Motor Mount Assembly Complete (includes illus. nos. 2 through 6 and 13 through 22)
16	153050	2	1/2" S.A.E. Flat Washer
17	100604	1	12-1/2" Impellor with 1/2" Bore
18	100702	1	1/8" x 1/8" x 1-1/2" Key
19	153050	2	1/2" S.A.E. Flat Washer
20	152006	2	1/2-20 Left Hand Jam Nut
21	120200	1	3/8" 90° Connector
22	100007*	1	1/2 HP 208/230/380/460v 3 ϕ 50/60 Hz Motor (56Z frame)

* Specify voltage when ordering.



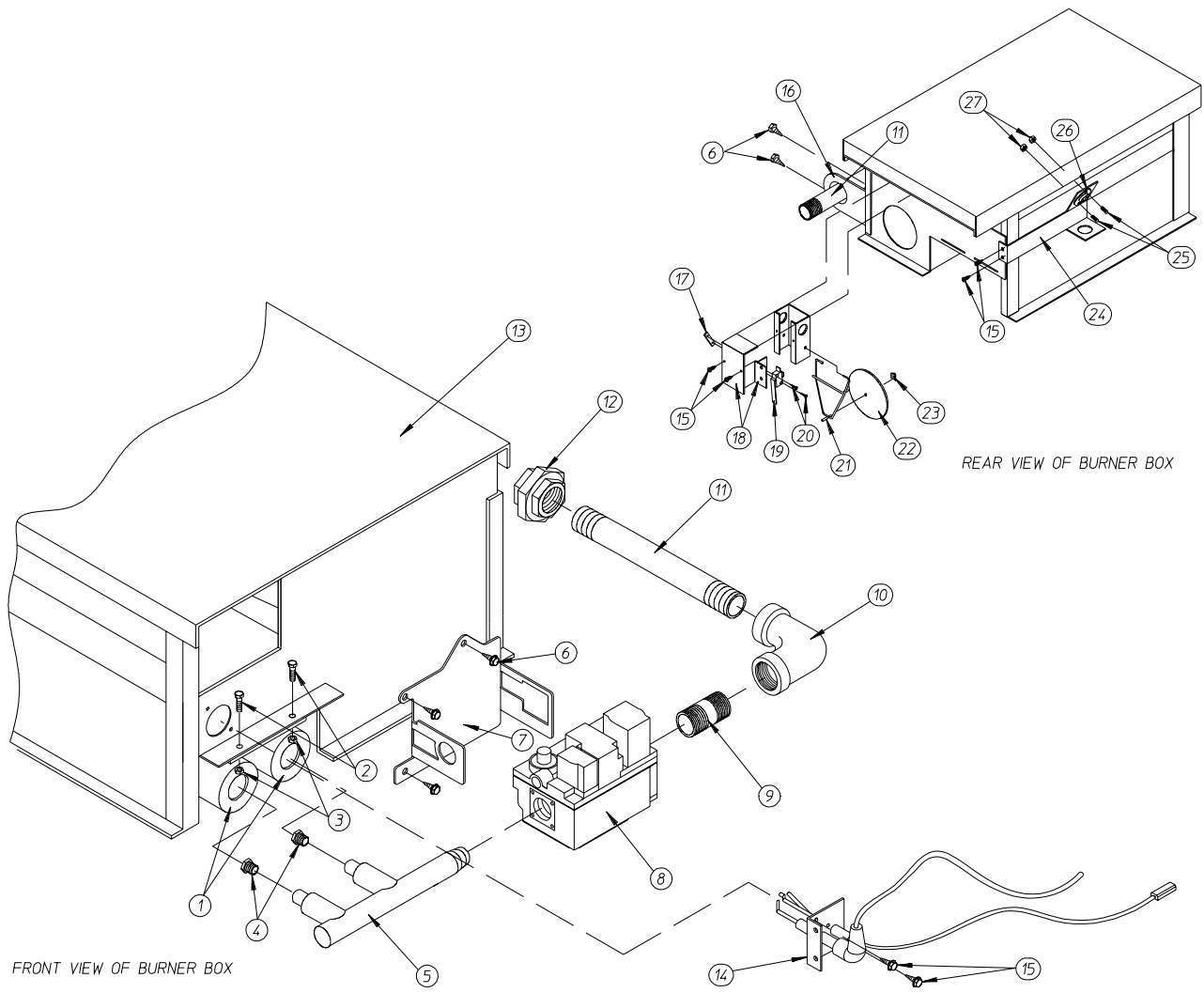
MICROPROCESSOR SENSOR BRACKET ASSEMBLY



MAN0238

NON-COMPUTER SENSOR BRACKET ASSEMBLY

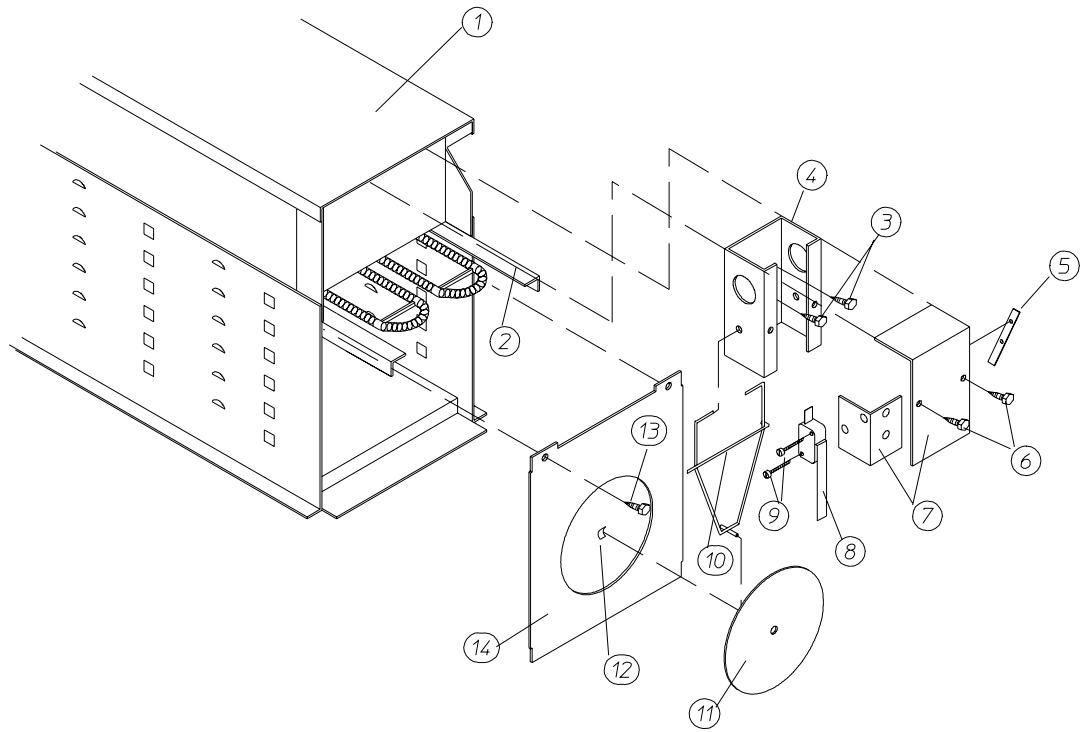
<u>Illus. No.</u>	<u>Part No.</u>	<u>Qty.</u>	<u>Description</u>
1	880251	1	1/4" Temperature Sensor Probe Assembly (includes illus. nos. 1 and 5 through 8)
2	130103	1	225° Large Automatic Reset Thermostat
3	153010	2	#6 Star Washer
4	152000	2	#6-32 Hex Nut
5	121028	2	Insulated Terminal ONLY
6	122701	4	Socket Terminal ONLY
7	122605	1	4-Pin Socket Connector ONLY
8	154007	2	1/4" Tinnerman Push On Fastener
9	150005	2	#6-32 x 1/4" Round Head Machine Screw
10	801425	1	Microprocessor Sensor Bracket Assembly Complete (includes illus. nos. 1 through 10)
	305007	1	Universal Sensor Bracket ONLY
11	122604	1	4-Pin Connector ONLY
12	122700	4	Pin Terminal ONLY
13	150301	2	#8-18 x 7/16" Phillips Pan Head TEK Screw
14	150005	5	#6-32 x 1/4" Slotted Round Head Machine Screw
15	130111	1	130° Large Thermostat
16	130100	1	150° Large Thermostat
17	130103	1	225° Large Automatic Reset Thermostat
18	130101	1	180° Large Thermostat
19	153010	5	#6 Star Washer
20	152000	5	#6-32 Hex Nut
21	840065	1	Sensor Jumper ONLY
22	121028	4	Insulated Terminal ONLY
23	122701	4	Socket Terminal ONLY
24	122605	1	4-Pin Socket Connector ONLY
	840062	1	Sensor Bracket Harness Assembly (includes illus. nos. 22 through 24)
25	801418	1	Noncomputer Sensor Bracket Assembly Complete (includes thermostats) (includes illus. nos. 14 through 25)
	305007	1	Universal Sensor Bracket ONLY
26	122604	1	4-Pin Connector ONLY
27	122700	4	Pin Terminal ONLY
	122801	1	Pin/Socket Extraction Tool
28	150301	2	#8-18 x 7/16" Phillips Pan Head TEK Screw



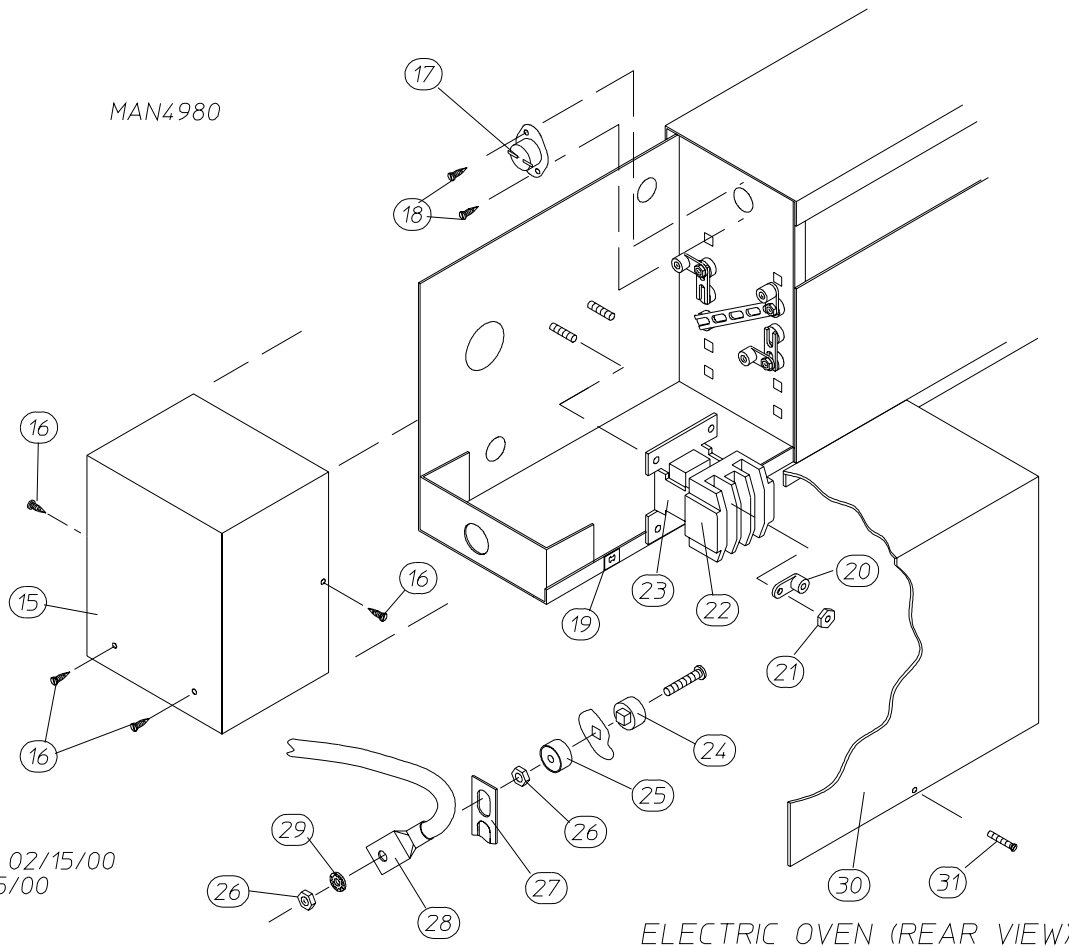
WM 9/11/01

MAN5904

<u>Illus. No.</u>	<u>Part No.</u>	<u>Qty.</u>	<u>Description</u>
1	141104	2	Small Burner Tube
2	150108	2	#8-32 x 1/2" Pan Head Machine Screw
3	151001	2	#8-32 Pal Nut
4	140811	2	#41 Natural Gas Burner Orifice
	140848	2	#54 Liquid Propane (L.P.) Burner Orifice
5	141230	1	1/2" 2-Port Manifold
6	150309	5	#10-16 x 1/2" Hex Head TEK Crimptite Screw
7	318716	1	Gas Valve Bracket
8	128927	1	1/2" 24 VAC Redundant Gas Valve (natural gas)
	880960	1	1/2" 24 VAC Liquid Propane (L.P.) Gas Valve
9	142707	1	1/2" x 1-1/2" B.I. Nipple
10	142500	1	1/2 x 90° Elbow
11	142754	2	1/2" x 8" B.I. Nipple
12	142600	1	1/2" Black Union
13	883145	1	Natural Gas Burner Box Assembly Complete Less Orifice
	883146	1	Liquid Propane (L.P.) Burner Box Assembly Complete Less Orifice
	850850	1	Burner Box ONLY
	874051	1	Liquid Propane (L.P.) Conversion Kit
14	809308	1	Ignitor Flame-Probe Assembly with Leads
	880330	1	High Voltage (HV) Wire and Connector Assembly
15	150300	6	#10-16 x 1/2" Hex Washer TEK Screw
16	318700	1	Pipe Bracket
17	154004	1	Twin Speed Nut
18	802799	1	Sail Switch Box Cover and Bracket ONLY
19	122200	1	Sail Switch
20	150303	2	#4 x 3/4" Pan Head Machine Screw
21	105500	1	Sail Switch Actuator Rod
22	319202	1	Sail Switch Damper (flat)
23	154002	1	1/8" Push On Fastener
	802800	1	Sail Switch Box with Cover
	802801	1	Sail Switch Assembly Complete (includes illus. nos. 15 and 17 through 23)
24	319704	1	Hi-Limit Mounting Bracket
25	150001	2	#6-32 x 1/2" Phillips Round Head Machine Screw
26	130201	1	330° Manual Reset Hi-Limit
27	151000	2	#6-32 Pal Nut



ELECTRIC OVEN (FRONT VIEW)



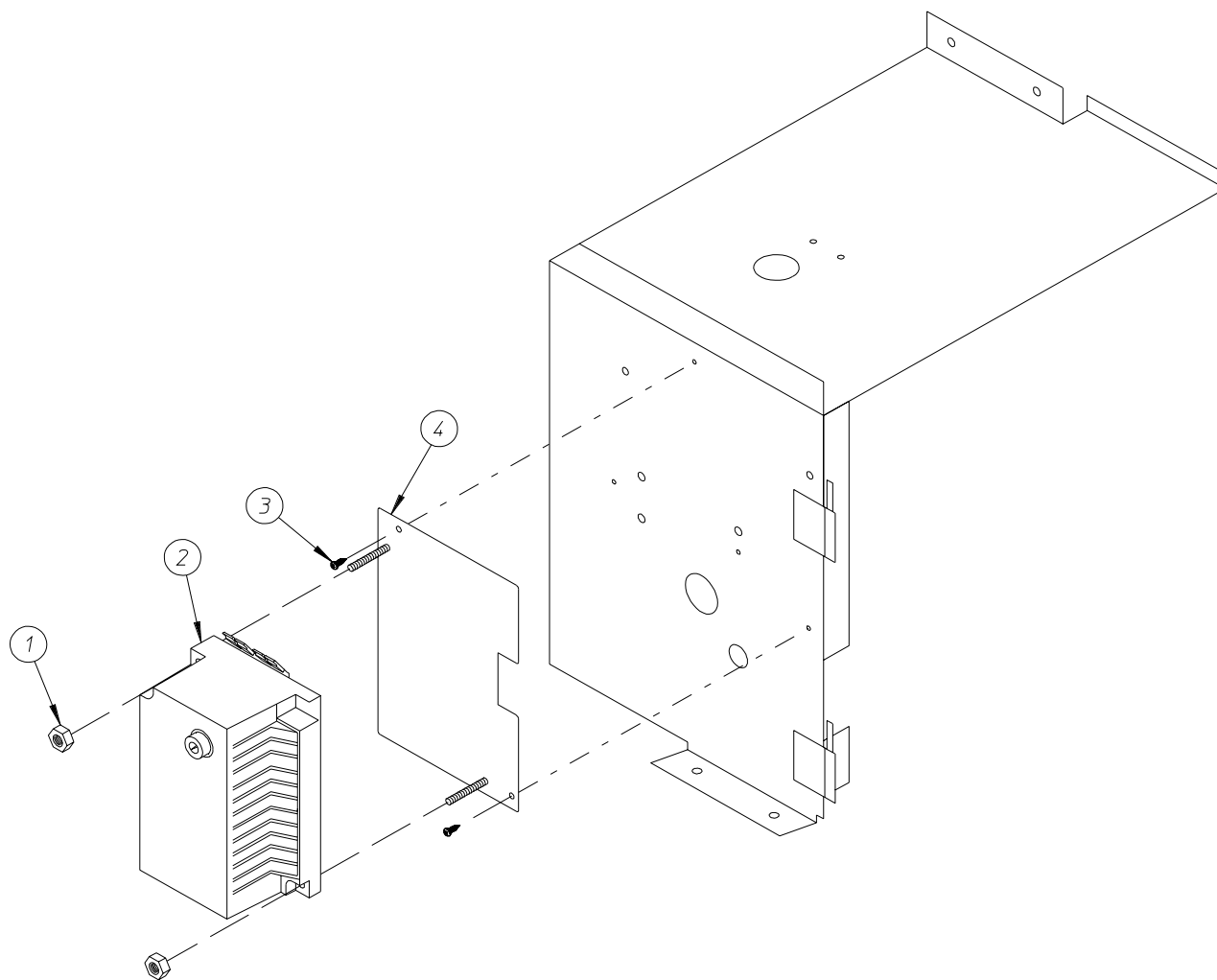
MAN4980

TCOSTA 02/15/00
DX 01/25/00

ELECTRIC OVEN (REAR VIEW)

<u>Illus. No.</u>	<u>Part No.</u>	<u>Qty.</u>	<u>Description</u>
1	803003*	1	Small Electric Oven Box ONLY
	-----*	1	Electric Oven Assembly Complete
2	-----*	-	Electric Element
3	150300	2	#10-16 x 1/2" Hex Washer TEK Screw
4	802800	1	Sail Switch Box with Bracket and Cover ONLY
	802801	1	Sail Switch Box Assembly Complete (includes illus. nos. 4 through 12)
5	154004	1	Twin Speed Nut
6	150309	2	#10-16 x 1/2" Hex Head Crimptite Screw
7	802799	1	Sail Switch Box Cover ONLY
8	122200	1	Sail Switch ONLY
9	150303	2	#4 x 3/4" Pan Head "A" Machine Screw
10	105500	1	Sail Switch Actuator Rod
11	319202	1	Sail Switch Damper (flat)
12	154002	1	1/8" Push On Fastener
13	150300	2	#10-16 x 1/2" Hex Washer TEK Screw
14	803100	1	Electric Oven Front Cover ONLY
15	320611	1	Large Relay Box Cover ONLY
16	150207	2	#10-24 x 1/2" Phillips Round Head Machine Screw
17	130400	1	290° Hi-Limit
18	150300	2	#10-16 x 1/2" Hex Washer TEK Screw
19	154001	2	#10-24 Speed Nut
20	121010	1	L-70 Ground Lug
21	152014	3	1/4-20 Free Spin Wash Nut
22	-----*	1	Oven Relay
23	-----*	1	Oven Relay Replacement Coil
24	120081	-	Internal Ceramic Insulator (2 per element)
25	120080	-	External Ceramic Insulator (2 per element)
26	152008	-	#10-32 Hex Nut (4 per element)
27	121011*	-	Bus Bar
28	-----*	-	Terminal Lug
29	153009	-	#10 Star Washer (2 per element)
30	320607	1	Small Electric Oven Right Side Cover ONLY
31	150402	2	#10-24 x 5/8" Slotted Truss Head Machine Screw

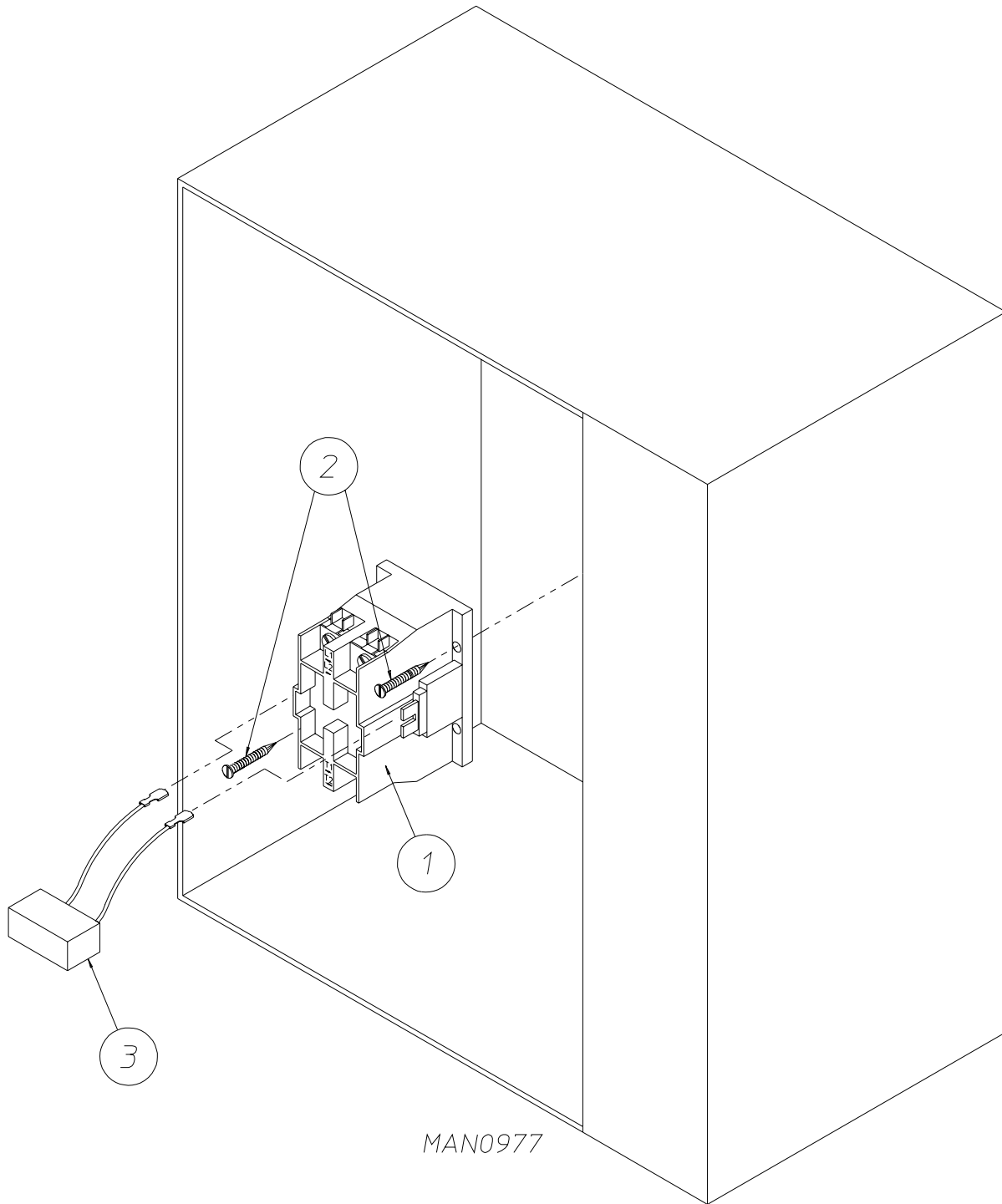
* Refer to **Electric Oven Component Application Chart** on **page 42**.



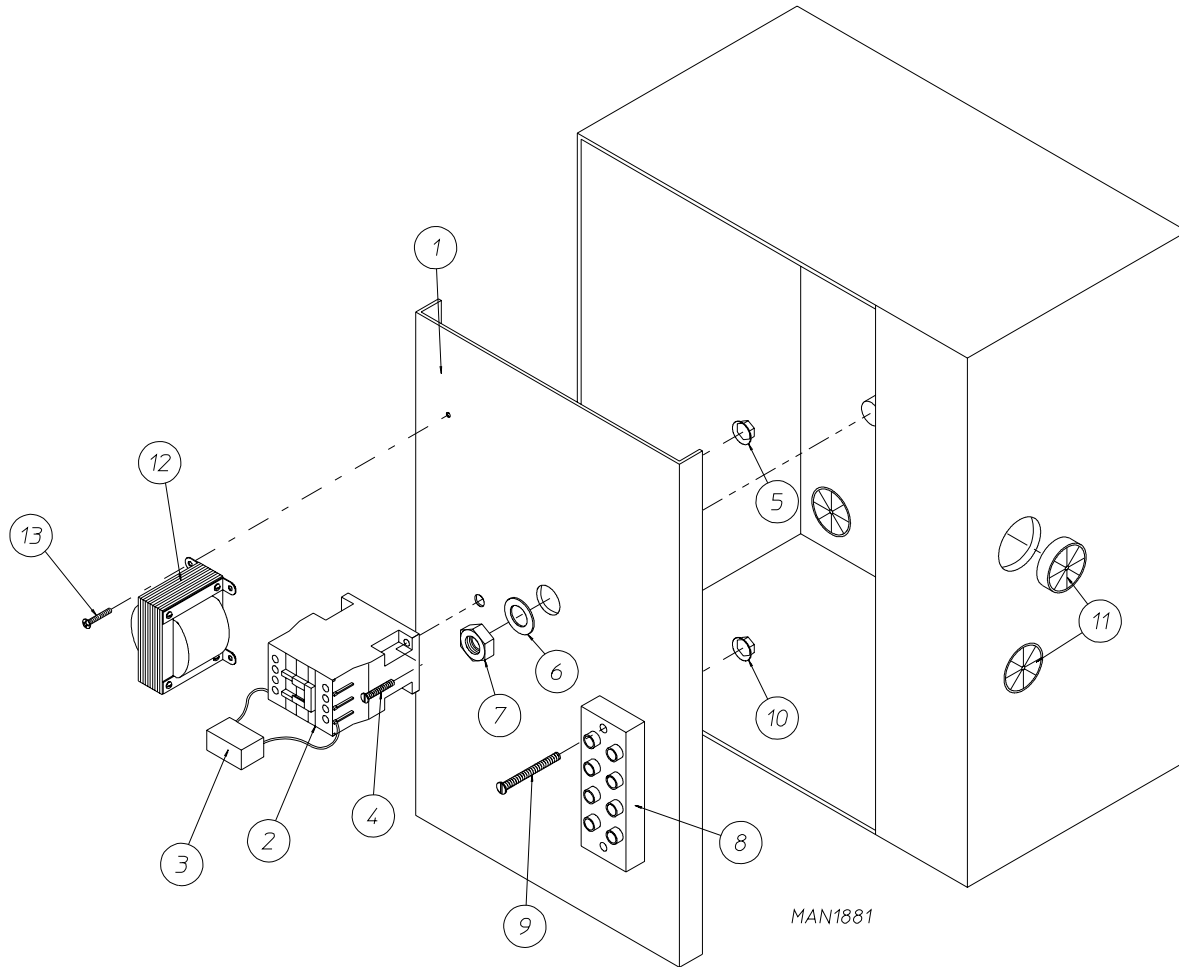
WM 9/14/01

MAN5910

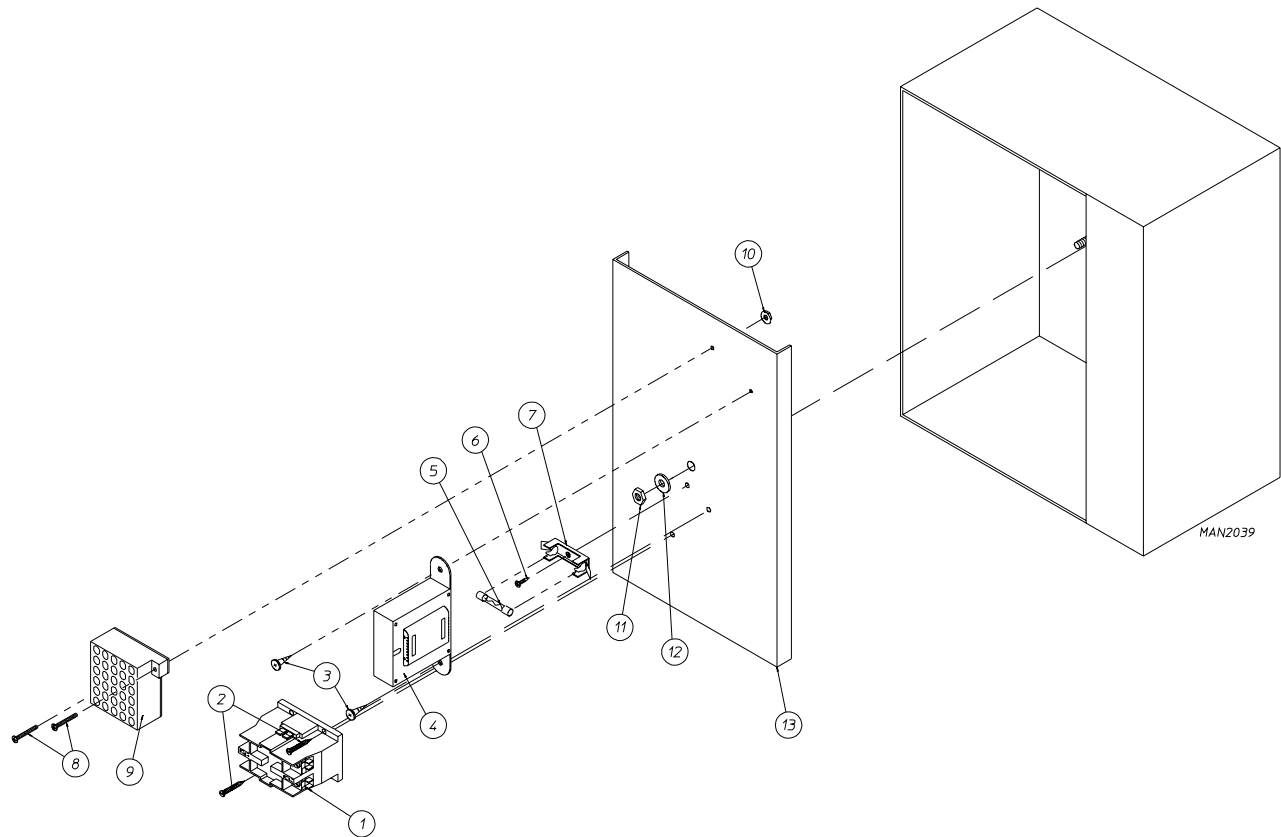
<u>Illus. No.</u>	<u>Part No.</u>	<u>Qty.</u>	<u>Description</u>
1	152013	2	#6-32 Hex Nut
2	801048	1	ADC Direct Spark Ignition (DSI) Control Module
3	150301	2	#8-18 x 7/16" Phillips Round Head TEK Screw
4	801711	1	Direct Spark Ignition (DSI) Module Mounting Plate



<u>Illus. No.</u>	<u>Part No.</u>	<u>Qty.</u>	<u>Description</u>
1	132475	1	2-Pole Contactor - 24 VAC
2	150299	2	#10 x 1" Hex Head TEK Screw
3	824828	1	RC Network with Connectors (for microprocessor models Only)
-	322809	1	Back Electrical Box Cover...Not Illustrated
-	150301	4	#8-18 x 7/16" Phillips Round Head TEK Screw...Not Illustrated

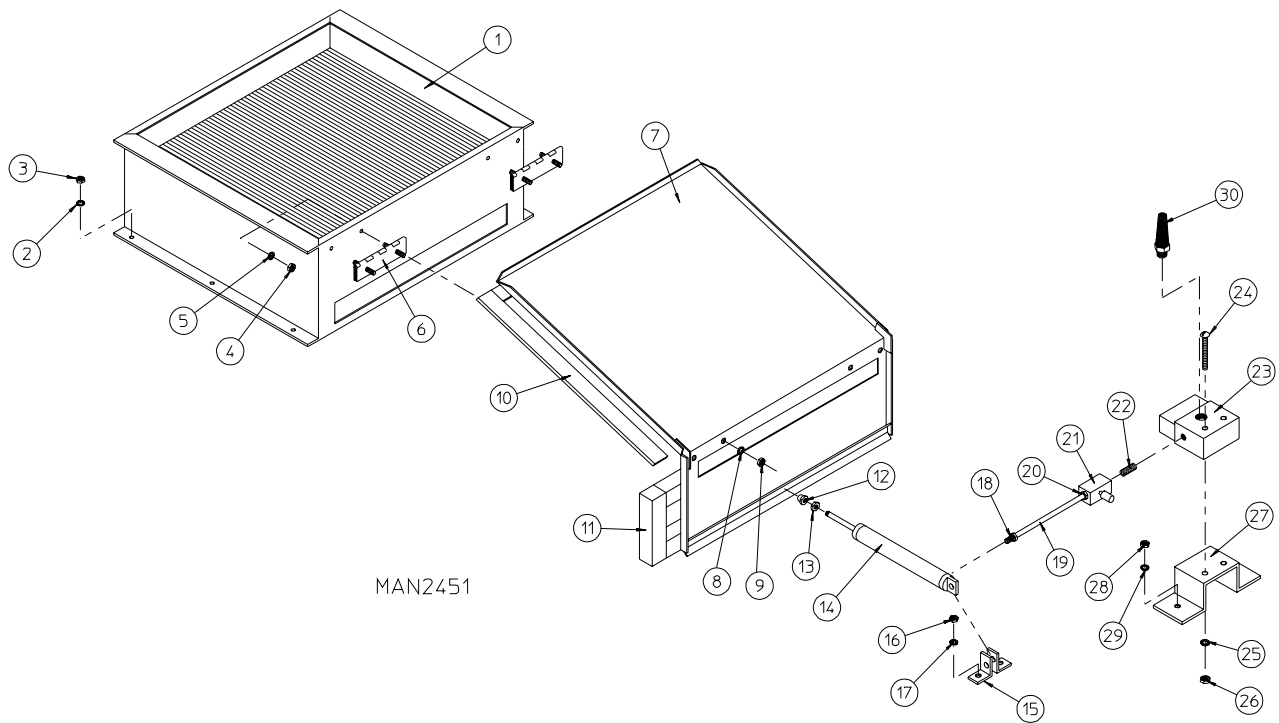


<u>Illus. No.</u>	<u>Part No.</u>	<u>Qty.</u>	<u>Description</u>
1	322812	1	Back Electrical Box Component Mounting Plate
2	132447	1	Impellor Contactor (208/230/240v, 50/60 Hz) 24 VAC
3	137015	1	RC Filter (for microprocessor models Only)
4	150103	2	#8-32 x 3/4" Phillips Round Head Machine Screw
5	151001	2	#8-32 Pal Nut
6	153002	1	5/16" Lock Washer
7	152004	1	5/16-18 Hex Nut
8	120701	1	4-Position Terminal Block
9	150008	2	#6-32 x 1-1/4" Slotted Round Head Machine Screw
10	151000	2	#6-32 Pal Nut
11	121300	3	Open/Closed Bushing
12	-----	1	Step Down Transformer (refer to Transformer Usage Listing for Gas/Steam Dryers on page 40) (refer to Transformer Usage Listing for Electric Dryers on page 41)
13	150300	2	#10-16 x 1/2" Hex Washer TEK Screw
--	322809	1	Back Electrical Box Cover...Not Illustrated
--	150301	4	#8-18 x 7/16" Phillips Round Head TEK Screw...Not Illustrated

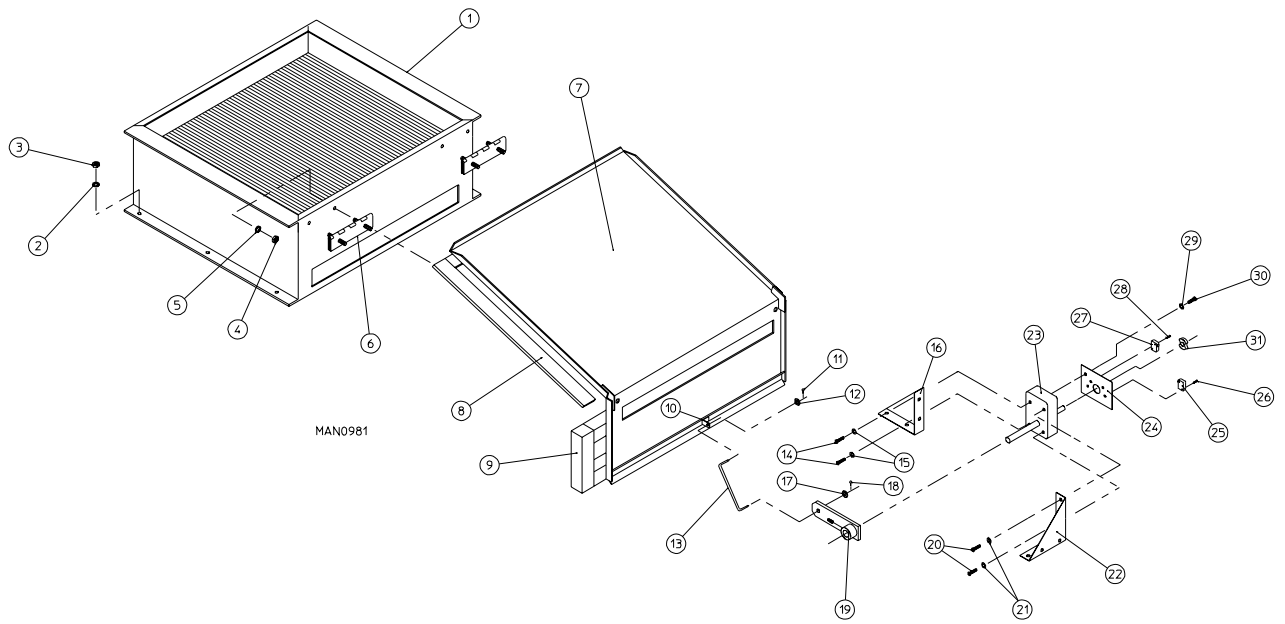


Illus. No.	Part No.	Qty.	Description
1	132475	1	2-Pole Contactor - 24 VAC
2	150299	2	#10 x 1" Hex Head Screw
3	150300	2	#10-16 x 1/2" Hex Head Washer TEK Screw
4	-----	-	24 VAC Transformer (refer to Transformer Usage Listing for Gas/Steam Dryers on page 40) (refer to Transformer Usage Listing for Electric Dryers on page 41)
5	136057	*	1/2-Amp (Slo-Blo) Fuse ONLY
6	150301	*	#8-18 x 7/16" Phillips Pan Head TEK Screw
7	136008	*	Fuse Block/Strip ONLY
8	150002	2	#6-32 x 1" Round Head Machine Screw
9	120715	1	30-Position Terminal Block ONLY
10	151000	2	#6-32 Pal Nut
11	153002	1	5/16-18 Lock Washer
12	152004	1	5/16-18 Hex Nut
13	305520	1	Rear Contactor Plate ONLY
--	322809	1	Back Electrical Box Cover...Not Illustrated
--	150301	4	#8-18 x 7/16" Phillips Pan Head TEK Screw...Not Illustrated

* As required.

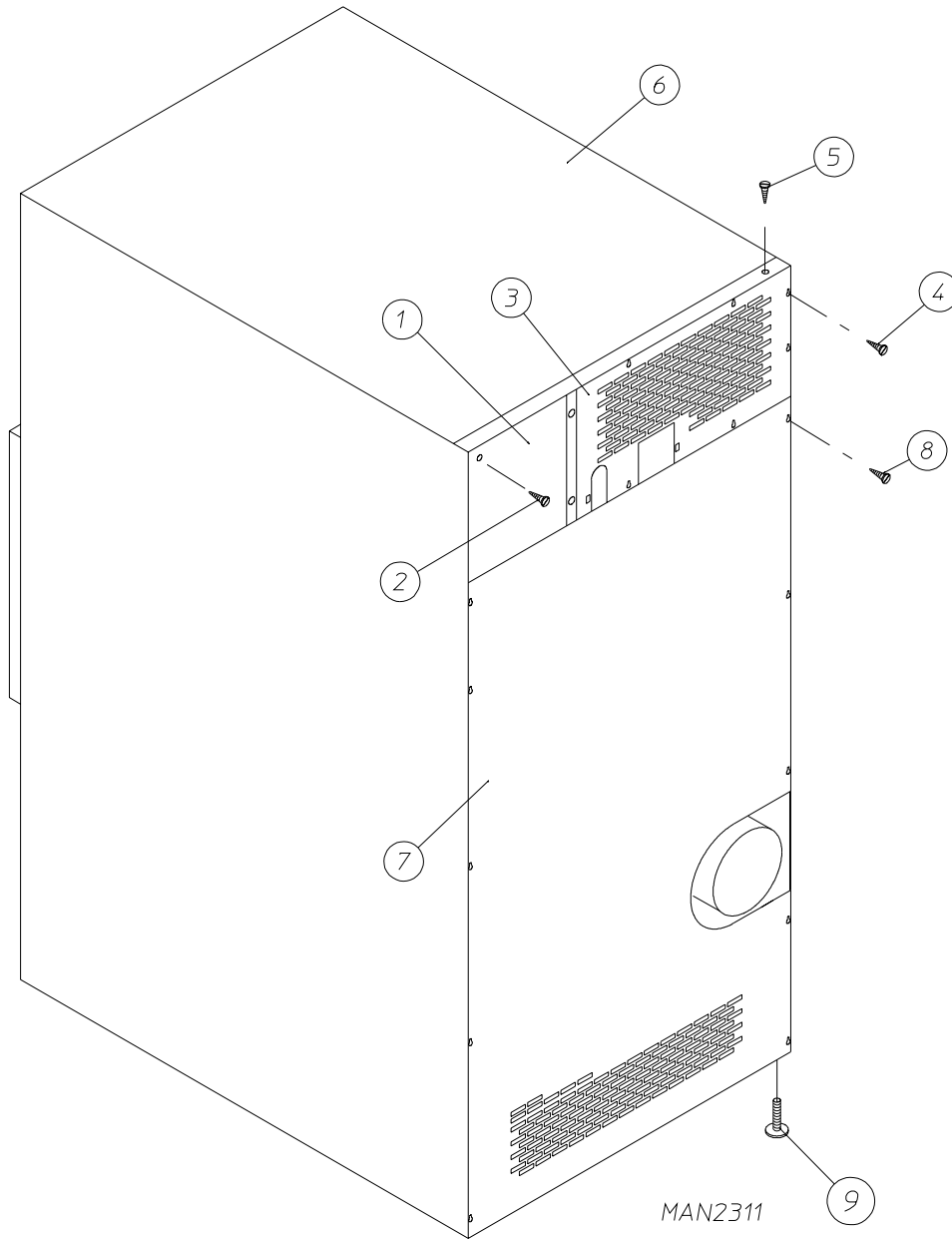


<u>Illus. No.</u>	<u>Part No.</u>	<u>Qty.</u>	<u>Description</u>
1	165013	1	Steam Coil Assembly
2	153002	6	5/16" Lock Washer
3	152004	6	5/16-18 Hex Nut
4	152002	4	1/4-20 Hex Nut
5	153007	4	1/4" Lock Washer
6	820321	2	Steam Damper Hinge Assembly
7	880834	1	Steam Damper Assembly (includes illus. nos. 7, 10, and 11)
8	153007	4	1/4" Lock Washer
9	152002	4	1/4-20 Hex Nut
10	115995	48	Steam Damper Gasket (sold by the inch)
11	102350	1	Steam Damper Foam (68-1/2" length)
12	151006	1	5/16-24 Stainless Steel Acorn Nut
13	152051	1	5/16-24 Right Hand Jam Nut
14	100495	1	11/16" Diameter x 3" Stroke Piston
15	323365	2	Left and Right Piston Support
16	152002	2	1/4-20 Hex Nut
17	153007	2	1/4" Lock Washer
18	100472	1	1/4" Poly x 1/8" M.P.T. Connector
19	143110	1	1/4" Poly-Flo Tubing
20	100472	1	1/4" Poly x 1/8" M.P.T. Connector
21	100496	1	1/8" Needle Valve
22	143238	1	1/8" Brass Close Nipple
23	100498	1	3-Way Micro Valve - 24 VAC
24	150002	2	#6-32 x 1" Machine Bolt
25	153010	2	#6 Star Washer
26	152000	2	#6-32 Hex Nut
27	330987	1	Micro Valve Support
28	152002	2	1/4-20 Hex Nut
29	153007	2	1/4" Lock Washer
30	100520	1	1/8" N.P.T. Silencer (muffler) #N-25



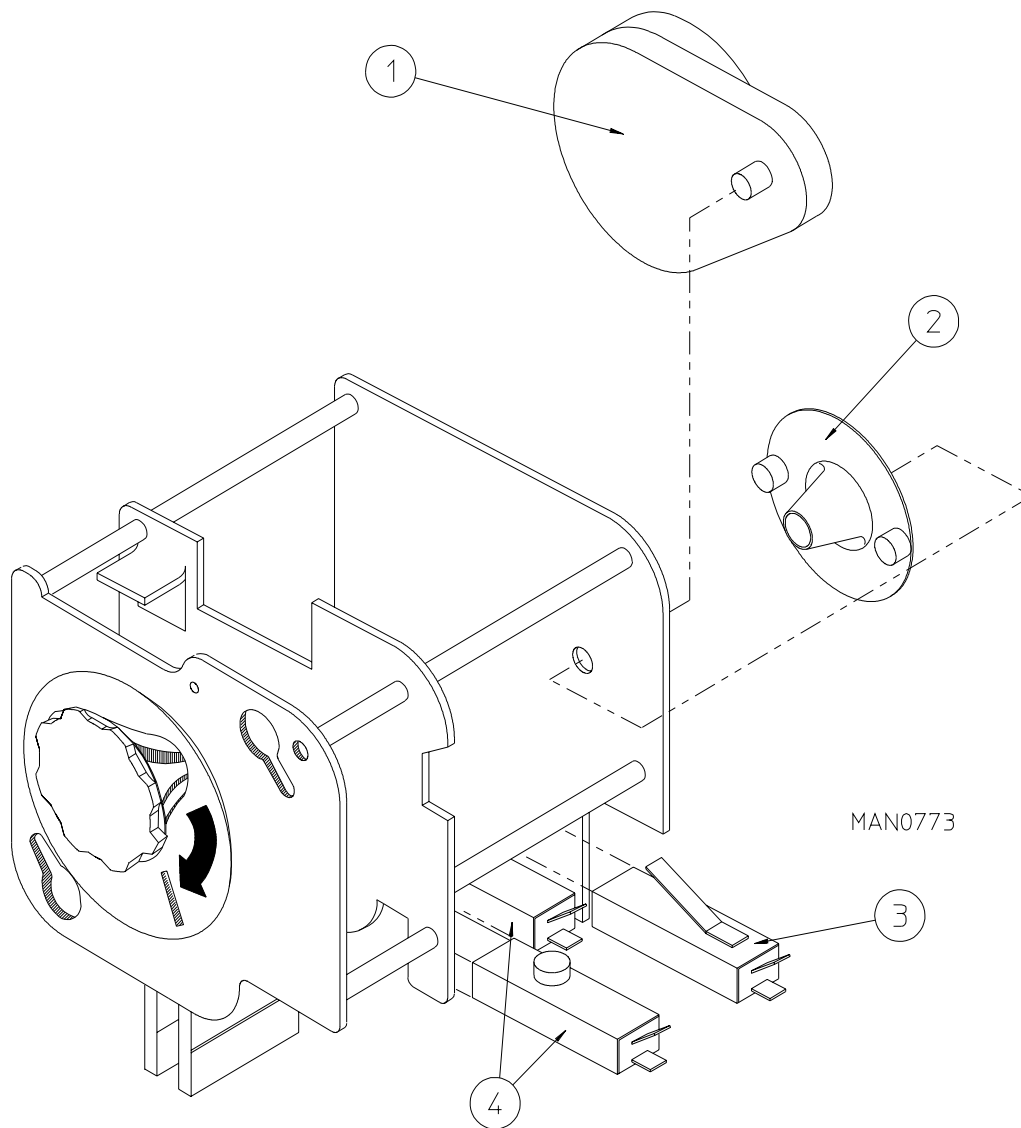
<u>Illus. No.</u>	<u>Part No.</u>	<u>Qty.</u>	<u>Description</u>
1	165013	1	Steam Coil Assembly ONLY
2	153002	6	5/16" Lock Washer
3	152004	6	5/16-18 Hex Nut
4	152002	4	1/4-20 Hex Nut
5	153007	4	1/4" Lock Washer
6	820321	2	Steam Damper Hinge Assembly
7	880835	1	Steam Damper Assembly (includes illus. nos. 7, 10, and 11)
8	115995	48	Steam Damper Gasket (sold by the inch)
9	102350	1	68-1/2" Long Steam Damper Foam
10	309300	1	Rod Bracket
11	154300	1	1/2" x 3/32" Cotter Pin
12	153022	1	#10 Steel Burr
13	104052	1	Mechanical Steam Damper Actuator Rod
14	150110	2	#8-32 x 1/4" Phillips Head Machine Screw
15	153012	2	#8 Star Washer
16	312315	1	Mechanical Steam Damper Motor Mount
17	153022	1	#10 Steel Burr
18	154300	1	1/2" x 3/32" Cotter Pin
19	850268	1	Mechanical Steam Damper Arm
20	150110	2	#8-32 x 1/4" Phillips Head Machine Screw
21	153012	2	#8 Star Washer
22	312315	1	Mechanical Steam Damper Motor Mount
23	104054	1	Mechanical Steam Damper Motor
24	100511	1	Mechanical Steam Damper Switch Plate
25	122120	1	Mechanical Steam Damper Switch
26	150026	2	#4-40 x 5/8" Phillips Pan Head Machine Screw
27	122120	1	Mechanical Steam Damper Switch
28	150026	2	#4-40 x 5/8" Phillips Pan Head Machine Screw
29	153012	2	#8 Star Washer
30	150102	2	#8-32 x 3/8" Pan Head Machine Screw
31	-----*	1	Mechanical Steam Damper Motor Cam

* The mechanical steam damper motor cam is part of the mechanical steam damper motor.



<u>Illus. No.</u>	<u>Part No.</u>	<u>Qty.</u>	<u>Description</u>
1	322809	1	Back Electrical Box Cover
2	150301	4	#8-18 x 7/16" Phillips Pan Head TEK Screw
3*	330076	1	Top Back Guard
4	150301	7	#8-18 x 7/16" Phillips Pan Head TEK Screw
5	150301	10	#8-18 x 7/16" Phillips Pan Head TEK Screw
6*	312532	1	Outer Top
7	330086	1	"Plain" Bottom Back Guard
8	150301	13	#8-18 x 7/16" Phillips Pan Head TEK Screw
9	103500	4	Leveling Leg

* There is no top back guard or outer top on steam models.



<u>Illus. No.</u>	<u>Part No.</u>	<u>Qty.</u>	<u>Description</u>
1	125541	1	1/60 RPM 24 VAC/60 Hz Meter Motor
	125540	1	1/30 RPM 24 VAC/50 Hz Meter Motor
2	125500	1	2-Point Cam
	125501	1	3-Point Cam
	125502	1	4-Point Cam
	125503	1	5-Point Cam
	125504	1	6-Point Cam
	125506	1	8-Point Cam
	125507	1	9-Point Cam
	125508	1	10-Point Cam
	125510	1	12-Point Cam
	3	125515	1
4	125516	2	Meter Switch "A" or "C"

HEAT	VOLTAGE	WIRE SERVICE	STEP DOWN TRANSFORMER PART. NO.	CONTROL VOLTAGE PART NO.
GAS STEAM	208-240	3 or 4	-----	141403
	380	3	132059	141403
	380	4	132059	141403
	416	3	132062	141403
	416	4	132062	141403
	460/480	3	132053	141403
	460/480	4	132053	141403
	575	3	132050	141403

KW	VOLTAGE	PHASE	WIRE	STEP DOWN TRANSFORMER PART NO.	CONTROL VOLTAGE TRANSFORMER PART NO.
18	208	3 ϕ	3	-----	132070
18	208	1 ϕ	2	-----	132063
18	240	3 ϕ	3	-----	141403
18	416	3 ϕ	4	-----	132082
18	460/480	3 ϕ	3	132053	141403
15	208	3 ϕ	3 or 4	-----	141403
15	208	1 ϕ	2	-----	132063
15	380	3 ϕ	4	-----	132082
15	400	3 ϕ	4	-----	132082
12	208	3 ϕ	3	-----	141403
12	240	3 ϕ	3	-----	141403
12	240	1 ϕ	2	-----	132070
12	380	3 ϕ	4	-----	132082
11	400	3 ϕ	4	-----	132082

KW	VOLTAGE	PHASE	WIRE	OVEN ASSEMBLY	ELEMENT			OVEN WIRE			TERMINAL LUG		BUS BAR P/N: 121011	OVEN RELAY	
					QTY	KW	PART NO.	QTY	SIZE	PART NO.	QTY	PART NO.		CAT. NO.	PART NO.
18	460/480	3 ϕ	3 or 4	883597	6	3	120007	1	#8	882559	1	121010	2	DPA33	131352
18	416	3 ϕ	4	826389	6	3	120006	1	#8	882558	1	121010	1	DPA33	131352
18	240	3 ϕ	3	883542	6	3	120007	1	#8	882558	1	121010	2	DPA43	131357
18	208	3 ϕ	3 or 4	824914	6	3	120006	1	#6	882556	1	121010	2	DPA53	131359
18	208	1 ϕ	2	883546	6	3	120006	1	#2	883384	1	121010	2	DPA93	131358
15	380	3 ϕ	4	826389	6	3	120007	1	#8	882558	1	121010	1	DPA33	131352
15	208	1 ϕ	2	883547	5	3	120006	1	#4	883385	1	121010	1	DPA73	131376
12	240	3 ϕ	3	883543	3	4	120009	1	#8	882558	1	121010	2	DPA33	131352
12	240	1 ϕ	2	883545	4	3	120007	1	#6	883548	1	121010	1	DPA53	131359
12	208	3 ϕ	3 or 4	883544	3	4	120008	1	#8	882558	1	121010	1	DPA33	131352
11	400	3 ϕ	4	826401	6	2	120004	1	#8	882558	1	121010	1	DPA33	131352

<u>Part No.</u>	<u>Description</u>
112533	“Phase 5 Coin Program Location Summary” Label
114006	“Warning-Fire Hazards” Label
114533	“120V Electric Service” Label
112280	“Lint Screen” Label
114001	“Caution-Exhausted/Lint Screen” Label
112534	“Phase 5 OPL Program Location Summary” Label
120100	3/8” Straight (BX) Connector
120200	3/8” x 90° (BX) Connector
120300	3/8” x 45° (BX) Connector
120400	3/8” Red Jacket (BX) Insulator
120500	3/8” Jiffy Clip (BX retainer clip)
120600	3/8” Flexible Steel Electrical Conduit
120707	Terminal Strip (2-position)
120708	Terminal Strip (3-position)
120800	1/4” In-Line Connector
120902	#74B Wire Nut
120903	Crimp-On Wire Nut
121499	5-1/2” Harness Tie
121500	8” Harness Tie
121503	Harness Tie Mounting Clip
122804	Manometer (hydro gauge) for Measuring Gas Pressure
404502	White Brush-In-Cap Bottle Touch-Up Paint
404515	Coral Blue Brush-In-Cap Bottle Touch-Up Paint
404516	Ivory Brush-In-Cap Bottle Touch-Up Paint

