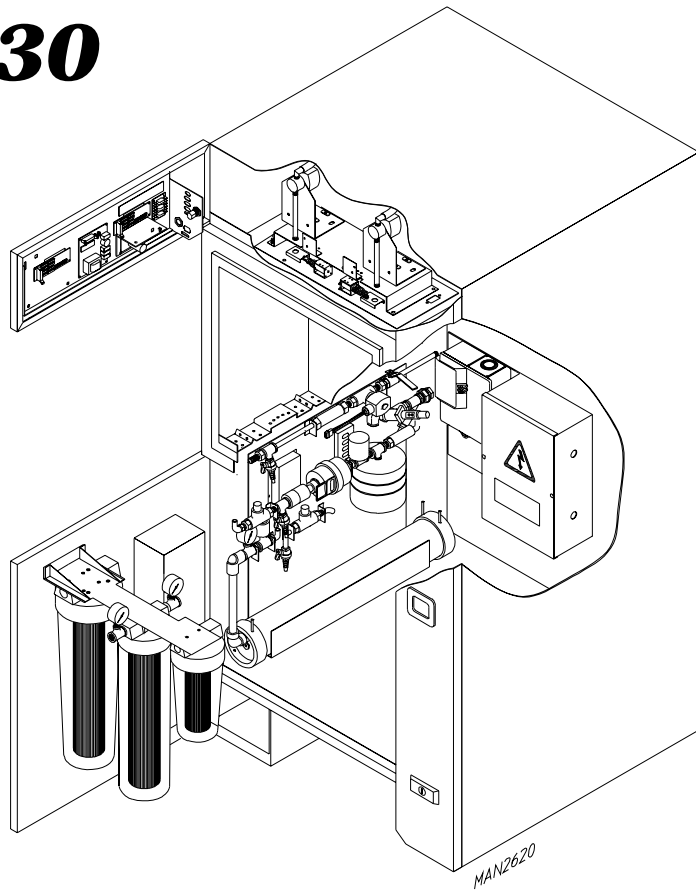




# AD-830



## **Parts Manual** **1995 thru 1998**

**American Dryer Corporation**  
88 Currant Road  
Fall River, MA 02720-4781  
Telephone: (508) 678-9000 / Fax: (508) 678-9447  
E-mail: techsupport@amdry.com

072696  
092497DX/abe

ADC Part No. 482055

# Retain This Manual In A Safe Place For Future Reference

American Dispensing Company products embody advanced concepts in engineering, design, and safety. If this product is properly maintained, it will provide many years of safe, efficient, and trouble-free operation.

*ONLY properly licensed technicians should service this equipment.*

**OBSERVE ALL SAFETY PRECAUTIONS** displayed on the equipment or specified in the installation/operator's manual included with the dryer.

We have tried to make this manual as complete as possible and hope you will find it useful. ADC reserves the right to make changes from time to time, without notice or obligation, in prices, specifications, colors, and material, and to change or discontinue models.

## Important

For your convenience, log the following information:

DATE OF PURCHASE \_\_\_\_\_ MODEL NO. **AD-830** \_\_\_\_\_

DISTRIBUTORS NAME \_\_\_\_\_

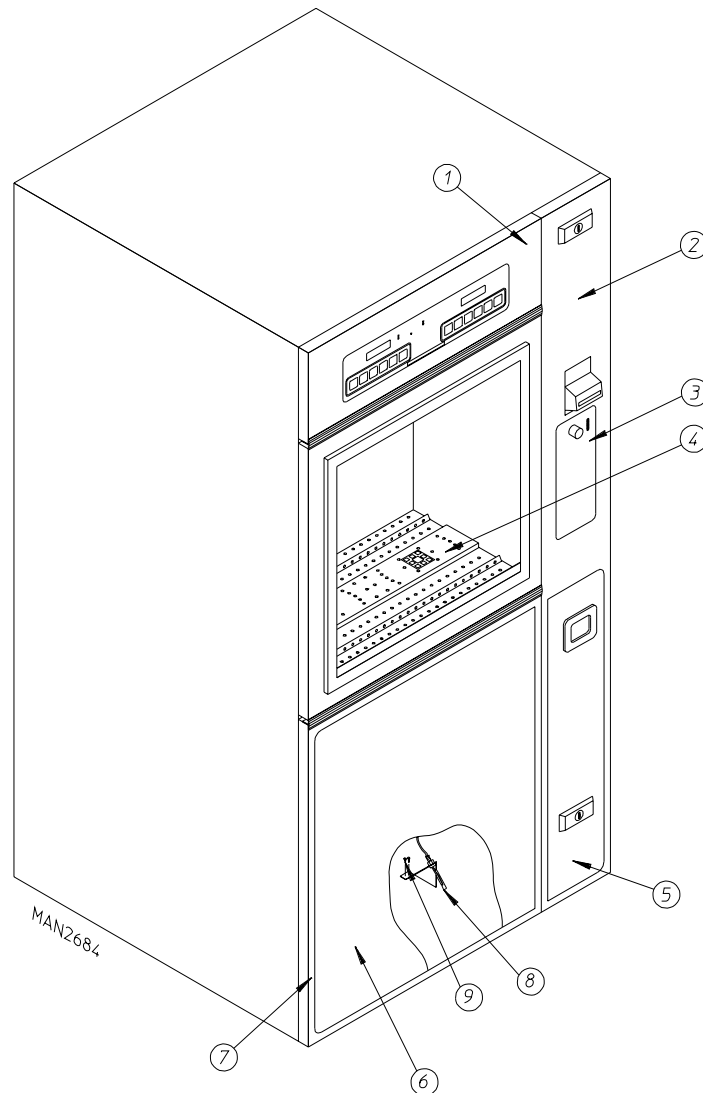
Serial Number(s) \_\_\_\_\_  
\_\_\_\_\_  
\_\_\_\_\_

Replacement parts can be obtained from your distributor or the ADC factory. When ordering replacement parts from the factory, you can FAX your order to ADC at (508) 678-9447 or telephone your orders directly to the ADC Parts Department at (508) 678-9010. Please specify the dryer **model number** and **serial number** in addition to the **description** and **part number**, so that your order is processed accurately and promptly.

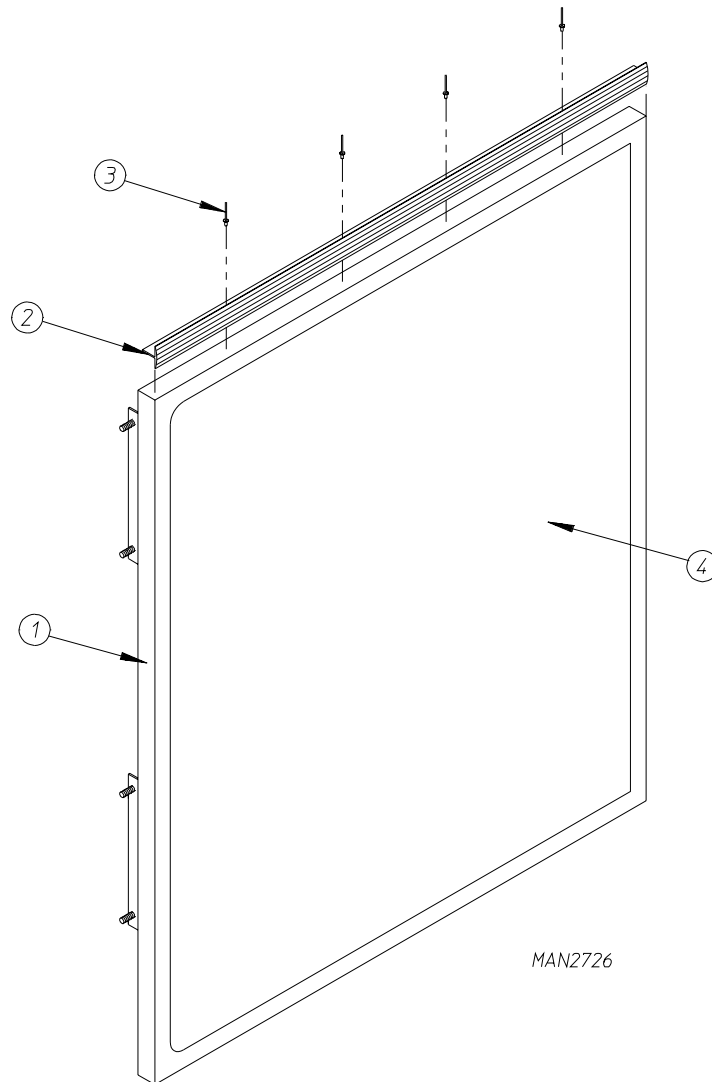
The illustrations on the following pages may not depict your particular dryer exactly. The illustrations are a composite of the various dryer models. Be sure to check the descriptions of the parts thoroughly before ordering.

# Table of Contents

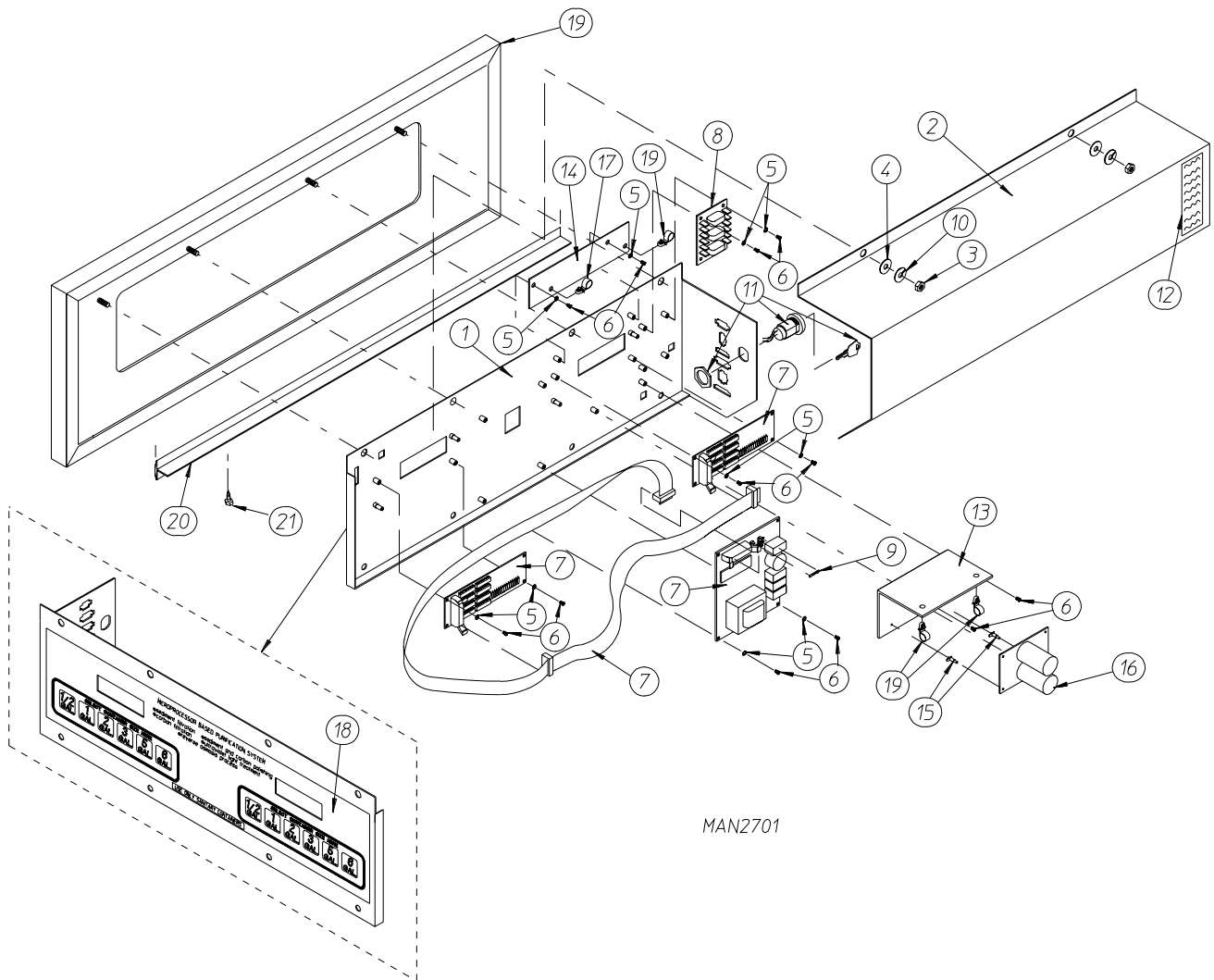
Front Cabinet Assembly .....	2
Bottom Service Door Assembly .....	3
Microprocessor Computer Panel Assembly .....	4, 5
Right Control Door Assembly	
<i>Coin Changer ONLY</i> .....	6, 7
Right Control Door Assembly	
<i>Coin Changer and Bill Acceptor</i> .....	8, 9
Filter /Ultraviolet (UV) Light Assembly .....	10, 11
Coin Vault Assembly .....	12
Dispensing Bay Assembly .....	13
Water Tank Assembly .....	14, 15
Reverse Osmosis (R.O.) Housing Assembly .....	16
Drain Plumbing .....	17
Reservoir Tank Assembly .....	18
Dispensing Meter Assembly .....	19
Left Wall Assembly	
<i>for models mfd. as of September 10, 1996</i> .....	20, 21
Left Wall Assembly	
<i>for models mfd. prior to September 10, 1996</i> .....	22, 23
Dispensing Solenoids .....	24, 25
Pump Assemblies .....	26, 27
Relay Board Assembly	
<i>120 Volt - 60 Hz</i> .....	28
Relay Board Assembly	
<i>240 Volt - 50 Hz</i> .....	29
Reverse Osmosis (R.O.) Comparator Box Assembly .....	30
Dispense, Drain, and Ultraviolet (UV) Outlet Junction Box Assembly	
<i>120 Volt - 60 Hz</i> .....	31
Rear Electrical Enclosure Assembly	
<i>120 Volt - 60 Hz</i> .....	32, 33
Rear Electrical Enclosure Assembly	
<i>240 Volt - 50 Hz</i> .....	34, 35
Rear Ground Fault Interrupter (G.F.I.) and Junction Box Assembly	
<i>120 Volt - 60 Hz</i> .....	36
Ground Fault Interrupter (G.F.I.) Breaker Enclosure Assembly	
<i>240 Volt - 50 Hz</i> .....	37
Rear Panel Assembly .....	38
Ultraviolet (UV) Light Replacement Parts .....	39
AD-830 Electrical Labels Sheet .....	40



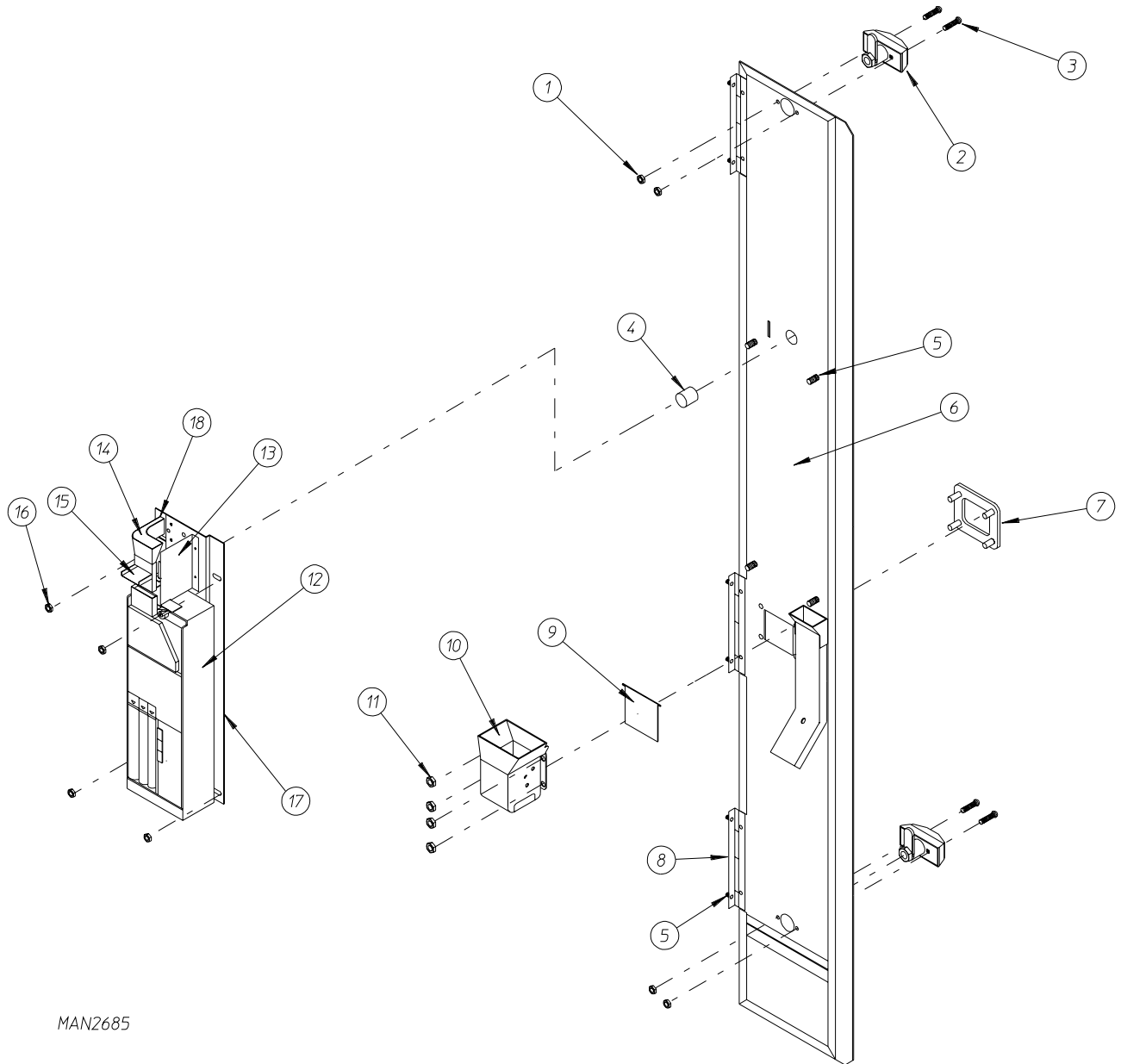
<u>Illus. No.</u>	<u>Part No.</u>	<u>Qty.</u>	<u>Description</u>
1	830895	1	Microprocessor Computer Panel Assembly Complete - 120 VAC - 60 Hz (refer to <b>page 4</b> and <b>page 5</b> )
	830878	1	Microprocessor Computer Panel Assembly Complete - 240 VAC - 50 Hz (refer to <b>page 4</b> and <b>page 5</b> )
2	833048	1	Right Control Door Assembly (Coin Changer ONLY) Refer to <b>page 6</b> and <b>page 7</b>
	833021	1	Right Control Door Assembly (Coin Changer and Bill Acceptor) Refer to <b>page 8</b> and <b>page 9</b>
3	881415	1	AD-830 Coin/Installation Label Kit
4	833026	1	Dispensing Bay Assembly Complete (refer to <b>page 13</b> )
5	881417	1	AD-830 Picture Label (Right Side) Kit
6	881416	1	AD-830 Picture Label (Left Side) Kit
7	881307	1	Bottom Service Door (refer to <b>page 3</b> )
8	833053	1	Base Float Switch Assembly
9	150300	2	#10 x 1/2" Hex Washer TEK Screw



Illus. No.	Part No.	Qty.	Description
1	881401	1	Bottom Service Door ONLY
	881307	1	Bottom Service Door Assembly (includes illus. nos. 1 through 3)
2	182033	28	Aluminum Trim (sold by the inch)
3	154200	4	5/32" Rivet
4	881416	1	Picture Label (Left Side) Kit



<u>Illus. No.</u>	<u>Part No.</u>	<u>Qty.</u>	<u>Description</u>
1	833027	1	Microprocessor Computer Panel Assembly ONLY
	830895	1	Microprocessor Computer Panel Assembly Complete - 120 VAC - 60 Hz (includes illus. nos. 1 through 23)
	830878	1	Microprocessor Computer Panel Assembly Complete - 240 VAC - 50 Hz (includes illus. nos. 1 through 21)
2	300914	1	Microprocessor Computer Panel Cover
3	152004	2	5/16-18 Hex Nut
4	153001	2	5/16" Flat Washer
5	153010	15	#6 Star Washer
6	150005	15	#6-32 x 1/4" Phillips Round Head Machine Screw
7	182015	1	Microprocessor Computer Assembly Complete
8	137060	1	Arc Suppressor Board
9	136057	2	1/8-Amp (Slo Blo) Fuse (prior to Coin Changer Only)
10	153002	2	5/16" Lock Washer
11	820496	1	Program Switch Lock and Key Assembly
12	182006	-	Microprocessor Panel Plug Identification Label (refer to <b>AD-830 Electrical Labels Sheet</b> on <b>page 40</b> )
13	300604	1	Power Supply Mounting Bracket
14	300605	1	Push Mount Tie Bracket
15	137013	4	Nylon Standoff
16	182020	1	Coin Changer Power Supply
17	182451	4	Push Mount Wire Tie
18	182000	1	Membrane Switch
19	833003	1	Top Control Door
20	182003	28	Aluminum Trim (sold by the inch)
21	150301	1	#8-18 x 7/16" Phillips Pan Head TEK Screw
---	830866	1	Lower Microprocessor and Power Input Harness ... Not Illustrated 120 Volt - 60 Hz
---	830877	1	Lower Microprocessor and Power Input Harness ... Not Illustrated 240 Volt - 50 Hz
---	830866	1	Top Microprocessor and DC Input Harness ... Not Illustrated



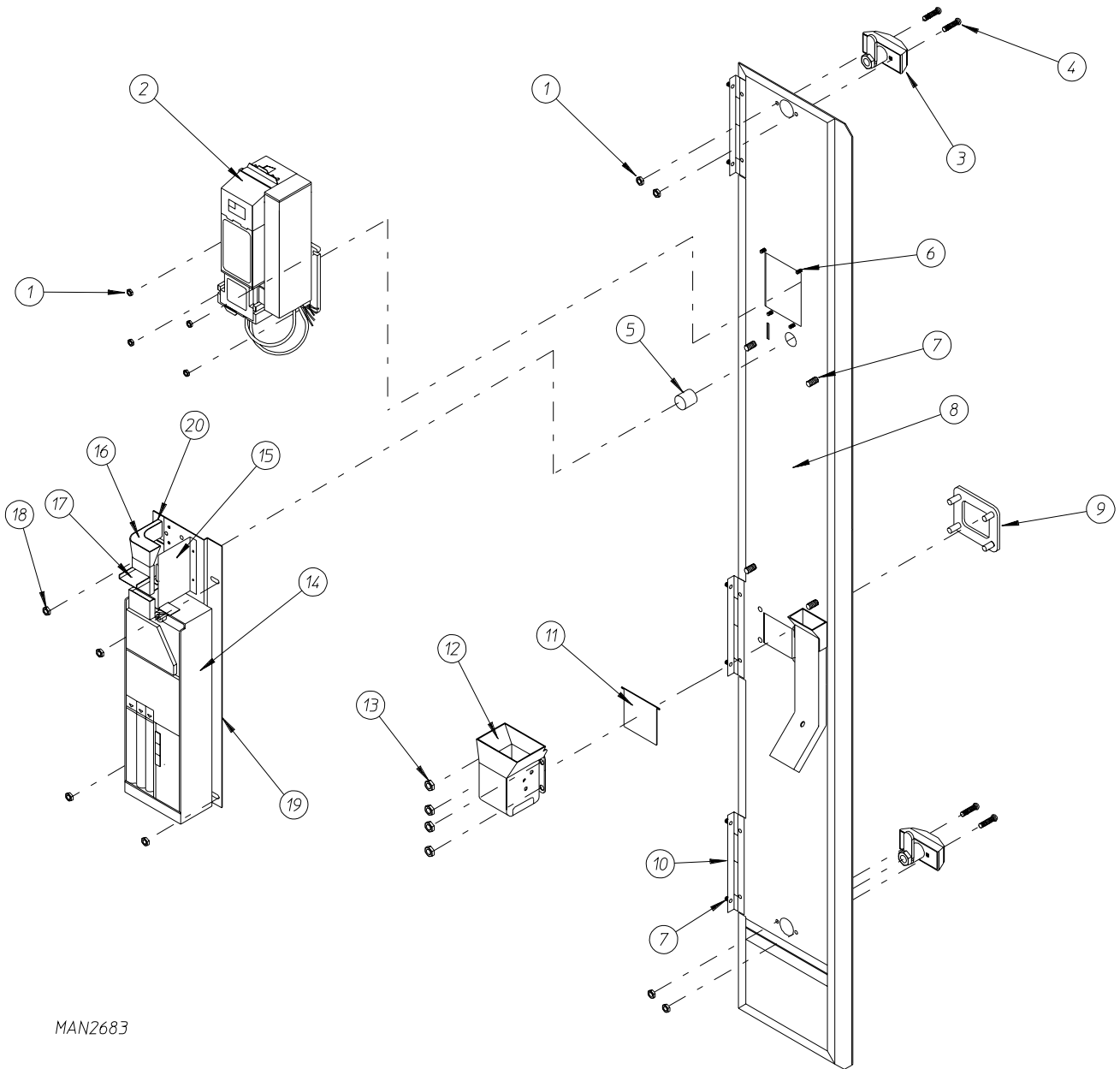
MAN2685



**Coin Changer ONLY**

<u>Illus. No.</u>	<u>Part No.</u>	<u>Qty.</u>	<u>Description</u>
1	152001	4	#8-32 Hex Nut
2*	182624	2	Right Control Door Lock
3	150108	4	#8-32 x 1/2" Phillips Pan head Machine Screw
4	182806	1	Coin Return Button
5	153326	10	1/4-20 x 1/2" Clinch Stud
6	833047	1	Right Control Door ONLY (Coin Changer Only)
	833048	1	Right Control Door Assembly Complete (includes illus. nos. 1 through 18)
7	182801	1	Coin Return Cup/Chute Trim Bracket
8	103080	3	Hinge
9	182805	1	Coin Return Cup/Chute Door
10	182802	1	Coin Return Cup/Chute
11	182803	4	1/4" Hex Nut (self-threading)
12	182804	1	United States Coin Changer
	182812	1	Australian Coin Changer
	182813	1	United Kingdom Coin Changer
13	182809	1	Coin Return Assembly
14	182800	1	Upper Coin Chute
15	182808	1	Lower Coin Chute
16	152002	4	1/4-20 Hex Nut
17	881400	1	Coin Changer Mounting Bracket
18	182807	1	Coin Chute Bracket

\* Key number *is required* when ordering single lock.



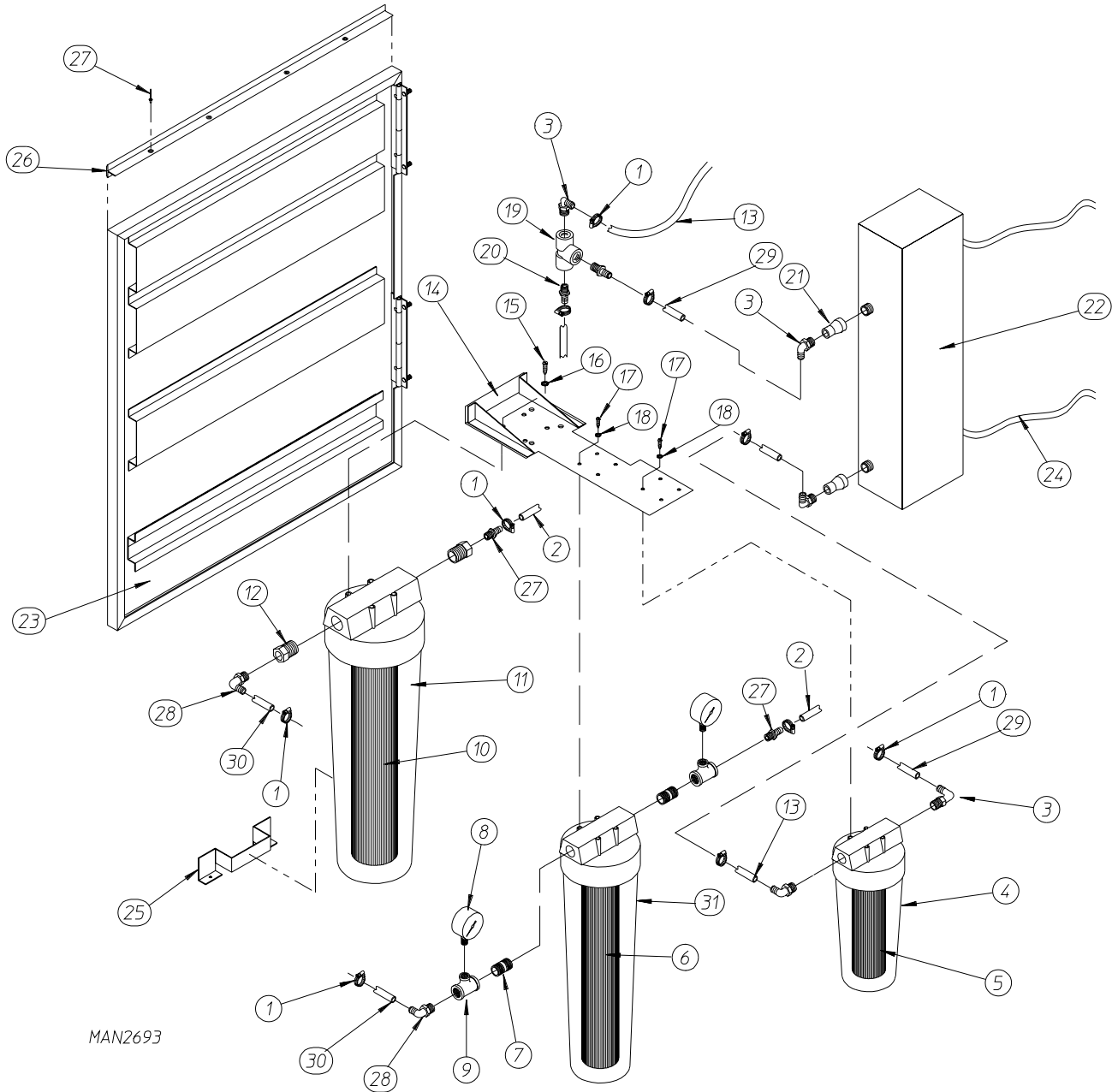
MAN2683

---

**Coin Changer and Bill Acceptor**

<u>Illus. No.</u>	<u>Part No.</u>	<u>Qty.</u>	<u>Description</u>
1	152001	8	#8-32 Hex Nut
2	182820	1	Bill Acceptor/Validator (United States Only)
3*	182624	2	Right Control Door Lock
4	150108	4	#8-32 x 1/2" Phillips Pan head Machine Screw
5	182806	1	Coin Return Button
6	153528	4	#8-32 x 1/2" Clinch Stud
7	153326	10	1/4-20 x 1/2" Clinch Stud
8	833020	1	Right Control Door ONLY (Coin Changer and Bill Acceptor)
	833021	1	Right Control Door Assembly Complete (includes illus. nos. 1 through 20)
9	182801	1	Coin Return Cup/Chute Trim Bracket
10	103080	3	Hinge
11	182805	1	Coin Return Cup/Chute Door
12	182802	1	Coin Return Cup/Chute
13	182803	4	1/4" Hex Nut (self-threading)
14	182804	1	United States Coin Changer
	182812	1	Australian Coin Changer
	182813	1	United Kingdom Coin Changer
15	182809	1	Coin Return Assembly
16	182800	1	Upper Coin Chute
17	182808	1	Lower Coin Chute
18	152002	4	1/4-20 Hex Nut
19	881400	1	Coin Changer Mounting Bracket
20	182807	1	Coin Chute Bracket

\* Key number *is required* when ordering single lock.



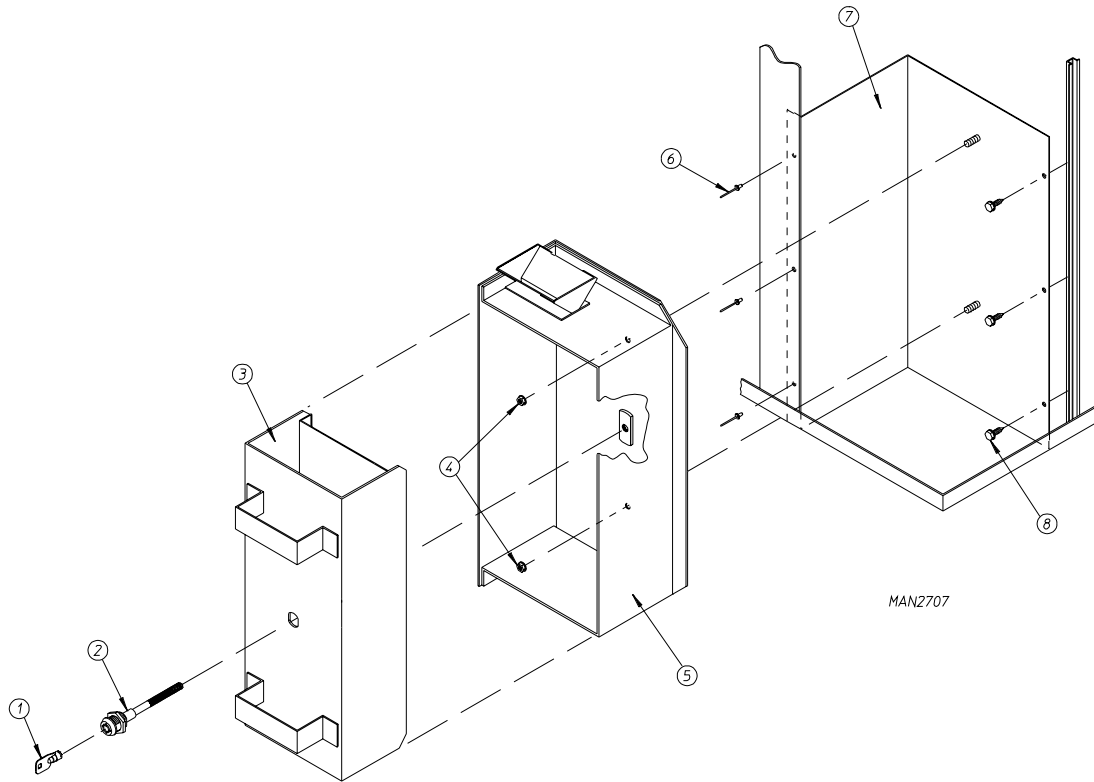
MAN2693

<u>Illus. No.</u>	<u>Part No.</u>	<u>Qty.</u>	<u>Description</u>
1	182529	11	Hose Clamp
2	182380	*	5/8" Polyspring Tubing (sold by the foot)
3	182556	5	1/2" x 1/2" N.P.T. Nylon Elbow
4	182090	1	AD-830 10" Filter Cartridge Housing with 1/2" Connections
	182088	1	O-Ring for Filter Housing
5	182153	1	AD-830 2-1/4" x 10" CTO (Polishing) Filter ONLY
6	881657**	1	AD-830 Reverse Osmosis (R.O.) Housing Assembly with Membrane
	182096	1	AD-830 2-1/4" x 20" Poly Fine Filter - 10 Micron
	182088	1	O-Ring for Filter Housing
7	182575	2	1/2" PVC Short Nipple
8	182475	2	2" Dual Pressure Gauge (0-160 PSI)
9	182564	2	1/2" x 1/2" x 1/4" Brass Tee
10	182151	1	AD-830 Carbon Filter ONLY
11	182091	1	AD-830 20" Blue Filter Cartridge Housing ONLY
	182089	1	O-Ring for Filter Housing
12	182521	2	1" x 1/2" PVC Reducing Bushing
13	182375	*	1/2" x 1/8" Korobraid Tubing (sold by the foot)
14	833023	1	AD-830 Filter Mounting Bracket
15	150501	4	5/16-18 x 3/4" Hex Head Machine Bolt
16	153001	4	5/16" Flat Washer
17	182501	8	#8 x 1/2" Pan Head Rolling Screw
18	153000	8	#8 Steel Burr
19	182560	1	1/2" PVC Tee
20	182591	2	1/2" x 1/2" N.P.T. Nylon Male Adapter
21	182535	2	3/4" x 1/2" Reducing Bushing
22	182205	1	AD-830 Ultraviolet (UV) Light Assembly - 120 Volts / 60 Hz ONLY
	182213	1	AD-830 Ultraviolet (UV) Light Assembly - 230 Volts / 60 Hz ONLY
	182208	1	AD-830 Ultraviolet (UV) Light Assembly - 220 Volts / 50 Hz ONLY
23	833029	1	AD-830 Bottom Service Door ONLY
	833018	1	AD-830 Filter/Ultraviolet (UV) Assembly Complete (includes illus. nos. 1 through 28 and 31)
24	182209	1	Remote Option Cord
25	300395	1	Carbon Filter Support Bracket
26	182022	28	Trim (sold by the inch)
27	182531	3	5/8" x 1/2" N.P.T. Hose to Male Pipe
28	182557	1	5/8" x 1/2" N.P.T. Elbow
29	182379	*	1/2" Polyspring Tubing (sold by the foot)
30	182378	*	5/8" x 1/8" Korobraid Tubing (sold by the foot)
31	182097	1	AD-830 20" Filter Cartridge Housing with 1/2" Connections
	182088	1	O-Ring for Filter Housing

\* As required.

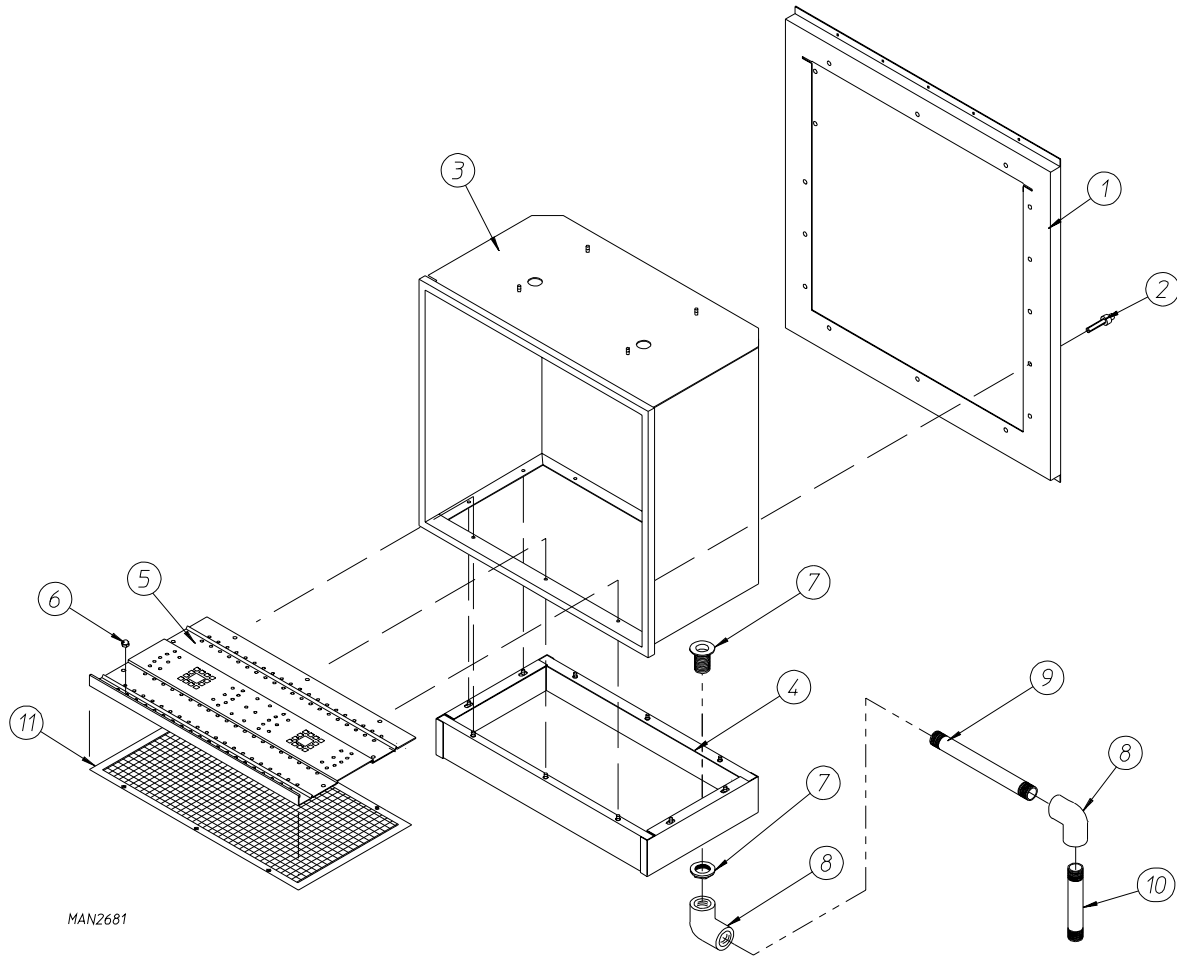
\*\* Conversion Kit...from 10" to 20" Housing with 2-1/4" x 20" Poly Fine Filter - 10 Micron.

**NOTE:** For Ultraviolet (UV) Light Replacement Parts refer to [page 39](#).



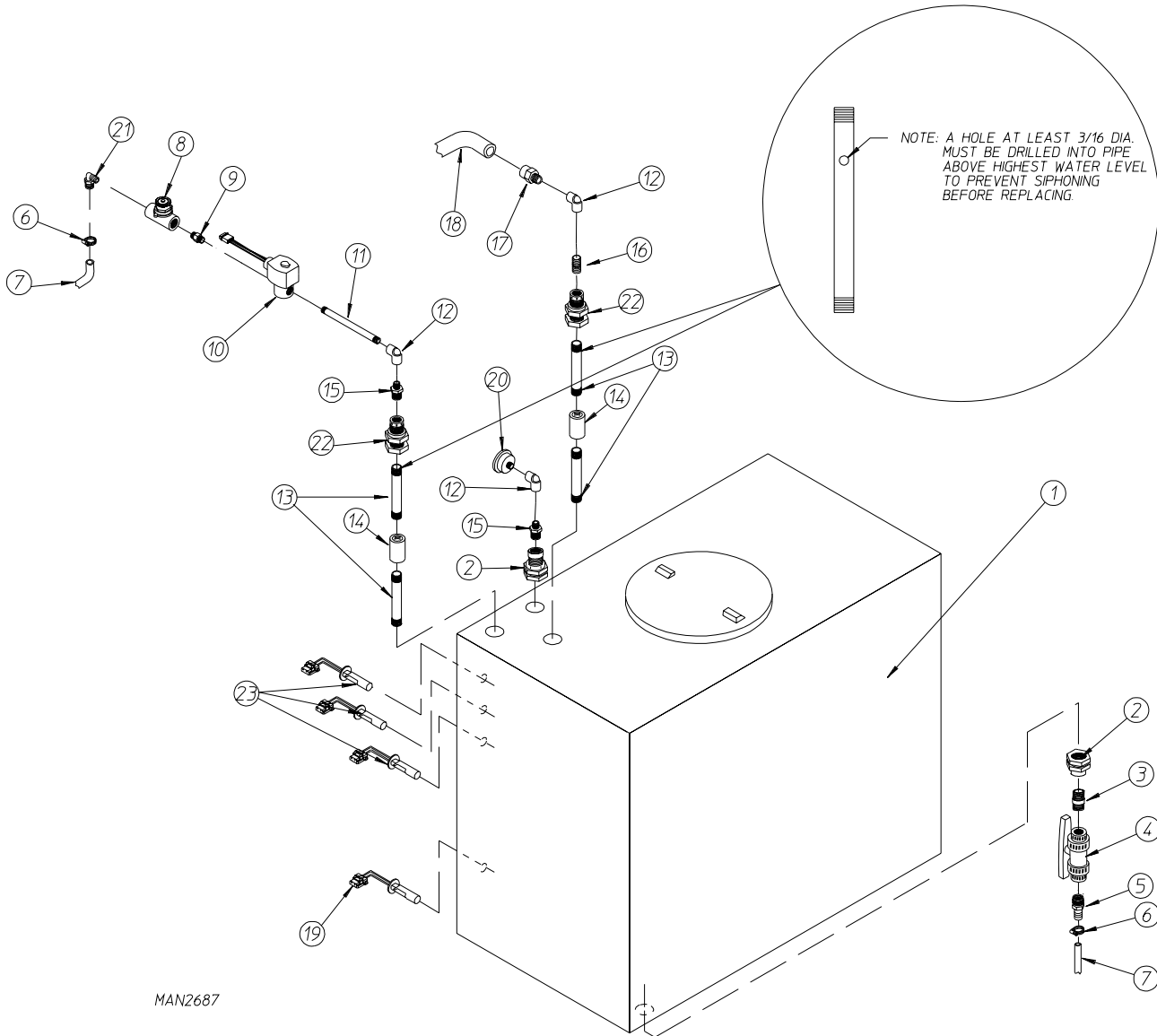
Illus. No.	Part No.	Qty.	Description
1*	182627	1	Key ONLY
2	182626	1	Lock ONLY
3	881402	1	Coin Box ONLY less Lock
4	152014	2	1/4-20 Free Spin Wash Nut
5	881403	1	Coin Vault ONLY
6	154210	1	5/32" x 3/16" Rivet
7	881404	1	Coin Vault Brace
8	150301	3	#8-18 x 7/16" Phillips Pan Head TEK Screw

\* Specify key number when ordering.



MAN2681

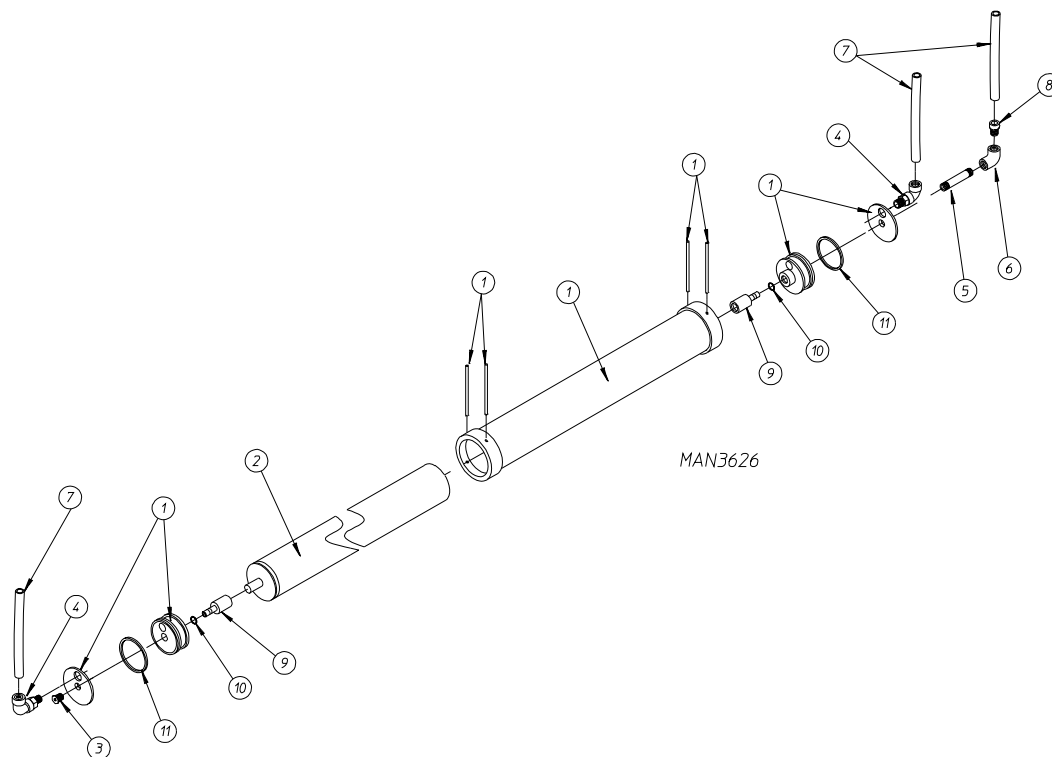
<u>Illus. No.</u>	<u>Part No.</u>	<u>Qty.</u>	<u>Description</u>
1	881418	1	Front Panel ONLY
2	182515	10	1/4" Aluminum Rivet
3	881405	1	AD-830 Dispensing Bay ONLY
	833026	1	AD-830 Dispensing Bay Assembly Complete (includes illus. nos. 1 through 11)
4	881406	1	Reservoir
5	881407	1	Dispensing Bay Bottom
6	182507	10	1/4-20 Acorn Nut
7	182587	1	1" Bar Strainer
8	182589	2	1" x 90° Elbow
9	182593	1	1" x 12" Nipple
10	182594	1	1" x 8" Nipple
11	881408	1	Drain Screen





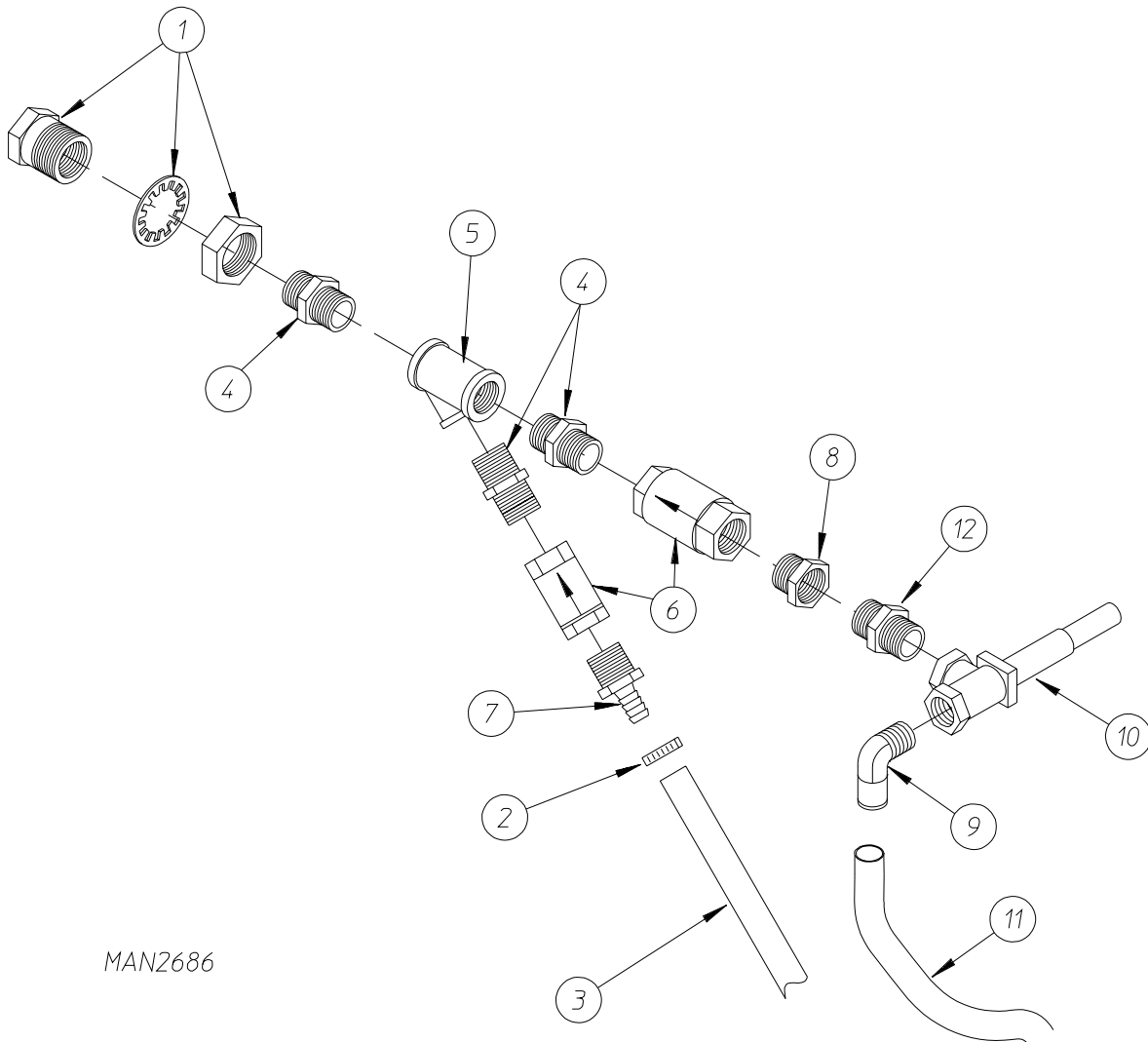
<u>Illus. No.</u>	<u>Part No.</u>	<u>Qty.</u>	<u>Description</u>
1	182256	1	AD-830 60 Gallon Water Tank (for models mfd. as of November 8, 1996)
	182254	1	AD-830 93 Gallon Water Tank (for models mfd. prior to November 8, 1996)
2	182251	2	1/2" PVC Bulkhead Fitting
3	182572	1	1/2" PVC Short Nipple
4	182056	1	1/2" PVC Ball Valve
5	182591	1	1/2" x 1/2" N.P.T. Male Adaptor
6	182529	2	Hose Clamp
7	182375	*	1/2" x 1/8" Korobraid Tubing (sold by the foot)
8	182059	1	1/4" PVC Needle Valve
9	182576	1	1/4" N.P.T. Nylon Nipple
10	830872	1	Stainless Steel "Oil Free" Circulation Valve Assembly - 24 VAC
11	192571	1	1/4" x 6" PVC Nipple
12	182552	3	1/4" Threaded PVC Elbow
13	182570	4	1/2" x 8" PVC Nipple
14	182533	2	1/2" Threaded Coupling
15	182575	2	1/4" x 1/2" Nylon Reducing Elbow
16	182572	2	1/2" PVC Short Nipple
17	182580	1	3/8" x 1/4" N.P.T. Male Connector
18	182376	*	.295 x 3/8" Nylon Tubing (sold by the foot)
19	830863	1	Water Tank Switch Assembly
20	182150	1	AD-830 Vent Filter ONLY
21	182558	1	1/2" x 1/4" N.P.T. Elbow
22	182253	2	1/2" PVC Bulkhead Fitting
23	830876	1	Tank Float Switch Harness Assembly

\* As required.



<u>Illus. No.</u>	<u>Part No.</u>	<u>Qty.</u>	<u>Description</u>
1	182099	1	AD-830 25" PVC Pressure Vessel with Caps ONLY (for models mfd. as of July 11, 1997)
	182094	1	AD-830 Reverse Osmosis (R.O.) Housing and Membrane with Caps Sealed ONLY (for models mfd. prior to July 11, 1997)
	833082	1	AD-830 Reverse Osmosis (R.O.) Housing Assembly Complete (includes illus. nos. 1 through 8) For models as of July 11, 1997
	833025	1	AD-830 Reverse Osmosis (R.O.) Housing Assembly Complete (includes illus. nos. 1 through 11) For models mfd. prior to July 11, 1997
	881671	1	Reverse Osmosis (R.O.) Housing Assembly with Membrane ONLY
2	182095	1	Reverse Osmosis (R.O.) Membrane ONLY (for models mfd. as of July 11, 1997)
	182093	1	Reverse Osmosis (R.O.) Membrane ONLY (for models mfd. prior to July 11, 1997)
	880902	1	Membrane Cleaning Kit Assembly
3	182551	1	1/2" PVC Plug
4	182584	2	1/2" x 1/2" N.P.T. Elbow
5	182588	1	1/4" x 2" N.P.T. Elbow
6	182552	1	1/4" x 90° Elbow
7	182376	*	.295 x 3/8" Nylon Tubing (sold by the foot)
8	182580	1	3/8" x 1/4" N.P.T. Male Connector
9	182122	2	End Adaptor with O-Rings
10	182121	2	Small O-Ring (Internal)
11	182120	2	Large O-Ring (External)

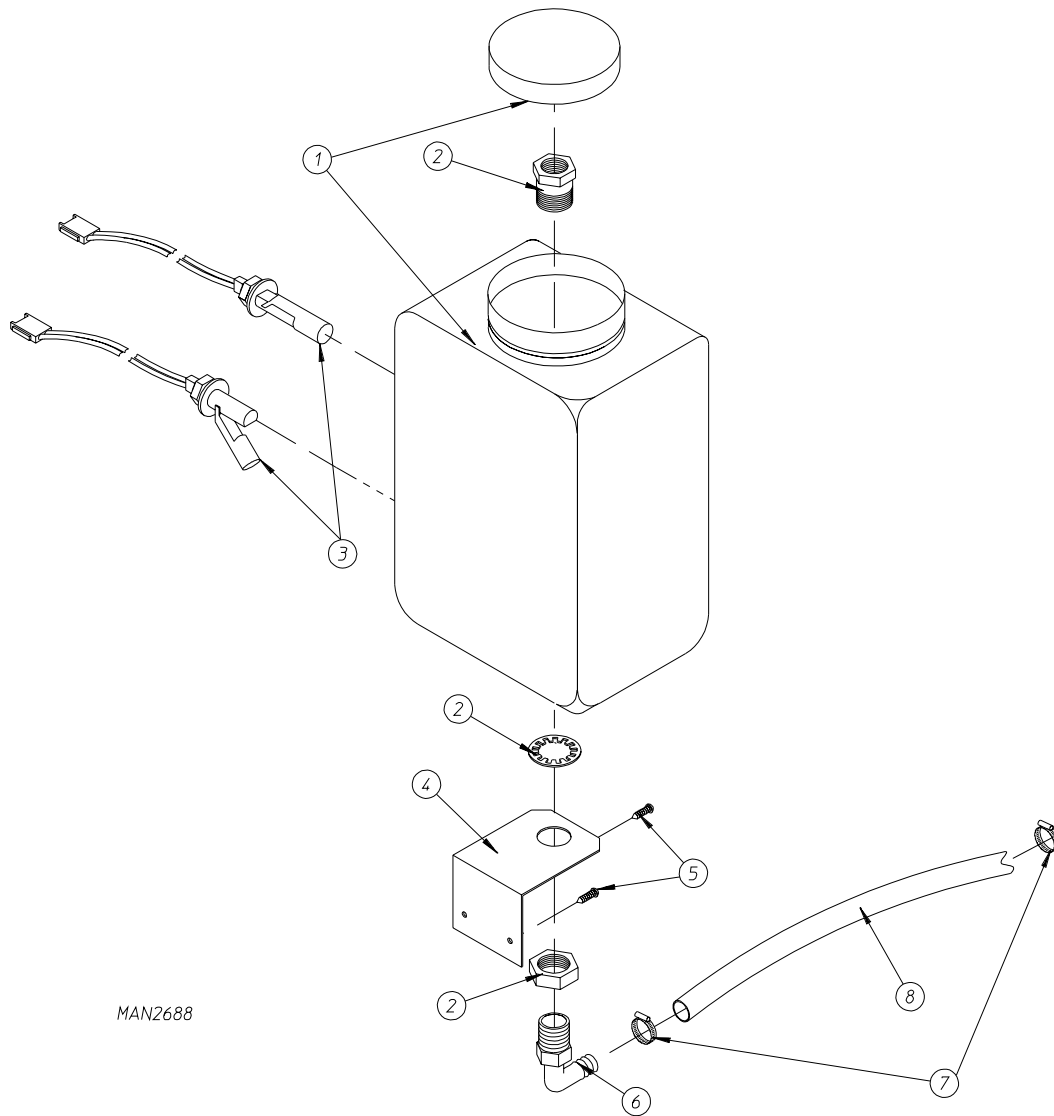
\* As required.



MAN2686

Illus. No.	Part No.	Qty.	Description
1	182595	1	1/2" Brass Bulkhead Adaptor ONLY
	833006	1	Drain Plumbing Assembly Complete (includes illus. nos. 1 through 12)
2	182529	1	Hose Clamp
3	182375	*	1/2" x 1/8" Korobraid Tubing (sold by the foot)
4	182578	3	1/2" Brass Hex Pipe Nipple
5	182568	1	1/2" Brass "Y" Tee
6	182057	2	AD-830 1/2" Check Valve ONLY
7	182530	1	1/2" x 1/2" N.P.T. Hose to Male Pipe
8	182523	1	1/2" x 3/8" Brass Hex Bushing
9	182519	1	1/2" N.P.T. x 1/2" Brass Elbow
10	182058	1	AD-830 3/8" Back Pressure Valve ONLY
11	182377	*	1/2" Nylon Tubing (sold by the foot)
12	182579	1	3/8" Brass Hex Pipe Nipple

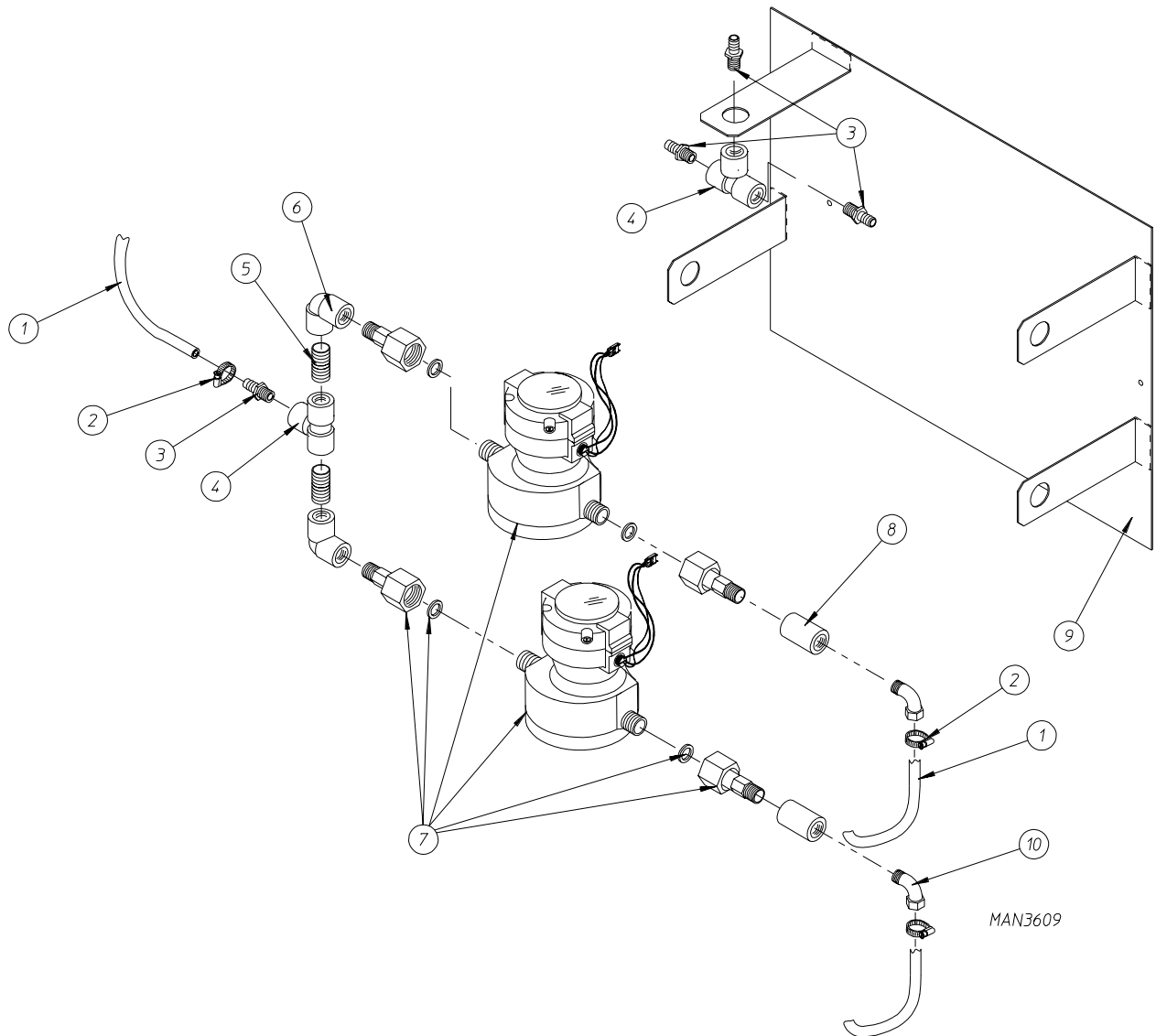
\* As required.



MAN2688

<u>Illus. No.</u>	<u>Part No.</u>	<u>Qty.</u>	<u>Description</u>
1	182255	1	AD-830 Reservoir Tank ONLY
	833044	1	AD-830 Reservoir Tank Assembly Complete (includes illus. nos. 1 through 8)
2	182595	1	1/2" Bulkhead Adaptor
3	830862	2	Level Switch
4	399386	1	Reservoir Tank Bracket
5	150302	2	#6 x 3/8" Phillips Pan Head TEK Screw
6	182556	1	1/2" x 1/2" N.P.T. Nylon Elbow
7	182529	2	Hose Clamp
8	182375	*	1/2" x 1/8" Korobraid Tubing (sold by the foot)

\* As required.

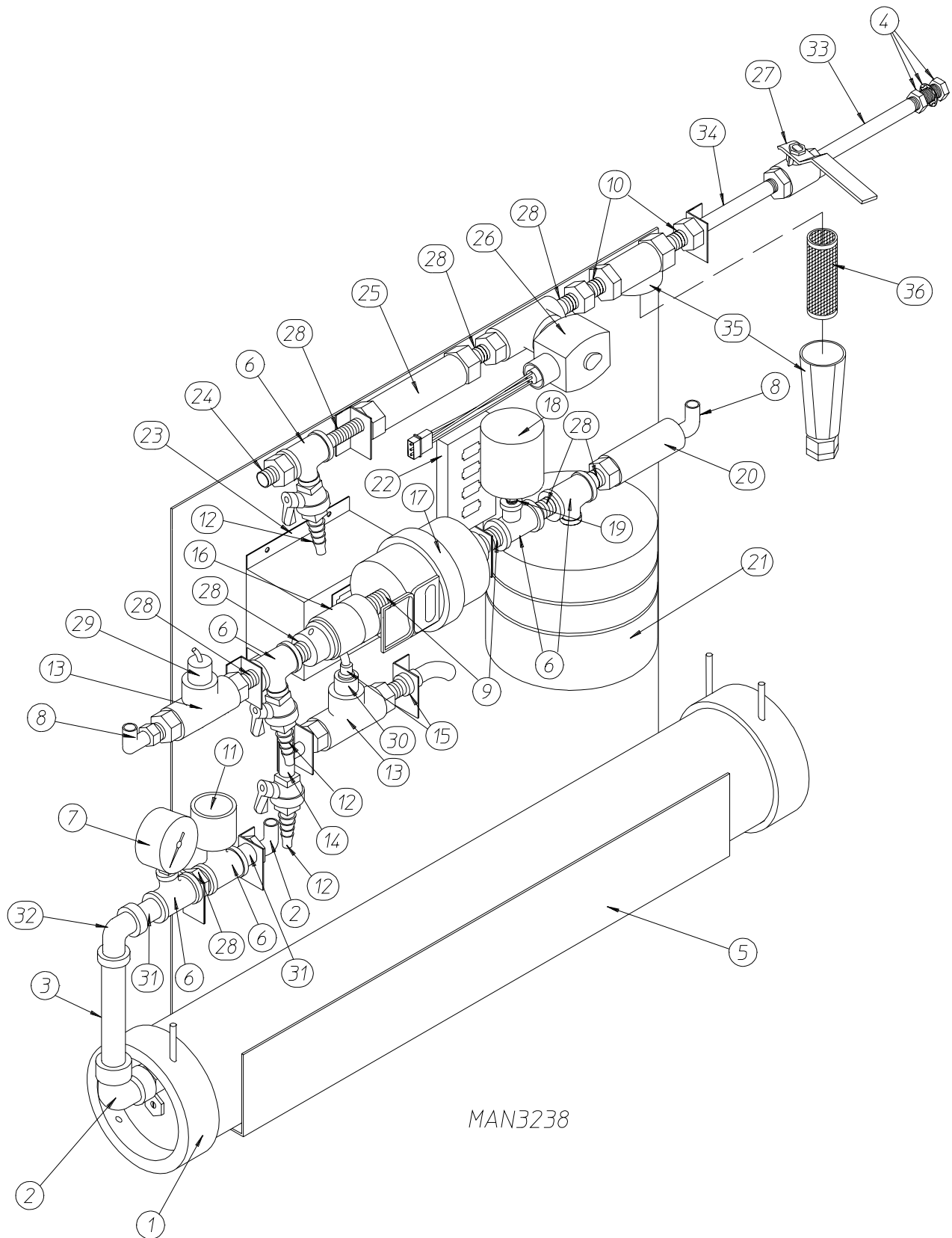


MAN3609

Illus. No.	Part No.	Qty.	Description
1	182375	*	1/2" x 1/8" Korobraid Tubing (sold by the foot)
2	182529	3	Hose Clamp
3	182591	6	1/2" x 1/2" N.P.T. Nylon Male Adaptor
4	182560	2	1/2" PVC Tee
5	182572	2	1/2" PVC Short Nipple
6	182553	2	1/2" PVC Elbow
7	833868	2	Flow Meter Reed Switch and Housing Assembly
8	182533	2	1/2" Threaded Coupling
9	881409	1	Dispensing Meter Mounting Plate ONLY
	881410	1	Dispensing Meter Mounting Plate (includes illus. nos. 1 through 11)
10	182556	1	1/2" x 1/2" N.P.T. Nylon Elbow

\* As required.

for models mfd. as of September 10, 1996

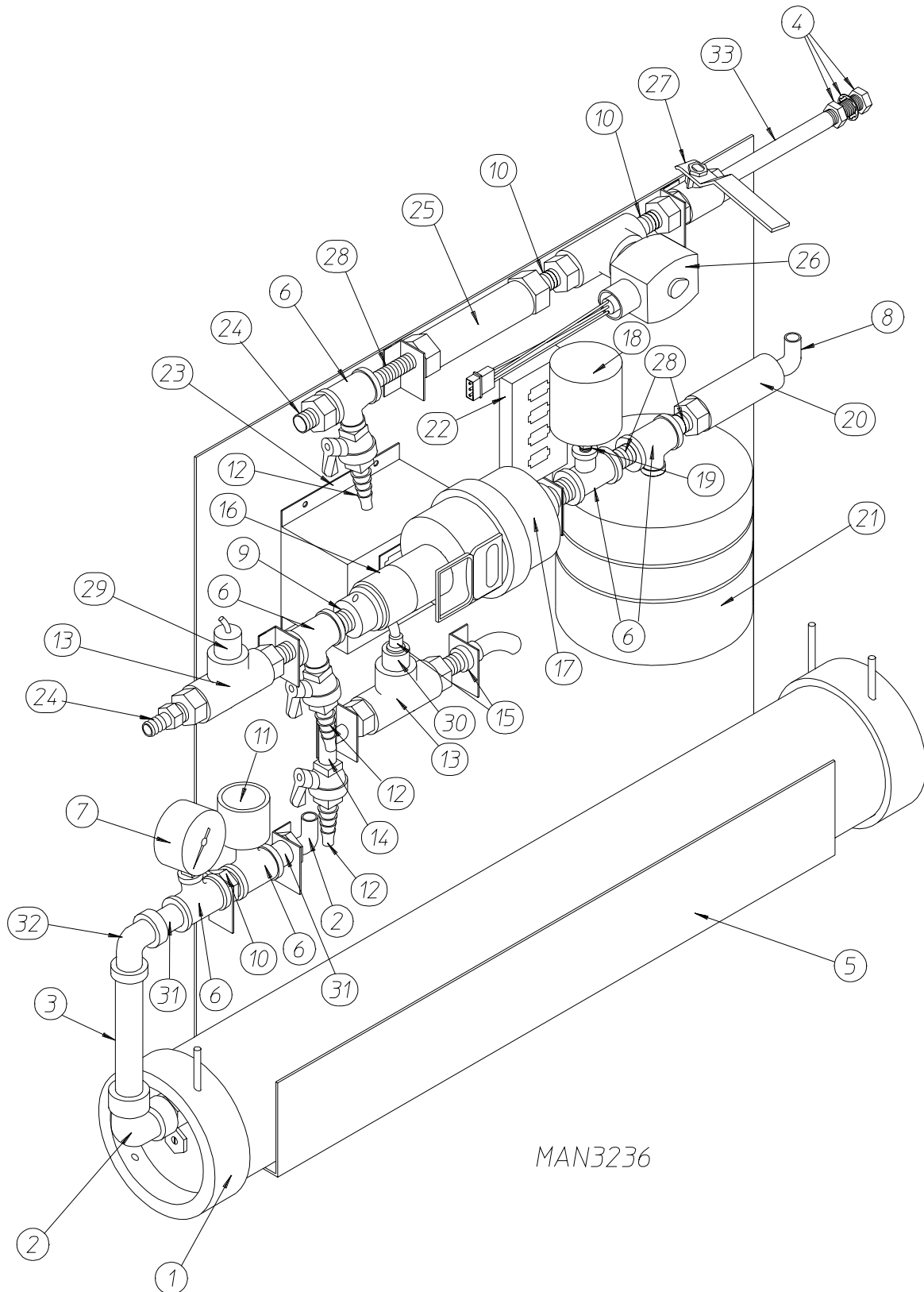


## for models mfd. as of September 10, 1996

<u>Illus. No.</u>	<u>Part No.</u>	<u>Qty.</u>	<u>Description</u>
1	833082	1	Reverse Osmosis (R.O.) Housing Assembly (for models mfd. as of July 11, 1997)
	833025	1	Reverse Osmosis (R.O.) Housing Assembly (for models mfd. prior to July 11, 1997)
2	182584	2	1/2" x 1/2" N.P.T. Elbow
3	182377	*	1/2" Nylon Tubing (sold by the foot)
4	182595	1	1/2" Brass Bulkhead Adaptor
5	833034	1	Plumbing Mounting Assembly ONLY
	881527	1	Left Wall Assembly Complete (includes illus. nos. 1 through 35)
6	182564	6	1/2" x 1/2" Brass Tee
7	182476	1	2" Dial Pressure Gauge (0 - 300 PSI) ONLY
8	182556	2	1/2" x 1/2" Nylon Elbow
9	182354	2	1/2" x 1/2" Connector
10	182536	2	3/4" x 1/2" Hex Reducing Bushing
11	830884	1	High Pressure Switch
12	182054	3	1/4" PVC Ball Valve ONLY
13	880974	2	Reverse Osmosis (R.O.) Test Cell Assembly
14	182561	1	1/4" Tee
15	182581	2	3/8" x 1/2" N.P.T. Male Connector
16	182533	1	1/2" Threaded Coupling
17	182351	1	Water Meter ONLY
18	830885	1	Low Pressure Switch
19	182522	2	1/4" x 1/8" Hex Reducing Bushing
20	182057	1	1/2" Check Valve ONLY
21	182252	1	Pressure Tank ONLY
22	830855	1	High/Low Pressure Box
23	820440	1	Comparator Box Assembly (refer to <b>R.O. Comparator Box Assembly</b> on <b>page 30</b> )
24	182531	1	5/8" x 1/2" N.P.T. Hose to Male Pipe
25	182053	1	1/2" Double Check Valve ONLY
26	820472	1	"Oil Free" Water Inlet Valve Assembly - 24 VAC
27	182052	1	Bronze Ball Valve ONLY
28	182578	8	1/2" Brass Hex Pipe Nipple
29	820464	1	Inlet Test Cell Assembly
30	820480	1	Outlet Test Cell Assembly
31	182582	2	1/2" x 1/2" N.P.T. Straight Connector
32	182559	1	1/2" x 1/2" Compression Elbow
33	182577	1	1/2" x 5" Brass Nipple
34	182538	1	1/2" x 4" Brass Nipple
35	182385	1	3/4" Poly T-Line Strainer Assembly with Strainer Screen (includes illus. nos. 35 and 36)
36	182386	1	16-Mesh T-Line Strainer Screen ONLY

\* As required.

for models mfd. prior to September 10, 1996



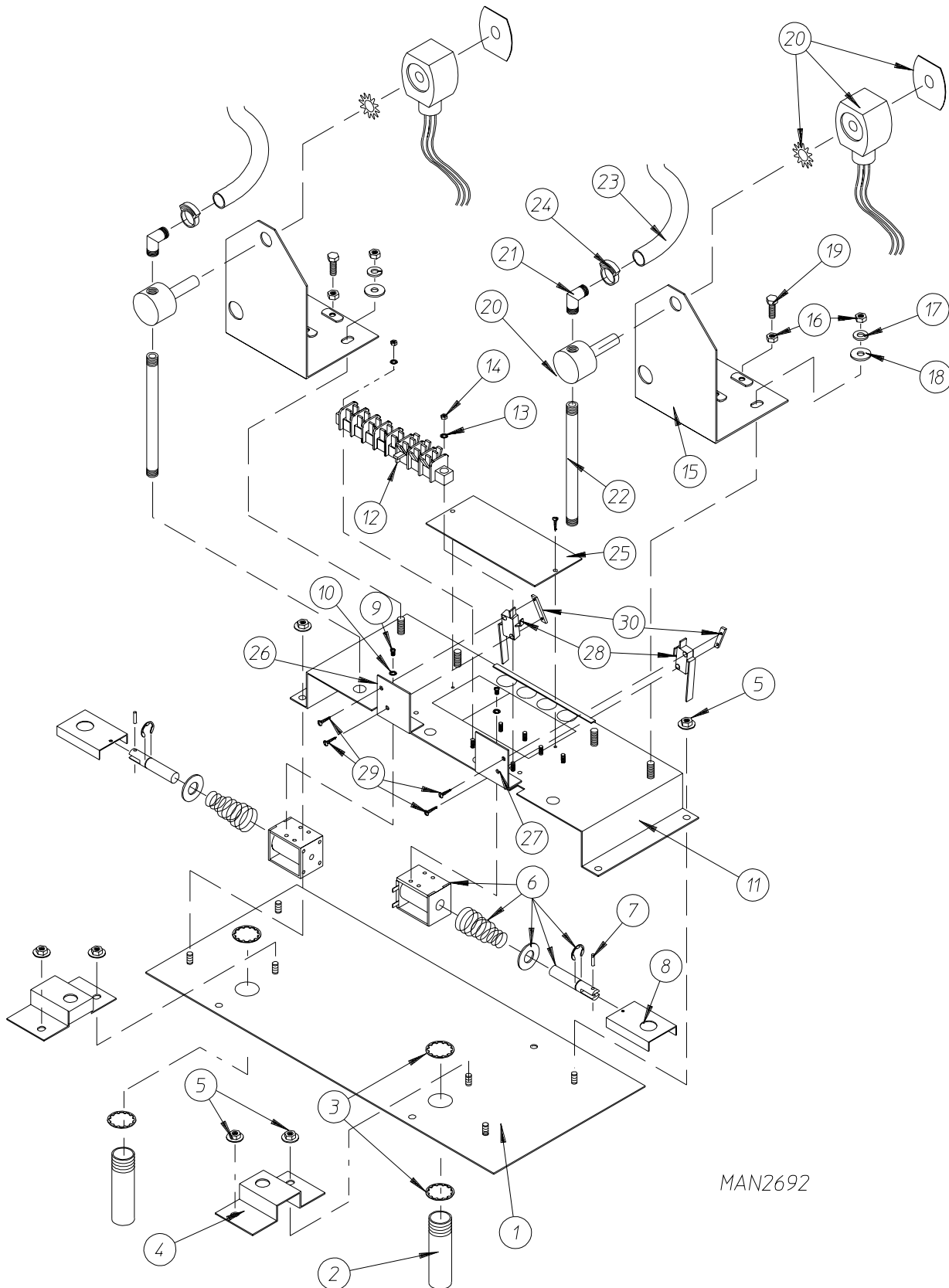


---

 for models mfd. prior to September 10, 1996

<u>Illus. No.</u>	<u>Part No.</u>	<u>Qty.</u>	<u>Description</u>
1	833082	1	Reverse Osmosis (R.O.) Housing Assembly (for models mfd. as of July 11, 1997)
	833025	1	Reverse Osmosis (R.O.) Housing Assembly (for models mfd. prior to July 11, 1997)
2	182584	2	1/2" x 1/2" N.P.T. Elbow
3	182377	*	1/2" Nylon Tubing (sold by the foot)
4	182595	1	1/2" Brass Bulkhead Adaptor
5	833034	1	Plumbing Mounting Assembly ONLY
	881526	1	Left Wall Assembly Complete (includes illus. nos. 1 through 33)
6	182564	6	1/2" x 1/2" Brass Tee
7	182476	1	2" Dial Pressure Gauge (0 - 300 PSI) ONLY
8	182556	2	1/2" x 1/2" Nylon Elbow
9	182572	3	1/2" PVC Short Nipple
10	182578	3	1/2" Hex Pipe Nipple
11	830884	1	High Pressure Switch
12	182054	3	1/4" PVC Ball Valve ONLY
13	880974	2	Reverse Osmosis (R.O.) Test Cell Assembly
14	182561	1	1/4" Tee
15	182581	2	3/8" x 1/2" N.P.T. Male Connector
16	182533	1	1/2" Threaded Coupling
17	182351	1	Water Meter ONLY
18	830885	1	Low Pressure Switch
19	182522	2	1/4" x 1/8" Hex Reducing Bushing
20	182057	1	1/2" Check Valve ONLY
21	182252	1	Pressure Tank ONLY
22	830855	1	High/Low Pressure Box
23	820440	1	Comparator Box Assembly (refer to <b>R.O. Comparator Box Assembly</b> on <b>page 30</b> )
24	182531	1	5/8" x 1/2" N.P.T. Hose to Male Pipe
25	182053	1	1/2" Double Check Valve ONLY
26	820472	1	"Oil Free" Water Inlet Valve Assembly - 24 VAC
27	182052	1	Bronze Ball Valve ONLY
28	182578	3	1/2" Brass Hex Pipe Nipple
29	820464	1	Inlet Test Cell Assembly
30	820480	1	Outlet Test Cell Assembly
31	182582	2	1/2" x 1/2" N.P.T. Straight Connector
32	182559	1	1/2" x 1/2" Compression Elbow
33	182586	1	1/2" x 12" Brass Nipple

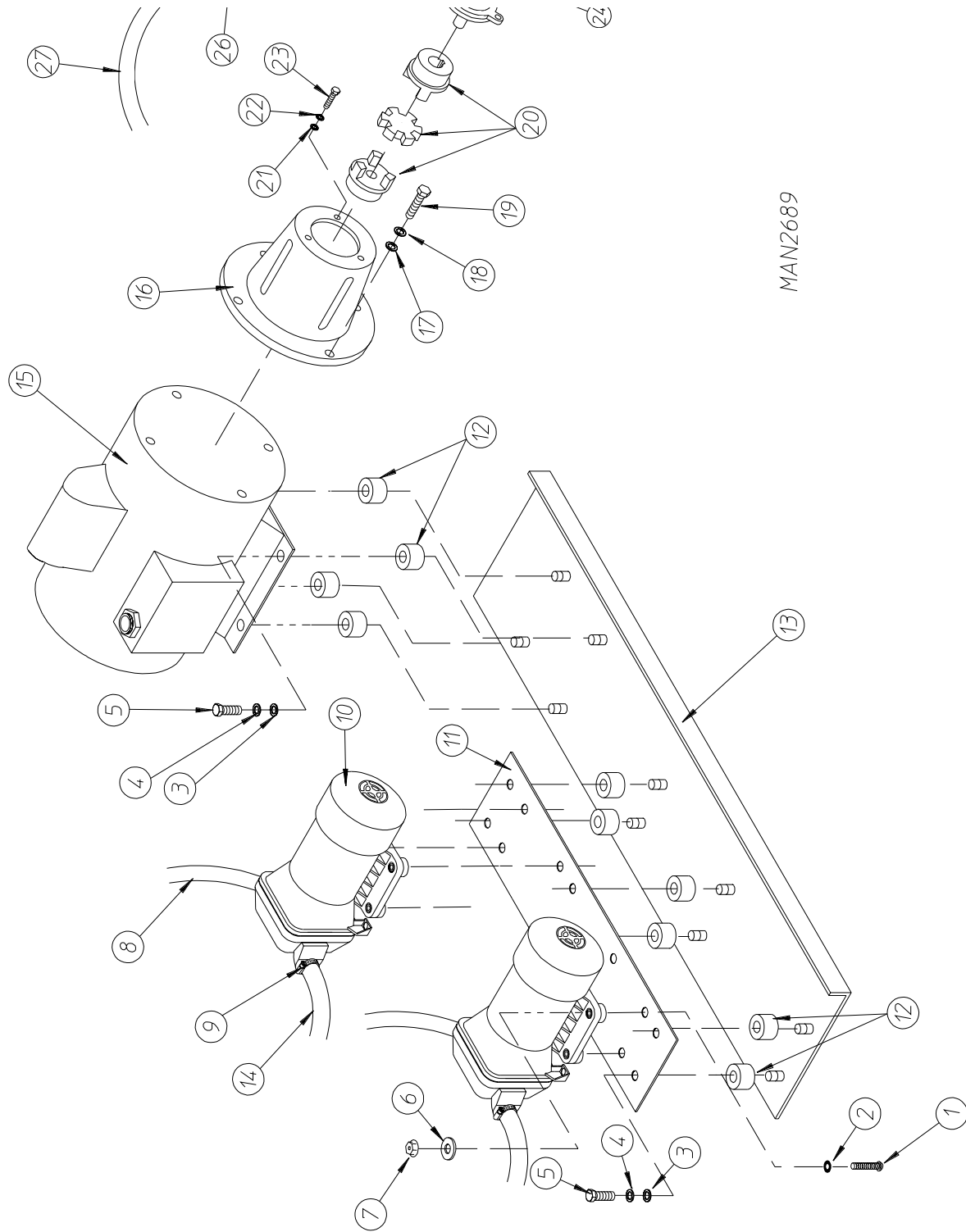
\* As required.



MAN2692

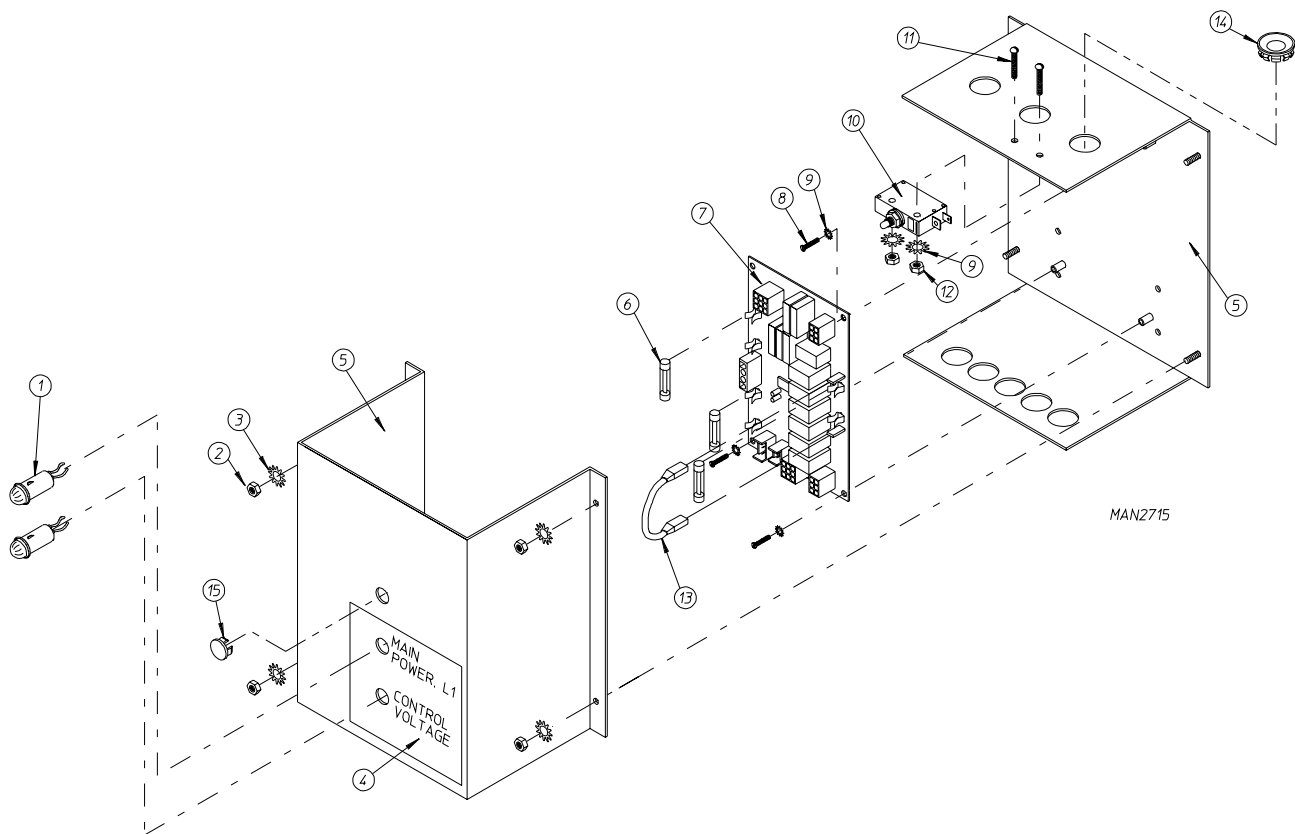
<u>Illus. No.</u>	<u>Part No.</u>	<u>Qty.</u>	<u>Description</u>
1	833032	1	AD-830 Dispensing Bay Mounting Panel ONLY
	833033	1	AD-830 Dispensing Solenoid Assembly Complete (includes illus. nos. 1 through 30)
	830858	1	Dispensing Bay Harness ... Not Illustrated
2	182597	2	Nozzle Protector
3	120103	4	1" Conduit Nut
4	300887	2	Nozzle Protector Restraint
5	152014	12	1/4-20 Free Spin Wash Nut
6	830870	2	Trap Door Solenoid Valve - 24 VAC
7	182410	2	3/32" Stainless Steel Spring Pin
8	300886	2	AD-830 Trap Door
9	150105	8	#8-32 x 1/4" Phillips Round Head Machine Screw
10	153000	8	#8 Steel Burr
11	833031	1	Dispensing Solenoid Mounting Plate
12	120709	1	8-Terminal Closed Block
13	153012	8	#8 Star Washer
14	152001	6	#8-32 Hex Nut
15	833050	2	Dispensing Solenoid Mounting Bracket
16	152004	4	5/16-18 Hex Nut
17	153002	4	5/16" Lock Washer
18	153001	4	5/16" Flat Washer
19	150501	4	5/16-18 x 3/4" Hex Head Bolt
20	830864	2	Stainless Steel "Oil Free" Valve Assembly - 24 VAC
21	182558	2	1/2" x 1/4" N.P.T. Nylon Elbow
22	182571	2	1/4" x 6" PVC Nipple
23	182375	*	1/2" x 1/8" Korobraid Tubing (sold by the foot)
24	182525	2	11/16" Kwik Clamp
25	300362	1	Dispensing Bay Solenoid Box Cover
26	300363	1	Left Trap Door Switch Bracket
27	300618	1	Trap Door Switch Bracket
28	122200	2	Sail Switch ONLY
29	150303	4	#4 x 3/4" Phillips Pan Head "A" Screw
30	154004	2	Twin Speed Nut

\* As required.



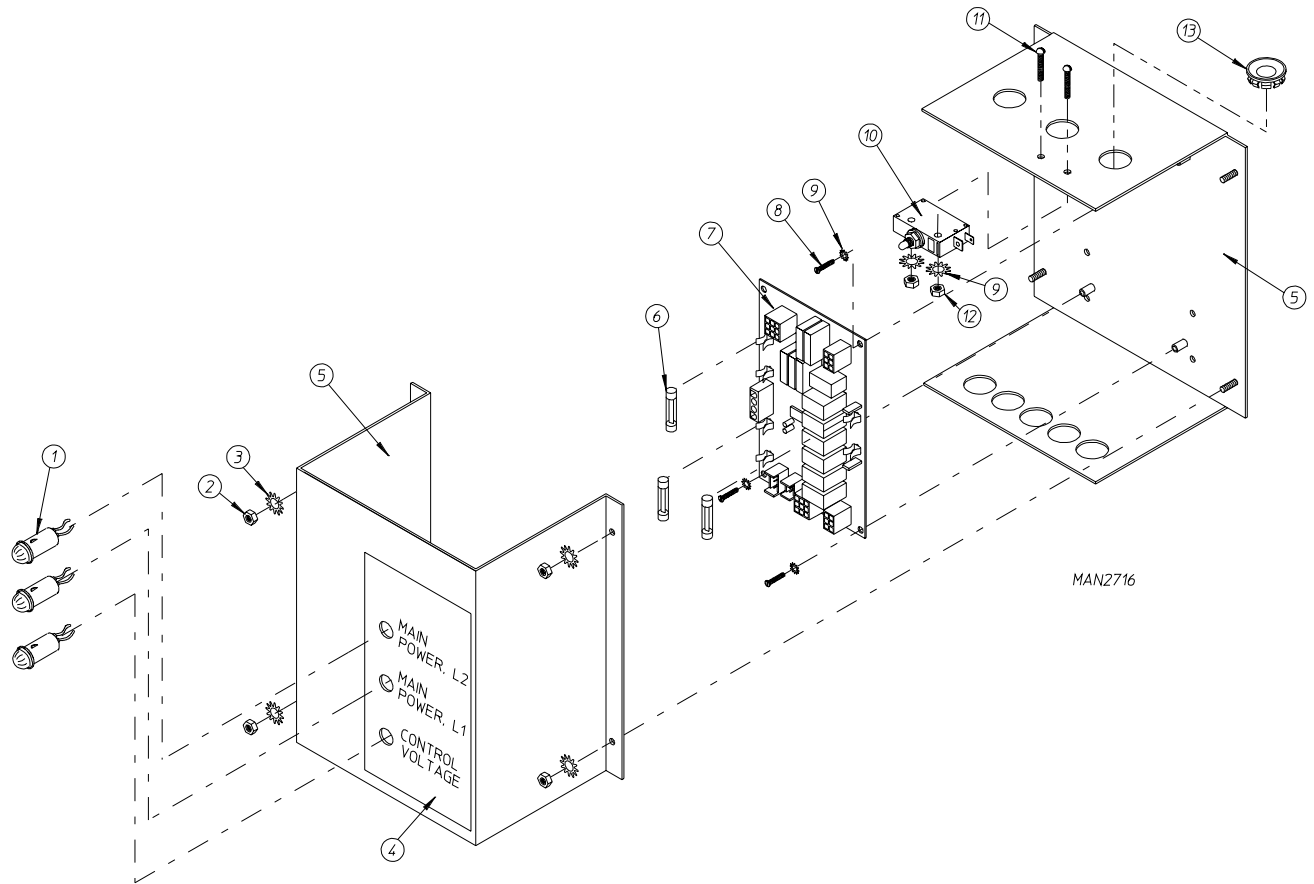
<u>Illus. No.</u>	<u>Part No.</u>	<u>Qty.</u>	<u>Description</u>
1	150101	8	#8-32 x 1-1/4"
2	153012	8	#8 Star Washer
3	153001	10	5/16" Flat Washer
4	153002	10	5/16" Lock Washer
5	182502	10	5/16-18 x 1/2" Hex Head Machine Bolt
6	182506	8	3/16" Flat Washer
7	151001	8	#8-32 Pal Nut
8	182375	*	1/2" x 1/8" Korobraid Tubing (sold by the foot)
9	182529	5	Hose Clamp
10	182128	1	AD-830 Drain Pump/Dispensing Pump 120 Volt - 60 Hz
	830898	2	AD-830 Drain Pump/Dispensing Pump 240 Volt - 50 Hz
11	300608	1	Pump Mounting Plate ONLY
12	182400	10	AD-830 Cylindrical Rubber Stud Bumper
13	833035	1	Motor Pump Base Assembly
	833016	1	120 V / 60 Hz Motor Pump Assembly Complete (includes illus. nos. 1 through 26)
	833045	1	240 V / 50 Hz Motor Pump Assembly Complete (includes illus. nos. 1 through 26)
14	182379	*	1/2" Polywire Hose (sold by the foot)
15	182100	1	AD-830 3/4 HP / 120/220v / 60 Hz Motor ONLY (56C Frame)
	182101	1	AD-830 3/4 HP / 120/220v / 50 Hz Motor ONLY (56C Frame)
16	182126	1	Pump Adaptor for 56C Frame
17	153004	4	3/8" Flat Washer
18	153005	4	3/8" Lock Washer
19	150617	4	3/8-16 x 1" Hex Head Bolt
20	182127	4	5/8" Pump Coupling
21	153018	4	1/4" Flat Washer
22	153007	4	1/4" Lock Washer
23	150510	4	1/4-20 x 3/4" Hex Head Machine Bolt
24	182125	1	AD-830 Pump ONLY
25	182531	1	5/8" x 1/2" Hose to Male Pipe
26	182520	1	1/2" N.P.T. x 1/2" Brass Push-In
27	182377	*	1/2" N.P.T. Nylon Tubing (sold by the foot)
28	182378	*	5/8" x 1/8" Korobraid Tubing (sold by the foot)

\* As required.

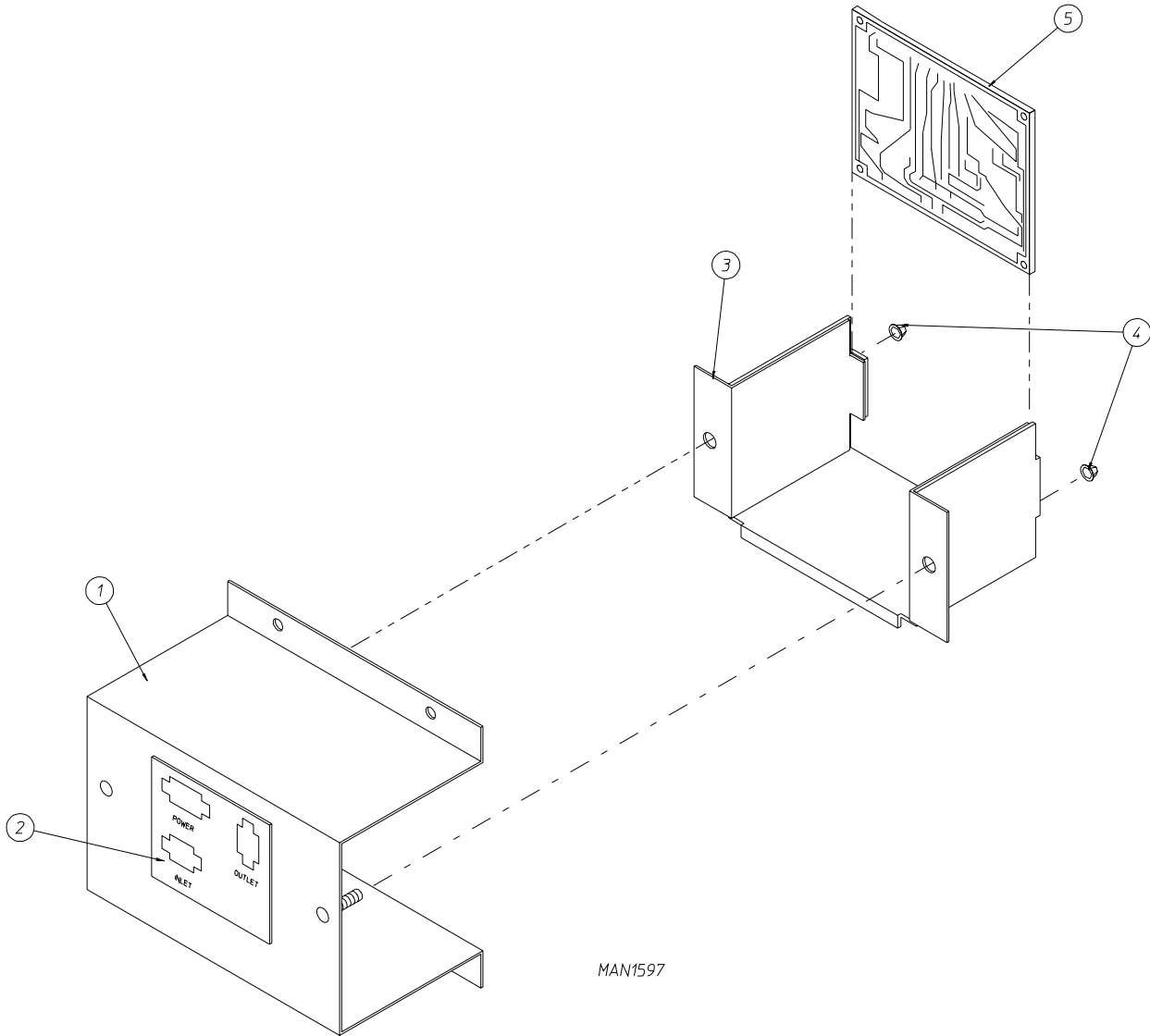


Illus. No.	Part No.	Qty.	Description
1	830874	1	120 Volt - 60 Hz Indicator Light
2	152001	4	#8-32 Hex Nut
3	153012	4	#8 Star Washer
4	182006	1	Relay Box Cover Label ONLY (refer to <b>AD-830 Electrical Labels Sheet on page 40</b> )
5	881411	1	Relay Board Box Assembly
6	182453	3	6-Amp Fuse
7	182016	1	24 VAC Relay Interlock Board
8	150005	2	#6-32 x 1/4" Phillips Round Head Machine Screw
9	153010	4	#6 Star Washer
10	137003	1	Door Switch ONLY
11	152002	2	#6-32 x 1" Phillips Round Head Machine Screw
12	152000	2	#6-32 Hex Nut
13	830911	1	120 Volt Jumper
14	118000	1	1/2" Knockout Seal
15	182549	1	1/2" Nylon Finishing Plug

240 Volt - 50 Hz



<u>Illus. No.</u>	<u>Part No.</u>	<u>Qty.</u>	<u>Description</u>
1	830889	1	240 Volt - 50 Hz Indicator Light
2	152001	4	#8-32 Hex Nut
3	153012	4	#8 Star Washer
4	182006	1	Relay Box Cover Label ONLY (refer to <b>AD-830 Electrical Labels Sheet</b> on <b>page 40</b> )
5	881411	1	Relay Board Box Assembly
6	182453	3	6-Amp Fuse
7	182016	1	24 VAC Relay Interlock Board
8	150005	2	#6-32 x 1/4" Phillips Round Head Machine Screw
9	153010	4	#6 Star Washer
10	137003	1	Door Switch ONLY
11	152002	2	#6-32 x 1" Phillips Round Head Machine Screw
12	152000	2	#6-32 Hex Nut
13	182549	1	1/2" Nylon Finishing Plug

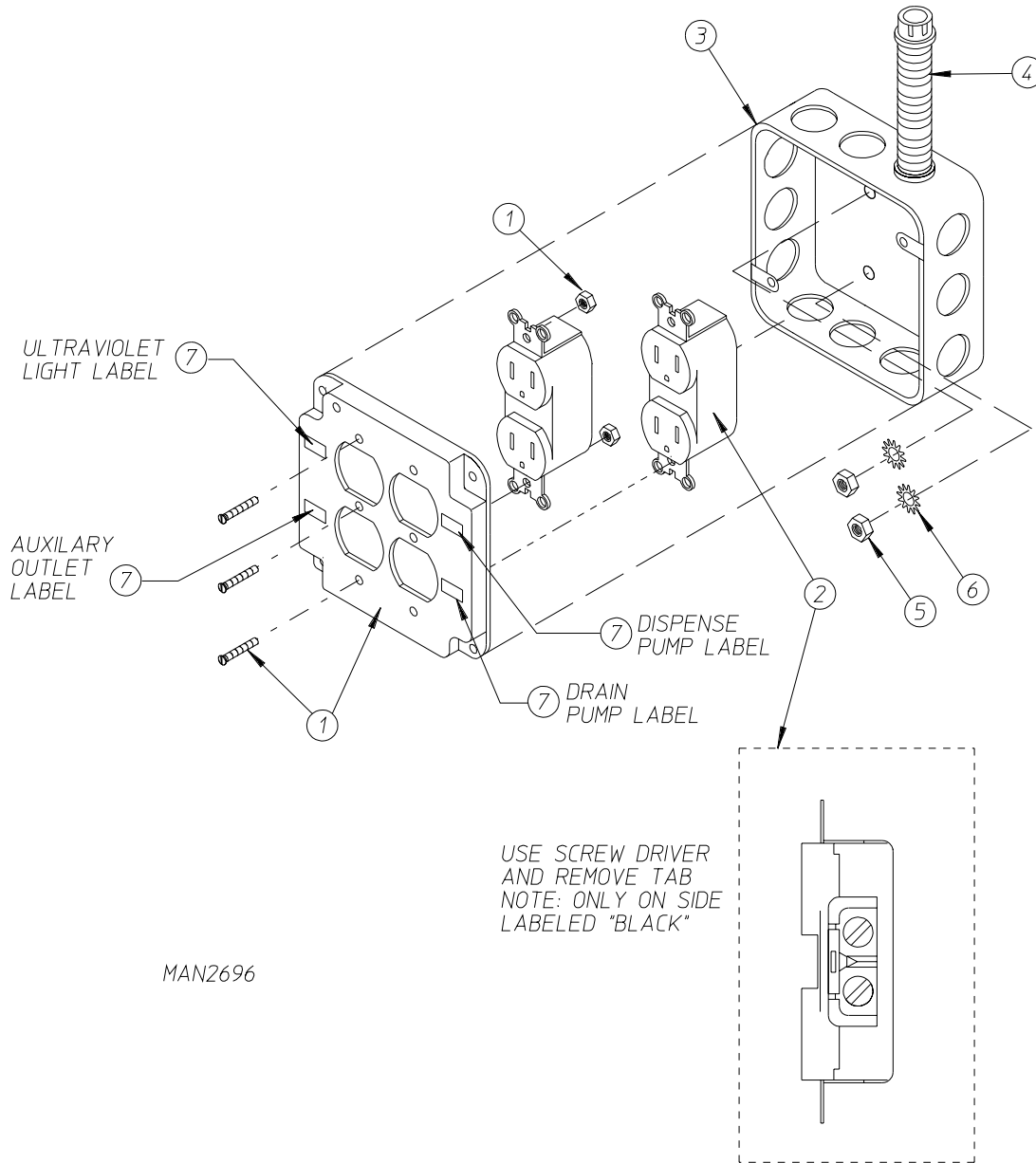


MAN1597

<u>Illus. No.</u>	<u>Part No.</u>	<u>Qty.</u>	<u>Description</u>
1	881419	1	Reverse Osmosis (R.O.) Comparator Box Cover ONLY
	820440	1	Reverse Osmosis (R.O.) Comparator Box Assembly Complete (includes illus. nos. 1 and 3 through 5)
2	182006	1	Reverse Osmosis (R.O.) Comparator Box Label ONLY (refer to <b>AD-830 Electrical Labels Sheet</b> on <b>page 40</b> )
3	881412	1	Reverse Osmosis (R.O.) Comparator Box ONLY
4	151001	2	#8-32 Pal Nut
5	820459	1	Reverse Osmosis (R.O.) Comparator Assembly

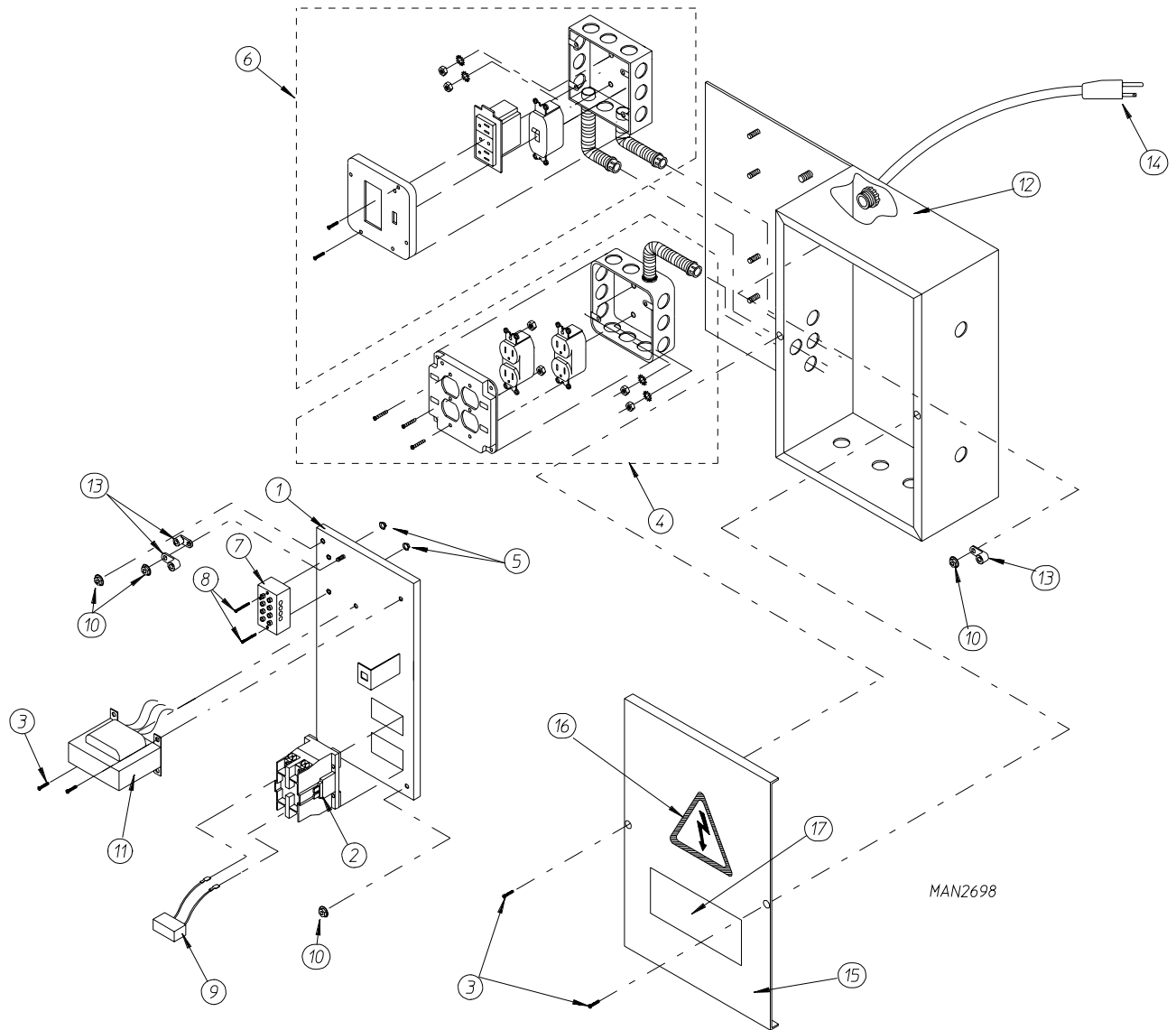


120 Volt - 60 Hz



MAN2696

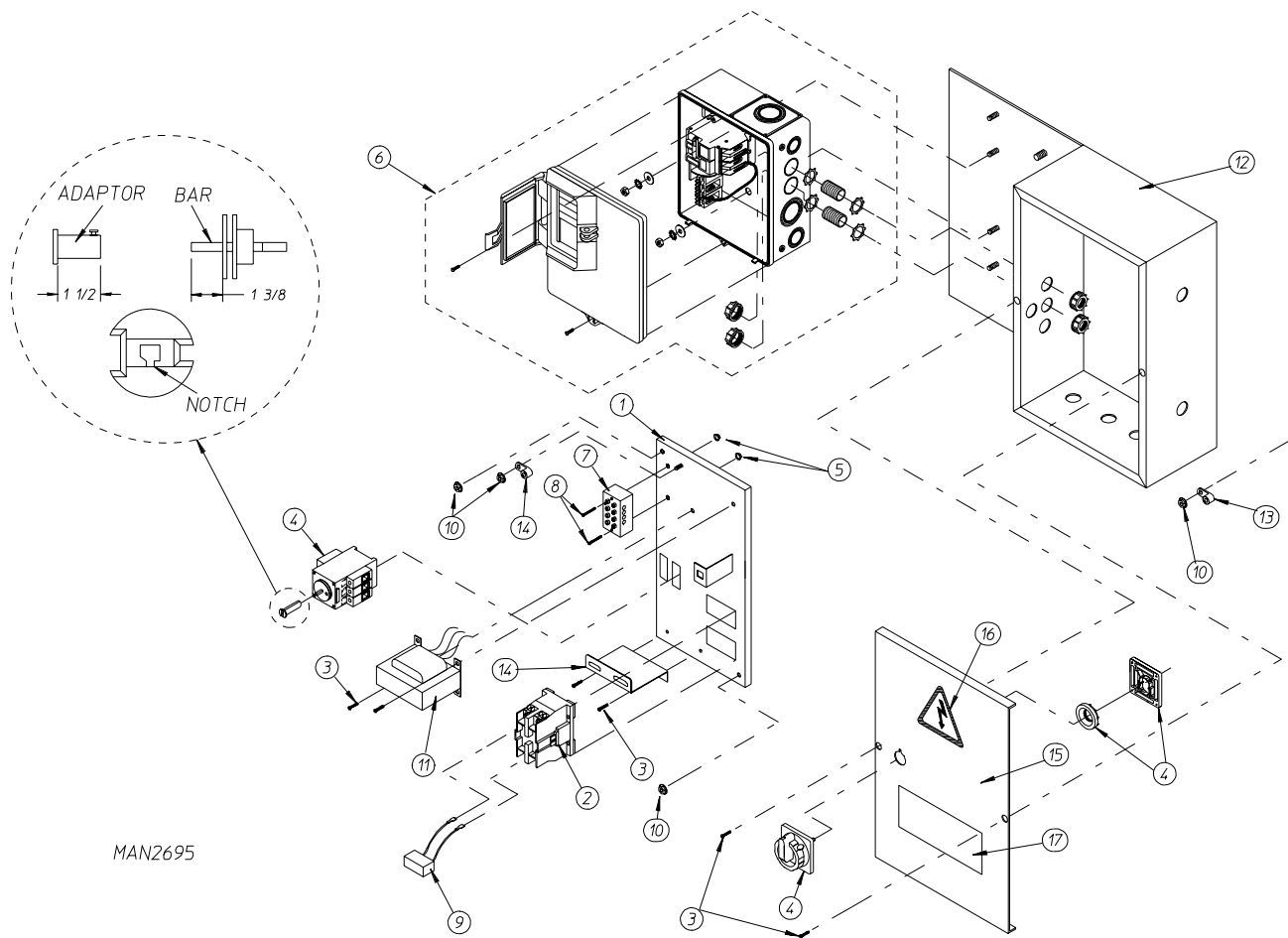
Illus. No.	Part No.	Qty.	Description
1	182465	1	4" x 4" Duplex Cover (includes Hardware)
	830867	1	Dispense, Drain, and UV Outlet Junction Box Assembly Complete 120 Volt/60 Hz (includes illus. nos. 1 through 6)
2	121125	2	Duplex Receptacle - Gray
3	121100	1	4" x 4" Junction Box ONLY
4	830869	1	AD-830 (2) Outlet Junction Box Harness - 120 Volt / 60 Hz
5	152001	2	#8-32 Hex Nut
6	152012	2	#8 Star Washer



MAN2698

**120 Volt - 60 Hz**

<u>Illus. No.</u>	<u>Part No.</u>	<u>Qty.</u>	<u>Description</u>
1	833028	1	AD-830 Rear Electrical Panel ONLY
2	132451	1	Double Pole Contactor - 24 VAC
3	150301	4	#8-18 x 7/16" Phillips Pan Head TEK Screw
4	830867	1	Outlet Junction Box Assembly (refer to <b>Dispense, Drain and UV Outlet J-Box Assembly</b> on <b>page 31</b> )
5	151000	2	#6-32 Pal Nut
6	830882	1	Ground Fault Interrupter (G.F.I.) Junction Box Assembly (refer to <b>Rear G.F.I. and Switch Junction Box Assembly</b> on <b>page 36</b> )
7	120701	1	4-Terminal Block
8	150008	1	#6-32 x 1/2" Phillips Round Head Machine Screw
9	824828	1	RC Network Assembly
10	152014	4	1/4-20 Free Spin Wash Nut
11	830873	1	24 VAC Transformer with Terminals (for 120 Volt / 60 Hz Only)
12	833001	1	AD-830 Rear Electrical Box ONLY
	830881	1	Rear Electrical Enclosure Assembly Complete 120 Volt / 60 Hz (includes illus. nos. 1 through 17)
	830861	1	Electrical Panel Wiring - 120 Volt / 60 Hz ... Not Illustrated
13	121010	3	Terminal Lug
14	830893	1	Power Cord Assembly
15	300394	1	Rear Electrical Box Cover ONLY
16	122425	1	"HIGH VOLTAGE WARNING" Triangle
17	122014	1	"HIGH VOLTAGE" Label

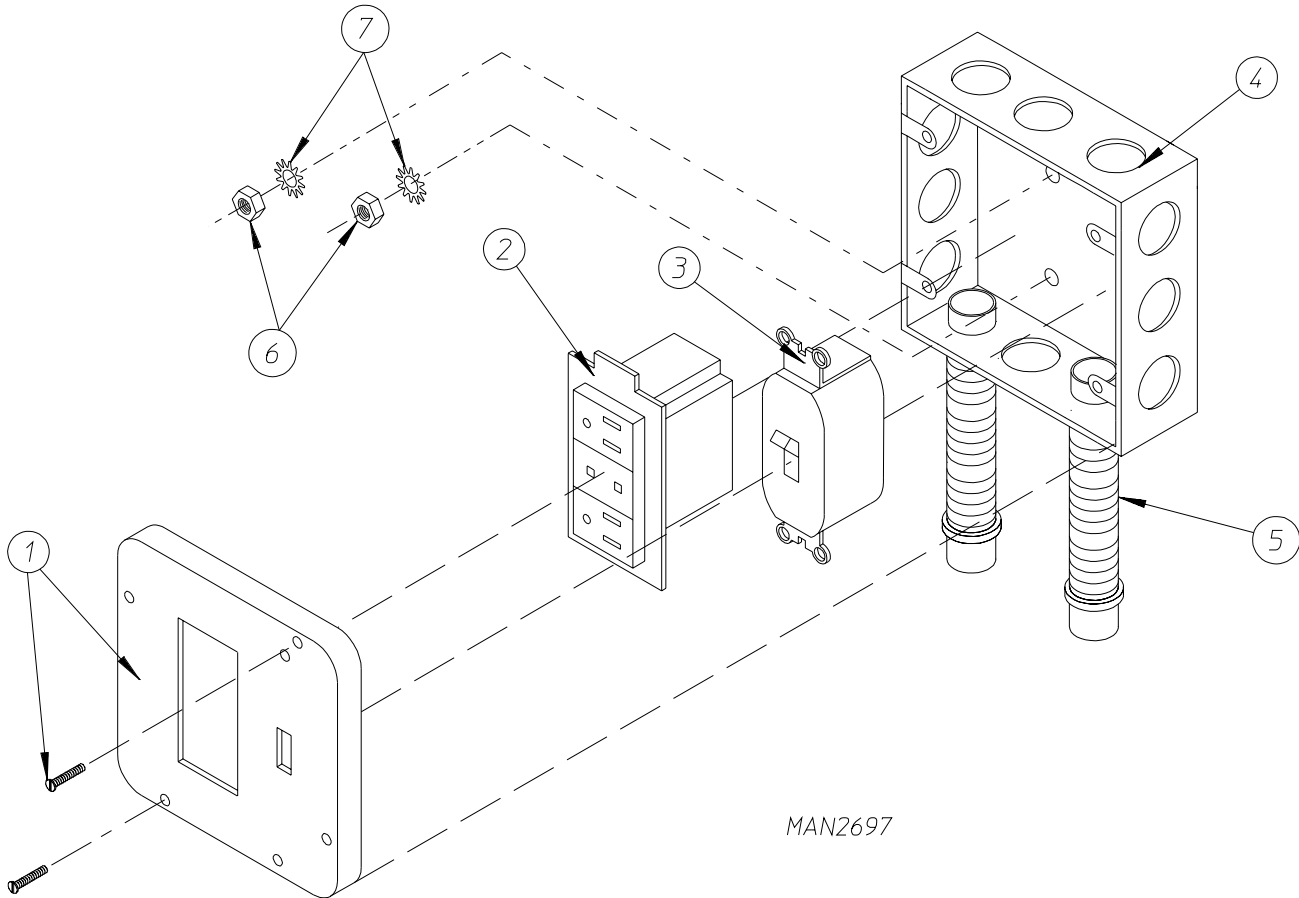


MAN2695

---

**240 Volt - 50 Hz**

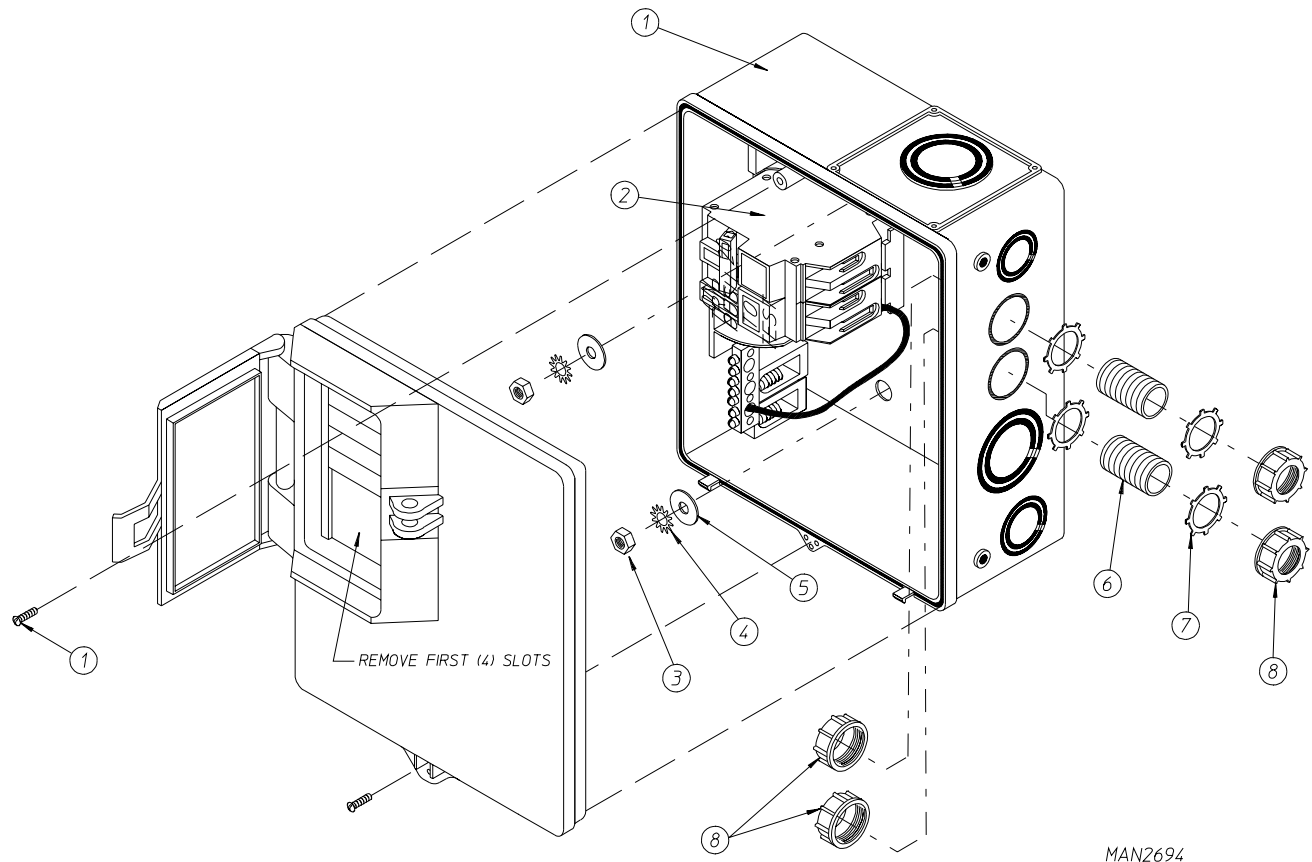
<u>Illus. No.</u>	<u>Part No.</u>	<u>Qty.</u>	<u>Description</u>
1	833028	1	AD-830 Rear Electrical Panel ONLY
2	132451	1	Double Pole Contactor - 24 VAC
3	150301	6	#8-18 x 7/16" Phillips Pan Head TEK Screw
4	137489	1	Power Disconnect
5	151000	2	#6-32 Pal Nut
6	830887	1	Ground Fault Interrupter (G.F.I.) Breaker Enclosure Assembly (refer to <b>G.F.I. Breaker Enclosure Assembly</b> on <b>page 37</b> )
7	120701	1	4-Terminal Block
8	150008	2	#6-32 x 1/2" Phillips Round Head Machine Screw
9	824828	1	RC Network Assembly
10	152014	4	1/4-20 Free Spin Wash Nut
11	830859	1	24 VAC Transformer with Terminals (for 240 Volt/50 Hz Only)
12	881413	1	AD-830 Rear Electrical Box ONLY
	830892	1	Rear Electrical Enclosure Assembly Complete 240 Volt / 50 Hz (includes illus. nos. 1 through 18)
	830861	1	Electrical Panel Wiring - 240 Volt / 50 Hz ... Not Illustrated
	830894	1	Electrical Panel Miscellaneous Wiring ... Not Illustrated
13	121010	2	Terminal Lug
14	300355	1	Connector Bracket
15	300387	1	Electrical Box Cover ONLY
16	122425	1	"HIGH VOLTAGE WARNING" Triangle
17	122014	1	"HIGH VOLTAGE" Label



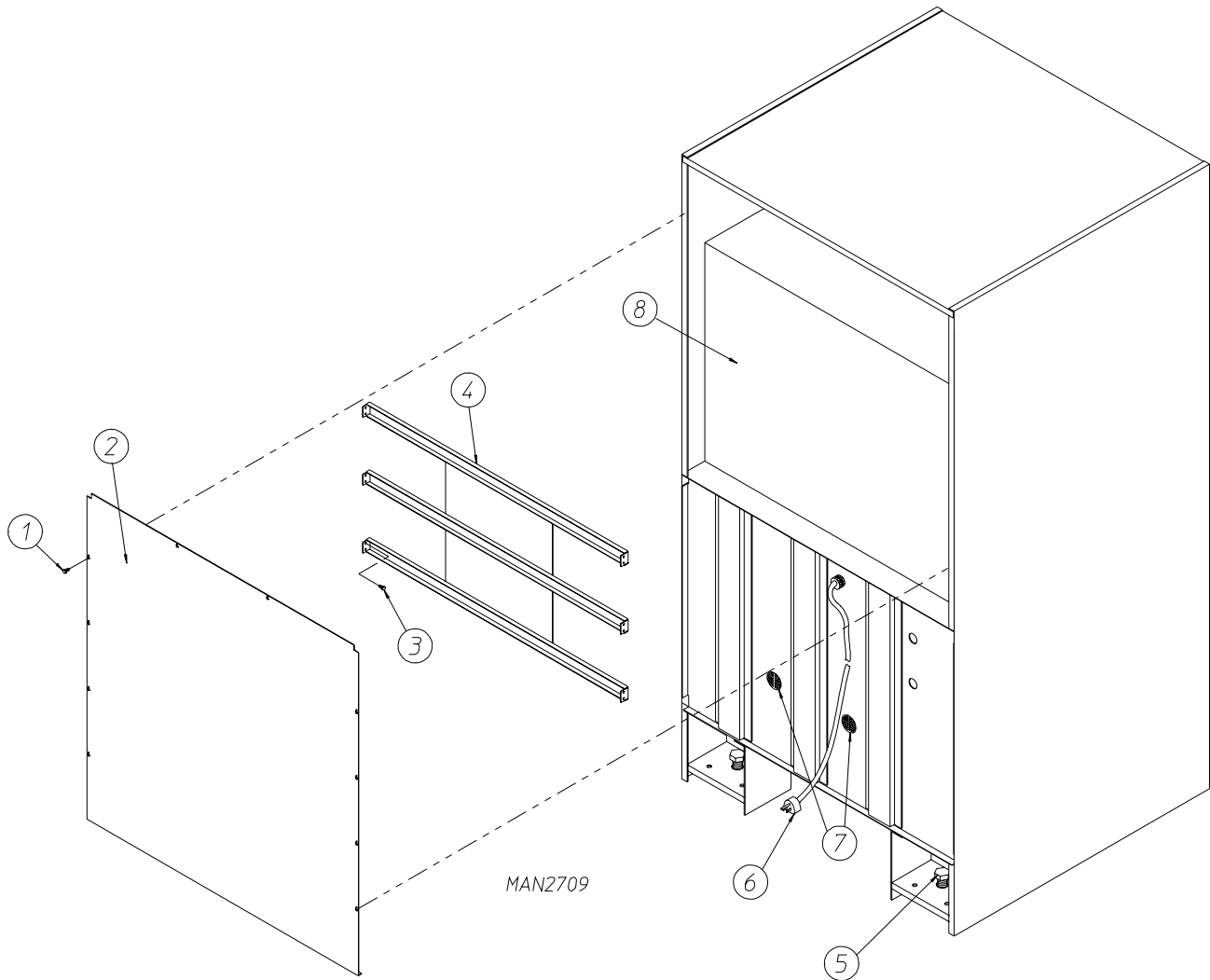
MAN2697

Illus. No.	Part No.	Qty.	Description
1	182467	1	Junction Box Cover (for On/Off Switch)
	830882	1	Rear G.F.I. and Switch Junction Box Assembly Complete 120 Volt / 60 Hz (includes illus. nos. 1 through 7)
2	830891	1	Ground Fault Interrupter (G.F.I.) Receptacle
3	182466	1	On/Off Switch
4	182459	1	Junction Box ONLY
5	830871	1	AD-830 Rear Junction Box G.F.I. and Power Switch Harness
6	152001	2	#8-32 Hex Nut
7	152012	2	#8 Star Washer

240 Volt - 50 Hz

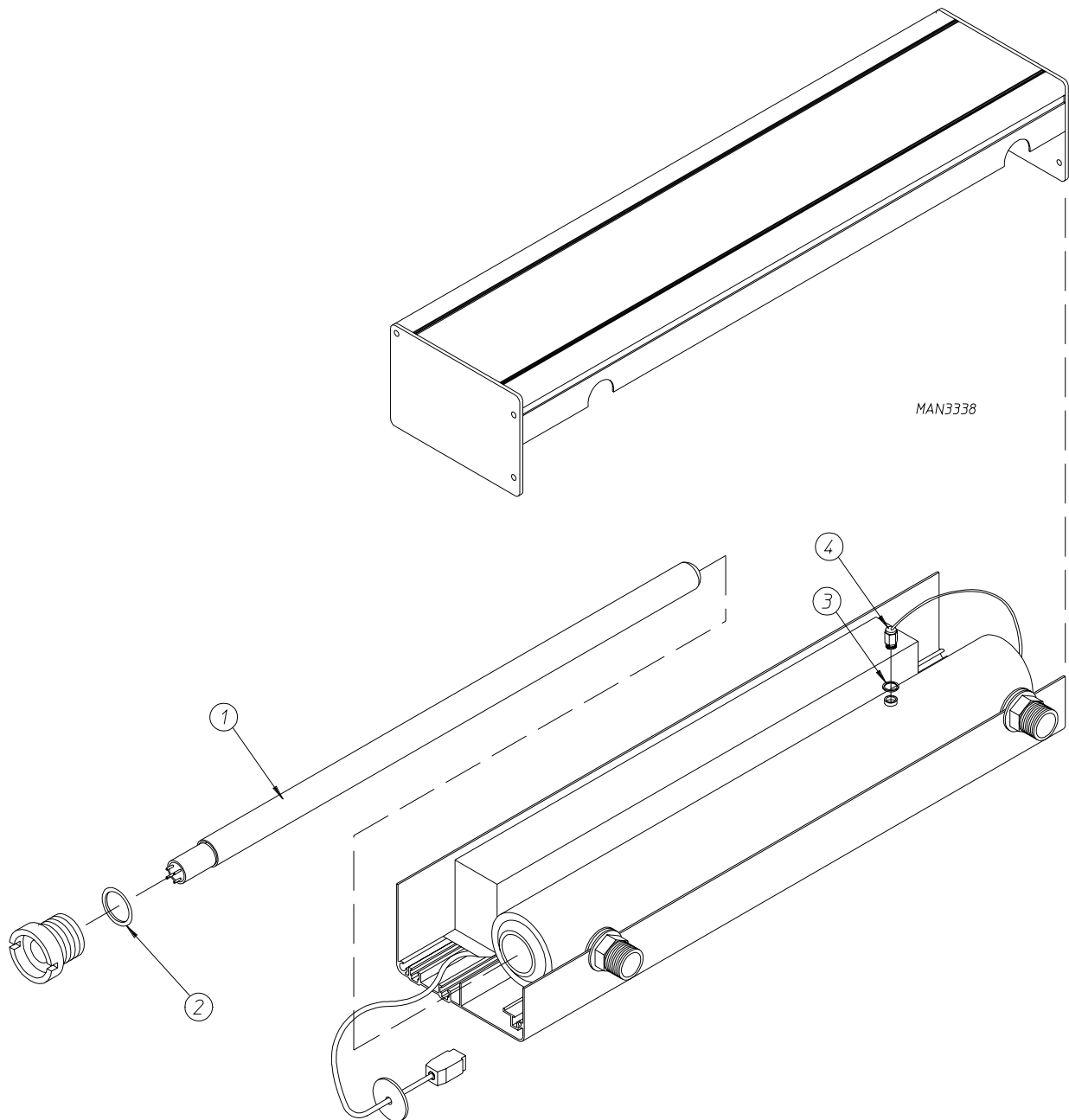


Illus. No.	Part No.	Qty.	Description
1	182464	1	Breaker Enclosure ONLY
	830887	1	Breaker Enclosure Assembly Complete - 240 Volt / 50 Hz (includes illus. nos. 1 through 8)
	830888	1	Ground Fault Interrupter (G.F.I.) Enclosure Harness
2	182462	1	Ground Fault Interrupter (G.F.I.) Circuit Breaker
3	152001	2	#8-32 Hex Nut
4	152012	2	#8 Star Washer
5	153000	2	Fender Washer
6	182574	2	Conduit Nipple
7	120915	4	1/2" Lock Nut
8	120624	4	1/2" Plastic Bushing



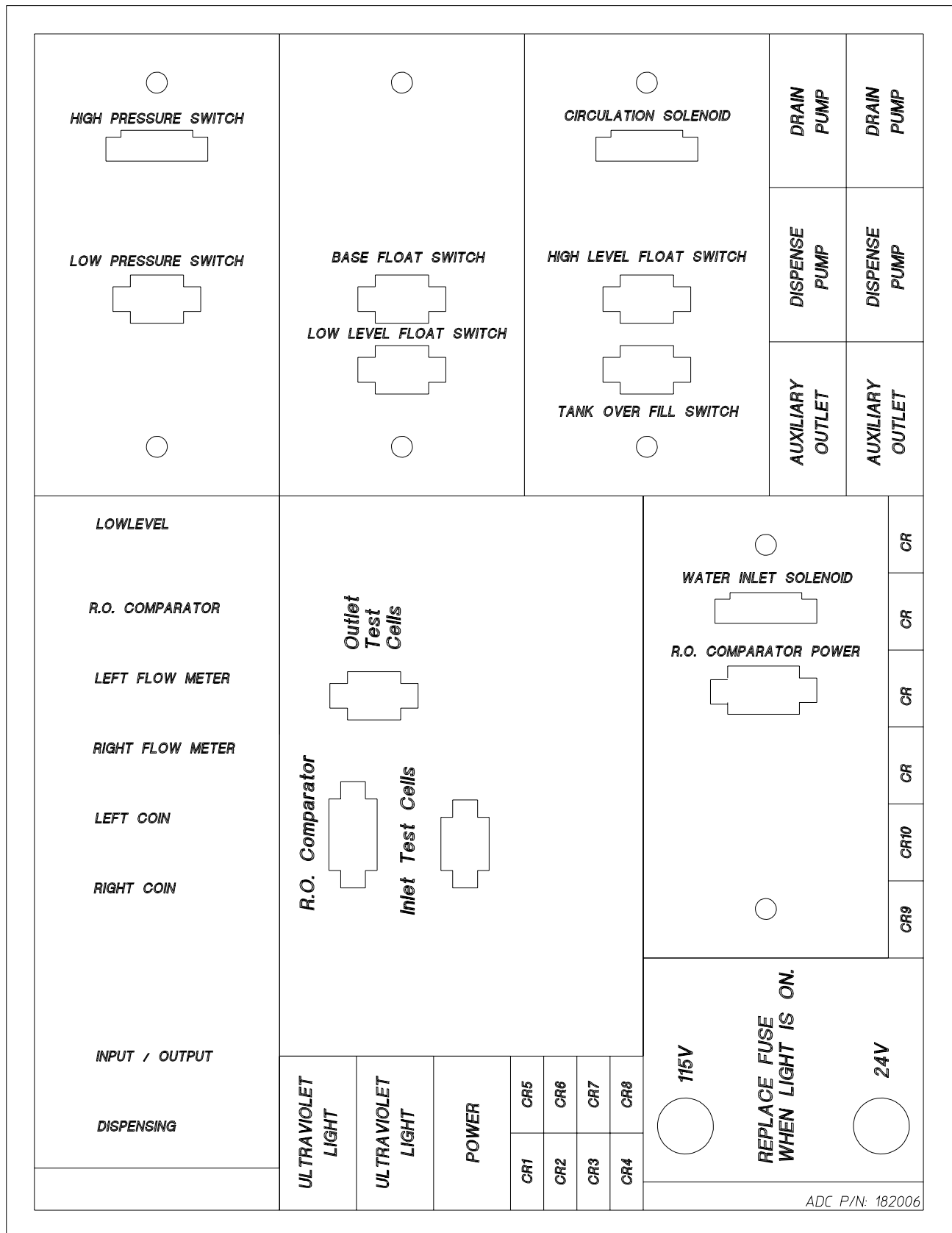
<u>Illus. No.</u>	<u>Part No.</u>	<u>Qty.</u>	<u>Description</u>
1	150300	10	#10 x 1/2" Hex Washer TEK Screw
2	881420	1	AD-830 Back Guard
3	150300	12	#10 x 1/2" Hex Washer TEK Screw
4	833043	1	AD-830 Tank Brace Assembly
5	103500	4	Leveling Leg
6	830893	1	Power Cord Assembly (for 115 Volt / 60 Hz Only)
7	182402	2	2" Mini Louve
8	833011	1	Water Tank Assembly (refer to <b>Water Tank Assembly</b> on <b>page 14</b> and <b>page 15</b> )





<u>Illus. No.</u>	<u>Part No.</u>	<u>Qty.</u>	<u>Description</u>
1	882020	1	Replacement Ultraviolet (UV) Lamp (Light) with Sleeve
2	182207	1	“O” Ring for Sleeve
3	182211	1	“O” Ring for Ultraviolet (UV) Sensor
4	882021	1	Replacement Ultraviolet (UV) Sensor with “O” Ring
-	182217	1	Ultraviolet (UV) Lamp Ballast 120 Volts / 60 Hz... Not Illustrated

**NOTE:** For **Ultraviolet (UV) Light Assembly Complete** refer to **page 10** and **page 11**.



ADC P/N: 182006

ADC Part No. 182006 AD-830 Electrical Labels Sheet

ADC482055    1- 07/31/96-50    2- 11/15/96-50    3\* 10/17/97-50  
4\* xx/xx/98-xx



---

Telephone: (508) 678-9010

Fax: (508) 678-9447