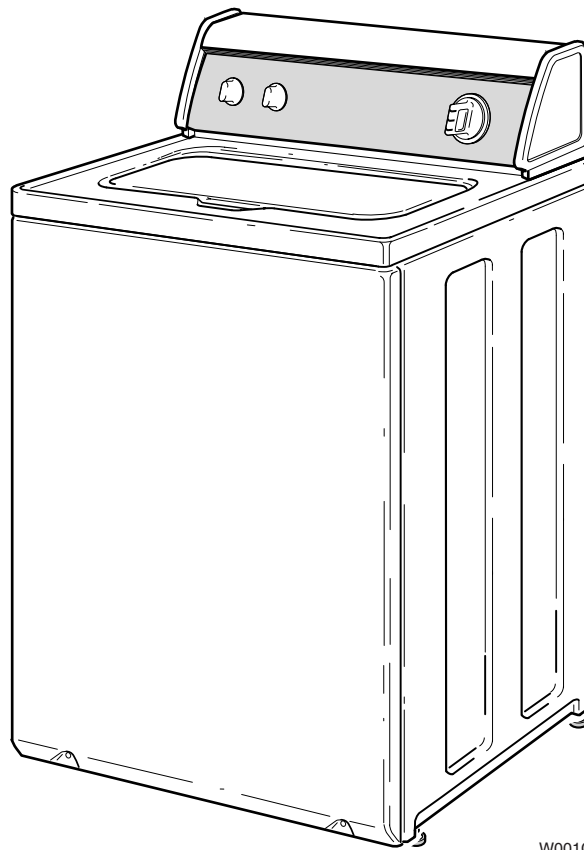


Automatic Washers

Refer to Page 3 for Model Numbers



W001C

Table of Contents

Title	Page
Parts Ordering Information	2
Nameplate Location	2
Model Identification	3
Graphic Panel, Control Hood and Controls	4
Graphic Panel, Control Hood and Controls	6
Graphic Panel, Control Hood and Controls	8
Graphic Panel, Control Hood and Controls	10
Graphic Panel, Control Hood and Controls	12
Graphic Panel, Control Hood and Controls	14
Graphic Panel, Control Hood and Controls	16
Graphic Panel, Control Hood and Controls	18
Graphic Panel, Control Hood and Controls	20
Cabinet Top, Loading Door and Control Hood Rear Panel	22
Cabinet Top, Loading Door and Control Hood Rear Panel	24
Loading Door Switch and Bracket Assembly	26
Inlet Hose, Filler Hose, Back Flow Preventer and Mixing Valve Mounting Bracket	28
Inlet Hose, Filler Hose, Back Flow Preventer and Mixing Valve Mounting Bracket	30
Mixing Valve Assembly	32
Mixing Valve Assembly	34
Agitator, Drive Bell and Seal Kit	36
Lint Filter, Washtub and Hub	38
Out-of-Balance Switch	40
Outer Tub, Cover and Pressure Hose	42
Motor, Mounting Bracket, Belts and Idler Assembly	44
Bearing Housing, Brake, Pulley and Pivot Dome	46
Transmission Assembly and Balance Ring	48
Components for 33227P Transmission Assembly	50
Pump Assembly, Bracket, Hoses and Siphon Break Kit	52
Pump Assembly, Bracket, Hoses and Siphon Break Kit	54
Front Panel, Cabinet and Base	56
Power Cord and Wire Terminals	58
Special Tools	60
Special Tools	62
Wire Harnesses	64
Wires	65
Parts Index	67

© Copyright 2000, Alliance Laundry Systems LLC

All rights reserved. No part of the contents of this book may be reproduced or transmitted in any form or by any means without the expressed written consent of the publisher.

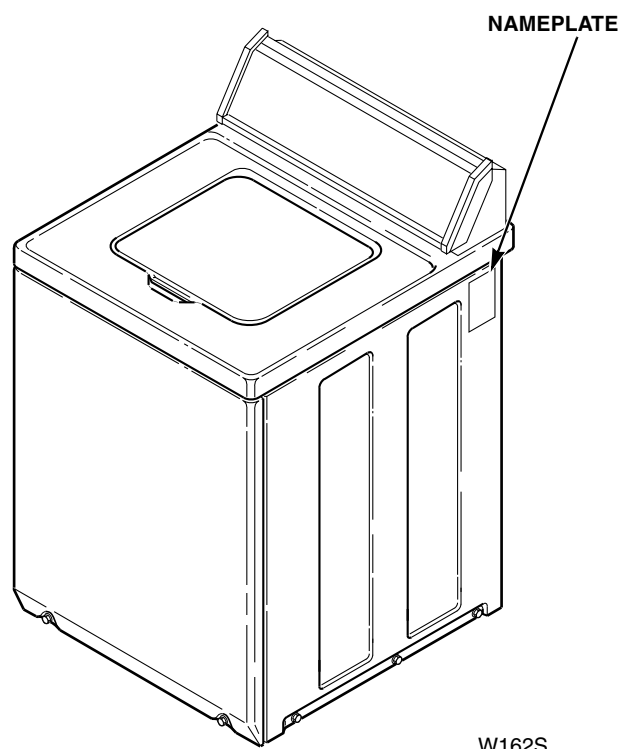
Parts Ordering Information

If literature or replacement parts are required, contact the source from whom the machine was purchased or contact Alliance Laundry Systems at (920) 748-3950 for the name and address of the nearest authorized parts distributor.

For technical assistance, call (920) 748-3121.

Nameplate Location

When calling or writing about your product, be sure to mention model and serial numbers. Model and serial numbers are located on nameplate(s) as shown.



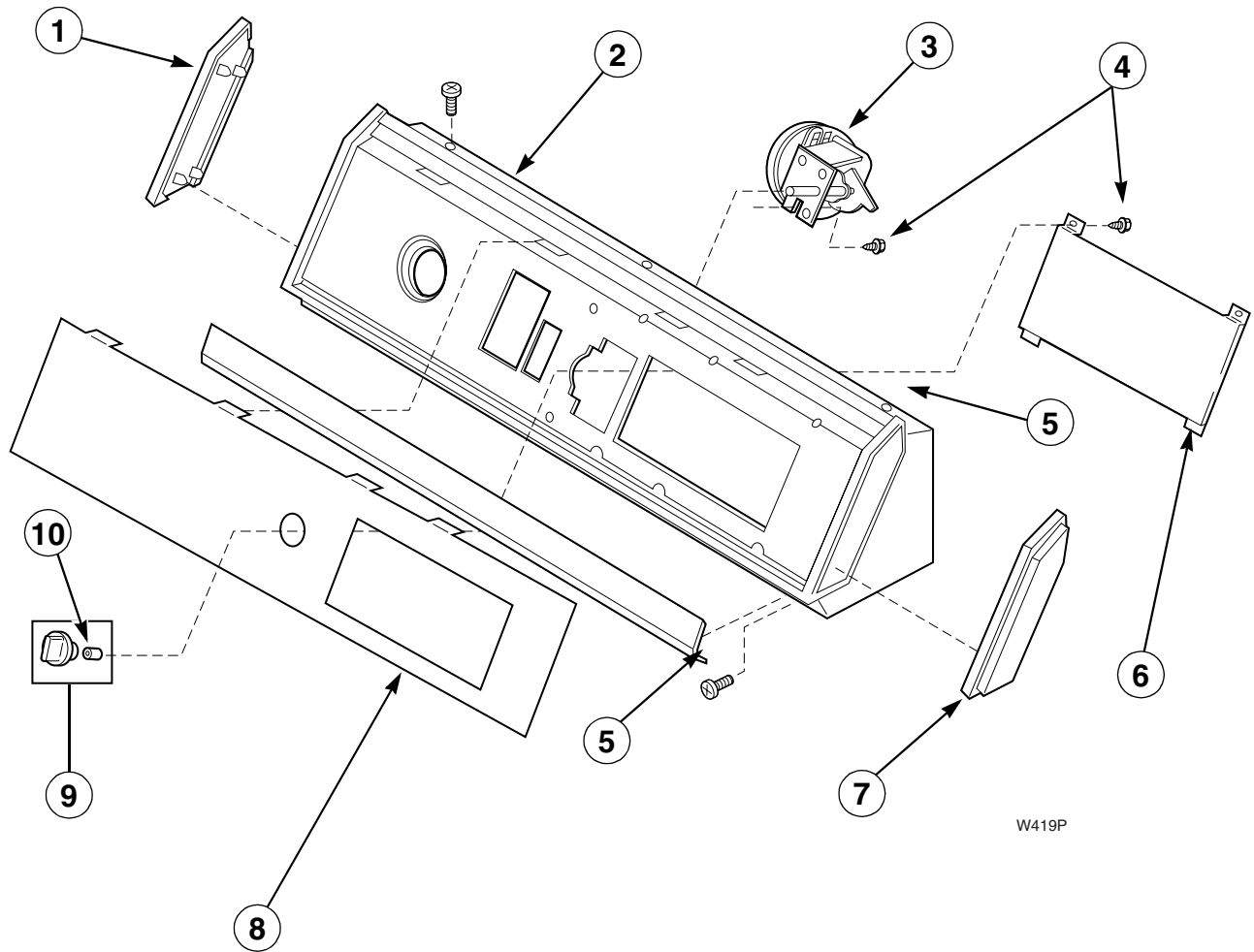
Model Identification

Information in this manual is applicable to these washer models:

AA9231	NA6621	AA6221	NA5320	AA4211	NA3312
AA9131	NA6532	AA6121	AA5221	AA4210	NA3311
NA8631	NA6531	NA5721	AA5220	AA4111	NA3310
NA8531	NA6530	NA5531	AA5121	AA4110	AA3210
NA8331	NA6522	NA5530	NA4621	NA3612	AA3111
AA8231	NA6521	NA5521	NA4522	NA3520	AA3110
NA7521	NA6520	NA5520	NA4521	NA3512	NA2510
NA7321	NA6332	NA5331	NA4520	NA3511	NA2310
AA7231	NA6331	NA5330	NA4321	NA3510	NA2110
AA7131	NA6321	NA5321	NA4320	NA3320	

Graphic Panel, Control Hood and Controls

Models AA9231, AA9131, NA8631, NA8531, NA8331, NA6532, NA6531, NA6530, NA6332 and NA6331



W419P

Graphic Panel, Control Hood and Controls

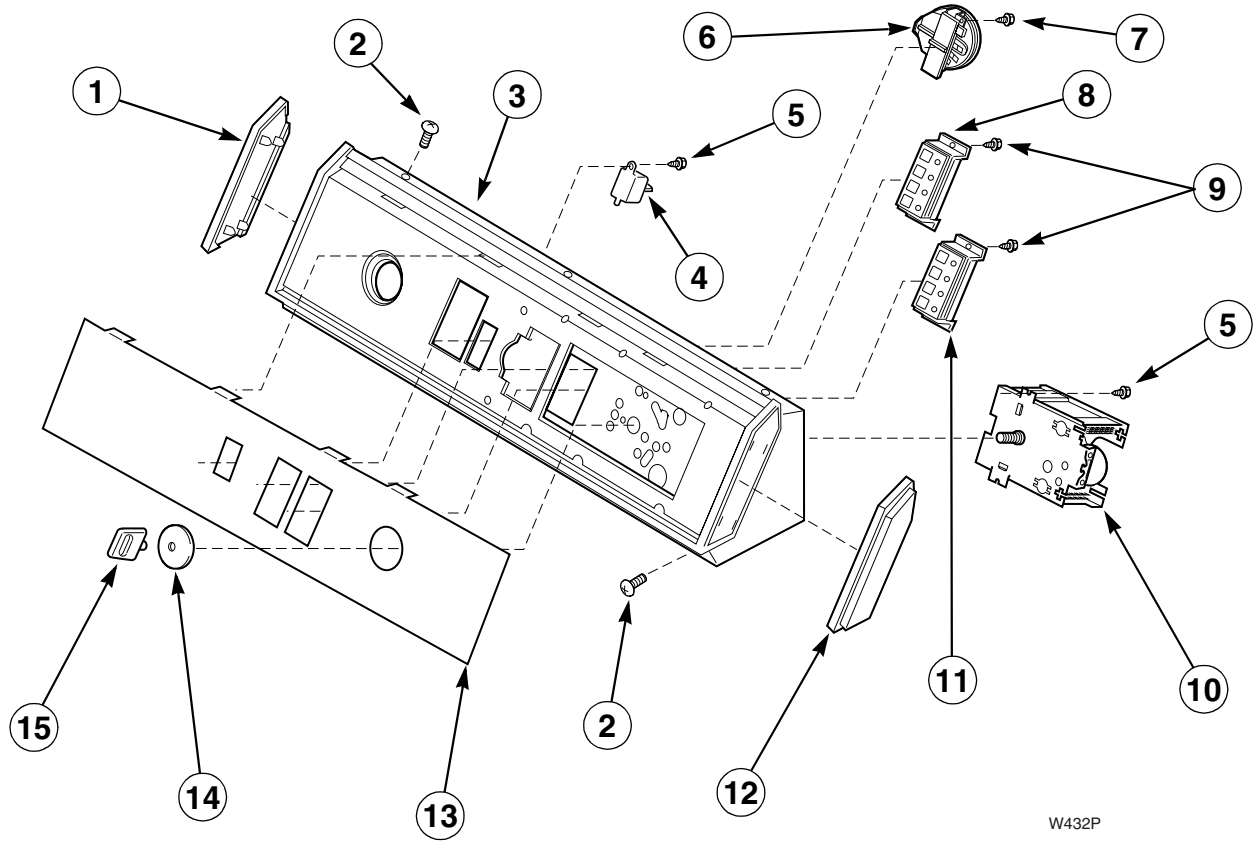
Models AA9231, AA9131, NA8631, NA8531, NA8331, NA6532, NA6531, NA6530, NA6332 and NA6331

REF	PART NO.	DESCRIPTION	COMMENTS
1	32343	End Cap	Left; Models AA9131 and NA8631; N/A
	31249	End Cap	Left; All other models
2	31224	Control Hood	
3	31266	Pressure Switch	Models AA9231 and AA9131
	31116	Pressure Switch	Models NA8621, NA8531, NA6532, NA6531 and NA6530; N/A
	31675	Pressure Switch	Models NA8331, NA6332 and NA6331
4	31260	Screw	
5	31752	Screw	
6	31304	Electronic Control	Models AA9231, AA9131, NA8631 and NA8531
	31307	Electronic Control	Model NA8331
	31305	Electronic Control	Models NA6532, NA6531 and NA6530
	31308P	Electronic Control	Models NA6332 and NA6331
7	32342	End Cap	Right; Models AA9131 and NA8631; N/A
	31248	End Cap	Right; All other models
8	32734	Graphic Panel	Model AA9231; N/A
	32357	Graphic Panel	Model AA9131; N/A
	32665	Graphic Panel	Model NA8621; N/A
	31181	Graphic Panel	Model NA8531; N/A
	31193	Graphic Panel	Model NA8331; N/A
	31183	Graphic Panel	Model NA6532 and NA6530; N/A
	31182	Graphic Panel	Model NA6531; N/A
	31737	Graphic Panel	Model NA6332; N/A
31194	Graphic Panel	Model NA6331; N/A	
9	31286	Control Knob Assembly	Models AA9231 and AA9131
10	10519	Clip	N/A

N/A = Part no longer available

Graphic Panel, Control Hood and Controls

Models NA7521 and NA7321



W432P

Graphic Panel, Control Hood and Controls

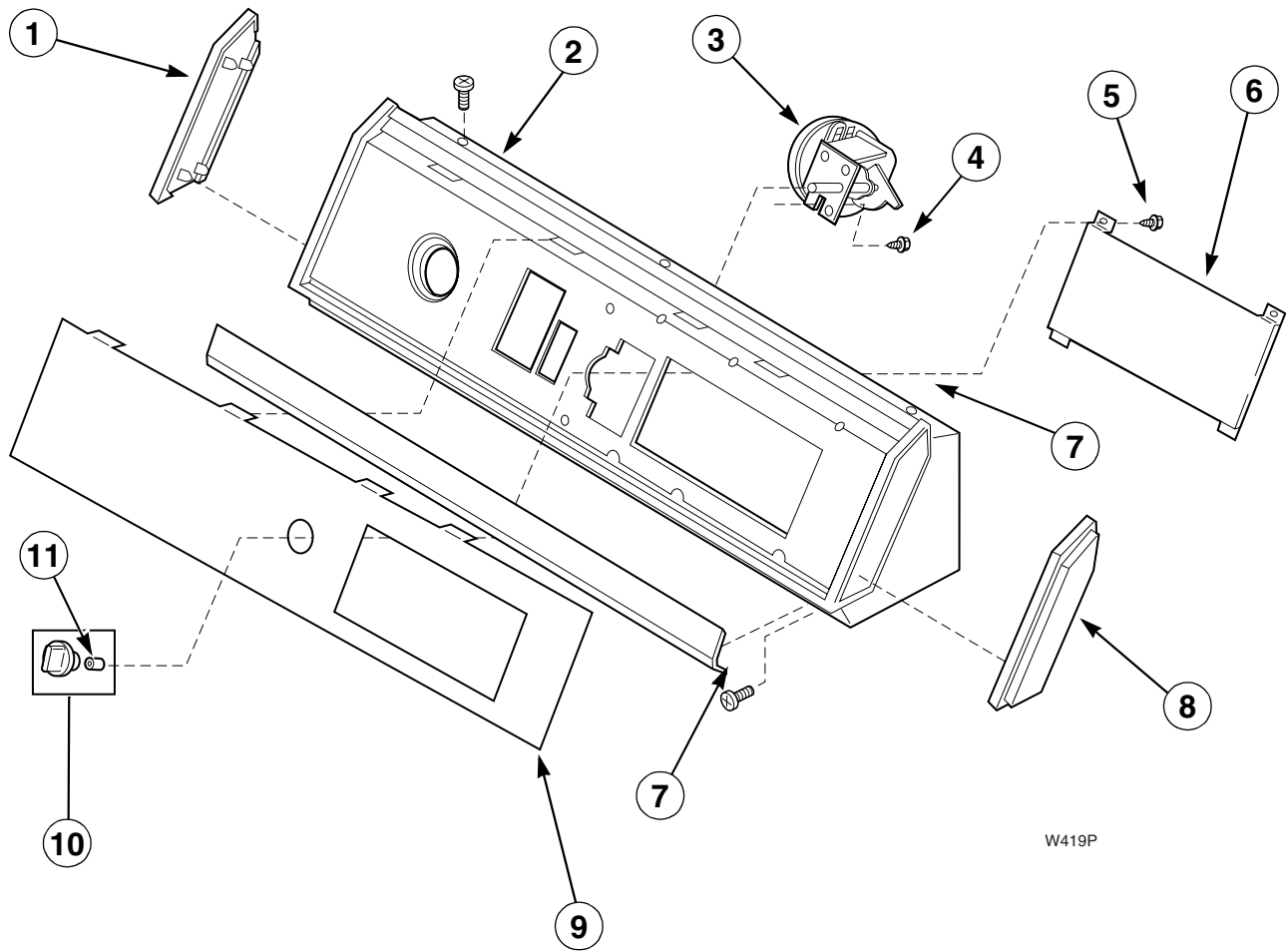
Models NA7521 and NA7321

REF	PART NO.	DESCRIPTION	COMMENTS
1	31249	End Cap	Left
2	31752	Screw	
3	31734	Control Hood Assembly	N/A
4	59446	Signal	N/A
5	23962	Screw	
6	31116	Pressure Switch	Model NA7521; N/A
	31675	Pressure Switch	Model NA7321
7	31260	Screw	
8	31330	Temperature Switch	Model NA7521; N/A
	31332	Temperature Switch	Model NA7321; N/A
9	33561	Screw	
10	31240	Timer	
11	31331	Option Switch	Model NA7521; N/A
	31333	Option Switch	Model NA7321; N/A
12	31248	End Cap	Right
13	31186	Graphic Panel	Model NA7521; N/A
	31197	Graphic Panel	Model NA7321; N/A
14	31503	Timer Knob Skirt	Model NA7521
	31279	Timer Knob Skirt	Model NA7321
15	31281	Timer Knob	

N/A = Part no longer available

Graphic Panel, Control Hood and Controls

Models AA8231, AA7231, AA7131, NA5531, NA5530, NA5331 and NA5330



W419P

Graphic Panel, Control Hood and Controls

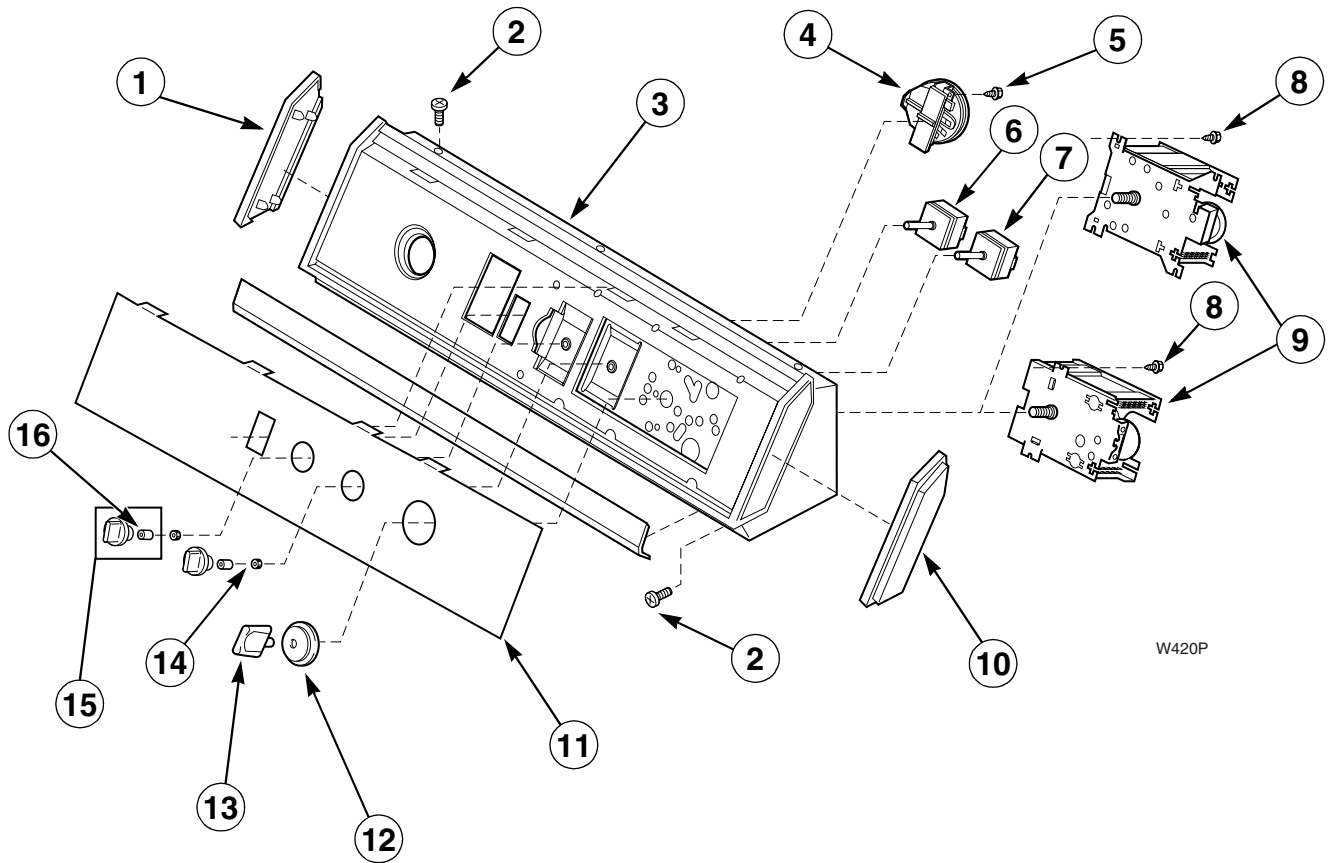
Models AA8231, AA7231, AA7131, NA5531, NA5530, NA5331 and NA5330

REF	PART NO.	DESCRIPTION	COMMENTS
1	32343	End Cap	Left; Model AA7131; N/A
	31249	End Cap	Left; Models AA8231, AA7231 and all other models
2	31809	Control Hood Assembly	N/A
3	31266	Pressure Switch	
4	23962	Screw	
5	31260	Screw	
6	31306	Electronic Control	Models AA7131, AA7231, NA5531 and NA5530
	31305	Electronic Control	Model AA8231
	31309P	Electronic Control	Models NA5331 and NA5330
7	31752	Screw	
8	32342	End Cap	Right; Model AA7131; N/A
	31248	End Cap	Right; Models AA8231, AA7231 and all other models
9	32734	Graphic Panel	Models AA8231 and AA7231
	32357	Graphic Panel	Model AA7131; N/A
	31184	Graphic Panel	Model NA5531; N/A
	31185	Graphic Panel	Model NA5530; N/A
	31195	Graphic Panel	Model NA5331; N/A
	31196	Graphic Panel	Model NA5330; N/A
10	31286	Control Knob Assembly	Models AA7131, NA5531 and NA5530
	31287	Control Knob Assembly	Models NA5331 and NA5330
11	10519	Clip	N/A

N/A = Part no longer available

Graphic Panel, Control Hood and Controls

Models NA6621, NA6522, NA6521, NA6520, NA6321, AA6221 and AA6121



W420P

Graphic Panel, Control Hood and Controls

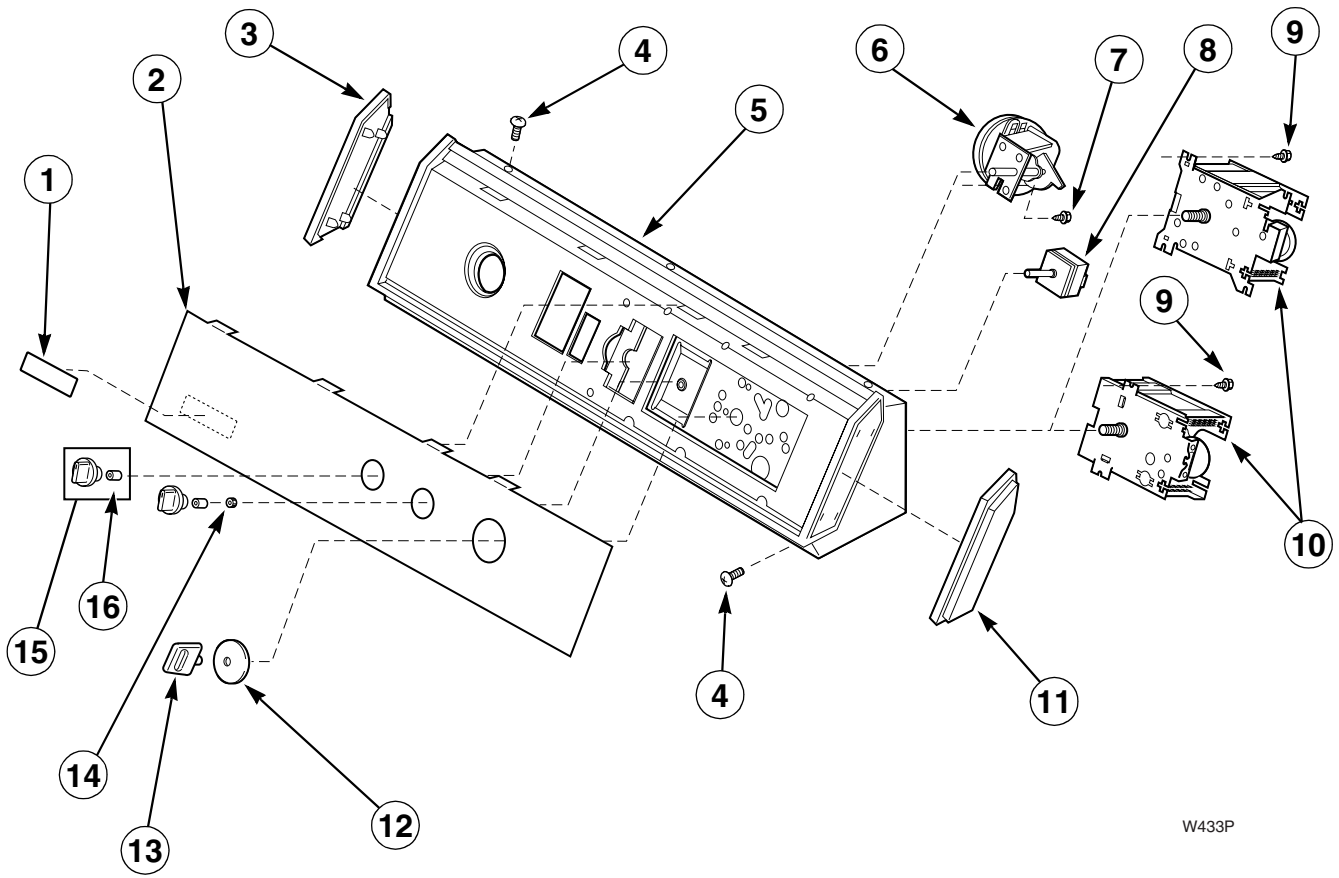
Models NA6621, NA6522, NA6521, NA6520, NA6321, AA6221 and AA6121

REF	PART NO.	DESCRIPTION	COMMENTS
1	32343	End Cap	Left; Models NA6621 and AA6121; N/A
	31249	End Cap	Left; Model AA6221 and all other models
2	31752	Screw	
3	32404	Control Hood Assembly	
4	31675	Pressure Switch	Model NA6321
	31116	Pressure Switch	All other models; N/A
5	31260	Screw	
6	24392	Temperature Switch	N/A
7	27500	Speed Switch	
8	23962	Screw	
9	32228	Timer	
10	32342	End Cap	Right; Models NA6621 and AA6121; N/A
	31248	End Cap	Right; Model AA6221 and all other models
11	32730	Graphic Panel	Model AA6221; N/A
	32666	Graphic Panel	Model NA6621; N/A
	32237	Graphic Panel	Models NA6522 and NA6520; N/A
	32226	Graphic Panel	Model NA6521; N/A
	32241	Graphic Panel	Model NA6321; N/A
	32402	Graphic Panel	Model AA6121; N/A
12	31503	Timer Knob Skirt	Model NA6321
	31279	Timer Knob Skirt	All other models
13	31281	Timer Knob	
14	57584	Nut	
15	31287	Control Knob Assembly	Model NA6321
	31286	Control Knob Assembly	All other models
16	10519	Clip	N/A

N/A = Part no longer available

Graphic Panel, Control Hood and Controls

Models NA5721, AA5221, AA5121, NA4621, AA4211, AA4210, AA4111, AA4110, NA3612, AA3210, AA3111 and AA3110



W433P

Graphic Panel, Control Hood and Controls

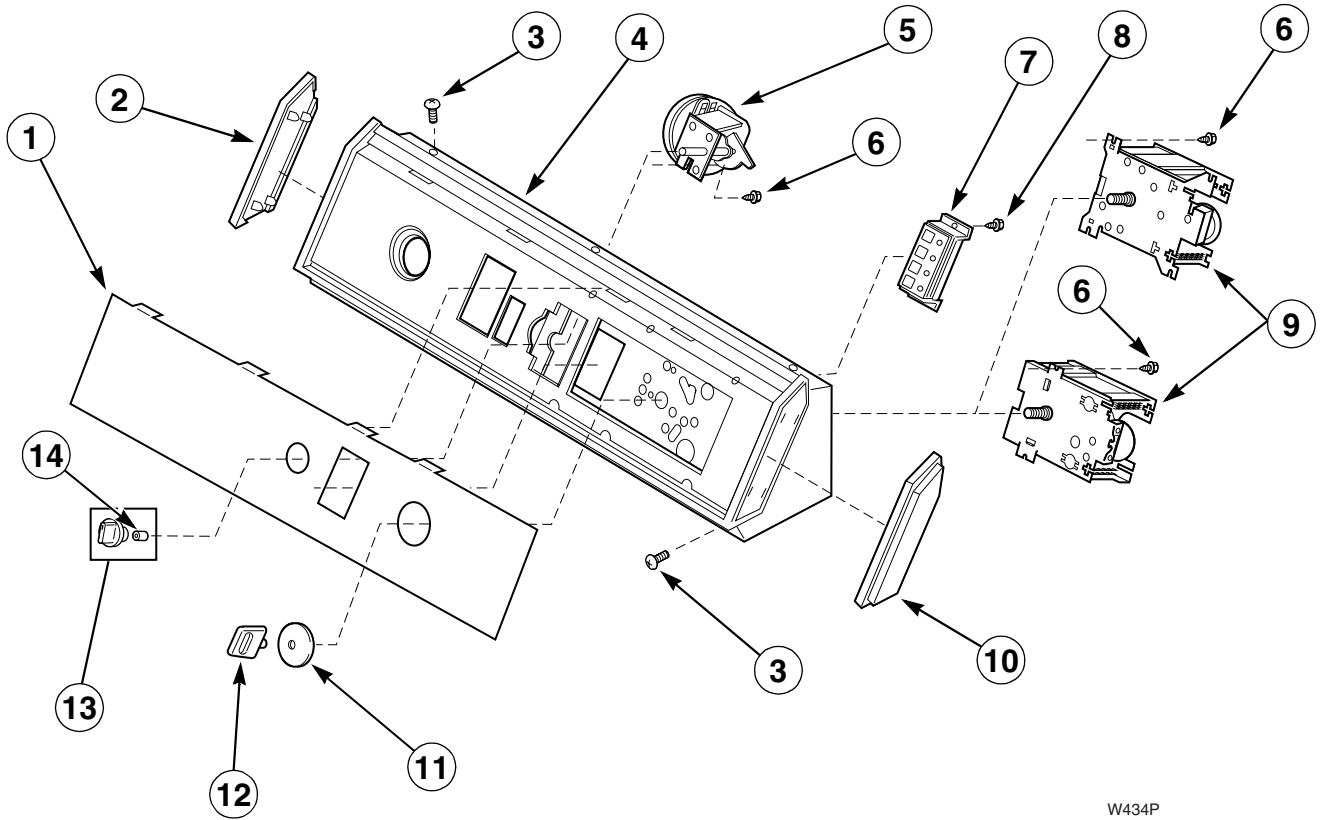
Models NA5721, AA5221, AA5121, NA4621, AA4211, AA4210, AA4111, AA4110, NA3612, AA3210, AA3111 and AA3110

REF	PART NO.	DESCRIPTION	COMMENTS
1	32630	Nameplate	Model NA5721; N/A
2	32634	Graphic Panel	Model NA5721; N/A
	32726	Graphic Panel	Model AA5221; N/A
	32353	Graphic Panel	Model AA5121; N/A
	32667	Graphic Panel	Model NA4621; N/A
	32722	Graphic Panel	Model AA4211; N/A
	32718	Graphic Panel	Model AA4210; N/A
	32349	Graphic Panel	Model AA4111; N/A
	32398	Graphic Panel	Model AA4110; N/A
	33146	Graphic Panel	Model NA3612; N/A
	32714	Graphic Panel	Model AA3210
	32341	Graphic Panel	Model AA3110; N/A
	3	31249	End Cap
32343		End Cap	Left; All other models; N/A
4	31752	Screw	
5	31735	Control Hood Assembly	
6	31266	Pressure Switch	
7	31260	Screw	
8	28118	Temperature Switch	Models NA5721, AA5221, AA5121 and NA4621
	21300	Temperature Switch	All other models
9	23962	Screw	
10	32039	Timer	Model NA5721
	31239	Timer	Models AA5121, NA4621, AA4111, AA4110 and NA3612
	31238	Timer	Models AA3111 and AA3110
11	31248	End Cap	Right; Models NA5721, AA5221, AA4211, AA4210, NA3612 and AA3210
	32342	End Cap	Right; All other models; N/A
12	31279	Timer Knob Skirt	
13	31281	Timer Knob	
14	57584	Nut	
15	31286	Control Knob Assembly	
16	10519	Clip	N/A

N/A = Part no longer available

Graphic Panel, Control Hood and Controls

Models NA5521, NA5520, NA5321 and NA5320



W434P

Graphic Panel, Control Hood and Controls

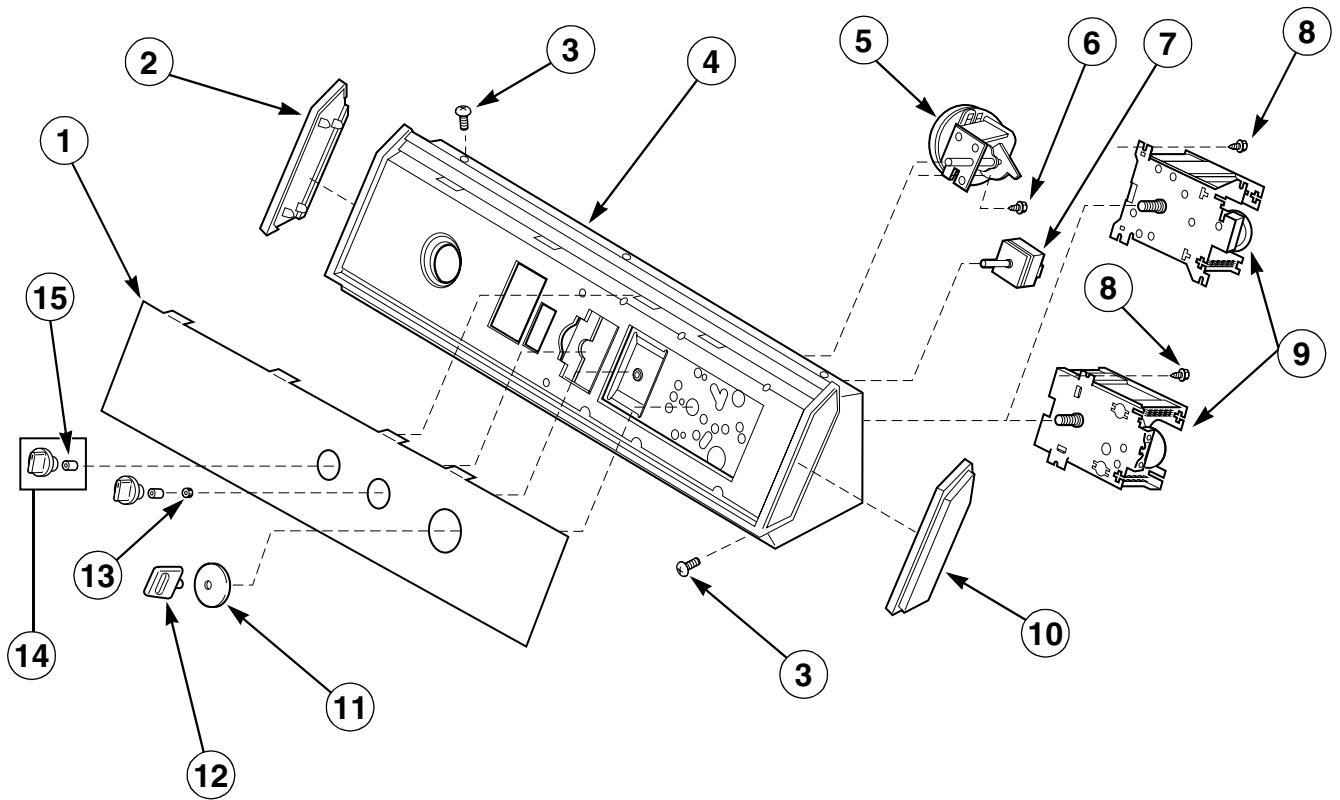
Models NA5521, NA5520, NA5321 and NA5320

REF	PART NO.	DESCRIPTION	COMMENTS
1	31187	Graphic Panel	Model NA5521; N/A
	31188	Graphic Panel	Model NA5520; N/A
	31198	Graphic Panel	Model NA5321; N/A
	31199	Graphic Panel	Model NA5320; N/A
2	31249	End Cap	Left
3	31752	Screw	
4	31810	Control Hood Assembly	N/A
5	31266	Pressure Switch	
6	23962	Screw	
7	31330	Temperature Switch	Models NA5521 and NA5520; N/A
	31332	Temperature Switch	Models NA5321 and NA5320; N/A
8	33561	Screw	
9	31239	Timer	
10	31248	End Cap	Right
11	31279	Timer Knob Skirt	Models NA5521 and NA5520
	31503	Timer Knob Skirt	Models NA5321 and NA5320
12	31281	Timer Knob	
13	31286	Control Knob Assembly	Models NA5521 and NA5520
	31287	Control Knob Assembly	Models NA5321 and NA5320
14	10519	Clip	N/A

N/A = Part no longer available

Graphic Panel, Control Hood and Controls

Models AA5220, NA4522, NA4521, NA4520, NA4321 and NA4320



W435P

Graphic Panel, Control Hood and Controls

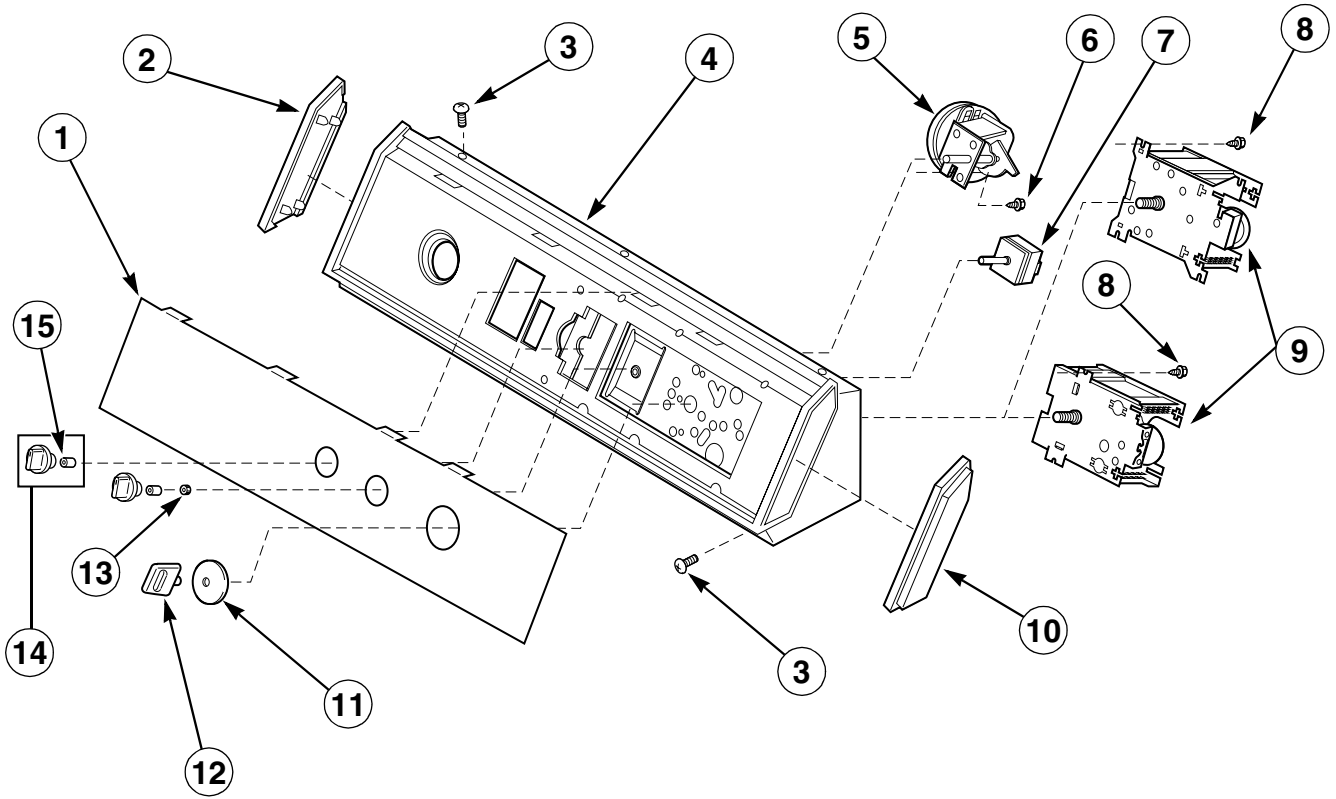
Models AA5220, NA4522, NA4521, NA4520, NA4321 and NA4320

REF	PART NO.	DESCRIPTION	COMMENTS
1	31189	Graphic Panel	Through Serial No. 43R19503; Model NA4521; N/A
	31190	Graphic Panel	Through Serial No. 43R19503; Model NA4520; N/A
	31200	Graphic Panel	Through Serial No. 43R19503; Model NA4321; N/A
	31201	Graphic Panel	Through Serial No. 43R19503; Model NA4320; N/A
	32204	Graphic Panel	Starting with Serial No. 43R19504; Models NA4522 and NA4520; N/A
	32202	Graphic Panel	Starting with Serial No. 43R19504; Model NA4521; N/A
	32205	Graphic Panel	Starting with Serial No. 43R19504; Model NA4321; N/A
	32206	Graphic Panel	Starting with Serial No. 43R19504; Model NA4320; N/A
	33013	Graphic Panel	Model AA5220; N/A
2	31249	End Cap	Left
3	31752	Screw	
4	31735	Control Hood Assembly	
5	31266	Pressure Switch	
6	31260	Screw	
7	21300	Temperature Switch	Through Serial No. 43R19503
	28118	Temperature Switch	Starting with Serial No. 43R19504
8	23962	Screw	
9	31239	Timer	
10	31248	End Cap	Right
11	31279	Timer Knob Skirt	Models NA4522, NA4521 and NA4520
	31503	Timer Knob Skirt	Models NA4321 and NA4320
12	31281	Timer Knob	
13	57584	Nut	
14	31286	Control Knob Assembly	Models NA4522, NA4521 and NA4520
	31287	Control Knob Assembly	Models NA4321 and NA4320
15	10519	Clip	N/A

N/A = Part no longer available

Graphic Panel, Control Hood and Controls

Models NA3520, NA3512, NA3511, NA3510, NA3320, NA3312, NA3311, NA3310, NA2510 and NA2310



W435P

Graphic Panel, Control Hood and Controls

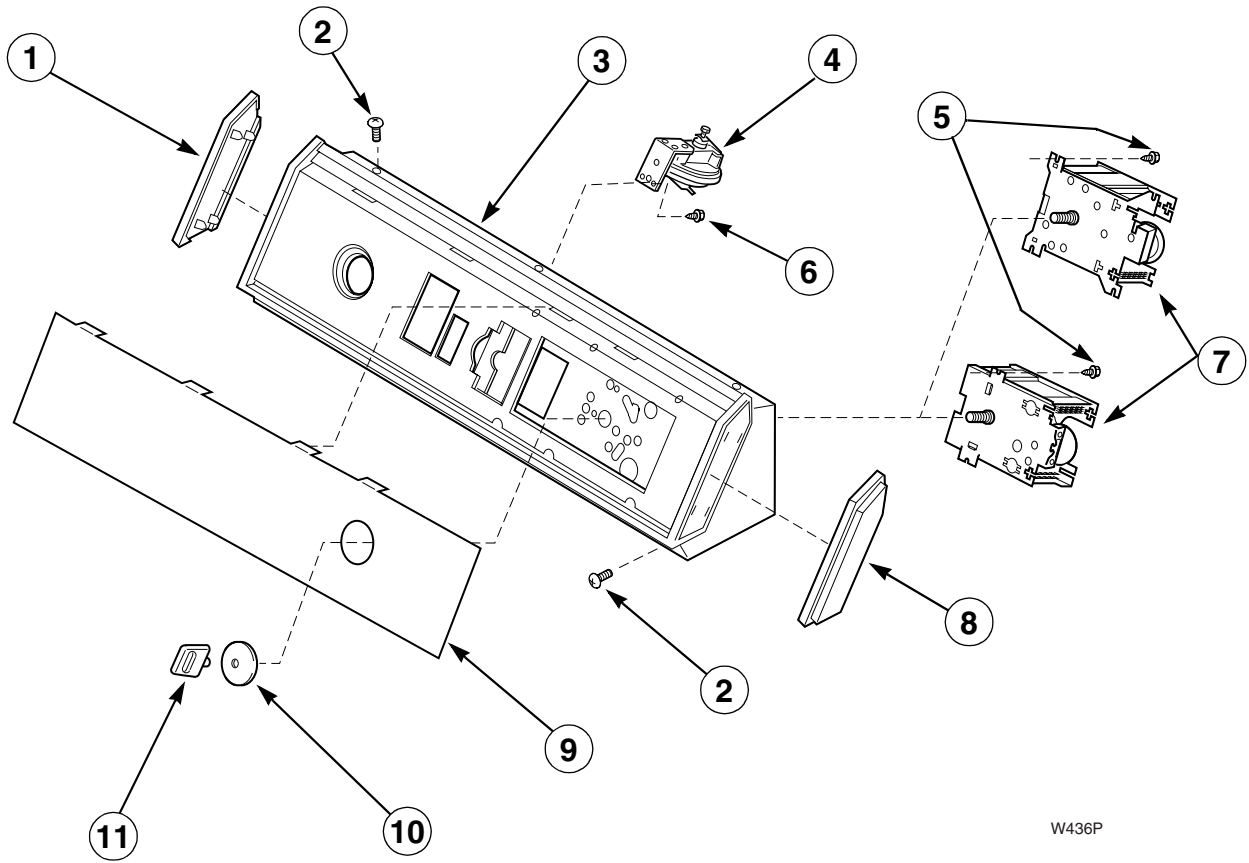
Models NA3520, NA3512, NA3511, NA3510, NA3320, NA3312, NA3311, NA3310, NA2510 and NA2310

REF	PART NO.	DESCRIPTION	COMMENTS
1	31190	Graphic Panel	Model NA3520; N/A
	31191	Graphic Panel	Model NA3511; N/A
	31192	Graphic Panel	Models NA3510 and NA3512; N/A
	31201	Graphic Panel	Model NA3320; N/A
	31202	Graphic Panel	Model NA3311; N/A
	31203	Graphic Panel	Models NA3310 and NA3312; N/A
	32193	Graphic Panel	Model NA2510; N/A
	32199	Graphic Panel	Model NA2310; N/A
2	31249	End Cap	Left; N/A
3	31752	Screw	
4	31735	Control Hood Assembly	
5	31266	Pressure Switch	
6	31260	Screw	
7	21300	Temperature Switch	
8	23962	Screw	
9	31238	Timer	Models NA2510 and NA2310
	31239	Timer	All other models
10	31248	End Cap	Right
11	31279	Timer Knob Skirt	Models NA3520, NA3512, NA3511, NA3510 and NA2510
	31503	Timer Knob Skirt	Models NA3320, NA3312, NA3311, NA3310 and NA2310
12	31281	Timer Knob	
13	57584	Nut	
14	31286	Control Knob Assembly	Models NA3520, NA3512, NA3511, NA3510 and NA2510
	31287	Control Knob Assembly	Models NA3320, NA3312, NA3311, NA3310 and NA2310
15	10519	Clip	N/A

N/A = Part no longer available

Graphic Panel, Control Hood and Controls

Model NA2110



W436P

Graphic Panel, Control Hood and Controls

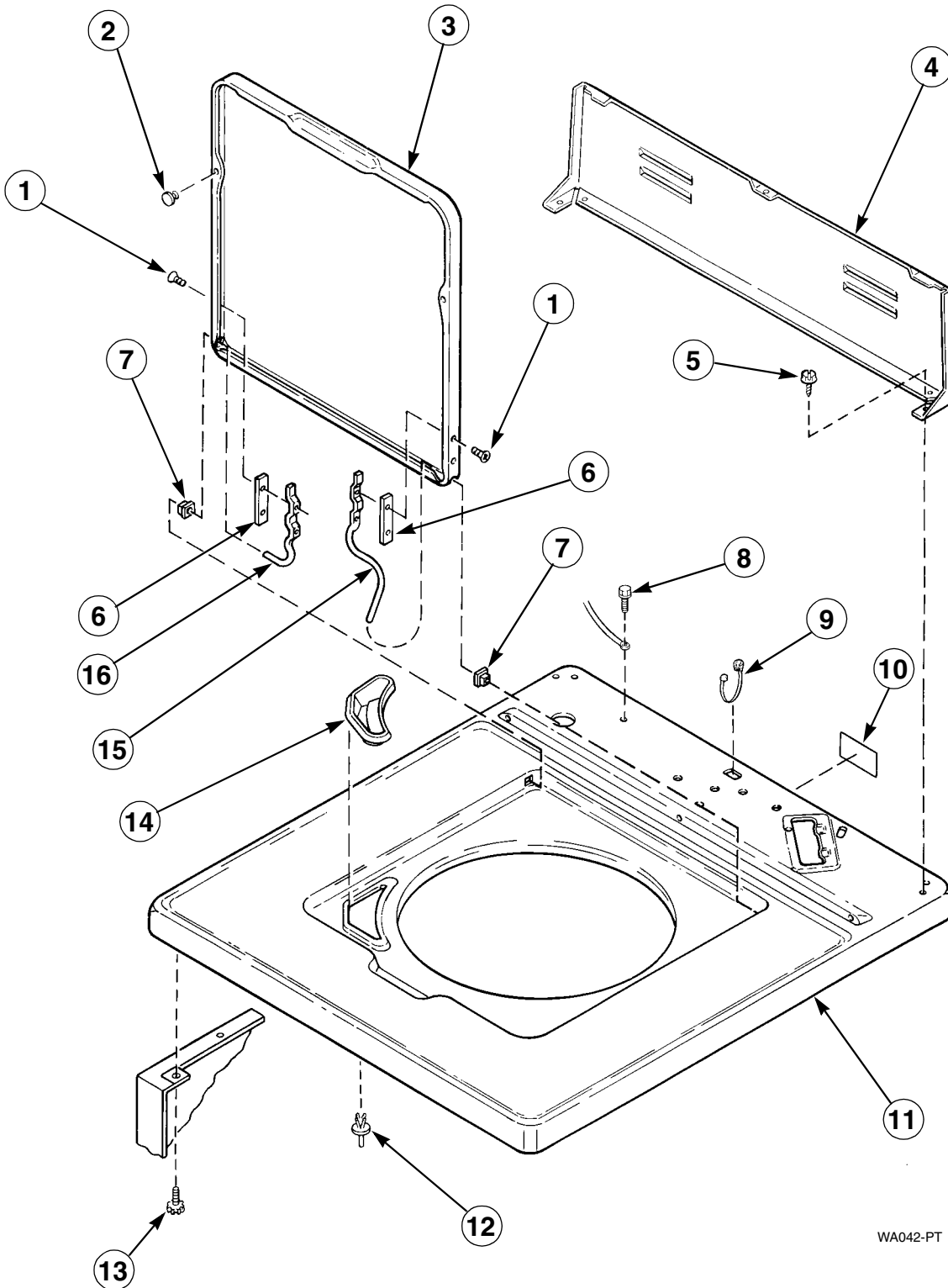
Model NA2110

REF	PART NO.	DESCRIPTION	COMMENTS
1	34460	End Cap	Left
2	31752	Screw	
3	31811	Control Hood Assembly	
4	28615	Pressure Switch	
5	23962	Screw	
6	31260	Screw	
7	31238	Timer	
8	34459	End Cap	Right
9	31204	Graphic Panel	N/A
10	31267	Timer Knob Skirt	
11	31281	Timer Knob	

N/A = Part no longer available

Cabinet Top, Loading Door and Control Hood Rear Panel

Model NA2110 Starting Serial No. R1624440YK



WA042-PT

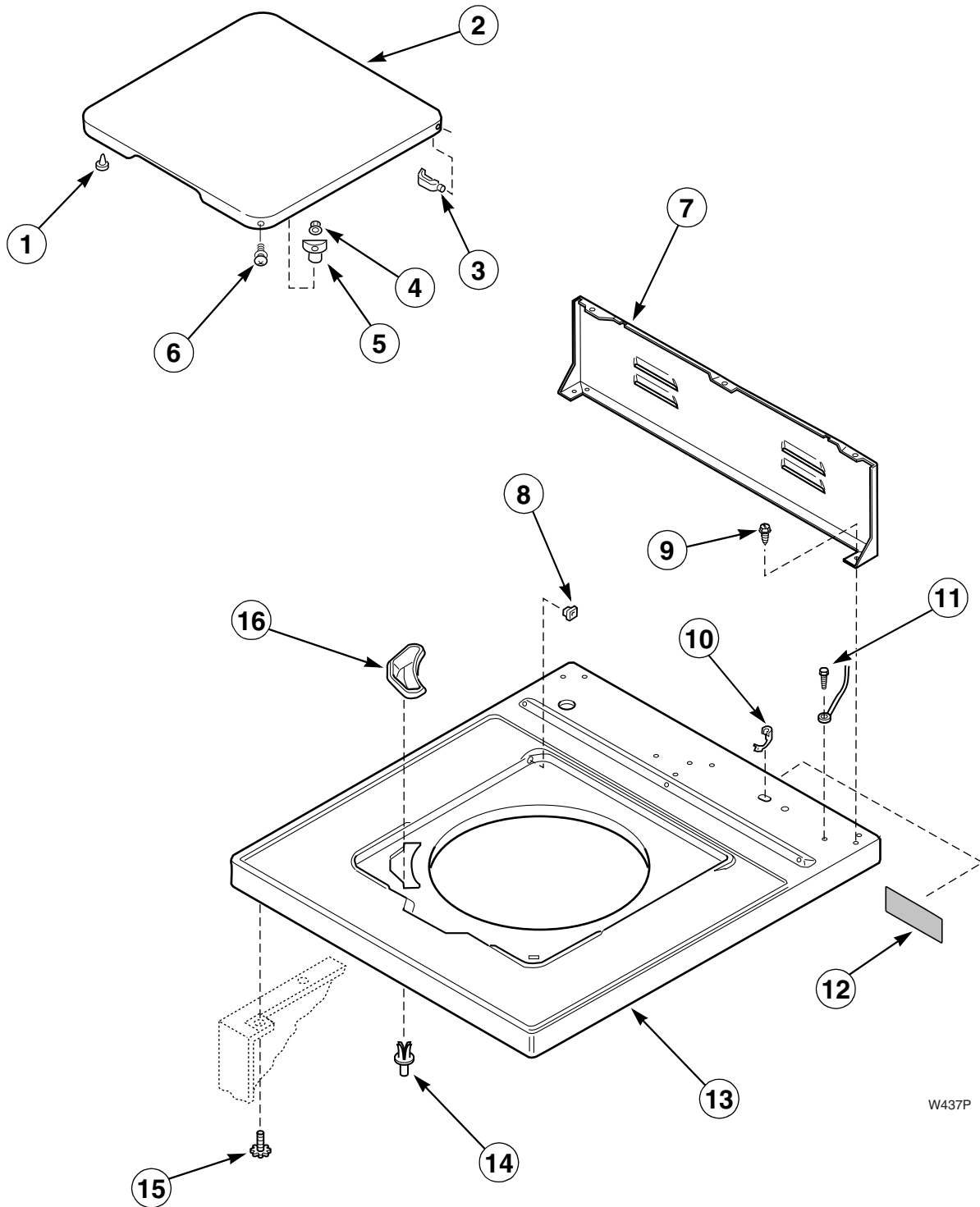
Cabinet Top, Loading Door and Control Hood Rear Panel

Model NA2110 Starting Serial No. R1624440YK

REF	PART NO.	DESCRIPTION	COMMENTS
1	34337	Screw	
2	21685	Bumper	N/A
3	33541WP	Loading Door	White
4	37782	Control Hood Rear Panel	
5	23962	Screw	
6	34338	Gasket	
7	33446	Bushing	
8	52909	Screw	
9	38384	Strain Relief	
10	24903	Sticker	
11	34902WP	Cabinet Top	White
12	56534	Rivet	
13	33562	Screw	
14	34776	Bleach Dispenser	
15	36437	Hinge	Right
16	36438	Hinge	Left

Cabinet Top, Loading Door and Control Hood Rear Panel

All Models Except NA2110 Starting Serial No. R1624440YK



W437P

Cabinet Top, Loading Door and Control Hood Rear Panel

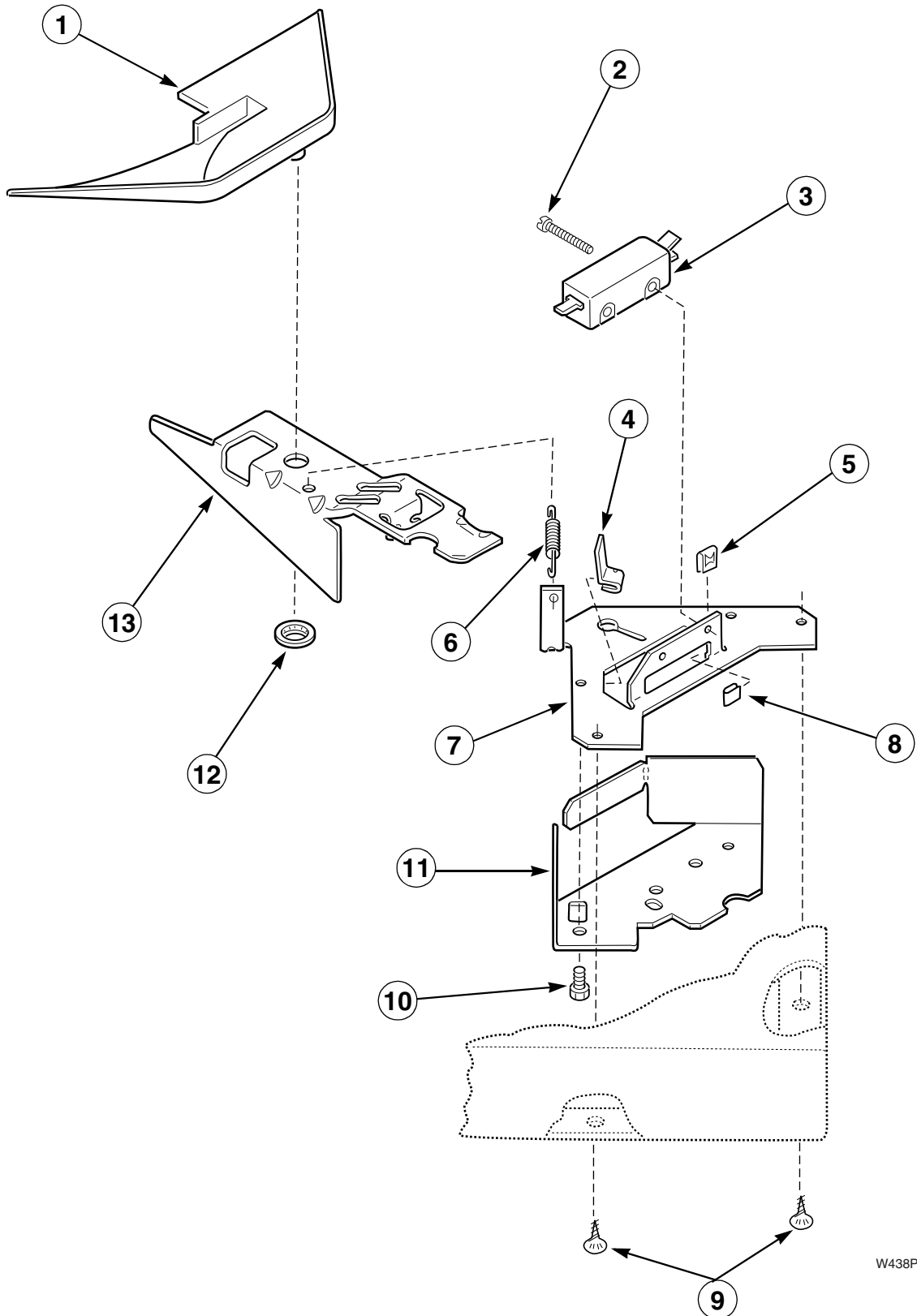
All Models Except NA2110 Starting Serial No. R1624440YK

REF	PART NO.	DESCRIPTION	COMMENTS
1	32507	Bumper	
2	31314*	Loading Door	Models AA9131, NA8631, NA8531, NA8331, AA7131, NA6532, NA6531, NA6530, NA6332, NA6331, NA5531, NA5530, NA5531 and NA5330
	31315*	Loading Door	All other models
3	27626	Hinge	
4	21752	Nylon Nut	
5	27149	Catch	
6	27203	Screw and Lockwasher	
7	37782	Control Hood Rear Panel	
8	27625	Bushing	
9	23962	Screw	
10	38384	Strain Relief	
11	52909	Screw	
12	24903	Sticker	
13	32808*P	Cabinet Top	
14	56534	Rivet	
15	33562	Screw	
16	34776	Bleach Dispenser	Replaces 27121; Not used on Models AA3111, AA3110, NA2510, NA2310 and NA2110

* Add letter to designate color: L - Almond W - White

Loading Door Switch and Bracket Assembly

All Models Except NA2110 Starting Serial No. R1624440YK



W438P

Loading Door Switch and Bracket Assembly

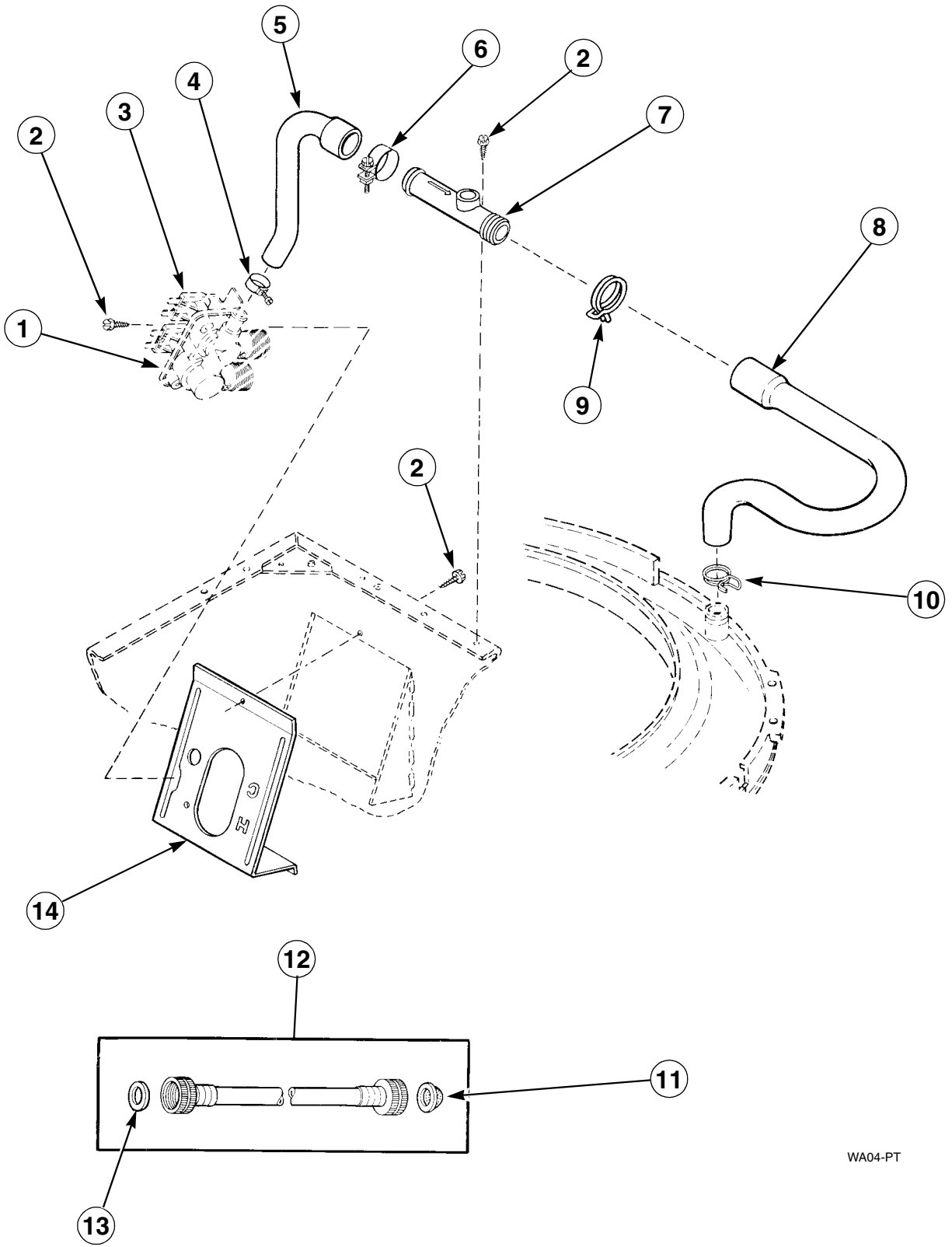
All Models Except NA2110 Starting Serial No. R1624440YK

REF	PART NO.	DESCRIPTION	COMMENTS
1	29042	Shield	
2	Q6516	Screw	
3	27249	Switch	
4	27837	U-Clip	Through Serial No. R1339649XG; N/A
5	27248	Speed Nut	N/A
6	27603	Spring	N/A
7	27250	Bracket	
8	27610	U-Clip	N/A
9	28193	Screw	
10	23222	Screw	
11	33086	Lid Switch Guard	Starting with Serial No. R1339650XG and continuing through R1566483YG; N/A
12	29043	Push Nut	
13	27602	Lever	

N/A = Part no longer available

Inlet Hose, Filler Hose, Back Flow Preventer and Mixing Valve Mounting Bracket

Model NA2110 Starting Serial Number R1624440YK



WA04-PT

Inlet Hose, Filler Hose, Back Flow Preventer and Mixing Valve Mounting Bracket

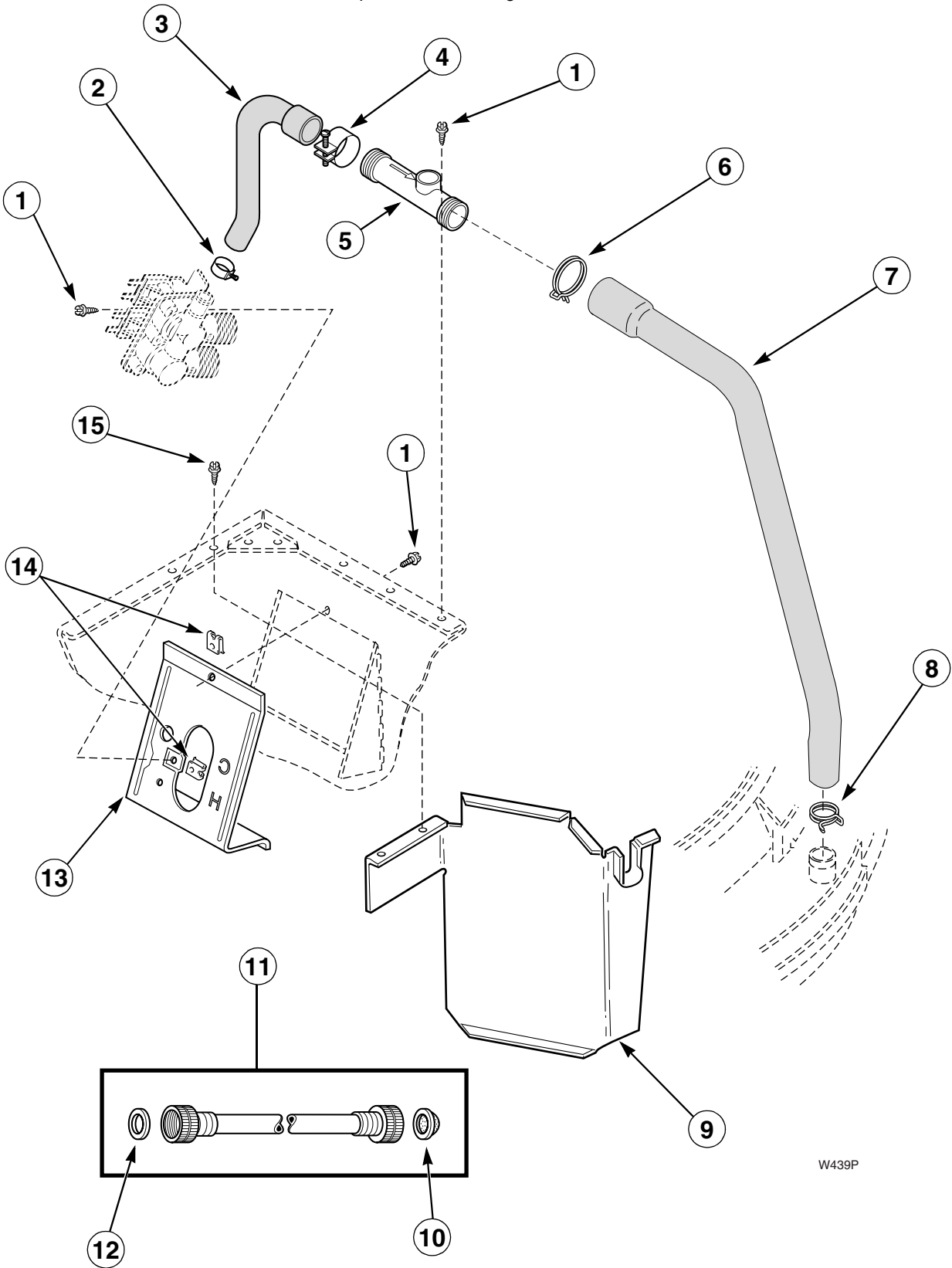
Model NA2110 Starting Serial Number R1624440YK

REF	PART NO.	DESCRIPTION	COMMENTS
1	33930	Mixing Valve Assembly	
2	23962	Screw	
3	33930A	Solenoid	
4	36801	Hose Clamp	
5	27183	Hose	
6	20211	Hose Clamp	
7	34208	Backflow Preventer	N/A
8	33186	Hose	
9	35370	Hose Clamp	
10	29210	Hose Clamp	
11	28605	Filter Washer	
12	28330P	Inlet Hose	
13	20290	Hose Washer	
14	39407	Mixing Valve Mounting Bracket	

N/A = Part no longer available

Inlet Hose, Filler Hose, Back Flow Preventer and Mixing Valve Mounting Bracket

All Models Except NA2110 Starting Serial No. R1624440YK



W439P

Inlet Hose, Filler Hose, Back Flow Preventer and Mixing Valve Mounting Bracket

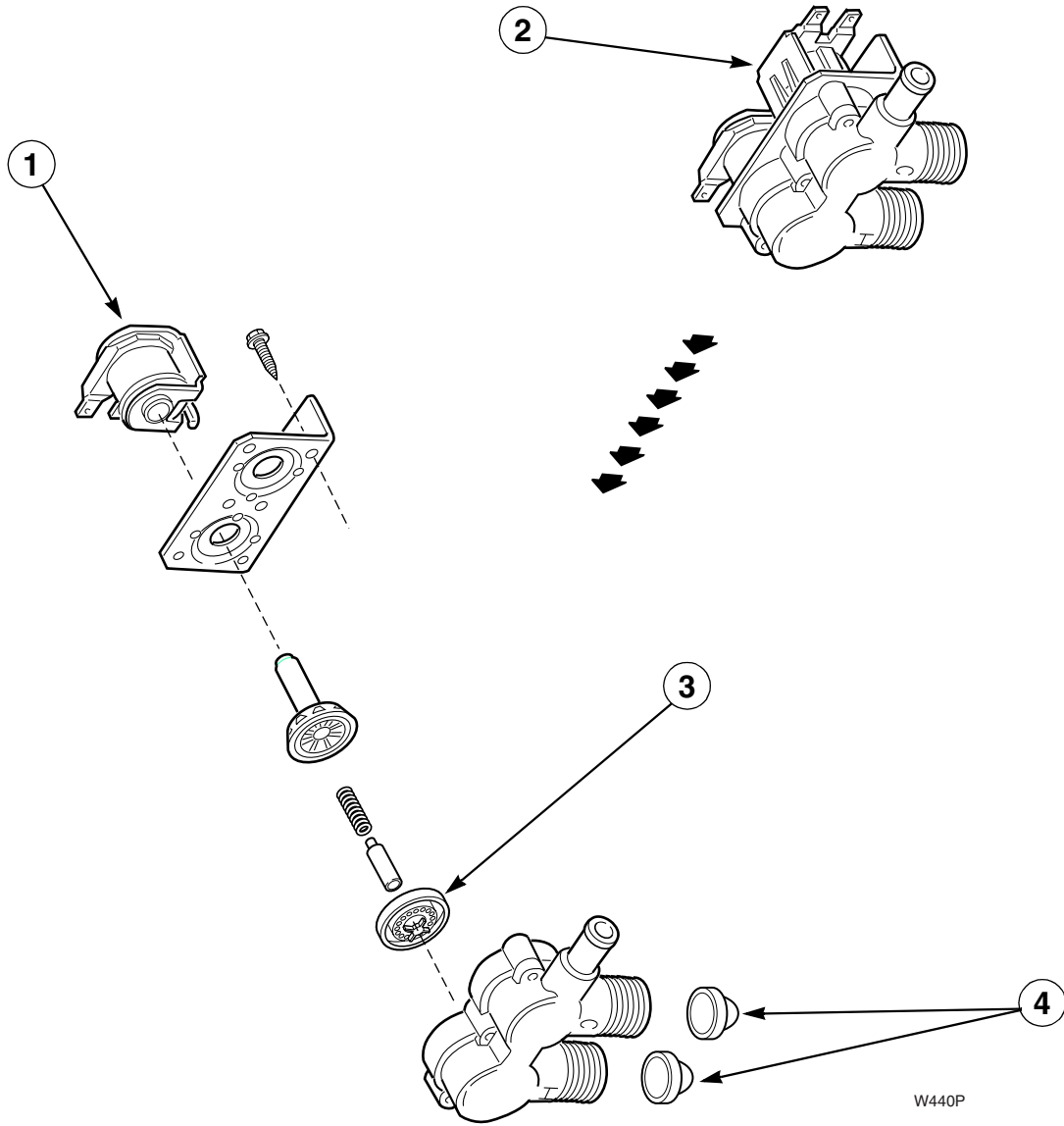
All Models Except NA2110 Starting Serial No. R1624440YK

REF	PART NO.	DESCRIPTION	COMMENTS
1	23962	Ground Screw	
2	36801	Hose Clamp	
3	27183	Hose	
4	20211	Hose Clamp	
5	34208	Back Flow Preventer	
6	35370	Hose Clamp	Green
7	31140	Hose	
8	29210	Hose Clamp	Red
9	33098	Mixing Valve Guard	Starting with Serial No. R1339650XG and continuing through R1566483YG; N/A
10	28605	Filter Washer	N/A
11	28330P	Inlet Hose	
12	20290	Hose Washer	
13	39407	Mixing Valve Mounting Bracket	Replaces Part No. 27126
14	54038	Speed Nut	Use with Part No. 27126 Mixing Valve Bracket; N/A
15	33561	Screw	

N/A = Part no longer available

Mixing Valve Assembly

Elbi Company



Mixing Valve Assembly

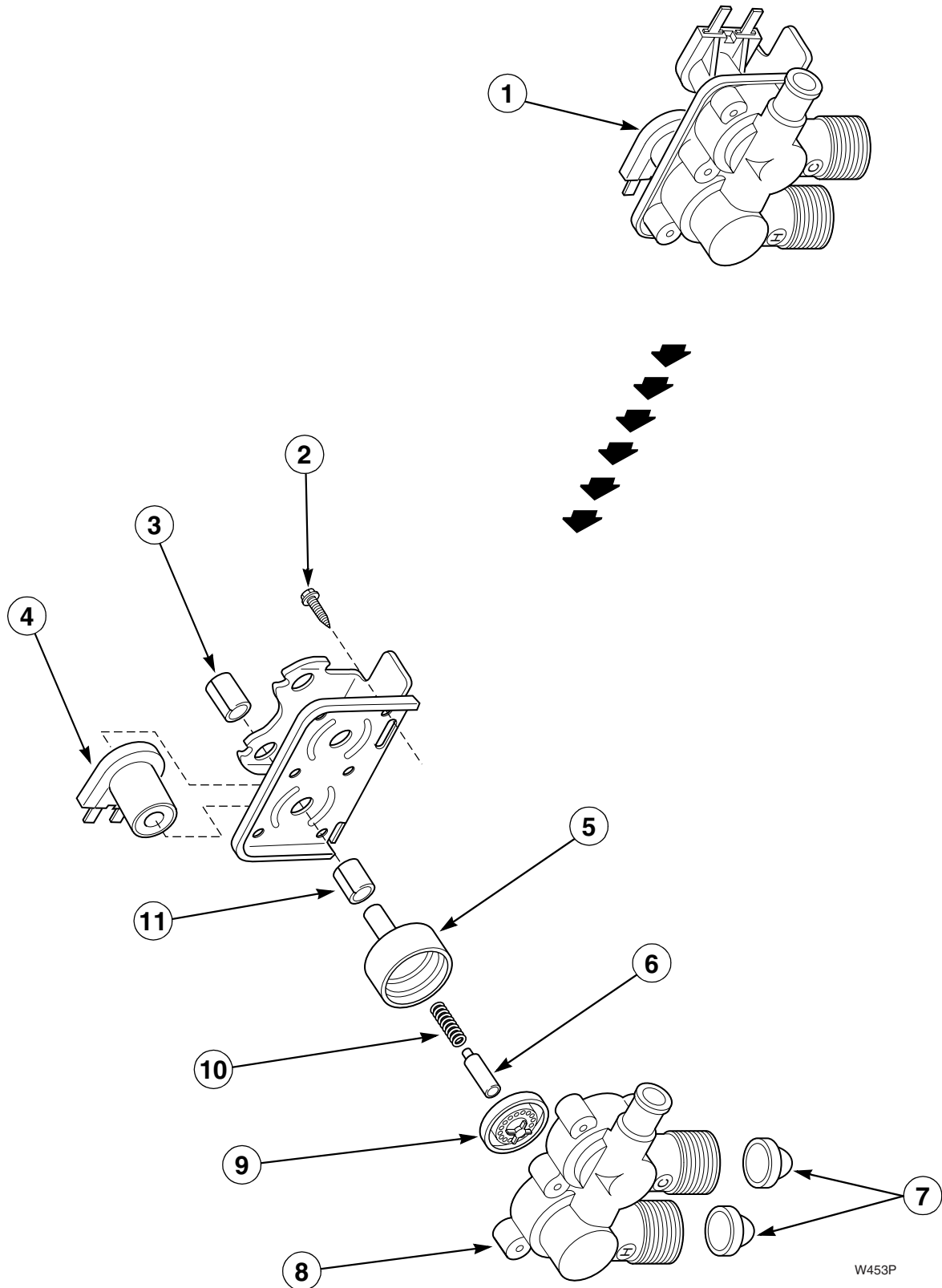
Elbi Company

REF	PART NO.	DESCRIPTION	COMMENTS
1	33084	Solenoid	N/A
2	33930	Mixing Valve Assembly	
3	33079	Diaphragm	
4	F270200	Inlet Screen	

N/A = Part no longer available

Mixing Valve Assembly

Dole or Eaton Company



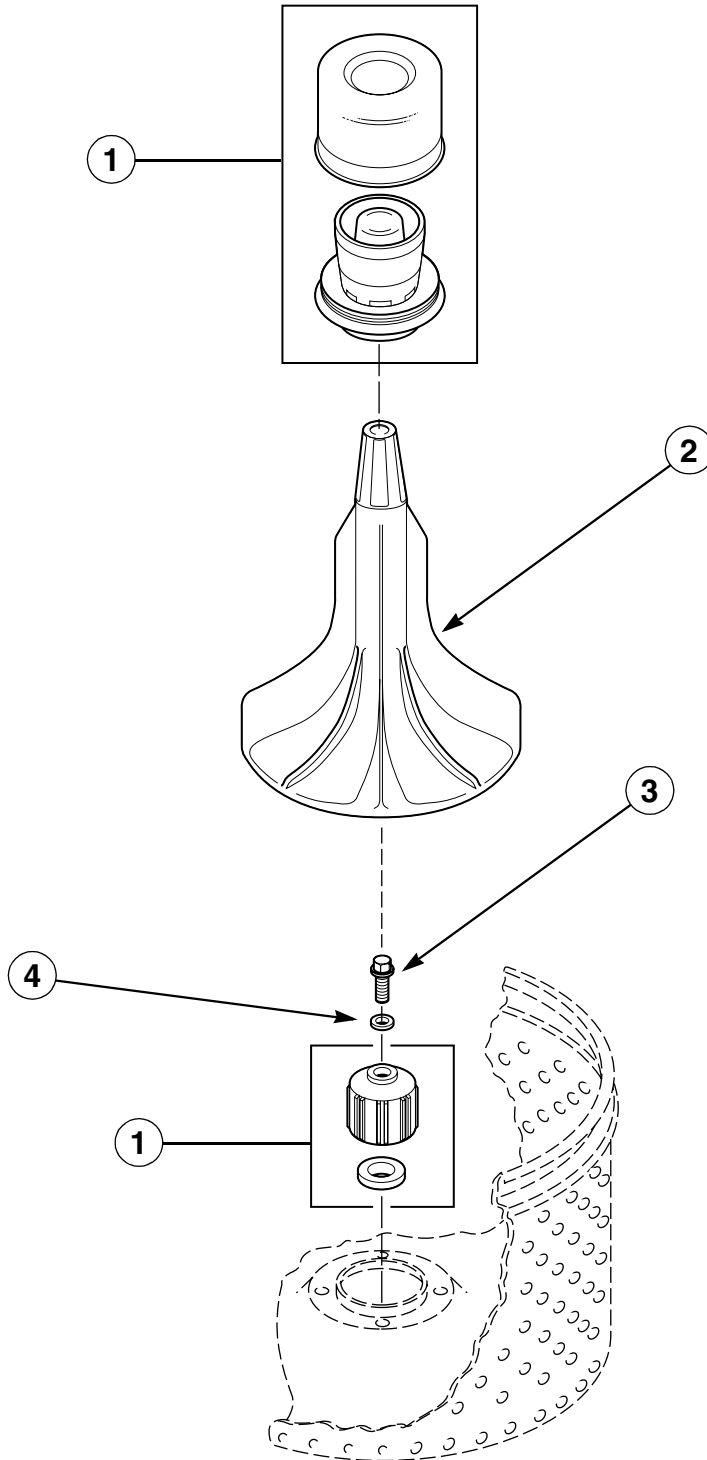
Mixing Valve Assembly

Dole or Eaton Company

REF	PART NO.	DESCRIPTION	COMMENTS
1	33930	Mixing Valve Assembly	
2	25817C	Screw	N/A
3	24128	Sleeve	Long; N/A
4	33930A	Solenoid	
5	24130	Armature Guide	N/A
6	24132	Armature	N/A
7	F270200	Inlet Screen	
8	24159	Valve Body	Yellow; N/A
9	24134	Diaphragm	N/A
10	24131	Spring	N/A
11	24129	Sleeve	Short; N/A

N/A = Part no longer available

Agitator, Drive Bell and Seal Kit



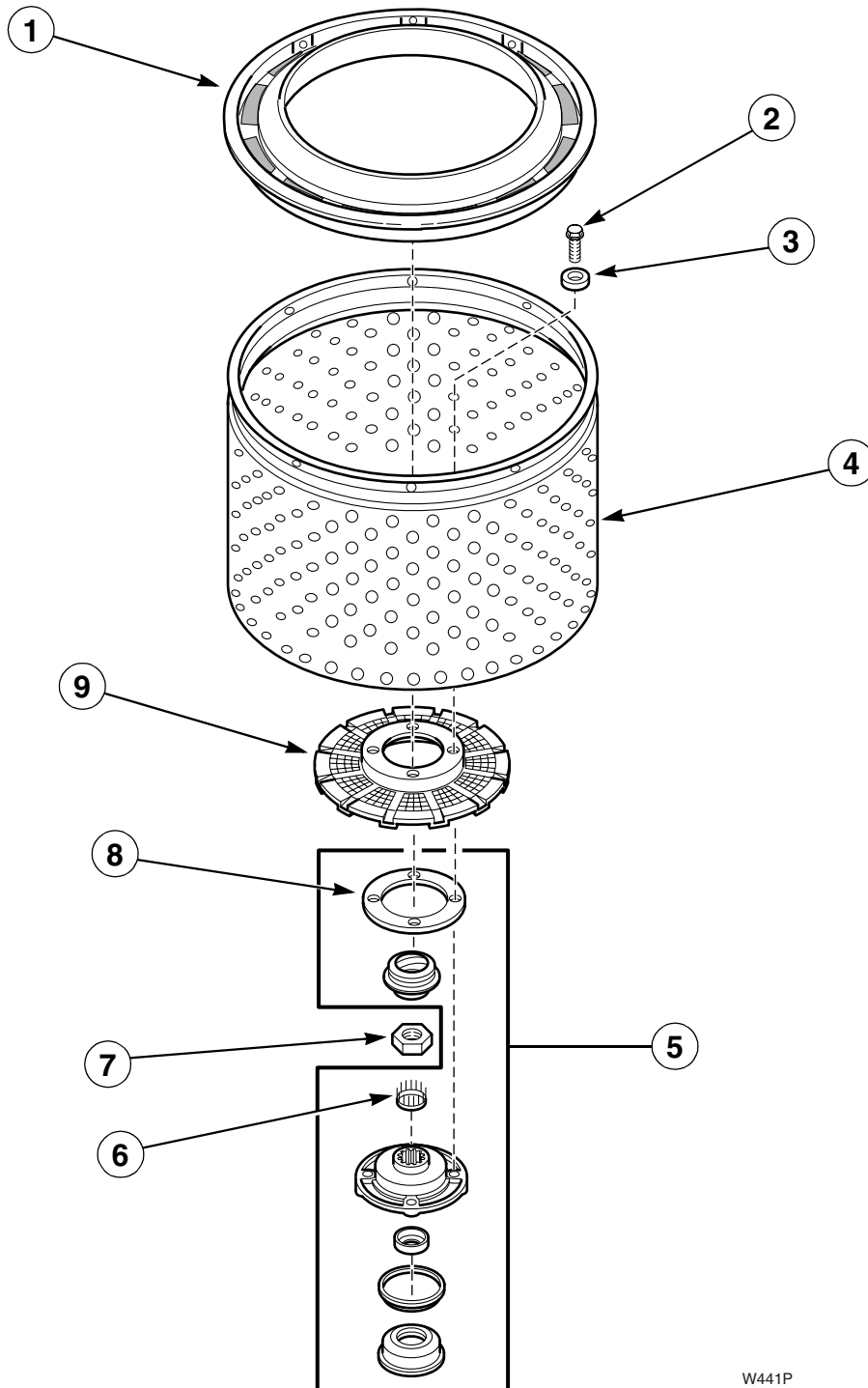
W215P

Agitator, Drive Bell and Seal Kit

REF	PART NO.	DESCRIPTION	COMMENTS
	39508P	Drive Bell and Seal Kit	Includes seal head, seal seat and items 3, 4 and 5
1	33510	Fabric Softener Dispenser	Optional on some models
2	33513	Agitator	Model NA2110 starting serial number R1624440YK
	33514	Agitator	All other models
3	30852	Screw	N/A
4	30853	O-Ring Washer	N/A

N/A = Part no longer available

Lint Filter, Washtub and Hub



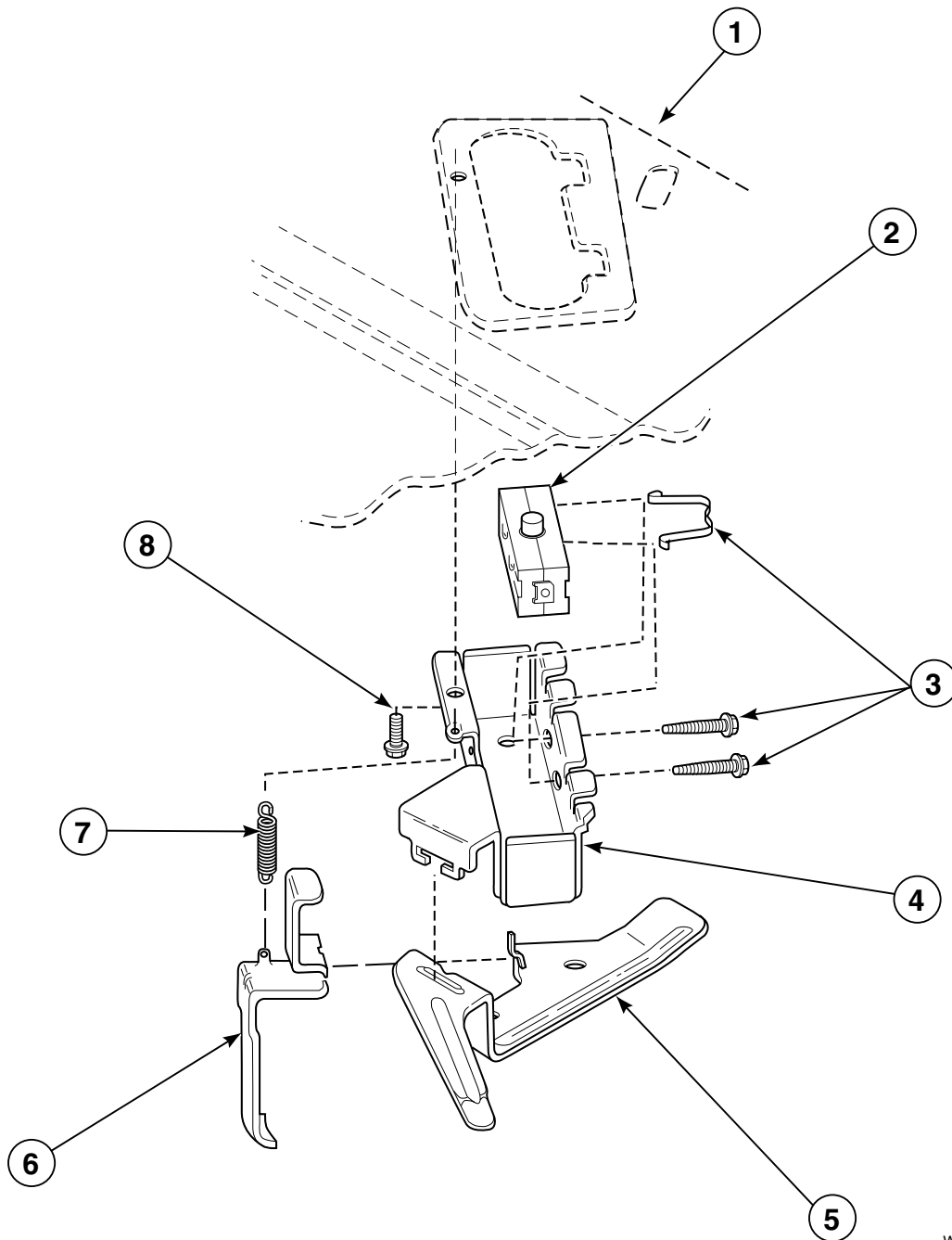
W441P

Lint Filter, Washtub and Hub

REF	PART NO.	DESCRIPTION	COMMENTS
	35035	Clothes Guard	Model NA2110 starting Serial Number R6124440YK
1	33521	Lint Filter	All other models
2	27202	Cap Screw	
3	28094	Gasket	
4	39248P	Washtub	Models NA6532, NA6522, NA6332, AA5221, AA5220, NA4522, AA4212, NA3612, NA3512 and NA3312
	39252P	Washtub	All porcelain tub models
	39387P	Washtub	Stainless steel tub models
5	495P3	Hub and Seal Kit	Replaces 441P3; Includes Part No. 27184 Cover Gasket and 442P3 Drive Bell Seal Kit
6	29728	Spline Insert	
7	29220	Locknut	
8	39122	Gasket	All NA2110 models and all other models through Serial No. R1438801XN
9	38371	Lint Filter	All other models starting with Serial No. R1438802XN

Out-of-Balance Switch

Model NA2110 Starting Serial Number R1624440YK



W209PZ3A

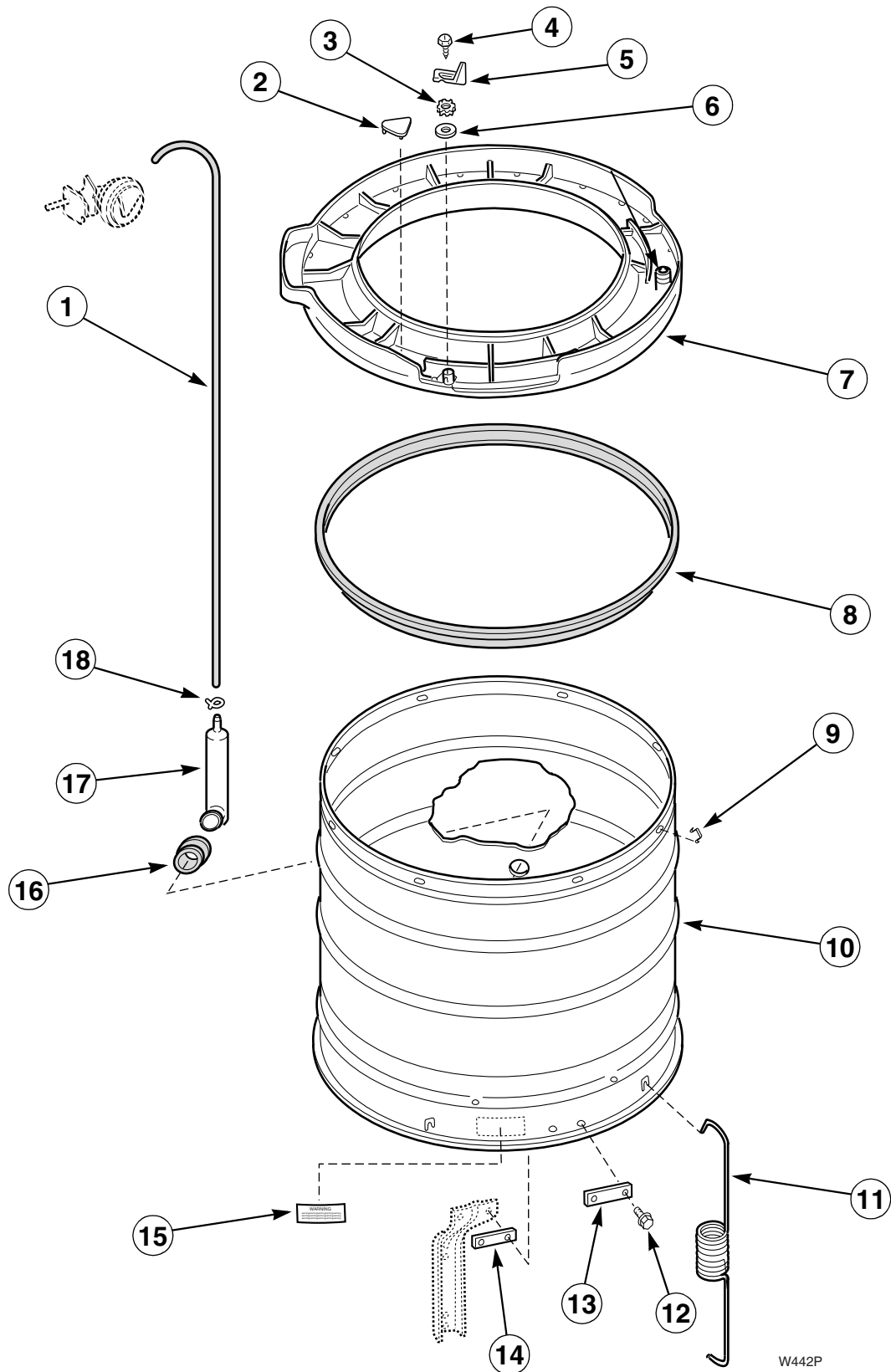
Out-of-Balance Switch

Model NA2110 Starting Serial Number R1624440YK

REF	PART NO.	DESCRIPTION	COMMENTS
1	34902*P	Cabinet Top	
2	33445	Switch	
3	33433	Clip	Use with Switch Holder 33440
	36510	Screw	Use with Switch Holder Kit 36497P
4	36497P	Switch Holder Kit	Replaces Switch Holder 33440
5	33441	Actuator Arm	
6	33442	Lever	
7	33443	Spring	
8	23962	Screw	

* Add Letter To Designate Color. L – Almond W – White

Outer Tub, Cover and Pressure Hose



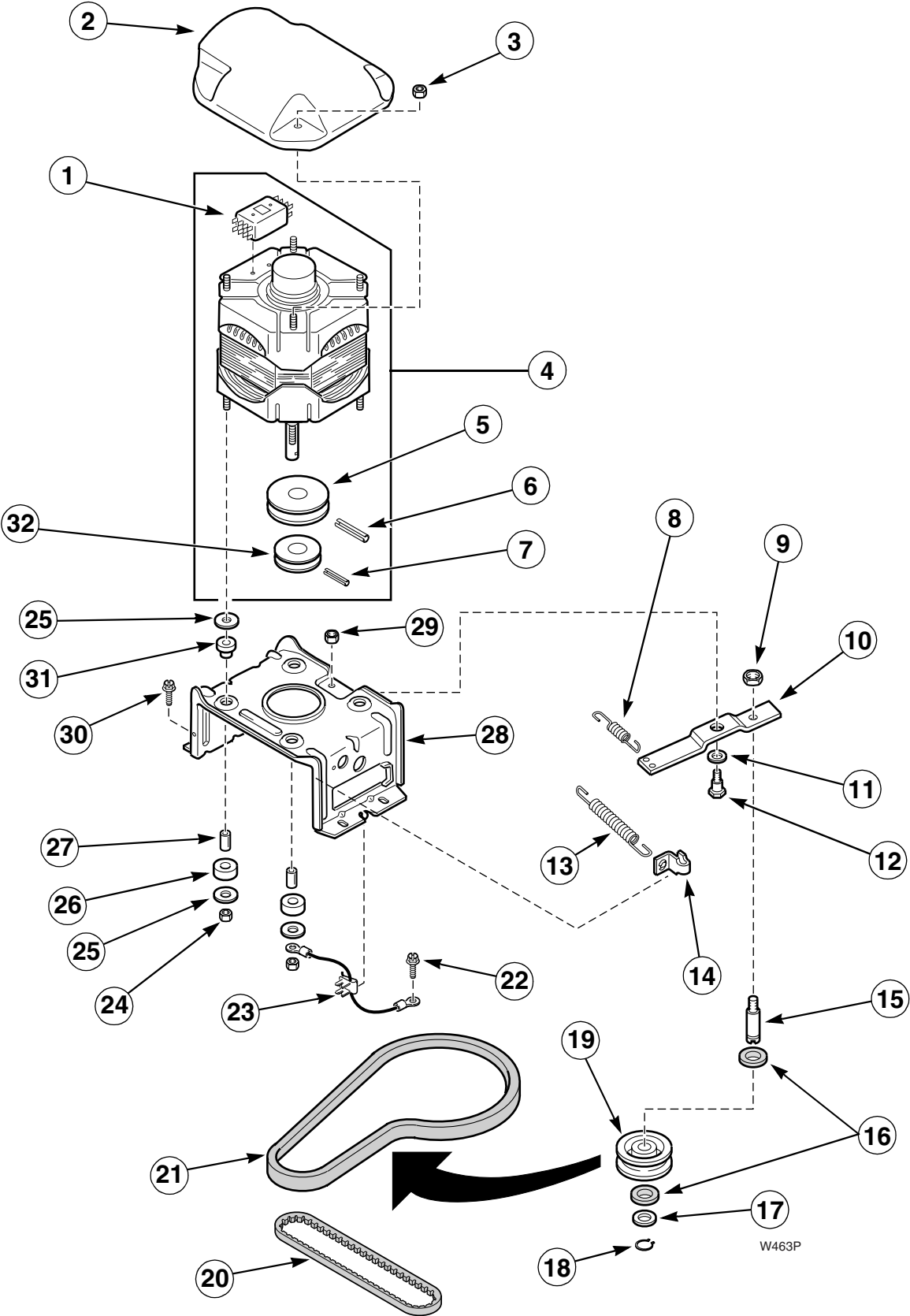
W442P

Outer Tub, Cover and Pressure Hose

REF	PART NO.	DESCRIPTION	COMMENTS
1	39125	Pressure Hose	
2	29901	Plug	
3	03815	Lockwasher	
4	503661	Screw	
5	27247	Washer	N/A
6	23425	Washer	N/A
7	31153	Outer Tub Cover	Includes item 2; All other models
8	32857	Cover Gasket	Model NA2110 starting Serial Number R1624440YK
	27184	Cover Gasket	Included with Part No. 495P3 Hub and Seal Kit; All other models
9	27017	Spring Clip	
10	507P3	Outer Tub	Models AA3111, AA3110, NA2510, NA2310 and NA2110; All other models starting with Serial No. R1438802XN
	30508	Outer Tub	All other models through Serial No. R1438801XN
11	27239	Centering Spring	
12	35369	Screw and Lockwasher	
13	27926	Leg Plate	.063 inches thick
14	27927	Leg Plate	.032 inches thick
15	27195	Sticker	N/A
16	29175	Grommet	
17	30907	Pressure Accumulator	
18	39282	Hose Clamp	

N/A = Part no longer available

Motor, Mounting Bracket, Belts and Idler Assembly

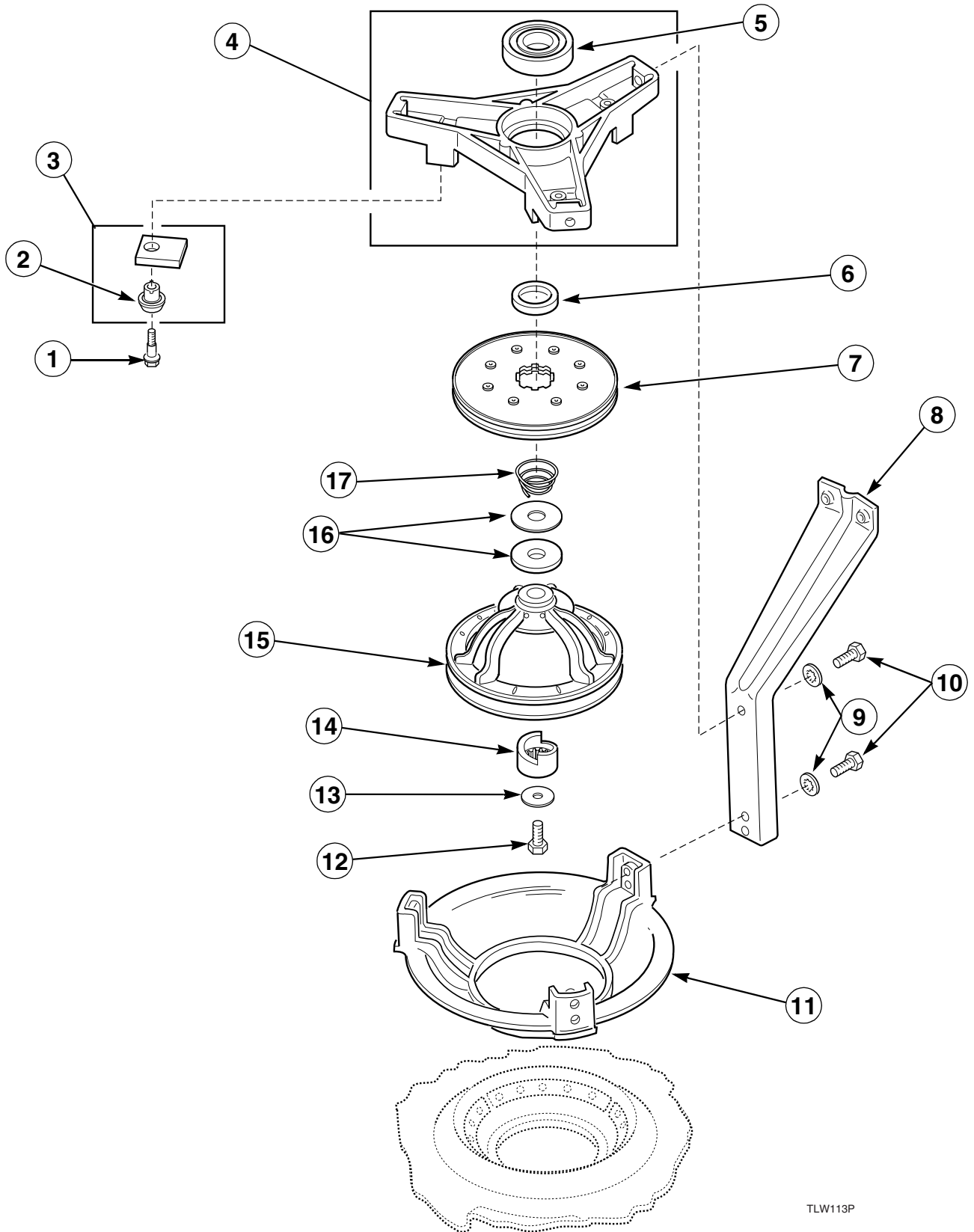


Motor, Mounting Bracket, Belts and Idler Assembly

REF	PART NO.	DESCRIPTION	COMMENTS
	258P3	Capacitor Kit	For use in areas where low voltage exists
1	24139	Motor Switch	For Emerson Motor No. 30895
	24140	Motor Switch	For Emerson Motor No. 30897
	30895A	Motor Switch	For General Electric Motor No. 30895
	30897AP	Motor Switch	For General Electric Motor No. 30897
2	27136	Motor Shield	
3	27201	Locknut	
4	27658P	Motor Assembly	1 Speed; 120 Volt/60 Hertz/1 Phase
	27179P	Motor Assembly	2 Speed; 120 Volt/60 Hertz/1 Phase
5	27171	Motor Pulley	N/A
6	23750	Roll Pin	N/A
7	10416	Roll Pin	
8	30620	Helper Spring	
9	28803	Locknut	
10	31054	Idler Lever	
11	81392	Washer	
12	27229	Shoulder Bolt	
13	37366	Spring	
14	28849	Clip	
15	28802	Idler Shaft	
16	29443	Felt Washer	
17	52549	Washer	Nylatron
18	23748	Retainer Ring	
19	28800	Idler Pulley	
20	27155	Belt	Pump
21	28808	Belt	Agitate and spin
22	52909	Hex Head Screw	
23	00161	Ground Clip	
24	23604	Locknut	
25	03888	Washer	
26	01953	Rubber Motor Mount	Lower; N/A
27	27181	Spacer	N/A
28	28791	Motor Mounting Bracket	
29	52566	Locknut	
30	503661	Screw	
31	01952A	Rubber Motor Mount	Upper; N/A
32	27104	Motor Pulley	Pump

N/A = Part no longer available

Bearing Housing, Brake, Pulley and Pivot Dome

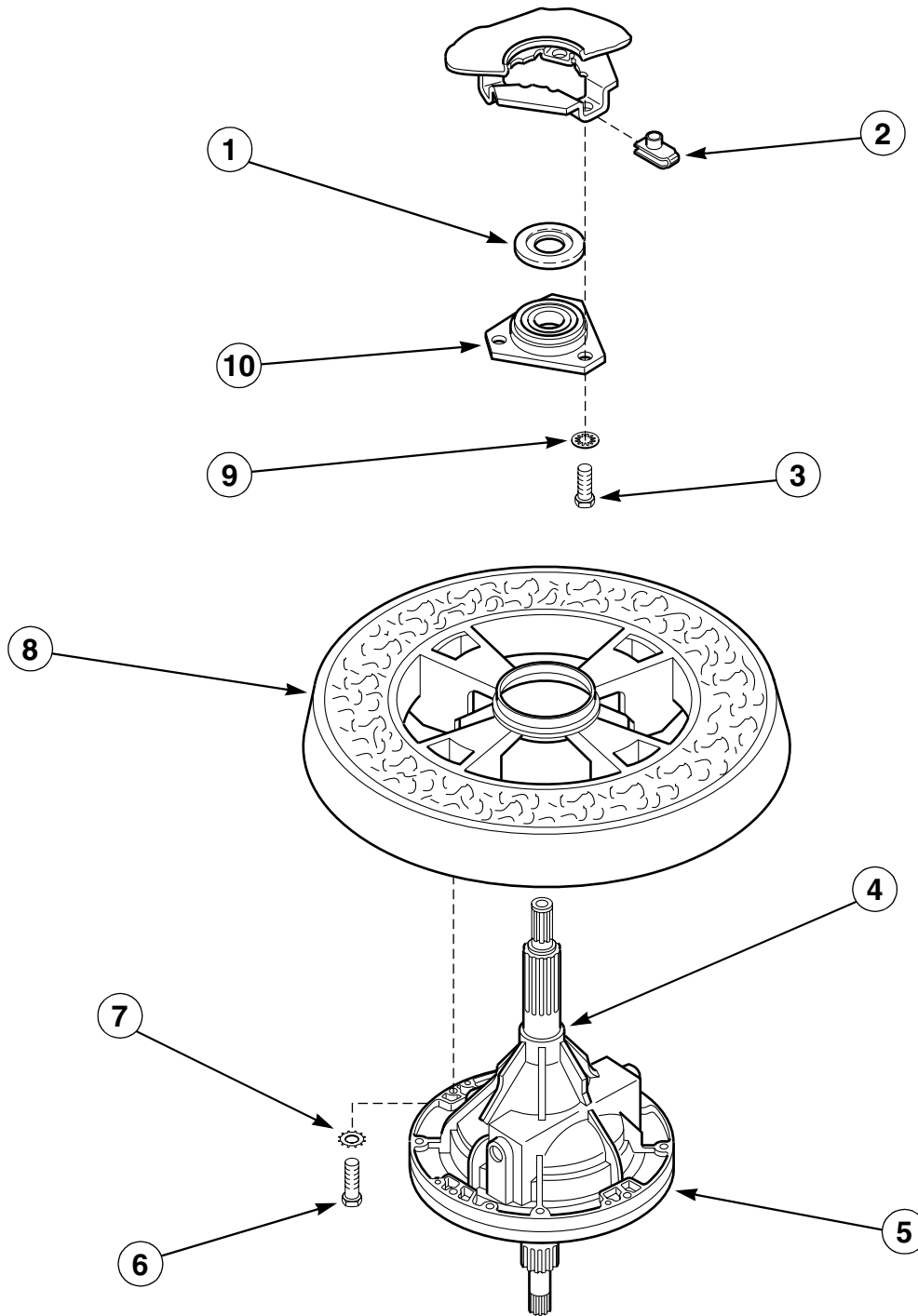


TLW113P

Bearing Housing, Brake, Pulley and Pivot Dome

REF	PART NO.	DESCRIPTION	COMMENTS
1	26547	Shoulder Screw	
2	29993	Sleeve	
3	548P3	Brake Pad Kit	Includes 3 pads and sleeves
4	35746	Bearing Housing Assembly	
5	28944R	Bearing	
6	27176	Spacer	Use with item 7
7	38505P	Brake Assembly	
8	27090	Support Leg	
9	04366	Lockwasher	
10	35369	Screw	
11	27124	Pivot Dome	
12	27220	Screw	
13	26509	Washer	
14	27018	Helix	
15	34232P	Pulley Assembly	
16	32651	Washer	Replaced 27015
17	33435	Spring	

Transmission Assembly and Balance Ring



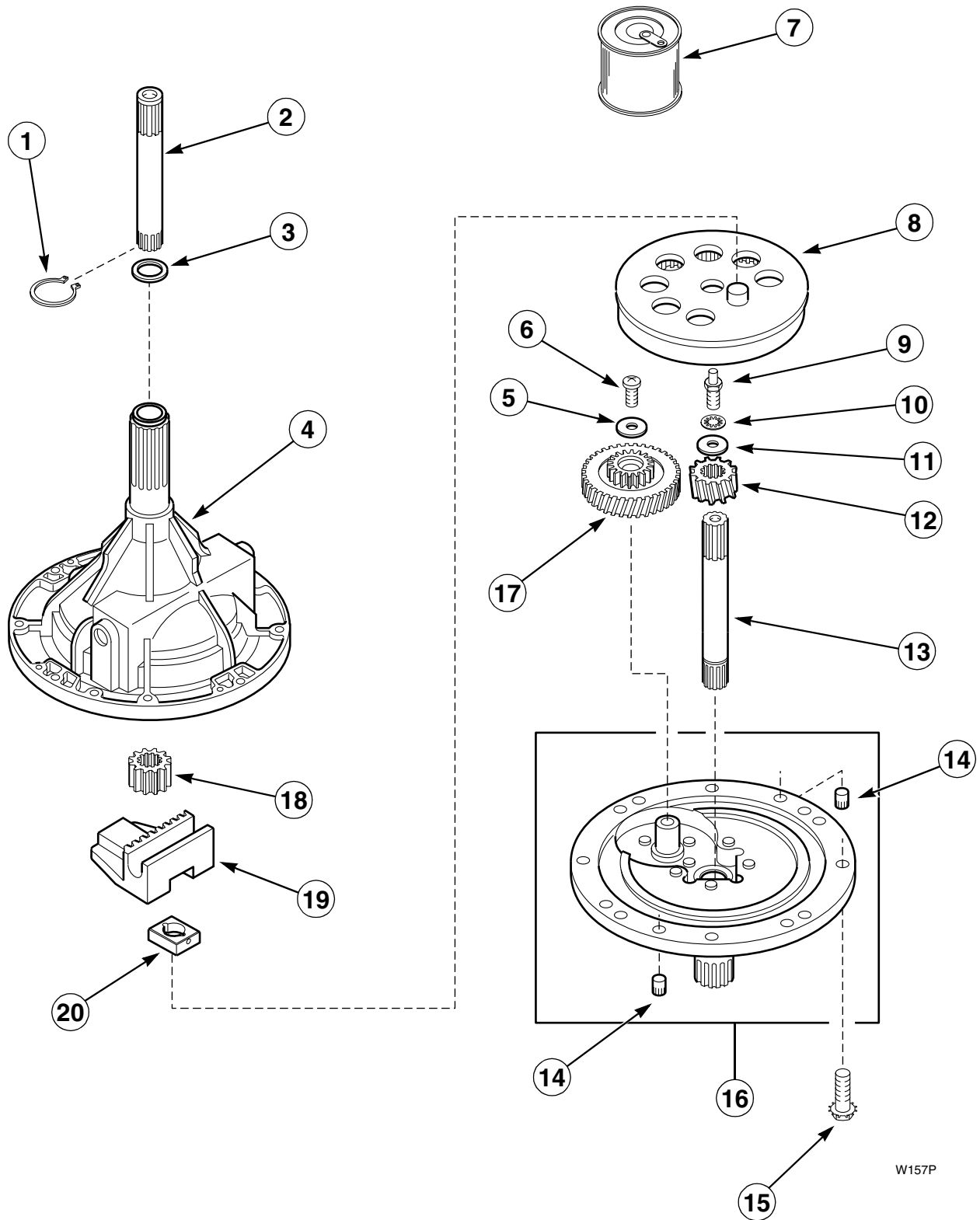
W156P

Transmission Assembly and Balance Ring

REF	PART NO.	DESCRIPTION	COMMENTS
1	27187	Flinger	
2	27222	Retainer Nut	Included with outer tub
3	M400057	Cap Screw	
4	27604P	Anti-Seize Compound	Apply to this area of both the upper and lower transmission tubes
5	33227P	Transmission Assembly	Replaces Part No. 30978
6	27200	Cap Screw	N/A
7	02431	Lockwasher	
8	34731	Balance Ring	
9	04366	Lockwasher	
10	27182	Bearing Housing Assembly	Upper

N/A = Part no longer available

Components for 33227P Transmission Assembly



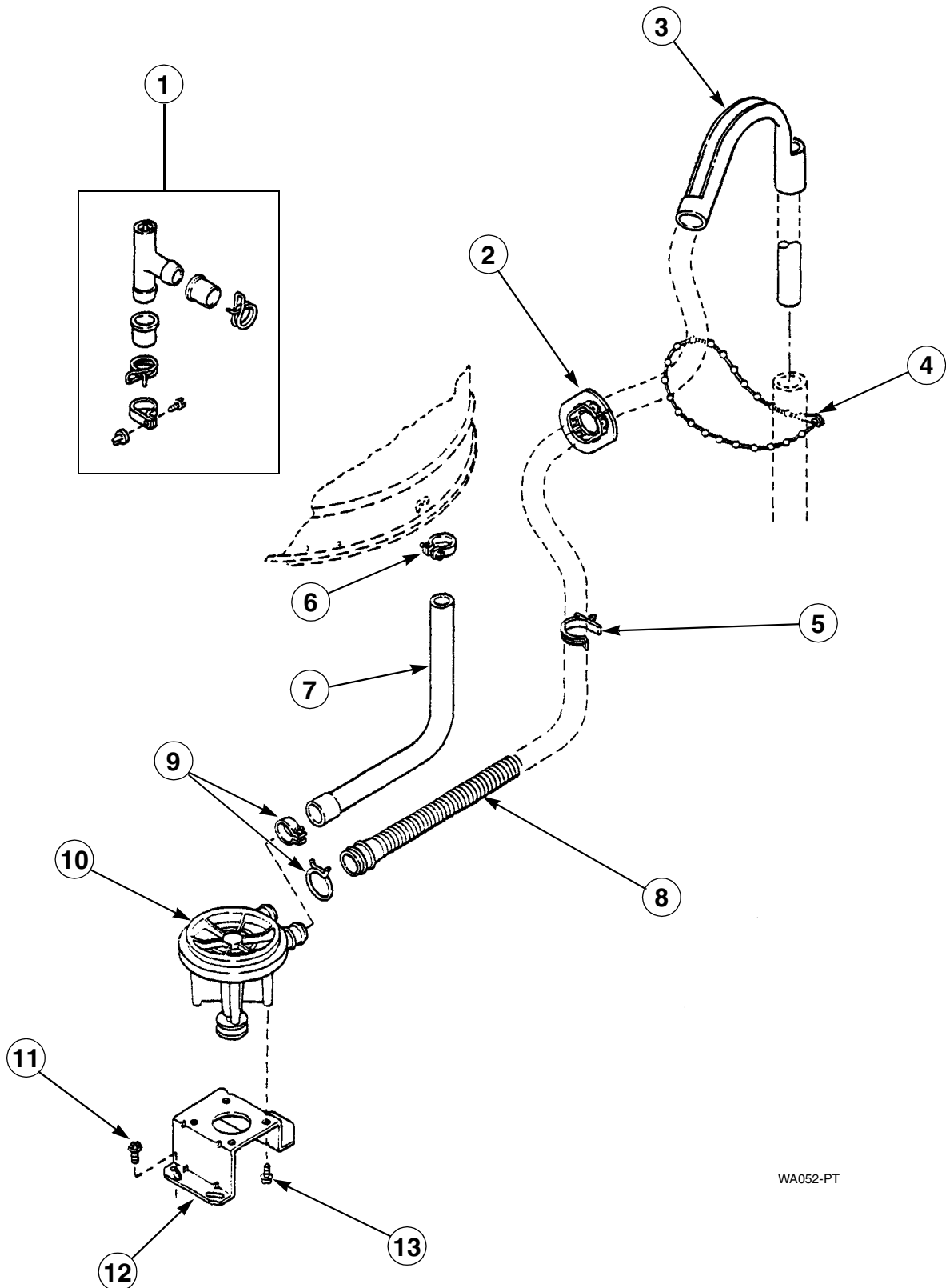
W157P

Components for 33227P Transmission Assembly

REF	PART NO.	DESCRIPTION	COMMENTS
	37577P	Loctite	Use as a sealant between transmission case and cover
1	27197	Retainer Ring	
2	36570	Output Shaft	
3	20212	Washer	
4	33223	Transmission Case Assembly	
5	29260	Washer	
6	29273	Screw	
7	27243P	Transmission Oil	1 fill
8	26577	Internal Gear	
9	27030	Special Screw	
10	21456	Lockwasher	
11	26509	Washer	
12	36562	Drive Pinion	
13	27081	Input Shaft	
14	27172	Dowel Pin	
15	32814	Cap Screw	
16	38287P	Transmission Cover Assembly	
17	29161	Reduction Gear	
18	27003	Agitator Pinion	
19	31526	Rack	
20	26493	Slide	

Pump Assembly, Bracket, Hoses and Siphon Break Kit

Model NA2110 Starting Serial Number R612440YK



WA052-PT

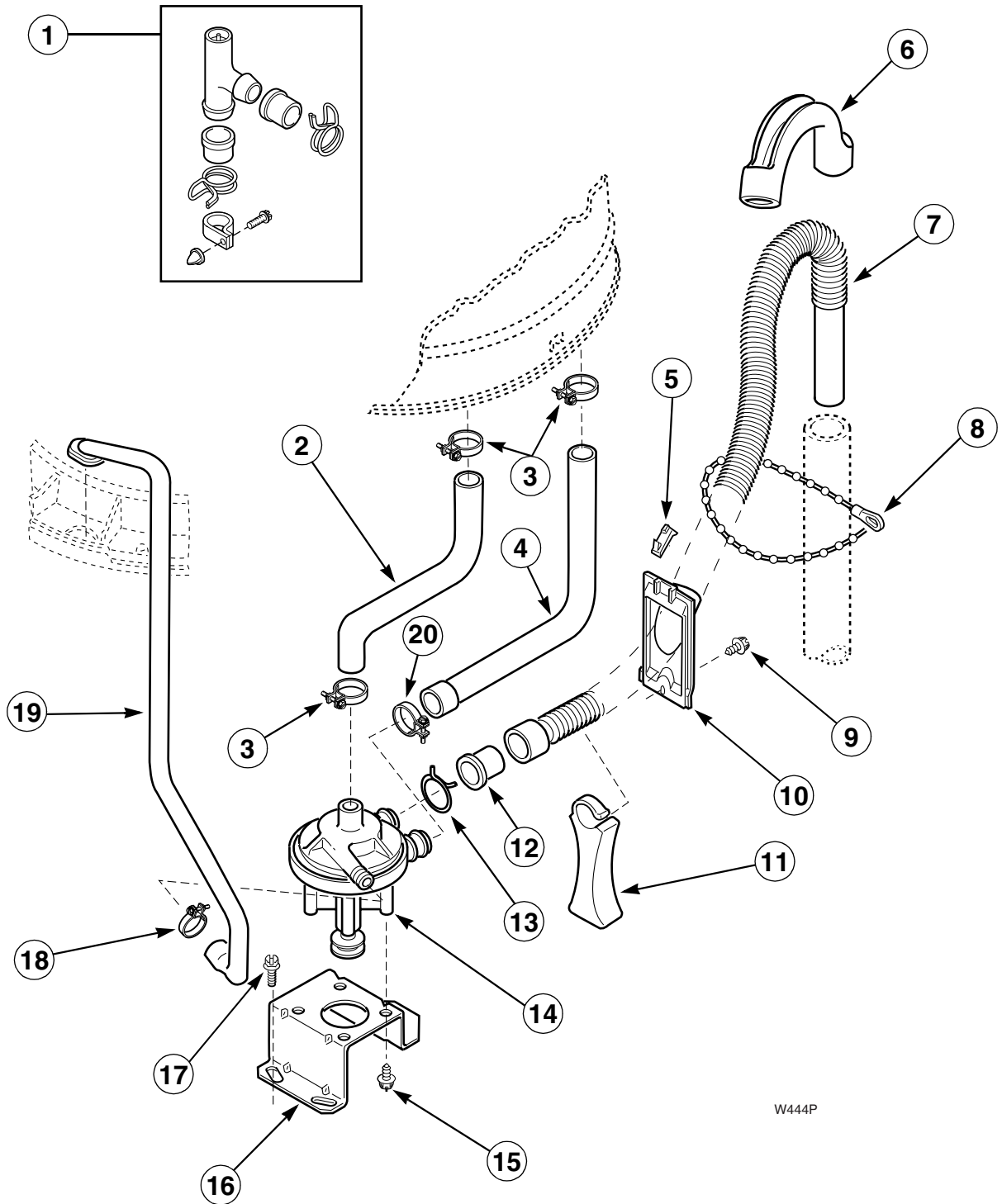
Pump Assembly, Bracket, Hoses and Siphon Break Kit

Model NA2110 Starting Serial Number R612440YK

REF	PART NO.	DESCRIPTION	COMMENTS
1	562P3	Siphon Break Kit	
2	32219	Drain Hose Strain Relief	
3	33615	Drain Hose Sleeve	
4	33489	Beaded Strap	
5	34321	Hose Retainer Clip	
6	20391	Hose Clamp	
7	27160	Hose	
8	39953	Drain Hose	
9	20211	Hose Clamp	
10	31969	Pump Assembly	
11	503661	Screw	
12	27105	Mounting Bracket	
13	31098	Screw	

Pump Assembly, Bracket, Hoses and Siphon Break Kit

All Models Except NA2110 Starting Serial Number R1624440YK



W444P

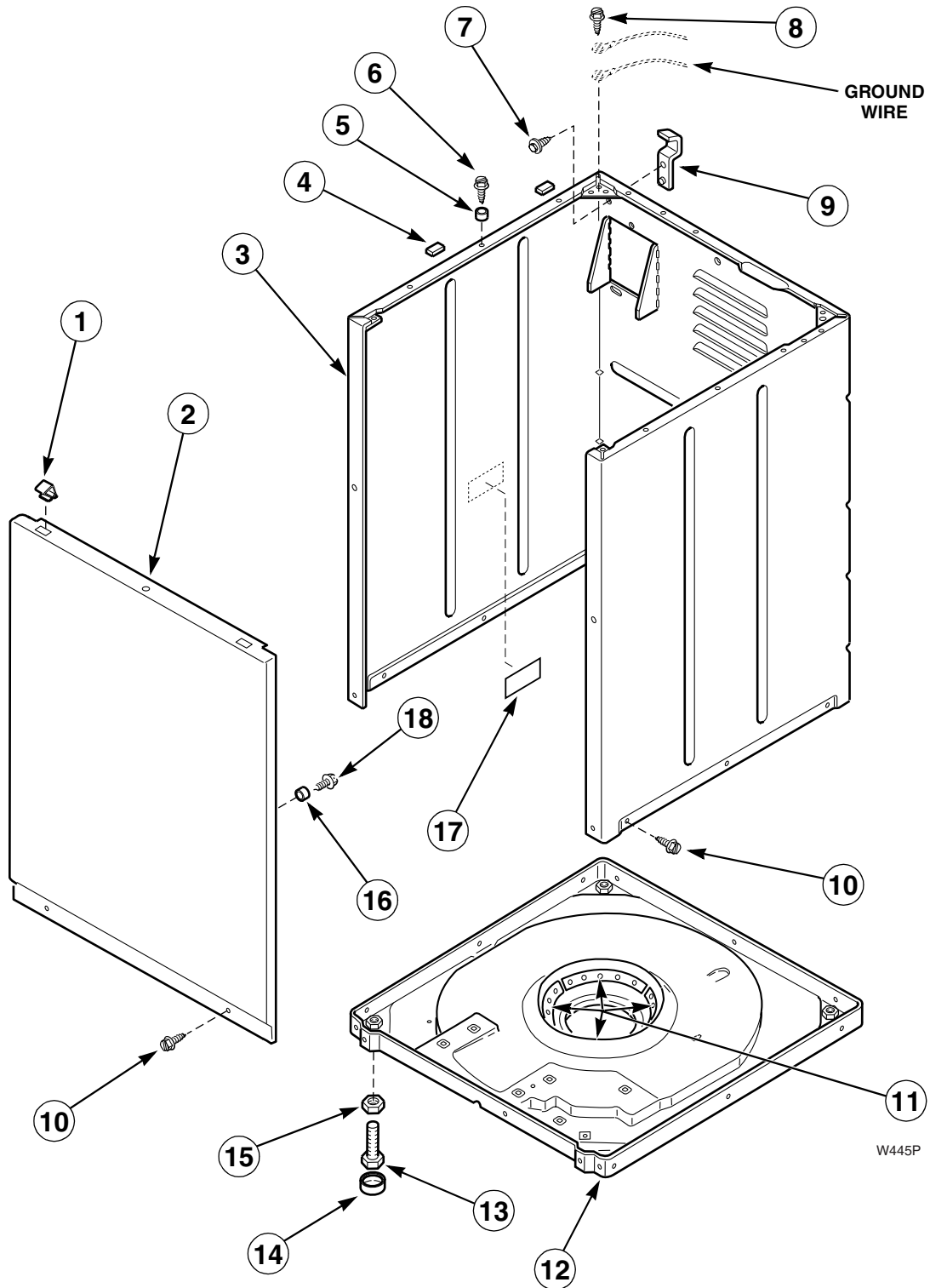
Pump Assembly, Bracket, Hoses and Siphon Break Kit

All Models Except NA2110 Starting Serial Number R1624440YK

REF	PART NO.	DESCRIPTION	COMMENTS
	406P3	Drain Extension Kit	Use with Part No. 20616 Drain Hose; Order by the foot, as required
1	562P3	Siphon Break Kit	Must be installed in drain hose if the drain receptacle is lower than the cabinet top of the washer; N/A
2	27159	Hose	Used through Serial No. R1438801XN; Not used on models AA3111, AA3110, NA2510, NA2310 and NA2110
3	20391	Hose Clamp	
4	27160	Hose	
5	29936	Hose Retainer Clip	N/A
6	29144	Drain Hose Sleeve	N/A
7	39952	Drain Hose	
8	33489	Beaded Tie-Down Strap	Replaces 29999
9	27196	Screw	
10	29131	Hose Retainer	Mounts to rear of washer; N/A
11	29284	Hose Support	Mounts to base of washer; N/A
12	29143	Hose Adapter	N/A
13	29172	Hose Clamp	N/A
14	31969	Pump Assembly	Models AA3111, AA3110, NA2510, NA2310 and NA2110; All other models starting with Serial No. R1438802XN
	31968	Pump Assembly	All other models through Serial No. R1438801XN
15	31098	Screw	
16	27105	Mounting Bracket	
17	503661	Screw	
18	27644	Hose Clamp	
19	27232	Recirculating Hose	Used through Serial No. R1438801XN; Not used on models AA3111, AA3110, NA2510, NA2310 and NA2110; N/A
20	20211	Hose Clamp	

N/A = Part no longer available

Front Panel, Cabinet and Base



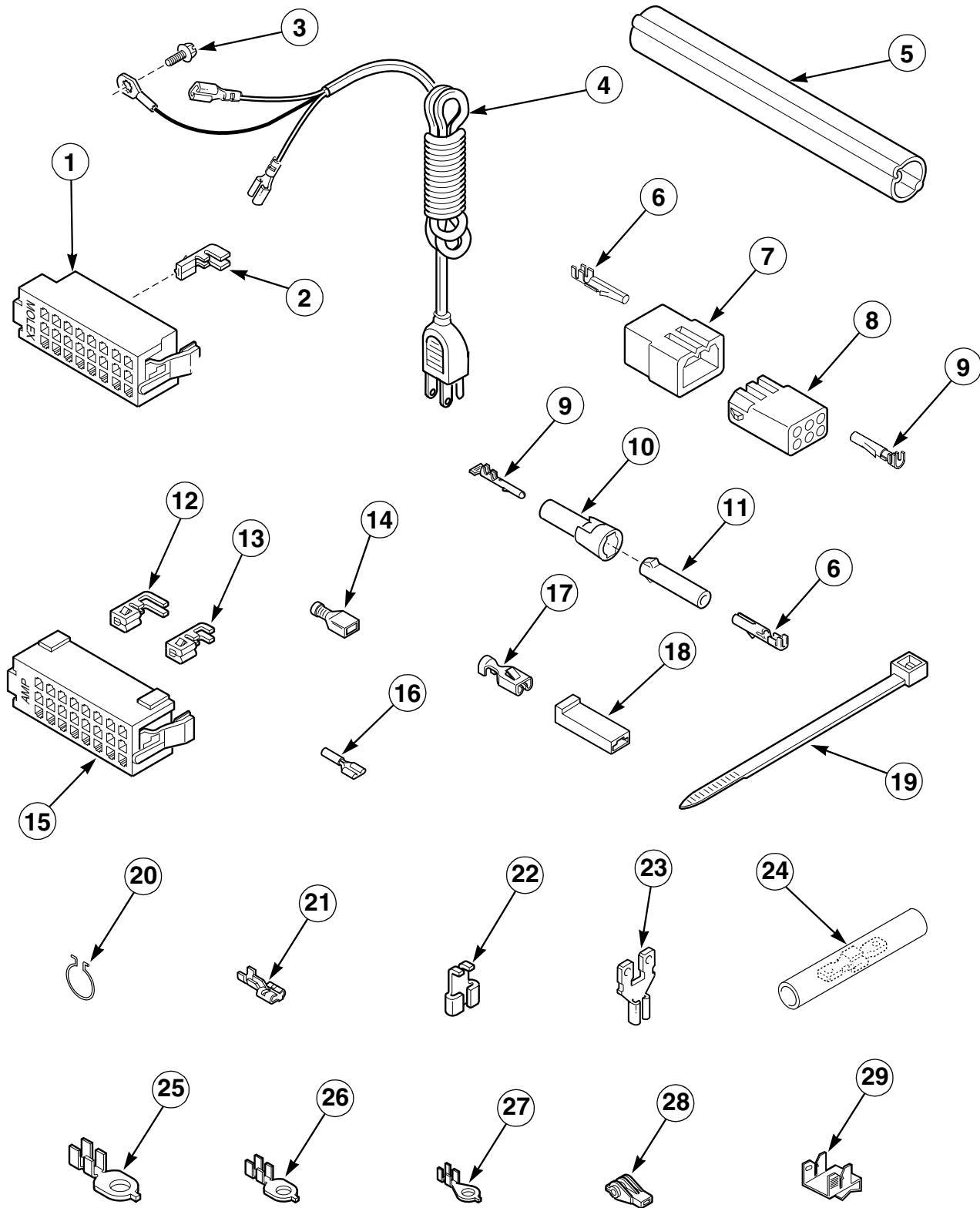
Front Panel, Cabinet and Base

REF	PART NO.	DESCRIPTION	COMMENTS
	26594P	Silicone Lubricant	For pads in base
1	28835	Hold-Down Clip	
2	32708*	Front Panel	
3	38612*P	Cabinet	
4	56128	Bumper Pad	
5	56079	Guide Lug	
6	32671	Screw	
7	51780	Screw	
8	23962	Screw	
9	27103	Hinge	
10	27196	Screw	
11	434P3	Snubber Pad Kit	Includes 4 pads
12	31653P	Base Assembly	Includes snubber pads and leveling legs
13	34319	Leveling Leg	
14	21749	Rubber Pad	
15	21899	Locknut	
16	28102	Guide Lug	
17	33285	Double-Sided Tape	N/A
18	32671	Screw	

* Add letter to designate color: **L - Almond** **W - White** **H - Harvest Gold**

N/A = Part no longer available

Power Cord and Wire Terminals



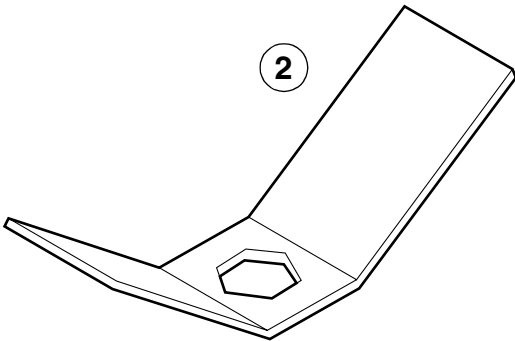
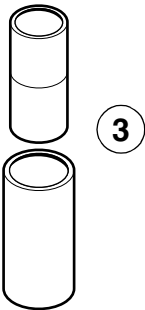
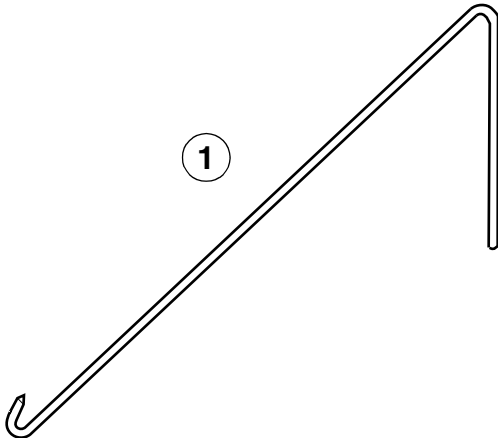
W446P

Power Cord and Wire Terminals

REF	PART NO.	DESCRIPTION	COMMENTS
1	32746	Molex Housing	Right
	34123	Molex Housing	Left
2	00188	Molex Terminal	Used for 1 or 2 wire application
3	52909	Ground Screw	
4	34458	Power Cord and Plug	
5	33087	Wire Harness Enclosure	Starting with Serial No. R1339650XG and continuing through R1566483YG; N/A
6	00116	Terminal	Male
7	23041	Terminal Block	
8	26708	Terminal Block	
9	00117	Terminal	Female
10	26302	Terminal Block Plug	
11	26301	Terminal Block Receptacle	
12	00183	Amp Terminal	2 wire
13	00180	Amp Terminal	1 wire
14	00165	Insulated Spade Terminal	3/16 inch
	00234	Insulated Spade Terminal	1/4 inch
15	28856	Amp Housing	
16	00214	Barrel Insulated Spade Terminal	18 gauge
	00215	Barrel Insulated Spade Terminal	12 gauge
17	00115	Lock-In Spade Terminal	
18	90789	Connector	
19	55881	Wire Tie	
20	51291	Wire Clip	
21	00223	Spade Terminal	1/4 inch; (1) 18 gauge wire
	00121	Spade Terminal	1/4 inch; (2) 18 gauge wires or (1) 12 gauge wire
22	00120	Right Angle Flag Terminal	
23	29673	Double Connector	
24	21091	Connector	
25	00113	Eyelet Terminal	1/4 inch ring
26	00111	Eyelet Terminal	Large shank; (2) 18 gauge wires
27	00110	Eyelet Terminal	Small shank; (1) 18 gauge wire
28	70210	Plastic Insulator	
29	00161	Ground Clip	

N/A = Part no longer available

Special Tools

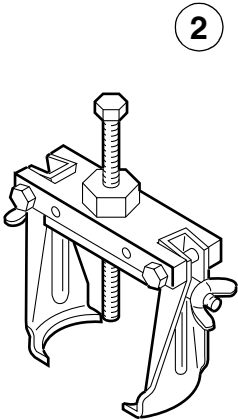
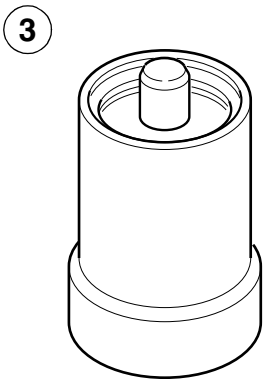
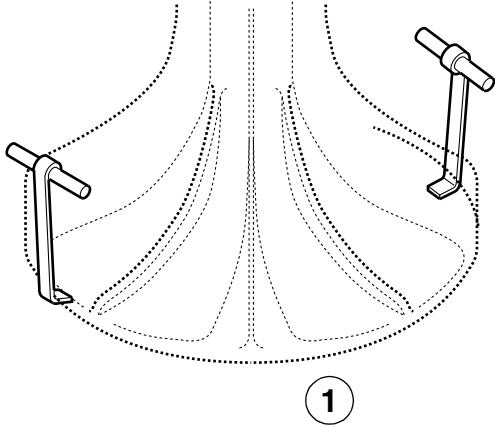


W417P

Special Tools

REF	PART NO.	DESCRIPTION	COMMENTS
1	321P4	Spring Hook	Use to remove the 5 centering springs from the outer tub
2	306P4	Hex Wrench	Use to remove hex locknut from washtub hub
3	242P4	Brake Spring Installer	Use to install brake spring

Special Tools



W488P

Special Tools

REF	PART NO.	DESCRIPTION	COMMENTS
1	254P4P	Agitator Hooks	Set of 2; Use to remove agitator from drive bell by hand
2	294P4	Bell Tool	Use to remove and install drive bell to transmission shaft
3	255P4	Seal Tool	Use to install the seal seat and the seal head; N/A

N/A = Part no longer available

Wire Harnesses

INDIVIDUAL WIRES NOT AVAILABLE SEPARATELY. ORDER COMPLETE WIRE HARNESS LISTED BELOW, OR ORDER WIRE BY THE FOOT, SEE PAGE 59					
MODEL NUMBERS	SERIAL NUMBERS	LOADING DOOR SWITCH WIRE HARNESS	MIXING VALVE WIRE HARNESS	BASE WIRE HARNESS	MOTOR WIRE HARNESS
AA9131, NA8631, NA8531, NA8331, AA7131, NA6532, NA6531, NA 6530, NA6332, NA6331, NA5531, NA5530, NA5331, NA5330, AA5121, AA5221, AA5220	through Serial No. 14N82611	33096	-	32168P	28132
	starting with Serial No. 14N82612 and continuing through Serial No. R1339649XG	33096	33828	32168P	28132
	starting with Serial No. R1339650XG	33096	33828	32168P	28132
NA7521, NA7321	through Serial No. 14N82611	N/A	-	32156P	28131
	starting with Serial No. 14N82612 and continuing through Serial No. R1339649XG	N/A	33828	32156P	28131
	starting with Serial No. R1339650XG	33094	33828	N/A	28131
NA6621, NA6522, NA6521, NA6520, NA6321, AA6121	starting with Serial No. 14N82612 and continuing through Serial No. R1339649XG	N/A	33828	32229	28131
	starting with Serial No. R1339650XG	33094	33828	33201	28131
NA5721, NA5521, NA5520, NA5321, NA5320	through Serial No. 14N82611	N/A	-	N/A	28131
	starting with Serial No. 14N82612 and continuing through Serial No. R1339649XG	N/A	33828	N/A	28131
	starting with Serial No. R1339650XG	33094	33828	33191	28131
NA4621, NA4522	starting with Serial No. 14N82612 and continuing through Serial No. R1339649XG	N/A	33828	N/A	28131
	starting with Serial No. R1339650XG	33904	33828	33191	28131
NA4521, NA4520, NA4321, NA4320	through Serial No. 43R19503	N/A	33828	N/A	28131
	starting with Serial No. 43R19504 and continuing through Serial No. R1339649XG	N/A	33828	N/A	28131
	starting with Serial No. R1339650XG	33094	33828	33191	28131
AA4111, AA4110, NA3612	starting with Serial No. 14N82611 and continuing through Serial No. R1339649XG	N/A	33828	N/A	28132
	starting with Serial No. R1339650XG	33094	33828	33194	28132
NA3520, NA3320	-	33094	33828	33192	28132
NA3512, NA3511, NA3510, NA3312, NA3311, NA3310, AA3111, AA3110, NA2510, NA2310	through Serial No. 14R82611	N/A	-	32159P	28132
	starting with Serial No. 14N82612 and continuing through Serial No. R1339649XG	N/A	33828	32159P	28132
	starting with Serial No. R1339650XG	33094	33828	N/A	28132
NA2110	through Serial No. 14N82611	N/A	-	N/A	28132
	starting with Serial No. 14N82612 and continuing through Serial No. R1339649XG	N/A	33828	N/A	28132
	starting with Serial No. R1339650XG and continuing through Serial No. R1624439YK	33094	33828	33194	28132
	starting Serial No. R1624440YK	33094	33828	34405	28132

N/A = Part no longer available

Wires

Order the individual wire color and gauge by the part number listed below. Order wire by the foot and terminals and connectors as required. It is recommended when applying terminals to wires that the terminals be soldered to the wires.

IMPORTANT: Always replace wires with proper gauge and color.

PART NUMBER	WIRE GAUGE	WIRE COLOR
45001	18 Gauge Wire	Black
45037	18 Gauge Wire	Brown/White
45066	18 Gauge Wire	Blue/Red
45083	18 Gauge Wire	Yellow/Black
45380	12 Gauge Wire	Orange

Parts Index

A

Actuator Arm	
33441	41
Agitator	
33513	37
33514	37
Agitator Hooks	
254P4P	63
Agitator Pinion	
27003	51
Amp Housing	
28856	59
Amp Terminal	
00180	59
00183	59
Anti-Seize Compound	
27604P	49
Armature	
24132	35
Armature Guide	
24130	35

B

Back Flow Preventer	
34208	31
Backflow Preventer	
34208	29
Balance Ring	
34731	49
Barrel Insulated Spade Terminal	
00214	59
00215	59
Base Assembly	
31653P	57
Beaded Strap	
33489	53
Beaded Tie-Down Strap	
33489	55
Bearing	
28944R	47
Bearing Housing Assembly	
27182	49
35746	47
Bell Tool	
294P4	63
Belt	
27155	45
28808	45
Bleach Dispenser	
34776	23, 25
Bracket	
27250	27
Brake Assembly	
38505P	47
Brake Pad Kit	
548P3	47

Brake Spring Installer	
242P4	61
Bumper	
21685	23
32507	25
Bumper Pad	
56128	57
Bushing	
27625	25
33446	23

C

Cabinet	
38612*P	57
Cabinet Top	
32808*P	25
34902WP	23
34902*P	41
Cap Screw	
M400057	49
27200	49
27202	39
32814	51
Capacitor Kit	
258P3	45
Catch	
27149	25
Centering Spring	
27239	43
Clip	
10519	5, 9, 11, 13, 15, 17, 19
28849	45
33433	41
Clothes Guard	
35035	39
Connector	
21091	59
90789	59
Control Hood	
31224	5
Control Hood Assembly	
31734	7
31735	13, 17, 19
31809	9
31810	15
31811	21
32404	11
Control Hood Rear Panel	
37782	23, 25
Control Knob Assembly	
31286	5, 9, 11, 13, 15, 17, 19
31287	9, 11, 15, 17, 19
Cover Gasket	
27184	43
32857	43

D

Diaphragm	
24134	35
33079	33
Double Connector	
29673	59
Double-Sided Tape	
33285	57
Dowel Pin	
27172	51
Drain Extension Kit	
406P3	55
Drain Hose	
39952	55
39953	53
Drain Hose Sleeve	
29144	55
33615	53
Drain Hose Strain Relief	
32219	53
Drive Bell and Seal Kit	
39508P	37
Drive Pinion	
36562	51

E

Electronic Control	
31304	5
31305	5, 9
31306	9
31307	5
31308P	5
31309P	9
End Cap	
31248	5, 7, 9, 11, 13, 15, 17, 19
31249	5, 7, 9, 11, 13, 15, 17, 19
32342	5, 9, 11, 13
32343	5, 9, 11, 13
34459	21
34460	21
Eyelet Terminal	
00110	59
00111	59
00113	59

F

Fabric Softener Dispenser	
33510	37
Felt Washer	
29443	45
Filter Washer	
28605	29, 31
Flinger	
27187	49
Front Panel	
32708	57

G

Gasket	
28094	39
34338	23
39122	39
Graphic Panel	
31181	5
31182	5
31183	5
31184	9
31185	9
31186	7
31187	15
31188	15
31189	17
31190	17, 19
31191	19
31192	19
31193	5
31194	5
31195	9
31196	9
31197	7
31198	15
31199	15
31200	17
31201	17, 19
31202	19
31203	19
31204	21
31737	5
32193	19
32199	19
32202	17
32204	17
32205	17
32206	17
32226	11
32237	11
32241	11
32341	13
32349	13
32353	13
32357	5, 9
32398	13
32402	11
32634	13
32665	5
32666	11
32667	13
32714	13
32718	13
32722	13
32726	13
32730	11
32734	5, 9
33013	17
33146	13
Grommet	
29175	43
Ground Clip	
00161	45, 59
Ground Screw	
23962	31
52909	59

Guide Lug	
28102	57
56079	57

H

Helix	
27018	47
Helper Spring	
30620	45
Hex Head Screw	
52909	45
Hex Wrench	
306P4	61
Hinge	
27103	57
27626	25
36437	23
36438	23
Hold-Down Clip	
28835	57
Hose	
27159	55
27160	53, 55
27183	29, 31
31140	31
33186	29
Hose Adapter	
29143	55
Hose Clamp	
20211	29, 31, 53, 55
20391	53, 55
27644	55
29172	55
29210	29, 31
35370	29, 31
36801	29, 31
39282	43
Hose Retainer	
29131	55
Hose Retainer Clip	
29936	55
34321	53
Hose Support	
29284	55
Hose Washer	
20290	29, 31
Hub and Seal Kit	
495P3	39

I

Idler Lever	
31054	45
Idler Pulley	
28800	45
Idler Shaft	
28802	45
Inlet Hose	
28330P	29, 31
Inlet Screen	
F270200	33, 35

Input Shaft	
27081	51
Insulated Spade Terminal	
00165	59
00234	59
Internal Gear	
26577	51

L

Leg Plate	
27926	43
27927	43
Leveling Leg	
34319	57
Lever	
27602	27
33442	41
Lid Switch Guard	
33086	27
Lint Filter	
33521	39
38371	39
Loading Door	
31314	25
31315	25
33541WP	23
Lock-In Spade Terminal	
00115	59
Locknut	
21899	57
23604	45
27201	45
28803	45
29220	39
52566	45
Lockwasher	
02431	49
03815	43
04366	47, 49
21456	51
Loctite	
37577P	51

M

Mixing Valve Assembly	
33930	29, 33, 35
Mixing Valve Guard	
33098	31
Mixing Valve Mounting Bracket	
39407	29, 31
Molex Housing	
32746	59
34123	59
Molex Terminal	
00188	59
Motor Assembly	
27179P	45
27658P	45
Motor Mounting Bracket	
28791	45

Motor Pulley	
27104	45
27171	45
Motor Shield	
27136	45
Motor Switch	
24139	45
24140	45
30895A	45
30897AP	45
Mounting Bracket	
27105	53, 55

N

Nameplate	
32630	13
Nut	
57584	11, 13, 17, 19
Nylon Nut	
21752	25

O

Option Switch	
31331	7
31333	7
O-Ring Washer	
30853	37
Outer Tub	
30508	43
507P3	43
Outer Tub Cover	
31153	43
Output Shaft	
36570	51

P

Pivot Dome	
27124	47
Plastic Insulator	
70210	59
Plug	
29901	43
Power Cord and Plug	
34458	59
Pressure Accumulator	
30907	43
Pressure Hose	
39125	43
Pressure Switch	
28615	21
31116	5, 7, 11
31266	5, 9, 13, 15, 17, 19
31675	5, 7, 11
Pulley Assembly	
34232P	47
Pump Assembly	
31968	55
31969	53, 55

Push Nut	
29043	27

R

Rack	
31526	51
Recirculating Hose	
27232	55
Reduction Gear	
29161	51
Retainer Nut	
27222	49
Retainer Ring	
23748	45
27197	51
Right Angle Flag Terminal	
00120	59
Rivet	
56534	23, 25
Roll Pin	
10416	45
23750	45
Rubber Motor Mount	
01952A	45
01953	45
Rubber Pad	
21749	57

S

Screw	
Q6516	27
23222	27
23962	7, 9, 11, 13, 15, 17, 19, 21, 23, 25, 29, 41, 57
25817C	35
27196	55, 57
27220	47
28193	27
29273	51
30852	37
31098	53, 55
31260	5, 7, 9, 11, 13, 17, 19, 21
31752	5, 7, 9, 11, 13, 15, 17, 19, 21
32671	57
33561	7, 15, 31
33562	23, 25
34337	23
35369	47
36510	41
503661	43, 45, 53, 55
51780	57
52909	23, 25
Screw and Lockwasher	
27203	25
35369	43
Seal Tool	
255P4	63
Shield	
29042	27
Shoulder45	
Shoulder Bolt	
27229	45

Shoulder Screw 26547	47
Signal 59446	7
Silicone Lubricant 26594P	57
Siphon Break Kit 562P3	53, 55
Sleeve 24128	35
24129	35
29993	47
Slide 26493	51
Snubber Pad Kit 434P3	57
Solenoid 33084	33
33930A	29, 35
Spacer 27176	47
27181	45
Spade Terminal 00121	59
00223	59
Special Screw 27030	51
Speed Nut 27248	27
54038	31
Speed Switch 27500	11
Spline Insert 29728	39
Spring 24131	35
27603	27
33435	47
33443	41
37366	45
Spring Clip 27017	43
Spring Hook 321P4	61
Sticker 23903	25
24903	23
27195	43
Strain Relief 38384	23, 25
Support Leg 27090	47
Switch 27249	27
33445	41
Switch Holder Kit 36497P	41

T

Temperature Switch 21300	13, 17, 19
24392	11
28118	13, 17

31330	7, 15
31332	7, 15
Terminal 00116	59
00117	59
Terminal Block 23041	59
26708	59
Terminal Block Plug 26302	59
Terminal Block Receptacle 26301	59
Timer 31238	13, 19, 21
31239	13, 15, 17, 19
31240	7
32039	13
32228	11
Timer Knob 31281	7, 11, 13, 15, 17, 19, 21
Timer Knob Skirt 31267	21
31279	7, 11, 13, 15, 17, 19
31503	7, 11, 15, 17, 19
Transmission Assembly 33227P	49
Transmission Case Assembly 33223	51
Transmission Cover Assembly 38287P	51
Transmission Oil 27243P	51

U

U-Clip 27610	27
27837	27

V

Valve Body 24159	35
---------------------------	----

W

Washer 03888	45
20212	51
23425	43
26509	47, 51
27247	43
29260	51
32651	47
52549	45
81392	45
Washtub 39248P	39
39252P	39
39387P	39
Wire Clip 51291	59

Wire Harness	
28131	64
28132	64
32156P	64
32159P	64
32168P	64
32229	64
33094	64
33096	64
33191	64
33192	64
33201	64
33828	64
33904	64
34405	64
Wire Harness Enclosure	
33087	59
Wire Tie	
55881	59
Wire, 12 Gauge	
45380	65
Wire, 18 Gauge	
45001	65
45037	65
45066	65
45083	65