

Automatic Washers

Refer to Page 3 for Model Numbers

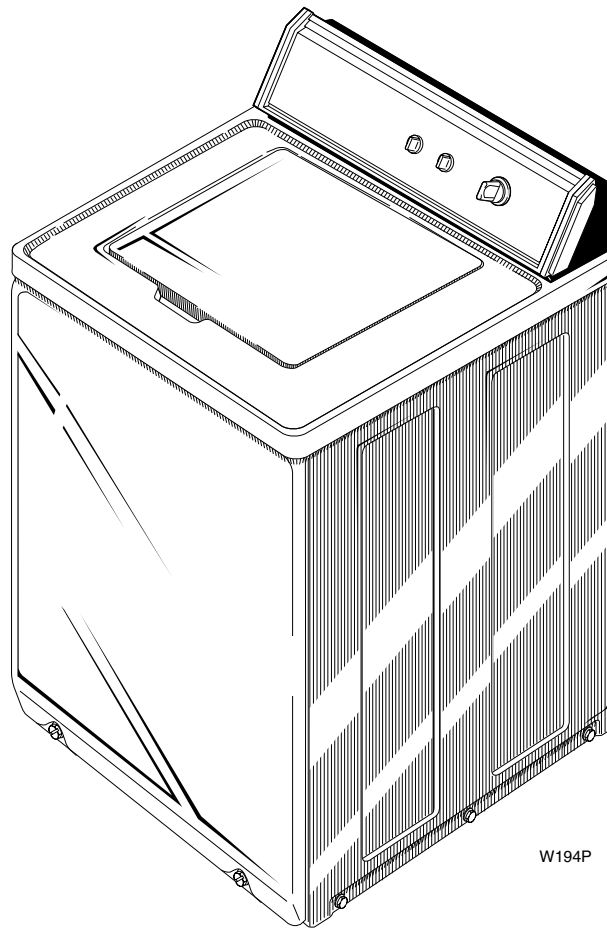


Table of Contents

| Title | Page |
|--|------|
| Parts Ordering Information | 2 |
| Nameplate Location | 2 |
| Model Identification | 3 |
| Control Panel and Controls | 4 |
| Control Panel and Controls | 6 |
| Control Panel and Timer | 8 |
| Cabinet Top, Loading Door and Control Hood | 10 |
| Switch and Bracket Assembly | 12 |
| Inlet Hose, Filler Hose, Back Flow Preventer and Mixing Valve Mounting Bracket | 14 |
| Inlet Hose, Filler Hose, Back Flow Preventer and Mixing Valve Mounting Bracket | 16 |
| Mixing Valve Assembly | 18 |
| Short Post Drive | 20 |
| Agitator and Post | 22 |
| Lint Filter, Washtub and Hub | 24 |
| Lint Filter, Washtub and Hub | 26 |
| Outer Tub, Cover and Pressure Hose | 28 |
| Outer Tub, Cover and Pressure Hose | 30 |
| Motor, Mounting Bracket, Belts and Idler Assembly | 32 |
| Motor, Mounting Bracket, Belts and Idler Assembly | 34 |
| Bearing Housing, Brake, Pulley and Pivot Dome | 36 |
| Transmission Assembly and Balance Ring | 38 |
| Transmission Assembly | 40 |
| Pump Assembly, Bracket, Hoses and Siphon Break Kit | 42 |
| Pump Assembly, Bracket, Hoses and Siphon Break Kit | 44 |
| Front Panel, Cabinet and Base | 46 |
| Power Cord and Wire Terminals | 48 |
| Special Tools | 50 |
| Timers | 52 |
| Parts Index | 53 |

© Copyright 2000, Alliance Laundry Systems LLC

All rights reserved. No part of the contents of this book may be reproduced or transmitted in any form or by any means without the expressed written consent of the publisher.

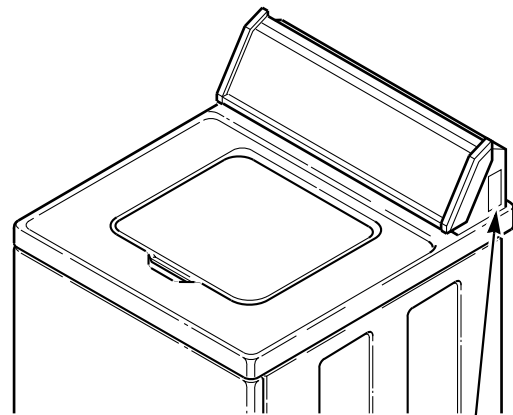
Parts Ordering Information

If literature or replacement parts are required, contact the source from whom the machine was purchased or contact Alliance Laundry Systems LLC at (920) 748-3950 for the name and address of the nearest authorized parts distributor.

For technical assistance, call (920) 748-3121.

Nameplate Location

When calling or writing about your product, be sure to mention model and serial numbers. Model and serial numbers are located on nameplate(s) as shown.



W481P

NAMEPLATE

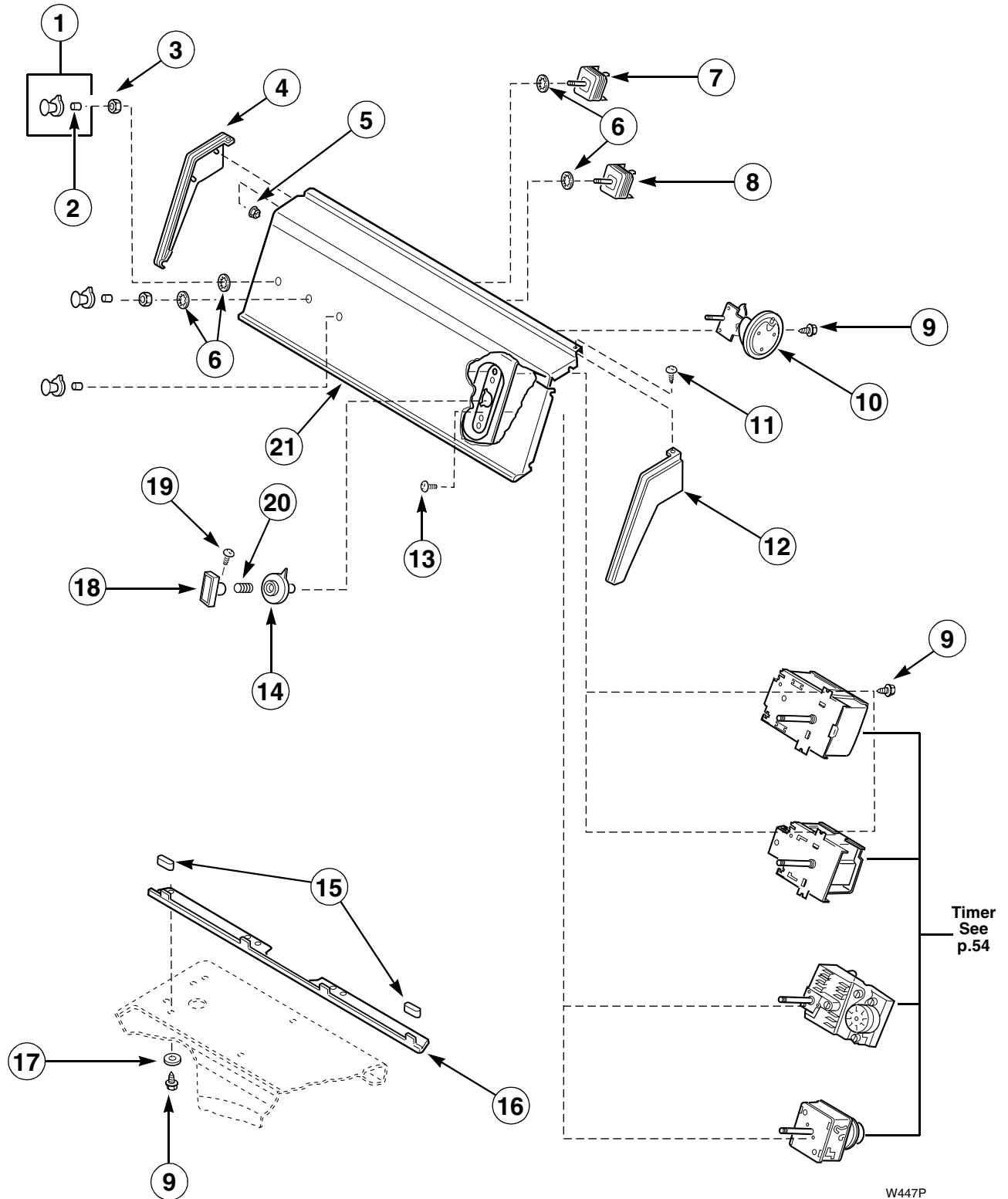
Model Identification

Information in this manual is applicable to these washer models:

| | | | |
|--------|--------|--------|--------|
| HA2010 | HA4011 | HA4370 | HA5001 |
| HA2300 | HA4020 | HA4371 | HA5320 |
| HA2410 | HA4021 | HA4500 | HA5590 |
| HA2411 | HA4210 | HA4501 | HA5591 |
| HA2620 | HA4211 | HA4510 | HA6000 |
| HA2621 | HA4260 | HA4511 | HA6001 |
| HA3000 | HA4261 | HA4520 | HA6450 |
| HA3001 | HA4290 | HA4521 | HA6470 |
| HA4000 | HA4291 | HA4590 | HA6471 |
| HA4001 | HA4340 | HA4591 | HA7001 |
| HA4010 | HA4341 | HA5000 | HA7221 |

Control Panel and Controls

Models HA3000, HA3001, HA4000, HA4001, HA4010, HA4011, HA4210, HA4211, HA4290, HA4291, HA4500, HA4501, HA4510, HA4511, HA4520, HA4521, HA4590, HA4591, HA5000, HA5001, HA5590, HA5591, HA6000, HA6001 and HA7001



Control Panel and Controls

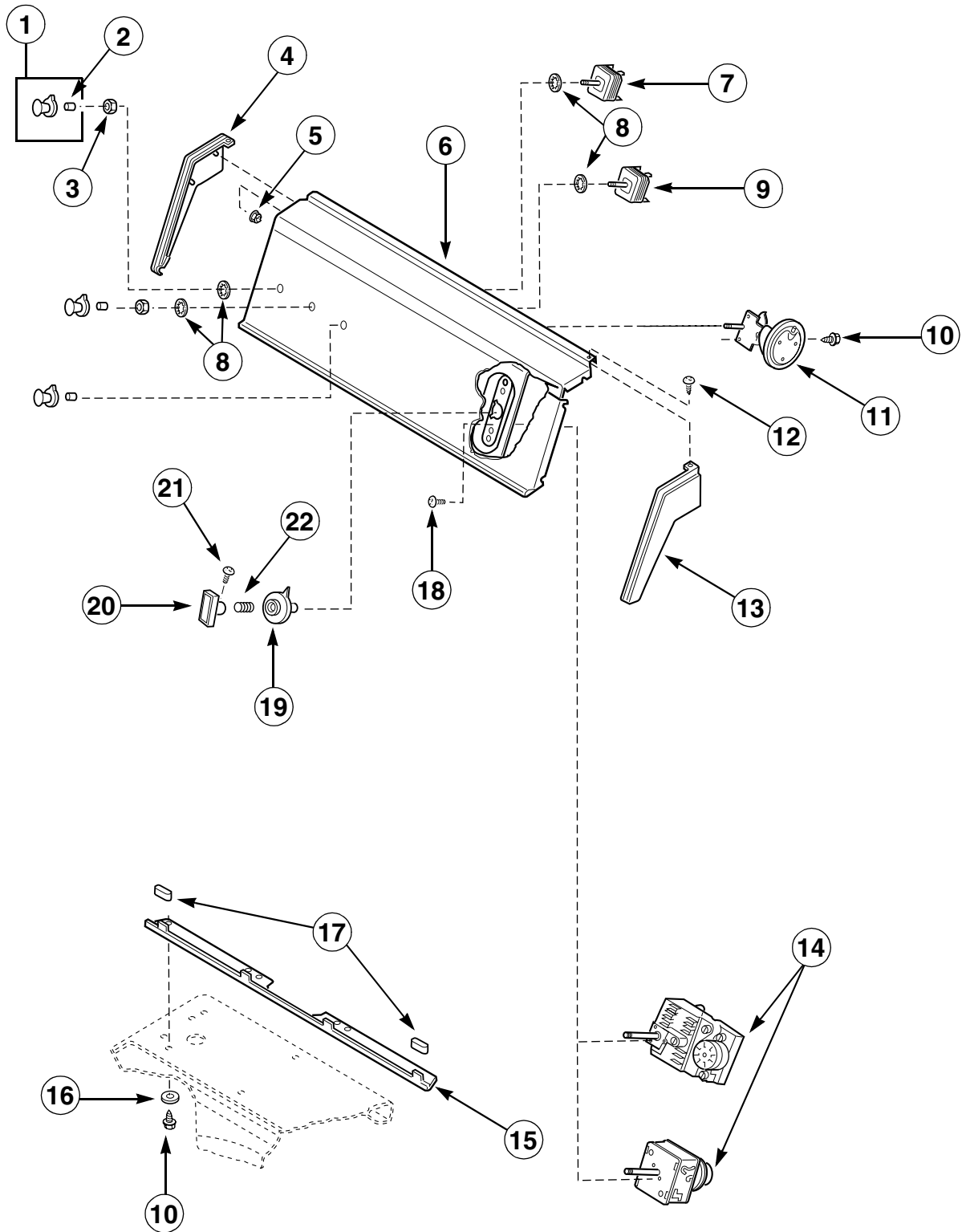
Models HA3000, HA3001, HA4000, HA4001, HA4010, HA4011, HA4210, HA4211, HA4290, HA4291, HA4500, HA4510, HA4501, HA4511, HA4520, HA4521, HA4590, HA4591, HA5000, HA5001, HA5590, HA5591, HA6000, HA6001 and HA7001

| REF | PART NO. | DESCRIPTION | COMMENTS |
|-----|----------|-----------------------|--|
| 1 | 28124 | Control Knob Assembly | N/A |
| 2 | 10519 | Clip | N/A |
| 3 | 57584 | Nut | |
| 4 | 25124 | Control Hood End | Left; N/A |
| 5 | 25126 | Speed Nut | N/A |
| 6 | 91176 | Lockwasher | |
| 7 | 21300 | Temperature Switch | Models HA3000, HA3001, HA4000, HA4001, HA4500, HA4501, HA5000, HA5001, HA5590 and HA5591 |
| | 28118 | Temperature Switch | Models HA4010, HA4011, HA4210, HA4211, HA4290, HA4291, HA4510, HA4511, HA4520, HA4521, HA4590, HA4591, HA6000 and HA6001 |
| | 24392 | Temperature Switch | Model HA7001; N/A |
| 8 | 28117 | Action Switch | Models HA4210, HA4211, HA4520, HA4521, HA6000, HA6001 |
| | 27500 | Action Switch | Model HA7001 |
| 9 | 23962 | Hex Head Screw | |
| 10 | 27778 | Pressure Switch | |
| 11 | 25232 | Phillips Head Screw | |
| 12 | 25123 | Control Hood End | Right; N/A |
| 13 | 70212 | Phillips Head Screw | N/A |
| 14 | 28287 | Timer Knob Indicator | N/A |
| 15 | 24859 | Sleeve | N/A |
| 16 | 23360 | Panel Support Bracket | N/A |
| 17 | 20493 | Fiber Washer | N/A |
| 18 | 27382 | Timer Knob | Models HA4000, HA4001, HA4290 and HA4291; N/A |
| | 28748 | Timer Knob | Models HA4500, HA4501, HA4510, HA4511, HA4520, HA4521, HA4590, HA4591; N/A |
| | 28120 | Timer Knob | All other models; N/A |
| 19 | 26318 | Setscrew | N/A |
| 20 | 26319 | Spring | N/A |
| 21 | – | Control Panel | Control panel no longer available |

N/A – Part no longer available

Control Panel and Controls

Models HA2300, HA2410, HA2411, HA2620, HA2621, HA4020, HA4021, HA4260, HA4261, HA4340, HA4341, HA4370, HA4371, HA5320, HA6450, HA6470, HA6471 and HA7221



W448P

Control Panel and Controls

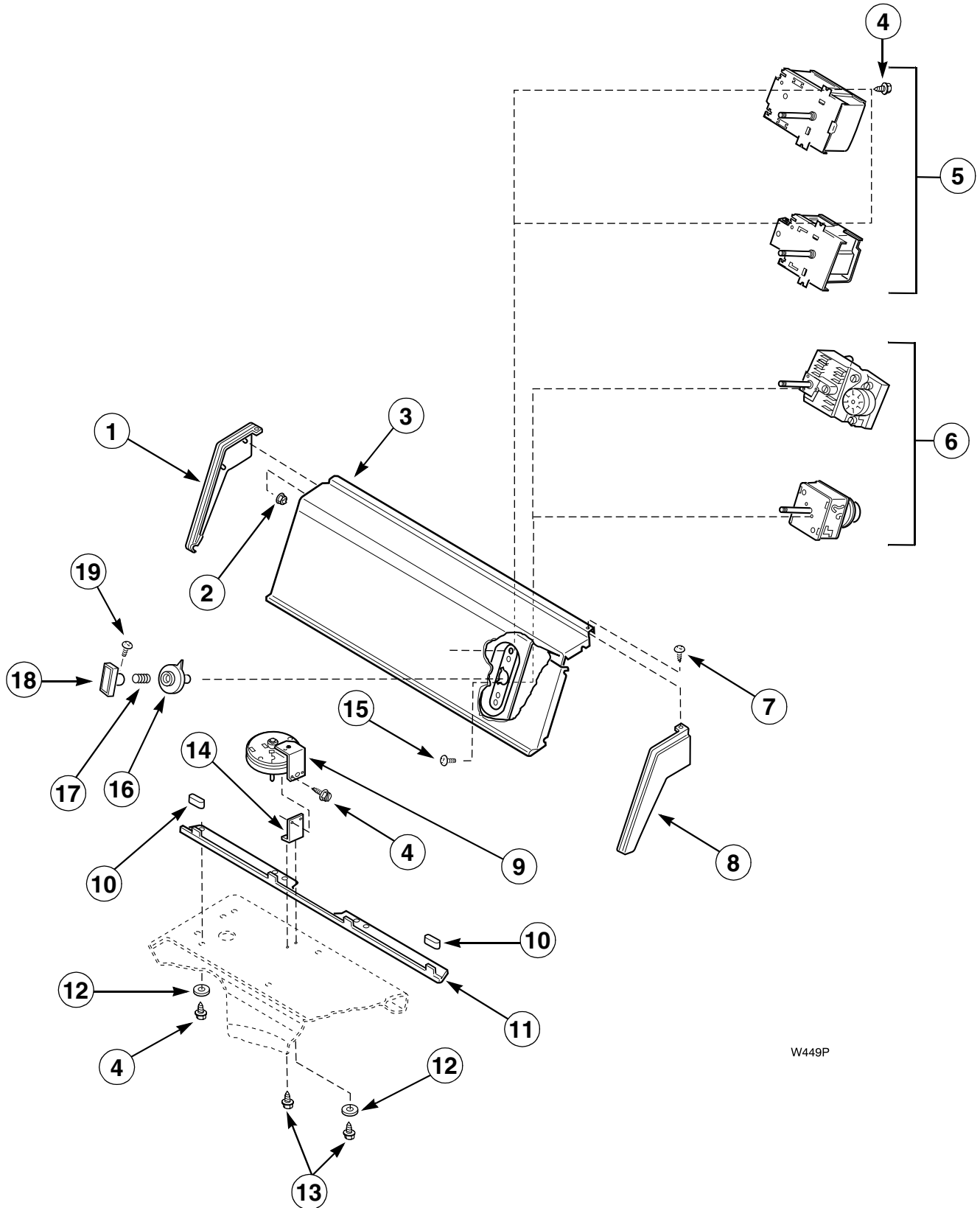
Models HA2300, HA2410, HA2411, HA2620, HA2621, HA4020, HA4021, HA4260, HA4261, HA4340, HA4341, HA4370, HA4371, HA5320, HA6450, HA6470, HA6471 and HA7221

| REF | PART NO. | DESCRIPTION | COMMENTS |
|-----|----------|-----------------------|---|
| 1 | 27376 | Control Knob Assembly | Models HA2300, HA2410, HA2411, HA2620, HA2621, HA4020, HA4021, HA4260 and HA4261; N/A |
| | 27379 | Control Knob Assembly | All other models; N/A |
| 2 | 10519 | Clip | N/A |
| 3 | 57584 | Nut | |
| 4 | 25124 | Control Hood End | Left; N/A |
| 5 | 25126 | Speed Nut | |
| 6 | 27681 | Control Panel | Model HA2300; N/A |
| | 27680 | Control Panel | Models HA2410 and HA2411; N/A |
| | 27683 | Control Panel | Models HA2620 and HA2621; N/A |
| | 27851 | Control Panel | Models HA4020 and HA4021; N/A |
| | 27856 | Control Panel | Models HA4260 and HA4261; N/A |
| | 27841 | Control Panel | Models HA4340 and HA4341; N/A |
| | 27907 | Control Panel | Models HA4370 and HA4371; N/A |
| | 27678 | Control Panel | Model HA5320; N/A |
| | 27676 | Control Panel | Model HA6450; N/A |
| | 27682 | Control Panel | Models HA6470 and HA6471; N/A |
| | 27902 | Control Panel | Model HA7221; N/A |
| 7 | 24392 | Temperature Switch | Model HA7221; N/A |
| | 21300 | Temperature Switch | All other models |
| 8 | 91176 | Lockwasher | |
| 9 | 27500 | Action Switch | Not used on models HA2300, HA4020, HA4021, HA4340, HA4341 and HA5320; Used on model HA7221 |
| | 21302 | Action Switch | Not used on models HA2300, HA4020, HA4021, HA4340, HA4341 and HA5320; Used on all other models; N/A |
| 10 | 23962 | Screw | |
| 11 | 27778 | Pressure Switch | |
| 12 | 25232 | Screw | |
| 13 | 25123 | Control Hood End | Right; N/A |
| 14 | 27693 | Timer | Models HA2620, HA2621, HA6470, HA6471 and HA7221 |
| | 27694 | Timer | All other Models |
| 15 | 23360 | Panel Support Bracket | N/A |
| 16 | 20493 | Fiber Washer | N/A |
| 17 | 24859 | Sleeve | N/A |
| 18 | 70212 | Phillips Head Screw | N/A |
| 19 | 28287 | Timer Knob Control | N/A |
| 20 | 27382 | Timer Knob | N/A |
| 21 | 26318 | Setscrew | N/A |
| 22 | 26319 | Spring | N/A |

N/A – Part no longer available

Control Panel and Timer

Model HA2010



W449P

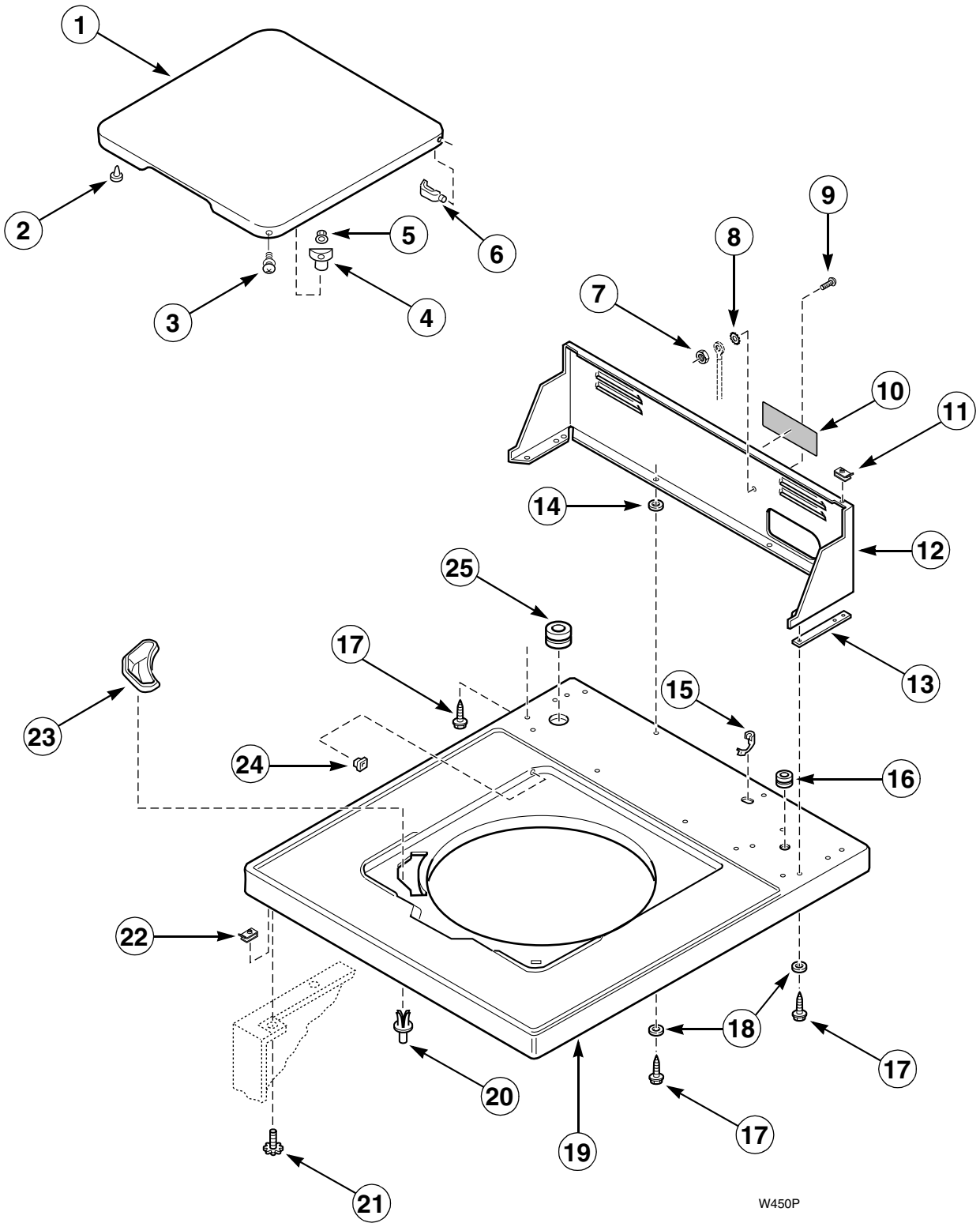
Control Panel and Timer

Model HA2010

| REF | PART NO. | DESCRIPTION | COMMENTS |
|-----|----------|-----------------------|-----------------------------------|
| 1 | 25124 | Control Hood End | Left; N/A |
| 2 | 25126 | Speed Nut | N/A |
| 3 | 27679 | Control Panel | Through Serial No. B3533857; N/A |
| | 29002 | Control Panel | Starting Serial No. B3533858; N/A |
| 4 | 23962 | Hex Head Screw | |
| 5 | 27694 | Timer | Through Serial No. B3533857 |
| 6 | 28918 | Timer | Starting Serial No. B3533858 |
| 7 | 25232 | Phillips Head Screw | |
| 8 | 25123 | Control Hood End | Right; N/A |
| 9 | 28615 | Pressure Switch | Replaces Part No. 27216 |
| 10 | 24859 | Sleeve | N/A |
| 11 | 23360 | Panel Support Bracket | N/A |
| 12 | 20493 | Fiber Washer | N/A |
| 13 | 23962 | Hex Head Screw | |
| 14 | 31842P | Bracket | |
| 15 | 70212 | Phillips Head Screw | N/A |
| 16 | 28287 | Timer Knob Indicator | N/A |
| 17 | 26319 | Spring | N/A |
| 18 | 27382 | Timer Knob | N/A |
| 19 | 26318 | Setscrew | N/A |

N/A – Part no longer available

Cabinet Top, Loading Door and Control Hood

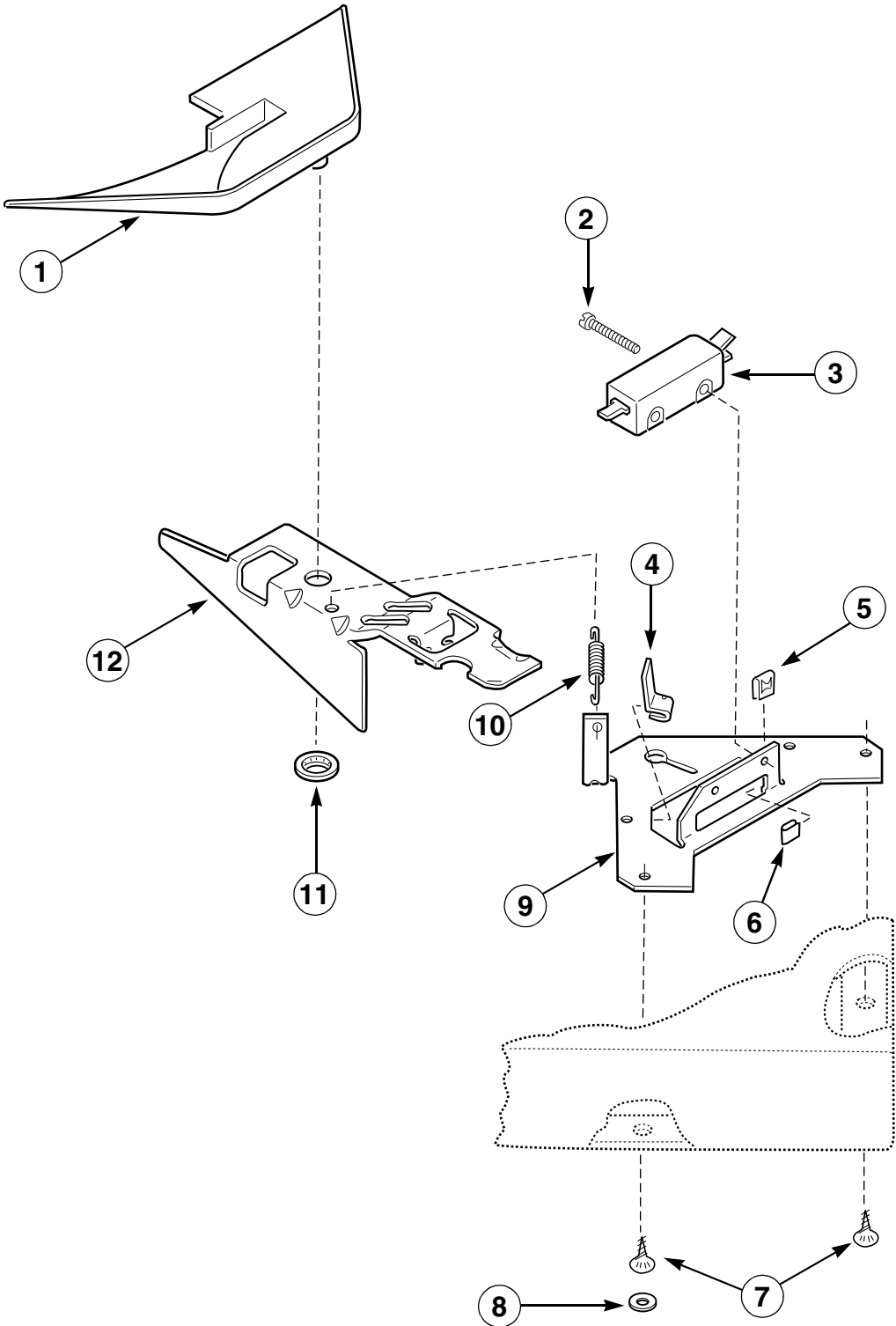


W450P

Cabinet Top, Loading Door and Control Hood

| REF | PART NO. | DESCRIPTION | COMMENTS |
|---|----------|----------------------|--|
| 1 | 27665* | Loading Door | N/A |
| 2 | 21685 | Bumper | |
| 3 | 27203 | Screw and Lockwasher | |
| 4 | 27149 | Catch | |
| 5 | 21752 | Nylon Nut | |
| 6 | 27626 | Hinge | |
| 7 | 03673 | Nut | |
| 8 | 03815 | Lockwasher | |
| 9 | 20267 | Round Head Screw | |
| 10 | 24903 | Sticker | |
| 11 | 24522 | Speed Nut | |
| 12 | 29551* | Control Hood | N/A |
| 13 | 23028 | Gasket | N/A |
| 14 | 23425 | Vinyl Washer | N/A |
| 15 | 38384 | Strain Relief | |
| 16 | 22299 | Grommet | Through Serial No. 341P6380; N/A |
| 17 | 23962 | Hex Head Screw | |
| 18 | 20493 | Fiber Washer | N/A |
| 19 | 27663* | Cabinet Top | Models HA2010, HA2300, HA3000, HA3001, HA4000, HA4001, HA4290, HA4291, HA4500 and HA4501; N/A |
| | 27662* | Cabinet Top | All other models; N/A |
| 20 | 56534 | Rivet | Starting Serial No. F3493391 |
| 21 | 23008 | Screw and Lockwasher | |
| 22 | 36020 | Speed Nut | |
| 23 | 34776 | Bleach Dispenser | Not used on Models HA2010, HA2300, HA3000, HA3001, HA4000, HA4001, HA4290, HA4291, HA4500 and HA4501 |
| 24 | 27625 | Bushing | |
| 25 | 20118 | Grommet | Through Serial No. 341P6380; N/A |
| * Add letter to designate color: H - Harvest Gold L - Almond W - White | | | |
| N/A – Part no longer available | | | |

Switch and Bracket Assembly



W451P

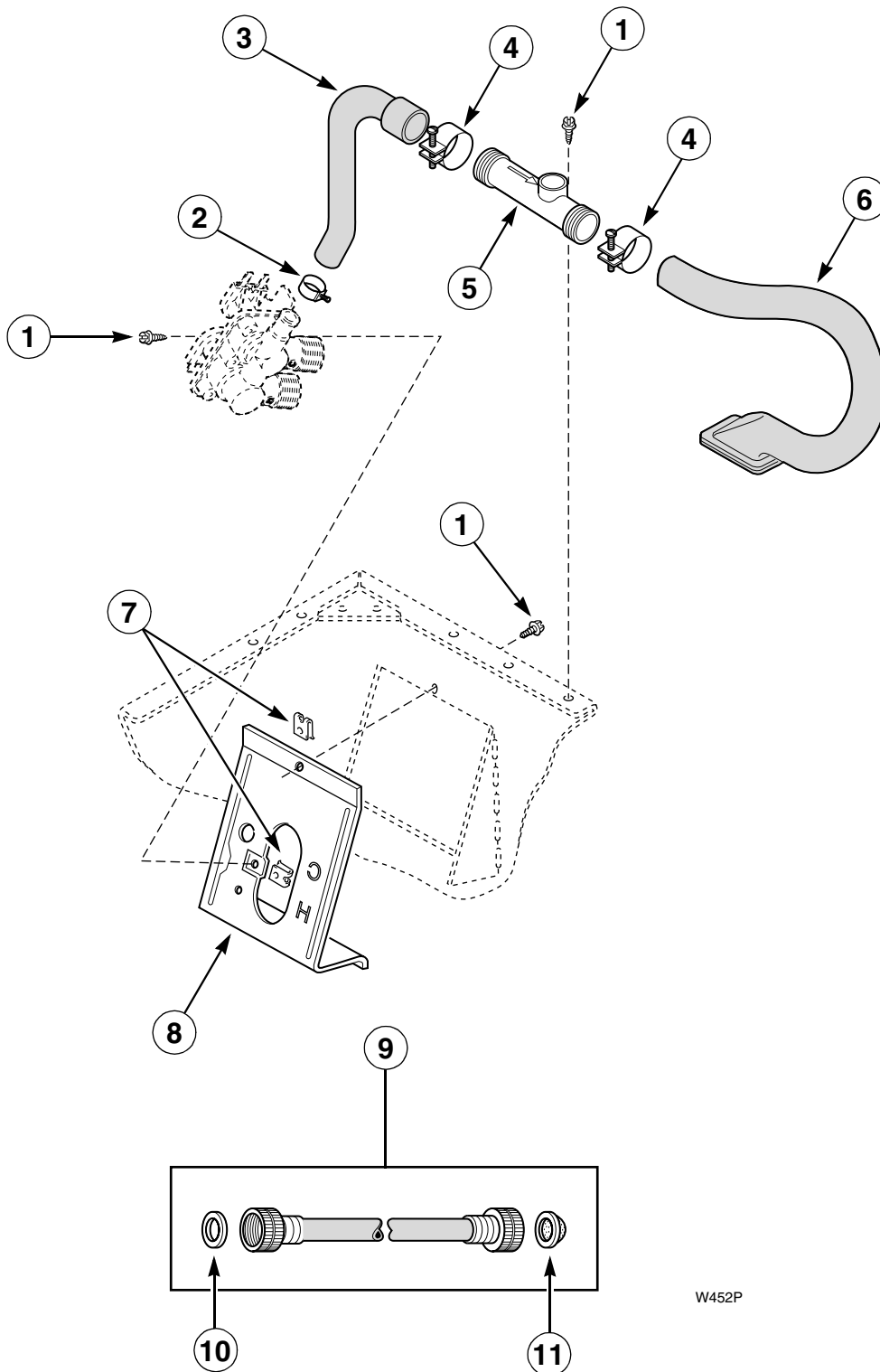
Switch and Bracket Assembly

| REF | PART NO. | DESCRIPTION | COMMENTS |
|-----|----------|------------------|------------------------------|
| 1 | 29042 | Shield | Starting Serial No. C3486144 |
| 2 | Q6516 | Round Head Screw | |
| 3 | 27249 | Switch | |
| 4 | 27837 | U-Clip | N/A |
| 5 | 27248 | Speed Nut | N/A |
| 6 | 27610 | U-Clip | N/A |
| 7 | 28193 | Screw | |
| 8 | 28291 | Washer | N/A |
| 9 | 27250 | Bracket | |
| 10 | 27603 | Spring | N/A |
| 11 | 29043 | Pushnut | |
| 12 | 27602 | Lever | |

N/A – Part no longer available

Inlet Hose, Filler Hose, Back Flow Preventer and Mixing Valve Mounting Bracket

Through Serial No. N3605084



W452P

Inlet Hose, Filler Hose, Back Flow Preventer and Mixing Valve Mounting Bracket

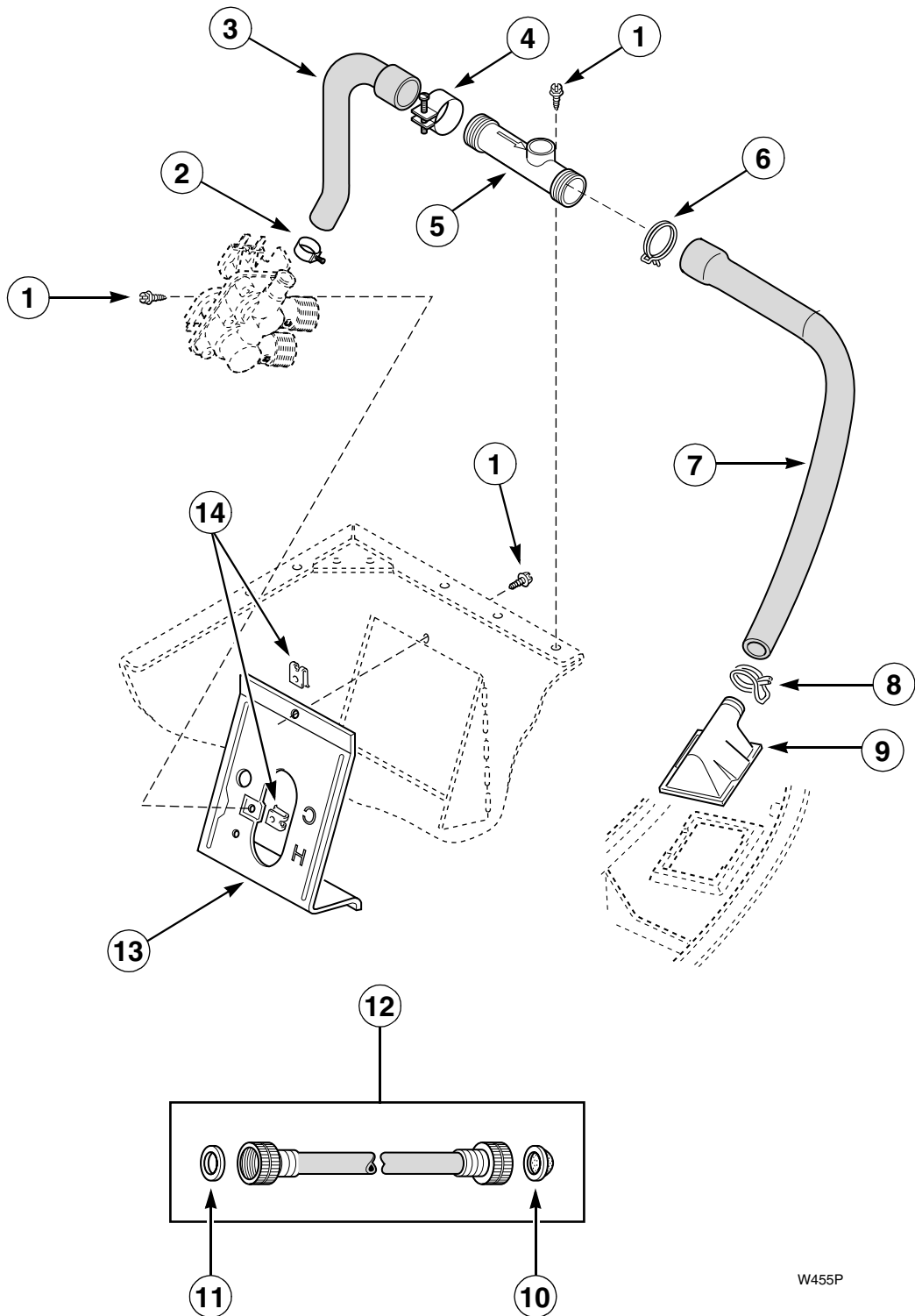
Through Serial No. N3605084

| REF | PART NO. | DESCRIPTION | COMMENTS |
|-----|----------|-------------------------------|----------|
| 1 | 23962 | Screw | |
| 2 | 36801 | Hose Clamp | |
| 3 | 27183 | Hose | |
| 4 | 20211 | Hose Clamp | |
| 5 | 34280 | Back Flow Preventer | |
| 6 | 28285 | Hose | |
| 7 | 54038 | Speed Nut | N/A |
| 8 | 39407 | Mixing Valve Mounting Bracket | |
| 9 | 28330 | Inlet Hose | |
| 10 | 20290 | Hose Washer | |
| 11 | 28605 | Filter Washer | N/A |

N/A – Part no longer available

Inlet Hose, Filler Hose, Back Flow Preventer and Mixing Valve Mounting Bracket

Starting Serial No. N3605085



W455P

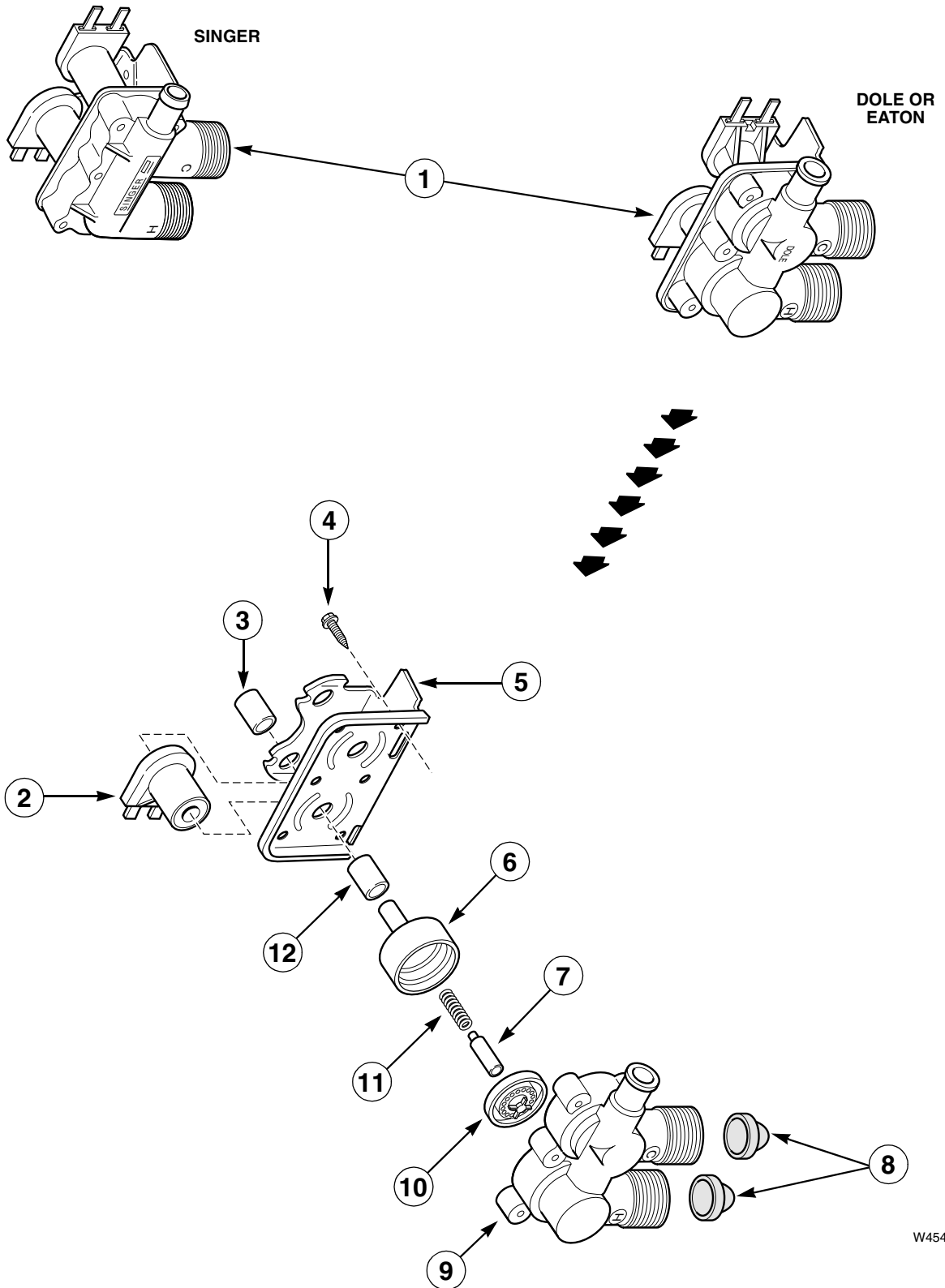
Inlet Hose, Filler Hose, Back Flow Preventer and Mixing Valve Mounting Bracket

Starting Serial No. N3605085

| REF | PART NO. | DESCRIPTION | COMMENTS |
|-----|----------|-------------------------------|----------|
| 1 | 23962 | Ground Screw | |
| 2 | 27643 | Hose Clamp | |
| 3 | 27183 | Hose | |
| 4 | 27152 | Hose Clamp | |
| 5 | 34280 | Back Flow Preventer | |
| 6 | 35370 | Hose Clamp | Green |
| 7 | 29182 | Hose | |
| 8 | 29210 | Hose Clamp | Red |
| 9 | 29154 | Water Inlet Head | |
| 10 | 28605 | Filter Washer | N/A |
| 11 | 20290 | Hose Washer | |
| 12 | 28330 | Inlet Hose | |
| 13 | 39407 | Mixing Valve Mounting Bracket | |
| 14 | 54038 | Speed Nut | N/A |

N/A – Part no longer available

Mixing Valve Assembly



W454P

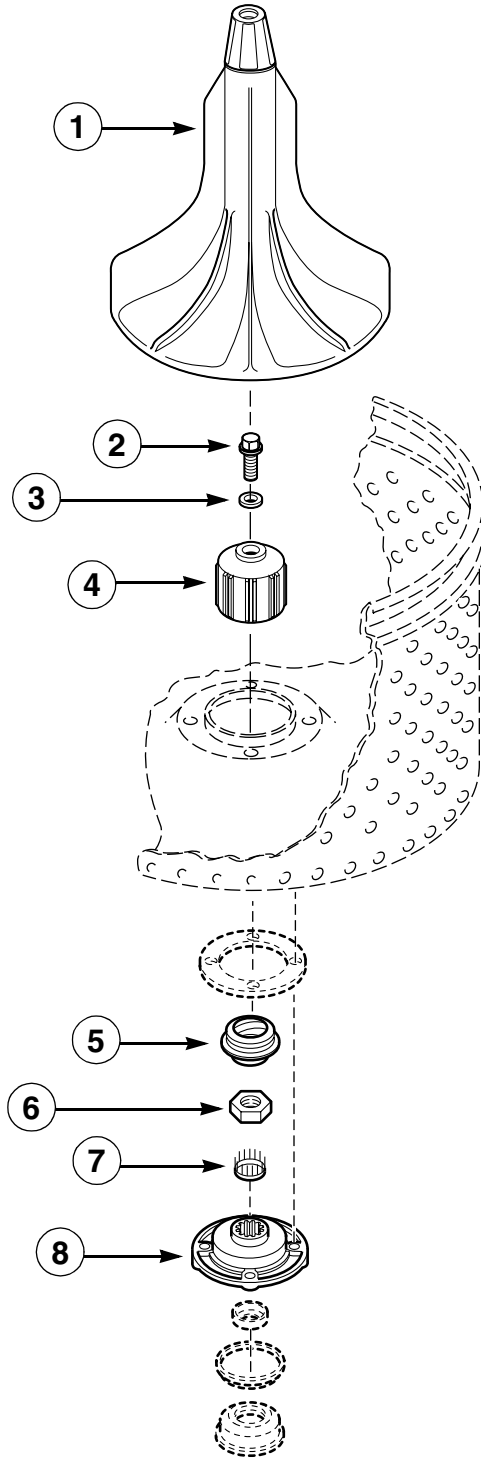
Mixing Valve Assembly

| REF | PART NO. | DESCRIPTION | COMMENTS |
|-----|----------|-----------------------|---------------------------------------|
| 1 | 33930 | Mixing Valve Assembly | Singer components no longer available |
| 2 | 24126 | Solenoid | N/A |
| 3 | 24128 | Sleeve | Long; N/A |
| 4 | 25817C | Screw | N/A |
| 5 | 24158 | Mounting Bracket | N/A |
| 6 | 24130 | Armature Guide | N/A |
| 7 | 24132 | Armature | N/A |
| 8 | F270200 | Inlet Screen | |
| 9 | 24159 | Valve Body | N/A |
| 10 | 24134 | Diaphragm | N/A |
| 11 | 24131 | Spring | N/A |
| 12 | 24129 | Sleeve | Short; N/A |

N/A – Part no longer available

Short Post Drive

Models With Suffix *A 9975



W456P

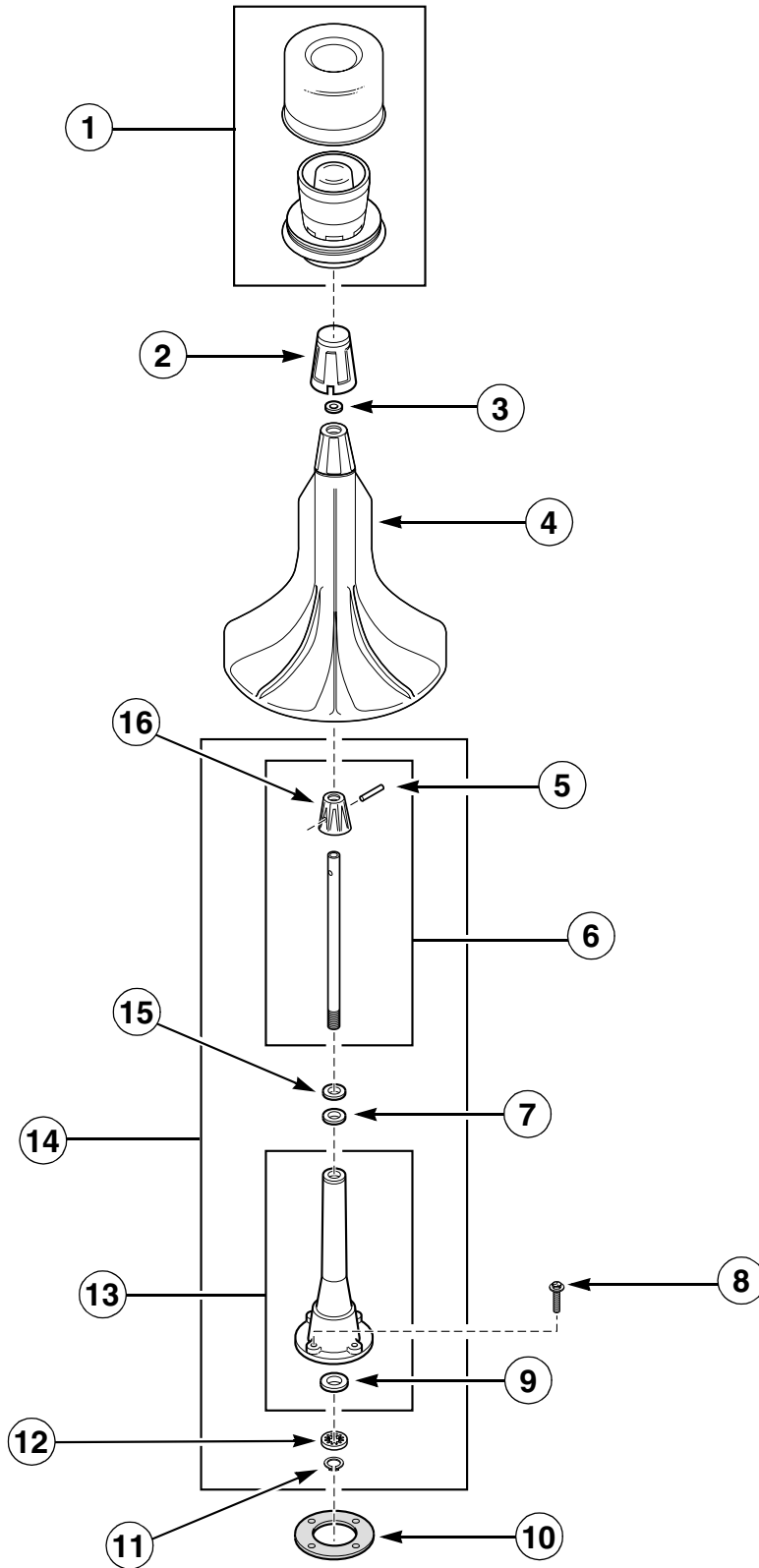
Short Post Drive

Models With Suffix *A 9975

| REF | PART NO. | DESCRIPTION | COMMENTS |
|-----|----------|--|----------|
| 1 | 33514 | Agitator | |
| 2 | 30852 | Hex Head Screw | |
| 3 | 30853 | O-Ring Washer | N/A |
| 4 | 39508P | Agitator Drive Bell and Seat Seal Assembly | |
| 5 | 30022 | Seal Head | N/A |
| 6 | 29220 | Locknut | |
| 7 | 29728 | Spline Insert | |
| 8 | 495P3 | Hub Assembly | |

N/A – Part no longer available

Agitator and Post



W457P

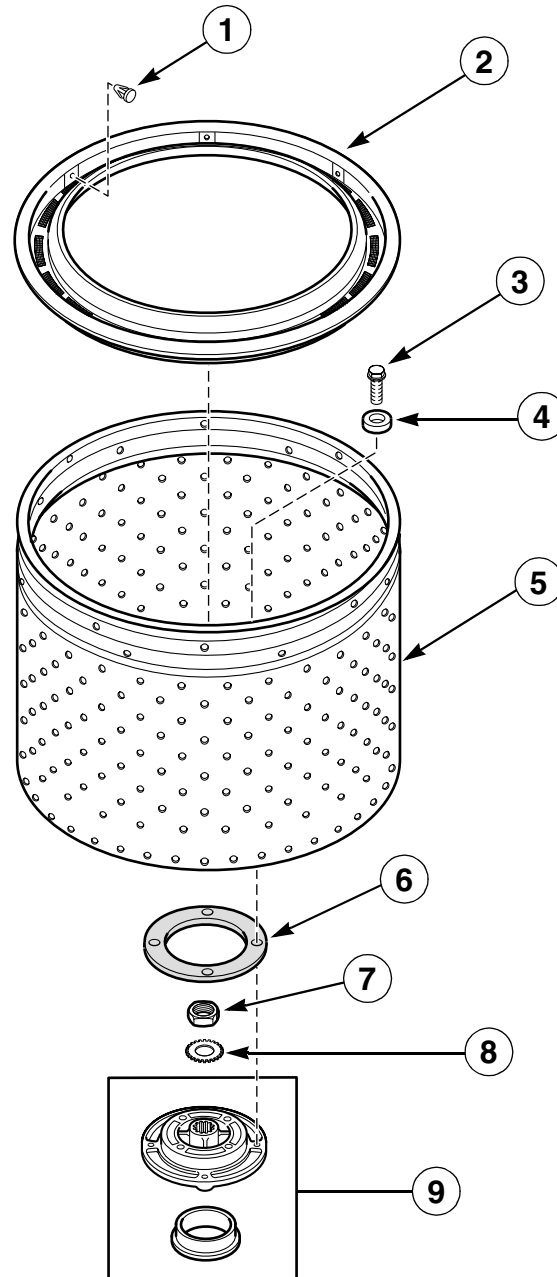
Agitator and Post

| REF | PART NO. | DESCRIPTION | COMMENTS |
|-----|----------|---------------------------|--|
| 1 | 27707 | Fabric Softener Dispenser | Optional on some models; N/A |
| 2 | 27138 | Hold-Down Cap | N/A |
| 3 | 27189 | Washer | N/A |
| 4 | 27120 | Agitator | |
| 5 | 20243 | Taper Pin | |
| 6 | 28091 | Drive Shaft and Block | |
| 7 | 04704 | Washer | Stainless Steel |
| 8 | 27202 | Cap Screw | |
| 9 | 10429 | Thrust Washer | N/A |
| 10 | 37577P | Loctite | Use with item 13 or 14 |
| | 27020 | Gasket | Use with 28933 Agitator Post or 28934 Agitator Post Assembly |
| 11 | 27197 | Retainer Ring | |
| 12 | 27164 | Washer | N/A |
| 13 | 28933 | Agitator Post | |
| 14 | 28934 | Agitator Post Assembly | |
| 15 | 20057 | Washer | |
| 16 | 28091 | Drive Block | |

N/A – Part no longer available

Lint Filter, Washtub and Hub

Through Serial No. F3490044



W458P

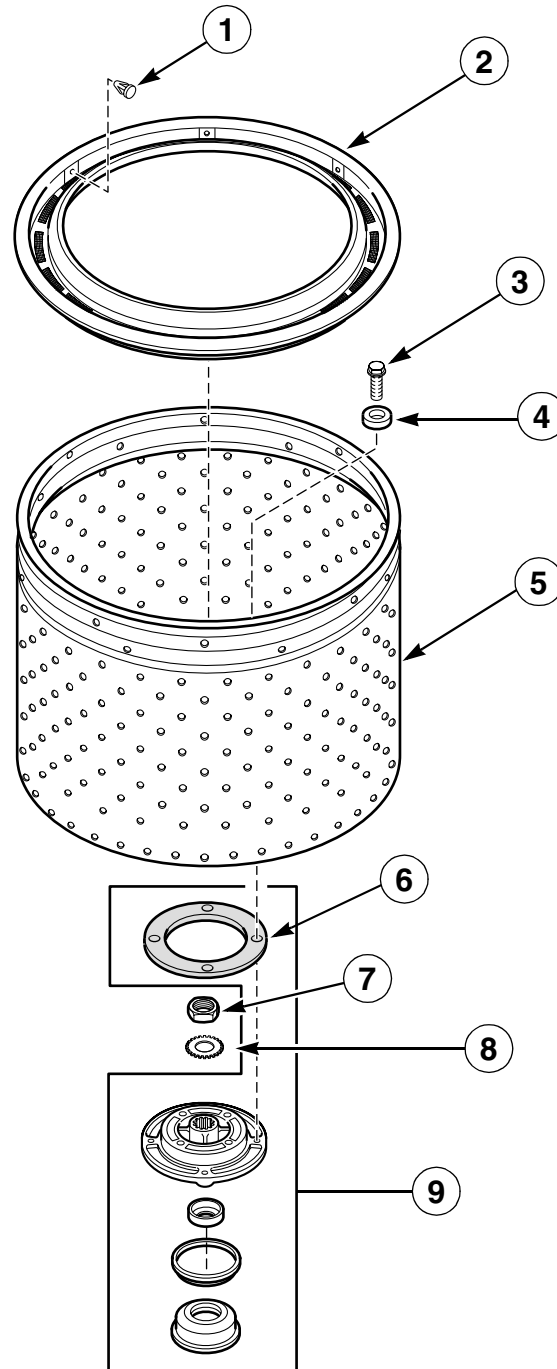
Lint Filter, Washtub and Hub

Through Serial No. F3490044

| REF | PART NO. | DESCRIPTION | COMMENTS |
|-----|----------|------------------|--|
| 1 | 29474 | Fastener | |
| 2 | 33521 | Lint Filter | |
| 3 | 27202 | Cap Screw | |
| 4 | 28094 | Gasket | |
| 5 | 39252P | Washtub | Through Serial No. F3490044; Porcelain |
| | 39387P | Washtub | Through Serial No. F3490044; Stainless Steel |
| 6 | 39122 | Gasket | |
| 7 | 29220 | Hex Nut | |
| 8 | 27163 | Lockwasher | |
| 9 | 356P3 | Hub and Seal Kit | |

Lint Filter, Washtub and Hub

Starting Serial No. F3490045



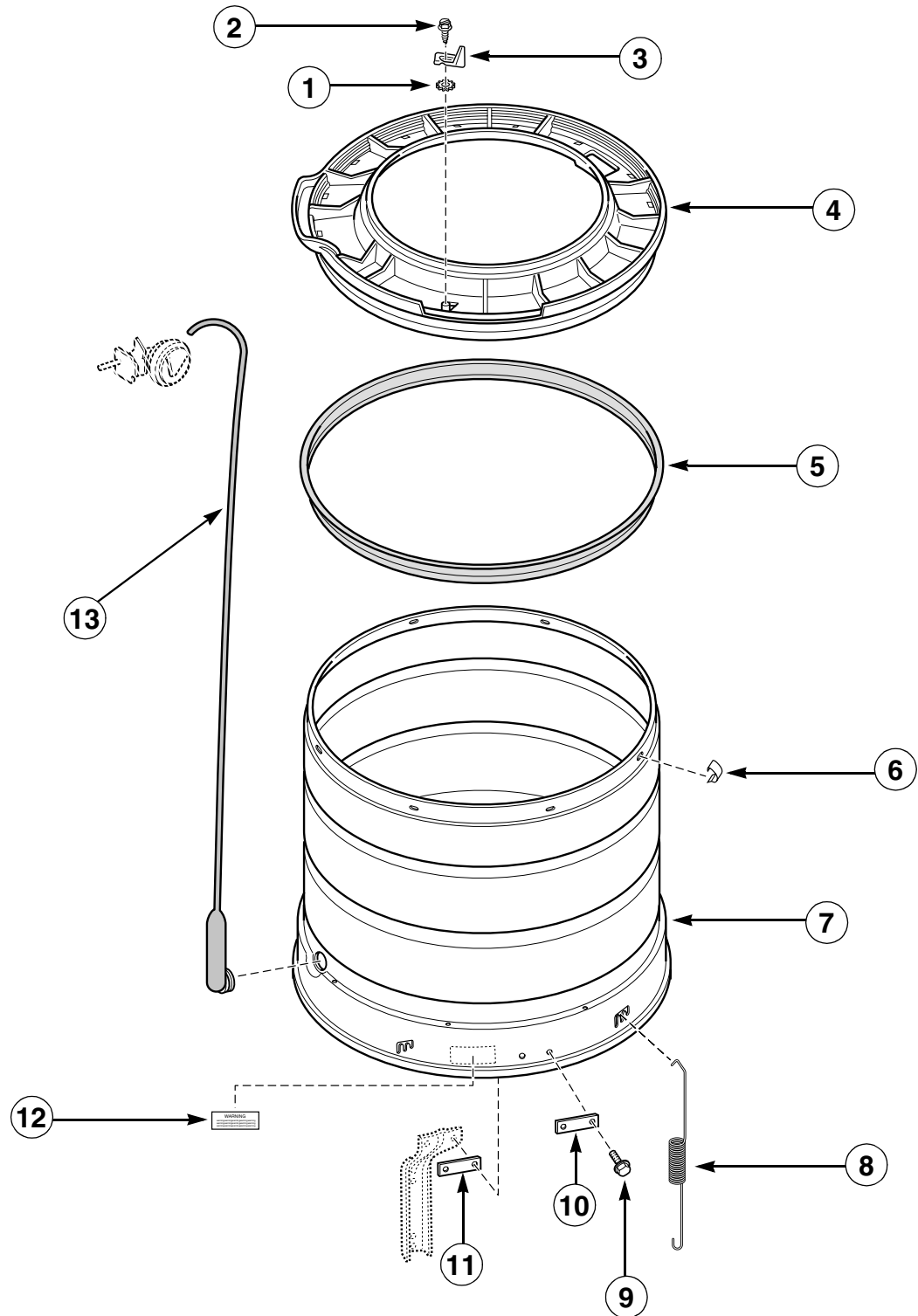
W459P

Lint Filter, Washtub and Hub

Starting Serial No. F3490045

| REF | PART NO. | DESCRIPTION | COMMENTS |
|-----|----------|------------------|---|
| 1 | 29474 | Fastener | |
| 2 | 33521 | Lint Filter | |
| 3 | 27202 | Cap Screw | |
| 4 | 28094 | Gasket | |
| 5 | 39252P | Washtub | Starting Serial No. F3490045; Porcelain |
| | 39387P | Washtub | Starting Serial No. F3490045; Stainless steel |
| 6 | 39122 | Gasket | |
| 7 | 29220 | Hex Nut | |
| 8 | 27163 | Lockwasher | |
| 9 | 356P3 | Hub and Seal Kit | Includes 27184 Cover Gasket |

Outer Tub, Cover and Pressure Hose



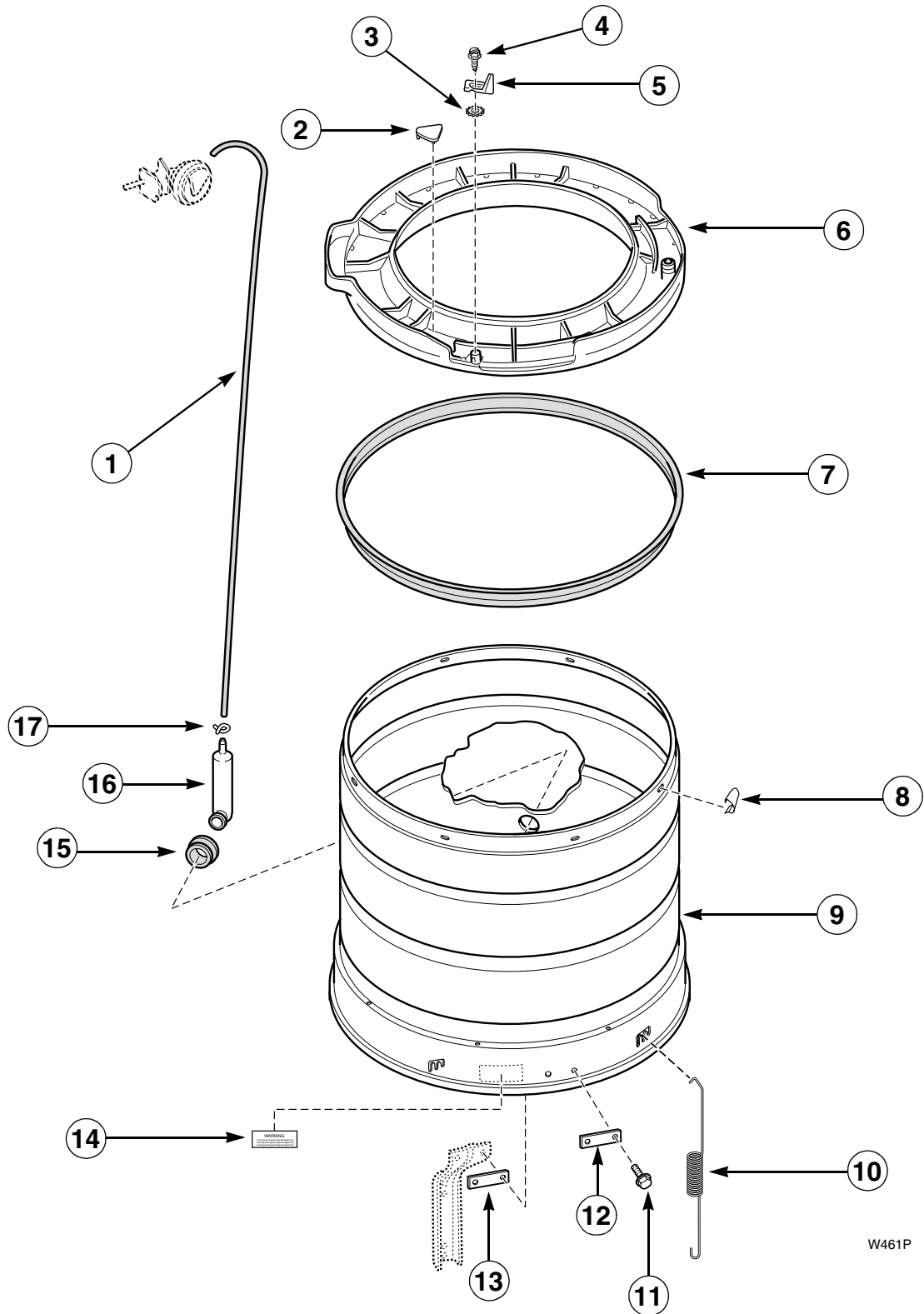
W460P

Outer Tub, Cover and Pressure Hose

| REF | PART NO. | DESCRIPTION | COMMENTS |
|-----|----------|----------------------|---|
| 1 | 03815 | Lockwasher | |
| 2 | 503661 | Screw | |
| 3 | 27247 | Trigger | N/A |
| 4 | 31153 | Outer Tub Cover | Through Serial No. N3605084 |
| 5 | 27184 | Cover Gasket | Included with 356P3 Hub and Seal Kit |
| 6 | 27017 | Spring Clip | |
| 7 | 507P3 | Outer Tub | Model HA2010; Through Serial No. L3627520 |
| | 392P3 | Outer Tub | All other models; Through Serial No. L3627520 |
| 8 | 27239 | Centering Spring | |
| 9 | 35369 | Screw and Lockwasher | |
| 10 | 27926 | Leg Plate | .063 inch thick |
| 11 | 27927 | Leg Plate | .032 inch thick |
| 12 | 27195 | Sticker | N/A |
| 13 | 30930P | Pressure Hose | Through Serial No. L3627520 |

N/A – Part no longer available

Outer Tub, Cover and Pressure Hose



W461P

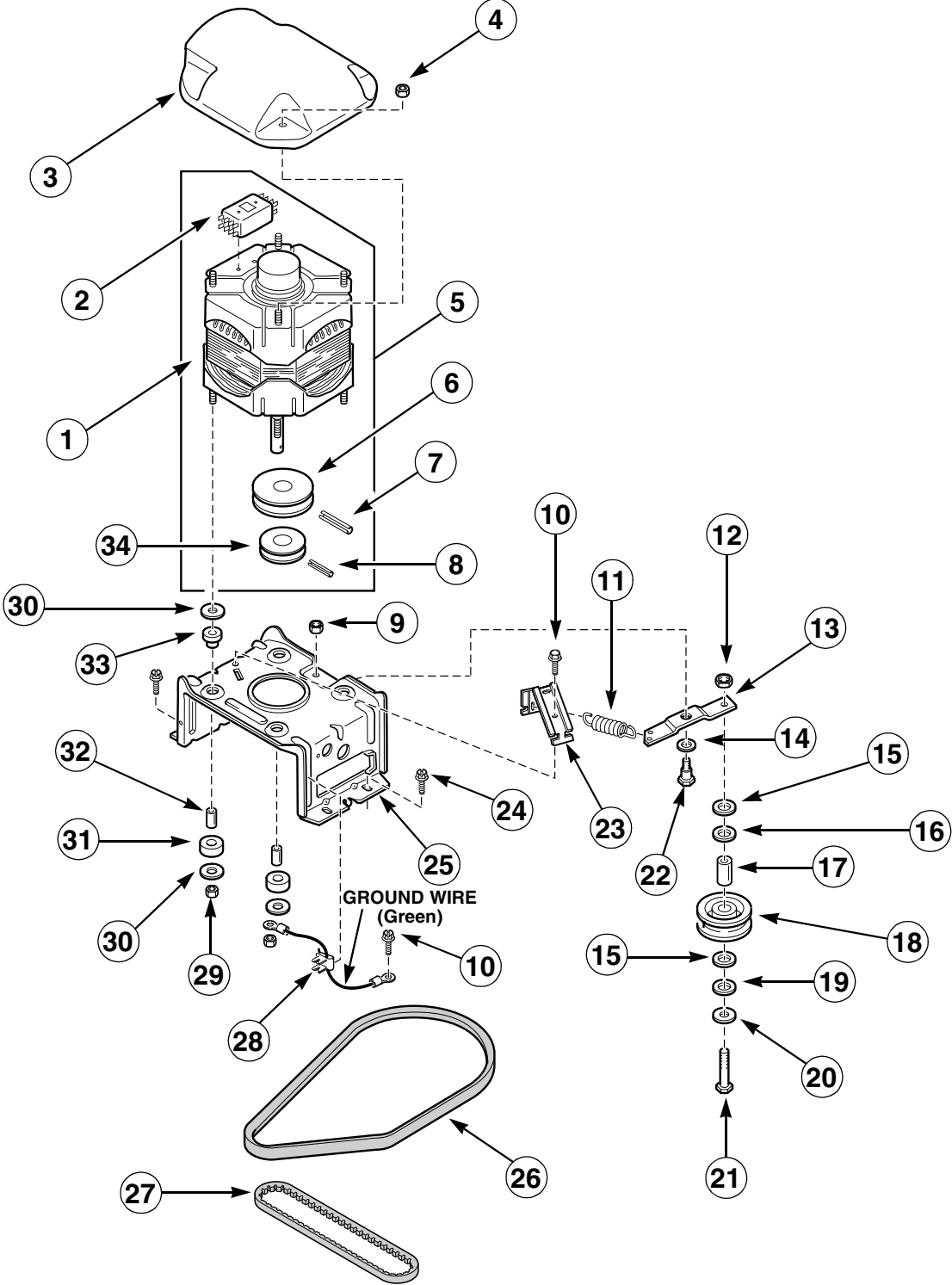
Outer Tub, Cover and Pressure Hose

| REF | PART NO. | DESCRIPTION | COMMENTS |
|-----|----------|----------------------|--|
| 1 | 39124 | Pressure Hose | Model HA2010; Starting Serial No. L3627521 |
| | 39125 | Pressure Hose | All other models; Starting Serial No. L3627521 |
| 2 | 29901 | Plug | |
| 3 | 03815 | Lockwasher | |
| 4 | 503661 | Hex Head Screw | |
| 5 | 27247 | Trigger | N/A |
| 6 | 31153 | Outer Tub Cover | Includes item 2 |
| 7 | 27184 | Cover Gasket | Included with 356P3 Hub and Seal Kit |
| 8 | 27017 | Spring Clip | |
| 9 | 507P3 | Outer Tub | Model HA2010; Through Serial No. L3627521 |
| | 30508 | Outer Tub | All other models; Through Serial No. L3627521 |
| 10 | 27239 | Centering Spring | |
| 11 | 35369 | Screw and Lockwasher | |
| 12 | 27926 | Leg Plate | .063 inch thick |
| 13 | 27927 | Leg Plate | .032 inch thick |
| 14 | 27195 | Sticker | N/A |
| 15 | 29175 | Grommet | Starting Serial No. L3627521 |
| 16 | 30907 | Pressure Accumulator | Starting Serial No. L3627521 |
| 17 | 39282 | Hose Clamp | Starting Serial No. L3627521 |

N/A – Part no longer available

Motor, Mounting Bracket, Belts and Idler Assembly

Through Serial No. C3486773



W462P

Motor, Mounting Bracket, Belts and Idler Assembly

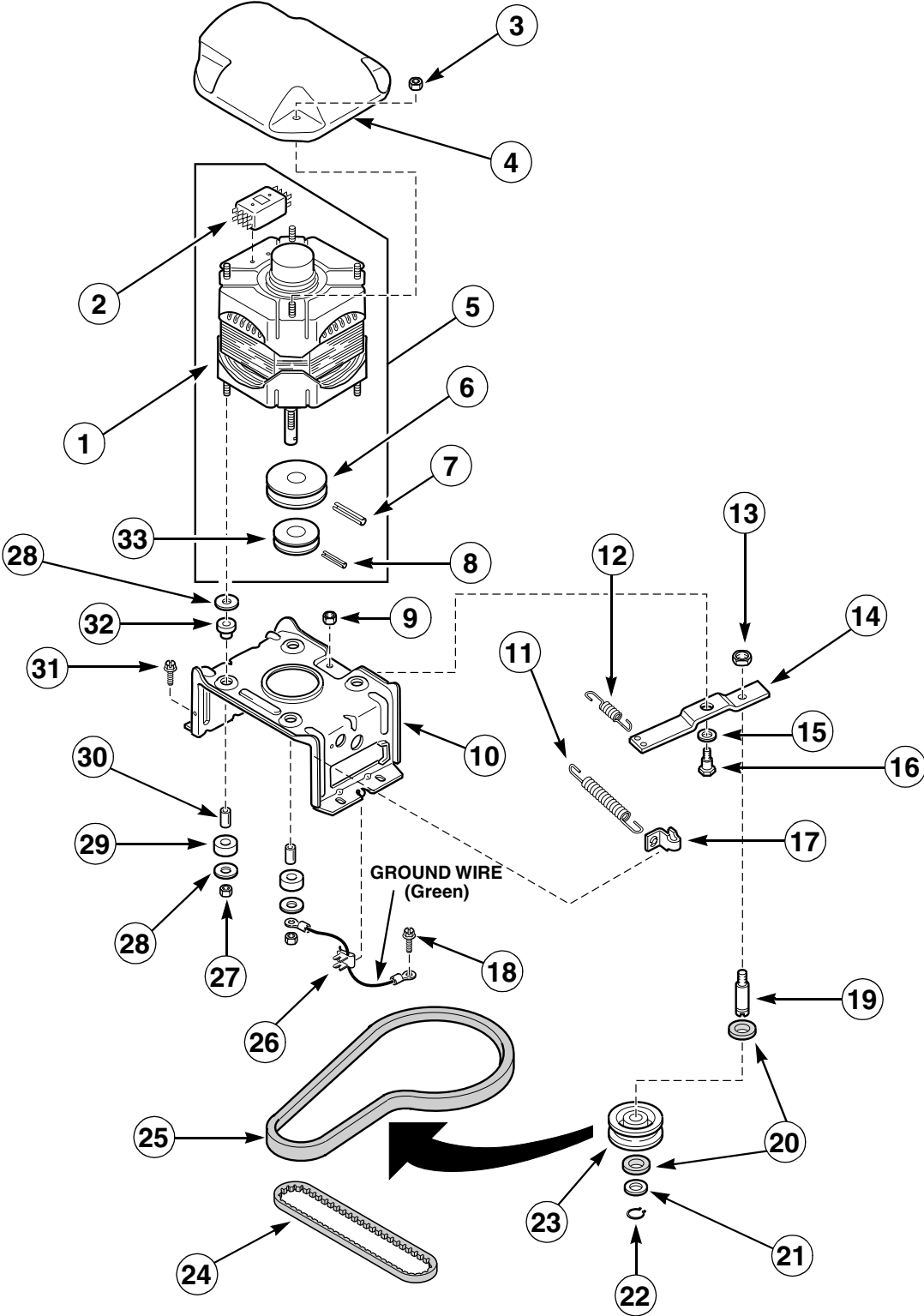
Through Serial No. C3486773

| REF | PART NO. | DESCRIPTION | COMMENTS |
|-----|----------|------------------------|---|
| | 258P3 | Capacitor Kit | For areas where low voltage exists |
| 1 | 27659 | Motor | 1 Speed; Must order 27658P Motor Assembly |
| | 27772 | Motor | 2 Speed; Must order 27179P motor assembly |
| 2 | 24139 | Motor Switch | For Emerson Motor No. 27772 |
| | 24140 | Motor Switch | For Emerson Motor No. 27659 |
| | 24142 | Motor Switch | For General Electric Motor No. 27772; N/A |
| | 24149 | Motor Switch | For General Electric Motor No. 27659 |
| 3 | 27136 | Motor Shield | |
| 4 | 27201 | Locknut | |
| 5 | 27658P | Motor Assembly | 1 Speed; 120 Volt/60 Hertz/1 Phase |
| | 27179P | Motor Assembly | 2 Speed; 120 Volt/60 Hertz/1 Phase |
| 6 | 27171 | Motor Pulley | |
| 7 | 23750 | Roll Pin | N/A |
| 8 | 10416 | Roll Pin | |
| 9 | 52566 | Locknut | |
| 10 | 503661 | Hex Head Screw | |
| 11 | 27928 | Spring | N/A |
| 12 | 56156 | Nut | |
| 13 | 27135 | Idler Lever | N/A |
| 14 | 81392 | Washer | |
| 15 | 28018 | Rubber Washer | N/A |
| 16 | 27210 | Washer | N/A |
| 17 | 27601 | Bearing | N/A |
| 18 | 364P3 | Idler Pulley | |
| 19 | 28018 | Rubber Washer | N/A |
| 20 | 27211 | Washer | N/A |
| 21 | 27209 | Bolt | N/A |
| 22 | 27229 | Shoulder Bolt | |
| 23 | 27929 | Spring Arm | N/A |
| 24 | 27157 | Screw | |
| 25 | 28791 | Motor Mounting Bracket | |
| 26 | 364P3 | Belt | Agitate and spin |
| 27 | 27155 | Belt | Pump |
| 28 | 00161 | Ground Clip | |
| 29 | 23604 | Locknut | |
| 30 | 03888 | Washer | |
| 31 | 01953 | Rubber Motor Mount | Lower; N/A |
| 32 | 27181 | Spacer | N/A |
| 33 | 01952A | Rubber Motor Mount | Upper; N/A |
| 34 | 27104 | Motor Pulley | Pump |

N/A – Part no longer available

Motor, Mounting Bracket, Belts and Idler Assembly

Starting Serial No. C3486774



W463P

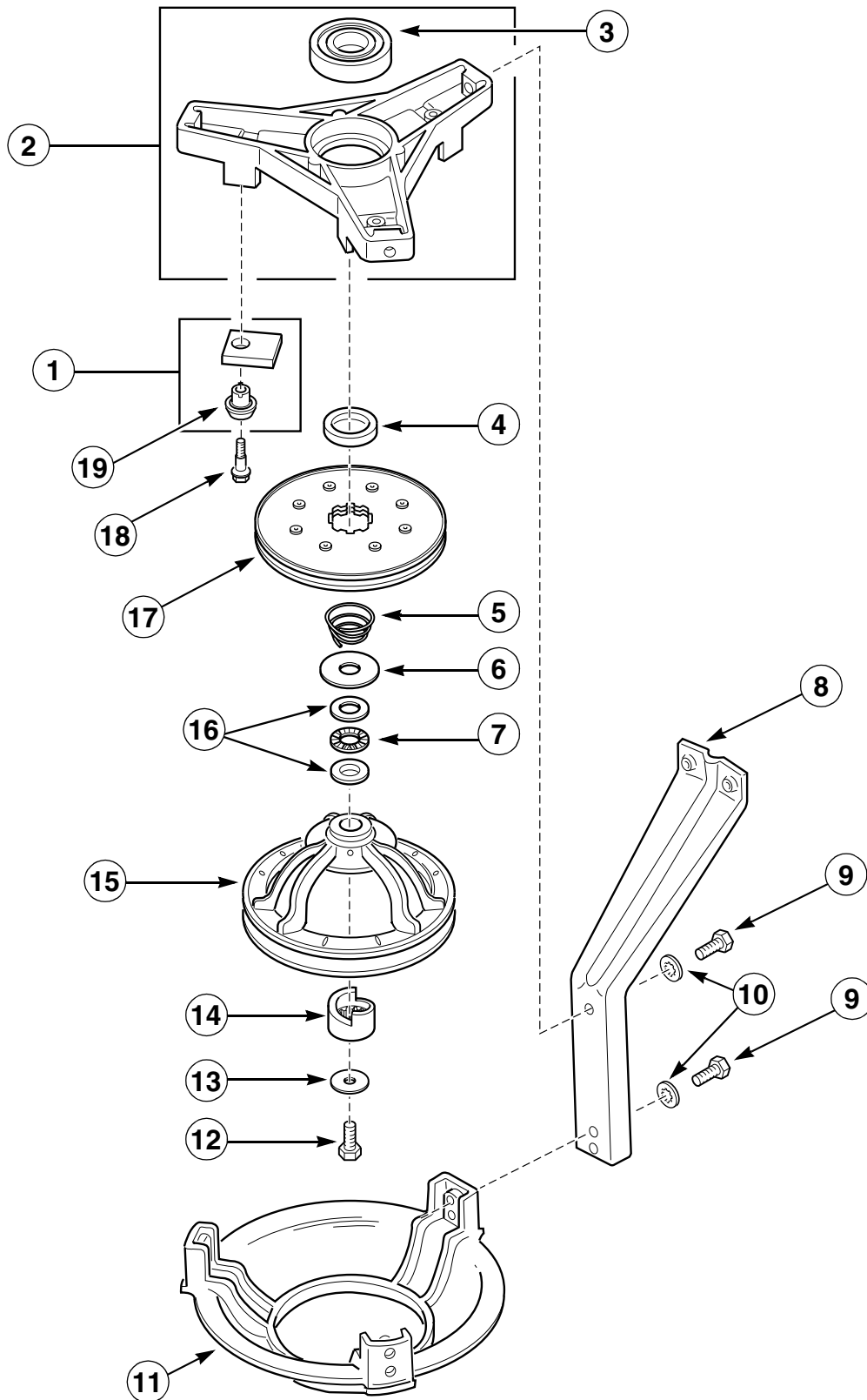
Motor, Mounting Bracket, Belts and Idler Assembly

Starting Serial No. C3486774

| REF | PART NO. | DESCRIPTION | COMMENTS |
|-----|----------|------------------------|--|
| | 20605 | Hi-Temp Lube | Use on idler shaft |
| | 258P3 | Capacitor Kit | For areas where low voltage exists |
| 1 | 27659 | Motor | 1 Speed; Old style; Must order 27658P Motor Assembly |
| | 27772 | Motor | 2 Speed; Old style; Must order 27179P Motor Assembly |
| | 30897 | Motor | 1 Speed; New style; Must order 27658P Motor Assembly |
| | 30895 | Motor | 2 Speed; New style; Must order 27179P Motor Assembly |
| 2 | 24139 | Motor Switch | For Emerson Motor No. 27772 or 30895 |
| | 24140 | Motor Switch | For Emerson Motor No. 27659 or 30897 |
| | 24142 | Motor Switch | For General Electric Motor No. 27772; N/A |
| | 24149 | Motor Switch | For General Electric Motor No. 27659 |
| | 30895A | Motor Switch | For General Electric Motor No. 30895 |
| | 30897AP | Motor Switch | For General Electric Motor No. 30897 |
| 3 | 27201 | Locknut | |
| 4 | 27136 | Motor Shield | |
| 5 | 27658P | Motor Assembly | 1 Speed models; 120 Volt/60 Hertz/1 Phase |
| | 27179P | Motor Assembly | 2 Speed models; 120 Volt/60 Hertz/1 Phase |
| 6 | 27171 | Motor Pulley | |
| 7 | 23750 | Roll Pin | N/A |
| 8 | 10416 | Roll Pin | |
| 9 | 52566 | Locknut | |
| 10 | 28791 | Motor Mounting Bracket | |
| 11 | 37366 | Spring | |
| 12 | 30620 | Helper Spring | Starting Serial with No. 4W000819 |
| 13 | 28803 | Locknut | |
| 14 | 31054 | Idler Lever | Replaces Part Nos. 29705 and 28839 |
| 15 | 81392 | Washer | |
| 16 | 27229 | Shoulder Bolt | |
| 17 | 28849 | Clip | |
| 18 | 52909 | Hex Head Screw | |
| 19 | 28802 | Idler Shaft | |
| 20 | 29443 | Felt Washer | |
| 21 | 52549 | Washer | Nylatron |
| 22 | 23148 | Retainer Ring | |
| 23 | 28800 | Idler Pulley | |
| 24 | 27155 | Belt | Pump |
| 25 | 28808 | Belt | Agitate and spin |
| 26 | 00161 | Ground Clip | |
| 27 | 23604 | Locknut | |
| 28 | 03888 | Washer | |
| 29 | 01953 | Rubber Motor Mount | Lower; N/A |
| 30 | 27181 | Spacer | N/A |
| 31 | 27157 | Screw | |
| 32 | 01952A | Rubber Motor Mount | Upper; N/A |
| 33 | 27104 | Motor Pulley | Pump |

N/A – Part no longer available

Bearing Housing, Brake, Pulley and Pivot Dome

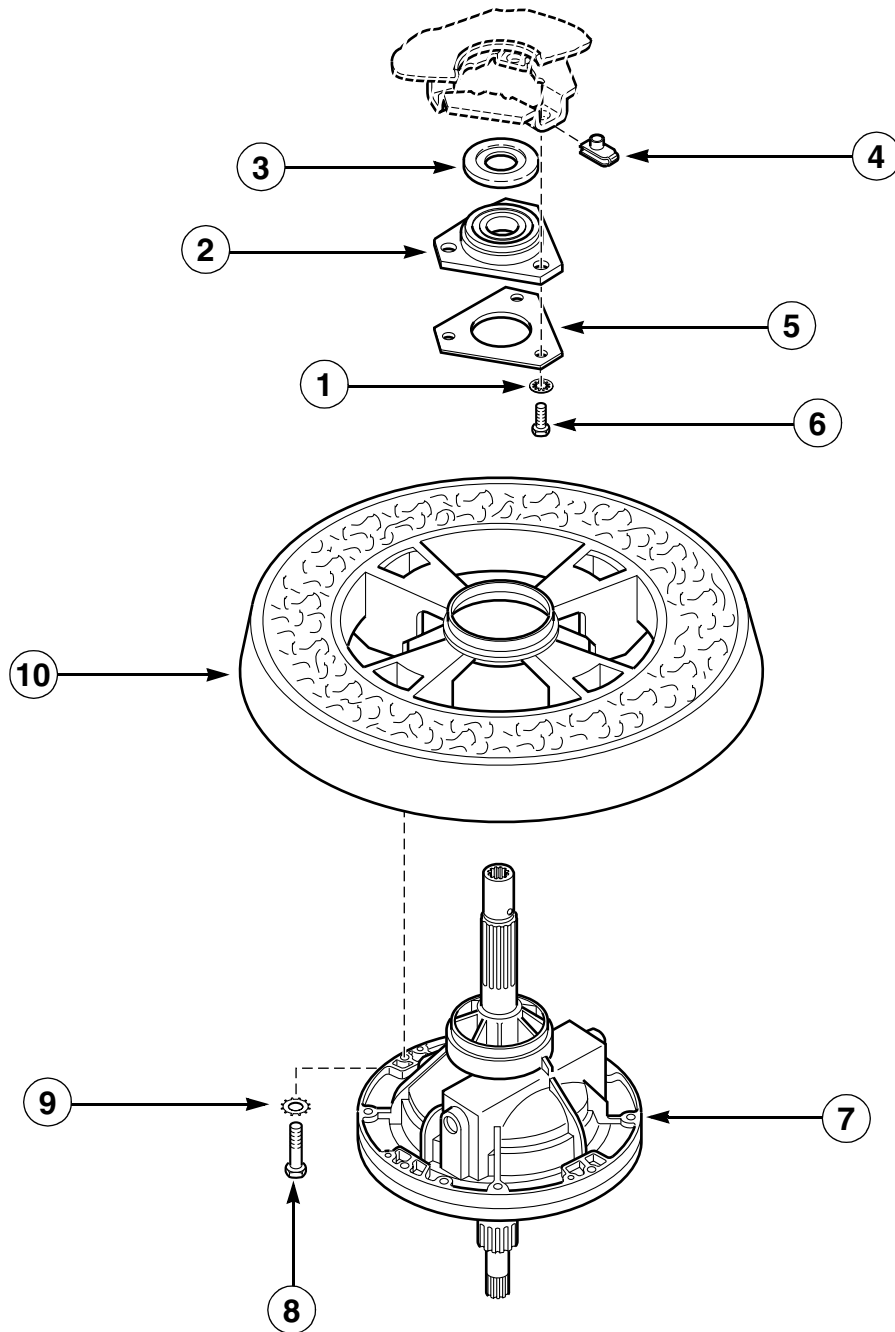


W464P

Bearing Housing, Brake, Pulley and Pivot Dome

| REF | PART NO. | DESCRIPTION | COMMENTS |
|-----|----------|------------------------|--|
| 1 | 548P3 | Brake Pad Kit | Includes sleeves and 3 pads |
| 2 | 35746 | Bearing House Assembly | Lower |
| 3 | 28944A | Bearing | |
| 4 | 27176 | Spacer | |
| 5 | 33435 | Spring | |
| 6 | 27015 | Washer | |
| 7 | 27025 | Needle Bearing | Used through Serial No. 4U029469 |
| 8 | 27090 | Leg | |
| 9 | 35369 | Cap Screw | |
| 10 | 04366 | Lockwasher | Use with Part No. 02710 Cap Screw only |
| 11 | 27124 | Pivot Dome | |
| 12 | 27220 | Screw | |
| 13 | 26509 | Washer | |
| 14 | 27018 | Helix | |
| 15 | 34232P | Pulley Assembly | |
| 16 | 27024 | Thrust | Used through Serial No. 4U029469 |
| 17 | 38505P | Brake Assembly | |
| 18 | 26547 | Screw | |
| 19 | 29993 | Sleeve | |

Transmission Assembly and Balance Ring



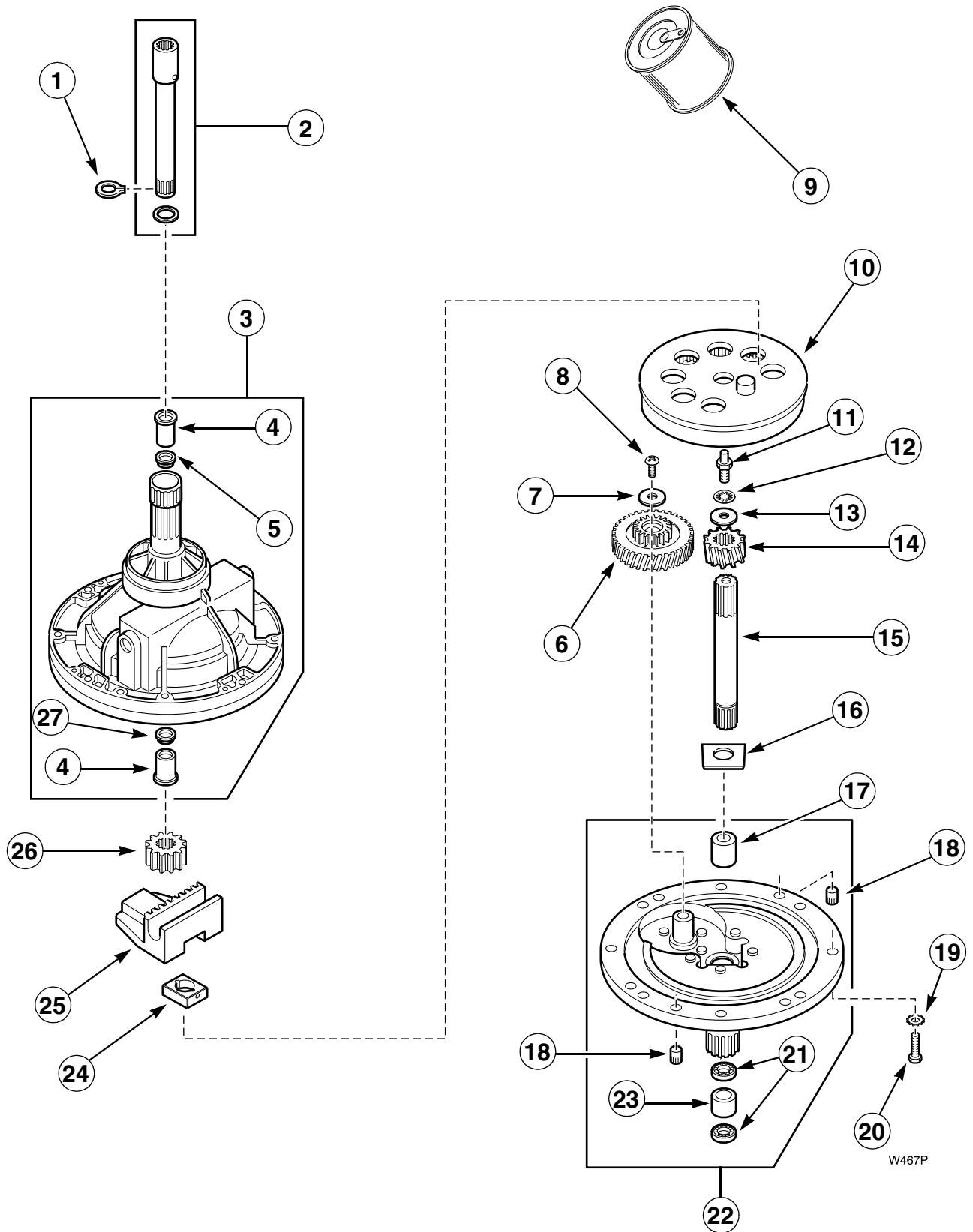
W465P

Transmission Assembly and Balance Ring

| REF | PART NO. | DESCRIPTION | COMMENTS |
|-----|----------|------------------------|--|
| | 27604P | Never Seeze | Apply to both the upper and lower transmission tubes |
| 1 | 04366 | Lockwasher | |
| 2 | 27182 | Bearing House Assembly | Upper |
| 3 | 27187 | Flinger | |
| 4 | 27222 | Retainer Nut | |
| 5 | 27166 | Washer | N/A |
| 6 | M400057 | Cap Screw | |
| 7 | 33227P | Transmission Assembly | Models with suffix code *A 9975 |
| | 30946P | Transmission Assembly | Replaces Part Nos. 28430 and 30123 |
| 8 | 27200 | Cap Screw | N/A |
| 9 | 02431 | Lockwasher | |
| 10 | 34731 | Balance Ring | Replaces Part No. 27143 |

N/A – Part no longer available

Transmission Assembly



W467P

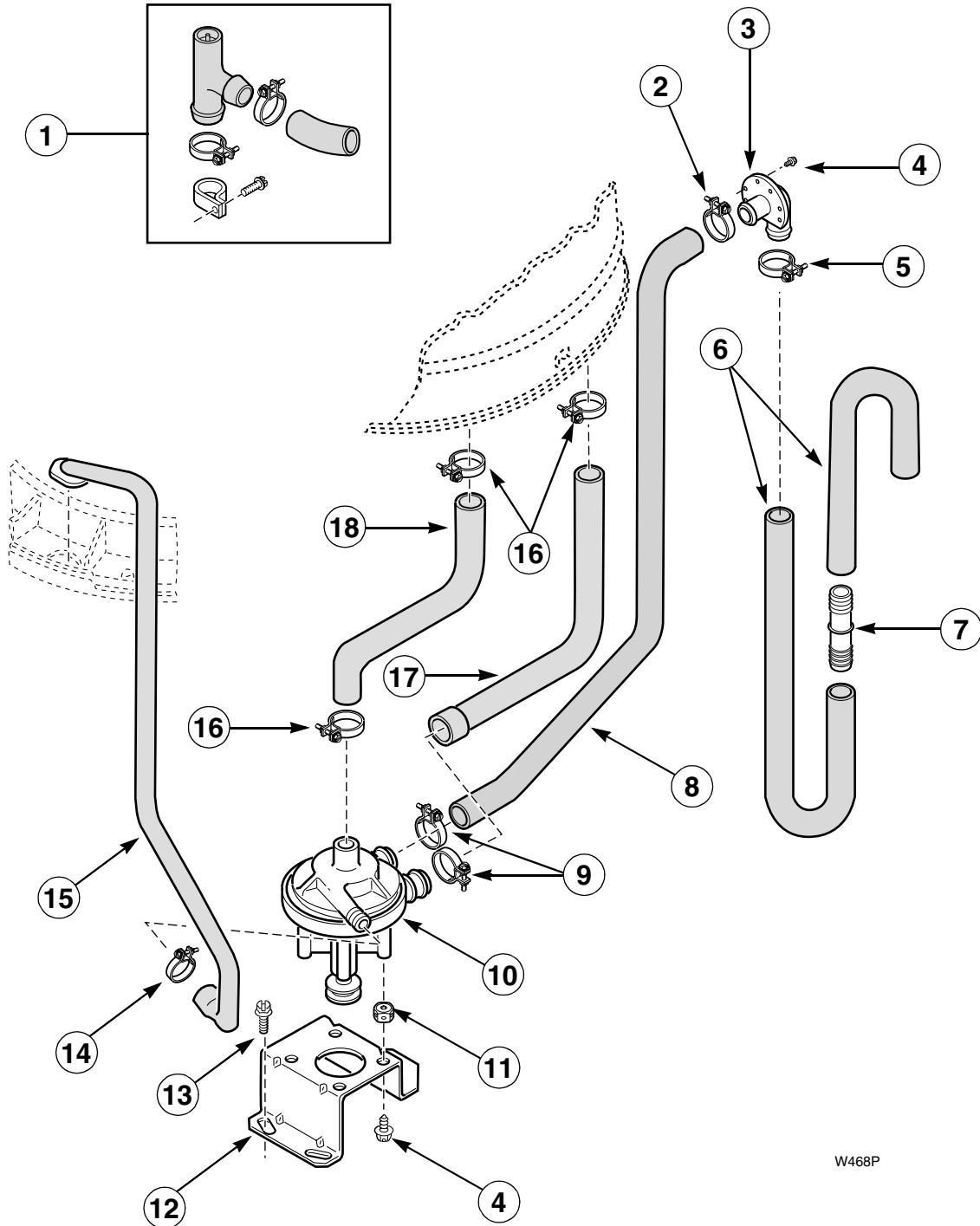
Transmission Assembly

| REF | PART NO. | DESCRIPTION | COMMENTS |
|-----------|----------|----------------------------|--|
| | 37577P | Loctite | Use as a sealant between transmission case and cover; Use with 30946P Transmission Assembly |
| | 27028 | O-Ring | Use as a sealant between transmission case and cover; Use with 28430 Transmission Assembly |
| 1 | 27197 | Retainer Ring | |
| 2 | 368P3 | Coupling and Shaft Kit | |
| 3 | 33223 | Transmission Case Assembly | |
| 4 | 36107P | Bearing | |
| 5 | 28114 | Seal | |
| 6 | 29161 | Reduction Gear | |
| 7 | 29260 | Washer | |
| 8 | 29273 | Screw | |
| 9 | 27243P | Transmission Oil | 1 fill |
| 10 | 26577 | Internal Gear | |
| 11 | 27030 | Special Screw | |
| 12 | 21456 | Lockwasher | |
| 13 | 26509 | Washer | |
| 14 | 36562 | Drive Pinion | Use with 30946P Transmission Assembly |
| | 29156 | Drive Pinion | Use with 28430 Transmission Assembly |
| 15 | 27081 | Shaft | Input |
| 16 | 27016 | Washer | N/A |
| 17 | 30893 | Roller Clutch | |
| 18 | 27172 | Dowel Pin | |
| 19 | 02431 | Lockwasher | |
| 20 | 20253 | Cap Screw | |
| 21 | 28114 | Seal | |
| 22 | 38287P | Transmission Case Assembly | |
| 23 | 27022 | Sleeve Bearing | |
| 24 | 26493 | Slide | |
| 25 | 31526 | Rack | |
| 26 | 27003 | Agitator Pinion | |
| 27 | 28114 | Seal | |

N/A – Part no longer available

Pump Assembly, Bracket, Hoses and Siphon Break Kit

Models Equipped With Rubber Drain Hose



W468P

Pump Assembly, Bracket, Hoses and Siphon Break Kit

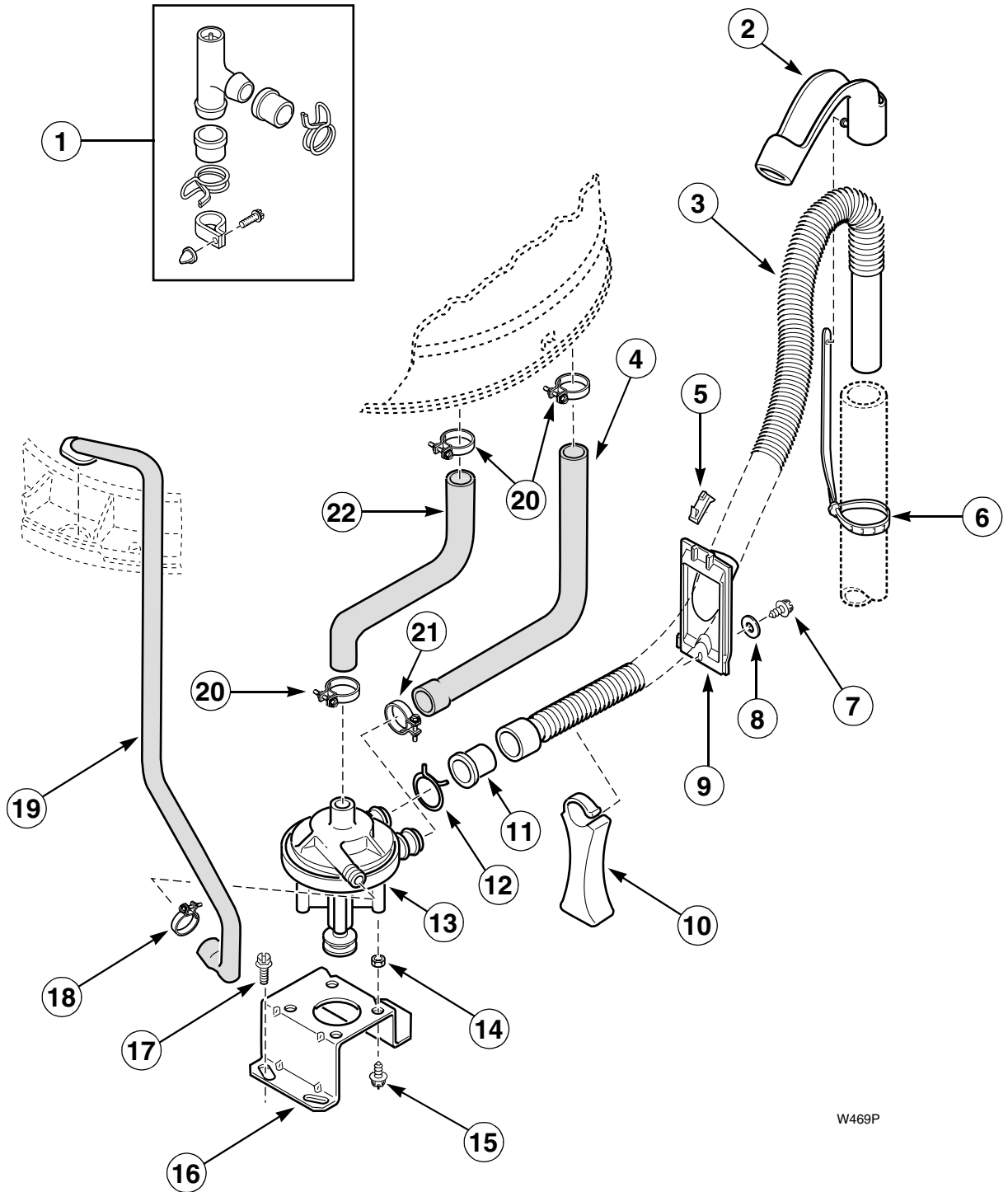
Models Equipped with Rubber Drain Hose

| REF | PART NO. | DESCRIPTION | COMMENTS |
|-----|----------|--------------------|---|
| 1 | 562P3 | Siphon Break Kit | Must be installed in drain hose if the drain receptacle is lower than the cabinet top of the washer |
| 2 | 20391 | Hose Clamp | |
| 3 | 23553 | Drain Hose Elbow | |
| 4 | 52909 | Hex Head Screw | |
| 5 | 20211 | Hose Clamp | |
| 6 | 28293 | Drain Hose | |
| 7 | 25863 | Hose Coupler | |
| 8 | 27161 | Pump-To-Elbow Hose | |
| 9 | 20211 | Hose Clamp | |
| 10 | 31969 | Pump Assembly | Includes item 11; Model HA2010 |
| | 31968 | Pump Assembly | Includes item 11; All other models |
| 11 | 27063 | Onsert | |
| 12 | 27105 | Mounting Bracket | |
| 13 | 27157 | Screw | |
| 14 | 27644 | Hose Clamp | |
| 15 | 27232 | Recirculating Hose | Not used on Model HA2010; N/A |
| 16 | 20391 | Hose Clamp | |
| 17 | 27160 | Hose | |
| 18 | 27159 | Hose | Not used on Model HA2010 |

N/A – Part no longer available

Pump Assembly, Bracket, Hoses and Siphon Break Kit

Models Equipped with Plastic Drain Hose



W469P

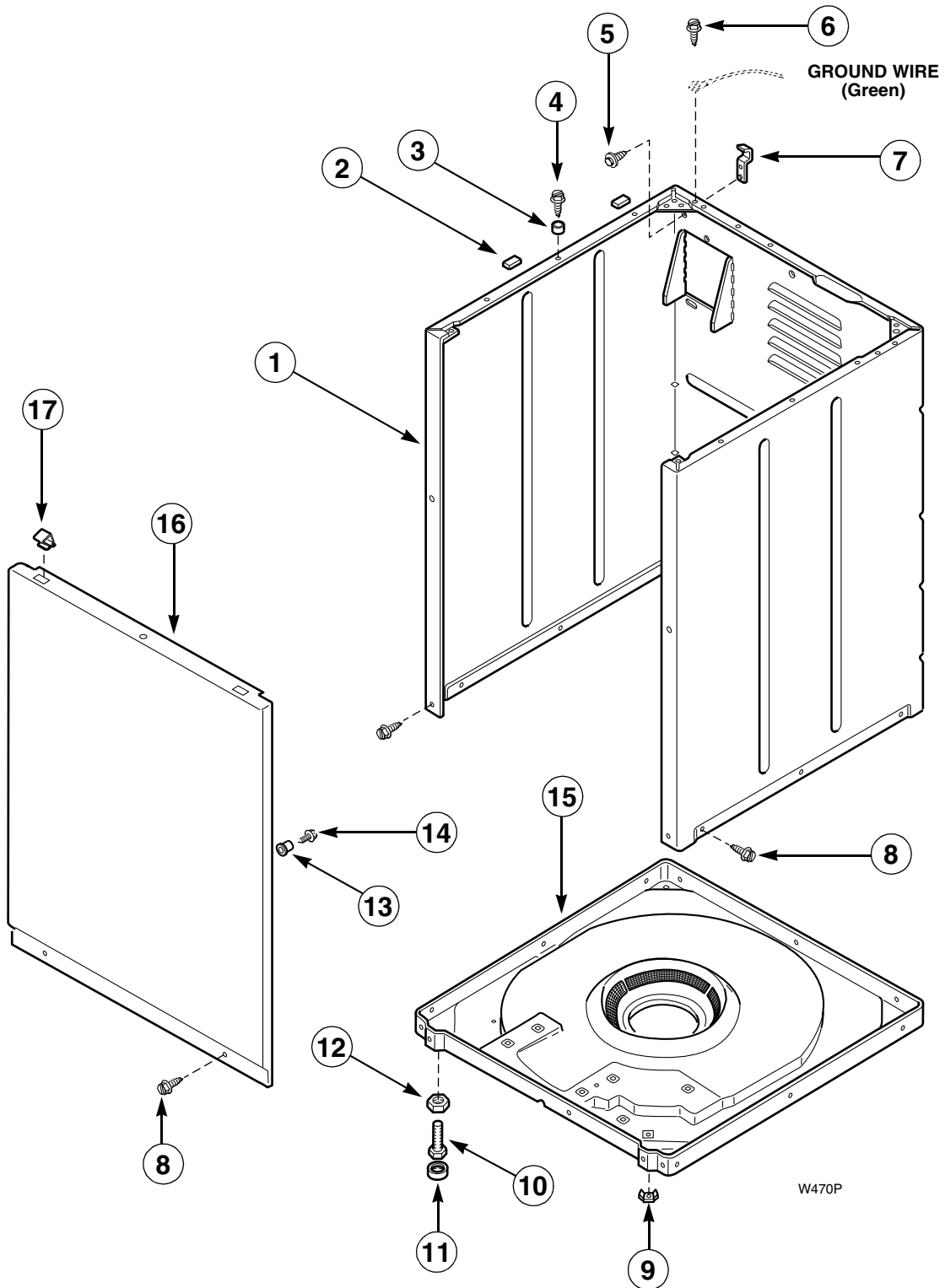
Pump Assembly, Bracket, Hoses and Siphon Break Kit

Models Equipped with Plastic Drain Hose

| REF | PART NO. | DESCRIPTION | COMMENTS |
|-----|----------|--------------------|---|
| 1 | 562P3 | Siphon Break Kit | Must be installed in drain hose if the drain receptacle is lower than the cabinet top of the washer |
| 2 | 29144 | Drain Hose Sleeve | N/A |
| 3 | 29143 | Drain Hose | N/A |
| 4 | 27160 | Hose | |
| 5 | 29936 | Hose Retainer Clip | N/A |
| 6 | 33489 | Tie-Down Strap | |
| 7 | 27196 | Hex Head Screw | |
| 8 | 20492 | Washer | |
| 9 | 29131 | Hose Retainer | Mounts to rear of washer; N/A |
| 10 | 29284 | Hose Support | Mounts to washer base; N/A |
| 11 | 29143 | Hose Adapter | N/A |
| 12 | 29172 | Hose Clamp | N/A |
| 13 | 31969 | Pump Assembly | Includes item 14; Model HA2010 |
| | 31968 | Pump Assembly | Includes item 14; All other models |
| 14 | 31098 | Onsert | |
| 15 | 52909 | Hex Head Screw | |
| 16 | 27105 | Mounting Bracket | |
| 17 | 27157 | Screw | |
| 18 | 27644 | Hose Clamp | |
| 19 | 27232 | Recirculating Hose | Not used on Model HA2010; N/A |
| 20 | 20391 | Hose Clamp | |
| 21 | 20211 | Hose Clamp | |
| 22 | 27159 | Hose | Not used on Model HA2010 |

N/A – Part no longer available

Front Panel, Cabinet and Base

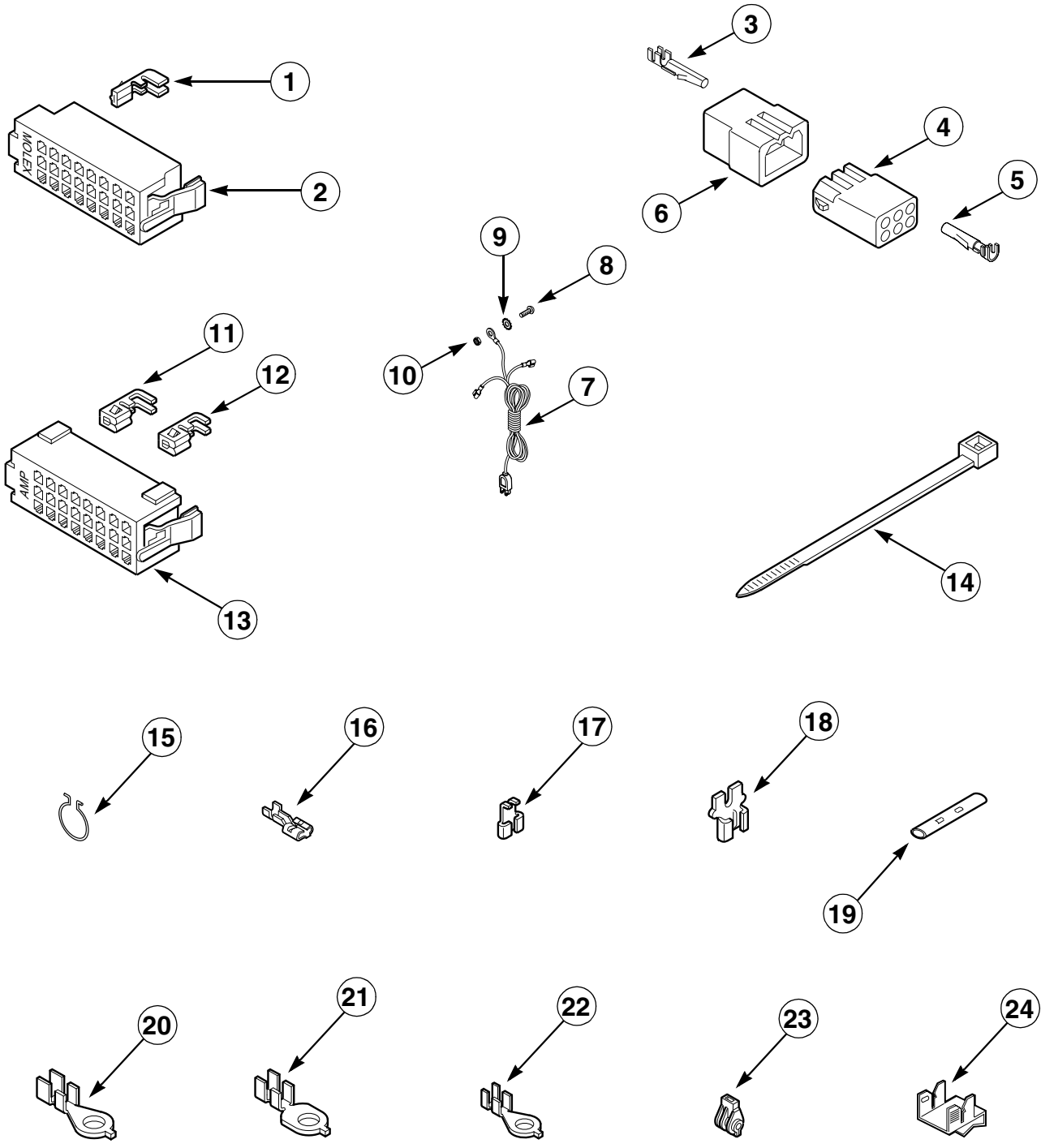


Front Panel, Cabinet and Base

| REF | PART NO. | DESCRIPTION | COMMENTS |
|-----------|----------|--------------------|-----------------------------|
| | 26594P | Silicone Lubricant | For pads in base |
| 1 | 38612* | Cabinet | |
| 2 | 56128 | Bumper Pad | |
| 3 | 56079 | Guide Lug | |
| 4 | 32671 | Screw | |
| 5 | 51780 | Hex Head Screw | |
| 6 | 23962 | Ground Screw | |
| 7 | 27103 | Hinge | |
| 8 | 27196 | Hex Head Screw | |
| 9 | 28837 | Cage Nut | N/A |
| 10 | 34319 | Leveling Leg | Replaces 20409 Leveling Leg |
| 11 | 21749 | Rubber Pad | Use with 20409 Leveling Leg |
| | 34318 | Rubber Pad | Use with 34319 Leveling Leg |
| 12 | 21899 | Locknut | |
| 13 | 28102 | Guide Lug | |
| 14 | 32671 | Screw | |
| 15 | 31653P | Base | Includes item 9 |
| 16 | 32708*P | Front Panel | |
| 17 | 28835 | Hold-Down Clip | |

* Add letter to designate color: **A - Avocado** **K - Coffee** **H - Harvest Gold** **L - Almond** **W - White**
 N/A – Part no longer available

Power Cord and Wire Terminals

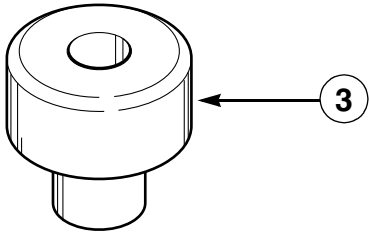
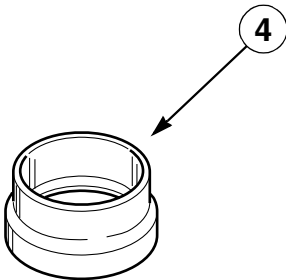
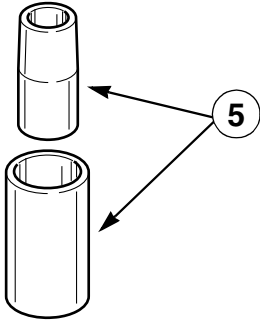
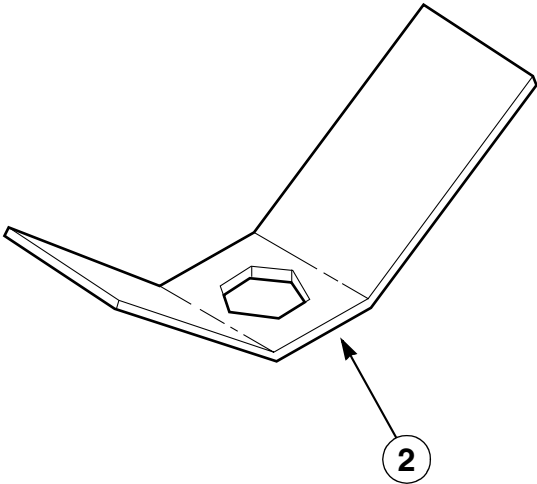
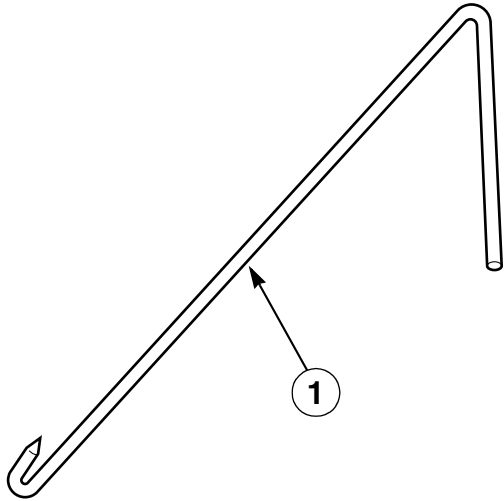


W471P

Power Cord and Wire Terminals

| REF | PART NO. | DESCRIPTION | COMMENTS |
|-----|----------|---------------------------|----------------------------------|
| 1 | 00188 | Molex Terminal | Used for 1 or 2 wire application |
| 2 | 32746 | Molex Housing | |
| 3 | 00116 | Terminal | |
| 4 | 26708 | Terminal Block | |
| 5 | 00117 | Terminal | |
| 6 | 23041 | Terminal Block | |
| 7 | 34458 | Power Cord and Plug | |
| 8 | 20267 | Round Head Screw | |
| 9 | 03815 | Lockwasher | |
| 10 | 03673 | Nut | |
| 11 | 00180 | Amp Terminal | 1 wire |
| 12 | 00183 | Amp Terminal | 2 wire |
| 13 | 28856 | Amp Housing | |
| 14 | 55881 | Wire Tie | |
| 15 | 51291 | Wire Clip | |
| 16 | 00223 | Spade Terminal | Large spade |
| 17 | 00120 | Right Angle Flag Terminal | |
| 18 | 29673 | Double Connector | |
| 19 | 21091 | Connector | |
| 20 | 00113 | Eyelet Terminal | 1/4 inch ring |
| 21 | 00111 | Eyelet Terminal | Large shank |
| 22 | 00110 | Eyelet Terminal | Small shank |
| 23 | 70210 | Plastic Insulator | |
| 24 | 00161 | Ground Clip | |

Special Tools



W415P

Special Tools

| REF | PART NO. | DESCRIPTION | COMMENTS |
|-----|----------|------------------------|---|
| | 725P3 | Tool Kit | Includes items 1, 2, 3, 4 and 5 |
| 1 | 321P4 | Spring Hook | Use to remove five centering springs from outer tub |
| 2 | 306P4 | Hex Wrench | Use to remove hex locknut from washtub hub |
| 3 | 230P4 | Guide Spindle | Use to remove hub from transmission |
| 4 | 241P4 | Seal Installer | Use to install 356P3 Washer Seal Kit; N/A |
| 5 | 242P4 | Brake Spring Installer | Use to install brake spring; N/A |

N/A – Part no longer available

Timers

| MODEL NO. | TIMER | |
|--|-----------------------------|-----------------------------------|
| | THROUGH SERIAL NO. B3533857 | STARTING WITH SERIAL NO. B3533858 |
| HA3000 and HA3001 | 27694 | 28918 |
| HA4000 and HA4001 | – | 28918 |
| HA4010 | 28093 | 28917 |
| HA4011 | 28093 | 28917 |
| HA4210 | 28093 | 28917 |
| HA4211 | 28093 | 28917 |
| HA4290 and HA4291 | – | 29966 |
| HA4500 and HA4501 | – | 28918 |
| HA4510 | 28093 | 28917 |
| HA4511 | 28093 | 28917 |
| HA4520 | 28093 | 28917 |
| HA4521 Through Serial No. B3547780 | 28093 | – |
| HA4521 Starting with Serial No. B3547781 | – | 28917 |
| HA4590 | – | 29966 |
| HA4591 | – | 29966 |
| HA5000 and HA5001 | 28093 | 28917 |
| HA5590 | – | 29966 |
| HA5591 | – | 29966 |
| HA6000 and HA6001 | 28093 | 28917 |
| HA7001 | 27693 | 28919 |

Parts Index

A

| | |
|--|------|
| Action Switch | |
| 21302 | 7 |
| 27500 | 5, 7 |
| 28117 | 5 |
| Agitator | |
| 27120 | 23 |
| 33514 | 21 |
| Agitator Drive Bell and Seat Seal Assembly | |
| 39508P | 21 |
| Agitator Pinion | |
| 27003 | 41 |
| Agitator Post | |
| 28933 | 23 |
| Agitator Post Assembly | |
| 28934 | 23 |
| Amp Housing | |
| 28856 | 49 |
| Amp Terminal | |
| 00180 | 49 |
| 00183 | 49 |
| Armature | |
| 24132 | 19 |
| Armature Guide | |
| 24130 | 19 |

B

| | |
|------------------------|--------|
| Back Flow Preventer | |
| 34280 | 15, 17 |
| Balance Ring | |
| 29117 | 39 |
| Base | |
| 31653P | 47 |
| Bearing | |
| 27601 | 33 |
| 28944A | 37 |
| 36107P | 41 |
| Bearing House Assembly | |
| 27182 | 39 |
| 35746 | 37 |
| Belt | |
| 27155 | 33, 35 |
| 28808 | 35 |
| 364P3 | 33 |
| Bleach Dispenser | |
| 34776 | 11 |
| Bolt | |
| 27209 | 33 |
| Bracket | |
| 231842P | 9 |
| 27250 | 13 |
| Brake Assembly | |
| 38505P | 37 |
| Brake Pad Kit | |
| 548P3 | 37 |
| Brake Spring Installer | |
| 242P4 | 51 |

| | |
|-------------|----|
| Bumper | |
| 21685 | 11 |
| Bumper Pad | |
| 56128 | 47 |
| Bushing | |
| 27625 | 11 |

C

| | |
|------------------------|------------|
| Cabinet | |
| 38612 | 47 |
| Cabinet Top | |
| 27662 | 11 |
| 27663 | 11 |
| Cage Nut | |
| 28837 | 47 |
| Cap Screw | |
| M400057 | 39 |
| 20253 | 41 |
| 27200 | 39 |
| 27202 | 23, 25, 27 |
| 35369 | 37 |
| Capacitor Kit | |
| 258P3 | 33, 35 |
| Catch | |
| 27149 | 11 |
| Centering Spring | |
| 27239 | 29, 31 |
| Clip | |
| 10519 | 5, 7 |
| 28849 | 35 |
| Connector | |
| 21091 | 49 |
| Control Hood | |
| 29551 | 11 |
| Control Hood End | |
| 25123 | 5, 7, 9 |
| 25124 | 5, 7, 9 |
| Control Knob Assembly | |
| 27376 | 7 |
| 27379 | 7 |
| 28124 | 5 |
| Control Panel | |
| 27676 | 7 |
| 27678 | 7 |
| 27679 | 9 |
| 27680 | 7 |
| 27681 | 7 |
| 27682 | 7 |
| 27683 | 7 |
| 27841 | 7 |
| 27851 | 7 |
| 27856 | 7 |
| 27902 | 7 |
| 27907 | 7 |
| 29002 | 9 |
| Coupling and Shaft Kit | |
| 368P3 | 41 |
| Cover Gasket | |
| 27184 | 29, 31 |

D

| | |
|-----------------------|----|
| Diaphragm | |
| 24134 | 19 |
| Double Connector | |
| 29673 | 49 |
| Dowel Pin | |
| 27172 | 41 |
| Drain Hose | |
| 28293 | 43 |
| 29143 | 45 |
| Drain Hose Elbow | |
| 23553 | 43 |
| Drain Hose Sleeve | |
| 29144 | 45 |
| Drive Block | |
| 28091 | 23 |
| Drive Pinion | |
| 29156 | 41 |
| 36562 | 41 |
| Drive Shaft and Block | |
| 28091 | 23 |

E

| | |
|-----------------|----|
| Eyelet Terminal | |
| 00110 | 49 |
| 00111 | 49 |
| 00113 | 49 |

F

| | |
|---------------------------|-------------|
| Fabric Softener Dispenser | |
| 27707 | 23 |
| Fastener | |
| 29474 | 25, 27 |
| Felt Washer | |
| 29443 | 35 |
| Fiber Washer | |
| 20493 | 5, 7, 9, 11 |
| Filter Washer | |
| 28605 | 15, 17 |
| Flinger | |
| 27187 | 39 |
| Front Panel | |
| 32708 | 47 |

G

| | |
|-------------|--------|
| Gasket | |
| 23028 | 11 |
| 27020 | 23 |
| 28094 | 25, 27 |
| 39122 | 25, 27 |
| Grommet | |
| 20118 | 11 |
| 22299 | 11 |
| 29175 | 31 |

| | |
|---------------|------------|
| Ground Clip | |
| 00161 | 33, 35, 49 |
| Ground Screw | |
| 23962 | 17, 47 |
| Guide Lug | |
| 28102 | 47 |
| 56079 | 47 |
| Guide Spindle | |
| 230P4 | 51 |

H

| | |
|--------------------|------------|
| Helix | |
| 27018 | 37 |
| Helper Spring | |
| 30620 | 35 |
| Hex Head Screw | |
| 23962 | 5, 9, 11 |
| 26592 | 35 |
| 27196 | 45, 47 |
| 30852 | 21 |
| 503661 | 31, 33 |
| 51780 | 47 |
| 52909 | 43, 45 |
| Hex Nut | |
| 29220 | 25, 27 |
| Hex Wrench | |
| 306P4 | 51 |
| Hinge | |
| 27103 | 47 |
| 27626 | 11 |
| Hi-Temp Lube | |
| 20605 | 35 |
| Hold-Down Cap | |
| 27138 | 23 |
| Hold-Down Clip | |
| 28835 | 47 |
| Hose | |
| 27159 | 43, 45 |
| 27160 | 43, 45 |
| 27183 | 15, 17 |
| 28245 | 15 |
| 29182 | 17 |
| Hose Adapter | |
| 29143 | 45 |
| Hose Clamp | |
| 20211 | 15, 43, 45 |
| 20391 | 43, 45 |
| 27152 | 17 |
| 27643 | 17 |
| 27644 | 43, 45 |
| 29172 | 45 |
| 29210 | 17 |
| 35370 | 17 |
| 36801 | 15 |
| 39282 | 31 |
| Hose Coupler | |
| 25863 | 43 |
| Hose Retainer | |
| 29131 | 45 |
| Hose Retainer Clip | |
| 29936 | 45 |
| Hose Support | |
| 29284 | 45 |

| | |
|------------------|--------|
| Hose Washer | |
| 20290 | 15, 17 |
| Hub and Seal Kit | |
| 356P3 | 25, 27 |
| Hub Assembly | |
| 495P3 | 21 |

I

| | |
|---------------|--------|
| Idler Lever | |
| 27135 | 33 |
| 31054 | 35 |
| Idler Pulley | |
| 28800 | 35 |
| 364P3 | 33 |
| Idler Shaft | |
| 28802 | 35 |
| Inlet Hose | |
| 28330 | 15, 17 |
| Inlet Screen | |
| F270200 | 19 |
| Internal Gear | |
| 26577 | 41 |

L

| | |
|--------------|----------------|
| Leg | |
| 27090 | 37 |
| Leg Plate | |
| 27926 | 29, 31 |
| 27927 | 29, 31 |
| Leveling Leg | |
| 34319 | 47 |
| Lever | |
| 27602 | 13 |
| Lint Filter | |
| 27123 | 25 |
| 33521 | 27 |
| Loading Door | |
| 27665 | 11 |
| Locknut | |
| 21899 | 47 |
| 23604 | 33, 35 |
| 27201 | 33, 35 |
| 28803 | 35 |
| 29220 | 21 |
| 52566 | 33, 35 |
| Lockwasher | |
| 02431 | 39, 41 |
| 03815 | 11, 29, 31, 49 |
| 04366 | 37, 39 |
| 21456 | 41 |
| 27163 | 25, 27 |
| 91176 | 5, 7 |
| Loctite | |
| 37577P | 23, 41 |

M

| | |
|-------------------------------|--------|
| Mixing Valve Assembly | |
| 33930 | 19 |
| Mixing Valve Mounting Bracket | |
| 39407 | 15, 17 |
| Molex Housing | |
| 32746 | 49 |
| Molex Terminal | |
| 00188 | 49 |
| Motor | |
| 27659 | 33, 35 |
| 27772 | 33, 35 |
| 30895 | 35 |
| 30897 | 35 |
| Motor Assembly | |
| 27179 | 33 |
| 27179P | 35 |
| 27658 | 33 |
| 27658P | 35 |
| Motor Mounting Bracket | |
| 28791 | 33, 35 |
| Motor Pulley | |
| 27104 | 33, 35 |
| 27171 | 33, 35 |
| Motor Shield | |
| 27136 | 33, 35 |
| Motor Switch | |
| 24139 | 33, 35 |
| 24140 | 33, 35 |
| 24142 | 33, 35 |
| 24149 | 33, 35 |
| 30895A | 35 |
| 30897AP | 35 |
| Mounting Bracket | |
| 24158 | 19 |
| 27105 | 43, 45 |

N

| | |
|----------------|--------|
| Needle Bearing | |
| 27025 | 37 |
| Never Seeze | |
| 27604P | 39 |
| Nut | |
| 03673 | 11, 49 |
| 56156 | 33 |
| 57584 | 5, 7 |
| Nylon Nut | |
| 21752 | 11 |

O

| | |
|---------------|----|
| Onsert | |
| 27063 | 43 |
| 31098 | 45 |
| O-Ring | |
| 27028 | 41 |
| O-Ring Washer | |
| 30853 | 21 |

| | |
|-----------------|--------|
| Outer Tub | |
| 30508 | 31 |
| 392P3 | 29 |
| 507P3 | 29, 31 |
| Outer Tub Cover | |
| 31153 | 29, 31 |

P

| | |
|-----------------------|---------|
| Panel Support Bracket | |
| 23360 | 5, 7, 9 |
| Phillips Head Screw | |
| 25232 | 5, 9 |
| 70212 | 5, 7, 9 |
| Pivot Dome | |
| 27124 | 37 |
| Plastic Insulator | |
| 70210 | 49 |
| Plug | |
| 29901 | 31 |
| Power Cord and Plug | |
| 34458 | 49 |
| Pressure Accumulator | |
| 30907 | 31 |
| Pressure Hose | |
| 30930P | 29 |
| 39124 | 31 |
| 39125 | 31 |
| Pressure Switch | |
| 27778 | 5, 7 |
| 28615 | 9 |
| Pulley Assembly | |
| 34232P | 37 |
| Pump Assembly | |
| 31968 | 43, 45 |
| 31969 | 43, 45 |
| Pump-To-Elbow Hose | |
| 27161 | 43 |
| Pushnut | |
| 29043 | 13 |

R

| | |
|---------------------------|--------|
| Rack | |
| 31526 | 41 |
| Recirculating Hose | |
| 27232 | 43, 45 |
| Reduction Gear | |
| 29161 | 41 |
| Retainer Nut | |
| 27222 | 39 |
| Retainer Ring | |
| 23148 | 35 |
| 27197 | 23, 41 |
| Right Angle Flag Terminal | |
| 00120 | 49 |
| Rivet | |
| 56534 | 11 |
| Roll Pin | |
| 10416 | 33, 35 |
| 23750 | 33, 35 |

| | |
|--------------------|--------|
| Roller Clutch | |
| 30893 | 41 |
| Round Head Screw | |
| Q6516 | 13 |
| 20267 | 11, 49 |
| Rubber Motor Mount | |
| 01952A | 33, 35 |
| 01953 | 33, 35 |
| Rubber Pad | |
| 21749 | 47 |
| 34318 | 47 |
| Rubber Washer | |
| 28018 | 33 |

S

| | |
|----------------------|----------------|
| Screw | |
| 23962 | 7, 15 |
| 25232 | 7 |
| 25817C | 19 |
| 26547 | 37 |
| 27157 | 33, 35, 43, 45 |
| 27220 | 37 |
| 28193 | 13 |
| 29273 | 41 |
| 32671 | 47 |
| 503661 | 29 |
| Screw and Lockwasher | |
| 23008 | 11 |
| 27203 | 11 |
| 35369 | 29, 31 |
| Seal | |
| 28114 | 41 |
| Seal Head | |
| 30022 | 21 |
| Seal Installer | |
| 241P4 | 51 |
| Setscrew | |
| 26318 | 5, 7, 9 |
| Shaft | |
| 27081 | 41 |
| Shield | |
| 29042 | 13 |
| Shoulder Bolt | |
| 27229 | 33, 35 |
| Silicone Lubricant | |
| 26594P | 47 |
| Siphon Break Kit | |
| 562P3 | 43, 45 |
| Sleeve | |
| 24128 | 19 |
| 24129 | 19 |
| 24859 | 5, 7, 9 |
| 29993 | 37 |
| Sleeve Bearing | |
| 27022 | 41 |
| Slide | |
| 26493 | 41 |
| Solenoid | |
| 24126 | 19 |
| Spacer | |
| 27176 | 37 |
| 27181 | 33, 35 |

| | |
|----------------|---------|
| Spade Terminal | |
| 00223 | 49 |
| Special Screw | |
| 27030 | 41 |
| Speed Nut | |
| 24522 | 11 |
| 25126 | 5, 7, 9 |
| 27248 | 13 |
| 36020 | 11 |
| 54038 | 15, 17 |
| Spline Insert | |
| 29728 | 21 |
| Spring | |
| 24131 | 19 |
| 26319 | 5, 7, 9 |
| 27603 | 13 |
| 27928 | 33 |
| 33435 | 37 |
| 37366 | 35 |
| Spring Arm | |
| 27929 | 33 |
| Spring Clip | |
| 27017 | 29, 31 |
| Spring Hook | |
| 321P4 | 51 |
| Sticker | |
| 24903 | 11 |
| 27195 | 29, 31 |
| Strain Relief | |
| 38384 | 11 |
| Switch | |
| 27249 | 13 |

T

| | |
|--------------------|---------|
| Taper Pin | |
| 20243 | 23 |
| Temperature Switch | |
| 21300 | 5, 7 |
| 24392 | 5, 7 |
| 28118 | 5 |
| Terminal | |
| 00116 | 49 |
| 00117 | 49 |
| Terminal Block | |
| 23041 | 49 |
| 26708 | 49 |
| Thrust | |
| 27024 | 37 |
| Thrust Washer | |
| 10429 | 23 |
| Tie-Down Strap | |
| 33489 | 45 |
| Timer | |
| 27693 | 7 |
| 27694 | 7, 9 |
| 28918 | 9 |
| Timer Knob | |
| 27382 | 5, 7, 9 |
| 28120 | 5 |
| 28748 | 5 |
| Timer Knob Control | |
| 28287 | 7 |

| | |
|----------------------------|--------|
| Timer Knob Indicator | |
| 28287 | 5, 9 |
| Tool Kit | |
| 725P3 | 51 |
| Transmission Assembly | |
| 30946 | 39 |
| 33227P | 39 |
| Transmission Case Assembly | |
| 33223 | 41 |
| 38287P | 41 |
| Transmission Oil | |
| 27243P | 41 |
| Trigger | |
| 27247 | 29, 31 |

U

| | |
|-------------|----|
| U-Clip | |
| 27610 | 13 |
| 27837 | 13 |

V

| | |
|--------------|----|
| Valve Body | |
| 24159 | 19 |
| Vinyl Washer | |
| 23425 | 11 |

W

| | |
|------------------|--------|
| Washer | |
| 03888 | 33, 35 |
| 04704 | 23 |
| 20057 | 23 |
| 20492 | 45 |
| 26509 | 37, 41 |
| 27015 | 37 |
| 27016 | 41 |
| 27164 | 23 |
| 27166 | 39 |
| 27189 | 23 |
| 27210 | 33 |
| 27211 | 33 |
| 28291 | 13 |
| 29260 | 41 |
| 52549 | 35 |
| 81392 | 33, 35 |
| Washtub | |
| 27074 | 25 |
| 28286 | 25 |
| 39252P | 27 |
| 39387P | 27 |
| Water Inlet Head | |
| 29154 | 17 |
| Wire Clip | |
| 51291 | 49 |
| Wire Tie | |
| 55881 | 49 |