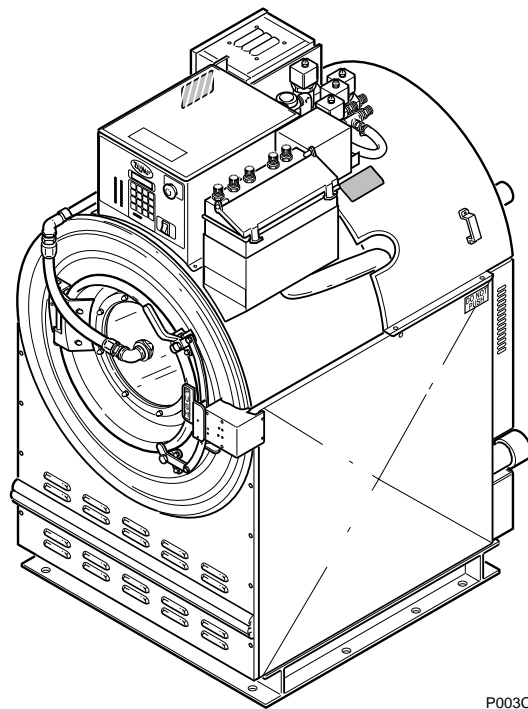


# Washer-Extractor

Pocket Hardmount

UW50PV

Parts



P003C

# Table of Contents

Title	Page
Parts Ordering Information .....	2
Nameplate Location .....	2
Model Identification .....	3
Control Module Assembly .....	4
Control Module Assembly .....	6
Control Module Assembly .....	8
Control Module Assembly .....	10
Control Module Assembly .....	12
Balance Switch and Temperature Probe .....	14
Front, Side and Rear Panel Assemblies .....	16
Door and Spray Tube Assembly .....	18
Door Locking Mechanism .....	20
Basket, Outer Tub and Frame Assemblies .....	22
Supply Dispenser .....	24
Water Supply Valve and Hoses to Supply Dispenser .....	26
Fill and Spray Assemblies .....	28
External Water Filters and Water Supply Hoses .....	30
Drain System, Overflow and Vent Pipes .....	32
Motorized Drain Valve Assembly .....	34
Motor, Pulley and Bearing Assemblies .....	36
A.C. Inverter Drive .....	38
Electric Heat Option .....	40
Parts Index .....	43

© Copyright 1998, Alliance Laundry Systems LLC

All rights reserved. No part of the contents of this book may be reproduced or transmitted in any form or by any means without the expressed written consent of the publisher.

# Parts Ordering Information

Alliance Laundry Systems is not responsible for personal injury or property damage resulting from improper service. Review all service information before beginning repairs.

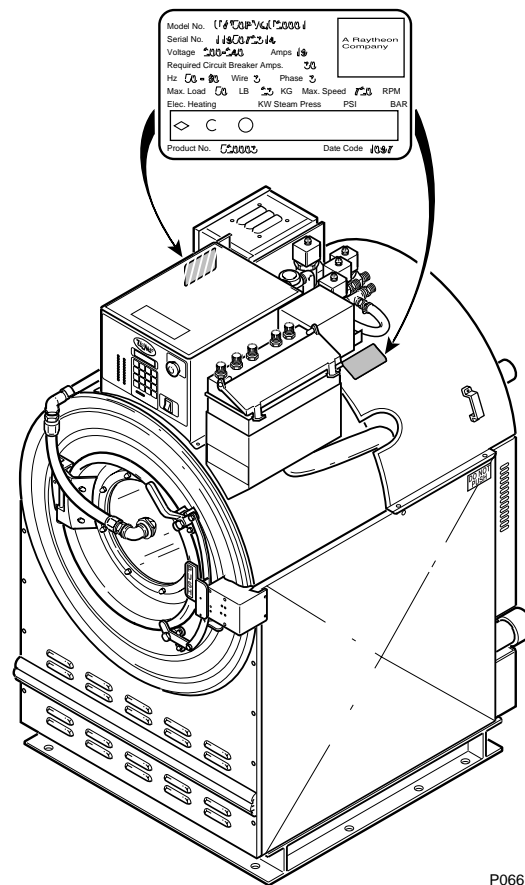
If literature or replacement parts are required, contact the source from whom the machine was purchased or contact Alliance Laundry Systems at (920) 748-3950 for the name of the nearest authorized parts distributor.

For technical assistance, call any of the following numbers:

(850) 718-1035  
(850) 718-1026  
Marianna, Florida  
(920) 748-3121  
Ripon, Wisconsin

## Nameplate Location

When calling or writing about your product, be sure to mention model and serial numbers. Model and serial numbers are located on nameplate(s) as shown.



P066P

# Model Identification

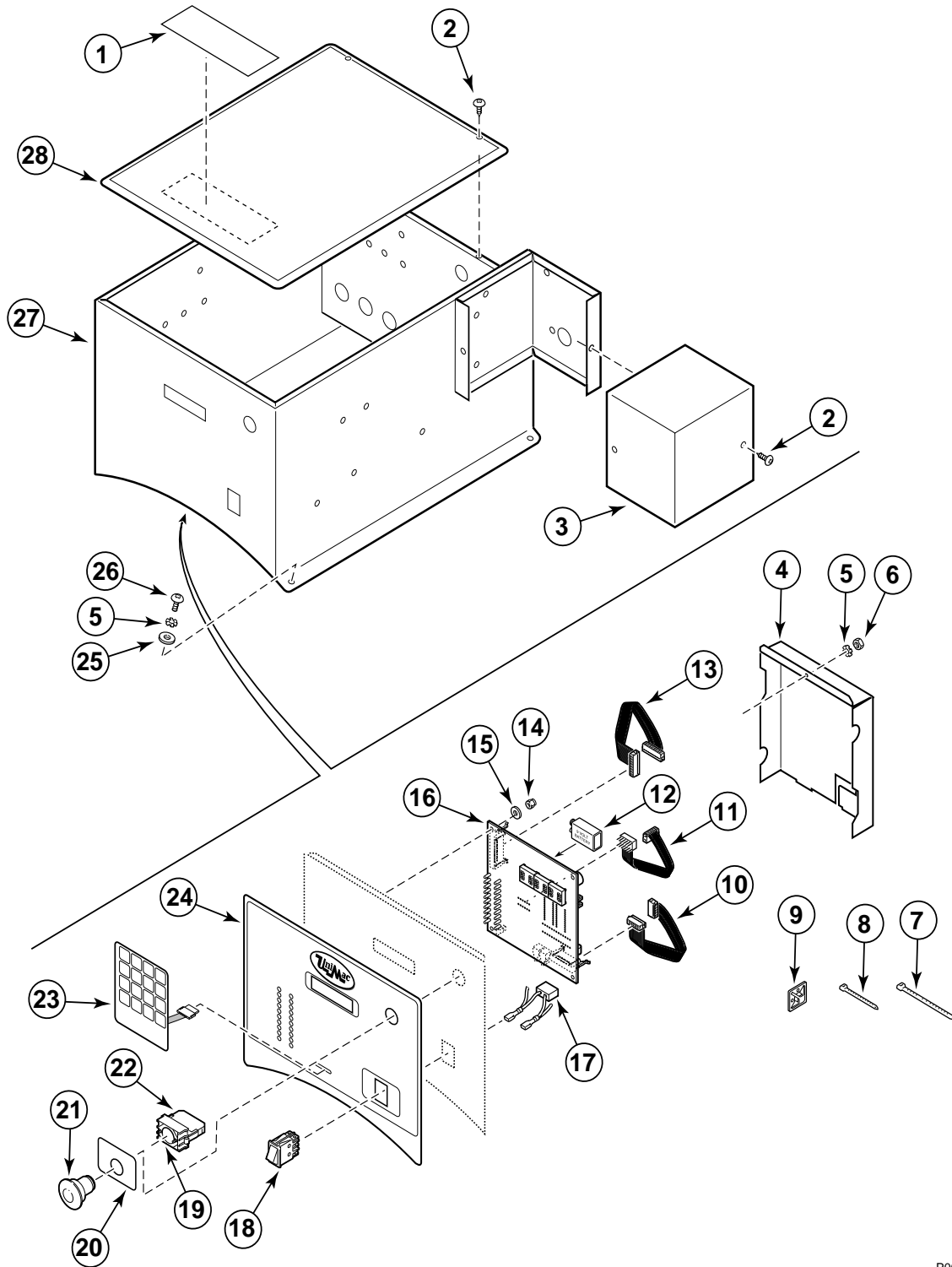
Information in this manual is applicable to these Washer-Extractors:

UW50PV



# Control Module Assembly

(Sheet 1 of 5)



P065PE3B

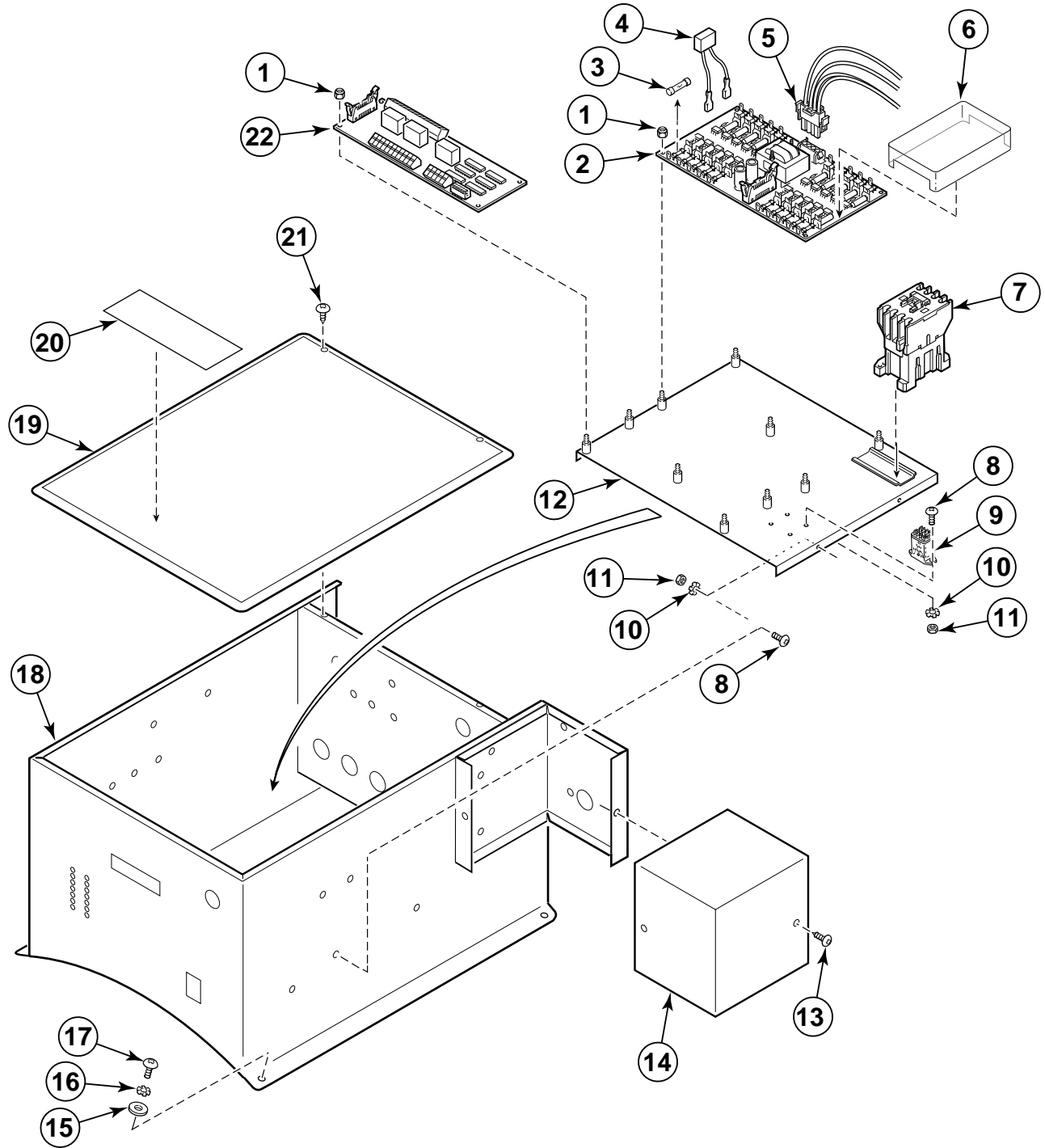
# Control Module Assembly

(Sheet 1 of 5)

REF	PART #	DESCRIPTION	COMMENTS
	F01212-MDL	Control Module Assembly	Steam Heat
	F00608-MDL	Control Module Assembly	Standard
	F00918-MDL	Control Module Assembly	Electric Heat
1	F230202	Decal	
2	F430174	Screw	
3	F608960	Supply Valve Cover	
4	F606826	Micro Computer Cover	
5	F431108	Lock Washer	#10
6	F430231	Nut	
7	F140606	Tie	Large
8	F140605	Tie	Small
9	F140602	Mounting Clamp	
10	F140218	Cable	16 Cond.
11	F140223	Cable	16 Cond.
12	F191101	Battery Backup	9 volt, Buy independently
13	F140219	Cable	26 Cond.
14	F430231	Nut	
15	F431125	Washer	
16	F370534-10	WE-6 Microcomputer Kit	
17	F330217	RC Network Filter	
18	F340412	Momentary Switch	220 volt, 16 amp
19	F340705	Mounting Base	
20	F231083	Decal	
21	F340706	Emergency Stop Switch Assembly	
22	F340429	Contact Block Switch	
23	F230724	WE-6 Keypad Decal With Plug	
24	F230721	Control Module Front Decal	
25	F431123	Washer	
26	F430904	Screw	
27	F604711-2	Control Module Cabinet Sub-assembly	
28	F601995	Control Module Cabinet Top	

# Control Module Assembly

(Sheet 2 of 5)



U052PE3B



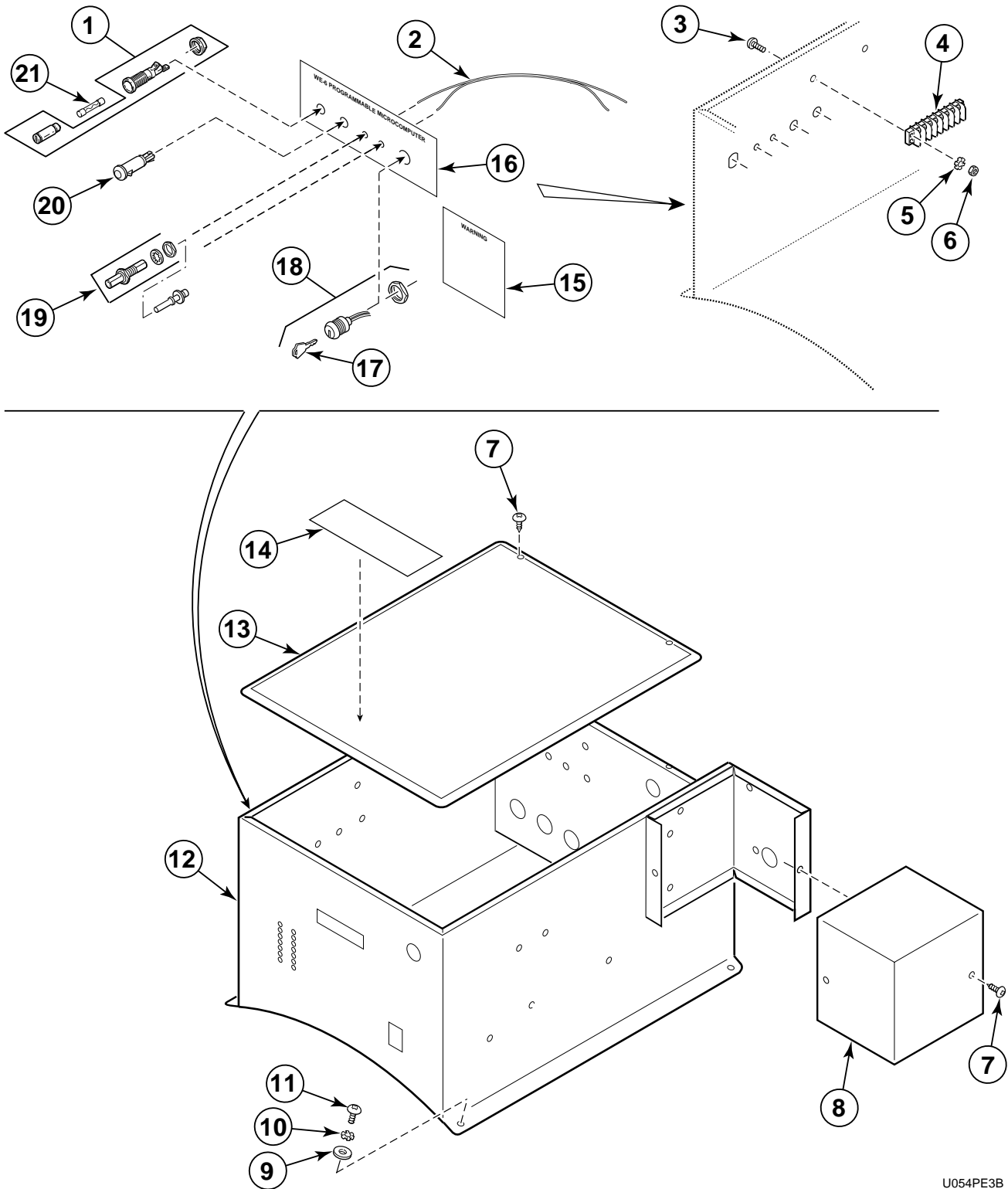
# Control Module Assembly

(Sheet 2 of 5)

REF	PART #	DESCRIPTION	COMMENTS
	F01212-MDL	Control Module Assembly	Steam heat
	F00608-MDL	Control Module Assembly	Standard
	F00918-MDL	Control Module Assembly	Electric heat
1	F430231	Nut	
2	F370535	WE-6 Solid State Fuse/Relay Board	
3	F350115	Fuse	3 Amp
4	F330217	RC Network Filter	
5	F784003	J-4 Jumper Kit	
6	F350304	Panel Fuse Holder	
7	F330148	Contactator	24 Amp. A24N031
8	F430916	Screw	
9	F330227	Relay	110 Volt
10	F431113	Lockwasher	
11	F431022	Nut	
12	F608385	Control Panel Mounting Assembly	
13	F430174	Screw	
14	F608960	Supply Valve Cover	
15	F431123	Washer	
16	F431108	Lockwasher	
17	F430904	Screw	
18	F604711-2	Control Module Sub-assembly	
19	F601995	Control Module Cabinet Top	
20	F230202	Decal	
21	F430174	Screw	
22	F370577	Interface Board	

# Control Module Assembly

(Sheet 3 of 5)



U054PE3B

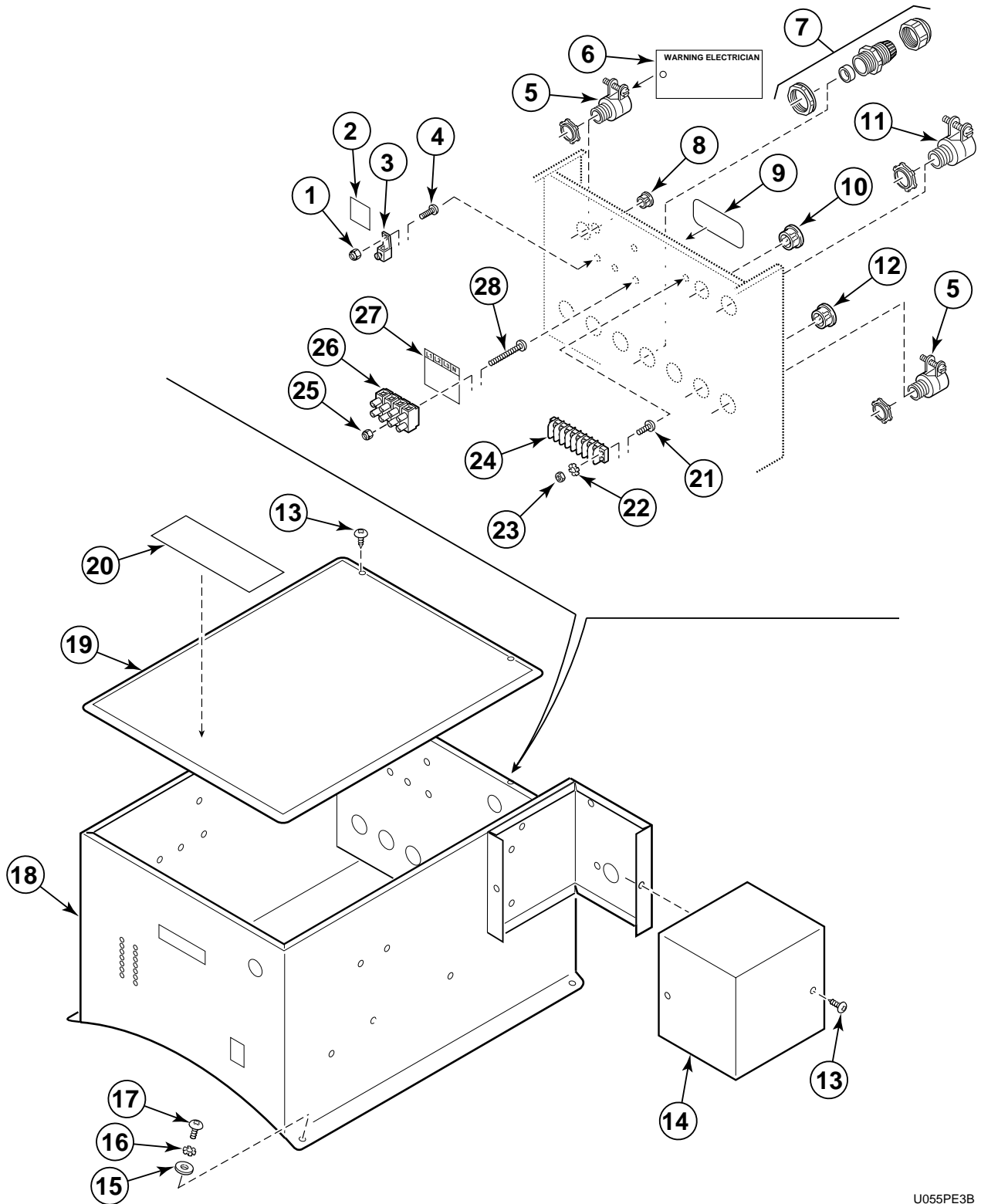
# Control Module Assembly

(Sheet 3 of 5)

REF	PART #	DESCRIPTION	COMMENTS
	F01212-MDL	Control Module Assembly	Steam heat
	F00608-MDL	Control Module Assembly	Standard
	F00918-MDL	Control Module Assembly	Electric heat
1	F350304	Panel Fuse Holder	
2	F604713	Fiber Optic Cable	Sold per foot
3	F430916	Screw	
4	F140738	Terminal Strip	
5	F431113	Lockwasher	#6
6	F431022	Nut	
7	F430174	Screw	
8	F608960	Supply Valve Cover	
9	F431123	Washer	
10	F431108	Lockwasher	#10
11	F430904	Screw	
12	F604711-2	Control Module Cabinet Sub-assembly	
13	F601995	Control Module Cabinet Top	
14	F230202	Decal	
15	F231065	Decal	
16	F230678	Keymode Switch Decal	
17	F370709	Program Key	Key is for F730186 Program only
18	F730186	Keymode Switch/Run Program	
19	F140575	Fiber Optic Feed-thru Connector	Gray
	F140576	Fiber Optic Feed-thru Connector	Blue
20	F350412	Light	Red
21	F350115	Fuse	3 amp

# Control Module Assembly

(Sheet 4 of 5)



U055PE3B

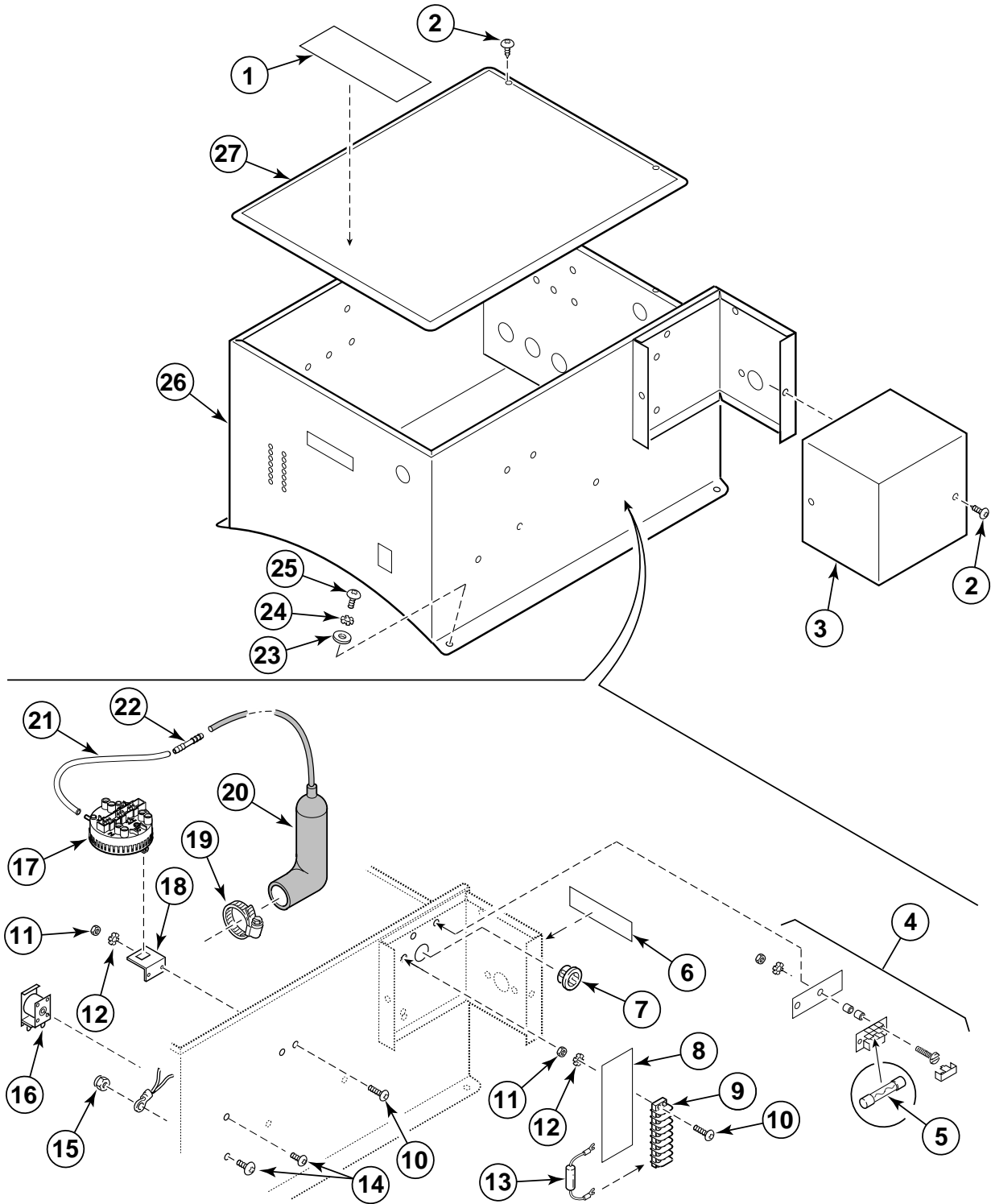
# Control Module Assembly

(Sheet 4 of 5)

REF	PART #	DESCRIPTION	COMMENTS
	F01212-MDL	Control Module Assembly	Steam heat
	F00608-MDL	Control Module Assembly	Standard
	F00918-MDL	Control Module Assembly	Electric heat
1	F431017	Nut	
2	F230630	Ground Decal	
3	F140734	Ground Lug	
4	F430920	Screw	
5	F140311	Conduit Connector	
6	F230215-2	Decal	
7	F140309	Connector	
8	F180486	Cap Plug	
9	F231271	Fuse Decal	
10	F140527	Plug	
11	F140311	Conduit Connector	
12	F140909	Insulator Feed-thru Bushing	
13	F430174	Screw	
14	F608960	Supply Valve Cover	
15	F431123	Washer	
16	F431108	Lockwasher	#10
17	F430904	Screw	
18	F604711-2	Control Module Cabinet Sub-assembly	
19	F601995	Control Module Cabinet Top	
20	F230202	Decal	
21	F430916	Screw	
22	F431113	Lockwasher	#6
23	F431022	Nut	
24	F140738	Terminal Strip	
25	F431022	Nut	
26	F140746	Input Power Terminal Block	
27	F230677	Input Power Decal	
28	F430938	Screw	

# Control Module Assembly

(Sheet 5 of 5)



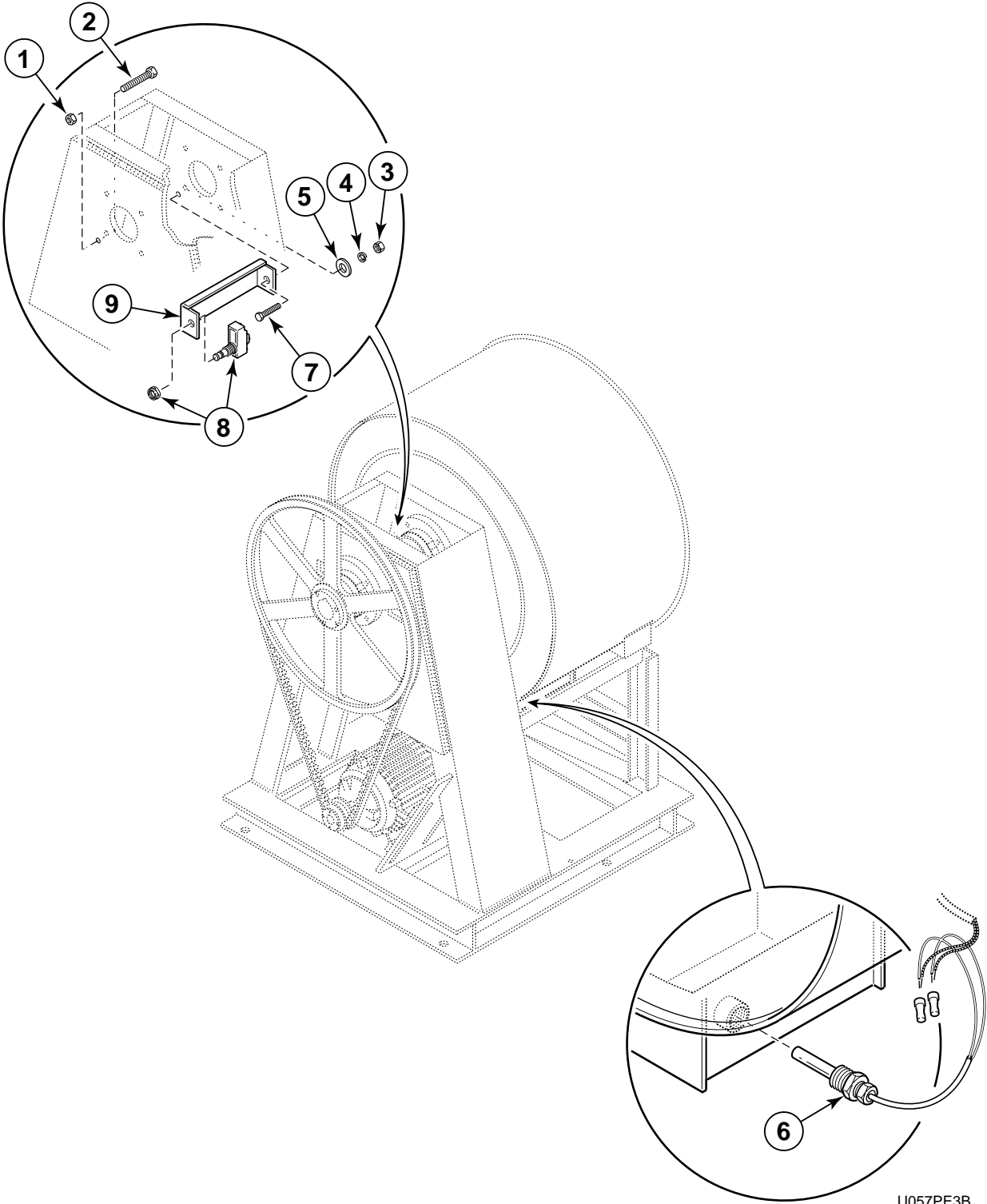
U056PE3B

# Control Module Assembly

(Sheet 5 of 5)

REF	PART #	DESCRIPTION	COMMENTS
	F01212-MDL	Control Module Assembly	Steam heat
	F00608-MDL	Control Module Assembly	Standard
	F00918-MDL	Control Module Assembly	Electric heat
1	F230202	Decal	
2	F430174	Screw	
3	F608960	Supply Valve Cover	
4	F350312	Dual Fuseholder	
5	F350115	Fuse	3 amp
6	F230606	Decal	
7	F140909	Insulator Feed-thru Bushing	
8	F230764	Decal	
9	F140738	Terminal Strip	
10	F430928	Screw	
11	F431022	Nut	
12	F431113	Lockwasher	#6
13	F370117	Resistor	
14	F430920	Screw	
15	F431017	Nut	
16	F300203	Buzzer	110 volt
17	F340316	Tri-level Switch	
18	F630242	Tri-level Switch Bracket	
19	F200205	Clamp	#10
20	F200163	Air Trap	
21	F422404	Tubing	PVC, Sold per foot
22	F422500	Connector	
23	F431123	Washer	
24	F431108	Lockwasher	#10
25	F430904	Screw	
26	F604711-2	Control Module Cabinet Sub-assembly	
27	F601995	Control Module Cabinet Top	

# Balance Switch and Temperature Probe



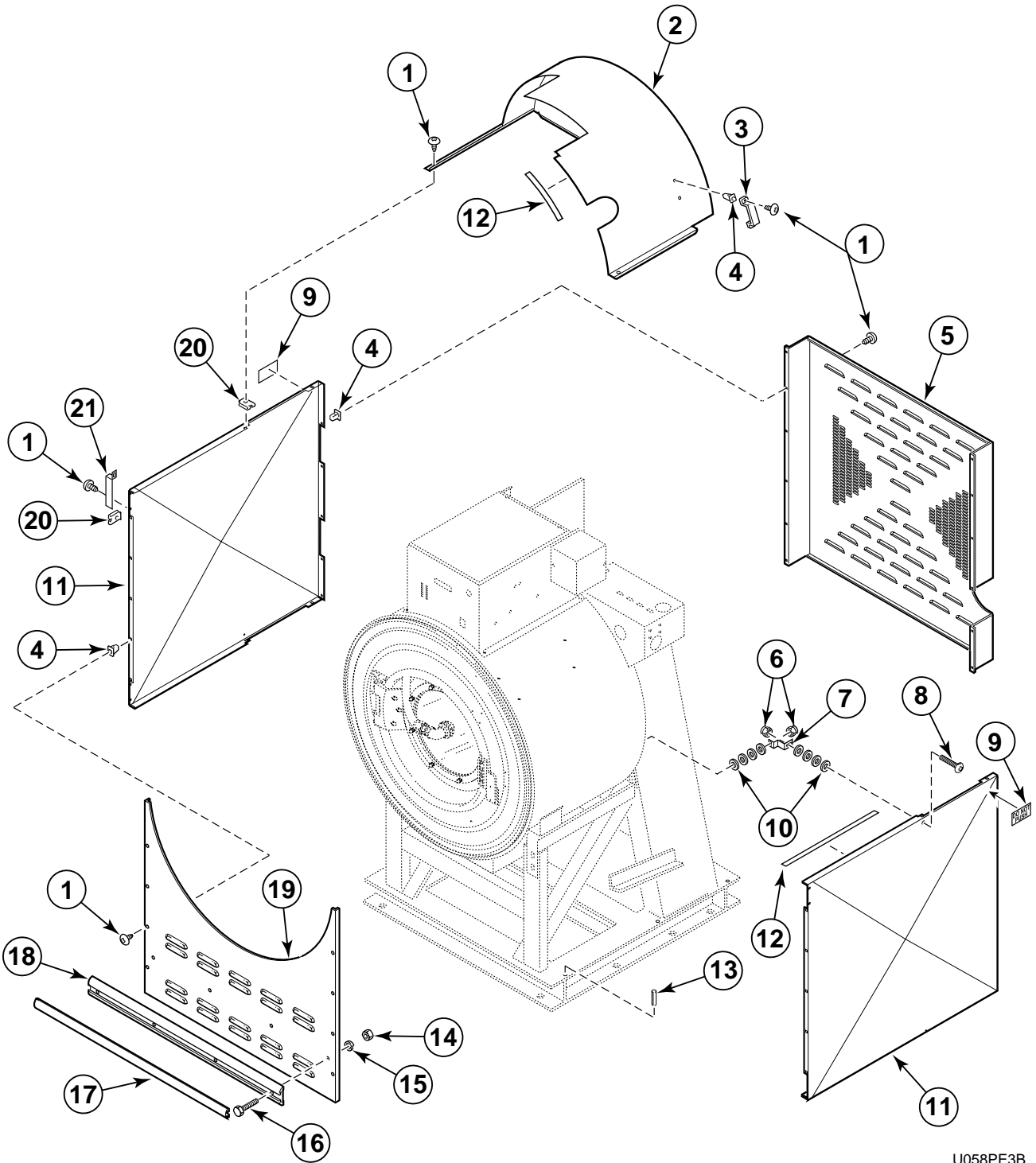
U057PE3B



## Balance Switch and Temperature Probe

REF	PART #	DESCRIPTION	COMMENTS
1	F430206	Nut	
2	F430124	Screw	
3	F430205	Nut	
4	F430305	Spring Lockwasher	
5	F430301	Washer	
6	F370606	Temperature Probe	
7	F430109	Screw	
8	F340906	Balance Microswitch	
9	F601750	Balance Switch Bracket	

# Front, Side and Rear Panel Assemblies

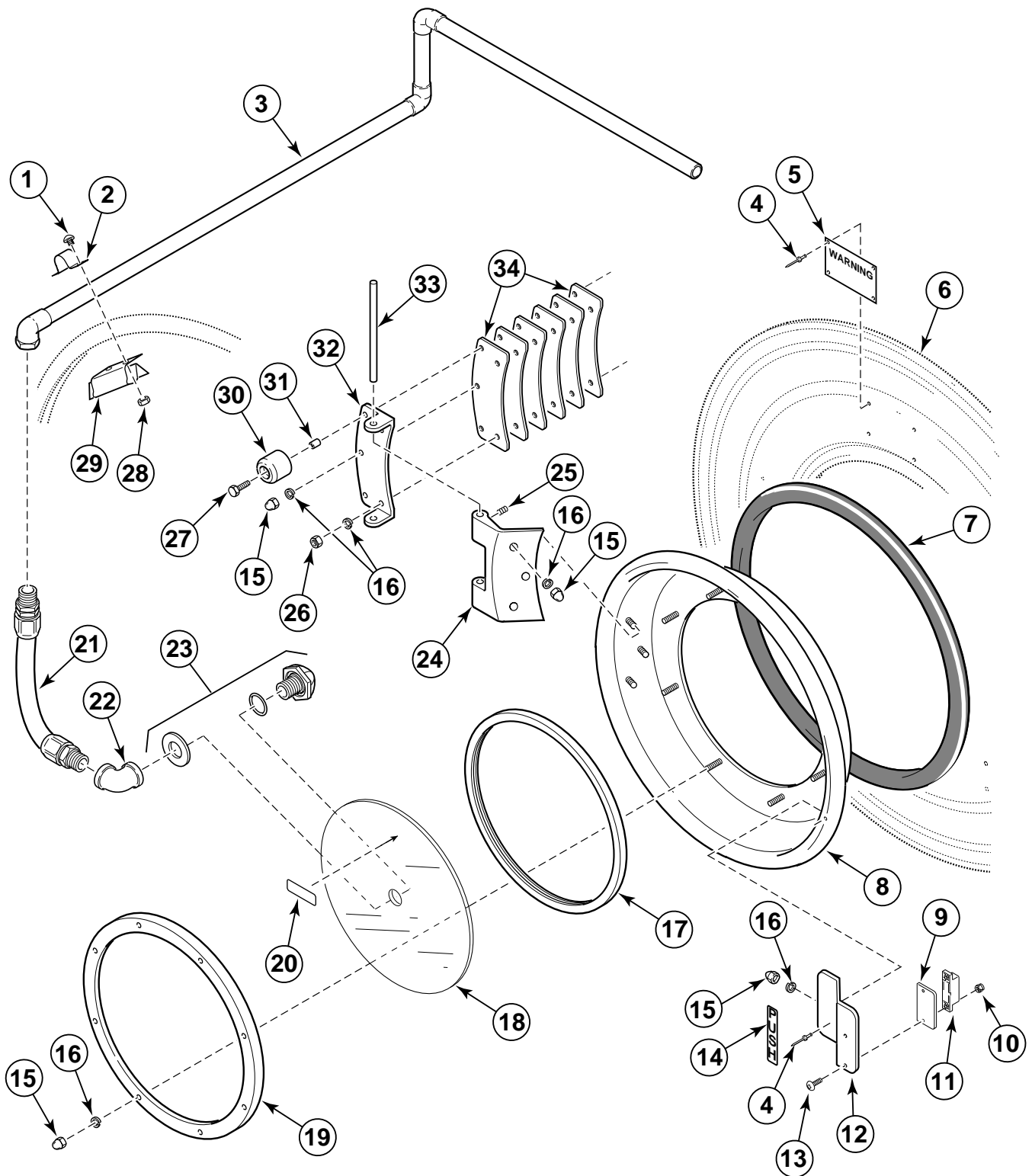


U058PE3B

## Front, Side and Rear Panel Assemblies

REF	PART #	DESCRIPTION	COMMENTS
1	F430956	Screw	
2	F630115	Cage Wrap	Includes edge guard and trim panel
3	F605324	Supply Hose Strap	
4	F431804	Nut	
5	F609745	Rear Panel	
6	F430215	Nut	
7	F601982	Bracket	
8	F432234	Screw	
9	F230302	Decal	
10	F430317	Washer	
11	F609743	Side Panel	Reversible (right or left)
12	F170401	Inner Front Panel Gasket	Sold per foot
13	F430415	Pin	
14	F430211	Nut	
15	F431100	Spring Lockwasher	
16	F430921	Screw	
17	F150397	Rub Rail Insert	Sold per foot
18	F150408	Rub Rail	
19	F609744	Front Panel	
20	F430606	Nut	
21	F606667	Bracket	

# Door and Spray Tube Assembly

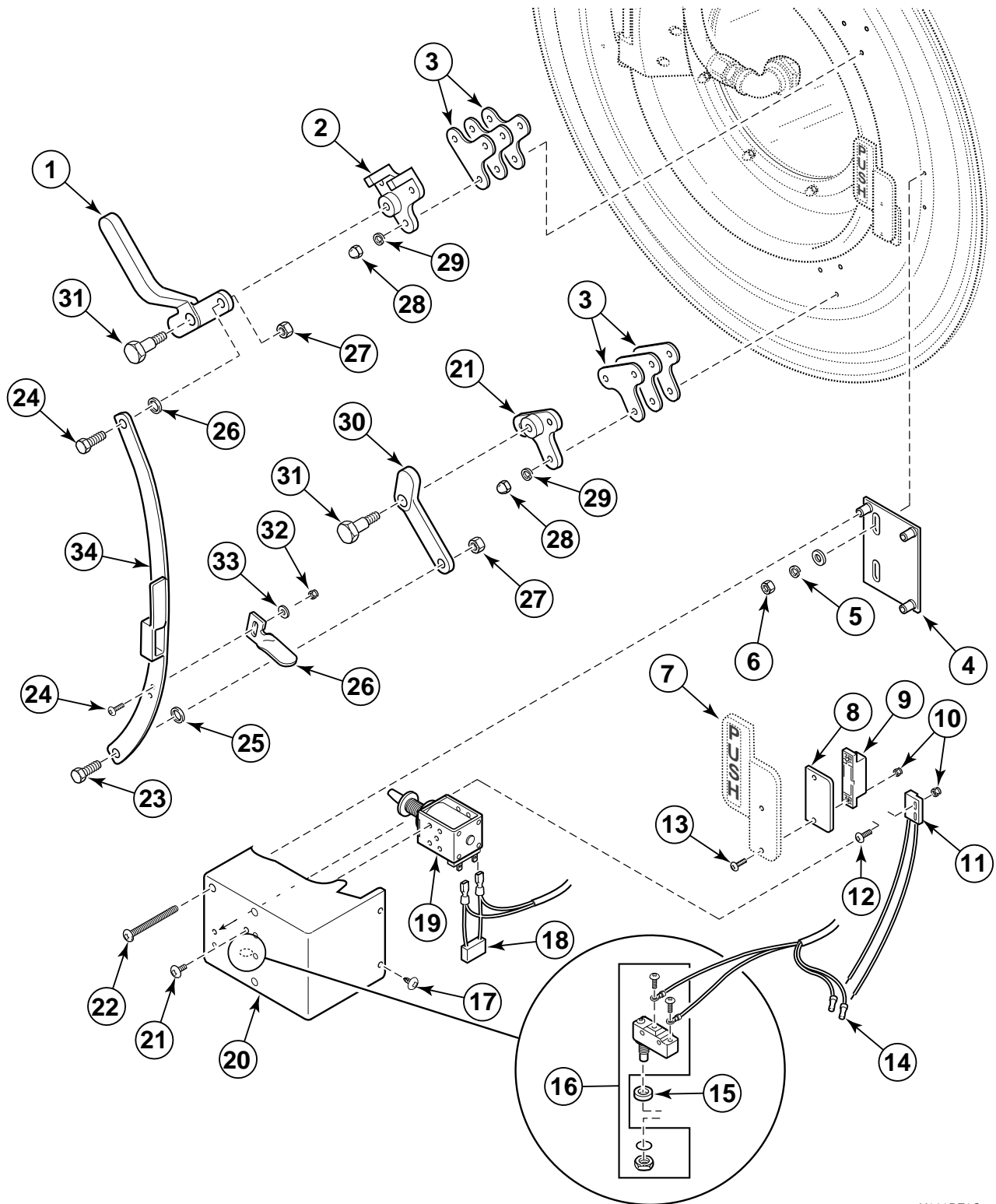


U059PE3C

# Door and Spray Tube Assembly

REF	PART #	DESCRIPTION	COMMENTS
	F603429	Door Assembly	
	F605638	Push Handle Assembly	
	F730539	Door Kit	
1	F430900	Screw	
2	F602880	Spray Rinse Strap	
3	F610364	Spray Tube Assembly	
4	F431210	Rivet	
5	F230200	Warning Plate	
6	F603344	Shell Band Assembly	
7	F170145	Door Gasket	
8	F730307	Studded Door	
9	F609822	Push Handle Spacer	
10	F430231	Nut	
11	F340703	Magnet	
12	F605474	Door Push Handle Assembly	
13	F430909	Screw	
14	F230302	Decal	
15	F431026	Nut	
16	F431100	Spring Lockwasher	
17	F170117	Door Glass Seal	
18	F290200	Door Glass	
19	F601239	Retainer Ring Glass	
20	F230652	Decal	
21	F730026	Spray Rinse Hose Kit	
22	F422319	Chrome Elbow	
23	F730077	Spray Rinse Nozzle Kit	
24	F150209	Door Hinge Strap	
25	F430502	Set Screw	
26	F431005	Nut	
27	F430103	Screw	
28	F430215	Nut	
29	F602901	Spray Rinse Bracket Assembly	
30	F150366	Door Bumper Moulding	
31	F430416	Bushing	
32	F150210	Door Butt	
33	F601815	Door Hinge Pin	
34	F610695	Door Butt Shim	

# Door Locking Mechanism

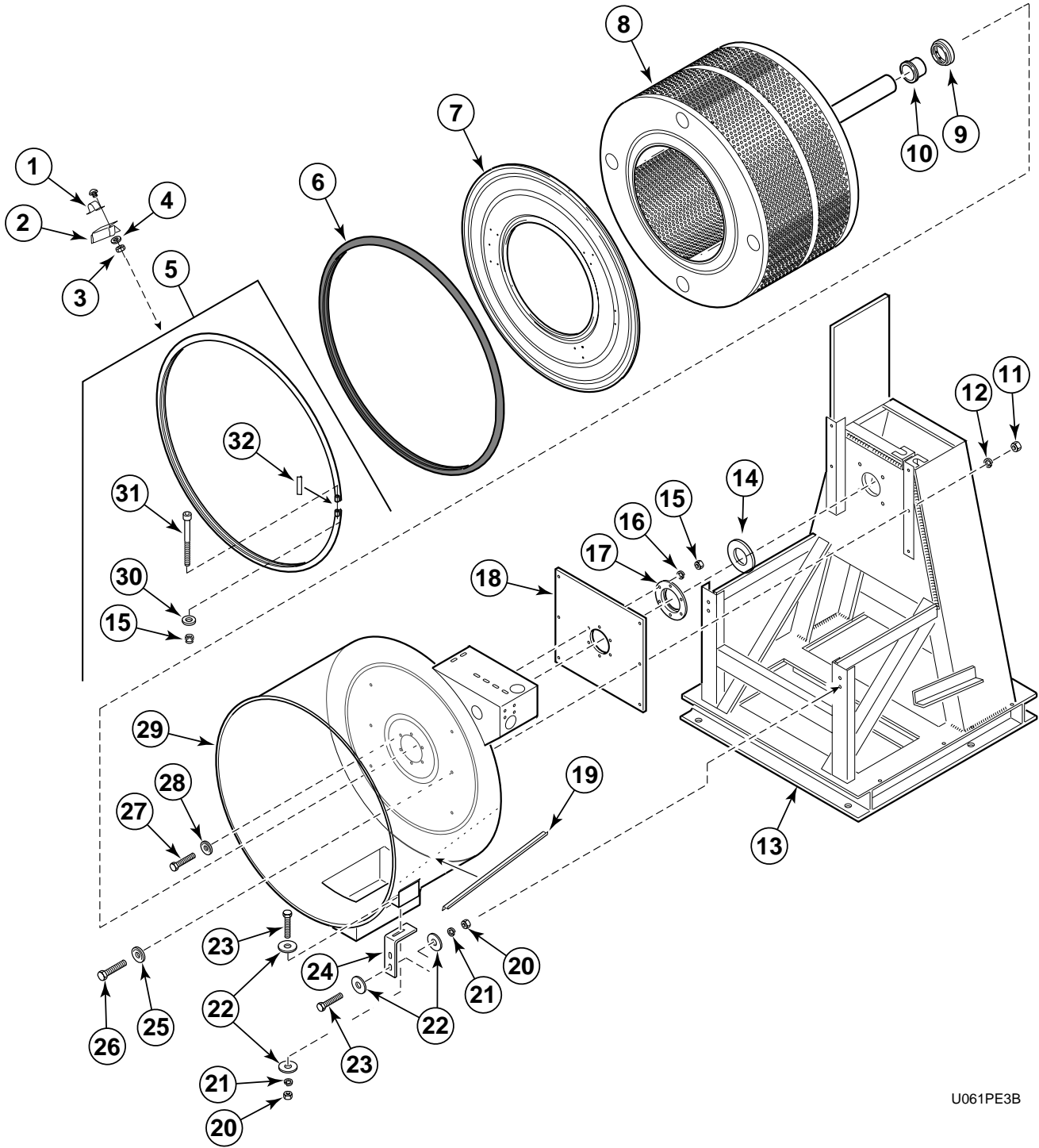


U060PE3C

# Door Locking Mechanism

REF	PART #	DESCRIPTION	COMMENTS
	F603665	Door Box Assembly	110 Volt, Includes reference numbers 24, 25, 31 and 32
1	F150203	Door Handle	
2	F150201	Top Latch Bracket	
3	F602058	Door Latch Shim	
4	F605523	Door Box Mounting Plate	
5	F431137	Spring Lockwasher	
6	F431005	Nut	
7	F605474	Door Push Handle	
8	F607201	Plate	
9	F430703	Magnet	
10	F430231	Nut	
11	F340702	Magnetic Position Switch	110 volt
12	F430917	Screw	
13	F430909	Screw	
14	F140712	Wire Nut	
15	F601055	Interlock Switch Spacer	
16	F340906	Microswitch	
17	F432260	Screw	
18	F330217	RC Network Filter	
19	F300118	Door Lock Solenoid	120 volt, 60 Hertz
20	F606630	Door Box	
21	F430995	Screw	
22	F430996	Screw	
23	F430927	Screw	
24	F430916	Screw	
25	F431118	Washer	
26	F603005	Microswitch Trip Lever	
27	F430205	Nut	
28	F431026	Nut	
29	F431100	Spring Lockwasher	
30	F150204	Lower Door Latch	
31	F430168	Screw	
32	F430231	Nut	
33	F431125	Washer	#6
34	F606810	Extension Arm Assembly	

# Basket, Outer Tub and Frame Assemblies



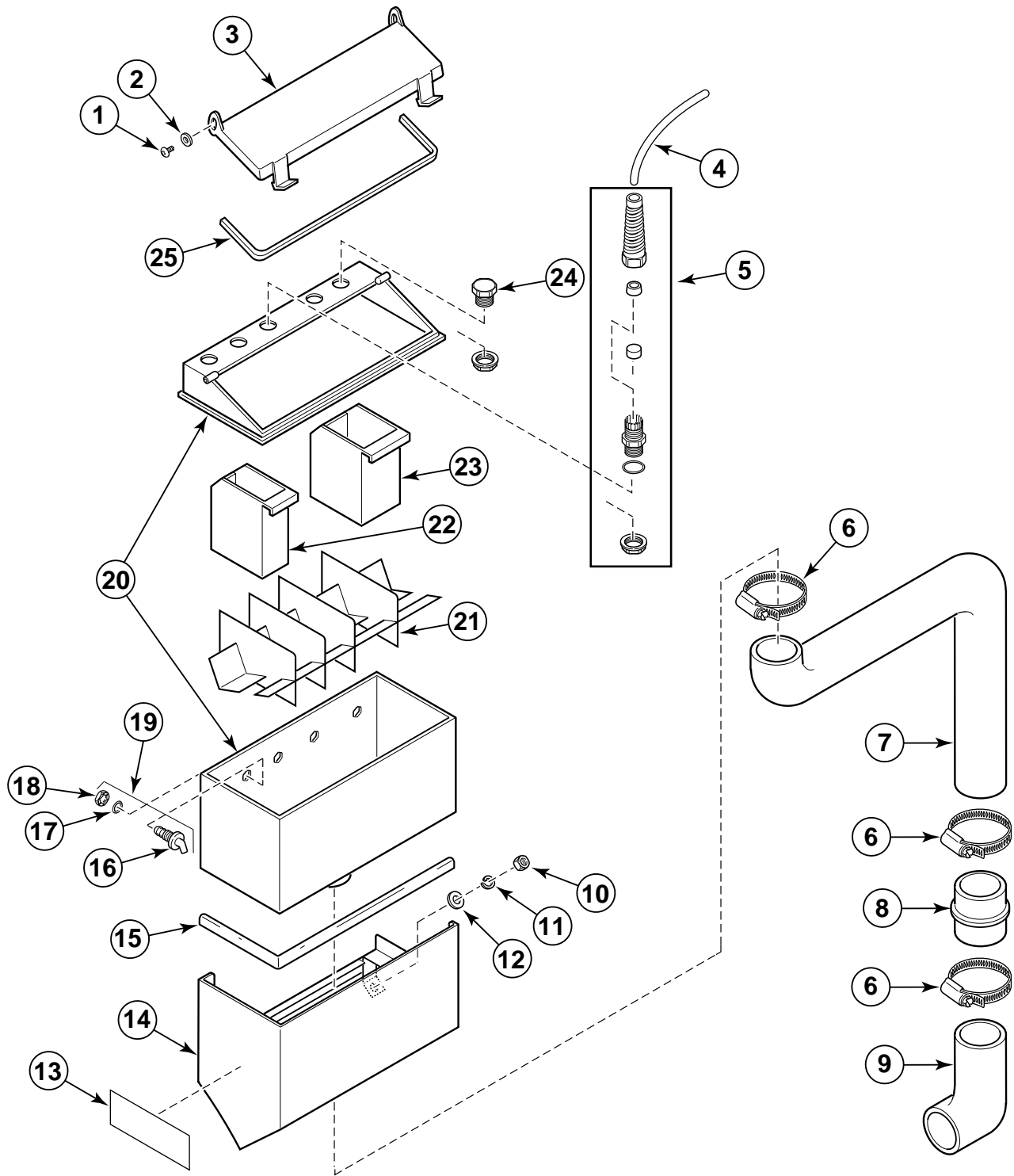
U061PE3B



## Basket, Outer Tub and Frame Assemblies

REF	PART #	DESCRIPTION	COMMENTS
	F730081	Seal Kit	Includes reference numbers 2-4, 6, 10-12 and 15-18
1	F602880	Spray Rinse Strap	
2	F602901	Tube Holding Assembly	
3	F431022	Nut	
4	F431113	Washer	
5	F603344	Shell Band Assembly	
6	F170120	Front Shell Gasket	Sold per foot
7	F603428	Front Shell Assembly	
8	F603427	Basket Assembly	
9	F100214	Shaft Seal	
10	F602505	Collar	
11	F430212	Nut	
12	F430321	Spring Lockwasher	
13	F601921	Frame Assembly	
14	F100203	Slinger	
15	F430211	Nut	
16	F430322	Spring Lockwasher	
17	F601221	Seal Retainer	
18	F741600	Shell Re-enforcement Kit	
19	F150408	Condensation Gutter	
20	F430205	Nut	
21	F430305	Spring Lockwasher	
22	F430301	Washer	
23	F430109	Screw	
24	F601806	Shell Mounting Bracket	
25	F431116	Sealing Washer	
26	F430924	Screw	
27	F430913	Screw	
28	F431112	Sealing Washer	
29	F603554	Shell Assembly	Steam Heat
	F603555	Shell Assembly	Electric Heat
	F603424	Shell Assembly	Standard
30	F430317	Washer	
31	F430500	Screw	
32	F601216	Shell Gasket Shield	

# Supply Dispenser

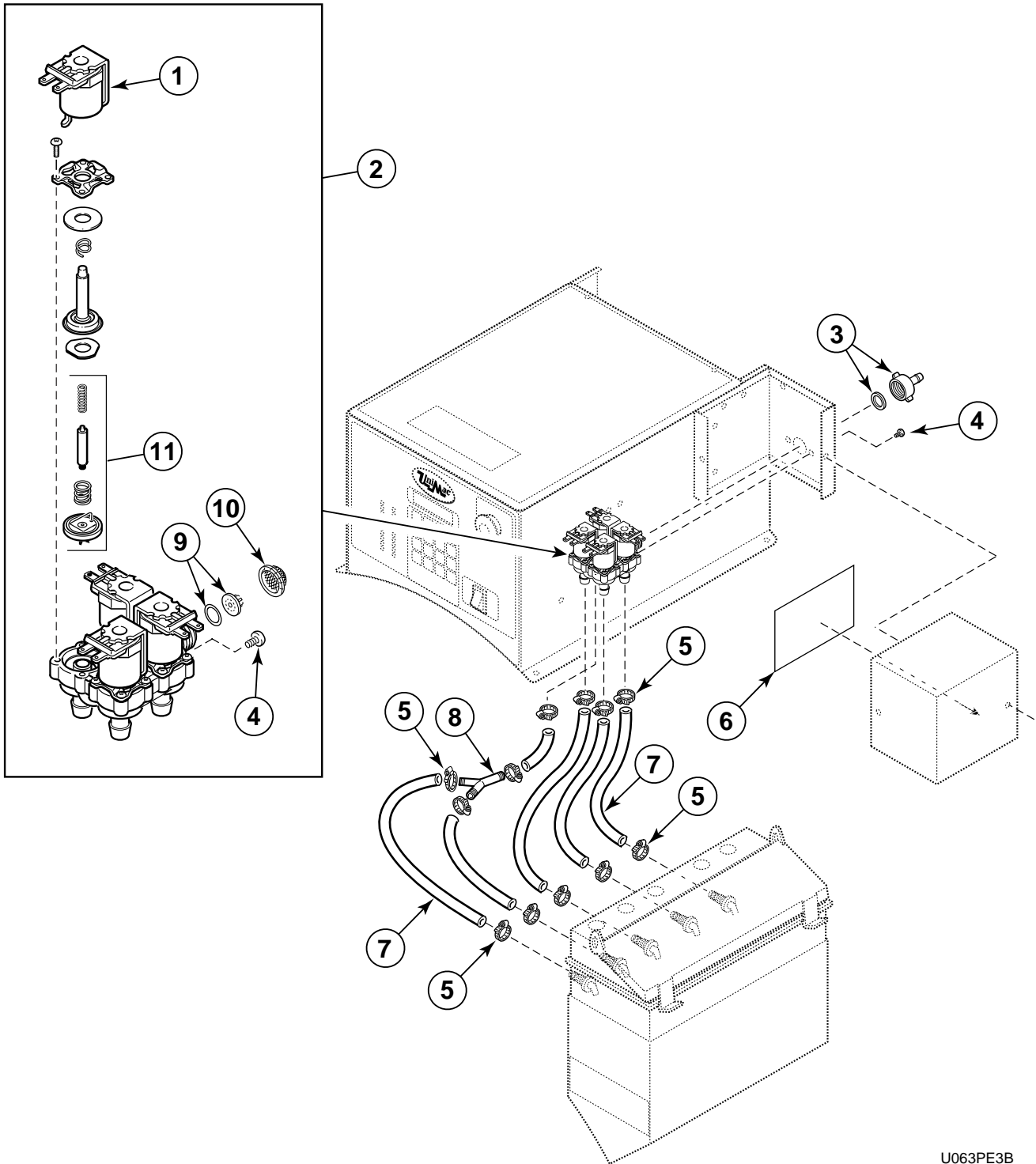


U062PE3B

# Supply Dispenser

REF	PART #	DESCRIPTION	COMMENTS
1	F430917	Screw	
2	F431133	Washer	#8
3	F150384	Supply Dispenser Lid	
4	F150390	Tubing	Sold per foot
5	F749802	Strain Relief Adapter Kit	Includes plug, connector and o-ring
6	F200213	Clamp	#40
7	F150392	Hose	Sold per foot
8	F150412	Coupling	
9	F150391	Hose	
10	F430917	Nut	
11	F431100	Spring Lockwasher	
12	F431147	Washer	
13	F231020	Decal	
14	F608264	Soap Dispenser Shroud	
15	F170401	Inner Front Panel Gasket	Sold per foot
16	F380300	Supply Nozzle	
17	F170208	O-ring	
18	F430224	Supply Nozzle Nut	
19	F730168	Soap Injection Nozzle Kit	
20	F150500	Supply Dispenser	
21	F150388	Dry Supply Insert	
22	F150385	Cup	20 ounces
23	F150386	Cup	32 ounces
24	F190304	Cap Plug	Inludes nut
25	F170158	Supply Dispenser Lid Gasket	Sold per foot

# Water Supply Valve and Hoses to Supply Dispenser

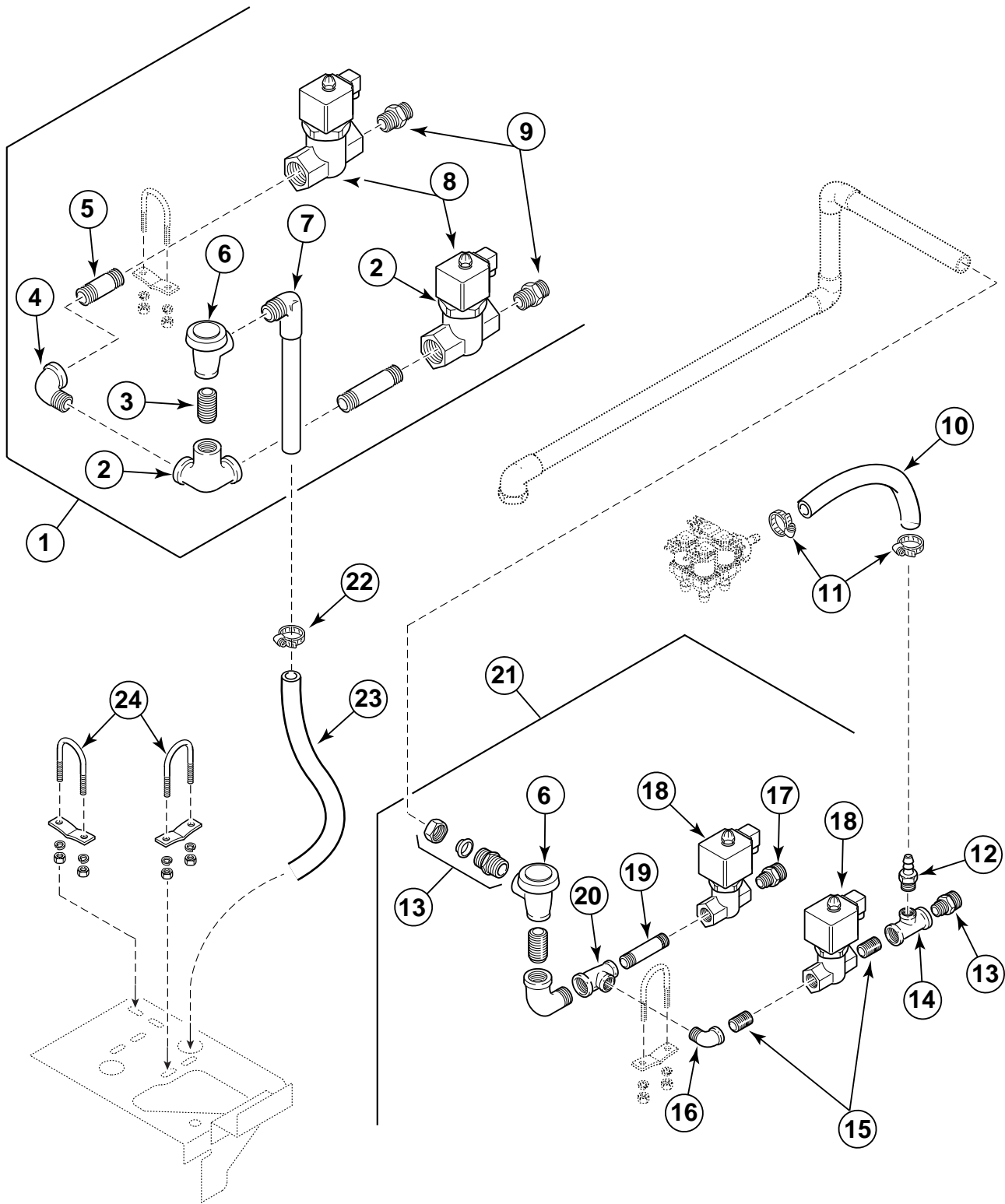


U063PE3B

## Water Supply Valve and Hoses to Supply Dispenser

REF	PART #	DESCRIPTION	COMMENTS
1	F380900	4-way Valve Solenoid	110/127 volt, 50/60 hertz
2	F380715	4-way Supply Valve	110/127 volt, 50/60 hertz
3	F200302	Hot Water Hose Connector	
4	F430948	Screw	
5	F200202	Clamp	#6
6	F230754	Decal	
7	F200110	Hose	Sold per foot
8	F422808	"Y" Connector	
9	F380106	Flow Restrictor	8 liter
10	F270200	Strainer	
11	F380938	4-way Valve Repair Kit	

# Fill and Spray Assemblies

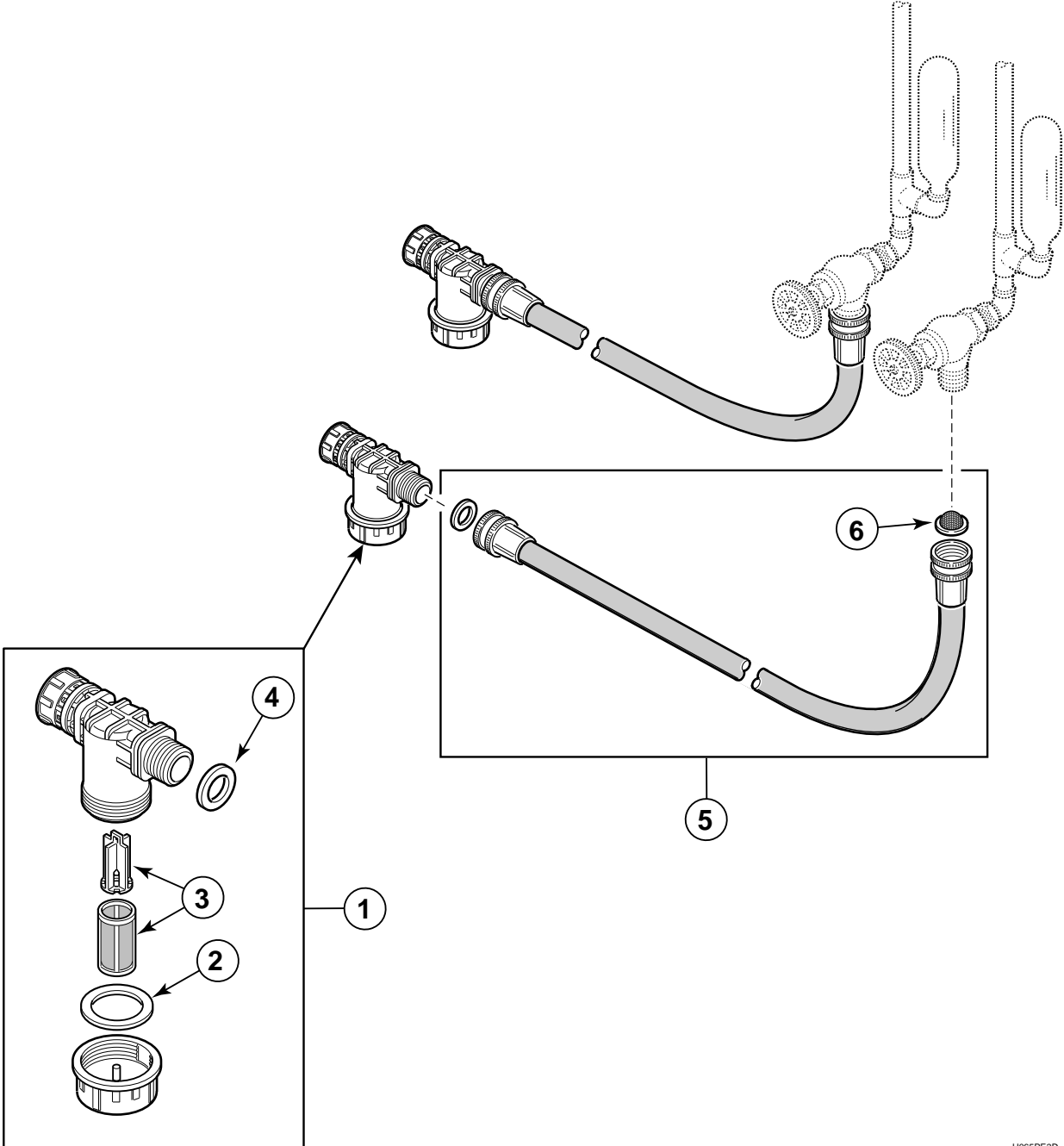


P068PE3B

## Fill and Spray Assemblies

REF	PART #	DESCRIPTION	COMMENTS
	F380991	Valve Repair Kit	Parker, Each valve requires one repair kit
	F380993	Valve Repair Kit	Parker, Each valve requires one repair kit
	F380914	Valve Repair Kit	Hays, Each valve requires one repair kit
	F380915	Valve Repair Kit	Hays, Each valve requires one repair kit
1	F605788	Fill Plumbing Assembly	
2	F420509	Elbow	
3	F420105	Nipple	
4	F420502	Elbow	
5	F420106	Nipple	
6	F380800	Vacuum Breaker Valve	
7	F605793	Top Fill Assembly	
8	F380781	Fill Valve	Hays with DIN, 120 Volt
	F381700	Fill Valve	Parker with DIN, 120 Volt
9	F421909	Hose Adapter	
10	F200199	Hose	Sold per foot
11	F200205	Clamp	#10
12	F421903	Adapter	
13	F422106	Tube Connector	
14	F420400	Tee	
15	F420101	Nipple	
16	F420500	Street Elbow	
17	F421908	Hose Adapter	
18	F380779	Spray Valve	Hays with DIN, 120 Volt
	F381702	Spray Valve	Parker with DIN, 120 Volt
19	F420103	Nipple	
20	F420401	Tee	
21	F605789	Spray Plumbing Assembly	110 volt
22	F200222	Clamp	#12
23	F200104	Hose	Sold per foot
24	F200401	U-bolt	#5; Includes hardware

# External Water Filters and Water Supply Hoses



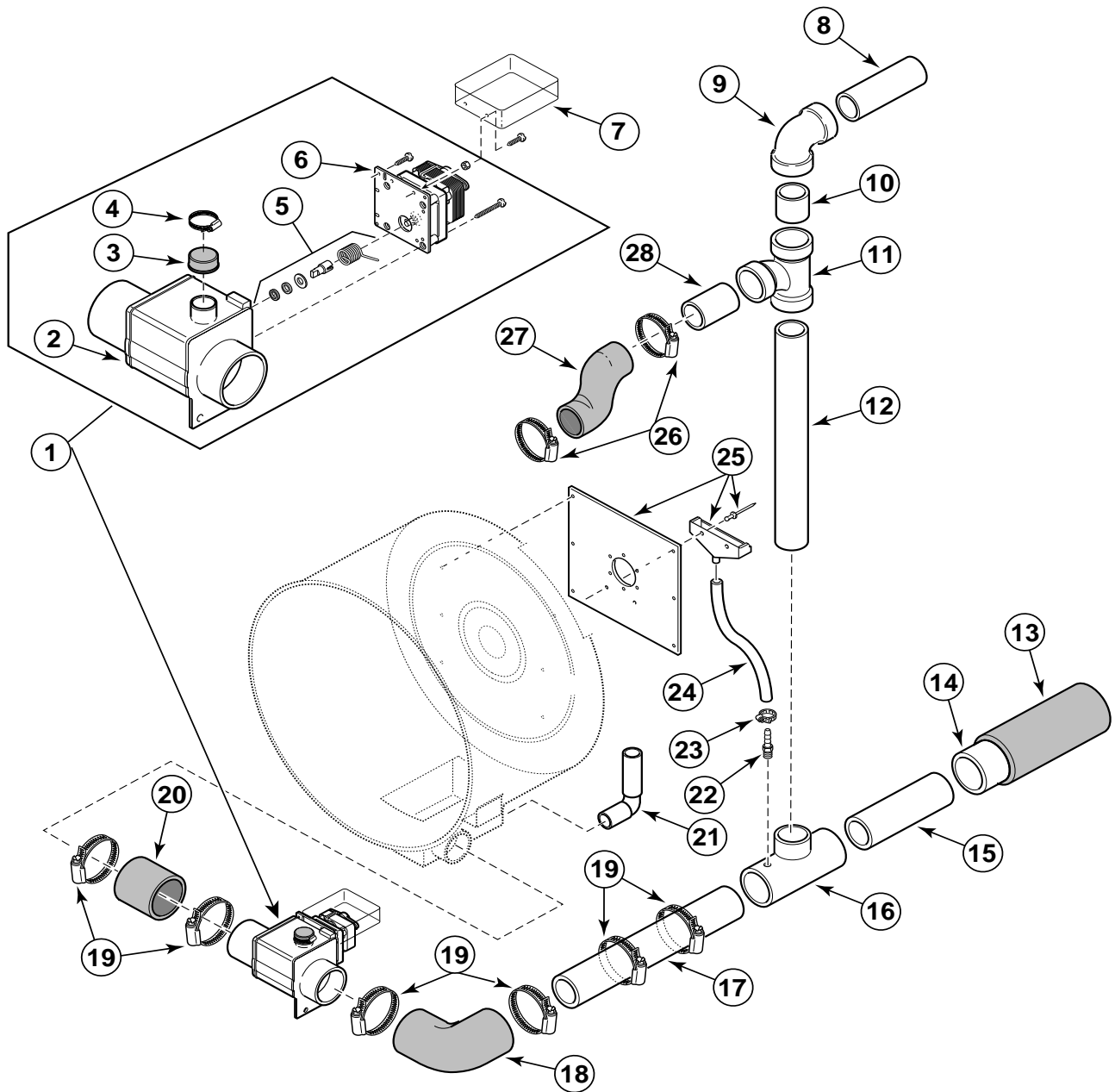
U065PE3D



## External Water Filters and Water Supply Hoses

REF	PART #	DESCRIPTION	COMMENTS
1	F270306	Filter Assembly	U.S. Thread
	F270305	Filter Assembly	ISO Thread
2	F270407	Filter Housing Gasket	
3	F270406	Filter	
4	F200500	Washer	
5	F200164	Hose	G-thread
6	F270300	Filter Screen	

# Drain System, Overflow and Vent Pipes

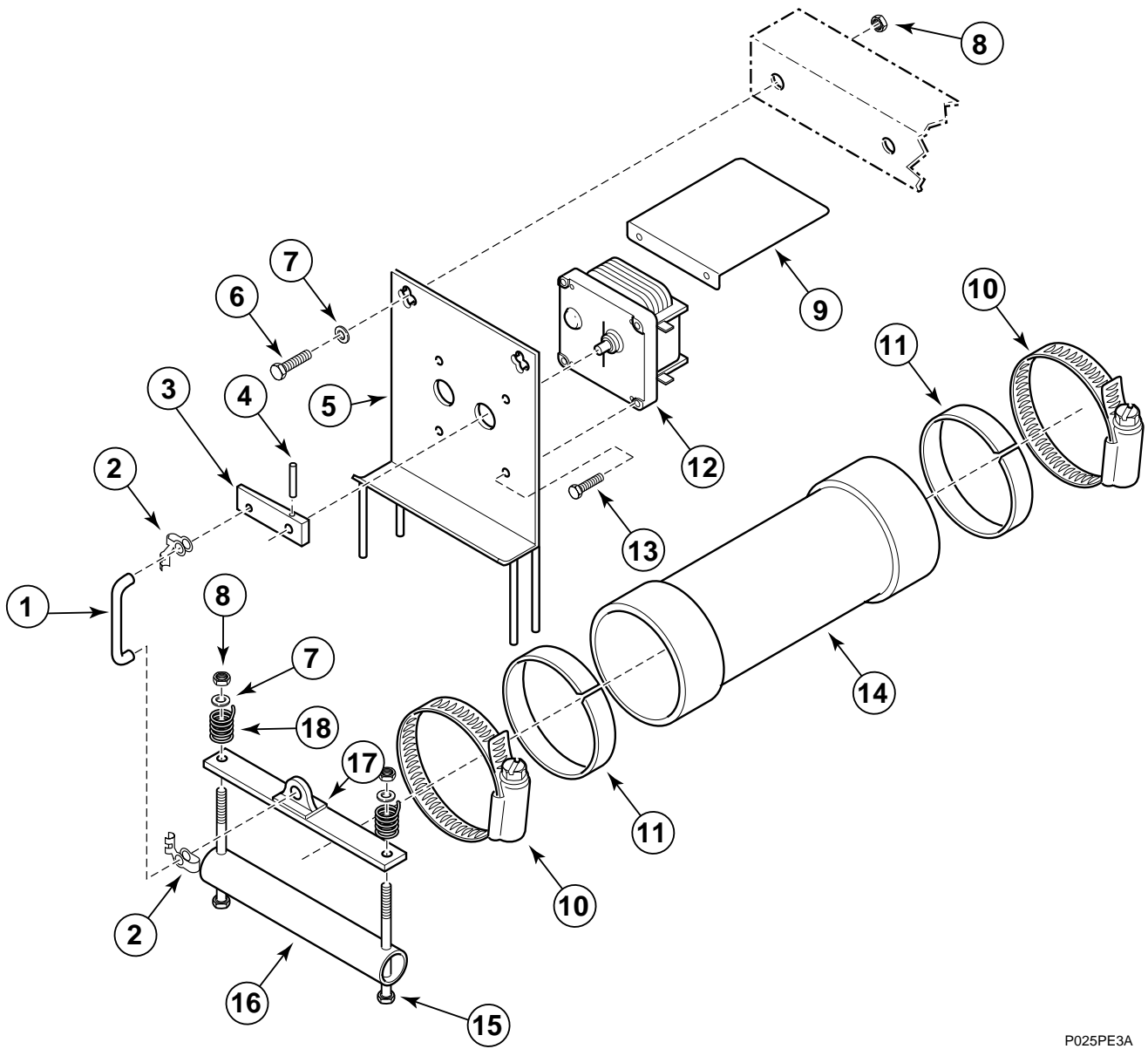


P067PE3C

## Drain System, Overflow and Vent Pipes

REF	PART #	DESCRIPTION	COMMENTS
1	F380600	Drain Valve	110 volt, 60 hertz
2	F380628	Drain Valve Body	
3	F150352	Plug	
4	F200215	Clamp	#28
5	F380918	Main Drive Kit	
6	F380932	Drain Valve Motor	110 volt, 60 hertz, Round Shaft
7	F602761	Drain Valve Motor Cover	
8	F610091	Pipe	PVC
9	F422900	Elbow	PVC
10	F610031	Nipple	PVC
11	F422801	Tee	
12	F610824	Pipe	PVC
13	F610077	Hose	Sold per foot
14	F422602	Reducer Bushing	PVC
15	F602365-1	Pipe	PVC
16	F422803	Tee	PVC
17	F610037	Pipe	PVC
18	F150438	Elbow Hose	
19	F200201	Clamp	#56
20	F150442	Drain Hose	
21	F605792	Lower Fill Tube Assembly	
22	F421929	Hose Barb	
23	F200202	Clamp	#6
24	F200107	Hose	Sold per foot
25	F741600	Re-enforcement Shell Kit	Includes plate
26	F200213	Clamp	#40
27	F150309	Hose	
28	F610029	Pipe	PVC

# Motorized Drain Valve Assembly

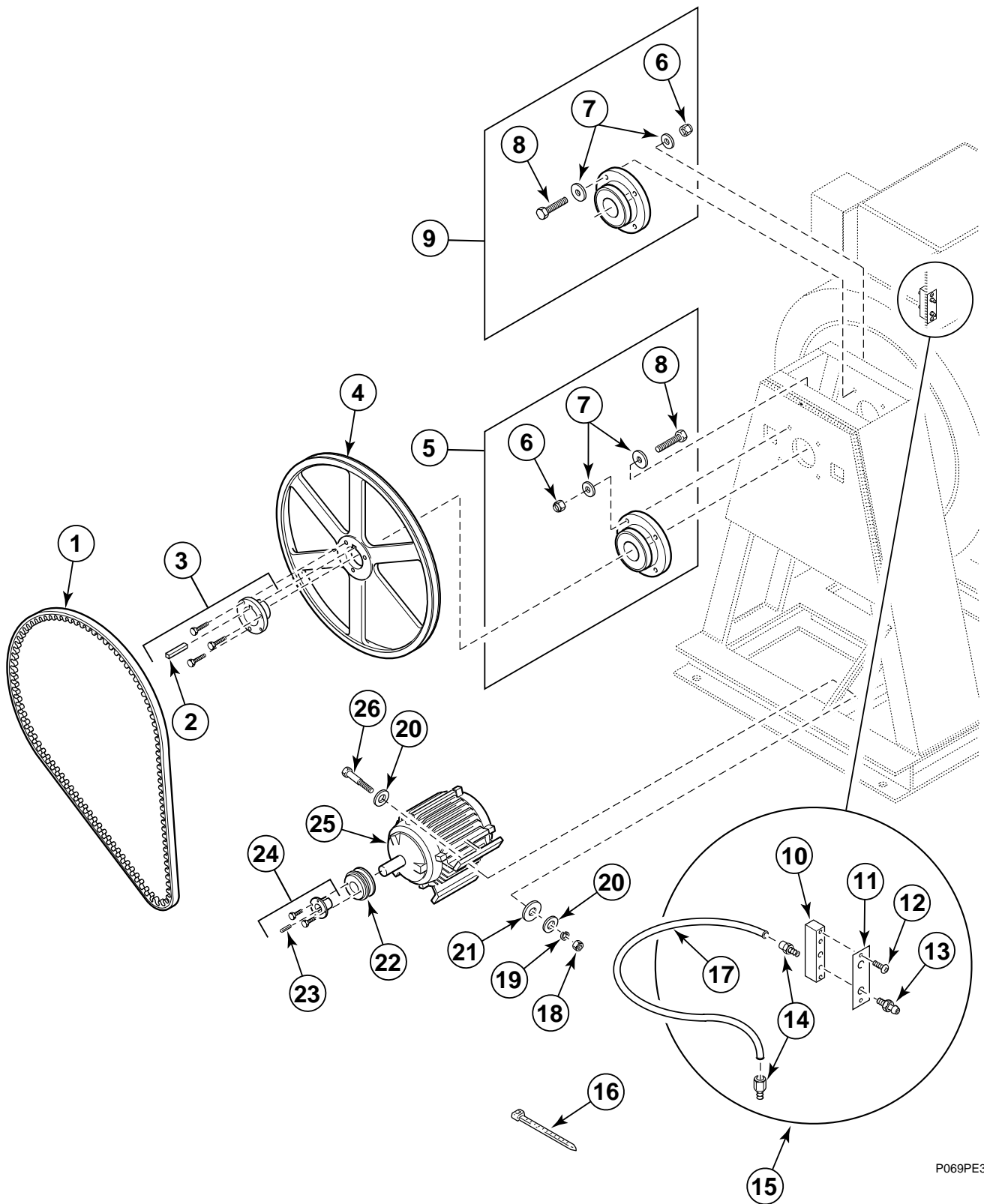


P025PE3A

## Motorized Drain Valve Assembly

REF	PART #	DESCRIPTION	COMMENTS
	F730001	Drain Valve Kit	115 Volt, 60 Hertz
1	F602274	Linkage Arm	
2	F431205	Clip	
3	F602222	Drain Valve Arm	
4	F431219	Roll Pin	
5	F602351	Drain Valve Bracket	
6	F430103	Screw	
7	F430317	Washer	
8	F430215	Nut	
9	F602372	Motor Cover	
10	F200201	Clamp	#56
11	F601244	Chafe Strip	
12	F380932	Motor	110 Volt, 60 Hertz
13	F430920	Screw	
14	F200126	Hose	Sold per foot
15	F430101	Screw	
16	F602101	Lift Tube	
17	F603441	Lift Bar	
18	F310101	Spring	

# Motor, Pulley and Bearing Assemblies

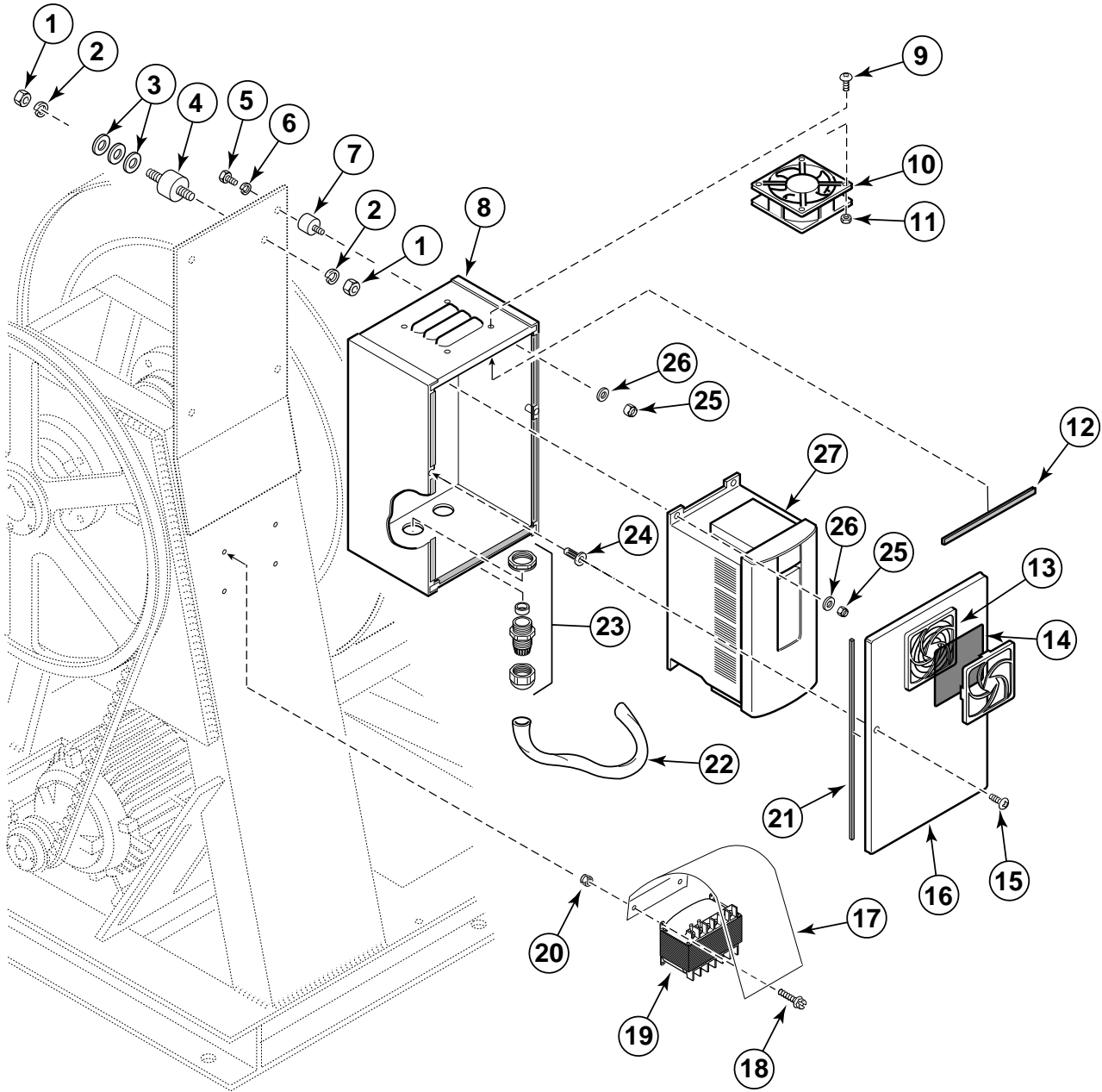


P069PE3C

## Motor, Pulley and Bearing Assemblies

REF	PART #	DESCRIPTION	COMMENTS
1	F280353	Belt	
2	F430803	Mainshaft Key	
3	F280257	Bushing	
4	F280255	Mainshaft Pulley	
5	F745010	Rear Bearing Kit	Includes seal and hardware
6	F430200	Nut	
7	F430325	Washer	
8	F430137	Bolt	
9	F745009	Front Bearing / Seal Kit	Includes seal and hardware
10	F320326	Grease Manifold	
11	F230745	Decal	
12	F430925	Screw	
13	F190701	Grease Fitting	
14	F422101	Air Coupling	
15	F745401	Bearing Kit	
16	F140605	Tie	
17	F200190	Tubing	
18	F430205	Nut	
19	F430305	Spring Lockwasher	
20	F430301	Washer	
21	F430300	Washer	
22	F280146	Motor Pulley	
23	F430802	Motor Key	
24	F280211	Motor Pulley Bushing	Includes screw and key
25	F220214	Motor	
26	F430993	Screw	

# A.C. Inverter Drive



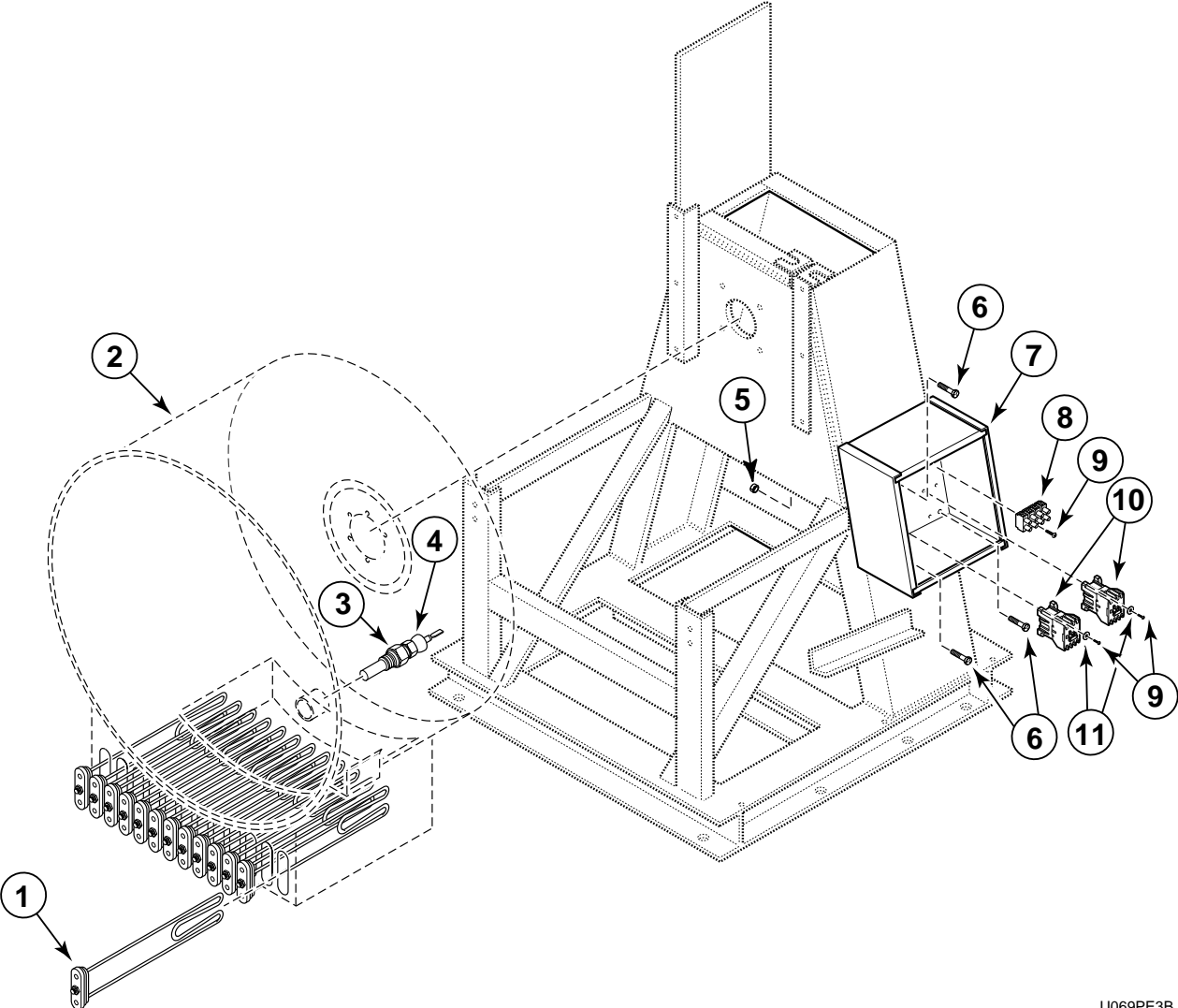
U068PE3B



## A.C. Inverter Drive

REF	PART #	DESCRIPTION	COMMENTS
1	F430205	Nut	
2	F430305	Spring Lockwasher	
3	F430300	Washer	
4	F432217	Mount	1.5 inches
5	F430923	Screw	
6	F430322	Spring Lockwasher	
7	F432219	Mount	1.0 inch
8	F609849	A.C. Drive Box	
9	F430910	Screw	
10	F110106	Muffin Fan	120 volt
11	F430231	Nut	
12	F170402	Outer Front Panel Gasket	Sold per foot
13	F220900	Filter Assembly	Includes guard and retainer
14	F270321	Filter	
15	F430925	Screw	
16	F609726	A.C. Drive Box Cover	
17	F140425	Cover	
18	F430107	Screw	
19	F360124	Transformer	120 volt
20	F431005	Nut	
21	F170158	Gasket	
22	F140905	Wire Cover	
23	F140309	Connector	
24	F432212	Rivnut	
25	F430215	Nut	
26	F431147	Washer	
27	F370815	Inverter Drive	200-240 Volt, 50/60 Hertz, 3-phase
	F370818	Inverter Drive	380-480 Volt, 50/60 Hertz, 3-phase
	F370838	Inverter Drive	200-240 Volt, 50/60 Hertz, 1-phase

# Electric Heat Option



U069PE3B

# Electric Heat Option

REF	PART #	DESCRIPTION	COMMENTS
1	F360205	Heating Element	240 volt
2	F603555	Electric Heat Shell Assembly	
3	F421936	Reducer Bushing	
4	F370606	Temperature Probe	
5	F430215	Nut	
6	F430938	Screw	
7	F140413	Electrical Box	
8	F140746	4-way Block	
9	F430107	Screw	
10	F330150	Contactator	120 volt
11	F430311	Washer	#8

# Parts Index

## A

Adapter	
F421903 .....	29
Air Coupling	
F422101 .....	37
Air Trap	
F200163 .....	13
A.C. Drive Box	
F609849 .....	39
A.C. Drive Box Cover	
F609726 .....	39

## B

Balance Microswitch	
F340906 .....	15
Balance Switch Bracket	
F601750 .....	15
Basket Assembly	
F603427 .....	23
Battery Backup	
F191101 .....	5
Bearing Kit	
F745401 .....	37
Belt	
F280353 .....	37
Bolt	
F430137 .....	37
Bracket	
F601982 .....	17
F606667 .....	17
Bushing	
F280257 .....	37
F430416 .....	19
Buzzer	
F300203 .....	13

## C

Cable	
F140218 .....	5
F140219 .....	5
F140223 .....	5
Cage Wrap	
F630115 .....	17
Cap Plug	
F180486 .....	11
F190304 .....	25
Chafe Strip	
F601244 .....	35
Chrome Elbow	
F422319 .....	19
Clamp	
F200201 .....	33, 35
F200202 .....	27, 33
F200205 .....	13, 29
F200213 .....	25, 33

F200215 .....	33
F200222 .....	29
Clip	
F431205 .....	35
Collar	
F602505 .....	23
Condensation Gutter	
F150408 .....	23
Conduit Connector	
F140311 .....	11
Conduit Connector	
F140311 .....	11
Connector	
F140309 .....	11, 39
F422500 .....	13
Contact Block Switch	
F340429 .....	5
Contacto	
F330148 .....	7
F330150 .....	41
Control Module Assembly	
F00608-MDL .....	5, 7, 9, 11, 13
F00918-MDL .....	5, 7, 9, 11, 13
F01212-MDL .....	5, 7, 9, 11, 13
Control Module Cabinet Sub-assembly	
F604711-2 .....	5, 9, 11, 13
Control Module Cabinet Top	
F601995 .....	5, 7, 9, 11, 13
Control Module Sub-assembly	
F604711-2 .....	7
Control Panel Mounting Assembly	
F608385 .....	7
Coupling	
F150412 .....	25
Cover	
F140425 .....	39
Cup	
F150385 .....	25
F150386 .....	25

## D

Decal	
F230202 .....	5, 7, 9, 11, 13
F230215-2 .....	11
F230302 .....	17, 19
F230606 .....	13
F230652 .....	19
F230745 .....	37
F230754 .....	27
F230764 .....	13
F231020 .....	25
F231065 .....	9
F231083 .....	5
Door Assembly	
F603429 .....	19
Door Box	
F606630 .....	21
Door Box Assembly	
F603665 .....	21

Door Box Mounting Plate F605523 .....	21	
Door Bumper Moulding F150366 .....	19	
Door Butt F150210 .....	19	
Door Butt Shim F610695 .....	19	
Door Gasket F170145 .....	19	
Door Glass F290200 .....	19	
Door Glass Seal F170117 .....	19	
Door Handle F150203 .....	21	
Door Hinge Pin F601815 .....	19	
Door Hinge Strap F150209 .....	19	
Door Kit F730539 .....	19	
Door Latch Shim F602058 .....	21	
Door Lock Solenoid F300118 .....	21	
Door Push Handle F605474 .....	21	
Door Push Handle Assembly F605474 .....	19	
Drain Hose F150442 .....	33	
Drain Valve F380600 .....	33	
	F380628 .....	33
Drain Valve Arm F602222 .....	35	
Drain Valve Bracket F602351 .....	35	
Drain Valve Kit F730001 .....	35	
Drain Valve Motor F380932 .....	33	
Drain Valve Motor Cover F602761 .....	33	
Dry Supply Insert F150388 .....	25	
Dual Fuseholder F350312 .....	13	

## E

Elbow F420502 .....	29	
	F420509 .....	29
	F422900 .....	33
Elbow Hose F150438 .....	33	
Electric Heat Shell Assembly F603555 .....	41	
Electrical Box F140413 .....	41	

Emergency Stop Switch Assembly F340706 .....	5
Extension Arm Assembly F606810 .....	21

## F

Fiber Optic Cable F604713 .....	9	
Fiber Optic Feed-thru Connector F140575 .....	9	
	F140576 .....	9
Fill Plumbing Assembly F605788 .....	29	
Fill Valve F380781 .....	29	
	F381700 .....	29
Filter F270321 .....	39	
	F270406 .....	31
	F360205 .....	41
Filter Assembly F220900 .....	39	
	F270305 .....	31
	F270306 .....	31
Filter Housing Gasket F270407 .....	31	
Filter Screen F270300 .....	31	
Flow Restrictor F380106 .....	27	
Frame Assembly F601921 .....	23	
Front Bearing / Seal Kit F745009 .....	37	
Front Panel F609744 .....	17	
Front Shell Assembly F603428 .....	23	
Front Shell Gasket F170120 .....	23	
Fuse F350115 .....	7, 9, 13	
Fuse Decal F231271 .....	11	

## G

Gasket F170158 .....	39
Grease Fitting F190701 .....	37
Grease Manifold F320326 .....	37
Ground Decal F230630 .....	11
Ground Lug F140734 .....	11

---

## H

Hose	
F150309 .....	33
F150391 .....	25
F150392 .....	25
F200104 .....	29
F200107 .....	33
F200110 .....	27
F200126 .....	35
F200164 .....	31
F200199 .....	29
F610077 .....	33
Hose Adapter	
F421908 .....	29
F421909 .....	29
Hose Barb	
F421929 .....	33
Hot Water Hose Connector	
F200302 .....	27

---

## I

Inner Front Panel Gasket	
F170401 .....	17, 25
Input Power Decal	
F230677 .....	11
Input Power Terminal Block	
F140746 .....	11
Insulator Feed-thru Bushing	
F140909 .....	11, 13
Interface Board	
F370577 .....	7
Interlock Switch Spacer	
F601055 .....	21
Inverter Drive	
F370815 .....	39
F370818 .....	39
F370838 .....	39

---

## J

J-4 Jumper Kit	
F784003 .....	7

---

## K

Keymode Switch Decal	
F230678 .....	9
Keymode Switch/Run Program	
F730186 .....	9

---

## L

Lift Bar	
F603441 .....	35
Lift Tube	
F602101 .....	35

Light	
F350412 .....	9
Linkage Arm	
F602274 .....	35
Lock Washer	
F431108 .....	5
Lockwasher	
F431108 .....	7, 9, 11, 13
F431113 .....	7, 9, 11, 13
Lower Door Latch	
F150204 .....	21
Lower Fill Tube Assembly	
F605792 .....	33

---

## M

Magnet	
F340703 .....	19
F430703 .....	21
Magnetic Position Switch	
F340702 .....	21
Main Drive Kit	
F380918 .....	33
Mainshaft Key	
F430803 .....	37
Mainshaft Pulley	
F280255 .....	37
Micro Computer Cover	
F606826 .....	5
Microswitch	
F340906 .....	21
Microswitch Trip Lever	
F603005 .....	21
Momentary Switch	
F340412 .....	5
Motor	
F220214 .....	37
F380932 .....	35
Motor Cover	
F602372 .....	35
Motor Key	
F430802 .....	37
Motor Pulley	
F280146 .....	37
Motor Pulley Bushing	
F280211 .....	37
Mount	
F432217 .....	39
F432219 .....	39
Mounting Base	
F340705 .....	5
Mounting Clamp	
F140602 .....	5
Muffin Fan	
F110106 .....	39

---

## N

Nipple	
F420101 .....	29
F420103 .....	29
F420105 .....	29

F420106.....	29
F610031.....	33
<b>Nut</b>	
F430200.....	37
F430205.....	15, 21, 23, 37, 39
F430206.....	15
F430211.....	17, 23
F430212.....	23
F430215.....	17, 19, 35, 39, 41
F430231.....	5, 7, 19, 21, 39
F430606.....	17
F430917.....	25
F431005.....	19, 21, 39
F431017.....	11, 13
F431022.....	7, 9, 11, 13, 23
F431026.....	19, 21
F431804.....	17

## O

<b>O-ring</b>	
F170208.....	25
<b>Outer Front Panel Gasket</b>	
F170402.....	39

## P

<b>Panel Fuse Holder</b>	
F350304.....	7, 9
<b>Pin</b>	
F430415.....	17
<b>Pipe</b>	
F602365-1.....	33
F610029.....	33
F610037.....	33
F610091.....	33
F610824.....	33
<b>Plate</b>	
F607201.....	21
<b>Plug</b>	
F140527.....	11
F150352.....	33
<b>Program Key</b>	
F370709.....	9
<b>Push Handle Assembly</b>	
F605638.....	19
<b>Push Handle Spacer</b>	
F609822.....	19

## R

<b>RC Network Filter</b>	
F330217.....	5, 7, 21
<b>Rear Bearing Kit</b>	
F745010.....	37
<b>Rear Panel</b>	
F609745.....	17
<b>Reducer Bushing</b>	
F421936.....	41
F422602.....	33
<b>Re-enforcement Shell Kit</b>	
F741600.....	33

<b>Relay</b>	
F330227.....	7
<b>Resistor</b>	
F370117.....	13
<b>Retainer Ring Glass</b>	
F601239.....	19
<b>Rivet</b>	
F431210.....	19
<b>Rivnut</b>	
F432212.....	39
<b>Roll Pin</b>	
F431219.....	35
<b>Rub Rail</b>	
F150408.....	17
<b>Rub Rail Insert</b>	
F150397.....	17

## S

<b>Screw</b>	
F430101.....	35
F430103.....	19, 35
F430107.....	39, 41
F430109.....	15, 23
F430124.....	15
F430168.....	21
F430174.....	5, 7, 9, 11, 13
F430500.....	23
F430900.....	19
F430904.....	5, 7, 9, 11, 13
F430909.....	19, 21
F430910.....	39
F430913.....	23
F430916.....	7, 9, 11, 21
F430917.....	21, 25
F430920.....	11, 13, 35
F430921.....	17
F430923.....	39
F430924.....	23
F430925.....	37, 39
F430927.....	21
F430928.....	13
F430938.....	11, 41
F430948.....	27
F430956.....	17
F430993.....	37
F430995.....	21
F430996.....	21
F432234.....	17
F432260.....	21
<b>Seal Kit</b>	
F730081.....	23
<b>Seal Retainer</b>	
F601221.....	23
<b>Sealing Washer</b>	
F431112.....	23
F431116.....	23
<b>Set Screw</b>	
F430502.....	19
<b>Shaft Seal</b>	
F100214.....	23
<b>Shell Assembly</b>	
F603424.....	23
F603554.....	23
F603555.....	23

Shell Band Assembly	
F603344 .....	19, 23
Shell Gasket Shield	
F601216 .....	23
Shell Mounting Bracket	
F601806 .....	23
Shell Re-enforcement Kit	
F741600 .....	23
Side Panel	
F609743 .....	17
Slinger	
F100203 .....	23
Soap Dispenser Shroud	
F608264 .....	25
Soap Injection Nozzle Kit	
F730168 .....	25
Spray Plumbing Assembly	
F605789 .....	29
Spray Rinse Bracket Assembly	
F602901 .....	19
Spray Rinse Hose Kit	
F730026 .....	19
Spray Rinse Nozzle Kit	
F730077 .....	19
Spray Rinse Strap	
F602880 .....	19, 23
Spray Tube Assembly	
F610364 .....	19
Spray Valve	
F380779 .....	29
F381702 .....	29
Spring	
F310101 .....	35
Spring Lockwasher	
F430305 .....	15, 23, 37, 39
F430321 .....	23
F430322 .....	23, 39
F431100 .....	17, 19, 21, 25
F431137 .....	21
Strain Relief Adapter Kit	
F749802 .....	25
Strainer	
F270200 .....	27
Street Elbow	
F420500 .....	29
Studded Door	
F730307 .....	19
Supply Dispenser	
F150500 .....	25
Supply Dispenser Lid	
F150384 .....	25
Supply Dispenser Lid Gasket	
F170158 .....	25
Supply Hose Strap	
F605324 .....	17
Supply Nozzle	
F380300 .....	25
Supply Nozzle Nut	
F430224 .....	25
Supply Valve Cover	
F230721 .....	5
F608960 .....	5, 7, 9, 11, 13

---

## T

Tee	
F420400 .....	29
F420401 .....	29
F422801 .....	33
F422803 .....	33
Temperature Probe	
F370606 .....	15, 41
Terminal Strip	
F140738 .....	9, 11, 13
Tie	
F140605 .....	5, 37
F140606 .....	5
Top Fill Assembly	
F605793 .....	29
Top Latch Bracket	
F150201 .....	21
Transformer	
F360124 .....	39
Tri-level Switch	
F340316 .....	13
Tri-level Switch Bracket	
F630242 .....	13
Tube Connector	
F422106 .....	29
Tube Holding Assembly	
F602901 .....	23
Tubing	
F150390 .....	25
F200190 .....	37
F422404 .....	13

---

## U

U-bolt	
F200401 .....	29

---

## V

Vacuum Breaker Valve	
F380800 .....	29
Valve Repair Kit	
F380914 .....	29
F380915 .....	29
F380991 .....	29
F380993 .....	29

---

## W

Warning Plate	
F230200 .....	19
Washer	
F200500 .....	31
F430300 .....	37, 39
F430301 .....	15, 23, 37
F430311 .....	41
F430317 .....	17, 23, 35
F430325 .....	37
F431113 .....	23
F431118 .....	21



F431123.....	5, 7, 9, 11, 13
F431125.....	5, 21
F431133.....	25
F431147.....	25, 39
WE-6 Keypad Decal With Plug	
F230724.....	5
WE-6 Microcomputer Kit	
F370534-10.....	5
WE-6 Solid State Fuse/Relay Board	
F370535.....	7
Wire Cover	
F140905.....	39
Wire Nut	
F140712.....	21

---

## ***Numerics***

4-way Block	
F140746.....	41
4-way Supply Valve	
F380715.....	27
4-way Valve Repair Kit	
F380938.....	27
4-way Valve Solenoid	
F380900.....	27

---

## ***Symbols***

"Y" Connector	
F422808.....	27