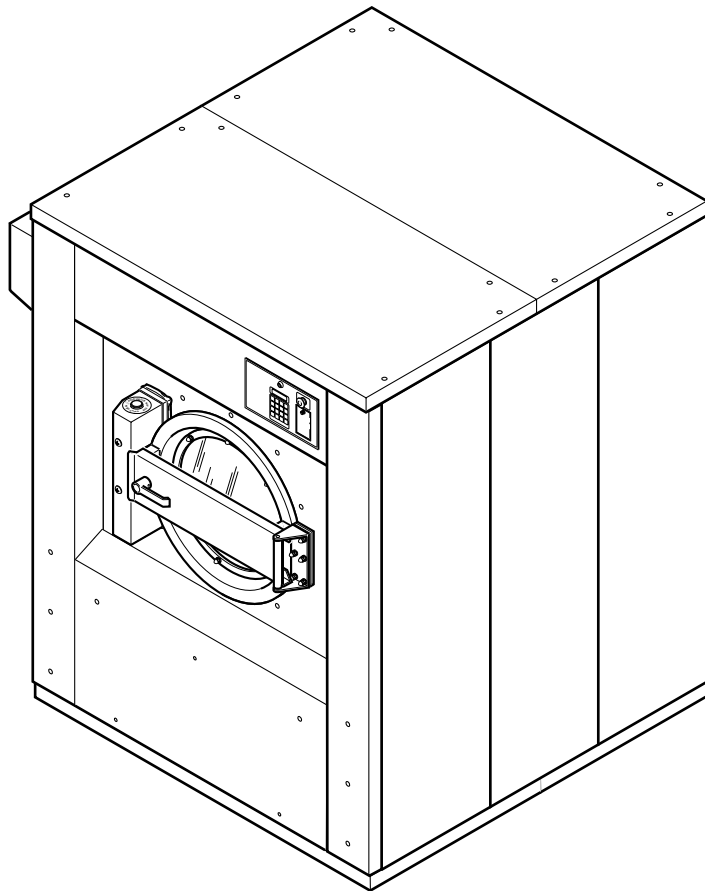


# Washer-Extractor

Cabinet Freestanding  
See Page 3 for Model Numbers



R001C

# Table of Contents

Title	Page
Parts Ordering Information .....	2
Nameplate Location .....	2
Model Identification .....	3
Cover Panels .....	4
Drive Assembly .....	6
Front Bearing Detail .....	8
Motor .....	10
Belt Tightener Assembly .....	12
Water Inlet System Assembly .....	14
Chemical Supply System Assembly .....	16
Drain Valve Assembly .....	18
Overflow and Drain Hose Assembly .....	20
Door Assembly (Old Style) .....	22
Door Assembly (New Style) .....	24
Door Lock Assembly .....	26
Control Module Front .....	28
Control Module Detail .....	30
AC Inverter Drive .....	32
Suspension System .....	34
Steam Heat Option .....	36
Pneumatic System .....	38
Parts Index .....	41

© Copyright 1999, Alliance Laundry Systems LLC

All rights reserved. No part of the contents of this book may be reproduced or transmitted in any form or by any means without the expressed written consent of the publisher.

# Parts Ordering Information

Alliance Laundry Systems is not responsible for personal injury or property damage resulting from improper service. Review all service information before beginning repairs.

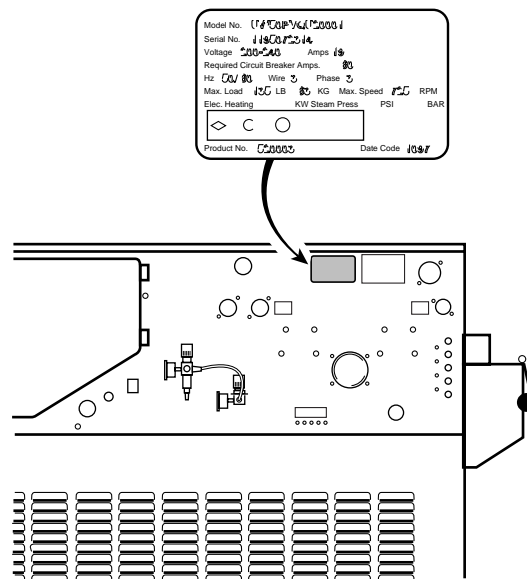
If literature or replacement parts are required, contact the source from whom the machine was purchased or contact Alliance Laundry Systems at (920) 748-3950 for the name of the nearest authorized parts distributor.

For technical assistance, call any of the following numbers:

(850) 718-1035  
(850) 718-1026  
Marianna, Florida  
(920) 748-3121  
Ripon, Wisconsin

## Nameplate Location

When calling or writing about your product, be sure to mention model and serial numbers. Model and serial numbers are located on nameplate(s) as shown.



R052P

## Model Identification

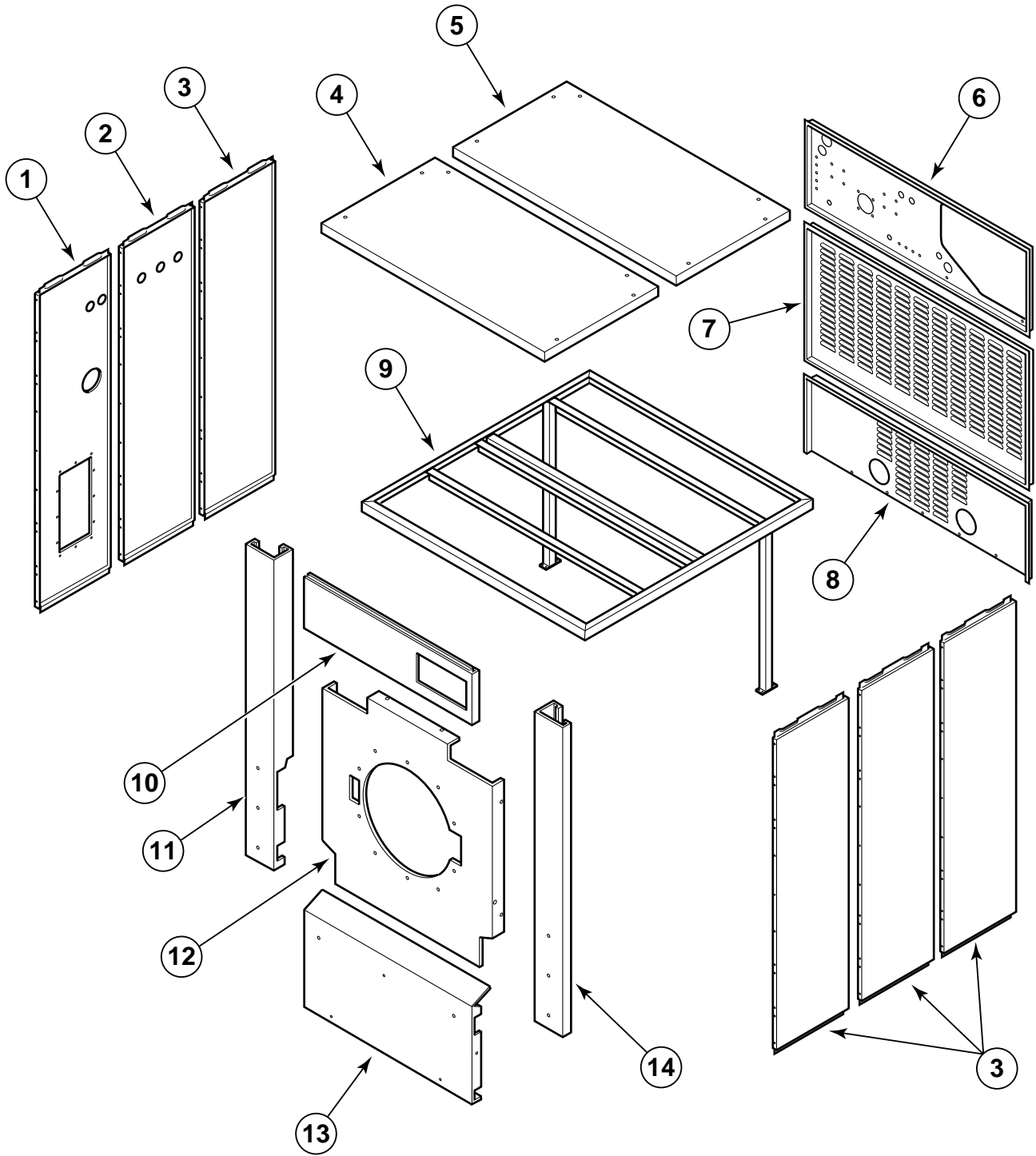
Information in this manual is applicable to these washer-extractors:

SF135PV

UF135PV



# Cover Panels

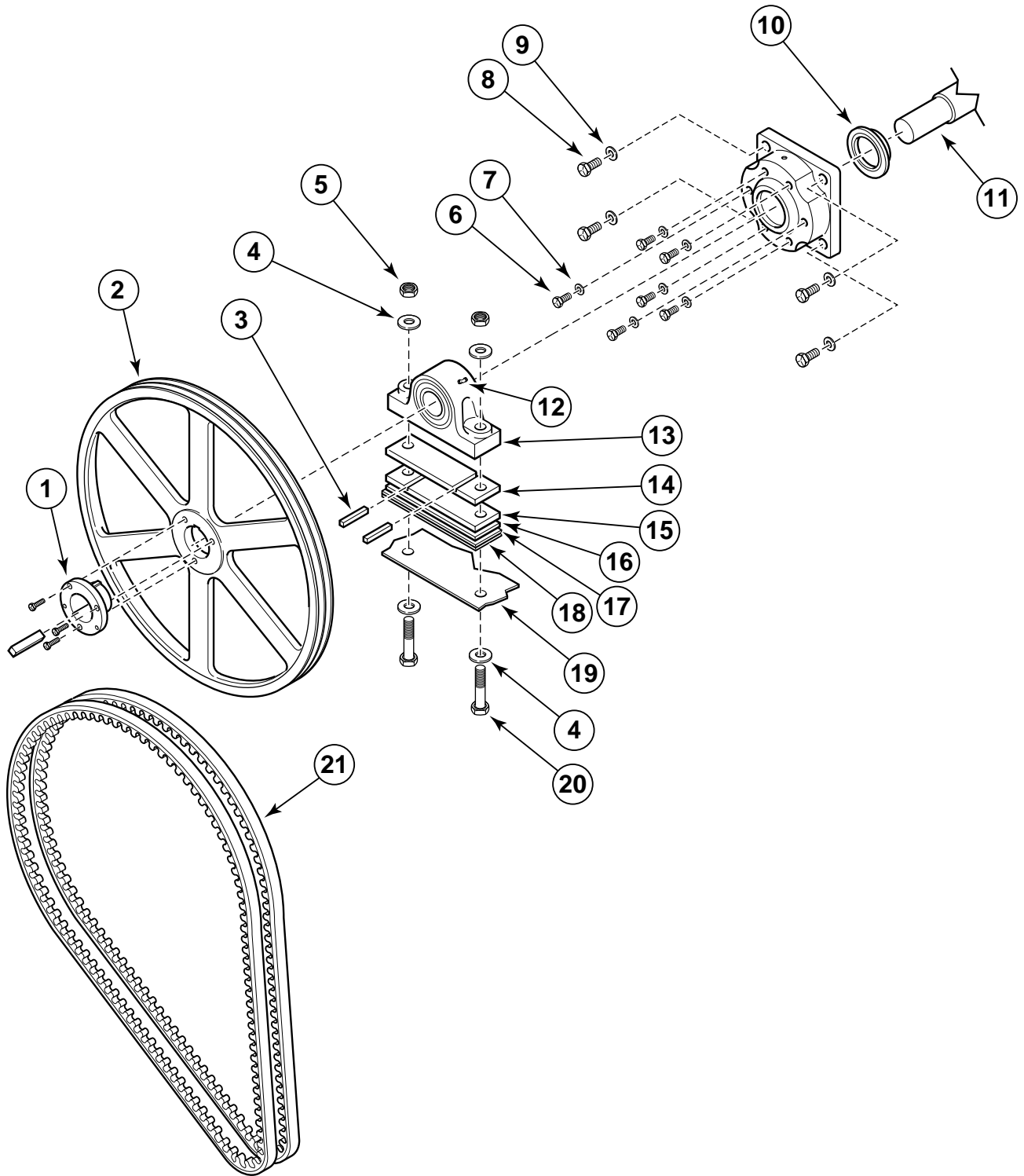


R024PE1A

# Cover Panels

REF	PART #	DESCRIPTION	COMMENTS
	F607655	Rear Column Weldment	
1	F608943	Side Panel	Front
2	F608942	Side Panel	Center
3	F607145	Side Panel	
4	F607143	Cabinet Top Cover	Front
5	F607144	Cabinet Top Cover	Rear
6	F632997	Upper Rear Panel	
7	F607151	Middle Rear Cover	
8	F607656	Lower Rear Cover	
9	F607139	Top Frame Cabinet Weldment	
10	F608196	Front Panel	Top
11	F607147	Front Column	Left
12	F634149	Shell Cover	
13	F607148	Front Cover	Lower
14	F607146	Front Column	Right

# Drive Assembly



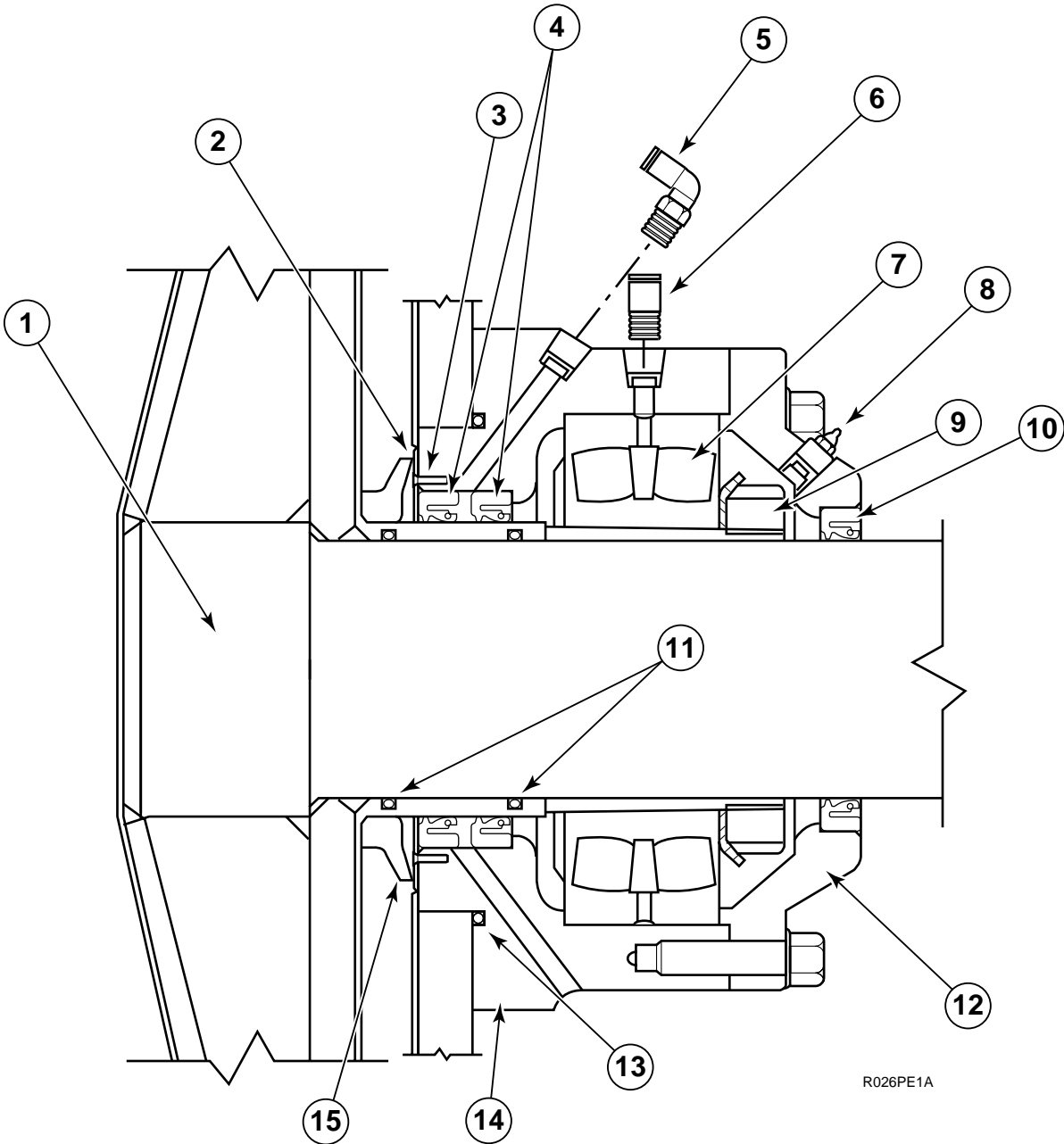
R025PE1B



# Drive Assembly

REF	PART #	DESCRIPTION	COMMENTS
	F745011	Front Bearing Kit	
	F745012	Rear Bearing Kit	
1	F280250	Bushing	
2	F280245	Pulley	
3	F430807	Key	
4	F430705	Washer	
5	F430229	Nut	
6	F430949	Screw	
7	F430314	Spring Lock Washer	
8	F430154	Screw	
9	F431141	Spring Lock Washer	
10	F100255	Excluder Seal	
11	F607689	Basket Assembly	
12	F260200	Elbow	
13	F606134	Rear Bearing	
14	F606136	Bearing Mounting Plate	
15	F606169	Bearing Main Shim	
16	F606168-1	Bearing Mounting Shim	07GA
17	F606168-3	Bearing Mounting Shim	11GA
18	F606168-2	Bearing Moutning Shim	18GA
19	F607628	Shell/Frame Assembly	
20	F430155	Screw	
21	F280331	Belt	

# Front Bearing Detail

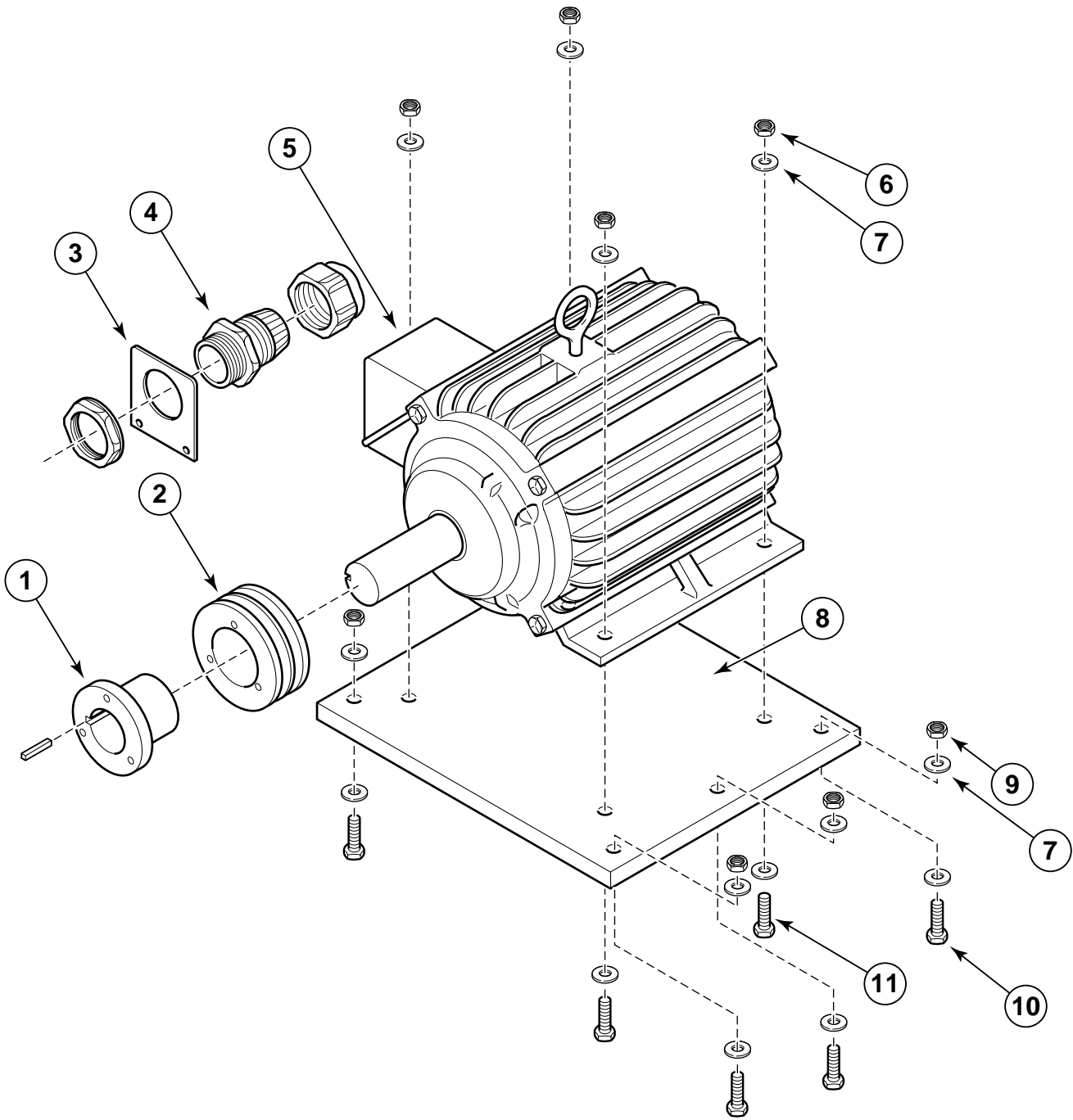


R026PE1A

# Front Bearing Detail

REF	PART #	DESCRIPTION	COMMENTS
	F745011	Front Bearing Kit	
	F606131	Front Bearing Assembly	
1	F607689	Basket Assembly	
2	F606416	Cladding Plate	
3	F430957	Screw	
4	F100253-1	Lip Seal	
5	F422317	Air Elbow	
6	F422101	Coupling	
7	F100148	Bearing	
8	F190701	Grease Fitting	
9	F745600-2	Bearing Weldment Kit	
10	F100254-1	Seal	
11	F170212	O-Ring	
12	F607168	Bearing Cover	
13	F170211	Seal Housing O-Ring	
14	F607169	Bearing Housing	
15	F100255	Outer Seal	

# Motor

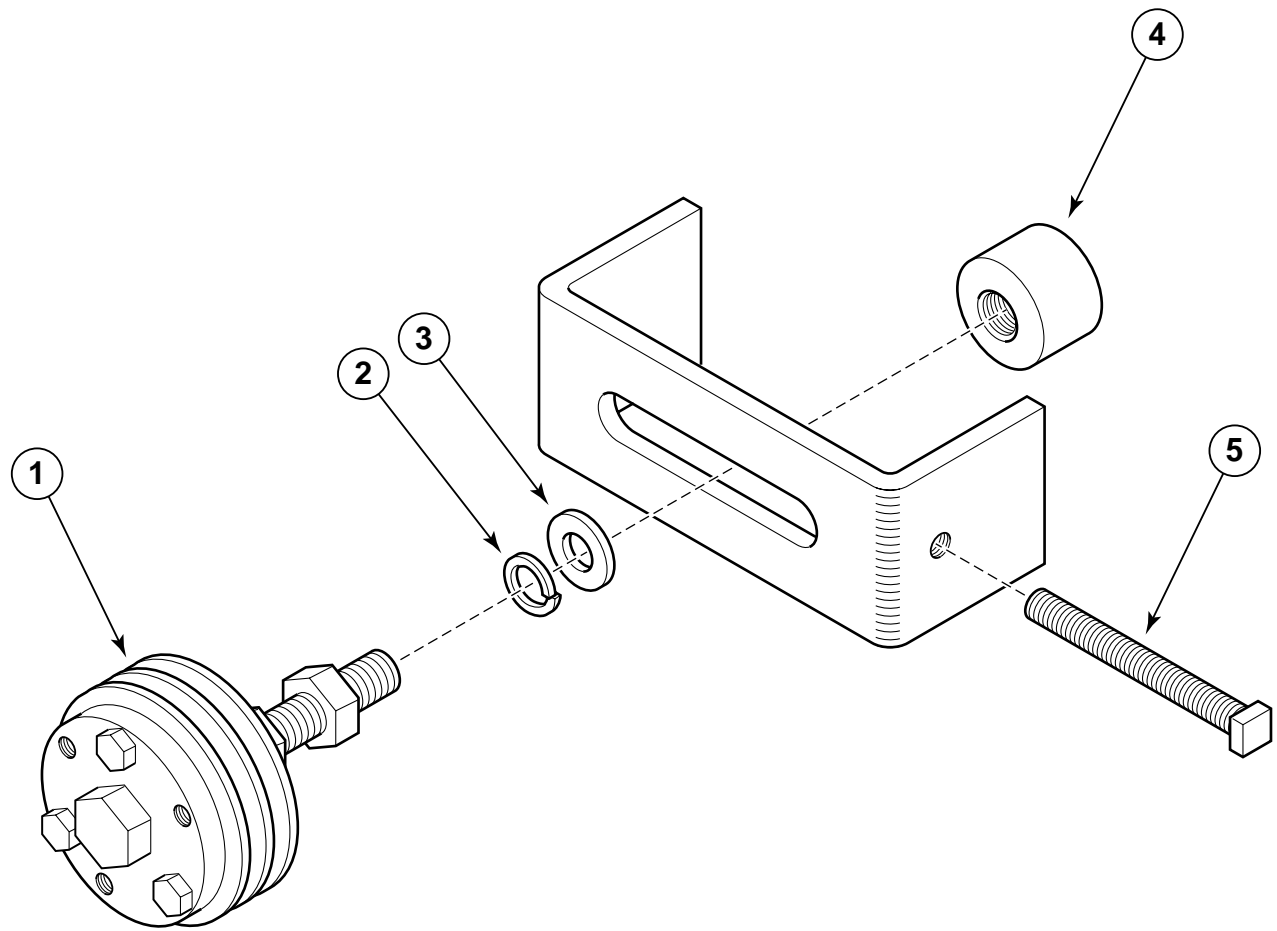


R027PE1A

# Motor

REF	PART #	DESCRIPTION	COMMENTS
1	F280242	Motor Bushing	Includes key
2	F280150	Pulley	200 Volt
3	F607628	Motor Support Bracket	
4	F140224	Strain Relief Connector	
5	F220218	Motor	195/390 Volt, 10 Hp
6	F430241	Nut	
7	F430332	Washer	
8	F432290	Motor Spacer	
9	F430218	Nut	
10	F430993	Screw	
11	F430156	Screw	

# Belt Tightener Assembly

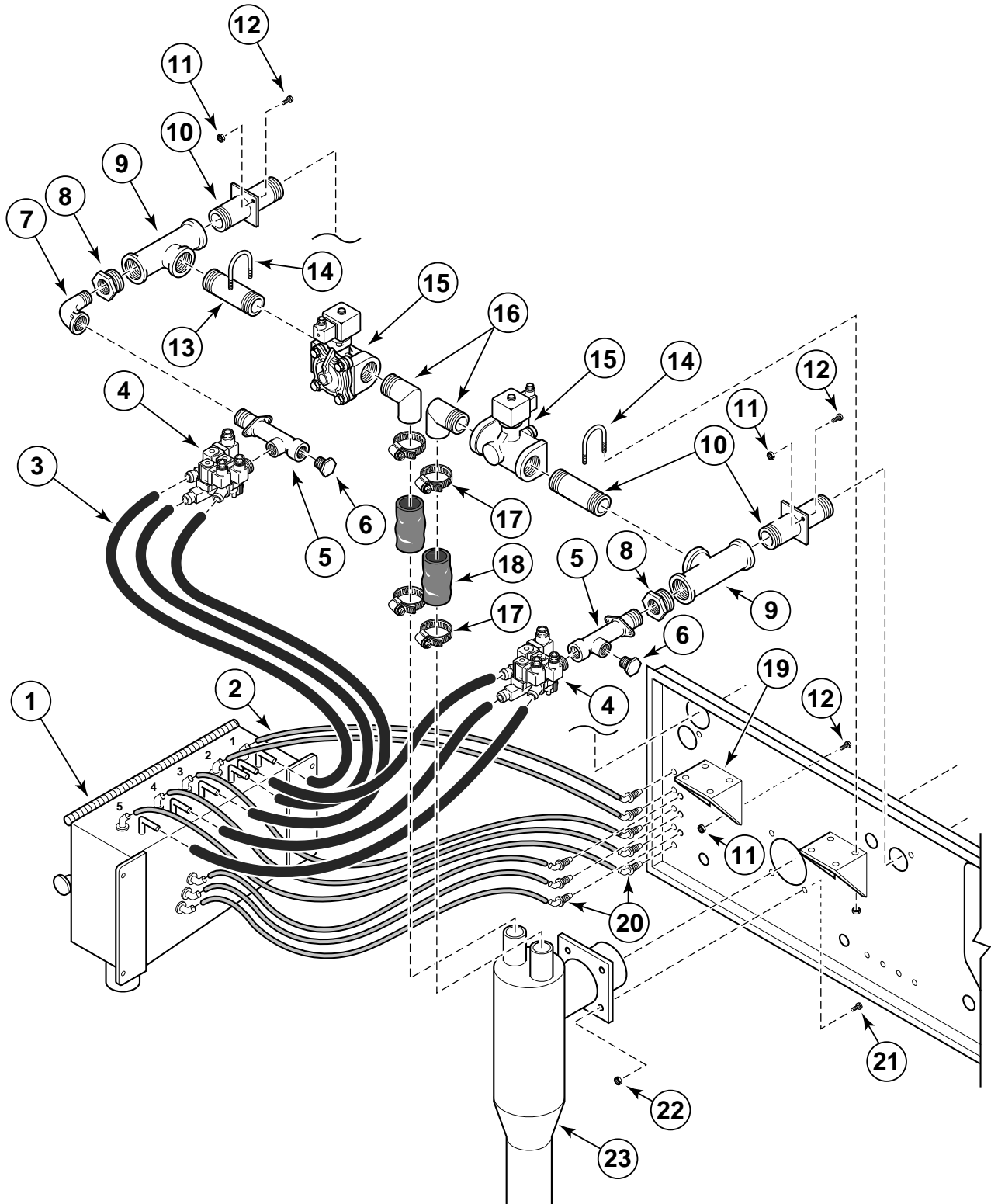


R028PE1A

# Belt Tightener Assembly

REF	PART #	DESCRIPTION	COMMENTS
	F632036	Belt Tensioner Assembly	
1	F632238	Pulley Assembly	
2	F430309	Washer	
3	F430310	Washer	
4	F631576	Hub	
5	F430528	Screw	

# Water Inlet System Assembly



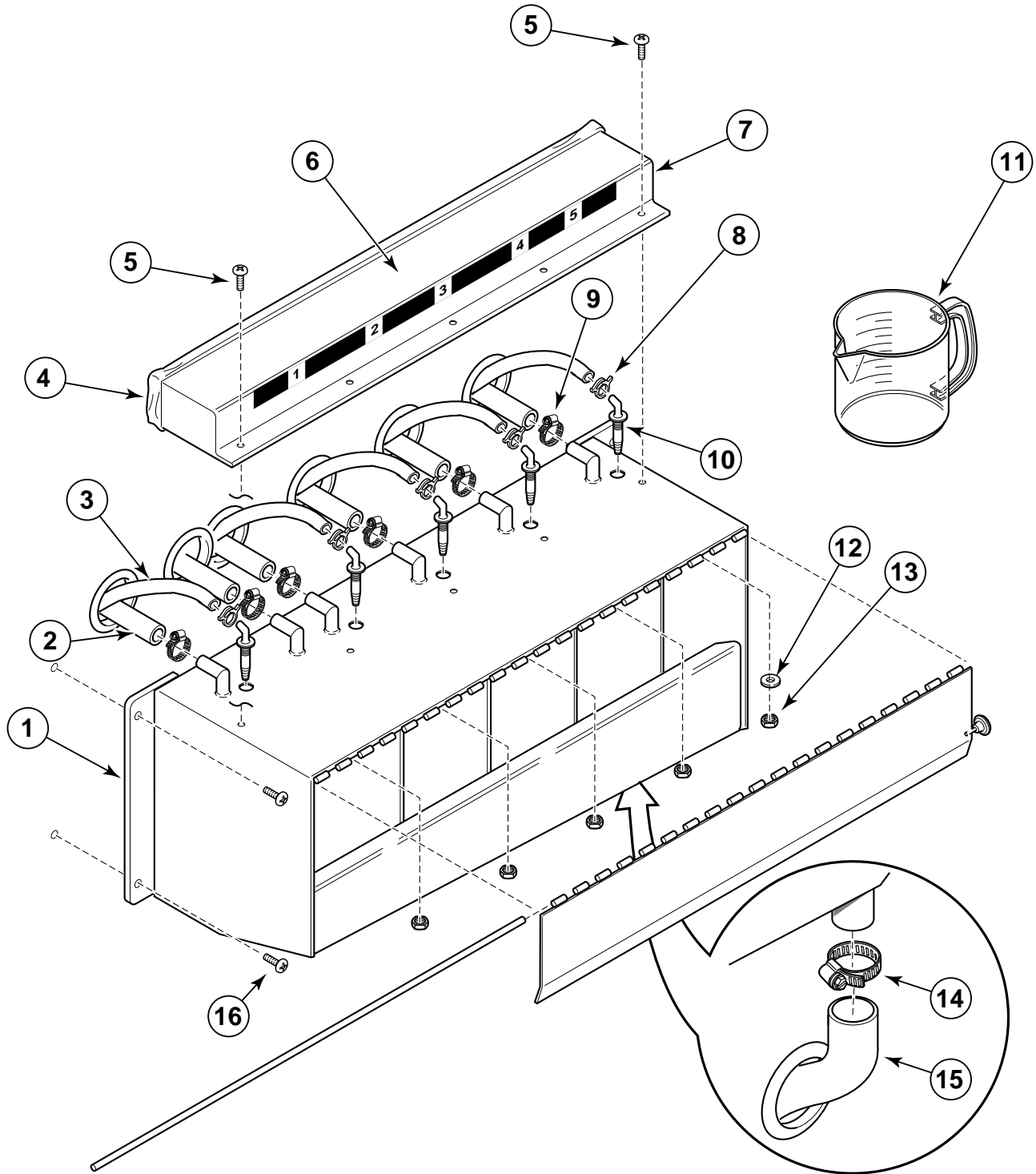
R029PE1B



# Water Inlet System Assembly

REF	PART #	DESCRIPTION	COMMENTS
1	F609703	Supply Dispenser Weldment	
2	F200168	Tubing	Sold per foot
3	F602586-39	Hose	Sold per foot
4	F381725	3-Way Valve	110 Volt, DIN Coil, G-thread
5	F150247	Inlet Manifold	
6	F421507	Plug	
7	F420502	Elbow	
8	F420203	Reducer Bushing	
9	F420410	Tee	
10	F150247	Inlet Manifold	
11	F430215	Nut	
12	F430925	Screw	
13	F420123	Nipple	
14	F200412	Clamp	#8
15	F381704	Valve	110 Volt, DIN Coil
16	F607183	Elbow	
17	F200215	Clamp	
18	F200170	Hose	
19	F607192	Valve Support Bracket	
20	F380300	Supply Nozzle	
21	F430909	Screw	
22	F431016	Nut	
23	F607190	Vacuum Breaker Weldment	

# Chemical Supply System Assembly

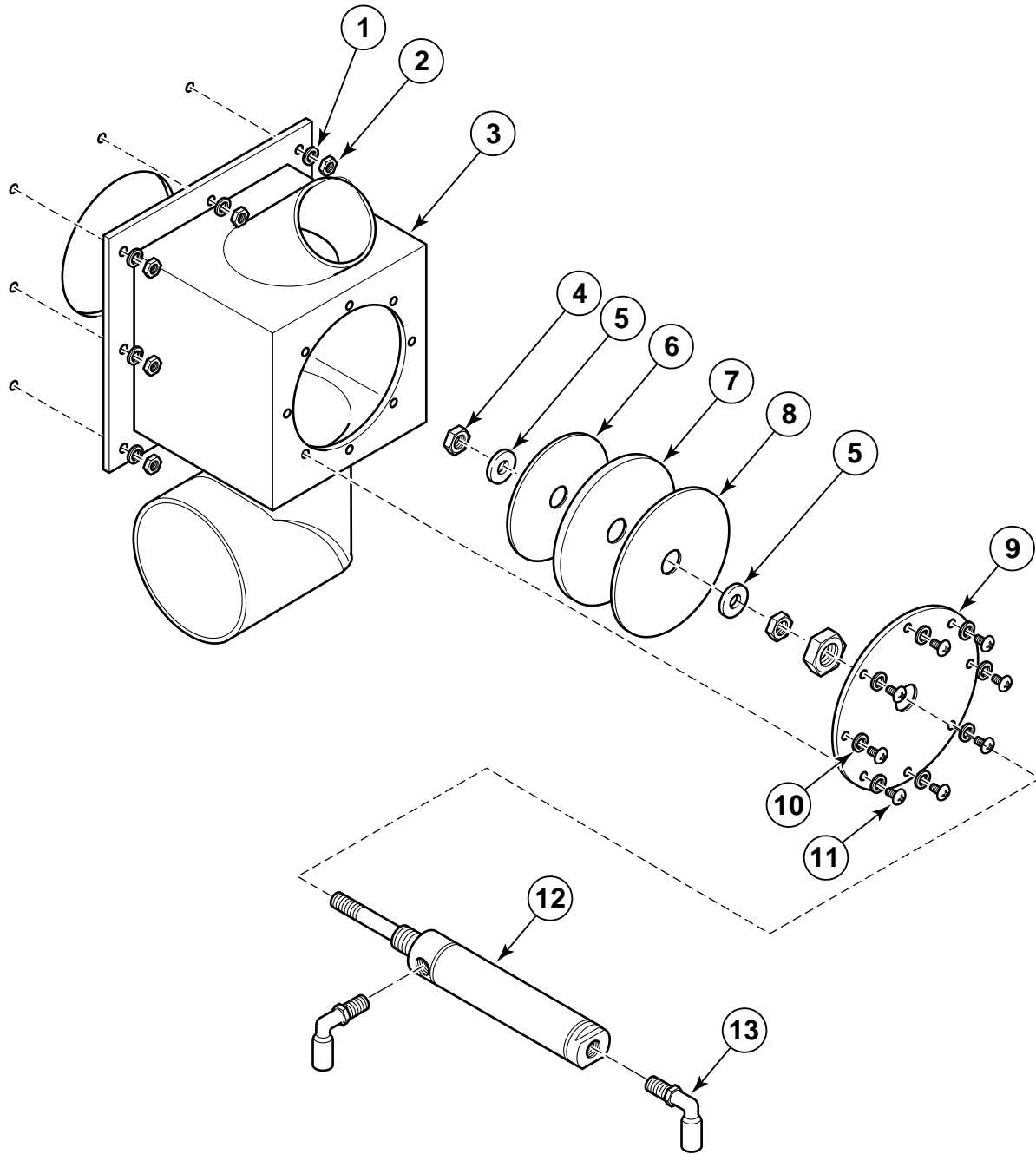


R030PE1B

# Chemical Supply System Assembly

REF	PART #	DESCRIPTION	COMMENTS
	F749005	Supply Dispenser Kit	
1	F609703	Soap Dispenser Weldment	
2	F602586-39	Hose	
3	F200168	Tubing	Sold per foot
4	F170404	Trim	
5	F430986	Screw	
6	F608935	Cover	
7	F231014	Decal	
8	F200217	Clamp	
9	F200207	Clamp	#8
10	F380300	Soap Injection Nozzle	
11	F170408	Beaker	1,000 mL
12	F431131	Washer	
13	F431001	Nut	
14	F200213	Clamp	#40
15	F150309	Soap Dispenser Hose	
16	F430985	Screw	

# Drain Valve Assembly

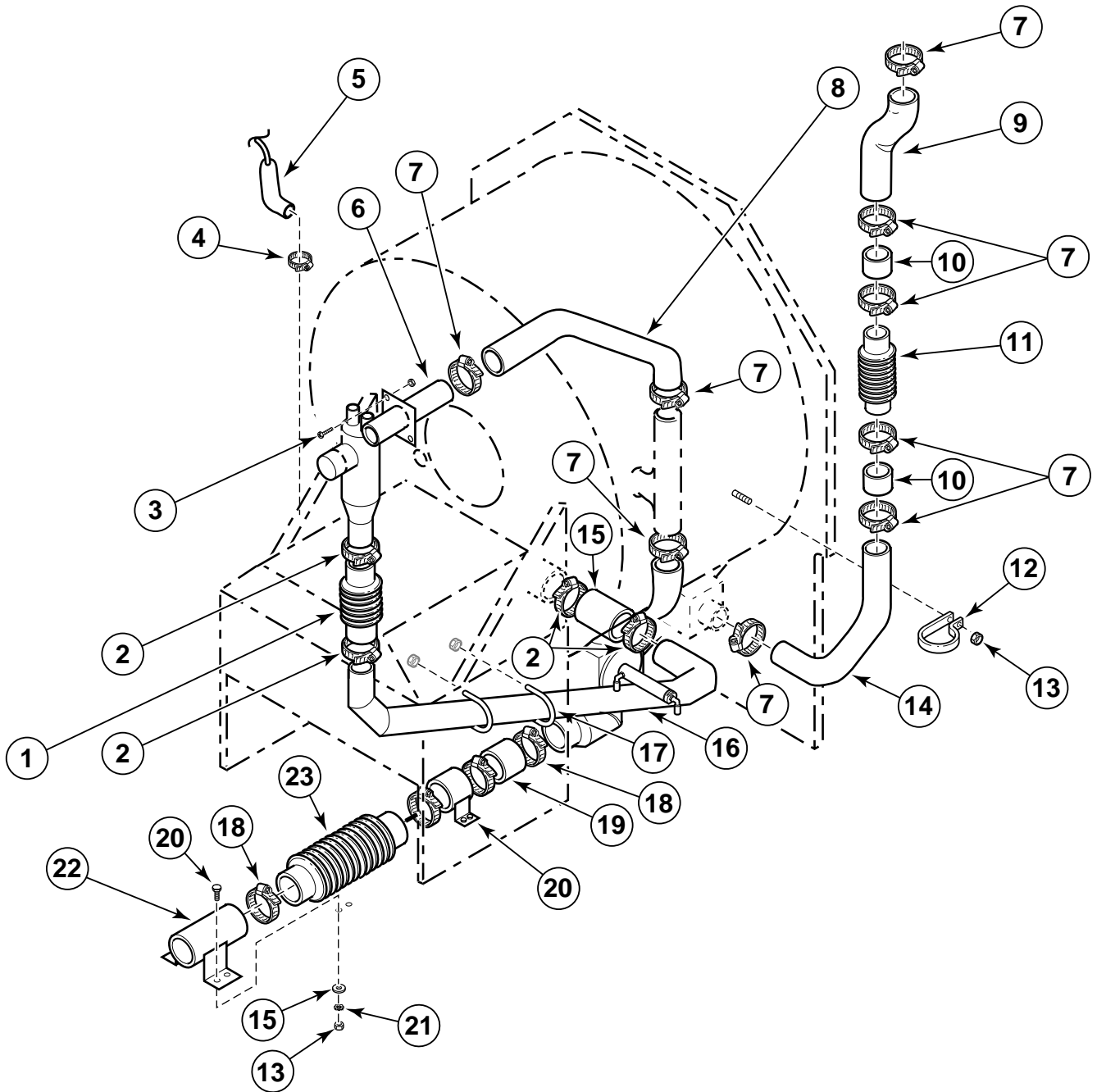


R036PE1B

# Drain Valve Assembly

REF	PART #	DESCRIPTION	COMMENTS
	F607117	Drain Valve Assembly	
1	F431100	Washer	
2	F431005	Nut	
3	F607124	Drain Valve Box Weldment	
4	F431015	Nut	
5	F431105	Washer	
6	F602827	Seal Holder	
7	F100267	Drain Seal	
8	F602833	Washer	
9	F602834	Mounting Plate	
10	F431106	Washer	
11	F430903	Screw	
12	F250308	Air Cylinder	
13	F260200	Elbow	

# Overflow and Drain Hose Assembly

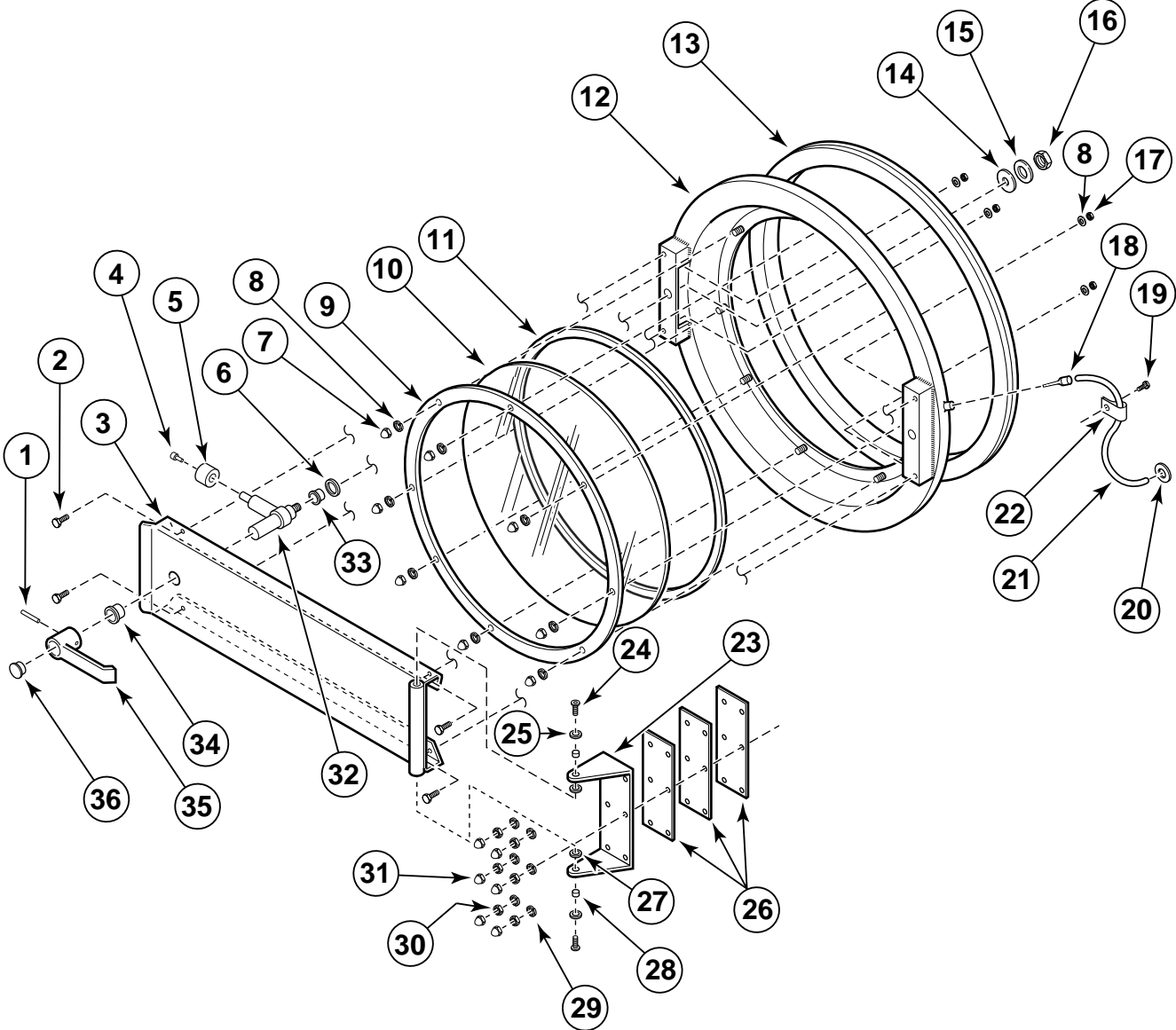


R031PE1B

## Overflow and Drain Hose Assembly

REF	PART #	DESCRIPTION	COMMENTS
1	F200169	Drain Hose	
2	F200219	Clamp	#48
3	F430925	Screw	
4	F200215	Clamp	#28
5	F200163	Pressure Hose	
6	F607137	Vent Pipe Flange	
7	F200213	Clamp	#40
8	F200172	Hose	
9	F150309	Soap Dispenser Hose	
10	F607194-1	Pipe	
11	F200171	Supply Flex Hose	
12	F140645	Clamp	
13	F430215	Nut	
14	F200180	Hose	
15	F200179	Pipe	Sold per foot
16	F607198	Supply Pipe	
17	F200411	U-Bolt	
18	F200220	Clamp	#64
19	F610499	Hose	
20	F430935	Screw	
21	F431100	Washer	
22	F607119	Pipe Connector Weldment	
23	F200178	Hose	

# Door Assembly (Old Style)



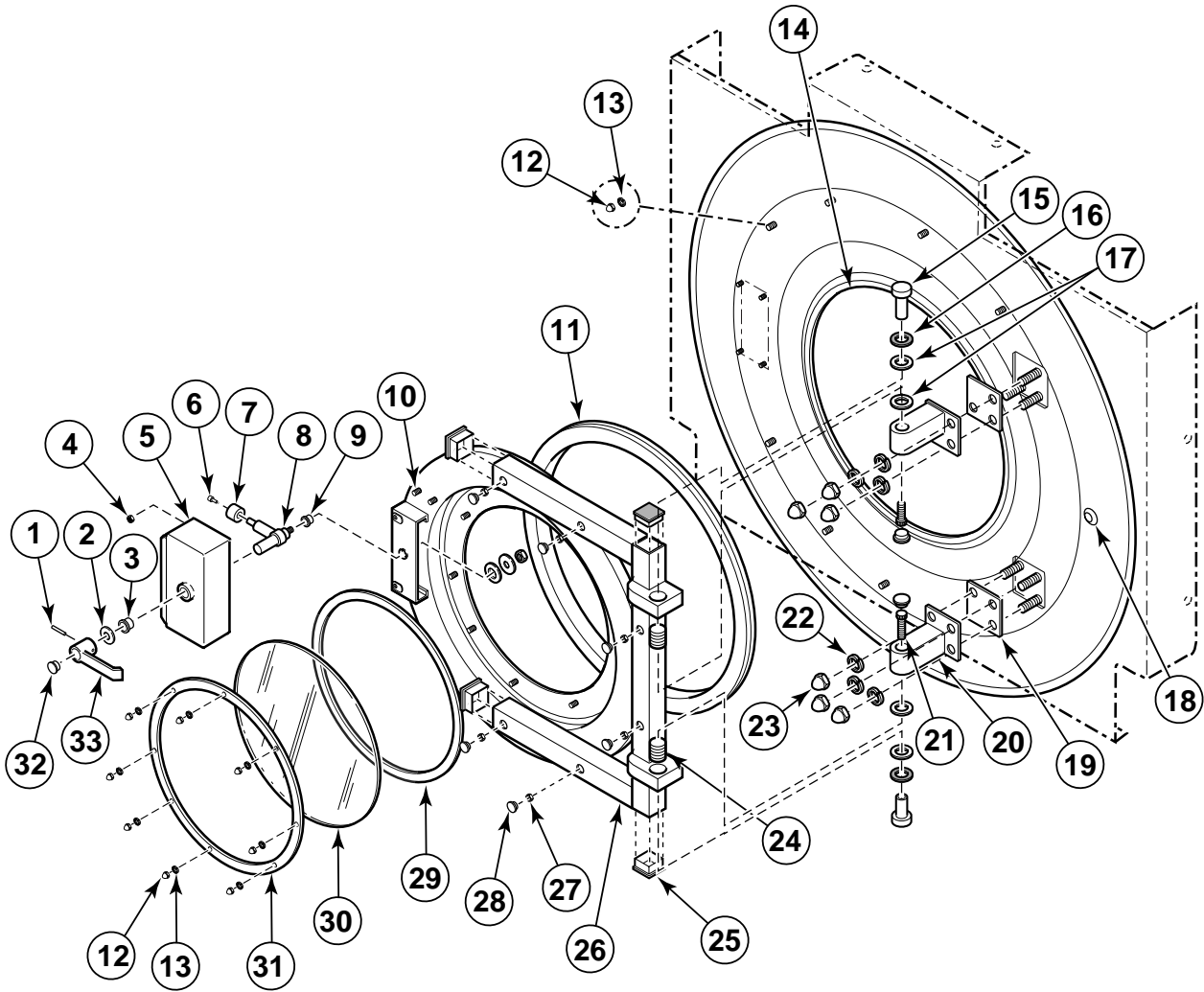
R023PE1A



## Door Assembly (Old Style)

REF	PART #	DESCRIPTION	COMMENTS
1	F431222	Spring Coil Pin	
2	F430923	Screw	
3	F606478	Door Support Weldment	
4	F340502	Magnet	
5	F100145	Follower Cam	
6	F320322	Pivot Guide	
7	F431026	Nut	
8	F431100	Washer	
9	F320137	Glass Retainer	
10	F290213	Door Glass	
11	F170153	Door Glass Gasket	
12	F634481	Door Weldment	
13	F170166	Door Gasket	
14	F431143	Washer	
15	F431142	Washer	
16	F431005	Nut	
17	F431005	Nut	
18	F250703	Needle	
19	F430195	Screw	
20	F170603	Grommet	
21	F200184	Hose	
22	F140629	Clamp	
23	F606488	Door Hinge Weldment	
24	F432264	Screw	
25	F431118	Washer	
26	F607603	Door Hinge Shim	
27	F431917	Washer	
28	F280237	Bushing	
29	F431137	Washer	
30	F431004	Nut	
31	F431027	Nut	
32	F320331	Pivot	
33	F280252	Bushing	
34	F280253	Bushing	
35	F150225	Door Handle	
36	F140563	Dome Plug	

# Door Assembly (New Style)

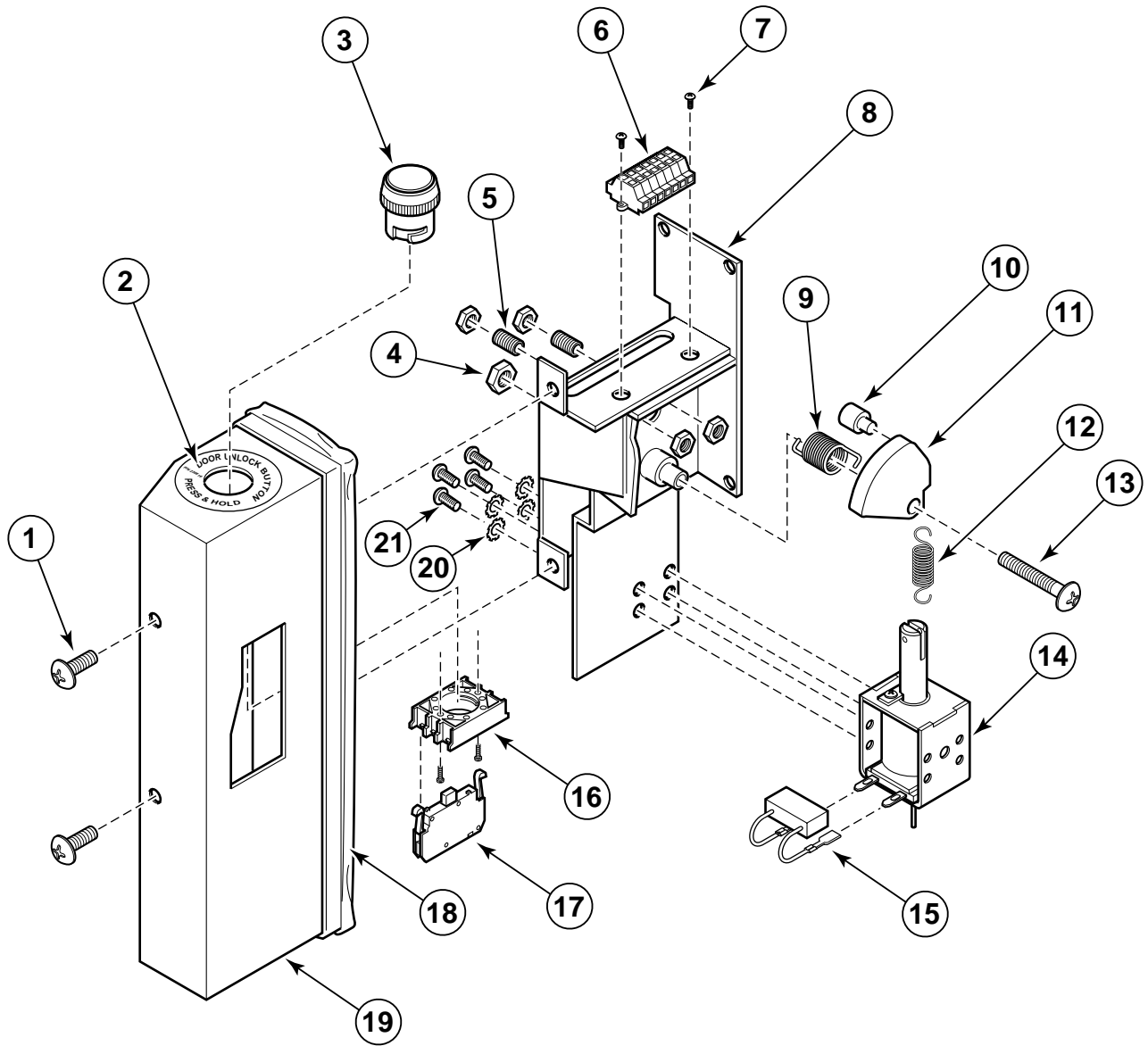


R051PE3A

## Door Assembly (New Style)

REF	PART #	DESCRIPTION	COMMENTS
	F634086	Door Hinge Assembly	
1	F431222	Coil Spring Pin	
2	F431907	Washer	
3	F280253	Bushing	
4	F431024	Nut	
5	F634127	Door Lock Cover Weldment	
6	F340502	Switch Magnet	
7	F100145	Follower Cam	
8	F608536	Lock Pivot Weldment	
9	F280252	Bushing	
10	F430929	Screw	
11	F170166	Door Gasket	
12	F431026	Nut	
13	F431100	Washer	
14	F634123	Shell Front Weldment	
15	F633735	Hinge Pin	
16	F431933	Washer	
17	F431934	Washer	
18	F170603	Grommet	
19	F631662	Hinge Shim	
20	F634075	Hinge Base Weldment	Upper
21	F432285	Screw	
22	F431001	Nut	
23	F431047	Nut	
24	F280293	Bushing	
25	F140642	Plug	
26	F634080	Door Hinge Weldment	
27	F430218	Nut	
28	F140527	Plug	
29	F170153	Door Glass Gasket	
30	F290213	Door Glass	
31	F320137	Glass Retainer	
32	F140563	Plug	
33	F150225	Door Handle	

# Door Lock Assembly

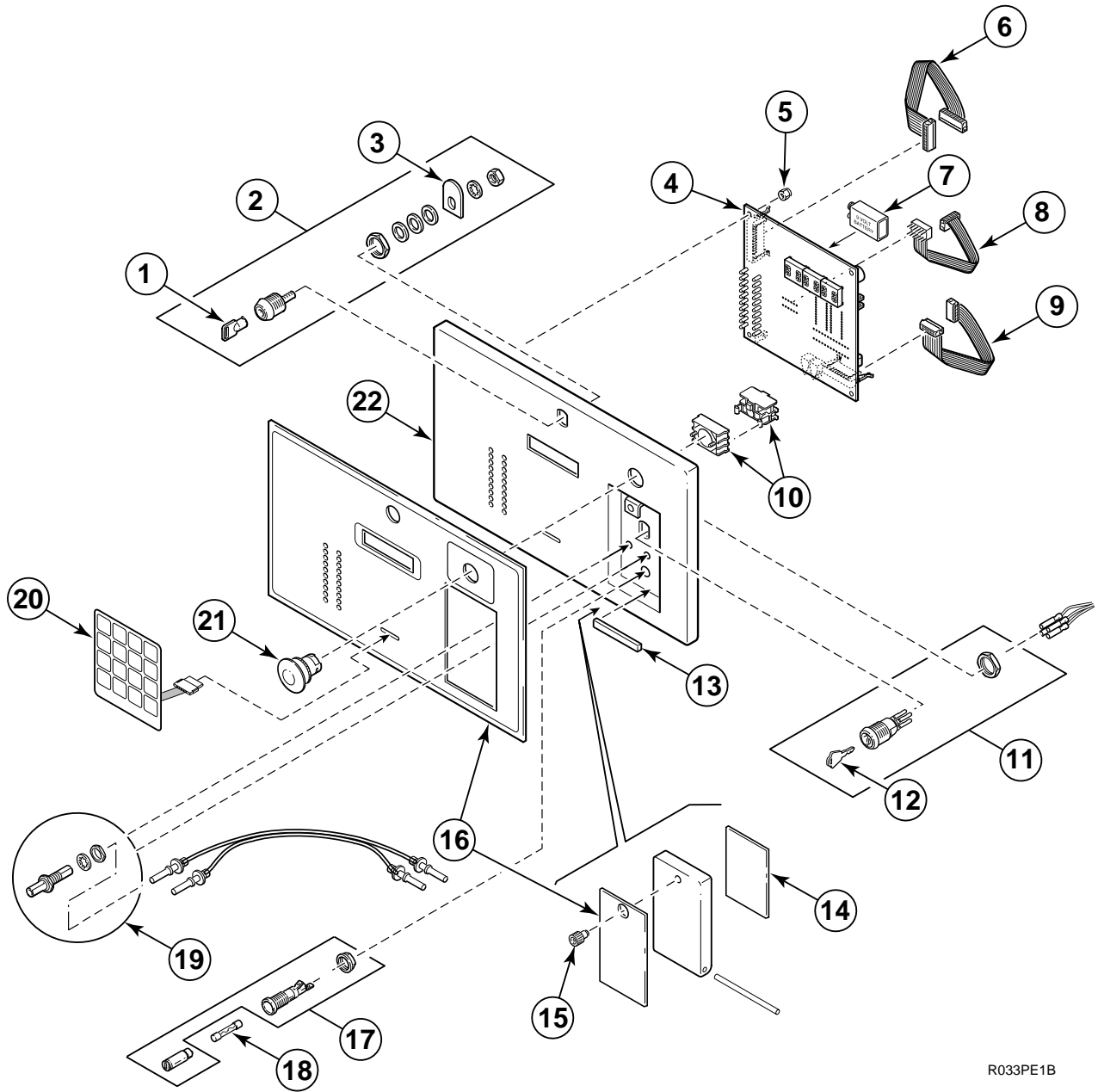


R032PE1A

# Door Lock Assembly

REF	PART #	DESCRIPTION	COMMENTS
1	F430985	Screw	
2	F230816	Door Unlock Decal	
3	F340709	Momentary Pushbutton	
4	F430215	Nut	
5	F340503	Hall Effect Sensor Switch	
6	F140766	Terminal	300 Volt, 8-Pole, AWG26-16
7	F430928	Screw	
8	F606540	Door Lock Bracket Weldment	
9	F310133	Door Cam Torsion Spring	
10	F340502	Switch Magnet	
11	F150416	Door Lock Cam	
12	F310107	Spring	
13	F430921	Screw	
14	F300122	Intermittent Duty Solenoid	110 Volt
15	F330217	RC Network Filter	
16	F340705	Pushbutton Mounting Base	
17	F340428	Switch	
18	F170404	Vinyl Trim	
19	F606529	Door Lock Cover Weldment	
20	F431106	Washer	
21	F430995	Screw	

# Control Module Front

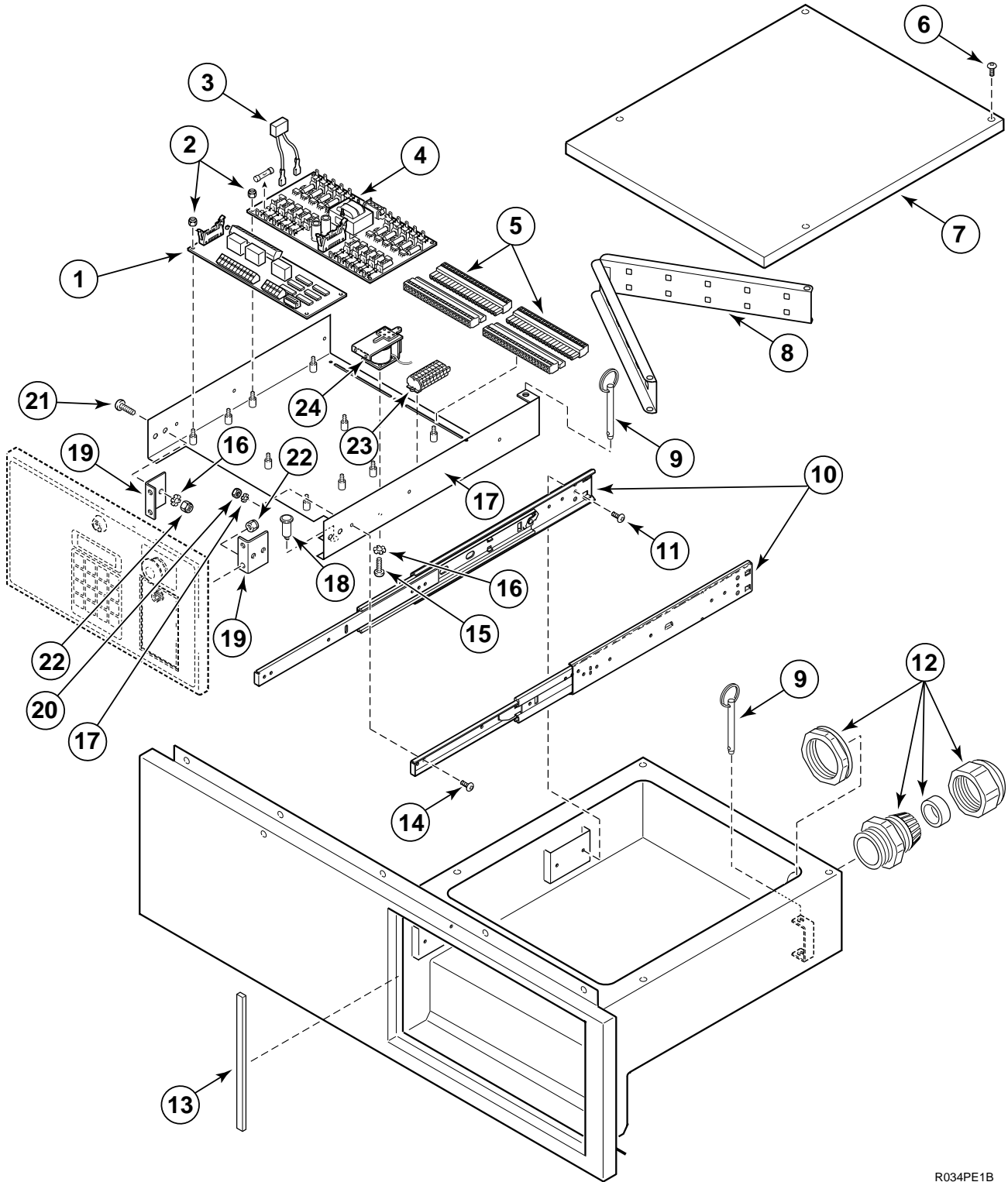


R033PE1B

# Control Module Front

REF	PART #	DESCRIPTION	COMMENTS
1	F160562	Service Lock Key	
2	F190802	Lid Lock	
3	F606295	Lock Latch	
4	F370534-20	WE-6 Computer	Standard Cycles
5	F430231	Nut	
6	F140219	Cable	26-PIN
7	F191101	Battery	
8	F140223	Cable	16-PIN
9	F140218	Cable	16-PIN
10	F340705	Contact Block Switch	10 Amp
11	F340800	Keymode Switch	
12	F370709	WE-6 Program Key	
13	F170128	Gasket	Sold per foot
14	F230785	Decal	
15	F430525	Screw	
16	F230783	Decal	
17	F350304	Fuseholder	
18	F350104	Fuse	2 Amp, Fast
19	F606682	Cable Assembly	
20	F230724	WE-6 Keypad Decal	
21	F340706	Emergency Pushbutton Switch	
22	F631038	Module Face Weldment	Includes F606296 Switch Cover and F607002 Hinge

# Control Module Detail



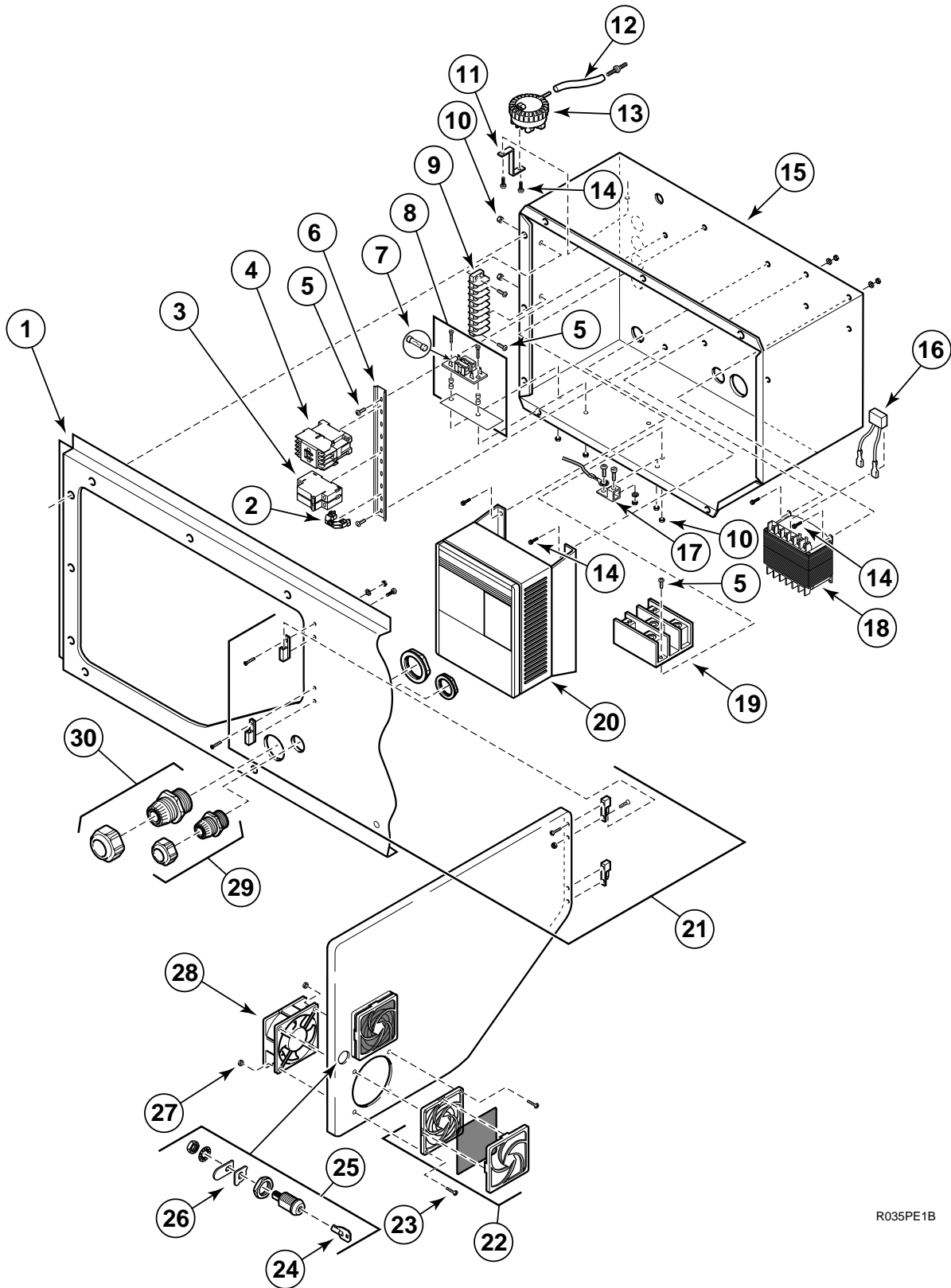
R034PE1B



# Control Module Detail

REF	PART #	DESCRIPTION	COMMENTS
1	F370577	WE-6 Interface Board	
2	F430231	Nut	
3	F330217	RC Network Filter	
4	F370444	WE-6 Solid-State Relay Board	
5	F140623	Connector	
6	F430986	Screw	
7	F606543	Electrical Box Cover	
8	F606397	Cable Guide Weldment	
9	F430407	Pin	
10	F190204	Rail Assembly	
11	F430903	Screw	
12	F140339	Strain Relief Connector	
13	F170128	Gasket	
14	F430917	Screw	
15	F430928	Screw	
16	F431113	Washer	
17	F630251	Electrical Panel Weldment	
18	F350412	Light	115 Volt, Red
19	F606309	Module Adjuster Bracket	
20	F431022	Nut	
21	F430920	Screw	
22	F431017	Nut	
23	F140779	Neutral Bus Bar Connector	
24	F300203	Buzzer	110 Volt

# AC Inverter Drive

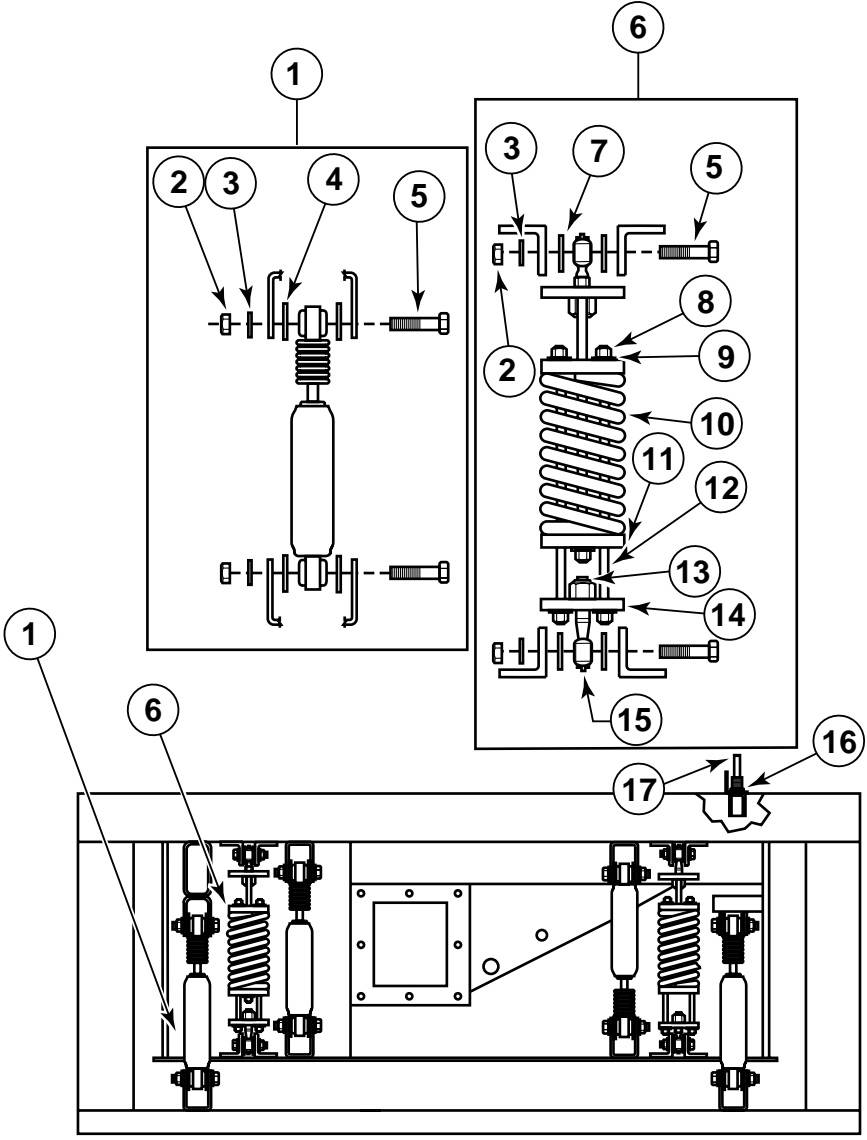


R035PE1B

# AC Inverter Drive

REF	PART #	DESCRIPTION	COMMENTS
1	F632997	Cabinet Rear Panel	
2	F330530	Contactora Support	
3	F350206	Circuit Breaker	200-240 Volt
	F350202	Circuit Breaker	380-415 Volt
	F350201	Circuit Breaker	440-480 Volt
4	F330150	Contactora	200-240 Volt
	F330148	Contactora	380-480 Volt
5	F430938	Screw	
6	F610845	Contactora Mounting Rail	
7	F350115	Fuse	220-240 Volt only
8	F350312	Dual Fuseholder	220-240 Volt only
9	F140782	Terminal Strip	
10	F430231	Nut	
11	F606585	Pressure Switch Bracket	
12	F422404	Tube	
13	F340314	Water Level Switch	
14	F430920	Screw	
15	F633002	AC Drive Box Weldment	
16	F330217	RC Network Filter	
17	F140734	Ground Lug	
18	F360125	Transformer	120 Volt
19	F140770	Input Power Block	200-240 Volt
	F140747	Input Power Block	380-480 Volt
20	F370837	Inverter Drive	200-240 Volt
	F370834	Inverter Drive	380-480 Volt
21	F190209	Door Hinge	
22	F220900	Air Intake Filter Assembly	
23	F430916	Screw	
24	F160562	Key	
25	F190802	Lid Lock	
26	F606295	Lock Latch	
27	F430231	Nut	
28	F110106	Muffin Fan	110 Volt
29	F140224	Electrical Inlet	Small
30	F140329	Electrical Inlet	Large

# Suspension System

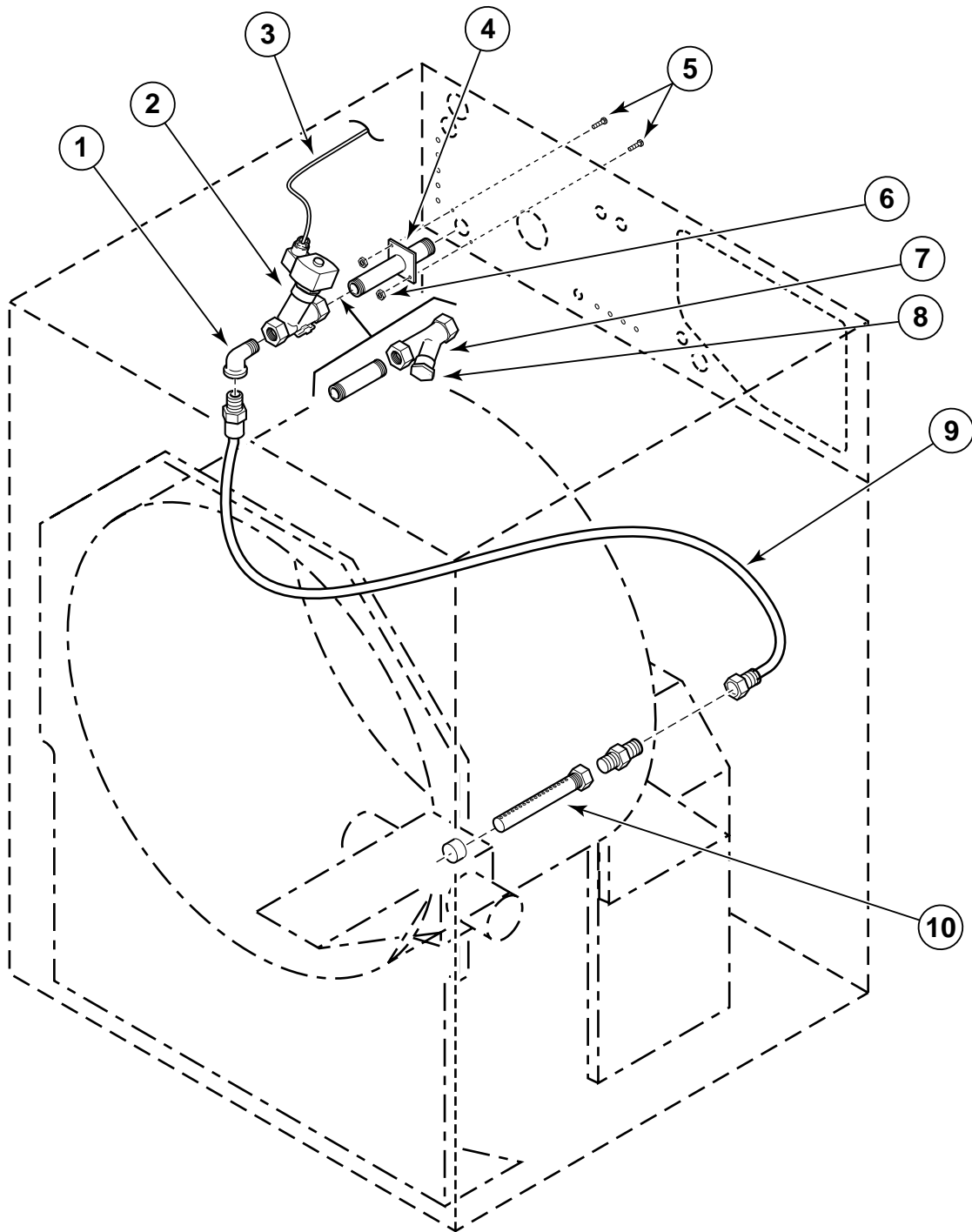


R037PE1B

# Suspension System

REF	PART #	DESCRIPTION	COMMENTS
	F790500	Spring Kit	
1	F790203	Black Shock Kit	
2	F430201	Nut	
3	F430325	Washer	
4	F431920	Washer	
5	F430157	Screw	
6	F790500	Spring Kit	
7	F431919	Washer	
8	F430215	Nut	
9	F431128	Washer	
10	F310134	Spring	
11	F290303	Delrin Spring End	
12	F431225	Spring Guide Rod	
13	F430201	Nut	
14	F607612	Rod Support	
15	F100157	Eye Bolt	
16	F340901	Switch	
17	F340913	Extension	

# Steam Heat Option

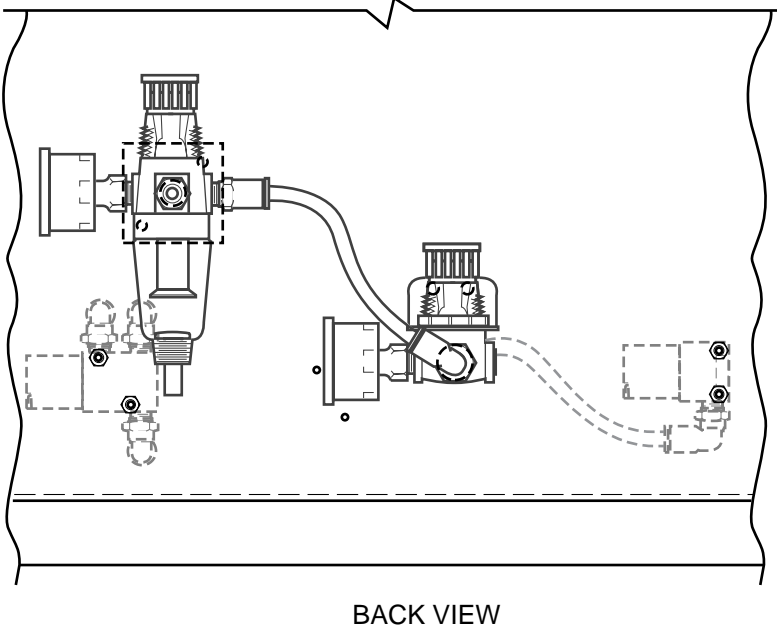
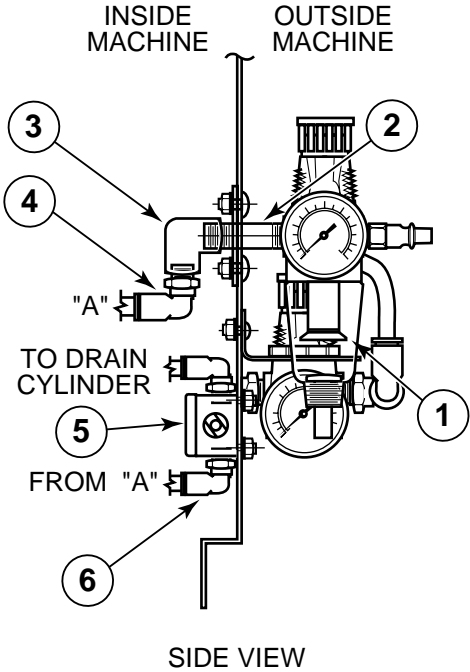


R038PE1B

## Steam Heat Option

REF	PART #	DESCRIPTION	COMMENTS
	F770000	Steam Heat Kit	
1	F421106	Elbow	
2	F380788	Steam Valve	
3	F140227	Cable	
4	F607660	Steam Inlet Pipe Weldment	
5	F430925	Screw	
6	F430215	Nut	
7	F270308	Steam Filter	
8	F420408	Plug	
9	F200183	Steam Hose	Includes fitting and adapter
10	F603132	Steam Injector Tube Assembly	

# Pneumatic System



R039PE1A



# Pneumatic System

REF	PART #	DESCRIPTION	COMMENTS
1	F270315	Regulator Filter	With guage
2	F607669	Air Inlet Nipple Weldment	
3	F422318	Elbow	
4	F422317	Elbow	
5	F380718	Air Valve	
6	F260200	Elbow	

# Parts Index

## A

AC Drive Box Weldment F633002 .....	33
Air Cylinder F250308 .....	19
Air Elbow F422317 .....	9
Air Inlet Nipple Weldment F607669 .....	39
Air Intake Filter Assembly F220900 .....	33
Air Valve F380718 .....	39

## B

Basket Assembly F607689 .....	7, 9
Battery F191101 .....	29
Beaker F170408 .....	17
Bearing F100148 .....	9
Bearing Cover F607168 .....	9
Bearing Housing F607169 .....	9
Bearing Main Shim F606169 .....	7
Bearing Mounting Plate F606136 .....	7
Bearing Mounting Shim F606168-1 .....	7
F606168-3 .....	7
Bearing Mouting Shim F606168-2 .....	7
Bearing Weldment Kit F745600-2 .....	9
Belt F280331 .....	7
Belt Tensioner Assembly F632036 .....	13
Black Shock Kit F790203 .....	35
Bushing F280237 .....	23
F280250 .....	7
F280252 .....	23, 25
F280253 .....	23, 25
F280293 .....	25
Buzzer F300203 .....	31

## C

Cabinet Rear Panel F632997 .....	33
Cabinet Top Cover F607143 .....	5
F607144 .....	5
Cable F140218 .....	29
F140219 .....	29
F140223 .....	29
F140227 .....	37
Cable Assembly F606682 .....	29
Cable Guide Weldment F606397 .....	31
Circuit Breaker F350201 .....	33
F350202 .....	33
F350206 .....	33
Cladding Plate F606416 .....	9
Clamp F140629 .....	23
F140645 .....	21
F200207 .....	17
F200213 .....	17, 21
F200215 .....	15, 21
F200217 .....	17
F200219 .....	21
F200220 .....	21
F200412 .....	15
Coil Spring Pin F431222 .....	25
Connector F140623 .....	31
Contact Block Switch F340705 .....	29
Contactoer F330148 .....	33
F330150 .....	33
Contactoer Mounting Rail F610845 .....	33
Contactoer Support F330530 .....	33
Coupling F422101 .....	9
Cover F608935 .....	17

## D

Decal F230783 .....	29
F230785 .....	29
F231014 .....	17
Delrin Spring End F290303 .....	35
Dome Plug F140563 .....	23

Door Cam Torsion Spring F310133 .....	27
Door Gasket F170166 .....	23, 25
Door Glass F290213 .....	23, 25
Door Glass Gasket F170153 .....	23, 25
Door Handle F150225 .....	23, 25
Door Hinge F190209 .....	33
Door Hinge Assembly F634086 .....	25
Door Hinge Shim F607603 .....	23
Door Hinge Weldment F606488 .....	23
F634080 .....	25
Door Lock Bracket Weldment F606540 .....	27
Door Lock Cam F150416 .....	27
Door Lock Cover Weldment F606529 .....	27
F634127 .....	25
Door Support Weldment F606478 .....	23
Door Unlock Decal F230816 .....	27
Door Weldment F634481 .....	23
Drain Hose F200169 .....	21
Drain Seal F100267 .....	19
Drain Valve Assembly F607117 .....	19
Drain Valve Box Weldment F607124 .....	19
Dual Fuseholder F350312 .....	33

## E

Elbow F260200 .....	7, 19, 39
F420502 .....	15
F421106 .....	37
F422317 .....	39
F422318 .....	39
F607183 .....	15
Electrical Box Cover F606543 .....	31
Electrical Inlet F140224 .....	33
F140329 .....	33
Electrical Panel Weldment F630251 .....	31
Emergency Pushbutton Switch F340706 .....	29
Excluder Seal F100255 .....	7

Extension F340913 .....	35
Eye Bolt F100157 .....	35

## F

Follower Cam F100145 .....	23, 25
Front Bearing Assembly F606131 .....	9
Front Bearing Kit F745011 .....	7, 9
Front Column F607146 .....	5
F607147 .....	5
Front Cover F607148 .....	5
Front Panel F608196 .....	5
Fuse F350104 .....	29
F350115 .....	33
Fuseholder F350304 .....	29

## G

Gasket F170128 .....	29, 31
Glass Retainer F320137 .....	23, 25
Grease Fitting F190701 .....	9
Grommet F170603 .....	23, 25
Ground Lug F140734 .....	33

## H

Hall Effect Sensor Switch F340503 .....	27
Hinge Base Weldment F634075 .....	25
Hinge Pin F633735 .....	25
Hinge Shim F631662 .....	25
Hose F200170 .....	15
F200172 .....	21
F200178 .....	21
F200180 .....	21
F200184 .....	23
F602586-39 .....	15, 17
F610499 .....	21
Hub F631576 .....	13

---

**I**

Inlet Manifold	
F150247 .....	15
Input Power Block	
F140747 .....	33
F140770 .....	33
Intermittent Duty Solenoid	
F300122 .....	27
Inverter Drive	
F370834 .....	33
F370837 .....	33

---

**K**

Key	
F160562 .....	33
F430807 .....	7
Keymode Switch	
F340800 .....	29

---

**L**

Lid Lock	
F190802 .....	29, 33
Light	
F350412 .....	31
Lip Seal	
F100253-1 .....	9
Lock Latch	
F606295 .....	29, 33
Lock Pivot Weldment	
F608536 .....	25
Lower Rear Cover	
F607656 .....	5

---

**M**

Magnet	
F340502 .....	23
Middle Rear Cover	
F607151 .....	5
Module Adjuster Bracket	
F606309 .....	31
Module Face Weldment	
F631038 .....	29
Momentary Pushbutton	
F340709 .....	27
Motor	
F220218 .....	11
Motor Bushing	
F280242 .....	11
Motor Spacer	
F432290 .....	11
Motor Support Bracket	
F607628 .....	11
Mounting Plate	
F602834 .....	19
Muffin Fan	
F110106 .....	33

---

---

**N**

Needle	
F250703 .....	23
Neutral Bus Bar Connector	
F140779 .....	31
Nipple	
F420123 .....	15
Nut	
F430201 .....	35
F430215 .....	15, 21, 27, 35, 37
F430218 .....	11, 25
F430229 .....	7
F430231 .....	29, 31, 33
F430241 .....	11
F431001 .....	17, 25
F431004 .....	23
F431005 .....	19, 23
F431015 .....	19
F431016 .....	15
F431017 .....	31
F431022 .....	31
F431024 .....	25
F431026 .....	23, 25
F431027 .....	23
F431047 .....	25

---

**O**

O-Ring	
F170212 .....	9
Outer Seal	
F100255 .....	9

---

**P**

Pin	
F430407 .....	31
Pipe	
F200179 .....	21
F607194-1 .....	21
Pipe Connector Weldment	
F607119 .....	21
Pivot	
F320331 .....	23
Pivot Guide	
F320322 .....	23
Plug	
F140527 .....	25
F140563 .....	25
F140642 .....	25
F420408 .....	37
F421507 .....	15
Pressure Hose	
F200163 .....	21
Pressure Switch Bracket	
F606585 .....	33
Pulley	
F280150 .....	11
F280245 .....	7
Pulley Assembly	
F632238 .....	13

---

Pushbutton Mounting Base	
F340705 .....	27

---

## R

Rail Assembly	
F190204 .....	31
RC Network Filter	
F330217 .....	27, 31, 33
Rear Bearing	
F606134 .....	7
Rear Bearing Kit	
F745012 .....	7
Rear Column Weldment	
F607655 .....	5
Reducer Bushing	
F420203 .....	15
Regulator Filter	
F270315 .....	39
Rod Support	
F607612 .....	35

---

## S

Screw	
F430154 .....	7
F430155 .....	7
F430156 .....	11
F430157 .....	35
F430195 .....	23
F430525 .....	29
F430528 .....	13
F430903 .....	19, 31
F430909 .....	15
F430916 .....	33
F430917 .....	31
F430920 .....	31, 33
F430921 .....	27
F430923 .....	23
F430925 .....	15, 21, 37
F430928 .....	27, 31
F430929 .....	25
F430935 .....	21
F430938 .....	33
F430949 .....	7
F430957 .....	9
F430985 .....	17, 27
F430986 .....	17, 31
F430993 .....	11
F430995 .....	27
F432264 .....	23
F432285 .....	25
Seal	
F100254-1 .....	9
Seal Holder	
F602827 .....	19
Seal Housing O-Ring	
F170211 .....	9
Service Lock Key	
F160562 .....	29
Shell Cover	
F634149 .....	5
Shell Front Weldment	
F634123 .....	25

Shell/Frame Assembly	
F607628 .....	7
Side Panel	
F607145 .....	5
F608942 .....	5
F608943 .....	5
Soap Dispenser Hose	
F150309 .....	17, 21
Soap Dispenser Weldment	
F609703 .....	17
Soap Injection Nozzle	
F380300 .....	17
Spring	
F310107 .....	27
F310134 .....	35
Spring Coil Pin	
F431222 .....	23
Spring Guide Rod	
F431225 .....	35
Spring Kit	
F790500 .....	35
Spring Lock Washer	
F430314 .....	7
F431141 .....	7
Steam Filter	
F270308 .....	37
Steam Heat Kit	
F770000 .....	37
Steam Hose	
F200183 .....	37
Steam Injector Tube Assembly	
F603132 .....	37
Steam Inlet Pipe Weldment	
F607660 .....	37
Steam Valve	
F380788 .....	37
Strain Relief Connector	
F140224 .....	11
F140339 .....	31
Supply Dispenser Kit	
F749005 .....	17
Supply Dispenser Weldment	
F609703 .....	15
Supply Flex Hose	
F200171 .....	21
Supply Nozzle	
F380300 .....	15
Supply Pipe	
F607198 .....	21
Switch	
F340428 .....	27
F340901 .....	35
Switch Magnet	
F340502 .....	25, 27

---

## T

Tee	
F420410 .....	15
Terminal	
F140766 .....	27
Terminal Strip	
F140782 .....	33

Top Frame Cabinet Weldment	
F607139 .....	5
Transformer	
F360125 .....	33
Trim	
F170404 .....	17
Tube	
F422404 .....	33
Tubing	
F200168 .....	15, 17

---

## U

U-Bolt	
F200411 .....	21
Upper Rear Panel	
F632997 .....	5

---

## V

Vacuum Breaker Weldment	
F607190 .....	15
Valve	
F381704 .....	15
Valve Support Bracket	
F607192 .....	15
Vent Pipe Flange	
F607137 .....	21
Vinyl Trim	
F170404 .....	27

---

## W

Washer	
F430309 .....	13
F430310 .....	13
F430325 .....	35
F430332 .....	11
F430705 .....	7
F431100 .....	19, 21, 23, 25
F431105 .....	19
F431106 .....	19, 27
F431113 .....	31
F431118 .....	23
F431128 .....	35
F431131 .....	17
F431137 .....	23
F431142 .....	23
F431143 .....	23
F431907 .....	25
F431917 .....	23
F431919 .....	35
F431920 .....	35
F431933 .....	25
F431934 .....	25
F602833 .....	19
Water Level Switch	
F340314 .....	33
WE-6 Computer	
F370534-20 .....	29
WE-6 Interface Board	
F370577 .....	31

WE-6 Keypad Decal	
F230724 .....	29
WE-6 Program Key	
F370709 .....	29
WE-6 Solid-State Relay Board	
F370444 .....	31

---

## Numerics

3-Way Valve	
F381725 .....	15