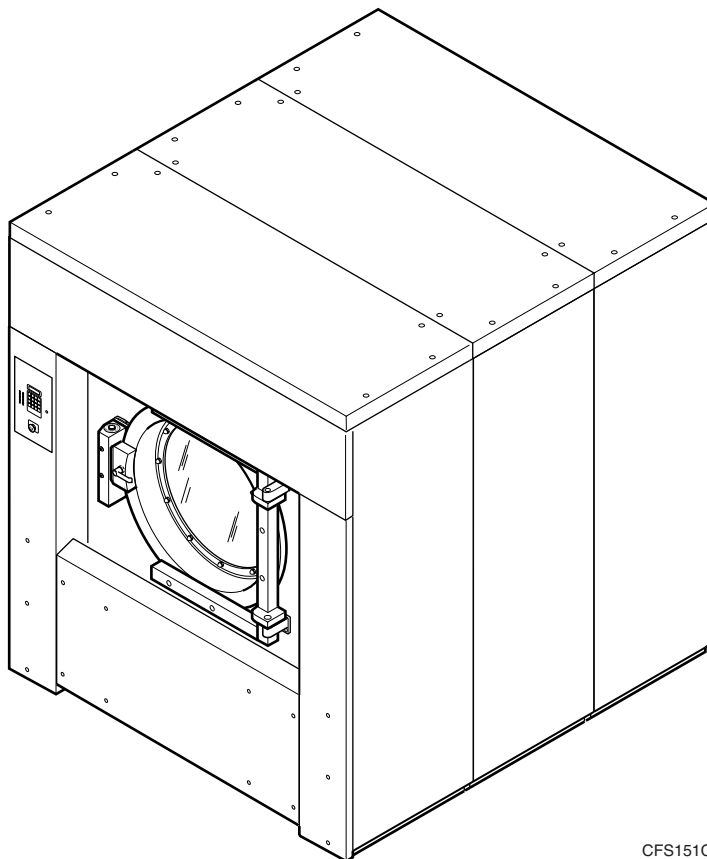


Washer-Extractor

Cabinet Freestanding

Refer to Page 3 for Model Numbers



CFS151C

Parts

Table of Contents

| Title | Page |
|--|------|
| Parts Ordering Information | 2 |
| Nameplate Location | 2 |
| Model Identification | 3 |
| Panels | 4 |
| Front Control Module | 6 |
| Side Control Module | 8 |
| Rear Control Module | 10 |
| Door Assembly | 12 |
| Door Lock Assembly | 14 |
| Basket and Pulley Assembly | 16 |
| Supply Dispenser | 18 |
| Hose Assemblies | 20 |
| Water Supply Valve and Hoses (2-Way Valve) | 22 |
| Water Supply Valve and Hoses (3-Way Valve) | 24 |
| Bearing Assembly | 26 |
| Drive Assembly | 28 |
| Motor Cooling Fan | 30 |
| External Brake Resistor | 32 |
| Shock and Spring Assembly | 34 |
| Air Trap, Temperature Probe and Drain Valve Assembly | 36 |
| Steam Heat Assembly | 38 |
| Parts Index | 41 |

© Copyright 2000, Alliance Laundry Systems LLC

All rights reserved. No part of the contents of this book may be reproduced or transmitted in any form or by any means without the expressed written consent of the publisher.

Parts Ordering Information

Alliance Laundry Systems is not responsible for personal injury or property damage resulting from improper service. Review all service information before beginning repairs.

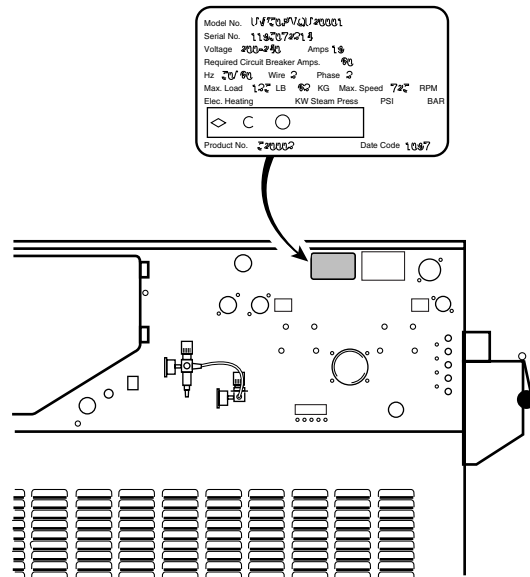
If literature or replacement parts are required, contact the source from whom the machine was purchased or contact Alliance Laundry Systems at (920) 748-3950 for the name of the nearest authorized parts distributor.

For technical assistance, call any of the following numbers:

(850) 718-1035
(850) 718-1026
Marianna, Florida
(920) 748-3121
Ripon, Wisconsin

Nameplate Location

When calling or writing about your product, be sure to mention model and serial numbers. Model and serial numbers are located on nameplate(s) as shown.



R052P

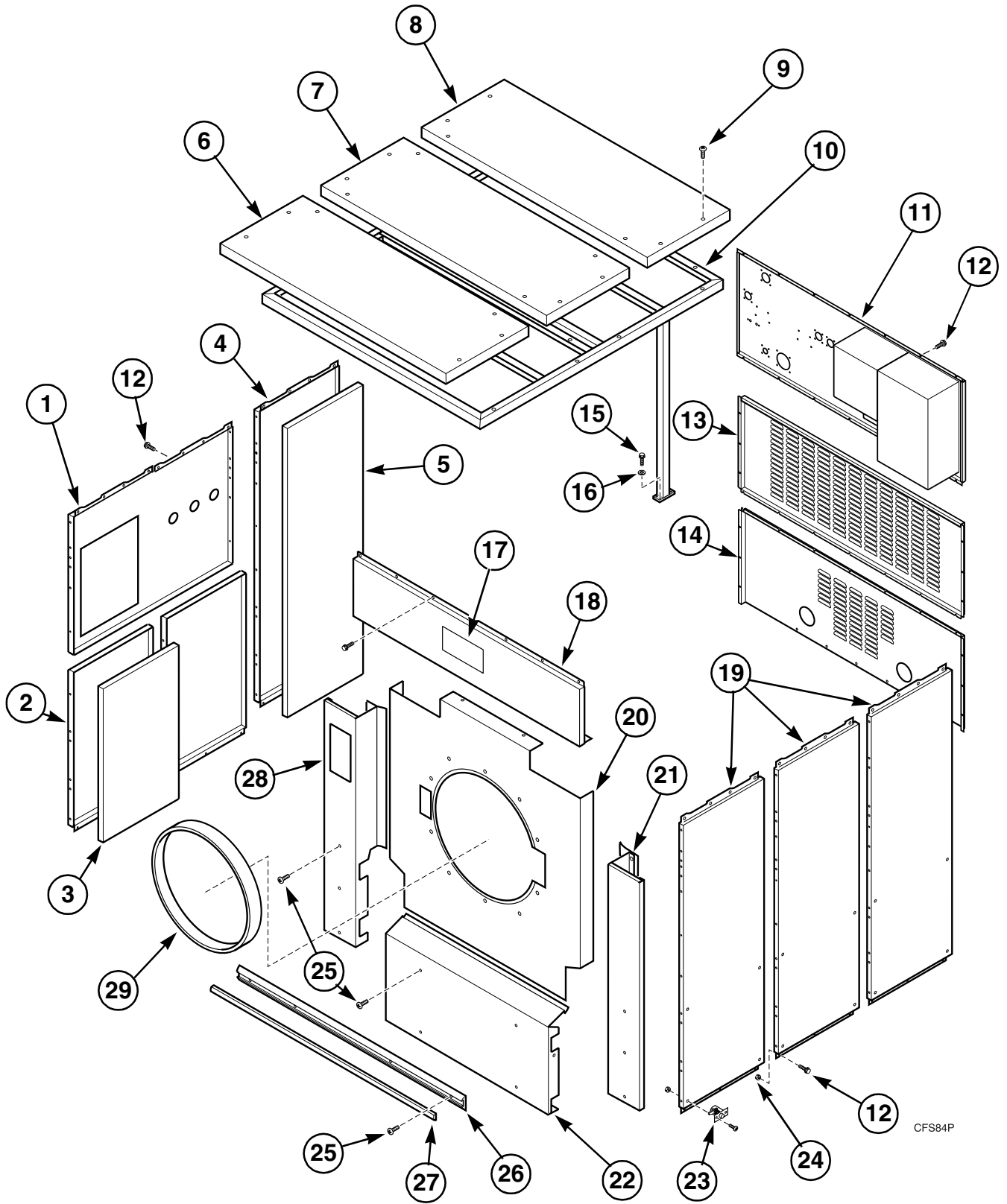
Model Identification

Information in this manual is applicable to these washer-extractors:

SF250PV

UF250PV

Panels

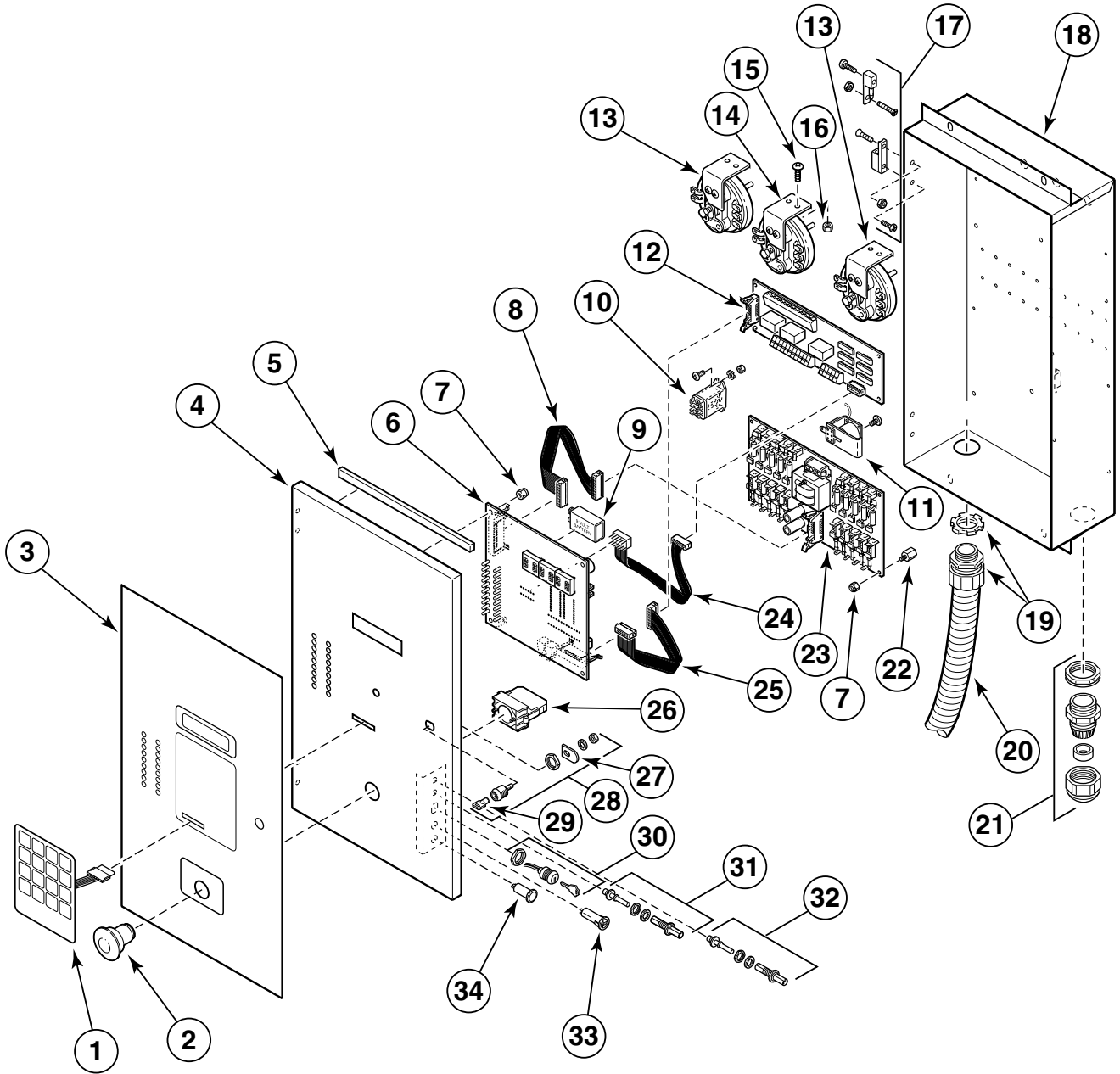


CFS84P

Panels

| REF | PART # | DESCRIPTION | COMMENTS |
|-----|------------|------------------------|--------------------------|
| 1 | F608653 | Panel | |
| 2 | F608654 | Side Panel | Short |
| 3 | F170172 | Polyether Foam | |
| 4 | F608655-1 | Side Panel | |
| 5 | F170171 | Polyether Foam | Also fits inside item 11 |
| 6 | F758011-01 | Front Cover Kit | Top |
| 7 | F757010-01 | Middle Cover Kit | Top |
| 8 | F608652 | Rear Cover | Top |
| 9 | F430986 | Screw | |
| 10 | F608509 | Frame Assembly | |
| 11 | F608663 | Rear Panel | Upper |
| 12 | F430179 | Screw | |
| 13 | F757008-01 | Middle Panel Kit | Rear |
| 14 | F608655 | Rear Panel | Bottom |
| 15 | F430935 | Screw | |
| 16 | F431100 | Locknut | |
| 17 | F230806 | Label | UC models |
| | F231255 | Label | SC models |
| 18 | F758215-01 | Front Panel Kit | Upper |
| 19 | F757610-01 | Side Panel Kit | |
| 20 | F608543 | Front Shell Cover | |
| 21 | F758212-01 | Front Column Kit | Right |
| 22 | F758214-01 | Front Cover Kit | Includes rubber trim |
| 23 | F190804 | Latch | |
| 24 | F430215 | Nut | |
| 25 | F430985 | Screw | |
| 26 | F150453 | Rub Rail | |
| 27 | F150397 | Vinyl Extrusion Insert | |
| 28 | F758213-01 | Front Column Kit | Left |
| 29 | F170163 | Front Shell Gasket | |

Front Control Module

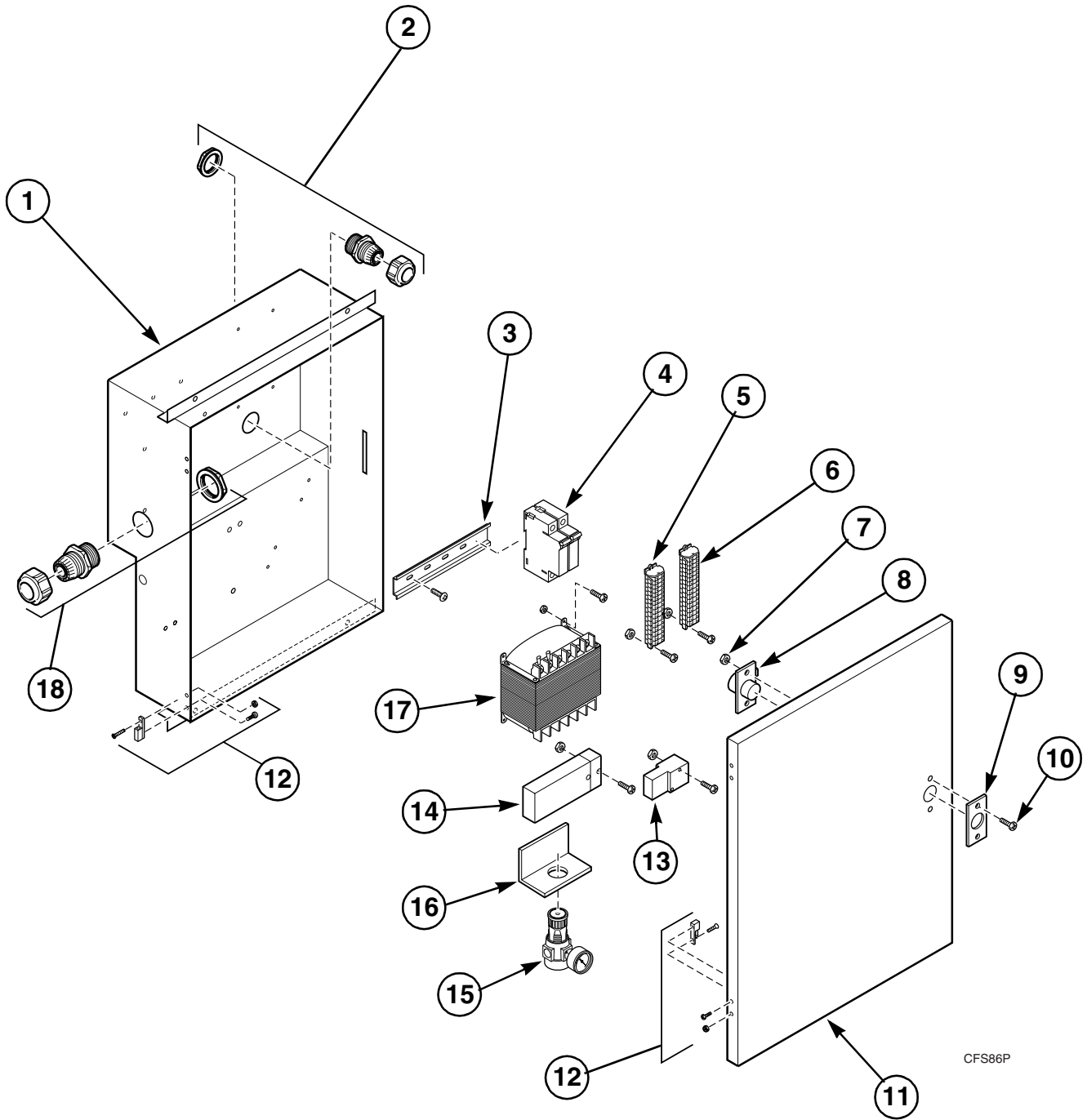


R060PE3B

Front Control Module

| REF | PART # | DESCRIPTION | COMMENTS |
|-----|------------|---------------------------|--|
| 1 | F230724 | WE-6 Keypad | |
| 2 | F340718 | Emergency Stop Pushbutton | |
| 3 | F231096 | Control Panel Decal | |
| 4 | F630832 | Cover | |
| 5 | F170128 | Gasket | |
| 6 | F370534-20 | WE-6 Computer Kit | |
| 7 | F430231 | Nut | |
| 8 | F140219 | Ribbon Cable | 24 pin |
| 9 | F191101 | Battery | |
| 10 | F330227 | Relay | 110 Volt |
| 11 | F300203 | Buzzer | 110 Volt |
| 12 | F370446-1 | Interface Board | |
| 13 | F340308 | Water Level Switch | Low and medium |
| 14 | F340309 | Water Level Switch | High |
| 15 | F430928 | Screw | |
| 16 | F431034 | Nut | |
| 17 | F190212 | Hinge | |
| 18 | F630771 | Control Module Box | |
| 19 | F140325 | Fitting | |
| 20 | F140324 | Conduit | |
| 21 | F140331 | Strain Relief Connector | |
| 22 | F180508 | Stand-off | |
| 23 | F370443 | Output Board | |
| 24 | F140223 | Ribbon Cable | 16 pin |
| 25 | F140218 | Ribbon Cable | |
| 26 | F340445 | Contact Block Switch | Use with F340205 Base and F340429 Switch |
| 27 | F606295 | Latch | |
| 28 | F190802 | Lock Assembly | GR3800 |
| 29 | F160562 | Key | GR3800 |
| 30 | F340800 | Keypad | |
| 31 | F140576 | Feed-thru Connector | Blue |
| 32 | F140575 | Feed-thru Connector | Gray |
| 33 | F350211 | Circuit Breaker | |
| 34 | F350412 | Light | Red |

Side Control Module

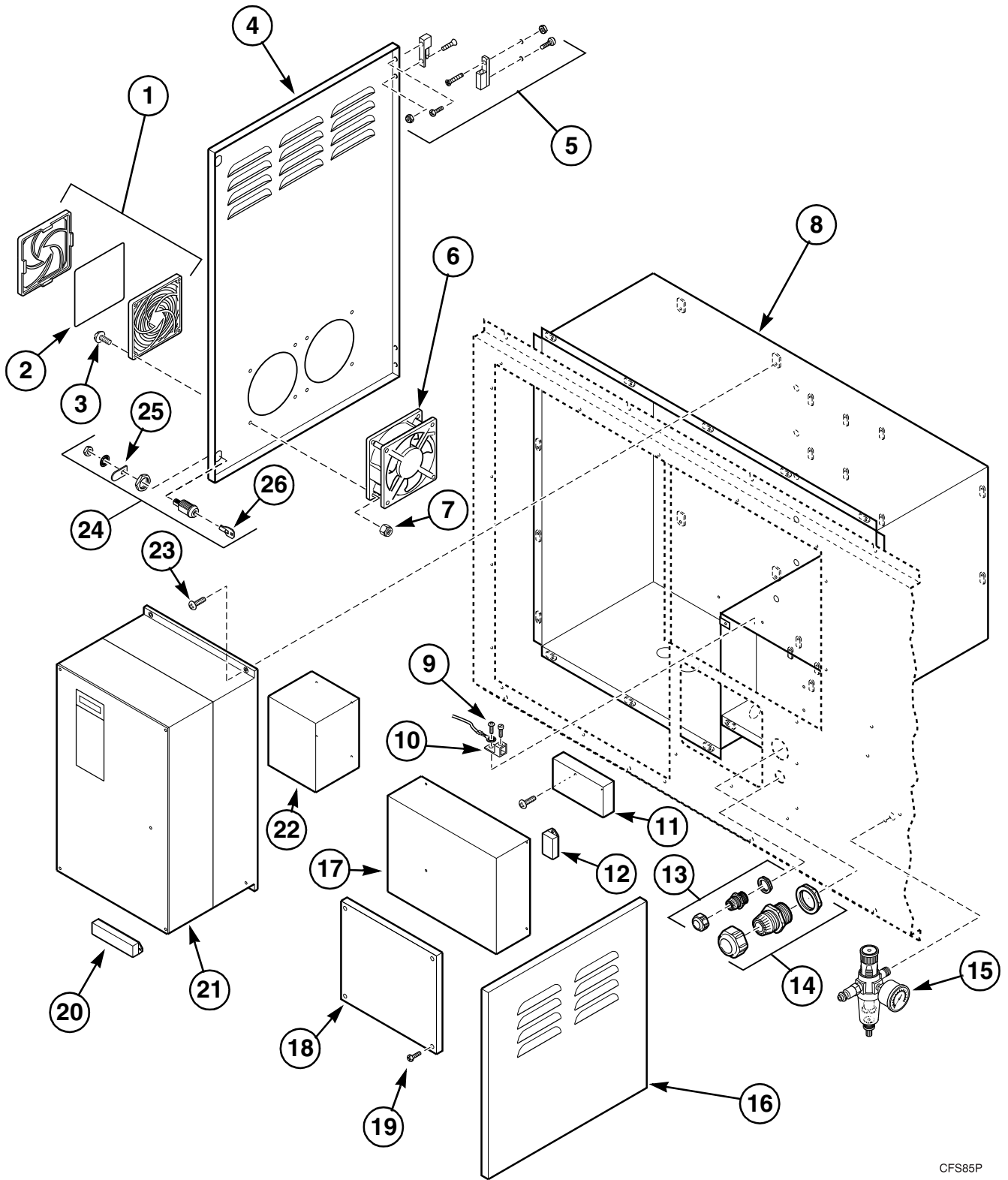


CFS86P

Side Control Module

| REF | PART # | DESCRIPTION | COMMENTS |
|-----|---------|-----------------------|----------------------|
| 1 | F632841 | Electrical Box | |
| 2 | F140341 | Connector | |
| 3 | F610830 | Contacting Rail | |
| 4 | F350206 | Circuit Breaker | 3 Amp |
| | F350201 | Circuit Breaker | 2 Amp |
| 5 | F141864 | Terminal Block | Terminal strip 1-22 |
| 6 | F141863 | Terminal Block | Terminal strip 23-48 |
| 7 | F431024 | Nut | |
| 8 | F190804 | Latch | |
| 9 | F630863 | Spacer | |
| 10 | F430985 | Screw | |
| 11 | F609979 | Cover | |
| 12 | F190202 | Hinge | |
| 13 | F380718 | Air Valve | 120 Volt |
| 14 | F250311 | Air Manifold | 4 station, 3 way |
| 15 | F380118 | Air Regulator | |
| 16 | F380963 | Air Regulator Bracket | |
| 17 | F360125 | Transformer | |
| 18 | F140331 | Connector | |

Rear Control Module

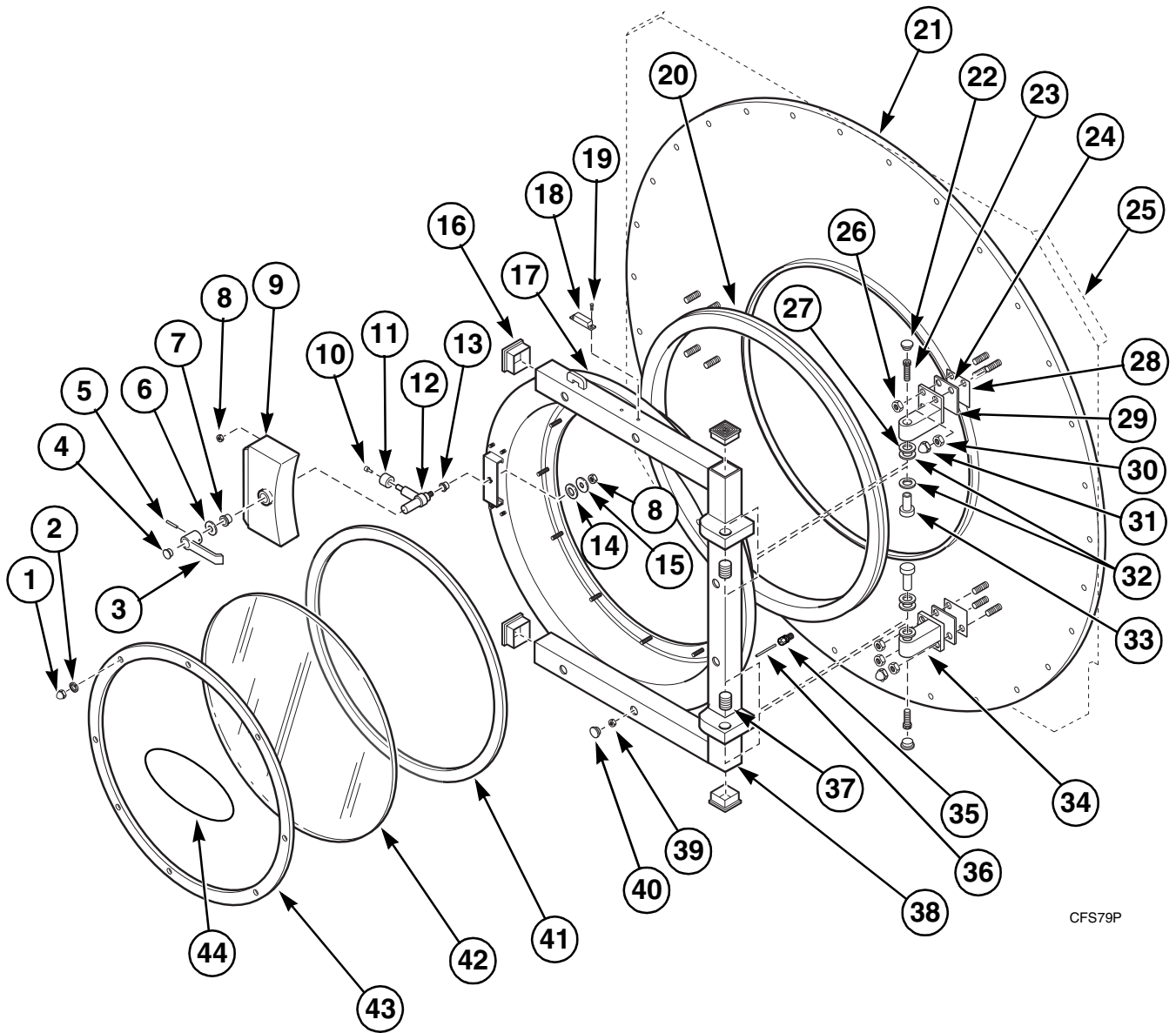


CFS85P

Rear Control Module

| REF | PART # | DESCRIPTION | COMMENTS |
|-----|---------|----------------------------|---|
| 1 | F220900 | Guard Filter | |
| 2 | F270321 | Filter Mesh | |
| 3 | F430976 | Screw | |
| 4 | F631381 | AC Drive Cover | |
| 5 | F190212 | Hinge Assembly | |
| 6 | F110106 | Fan | |
| 7 | F430232 | Nut | |
| 8 | F631461 | Drive Box Assembly | |
| 9 | F430920 | Screw | |
| 10 | F140734 | Ground Terminal Lug | |
| 11 | F140755 | Input Power Block | 4 pole |
| 12 | F141896 | Supply Terminal | |
| 13 | F140328 | Connector | |
| 14 | F140331 | Connector | |
| 15 | F270302 | Filter | |
| 16 | F631380 | AC Drive Cover | Right |
| 17 | F370826 | Brake Unit | 200 Volt; Allen-Bradley |
| | F370824 | Brake Unit | 400 Volt; Allen-Bradley |
| 18 | F631490 | Electrical Inlet Box Cover | |
| 19 | F430920 | Screw | |
| 20 | F140766 | Terminal Block | Single contact |
| | F141892 | Terminal Block | Double contact |
| 21 | F370828 | Inverter Drive | 200 Volt; Allen-Bradley |
| | F370825 | Inverter Drive | 400 Volt; Can only order with complete model and serial numbers |
| 22 | F330183 | Contacto | |
| 23 | F430925 | Screw | |
| 24 | F190802 | Lock Assembly | GR3800 |
| 25 | F606295 | Latch | |
| 26 | F160562 | Key | GR3800 |

Door Assembly

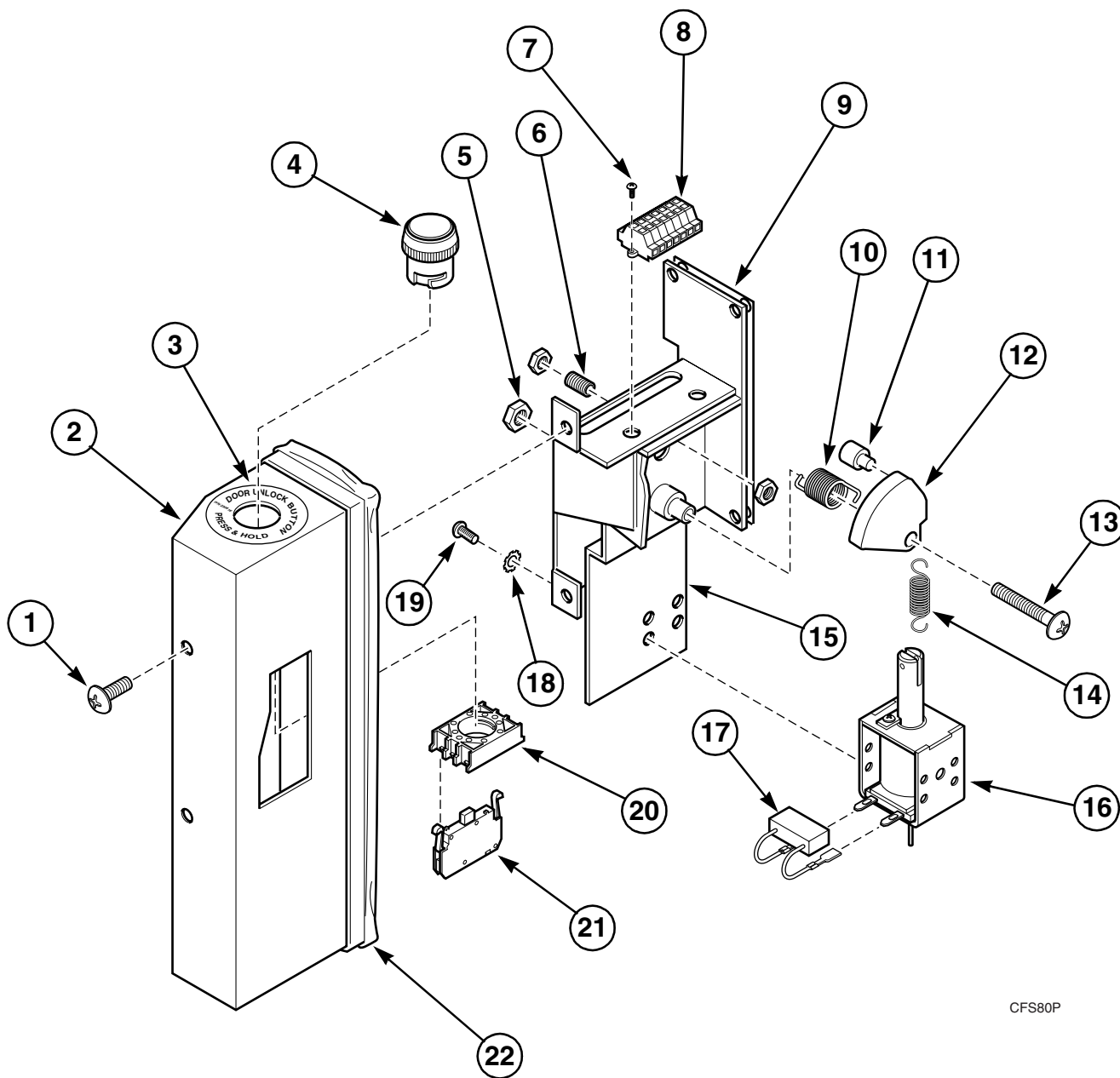


CFS79P

Door Assembly

| REF | PART # | DESCRIPTION | COMMENTS |
|-----|---------|---------------------|--|
| | F746503 | Door Lock Pivot Kit | Includes items 5, 6, 7, 8, 10, 11, 12, 13, 14 and 15 |
| 1 | F431027 | Nut | |
| 2 | F431137 | Washer | |
| 3 | F150225 | Door Handle | |
| 4 | F140563 | Plug | |
| 5 | F431222 | Pin | |
| 6 | F431907 | Washer | |
| 7 | F280253 | Bushing | |
| 8 | F431024 | Nut | |
| 9 | F634113 | Cover Assembly | |
| 10 | F340502 | Magnet | |
| 11 | F100145 | Follower Cam | |
| 12 | F608536 | Pivot Assembly | |
| 13 | F280252 | Bushing | |
| 14 | F431143 | Washer | |
| 15 | F431142 | Washer | |
| 16 | F140642 | Plug | |
| 17 | F634122 | Door Weldment | |
| 18 | F340703 | Magnet | |
| 19 | F430916 | Screw | |
| 20 | F170168 | Gasket | |
| 21 | F608543 | Shell Front Plate | |
| 22 | F190309 | Plug | |
| 23 | F432285 | Screw | |
| 24 | F634075 | Hinge | Upper |
| 25 | F608660 | Cover | |
| 26 | F431036 | Nut | |
| 27 | F431933 | Washer | |
| 28 | F631662 | Shim | |
| 29 | F631649 | Plate | |
| 30 | F431001 | Nut | |
| 31 | F431047 | Nut | |
| 32 | F431934 | Washer | |
| 33 | F432306 | Pin | |
| 34 | F634074 | Hinge | Lower |
| 35 | F608984 | Fitting | |
| 36 | F250704 | Inflation Needle | |
| 37 | F280293 | Bushing | |
| 38 | F634083 | Door Hinge Weldment | |
| 39 | F430218 | Nut | |
| 40 | F140527 | Plug | |
| 41 | F170169 | Gasket | |
| 42 | F290216 | Glass | |
| 43 | F320146 | Retainer | |
| 44 | F230806 | Decal | UF models |
| | F231225 | Decal | SF models |

Door Lock Assembly

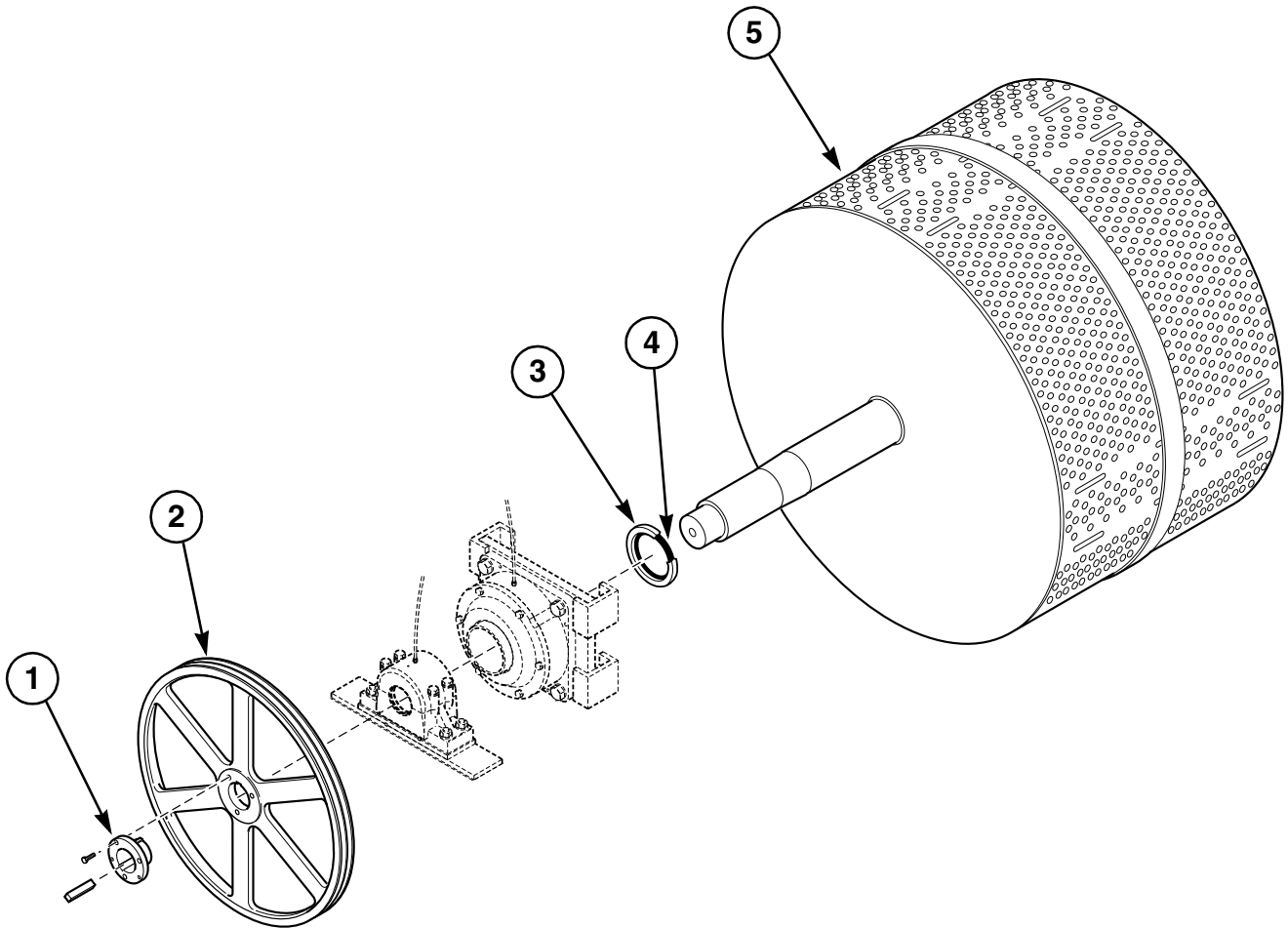


CFS80P

Door Lock Assembly

| REF | PART # | DESCRIPTION | COMMENTS |
|-----|---------|---------------------|--|
| | F746504 | Door Lock Cover Kit | Includes items 1, 2, 3, 4, 20, 21 and 22 |
| 1 | F430985 | Screw | |
| 2 | F608542 | Cover | |
| 3 | F230816 | Decal | Door unlock |
| 4 | F340712 | Button | |
| 5 | F430215 | Nut | |
| 6 | F340503 | Sensor | Includes nuts |
| 7 | F430928 | Screw | |
| 8 | F140766 | Terminal | 8-pole |
| 9 | F608548 | Shim | |
| 10 | F310133 | Spring | |
| 11 | F340502 | Magnet | |
| 12 | F150416 | Cam | |
| 13 | F430921 | Screw | |
| 14 | F310107 | Spring | |
| 15 | F608539 | Bracket Assembly | |
| 16 | F300122 | Solenoid | |
| 17 | F330217 | Resistor | |
| 18 | F431106 | Washer | |
| 19 | F430995 | Screw | |
| 20 | F330153 | Contact Block | N/O |
| 21 | F340422 | Pushbutton Switch | Includes item 22 |
| 22 | F170404 | Gasket | |

Basket and Pulley Assembly

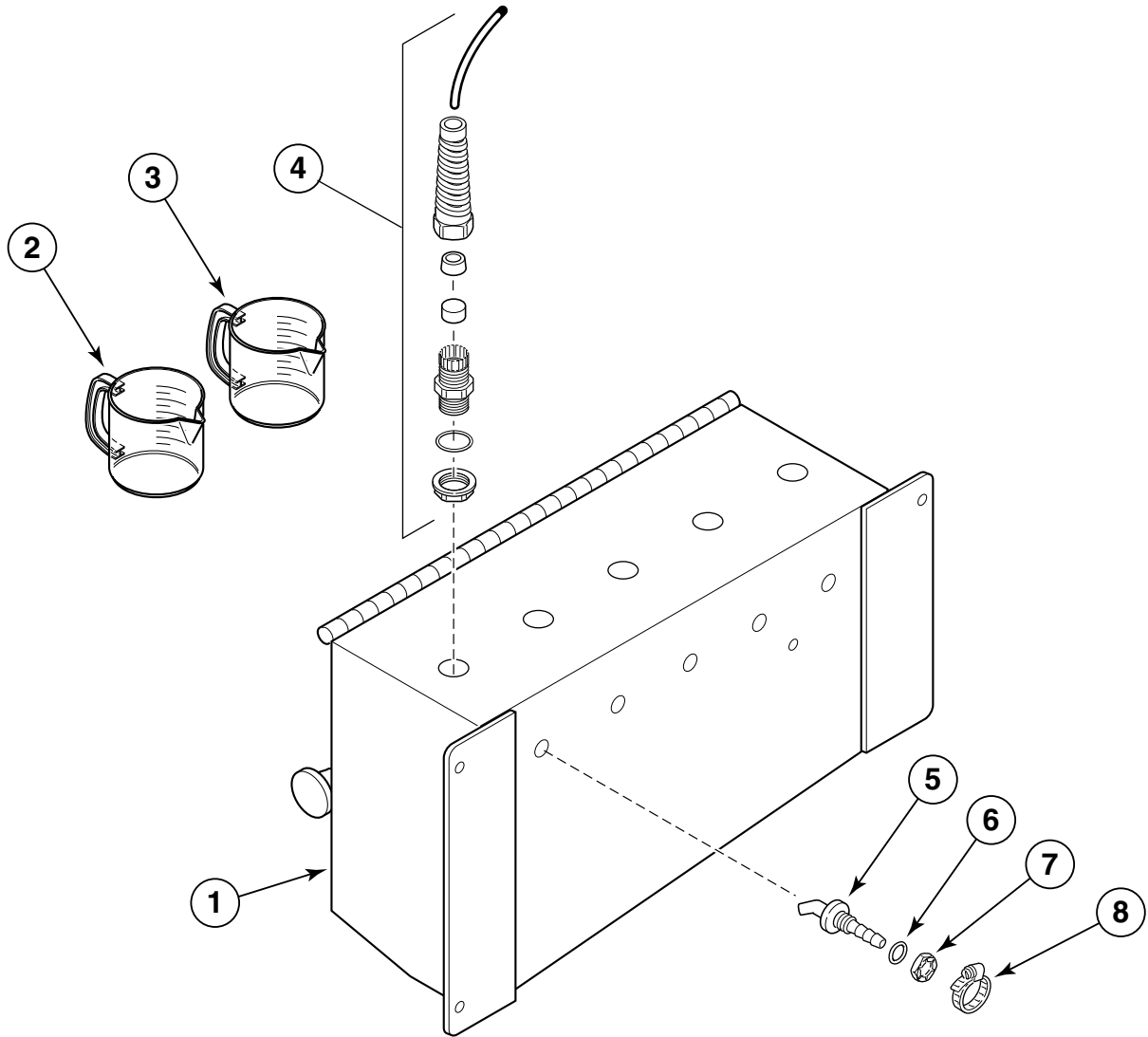


CFS81P

Basket and Pulley Assembly

| REF | PART # | DESCRIPTION | COMMENTS |
|-----|---------|---------------------------|----------|
| 1 | F280266 | Bushing Assembly | |
| 2 | F280263 | Pulley | |
| 3 | F400376 | Collar | |
| 4 | F170214 | O-Ring | |
| 5 | F608400 | Basket and Shaft Assembly | |

Supply Dispenser

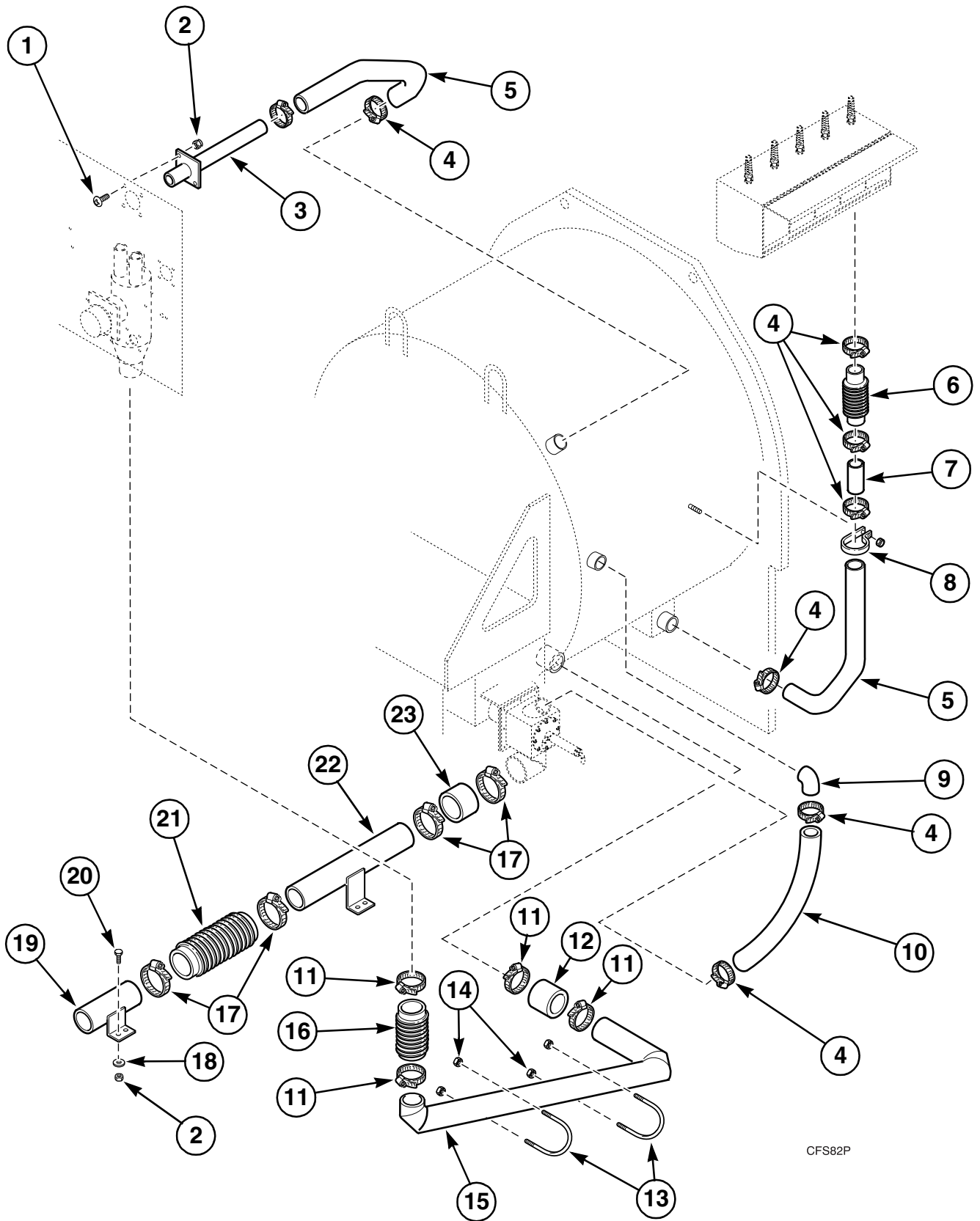


R057PE3A

Supply Dispenser

| REF | PART # | DESCRIPTION | COMMENTS |
|-----|---------|-----------------------------|----------|
| 1 | F608551 | Supply Box | |
| 2 | F170408 | Supply Cup | 1000 ml |
| 3 | F170409 | Supply Cup | 2000 ml |
| 4 | F749802 | Strain Relief Connector Kit | |
| 5 | F380300 | Nozzle | |
| 6 | F170208 | O-Ring | |
| 7 | F430224 | Nut | |
| 8 | F200202 | Clamp | |

Hose Assemblies

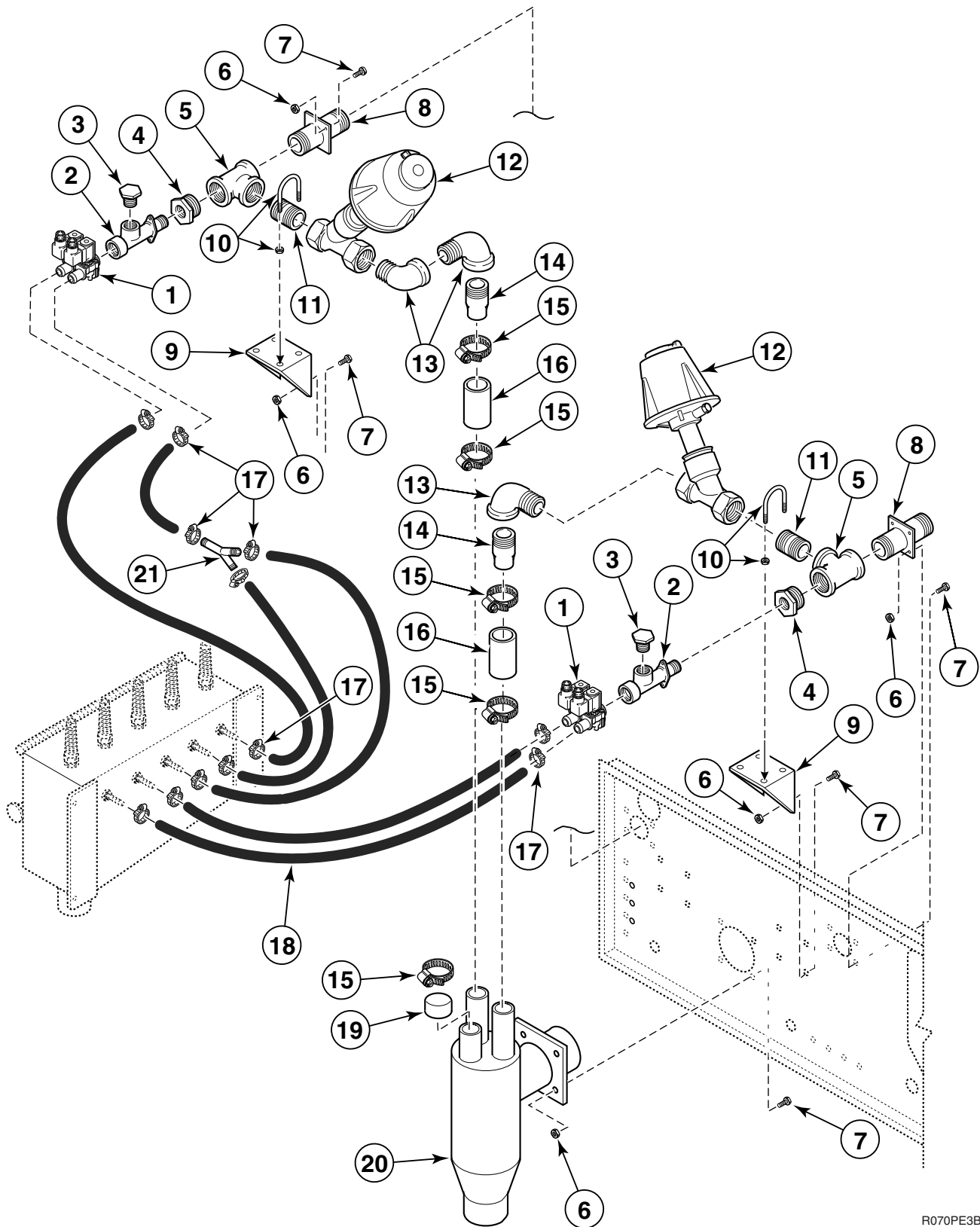


Hose Assemblies

| REF | PART # | DESCRIPTION | COMMENTS |
|-----|---------|-----------------------|--------------------------|
| 1 | F430929 | Screw | |
| 2 | F431024 | Nut | |
| 3 | F608628 | Vent Pipe | |
| 4 | F200213 | Clamp | #40 |
| 5 | F200172 | Supply Hose | Lower |
| 6 | F200171 | Supply Hose | Upper |
| 7 | F608599 | Pipe | |
| 8 | F140645 | Clamp | |
| 9 | F608624 | Elbow | |
| 10 | F200105 | Hose | 4 feet |
| 11 | F200219 | Clamp | #48 |
| 12 | F610376 | Hose | 8 inches long; 3 inch ID |
| 13 | F200404 | Clamp | #24 |
| 14 | F430218 | Nut | |
| 15 | F608594 | Water Supply Weldment | |
| 16 | F200103 | Hose | 1 foot |
| 17 | F200220 | Clamp | #64 |
| 18 | F431100 | Lockwasher | 2 per bolt |
| 19 | F608610 | Connection Pipe | |
| 20 | F390301 | Screw | |
| 21 | F200178 | Hose | |
| 22 | F608607 | Pipe | |
| 23 | F608611 | Hose | |

Water Supply Valve and Hoses (2-Way Valve)

Old Style



R070PE3B

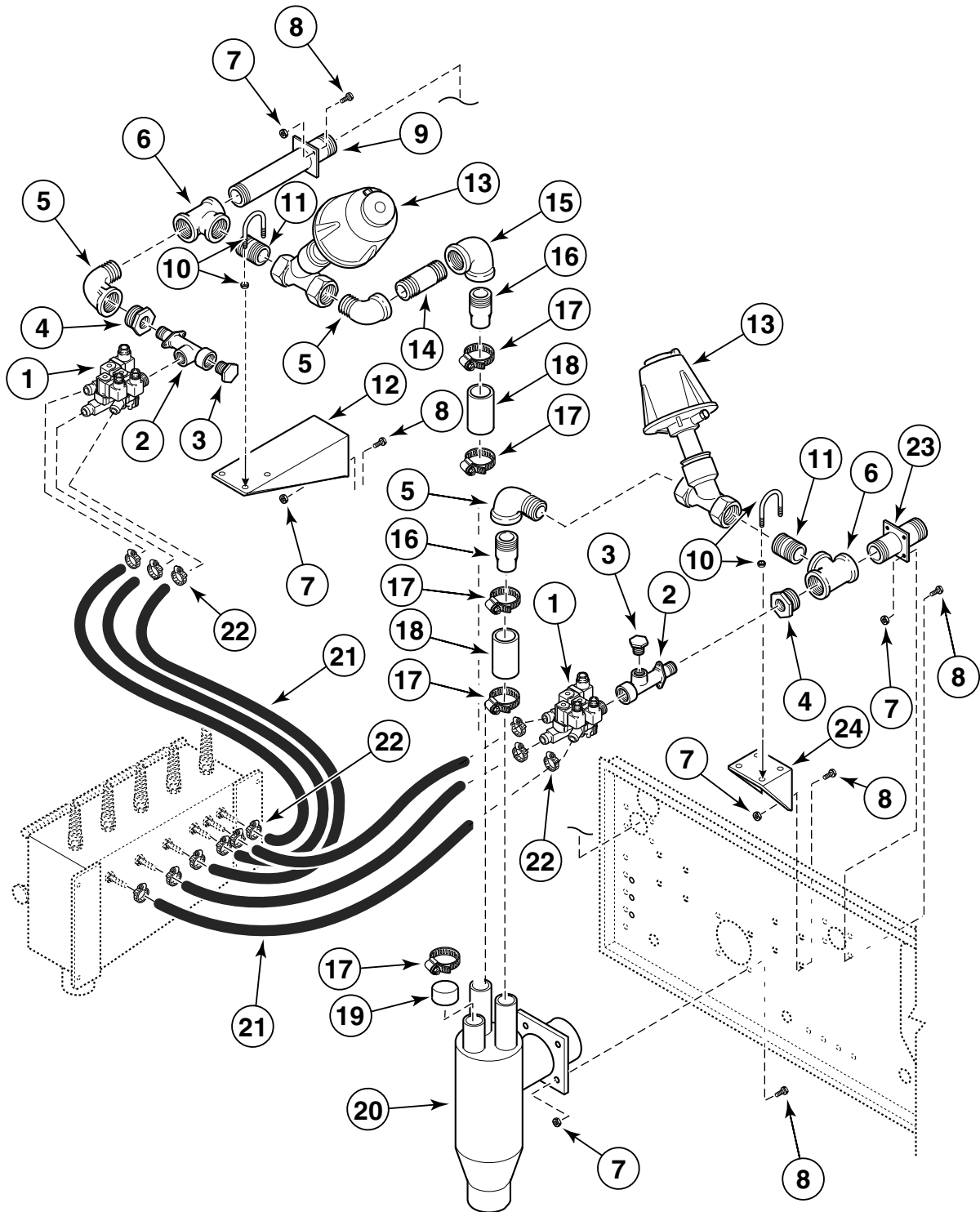
Water Supply Valve and Hoses (2-Way Valve)

Old Style

| REF | PART # | DESCRIPTION | COMMENTS |
|-----|---------|-------------------------|---------------|
| 1 | F380952 | 2-Way Valve | 110 Volt |
| 2 | F150246 | Inlet Manifold | |
| 3 | F421507 | Plug | |
| 4 | F420204 | Reducer Bushing | |
| 5 | F420418 | Tee | |
| 6 | F431024 | Nut | |
| 7 | F430929 | Screw | |
| 8 | F608573 | Water Inlet | |
| 9 | F608575 | Valve Support Bracket | |
| 10 | F200413 | U-Bolt | Includes nuts |
| 11 | F420156 | Nipple | |
| 12 | F380506 | Valve | Gemu |
| 13 | F420512 | Elbow | |
| 14 | F421336 | Nipple | |
| 15 | F200215 | Clamp | #28 |
| 16 | F150377 | Hose | Sold per foot |
| 17 | F200207 | Clamp | #8 |
| 18 | F200108 | Hose | Sold per foot |
| 19 | F190305 | Cover | |
| 20 | F608586 | Vacuum Breaker Assembly | |
| 21 | F422808 | "Y" Connector | |

Water Supply Valve and Hoses (3-Way Valve)

New Style



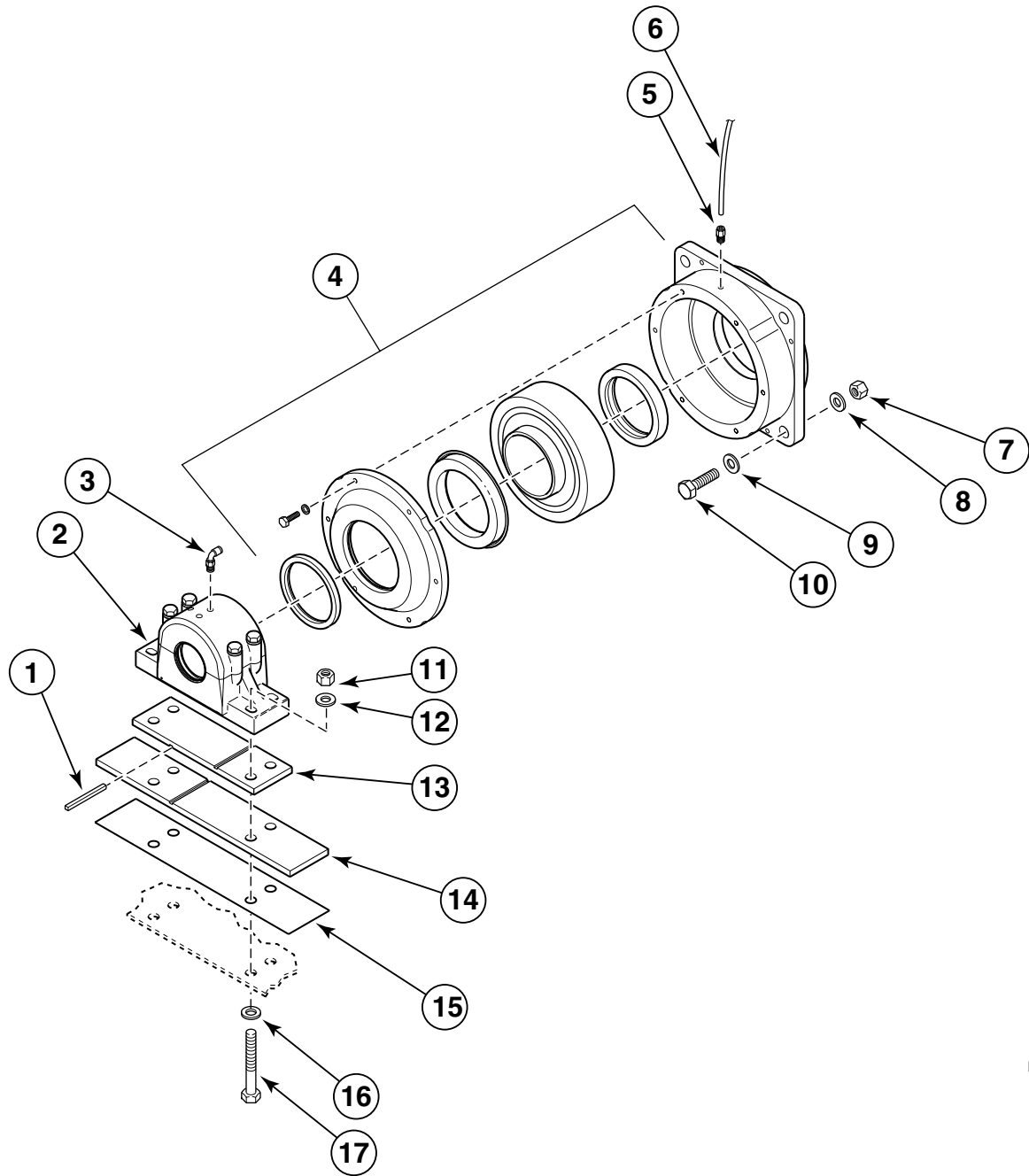
R071PE3B

Water Supply Valve and Hoses (3-Way Valve)

New Style

| REF | PART # | DESCRIPTION | COMMENTS |
|-----|---------|-------------------------|-------------------|
| 1 | F381725 | 3-Way Valve | 110 Volt |
| 2 | F150246 | Inlet Manifold | |
| 3 | F421507 | Plug | |
| 4 | F420204 | Reducer Bushing | |
| 5 | F420512 | Elbow | |
| 6 | F420418 | Tee | |
| 7 | F431024 | Nut | |
| 8 | F430929 | Screw | |
| 9 | F608574 | Water Inlet | |
| 10 | F200413 | U-Bolt | #9; Includes nuts |
| 11 | F420156 | Nipple | |
| 12 | F608576 | Valve Support Bracket | |
| 13 | F380506 | Valve | Gemu |
| 14 | F421334 | Nipple | |
| 15 | F420513 | Elbow | |
| 16 | F421336 | Nipple | |
| 17 | F200215 | Clamp | #28 |
| 18 | F150377 | Hose | |
| 19 | F190305 | Plastic Cover | |
| 20 | F633183 | Vacuum Breaker Assembly | |
| 21 | F200108 | Hose | Sold per foot |
| 22 | F200207 | Clamp | #8 |
| 23 | F608573 | Nipple | 4 inch |
| 24 | F608575 | Bracket | |

Bearing Assembly

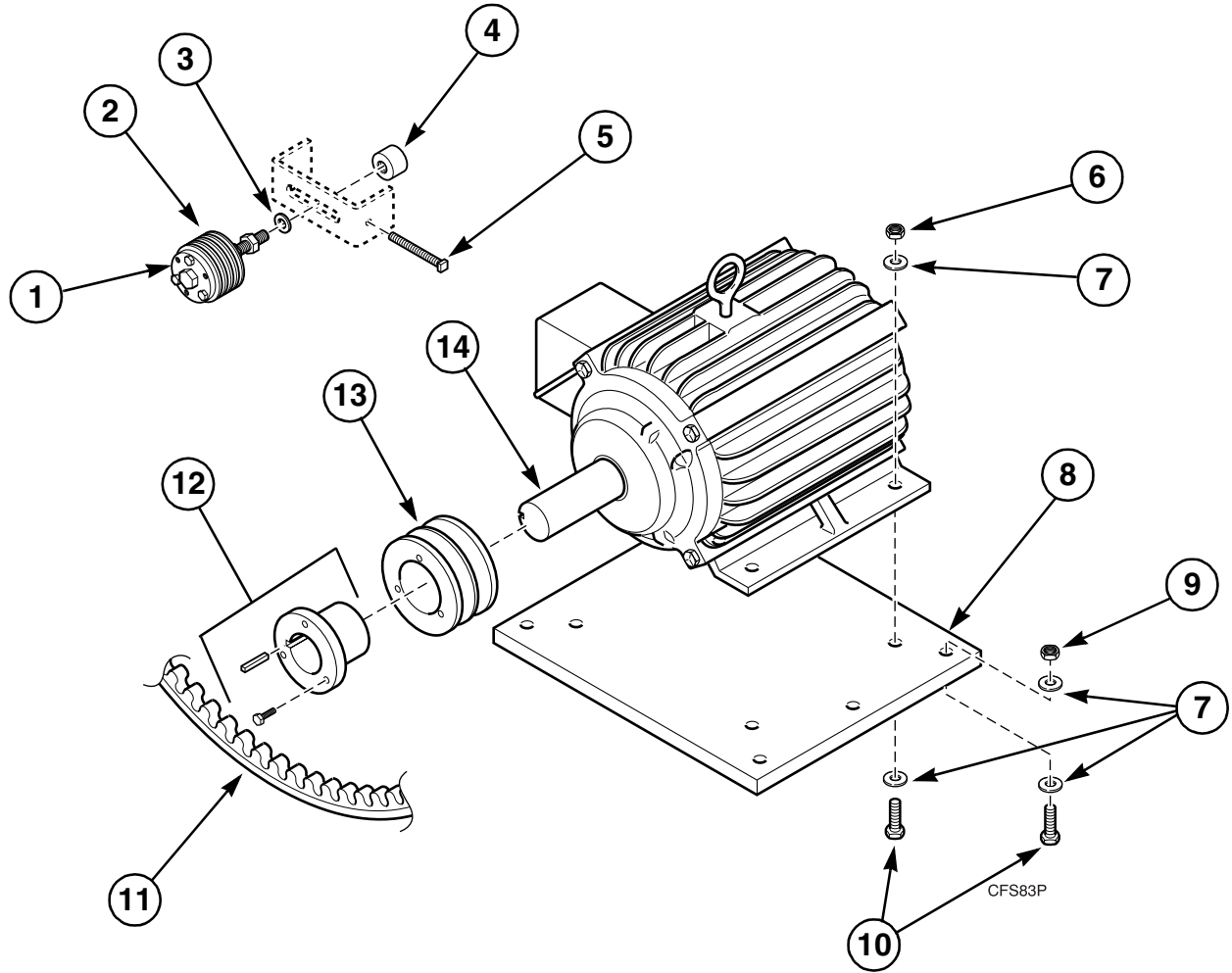


R063PE3B

Bearing Assembly

| REF | PART # | DESCRIPTION | COMMENTS |
|-----|------------|-------------------|---|
| 1 | F608483 | Key | |
| 2 | F745013 | Rear Bearing Kit | |
| 3 | F260200 | Elbow | |
| 4 | F745014-01 | Front Bearing Kit | Includes seal, housing cover, adapter unit, bearing and bearing housing |
| 5 | F422101 | Connector | |
| 6 | F200184 | Hose | |
| 7 | F430236 | Nut | |
| 8 | F430336 | Washer | |
| 9 | F430706 | Washer | |
| 10 | F430184 | Screw | |
| 11 | F430245 | Nut | |
| 12 | F430705 | Washer | |
| 13 | F608461 | Plate | |
| 14 | F608462 | Plate | |
| 15 | F608463 | Rear Bearing Shim | 11 gauge |
| | F608465 | Rear Bearing Shim | 16 gauge |
| | F608465F | Rear Bearing Shim | 18 gauge |
| | F608466 | Rear Bearing Shim | 24 gauge |
| 16 | F430334 | Washer | |
| 17 | F430158 | Screw | |

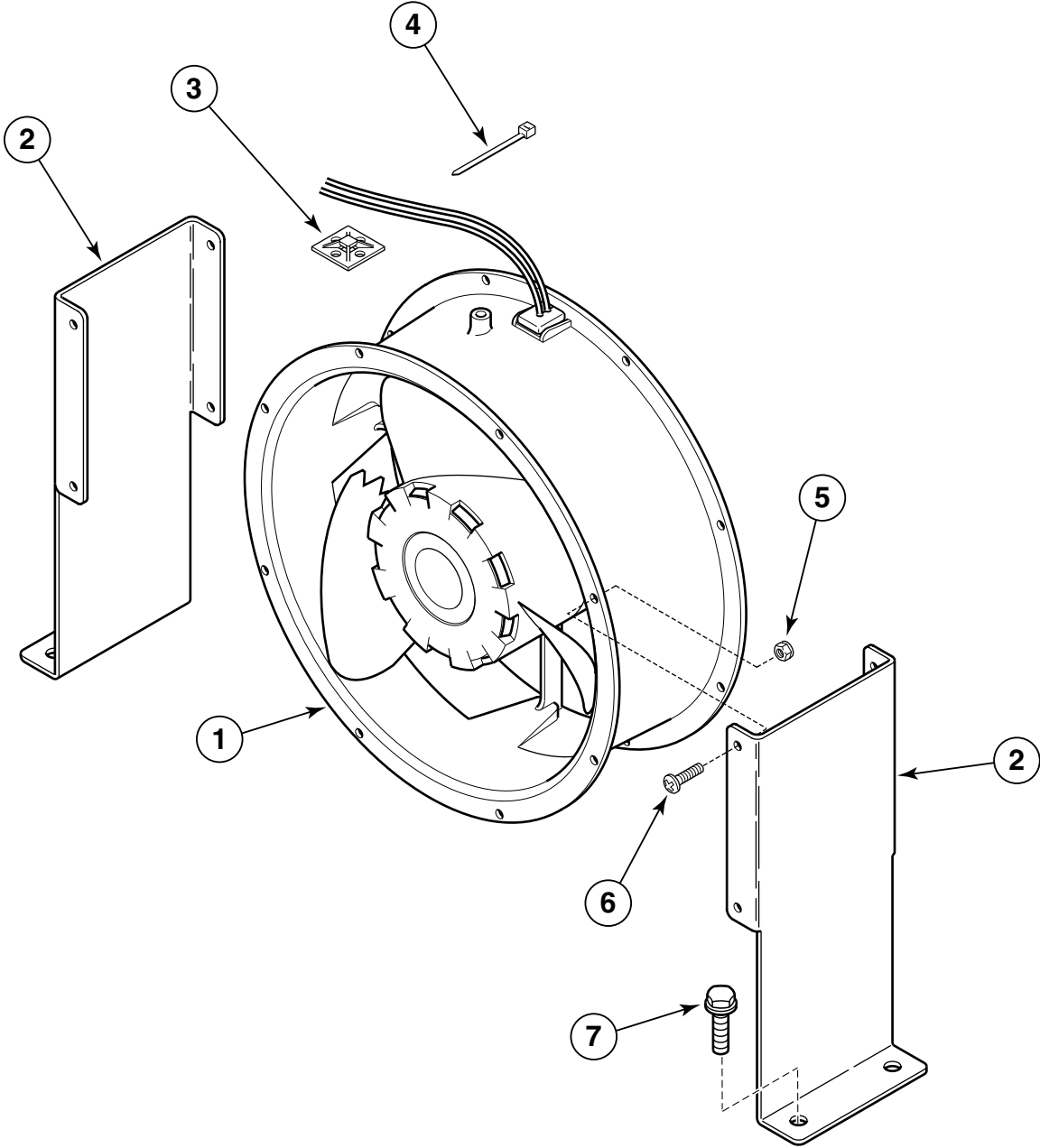
Drive Assembly



Drive Assembly

| REF | PART # | DESCRIPTION | COMMENTS |
|-----|----------|--------------------|--------------------|
| 1 | F280291 | Idler Bushing | |
| 2 | F280292 | Pulley | |
| 3 | F430345 | Washer | |
| 4 | F280376 | Belt Tensioner Hub | |
| 5 | F430528 | Screw | |
| 6 | F430237 | Nut | |
| 7 | F430339 | Washer | |
| 8 | F608486F | Motor Plate Shim | |
| 9 | F431036 | Nut | |
| 10 | F430159 | Screw | |
| 11 | F280358 | Belt | |
| 12 | F280262 | Pulley Bushing | |
| 13 | F280261 | Motor Pulley | |
| 14 | F220221 | Drive Motor | 230/460 Volt, 25Hp |

Motor Cooling Fan

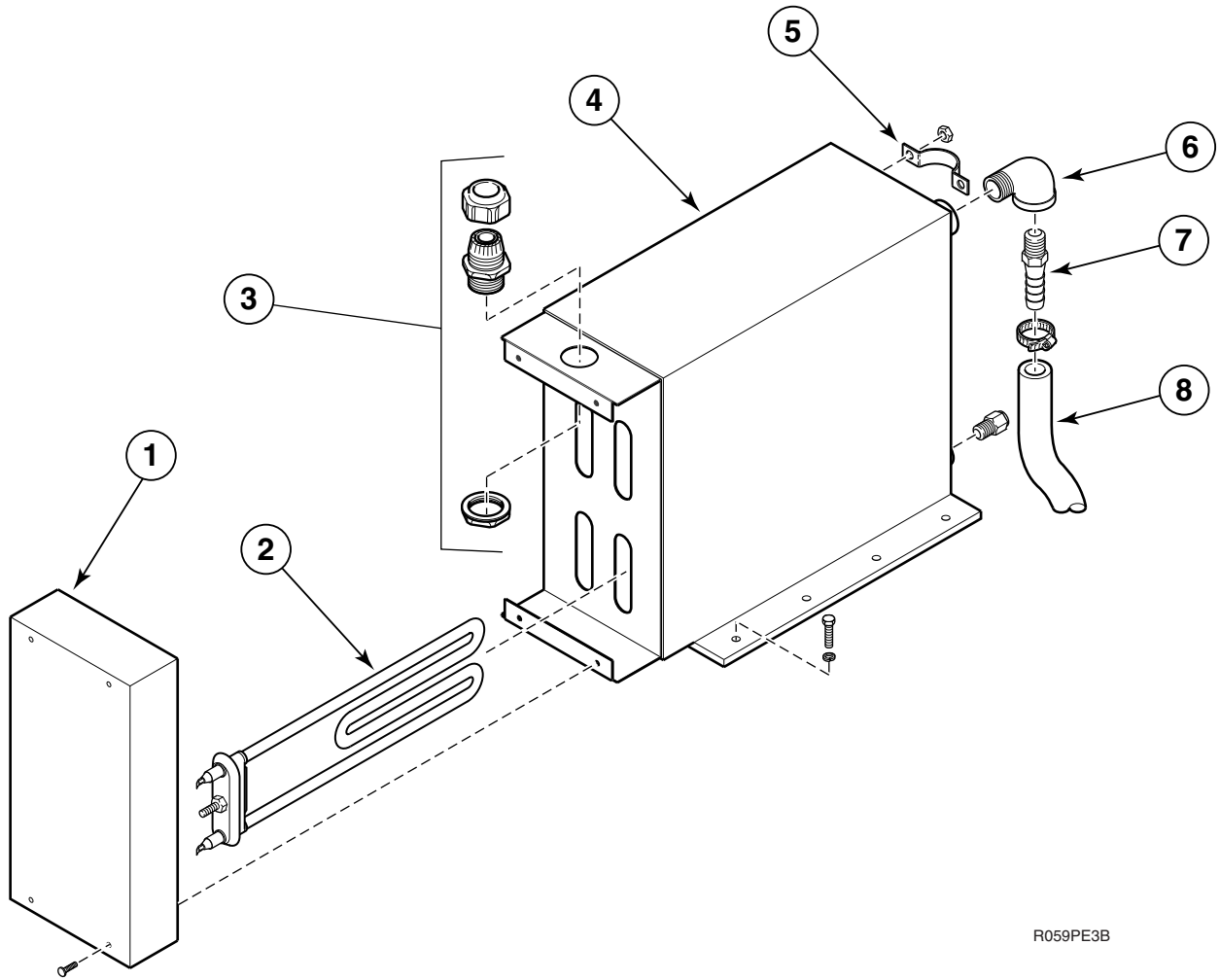


R065PE3A

Motor Cooling Fan

| REF | PART # | DESCRIPTION | COMMENTS |
|-----|---------|----------------------|----------|
| 1 | F110101 | Muffin Fan | |
| 2 | F608680 | Fan Mounting Bracket | |
| 3 | F140602 | Tie Wrap Mount | |
| 4 | F140605 | Tie Wrap | |
| 5 | F431017 | Nut | |
| 6 | F430904 | Screw | |
| 7 | F430115 | Screw | |

External Brake Resistor

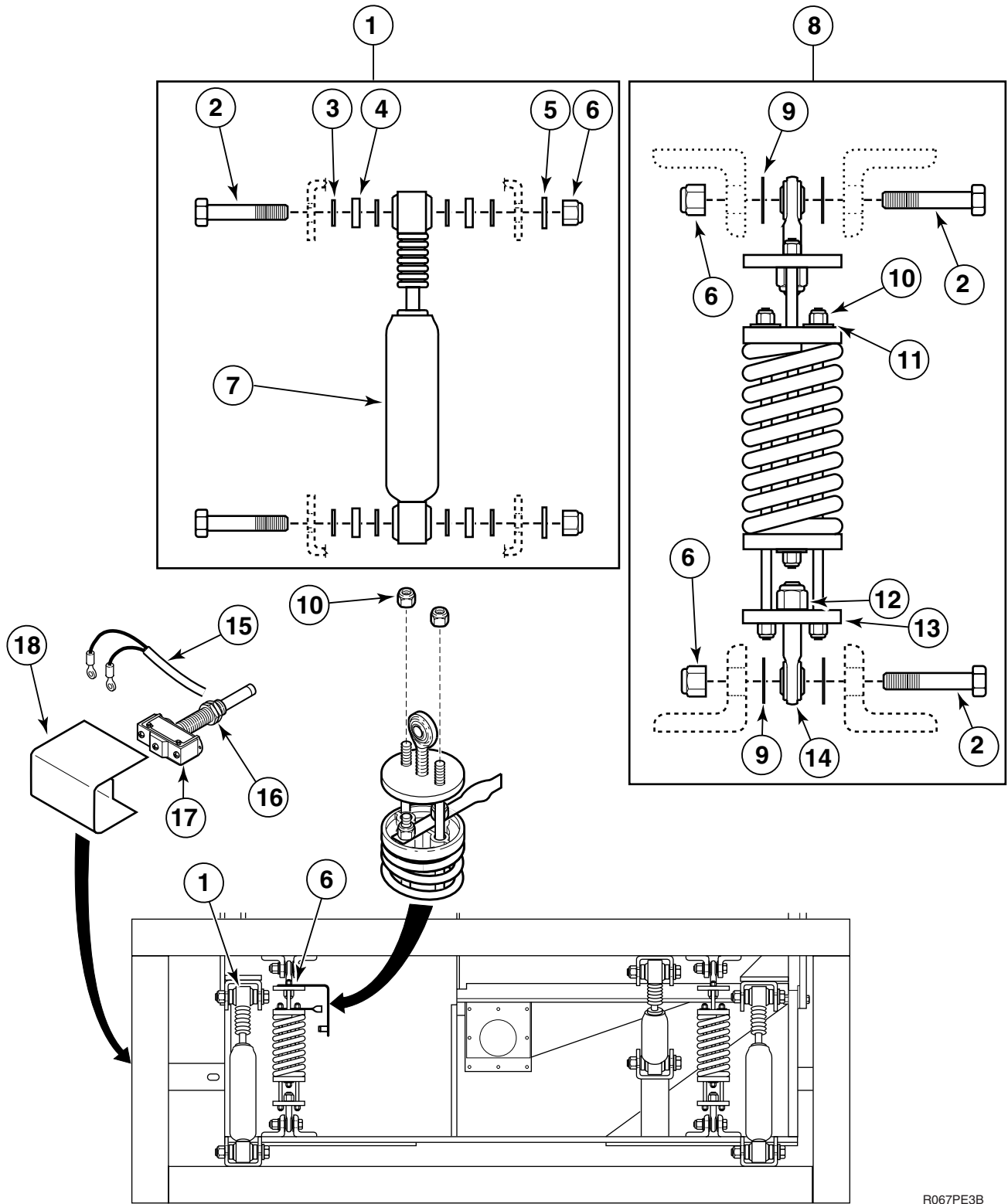


R059PE3B

External Brake Resistor

| REF | PART # | DESCRIPTION | COMMENTS |
|-----|---------|------------------------------|---------------|
| 1 | F608489 | Brake Resistor Tank Cover | |
| 2 | F360205 | Heating Element | 240 Volt |
| 3 | F140331 | Connector | |
| 4 | F609992 | Brake Resistor Tank Assmebly | |
| 5 | F631150 | Clamp | |
| 6 | F421703 | Elbow | |
| 7 | F421930 | Hose Barb | |
| 8 | F200199 | Hose | Sold per foot |

Shock and Spring Assembly

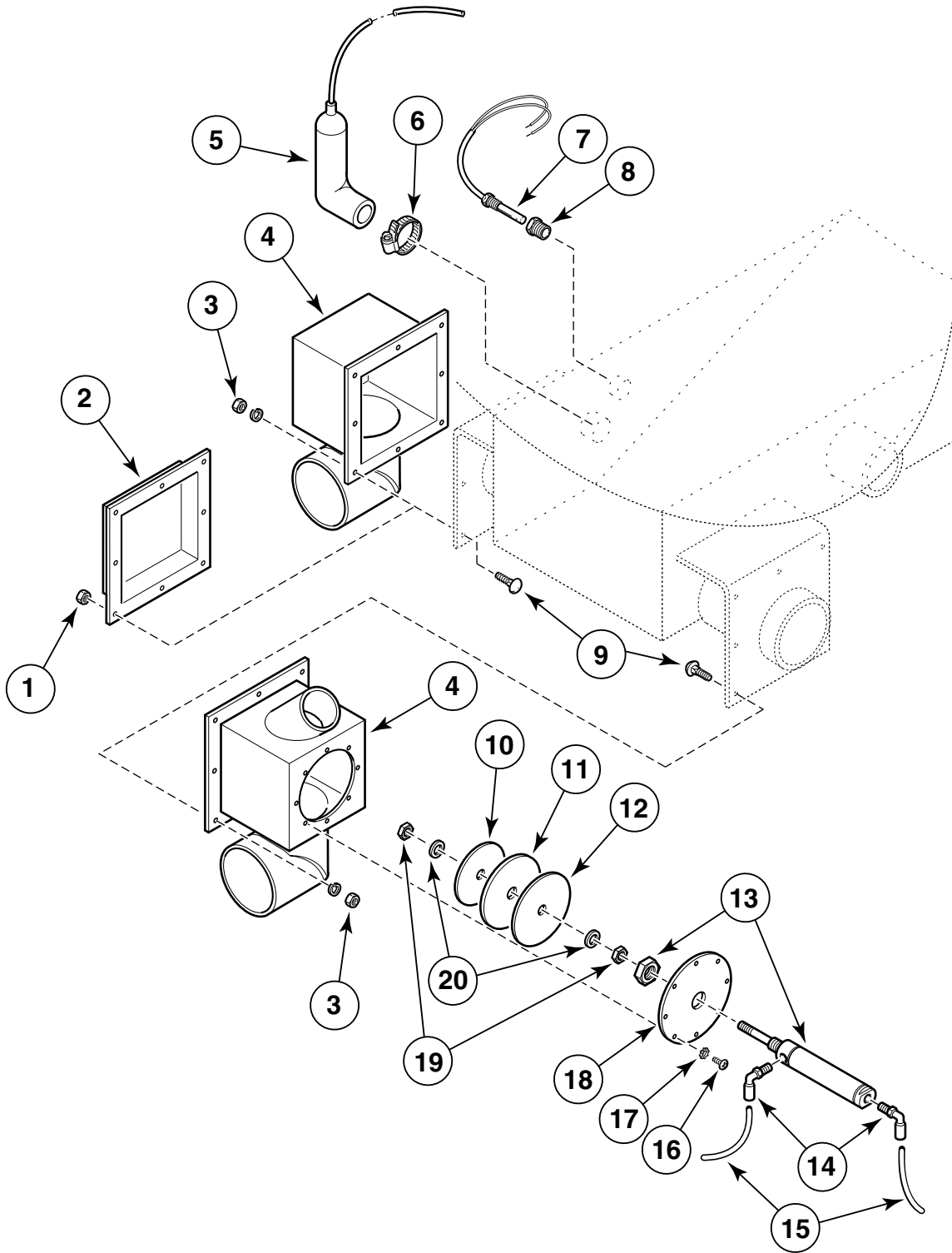


R067PE3B

Shock and Spring Assembly

| REF | PART # | DESCRIPTION | COMMENTS |
|-----|----------|------------------------|--|
| 1 | F790204 | Shock Kit | |
| 2 | F430163 | Screw | |
| 3 | F431921 | Washer | |
| 4 | F432304 | Spacer | |
| 5 | F430334 | Washer | |
| 6 | F430245 | Nut | |
| 7 | F250502 | Shock Absorber | |
| 8 | F608502 | Spring Assembly | Includes spring, spring ends and spring rods |
| 9 | F431908 | Washer | |
| 10 | F430248 | Nut | |
| 11 | F430326 | Washer | |
| 12 | F430246 | Nut | |
| 13 | F608504F | Support Rod Plate | |
| 14 | F100157 | Rod End Bearing | |
| 15 | F140226 | Cable | |
| 16 | F340913 | Limit Switch | |
| 17 | F340901 | Limit Switch Extension | |
| 18 | F320200 | Shield | |

Air Trap, Temperature Probe and Drain Valve Assembly

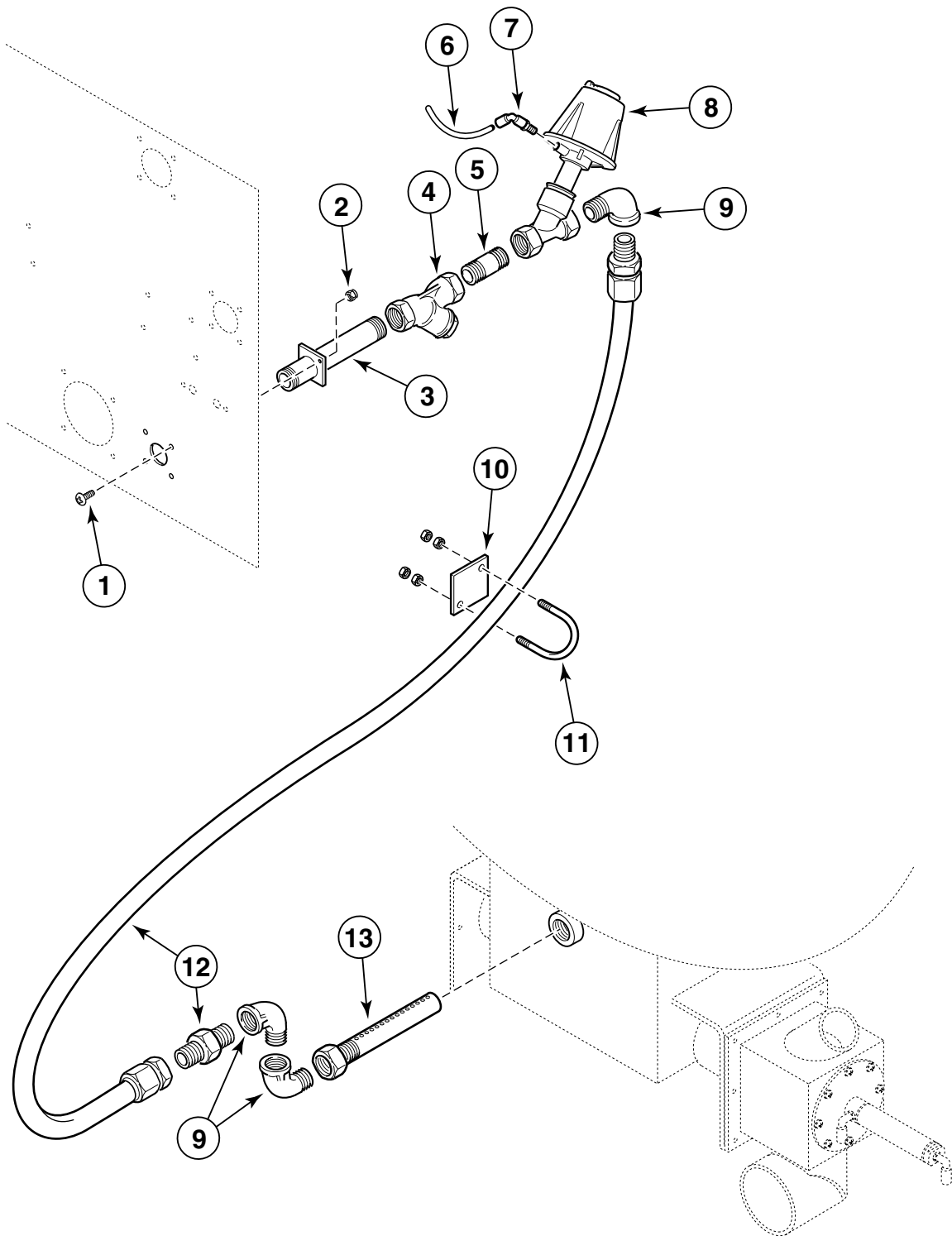


R073PE3B

Air Trap, Temperature Probe and Drain Valve Assembly

| REF | PART # | DESCRIPTION | COMMENTS |
|-----|---------|----------------------|---------------|
| | F607117 | Drain Valve Assembly | |
| 1 | F431024 | Nut | |
| 2 | F607680 | Drain Cover Plate | |
| 3 | F431005 | Nut | |
| 4 | F607124 | Drain Valve Box | |
| 5 | F200163 | Air Trap | |
| 6 | F200215 | Clamp | #28 |
| 7 | F370606 | Temperature Probe | |
| 8 | F421936 | Reducer Bushing | |
| 9 | F430935 | Screw | |
| 10 | F602833 | Seal Washer | |
| 11 | F100267 | Drain Seal | |
| 12 | F602827 | Seal Holder | |
| 13 | F250308 | Air Cylinder | |
| 14 | F260200 | Elbow | |
| 15 | F200184 | Hose | Sold per foot |
| 16 | F430903 | Screw | |
| 17 | F431106 | Washer | |
| 18 | F602834 | Mounting Plate | |
| 19 | F431018 | Nut | |
| 20 | F431105 | Washer | |

Steam Heat Assembly



R072PE3A

Steam Heat Assembly

| REF | PART # | DESCRIPTION | COMMENTS |
|-----|---------|----------------------|-------------------|
| | F640205 | Steam Inlet Assembly | |
| 1 | F430925 | Screw | |
| 2 | F431024 | Nut | |
| 3 | F608672 | Steam Inlet | |
| 4 | F270201 | Steam Strainer | |
| 5 | F420158 | Nipple | |
| 6 | F200184 | Hose | Sold per foot |
| 7 | F260200 | Elbow | |
| 8 | F380507 | Valve | Gemu |
| 9 | F421102 | Elbow | |
| 10 | F607661 | Hose Bracket | |
| 11 | F200412 | U-Bolt | Includes nuts |
| 12 | F200196 | Hose | Includes fittings |
| 13 | F608678 | Steam Injector | |

Parts Index

A

| | |
|-----------------------|----|
| AC Drive Cover | |
| F631380 | 11 |
| F631381 | 11 |
| Air Cylinder | |
| F250308 | 37 |
| Air Manifold | |
| F250311 | 9 |
| Air Regulator | |
| F380118 | 9 |
| Air Regulator Bracket | |
| F380963 | 9 |
| Air Trap | |
| F200163 | 37 |
| Air Valve | |
| F380718 | 9 |

B

| | |
|-----------------------------|----|
| Basket and Shaft Assembly | |
| F608400 | 17 |
| Battery | |
| F191101 | 7 |
| Belt | |
| F280358 | 29 |
| Belt Tensioner Hub | |
| F280376 | 29 |
| Bracket | |
| F608575 | 25 |
| Bracket Assembly | |
| F608539 | 15 |
| Brake Resistor Tank Assmely | |
| F609992 | 33 |
| Brake Resistor Tank Cover | |
| F608489 | 33 |
| Brake Unit | |
| F370824 | 11 |
| F370826 | 11 |
| Bushing | |
| F280252 | 13 |
| F280253 | 13 |
| F280293 | 13 |
| Bushing Assembly | |
| F280266 | 17 |
| Button | |
| F340712 | 15 |
| Buzzer | |
| F300203 | 7 |

C

| | |
|---------------|----|
| Cable | |
| F140226 | 35 |
| Cam | |
| F150416 | 15 |

| | |
|-----------------|---|
| Circuit Breaker | |
| F350201 | 9 |
| F350206 | 9 |
| F350211 | 7 |

| | |
|---------------|------------|
| Clamp | |
| F140645 | 21 |
| F200202 | 19 |
| F200207 | 23, 25 |
| F200213 | 21 |
| F200215 | 23, 25, 37 |
| F200219 | 21 |
| F200220 | 21 |
| F200404 | 21 |
| F631150 | 33 |

| | |
|---------------|----|
| Collar | |
| F400376 | 17 |

| | |
|------------------|---|
| Computer Kit | |
| F370534-20 | 7 |

| | |
|---------------|---|
| Conduit | |
| F140324 | 7 |

| | |
|-----------------|----|
| Connection Pipe | |
| F608610 | 21 |

| | |
|---------------|-----------|
| Connector | |
| F140328 | 11 |
| F140331 | 9, 11, 33 |
| F140341 | 9 |
| F422101 | 27 |

| | |
|----------------------|---|
| Contact Block Switch | |
| F340445 | 7 |

| | |
|---------------|----|
| Contacto | |
| F330183 | 11 |

| | |
|----------------|----|
| Contacto Block | |
| F330153 | 15 |

| | |
|---------------|---|
| Contacto Rail | |
| F610830 | 9 |

| | |
|--------------------|---|
| Control Module Box | |
| F630771 | 7 |

| | |
|---------------------|---|
| Control Panel Decal | |
| F231096 | 7 |

| | |
|---------------|----|
| Cover | |
| F190305 | 23 |
| F608542 | 15 |
| F608660 | 13 |
| F609979 | 9 |
| F630832 | 7 |

| | |
|----------------|----|
| Cover Assembly | |
| F634113 | 13 |

D

| | |
|---------------|----|
| Decal | |
| F230806 | 13 |
| F230816 | 15 |
| F231225 | 13 |

| | |
|---------------|----|
| Door Handle | |
| F150225 | 13 |

| | |
|---------------------|----|
| Door Hinge Weldment | |
| F634083 | 13 |

| | |
|---------------------|----|
| Door Lock Cover Kit | |
| F746504 | 15 |

| | |
|----------------------|----|
| Door Weldment | |
| F634122 | 13 |
| Drain Cover Plate | |
| F607680 | 37 |
| Drain Seal | |
| F100267 | 37 |
| Drain Valve Assembly | |
| F607117 | 37 |
| Drain Valve Box | |
| F607124 | 37 |
| Drive Box Assembly | |
| F631461 | 11 |
| Drive Motor | |
| F220221 | 29 |

E

| | |
|----------------------------|------------|
| Elbow | |
| F260200 | 27, 37, 39 |
| F420512 | 23, 25 |
| F420513 | 25 |
| F421102 | 39 |
| F421703 | 33 |
| F608624 | 21 |
| Electrical Box | |
| F632841 | 9 |
| Electrical Inlet Box Cover | |
| F631490 | 11 |
| Emergency Stop Pushbutton | |
| F340718 | 7 |

F

| | |
|----------------------|----|
| Fan | |
| F110106 | 11 |
| Fan Mounting Bracket | |
| F608680 | 31 |
| Feed-thru Connector | |
| F140575 | 7 |
| F140576 | 7 |
| Filter | |
| F270302 | 11 |
| Filter Mesh | |
| F270321 | 11 |
| Fitting | |
| F140325 | 7 |
| F608984 | 13 |
| Follower Cam | |
| F100145 | 13 |
| Frame Assembly | |
| F608509 | 5 |
| Front Bearing Kit | |
| F745014-01 | 27 |
| Front Column Kit | |
| F758212-01 | 5 |
| F758213-01 | 5 |
| Front Cover Kit | |
| F758011-01 | 5 |
| F758214-01 | 5 |
| Front Panel Kit | |
| F758215-01 | 5 |

| | |
|--------------------|---|
| Front Shell Cover | |
| F608543 | 5 |
| Front Shell Gasket | |
| F170163 | 5 |

G

| | |
|---------------------|----|
| Gasket | |
| F170128 | 7 |
| F170168 | 13 |
| F170169 | 13 |
| F170404 | 15 |
| Glass | |
| F290216 | 13 |
| Ground Terminal Lug | |
| F140734 | 11 |
| Guard Filter | |
| F220900 | 11 |

H

| | |
|-----------------|------------|
| Heating Element | |
| F360205 | 33 |
| Hinge | |
| F190202 | 9 |
| F190212 | 7 |
| F634074 | 13 |
| F634075 | 13 |
| Hinge Assembly | |
| F190212 | 11 |
| Hose | |
| F150377 | 23, 25 |
| F200103 | 21 |
| F200105 | 21 |
| F200108 | 23, 25 |
| F200178 | 21 |
| F200184 | 27, 37, 39 |
| F200196 | 39 |
| F200199 | 33 |
| F608611 | 21 |
| F610376 | 21 |
| Hose Barb | |
| F421930 | 33 |
| Hose Bracket | |
| F607661 | 39 |

I

| | |
|-------------------|--------|
| Idler Bushing | |
| F280291 | 29 |
| Inflation Needle | |
| F250704 | 13 |
| Inlet Manifold | |
| F150246 | 23, 25 |
| Input Power Block | |
| F140755 | 11 |
| Interface Board | |
| F370446-1 | 7 |
| Inverter Drive | |
| F370825 | 11 |
| F370828 | 11 |

K

| | |
|--------------|-------|
| Key | |
| F160562..... | 7, 11 |
| F608483..... | 27 |
| Keypad | |
| F230724..... | 7 |
| Keyswitch | |
| F340800..... | 7 |

L

| | |
|------------------------|-------|
| Label | |
| F230806..... | 5 |
| F231255..... | 5 |
| Latch | |
| F190804..... | 5, 9 |
| F606295..... | 7, 11 |
| Light | |
| F350412..... | 7 |
| Limit Switch | |
| F340913..... | 35 |
| Limit Switch Extension | |
| F340901..... | 35 |
| Lock Assembly | |
| F190802..... | 7, 11 |
| Locknut | |
| F431100..... | 5 |
| Lockwasher | |
| F431100..... | 21 |

M

| | |
|------------------|--------|
| Magnet | |
| F340502..... | 13, 15 |
| F340703..... | 13 |
| Middle Cover Kit | |
| F757010-01..... | 5 |
| Middle Panel Kit | |
| F757008-01..... | 5 |
| Motor Plate Shim | |
| F608486F..... | 29 |
| Motor Pulley | |
| F280261..... | 29 |
| Mounting Plate | |
| F602834..... | 37 |
| Muffin Fan | |
| F110101..... | 31 |

N

| | |
|--------------|--------|
| Nipple | |
| F420156..... | 23, 25 |
| F420158..... | 39 |
| F421334..... | 25 |
| F421336..... | 23, 25 |
| F608573..... | 25 |
| Nozzle | |
| F380300..... | 19 |

Nut

| | |
|--------------|---------------------------|
| F430215..... | 5, 15 |
| F430218..... | 13, 21 |
| F430224..... | 19 |
| F430231..... | 7 |
| F430232..... | 11 |
| F430236..... | 27 |
| F430237..... | 29 |
| F430245..... | 27, 35 |
| F430246..... | 35 |
| F430248..... | 35 |
| F431001..... | 13 |
| F431005..... | 37 |
| F431017..... | 31 |
| F431018..... | 37 |
| F431024..... | 9, 13, 21, 23, 25, 37, 39 |
| F431027..... | 13 |
| F431034..... | 7 |
| F431036..... | 13, 29 |
| F431047..... | 13 |

O

| | |
|--------------|----|
| O-Ring | |
| F170208..... | 19 |
| F170214..... | 17 |
| Output Board | |
| F370443..... | 7 |

P

| | |
|-------------------|--------|
| Panel | |
| F608653..... | 5 |
| Pin | |
| F431222..... | 13 |
| F432306..... | 13 |
| Pipe | |
| F608599..... | 21 |
| F608607..... | 21 |
| Pivot Assembly | |
| F608536..... | 13 |
| Plastic Cover | |
| F190305..... | 25 |
| Plate | |
| F608461..... | 27 |
| F608462..... | 27 |
| F631649..... | 13 |
| Plug | |
| F140527..... | 13 |
| F140563..... | 13 |
| F140642..... | 13 |
| F190309..... | 13 |
| F421507..... | 23, 25 |
| Polyether Foam | |
| F170171..... | 5 |
| F170172..... | 5 |
| Pulley | |
| F280263..... | 17 |
| F280292..... | 29 |
| Pulley Bushing | |
| F280262..... | 29 |
| Pushbutton Switch | |
| F340422..... | 15 |

R

| | |
|-------------------|--------|
| Rear Bearing Kit | |
| F745013 | 27 |
| Rear Bearing Shim | |
| F608463 | 27 |
| F608465 | 27 |
| F608465F | 27 |
| F608466 | 27 |
| Rear Cover | |
| F608652 | 5 |
| Rear Panel | |
| F608655 | 5 |
| F608663 | 5 |
| Reducer Bushing | |
| F420204 | 23, 25 |
| F421936 | 37 |
| Relay | |
| F330227 | 7 |
| Resistor | |
| F330217 | 15 |
| Retainer | |
| F320146 | 13 |
| Ribbon Cable | |
| F140218 | 7 |
| F140219 | 7 |
| F140223 | 7 |
| Rod End Bearing | |
| F100157 | 35 |
| Rub Rail | |
| F150453 | 5 |

S

| | |
|---------------|------------|
| Screw | |
| F390301 | 21 |
| F430115 | 31 |
| F430158 | 27 |
| F430159 | 29 |
| F430163 | 35 |
| F430179 | 5 |
| F430184 | 27 |
| F430528 | 29 |
| F430903 | 37 |
| F430904 | 31 |
| F430916 | 13 |
| F430920 | 11 |
| F430921 | 15 |
| F430925 | 11, 39 |
| F430928 | 7, 15 |
| F430929 | 21, 23, 25 |
| F430935 | 5, 37 |
| F430976 | 11 |
| F430985 | 5, 9, 15 |
| F430986 | 5 |
| F430995 | 15 |
| F432285 | 13 |
| Seal Holder | |
| F602827 | 37 |
| Seal Washer | |
| F602833 | 37 |
| Sensor | |
| F340503 | 15 |

| | |
|-----------------------------|----|
| Shell Front Plate | |
| F608543 | 13 |
| Shield | |
| F320200 | 35 |
| Shim | |
| F608548 | 15 |
| F631662 | 13 |
| Shock Absorber | |
| F250502 | 35 |
| Shock Kit | |
| F790204 | 35 |
| Side Panel | |
| F608654 | 5 |
| F608655-1 | 5 |
| Side Panel Kit | |
| F757610-01 | 5 |
| Solenoid | |
| F300122 | 15 |
| Spacer | |
| F432304 | 35 |
| F630863 | 9 |
| Spring | |
| F310107 | 15 |
| F310133 | 15 |
| Spring Assembly | |
| F608502 | 35 |
| Stand-off | |
| F180508 | 7 |
| Steam Injector | |
| F608678 | 39 |
| Steam Inlet | |
| F608672 | 39 |
| Steam Inlet Assembly | |
| F640205 | 39 |
| Steam Strainer | |
| F270201 | 39 |
| Strain Relief Connector | |
| F140331 | 7 |
| Strain Relief Connector Kit | |
| F749802 | 19 |
| Supply Box | |
| F608551 | 19 |
| Supply Cup | |
| F170408 | 19 |
| F170409 | 19 |
| Supply Hose | |
| F200171 | 21 |
| F200172 | 21 |
| Supply Terminal | |
| F141896 | 11 |
| Support Rod Plate | |
| F608504F | 35 |

T

| | |
|-------------------|--------|
| Tee | |
| F420418 | 23, 25 |
| Temperature Probe | |
| F370606 | 37 |
| Terminal | |
| F140766 | 15 |

| | |
|----------------|----|
| Terminal Block | |
| F140766..... | 11 |
| F141863..... | 9 |
| F141864..... | 9 |
| F141892..... | 11 |
| 3-Way Valve | |
| F381725..... | 25 |
| Tie Wrap | |
| F140605..... | 31 |
| Tie Wrap Mount | |
| F140602..... | 31 |
| Transformer | |
| F360125..... | 9 |
| 2-Way Valve | |
| F380952..... | 23 |

U

| | |
|--------------|--------|
| U-Bolt | |
| F200412..... | 39 |
| F200413..... | 23, 25 |

V

| | |
|-------------------------|--------|
| Vacuum Breaker Assembly | |
| F608586..... | 23 |
| F633183..... | 25 |
| Valve | |
| F380506..... | 23, 25 |
| F380507..... | 39 |
| Valve Support Bracket | |
| F608575..... | 23 |
| F608576..... | 25 |
| Vent Pipe | |
| F608628..... | 21 |
| Vinyl Extrusion Insert | |
| F150397..... | 5 |

W

| | |
|--------------|--------|
| Washer | |
| F430326..... | 35 |
| F430334..... | 27, 35 |
| F430336..... | 27 |
| F430339..... | 29 |
| F430345..... | 29 |
| F430705..... | 27 |
| F430706..... | 27 |
| F431105..... | 37 |
| F431106..... | 15, 37 |
| F431137..... | 13 |
| F431142..... | 13 |
| F431143..... | 13 |
| F431907..... | 13 |
| F431908..... | 35 |
| F431921..... | 35 |
| F431933..... | 13 |
| F431934..... | 13 |
| Water Inlet | |
| F608573..... | 23 |
| F608574..... | 25 |

| | |
|-----------------------|----|
| Water Level Switch | |
| F340308..... | 7 |
| F340309..... | 7 |
| Water Supply Weldment | |
| F608594..... | 21 |

Y

| | |
|--------------|----|
| Y Connector | |
| F422808..... | 23 |