

Washer-Extractor

Cabinet Hardmount

Refer to Page 3 for Model Numbers

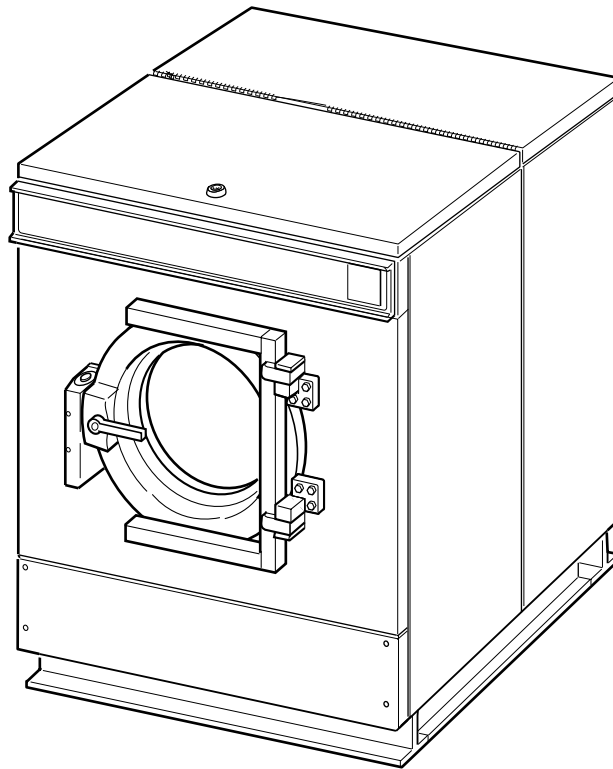


Table of Contents

Title	Page
Parts Ordering Information	2
Nameplate Location	2
Model Identification	3
Decal Familiarization	4
Control Module Assembly	6
Balance Switch and Temperature Probe	8
AC Inverter Drive	10
Cover, Panels and Frame Assembly	12
Rear Top Panel.....	14
Door Assembly	16
Door Lock Assembly	18
Basket and Outer Tub Assembly	20
Optional Supply Dispenser	22
Water Supply Valve and Hoses to (Optional) Supply Dispenser	24
Water Inlet Valves and Hoses	26
Siphon Break and Hoses	28
Water Supply Hoses	30
Vent Pipes	32
Drain System	34
Motor and Pulley Assembly	36
Steam Heat Option	38
Parts Index.....	41

© Copyright 2000, Alliance Laundry Systems LLC

All rights reserved. No part of the contents of this book may be reproduced or transmitted in any form or by any means without the expressed written consent of the publisher.

Parts Ordering Information

Alliance Laundry Systems is not responsible for personal injury or property damage resulting from improper service. Review all service information before beginning repairs.

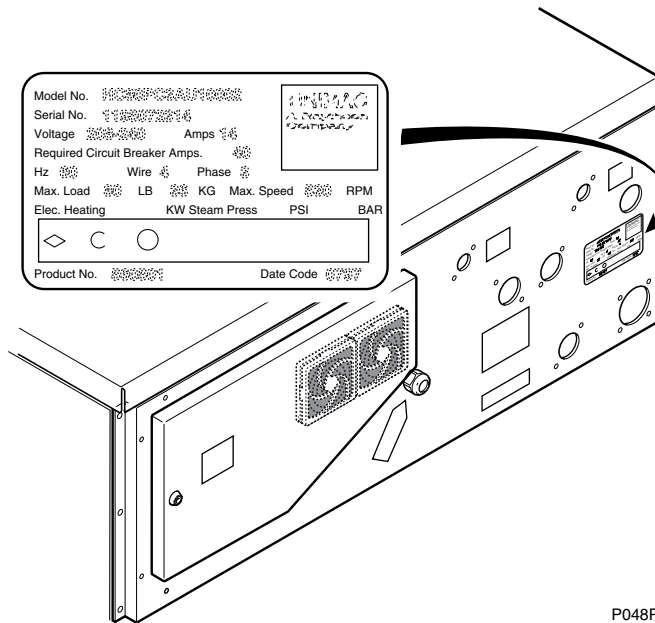
If literature or replacement parts are required, contact the source from whom the machine was purchased or contact Alliance Laundry Systems at (920) 748-3950 for the name of the nearest authorized parts distributor.

For technical assistance, call any of the following numbers:

(850) 718-1035
(850) 718-1026
Marianna, Florida
(920) 748-3121
Ripon, Wisconsin

Nameplate Location

When calling or writing about your product, be sure to mention model and serial numbers. Model and serial numbers are located on nameplate(s) as shown.

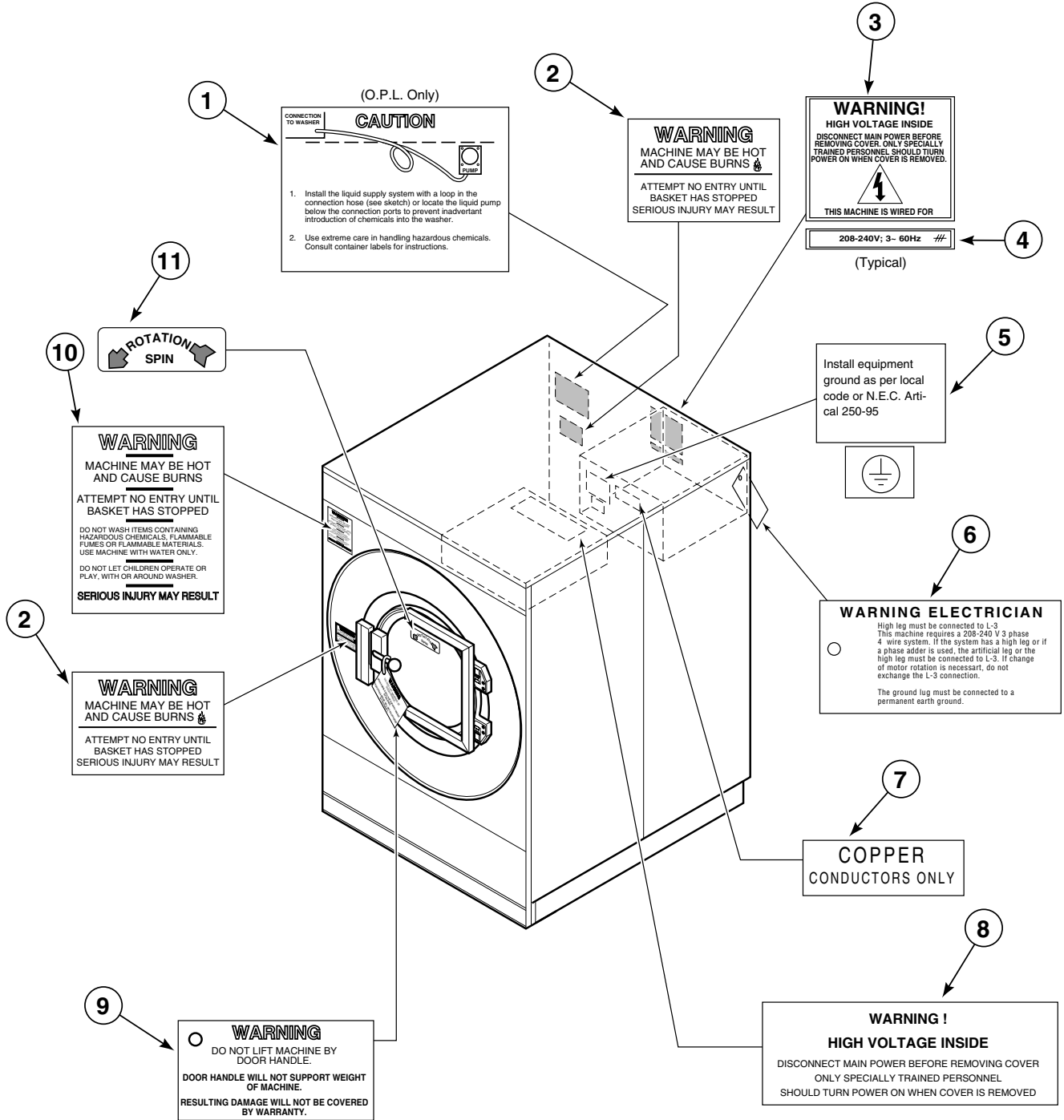


P048P

Model Identification

SC125VNV
UC125VNV

Decal Familiarization

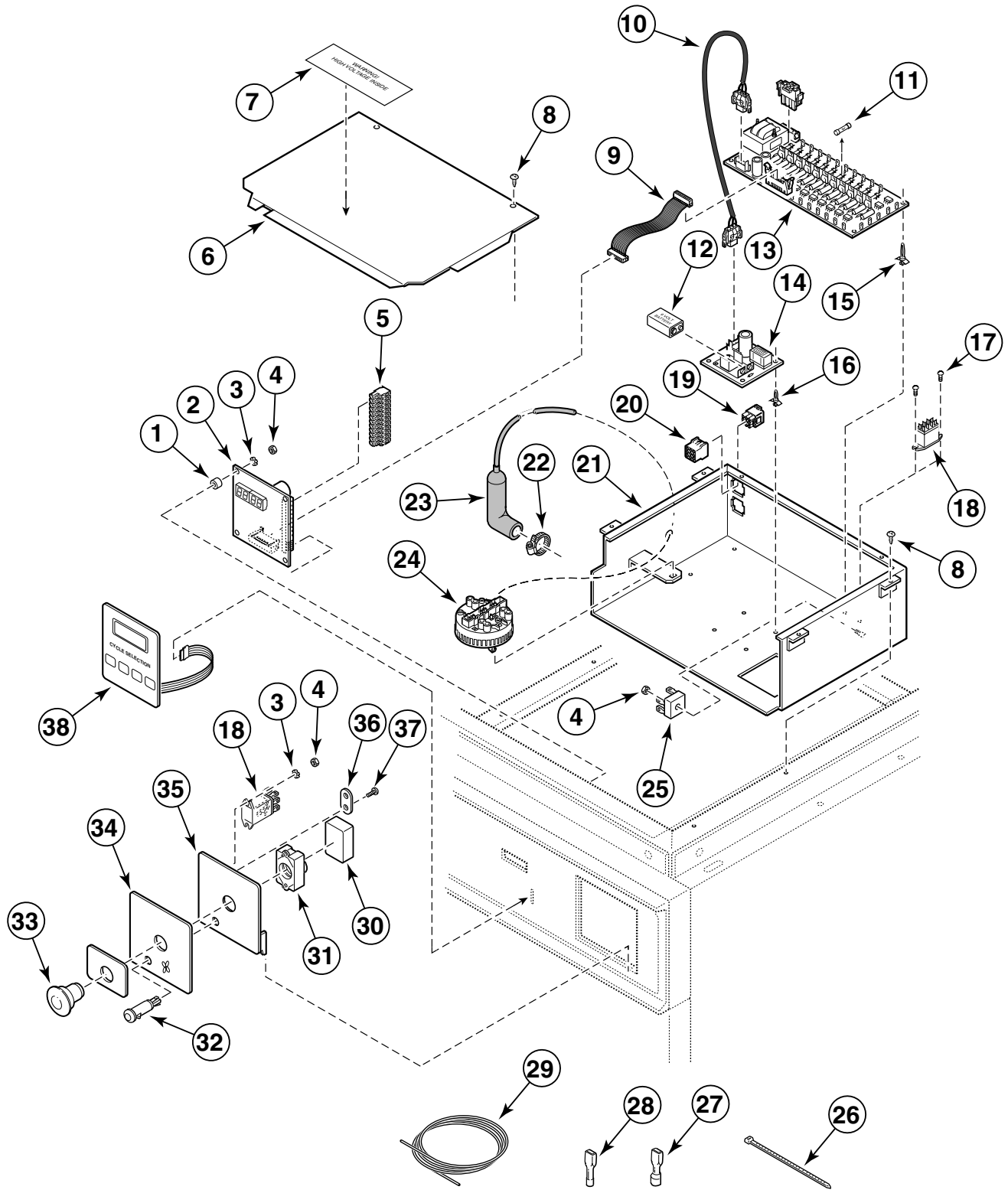


B099PE3A

Decal Familiarization

REF	PART #	DESCRIPTION	COMMENTS
1	F230877	Decal	OPL only
2	F230757	Decal	
3	F230206	Decal	
4	F230208	Decal	
5	F230630	Decal	
6	F230215-1	Decal	
7	F231146	Decal	
8	F230202	Decal	
9	F230216	Decal	
10	F231065	Decal	
11	F230693	Decal	

Control Module Assembly

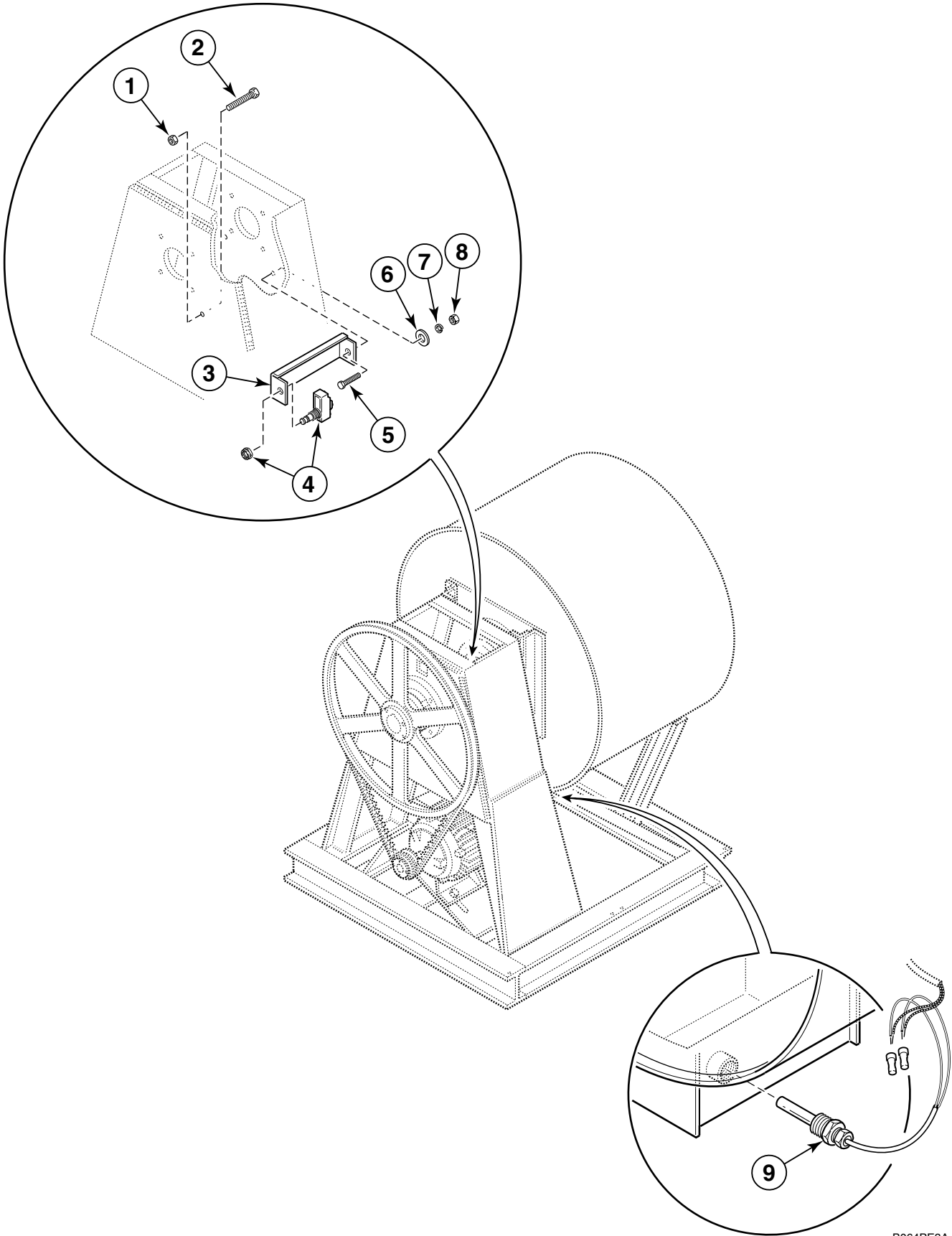


B127PE3C

Control Module Assembly

REF	PART #	DESCRIPTION	COMMENTS
1	F401206	Spacer	
2	F370313-13	Microcomputer	
3	F431113	Lockwasher	
4	F430231	Nut	
5	F140768	Terminal	10 pole
6	F633795	Cover	
7	F230206	Decal	Warning: High voltage
8	F430174	Screw	
9	F140219	Flat Ribbon Cable	
10	F140249	Wiring Harness	Battery backup
11	F350108	Fuse	1/8 Amp
	F350109	Fuse	1/2 Amp
	F350110	Fuse	1 Amp
12	F191101	Backup Battery	9 Volt
13	F370314P	Solid State Fuse/Relay Board	
14	F370529P	Battery Adapter Board	
15	F180501	PC Board Standoff	Tall
16	F432001	Circuit Board Support	
17	F430482	Screw	
18	F330227	Flange Relay	
19	F140678	Terminal Block Plug	Male; 9 position
20	F140677	Terminal Block Receptacle	Female; 9 position
21	F631579	Control Module Box	
22	F200215	Clamp	#28
23	F200163	Air Trap Hose	
24	F340318	Three Level Water Pressure Switch	
25	F370310	Bridge Rectifier	
26	F140605	Cable Tie	
27	F140552	Connector	18 gauge; Female
28	F140559	Connector	18 gauge; Female
29	F140149	Wire	18 Gauge; Gray; Sold per foot
30	F340429	Contact Block Switch	
31	F340705	Pushbutton Mounting Base	
32	F350412	Light	Red
33	F340706	Emergency Switch Pushbutton	
34	F231391	Decal	Emergency stop
35	F633750	Cover	
36	F601515	Clip	
37	F430995	Screw	
38	F340608	Membrane Switch	

Balance Switch and Temperature Probe

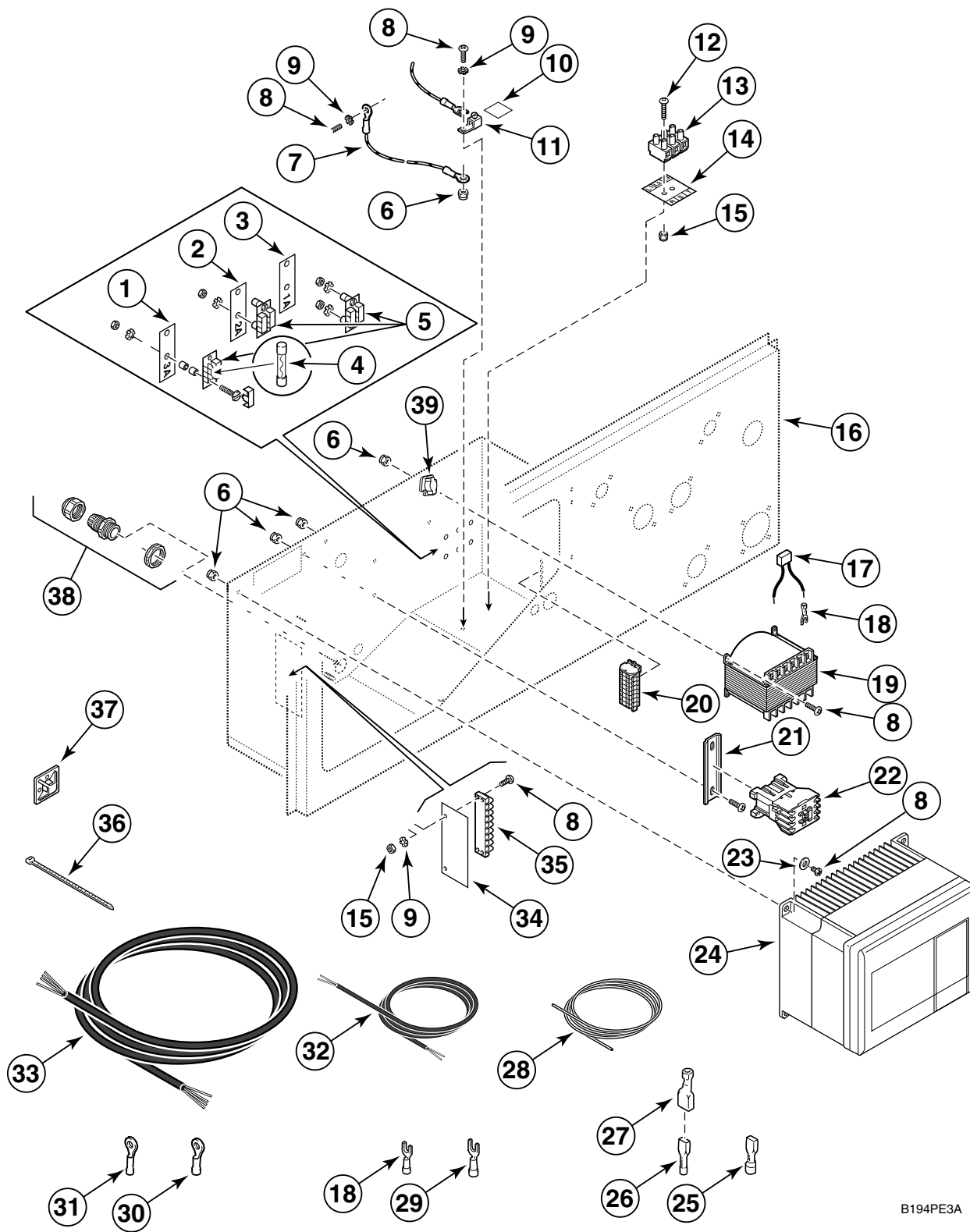


B064PE3A

Balance Switch and Temperature Probe

REF	PART #	DESCRIPTION	COMMENTS
1	F430206	Nut	
2	F430124	Screw	
3	F601750	Balance Switch Bracket	
4	F340900	Switch	
5	F430109	Screw	
6	F430301	Washer	
7	F430305	Lockwasher	
8	F430205	Nut	
9	F370606	Temperature Probe	

AC Inverter Drive

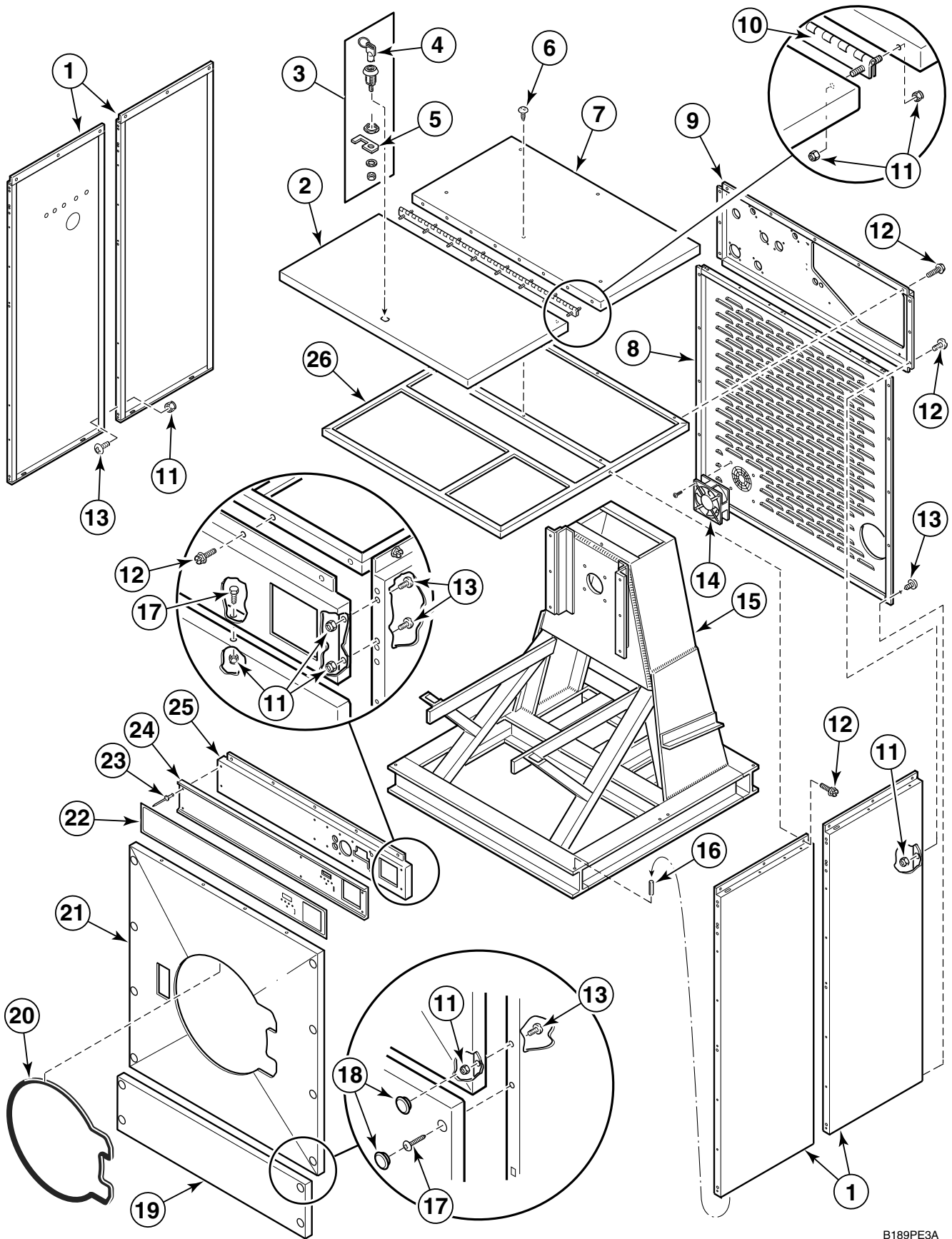


B194PE3A

AC Inverter Drive

REF	PART #	DESCRIPTION	COMMENTS
1	F231271	Decal	External supply fuse
2	F231394	Decal	Fuse
3	F231393	Decal	Fuse
4	F350110	Fuse	1 Amp
	F350117	Fuse	2 Amp
	F350115	Fuse	3 Amp
5	F350312	Dual Fuseholder	
6	F430231	Nut	
7	F140161	Ground Wire	
8	F430928	Screw	
9	F431113	Lockwasher	
10	F230630	Ground Decal	
11	F140734	Ground Lug	
12	F430916	Screw	
13	F140747	Input Power Block	
14	F230677	Input Power Decal	
15	F431022	Nut	
16	F633581	Valve Panel	
17	F330217	RC Network Filter	
18	F140598	Connector	
19	F360125	Transformer	Male; Multi-pri; 120 Volt
20	F140757	Neutral Bus Bar Connector	
21	F602595-4	Rail Mounting Connector	
22	F330178	Contactora	120 Volt
23	F430137	Screw	
24	F370838	Inverter Drive	200 Volt; 7.5 Horsepower
	F370835	Inverter Drive	400 Volt; 7.5 Horsepower
25	F140552	Insulated Spade Terminal	Female
26	F140559	Insulated Spade Terminal	Female
27	F140627	Connector	Male
28	F140149	Wire	Gray; Sold per foot
29	F140666	Snap Spade Connector	
30	F140714	Ring Eye Connector	14 gauge
31	F140713	Ring Eye Connector	10 gauge
32	F140226	Cable	2 conductor; Sold per foot
33	F140225	Cable	4 conductor; Sold per foot
34	F230764	Decal	External supply
35	F140738	Terminal Strip	
36	F140605	Cable Tie	
37	F140602	Fastener	Tie wrap clamp
38	F140331	Strain Relief Connector	
39	F290115	Thermostat	

Cover, Panels and Frame Assembly

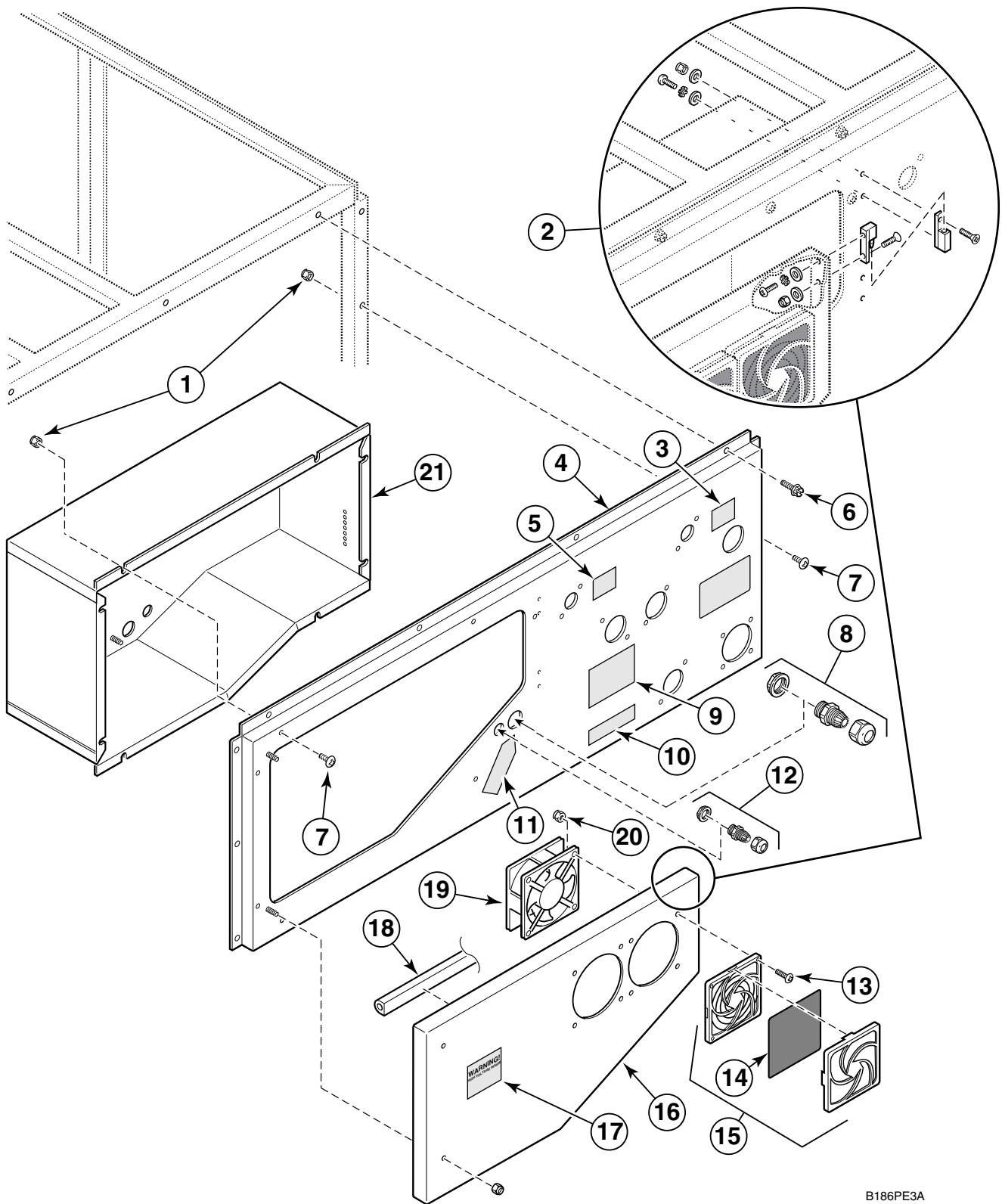


B189PE3A

Cover, Panels and Frame Assembly

REF	PART #	DESCRIPTION	COMMENTS
1	F633566	Side Panel	Reversible
	F634190	Side Panel	Side mount soap dispenser
2	F633602	Front Top Cover	
3	F190802	Lock Assembly	GR3800
4	F160562	Key	GR3800; Use with item 3
5	F633713	Latch	
6	F430986	Screw	
7	F633592	Rear Top Cover	
8	F633611	Rear Panel	
9	F633581	Valve Panel	
10	F633958	Top Cover Hinge	
11	F430232	Nut	
12	F430179	Screw	
13	F430929	Screw	
14	F110100	Fan	115 Volt
15	F633272	Frame Assembly	
16	F430939	Roll Pin	
17	F430174	Screw	
18	F140563	Plug	
19	F633565	Front Bottom Panel	
20	F170400	Edge Trim	Sold per foot
21	F633564	Front Panel	
22	F231390	Control Panel Decal	
23	F430418	Rivet	
24	F150479	Outer Control Panel	
25	F633563	Top Front Panel	
26	F633562	Top Frame Weldment	

Rear Top Panel

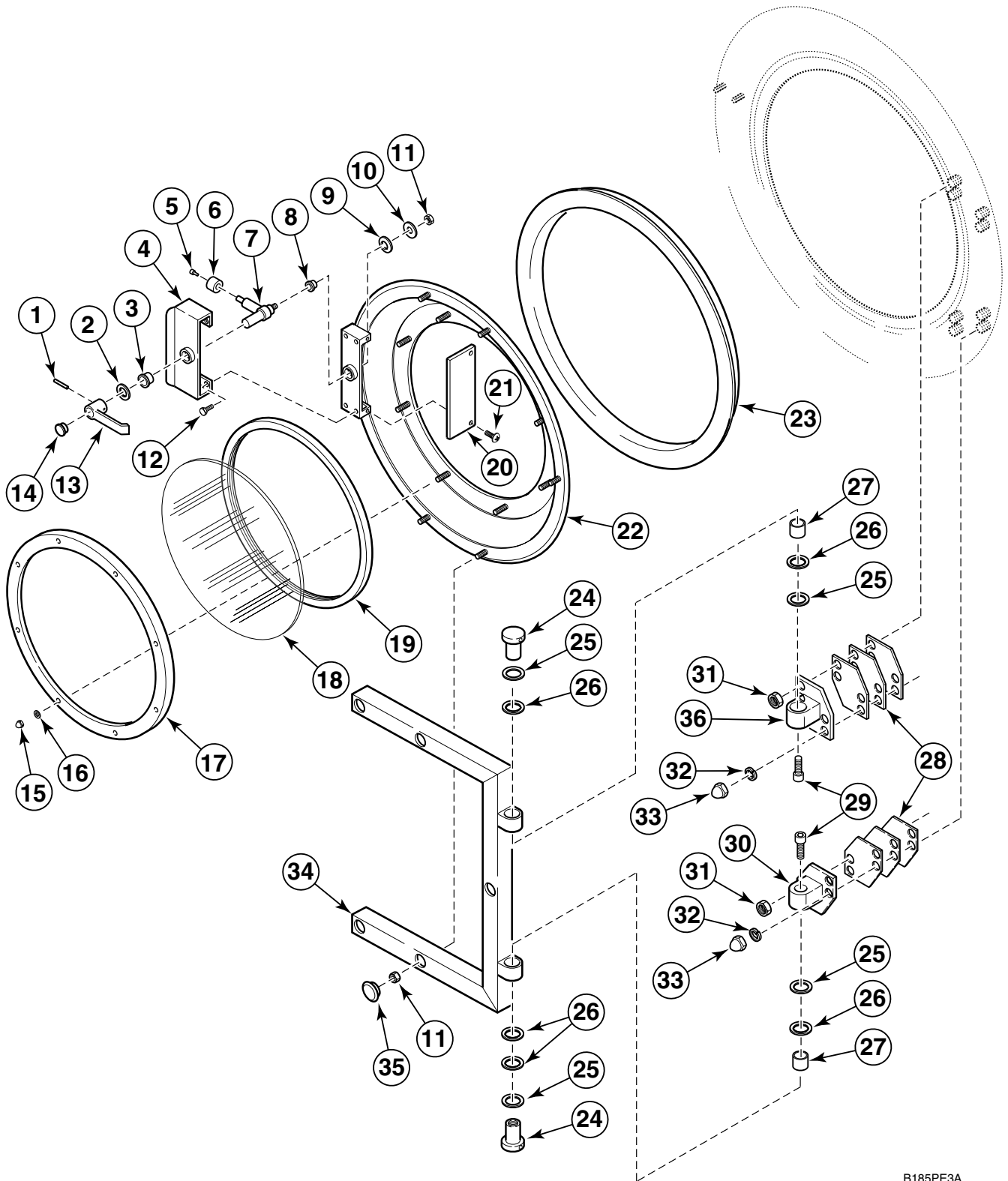


B186PE3A

Rear Top Panel

REF	PART #	DESCRIPTION	COMMENTS
1	F431024	Nut	
2	F190209	Hinge	
3	F230856	Decal	Hot water
4	F633581	Valve Panel	
5	F230857	Decal	Cold water
6	F430179	Screw	
7	F430929	Screw	
8	F140331	Strain Relief Connector	Large
9	F230877	Chemical Supply Decal	
10	F230745	Decal	Lube
11	F230917-1	Decal	External supply connection
	F230917-2	Decal	External supply connection
12	F140329	Strain Relief Connector	Small
13	F430910	Screw	
14	F270321	Filter	
15	F220900	Filter Assembly	
16	F633588	Door	Includes decal
17	F230206	Decal	Warning: High voltage
18	F170176	Gasket	Sold per foot
19	F110106	Cooling Fan	
20	F430231	Nut	
21	F633632-1	AC Box Assembly	Q Voltage
	F633632-2	AC Box Assembly	P and N Voltage

Door Assembly

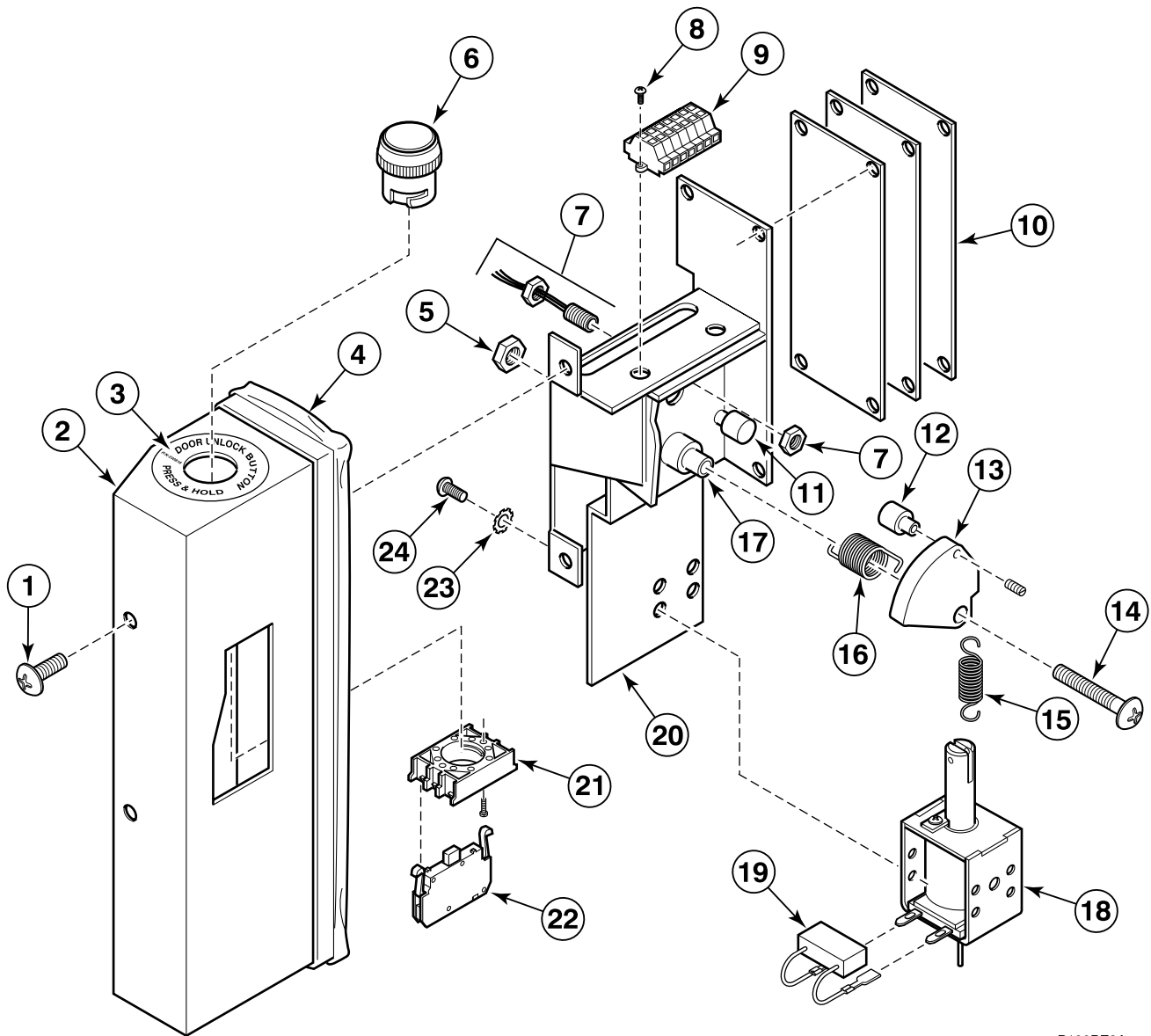


B185PE3A

Door Assembly

REF	PART #	DESCRIPTION	COMMENTS
1	F431222	Pin	
2	F431907	Washer	
3	F280253	Bushing	
4	F633640	Door Support	
5	F340502	Magnet	
6	F100145	Follower Cam	
7	F608536	Pivot Lock Weldment	
8	F280252	Bushing	
9	F431143	Washer	
10	F431142	Washer	
11	F431024	Nut	
12	F430923	Screw	
13	F150225	Door Handle	
14	F140563	Plug	
15	F431026	Cap Nut	
16	F431100	Lockwasher	
17	F320102	Door Glass Retainer	
18	F290210P	Glass	
19	F170115	Door Glass Seal	
20	F633792	Door Support Cover	
21	F430986	Screw	
22	F633650	Door Weldment	
23	F170162	Door Gasket	
24	F432306	Hinge Pin	
25	F431934	Washer	Nylon
26	F431933	Washer	Neoprene
27	F280293	Bearing Sleeve	
28	F633666	Shim	
29	F432285	Screw	
30	F633753	Base Weldment	
31	F431036	Nut	
32	F431139	Lockwasher	
33	F431047	Nut	
34	F633663	Hinge Weldment	
35	F190309	Cap Plug	
36	F633751	Base Weldment	

Door Lock Assembly

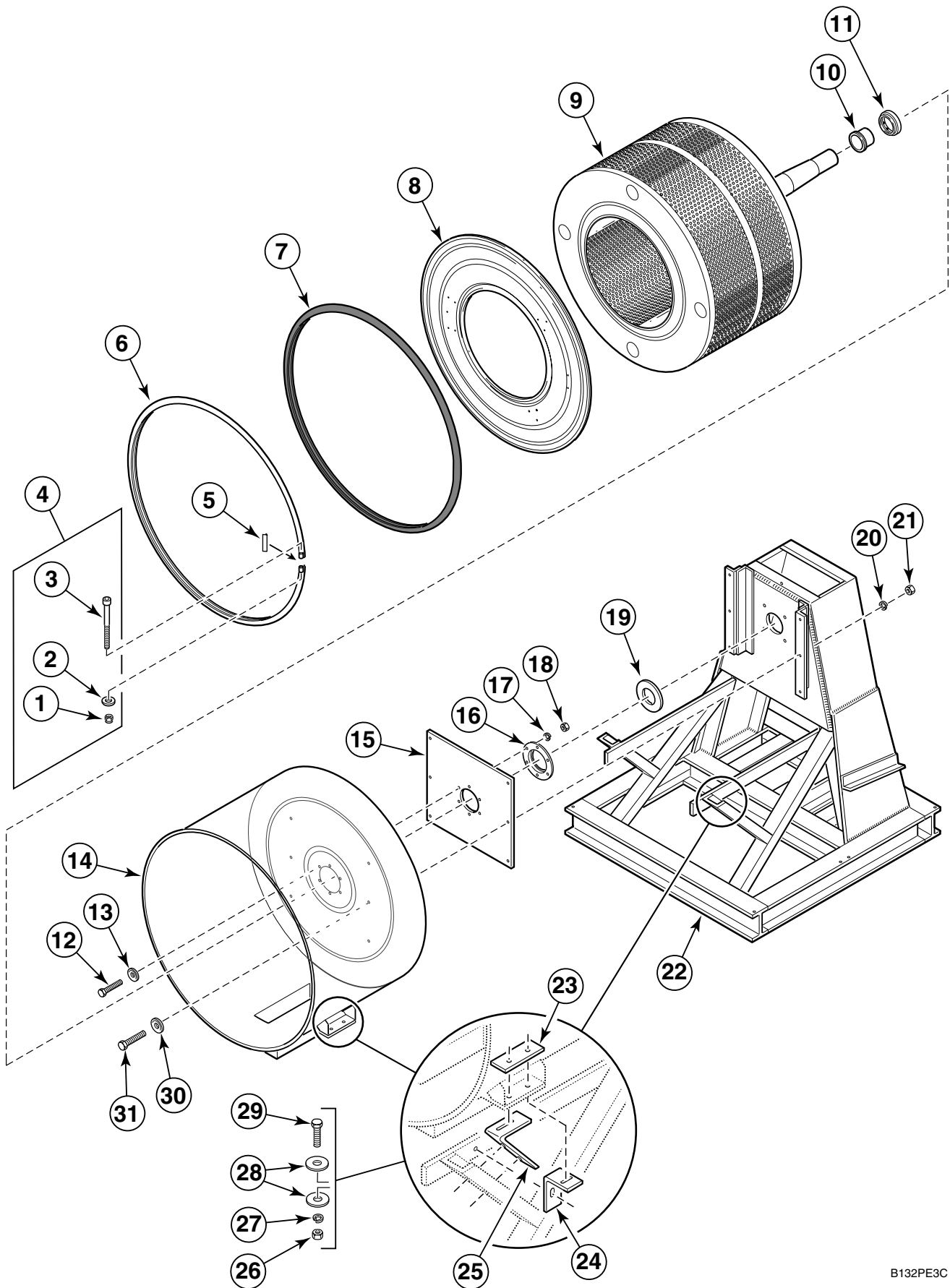


B190PE3A

Door Lock Assembly

REF	PART #	DESCRIPTION	COMMENTS
1	F430929	Screw	
2	F606529	Door Lock Cover	
3	F230816	Decal	Door unlock
4	F170404	Trim	
5	F430215	Nut	
6	F340709	Pushbutton	
7	F340503	Hall Effect Switch	
8	F430928	Screw	
9	F140766	Terminal	
10	F607602	Shim	
11	F340702	Reed Switch	
12	F340502	Magnet	
13	F150416	Door Lock Cam	
14	F430921	Screw	
15	F310107	Spring	
16	F310133	Spring	
17	F432302	Cam Spacer	
18	F300122	Solenoid	110 Volt
19	F330217	RC Network Filter	
20	F606540	Door Lock Bracket	
21	F340705	Mounting Base	
22	F340428	Switch	
23	F431106	Lockwasher	
24	F430995	Screw	

Basket and Outer Tub Assembly

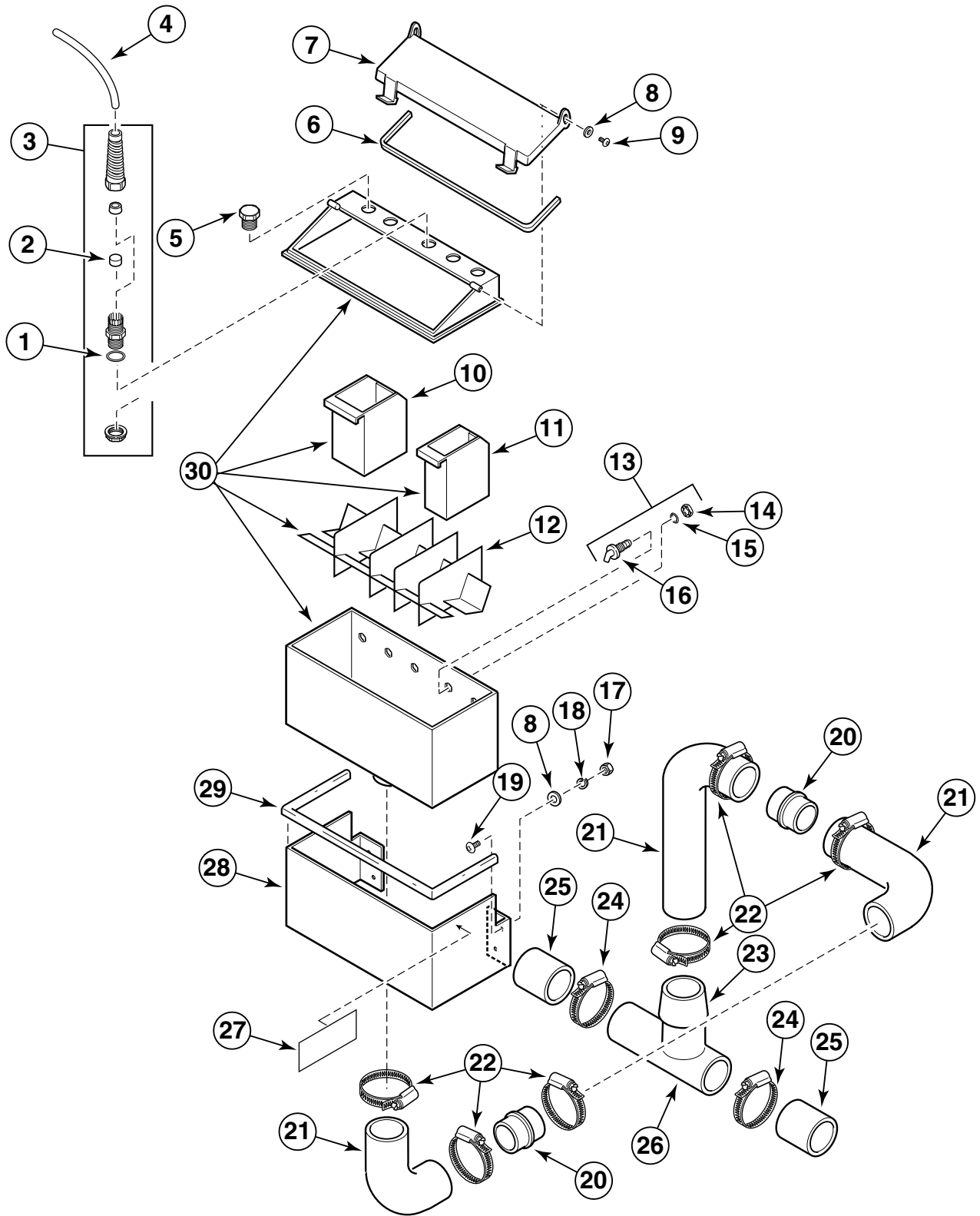


B132PE3C

Basket and Outer Tub Assembly

REF	PART #	DESCRIPTION	COMMENTS
	F730085	Shaft Seal Kit	Includes items 10, 17, 29, 30 and hardware
1	F430215	Nut	
2	F430317	Washer	
3	F430500	Screw	
4	F791001	Shell Band Fastener Kit	Includes items 1, 2 and 3
5	F601216	Shell Gasket Shield	
6	F603630	Shell Band Assembly	
7	F610064	Shell Front Seal	
8	F633952	Shell Front Assembly	
9	F633619	Basket Assembly	
10	F602507	Collar Assembly	
11	F100295	Shaft Seal	
12	F430913	Screw	
13	F431112	Washer	
14	F634647	Shell Assembly	
15	F601718	Backplate Reinforcement	
16	F603617	Retainer Seal	
17	F431100	Spring Lockwasher	
18	F431005	Nut	
19	F100205	Slinger	
20	F430321	Spring Lockwasher	
21	F430212	Nut	
22	F633272	Frame Assembly	
23	F601950	Shell Mounting Washer	
24	F601951	Shell Bracket Support	
25	F603592	Adjusting Bracket Assembly	Left
	F603615	Adjusting Bracket Assembly	Right
26	F430205	Nut	
27	F430305	Lockwasher	
28	F430301	Washer	
29	F430109	Screw	
30	F431116	Washer	
31	F430924	Screw	

Optional Supply Dispenser

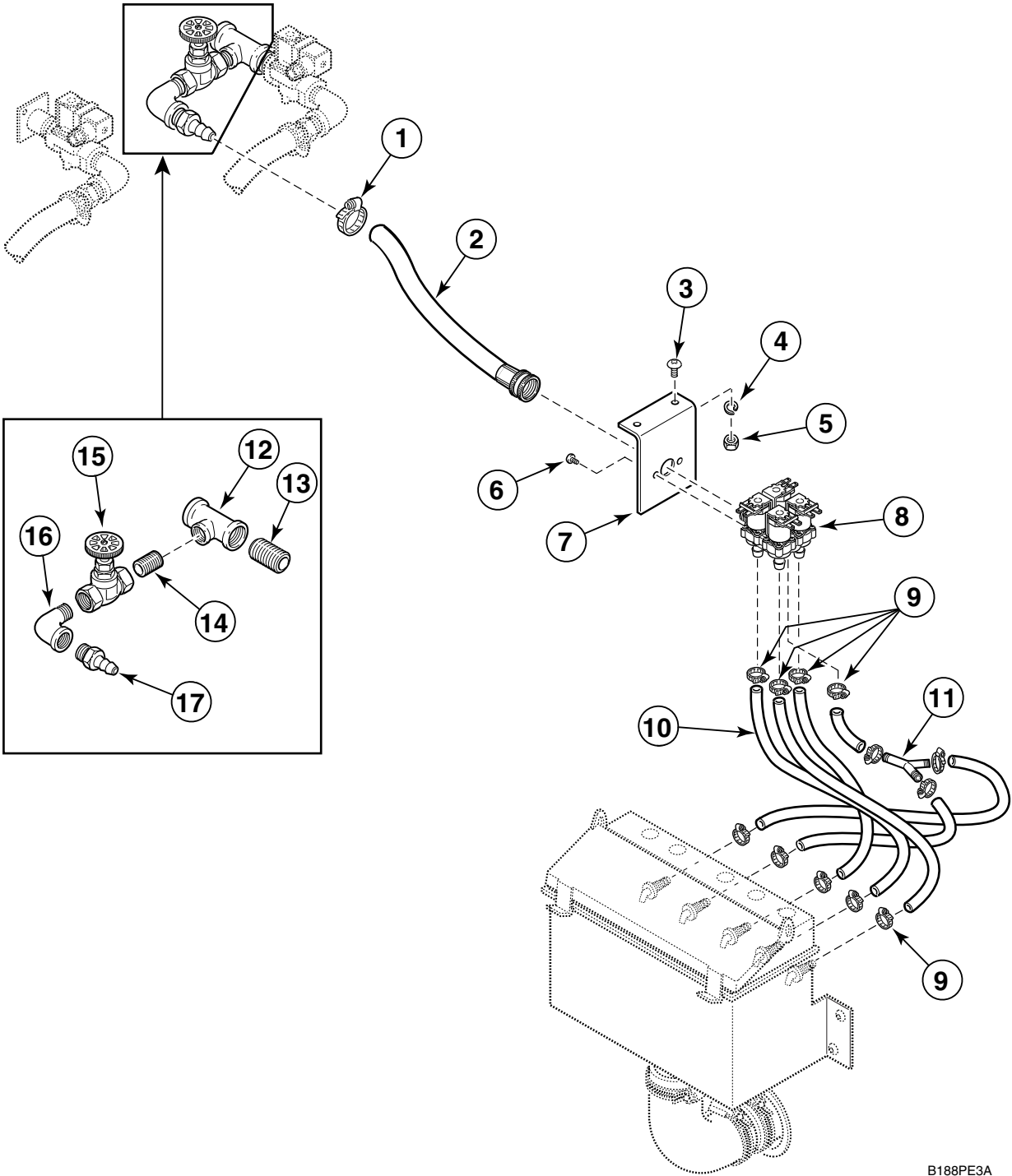


B126PE3B

Optional Supply Dispenser

REF	PART #	DESCRIPTION	COMMENTS
1	F170215	O-Ring	
2	F170165	Strain Relief Plug	
3	F749802	Strain Relief Kit	
4	F150390	Tubing	
5	F190304	Cap Plug	
6	F170158	Supply Dispenser Lid Gasket	
7	F150384	Supply Dispenser Lid	
8	F431147	Washer	
9	F430956	Screw	
10	F150386	Chemical Supply Cup	32 ounces
11	F150385	Chemical Supply Cup	20 ounces
12	F150388	Dry Supply Insert	
13	F730168	Soap Injection Nozzle Kit	
14	F430224	Nut	
15	F170208	O-Ring	
16	F380300	Supply Nozzle	
17	F430215	Nut	
18	F431100	Lockwasher	
19	F430925	Screw	
20	F150412	Coupling	
21	F150391	Hose	
22	F200213	Clamp	#40
23	F610799	Pipe	
24	F200219	Clamp	#48
25	F610154	Pipe	
26	F422803	Tee	
27	F231020	Decal	Polypropylene dispenser
28	F634189	Soap Dispenser Shroud	
29	F170401	Inner Front Panel Gasket	Sold per foot
30	F150500	Supply Dispenser Assembly	

Water Supply Valve and Hoses to (Optional) Supply Dispenser

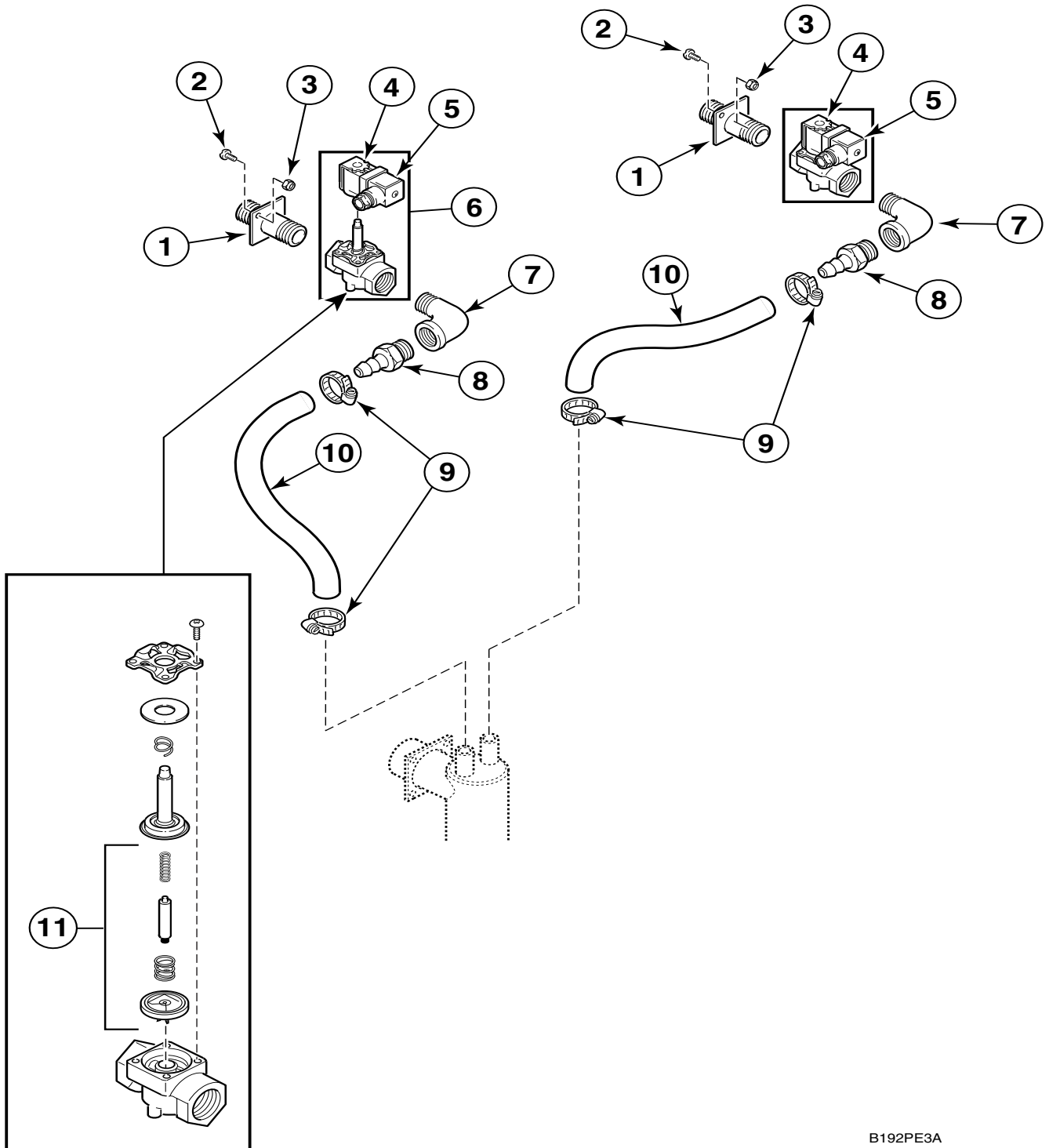


B188PE3A

Water Supply Valve and Hoses to (Optional) Supply Dispenser

REF	PART #	DESCRIPTION	COMMENTS
1	F200207	Hose Clamp	
2	F150493	Supply Hose	
3	F430939	Screw	
4	F431147	Washer	
5	F431024	Nut	
6	F430948	Screw	
7	F634261	Bracket	
8	F381724	4-Way Supply Valve	110/120 Volt 50/60 Hertz; Elbi
9	F200202	Clamp	#6
10	F200110	Hose	Sold per foot
11	F422808	Y-Connector	
12	F420419	Tee	
13	F420118	Nipple	
14	F420101	Nipple	
15	F380500	Gate Valve	
16	F420500	Elbow	
17	F421930	Hose Barb	

Water Inlet Valves and Hoses

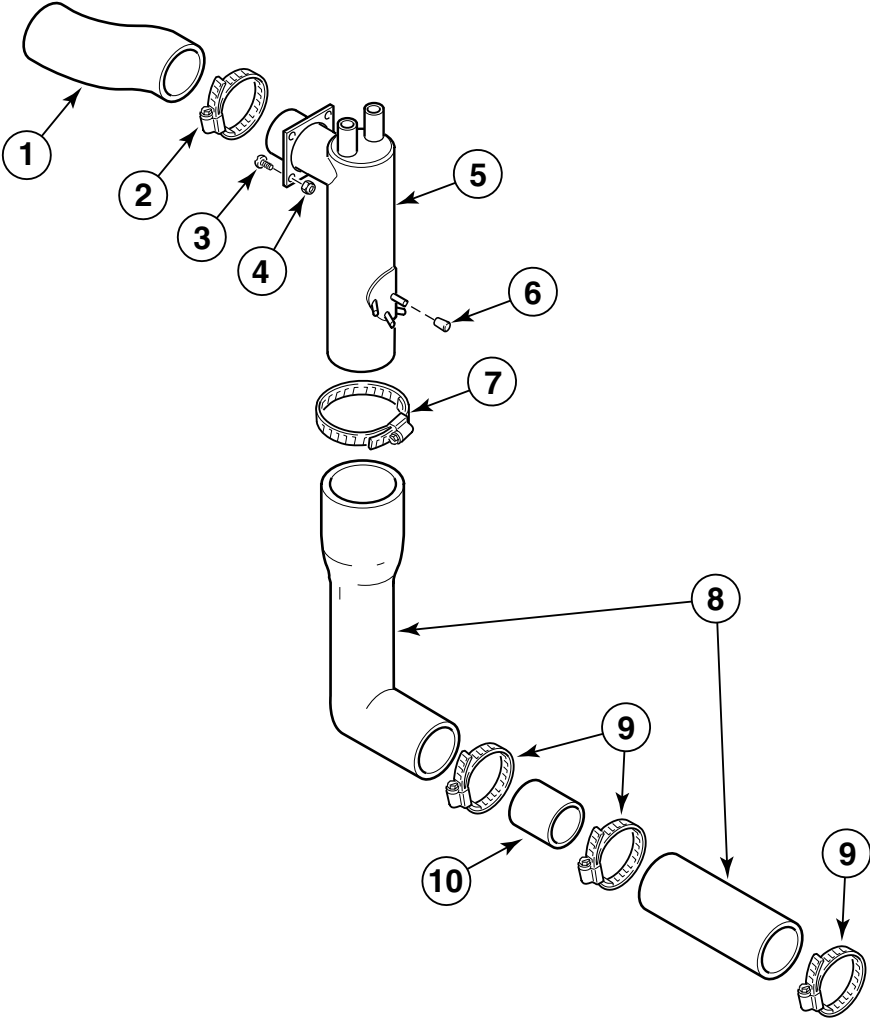


B192PE3A

Water Inlet Valves and Hoses

REF	PART #	DESCRIPTION	COMMENTS
1	F607515	Water Inlet Connector	4 inch; For models with side mount soap dispenser
	F607532	Water Inlet Connector	7 inch; For models without side mount soap dispenser
2	F430928	Screw	
3	F430231	Nut	
4	F300127	Solenoid Coil	110 Volt; Parker
5	F140609	Din Connector	
6	F381727	Valve	Parker
7	F421706	Elbow	
8	F421952	Hose Barb	
9	F200222	Clamp	#12
10	F200155	Hose	Sold per foot
11	F380898	Valve Repair Kit	Each valve requires one (1) repair kit; Parker

Siphon Break and Hoses

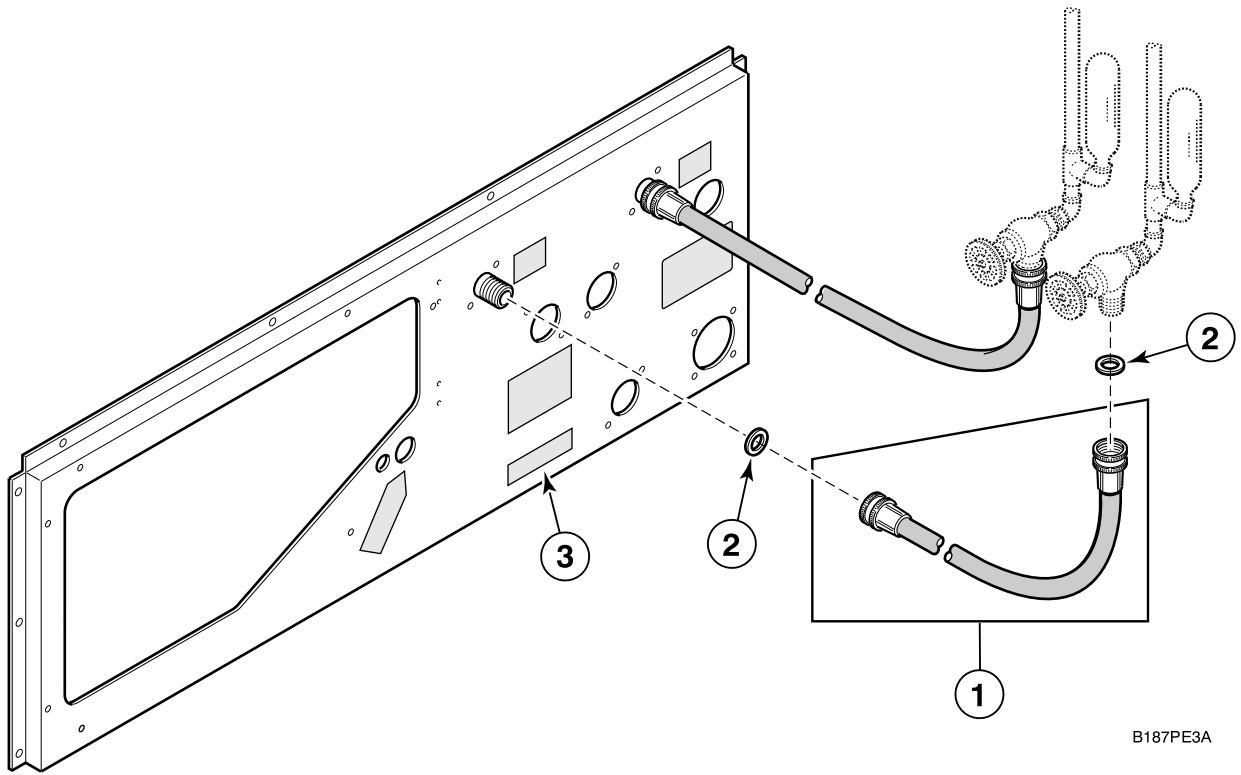


B191PE3A

Siphon Break and Hoses

REF	PART #	DESCRIPTION	COMMENTS
1	F150309	Hose	
2	F200213	Clamp	
3	F430928	Screw	
4	F430231	Nut	
5	F633606	Siphon Break	
6	F190303	Cap	
7	F200219	Clamp	#48
8	F150399	Hose	
9	F200415	Clamp	#36
10	F602365-7	Coupling	

Water Supply Hoses

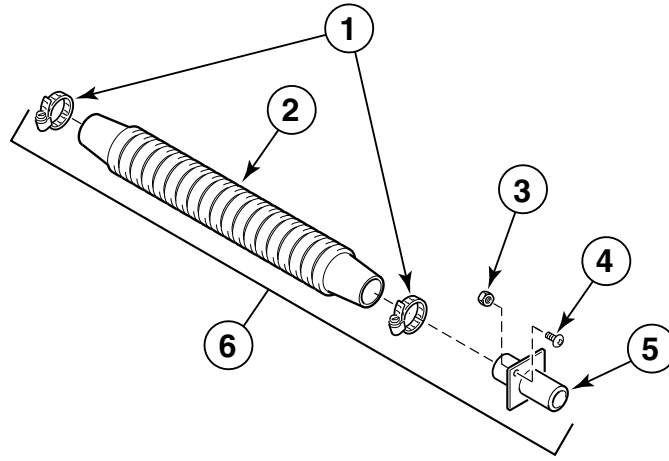


B187PE3A

Water Supply Hoses

REF	PART #	DESCRIPTION	COMMENTS
1	F200185	Hose	
2	F200503	Hose Washer	
3	F231380	Decal	Steam valve

Vent Pipes

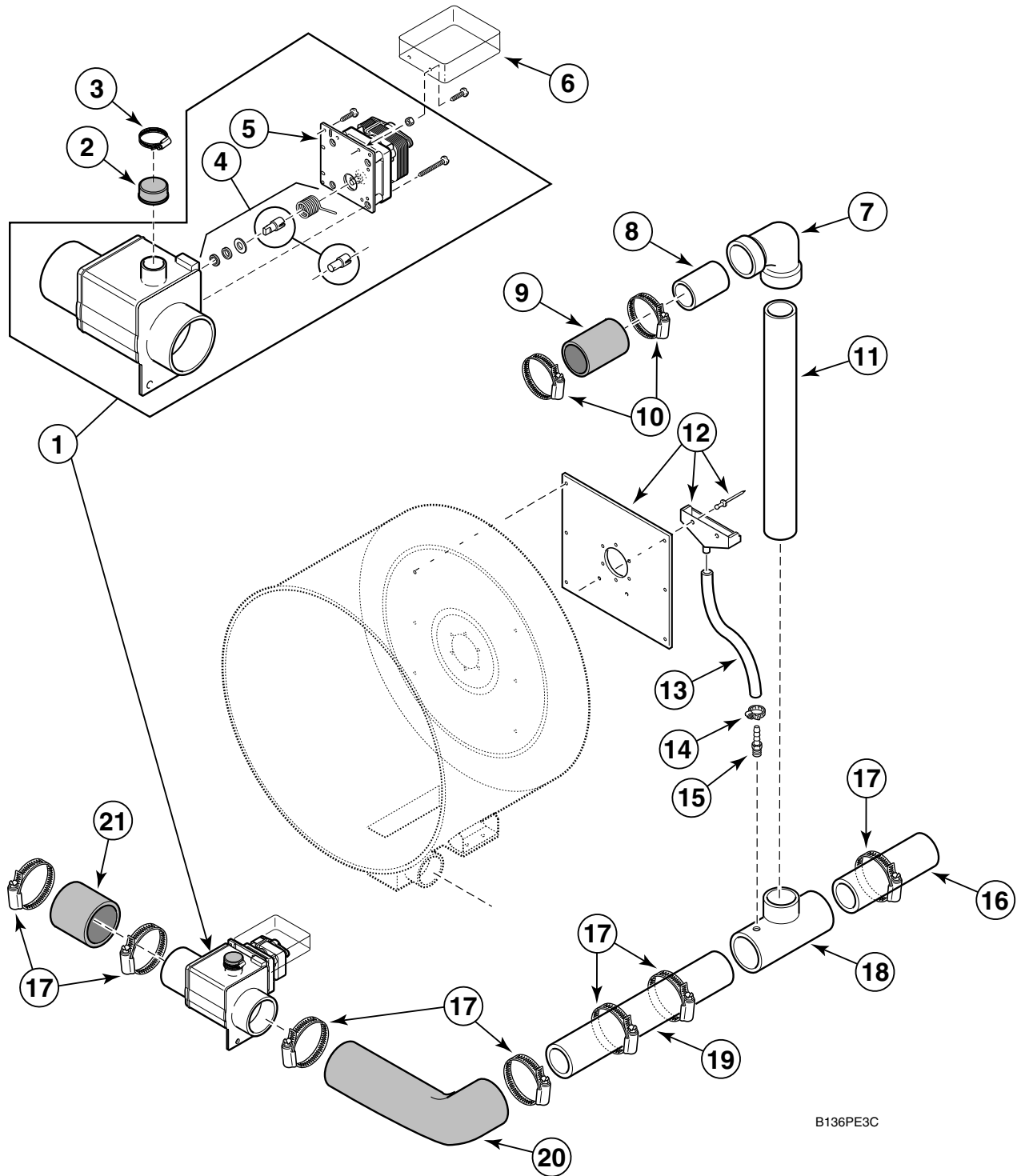


B193PE3A

Vent Pipes

REF	PART #	DESCRIPTION	COMMENTS
1	F200204	Clamp	#20
2	F200170	Vent Flex Hose	
3	F430215	Nut	
4	F430925	Screw	
5	F422517	Vent Nipple	
6	F634256	Vent Assembly	

Drain System

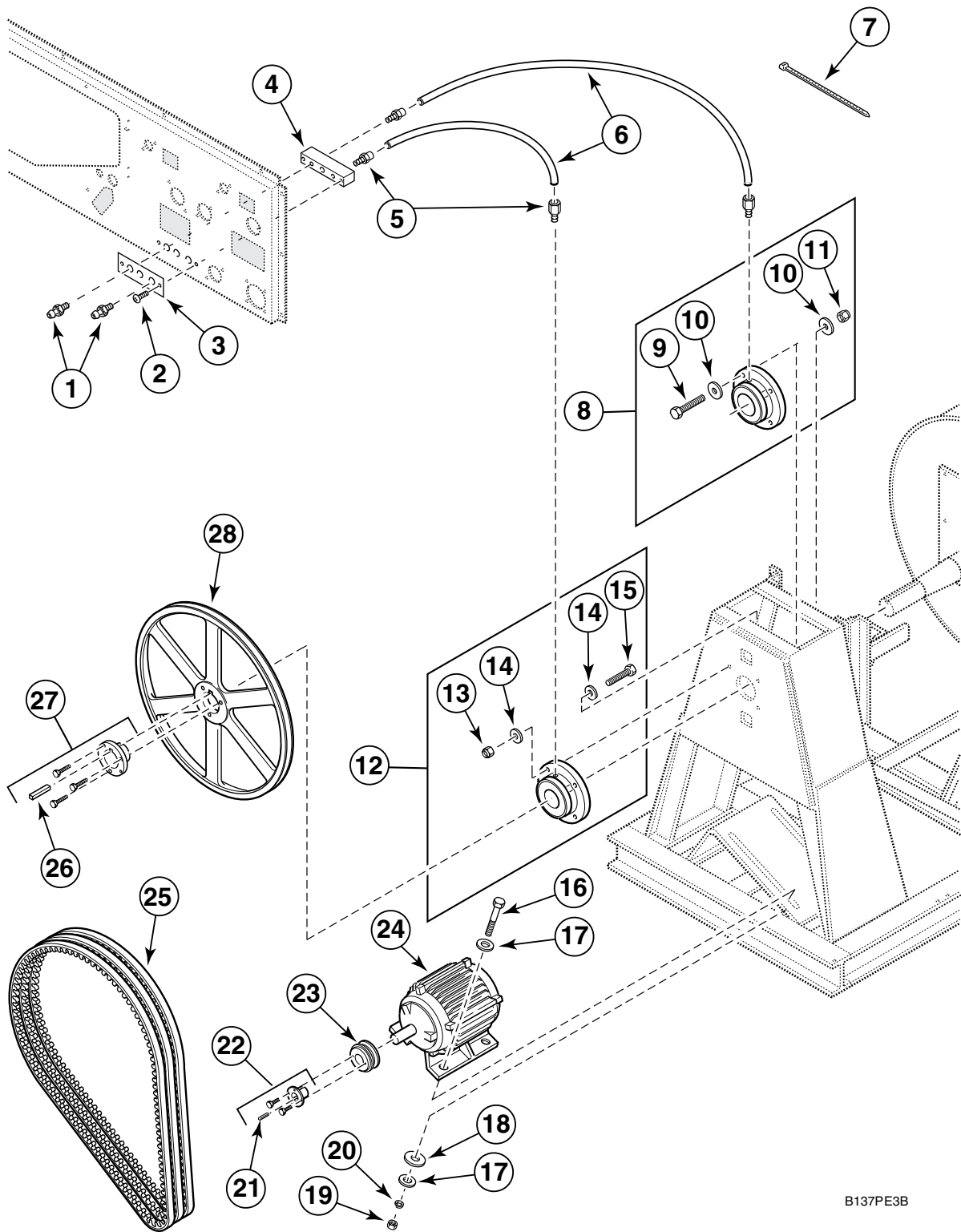


B136PE3C

Drain System

REF	PART #	DESCRIPTION	COMMENTS
1	F380628	Drain Valve	120 Volt/60 Hertz
2	F150352	Overflow Plug	
3	F200215	Clamp	
4	F380918	Main Drive Kit	
5	F380943	Drain Valve Motor	110 Volt/60 Hertz; Keyed shaft
6	F602761	Drain Valve Motor Cover	
7	F422900	Elbow	
8	F610822	Pipe	
9	F609401	Hose	
10	F200213	Clamp	#40
11	F610824	Pipe	
12	F604051	Shell Plate Kit	Includes scupper
13	F200107	Hose	Sold per foot
14	F200207	Clamp	#8
15	F421929	Hose Barb	
16	F610036	Pipe	
17	F200201	Clamp	#56
18	F422803	Tee	
19	F610037	Pipe	
20	F150411	Hose	
21	F150442	Drain Hose	

Motor and Pulley Assembly

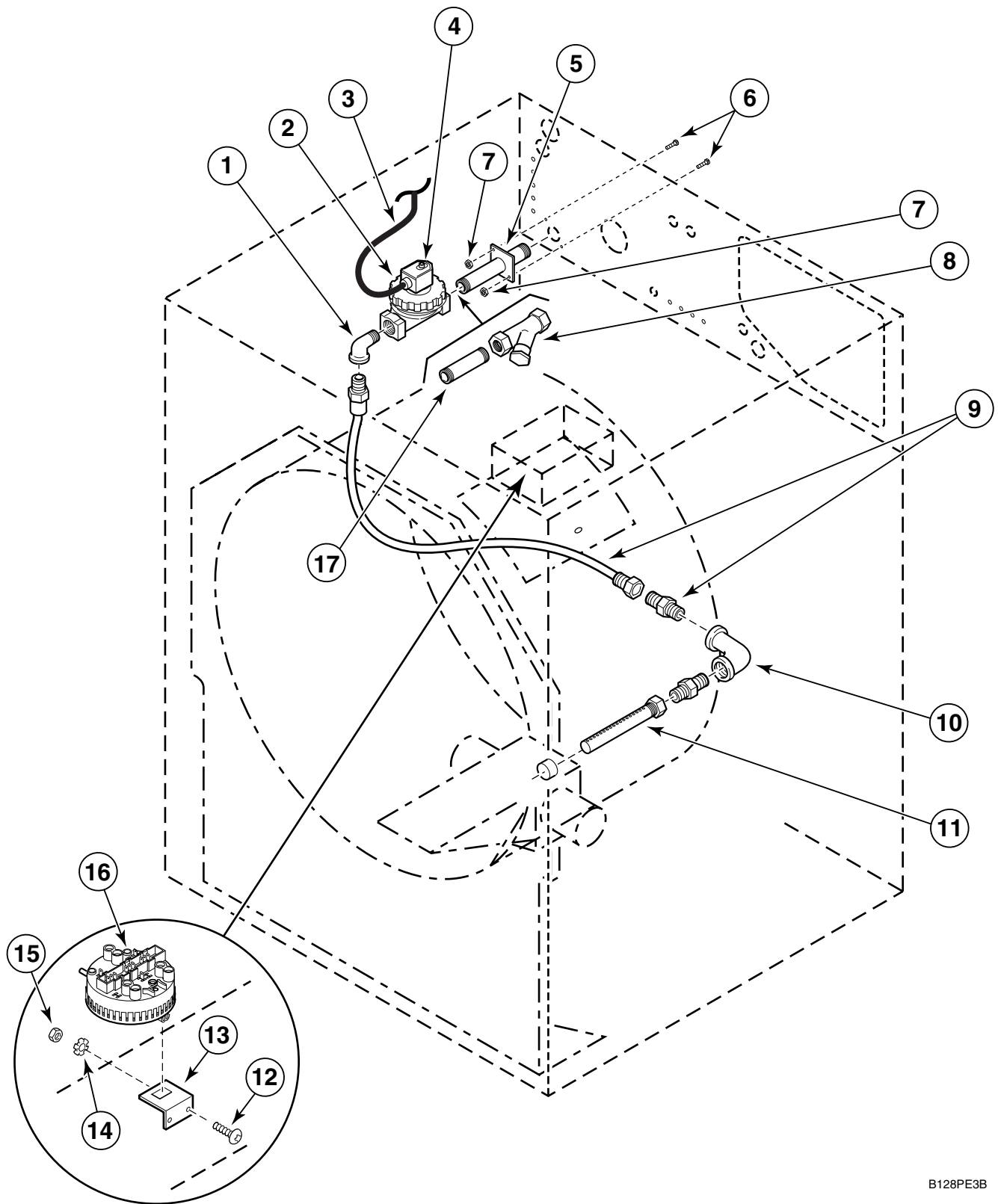


B137PE3B

Motor Pulley and Assembly

REF	PART #	DESCRIPTION	COMMENTS
1	F190701	Grease Fitting	
2	F430916	Screw	
3	F230745	Decal	
4	F320326	Grease Manifold	
5	F422101	Air Coupling	
6	F200190	Tubing	
7	F140605	Cable Tie	
8	F745003	Front Bearing	Includes seal and attaching hardware
9	F430141	Bolt	
10	F430329	Washer	
11	F430203	Nut	
12	F745010	Rear Bearing	
13	F430200	Nut	
14	F430327	Washer	
15	F430136	Bolt	
16	F430993	Screw	
17	F430301	Washer	
18	F430300	Washer	
19	F430205	Nut	
20	F430305	Spring Lockwasher	
21	F430802	Key	
22	F280242	Motor Pulley Bushing	Includes screws and key
23	F280289	Pulley	
24	F220237	Motor	Magnetek; Current production; Replaces all previous motors but may need new parameter sets
25	F280371	Belt	
26	F608824-1	Key	
27	F280294	Bushing	Includes screws and key
28	F150268	Pulley	

Steam Heat Option



B128PE3B

Steam Heat Option

REF	PART #	DESCRIPTION	COMMENTS
	F640242	Steam Heat Option Kit	Includes items 15 and F634097 Steam Assembly
1	F421106	Street Elbow	
2	F380788	Steam Valve	120 Volt; 3/4 inch; Parker
	F380796	Steam Valve	220 Volt; 3/4 inch; Parker
3	F140887	Wire Harness Assembly	
4	F380986	Coil	120 Volt
	F380987	Coil	240 Volt
5	F607660	Nipple	
6	F430925	Screw	
7	F430215	Nut	
8	F270308	Steam Filter	
9	F200183	Steam Hose	Includes fitting
10	F421106	Elbow	
11	F632198	Steam Tube	
12	F430928	Screw	
13	F630242	Water Level Switch Bracket	
14	F431113	Washer	
15	F431022	Nut	
16	F340443	Tri-Level Water Switch	
17	F420106	Nipple	

Parts Index

A

AC Box Assembly	
F633632-1	15
F633632-2	15
Adjusting Bracket Assembly	
F603592	21
F603615	21
Air Coupling	
F422101	37
Air Trap Hose	
F200163	7

B

Backplate Reinforcement	
F601718	21
Backup Battery	
F191101	7
Balance Switch Bracket	
F601750	9
Base Weldment	
F633751	17
F633753	17
Basket Assembly	
F633619	21
Battery Adapter Board	
F370529P	7
Bearing Sleeve	
F280293	17
Belt	
F280371	37
Bolt	
F430136	37
F430141	37
Bracket	
F634261	25
Bridge Rectifier	
F370310	7
Bushing	
F280252	17
F280253	17
F280294	37

C

Cable	
F140225	11
F140226	11
Cable Tie	
F140605	7, 11, 37
Cam Spacer	
F432302	19
Cap	
F190303	29
Cap Nut	
F431026	17

Cap Plug	
F190304	23
F190309	17
Chemical Supply Cup	
F150385	23
F150386	23
Chemical Supply Decal	
F230877	15
Circuit Board Support	
F432001	7
Clamp	
F200201	35
F200202	25
F200204	33
F200207	35
F200213	23, 29, 35
F200215	7, 35
F200219	23, 29
F200222	27
F200415	29
Clip	
F601515	7
Coil	
F380986	39
F380987	39
Collar Assembly	
F602507	21
Connector	
F140552	7
F140559	7
F140598	11
F140627	11
Contact Block Switch	
F340429	7
Contacto	
F330178	11
Control Module Box	
F631579	7
Control Panel Decal	
F231390	13
Cooling Fan	
F110106	15
Coupling	
F150412	23
F602365-7	29
Cover	
F633750	7
F633795	7

D

Decal	
F230206	7, 15
F230745	15, 37
F230764	11
F230816	19
F230856	15
F230857	15
F230917-1	15
F230917-2	15
F231020	23
F231271	11

F231380	31
F231391	7
F231393	11
F231394	11
Din Connector	
F140609	27
Door	
F633588	15
Door Gasket	
F170162	17
Door Glass Retainer	
F320102	17
Door Glass Seal	
F170115	17
Door Handle	
F150225	17
Door Lock Bracket	
F606540	19
Door Lock Cam	
F150416	19
Door Lock Cover	
F606529	19
Door Support	
F633640	17
Door Support Cover	
F633792	17
Door Weldment	
F633650	17
Drain Hose	
F150442	35
Drain Valve	
F380628	35
Drain Valve Motor	
F380943	35
Drain Valve Motor Cover	
F602761	35
Dry Supply Insert	
F150388	23
Dual Fuseholder	
F350312	11

E

Edge Trim	
F170400	13
Elbow	
F420500	25
F421106	39
F421706	27
F422900	35
Emergency Switch Pushbutton	
F340706	7

F

Fan	
F110100	13
Fastener	
F140602	11
Filter	
F270321	15

Filter Assembly	
F220900	15
Flange Relay	
F330227	7
Flat Ribbon Cable	
F140219	7
Follower Cam	
F100145	17
Four-Way Supply Valve	
F381724	25
Frame Assembly	
F633272	13, 21
Front Bearing Kit	
F745003	37
Front Bottom Panel	
F633565	13
Front Panel	
F633564	13
Front Top Cover	
F633602	13
Fuse	
F350108	7
F350109	7
F350110	7, 11
F350115	11
F350117	11

G

Gasket	
F170176	15
Gate Valve	
F380500	25
Glass	
F290210P	17
Grease Fitting	
F190701	37
Grease Manifold	
F320326	37
Ground Decal	
F230630	11
Ground Lug	
F140734	11
Ground Wire	
F140161	11

H

Hall Effect Switch	
F340503	19
Hinge	
F190209	15
Hinge Pin	
F432306	17
Hinge Weldment	
F633663	17
Hose	
F150309	29
F150391	23
F150399	29
F150411	35
F200107	35

F200110	25
F200155	27
F609401	35
200185	31
Hose Barb	
F421929	35
F421930	25
F421952	27
Hose Clamp	
F200207	25
Hose Washer	
F200503	31

I

Inner Front Panel Gasket	
F170401	23
Input Power Block	
F140747	11
Input Power Decal	
F230677	11
Insulated Spade Terminal (Female)	
F140552	11
F140559	11
Inverter Drive	
F370835	11
F370838	11

K

Key	
F160562	13
F430802	37
F608824-1	37

L

Latch	
F633713	13
Light	
F350412	7
Lock Assembly	
F190802	13
Lockwasher	
F430305	9, 21
F431100	17, 23
F431106	19
F431113	7, 11
F431139	17

M

Magnet	
F340502	17, 19
Main Drive Kit	
F380918	35
Membrane Switch	
F340608	7
Microcomputer	
F370313-13	7

Motor	
F220237	37
Motor Pulley Bushing	
F280242	37
Mounting Base	
F340705	19

N

Neutral Bus Bar Connector	
F140757	11
Nipple	
F420101	25
F420106	39
F420118	25
F607660	39
Nut	
F430200	37
F430203	37
F430205	9, 21, 37
F430206	9
F430212	21
F430215	19, 21, 23, 33, 39
F430224	23
F430231	7, 11, 15, 27, 29
F430232	13
F431005	21
F431022	11, 39
F431024	15, 17, 25
F431036	17
F431047	17

O

O-Ring	
F170208	23
F170215	23
Outer Control Panel	
F150479	13
Overflow Plug	
F150352	35

P

PC Board Standoff	
F180501	7
Pin	
F431222	17
Pipe	
F610036	35
F610037	35
F610154	23
F610799	23
F610822	35
F610824	35
Pivot Lock Weldment	
F608536	17
Plug	
F140563	13, 17
Pulley	
F150268	37
F280289	37

Pushbutton	
F340709	19
Pushbutton Mounting Base	
F340705	7

R

Rail Mounting Connector	
F602595-4	11
RC Network Filter	
F330217	11, 19
Rear Bearing Kit	
F745010	37
Rear Panel	
F633611	13
Rear Top Cover	
F633592	13
Reed Switch	
F340702	19
Retainer Seal	
F603617	21
Ring Eye Connector	
F140713	11
F140714	11
Rivet	
F430418	13
Roll Pin	
F430939	13

S

Screw	
F430109	9, 21
F430124	9
F430137	11
F430174	7, 13
F430179	13, 15
F430482	7
F430500	21
F430910	15
F430913	21
F430916	11, 37
F430921	19
F430923	17
F430924	21
F430925	15, 23, 33, 39
F430928	11, 19, 27, 29, 39
F430929	13, 19
F430939	25
F430948	25
F430956	23
F430986	13, 17
F430993	37
F430995	7, 19
F432285	17
Shaft Seal	
F100295	21
Shaft Seal Kit	
F730085	21
Shell Assembly	
F634647	21
Shell Band Assembly	
F603630	21

Shell Band Fastener Kit	
F791001	21
Shell Bracket Support	
F601951	21
Shell Front Assembly	
F633952	21
Shell Front Seal	
F610064	21
Shell Gasket Shield	
F601216	21
Shell Mounting Washer	
F601950	21
Shell Plate Kit	
F604051	35
Shim	
F607602	19
F633666	17
Side Panel	
F633566	13
F634190	13
Siphon Break	
F633606	29
Slinger	
F100205	21
Snap Spade Connector	
F140666	11
Soap Dispenser Shroud	
F634189	23
Soap Injection Nozzle Kit	
F730168	23
Solenoid	
F300122	19
Solenoid Coil	
F300127	27
Solid State Fuse/Relay Board	
F370314P	7
Spacer	
F401206	7
Spring	
F310107	19
F310133	19
Spring Lockwasher	
F430305	37
F430321	21
F431100	21
Steam Filter	
F270308	39
Steam Heat Option Kit	
F640242	39
Steam Hose	
F200183	39
Steam Tube	
F632198	39
Steam Valve	
F380796	39
Strain Relief Connector	
F140329	15
F140331	11, 15
Strain Relief Kit	
F749802	23
Strain Relief Plug	
F170165	23
Street Elbow	
F421106	39

Supply Dispenser Assembly F150500	23
Supply Dispenser Lid F150384	23
Supply Dispenser Lid Gasket F170158	23
Supply Hose F150493	25
Supply Nozzle F380300	23
Switch F340428	19
F340900	9

T

Tee F420419	25
F422803	23, 35
Temperature Probe F370606	9
Terminal F140766	19
F140768	7
Terminal Block Plug F140678	7
Terminal Block Receptacle F140677	7
Terminal Strip F140738	11
Thermostat F290115	11
Three Level Water Pressure Switch F340318	7
Top Cover Hinge F633958	13
Top Frame Weldment F633562	13
Top Front Panel F633563	13
Transformer F360125	11
Tri-Level Water Switch F340443	39
Trim F230816	19
Tubing F150390	23
F200190	37

V

Valve F380788	39
F381727	27
Valve Panel F633581	11, 13, 15
Valve Repair Kit F380898	27
Vent Assembly F634256	33

Vent Flex Hose F200170	33
Vent Nipple F422517	33

W

Washer F430300	37
F430301	9, 21, 37
F430317	21
F430327	37
F430329	37
F431112	21
F431113	39
F431116	21
F431142	17
F431143	17
F431147	23, 25
F431907	17
F431933	17
F431934	17
Water Inlet Connector F607515	27
F607532	27
Water Level Switch Bracket F630242	39
Wire F140149	7, 11
Wire Harness Assembly F140887	39
Wiring Harness F140249	7

Y

Y-Connector F422808	25
------------------------------	----