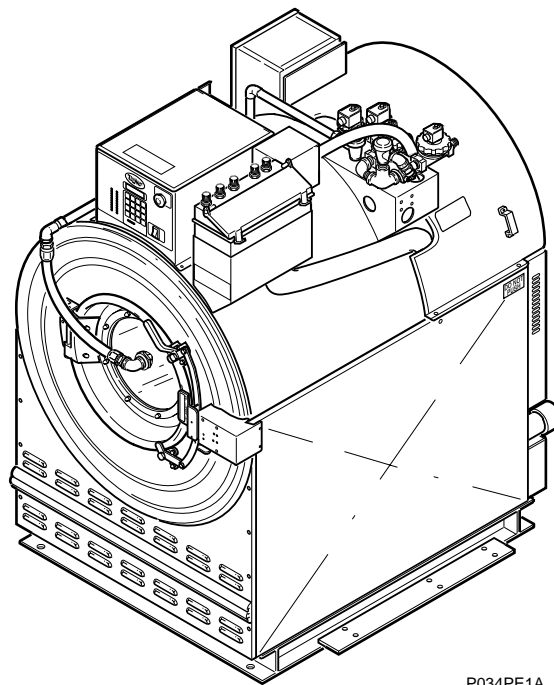


Washer-Extractor

Pocket Hardmount
Models UW80PV and UW100PV



P034PE1A

Table of Contents

Title	Page
Parts Ordering Information	2
Nameplate Location	2
Model Identification	3
Control Module Assembly (Sheet 1 of 5)	4
Control Module Assembly (Sheet 2 of 5)	6
Control Module Assembly (Sheet 3 of 5)	8
Control Module Assembly (Sheet 4 of 5)	10
Control Module Assembly (Sheet 5 of 5)	12
Balance Switch and Temperature Probe	14
Front, Rear and Side Panels	16
Door and Spray Tube Assembly	18
Door Locking Mechanism	20
Basket, Outer Tub and Frame Assemblies	22
Supply Dispenser	24
Water Supply Valve and Hoses to Supply Dispenser	26
Spray Plumbing Assembly	28
Fill Plumbing Assembly	30
External Water Filters and Water Supply Hoses (Optional)	32
Drain System, Overflow and Vent Pipes	34
Motor, Pulley and Bearing Assemblies	36
A.C. Inverter Drive	38
Electric Heat Option	40
Steam Heat Option	42
Parts Index	45

© Copyright 1998, Alliance Laundry Systems LLC

All rights reserved. No part of the contents of this book may be reproduced or transmitted in any form or by any means without the expressed written consent of the publisher.

Parts Ordering Information

Alliance Laundry Systems is not responsible for personal injury or property damage resulting from improper service. Review all service information before beginning repairs.

If literature or replacement parts are required, contact the source from whom the machine was purchased or contact Alliance Laundry Systems at (920) 748-3950 for the name of the nearest authorized parts distributor.

For technical assistance, call any of the following numbers:

(850) 718-1035

(850) 718-1026

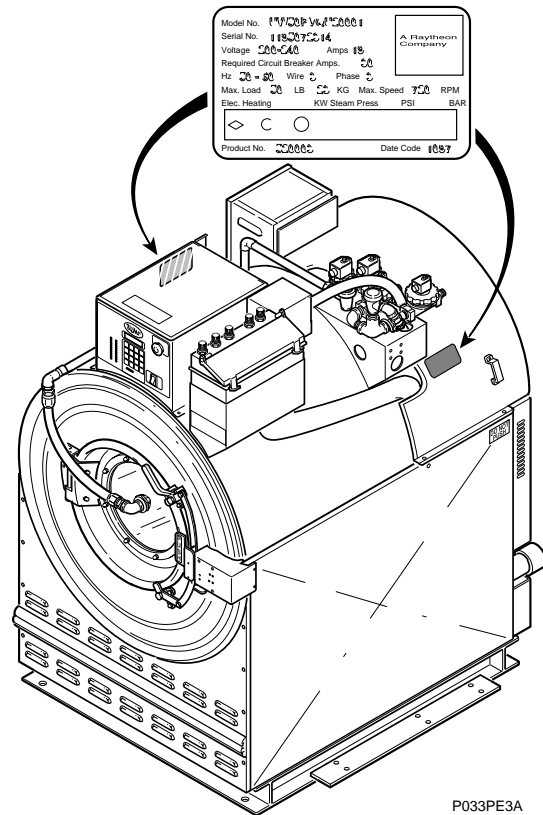
Marianna, Florida

(920) 748-3121

Ripon, Wisconsin

Nameplate Location

When calling or writing about your product, be sure to mention model and serial numbers. Model and serial numbers are located on nameplate(s) as shown.

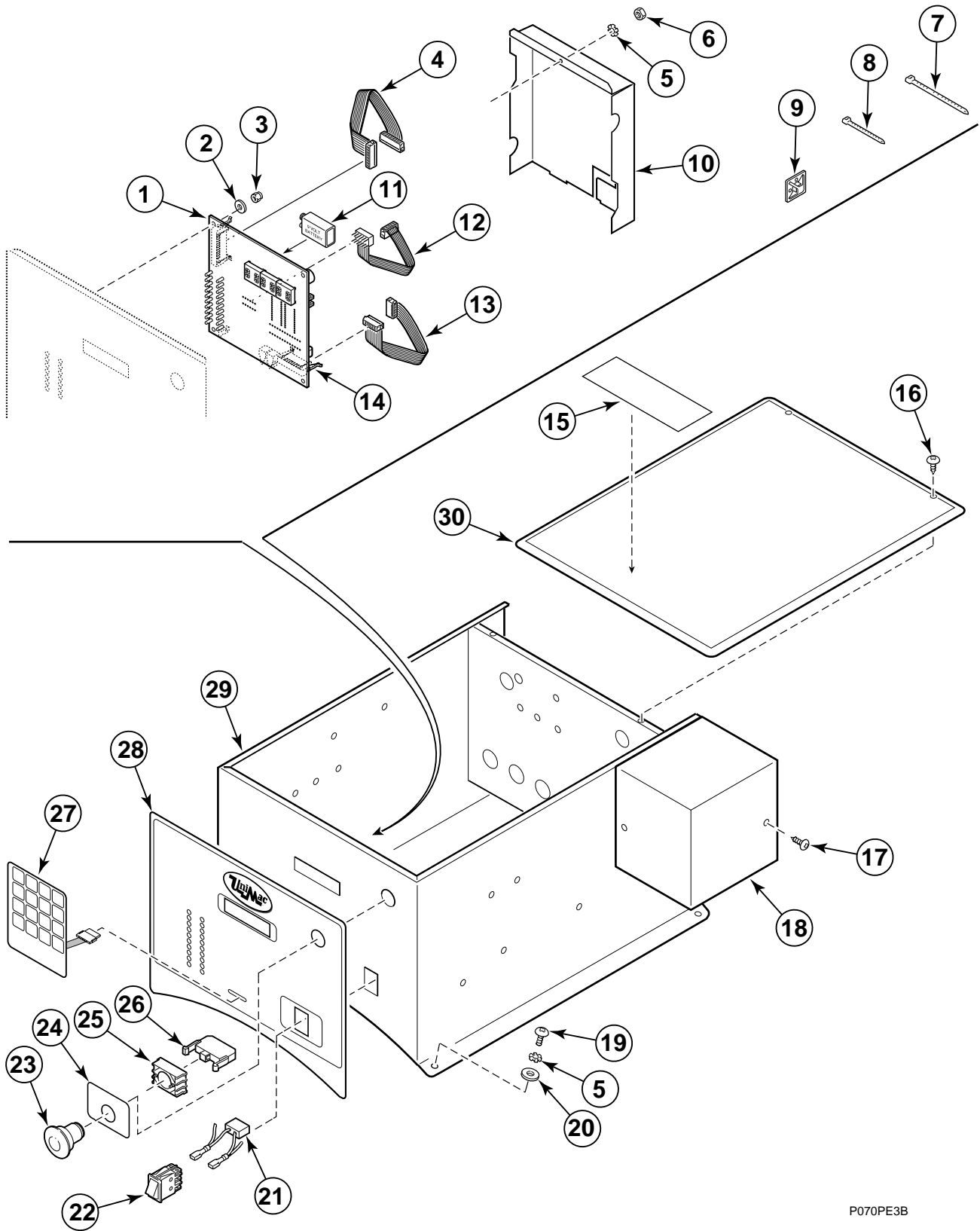


P033PE3A

Model Identification

UW80PV
UW100PV

Control Module Assembly (Sheet 1 of 5)

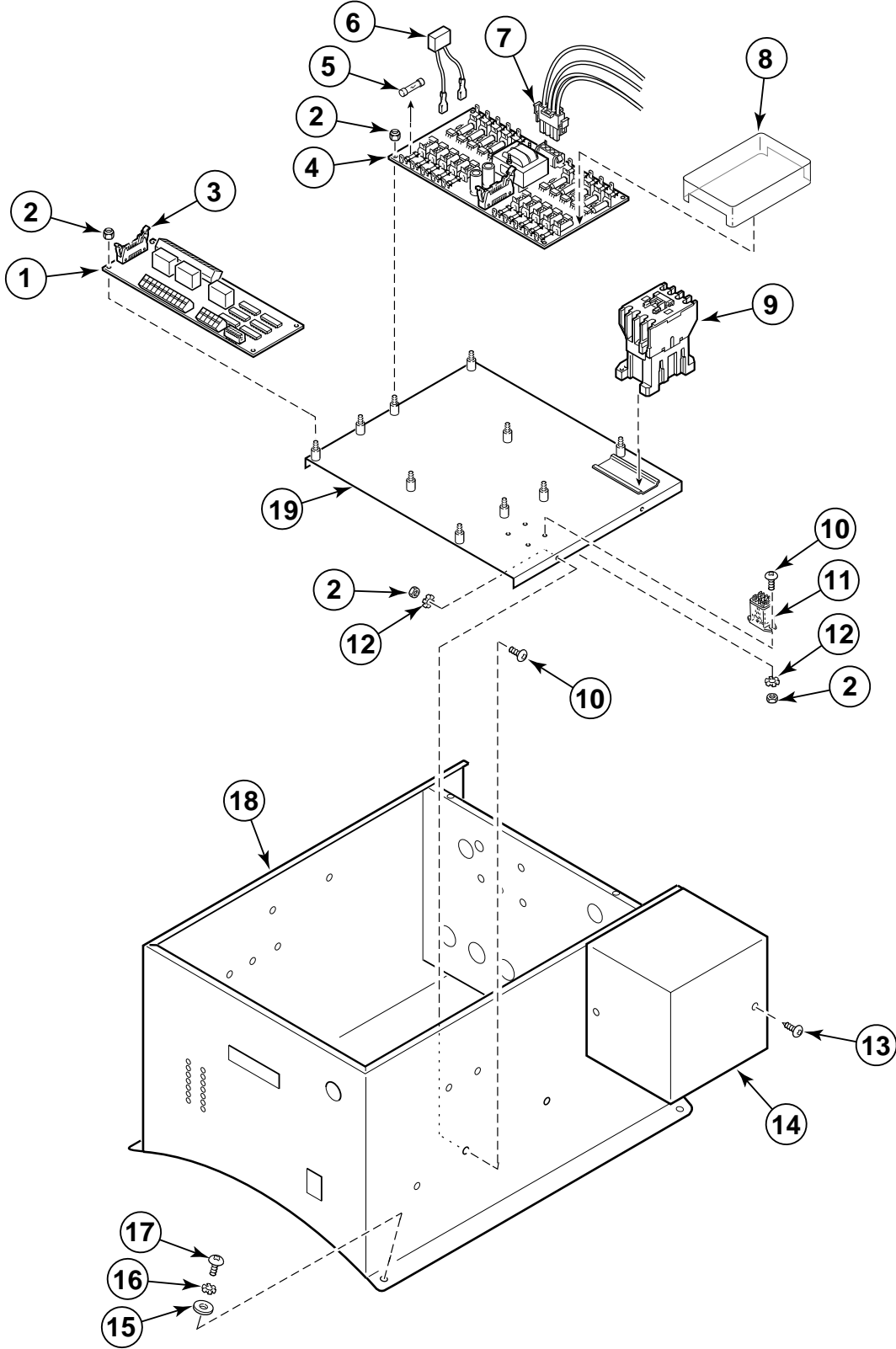


P070PE3B

Control Module Assembly Sheet (1 of 5)

REF	PART #	DESCRIPTION	COMMENTS
	F01717-MDL	Control Module Assembly	UW80PV, Standard
	F01742-MDL	Control Module Assembly	UW100PV, Standard
1	F370534-10	WE-6 Microcomputer Kit	
2	F431125	Washer	
3	F430231	Nut	
4	F140219	Flat Ribbon Cable	26 Cond
5	F431108	Lockwasher	
6	F431000	Nut	
7	F431000	Large Tie	
8	F431000	Small Tie	
9	F140602	Fastener	
10	F606826	Micro Computer Cover	
11	F191101	Battery Backup	Buy independently, 9 Volts
12	F140223	Flat Ribbon Cable	16 Cond
13	F140218	Flat Ribbon Cable	16 Cond
14	F140578	Interface Connector	16-Pin
15	F230202	Decal	
16	F430171	Screw	
17	F431052	Screw	
18	F603650	Supply Valve Box Cover	
19	F430904	Screw	
20	F431123	Washer	
21	F330217	RC Network Filter	
22	F340412	Door Unlock Switch	
23	F340706	Emergency Stop Pushbutton	
24	F231083	Emergency Stop Decal	
25	F340705	Pushbutton Mounting Base	
26	F340429	Contact Block Switch	
27	F230724	WE-6 Keypad Decal	
28	F230721	Control Module Decal	
29	F634470-2	Control Module Cabinet Sub-Assembly	UW80PV
	F634470-3	Control Module Cabinet Sub-Assembly	UW100PV
30	F601995	Control Module Top	

Control Module Assembly (Sheet 2 of 5)

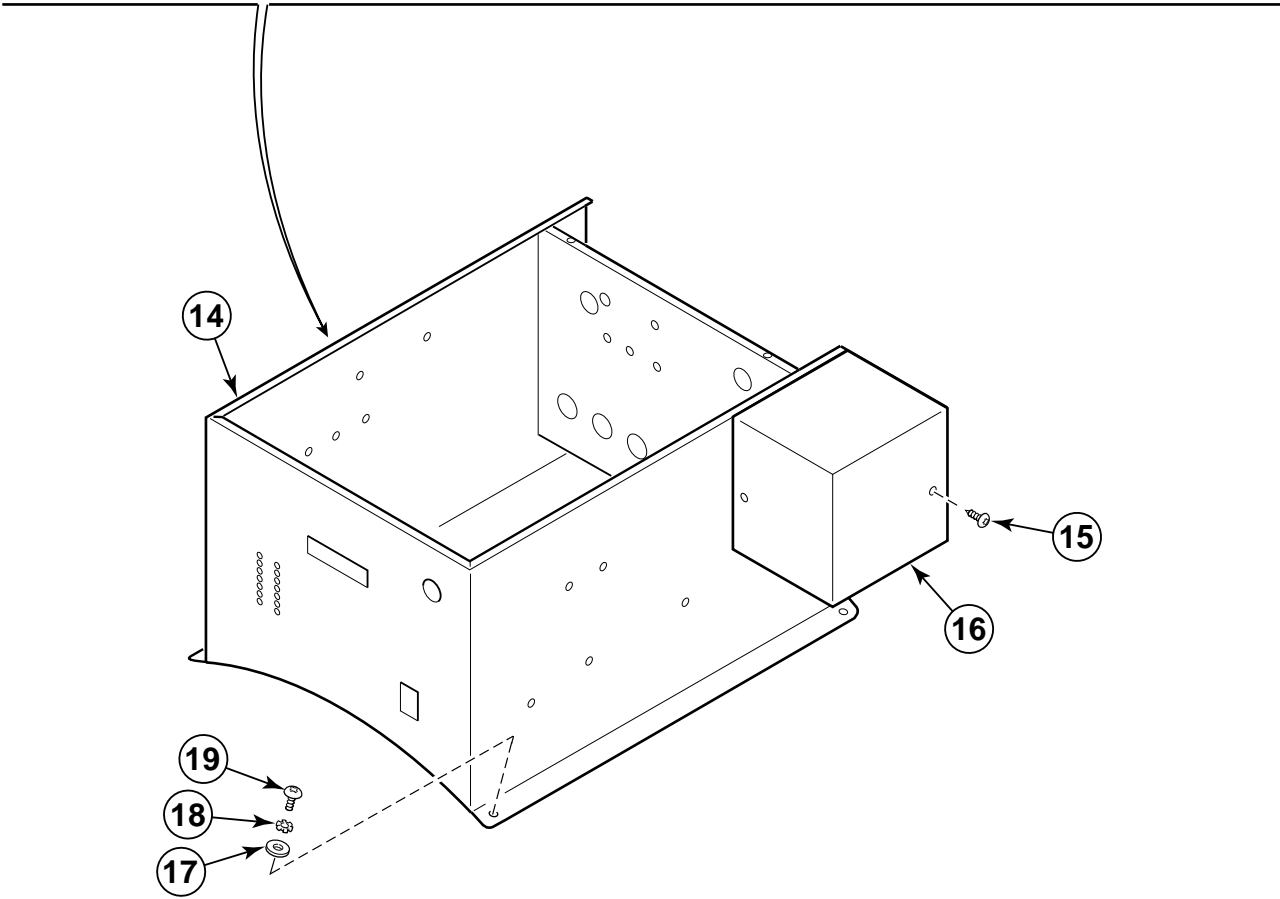
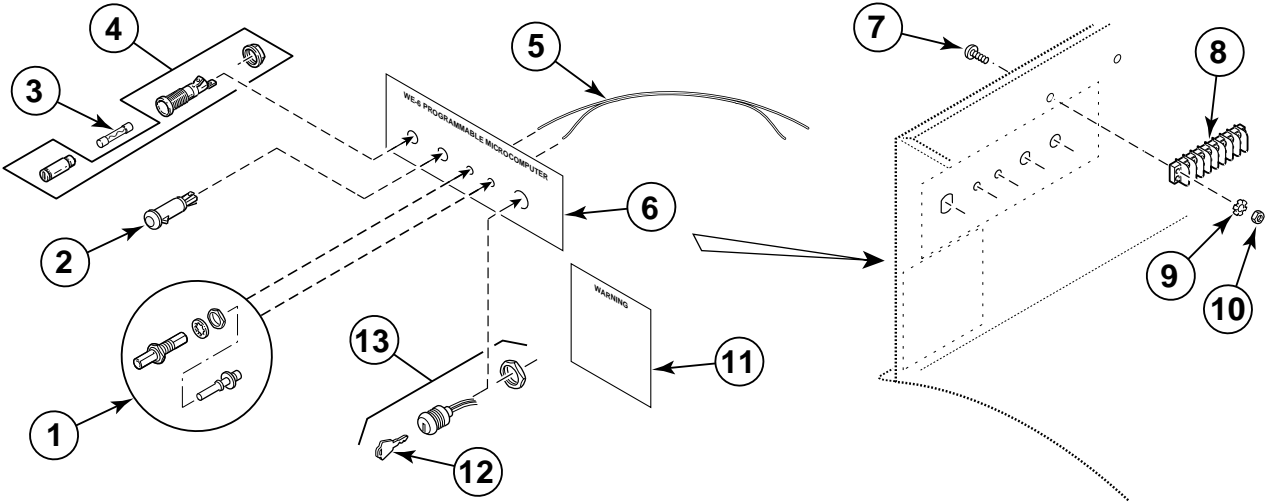


P071PE3B

Control Module Assembly (Sheet 2 of 5)

REF	PART #	DESCRIPTION	COMMENTS
	F01717-MDL	Control Module Assembly	UW80PV, Standard
	F01742-MDL	Control Module Assembly	UW100PV, Standard
1	F370577	WE-6 Interface Board	
2	F431022	Nut	
3	F140578	Interface Connector	16-Pin
4	F370535	WE-6 Solid State Relay Board	
5	F350115	Fuse	3 Amps
6	F330217	RC Network Filter	
7	F784003	J-4 Jumper	
8	F140421	Fuse Board Cover	
9	F330146	Contactors	120 Volts, NX-101
10	F430928	Screw	
11	F330227	Relay	110 Volts
12	F431113	Lockwasher	
13	F430152	Screw	
14	F603560	Supply Valve Box Cover	
15	F431123	Washer	
16	F431108	Lockwasher	
17	F430904	Screw	
18	F634470-2	Control Module Cabinet Sub-Assembly	UW80PV
	F634470-3	Control Module Cabinet Sub-Assembly	UW100PV
19	F608385	Control Module Cabinet Tray	

Control Module Assembly (Sheet 3 of 5)

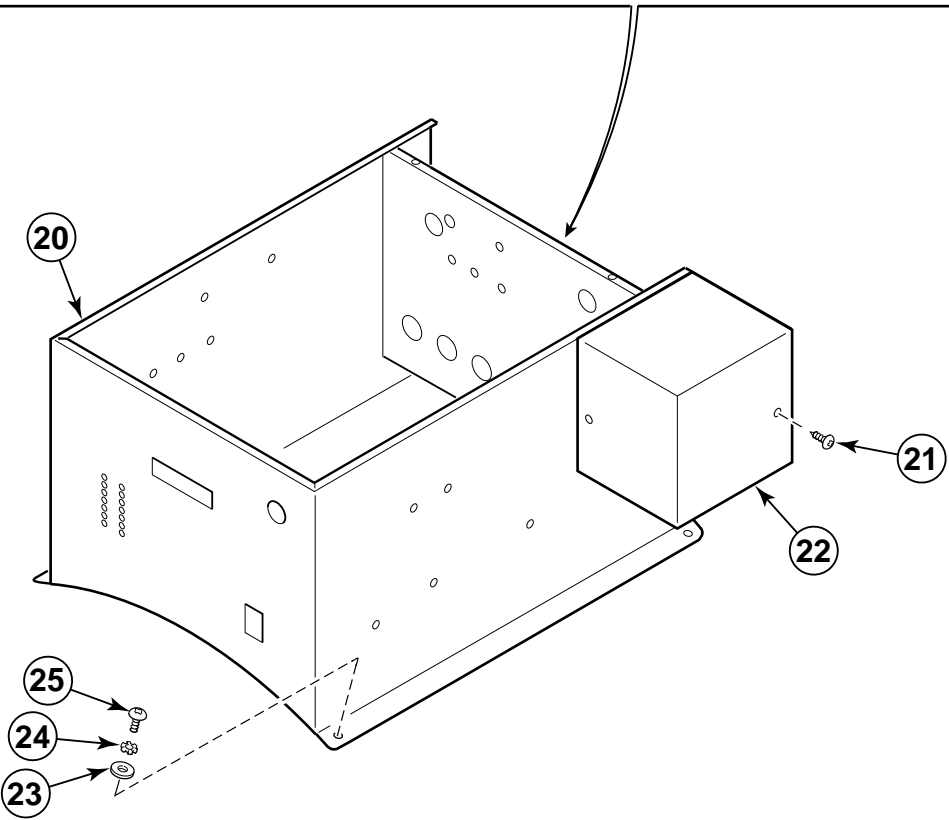
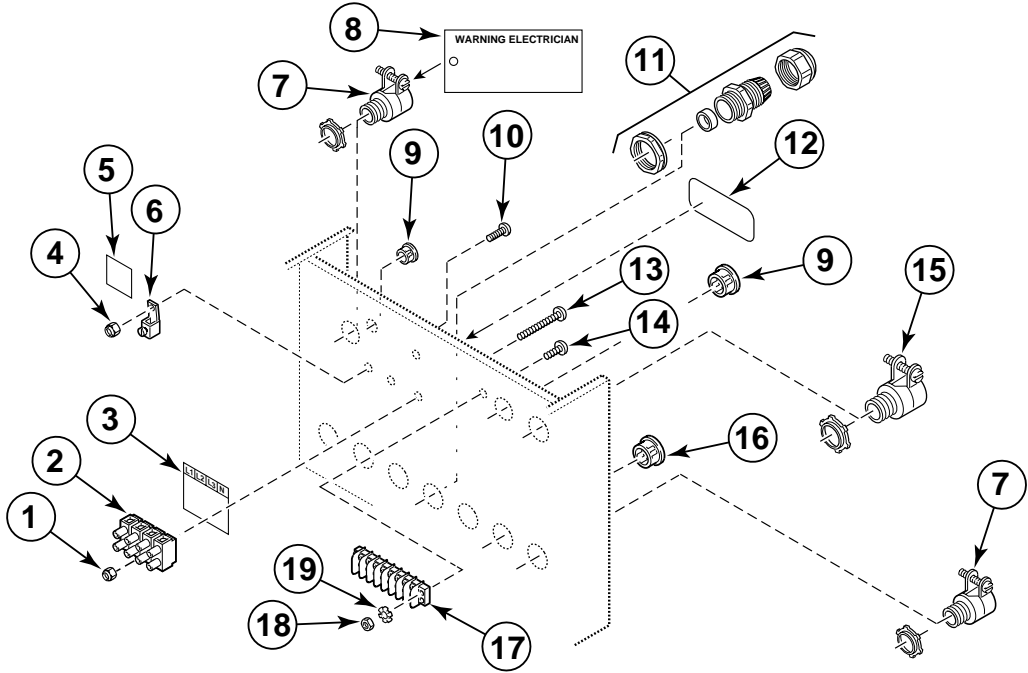


P072PE3B

Control Module Assembly (Sheet 3 of 5)

REF	PART #	DESCRIPTION	COMMENTS
	F01717-MDL	Control Module Assembly	UW80PV, Standard
	F01742-MDL	Control Module Assembly	UW100PV, Standard
1	F140575	Fiber Optic Feed-thru	Gray
	F140576	Fiber Optic Feed-thru	Blue
2	F350412	Light	Red
3	F350104	Fuse	2 Amps
4	F350304	Fuse Holder	
5	F140207	Fiber Optic Cable	Sold per foot
6	F230678	Keymode Switch Decal	
7	F430928	Screw	
8	F140738	Terminal Strip	
9	F431113	Lockwasher	
10	F431022	Nut	
11	F231065	Decal	
12	F370709	Program Key	Key is for F730186 Program only
13	F730186	Keymode Switch/Run Program	
14	F634470-2	Control Module Cabinet Sub-Assembly	UW80PV
	F634470-3	Control Module Cabinet Sub-Assembly	UW100PV
15	F430152	Screw	
16	F603650	Supply Valve Box Cover	
17	F431123	Washer	
18	F431108	Lockwasher	
19	F430904	Screw	

Control Module Assembly (Sheet 4 of 5)

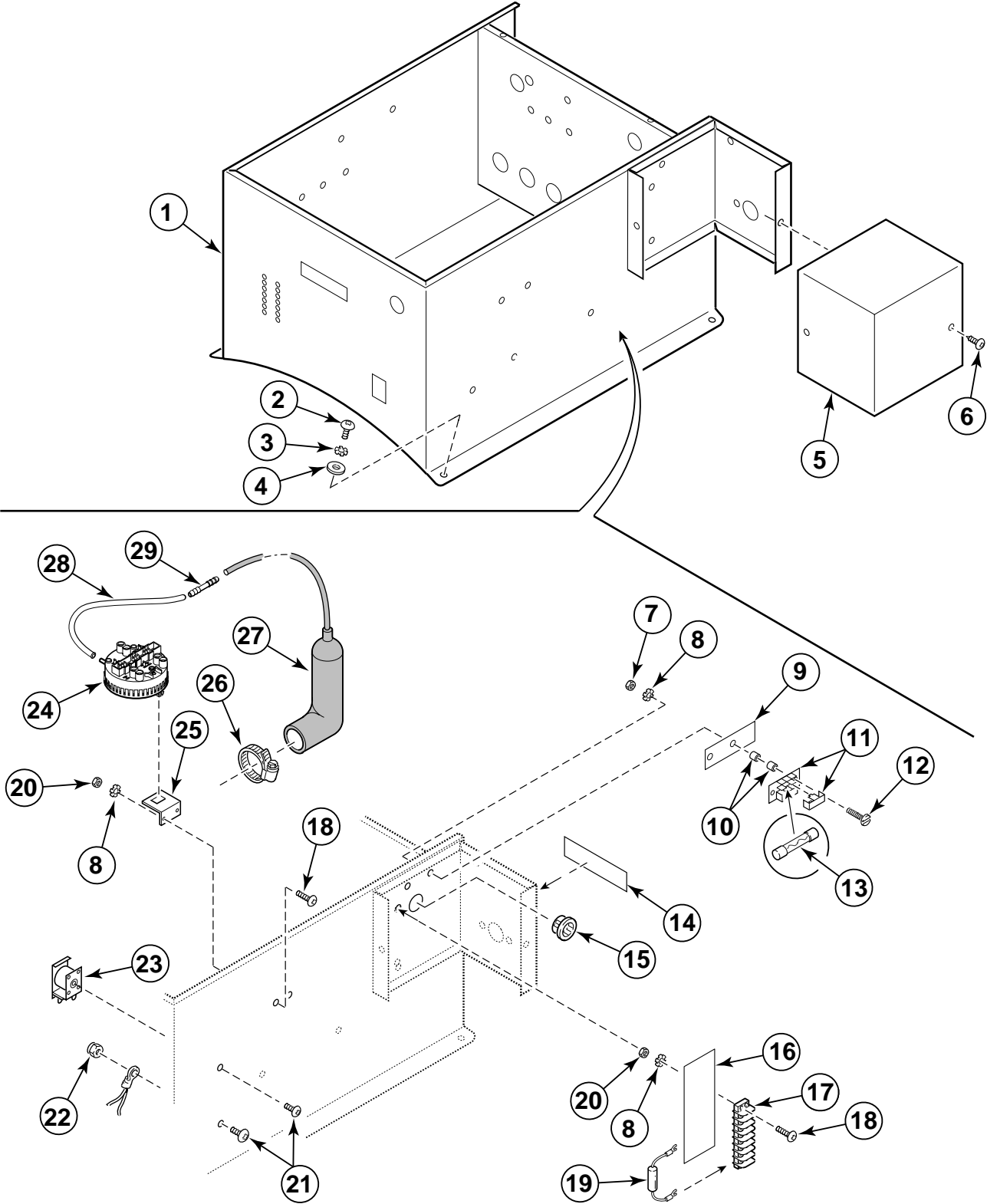


P073PE3B

Control Module Assembly (Sheet 4 of 5)

REF	PART #	DESCRIPTION	COMMENTS
	F01717-MDL	Control Module Assembly	UW80PV, Standard
	F01742-MDL	Control Module Assembly	UW100PV, Standard
1	F430231	Nut	
2	F140746	Input Power Terminal Block	
3	F230677	Input Power Decal	
4	F431017	Nut	
5	F230630	Ground Decal	
6	F140734	Ground Lug	
7	F140305	Conduit Connector	
8	F230215-2	Decal	
9	F140527	Nylon Plug	
10	F430920	Screw	
11	F140329	Connector	
12	F230717	Decal	
13	F430938	Screw	
14	F430916	Screw	
15	F140311	Conduit Connector	
16	F140909	Insulator Bushing	
17	F140738	Terminal Strip	
18	F431022	Nut	
19	F431113	Lockwasher	
20	F634470-2	Control Module Cabinet Sub-Assembly	UW80PV
	F634470-3	Control Module Cabinet Sub-Assembly	UW100PV
21	F430152	Screw	
22	F603650	Supply Valve Box Cover	
23	F431123	Washer	
24	F431108	Lockwasher	
25	F430904	Screw	

Control Module Assembly (Sheet 5 of 5)

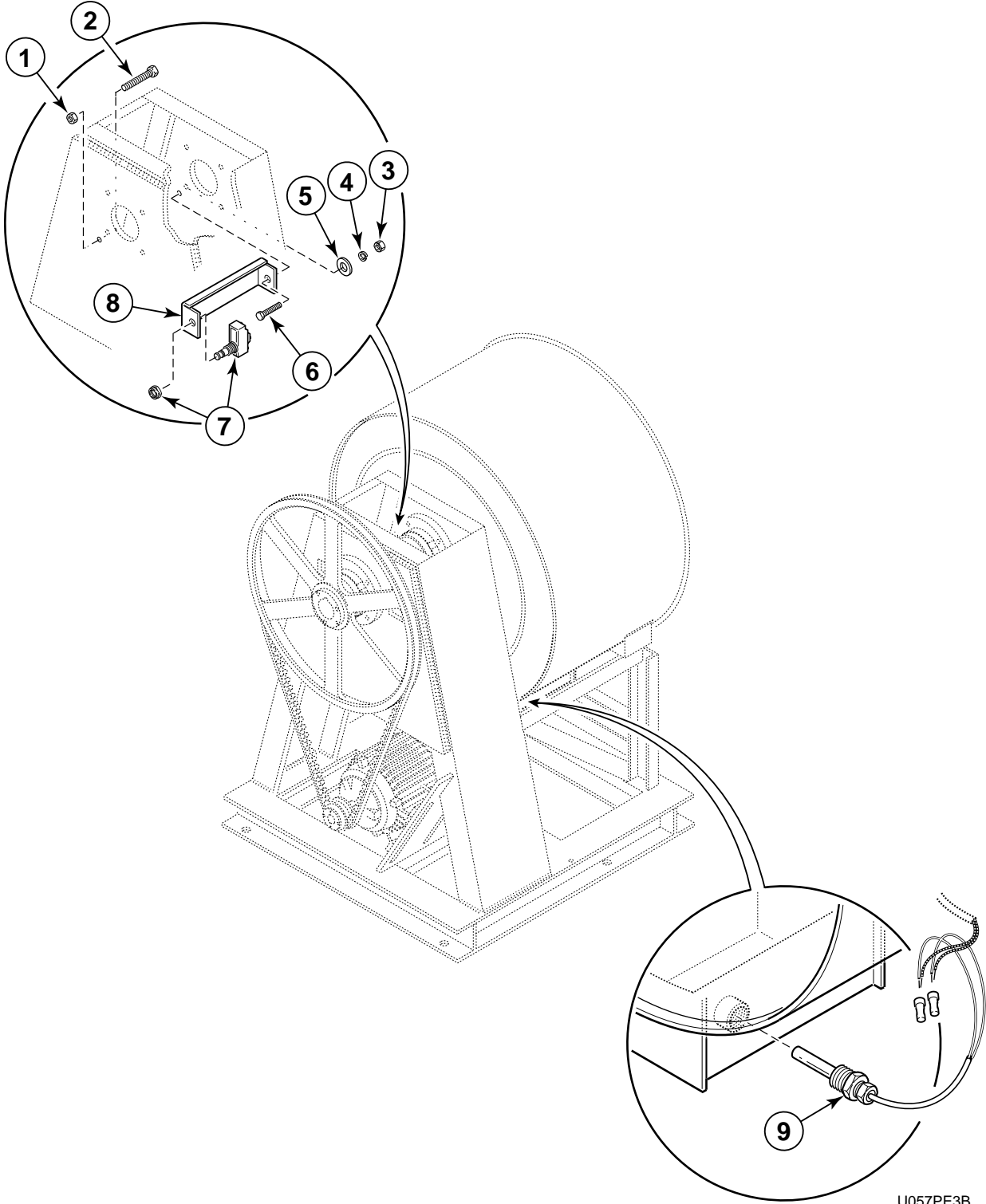


PO74PE3B

Control Module Assembly (Sheet 5 of 5)

REF	PART #	DESCRIPTION	COMMENTS
	F01717-MDL	Control Module Assembly	UW80PV
	F01742-MDL	Control Module Assembly	UW100PV
1	F634470-2	Control Module Cabinet Sub-Assembly	UW80PV
	F634470-3	Control Module Cabinet Sub-Assembly	UW100PV
2	F430904	Screw	
3	F431108	Lockwasher	
4	F431123	Washer	
5	F603650	Supply Valve Box Cover	
6	F430152	Screw	
7	F431006	Nut	
8	F431113	Lockwasher	
9	F231271	Decal	
10	F431911	Spacer	
11	F350312	Dual Fuseholder	
12	F431701	Screw	
13	F350115	Fuse	3 Amps
14	F230606	Decal	
15	F140909	Insulator Bushing	
16	F230764-1	Decal	
17	F140738	Terminal Strip	
18	F430928	Screw	
19	F610765	Resistor	
20	F431022	Nut	
21	F430920	Screw	
22	F431017	Nut	
23	F300203	Buzzer	110 Volts
24	F340316	Tri-Level Switch	
25	F630242	Tri-Level Switch Bracket	
26	F200222	Hose Clamp	
27	F200163	Air Trap Hose	
28	F422404	Tubing	Sold per foot
29	F422500	Plastic Connector	

Balance Switch and Temperature Probe

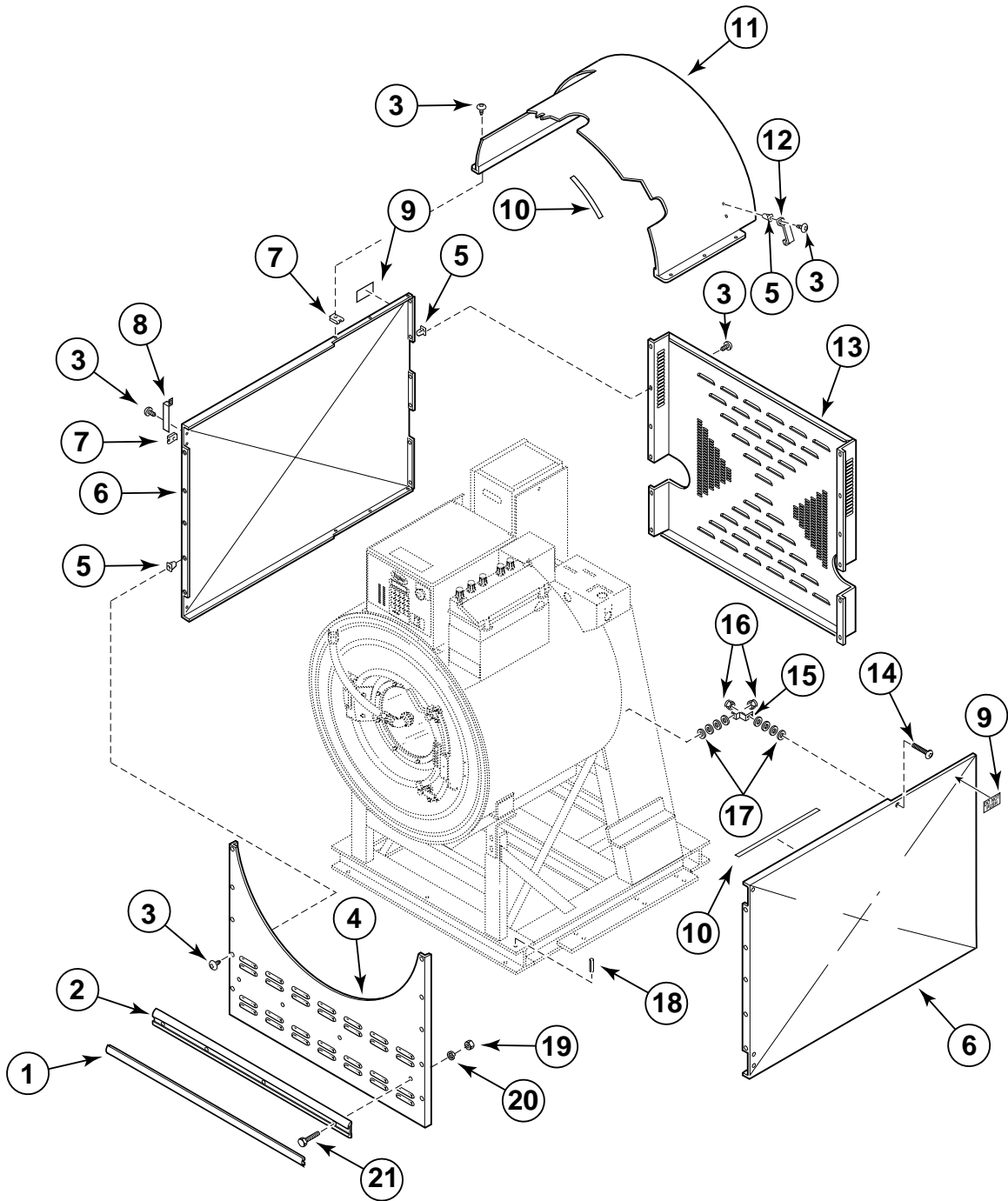


U057PE3B

Balance Switch and Temperature Probe

REF	PART #	DESCRIPTION	COMMENTS
1	F430206	Nut	
2	F430124	Screw	
3	F430205	Nut	
4	F430305	Spring Lockwasher	
5	F430301	Flat Washer	
6	F430109	Screw	
7	F340900	Switch	
8	F601750	Balance Switch Bracket	
9	F370606	Temperature Probe	

Front, Rear and Side Panels

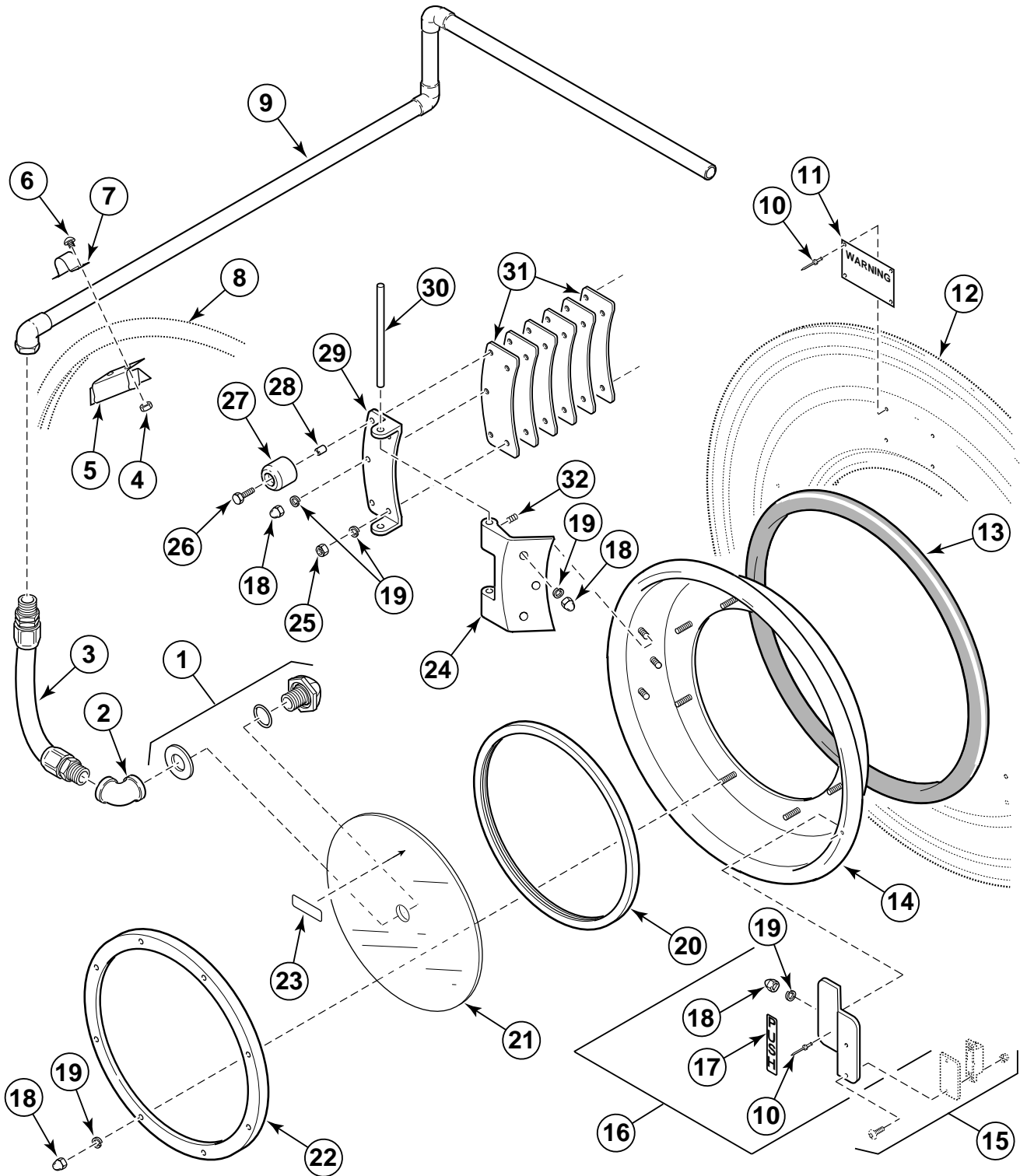


P032PE3B

Front, Rear and Side Panels

REF	PART #	DESCRIPTION	COMMENTS
1	F150397	Rub Rail Insert	Sold per foot
2	F150409	Rub Rail	
3	F430956	Screw	
4	F630502	Front Panel	
5	F431804	Nut	
6	F632404	Side Panel	UW80PV
	F632390	Side Panel	UW100PV
7	F430606	Nut	
8	F607262	Bracket	
9	F230302	Decal	
10	F170401	Inner Front Gasket	Sold per foot
11	F632408	Cage Wrap Assembly	UW80PV
	F633394	Cage Wrap Assembly	UW100PV
12	F605324	Supply Hose Strap	
13	F633184	Rear Panel	
14	F430921	Screw	
15	F601982	Bracket	
16	F430215	Nut	
17	F430317	Washer	
18	F430415	Pin	
19	F430211	Nut	
20	F431100	Spring Lockwasher	
21	F430921	Screw	

Door and Spray Tube Assembly

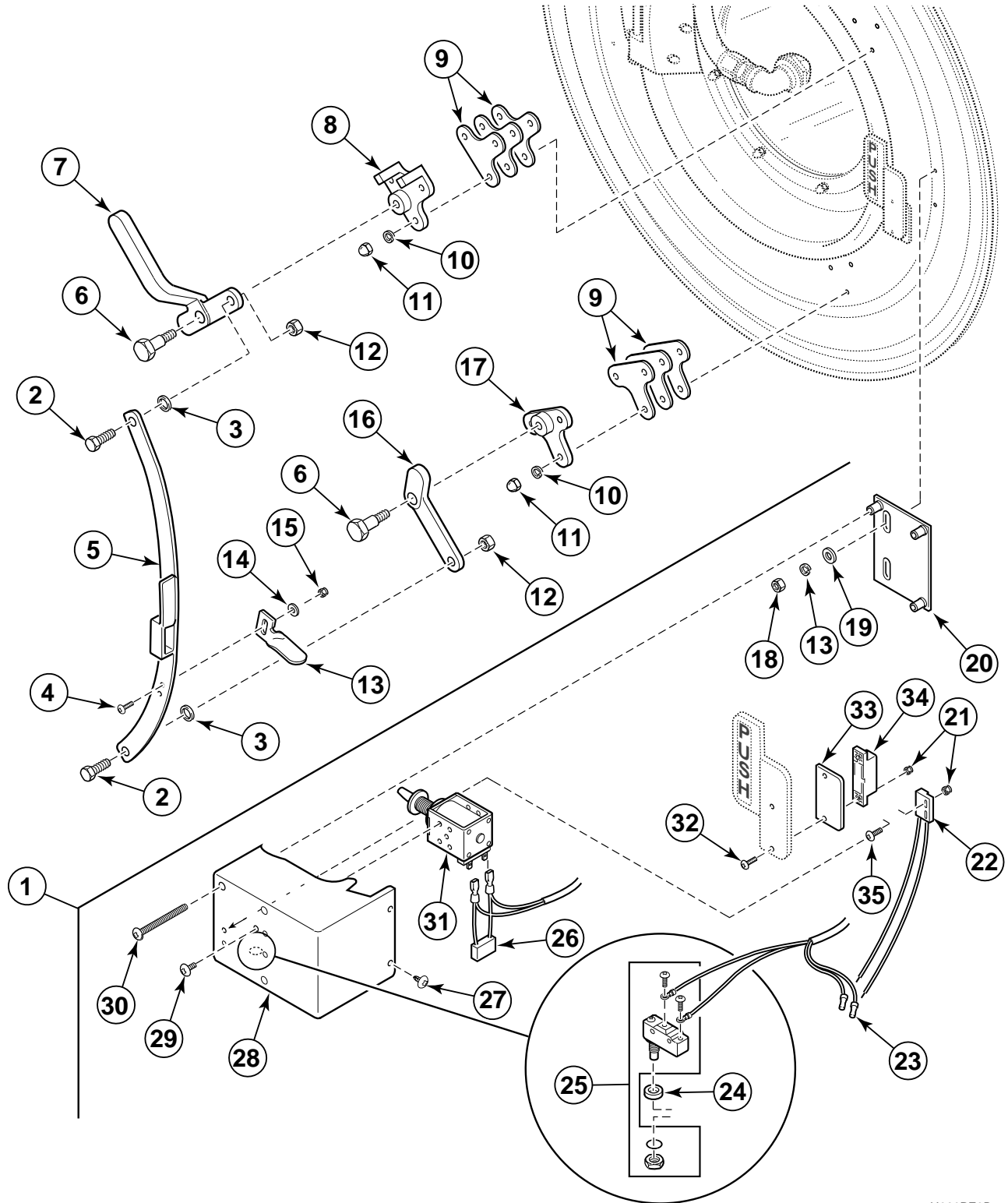


P031PE3B

Door and Spray Tube Assembly

REF	PART #	DESCRIPTION	COMMENTS
1	F730077	Spray Rinse Nozzle Kit	
2	F422319	Elbow	
3	F730024	Spray Rinse Hose Kit	
4	F431022	Nut	
5	F602901	Clamp/Shell Band Bracket	
6	F430917	Screw	
7	F602880	Tube Holding Clamp	
8	F603910	Front Shell Band	Top
	F603911	Front Shell Band	Bottom
9	F610364	Spray Rinse Tube Assembly	
10	F431210	Rivet	
11	F230200	Warning Plate	
12	F609191	Front Shell Assembly	
13	F170145	Door Gasket	
14	F601318	Studded Door	
15	F340703	Magnet	
16	F605638	Door Push Handle Assembly	
17	F230303	Decal	
18	F430214	Cap Nut	
19	F431100	Spring Lockwasher	
20	F170117	Door Glass Gasket	
21	F290200	Door Glass	
22	F601239	Door Glass Retainer	
23	F230652	Decal	
24	F601045	Door Hinge Strap	
25	F431026	Nut	
26	F430103	Screw	
27	F601307	Door Bumper Bushing	
28	F430416	Bushing	
29	F601245	Door Butt	
30	F601815	Door Hinge Pin	
31	F610694	Door Butt Shim	
32	F430502	Set Screw	

Door Locking Mechanism

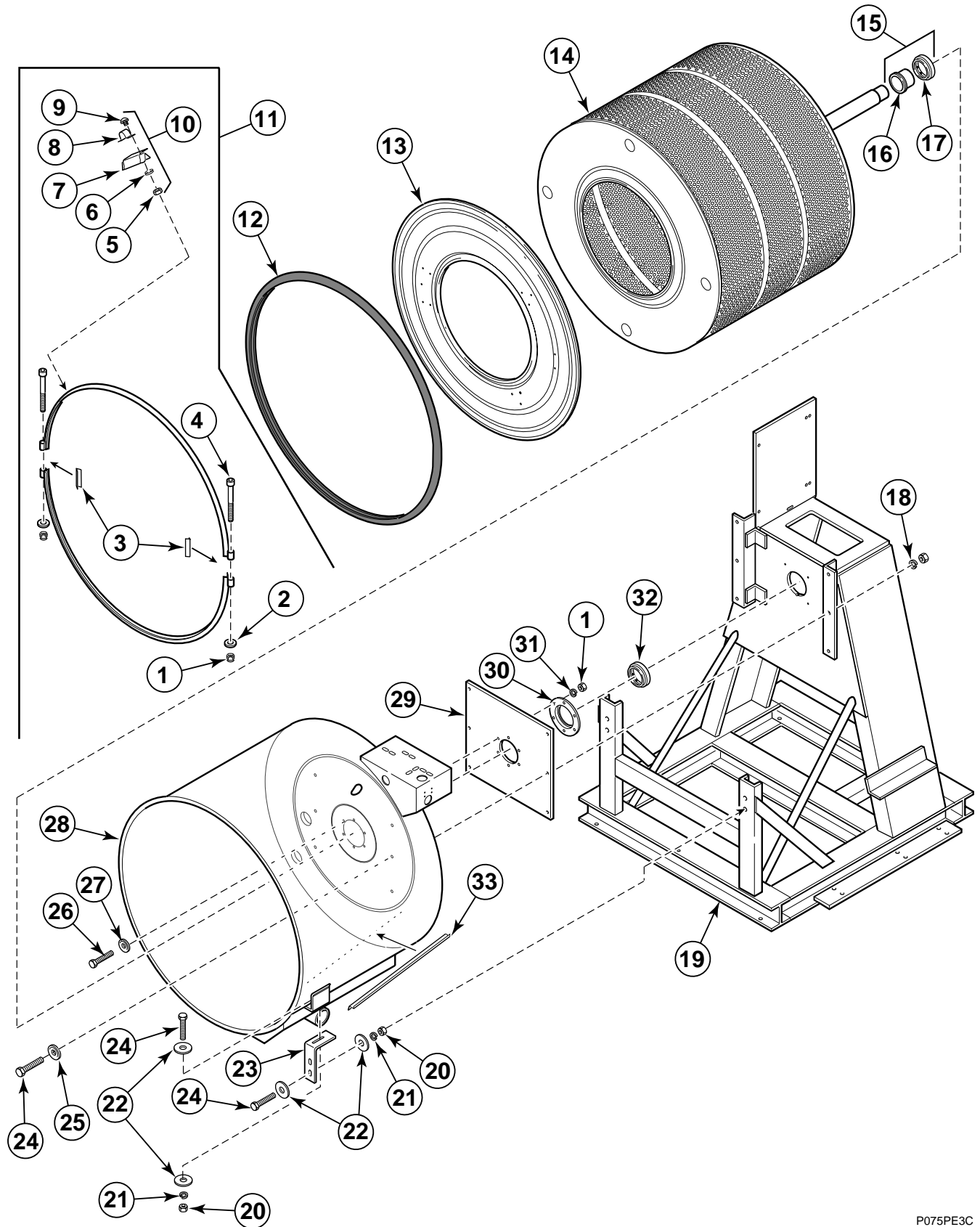


U060PE3B

Door Locking Mechanism

REF	PART #	DESCRIPTION	COMMENTS
1	F603665	Door Box Assembly	
2	F430927	Screw	
3	F431118	Washer	
4	F430916	Screw	
5	F602256	Extension Arm	
6	F430168	Screw	
7	F150203	Door Handle	
8	F150201	Top Latch Bracket	
9	F602058	Door Latch Shim	
10	F431100	Spring Lockwasher	
11	F430126	Nut	
12	F430205	Nut	
13	F601639	Microswitch Trip Lever	
14	F431125	Washer	
15	F430231	Nut	
16	F601742	Lower Door Latch	
17	F150202	Lower Door Latch Bracket	
18	F430996	Nut	
19	F431100	Lockwasher	
20	F746806	Door Box Bracket	
21	F430909	Screw	
22	F430917	Screw	
23	F340702	Magnetic Position Switch	110 Volts
24	F340900	Door Interlock Switch	
25	F140712	Wire Cap	Buy independently
26	F430995	Screw	
27	F430956	Screw	
28	F607202	Door Box	
29	F300118	Door Lock Solenoid	120 Volts, 60 Hertz
30	F431005	Screw	
31	F431142	Washer	
32	F609822	Plate	
33	F340703	Magnet	
34	F330217	RC Network Filter	
35	F430231	Nut	

Basket, Outer Tub and Frame Assemblies

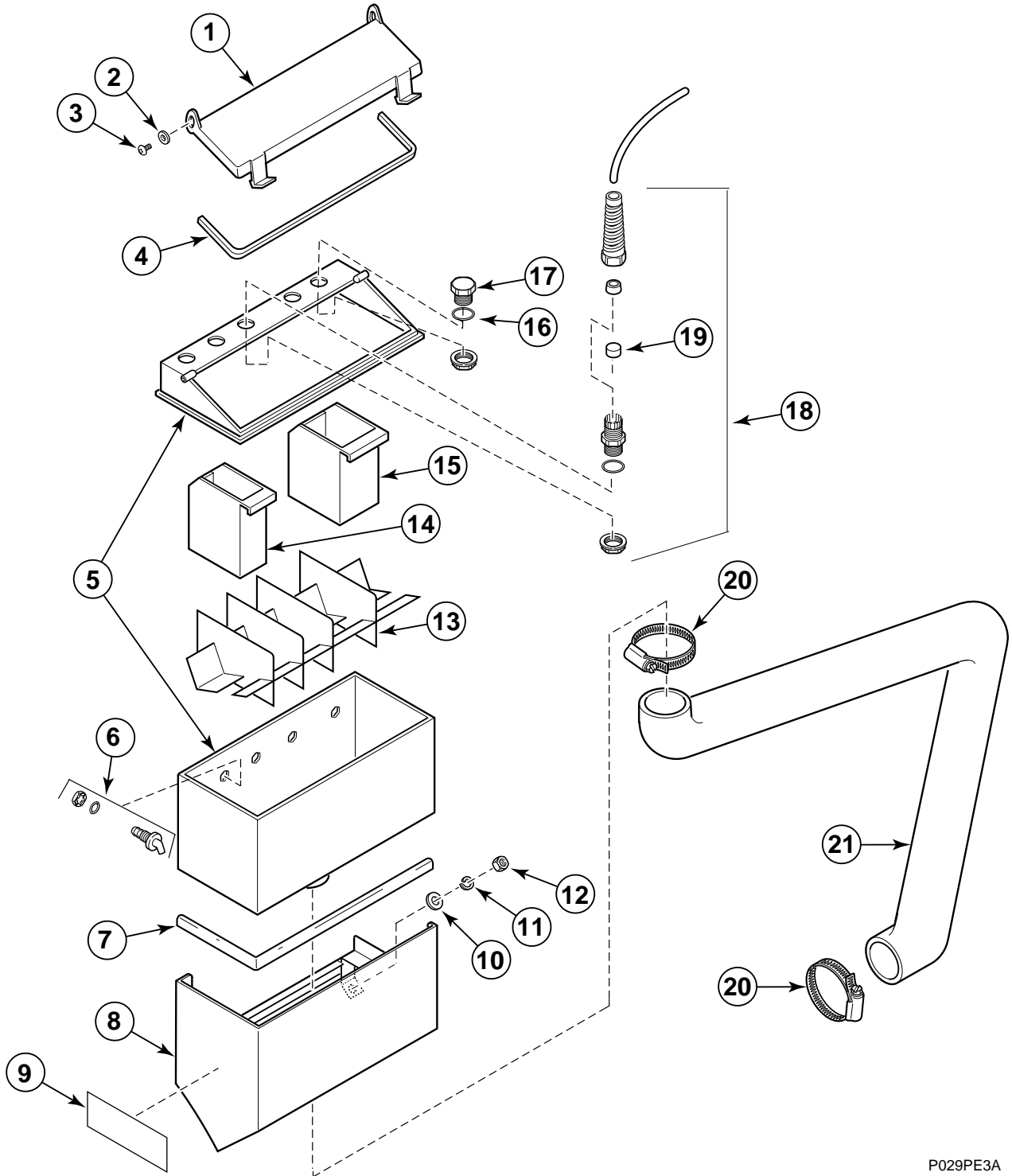


P075PE3C

Basket, Outer Tub and Frame Assemblies

REF	PART #	DESCRIPTION	COMMENTS
1	F632397	Shell Assembly	UW80PV
	F630760	Shell Assembly	UW100PV
2	F430211	Nut	
3	F601216	Shell Gasket Shield	
4	F430317	Flat Washer	
5	F602901	Tube Holding Assembly	Includes reference numbers 9, 10, 11, 12 and 13
6	F431022	Nut	
7	F431113	Washer	
8	F602880	Spray Rinse Strap	
9	F430917	Screw	
10	F430500	Screw	
11	F603344	Shell Band Assembly	
12	F170120	Front Shell Gasket	Sold per foot
13	F603428	Front Shell Assembly	
14	F632403	Basket Assembly	UW80PV
	F630764	Basket Assembly	UW100PV
15	F730083	Seal Kit	Includes reference numbers 3, 4, 12, 15, 16, 17, and 18
16	F602506	Collar Kit	
17	F100202	Shaft Seal	Includes reference numbers 4, 12, 15, 16, 17, and 18
	F632394	Frame Assembly	UW80PV
18	F630821	Frame Assembly	UW100PV
19	F430212	Nut	
20	F602075	Support	
21	F430205	Nut	
22	F431112	Sealing Washer	
23	F150364	Drip Rail	
24	F430301	Flat Washer	
25	F430305	Spring Lockwasher	
26	F430924	Screw	
27	F430913	Screw	
28	F431116	Sealing Washer	
29	F601360	Seal Holder	
30	F430321	Spring Lockwasher	
31	F100204	Slinger	
32	F430322	Spring Lockwasher	
33	F604001	Backplate Re-enforcement	Kit F741600

Supply Dispenser

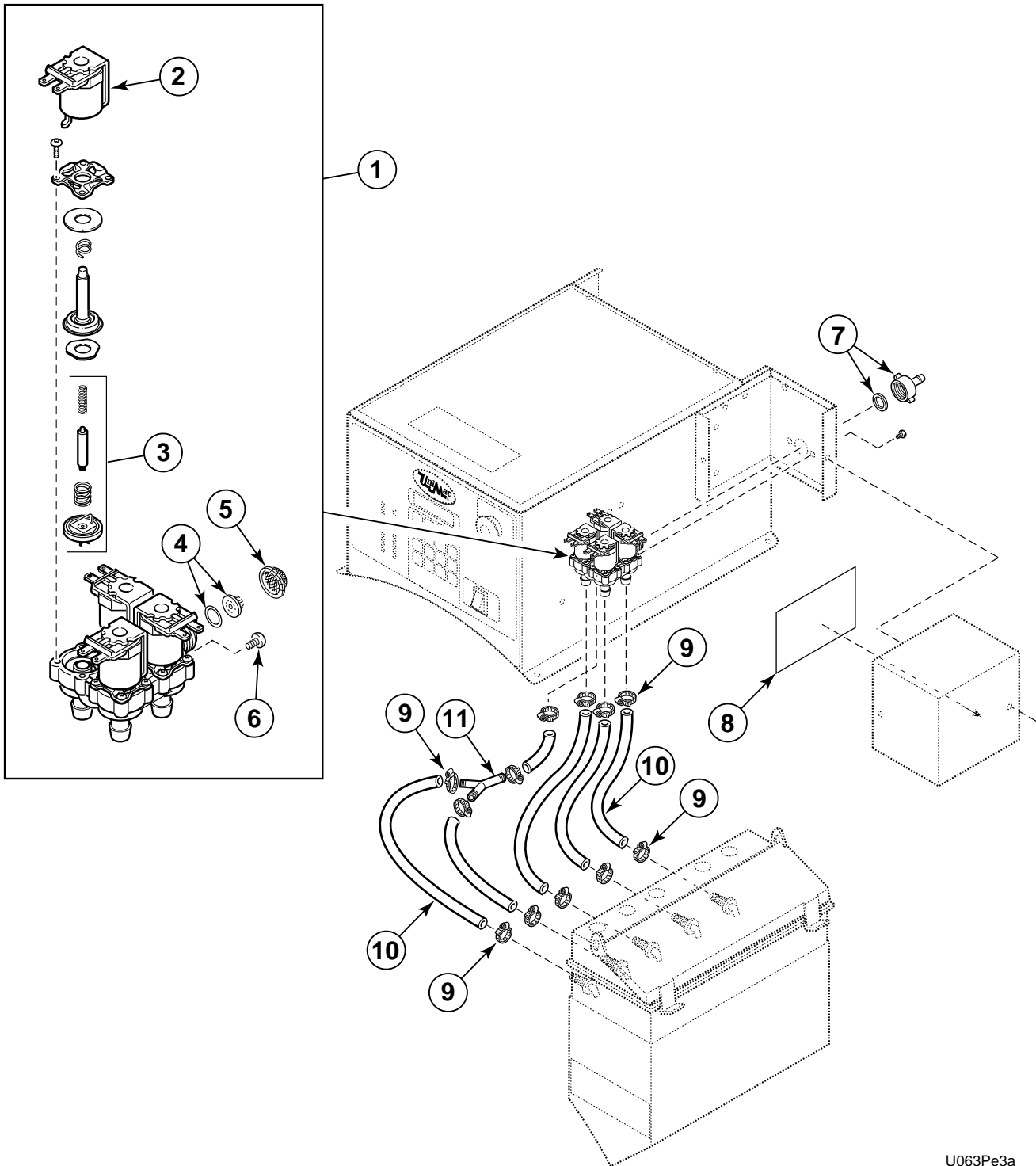


P029PE3A

Supply Dispenser

REF	PART #	DESCRIPTION	COMMENTS
1	F150384	Supply Dispenser Lid	
2	F431133	Flat Washer	
3	F430917	Screw	
4	F170158	Supply Dispenser Lid Gasket	Sold per foot
5	F150383	Supply Polypropylene Dispenser	Includes reference numbers 2, 4, 13, 14 and 15
6	F730168	Supply Injection Nozzle Kit	
7	F170400	Trim	Sold per foot
8	F633047	Soap Dispenser Shroud	
9	F231020	Decal	
10	F431147	Washer	
11	F431100	Lockwasher	
12	F431005	Nut	
13	F150388	Dry Supply Insert	
14	F150385	Supply Cup	20 oz.
15	F150386	Supply Cup	30 oz.
16	F170215	O-Ring	
17	F190304	Cap Plug	
18	F749802	Strain Relief Connector Kit	
19	F170165	Strain Relief Plug	
20	F200213	Hose Clamp	#40
21	F150471	Chemical Supply Hose	UW80PV
	F150470	Chemical Supply Hose	UW100PV

Water Supply Valve and Hoses to Supply Dispenser

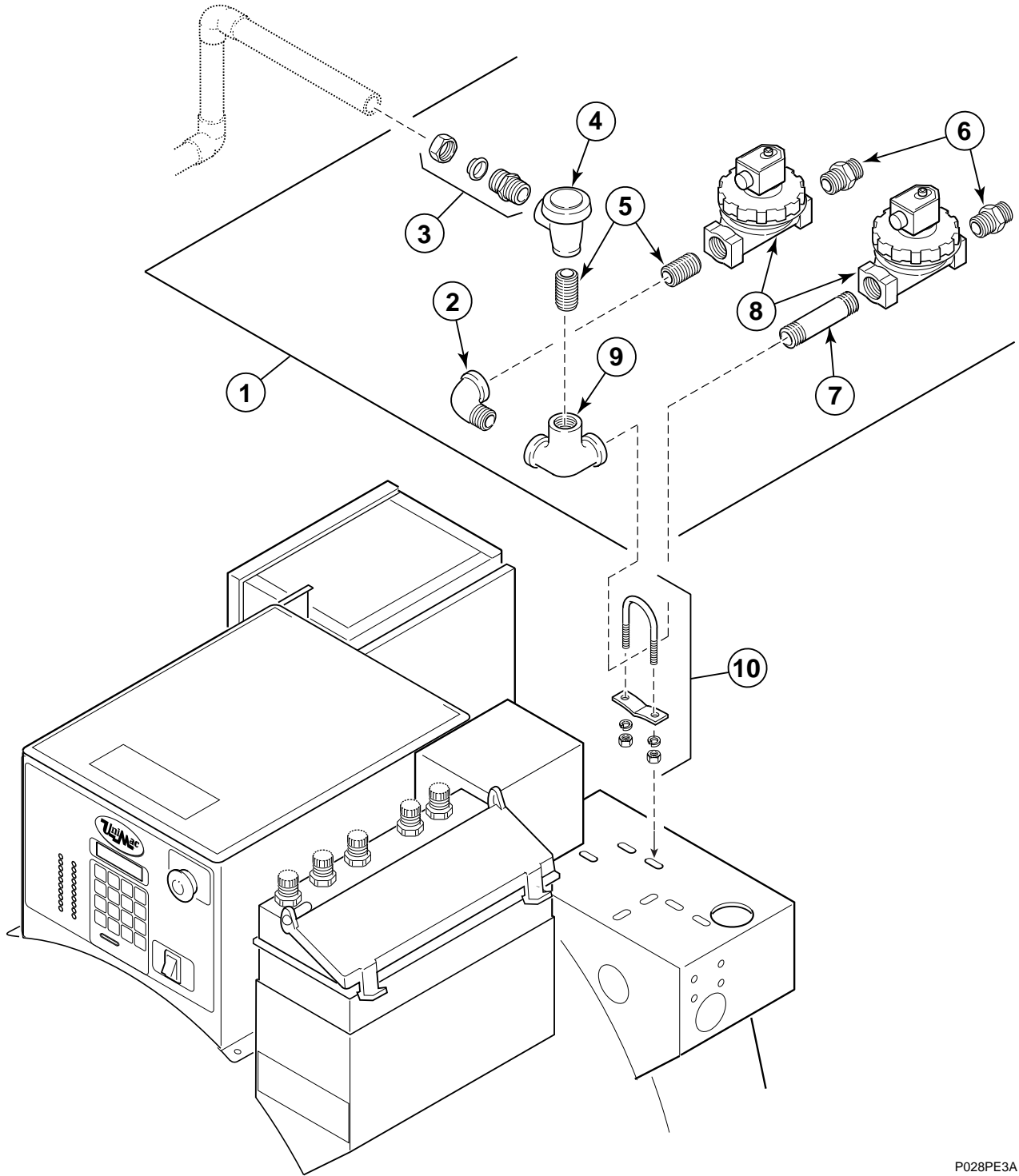


U063Pe3a

Water Supply Valve and Hoses to Supply Dispenser

REF	PART #	DESCRIPTION	COMMENTS
1	F380715	4-Way Supply Valve	110/120 Volts, 50/60 Hertz
2	F380900	Coil	110/120 Volts, 50/60 Hertz
3	F380938	Valve Repair Kit	10mm
4	F380106	Flow Restrictor	8 liter
5	F270200	Strainer	
6	F430948	Screw	
7	F200302	Hot Water Hose Connector	
8	F230754	Decal	
9	F200202	Hose Clamp	#6
10	F200110	Hose	
11	F422808	Connector	"Y"

Spray Plumbing Assembly

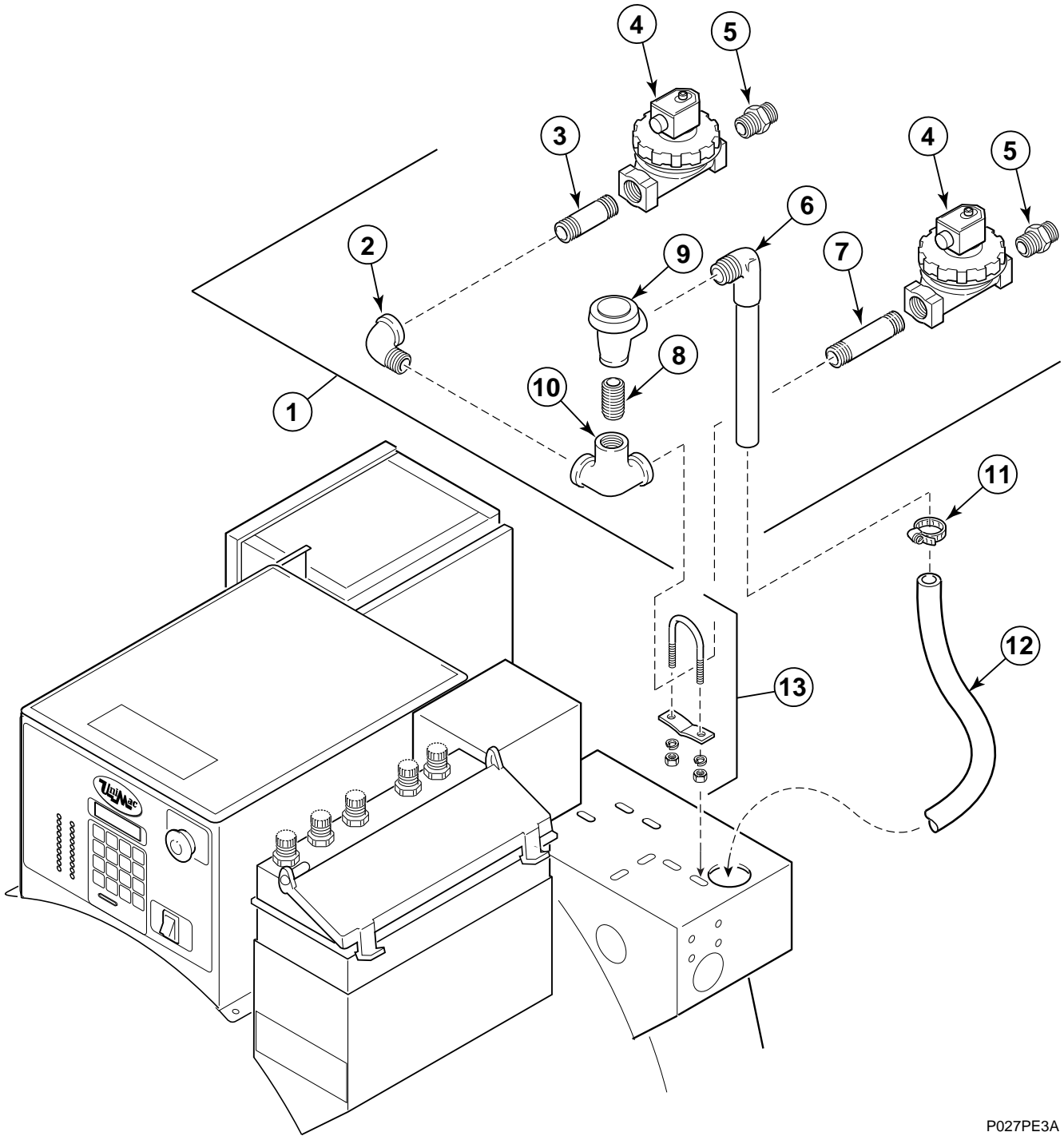


P028PE3A

Spray Plumbing Assembly

REF	PART #	DESCRIPTION	COMMENTS
1	F380991	Spray Valve Repair Kit	Each valve requires one (1) Repair Kit
	F633151	Spray Plumbing Assembly	120 Volts
	F633151-1	Spray Plumbing Assembly	220 Volts
	F633151-2	Spray Plumbing Assembly	120 Volts
	F633151-4	Spray Plumbing Assembly	120 Volts
	F633151-5	Spray Plumbing Assembly	220 Volts
	F633151-6	Spray Plumbing Assembly	120 Volts
2	F420502	Street Elbow	
3	F422106	Tube Connector	
4	F380800	Vacuum Breaker Valve	
5	F420105	Nipple	
6	F421909	Hose Adapter	
7	F420108	Nipple	
8	F381700	Spray Valve	110 Volts w/DIN
9	F420509	Elbow	
10	F200401	U-Bolt Clamp	Includes hardware

Fill Plumbing Assembly

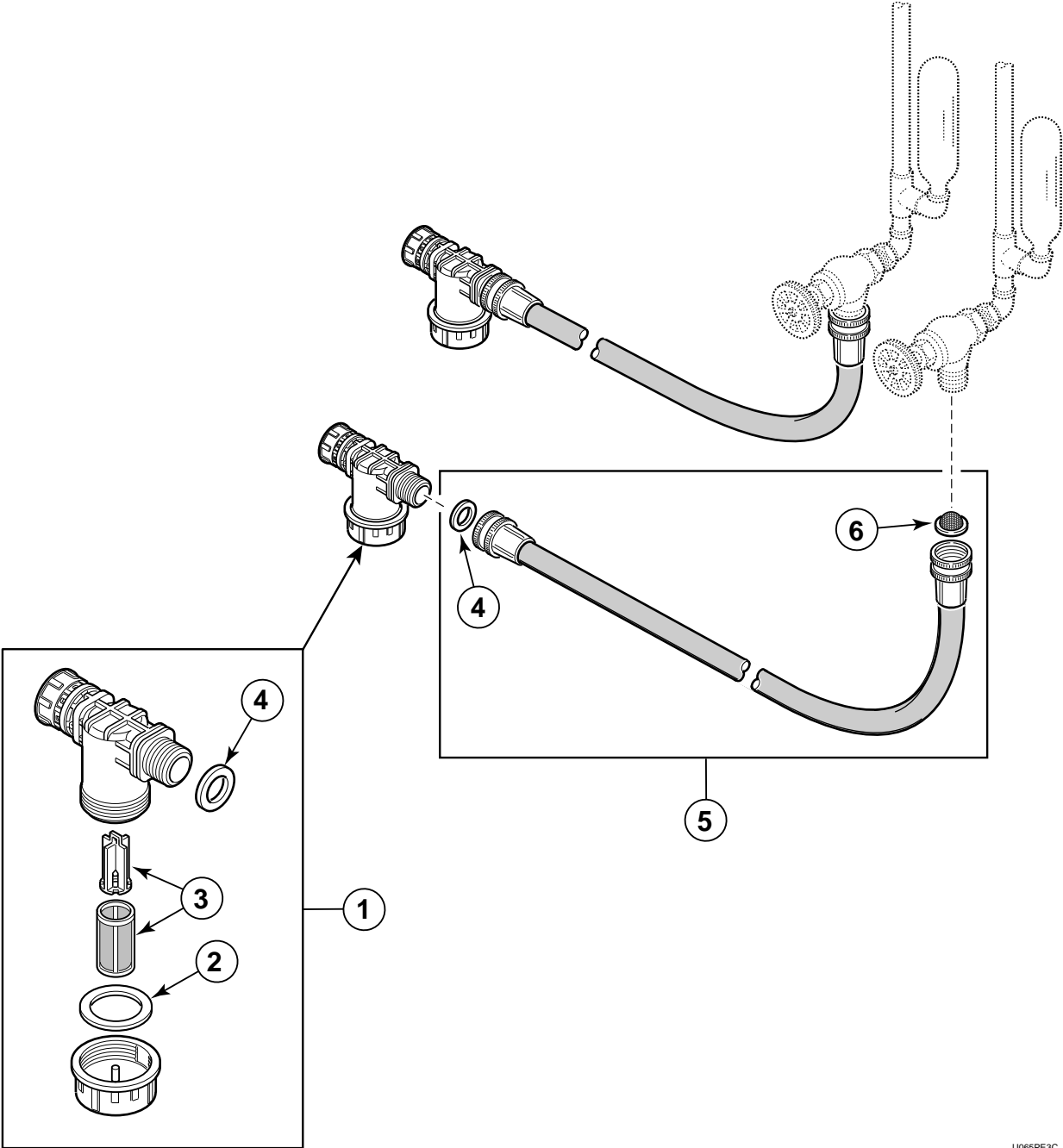


P027PE3A

Fill Plumbing Assembly

REF	PART #	DESCRIPTION	COMMENTS
	F380991	Fill Valve Repair Kit	Each valve requires one (1) Repair Kit
1	F633146	Fill Assembly	120 Volts
	F633146-1	Fill Assembly	220 Volts
	F633146-2	Fill Assembly	120 Volts
	F633146-3	Fill Assembly	220 Volts
	F633146-4	Fill Assembly	120 Volts
	F633146-5	Fill Assembly	220 Volts
	F633146-6	Fill Assembly	120 Volts
	F633146-7	Fill Assembly	220 Volts
2	F420502	Street Elbow	
3	F420106	Nipple	
4	F381700	Fill Valve	110 Volts
5	F421909	Hose Adapter	
6	F610260	Top Fill Tube Assembly	
7	F420108	Nipple	
8	F420105	Nipple	
9	F380800	Vacuum Breaker Valve	
10	F420509	Elbow	
11	F200222	Hose Clamp	
12	F421202	Fill Tube Assembly	
13	F200401	U-Bolt Clamp	Includes hardware

External Water Filters and Water Supply Hoses (Optional)

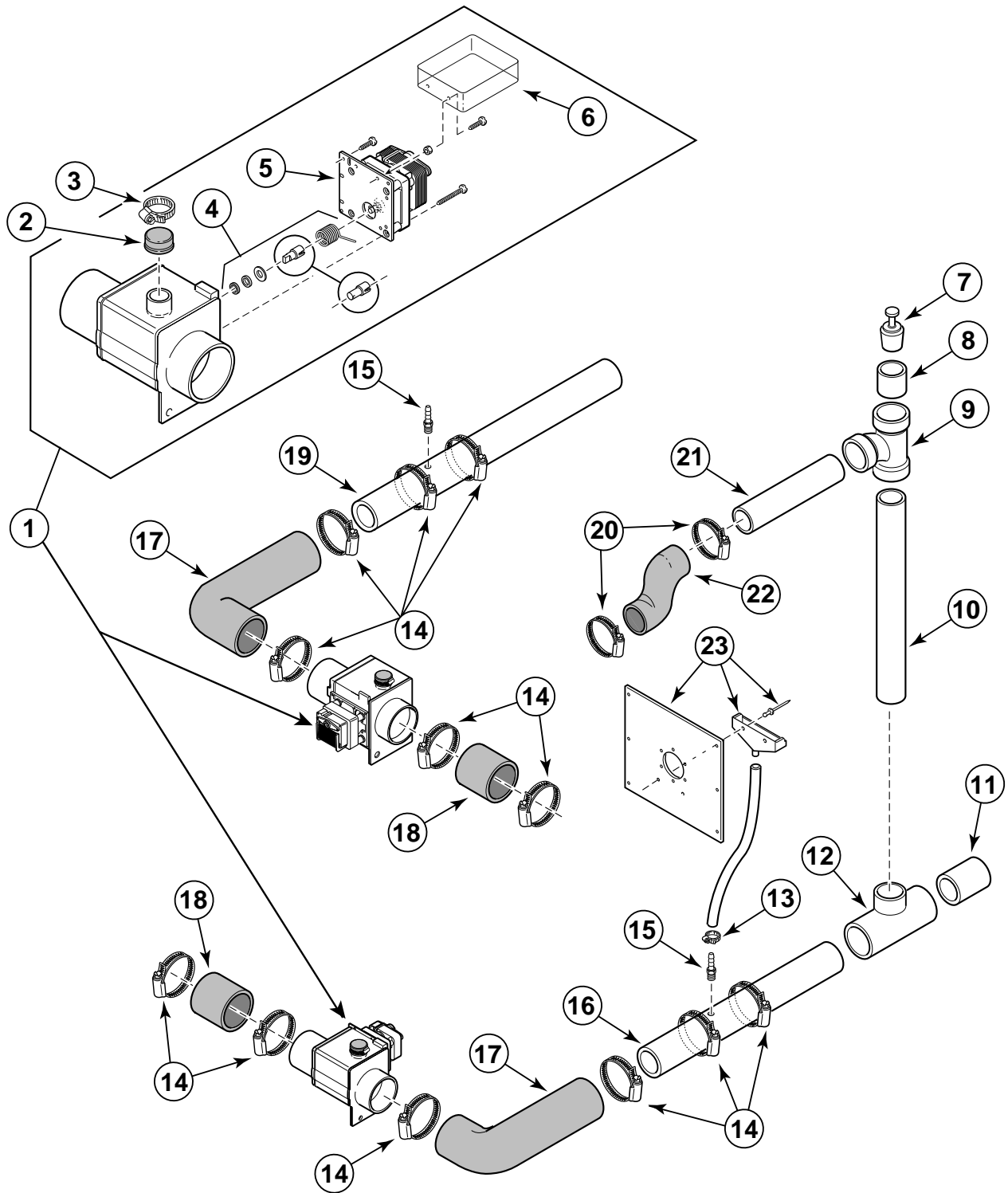


U065PE3C

External Water Filters and Water Supply Hoses (Optional)

REF	PART #	DESCRIPTION	COMMENTS
1	F270306	Filter Assembly	.25 mm Mesh (Standard thread)
	F270305	Filter Assembly	.25 mm Mesh (Standard thread)
2	F270407	Filter Housing Cap Gasket	
3	F270406	Replacement Filter	
4	F200500	Washer	
5	F200164	Water Supply Hose	
6	F270300	Filter Screen	

Drain System, Overflow and Vent Pipes

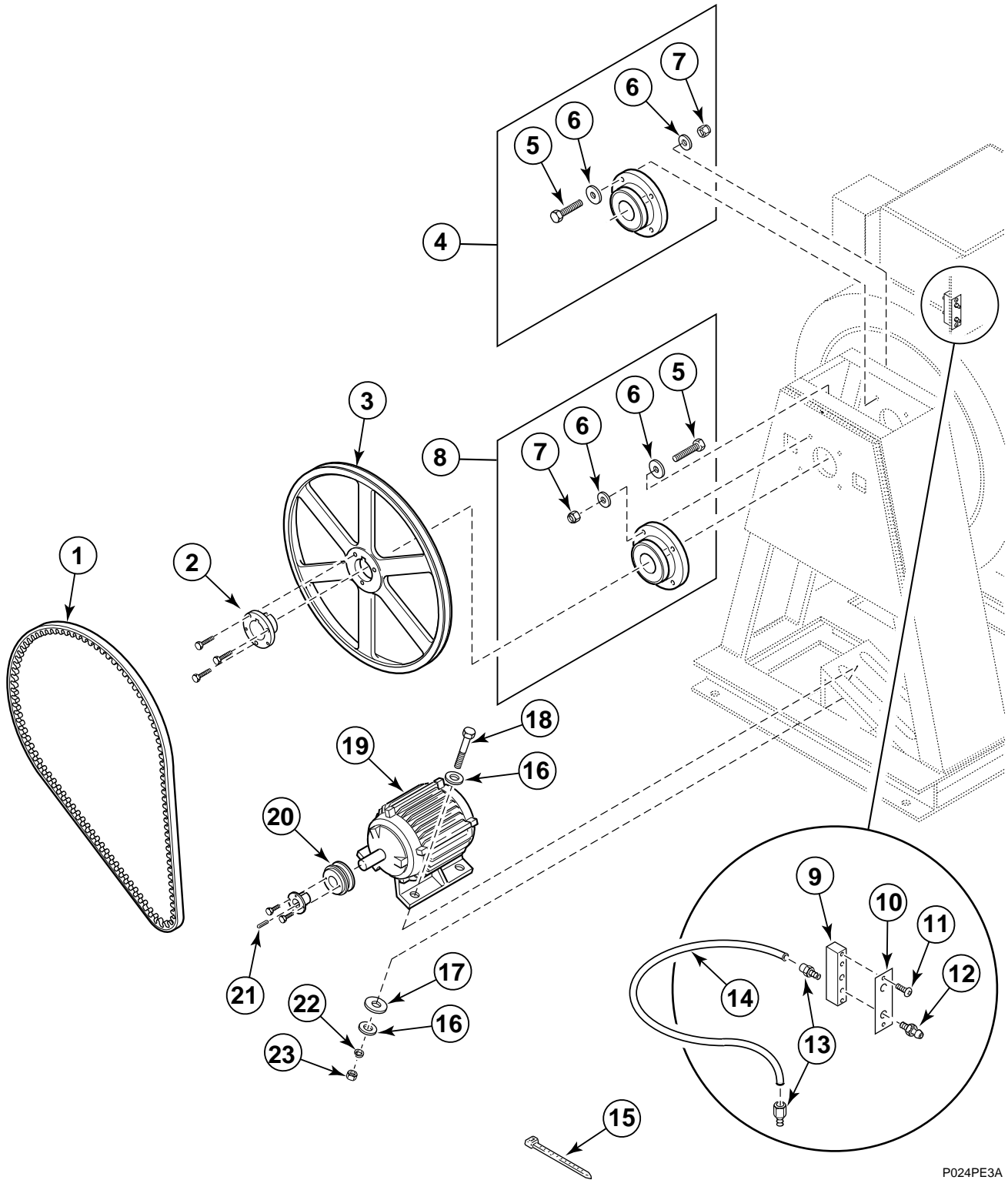


P026PE3A

Drain System, Overflow and Vent Pipes

REF	PART #	DESCRIPTION	COMMENTS
	F633232	Drain Assembly	120 Volts, UW80PV, Includes numbers 1 through 27
	F633232-1	Drain Assembly	220 Volts, UW80PV, Includes numbers 1 through 27
	F633231	Drain Assembly	120 Volts, UW100PV, Includes numbers 1 through 27
	F633231-1	Drain Assembly	220 Volts, UW100PV, Includes numbers 1 through 27
1	F380628	Drain Valve	120 Volts, 60 Hertz
	F380629	Drain Valve	220 Volts, 50/60 Hertz
2	F150352	Overflow Plug	
3	F200215	Hose Clamp	#28
4	F380918	Main Drive Kit	
5	F380932	Motor Drain Valve Motor	110 Volts, 60 Hertz, Keyed Shaft
	F380933	Motor Drain Valve Motor	220 Volts, 50 Hertz, Keyed Shaft
6	F602761	Drain Cover	
7	F380117	Vacuum Breaker	
8	F422508	Adapter	
9	F422801	Sanitary Tee	
10	F610824	Pipe	
11	F602365-1	Pipe	UW80PV
	F610093	Pipe	UW100PV
12	F422803	Tee	
13	F200207	Hose Clamp	#8
14	F200201	Hose Clamp	#56
15	F421929	Hose Barb	
16	F610840	Pipe	UW80PV
	F610841	Pipe	UW100PV
17	F150437	Elbow Drain Hose	
18	F150442	Drain Hose	
19	F610039	Pipe	
20	F200213	Hose Clamp	#40
21	F610840	Pipe	
22	F150309	Hose	
23	F741600	Scupper Assembly Kit	Includes plate

Motor, Pulley and Bearing Assemblies

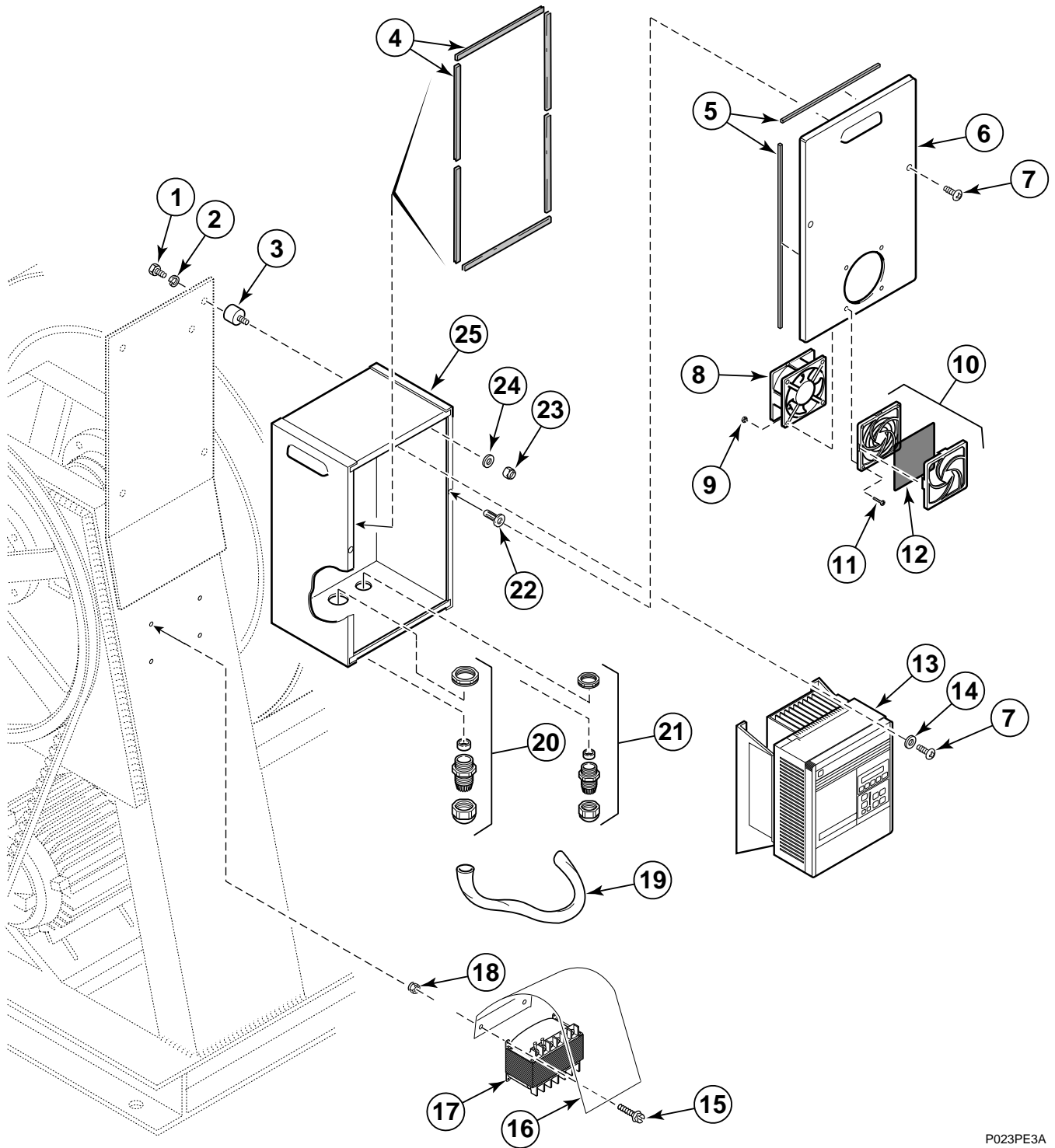


P024PE3A

Motor, Pulley and Bearing Assemblies

REF	PART #	DESCRIPTION	COMMENTS
1	F280355	Belt	BX-96
2	F280294	Bushing	Includes screws and key
3	F280412	Pulley	
4	F745005	Front Bearing Kit	Includes seal and hardware
5	F430123	Bolt	
6	F430326	Flat Washer	
7	F430200	Nut	
8	F745006	Rear Bearing Kit	Includes seal and hardware
9	F320326	Grease Manifold	
10	F230745	Decal	
11	F430925	Screw	
12	F190701	Grease Fitting	
13	F422101	Grease Tube Fittings	
14	F200190	Tubing	
15	F140605	Cable Tie	
16	F430301	Washer	
17	F430300	Flat Washer	
18	F430993	Screw	
19	F220216	Motor	
20	F280242	Motor Pulley Bushing	Includes screws and key
21	F430817	Motor Key	
22	F430305	Spring Lockwasher	
23	F430205	Nut	

A.C. Inverter Drive

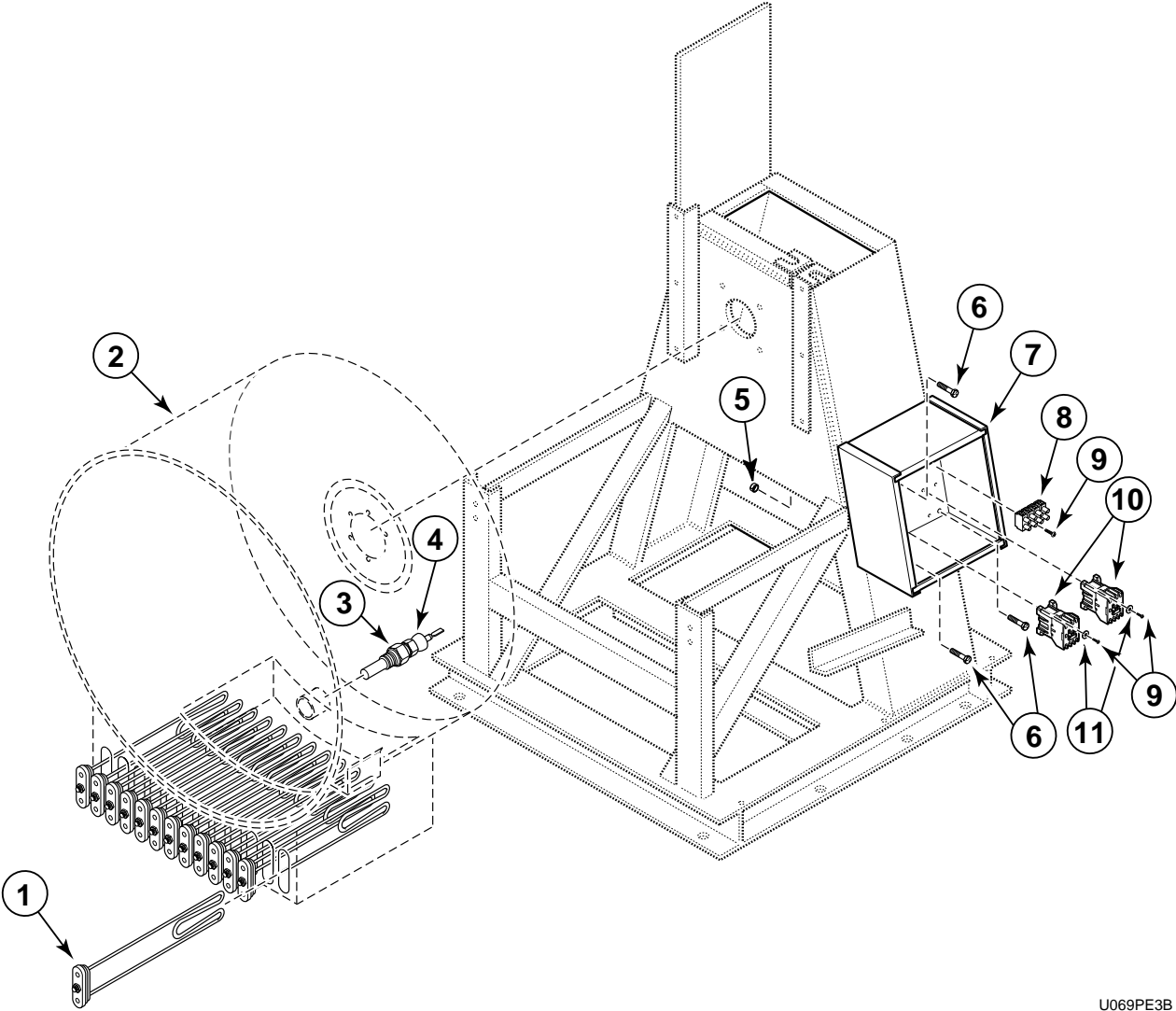


P023PE3A

A.C. Inverter Drive

REF	PART #	DESCRIPTION	COMMENTS
	F633754	A.C. Drive Box Assembly	
1	F430935	Screw	
2	F431100	Spring Lockwasher	
3	F432219	Sandwich Mount	
4	F170152	Edge Guard	Sold per foot
5	F170402	Gasket	
6	F633763	Drive Box Cover	
7	F430925	Screw	
8	F110106	Muffin Fan	120 Volts
9	F430231	Nut	
10	F220900	Filter Retainer Guard	Includes hardware
11	F430916	Screw	
12	F270321	Filter Replacement	
13	F370838	A.C. Inverter Drive	UW80
	F370835	A.C. Inverter Drive	UW100
14	F430322	Spring Lockwasher	
15	F430107	Screw	
16	F140425	Transformer Cover	
17	F360124	Control Transformer	150 VA
	F360115	Control Transformer	250 VA, 115-230 Volts
	F360123	Control Transformer	350 VA
	F360104	Control Transformer	500 VA, 120 Volts
18	F430125	Screw	
19	F140904	Wire Guard	
20	F140224	Strain Relief Cable Connector	
21	F140331	Strain Relief Cable Connector	
22	F432212	Expansion Nut	
23	F430215	Nut	
24	F430317	Washer	
25	F633755	A.C. Drive Box	

Electric Heat Option

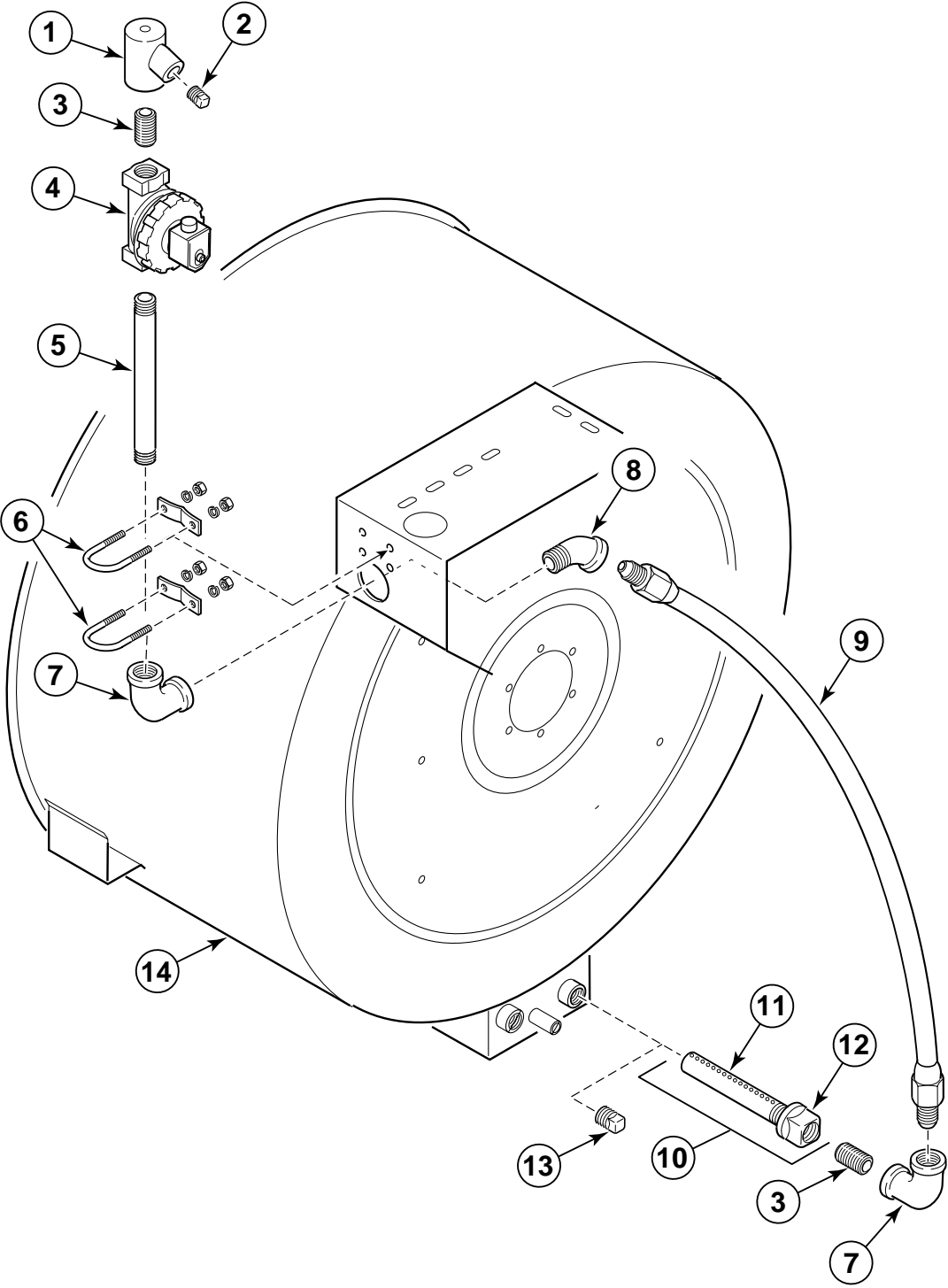


U069PE3B

Electric Heat Option

REF	PART #	DESCRIPTION	COMMENTS
1	F360203	Heating Element	230 Volts
2	F632397-1	Electric Heat Shell	UW80PV
	F630760-1	Electric Heat Shell	UW100PV
3	F421936	Reducer Bushing	
4	F370606	Temperature Probe	"P" Models only
5	F430215	Nut	
6	F430938	Screw	
7	F140413	Electrical Box	
8	F140746	Power Input Block	
9	F430107	Screw	
10	F330150	Contactator	120 Volts
11	F430311	Flat Washer	

Steam Heat Option



U070Pe3a

Steam Heat Option

REF	PART #	DESCRIPTION	COMMENTS
	F633413	Steam Plumbing Assembly	110 Volts
	F633413-2	Steam Plumbing Assembly	220 Volts
1	F270307	Steam Filter	
2	F420409	Plug	
3	F420101	Nipple	
4	F380786	Parker Steam Valve	120 Volts, Repair kit for F380786 Valve is F380984
	F380787	Parker Steam Valve	240 Volts, Repair kit for F380787 Valve is F380984
5	F420719	Nipple	
6	F200401	U-Bolt Clamp	Hardware included, #5
7	F420501	Elbow	
8	F421108	Elbow	
9	F200153	Steam Hose	Includes fitting
10	F603131	Steam Injection Tube Assembly	
11	F603048	Steam Injection Tube	
12	F421400	Bushing	
13	F421507	Plug	
14	F603554	Steam Heat Shell Assembly	

Parts Index

A

Adapter	
F422508.....	35
Air Trap Hose	
F200163.....	13
A.C. Drive Box	
F633755.....	39
A.C. Drive Box Assembly	
F633754.....	39
A.C. Inverter Drive	
F370835.....	39
F370838.....	39

B

Backplate Re-enforcement	
F604001.....	23
Balance Switch Bracket	
F601750.....	15
Basket Assembly	
F630764.....	23
F632403.....	23
Battery Backup	
F191101.....	5
Belt	
F280355.....	37
Bolt	
F430123.....	37
Bracket	
F601982.....	17
F607262.....	17
Bushing	
F280294.....	37
F421400.....	43
F430416.....	19
Buzzer	
F300203.....	13

C

Cable Tie	
F140605.....	37
Cage Wrap Assembly	
F632408.....	17
F633394.....	17
Cap Nut	
F430214.....	19
Cap Plug	
F190304.....	25
Chemical Supply Hose	
F150470.....	25
F150471.....	25
Clamp/Shell Band Bracket	
F602901.....	19
Coil	
F380900.....	27

Collar Kit	
F602506.....	23
Conduit Connector	
F140305.....	11
F140311.....	11
Connector	
F140329.....	11
F422808.....	27
Contact Block Switch	
F340429.....	5
Contacto	
F330146.....	7
F330150.....	41
Control Module Assembly	
F01717-MDL.....	5, 7, 9, 11, 13
F01742-MDL.....	5, 7, 9, 11, 13
Control Module Cabinet Sub-Assembly	
F634470-2.....	5, 7, 9, 11, 13
F634470-3.....	5, 7, 9, 11, 13
Control Module Cabinet Tray	
F608385.....	7
Control Module Decal	
F230721.....	5
Control Module Top	
F601995.....	5
Control Transformer	
F360104.....	39
F360115.....	39
F360123.....	39
F360124.....	39

D

Decal	
F230202.....	5
F230215-2.....	11
F230302.....	17
F230303.....	19
F230606.....	13
F230652.....	19
F230717.....	11
F230745.....	37
F230754.....	27
F230764-1.....	13
F231020.....	25
F231065.....	9
F231271.....	13
Door Box	
F607202.....	21
Door Box Assembly	
F603665.....	21
Door Box Bracket	
F746806.....	21
Door Bumper Bushing	
F601307.....	19
Door Butt	
Door Butt.....	19
Door Butt Shim	
F610694.....	19
Door Gasket	
F170145.....	19

Door Glass	
F290200	19
Door Glass Gasket	
F170117	19
Door Glass Retainer	
F601239	19
Door Handle	
F150203	21
Door Hinge Pin	
F601815	19
Door Hinge Strap	
F601045	19
Door Interlock Switch	
F340900	21
Door Latch Shim	
F602058	21
Door Lock Solenoid	
F300118	21
Door Push Handle Assembly	
F605638	19
Door Unlock Switch	
F340412	5
Drain Assembly	
F633231	35
F633231-1	35
F633232	35
F633232-1	35
Drain Cover	
F602761	35
Drain Hose	
F150442	35
Drain Valve	
F380628	35
F380629	35
Drip Rail	
F150364	23
Drive Box Cover	
F633763	39
Dry Supply Insert	
F150388	25
Dual Fuseholder	
F350312	13

E

Edge Guard	
F170152	39
Elbow	
F420501	43
F420509	29, 31
F421108	43
F422319	19
Elbow Drain Hose	
F150437	35
Electric Heat Shell	
F630760-1	41
F632397-1	41
Electrical Box	
F140413	41
Emergency Stop Decal	
F231083	5
Emergency Stop Pushbutton	
F340706	5

Expansion Nut	
F432212	39
Extension Arm	
F602256	21

F

Fastener	
F140602	5
Fiber Optic Cable	
F140207	9
Fiber Optic Feed-thru	
F140575	9
F140576	9
Fill Assembly	
F633146	31
F633146-1	31
F633146-2	31
F633146-3	31
F633146-4	31
F633146-5	31
F633146-6	31
F633146-7	31
Fill Tube Assembly	
F421202	31
Fill Valve	
F381700	31
Fill Valve Repair Kit	
F380991	31
Filter Assembly	
F270305	33
F270306	33
Filter Housing Cap Gasket	
F270407	33
Filter Replacement	
F270321	39
Filter Retainer Guard	
F220900	39
Filter Screen	
F270300	33
Flat Ribbon Cable	
F140218	5
F140219	5
F140223	5
Flat Washer	
F430300	37
F430301	15, 23
F430311	41
F430317	23
F430326	37
F431133	25
Flow Restrictor	
F380106	27
Four-Way Supply Valve	
F380715	27
Frame Assembly	
F630821	23
F632394	23
Front Bearing Kit	
F745005	37
Front Panel	
F630502	17
Front Shell Assembly	
F603428	23

F609191.....	19
Front Shell Band19 F603911.....	19
Front Shell Gasket F170120.....	23
Fuse F350104.....	9
F350115.....	7, 13
Fuse Board Cover F140421.....	7
Fuse Holder F350304.....	9
F603650 F603650.....	5
F60391019	

G

Gasket F170402.....	39
Grease Fitting F190701.....	37
Grease Manifold F320326.....	37
Grease Tube Fittings F422101.....	37
Ground Decal F230630.....	11
Ground Lug F140734.....	11

H

Heating Element F360203.....	41
Hose F150309.....	35
F200110.....	27
Hose Adapter F421909.....	29, 31
Hose Barb F421929.....	35
Hose Clamp F200201.....	35
F200202.....	27
F200207.....	35
F200213.....	25, 35
F200215.....	35
F200222.....	13, 31
Hot Water Hose Connector F200302.....	27

I

Inner Front Gasket F170401.....	17
Input Power Decal F230677.....	11
Input Power Terminal Block F140746.....	11

Insulator Bushing F140909.....	11, 13
Interface Connector F140578.....	7

J

J-4 Jumper F784003.....	7
----------------------------	---

K

Keymode Switch Decal F230678.....	9
Keymode Switch/Run Program F730186.....	9

L

Large Tie F431000.....	5
Light F350412.....	9
Lockwasher F431100.....	21, 25
F431108.....	5, 7, 9, 11, 13
F431113.....	7, 9, 11, 13
Lower Door Latch F601742.....	21
Lower Door Latch Bracket F150202.....	21

M

Magnet F340703.....	19, 21
Magnetic Position Switch F340702.....	21
Main Drive Kit F380918.....	35
Micro Computer Cover F606826.....	5
Microswitch Trip Lever F601639.....	21
Motor F220216.....	37
Motor Drain Valve Motor F380932.....	35
F380933.....	35
Motor Key F430817.....	37
Motor Pulley Bushing F280242.....	37
Muffin Fan F110106.....	39

N

Nipple	
F420101.....	43
F420105.....	29, 31
F420106.....	31
F420108.....	29, 31
F420719.....	43
Nut	
F430126.....	21
F430200.....	37
F430205.....	15, 21, 23, 37
F430206.....	15
F430211.....	17, 23
F430212.....	23
F430215.....	17, 39, 41
F430231.....	5, 11, 21, 39
F430606.....	17
F430996.....	21
F431000.....	5
F431005.....	25
F431006.....	13
F431017.....	11, 13
F431022.....	7, 9, 11, 13, 19, 23
F431026.....	19
F431804.....	17
Nylon Plug	
F140527.....	11

O

O-Ring	
F170215.....	25
Overflow Plug	
F150352.....	35

P

Parker Steam Valve	
F380786.....	43
F380787.....	43
Pin	
F430415.....	17
Pipe	
F602365-1.....	35
F610039.....	35
F610093.....	35
F610824.....	35
F610840.....	35
F610841.....	35
Plastic Connector	
F422500.....	13
Plate	
F609822.....	21
Plug	
F420409.....	43
F421507.....	43
Power Input Block	
F140746.....	41
Program Key	
F370709.....	9
Pulley	
F280412.....	37

Pushbutton Mounting Base	
F340705.....	5

R

RC Network Filter	
F330217.....	7, 21
Rear Bearing Kit	
F745006.....	37
Rear Panel	
F633184.....	17
Reducer Bushing	
F421936.....	41
Relay	
F330227.....	7
Replacement Filter	
F270406.....	33
Resistor	
F610765.....	13
Rivet	
F431210.....	19
Rub Rail	
F150409.....	17
Rub Rail Insert	
F150397.....	17

S

Sandwich Mount	
F432219.....	39
Sanitary Tee	
F422801.....	35
Screw	
F430103.....	19
F430107.....	39, 41
F430109.....	15
F430124.....	15
F430125.....	39
F430152.....	7, 9, 11, 13
F430168.....	21
F430171.....	5
F430500.....	23
F430904.....	5, 7, 9, 11, 13
F430909.....	21
F430913.....	23
F430916.....	11, 21, 39
F430917.....	19, 21, 23, 25
F430920.....	11, 13
F430921.....	17
F430924.....	23
F430925.....	37, 39
F430927.....	21
F430928.....	7, 9, 13
F430935.....	39
F430938.....	11, 41
F430948.....	27
F430956.....	17, 21
F430993.....	37
F430995.....	21
F431005.....	21
F431052.....	5
F431701.....	13
Scupper Assembly Kit	
F741600.....	35

Seal Holder	
F601360.....	23
Seal Kit	
F730083.....	23
Sealing Washer	
F431112.....	23
F431116.....	23
Set Screw	
F430502.....	19
Shaft Seal	
F100202.....	23
Shell Assembly	
F630760.....	23
F632397.....	23
Shell Band Assembly	
F603344.....	23
Shell Gasket Shield	
F601216.....	23
Side Panel	
F632390.....	17
F632404.....	17
Slinger	
F100204.....	23
Small Tie	
F431000.....	5
Soap Dispenser Shroud	
F633047.....	25
Spacer	
F431911.....	13
Spray Plumbing Assembly	
F633151.....	29
F633151-1.....	29
F633151-2.....	29
F633151-4.....	29
F633151-5.....	29
F633151-6.....	29
Spray Rinse Hose Kit	
F730024.....	19
Spray Rinse Nozzle Kit	
F730077.....	19
Spray Rinse Strap	
F602880.....	23
Spray Rinse Tube Assembly	
F610364.....	19
Spray Valve	
F381700.....	29
Spray Valve Repair Kit	
F380991.....	29
Spring Lockwasher	
F430305.....	15, 23, 37
F430321.....	23
F430322.....	23, 39
F431100.....	17, 19, 21, 39
Steam Filter	
F270307.....	43
Steam Heat Shell Assembly	
F603554.....	43
Steam Hose	
F200153.....	43
Steam Injection Tube	
F603048.....	43
Steam Injection Tube Assembly	
F603131.....	43
Steam Plumbing Assembly	
F633413.....	43

F633413-2.....	43
Strain Relief Cable Connector	
F140224.....	39
F140331.....	39
Strain Relief Connector Kit	
F749802.....	25
Strain Relief Plug	
F170165.....	25
Strainer	
F270200.....	27
Street Elbow	
F420502.....	29, 31
Studded Door	
F601318.....	19
Supply Cup	
F150385.....	25
F150386.....	25
Supply Dispenser Lid	
F150384.....	25
Supply Dispenser Lid Gasket	
F170158.....	25
Supply Hose Strap	
F605324.....	17
Supply Injection Nozzle Kit	
F730168.....	25
Supply Polypropylene Dispenser	
F150383.....	25
Supply Valve Box Cover	
F603560.....	7
F603650.....	9, 11, 13
Support	
F602075.....	23
Switch	
F340900.....	15

T

Tee	
F422803.....	35
Temperature Probe	
F370606.....	15, 41
Terminal Strip	
F140738.....	9, 11, 13
Top Fill Tube Assembly	
F610260.....	31
Top Latch Bracket	
F150201.....	21
Transformer Cover	
F140425.....	39
Tri-Level Switch	
F340316.....	13
Tri-Level Switch Bracket	
F630242.....	13
Trim	
F170400.....	25
Tube Connector	
F422106.....	29
Tube Holding Assembly	
F602901.....	23
Tube Holding Clamp	
F602880.....	19
Tubing	
F200190.....	37

F422404..... 13

U

U-Bolt Clamp
F200401 29, 31, 43

V

Vacuum Breaker
F380117 35
Vacuum Breaker Valve
F380800 29, 31
Valve Repair Kit
F380938 27

W

Warning Plate
F230200 19
Washer
F200500 33
F430301 37
F430317 17, 39
F431113 23
F431118 21
F431123 5, 7, 9, 11, 13
F431125 5, 21
F431142 21
F431147 25
Water Supply Hose
F200164 33
WE-6 Interface Board
F370577 7
WE-6 Keypad Decal
F230724 5
WE-6 Microcomputer Kit
F370534-10 5
WE-6 Solid State Relay Board
F370535 7
Wire Cap
F140712 21
Wire Guard
F140904 39