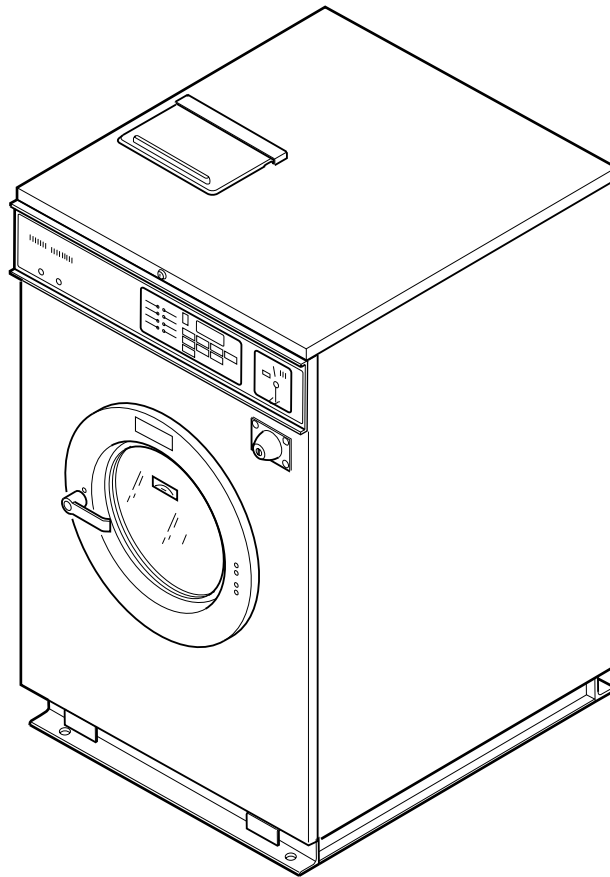


Washer-Extractor

Variable Speed Models

HC18	SC18	UC18
HC27	SC27	UC27
HC35	SC35	UC35
HC50	SC50	UC50



B003C

Table of Contents

Title	Page
Parts Ordering Information	2
Nameplate Location	2
Model Identification	3
Decal Familiarization	4
Graphic Panel and Controls.....	6
Control Module	8
Inverter Drive	10
Manual Control Switch Assembly	12
Air Filter Assembly	14
Supply Dispenser.....	16
Supply Dispenser Assembly (Mueller).....	18
Supply Dispenser Assembly (Elbi).....	20
Automatic Supply Dispenser Kit	22
Water Valve	24
Valve Assembly (Elbi).....	26
Water Filter	28
Drain Valve Assembly.....	30
Drain Valve Assembly.....	32
Drain Valve Assembly, Hoses and Air Trap (18, 35 and 50lb.)	34
Drain Valve Assembly, Hoses and Air Trap (27lb.)	36
Door and Outer Front Panels.....	38
Front Panel	40
Door Lock Assembly	42
Panels.....	44
Shell Front, Cylinder, Outer Shell and Trunnion Assembly	46
Motor, Pulley and Belt Assembly	48
Motor, Pulley and Belt Assembly	50
Power Panel Assembly	52
Steam Heat Assembly	54
Electric Heat Assembly	56
Parts Index.....	59

© Copyright 2000, Alliance Laundry Systems LLC

All rights reserved. No part of the contents of this book may be reproduced or transmitted in any form or by any means without the expressed written consent of the publisher.

Parts Ordering Information

Alliance Laundry Systems is not responsible for personal injury or property damage resulting from improper service. Review all service information before beginning repairs.

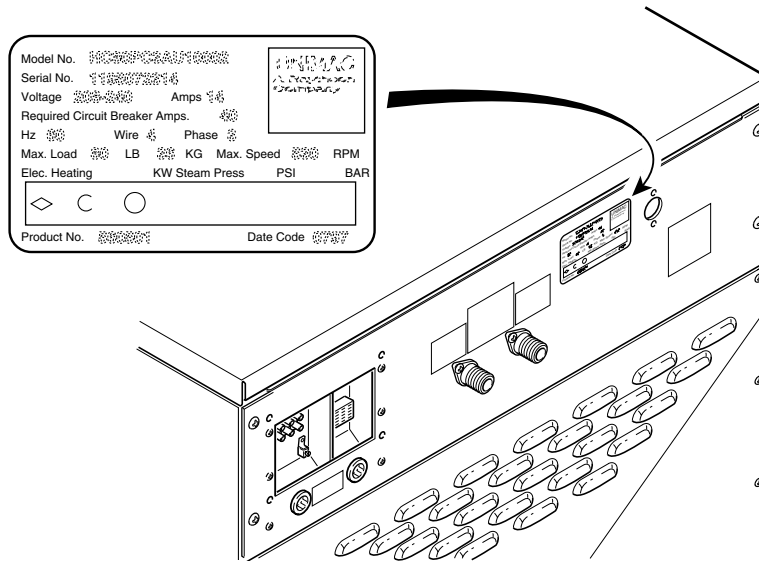
If literature or replacement parts are required, contact the source from whom the machine was purchased or contact Alliance Laundry Systems at (920) 748-3950 for the name of the nearest authorized parts distributor.

For technical assistance, call any of the following numbers:

(850) 718-1035
(850) 718-1026
Marianna, Florida
(920) 748-3121
Ripon, Wisconsin

Nameplate Location

When calling or writing about your product, be sure to mention model and serial numbers. Model and serial numbers are located on nameplate(s) as shown.



B155P

Model Identification

Information in this manual is applicable to these washer-extractors:

HC18VNV

HC27VNV

HC35VNV

HC50VNV

SC18VNV

SC27VNV

SC35VNV

SC50VNV

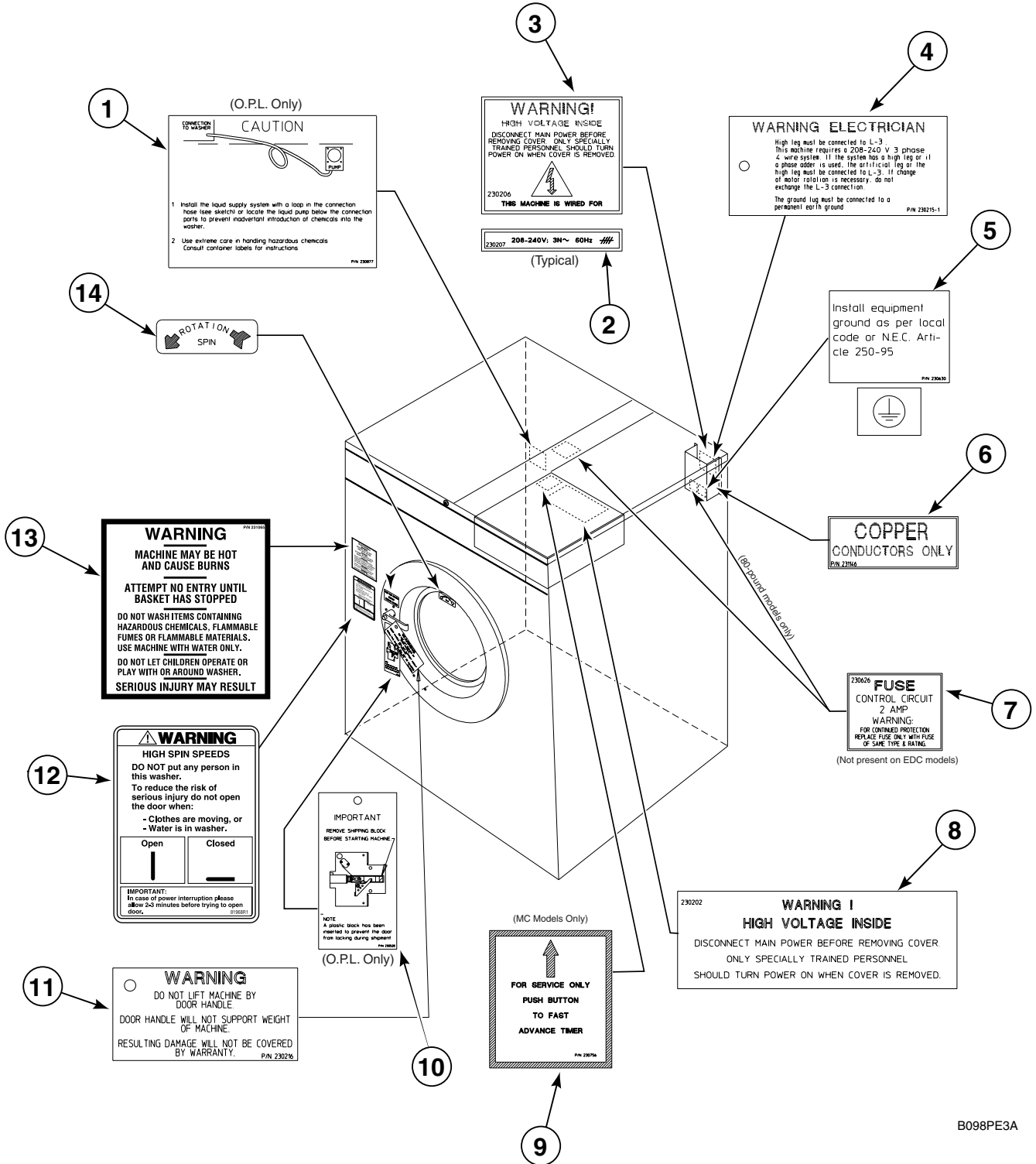
UC18VNV

UC27VNV

UC35VNV

UC50VNV

Decal Familiarization

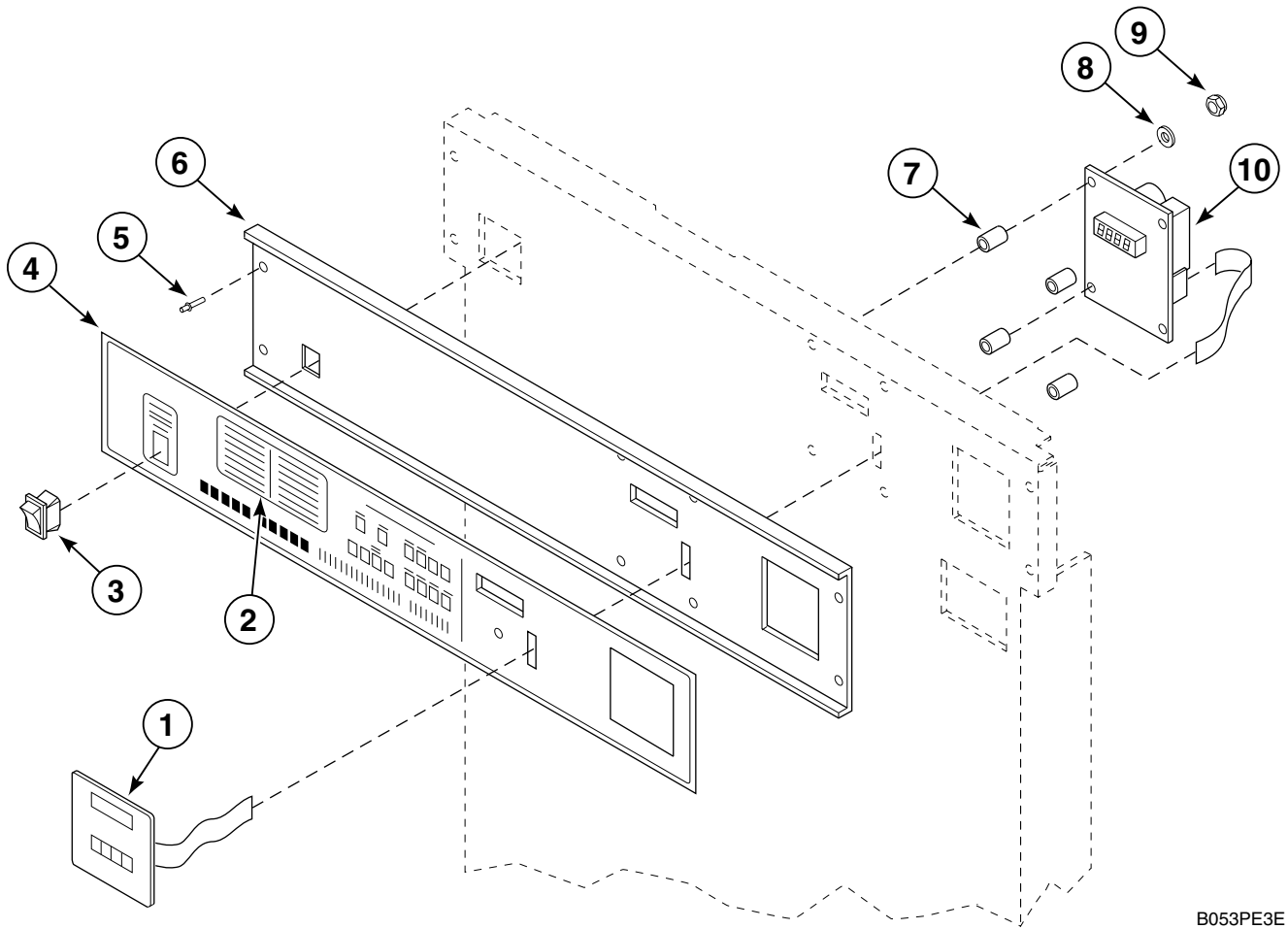


B098PE3A

Decal Familiarization

REF	PART #	DESCRIPTION	COMMENTS
1	F230877	Decal	
2	F230207	Decal	
3	F230206	Decal	
4	F230215-1	Decal	
5	F230630	Decal	
6	F231146	Decal	
7	F230626	Decal	Not present on EDC models
8	F230202	Decal	
9	F230756	Decal	MC models only
10	F230528	Tag	OPL only
11	F230216	Decal	
12	81968R1	Decal	
13	F231065	Decal	
14	F230693	Decal	

Graphic Panel and Controls

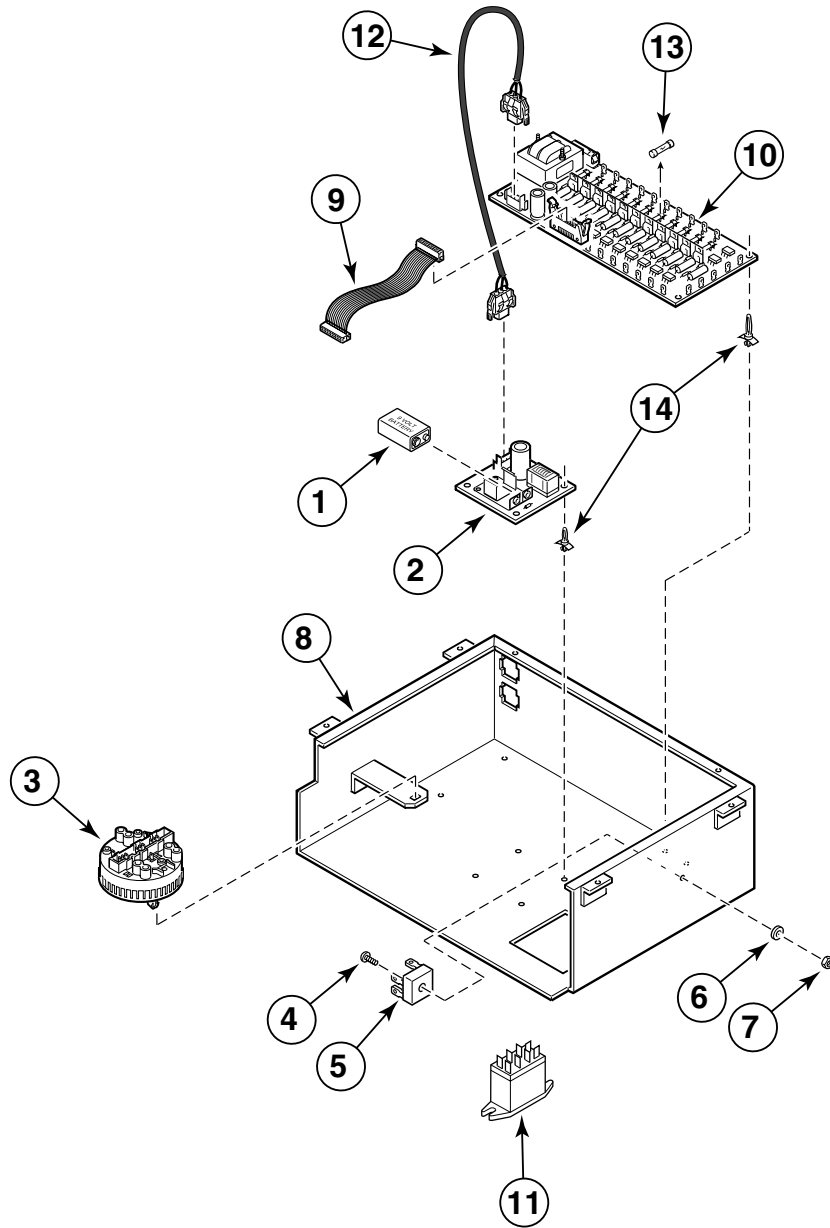


B053PE3E

Graphic Panel and Controls

REF	PART #	DESCRIPTION	COMMENTS
1	F370576	Keypad	UC18, UC27, UC35 and UC50; Keypad, OPL
	F340608	Keypad	SC18, SC25, SC27, SC35 and SC50; Keypad
2	F231402	Overlay Decal	V-comp, UC
	F231403	Overlay Decal	HC18, HC35 and HC50
	F231404	Overlay Decal	SC18, SC27, SC35 and SC50
3	F340412	Door Switch	250 Volts, 16 Amps
4	F231467	Control Panel Decal	SC18
	F231496	Control Panel Decal	UC35, PC
	F231495	Control Panel Decal	UC50
	F231469	Control Panel Decal	SC35
	F231470	Control Panel Decal	SC50
	F231498	Control Panel Decal	UC18
	F231497	Control Panel Decal	UC27
	F231546	Control Panel Decal	HC27
	F231545	Control Panel Decal	HC18
	F231547	Control Panel Decal	HC35
	F231548	Control Panel Decal	HC50
	F231468	Control Panel Decal	SC27
	5	F431210	Rivet
6	F634808-2	Control Panel Assembly	*C18
	F634824-2	Control Panel Assembly	*C27
	F634827-2	Control Panel Assembly	*C35
	F634830-2	Control Panel Assembly	*C50
7	F401206	Spacer	
8	F430325	Washer	
9	F430232	Nut	
10	F370313-60	Computer Board	*C18-50VNV
	F370313-13	Computer Board	*C125VNV

Control Module

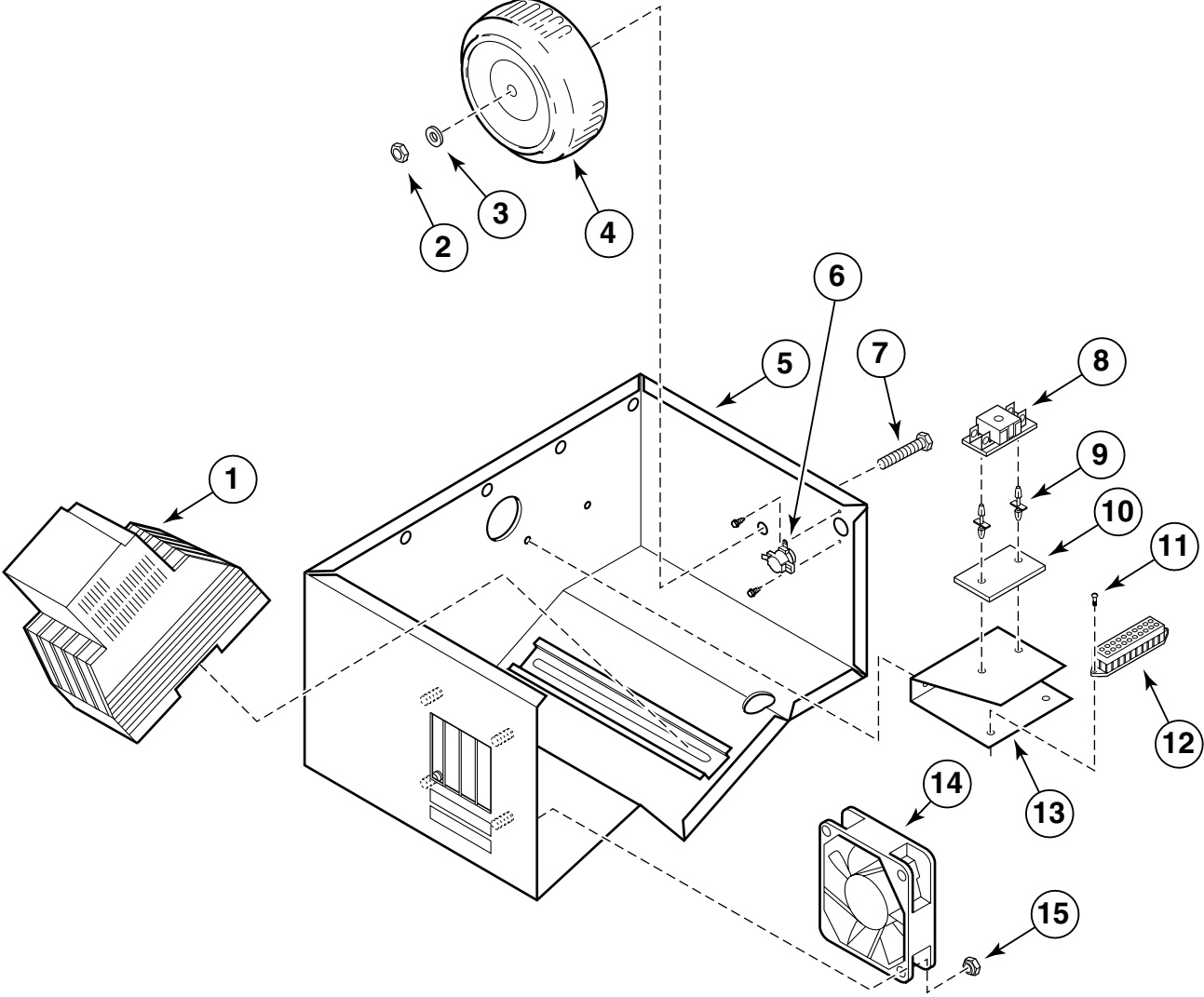


B138PE3A

Control Module

REF	PART #	DESCRIPTION	COMMENTS
1	F191101	Battery	9-volt
2	F370529	Battery Back-up Board	
3	F340315	Water Level Switch	HC18, HC27, SC18, SC27, UC18 and UC27
	F340328	Water Level Switch	HC35, HC50, SC35, SC50, UC35 and UC50
4	F430916	Screw	
5	F370310	Bridge Rectifier	
6	F430325	Washer	
7	F430232	Nut	
8	F607507	Electrical Panel	HC18, UC18, HC27, UC27, HC35, UC35, HC50 and UC50
	F606950-1	Electrical Panel	SC18, SC27, SC35 and SC50
9	F140247	Flat Cable	V-Computer, 26 Pin, 8"
10	F370519	Fuse Board	SC18, SC27, SC35, SC50, UC18, UC27, UC35 and UC50; 4 Cycle, P-Computer, 110 Volt
	F370314	Fuse Board	SC18, SC27, SC35, SC50, UC18, UC27, UC35 and UC50; WE7-V, VAR speed
11	F330227	Flange Relay	110/120 Volt
12	F604456	Harness	Battery Back-up, 3 Pin
13	F350109	Fuse	1/2 Amp
14	F180501	Standoff	

Inverter Drive

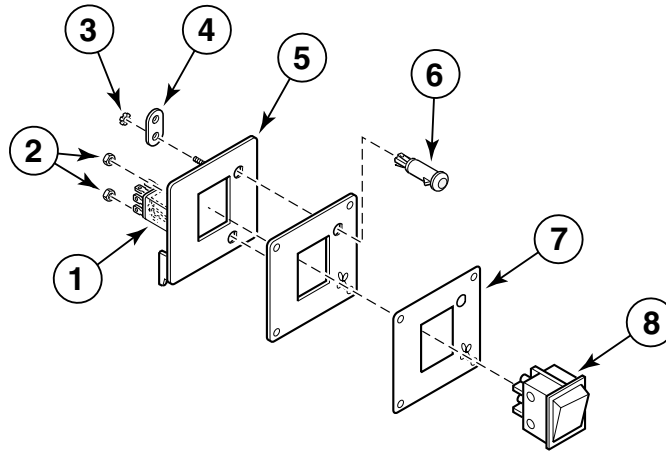


B139PE3A

Inverter Drive

REF	PART #	DESCRIPTION	COMMENTS
1	F370839	Inverter Drive	18, 27; 230 Volt
	F370840	Inverter Drive	18; 460 Volt
	F370841	Inverter Drive	35; 230 Volt
	F370842	Inverter Drive	35, 50; 460 Volt
2	F430211	Nut	
3	F431104	Washer	
4	F360117	Transformer	100 VA 120 SEC
	F360124	Transformer	150 VA multi for pump models
5	F633286	A.C. Drive Box Wrap	
6	F290110	Thermostat	Manual Reset
7	F430996	Screw	
8	F350312	Fuseholder	
9	F180501	Standoff	
10	F231393	Decal	1 Amp
	F231394	Decal	2 Amp
11	F430482	Screw	
12	F140768	Terminal Strip	
13	F633322	Fuseholder Bracket	
14	F110106	Muffin Fan	120 Volt
	F110105	Muffin Fan	220 Volt
15	F431016	Nut	

Manual Control Switch Assembly

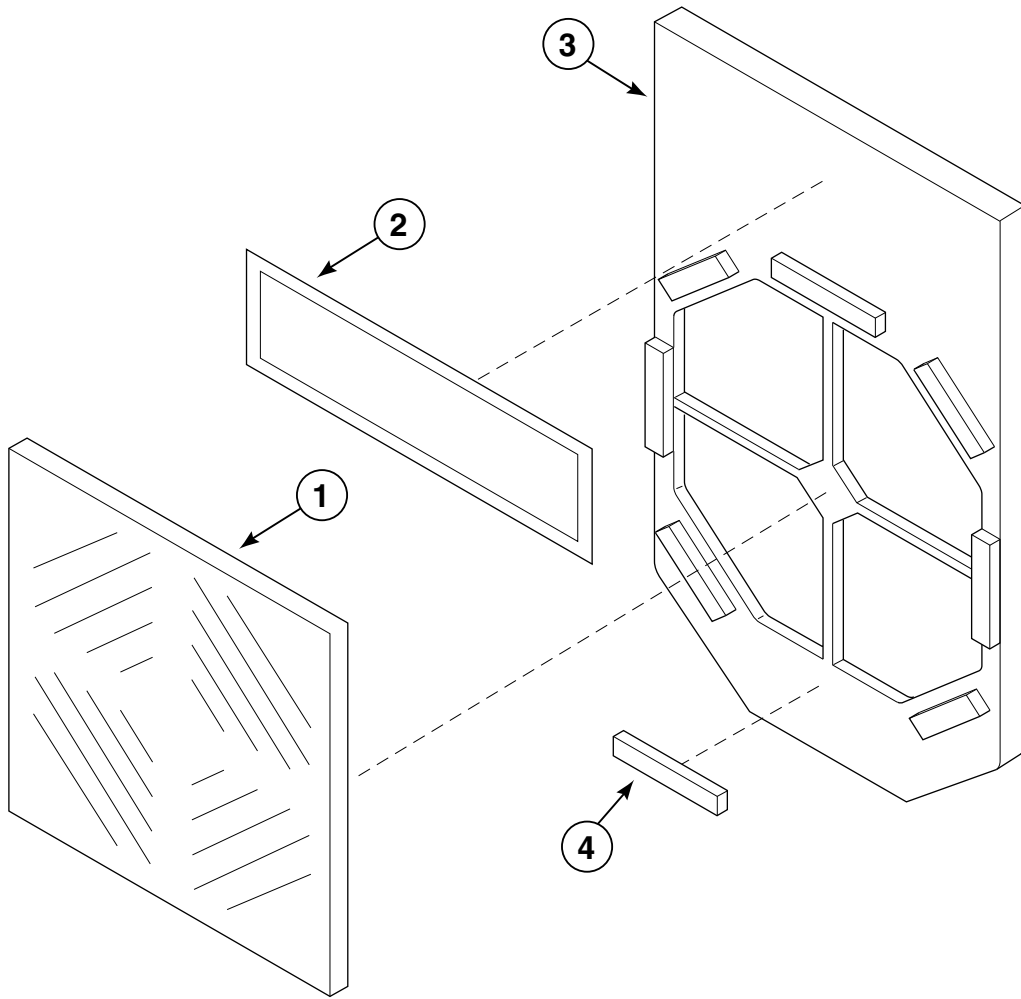


B140PE3B

Manual Control Switch Assembly

REF	PART #	DESCRIPTION	COMMENTS
	F633510	Start/Stop Switch Assembly	
1	F330227	Relay	110 Volt
	F330230	Relay	220 Volt
2	F430231	Nut	
3	F430232	Nut	
4	F601515	Clip	
5	F633540	Switchplate Sub-assembly	
6	F350411	Light	115 Volt
	F350406	Light	220 Volt
7	F231381	Decal	
8	F340411	Rocker Switch	250 Volt, 16 Amp

Air Filter Assembly

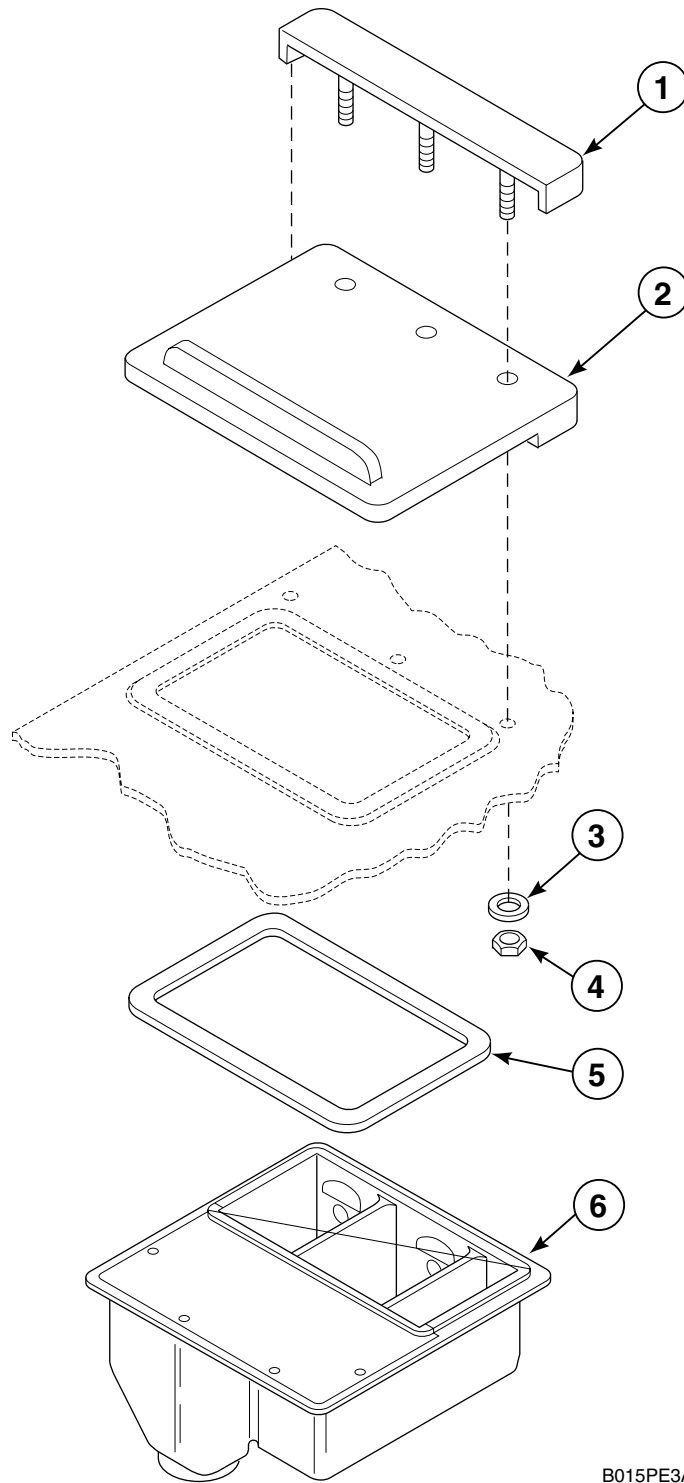


B080PE3B

Air Filter Assembly

REF	PART #	DESCRIPTION	COMMENTS
1	F633508	Filter	Foam Mesh
2	F231377	Decal	
3	F633321	Air Filter Slide	
4	F140639P	Velcro Strip	Sold per foot

Supply Dispenser

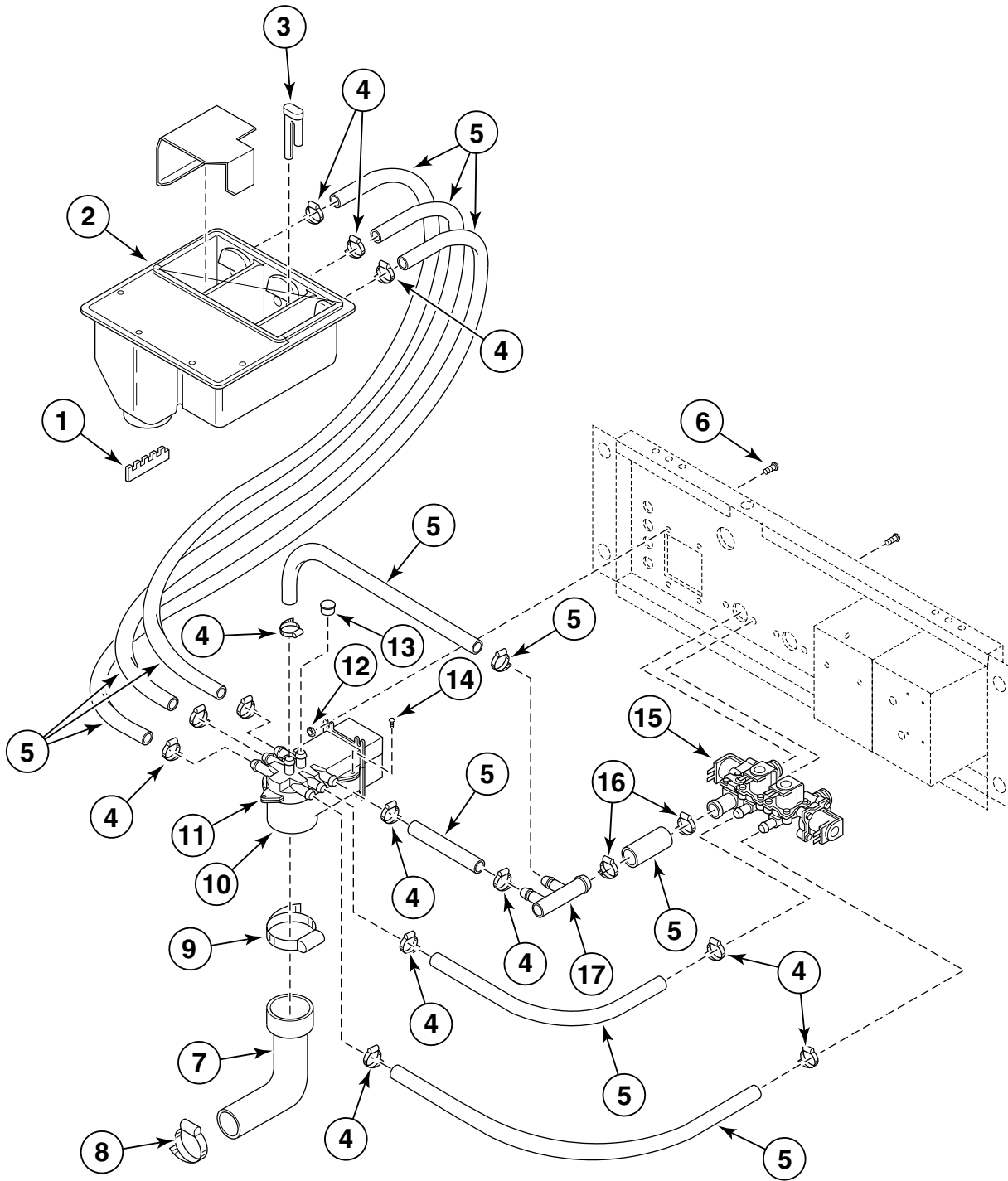


B015PE3A

Supply Dispenser

REF	PART #	DESCRIPTION	COMMENTS
1	F630430	Clamp Assembly	
2	F150305	Cover	
3	F431147	Washer	
4	F431024	Nut	
5	F170170	Gasket	
6	F602374-3	Dispenser	

Supply Dispenser Assembly (Mueller)

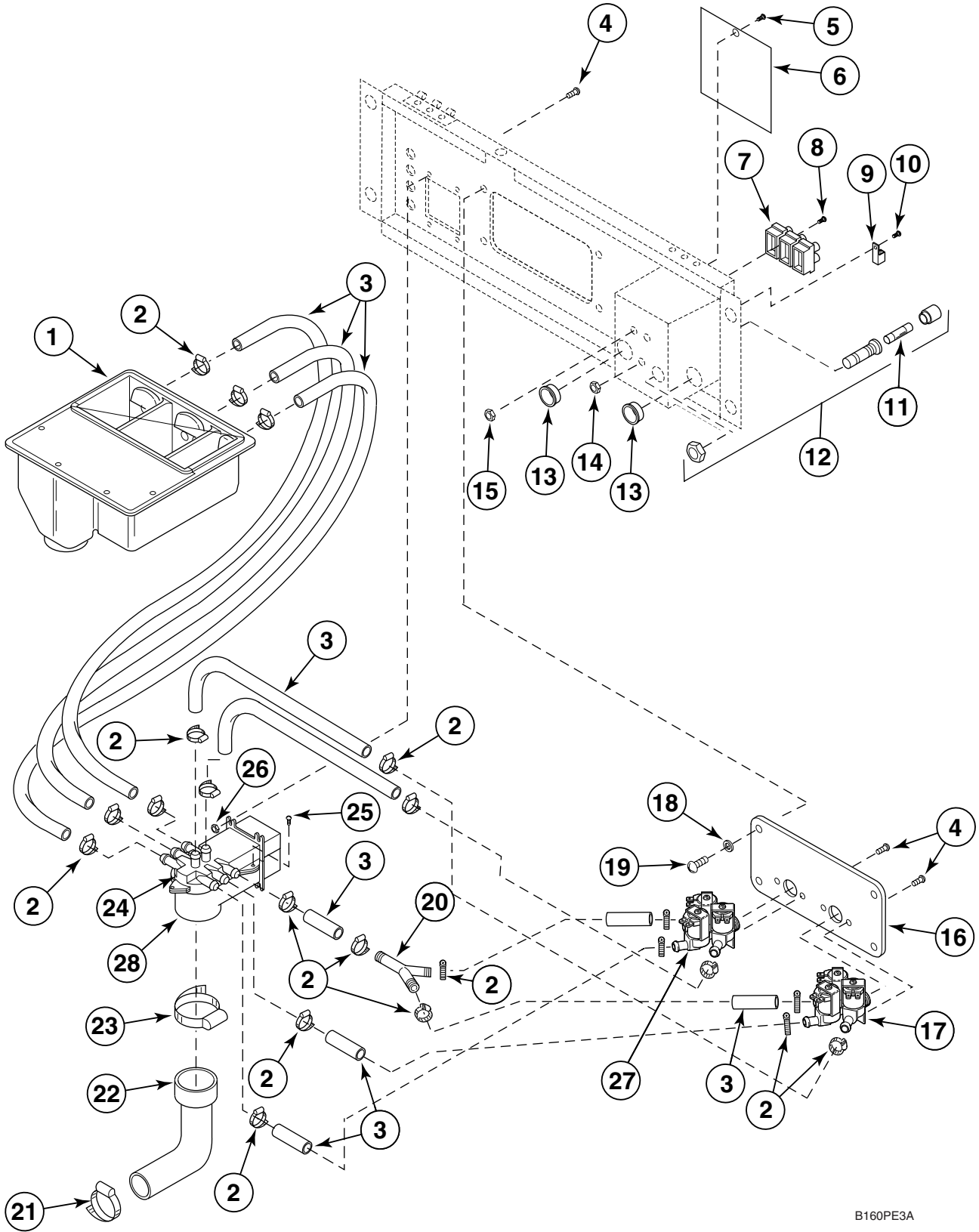


B141PE3A

Supply Dispenser Assembly (Mueller)

REF	PART #	DESCRIPTION	COMMENTS
1	F150419	Supply Dispenser Baffle	
2	F602374-3	Supply Dispenser	
3	F150390	Siphon Tube	
4	F200207	Clamp	#8
5	F200108	Hose	Sold per foot
6	F430948	Screw	
	F430917	Screw	UC18, UC35 and UC50
7	F150321	Vacuum Breaker Hose	HC18, HC35, SC18, SC35, UC18 and UC35
	F150340	Vacuum Breaker Hose	HC50, SC50 and UC50
	F150372	Vacuum Breaker Hose	HC27, SC27 and UC27
8	F200219	Clamp	#48
9	F200213	Clamp	#40
10	F150330	Vacuum Breaker Bottom	
11	F150329	Vacuum Breaker Top	
12	F430231	Nut	
13	F190301	Plug	
14	F430177	Screw	
15	F730455	Valve	3-Way Mixing Valve, 110 Volt, 60 Hertz, Hose Thread
	F730456	Valve	3-Way Mixing Valve, 220 Volt, 50 Hertz, Metric
16	F200205	Clamp	#10
17	F150371	Manifold	

Supply Dispenser Assembly (Elbi)

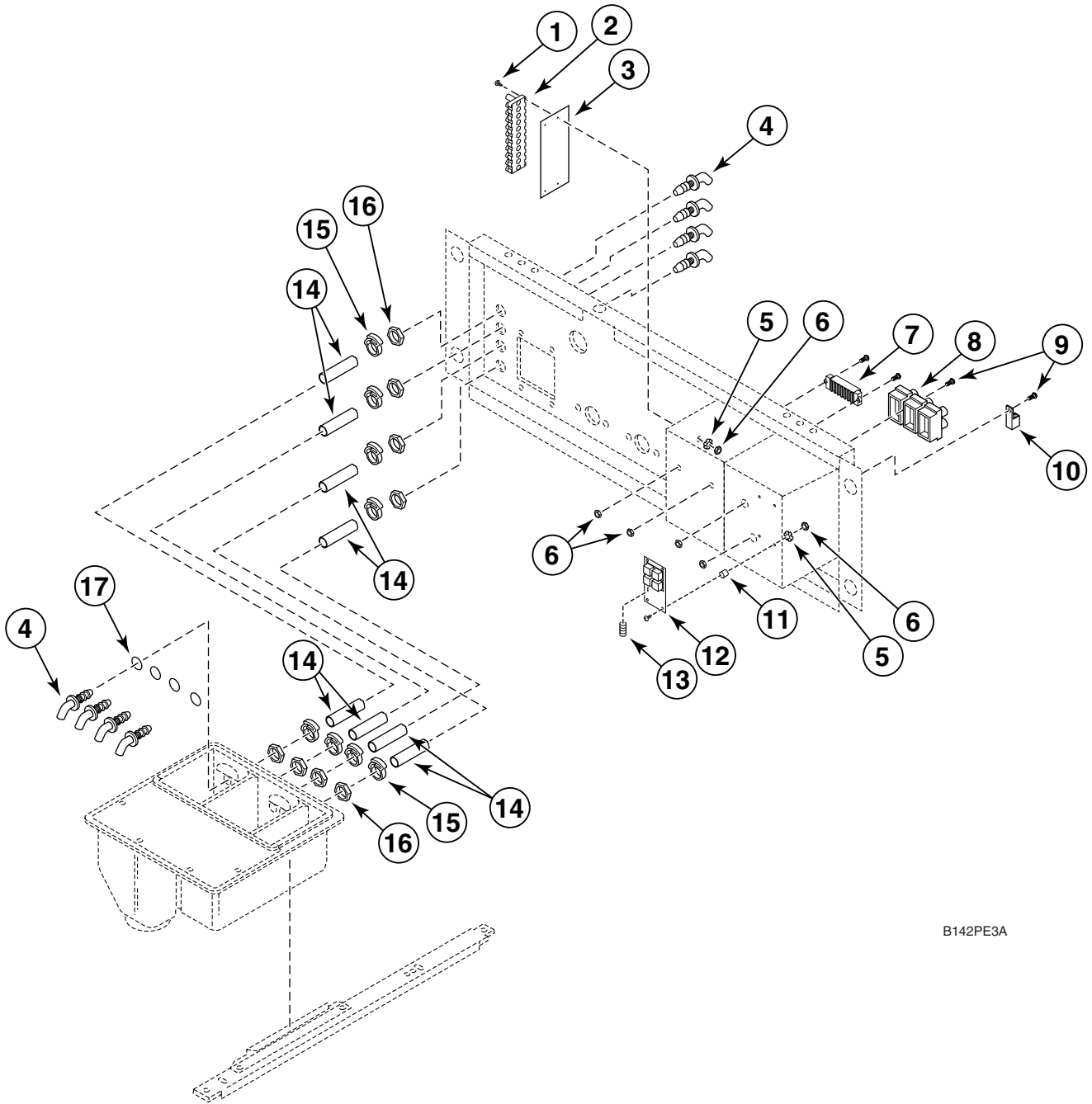


B160PE3A

Supply Dispenser Assembly (Elbi)

REF	PART #	DESCRIPTION	COMMENTS
1	F602374-3	Supply Dispenser	
2	F200207	Clamp	#8
3	F200108	Hose	Sold per foot
4	F430948	Screw	
5	F430174	Screw	
6	F602533	Junction Box Cover	
7	F140747	Input Power Block	3-wire
	F140746	Input Power Block	4-wire
8	F430938	Screw	
9	F140734	Ground Lug	
10	F430903	Screw	
11	F350104	Fuse	2 Amp
12	F350304	Fuse Holder	
13	F140909	Bushing	
14	F430232	Nut	
15	F430231	Nut	
16	F606595	Mixing Valve Mounting Plate	
17	F381720	3-Way Mixing Valve Kit	Cold, 120 Volt
	F381718	3-Way Mixing Valve Kit	Cold, 220 Volt
18	F430322	Washer	
19	F430929	Screw	
20	F422808	"Y" Connector	
21	F200213	Clamp	#40
22	F150321	Vacuum Breaker Hose	SC18 and SC35
	F150372	Vacuum Breaker Hose	SC25 and SC27
	F150340	Vacuum Breaker Hose	SC50
23	F200219	Clamp	#48
24	F150329	Vacuum Breaker Assembly	
25	F430177	Screw	
26	F430231	Nut	
27	F381728	3-Way Valve	Hot, 110 Volt, U.S. Threads
	F381730	3-Way Valve	Hot, 220 Volt, Metric Threads
28	F150330	Vacuum Breaker Bottom	

Automatic Supply Dispenser Kit

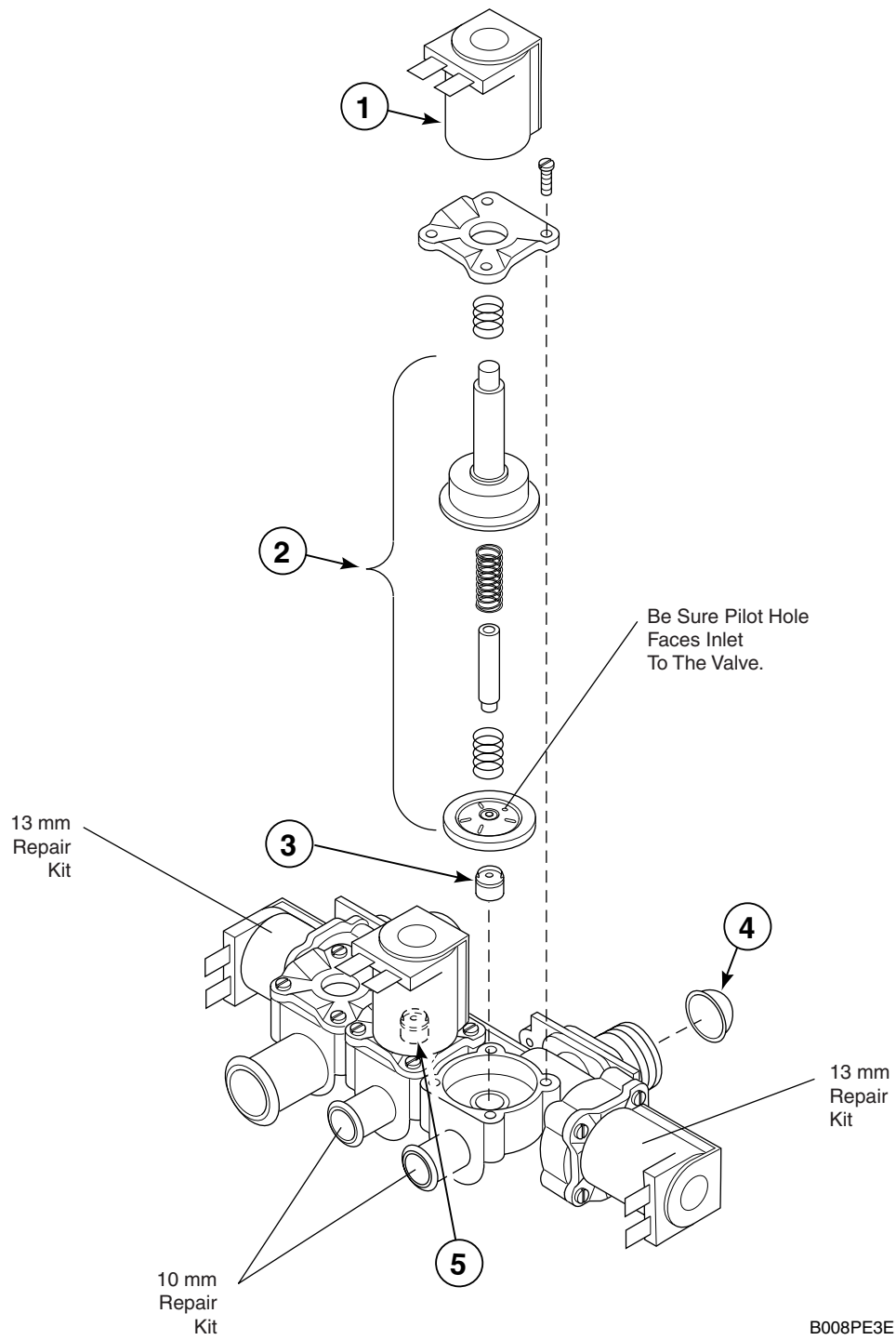


B142PE3A

Automatic Supply Dispenser Kit

REF	PART #	DESCRIPTION	COMMENTS
	F730168	Nozzle Kit	Includes Items 4, 16 and 17
1	F430916	Screw	
2	F140766	Terminal Strip	
3	F231376-1	Decal	
4	F380300	Nozzle	
5	F431113	Washer	
6	F431022	Nut	
7	F140768	Terminal Strip	
8	F140747	Terminal Block	
9	F430903	Screw	
10	F140734	Ground Lug	
11	F180506	Standoff	
12	F350312	Dual Fuseholder	
13	F350115	Fuse	3 Amp, 5 x 20 mm
14	F200168	Tubing	Sold per foot
15	F200206	Clamp	
16	F430224	Nut	
17	F170208	O-ring	

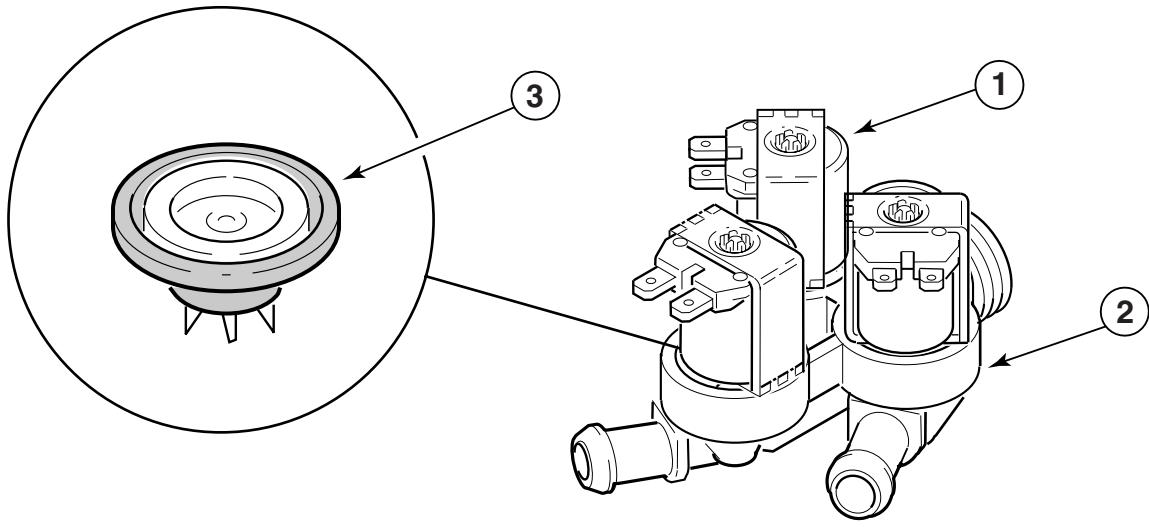
Water Valve



Water Valve

REF	PART #	DESCRIPTION	COMMENTS
1	F380900	Coil	110-127 Volt, 50-60 Hertz
	F380917	Coil	220 Volt
2	F380954	Repair Kit	10 mm, Top
	F380939	Repair Kit	13 mm, Ends
3	F380958	Flow Restrictor	2.8 mm
4	F270200	Strainer Screen	
5	F380957	Flow Restrictor	4 mm

Valve Assembly (Elbi)

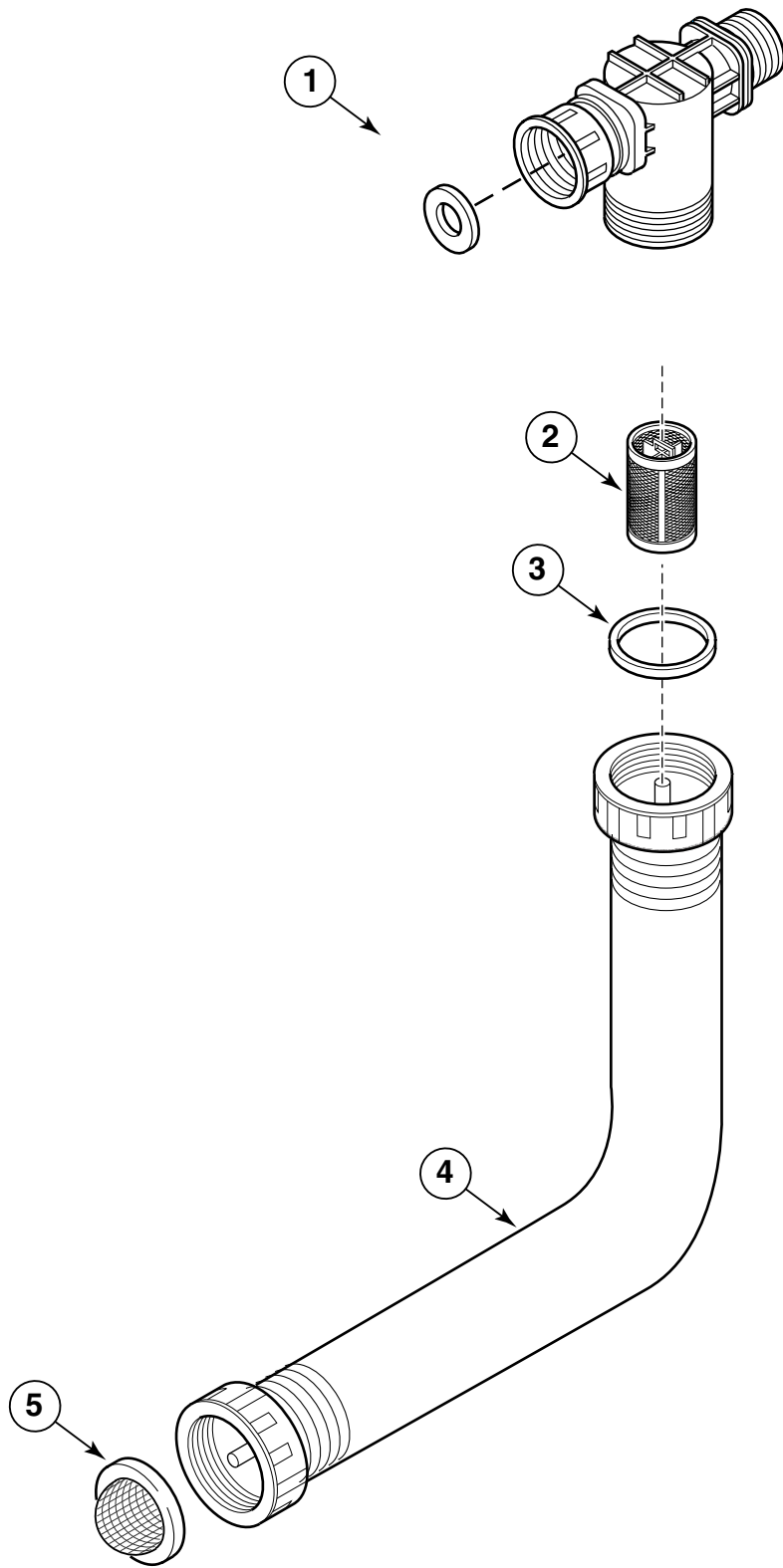


B171PE3A

Valve Assembly (Elbi)

REF	PART #	DESCRIPTION	COMMENTS
	G581PE	Repair Kit	
	F634857	Valve	
1	F380983	Coil	24 Volt
2	F381719	3-Way Valve	Cold
	F381729	3-Way Valve	Hot
3	G300202	Diaphragm	

Water Filter



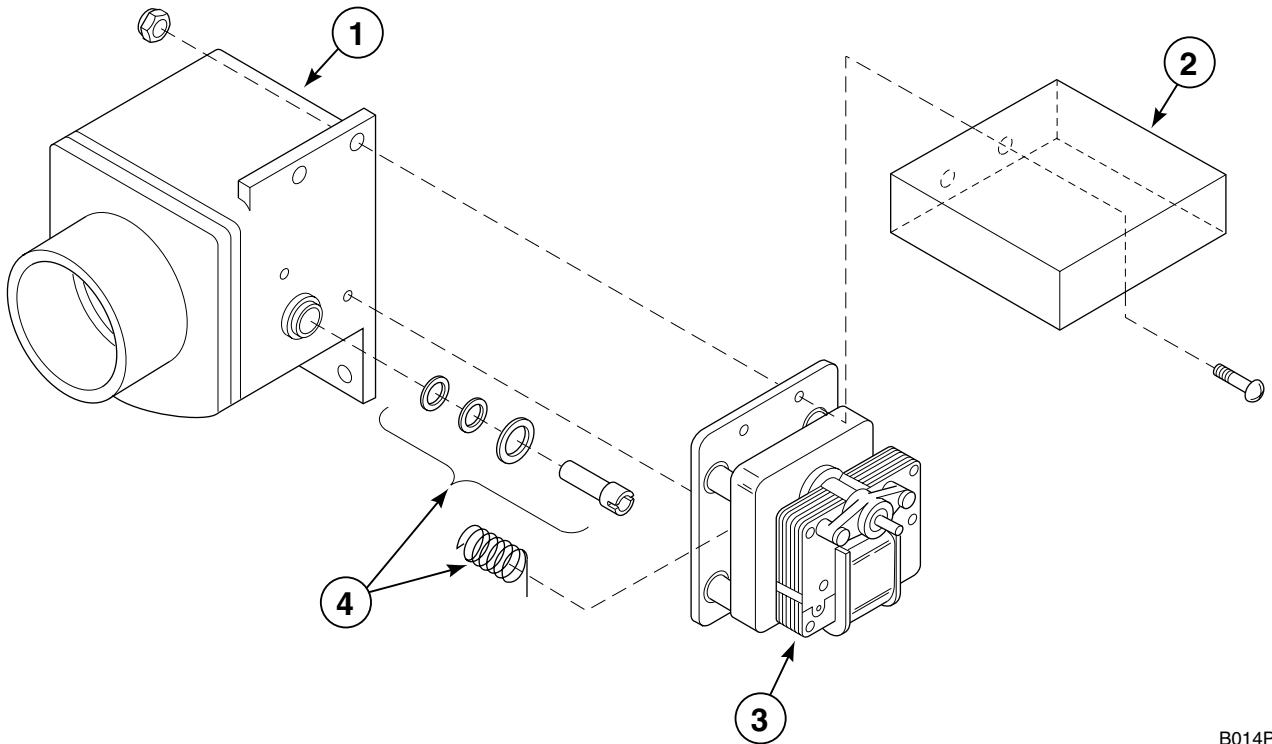
B143PE3B

Water Filter

REF	PART #	DESCRIPTION	COMMENTS
	F270306	Filter Assembly	Hose Thread, Optional
	F270305	Filter Assembly	Metric Thread, Optional
1	F200500	Washer	
2	F270406	Filter Element	11 mm
	F270405	Filter Element	.25 mm
3	F270407	Gasket	Sold per foot
4	F200116	Inlet Hose	3/8 inch
	F200164	Inlet Hose	3/4 inch
5	F270300	Hose Screen	

Drain Valve Assembly

(Models HC18, HC27, HC35, SC18, SC27, SC35, UC18, UC27 and UC35)



B014PE3D

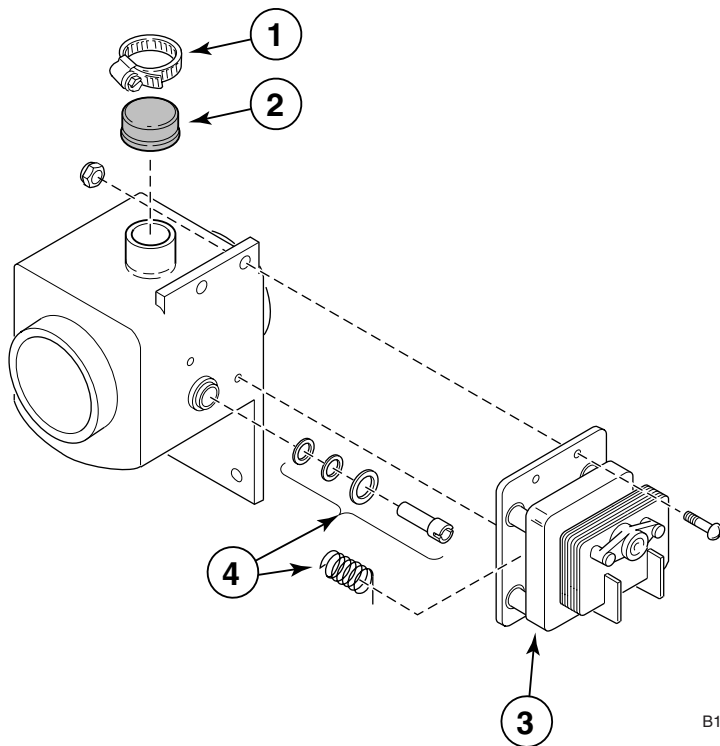
Drain Valve Assembly

(Models HC18, HC27, HC35, SC18, SC27, SC35, UC18, UC27 and UC35)

REF	PART #	DESCRIPTION	COMMENTS
	F380618	Drain Valve	120 Volt, 60 Hertz
	F380619	Drain Valve	220 Volt
1	F380920	Valve Body	2"
2	F602761	Cover	
3	F380943	Motor	Keyed Shaft, 110 Volt, 60 Hertz
	F380944	Motor	220 Volt
4	F380918	Drive Shaft And Seal Kit	

Drain Valve Assembly

(Models HC50, SC50 and UC50)



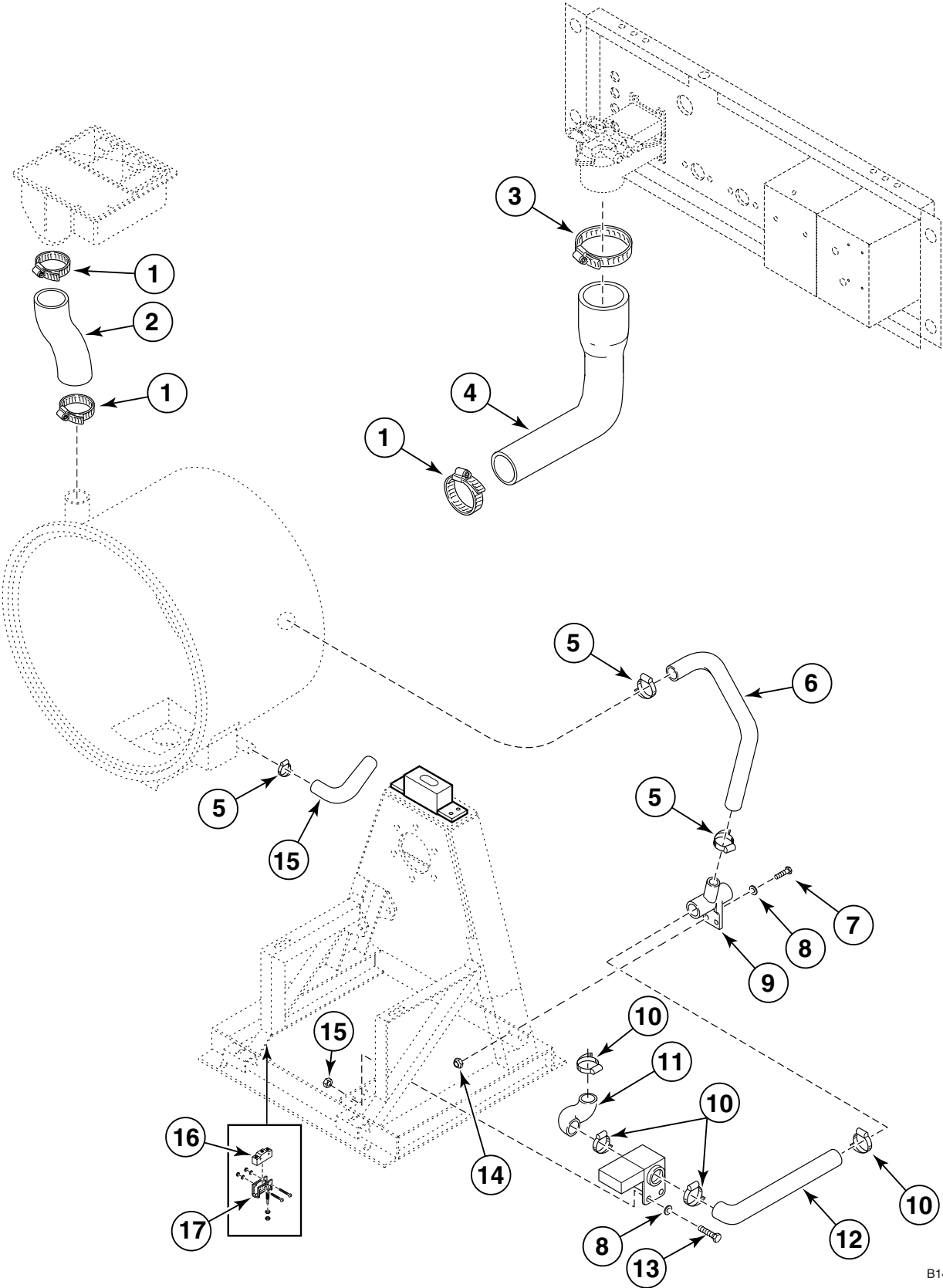
B144PE3A

Drain Valve Assembly

(Models HC50, SC50 and UC50)

REF	PART #	DESCRIPTION	COMMENTS
	F380628	Drain Valve Assembly	115 Volt, 50-60 Hertz
	F380629	Drain Valve Assembly	220 Volt, 50-60 Hertz
1	F150352	Overflow Plug	
2	F200215	Clamp	#28
3	F380943	Motor	Keyed Shaft, 110 Volt, 60 Hertz
	F380944	Motor	220 Volt
4	F380918	Drive Shaft And Seal Kit	

Drain Valve Assembly, Hoses and Air Trap (18, 35 and 50lb.)

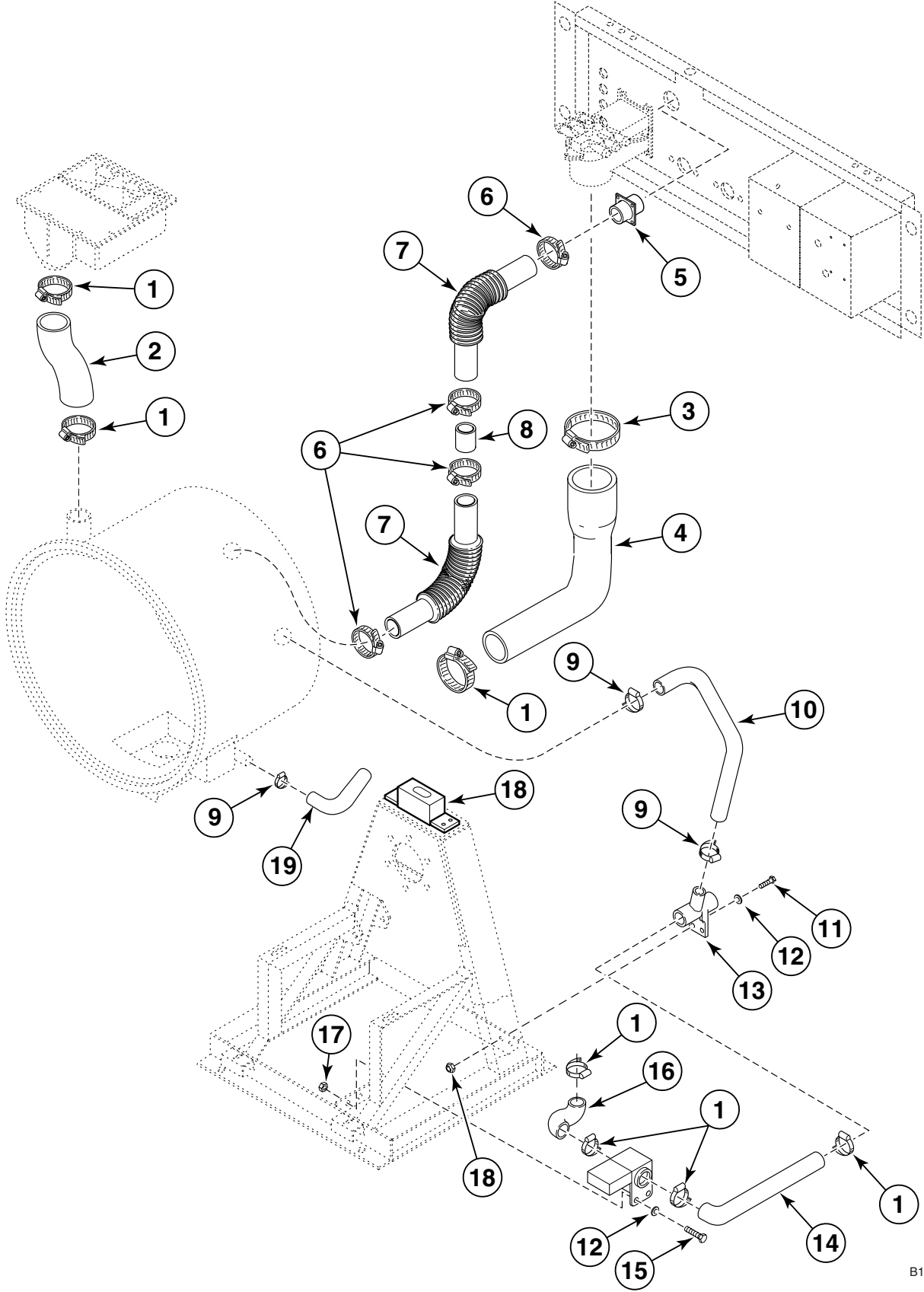


B145PE3A

Drain Valve Assembly, Hoses and Air Trap (18, 35 and 50lb.)

REF	PART #	DESCRIPTION	COMMENTS
1	F200213	Clamp	#40
2	F150309	Soap Dispenser Hose	
3	F200219	Clamp	
4	F150321	Hose	HC18, HC35, SC18, SC35, UC18 and UC35
	F150340	Hose	HC50, SC50 and UC50
5	F200215	Clamp	HC18, HC35, SC18, SC35, UC18 and UC35, #28
	F200205	Clamp	HC50, SC50 and UC50, #10
6	F150317	Overflow Hose	HC18, SC18 and UC18
	F150332	Overflow Hose	HC35, SC35 and UC35
7	F430927	Screw	HC18, HC35, SC18, SC35, UC18 and UC35
	F430103	Screw	HC50, SC50 and UC50
8	F430317	Washer	
9	F150318	Drain Tee	HC18, HC35, SC18, SC35, UC18 and UC35
	F150398	Drain Tee	HC50, SC50 and UC50
10	F200213	Clamp	HC18, HC35, SC18, SC35, UC18 and UC35
	F200219	Clamp	HC50, SC50 and UC50
11	F150312	Hose	HC18, HC35, SC18, SC35, UC18 and UC35
	F150400	Hose	HC50, SC50 and UC50
12	F150311	Hose	HC18, SC18 and UC18
	F150331	Hose	HC35, SC35 and UC35
	F150356	Hose	UC50
	F150399	Hose	SC50
13	F430103	Screw	
14	F430215	Nut	
15	F200142	Air Trap Hose	
16	F340901	Out-of-Balance Switch	HC35, SC35, UC35, HC50, SC50 and UC50
17	F340913	Switch Extension	HC35, SC35, UC35, HC50, SC50 and UC50

Drain Valve Assembly, Hoses and Air Trap (27lb.)

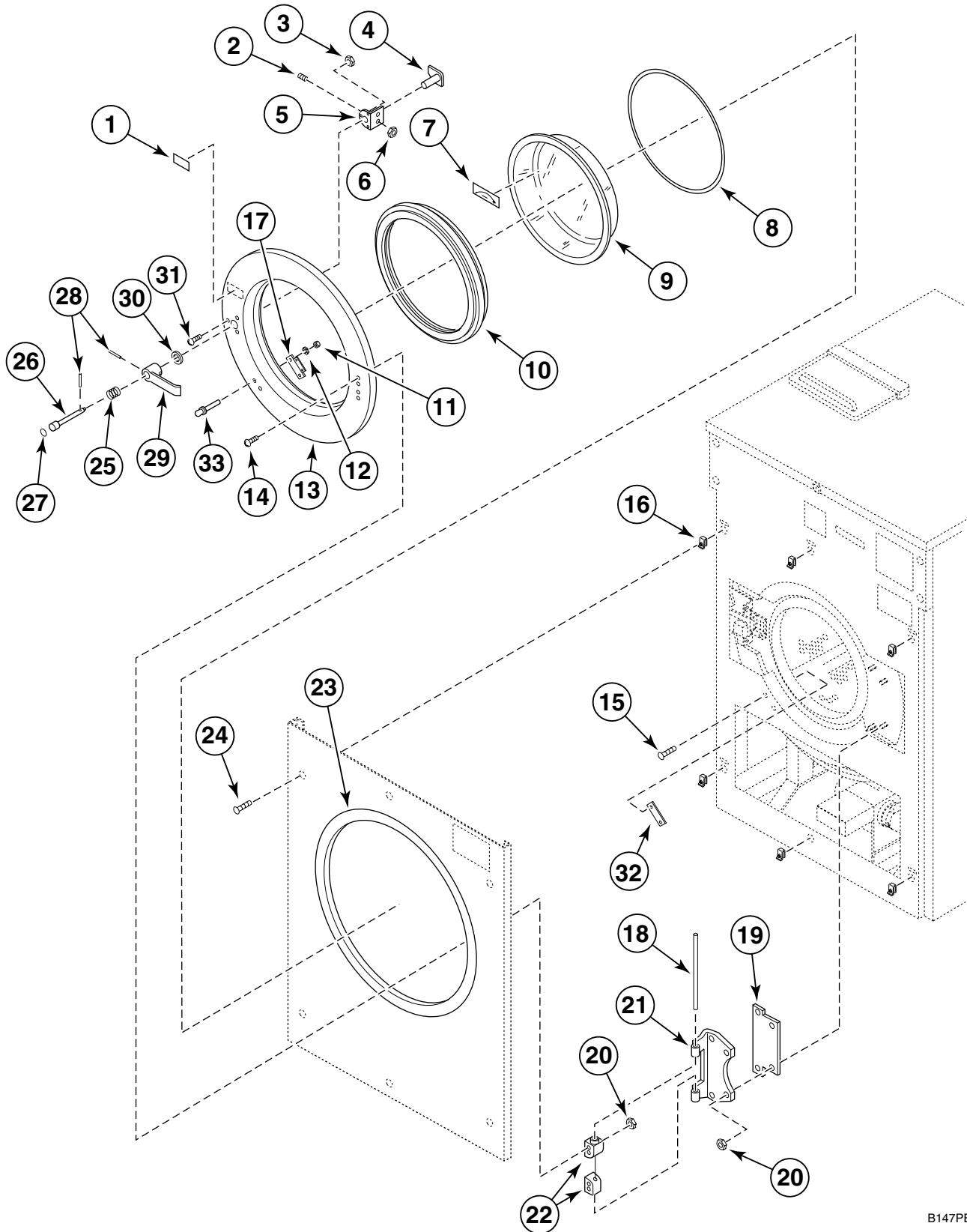


B146PE3A

Drain Valve Assembly, Hoses and Air Trap (27lb.)

REF	PART #	DESCRIPTION	COMMENTS
1	F200213	Clamp	
2	F150309	Soap Dispenser Hose	
3	F200219	Clamp	
4	F150372	Hose	
5	F422517	Vent Nipple	
6	F200204	Clamp	#20
7	F200170	Hose	
8	F608237	Pipe	
9	F200215	Clamp	
10	F150332	Overflow Hose	
11	F430927	Screw	
12	F430317	Washer	
13	F150318	Drain Tee	
14	F150331	Hose	
15	F430103	Screw	
16	F150312	Hose	
17	F430215	Nut	
18	F360124	Transformer	120 Volt
19	F200142	Air Trap Hose	

Door and Outer Front Panels

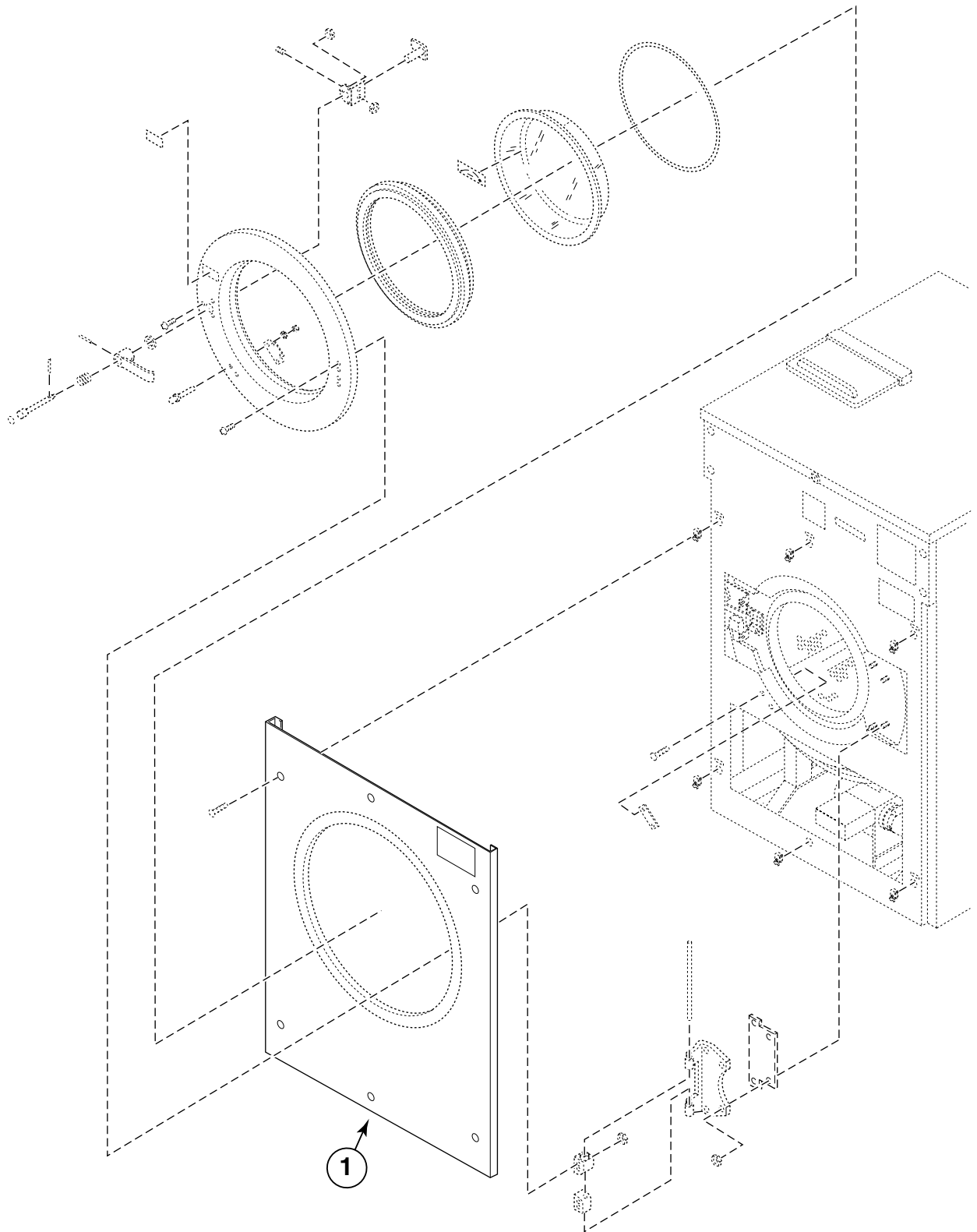


B147PE3B

Door and Outer Front Panels

REF	PART #	DESCRIPTION	COMMENTS
	F730155	Door Handle Kit	Includes #5, 25, 26, 28 and 29
1	F230661	Decal	Push Red Button
2	F430532	Set Screw	HC18, SC18 and UC18
	F430533	Set Screw	HC27, HC35, HC50, SC27, SC35, SC50, UC27, UC35 and UC50
3	F430232	Nut	
4	F150229	Latch Arm	
5	F150227	Door Handle Spacer	
6	F431041	Nut	
7	F230693	Decal	Counterclockwise Spin Rotation
8	F170209	Gasket O-ring	Used on old style UC18 Door Assembly
9	F290205P	Door Glass	HC18, SC18 and UC18
	F290207P	Door Glass	HC27, SC27, SC35, UC27 and UC35
	F290208P	Door Glass	HC50, SC50 and UC50
10	F170106	Gasket	HC18, SC18 and UC18
	F170123	Gasket	HC27, HC35, SC27, SC35, UC27 and UC35
	F170124	Gasket	HC50, SC50 and UC50
11	F431022	Nut	
12	F431113	Washer	
13	F604079-2	Door Assembly	HC18, SC18 and UC18
	F603239-2	Door Assembly	HC35, SC27, SC35 and UC35
	F603901-2	Door Assembly	HC50, SC50 and UC50; Door Only, OPL
14	F430974	Screw	
15	F430916	Screw	
16	F430606	Nut	
17	F340703	Door Magnet	
18	F602813-2	Hinge Rod	HC18, HC25, HC27, HC35, SC18, SC25, SC27, SC35, UC18, UC25, UC27 and UC35
	F602813-3	Hinge Rod	HC50, SC50 and UC50
19	F602679	Shim	As Required
20	F430215	Nut	
21	F150224	Hinge	
22	F150226	Door Mount	
23	F150452	Extrusion Trim	Sold per foot
24	F430956	Screw	
25	F310125	Spring	
26	F320300	Pushbutton Rod	
27	F230662	Decal	Red Dot
28	F431222	Roll Pin	
29	F150225	Handle	
30	F431907	Washer	Nylon
31	F430976	Screw	
32	F340703	Magnetic Position Switch	
33	F431217	Pop Rivet	

Front Panel

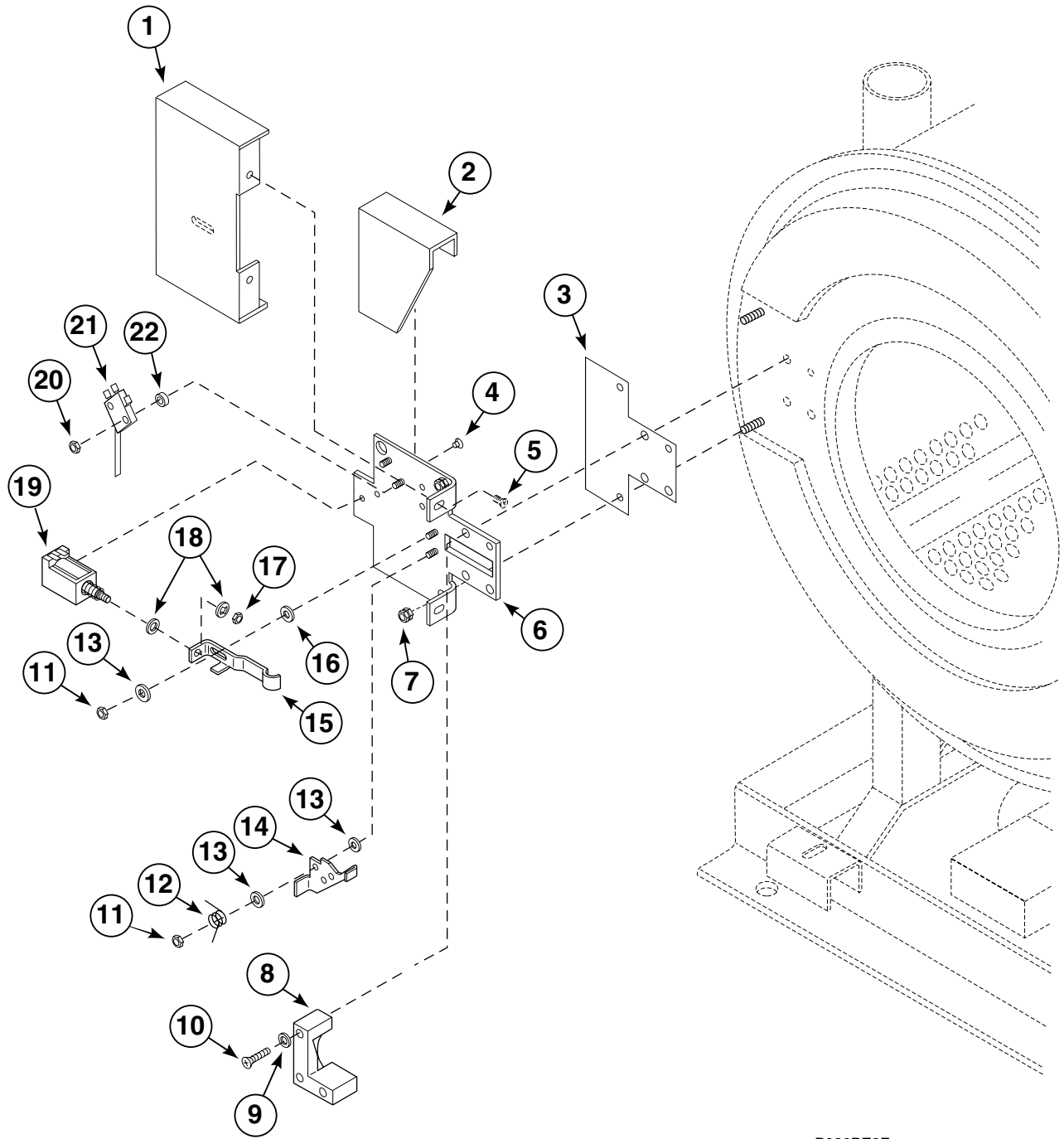


B148PE3A

Front Panel

REF	PART #	DESCRIPTION	COMMENTS
1	F634683-1	Outer Front Panel	SC18 and UC18; Stainless Steel
	F634666-1	Outer Front Panel	SC27 and UC27; Stainless Steel
	F634817-1	Outer Front Panel	SC35 and UC35; Stainless Steel
	F634765-1	Outer Front Panel	SC50 and UC50; Stainless Steel

Door Lock Assembly

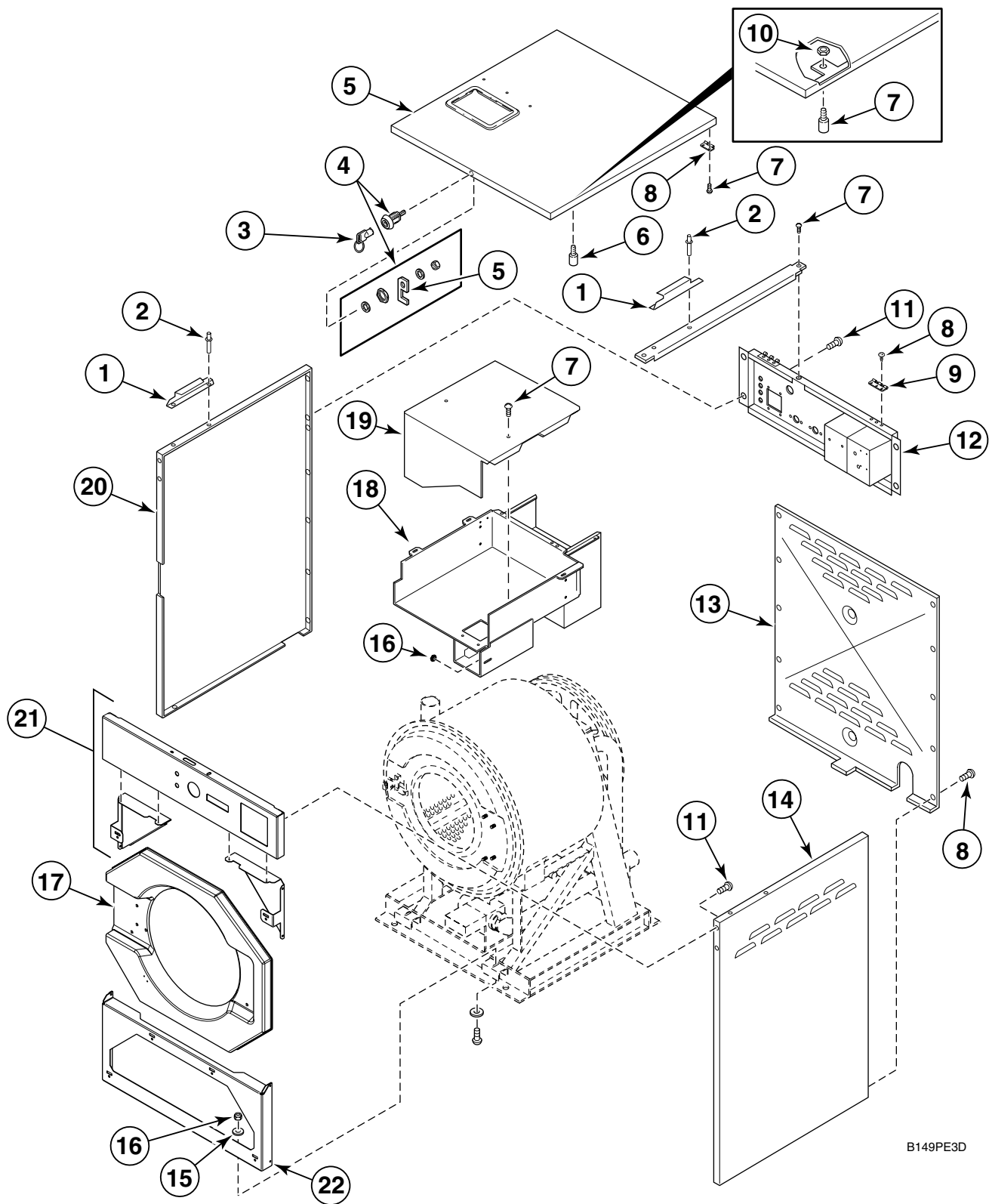


B026PE3F

Door Lock Assembly

REF	PART #	DESCRIPTION	COMMENTS
	F631246-3	Door Lock Assembly	120 Volt, consists of #4, 6 and 11-22
1	F603003	Cover	
2	F320200	Splash Shield	
3	F603185	Shim	
4	F430977	Screw	
5	F430174	Screw	
6	F633078	Door Lock Sub-assembly	
7	F430215	Nut	
8	F150261	Catch	L-Catch
9	F431100	Lockwasher	
10	F430983	Screw	HC18, HC27, SC18, SC27, UC18 and UC27
	F430982	Screw	HC35, HC50, SC35, SC50, UC35 and UC50
11	F430232	Nut	
12	F310110	Torsion Spring	
13	F431902	Washer	
14	F605381	Lever	
15	F605382	Pushbutton Stop	
16	F431903	Washer	
17	F430220	Nut	
18	F431123	Washer	
19	F300128	Door Release Solenoid	
20	F430225	Nut	
21	F340919	Microswitch	
22	F431901	Washer	

Panels

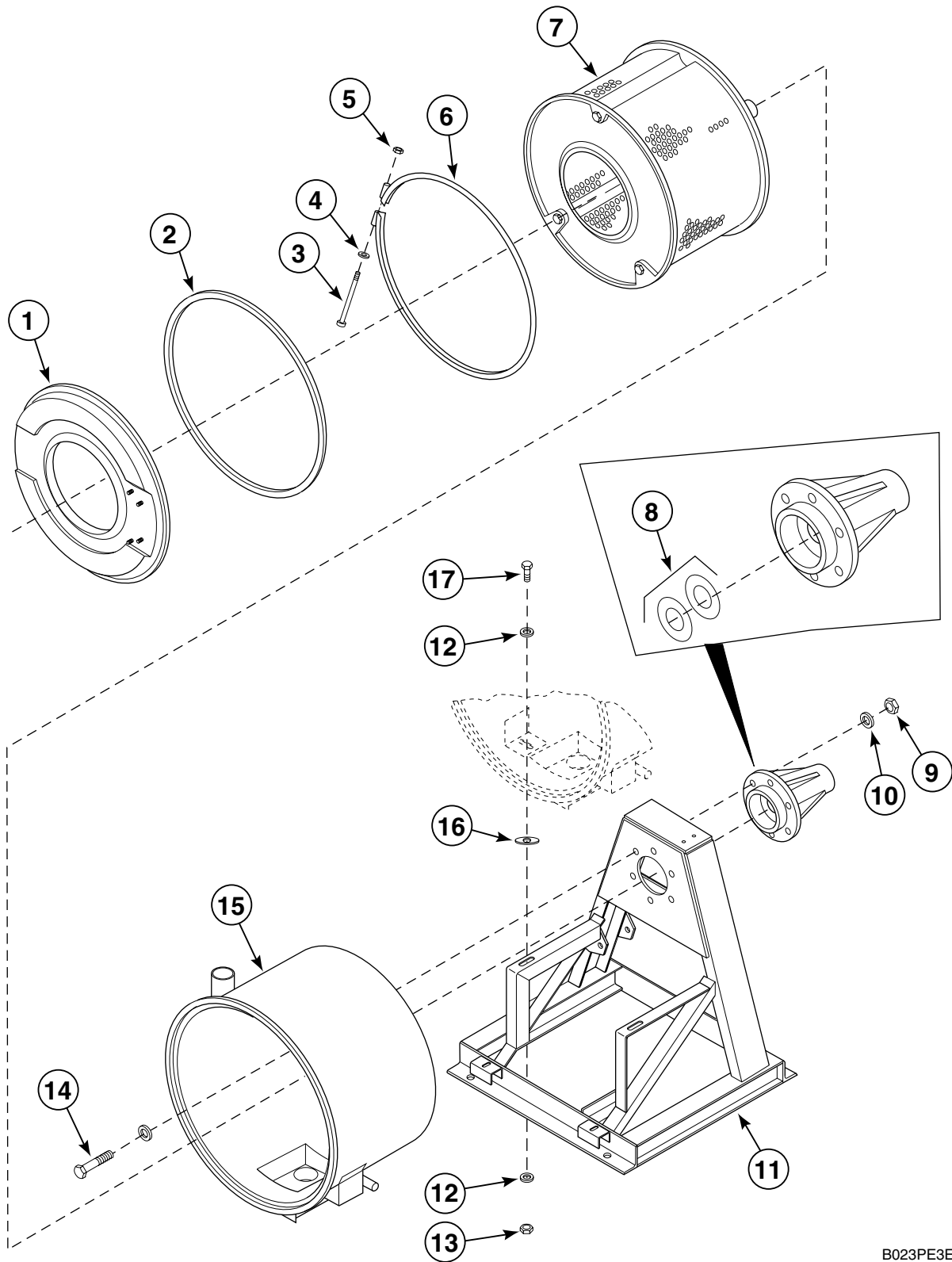


B149PE3D

Panels

REF	PART #	DESCRIPTION	COMMENTS
1	F602722	Bracket	
2	F431215	Rivet	
3	F190805-1	Key	
4	F190805	Lid Lock	
5	F758003	Top Cover Kit	HC18, SC18 and UC18
	F758001-01	Top Cover Kit	HC35, SC35 and UC35
	F758000-01	Top Cover Kit	HC50, SC50 and UC50
	F631963	Top Cover Kit	HC27, SC27 and UC27
6	F602753	Latch	
7	F390300	Stud	
8	F430174	Screw	
9	F190203	Hinge	
10	F430231	Nut	
11	F430925	Screw	
12	F633494-1	Valve Panel Assembly	SC18 and UC18
	F633494-2	Valve Panel Assembly	SC27 and UC27
	F633494-3	Valve Panel Assembly	SC35 and UC35
	F633494-4	Valve Panel Assembly	SC50 and UC50
13	F602422	Rear Panel	SC18 and UC18
	F630475	Rear Panel	SC27 and UC27
	F603121	Rear Panel	SC35 and UC35
	F603249	Rear Panel	SC50 and UC50
14	F633541	Side Panel	SC18 and UC18, Right
	F633545	Side Panel	SC35 and UC35, Right
	F633323	Side Panel	SC50 and UC50, Right
	F633544	Side Panel	SC27 and UC27, Right
15	F430317	Washer	
16	F430215	Nut	
17	F634688-1	Bezel	SC18 and UC18
	F634472-1	Bezel	SC27, SC35, UC27 and UC35
	F634778-1	Bezel	SC50 and UC50
	F634688-2	Bezel	HC18
	F634472-2	Bezel	HC27 and HC35
	F634778-2	Bezel	HC50
18	F633380-1	Control Module Box Assembly	
19	F633291	Control Module Cover	
20	F603017	Side Panel	SC35 and UC35, Left
	F603130	Side Panel	SC50 and UC50, Left
	F606544	Side Panel	SC18 and UC18, Left
	F630469	Side Panel	SC27 and UC27, Left
21	F634808-2	Control Panel Assembly	SC18 and UC18
	F634824-2	Control Panel Assembly	SC27 and UC27
	F634827-2	Control Panel Assembly	SC35 and UC35
	F634803-2	Control Panel Assembly	SC50 and UC50
22	F634800	Lower Brace	SC18 and UC18
	F634801	Lower Brace	SC27 and UC27
	F634802	Lower Brace	SC35 and UC35
	F634803	Lower Brace	SC50 and UC50

Shell Front, Cylinder, Outer Shell and Trunnion Assembly



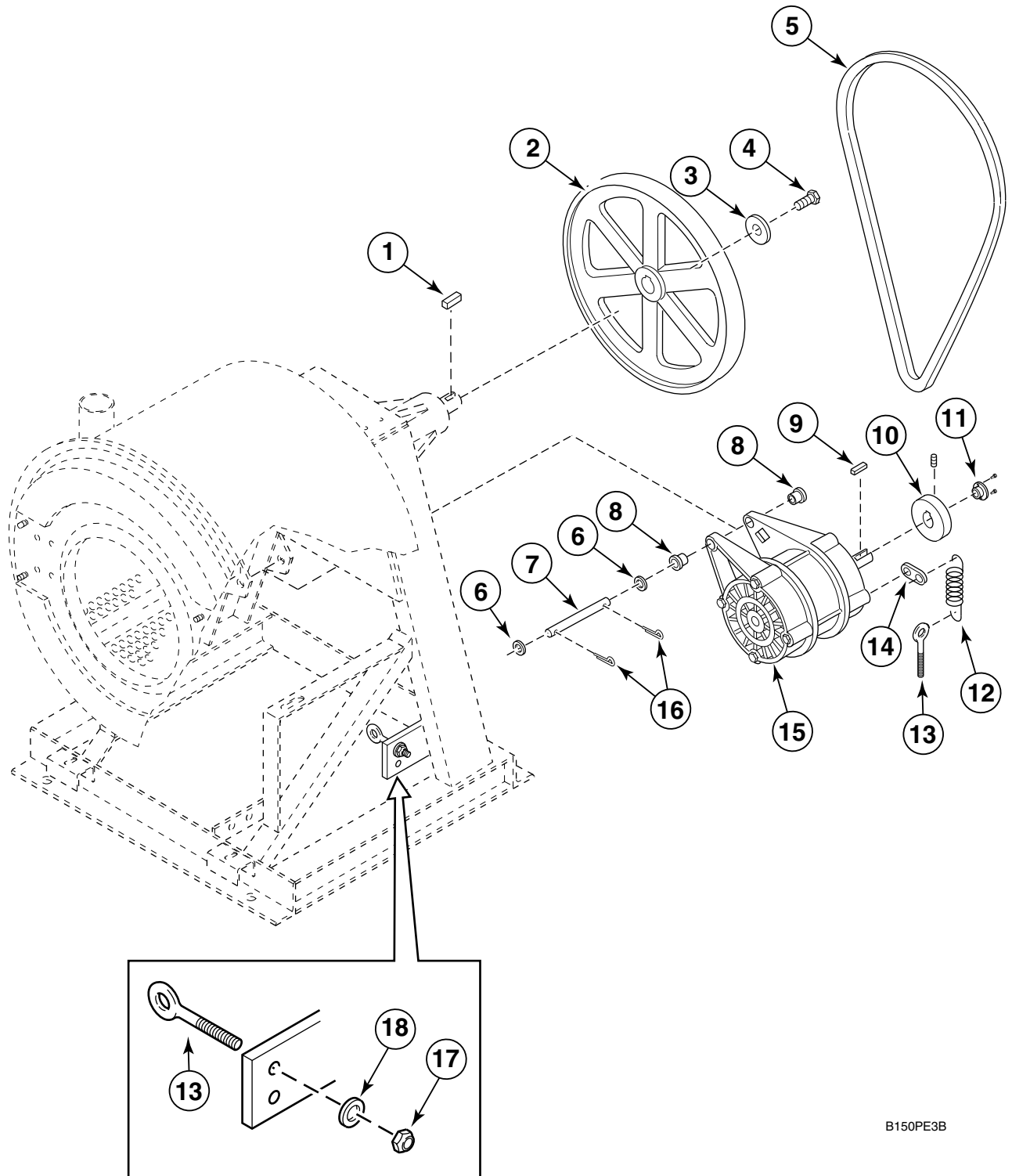
B023PE3E

Shell Front, Cylinder, Outer Shell and Trunnion Assembly

REF	PART #	DESCRIPTION	COMMENTS
	F747009	Trunnion Kit	HC18, SC18 and UC18; Includes reference item 10
	F747003	Trunnion Kit	HC27, SC27 and UC27; Includes reference item 10
	F747012	Trunnion Kit	HC35, SC35 and UC35; Includes reference item 10
	F747014	Trunnion Kit	HC50, SC50 and UC50; Includes reference item 10
	F792000	Shell Front Gasket Kit	Includes old and new gaskets, sealer and hardware
1	F609270-1	Shell Front Assembly	HC18, SC18 and UC18
	F632006	Shell Front Assembly	HC27, SC27 and UC27
	F609271-1	Shell Front Assembly	HC35, SC35 and UC35
	F609272-1	Shell Front Assembly	HC50, SC50 and UC50
2	F170152	Gasket	Sold per foot
3	F430518	Screw	
4	F430317	Washer	
5	F430215	Nut	
6	F741700	Shell Band Kit	HC18, SC18 and UC18
	F631977	Shell Band Kit	HC27, SC27 and UC27
	F741701	Shell Band Kit	HC35, SC35 and UC35
	F741702	Shell Band Kit	HC50, SC50 and UC50
7	F605992	Basket Assembly	HC18, SC18 and UC18
	F631378	Basket Assembly	HC27, SC27 and UC27
	F605726	Basket Assembly	HC35, SC35 and UC35
	F605951	Basket Assembly	HC50, SC50 and UC50
8	F100242	Shaft Seal	HC18, SC18 and UC18
	F100240	Shaft Seal	HC27, HC35, SC27, SC35, UC27, and UC35
	F100241	Shaft Seal	HC50, SC50 and UC50
9	F430239	Nut	HC18, HC27, SC18, SC27, UC18 and UC27
	F430240	Nut	HC35, HC50, SC35, SC50, UC35 and UC50
10	F431128	Washer	HC18, HC27, SC18, SC27, UC18 and UC27
	F431131	Washer	HC35, HC50, SC35, SC50, UC35 and UC50
11	F633950	Frame Assembly	HC18, SC18 and UC18
	F634291	Frame Assembly	HC27, SC27 and UC27
	F633612	Frame Assembly	HC35, SC35 and UC35
	F633478	Frame Assembly	HC50, SC50 and UC50
12	F430325	Washer	
13	F430218	Nut	
14	F430949	Screw	HC18, HC27, SC18, SC27, UC18 and UC27
	F430987	Screw	HC35, HC50, SC35, SC50, UC35 and UC50
15	F741006	Shell Kit	HC18, SC18 and UC18
	F634663	Shell Kit	HC27, SC27 and UC27
	F741008	Shell Kit	HC35, SC35 and UC35
	F741014	Shell Kit	HC50, SC50 and UC50
16	F430303	Washer	
17	F430942	Screw	

Motor, Pulley and Belt Assembly

(Models HC18, HC27, SC18, SC27, UC18 and UC27)



B150PE3B

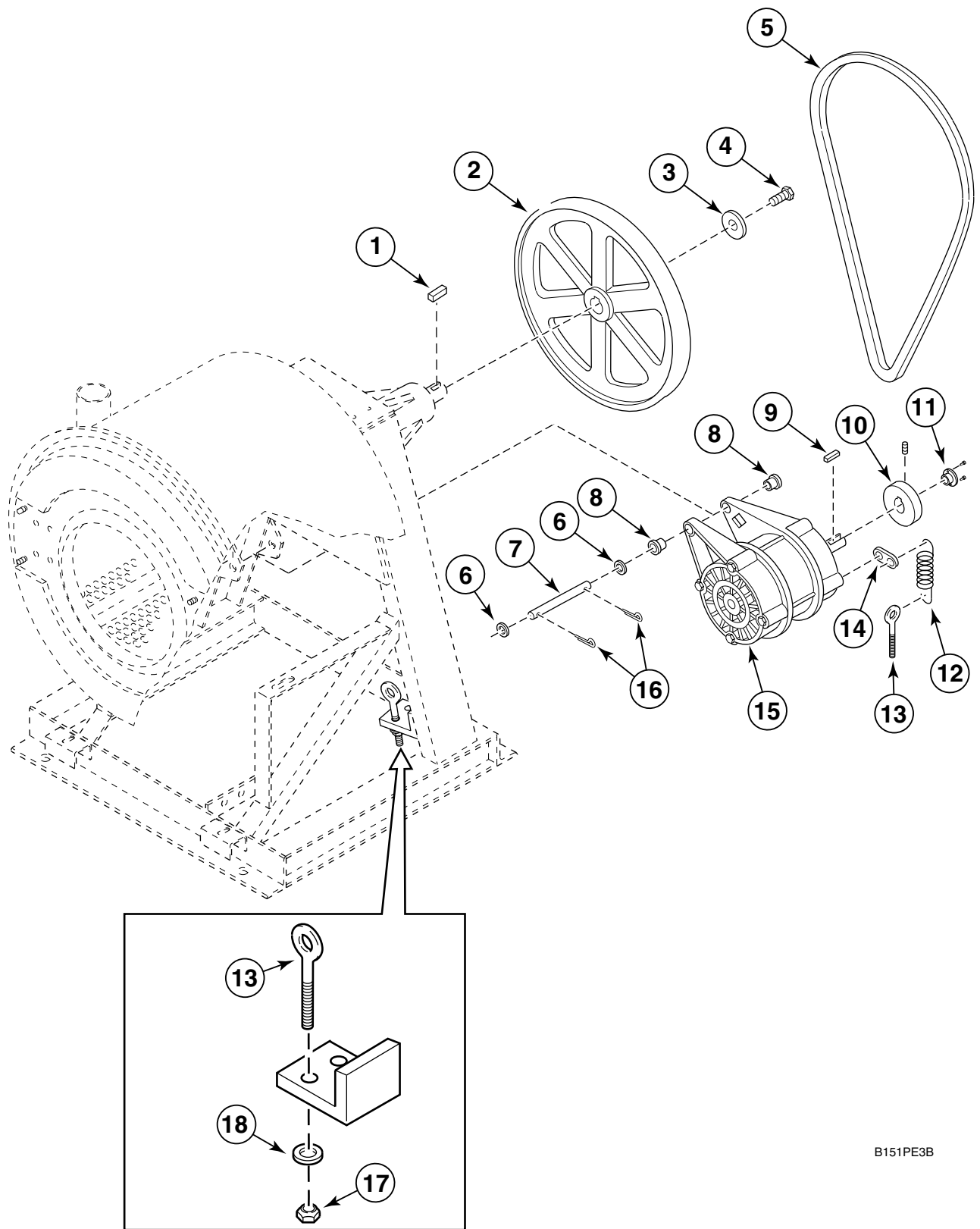
Motor, Pulley and Belt Assembly

(Models HC18, HC27, SC18, SC27, UC18 and UC27)

REF	PART #	DESCRIPTION	COMMENTS
1	F430801	Drive Pulley Key	
2	F150270	Pulley	HC18, SC18 and UC18
	F150269	Pulley	HC27, SC27 and UC27
3	F431115	Washer	HC27, SC27 and UC27
	F431126	Washer	HC18, SC18 and UC18
4	F430100	Screw	HC27, SC27 and UC27
	F430927	Screw	HC18, SC18 and UC18
5	F280368	J-Belt	HC27, SC27 and UC27, Poly V
	F280370	J-Belt	HC18, SC18 and UC18, Poly V
6	F430325	Washer	
7	F602844	Support Rod	HC18, HC27, SC18, SC27, UC18 and UC27
8	F130311	Bushing	
9	F430802	Key Motor	
10	F280287	Pulley	SC27 and UC27, 60 Hertz
11	F280209	Motor Pulley Bushing	
12	F310124	Spring	
13	F430537	Eye Bolt	
14	F633374	Spring Clip	Elmo only
15	F220393	Motor	HC18, SC18 and UC18
	F220395	Motor	HC27, SC27 and UC27
16	F430401	Cotter Pin	
17	F430218	Nut	
18	F430300	Washer	

Motor, Pulley and Belt Assembly

(Models HC35, HC50, SC35, SC50, UC35 and UC50)



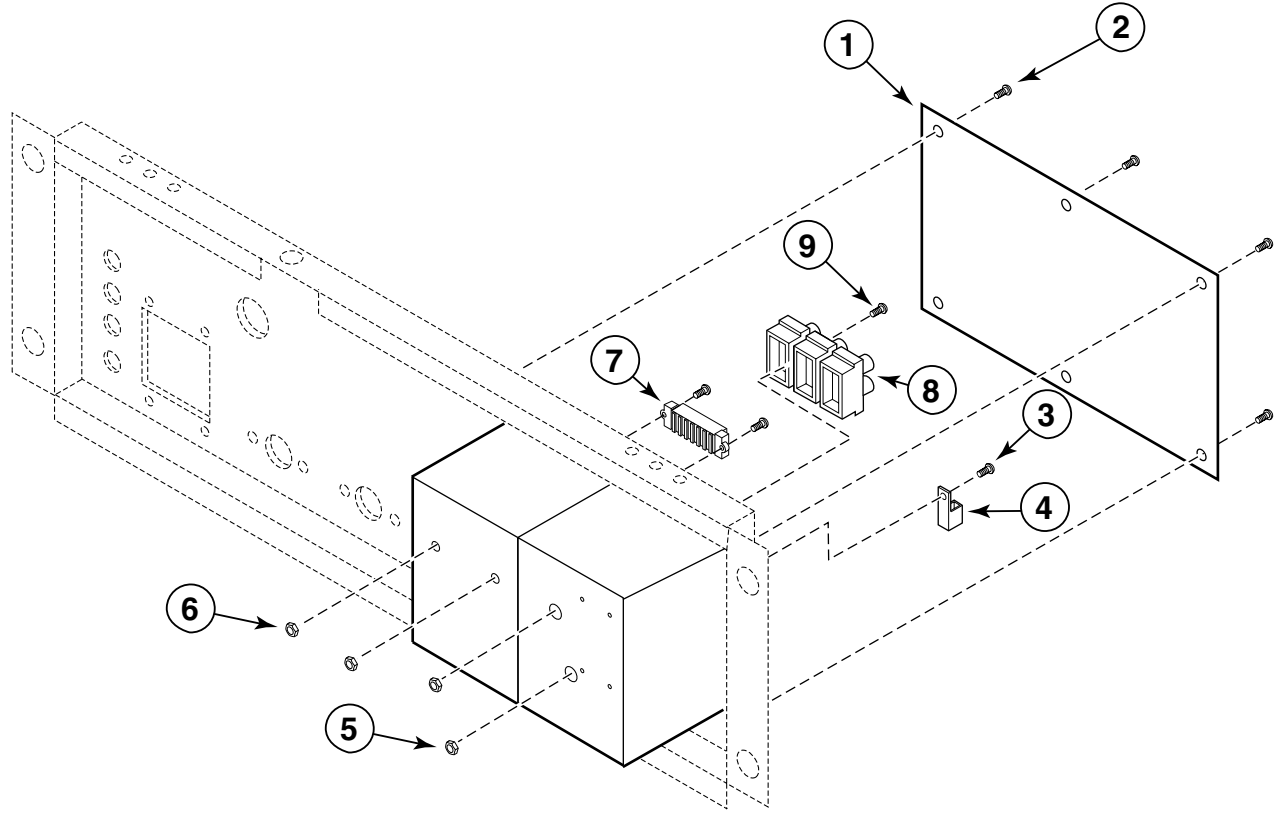
B151PE3B

Motor, Pulley and Belt Assembly

(Models HC35, HC50, SC35, SC50, UC35 and UC50)

REF	PART #	DESCRIPTION	COMMENTS
1	F430801	Key	
2	F150269	Basket Pulley	HC35, SC35 and UC35
	F280288	Basket Pulley	HC50, SC50 and UC50
3	F431115	Washer	HC35, HC50, SC35, SC50, UC35 and UC50
4	F430100	Screw	HC35, HC50, SC35, SC50, UC35 and UC50
5	F280369	Poly V-Belt	HC35, SC35 and UC35'
	F280366	Poly V-Belt	HC50, SC50 and UC50
6	F430325	Washer	
7	F603059	Rod	HC35, SC35 and UC35
	F603897	Rod	HC50, SC50 and UC50
8	F130311	Bushing	
9	F430802	Key	
10	F280287	Pulley	
11	F280209	Motor Pulley Bushing	
12	F310124	Spring	
13	F430537	Eye Bolt	
14	F633374	Clip	Elmo only
15	F220394	Motor	HC35, SC35 and UC35
	F220234	Motor	HC50, SC50 and UC50
16	F430401	Cotter Pin	
17	F430218	Nut	
18	F430300	Washer	

Power Panel Assembly

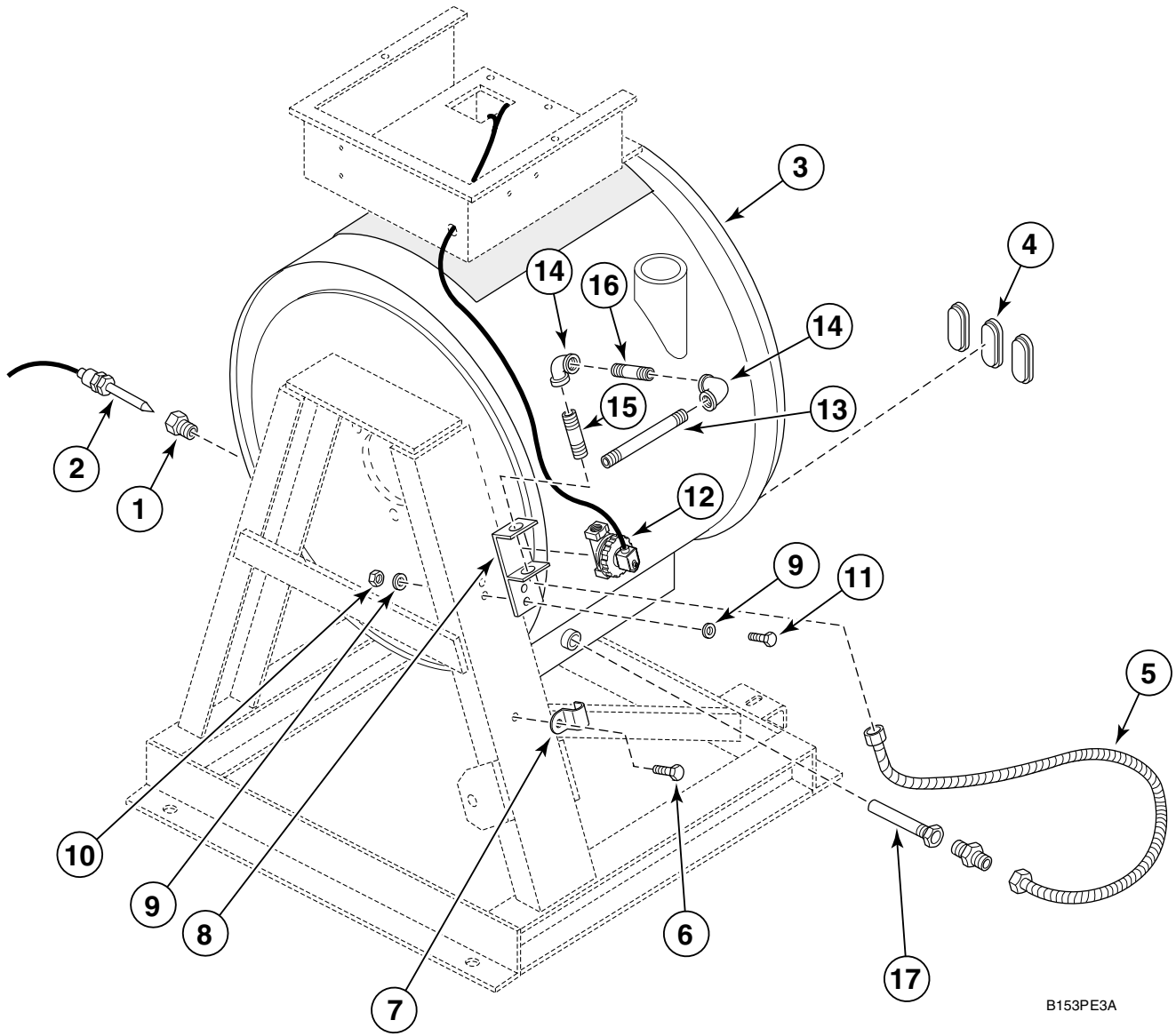


B152PE3A

Power Panel Assembly

REF	PART #	DESCRIPTION	COMMENTS
1	F633260	Junction Box Cover	
2	F430174	Screw	
3	F430903	Screw	
4	F140734	Ground Terminal Lug	
5	F430232	Nut	
6	F430231	Nut	
7	F140768	Terminal Strip	
8	F140747	Power Input Block	3 Wire
9	F430938	Screw	

Steam Heat Assembly

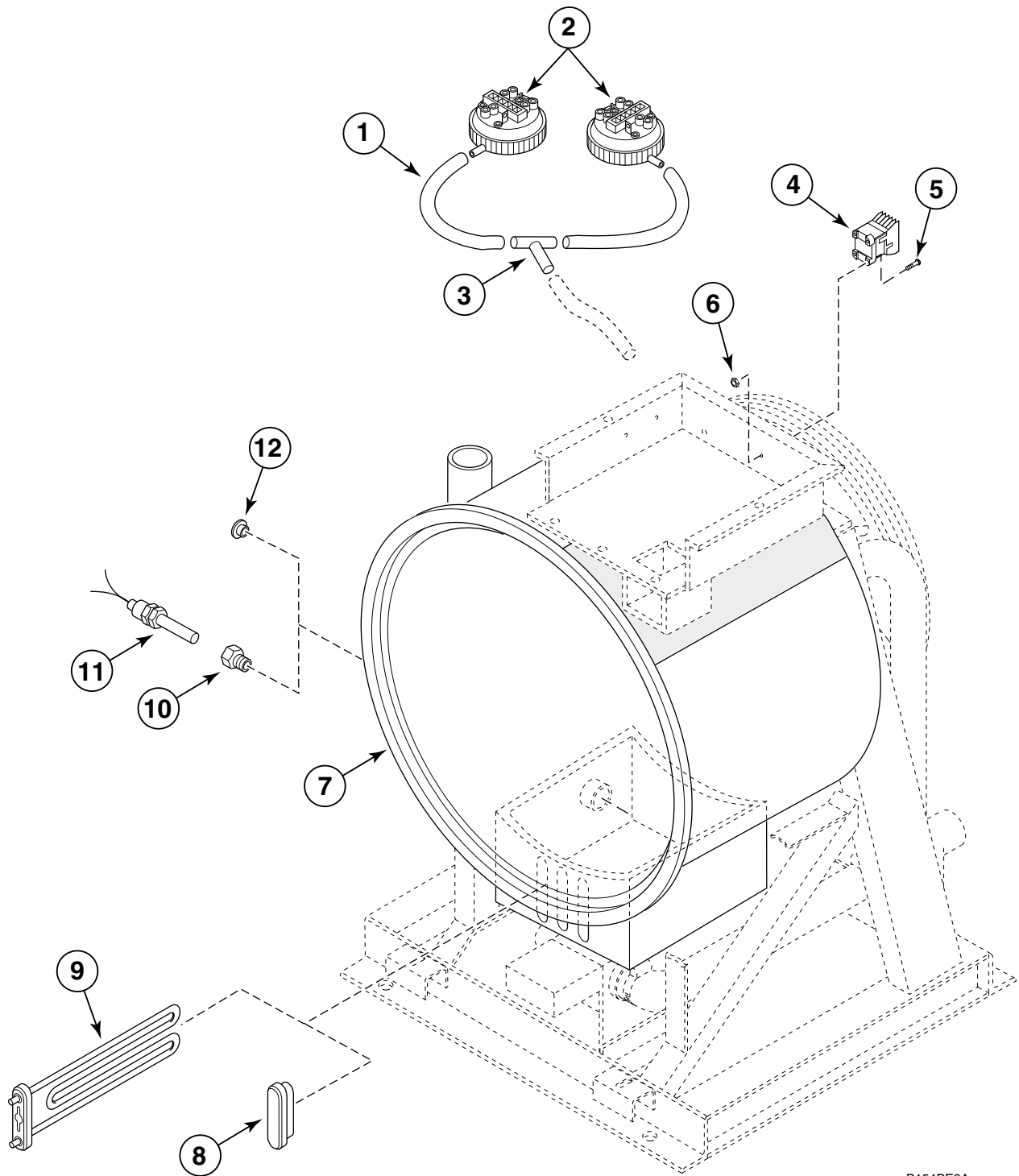


B153PE3A

Steam Heat Assembly

REF	PART #	DESCRIPTION	COMMENTS
1	F421936	Bushing	Computer Only
2	F370606	Temperature Probe	Computer Only
3	F606977	Shell Assembly	HC18, SC18 and UC18; Heat Option
	F631201	Shell Assembly	HC27, SC27 and UC27; Heat Option
	F606982	Shell Assembly	HC35, SC35 and UC35; Heat Option
	F606984	Shell Assembly	HC50, SC50 and UC50; Heat Option
4	F360202	Plug	
5	F200154	Hose	
6	F430115	Screw	
7	F140601	Strap	
8	F601186	Bracket	
9	F430317	Washer	
10	F430215	Nut	
11	F430108	Screw	
12	F380786	Solenoid Valve	Parker Steam, 1/2", 120 Volt
	F380787	Solenoid Valve	Parker Steam, 1/2", 240 Volt
13	F420701	Nipple	
14	F421104	Elbow	
15	F420707	Nipple	
16	F420708	Nipple	
17	F603131	Steam Injector	

Electric Heat Assembly



B154PE3A

Electric Heat Assembly

REF	PART #	DESCRIPTION	COMMENTS
1	F422404	Tubing	Sold per foot
2	F340315	Tri-Level Water Switch	SC18, SC27SN, UC18 and UC27
	F340321	Tri-Level Water Switch	SC35 and UC35
	F340328	Tri-Level Water Switch	SC50 and UC50
3	F422806	Tee	
4	F330146	Contactactor	HC18, HC27, SC18, SC27, UC18 and UC27; 120 Volt
	F330150	Contactactor	HC35, SC35 and UC35; 120 Volt
	F330173	Contactactor	HC50, SC50 and UC50; 120 Volt
5	F430917	Screw	
6	F430231	Nut	
7	F606978	Shell Assembly	HC18, SC18 and UC18; Heat Option
	F631201	Shell Assembly	HC27, SC27 and UC27; Heat Option
	F606982	Shell Assembly	HC35, SC35 and UC35; Heat Option
	F606984	Shell Assembly	HC50, SC50 and UC50; Heat Option
8	F360202	Plug	
9	F360205	Heating Element	2.6 kw, 240 Volt
10	F421936	Bushing	
11	F370606	Temperature Probe	
12	F421507	Plug	

Parts Index

A

Air Filter Slide	
F633321	15
Air Trap Hose	
F200142	35, 37
A.C. Drive Box Wrap	
F633286	11

B

Basket Assembly	
F605726	47
F605951	47
F605992	47
F631378	47
Basket Pulley	
F150269	51
F280288	51
Battery	
F191101	9
Battery Back-up Board	
F370529	9
Bezel	
F634472-1	45
F634472-2	45
F634688-1	45
F634688-2	45
F634778-1	45
F634778-2	45
Bracket	
F601186	55
F602722	45
Bridge Rectifier	
F370310	9
Bushing	
F130311	49, 51
F140909	21
F421936	55, 57

C

Catch	
F150261	43
Clamp	
F200204	37
F200205	19, 35
F200206	23
F200207	19, 21
F200213	19, 21, 35, 37
F200215	33, 35, 37
F200219	19, 21, 35, 37
Clamp Assembly	
F630430	17
Clip	
F601515	13
F633374	51

Coil	
F380900	25
F380917	25
F380983	27
Computer Board	
F370313-10	7
F370313-13	7
Contacto	
F330146	57
F330150	57
F330173	57
Control Module Box Assembly	
F633380-1	45
Control Module Cover	
F633291	45
Control Panel Assembly	
F634803-2	45
F634808-2	7, 45
F634824-2	7, 45
F634827-2	7, 45
F634830-2	7
Control Panel Decal	
F231467	7
F231468	7
F231469	7
F231470	7
F231495	7
F231496	7
F231497	7
F231498	7
F231545	7
F231546	7
F231547	7
F231548	7
Cotter Pin	
F430401	49, 51
Cover	
F150305	17
F602761	31
F603003	43

D

Decal	
F230202.....	5
F230206.....	5
F230207.....	5
F230215-1.....	5
F230216.....	5
F230626.....	5
F230630.....	5
F230661.....	39
F230662.....	39
F230693.....	5, 39
F230756.....	5
F230877.....	5
F231065.....	5
F231146.....	5
F231376-1.....	23
F231377.....	15
F231381.....	13
F231393.....	11
F231394.....	11
81968R1.....	5
Diaphragm	
G300202.....	27
Dispenser	
F602374-3.....	17
Door Assembly	
F603239-2.....	39
F603901-2.....	39
F604079-2.....	39
Door Glass	
F290205P.....	39
F290207P.....	39
F290208P.....	39
Door Handle Kit	
F730155.....	39
Door Handle Spacer	
F150227.....	39
Door Lock Assembly	
F631246-3.....	43
Door Lock Sub-assembly	
F633078.....	43
Door Magnet	
F340703.....	39
Door Mount	
F150226.....	39
Door Release Solenoid	
F300128.....	43
Door Switch	
F340412.....	7
Drain Tee	
F150318.....	35, 37
F150398.....	35
Drain Valve	
F380618.....	31
F380619.....	31
Drain Valve Assembly	
F380628.....	33
F380629.....	33
Drive Pulley Key	
F430801.....	49
Drive Shaft And Seal Kit	
F380918.....	31, 33

Dual Fuseholder	
F350312.....	23

E

Elbow	
F421104.....	55
Electrical Panel	
F606950-1.....	9
F607507.....	9
Extrusion Trim	
F150452.....	39
Eye Bolt	
F430537.....	49, 51

F

Filter	
F633508.....	15
Filter Assembly	
F270305.....	29
F270306.....	29
Filter Element	
F270405.....	29
F270406.....	29
Flange Relay	
F330227.....	9
Flat Cable	
F140247.....	9
Flow Restrictor	
F380957.....	25
F380958.....	25
Frame Assembly	
F633478.....	47
F633612.....	47
F633950.....	47
F634291.....	47
Fuse	
F350104.....	21
F350109.....	9
F350115.....	23
Fuse Board	
F370314.....	9
F370519.....	9
Fuse Holder	
F350304.....	21
Fuseholder	
F350312.....	11
Fuseholder Bracket	
F633322.....	11

G

Gasket	
F170106.....	39
F170123.....	39
F170124.....	39
F170152.....	47
F170170.....	17
F270407.....	29
Gasket O-ring	
F170209.....	39

Ground Lug	
F140734	21, 23
Ground Terminal Lug	
F140734	53

H

Handle	
F150225	39
Harness	
F604456	9
Heating Element	
F360205	57
Hinge	
F150224	39
F190203	45
Hinge Rod	
F602813-2	39
F602813-3	39
Hose	
F150311	35
F150312	35, 37
F150321	35
F150331	35, 37
F150340	35
F150356	35
F150372	37
F150399	35
F150400	35
F200108	19, 21
F200154	55
F200170	37
Hose Screen	
F270300	29

I

Inlet Hose	
F200116	29
F200164	29
Input Power Block	
F140746	21
F140747	21
Inverter Drive	
F370839	11
F370840	11
F370841	11
F370842	11

J

J-Belt	
F280368	49
F280370	49
Junction Box Cover	
F602533	21
F633260	53

K

Key	
F190805-1	45
F430801	51
F430802	51
Key Motor	
F430802	49
Keypad	
F340608	7
F370576	7

L

Latch	
F602753	45
Latch Arm	
F150229	39
Lever	
F605381	43
Lid Lock	
F190805	45
Light	
F350406	13
F350411	13
Lockwasher	
F431100	43
Lower Brace	
F634800	45
F634801	45
F634802	45
F634803	45

M

Magnetic Position Switch	
F340703	39
Manifold	
F150371	19
Microswitch	
F340919	43
Mixing Valve Mounting Plate	
F606595	21
Motor	
F220234	51
F220393	49
F220394	51
F220395	49
F380943	31, 33
F380944	31, 33
Motor Pulley Bushing	
F280209	49, 51
Muffin Fan	
F110105	11
F110106	11

N

Nipple	
F420701	55
F420707	55
F420708	55
Nozzle	
F380300	23
Nozzle Kit	
F730168	23
Nut	
F430211	11
F430215	35, 37, 39, 43, 45, 47, 55
F430218	47, 49, 51
F430220	43
F430224	23
F430225	43
F430231	13, 19, 21, 45, 53, 57
F430232	7, 9, 13, 21, 39, 43, 53
F430239	47
F430240	47
F430606	39
F431016	11
F431022	23, 39
F431024	17
F431041	39

O

O-ring	
F170208	23
Outer Front Panel	
F634666-1	41
F634683-1	41
F634765-1	41
F634817-1	41
Out-of-Balance Switch	
F340901	35
Overflow Hose	
F150317	35
F150332	35, 37
Overflow Plug	
F150352	33
Overlay Decal	
F231402	7
F231403	7
F231404	7

P

Pipe	
F608237	37
Plug	
F190301	19
F360202	55, 57
F421507	57
Poly V-Belt	
F280366	51
F280369	51
Pop Rivet	
F431217	39
Power Input Block	
F140747	53

Pulley	
F150269	49
F150270	49
F280287	49, 51
Pushbutton Rod	
F320300	39
Pushbutton Stop	
F605382	43

R

Rear Panel	
F602422	45
F603121	45
F603249	45
F630475	45
Relay	
F330227	13
F330230	13
Repair Kit	
F380939	25
F380954	25
G581PE	27
Rivet	
F431210	7
F431215	45
Rocker Switch	
F340411	13
Rod	
F603059	51
F603897	51
Roll Pin	
F431222	39

S

Screw	
F430100	49, 51
F430103	35, 37
F430108	55
F430115	55
F430174	21, 43, 45, 53
F430177	19, 21
F430482	11
F430518	47
F430903	21, 23, 53
F430916	9, 23, 39
F430917	19, 57
F430925	45
F430927	35, 37, 49
F430929	21
F430938	21, 53
F430942	47
F430948	19, 21
F430949	47
F430956	39
F430974	39
F430976	39
F430977	43
F430982	43
F430983	43
F430987	47
F430996	11

Set Screw			
F430532	39		
F430533	39		
Shaft Seal			
F100240	47		
F100241	47		
F100242	47		
Shell Assembly			
F606977	55		
F606978	57		
F606982	55, 57		
F606984	55, 57		
F631201	55, 57		
Shell Band Kit			
F631977	47		
F741700	47		
F741701	47		
F741702	47		
Shell Front Assembly			
F609270-1	47		
F609271-1	47		
F609272-1	47		
F632006	47		
Shell Front Gasket Kit			
F792000	47		
Shell Kit			
F634663	47		
F741006	47		
F741008	47		
F741014	47		
Shim			
F602679	39		
F603185	43		
Side Panel			
F603017	45		
F603130	45		
F606544	45		
F630469	45		
F633323	45		
F633541	45		
F633544	45		
F633545	45		
Siphon Tube			
F150390	19		
Soap Dispenser Hose			
F150309	35, 37		
Solenoid Valve			
F380786	55		
F380787	55		
Spacer			
F401206	7		
Splash Shield			
F320200	43		
Spring			
F310124	49, 51		
F310125	39		
Spring Clip			
F633374	49		
Standoff			
F180501	9, 11		
F180506	23		
Start/Stop Switch Assembly			
F633510	13		
Steam Injector			
F603131	55		
Strainer Screen			
F270200	25		
Strap			
F140601	55		
Stud			
F390300	45		
Supply Dispenser			
F602374-3	19, 21		
Supply Dispenser Baffle			
F150419	19		
Support Rod			
F602844	49		
Switch Extension			
F340913	35		
Switchplate Sub-assembly			
F633540	13		
<hr/>			
T			
Tag			
F230528	5		
Tee			
F422806	57		
Temperature Probe			
F370606	55, 57		
Terminal Block			
F140747	23		
Terminal Strip			
F140766	23		
F140768	11, 23, 53		
Thermostat			
F290110	11		
3-Way Mixing Valve Kit			
F381718	21		
F381720	21		
3-Way Valve			
F381719	27		
F381728	21		
F381729	27		
F381730	21		
Top Cover Kit			
F631963	45		
F758000-01	45		
F758001-01	45		
F758003	45		
Torsion Spring			
F310110	43		
Transformer			
F360117	11		
F360124	11, 37		
Tri-Level Water Switch			
F340315	57		
F340321	57		
F340328	57		
Trunnion Kit			
F747003	47		
F747009	47		
F747012	47		
F747014	47		
Tubing			
F200168	23		
F422404	57		

V

Vacuum Breaker Assembly	
F150329	21
Vacuum Breaker Bottom	
F150330	19, 21
Vacuum Breaker Hose	
F150321	19, 21
F150340	19, 21
F150372	19, 21
Vacuum Breaker Top	
F150329	19
Valve	
F634857	27
F730455	19
F730456	19
Valve Body	
F380920	31
Valve Panel Assembly	
F633494-1	45
F633494-2	45
F633494-3	45
F633494-4	45
Velcro Strip	
F140639	15
Vent Nipple	
F422517	37

W

Washer	
F200500	29
F430300	49, 51
F430303	47
F430317	35, 37, 45, 47, 55
F430322	21
F430325	7, 9, 47, 49, 51
F431104	11
F431113	23, 39
F431115	49, 51
F431123	43
F431126	49
F431128	47
F431131	47
F431147	17
F431901	43
F431902	43
F431903	43
F431907	39
Water Level Switch	
F340315	9
F340328	9

Y

"Y" Connector	
F422808	21