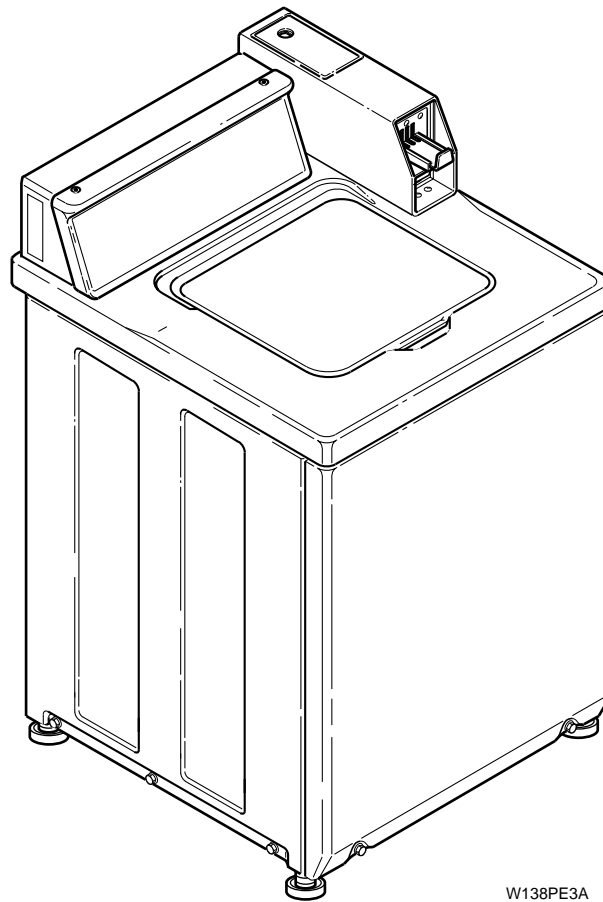


Automatic Washers

See Page 3 for Model Numbers



W138PE3A

Table of Contents

Title	Page
Parts Ordering Information	2
Nameplate Location	2
Model Identification	3
Timer, Case and Plate	4
Timer, Meter Case and Service Door	6
Timer, Meter Case and Service Door	8
Coin Drop, Meter Case and Service Door	10
Control Panel, Control Hood and Controls	12
Control Panel, Control Hood and Controls	14
Control Panel, Control Hood and Controls	16
Control Panel, Control Hood and Controls	18
Cabinet Top and Loading Door.....	20
Out-of-Balance Switch	22
Motor, Mounting Bracket, Belts and Idler Assembly	24
Inlet Hose, Fill Hose and Mixing Valve and Mounting Bracket	26
Agitator, Drive Bell, Seal Kit, Washtub and Hub	28
Outer Tub, Cover and Pressure Hose	30
Pump Assembly, Bracket, Hoses and Siphon Break Kit.....	32
Bearing Housing, Brake, Pulley and Pivot Dome	34
Transmission Assembly and Balance Ring	36
Transmission Assembly	38
Front Panel, Base Assembly and Cabinet Assembly	40
Mixing Valve and Motor Disconnect Blocks, Terminals and Terminal Extractor Tool.....	42
Power Cord and Terminals	44
Special Tools	46
Special Tools	48
Wire Harnesses	50
Wires.....	50
Parts Index.....	51

© Copyright 1999, Alliance Laundry Systems LLC

All rights reserved. No part of the contents of this book may be reproduced or transmitted in any form or by any means without the expressed written consent of the publisher.

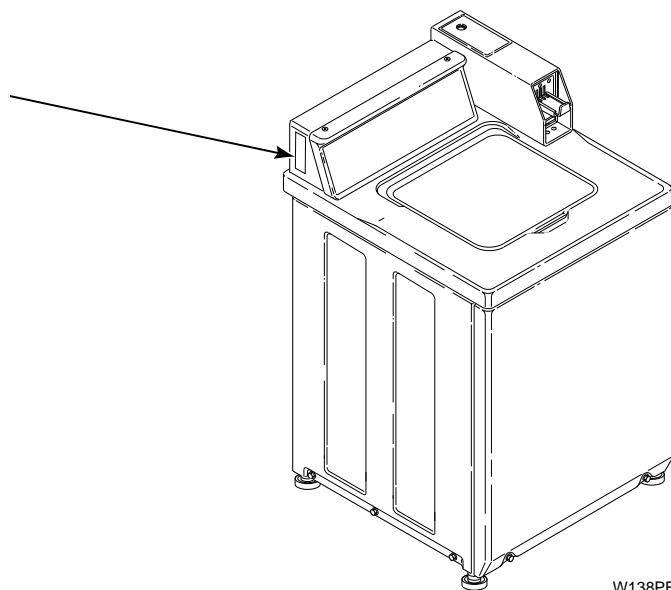
Parts Ordering Information

If literature or replacement parts are required, contact the source from whom the machine was purchased or contact Alliance Laundry Systems at (920) 748-3950 for the name and address of the nearest authorized parts distributor.

For technical assistance, call (920) 748-3121.

Nameplate Location

When calling or writing about your product, be sure to mention model and serial numbers. Model and serial numbers are located on nameplate(s) as shown.



W138PE3E

Model Identification

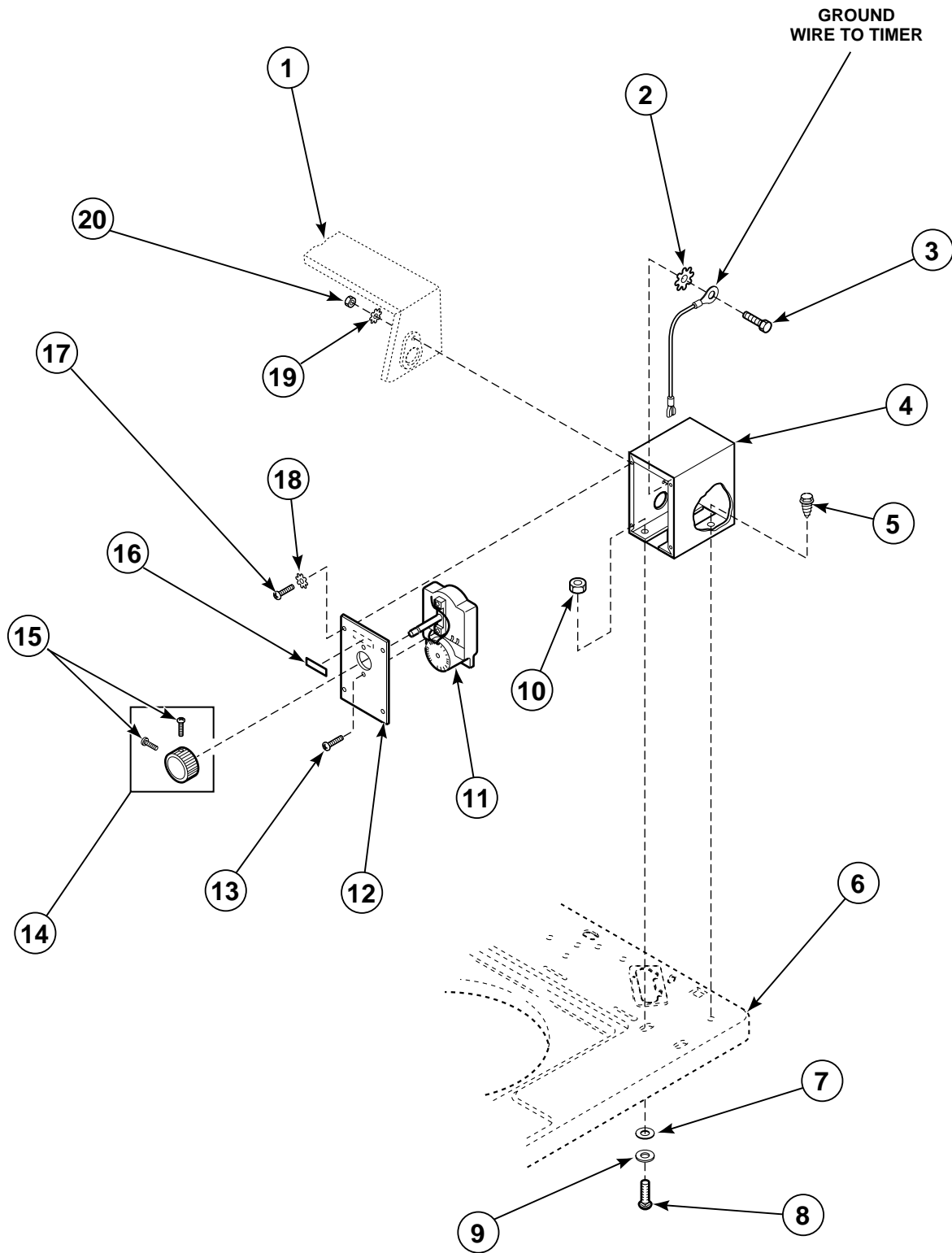
Information in this manual is applicable to these washers:

Washer Model	Nonmetered Model	Metered Model	Computerized Audit Control	Electronic Display Control	One Speed Motor	Two Speed Motor	Porcelain Washtub	Stainless Steel Washtub
EA2011*	X				X			X
EA2020*	X					X	X	
EA2021*	X					X		X
EA2110		X			X		X	
EA2111*		X			X			X
EA2120*		X				X	X	
EA2121*		X				X		X
EA2210*		X			X		X	
EA2220*		X				X	X	
EA2221*		X				X		X
EA2311*		X			X			X
EA2520*		X				X	X	
EA2521*		X				X		X
EA2610*			X		X		X	
EA2620*			X			X	X	
EA2621*			X			X		X
EA2710*			X		X		X	
EA2721*			X			X		X
EA2820*				X		X	X	
EA2821*				X		X		X
EA2920*				X		X	X	
EA2921*				X		X		X

* Add Letter To Designate Color. L – Almond W – White

Timer, Case and Plate

Models EA2011*, EA2020* and EA2021*



W116PZ3A

* Add Letter To Designate Color. L – Almond W – White

Timer, Case and Plate

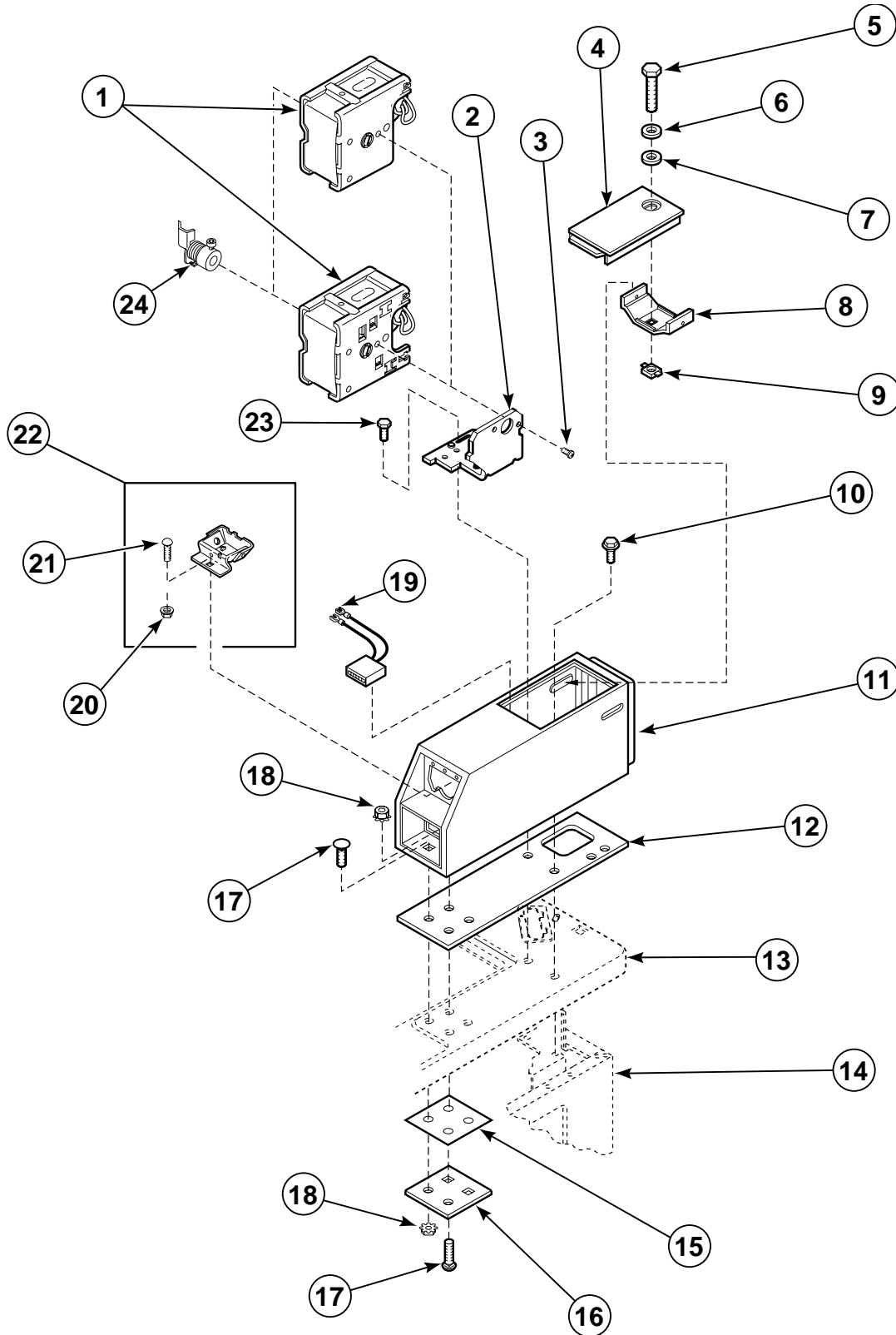
Models EA2011*, EA2020* and EA2021*

REF	PART #	DESCRIPTION	COMMENTS
1	37075*	Control Hood	
2	91093	Lockwasher	
3	02916	Cap Screw	
4	37733*	Timer Case	
5	23962	Screw	
6	36271*P	Cabinet Top	Painted
	36273*P	Cabinet Top	Porcelain
7	23225	Washer	Vinyl
8	02505	Carriage Bolt	
9	30627	Washer	
10	29786	Locknut	
11	28716	Timer Assembly	
12	31864W*	Timer Plate	
13	27328	Screw	
14	26256	Timer Knob Assembly	
15	80399	Screw	
16	53738	Push-to-Start Sticker	
17	51778	Screw	
18	21734	Lockwasher	
19	02431	Lockwasher	
20	52566	Nut	

* Add Letter To Designate Color. L – Almond W – White

Timer, Meter Case and Service Door

Models EA2110*, EA2111*, EA2120*, EA2121*, EA2210*, EA2220*, EA2221*, EA2311*, EA2520* and EA2521*



W117PZ3A

* Add Letter To Designate Color. L – Almond W – White

Timer, Meter Case and Service Door

Models EA2110*, EA2111*, EA2120*, EA2121*, EA2210*, EA2220*, EA2221*, EA2311*, EA2520* and EA2521*

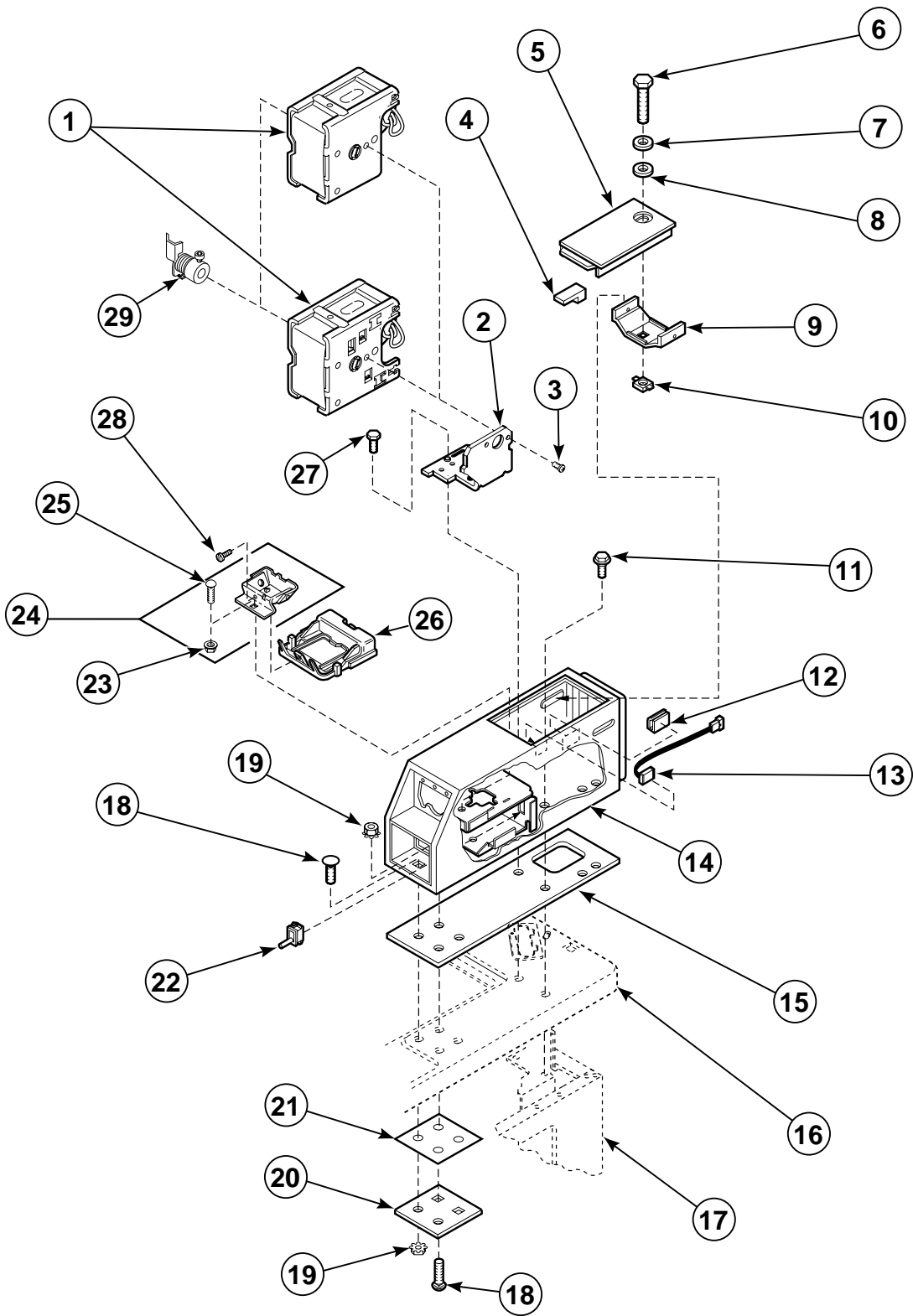
REF	PART #	DESCRIPTION	COMMENTS
1	31111P	Timer Assembly	Models EA2110*, EA21111*, EA2120* and EA2121*
	34601P	Timer Assembly	Models EA2210*, EA2220* and EA2221*
	34602	Timer Assembly	Model EA2520* and EA2521*
2	35249	Timer Bracket	
3	21720	Screw	
4	35798*	Service Door	
5	503673	Screw	
6	35917	Washer	Metal
7	35774	Washer	Vinyl
8	30642	Locking Bracket	
9	30647	Retainer Nut	
10	29277	Shoulder Screw	
11	524P3*	Meter Case	Includes all parts marked with a dagger †
12	†26354	Meter Case Gasket	
13	36120*P	Cabinet Top	Painted
	36122*P	Cabinet Top	Porcelain
14	34475*P	Cabinet Assembly	
15	†35526	Gasket	
16	†35525	Bracket	
17	†02505	Carriage Bolt	
18	†29786	Locknut	
19	62113P	Counter Kit	Model EA2520* and EA2521*
20	29796	Nut	
21	29651	Bolt	
22	†523P3	Coin Funnel Kit	
23	36048	Screw	
24	29503	Clutch	

* Add Letter To Designate Color. L – Almond W – White

†Parts with a dagger are included with 524P3* Meter Case.

Timer, Meter Case and Service Door

Models EA2610*, EA2620*, EA2621*, EA2710* and EA2721*



W118PZ3A

* Add Letter To Designate Color. L – Almond W – White

Timer, Meter Case and Service Door

Models EA2610*, EA2620*, EA2621*, EA2710* and EA2721*

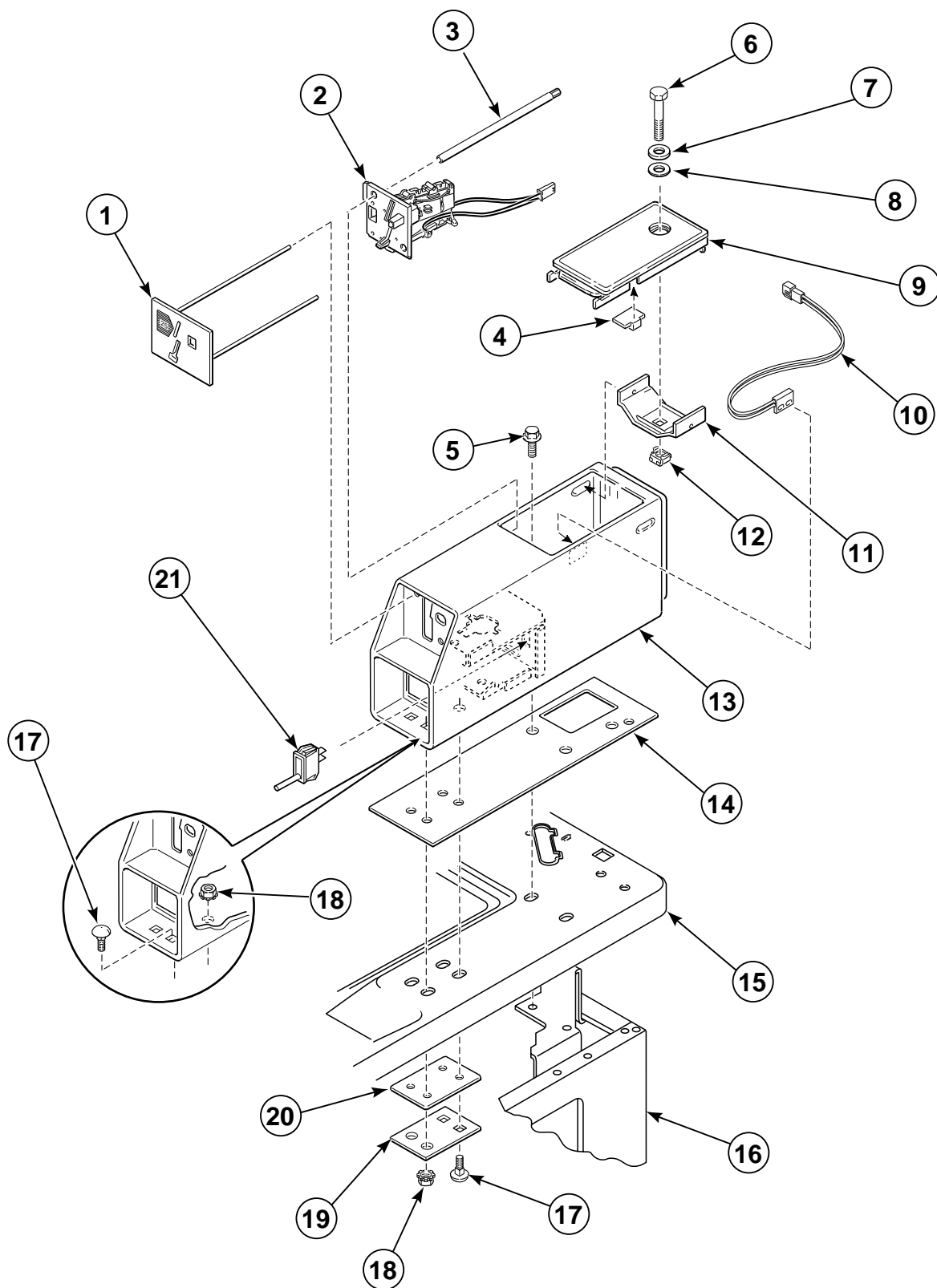
REF	PART #	DESCRIPTION	COMMENTS
1	34602	Timer Assembly	Models EA2610, EA2620 and EA2621
	34454	Timer Assembly	Models EA2710 and EA2721
2	35249	Timer Bracket	
3	21720	Screw	
4	501453	Magnet	
5	35798*	Service Door	
6	503673	Screw	
7	35917	Washer	Metal
8	35774	Washer	Vinyl
9	30642	Locking Bracket	
10	30647	Retainer Nut	
11	29277	Shoulder Screw	
12	35521	Wire Harness Clip	
13	34599	Switch	
14	524P3*	Meter Case	
15	†26354	Meter Case Gasket	
16	36120*P	Cabinet Top	Painted
	36122*P	Cabinet Top	Porcelain
17	34475*P	Cabinet Assembly	
18	†02505	Carriage Bolt	
19	†29786	Locknut	
20	†35525	Bracket	
21	†35526	Gasket	
22	34536	Switch	
23	29796	Nut	
24	†523P3	Coin Funnel Kit	
25	29651	Bolt	
26	35026	Sensor Control	
27	36048	Screw	
28	31260	Screw	
29	29503	Clutch	

* Add Letter To Designate Color. L – Almond W – White

†Parts with a dagger are included with 524P3* Meter Case.

Coin Drop, Meter Case and Service Door

Models EA2820*, EA2821*, EA2920* and EA2921*



W195PZ3A

* Add Letter To Designate Color. L – Almond W – White

Coin Drop, Meter Case and Service Door

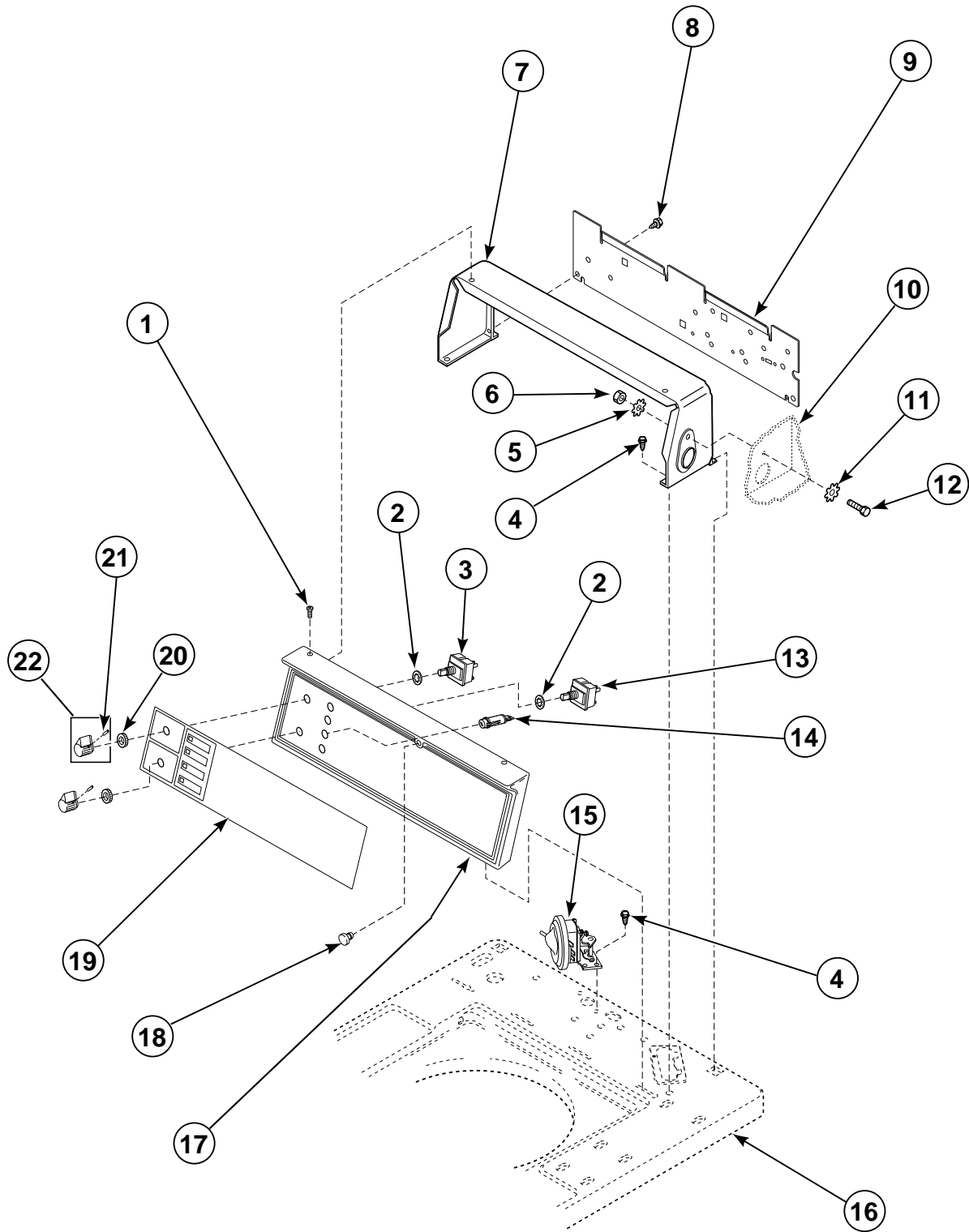
Models EA2820*, EA2821*, EA2920* and EA2921*

REF	PART #	DESCRIPTION	COMMENTS
1	501364	Coin Drop Front Plate	
2	M412001	Coin Drop Assembly	
3	501365	Locking Rod	
4	501453	Magnet	
5	36048	Screw	
6	503673	Screw	
7	35917	Washer	Metal
8	35774	Washer	Vinyl
9	35798*	Service Door	
10	34599	Switch	
11	30642	Locking Bracket	
12	30647	Retainer Nut	
13	38542*P	Meter Case	
14	26354	Gasket	
15	36120*P	Cabinet Top	Painted
	36122*P	Cabinet Top	Porcelain
16	34475*P	Cabinet Assembly	
17	02505	Carriage Bolt	
18	29786	Locknut	
19	35525	Bracket	
20	35526	Gasket	
21	62872	Switch	

* Add Letter To Designate Color. L – Almond W – White

Control Panel, Control Hood and Controls

Models EA2011*, EA2020*, EA2021*, EA2110*, EA2111*, EA2120*, EA2121*,
EA2210*, EA2220*, EA2221*, EA2520* and EA2521*



W119PZ3B

* Add Letter To Designate Color. L – Almond W – White

Control Panel, Control Hood and Controls

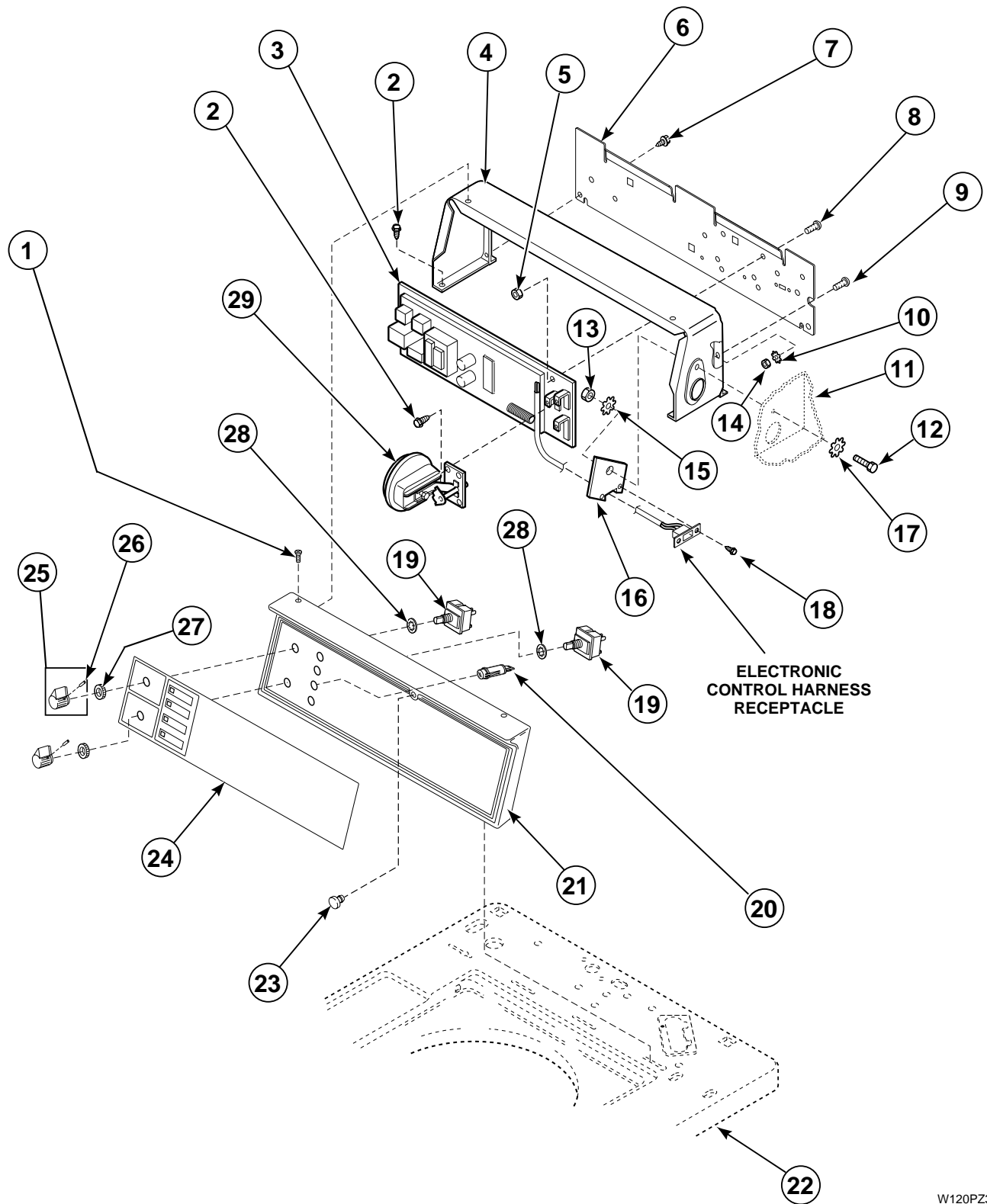
Models EA2011*, EA2020*, EA2021*, EA2110*, EA2111*, EA2120*, EA2121*,
EA2210*, EA2220*, EA2221*, EA2520* and EA2521*

REF	PART #	DESCRIPTION	COMMENTS
1	500226	Screw	Phillips Head
	35528	Screw	Torx Head
2	91176	Lockwasher	
3	81799	Wash Temperature Switch	
4	23962	Screw	
5	02431	Lockwasher	
6	52566	Locknut	
7	37075*	Control Hood	
8	23222	Screw	
9	38267	Control Hood Rear Cover	
10	37733W	Timer Case	
	524P3*	Meter Case	
11	91093	Lockwasher	
12	02916	Cap Screw	
13	27762	Speed Switch	Two Speed Models
14	32464	Indicator Light	Models EA2011*, EA2020* and EA2021* (4 required)
	32463	Indicator Light	Unbalanced Load, All Other Models
	32466	Indicator Light	In Use, All Other Models
	32464	Indicator Light	Rinse or Spin, All Other Models
15	35889	Pressure Switch	
16	36120*P	Cabinet Top	Painted
	36122*P	Cabinet Top	Porcelain
17	36521*	Control Panel Frame	
18	32648	Bumper	
19	32460	Control Panel Overlay	Models EA2011*, EA2110*, EA2111* and EA2210*
	32472	Control Panel Overlay	Models EA2020*, EA2021*, EA2120*, EA2121*, EA2220*, EA2221*, EA2520* and EA2521*
20	24205	Knurled Nut	
21	20310	Setscrew	
22	35182	Control Knob Assembly	

* Add Letter To Designate Color. L – Almond W – White

Control Panel, Control Hood and Controls

Models EA2311*



W120PZ3B

* Add Letter To Designate Color. L – Almond W – White

Control Panel, Control Hood and Controls

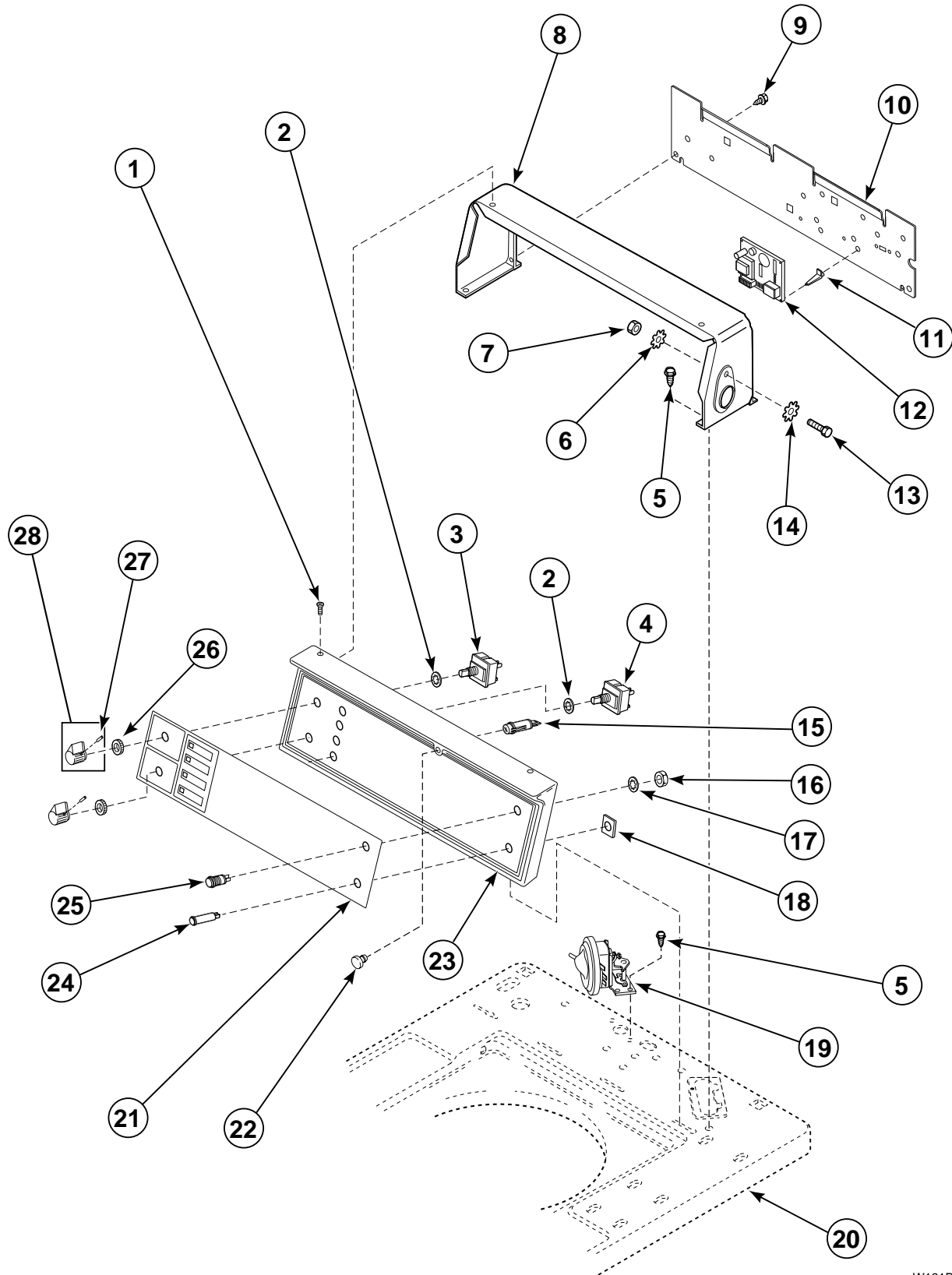
Models EA2311*

REF	PART #	DESCRIPTION	COMMENTS
1	500226	Screw	Phillips Head
	35528	Screw	Torx Head
2	23962	Screw	
3	33422P	Electronic Control and Bracket	
4	37075*	Control Hood	
5	23951	Locknut	
6	38267	Control Hood Rear Cover	
7	23222	Screw	
8	03814	Screw	
9	20267	Screw	
10	03815	Lockwasher	
11	524P3*	Meter Case	
12	02916	Cap Screw	
13	52566	Nut	
14	03673	Nut	
15	02431	Lockwasher	
16	32125	Bracket	
17	91093	Lockwasher	
18	32649	Screw	
19	81799	Switch	
20	32465	Indicator Light	Unbalanced Load
	32422	Indicator Light	In Use, Rinse or Spin
21	36521*	Control Panel Frame	
22	36120*P	Cabinet Top	Painted
	36122*P	Cabinet Top	Porcelain
23	32648	Bumper	
24	32479	Control Panel Overlay	
25	35182	Control Knob Assembly	
26	20310	Setscrew	
27	24205	Knurled Nut	
28	91176	Lockwasher	
29	35889	Pressure Switch	

* Add Letter To Designate Color. L – Almond W – White

Control Panel, Control Hood and Controls

Models EA2610*, EA2620*, EA2621*, EA2710* and EA2721*



W121PZ3A

* Add Letter To Designate Color. L – Almond W – White

Control Panel, Control Hood and Controls

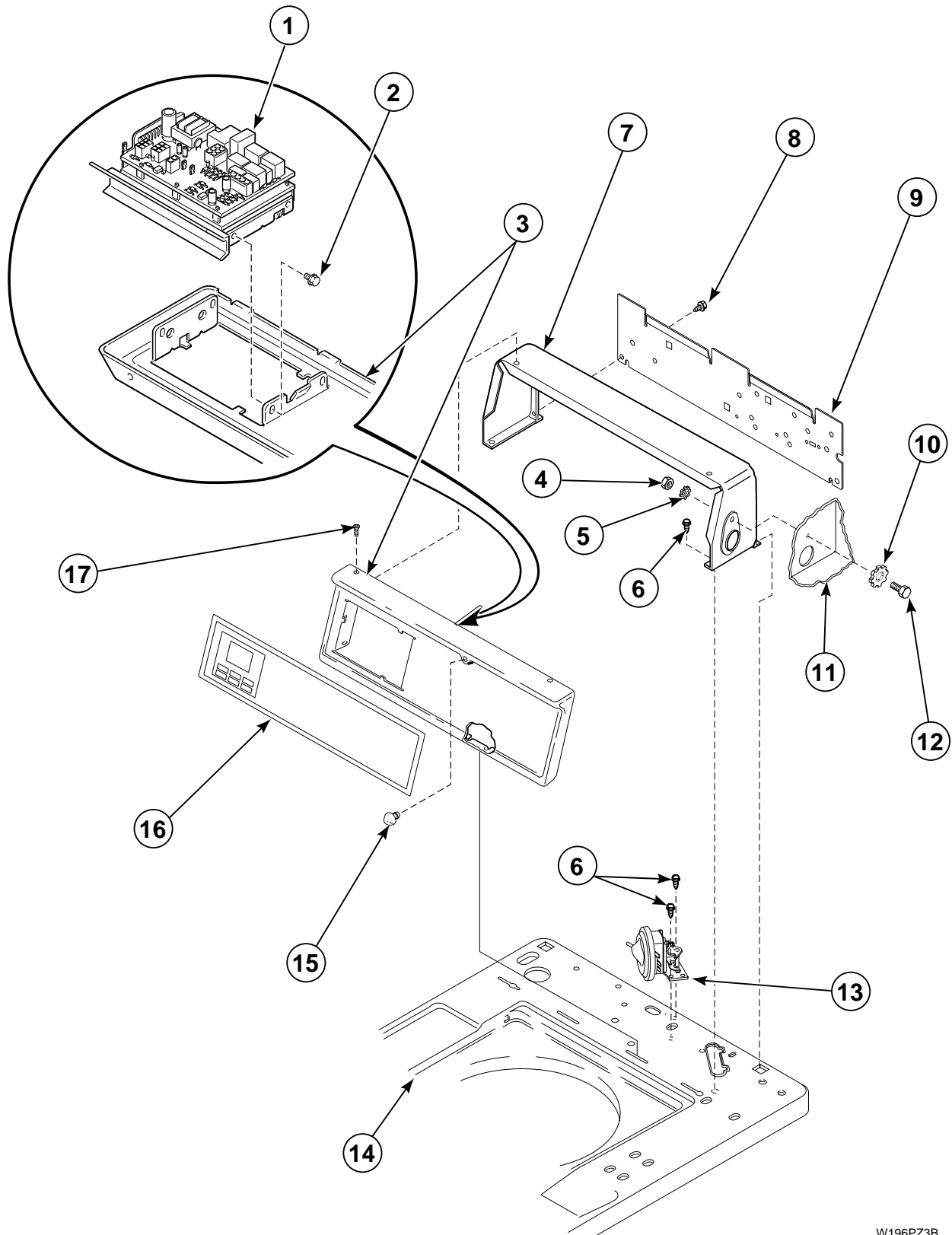
Models EA2610*, EA2620*, EA2621*, EA2710* and EA2721*

REF	PART #	DESCRIPTION	COMMENTS
1	500226	Screw	Phillips Head
	35528	Screw	Torx Head
2	91176	Lockwasher	
3	81799	Switch	
4	27762	Switch	
5	23962	Screw	
6	02431	Lockwasher	
7	52566	Locknut	
8	37075*	Control Hood	
9	23222	Screw	
10	38267	Control Hood Rear Cover	
11	34896	Support	
12	34522P	Printed Circuit Board	
13	02916	Cap Screw	
14	91093	Lockwasher	
15	32463	Indicator Light	Unbalanced Load
	32466	Indicator Light	In Use
	32464	Indicator Light	Rinse or Spin
16	35322	Nut	
17	35321	Washer	
18	34762	Push-on Clip	
19	35889	Pressure Switch	
20	36120*P	Cabinet Top	Painted
	36122*P	Cabinet Top	Porcelain
21	34700	Control Panel Overlay	Models EA2610* and EA2710*
	34699	Control Panel Overlay	Models EA2620*, EA2621* and EA2721*
22	32648	Bumper	
23	36521*	Control Panel Frame	
24	34701	Transmit Light	
25	34721	Transmit Switch	
26	24205	Knurled Nut	
27	20310	Setscrew	
28	35182	Control Knob Assembly	

* Add Letter To Designate Color. L – Almond W – White

Control Panel, Control Hood and Controls

Models EA2820*, EA2821*, EA2920* and EA2921*



W196PZ3B

* Add Letter To Designate Color. L – Almond W – White

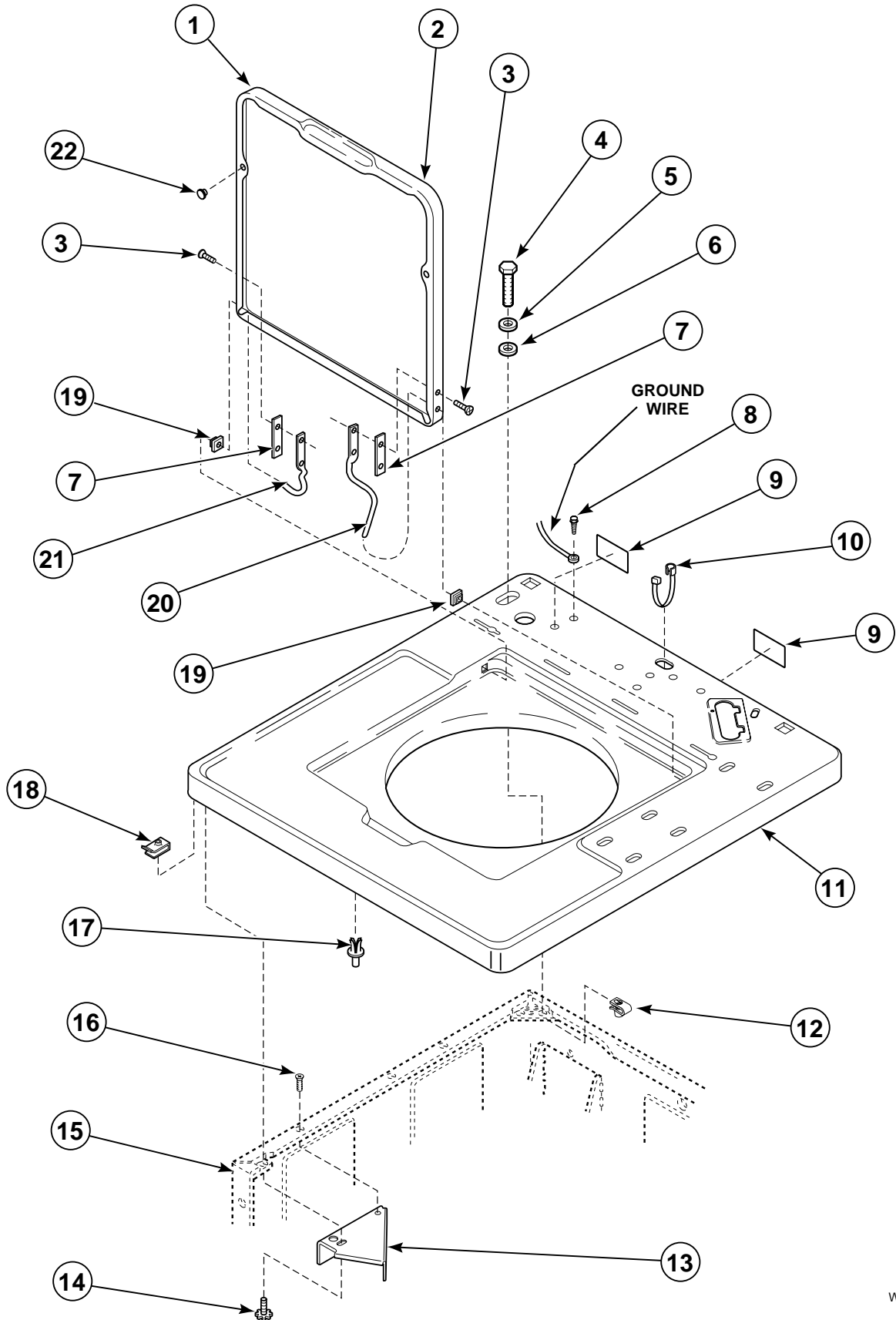
Control Panel, Control Hood and Controls

Models EA2820*, EA2821*, EA2920* and EA2921*

REF	PART #	DESCRIPTION	COMMENTS
1	38188P	Control and Shield	
2	501524	Screw	
3	36097*	Control Panel Frame	
4	52566	Locknut	
5	02431	Lockwasher	
6	23962	Screw	
7	37075*	Control Hood	
8	23222	Screw	
9	38267	Control Hood Rear Panel	
10	91093	Lockwasher	
11	38542*P	Meter Case	
12	02916	Cap Screw	
13	35889	Pressure Switch	
14	36120*P	Cabinet Top	Painted
	36122*P	Cabinet Top	Porcelain
15	32648	Bumper	
16	39096	Control Panel Overlay	
17	500226	Screw	Phillips Head
	35528	Screw	Torx Head

* Add Letter To Designate Color. L – Almond W – White

Cabinet Top and Loading Door



W123PZ3A

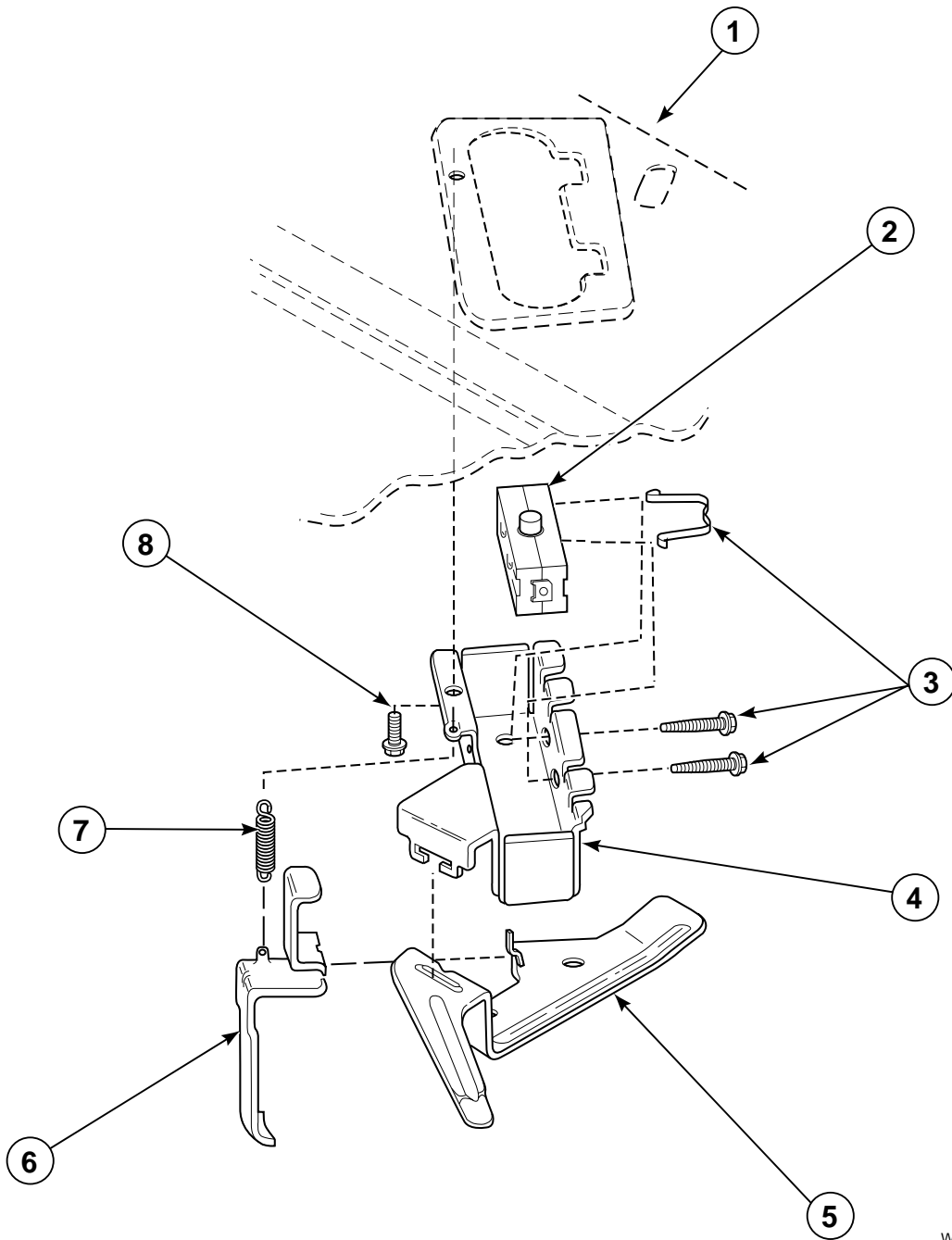
Cabinet Top and Loading Door

REF	PART #	DESCRIPTION	COMMENTS
1	33845*P	Loading Door	Painted
	39233*P	Loading Door	Porcelain
2	34153	Plug	
3	34337	Screw	
4	†503673	Screw	
5	†35917	Washer	Metal
6	†35774	Washer	Vinyl
7	34338	Gasket	
8	52909	Screw	
9	24903	Sticker	
10	21903	Strain Relief	
11	36120*P	Cabinet Top	Painted – Metered Models
	36122*P	Cabinet Top	Porcelain – Metered Models
	36271*P	Cabinet Top	Painted – Nonmetered Models
	36273*P	Cabinet Top	Porcelain – Nonmetered Models
12	†27222	Retainer Nut	
13	36034	Director Bracket	
14	23008	Screw and Lockwasher	
15	34475*P	Cabinet Assembly	
16	36035	Screw	
17	56534	Rivet	
18	36020	Speed Nut	
19	36474	Bushing	
20	36437	Hinge	Right
21	36438	Hinge	Left
22	21685	Bumper	

* Add Letter To Designate Color. L – Almond W – White

†Optional for Added Security

Out-of-Balance Switch



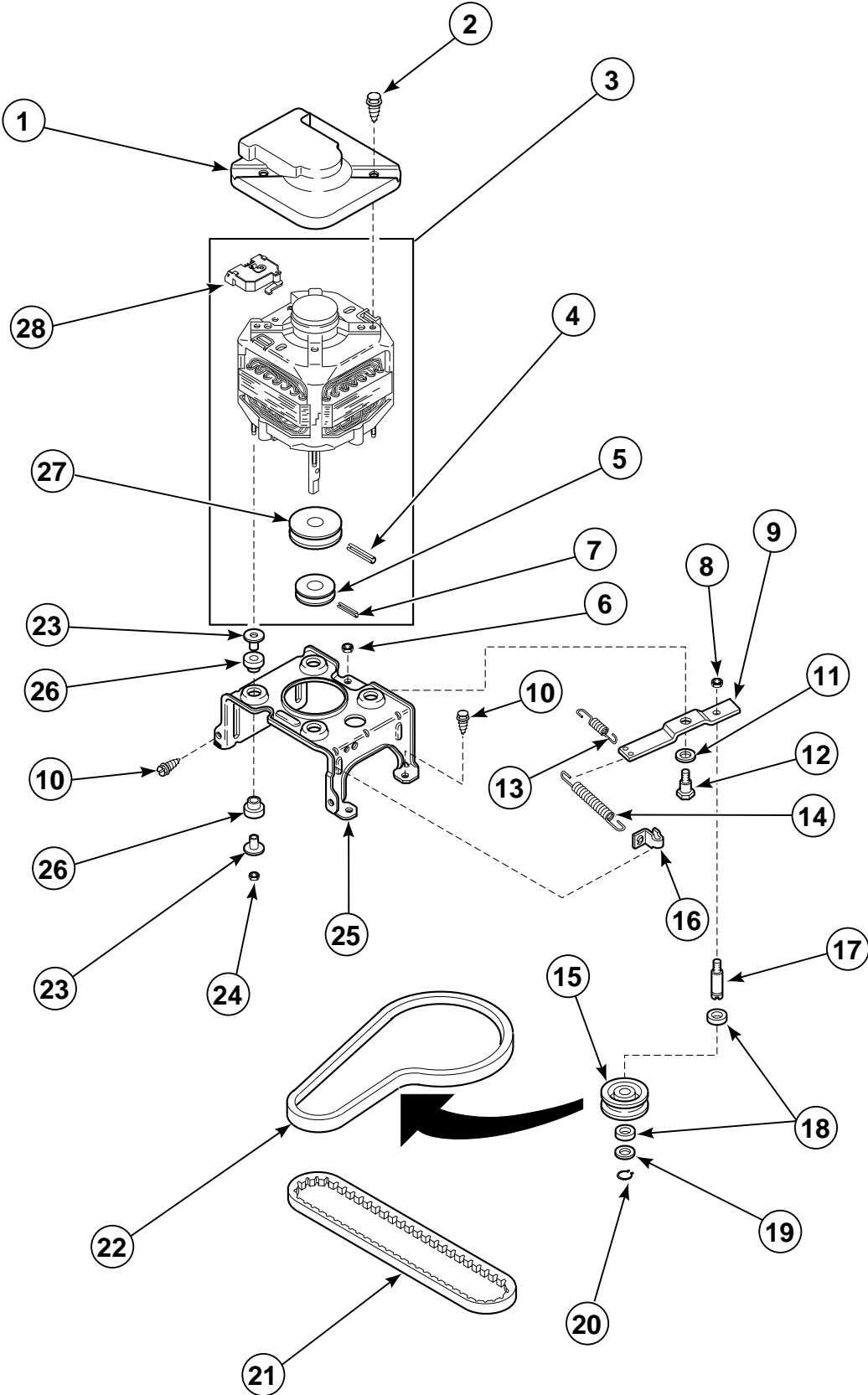
W209PZ3A

Out-of-Balance Switch

REF	PART #	DESCRIPTION	COMMENTS
1	36120*P	Cabinet Top	Painted, Metered Models
	36122*P	Cabinet Top	Porcelain, Metered Models
	36271*P	Cabinet Top	Painted, Nonmetered Models
	36273*P	Cabinet Top	Porcelain, Nonmetered Models
2	33445	Switch	Models EA2820, EA2821, EA2920 and EA2921
	33527	Switch	All Other Models
3	33433	Clip	For Models Using Switch Holder 33440
	36510	Screw	For Models Using Switch Holder Kit 36497P
4	36497P	Switch Holder Kit	Replaces Switch Holder 33440
5	33441	Actuator Arm	
6	33442	Lever	
7	33443	Spring	
8	23962	Screw	

* Add Letter To Designate Color. L – Almond W – White

Motor, Mounting Bracket, Belts and Idler Assembly



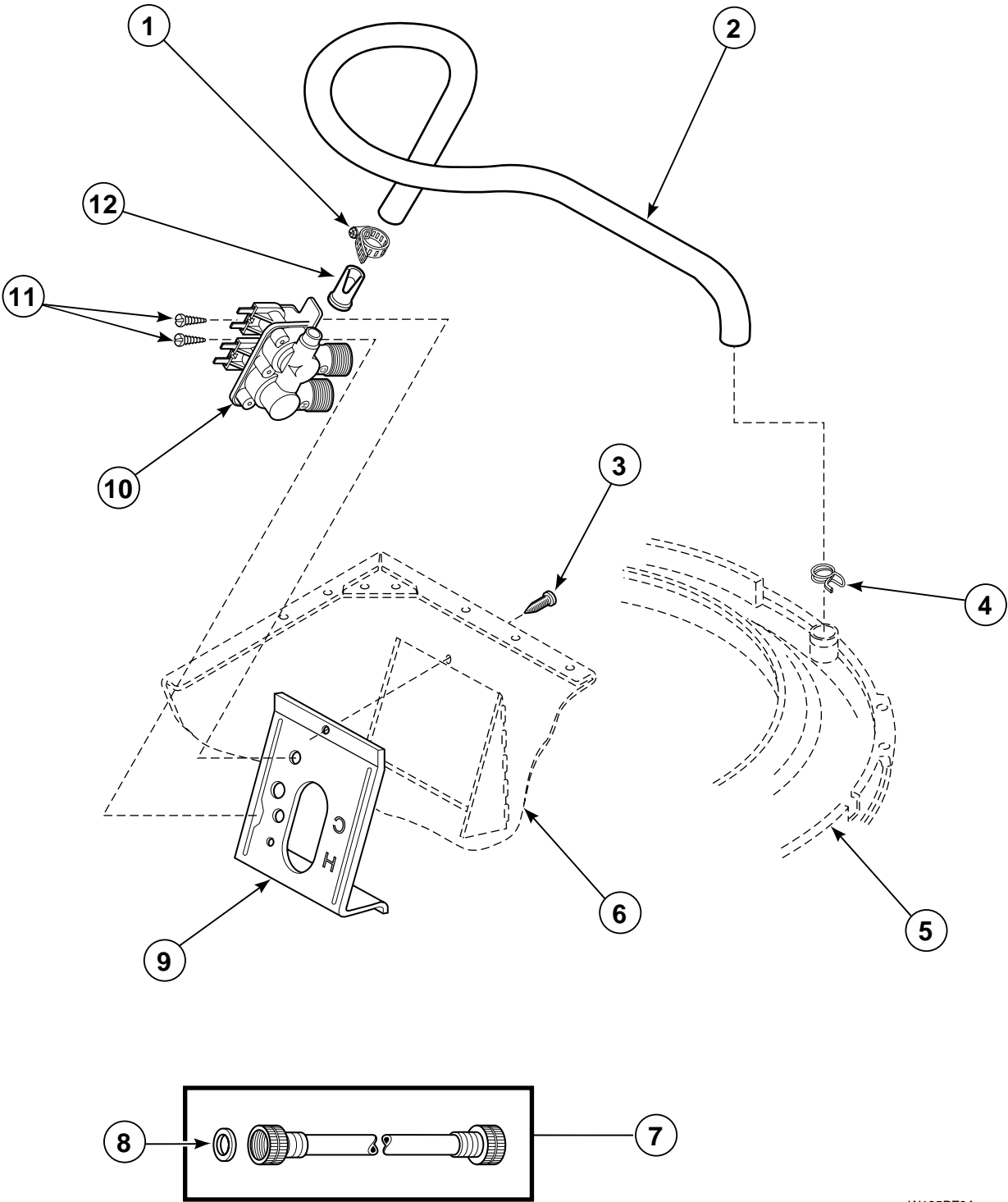
W235PZ3A

Motor, Mounting Bracket, Belts and Idler Assembly

REF	PART #	DESCRIPTION	COMMENTS
	258P3	Capacitor Kit	For use in areas where low voltage exists.
1	34754	Motor Shield	
2	36639	Screw	
3	35486P	Motor Assembly	One Speed Motor
	35485P	Motor Assembly	Two Speed Motor
4	23750	Roll Pin	
5	27104	Motor Pulley	Pump
6	52566	Locknut	
7	10416	Roll Pin	
8	28803	Locknut	
9	31054	Idler Lever	
10	503661	Screw	
11	81392	Washer	
12	27229	Shoulder Bolt	
13	30620	Helper Spring	
14	37366	Spring	
15	28800	Idler Pulley	
16	28849	Clip	
17	28802	Idler Shaft	
18	29443	Washer	Felt
19	52549	Washer	Nylatron
20	23748	Retainer Ring	
21	27155	Belt	Pump
22	28808	Belt	Agitate and Spin
23	34791	Motor Mount Post	
24	35423	Nut	
25	34890	Mounting Bracket	
26	34788	Motor Mount	Rubber
27	27171	Motor Pulley	
28	35632	Motor Switch	

* Add Letter To Designate Color. L – Almond W – White

Inlet Hose, Fill Hose and Mixing Valve and Mounting Bracket



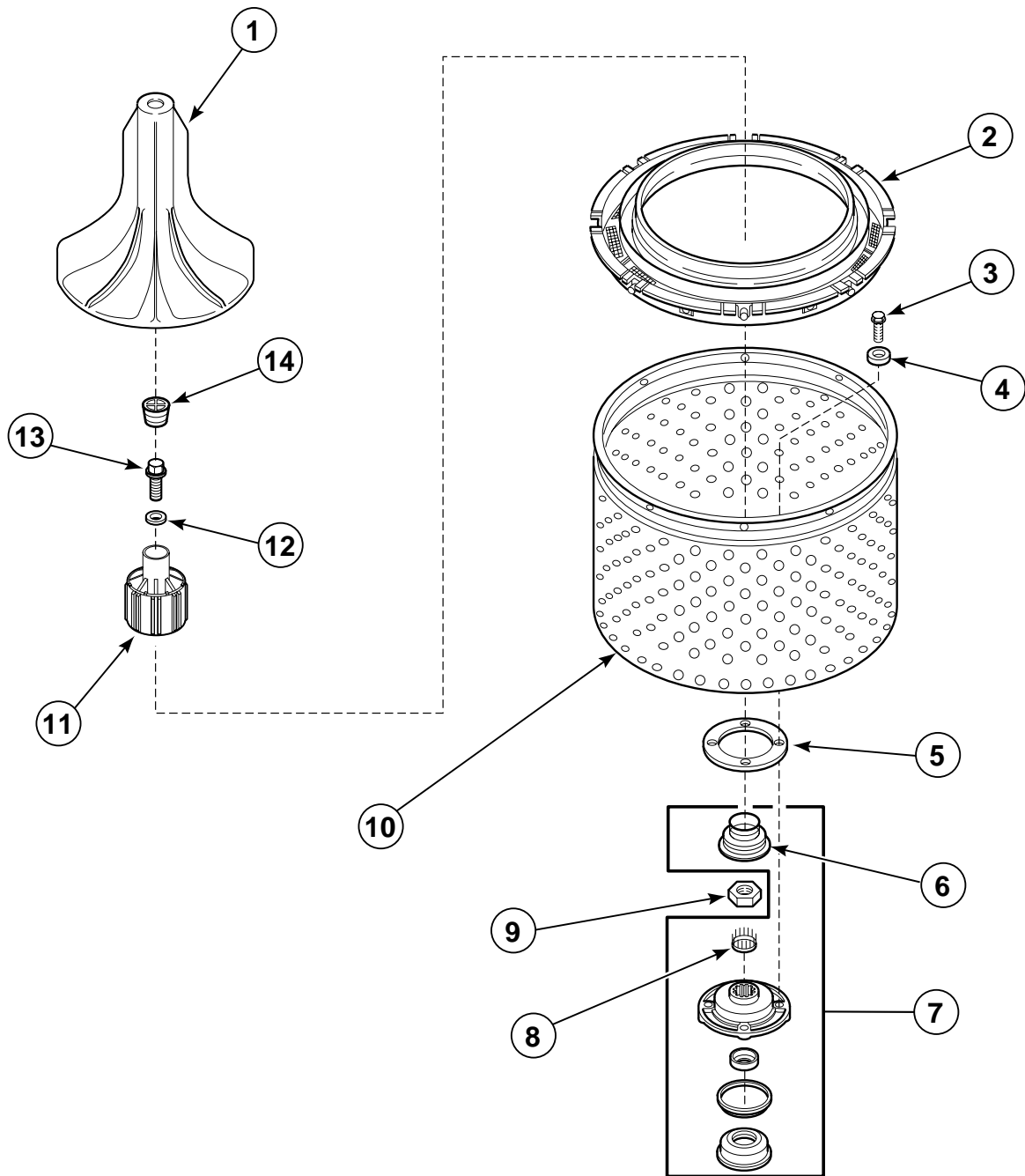
W125PZ3A

Inlet Hose, Fill Hose and Mixing Valve and Mounting Bracket

REF	PART #	DESCRIPTION	COMMENTS
1	36801	Hose Clamp	
2	35874	Fill Hose	
3	33562	Screw	
4	29210	Hose Clamp	Gold
5	36025P	Outer Tub Cover	
6	34475*P	Cabinet Assembly	
7	28330P	Inlet Hose Assembly	
8	20290	Hose Washer	
9	39407	Mixing Valve Mounting Bracket	
10	34963	Mixing Valve Assembly	
11	23962	Screw	
12	34500	Backflow Preventer	

* Add Letter To Designate Color. L – Almond W – White

Agitator, Drive Bell, Seal Kit, Washtub and Hub



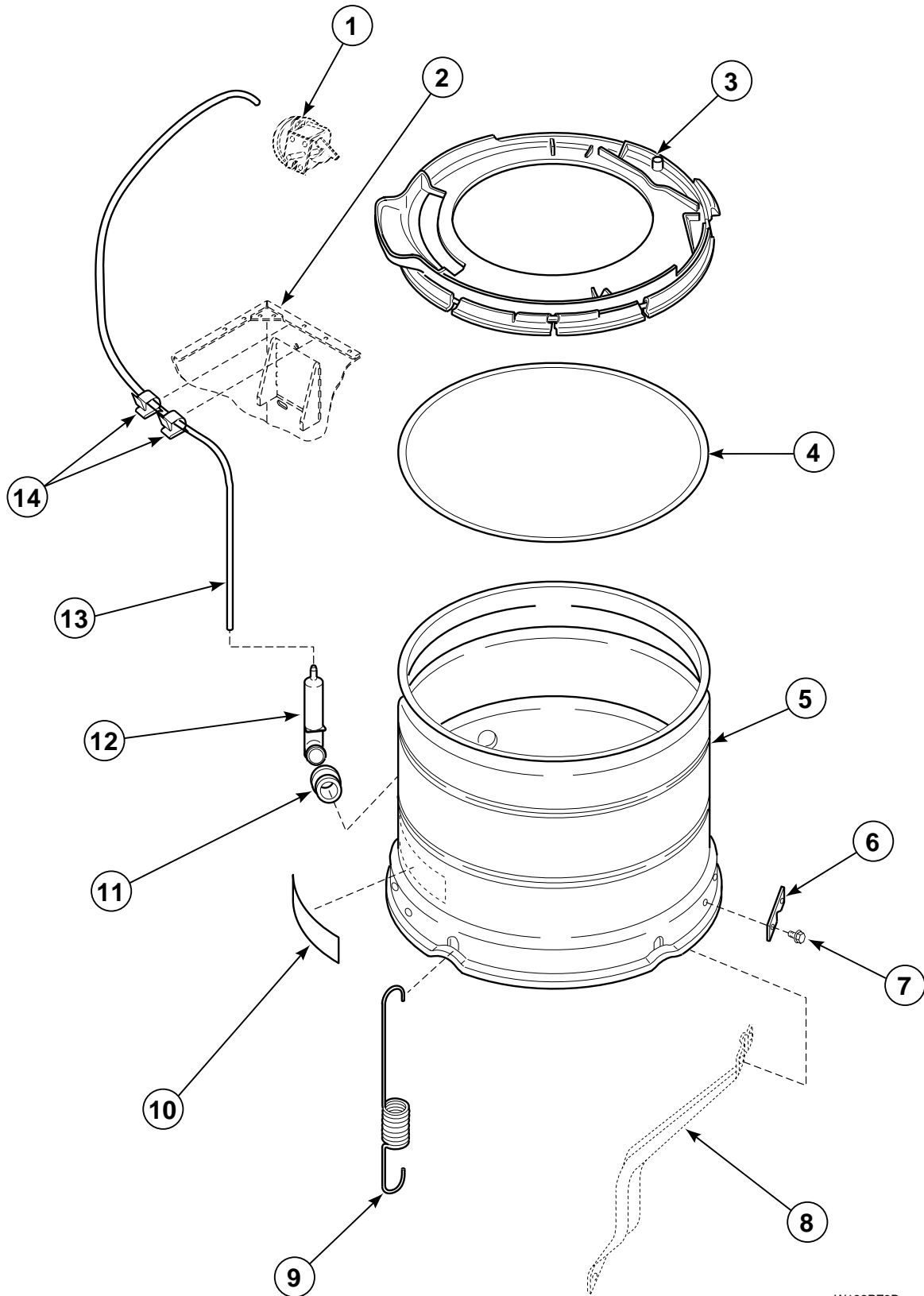
W227PZ3A

Agitator, Drive Bell, Seal Kit, Washtub and Hub

REF	PART #	DESCRIPTION	COMMENTS
1	33513	Agitator	
2	32990	Clothes Guard	
3	27202	Cap Screw	
4	28094	Gasket	
5	27125	Gasket	
6	†36425	Seal	
7	646P3	Hub and Seal Kit	Includes 32857 Cover Gasket and 39508P Drive Bell and Seal Kit
8	29728	Splined Insert	
9	29220	Locknut	
10	38668P	Washtub	Porcelain
	39387P	Washtub	Stainless Steel
11	39508P	Drive Bell and Seal Kit	Includes parts marked with a dagger
12	†36472	"O" Ring	
13	†39432	Shoulder Screw	
14	†36511	Plug	

†Parts with a dagger are included in the 36443P Drive Bell and Seal Kit.

Outer Tub, Cover and Pressure Hose



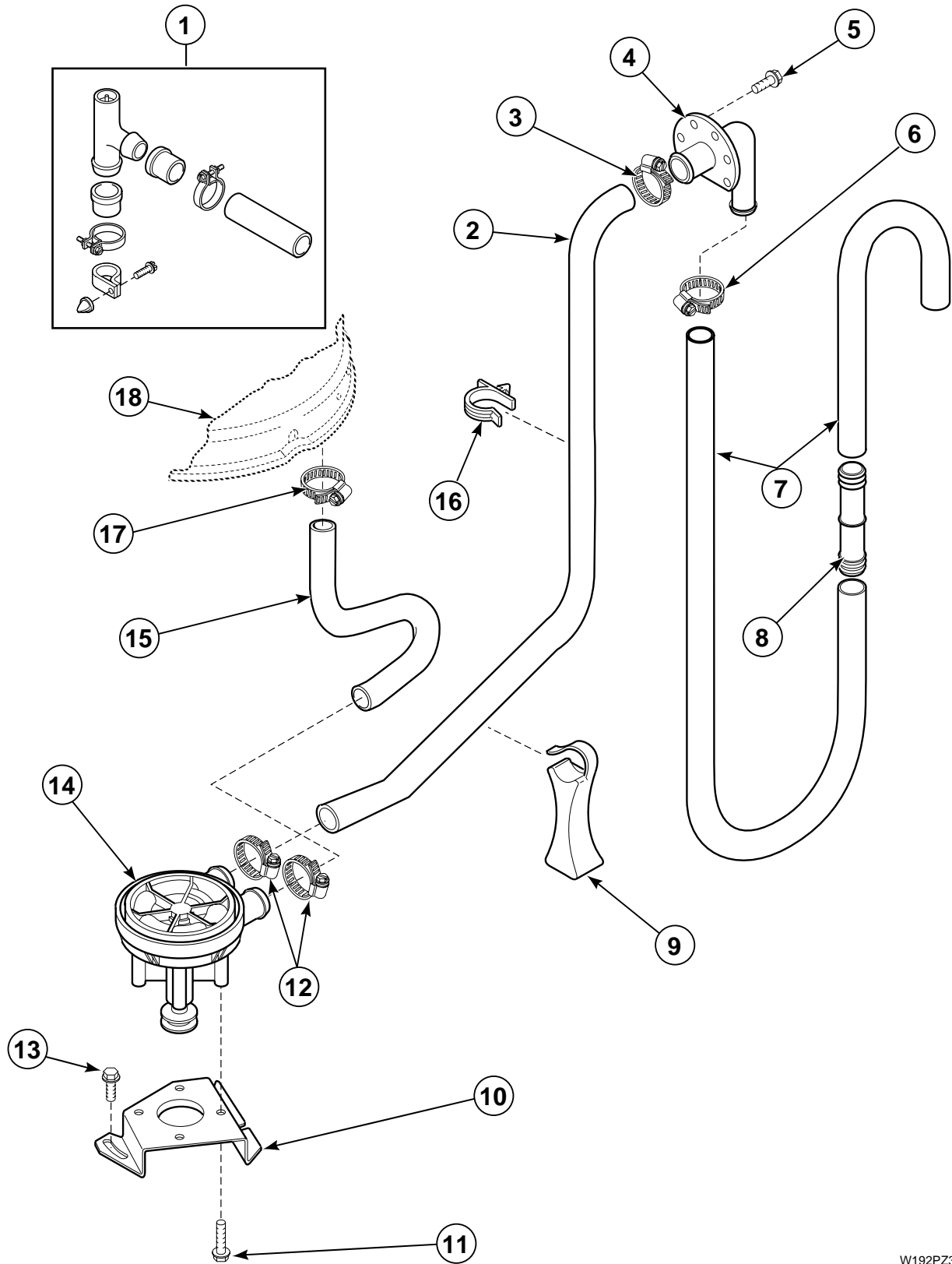
W182PZ3B

Outer Tub, Cover and Pressure Hose

REF	PART #	DESCRIPTION	COMMENTS
1	35889	Pressure Switch	
2	34475*P	Cabinet Assembly	
3	36025P	Outer Tub Cover Assembly	Includes 32857 Gasket
4	32857	Gasket	
5	34439P	Outer Tub	
6	27926	Leg Plate	
7	35369	Screw	
8	34792	Support Leg	
9	35947	Centering Spring	
10	500049	Sticker	
11	29175	Grommet	
12	30907	Pressure Bulb	
13	39125	Pressure Hose	Models EA2311*, EA2820*, EA2821*, EA2920* and EA2921*
	39124	Pressure Hose	All Other Models
14	21036	Clips	

* Add Letter To Designate Color. L – Almond W – White

Pump Assembly, Bracket, Hoses and Siphon Break Kit

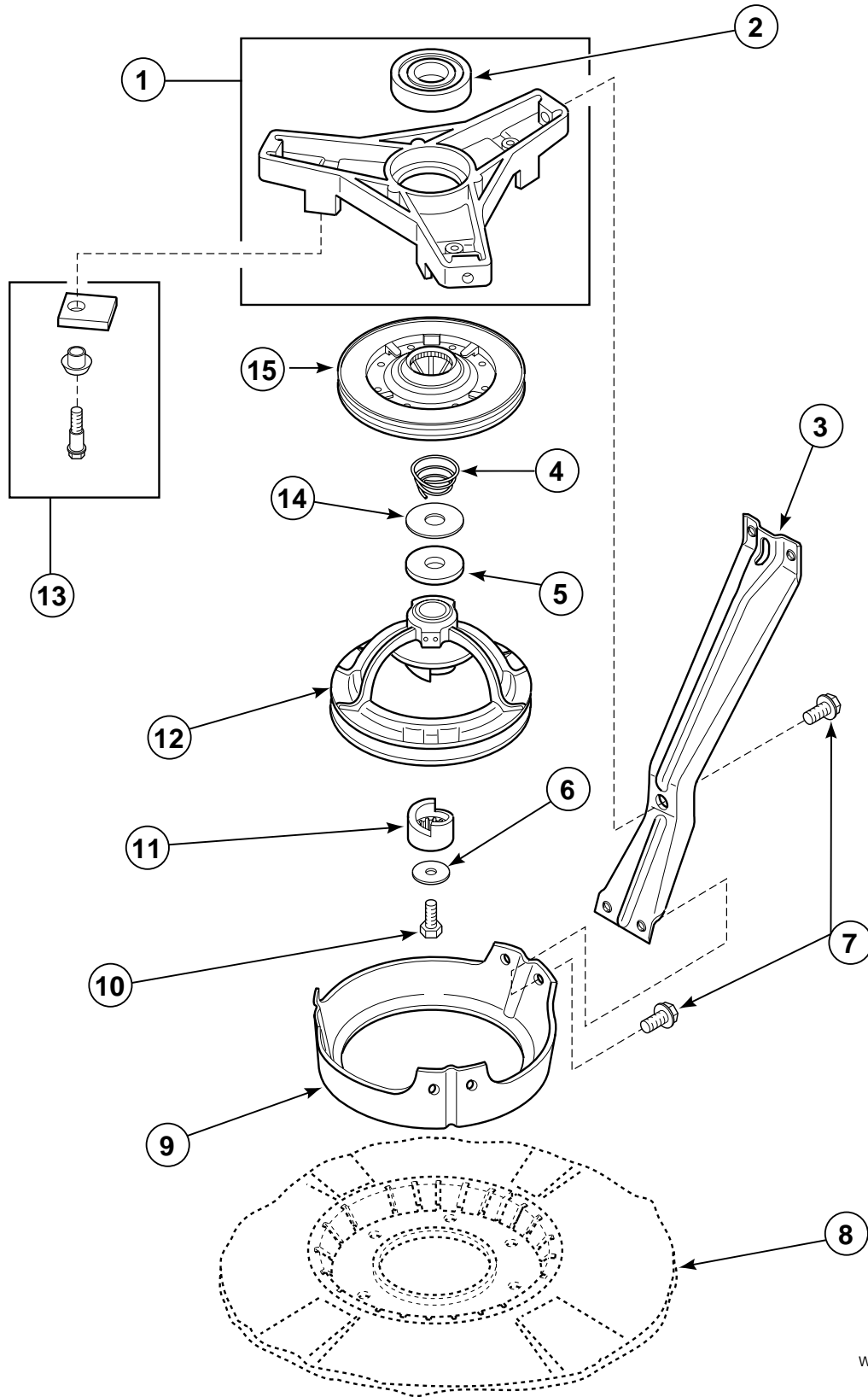


W192PZ3A

Pump Assembly, Bracket, Hoses and Siphon Break Kit

REF	PART #	DESCRIPTION	COMMENTS
1	562P3	Siphon Break Kit	Siphon break kit MUST be installed in drain hose if drain receptacle is lower than cabinet top of washer.
2	27161	Pump-to-Elbow Hose	
3	20391	Hose Clamp	
4	35766	Drain Hose Elbow	
5	52909	Screw	
6	20211	Hose Clamp	
7	28293	Drain Hose	
8	25863	Hose Coupler	If drain hose must be shortened, cut hose between molded end and molded elbow. Use one No. 25863 Hose Coupler to splice hose.
9	35487	Hose Support	
10	35162	Mounting Bracket	
11	31098	Screw	
12	20211	Hose Clamp	
13	503661	Screw	
14	31969	Pump Assembly	Includes four 31098 screws
15	35754	Tub-to-Pump Hose	
16	39177	Hose Clip	
17	36802	Hose Clamp	
18	34439P	Outer Tub	

Bearing Housing, Brake, Pulley and Pivot Dome



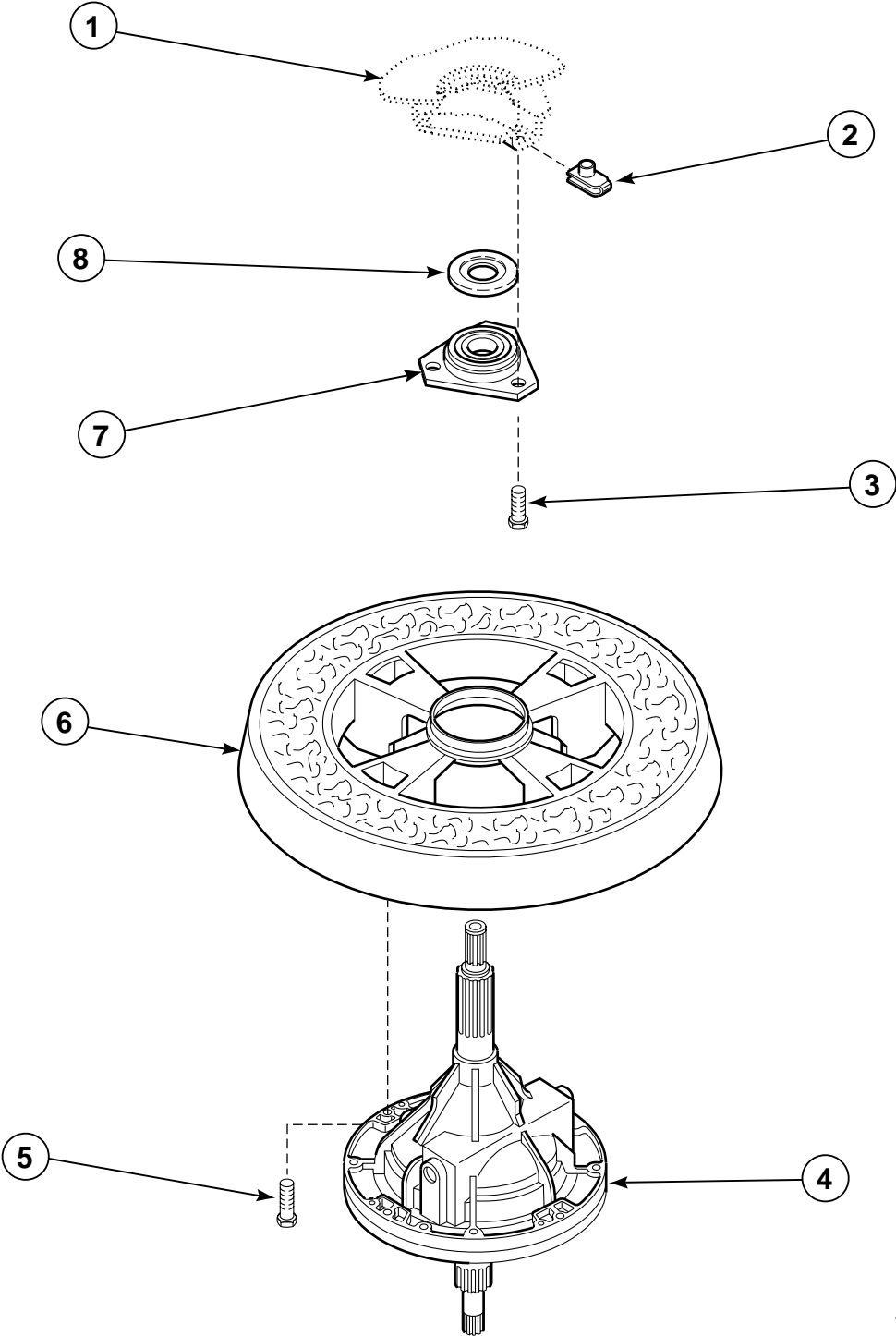
W130PZ3B

Bearing Housing, Brake, Pulley and Pivot Dome

REF	PART #	DESCRIPTION	COMMENTS
	26594P	Silicone Lubricant	Apply a small amount to each new brake pad.
1	35746	Bearing Housing Assembly	
2	28944R	Bearing	
3	34792	Support Leg	
4	33435	Spring	
5	27015	Washer	Thick
6	26509	Washer	
7	35369	Screw	
8	34434P	Base Assembly	
9	34470	Pivot Dome	
10	27220	Screw	
11	27018	Helix	
12	34923	Pulley Assembly	
13	548P3	Brake Pad Kit	Includes three pads, sleeves and screws.
14	35535	Washer	Thin
15	38505P	Brake Assembly	

* Add Letter To Designate Color. L – Almond W – White

Transmission Assembly and Balance Ring

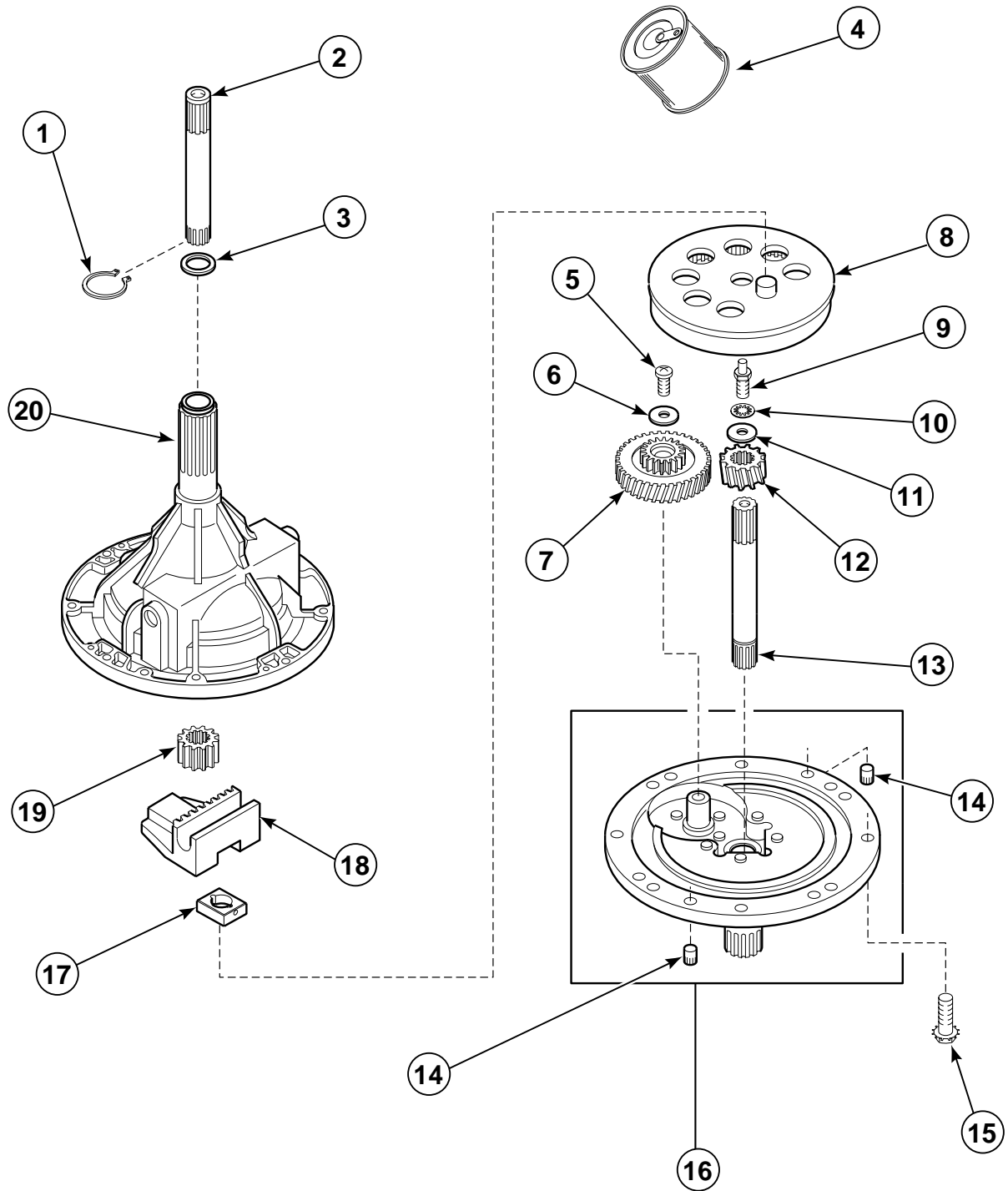


W234PZ3B

Transmission Assembly and Balance Ring

REF	PART #	DESCRIPTION	COMMENTS
	27604P	Anti-Seize Compound	Apply to both the upper and lower transmission tubes.
1	34439P	Outer Tub	
2	27222	Retainer Nut	
3	36991	Cap Screw	
4	34526P	Transmission Assembly	See Page 38 for component parts
5	37047	Cap Screw	
6	34731	Balance Ring	
7	27182	Bearing Housing Assembly	
8	27187	Flinger	Used through Serial No. 9510053575

Transmission Assembly

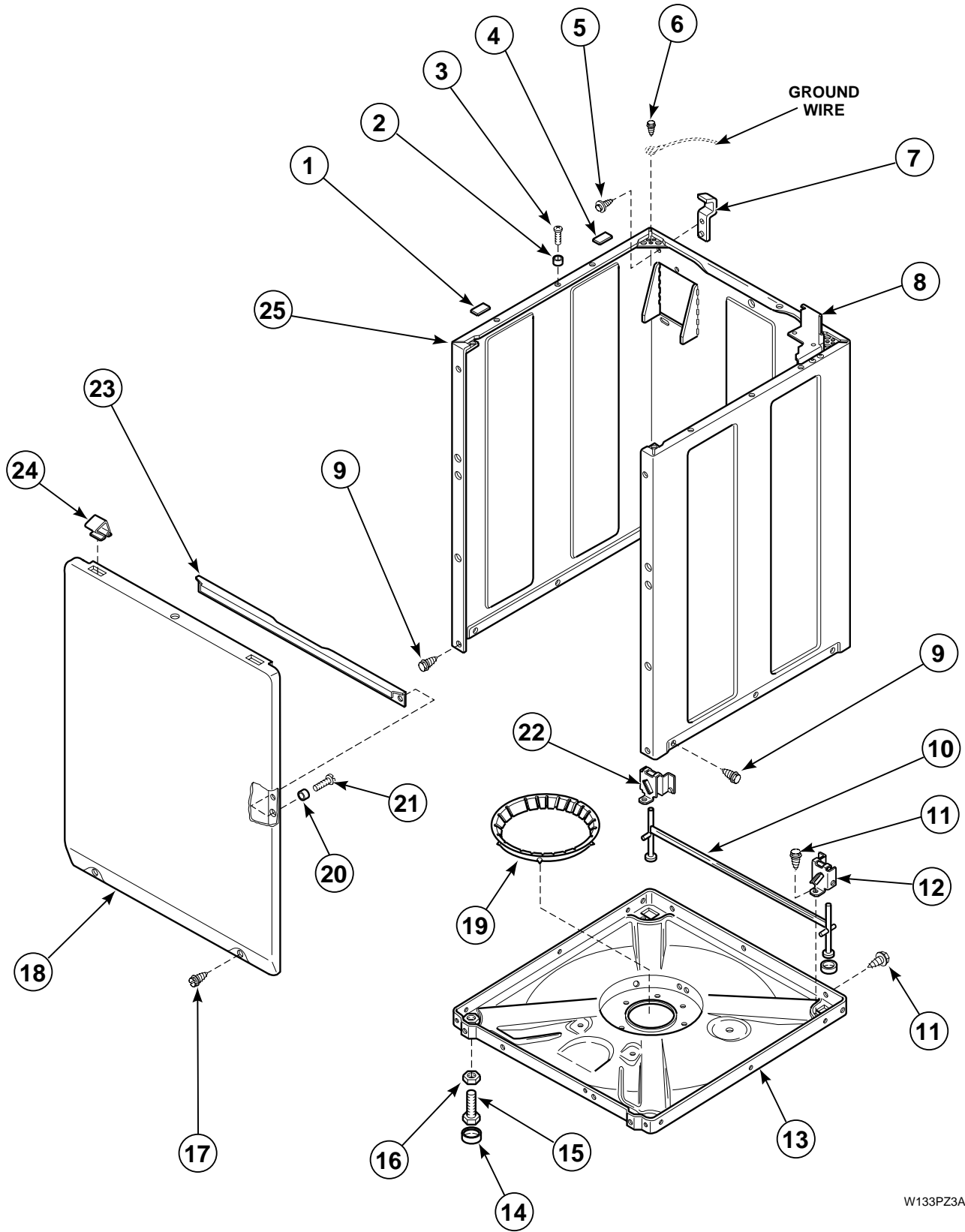


W132PZ3A

Transmission Assembly

REF	PART #	DESCRIPTION	COMMENTS
	37577P	Sealant	Use between Transmission Case and Cover
1	27197	Retainer Ring	
2	36570	Output Shaft	
3	35092	Washer	
4	27243P	Transmission Oil	1 Fill
5	29273	Screw	
6	29260	Washer	
7	29161	Reduction Gear	
8	26577	Internal Gear	
9	27030	Special Screw	
10	21456	Lockwasher	
11	26509	Washer	
12	36562	Drive Pinion	
13	34853	Input Shaft	
14	27172	Dowel Pin	
15	32814	Screw	
16	38290	Transmission Cover Assembly	
17	26493	Slide	
18	31526	Rack	
19	27003	Agitator Pinion	
20	33223	Transmission Case Assembly	

Front Panel, Base Assembly and Cabinet Assembly



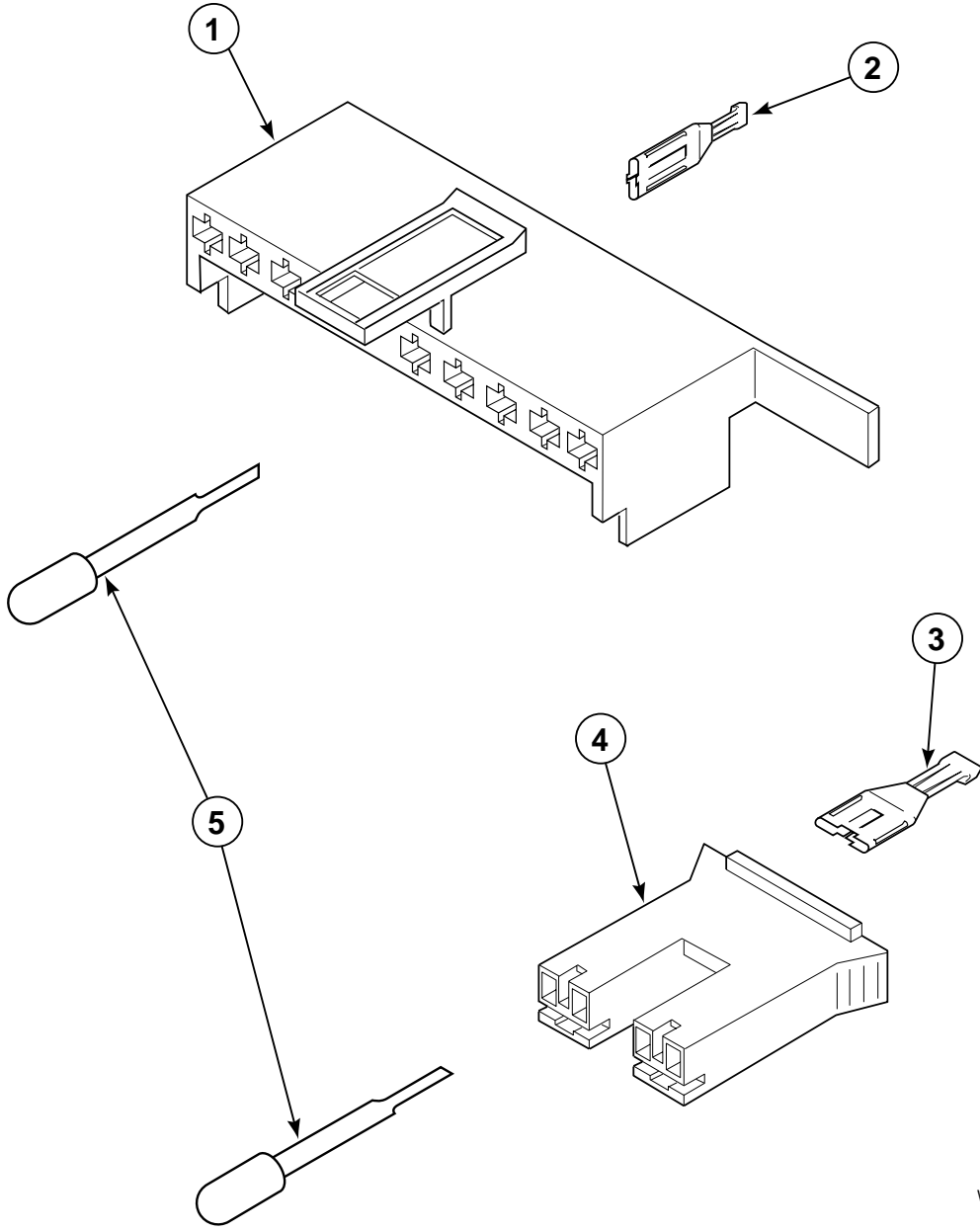
W133PZ3A

Front Panel, Base Assembly and Cabinet Assembly

REF	PART #	DESCRIPTION	COMMENTS
1	56128	Bumper Pad	Thin
2	56079	Guide Lug	
3	32671	Screw	
4	36226	Bumper Pad	Thick
5	34499	Screw	
6	23962	Screw	
7	27103	Hinge	
8	35867	Mounting Bracket	
9	27196	Screw	
10	34443	Leveling Leg and Stabilizing Bar Assembly	
11	35148	Screw	
12	36036	Bracket	Right
13	34434P	Base Assembly	
14	34318	Rubber Foot	
15	34319	Leveling Leg	
16	21899	Locknut	
17	27196	Screw	Slotted Hex Head
	35527	Screw	Torx Head — See Page 46 to Torx Bit and Holder
18	34656*P	Front Panel	Includes 35865 Hold-Down Clip, 35097 Brace and Attaching Hardware.
19	36108	Snubber Pad and Isolator Assembly	
20	28102	Guide Lug	
21	32671	Screw	
22	36037	Bracket	Left
23	35097	Brace	
24	35865	Hold-Down Clip	
25	34475*P	Cabinet Assembly	

* Add Letter To Designate Color. L – Almond W – White

Mixing Valve and Motor Disconnect Blocks, Terminals and Terminal Extractor Tool

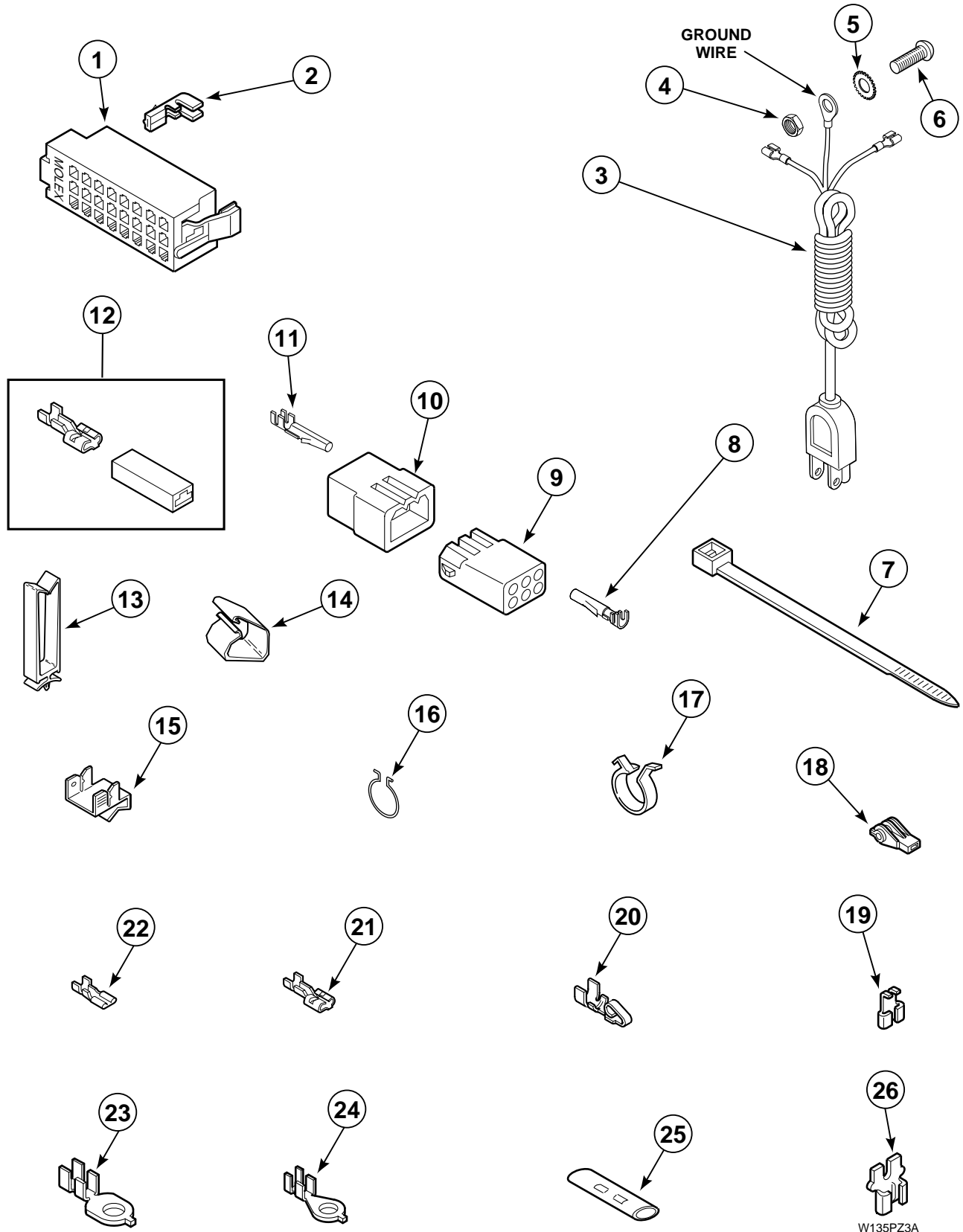


W134PZ3B

Mixing Valve and Motor Disconnect Blocks, Terminals and Terminal Extractor Tool

REF	PART #	DESCRIPTION	COMMENTS
1	34677	Molex Housing	Motor
2	00188	Molex Terminal	For one or two wire application
3	00121	Spade Terminal	1/4 inch
4	34675	Amp Housing	Mixing Valve, Natural
	34676	Amp Housing	Mixing Valve, Red
5	283P4	Terminal Extractor Tool	

Power Cord and Terminals



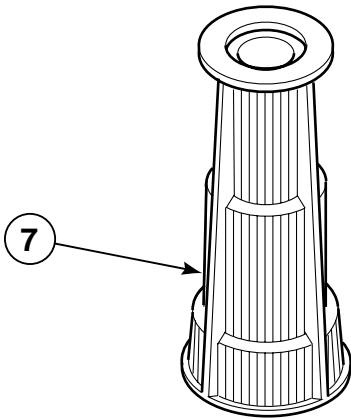
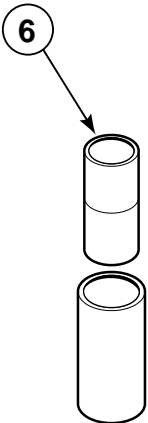
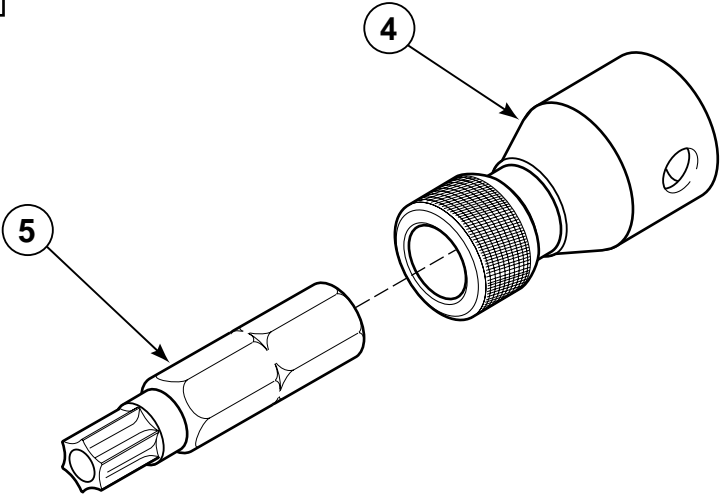
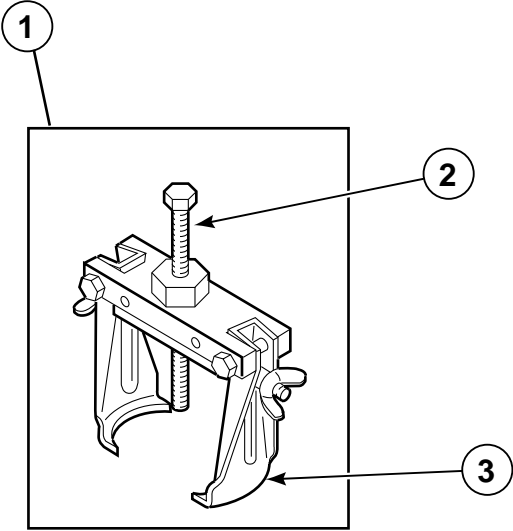
W135PZ3A

Power Cord and Terminals

REF	PART #	DESCRIPTION	COMMENTS
1	32746	Molex Housing	Right Hand
	34123	Molex Housing	Left Hand
2	00188	Molex Terminal	Used for one of two wire application
3	39405	Power Cord	Models EA2011*, EA2020*, EA2021*, EA2311*, EA2820*, EA2821*, EA2920* and EA2921*
	39404	Power Cord	All Other Models
4	03673	Nut	
5	03815	Lockwasher	
6	20267	Screw	
7	55881	Wire Tie	
8	00117	Terminal	Male
9	26301	Terminal Block	1 circuit
	26708	Terminal Block	6 circuit
	26163	Terminal Block	9 circuit
10	26302	Terminal Block	1 circuit
	23041	Terminal Block	6 circuit
	23033	Terminal Block	9 circuit
11	00116	Terminal	Male
12	00234	Terminal and Housing Assembly	
13	36274	Harness Clip	
14	35521	Harness Clip	
15	00161	Ground Clip	
16	51291	Wire Clip	
17	504034	Wire Clip	
18	70210	Plastic Insulator	
19	00120	Right Angle	Flag Terminal
20	00220	Spade Terminal	Female - 1/4 inch
21	00119	Spade Terminal	Large Spade
22	00112	Spade Terminal	Small Spade
23	00113	Eyelet Terminal	1/4 Inch Ring
24	00110	Eyelet Terminal	Small Shank
25	21091	Connector	
26	29673	Double Connector	

* Add Letter To Designate Color. L – Almond W – White

Special Tools



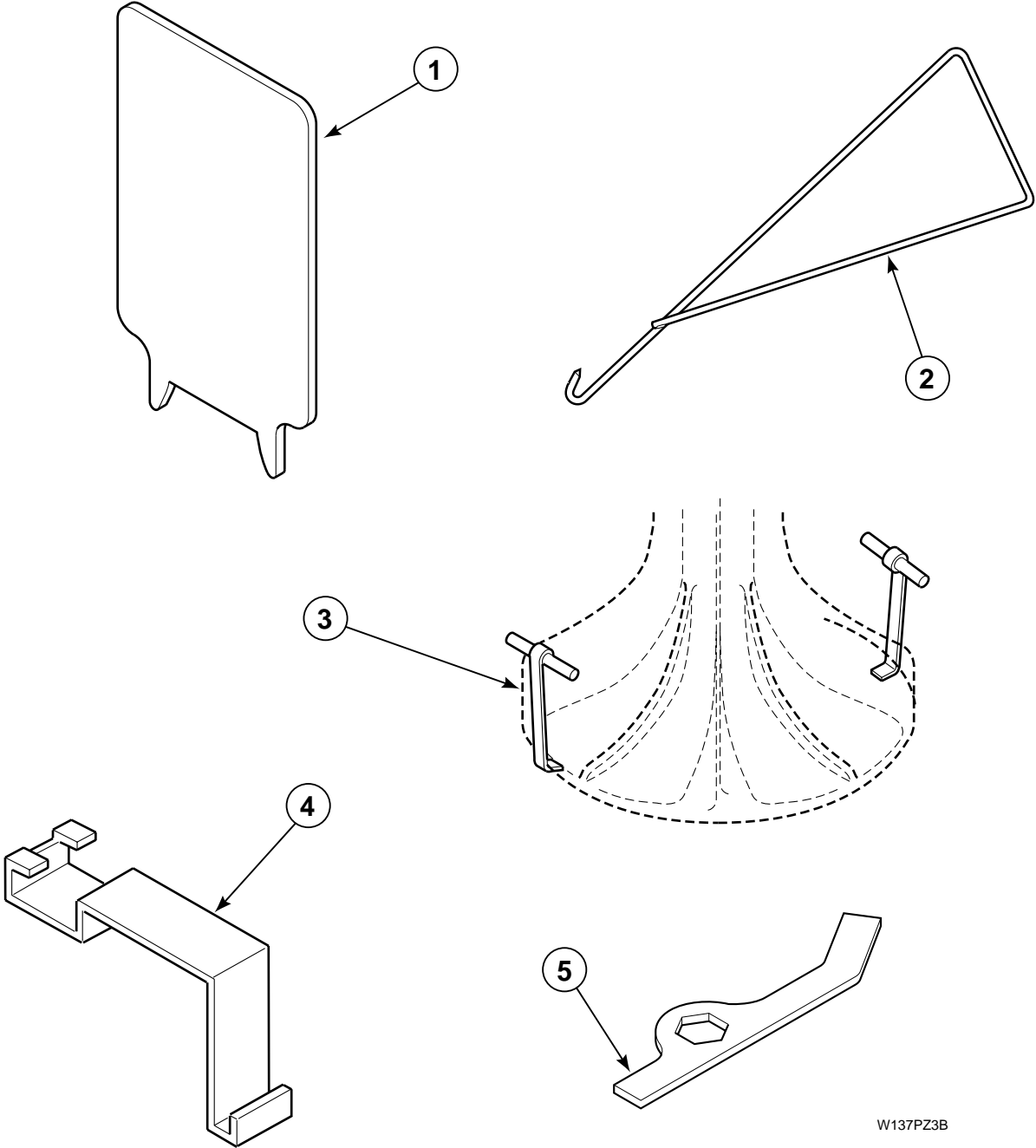
W399PZ3A

Special Tools

REF	PART #	DESCRIPTION	COMMENTS
1	294P4	Bell Tool	Replaces Bell Tool, Part No. 253P4. For removal and installation of drive bell to transmission shaft.
2	†294P4B	Drive Bell Bolt	
3	†294P4A	Drive Bell Arms	
4	24161	Torx Bit Holder	3/8" Drive
5	281P4	T15 Tamper Resistant Bit	For removal and installation of Control Hood Security Screws.
	282P4	T25 Tamper Resistant Bit	For removal and installation of Pump and Front Panel Attached Screws.
6	242P4	Brake Spring Installer	Use to install brake spring.
7	293P4	Seal Tool	For installation of 36425 Seal.

† Order these parts to update the 253P4 Bell Tool

Special Tools



Special Tools

REF	PART #	DESCRIPTION	COMMENTS
1	272P4	Lid Switch Tool	Use for installing Lid Switch for models using 33440 Switch Holder.
2	321P4	Spring Hook	Use for removal and installation of Centering Springs on outer tub.
3	254P4P	Agitator Hooks	Use to remove Agitator from Drive Bell. Set of two.
4	273P4	Outer Tub Cover and Gasket Tool	Use to remove 36025P Outer Tub Cover from Outer Tub and to install 32857 Gasket in Outer Tub Cover.
5	306P4	Hex Wrench	Use to remove Hex Locknut from Washtub Hub.

Wire Harnesses

Individual wires are not available separately. Order complete wire harness, or order wire by the foot. See chart below.

MODEL NUMBER	BASE WIRE HARNESS	TIMER WIRE HARNESS	HOOD WIRE HARNESS	METER CASE WIRE HARNESS
EA2011*	36278	28217	33804	–
EA2020*	36278	34092	33805	–
EA2021*	36278	34092	33805	–
EA2110*	36278	29279	33757	–
EA2111*	36278	29279	33757	–
EA2120*	36278	29281	33758	–
EA2121*	36278	29281	33758	–
EA2210*	36278	29279	33757	–
EA2220*	36278	29281	33758	–
EA2221*	36278	29281	33758	–
EA2311*	36278	32477	33766	–
EA2520*	36278	34175	33758	–
EA2521*	36278	34175	33758	–
EA2610*	36278	34239	36261	–
EA2620*	36278	34175	36262	–
EA2621*	36278	34175	36262	–
EA2710*	36278	34239	36261	–
EA2721*	36278	34175	33758	–
EA2820*	36278	–	36093	36094
EA2821*	36278	–	36093	36094
EA2920*	36278	–	36093	36094
EA2921*	36278	–	36093	36094

* Add Letter To Designate Color. L – Almond W – White

Wires

Order the individual wire color and gauge by the part number listed below. Order wire by the foot and terminals and connectors as required. It is recommended when applying terminals to wires that the terminals be soldered to the wires.

IMPORTANT: Always replace wires with proper gauge.

PART NUMBER	WIRE GAUGE	WIRE COLOR
45001	18 Gauge Wire	Black
45380	12 Gauge Wire	Orange

Parts Index

A

Actuator Arm 33441	23
Agitator 33513	29
Agitator Hooks 254P4P	49
Agitator Pinion 27003	39
Amp Housing 34675	43
34676	43
Anti-Seize Compound 27604P	37

B

Backflow Preventer 34500	27
Balance Ring 34731	37
Base Assembly 34434P	35, 41
Base Wire Harness 36278	50
Bearing 28944R	35
Bearing Housing Assembly 27182	37
35746	35
Bell Tool 294P4	47
Belt 27155	25
28808	25
Bolt 29651	7, 9
Brace 35097	41
Bracket 32125	15
35525	11
36036	41
36037	41
†35525	7, 9
Brake Assembly 38505P	35
Brake Pad Kit 548P3	35
Brake Spring Installer 242P4	47
Bumper 21685	21
32648	13, 15, 17, 19
Bumper Pad 36226	41
56128	41
Bushing 36474	21

C

Cabinet Assembly 34475*P	7, 9, 11, 21, 27, 31, 41
Cabinet Top 36120*P	7, 9, 11, 13, 15, 17, 19, 21, 23
36122*P	7, 9, 11, 13, 15, 17, 19, 21, 23
36271*P	5, 21, 23
36273*P	5, 21, 23
Cap Screw 02916	5, 13, 15, 17, 19
27202	29
36991	37
37047	37
Carriage Bolt 02505	5, 11
†02505	7, 9
Centering Spring 35947	31
Clip 28849	25
33433	23
Clips 21036	31
Clothes Guard 32990	29
Clutch 29503	7, 9
Coin Drop Assembly M412001	11
Coin Drop Front Plate 501364	11
Coin Funnel Kit †523P3	7, 9
Connector 21091	45
Control and Shield 38188P	19
Control Hood 37075*	5, 13, 15, 17, 19
Control Hood Rear Cover 38267	13, 15, 17
Control Hood Rear Panel 38267	19
Control Knob Assembly 35182	13, 15, 17
Control Panel Frame 36097*	19
36521	13
36521*	15, 17
Control Panel Overlay 32460	13
32472	13
32479	15
34699	17
34700	17
39096	19
Counter Kit 62113P	7

D

Director Bracket	
36034	21
Double Connector	
29673	45
Dowel Pin	
27172	39
Drain Hose	
28293	33
Drain Hose Elbow	
35766	33
Drive Bell and Seal Kit	
39508P	29
Drive Bell Arms	
†294P4A	47
Drive Bell Bolt	
†294P4B	47
Drive Pinion	
36562	39

E

18 Gauge Wire	
45001	50
Electronic Control and Bracket	
33422P	15
Eyelet Terminal	
00110	45
00113	45

F

Fill Hose	
35874	27
Flinger	
27187	37
Front Panel	
34656*P	41

G

Gasket	
26354	11
27125	29
28094	29
32857	31
34338	21
35526	11
†35526	7, 9
Grommet	
29175	31
Ground Clip	
00161	45
Guide Lug	
28102	41
56079	41

H

Harness Clip	
35521	45
36274	45
Helix	
27018	35
Helper Spring	
30620	25
Hex Wrench	
306P4	49
Hinge	
27103	41
36437	21
36438	21
Hold-Down Clip	
35865	41
Hood Wire Harness	
33757	50
33758	50
33766	50
33804	50
33805	50
36093	50
36261	50
36262	50
Hose Clamp	
20211	33
20391	33
29210	27
36801	27
36802	33
Hose Clip	
39177	33
Hose Coupler	
25863	33
Hose Support	
35487	33
Hose Washer	
20290	27
Hub and Seal Kit	
495P3	29

I

Idler Lever	
31054	25
Idler Pulley	
28800	25
Idler Shaft	
28802	25
Indicator Light	
32464	13
Indicator Light, In Use	
32422	15
32466	13, 17
Indicator Light, Rinse or Spin	
32464	13, 17
Indicator Light, Unbalanced Load	
32463	13, 17
32465	15
Inlet Hose Assembly	
28330P	27

Input Shaft	
34853	39
Internal Gear	
26577	39

K

Knurled Nut	
24205	13, 15, 17

L

Leg Plate	
27926	31
Leveling Leg	
34319	41
Leveling Leg and Stabilizing Bar Assembly	
34443	41
Lever	
33442	23
Lid Switch Tool	
272P4	49
Loading Door	
33845*P	21
39233*P	21
Locking Bracket	
30642	7, 9, 11
Locking Rod	
501365	11
Locknut	
21899	41
23951	15
28803	25
29220	29
29786	5, 11
52566	13, 17, 19, 25
†29786	7, 9
Lockwasher	
02431	5, 13, 15, 17, 19
03815	15, 45
21456	39
21734	5
91093	5, 13, 15, 17, 19
91176	13, 15, 17

M

Magnet	
501453	9, 11
Meter Case	
38542*P	11, 19
524P3*	7, 9, 13, 15
Meter Case Gasket	
†26354	7, 9
Meter Case Wire Harness	
36094	50
Mixing Valve Assembly	
34963	27
Mixing Valve Mounting Bracket	
39407	27

Molex Housing	
32746	45
34123	45
34677	43
Molex Terminal	
00188	43, 45
Motor Assembly	
35485P	25
35486P	25
Motor Mount	
34788	25
Motor Mount Post	
34791	25
Motor Pulley	
27104	25
27171	25
Motor Shield	
34754	25
Motor Switch	
35632	25
Mounting Bracket	
34890	25
35162	33
35867	41

N

Nut	
03673	15, 45
29796	7, 9
35322	17
35423	25
52566	5, 15

O

"O" Ring	
*36472	29
Outer Tub	
34439P	31, 33, 37
Outer Tub Cover	
36025P	27
Outer Tub Cover and Gasket Tool	
273P4	49
Outer Tub Cover Assembly	
36025P	31
Output Shaft	
36570	39

P

Pivot Dome	
34470	35
Plastic Insulator	
70210	45
Plug	
34153	21
†36511	29
Power Cord	
39404	45
39405	45

Pressure Bulb	
30907	31
Pressure Hose	
39124	31
39125	31
Pressure Switch	
35889	13, 15, 17, 19, 31
Printed Circuit Board	
34522	17
Pulley Assembly	
34923	35
Pump Assembly	
31969	33
Pump-to-Elbow Hose	
27161	33
Push-on Clip	
34762	17
Push-to-Start Sticker	
53738	5

R

Rack	
31526	39
Reduction Gear	
29161	39
Retainer Nut	
27222	37
30647	7, 9, 11
†27222	21
Retainer Ring	
23748	25
27197	39
Right Angle	
00120	45
Rivet	
56534	21
Roll Pin	
10416	25
23750	25
Rubber Foot	
34318	41

S

Screw	
03814	15
20267	15, 45
21720	7, 9
23222	13, 15, 17, 19
23962	5, 13, 15, 17, 19, 23, 27, 41
27196	41
27220	35
27328	5
29273	39
31098	33
31260	9
32649	15
32671	41
32814	39
33562	27
34337	21
34499	41
35148	41

35369	31, 35
35527	41
35528	13, 15, 17, 19
36035	21
36048	7, 9, 11
36510	23
36639	25
500226	13, 15, 17, 19
501524	19
503661	25, 33
503673	7, 9, 11
51778	5
52909	21, 33
80399	5
†503673	21
Screw and Lockwasher	
23008	21
Seal	
*36425	29
Seal Tool	
293P4	47
Sealant	
37577P	39
Sensor Control	
35026	9
Service Door	
35798*	7, 9, 11
Setscrew	
20310	13, 15, 17
Shoulder Bolt	
27229	25
Shoulder Screw	
29277	7, 9
†39432	29
Silicone Lubricant	
26594P	35
Siphon Break Kit	
562P3	33
Slide	
26493	39
Snubber Pad and Isolator Assembly	
36108	41
Spade Terminal	
00112	45
00119	45
00121	43
00220	45
Special Screw	
27030	39
Speed Nut	
36020	21
Speed Switch	
27762	13
Splined Insert	
29728	29
Spring	
33435	35
33443	23
37366	25
Spring Hook	
321P4	49
Sticker	
24903	21
500049	31

Strain Relief	
21903	21
Support	
34896	17
Support Leg	
34792	31, 35
Switch	
27762	17
33445	23
33527	23
34536	9
34599	9, 11
62872	11
81799	15, 17
Switch Holder Kit	
36497P	23

T

Terminal	
00116	45
00117	45
Terminal and Housing Assembly	
00234	45
Terminal Block	
23033	45
23041	45
26163	45
26301	45
26302	45
26708	45
Terminal Extractor Tool	
283P4	43
Timer Assembly	
28716	5
31111P	7
34454	9
34601P	7
34602	7, 9
Timer Bracket	
35249	7, 9
Timer Case	
37733W	13
37733*	5
Timer Knob Assembly	
26256	5
Timer Plate	
31864W'	5
Timer Wire Harness	
28217	50
29279	50
29281	50
32477	50
34092	50
34175	50
34239	50
Torx Bit Holder	
24161	47
Transmission Assembly	
34526P	37
Transmission Case Assembly	
33223	39
Transmission Cover Assembly	
38290	39

Transmission Oil	
27243P	39
Transmit Light	
34701	17
Transmit Switch	
34721	17
Tub-to-Pump Hose	
35754	33
12 Gauge Wire	
45380	50
T15 Tamper Resistant Bit	
281P4	47
T25 Tamper Resistant Bit	
282P4	47

W

Wash Temperature Switch	
81799	13
Washer	
.....	39
23225	5
26509	35, 39
29443	25
30627	5
35092	39
35321	17
35535	35
35774	7, 9, 11
35917	7, 9, 11
52549	25
81392	25
†35774	21
†35917	21
Washer, Thick	
27015	35
Washtub	
38668P	29
39387P	29
Wire Clip	
504034	45
51291	45
Wire Harness Clip	
35521	9
Wire Tie	
55881	45