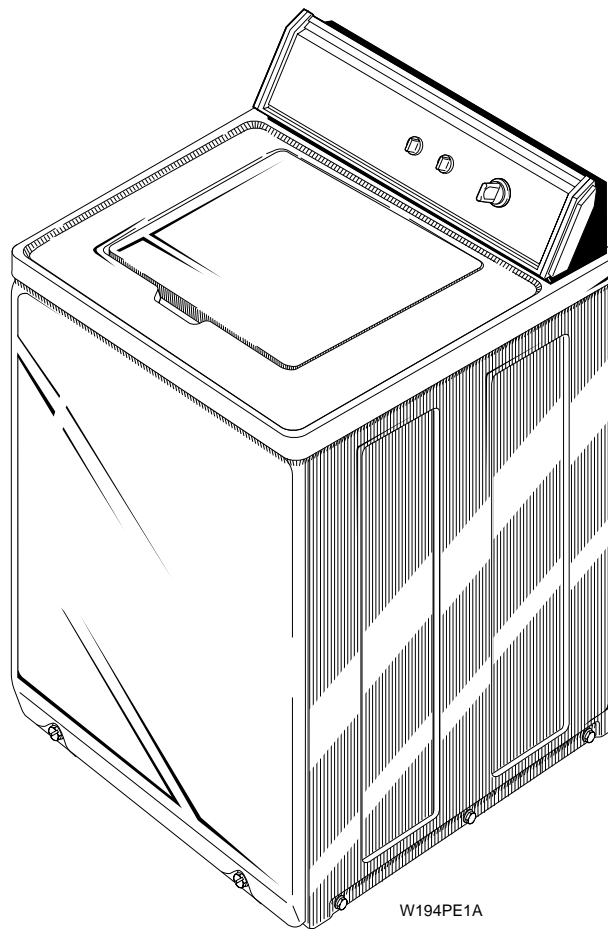


Automatic Washers

See Page 3 for Model Numbers



Parts

Table of Contents

Title	Page
Parts Ordering Information	2
Nameplate Location	2
Model Identification	3
Timer, Case and Plate	4
Control Panel, Control Hood and Controls	6
Graphic Panel, Control Hood and Controls	8
Graphic Panel, Control Hood and Controls	10
Graphic Panel, Control Hood and Controls	12
Cabinet Top, Loading Door and Control Hood Rear Panel	14
Cabinet Top and Loading Door	16
Out-of-Balance Switch	18
Inlet Hose, Fill Hose, Mixing Valve and Mounting Bracket	20
Motor, Mounting Bracket, Belt and Pump	22
Agitator, Drive Bell, Seal Kit, Washtub and Hub	24
Outer Tub, Cover and Pressure Hose	26
Transmission Assembly and Balance Ring	28
34526P Transmission Assembly	30
Drain Hose and Siphon Break Kit	32
Bearing Housing, Brake, Pulley and Pivot Dome	34
Front Panel, Base Assembly and Cabinet Assembly	36
Mixing Valve and Motor Connection Blocks, Terminals and Terminal Extractor Tool	38
Power Cord and Terminals	40
Special Tools	42
Special Tools	44
Wire Harnesses and Wires	46
Parts Index	47

© Copyright 1999, Alliance Laundry Systems LLC

All rights reserved. No part of the contents of this book may be reproduced or transmitted in any form or by any means without the expressed written consent of the publisher.

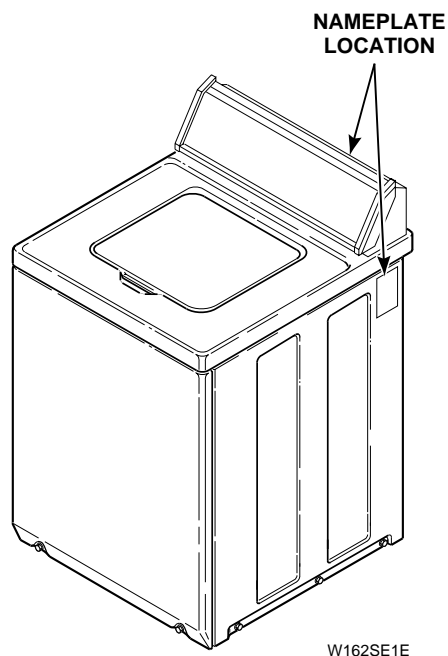
Parts Ordering Information

If literature or replacement parts are required, contact the source from whom the machine was purchased or contact Alliance Laundry Systems at (920) 748-3950 for the name and address of the nearest authorized parts distributor.

For technical assistance, call (920) 748-3121.

Nameplate Location

When calling or writing about your product, be sure to mention model and serial numbers. Model and serial numbers are located on nameplate(s) as shown.



Model Identification

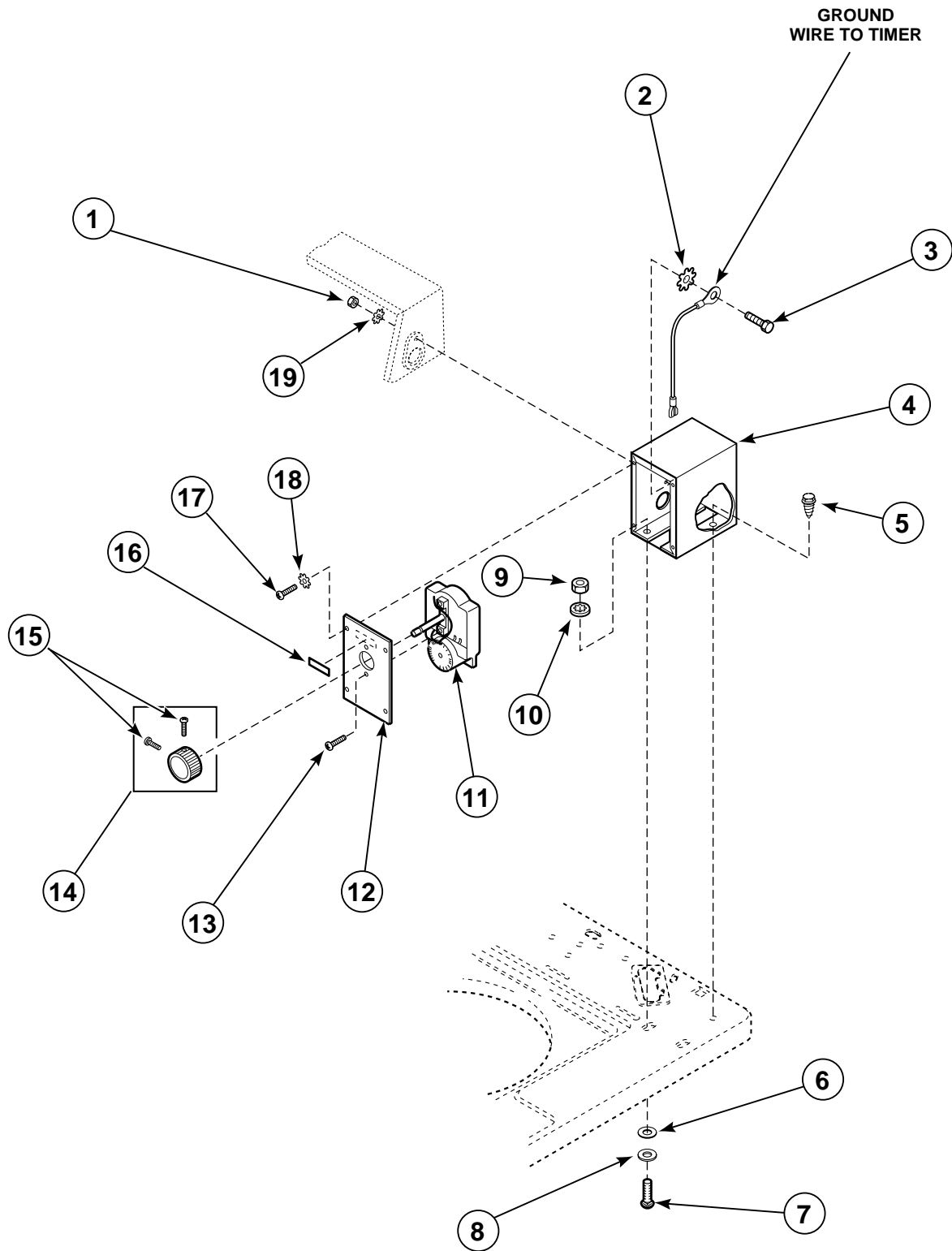
Information in this manual is applicable to these washer models:

Washer Model	Timer Model	One Speed Motor	Two Speed Motor	Porcelain Washtub (cubic foot)	Stainless Steel Washtub (cubic foot)
AWG100*	X	X		2.7	
AWG200*	X	X		2.7	
AWG200*2	X	X		2.7	
AWG202*	X	X		3.0	
AWG204*2	X	X		3.0	
AWM392*-1088	X	X		3.0	
AWM392*2-1088	X	X		3.0	
AWM392*-3088	X	X		3.0	
AWM392*2-3088	X	X		3.0	
AWM593*299F5	X		X		3.0
AWM593*299F7	X		X		3.0
EA2010*A-3088	X	X		2.7	

* Add Letter To Designate Color. L – Almond W – White

Timer, Case and Plate

Models EA2010*A-3088



W116PZ3C

* Add Letter To Designate Color. L – Almond W – White

Timer, Case and Plate

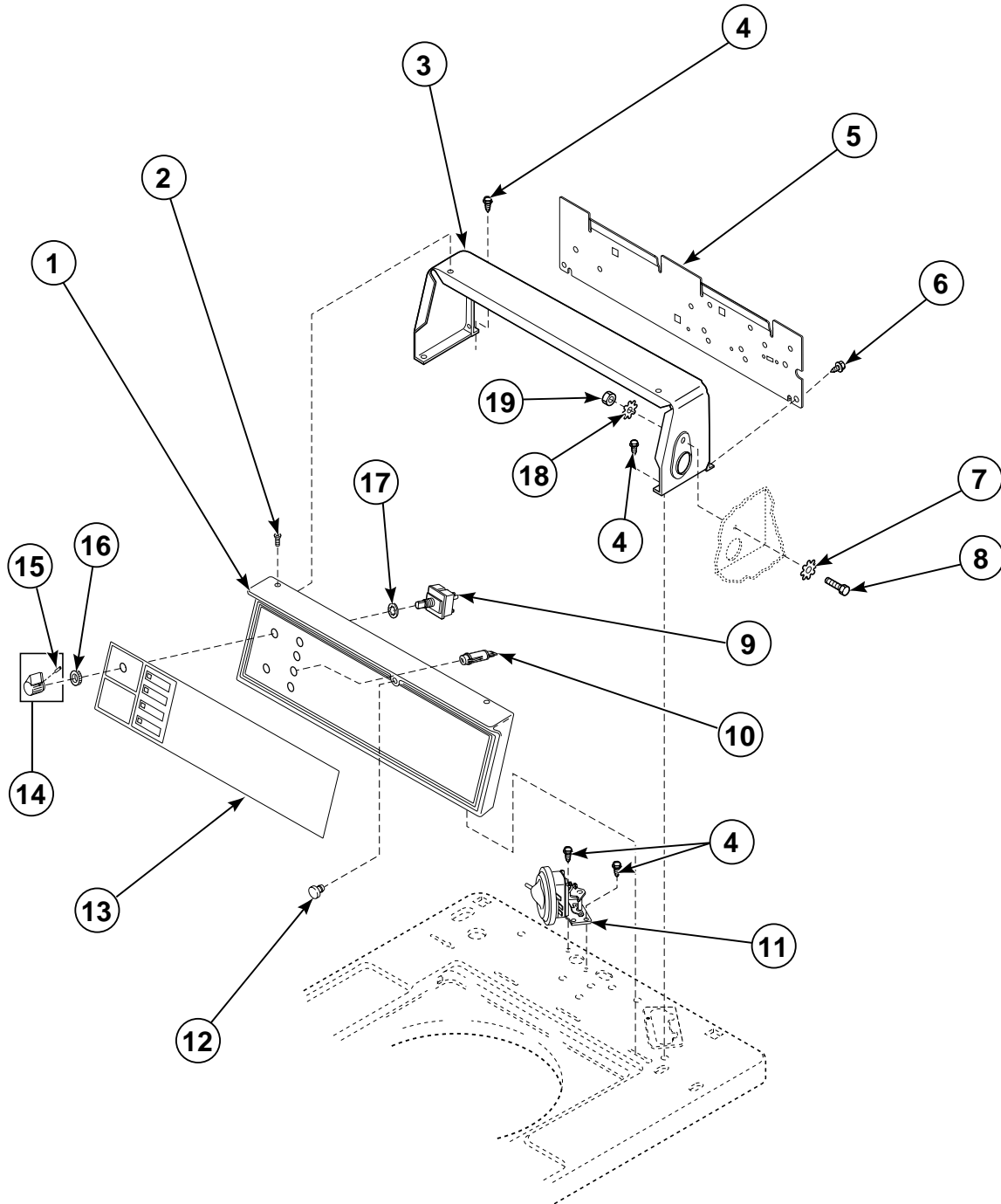
Models EA2010*A-3088

REF	PART #	DESCRIPTION	COMMENTS
1	52566	Nut	
2	91093	Lockwasher	
3	02916	Cap Screw	
4	37733W	Timer Case	
5	23962	Screw	
6	23225	Washer	
7	02505	Carriage Bolt	
8	30627	Washer	
9	20275	Nut	
10	21456	Lockwasher	
11	28719	Timer Assembly	
12	31864W	Timer Plate	
13	27328	Screw	
14	26256	Timer Knob Assembly	
15	20268	Screw	
16	53738	Push-to-Start Sticker	
17	51778	Screw	
18	21734	Lockwasher	
19	02431	Lockwasher	

* Add Letter To Designate Color. L – Almond W – White

Control Panel, Control Hood and Controls

Model EA2010*A-3088



W265PZ3A

* Add Letter To Designate Color. L – Almond W – White

Control Panel, Control Hood and Controls

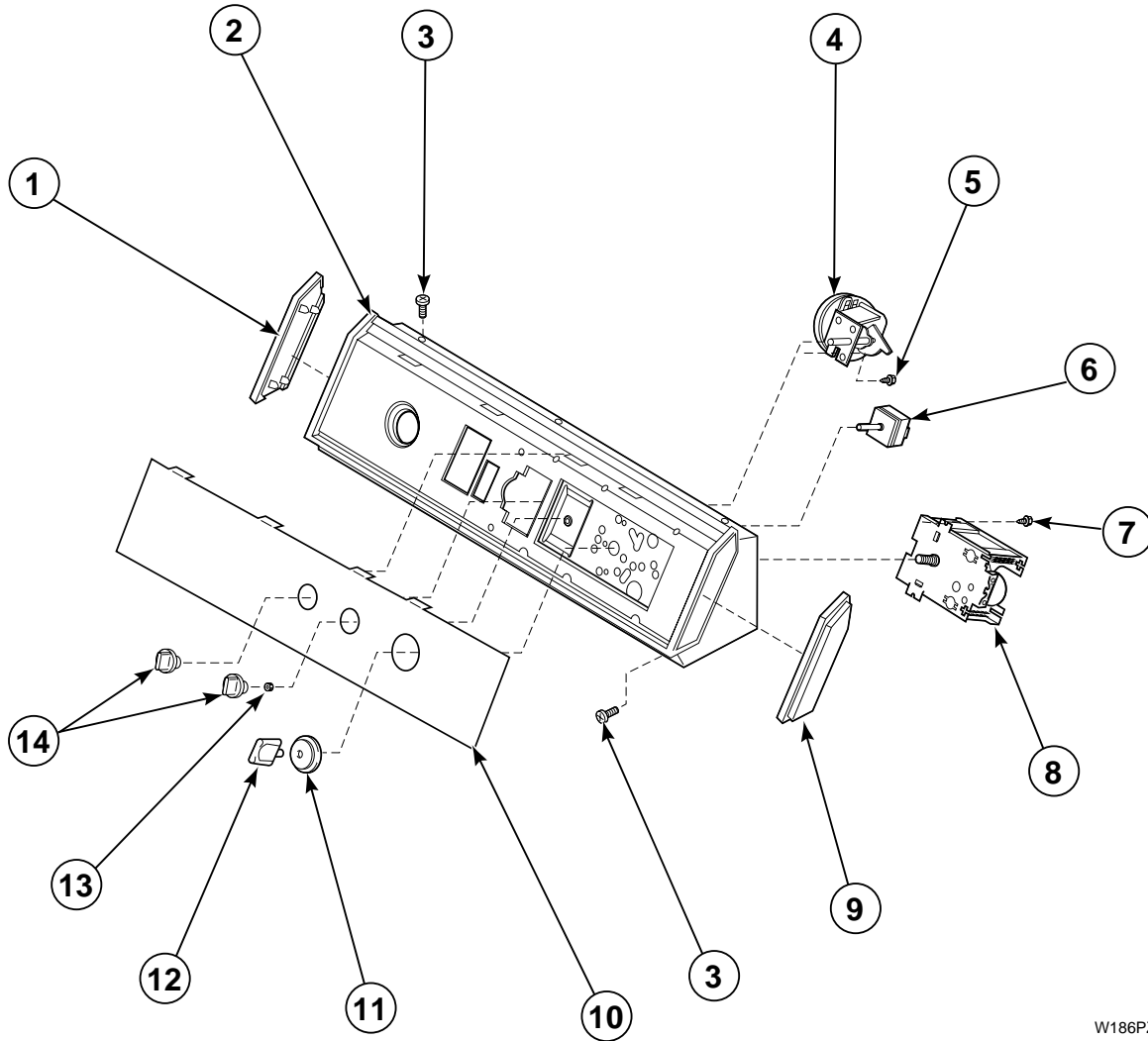
Model EA2010*A-3088

REF	PART #	DESCRIPTION	COMMENTS
1	36521*	Control Panel Frame	
2	500226	Screw	Phillips Head
	35528	Screw	Torx Head – Optional, for added security – See Page 42 for Torx Bit and Holder
3	37075*	Control Hood	
4	23962	Screw	
5	38267	Control Hood Rear Cover	
6	23222	Screw	
7	91093	Lockwasher	
8	02916	Cap Screw	
9	81799	Wash Temperature Switch	
10	32519	Indicator Light	
11	35889	Pressure Switch	
12	32648	Bumper	
13	32460	Control Panel Overlay	
14	35182	Control Knob Assembly	
15	20310	Setscrew	
16	24205	Knurled Nut	
17	91176	Lockwasher	
18	02431	Lockwasher	
19	52566	Locknut	

* Add Letter To Designate Color. L – Almond W – White

Graphic Panel, Control Hood and Controls

Models AWG100*, AWG200*, AWG200*2, AWG202* and AWG204*2



W186PZ3A

* Add Letter To Designate Color. L – Almond W – White

Graphic Panel, Control Hood and Controls

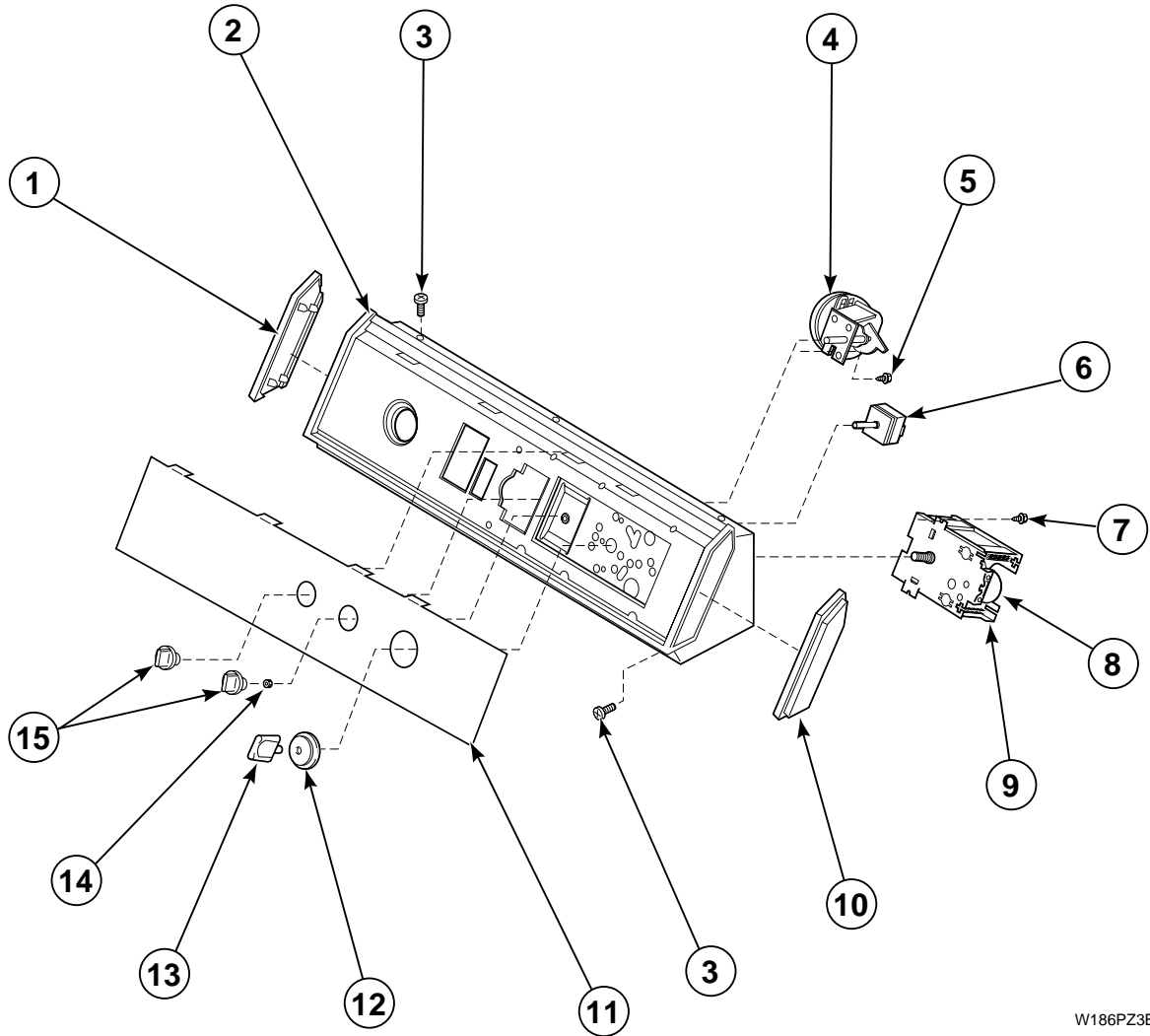
Models AWG100*, AWG200*, AWG200*2, AWG202* and AWG204*2

REF	PART #	DESCRIPTION	COMMENTS
1	34460	End Cap	Left
2	31811	Control Hood Assembly	Through Serial No. 9511021617
	37844	Control Hood Assembly	Starting Serial No. 9511021618
3	31752	Screw	
4	39035	Pressure Switch	
5	31260	Screw	
6	21300	Temperature Switch	Model AWG100* – Through Serial No. 9511021617
	35115	Temperature Switch	Model AWG100* – Starting Serial No. 9511021618
	32189	Temperature Switch	All Other Models – Through Serial No. 9511021617
	36335	Temperature Switch	All Other Models – Starting Serial No. 9511021618
7	23962	Screw	
8	31239	Timer	
9	34459	End Cap	Right
10	33673	Graphic Panel	Model AWG100*
	36205	Graphic Panel	Models AWG200* and AWG202*
	37933	Graphic Panel	Model AWG200*2
	37549	Graphic Panel	Model AWG204*2
11	33817	Timer Knob Skirt	
12	33897	Timer Knob	
13	57584	Nut	Through Serial No. 9511021617
14	33610	Control Knob	

* Add Letter To Designate Color. L – Almond W – White

Graphic Panel, Control Hood and Controls

Models AWM392*-1088, AWM392*2-1088, AWM392*-3088 and AWM392*2-3088



W186PZ3B

* Add Letter To Designate Color. L – Almond W – White

Graphic Panel, Control Hood and Controls

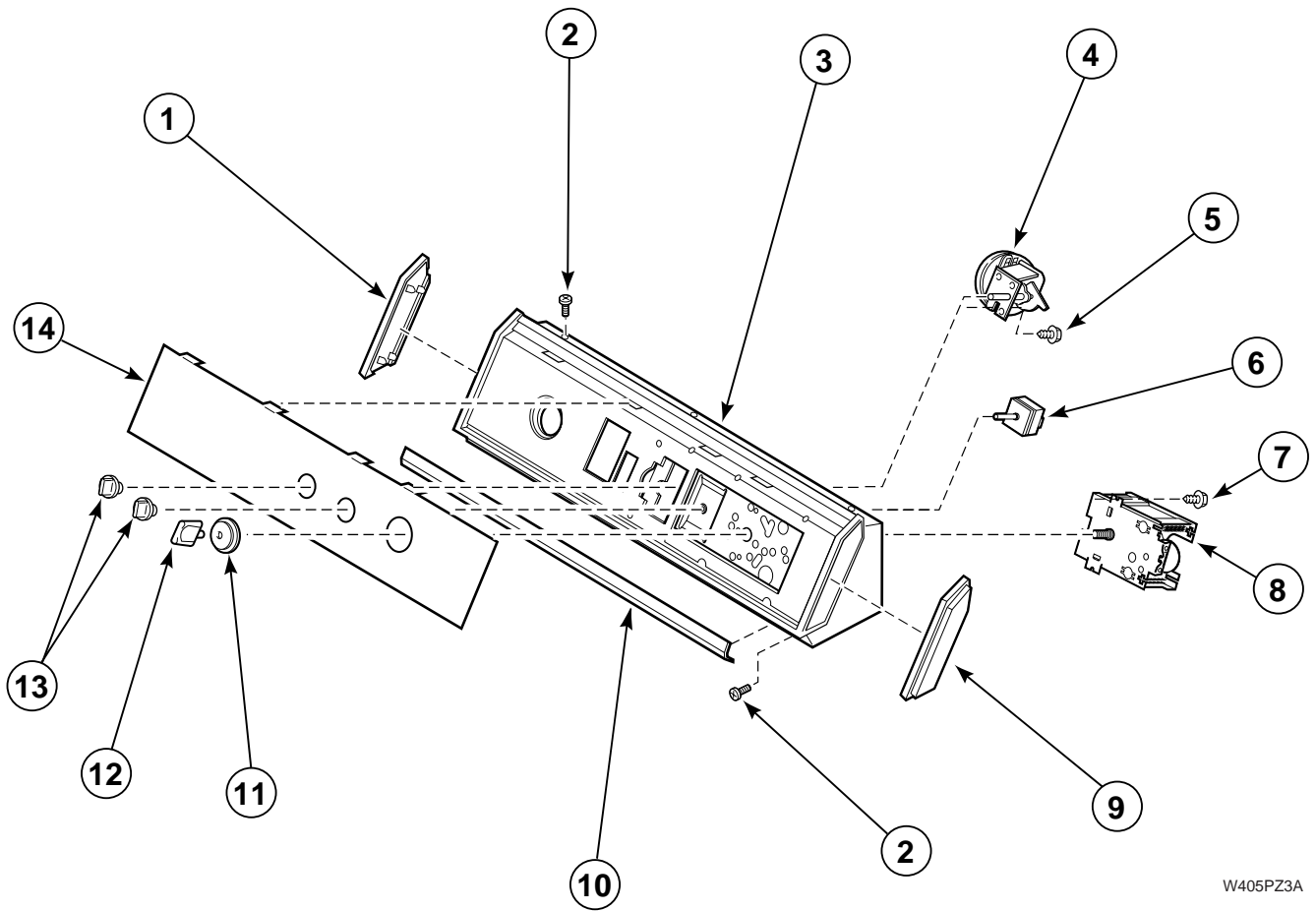
Models AWM392*-1088, AWM392*2-1088, AWM392*-3088 and AWM392*2-3088

REF	PART #	DESCRIPTION	COMMENTS
1	31249	End Cap	Left
2	31811	Control Hood Assembly	Through Serial No. 9511021617
	37844	Control Hood Assembly	Starting Serial No. 9511021618
3	31752	Screw	
4	39035	Pressure Switch	
5	31260	Screw	
6	21300	Temperature Switch	Through Serial No. 9511021617
	35115	Temperature Switch	Starting Serial No. 9511021618
7	23962	Screw	
8	31241A	Timer Motor	For 31241 Timer
9	31243	Timer	Models AWM392*-1088 and AWM392*2-1088
	31241	Timer	Models AWM392*-3088 and AWM392*2-3088
10	31248	End Cap	Right
11	35235	Graphic Panel	Models AWM392*-1088 and AWM392*-3088
	36620	Graphic Panel	Models AWM392*2-1088 and AWM392*2-3088
12	33817	Timer Knob Skirt	
13	33897	Timer Knob	
14	57584	Nut	Through Serial No. 9511021617
15	33610	Control Knob	

* Add Letter To Designate Color. L – Almond W – White

Graphic Panel, Control Hood and Controls

Models AWM593*299F5 and AWM593*299F7



W405PZ3A

* Add Letter To Designate Color. L – Almond W – White

Graphic Panel, Control Hood and Controls

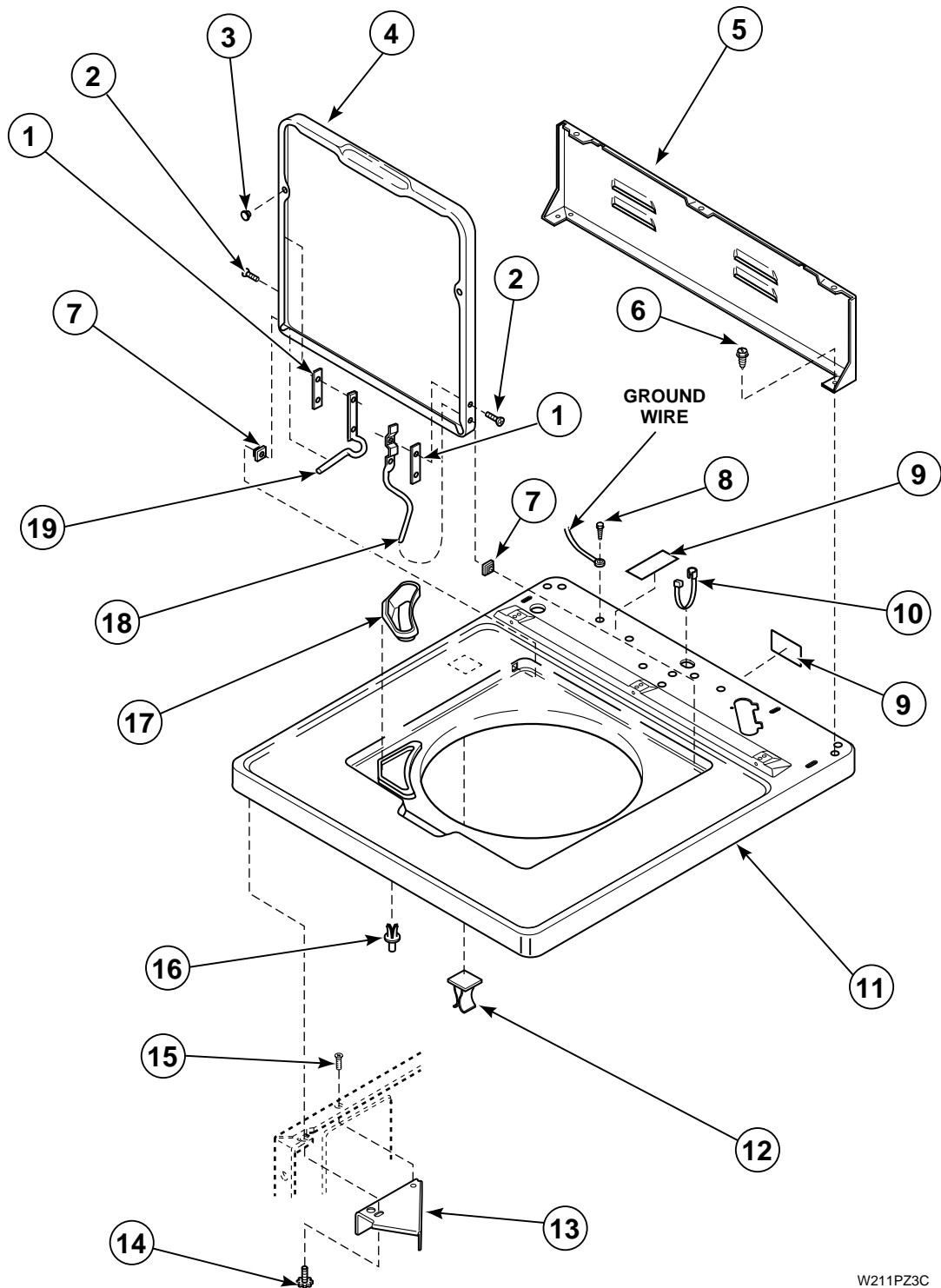
Models AWM593*299F5 and AWM593*299F7

REF	PART #	DESCRIPTION	COMMENTS
1	31249	End Cap	Left
2	31752	Screw	
3	37844	Control Hood Assembly	
4	39023	Pressure Switch	
5	31260	Screw	
6	36335	Temperature Switch	
7	23962	Screw	
8	36608	Timer	
9	31248	End Cap	Right
10	33123R	Trim Strip	
11	33817	Timer Knob Skirt	
12	33897	Timer Knob	
13	33610	Control Knob	
14	36618	Graphic Panel	

* Add Letter To Designate Color. L – Almond W – White

Cabinet Top, Loading Door and Control Hood Rear Panel

All Models Except EA2010*A3088



W211PZ3C

* Add Letter To Designate Color. L – Almond W – White

Cabinet Top, Loading Door and Control Hood Rear Panel

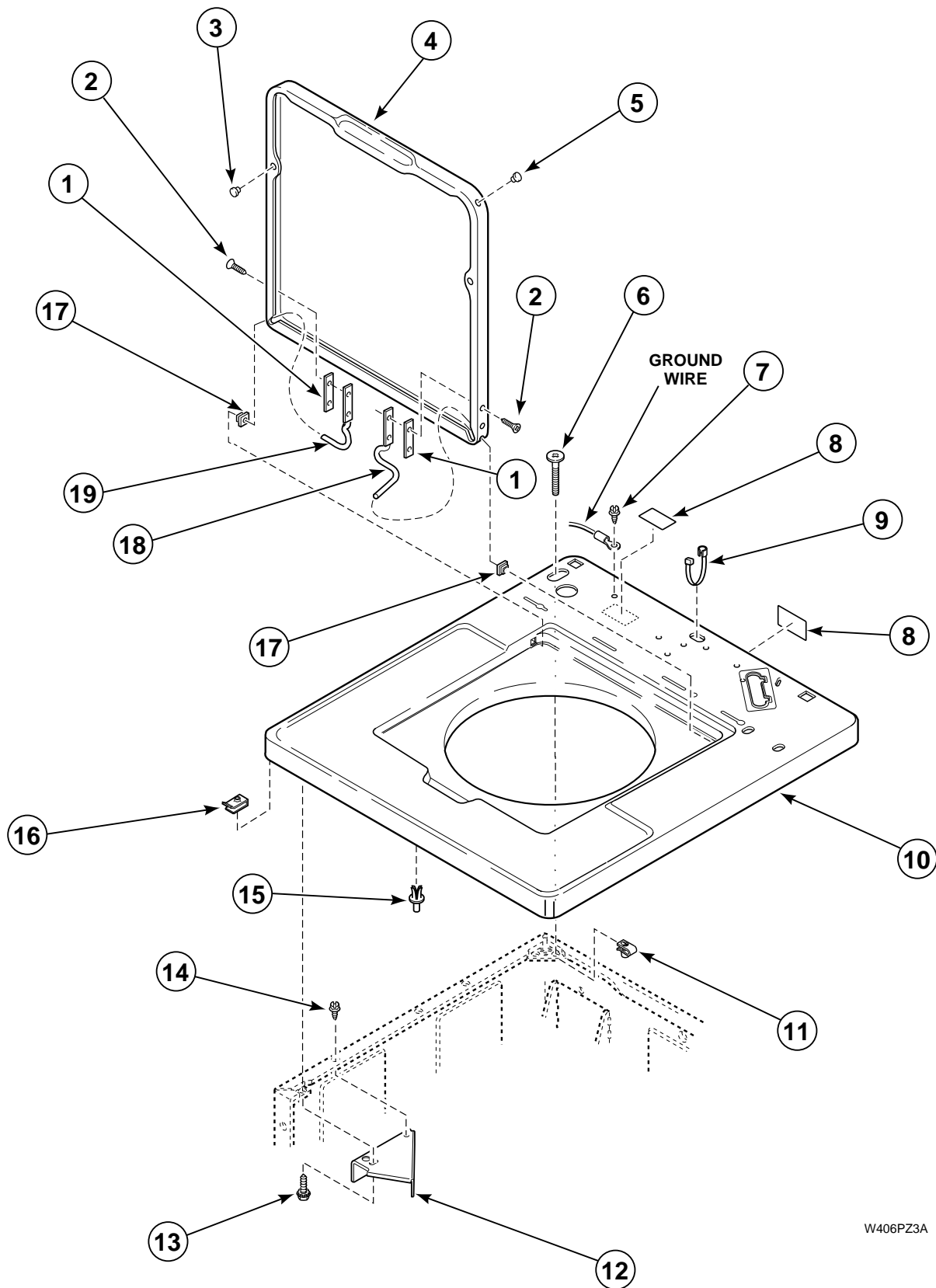
All Models Except EA2010*A3088

REF	PART #	DESCRIPTION	COMMENTS
1	34338	Gasket	
2	34337	Screw	
3	21685	Bumper	
4	33541*P	Loading Door	
5	37782	Control Hood Rear Panel	
6	23962	Screw	
7	33446	Bushing	
8	52909	Screw	
9	24903	Warning Label	
10	21903	Strain Relief	
11	34902*P	Cabinet Top	
12	36519	Clip	Models AWG100*, AWG200*2, AWG202*, AWG204*2, AWM593*299F5 and AWM593*299F7
13	36034	Director Bracket	
14	31644	Screw and Lockwasher	
15	36035	Screw	
16	56534	Rivet	
17	34776	Bleach Dispenser	Not used on Models AWG100*, AWG200* and AWG200*2
18	36437	Hinge	Right
19	36513	Hinge	Left – Models AWG100*, AWG200*, AWG200*2, AWG202*, AWG204*2, AWM593*299F5 and AWM593*299F7
	36438	Hinge	Left – All other models

* Add Letter To Designate Color. L – Almond W – White

Cabinet Top and Loading Door

Models EA2010*A3088



W406PZ3A

* Add Letter To Designate Color. L – Almond W – White

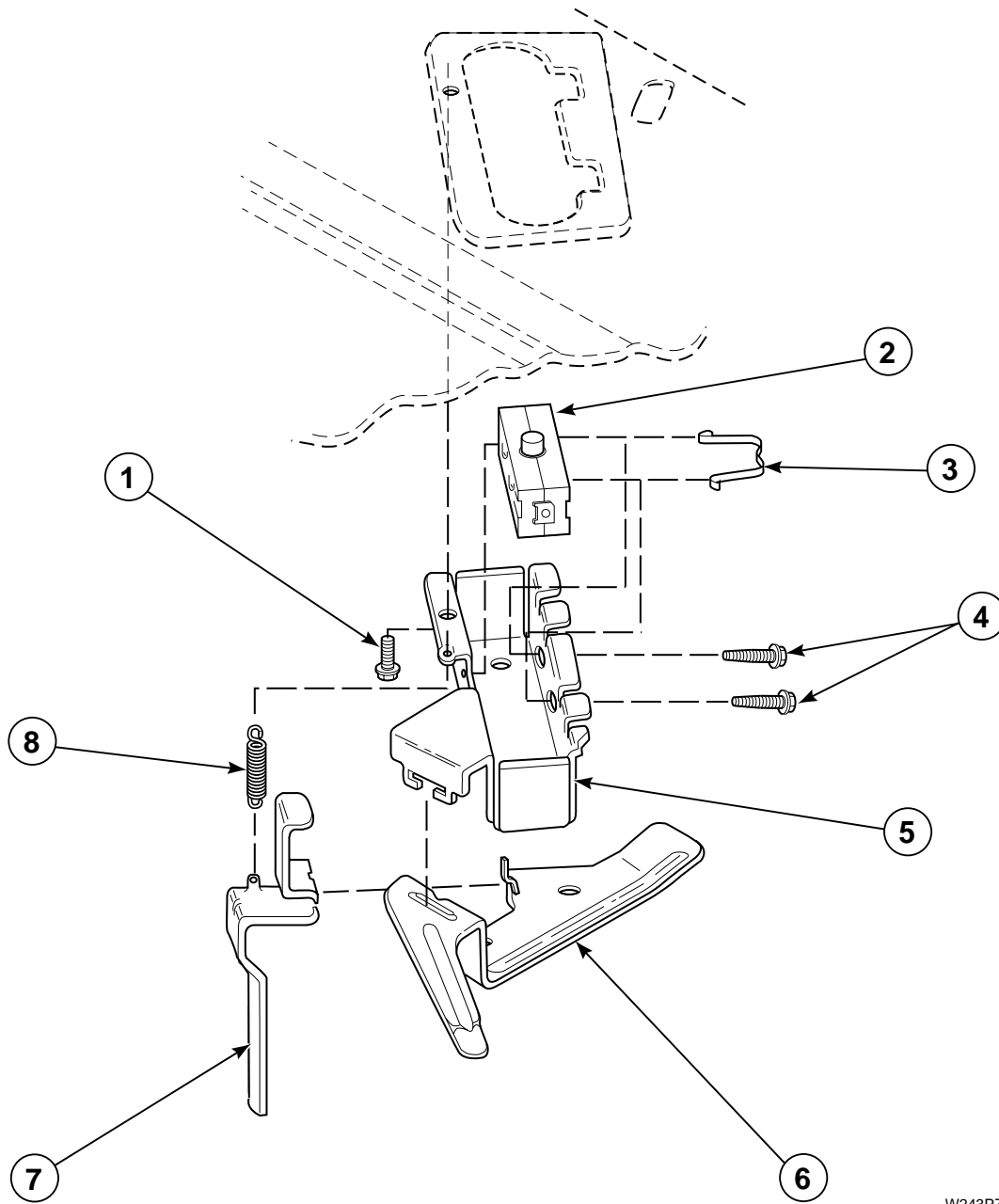
Cabinet Top and Loading Door

Models EA2010*A3088

REF	PART #	DESCRIPTION	COMMENTS
1	34338	Gasket	
2	34337	Screw	
3	21685	Bumper	
4	39233*P	Loading Door	Porcelain
5	34153	Plug	
6	503673	Screw	
7	52909	Screw	
8	24903	Warning Label	
9	21903	Strain Relief	
10	36273*P	Cabinet Top	Porcelain
11	27222	Retainer Nut	Optional, for added security
12	36034	Director Bracket	
13	23008	Screw and Lockwasher	
14	36035	Screw	
15	56534	Rivet	
16	36020	Speed Nut	
17	36474	Bushing	
18	36437	Hinge	Right
19	36438	Hinge	Left

* Add Letter To Designate Color. L – Almond W – White

Out-of-Balance Switch

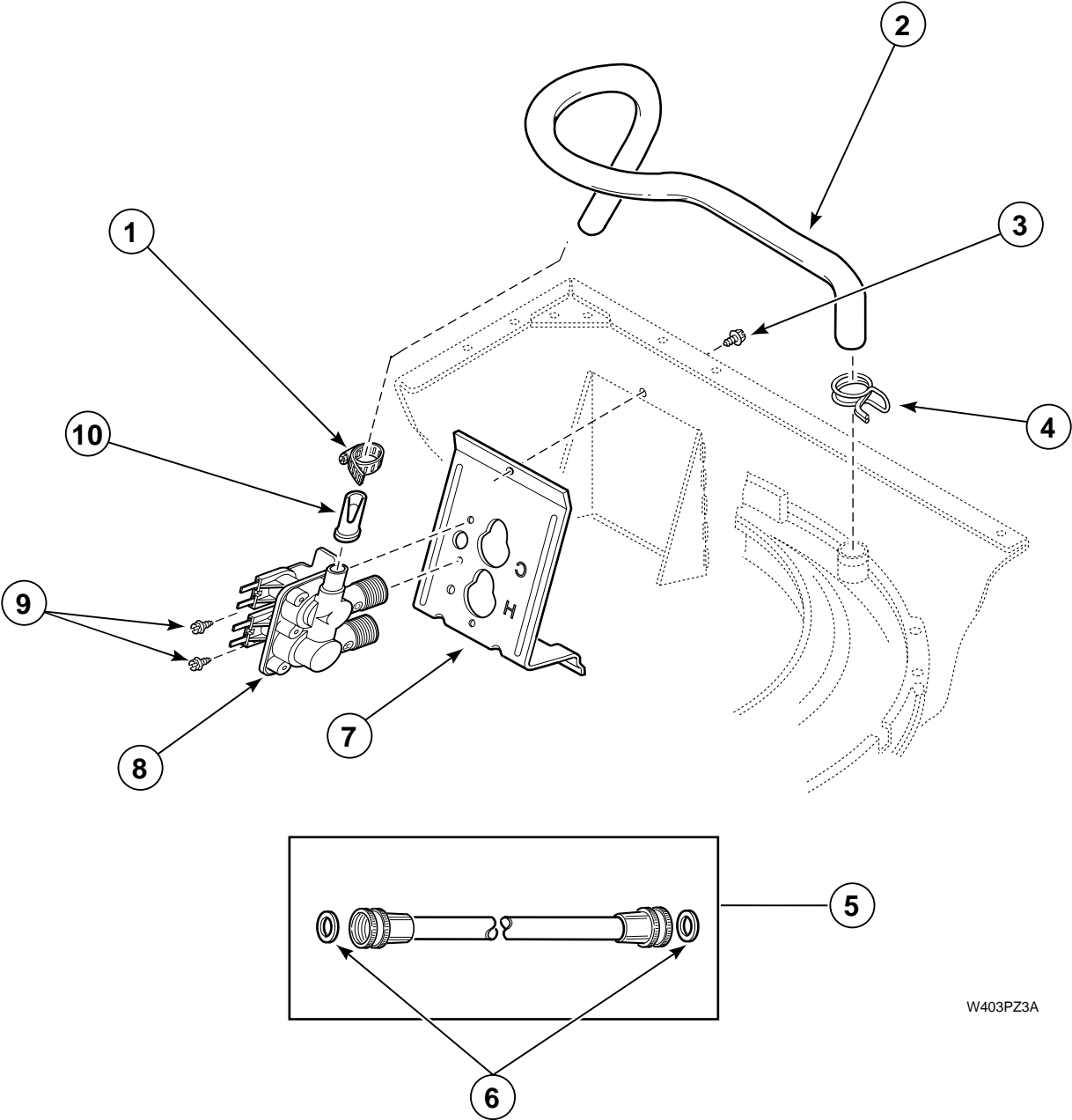


W243PZ3A

Out-of-Balance Switch

REF	PART #	DESCRIPTION	COMMENTS
1	23962	Screw	
2	33445	Switch	
3	33433	Clip	For Models using 33440 Switch Holder
4	36510	Screw	For Models using 36497P Switch Holder Kit
5	36497P	Switch Holder Kit	Replaces 33440 Switch Holder
6	33441	Actuator Arm	
7	33442	Lever	
8	33443	Spring	

Inlet Hose, Fill Hose, Mixing Valve and Mounting Bracket



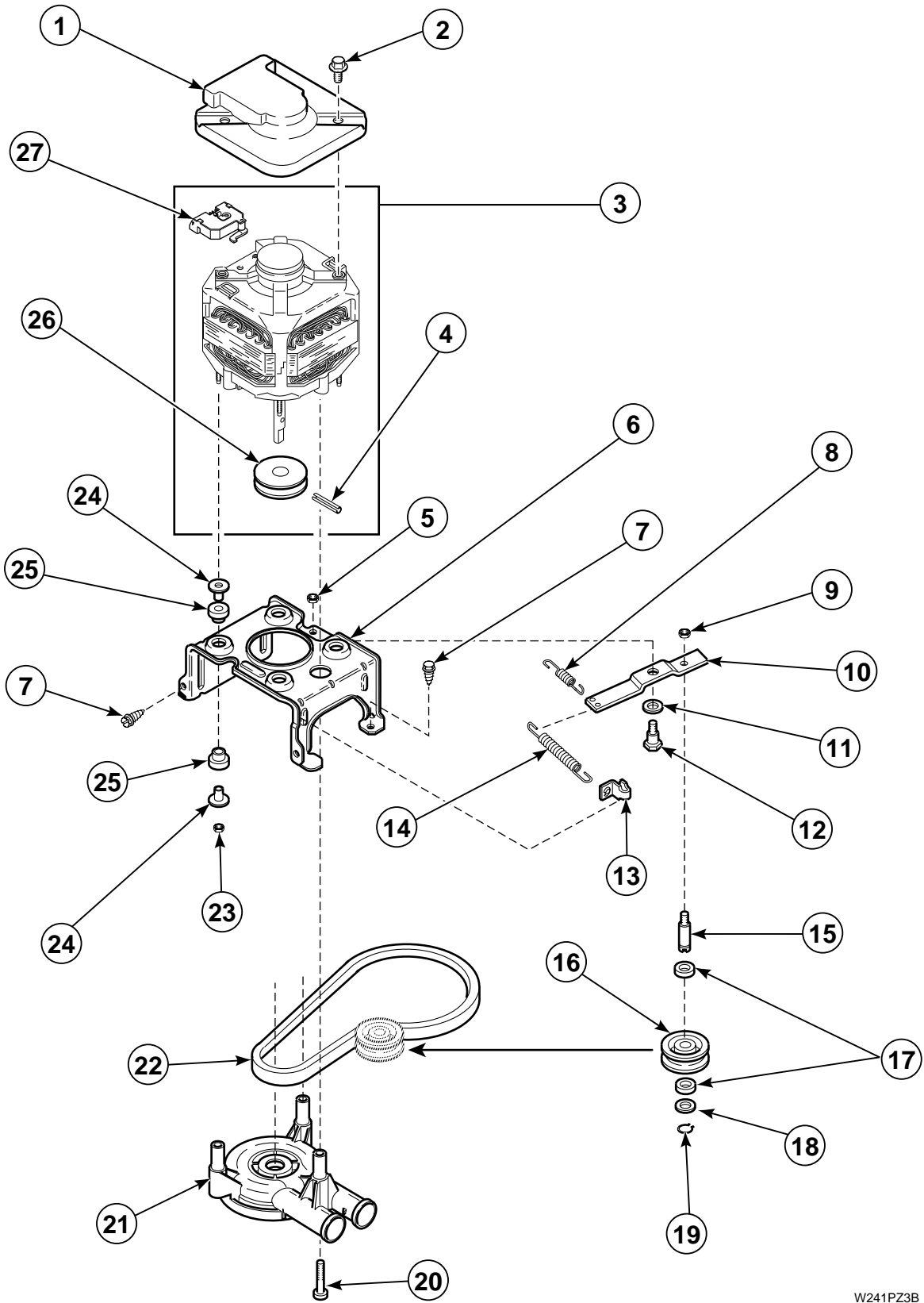
W403PZ3A

Inlet Hose, Fill Hose, Mixing Valve and Mounting Bracket

REF	PART #	DESCRIPTION	COMMENTS
1	36801	Hose Clamp	
2	35874	Fill Hose	
3	33562	Screw	
4	29210	Hose Clamp	Gold Color
5	28330P	Inlet Hose Assembly	60 Hertz – 4 Foot
	38349P	Inlet Hose Assembly	50 Hertz – 4 Foot
	37380	Inlet Hoses	50 Hertz – 8 Foot
	37381	Inlet Hoses	50 Hertz – 10 Foot
6	20290	Hose Washer	
7	39407	Mixing Valve Mounting Bracket	
8	34997	Mixing Valve Assembly	Models AWM392*-3088, AWM392*2-3088 and EA2010*2-3088
	34963	Mixing Valve Assembly	All Other Models
9	23962	Screw	
10	34500	Backflow Preventer	

* Add Letter To Designate Color. L – Almond W – White

Motor, Mounting Bracket, Belt and Pump

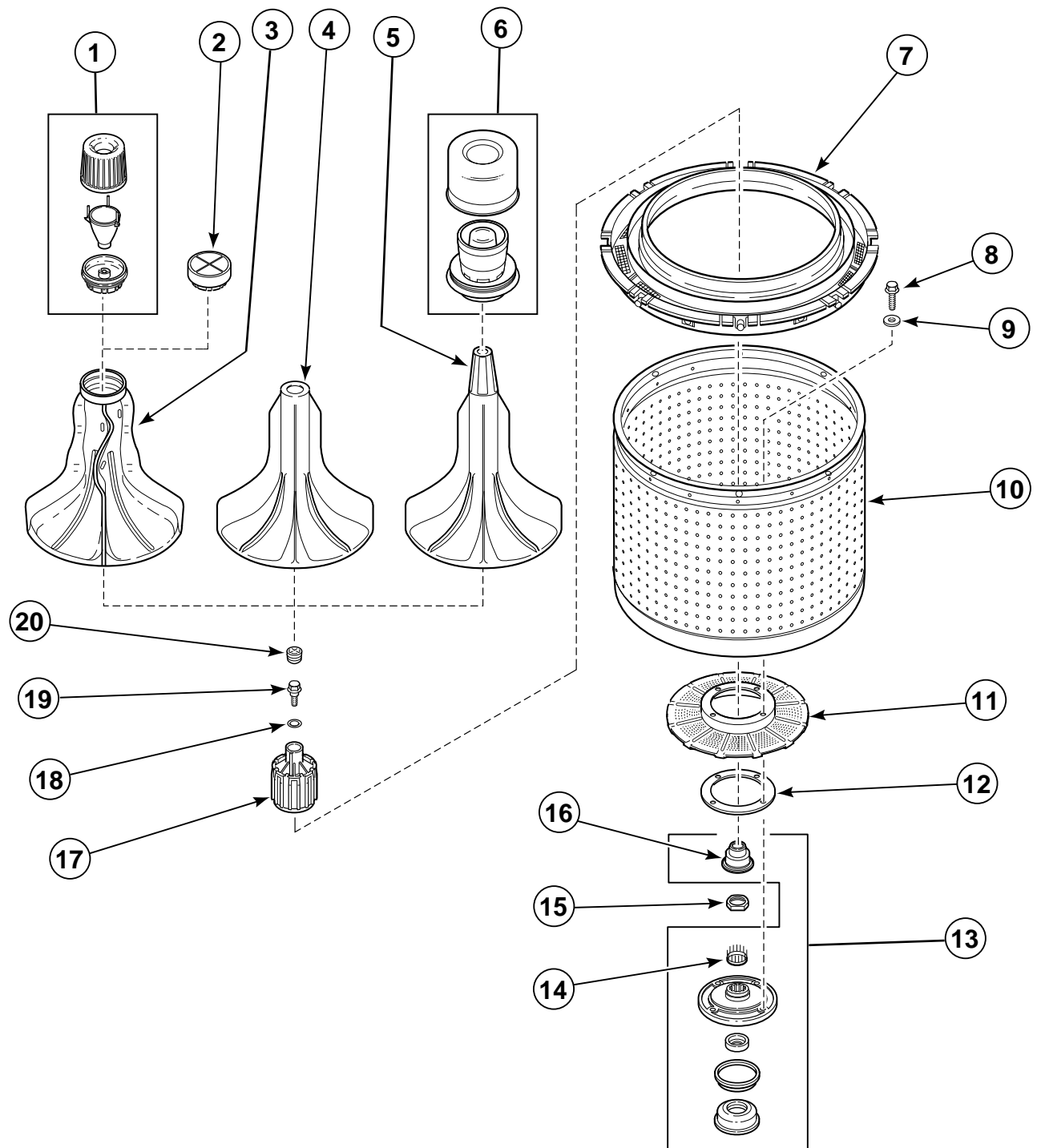


W241PZ3B

Motor, Mounting Bracket, Belt and Pump

REF	PART #	DESCRIPTION	COMMENTS
	258P3	Capacitor Kit	For use in areas where low voltage exists
1	34754	Motor Shield	
2	36639	Screw	Attachment Varies by Model
	35139	Palnut	Attachment Varies by Model
3	36256P	Motor Assembly	120 Volt, 50 Hertz, 1 Speed
	35030P	Motor Assembly	240 Volt, 50/60 Hertz, 1 Speed
	34910P	Motor Assembly	115 Volt, 60 Hertz, 1 Speed
	34571P	Motor Assembly	115 Volt, 60 Hertz, 2 Speed
4	23750	Roll Pin	
5	52566	Locknut	
6	34890	Motor Mounting Bracket	Through Serial No. 9502022146
	37415P	Motor Mounting Bracket	Starting Serial No. 9502022147 and continuing through Serial No. 9507005924
	37415	Motor Mounting Bracket	Starting Serial No. 9507005925
7	503661	Screw	
8	30620	Helper Spring	Used through Serial No. 9506091526
9	28803	Locknut	
10	31054	Idler Lever	Through Serial No. 9507005924
	37443	Idler Lever	Starting Serial No. 9507005925
11	81392	Washer	
12	27229	Shoulder Bolt	
13	28849	Clip	
14	37366	Idler Lever Spring	Through Serial No. 9507005924
	37606	Idler Lever Spring	Starting Serial No. 9507005925
15	28802	Idler Shaft	
16	28800	Idler Pulley	
17	29443	Washer	Felt
18	52549	Washer	Nylatron
19	23748	Retainer Ring	
20	34565	Screw	
21	36863P	Pump Assembly	
22	28808	Belt	Agitate and Spin – 60 Hertz Models
	35517	Belt	Agitate and Spin – 50 Hertz Models
23	35423	Nut	
24	34791	Motor Mount Post	
25	34788	Motor Mount	Rubber
26	27171	Motor Pulley	Gold Color
27	35632	Motor Switch	

Agitator, Drive Bell, Seal Kit, Washtub and Hub



W407PZ3A

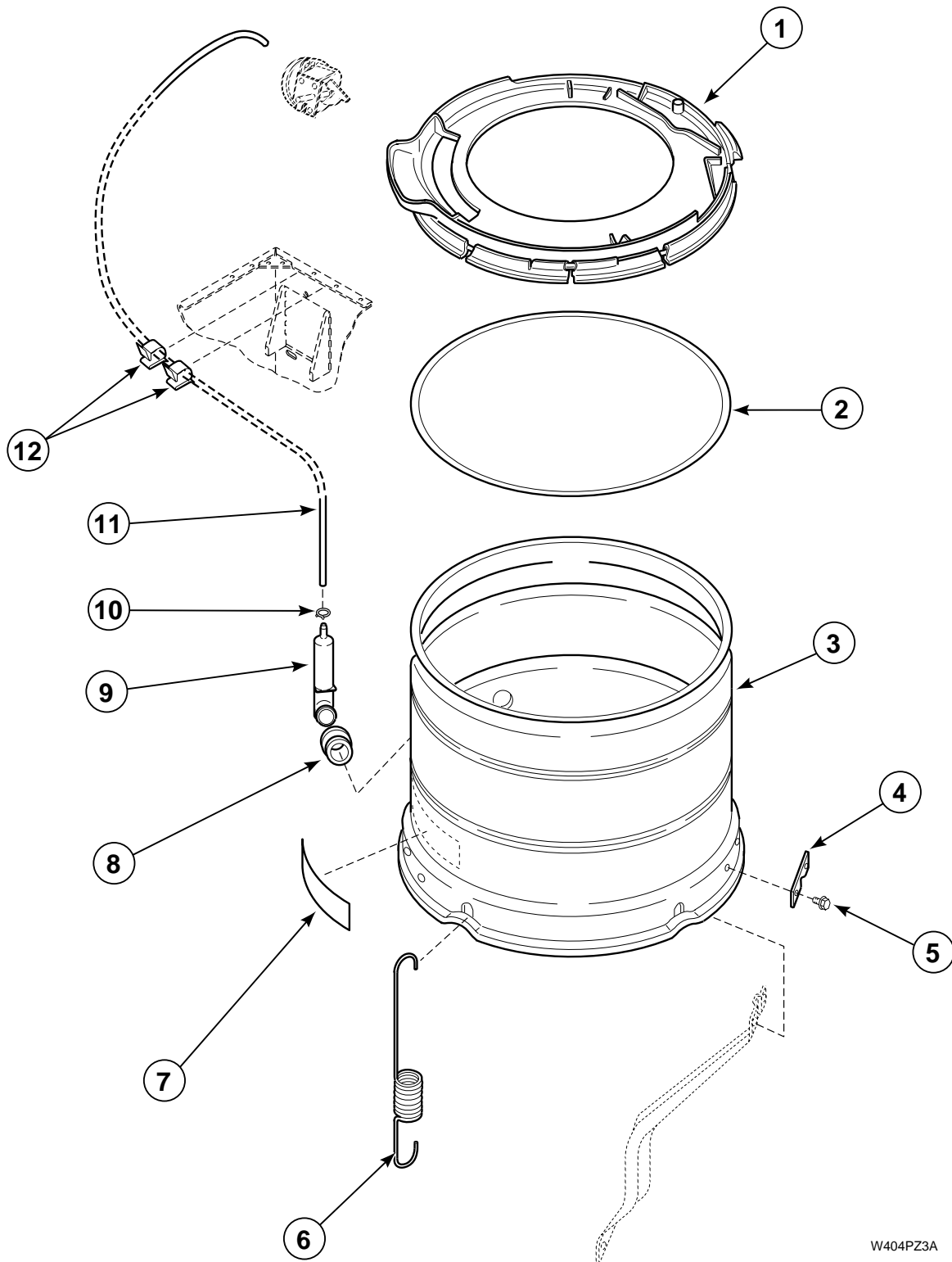
Agitator, Drive Bell, Seal Kit, Washtub and Hub

REF	PART #	DESCRIPTION	COMMENTS
1	36542	Fabric Softener Dispenser	Model AWM593*299F7
2	36515	Agitator Cap	Model AWM593*299F5
3	33174	Agitator	Model AWM593*299F5
4	33513	Agitator	Model EA2010*A3088
5	33514	Agitator	All other models
6	33510	Fabric Softener Dispenser	
7	35035	Clothes Guard	
8	27202	Cap Screw	
9	28094	Gasket	
10	719P3	Washtub	Stainless Steel – Models AWM593*299F5 and AWM593*299F7
	33502P	Washtub	Blue Porcelain – Model AWG204*2
	39252P	Washtub	Blue Porcelain – Model AWG100*, AWG200* and AWG200*2
	33503P	Washtub	White Porcelain – All other models
11	39371	Lint Filter	All Models not using 39122 Gasket
12	39122	Gasket	Models AWG100*, AWG200*, AWG200*2 and EA2010*A3088
13	495P3	Hub and Seal Kit	Includes 29728 Insert, 32857 Cover Gasket and 39508P Drive Bell and Seal Kit
14	29728	Splined Insert	
15	29220	Locknut	
16	† 36425	Seal	
17	† 39508P	Drive Bell and Seal Kit	Replaces 30071, 34504, 36527 and 36443 Drive Bells
18	36472	“O” Ring	Used with 30071, 34504, 36527 and 36443 Drive Bells only
19	† 39432	Shoulder Screw	
20	† 36511	Plug	

† Parts with a dagger (†) are included with 39508P Drive Bell and Seal Kit

* Add Letter To Designate Color. L – Almond W – White

Outer Tub, Cover and Pressure Hose



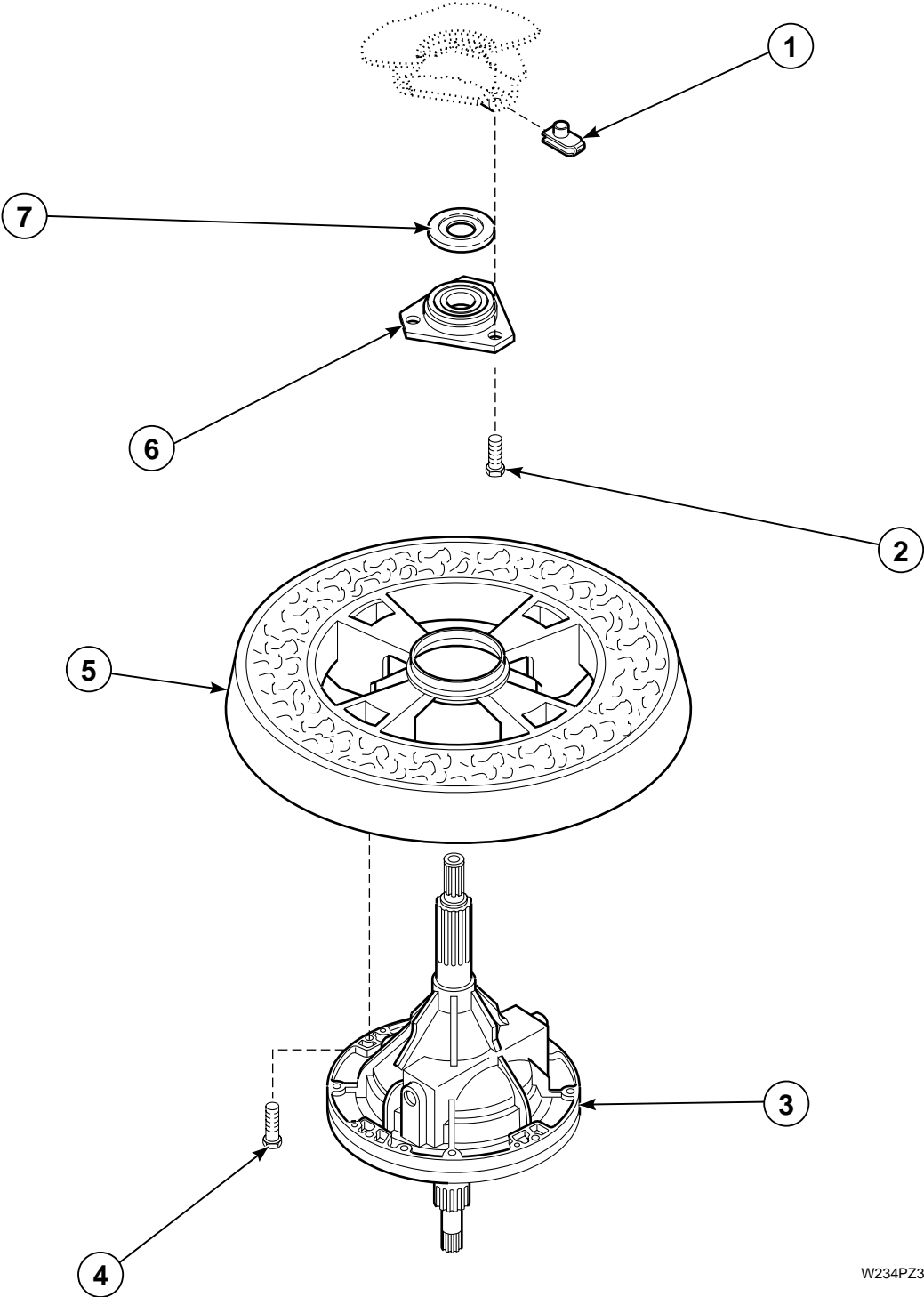
W404PZ3A

Outer Tub, Cover and Pressure Hose

REF	PART #	DESCRIPTION	COMMENTS
1	36025P	Outer Tub Cover Assembly	Includes Items 2 and 12
2	32857	Gasket	
3	34439P	Outer Tub	Models AWG100*, AWG200*, AWG200*2 and EA2010*A3088
	34438P	Outer Tub	All other models
4	27926	Leg Plate	
5	35369	Screw	
6	35947	Centering Spring	Models AWG100*, AWG200*, AWG200*2 and EA2010*A3088
	35948	Centering Spring	All other models
7	500049	Warning Label	
8	29175	Grommet	
9	30907	Pressure Bulb	
10	39282	Hose Clamp	
11	39124	Pressure Hose	Model EA2010*A3088
	39125	Pressure Hose	All other models
12	21036	Clips	

* Add Letter To Designate Color. L – Almond W – White

Transmission Assembly and Balance Ring

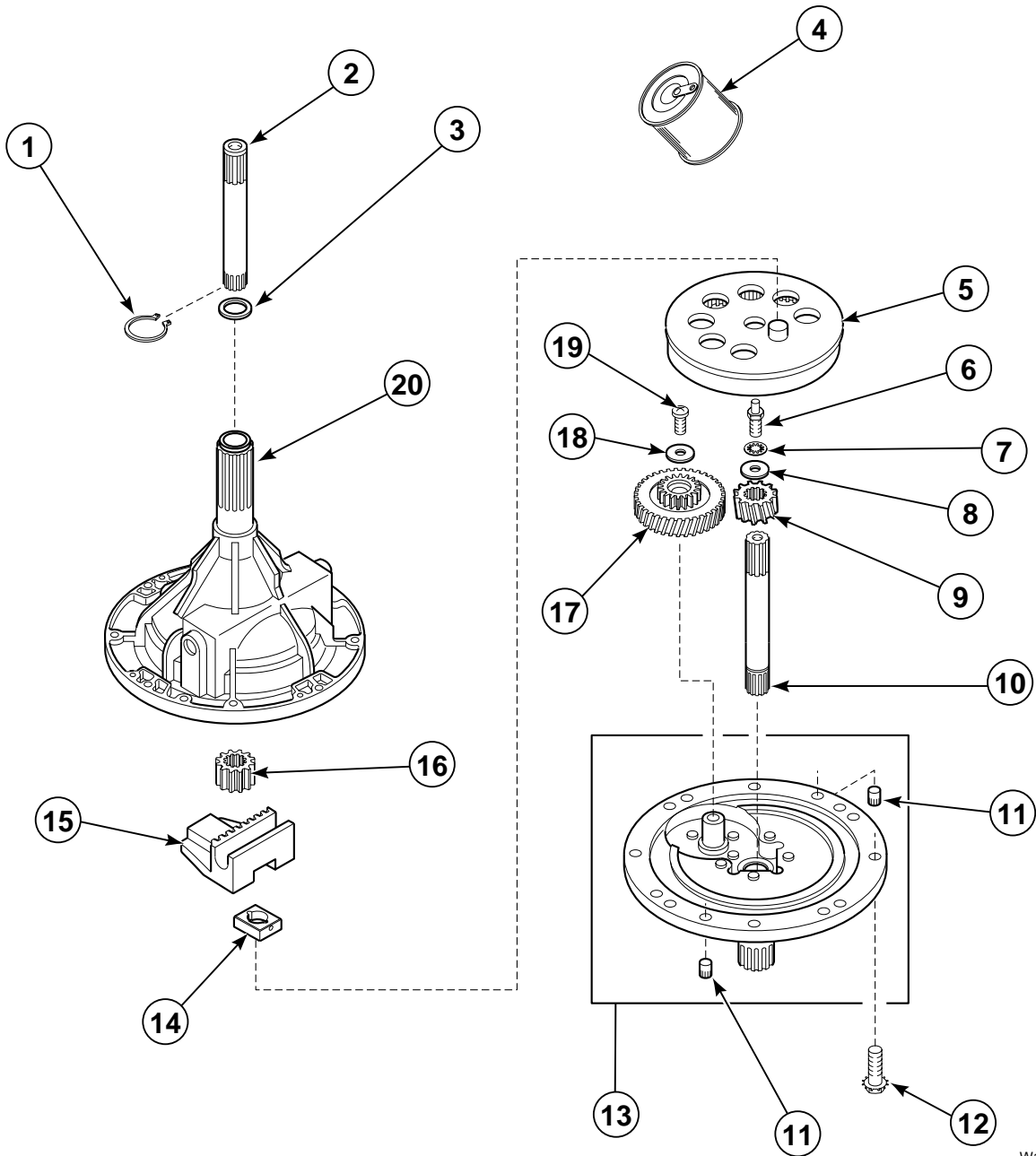


W234PZ3C

Transmission Assembly and Balance Ring

REF	PART #	DESCRIPTION	COMMENTS
	27604P	Anti-Seize Compound	Apply to smooth area of both the upper and lower transmission tubes
1	27222	Retainer Nut	
2	36991	Cap Screw	
3	34526P	Transmission Assembly	See Page 30 for component parts
4	37047	Cap Screw	
5	34731	Balance Ring	
6	27182	Bearing Housing Assembly	
7	27187	Flinger	Used through Serial No. 9510053576

34526P Transmission Assembly

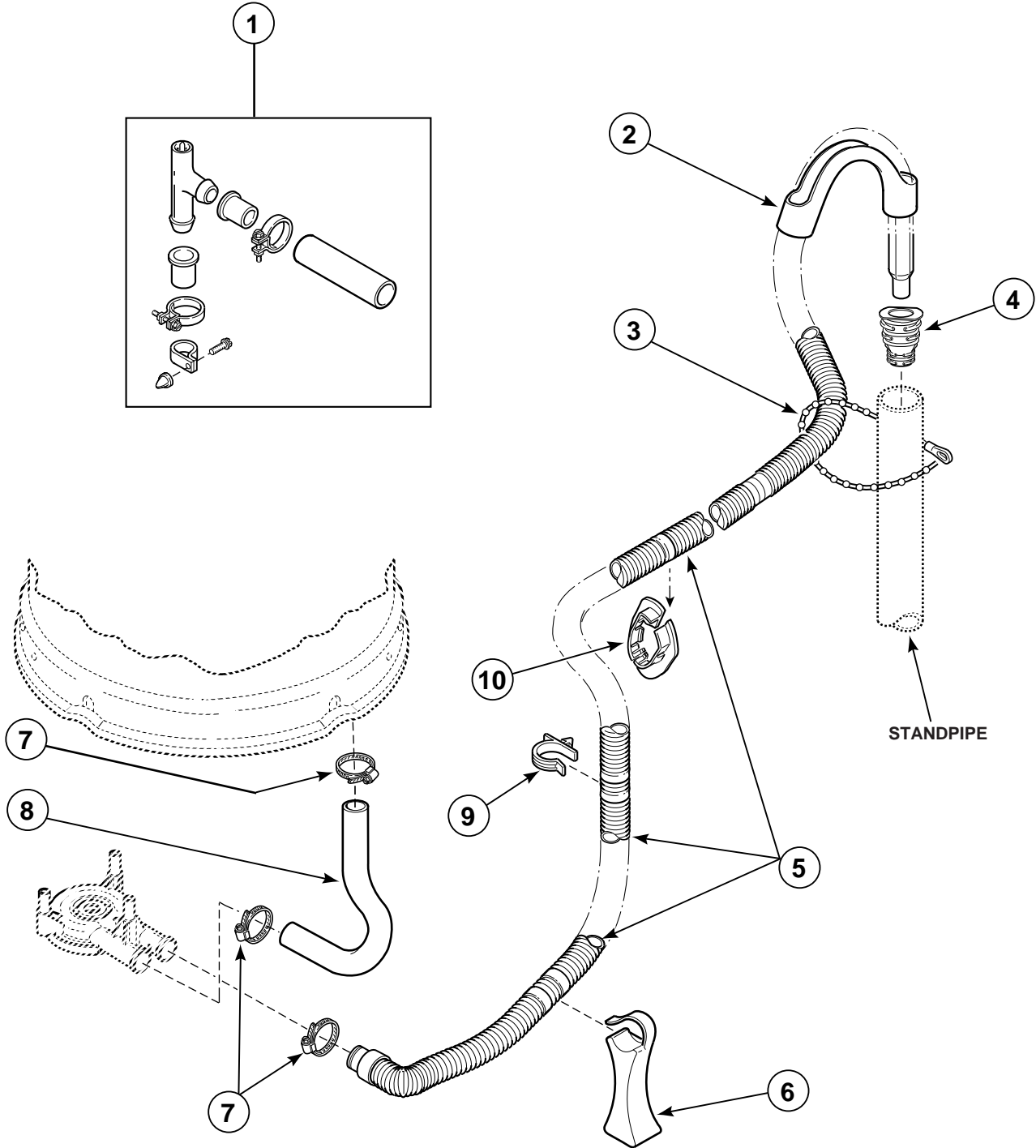


W157PZ3B

34526P Transmission Assembly

REF	PART #	DESCRIPTION	COMMENTS
	37577P	Sealant	Use between Transmission Case and Cover
1	27197	Retainer Ring	
2	36570	Output Shaft	
3	35092	Washer	
4	27243P	Transmission Oil	1 Fill
5	26577	Internal Gear	
6	27030	Special Screw	
7	21456	Lockwasher	Used through Serial No. 9712011370
8	26509	Washer	
9	36562	Drive Pinion	
10	34853	Input Shaft	
11	27172	Dowel Pin	Used through Serial No. 9404069378
12	32814	Screw	
13	38290	Transmission Cover Assembly	
14	26493	Slide	
15	31526	Rack	
16	27003	Agitator Pinion	
17	29161	Reduction Gear	
18	29260	Washer	
19	29273	Screw	
20	33223	Transmission Case Assembly	

Drain Hose and Siphon Break Kit



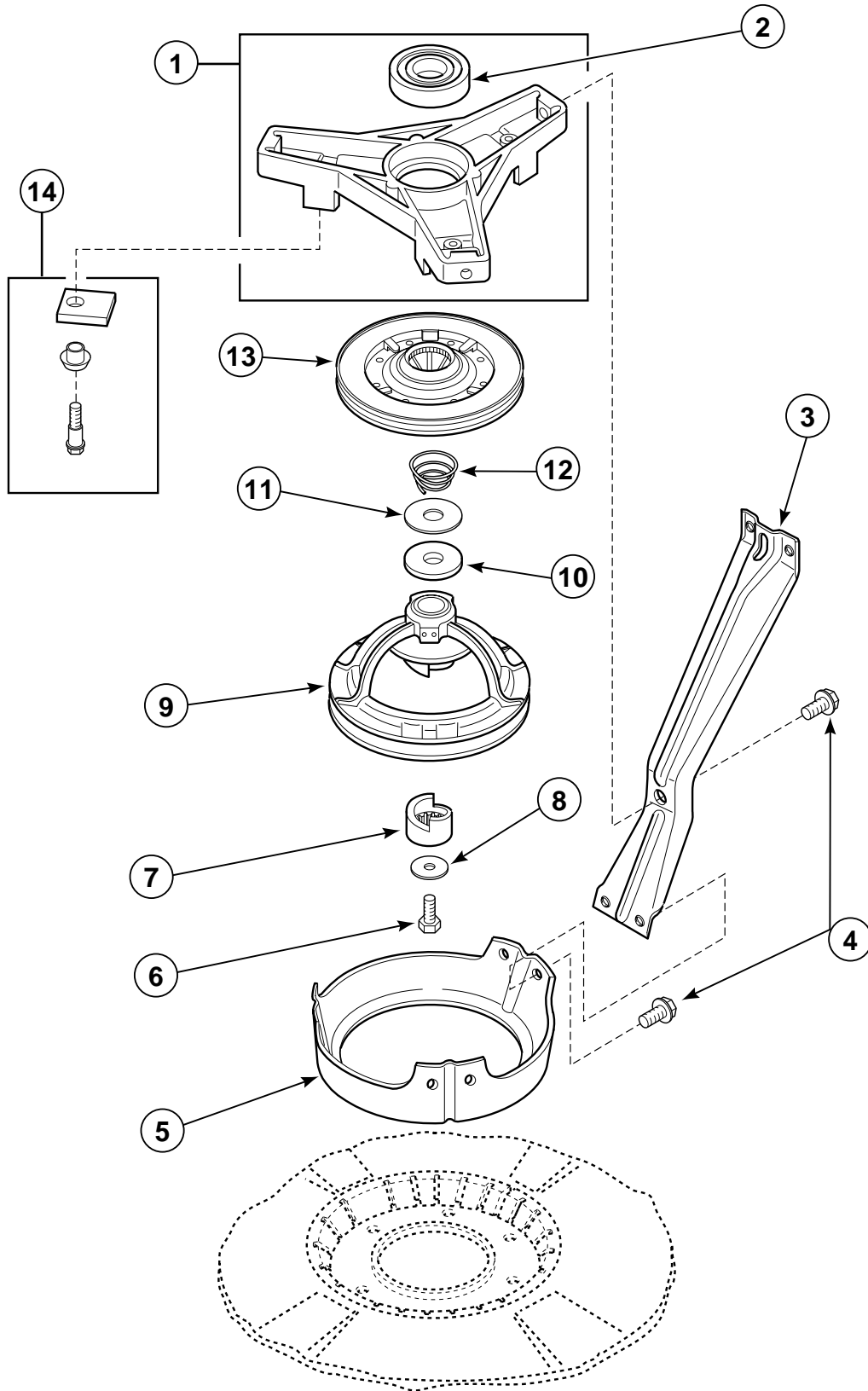
W408PZ3A

Drain Hose and Siphon Break Kit

REF	PART #	DESCRIPTION	COMMENTS
	406P3	Drain Extension Kit	Use with No. 20616 Drain Hose – Order by the foot, as required.
1	562P3	Siphon Break Kit	Siphon break kit MUST be installed in drain hose if drain receptacle is lower than cabinet top of washer
2	33615	Drain Hose Sleeve	
3	33489	Beaded Tie-Down Strap	
4	36878	Standpipe Adapter	
5	37245	Drain Hose	
6	35487	Hose Support	Through Serial No. 9502022146
	36522	Hose Support	Starting Serial No. 9502022147
7	36802	Hose Clamp	
8	35752	Tub-to-Pump Hose	Models AWG100*, AWG200* and AWG200*2
	35753	Tub-to-Pump Hose	All other models
9	36014	Hose Retainer Clip	
10	32219	Drain Hose Strain Relief	

* Add Letter To Designate Color. L – Almond W – White

Bearing Housing, Brake, Pulley and Pivot Dome



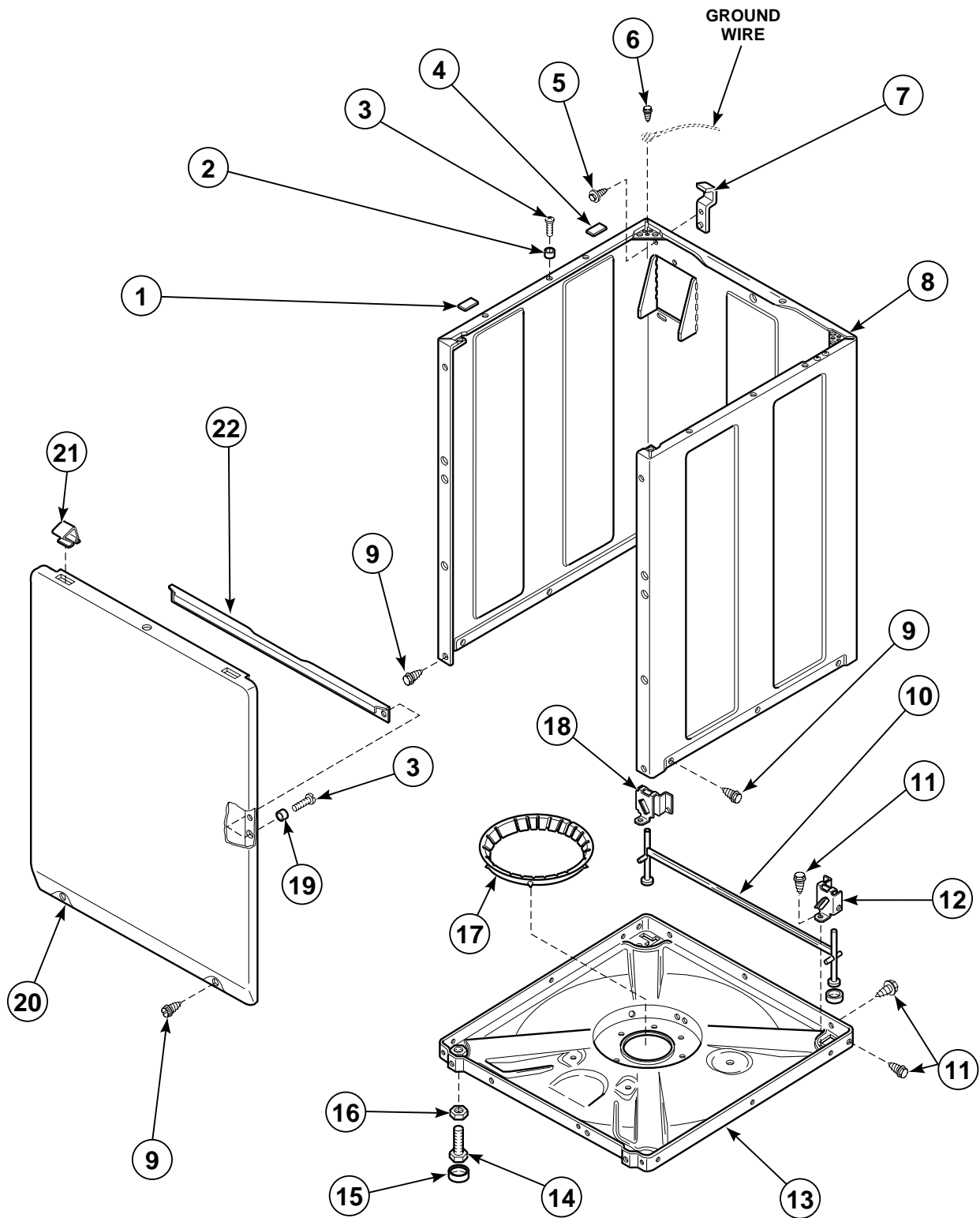
W130PZ3D

Bearing Housing, Brake, Pulley and Pivot Dome

REF	PART #	DESCRIPTION	COMMENTS
	26594P	Silicone Lubricant	Apply small amount to each new brake pad
1	35746	Bearing Housing Assembly	
2	28944R	Bearing	
3	34792	Support Leg	Models AWG100*, AWG200*, AWG200*2 and EA2010*A3088
	34471	Support Leg	All other models
4	35369	Screw	
5	34470	Pivot Dome	
6	27220	Screw	
7	27018	Helix	
8	26509	Washer	
9	34923	Pulley Assembly	Models AWG100*, AWG200* and AWG200*2
	34921	Pulley Assembly	Models AWG202* and AWG204*2
	35310	Pulley Assembly	Model EA2010*A3088
	35308	Pulley Assembly	All other models
10	27015	Washer	Thick
11	35535	Washer	Thin
12	33435	Spring	
13	38505P	Brake Assembly	
14	548P3	Brake Pad Kit	Includes three pads, sleeves and screws

* Add Letter To Designate Color. L – Almond W – White

Front Panel, Base Assembly and Cabinet Assembly



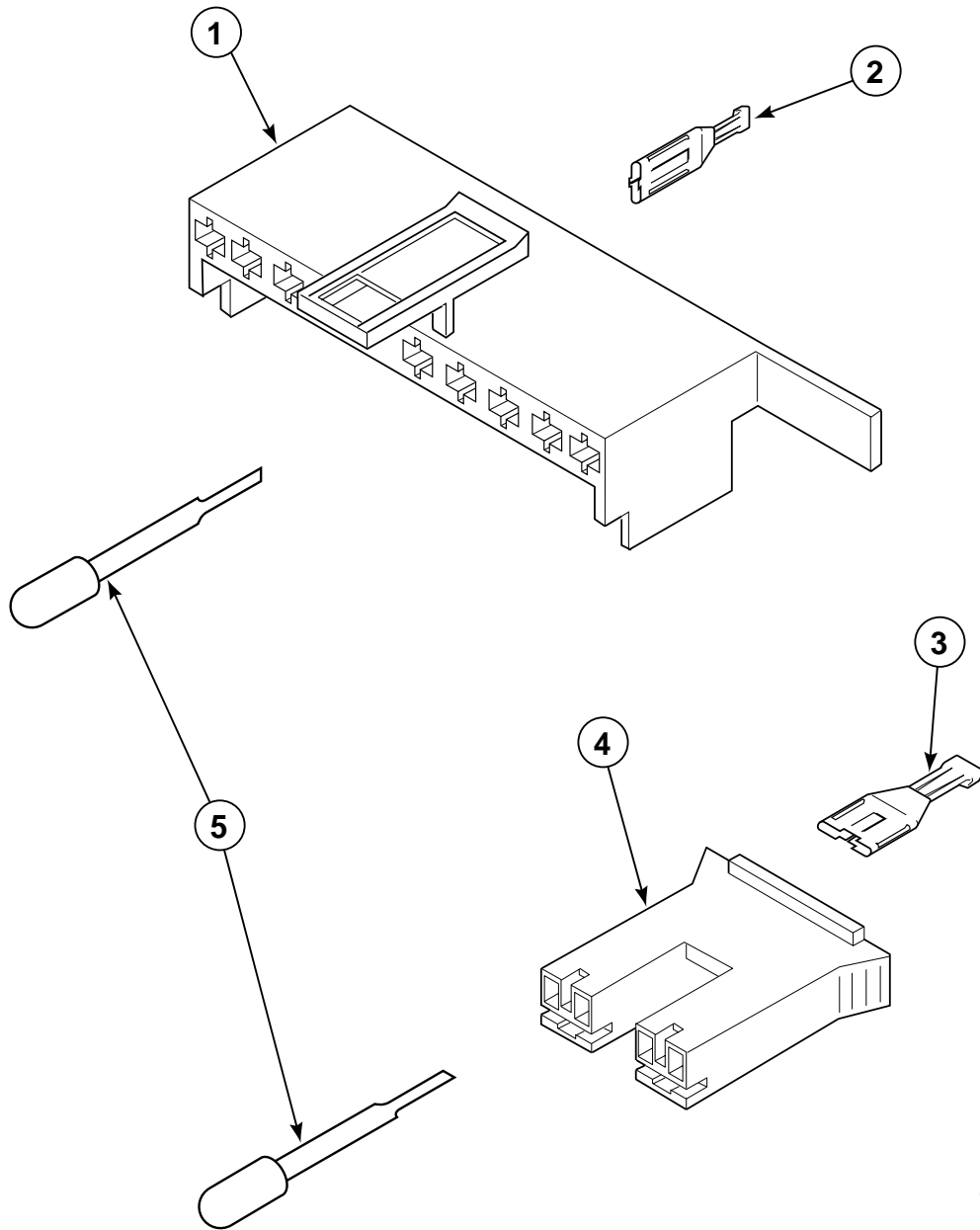
W184PZ3B

Front Panel, Base Assembly and Cabinet Assembly

REF	PART #	DESCRIPTION	COMMENTS
1	56128	Bumper Pad	Thin
2	56079	Panel Locator	
3	32671	Screw	
4	36226	Bumper Pad	Thick
5	34499	Screw	
6	23962	Screw	
7	27103	Hinge	
8	34475*P	Cabinet Assembly	
9	27196	Screw	Slotted Hex Head
	35527	Screw	Torx Head – Optional, for added security of front panel – See Page 42 for Torx Bit and Holder
10	34443	Leveling Leg and Stability Bar Assembly	
11	35148	Screw	
12	36036	Bracket	Right
13	34434P	Base Assembly	Through Serial No. 9502022146 – Includes Items 9, 11, 12, 13, 17 and 18
	36599P	Base Assembly	Starting Serial No. 9502022147 – Includes Items 9, 11, 12, 13, 17 and 18
14	34319	Leveling Leg	
15	34318	Rubber Foot	
16	21899	Locknut	
17	36108	Snubber Pad and Isolator Assembly	
18	36037	Bracket	Left
19	28102	Panel Locator	
20	34656*P	Front Panel	Includes Items 21 and 22
21	35865	Hold-Down Clip	
22	35097	Brace	

* Add Letter To Designate Color. L – Almond W – White

Mixing Valve and Motor Connection Blocks, Terminals and Terminal Extractor Tool

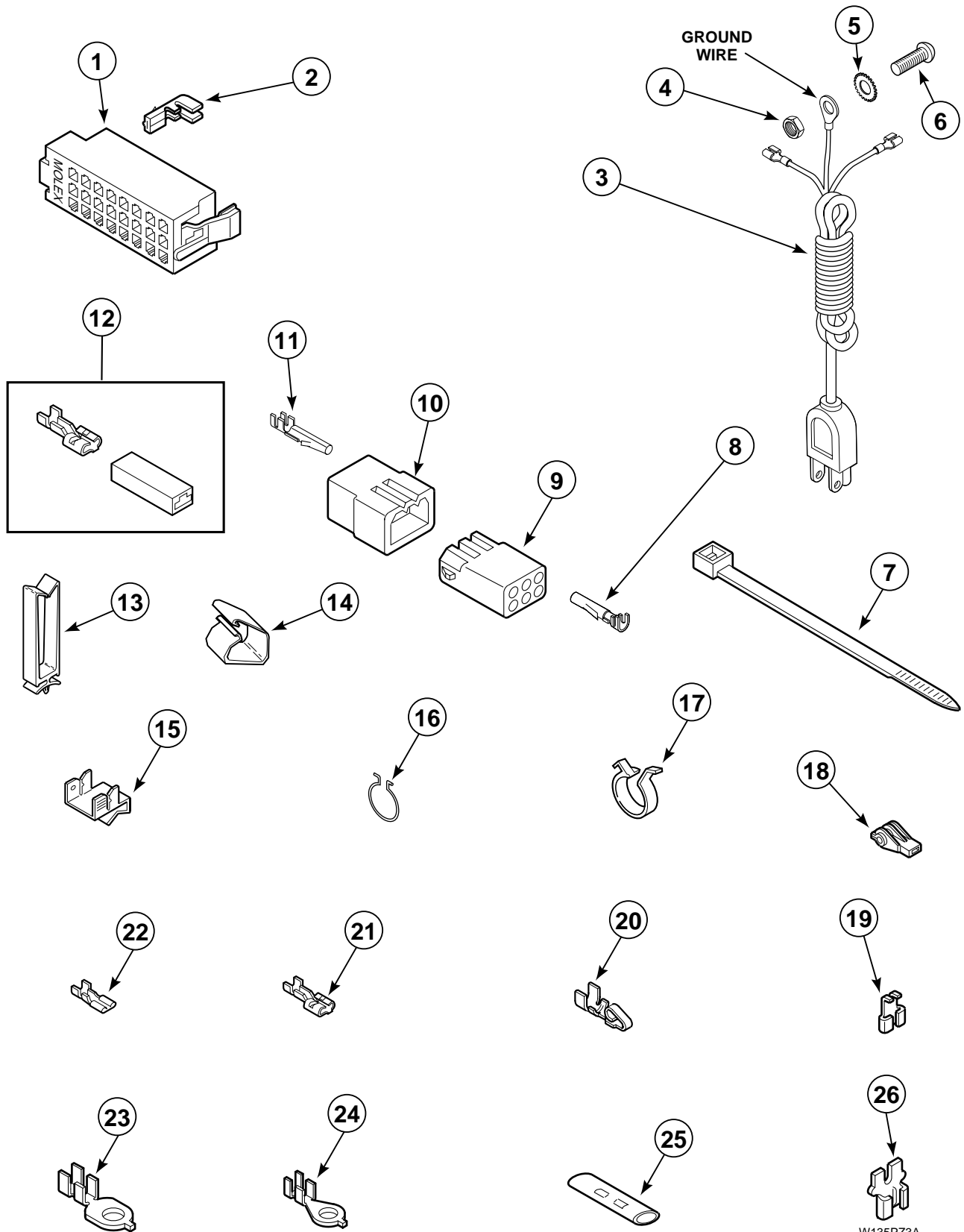


W134PZ3B

Mixing Valve and Motor Connection Blocks, Terminals and Terminal Extractor Tool

REF	PART #	DESCRIPTION	COMMENTS
1	34677	Molex Housing	Motor
2	00188	Molex Terminal	For One or Two Wire Application
3	00121	Spade Terminal	1/4 Inch
4	34675	Amp Housing	Mixing Valve – Natural
	34676	Amp Housing	Mixing Valve – Red
5	283P4	Terminal Extractor Tool	

Power Cord and Terminals

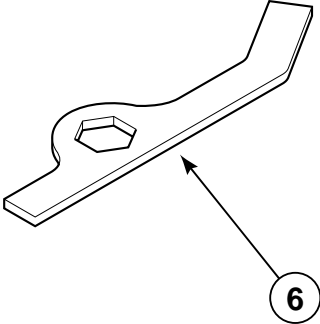
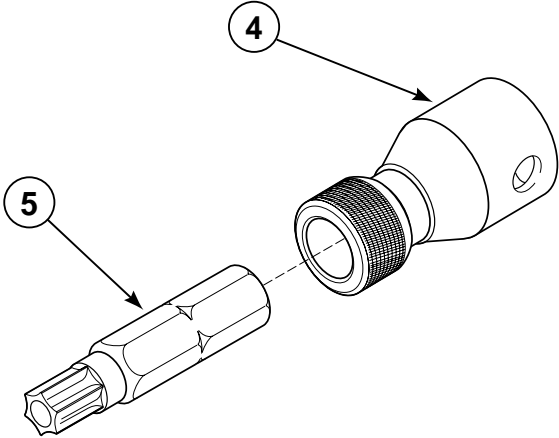
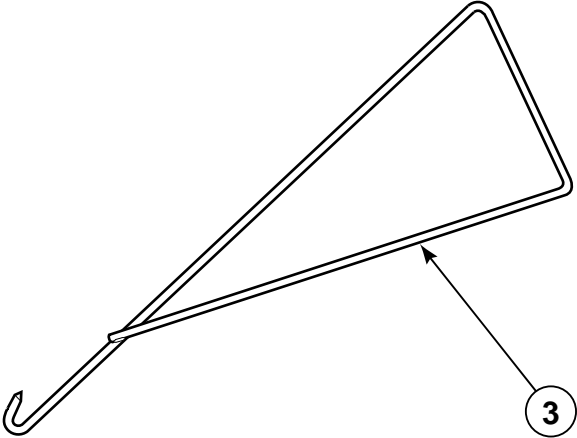
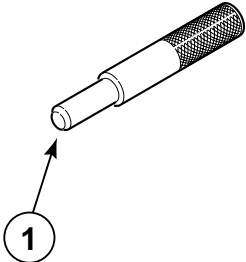


W135PZ3A

Power Cord and Terminals

REF	PART #	DESCRIPTION	COMMENTS
1	32746	Molex Housing	Right Hand (Black)
	34123	Molex Housing	Left Hand (White)
2	00188	Molex Terminal	Used for One or Two Wire Application
3	35462	Power Cord	Models AWM392*-3088, AWM392*2-3088 and EA2010*A3088
	34458	Power Cord	All other models
4	03673	Nut	
5	21735	Lockwasher	
6	20267	Screw	
7	55881	Wire Tie	
8	00117	Terminal	Female
9	26301	Terminal Block	One Circuit
	26708	Terminal Block	Six Circuit
	26163	Terminal Block	Nine Circuit
10	26302	Terminal Block	One Circuit
	23041	Terminal Block	Six Circuit
	23033	Terminal Block	Nine Circuit
11	00116	Terminal	Male
12	00234	Terminal and Housing Assembly	
13	36274	Harness Clip	
14	35521	Harness Clip	
15	00161	Ground Clip	
16	51291	Wire Clip	
17	504034	Wire Clip	
18	70210	Plastic Insulator	
19	00120	Right Angle	Flag Terminal
20	00220	Spade Terminal	Female – 1/4 inch
21	00119	Spade Terminal	Large Spade
22	00112	Spade Terminal	Small Spade
23	00113	Eyelet Terminal	1/4 inch Ring
24	00110	Eyelet Terminal	Small Shank
25	21091	Connector	
26	29673	Double Connector	

Special Tools

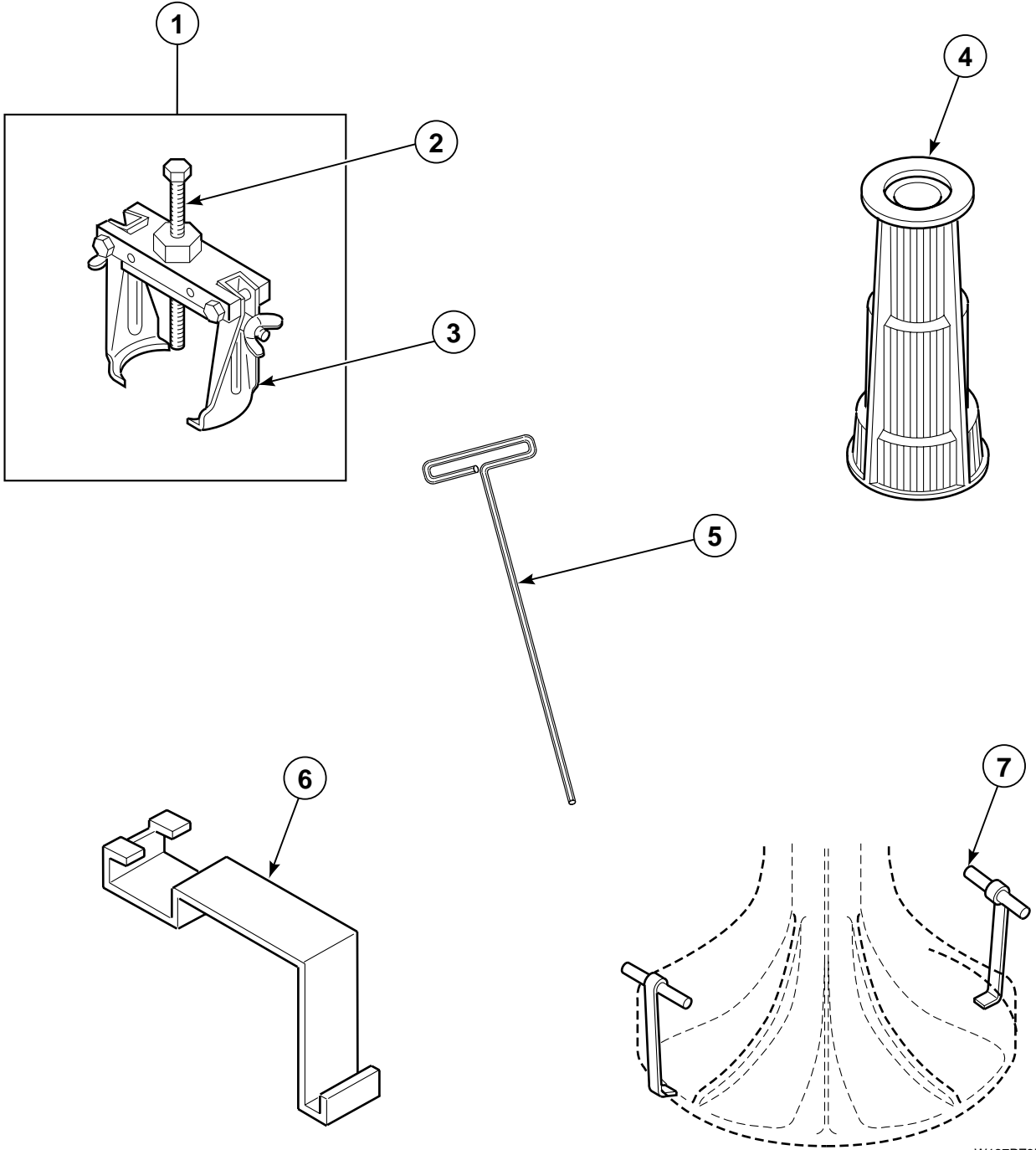


W409PE3A

Special Tools

REF	PART #	DESCRIPTION	COMMENTS
1	305P4	Transmission Pin Tool	Use Pin Tools in place of dowel pins when reassembling Transmission Cover and Case – Two Required
2	242P4	Brake Spring Installer	For installing brake spring
3	321P4	Spring Hook	For removal of Module Springs from Outer Tub
4	24161	Torx Bit Holder	3/8" Drive
5	281P4	T15 Tamper Resistant Bit	For removal and installation of Control Hood Security Screws
	282P4	T25 Tamper Resistant Bit	For removal and installation of Pump and Front Panel Attaching Screws
6	306P4	Hex Wrench	For removal of Locknut from Washtub Hub

Special Tools



W137PZ3D

Special Tools

REF	PART #	DESCRIPTION	COMMENTS
1	294P4	Bell Tool	Replaces Bell Tool, Part No. 253P4 – For removal and installation of Drive Bell to Transmission Shaft
2	294P4B	Drive Bell Bolt	To update 253P4 Bell Tool
3	294P4A	Drive Bell Arms	To update 253P4 Bell Tool
4	293P4	Seal Tool	For installation of 36425 Seal
5	291P4	“T” Handle Allen Wrench	For removal and installation of three pump assembly attaching screws
6	273P4	Outer Tub Cover and Gasket Tool	Use to remove 36025P Outer Tub Cover from Outer Tub and to install 32857 Gasket in Outer Tub Cover
7	254P4P	Agitator Hooks	Use to remove Agitator from Drive Bell – Set of Two

Wire Harnesses and Wires

Individual wires not serviced separately. Order complete wire harnesses listed below.

MODEL NUMBER	BASE HARNESS	HOOD HARNESS	TIMER HARNESS
AWG100*	36278	34971	—
AWG200*	36278	36209	—
AWG200*2	36278	36209	—
AWG202*	36278	36209	—
AWG204*2	36278	36209	—
AWM392*-1088	36278	34971	—
AWM392*2-1088	36278	34971	—
AWM392*-3088	36278	34971	—
AWM392*2-3088	36278	34971	—
EA2010*A-3088	36278	33804	28217
AWM593*299F5	36278	34833	—
AWM593*299F7	36278	34833	—

* Add Letter To Designate Color. L – Almond W – White

Order the individual wire color and gauge by the part number listed below. Order wire by the foot and terminals and connectors as required. It is recommended when applying terminals to wires that the terminals be soldered to the wires.

IMPORTANT: Always replace wires with proper gauge.

PART NUMBER	WIRE GAUGE	WIRE COLOR
45001	18 Gauge Wire	Black
45380	12 Gauge Wire	Orange

Parts Index

A

Actuator Arm	
33441	19
Agitator	
33174	25
33513	25
33514	25
Agitator Cap	
36515	25
Agitator Hooks	
254P4P	45
Agitator Pinion	
27003	31
Amp Housing	
34675	39
34676	39
Anti-Seize Compound	
27604P	29

B

Backflow Preventer	
34500	21
Balance Ring	
34731	29
Base Assembly	
34434P	37
36599P	37
Base Harness	
36278	46
Beaded Tie-Down Strap	
33489	33
Bearing	
28944R	35
Bearing Housing Assembly	
27182	29
35746	35
Bell Tool	
294P4	45
Belt	
28808	23
35517	23
Bleach Dispenser	
34776	15
Brace	
35097	37
Bracket	
36036	37
36037	37
Brake Assembly	
38505P	35
Brake Pad Kit	
548P3	35
Brake Spring Installer	
242P4	43
Bumper	
21685	15, 17
32648	7

Bumper Pad	
36226	37
56128	37
Bushing	
33446	15
36474	17

C

Cabinet Assembly	
34475*P	37
Cabinet Top	
34902*P	15
36273*P	17
Cap Screw	
02916	5, 7
27202	25
36991	29
37047	29
Capacitor Kit	
258P3	23
Carriage Bolt	
02505	5
Centered Spring	
35947	27
Centering Spring	
35948	27
Clip	
28849	23
33433	19
36519	15
Clips	
21036	27
Clothes Guard	
35035	25
Connector	
21091	41
Control Hood	
37075*	7
Control Hood Assembly	
31811	9, 11
37844	9, 11, 13
Control Hood Rear Cover	
38267	7
Control Hood Rear Panel	
37782	15
Control Knob	
33610	9, 11, 13
Control Knob Assembly	
35182	7
Control Panel Frame	
36521*	7
Control Panel Overlay	
32460	7

D

Director Bracket	
36034	15, 17
Double Connector	
29673	41
Dowel Pin	
27172	31
Drain Extension Kit	
406P3	33
Drain Hose	
37245	33
Drain Hose Sleeve	
33615	33
Drain Hose Strain Relief	
32219	33
Drive Bell and Seal Kit	
† 39508P	25
Drive Bell Arms	
294P4A	45
Drive Bell Bolt	
294P4B	45
Drive Pinion	
36562	31

E

18 Gauge Wire	
45001	46
End Cap	
31248	11, 13
31249	11, 13
34459	9
34460	9
Eyelet Terminal	
00110	41
00113	41

F

Fabric Softener Dispenser	
33510	25
36542	25
Fill Hose	
35874	21
Flinger	
27187	29
Front Panel	
34656*P	37

G

Gasket	
28094	25
32857	27
34338	15, 17
39122	25
Gasket Tool	
273P4	45

Graphic Panel	
33673	9
35235	11
36205	9
36618	13
36620	11
37549	9
37933	9

Grommet	
29175	27

Ground Clip	
00161	41

H

Harness Clip	
35521	41
36274	41

Helix	
27018	35

Helper Spring	
30620	23

Hex Wrench	
306P4	43

Hinge	
27103	37
36437	15, 17
36438	15, 17
36513	15

Hold-Down Clip	
35865	37

Hood Harness	
33804	46
34833	46
34971	46
36209	46

Hose Clamp	
29210	21
36801	21
36802	33
39282	27

Hose Retainer Clip	
36014	33

Hose Support	
35487	33
36522	33

Hose Washer	
20290	21

Hub and Seal Kit	
495P3	25

I

Idler Lever	
31054	23
37443	23

Idler Lever Spring	
37366	23
37606	23

Idler Pulley	
28800	23

Idler Shaft	
28802	23

Indicator Light	
32519	7
Inlet Hose Assembly	
28330P	21
38349P	21
Inlet Hoses	
37380	21
37381	21
Input Shaft	
34853	31
Internal Gear	
26577	31

K

Knurled Nut	
24205	7

L

Leg Plate	
27926	27
Leveling Leg	
34319	37
Leveling Leg and Stability Bar Assembly	
34443	37
Lever	
33442	19
Lint Filter	
39371	25
Loading Door	
33541*P	15
39233*P	17
Locknut	
21899	37
28803	23
29220	25
52566	7, 23
Lockwasher	
02431	5, 7
21456	5, 31
21734	5
21735	41
91093	5, 7
91176	7

M

Mixing Valve Assembly	
34963	21
34997	21
Mixing Valve Mounting Bracket	
39407	21
Molex Housing	
32746	41
34123	41
34677	39
Molex Terminal	
00188	39, 41

Motor Assembly	
34571P	23
34910P	23
35030P	23
36256P	23
Motor Mount	
34788	23
Motor Mount Post	
34791	23
Motor Mounting Bracket	
34890	23
37415	23
37415P	23
Motor Pulley	
27171	23
Motor Shield	
34754	23
Motor Switch	
35632	23

N

Nut	
03673	41
20275	5
35423	23
52566	5
57584	9, 11

O

'O' Ring	
36472	25
Outer Tub	
34438P	27
34439P	27
Outer Tub Cover Assembly	
36025P	27
Output Shaft	
36570	31

P

Palnut	
35139	23
Panel Locator	
28102	37
56079	37
Pivot Dome	
34470	35
Plastic Insulator	
70210	41
Plug	
34153	17
† 36511	25
Power Cord	
34458	41
35462	41
Pressure Bulb	
30907	27
Pressure Hose	
39124	27

Pressure Switch	
35889	7
39023	13
39035	9, 11
Pulley Assembly	
34921	35
34923	35
35308	35
35310	35
Pump Assembly	
36863P	23
Push-to-Start Sticker	
53738	5

R

Rack	
31526	31
Reduction Gear	
29161	31
Retainer Nut	
27222	17, 29
Retainer Ring	
23748	23
27197	31
Right Angle	
00120	41
Rivet	
56534	15, 17
Roll Pin	
23750	23
Rubber Foot	
34318	37

S

Screw	
20267	41
20268	5
23222	7
23962	5, 7, 9, 11, 13, 15, 19, 21, 37
27196	37
27220	35
27328	5
29273	31
31260	9, 11, 13
31752	9, 11, 13
32671	37
32814	31
33562	21
34337	15, 17
34499	37
34565	23
35148	37
35369	27, 35
35527	37
35528	7
36035	15, 17
36510	19
36639	23
500226	7
503661	23
503673	17
51778	5
52909	15, 17

Screw and Lockwasher	
23008	17
31644	15
Seal	
† 36425	25
Seal Tool	
293P4	45
Sealant	
37577P	31
Setscrew	
20310	7
Shoulder Bolt	
27229	23
Shoulder Screw	
† 39432	25
Silicone Lubricant	
26594P	35
Siphon Break Kit	
562P3	33
Slide	
26493	31
Snubber Pad and Isolator Assembly	
36108	37
Spade Terminal	
00112	41
00119	41
00121	39
00220	41
Special Screw	
27030	31
Speed Nut	
36020	17
Splined Insert	
29728	25
Spring	
33435	35
33443	19
Spring Hook	
321P4	43
Standpipe Adapter	
36878	33
Strain Relief	
21903	15, 17
Support Leg	
34471	35
34792	35
Switch	
33445	19
Switch Holder Kit	
36497P	19

T

'T' Handle Allen Wrench	
291P4	45
Temperature Switch	
21300	9, 11
32189	9
35115	9, 11
36335	9, 13
Terminal	
00116	41
00117	41

Terminal and Housing Assembly			
00234	41	Washer	
Terminal Block		23225	5
23033	41	26509	31, 35
23041	41	27015	35
26163	41	29260	31
26301	41	29443	23
26302	41	30627	5
26708	41	35092	31
Terminal Extractor Tool		35535	35
283P4	39	52549	23
Timer		81392	23
31239	9	Washtub	
31241	11	33502P	25
31243	11	33503P	25
36608	13	39252P	25
Timer Case		719P3	25
37733W	5	Wire Clip	
Timer Harness		504034	41
28217	46	51291	41
Timer Knob		Wire Tie	
33897	9, 11, 13	55881	41
Timer Knob Assembly			
26256	5		
28719	5		
Timer Knob Skirt			
33817	9, 11, 13		
Timer Motor			
31241A	11		
Timer Plate			
31864W	5		
Torx Bit Holder			
24161	43		
Transmission Assembly			
34526P	29		
Transmission Case Assembly			
33223	31		
Transmission Cover Assembly			
38290	31		
Transmission Oil			
27243P	31		
Transmission Pin Tool			
305P4	43		
Trim Strip			
33123R	13		
Tub-to-Pump Hose			
35752	33		
35753	33		
12 Gauge Wire			
45380	46		
T15 Tamper Resistant Bit			
281P4	43		
T25 Tamper Resistant Bit			
282P4	43		

W

Warning Label	
24903	15, 17
500049	27
Wash Temperature Switch	
81799	7