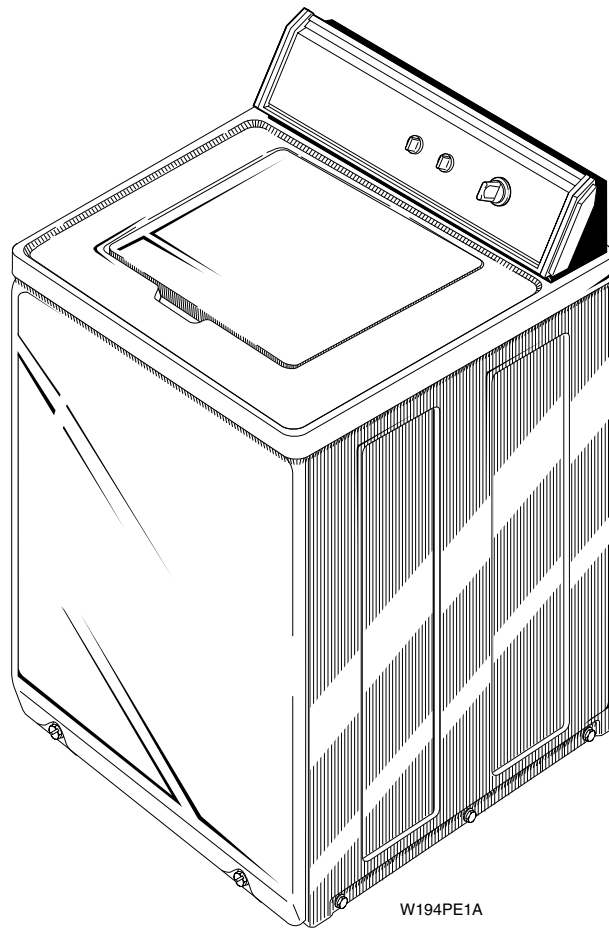


Automatic Washers

Refer to Page 3 for Model Numbers



Parts

Table of Contents

Title	Page
Parts Ordering Information	2
Nameplate Location	2
Model Identification	3
Graphic Panel, Control Hood and Controls (Model AWM190*2)	4
Graphic Panel, Control Hood and Controls (Models AWM270*2, AWM371*2, AWM372*2 and AWM373*2).....	6
Graphic Panel, Control Hood and Controls (Models AWM290*2, AWM392*2 and AWM393*2)	8
Graphic Panel, Control Hood and Controls (Models AWM472*2, AWM473*2 and AWM573*2)	10
Graphic Panel, Control Hood and Controls (Model AWM593*2)	12
Cabinet Top, Loading Door and Control Rear Panel	14
Out-of-Balance Switch	16
Motor, Mounting Bracket, Belt, Pump and Idler Assembly	18
Inlet Hose, Fill Hose, Mixing Valve and Mounting Bracket	20
Agitator, Drive Bell, Seal Kit, Washtub and Hub (Models AWM190*2, AWM270*2 and AWM290*2)	22
Agitator, Drive Bell, Seal Kit, Washtub and Hub (All models except AWM190*2, AWM270*2 and AWM290*2).....	24
Outer Tub, Cover and Pressure Hose	26
Drain Hose and Siphon Break	28
Transmission Assembly and Balancing Ring	30
34526P Transmission Assembly	32
Bearing Housing, Brake, Pulley and Pivot Dome	34
Front Panel, Base Assembly and Cabinet Assembly	36
Mixing Valve and Motor Connection Blocks, Terminals and Terminal Extractor Tool	38
Power Cord and Terminals	40
Terminals	42
Special Tools	44
Special Tools	46
Wire Harnesses and Wires	48
Production Literature	48
Parts Index.....	49

© Copyright 2000, Alliance Laundry Systems LLC

All rights reserved. No part of the contents of this book may be reproduced or transmitted in any form or by any means without the expressed written consent of the publisher.

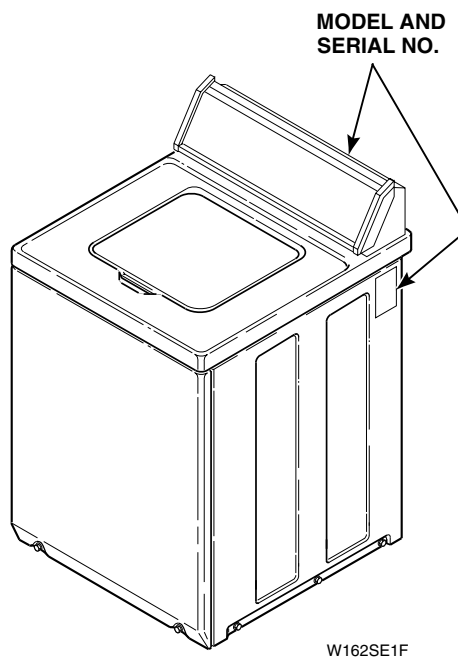
Parts Ordering Information

If literature or replacement parts are required, contact the source from whom the machine was purchased or contact Alliance Laundry Systems at (920) 748-3950 for the name and address of the nearest authorized parts distributor.

For technical assistance, call (920) 748-3121.

Nameplate Location

When calling or writing about your product, be sure to mention model and serial numbers. Model and serial numbers are located on nameplate(s) as shown.



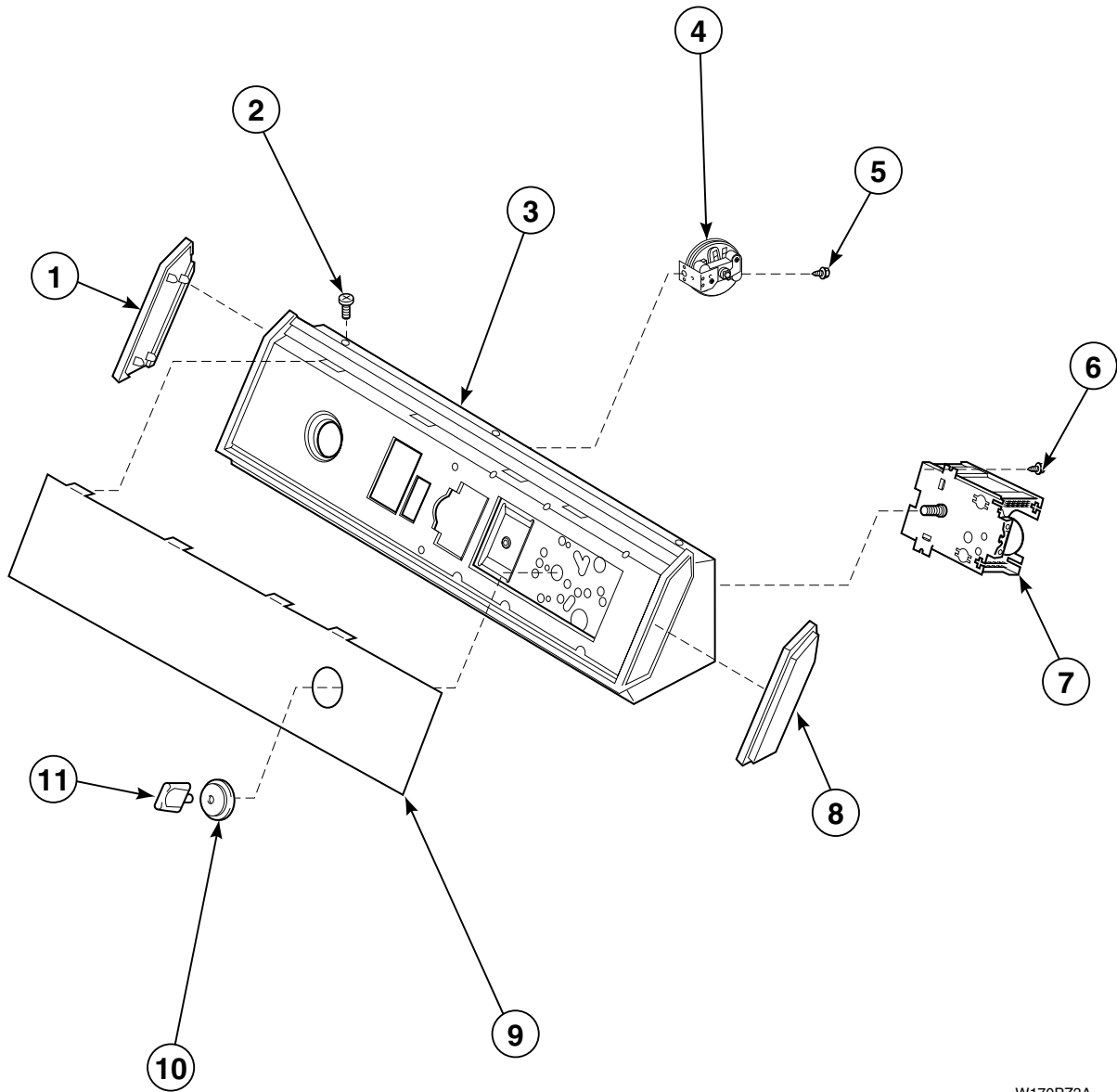
Model Identification

Information in this manual is applicable to these washers:

Model Number	Manufacturing Number	One-Speed Motor	Two-speed Motor	Timer Model	Porcelain Washtub (cu. ft.)	Stainless Steel Washtub (cu. ft.)
AWM190W2	PAWM190W2	X		X	2.7	
AWM270W2	PAWM270W2	X		X	2.7	
AWM290L2	PAWM290L2	X		X	2.7	
AWM290W2	PAWM290W2	X		X	2.7	
AWM371W2	PAWM371W2	X		X		2.7
AWM372W2	PAWM372W2	X		X	3.0	
AWM373W2	PAWM373W2	X		X		3.0
AWM392L2	PAWM392L2	X		X	3.0	
AWM392W2	PAWM392W2	X		X	3.0	
AWM393L2	PAWM393L2	X		X		3.0
AWM393W2	PAWM393W2	X		X		3.0
AWM472W2	PAWM472W2		X	X	3.0	
AWM473W2	PAWM473W2		X	X		3.0
AWM573W2	PAWM573W2		X	X		3.0
AWM593L2	PAWM593L2		X	X		3.0
AWM593W2	PAWM593W2		X	X		3.0

Graphic Panel, Control Hood and Controls

Model AWM190*2



W170PZ3A

* Add Letter To Designate Color. L – Almond W – White

Graphic Panel, Control Hood and Controls

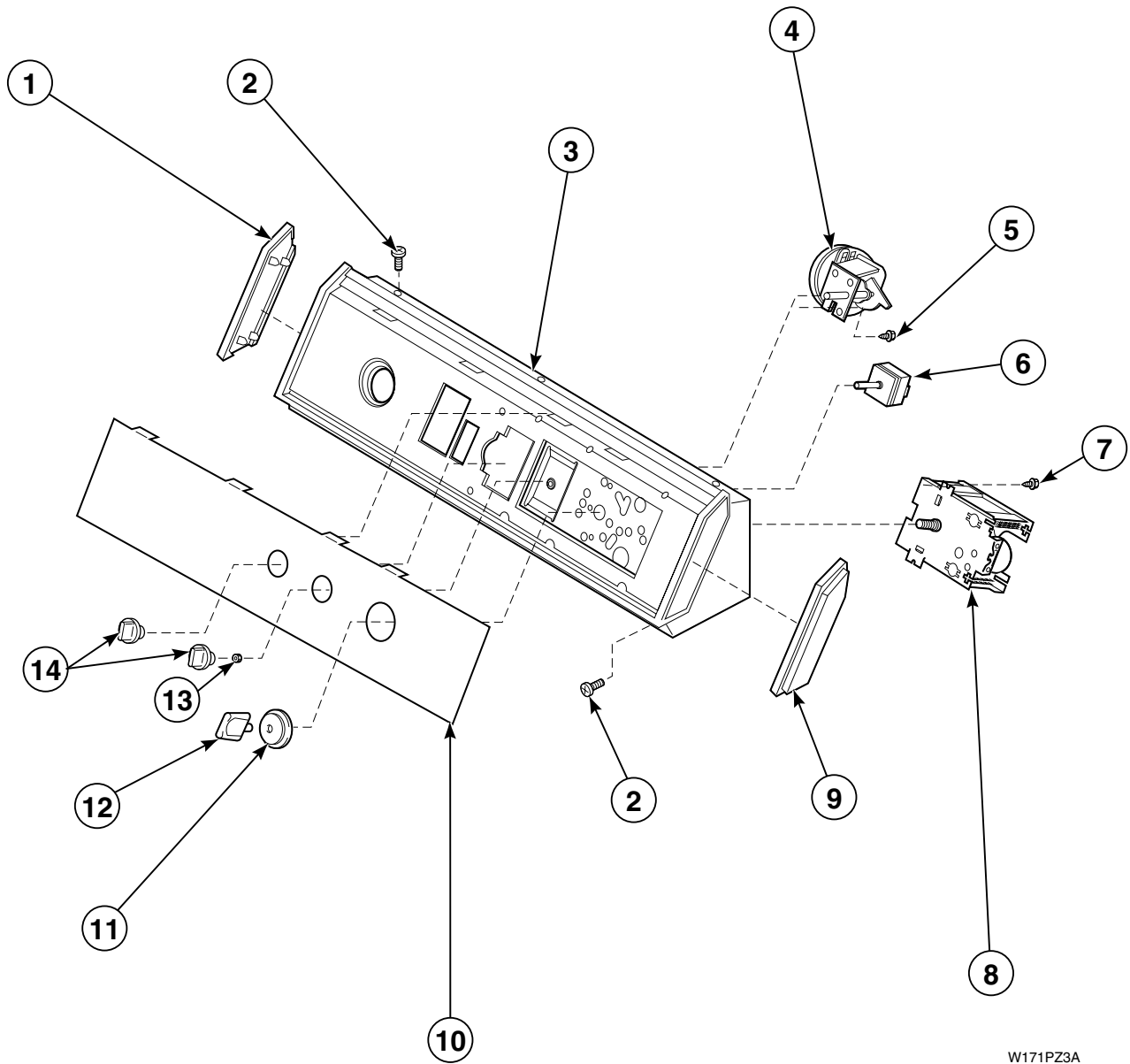
Model AWM190*2

REF	PART #	DESCRIPTION	COMMENTS
1	34460	End Cap	Left
2	31752	Screw	
3	31811	Control Hood Assembly	Through Serial No. 9511021616
	37844	Control Hood Assembly	Starting Serial No. 9511021617
4	35012	Pressure Switch	
5	31260	Screw	
6	23962	Screw	
7	31238	Timer	
8	34459	End Cap	Right
9	36622	Graphic Panel	
10	33817	Timer Knob Skirt	
11	33897	Timer Knob	

* Add Letter To Designate Color. L – Almond W – White

Graphic Panel, Control Hood and Controls

Models AWM2702*2, AWM371*2, AWM372*2 and AWM373*2



W171PZ3A

* Add Letter To Designate Color. L – Almond W – White

Graphic Panel, Control Hood and Controls

Models AWM2702*2, AWM371*2, AWM372*2 and AWM373*2

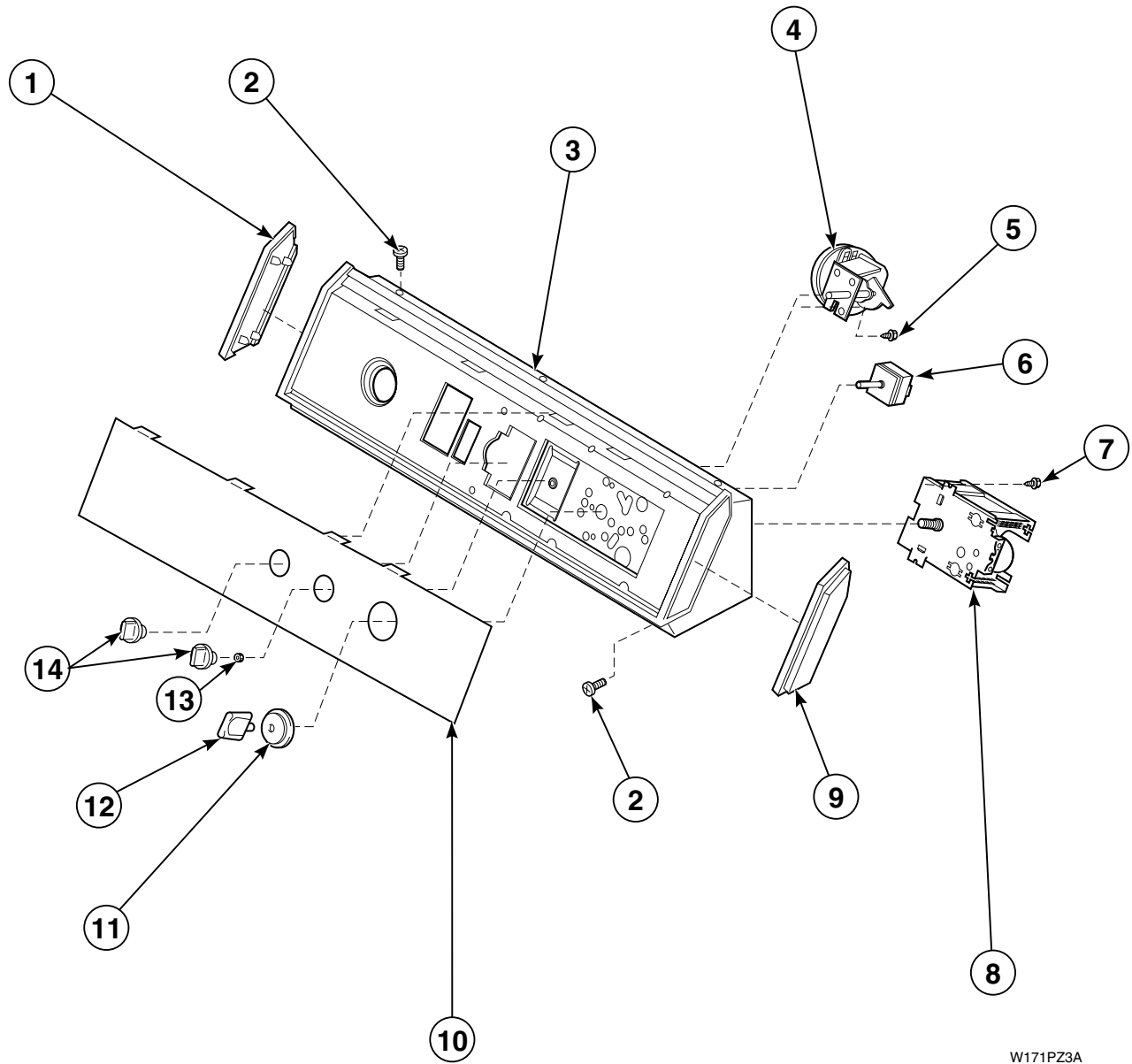
REF	PART #	DESCRIPTION	COMMENTS
1	31249	End Cap	Left
2	32993	Screw	
3	36295	Control Hood Assembly	Through Serial No. 9511021616; N/A
	37845	Control Hood Assembly	Starting Serial No. 9511021617
4	39035	Pressure Switch	Model AWM270*2
	39032	Pressure Switch	All models except AWM270*2
5	31260	Screw	
6	21300	Temperature Switch	Through Serial No. 9511021616
	35115	Temperature Switch	Starting Serial No. 9511021617
7	23962	Screw	
8	31238	Timer	Model AWM270*2
	31239	Timer	All models except AWM270*2
9	31248	End Cap	Right
10	36629	Graphic Panel	Model AWM270*2; N/A
	36922W	Graphic Panel	Models AWM372*2 and AWM373*2
	37675W	Graphic Panel	Model AWM371*2; N/A
11	33818	Timer Knob Skirt	
12	33898W	Timer Knob	
13	57584	Nut	Through Serial No. 9511021616
14	33688	Control Knob Assembly	

* Add Letter To Designate Color. L – Almond W – White

N/A = Part no longer available

Graphic Panel, Control Hood and Controls

Models AWM290*2, AWM392*2 and AWM393*2



W171PZ3A

* Add Letter To Designate Color. L – Almond W – White

Graphic Panel, Control Hood and Controls

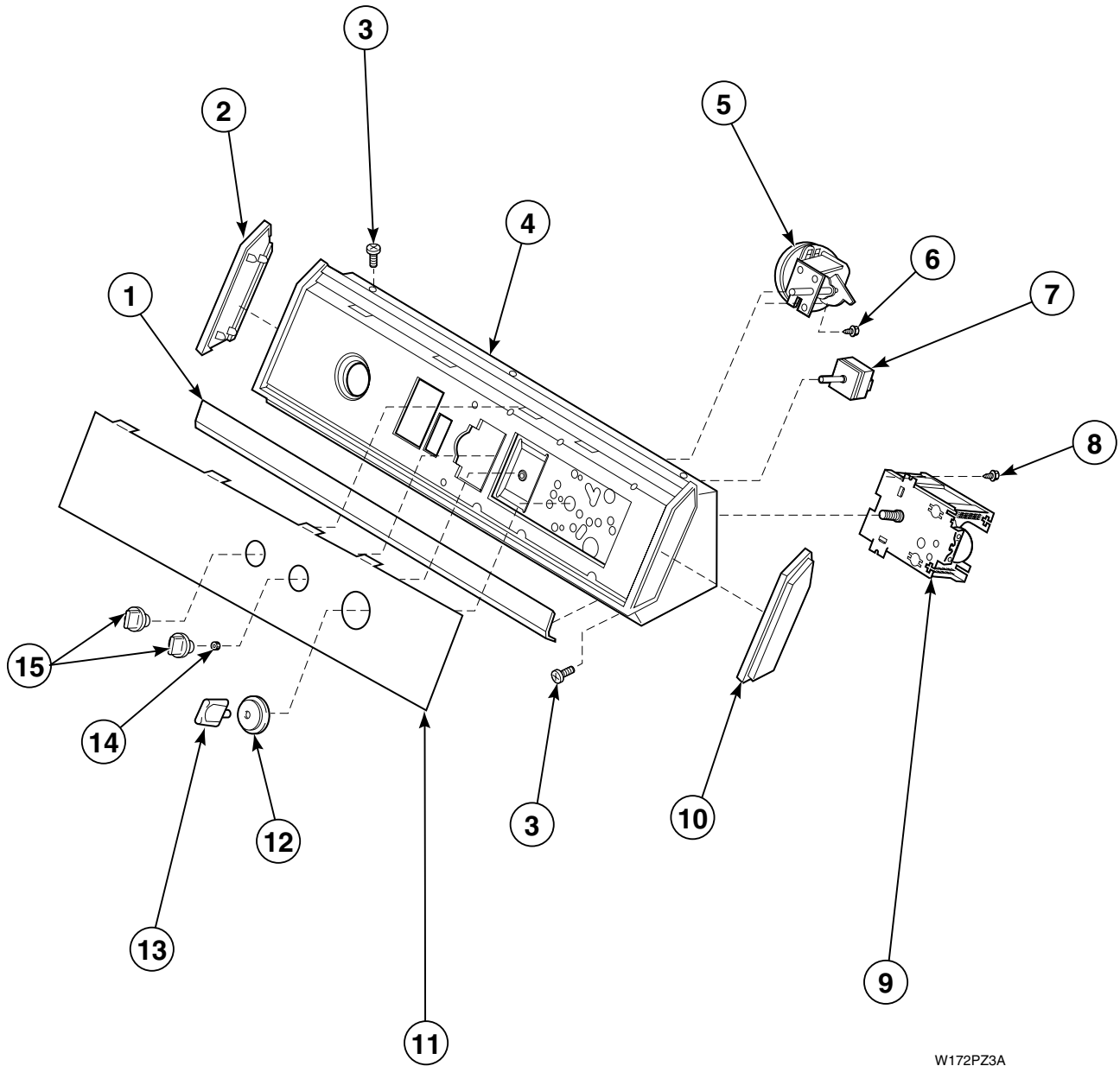
Models AWM290*2, AWM392*2 and AWM393*2

REF	PART #	DESCRIPTION	COMMENTS
1	31249	End Cap	Left
2	31752	Screw	
3	31811	Control Hood Assembly	Through Serial No. 9511021616
	37844	Control Hood Assembly	Starting Serial No. 9511021617
4	39035	Pressure Switch	Models AWM290*2
	39023	Pressure Switch	All models except AWM290*2
5	31260	Screw	
6	21300	Temperature Switch	Through Serial No. 9511021616
	35115	Temperature Switch	Starting Serial No. 9511021617
7	23962	Screw	
8	31238	Timer	Models AWM290*2
	31239	Timer	All models except AWM290*2
9	31248	End Cap	Right
10	36620	Graphic Panel	All models except AWM290*2
	36621	Graphic Panel	Models AWM290*2
11	33817	Timer Knob Skirt	
12	33897	Timer Knob	
13	57584	Nut	Through Serial No. 9511021616
14	33610	Control Knob Assembly	

* Add Letter To Designate Color. L – Almond W – White

Graphic Panel, Control Hood and Controls

Models AWM472*2, AWM473*2 and AWM573*2



W172PZ3A

* Add Letter To Designate Color. L – Almond W – White

Graphic Panel, Control Hood and Controls

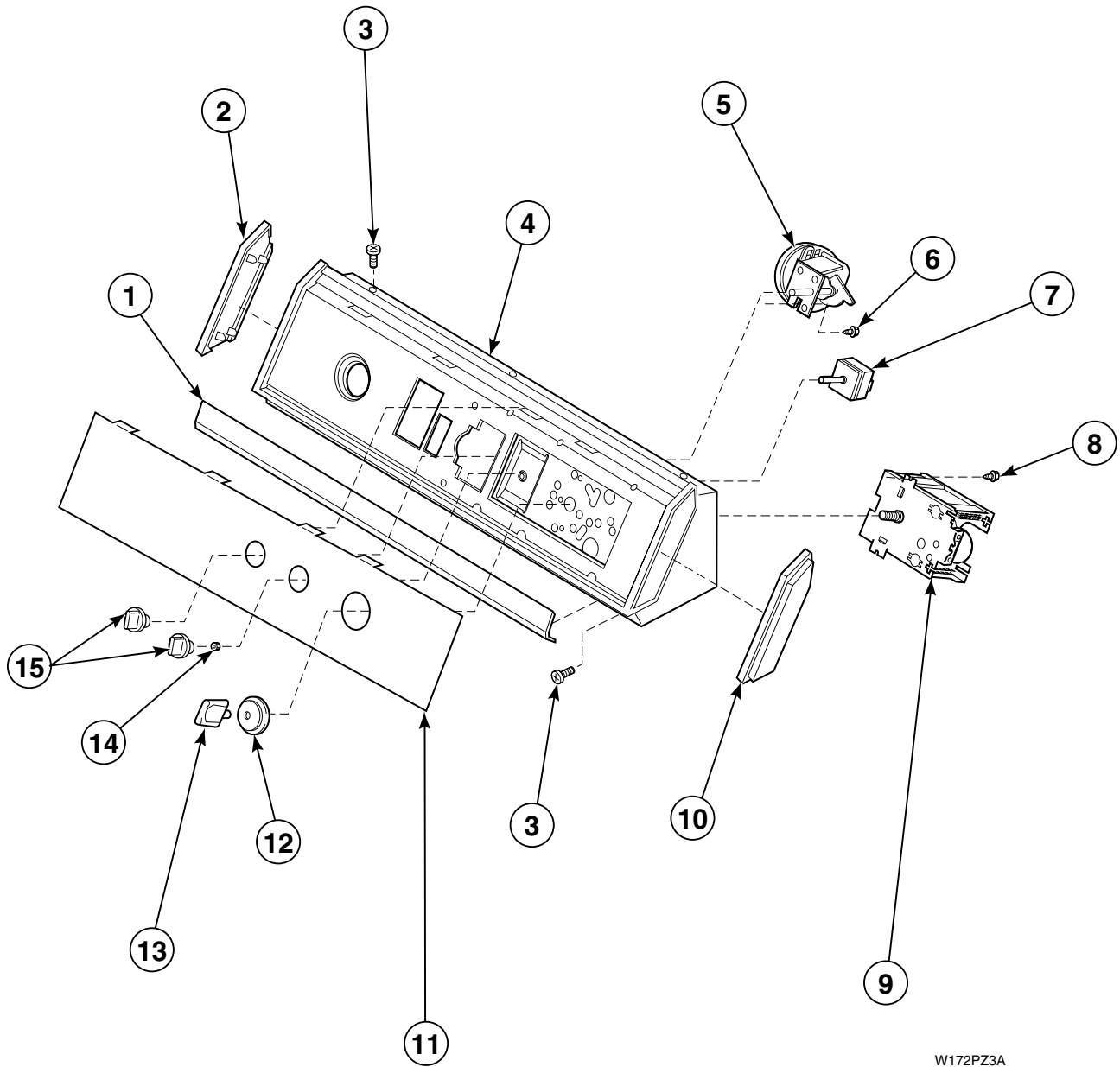
Models AWM472*2, AWM473*2 and AWM573*2

REF	PART #	DESCRIPTION	COMMENTS
1	33123R	Trim Strip	
2	31249	End Cap	Left
3	32993	Screw	
4	36295	Control Hood Assembly	Through Serial No. 9511021616
	37845	Control Hood Assembly	Starting Serial No. 9511021617
5	39023	Pressure Switch	
6	31260	Screw	
7	21300	Temperature Switch	Models AWM472*2 and AWM473*2; Through Serial No. 951021616
	32189	Temperature Switch	Model AWM573*2; Through Serial No. 951021616
	35115	Temperature Switch	Models AWM472*2 and AWM473*2; Starting Serial No. 9511021617
	36335	Temperature Switch	Models AWM573*2; Starting Serial No. 9511021617
8	23962	Screw	
9	31239	Timer	Models AWM472*2 and AWM473*2
9	36608	Timer	Model AWM573*2
10	31248	End Cap	Right
11	36619	Graphic Panel	Models AWM472*2 and AWM473*2
	36921W	Graphic Panel	Model AWM573*2
12	33818	Timer Knob Skirt	
13	33898W	Timer Knob	
14	57584	Nut	Through Serial No. 9511021616
15	33688	Control Knob Assembly	

* Add Letter To Designate Color. L – Almond W – White

Graphic Panel, Control Hood and Controls

Model AWM593*2



W172PZ3A

* Add Letter To Designate Color. L – Almond W – White

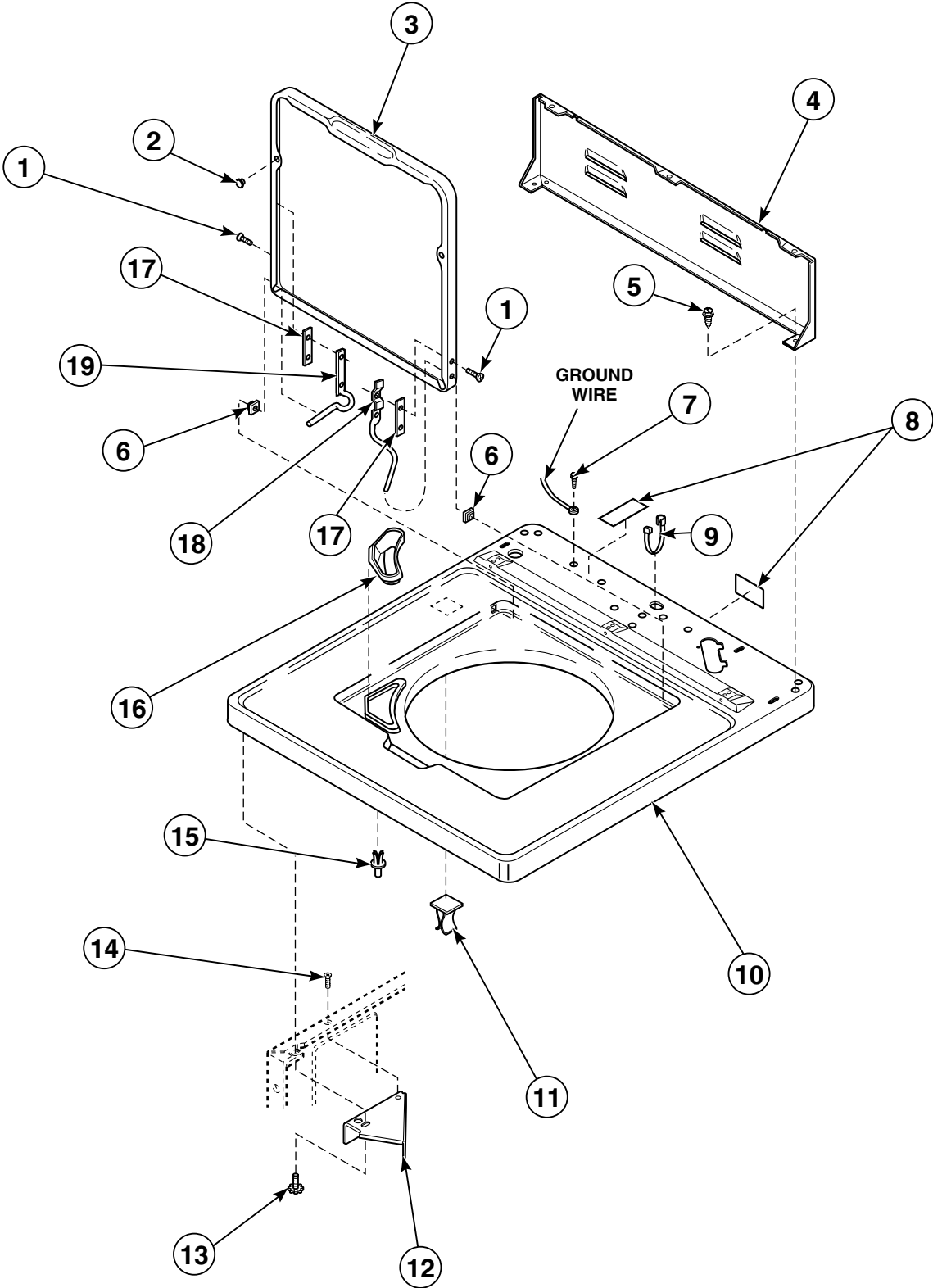
Graphic Panel, Control Hood and Controls

Model AWM593*2

REF	PART #	DESCRIPTION	COMMENTS
1	33123R	Trim Strip	
2	31249	End Cap	Left
3	31752	Screw	
4	31811	Control Hood Assembly	Through Serial No. 9511021616
	37844	Control Hood Assembly	Starting Serial No. 9511021617
5	39032	Pressure Switch	
6	31260	Screw	
7	32189	Temperature Switch	Through Serial No. 9511021616
	36335	Temperature Switch	Starting Serial No. 9511021617
8	23962	Screw	
9	36608	Timer	
10	31248	End Cap	Right
11	36618	Graphic Panel	
12	33817	Timer Knob Skirt	
13	33897	Timer Knob	
14	57584	Nut	Through Serial No. 9511021616
15	33610	Control Knob Assembly	

* Add Letter To Designate Color. L – Almond W – White

Cabinet Top, Loading Door and Control Rear Panel



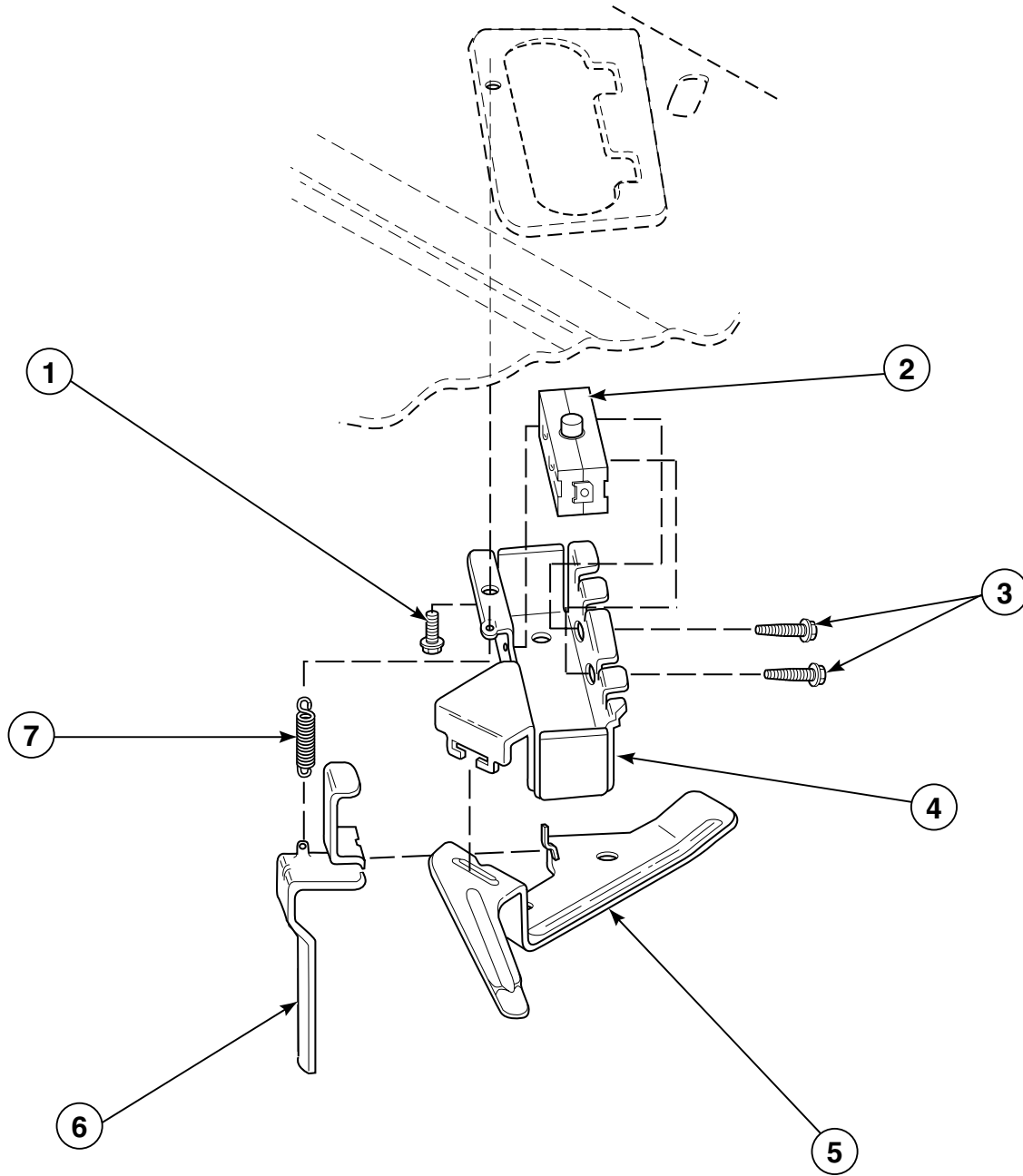
W211PZ3B

Cabinet Top, Loading Door and Control Rear Panel

REF	PART #	DESCRIPTION	COMMENTS
	26594P	Silicon Lubricant	Apply small amount to items 11 and 19; 2 oz. tube
1	34337	Screw	
2	21685	Bumper	
3	33541*P	Loading Door	
4	37782	Control Hood Rear Panel	
5	23962	Screw	
6	33446	Bushing	
7	52909	Screw	
8	24903	Sticker	
9	38384	Strain Relief	
10	34902*P	Cabinet Top	
11	36519	Clip	
12	36034	Director Bracket	
13	33562	Screw	
14	36035	Screw	
15	56534	Rivet	
16	34776	Bleach Dispenser	Not used on model AWM190*2
17	34338	Gasket	Through Serial No. 9511056682
18	36437	Hinge	Right
19	36513	Hinge	Left

* Add Letter To Designate Color. L – Almond W – White

Out-of-Balance Switch

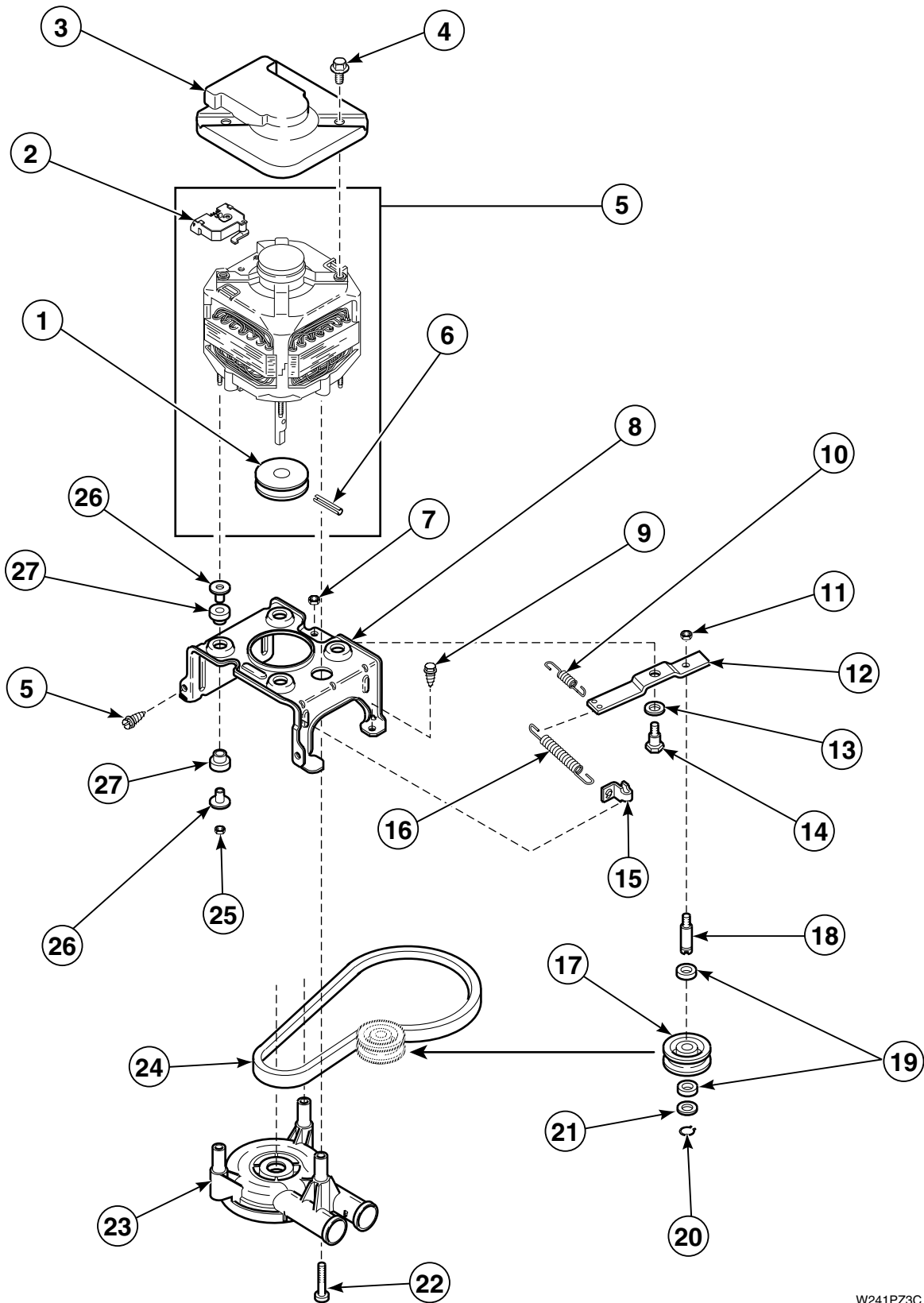


W246PZ3C

Out-of-Balance Switch

REF	PART #	DESCRIPTION	COMMENTS
1	23962	Screw	
2	33445	Switch	
3	36510	Screw	
4	36497P	Switch Holder Kit	Includes (2) item 3
5	33441	Actuator Arm	
6	33442	Lever	
7	33443	Spring	

Motor, Mounting Bracket, Belt, Pump and Idler Assembly



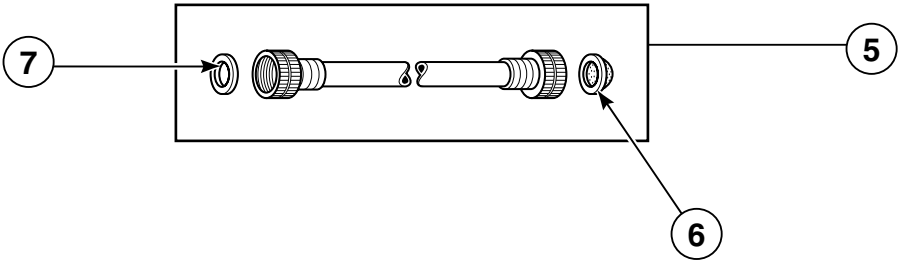
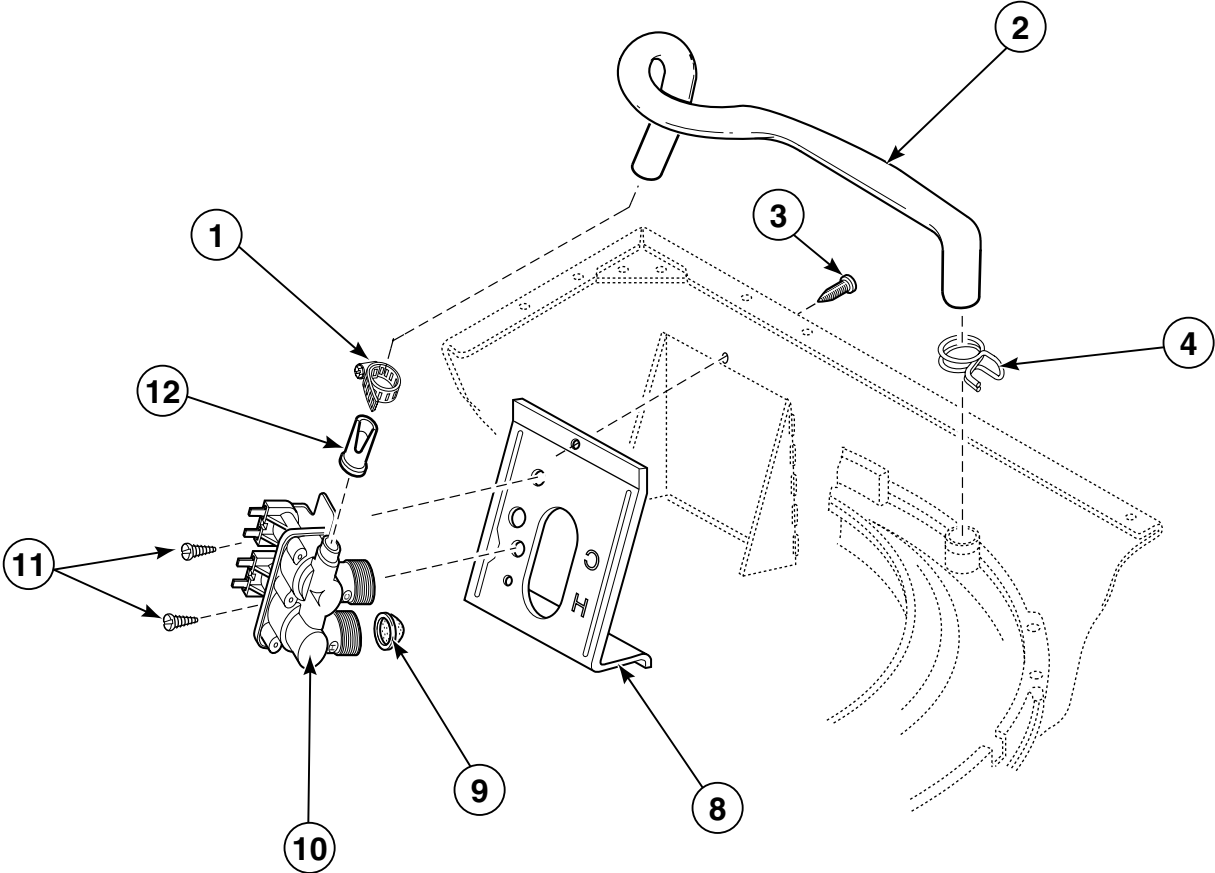
W241PZ3C

Motor, Mounting Bracket, Belt, Pump and Idler Assembly

REF	PART #	DESCRIPTION	COMMENTS
1	27171	Motor Pulley	
2	35632	Motor Switch	
3	34754	Motor Shield	
4	36639	Screw	
5	37891	Motor	2 Speed motor
	38036P	Motor	1 Speed motor
6	23750	Roll Pin	N/A
7	52566	Locknut	
8	34890	Motor Mounting Bracket	Through Serial No. 9502022146; N/A
	37415	Motor Mounting Bracket	Starting Serial No. 9507005925
	37415P	Motor Mounting Bracket	Starting Serial No. 9502022147 and continuing through Serial No. 9507005924
9	503661	Screw	
10	30620	Helper Spring	Through Serial No. 9506091526
11	28803	Locknut	
12	31054	Idler Lever	Through Serial No. 9507005924
	37443	Idler Lever	Starting Serial No. 9507005925
13	81392	Washer	
14	27229	Shoulder Bolt	
15	28849	Clip	
16	37366	Idler Lever Spring	Through Serial No. 9507005924
	37606	Idler Lever Spring	Starting Serial No. 9507005925
17	28800	Idler Pulley	
18	28802	Idler Shaft	
19	29443	Washer	Felt
20	23748	Retainer Ring	
21	52549	Washer	Nylatron
22	34565	Screw	
23	36863P	Pump Assembly	
24	28808	Belt	Agitate and spin
25	35423	Nut	
26	34791	Motor Mount Post	
27	34788	Motor Mount	Rubber

N/A = Part no longer available

Inlet Hose, Fill Hose, Mixing Valve and Mounting Bracket



W319PZ3B

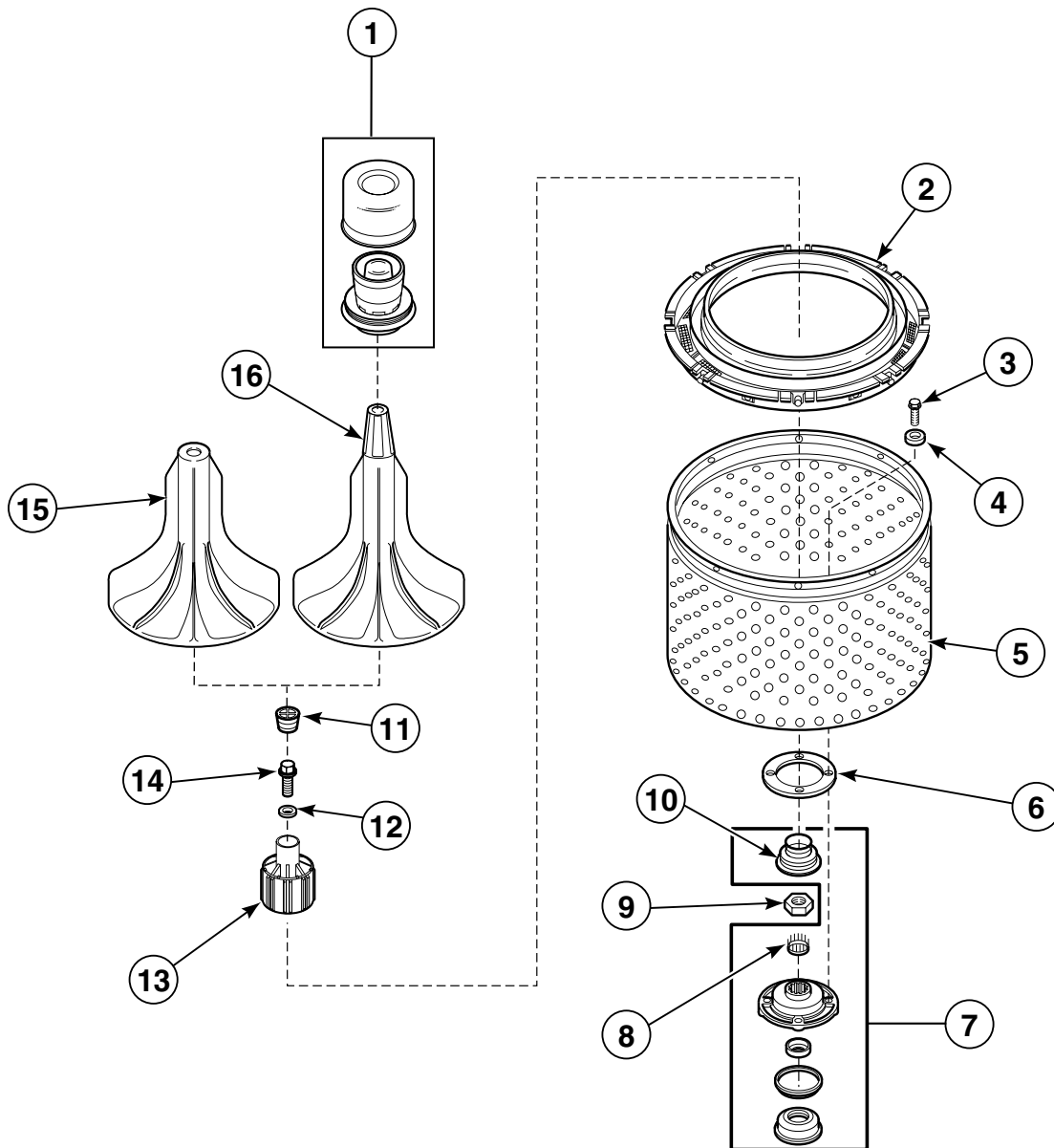
Inlet Hose, Fill Hose, Mixing Valve and Mounting Bracket

REF	PART #	DESCRIPTION	COMMENTS
1	36801	Hose Clamp	
2	33562	Screw	
3	35874	Filler Hose	
4	29210	Hose Clamp	
5	20617	Inlet Hose	8 feet
	20618	Inlet Hose	10 feet
	28330P	Inlet Hose	4 feet; Includes item 6 and 7
6	28605	Filter Washer	Faucet connection; N/A
7	20290	Hose Washer	Valve connection
8	39407	Mixing Valve Mounting Bracket	
9	34500	Backflow Preventer	
10	F270200	Inlet Screen	
11	34963	Mixing Valve	
12	23962	Screw	

N/A = Part no longer available

Agitator, Drive Bell, Seal Kit, Washtub and Hub

Models AWM190*2, AWM270*2 and AWM290*2



W226PZ3A

* Add Letter To Designate Color. L – Almond W – White

Agitator, Drive Bell, Seal Kit, Washtub and Hub

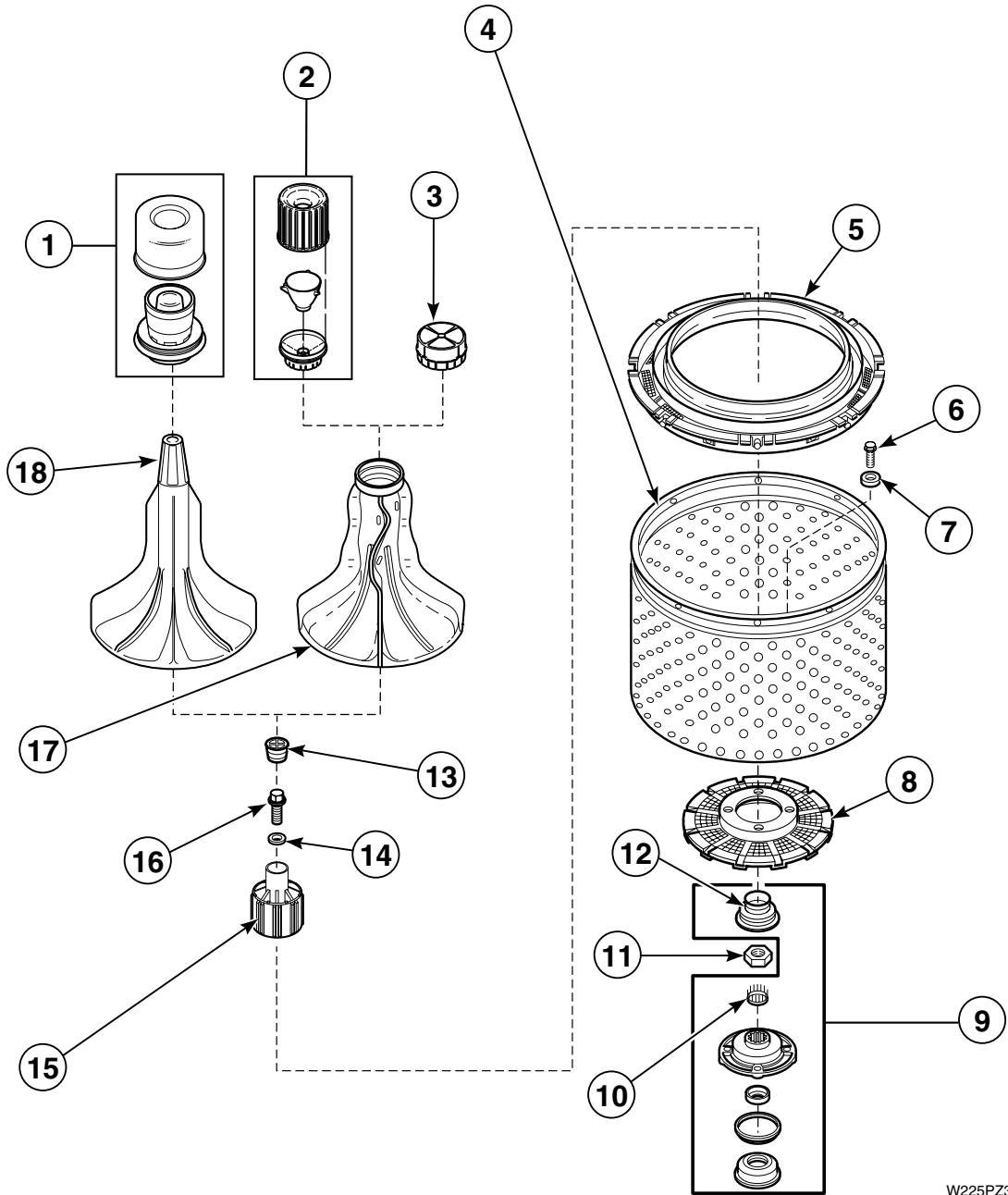
Models AWM190*2, AWM270*2 and AWM290*2

REF	PART #	DESCRIPTION	COMMENTS
1	33510	Fabric Softener Dispenser	
2	35035	Clothes Guard	
3	27202	Screw	
4	28094	Gasket	Rubber washer
5	39252P	Washtub	Blue Porcelain
6	39122	Gasket	
7	495P3	Hub and Seal Kit	Includes 27615P Sealant, 32857 Cover Gasket and 36443P Drive Bell and Seal Kit
8	29728	Splined Insert	
9	29220	Locknut	
10	36425	Seal	
11	36511	Plug	
12	36472	O-Ring	
13	39508P	Drive Bell and Seal Kit	Includes items 8, 10, 11, 12, 14 and Drive Bell
14	34288	Shoulder Screw	
15	33513	Agitator	Model AWM190*2
16	33514	Agitator	Models AWM270*2 and AWM290*2

* Add Letter To Designate Color. L – Almond W – White

Agitator, Drive Bell, Seal Kit, Washtub and Hub

All models except AWM190*2, AWM270*2 and AWM290*2



W225PZ3A

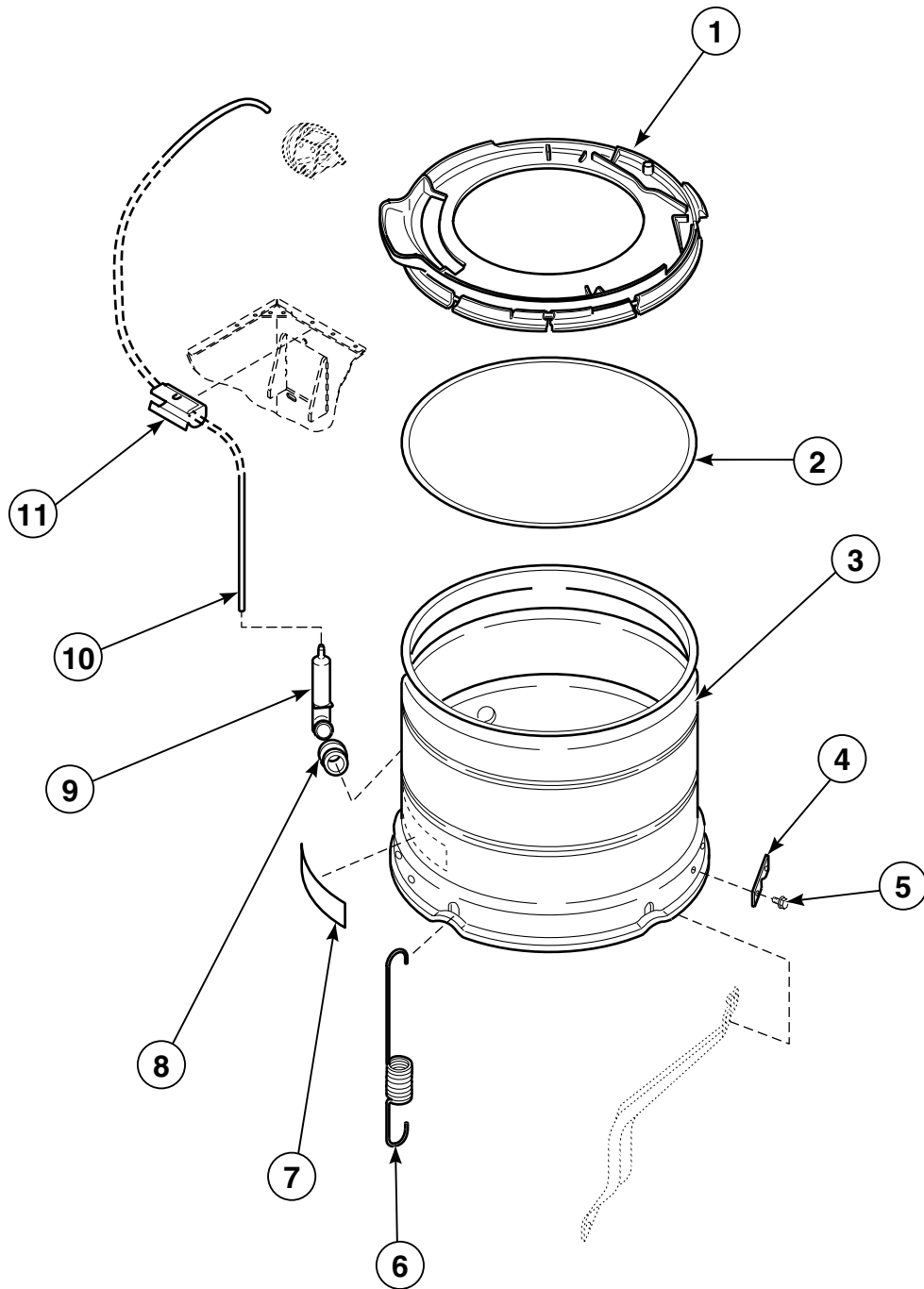
Agitator, Drive Bell, Seal Kit, Washtub and Hub

All models except AWM190*2, AWM270*2 and AWM290*2

REF	PART #	DESCRIPTION	COMMENTS
1	33510	Fabric Softener Dispenser	
2	36542	Fabric Softener Dispenser	
3	36515	Agitator Cap	
4	719P3	Washtub	Stainless Steel; All models except AWM371*2, AWM372*2, AWM392*2 and AWM472*2
	32940P	Washtub	White Porcelain; Models AWM372*2, AWM392*2 and AWM472*2
	39387P	Washtub	Stainless Steel; Model AWM371*2
5	35035	Clothes Guard	
6	27202	Cap Screw	
7	28094	Gasket	Rubber washer
8	39371	Lint Filter	
9	495P3	Hub and Seal Kit	Includes 27615P Sealant, 32857 Cover Gasket and 36443P Drive Bell and Seal Kit
10	29728	Splined Insert	
11	29220	Locknut	
12	36425	Seal	
13	36511	Plug	
14	36472	O-Ring	
15	39508P	Drive Bell and Seal Kit	Includes items 13, 16 and drive bell
16	39432	Shoulder Screw	
17	33174	Agitator	Wavy vane; Models AWM472*2, AWM473*2, AWM573*2 and AWM593*2
18	33514	Agitator	Straight vane; Models AWM371*2, AWM372*2, AWM373*2, AWM392*2 and AWM393*2

* Add Letter To Designate Color. L – Almond W – White

Outer Tub, Cover and Pressure Hose



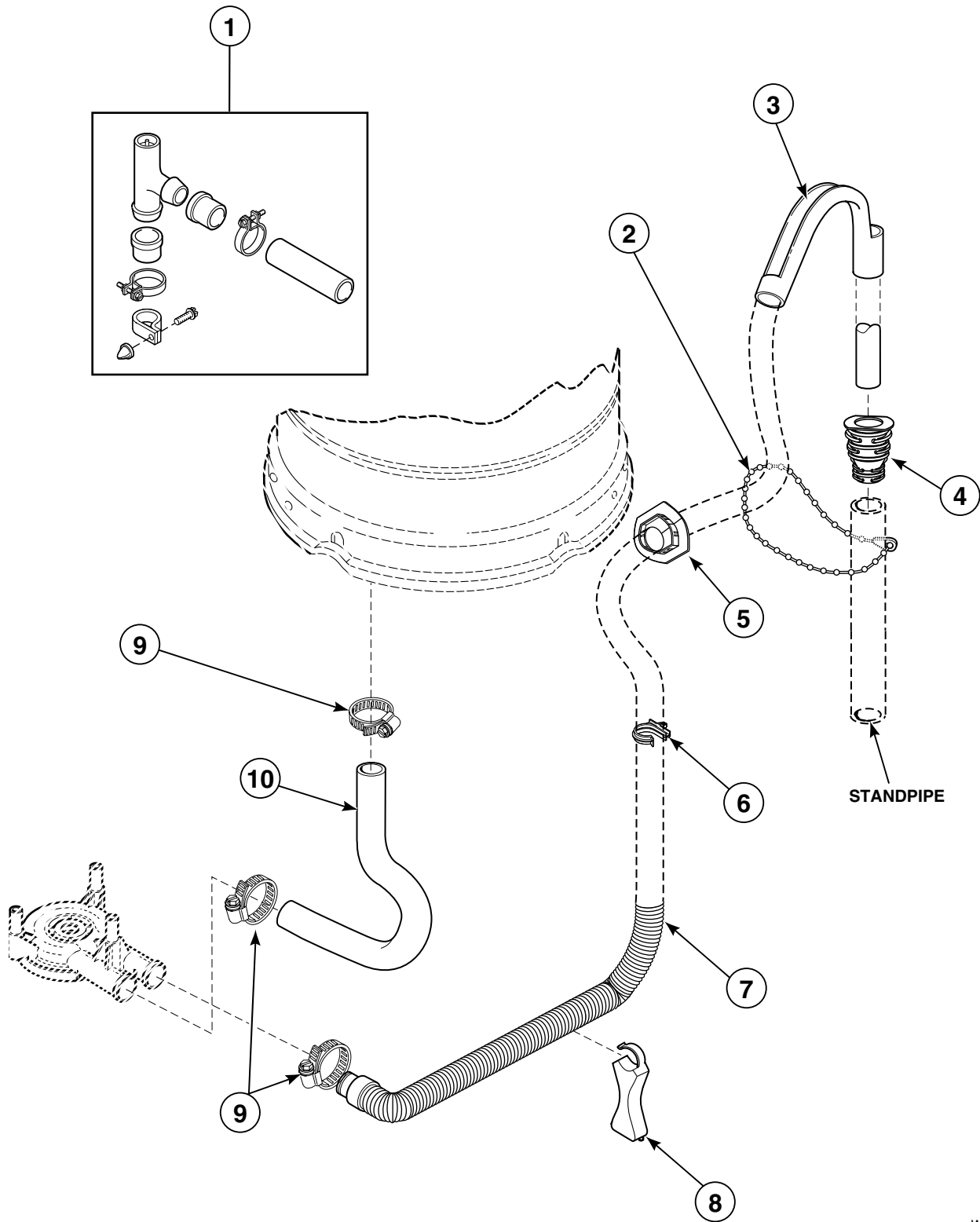
W267PZ3B

Outer Tub, Cover and Pressure Hose

REF	PART #	DESCRIPTION	COMMENTS
1	36025P	Outer Tub Cover Kit	Includes item 2 and Part No. 21036 Clip
2	32857	Outer Tub Cover Gasket	
3	34438P	Outer Tub	All Models except AWM190*2, AWM270*2, AWM290*2 and AWM371*2
	34439P	Outer Tub	Models AWM190*2, AWM270*2, AWM290*2 and AWM371*2
4	27926	Leg Plate	
5	35369	Screw	
6	35947	Centering Spring	Models AWM190*2, AWM270*2, AWM290*2 and AWM371*2
	35948	Centering Spring	All Models except AWM19082, AWM270*2, AWM290*2 and AWM371*2
7	500049	Sticker	
8	29175	Grommet	
9	30907	Pressure Bulb	
10	39125	Tubing	
11	36985	Clip	

* Add Letter To Designate Color. L – Almond W – White

Drain Hose and Siphon Break



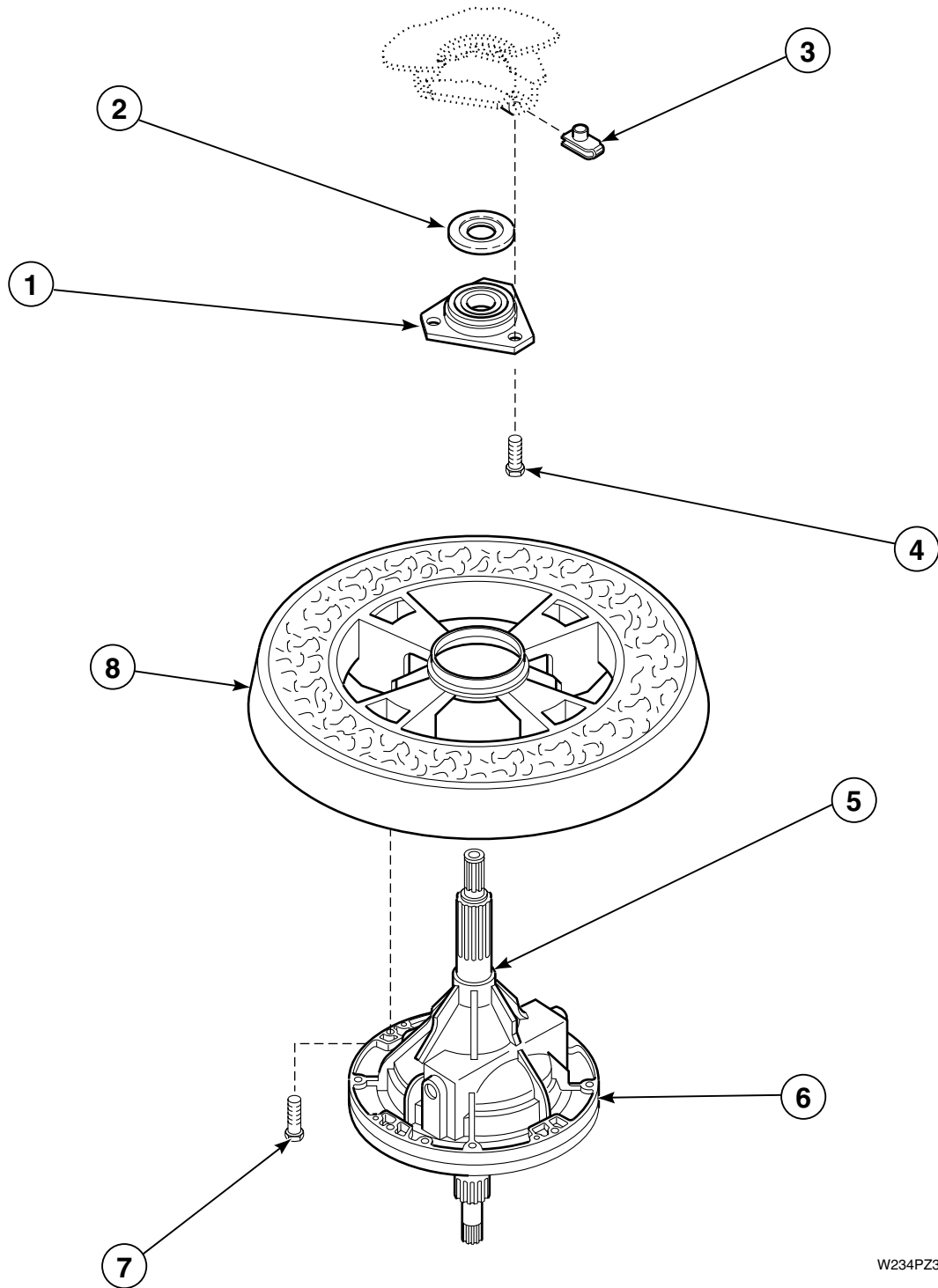
W232PZ3B

Drain Hose and Siphon Break

REF	PART #	DESCRIPTION	COMMENTS
1	562P3	Siphon Break Kit	Siphon Break Kit MUST be installed in drain hose if drain receptacle is lower than cabinet top of washer
2	33489	Beaded Tie-Down Strap	
3	33615	Drain Hose Sleeve	
4	36878	Standpipe Adapter	
5	32219	Drain Hose Strain Relief	
6	36014	Hose Retainer Clip	
7	39950	Drain Hose	
8	35487	Hose Support	Through Serial No. 9502022146
	36522	Hose Support	Starting Serial No. 9502022147
9	36802	Hose Clamp	#20
10	35752	Tub-to-Pump Hose	Models AWM190*2, AWM270*2, AWM290*2 and AWM371*2
	35753	Tub-to-Pump Hose	All Models except AWM190*2, AWM270*2, AWM290*2 and AWM371*2

* Add Letter To Designate Color. L – Almond W – White

Transmission Assembly and Balancing Ring



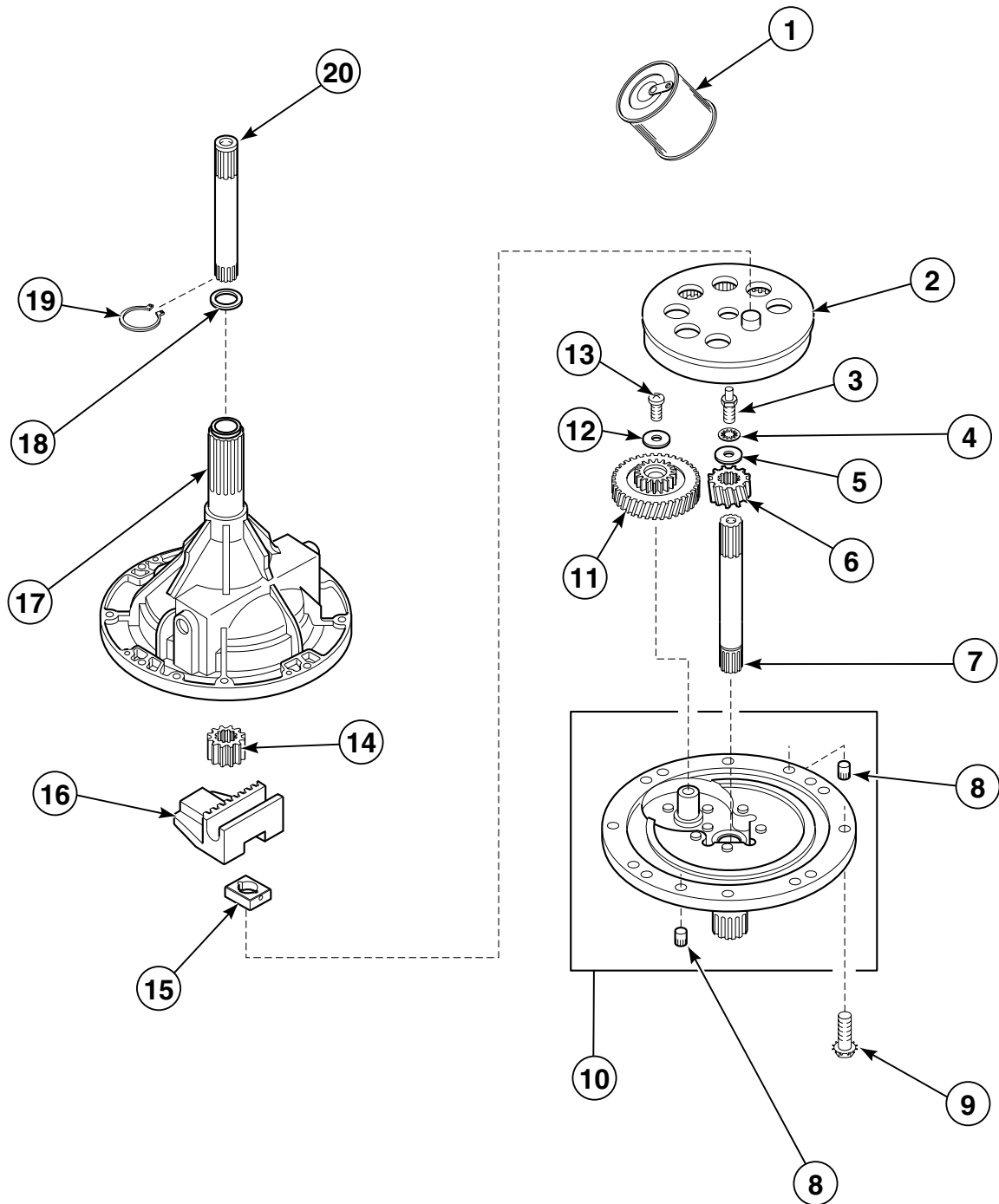
W234PZ3D

Transmission Assembly and Balancing Ring

REF	PART #	DESCRIPTION	COMMENTS
1	27182	Bearing Housing Assembly	
2	27187	Flinger	Through Serial No. 9510053576
3	27222	Retainer Nut	
4	36991	Cap Screw	
5	27604P	Anti-Seize Compound	Apply to this area of both the upper and lower transmission tubes
6	34526P	Transmission Assembly	
7	37047	Screw	N/A
8	34731	Balancing Ring	

N/A = Part no longer available

34526P Transmission Assembly

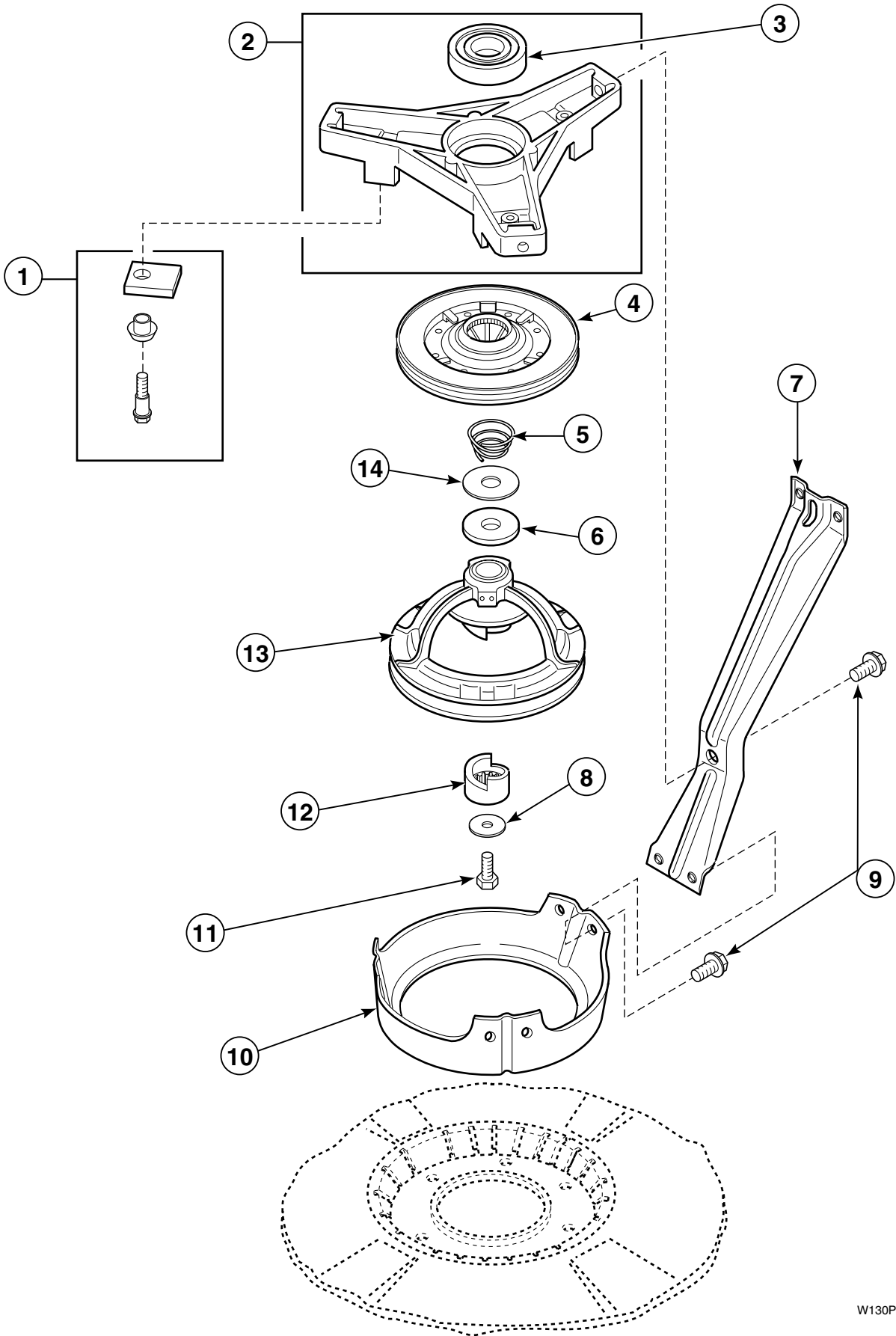


W157PZ3C

34526P Transmission Assembly

REF	PART #	DESCRIPTION	COMMENTS
	37577P	Sealant	Use between transmission case and cover
1	27243P	Transmission Oil	1 fill
2	26577	Internal Gear	
3	27030	Special Screw	
4	21456	Lockwasher	
5	26509	Washer	
6	36562	Drive Pinion	
7	34853	Input Shaft	
8	27172	Dowel Pin	Through Serial No. 9604069377
9	32814	Screw	
10	38290	Transmission Cover Assembly	
11	29161	Reduction Gear	
12	29260	Washer	
13	29273	Screw	
14	27003	Agitator Pinion	
15	26493	Slide	
16	31526	Rack	
17	33223	Transmission Case Assembly	
18	35092	Washer	
19	27197	Retainer Ring	
20	36570	Output Shaft	

Bearing Housing, Brake, Pulley and Pivot Dome



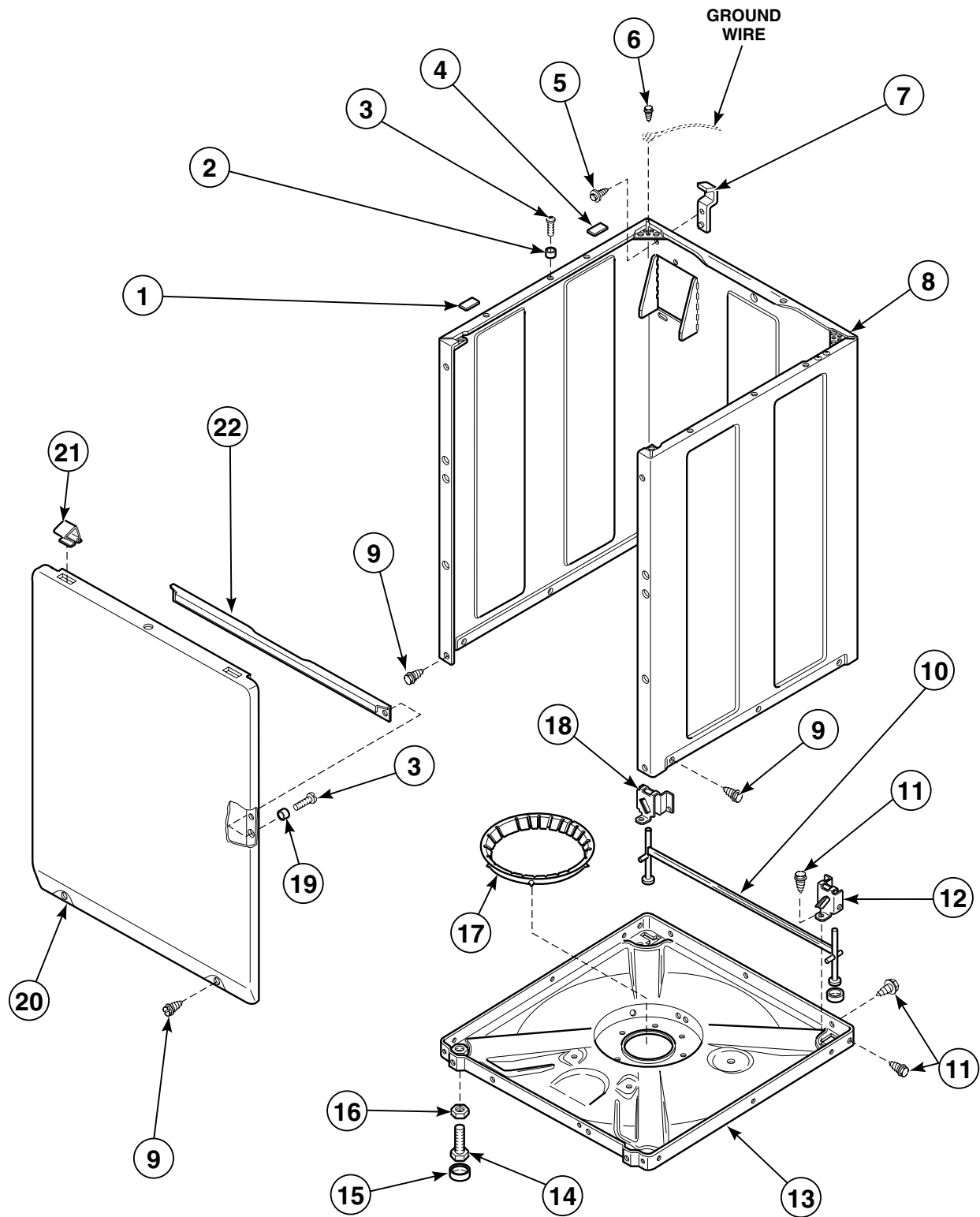
W130PZ3E

Bearing Housing, Brake, Pulley and Pivot Dome

REF	PART #	DESCRIPTION	COMMENTS
	26594P	Silicon Lubricant	Apply small amount to each new brake pad
1	548P3	Brake Pad Kit	Includes sleeves, screws and 3 pads
2	35746	Bearing Housing Assembly	
3	28944R	Bearing	
4	38505P	Brake	
5	33435	Spring	Through Serial No. 9606029040
6	27015	Washer	Thick
7	34471	Support Leg	All models except AWM190*2, AWM270*2, AWM290*2 and AWM371*2
	34792	Support Leg	Models AWM190*2, AWM270*2, AWM290*2 and AWM371*2
8	26509	Washer	
9	35369	Screw	
10	34470	Pivot Dome	
11	27220	Screw	
12	27018	Helix	
13	34921	Pulley Assembly	All models except AWM190*2, AWM270*2, AWM290*2 and AWM371*2
	34923	Pulley Assembly	Models AWM190*2, AWM270*2, AWM290*2 and AWM371*2
14	35535	Washer	Thin

* Add Letter To Designate Color. L – Almond W – White

Front Panel, Base Assembly and Cabinet Assembly



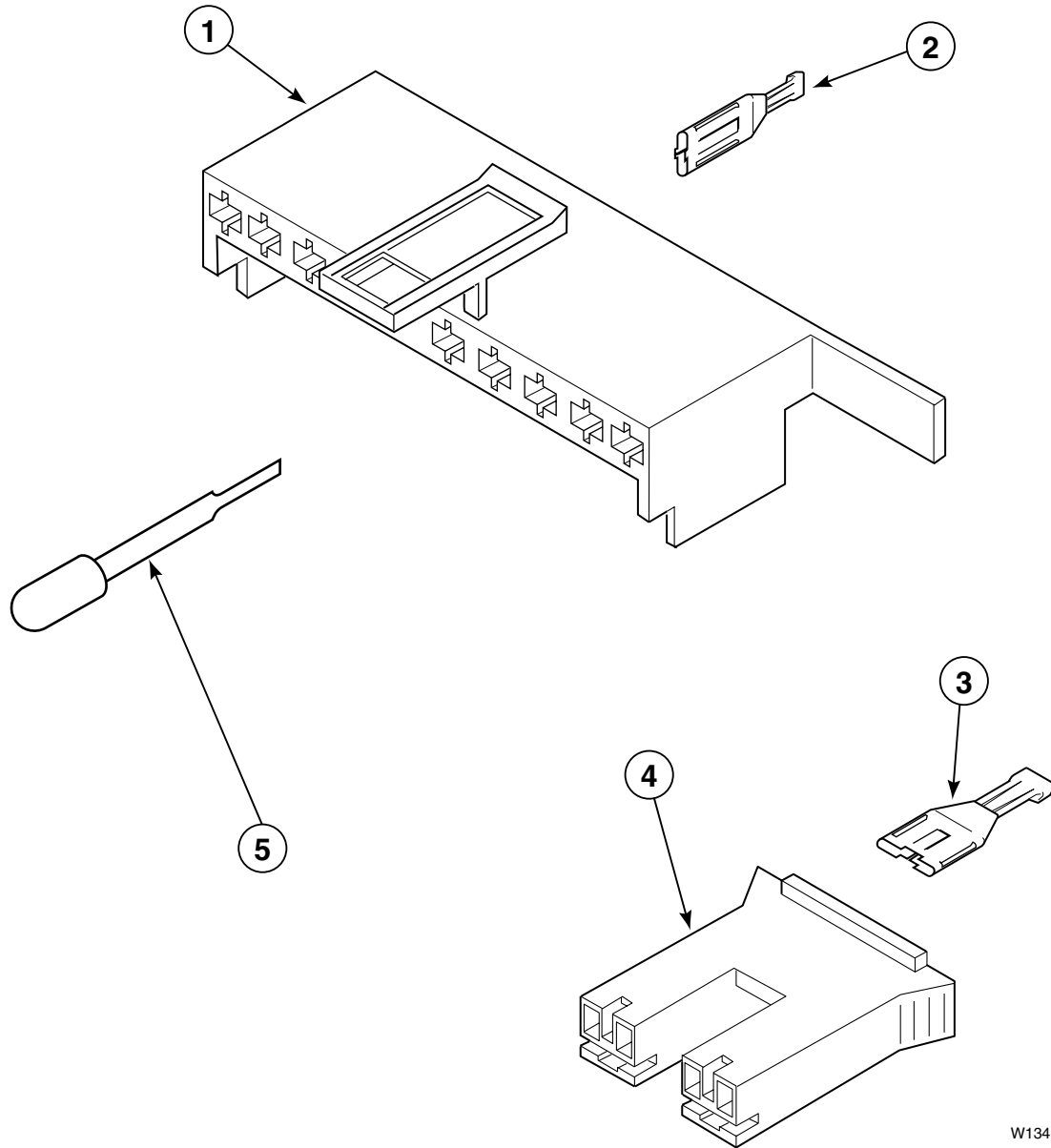
W184PZ3C

Front Panel, Base Assembly and Cabinet Assembly

REF	PART #	DESCRIPTION	COMMENTS
1	56128	Bumper Pad	Thin
2	56079	Guide Lug	
3	32671	Screw	
4	36226	Bumper Pad	Thick
5	51780	Screw	
6	23962	Screw	
7	27103	Hinge	
8	28612*P	Cabinet	
9	27196	Screw	
10	34443	Leveling Leg and Stabilizer Bar Assembly	
11	35148	Screw	
12	36036	Bracket	Right
13	34434P	Base	Through Serial No. 9502022146; Includes items 10, 11, 12, 17 and 18
	36599P	Base	Starting Serial No. 9502022147; Includes items 10, 11, 12, 17 and 18
14	34319	Leveling Leg	
15	34318	Rubber Foot	
16	21899	Locknut	
17	36108	Snubber Pad and Isolator Assembly	
18	36037	Bracket	Left
19	28102	Guide Lug	
20	34656*P	Front Panel	Includes items 21, 22 and attaching hardware
21	35865	Hold-Down Clip	
22	35097	Brace	

* Add Letter To Designate Color. L – Almond W – White

Mixing Valve and Motor Connection Blocks, Terminals and Terminal Extractor Tool



W134PZ3A

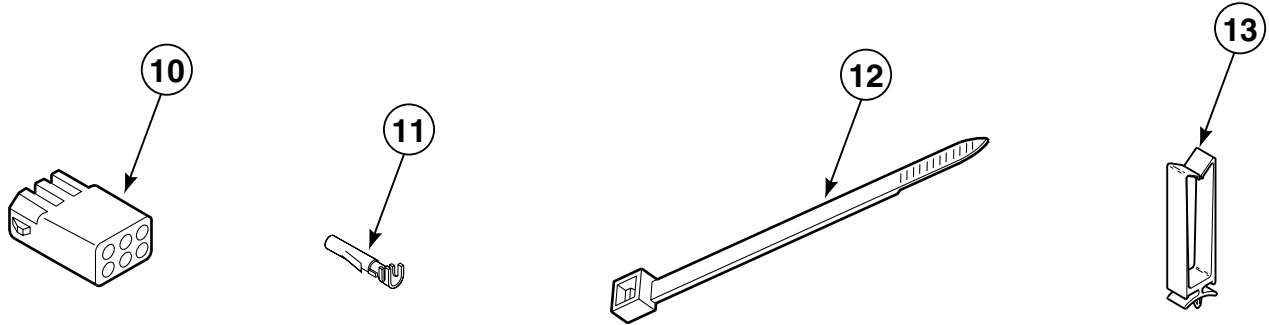
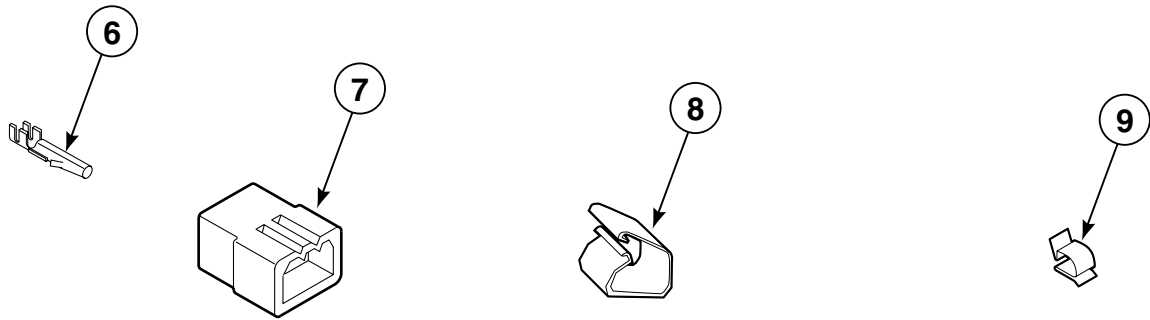
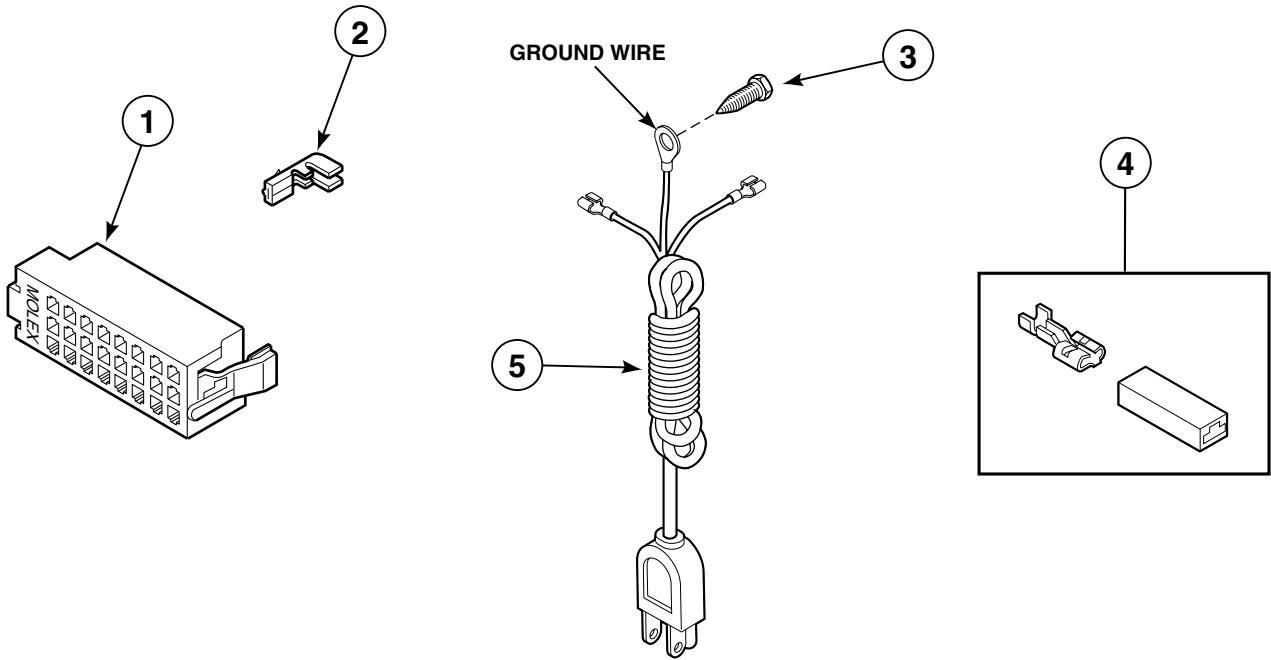
Mixing Valve and Motor Connection Blocks, Terminals and Terminal Extractor Tool

REF	PART #	DESCRIPTION	COMMENTS
	34529	Wiring Harness	Hood; Models AWM472*2 and AWM473*2
	34833	Wiring Harness	Hood; Models AWM573*2 and AWM593*2
	34971	Wiring Harness	Hood; Models AWM270*2, AWM290*2, AWM371*2, AWM372*2, AWM373*2, AWM392*2 and AWM393*2
	35048	Wiring Harness	Hood; Models AWM190*2; N/A
	36278	Wiring Harness	Base
1	34677	Plug	Motor
2	00188	Terminal	Female; For 1 or 2 wire application
3	00121	Terminal	Female; 1/4 inch
4	34675	Mixing Valve	Natural
	34676	Mixing Valve	Red
5	283P4	Terminal Extractor Tool	

* Add Letter To Designate Color. L – Almond W – White

N/A = Part no longer available

Power Cord and Terminals

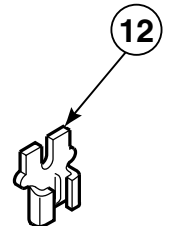
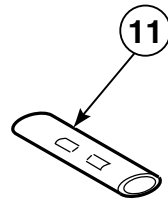
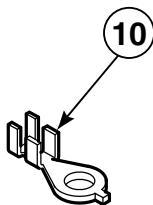
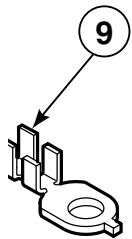
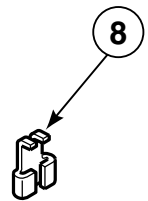
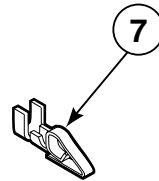
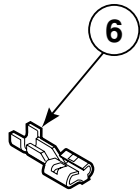
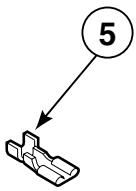
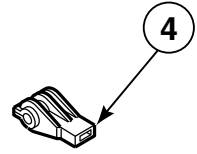
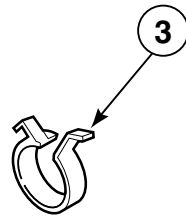
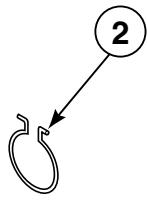
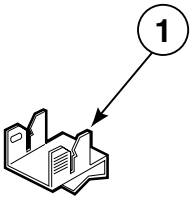


W245PZ3A

Power Cord and Terminals

REF	PART #	DESCRIPTION	COMMENTS
1	32746	Housing	Right
	34123	Housing	Left
2	00188	Terminal	Female; Used for 1 or 2 wire application
3	52909	Screw	
4	00234	Terminal	Female
5	34458	Power Cord	
6	00116	Terminal	Male
7	23033	Plug	9 circuit
	23041	Plug	6 circuit
	26302	Plug	1 circuit
8	35521	Harness Clip	
9	21036	Cable Clip	
10	26163	Receptacle	9 circuit
	26301	Receptacle	1 circuit
	26708	Receptacle	6 circuit
11	00117	Terminal	Female
12	55881	Harness	
13	36274	Harness Clip	

Terminals

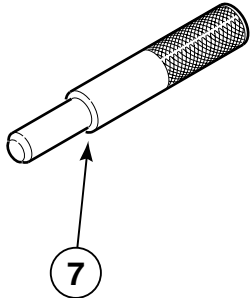
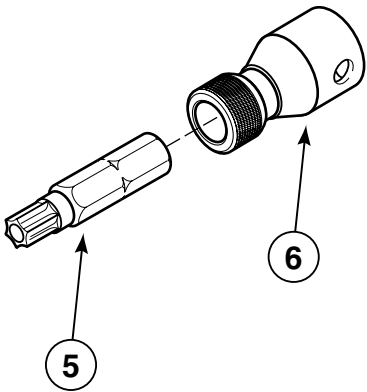
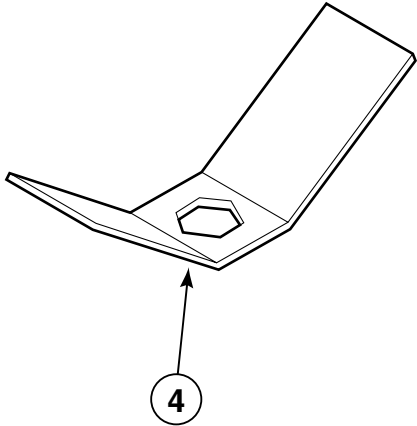
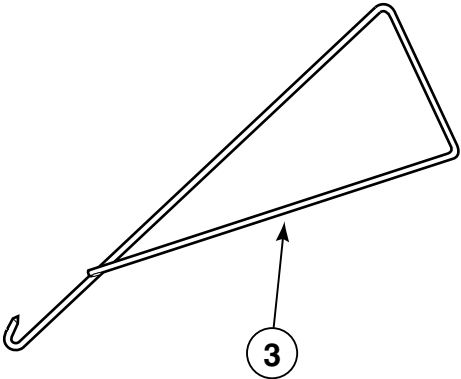
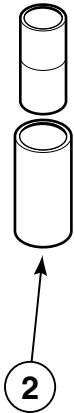
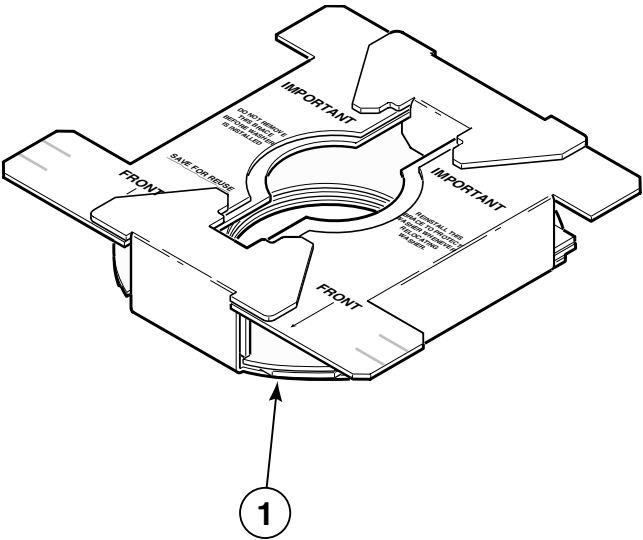


W248PZ3A

Terminals

REF	PART #	DESCRIPTION	COMMENTS
1	00161	Ground Clip	
2	51291	Wire Clip	
3	504034	Wire Clip	
4	70210	Plastic Insulator	
5	00112	Spade Terminal	Female; Small spade
6	00223	Spade Terminal	Large spade
7	00220	Spade Terminal	Female; 1/4 inch
8	00120	Terminal	Female
9	00113	Eyelet Terminal	1/4 inch ring
10	00110	Eyelet Terminal	Small shank
11	21091	Connector	(2) 1/4 inch male spades
12	29673	Double Connector	

Special Tools



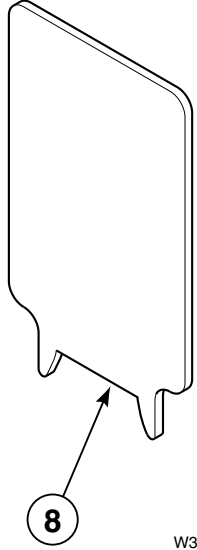
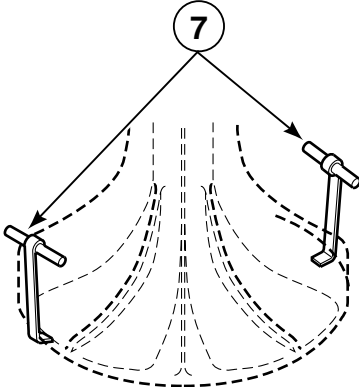
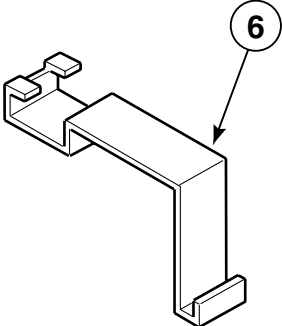
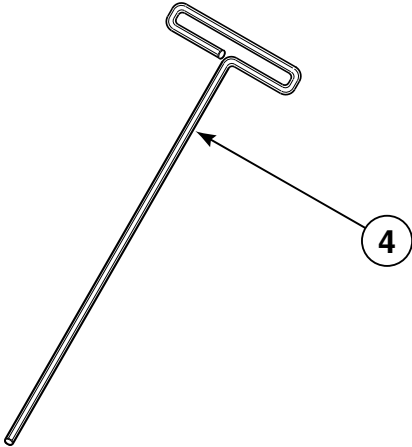
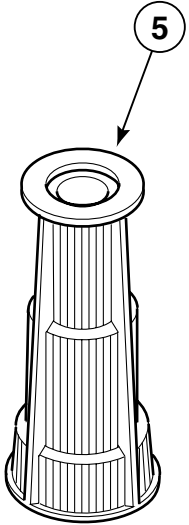
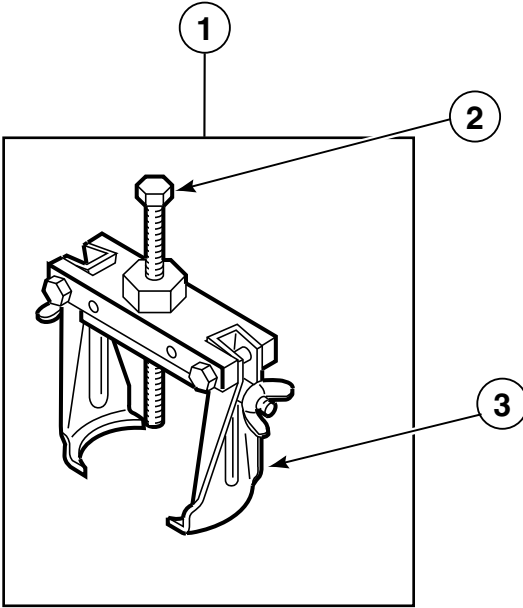
W309PZ3B

Special Tools

REF	PART #	DESCRIPTION	COMMENTS
	725P3	Tool Kit	Includes item 2, 3, 4, and Part No.'s 254P4P Hook, 273P4 Tool and 293P4 Tool
1	36926	Washer Shipping Brace	Install whenever moving washer; Remove before use; N/A
2	242P4	Brake Spring Installer	For installing brake spring; N/A
3	321P4	Spring Hook	For removal of centering springs from outer tub
4	306P4	Hex Wrench	For removal of locknut from washtub hub
5	282P4	T25 Torx Bit	For removal and installation of pump attaching screws
6	24161	Torx Bit Holder	3/8 inch drive
7	305P4	Transmission Pin Tool	2 required; Use pin tools in place of dowel pins when reassembling transmission cover and case.

N/A = Part no longer available

Special Tools



W310PZ3A

Special Tools

REF	PART #	DESCRIPTION	COMMENTS
	555P3	Tool Kit	Includes items 5, 6, 7 and Part No.'s 237P4, 242P4 and 289P4
1	294P4	Bell Tool	For removal and installation of drive bell to transmission shaft.
2	294P4B	Drive Bell Bolt	Use to update 253P4 Bell Tool
3	294P4A	Drive Bell Arms	Use to update 253P4 Bell Tool
4	291P4	T Handle Allen Wrench	For removal and installation of three pump assembly attaching screws
5	293P4	Seal Tool	For installation of 36425 Seal
6	273P4	Outer Tub Cover and Gasket Tool	Use to remove 36025P Outer Tub Cover from outer tub and to install 32857 Gasket in outer tub cover.
7	254P4P	Agitator Hooks	Set of 2; Use to remove agitator from drive bell
8	272P4	Switch Tool	Use for installing lid switch for models using 33440 Switch Holder

Wire Harnesses and Wires

Individual wires are not available separately. Order complete wire harness or order wire by the foot. See wire chart below.

MODEL NUMBER	BASE WIRE HARNESS PART NUMBER	HOOD WIRE HARNESS PART NUMBER
AWM190*2	36278	N/A
AWM270*2, AWM290*2, AWM371*2, AWM372*2, AWM373*2, AWM392*2 and AWM393*2	36278	34971
AWM472*2 and AWM473*2	36278	34529
AWM573*2 and AWM593*2	36278	34833

* Add Letter To Designate Color. L – Almond W – White

N/A = Part no longer available

Order the individual wire color and gauge by the part number listed below. Order wire by the foot and terminals and connectors as required. It is recommended when applying terminals to wires that the terminals be soldered to the wires.

IMPORTANT: Always replace wires with proper gauge.

PART NUMBER	WIRE GAUGE	WIRE COLOR
45001	18 Gauge Wire	Black
45380	12 Gauge Wire	Orange

Production Literature

Part numbers do not include revision levels.

MODEL NUMBER	USE AND CARE PART NUMBER
AWM190*2	36732
AWM270*2 and AWM290*2	N/A
AWM371*2, AWM372*2, AWM373*2, AWM392*2 and AWM393*2	N/A
AWM472*2 and AWM473*2	36729
AWM573*2 and AWM593*2	N/A

N/A = Part no longer available

Parts Index

A

Actuator Arm	
33441	17
Agitator	
33174	25
33513	23
33514	23, 25
Agitator Cap	
36515	25
Agitator Hooks	
254P4P	47
Agitator Pinion	
27003	33
Anti-Seize Compound	
27604P	31

B

Backflow Preventer	
34500	21
Balancing Ring	
34731	31
Base	
34434P	37
36599P	37
Beaded Tie-Down Strap	
33489	29
Bearing	
28944R	35
Bearing Housing Assembly	
27182	31
35746	35
Bell Tool	
294P4	47
Belt	
28808	19
Bleach Dispenser	
34776	15
Brace	
35097	37
Bracket	
36036	37
36037	37
Brake	
38505P	35
Brake Pad Kit	
548P3	35
Brake Spring Installer	
242P4	45
Bumper	
21685	15
Bumper Pad	
36226	37
56128	37
Bushing	
33446	15

C

Cabinet	
28612*P	37
Cabinet Top	
34902*P	15
Cable Clip	
21036	41
Cap Screw	
27202	25
36991	31
Centering Spring	
35947	27
35948	27
Clip	
28849	19
36519	15
36985	27
Clothes Guard	
35035	23, 25
Connector	
21091	43
Control Hood Assembly	
31811	5, 9, 13
36295	7, 11
37844	5, 9, 13
37845	7, 11
Control Hood Rear Panel	
37782	15
Control Knob Assembly	
33610	9, 13
33688	7, 11

D

Director Bracket	
36034	15
Double Connector	
29673	43
Dowel Pin	
27172	33
Drain Hose	
39950	29
Drain Hose Sleeve	
33615	29
Drain Hose Strain Relief	
32219	29
Drive Bell and Seal Kit	
39508P	23, 25
Drive Bell Arms	
294P4A	47
Drive Bell Bolt	
294P4B	47
Drive Pinion	
36562	33

E

18 Gauge Wire	
45001	48
End Cap	
31248	7, 9, 11, 13
31249	7, 9, 11, 13
34459	5
34460	5
Eyelet Terminal	
00110	43
00113	43

F

Fabric Softener Dispenser	
33510	23, 25
36542	25
Filler Hose	
35874	21
Filter Washer	
28605	21
Flinger	
27187	31
Front Panel	
34656*P	37

G

Gasket	
28094	23, 25
34338	15
39122	23
Graphic Panel	
36618	13
36619	11
36620	9
36621	9
36622	5
36629	7
36921W	11
36922W	7
37675W	7
Grommet	
29175	27
Ground Clip	
00161	43
Guide Lug	
28102	37
56079	37

H

Harness	
55881	41
Harness Clip	
35521	41
36274	41
Helix	
27018	35

Helper Spring	
30620	19
Hex Wrench	
306P4	45
Hinge	
27103	37
36437	15
36513	15
Hold-Down Clip	
35865	37
Hose Clamp	
29210	21
36801	21
36802	29
Hose Retainer Clip	
36014	29
Hose Support	
35487	29
36522	29
Hose Washer	
20290	21
Housing	
32746	41
34123	41
Hub and Seal Kit	
495P3	23, 25

I

Idler Lever	
31054	19
37443	19
Idler Lever Spring	
37366	19
37606	19
Idler Pulley	
28800	19
Idler Shaft	
28802	19
Inlet Hose	
20617	21
20618	21
28330P	21
Inlet Screen	
F270200	21
Input Shaft	
34853	33
Internal Gear	
26577	33

L

Leg Plate	
27926	27
Leveling Leg	
34319	37
Leveling Leg and Stabilizer Bar Assembly	
34443	37
Lever	
33442	17
Lint Filter	
39371	25

Loading Door	
33541*P	15
Locknut	
21899	37
28803	19
29220	23, 25
52566	19
Lockwasher	
21456	33

M

Mixing Valve	
34675	39
34676	39
34963	21
Mixing Valve Mounting Bracket	
39407	21
Molex Terminal	
00188	39
Motor	
37891	19
38036P	19
Motor Mount	
34788	19
Motor Mount Post	
34791	19
Motor Mounting Bracket	
34890	19
37415	19
37415P	19
Motor Pulley	
27171	19
Motor Shield	
34754	19
Motor Switch	
35632	19

N

Nut	
35423	19
57584	7, 9, 11, 13

O

O-Ring	
36472	23, 25
Outer Tub	
34438P	27
34439P	27
Outer Tub Cover and Gasket Tool	
273P4	47
Outer Tub Cover Gasket	
32857	27
Outer Tub Cover Kit	
36025P	27
Output Shaft	
36570	33

P

Pivot Dome	
34470	35
Plastic Insulator	
70210	43
Plug	
23033	41
23041	41
26302	41
34677	39
36511	23, 25
Power Cord	
34458	41
Pressure Bulb	
30907	27
Pressure Switch	
35012	5
39023	9, 11
39032	7, 13
39035	7, 9
Pulley Assembly	
34921	35
34923	35
Pump Assembly	
36863P	19

R

Rack	
31526	33
Receptacle	
26163	41
26301	41
26708	41
Reduction Gear	
29161	33
Retainer Nut	
27222	31
Retainer Ring	
23748	19
27197	33
Rivet	
56534	15
Roll Pin	
23750	19
Rubber Foot	
34318	37

S

Screw	
23962	5, 7, 9, 11, 13, 15, 17, 21, 37
27196	37
27202	23
27220	35
29273	33
31260	5, 7, 9, 11, 13
31752	5, 9, 13
32671	37
32814	33
32993	7, 11
33562	15, 21
34337	15
34565	19
35148	37
35369	27, 35
36035	15
36510	17
36639	19
37047	31
503661	19
51780	37
52909	15, 41
Seal	
36425	23, 25
Seal Tool	
293P4	47
Sealant	
37577P	33
Shoulder Bolt	
27229	19
Shoulder Screw	
34288	23
39432	25
Silicon Lubricant	
26594P	15, 35
Siphon Break Kit	
562P3	29
Slide	
26493	33
Snubber Pad and Isolator Assembly	
36108	37
Space Terminal	
00121	39
Spade Terminal	
00112	43
00220	43
00223	43
Special Screw	
27030	33
Splined Insert	
29728	23, 25
Spring	
33435	35
33443	17
Spring Hook	
321P4	45
Standpipe Adapter	
36878	29
Sticker	
24903	15
500049	27

Strain Relief	
38384	15
Support Leg	
34471	35
34792	35
Switch	
33445	17
Switch Holder Kit	
36497P	17
Switch Tool	
272P4	47

T

T25 Torx Bit	
282P4	45
T Handle Allen Wrench	
291P4	47
Temperature Switch	
21300	7, 9, 11
32189	11, 13
35115	7, 9, 11
36335	11, 13
Terminal	
00116	41
00117	41
00120	43
00188	41
Terminal and Housing Assembly	
00234	41
Terminal Extractor Tool	
283P4	39
Timer	
31238	5, 7, 9
31239	7, 9, 11
36608	11, 13
Timer Knob	
33897	5, 9, 13
33898W	7, 11
Timer Knob Skirt	
33817	5, 9, 13
33818	7, 11
Tool Kit	
555P3	47
725P3	45
Torx Bit Holder	
24161	45
Transmission Assembly	
34526P	31
Transmission Case Assembly	
33223	33
Transmission Cover Assembly	
38290	33
Transmission Oil	
27243P	33
Transmission Pin Tool	
305P4	45
Trim Strip	
33123R	11, 13
Tubing	
39125	27
Tub-to-Pump Hose	
35752	29
35753	29

12 Gauge Wire	
45380	48

W

Washer	
26509	33, 35
27015	35
29260	33
29443	19
35092	33
35535	35
52549	19
81392	19
Washer Shipping Brace	
36926	45
Washtub	
32940P	25
39252P	23
39387P	25
719P3	25
Wire Clip	
504034	43
51291	43
Wire Harness	
34529	48
34833	48
34971	48
36278	48
Wiring Harness	
34529	39
34833	39
34971	39
35048	39
36278	39