

Commercial Automatic Washers

Metered and Nonmetered Models
Refer to Page 2 for Model Numbers

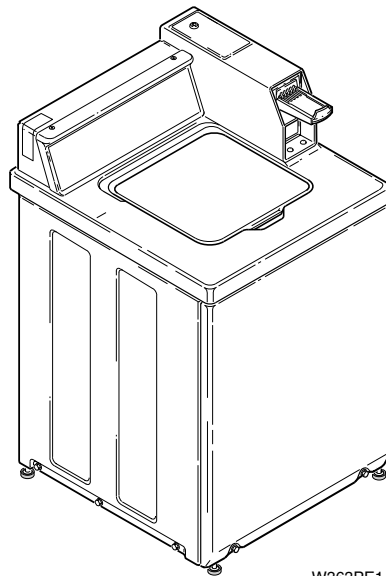


Table of Contents

Title	Page
Model Identification	2
Parts Ordering Information	3
Nameplate Location	3
Timer, Case and Plate	4
Timer, Meter Case and Service Door	6
Meter Case and Service Door	8
Coin Drop, Meter Case and Service Door	10
Coin Drop, Meter Case and Service Door	12
Timer Case	14
Security Case and Card Reader	16
Control Panel, Control Hood and Controls	18
Control Panel, Control Hood and Controls	20
Control Panel, Control Hood and Controls	22
Control Panel, Control Hood and Controls	24
Cabinet Top, Loading Door, Lid Lock and Shield	26
Cabinet Top and Loading Door	28
Loading Door Switch	30
Inlet Hose, Fill Hose, Mixing Valve and Mounting Bracket	32
Motor, Mounting Bracket, Belt and Idler Assembly	34
Motor and Mounting Bracket Assembly	36
Belt, Pump and Idler Assembly	38
Agitator, Drive Bell, Seal Kit, Washtub and Hub	40
Outer Tub, Cover, Pressure Hose and Counterweight	42
38826P Transmission Assembly	44
Pump Assembly, Bracket, Hoses and Siphon Break Kit	46
Weldment and Bearing Assembly, Brake and Pulley	48
Front Panel, Base and Cabinet	50
Mixing Valve and Motor Disconnect Blocks, Terminals and Terminal Extractor Tool	52
Power Cord and Terminals	54
Special Tools	56
Special Tools	58
Wire Harnesses and Wires	60
Parts Index	61

© Copyright 2000, Alliance Laundry Systems LLC

All rights reserved. No part of the contents of this book may be reproduced or transmitted in any form or by any means without the expressed written consent of the publisher.

Model Identification

Information in this manual is applicable to these washers

Washer Model	Nonmetered Model	Metered Model	Electronic Display Control	Card Reader	One Speed Motor	Two Speed Motor	Porcelain Washtub	Stainless Steel Washtub
HWT011*B3073	X				X			X
HWT021*A1102	X					X		X
HWT021*C1102	X					X		X
HWT111*A1102		X			X			X
HWT111*C1102		X			X			X
HWT111*A3000		X			X			X
HWT111*C3000		X			X			X
HWT111*B3069		X			X			X
HWT121*A1102		X				X		X
HWT121*C1102		X				X		X
HWT210*A1102		X			X		X	X
HWT210*C1102		X			X		X	
HWT211*C1102		X			X			X
HWT211*A3000		X			X			X
HWT211*C3000		X			X			X
HWT211*B3020		X			X			X
HWT220*A1102		X				X	X	
HWT220*C1102		X				X	X	
HWT221*A1102		X				X		X
HWT221*C1102		X				X		X
HWT521*A1102			X			X		X
HWT521*C1102			X			X		X
HWT621*A1102				X		X		X
HWT621*C1102				X		X		X
HWT721*A1102				X		X		X
HWT721*C1102				X		X		X
SWT011*A3000	X				X			X
SWT011*A3050	X				X			X
SWT111*A1200		X			X			X
SWT111*A1300		X			X			X
SWT111*A3000		X			X			X
SWT111*B3069		X			X			X
SWT111*A3050		X			X			X
SWT111*A5412		X			X			X
SWT121*A3000		X				X		X
SWT211*A1200		X			X			X
SWT211*A1300		X			X			X
SWT211*A3000		X			X			X
SWT211*B3020		X			X			X
SWT421*A3000			X			X		X
SWT421*A3050			X			X		X
SWT521*A1119			X			X		X
SWT621*D1121				X		X		X

* Add Letter To Designate Color. L – Almond W – White

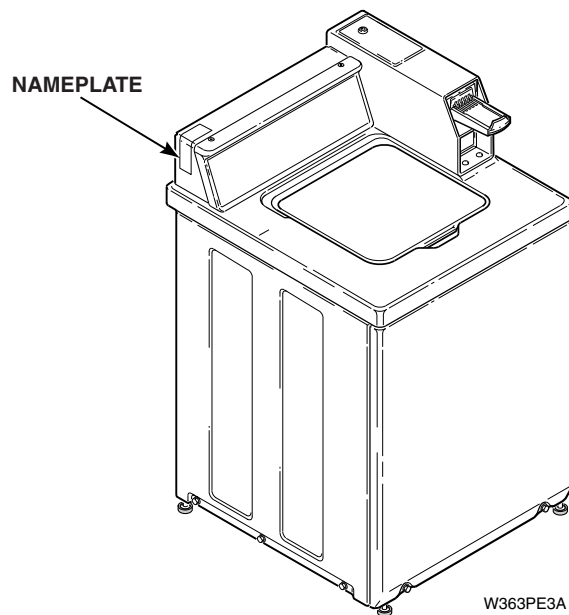
Parts Ordering Information

If literature or replacement parts are required, contact the source from whom the machine was purchased or contact Alliance Laundry Systems at (920) 748-3950 for the name and address of the nearest authorized parts distributor.

For technical assistance, call (920) 748-3121.

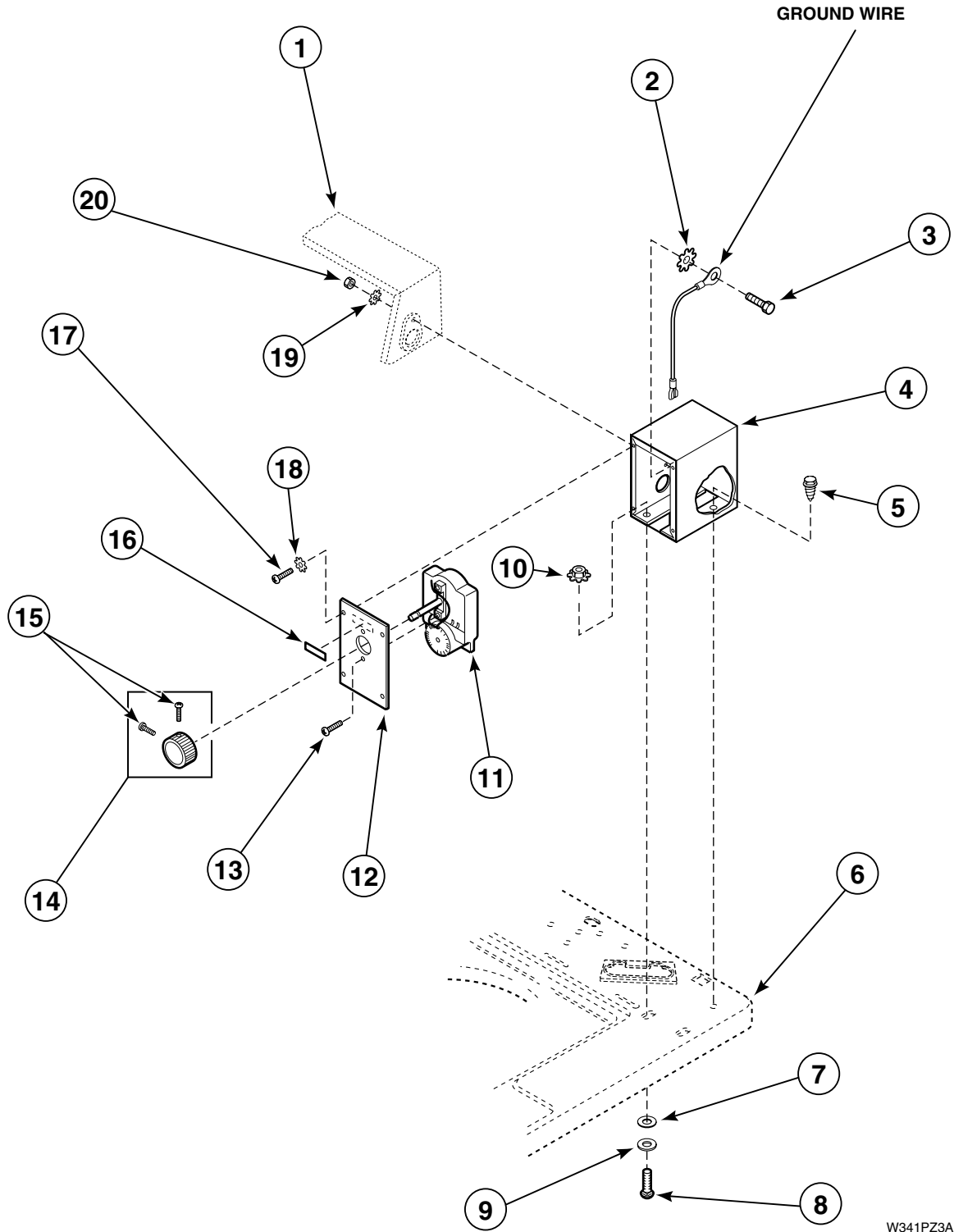
Nameplate Location

When calling or writing about your product, be sure to mention model and serial numbers. Model and serial numbers are located on nameplate(s) as shown.



Timer, Case and Plate

Models HWT011*B3073, HWT021*A1102, HWT021*C1102, SWT011*A3000 and SWT011*A3050



W341PZ3A

* Add Letter To Designate Color. L – Almond W – White

Timer, Case and Plate

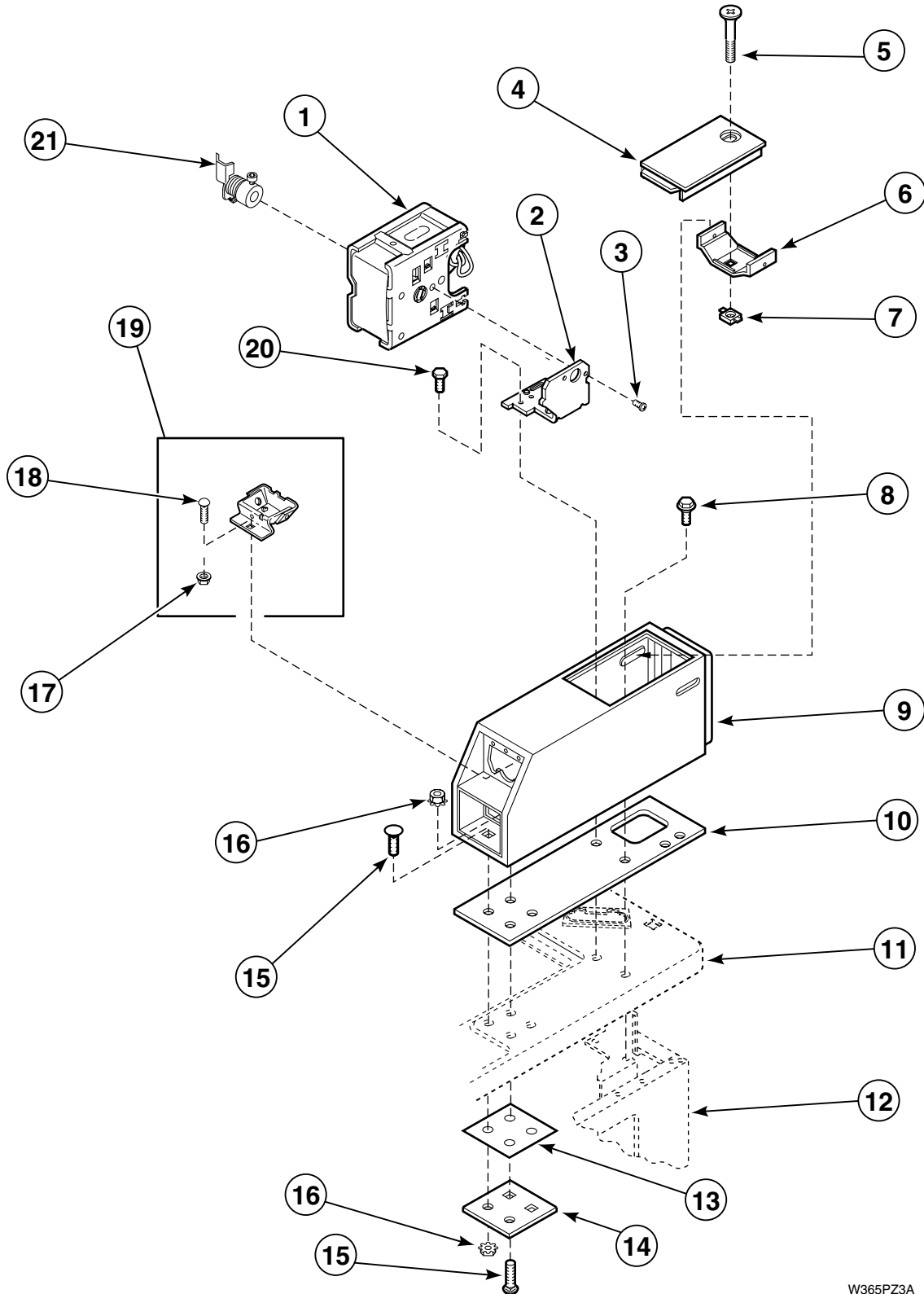
Models HWT011*B3073, HWT021*A1102, HWT021*C1102, SWT011*A3000 and SWT011*A3050

REF	PART #	DESCRIPTION	COMMENTS
1	37075*	Control Hood	
2	M400017	Lockwasher	
3	02916	Cap Screw	
4	37733W	Timer Case	
5	23962	Screw	
6	39185*	Cabinet Top	
7	23225	Washer	Vinyl
8	02505	Carriage Bolt	
9	30627	Washer	
10	29786	Nut	
11	28716	Timer Assembly	Model HWT021*A1102 and HWT021*C1102
	28719	Timer Assembly	Models HWT011*B3073, SWT011*A3000 and SWT011*A3050
12	31864W	Timer Plate	
13	27328	Screw	
14	26256	Timer Knob Assembly	
15	20268	Screw	
16	53738	Push-to-Start Sticker	
17	51778	Screw	
18	21734	Lockwasher	
19	02431	Lockwasher	
20	52566	Nut	

* Add Letter To Designate Color. L – Almond W – White

Timer, Meter Case and Service Door

Models HWT111*A1102, HWT111*C1102, HWT111*A3000, HWT111*C3000, HWT111*B3069, HWT121*A1102, HWT121*C1102, HWT210*A1102, HWT210*C1102, HWT211*A3000, HWT211*B3020, HWT211*C1102, HWT220*A1102, HWT220*C1102, HWT221*A1102, HWT221*C1102, SWT111*A1200, SWT111*A1300, SWT111*A3000, SWT111*A3050, SWT111*A5412, SWT111*B3069, SWT121*A3000, SWT211*A1200, SWT211*A1300, SWT211*A3000 and SWT211*A3020



W365PZ3A

* Add Letter To Designate Color. L – Almond W – White

Timer, Meter Case and Service Door

Models HWT111*A1102, HWT111*C1102, HWT111*A3000, HWT111*C3000, HWT111*B3069, HWT121*A1102, HWT121*C1102, HWT210*A1102, HWT210*C1102, HWT211*A3000, HWT211*B3020, HWT211*C1102, HWT220*A1102, HWT220*C1102, HWT221*A1102, HWT221*C1102, SWT111*A1200, SWT111*A1300, SWT111*A3000, SWT111*A3050, SWT111*A5412, SWT111*B3069, SWT121*A3000, SWT211*A1200, SWT211*A1300, SWT211*A3000 and SWT211*A3020

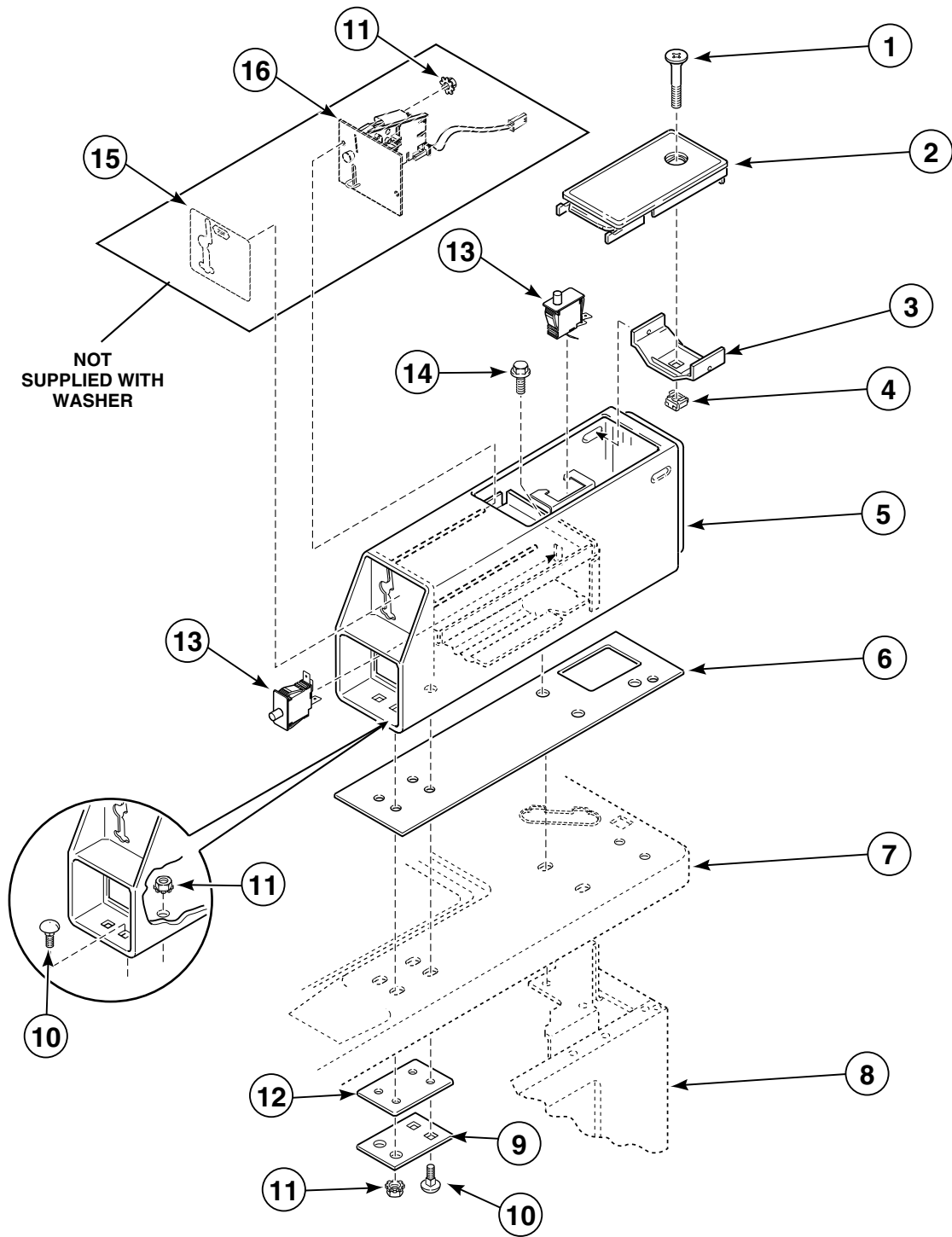
REF	PART #	DESCRIPTION	COMMENTS
1	31111P	Timer	Models HWT111*A1102, HWT111*C1102, SWT111*A1200, HWT121*A1102 and HWT121*C1102
	31504	Timer	Models HWT111*A3000, HWT111*C3000, HWT111*B3069, SWT111*A3000, SWT111*A3050, SWT111*B3069 and SWT121*A3000
	34601P	Timer	Models HWT210*A1102, HWT210*C1102, HWT211*C1102, HWT220*A1102, HWT220*C1102, HWT221*A1102, HWT221*C1102 and SWT221*A1200
	34603	Timer	Models HWT211*A3000, HWT211*B3020 and SWT211*A3000
	34604	Timer	Models SWT211*A1300
	35368	Timer	Model SWT111*A5412
	36987	Timer	Models HWT211*B3020 and SWT211*B3020
	39738	Timer	Model SWT111*A1300
2	35249	Timer Bracket	
3	21720	Screw	
4	35798*	Service Door	
5	503673	Screw	
6	30642	Locking Bracket	
7	30647	Retainer Nut	
8	29277	Shoulder Screw	
9	524P3*	Meter Case	
10	26354 †	Meter Case Gasket	
11	39167*P	Cabinet Top	
12	34475*P	Cabinet Kit	
13	35526 †	Gasket	
14	35525 †	Bracket	
15	02505 †	Carriage Bolt	
16	29786 †	Locknut	
17	29796	Nut	
18	29651	Bolt	
19	523P3 †	Coin Funnel Kit	
20	36048	Screw	
21	29503	Clutch	

* Add Letter To Designate Color. L – Almond W – White

† Parts with a dagger are included with 524P3 Meter Case.

Meter Case and Service Door

Models SWT421*A3000 and SWT421*A3050



W344PZ3A

* Add Letter To Designate Color. L – Almond W – White

Meter Case and Service Door

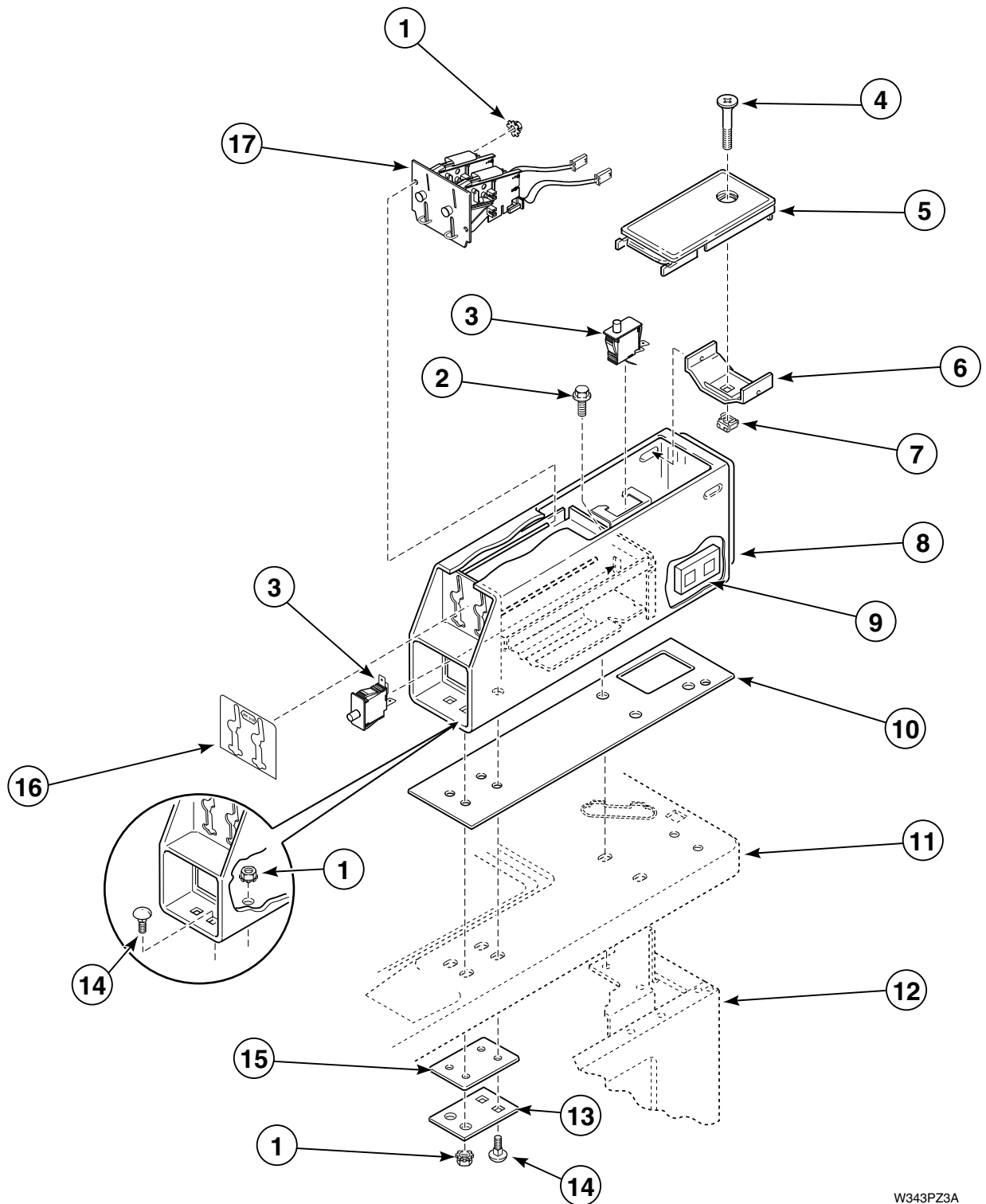
Models SWT421*A3000 and SWT421*A3050

REF	PART #	DESCRIPTION	COMMENTS
1	503673	Screw	
2	35798*	Service Door	
3	30642	Bracket	
4	30647	Retainer Nut	
5	38724*	Meter Case	
6	26354	Gasket	
7	39167*P	Cabinet Top	
8	38612*P	Cabinet Kit	
9	35525	Bracket	
10	02505	Carriage Bolt	
11	29786	Locknut	
12	35526	Gasket	
13	504570	Switch	
14	36048	Screw	
15	38717	Front Overlay	
16	38479	Single Coin Drop Assembly	U.S.A.; Currency \$.25
	38467	Dual Coin Drop Assembly	Australia; Currency \$.20 / \$1.00
	38469	Dual Coin Drop Assembly	Belgium; Currency 5/20 Franc
	38464	Single Coin Drop Assembly	Canada; Currency \$.25
	38465	Dual Coin Drop Assembly	Canada; Currency \$.25 / \$1.00
	38517	Dual Coin Drop Assembly	Denmark; Currency 1/5 Krone
	38472	Dual Coin Drop Assembly	England; Currency 20 Pence / 1 Pound
	38518	Dual Coin Drop Assembly	France; Currency 2/10 Franc
	38520	Dual Coin Drop Assembly	Italy; Currency 500 Lira / GET
	38519	Dual Coin Drop Assembly	Japan; Currency 100 Yen / 500 Yen
	38521	Dual Coin Drop Assembly	Korea; Currency 100 Won / 500 Won
	38522	Dual Coin Drop Assembly	New Zealand; Currency \$.20 / \$1.00
	38964	Dual Coin Drop Assembly	Taiwan; Currency 5NT / 10NT
	38462	Single Coin Drop Assembly	Token; Currency STD-118-1
	38463	Single Coin Drop Assembly	Token; Currency STD-118-5
	38963	Single Coin Drop Assembly	Token; Currency 500-118-16

* Add Letter To Designate Color. L – Almond W – White

Coin Drop, Meter Case and Service Door

Models HWT521*A1102 and HWT521*C1102



W343PZ3A

* Add Letter To Designate Color. L – Almond W – White

Coin Drop, Meter Case and Service Door

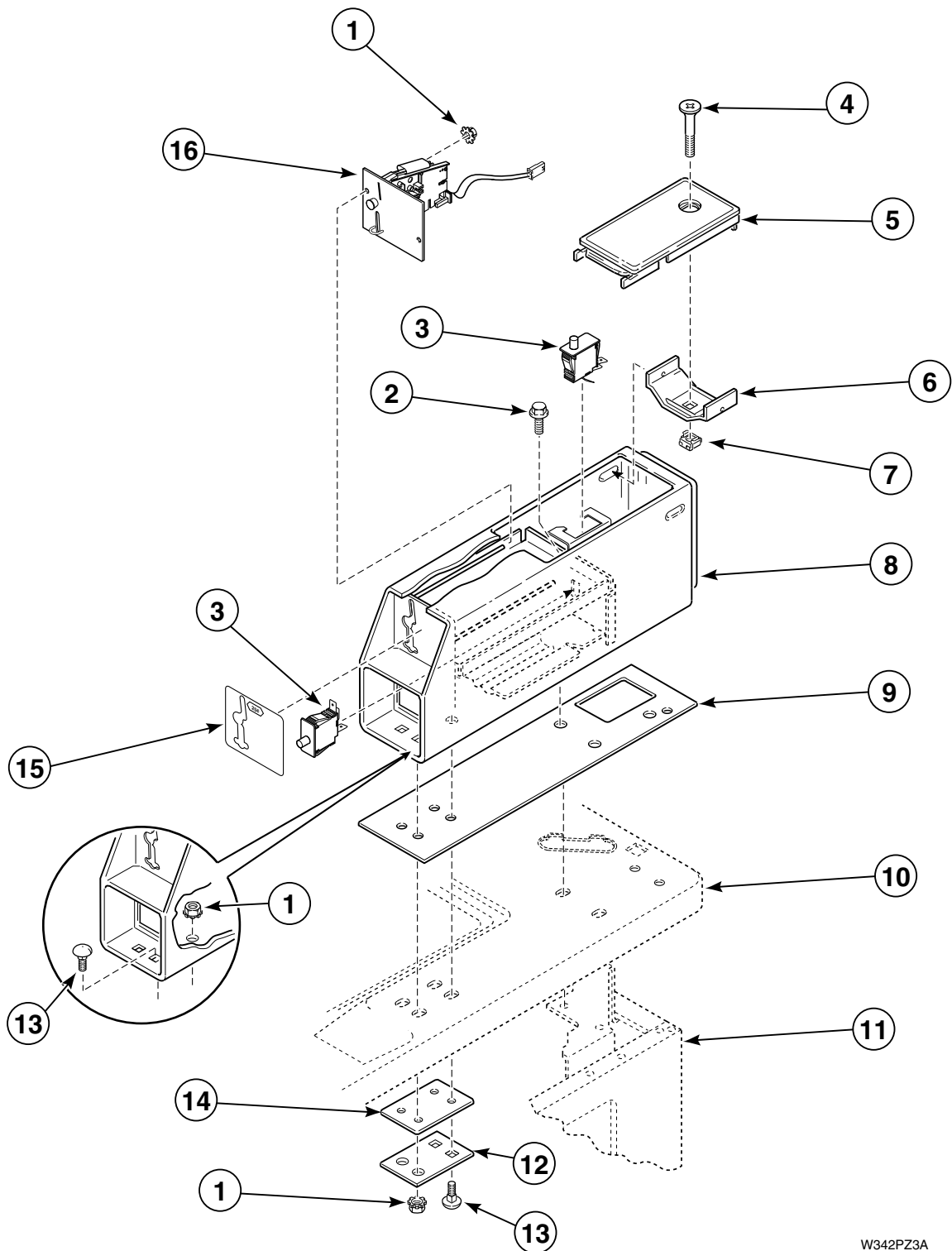
Models HWT521*A1102 and HWT521*C1102

REF	PART #	DESCRIPTION	COMMENTS
1	29786	Locknut	
2	36048	Screw	
3	504570	Switch	
4	503673	Screw	
5	35798*	Service Door	
6	30642	Bracket	
7	30647	Retainer Nut	
8	38724*	Meter Case	
9	38571	Multiplier	
	38673	Wire Harness	
10	26354	Gasket	
11	36122*P	Cabinet Top	
12	34475*P	Cabinet Kit	
13	35525	Bracket	
14	02505	Carriage Bolt	
15	35526	Gasket	
16	39073	Front Overlay	
	38676	Optional Overlay	
17	38467	Dual Coin Drop Assembly	Australia; Currency \$.20 / \$1.00
	38469	Dual Coin Drop Assembly	Belgium; Currency 5/20 Franc
	38464	Single Coin Drop Assembly	Canada; Currency \$.25
	38465	Dual Coin Drop Assembly	Canada; Currency \$.25 / \$1.00
	38517	Dual Coin Drop Assembly	Denmark; Currency 1/5 Krone
	38472	Dual Coin Drop Assembly	England; Currency 20 Pence / 1 Pound
	38518	Dual Coin Drop Assembly	France; Currency 2/10 Franc
	38520	Dual Coin Drop Assembly	Italy; Currency 500 Lira / GET
	38519	Dual Coin Drop Assembly	Japan; Currency 100 Yen / 500 Yen
	38521	Dual Coin Drop Assembly	Korea; Currency 100 Won / 500 Won
	38522	Dual Coin Drop Assembly	New Zealand; Currency \$.20 / \$1.00
	38964	Dual Coin Drop Assembly	Taiwan; Currency 5NT / 10NT
	38462	Single Coin Drop Assembly	Token; Currency STD-118-1
	38463	Single Coin Drop Assembly	Token; Currency STD-118-5
	38963	Single Coin Drop Assembly	Token; Currency 500-118-16
	38479	Single Coin Drop Assembly	U.S.A.; Currency \$.25

* Add Letter To Designate Color. L – Almond W – White

Coin Drop, Meter Case and Service Door

Model SWT521*A1119



W342PZ3A

* Add Letter To Designate Color. L – Almond W – White

Coin Drop, Meter Case and Service Door

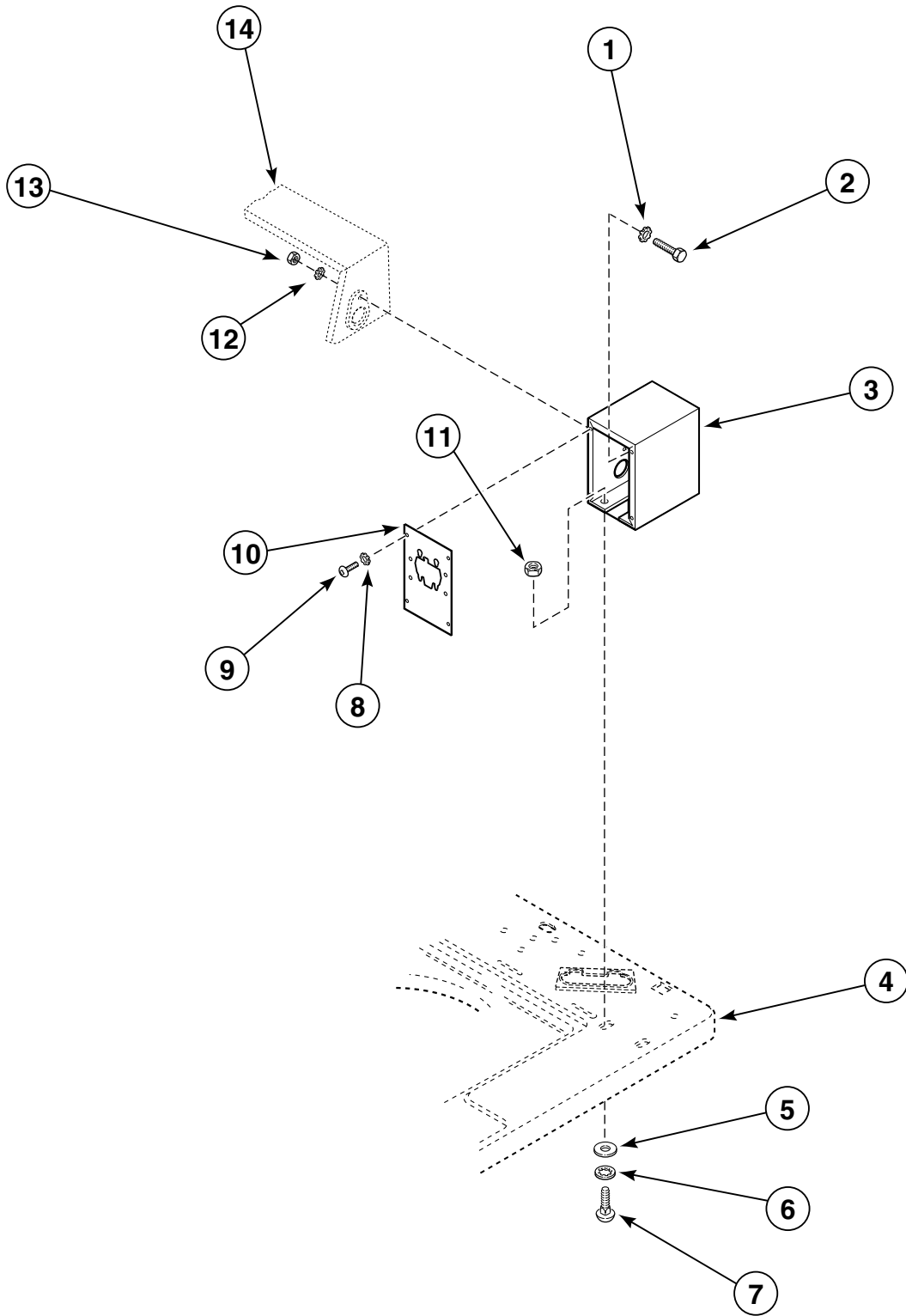
Model SWT521*A1119

REF	PART #	DESCRIPTION	COMMENTS
1	29786	Locknut	
2	36048	Screw	
3	504570	Switch	
4	503673	Screw	
5	35798*	Service Door	
6	30642	Bracket	
7	30647	Retainer Nut	
8	38724*	Meter Case	
9	26354	Gasket	
10	39167*P	Cabinet Top	
11	34475*P	Cabinet Kit	
12	35525	Bracket	
13	02505	Carriage Bolt	
14	35526	Gasket	
15	38717	Front Overlay	
16	38479	Single Coin Drop Assembly	U.S.A.; Currency \$.25
	38467	Dual Coin Drop Assembly	Australia; Currency \$.20 / \$1.00
	38469	Dual Coin Drop Assembly	Belgium; Currency 5/20 Franc
	38464	Single Coin Drop Assembly	Canada; Currency \$.25
	38465	Dual Coin Drop Assembly	Canada; Currency \$.25 / \$1.00
	38517	Dual Coin Drop Assembly	Denmark; Currency 1/5 Krone
	38472	Dual Coin Drop Assembly	England; Currency 20 Pence / 1 Pound
	38518	Dual Coin Drop Assembly	France; Currency 2/10 Franc
	38520	Dual Coin Drop Assembly	Italy; Currency 500 Lira / GET
	38519	Dual Coin Drop Assembly	Japan; Currency 100 Yen / 500 Yen
	38521	Dual Coin Drop Assembly	Korea; Currency 100 Won / 500 Won
	38522	Dual Coin Drop Assembly	New Zealand; Currency \$.20 / \$1.00
	38964	Dual Coin Drop Assembly	Taiwan; Currency 5NT / 10NT
	38462	Single Coin Drop Assembly	Token; Currency STD-118-1
	38463	Single Coin Drop Assembly	Token; Currency STD-118-5
	38963	Single Coin Drop Assembly	Token; Currency 500-118-16

* Add Letter To Designate Color. L – Almond W – White

Timer Case

Models HWT621*A1102 and HWT621*C1102



W383PZ3B

* Add Letter To Designate Color. L – Almond W – White

Timer Case

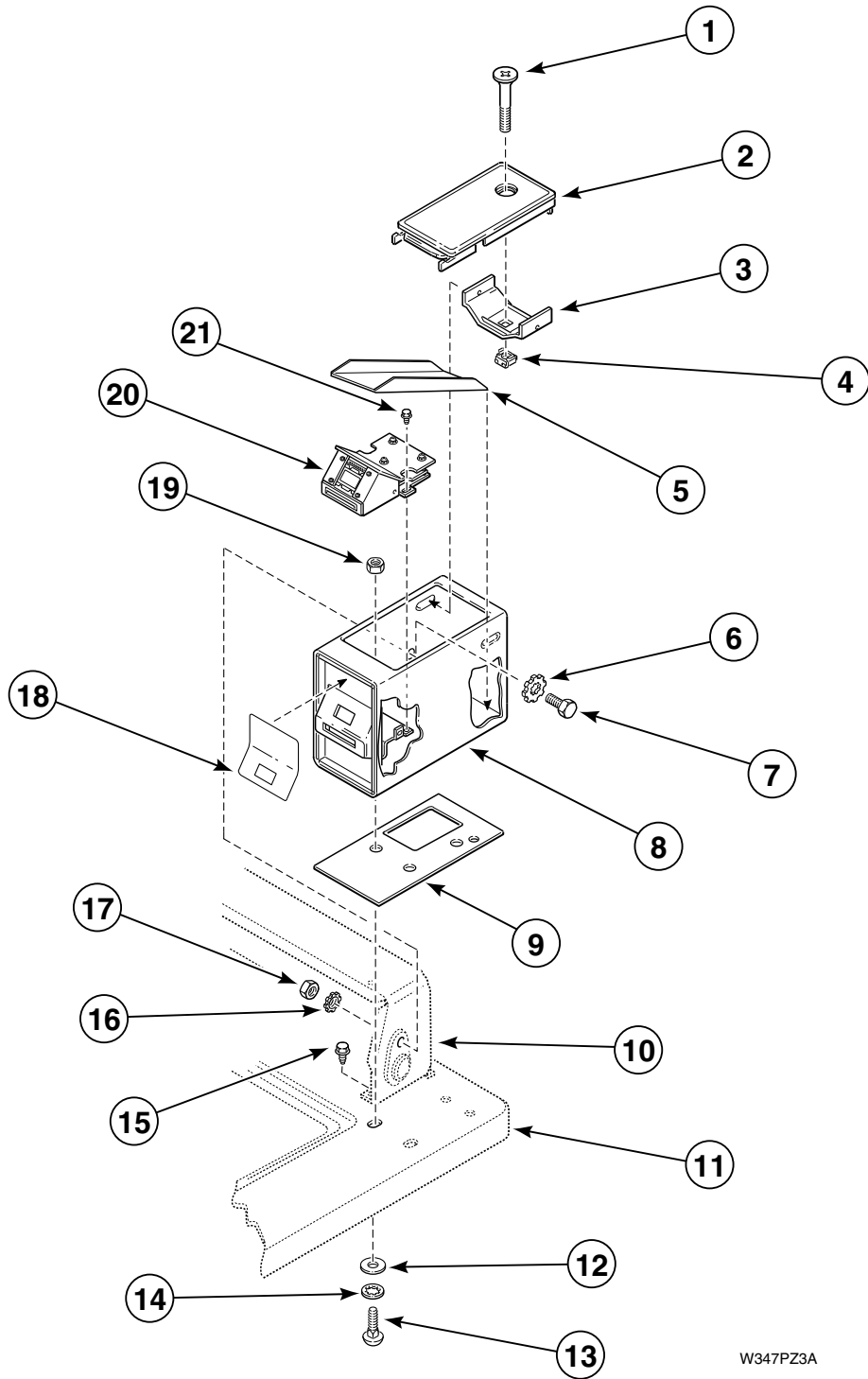
Models HWT621*A1102 and HWT621*C1102

REF	PART #	DESCRIPTION	COMMENTS
1	M400017	Lockwasher	
2	02916	Cap Screw	
3	37733*	Timer Case	
4	39185*	Cabinet Top	
5	23225	Washer	Vinyl
6	30627	Washer	
7	02505	Carriage	
8	21734	Lockwasher	
9	51778	Screw	
10	39481*	Timer Plate	Model HWT621*C1102
11	29786	Locknut	
12	02431	Lockwasher	
13	52566	Nut	
14	37075*	Control Hood	

* Add Letter To Designate Color. L – Almond W – White

Security Case and Card Reader

Models HWT721*A1102, HWT721*C1102 and SWT621*D1121



W347PZ3A

* Add Letter To Designate Color. L – Almond W – White

Security Case and Card Reader

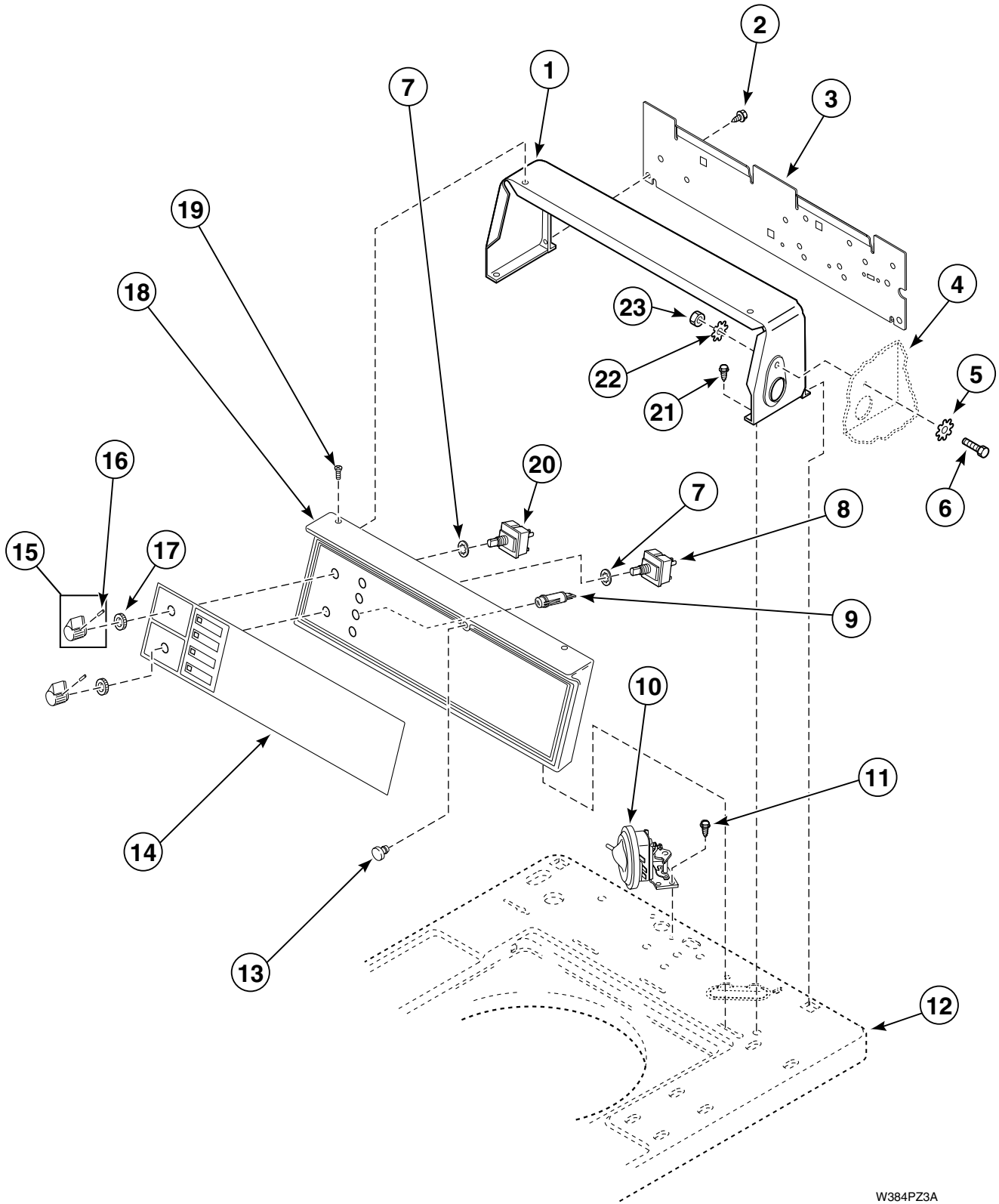
Models HWT721*A1102, HWT721*C1102 and SWT621*D1121

REF	PART #	DESCRIPTION	COMMENTS
1	503673	Screw	
2	35798*	Service Door	
3	30642	Bracket	
4	30647	Retainer Nut	
5	38754	Shield	Models HWT721*A1102 and HWT721*C1102
6	M400017	Lockwasher	
7	02916	Screw	
8	38145*	Security Case	Models HWT721*A1102 and HWT721*C1102
	39745*	Security Case	Model SWT621*D1121
9	37526	Gasket	
10	37075*	Control Hood	
11	39185*	Cabinet Top	
12	23225	Vinyl Washer	
13	02505	Carriage Bolt	
14	30627	Washer	
15	23962	Screw	
16	02431	Lockwasher	
17	52566	Locknut	
18	38348	Instruction Overlay	Models HWT721*A1102 and HWT721*C1102
19	29786	Locknut	
20	39685	Card Reader	Models HWT721*A1102 and HWT721*C1102
21	52909	Screw	

* Add Letter To Designate Color. L – Almond W – White

Control Panel, Control Hood and Controls

Models HWT021*A1102, HWT111*A1102, HWT111*A3000, HWT121*A1102, HWT210*A1102, HWT211*A3000, HWT220*A1102, HWT221*A1102, SWT011*A3000, SWT011*A3050, SWT111*A1200, SWT111*A1300, SWT111*A3000, SWT111*A3050, SWT111*A5412, SWT121*A3000, SWT211*A1200, SWT211*A1300 and SWT211*A3000



W384PZ3A

* Add Letter To Designate Color. L – Almond W – White

Control Panel, Control Hood and Controls

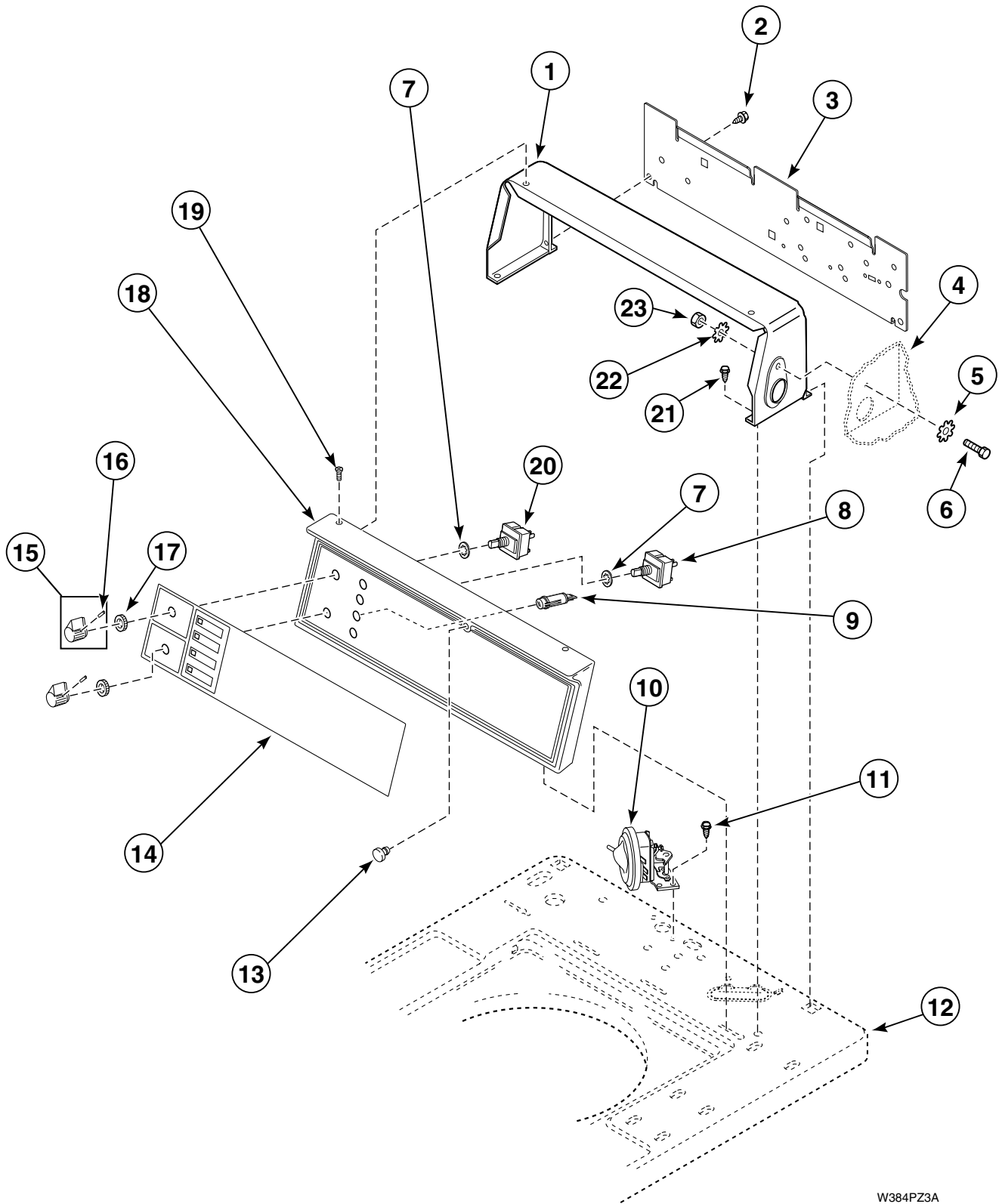
Models HWT021*A1102, HWT111*A1102, HWT111*A3000, HWT121*A1102, HWT210*A1102, HWT211*A3000, HWT220*A1102, HWT221*A1102, SWT011*A3000, SWT011*A3050, SWT111*A1200, SWT111*A1300, SWT111*A3000, SWT111*A3050, SWT111*A5412, SWT121*A3000, SWT211*A1200, SWT211*A1300 and SWT211*A3000

REF	PART #	DESCRIPTION	COMMENTS
1	37075*	Control Hood	
2	23222	Screw	
3	38264	Control Hood Rear Cover	
4	37733*	Timer Case	Nonmetered models
	524P3*	Meter Case	Metered models
5	M400017	Lockwasher	
6	02916	Cap Screw	
7	91176	Lockwasher	
8	27762	Speed Switch	Models HWT021*A1102, HWT210*A1102, HWT121*A1102, HWT220*A1102 and HWT221*A1102
9	32464	Indicator Light	125 Volt; Three required - nonmetered models; Two required - metered models (one rinse and one spin)
	32466	Indicator Light	125 Volt; In use
	32519	Indicator Light	250 Volt; Three required - nonmetered models, Two required - metered models (one rinse and one spin)
	32520	Indicator Light	250 Volt - In use
10	35889	Pressure Switch	
11	23962	Screw	
12	39167*P	Cabinet Top	Metered models
	39185*	Cabinet Top	Nonmetered models
13	32648	Bumper	
14	38940	Control Panel Overlay	Models SWT011*A3000, SWT011*A3050, SWT111*A1200, SWT111*A1300, SWT111*A3000, SWT111*A3050, SWT211*A1200, SWT211*A1300 and SWT211*A3000
	38941	Control Panel Overlay	Models SWT121*A3000
	38943	Control Panel Overlay	Model SWT111*A5412
	38944	Control Panel Overlay	Models HWT021*A1102, HWT121*A1102, HWT220*A1102 and HWT221*A1102
	38945	Control Panel Overlay	Models HWT111*A1102, HWT111*A3000, HWT210*A1102 and HWT211*A3000
15	35182	Control Knob Assembly	
16	20310	Setscrew	
17	24205	Knurled Nut	
18	36521*	Control Panel Frame	
19	500226	Screw	Phillips head
	35528	Screw	Torx head; For added security
20	81799	Wash Temperature Switch	
21	501086	Screw	
22	02431	Lockwasher	
23	52566	Locknut	

* Add Letter To Designate Color. L – Almond W – White

Control Panel, Control Hood and Controls

Models HWT021*C1102, HWT111*C1102, HWT111*C3000, HWT121*C1102, HWT210*C1102,
HWT211*C1102, HWT211*C3000, HWT220*C1102 and HWT221*C1102



W384PZ3A

* Add Letter To Designate Color. L – Almond W – White

Control Panel, Control Hood and Controls

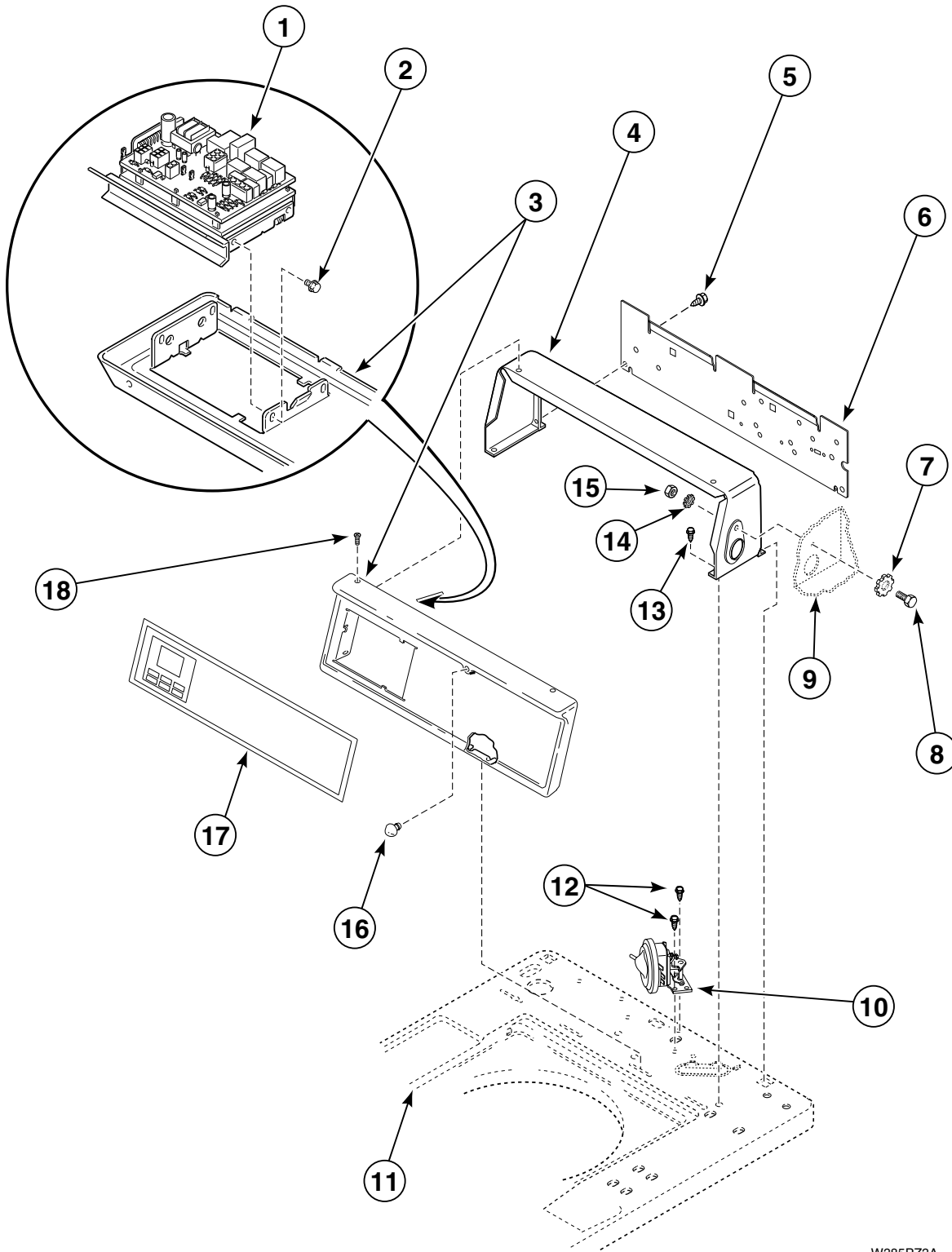
Models HWT021*C1102, HWT111*C1102, HWT111*C3000, HWT121*C1102, HWT210*C1102,
HWT211*C1102, HWT211*C3000, HWT220*C1102 and HWT221*C1102

REF	PART #	DESCRIPTION	COMMENTS
1	37075*	Control Hood	
2	23222	Screw	
3	38267	Control Hood Rear Cover	
4	37733*	Timer Case	Nonmetered models
	524P3*	Meter Case	Metered models
5	M400017	Lockwasher	
6	02916	Cap Screw	
7	91176	Lockwasher	
8	27762	Speed Switch	Models HWT021*C1102, HWT210*C1102, HWT121*C1102, HWT220*C1102 and HWT221*C1102
9	32464	Indicator Light	125 Volt; Three required - nonmetered models; Two required - metered models (one rinse and one spin)
	32466	Indicator Light	125 Volt; In use
	32519	Indicator Light	250 Volt; Three required - nonmetered models, Two required - metered models (one rinse and one spin)
	32520	Indicator Light	250 Volt; In use
10	35889	Pressure Switch	
11	23962	Screw	
	39167*P	Cabinet Top	Metered models
12	39185*	Cabinet Top	Nonmetered models
13	32648	Bumper	
14	39503	Control Panel Overlay	Models HWT111*C1102, HWT111*C3000, HWT210*C1102, HWT211*C1102 and HWT211*C3000
	39504	Control Panel Overlay	Models HWT021*C1102, HWT121*C1102, HWT220*C1102 and HWT221*C1102
15	35182	Control Knob Assembly	
16	20310	Setscrew	
17	24205	Knurled Nut	
18	36521*	Control Panel Frame	
19	500226	Screw	Phillips head
	35528	Screw	Torx head; For added security
20	81799	Wash Temperature Switch	
21	501086	Screw	
22	02431	Lockwasher	
23	52566	Locknut	

* Add Letter To Designate Color. L – Almond W – White

Control Panel, Control Hood and Controls

Models HWT521*A1102, HWT521*C1102, HWT621*A1102, HWT621*C1102, HWT721*A1102, HWT721*C1102, SWT421*A3000, SWT421*A3050, SWT521*A1119 and SWT621*D1121



W385PZ3A

* Add Letter To Designate Color. L – Almond W – White

Control Panel, Control Hood and Controls

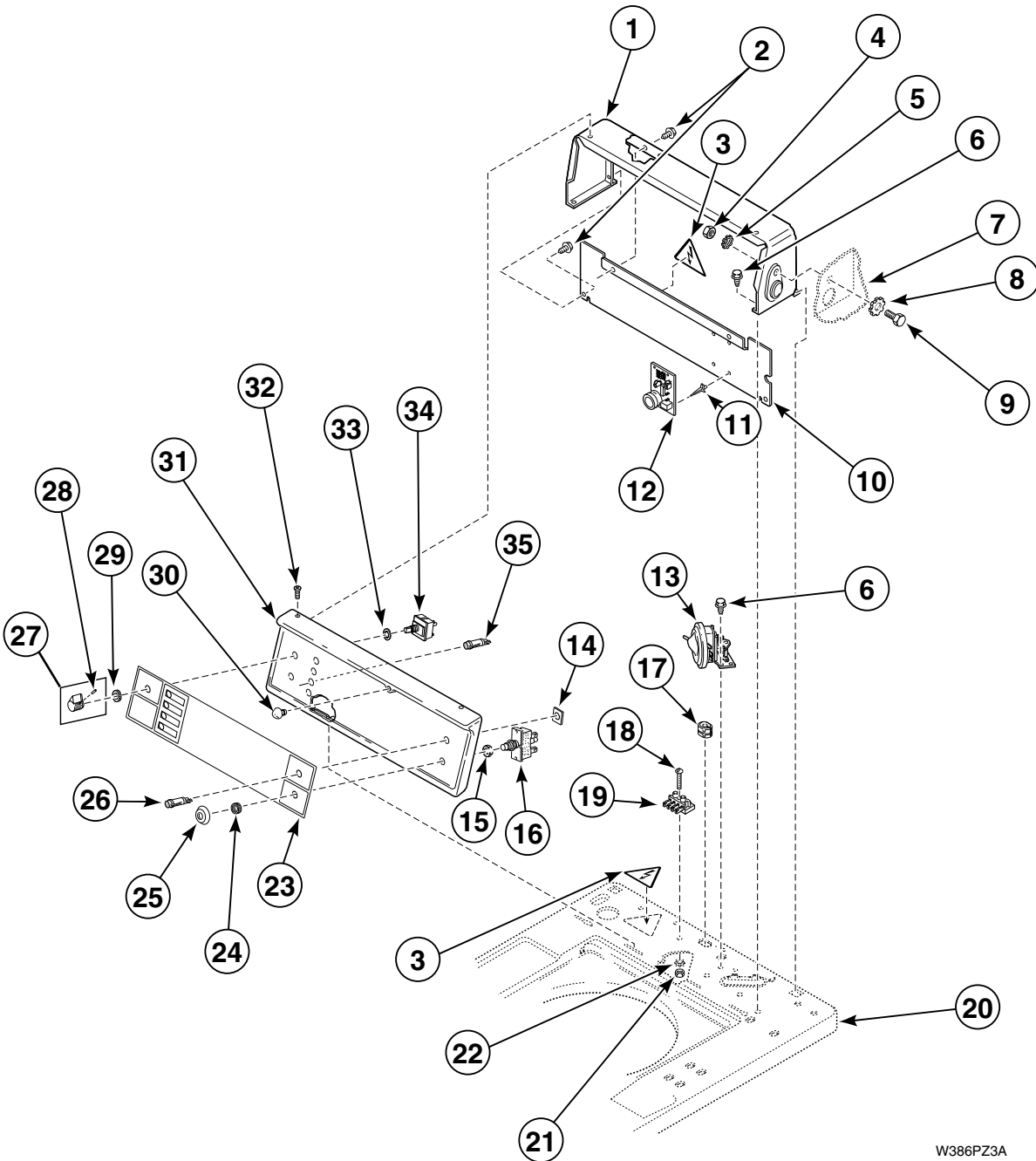
Models HWT521*A1102, HWT521*C1102, HWT621*A1102, HWT621*C1102, HWT721*A1102, HWT721*C1102,
SWT421*A3000, SWT421*A3050, SWT521*A1119 and SWT621*D1121

REF	PART #	DESCRIPTION	COMMENTS
1	36401P	Control and Shield	Models SWT421*A3000 and SWT421*A3050
	38188P	Control and Shield	Models HWT521*A1102, HWT521*C1102, SWT521*A1119, HWT621*A1102, HWT621*C1102, HWT721*A1102, HWT721*C1102 and SWT621*D1121
2	501524	Screw	
3	36097*	Control Panel Frame	
4	37075*	Control Hood	
5	23222	Screw	
6	38267	Control Hood Rear Panel	
7	M400017	Lockwasher	
8	02916	Cap Screw	
9	37733*	Timer Case	Nonmetered models
	38145*	Security Case	Card Reader models
	38724*	Meter Case	Metered models
10	35889	Pressure Switch	
11	39167*P	Cabinet Top	Models HWT521*A1102, HWT521*C1102, SWT421*A3000, SWT421*A3050 and SWT521*A1119
	39185*	Cabinet Top	Models HWT621*A1102, HWT621*C1102, HWT721*A1102, HWT721*C1102 and SWT621*D1121
12	23962	Screw	
13	501086	Screw	
14	02431	Lockwasher	
15	52556	Locknut	
16	32648	Bumper	
17	39096	Control Panel Overlay	Models SWT421*A3000, SWT421*A3050, SWT521*A1119 and SWT621*D1121
	39097	Control Panel Overlay	Models HWT521*A1102, HWT621*A1102 and HWT721*A1102
	39505	Control Panel Overlay	Models HWT521*C1102, HWT621*C1102 and HWT721*C1102
18	500226	Screw	Phillips head
	35528	Screw	Torx head; For added security

* Add Letter To Designate Color. L – Almond W – White

Control Panel, Control Hood and Controls

Models HWT011*B3073, HWT111*B3069, HWT211*B3020, SWT111*B3069 and SWT211*B3020



W386PZ3A

* Add Letter To Designate Color. L – Almond W – White

Control Panel, Control Hood and Controls

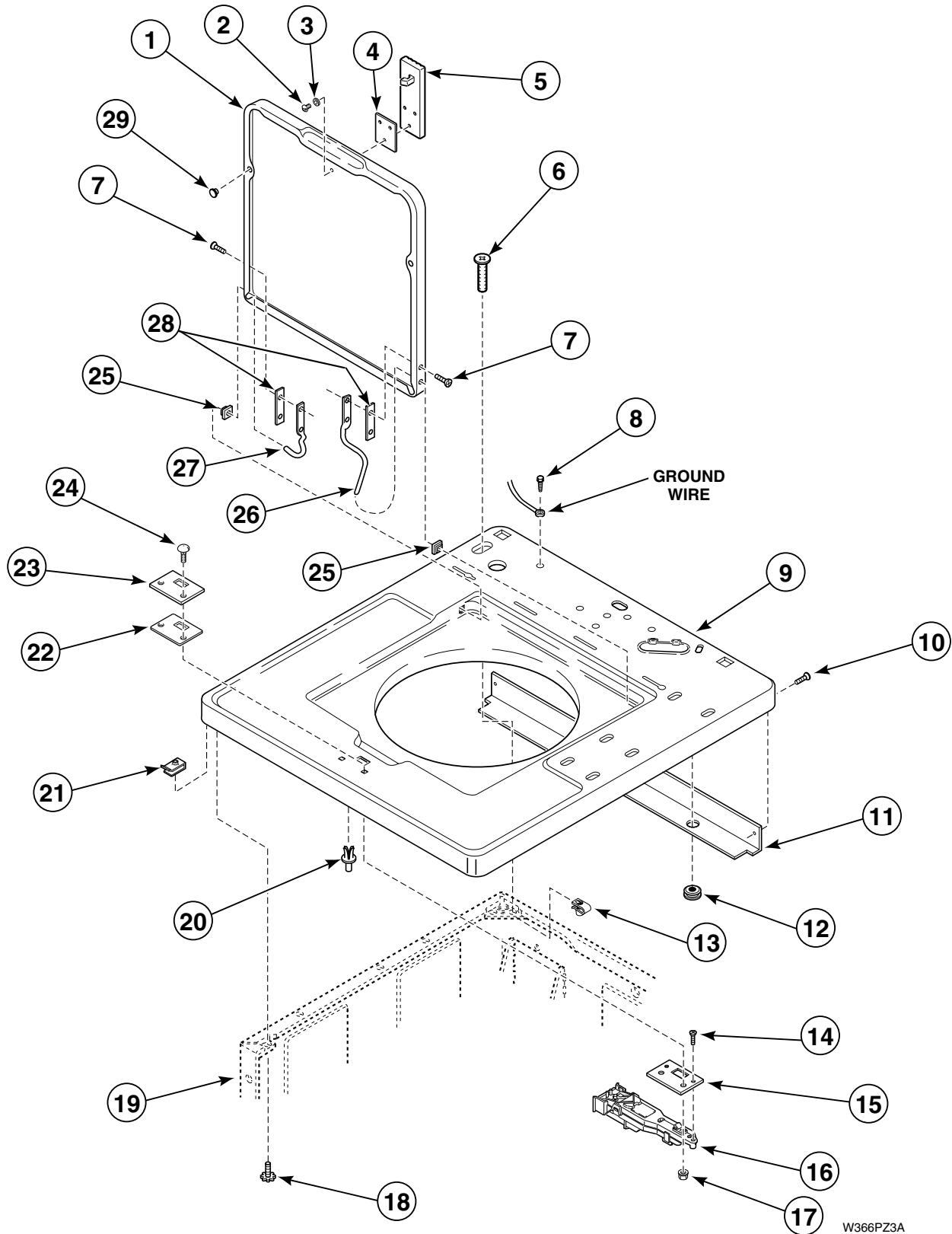
Models HWT011*B3073, HWT111*B3069, HWT211*B3020, SWT111*B3069 and SWT211*B3020

REF	PART #	DESCRIPTION	COMMENTS
1	37075*	Control Hood	
2	23222	Screw	
3	502511	Sticker	
4	52566	Locknut	
5	02431	Lockwasher	
6	23962	Screw	
7	524P3*	Meter Case	
8	M400017	Lockwasher	
9	02916	Cap Screw	
10	38267	Control Hood Rear Cover	
11	501523	Support	Models HWT011*B3073, HWT111*B3069 and SWT111*B3069
12	37225	Lid Lock Control	Models HWT011*B3073, HWT111*B3069 and SWT111*B3069
13	35889	Pressure Switch	
14	34762	Push-on Clip	Models HWT011*B3073, HWT111*B3069 and SWT111*B3069
15	52947	Nut	Models HWT011*B3073, HWT111*B3069 and SWT111*B3069
16	55882	Push-to-start Switch	Models HWT011*B3073, HWT111*B3069 and SWT111*B3069
17	36957	Strain Relief	
18	Q6516	Screw	
19	36841	Terminal Block	
20	39184*	Cabinet Top	Models HWT111*B3069 and SWT111*B3069
	39339*	Cabinet Top	Models HWT211*B3020 and SWT211*B3020
	39186*	Cabinet Top	Model HWT011*B3073
21	02788	Nut	
22	21734	Lockwasher	
23	38946	Control Panel Overlay	Model HWT111*B3069
	38947	Control Panel Overlay	Model SWT111*B3069
	39345	Control Panel Overlay	Model SWT211*B3020
	39728	Control Panel Overlay	Model HWT011*B3073
24	24206	Knurled Nut	Models HWT011*B3073, HWT111*B3069 and SWT111*B3069
25	57327	Switch Collar	Models HWT011*B3073, HWT111*B3069 and SWT111*B3069
26	25850	Indicator Light	Models HWT011*B3073, HWT111*B3069 and SWT111*B3069
27	35182	Control Knob Assembly	
28	20310	Setscrew	
29	24205	Knurled Nut	
30	32648	Bumper	
31	36521*	Control Panel Frame	
32	500226	Screw	Phillips head
	35528	Screw	Torx head; Optional for added security
33	91176	Lockwasher	
34	81799	Temperature Switch	
35	32519	Indicator Light	Rinse or spin
	32520	Indicator Light	In-use

* Add Letter To Designate Color. L – Almond W – White

Cabinet Top, Loading Door, Lid Lock and Shield

Models HWT011*B3073, HWT111*B3069, HWT211*B3020, SWT111*B3069 and SWT211*B3020



W366PZ3A

* Add Letter To Designate Color. L – Almond W – White

Cabinet Top, Loading Door, Lid Lock and Shield

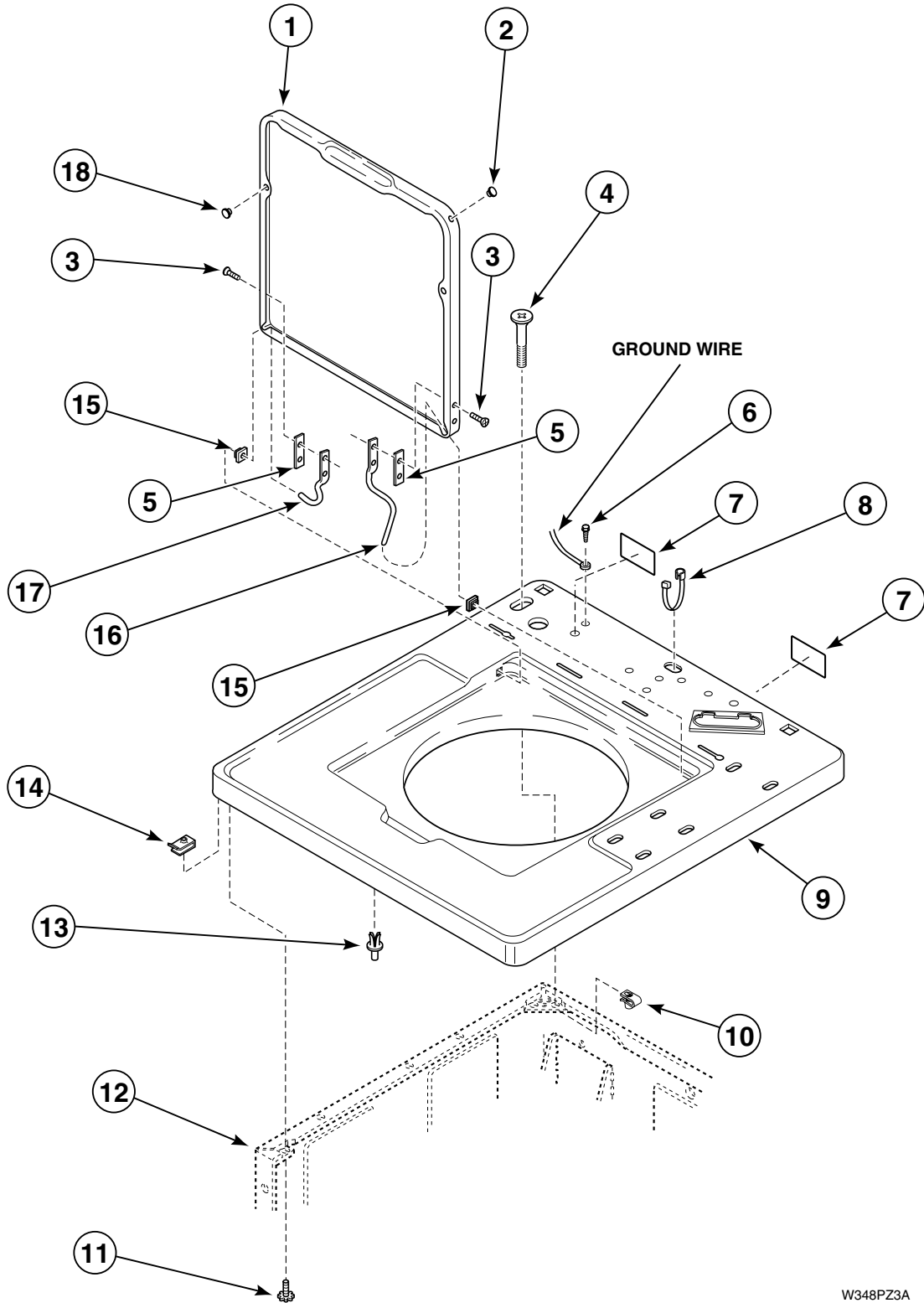
Models HWT011*B3073, HWT111*B3069, HWT211*B3020, SWT111*B3069 and SWT211*B3020

REF	PART #	DESCRIPTION	COMMENTS
1	37083*P	Loading Door	Models HWT011*B3073, HWT111*B3069 and SWT111*B3069
	33551*P	Loading Door	Models HWT211*B3020 and SWT211*B3020
2	Q6695	Screw	
3	21643	Washer	
4	29677	Gasket	
5	29674	Latch	
6	503673	Screw	Optional; For added security
7	34337	Screw	
8	52909	Screw	
9	39184*	Cabinet Top	Models HWT111*B3069 and SWT111*B3069
	39339*	Cabinet Top	Models HWT211*B3020 and SWT211*B3020
	39185*	Cabinet Top	Model HWT011*B3073
10	35527	Screw	
11	34228	Shield	
12	80262	Grommet	
13	27222	Retainer Nut	Optional; For added security
14	22649	Screw	Models HWT011*B3073, HWT111*B3069 and SWT111*B3069
15	29676	Plate	Models HWT011*B3073, HWT111*B3069 and SWT111*B3069
16	29678	Lid Lock	Models HWT011*B3073, HWT111*B3069 and SWT111*B3069
17	22001	Nut	
18	23008	Screw	
19	38612*P	Cabinet Kit	
20	56534	Support Barrel	
21	36020	Speed Nut	
22	30378	Gasket	Models HWT011*B3073, HWT111*B3069 and SWT111*B3069
23	37828	Cover Plate	Models HWT011*B3073, HWT111*B3069 and SWT111*B3069
24	32184	Screw	Models HWT011*B3073, HWT111*B3069 and SWT111*B3069
25	33446	Bushing	
26	36437	Hinge	Right
27	36438	Hinge	Left
28	34338	Gasket	
29	21685	Bumper	

* Add Letter To Designate Color. L – Almond W – White

Cabinet Top and Loading Door

All Models Except HWT011*B3073, HWT111*B3069, HWT211*B3020, SWT111*B3069 and SWT211*B3020



W348PZ3A

* Add Letter To Designate Color. L – Almond W – White

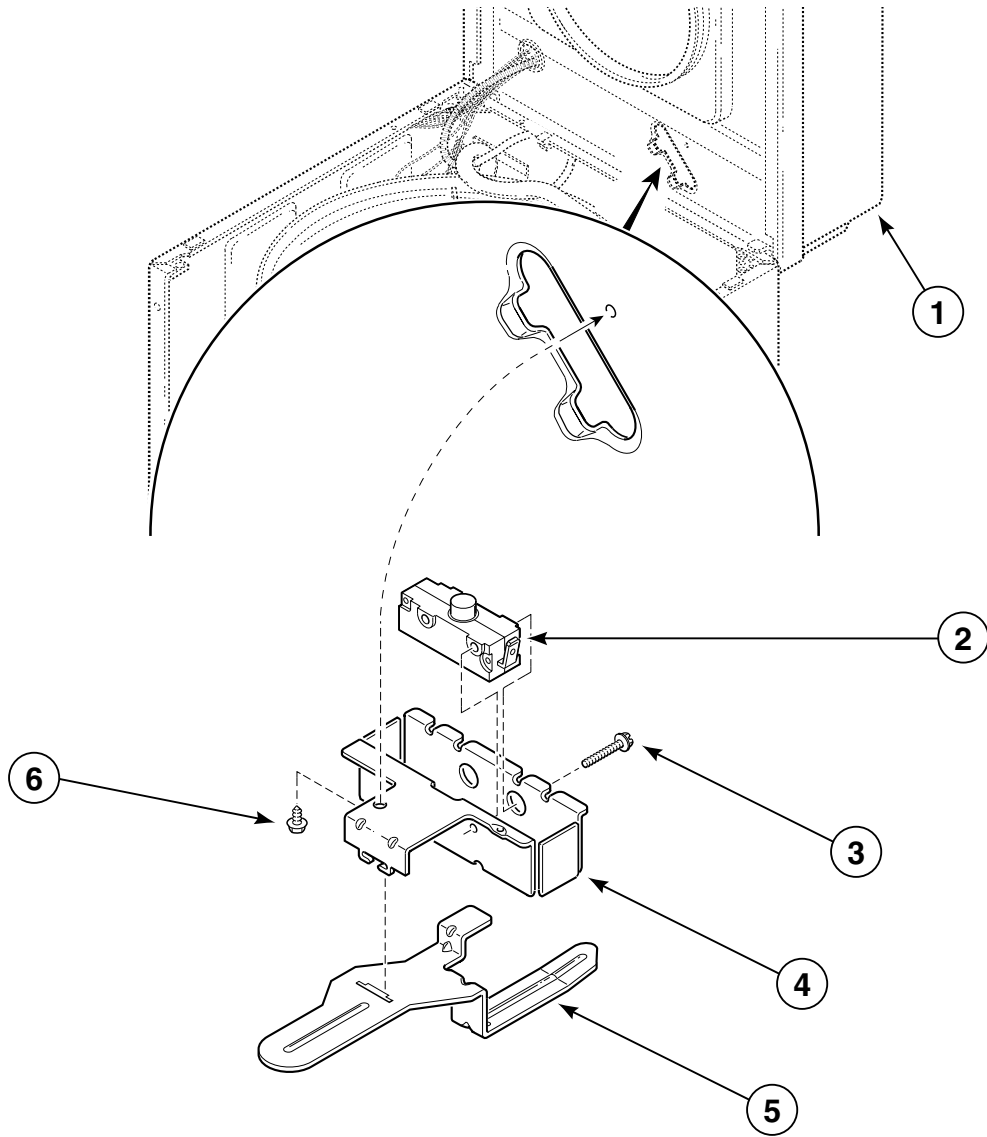
Cabinet Top and Loading Door

All Models Except HWT011*B3073, HWT111*B3069, HWT211*B3020, SWT111*B3069 and SWT211*B3020

REF	PART #	DESCRIPTION	COMMENTS
1	39231*P	Loading Door	Models SWT011*A3000, SWT011*A3050, SWT111*A1200, SWT111*A1300, SWT111*A3000, SWT111*A3050, SWT111*A5412, SWT121*A3000, SWT211*A1200, SWT211*A1300, SWT211*A3000, SWT421*A3000, SWT421*A3050, SWT521*A1119 and SWT621*D1121
	39233*P	Loading Door	Models HWT111*A3000, HWT111*C3000, HWT211*A3000 and HWT211*C3000
	39234*	Loading Door	Models HWT021*A1102, HWT021*C1102, HWT111*A1102, HWT111*C1102, HWT121*A1102, HWT121*C1102, HWT210*A1102, HWT210*C1102, HWT211*C1102, HWT211*A3000, HWT211*C3000, HWT220*A1102, HWT220*C1102, HWT221*A1102, HWT221*C1102, HWT521*A1102, HWT521*C1102, HWT621*A1102, HWT621*C1102, HWT721*A1102 and HWT721*C1102
2	34153	Plug	
3	34337	Screw	
4	503673	Screw	Optional; For added security
5	34338	Gasket	
6	52909	Screw	
7	24903	Sticker	
8	38354	Strain Relief	
9	39167*P	Cabinet Top	Models HWT111*A1102, HWT111*C1102, HWT111*A3000, HWT111*C3000, HWT121*A1102, HWT121*C1102, HWT210*A1102, HWT210*C1102, HWT211*C1102, HWT211*A3000, HWT211*C1102, HWT220*A1102, HWT220*C1102, H221*A1102, HWT221*C1102, HWT521*A1102, HWT521*C1102, SWT111*A1200, SWT111*A1300, SWT111*A3000, SWT111*A3050, SWT111*A5412, SWT121*A3000, SWT211*A1200, SWT211*A1300, SWT211*A3000, SWT421*A3000, SWT421*A3050 and SWT521*A1119
	39185*	Cabinet Top	Models HWT021*A1102, HWT021*C1102, HWT621*A1102, HWT621*C1102, HWT721*A1102, HWT721*C1102, SWT011*3000, SWT011*A3050 and SWT621*D1121
10	27222	Retainer Nut	Optional; For added security
11	23008	Screw And Lockwasher	
12	38612*P	Cabinet Kit	
13	56534	Support Barrel	
14	36020	Speed Nut	
15	33446	Bushing	
16	36437	Hinge	Right
17	36438	Hinge	Left
18	21685	Bumper	

* Add Letter To Designate Color. L – Almond W – White

Loading Door Switch



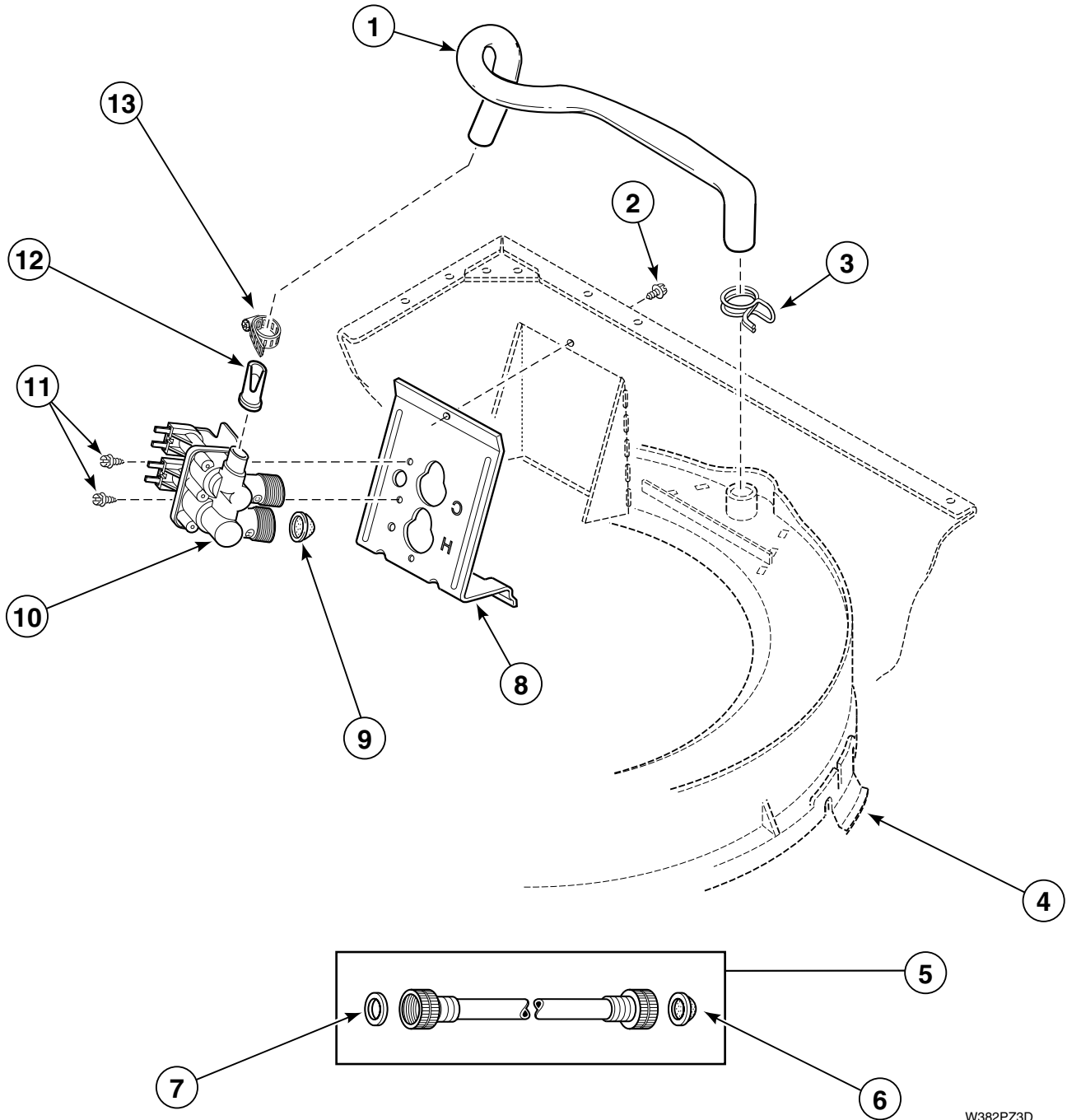
W349PZ3A

Loading Door Switch

REF	PART #	DESCRIPTION	COMMENTS
1	38724*	Meter Case	
2	37830	Switch	Models HWT011*B3073, HWT111*B3069, HWT211*B3020, SWT111*B3069 and SWT211*B3020
	33445	Switch	All other models
3	36510	Screw	
4	37629	Switch Holder	
5	37630	Lever	
6	23962	Screw	

* Add Letter To Designate Color. L – Almond W – White

Inlet Hose, Fill Hose, Mixing Valve and Mounting Bracket



W382PZ3D

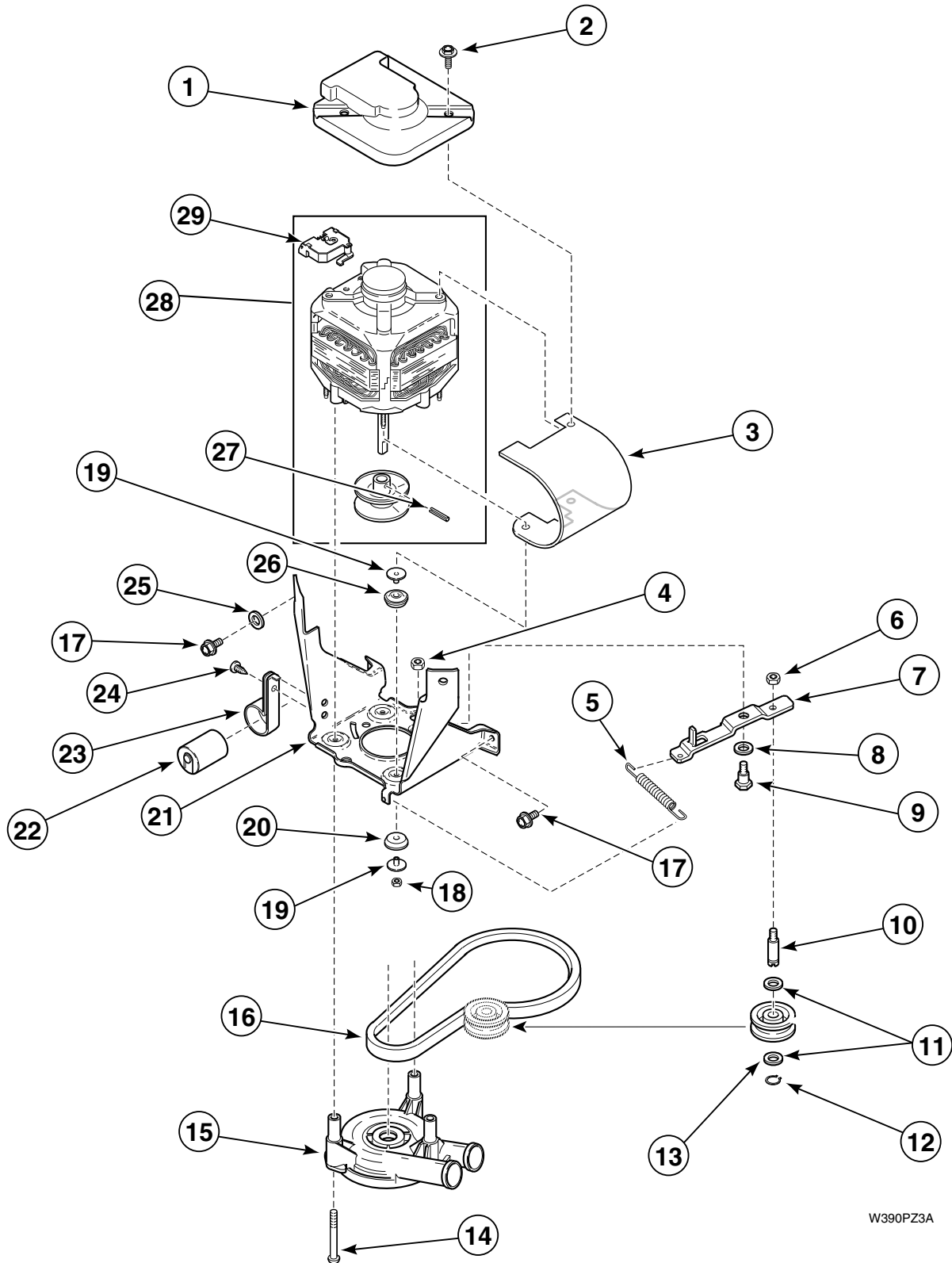
Inlet Hose, Fill Hose, Mixing Valve and Mounting Bracket

REF	PART #	DESCRIPTION	COMMENTS
1	38155	Filler Hose	
2	33562	Screw	
3	29210	Hose Clamp	
4	38573	Outer Tub Cover	
5	28330P	Inlet Hose	Four foot (Hose is equipped with two standard hose couplings; Includes Items 6 and 7)
	20617	Inlet Hose	Eight foot; Optional (Hose is equipped with two standard hose couplings)
	20618	Inlet Hose	Ten foot; Optional (Hose is equipped with two standard hose couplings)
	38349P	Inlet Hose	Four foot (Hose is equipped with one metric and one standard hose coupling; Includes Items 6 and 7)
	37380	Inlet Hose	Eight foot (Hose is equipped with one metric and one standard hose coupling)
	37381	Inlet Hose	Ten foot (Hose is equipped with one metric and one standard hose coupling)
6	28605	Filter Washer	NLA
7	20290	Rubber Washer	
8	39407	Mixing Valve Mounting Bracket	
9	F270200	Inlet Screen	
10	38495	Mixing Valve	Models HWT021*A1102, HWT021*C1102, HWT111*A1102, HWT111*C1102, HWT121*A1102, HWT121*C1102, HWT210*A1102, HWT210*C1102, HWT211*C1102, HWT220*A1102, HWT220*C1102, HWT221*A1102, HWT221*C1102, HWT521*A1102, HWT521*C1102, HWT621*A1102, HWT621*C1102, HWT721*A1102, HWT721*C1102, SWT111*A1200, SWT111*A1300, SWT211*A1200, SWT211*A1300, SWT521*A1119 and SWT621*D1121
	38813	Mixing Valve	Models HWT111*A3000, HWT111*C3000, HWT211*A3000, HWT211*C3000, SWT011*A3000, SWT011*A3050, SWT111*A3000, SWT111*A3050, SWT111*A5412, SWT121*A3000, SWT211*A3000, SWT421*A3000 and SWT421*A3050
	38918	Mixing Valve	Models HWT011*B3073, HWT111*B3069, HWT211*B3020, SWT111*B3069 and SWT211*B3020
11	501086	Screw	
12	34500	Backflow Preventer	
13	36801	Hose Clamp	

NLA = No Longer Available

Motor, Mounting Bracket, Belt and Idler Assembly

Models HWT011*B3073, HWT111*B3069, HWT211*B3020, SWT111*B3069 and SWT211*B3020



W390PZ3A

* Add Letter To Designate Color. L – Almond W – White

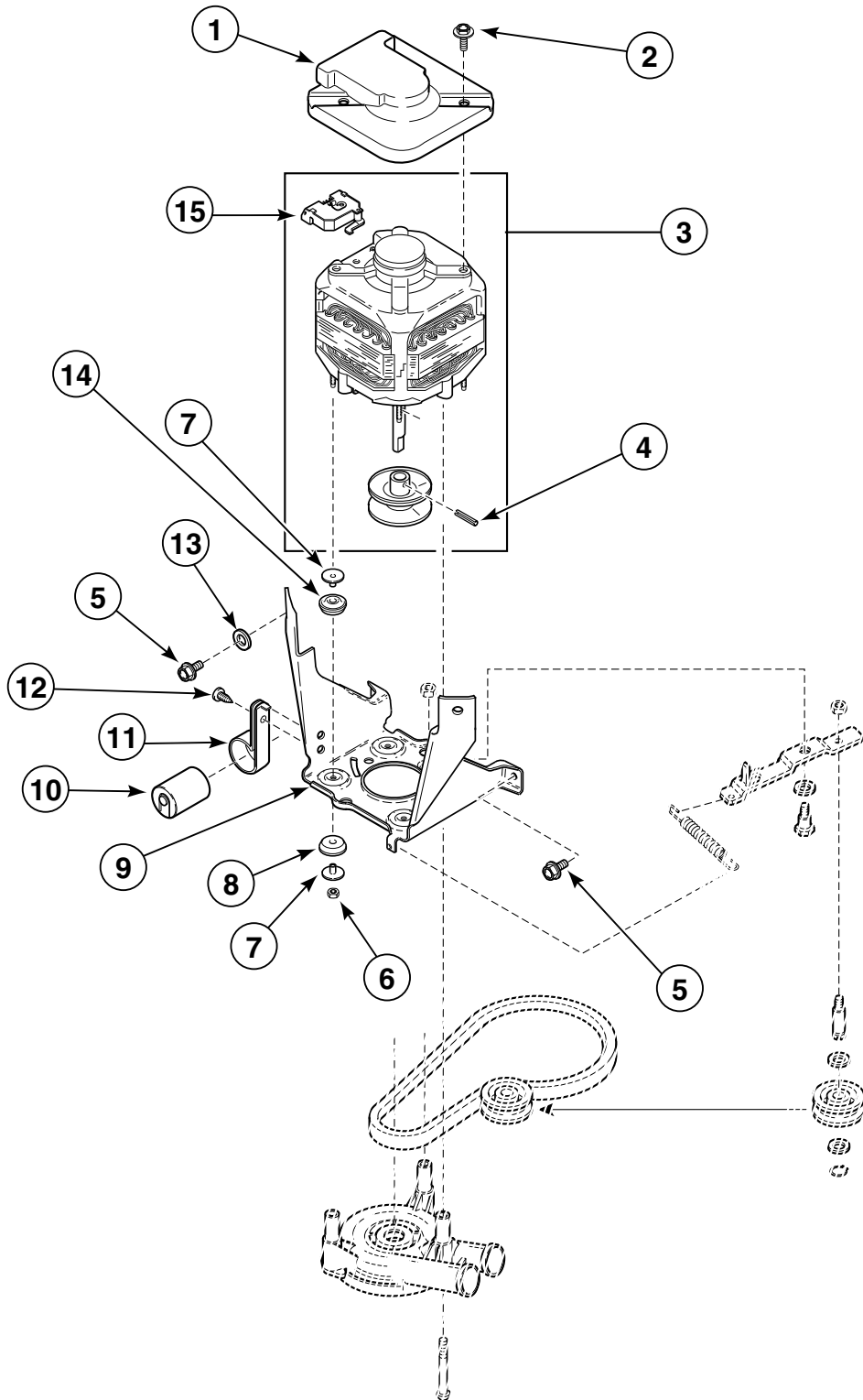
Motor, Mounting Bracket, Belt and Idler Assembly

Models HWT011*B3073, HWT111*B3069, HWT211*B3020, SWT111*B3069 and SWT211*B3020

REF	PART #	DESCRIPTION	COMMENTS
1	34754	Motor Shield	
2	36639	Screw	
3	36965	Motor Shield	
4	52566	Locknut	
5	39666	Idler Lever Spring	
6	28803	Locknut	
7	38011	Idler Lever	
8	81392	Washer	
9	27229	Shoulder Bolt	
10	56461	Idler Shaft	
11	52549	Washer	Nylatron
12	23748	Retainer Ring	
13	38225	Idler Pulley	
14	34565	Screw	
15	36863P	Pump Assembly	
16	38749	Belt	Agitate and spin
17	35369	Screw	
18	35423	Nut	
19	38325	Motor Mount Post	
20	38396	Motor Mount	
21	37445	Motor Mount Bracket	
22	39546	Capacitor	
23	37535	Capacitor Clamp	
24	52909	Screw	
25	37772	Washer	
26	38395	Motor Mount	
27	10416	Roll Pin	
28	38060P	Motor	230 Volt, 50 Hertz, 1 speed
29	35632	Motor Switch	

Motor and Mounting Bracket Assembly

All Models Except HWT011*B3073, HWT111*B3069, HWT211*B3020, SWT111*B3069 and SWT211*B3020



W387PZ3B

* Add Letter To Designate Color. L – Almond W – White

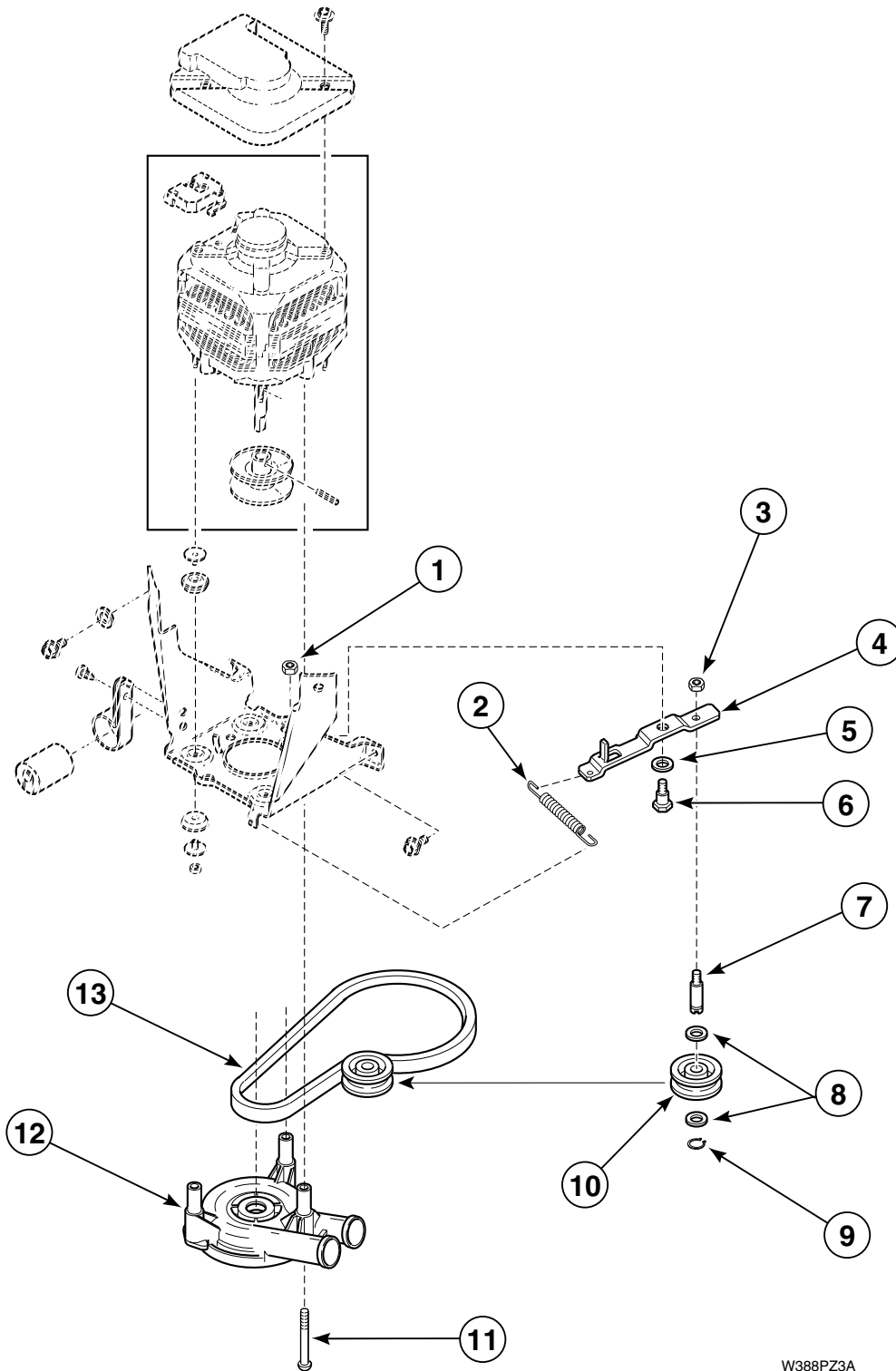
Motor and Mounting Bracket Assembly

All Models Except HWT011*B3073, HWT111*B3069, HWT211*B3020, SWT111*B3069 and SWT211*B3020

REF	PART #	DESCRIPTION	COMMENTS
1	34754	Motor Shield	
2	36639	Screw	
3	35030P	Motor	240 Volt, 50/60 Hertz, 1 Speed; Model SWT111*A5412
	38034P	Motor	115 Volt, 60 Hertz, 2 Speed; Models HWT021*A1102, HWT021*C1102, HWT121*A1102, HWT121*C1102, HWT220*A1102, HWT220*C1102, HWT221*A1102, HWT221*C1102, HWT521*A1102, HWT521*C1102, HWT621*C1102, HWT721*A1102, HWT721*C1102 and SWT621*D1121
	38035P	Motor	115 Volt, 60 Hertz, 1 Speed; Models HWT111*A1102, HWT111*C1102, HWT210*A1102, HWT210*C1102 and HWT211*C1102
	38053P	Motor	240 Volt, 50 Hertz, 1 Speed; Models HWT111*A3000, HWT111*C3000, HWT211*A3000, HWT211*C3000, SWT011*A3000, SWT011*A3050, SWT111*A3000, SWT111*A3050 and SWT211*A3000
	38054P	Motor	240 Volt, 50 Hertz, 2 Speed; Models SWT121*A3000, SWT421*A3000 and SWT421*A3050
	38056P	Motor	100 Volt, 60 Hertz, 1 Speed; Models SWT111*A1300 and SWT211*A1300
	38057P	Motor	100 Volt, 50 Hertz, 1 Speed; Models SWT111*A1200 and SWT211*A1200
4	10416	Roll Pin	
5	35369	Screw	
6	35423	Nut	
7	38325	Motor Mount Post	
8	38396	Motor Mount	
9	37445	Motor Mount Bracket	
10	37377	Capacitor	Models HWT021*A1102, HWT021*C1102, HWT111*A1102, HWT111*C1102, HWT121*A1102, HWT121*C1102, HWT210*A1102, HWT210*C1102, HWT211*C1102, HWT220*A1102, HWT220*C1102, HWT221*A1102, HWT221*C1102, HWT521*A1102, HWT521*C1102, HWT621*A1102, HWT621*C1102, HWT721*A1102, HWT721*C1102, SWT521*A1119 and SWT621*D1121
11	37535	Capacitor Clamp	
12	52909	Screw	
13	37772	Washer	
14	38395	Motor Mount	
15	35632	Motor Switch	

Belt, Pump and Idler Assembly

All Models Except HWT011*B3073, HWT111*B3069, HWT211*B3020, SWT111*B3069 and SWT211*B3020



W388PZ3A

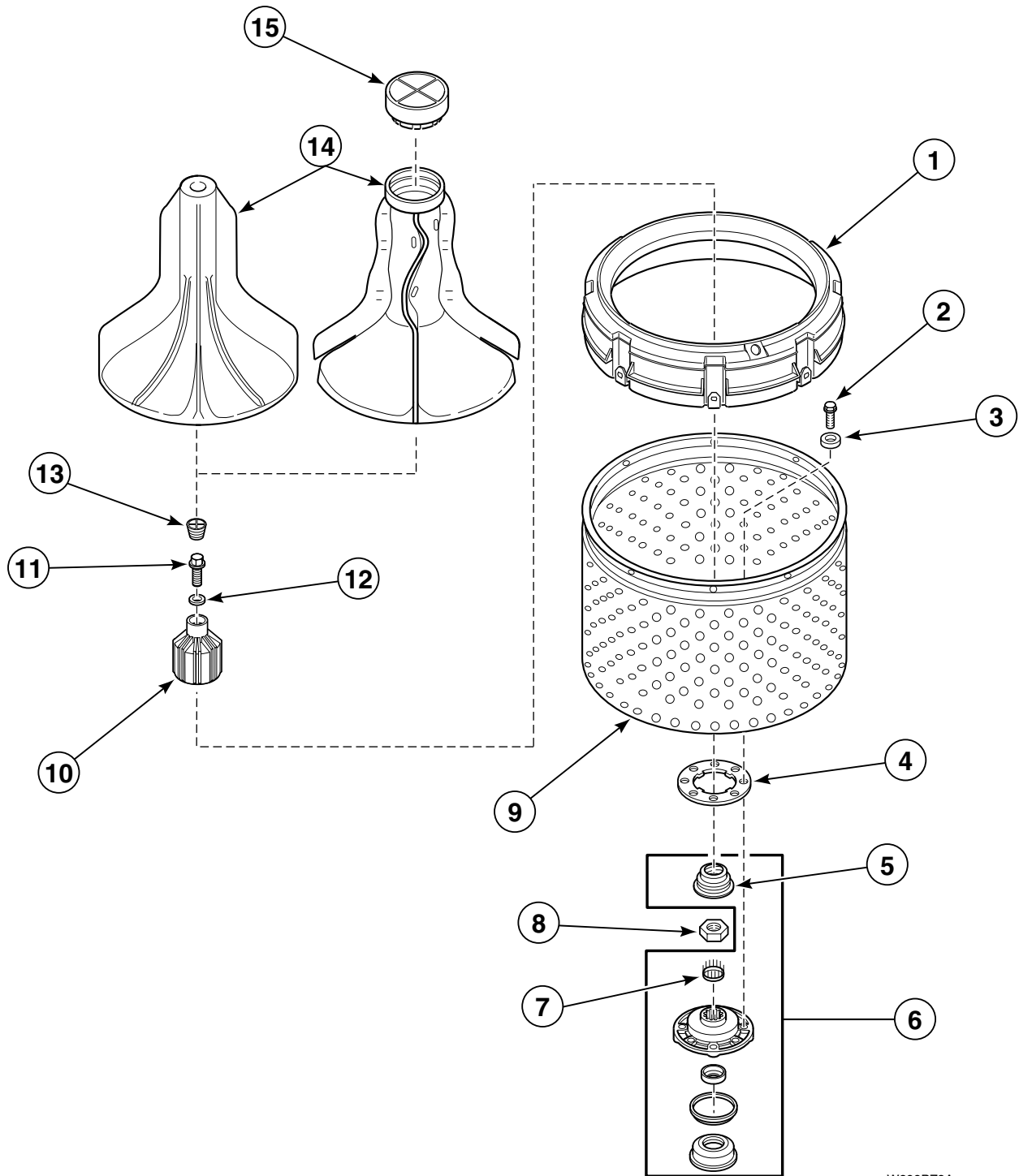
* Add Letter To Designate Color. L – Almond W – White

Belt, Pump and Idler Assembly

All Models Except HWT011*B3073, HWT111*B3069, HWT211*B3020, SWT111*B3069 and SWT211*B3020

REF	PART #	DESCRIPTION	COMMENTS
1	52566	Locknut	
2	39666	Idler Lever Spring	
3	28803	Locknut	
4	38011	Idler Lever	
5	81392	Washer	
6	27229	Shoulder Bolt	
7	56461	Idler Shaft	
8	52549	Washer	Nylatron
9	23748	Retainer Ring	
10	38225	Idler Pulley	
11	34565	Screw	
12	36863P	Pump Assembly	
13	38749	Belt	Models HWT111*A3000, HWT111*C3000, HWT211*A3000, HWT211*C3000, SWT011*A3000, SWT011*A3050, SWT111*A1300, SWT111*A3000, SWT111*A3050, SWT121*A3000, SWT211*A1300, SWT211*A3000, SWT421*A3000 and SWT421*A3050
	37820	Belt	All other models

Agitator, Drive Bell, Seal Kit, Washtub and Hub



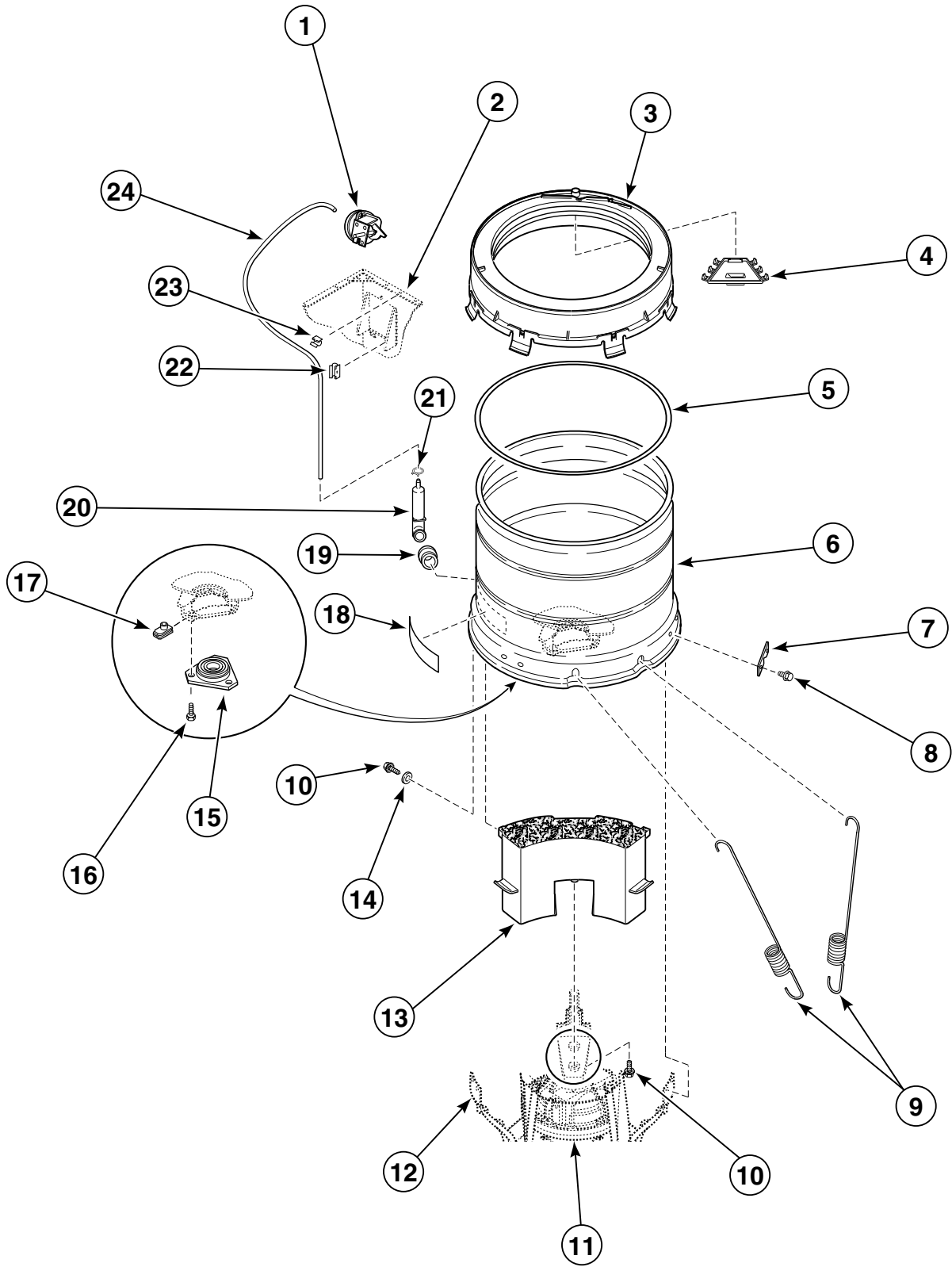
W398PZ3A

Agitator, Drive Bell, Seal Kit, Washtub and Hub

REF	PART #	DESCRIPTION	COMMENTS
	36765P	Grease	Use with 36425 Seal
1	39836	Balance Ring	
2	27202	Cap Screw	
3	28094	Gasket	Use with porcelain washtub
4	39122	Gasket	
5	36425 †	Seal	
6	646P3	Hub And Seal Kit	Includes 38359 Cover Gasket and 39508P Drive Bell and Seal Kit
7	29728 †	Splined Insert	
8	29220	Locknut	
9	39252P	Washtub	Blue porcelain; Models HWT210*A1102, HWT210*C1102, HWT220*A1102 and HWT210*C1102
	39387P	Washtub	Stainless steel; Models HWT011*B3073, SWT111*A1200, SWT111*A1300 and SWT621*D1121
	39387P	Washtub	Stainless steel, All other models
10	39508P †	Drive Bell And Seal Kit	Replaces 36443P; Includes 29728, 36425, 36511 and 39432
11	34288 †	Shoulder Screw	Use with 36443 Drive Bell and Seal Kit
	39432 †	Shoulder Screw	Use with 39508P Drive Bell and Seal Kit
12	36472 †	"O" Ring	Use with 34288 Shoulder Screw
13	36511 †	Plug	
14	33513	Agitator	All other models
	39156	Agitator	Models SWT011*A3000 and SWT211*A3000 starting serial number 9805036741
15	36515	Agitator Cap	Models SWT011*A3000 and SWT211*A3000 starting serial number 9805036741

NOTE: Drive Bell and Seal Kit (Includes parts marked with a dagger †).

Outer Tub, Cover, Pressure Hose and Counterweight



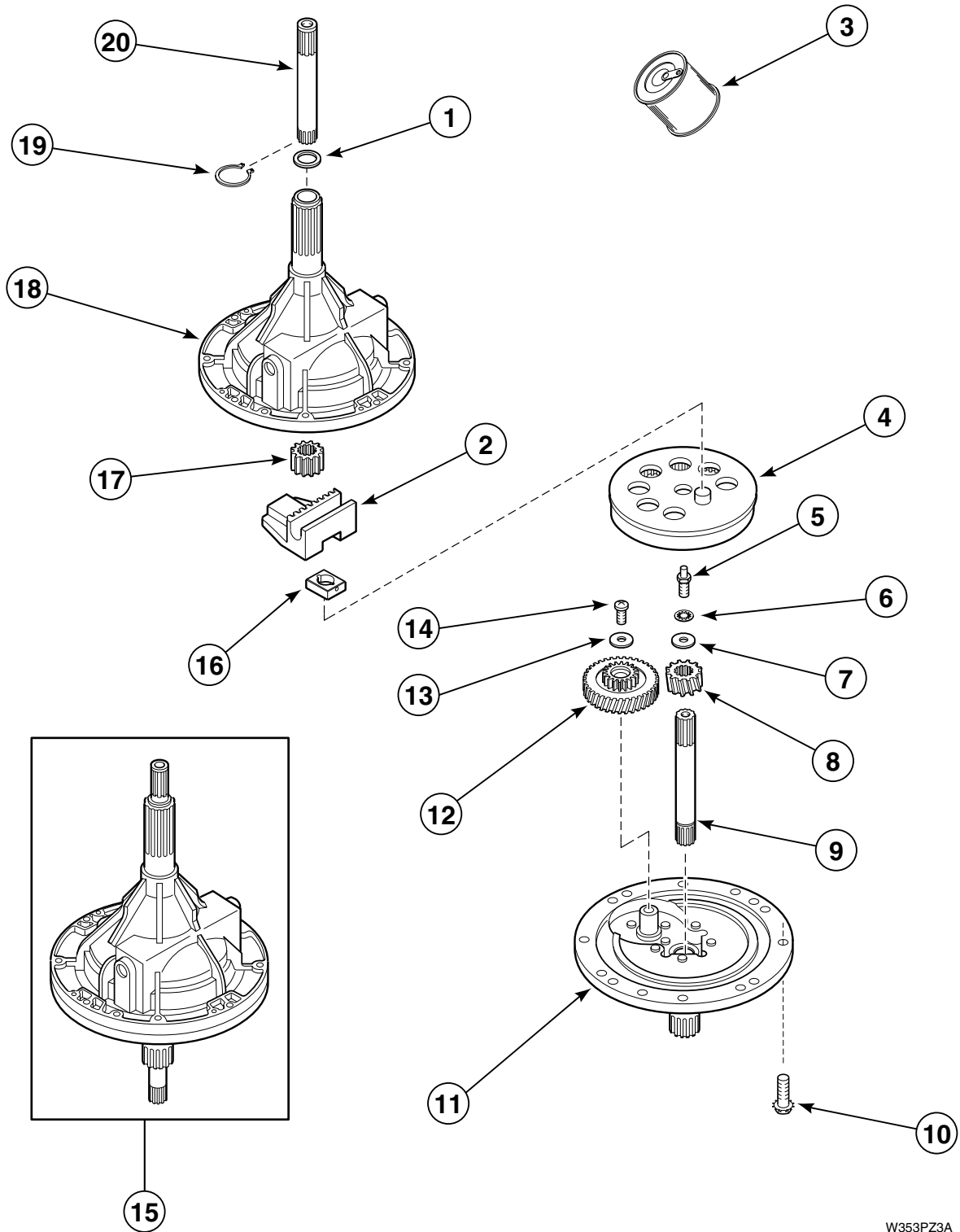
W352PZ3A

Outer Tub, Cover, Pressure Hose and Counterweight

REF	PART #	DESCRIPTION	COMMENTS
1	35889	Pressure Switch	
2	38612*P	Cabinet Kit	
3	38573	Outer Tub Cover Assembly	Includes Items 4 and 5
4	38154	Water Inlet Channel	
5	38359	Gasket	
6	37981P	Outer Tub	
7	27926	Leg Plate	
8	35369	Screw	
9	37576	Module Spring	
10	39566	Screw	
11	38826P	Transmission Assembly	
12	39254	Weldment And Bearing Assembly	
13	38769	Counterweight	Models HWT021*A1102, HWT021*C1102, HWT111*A1102, HWT111*C1102, HWT121*A1102, HWT121*C1102, HWT210*A1102, HWT210*C1102, HWT211*C1102, HWT220*A1102, HWT220*C1102, HWT221*A1102, HWT221*C1102, HWT521*A1102, HWT521*C1102, HWT621*A1102, HWT621*C1102, HWT721*A1102, HWT721*C1102, SWT111*A1200, SWT211*A1200, SWT521*A1119 and SWT621*D1121
	38770	Counterweight	All other models
14	39249	Washer	
15	27182	Bearing Housing Assembly	
16	36991	Screw	
17	27222	Retainer Nut	
18	500314	Sticker	Models HWT021*A1102, HWT021*C1102, HWT111*A1102, HWT111*C1102, HWT121*A1102, HWT121*C1102, HWT210*A1102, HWT210*C1102, HWT220*A1102, HWT220*C1102, HWT221*A1102, HWT221*C1102, HWT521*A1102, HWT521*C1102, HWT621*A1102, HWT621*C1102, HWT721*A1102 and HWT721*C1102
	502506	Sticker	Models HWT011*B3073, HWT111*B3069, HWT211*B3020, SWT111*B3069 and SWT211*B3020
	500049	Sticker	All other models
19	29175	Grommet	
20	30907	Pressure Bulb	
21	39282	Hose Clamp	
22	36985	Clip	
23	21036	Clip	
24	39124	Pressure Hose	Models HWT021*A1102, HWT021*C1102, HWT111*A1102, HWT111*C1102, HWT210*A1102, HWT210*C1102, HWT211*A3000, HWT211*C3000, HWT220*A1102, HWT220*C1102, HWT221*A1102, HWT221*C1102, SWT011*A3000, SWT011*A3050, SWT111*A1200, SWT111*A1300, SWT111*A3000, SWT111*A3050, SWT111*A5412, SWT121*A3000, SWT211*A1200, SWT211*A1300 and SWT211*A3000
	39125	Pressure Hose	All other models

* Add Letter To Designate Color. L – Almond W – White

38826P Transmission Assembly

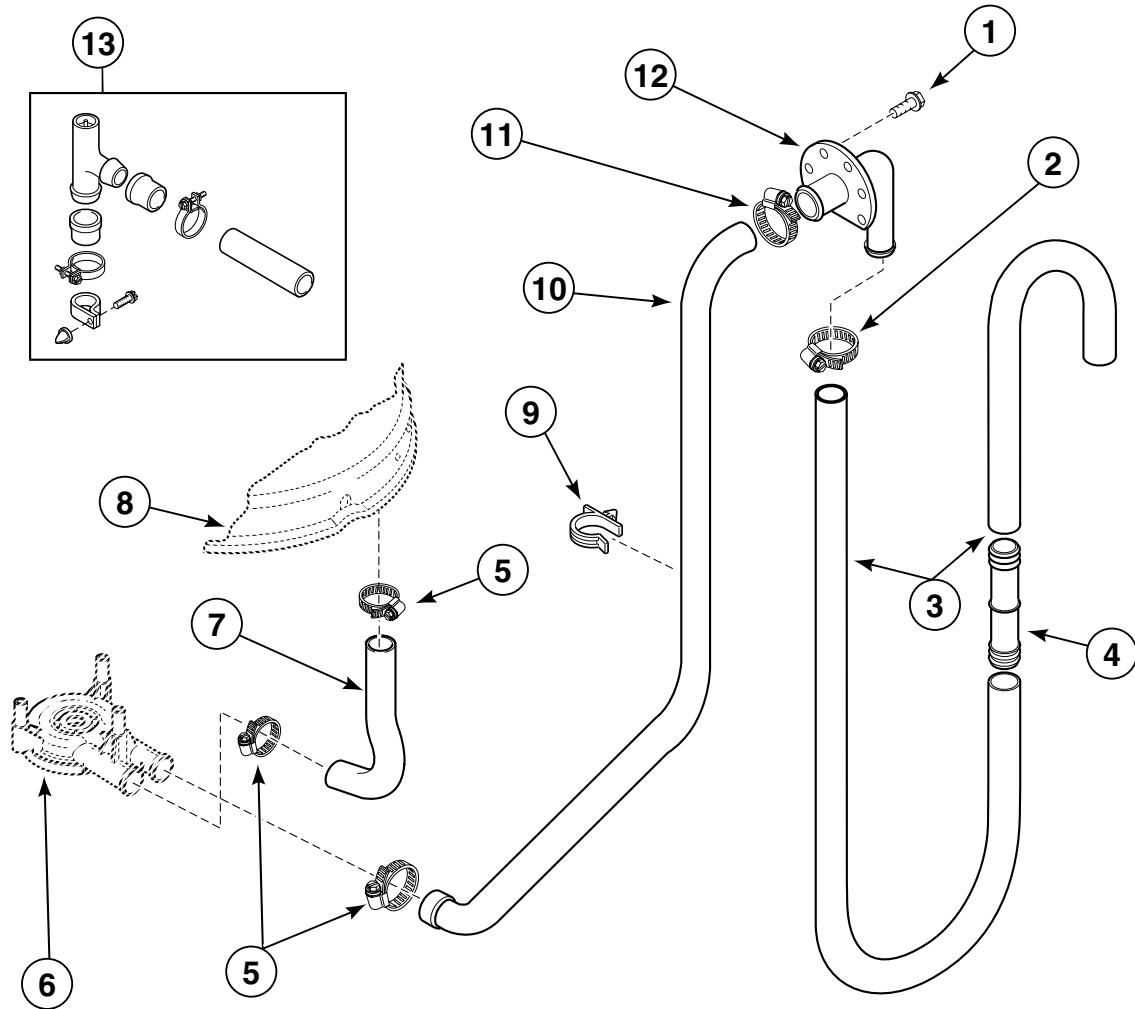


W353PZ3A

38826P Transmission Assembly

REF	PART #	DESCRIPTION	COMMENTS
	27604P	Never Seeze Compound	Apply to smooth area of both the upper and lower transmission tube that will be contacting the upper and lower bearings
	37577P	Sealant	Use between transmission case and cover
1	35092	Washer	
2	31526	Rack	
3	27243P	Transmission Oil	One Fill
4	26577	Internal Gear	
5	27030	Special Screw	
6	21456	Lockwasher	Used through Serial No. 9712011370
7	26509	Washer	
8	37406	Drive Pinion	
9	38268	Input Shaft	
10	32814	Screw	
11	37471	Transmission Cover	
12	37403	Reduction Gear	
13	29260	Washer	
14	29273	Screw	
15	38826P	Transmission Assembly	
16	26493	Slide	
17	27003	Agitator Pinion	
18	33223	Transmission Case	
19	27197	Retainer Ring	
20	36570	Output Shaft	

Pump Assembly, Bracket, Hoses and Siphon Break Kit

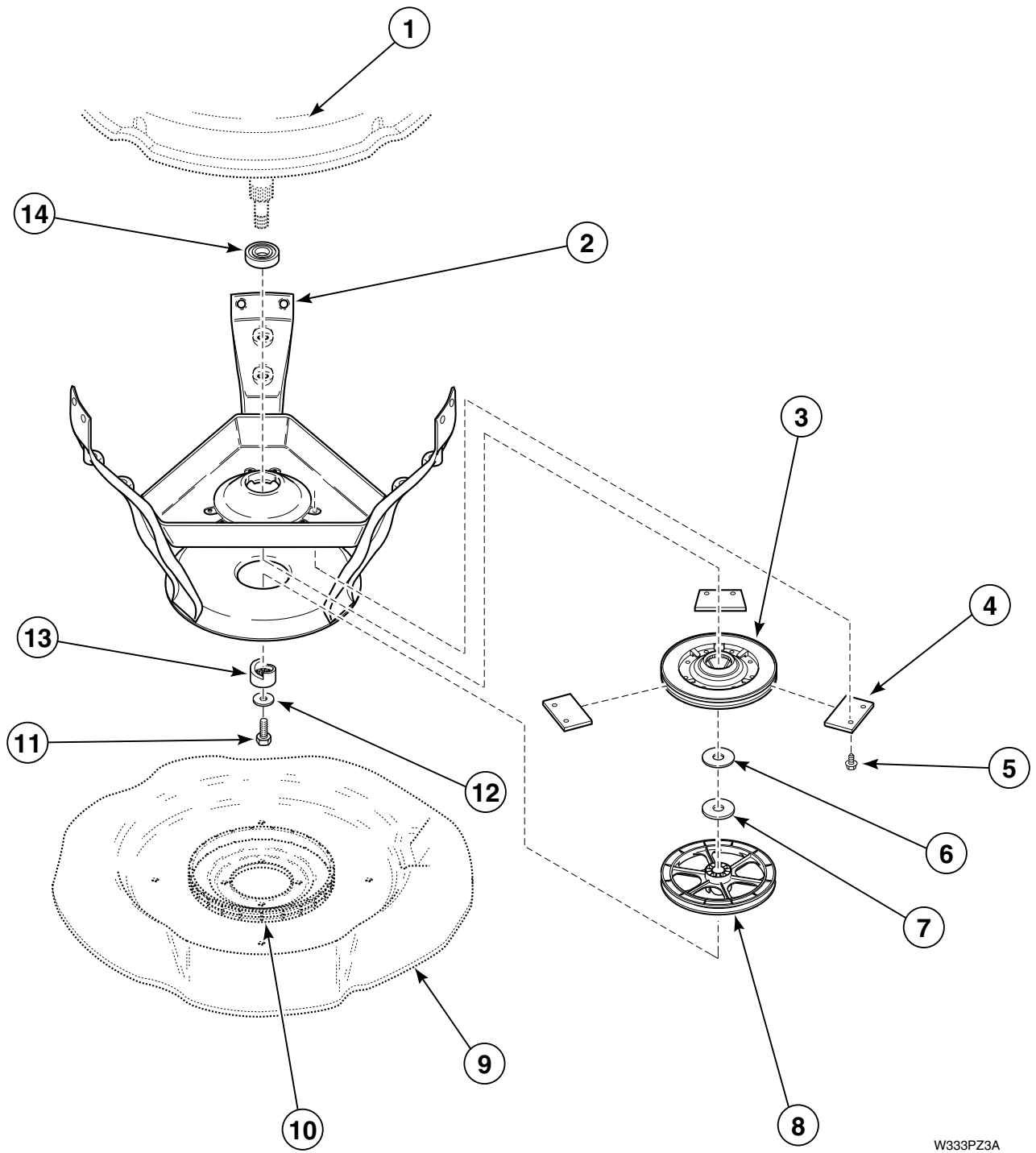


W354PZ3B

Pump Assembly, Bracket, Hoses and Siphon Break Kit

REF	PART #	DESCRIPTION	COMMENTS
1	52909	Screw	
2	20211	Hose Clamp	
3	28293	Drain Hose	
4	25863	Hose Coupler	If drain hose must be shortened, cut hose between molded end and molded elbow; Use one No. 25863 hose coupler to splice hose
5	36802	Hose Clamp	
6	36863P	Pump Assembly	
7	38351	Tub-to-Pump Hose	
8	37981P	Outer Tub	
9	39177	Hose Clip	
10	38273	Pump-to-Elbow Hose	
11	20391	Hose Clamp	
12	36990	Drain Hose Elbow	
13	562P3	Siphon Break Kit	Siphon break kit must be installed in drain hose if drain receptacle is lower than cabinet top of washer

Weldment and Bearing Assembly, Brake and Pulley



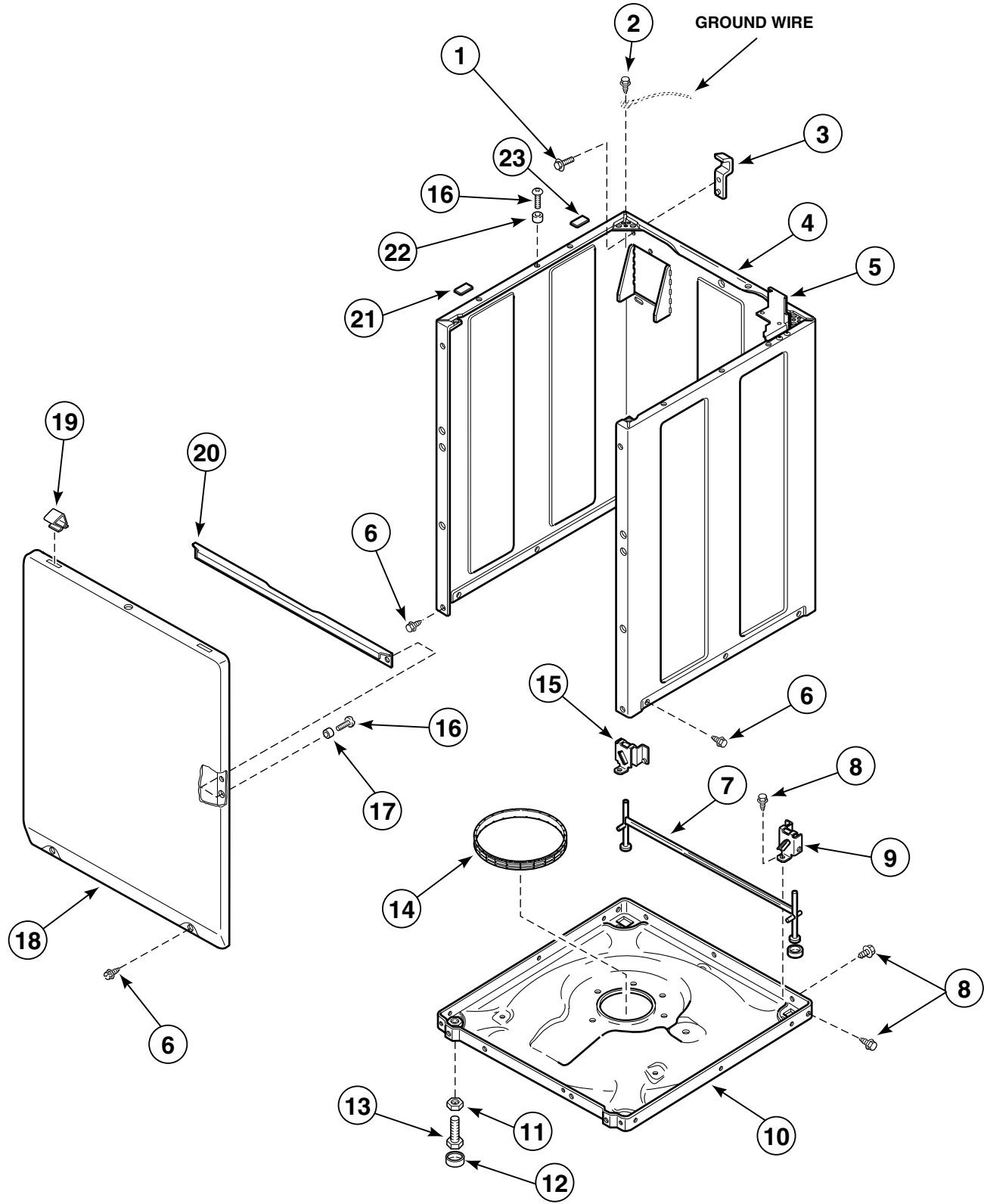
W333PZ3A

Weldment and Bearing Assembly, Brake and Pulley

REF	PART #	DESCRIPTION	COMMENTS
1	37981P	Outer Tub	
2	39254	Weldment And Bearing Assembly	
3	38505P	Brake	
4	735P3	Brake Pad Kit	Includes three pads
5	37836	Screw	
6	35535	Washer	Thin
7	27015	Washer	Thick
8	38007	Pulley Assembly	Models HWT021*A1102, HWT021*C1102, HWT111*A1102, HWT111*C1102, HWT121*A1102, HWT121*C1102, HWT210*A1102, HWT210*C1102, HWT211*C1102, HWT220*A1102, HWT220*C1102, HWT221*A1102, HWT221*C1102, HWT521*A1102, HWT521*C1102, HWT621*A1102, HWT621*C1102, HWT721*A1102, HWT721*C1102, SWT111*A1200, SWT111*A5412, SWT211*A1200, SWT521*A1119 and SWT621*D1121
	38426	Pulley Assembly	All other models
9	39788	Base	
10	37937	Friction Ring	
11	27220	Screw	
12	26509	Washer	
13	38008	Helix	
14	28944R	Bearing	

* Add Letter To Designate Color. L – Almond W – White

Front Panel, Base and Cabinet



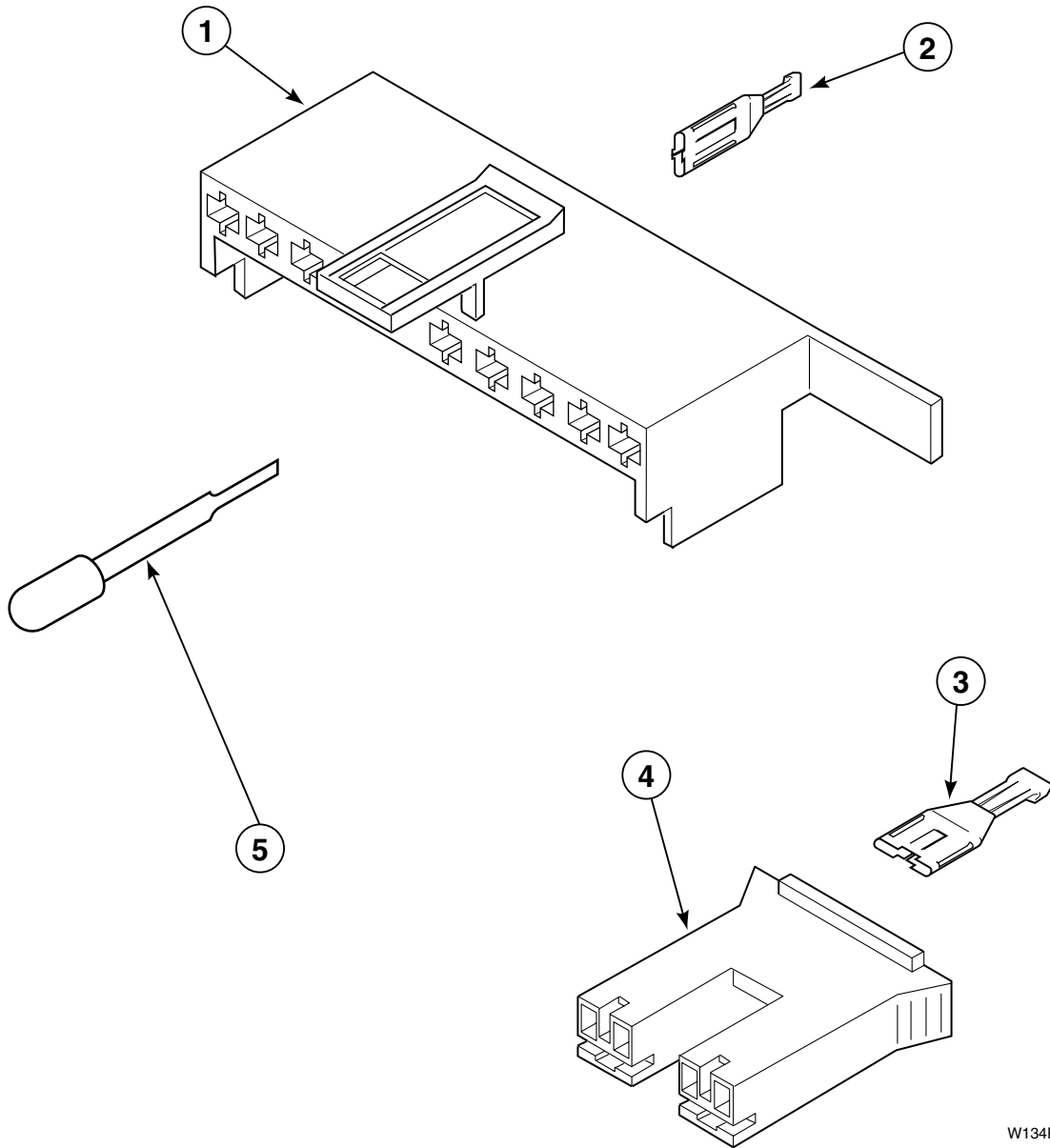
W355PZ3A

Front Panel, Base and Cabinet

REF	PART #	DESCRIPTION	COMMENTS
1	34499	Screw	
2	52909	Screw	
3	27103	Hinge	
4	38612*P	Cabinet Kit	
5	35867	Mounting Bracket	
6	27196	Screw	Hex head
	35527	Screw	Torx head; For added security
7	34443	Leveling Leg And Stabilizer Bar	
8	35148	Screw	
9	36036	Bracket	Right
10	39788	Base Assembly	
11	21899	Locknut	
12	34318	Rubber Foot	
13	34319	Leveling Leg	
14	37937	Friction Ring	
15	36037	Bracket	Left
16	32671	Screw	
17	28102	Panel Locator	
18	34656*P	Front Panel	Includes 35865 Hold-Down Clip, 35097 Brace & attaching hardware
19	35865	Hold-down Clip	
20	35097	Brace	
21	56128	Bumper Pad	
22	56079	Panel Locator	
23	36226	Bumper Pad	

* Add Letter To Designate Color. L – Almond W – White

Mixing Valve and Motor Disconnect Blocks, Terminals and Terminal Extractor Tool

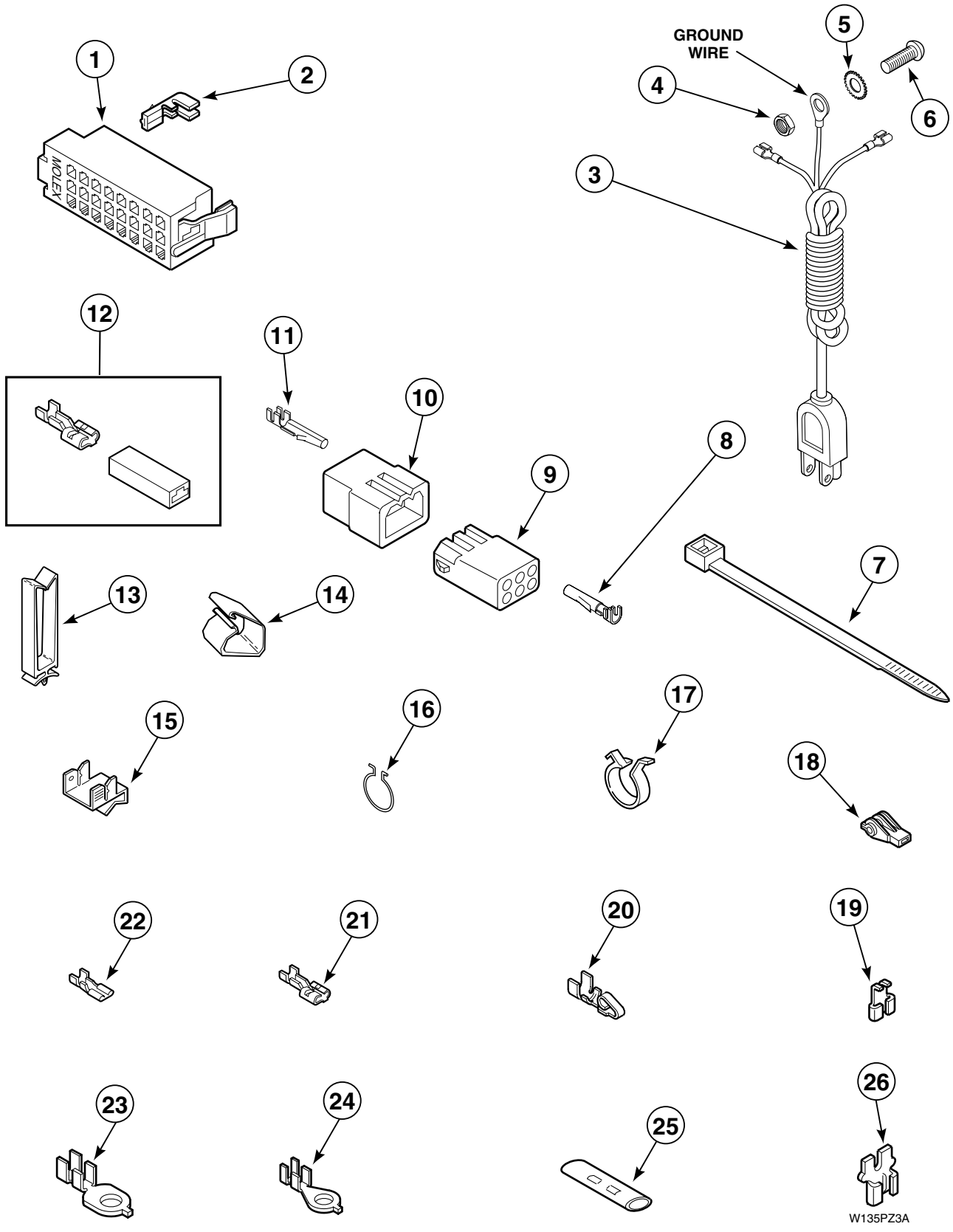


W134PZ3A

Mixing Valve and Motor Disconnect Blocks, Terminals and Terminal Extractor Tool

REF	PART #	DESCRIPTION	COMMENTS
1	34677	Molex Housing	Motor
2	00188	Molex Terminal	For one or two wire application
3	00121	Spade Terminal	1/4 Inch
4	34675	Amp Housing	Mixing valve; Natural
	34676	Amp Housing	Mixing valve; Red
5	283P4	Terminal Extractor Tool	

Power Cord and Terminals



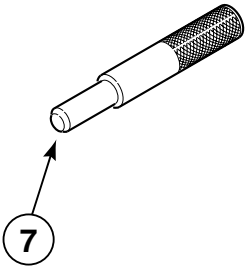
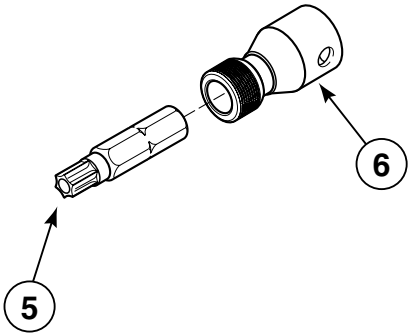
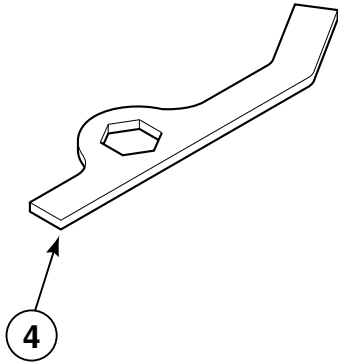
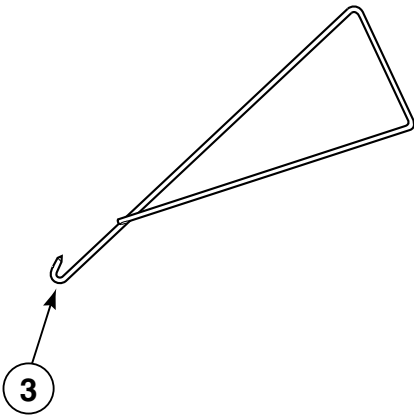
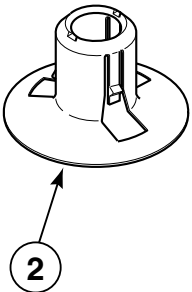
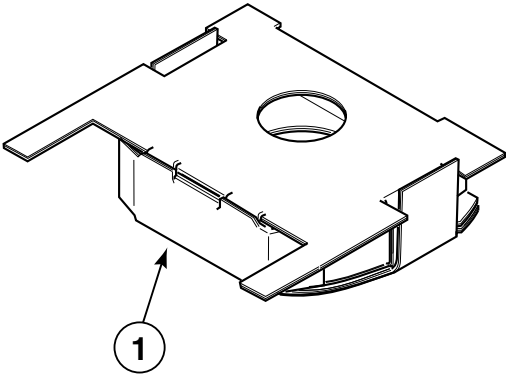
W135PZ3A

Power Cord and Terminals

REF	PART #	DESCRIPTION	COMMENTS
1	32746	Molex Housing	Right hand; Black
	34123	Molex Housing	Left hand; White
2	00188	Molex Terminal	Used for one or two wire application
3	39404	Power Cord	Models HWT021*A1102, HWT021*C1102, HWT111*A1102, HWT111*C1102, HWT121*A1102, HWT121*C1102, HWT210*A1102, HWT210*C1102, HWT211*C1102, HWT220*A1102, HWT220*C1102, HWT221*A1102, HWT221*C1102, SWT111*A1200, SWT111*A1300, SWT211*A1200 and SWT211*A1300
	39405	Power Cord	Models HWT521*A1102, HWT521*C1102, HWT621*A1102, HWT621*C1102, HWT721*A1102, HWT721*C1102, SWT521*A1119 AND SWT621*D1121
	36770	Power Cord	Models SWT011*A3050, SWT111*A3050 and SWT421*A3050
	37179	Power Cord	Models HWT011*B3073, HWT111*B3069 and SWT111*B3069
	38362	Power Cord	Models HWT111*A3000, HWT111*C3000, HWT211*A3000, HWT211*C1102, SWT011*A3000, SWT111*A3000, SWT121*A3000, SWT211*A3000 and SWT421*A3000
	38363	Power Cord	Model SWT111*A5412
	39350	Power Cord	Models HWT211*B3020 and SWT211*B3020
4	03673	Nut	
5	21735	Lockwasher	
6	20267	Screw	
7	55881	Wire Tie	
8	00117	Terminal	Female
9	26301	Terminal Block	One circuit
	26708	Terminal Block	Six circuit
	26163	Terminal Block	Nine circuit
10	26302	Terminal Block	One circuit
	23041	Terminal Block	Six circuit
	23033	Terminal Block	Nine circuit
11	00116	Terminal	Male
12	00234	Terminal And Housing Assembly	
13	36274	Harness Clip	
14	35521	Harness Clip	
15	00161	Ground Clip	
16	51291	Wire Clip	
17	504034	Wire Clip	
18	70210	Plastic Insulator	
19	00120	Right Angle	Flag terminal
20	00220	Spade Terminal	Female - 1/4 Inch
21	00119	Spade Terminal	Large spade
22	00112	Spade Terminal	Small spade
23	00113	Eyelet Terminal	1/4 inch ring
24	00110	Eyelet Terminal	Small shank
25	21091	Connector	
26	29673	Double Connector	

* Add Letter To Designate Color. L – Almond W – White

Special Tools

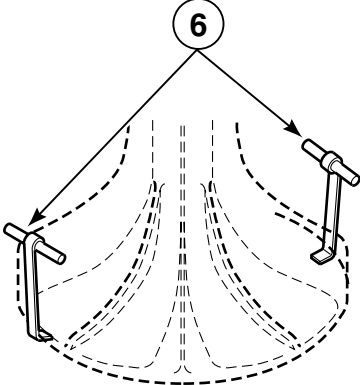
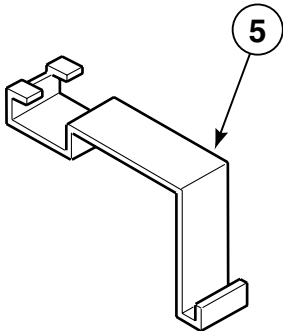
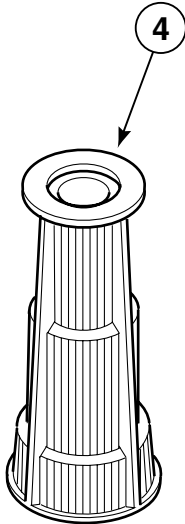
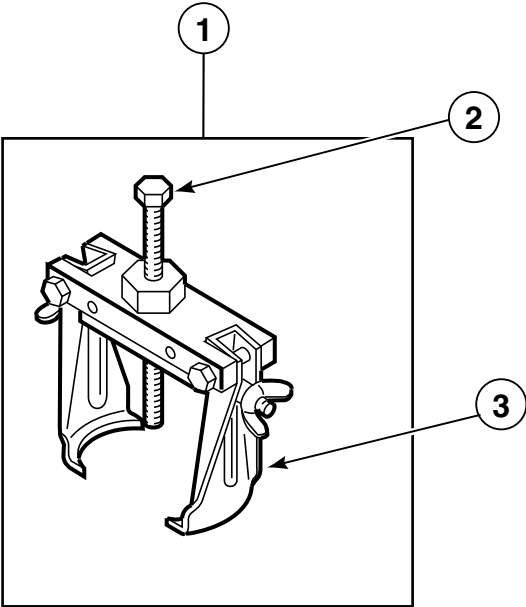


W340PZ3B

Special Tools

REF	PART #	DESCRIPTION	COMMENTS
1	39366	Washer Shipping Brace	Install whenever moving washer; Remove before use
2	38149	Shipping Plug	Install whenever moving washer; Remove before use
3	321P4	Spring Hook	For removal of centering springs from outer tub
4	306P4	Hex Wrench	For removal of locknut from washtub hub
5	281P4	T15 Tamper Resistant Bit	For removal and installation of control hood security screws
	282P4	T25 Tamper Resistant Bit	For removal and installation of front panel security screws
6	24161	Torx Bit Holder	3/8 Inch Drive
7	305P4	Transmission Pin Tool	Use pin tools in place of dowel pins when reassembling transmission cover and case; Two required

Special Tools



W310PZ3C

Special Tools

REF	PART #	DESCRIPTION	COMMENTS
1	294P4	Bell Tool	For removal and installation of drive bell to transmission shaft
2	294P4B	Drive Bell Bolt	To update 253P4 Bell Tool
3	294P4A	Drive Bell Arms	To update 253P4 Bell Tool
4	293P4	Seal Tool	For installation of 36425 Seal
5	273P4	Gasket Tool	Use to install 38359 Gasket in outer tub cover
6	254P4P	Agitator Hooks	Use to remove agitator from drive bell; Set of two

Wire Harnesses and Wires

Individual wires not serviced separately. Order complete harnesses listed below, or order wire by the foot.
See Page 52.

WASHER MODEL	BASE HARNESS	TIMER HARNESS	HOOD HARNESS	LID LOCK HARNESS
HWT011*B3073	38661	39811	39725	31973
HWT021*A1102 and HWT021*C1102	38661	34092	38870	
HWT111*A1102 and HWT111*C1102	38661	39806	39805	
HWT111*A3000 and HWT111*C1102	38772	39806	39805	
HWT111*B3069	38661	39806	39283	31973
HWT121*A1102 and HWT121*C1102	38661	29281	38867	
HWT210*A1102 and HWT210*C1102	38661	39806	39805	
HWT211*C1102	38661	39806	39805	
HWT211*A3000 and HWT211*C3000	38772	39806	39805	
HWT211*B3020	38661	39806	39334	31973
HWT220*A1102 and HWT220*C1102	38661	29281	38867	
HWT221*A1102 and HWT221*C1102	38661	29281	38867	
HWT521*A1102 and HWT521*C1102	38661	39955P	36093	
HWT621*A1102 and HWT621*C1102	38661	38026 (Security Box)	36093	
HWT721*A1102 and HWT721*C1102	38661	38191 (Card Reader)	36093	
SWT011*A3000	38772	39811	38971	
SWT011*A3050	38893	39811	38971	
SWT111*A1200	38661	39806	39805	
SWT111*A1300	38661	39806	39805	
SWT111*A3000	38772	39806	39805	
SWT111*A3050	38893	39806	39805	
SWT111*B3069	38661	39806	39283	31973
SWT111*A5412	38772	39806	39805	
SWT121*A3000	38660	29281	38867	
SWT211*A1200	38661	39806	39805	
SWT211*A1300	38661	39806	39805	
SWT211*A3000	38772	39806	39805	
SWT211*B3020	38661	39806	39334	31973
SWT421*A3000	38660	39955P	36093	
SWT421*A3050	39176	39955P	36093	
SWT521*A1119	38661	38848 (Audit)	36093	
SWT621*D1121	38661	39492 (Card Reader)	36093	

* Add Letter To Designate Color. L – Almond W – White

Order individual wire color and gauge by part number listed below. Order wire by foot and terminals and connectors are required. It is recommended when applying terminals to wires that terminals be soldered to wires.

IMPORTANT: Always replace wires with proper gauge.

PART NUMBER	WIRE GAUGE	WIRE COLOR
45001	18 Gauge Wire	Black
45380	12 Gauge Wire	Orange

Parts Index

A

Agitator	
33513	41
39156	41
Agitator Cap	
36515	41
Agitator Hooks	
254P4P	59
Agitator Pinion	
27003	45
Amp Housing	
34675	53
34676	53

B

Backflow Preventer	
34500	33
Balance Ring	
39836	41
Base	
39788	49
Base Assembly	
39788	51
Base Harness	
38660	60
38661	60
38772	60
38893	60
39176	60
Bearing	
28944R	49
Bearing Housing Assembly	
27182	43
Bell Tool	
294P4	59
Belt	
37820	39
38749	35, 39
Bolt	
29651	7
Brace	
35097	51
Bracket	
30642	9, 11, 13, 17
35525	9, 11, 13
35525 †	7
36036	51
36037	51
Brake	
38505P	49
Brake Pad Kit	
735P3	49
Bumper	
21685	27, 29
32648	19, 21, 23, 25
Bumper Pad	
36226	51
56128	51

Bushing	
33446	27, 29

C

Cabinet Kit	
34475*P	7, 11, 13
38612*P	9, 27, 29, 43, 51
Cabinet Top	
36122*P	11
39167*P	7, 9, 13, 19, 21, 23, 29
39184*	25, 27
39185*	5, 15, 17, 19, 21, 23, 27, 29
39186*	25
39339*	25, 27
Cap Screw	
02916	5, 15, 19, 21, 23, 25
27202	41
Capacitor	
37377	37
39546	35
Capacitor Clamp	
37535	35, 37
Card Reader	
39685	17
Carriage	
02505	15
Carriage Bolt	
02505	5, 9, 11, 13, 17
02505 †	7
Clip	
21036	43
36985	43
Clutch	
29503	7
Coin Funnel Kit	
523P3 †	7
Connector	
21091	55
Control and Shield	
36401P	23
38188P	23
Control Hood	
37075*	5, 15, 17, 19, 21, 23, 25
Control Hood Rear Cover	
38264	19
38267	21, 25
Control Hood Rear Panel	
38267	23
Control Knob Assembly	
35182	19, 21, 25
Control Panel Frame	
36097*	23
36521*	19, 21, 25
Control Panel Overlay	
38940	19
38941	19
38943	19
38944	19
38945	19
38946	25

38947	25
39096	23
39097	23
39345	25
39503	21
39504	21
39505	23
39728	25
Counterweight	
38769	43
38770	43
Cover Plate	
37828	27

D

Double Connector	
29673	55
Drain Hose	
28293	47
Drain Hose Elbow	
36990	47
Drive Bell And Seal Kit	
39508P †	41
Drive Bell Arms	
294P4A	59
Drive Bell Bolt	
294P4B	59
Drive Pinion	
37406	45
Dual Coin Drop Assembly - Australia	
38467	9, 11, 13
Dual Coin Drop Assembly - Belgium	
38469	9, 11, 13
Dual Coin Drop Assembly - Canada	
38465	9, 11, 13
Dual Coin Drop Assembly - Denmark	
38517	9, 11, 13
Dual Coin Drop Assembly - England	
38472	9, 11, 13
Dual Coin Drop Assembly - France	
38518	9, 11, 13
Dual Coin Drop Assembly - Italy	
38520	9, 11, 13
Dual Coin Drop Assembly - Japan	
38519	9, 11, 13
Dual Coin Drop Assembly - Korea	
38521	9, 11, 13
Dual Coin Drop Assembly - New Zealand	
38522	9, 11, 13
Dual Coin Drop Assembly - Taiwan	
38964	9, 11, 13

E

18 Gauge Wire	
45001	60
Eyelet Terminal	
00110	55
00113	55

F

Filler Hose	
38155	33
Filter Washer	
28605	33
Friction Ring	
37937	49, 51
Front Overlay	
38717	9, 13
39073	11
Front Panel	
34656*P	51

G

Gasket	
26354	9, 11, 13
28094	41
29677	27
30378	27
34338	27, 29
35526	9, 11, 13
35526 †	7
37526	17
38359	43
39122	41
Gasket Tool	
273P4	59
Grease	
36765P	41
Grommet	
29175	43
80262	27
Ground Clip	
00161	55

H

Harness Clip	
35521	55
36274	55
Helix	
38008	49
Hex Wrench	
306P4	57
Hinge	
27103	51
36437	27, 29
36438	27, 29
Hold-down Clip	
35865	51
Hood Harness	
36093	60
38867	60
38870	60
38971	60
39283	60
39334	60
39725	60
39805	60

Hose Clamp	
20211	47
20391	47
29210	33
36801	33
36802	47
39282	43
Hose Clip	
39177	47
Hose Coupler	
25863	47
Hub And Seal Kit	
646P3	41

I

Idler Lever	
38011	35, 39
Idler Lever Spring	
39666	35, 39
Idler Pulley	
38225	35, 39
Idler Shaft	
56461	35, 39
Indicator Light	
25850	25
32464	19, 21
32466	19, 21
32519	19, 21, 25
32520	19, 21, 25
Inlet Hose	
20617	33
20618	33
28330P	33
37380	33
37381	33
38349P	33
Inlet Screen	
F270200	33
Input Shaft	
38268	45
Instruction Overlay	
38348	17
Internal Gear	
26577	45

K

Knurled Nut	
24205	19, 21, 25
24206	25

L

Latch	
29674	27
Leg Plate	
27926	43
Leveling Leg	
34319	51
Leveling Leg And Stabilizer Bar	
34443	51

Lever	
37630	31
Lid Lock	
29678	27
Lid Lock Control	
37225	25
Lid Lock Harness	
31973	60
Loading Door	
33551*P	27
37083*P	27
39231*P	29
39233*P	29
39234*	29
Locking Bracket	
30642	7
Locknut	
21899	51
28803	35, 39
29220	41
29786	9, 11, 13, 15, 17
29786 †	7
52556	23
52566	17, 19, 21, 25, 35, 39
Lockwasher	
M400017	5, 15, 17, 19, 21, 23, 25
02431	5, 15, 17, 19, 21, 23, 25
21456	45
21734	5, 15, 25
21735	55
91176	19, 21, 25

M

Meter Case	
38724*	9, 11, 13, 23, 31
524P3*	7, 19, 21, 25
Meter Case Gasket	
26354 †	7
Mixing Valve	
38495	33
38813	33
38918	33
Mixing Valve Mounting Bracket	
39407	33
Module Spring	
37576	43
Molex Housing	
32746	55
34123	55
34677	53
Molex Terminal	
00188	53, 55
Motor	
35030P	37
38034P	37
38035	37
38053P	37
38054P	37
38056P	37
38057P	37
38060P	35
Motor Mount	
38395	35, 37
38396	35, 37

Motor Mount Bracket	
37445	35, 37
Motor Mount Post	
38325	35, 37
Motor Shield	
34754	35, 37
36965	35
Motor Switch	
35632	35, 37
Mounting Bracket	
35867	51
Multiplier	
38571	11

N

Never Seeze Compound	
27604P	45
Nut	
02788	25
03673	55
22001	27
29786	5
29796	7
35423	35, 37
52566	5, 15
52947	25

O

“O” Ring	
36472 †	41
Optional Overlay	
38676	11
Outer Tub	
37981P	43, 47, 49
Outer Tub Cover	
38573	33
Outer Tub Cover Assembly	
38573	43
Output Shaft	
36570	45

P

Panel Locator	
28102	51
56079	51
Plastic Insulator	
70210	55
Plate	
29676	27
Plug	
34153	29
36511 †	41
Power Cord	
36770	55
37179	55
38362	55
38363	55
39350	55
39404	55

39405	55
Pressure Bulb	
30907	43
Pressure Hose	
39124	43
39125	43
Pressure Switch	
35889	19, 21, 23, 25, 43
Pulley Assembly	
38007	49
38426	49
Pump Assembly	
36863P	35, 39, 47
Pump-to-Elbow Hose	
38273	47
Push-on Clip	
34762	25
Push-to-Start Sticker	
53738	5
Push-to-start Switch	
55882	25

R

Rack	
31526	45
Reduction Gear	
37403	45
Retainer Nut	
27222	27, 29, 43
30647	7, 9, 11, 13, 17
Retainer Ring	
23748	35, 39
27197	45
Right Angle	
00120	55
Roll Pin	
10416	35, 37
Rubber Foot	
34318	51
Rubber Washer	
20290	33

S

Screw	
Q6516	25
Q6695	27
02916	17
20267	55
20268	5
21720	7
22649	27
23008	27
23222	19, 21, 23, 25
23962	5, 17, 19, 21, 23, 25, 31
27196	51
27220	49
27328	5
29273	45
32184	27
32671	51
32814	45

33562	33
34337	27, 29
34499	51
34565	35, 39
35148	51
35369	35, 37, 43
35527	27, 51
35528	19, 21, 23, 25
36048	7, 9, 11, 13
36510	31
36639	35, 37
36991	43
37836	49
39566	43
500226	19, 21, 23, 25
501086	19, 21, 23, 33
501524	23
503673	7, 9, 11, 13, 17, 27, 29
51778	5, 15
52909	17, 27, 29, 35, 37, 47, 51
Screw And Lockwasher	
23008	29
Seal	
36425 †	41
Seal Tool	
293P4	59
Sealant	
37577P	45
Security Case	
38145*	17, 23
39745*	17
Service Door	
35798*	7, 9, 11, 13, 17
Setscrew	
20310	19, 21, 25
Shield	
34228	27
38754	17
Shipping Plug	
38149	57
Shoulder Bolt	
27229	35, 39
Shoulder Screw	
29277	7
34288 †	41
39432 †	41
Single Coin Drop Assembly - Canada	
38464	9, 11, 13
Single Coin Drop Assembly - Token	
38462	9, 11, 13
38463	9, 11, 13
38963	9, 11, 13
Single Coin Drop Assembly - U.S.A.	
38479	9, 11, 13
Siphon Break Kit	
562P3	47
Slide	
26493	45
Spade Terminal	
00112	55
00119	55
00121	53
00220	55
Special Screw	
27030	45

Speed Nut	
36020	27, 29
Speed Switch	
27762	19, 21
Splined Insert	
29728 †	41
Spring Hook	
321P4	57
Sticker	
24903	29
500049	43
500314	43
502506	43
502511	25
Strain Relief	
36957	25
38354	29
Support	
501523	25
Support Barrel	
56534	27, 29
Switch	
33445	31
37830	31
504570	9, 11, 13
Switch Collar	
57327	25
Switch Holder	
37629	31

T

Temperature Switch	
81799	25
Terminal	
00116	55
00117	55
Terminal And Housing Assembly	
00234	55
Terminal Block	
23033	55
23041	55
26163	55
26301	55
26302	55
26708	55
36841	25
Terminal Extractor Tool	
283P4	53
Timer	
31111P	7
31504	7
34601P	7
34603	7
34604	7
35368	7
36987	7
39738	7
Timer Assembly	
28716	5
28719	5
Timer Bracket	
35249	7
Timer Case	
37733W	5

37733*	15, 19, 21, 23	39387P	41
Timer Harness		Water Inlet Channel	
29281	60	38154	43
34092	60	Weldment And Bearing Assembly	
38026 (Security Box).....	60	39254	43, 49
38191 (Card Reader)	60	Wire Clip	
38848 (Audit).....	60	504034	55
39492 (Card Reader)	60	51291	55
39806	60	Wire Harness	
39811	60	38673	11
39955P.....	60	Wire Tie	
Timer Knob Assembly		55881	55
26256	5		
Timer Plate			
31864W.....	5		
39481*	15		
Torx Bit Holder			
24161	57		
Transmission Assembly			
38826P.....	43, 45		
Transmission Case			
33223	45		
Transmission Cover			
37471	45		
Transmission Oil			
27243P.....	45		
Transmission Pin Tool			
305P4.....	57		
Tub-to-Pump Hose			
38351	47		
12 Gauge Wire			
45380	60		
T15 Tamper Resistant Bit			
281P4.....	57		
T25 Tamper Resistant Bit			
282P4.....	57		

V

Vinyl Washer	
23225	17

W

Wash Temperature Switch	
81799	19, 21
Washer	
21643	27
23225	5, 15
26509	45, 49
27015	49
29260	45
30627	5, 15, 17
35092	45
35535	49
37772	35, 37
39249	43
52549	35, 39
81392	35, 39
Washer Shipping Brace	
39366	57
Washtub	
39252P.....	41