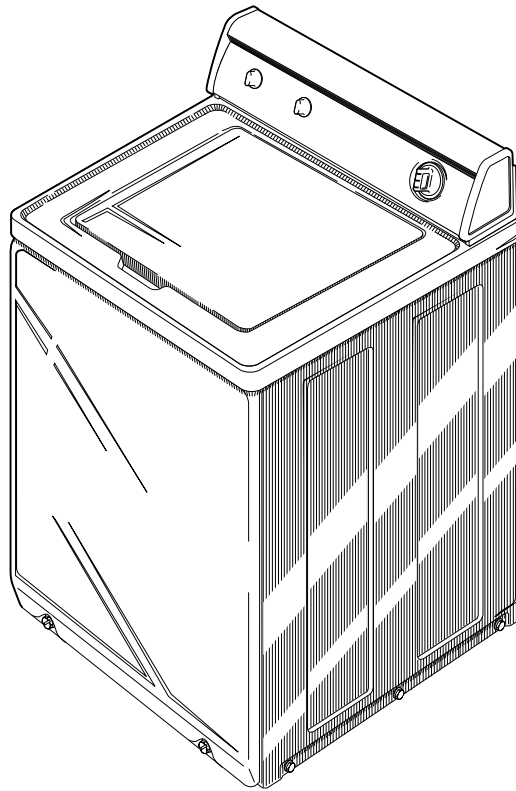


# Home Automatic Washers

(See Page 2 for Model Numbers)



W424SE1A

# Table of Contents

Title	Page
Model Identification .....	2
Parts Ordering Information .....	3
Nameplate Location .....	3
Graphic Panel, Control Mounting Plate and Controls .....	4
Graphic Panel, Control Mounting Plate and Controls .....	6
Graphic Panel, Control Mounting Plate and Controls .....	8
Graphic Panel, Control Mounting Plate and Controls .....	10
Graphic Panel, Control Mounting Plate and Controls .....	12
Graphic Panel, Control Hood Controls .....	14
Loading Door Switch.....	16
Cabinet Top, Loading Door, Lid Lock and Shield .....	18
Cabinet Top, Loading Door and Control Hood Rear Panel .....	20
Inlet Hose, Fill Hose, Mixing Valve And Mounting Bracket.....	22
Motor, Mounting Bracket, Belt and Idler Assembly .....	24
Motor, Mounting Bracket, Belt, Pump and Idler Assembly .....	26
Agitator, Drive Bell, Seal Kit, Washtub and Hub .....	28
Agitator, Drive Bell, Seal Kit, Washtub and Hub .....	30
Outer Tub, Cover, Pressure Hose and Counterweight .....	32
Electric Drain Pump with Rubber Drain Hose and Siphon Break Kit .....	34
Direct Drive Pump with Plastic Drain Hose and Siphon Break Kit.....	36
Weldment and Bearing Assembly, Brake and Pulley .....	38
Transmission Assembly .....	40
Front Panel, Base Assembly and Cabinet Kit.....	42
Mixing Valve and Motor Connection Blocks, Terminals and Extractor Tool .....	44
Terminal Block .....	46
Power Cord and Terminals .....	48
Terminals .....	50
Special Tools .....	52
Special Tools .....	54
Wire Harnesses and Wires .....	56
Parts Index.....	57

© Copyright 1999, Alliance Laundry Systems LLC

All rights reserved. No part of the contents of this book may be reproduced or transmitted in any form or by any means without the expressed written consent of the publisher.

## Model Identification

Information in this manual is applicable to these washer models:

Model Number	One-Speed Motor	Two-Speed Motor	Porcelain Washtub (cu. ft.)	Stainless Steel Washtub (cu. ft.)
LWB19A*-1109		X	3.3	
LWS01A*	X		2.9	
LWS01A*-3088	X		2.9	
LWS01A*C	X		2.9	
LWS02A*	X		3.3	
LWS11A*-3062	X		3.3	
LWS16A*	X		3.3	
LWS16A*-1000	X		3.3	
LWS16A*-3000	X		3.3	
LWS16A*-3022	X		3.3	
LWS16A*-3300	X		3.3	
LWS16A*-3322	X		3.3	
LWS17A*	X			3.3
LWS17A*-1000	X			3.3
LWS17A*-3000	X			3.3
LWS17A*-3022	X			3.3
LWS17A*-3050	X			3.3
LWS17A*-3300	X			3.3
LWS17A*-3322	X			3.3
LWS17A*B3020	X			3.3
LWS17A*B3069	X			3.3
LWS21A*-3062	X			3.3
LWS45A*		X		3.3
LWY17A*-1109	X			3.3
LWY45A*-1109		X		3.3
LWZ16A*-1000	X		3.3	
LWZ17A*-3000	X			3.3
LWZ17A*B3020	X			3.3
LWZ17A*B3069	X			3.3

\* Add Letter To Designate Color. L – Almond W – White

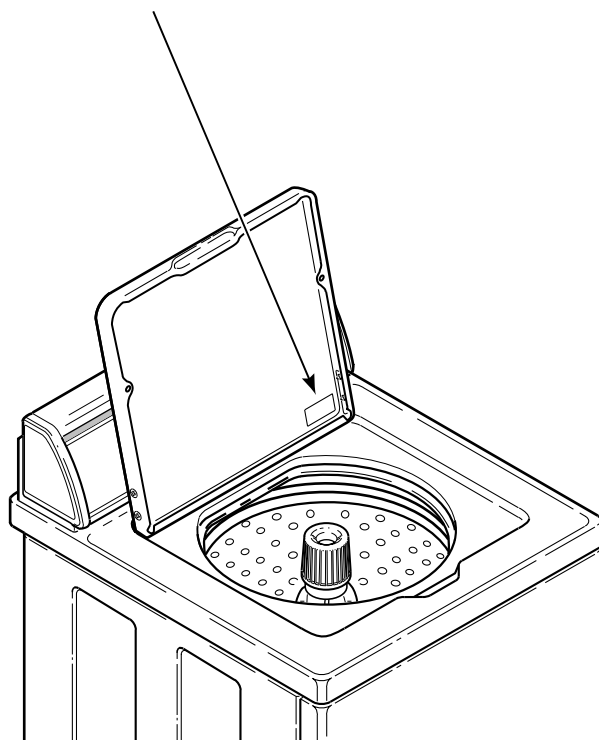
## Parts Ordering Information

If literature or replacement parts are required, contact the source from whom the machine was purchased or contact Alliance Laundry Systems at (920) 748-3950 for the name and address of the nearest authorized parts distributor.

For technical assistance, call (920) 748-3121.

## Nameplate Location

When calling or writing about your product, be sure to mention model and serial numbers. Model and serial numbers are located on nameplate(s) as shown.

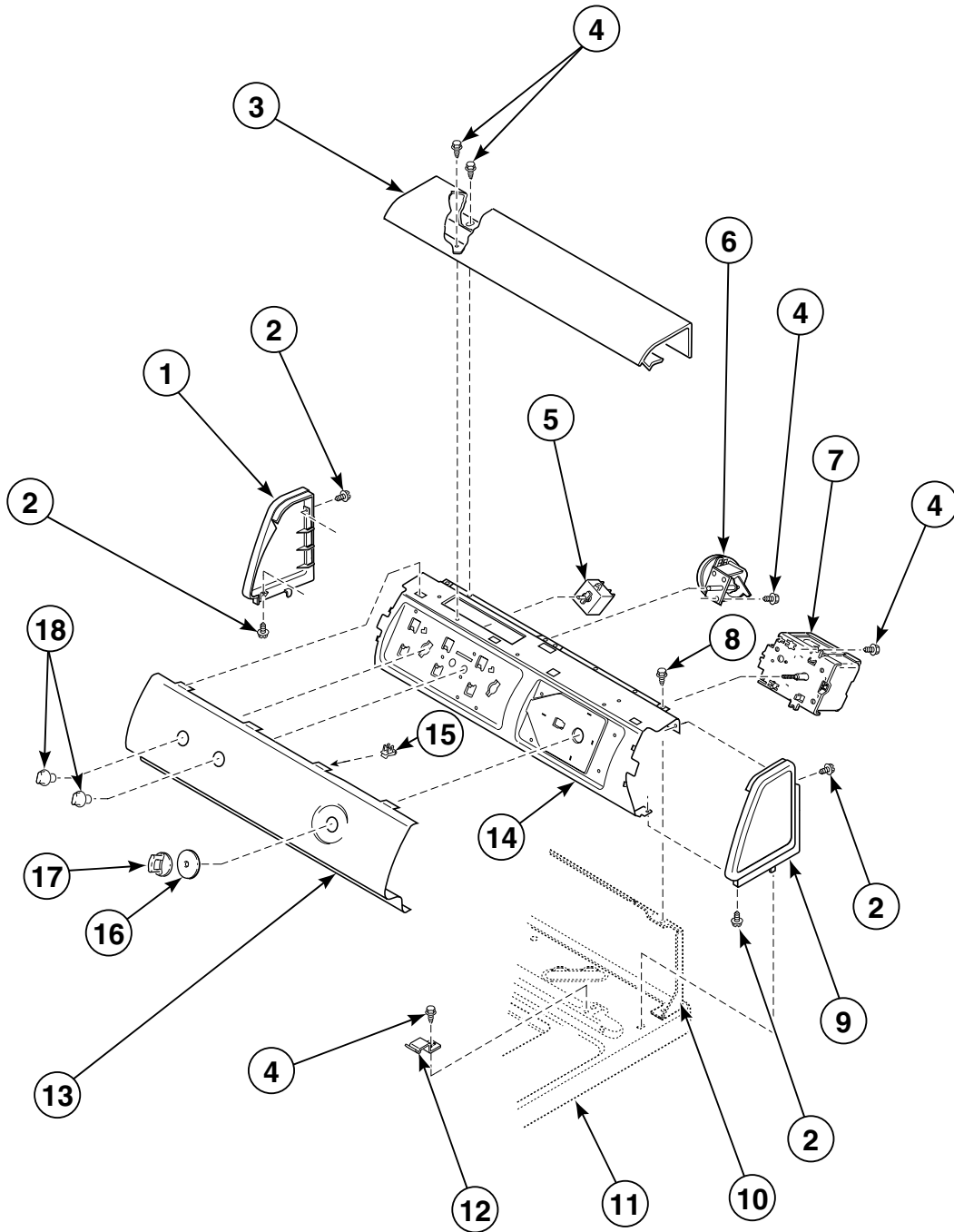


W429SE1B



# Graphic Panel, Control Mounting Plate and Controls

(Models LWS01A\*, LWS01A\*-3088, LWS01A\*C and LWS02A\*)



W320PZ3A

\* Add Letter To Designate Color. L – Almond W – White

# Graphic Panel, Control Mounting Plate and Controls

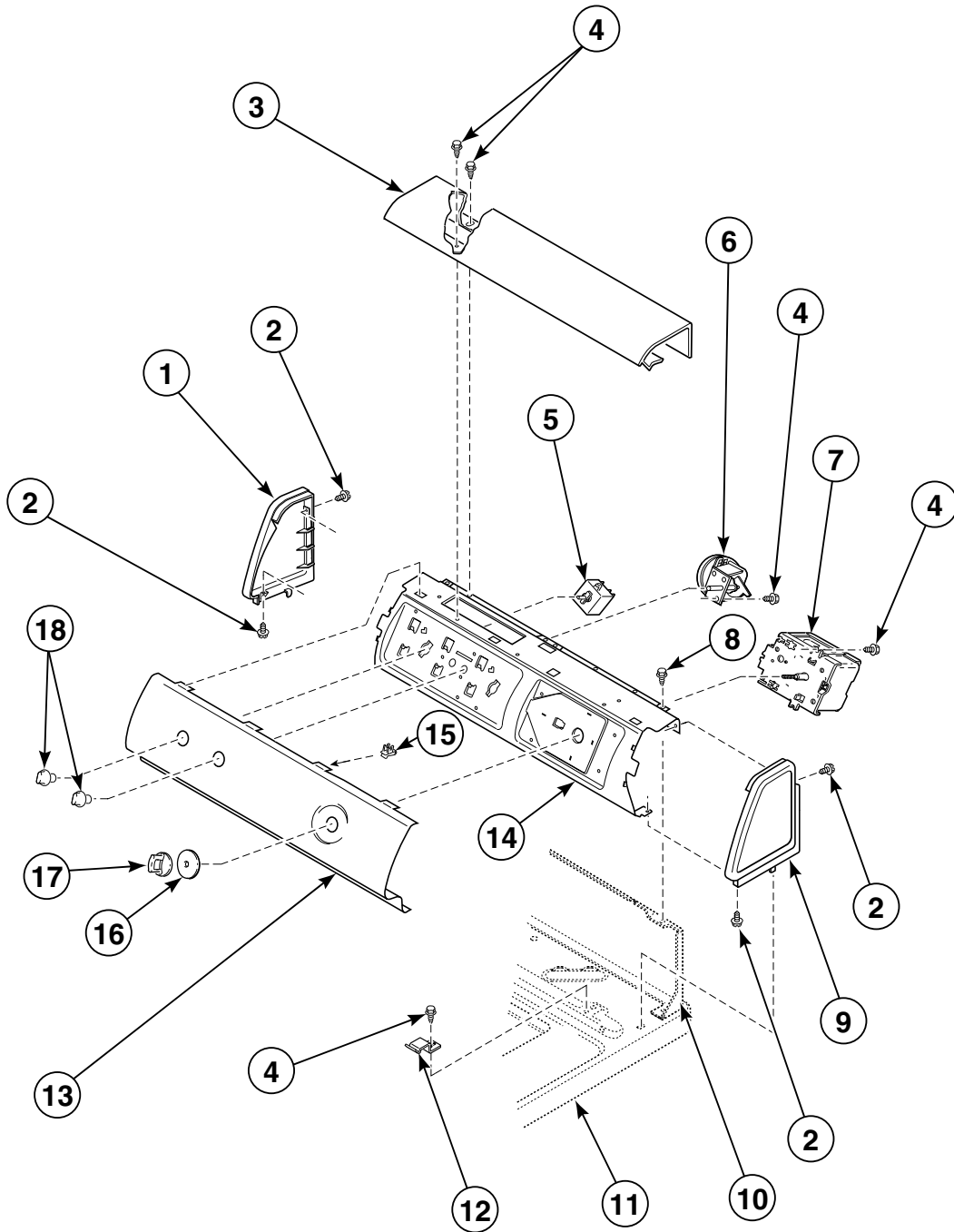
(Models LWS01A\*, LWS01A\*-3088, LWS01A\*C and LWS02A\*)

REF	PART #	DESCRIPTION	COMMENTS
1	504009*	End Cap	Left
2	501086	Screw	
3	38231*	Top Cover	
4	23962	Screw	
5	35115	Temperature Switch	
6	39023	Pressure Switch	Model LWS02A*
	39035	Pressure Switch	Models LWS01A*, LWS01A*-3088 and LWS01A*C
7	37929	Timer	Models LWS01A*, LWS01A*C and LWS02A*
	37931	Timer	Model LWS01A*-3088
8	34904	Screw	
9	504008*	End Cap	Right
10	37782	Control Hood Rear Panel	
11	37992*P	Cabinet Top	
12	35358	Hold-Down Clip	
13	38887*	Graphic Panel	
14	38171	Control Mounting Plate	
15	00161	Ground Clip	
16	36700*	Timer Knob Skirt	Model LSW01A*C
	38841W	Timer Knob Skirt	White--All Other Models
17	35333*	Timer Knob	Model LWS01A*C
	33898W	Timer Knob	White--All Other Models
18	36701*	Control Knob	Model LWS01A*C
	33688	Control Knob	White--All Other Models

\* Add Letter To Designate Color. L – Almond W – White

# Graphic Panel, Control Mounting Plate and Controls

(Models LWS11A\*-3062 and LWS21A\*-3062)



W320PZ3A

\* Add Letter To Designate Color. L – Almond W – White



# Graphic Panel, Control Mounting Plate and Controls

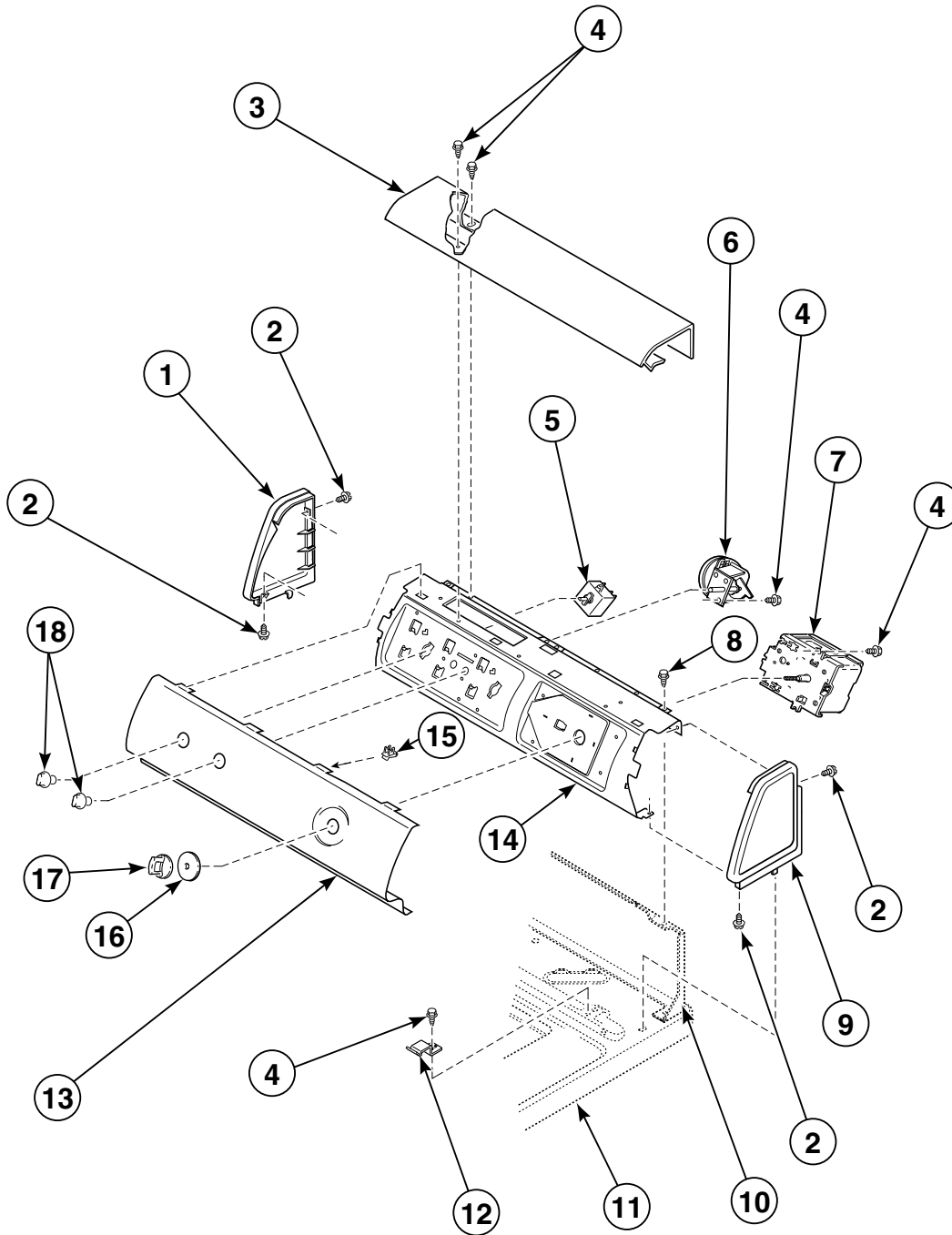
(Models LWS11A\*-3062 and LWS21A\*-3062)

REF	PART #	DESCRIPTION	COMMENTS
1	504009*	End Cap	Left
2	501086	Screw	
3	38231*	Top Cover	
4	23962	Screw	
5	35115	Temperature Switch	
6	39023	Pressure Switch	
7	39445	Timer	Model LWS21A*-3062
	37995	Timer	Model LWS11A*-3062
8	34904	Screw	
9	504008*	End Cap	Right
10	37782	Control Hood Rear Panel	
11	37992*P	Cabinet Top	
12	35358	Hold-Down Clip	
13	38071	Graphic Panel	Model LWS11A*-3062
	38072	Graphic Panel	Model LWS21A*-3062
14	38171	Control Mounting Plate	
15	00161	Ground Clip	
16	36700*	Timer Knob Skirt	
17	35333*	Timer Knob	
18	36701*	Control Knob	

\* Add Letter To Designate Color. L – Almond W – White

# Graphic Panel, Control Mounting Plate and Controls

(Models LWS16A\*, LWS16A\*-1000, LWS16A\*-3000, LWS16A\*-3022, LWS16A\*-3300, LWS16A\*-3322 and LWZ16A\*-1000)



W320PZ3A

\* Add Letter To Designate Color. L – Almond W – White

# Graphic Panel, Control Mounting Plate and Controls

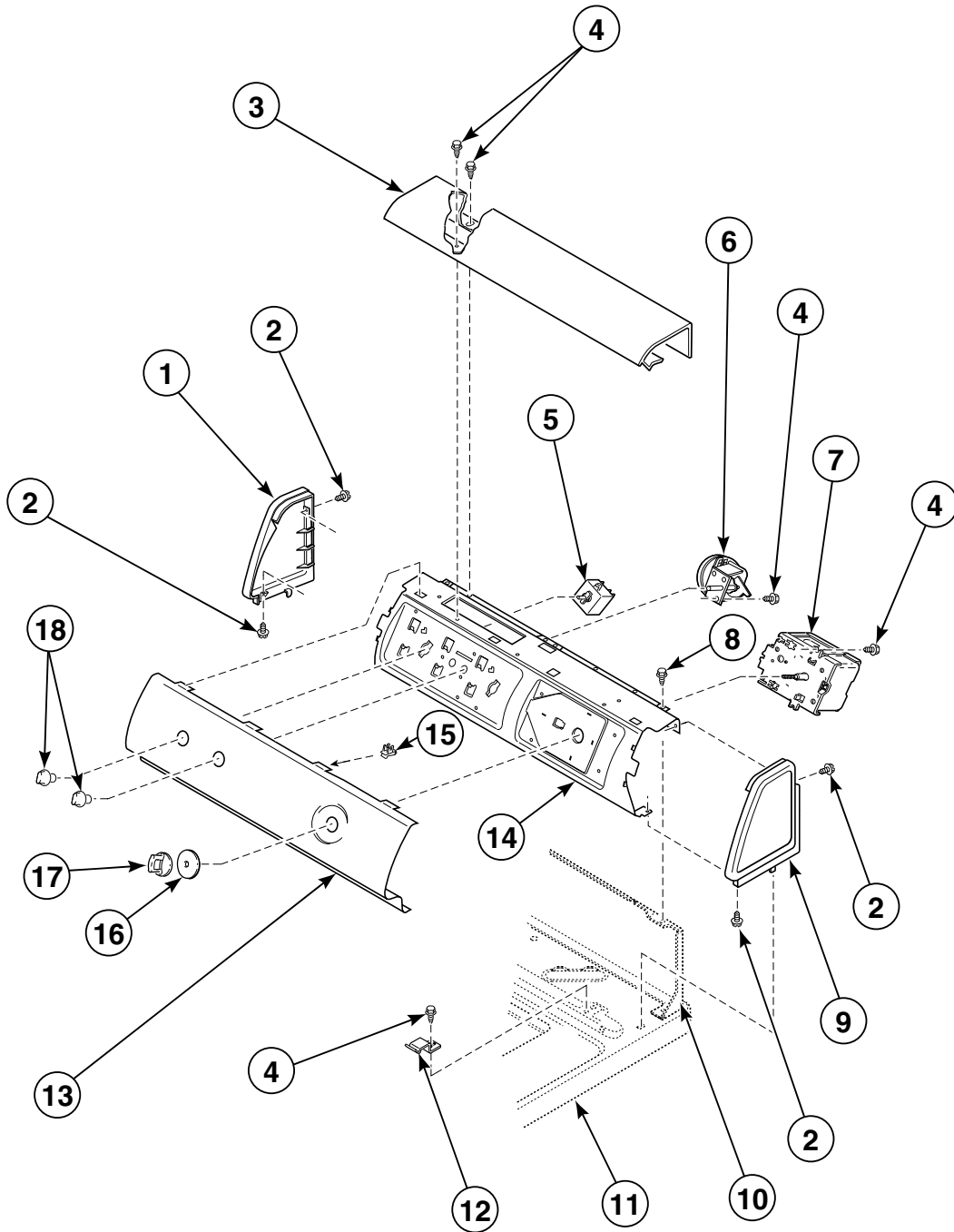
(Models LWS16A\*, LWS16A\*-1000, LWS16A\*-3000, LWS16A\*-3022, LWS16A\*-3300, LWS16A\*-3322 and LWZ16A\*-1000)

REF	PART #	DESCRIPTION	COMMENTS
1	504009*	End Cap	Left
2	501086	Screw	
3	38231*	Top Cover	
4	23962	Screw	
5	35115	Temperature Switch	
6	39023	Pressure Switch	
7	37928	Timer	Models LWS16A*-1000 and LWZ16A*-1000
	37929	Timer	Model LWS16A*
	37930	Timer	Models LWS16A*-3300 and LWS16A*-3322
	37931	Timer	Models LWS16A*-3000 and LWS16A*-3022
8	34904	Screw	
9	504008*	End Cap	Right
10	37782	Control Hood Rear Panel	
11	37992*P	Cabinet Top	
12	35358	Hold-Down Clip	
13	38887*	Graphic Panel	Models LWS16A*, LWS16A*-1000, LWS16A*-3000, LWS16A*-3022, LWS16A*-3300 and LWS16A*-3322
	38939*	Graphic Panel	Model LWZ16A*-1000
14	38171	Control Mounting Plate	
15	00161	Ground Clip	
16	38841W	Timer Knob Skirt	White
17	33898W	Timer Knob	White
18	33688	Control Knob	White

\* Add Letter To Designate Color. L – Almond W – White

# Graphic Panel, Control Mounting Plate and Controls

(Models LWB19A\*-1109, LWS45A\*, LWY17A\*1109 and LWY45A\*-1109)



W320PZ3A

\* Add Letter To Designate Color. L – Almond W – White

# Graphic Panel, Control Mounting Plate and Controls

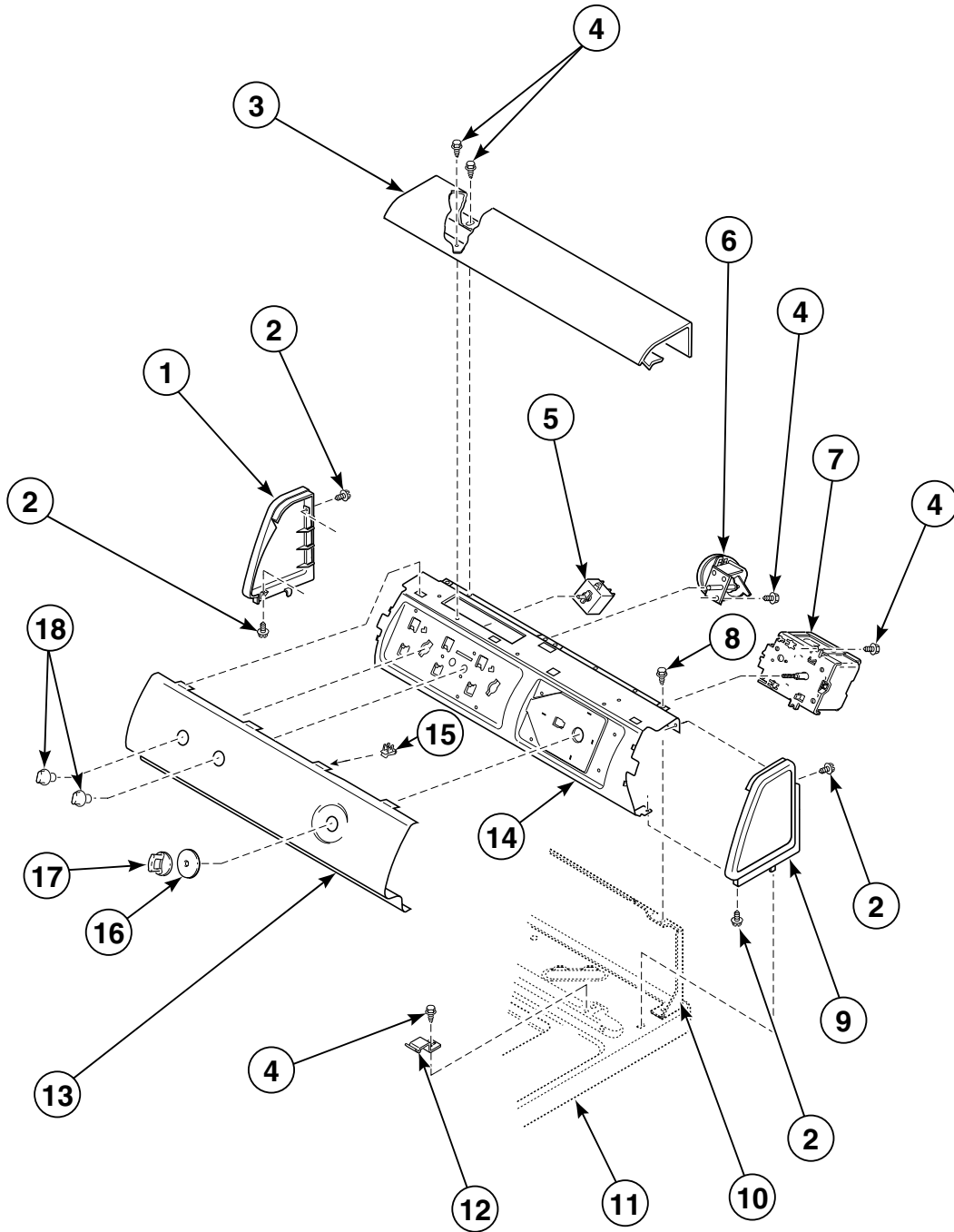
(Models LWB19A\*-1109, LWS45A\*, LWY17A\*1109 and LWY45A\*-1109)

REF	PART #	DESCRIPTION	COMMENTS
1	504009*	End Cap	Left
2	501086	Screw	
3	38231*	Top Cover	
4	23962	Screw	
5	35115	Temperature Switch	Models LWB19A*-1109 and LWY17A*-1109
	36335	Temperature Switch	Models LWS45A* and LWY45A*-1109
6	39023	Pressure Switch	
7	37927	Timer	Models LWS45A* and LWY45A*-1109
	37929	Timer	Models LWB19A*-1109 and LWY17A*-1109
8	34904	Screw	
9	504008*	End Cap	Right
10	37782	Control Hood Rear Panel	
11	37992*P	Cabinet Top	
12	35358	Hold-Down Clip	
13	39478*	Graphic Panel	Model LWS45A*
	39580	Graphic Panel	Model LWY17A*-1109
	39598	Graphic Panel	Model LWY45A*-1109
	39600	Graphic Panel	Models LWB19A*-1109
14	38171	Control Mounting Plate	
15	00161	Ground Clip	
16	38841W	Timer Knob Skirt	White
17	33898W	Timer Knob	White
18	33688	Control Knob	White

\* Add Letter To Designate Color. L – Almond W – White

# Graphic Panel, Control Mounting Plate and Controls

(Models LWS17A\*, LWS17A\*-1000, LWS17A\*-3000, LWS17A\*-3022, LWS17A\*-3050, LWS17A\*-3300, LWS17A\*-3322, LWS17A\*B3020, LWZ17A\*-3000 and LWZ17A\*B3020)



W320PZ3A

\* Add Letter To Designate Color. L – Almond W – White

# Graphic Panel, Control Mounting Plate and Controls

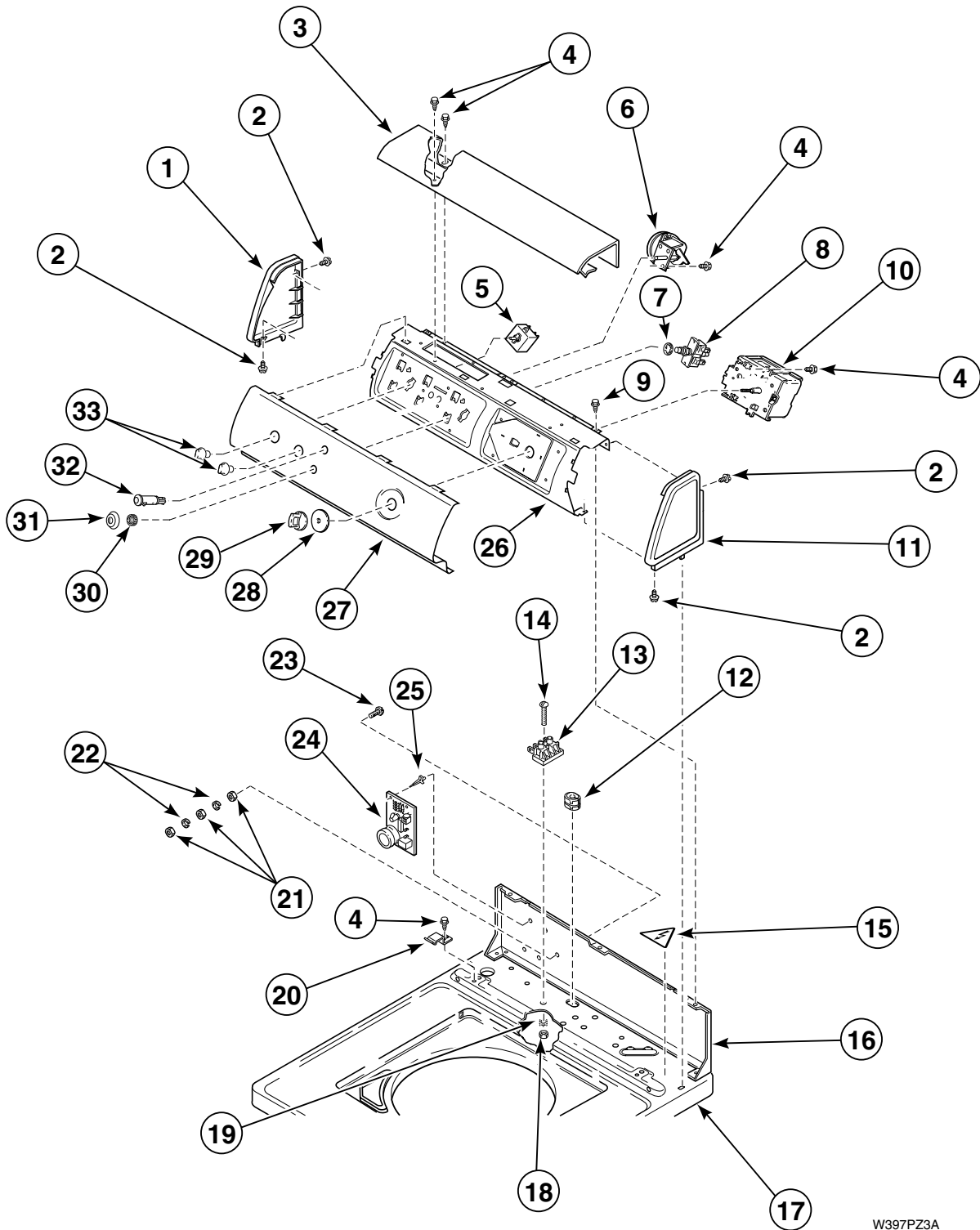
(Models LWS17A\*, LWS17A\*-1000, LWS17A\*-3000, LWS17A\*-3022, LWS17A\*-3050, LWS17A\*-3300, LWS17A\*-3322, LWS17A\*B3020, LWZ17A\*-3000 and LWZ17A\*B3020)

REF	PART #	DESCRIPTION	COMMENTS
1	504009*	End Cap	Left
2	501086	Screw	
3	38231*	Top Cover	
4	23962	Screw	
5	35115	Temperature Switch	
6	39023	Pressure Switch	
7	37925	Timer	Model LWS17A*-3050
	37928	Timer	Model LWS17A*-1000
	37929	Timer	Model LWS17A*
	37930	Timer	Model LWS17A*-3300
	37931	Timer	Models LWS17A*-3000, LWS17A*-3022, LWZ17A*3000, LWS17A*-3322, LWS17A*B3020, and LWZ17A*B3020
8	34904	Screw	
9	504008*	End Cap	Right
10	37782	Control Hood Rear Panel	
11	37992*P	Cabinet Top	
12	35358	Hold-Down Clip	
13	38887*	Graphic Panel	Models LWS17A*, LWS17A*-1000, LWS17A*-3000, LWS17A*-3022, LWS17A*-3300 and LWS17A*-3322
	38939*	Graphic Panel	Model LWZ17A*-3000
	39171*	Graphic Panel	Model LWS17A*-3050
	39349*	Graphic Panel	Model LWS17A*B3020
	39355*	Graphic Panel	Model LWZ17A*B3020
14	38171	Control Mounting Plate	
15	00161	Ground Clip	
16	38841W	Timer Knob Skirt	White
17	33898W	Timer Knob	White
18	33688	Control Knob	White

\* Add Letter To Designate Color. L – Almond W – White

# Graphic Panel, Control Hood Controls

(Models LWS17A\*B3069 and LWZ17A\*B3069)



W397PZ3A

\* Add Letter To Designate Color. L – Almond W – White



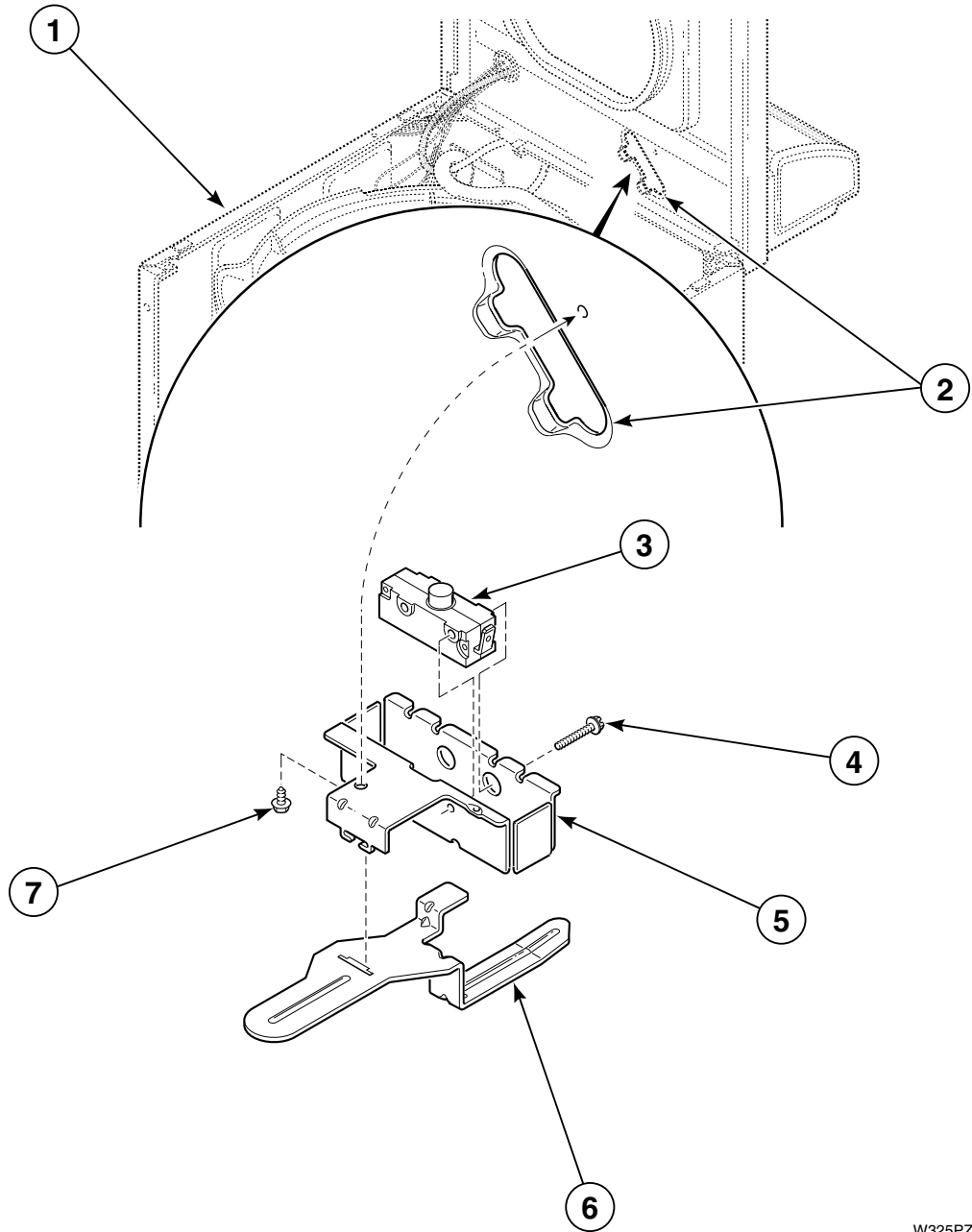
# Graphic Panel, Control Hood Controls

(Models LWS17A\*B3069 and LWZ17A\*B3069)

REF	PART #	DESCRIPTION	COMMENTS
1	504009*	End Cap	Left
2	501086	Screw	
3	38231*	Top Cover	
4	23962	Screw	
5	35115	Temperature Switch	
6	39023	Pressure Switch	
7	25820	Lockwasher	
8	55882	Switch Assembly	
9	34904	Screw	
10	37931	Timer	
11	504008*	End Cap	Right
12	36957	Strain Relief	
13	36841	Terminal Block	
14	Q6516	Screw	
15	502511	Sticker	
16	37782	Control Hood Rear Panel	
17	37992*P	Cabinet Top	
18	02788	Nut	
19	21734	Lockwasher	
20	35358	Hold-Down Clip	
21	28447	Nut	
22	28449	Lockwasher	
23	28448	Screw	
24	37225	Lid Lock Control	
25	501523	Support	
26	38171	Control Mounting Plate	
27	39082*	Graphic Panel	Model LWS17A*B3069
	38937W	Graphic Panel	White-Model LWZ17A*B3069
28	38841W	Timer Knob Skirt	White
29	33898W	Timer Knob	White
30	24206	Knurled Nut	
31	57327	Switch Collar	
32	39536	Indicator Light	
33	33688	Control Knob	White

\* Add Letter To Designate Color. L – Almond W – White

# Loading Door Switch



W325PZ3A

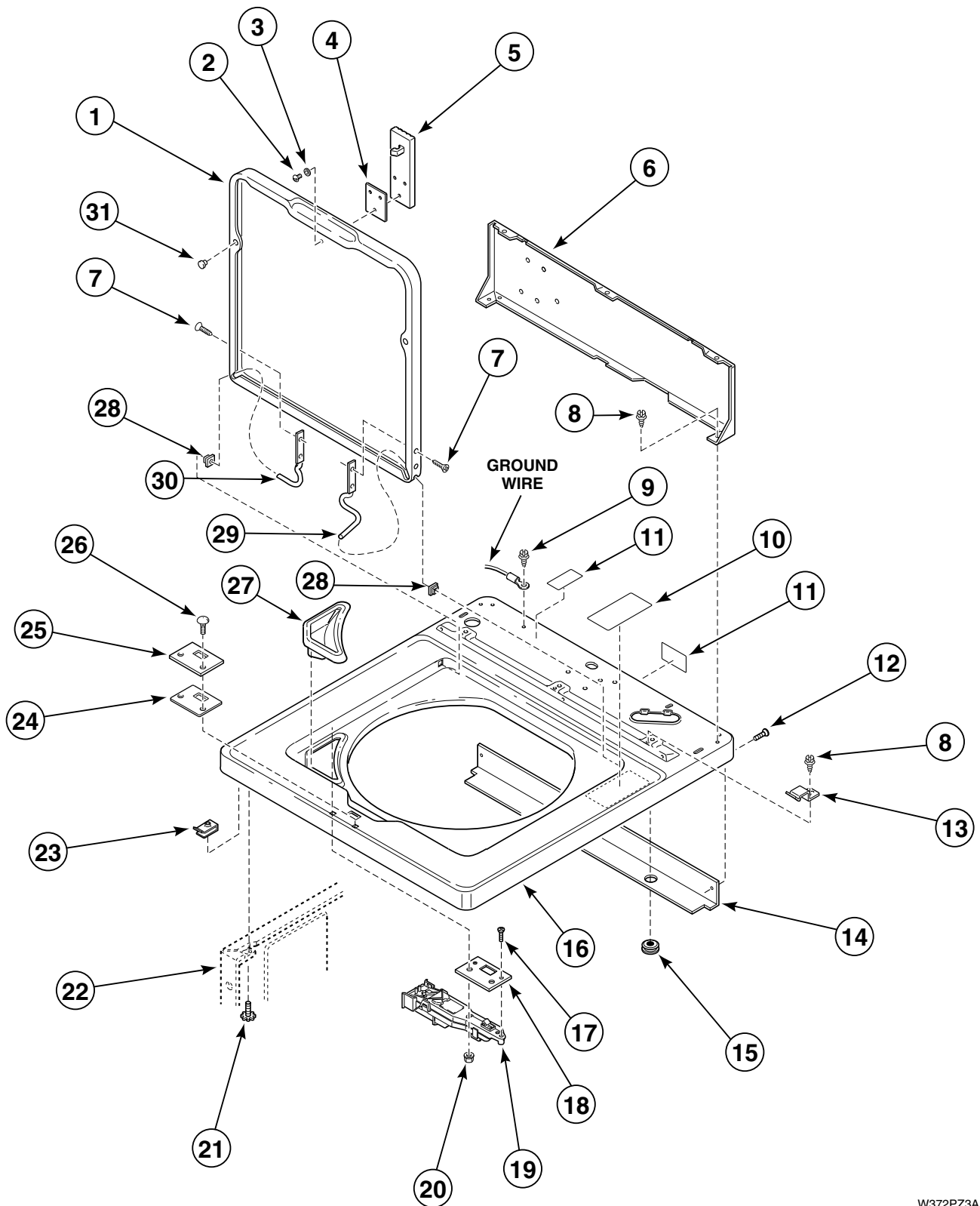
# Loading Door Switch

REF	PART #	DESCRIPTION	COMMENTS
1	34475*P	Cabinet Kit	
2	37992*P	Cabinet Top	
3	37830	Switch	Models LWS17A*B3020, LWS17A*B3069, LWZ17A*B3020 and LWZ17A*B3069
	33445	Switch	All Other Models
4	36510	Screw	
5	37629	Switch Holder	
6	37630	Actuator Arm	
7	23962	Screw	

\* Add Letter To Designate Color. L – Almond W – White

# Cabinet Top, Loading Door, Lid Lock and Shield

(Models LWS17A\*B3069 and LWZ17A\*B3069)



W372PZ3A

\* Add Letter To Designate Color. L – Almond W – White

# Cabinet Top, Loading Door, Lid Lock and Shield

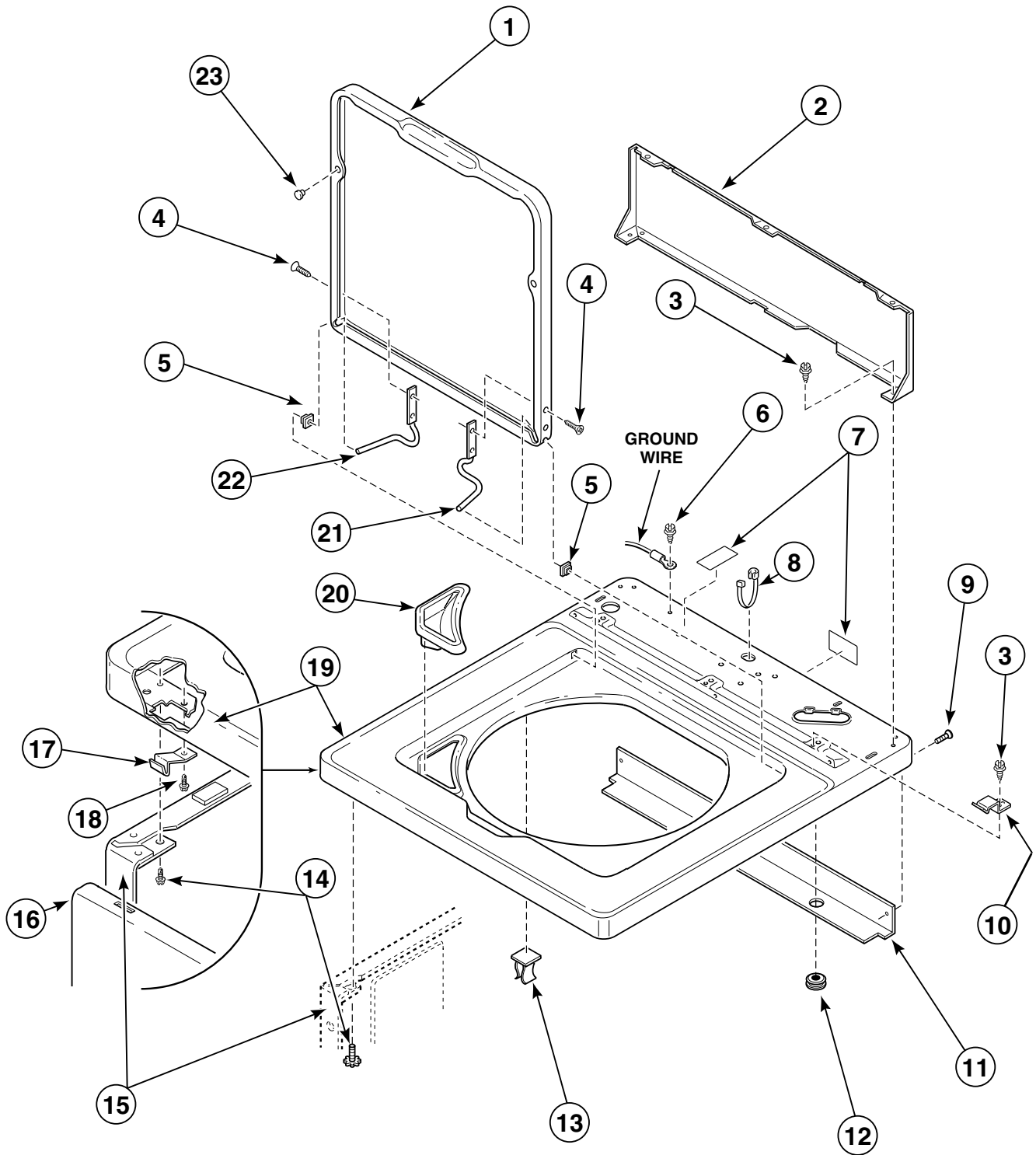
(Models LWS17A\*B3069 and LWZ17A\*B3069)

REF	PART #	DESCRIPTION	COMMENTS
1	33552*	Loading Door	
2	Q6695	Screw	
3	21643	Washer	
4	29677	Gasket	
5	29674	Latch	
6	37782	Control Hood Rear Panel	
7	34337	Screw	
8	23962	Screw	
9	52909	Screw	
10	36592	Sticker	
11	24903	Sticker	
12	35527	Screw	
13	35358	Hold-Down Clip	
14	34228	Shield	
15	80262	Grommet	
16	39226*	Cabinet Top	
17	22649	Screw	
18	29676	Plate	
19	29678	Lid Lock	
20	22001	Nut	
21	23008	Screw And Lockwasher	
22	34475*P	Cabinet Kit	
23	36020	Speed Nut	
24	30378	Gasket	
25	37828	Cover Plate	
26	32184	Screw	
27	38382	Bleach Dispenser	
28	33446	Bushing	
29	36437	Hinge	Right
30	36438	Hinge	Left
31	21685	Bumper	

\* Add Letter To Designate Color. L – Almond W – White

# Cabinet Top, Loading Door and Control Hood Rear Panel

(All Models Except LWS17A\*B3069 and LWZ17A\*B3069)



W393PZ3A

\* Add Letter To Designate Color. L – Almond W – White

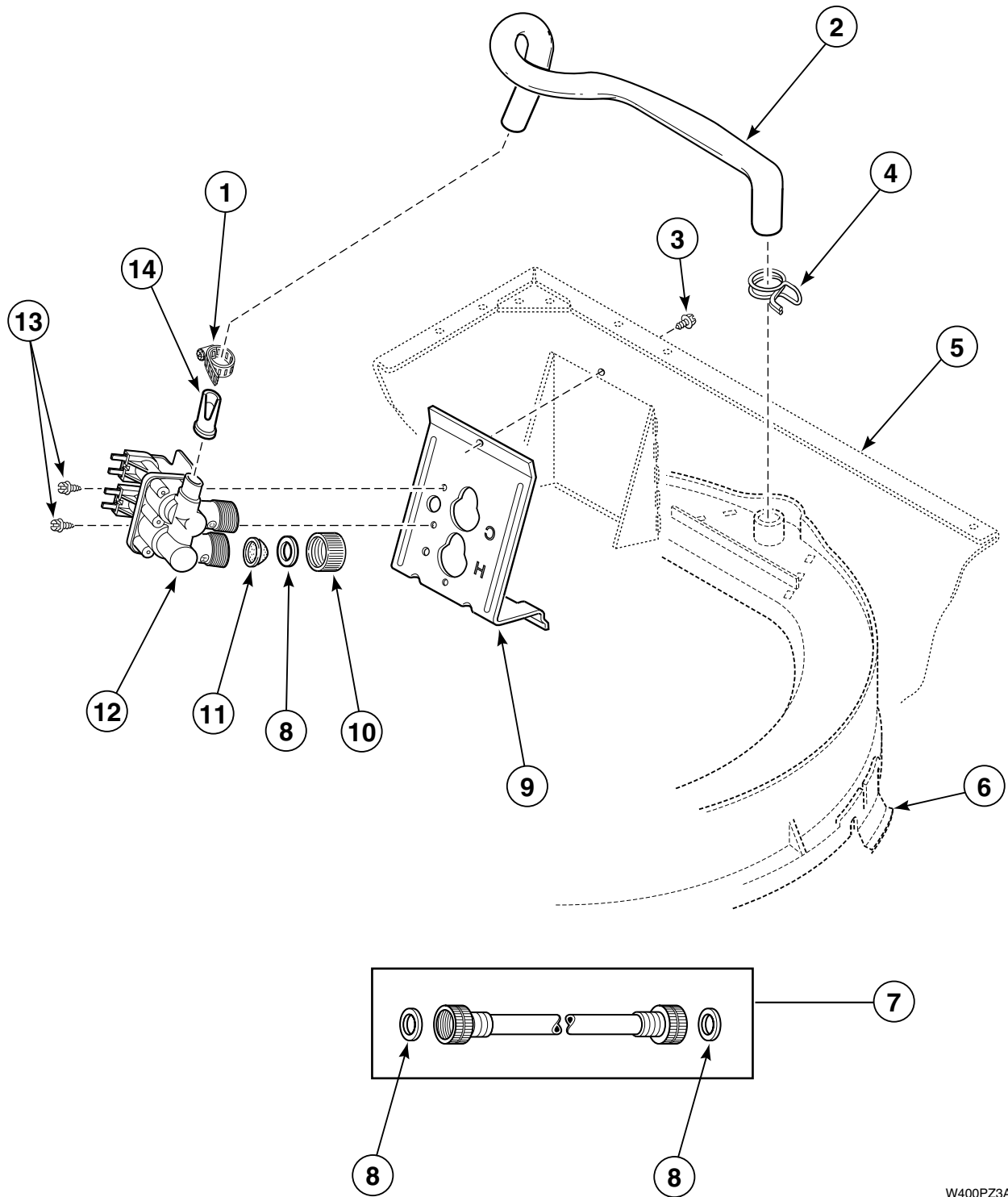
# Cabinet Top, Loading Door and Control Hood Rear Panel

(All Models Except LWS17A\*B3069 and LWZ17A\*B3069)

REF	PART #	DESCRIPTION	COMMENTS
1	37827*P	Loading Door	
2	37782	Control Hood Rear Panel	
3	23962	Screw	
4	34337	Screw	
5	33446	Bushing	
6	52909	Screw	
7	39251	Sticker	Model LWS45A*
	500316	Sticker	All other models
8	36957	Strain Relief	Models LWS17A*B3020 and LWZ17A*B3020
	38384	Strain Relief	All other models
9	35527	Screw	Models LWS17A*B3020 and LWZ17A*B3020
10	35358	Hold-Down Clip	
11	34228	Shield	Models LWS17A*B3020 and LWZ17A*B3020
12	80262	Grommet	Models LWS17A*B3020 and LWZ17A*B3020
13	36519	Clip	
14	33562	Screw	
15	34475*P	Cabinet Kit	
16	38335*P	Front Panel	
17	38271	Clip	
18	501086	Screw	
19	39346*	Cabinet Top	Models LWS17A*B3020 and LWZ17A*B3020
	37992*P	Cabinet Top	All Models Except LWS17A*B3020 and LWZ17A*B3020
20	38382	Bleach Dispenser	Not Used on Models LWS17A*B3020 and LWZ17A*B3020
21	36437	Hinge	Right
22	36513	Hinge	Left
23	21685	Bumper	

\* Add Letter To Designate Color. L – Almond W – White

# Inlet Hose, Fill Hose, Mixing Valve And Mounting Bracket



W400PZ3A



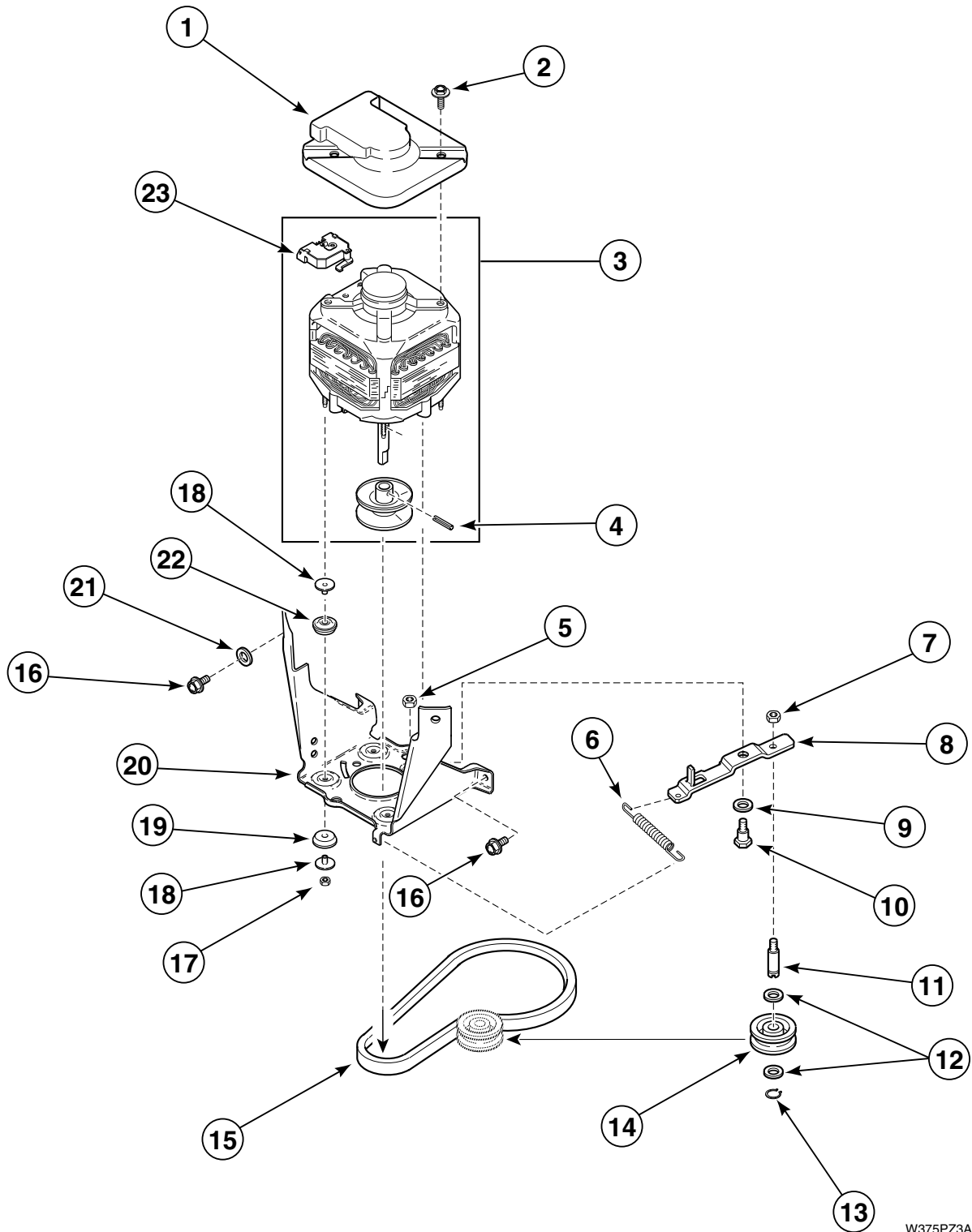
# Inlet Hose, Fill Hose, Mixing Valve And Mounting Bracket

REF	PART #	DESCRIPTION	COMMENTS
1	36801	Hose Clamp	
2	38155	Filler Hose	
3	33562	Screw	
4	29210	Hose Clamp	
5	34475*P	Cabinet Kit	
6	38379	Outer Tub Cover	
7	20617	Inlet Hose	8 Foot - 2 U.S. standard thread hose couplings
	20618	Inlet Hose	10 Foot - 2 U.S. standard thread hose couplings
	28330P	Inlet Hose	4 Foot (Includes [2] Items 8) - 2 U.S. standard thread hose couplings
	37380	Inlet Hose	8 Foot - 1 U.S. standard thread and 1 metric thread hose coupling
	37381	Inlet Hose	10 Foot - 1 U.S. standard thread and 1 metric thread hose coupling
	38349P	Inlet Hose	4 Foot (Includes [2] Items 8) - 1 U.S. standard thread and 1 metric thread hose coupling
8	20290	Rubber Washer	
9	39407	Mixing Valve Mounting Bracket	
10	24145	Cap	Use to cap off hot water side of mixing valve on certain models
11	F270200	Inlet Screen	
12	38495	Mixing Valve	Models LWB19A*-1109, LWS01A*, LWS01A*C, LWS02A*, LWS16A*, LWS16A*-1000, LWZ16A*-1000, LWS17A*, LWS17A*-1000, LWS45A*, LWY17A*-1109 and LWY45A*-1109
	38813	Mixing Valve	Models LWS01A*-3088, LWS16A*-3000, LWS16A*-3022, LWS16A*-3300, LWS16A*-3322, LWS17A*-3000, LWS17A*-3022, LWS17A*3300, LWS17A*-3322 and LWZ17A*-3000
	38918	Mixing Valve	Models LWS11A*-3062, LWS17A*-3050, LWS17A*B3020, LWS17A*B3069, LWZ17A*B3020, LWZ17A*B3069 and LWS21A*-3062
13	501086	Screw	
14	34500	Backflow Preventer	

\* Add Letter To Designate Color. L – Almond W – White

# Motor, Mounting Bracket, Belt and Idler Assembly

(Models LWS11A\*-3062 and LWS21A\*-3062)



W375PZ3A

\* Add Letter To Designate Color. L – Almond W – White

# Motor, Mounting Bracket, Belt and Idler Assembly

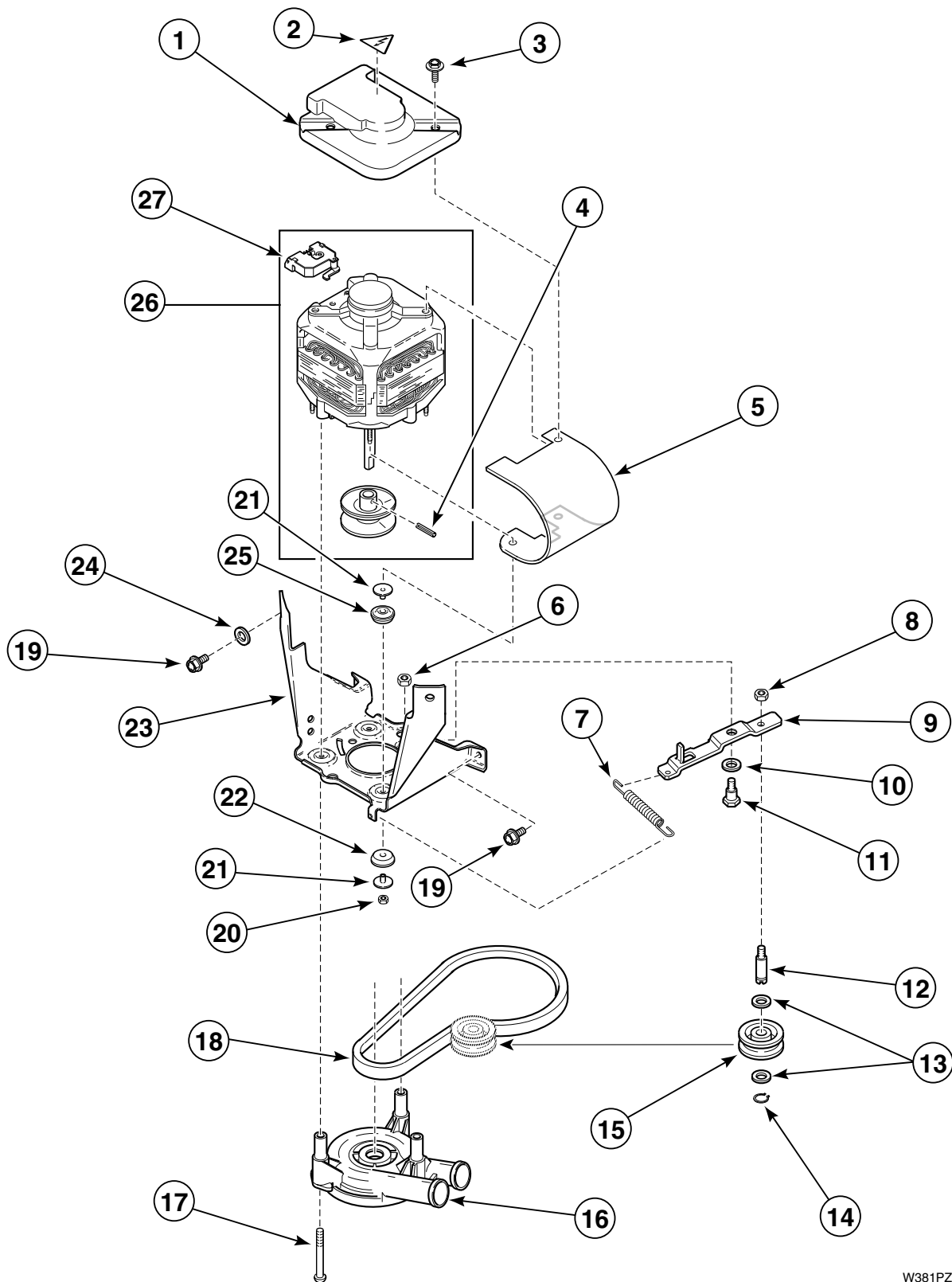
(Models LWS11A\*-3062 and LWS21A\*-3062)

REF	PART #	DESCRIPTION	COMMENTS
1	35886	Motor Shield	
2	36639	Screw	
3	38053	Motor	
4	10416	Roll Pin	
5	52566	Locknut	
6	39666	Idler Lever Spring	
7	28803	Locknut	
8	38011	Idler Lever	
9	81392	Washer	
10	27229	Shoulder Bolt	
11	56461	Idler Shaft	
12	52549	Washer	
13	23748	Retainer Ring	
14	38225	Idler Pulley	
15	38749	Belt	
16	35369	Screw	
17	35423	Nut	
18	38325	Motor Mount Post	
19	38396	Motor Mount	
20	37445	Motor Mount	
21	37772	Washer	
22	38395	Motor Mount	
23	35632	Motor Switch	

\* Add Letter To Designate Color. L – Almond W – White

# Motor, Mounting Bracket, Belt, Pump and Idler Assembly

(All Models Except LWS11A\*-3062 and LWS21A\*-3062)



W381PZ3A

\* Add Letter To Designate Color. L – Almond W – White

# Motor, Mounting Bracket, Belt, Pump and Idler Assembly

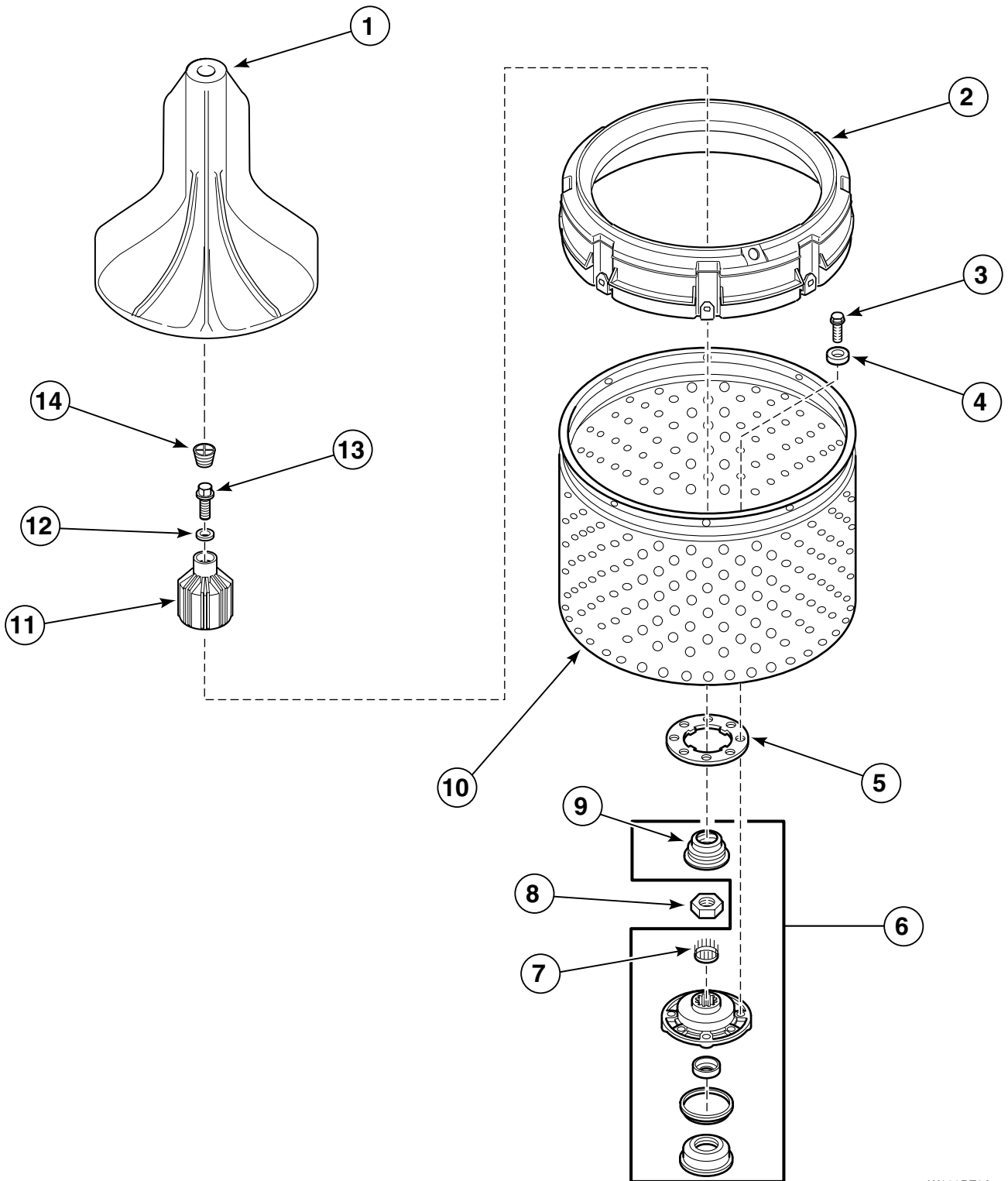
(All Models Except LWS11A\*-3062 and LWS21A\*-3062)

REF	PART #	DESCRIPTION	COMMENTS
1	34754	Motor Shield	
2	502511	Sticker	Models LWS17A*B3020, LWS17A*B3069, LWZ17A*B3020 and LWZ17A*B3069
3	36639	Screw	
4	10416	Roll Pin	
5	36965	Shield	Models LWS17A*B3020, LWS17A*B3069, LWZ17A*B3020 and LWZ17A*B3069
6	52566	Locknut	
7	39666	Idler Spring	
8	28803	Locknut	
9	38011	Idler Lever	
10	81392	Washer	
11	27229	Shoulder Bolt	
12	56461	Idler Shaft	
13	52549	Washer	
14	23748	Retainer Ring	
15	38225	Idler Pulley	
16	36863P	Pump Assembly	
17	34565	Screw	
18	37820	Belt	Models LWB19A*-1109, LWS01A*, LWS01A*C, LWS02A*, LWS16A*, LWS16A*-3300, LWS16A*-3322, LWS17A*, LWS17A*-3300, LWS17A*-3322, LWS45A*, LWY17A*-1109 and LWY45A*-1109
	38749	Belt	All Other Models
19	35369	Screw	
20	35423	Nut	
21	38325	Motor Mount Post	
22	38396	Motor Mount	
23	37445	Motor Mount Bracket	
24	37772	Washer	
25	38395	Motor Mount	
26	35030P	Motor	Models LWS16A*-3300, LWS16A*-3322, LWS17A*-3300 and LWS17A*-3322
	37819P	Motor	Models LWB19A*-1109, LWS45A* and LWY45A*-1109
	38036	Motor	Models LWS01A*, LWS01A*C, LWS02A*, LWS16A*, LWS17A* and LWY17A*-1109
	38053	Motor	Models LWS01A*-3088, LWS16A*-3000, LWS16A*-3022, LWS17A*-3000, LWS17A*3022, LWS17A*3050 and LWZ17A*-3000
	38055	Motor	Models LWS16A*-1000, LWS17A*-1000 and LWZ16A*-1000
	38058	Motor	Models LWS17A*B3020, LWS17A*B3069, LWZ17A*B3020 and LWZ17A*B3069
27	35632	Motor Switch	

\* Add Letter To Designate Color. L – Almond W – White

# Agitator, Drive Bell, Seal Kit, Washtub and Hub

(Models LWS01A\*, LWS01A\*C, LWS01A\*-3088 and LWS02A\*)



W360PZ3A

\* Add Letter To Designate Color. L – Almond W – White

# Agitator, Drive Bell, Seal Kit, Washtub and Hub

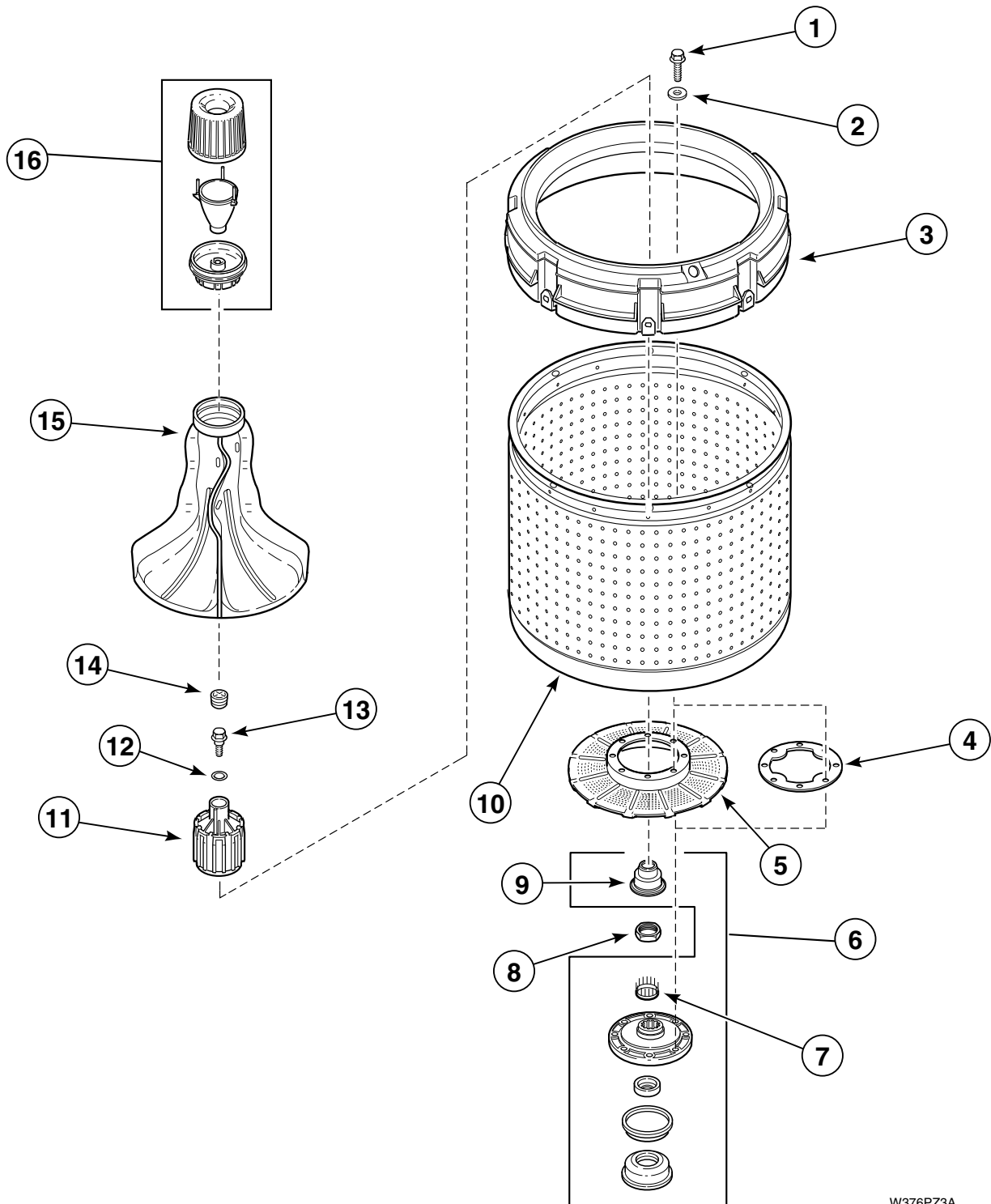
(Models LWS01A\*, LWS01A\*C, LWS01A\*-3088 and LWS02A\*)

REF	PART #	DESCRIPTION	COMMENTS
1	33514	Agitator	
2	39837	Balance Ring	White
3	27202	Cap Screw	
4	28094	Gasket	
5	39122	Gasket	
6	646P3	Hub And Seal Kit	Includes 38359 Tub Cover Gasket and 39508P Drive Bell and Seal Kit
7	29728	Splined Insert	
8	29220	Locknut	
9	36425	Seal	
10	39250P	Washtub	Blue Porcelain Model LWS02A*
	39252P	Washtub	Blue Porcelain Models LWS01A*, LWS01A*-3088 and LWS01A*C
11	39508P	Drive Bell And Seal Kit	Replaces Number 36443P - Includes Part Numbers 29728, 36425, 39432, 36511 and Drive Bell
12	36472	O-Ring	Use with Number 34288 Shoulder Screw
13	39432	Shoulder Screw	
14	36511	Plug	

\* Add Letter To Designate Color. L – Almond W – White

# Agitator, Drive Bell, Seal Kit, Washtub and Hub

(All Models Except LWS01A\*, LWS01A\*C, LWS01A\*-3088 and LWS02A\*)



W376PZ3A

\* Add Letter To Designate Color. L – Almond W – White



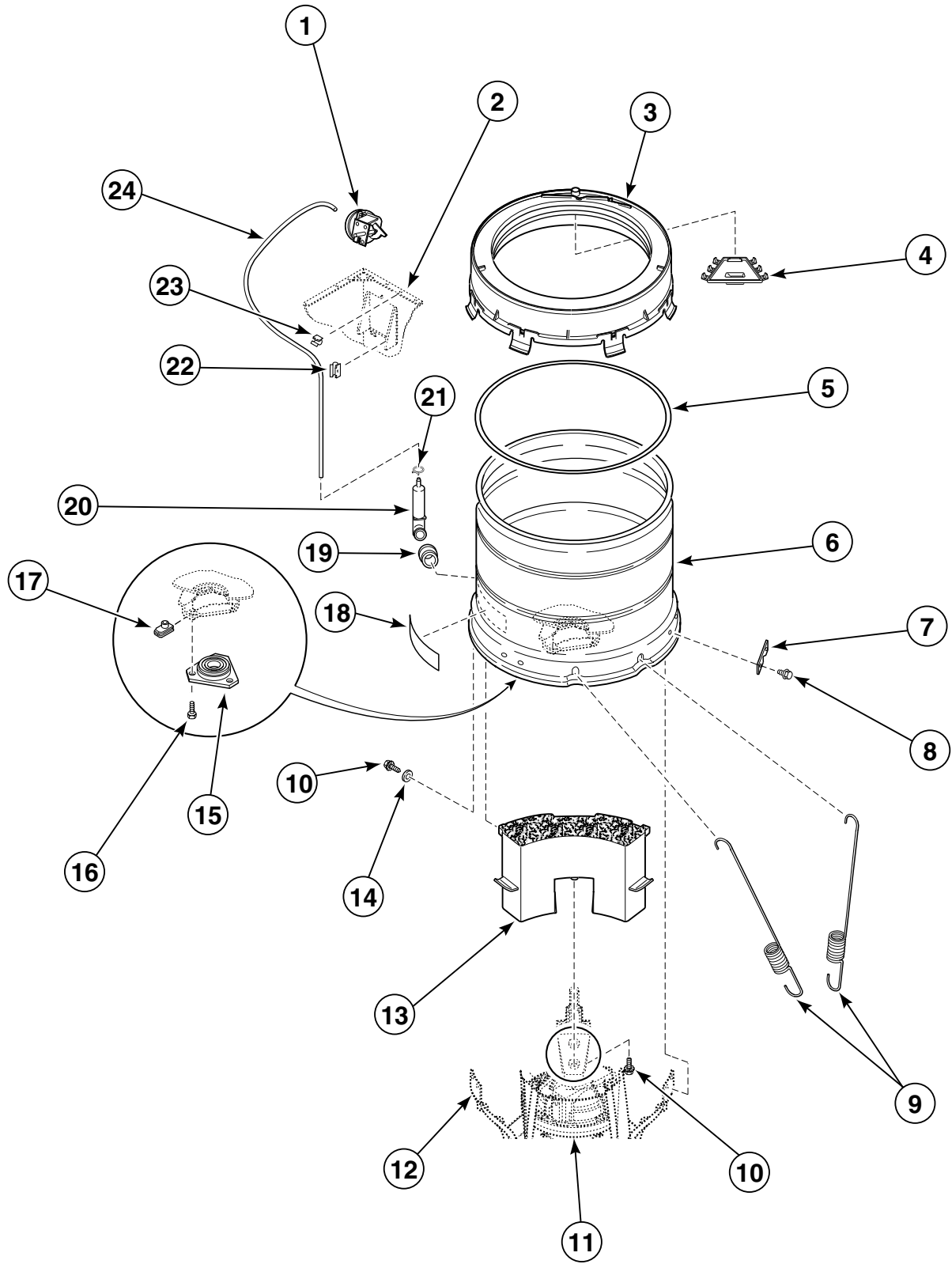
# Agitator, Drive Bell, Seal Kit, Washtub and Hub

(All Models Except LWS01A\*, LWS01A\*C, LWS01A\*-3088 and LWS02A\*)

REF	PART #	DESCRIPTION	COMMENTS
1	27202	Screw	
2	28094	Gasket	Use with porcelain washtub
3	39837	Balance Ring	
4	39122	Gasket	Models LWS11A*-3062 and LWS21A*-3062
5	39371	Lint Filter	All Models Except LWS11A*-3062 and LWS21A*3062
6	646P3	Hub And Seal Kit	Includes 38359 Outer Tub Cover Gasket and 39508P Drive Bell and Seal Kit
7	29728	Splined Insert	
8	29220	Locknut	
9	36425	Seal	
10	39240P	Washtub	White Porcelain — Models LWB19A*-1109, LWS16A*, LWS16A*-1000, LWS16A*-3000, LWS16A*3022, LWS16A*-3300, LWS16A*3322 and LWZ16A*-1000
	39250P	Washtub	Blue Porcelain — Models LWS02A* and LWS11A*-3062
	719P3	Washtub	Stainless Steel
11	39508P	Drive Bell and Seal Kit	Replaces Number 36443P - Includes Part Numbers 29728, 36425, 39432, 36511 and Drive Bell
12	36472	O-Ring	Use with Number 34288 Shoulder Screw
13	39432	Shoulder Screw	
14	36511	Plug	
15	36507	Agitator	Models LWS11A*-3062 and LWS21A*3062
	33174	Agitator	All Other Models
16	36542	Fabric Softener Dispenser	

\* Add Letter To Designate Color. L – Almond W – White

# Outer Tub, Cover, Pressure Hose and Counterweight



W352PZ3A

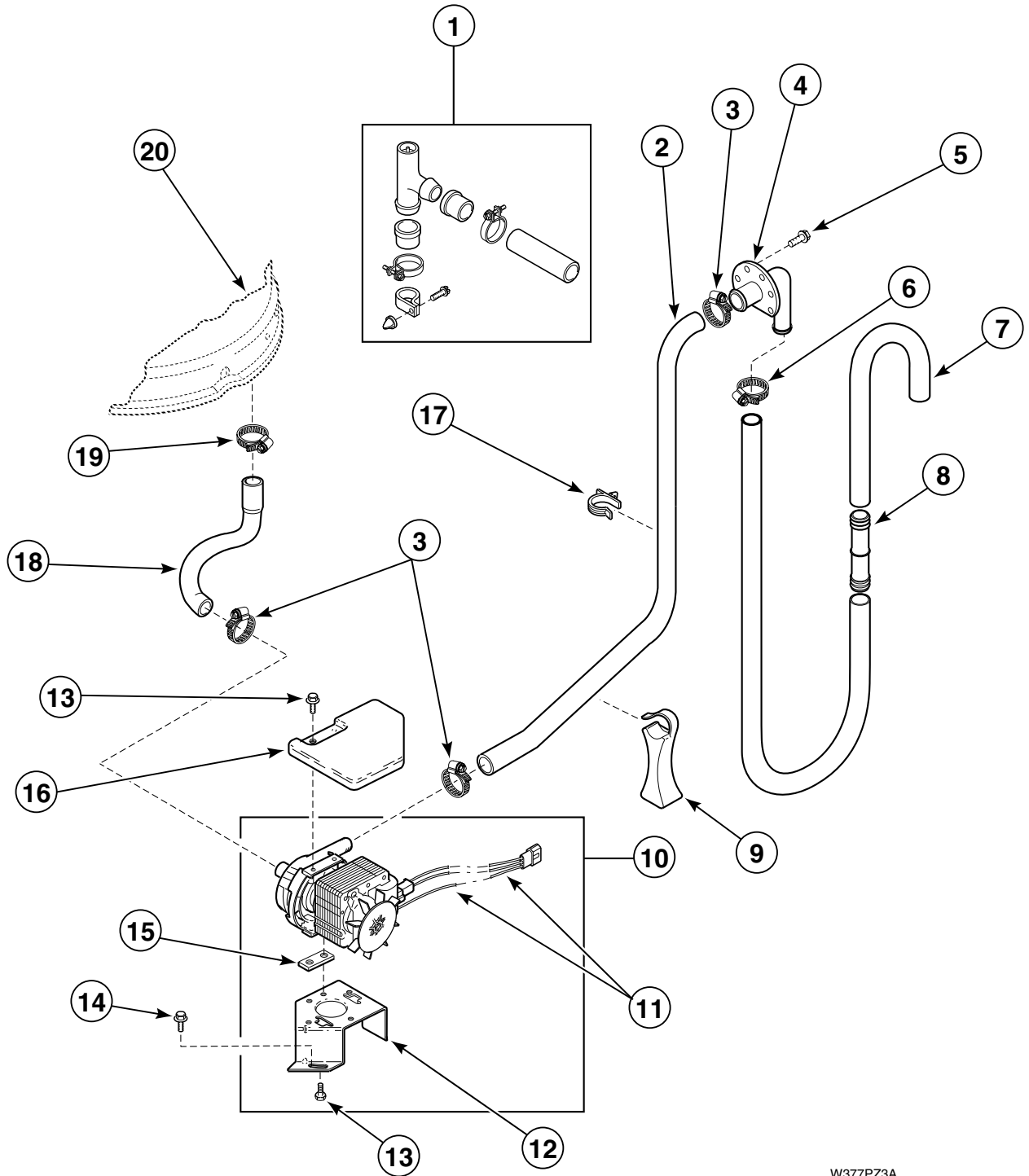
# Outer Tub, Cover, Pressure Hose and Counterweight

REF	PART #	DESCRIPTION	COMMENTS
1	39023	Pressure Switch	
	39035	Pressure Switch	
2	34475*P	Cabinet Kit	
3	38573	Outer Tub Cover	Models LWS17A*B3069 and LWZ17A*B3069
	38379	Outer Tub Cover	All other models
4	38154	Water Inlet Channel	Models LWS17A*B3069 and LWZ17A*B3069
	39079	Water Inlet Channel	All Other Models
5	38359	Gasket	
6	37981P	Outer Tub	Models LWS01A*, LWS01A*-3088 and LWS01A*C
	37813P	Outer Tub	All other models
7	27926	Leg Plate	
8	35369	Screw	
9	37576	Module Spring	Models LWS01A*,LWS01A*-3088 and LWS01A*C
	37575	Module Spring	All other models
10	39566	Screw	
11	38826P	Transmission Assembly	
12	39254	Weldment And Bearing Assembly	Models LWS01A*, LWS01A*-3088 and LWS01A*C
	39253	Weldment And Bearing Assembly	All other models
13	38769	Counterweight	Models LWB19A*-1109, LWS01A*, LWS01A*C, LWS02A*, LWS16A*, LWS16A*-3300, LWS16A*-3322, LWS17A*, LWS17A*-3300, LWS17A*-3322, LWS45A*, LWY17A*-1109 and LWY45A*-1109
	38770	Counterweight	All other models
14	39249	Washer	
15	27182	Bearing Housing Assembly	
16	36991	Cap Screw	
17	27222	Retainer Nut	
18	502506	Warning Label	Models LWS17A*B3020, LWS17A*B3069, LWZ17A*B3020 and LWZ17A*B3069
	500049	Warning Label	All other models
19	29175	Grommet	
20	30907	Pressure Bulb	
21	39282	Hose Clamp	
22	36985	Clip	
23	21036	Clip	
24	39125	Pressure Hose	

\* Add Letter To Designate Color. L – Almond W – White

# Electric Drain Pump with Rubber Drain Hose and Siphon Break Kit

(Models LWS11A\*-3062 and LWS21A\*-3062)



W377PZ3A

\* Add Letter To Designate Color. L – Almond W – White

# Electric Drain Pump with Rubber Drain Hose and Siphon Break Kit

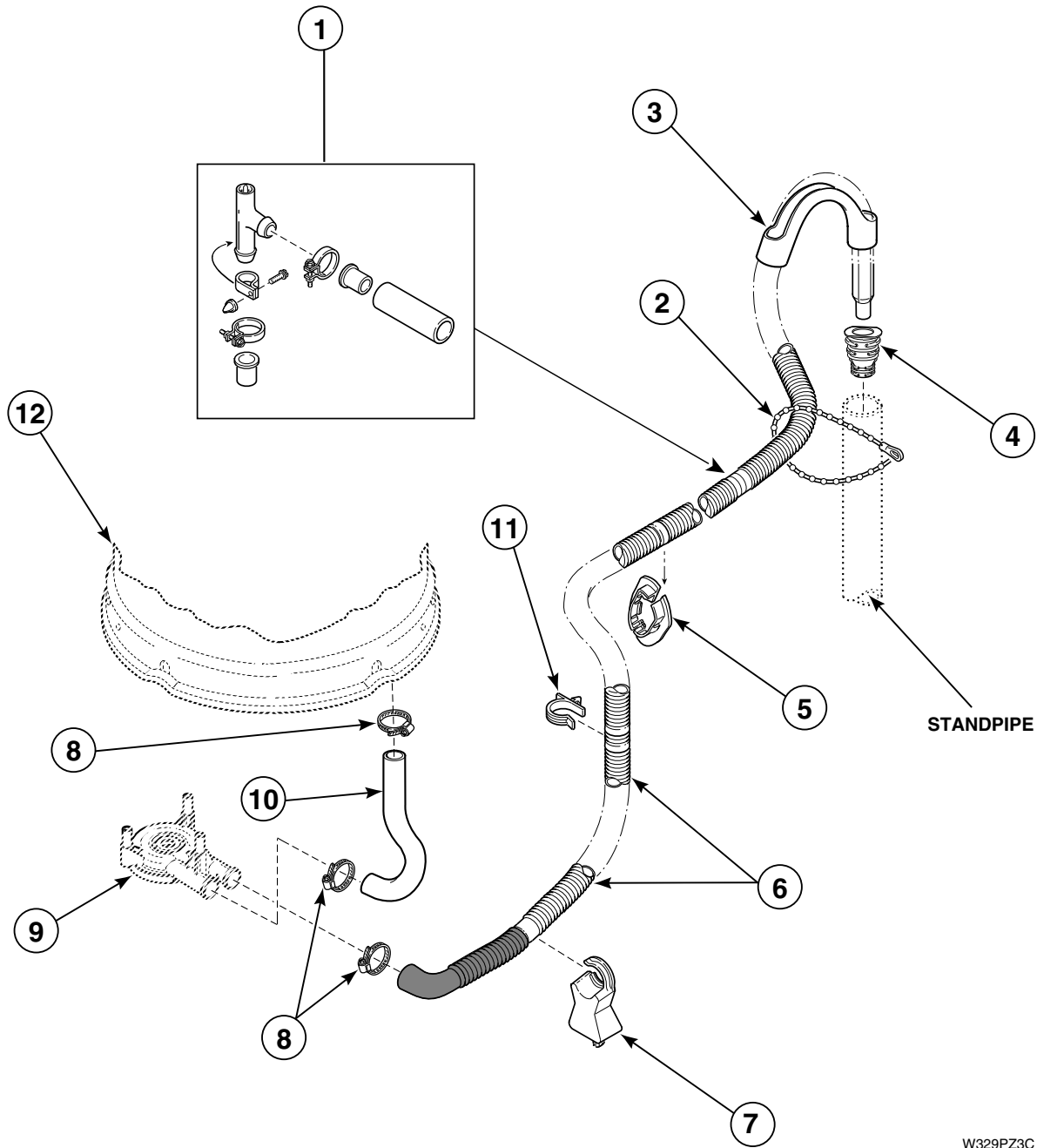
(Models LWS11A\*-3062 and LWS21A\*-3062)

REF	PART #	DESCRIPTION	COMMENTS
1	562P3	Siphon Break Kit	Siphon break kit MUST be installed in drain hose if drain receptacle is lower than cabinet top of washer
2	38968	Pump-to-Elbow Hose	
3	20391	Hose Clamp	
4	35766	Drain Hose Elbow	
5	52909	Screw	
6	20211	Hose Clamp	
7	28293	Drain Hose	
8	25863	Hose Coupler	If drain hose must be shortened, cut hose between molded end and molded elbow. Use one No. 25863 Hose Coupler to splice hose
9	38732	Hose Support	
10	39255	Electric Drain Pump Assembly	
11	38068	Wire Harness	
12	38789	Mounting Bracket	
13	38096	Screw	Metric
14	503661	Screw	
15	38095	Sound Insulator	
16	38768	Shield	
17	39177	Hose Retainer Clip	
18	38759	Tub-to-Pump Hose	
19	36802	Hose Clamp	
20	37813P	Outer Tub	
	37981P	Outer Tub	

\* Add Letter To Designate Color. L – Almond W – White

# Direct Drive Pump with Plastic Drain Hose and Siphon Break Kit

(All Models Except LWS11A\*-3062 and LWS21A\*-3062)



W329PZ3C

\* Add Letter To Designate Color. L – Almond W – White

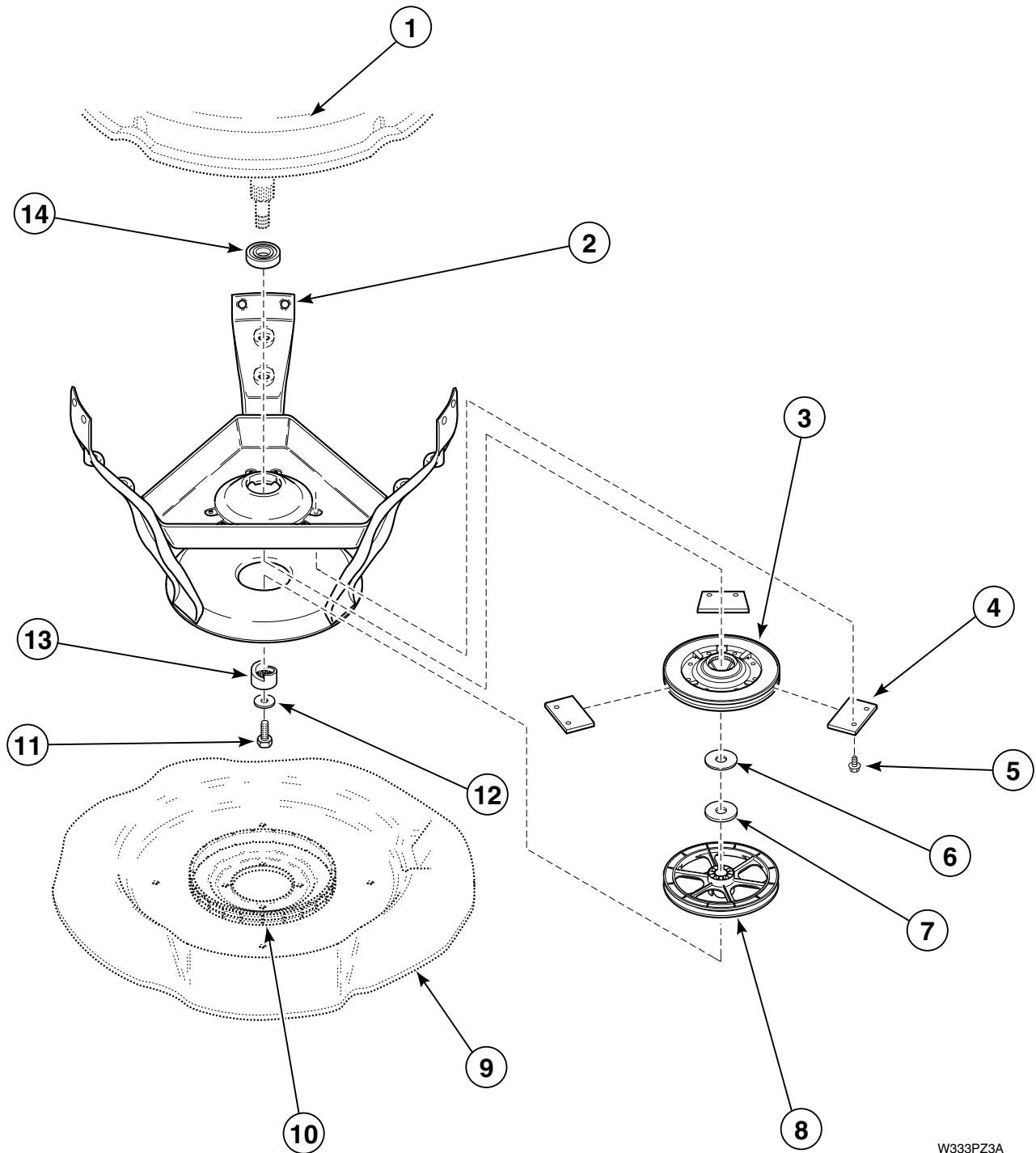
# Direct Drive Pump with Plastic Drain Hose and Siphon Break Kit

(All Models Except LWS11A\*-3062 and LWS21A\*-3062)

REF	PART #	DESCRIPTION	COMMENTS
1	562P3	Siphon Break Kit	Siphon break kit MUST be installed in drain hose if drain receptacle is lower than cabinet top of washer
2	33489	Beaded Tie-Down Strap	
3	33615	Drain Hose Sleeve	
4	36878	Standpipe Adapter	Models LWS16A* and LWS17A*
5	32219	Drain Hose Strain Relief	
6	39893	Drain Hose	Models LWB19A*-1109, LWS01A*, LWS01A*C, LWS02A*, LWS16A*, LWS16A*-3300, LWS16AW-3322, LWS17A*, LWS17A*-3300, LWS17A*-3322, LWS45A*, LWY17A*-1109 and LWY45A*1109
	39894	Drain Hose	Models LWS01A*-3088, LWS16A*-1000, LWS16A*-3000, LWS16A*-3022, LWS17A*-1000, LWS17A*-3000, LWS17A*-3022, LWS17A*-3050, LWS17A*B3020, LWS17A*B3069, LWZ16A*-1000, LWZ17A*3000, LWZ17A*B3020 and LWZ17A*B3069
7	38732	Hose Support	
8	36802	Hose Clamp	
9	36863P	Pump Assembly	
10	38351	Tub-to-Pump Hose	
11	36014	Hose Retainer Clip	
12	37813P	Outer Tub	
13	37981P	Outer Tub	

\* Add Letter To Designate Color. L – Almond W – White

# Weldment and Bearing Assembly, Brake and Pulley



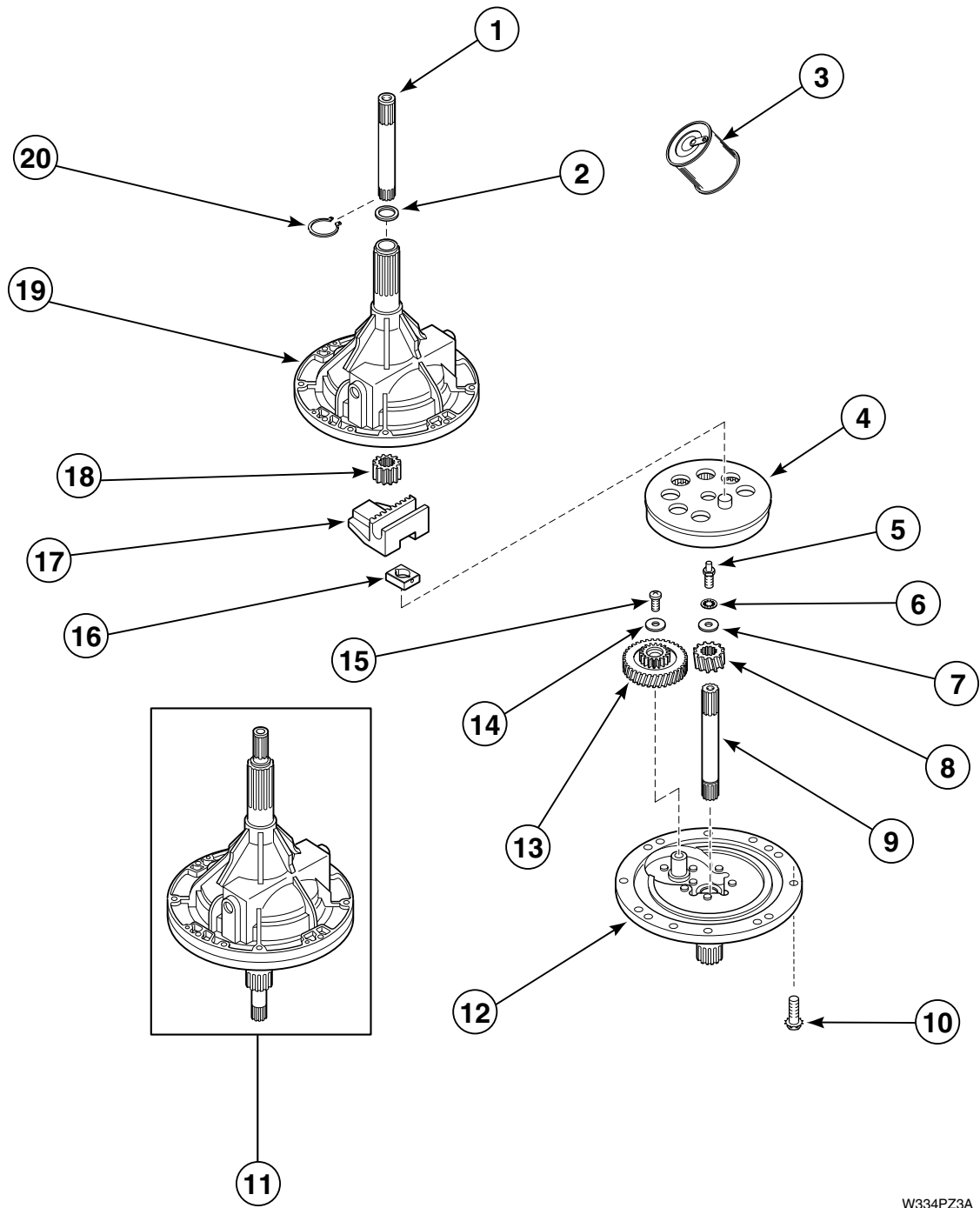
W333PZ3A



## Weldment and Bearing Assembly, Brake and Pulley

REF	PART #	DESCRIPTION	COMMENTS
1	37813P	Outer Tub	Tall Tub - All Models Except LWS01A*, LWS01A*-3088 and LWS01A*C
	37981P	Outer Tub	Short Tub - Model LWS01A*, LWS01A*-3088 and LWS01A*C
2	39254	Weldment and Bearing Assembly	Models LWS01A*, LWS01A*-3088 and LWS01A*C
	39253	Weldment and Bearing Assembly	All other models
3	38505P	Brake	
4	730P3	Brake Pad Kit	Includes three pads
5	37836	Screw	
6	35535	Washer	Thin
7	27015	Washer	Thick
8	38007	Pulley Assembly	Models LWB19A*-1109, LWS01A*, LWS01A*C, LWS02A*, LWS16A*, LWS16A*3300, LWS16AW-3322, LWS17A*, LWS17A*-3300, LWS16A*-3322, LWS45A*, LWY17A*-1109 and LWY45A*-1109
	38426	Pulley Assembly	All other models
9	39788	Base Assembly	
10	37937	Friction Ring	
11	27220	Screw	
12	26509	Washer	
13	38008	Helix	
14	28944R	Bearing	

# Transmission Assembly

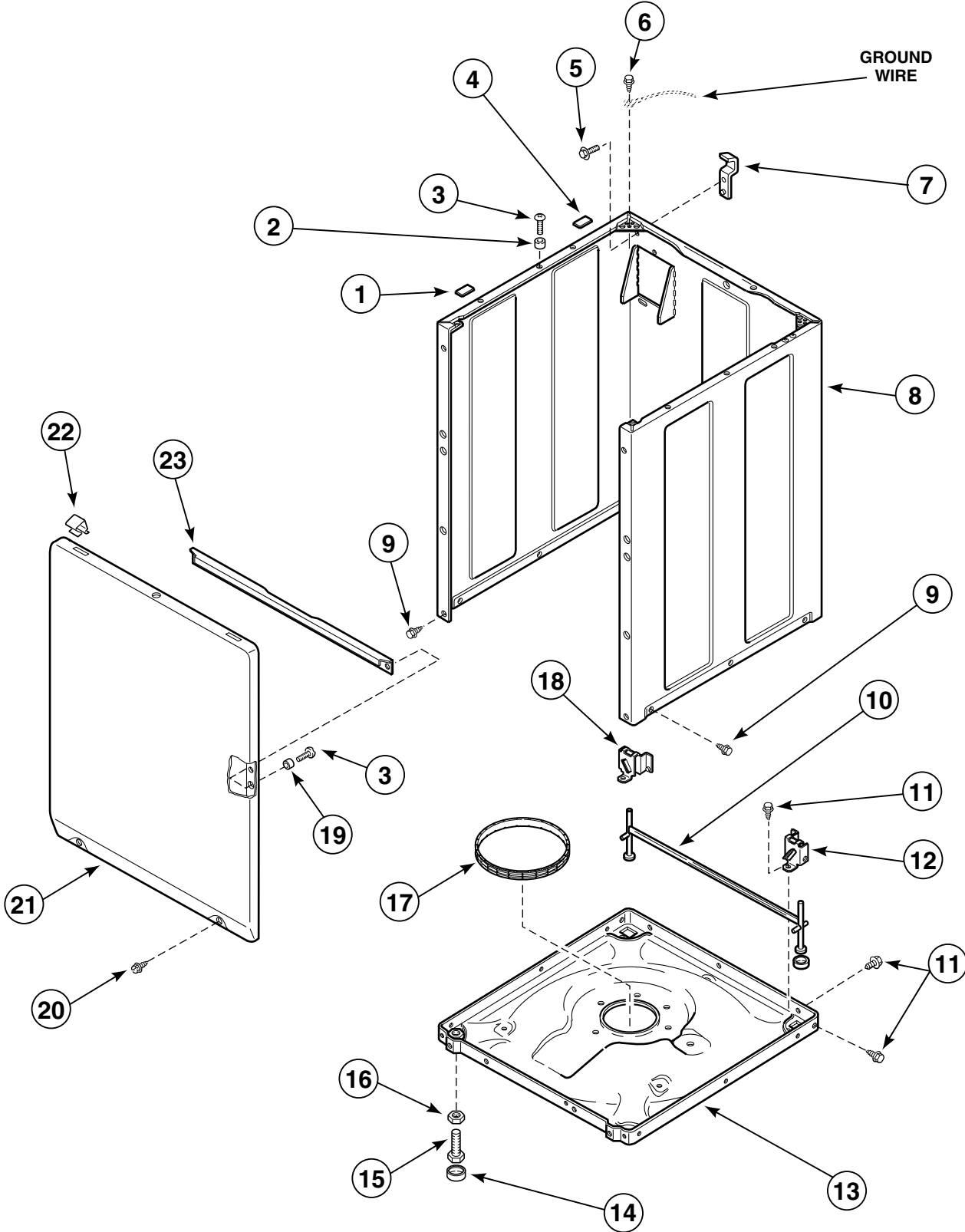


W334PZ3A

# Transmission Assembly

REF	PART #	DESCRIPTION	COMMENTS
	27604P	Anti-Seeze Compound	Apply to smooth area of both the upper and lower transmission tube that will be contacting the upper and lower bearings
	37577P	Sealant	Use between transmission case and cover
<b>1</b>	36570	Output Shaft	
<b>2</b>	35092	Washer	
<b>3</b>	27243P	Transmission Oil	1 Fill
<b>4</b>	26577	Internal Gear	
<b>5</b>	27030	Special Screw	
<b>6</b>	21456	Lockwasher	Used through Serial No. 9712011370
<b>7</b>	26509	Washer	
<b>8</b>	37406	Drive Pinion	
<b>9</b>	38268	Input Shaft	
<b>10</b>	32814	Screw	
<b>11</b>	38826P	Transmission Assembly	
<b>12</b>	37471	Transmission Cover	
<b>13</b>	37403	Reduction Gear	
<b>14</b>	29260	Washer	
<b>15</b>	29273	Screw	
<b>16</b>	26493	Slide	
<b>17</b>	31526	Rack	
<b>18</b>	27003	Agitator Pinion	
<b>19</b>	33223	Transmission Case Assembly	
<b>20</b>	27197	Retainer Ring	

# Front Panel, Base Assembly and Cabinet Kit



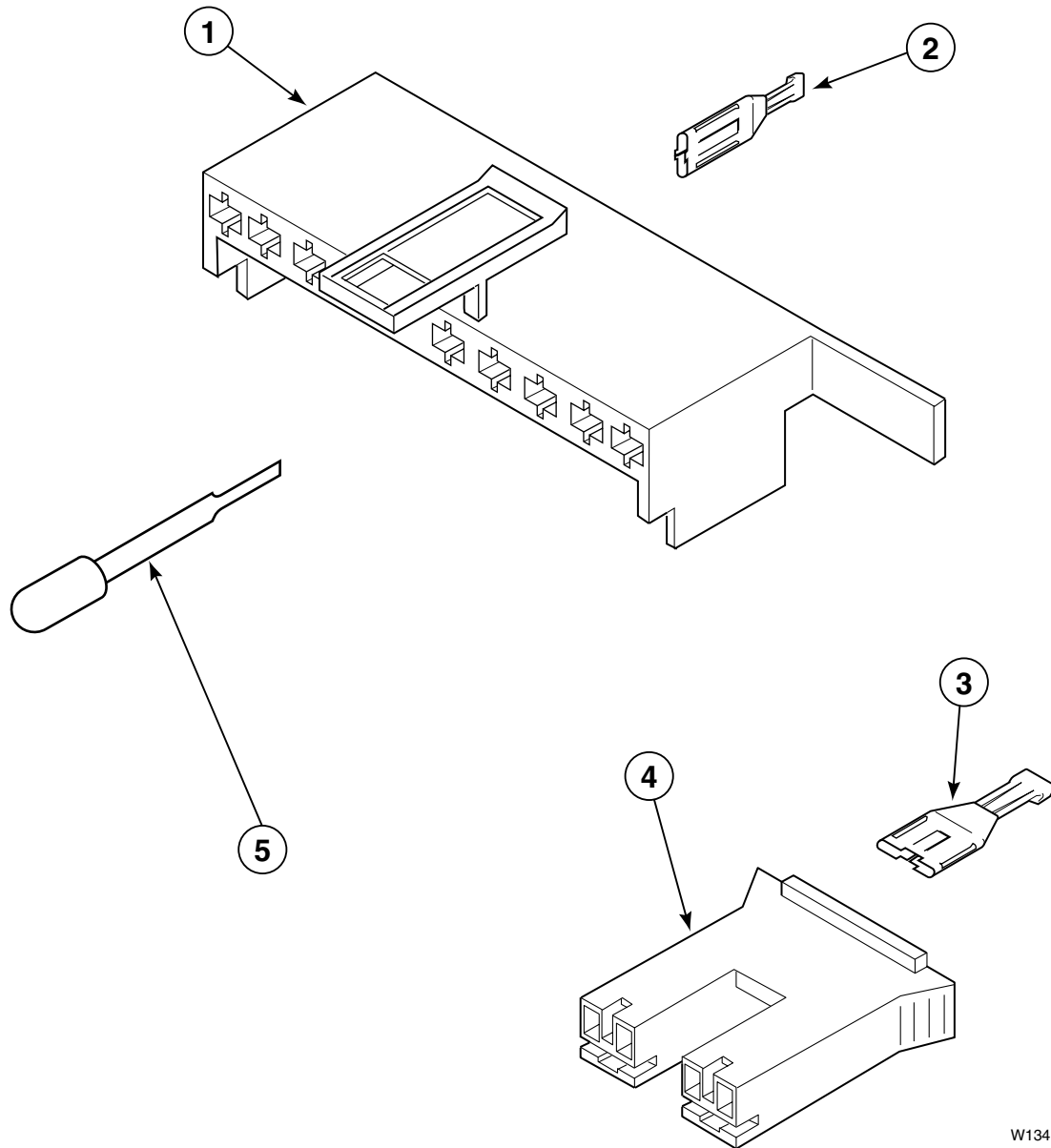
W379PZ3B

## Front Panel, Base Assembly and Cabinet Kit

REF	PART #	DESCRIPTION	COMMENTS
1	56128	Bumper Pad	
2	56079	Panel Locator	
3	32671	Screw	
4	36226	Bumper Pad	
5	34499	Screw	
6	52909	Screw	
7	27103	Hinge	
8	34475*P	Cabinet Kit	
9	27196	Screw	
10	34443	Leveling Leg and Stabilizer Bar	
11	35148	Screw	
12	36036	Bracket Right	
13	39788	Base Assembly	
14	34318	Rubber Foot	
15	34319	Leveling Leg	
16	21899	Locknut	
17	37937	Friction Ring	
18	36037	Bracket Left	
19	28102	Panel Locator	
20	38272	Screw	
21	38335*P	Front Panel	
22	35865	Hold-Down Clip	Models LWS17A*B3069 and LWZ17A*B3069
23	35097	Brace	

\* Add Letter To Designate Color. L – Almond W – White

# Mixing Valve and Motor Connection Blocks, Terminals and Extractor Tool



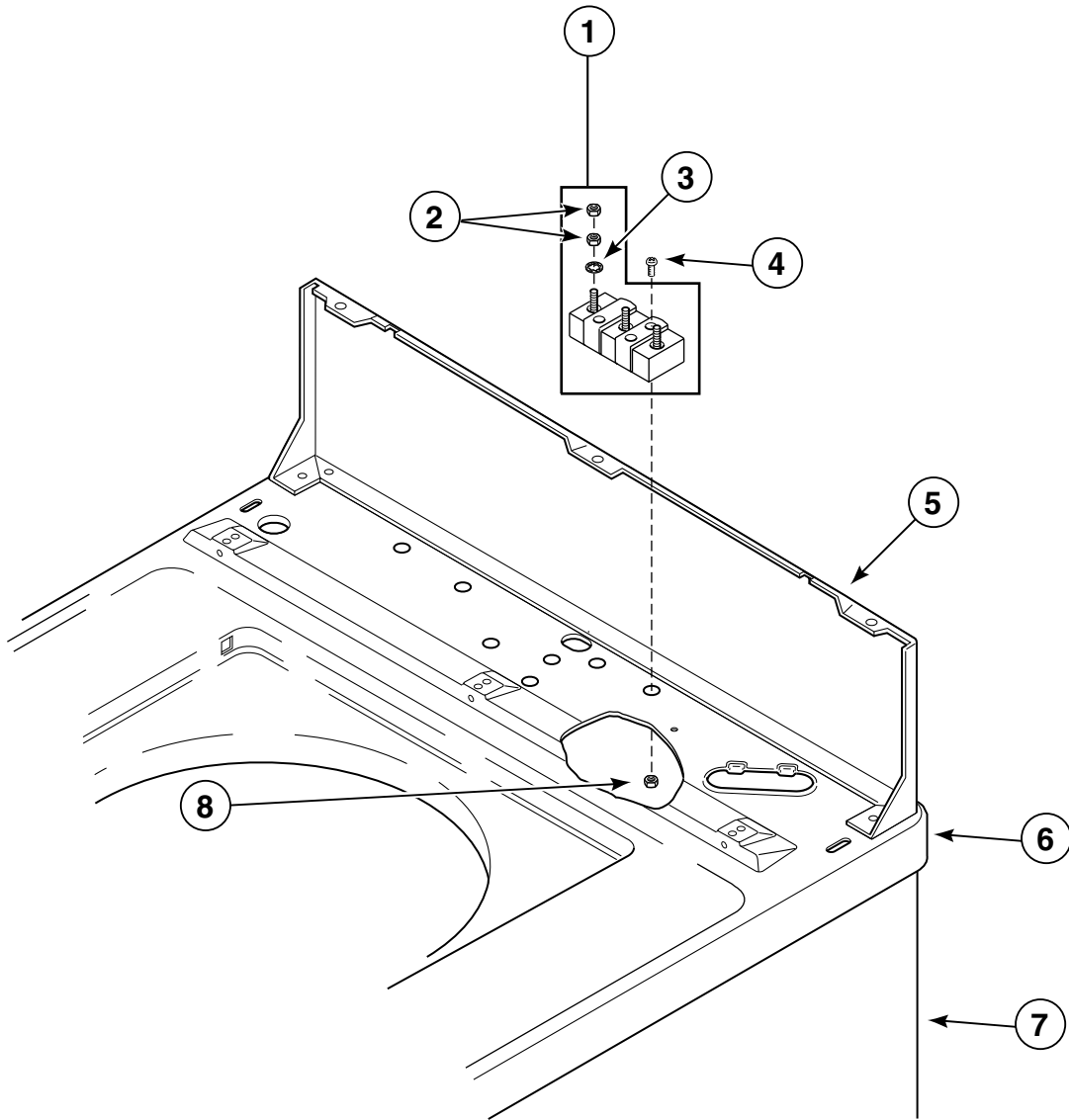
W134PZ3A

## Mixing Valve and Motor Connection Blocks, Terminals and Extractor Tool

REF	PART #	DESCRIPTION	COMMENTS
1	34677	Molex Housing	Motor
2	00188	Molex Terminal	For one or two wire application
3	00121	Spade Terminal	1/4 Inch
4	34675	Amp Housing	Mixing valve - Natural
	34676	Amp Housing	Mixing valve - Red
5	283P4	Terminal Extractor Tool	

# Terminal Block

(Models LWS11A\*-3062 and LWS21A\*-3062)



W380PZ3A

\* Add Letter To Designate Color. L – Almond W – White



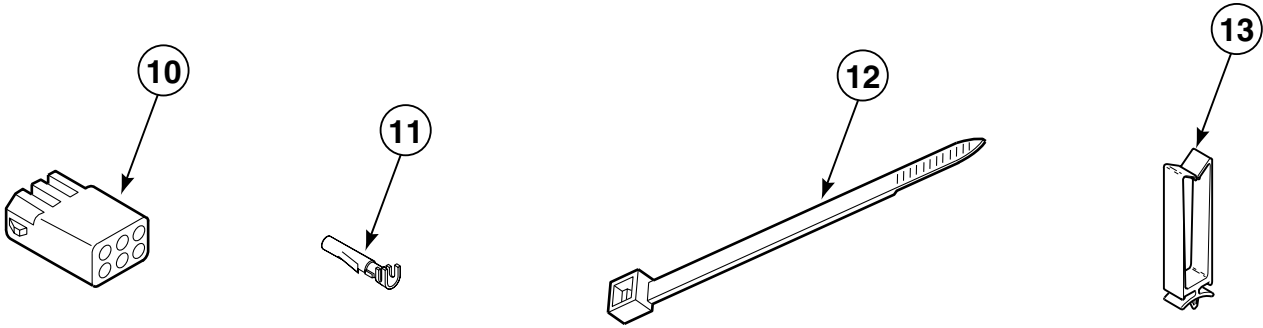
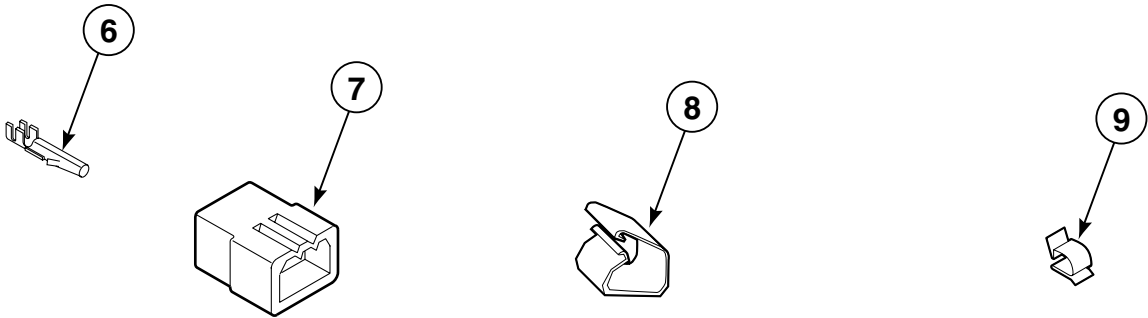
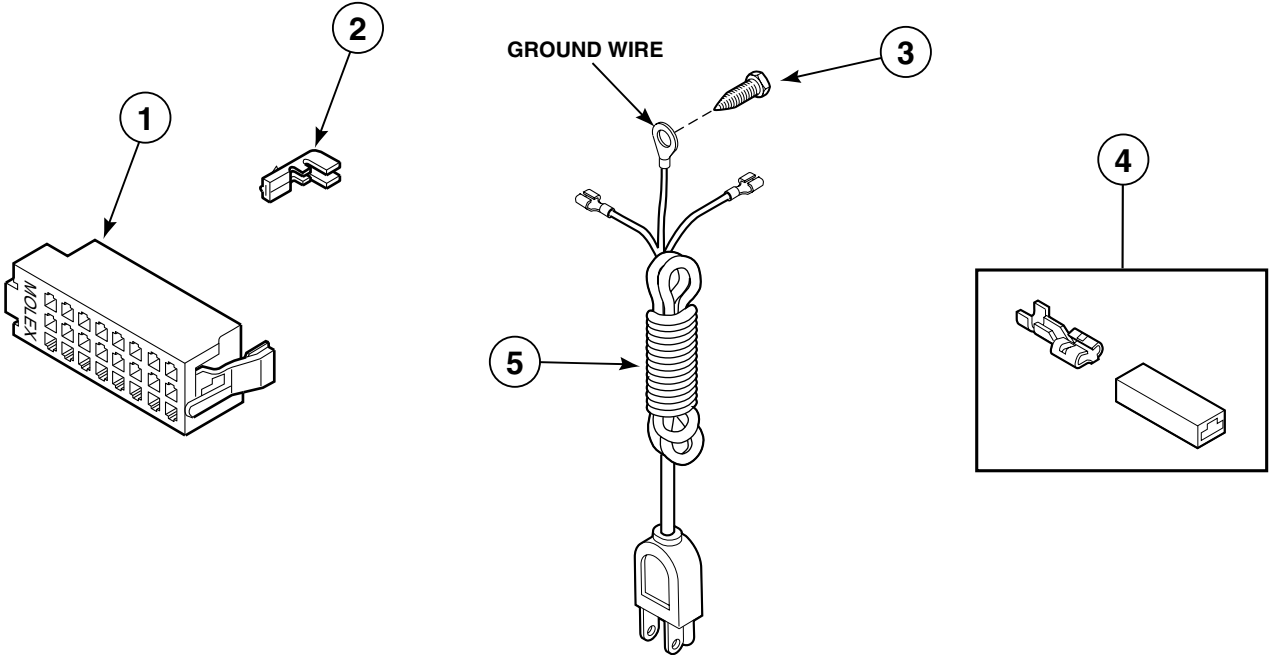
# Terminal Block

(Models LWS11A\*-3062 and LWS21A\*-3062)

REF	PART #	DESCRIPTION	COMMENTS
1	50854A	Terminal Block Assembly	Includes Items 2 and 3
2	Q6163	Nut	
3	56552	Lockwasher	
4	Q6527	Screw	
5	37782	Control Hood Rear Panel	
6	37992*P	Cabinet Top	
7	34475*P	Cabinet Kit	
8	03673	Nut	

\* Add Letter To Designate Color. L – Almond W – White

# Power Cord and Terminals

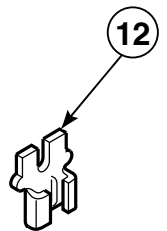
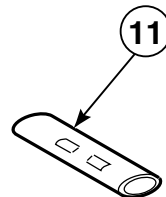
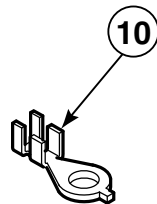
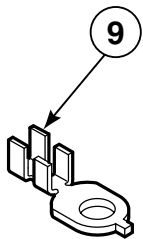
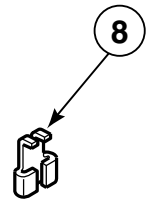
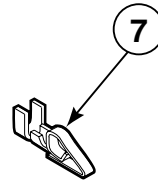
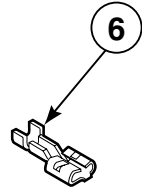
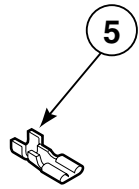
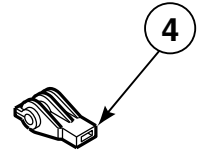
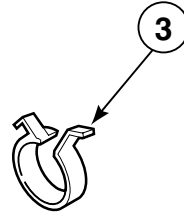
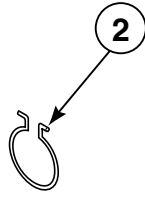
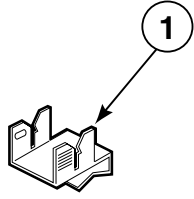


W245PZ3A

## Power Cord and Terminals

REF	PART #	DESCRIPTION	COMMENTS
1	32746	Molex Housing	Right hand (Black)
	34123	Molex Housing	Left hand (White)
2	00188	Molex Terminal	Used for one or two wire application
3	52909	Screw	
4	00234	Terminal and Housing Assembly	
5	36770	Lead-in Cord	Model LWS17A*3050
	37179	Lead-in Cord	Models LWS17A*B3069 and LWZ17A*B3069
	38362	Lead-in Cord	Models LWS16A*-3000, LWS16A*-3022, LWS16A*-3300, LWS16A*-3322, LWS17A*-3000, LWS17A*-3022, LWS17A*-3300, LWS17A*-3322 and LWZ17A*-3300
	38363	Lead-in Cord	Model LWS01A*-3088
	38365	Lead-in Cord	Models LWS11A*-3062 and LWS21A*-3062
	39401	Lead-in Cord	Models LWS17A*B3020 and LWZ17A*B3020
	39406	Lead-in Cord	Models LWB19A*-1109, LWS01A*, LWS01A*C, LWS02A*, LWS16A*, LWS16A*-1000, LWS17A*, LWS17A*-1000, LWS45A*, LWZ16A*-1000, LWY17A*-1109 and LWY45A*-1109
	6	00116	Terminal
7	23033	Terminal Block Plug	9 Circuit
	23041	Terminal Block Plug	6 Circuit
	26302	Terminal Block Plug	1 Circuit
8	35521	Harness Clip	
9	21036	Cable Clip	
10	26163	Terminal Block Receptacle	9 Circuit
	26301	Terminal Block Receptacle	1 Circuit
	26708	Terminal Block Receptacle	6 Circuit
11	00117	Terminal	Female
12	55881	Wire Tie	
13	36274	Harness Clip	

# Terminals

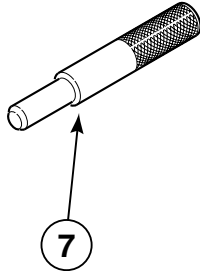
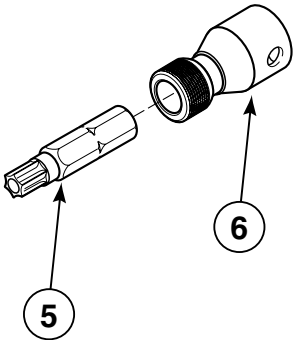
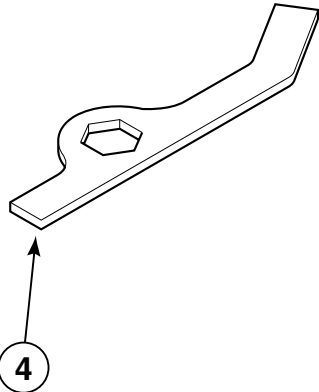
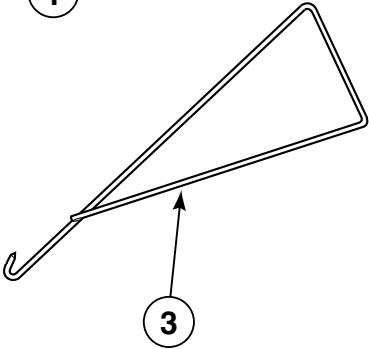
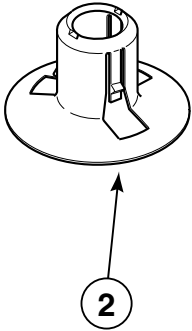
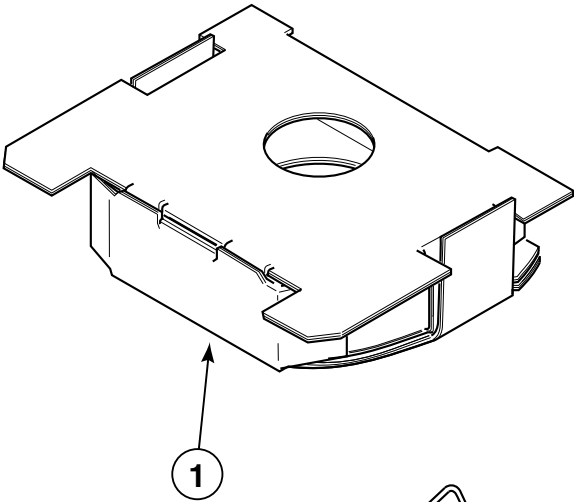


W248PZ3A

# Terminals

REF	PART #	DESCRIPTION	COMMENTS
1	00161	Ground Clip	
2	51291	Wire Clip	
3	687500	Wire Clip	
4	70210	Plastic Insulator	
5	00112	Spade Terminal	Small spade
6	00119	Spade Terminal	Large spade
7	00220	Spade Terminal	Female - 1/4 inch
8	00120	Right Angle	Flag terminal
9	00113	Eyelet Terminal	1/4 inch ring
10	00110	Eyelet Terminal	Small shank
11	21091	Connector	Two 1/4 inch male spades
12	29673	Double Connector	

# Special Tools

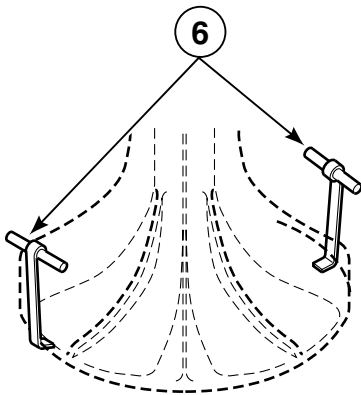
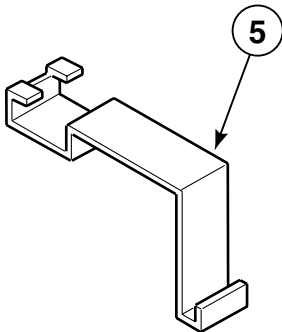
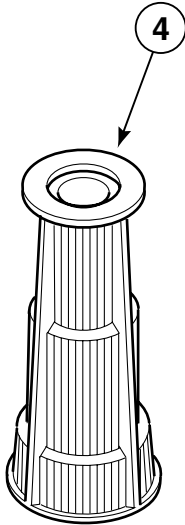
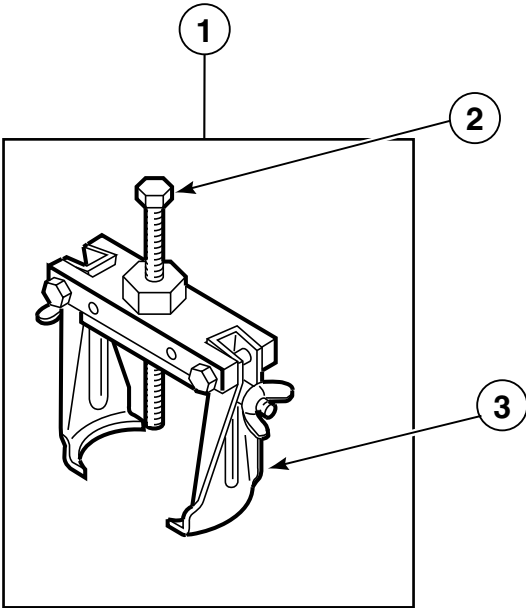


W339PZ3A

## Special Tools

REF	PART #	DESCRIPTION	COMMENTS
1	39365	Washer Shipping Brace	Install whenever moving washer. Remove before use.
2	38149	Shipping Plug	Install before moving washer to prevent tub from damaging cabinet.
3	321P4	Spring Hook	For removal of module springs from outer tub.
4	306P4	Hex Wrench	For removal of locknut from washtub hub.
5	282P4	T25 Tamper Resistant Bit	For removal and installation of pump attaching screws.
6	24161	Torx Bit Holder	3/8 inch drive
7	305P4	Transmission Pin Tool	(2 - required) Use pin tools in place of dowel pins when reassembling transmission cover and case.

# Special Tools



W310PZ3C



# Special Tools

REF	PART #	DESCRIPTION	COMMENTS
1	294P4	Bell Tool	For removal and installation of Drive Bell to Transmission Shaft.
2	294P4B	Drive Bell Bolt	Use to update 253P4 Bell Tool
3	294P4A	Drive Bell Arms	Use to update 253P4 Bell Tool
4	293P4	Seal Tool	For installation of 36425 Seal.
5	273P4	Outer Tub Cover and Gasket Tool	Use to install 38359 Gasket in outer tub cover
6	254P4P	Agitator Hooks	Set of 2 - Use to remove agitator from drive bell

## Wire Harnesses and Wires

Individual wires are not available separately. Order complete wire harness, or order wire by the foot. See chart at bottom of page.

Model Number	Lid Lock Harness	Base Harness Part Number	Hood Harness Part Number
LWB19A*-1109		38660	38651
LWS01A*		38772	38657
LWS01A*-3088		38772	38657
LWS01A*C		38772	38657
LWS02A*		38772	38657
LWS11A*-3062		38925	38076
LWS16A*		38772	38657
LWS16A*-1000		38772	38657
LWS16A*-3000		38772	38657
LWS16A*-3022		38772	38657
LWS16A*-3300		38772	38657
LWS16A*-3322		38772	38657
LWS17A*		38772	38657
LWS17A*-1000		38772	38657
LWS17A*-3000		38772	38657
LWS17A*-3022		38772	38657
LWS17A*-3050		38893	38657
LWS17A*-3300		38772	38657
LWS17A*-3322		38772	38657
LWS17A*B3020		38772	39246
LWS17A*B3069	31973	38772	39246
LWS21A*-3062		38925	38076
LWS45A*		38660	39499
LWY17A*-1109		38772	38657
LWY45A*-1109		38660	39499
LWZ16A*-1000		38772	38657
LWZ17A*-3000		38772	38657
LWZ17A*B3020		38772	39246
LWZ17A*B3069	31973	38772	39246

\* Add Letter To Designate Color. L – Almond W – White

Order the individual wire color and gauge by the part number listed below. Order wire by the foot and terminals and connectors as required. It is recommended when applying terminals to wires that the terminals be soldered to the wires.

**IMPORTANT: Always replace wires with proper gauge.**

Part Number	Wire Gauge	Wire Color
45001	18 Gauge Wire	Black
45380	12 Gauge Wire	Orange

# Parts Index

---

## A

Actuator Arm	
37630 .....	17
Agitator	
33174 .....	31
33514 .....	29
36507 .....	31
Agitator Hooks	
254P4P .....	55
Agitator Pinion	
27003 .....	41
Amp Housing	
34675 .....	45
34676 .....	45
Anti-Seeze Compound	
27604P .....	41

---

## B

Backflow Preventer	
34500 .....	23
Balance Ring	
39837 .....	29, 31
Base Assembly	
39788 .....	39, 43
Base Harness	
38660 .....	56
38772 .....	56
38893 .....	56
38925 .....	56
Beaded Tie-Down Strap	
33489 .....	37
Bearing	
28944R .....	39
Bearing Housing Assembly	
27182 .....	33
Bell Tool	
294P4 .....	55
Belt	
37820 .....	27
38749 .....	25, 27
Bleach Dispenser	
38382 .....	19, 21
Brace	
35097 .....	43
Bracket Left	
36037 .....	43
Bracket Right	
36036 .....	43
Brake	
38505P .....	39
Brake Pad Kit	
730P3 .....	39
Bumper	
21685 .....	19, 21
Bumper Pad	
36226 .....	43
56128 .....	43

Bushing	
33446 .....	19, 21

---

## C

Cabinet Kit	
34475*P .....	17, 19, 21, 23, 33, 43, 47
Cabinet Top	
37992*P .....	5, 7, 9, 11, 13, 15, 17, 21, 47
39226* .....	19
39346* .....	21
Cable Clip	
21036 .....	49
Cap	
24145 .....	23
Cap Screw	
27202 .....	29
36991 .....	33
Clip	
21036 .....	33
36519 .....	21
36985 .....	33
38271 .....	21
Connector	
21091 .....	51
Control Hood Rear Panel	
37782 .....	5, 7, 9, 11, 13, 15, 19, 21, 47
Control Knob	
33688 .....	5, 9, 11, 13, 15
36701* .....	5, 7
Control Mounting Plate	
38171 .....	5, 7, 9, 11, 13, 15
Counterweight	
38769 .....	33
38770 .....	33
Cover Plate	
37828 .....	19

---

## D

Double Connector	
29673 .....	51
Drain Hose	
28293 .....	35
39893 .....	37
39894 .....	37
Drain Hose Elbow	
35766 .....	35
Drain Hose Sleeve	
33615 .....	37
Drain Hose Strain Relief	
32219 .....	37
Drive Bell And Seal Kit	
39508P .....	29
Drive Bell and Seal Kit	
39508P .....	31
Drive Bell Arms	
294P4A .....	55
Drive Bell Bolt	
294P4B .....	55

Drive Pinion	
37406	41

## E

18 Gauge Wire	
45001	56
Electric Drain Pump Assembly	
39255	35
End Cap	
504008*	5, 7, 9, 13, 15
504009*	5, 7, 13, 15
End Cap Left	
504009*	9, 11
End Cap Right	
504008*	11
Eyelet Terminal	
00110	51
00113	51

## F

Fabric Softener Dispenser	
36542	31
Filler Hose	
38155	23
Friction Ring	
37937	39, 43
Front Panel	
38335*P	21, 43

## G

Gasket	
28094	29, 31
29677	19
30378	19
38359	33
39122	29, 31
Graphic Panel	
38071	7
38072	7
38887*	5, 9, 13
38937W	15
38939*	9, 13
39082*	15
39171*	13
39349*	13
39355*	13
39478*	11
39580	11
39598	11
39600	11
Grommet	
29175	33
80262	19, 21
Ground Clip	
	51
00161	5, 7, 9, 11, 13

## H

Harness Clip	
35521	49
36274	49
Helix	
38008	39
Hex Wrench	
306P4	53
Hinge	
27103	43
36437	19, 21
36438	19
36513	21
Hold-Down Clip	
35358	5, 7, 9, 11, 13, 15, 19, 21
35865	43
Hood Harness	
38076	56
38651	56
38657	56
39246	56
39499	56
Hose Clamp	
20211	35
20391	35
29210	23
36801	23
36802	35, 37
39282	33
Hose Coupler	
25863	35
Hose Retainer Clip	
36014	37
39177	35
Hose Support	
38732	35, 37
Hub And Seal Kit	
646P3	29, 31

## I

Idler Lever	
38011	25, 27
Idler Lever Spring	
39666	25
Idler Pulley	
38225	25, 27
Idler Shaft	
56461	25, 27
Idler Spring	
39666	27
Indicator Light	
39536	15
Inlet Hose	
20617	23
20618	23
28330P	23
37380	23
37381	23
38349P	23
Inlet Screen	
F270200	23

Input Shaft	
38268 .....	41
Internal Gear	
26577 .....	41

---

## K

Knurled Nut	
24206 .....	15

---

## L

Latch	
29674 .....	19
Lead-in Cord	
36770 .....	49
37179 .....	49
38362 .....	49
38363 .....	49
38365 .....	49
39401 .....	49
39406 .....	49
Leg Plate	
27926 .....	33
Leveling Leg	
34319 .....	43
Leveling Leg and Stabilizer Bar	
34443 .....	43
Lid Lock	
29678 .....	19
Lid Lock Control	
37225 .....	15
Lid Lock Harness	
31973 .....	56
Lint Filter	
39371 .....	31
Loading Door	
33552* .....	19
37827*P .....	21
Locknut	
21899 .....	43
28803 .....	25, 27
29220 .....	29, 31
52566 .....	25, 27
Lockwasher	
21456 .....	41
21734 .....	15
25820 .....	15
28449 .....	15
56552 .....	47

---

## M

Mixing Valve	
38495 .....	23
38813 .....	23
38918 .....	23
Mixing Valve Mounting Bracket	
39407 .....	23
Module Spring	
37575 .....	33
37576 .....	33

Molex Housing	
32746 .....	49
34123 .....	49
34677 .....	45
Molex Terminal	
00188 .....	45, 49
Motor	
35030P .....	27
37819P .....	27
38036 .....	27
38053 .....	25, 27
38055 .....	27
38058 .....	27
Motor Mount	
37445 .....	25
38395 .....	25, 27
38396 .....	25, 27
Motor Mount Bracket	
37445 .....	27
Motor Mount Post	
38325 .....	25, 27
Motor Shield	
34754 .....	27
35886 .....	25
Motor Switch	
35632 .....	25, 27
Mounting Bracket	
38789 .....	35

---

## N

Nut	
Q6163 .....	47
02788 .....	15
03673 .....	47
22001 .....	19
28447 .....	15
35423 .....	25, 27

---

## O

O-Ring	
36472 .....	29, 31
Outer Tub	
37813P .....	33, 35, 37, 39
37981P .....	33, 35, 37, 39
Outer Tub Cover	
38379 .....	23, 33
38573 .....	33
Outer Tub Cover and Gasket Tool	
273P4 .....	55
Output Shaft	
36570 .....	41

---

## P

Panel Locator	
28102 .....	43
56079 .....	43
Plastic Insulator	
70210 .....	51

Plate	29676 .....	19
Plug	36511 .....	29, 31
Pressure Bulb	30907 .....	33
Pressure Hose	39125 .....	33
Pressure Switch	39023 .....	5, 7, 9, 11, 13, 15, 33
	39035 .....	5, 33
Pulley Assembly	38007 .....	39
	38426 .....	39
Pump Assembly	36863P .....	27, 37
Pump-to-elbow Hose	38968 .....	35

## R

Rack	31526 .....	41
Reduction Gear	37403 .....	41
Retainer Nut	27222 .....	33
Retainer Ring	23748 .....	25, 27
	27197 .....	41
Right Angle	00120 .....	51
Roll Pin	10416 .....	25, 27
Rubber Foot	34318 .....	43
Rubber Washer	20290 .....	23

## S

Screw	Q6516 .....	15
	Q6527 .....	47
	Q6695 .....	19
	22649 .....	19
	23962 .....	5, 7, 9, 11, 13, 15, 17, 19, 21
	27196 .....	43
	27202 .....	31
	27220 .....	39
	28448 .....	15
	29273 .....	41
	32184 .....	19
	32671 .....	43
	32814 .....	41
	33562 .....	21, 23
	34337 .....	19, 21
	34499 .....	43
	34565 .....	27
	34904 .....	5, 7, 9, 11, 13, 15
	35148 .....	43
	35369 .....	25, 27, 33
	35527 .....	19, 21
	36510 .....	17

	36639 .....	25, 27
	37836 .....	39
	38096 .....	35
	38272 .....	43
	39566 .....	33
	501086 .....	5, 7, 9, 11, 13, 15, 21, 23
	503661 .....	35
	52909 .....	19, 21, 35, 43, 49
Screw And Lockwasher	23008 .....	19
Seal	36425 .....	29, 31
Seal Tool	293P4 .....	55
Sealant	37577P .....	41
Shield	34228 .....	19, 21
	36965 .....	27
	38768 .....	35
Shipping Plug	38149 .....	53
Shoulder Bolt	27229 .....	25, 27
Shoulder Screw	39432 .....	29, 31
Siphon Break Kit	562P3 .....	35, 37
Slide	26493 .....	41
Sound Insulator	38095 .....	35
Spade Terminal	00112 .....	51
	00119 .....	51
	00121 .....	45
	00220 .....	51
Special Screw	27030 .....	41
Speed Nut	36020 .....	19
Splined Insert	29728 .....	29, 31
Spring Hook	321P4 .....	53
Standpipe Adapter	36878 .....	37
Sticker	24903 .....	19
	36592 .....	19
	39251 .....	21
	500316 .....	21
	502511 .....	15, 27
Strain Relief	36957 .....	15, 21
	38384 .....	21
Support	501523 .....	15
Switch	33445 .....	17
	37830 .....	17
Switch Assembly	55882 .....	15
Switch Collar	57327 .....	15

Switch Holder	
37629 .....	17

## T

Temperature Switch	
35115 .....	5, 7, 9, 11, 13, 15
Terminal	
00116 .....	49
00117 .....	49
Terminal and Housing Assembly	
00234 .....	49
Terminal Block	
36841 .....	15
Terminal Block Assembly	
50854A.....	47
Terminal Block Plug	
23033 .....	49
23041 .....	49
26302 .....	49
Terminal Block Receptacle	
26163 .....	49
26301 .....	49
26708 .....	49
Terminal Extractor Tool	
283P4.....	45
Temperature Switch	
36335 .....	11
Timer	
37925 .....	13
37927 .....	11
37928 .....	9, 13
37929 .....	5, 9, 11, 13
37930 .....	9, 13
37931 .....	5, 9, 13, 15
37995 .....	7
39445 .....	7
Timer Knob	
33898 .....	5
33898W.....	9, 11, 13, 15
35333*.....	5, 7
Timer Knob Skirt	
36700*.....	5, 7
38841 .....	5
38841W.....	9, 11, 13, 15
Top Cover	
38231*.....	5, 7, 9, 11, 13, 15
Torx Bit Holder	
24161 .....	53
Transmission Assembly	
38826P.....	41
Transmission Assembly	
38826P.....	33
Transmission Case Assembly	
33223 .....	41
Transmission Cover	
37471 .....	41
Transmission Oil	
27243P.....	41
Transmission Pin Tool	
305P4.....	53
Tub-to-Pump Hose	
38351 .....	37
38759 .....	35

12 Gauge Wire	
45380 .....	56
T25 Tamper Resistant Bit	
282P4 .....	53

## W

Warning Label	
500049 .....	33
502506 .....	33
Washer	
21643 .....	19
26509 .....	39, 41
27015 .....	39
29260 .....	41
35092 .....	41
35535 .....	39
37772 .....	25, 27
39249 .....	33
52549 .....	25, 27
81392 .....	25, 27
Washer Shipping Brace	
39365 .....	53
Washtub	
39240P .....	31
39250P .....	29, 31
39252P .....	29
719P3 .....	31
Water Inlet Channel	
38154 .....	33
39079 .....	33
Weldment And Bearing Assembly	
39253 .....	33
39254 .....	33
Weldment and Bearing Assembly	
39253 .....	39
39254 .....	39
Wire Clip	
51291 .....	51
687500 .....	51
Wire Harness	
38068 .....	35
Wire Tie	
55881 .....	49