

Commercial Dryers

(“EE”, “EG”, “GE”, “ZE”
and “ZG” Series
Metered and Nonmetered)

Refer to Page 3 for Model Numbers

Table of Contents

Title	Page
Parts Ordering Information	2
Nameplate Location	2
Model Identification	3
Service Door and Meter Case	4
Service Door and Meter Case	6
Accumulator (H. Greenwald Co.)	8
Accumulator (H. Greenwald Co.)	10
Control Panel, Control Hood and Controls	12
Control Panel, Control Hood and Controls	14
Timer, Plate, Case and Knob	16
Cabinet Top	18
Loading Door	20
Lower Access Panel, Front Panel and Seal	22
Front Bulkhead, Air Duct, Felt Seal and Cylinder	24
Rear Bulkhead, Felt Seal, Cylinder Roller and Terminal Block	26
Heater Box	28
Heater Box	30
Gas Valve, Igniter and Gas Conversion Kits	32
Gas Valve, Igniter and Gas Conversion Kits	34
Motor, Exhaust Fan and Belt	36
Cabinet, Exhaust Duct and Base	38
Sticker Location on Rear of Cabinet	40
Terminals	42
Motor Disconnect Block, Terminals and Terminal Extractor Tool	44
Wire Harnesses and Wires	47
Parts Index	49

© Copyright 2000, Alliance Laundry Systems LLC

All rights reserved. No part of the contents of this book may be reproduced or transmitted in any form or by any means without the expressed written consent of the publisher.

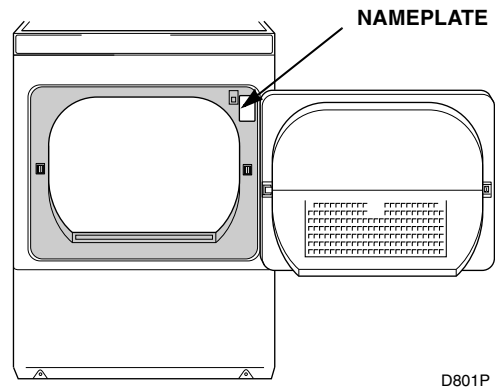
Parts Ordering Information

If literature or replacement parts are required, contact the source from whom the machine was purchased or contact Alliance Laundry Systems LLC at (920) 748-3950 for the name and address of the nearest authorized parts distributor.

For technical assistance, call (920) 748-3121.

Nameplate Location

When calling or writing about your product, be sure to mention model and serial numbers. Model and serial numbers are located on nameplate(s) as shown.



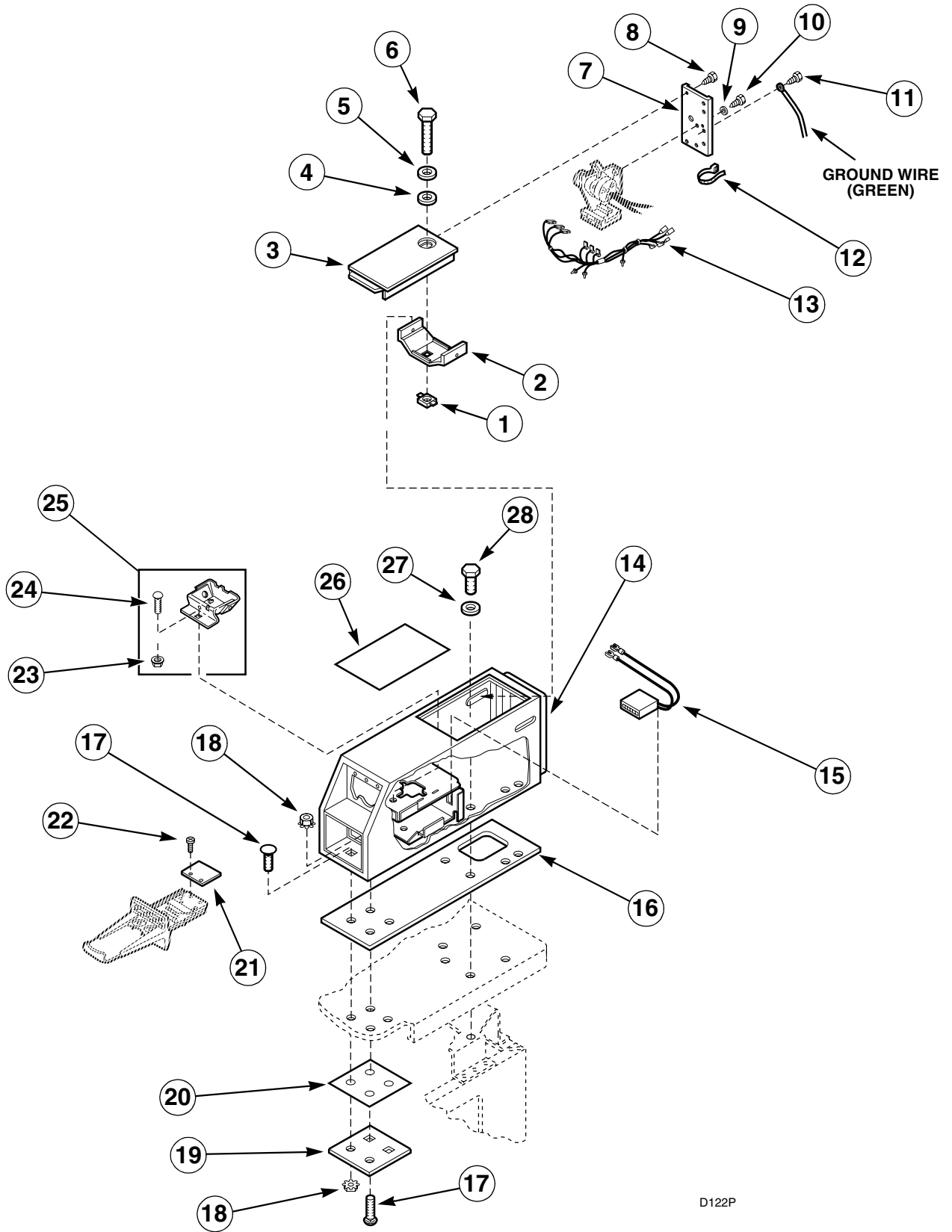
Model Identification

Information in this manual is applicable to these commercial dryers:

Model Numbers	Nonmetered Models	Metered Models	Audit Models	Computerized Audit Models	Electric Heat	Gas Heat
EE2007-1500	X				X	
EE2007-3000	X				X	
EE2007-4350	X				X	
EG2009-3000	X					X
EG2009-3058	X					X
EE2107-1500		X			X	
EE2107-3000		X			X	
EE2107-3066		X			X	
EE2107-4350		X			X	
EE2107-5412		X			X	
EG2109-3000		X				X
EG2109-3013		X				X
EG2109-5412		X				X
EE2507-1500		X	X		X	
EE2607-1500		X		X	X	
GE2107-1502					X	
GE2107-1702					X	
ZE2007-1702	X				X	
ZE2007-3003	X				X	
ZE2007-3004	X				X	
ZE2007-3005	X				X	
ZE2007-3008	X				X	
ZG2009-3004	X					X
EG2009-3005	X					X
EG2009-3008	X					X
ZE2107-1502		X			X	
ZE2107-1702		X			X	
ZE2107-3000		X			X	
ZG2109-1102		X				X
ZG2109-3000		X				X
ZG2109-3013		X				X

Service Door and Meter Case

(All Metered Models Except EE2607-1500)



D122P

Service Door and Meter Case

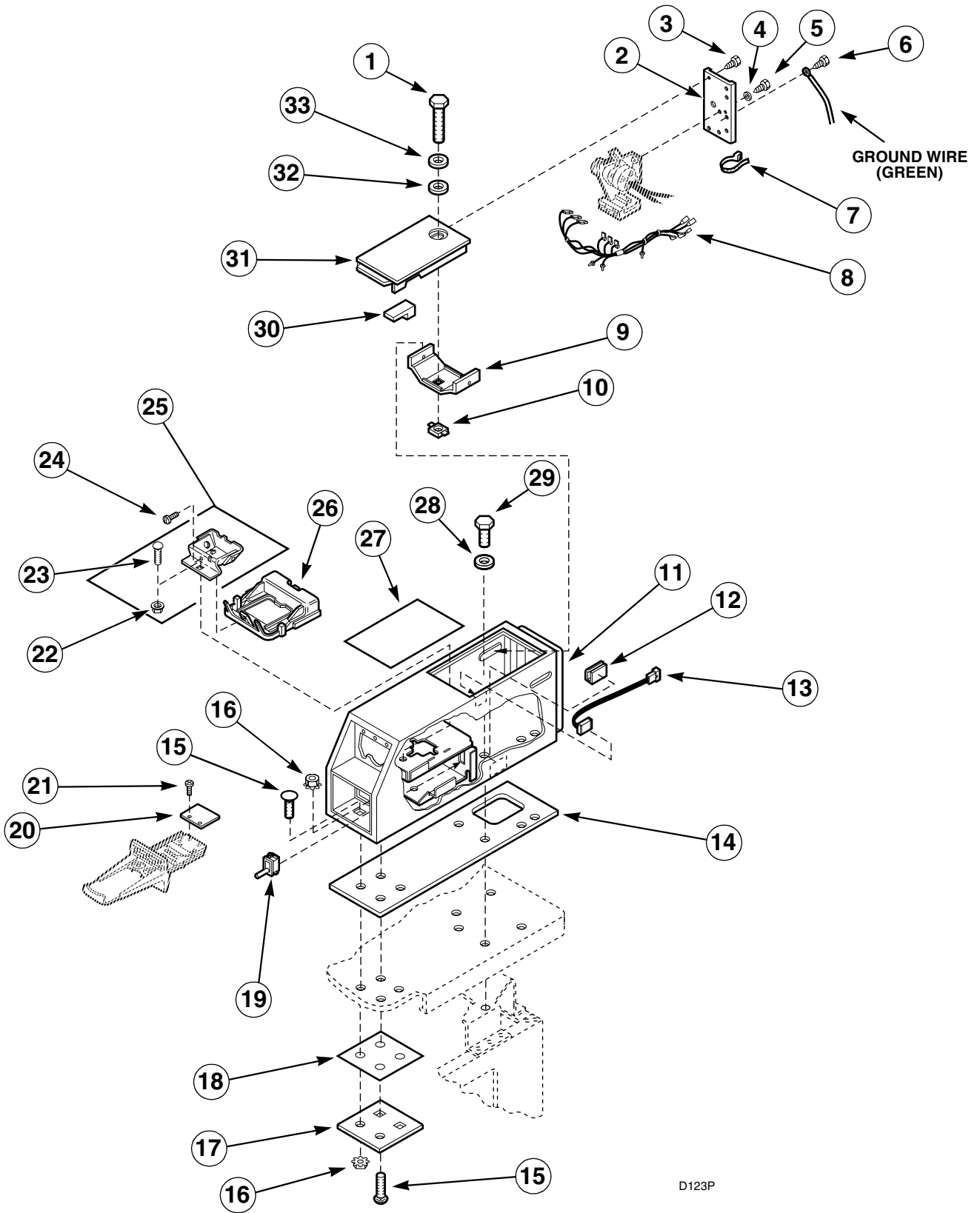
(All Metered Models Except EE2607-1500)

REF	PART #	DESCRIPTION	COMMENTS
1	30647	Retainer Nut	
2	30642	Locking Bracket	
3	35798*	Service Door	
4	35774	Washer	
5	35917	Washer	Metal
6	35799	Hex Head Screw	
7	60835	Accumulator Mounting Bracket	
8	33562	Screw	
9	21734	Lockwasher	
10	03203	Screw	
11	20530	Screw	
12	55881	Wire Tie	
13	62672	Wire Harness	EE2507-1500
	59296	Wire Harness	All Other Models
14	524P3*	Meter Case	Includes 523P3 Coin Funnel Kit
15	62113P	Counter Kit	Model EE2507-1500
16	26354	Meter Case Gasket	
17	02505	Carriage Bolt	
18	29786	Locknut	
19	35525	Bracket	
20	35526	Gasket	
21	61031	Slide Extension	
22	03950	Screw	
23	29796	Nut	
24	29651	Bolt	
25	523P3	Coin Funnel Kit	
26	500628	Instruction Sticker	
27	35917	Washer	
28	36048	Screw	

* Add letter to designate color: L - Almond W - White

Service Door and Meter Case

(Model EE2607-1500)



Service Door and Meter Case

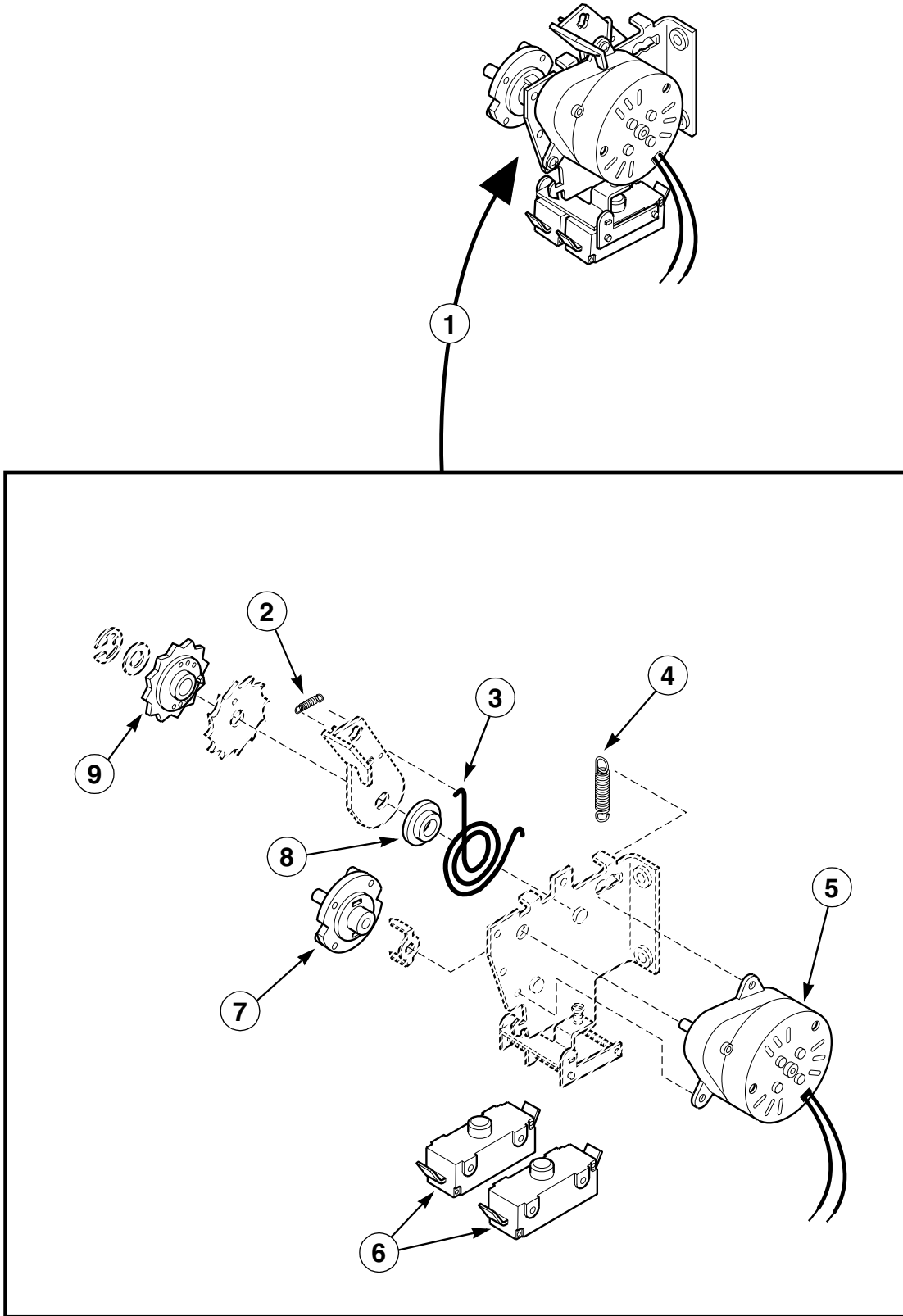
(Model EE2607-1500)

REF	PART #	DESCRIPTION	COMMENTS
1	35799	Hex Head Screw	
2	60835	Accumulator Mounting Bracket	
3	33562	Screw	
4	21734	Lockwasher	
5	03203	Screw	
6	20530	Screw	
7	55881	Wire Tie	
8	62672	Wire Harness	
9	30642	Locking Bracket	
10	30647	Retainer Nut	
11	524P3*	Meter Case	Includes 523P3 Coin Funnel Kit
12	34759	Wire Harness Clip	
13	34599	Switch	
14	26354	Meter Case Gasket	
15	02505	Carriage Bolt	
16	29786	Locknut	
17	35525	Bracket	
18	35526	Gasket	
19	34536	Switch	
20	61031	Slide Extension	
21	03950	Screw	
22	29796	Nut	
23	29651	Bolt	
24	31260	Screw	
25	523P3	Coin Funnel Kit	
26	35026	Sensor Control	
27	500628	Instruction Sticker	
28	35917	Washer	
29	36048	Screw	
30	34696	Magnet	
31	35798*	Service Door	
32	35774	Washer	
33	35917	Metal Washer	

* Add letter to designate color: L - Almond W - White

Accumulator (H. Greenwald Co.)

(All Metered Models Except EE2507-1500 and EE2607-1500)



D125P

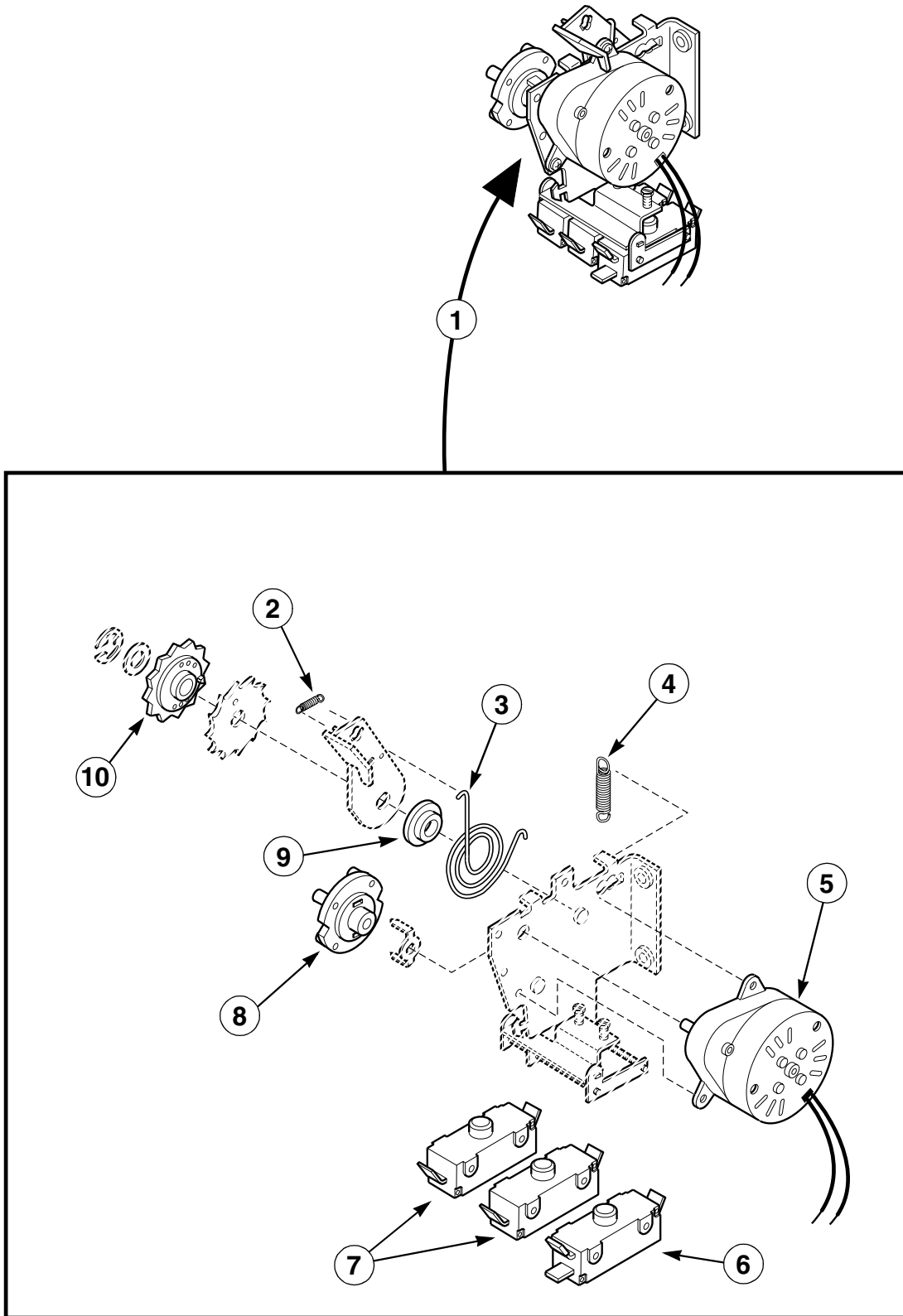
Accumulator (H. Greenwald Co.)

(All Metered Models Except EE2507-1500 and EE2607-1500)

REF	PART #	DESCRIPTION	COMMENTS
1	501163	Accumulator	Models EE2107-5412 and EG2109-5412
	59228	Accumulator	Models EE2107-1500, GE2107-1500, ZE2107-1502, GE2107-1702 and ZE2107-1702
	59229	Accumulator	All Other Models
2	53244	Pawl Spring	
3	53261	Return Spring	
4	53238	Index Spring	
5	53290	Timing Motor	50 Hertz
	53235P	Timing Motor	60 Hertz
6	53236	Switch	
7	53240	Timing Cam	60 Minute (3 Pins)
	53241	Timing Cam	45 Minute (4 Pins)
	53242	Timing Cam	30 Minute (6 Pins)
	53243	Timing Cam	20 Minute (9 Pins)
8	53262	Nylon Bushing	
9	53239	Ratchet Wheel	

Accumulator (H. Greenwald Co.)

(Models EE2507-1500 and E2607-1500)



D126P

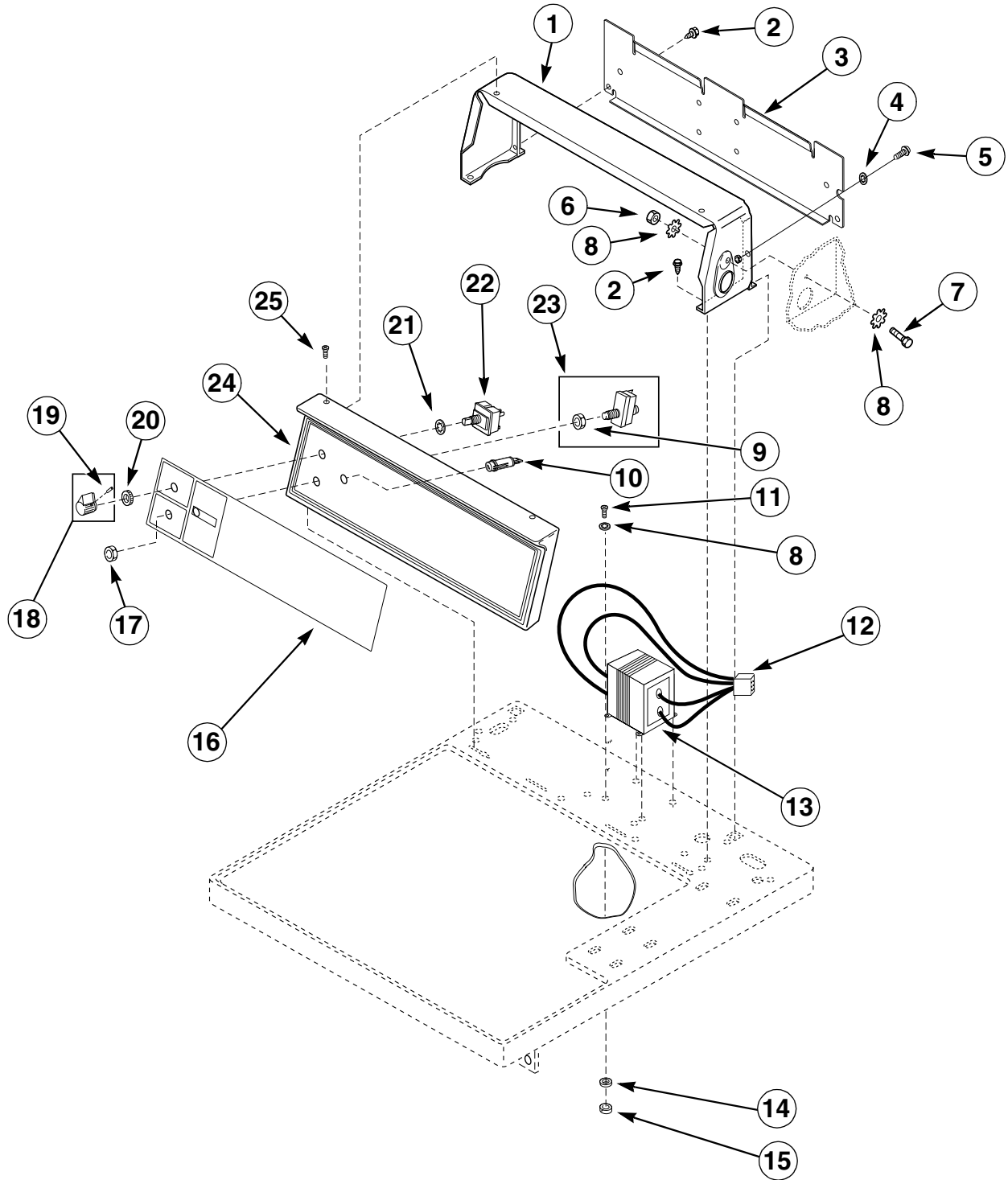
Accumulator (H. Greenwald Co.)

(Models EE2507-1500 and EE2607-1500)

REF	PART #	DESCRIPTION	COMMENTS
1	61309	Accumulator	
2	53244	Pawl Spring	
3	53261	Return Spring	
4	53238	Index Spring	
5	53235P	Timing Motor	
6	61468	Switch	
7	53236	Switch	
8	53240	Timing Cam	60 Minute (3 Pins)
	53241	Timing Cam	45 Minute (4 Pins)
	53242	Timing Cam	30 Minute (6 Pins)
	53243	Timing Cam	20 Minute (9 Pins)
9	53262	Nylon Bushing	
10	53239	Ratchet Wheel	

Control Panel, Control Hood and Controls

(All Models Except EE2607-1500)



D203P

Control Panel, Control Hood and Controls

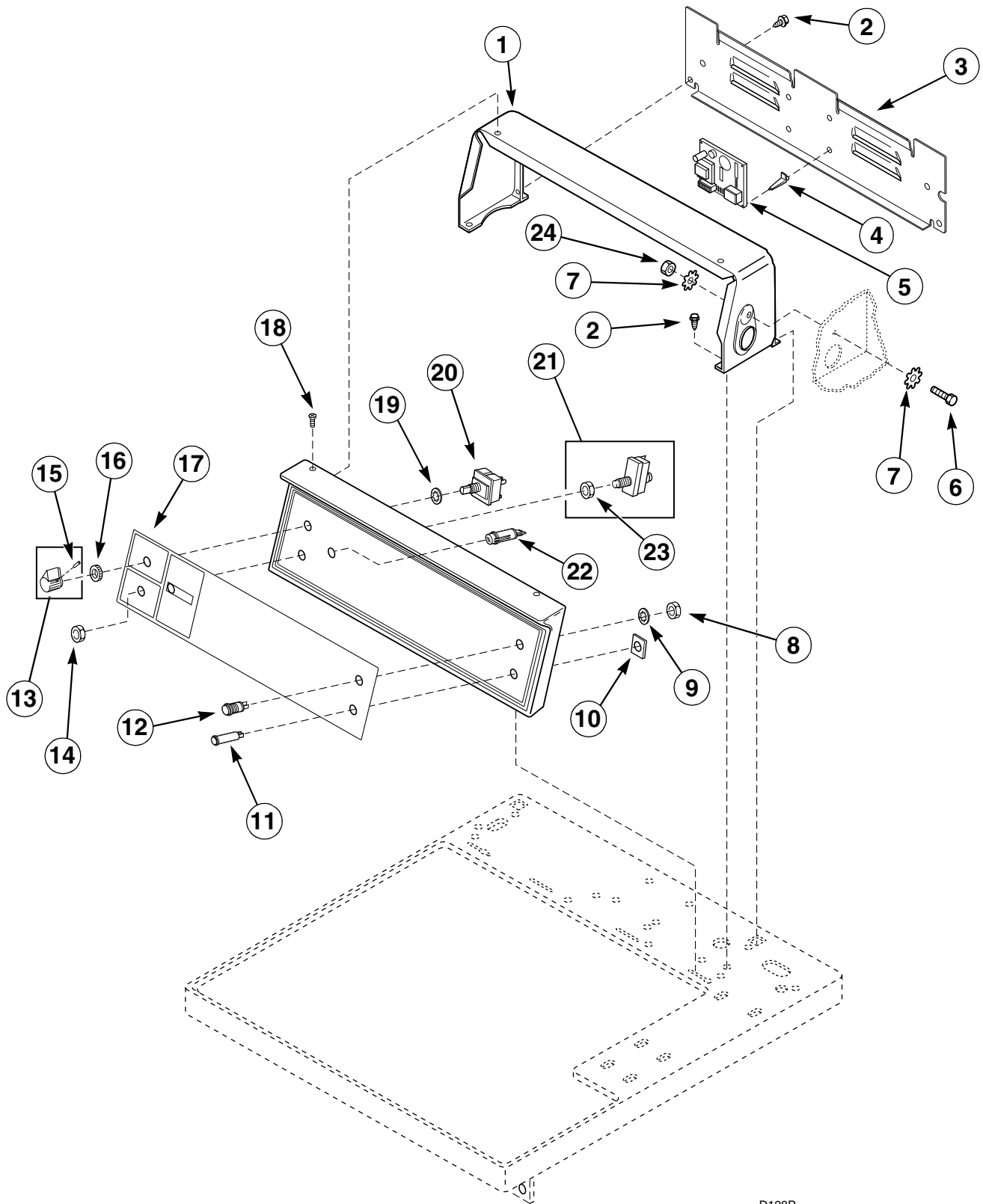
(All Models Except EE2607-1500)

REF	PART #	DESCRIPTION	COMMENTS
	281P4	Torx Bit	Use with 35528 Screw
	24161	Torx Bit Holder	
1	60357*	Control Hood	
2	501086	Screw	
3	62679	Control Hood Rear Cover	
4	21734	Lockwasher	
5	03203	Screw	
6	52566	Nut	
7	02916	Cap Screw	
8	02431	Lockwasher	
9	52947	Nut	
10	32519	Indicator Light	250 Volt
	32464	Indicator Light	120 Volt
11	20267	Screw	
12	23041	6-Circuit Plug	
13	59972	Transformer and Plug	Models EG2009-3000, EG2009-3058, ZG2009-3008, ZG2009-3004, ZG2009-3005, EG2109-3000, EG2109-5412, ZG2109-3000, EG2109-3058, EG2109-3013 and ZG2109-3013
14	03815	Lockwasher	
15	23951	Nut	
16	60525	Control Panel Overlay	Model ZE2007-3003
	60539	Control Panel Overlay	Models ZE2007-3008 and ZG2009-3008
	60463	Control Panel Overlay	Models ZE2007-3004 and ZG2009-3004
	60466	Control Panel Overlay	Models ZE2007-3005 and ZG2009-3005
	501094	Control Panel Overlay	Models EE2107-5412 and EG2109-5412
	60362	Control Panel Overlay	Models EE2107-3066, EG2009-3000, EG2109-3103, EE2107-4350, EE2007-4350, EE2107-3000, EE2507-1500, EE2007-1500, EE2107-1500, EG2009-3058, EG2109-3000 and EE2007-3000
	62544	Control Panel Overlay	Models GE2107-1502 and GE2107-1702
	62837	Control Panel Overlay	Models ZE2007-1702, ZE2107-1502, ZE2107-1702, ZE2107-3000, ZG2109-1102, ZG2109-3000 and ZG2109-3013
17	52947	Nut	Included with 55882 Switch
18	35182	Control Knob Assembly	
19	20310	Set Screw	
20	24205	Knurled Nut	
21	91176	Lockwasher	
22	61512	Temperature Selector Switch	
23	55882	Push-to-Start Switch Assembly	
24	62645*	Control Panel and Bracket Assembly	Models ZE2007-3005, ZG2009-3005, ZE2107-1502, ZE2107-1702, ZE2107-3000, ZG2109-3000 and ZG2109-3013
	501738*	Control Panel and Bracket Assembly	All Other Models
25	500226	Screw	
	35528	Torx Head Screw	Optional for added security

* Add letter to designate color: L - Almond W - White

Control Panel, Control Hood and Controls

(Model EE2607-1500)



D128P

Control Panel, Control Hood and Controls

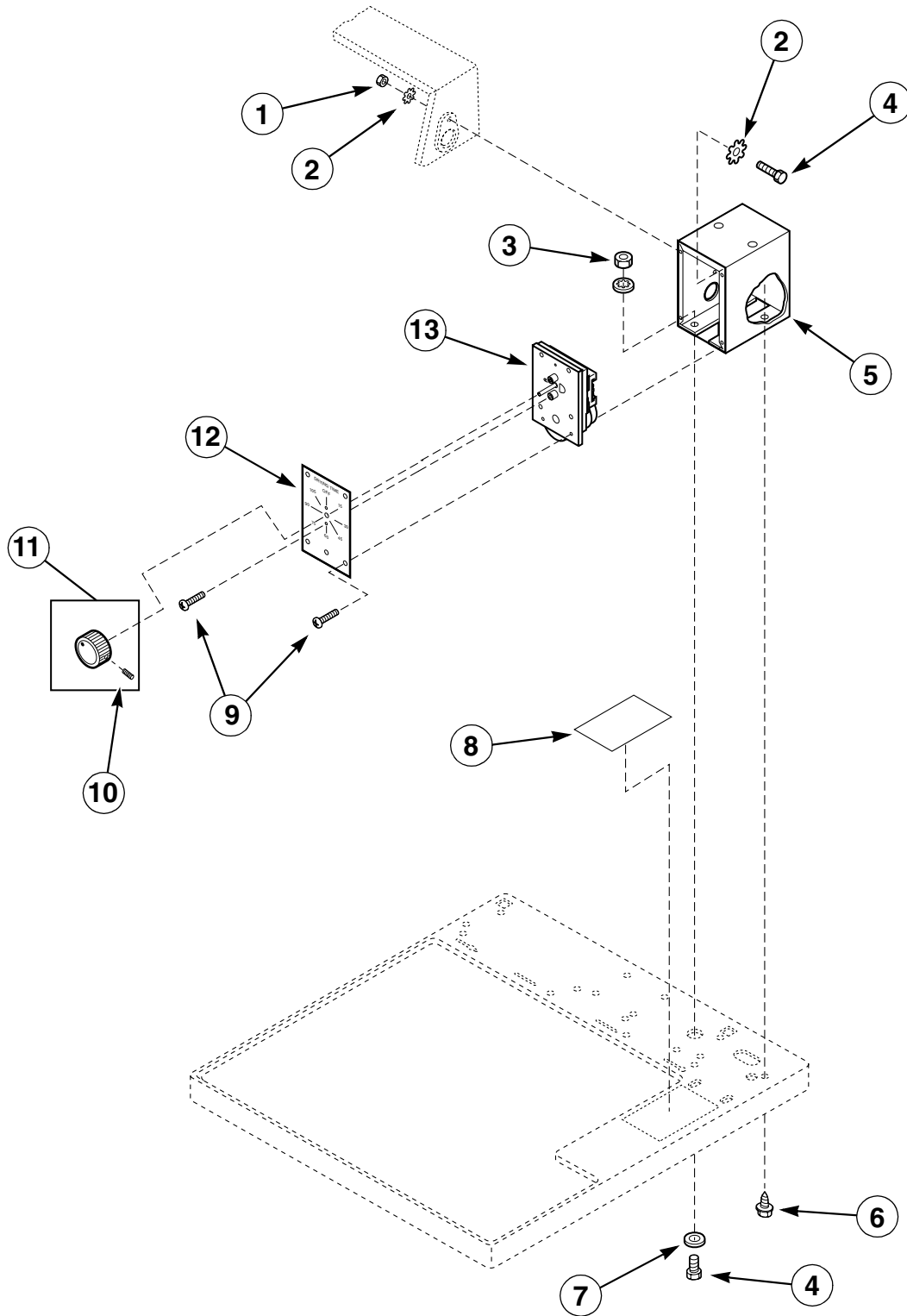
(Model EE2607-1500)

REF	PART #	DESCRIPTION	COMMENTS
	281P4	Torx Bit	Use with 35528 Screw
	24161	Torx Bit Holder	
1	60357*	Control Hood	
2	501086	Screw	
3	62679	Control Hood Rear Cover	
4	34896	Support	
5	34522	Printed Circuit Board	
6	02916	Cap Screw	
7	02431	Lockwasher	
8	35322	Nut	
9	35321	Washer	
10	34762	Push-on Clip	
11	34701	Transmit Light	
12	34721	Transmit Switch	
13	35182	Control Knob Assembly	
14	52947	Nut	Included with 55882 Switch
15	20310	Set Screw	
16	24205	Knurled Nut	
17	62646	Control Panel Overlay	
18	500226	Screw	
	35528	Torx Head Screw	Optional for added security
19	91176	Lockwasher	
20	61512	Temperature Selector Switch	
21	55882	Push-to-Start Switch Assembly	
22	32464	Indicator Light	
23	52947	Nut	
24	52566	Nut	

* Add letter to designate color: **L - Almond** **W - White**

Timer, Plate, Case and Knob

(Models EE2007-1500, EE2007-3000, EE2007-4350, EG2009-3000, EG2009-3058, ZE2007-1702, ZE2007-3003, ZE2007-3004, ZE2007-3005, ZE2007-3008, ZG2009-3004, ZG2009-3005 and ZG2009-3008)



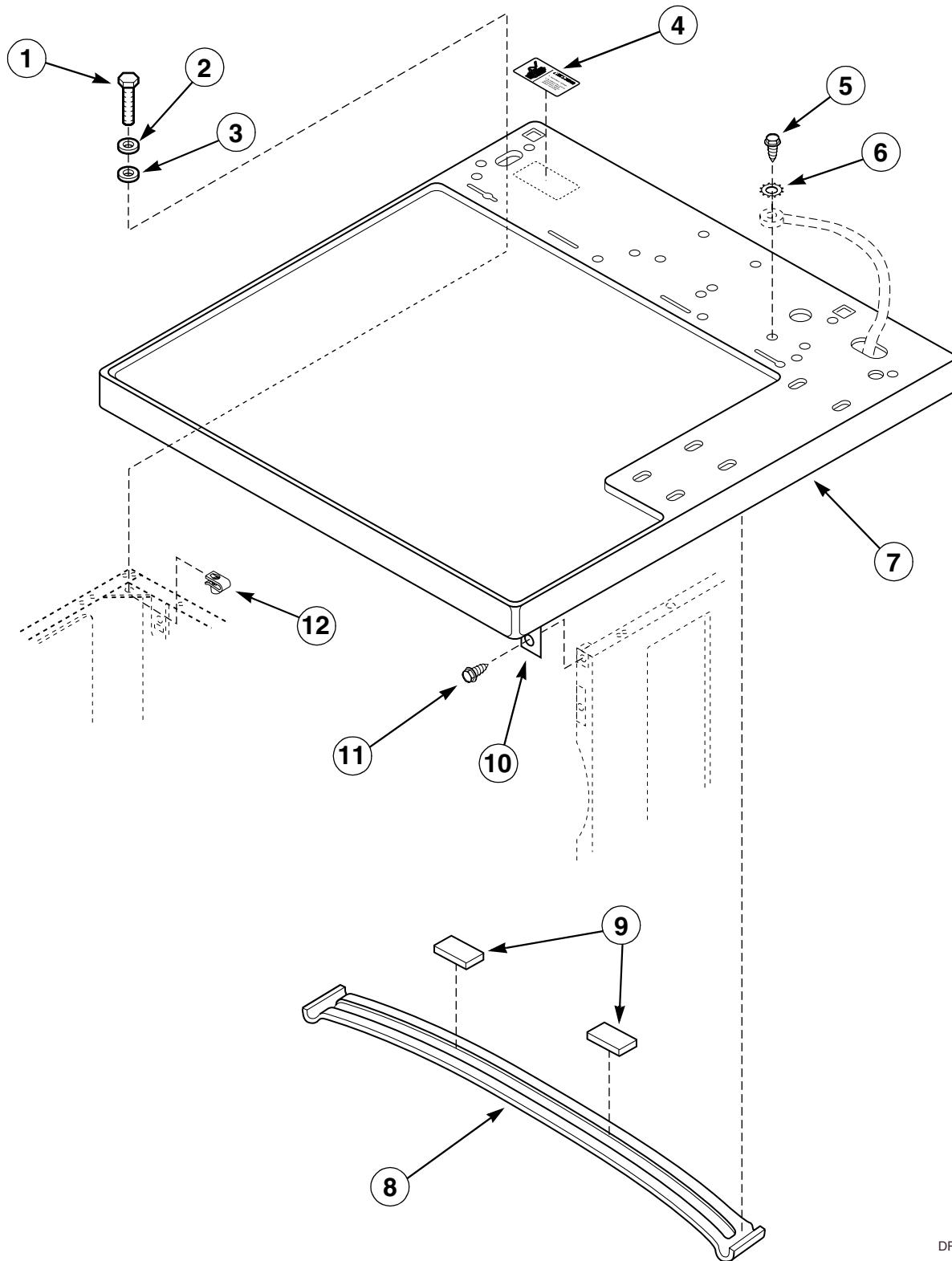
D188P

Timer, Plate, Case and Knob

(Models EE2007-1500, EE2007-3000, EE2007-4350, EG2009-3000, EG2009-3058, ZE2007-1702, ZE2007-3003, ZE2007-3004, ZE2007-3005, ZE2007-3008, ZG2009-3004, ZG2009-3005 and ZG2009-3008)

REF	PART #	DESCRIPTION	COMMENTS
1	52566	Nut	
2	02431	Lockwasher	
3	29786	Keps Nut	
4	02916	Cap Screw	
5	34736W	Timer Case	White
6	501086	Screw	
7	20279	Washer	
8	500490	Instruction Sticker	
9	03203	Screw	
10	27328	Set Screw	
11	54678	Timer Knob Assembly	
12	500921W	Timer Plate	
13	500399	Timer	Models EE2007-1500 and ZE2007-1702 (120 Volt, 60 Hertz)
	500400	Timer	All Other Models (240 Volt, 50 Hertz)

Cabinet Top



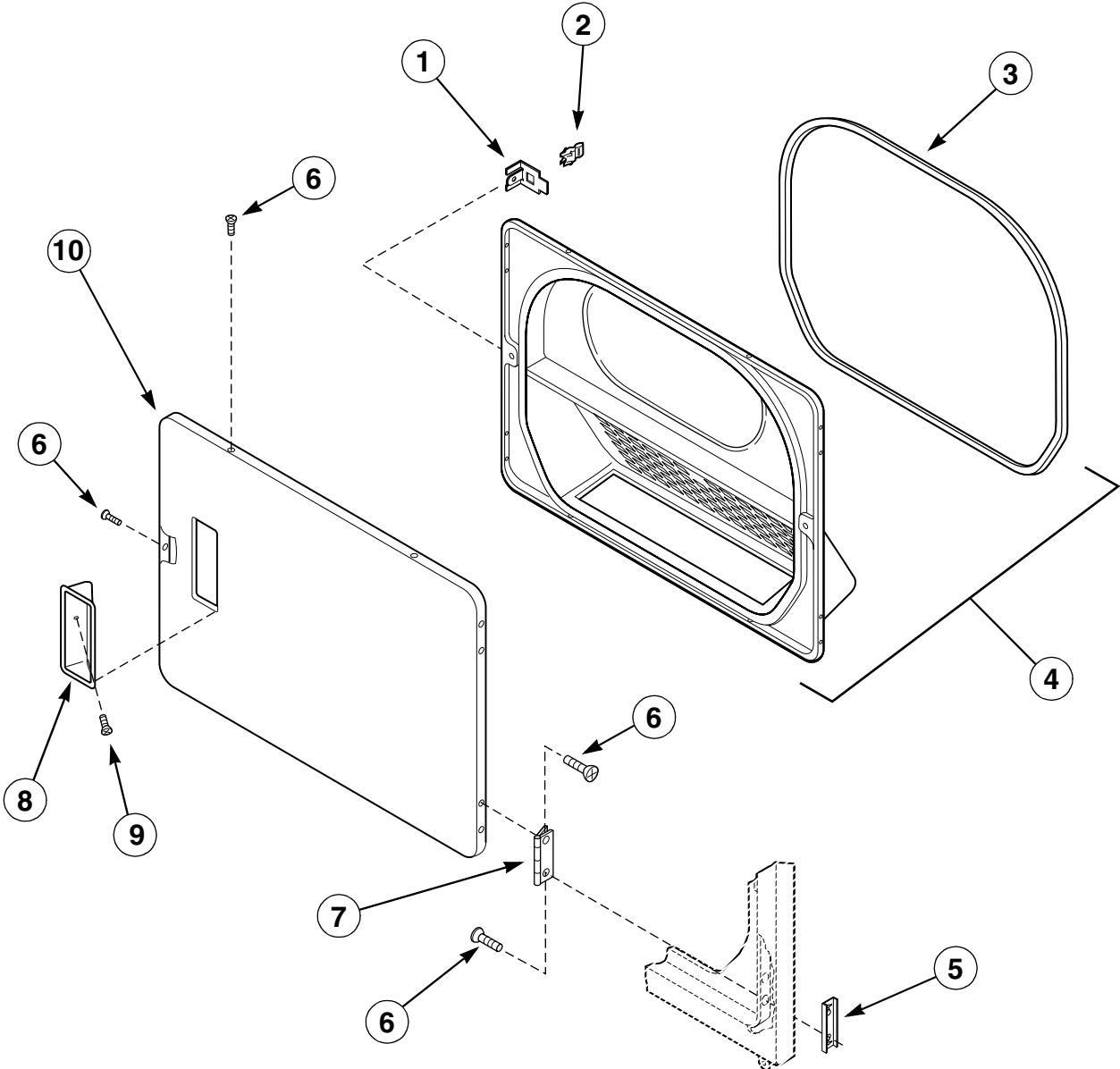
DR185-PT

Cabinet Top

REF	PART #	DESCRIPTION	COMMENTS
	282P4	Torx Bit	
	24161	Torx Bit Holder	Use with 62853 Screw
1	35799	Hex Head Screw	Optional for added security
2	35917	Metal Washer	Optional for added security
3	35774	Washer	Optional for added security
4	500316	Sticker	Models ZE2007-1702, GE2107-1502, GE2107-1702, ZE2107-1502, ZE2107-1702 and ZG2109-1102
	24903	Sticker	All Other Models
5	20530	Screw	
6	03815	Lockwasher	
7	500086*P	Cabinet Top	Metered Models
	501200*P	Cabinet Top	Nonmetered Models
8	56486	Top Brace	
9	56968	Pad	
10	500084	Hold-down Bracket	
11	33562	Screw	
	62853	Torx Head Screw	Optional for added security
12	27222	Retainer Nut	Optional for added security

* Add letter to designate color: **L - Almond** **W - White**

Loading Door



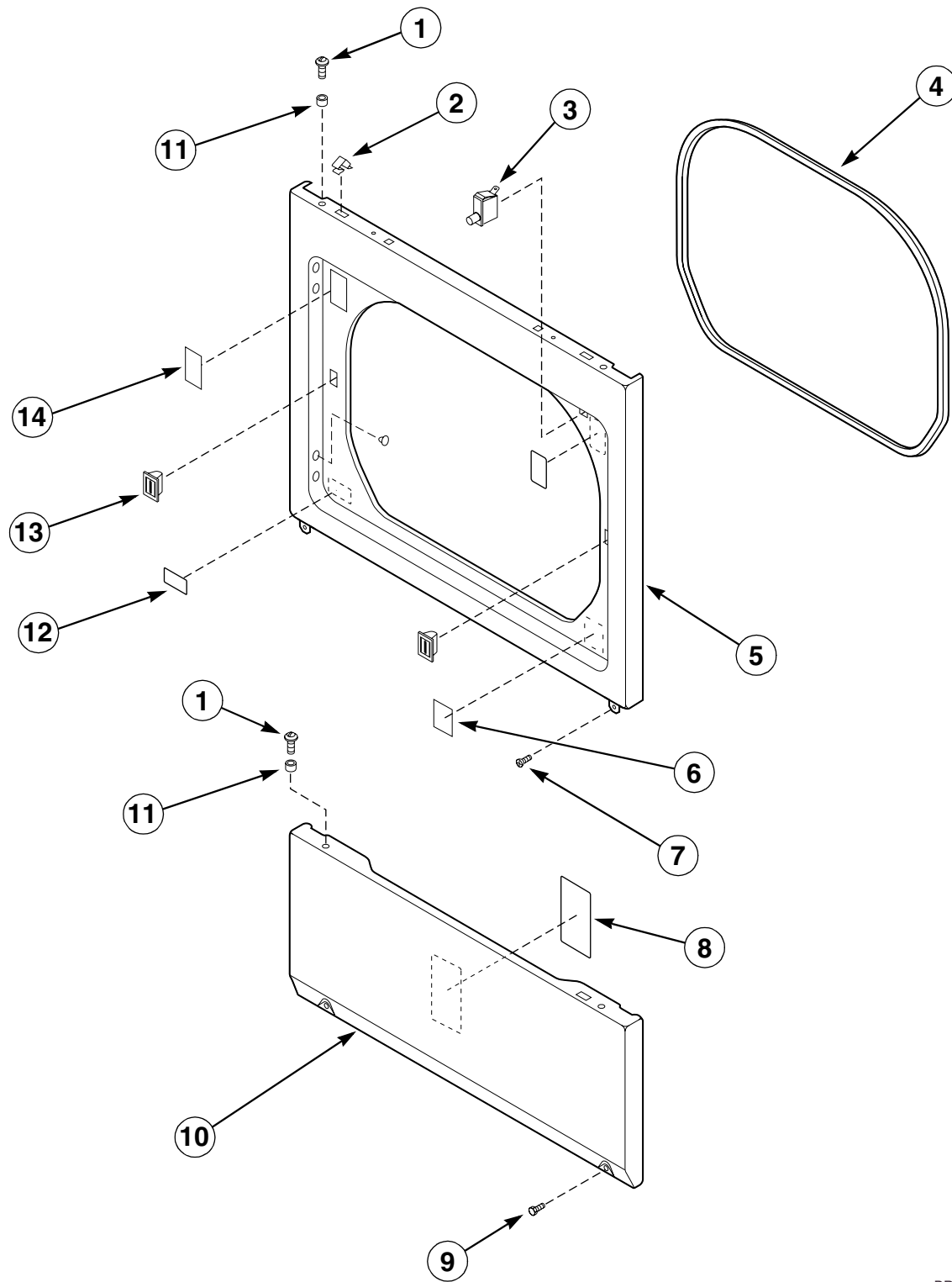
D146P

Loading Door

REF	PART #	DESCRIPTION	COMMENTS
	500035*	Complete Loading Door Assembly	Does not include 500236 Door Hinge Mounting Clip and 500226 Screws
1	500223	Door Striker Bracket	
2	500039	Door Striker	
3	500200	Door Seal	
4	500199	Inner Door Panel and Seal	
5	500236	Door Hinge Mounting Clip	
6	500226	Screw	
7	500041	Door Hinge	
8	500042*	Door Pull	
9	500297	Screw	
10	500040*	Outer Door Panel	

* Add letter to designate color: **L - Almond W - White V - Orange K - Red**
 B - Battina Green H - Harvest Gold X - Electric Blue P - Turquoise

Lower Access Panel, Front Panel and Seal



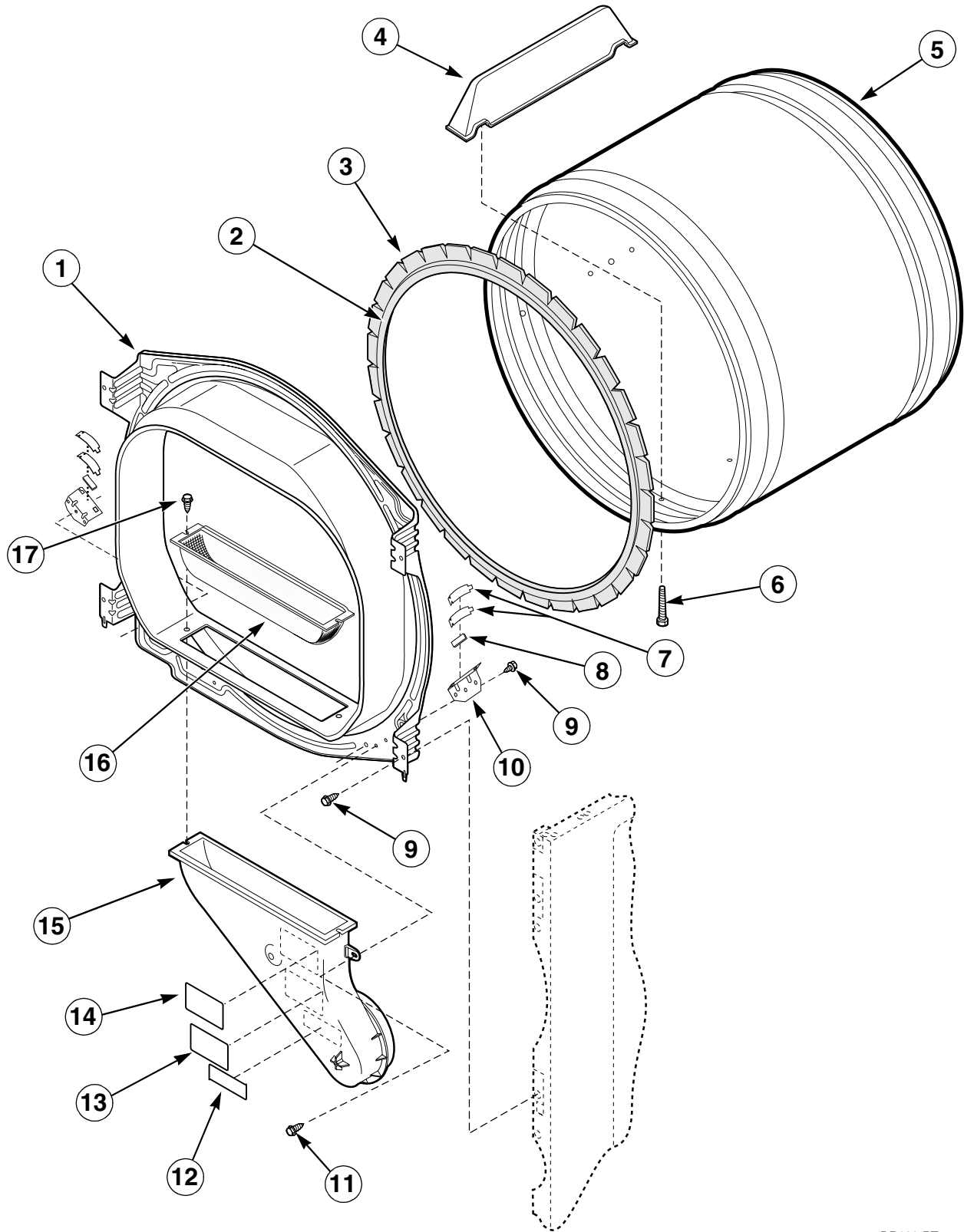
DR187-PT

Lower Access Panel, Front Panel and Seal

REF	PART #	DESCRIPTION	COMMENTS
	282P4	Torx Bit	
	24161	Torx Bit Holder	Use with 62853 Screw
1	32671	Screw	
2	56080	Hold-down Clip	
3	62872	Door Switch	
4	500034	Front Panel Seal	
5	500033*	Front Panel	
6	500240	Sticker	Model ZG2109-1102
7	33562	Screw	
8	500670	Sticker	Gas Models
9	33562	Screw	
	62853	Torx Head Screw	Optional for added security
10	500044*	Lower Access Panel	
11	56079	Guide Lug	
12	500347	Sticker	
13	54660	Door Catch	
14	500253	Sticker	Model ZE2007-1702
	500281	Sticker	All Other Models

* Add letter to designate color: **L - Almond** **W - White**

Front Bulkhead, Air Duct, Felt Seal and Cylinder

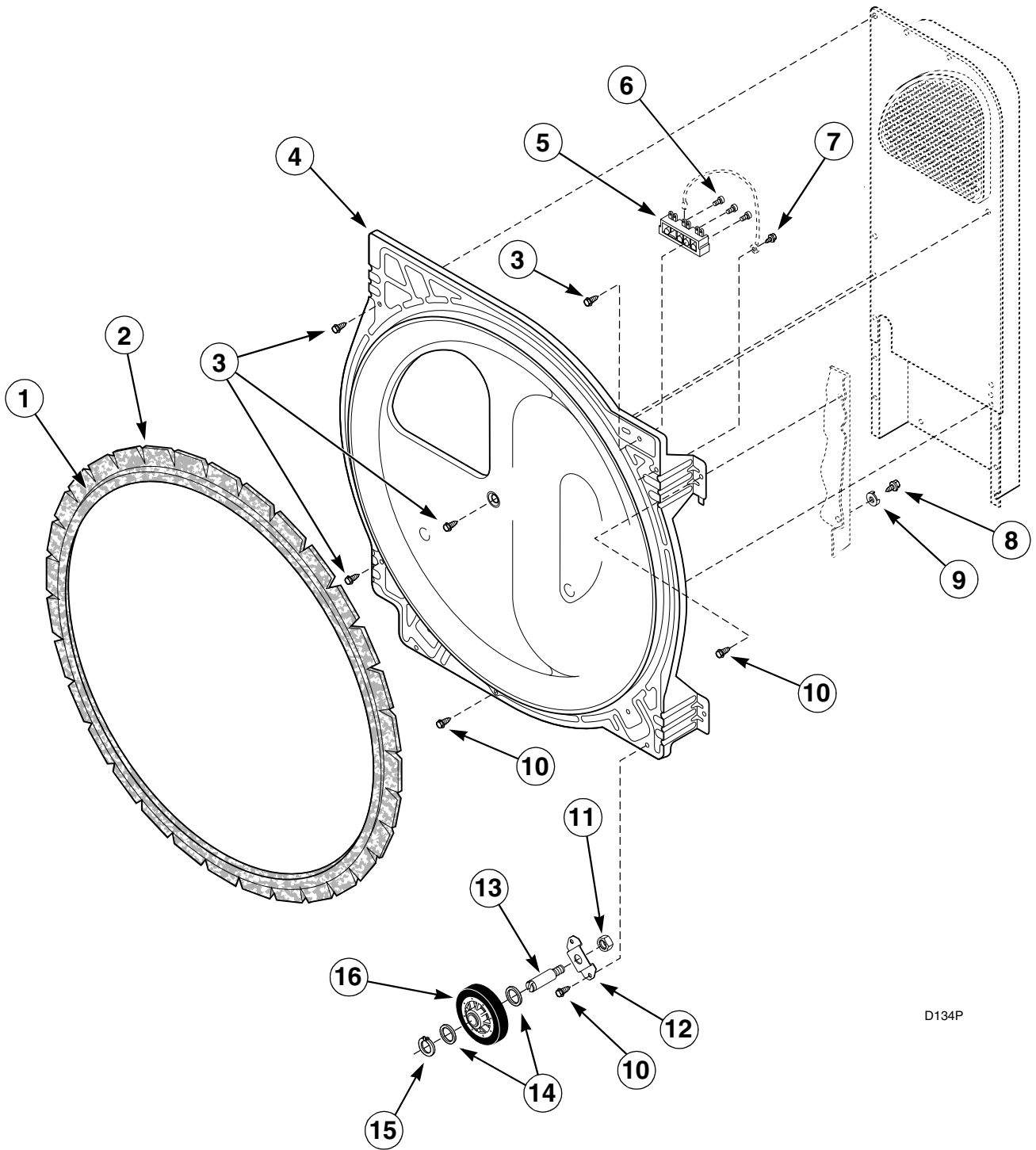


DR190-PT

Front Bulkhead, Air Duct, Felt Seal and Cylinder

REF	PART #	DESCRIPTION	COMMENTS
1	500091	Front Bulkhead Assembly	Includes Cylinder Seal, Glide Brackets, Screws, Cylinder Glides and Felt Pads
2	22506P	Sealant	Use to install Cylinder Seal
3	500006	Cylinder Seal	
4	500022	Baffle	
5	500095P	Cylinder Assembly	Includes Baffles
6	62588	Screw	
7	501676	Cylinder Glide	Two required per side
8	500121	Felt Pad	
9	501668	Screw	
10	501554	Glide Bracket	
11	31645	Screw	
12	56259	Sticker	
13	500049	Sticker	
14	500314	Sticker	Models ZE2007-1702, GE2107-1502, GE2107-1702, ZE2107-1502, ZE2107-1702, ZG2109-1102
15	500241	Air Duct	
16	500025	Lint Filter	
17	500226	Screw	

Rear Bulkhead, Felt Seal, Cylinder Roller and Terminal Block



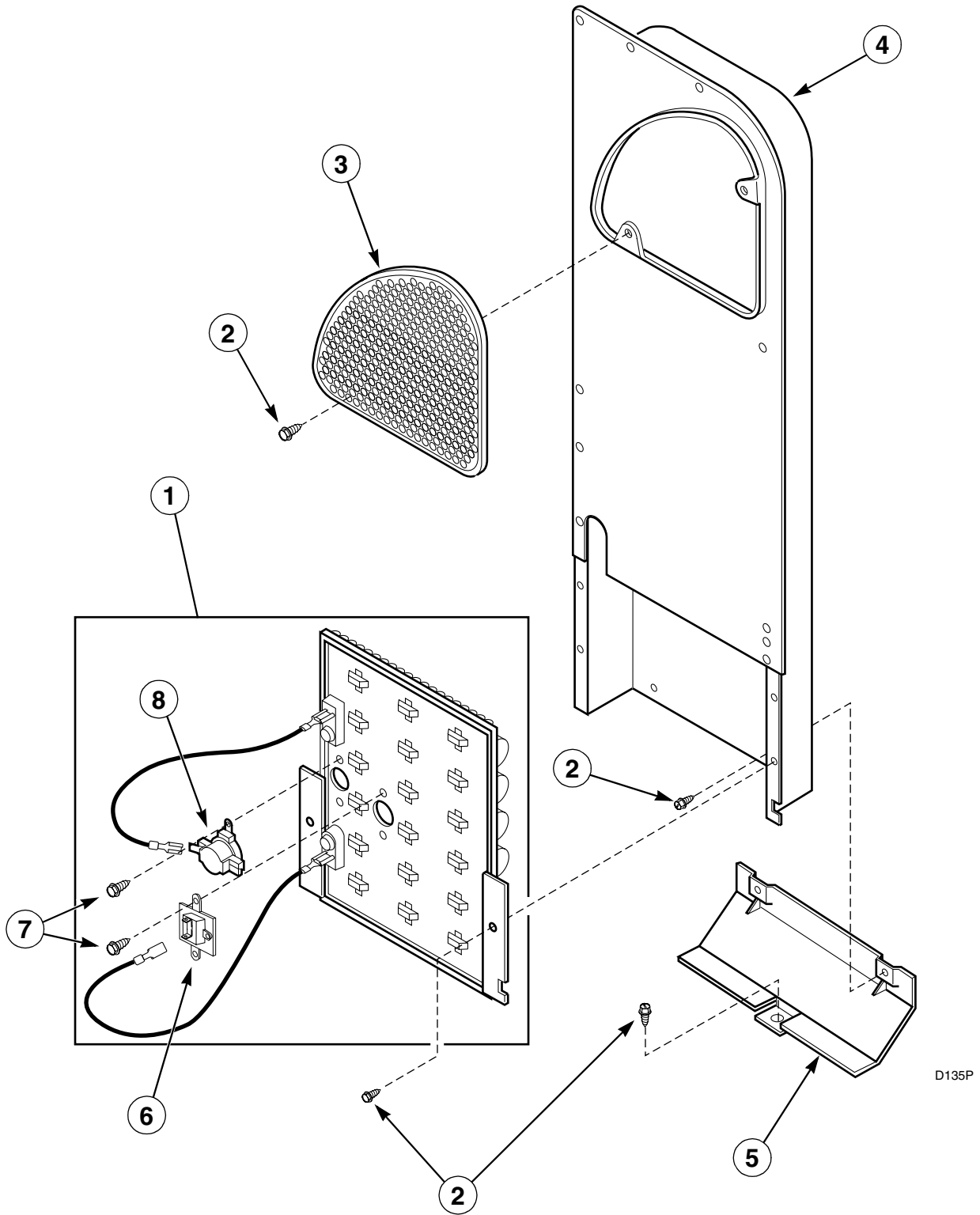
D134P

Rear Bulkhead, Felt Seal, Cylinder Roller and Terminal Block

REF	PART #	DESCRIPTION	COMMENTS
1	22506P	Sealant	Use to install Cylinder Seal
2	500006	Cylinder Seal	
3	501285	Screw	
4	500354	Rear Bulkhead Assembly	Includes Cylinder Seal
5	61923P	Terminal Block	(Includes 61199 Screws) All Electric Models and the following Gas Models: EG2009-3000, ZG2009-3004, ZG2009-3005, ZG2009-3008, EG2009-3058, EG2109-3000, ZG2109-3000, EG2109-3013, ZG2109-3013 and EG2109-5412
6	61199	Screw	
7	501668	Screw	Stainless Steel
	20530	Screw	All Other Models
8	20530	Screw	
9	51474	Cupped Washer	
10	501668	Screw	
11	56156	Locknut	
12	500062	Roller Bracket	
13	56461	Shaft	
14	52549	Washer	
15	23748	Retainer Ring	
16	500214	Cylinder Roller	

Heater Box

(Electric Models)



D135P

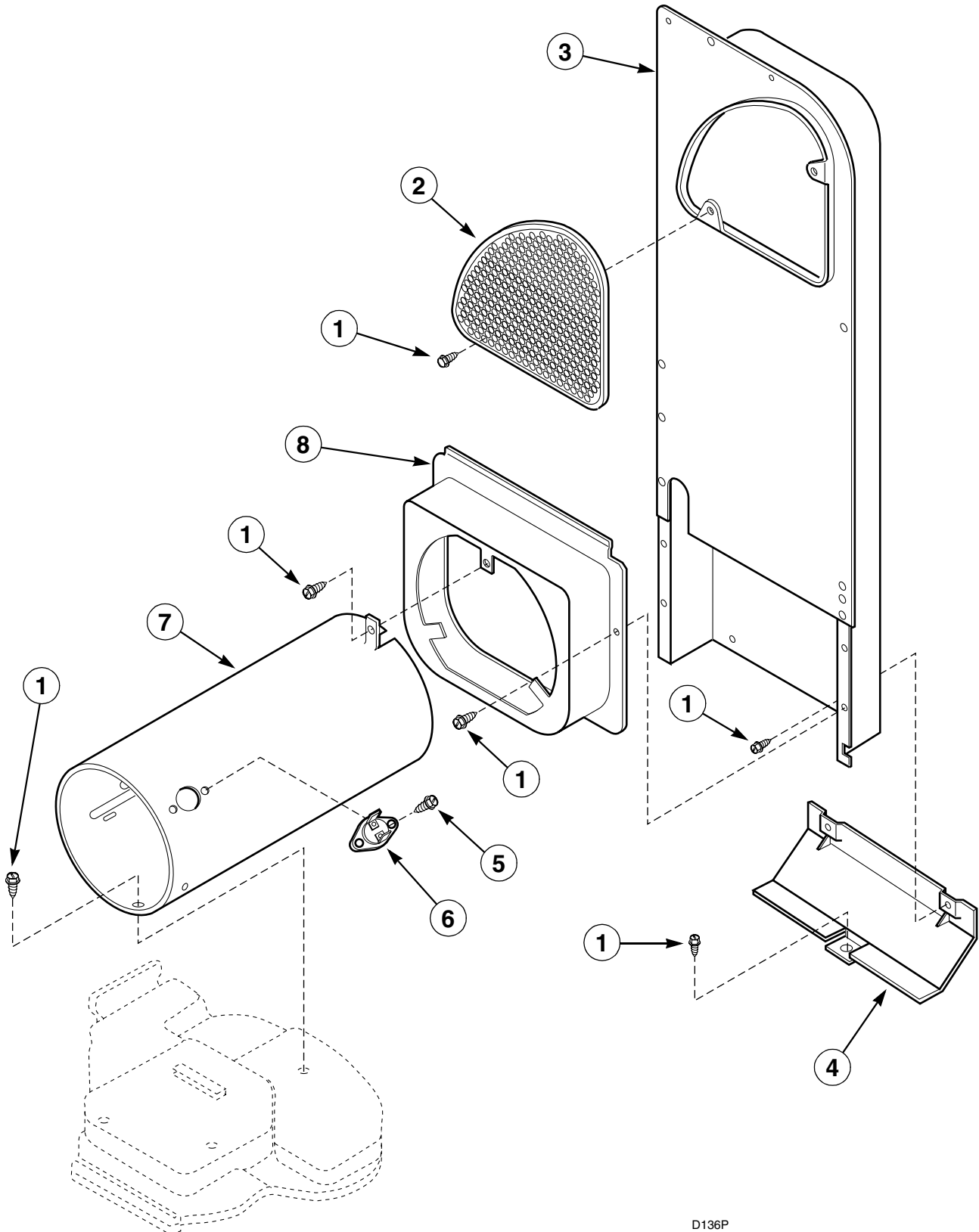
Heater Box

(Electric Models)

REF	PART #	DESCRIPTION	COMMENTS
1	61928	Heater Assembly	208 Volts, 4750 Watts, White (60 Hertz)
	61927	Heater Assembly	240 Volts, 5000 Watts, Red (60 Hertz)
	61930	Heater Assembly	240 Volts, 4000 Watts (50 Hertz)
	61931	Heater Assembly	240 Volts, 3100 Watts (50 and 60 Hertz)
	61929	Heater Assembly	240 Volts, 4800 Watts, Green (50 Hertz)
2	501668	Screw	
3	500820	Outlet Cover	
4	500179P	Heater Box Assembly	Includes 500820 Outlet Cover and 500298 Screws
5	60952	Heat Shield	
6	62600	Thermal Fuse Kit	
7	23222	Screw	
8	500807	Limit Thermostat	Models ZE2007-1702, GE2107-1502, GE2107-1702, ZE2107-1502 and ZE2107-1702
	62641	Limit Thermostat	All Other Models

Heater Box

(Gas Models)



D136P

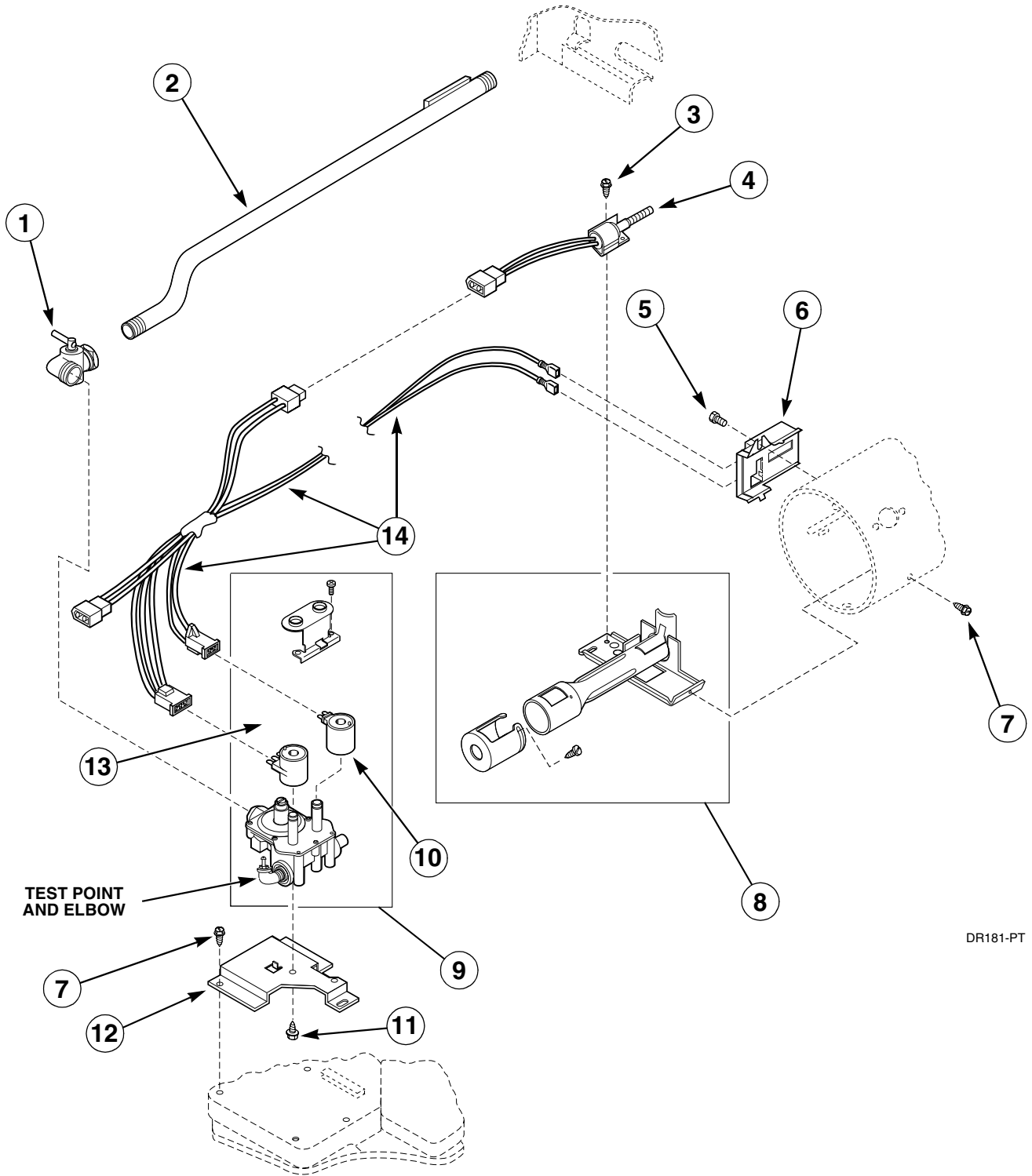
Heater Box

(Gas Models)

REF	PART #	DESCRIPTION	COMMENTS
1	501668	Screw	
2	500820	Outlet Cover	
3	500179P	Heater Box Assembly	Includes 500820 Outlet Cover and 500298 Screws
4	60952	Heat Shield	
5	51782	Screw	
6	62034	Limit Thermostat Kit	Model EG2009-3058
	489P3	Limit Thermostat Kit	All Other Models
7	61974	Burner Housing	Includes 489P3 Limit Thermostat Kit and 51782 Screws
8	500122	Heat Shroud	

Gas Valve, Igniter and Gas Conversion Kits

(All Gas Models Except ZG2109-1102)



DR181-PT

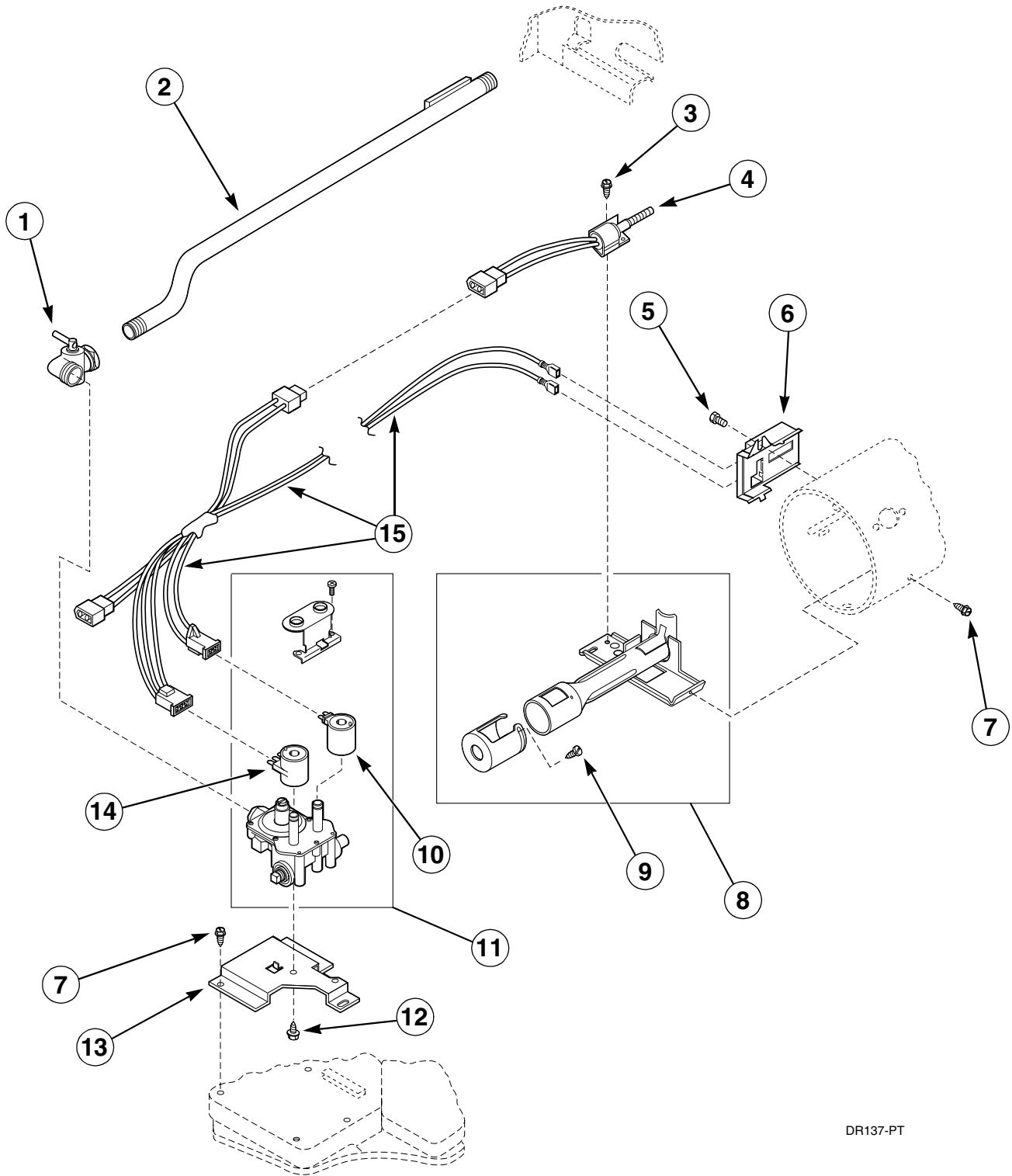
Gas Valve, Igniter and Gas Conversion Kits

(All Gas Models Except ZG2109-1102)

REF	PART #	DESCRIPTION	COMMENTS
	458P3	Gas Burner Conversion Kit	EG-ZG Models (Except Canadian), Used to convert dryers from Natural/Mixed to L.P. (Liquified Petroleum) Gas
	459P3	Gas Burner Conversion Kit	EG-ZG Models (Except Canadian), Used to convert dryers from L.P. to Natural/Mixed Gas
1	56229	Valve	
2	500647	Lead-in Pipe Assembly	
3	51782	Screw	
4	60868	Igniter and Bracket	
5	23222	Screw	
6	56231	Sensor	
7	501668	Screw	
8	56234	Burner Tube Assembly	
9	60443	Gas Valve Assembly	Natural/Mixed Gas, Models EG2009-3000, EG2109-3000, EG2109-3013, ZG2009-3004, ZG2009-3005, ZG2009-3008, ZG2109-3000 and ZG2109-3013
	60353	Gas Valve Assembly	Natural/Mixed Gas, Model EG2009-3058, Includes 57734 Test Point and 58794 Elbow
	58804	Gas Valve Assembly	Natural/Mixed Gas, Model EG2109-5412
10	59063B	Secondary Coil	50 Hertz
	58804B	Secondary Coil	60 Hertz
11	56124	Screw	
12	500821	Mounting Bracket	
13	59063A	Holding and Booster Coil	50 Hertz
	58804A	Holding and Booster Coil	60 Hertz
14	60641	Wire Harness	

Gas Valve, Igniter and Gas Conversion Kits

(Model ZG2109-1102)



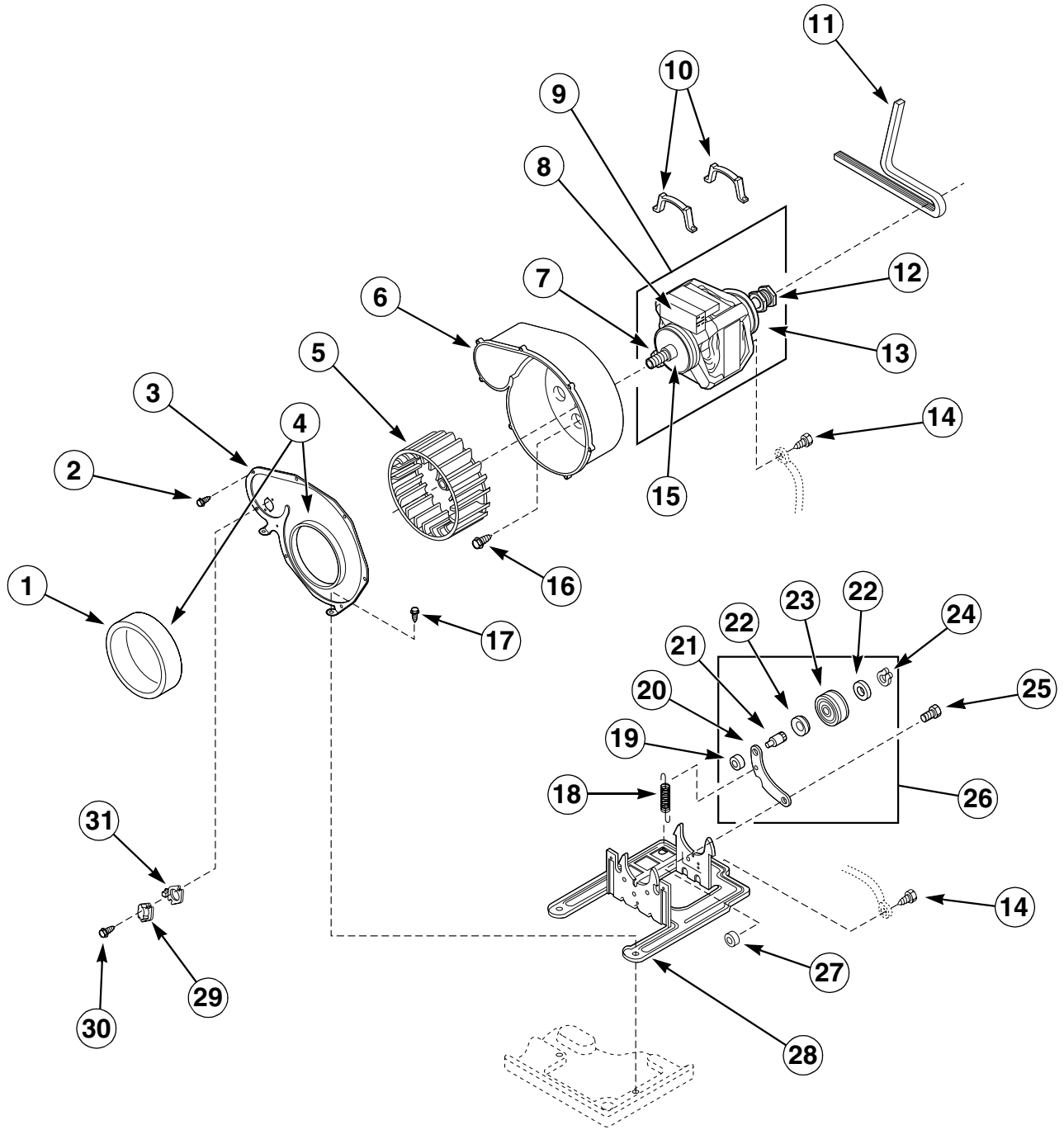
DR137-PT

Gas Valve, Igniter and Gas Conversion Kits

(Model ZG2109-1102)

REF	PART #	DESCRIPTION	COMMENTS
	481P3	Gas Burner Conversion Kit	Used to convert dryers from Natural/Mixed to L.P. (Liquified Petroleum) Gas
	482P3	Gas Burner Conversion Kit	Used to convert dryers from L.P. to Natural/Mixed Gas
1	56229	Valve	
2	500647	Lead-in Pipe Assembly	
3	51782	Screw	
4	60868	Igniter and Bracket	
5	23222	Screw	
6	56231	Sensor	
7	501668	Screw	
8	56234	Burner Tube Assembly	
9	51356	Screw	
10	58804B	Secondary Coil	
11	60353	Gas Valve Assembly	Natural/Mixed Gas
12	56124	Screw	
13	500821	Mounting Bracket	
14	58804A	Holding and Booster Coil	
15	60641	Wire Harness	

Motor, Exhaust Fan and Belt

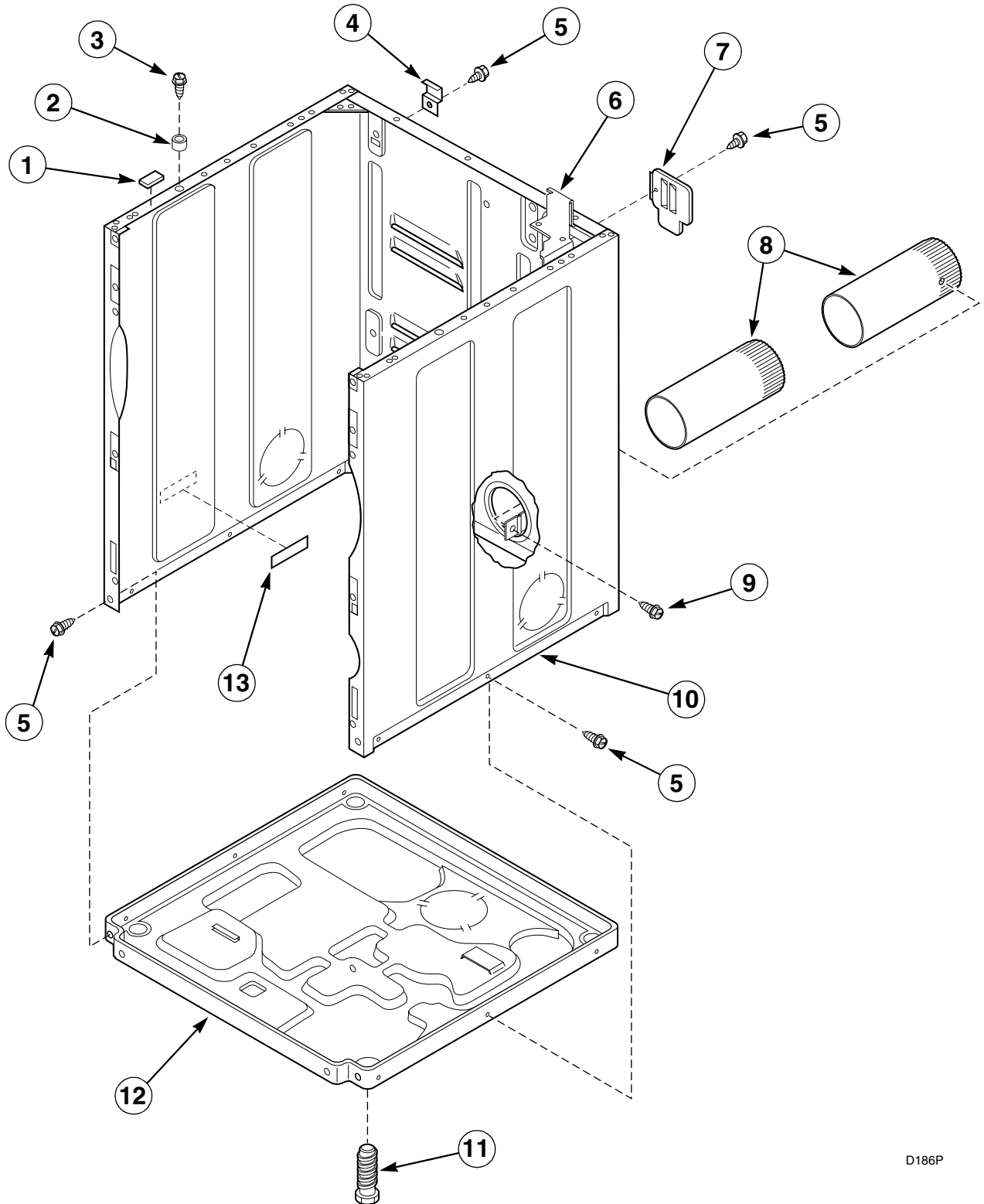


DR189-PT

Motor, Exhaust Fan and Belt

REF	PART #	DESCRIPTION	COMMENTS
1	500313	Seal	
2	31260	Screw	
3	500078	Exhaust Fan Cover	
4	22506P	Sealant	Use to install Seal to Cover
5	56000	Exhaust Fan Impeller	
6	56020	Exhaust Fan Housing	
7	27604P	Anti-seize Compound	
8	501218	Motor Switch	
9	501211	Motor Assembly	Models EE2007-1500, EE2107-1500, EE2507-1500, EE2607-1500, ZG2109-1102, ZE2007-1702, GE2107-1502, ZE2107-1502, GE2107-1702 and ZE2107-1702
	501212	Motor Assembly	Models EE2107-5412 and EG2109-5412
	501213	Motor Assembly	All Other Models
10	58047	Motor Clips	
11	59174	Belt	
12	500222	Motor Pulley	50 Hertz
	500011	Motor Pulley	60 Hertz
13	58044A	Motor Locking Mount	
14	20530	Screw	
15	58044A	Motor Locking Mount	
16	31645	Screw	
17	33562	Screw	
18	56076	Spring	
19	56156	Locknut	
20	500910	Idler Lever	
21	56461	Shaft	
22	52549	Washer	
23	54414	Idler Pulley	
24	23748	Retainer Ring	
25	500824	Shoulder Screw	
26	500269	Idler Pulley and Lever Assembly	
27	52566	Locknut	
28	500822	Motor Mounting Bracket	
29	61625	Thermostat	Models EE2007-1500, EE2107-1500, EE2507-1500, EE2607-1500, ZG2109-1102, GE2107-1502, GE2107-1702, ZE2007-1702, ZE2107-1502 and ZE2107-1702
	61556	Thermostat	All Other Models
30	501086	Screw	
31	61623	Thermostat Heater	Use with 61652 Thermostat
	61622	Thermostat Heater	Use with 61556 Thermostat

Cabinet, Exhaust Duct and Base

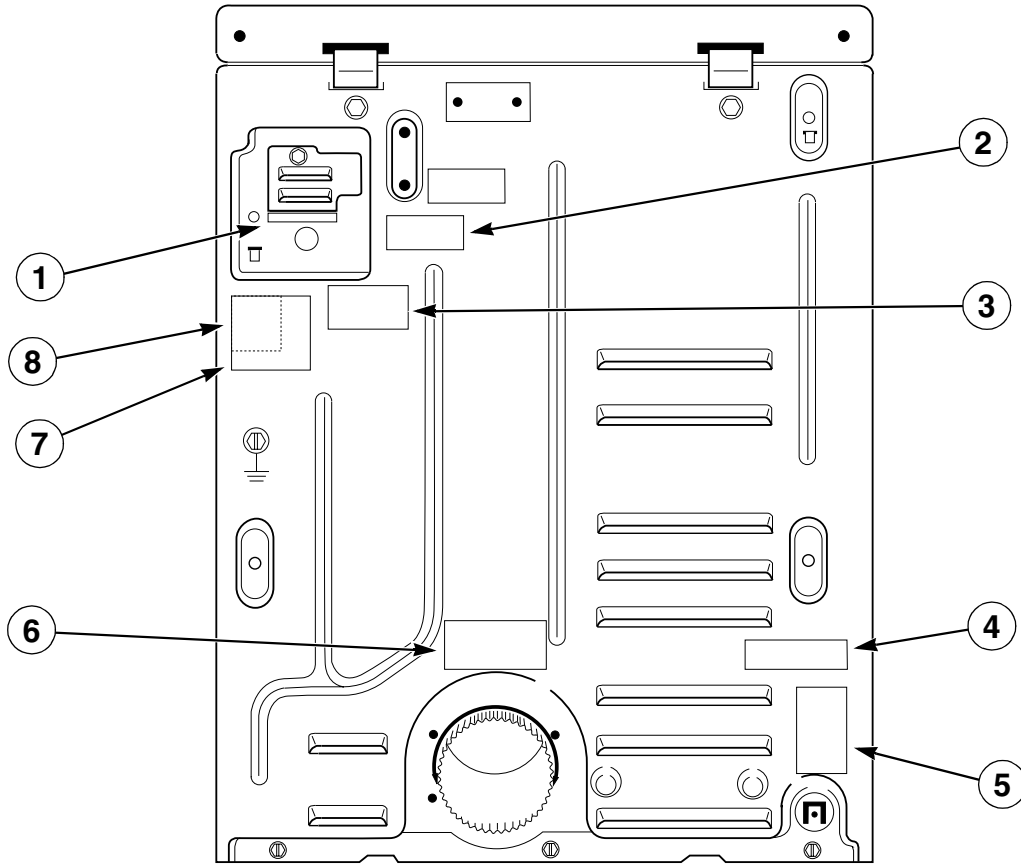


D186P

Cabinet, Exhaust Duct and Base

REF	PART #	DESCRIPTION	COMMENTS
1	56128	Bumper	
2	56079	Guide Lug	
3	32671	Screw	
4	500003	Hinge	
5	33562	Screw	
6	501221	Mounting Bracket	Metered Models
7	500114	Access Plate	
8	500064	Exhaust Duct	
9	501668	Screw	
10	500001*P	Cabinet Assembly	Nonmetered Models
	500000*P	Cabinet Assembly	Metered Models
11	500101	Leveling Leg	
12	500070	Base	
13	61294	Sticker	Electric Models

Sticker Location on Rear of Cabinet

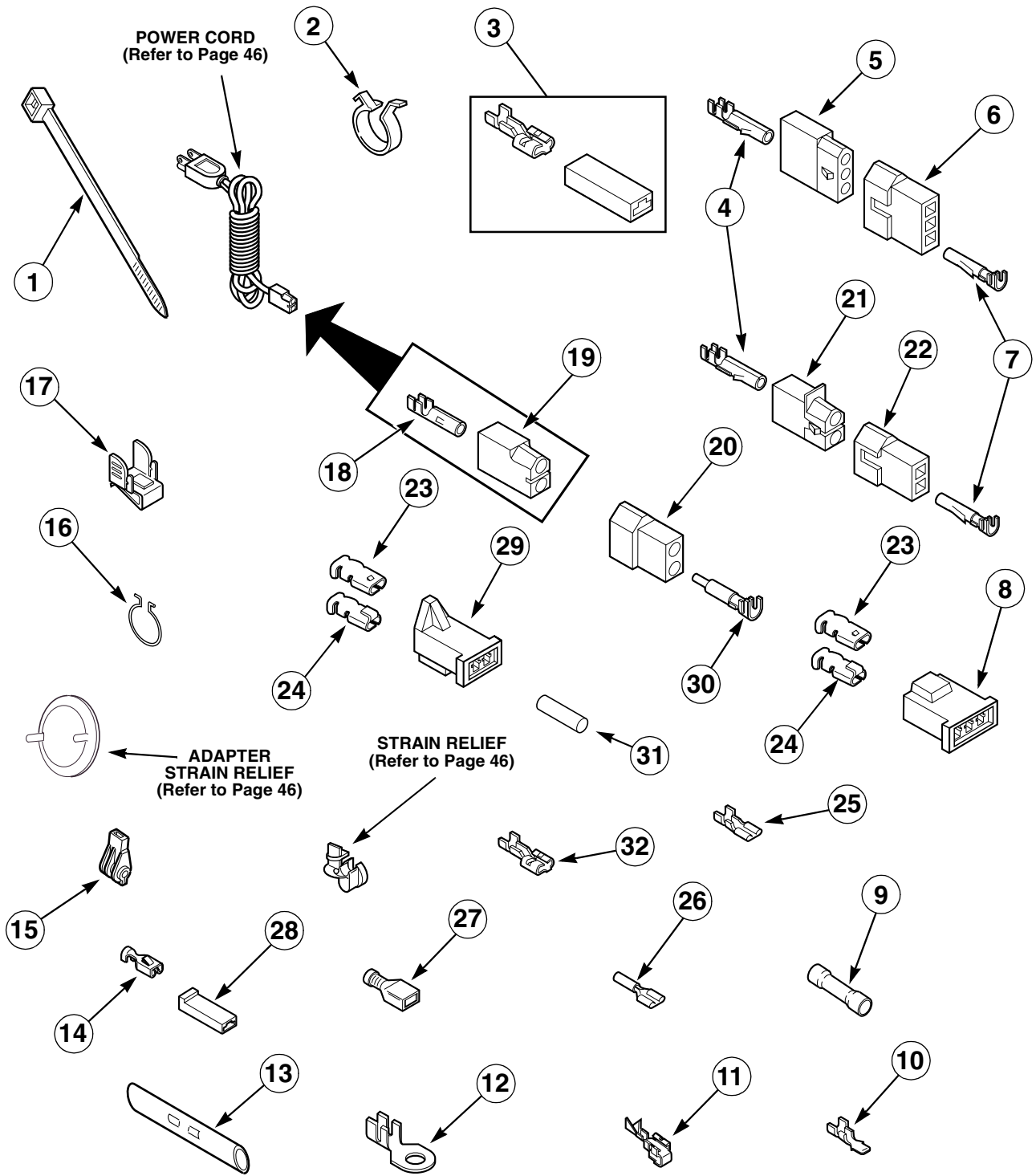


DR204-PT

Sticker Location on Rear of Cabinet

REF	PART #	DESCRIPTION	COMMENTS
1	501288	Label	Terminal Block – Models EE2007-4350, EE2107-4350, EG2009-3058 and EG2109-3058
2	500477	Label	Disconnect Power – Models ZE2007-3003, ZE2007-3004, GE2107-1702, GE2107-1502, ZE2007-1702, ZE2107-1502, ZE2107-1702 and ZG2109-1102
3	501091	Sticker	Models EE2007-1500, EE2107-1500, ZE2107-1502, GE2107-1502, EE2507-1500 and EE2607-1500
4	501140	Sticker	Models EG2009-3058 and EG2109-3058
5	500670	Sticker	Gas Models
6	500497	Label	Warning, Exhaust
7	501289	Sticker	Ground – Models EE2007-1500, EE2107-1500, EE2507-1500 and EE2607-1500
8	500493	Sticker	30 Amp, Electric Models – Except EE2007-1500, EE2107-1500, EE2507-1500 and EE2607-1500
	500496	Sticker	20 Amp, Electric Models – Except EE2007-1500, EE2107-1500, EE2507-1500 and EE2607-1500
	500495	Sticker	15 Amp, Electric Models – Except EE2007-1500, EE2107-1500, EE2507-1500 and EE2607-1500

Terminals

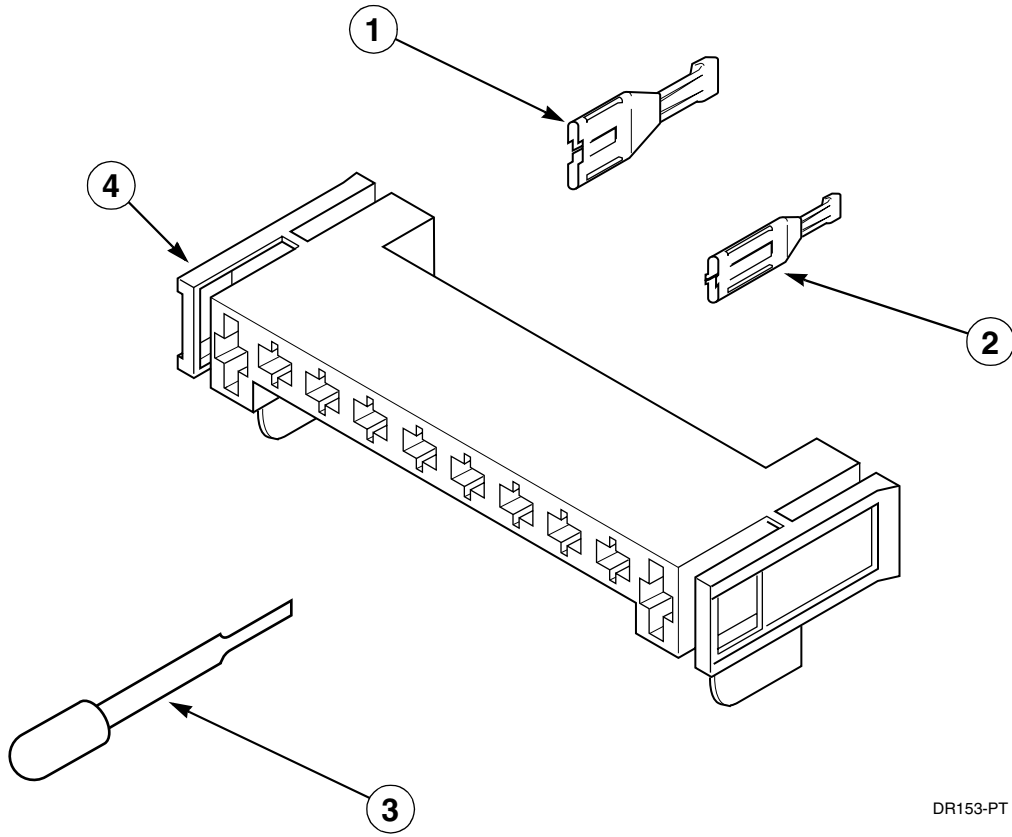


D139P

Terminals

REF	PART #	DESCRIPTION	COMMENTS
1	55881	Wire Tie	
2	61510	Wire Clip	
3	00237	Insulated Spade Terminal	1/4 Inch – one 12 Gauge Wire or two 18 Gauge Wires
4	00117	Terminal	
5	23039	Terminal Block Receptacle	
6	23040	Terminal Block Plug	
7	00116	Terminal	
8	58800	Terminal Block	
9	30865	Butt Splice Connector	
10	00138	Male Terminal	1/4 Inch – one 18 Gauge Wire
	00139	Male Terminal	1/4 Inch – two 18 Gauge Wires or one 12 Gauge Wire
11	00114	Double Connector Terminal	
12	00110	Eyelet Terminal	One 18 Gauge Wire
	00111	Eyelet Terminal	Two 18 Gauge Wires or one 12 Gauge Wire
13	21091	Connector	
14	00115	Lock In Spade Terminal	One 18 Gauge Wire
	00122	Lock In Spade Terminal	Two 18 Gauge Wires or one 12 Gauge Wire
15	70210	Plastic Insulator	
16	51291	Wire Clip	
17	00161	Ground Clip	
18	00130	Terminal	
19	56265	Terminal Block Receptacle	
20	56266	Terminal Block Plug	
21	56451	Terminal Block Receptacle	
22	56448	Terminal Block Plug	
23	00189	Terminal	
24	00190	Terminal	Piggy Back
25	00124	Spade Terminal	3/16 Inch – one 18 Gauge Wire (.020 Tab)
	00209	Spade Terminal	3/16 Inch – two 18 Gauge Wires (.020 Tab)
	00156	Spade Terminal	3/16 Inch – Thermostat Wire (.032 Tab)
26	00214	Barrel Insulated Spade Terminal	18 Gauge
	00215	Barrel Insulated Spade Terminal	12 Gauge
27	00165	Insulated Spade Terminal	3/16 Inch
	00163	Insulated Spade Terminal	1/4 Inch
28	90789	Connector	
29	58799	Terminal Block	
30	00127	Terminal	
31	21365	Insulation Sleeve	
32	00245	Spade Terminal	1/4 Inch – one 22 Gauge Wire
	00119	Spade Terminal	1/4 Inch – one 18 Gauge Wire
	00121	Spade Terminal	1/4 Inch – two 18 Gauge Wires or one 12 Gauge Wire

Motor Disconnect Block, Terminals and Terminal Extractor Tool



DR153-PT

Motor Disconnect Block, Terminals and Terminal Extractor Tool

REF	PART #	DESCRIPTION	COMMENTS
1	00255	Spade Terminal	1/4 Inch – one 12 Gauge Wire
	00256	Spade Terminal	1/4 Inch – one or two 18 Gauge Wires
2	00188	Molex Terminal	For one or two wire application
3	283P4	Terminal Extractor Tool	
4	500338	Motor Connection Block	Molex

Strain Relief, Adapter and Power Cord

STRAIN RELIEF	
DRYER MODEL	PART NUMBER
EE2007-4350, EE2107-4350	52113
EG2009-3058, ZG2009-3004, ZG2009-3005, EG2109-3013 and ZG2109-3013	60298
ZG2109-1102	21903

ADAPTER	
DRYER MODEL	PART NUMBER
EE2007-4350, EG2009-3058, ZG2009-3004, ZG2009-3005, EE2107-4350, EG2109-3058, EG2109-3013 and ZE2109-3013	52130

POWER CORD	
DRYER MODEL	PART NUMBER
GE2107-1702, ZE2007-1702, GE2107-1502, ZE2107-1502 and ZE2107-1702	57637
EE2107-4350 and EE2007-4350	61605
EE2009-3058 and EG2109-3058	61604
ZG2009-3004, ZG2009-3005, EG2109-3013 and ZG2109-3013	501425
ZG2109-1102	59308

Wire Harnesses and Wires

Individual wires are not available separately. Order complete wire harness, or order wire by the foot. See chart at bottom of page.

MODEL NUMBER	AUDIT WIRE HARNESS PART NUMBER	WIRE HARNESS PART NUMBER
GE2107-1502, GE2107-1702, ZE2107-1502 and ZE2107-1702	-	500918
EE2107-1500, EE2107-3000, ZE2107-3000, EE2107-3066, EE2107-4350, EE2107-5412 and EE2507-1500	-	500825
EG2009-3000, ZG2009-3004, ZG2009-3008 and EG2009-3058	-	500903
ZE2007-1702	-	500358
EG2109-3000, ZG2109-3000, EG2109-3013, ZG2109-3013, EG2109-3058, and EG2109-5412	-	500907
EE2007-1500, EE2007-3000, ZE2007-3003, ZE2007-3004, ZE2007-3005, ZE2007-3008 and EE2007-4350	-	500911
EE2607-1500	62647	500825
ZG2109-1102	62647	500826

Order the individual wire color and gauge by the part number listed below. Order wire by the foot and terminals and connectors as required. It is recommended when applying terminals to wires that the terminals be soldered to the wires.

IMPORTANT: Always replace wires with proper gauge.

PART NUMBER	WIRE GAUGE	WIRE COLOR
45001	18 Gauge Wire	Black
45380	12 Gauge Wire	Orange

Parts Index

A

Access Plate	
500114	39
Accumulator	
501163	9
59228	9
59229	9
61309	11
Accumulator Mounting Bracket	
60835	5, 7
Air Duct	
500241	25
Anti-seize Compound	
27604P	37

B

Baffle	
500022	25
Barrel Insulated Spade Terminal	
00214	43
00215	43
Base	
500070	39
Belt	
59174	37
Bolt	
29651	5, 7
Bracket	
35525	5, 7
Bumper	
56128	39
Burner Housing	
61974	31
Burner Tube Assembly	
56234	33, 35
Butt Splice Connector	
30865	43

C

Cabinet Assembly	
500000P	39
500001P	39
Cabinet Top	
500086P	19
501200P	19
Cap Screw	
02916	13, 15, 17
Carriage Bolt	
02505	5, 7
Coin Funnel Kit	
523P3	5, 7
Complete Loading Door Assembly	
500035	21

Connector	
21091	43
90789	43
Control Hood	
60357	13, 15
Control Hood Rear Cover	
62679	13, 15
Control Knob Assembly	
35182	13, 15
Control Panel and Bracket Assembly	
501738	13
62645	13
Control Panel Overlay	
501094	13
60362	13
60463	13
60466	13
60525	13
60539	13
62544	13
62646	15
62837	13
Counter Kit	
62113P	5
Cupped Washer	
51474	27
Cylinder Assembly	
500095P	25
Cylinder Glide	
501676	25
Cylinder Roller	
500214	27
Cylinder Seal	
500006	25, 27

D

Door Catch	
54660	23
Door Hinge	
500041	21
Door Hinge Mounting Clip	
500236	21
Door Pull	
500042	21
Door Seal	
500200	21
Door Striker	
500039	21
Door Striker Bracket	
500223	21
Door Switch	
62872	23
Double Connector Terminal	
00114	43

E

Exhaust Duct	
500064	39

Exhaust Fan Cover 500078	37
Exhaust Fan Housing 56020	37
Exhaust Fan Impeller 56000	37
Eyelet Terminal 00110	43
00111	43

F

Felt Pad 500121	25
Front Bulkhead Assembly 500091	25
Front Panel 500033	23
Front Panel Seal 500034	23

G

Gas Burner Conversion Kit 458P3	33
459P3	33
481P3	35
482P3	35
Gas Valve Assembly 58804	33
60353	33, 35
60443	33
Gasket 35526	5, 7
Glide Bracket 501554	25
Ground Clip 00161	43
Guide Lug 56079	23, 39

H

Heat Shield 60952	29, 31
Heat Shroud 500122	31
Heater Assembly 61927	29
61928	29
61929	29
61930	29
61931	29
Heater Box Assembly 500179P	29, 31
Hex Head Screw 35799	5, 7, 19
Hinge 500003	39
Hold-down Bracket 500084	19

Hold-down Clip 56080	23
Holding and Booster Coil 58804A	33, 35
59063A	33

I

Idler Lever 500910	37
Idler Pulley 54414	37
Idler Pulley and Lever Assembly 500269	37
Igniter and Bracket 60868	33, 35
Index Spring 53238	9, 11
Indicator Light 32464	13, 15
32519	13
Inner Door Panel and Seal 500199	21
Instruction Sticker 500490	17
500628	5, 7
Insulated Spade Terminal 00163	43
00165	43
00237	43
Insulation Sleeve 21365	43

K

Keps Nut 29786	17
Knurled Nut 24205	13, 15

L

Label 500477	41
500497	41
501288	41
Lead-in Pipe Assembly 500647	33, 35
Leveling Leg 500101	39
Limit Thermostat 500807	29
62641	29
Limit Thermostat Kit 489P3	31
62034	31
Lint Filter 500025	25
Lock In Spade Terminal 00115	43
00122	43

Locking Bracket	
30642	5, 7
Locknut	
29786	5, 7
52566	37
56156	27, 37
Lockwasher	
02431	13, 15, 17
03815	13, 19
21734	5, 7, 13
91176	13, 15
Lower Access Panel	
500044	23

M

Magnet	
34696	7
Male Terminal	
00138	43
00139	43
Metal Washer	
35917	7, 19
Meter Case	
524P3	5, 7
Meter Case Gasket	
26354	5, 7
Molex Terminal	
00188	45
Motor Assembly	
501211	37
501212	37
501213	37
Motor Clips	
58047	37
Motor Connection Block	
500338	45
Motor Locking Mount	
58044A	37
Motor Mounting Bracket	
500822	37
Motor Pulley	
500011	37
500222	37
Motor Switch	
501218	37
Mounting Bracket	
500821	33, 35
501221	39

N

Nut	
23951	13
29796	5, 7
35322	15
52566	13, 15, 17
52947	13, 15
Nylon Bushing	
53262	9, 11

O

Outer Door Panel	
500040	21
Outlet Cover	
500820	29, 31

P

Pad	
56968	19
Pawl Spring	
53244	9, 11
Plastic Insulator	
70210	43
Printed Circuit Board	
34522	15
Push-on Clip	
34762	15
Push-to-Start Switch Assembly	
55882	13, 15

R

Ratchet Wheel	
53239	9, 11
Rear Bulkhead Assembly	
500354	27
Retainer Nut	
27222	19
30647	5, 7
Retainer Ring	
23748	27, 37
Return Spring	
53261	9, 11
Roller Bracket	
500062	27

S

Screw	
03203	5, 7, 13, 17
03950	5, 7
20267	13
20530	5, 7, 19, 27, 37
23222	29, 33, 35
31260	7, 37
31645	25, 37
32671	23, 39
33562	5, 7, 19, 23, 37, 39
36048	5, 7
500226	13, 15, 21, 25
500297	21
501086	13, 15, 17, 37
501285	27
501668	25, 27, 29, 31, 33, 35, 39
51356	35
51782	31, 33, 35
56124	33, 35
61199	27
62588	25

Seal	
500313	37
Sealant	
22506P	25, 27, 37
Secondary Coil	
58804B	33, 35
59063B	33
Sensor	
56231	33, 35
Sensor Control	
35026	7
Service Door	
35798	5, 7
Set Screw	
20310	13, 15
27328	17
Shaft	
56461	27, 37
Shoulder Screw	
500824	37
Slide Extension	
61031	5, 7
Spade Terminal	
00119	43
00121	43
00124	43
00156	43
00209	43
00245	43
00255	45
00256	45
Spring	
56076	37
Sticker	
24903	19
500049	25
500240	23
500253	23
500281	23
500314	25
500316	19
500347	23
500493	41
500495	41
500496	41
500670	23, 41
501091	41
501140	41
501289	41
56259	25
61294	39
Support	
34896	15
Switch	
34536	7
34599	7
53236	9, 11
61468	11

T	
Temperature Selector Switch	
61512	13, 15
Terminal	
00116	43

00117	43
00127	43
00130	43
00189	43
00190	43
Terminal Block	
58799	43
58800	43
61923P	27
Terminal Block Plug	
23040	43
56266	43
56448	43
Terminal Block Receptacle	
23039	43
56265	43
56451	43
Terminal Extractor Tool	
283P4	45
Thermal Fuse Kit	
62600	29
Thermostat	
61556	37
61625	37
Thermostat Heater	
61622	37
61623	37
Timer	
500399	17
500400	17
Timer Case	
34736W	17
Timer Knob Assembly	
54678	17
Timer Plate	
500921W	17
Timing Cam	
53240	9, 11
53241	9, 11
53242	9, 11
53243	9, 11
Timing Motor	
53235P	9, 11
53290	9
Top Brace	
56486	19
Torx Bit	
281P4	13, 15
282P4	19, 23
Torx Bit Holder	
24161	13, 15, 19, 23
Torx Head Screw	
35528	13, 15
62853	19, 23
Transformer and Plug	
59972	13
Transmit Light	
34701	15
Transmit Switch	
34721	15

V

Valve	
56229	33, 35

W

Washer	
20279	17
35321	15
35774	5, 7, 19
35917	5, 7
52549	37
56461	27
Wire Clip	
51291	43
61510	43
Wire Harness	
59296	5
60641	33, 35
62672	5, 7
Wire Harness Clip	
34759	7
Wire Tie	
55881	5, 7, 43