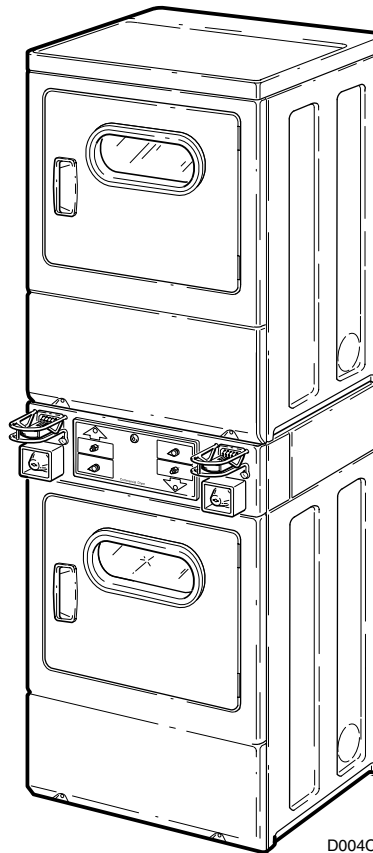


# Commercial Stacked Dryers

Metered and Nonmetered  
Refer to Page 3 for Model Numbers



# Table of Contents

Title	Page
Parts Ordering Information .....	2
Nameplate Location .....	2
Model Identification .....	3
Control Panel and Controls .....	4
Control Cabinet .....	6
Control Panel and Controls .....	8
Control Cabinet .....	10
Accumulator .....	12
Loading Door .....	14
Loading Door .....	16
Front Panel .....	18
Front Panel .....	20
Motor, Exhaust Fan and Belt .....	22
Front Bulkhead, Air Duct, Felt Seal and Cylinder .....	24
Rear Bulkhead, Felt Seal, Cylinder Roller and Terminal Block .....	26
Heat Duct .....	28
Heat Duct .....	30
Gas Valve, Igniter and Gas Conversion Kits .....	32
Cabinet Top, Cabinet and Base .....	34
Cabinet and Base .....	36
Motor Disconnect Block, Terminals and Terminal Extractor Tool .....	38
Power Cord and Terminals .....	40
Wire Harnesses and Wires .....	42
Parts Index .....	45

© Copyright 2000, Alliance Laundry Systems LLC

All rights reserved. No part of the contents of this book may be reproduced or transmitted in any form or by any means without the expressed written consent of the publisher.

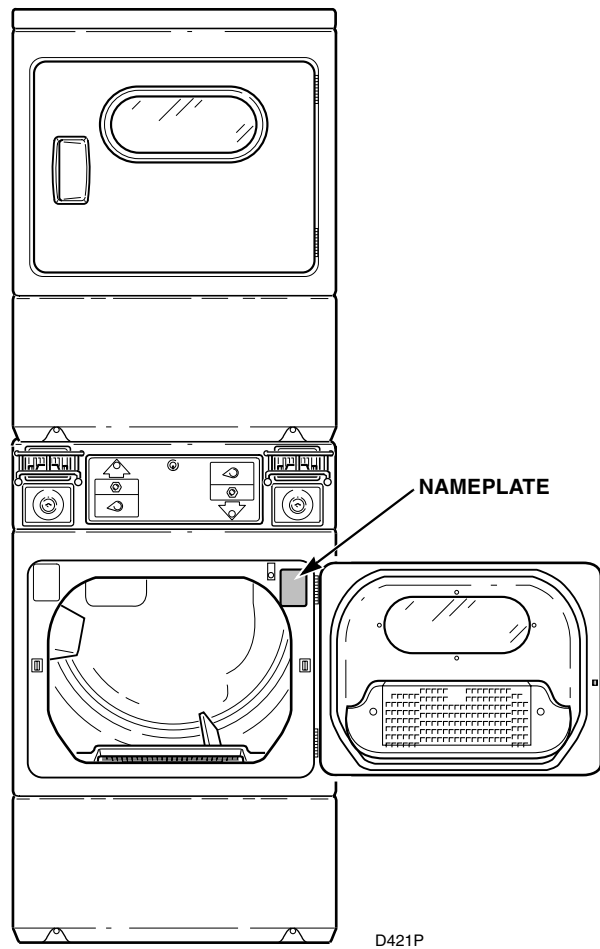
# Parts Ordering Information

If literature or replacement parts are required, contact the source from whom the machine was purchased or contact Alliance Laundry Systems LLC at (920) 748-3950 for the name and address of the nearest authorized parts distributor.

For technical assistance, call (920) 748-3121.

## Nameplate Location

When calling or writing about your product, be sure to mention model and serial numbers. Model and serial numbers are located on nameplate(s) as shown.



# Model Identification

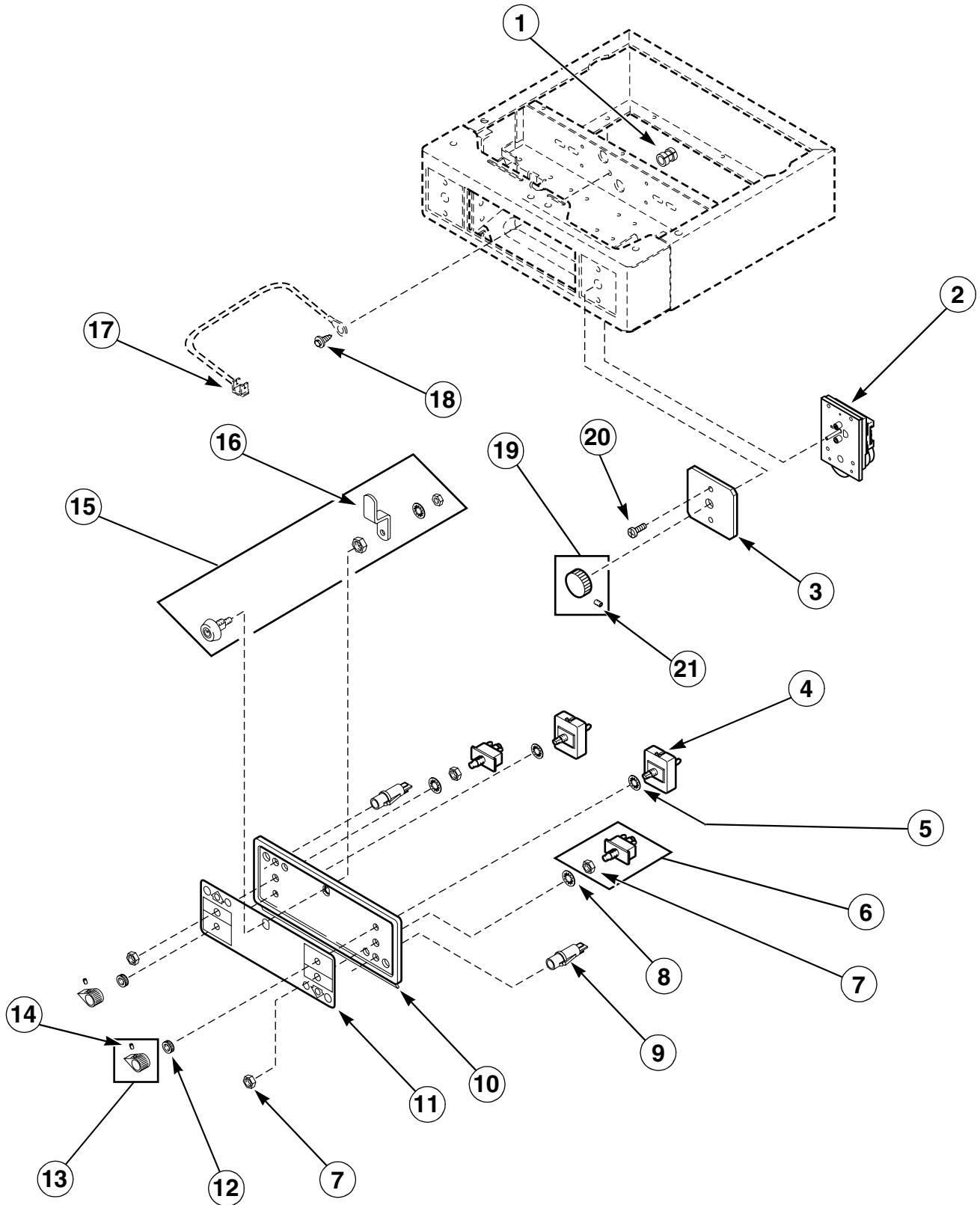
Information in this manual is applicable to these dryer models:

<b>Model Number</b>	<b>Nonmetered Models</b>	<b>Metered Models</b>	<b>Audit Models</b>	<b>Computerized Audit Models</b>	<b>Electric Heat</b>	<b>Gas Heat</b>
DSE007	X				X	
DSG009	X					X
ZE5117		X			X	
ZG5119		X				X



# Control Panel and Controls

(Models DSE007 and DSG009)



D140P

# Control Panel and Controls

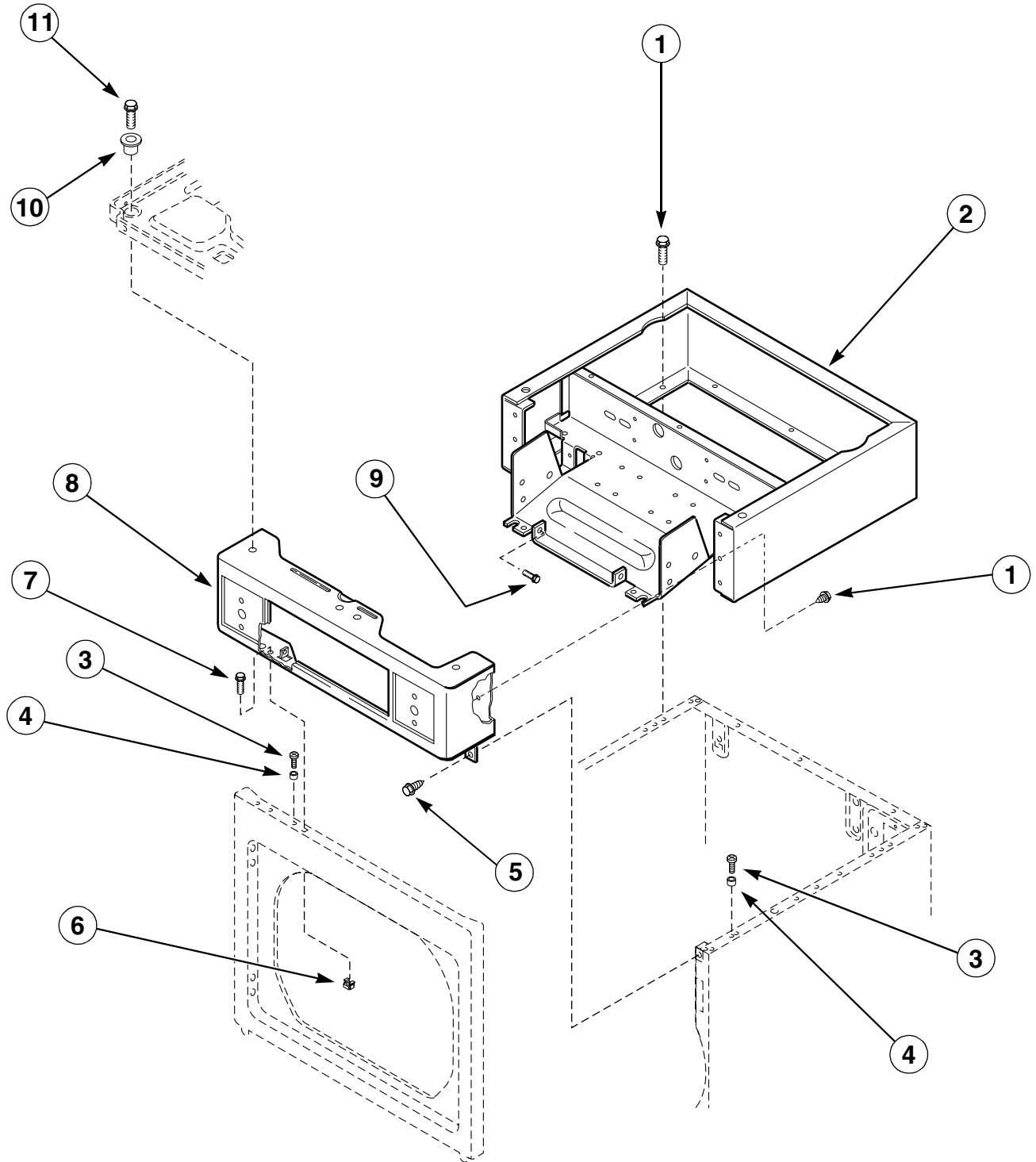
(Models DSE007 and DSG009)

REF	PART #	DESCRIPTION	COMMENTS
1	52151	Strain Relief	Electric Models
	52113	Strain Relief	Gas Models
2	500399	Timer	
3	500814	Overlay	
4	61512	Temperature Selector Switch	
5	91176	Lockwasher	
6	55882	Push-to-Start Switch Assembly	
7	52947	Nut	Included with 55882
8	25820	Lockwasher	
9	32464	Indicator Light	
10	500228*	Control Panel Frame	
11	502927	Control Panel Overlay	
12	24205	Knurled Nut	
13	35182	Control Knob Assembly	
14	20310	Set Screw	
15	27260	Lock Assembly	
16	25285	Set Screw	
17	00161	Ground Clip	
18	20530	Screw	
19	54678	Timer Knob Assembly	
20	27328	Screw	
21	27261	Cam	

\* Add letter to designate color:    L - Almond        W - White

# Control Cabinet

(Models DSE007 and DSG009)



D141P



# Control Cabinet

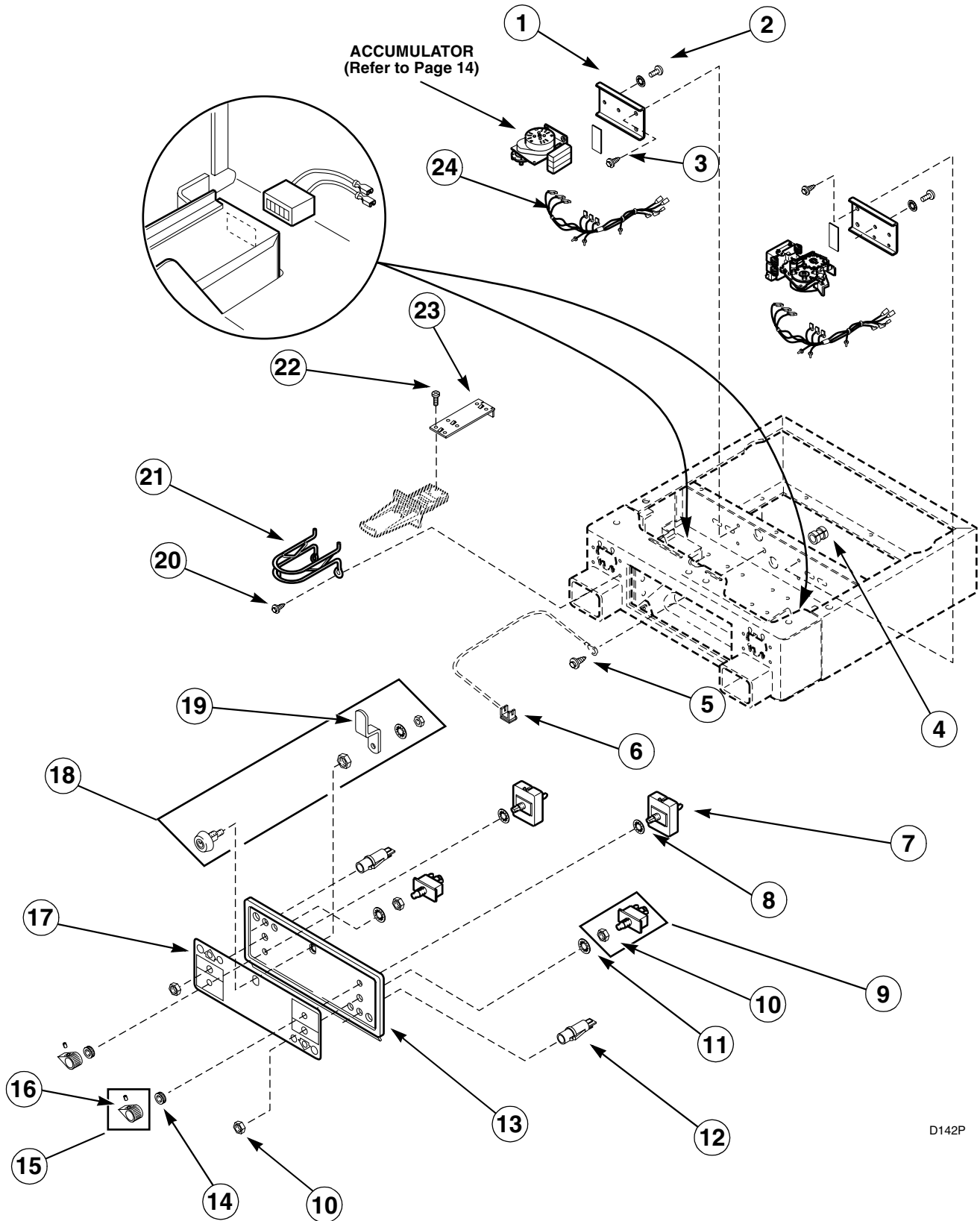
(Models DSE007 and DSG009)

REF	PART #	DESCRIPTION	COMMENTS
1	501668	Screw	
2	500220*	Control Cabinet Wrapper	
3	32671	Screw	
4	56079	Guide Lug	
5	33562	Screw	
6	80077	Caged Nut	
7	21933	Screw	
8	500225*	Control Cabinet Front	
9	500298	Screw	
10	501307	Washer	
11	502431	Screw	

\* Add letter to designate color:    L - Almond        W - White

# Control Panel and Controls

(Models ZE5117 and ZG5119)



D142P

# Control Panel and Controls

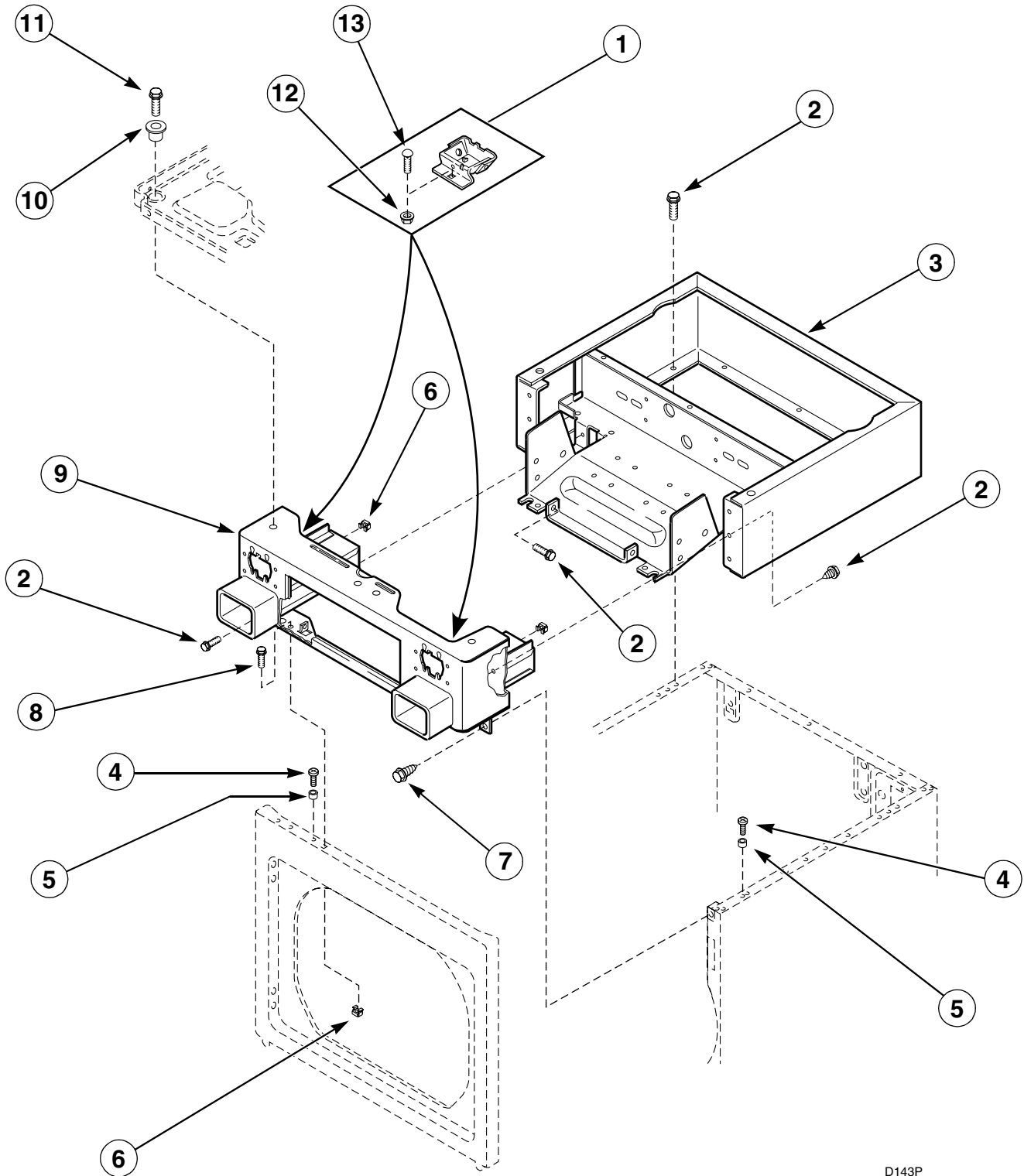
(Models ZE5117 and ZG5119)

REF	PART #	DESCRIPTION	COMMENTS
1	60835	Accumulator Bracket	
2	03203	Screw	
3	501668	Screw	
4	52151	Strain Relief	Electric Models
	52113	Strain Relief	Gas Models
5	20530	Screw	
6	00161	Ground Clip	
7	61512	Temperature Selector Switch	
8	91176	Lockwasher	
9	55882	Push-to-Start Switch Assembly	
10	52947	Nut	Included with 55882
11	25820	Lockwasher	
12	32464	Indicator Light	
13	500228*	Control Panel Frame	
14	24205	Knurled Nut	
15	35182	Control Knob Assembly	
16	20310	Set Screw	
17	500344	Control Panel Overlay	
18	27260	Lock Assembly	
19	27261	Cam	
20	33562	Screw	
21	58181	Coin Slide Guard	
22	03950	Screw	
23	500218	Slide Extension	
24	62672	Wire Harness	

\* Add letter to designate color:    L - Almond        W - White

# Control Cabinet

(Models ZE5117 and ZG5119)



D143P

# Control Cabinet

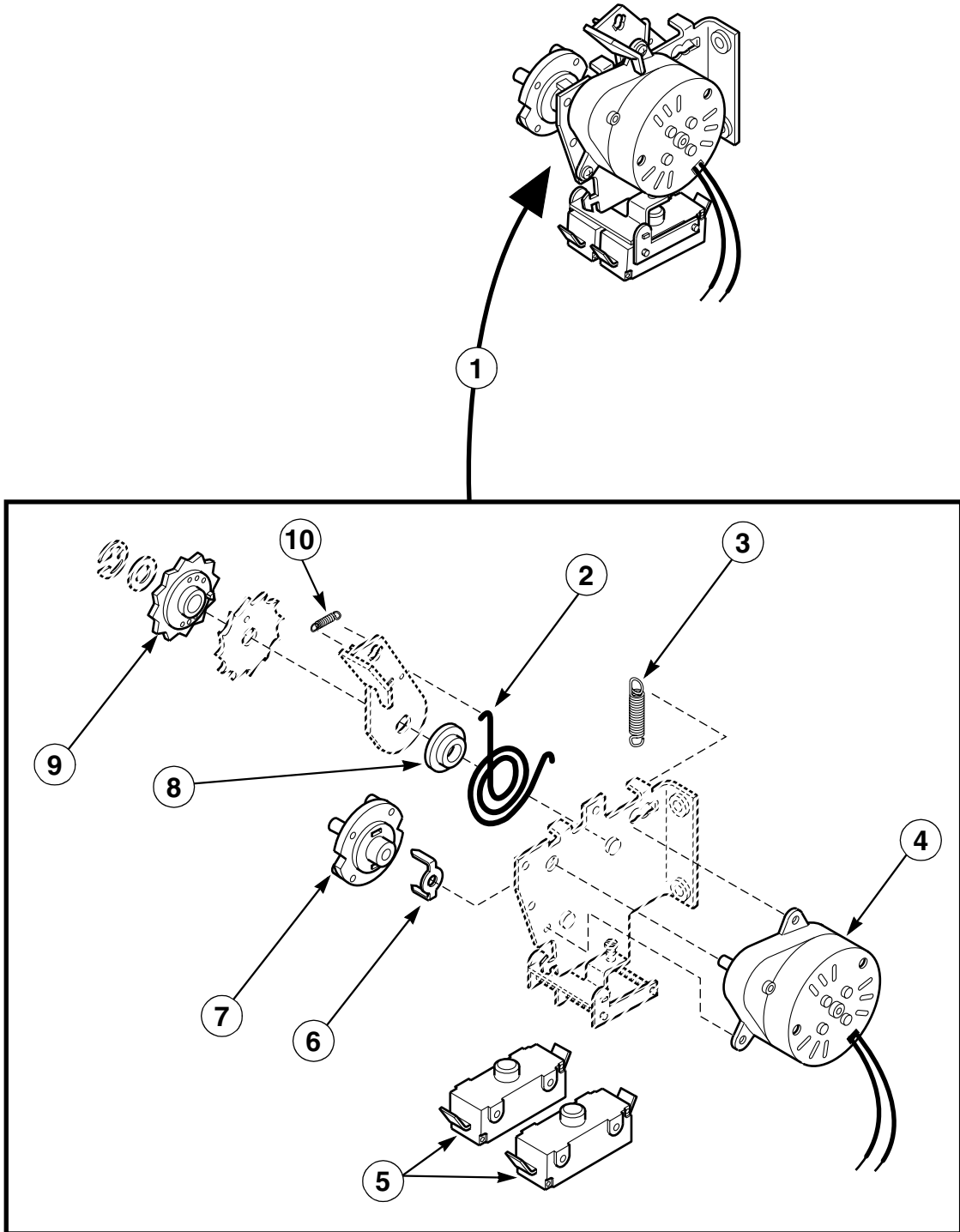
(Models ZE5117 and ZG5119)

REF	PART #	DESCRIPTION	COMMENTS
1	523P3	Coin Funnel Kit	
2	501668	Screw	
3	500220	Control Cabinet Wrapper	
4	32671	Screw	
5	56079	Guide Lug	
6	80077	Caged Nut	
7	33562	Screw	
8	21933	Screw	
9	500847*	Control Cabinet Front	
10	501307	Washer	
11	502431	Screw	
12	29796	Nut	
13	29651	Bolt	

\* Add letter to designate color:    L - Almond        W - White

# Accumulator

(Models ZE5117 and ZG5119)



D125P

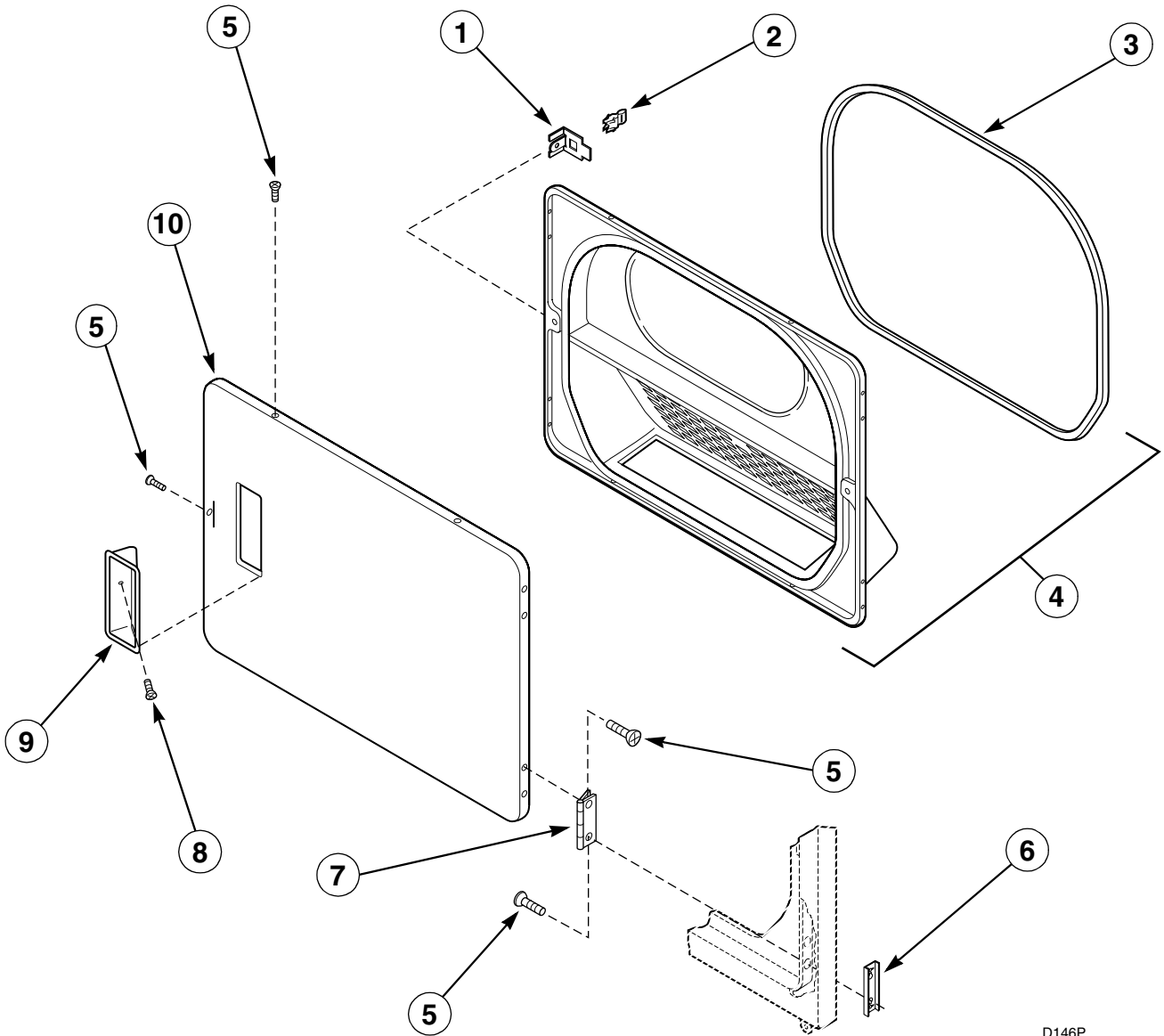
# Accumulator

(Models ZE5117 and ZG5119)

REF	PART #	DESCRIPTION	COMMENTS
1	59228	Accumulator	
2	53261	Return Spring	
3	53238	Index Spring	
4	53235P	Timing Motor	
5	53236	Switch	
6	M400754	Timing Cam Drive	
7	53240	Timing Cam	60 Minute (3 Pins)
	53241	Timing Cam	45 Minute (4 Pins)
	53242	Timing Cam	30 Minute (6 Pins)
	53243	Timing Cam	20 Minute (9 Pins)
8	53262	Nylon Bushing	
9	53239	Ratchet Wheel	
10	53244	Pawl Spring	

# Loading Door

(Models DSE007 and DSG009)



D146P



# Loading Door

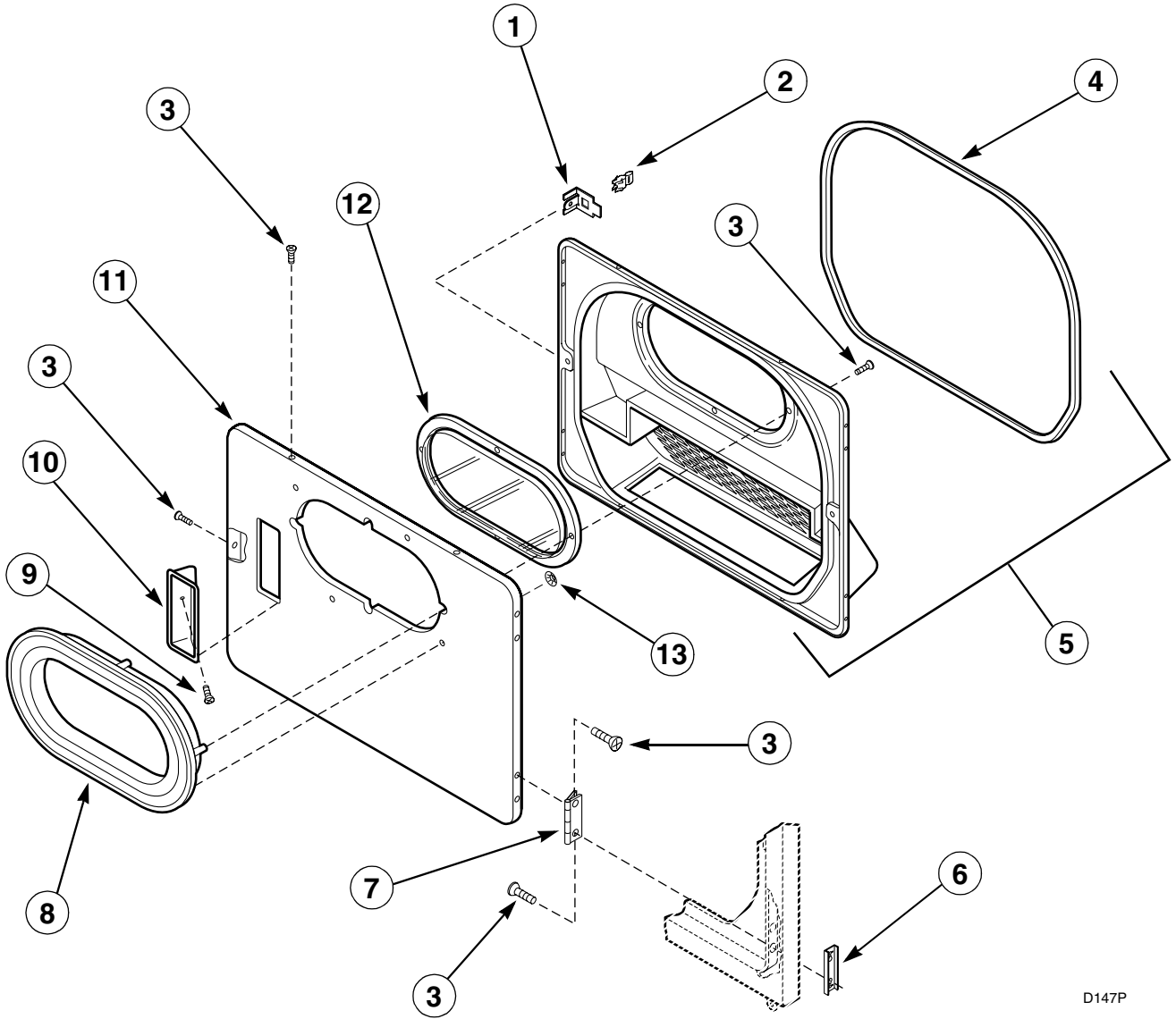
(Models DSE007 and DSG009)

REF	PART #	DESCRIPTION	COMMENTS
	500035*	Complete Loading Door Assembly	Does not include 500236 Door Hinge Mounting Clip and 500226 Screws
1	500223	Door Striker Bracket	
2	500039	Door Striker	
3	500200	Door Seal	
4	500199	Inner Door Panel and Seal	
5	500226	Screw	Not included with 500035*
6	500236	Door Hinge Mounting Clip	Not included with 500035*
7	500041	Door Hinge	
8	500297	Screw	
9	500042*	Door Pull	
10	500040*	Outer Door Panel	

\* Add letter to designate color:    L - Almond        W - White

# Loading Door

(Models ZE5117 and ZG5119)



D147P

# Loading Door

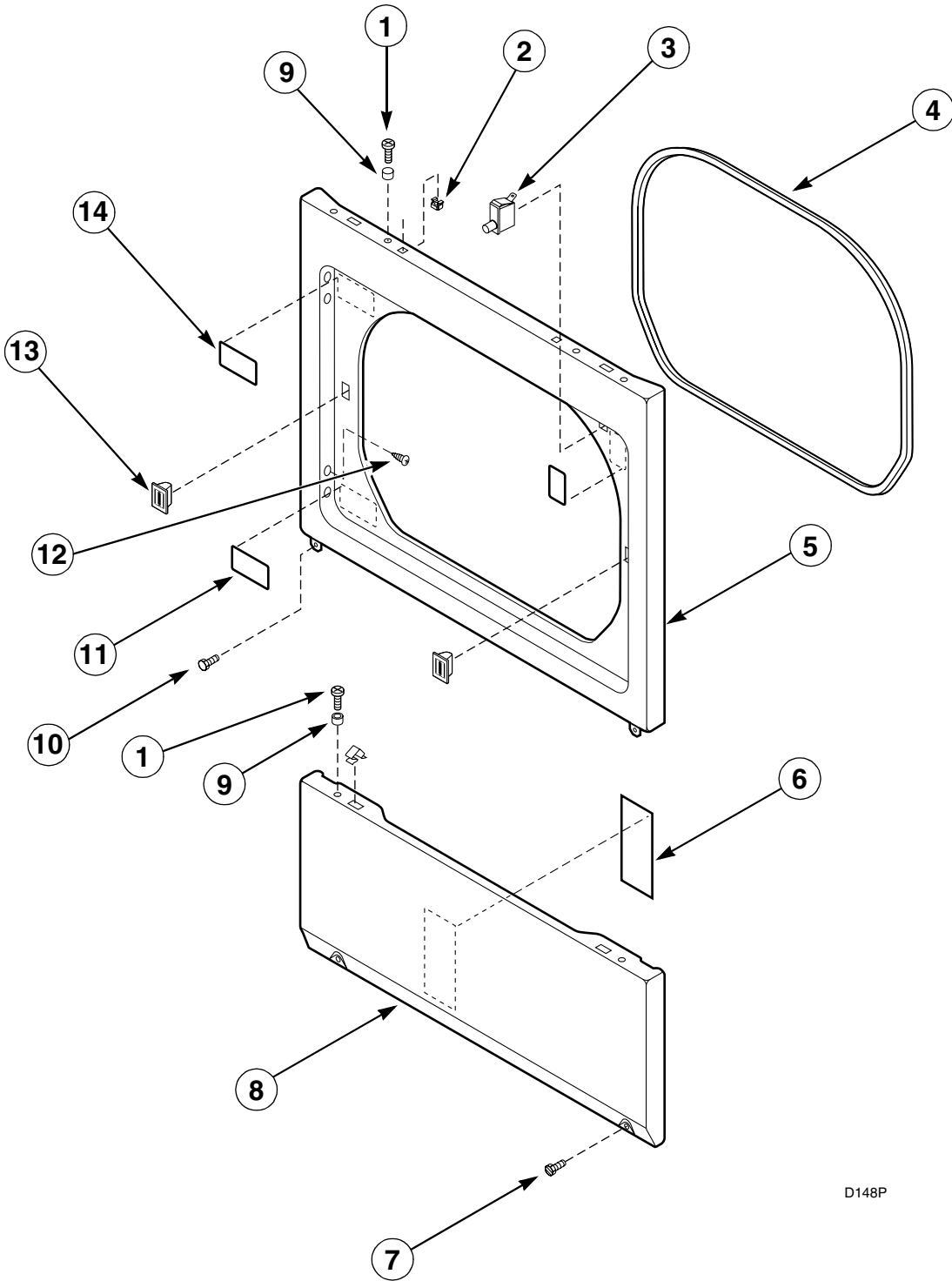
(Models ZE5117 and ZG5119)

REF	PART #	DESCRIPTION	COMMENTS
	500409*	Complete Loading Door Assembly	Does not include 500236 Door Hinge Mounting Bracket and 500226 Screws
1	500223	Door Striker Bracket	
2	500039	Door Striker	
3	500226	Screw	Not included with 500409* Complete Loading Door Assembly
4	500200	Door Seal	
5	500410	Inner Door Panel and Seal	
6	500236	Door Hinge Mounting Bracket	Not included with 500409* Complete Loading Door Assembly
7	500041	Door Hinge	
8	500202*	Window Trim	
9	500297	Screw	
10	500042*	Door Pull	
11	500201*	Outer Door Panel	
12	500231	Window	
13	58030	Push Nut	

\* Add letter to designate color:    L - Almond            W - White

# Front Panel

(Lower Dryer)



D148P

# Front Panel

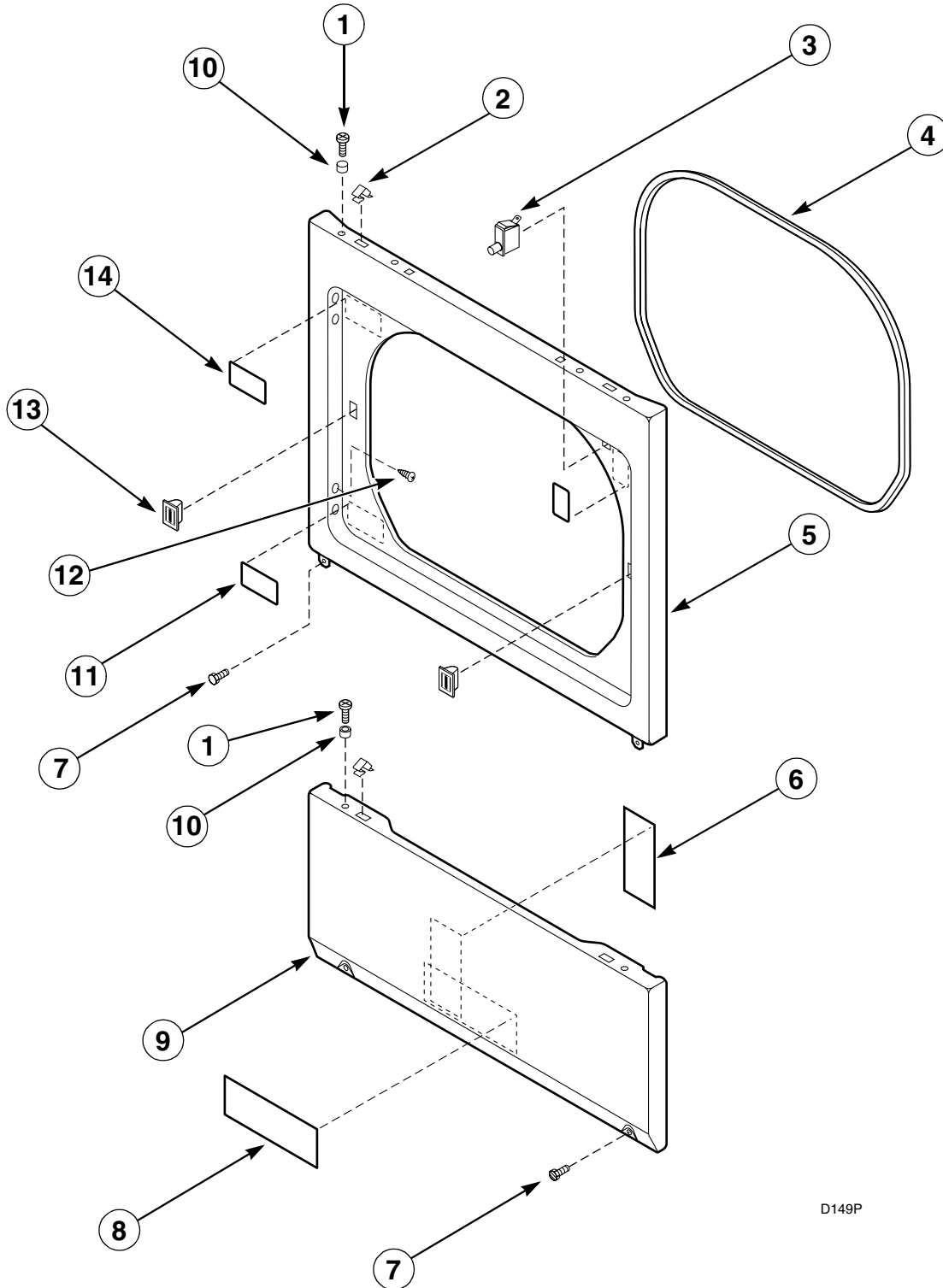
(Lower Dryer)

REF	PART #	DESCRIPTION	COMMENTS
	282P4	Torx Bit	Use with 62853 Screw
	24161	Torx Bit Holder	Use with 62853 Screw
1	32671	Screw	
2	80077	Caged Nut	Optional
3	62872	Door Switch	
4	500034	Front Panel Seal	
5	500033*	Front Panel	
6	500670	Sticker	Gas Models
7	33562	Screw	
	62853	Torx Head Screw	Optional for added security
8	500044*	Lower Access Panel	
9	56079	Guide Lug	
10	33562	Screw	
11	500347	Screw	
12	500227	Screw	
13	54660	Striker Catch	
14	500281	Sticker	

\* Add letter to designate color: L - Almond W - White

# Front Panel

(Upper Dryer)



D149P

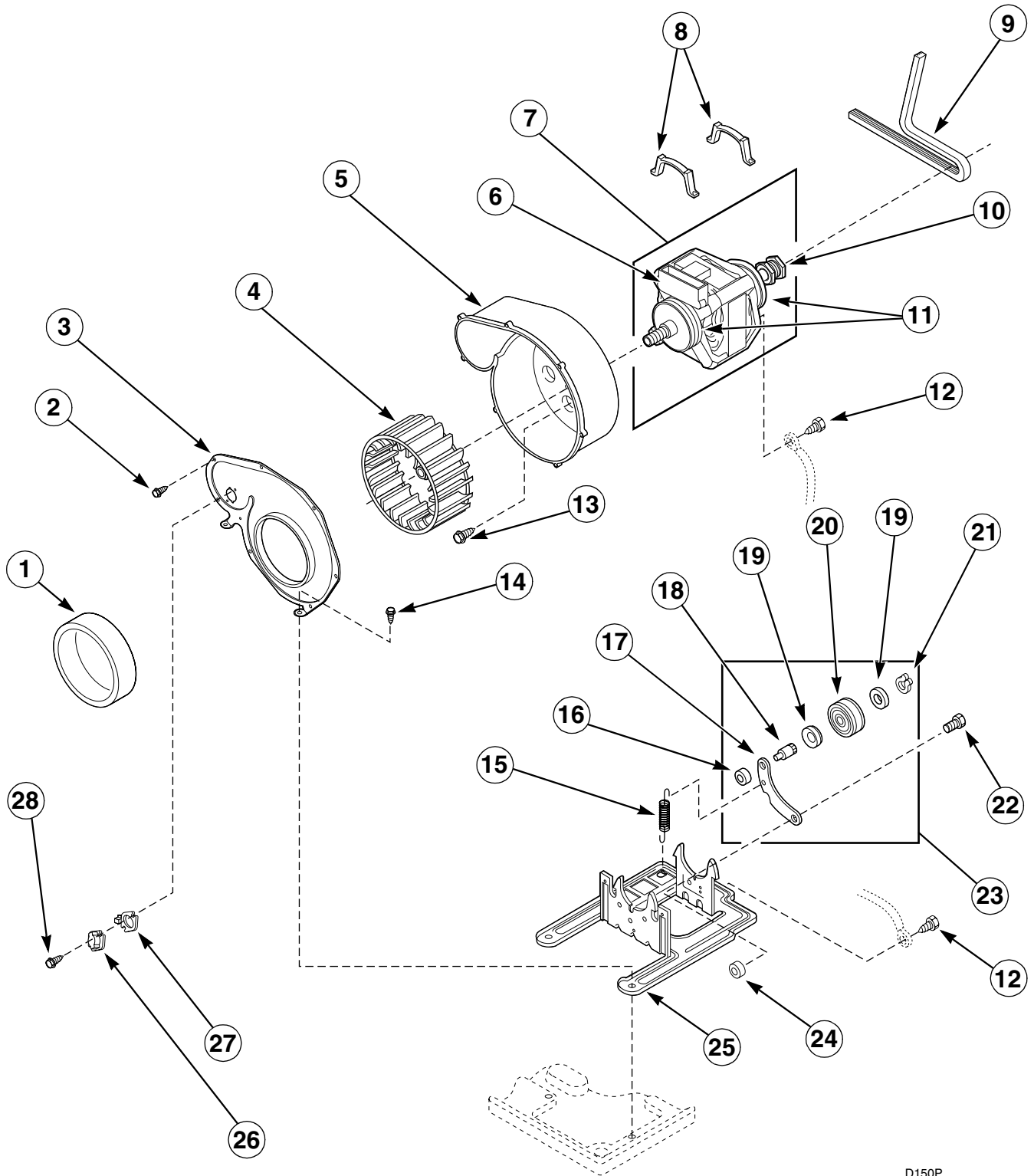
# Front Panel

(Upper Dryer)

REF	PART #	DESCRIPTION	COMMENTS
	282P4	Torx Bit	Use with 62853 Screw
	24161	Torx Bit Holder	Use with 62853 Screw
1	32671	Screw	
2	28835	Hold-down Clip	
3	62872	Door Switch	
4	500034	Front Panel Seal	
5	500033*	Front Panel	
6	500670	Sticker	Gas Models
7	33562	Screw	
	62853	Torx Head Screw	Optional for added security
8	500390	Instruction Sticker	
9	500044*	Lower Access Panel	
10	56079	Guide Lug	
11	500347	Sticker	
12	500227	Screw	
13	54660	Striker Catch	
14	500281	Sticker	

\* Add letter to designate color:    L - Almond        W - White

# Motor, Exhaust Fan and Belt



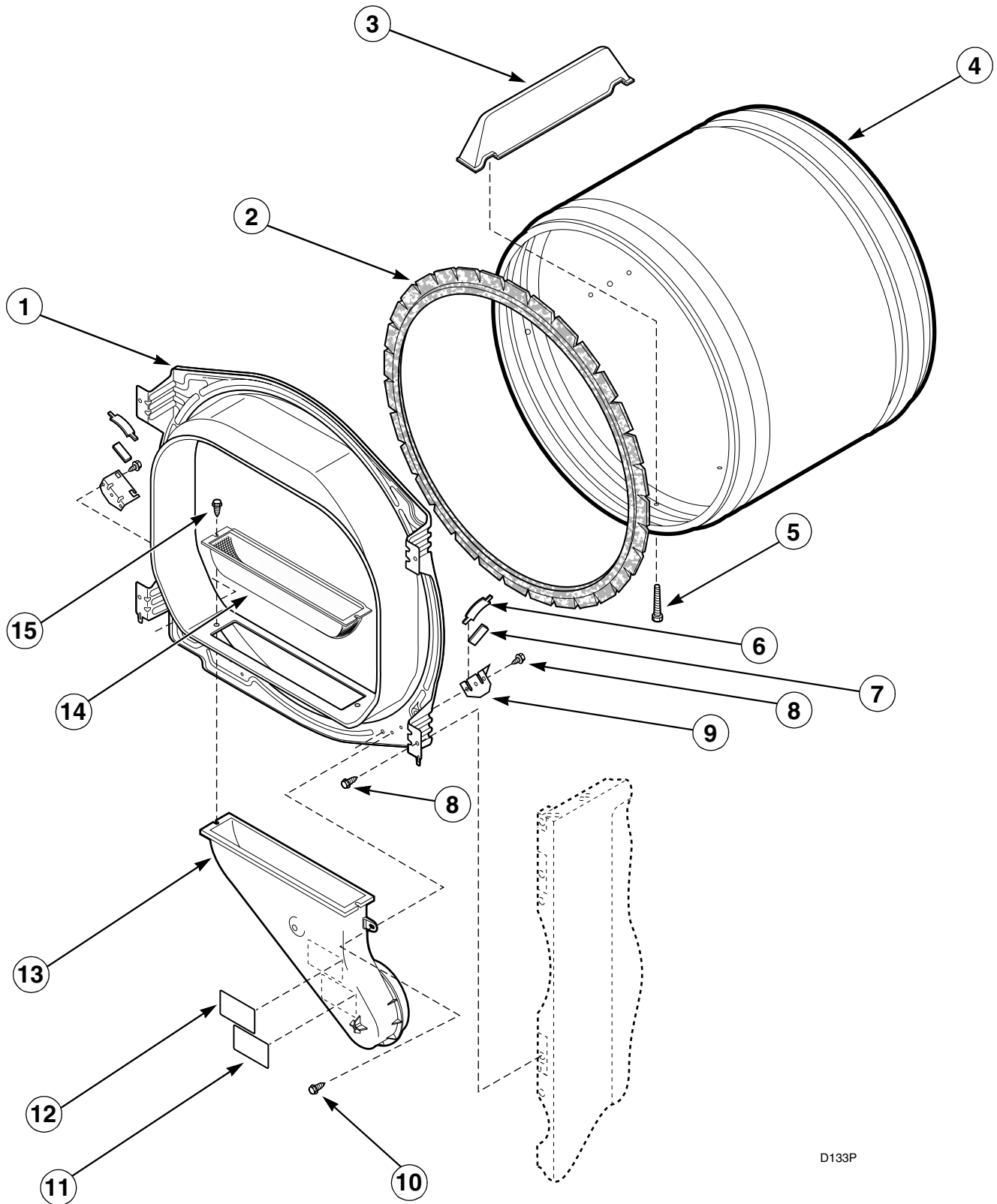
D150P



## Motor, Exhaust Fan and Belt

REF	PART #	DESCRIPTION	COMMENTS
1	500313	Seal	
2	31260	Screw	
3	500078	Exhaust Fan Cover	
4	56000	Exhaust Fan Impeller	
5	56020	Exhaust Fan Housing	
6	501218	Motor Switch	
7	501211	Motor Assembly	120 Volt, 60 Hertz
8	58047	Motor Clips	
9	59174	Belt	
10	500011	Motor Pulley	
11	590P3	Motor Locking Mount	
12	20530	Screw	
13	31645	Screw	
14	33562	Screw	
15	56076	Spring	
16	56156	Locknut	
17	500910	Idler Lever	
18	56461	Shaft	
19	52549	Washer	
20	54414	Idler Pulley	
21	23748	Retainer Ring	
22	500824	Shoulder Bolt	
23	500269	Idler Pulley and Lever Assembly	
24	52566	Locknut	
25	500822	Motor Mounting Bracket	
26	61625	Thermostat	
27	61623	Thermostat Heater	
28	33561	Screw	

# Front Bulkhead, Air Duct, Felt Seal and Cylinder

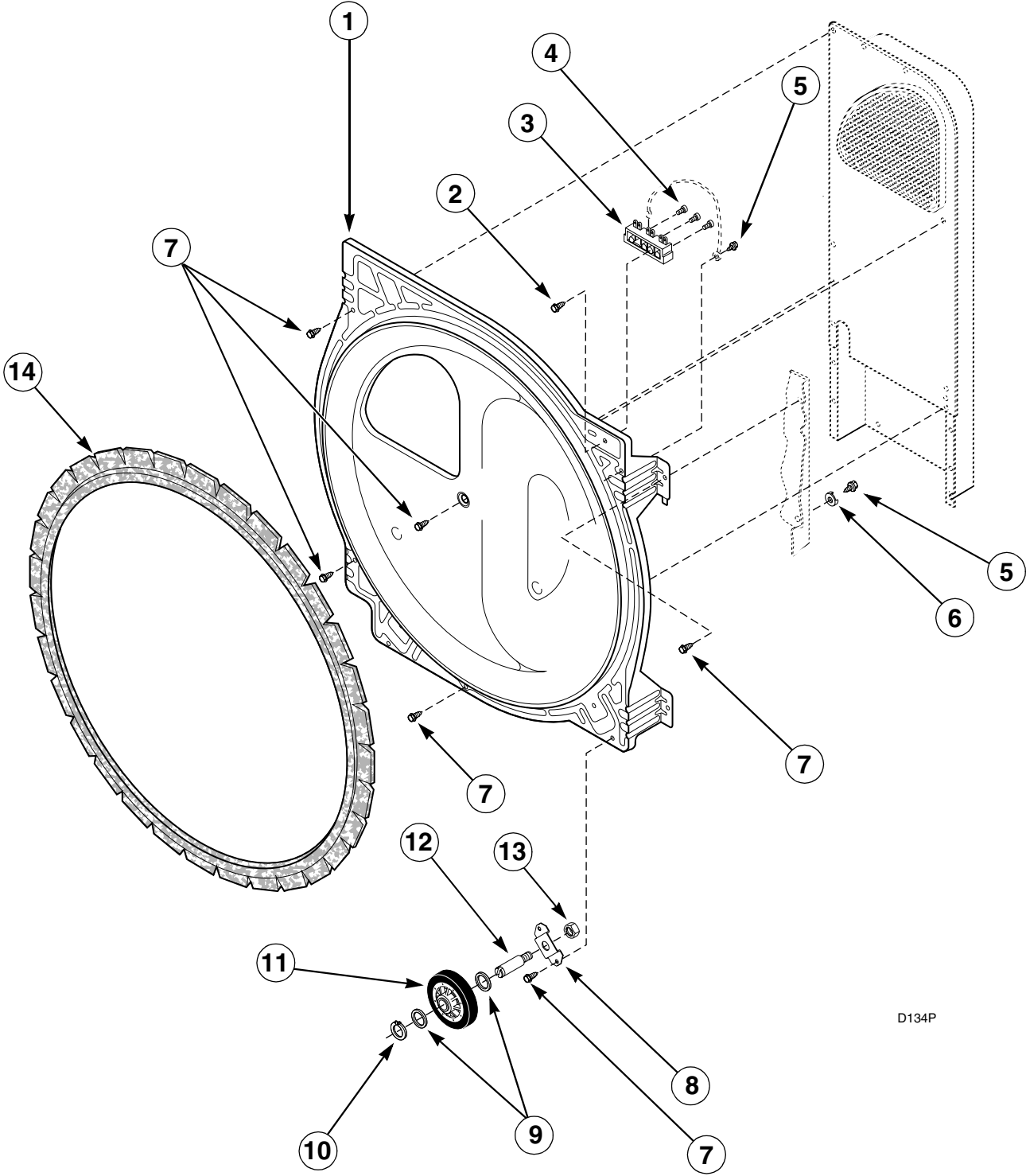


D133P

## Front Bulkhead, Air Duct, Felt Seal and Cylinder

REF	PART #	DESCRIPTION	COMMENTS
1	500091	Front Bulkhead Assembly	Includes Cylinder Seal, Glide Brackets, Screws, Cylinder Glides and Felt Pads
2	501801	Cylinder Seal	
3	500022	Baffle	
4	500095P	Cylinder Assembly	Includes Baffles
5	62588	Screw	
6	501676	Cylinder Glide	One required per side
7	500121	Felt Pad	
8	501668	Screw	
9	501554	Glide Bracket	
10	31645	Screw	
11	56259	Sticker	
12	500049	Sticker	
13	502231	Air Duct	
14	502140	Lint Filter	
15	500226	Screw	

# Rear Bulkhead, Felt Seal, Cylinder Roller and Terminal Block



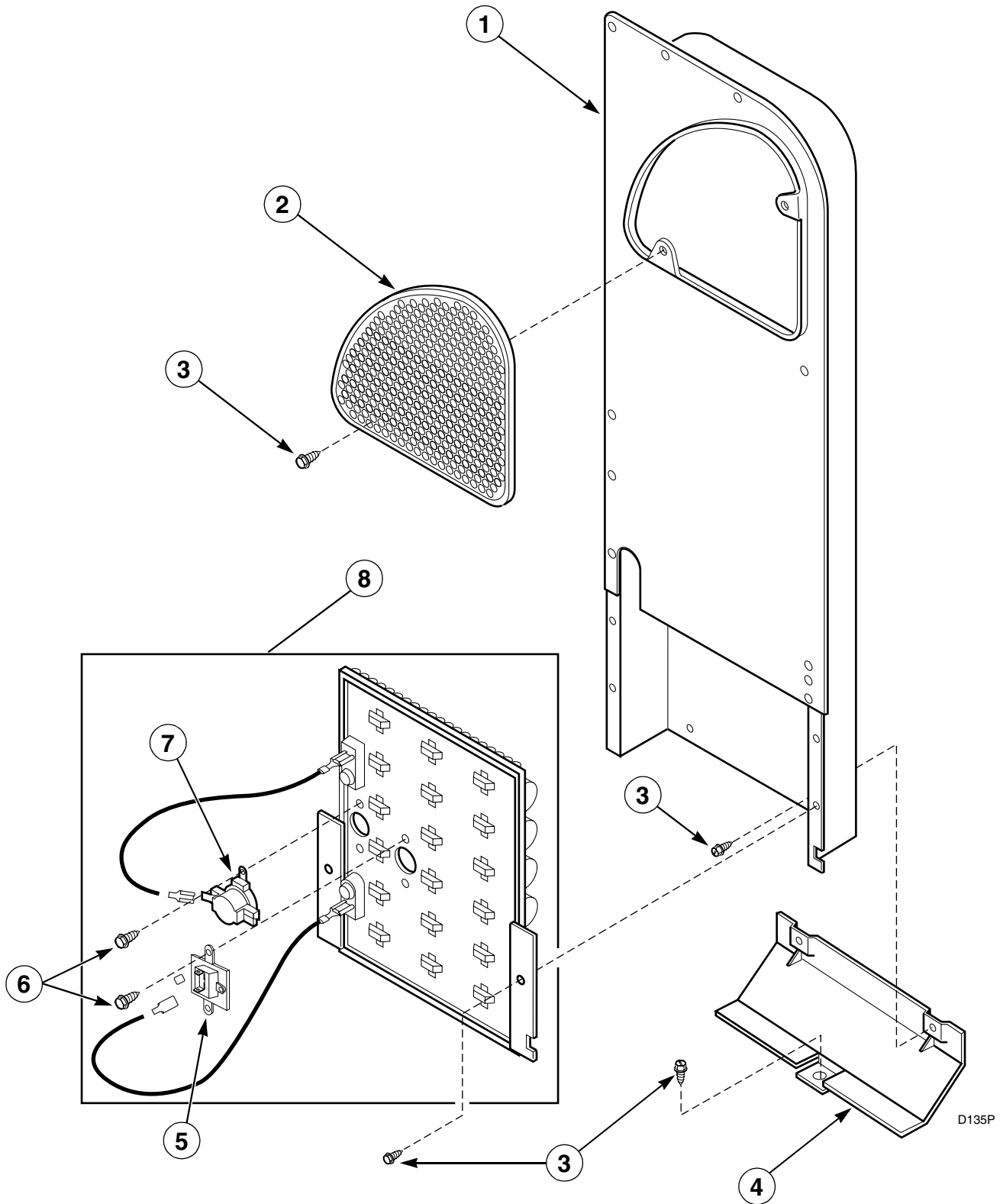
D134P

## Rear Bulkhead, Felt Seal, Cylinder Roller and Terminal Block

REF	PART #	DESCRIPTION	COMMENTS
1	500354	Rear Bulkhead Assembly	Includes Cylinder Seal
2	501285	Screw	
3	61923P	Terminal Block	Includes 61199 Screws
4	61199	Screw	
5	20530	Screw	
6	51474	Cupped Washer	
7	501668	Screw	
8	500062	Roller Bracket	
9	52549	Washer	
10	23748	Retainer Ring	
11	500214	Cylinder Roller	
12	56461	Shaft	
13	56156	Locknut	
14	501801	Cylinder Seal	

# Heat Duct

(Electric Models)



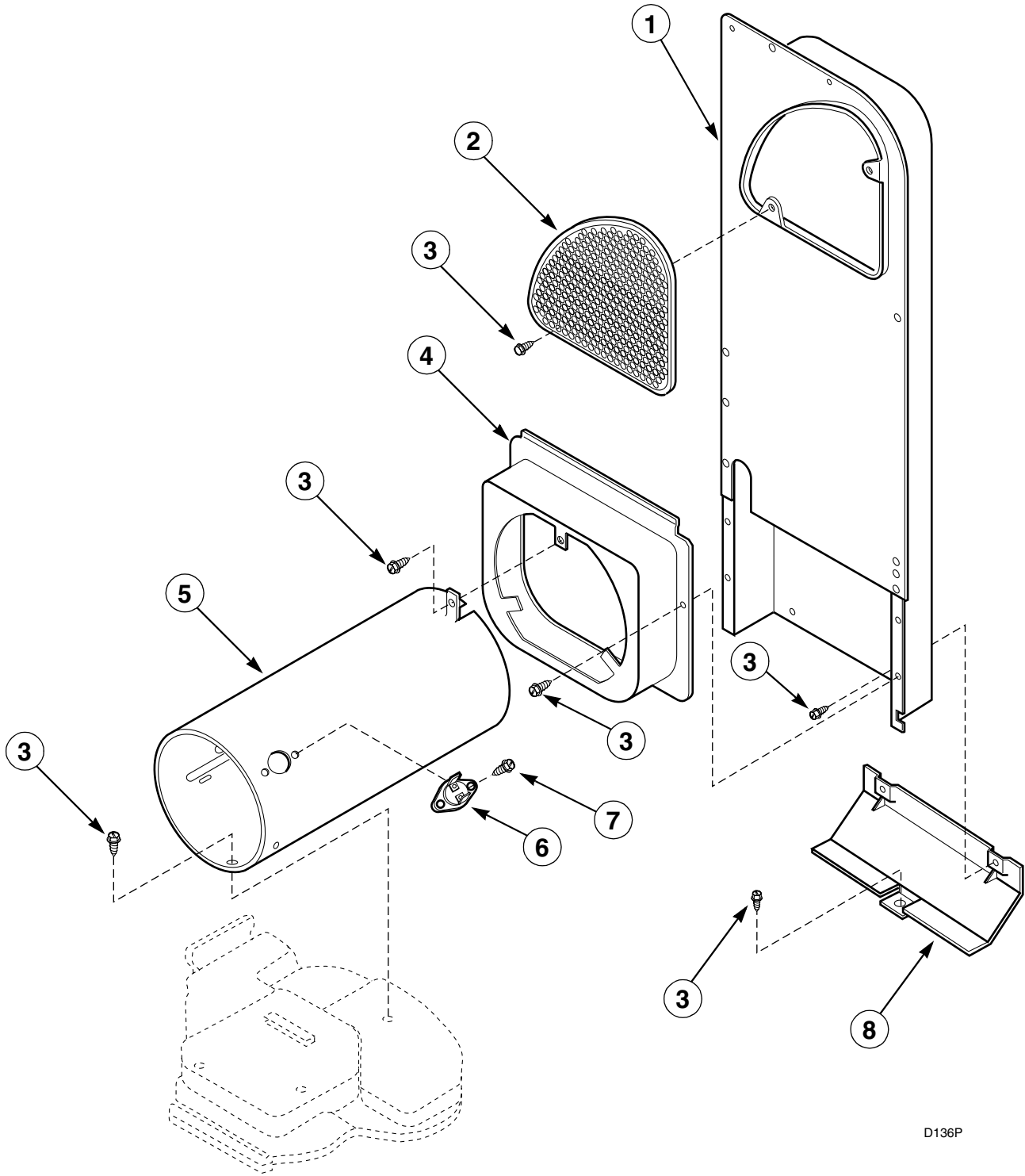
# Heat Duct

(Electric Models)

REF	PART #	DESCRIPTION	COMMENTS
1	500179	Heat Duct	Includes 500820 Outlet Cover and 500298 Screws
2	500820	Outlet Cover	
3	501668	Screw	
4	60952	Heat Shield	
5	62600	Thermal Fuse	
6	23222	Screw	
7	62641	Limit Thermostat	
8	61928	Heater Assembly	208 Volts, 4750 Watts, color coded White
	61927	Heater Assembly	240 Volts, 5000 Watts, color coded Red

# Heat Duct

(Gas Models)



D136P



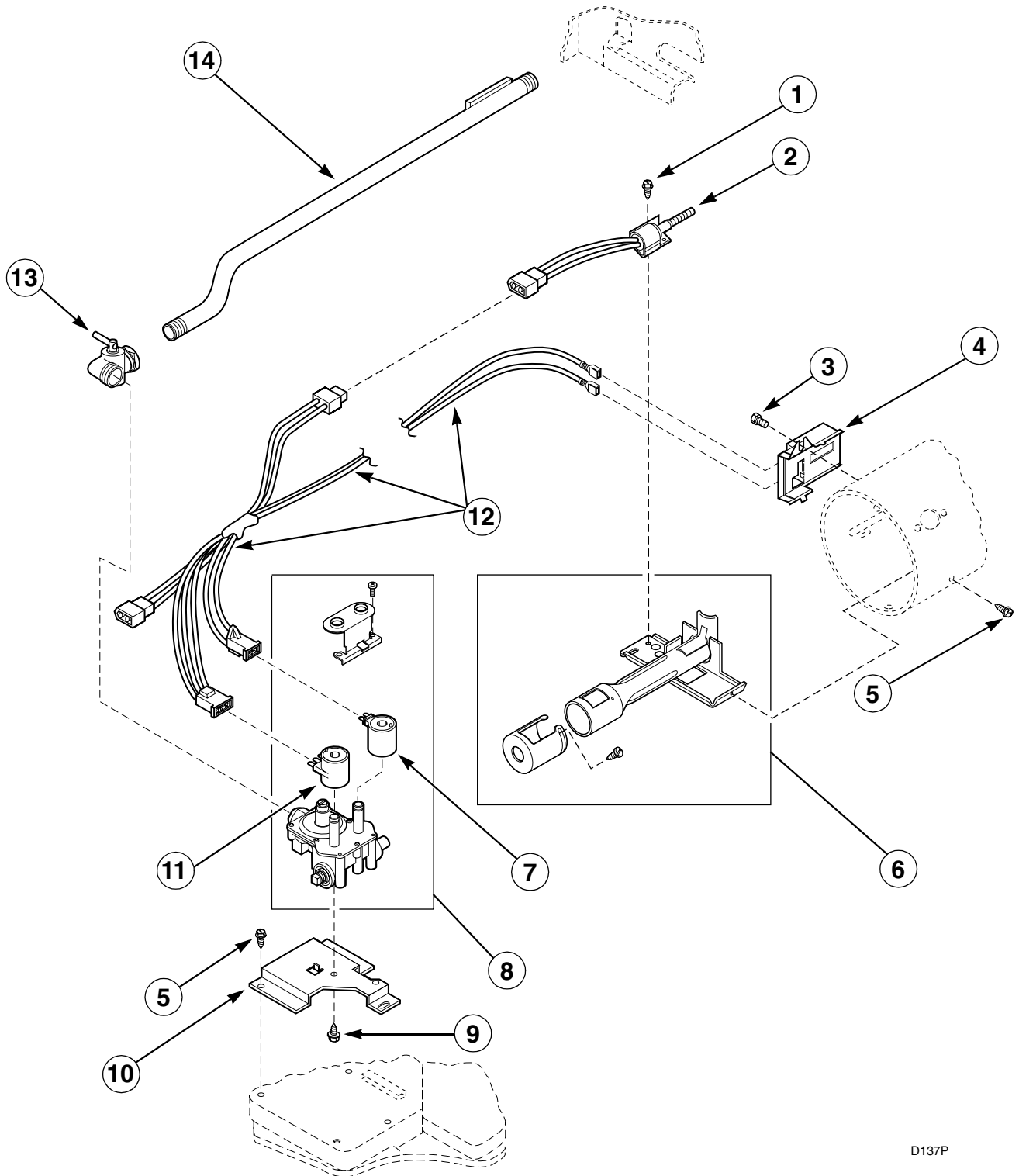
# Heat Duct

(Gas Models)

REF	PART #	DESCRIPTION	COMMENTS
1	500179	Heat Duct	Includes 500820 Outlet Cover and 500298 Screws
2	500820	Outlet Cover	
3	501668	Screw	
4	500122	Heat Shroud	
5	61974	Burner Housing	Includes 489P3 Limit Thermostat Kit and 51782 Screws
6	489P3	Limit Thermostat Kit	
7	51782	Screw	
8	60952	Heat Shield	

# Gas Valve, Igniter and Gas Conversion Kits

(Gas Models)



D137P

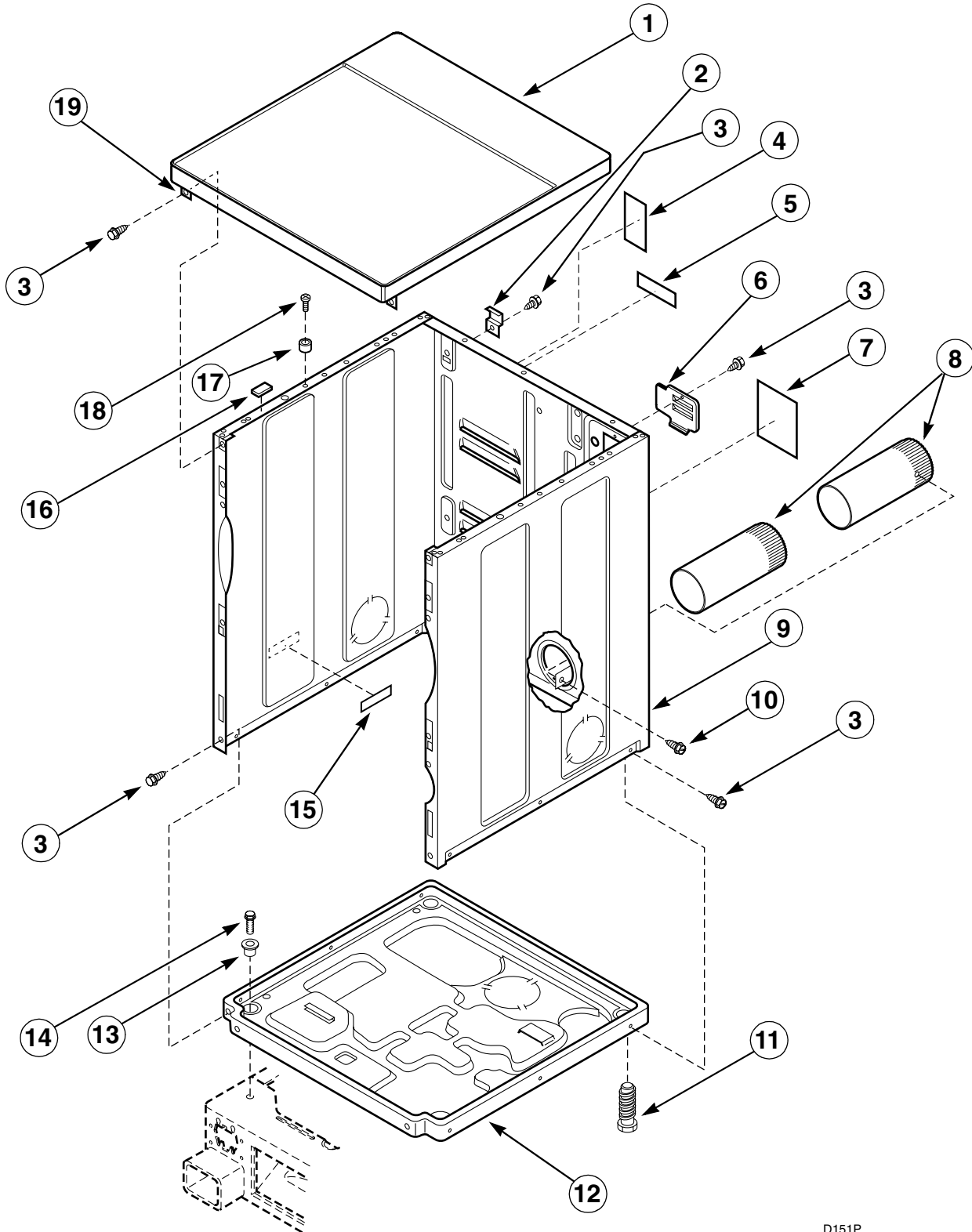
# Gas Valve, Igniter and Gas Conversion Kits

(Gas Models)

REF	PART #	DESCRIPTION	COMMENTS
	458P3	Gas Burner Conversion Kit	Used to convert dryers from Natural/Mixed to L.P. (Liquified Petroleum) Gas
	459P3	Gas Burner Conversion Kit	Used to convert dryers from L.P. to Natural/Mixed Gas
1	51782	Screw	
2	60868	Igniter and Bracket	
3	23222	Screw	
4	56231	Sensor	
5	33562	Screw	
6	56234	Burner Tube Assembly	
7	58804B	Secondary Coil	
8	60353	Gas Valve Assembly	Natural/Mixed Gas
9	56124	Screw	
10	500821	Mounting Bracket	
11	58804A	Holding and Booster Coil	
12	60641	Wire Harness	
13	56229	Valve	
14	500647	Lead-in Pipe Assembly	

# Cabinet Top, Cabinet and Base

(Upper Dryer)



D151P

# Cabinet Top, Cabinet and Base

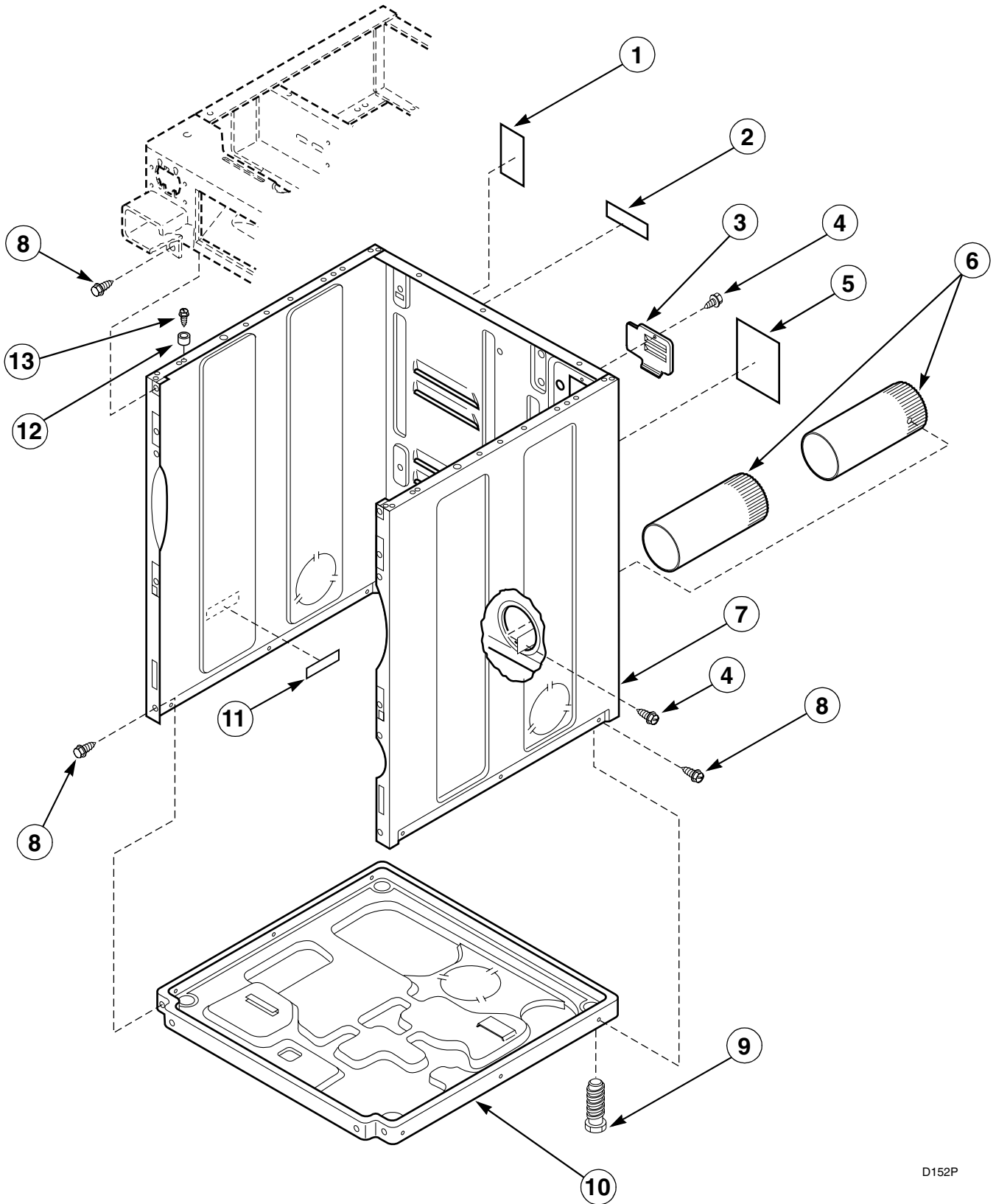
(Upper Dryer)

REF	PART #	DESCRIPTION	COMMENTS
1	500215*	Cabinet Top	
2	500003	Hinge	
3	33562	Screw	
4	500670	Sticker	Gas Models
5	56186	Sticker	
6	500114	Access Plate	
7	501289	Sticker	Electric Models
8	500064	Exhaust Duct	
9	500001*P	Cabinet	
10	501668	Screw	
11	500101	Leveling Leg	Rear only
12	500070	Base	
13	501307	Washer	
14	502431	Screw and Lockwasher	
15	61294	Sticker	Electric Models
16	56128	Bumper	
17	56079	Locator	
18	32671	Screw	
19	500084	Bracket	

\* Add letter to designate color:    L - Almond        W - White

# Cabinet and Base

(Lower Dryer)



D152P

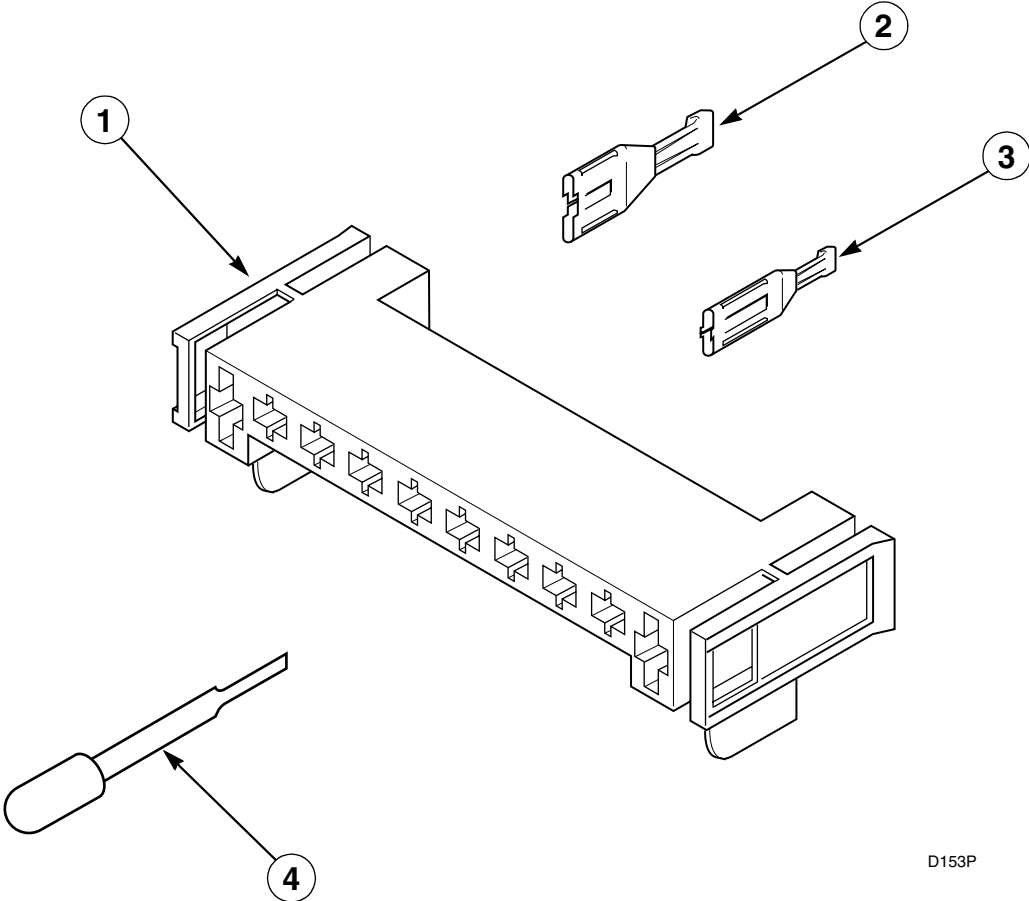
# Cabinet and Base

(Lower Dryer)

REF	PART #	DESCRIPTION	COMMENTS
1	500670	Sticker	Gas Models
2	56186	Sticker	
3	500114	Access Plate	
4	500298	Screw	
5	501286	Sticker	Electric Models
6	500064	Exhaust Duct	
7	500001*P	Cabinet	
8	33562	Slotted Hex Head Screw	
9	500101	Leveling Leg	
10	500070	Base	
11	61294	Sticker	Electric Models
12	56079	Locator	
13	32671	Screw	

\* Add letter to designate color:    L - Almond        W - White

# Motor Disconnect Block, Terminals and Terminal Extractor Tool



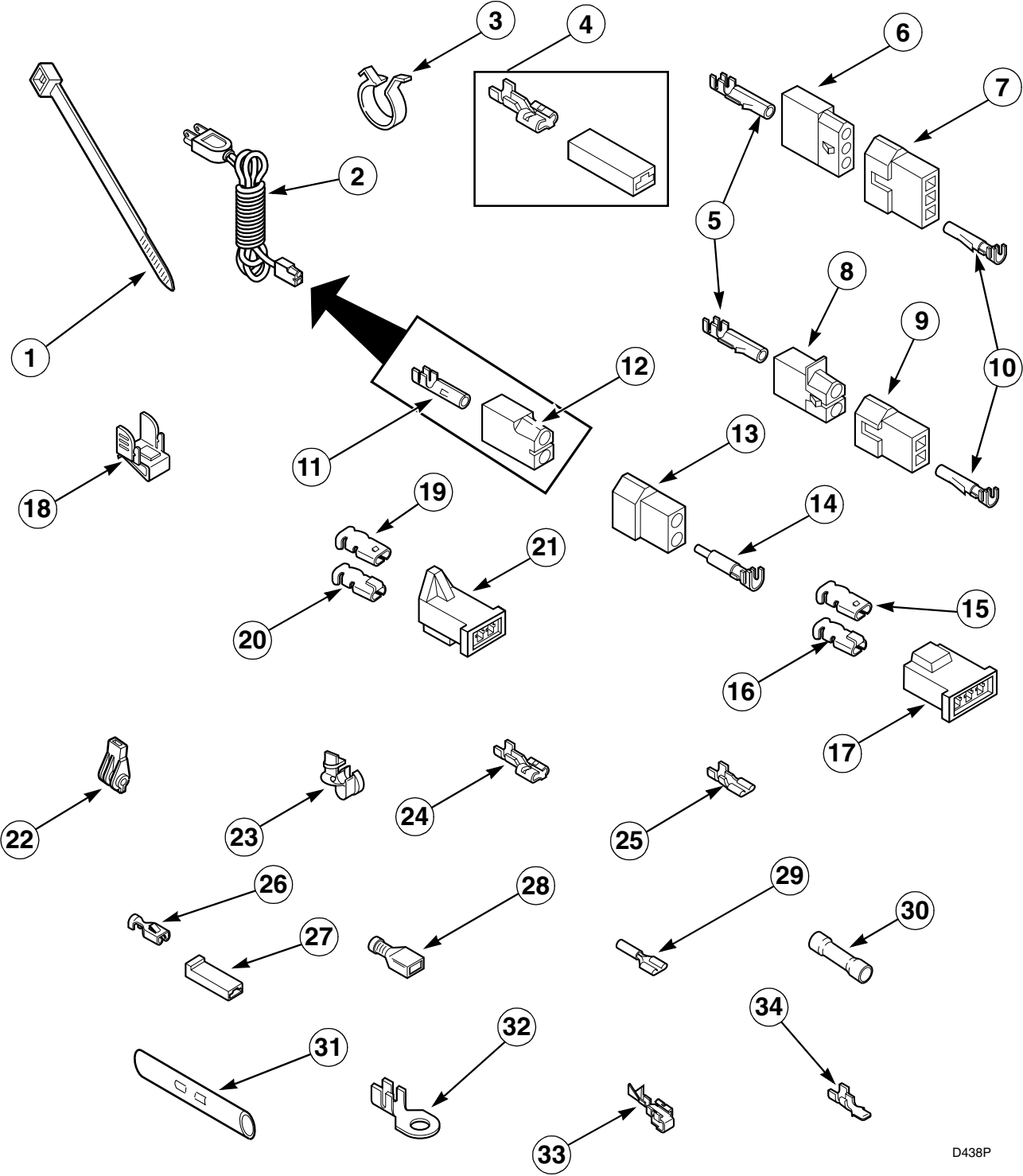
D153P



# Motor Disconnect Block, Terminals and Terminal Extractor Tool

REF	PART #	DESCRIPTION	COMMENTS
	300P4	Torx Head	For removing motor switch
1	500338	Molex Housing	
2	00255	Spade Terminal	1/4 Inch – one 12 Gauge Wire
	00256	Spade Terminal	1/4 Inch – one or two 18 Gauge Wires
3	00188	Molex Terminal	For one or two wire application
4	283P4	Terminal Extractor Tool	

# Power Cord and Terminals



D438P

## Power Cord and Terminals

REF	PART #	DESCRIPTION	COMMENTS
1	55881	Wire Tie	
2	59308	Power Cord	Gas Models only
3	61510	Wire Clip	
4	00237	Insulated Spade Terminal	1/4 Inch – one 12 Gauge Wire or two 18 Gauge Wires
5	00117	Terminal	
6	23039	Terminal Block Receptacle	
7	23040	Terminal Block Plug	
8	56451	Terminal Block Receptacle	
9	56448	Terminal Block Plug	
10	00116	Terminal	
11	00130	Terminal	
12	56265	Terminal Block Receptacle	
13	56266	Terminal Block Plug	
14	00127	Terminal	
15	00189	Terminal	
16	00190	Terminal	Piggy Back
17	58800	Terminal Block	
18	00161	Ground Clip	
19	00189	Terminal	
20	00190	Terminal	Piggy Back
21	58799	Terminal Block	
22	70210	Plastic Insulator	
23	21903	Strain Relief	
24	00245	Spade Terminal	1/4 Inch – one 22 Gauge Wire
	00119	Spade Terminal	1/4 Inch – one 18 Gauge Wire
	00121	Spade Terminal	1/4 Inch – two 18 Gauge Wires or one 12 Gauge Wire
25	00124	Spade Terminal	3/16 Inch – one 18 Gauge Wire (.020 Tab)
	00209	Spade Terminal	3/16 Inch – two 18 Gauge Wires (.020 Tab)
	00156	Spade Terminal	3/16 Inch – Thermostat Wire (.032 Tab)
26	00115	Lock In Spade Terminal	One 18 Gauge Wire
	00122	Lock In Spade Terminal	Two 18 Gauge Wires or one 12 Gauge Wire
27	90789	Connector	
28	00165	Insulated Spade Terminal	3/16 Inch
	00163	Insulated Spade Terminal	1/4 Inch
29	00214	Barrel Insulated Spade Terminal	18 Gauge
	00215	Barrel Insulated Spade Terminal	12 Gauge
30	30865	Butt Splice Connector	
31	21091	Connector	
32	00110	Eyelet Terminal	One 18 Gauge Wire
	00111	Eyelet Terminal	Two 18 Gauge Wires or one 12 Gauge Wire
33	00114	Double Connector Terminal	
34	00138	Male Terminal	1/4 Inch – one 18 Gauge Wire
	00139	Male Terminal	1/4 Inch – two 18 Gauge Wires or one 12 Gauge Wire

## Wire Harnesses and Wires

Individual wires are not available separately. Order complete wire harness, or order wire by the foot. See chart at bottom of page.

MODEL NUMBER	UPPER WIRE HARNESS	LOWER WIRE HARNESS	CONTROL CABINET WIRE HARNESS
DSE007	500866	500953	500954
DSG009	501219	500962	500963
ZE5117	500866	500865	500867
ZG5119	500827	500828	500961

Order the individual wire color and gauge by the part number listed below. Order wire by the foot and terminals and connectors as required. It is recommended when applying terminals to wires that the terminals be soldered to the wires.

**IMPORTANT: Always replace wires with proper gauge.**

PART NUMBER	WIRE GAUGE	WIRE COLOR
45001	18 Gauge Wire	Black
45380	12 Gauge Wire	Orange

# Parts Index

---

## A

Access Plate	
500114 .....	35, 37
Accumulator	
59228 .....	13
Accumulator Bracket	
60835 .....	9
Air Duct	
502231 .....	25

---

## B

Baffle	
500022 .....	25
Barrel Insulated Spade Terminal	
00214 .....	41
00215 .....	41
Base	
500070 .....	35, 37
Belt	
59174 .....	23
Bolt	
29651 .....	11
Bracket	
500084 .....	35
Bumper	
56128 .....	35
Burner Housing	
61974 .....	31
Burner Tube Assembly	
56234 .....	33
Butt Splice Connector	
30865 .....	41

---

## C

Cabinet	
500001P .....	35, 37
Cabinet Top	
500215 .....	35
Caged Nut	
80077 .....	7, 11, 19
Cam	
27261 .....	5, 9
Coin Funnel Kit	
523P3 .....	11
Coin Slide Guard	
58181 .....	9
Complete Loading Door Assembly	
500035 .....	15
500409 .....	17
Connector	
21091 .....	41
90789 .....	41
Control Cabinet Front	
500225 .....	7
500847 .....	11

Control Cabinet Wrapper	
500220 .....	7, 11
Control Knob Assembly	
35182 .....	5, 9
Control Panel Frame	
500228 .....	5, 9
Control Panel Overlay	
500344 .....	9
502927 .....	5
Cupped Washer	
51474 .....	27
Cylinder Assembly	
500095P .....	25
Cylinder Glide	
501676 .....	25
Cylinder Roller	
500214 .....	27
Cylinder Seal	
501801 .....	25, 27

---

## D

Door Hinge	
500041 .....	15, 17
Door Hinge Mounting Bracket	
500236 .....	17
Door Hinge Mounting Clip	
500236 .....	15
Door Pull	
500042 .....	15, 17
Door Seal	
500200 .....	15, 17
Door Striker	
500039 .....	15, 17
Door Striker Bracket	
500223 .....	15, 17
Door Switch	
62872 .....	19, 21
Double Connector Terminal	
00114 .....	41

---

## E

Exhaust Duct	
500064 .....	35, 37
Exhaust Fan Cover	
500078 .....	23
Exhaust Fan Housing	
56020 .....	23
Exhaust Fan Impeller	
56000 .....	23
Eyelet Terminal	
00110 .....	41
00111 .....	41

---

**F**

Felt Pad	
500121 .....	25
Front Bulkhead Assembly	
500091 .....	25
Front Panel	
500033 .....	19, 21
Front Panel Seal	
500034 .....	19, 21

---

**G**

Gas Burner Conversion Kit	
458P3 .....	33
459P3 .....	33
Gas Valve Assembly	
60353 .....	33
Glide Bracket	
501554 .....	25
Ground Clip	
00161 .....	5, 9, 41
Guide Lug	
56079 .....	7, 11, 19, 21

---

**H**

Heat Duct	
500179 .....	29, 31
Heat Shield	
0952 .....	29
60952 .....	31
Heat Shroud	
500122 .....	31
Heater Assembly	
61927 .....	29
61928 .....	29
Hinge	
500003 .....	35
Hold-down Clip	
28835 .....	21
Holding and Booster Coil	
58804A .....	33

---

**I**

Idler Lever	
500910 .....	23
Idler Pulley	
54414 .....	23
Idler Pulley and Lever Assembly	
500269 .....	23
Igniter and Bracket	
60868 .....	33
Index Spring	
53238 .....	13
Indicator Light	
32464 .....	5, 9

---

Inner Door Panel and Seal	
500199 .....	15
500410 .....	17
Instruction Sticker	
500390 .....	21
Insulated Spade Terminal	
00163 .....	41
00165 .....	41
00237 .....	41

---

**K**

Knurled Nut	
24205 .....	5, 9

---

**L**

Lead-in Pipe Assembly	
500647 .....	33
Leveling Leg	
500101 .....	35, 37
Limit Thermostat	
62641 .....	29
Limit Thermostat Kit	
489P3 .....	31
Lint Filter	
502140 .....	25
Locator	
56079 .....	35, 37
Lock Assembly	
27260 .....	5, 9
Lock In Spade Terminal	
00115 .....	41
00122 .....	41
Locknut	
52566 .....	23
56156 .....	23, 27
Lockwasher	
25820 .....	5, 9
91176 .....	5, 9
Lower Access Panel	
500044 .....	19, 21

---

**M**

Male Terminal	
00138 .....	41
00139 .....	41
Molex Housing	
500338 .....	39
Molex Terminal	
00188 .....	39
Motor Assembly	
501211 .....	23
Motor Clips	
58047 .....	23
Motor Locking Mount	
590P3 .....	23
Motor Mounting Bracket	
500822 .....	23

Motor Pulley	
500011 .....	23
Motor Switch	
501218 .....	23
Mounting Bracket	
500821 .....	33

## N

Nut	
29796 .....	11
52947 .....	5, 9
Nylon Bushing	
53262 .....	13

## O

Outer Door Panel	
500040 .....	15
500201 .....	17
Outlet Cover	
500820 .....	29, 31
Overlay	
500814 .....	5

## P

Pawl Spring	
53244 .....	13
Plastic Insulator	
70210 .....	41
Power Cord	
59308 .....	41
Push Nut	
58030 .....	17
Push-to-Start Switch Assembly	
55882 .....	5, 9

## R

Ratchet Wheel	
53239 .....	13
Rear Bulkhead Assembly	
500354 .....	27
Retainer Ring	
23748 .....	27
3748 .....	23
Return Spring	
53261 .....	13
Roller Bracket	
500062 .....	27

## S

Screw	
03203 .....	9
03950 .....	9
20530 .....	5, 9, 23, 27
21933 .....	7, 11
23222 .....	29, 33
27328 .....	5
31260 .....	23
31645 .....	23, 25
32671 .....	7, 11, 19, 21, 35, 37
33561 .....	23
33562 .....	7, 9, 11, 19, 21, 23, 33, 35
500226 .....	15, 17, 25
500227 .....	19, 21
500297 .....	15, 17
500298 .....	7, 37
500347 .....	19
501285 .....	27
501668 .....	7, 9, 11, 25, 27, 29, 31, 35
502431 .....	7, 11
51782 .....	31, 33
56124 .....	33
61199 .....	27
62588 .....	25
Screw and Lockwasher	
502431 .....	35
Seal	
500313 .....	23
Secondary Coil	
58804B .....	33
Sensor	
56231 .....	33
Set Screw	
20310 .....	5, 9
25285 .....	5
Shaft	
56461 .....	23, 27
Shoulder Bolt	
500824 .....	23
Slide Extension	
500218 .....	9
Slotted Hex Head Screw	
33562 .....	19, 37
Spade Terminal	
00119 .....	41
00121 .....	41
00124 .....	41
00156 .....	41
00209 .....	41
00245 .....	41
Spade Terminal (1/4 inch)	
00255 .....	39
00256 .....	39
Spring	
56076 .....	23

Sticker	
500049 .....	25
500281 .....	19, 21
500347 .....	21
500670 .....	19, 21, 35, 37
501286 .....	37
501289 .....	35
56186 .....	35, 37
56259 .....	25
61294 .....	35, 37
Strain Relief	
21903 .....	41
52113 .....	5, 9
52151 .....	5, 9
Striker Catch	
54660 .....	19, 21
Switch	
53236 .....	13

## T

Temperature Selector Switch	
61512 .....	5, 9
Terminal	
00116 .....	41
00117 .....	41
00127 .....	41
00130 .....	41
00189 .....	41
00190 .....	41
Terminal Block	
58799 .....	41
58800 .....	41
61923P .....	27
Terminal Block Plug	
23040 .....	41
56266 .....	41
56448 .....	41
Terminal Block Receptacle	
23039 .....	41
56265 .....	41
56451 .....	41
Terminal Extractor Tool	
283P4 .....	39
Thermal Fuse	
62600 .....	29
Thermostat	
61625 .....	23
Thermostat Heater	
61623 .....	23
Timer	
500399 .....	5
Timer Knob Assembly	
54678 .....	5
Timing Cam	
53240 .....	13
53241 .....	13
53242 .....	13
53243 .....	13
Timing Cam Drive	
M400754 .....	13
Timing Motor	
53235P .....	13
Torx Bit	
282P4 .....	19, 21

Torx Bit Holder	
24161 .....	19, 21
Torx Head	
300P4 .....	39
Torx Head Screw	
62853 .....	19, 21

## V

Valve	
56229 .....	33

## W

Washer	
501307 .....	7, 11, 35
52549 .....	23, 27
Window	
500231 .....	17
Window Trim	
500202 .....	17
Wire Clip	
61510 .....	41
Wire Harness	
60641 .....	33
62672 .....	9
Wire Tie	
55881 .....	41