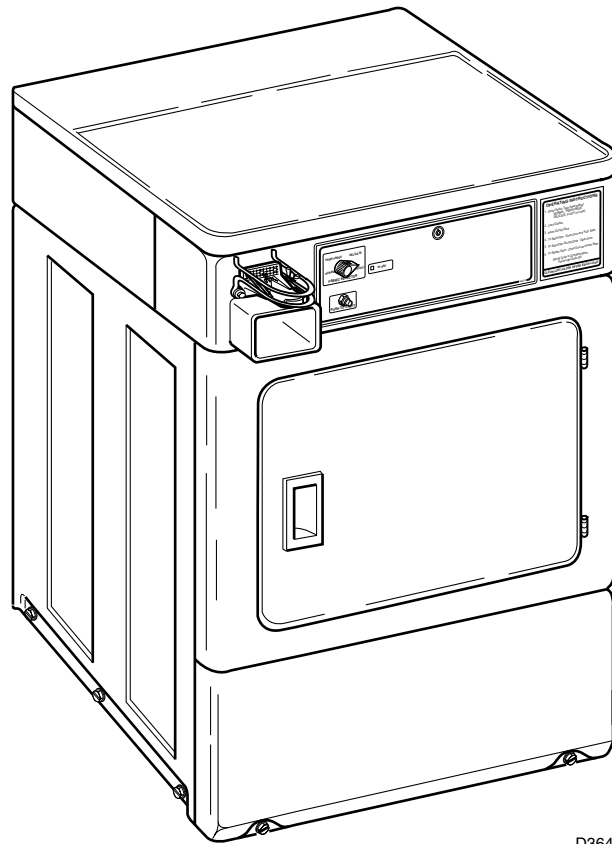


Front Control Dryers

Refer to Page 3 for Model Numbers



D364P

Parts

Table of Contents

Title	Page
Parts Ordering Information	2
Nameplate Location	2
Model Identification	3
Control Panel and Controls	4
Control Panel and Controls (Coin Drop)	6
Control Panel and Controls (Card Reader Installed)	8
Control Cabinet	10
Control Cabinet (Coin Drop)	12
Control Cabinet (Card Reader Installed)	14
Two Switch Timer	16
Loading Door	18
Access Panel, Front Panel and Seal	20
Motor, Exhaust Fan and Belt	22
Front Bulkhead, Air Duct, Felt Seal and Cylinder	24
Rear Bulkhead, Felt Seal, Cylinder Roller and Terminal Block	26
Heater Duct and Element Assembly	28
Heater Duct Assembly	30
Gas Valve, Igniter and Gas Conversion Kits	32
Cabinet, Exhaust Duct and Base	34
Power Cord	36
Terminals	38
Terminals	40
Motor Connection Block, Terminal Extractor Tools	42
Wire Harnesses and Wires	44
Parts Index	45

© Copyright 2000, Alliance Laundry Systems LLC

All rights reserved. No part of the contents of this book may be reproduced or transmitted in any form or by any means without the expressed written consent of the publisher.

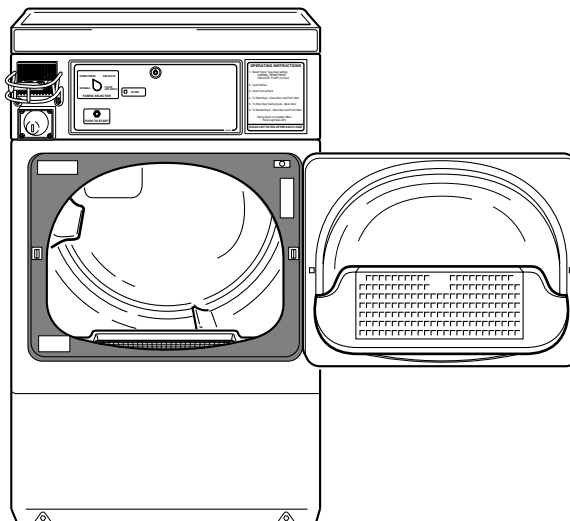
Parts Ordering Information

If literature or replacement parts are required, contact the source from whom the machine was purchased or contact Alliance Laundry Systems at (920) 748-3950 for the name and address of the nearest authorized parts distributor.

For technical assistance, call (920) 748-3121.

Nameplate Location

When calling or writing about your product, be sure to mention model and serial numbers. Model and serial numbers are located on nameplate(s) as shown.



D365P

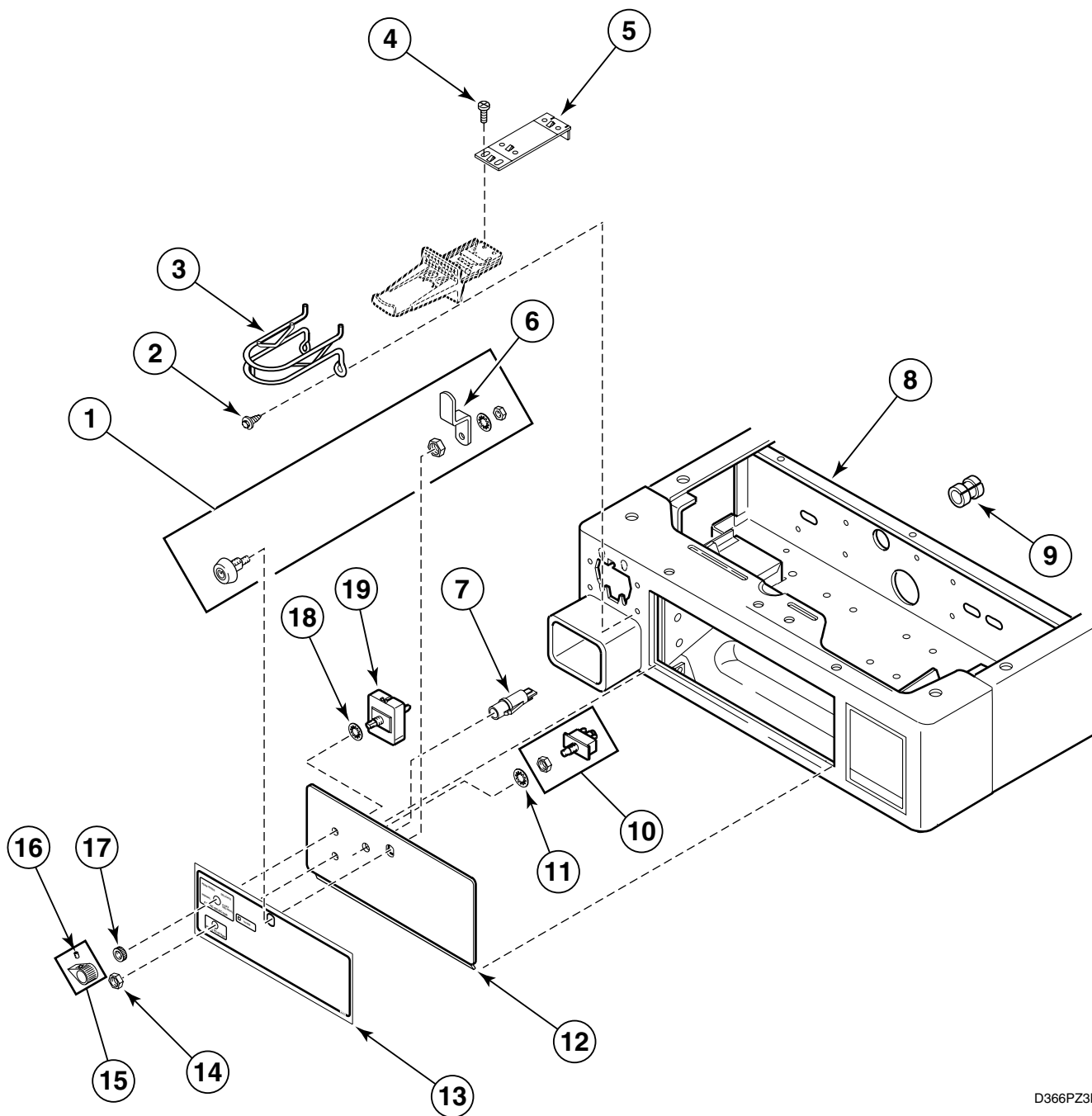
Model Identification

Information in this manual is applicable to these dryers:

Dryer Model	Metered Model	Coin Slide Ready	Electric Heat	Gas Heat	Coin Drop Installed	Card Reader Installed
HFE107*A1702	X	X	X			
HFE107*C1702	X	X	X			
HFG109*A1102	X	X		X		
HFG109*C1102	X	X		X		
SFE107*A	X	X	X			
SFG109*A	X	X		X		
SFE507*A	X		X		X	
SFE707*A	X		X			X
SFG509*A	X			X	X	
SFG709*A	X			X		X

* Add Letter To Designate Color. L – Almond W – White

Control Panel and Controls



D366PZ3B

Control Panel and Controls

REF	PART #	DESCRIPTION	COMMENTS
1	27260P	Lock Assembly	Includes reference item 6
2	33562	Screw	
3	58181	Coin Slide Guard	
4	03950	Screw	
5	503455	Slide Extension	
6	27261	Cam	
7	32464	Indicator Light	
8	505753*	Security Cabinet Wrapper	
9	52113	Strain Relief	Gas models
	52151	Strain Relief	Electric models
10	55882	Push-to-Start Switch Assembly	
11	25820	Lockwasher	
12	504447*	Control Panel and Bracket	
13	504210	Overlay	
14	52947	Nut	
15	39897	Control Knob Assembly	
16	20310	Setscrew	
17	24205	Knurled Nut	
18	91176	Lockwasher	
19	61512	Fabric Selector Switch	

* Add Letter To Designate Color. L – Almond W – White

Control Panel and Controls (Coin Drop)

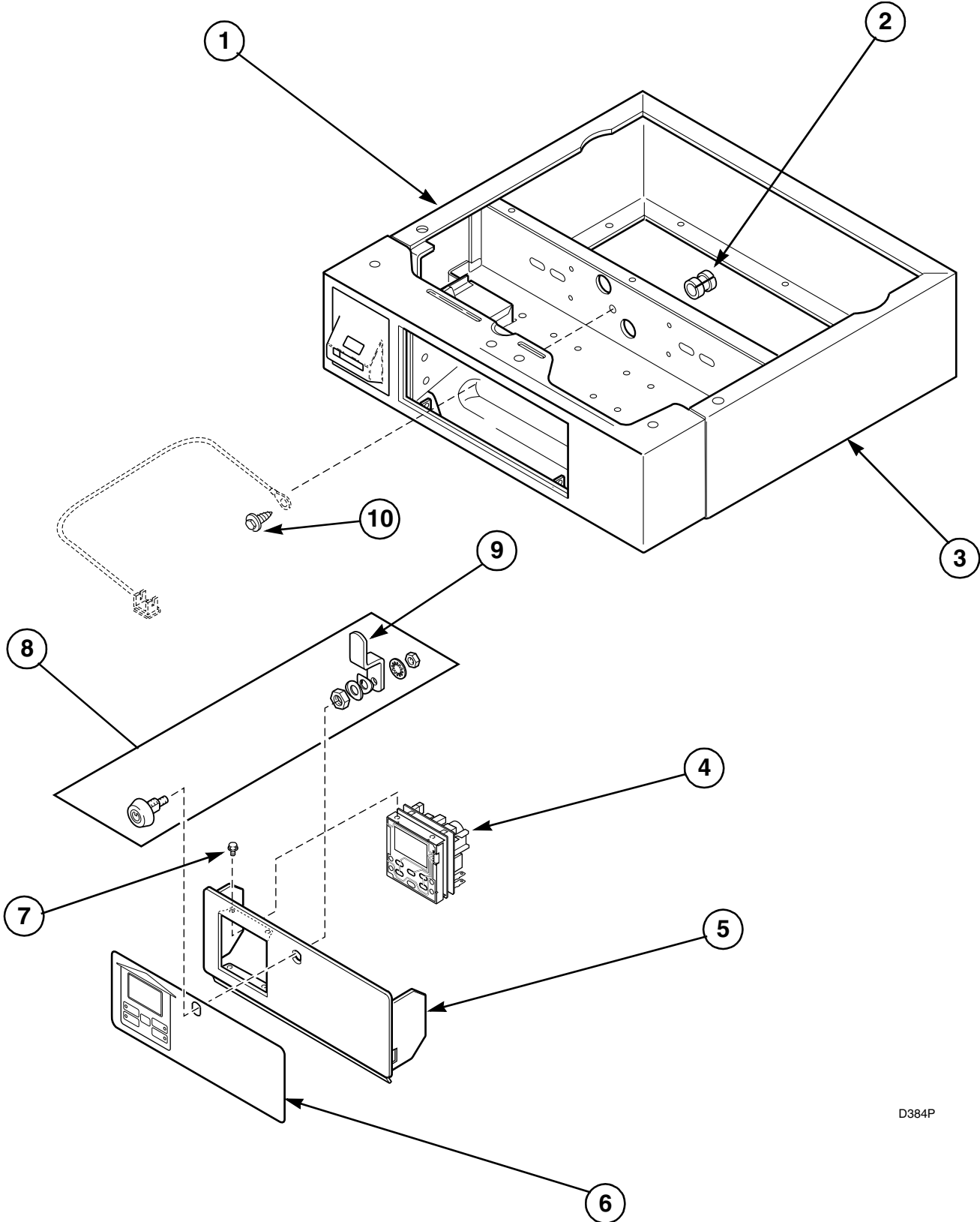
Models SFE507*A and SFG509*A

REF	PART #	DESCRIPTION	COMMENTS
1	38479	Coin Drop	Single; U.S. quarter
2	29786	Locknut	
3	52113	Strain Relief	Gas models
	52151	Strain Relief	Electric models
4	505753*	Control Cabinet Wrapper	
5	M414050P	Electronic Control	
6	505510*	Control Panel	
7	505605	Graphic Overlay	
8	510524	Screw	
9	27260P	Lock Assembly	Includes reference item 10
10	27261	Cam	
11	505767*	Control Cabinet Front	

* Add Letter To Designate Color. L – Almond W – White

Control Panel and Controls (Card Reader Installed)

Models SFE707*A and SFG709*A



D384P

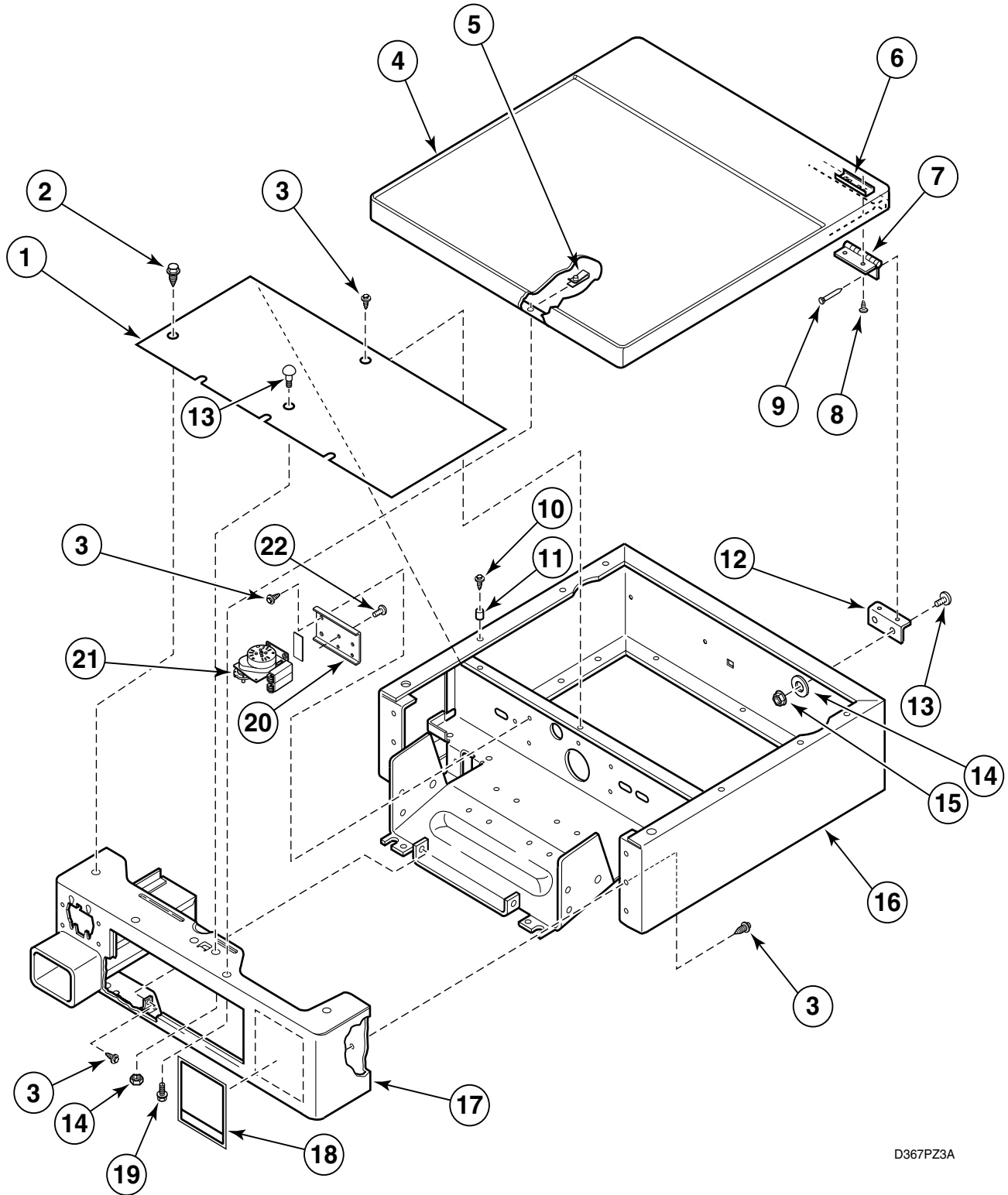
Control Panel and Controls (Card Reader Installed)

Models SFE707*A and SFG709*A

REF	PART #	DESCRIPTION	COMMENTS
1	505542*	Control Cabinet Front	
2	52113	Strain Relief	Gas models
	52151	Strain Relief	Electric models
3	505753*	Control Cabinet Wrapper	
4	M414050P	Electronic Control	
5	505510*	Control Panel	
6	505605	Graphic Overlay	
7	501524	Screw	
8	27260P	Lock Assembly	Includes reference item 9
9	27261	Cam	
10	20530	Screw	

* Add Letter To Designate Color. L – Almond W – White

Control Cabinet



D367PZ3A

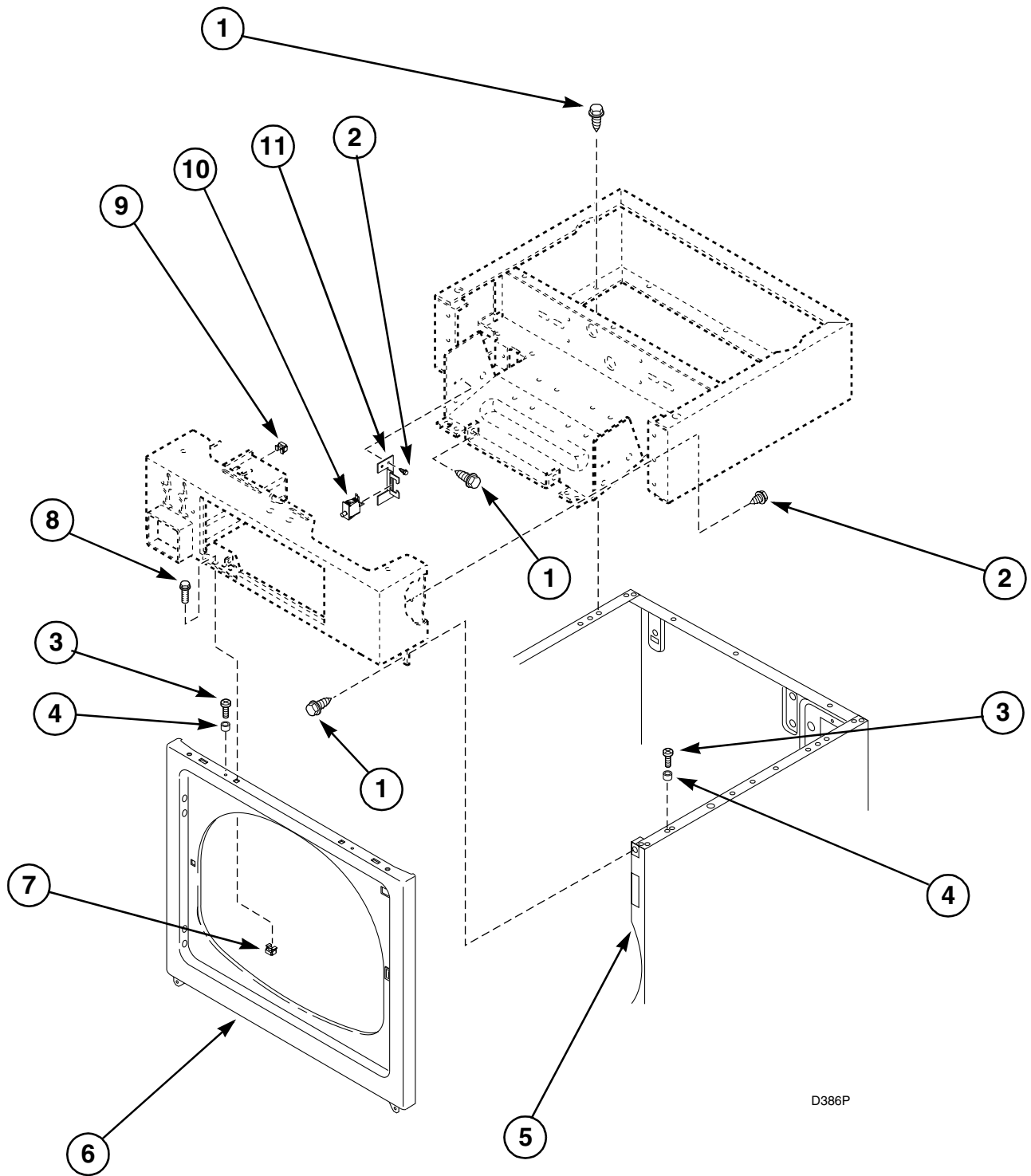
Control Cabinet

REF	PART #	DESCRIPTION	COMMENTS
1	504229	Top-Security Panel	
2	36048	Screw	
3	503661	Screw	
4	510033*	Top Panel	
5	36020	U-Type Nut	
6	500236	Hinge Clip	
7	511036	Hinge	
8	500226	Screw	
9	685847	Rivet	
10	32671	Screw	
11	56079	Locator	
12	504228	Bracket	
13	29651	Bolt	
14	800457	Washer	
15	29796	Nut	
16	505753*	Security Cabinet Wrapper	
17	505337*	Security Cabinet Front Section	
18	504585	Instruction Label	
19	23008	Screw	
20	503017	Timer Bracket	
21	510628P	Timer	
22	03203	Screw	

* Add Letter To Designate Color. L – Almond W – White

Control Cabinet (Coin Drop)

Models SFE507*A and SFG509*A



D386P

Control Cabinet (Coin Drop)

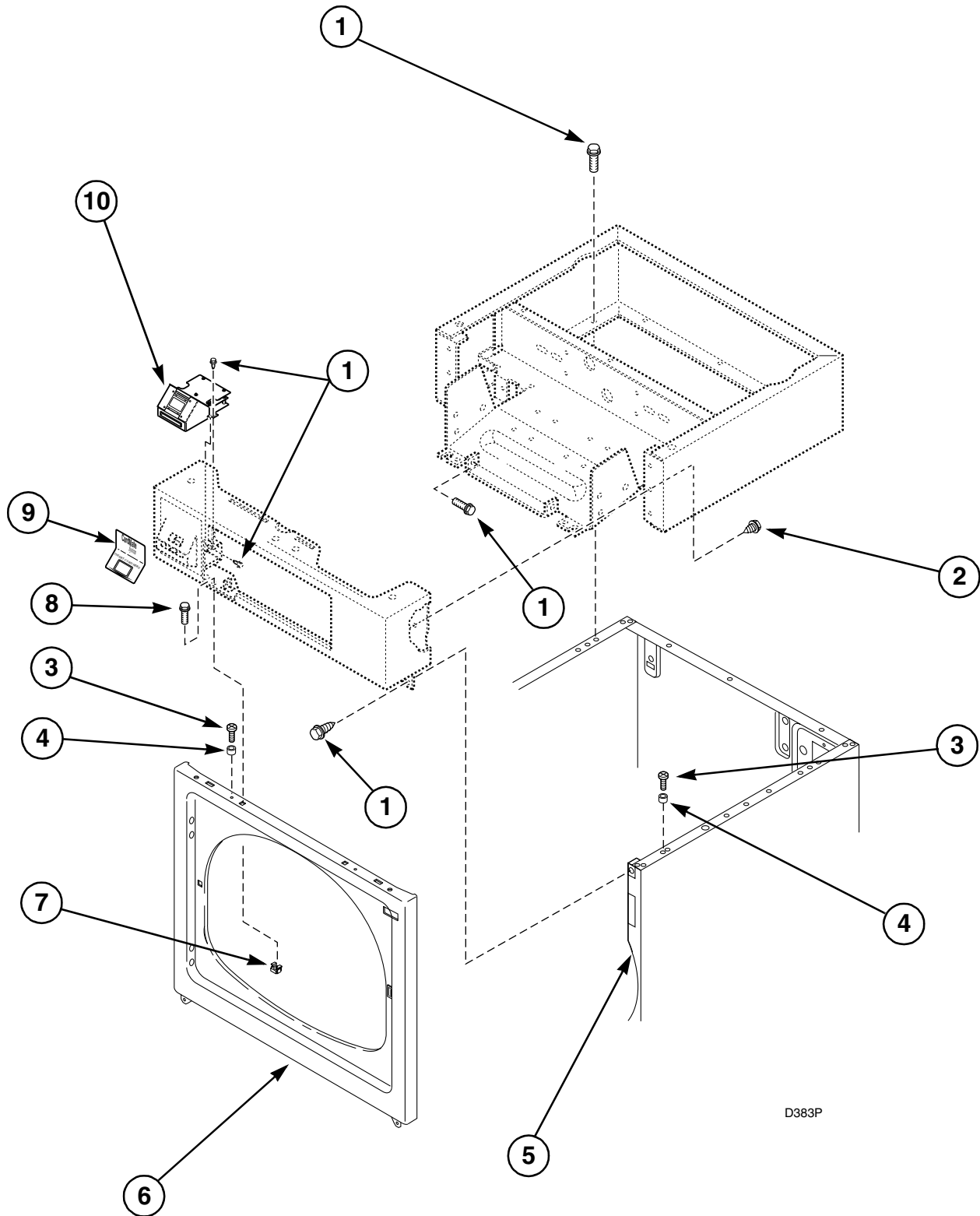
Models SFE507*A and SFG509*A

REF	PART #	DESCRIPTION	COMMENTS
1	503661	Screw	
2	503688	Screw	
3	32671	Screw	
4	56079	Locator	
5	727P3*	Cabinet Kit	
6	510066*	Front Panel	
7	80077	Caged Nut	
8	502431	Screw	
9	80077	Caged Nut	
10	504570	Switch	
11	38087	Bracket	

* Add Letter To Designate Color. L – Almond W – White

Control Cabinet (Card Reader Installed)

Models SFE707*A and SFG709*A



D383P

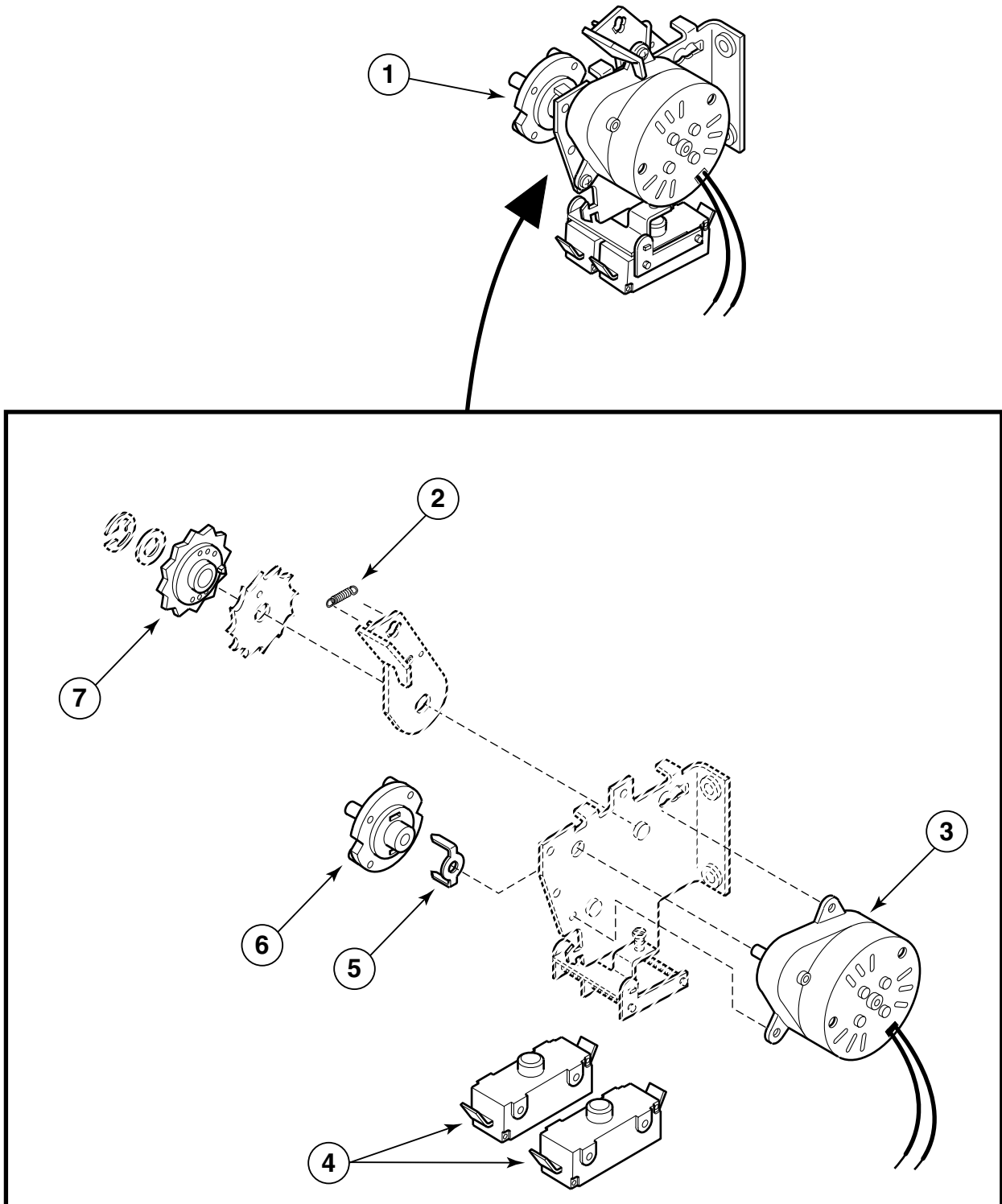
Control Cabinet (Card Reader Installed)

Models SFE707*A and SFG709*A

REF	PART #	DESCRIPTION	COMMENTS
1	503661	Screw	
2	503688	Screw	
3	32671	Screw	
4	56079	Locator	
5	727P3*	Cabinet Kit	
6	503656*	Front Panel	
7	80077	Caged Nut	
8	29277	Screw	
9	38192	Label	
10	39685	Card Reader	

* Add Letter To Designate Color. L – Almond W – White

Two Switch Timer

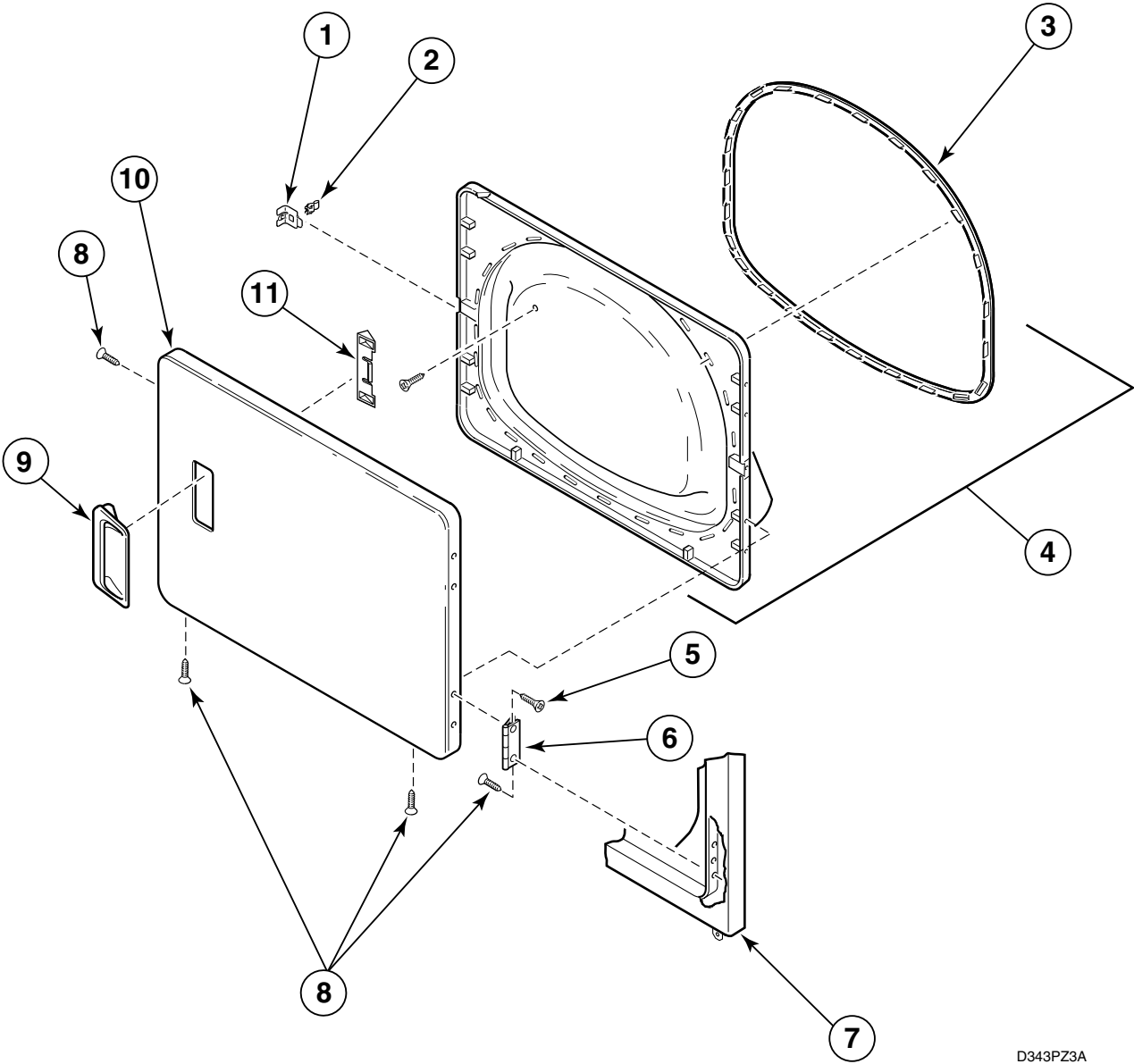


D362PZ3A

Two Switch Timer

REF	PART #	DESCRIPTION	COMMENTS
1	510628P	Timer Assembly	
2	53244	Pawl Spring	
3	53235P	Timing Motor	
4	53236	Switch	
5	M400754	Timing Cam Drive	
6	53240	Timing Cam	60 minute; 3 pins
	53241	Timing Cam	45 minute; 4 pins
	53242	Timing Cam	30 minute; 6 pins
	53243	Timing Cam	20 minute; 9 pins
7	53239	Ratchet Wheel	

Loading Door



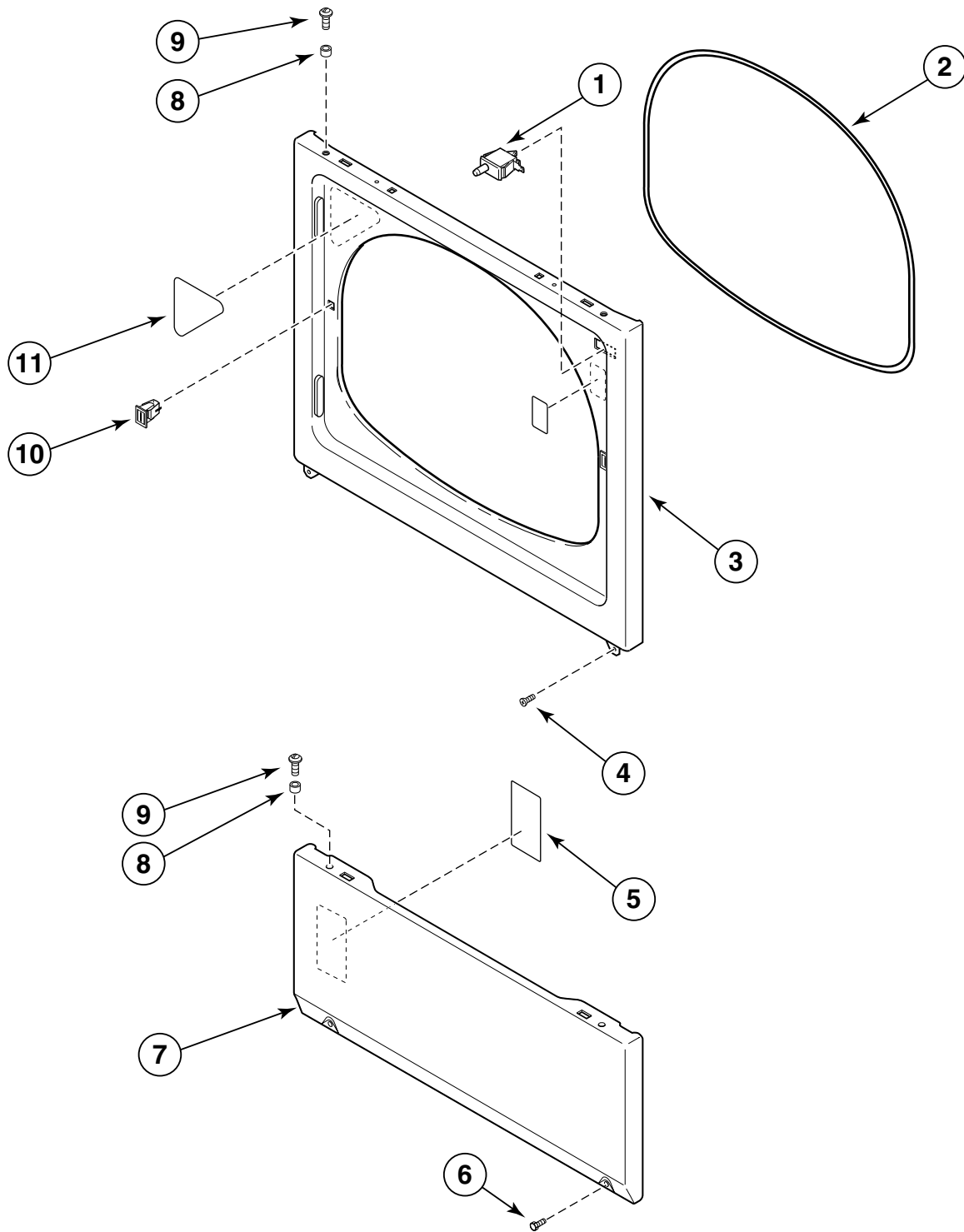
D343PZ3A

Loading Door

REF	PART #	DESCRIPTION	COMMENTS
1	510127	Door Striker Bracket	
2	510181	Door Striker	
3	510147	Door Seal	
4	510163W	Inner Door Panel and Seal Assembly	
5	505295	Screw	
6	511036	Door Hinge	
7	510066*	Front Panel	
8	500226	Screw	
9	510103*P	Door Pull	Includes reference item 8
10	510013*	Outer Door Panel	
11	510129	Wedge	

* Add Letter To Designate Color. L – Almond W – White

Access Panel, Front Panel and Seal



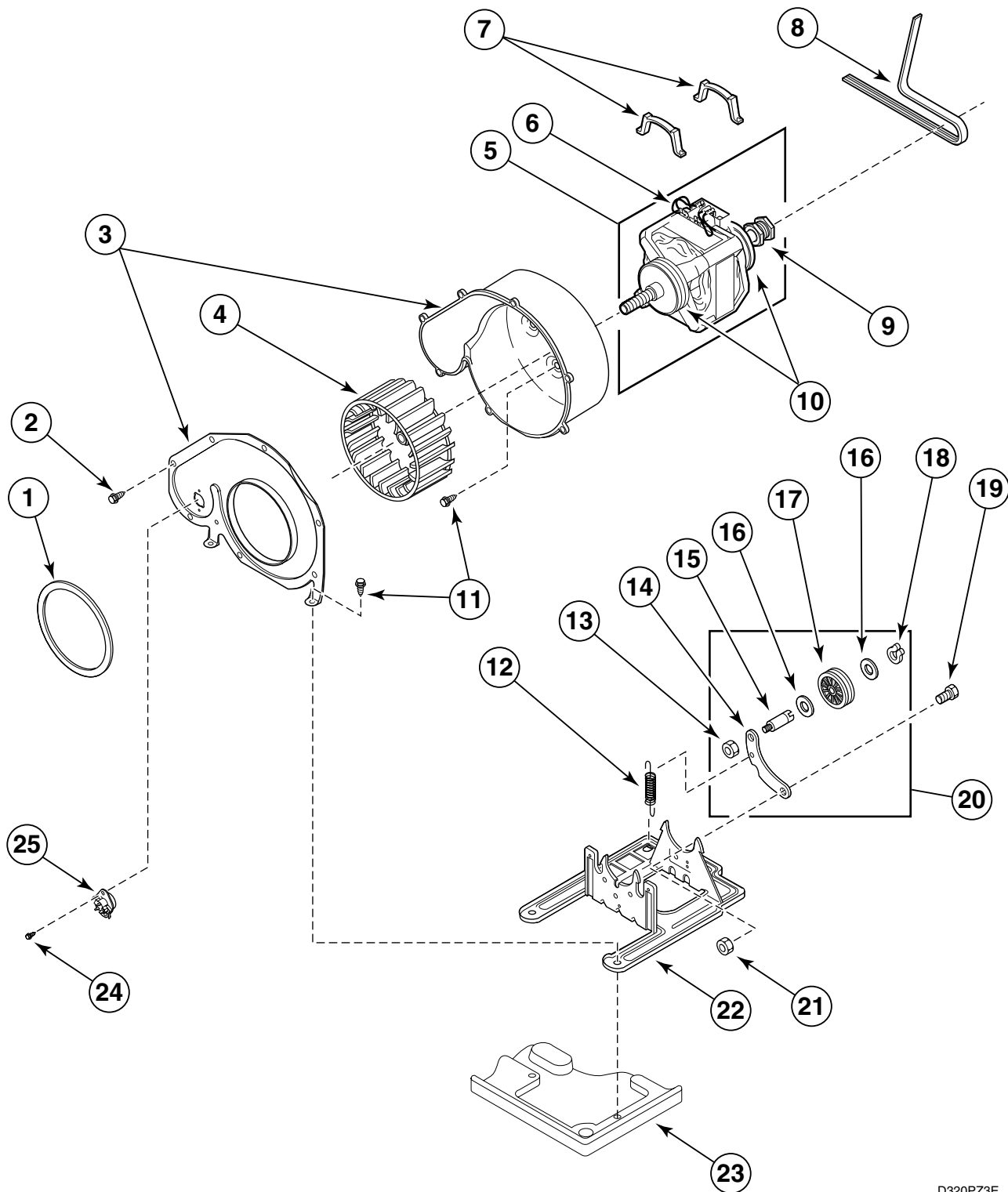
D368PZ3B

Access Panel, Front Panel and Seal

REF	PART #	DESCRIPTION	COMMENTS
	282P4	Torx Bit	Use with 62853 Screw
	24161	Torx Bit Holder	Use with 62853 Screw
1	504570	Door Switch	
2	510236	Front Panel Seal	
3	510066*	Front Panel	
4	503661	Screw	
5	511004	Label	Gas models
6	33562	Slotted Hex Head Screw	
	62853	Torx Head Screw	Optional for added security
7	510069*	Access Panel	
8	56079	Locator	
9	32671	Screw	
10	510177	Door Catch	
11	500281	Label	

* Add Letter To Designate Color. L – Almond W – White

Motor, Exhaust Fan and Belt

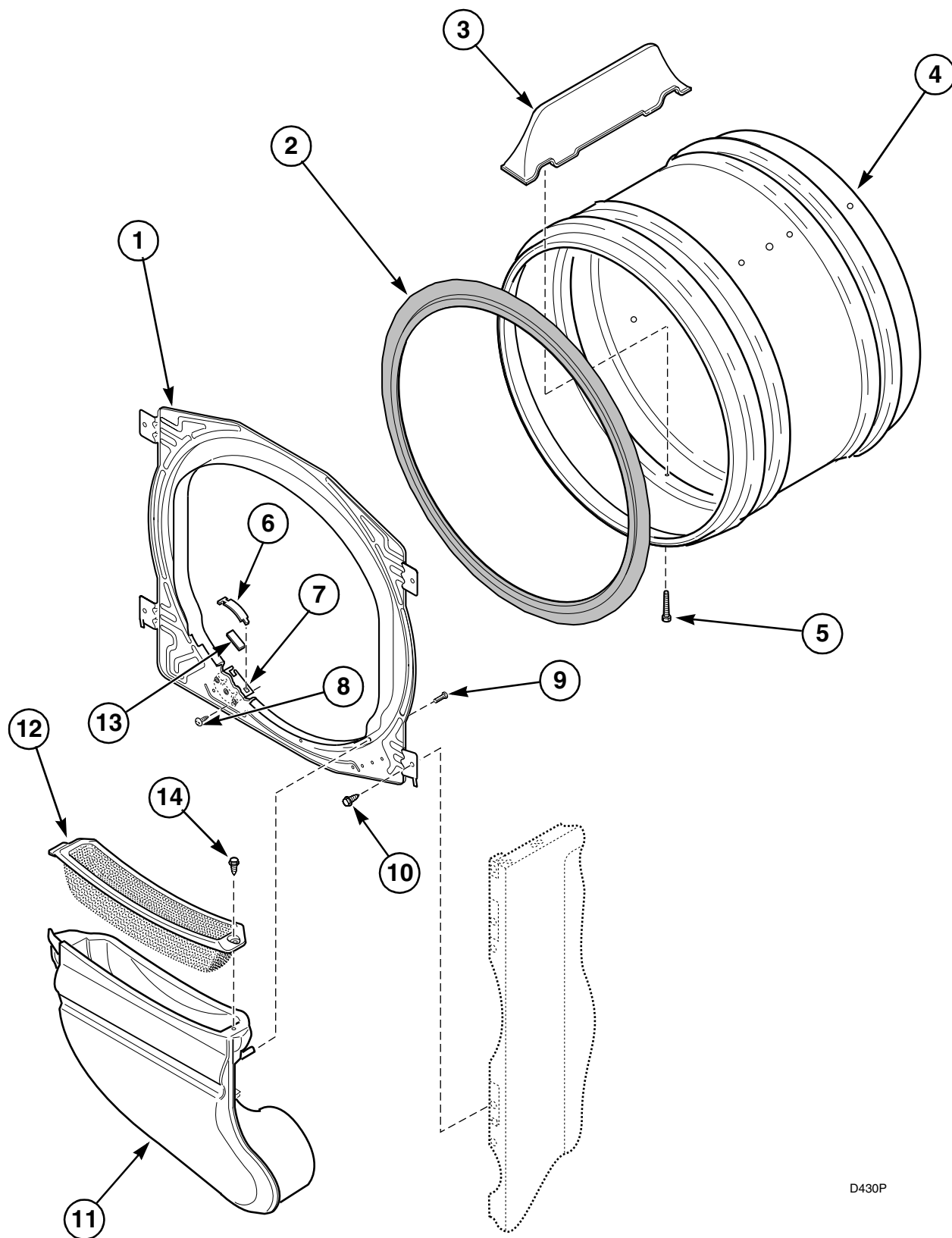


D320PZ3E

Motor, Exhaust Fan and Belt

REF	PART #	DESCRIPTION	COMMENTS
1	510238	Seal	
2	31260	Screw	
3	510138P	Blower Housing and Cover Kit	
4	510139	Exhaust Fan Impeller	
5	510508P	Motor Assembly	Includes reference items 6 and 9
6	501218P	Motor Switch	Does not include thermal protector
7	510180	Motor Mounting Clamp	
8	510178	Belt	
9	500011	Motor Pulley	
10	590P3	Motor Hub Ring Kit	
11	503661	Screw	
12	510185	Spring	
13	56156	Locknut	
14	510133	Idler Lever	
15	56461	Shaft	
16	52549	Washer	
17	510142	Idler Pulley	
18	23748	Retainer Ring	
19	500824	Shoulder Screw	
20	510158	Idler Pulley and Lever Assembly	
21	52566	Jam Nut	
22	510060	Motor Mounting Bracket	
23	510084	Base	
24	33561	Screw	
25	504515	Thermostat	

Front Bulkhead, Air Duct, Felt Seal and Cylinder

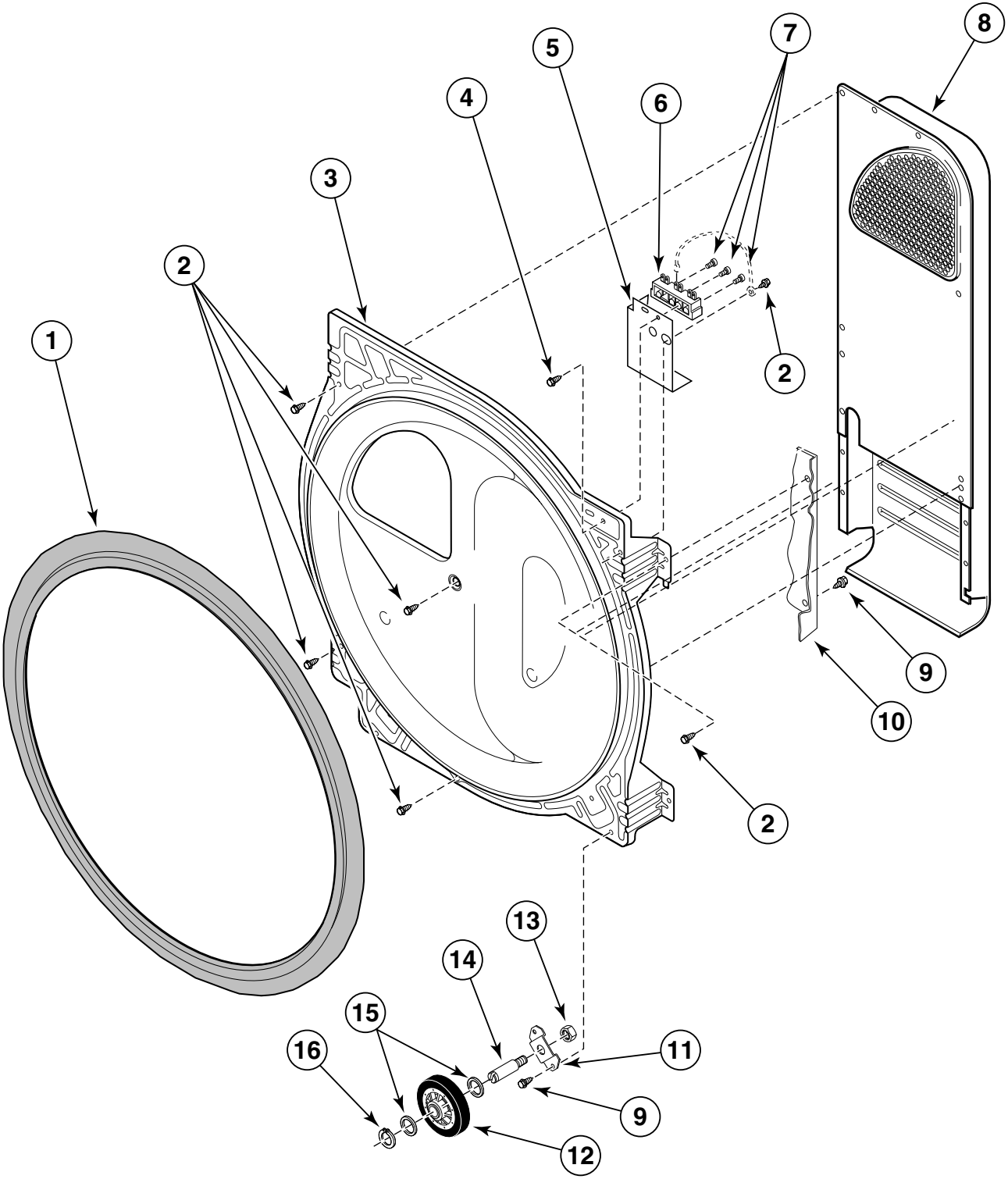


D430P

Front Bulkhead, Air Duct, Felt Seal and Cylinder

REF	PART #	DESCRIPTION	COMMENTS
	22506P	Adhesive for Cylinder Seal	
1	510266	Front Bulkhead	
2	510207P	Cylinder Seal	
3	503703	Baffle	
4	510265P	Cylinder Assembly	Includes reference item 3
5	62588	Screw	
6	510187	Cylinder Glide	Two required per side
7	510145	Glide Bracket	
8	504540	Rivet	
9	500226	Screw	
10	503661	Screw	
11	510151	Air Duct	
12	503980	Lint Filter	
13	510189	Felt Pad	
14	501285	Screw	

Rear Bulkhead, Felt Seal, Cylinder Roller and Terminal Block



D291PZ3B

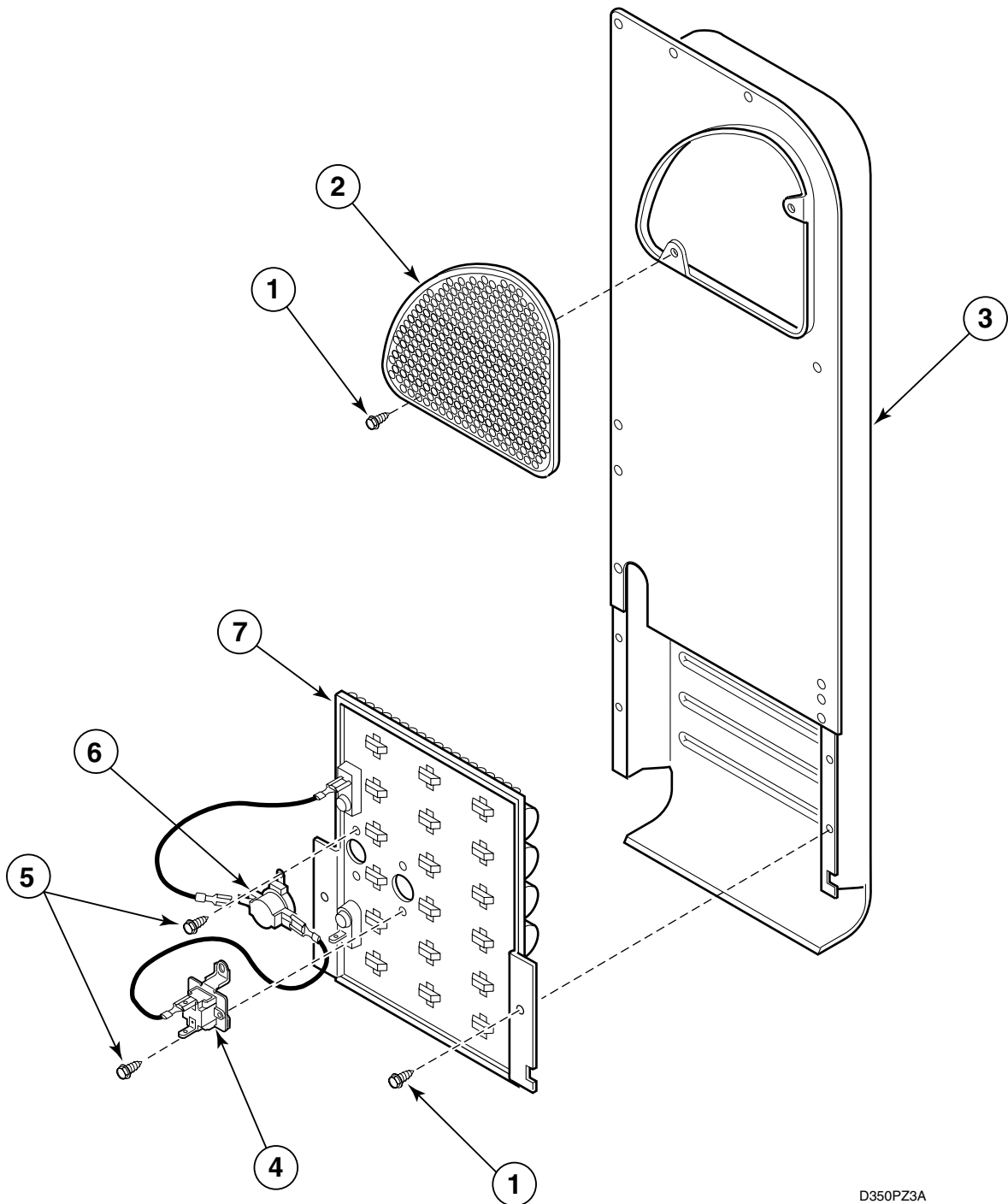
Rear Bulkhead, Felt Seal, Cylinder Roller and Terminal Block

REF	PART #	DESCRIPTION	COMMENTS
	22506P	Adhesive for Cylinder Seal	
1	510207P	Cylinder Seal	
2	503661	Screw	
3	511082	Rear Bulkhead	
4	501285	Screw	
5	510237	Shield	Electric models only
6	510190P	Terminal Block	Includes 3 of reference item 7; Electric models
7	61199	Screw	
8	510025P	Heater Duct Assembly	Includes 500820 Outlet Cover
9	503688	Screw	
10	727P3*	Cabinet	
11	510100	Roller Bracket	
12	510708P	Cylinder Roller	
13	56156	Locknut	
14	56461	Shaft	
15	52549	Washer	
16	23748	Retainer Ring	

* Add Letter To Designate Color. L – Almond W – White

Heater Duct and Element Assembly

Electric Model Dryers



D350PZ3A

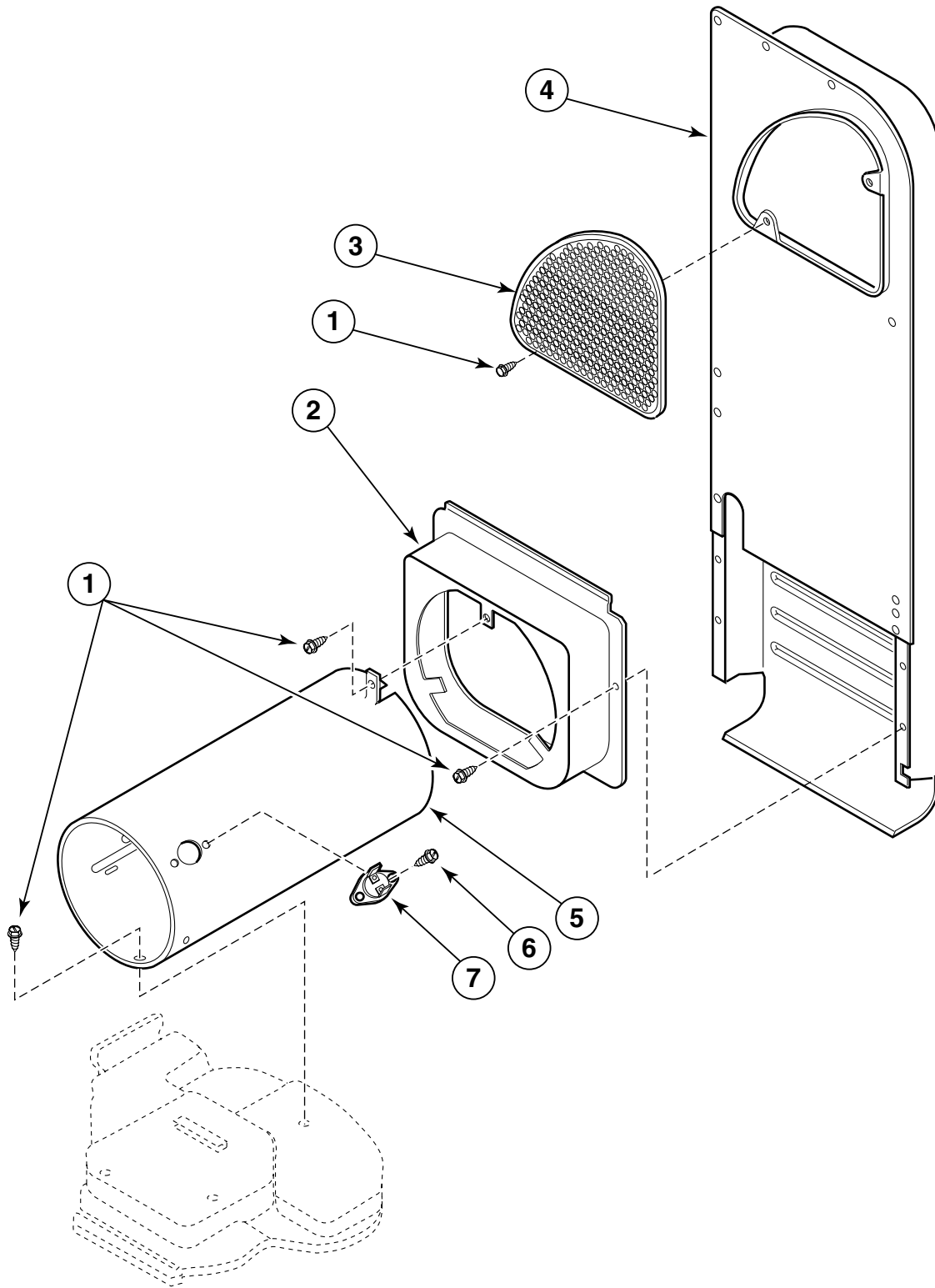
Heater Duct and Element Assembly

Electric Model Dryers

REF	PART #	DESCRIPTION	COMMENTS
1	503688	Screw	
2	500820	Outlet Cover	
3	510025P	Heater Duct Assembly	Includes reference item 2
4	510183	Thermal Fuse	
5	23222	Screw	
6	510701	Limit Thermostat	
7	510329	Heater Assembly	5.33 kw; 240 volt
	510325	Heater Assembly	4.75 kw; 208 Volt

Heater Duct Assembly

Gas Model Dryers



D315PZ3B

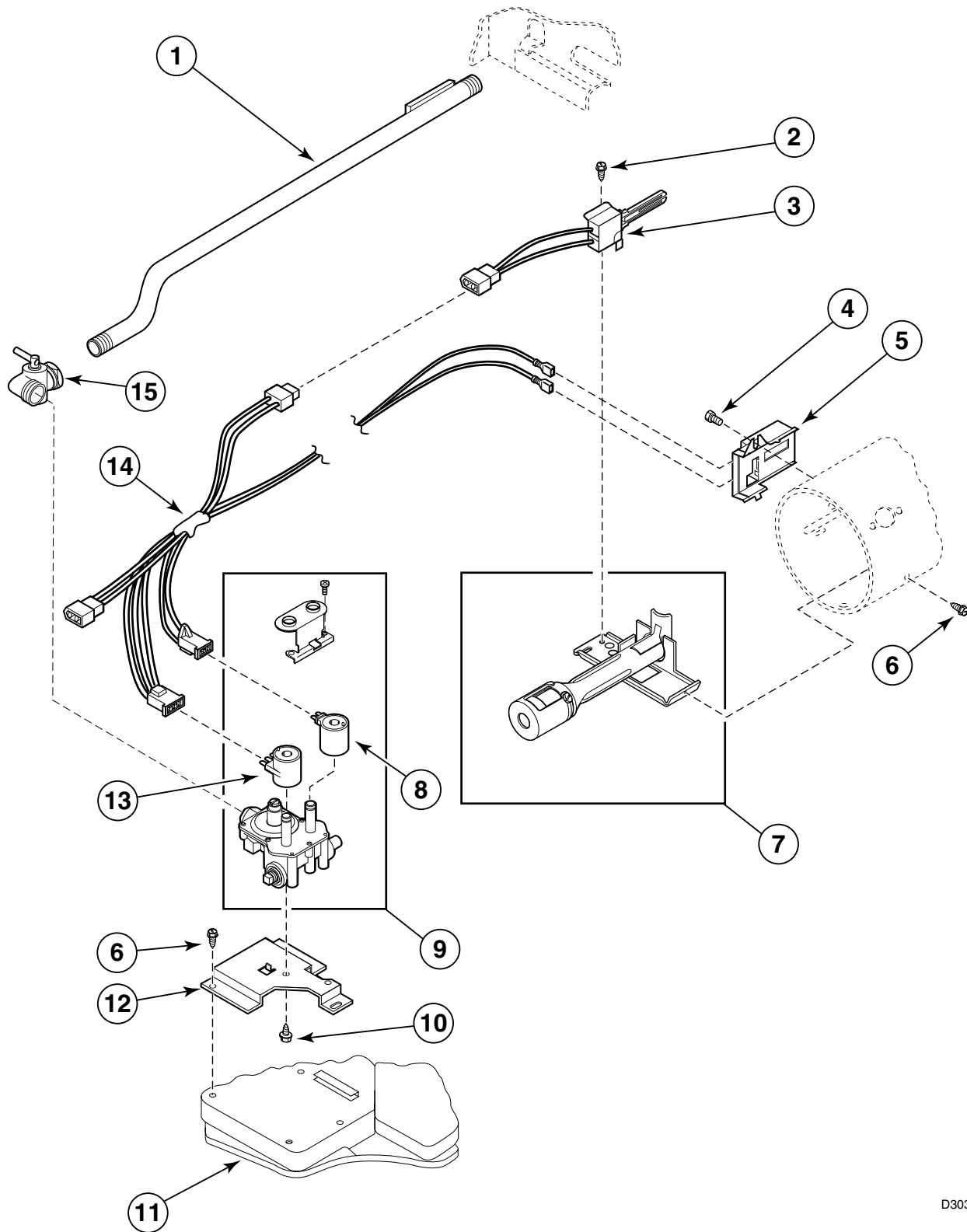
Heater Duct Assembly

Gas Model Dryers

REF	PART #	DESCRIPTION	COMMENTS
1	503688	Screw	
2	510101	Heat Shroud	
3	500820	Outlet Cover	
4	510025P	Heater Duct Assembly	Includes reference item 3
5	510131	Combustion Duct	
6	51782	Screw	
7	510702	Limit Thermostat	Color code "black"

Gas Valve, Igniter and Gas Conversion Kits

Gas Model Dryers



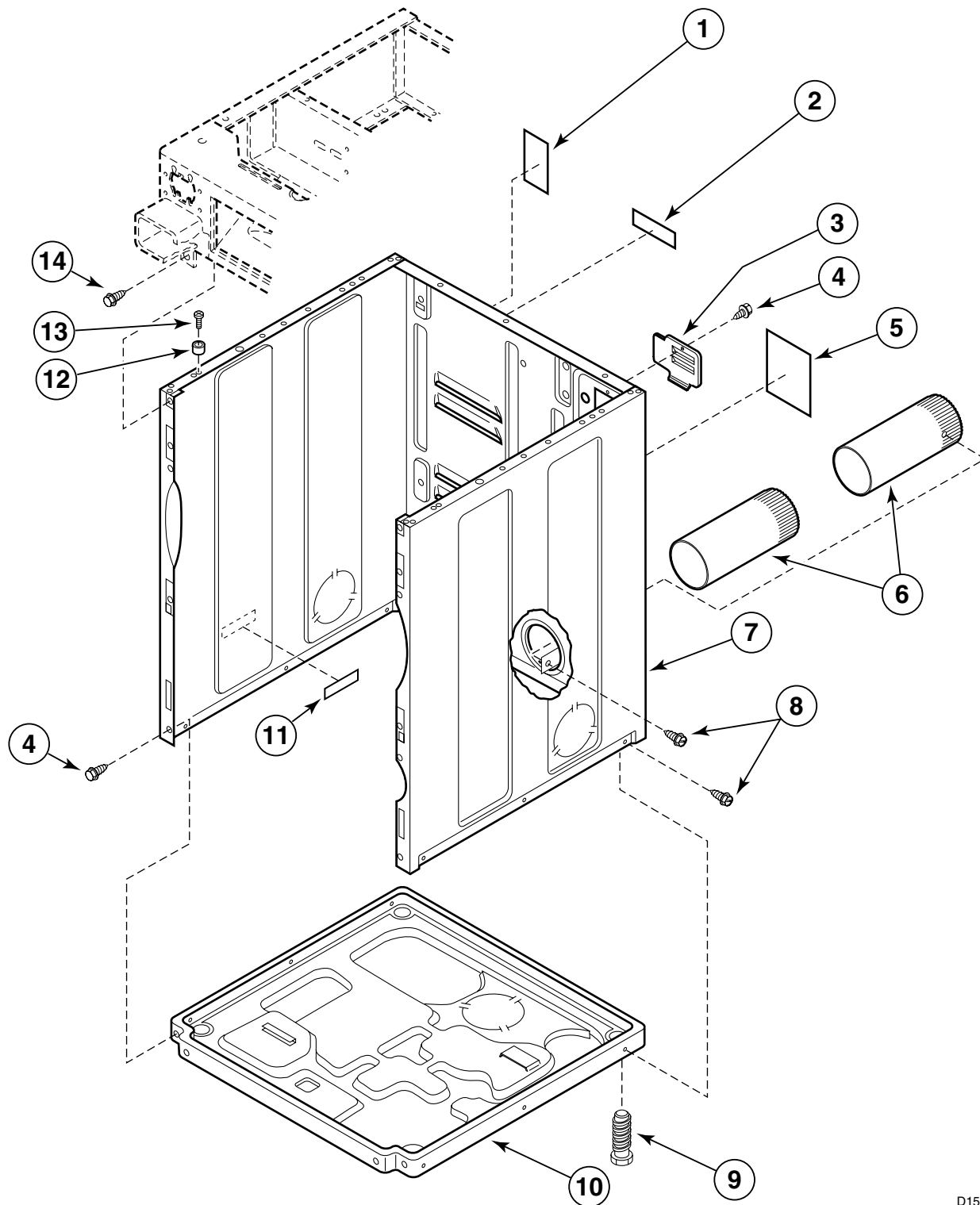
D303PZ3A

Gas Valve, Igniter and Gas Conversion Kits

Gas Model Dryers

REF	PART #	DESCRIPTION	COMMENTS
	458P3	Gas Burner Conversion Kit	Used to convert dryers from Natural/Mixed to LP Gas
	459P3	Gas Burner Conversion Kit	Used to convert dryers from LP to Natural/Mixed Gas
1	510204	Lead-In Pipe Assembly	
2	51782	Screw	
3	510184P	Igniter and Bracket Assembly	
4	23222	Screw	
5	510213	Sensor	
6	503688	Screw	
7	510149	Burner Assembly	
8	58804B	Secondary Coil	
9	60353	Gas Valve Assembly	
10	56124	Screw	
11	510084	Base	
12	510128	Mounting Bracket	
13	58804A	Holding and Booster Coil	
14	510530	Wire Harness	
15	510205	Shut-off Valve	

Cabinet, Exhaust Duct and Base



D152PZ3A

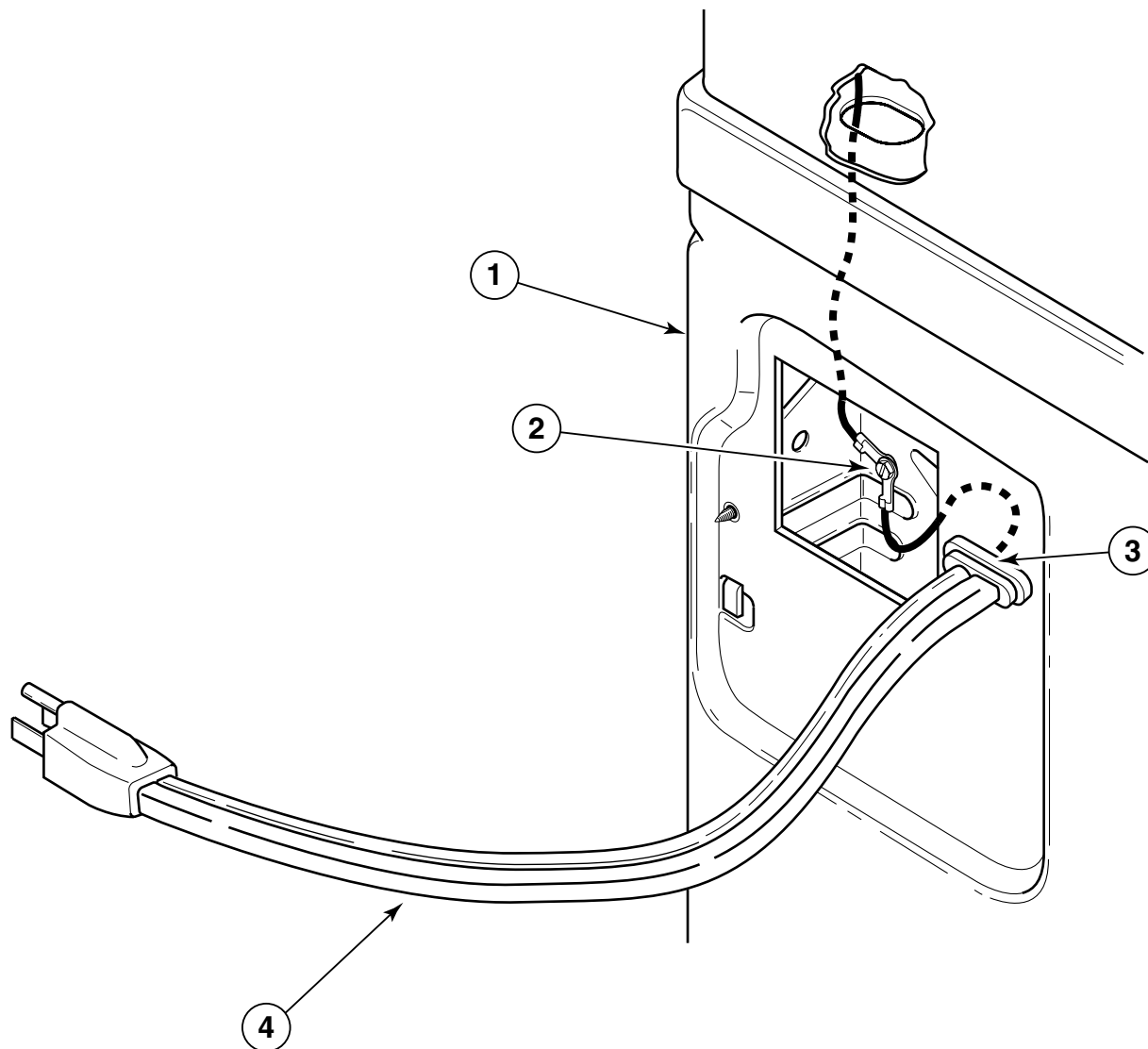
Cabinet, Exhaust Duct and Base

REF	PART #	DESCRIPTION	COMMENTS
1	511004	Label	Gas models
2	24903	Label	
3	510903	Access Plate	
4	503661	Screw	
5	511005	Label	Electric models
6	510137	Exhaust Duct	
7	727P3*	Cabinet	
8	503688	Screw	
9	510135	Leveling Leg	
10	510084	Base	
11	61294	Label	Electric models
12	56079	Locator	
13	32671	Screw	
14	33562	Screw	

* Add Letter To Designate Color. L – Almond W – White

Power Cord

All Gas Models



D298PZ3B

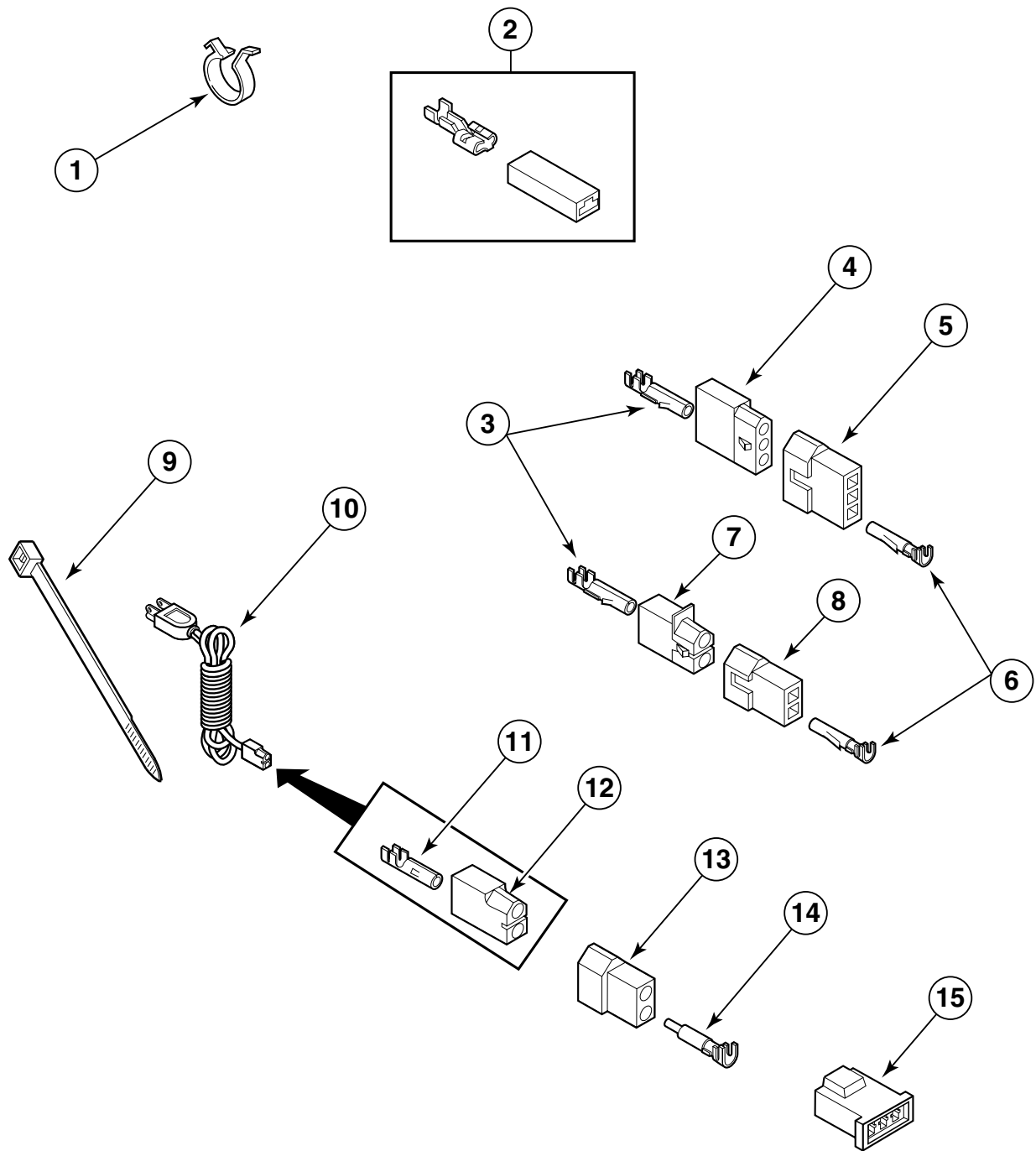
Power Cord

All Gas Models

REF	PART #	DESCRIPTION	COMMENTS
1	727P3*	Cabinet	
2	20530	Screw	
3	38384	Strain Relief	
4	59308	Power Cord	

* Add Letter To Designate Color. L – Almond W – White

Terminals

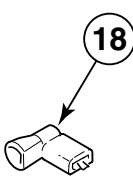
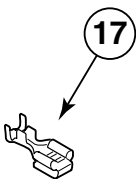
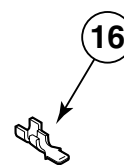
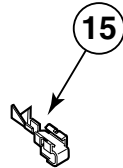
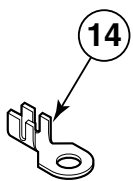
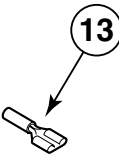
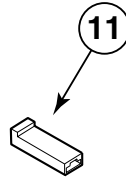
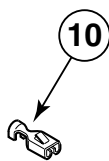
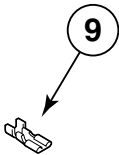
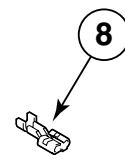
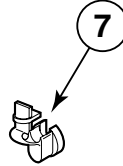
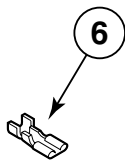
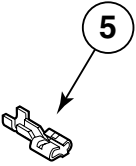
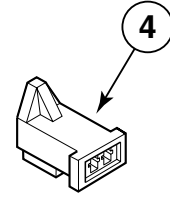
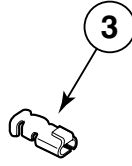
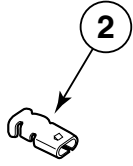
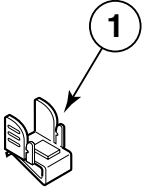


D321PZ3A

Terminals

REF	PART #	DESCRIPTION	COMMENTS
1	504034	Wire Clip	
2	00237	Insulated Spade Terminal	1/4 Inch ; (1) 12 Gauge Wire or (2) 18 Gauge Wires
3	00117	Female Socket Terminal	
4	23039	Terminal Block Receptacle	3 Circuit
5	23040	Terminal Block Plug	3 Circuit
6	00116	Male Pin Terminal	
7	56451	Terminal Block Receptacle	2 Circuit
8	56448	Terminal Block Plug	2 Circuit
9	55881	Wire Tie	
10	59308	Power Cord	Gas models
11	00130	Female Socket Terminal	
12	56265	Terminal Block Receptacle	2 Circuit
13	56266	Terminal Block Plug	2 Circuit
14	00127	Male Pin Terminal	
15	58800	Terminal Block	3 Circuit Connector

Terminals

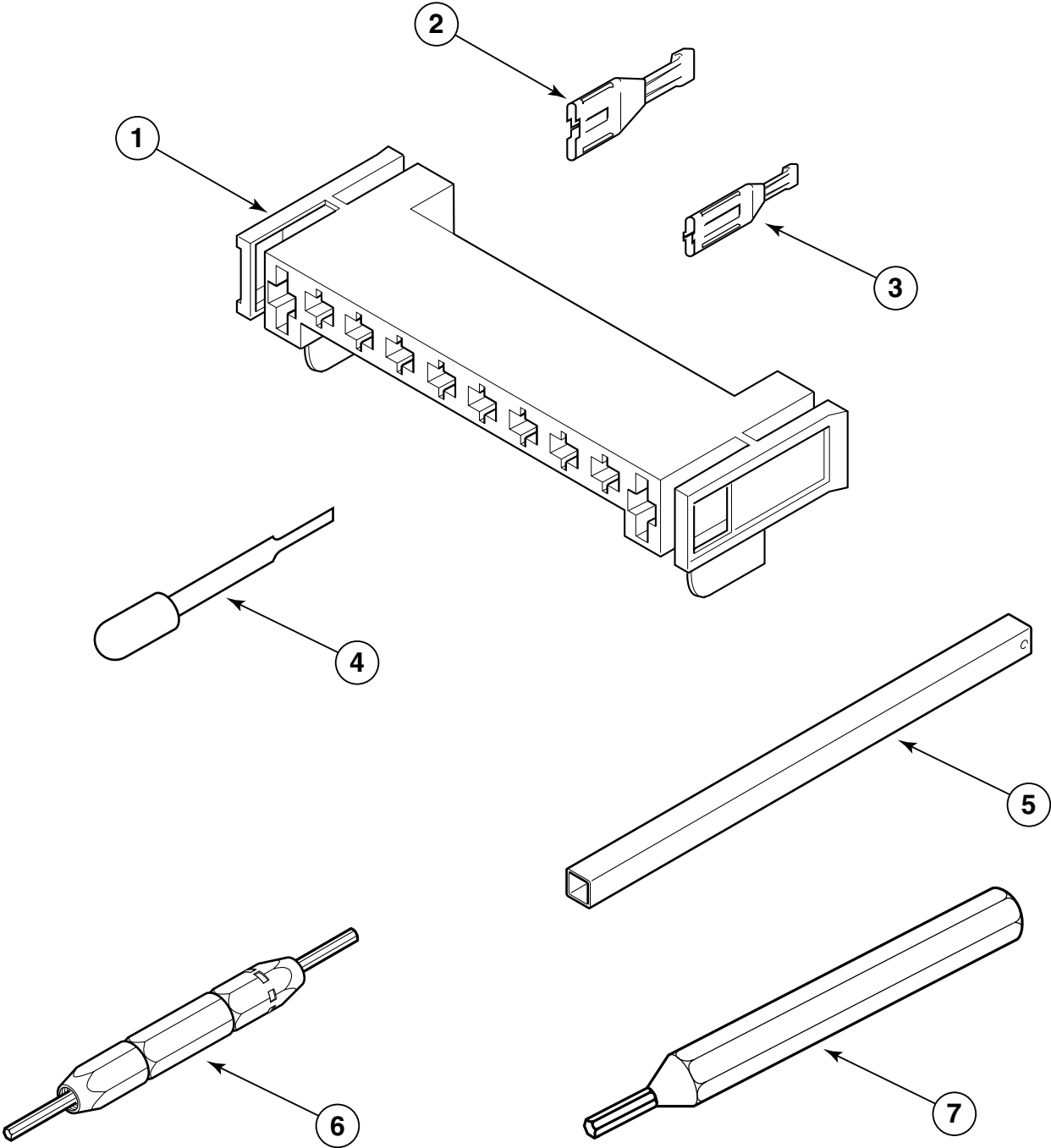


D322PZ3A

Terminals

REF	PART #	DESCRIPTION	COMMENTS
1	00161	Ground Clip	
2	00189	Spade Terminal	
3	00361	Terminal	Receptacle connector
4	58799	Terminal Block	2 circuit connectors
5	00223	Spade Terminal	1/4 inch; (1) 18 gauge wire
	00121	Spade Terminal	1/4 inch; (2) 18 gauge wires or (1) 12 gauge wire
	00245	Spade Terminal	1/4 inch; (1) 22 gauge wire
6	00124	Spade Terminal	3/16 inch; (1) 18 gauge wire; .020 tab
	00156	Spade Terminal	3/16 inch; Thermostat wire; .032 tab
	00209	Spade Terminal	3/16 inch; (2) 18 gauge wires; .020 tab
7	38384	Strain Relief	
8	00346	Terminal	
9	00347	Terminal	
10	00115	Lock In Spade Terminal	1/4 inch; (1) 18 gauge wire
11	90789	Connector	
12	00234	Insulated Spade Terminal	1/4 inch
	00165	Insulated Spade Terminal	3/16 inch
13	00214	Barrel Insulated Spade Terminal	1/4 inch; 18 gauge wire
	00215	Barrel Insulated Spade Terminal	1/4 inch; 12 gauge wire
14	00110	Ring Terminal #10	(1) 18 gauge wire
	00111	Ring Terminal #10	(2) 18 gauge wires or (1) 12 gauge wire
15	00114	Spade Terminal	1/4 inch; Double connector
16	00139	Male Tab Terminal	1/4 inch; (2) 18 gauge wires or (1) 12 gauge wire
17	00344	Terminal	
18	00345	Terminal	

Motor Connection Block, Terminal Extractor Tools



D319PZ3A

Motor Connection Block, Terminal Extractor Tools

REF	PART #	DESCRIPTION	COMMENTS
1	500338	Motor Connection Block	Molex; 10 circuit
2	00255	Spade Terminal	1/4 inch; For (1) 12 gauge wire
	00256	Spade Terminal	1/4 inch; For (1) or (2) 18 gauge wires
3	00188	Molex Terminal	For one or two wire applications
4	283P4	Terminal Extractor Tool	For use on molex connectors
5	310P4	Ratchet Extension Tool	1/4 inch; For coin drop Installation
6	190P4	Terminal Extractor Tool	For use on electric dryer terminals
7	128P4	Terminal Extractor Tool	For use on gas dryer terminals

Wire Harnesses and Wires

Individual wires are not available separately. Order complete wire harness, or order wire by the foot. See chart at bottom of page.

MODEL NUMBER	WIRE HARNESS	SECURITY CABINET WIRE HARNESS
HFE107*A1702	510414	510534P
HFE107*C1702	510414	510534P
HFG109*A1102	510419	510534P
HFG109*C1102	510419	510534P
SFE107*A	510414	510534P
SFG109*A	510419	510534P

* Add Letter To Designate Color. L – Almond W – White

Order the individual wire color and gauge by the part number listed below. Order wire by the foot and terminals and connectors as required. It is recommended when applying terminals to wires that the terminals be soldered to the wires.

IMPORTANT: Always replace wires with proper gauge.

PART NUMBER	WIRE GAUGE	WIRE COLOR
45001	18 Gauge Wire	Black
45380	12 Gauge Wire	Orange

Parts Index

A

Access Panel 510069*	21
Access Plate 510903	35
Adhesive for Cylinder Seal 22506P	25, 27
Air Duct 510151	25

B

Baffle 503703	25
Barrel Insulated Spade Terminal 00214	41
00215	41
Base 510084	23, 33, 35
Belt 510178	23
Blower Housing and Cover Kit 510138P	23
Bolt 29651	11
Bracket 38087	13
504228	11
Burner Assembly 510149	33

C

Cabinet 727P3*	27, 35, 37
Cabinet Kit 727P3*	13, 15
Caged Nut 80077	13, 15
Cam 27261	5, 7, 9
Card Reader 39685	15
Coin Drop 38479	7
Coin Slide Guard 58181	5
Combustion Duct 510131	31
Connector 90789	41
Control Cabinet Front 505542*	9
505767*	7
Control Cabinet Wrapper 505753*	7, 9

Control Knob Assembly 39897	5
Control Panel 505510*	7, 9
Control Panel and Bracket 504447*	5
Cylinder Assembly 510265P	25
Cylinder Glide 510187	25
Cylinder Roller 510708P	27
Cylinder Seal 510207P	25, 27

D

Door Catch 510177	21
Door Hinge 511036	19
Door Pull 510103*P	19
Door Seal 510147	19
Door Striker 510181	19
Door Striker Bracket 510127	19
Door Switch 504570	21

E

18 Gauge Wire 45001	44
Electronic Control M414050P	7, 9
Exhaust Duct 510137	35
Exhaust Fan Impeller 510139	23

F

Fabric Selector Switch 61512	5
Felt Pad 510189	25
Female Socket Terminal 00117	39
00130	39
Front Bulkhead 510266	25
Front Panel 503656*	15
510066*	13, 19, 21

Front Panel Seal	
510236	21

G

Gas Burner Conversion Kit	
458P3	33
459P3	33
Gas Valve Assembly	
60353	33
Glide Bracket	
510145	25
Graphic Overlay	
505605	7, 9
Ground Clip	
00161	41

H

Heat Shroud	
510101	31
Heater Assembly	
510325	29
510329	29
Heater Duct Assembly	
510025P	27, 29, 31
Hinge	
511036	11
Hinge Clip	
500236	11
Holding and Booster Coil	
58804A	33

I

Idler Lever	
510133	23
Idler Pulley	
510142	23
Idler Pulley and Lever Assembly	
510158	23
Igniter and Bracket Assembly	
510184P	33
Indicator Light	
32464	5
Inner Door Panel and Seal Assembly	
510163W	19
Instruction Label	
504585	11
Insulated Spade Terminal	
00165	41
00234	41
00237	39

J

Jam Nut	
52566	23

K

Knurled Nut	
24205	5

L

Label	
24903	35
38192	15
500281	21
511004	21, 35
511005	35
61294	35
Lead-In Pipe Assembly	
510204	33
Leveling Leg	
510135	35
Limit Thermostat	
510701	29
510702	31
Lint Filter	
503980	25
Locator	
56079	11, 13, 15, 21, 35
Lock Assembly	
27260P	5, 7, 9
Lock In Spade Terminal	
00115	41
Locknut	
29786	7
56156	23, 27
Lockwasher	
25820	5
91176	5

M

Male Pin Terminal	
00116	39
00127	39
Male Tab Terminal	
00139	41
Molex Terminal	
00188	43
Motor Assembly	
510508P	23
Motor Connection Block	
500338	43
Motor Hub Ring Kit	
590P3	23
Motor Mounting Bracket	
510060	23
Motor Mounting Clamp	
510180	23
Motor Pulley	
500011	23
Motor Switch	
501218P	23
Mounting Bracket	
510128	33

N

Nut	
29796	11
52947	5

O

Outer Door Panel	
510013*	19
Outlet Cover	
500820	29, 31
Overlay	
504210	5

P

Pawl Spring	
53244	17
Power Cord	
59308	37, 39
Push-to-Start Switch Assembly	
55882	5

R

Ratchet Extension Tool	
310P4	43
Ratchet Wheel	
53239	17
Rear Bulkhead	
511082	27
Retainer Ring	
23748	23, 27
Ring Terminal #10	
00110	41
00111	41
Rivet	
504540	25
685847	11
Roller Bracket	
510100	27

S

Screw	
03203	11
03950	5
20530	9, 37
23008	11
23222	29, 33
29277	15
31260	23
32671	11, 13, 15, 21, 35
33561	23
33562	5, 35
36048	11
500226	11, 19, 25
501285	25, 27
501524	9

502431	13
503661	11, 13, 15, 21, 23, 25, 27, 35
503688	13, 15, 27, 29, 31, 33, 35
505295	19
510524	7
51782	31, 33
56124	33
61199	27
62588	25

Seal	
510238	23
Secondary Coil	
58804B	33
Security Cabinet Front Section	
505337*	11
Security Cabinet Wrapper	
505753*	5, 11
Sensor	
510213	33
Setscrew	
20310	5
Shaft	
56461	23, 27
Shield	
510237	27
Shoulder Screw	
500824	23
Shut-off Valve	
510205	33
Slide Extension	
503455	5
Slotted Hex Head Screw	
33562	21
Spade Terminal	
00114	41
00121	41
00124	41
00156	41
00189	41
00209	41
00223	41
00245	41
00255	43
00256	43
Spring	
510185	23
Strain Relief	
38384	37, 41
52113	5, 7, 9
52151	5, 7, 9
Switch	
504570	13
53236	17

T

Terminal	
00344	41
00345	41
00346	41
00347	41
00361	41
Terminal Block	
510190P	27
58799	41

58800	39	510530	33
Terminal Block Plug		510534P	44
23040	39	Wire Tie	
56266	39	55881	39
56448	39	Wire, 12 Gauge	
Terminal Block Receptacle		45380	44
23039	39	Wire, 18 Gauge	
56265	39	45001	44
56451	39		
Terminal Extractor Tool			
128P4	43		
190P4	43		
283P4	43		
Thermal Fuse			
510183	29		
Thermostat			
504515	23		
Timer			
510628P	11		
Timer Assembly			
510628P	17		
Timer Bracket			
503017	11		
Timing Cam			
53240	17		
53241	17		
53242	17		
53243	17		
Timing Cam Drive			
M400754	17		
Timing Motor			
53235P	17		
Top Panel			
510033*	11		
Top-Security Panel			
504229	11		
Torx Bit			
282P4	21		
Torx Bit Holder			
24161	21		
Torx Head Screw			
62853	21		
12 Gauge Wire			
45380	44		

U

U-Type Nut	
36020	11

W

Washer	
52549	23, 27
800457	11
Wedge	
510129	19
Wire Clip	
504034	39
Wire Harness	
504731	44
510414	44