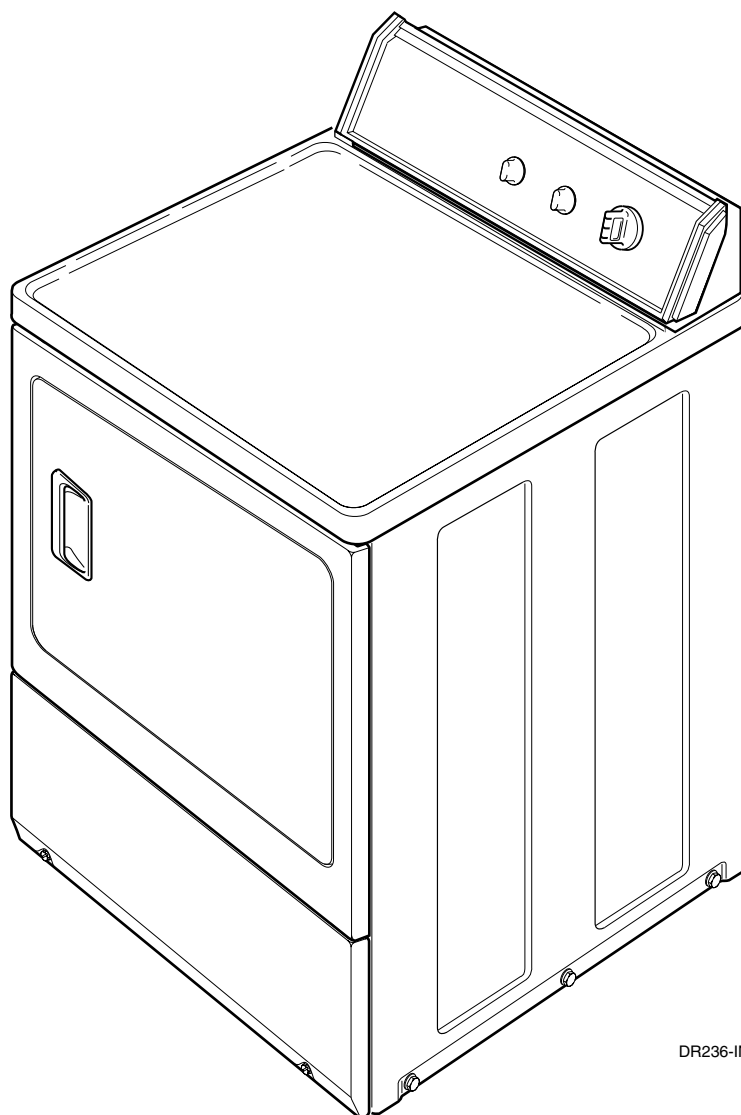


# Dryers

Refer to Page 3 for Model Numbers



DR236-IN

# Table of Contents

Title	Page
Parts Ordering Information .....	2
Nameplate Location .....	2
Model Identification .....	3
Graphic Panel, Control Hood and Controls .....	4
Graphic Panel, Control Hood and Controls .....	6
Graphic Panel, Control Hood and Controls .....	8
Graphic Panel, Control Hood and Controls .....	10
Graphic Panel, Control Hood and Controls .....	12
Cabinet Top and Control Hood Rear Panel .....	14
Loading Door, Front Panel and Seals .....	16
Motor, Exhaust Fan and Belt .....	18
Front Bulkhead, Air Duct, Felt Seal and Cylinder .....	20
Rear Bulkhead, Felt Seal and Cylinder Roller .....	22
Heater Box .....	24
Heater Box .....	26
Gas Valve and Igniter .....	28
Terminal Block .....	30
Cabinet, Exhaust Duct and Base .....	32
Power Cord and Terminals .....	34
Wire Harnesses and Wires .....	36
Gas Burner Conversion Kits .....	36
Parts Index .....	37

© Copyright 2000, Alliance Laundry Systems LLC

All rights reserved. No part of the contents of this book may be reproduced or transmitted in any form or by any means without the expressed written consent of the publisher.

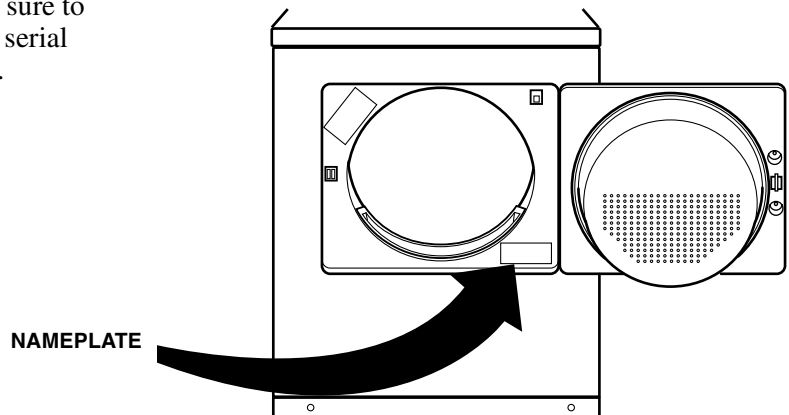
## Parts Ordering Information

If literature or replacement parts are required, contact the source from whom the machine was purchased or contact Alliance Laundry Systems LLC at (920) 748-3950 for the name and address of the nearest authorized parts distributor.

For technical assistance, call (920) 748-3121.

## Nameplate Location

When calling or writing about your product, be sure to mention model and serial numbers. Model and serial numbers are located on nameplate(s) as shown.



# Model Identification

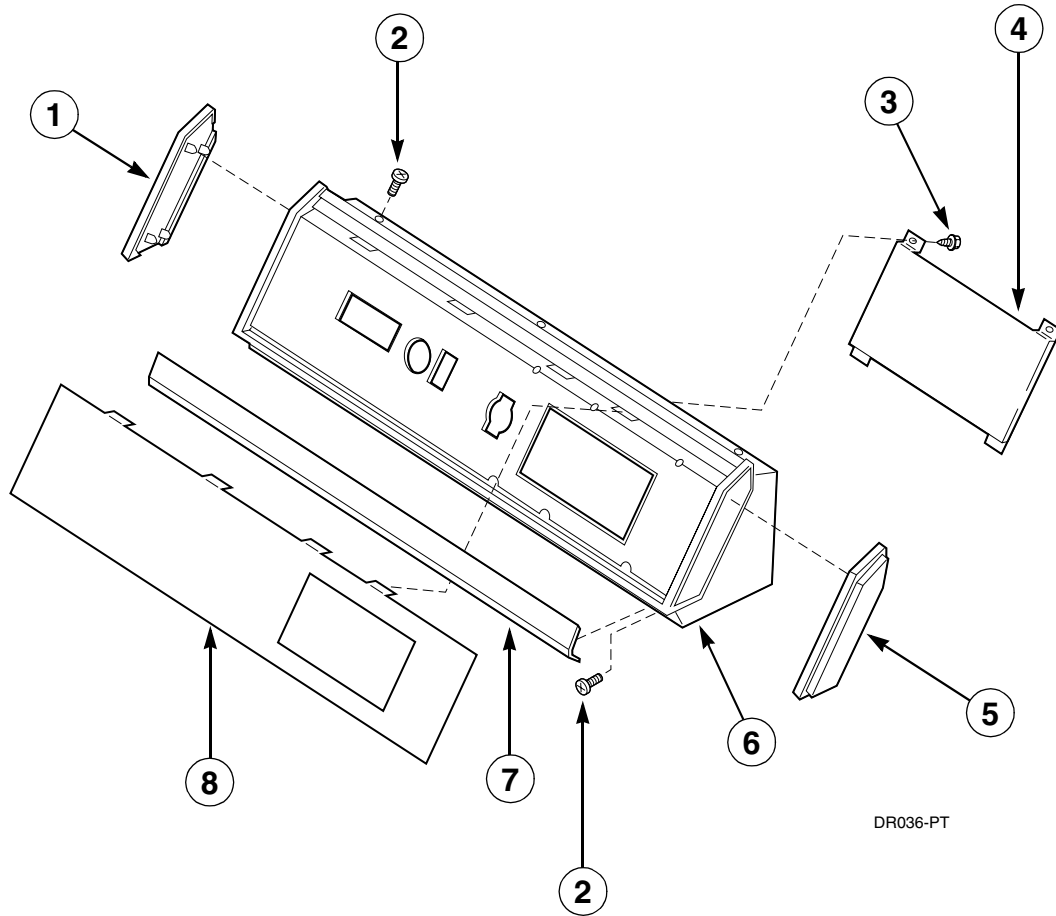
Information in this manual is applicable to these dryer models:

Electric			Gas		
AE3413	AEE953	AEM633	AG3419	AGE959	AGM639
AE4413	AEM333	AEM653	AG4419	AGM339	AGM659
AE5413	AEM353	NE4813	AG5419	AGM359	NG4819
AE9433	AEM433	NE6813	AG9439	AGM439	NG6819
AEE933	AEM453	NE8833	AGE939	AGM459	NG8839



# Graphic Panel, Control Hood and Controls

Models AG9439, AE9433, NG8839, NE8833, AGE959, AEE953, AGE939 and AEE933



# Graphic Panel, Control Hood and Controls

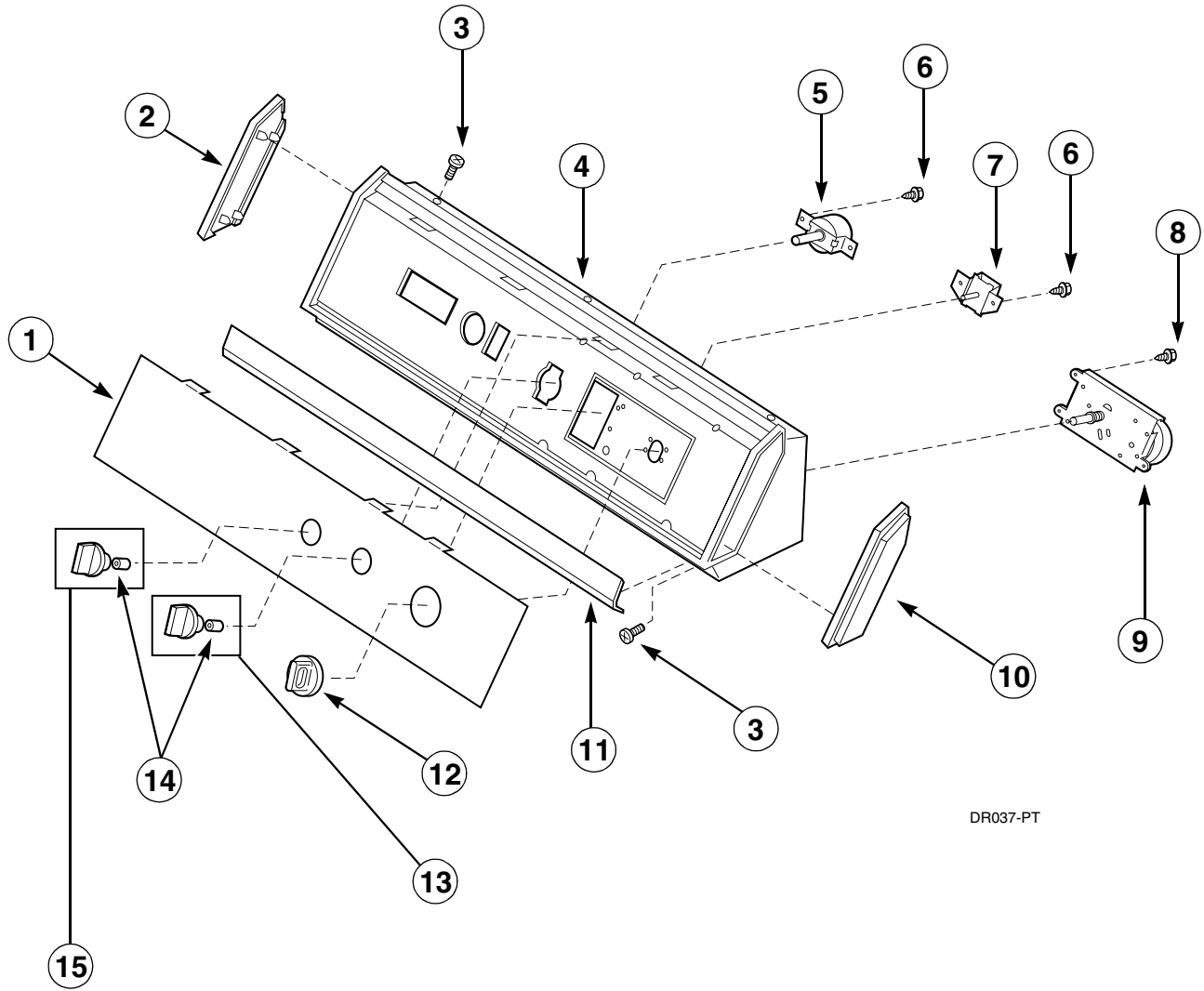
Models AG9439, AE9433, NG8839, NE8833, AGE959, AEE953, AGE939 and AEE933

REF	PART NO.	DESCRIPTION	COMMENTS
1	31249	End Cap	Left
2	31752	Screw	
3	31260	Screw	
4	59608P	Electronic Control Assembly	Models AG9439, AE9433, NG8839 and NE8833
	62147P	Electronic Control Assembly	Models AGE959 and AEE953
	62243P	Electronic Control Assembly	Models AGE939 and AEE933
5	31248	End Cap	Right
6	59606	Control Hood	Models AG9439, AE9433, NG8839, NE8833, AGE959 and AEE953; Black
	61850	Control Hood	Models AGE939 and AEE933; Gray
7	61849R	Trim Strip	Models AGE959, AEE953, AGE939 and AEE933
8	60734	Graphic Panel	Models AG9439 and AE9433; N/A
	60655	Graphic Panel	Models NG8839 and NE8833; N/A
	62146	Graphic Panel	Models AGE959 and AEE953; N/A
	62231	Graphic Panel	Models AGE939 and AEE933; N/A

N/A – Part no longer available

# Graphic Panel, Control Hood and Controls

Models AGM659, AEM653, AGM639 and AEM633



DR037-PT



# Graphic Panel, Control Hood and Controls

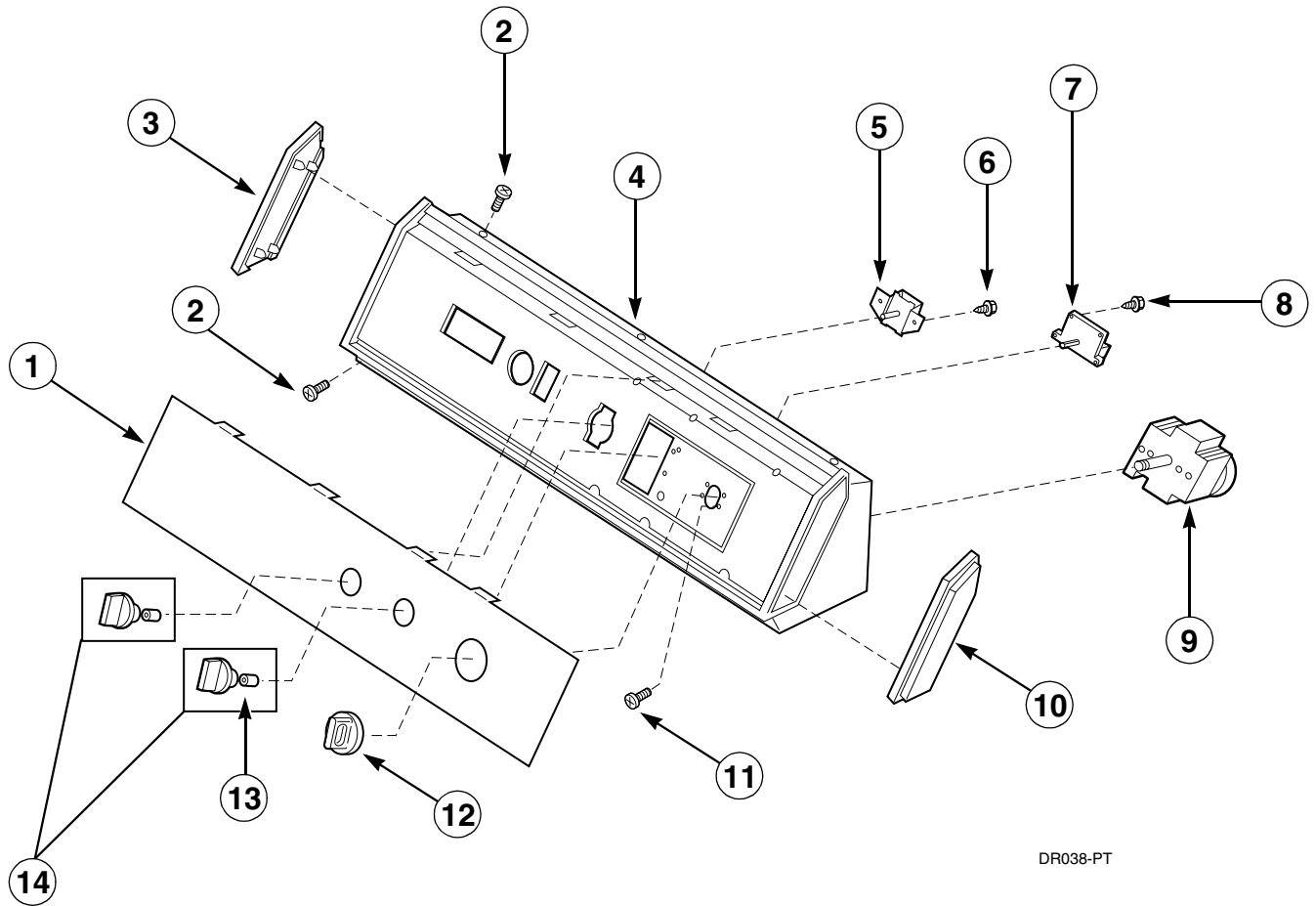
Models AGM659, AEM653, AGM639 and AEM633

REF	PART NO.	DESCRIPTION	COMMENTS
1	62172	Graphic Panel	Models AGM659 and AEM653; N/A
	62318	Graphic Panel	Models AGM639 and AEM633; N/A
2	31249	End Cap	Left
3	31752	Screw	
4	59955	Control Hood Assembly	Models AGM659 and AEM653; N/A
	62745	Control Hood Assembly	Models AGM639 and AEM633
5	62173	Temperature Switch	N/A
6	31260	Screw	
7	500823	Signal Control	
8	501086	Screw	
9	502967	Timer	
10	31248	End Cap	Right
11	61849R	Trim Strip	
12	62176	Timer Knob Assembly	Models AGM659 and AEM653; Black
	62234	Timer Knob Assembly	Models AGM639 and AEM633; White
13	62175	Control Knob Assembly	Models AGM659 and AEM653; Black
	62235	Control Knob Assembly	Models AGM639 and AEM633; White
14	10519	Clip	
15	33610	Control Knob Assembly	Models AGM659 and AEM653; Black
	33688	Control Knob Assembly	Models AGM639 and AEM633; White

N/A – Part no longer available

# Graphic Panel, Control Hood and Controls

Models NG6819, NE6813, AG5419 and AE5413



DR038-PT

# Graphic Panel, Control Hood and Controls

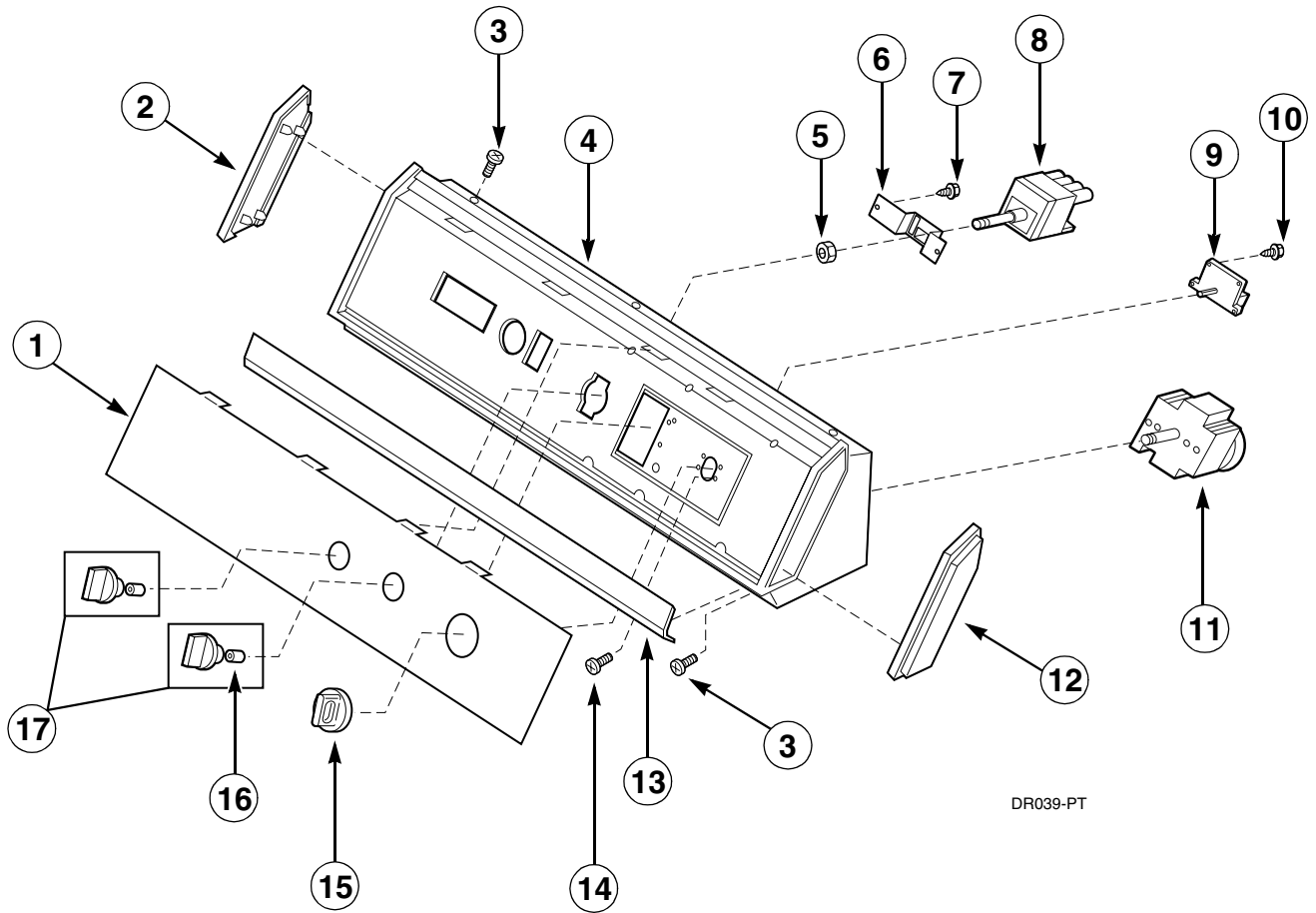
Models NG6819, NE6813, AG5419 and AE5413

REF	PART NO.	DESCRIPTION	COMMENTS
1	60656	Graphic Panel	Models NG6819 and NE6813; N/A
	60733	Graphic Panel	Models AG5419 and AE5413; N/A
2	31752	Screw	
3	31249	End Cap	Left
4	59955	Control Hood Assembly	N/A
5	500823	Signal Control	
6	31260	Screw	
7	59450	Start Switch	
8	23962	Screw	
9	61402	Timer	
10	31248	End Cap	Right
11	501086	Screw	
12	59791	Timer Knob Assembly	
13	10519	Clip	N/A
14	31286	Control Knob Assembly	

**N/A – Part no longer available**

# Graphic Panel, Control Hood and Controls

Models NG4819, NE4813, AG4419, AE4413, AGM459, AEM453, AGM439 and AEM433



DR039-PT

# Graphic Panel, Control Hood and Controls

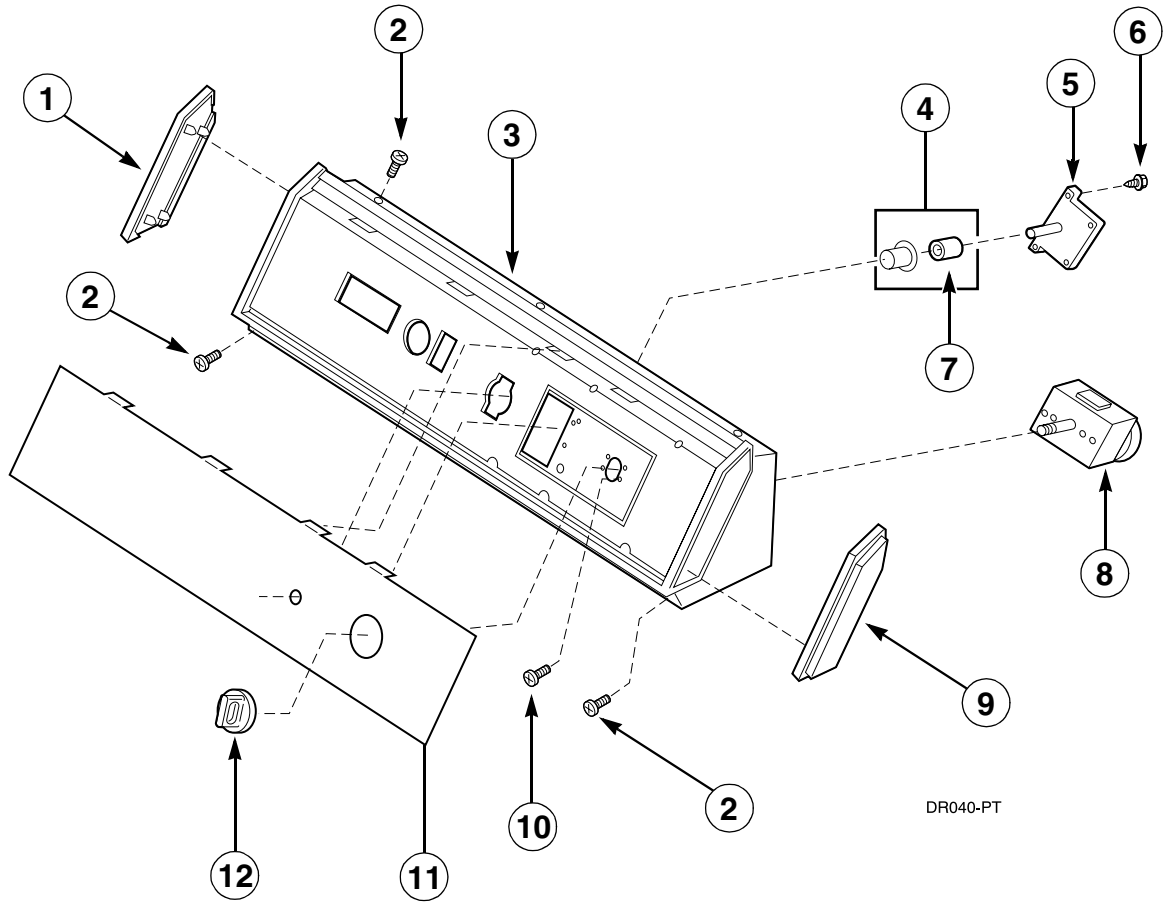
Models NG4819, NE4813, AG4419, AE4413, AGM459, AEM453, AGM439 and AEM433

REF	PART NO.	DESCRIPTION	COMMENTS
1	60657	Graphic Panel	Models NG4819 and NE4813; N/A
	60731	Graphic Panel	Models AG4419 and AE4413; N/A
	62192	Graphic Panel	Models AGM459 and AEM453; N/A
	62229	Graphic Panel	Models AGM439 and AEM433; N/A
2	31249	End Cap	Left
3	31752	Screw	
4	59955	Control Hood Assembly	Models NG4819, NE4813, AG4419, AE4413, AGM459 and AEM453; N/A
	62745	Control Hood Assembly	Models AGM439 and AEM433
5	57584	Nut	
6	59704	Switch Bracket	N/A
7	31260	Screw	
8	61511	Temperature Switch	
9	59450	Start Switch	
10	23962	Screw	
11	59497	Timer	
12	31248	End Cap	Right
13	61849R	Trim Strip	Models AGM459, AEM453, AGM439 and AEM433
14	501086	Screw	
15	59791	Timer Knob	Models NG4819, NE4813, AG4419 and AE4413
	62176	Timer Knob	Models AGM459 and AEM453; Black
	62234	Timer Knob	Models AGM439 and AEM433; White
16	10519	Clip	N/A
17	31286	Control Knob Assembly	Models NG4819, NE4813, AG4419 and AE4413; Black
	33610	Control Knob Assembly	Models AGM459 and AEM453; Black
	33688	Control Knob Assembly	Models AGM439 and AEM433; White

**N/A – Part no longer available**

# Graphic Panel, Control Hood and Controls

Models AG3419, AE3413, AGM359, AEM353, AGM339 and AEM333



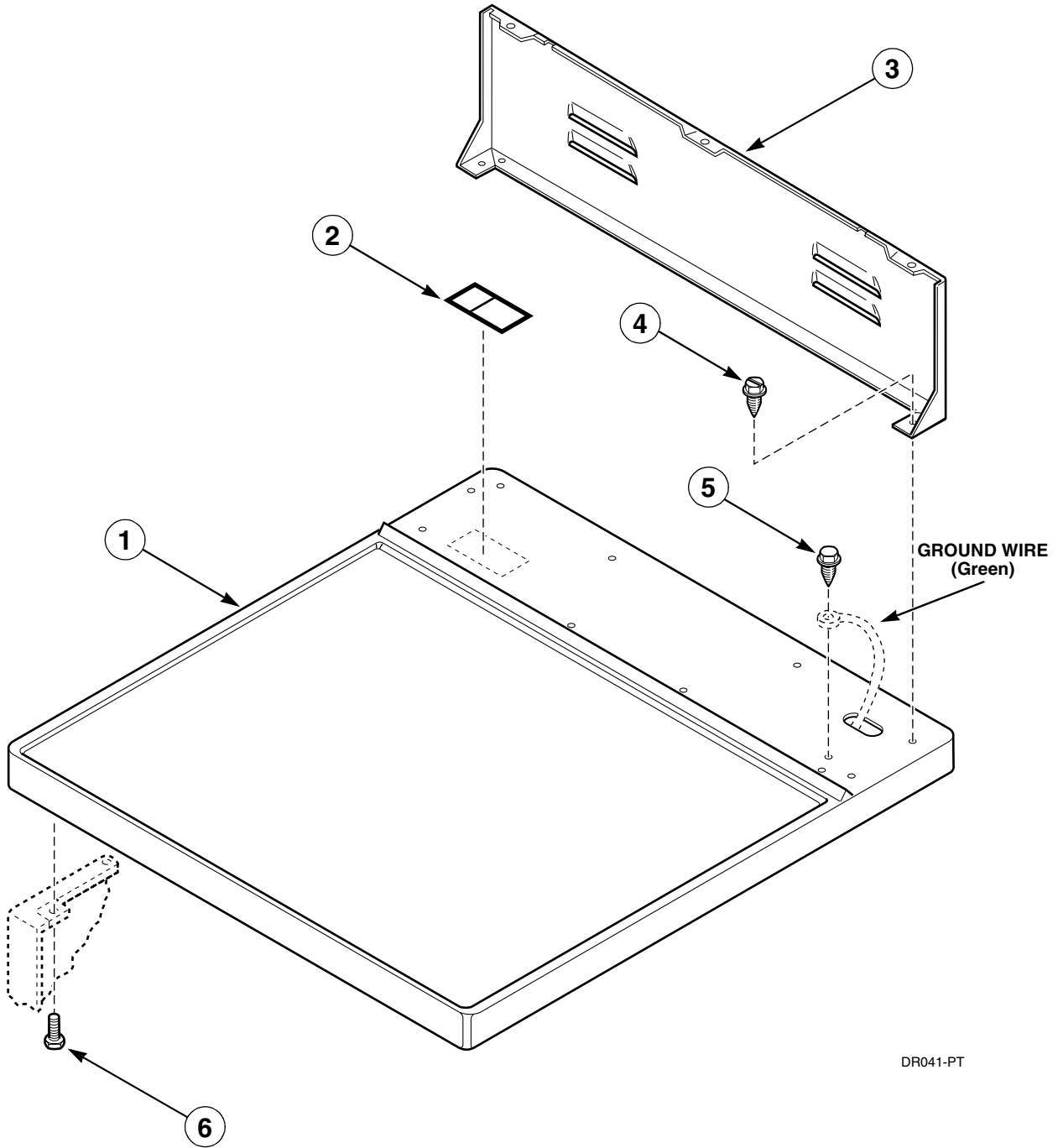
# Graphic Panel, Control Hood and Controls

Models AG3419, AE3413, AGM359, AEM353, AGM339 and AEM333

REF	PART NO.	DESCRIPTION	COMMENTS
1	31249	End Cap	Left
2	31752	Screw	
3	59955	Control Hood Assembly	Models AG3419, AE3413, AGM359 and AEM353; N/A
	62745	Control Hood Assembly	Models AGM339 and AEM333
4	59788	Push-To-Start Button Assembly	Models AG3419 and AE3413; N/A
	62199	Push-To-Start Button Assembly	Models AGM359 and AEM353; Black
	62512	Push-To-Start Button Assembly	Models AGM339 and AEM333; N/A
5	59449	Start Switch	
6	23962	Screw	
7	10519	Clip	N/A
8	59418	Timer	Mallory
9	31248	End Cap	Right
10	501086	Screw	
11	60732	Graphic Panel	Models AG3419 and AE3413; N/A
	62198	Graphic Panel	Models AGM359 and AEM353; N/A
	62228	Graphic Panel	Models AGM339 and AEM333; N/A
12	59791	Timer Knob Assembly	Models AG3419 and AE3413; Black
	62176	Timer Knob Assembly	Models AGM359 and AEM353; Black
	62234	Timer Knob Assembly	Models AGM339 and AEM333; White

**N/A – Part no longer available**

# Cabinet Top and Control Hood Rear Panel



DR041-PT

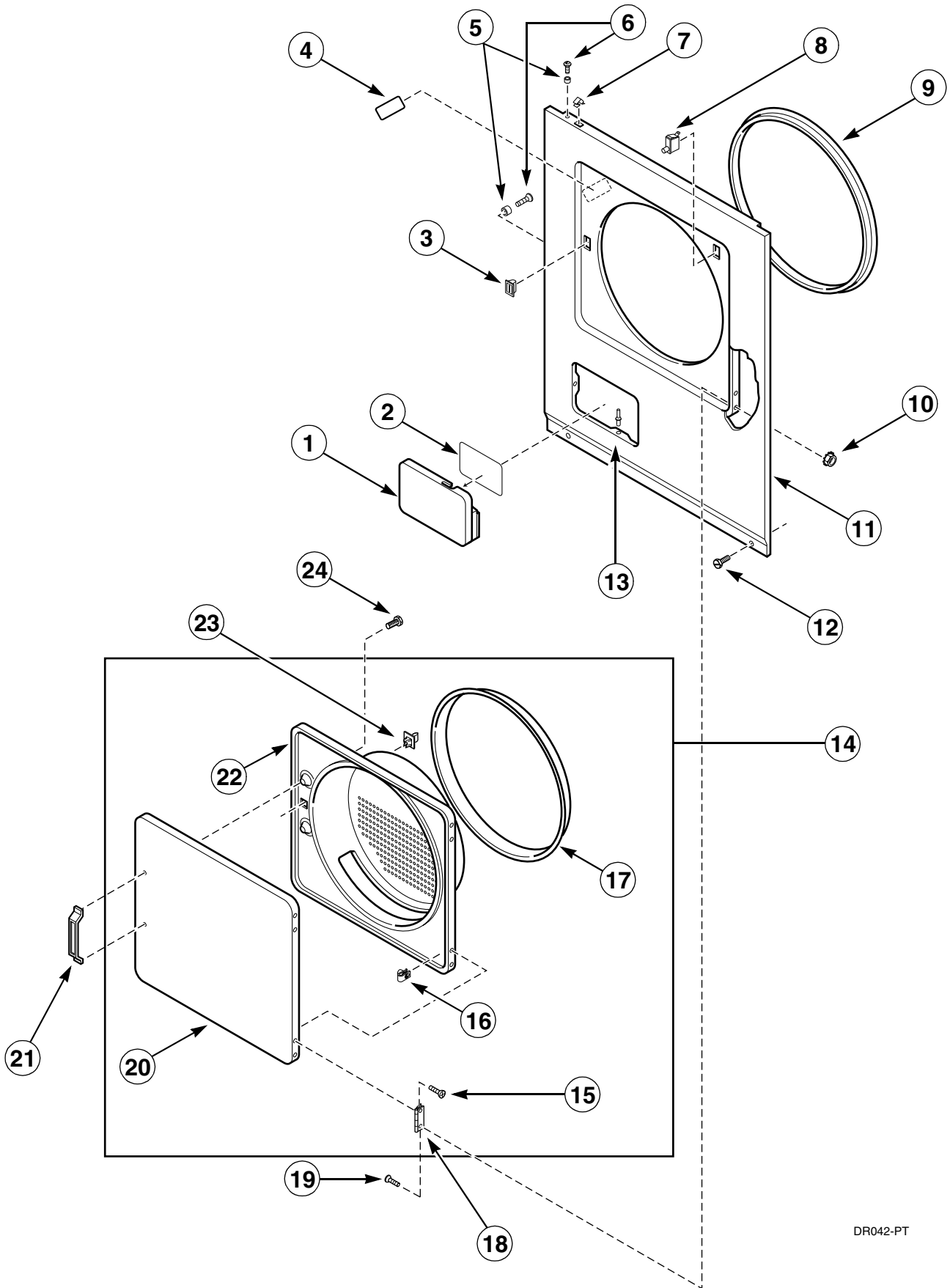


# Cabinet Top and Control Hood Rear Panel

<b>REF</b>	<b>PART NO.</b>	<b>DESCRIPTION</b>	<b>COMMENTS</b>
1	60815*P	Cabinet Top	N/A in Harvest Gold
2	24903	Sticker	
3	510099	Control Hood Rear Panel	
4	23962	Screw	
5	20530	Screw	
6	503661	Screw	

\* Add letter to designate color:    L - Almond        W - White        H - Harvest Gold  
N/A – Part no longer available

# Loading Door, Front Panel and Seals



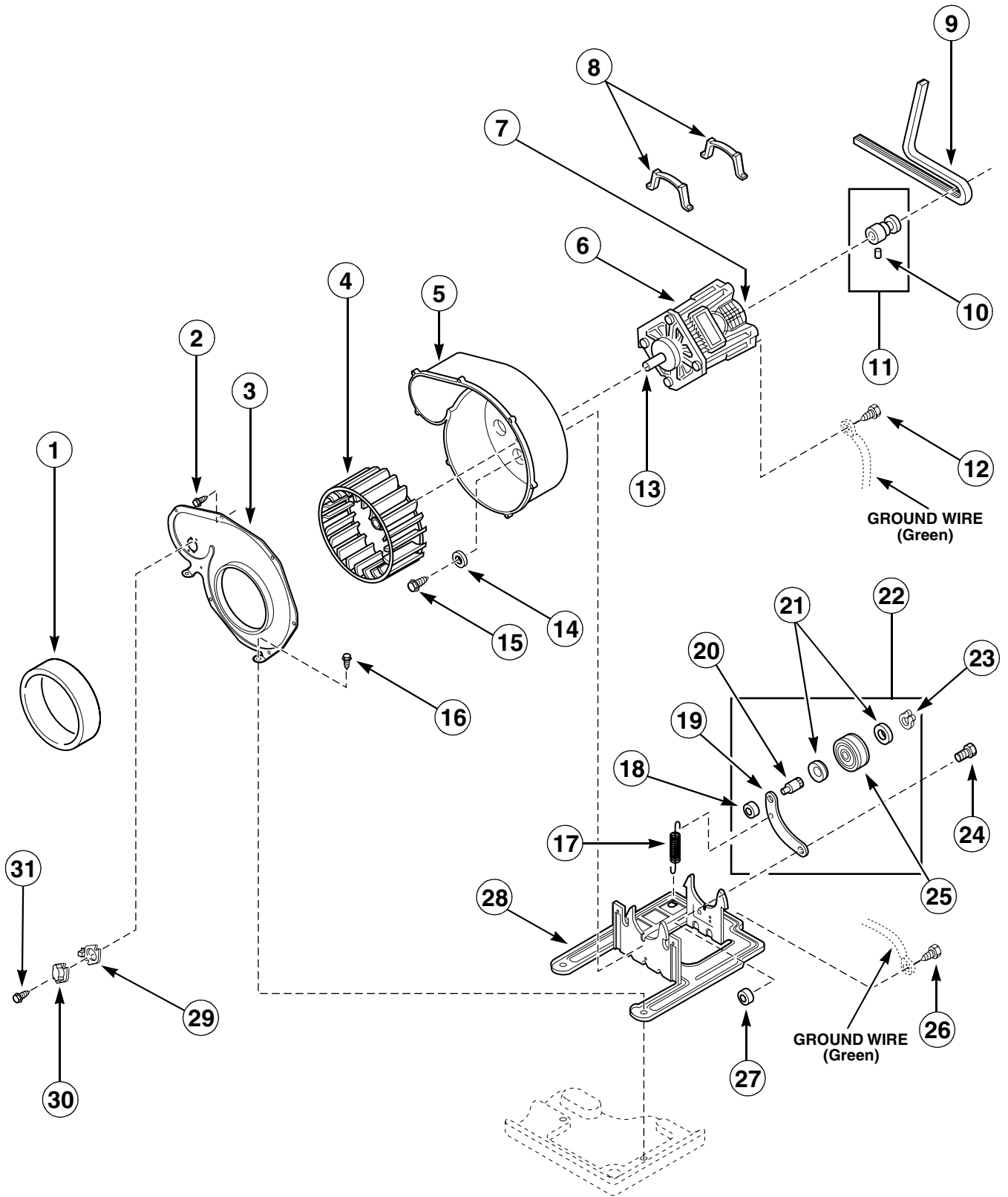
DR042-PT

## Loading Door, Front Panel and Seals

REF	PART NO.	DESCRIPTION	COMMENTS
1	60795*	Access Door	Gas models; N/A in Harvest Gold
2	511004	Sticker	
3	510177	Striker Catch	
4	500281	Sticker	
5	56079	Guide Lug	
6	32671	Screw	
7	28835	Hold-Down Clip	
8	504570	Door Switch	
9	61380	Front Panel Seal	
10	51236	Lock Nut	
11	62420*P	Front Panel	Electric models; N/A
	62421*P	Front Panel	Gas models; N/A
12	503661	Hex Head Screw	
13	56534	Support	
14	62151*	Door Assembly	N/A
15	52864	Phillips Head Screw	
16	23407	Speed Nut	
17	61379	Door Seal	
18	56045	Door Hinge Kit	Includes (2) 22649 Screws and (2) 52864 Screws
19	22649	Phillips Head Screw	
20	62153*	Outer Door Panel	N/A in Harvest Gold
21	54068P	Door Handle	Includes item 24
22	62152*	Inner Door Panel	N/A
23	510181	Door Striker	
24	33561	Hex Head Screw	

\* Add letter to designate color:    **L - Almond**        **W - White**        **H - Harvest Gold**  
 N/A – Part no longer available

# Motor, Exhaust Fan and Belt



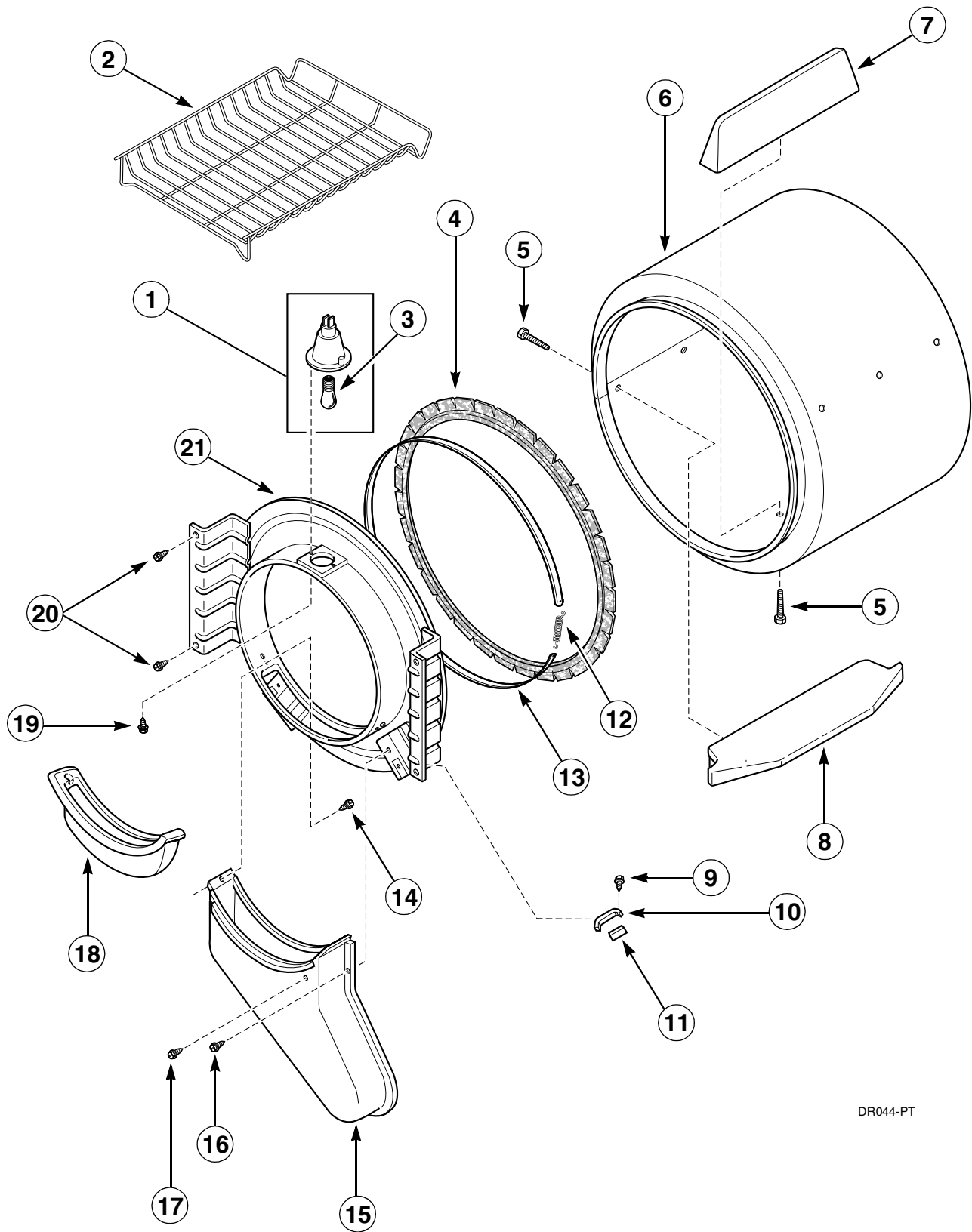
DR043-PT

## Motor, Exhaust Fan and Belt

REF	PART NO.	DESCRIPTION	COMMENTS
1	56065	Seal	
2	23962	Screw	
3	60938P	Exhaust Fan Cover	N/A
4	510139	Exhaust Fan Propeller	
5	510138P	Exhaust Fan Housing Kit	
6	58044	Motor	Includes item 7
7	53226	Motor Switch	External mounted; Emerson; N/A
	53249	Motor Switch	External mounted; General Electric; N/A
	59895	Motor Switch	Internal mounted; General Electric; N/A
8	510180	Motor Clamp	
9	510178	Belt	
10	62541	Setscrew	
11	59175P	Motor Pulley Assembly	
12	23222	Screw	
13	27604P	Anti-Seize Compound	Apply to motor shaft before installing the exhaust fan impeller; 1 oz. tube
14	20492	Washer	
15	503661	Screw	
16	51780	Screw	
17	510185	Spring	
18	56156	Lock Nut	
19	56057	Idler Lever	
20	56461	Shaft	
21	52549	Washer	
22	511227	Idler Pulley and Lever Assembly	
23	23748	Retainer Ring	
24	56587	Shoulder Bolt	N/A
25	510142	Idler Pulley	
26	23222	Screw	
27	52566	Lock Nut	
28	510060	Motor Mounting Bracket	
29	61401	Thermostat Heater	Use with Part No. 61372 Thermostat
30	510522	Thermistor	Models AG9439, AE9433, NG8839, NE8833, AGE959, AEE953, AGE939 and AEE933
	56410	Thermostat	Models AG3419, AE3413, AG359, AEE353, AGM339 and AEM333
	61372	Thermostat	Models NG6819, NE6813, AG5419, AE5413, NG4819, NE4813, AG4419, AE4413, AGM659, AEM653, AGM639, AEE633, AGM459, AEM453, AGM439 and AEM433
31	33561	Screw	

N/A – Part no longer available

# Front Bulkhead, Air Duct, Felt Seal and Cylinder



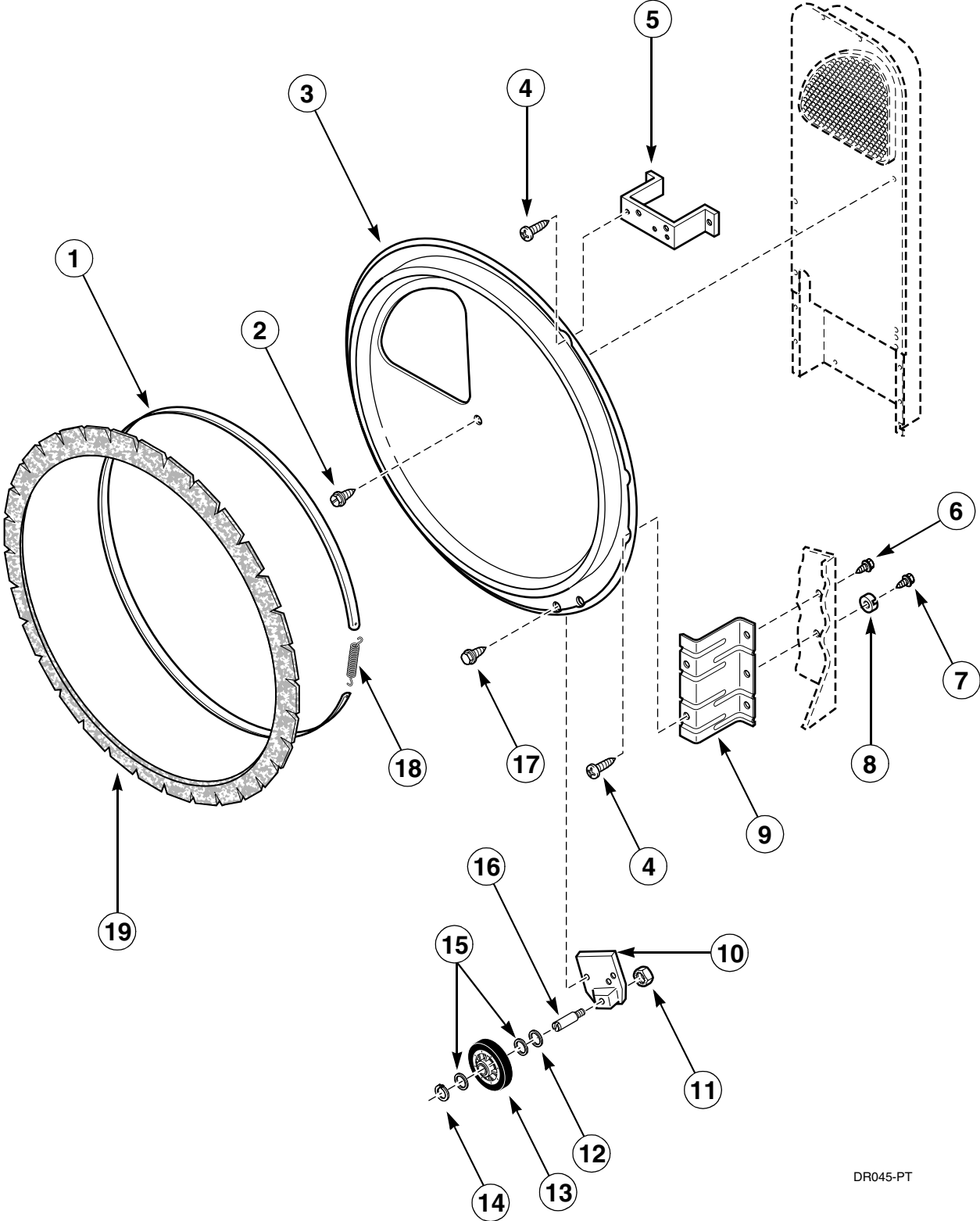
DR044-PT

## Front Bulkhead, Air Duct, Felt Seal and Cylinder

REF	PART NO.	DESCRIPTION	COMMENTS
1	60953P	Cylinder Light Assembly	Models AG9439, AE9433, NG8839, NE8833, AGE959, AEE933, AGE939, NG6819, NE6813, AG5419, AE5413, AE4413, AGM659, AEM653, AGM639, AEM633, AGM459, AEM453, AGM439, AEM433, AEE953 and AA4419
2	58846	Drying Rack	Models AG9439, AE9433, NG8839, NE8833, NG6819, NE6813, AG5419, AE5413, AGE959, AEE953, AGE939 and AEE933
3	60954	Lamp	
4	56088	Felt Seal	
5	62588	Screw	
6	60645P	Cylinder Assembly	Includes baffles
7	61399	Cylinder Baffle	2 required; White
8	61027	Cylinder Baffle	Elongated; 1 required; White
9	23962	Screw	
10	61448	Cylinder Glide	
11	58049	Pad	Felt
12	52310	Spring	
13	56090	Seal Strap	
14	33561	Screw	
15	60786	Air Duct	Front
16	23962	Screw	
17	56938	Bumper	N/A
18	61376P	Lint Filter	
19	31260	Screw	
20	503661	Screw	
21	62142W	Bulkhead	Front; Models equipped with cylinder light; N/A
	62160W	Bulkhead	Front; Models without cylinder light; N/A

N/A – Part no longer available

# Rear Bulkhead, Felt Seal and Cylinder Roller



DR045-PT



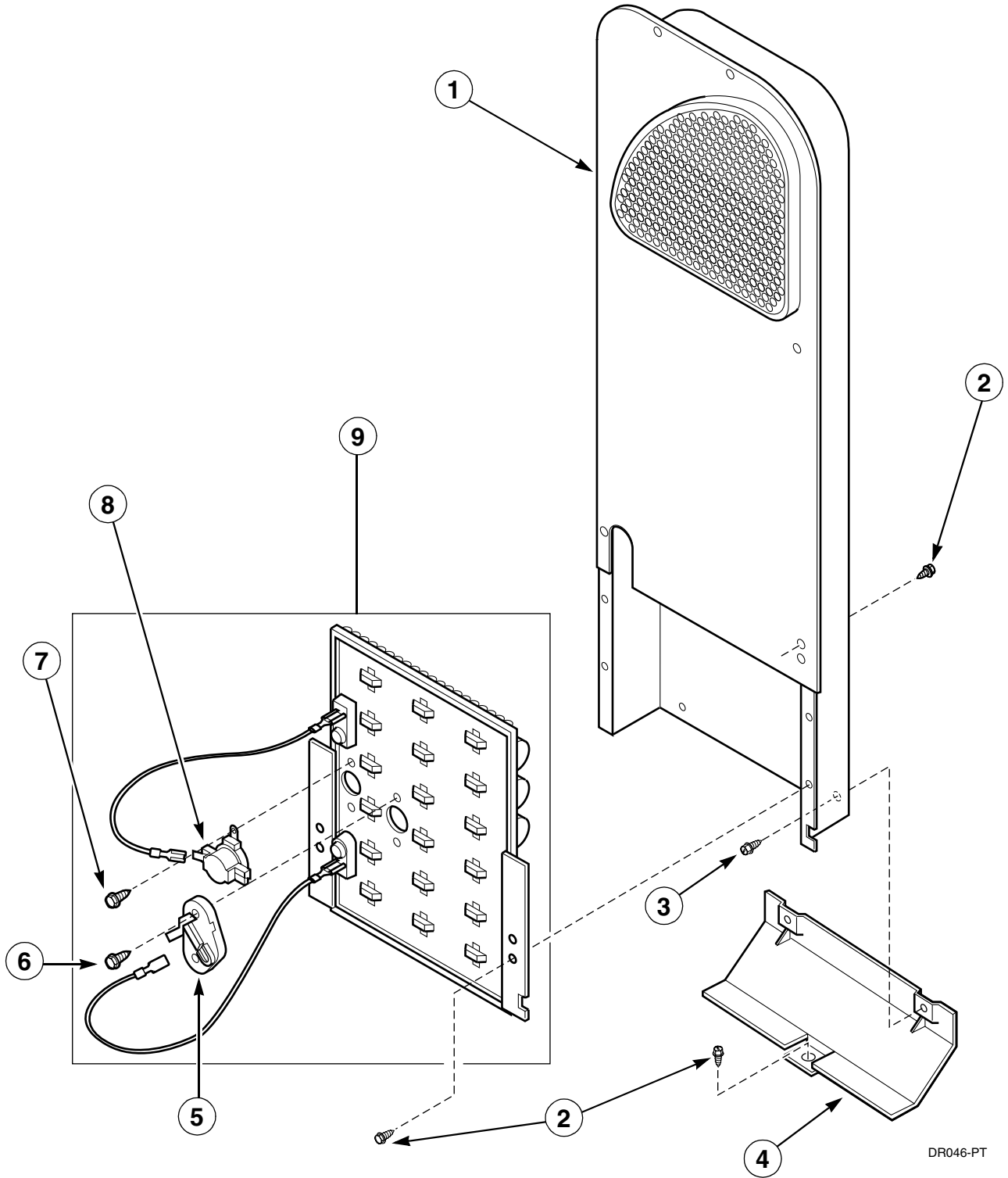
## Rear Bulkhead, Felt Seal and Cylinder Roller

REF	PART NO.	DESCRIPTION	COMMENTS
1	56090	Seal Strap	
2	33561	Screw	
3	61127	Rear Bulkhead	Includes item 10; White
4	M400664	Screw	
5	60823	Terminal Block Bracket	N/A
6	503661	Screw	
7	52909	Screw	Green
8	51474	Cupped Washer	
9	56055	Bracket	
10	62873	Roller Bracket	
11	56156	Lock Nut	
12	23886	Thrust Washer	Old Style; N/A
13	56457	Cylinder Roller	Old Style; N/A
	62649	Cylinder Roller	New Style; Starting Serial No. S656458ZE
14	23748	Retainer Ring	
15	52549	Washer	
16	56461	Shaft	
17	51780	Screw	
18	52310	Strap Spring	
19	56088	Seal Assembly	

**N/A – Part no longer available**

# Heater Box

Electric Models



DR046-PT

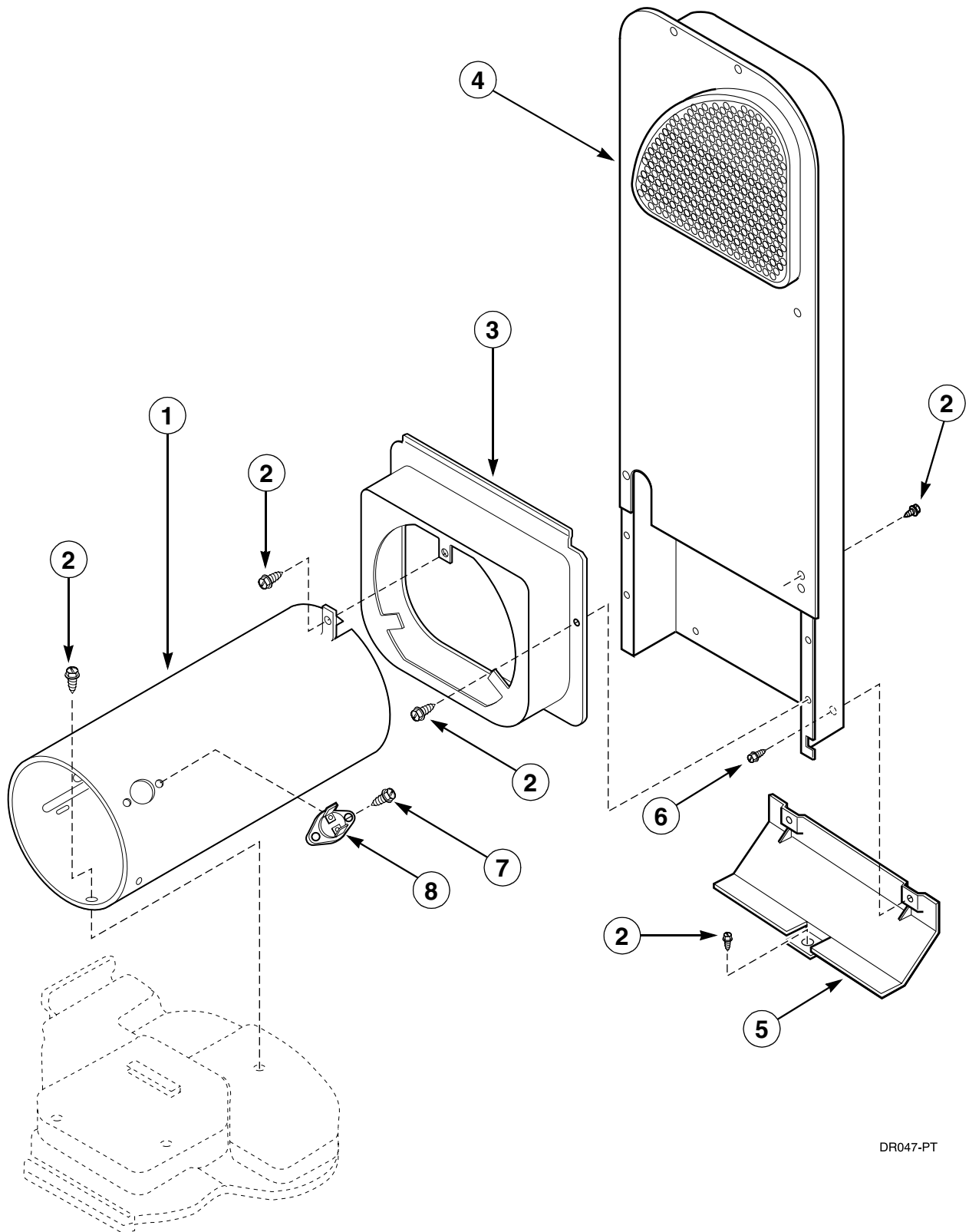
# Heater Box

Electric Models

REF	PART NO.	DESCRIPTION	COMMENTS
1	510025P	Heater Box	
2	503661	Screw	
3	51780	Screw	
4	60952	Heat Shield	
5	490P3	Thermal Fuse Kit	Includes item 8
6	56693	Screw	
7	23222	Screw	
8	510701	Limit Thermostat	
9	61927	Heater Assembly	Red; 240 Volts; 5000 Watts
	61928	Heater Assembly	White; 208 Volts; 4750 Watts

# Heater Box

Gas Models



DR047-PT

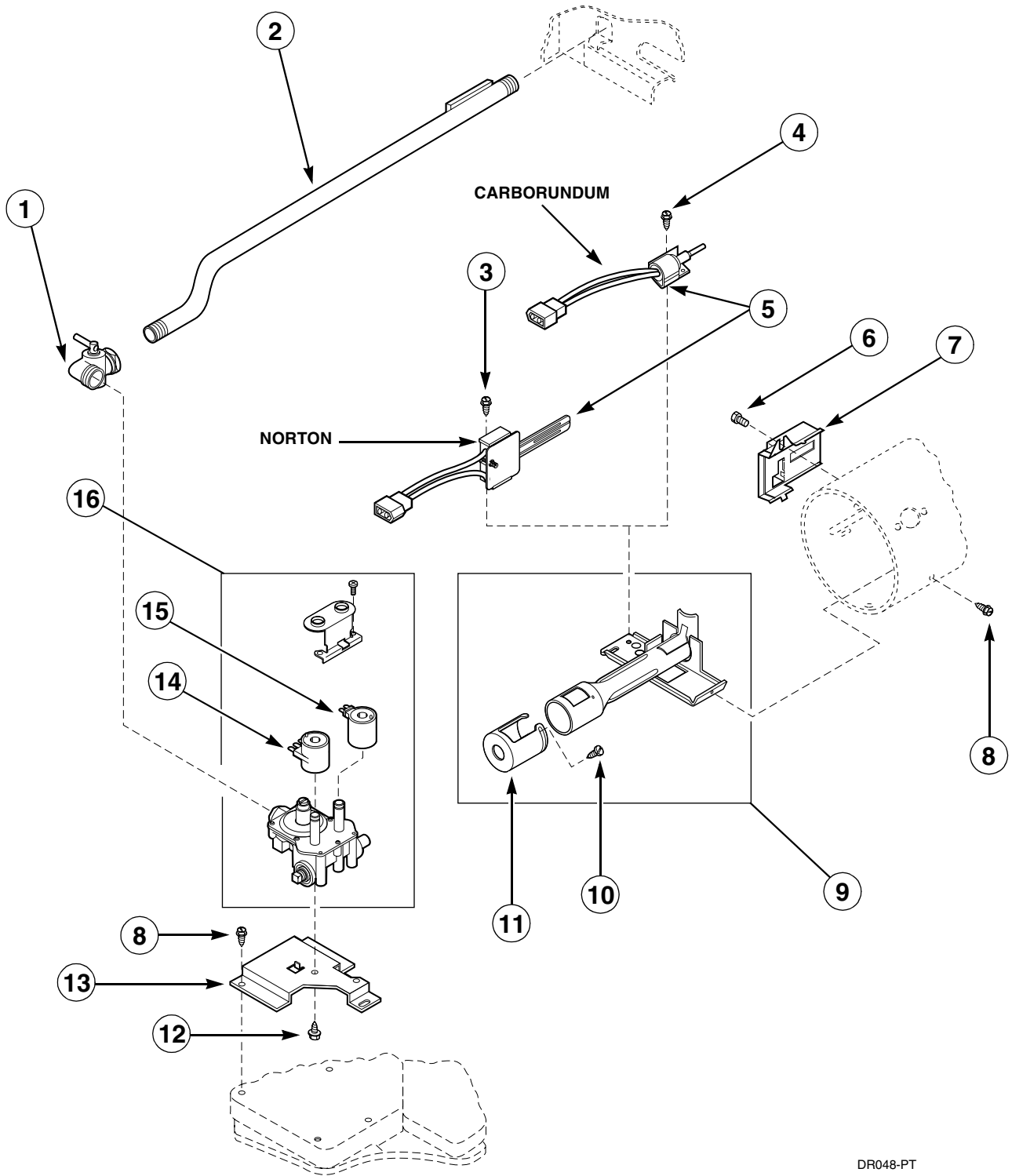
# Heater Box

Gas Models

<b>REF</b>	<b>PART NO.</b>	<b>DESCRIPTION</b>	<b>COMMENTS</b>
1	61974	Burner Housing	Includes item 8
2	503661	Screw	
3	510101	Heat Shroud	
4	510025P	Heater Box	
5	60952	Heat Shield	
6	51780	Screw	
7	51782	Screw	
8	489P3	Limit Thermostat and Plate Kit	

# Gas Valve and Igniter

Gas Models



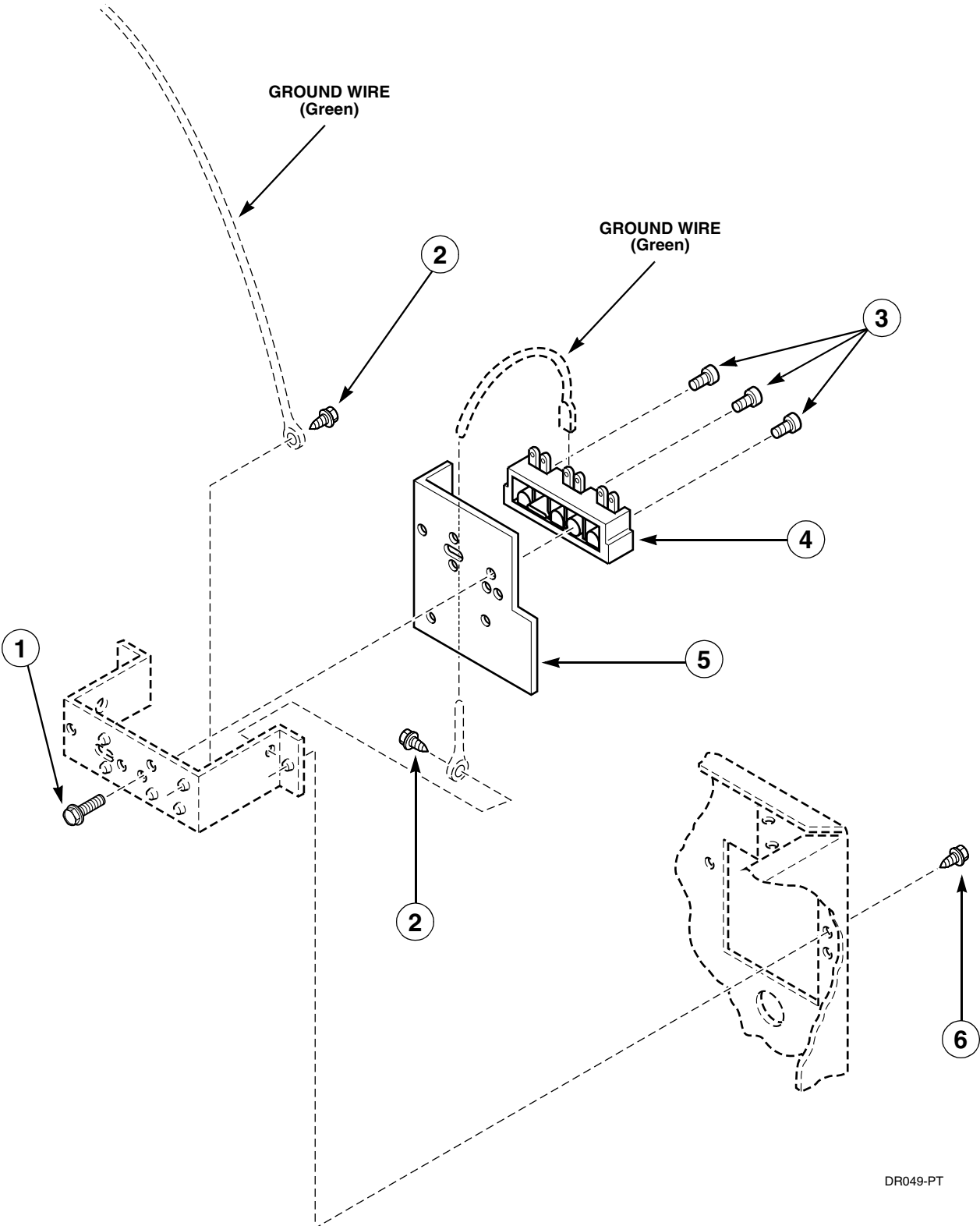
DR048-PT

# Gas Valve and Igniter

Gas Models

REF	PART NO.	DESCRIPTION	COMMENTS
1	56229	Valve	
2	58911	Lead-In Pipe Assembly	
3	56693	Screw	
4	51782	Screw	
5	60868	Igniter and Bracket	
6	23222	Screw	
7	56231	Sensor	
8	56264	Screw	
9	56234	Burner Tube Assembly	
10	51356	Screw	
11	53007	Air Shutter	
12	56124	Screw	
13	58912	Mounting Bracket	
14	58804A	Holding and Booster Coil	
15	58804B	Secondary Coil	
16	58804	Gas Valve Assembly	

# Terminal Block



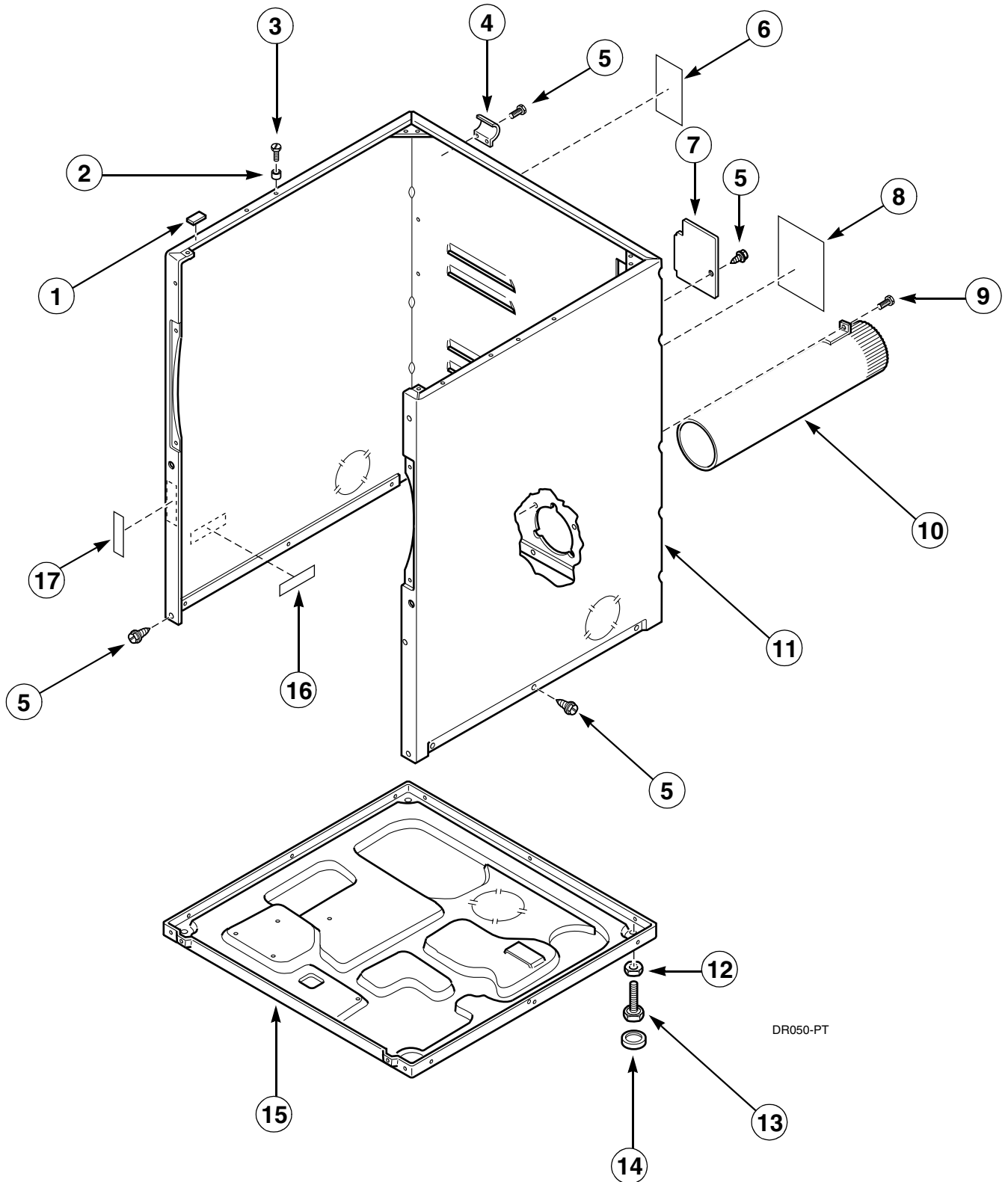
DR049-PT



# Terminal Block

REF	PART NO.	DESCRIPTION	COMMENTS
1	501285	Screw	
2	20530	Screw	
3	61199	Screw	
4	510190P	Terminal Block	Includes (3) item 3
5	56087	Terminal Block Insulation	
6	503661	Screw	

# Cabinet, Exhaust Duct and Base



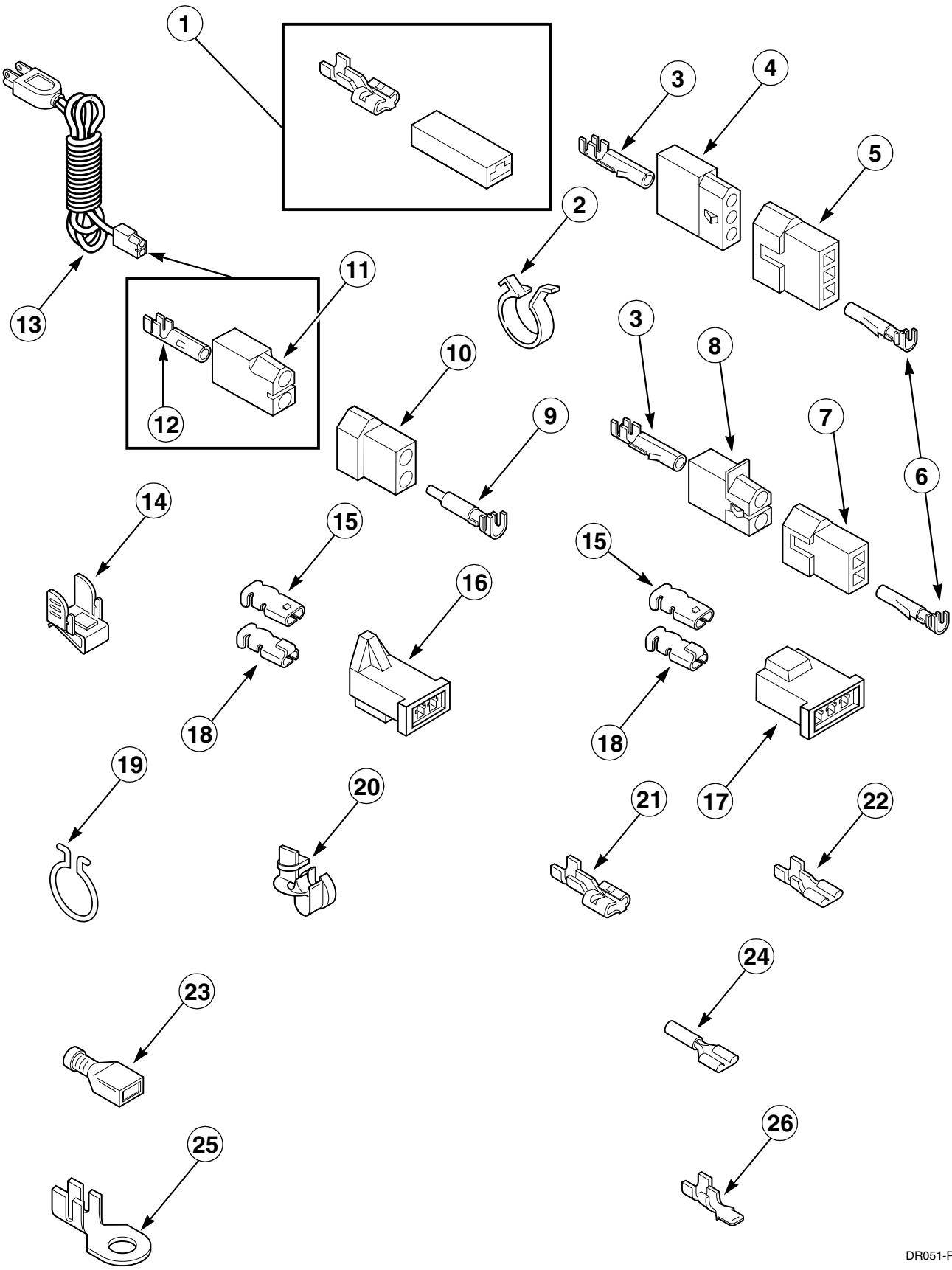
## Cabinet, Exhaust Duct and Base

REF	PART NO.	DESCRIPTION	COMMENTS
1	56128	Bumper Pad	
2	56079	Guide Lug	
3	32671	Screw	
4	60826	Hinge	N/A
5	530661	Screw	
6	511004	Sticker	Gas models
7	60821	Access Plate	
8	58592	Sticker	Models AE3413, AEM353 and AEM333
	511005	Sticker	All other electric models
9	23962	Screw	
10	56118	Exhaust Duct	
11	60813*P	Cabinet	N/A in Harvest Gold
12	20274	Nut	
13	52696	Leveling Leg	
14	70282	Rubber Foot	
15	60811	Base	Includes (4) item 12, (4) item 13 and (4) item 14; N/A
16	61294	Sticker	
17	24903	Sticker	

\* Add letter to designate color:    L - Almond            W - White            H - Harvest Gold

N/A – Part no longer available

# Power Cord and Terminals



DR051-PT

## Power Cord and Terminals

REF	PART NO.	DESCRIPTION	COMMENTS
1	00237	Insulated Spade Terminal	1/4 inch; (1) 12 gauge wire or (2) 18 gauge wires
2	504034	Wire Clip	
3	00117	Terminal	Female
4	23039	Terminal Block Receptacle	3 circuit
5	23040	Terminal Block Plug	
6	00116	Terminal	Male
7	56448	Terminal Block Plug	2 circuit
8	56451	Terminal Block Receptacle	2 circuit
9	00127	Terminal	Male
10	56266	Terminal Block Plug	2 circuit
11	56265	Terminal Block Receptacle	2 circuit; N/A
12	00130	Terminal	Female
13	56222	Power Cord	Gas models only
14	00161	Ground Clip	
15	00189	Terminal	Female; 1/8 inch
16	58799	Terminal Block	2 circuit
17	58800	Terminal Block	3 circuit
18	00361	Terminal	Female; Piggyback
19	51291	Wire Clip	
20	38384	Strain Relief	
21	00223	Spade Terminal	Female; 1/4 inch; (1) 18 gauge wire
	00121	Spade Terminal	Female; 1/4 inch; (2) 18 gauge wires
	00222	Spade Terminal	Female; 1/4 inch; (1) 12 gauge wire
22	00124	Spade Terminal	Female; 3/16 inch; (1) 18 gauge wire (.020 tab)
	00209	Spade Terminal	Female; 3/16 inch; (2) 18 gauge wires (.020 tab)
	00156	Spade Terminal	Female; 3/16 inch; Thermostat wire (.032 tab)
23	00234	Insulated Spade Terminal	1/4 inch
	00165	Insulated Spade Terminal	3/16 inch
24	00214	Barrel Insulated Spade Terminal	18 gauge
	00215	Barrel Insulated Spade Terminal	12 gauge
25	00110	Eyelet Terminal	(1) 18 gauge wire
	00111	Eyelet Terminal	(2) 18 gauge wires or (1) 12 gauge wire
26	00139	Terminal	Male; (2) 18 gauge wires or (1) 12 gauge wire

**N/A – Part no longer available**

## Wire Harnesses and Wires

Individual wires are not available separately. Order complete wire harness or order wire by the foot. See chart below.

Model Number	Wire Harness Part Number
AG9439, NG8839, AGE959 and AGE939	61590
AE9433, NE8833, AEE953 and AEE933	61587
NG6819 and AG5419	61589
NE6813 and AE5413	61588
AE3413, AEM353 and AEM333	61247
AGM659 and AGM639	62218
AEM653 and AEM633	62168

Order the individual wire color and gauge by the part number listed below. Order wire by the foot and terminals and connectors as required. It is recommended when applying terminals to wires that the terminals be soldered to the wires.

**IMPORTANT: Always replace wires with proper gauge and color.**

Part Number	Wire Gauge	Wire Color	Part Number	Wire Gauge	Wire Color
45001	18 Gauge Wire	Black	45083	18 Gauge Wire	Yellow/Black
45037	18 Gauge Wire	Brown/White	45380	12 Gauge Wire	Orange
45066	18 Gauge Wire	Blue/Red			

## Gas Burner Conversion Kits

To Convert Dryers from Natural/Mixed to Liquefied Petroleum Gas	To Convert Dryers from Liquefied Petroleum to Natural/Mixed Gas
401P3 Conversion Kit consists of: 1 – 58754 Block – Open Plug 1 – 58755 Burner Orifice Spud (#55) 1 – 61504 Conversion Plate 1 – 60517 Valve Converted to L.P. Gas Sticker 2 – 60520 L.P. Gas Stickers	402P3 Conversion Kit consists of: 1 – 58719 Burner Orifice Spud (#44) 1 – 58768 Vent Screw 1 – 61505 Conversion Plate 1 – 60516 Valve Converted to Natural Gas Sticker 2 – 61507 Natural Gas Stickers

# Parts Index

---

## A

Access Door	
60795 .....	17
Access Plate	
60821 .....	33
Air Duct	
60786 .....	21
Air Shutter	
53007 .....	29
Anti-Seize Compound	
27604P .....	19

---

## B

Barrel Insulated Spade Terminal	
00214 .....	35
00215 .....	35
Base	
60811 .....	33
Belt	
510178 .....	19
Bracket	
56055 .....	23
Bulkhead	
62142W .....	21
62160W .....	21
Bumper	
56938 .....	21
Bumper Pad	
56128 .....	33
Burner Housing	
61974 .....	27
Burner Tube Assembly	
56234 .....	29

---

## C

Cabinet	
60813P .....	33
Cabinet Top	
60815P .....	15
Clip	
10519 .....	7, 9, 11, 13
Control Hood	
59606 .....	5
61580 .....	5
Control Hood Assembly	
59955 .....	7, 9, 11, 13
62745 .....	7, 11, 13
Control Hood Rear Panel	
510099 .....	15
Control Knob Assembly	
31286 .....	9, 11
33610 .....	7, 11
33688 .....	7, 11
62175 .....	7
62235 .....	7

Cupped Washer	
51474 .....	23
Cylinder Assembly	
60645P .....	21
Cylinder Baffle	
61027 .....	21
61399 .....	21
Cylinder Glide	
61448 .....	21
Cylinder Light Assembly	
60953P .....	21
Cylinder Roller	
56457 .....	23
62649 .....	23

---

## D

Door Assembly	
62151 .....	17
Door Handle	
54068P .....	17
Door Hinge Kit	
56045P .....	17
Door Seal	
61379 .....	17
Door Striker	
510181 .....	17
Door Switch	
504570 .....	17
Drying Rack	
58846 .....	21

---

## E

Electronic Control Assembly	
59608P .....	5
62147P .....	5
62243P .....	5
End Cap	
31248 .....	5, 7, 9, 11, 13
31249 .....	5, 7, 9, 11, 13
Exhaust Duct	
56118 .....	33
Exhaust Fan Cover	
60938P .....	19
Exhaust Fan Housing Kit	
510138P .....	19
Exhaust Fan Propeller	
510139 .....	19
Eyelet Terminal	
00110 .....	35
00111 .....	35

---

**F**

Felt Seal	
56088 .....	21
Front Panel	
62420P .....	17
62421P .....	17
Front Panel Seal	
61380 .....	17

---

**G**

Gas Valve Assembly	
58804 .....	29
Graphic Panel	
60655 .....	5
60656 .....	9
60657 .....	11
60731 .....	11
60732 .....	13
60733 .....	9
60734 .....	5
62146 .....	5
62172 .....	7
62192 .....	11
62198 .....	13
62228 .....	13
62229 .....	11
62231 .....	5
62318 .....	7
Ground Clip	
00161 .....	35
Guide Lug	
56079 .....	17, 33

---

**H**

Heat Shield	
60952 .....	25, 27
Heat Shroud	
510101 .....	27
Heater Assembly	
61927 .....	25
61928 .....	25
Heater Box	
510025P .....	25, 27
Hex Head Screw	
33561 .....	17
503661 .....	17
Hinge	
60826 .....	33
Hold-Down Clip	
28835 .....	17
Holding and Booster Coil	
58804A .....	29

---

**I**

Idler Lever	
56057 .....	19
Idler Pulley	
510142 .....	19
Idler Pulley and Lever Assembly	
511227 .....	19
Igniter and Bracket	
60868 .....	29
Inner Door Panel	
62152 .....	17
Insulated Spade Terminal	
00165 .....	35
00234 .....	35
00237 .....	35

---

**L**

Lamp	
60954 .....	21
Lead-In Pipe Assembly	
58911 .....	29
Leveling Leg	
52696 .....	33
Limit Thermostat	
510701 .....	25
Limit Thermostat and Plate Kit	
489P3 .....	27
Lint Filter	
61376P .....	21
Lock Nut	
51236 .....	17
52566 .....	19
56156 .....	19, 23

---

**M**

Motor	
58044 .....	19
Motor Clamp	
510180 .....	19
Motor Mounting Bracket	
510060 .....	19
Motor Pulley Assembly	
59175P .....	19
Motor Switch	
53226 .....	19
53249 .....	19
59895 .....	19
Mounting Bracket	
58912 .....	29



---

**N**

Nut	
20274 .....	33
57584 .....	11

---

**O**

Outer Door Panel	
62153 .....	17

---

**P**

Pad	
58049 .....	21
Phillips Head Screw	
22649 .....	17
52864 .....	17
Power Cord	
56222 .....	35
Push-To-Start Button Assembly	
59788 .....	13
62199 .....	13
62512 .....	13

---

**R**

Rear Bulkhead	
61127 .....	23
Retainer Ring	
23748 .....	19, 23
Roller Bracket	
62873 .....	23
Rubber Foot	
70282 .....	33

---

**S**

Screw	
M400664 .....	23
20530 .....	15, 31
23222 .....	19, 25, 29
23962 .....	9, 11, 13, 15, 19, 21, 33
31260 .....	5, 7, 9, 11, 21
31752 .....	5, 7, 9, 11, 13
32671 .....	17, 33
33561 .....	19, 21, 23
501086 .....	7, 9, 11, 13
501285 .....	31
503661 .....	15, 19, 21, 23, 25, 27, 31
51356 .....	29
51780 .....	19, 23, 25, 27
51782 .....	27, 29
52909 .....	23
530661 .....	33
56124 .....	29
56264 .....	29
56693 .....	25, 29
61199 .....	31
62588 .....	21

Seal	
56064 .....	19
Seal Assembly	
56088 .....	23
Seal Strap	
56090 .....	21, 23
Secondary Coil	
58804B .....	29
Sensor	
56231 .....	29
Setscrew	
62541 .....	19
Shaft	
56461 .....	19, 23
Shoulder Bolt	
56587 .....	19
Signal Control	
500823 .....	7, 9
Spade Terminal	
00121 .....	35
00124 .....	35
00156 .....	35
00209 .....	35
00222 .....	35
00223 .....	35
Speed Nut	
23407 .....	17
Spring	
510185 .....	19
52310 .....	21
Start Switch	
59449 .....	13
59450 .....	9, 11
Sticker	
24903 .....	15, 33
500281 .....	17
511004 .....	17, 33
511005 .....	33
58592 .....	33
61294 .....	33
Strain Relief	
38384 .....	35
Strap Spring	
52310 .....	23
Striker Catch	
510177 .....	17
Support	
56534 .....	17
Switch Bracket	
59704 .....	11

---

**T**

Temperature Switch	
61511 .....	11
62173 .....	7
Terminal	
00116 .....	35
00117 .....	35
00127 .....	35
00130 .....	35
00139 .....	35
00189 .....	35
00361 .....	35

Terminal Block	
510190P .....	31
58799 .....	35
58800 .....	35
Terminal Block Bracket	
60823 .....	23
Terminal Block Insulation	
56087 .....	31
Terminal Block Plug	
23040 .....	35
56266 .....	35
56448 .....	35
Terminal Block Receptacle	
23039 .....	35
56265 .....	35
56451 .....	35
Thermal Fuse Kit	
490P3 .....	25
Thermistor	
510522 .....	19
Thermostat	
56410 .....	19
61372 .....	19
Thermostat Heater	
61401 .....	19
Thrust Washer	
23886 .....	23
Timer	
502967 .....	7
59418 .....	13
59497 .....	11
61402 .....	9
Timer Knob	
59791 .....	11
62176 .....	11
62234 .....	11
Timer Knob Assembly	
59791 .....	9, 13
62176 .....	7, 13
62234 .....	7, 13
Trim Strip	
61849P .....	7
61849R .....	5, 11

---

## V

Valve	
56229 .....	29

---

## W

Washer	
20492 .....	19
52549 .....	19, 23
Wire Clip	
504034 .....	35
51291 .....	35