

Home Laundry Dryers

Refer to Page 3 for Model Numbers

Parts



Part No. 505904
October 2000

Table of Contents

Title	Page
Parts Ordering Information	2
Nameplate Location	2
Model Identification	3
Graphic Panel, Control Hood and Controls	4
Graphic Panel, Control Hood and Controls	6
Graphic Panel, Control Hood and Controls	8
Graphic Panel, Control Hood and Controls	10
Graphic Panel, Control Hood and Controls	12
Graphic Panel, Control Hood and Controls	14
Graphic Panel, Control Hood and Controls	16
Cabinet Top and Control Hood Rear Panel	18
Loading Door, Front Panels and Access Door	20
Motor, Exhaust Fan and Belt (Sheet 1 of 2)	22
Motor, Exhaust Fan and Belt (Sheet 2 of 2)	24
Front Bulkhead, Air Duct, Felt Seal and Cylinder	26
Rear Bulkhead, Felt Seal and Cylinder Roller	28
Heater Box (Electric Models through Serial No. S6271975XG)	30
Heater Box (Electric Models starting Serial No. S6271976XG)	32
Heater Box (Gas Models through Serial No. S6333959XM)	34
Heater Box (Gas Models starting Serial No. S6333960XM)	36
Gas Valve, Igniter and Gas Conversion Kits	38
Terminal Block	40
Terminal Block	42
Cabinet, Exhaust Duct and Base	44
Power Cord and Terminals	46
Wire Harnesses	48
Wires	49
Gas Burner Conversion Kits	50
Parts Index	51

© Copyright 2000, Alliance Laundry Systems LLC

All rights reserved. No part of the contents of this book may be reproduced or transmitted in any form or by any means without the expressed written consent of the publisher.

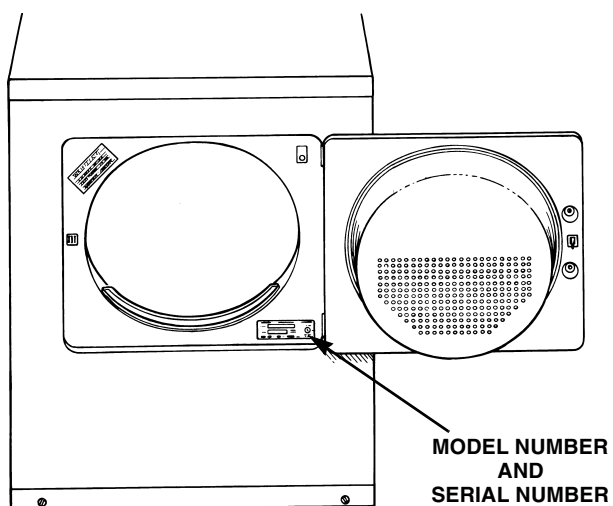
Parts Ordering Information

If literature or replacement parts are required, contact the source from whom the machine was purchased or contact Alliance Laundry Systems at (920) 748-3950 for the name and address of the nearest authorized parts distributor.

For technical assistance, call (920) 748-3121.

Nameplate Location

When calling or writing about your product, be sure to mention model and serial numbers. Model and serial numbers are located on nameplate(s) as shown.



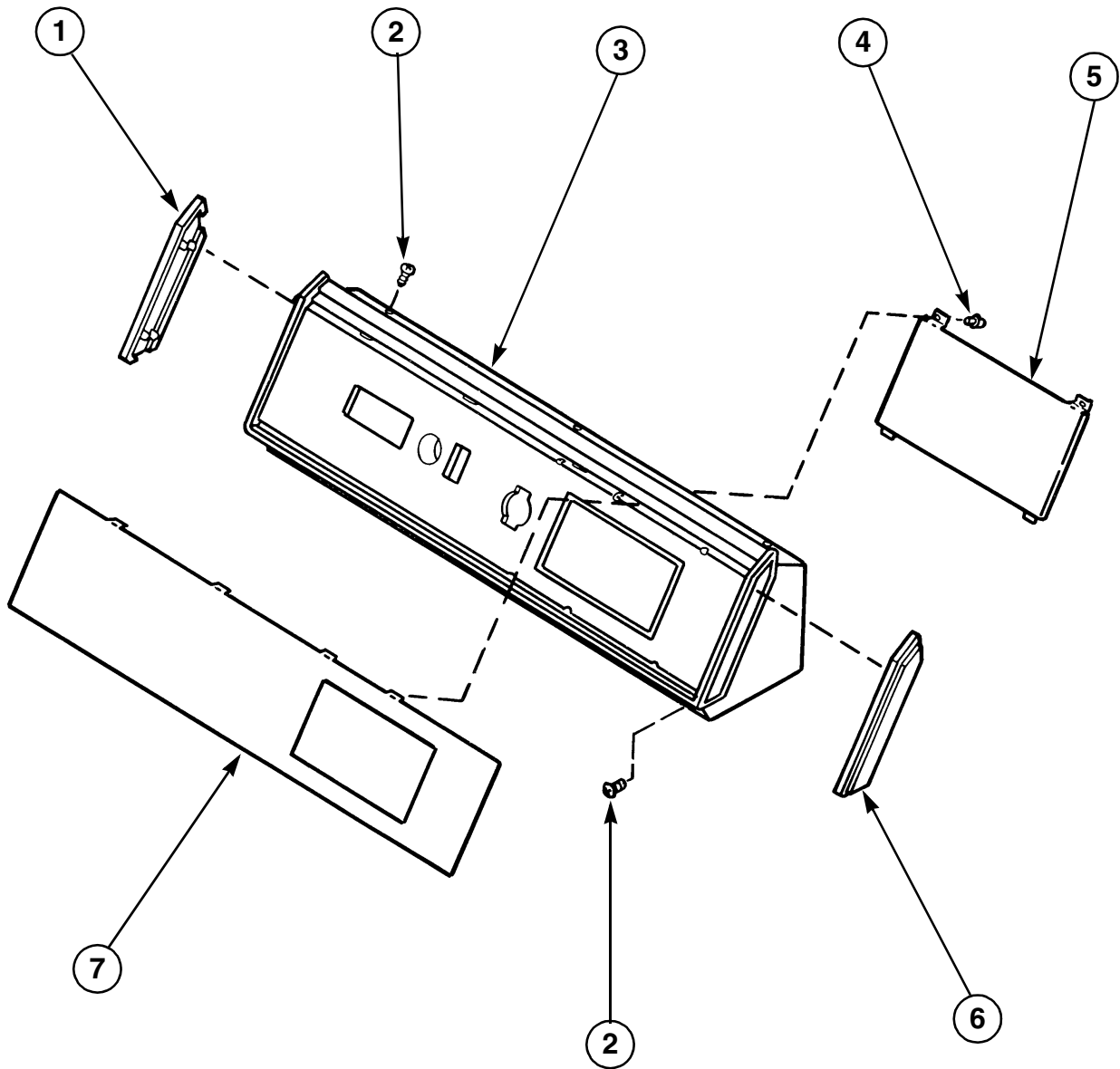
Model Identification

Information in this manual is applicable to these dryers:

Electric				Gas			
AE9233	AE7133	AE5213	AE4113	AG9239	AG7139	AG5219	AG4119
AE9133	NE6613	AE5113	NE3513	AG9139	NG6619	AG5119	NG3519
NE8633	NE6533	VE5013	NE3313	NG8639	NG6539	VG5019	NG3319
NE8533	NE6513	NE4713	AE3213	NG8539	NG6339	NG4719	AG3219
NE8333	NE6333	NE4613	VE3013	NG8339	NG6519	NG4619	VG3019
NE7513	NE6313	NE4513	NE2113	NG7519	NG6319	NG4519	NG2119
NE7313	NE5513	NE4313		NG7319	NG5519	NG4319	
AE7233	NE5313	AE4213		AG7239	NG5319	AG4219	

Graphic Panel, Control Hood and Controls

Models AG9239, AE9233, AG9139, AE9133, NG8639, NE8633, NG8539, NE8533, NG8339, NE8333, AG7239, AG7233, AG7139, AE7133, NG6539, NE6533, NG6339 and NE6333



DR092-PT

Graphic Panel, Control Hood and Controls

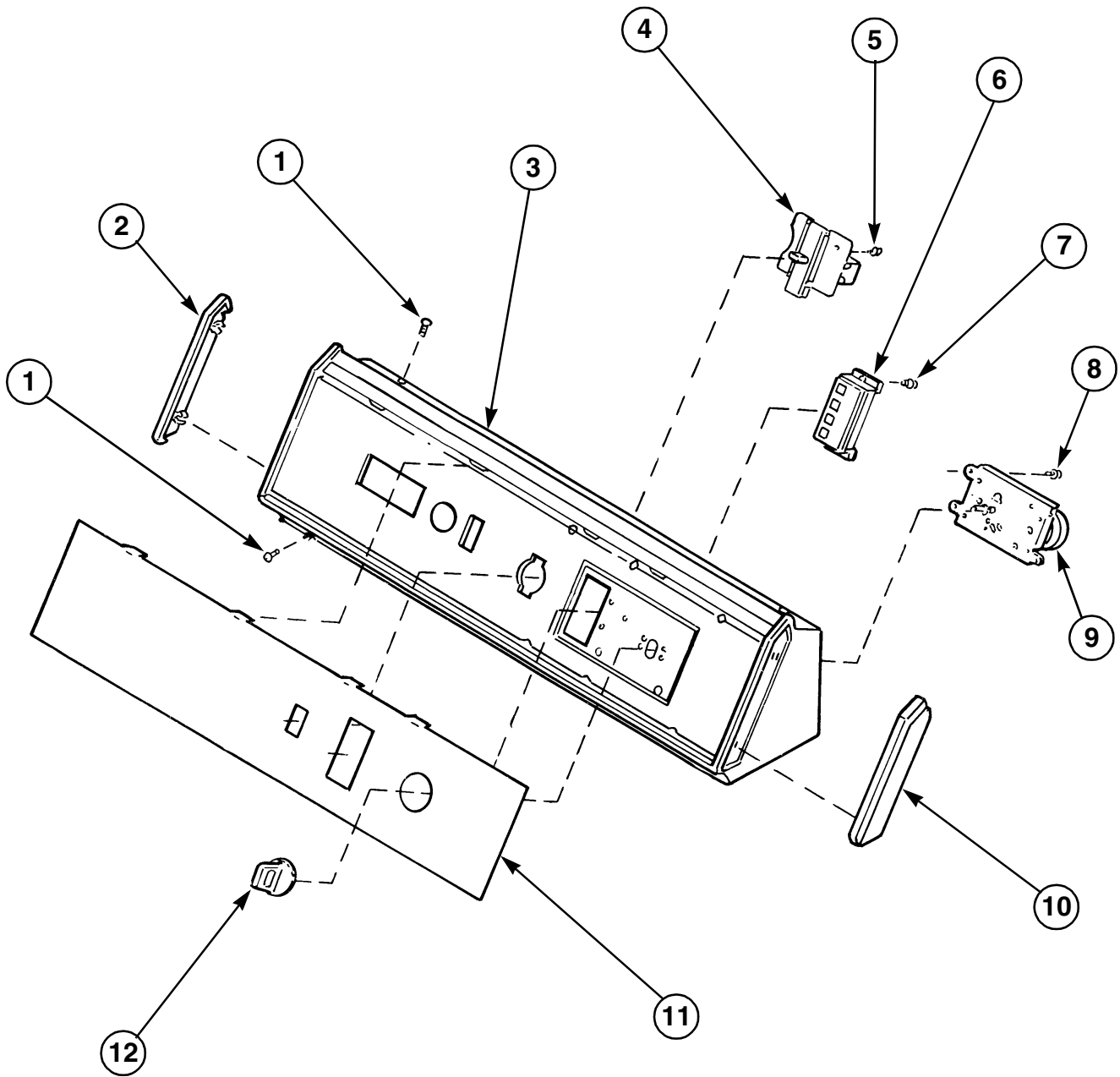
Models AG9239, AE9233, AG9139, AE9133, NG8639, NE8633, NG8539, NE8533, NG8339, NE8333, AG7239, AG7233, AG7139, AE7133, NG6539, NE6533, NG6339 and NE6333

REF	PART #	DESCRIPTION	COMMENTS
1	32343	End Cap or Inserts	Left; Models AG9139, AE9133, NG8639, NE8633, AG7139 and AE7133; N/A
	31249	End Cap or Inserts	Left; All other models
2	31752	Screw	
3	59606	Control Hood	N/A
4	31260	Screw	
5	59608P	Electronic Control	Models AG9139, AE9133, NG8639, NE8633, NG8539 and NE8533
	59610	Electronic Control	Models NG8339 and NE8333
	59609	Electronic Control	Models AG7139, AE7133, NG6539 and NE6533
	59611P	Electronic Control	Models NG6339 and NE6333
6	32342	End Cap or Inserts	Right; Models AG9139, AE9133, NG8639, NE8633, AG7139 and AE7133; N/A
	31248	End Cap or Inserts	All other models
7	60310	Graphic Panel	Models AG9139, AE9133, AG7139 and AE7133; N/A
	59480	Graphic Panel	Models NG8639, NE8633, NG8539, NG8533, NG6329 and NE6533; N/A
	59485	Graphic Panel	Models NG8339, NE8333, NG6339 and NE6333; N/A
	60734	Graphic Panel	Models AG9239, AG7239, AG7233 and AE9233

N/A = Part no longer available

Graphic Panel, Control Hood and Controls

Models NG7519, NE7513, NG7319 and NE7313



DR113-PT

Graphic Panel, Control Hood and Controls

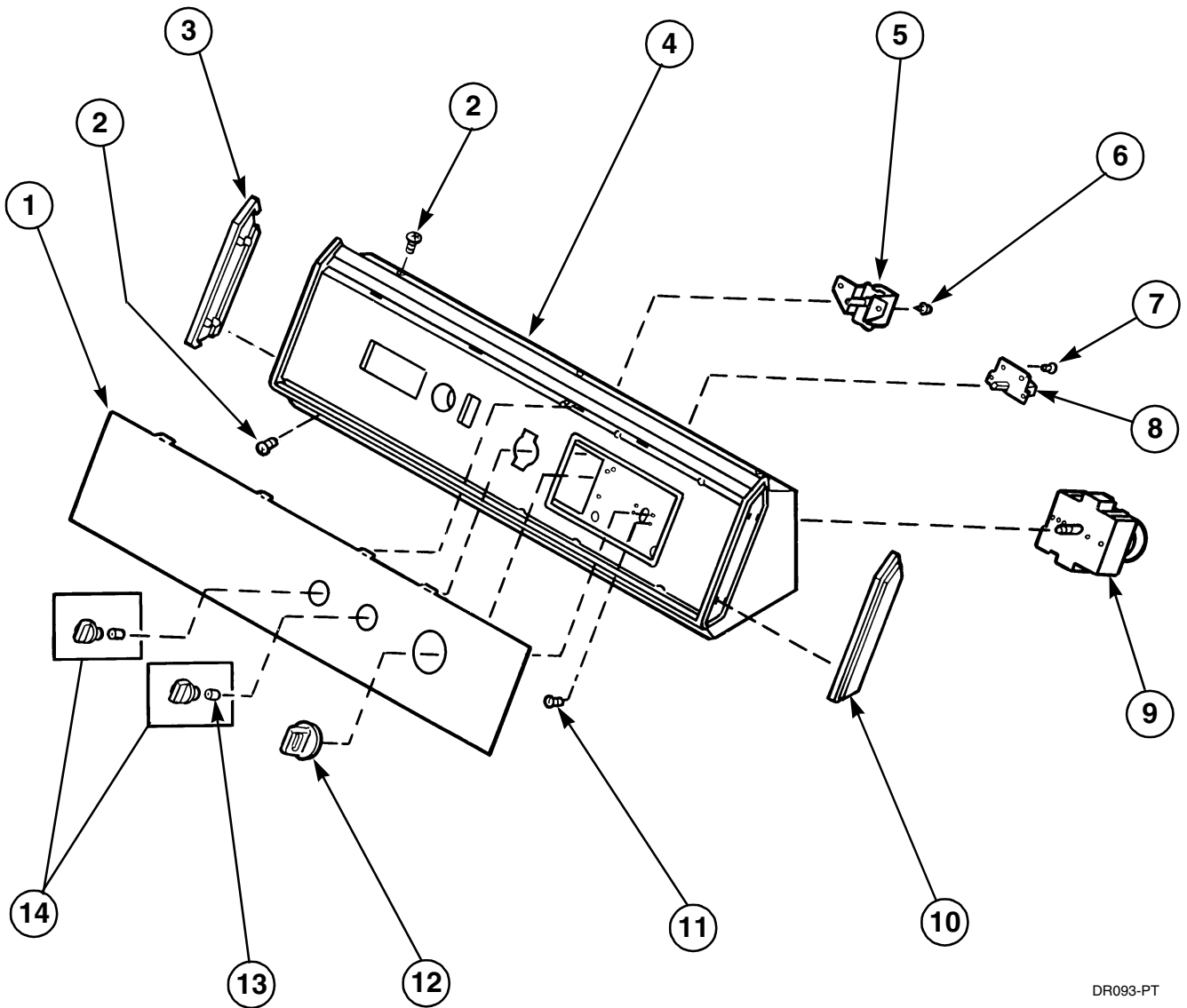
Models NG7519, NE7513, NG7319 and NE7313

REF	PART #	DESCRIPTION	COMMENTS
1	31752	Screw	
2	31249	End Cap	Left
3	59936	Control Hood Assembly	N/A
4	59498	Slide Signal Control	Models NG7519 and NE7513; N/A
	59822	Slide Signal Control	Models NG7319 and NE7313; N/A
5	31260	Screw	
6	59617	Temperature Selector Switch	Models NG7519 and NE7513; N/A
	59618	Temperature Selector Switch	Models NG7319 and NE7313
7	33561	Screw	
8	501086	Screw	
9	502967	Timer	
10	31248	End Cap	Right
11	59481	Graphic Panel	Models NG7519 and NE7513; N/A
	59486	Graphic Panel	Models NG7319 and NE7313; N/A
12	59791	Timer Knob Assembly	Models NG7519 and NE7513
	59793	Timer Knob Assembly	Models NG7319 and NE7313

N/A = Part no longer available

Graphic Panel, Control Hood and Controls

Models NG6619, NE6613, NG5519, NE5513, NG5319, NE5313, AG5219, AG5213, AG5119 and AE5113



DR093-PT

Graphic Panel, Control Hood and Controls

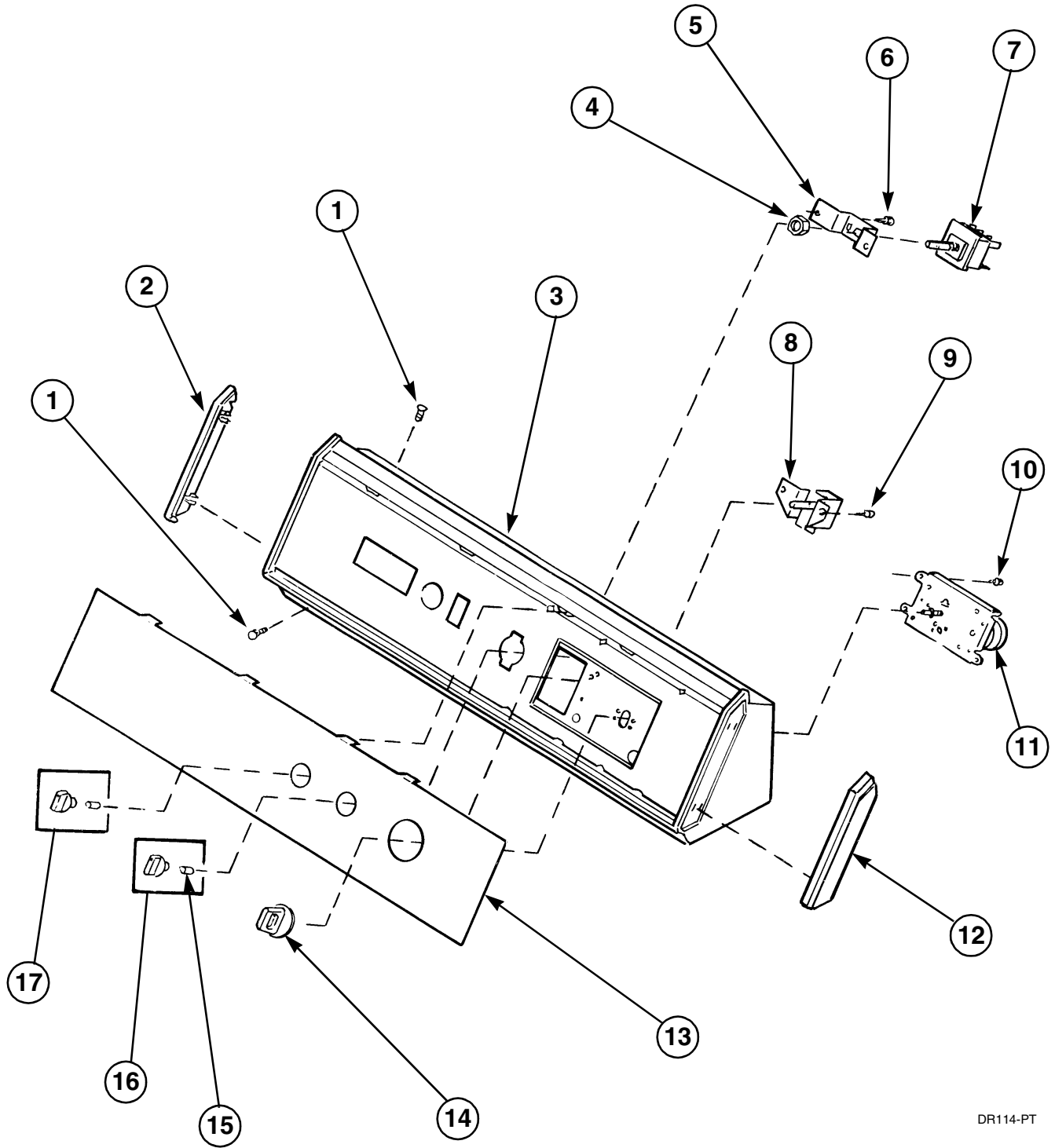
Models NG6619, NE6613, NG5519, NE5513, NG5319, NE5313, AG5219, AG5213, AG5119 and AE5113

REF	PART #	DESCRIPTION	COMMENTS
1	60657	Graphic Panel	Models NG6619 and NG6613
	59483	Graphic Panel	Models NG5519 and NE5513
	59488	Graphic Panel	Models NG5319 and NE5313
	60319	Graphic Panel	Models AG5119 and AE5113
	60733	Graphic Panel	AG5219 and AE5213
2	31752	Screw	
3	31249	End Cap or Insert	Left; Models NG5519, NE5513, NG5319 and NE5313
	32343	End Cap or Insert	Left; Models NG6619, NE6613, AG5119 and AE5113
4	59955	Control Hood Assembly	
5	59447	Signal Control	
6	31260	Screw	
7	23962	Screw	
8	59450	Start Switch	
9	59422	Timer	Through Serial No. S6271975XG
	61402	Timer	Starting Serial No. S6271976XG
10	31248	End Cap or Insert	Right; Models NG5519, NE5513, NG5319 and NE5313
	32342	End Cap or Insert	Right; Models NG6619, NE6613, AG5119 and AE5113
11	59616	Screw	
12	59791	Timer Knob Assembly	Models NG6619, NE6613, NG5519, NE5513, AG5119 and AE5113
	59793	Timer Knob Assembly	Models NG5319 and NE5313
13	10519	Clip	N/A
14	31286	Control Knob Assembly	Models NG6619, NE6613, NG5519, NE5513, AG5119 and AE5113
	31287	Control Knob Assembly	Models NG5319 and NE5313

N/A = Part no longer available

Graphic Panel, Control Hood and Controls

Models NG6519, NE6513, NG6319 and NE6313



DR114-PT

Graphic Panel, Control Hood and Controls

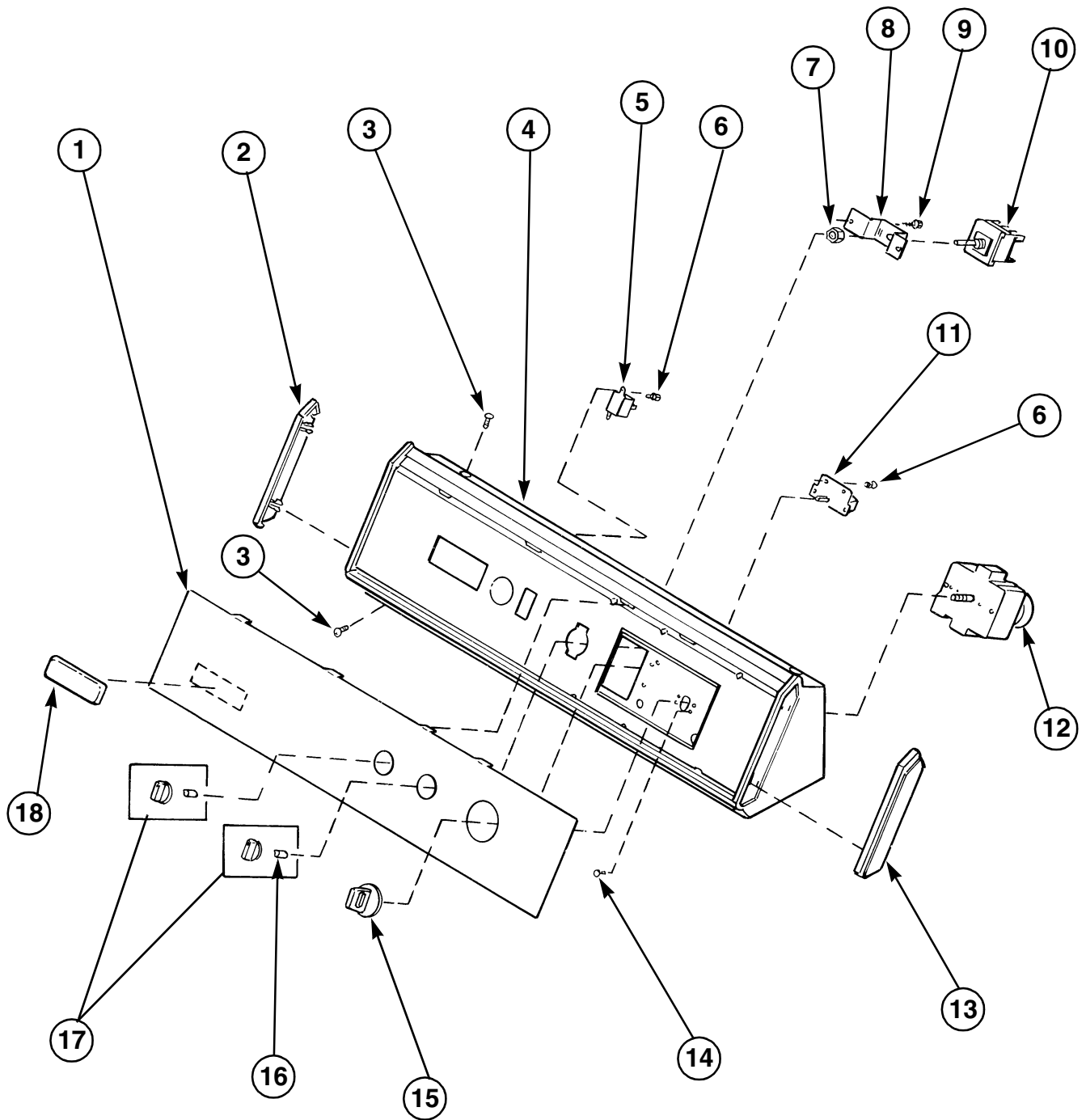
Models NG6519, NE6513, NG6319 and NE6313

REF	PART #	DESCRIPTION	COMMENTS
1	31752	Screw	
2	31249	End Cap	Left
3	59955	Control Hood Assembly	N/A
4	57584	Nut	
5	59704	Switch Bracket	N/A
6	23962	Screw	
7	58813	Temperature Selector Switch	Through Serial No. S6271975XG
	61511	Temperature Selector Switch	Starting Serial No. S6271976XG
8	500823	Signal Control	
9	31260	Screw	
10	501086	Screw	
11	502967	Timer	
12	31248	End Cap	Right
13	60729	Graphic Panel	Models NG6519 and NE6513; N/A
	60730	Graphic Panel	Models NG6319 and NE6313; N/A
14	59791	Timer Knob Assembly	Models NG6519 and NE6513
	59793	Timer Knob Assembly	Models NG6319 and NE6313
15	10519	Clip	N/A
16	31286	Control Knob Assembly	Models NG6519 and NE6513
	31287	Control Knob Assembly	Models NG6319 and NE6313
17	60758	Control Knob Assembly	Models NG6519 and NE6513; N/A
	60759	Control Knob Assembly	Models NG6319 and NE6313; N/A

N/A = Part no longer available

Graphic Panel, Control Hood and Controls

Models AG4219, AG4213, VG5019, VE5013, NG4719, NE4713, NG4619, NE4613, NG4519, NE4513, NG4319 and NE4313



DR115-PT

Graphic Panel, Control Hood and Controls

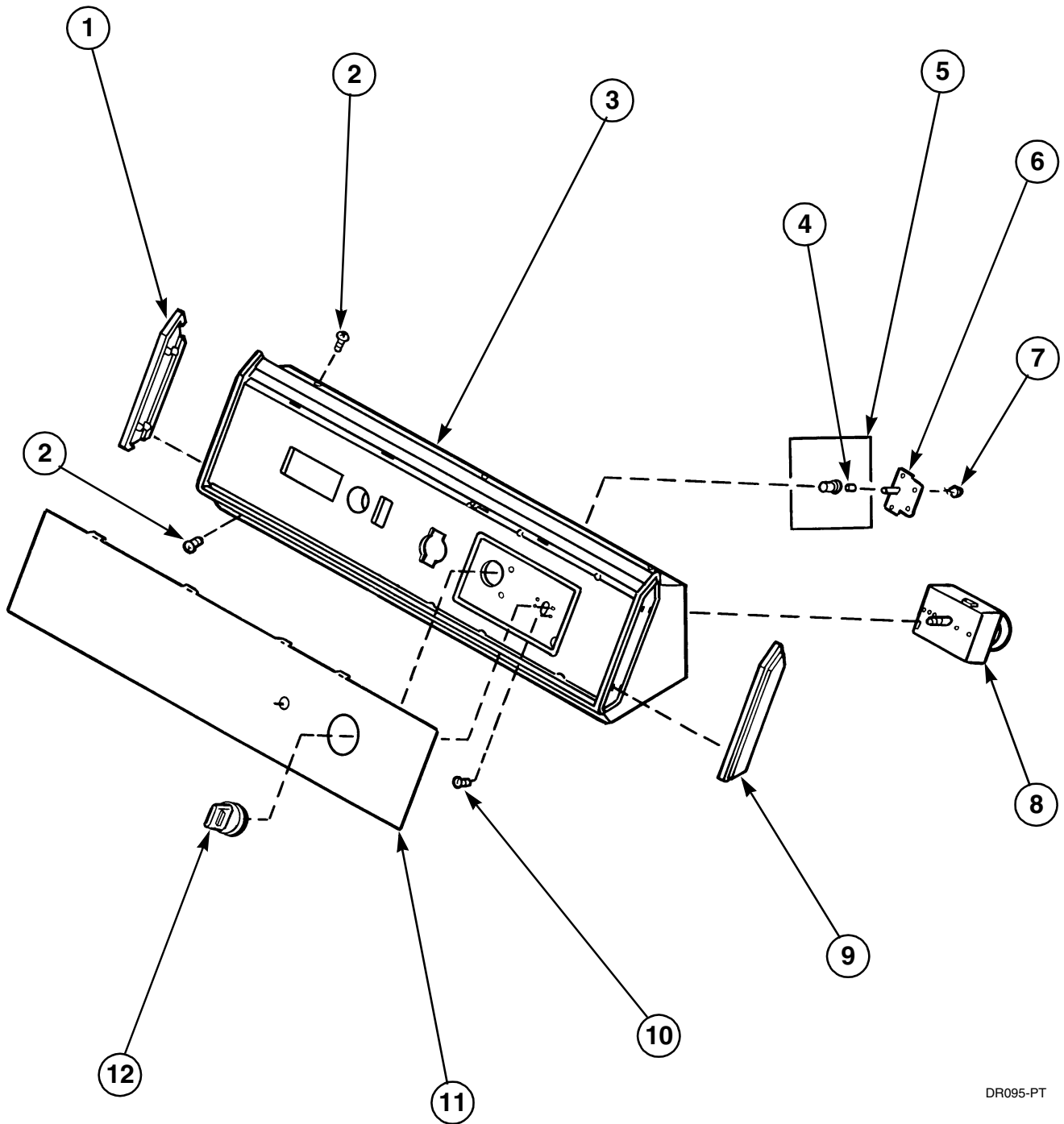
Models AG4219, AG4213, VG5019, VE5013, NG4719, NE4713, NG4619, NE4613, NG4519, NE4513, NG4319 and NE4313

REF	PART #	DESCRIPTION	COMMENTS
1	60347	Graphic Panel	Models VG5019 and VE5013; N/A
	60634	Graphic Panel	Models NG4719 and NE4713; N/A
	60657	Graphic Panel	Models NG4619 and NE4613; N/A
	60055	Graphic Panel	Models NG4519 and NE4513; N/A
	60056	Graphic Panel	Models NG4319 and NE4313; N/A
	60731	Graphic Panel	Models AG4219 and AG4213
2	32217	End Cap or Insert	Left; Models VG5019 and VE5013; N/A
	32343	End Cap or Insert	Left; Models NG4619 and NE4613; N/A
	31249	End Cap or Insert	Left; All other models
3	31752	Screw	
4	59955	Control Hood Assembly	N/A
5	59446	Signal	Models VG5019, VE5013, NG4519, NE4513, NG4319 and NE4313; Starting Serial No. S6242594XD; N/A
6	23962	Screw	
7	57584	Nut	
8	59704	Switch Bracket	N/A
9	31260	Screw	
10	58813	Temperature Selector Switch	Through Serial No. S6271975XG
	61511	Temperature Selector Switch	Starting Serial No. S6271976XG
11	59450	Start Switch	
12	59497	Timer	
13	32218	End Cap or Insert	Right; Models VG5019 and VE5013; N/A
	32342	End Cap or Insert	Right; Models NG4619 and NE4613; N/A
	31248	End Cap or Insert	Right; All other models
14	501086	Screw	
15	60284	Timer Knob Assembly	Models VG5019 and VE5013
	59791	Timer Knob Assembly	Models NG4719, NE4713, NG4619, NE4613, NG4519 and NE4513
	59793	Timer Knob Assembly	Models NG4319 and NE4313
16	10519	Clip	N/A
17	32310	Control Knob Assembly	Models VG5019 and VE5013; N/A
	31286	Control Knob Assembly	Models NG4719, NE4713, NG4619, NE4613, NG4519 and NE4513
	31287	Control Knob Assembly	Models NG4319 and NE4313
18	32630	Nameplate	Models NG4719 and NE4713; N/A

N/A = Part no longer available

Graphic Panel, Control Hood and Controls

Models AG4119, AE4113, NG3519, NE3513, NG3319, NE3313, AG3219, AE3213, VG3019 and VE3013



DR095-PT

Graphic Panel, Control Hood and Controls

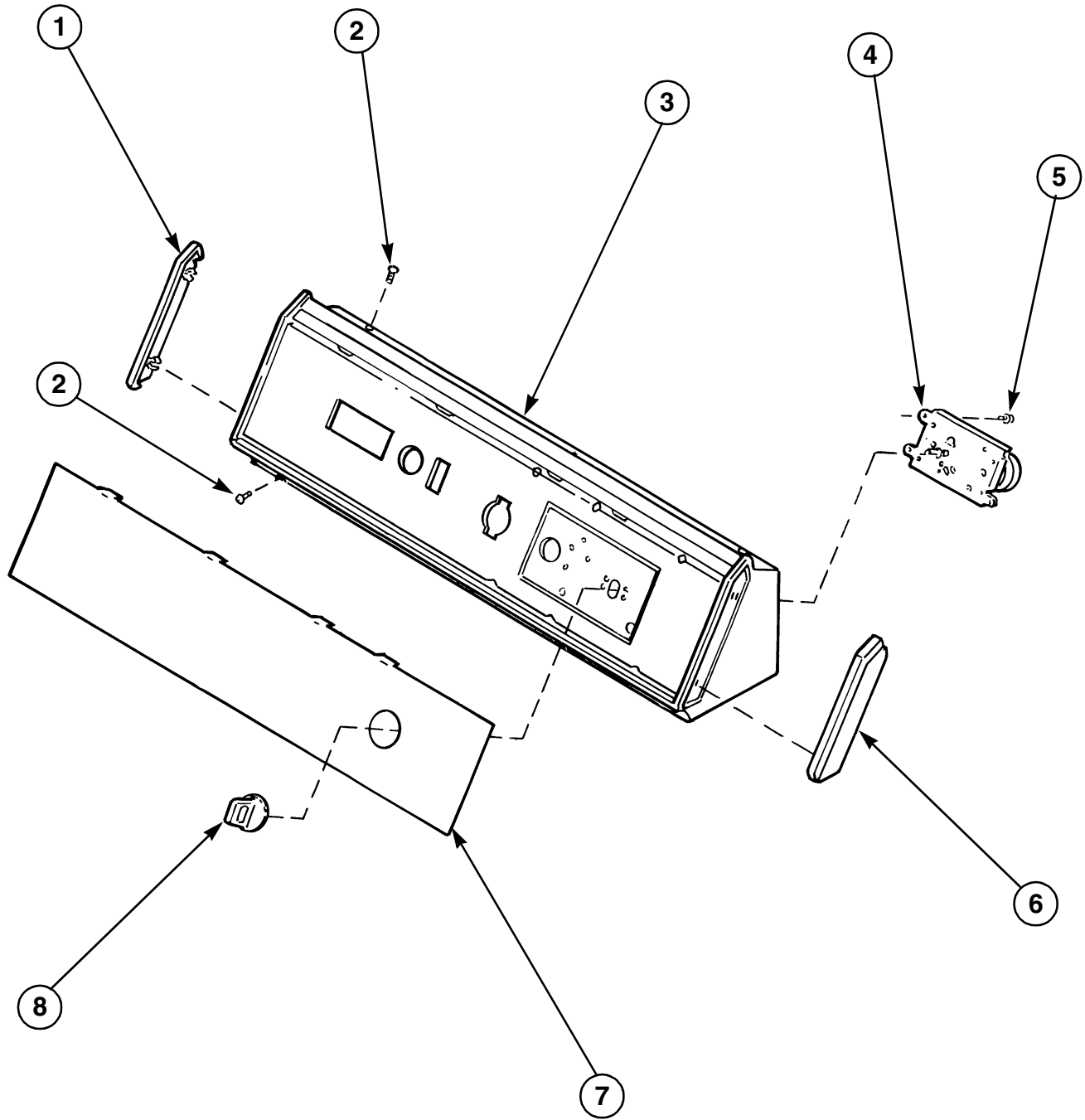
Models AG4119, AE4113, NG3519, NE3513, NG3319, NE3313, AG3219, AE3213, VG3019 and VE3013

REF	PART #	DESCRIPTION	COMMENTS
1	32343	End Cap or Insert	Left; Models AG4119 and AE4113; N/A
	32217	End Cap or Insert	Left; Models VG34019 and VE3013; N/A
	31249	End Cap or Insert	Left; All other models
2	31752	Screw	
3	59937	Control Hood Assembly	Models AG4119, AE3219, AE4113 and AE3213; N/A
	59938	Control Hood Assembly	Models VG3019 and VE3013
	59955	Control Hood Assembly	All other models; N/A
4	10519	Clip	N/A
5	59788	Push-to-Start Button Assembly	Models AG4119, AG3219, AE4113 and AE3213; N/A
6	59449	Start Switch	Models AG4119, AG3219, AE4113 and AE3213
7	23962	Screw	
8	59418	Timer	
9	32342	End Cap or Insert	Right; Models AG4119 and AE4113; N/A
	32218	End Cap or Insert	Right; Models VG3019 and VE3013; N/A
	31248	End Cap or Insert	Right; All other models
10	501086	Screw	
11	60306	Graphic Panel	Models AG4119 and AE4113; N/A
	59484	Graphic Panel	Models NG3519 and NE3513; N/A
	59489	Graphic Panel	Models NG3319 and NE3313; N/A
	60348	Graphic Panel	Models VG3019 and VE3013; N/A
	60732	Graphic Panel	Models AG3219 and AE3213; N/A
12	59791	Timer Knob Assembly	Models AG4119, AE4113, NG3519 and NE3513
	59793	Timer Knob Assembly	Models NG3319 and NE3313
	60284	Timer Knob Assembly	Models VG3019 and VE3013

N/A = Part no longer available

Graphic Panel, Control Hood and Controls

Models NG2119 and NE2113



DR118-PT

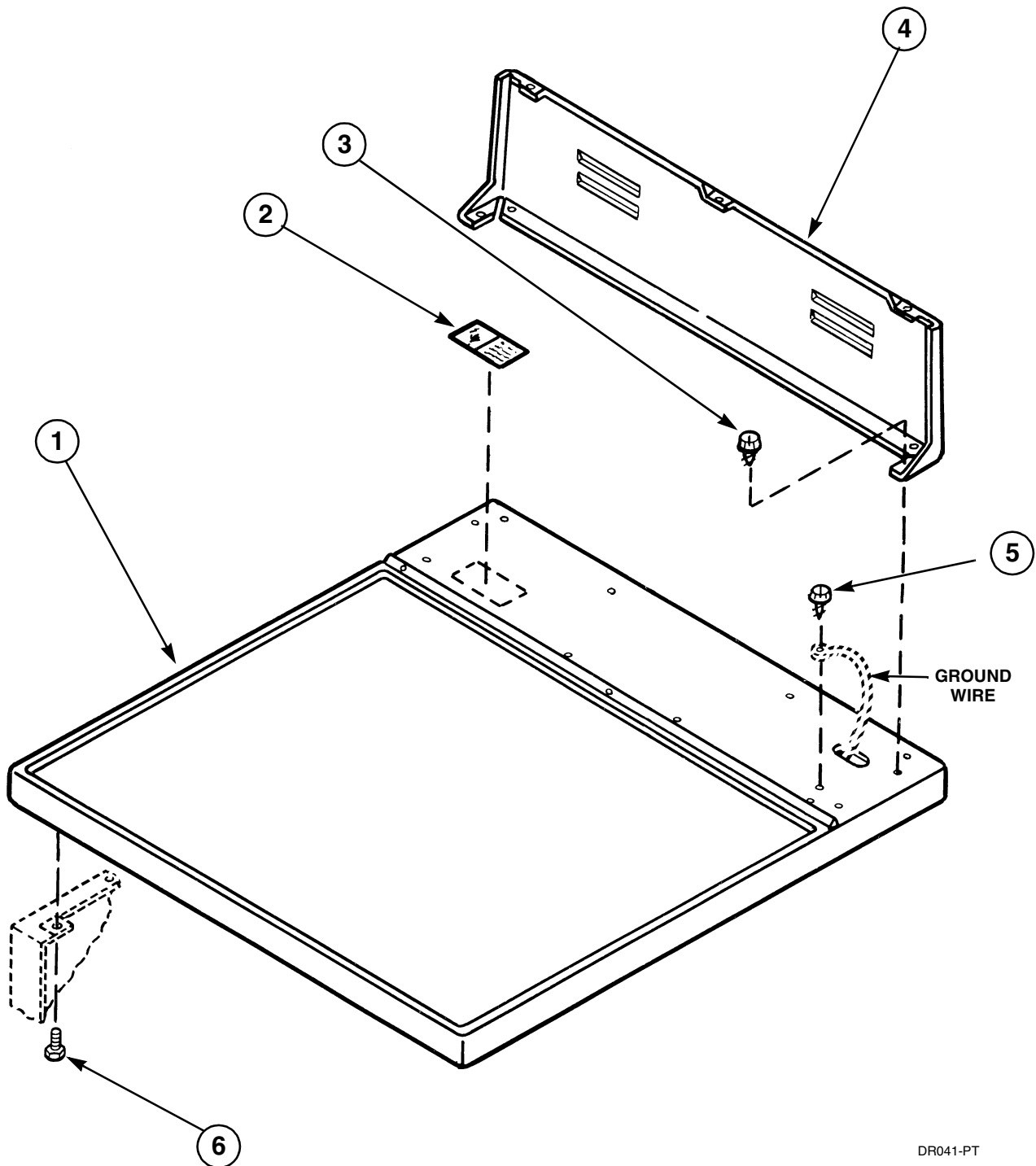
Graphic Panel, Control Hood and Controls

Models NG2119 and NE2113

REF	PART #	DESCRIPTION	COMMENTS
1	34460	End Cap	Left
2	31752	Screw	
3	59955	Control Hood Assembly	N/A
4	59420	Timer	
5	501086	Screw	
6	34459	End Cap	Right
7	59490	Graphic Panel	Through Serial No. S6271975XG; N/A
	61596	Graphic Panel	Starting Serial No. S6271976XG
8	59793	Timer Knob Assembly	

N/A = Part no longer available

Cabinet Top and Control Hood Rear Panel



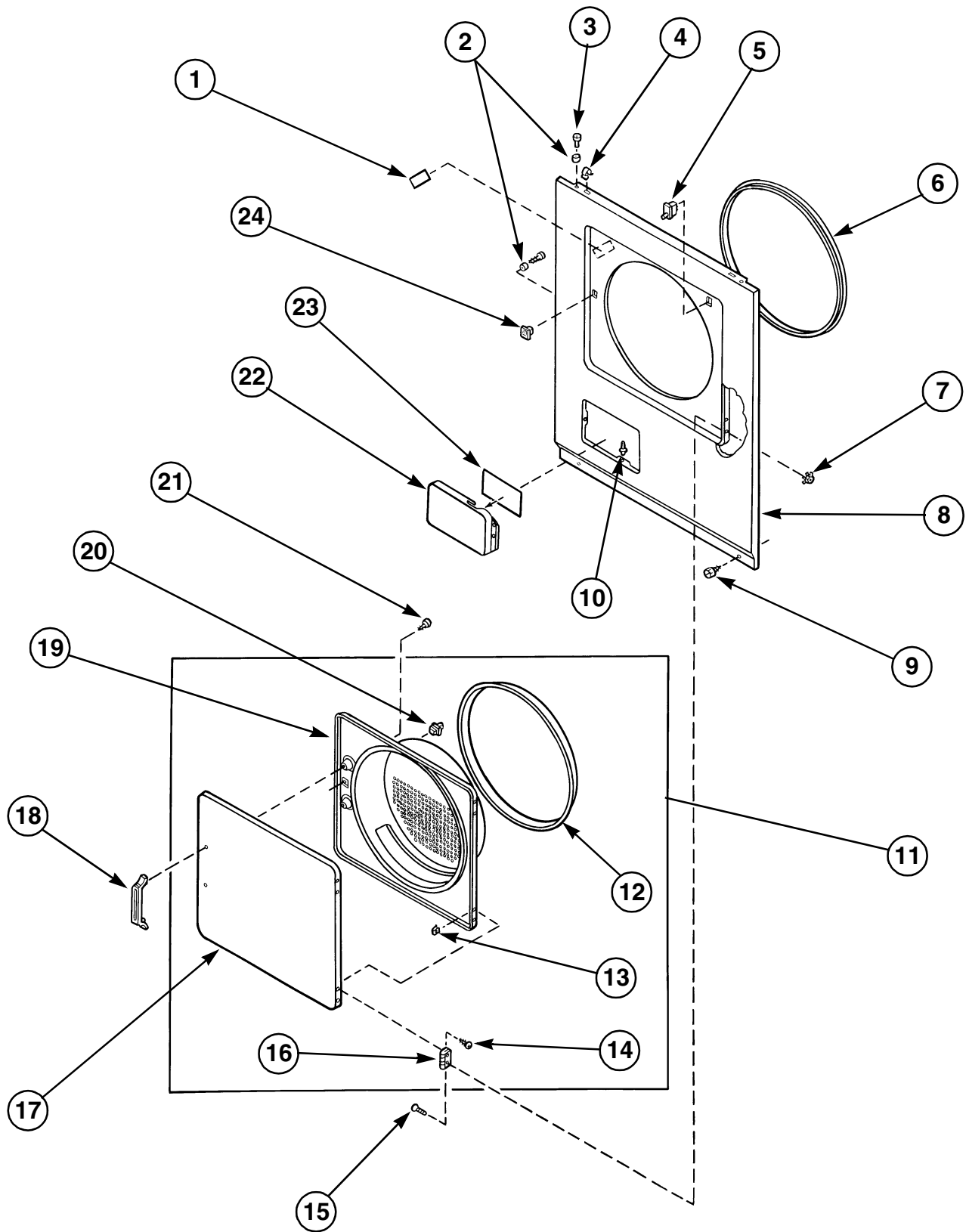
DR041-PT

Cabinet Top and Control Hood Rear Panel

REF	PART #	DESCRIPTION	COMMENTS
1	60815*P	Cabinet Top	
2	24903	Sticker	
3	23962	Screw	
4	510099	Control Hood Rear Panel	
5	20530	Screw	
6	33562	Screw	

* Add Letter To Designate Color. H – Harvest Gold L – Almond W – White

Loading Door, Front Panels and Access Door



DR042-PT

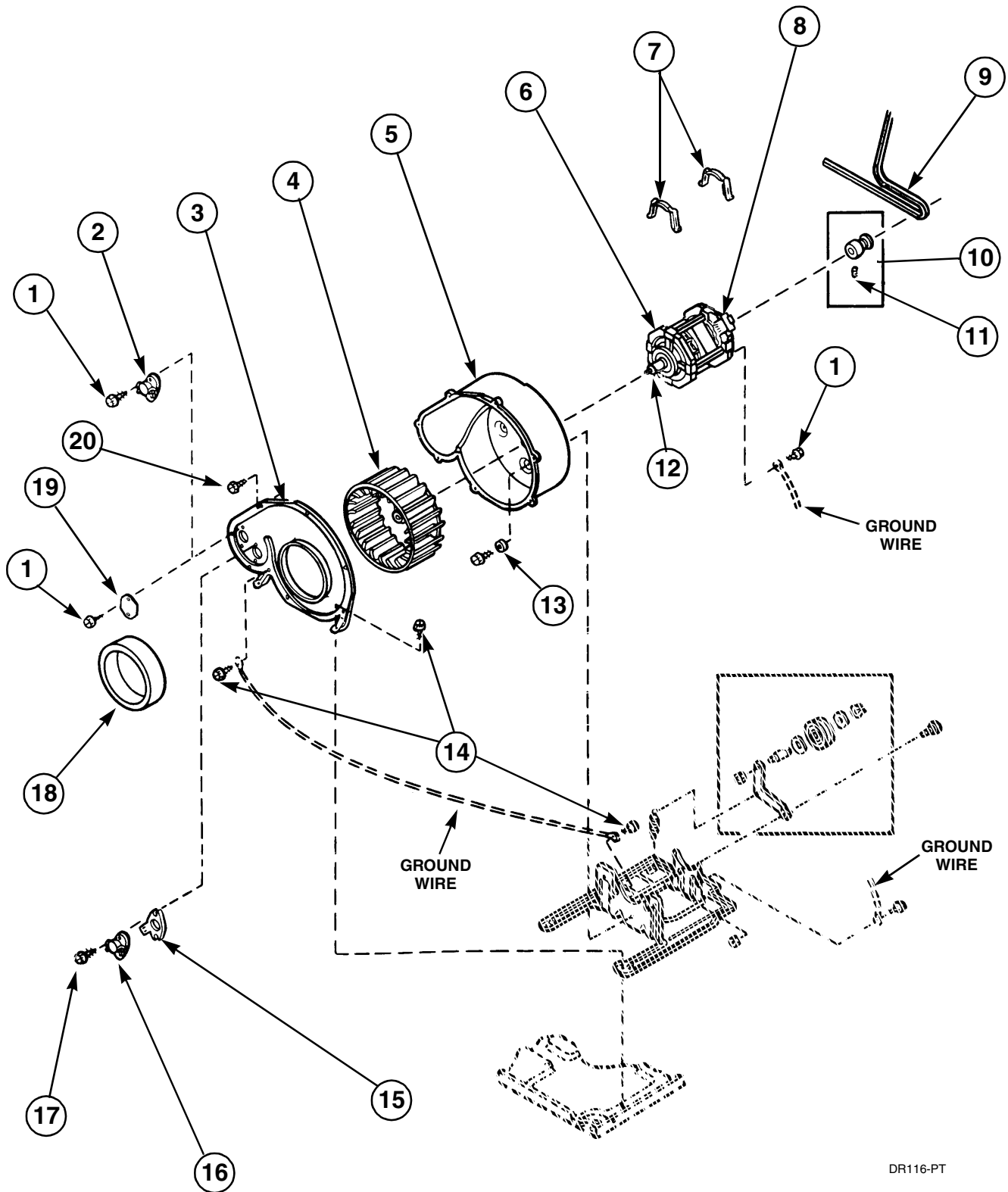
Loading Door, Front Panels and Access Door

REF	PART #	DESCRIPTION	COMMENTS
	21147	Washer	Use on front panel to fasten access door; For models made after Serial No. S6447808YH
	57446	Screw	Use on front panel to fasten access door; For models made after Serial No. S6447808YH
1	58893	Sticker	Models NG2119 and NE2113; N/A
	500281	Sticker	All other models
2	56079	Guide Lug	
3	32671	Screw	
4	28835	Hold-Down Clip	
5	504570	Door Switch	
6	61380	Front Panel Seal	
7	51236	Locknut	
8	62420*P	Front Panel	Electric Models; Replaces 60023 and 60791
	62421*P	Front Panel	Gas Models; Replaces 60034 and 60793
	62424W	Front Panel	White; Model NG2119 after Serial No. S6447808YH
9	503661	Screw	
10	56534	Support	
11	62151*	Door Assembly	N/A
	62300W	Door Assembly	For models after Serial No. S6447808YH
12	61379	Door Seal	
13	23407	Speed Nut	
14	52864	Screw	
15	22649	Screw	
16	56045	Door Hinge	
17	62153*	Outer Door Panel	Replaces 60018
18	54068P	Door Handle	Includes (2) 33561 Screws
	61925	Door Handle	For models made after Serial No. S6447808YH
19	62152*	Inner Door Panel	Replaces 56018 and 60668*; N/A
20	510181	Door Striker	
21	33561	Screw	
22	60795*	Access Door	Gas models; Replaces 60020
23	511004	Sticker	
24	510177	Sticker Catch	

* Add Letter To Designate Color. H – Harvest Gold L – Almond W – White

N/A = Part no longer available

Motor, Exhaust Fan and Belt (Sheet 1 of 2)



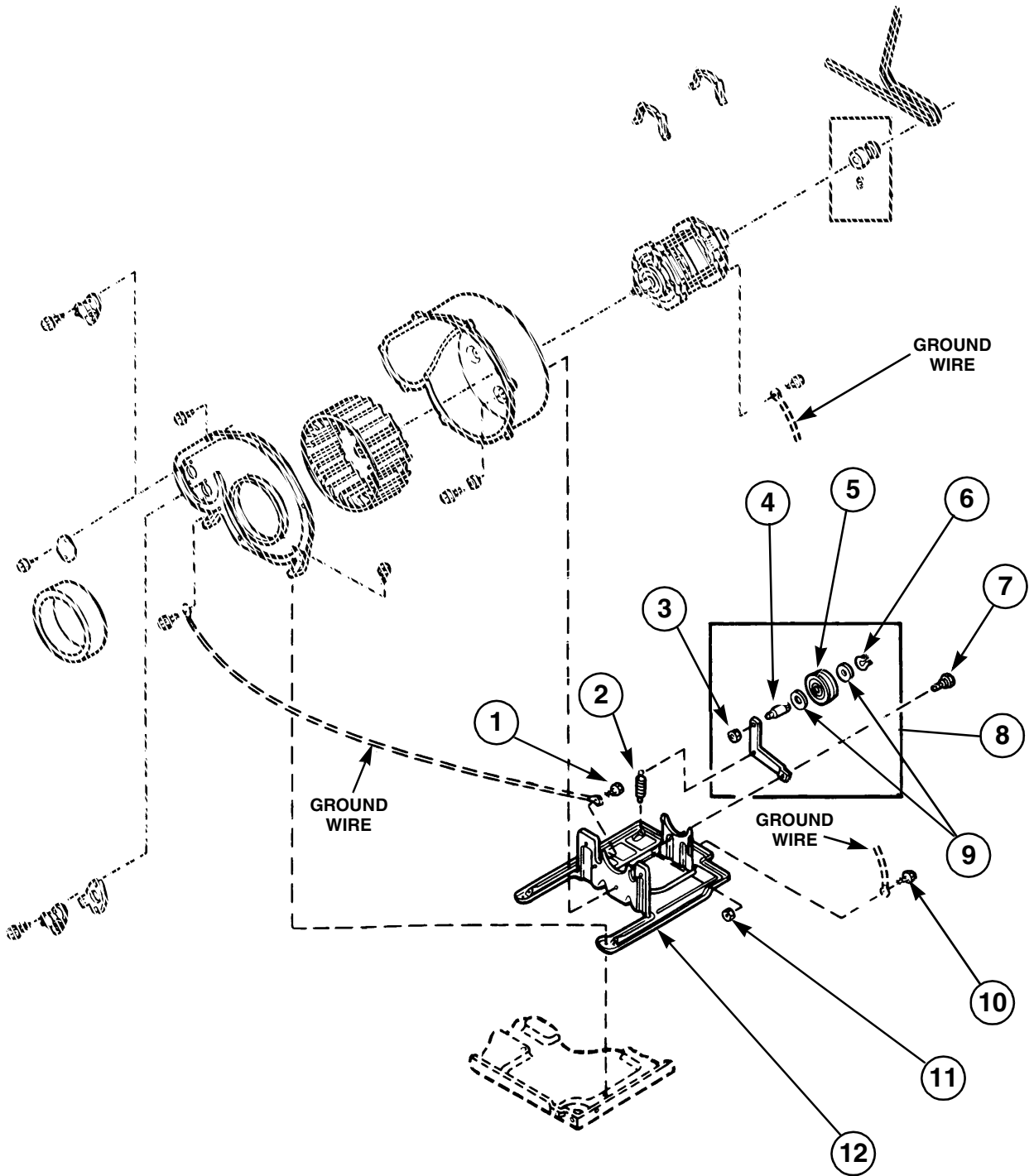
DR116-PT

Motor, Exhaust Fan and Belt (Sheet 1 of 2)

REF	PART #	DESCRIPTION	COMMENTS
1	23222	Screw	
2	56410	High Thermostat	
3	60938P	Exhaust Fan Cover	N/A
4	510139	Exhaust Fan Impeller	
5	510138P	Exhaust Fan Housing	
6	58044	Motor	Includes switch
7	510180	Motor Clip	
8	53226	Motor Switch	External mounted switch; Emerson; N/A
	53249	Motor Switch	External mounted switch; General Electric; N/A
	59895	Motor Switch	Internal mounted switch; General Electric; N/A
9	510178	Belt	
10	59175P	Motor Pulley Assembly	
11	62541	Setscrew	
12	27604P	Anti-Seize Compound	Apply to motor shaft before installing the exhaust fan impeller
13	20492	Washer	
14	51780	Screw	
15	61401	Thermostat Heater	Use with 61372 thermostat
16	59500	Thermistor	Models AG9139, AE9133, NG8639, NE8633, NG8539, NE8533, NG8339, NE8333, AG7139, AE7133, NG6539, NE6533, NG6339 and NE6333
	56440	Thermostat	Starting Serial No. S6271975SG; Models AG4119, AE4113, NG3519, NE3513, NG3319, NE3113, VG3019, VE3013, NG2119 and NE2113
	56471	Thermostat	Through Serial No. S6271975XG; Models NG7519, NE7513, NG7319, NE7313, NG6619, NE6613, NG6519, NE6513, NG6319, NE6313, NG5519, NE5513, NG5319, NE5313, AG5119, AE5113, VG5019, VE5013, NG4719, NE4713, NG4619, NE4613, NG4519, NE4513, NG4319 and NE4313
	61372	Thermostat	Starting Serial No. S6271976XG; Models NG7519, NE7513, NG7319, NE7313, NG6619, NE6613, NG6519, NE6513, NG6319, NE6313, NG5519, NE5513, NG5319, NE5313, AG5119, AE5113, VG5019, VE5013, NG4719, NE4713, NG4619, NE4613, NG4519, NE4513, NG4319 and NE4313
17	23222	Screw	For 56440 or 56471 thermostat and 59500 thermistor
	52150	Screw	For 61372 thermostat
18	56065	Seal	
19	61203	Cover Plate	All electronic models and the following timer models: AG4119, AE4113, NG3519, NE3513, NG3319, NE3313, VG3019, VE3013, NG2119 and NE2113
20	23962	Screw	

N/A = Part no longer available

Motor, Exhaust Fan and Belt (Sheet 2 of 2)



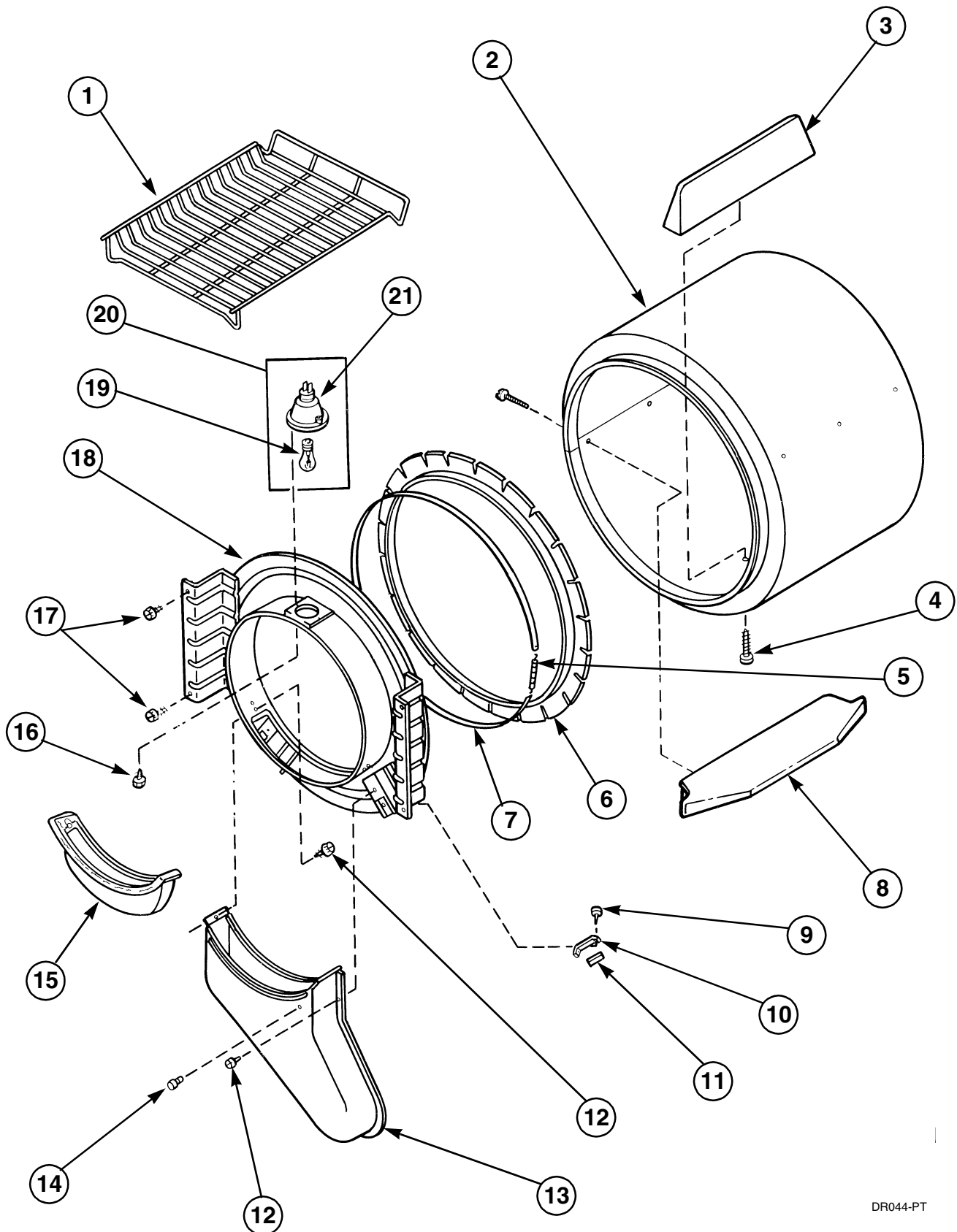
DR116-PT

Motor, Exhaust Fan and Belt (Sheet 2 of 2)

REF	PART #	DESCRIPTION	COMMENTS
1	51780	Screw	
2	510185	Spring	
3	56156	Locknut	
4	56461	Shaft	
5	510142	Idler Pulley Assembly	
6	23748	Retainer Ring	
7	56587	Shoulder Bolt	N/A
8	511227	Idler Pulley and Lever Assembly	
9	52549	Washer	
10	23222	Screw	
11	52566	Locknut	
12	510060	Motor Mounting Bracket	

N/A = Part no longer available

Front Bulkhead, Air Duct, Felt Seal and Cylinder



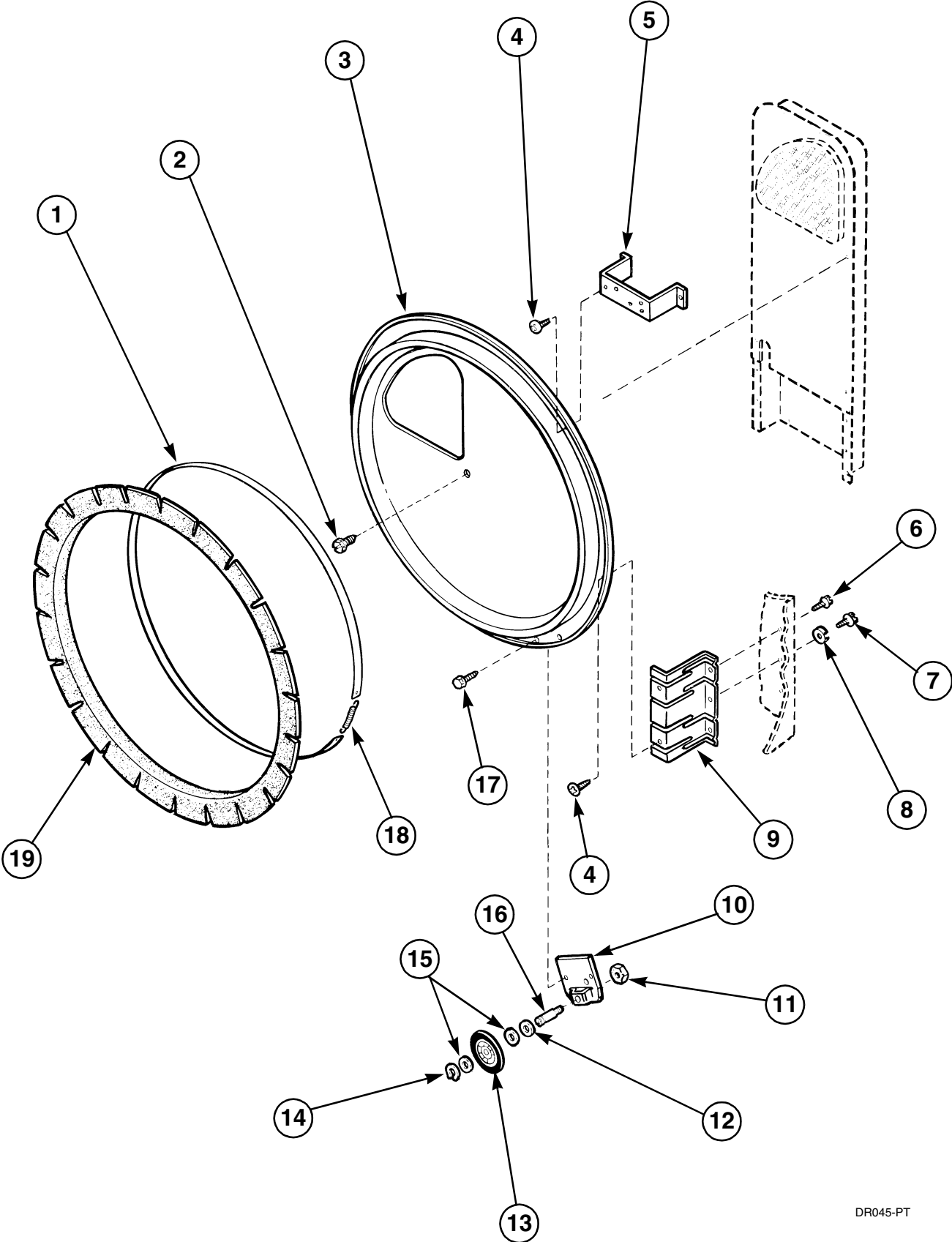
DR044-PT

Front Bulkhead, Air Duct, Felt Seal and Cylinder

REF	PART #	DESCRIPTION	COMMENTS
1	58846	Drying Rack	Optional on some models
2	60645P	Cylinder Assembly	Includes Baffles
3	61399	Cylinder Baffle	Two required
4	62588	Screw	
5	52310	Strap Spring	
6	56088	Felt Seal	
7	56090	Seal Strap	
8	61027	Cylinder Baffle	Elongated; (1) required
9	23962	Screw	
10	61448	Cylinder Glide	
11	58049	Felt Pad	
12	33561	Screw	
13	60786	Air Duct	
14	56938	Bumper	N/A
15	61376P	Lint Filter	
16	31260	Screw	
17	33562	Screw	
18	62142W	Bulkhead	Front; Models equipped with cylinder light; Replaces 57017 and 60773; N/A
	60774P	Bulkhead	Front; Models without cylinder light; Replaces 57018
19	54608	Bulb	Use with 56148; N/A
	60954	Bulb	Use with 60953P
20	60953P	Cylinder Light Assembly	Replaces 56148; Models AG9139, AE9133, NG8639, NE8633, NG8539, NE8533, NG8339, NE8333, NG7519, NE7513, NG7319, NE7313, NG6619, NE6613, NG6519, NE6513, NG6319 and NE6313
21	56148	Bulb Receptacle	Use 56693 Screw and 51345 Washer to fasten bulb to front bulkhead

N/A = Part no longer available

Rear Bulkhead, Felt Seal and Cylinder Roller



DR045-PT

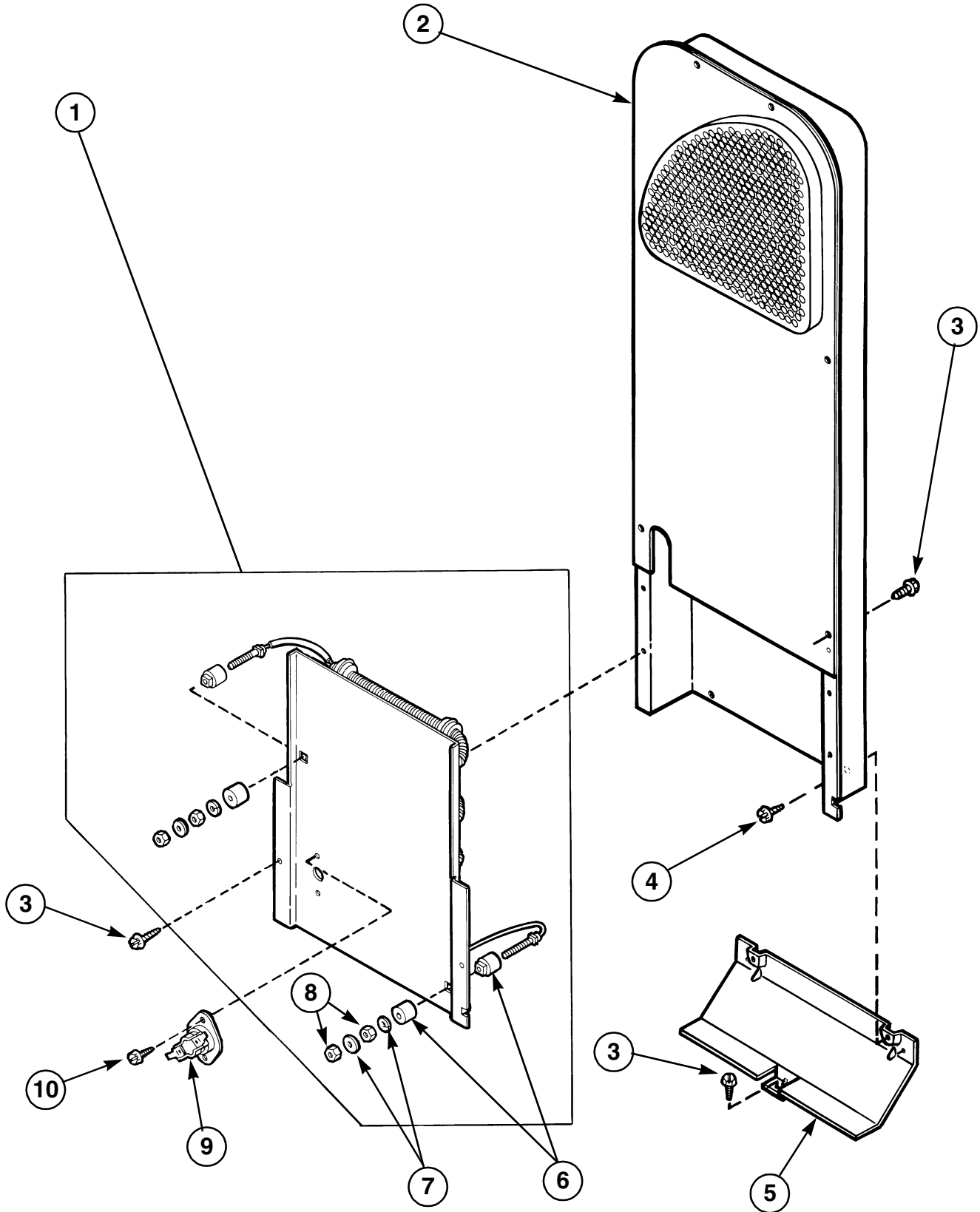
Rear Bulkhead, Felt Seal and Cylinder Roller

REF	PART #	DESCRIPTION	COMMENTS
1	56090	Seal Strap	
2	33561	Screw	
3	61135P	Rear Bulkhead	Includes roller bracket; Replaces 56459; Includes (1) 33561 screw and (1) 81207 speed nut
4	M400664	Screw	
5	60823P	Terminal Block Bracket	
6	33562	Screw	
7	52909	Ground Screw	Green
8	51474	Cupped Washer	
9	56055	Bracket	
10	56042	Roller Bracket	Starting Serial No. S6271976XG; N/A
11	56156	Locknut	
12	23886	Thrust Washer	
13	62649	Cylinder Roller	
14	23748	Retainer Ring	
15	52549	Washer	
16	56461	Shaft	
17	51780	Screw	
18	52310	Strap Spring	
19	56088	Felt Seal	

N/A = Part no longer available

Heater Box

Electric Models through Serial No. S6271975XG



DR101-PT

Heater Box

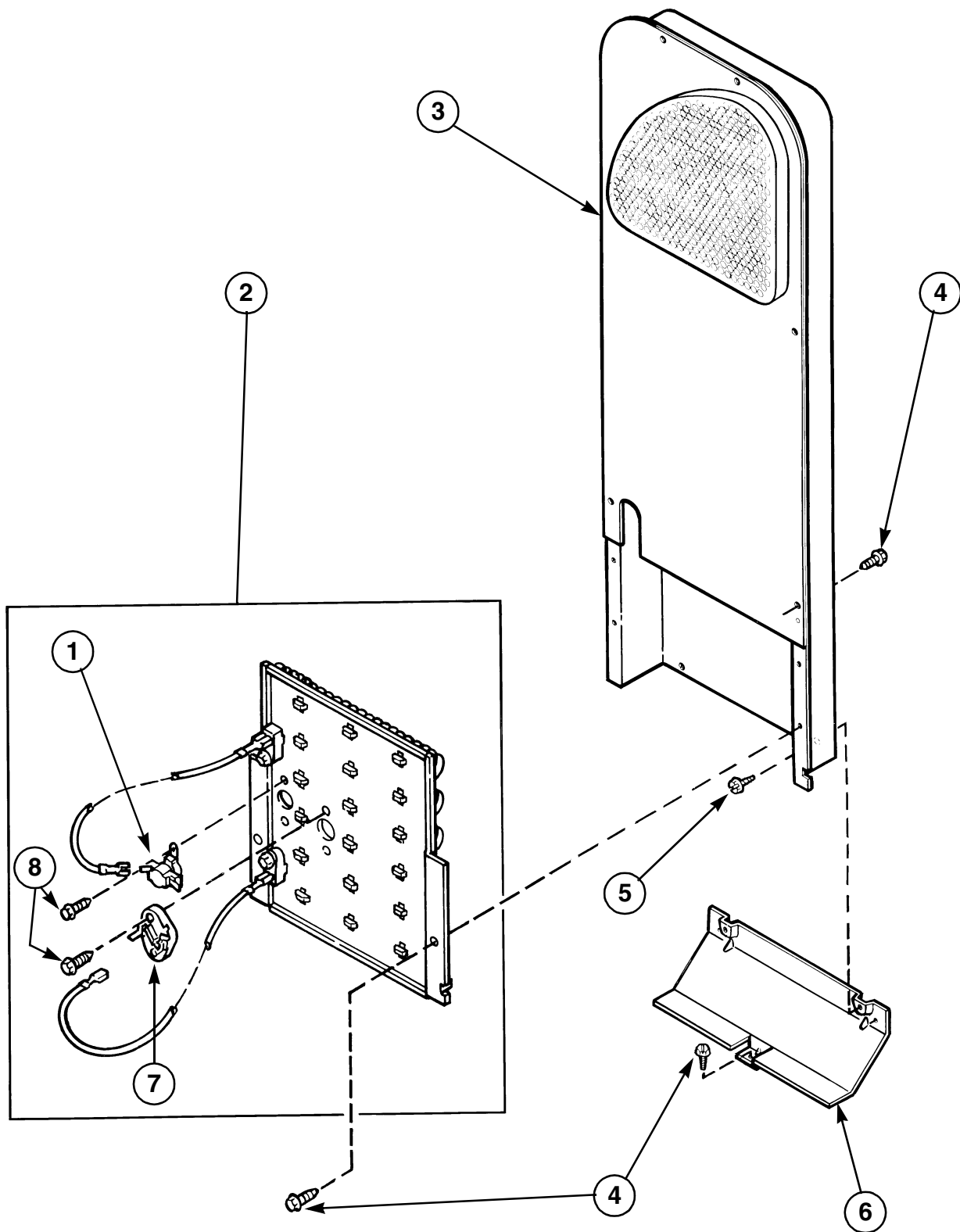
Electric Models through Serial No. S6271975XG

REF	PART #	DESCRIPTION	COMMENTS
1	61928	Heater Element and Plate	208 Volts, 4750 Watts; White; Replaces 56176
	61927	Heater Element and Plate	230 Volts, 5000 Watts; Replaces 56179 and 56047
2	510025P	Heater Box	Replaces 56029
3	33562	Screw	
4	51780	Screw	
5	60952	Heat Shield	
6	57408	Insulator Set	N/A
7	56552	Washer	
8	Q6163	Nut	
9	56082	Limit Thermostat	
10	23222	Screw	

N/A = Part no longer available

Heater Box

Electric Models starting Serial No. S6271976XG



DR046-PT

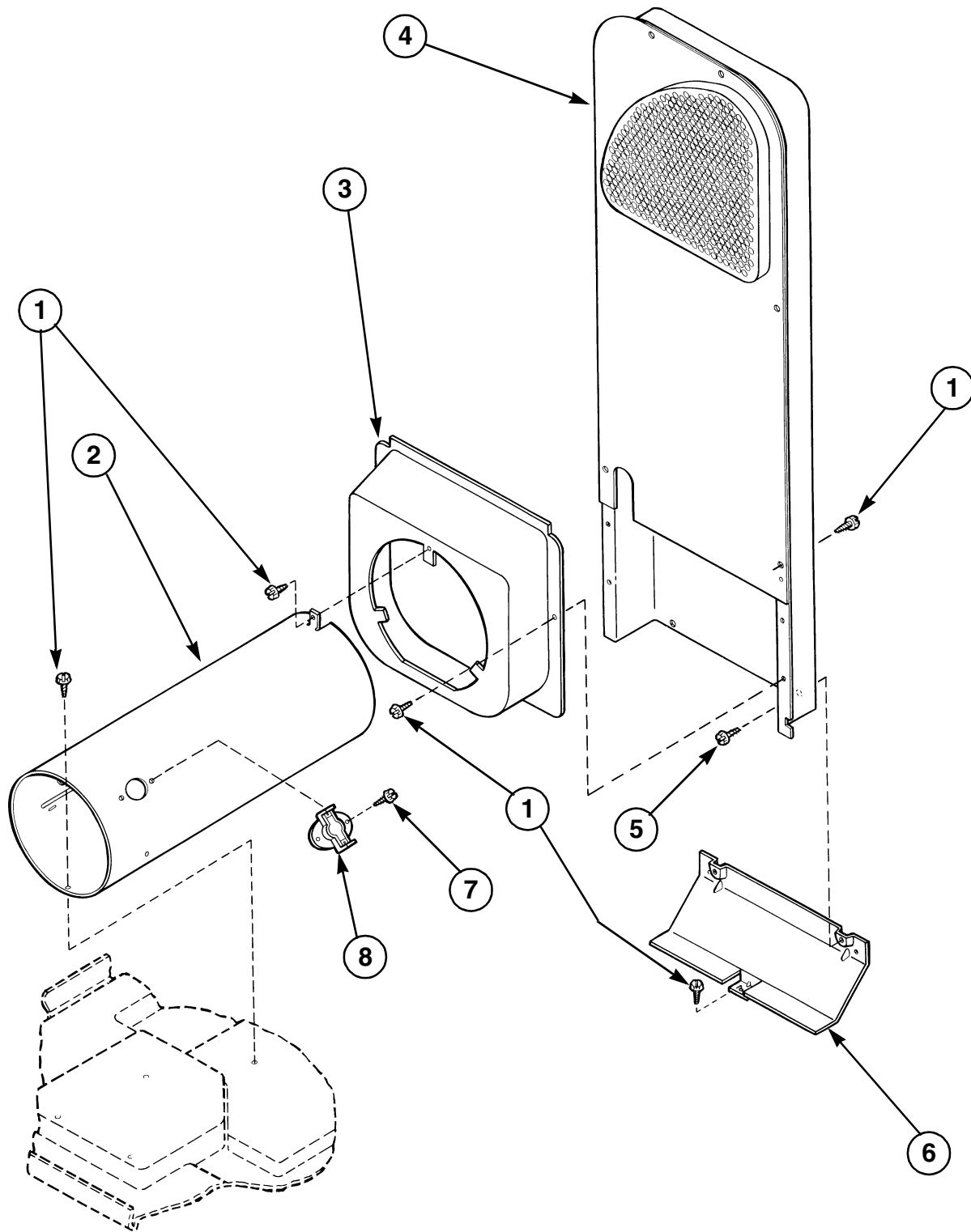
Heater Box

Electric Models starting Serial No. S6271976XG

REF	PART #	DESCRIPTION	COMMENTS
1	510701	Limit Thermostat	Replaces 61210
2	61928	Heater Assembly	208 Volts, 4750 Watts; White
	61927	Heater Assembly	240 Volts, 5000 Watts; Red
3	510025P	Heater Box	
4	33562	Screw	
5	51780	Screw	
6	60952	Heat Shield	
7	490P3	Thermal Fuse Kit	Includes 510701 Limit Thermostat
8	23222	Screw	

Heater Box

Gas Models through Serial No. S6333959XM



DR102-PT

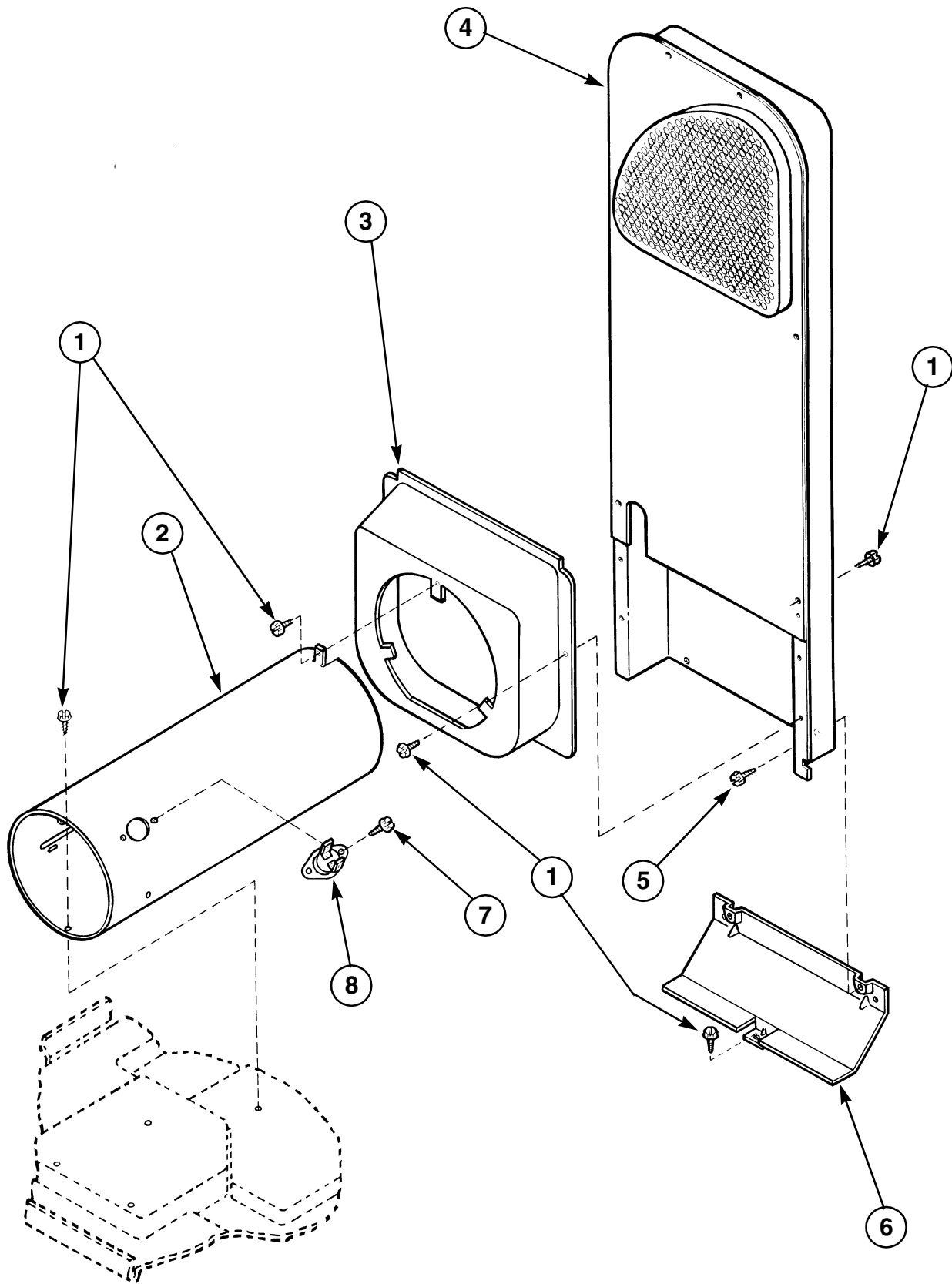
Heater Box

Gas Models through Serial No. S6333959XM

REF	PART #	DESCRIPTION	COMMENTS
1	33562	Screw	
2	61974	Burner Housing	
3	500122	Heat Shroud	
4	510025P	Heater Box	Replaces 56029
5	51780	Screw	
6	60952	Heat Shield	
7	23222	Screw	
8	489P3	Limit Thermostat	

Heater Box

Gas Models starting Serial No. S6333960XM



DR047-PT

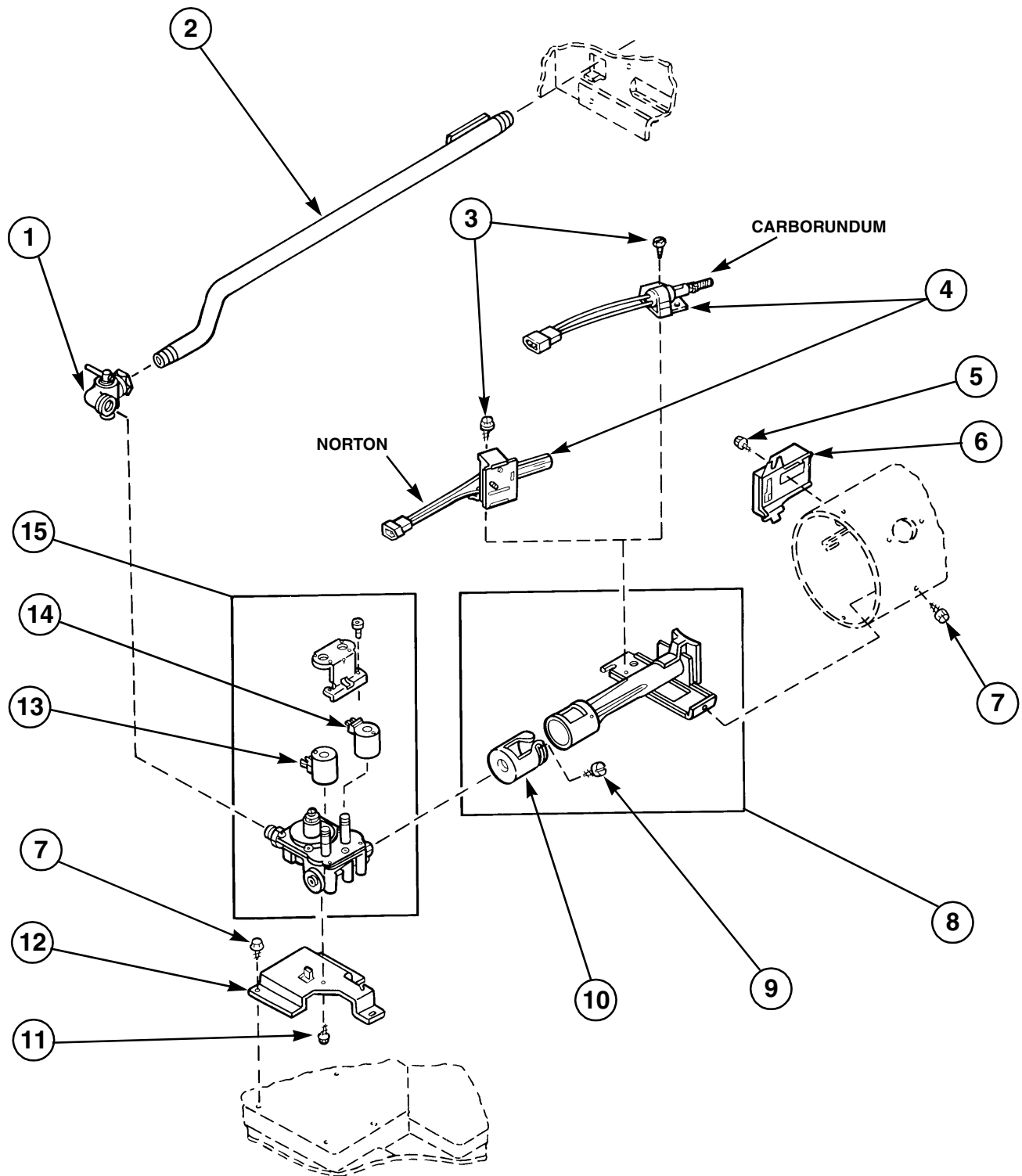
Heater Box

Gas Models starting Serial No. S6333960XM

REF	PART #	DESCRIPTION	COMMENTS
1	33562	Screw	
2	61974	Burner Housing	Includes limit thermostat
3	500122	Heat Shroud	
4	510025P	Heater Box	
5	51780	Screw	
6	60952	Heat Shield	
7	51782	Screw	
8	489P3	Limit Thermostat and Plate Kit	

Gas Valve, Igniter and Gas Conversion Kits

Gas Models



DR048-PT

Gas Valve, Igniter and Gas Conversion Kits

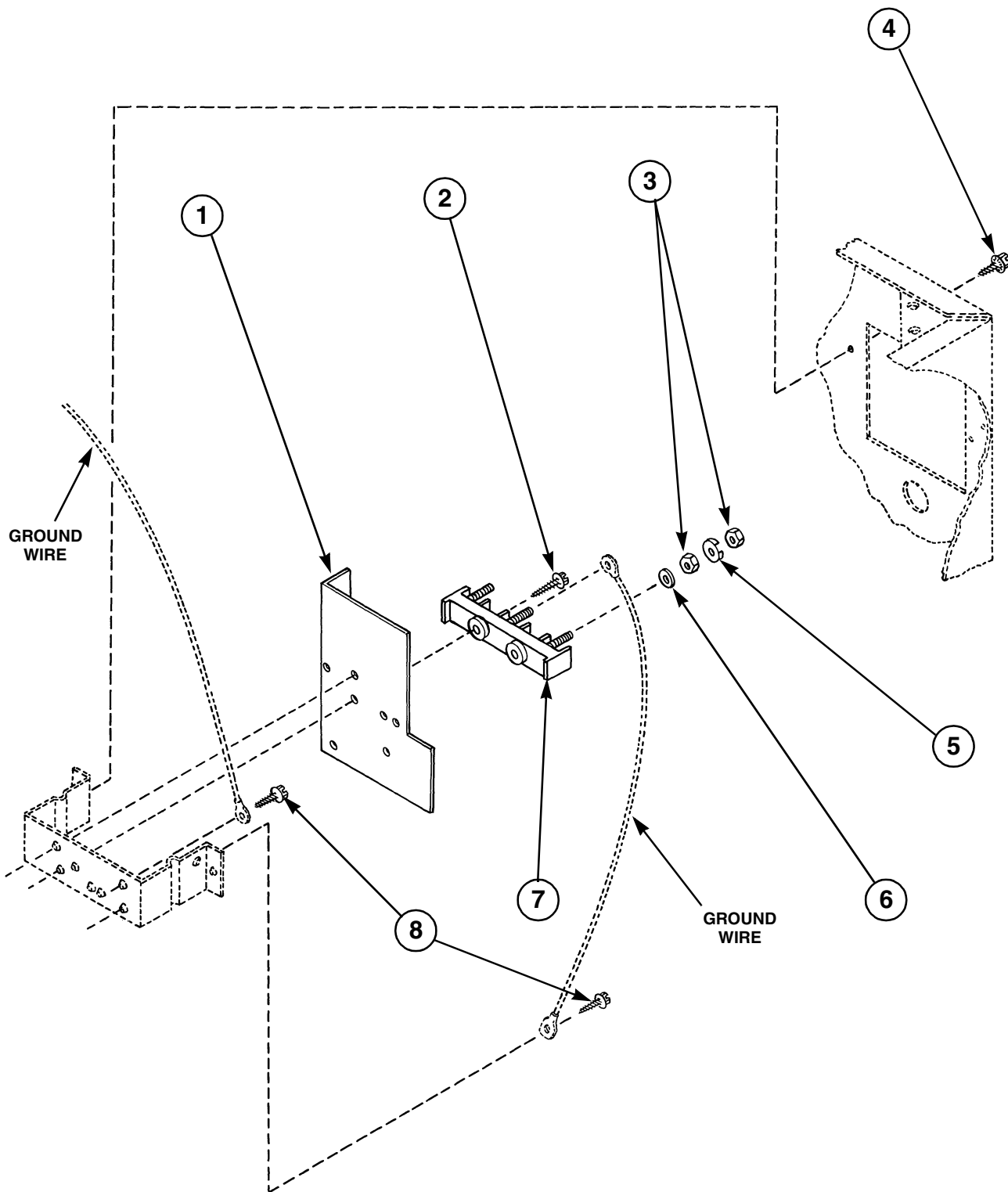
Gas Models

REF	PART #	DESCRIPTION	COMMENTS
1	56229	Valve	
2	58911	Lead-In Pipe Assembly	
3	56693	Screw	
4	510184P	Igniter and Bracket	
5	23222	Screw	
6	510213	Sensor	
7	33562	Screw	
8	510149	Burner Tube Assembly	
9	51356	Screw	N/A
10	53007	Air Shutter	N/A
11	56124	Screw	
12	510128	Mounting Bracket	
13	58804A	Holding and Booster Coil	
14	58804B	Secondary Coil	
15	58804	Gas Valve Assembly	Natural/Mixed Gas

N/A = Part no longer available

Terminal Block

Electric Models through Serial No S6271975XG



DR017-PT

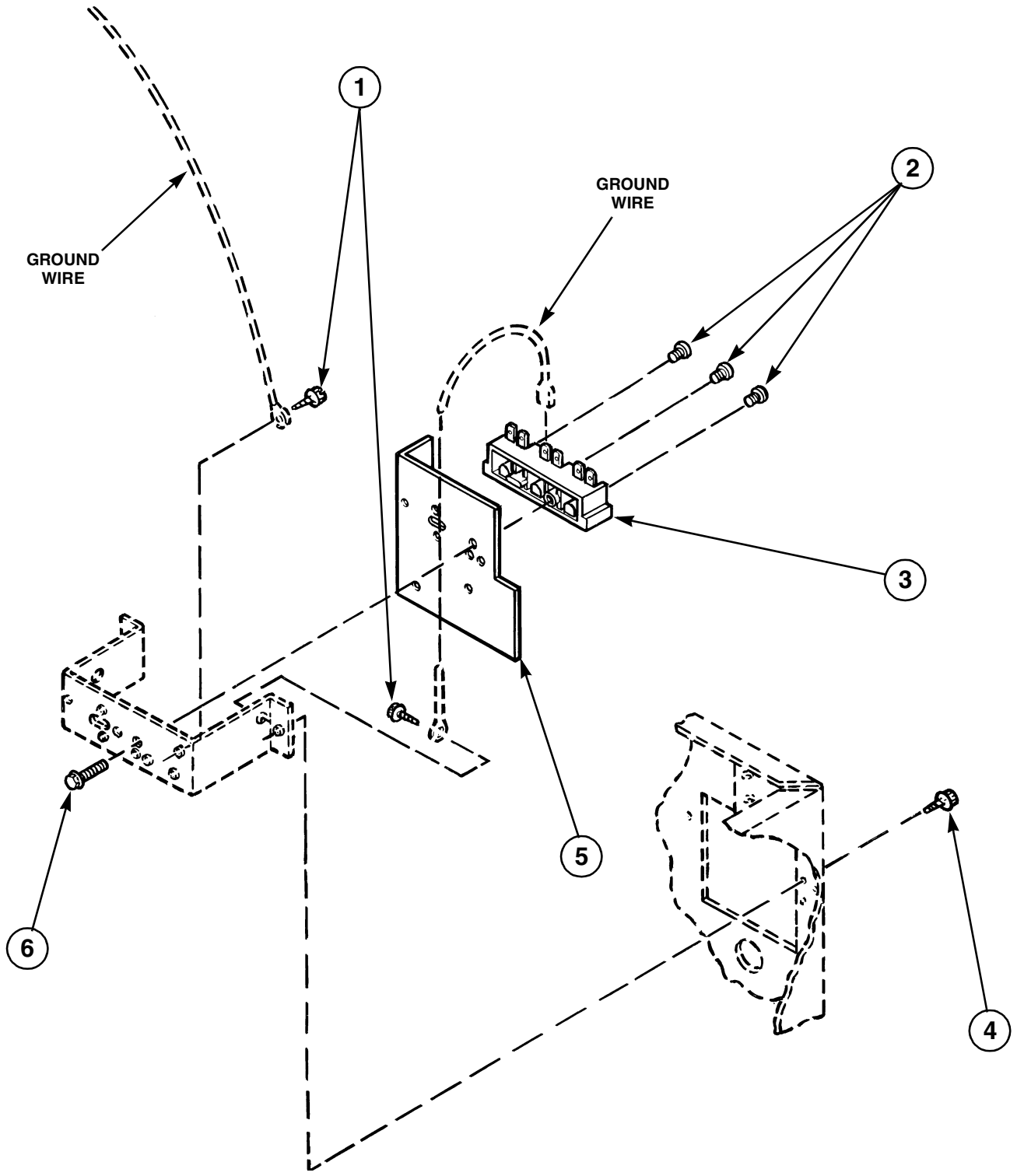
Terminal Block

Electric Models through Serial No S6271975XG

REF	PART #	DESCRIPTION	COMMENTS
1	56087	Terminal Block Insulation	
2	Q6535	Screw	
3	Q6163	Nut	
4	33562	Screw	
5	51474	Cupped Washer	
6	56552	Washer	
7	50854A	Terminal Block	
8	20530	Screw	

Terminal Block

Electric Models starting Serial No. S6271976XG



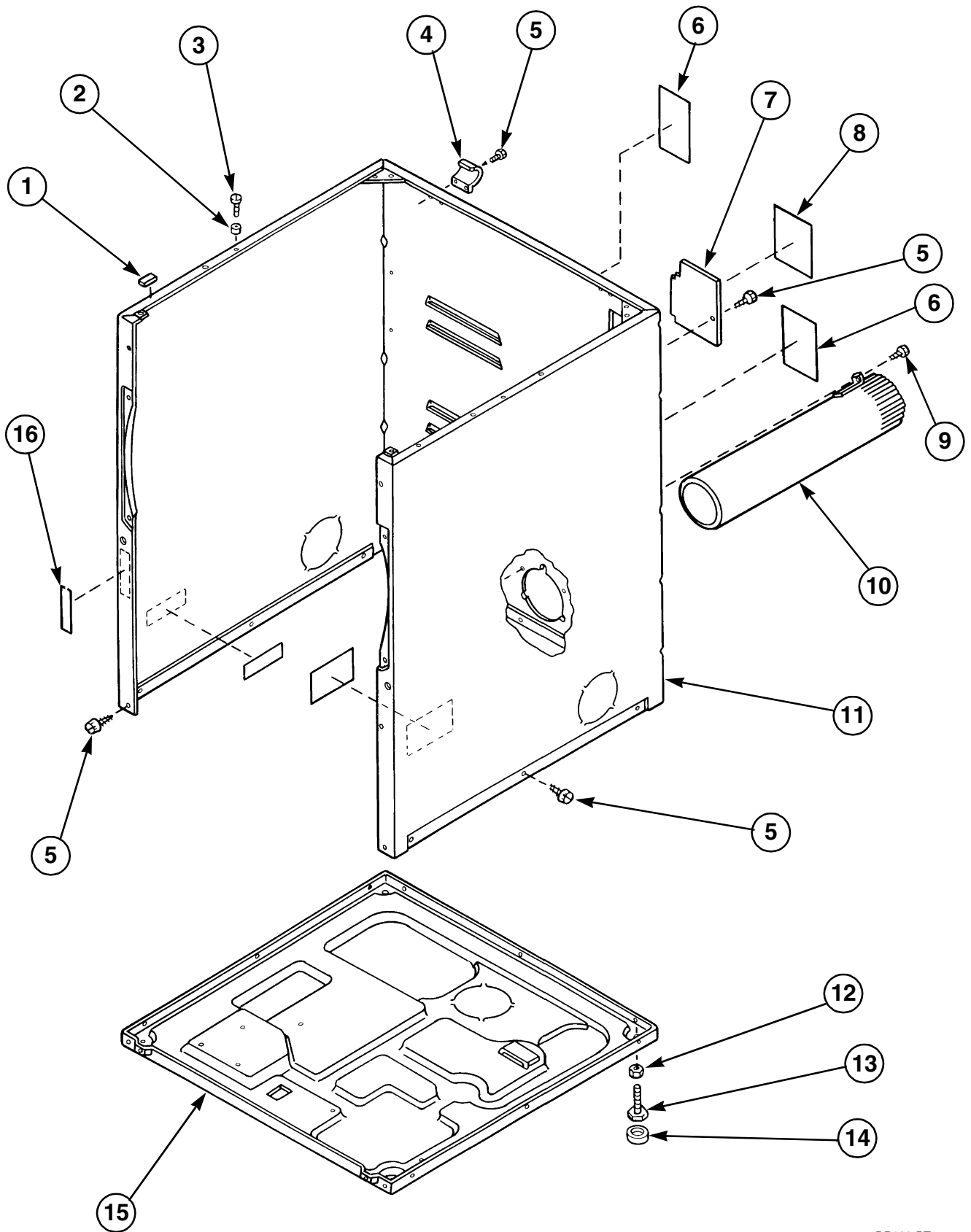
DR049-PT

Terminal Block

Electric Models starting Serial No. S6271976XG

REF	PART #	DESCRIPTION	COMMENTS
1	20530	Screw	
2	61199	Screw	
3	510190P	Terminal Block	Includes item 2
4	33562	Screw	
5	56087	Terminal Block Insulation	
6	501285	Screw	

Cabinet, Exhaust Duct and Base



DR089-PT

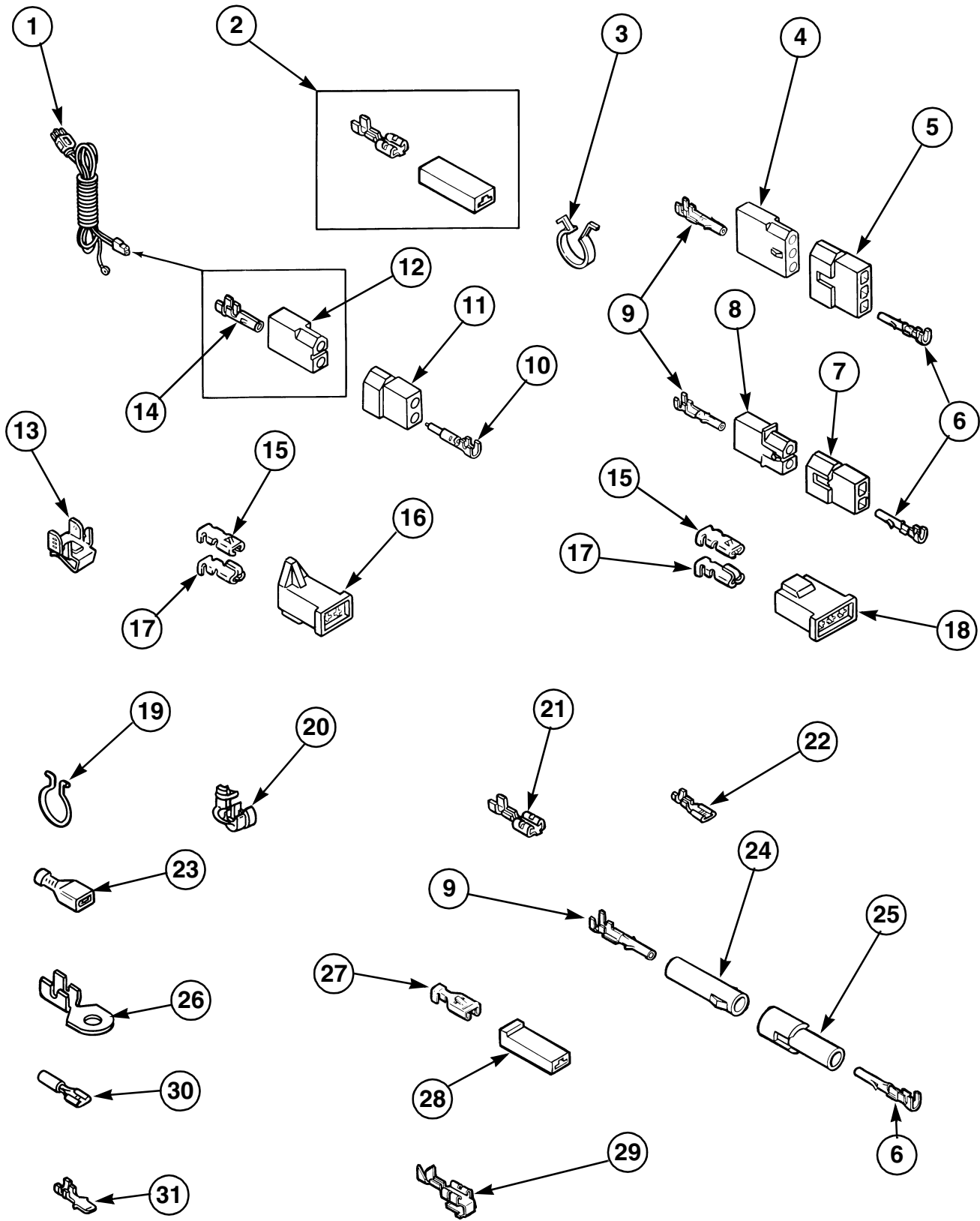
Cabinet, Exhaust Duct and Base

REF	PART #	DESCRIPTION	COMMENTS
1	56128	Bumper Pad	
2	56079	Guide Lug	
3	32671	Screw	
4	60826	Hinge	N/A
5	33562	Screw	
6	511004	Sticker	Gas models
	58592	Sticker	Models AE4113, NE3513 and NE3313
	511005	Sticker	All other electric models
7	60821	Access Plate	
8	61206	Sticker	Electric models; N/A
9	33561	Screw	
10	56118	Exhaust Duct	
11	60813*P	Cabinet	
12	20274	Nut	
13	52696	Leveling Leg	
14	70282	Rubber Cup	
15	60811	Base	Includes items 12, 13 and 14; N/A
16	24903	Sticker	

* Add Letter To Designate Color. H – Harvest Gold L – Almond W – White

N/A = Part no longer available

Power Cord and Terminals



DR117-PT

Power Cord and Terminals

REF	PART #	DESCRIPTION	COMMENTS
1	56222	Power Cord	Gas models only
2	00237	Insulated Spade Terminal	1/4 Inch; (1) 12 gauge wire; (2) 18 gauge wires
3	504034	Wire Clip	
4	23039	Terminal Block Receptacle	
5	23040	Terminal Block Plug	
6	00116	Terminal	
7	56448	Terminal Block Plug	
8	56451	Terminal Block Receptacle	
9	00117	Terminal	
10	00127	Terminal	
11	56266	Terminal Block Plug	
12	56265	Terminal Block Receptacle	
13	00161	Ground Clip	
14	00130	Terminal	
15	00189	Terminal	
16	58799	Terminal Block	
17	00361	Terminal	Piggy back
18	58800	Terminal Block	
19	51291	Wire Clip	
20	38384	Strain Relief	
21	00223	Spade Terminal	1/4 inch; (1) 18 gauge wire
	00121	Spade Terminal	1/4 inch; (2) 18 gauge wires
	00222	Spade Terminal	1/4 inch; (1) 12 gauge wire
22	00124	Spade Terminal	3/16 inch; (1) 18 gauge wire; .020 tab
	00209	Spade Terminal	3/16 inch; (2) 18 gauge wires; .020 tab
	00156	Spade Terminal	3/16 inch; Thermostat wire; .032 tab
23	00165	Insulated Spade Terminal	3/16 inch
	00234	Insulated Spade Terminal	1/4 inch
24	26301	Terminal Block Receptacle	
25	26302	Terminal Block Plug	
26	00110	Eyelet Terminal	(1) 18 gauge wire
	00111	Eyelet Terminal	(2) 18 gauge wires or (1) 12 gauge wire
27	00115	Lock-in Spade Terminal	(1) 18 gauge wire
	00321	Lock-in Spade Terminal	(2) 18 gauge wires or (1) 12 gauge wire
28	90789	Connector	
29	00114	Double Connector Terminal	
30	00214	Barrel Insulated Spade Terminal	18 gauge
	00215	Barrel Insulated Spade Terminal	12 gauge
31	00139	Male Terminal	

Wire Harnesses

Individual wires are not available separately. Order complete wire harness, or order wire by the foot. See chart on next page.

MODEL NUMBER	WIRE HARNESS THROUGH SERIAL NO. S6242593XD	WIRE HARNESS THROUGH SERIAL NO. S271975XG	WIRE HARNESS STARTING SERIAL NO. S6271976XG
AG9139	—	N/A	—
AE9133	—	59667	—
NG8639, NG8539, NG8339	—	N/A	61590
NE8633, NE8533, NE8333	—	59667	61587
NG7519, NG7319	—	N/A	—
NE7513, NG7313	—	N/A	—
AG7139	—	59675	—
AE7133	—	N/A	—
NG6619	—	N/A	61589
NE6613	—	N/A	61588
NG6539, NG6339	—	59675	59675
NE6533, NE6333	—	N/A	61251
NG6519, NG6319	—	60753	61532
NE6513, NE6313	—	N/A	N/A
NG5519, NG5319	—	59676	N/A
NE5513, NE5313	—	N/A	61249
AG5119	—	N/A	—
AE5113	—	N/A	—
VG5019	—	N/A	—
VE5013	—	N/A	—
NG4719	—	N/A	—
NE4713	—	59679	—
NG4619	—	N/A	N/A
NE4613	—	59679	N/A
NG4519, NG4319	59680	N/A	61824
NE4513, NE4313	59679	N/A	61822
AG4119	—	59677	—
AE4113	—	N/A	—
NG3519, NG3319	—	59677	59677
NE3513, NE3313	—	N/A	61247
VG3019	—	N/A	—
NE3013	—	N/A	—
NG2119	—	N/A	N/A
NE2113	—	59672	61246

N/A = Part no longer available

Wires

Order the individual wire color and gauge by the part number listed below. Order wire by the foot and terminals and connectors as required. It is recommended when applying terminals to wires that the terminals be soldered to the wires.

IMPORTANT: Always replace wires with proper gauge.

PART NUMBER	WIRE GAUGE	WIRE COLOR
45001	18 Gauge Wire	Black
45037	18 Gauge Wire	Brown/White
45066	18 Gauge Wire	Blue/Red
45083	18 Gauge Wire	Yellow/Black
45380	12 Gauge Wire	Orange

Gas Burner Conversion Kits

TO CONVERT DRYERS FROM NATURAL/MIXED TO LP GAS	TO CONVERT DRYERS FROM LP TO NATURAL/MIXED GAS
<p>401P3 Conversion Kit Consists of:</p> <ul style="list-style-type: none"> 1 – 58754 Block-Open Plug 1 – 58755 Burner Orifice Spud (#55) 1 – 60515 Conversion Plate 1 – 60517 Valve Converted to LP Gas Sticker 2 – 60520 LP Gas Stickers 	<p>402P3 Conversion Kit Consists of:</p> <ul style="list-style-type: none"> 1 – 58719 Burner Orifice Spud (#44) 1 – 58768 Vent Screw 1 – 60514 Conversion Plate 1 – 60516 Valve Converted to Natural Gas Sticker 2 – 60521 Natural Gas Stickers

Parts Index

A

Access Door	
60795*	21
Access Plate	
60821	45
Air Duct	
60786	27
Air Shutter	
53007	39
Anti-Seize Compound	
27604P	23

B

Barrel Insulated Spade Terminal	
00214	47
00215	47
Base	
60811	45
Belt	
510178	23
Bracket	
56055	29
Bulb	
54608	27
60954	27
Bulb Receptacle	
56148	27
Bulkhead	
60774P	27
62142W	27
Bumper	
56938	27
Bumper Pad	
56128	45
Burner Housing	
61974	35, 37
Burner Tube Assembly	
510149	39

C

Cabinet	
60813P*	45
Cabinet Top	
60815*P	19
Clip	
10519	9, 11, 13, 15
Connector	
90789	47
Control Hood	
59606	5
Control Hood Assembly	
59936	7
59937	15
59938	15
59955	9, 11, 13, 15, 17

Control Hood Rear Panel	
510099	19
Control Knob Assembly	
31286	9, 11, 13
31287	9, 11, 13
32310	13
60758	11
60759	11
Cupped Washer	
51474	29, 41
Cylinder Assembly	
60645P	27
Cylinder Baffle	
61027	27
61399	27
Cylinder Glide	
61448	27
Cylinder Light Assembly	
60953P	27
Cylinder Roller	
62649	29

D

Door Assembly	
62151*	21
62300W	21
Door Handle	
54068P	21
61925	21
Door Hinge	
56045	21
Door Seal	
61379	21
Door Striker	
510181	21
Door Switch	
504570	21
Double Connector Terminal	
00114	47
Drying Rack	
58846	27

E

Electronic Control	
59608P	5
59609	5
59610	5
59611P	5
End Cap	
31248	7, 11
31249	7, 11
34459	17
34460	17
End Cap or Insert	
31248	9, 13, 15
31249	9, 13, 15
32217	13, 15
32218	13, 15

32342	9, 13, 15
32343	9, 13, 15
End Cap or Inserts	
31248	5
31249	5
32342	5
32343	5
Exhaust Duct	
56118	45
Exhaust Fan Cover	
60938P	23
Exhaust Fan Housing	
510138P	23
Exhaust Fan Impeller	
510139	23
Eyelet Terminal	
00110	47
00111	47

F

Felt Pad	
58049	27
Felt Seal	
56088	27, 29
Front Panel	
62420*P	21
62421*P	21
62424W	21
Front Panel Seal	
61380	21

G

Gas Burner Conversion Kit	
401P3	50
402P3	50
Gas Valve Assembly	
58804	39
Graphic Panel	
59480	5
59481	7
59483	9
59484	15
59485	5
59486	7
59488	9
59489	15
59490	17
60055	13
60056	13
60306	15
60310	5
60319	9
60347	13
60348	15
60634	13
60657	9, 13
60729	11
60730	11
60731	13
60732	15
60733	9
60734	5

61596	17
Ground Clip	
00161	47
Ground Screw	
52909	29
Guide Lug	
56079	21, 45

H

Heat Shield	
60952	31, 33, 35, 37
Heat Shroud	
500122	35, 37
Heater Assembly	
61927	33
61928	33
Heater Box	
510025P	31, 33, 35, 37
Heater Element and Plate	
61927	31
61928	31
High Thermostat	
56410	23
Hinge	
60826	45
Hold-Down Clip	
28835	21
Holding and Booster Coil	
58804A	39

I

Idler Pulley and Lever Assembly	
511227	25
Idler Pulley Assembly	
510142	25
Igniter and Bracket	
510184P	39
Inner Door Panel	
62152*	21
Insulated Spade Terminal	
00165	47
00234	47
00237	47
Insulator Set	
57408	31

L

Lead-In Pipe Assembly	
58911	39
Leveling Leg	
52696	45
Limit Thermostat	
489P3	35
510701	33
56082	31
Limit Thermostat and Plate Kit	
489P3	37

Lint Filter	
61376P	27
Lock-in Spade Terminal	
00115	47
00321	47
Locknut	
51236	21
52566	25
56156	25, 29

M

Male Terminal	
00139	47
Motor	
58044	23
Motor Clip	
510180	23
Motor Mounting Bracket	
510060	25
Motor Pulley Assembly	
59175P	23
Motor Switch	
53226	23
53249	23
59895	23
Mounting Bracket	
510128	39

N

Nameplate	
32630	13
Nut	
Q6163	31, 41
20274	45
57584	11, 13

O

Outer Door Panel	
62153*	21

P

Power Cord	
56222	47
Push-to-Start Button Assembly	
59788	15

R

Rear Bulkhead	
61135P	29
Retainer Ring	
23748	25, 29
Roller Bracket	
56042	29

Rubber Cup	
70282	45

S

Screw	
M400664	29
Q6535	41
20530	19, 41, 43
22649	21
23222	23, 25, 31, 33, 35, 39
23962	9, 11, 13, 15, 19, 27
31260	5, 7, 9, 11, 13, 27
31752	5, 7, 9, 11, 13, 15, 17
32671	21, 45
33561	7, 21, 27, 29, 45
33562	19, 27, 29, 31, 33, 35, 37, 39, 41, 43, 45
501086	7, 11, 13, 15, 17
501285	43
503661	21
51356	39
51780	23, 25, 29, 31, 33, 35, 37
51782	37
52864	21
56124	39
56693	39
57446	21
59616	9
61199	43
62588	27
Seal Strap	
56090	27, 29
Secondary Coil	
58804B	39
Sensor	
510213	39
Setscrew	
62541	23
Shaft	
56461	25, 29
Shoulder Bolt	
56587	25
Signal	
59446	13
Signal Control	
500823	11
59447	9
Slide Signal Control	
59498	7
59822	7
Spade Terminal	
00121	47
00124	47
00156	47
00209	47
00222	47
00223	47
Speed Nut	
23407	21
Spring	
510185	25
Start Switch	
59449	15
59450	9, 13

Sticker	
24903	19, 45
500281	21
511004	21, 45
511005	45
58592	45
58893	21
61206	45
Sticker Catch	
510177	21
Strain Relief	
38384	47
Strap Spring	
52310	27, 29
Support	
56534	21
Switch Bracket	
59704	11, 13

T

Temperature Selector Switch	
58813	11, 13
59617	7
59618	7
61511	11, 13
Terminal	
00116	47
00117	47
00127	47
00130	47
00189	47
00361	47
Terminal Block	
50854A	41
510190P	43
58799	47
58800	47
Terminal Block Bracket	
60823P	29
Terminal Block Insulation	
56087	41, 43
Terminal Block Plug	
23040	47
26302	47
56266	47
56448	47
Terminal Block Receptacle	
23039	47
26301	47
56265	47
56451	47
Thermal Fuse Kit	
490P3	33
Thermostat Heater	
61401	23
Thrust Washer	
23886	29
Timer	
502967	7, 11
59418	15
59420	17
59422	9
59497	13
61402	9

Timer Knob Assembly	
59791	7, 9, 11, 13, 15
59793	7, 9, 11, 13, 15, 17
60284	13, 15

V

Valve	
56229	39

W

Washer	
20492	23
21147	21
52549	25, 29
56552	31, 41
Wire Clip	
504034	47
51291	47
Wire Harness	
59667	48
59672	48
59675	48
59676	48
59677	48
59679	48
59680	48
60753	48
61246	48
61247	48
61249	48
61251	48
61532	48
61587	48
61588	48
61589	48
61590	48
61822	48
61824	48
Wire, 12 Gauge	
45380	49
Wire, 18 Gauge	
45001	49
45037	49
45066	49
45083	49