

Dryers

Metered and Nonmetered
Refer to Page 5 for Model Numbers

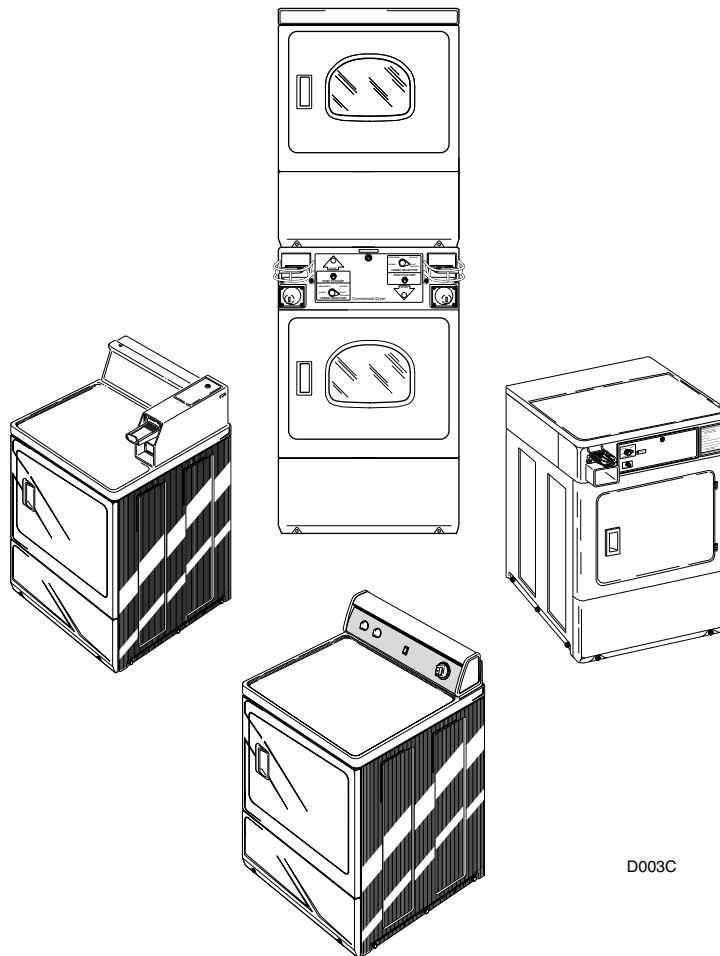


Table of Contents

Title	Page
Parts Ordering Information	3
Nameplate Location	3
Model Identification	5
Control Panel and Controls (Homestyle Single Models).....	10
Cabinet Top and Control Hood Rear Panel (Homestyle Single Models)	12
Control Panel and Controls (Electromechanical Single Models)	14
Control Panel and Controls (Electronic Control Single Models)	16
Timer and Timer Case (Nonmetered Single Models)	18
Coin Slide Extension and Meter Case (Coin Slide Ready Single Models)	20
Accumulator (Coin Slide Ready Models)	22
Coin Drop and Meter Case (Coin Drop Single Models).....	24
Timer Case (Card Reader Ready Single Models)	26
Card Reader and Security Case (Card Reader Installed Single Models)	28
Cabinet Top (Commercial Single Models)	30
Control Panel and Controls (Electromechanical Front Control and Stacked Models)	32
Control Panel and Controls (Electronic Front Control and Stacked Models)	34
Coin Slide Extension (Coin Slide Ready Front Control and Stacked Models).....	36
Coin Drop (Coin Drop Front Control and Stacked Models)	38
Card Reader (Card Reader Installed Front Control and Stacked Models)	40
Control Cabinet Front (Front Control and Stacked Models)	42
Control Cabinet Wrapper (Front Control and Stacked Models)	44
Cabinet Top (Front Control and Stacked Models)	46
Loading Door Without Window	48
Loading Door With Window	50
Access Panel, Front Panel and Seal	52
Motor, Exhaust Fan and Belt	54
Front Bulkhead, Airduct, Felt Seal and Cylinder	56
Rear Bulkhead, Felt Seal, Cylinder Roller and Terminal Block	58
Heater Duct and Element Assembly.....	60
Heater Duct Assembly	62
Gas Valve, Igniter and Gas Conversion Kits	64
Gas Valve, Igniter, Ignition Control and Gas Conversion Kits	66
Cabinet, Exhaust Duct and Base	68

(continued)

© Copyright 2000, Alliance Laundry Systems LLC

All rights reserved. No part of the contents of this book may be reproduced or transmitted in any form or by any means without the expressed written consent of the publisher.

Power Cord	70
Terminal Block and Terminals	72
Terminals	74
Motor Connection Block, Terminal Extractor Tools	76
Strain Relief and Adapter.....	78
Coin Drop Assembly Table	82
Wire Harnesses	83
Parts Index.....	89

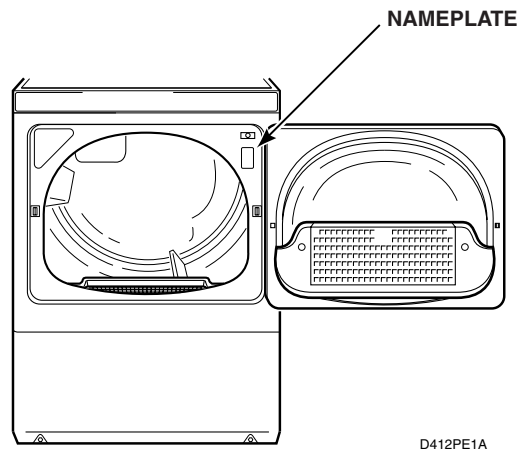
Parts Ordering Information

If literature or replacement parts are required, contact the source from whom the machine was purchased or contact Alliance Laundry Systems at (920) 748-3950 for the name and address of the nearest authorized parts distributor.

For technical assistance, call (920) 748-3121.

Nameplate Location

When calling or writing about your product, be sure to mention model and serial numbers. Model and serial numbers are located on nameplate(s) as shown.



Model Identification

Information in this manual is applicable to these dryers.

Dryer Model	Home-style	Non-metered	Metered	Coin Slide Ready	Coin Drop Ready	Coin Drop Installed	Card Reader Ready	Card Reader Installed	Electronic Display Control	Electric Heat	Gas Heat
HDE007*F		X								X	
HDE007*F1702		X								X	
HDE007*F3000		X								X	
HDE007*G3003		X								X	
HDE007†G3008		X								X	
HDE007*G3010		X								X	
HDE107*F			X	X						X	
HDE107*F1502			X	X						X	
HDE107*F1702			X	X						X	
HDE107*F3000			X	X						X	
HDE107*G3003			X	X						X	
HDE107*G3018			X	X						X	
HDE507*F1502			X			X			X	X	
HDE507*F1702			X			X			X	X	
HDE707*F1502			X					X	X	X	
HDE707*F1702			X					X	X	X	
HDG009*F		X									X
HDG009*F1102		X									X
HDG009*F3000		X									X
HDG009†G3008		X									X
HDG109*F			X	X							X
HDG109*F1102			X	X							X
HDG109*F3000			X	X							X
HDG109*G3013			X	X							X
HDG509*F1102			X			X			X		X
HDG709*F1102			X					X	X		X
HFE507*F1702			X			X			X	X	
HFE707*F1702			X					X	X	X	
HFG509*F1102			X			X			X		X
HFG709*F1102			X					X	X		X
HSE117*F			X	X						X	
HSE117*F2802			X	X						X	
HSE117*F2902			X	X						X	
HSE517*F2802			X			X			X	X	
HSE517*F2902			X			X			X	X	
HSE717*F2802			X					X	X	X	
HSE717*F2902			X					X	X	X	

* Add Letter To Designate Color. L – Almond W – White
† Add Letter To Designate Color. L – Almond W – White G – Gray

Dryer Model	Home-style	Non-metered	Metered	Coin Slide Ready	Coin Drop Ready	Coin Drop Installed	Card Reader Ready	Card Reader Installed	Electronic Display Control	Electric Heat	Gas Heat
HSG119*F			X	X							X
HSG119*F0902			X	X							X
HSG519*F0902			X			X			X		X
HSG719*F0902			X					X	X		X
HTEB17*H2802			X							X	
HTED17*H2802			X							X	
HTGB19*H0902			X								X
HTGD19*H0902			X								X
LEB07A*F1709	X	X								X	
LEG37A*F4350	X	X								X	
LEK37A*F4350	X	X								X	
LES17A*F	X	X								X	
LES17A*F1500	X									X	
LES17A*F3000	X	X								X	
LES17A*F4500	X	X								X	
LES33A*F4562	X	X								X	
LES37A*F	X	X								X	
LES37A*F3000	X	X								X	
LES37A*F3300	X	X								X	
LES37A*F4350	X	X								X	
LES37A*G3018	X	X								X	
LEY47A*F1709	X	X								X	
LEZ37A*F3000	X	X								X	
LEZ37A*G3018	X	X								X	
LGG37A*F3058	X	X									X
LGK37A*F3058	X	X									X
LGS17A*F	X	X									X
LGS17A*F1180	X	X									X
LGS17A*F3020	X	X									X
LGS17A*K1180	X	X									X
LGS17A*F3081	X	X									X
LGS37A*F	X	X									X
LGS37A*F3000	X	X									X
LGS37A*F3058	X	X									X
LGS37A*F3080	X	X									X
LGS37A*G3013	X	X									X
LGS37A*G3080	X	X									X
LGY47A*F1109	X	X									X
LGZ37A*F3000	X	X									X

* Add Letter To Designate Color. L – Almond W – White
† Add Letter To Designate Color. L – Almond W – White G – Gray

Dryer Model	Home-style	Non-metered	Metered	Coin Slide Ready	Coin Drop Ready	Coin Drop Installed	Card Reader Ready	Card Reader Installed	Electronic Display Control	Electric Heat	Gas Heat
LGZ37A*G3013	X	X									X
SDE007*F		X								X	
SDE007*F1500		X								X	
SDE007*F3000		X								X	
SDE007*F4350		X								X	
SDE007*G3018		X								X	
SDE107*F			X	X						X	
SDE107*F1500			X	X						X	
SDE107*F1724			X	X						X	
SDE107*F3000			X	X						X	
SDE107*F4350			X	X						X	
SDE107*F5412			X	X						X	
SDE107*G3018			X	X						X	
SDE307*F			X	X						X	
SDE307*F1500			X	X						X	
SDE407*F			X		X				X	X	
SDE407*F1500			X		X				X	X	
SDE407*F3000			X		X				X	X	
SDE407*F4350			X		X				X	X	
SDE507*F			X			X			X	X	
SDE507*F1500			X			X			X	X	
SDE607*F			X				X			X	
SDE607*F1500			X				X			X	
SDE707*F			X					X	X	X	
SDE707*F1500			X					X	X	X	
SDG009*F		X									X
SDG009*F3000		X									X
SDG009*F3058		X									X
SDG109*F			X	X							X
SDG109*F1124			X	X							X
SDG109*F3000			X	X							X
SDG109*F3058			X	X							X
SDG109*F5412			X	X							X
SDG109*G3013			X	X							X
SDG309*F			X	X							X
SDG409*F			X		X				X		X
SDG409*F3058			X		X				X		
SDG509*F			X			X			X		X
SDG609*F			X				X		X		X

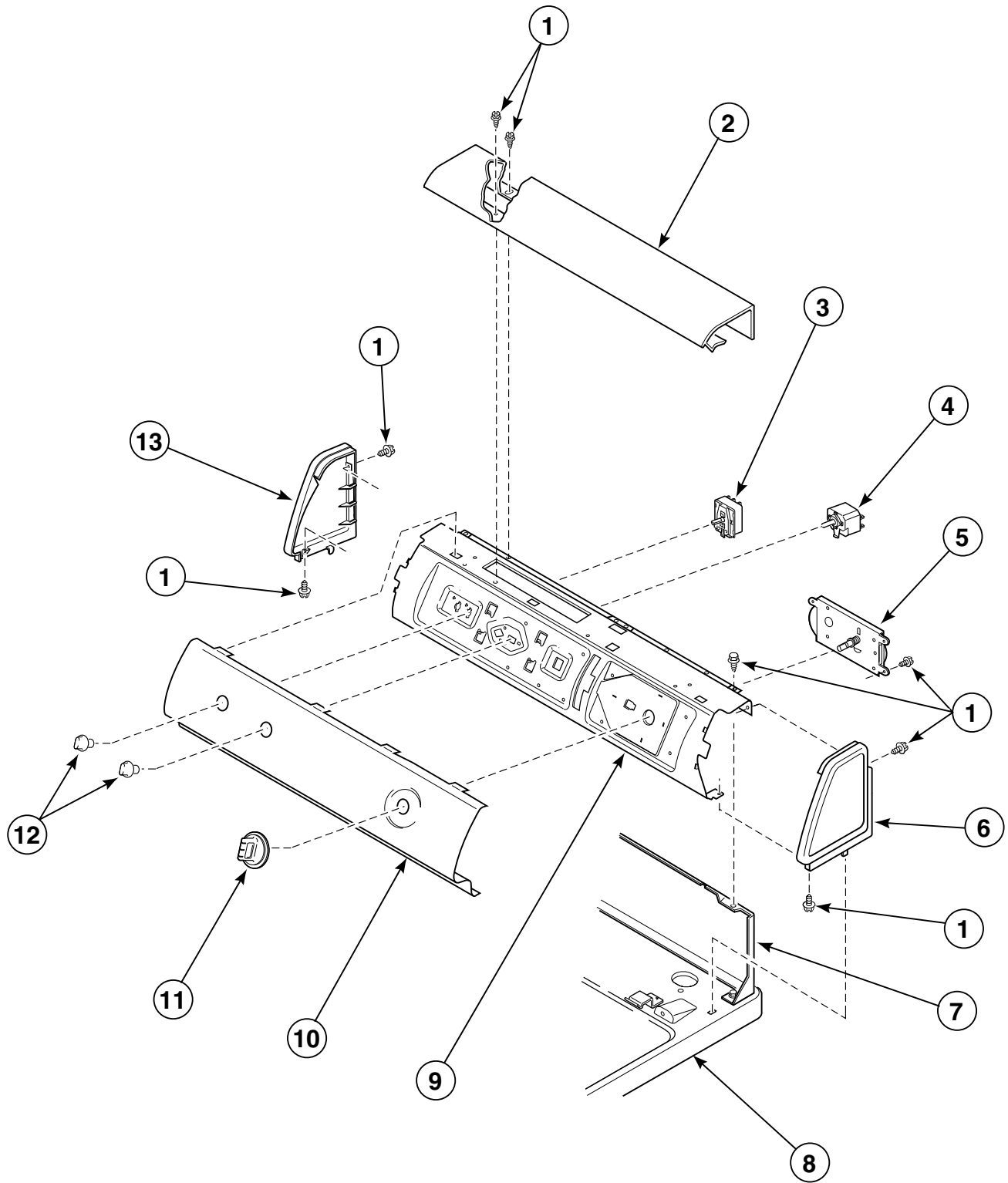
* Add Letter To Designate Color. L – Almond W – White
† Add Letter To Designate Color. L – Almond W – White G – Gray

Dryer Model	Home-style	Non-metered	Metered	Coin Slide Ready	Coin Drop Ready	Coin Drop Installed	Card Reader Ready	Card Reader Installed	Electronic Display Control	Electric Heat	Gas Heat
SDG709*F			X					X	X		X
SFE107*F			X	X						X	
SFE407*F			X		X					X	
SFG409*F			X		X						X
SFE507*F			X			X			X	X	
SFE507*F1500			X			X			X	X	
SFE707*F			X					X	X	X	
SFG109*F			X	X							X
SFG509*F			X			X			X		X
SFG709*F			X					X	X		X
SSE007*F		X								X	
SSE007*F1500		X								X	
SSE007*F3000		X								X	
SSE107*F			X	X						X	
SSE107*F1500		X								X	
SSE107*F1724		X								X	
SSE117*F			X	X						X	
SSE117*F1500										X	
SSE117*F3000			X	X						X	
SSE117*F4350			X	X						X	
SSE117*F5412			X	X						X	
SSE307*F			X	X						X	
SSE307*F1500			X	X						X	
SSE417*F			X		X				X	X	
SSE417*F3000			X		X				X	X	
SSE417*F4350			X		X				X	X	
SSE507*F			X			X			X	X	
SSE507*F1500			X						X	X	
SSE517*F			X			X			X	X	
SSE517*F1500			X						X	X	
SSE607*F			X							X	
SSE617*F			X							X	
SSE707*F			X					X	X	X	
SSE717*F			X					X	X	X	
SSG009*F		X									X
SSG109*F			X	X							X
SSG109*F1124			X	X							X
SSG119*F			X	X							X
SSG119*F3000			X	X							X

* Add Letter To Designate Color. L – Almond W – White
† Add Letter To Designate Color. L – Almond W – White G – Gray

Dryer Model	Home-style	Non-metered	Metered	Coin Slide Ready	Coin Drop Ready	Coin Drop Installed	Card Reader Ready	Card Reader Installed	Electronic Display Control	Electric Heat	Gas Heat
SSG119*F3058			X	X							X
SSG119*F5412			X	X							X
SSG119*F5480			X	X							X
SSG309*F			X	X							X
SSG419*F			X		X				X		X
SSG419*F3000			X		X				X		X
SSG419*F3058			X		X				X		X
SSG509*F			X			X			X		X
SSG519*F			X			X			X		X
SSG609*F			X								X
SSG619*F			X								X
SSG709*F			X					X	X		X
SSG719*F			X					X	X		X
STEB17*H			X			X			X	X	
STED17*H			X					X	X	X	
STG519*E			X			X			X		X
STGB19*H			X			X			X		X
STGD19*H			X					X	X		X
UDE007*F		X								X	
UDG009*F		X									X
USE007*F		X								X	
USG009*F		X									X
* Add Letter To Designate Color. L – Almond W – White											
† Add Letter To Designate Color. L – Almond W – White G – Gray											

Control Panel and Controls (Homestyle Single Models)



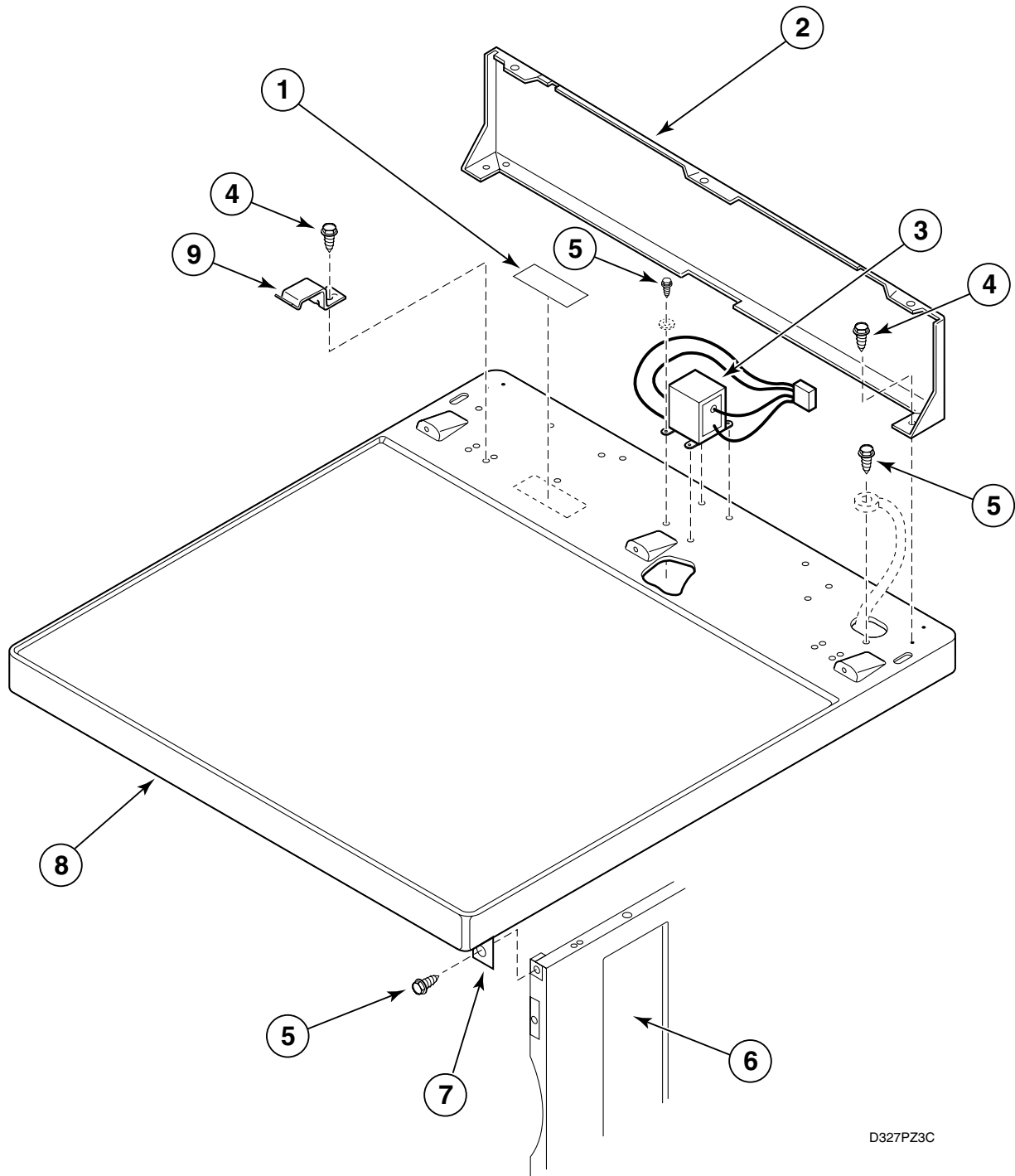
D378PZ3B

Control Panel and Controls (Homestyle Single Models)

REF	PART #	DESCRIPTION	COMMENTS
1	501086	Screw	
2	505808*	Top Cover	
3	510512	Fabric Selector Switch	Model numbers with fourth and fifth digit "47", "37" or "17"
	503998	Fabric Selector Switch	Model LES33A*F4562
4	510211	Signal	Models LES37A*F, LES37A*F3300, LEY47A*F1709, LGS37A*F and LGY47A*F1109
	504103	Signal	Models LEK37A*F4350, LES37A*F3000, LES37A*F4350, LES37A*G3018, LEZ37A*F3000, LEZ37A*G3018, LGK37A*F3058, LGS37A*F3000, LGS37A*F3058, LGS37A*F3080 and LGZ37A*F3000
	505447	Signal	Models LGS37A*G3080 and LGZ37A*G3013
5	502964	Timer	Models LEK37A*F4350, LES37A*G3018, LEZ37A*G3018 and LGK37A*F3058
	502966	Timer	Models LGS37A*G3013, LGS37A*G3080 and LGZ37A*G3013
	505795	Timer	Models LES17A*F3000, LES17A*F4500, LES37A*F3000, LES37A*F4350 LEZ37A*F3000, LGS17A*F3020, LGS17A*F3081, LGS37A*F3000, LGS37A*F3058, LGS37A*F3080 and LGZ37A*F3000
	505796	Timer	Model LES37A*F3300
	505797	Timer	Models LES17A*F and LES37A*F
	505794	Timer	Models LGS17A*F, LGS17A*F1188 and LGS37A*F
6	504008*	End Cap	Right
7	510099	Control Hood Rear Panel	
8	510029*P	Cabinet Top	
9	503901	Support Control Panel	
10	503394	Graphic Panel	
	504020*	Graphic Panel	Models LES37A*F, LES37A*F3000, LES37A*F3300, LES37A*F4350, LGS37A*F, LGS37A*F3000, LGS37A*F3058, LGS37A*F3080 and LGZ37A*F3000
	504070*	Graphic Panel	Models LES37A*G3018, LGS37A*G3013 and LGS37A*G3080
	504072*	Graphic Panel	Model LEZ37A*F3000
	504107*	Graphic Panel	Models LEZ37A*G3018 and LGZ37A*G3013
	504197*	Graphic Panel	Models LES17A*F3000, LES17A*F4500, LES37A*F3000, LGS17A*F3020, LGS17A*F3080 and LGS17A*F3081
	505157*	Graphic Panel	Models LEK37A*F4350 and LGK37A*F3058
11	510287*	Timer Knob Assembly	All Homestyle Single Models
12	36701*	Switch Knob Assembly	All Homestyle Single Models
13	504009*	End Cap	Left

* Add Letter To Designate Color. L – Almond W – White

Cabinet Top and Control Hood Rear Panel (Homestyle Single Models)



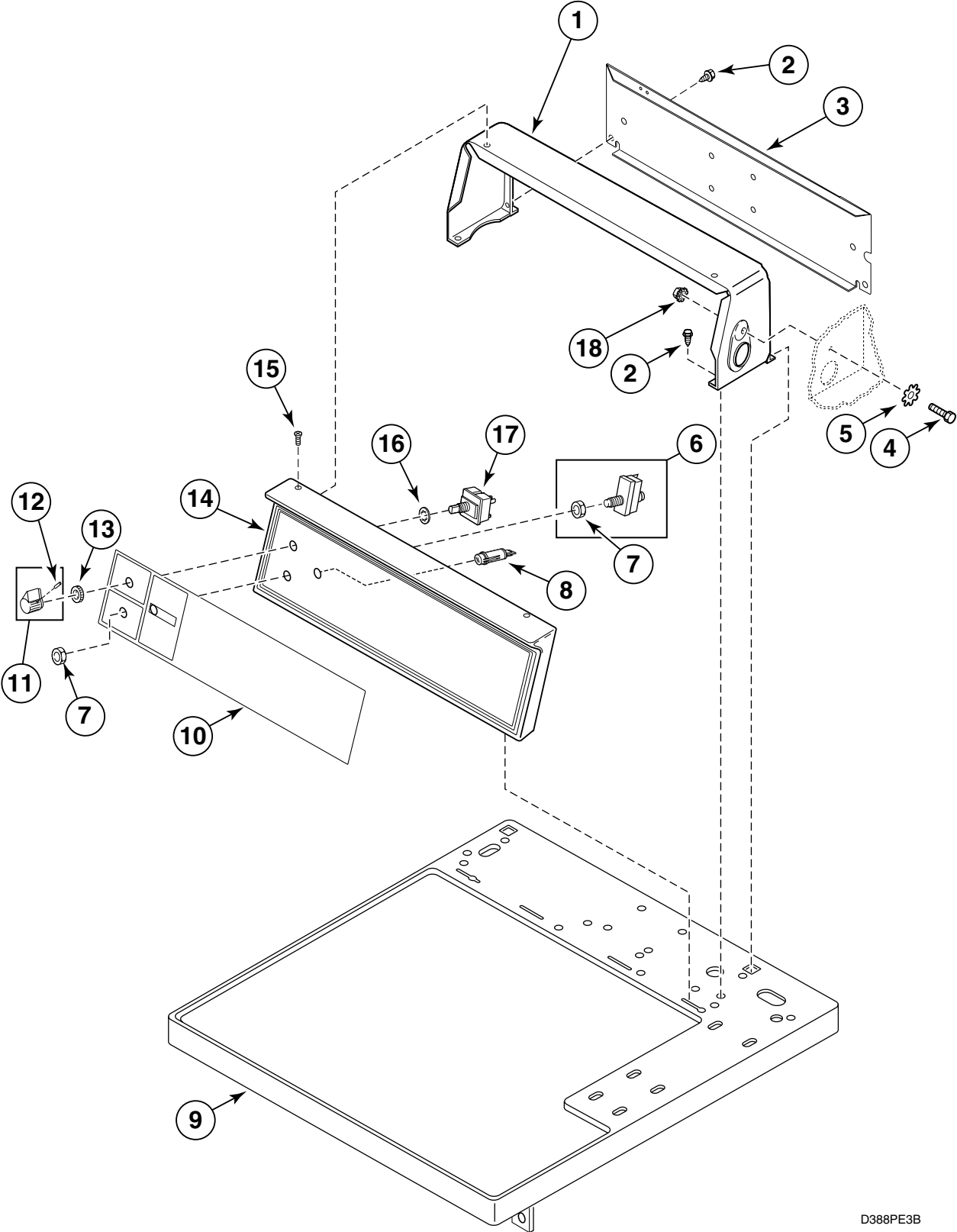
D327PZ3C

Cabinet Top and Control Hood Rear Panel (Homestyle Single Models)

REF	PART #	DESCRIPTION	COMMENTS
1	24903	Label	
2	510099	Control Hood Rear Panel	
3	59971	Transformer and Plug	Models LGS17A*F3020, LGS17A*F3081, LGS37A*F3000 and LGZ37A*F3000
4	501086	Screw	
5	503688	Screw	
6	510002*	Cabinet Panel	Right Side
7	510146	Hold-Down Bracket	
8	510029*P	Cabinet Top	Includes (2) of Item 7
9	35358	Hold-Down Clip	

* Add Letter To Designate Color. L – Almond W – White

Control Panel and Controls (Electromechanical Single Models)



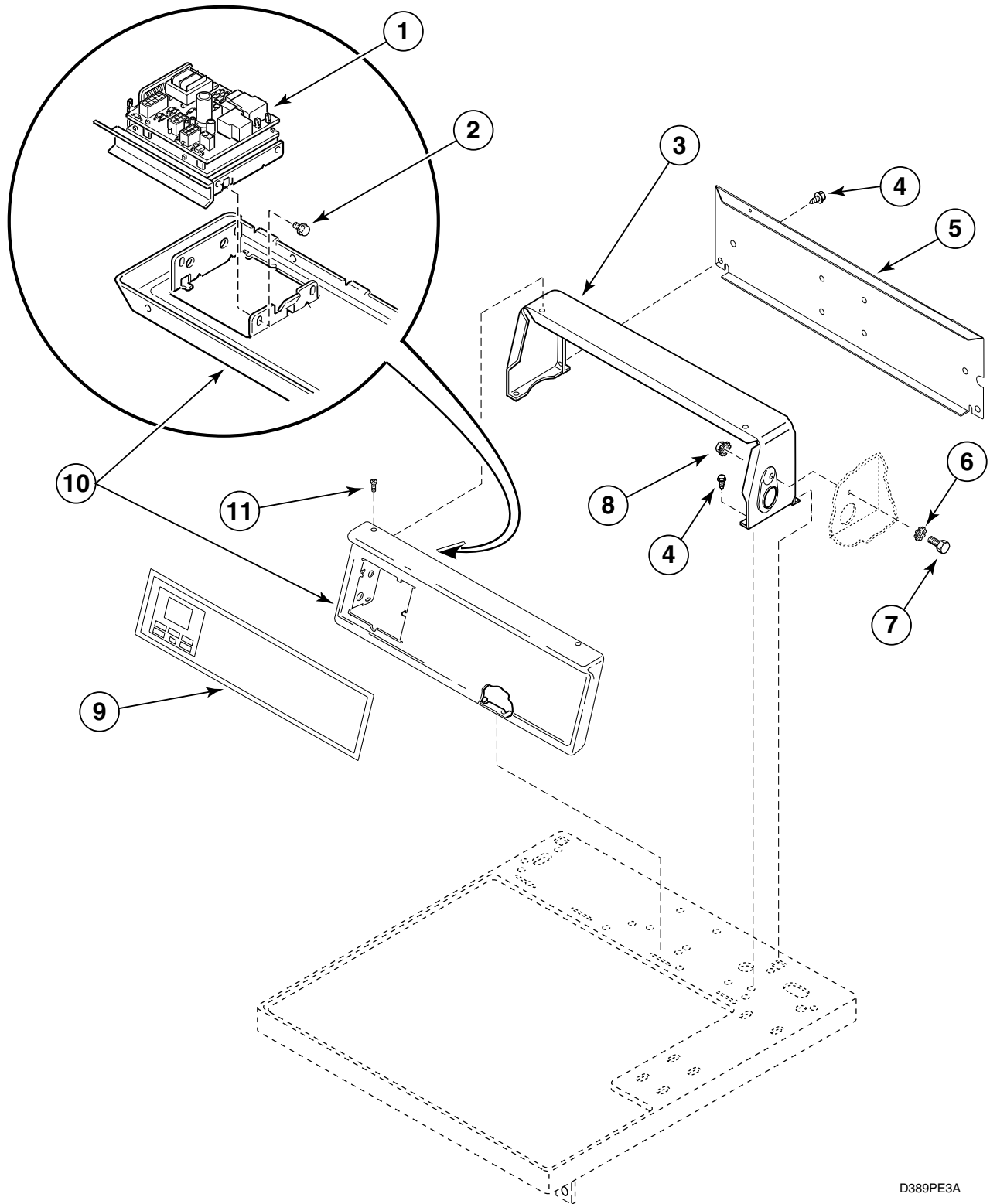
D388PE3B

Control Panel and Controls (Electromechanical Single Models)

REF	PART #	DESCRIPTION	COMMENTS
	281P4	Torx Bit	Use with 35528 Screw
	24161	Torx Bit Holder	Use with 35528 Screw – For 3/8" drive Ratchet
1	502567*	Control Hood	
2	501086	Screw	
3	505798	Control Hood Rear Panel	
4	02916	Cap Screw	
5	M400017	Lockwasher	
6	55882	Push-to-Start Switch Assembly	
7	52947	Nut	
8	32464	Indicator Light	
9	510030*P	Cabinet Top	
	511235GP	Top Panel	Gray
10	504594	Graphic Overlay	Models beginning with "S"
	504591	Graphic Overlay	Models beginning with "U"
	505377	Graphic Overlay	Models beginning with "H"
11	39897	Control Knob Assembly	
12	20310	Setscrew	
13	24205	Knurled Nut	
14	501738*	Control Panel and Bracket Assembly	
15	52864	Phillips Head Screw	
	35528	Torx Head Screw	Optional for added security
16	91176	Lockwasher	
17	61512	Temperature Selector Switch	
18	29786	Keps Nut	

* Add Letter To Designate Color. L – Almond W – White

Control Panel and Controls (Electronic Control Single Models)



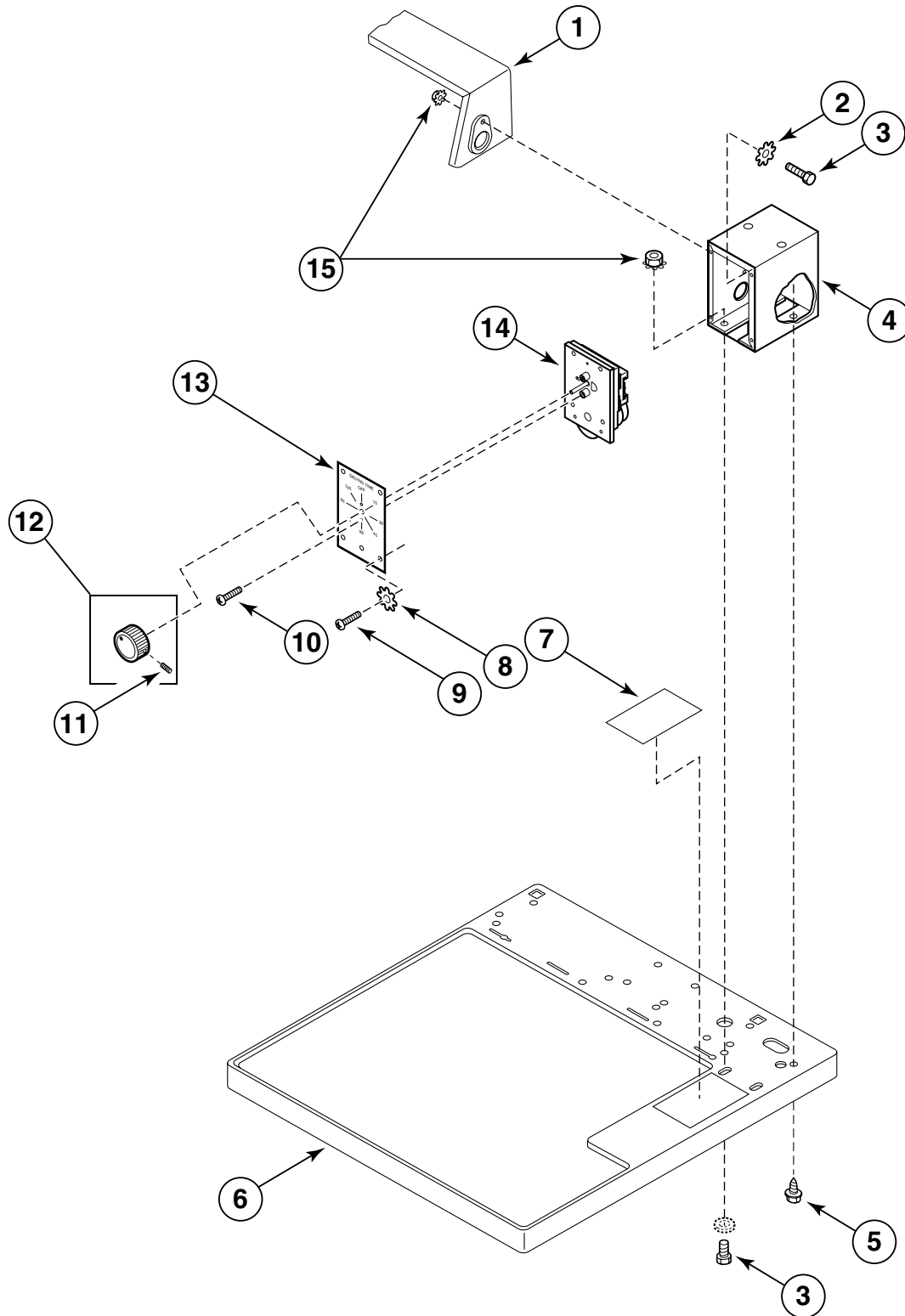
D389PE3A

Control Panel and Controls (Electronic Control Single Models)

REF	PART #	DESCRIPTION	COMMENTS
1	M414050P	Control and Shield	120 Volt
	M411883P	Control and Shield	240 Volt
2	501524	Screw	
3	502567*	Control Hood	
4	501086	Screw	
5	505798	Control Hood Rear Panel	
6	M400017	Lockwasher	
7	02916	Cap Screw	
8	52566	Nut	
9	504113	Graphic Overlay	Models beginning with "S"
	505380	Graphic Overlay	Models beginning with "H"
	505381	Graphic Overlay	Model HSE117WF2902
	505382	Graphic Overlay	Model HSG719WF0902
10	501359*	Control Panel	
11	52864	Screw	Phillips head
	35528	Screw	Torx head; Optional; for added security

* Add Letter To Designate Color. L – Almond W – White

Timer and Timer Case (Nonmetered Single Models)



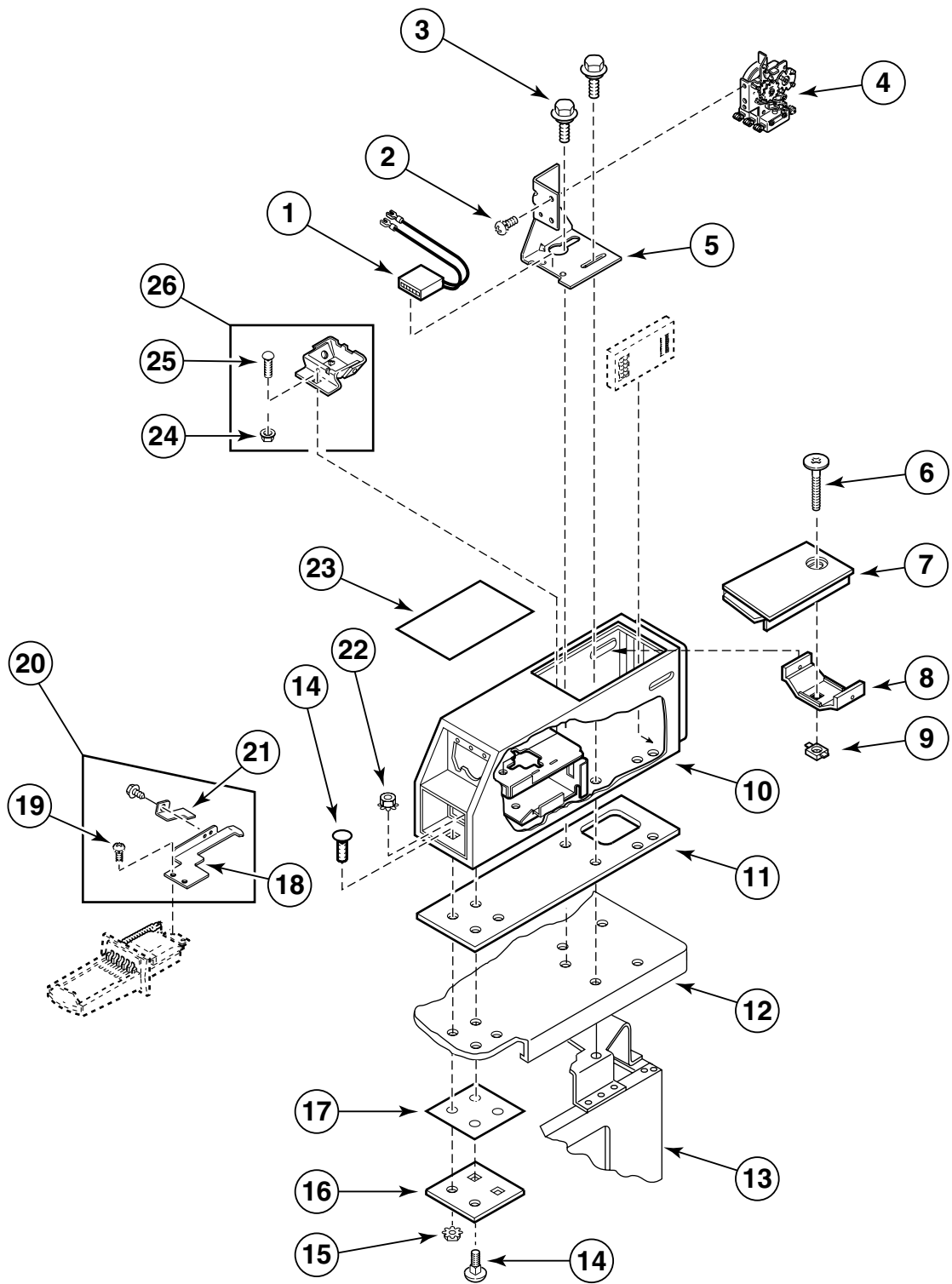
D124PZ3C

Timer and Timer Case (Nonmetered Single Models)

REF	PART #	DESCRIPTION	COMMENTS
1	502567*	Control Hood	
2	M400017	Lockwasher	
3	02916	Cap Screw	
4	37733*	Timer Case	
5	501086	Screw	
6	510031*P	Cabinet Top	
	502670	Cabinet Top	CE Gas Models
7	500490	Label	Models with "F" in the eighth position
	502626	Label	Models with "G" in the eighth position
8	21734	Lockwasher	
9	51778	Screw	
10	27328	Screw	
11	20310	Setscrew	
12	54678	Timer Knob Assembly	
13	500921*	Timer Plate Assembly	
	502797*	Timer Plate Assembly	CE Models
14	510524	Timer	120 Volt/60 Hertz Models
	510525	Timer	240 Volt/50 Hertz Models
	510526	Timer	Model HDG009*B3008; 24 Volt
15	29786	Keps Nut	

* Add Letter To Designate Color. L – Almond W – White

Coin Slide Extension and Meter Case (Coin Slide Ready Single Models)



D413PE3A

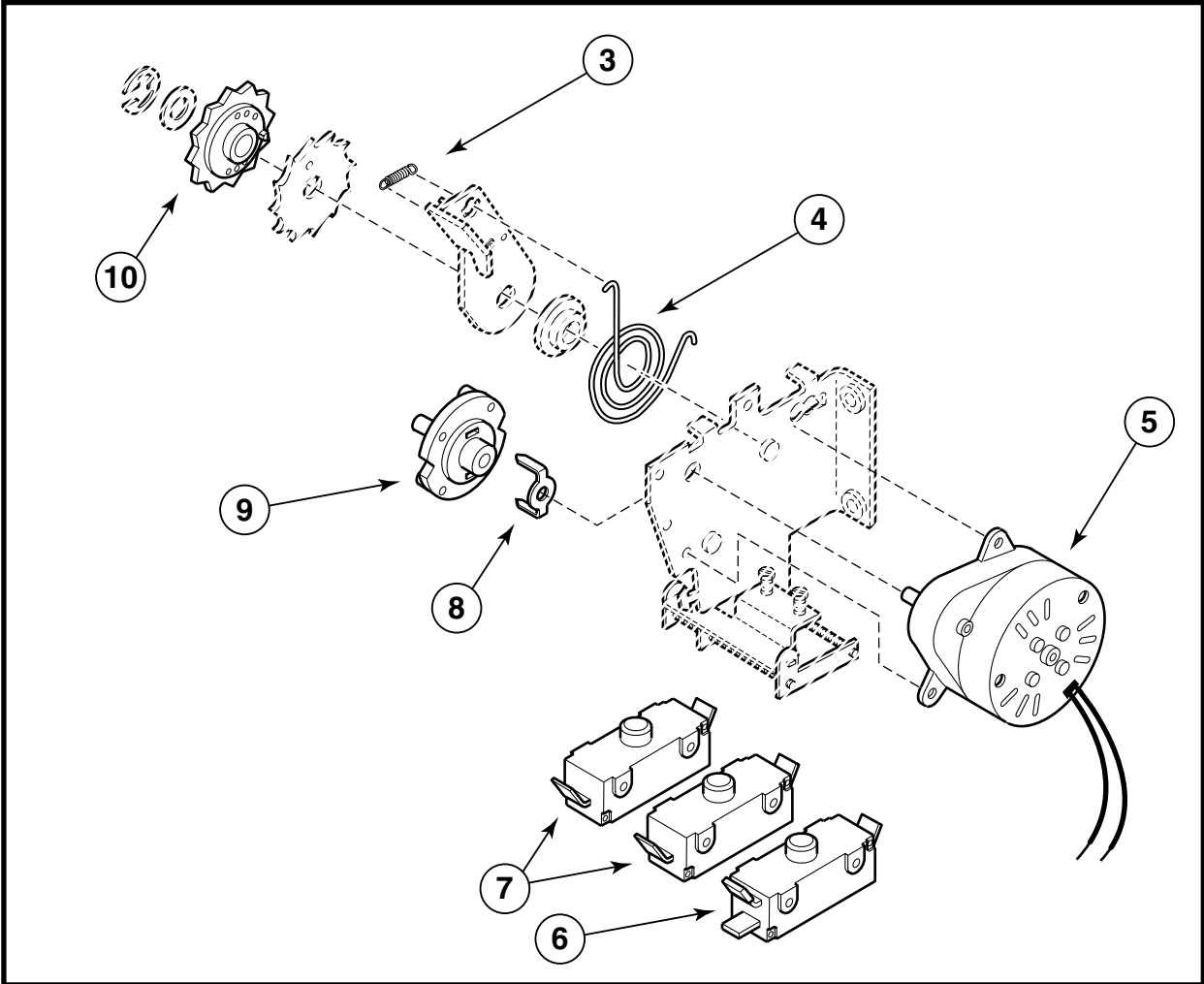
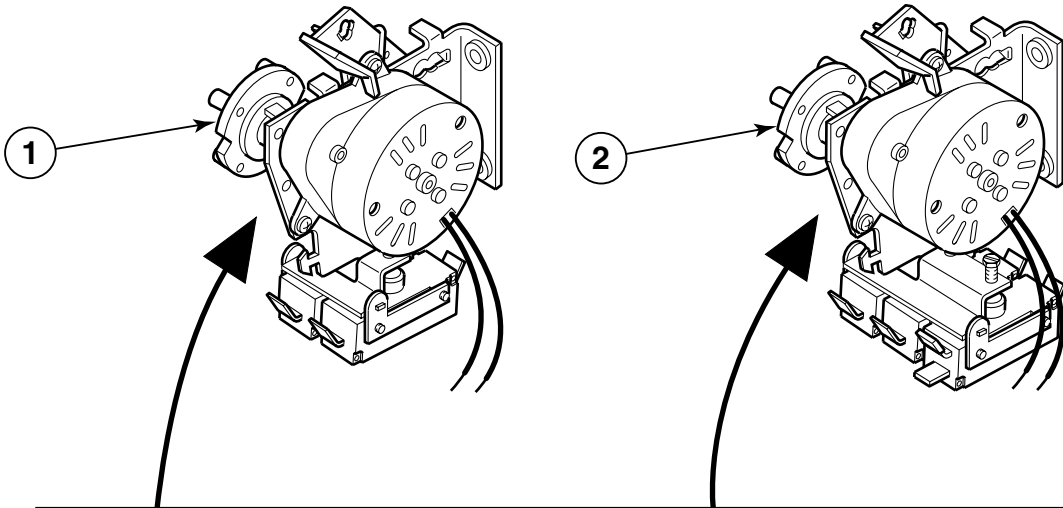
Coin Slide Extension and Meter Case (Coin Slide Ready Single Models)

REF	PART #	DESCRIPTION	COMMENTS
1	62113	Counter	Models with fourth digit number "3"
2	03203	Screw	
3	502431	Shoulder Screw	
4		Accumulator	Refer to page 22
5	503315	Timer Bracket	
6	503673	Screw	
7	35798*	Service Door	
8	30642	Locking Bracket	
9	30647	Retainer Nut	
10	524P3*	Meter Case	Includes parts marked with a dagger (†)
11	26354†	Meter Case Gasket	
12	510030*P	Cabinet Top	
	502570	Cabinet Top	CE Gas Models
13	510002*	Cabinet Panel	Right Side
14	02505†	Carriage Bolt	
15	29786†	Locknut	
16	35525†	Bracket	
17	35526†	Gasket	
18	503733	Slide Extension	
19	03950	Screw	
20	553P3	Coin Slide Extension Kit	Includes items 15 and 20
21	501796	Coin Slide Modifier	
22	29786	Keps Nut	
23	500628	Label	
24	29796	Nut	
25	29651	Bolt	
26	523P3†	Coin Funnel Kit	

* Add Letter To Designate Color. L – Almond W – White

† Parts with a dagger are included with 524P3* Meter Case

Accumulator (Coin Slide Ready Models)

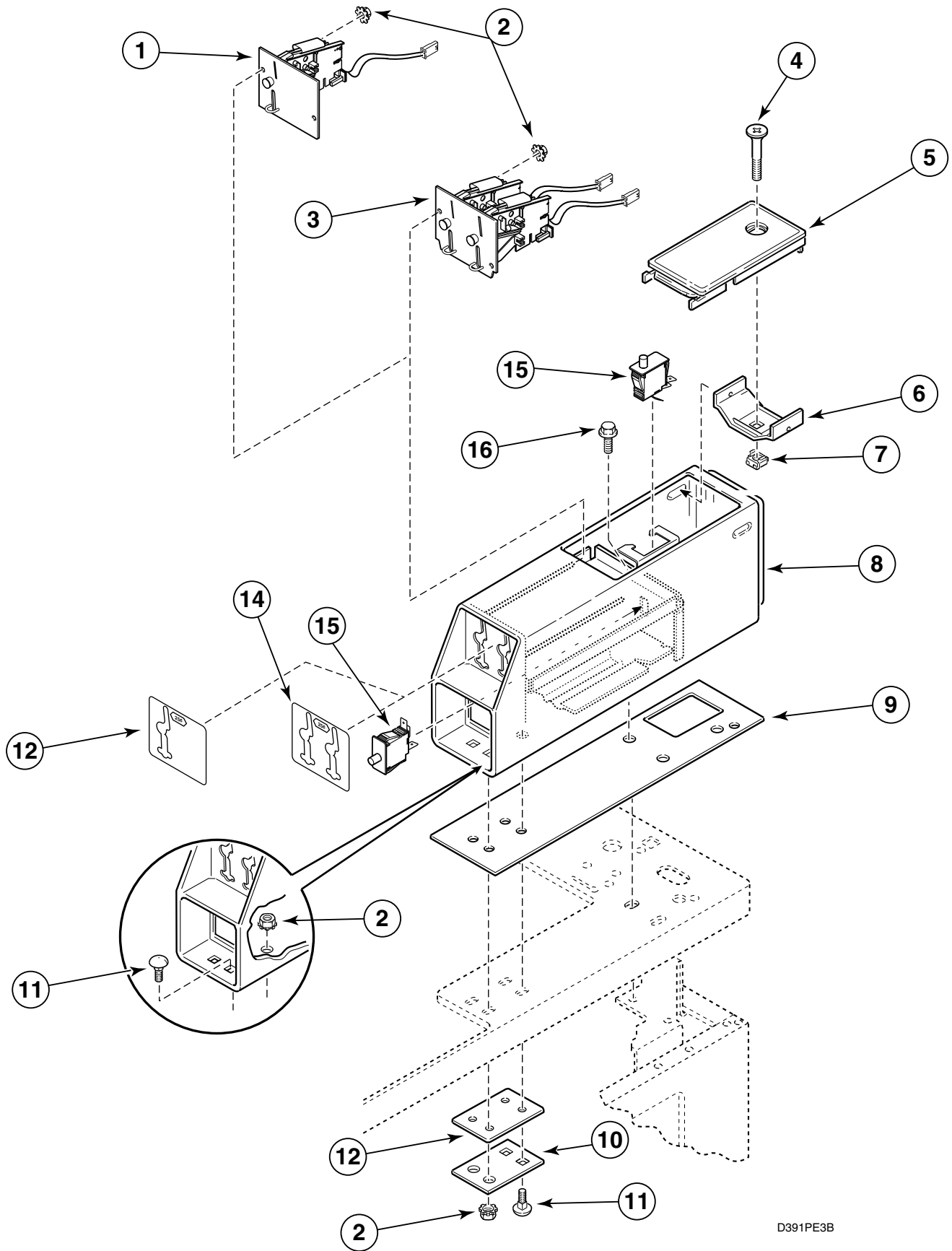


D390PE3A

Accumulator (Coin Slide Ready Models)

REF	PART #	DESCRIPTION	COMMENTS
1	510628P	Accumulator Kit	Front Control and Stacked 120 Volt/60 Hertz Models (2 Switch)
	510629P	Accumulator Kit	Front Control and Stacked 240 Volt/50 Hertz Models (2 Switch)
	510631P	Accumulator Kit	Front Control and Stacked 230 Volt/60 Hertz Models (2 Switch)
	501627	Accumulator	Single 230 Volt/60 Hertz Models (2 Switch)
	501754	Accumulator	Single 240 Volt/50 Hertz Models (2 Switch)
	501757	Accumulator	Single 120 Volt/60 Hertz Models (2 Switch)
	510632P	Accumulator Kit	Single 240 Volt/50 Hertz Gas Models with "G" in the 8th position (2 Switch)
2	510630P	Accumulator Kit	Front Control and Stacked 120 Volt/60 Hertz Models (3 Switch)
	501756	Accumulator	Single 120 Volt/60 Hertz Models (3 Switch)
3	53244	Pawl Spring	
4	53261	Spring	Stacked units only
5	53235	Timing Motor	
6	61468	Switch	Goes with 3 switch accumulators only
7	53236	Switch	Goes with 2 and 3 switch accumulators
8	M400754	Timing Cam Drive	
9	53240	Timing Cam	60 Minute (3 Pins)
	53241	Timing Cam	45 Minute (4 Pins)
	53242	Timing Cam	30 Minute (6 Pins)
	53243	Timing Cam	20 Minute (9 Pins)
10	53239	Ratchet Wheel	

Coin Drop and Meter Case (Coin Drop Single Models)



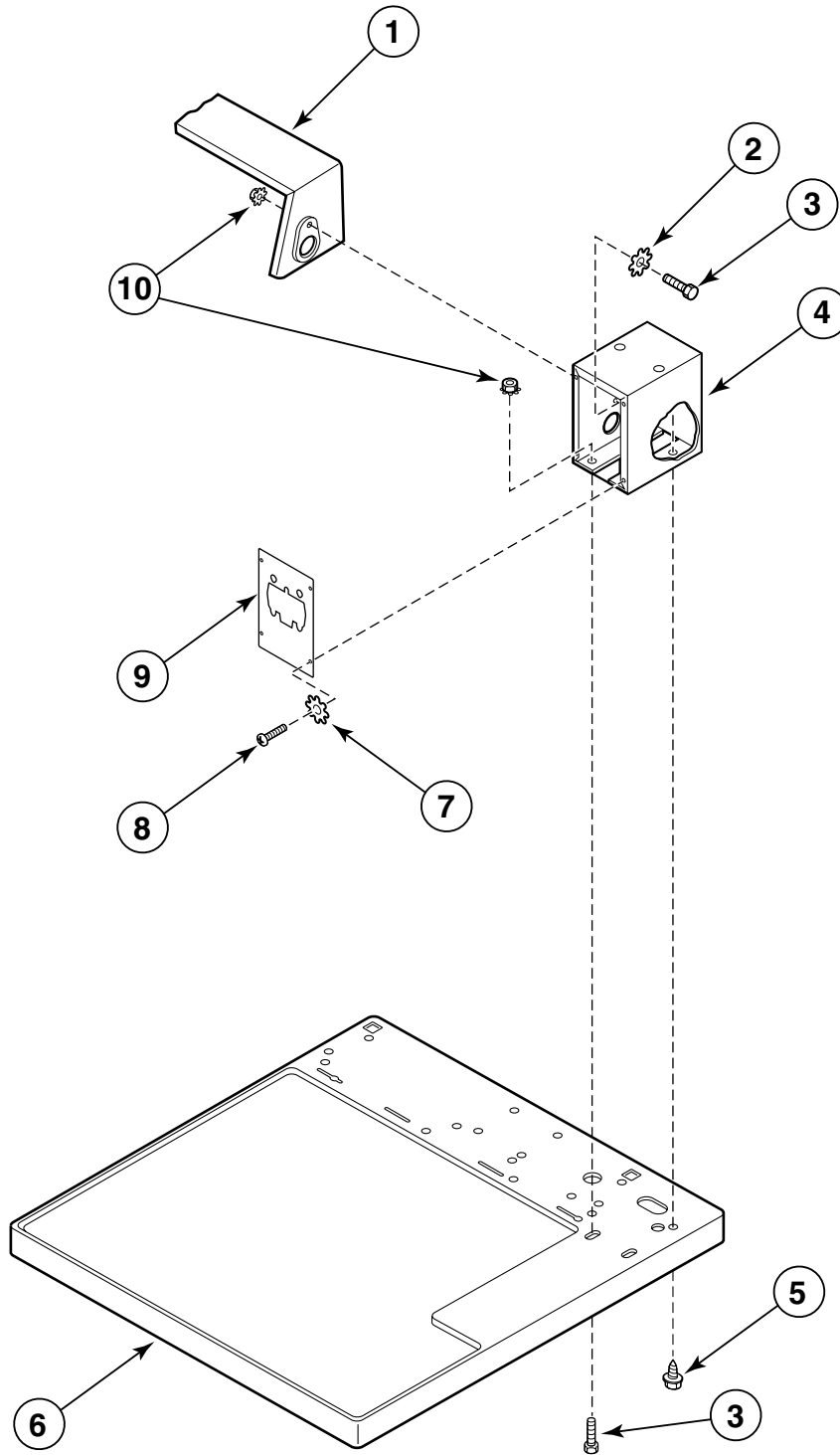
D391PE3B

Coin Drop and Meter Case (Coin Drop Single Models)

REF	PART #	DESCRIPTION	COMMENTS
1		Coin Drop	Model numbers with a "5" in the fourth position; refer to chart on page 82.
2	29786	Locknut	
3		Coin Drop	Model numbers with "02" for the last two digits; refer to chart on page 82.
4	503673	Screw	
5	35798*	Service Door	
6	30642	Locking Bracket	
7	30647	Retainer Nut	
8	38724*	Meter Case	
9	26354	Meter Case Gasket	
10	35525	Bracket	
11	02505	Carriage Bolt	
12	35526	Gasket	
13	38717	Front Overlay	Single coin drop
14	39073	Front Overlay	Dual coin drop
15	504570	Switch	
16	36048	Shoulder Screw	

* Add Letter To Designate Color. L – Almond W – White

Timer Case (Card Reader Ready Single Models)



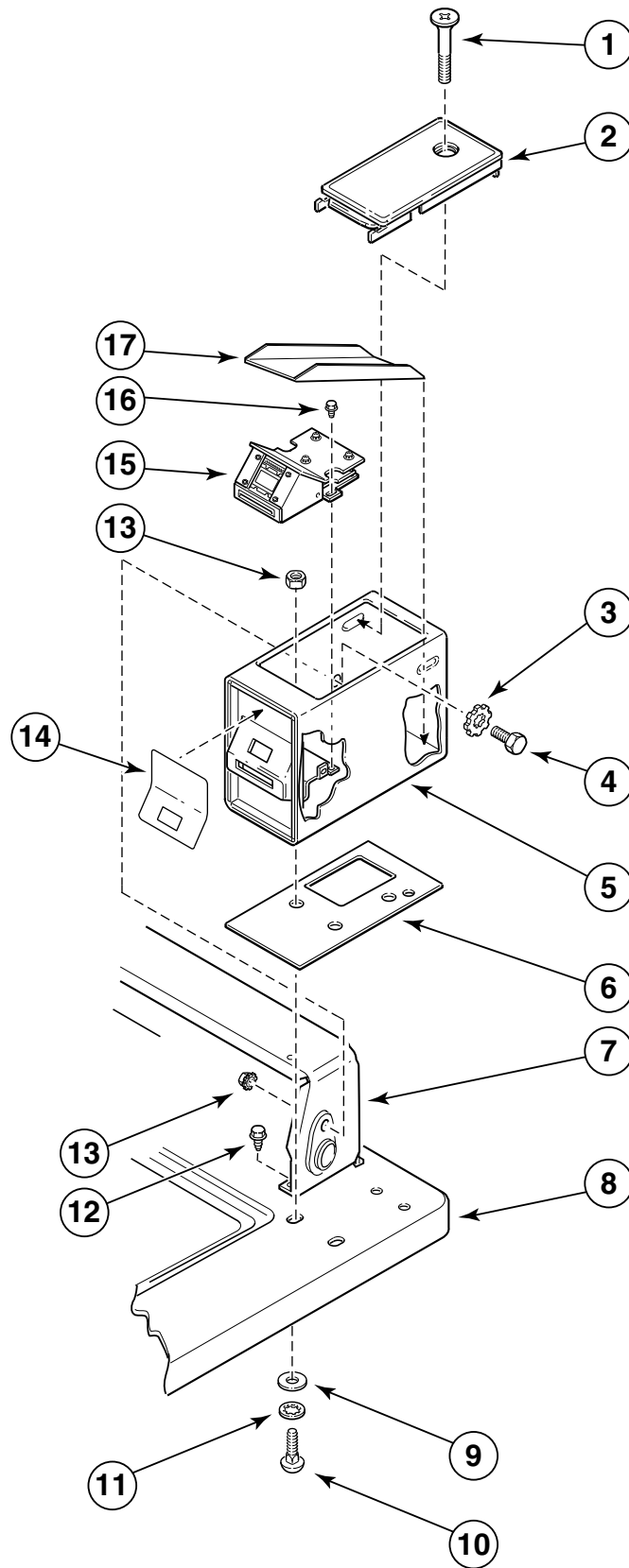
D348PZ3B

Timer Case (Card Reader Ready Single Models)

REF	PART #	DESCRIPTION	COMMENTS
1	502567*	Control Hood	
2	M400017	Lockwasher	
3	02916	Cap Screw	
4	37733*	Timer Case	
5	501086	Screw	
6	510031*P	Cabinet Top	
7	21734	Lockwasher	
8	51778	Screw	
9	39481*	Timer Plate Assembly	
10	29786	Keps Nut	

* Add Letter To Designate Color. L – Almond W – White

Card Reader and Security Case (Card Reader Installed Single Models)



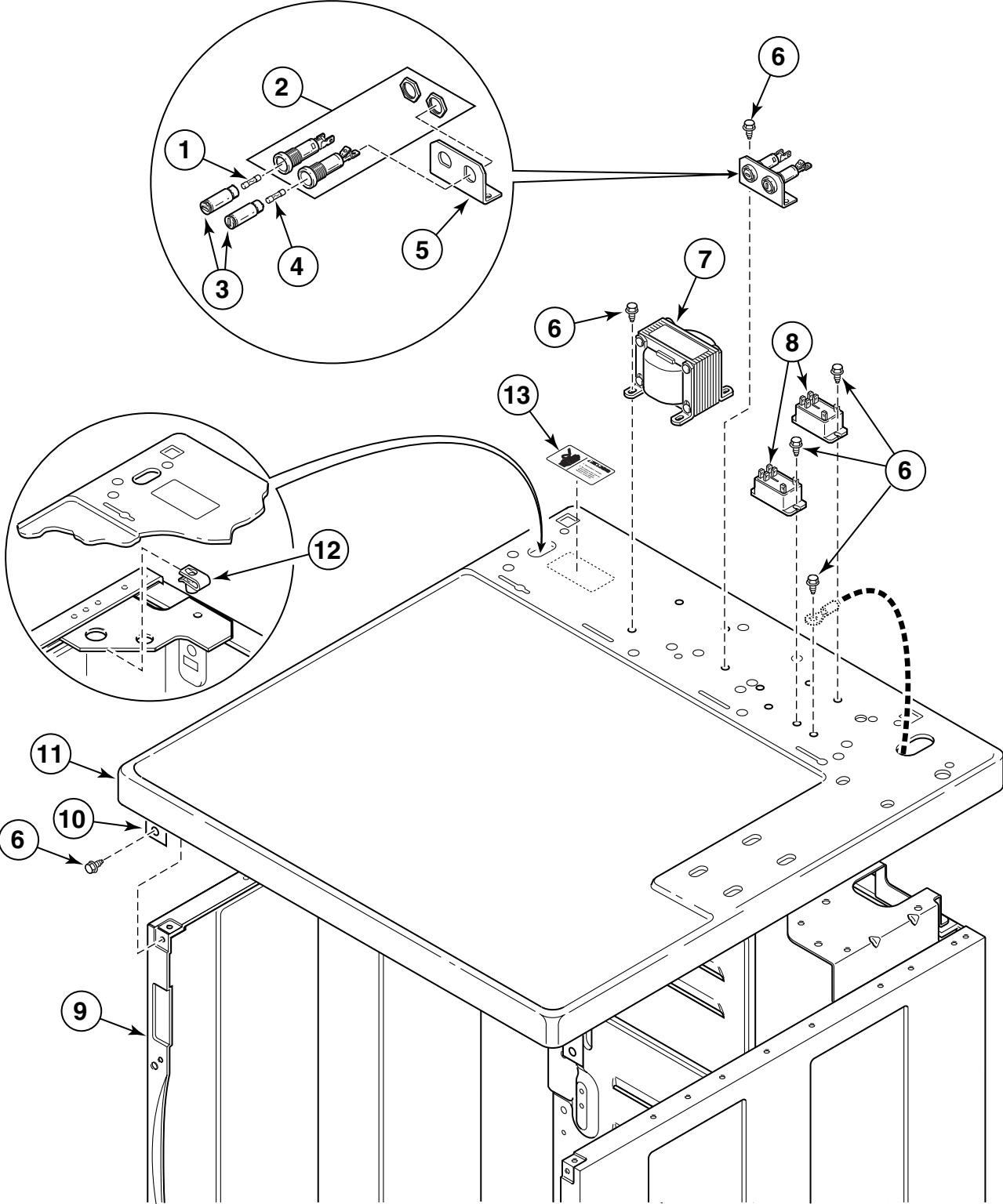
D409PE3C

Card Reader and Security Case (Card Reader Installed Single Models)

REF	PART #	DESCRIPTION	COMMENTS
1	503673	Screw	
2	35798*	Service Door	
3	M400017	Lockwasher	
4	02916	Cap Screw	
5	38145*	Security Case	
6	37526	Gasket	
7	502567*	Control Hood	
8	510031*P	Cabinet Top	
9	23225	Vinyl Washer	
10	02505	Carriage Bolt	
11	30627	Washer	
12	23962	Screw	
13	29786	Locknut	
14	38192	Overlay	
15	39685	Card Reader	
16	503688	Screw	
17	38754	Shield	

* Add Letter To Designate Color. L – Almond W – White

Cabinet Top (Commercial Single Models)



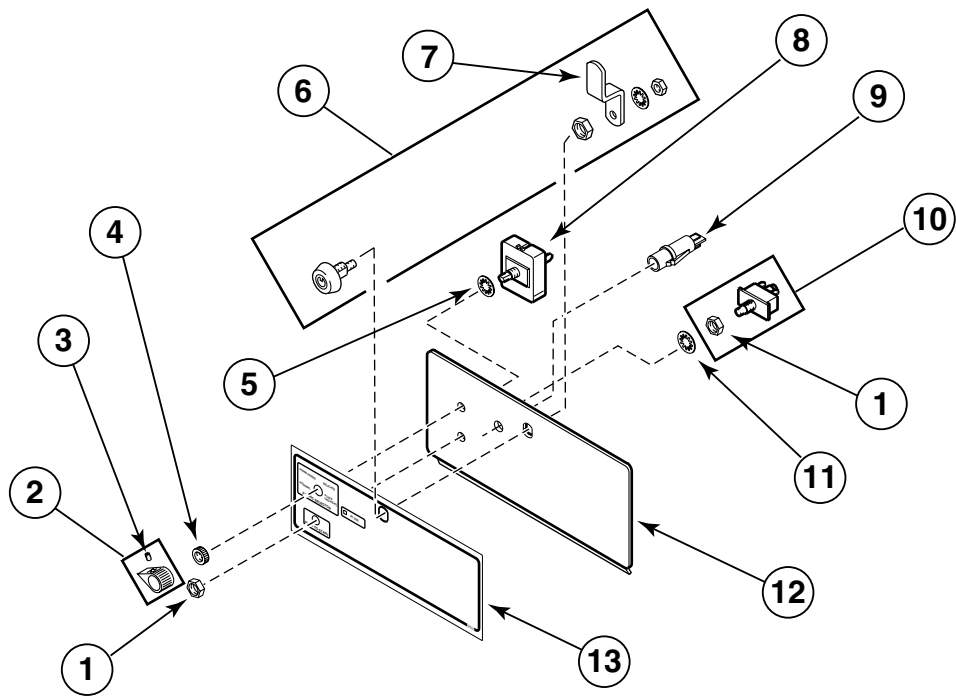
D410PE3B

Cabinet Top (Commercial Single Models)

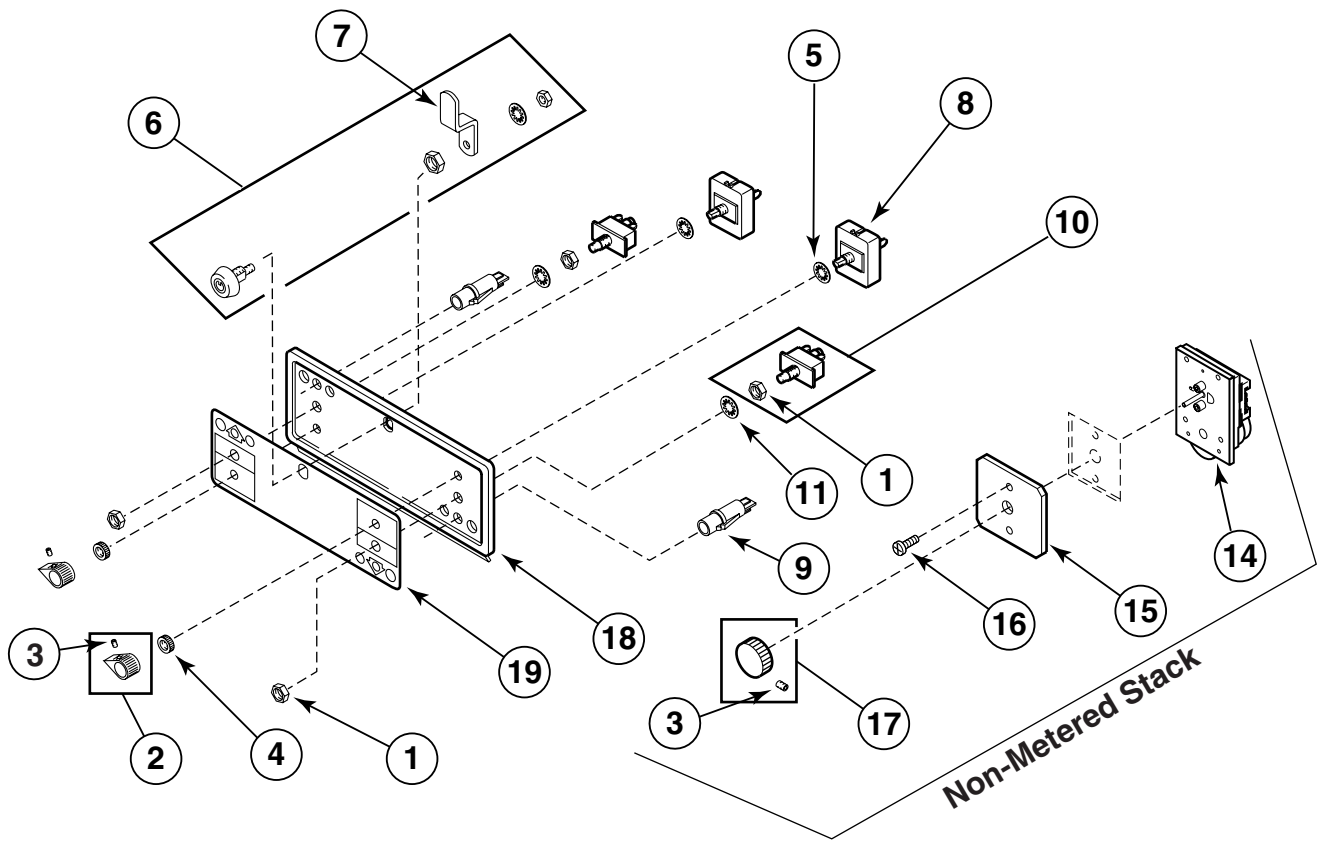
REF	PART #	DESCRIPTION	COMMENTS
1	502593	Fuse	Primary 400 Milliamp Gas Models with "G" in the eighth position
2	502591	Fuse Holder Body	Gas Models with "G" in the eighth position
3	502811	Fuse Holder Cap	Gas Models with "G" in the eighth position
4	502592	Fuse	Secondary 3.15 Amp Gas Models with "G" in the eighth position
5	502589	Bracket	Gas Models with "G" in the eighth position
6	503688	Screw	
7	59971	Transformer	Models HDG109*F3000, LGS17A*F3020, LGS17A*F3081, SDG109*F3000 and SSG119*F3000
	59972	Transformer	Models HDG009*F3000, LGS37A*F3000, LGS37A*F3080, LGZ37A*F3000, SDG009*F3000, SDG009*F3058, SDG109*F5412, SSG119*F5412 and SSG119*F5480
	M412477	Transformer	All other gas models with "G" in the eighth position
8	502501	Relay	Gas Models with "G" in the eighth position
9	510001*	Cabinet Panel	Left Side
	510002*	Cabinet Panel	Right Side
	510005*	Cabinet Panel	Rear Panel
10	510146	Hold-Down Bracket	
11	510030*P	Cabinet Top	Metered Models except gas models with "G" in the eighth position
	510031*P	Cabinet Top	Nonmetered Models except gas models with "G" in the eighth position
	502570*	Cabinet Top	Nonmetered Gas Models with "G" in the eighth position
	502670*	Cabinet Top	Metered Gas Models with "G" in the eighth position
12	27222	Nut	
13	500316	Label	Model numbers with "02" in the eleventh and twelfth positions
	502511	Label	Models with "G" in the eighth position
	24903	Label	All other Models

* Add Letter To Designate Color. L – Almond W – White

Control Panel and Controls (Electromechanical Front Control and Stacked Models)



Front Control Models



Stack Models

D392PE3A

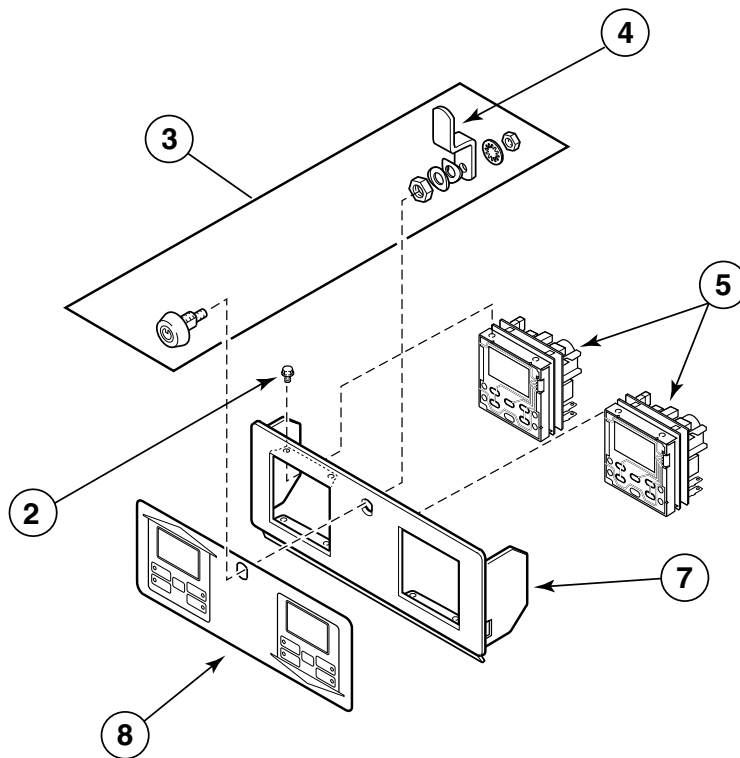
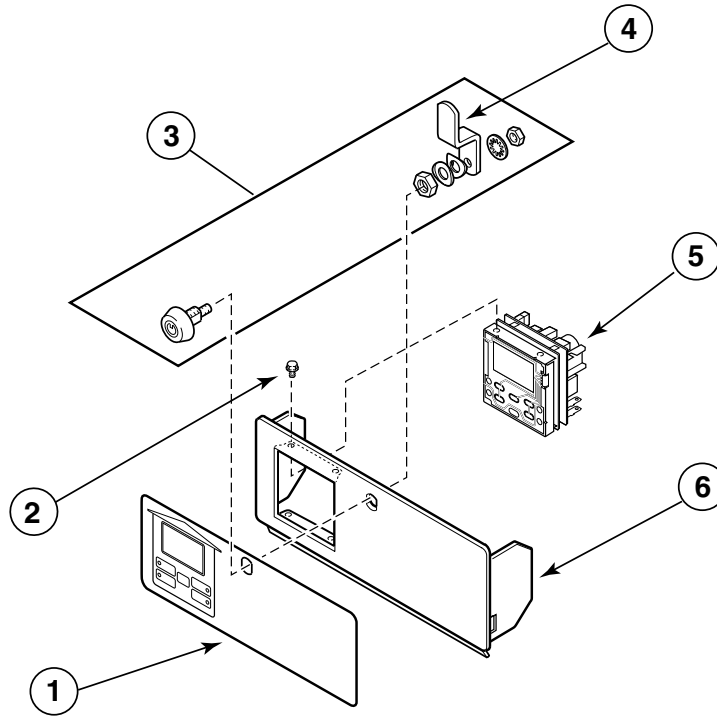
Control Panel and Controls (Electromechanical Front Control and Stacked Models)

REF	PART #	DESCRIPTION	COMMENTS
1	52947	Hex Nut	
2	39897	Control Knob Assembly	
3	20310	Setscrew	
4	24205	Knurled Nut	
5	91176	Lockwasher	
6	27260	Lock Assembly	
7	27261	Cam	
8	61512	Fabric Selector Switch	
9	32464	Indicator Light	
10	55882	Push-to-Start Switch Assembly	
11	25820	Lockwasher	
12	504447*	Control Panel and Bracket	Front Control Models
13	504210	Overlay	Front Control Models
14	510524	Timer	Nonmetered Models
15	500814	Overlay	Nonmetered Models
16	27328	Screw	Nonmetered Models
17	54678	Timer Knob Assembly	Nonmetered Models
18	500228*	Control Panel	Stacked Models
19	504590	Overlay	Stacked Models; Models with a prefix "S"
	505381	Overlay	Stacked Models; Models with a prefix "HSE"
	502927	Overlay	Stacked Models; Models with a prefix "U"
	505382	Overlay	Stacked Models; Models with a prefix "HSG"

* Add Letter To Designate Color. L – Almond W – White

Control Panel and Controls (Electronic Front Control and Stacked Models)

Front Control Models



D393PE3A

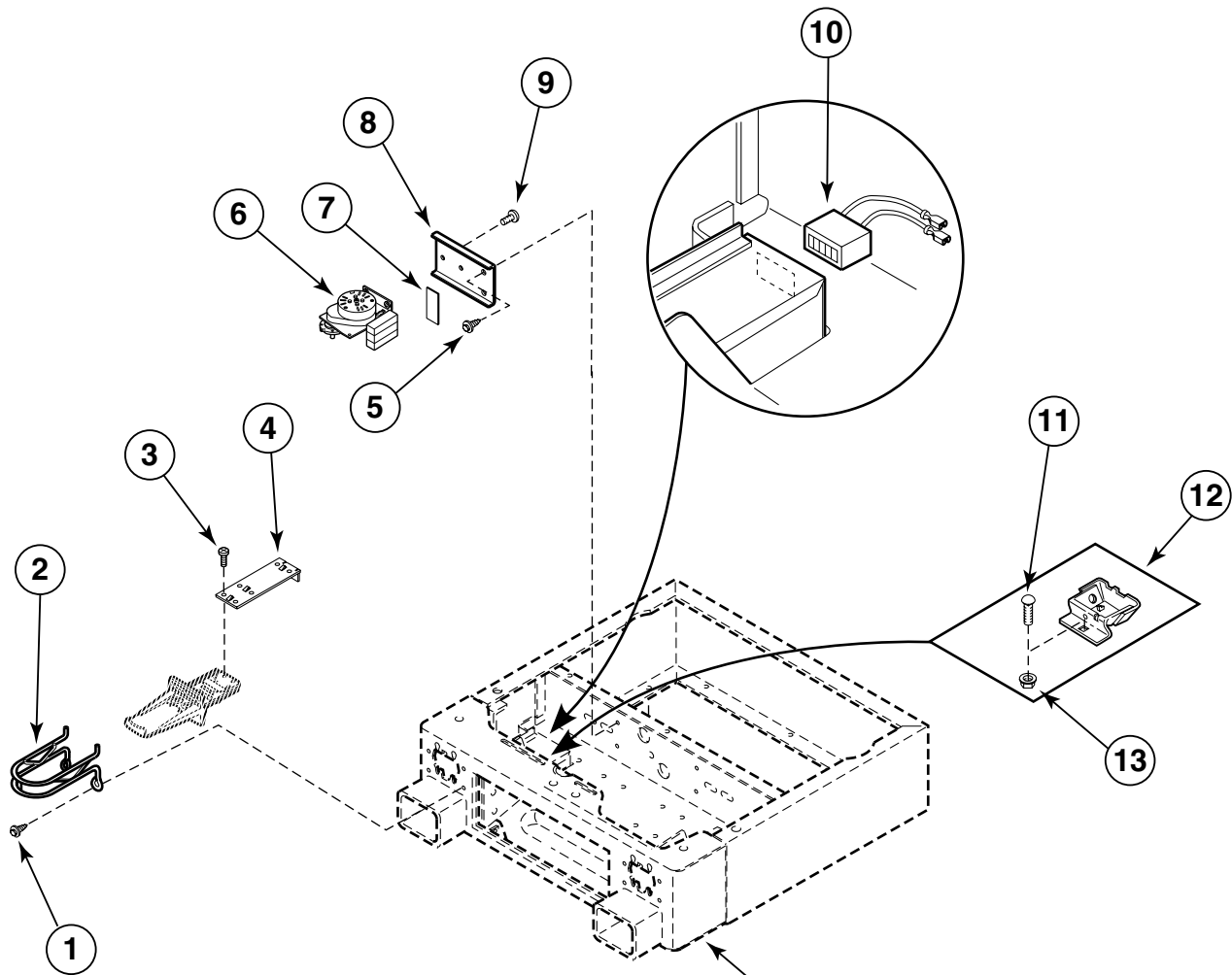
Stack Models

Control Panel and Controls (Electronic Front Control and Stacked Models)

REF	PART #	DESCRIPTION	COMMENTS
1	505605	Graphic Overlay	Models beginning with "S", Front Control, Electronic Control, Single
	505695	Graphic Overlay	Models beginning with "H", Front Control, Electronic Control, Single
	504591	Graphic Overlay	Models beginning with "U", Single
	504594	Graphic Overlay	Models beginning with "S", Single
	505377	Graphic Overlay	Models beginning with "H", Single
2	501524	Screw	
3	27260	Lock Assembly	
4	27261	Cam	
5	M414050P	Electronic Control	120 Volt
	M411883P	Electronic Control	240 Volt
6	505510*	Control Panel	Front Control Models
7	501346*	Control Panel	Stacked Models
8	504117	Graphic Overlay	Models beginning with "S", Electronic Control, Stacked
	505382	Graphic Overlay	Models beginning with "H", Electronic Control, Stacked

* Add Letter To Designate Color. L – Almond W – White

Coin Slide Extension (Coin Slide Ready Front Control and Stacked Models)



The front of the Control Cabinet shown is for display. Refer to "Control Cabinet Front" for various styles, Page 42.

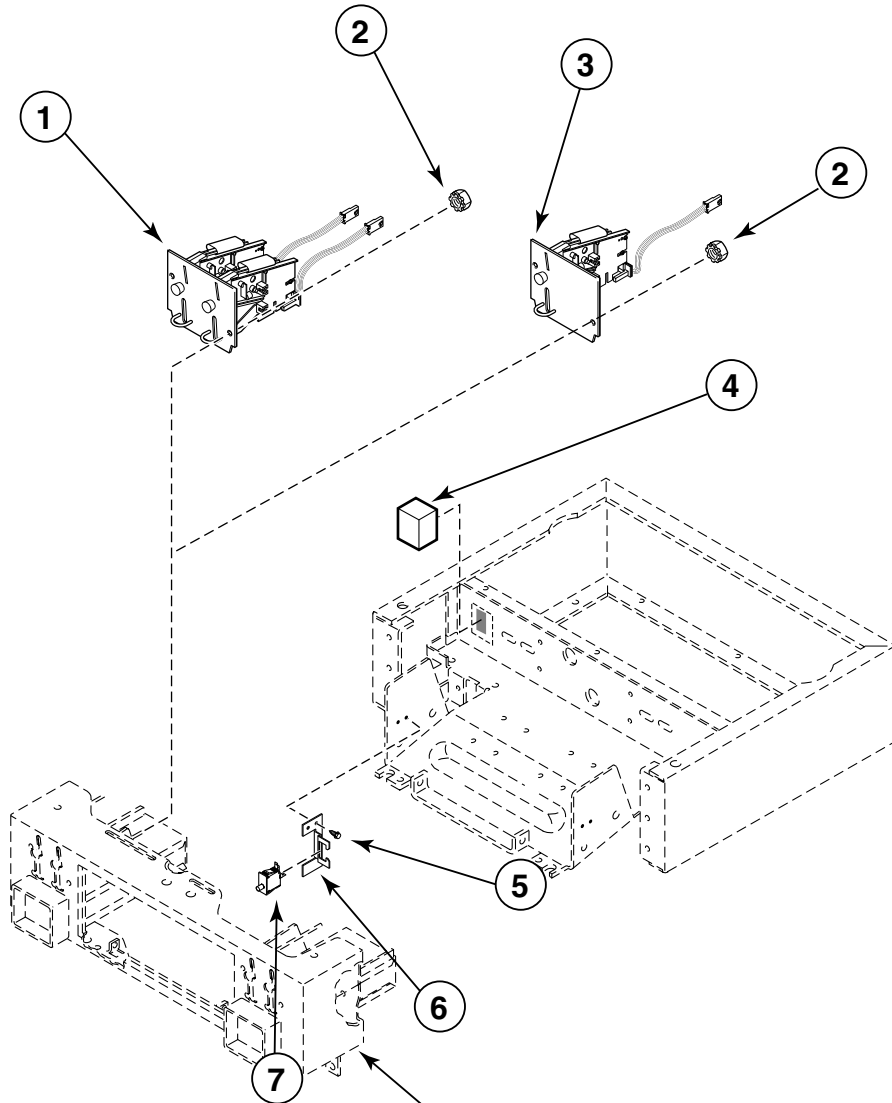
D394PE3A

Coin Slide Extension (Coin Slide Ready Front Control and Stacked Models)

REF	PART #	DESCRIPTION	COMMENTS
1	33562	Screw	
2	58181	Coin Slide Guard	
3	03950	Screw	
4	503455	Slide Extension	
5	503688	Screw	
6		Accumulator	Refer to page 22
7	56751	Shield	
8	503017	Accumulator Bracket	
9	03203	Screw	
10	62113P	Counter Kit	Models numbers with number "3" in the fourth position
11	29651	Bolt	
12	523P3	Coin Funnel Kit	Includes items 11 and 13
13	29796	Nut	

Coin Drop

(Coin Drop Front Control and Stacked Models)



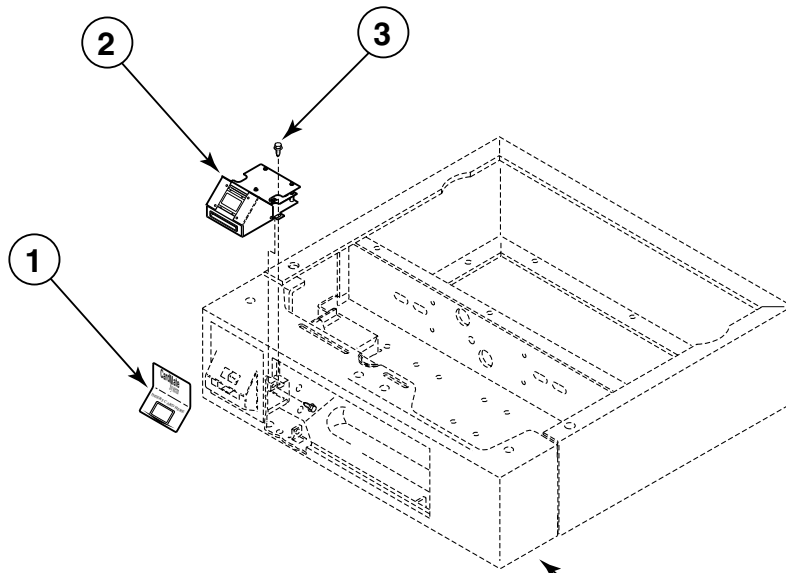
The front of the Control Cabinet shown is for display. Refer to "Control Cabinet Front" for various styles, Page 42.

D395PE3A

Coin Drop (Coin Drop Front Control and Stacked Models)

REF	PART #	DESCRIPTION	COMMENTS
1		Dual Coin Drop	Refer to page 82
2	29786	Locknut	
3		Single Coin Drop	Refer to page 82
4	38571	Multiplier	Use with 38465 Dual Coin Drop
5	503688	Screw	
6	38087	Bracket	
7	504570	Door Switch	

Card Reader (Card Reader Installed Front Control and Stacked Models)



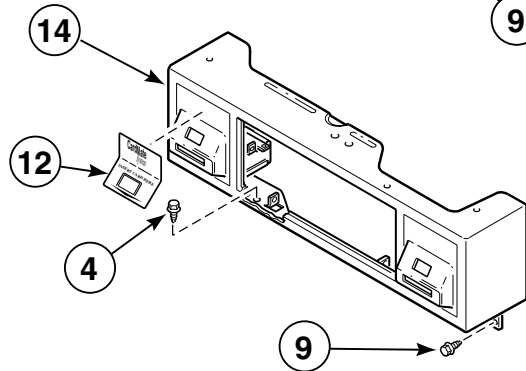
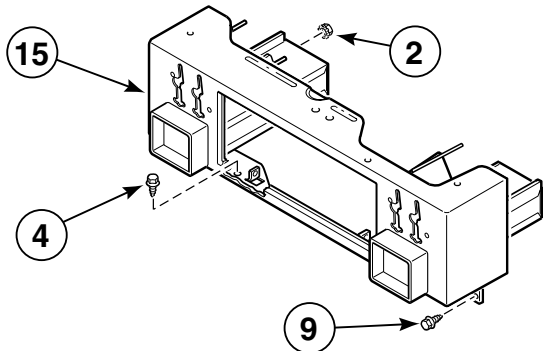
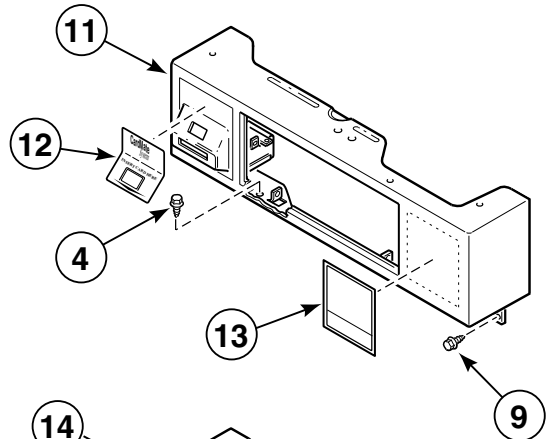
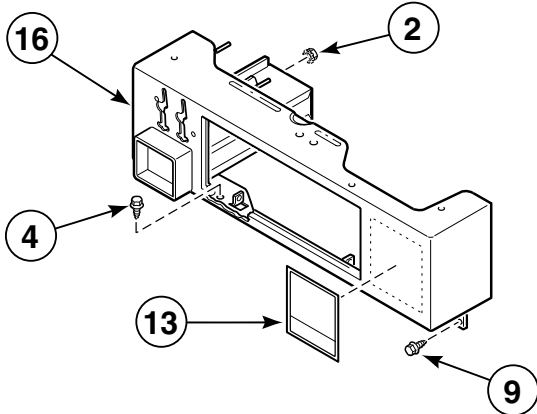
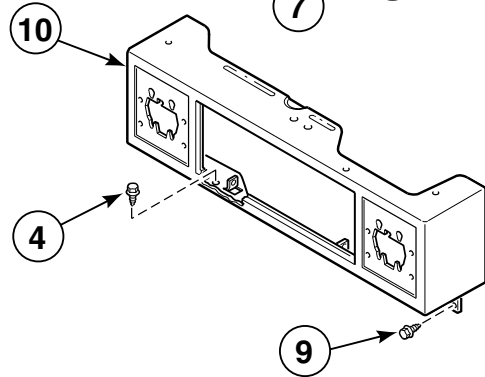
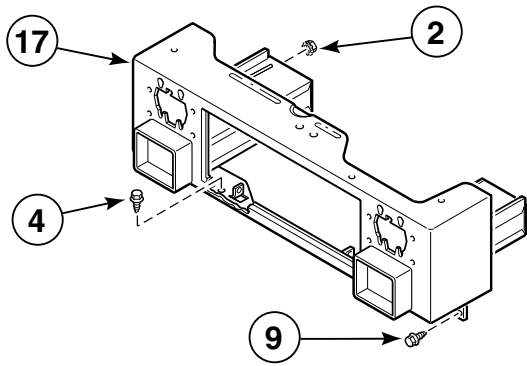
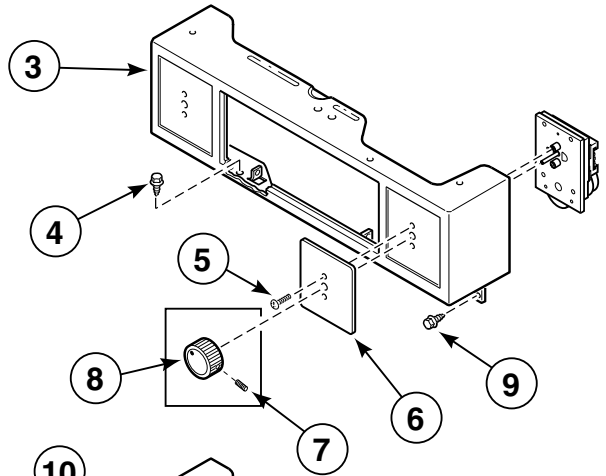
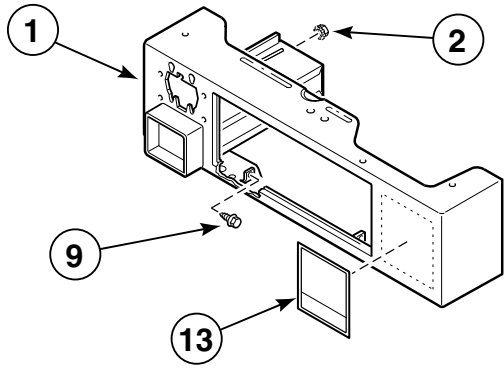
The front of the Control Cabinet shown is for display. Refer to "Control Cabinet Front" for various styles, Page 42.

D396PE3A

Card Reader (Card Reader Installed Front Control and Stacked Models)

REF	PART #	DESCRIPTION	COMMENTS
1	38192	Label	
2	39685	Card Reader	
3	503688	Screw	

Control Cabinet Front (Front Control and Stacked Models)



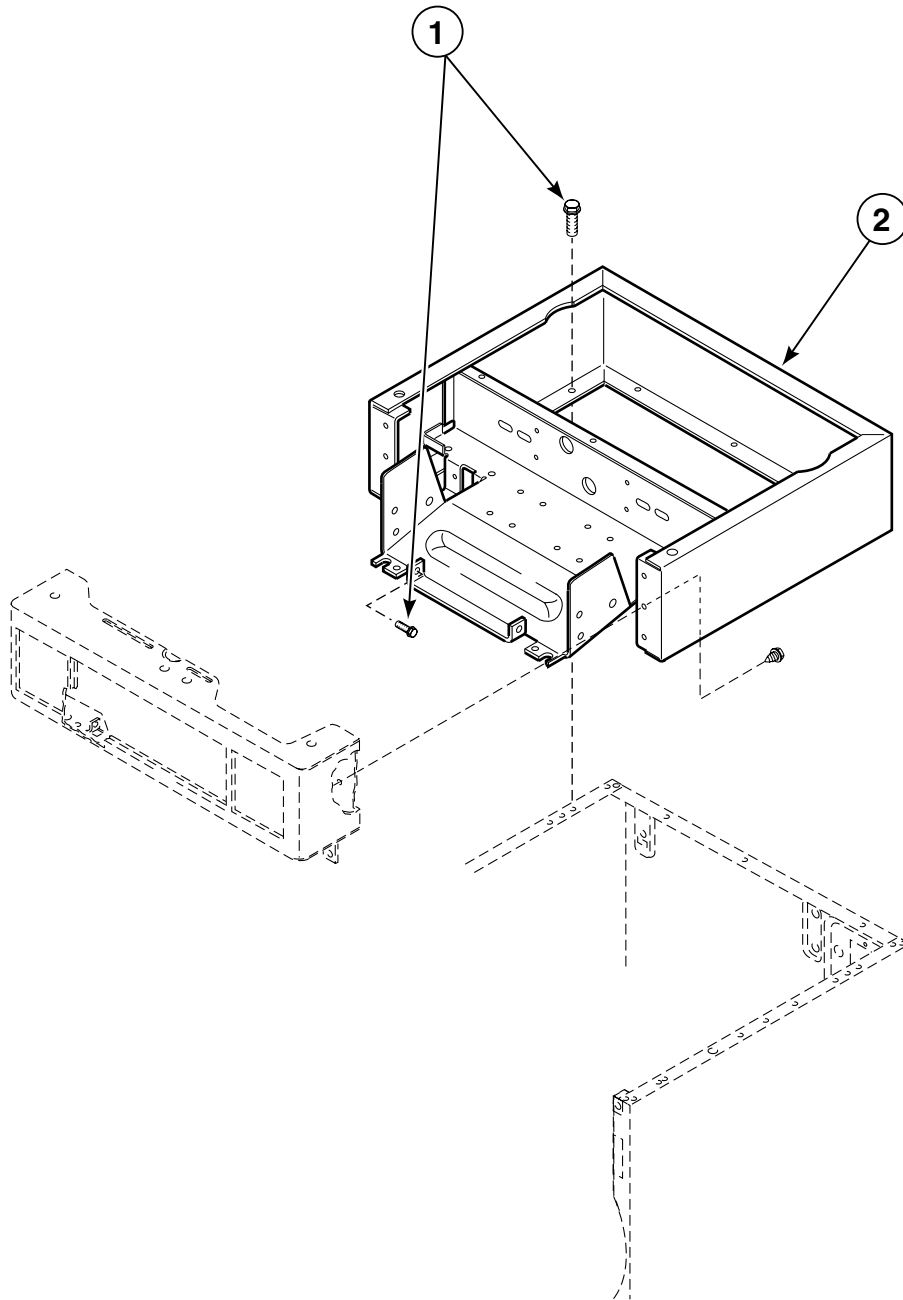
D397PE3B

Control Cabinet Front (Front Control and Stacked Models)

REF	PART #	DESCRIPTION	COMMENTS
1	505337*	Control Cabinet Front	Coin Slide Ready Front Control Models
2	80077	Caged Nut	
3	500225*	Control Cabinet Front	Nonmetered Stacked Models
4	502431	Screw	
5	27328	Screw	
6	500814	Overlay	
7	25285	Setscrew	
8	54678	Knob	
9	503688	Screw	
10	505227*	Control Cabinet Front	Card Reader Ready Stacked Models
11	505542*	Control Cabinet Front	Card Reader Installed Front Control Models
12	38192	Label	
13	504585	Label	
14	503428*	Control Cabinet Front	Card Reader Installed Stacked Models
15	503761*	Control Cabinet Front	Coin Drop Stacked Models
16	505767*	Control Cabinet Front	Coin Drop Front Control Models
17	500847*P	Control Cabinet Front	Coin Slide Ready Stacked Models

* Add Letter To Designate Color. L – Almond W – White

Control Cabinet Wrapper (Front Control and Stacked Models)



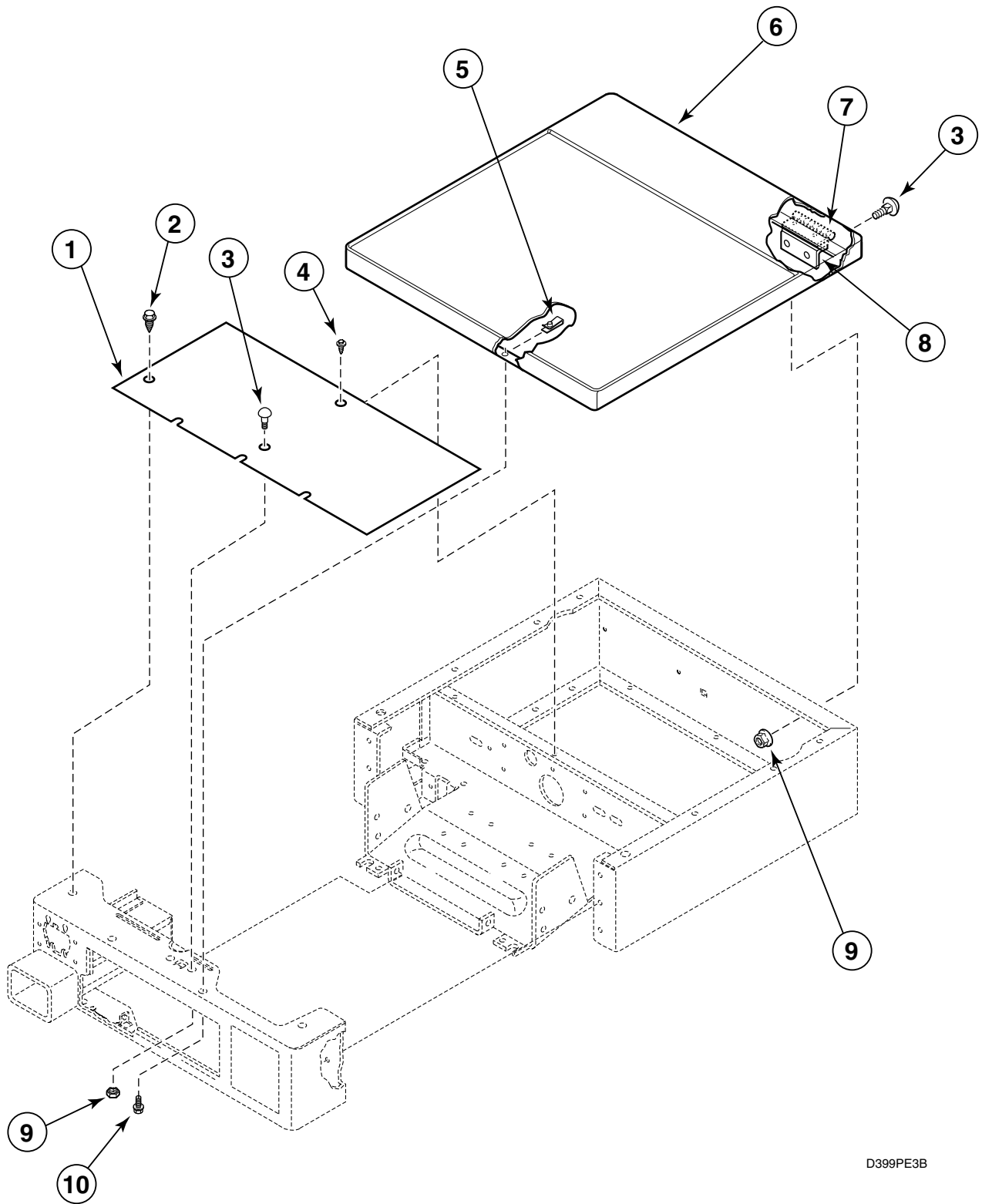
D398PE3A

Control Cabinet Wrapper (Front Control and Stacked Models)

REF	PART #	DESCRIPTION	COMMENTS
1	503688	Screw	
2	505753*	Control Cabinet Wrapper	

* Add Letter To Designate Color. L – Almond W – White

Cabinet Top (Front Control and Stacked Models)



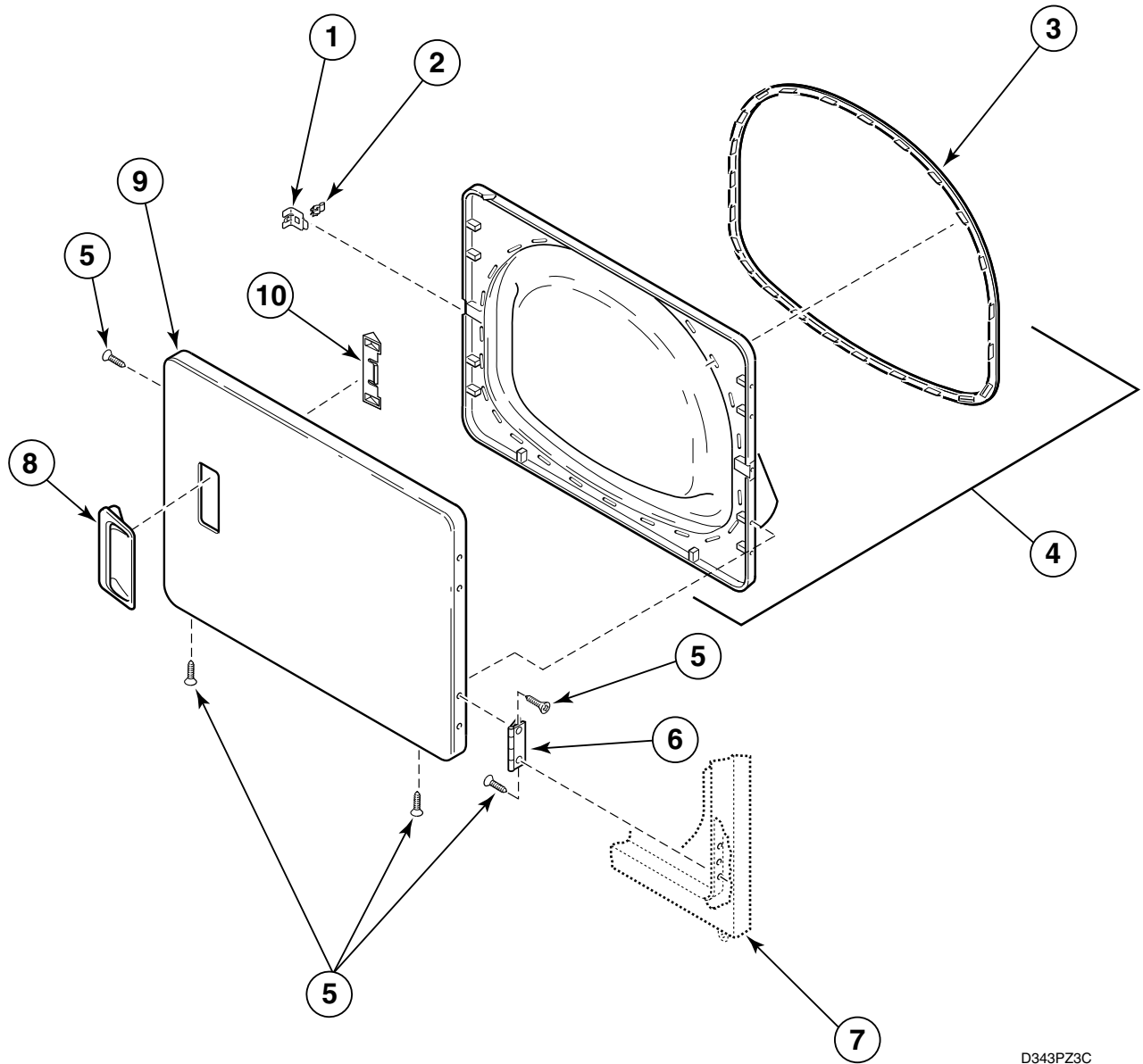
D399PE3B

Cabinet Top (Front Control and Stacked Models)

REF	PART #	DESCRIPTION	COMMENTS
1	504229	Top-Security Panel	Front Control Models only
2	36048	Screw	
3	29651	Bolt	
4	503688	Screw	
5	36020	Speed Nut	
6	510033*P	Cabinet Top	Front Control Models
	510032*P	Cabinet Top	Stacked Models
7	511036	Hinge	
8	504228	Bracket	
9	29796	Nut	
10	23008	Screw	

* Add Letter To Designate Color. L – Almond W – White

Loading Door Without Window



D343PZ3C

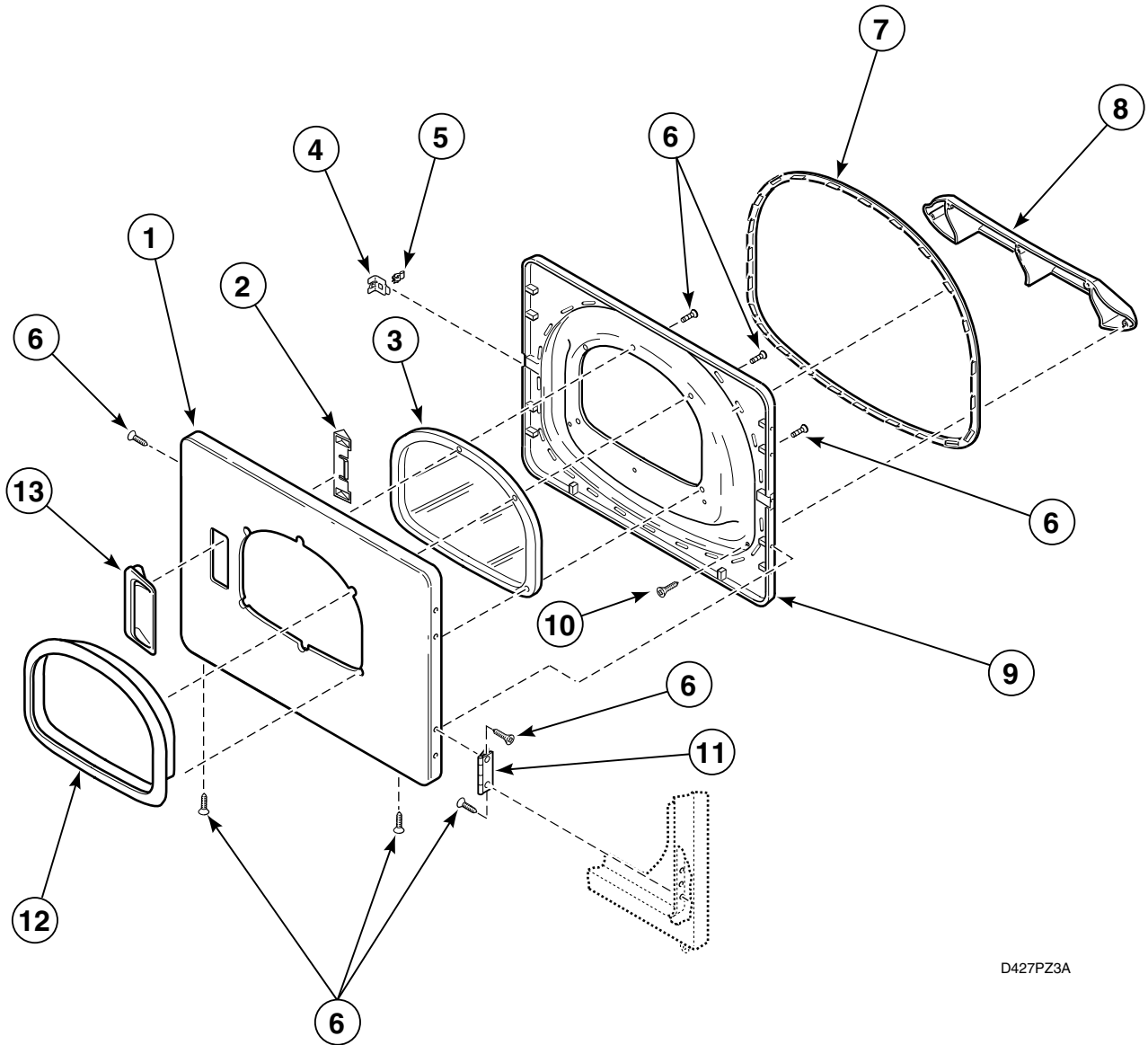
Loading Door Without Window

REF	PART #	DESCRIPTION	COMMENTS
1	510127	Door Striker Bracket	
2	510181	Door Striker	
3	510147	Door Seal	
4	510163W	Inner Door Panel and Seal Assembly	
5	505295	Screw	
6	511036	Door Hinge	
7	510066*	Front Panel	
8	510103*P	Door Pull	
	511213P	Door Pull Kit	Black; Includes item 10
9	510013*	Outer Door Panel	Includes Item #10
10	510129	Wedge	

* Add Letter To Designate Color. L – Almond W – White

Loading Door With Window

(Models HSE117*F, HSE117*F2802, HSE117*F2902, HSE517*F2802, HSE517*F2902, HSE717*F2802, HSE717*F2902, HSG119*F, HSG119*F0902, HSG519*F0902, HSG719*F0902, SSE117*F, SSE117*F1500, SSE117*F3000, SSE117*F4350, SSE117*F5412, SSE417*F, SSE417*F3000, SSE417*F4350, SSE517*F, SSE517*F1500, SSE617*F, SSE717*F, SSG119*F, SSG119*F3000, SSG119*F3058, SSG119*F5412, SSG119*F5480, SSG419*F, SSG419*F3000, SSG419*F3058, SSG519*F, SSG619*F and SSG719*F)



D427PZ3A

* Add Letter To Designate Color. L – Almond W – White

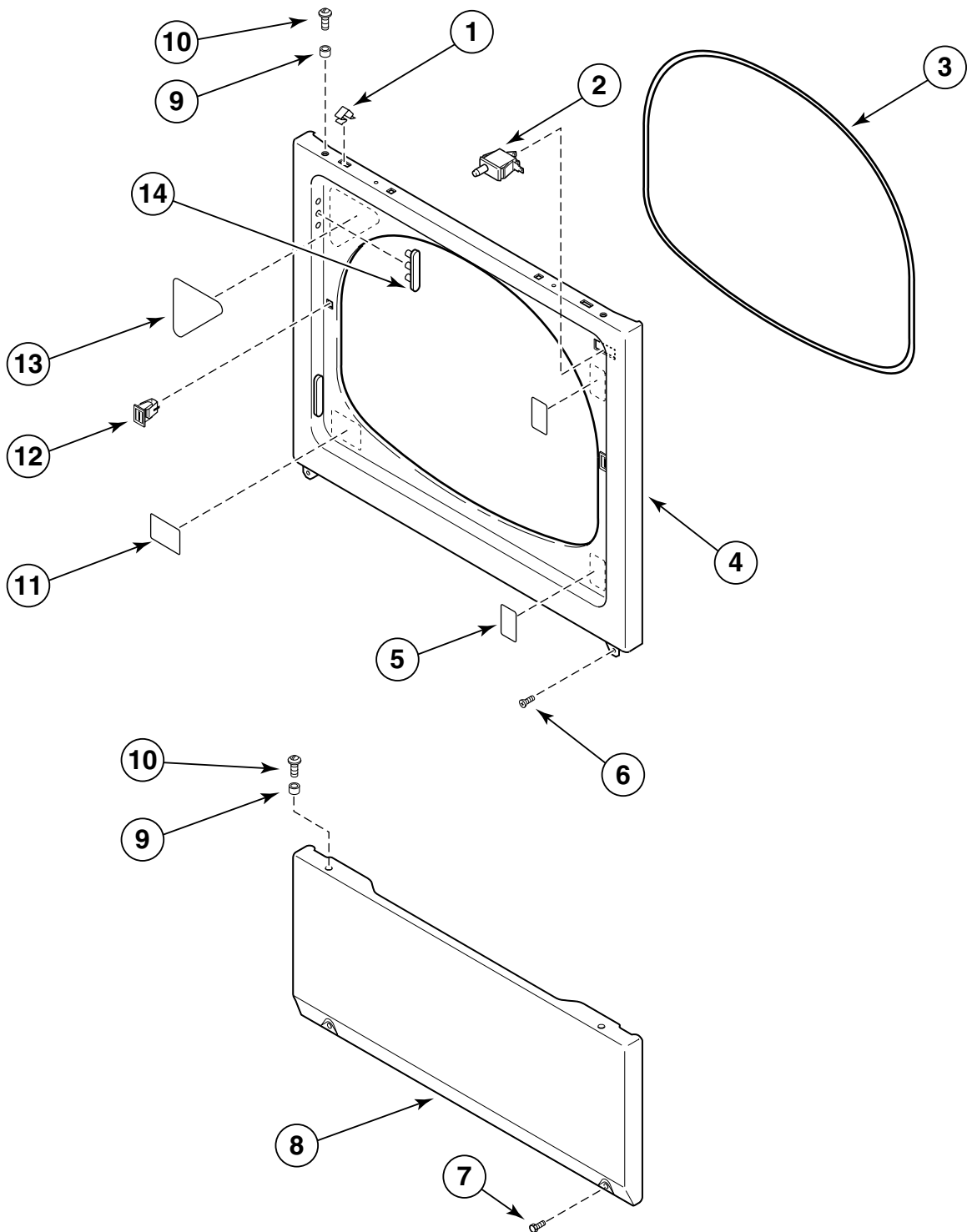
Loading Door With Window

(Models HSE117*F, HSE117*F2802, HSE117*F2902, HSE517*F2802, HSE517*F2902, HSE717*F2802, HSE717*F2902, HSG119*F, HSG119*F0902, HSG519*F0902, HSG719*F0902, SSE117*F, SSE117*F1500, SSE117*F3000, SSE117*F4350, SSE117*F5412, SSE417*F, SSE417*F3000, SSE417*F4350, SSE517*F, SSE517*F1500, SSE617*F, SSE717*F, SSG119*F, SSG119*F3000, SSG119*F3058, SSG119*F5412, SSG119*F5480, SSG419*F, SSG419*F3000, SSG419*F3058, SSG519*F, SSG619*F and SSG719*F)

REF	PART #	DESCRIPTION	COMMENTS
1	510082*	Dryer Door	
2	510129	Wedge	
3	503982	Window	
4	510127	Door Striker Bracket	
5	510181	Door Striker	
6	500226	Screw	
7	510147	Door Seal	
8	503870W	Grill	
9	510098W	Inner Door Panel and Seal Assembly	Includes item 7
10	505870	Screw	
11	511036	Door Hinge	
12	503981*	Window Trim	
13	510103*P	Door Pull	Includes item 2

* Add Letter To Designate Color. L - Almond W - White

Access Panel, Front Panel and Seal



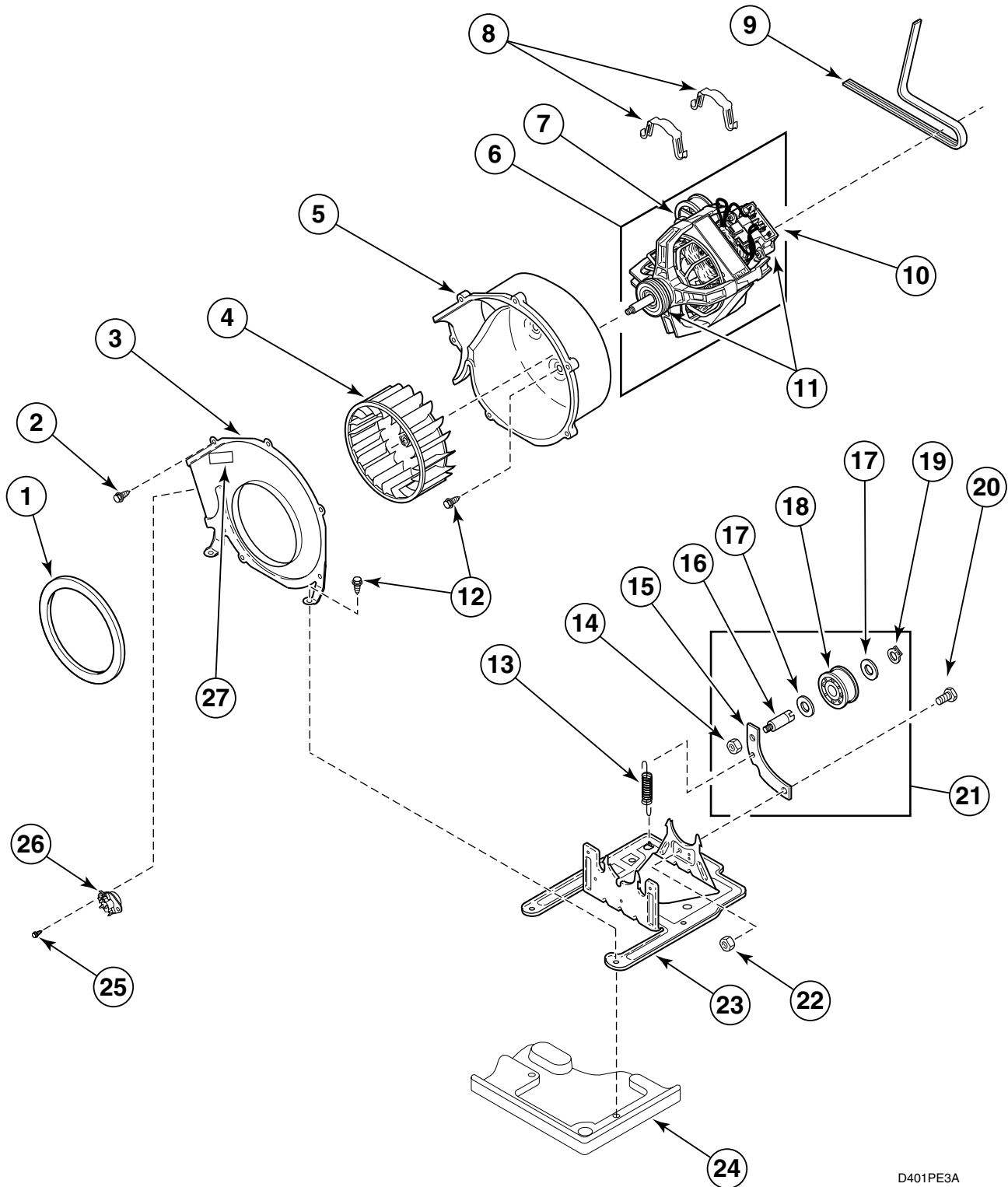
D400PE3B

Access Panel, Front Panel and Seal

REF	PART #	DESCRIPTION	COMMENTS
	282P4	Torx Bit	Use with 62853 screw
	24161	Torx Bit Holder	Use with 62853 screw
1	28835	Hold-Down Clip	
2	504570	Door Switch	
3	510236	Front Panel Seal	
4	510066*	Front Panel	
5	501765	Label	All Australian models
6	503688	Screw	
7	33562	Screw	Slotted Hex Head
	62853	Screw	Torx Head; Optional for added security
8	510069*	Access Panel	
9	56079	Locator	
10	32671	Screw	
11	502804	Label	Models with suffix numbers 4350 and 3058
12	510177	Door Catch	
13	500281	Label	All other models (English)
	500253	Label	Models beginning with "H" (English/French)
	505809	Label	Models LGS17A*K1180 and LGS19A*K1180 (Spanish)
14	510186	Hinge Hole Plug	

* Add Letter To Designate Color. L – Almond W – White

Motor, Exhaust Fan and Belt

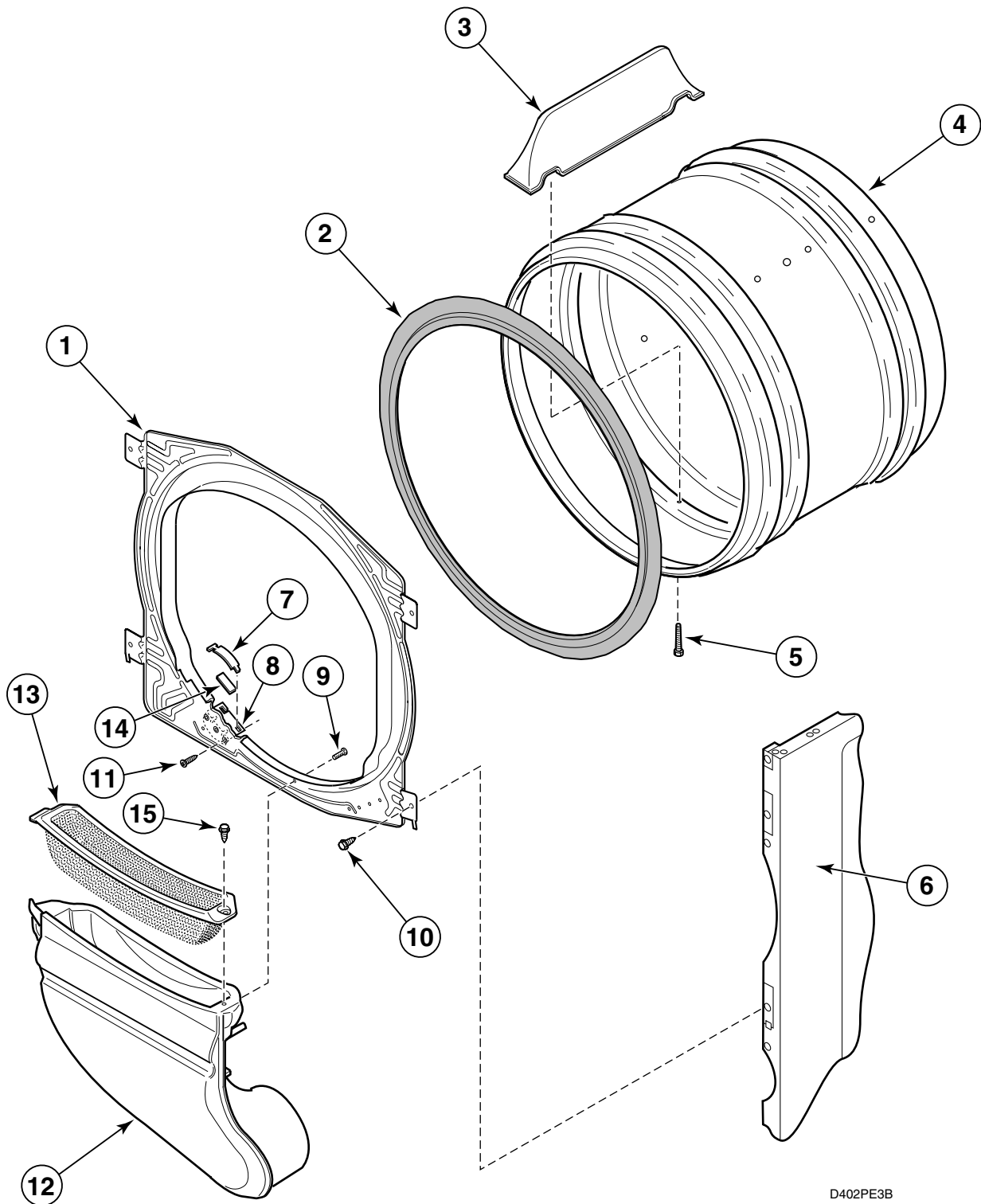


D401PE3A

Motor, Exhaust Fan and Belt

REF	PART #	DESCRIPTION	COMMENTS
	510717P	Motor and Blower Assembly	Includes Items 1-8, 10-23, 27
1	510238	Seal	
2	31260	Screw	
3	510140	Exhaust Fan Cover	1 Thermostat hole
	510141	Exhaust Fan Cover	2 Thermostat holes
4	510139	Exhaust Fan Impeller	
5	510138	Exhaust Fan Housing	
6	510508P	Motor Assembly	120 Volt, 60 Hertz, Includes items 7 and 10
	505843P	Motor Assembly	240 Volt, 50 Hertz, Includes items 7 and 10
	501213	Motor Assembly	240 Volt, 60 Hertz, Includes items 7 and 10
7	501218P	Motor Switch	Does not include thermal protector
8	510180	Motor Mounting Clamp	
9	510178	Belt	
10	500011	Motor Pulley	60 Hertz
	500222	Motor Pulley	50 Hertz
11	590P3	Motor Hub Ring Kit	
12	503688	Screw	
13	510185	Spring	
14	56156	Locknut	
15	510133	Idler Lever	
16	56461	Shaft	
17	52549	Washer	
18	510142	Idler Pulley	
19	23748	Retainer Ring	
20	500824	Shoulder Bolt	
21	510158	Idler Pulley and Lever Assembly	
22	52566	Locknut	
23	510060	Motor Mounting Bracket	
24	510084	Base	
25	33561	Screw	
26	504515	Thermostat	Electromechanical Models; color coded Green
	504516	Thermostat	Electromechanical Models; color coded Tan/White
	504517	Thermostat	Electromechanical Models; color coded Red
	504518	Thermostat	Electromechanical Models; color coded White
	504519	Thermostat	Electromechanical Models; color coded Violet/White
	504520	Thermostat	Models with suffix 4562; color coded Pink
	504521	Thermostat	Models with suffix 4562; color coded Yellow/White
	510522	Thermistor	Electronic Control Models
27	500049	Label	

Front Bulkhead, Airduct, Felt Seal and Cylinder



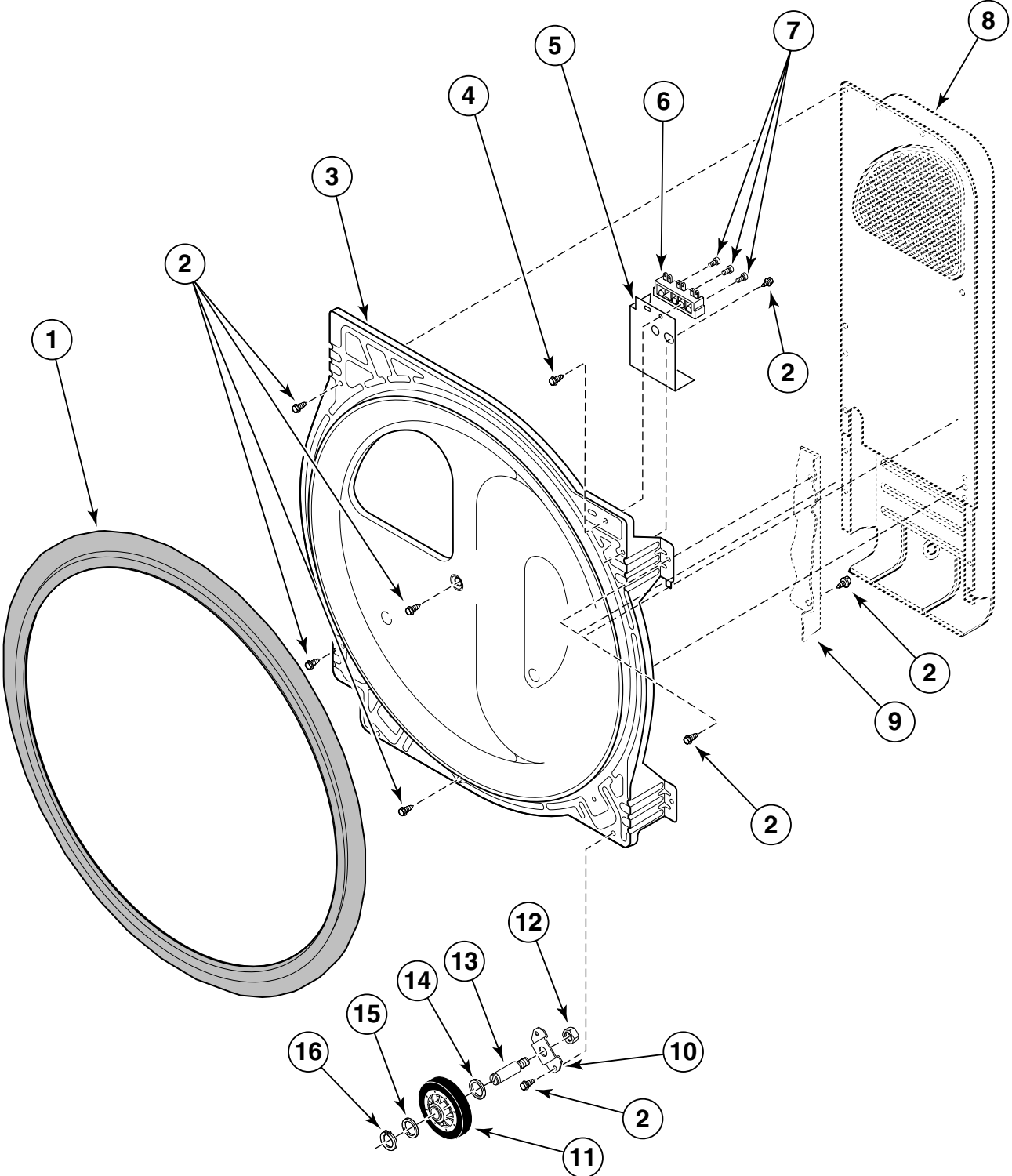
D402PE3B

Front Bulkhead, Airduct, Felt Seal and Cylinder

REF	PART #	DESCRIPTION	COMMENTS
	22506P	Adhesive for Cylinder Seal	
1	510266	Front Bulkhead	Unpainted; Includes item 2
	511033*	Front Bulkhead	Painted with Light; Includes item 2
	505899W	Front Bulkhead	Painted; includes item 2
2	510207	Cylinder Seal	
3	510102	Baffle	
4	510265	Cylinder Assembly	Galvanized; Includes baffles
	510159W	Cylinder	White; Includes baffles
5	62588	Screw	
6	510002*	Cabinet Panel	Right side
7	510187	Cylinder Glide	
8	510145	Glide Bracket	
9	52864	Screw	
10	503688	Screw	
11	505295	Screw	
12	510151	Air Duct Assembly	
13	503980	Lint Filter	(Lint Filter Cover is 510502 - used on all homestyle models)
14	510189	Felt Pad	
15	501285	Screw	

* Add Letter To Designate Color. L – Almond W – White

Rear Bulkhead, Felt Seal, Cylinder Roller and Terminal Block



D403PE3A

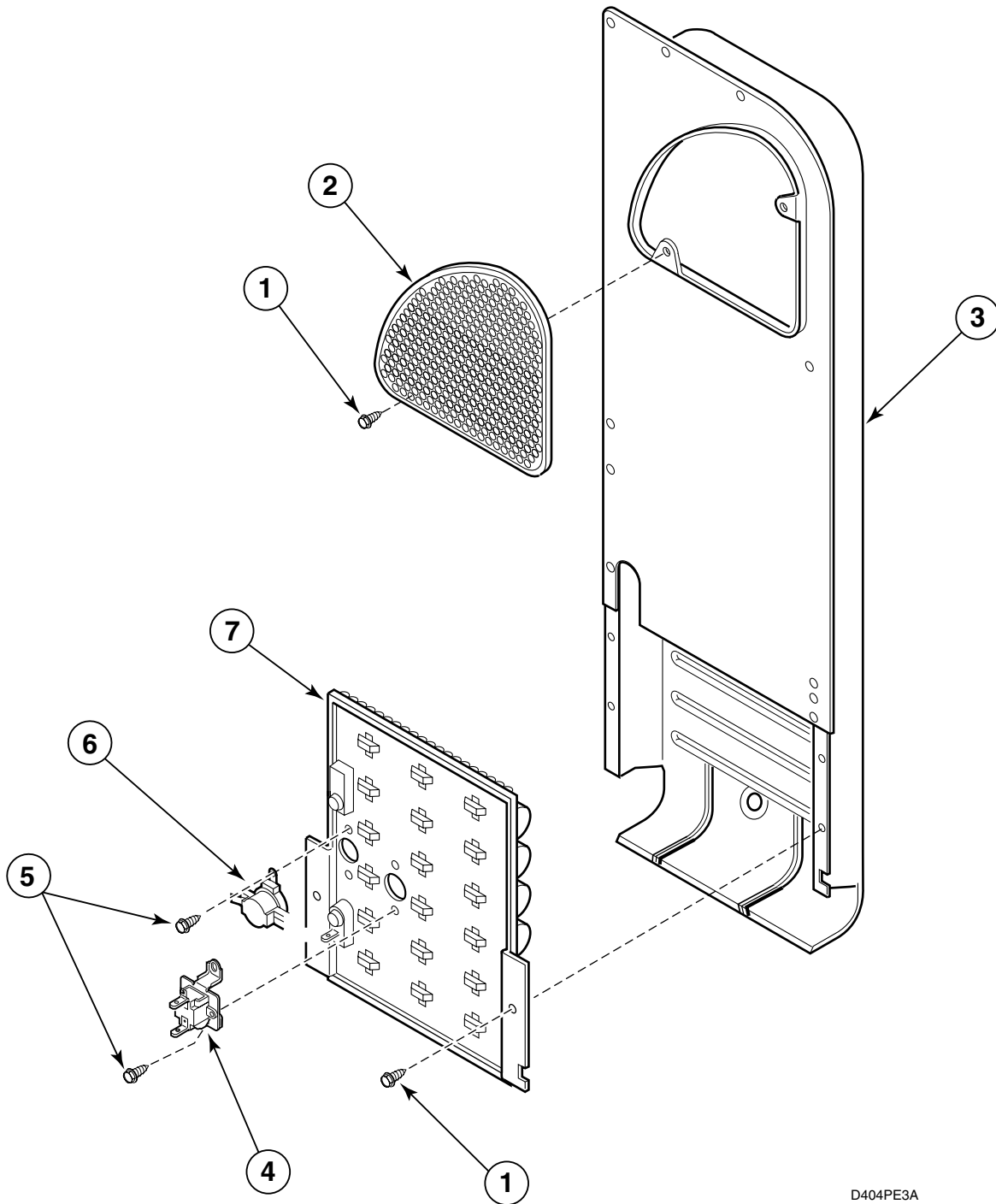
Rear Bulkhead, Felt Seal, Cylinder Roller and Terminal Block

REF	PART #	DESCRIPTION	COMMENTS
	22506P	Adhesive for Cylinder Seal	
1	510207	Cylinder Seal	
2	503688	Screw	
3	511082	Rear Bulkhead	Galvanized; Includes item 1
	510905W	Rear Bulkhead	White; Includes item 1
4	501285	Screw	Electric Models only
5	510237	Shield	Electric Models only
	505768	Shield	IEC compliance
6	510190P	Terminal Block	Includes (3) of item 7 – Electric Models
	502517	Terminal Block	Gas CE Models
7	61199	Screw	
8	510025P	Heater Duct Assembly	Includes 500820 Outlet Cover
9	510002*	Cabinet	Right side
10	510100	Roller Bracket	
11	510708P	Cylinder Roller	
12	56156	Locknut	
13	56461	Shaft	
14	504082	Wave Washer	
15	52549	Washer	
16	23748	Retainer Ring	

* Add Letter To Designate Color. L – Almond W – White

Heater Duct and Element Assembly

(Electric Model Dryers)



D404PE3A

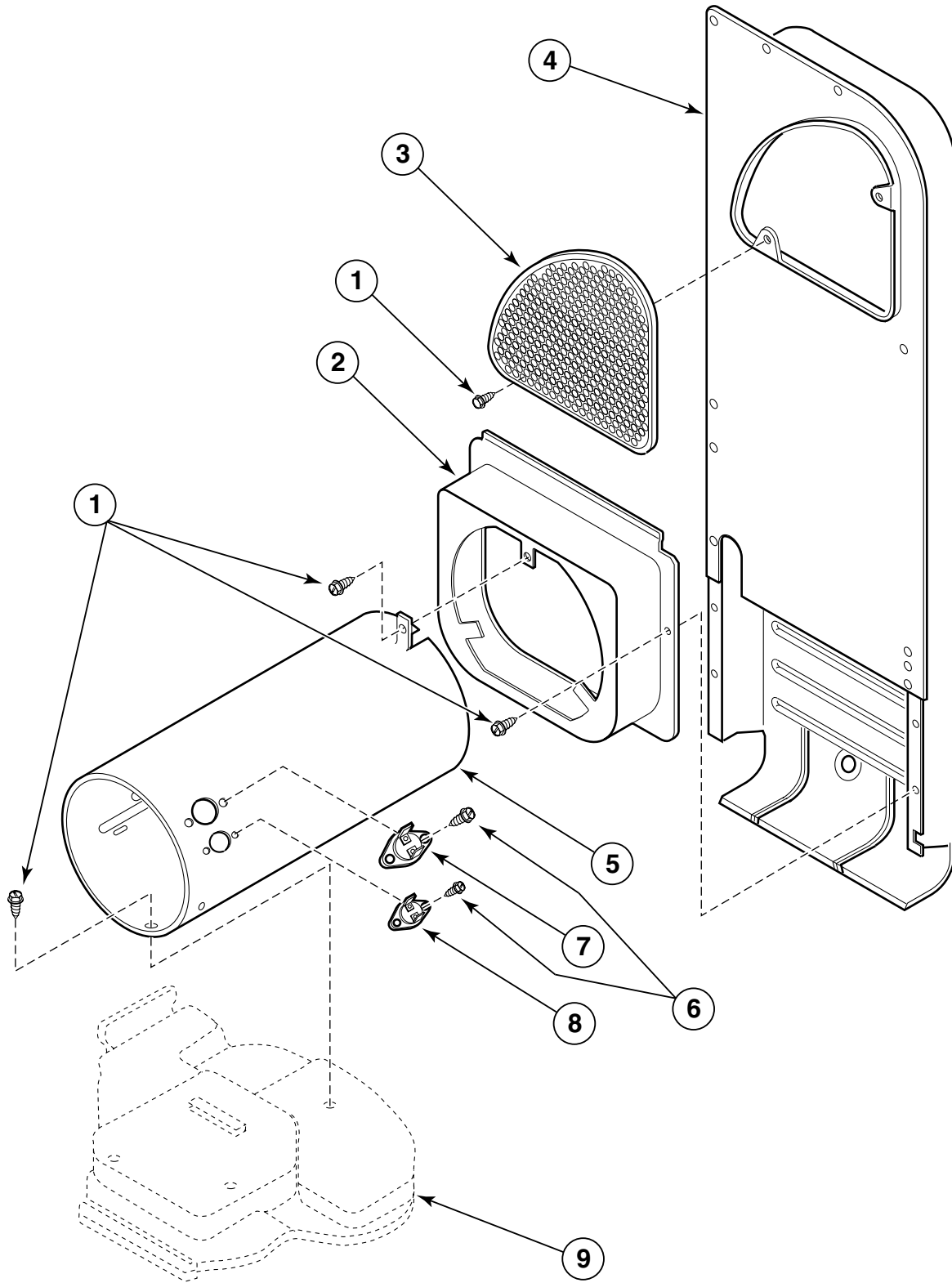
Heater Duct and Element Assembly

(Electric Model Dryers)

REF	PART #	DESCRIPTION	COMMENTS
1	503688	Screw	
2	500820	Outlet Cover	
3	510025P	Heater Duct Assembly	Includes 500820 outlet cover
4	510183	Thermal Fuse	
5	23222	Screw	
6	510700	Limit Thermostat	Models with numbers "45" in the ninth and tenth positions
	510701	Limit Thermostat	All other electric models
7	510329	Heater Assembly	No suffix, 1724
	510324	Heater Assembly	Models with suffix 1702, 1709, 2802, 3300, 5412
	510325	Heater Assembly	Models with suffix 1500
	510326	Heater Assembly	Models with suffix 30xx
	510327	Heater Assembly	Models with suffix 4350
	510328	Heater Assembly	Models with suffix 45xx

Heater Duct Assembly

(Gas Model Dryers)



D405PE3A

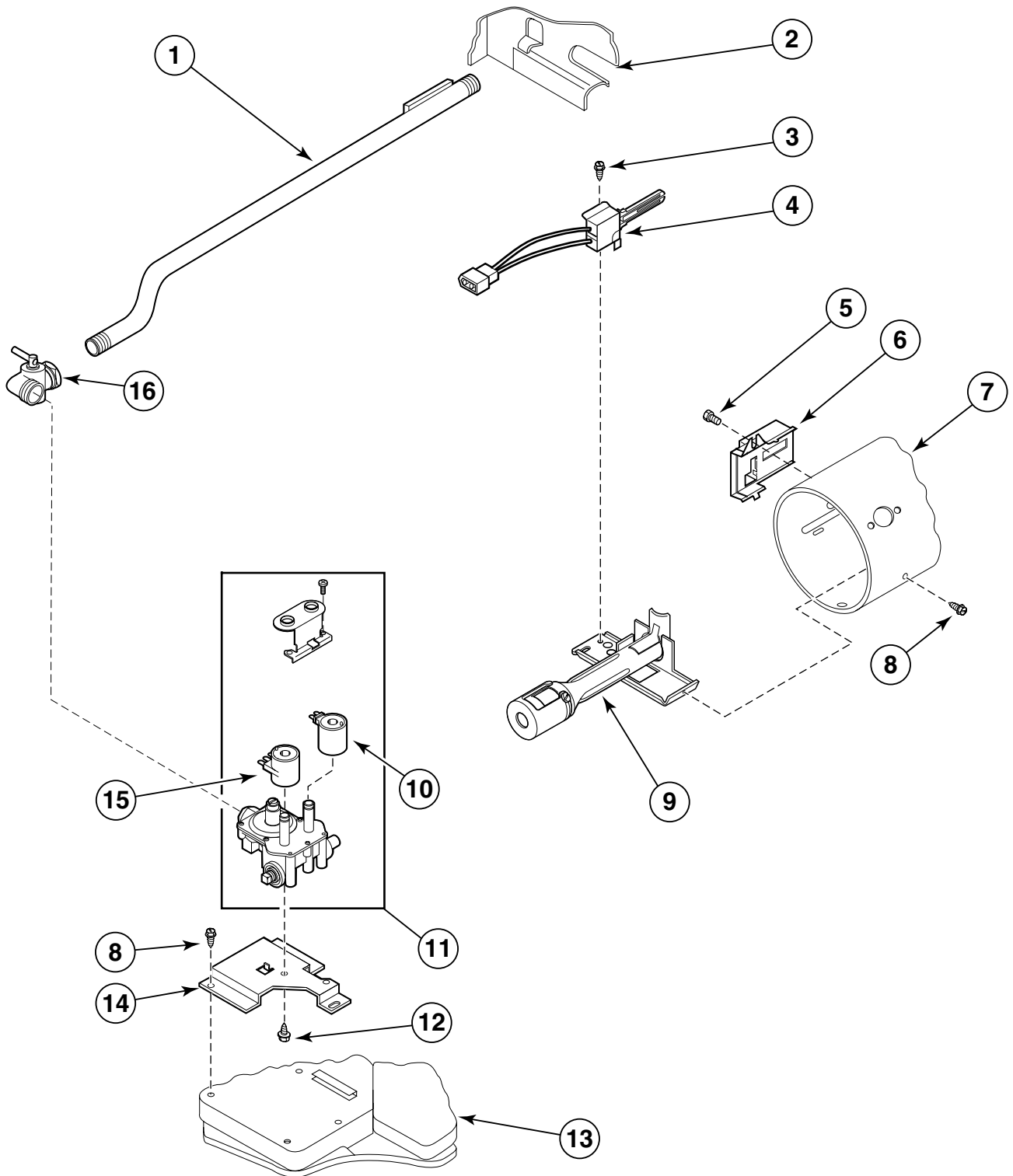
Heater Assembly

(Gas Model Dryers)

REF	PART #	DESCRIPTION	COMMENTS
1	503688	Screw	
2	510101	Heat Shroud	
3	500820	Outlet Cover	
4	510025P	Heater Duct Assembly	Includes 500820 outlet cover
5	510132	Combustion Duct	Models with suffix numbers "3058"
	510131	Combustion Duct	All other gas models
6	51782	Screw	
7	510702	Limit Thermostat	All other gas models (Color Code "Black")
8	510703	Limit Thermostat	Models with suffix numbers "3058"
9	510084	Base	

Gas Valve, Igniter and Gas Conversion Kits

(Gas Model Dryers)



D406PE3A

Gas Valve, Igniter and Gas Conversion Kits

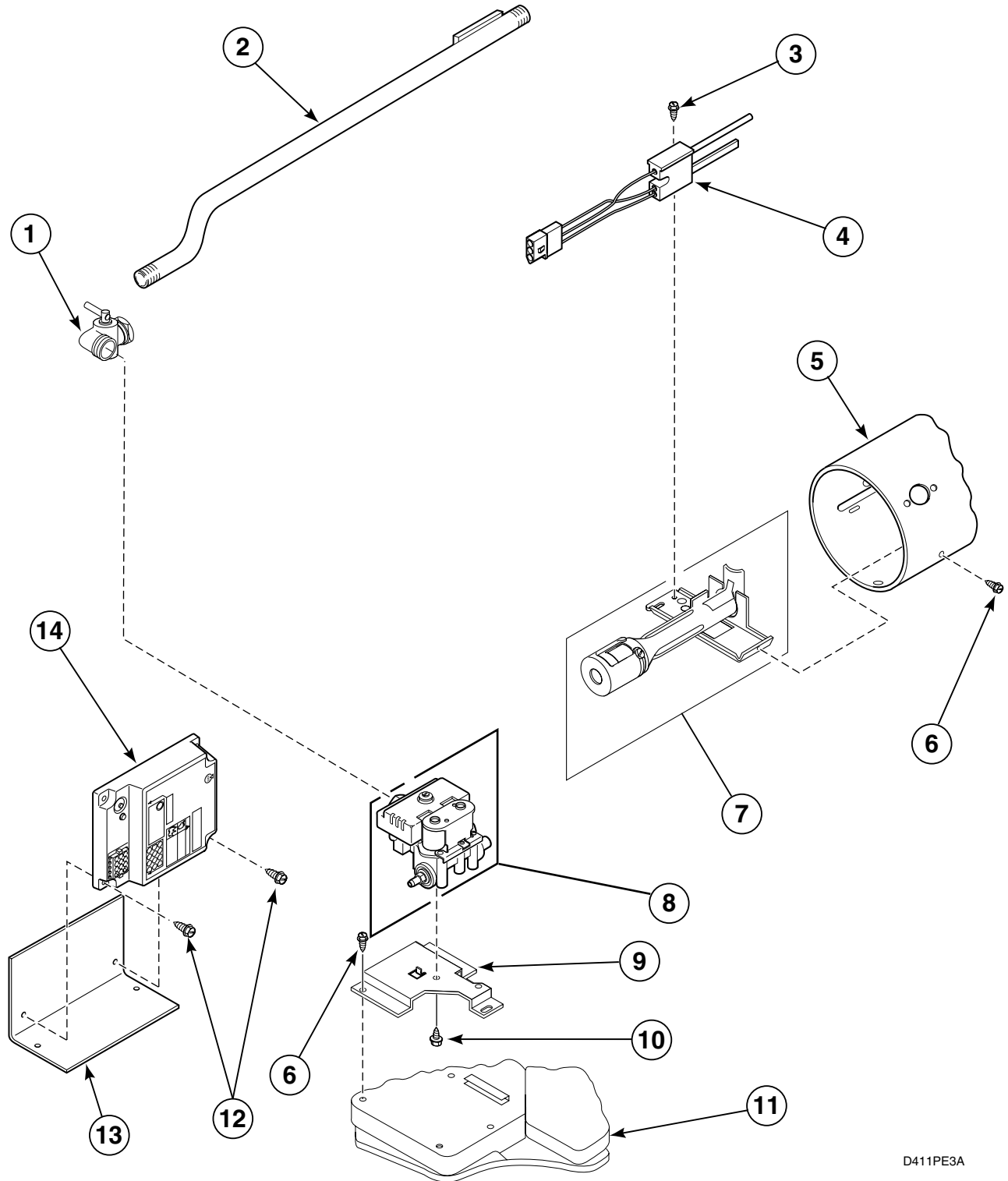
(Gas Model Dryers)

REF	PART #	DESCRIPTION	COMMENTS
	458P3	Gas Burner Conversion Kit	Used to convert dryers from Natural/Mixed to LP Gas for commercial models, 25000 BTU
	459P3	Gas Burner Conversion Kit	Used to convert dryers from LP to Natural/Mixed Gas for commercial models, 25000 BTU
	649P3	Gas Burner Conversion Kit	Used to convert dryers from Natural/Mixed to LP Gas for homestyle models, 22,500 BTU
	650P3	Gas Burner Conversion Kit	Used to convert dryers from LP to Natural/Mixed Gas for homestyle models, 22,500 BTU
1	510204	Lead-In Pipe Assembly	
2	510005*	Cabinet Panel	Rear panel
3	51782	Screw	
4	510184P	Igniter and Bracket Assembly	
5	23222	Screw	
6	510213	Sensor	Not on models with suffix *3058
7	510131	Combustion Duct	
8	503688	Screw	
9	510149	Burner Assembly	
10	58804B	Secondary Coil	
11	60353	Gas Valve Assembly	Commercial; 60 Hertz/25,000 BTU
	58804	Gas Valve Assembly	Korea; 60 Hertz/20,000 BTU
	59063	Gas Valve Assembly	Homestyle; 50 Hertz/20,000 BTU
	60443	Gas Valve Assembly	Coin; 50 Hertz/25,000 BTU
	510506	Gas Valve Assembly	Homestyle; 60 Hertz/22,500 BTU
12	56124	Screw	
13	510084	Base	
14	510128	Mounting Bracket	
15	58804A	Holding and Booster Coil	
16	510205	Shut-off Valve	

* Add Letter To Designate Color. L – Almond W – White

Gas Valve, Igniter, Ignition Control and Gas Conversion Kits

(Gas Dryer Models HDG009*G3008, HDG109*G3013, LGG37A*F3058, LGK37A*F3058, LGS37A*F3058, LGS37A*G3013, LGS37A*G3080, LGZ37A*G3013, SDG0009*F3058, SDG109*F3058, SDG109*G3013, SDG409*F3058, SSG119*F3058 and SSG419*F3058)



D411PE3A

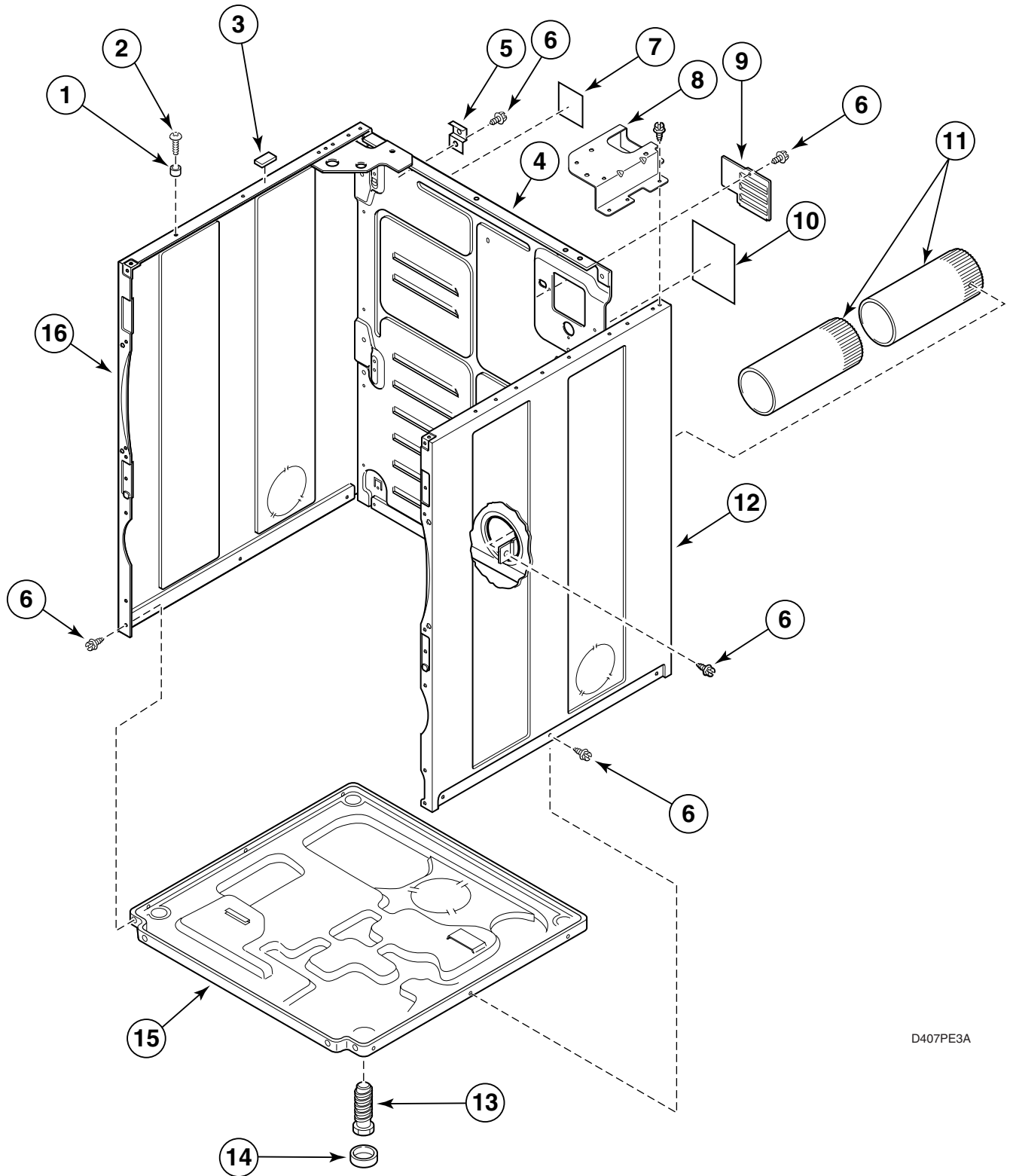
Gas Valve, Igniter, Ignition Control and Gas Conversion Kits

(Gas Dryer Models HDG009*G3008, HDG109*G3013, LGG37A*F3058, LGK37A*F3058, LGS37A*F3058, LGS37A*G3013, LGS37A*G3080, LGZ37A*G3013, SDG0009*F3058, SDG109*F3058, SDG109*G3013, SDG409*F3058, SSG119*F3058 and SSG419*F3058)

REF	PART #	DESCRIPTION	COMMENTS
	649P3	Gas Burner Conversion Kit	Used to convert dryers from Natural/Mixed to LP Gas
	650P3	Gas Burner Conversion Kit	Used to convert dryers from LP to Natural/Mixed Gas
1	510205	Shut-off Valve	
2	510204	Lead-In Pipe Assembly	
3	51782	Screw	
4	502995	Igniter And Sensor Assembly	
5	504799	Combustion Duct	
6	503688	Screw	
7	510149	Burner Assembly	
8	502423	Gas Valve Assembly	Used on LGG, LGK, LGS and LGZ home models only, includes 502423A Gas Valve Coil
	502478	Gas Valve Assembly	Used on all other commercial models, includes 502423A Gas Valve Coil
9	510128	Mounting Bracket	
10	56124	Screw	
11	510084	Base	
12	502535	Screw	
13	502425	Bracket	
14	502994	Ignition Control	

* Add Letter To Designate Color. L – Almond W – White

Cabinet, Exhaust Duct and Base



D407PE3A

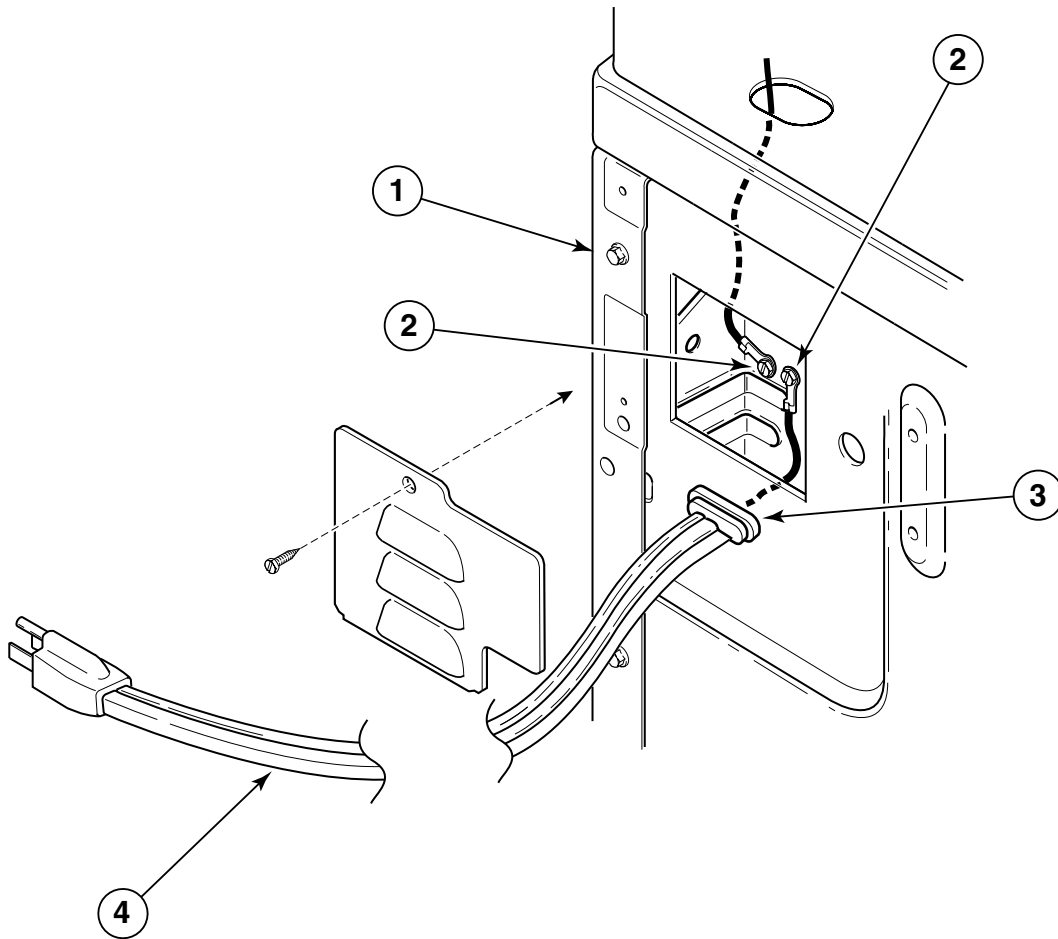
Cabinet, Exhaust Duct and Base

REF	PART #	DESCRIPTION	COMMENTS
	521P3	Flexible Venting Kit	
	528P3	Directional Exhaust Kit	Used to vent dryer out the sides or bottom
1	56079	Locator	
2	32671	Screw	
3	56128	Bumper	
4	510005*	Cabinet Panel	Rear
5	510136	Top Hinge	
6	503688	Screw	
7	511004	Label	
8	503456	Bracket	
9	510903	Access Cover Plate	
10	511005	Label	Electric Models
11	510137	Exhaust Duct	Each dryer requires two pieces
12	510002*	Cabinet Panel	Right side
13	510135	Leveling Leg	
14	501855	Rubber Foot	
15	510084	Base	
16	510001*	Cabinet Panel	Left side

* Add Letter To Designate Color. L – Almond W – White

Power Cord

(Gas Model Dryers)



D408PE3A

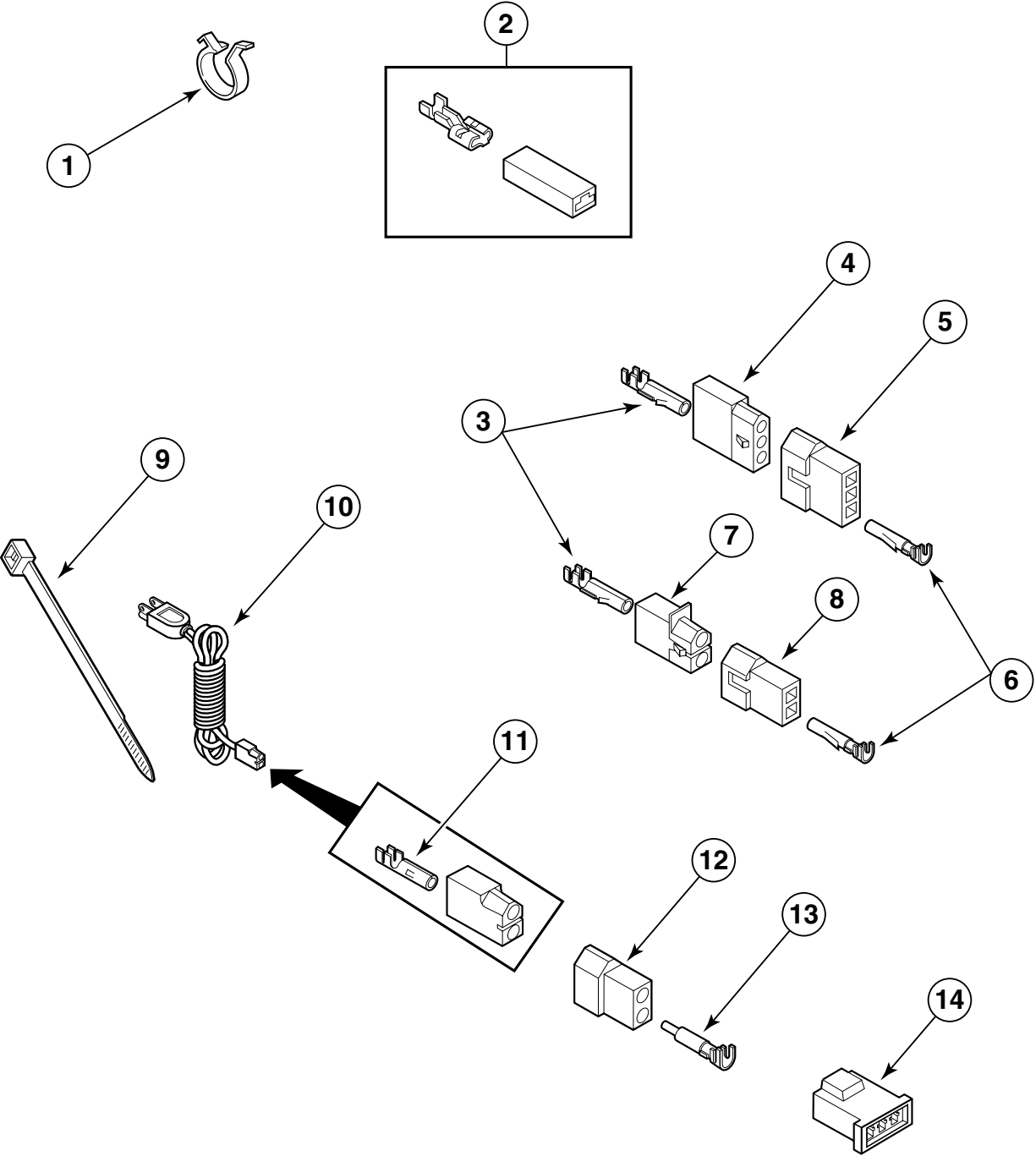
Power Cord

(Gas Model Dryers)

REF	PART #	DESCRIPTION	COMMENTS
1	510005*	Cabinet Panel	Rear
2	20530	Screw	
3		Strain Relief	Refer to Pages 78–81
4	510505	Power Cord Assembly	Models with suffix 1502, 1702 and 1709
	61605	Power Cord Assembly	Models with suffix 4350
	61604	Power Cord Assembly	Models with suffix 3058
	503597	Power Cord Assembly	Models HDE007*63003, HDE007*63008, HDE007*63010, HDE107*63018, LES37A*63018, LEZ37A*63018, SDE007*63018 and SDE107*63018
	56222	Power Cord Assembly	Models with suffix 1102, 1180, 1109 and all single U.S. models
	502595	Power Cord Assembly	Models HDG009*63008, HDG109*63013, LGS37A*63013, LGS37A*63080, LGZ37A*63013 and SDG109*G3013
	59308	Power Cord Assembly	Models with suffix 1124, 3000, 5412, 5480 and stacked U.S. models
	58992	Power Cord Assembly	Models HSG119*F0902, HSG519*F0902 and HSG719*F0902
	505759	Power Cord	
	59373	Power Cord	Models LGS17A*F3020 and LGS17A*F3081

* Add Letter To Designate Color. L – Almond W – White

Terminal Block and Terminals

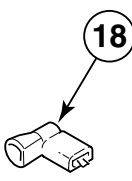
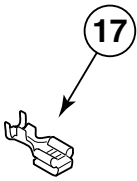
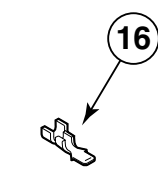
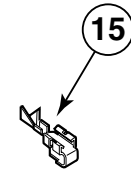
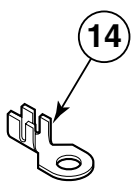
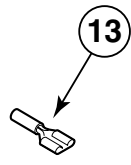
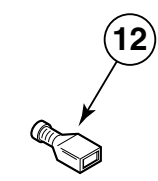
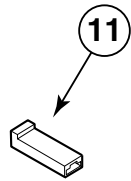
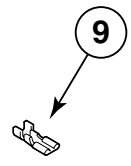
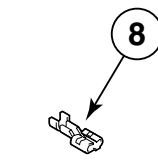
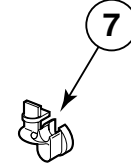
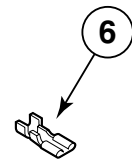
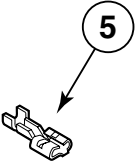
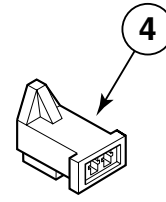
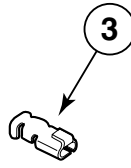
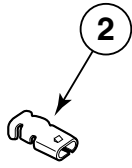
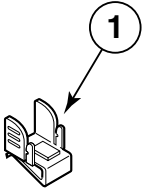


D321PZ3B

Terminal Block and Terminals

REF	PART #	DESCRIPTION	COMMENTS
1	504034	Wire Clip	
2	00237	Insulated 1/4 Inch Spade Terminal	(1) 12 Gauge Wire or (2) 18 Gauge Wires
3	00117	Female Socket Terminal	
4	23039	Terminal Block Receptacle	3 Circuit
5	23040	Terminal Block Plug	3 Circuit
6	00116	Male Pin Terminal	
7	56451	Terminal Block Receptacle	2 Circuit
8	56448	Terminal Block Plug	2 Circuit
9	55881	Wire Tie	
10		Power Cord	Refer to page 71
11	00130	Female Socket Terminal	
12	56266	Terminal Block Plug	2 Circuit
13	00127	Male Pin Terminal	
14	58800	Terminal Block	3 Circuit connector

Terminals

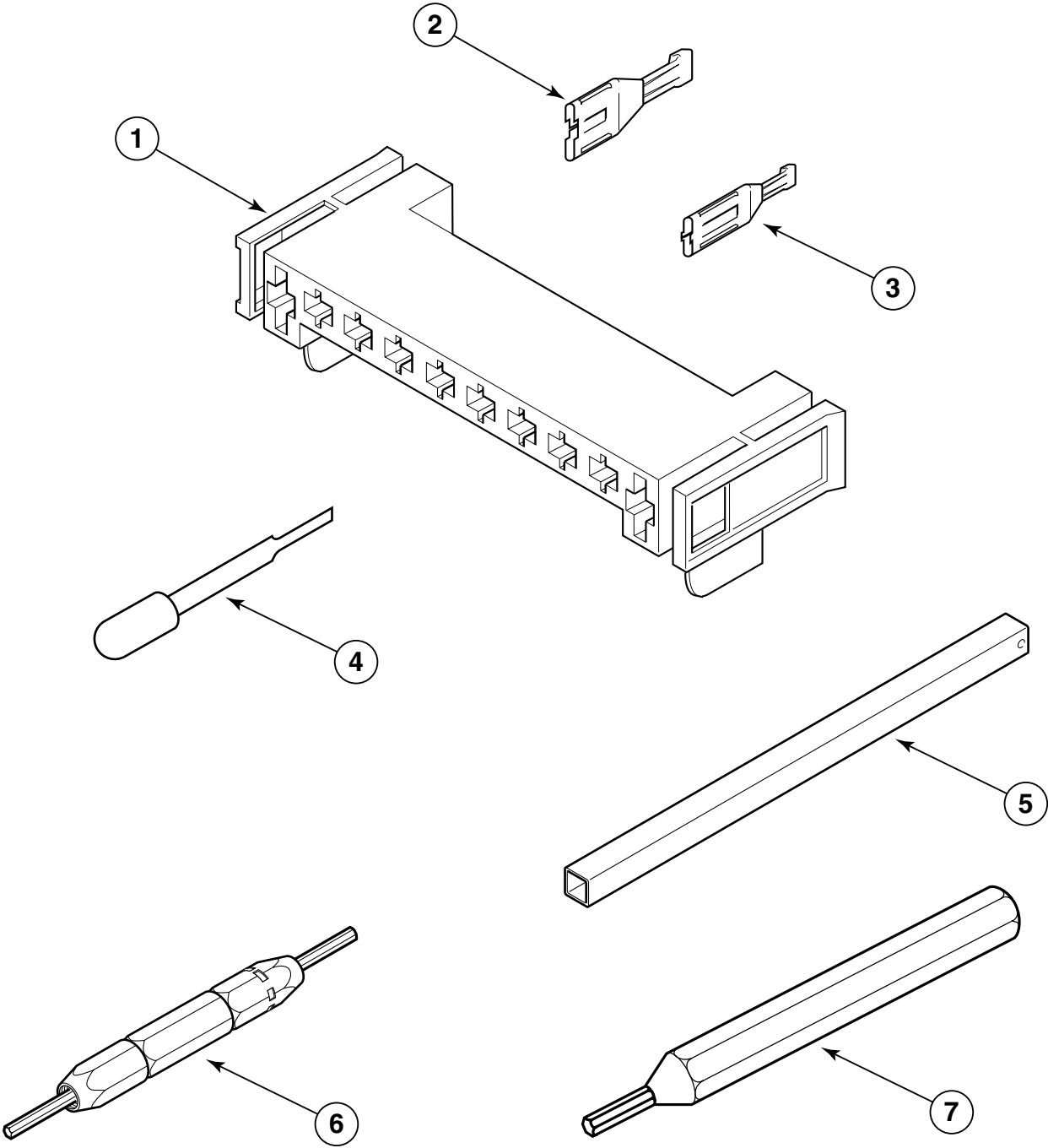


D322PZ3A

Terminals

REF	PART #	DESCRIPTION	COMMENTS
1	00161	Ground Clip	
2	00189	Spade Terminal	
3	00361	Terminal	Receptacle connector
4	58799	Terminal Block	2 Circuit connector
5	00223	Spade Terminal	1/4 Inch – (1) 18 Gauge Wire
	00121	Spade Terminal	1/4 Inch – (2) 18 Gauge Wires or (1) 12 Gauge Wire
	00245	Spade Terminal	1/4 Inch – (1) 22 Gauge Wire
6	00124	Spade Terminal	3/16 Inch – (1) 18 Gauge Wire – .020 Tab
	00156	Spade Terminal	3/16 Inch – Thermostat Wire – .032 Tab
	00209	Spade Terminal	3/16 Inch – (2) 18 Gauge Wires – .020 Tab
7	38384	Strain Relief	
8	00346	Terminal	
9	00347	Terminal	
10	00115	Lock In Spade Terminal	1/4 Inch – (1) 18 Gauge Wire
	00321	Lock In Spade Terminal	1/4 Inch – (2) 18 Gauge Wires or (1) 12 Gauge Wire
11	90789	Connector	
12	00234	Insulated Spade Terminal	1/4 Inch
	00165	Insulated Spade Terminal	3/16 Inch
13	00214	Barrel Insulated Spade Terminal	1/4 Inch – 18 Gauge Wire
	00215	Barrel Insulated Spade Terminal	1/4 Inch – 12 Gauge Wire
14	00110	Ring Terminal #10	(1) 18 Gauge Wire
	00111	Ring Terminal #10	(2) 18 Gauge Wires or (1) 12 Gauge Wire
15	00114	Spade Terminal	1/4 Inch – Double connector
16	00139	Male Tab Terminal	1/4 Inch – (2) 18 Gauge Wires or (1) 12 Gauge Wire
17	00344	Terminal	
18	00345	Terminal	

Motor Connection Block, Terminal Extractor Tools



D319PZ3A

Motor Connection Block, Terminal Extractor Tools

REF	PART #	DESCRIPTION	COMMENTS
1	500338	Motor Connection Block	Molex – 10 Circuit
2	00255	Spade Terminal	1/4 Inch – For (1) 12 Gauge Wire
	00256	Spade Terminal	1/4 Inch – For (1) or (2) 18 Gauge Wires
3	00188	Molex Terminal	For one or two wire application
4	283P4	Terminal Extractor Tool	For use on Molex Connectors
5	310P4	Ratchet Extension Tool	1/4 Inch – For coin drop installation
6	190P4	Terminal Extractor Tool	For use on electric dryer terminals
7	128P4	Terminal Extractor Tool	For use on gas dryer terminals

Strain Relief and Adapter

MODEL NUMBER	STRAIN RELIEF	ADAPTER
HDE007*F	—	—
HDE007*F1702	—	—
HDE007*F3000	—	—
HDE007*G3003	52113	502496
HDE007*G3008	52113	502496
HDE007*G3010	52113	502496
HDE107*F	—	—
HDE107*F1502	—	—
HDE107*F1702	—	—
HDE107*F3000	—	—
HDE107*G3018	52113	502496
HDE507*F1502	—	—
HDE507*F1702	—	—
HDE707*F1502	—	—
HDE707*F1702	—	—
HDG009*F	38384	—
HDG009*F1102	38384	—
HDG009*F3000	—	—
HDG009*G3008	502500	502496
HDG109*F	38384	—
HDG109*F1102	38384	—
HDG109*F3000	—	—
HDG109*G3013	502500	502496
HDG509*F1102	38384	—
HDG709*F1102	38384	—
HFE507*F1702	—	—
HFE707*F1702	—	—
HFG509*F1102	38384	—
HFG709*F1102	38384	—
HSE117*F	—	—
HSE117*F2802	52151	—
HSE117*F2902	—	—
HSE517*F2802	52151	—
HSE517*F2902	—	—
HSE717*F2802	52151	—
HSE717*F2902	—	—
HSG119*F	38384	—
HSG119*F0902	52151	502496
HSG519*F0902	52151	502496
HSG719*F0902	52151	502496
HTEB17*H2802	—	—
HTED17*H2802	—	—
HTGB19*H0902	—	—
* Add Letter To Designate Color. L – Almond W – White		

MODEL NUMBER	STRAIN RELIEF	ADAPTER
HTGD19*H0902	—	—
LEB07A*F1709	—	—
LEG37A*F4350	52113	502496
LEK37A*F4350	52113	502496
LES17A*F	—	—
LES17A*F3000	—	—
LES17A*F4500	—	—
LES37A*F	—	—
LES37A*F3000	—	—
LES37A*F3300	—	—
LES37A*F4350	52113	502496
LES37A*G3018	52113	502496
LEY47A*F1709	—	—
LEZ37A*F3000	—	—
LEZ37A*G3018	52113	502496
LGG37A*F3058	—	—
L GK37A*F3058	60298	502496
LGS17A*F	38384	—
LGS17A*F1180	38384	—
LGS17A*F3020	52113	502496
LGS17A*F3081	52113	502496
LGS17A*K1180	38384	—
LGS37A*F	38384	—
LGS37A*F3000	—	—
LGS37A*F3058	60298	502496
LGS37A*F3080	—	502496
LGS37A*G3013	502500	502496
LGS37A*G3080	502500	502496
LGY47A*F1109	38384	—
LGZ37A*F3000	—	—
LGZ37A*G3013	502500	502496
SDE007*F	—	—
SDE007*F1500	—	—
SDE007*F3000	—	—
SDE007*F4350	52113	502496
SDE007*G3018	52113	502496
SDE107*F	—	—
SDE107*F1500	—	—
SDE107*F1724	—	—
SDE107*F3000	—	—
SDE107*F4350	52113	502496
SDE107*F5412	—	—
SDE107*G3018	52113	502496
SDE307*F	—	—
* Add Letter To Designate Color. L – Almond W – White		

MODEL NUMBER	STRAIN RELIEF	ADAPTER
SDE307*F1500	—	—
SDE407*F	—	—
SDE407*F1500	—	—
SDE407*F3000	—	—
SDE407*F4350	52113	502496
SDE507*F	—	—
SDE507*F1500	—	—
SDE607*F	—	—
SDE607*F1500	—	—
SDE707*F	—	—
SDE707*F1500	—	—
SDG009*F	38384	—
SDG009*F3000	—	—
SDG009*F3058	60298	502496
SDG109*F	38384	—
SDG109*F1124	—	—
SDG109*F3000	—	—
SDG109*F3058	60298	502496
SDG109*F5412	—	—
SDG109*G3013	502500	502496
SDG309*F	38384	—
SDG409*F	38384	—
SDG409*F3058	60298	—
SDG509*F	38384	—
SDG609*F	38384	—
SDG709*F	38384	—
SFE107*F	—	—
SFE507*F	—	—
SFE707*F	—	—
SFG109*F	38384	—
SFG409*F	38384	—
SFG509*F	38384	—
SFG709*F	38384	—
SSE007*F	—	—
SSE007*F1500		
SSE007*F3000	—	—
SSE107*F	—	—
SSE107*F1500		
SSE107*F1724		
SSE117*F	—	—
SSE117*F1500		
SSE117*F3000	—	—
SSE117*F4350	52113	502496
SSE117*F5412	—	—
* Add Letter To Designate Color. L – Almond W – White		

MODEL NUMBER	STRAIN RELIEF	ADAPTER
SSE307*F	—	—
SSE307*F1500		
SSE417*F	—	—
SSE417*F3000		
SSE417*F4350	52113	502496
SSE507*F	—	—
SSE507*F1500		
SSE517*F	—	—
SSE517*F1500		
SSE607*F		
SSE617*F		
SSE707*F	—	—
SSE717*F	—	—
SSG009*F	38384	—
SSG109*F	38384	—
SSG109*F1124	38384	—
SSG119*F	38384	—
SSG119*F3000	38384	—
SSG119*F3058	60298	502496
SSG119*F5412	38384	—
SSG119*F5480	38384	—
SSG309*F	38384	—
SSG419*F	38384	—
SSG419*F3000		
SSG419*F3058	60298	502496
SSG509*F	38384	—
SSG519*F	38384	—
SSG609*F	38384	—
SSG619*F	38384	—
SSG709*F	38384	—
SSG719*F	38384	—
STEB17*H	38384	
STED17*H	38384	
STGB19*H	38384	
STGD19*H	38384	
UDE007*F	—	—
UDG009*F	38384	—
USE007*F	—	—
USG009*F	38384	—
* Add Letter To Designate Color. L – Almond W – White		

Coin Drop Assembly Table

PART NO.	DESCRIPTION
38462	Coindrop Assembly - Token 118-1 mzp
38463	Coindrop Assembly - Token 118-5 mzp
38464	Coindrop Assembly - Canada \$.25
38465	Coindrop Assembly - Canada \$.25/1.00
38467	Coindrop Assembly - Australia \$.20/1.
38469	Coindrop Assembly - Belgium 5/20 franc
38472	Coindrop Assembly - England 20p/1lb
38475	Coindrop Assembly - Japan 100 Yen
38478	Coindrop Assembly - Taiwan 10 NT
38479	Coindrop Assembly - U.S.A. \$.25 mzp
38517	Coindrop Assembly - Denmark 1/5krone
38518	Coindrop Assembly - France 2/10fr fr
38519	Coindrop Assembly - Japan 100/500yen
38520	Coindrop Assembly - Italy 500 lira
38521	Coindrop Assembly - Korea 100/500 won
38522	Coindrop Assembly - New Zealand \$.20/1
38963	Coindrop Assembly - Token 118-16 mzp 5nt
38964	Coindrop Assembly - Dual - Taiwan 5nt/10nt
39157	Coindrop Assembly - Israel shekel

Wire Harnesses

Order the individual wire color and gauge by the part number listed below. Order wire by the foot, and terminals and connectors as required. It is recommended when applying terminals to wires that the terminals be soldered to the wires.

IMPORTANT: Always replace wires with proper gauge.

PART NUMBER	WIRE GAUGE	WIRE COLOR
45001	18 Gauge Wire	Black
45380	12 Gauge Wire	Orange

MODEL NUMBER	UPPER STACK OR SINGLE DRYER WIRE HARNESS	LOWER STACK DRYER WIRE HARNESS
HDE007*F	510404	N/A
HDE007*F1702	510428	N/A
HDE007*F3000	510404	N/A
HDE007*G3003	510456	N/A
HDE007*G3008	510456	N/A
HDE007*G3010	510456	N/A
HDE107*F	510400	N/A
HDE107*F1502	510430	N/A
HDE107*F1702	510430	N/A
HDE107*F3000	510430	N/A
HDE107*G3003	510458	N/A
HDE107*G3018	510458	N/A
HDE507*F1502	510400	N/A
HDE507*F1702	510400	N/A
HDE707*F1502	510432	N/A
HDE707*F1702	510432	N/A
HDG009*F	510405	N/A
HDG009*F1102	510405	N/A
HDG009*F3000	510429	N/A
HDG009*G3008	510457	N/A
HDG009WG3008	510531	N/A
HDG109*F	510401	N/A
HDG109*F1102	510401	N/A
HDG109*F3000	510431	N/A
HDG109*G3013	510459	N/A
HDG509*F1102	510407	N/A
HDG709*F1102	510407	N/A
HFE507*F1702	510426	N/A
HFE707*F1702	510426	N/A
HFG509*F1102	510427	N/A
HFG709*F1102	510427	N/A
HSE117*F	510412	510414
* Add Letter To Designate Color. L – Almond W – White		

MODEL NUMBER	UPPER STACK OR SINGLE DRYER WIRE HARNESS	LOWER STACK DRYER WIRE HARNESS
HSE117*F2802	510436	510438
HSE117*F2902	510436	510438
HSE517*F2802	510440	510442
HSE517*F2902	510440	510442
HSE717*F2802	510440	510442
HSE717*F2902	510440	510442
HSG119*F	510417	510419
HSG119*F0902	510433	510435
HSG519*F0902	510439	510441
HSG719*F0902	510439	510441
HTEB17*H2802	510434	N/A
HTED17*H2802	510434	N/A
HTGB19*H0902	510409	N/A
HTGD19*H0902	510409	N/A
LEB07A*F1709	510418	N/A
LEG37A*F4350	510420	N/A
LEK37A*F4350	510420	N/A
LES17A*F	510424	N/A
LES17A*F1500	510424	N/A
LES17A*F3000	510420	N/A
LES17A*F4500	510420	N/A
LES37A*F	510402	N/A
LES37A*F3000	510420	N/A
LES37A*F3300	510420	N/A
LES37A*F4350	510420	N/A
LES37A*G3018	510460	N/A
LEY47A*F1709	510444	N/A
LEZ37A*F3000	510420	N/A
LEZ37A*G3018	510460	N/A
LGG37A*F3058	510421	N/A
LGK37A*F3058	510421	N/A
LGS17A*F	510425	N/A
LGS17A*F1180	510425	N/A
LGS17A*F3020	510437	N/A
LGS17A*F3081	510437	N/A
LGS17A*K1180	510425	N/A
LGS37A*F	510403	N/A
LGS37A*F3000	510423	N/A
LGS37A*F3058	510421	N/A
LGS37A*F3080	510423	N/A
LGS37A*G3013	510461	N/A
LGS37A*G3080	510461	N/A
LGY47A*F1109	510443	N/A
* Add Letter To Designate Color. L – Almond W – White		

MODEL NUMBER	UPPER STACK OR SINGLE DRYER WIRE HARNESS	LOWER STACK DRYER WIRE HARNESS
LGZ109WG3013	510531	N/A
LGZ37A*F3000	510423	N/A
LGZ37A*G3013	510461	N/A
SDE007*F	510404	N/A
SDE007*F1500	510404	N/A
SDE007*F3000	510404	N/A
SDE007*F4350	510404	N/A
SDE007*G3018	510456	N/A
SDE107*F	510400	N/A
SDE107*F1500	510400	N/A
SDE107*F1724	510400	N/A
SDE107*F3000	510430	N/A
SDE107*F4350	510430	N/A
SDE107*F5412	510430	N/A
SDE107*G3018	510458	N/A
SDE307*F	510400	N/A
SDE307*F1500	510400	N/A
SDE407*F	510406	N/A
SDE407*F1500	510406	N/A
SDE407*F3000	510406	N/A
SDE407*F4350	510462	N/A
SDE507*F	510406	N/A
SDE507*F1500	510406	N/A
SDE607*F	510406	N/A
SDE607*F1500	510406	N/A
SDE707*F	510406	N/A
SDE707*F1500	510406	N/A
SDG009*F	510405	N/A
SDG009*F3000	510429	N/A
SDG009*F3058	510453	N/A
SDG109*F	510401	N/A
SDG109*F1124	510401	N/A
SDG109*F3000	510431	N/A
SDG109*F3058	510455	N/A
SDG109*F5412	510431	N/A
SDG109*G3013	510459	N/A
SDG109WG3013	510531	N/A
SDG309*F	510401	N/A
SDG409*F	510407	N/A
SDG409*F3058	510467	N/A
SDG509*F	510407	N/A
SDG609*F	510407	N/A
SDG709*F	510407	N/A
* Add Letter To Designate Color. L – Almond W – White		

MODEL NUMBER	UPPER STACK OR SINGLE DRYER WIRE HARNESS	LOWER STACK DRYER WIRE HARNESS
SFE107*F	510414	N/A
SFE507*F	510410	N/A
SFE507*F1500	510410	N/A
SFE707*F	510410	N/A
SFG109*F	510419	N/A
SFG509*F	510411	N/A
SFG709*F	510411	N/A
SSE007*F	510412	510416
SSE007*F1500	510412	510416
SSE007*F3000	510412	510416
SSE107*F	510412	510414
SSE107*F1500	510412	510414
SSE107*F1724	510412	510414
SSE117*F	510412	510414
SSE117*F1500	510412	510414
SSE117*F3000	510412	510414
SSE117*F4350	510412	510414
SSE117*F5412	510412	510414
SSE307*F	510412	510414
SSE307*F1500	510412	510414
SSE417*F	510408	510410
SSE417*F3000	510408	510410
SSE417*F4350	510408	510410
SSE507*F	510408	510410
SSE507*F1500	510408	510410
SSE517*F	510408	510410
SSE517*F1500	510408	510410
SSE607*F	510408	510410
SSE617*F	510408	510410
SSE707*F	510408	510410
SSE717*F	510408	510410
SSG009*F	510413	510415
SSG109*F	510417	510419
SSG109*F1124	510417	510419
SSG119*F	510417	510419
SSG119*F3000	510445	510447
SSG119*F3058	510449	510451
SSG119*F5412	510445	510447
SSG119*F5480	510445	510447
SSG309*F	510417	510419
SSG419*F	510409	510411
SSG419*F3000	510469	510471
SSG419*F3058	510473	510475
* Add Letter To Designate Color. L – Almond W – White		

MODEL NUMBER	UPPER STACK OR SINGLE DRYER WIRE HARNESS	LOWER STACK DRYER WIRE HARNESS
SSG509*F	510409	510411
SSG519*F	510409	510411
SSG609*F	510409	510411
SSG619*F	510409	510411
SSG709*F	510409	510411
SSG719*F	510409	510411
STEB17*H	510408	N/A
STED17*H	510408	N/A
STGB19*H	510409	N/A
STGD19*H	510409	N/A
UDE007*F	510404	N/A
UDG009*F	510405	N/A
USE007*F	510412	510416
USG009*F	510413	510415
* Add Letter To Designate Color. L – Almond W – White		

Parts Index

A

Access Cover Plate	
510903	69
Access Panel	
510069*	53
Accumulator	
501627	23
501754	23
501756	23
501757	23
Accumulator Bracket	
503017	37
Accumulator Kit	
510628P	23
510629P	23
510630P	23
510631P	23
510632P	23
Adapter	
502496	78
Adhesive for Cylinder Seal	
22506P	57, 59
Air Duct Assembly	
510151	57

B

Baffle	
510102	57
Barrel Insulated Spade Terminal	
00214	75
00215	75
Base	
510084	55, 63, 65, 67, 69
Belt	
510178	55
Bolt	
29651	21, 37, 47
Bracket	
35525	21, 25
38087	39
502425	67
502589	31
503456	69
504228	47
Bumper	
56128	69
Burner Assembly	
510149	65, 67

C

Cabinet	
500002*	21
510002*	59
Cabinet Panel	
510001*	31, 69
510002*	13, 31, 57, 69

510005*	31, 65, 69, 71
Cabinet Top	
502570	21
502570*	31
502670	19
502670*	31
510029*P	11, 13
510030*P	15, 21, 31
510031*P	19, 27, 29, 31
510032*P	47
510033*P	47
Caged Nut	
80077	43
Cam	
27261	33, 35
Cap Screw	
02916	15, 17, 19, 27, 29
Card Reader	
39685	29, 41
Carriage Bolt	
02505	21, 25, 29
Coin Drop	
38465	25
Coin Drop Assembly	
38462	82
38463	82
38464	82
38465	82
38467	82
38469	82
38472	82
38475	82
38478	82
38479	25, 82
38517	82
38518	82
38519	82
38520	82
38521	82
38522	82
38963	82
38964	82
39157	82
Coin Funnel Kit	
523P3	21, 37
Coin Slide Extension Kit	
553P3	21
Coin Slide Guard	
58181	37
Coin Slide Modifier	
501796	21
Combustion Duct	
504799	67
510131	63, 65
510132	63
Connector	
90789	75
Control and Shield	
M411883P	17
M414050P	17
Control Cabinet Front	
500225*	43
500847*P	43

503428*	43
503761*	43
505227*	43
505337*	43
505542*	43
505767*	43
Control Cabinet Wrapper	
505753*	45
Control Hood	
502567*	15, 17, 19, 27, 29
Control Hood Rear Panel	
505798	15, 17
510099	11, 13
Control Knob Assembly	
39897	15, 33
Control Panel	
500228*	33
501346*	35
501359	17
505510*	35
Control Panel and Bracket	
504447*	33
Control Panel and Bracket Assembly	
501738*	15
Counter	
62113	21
Counter Kit	
62113P	37
Cylinder	
510159W	57
Cylinder Assembly	
510265	57
Cylinder Glide	
510187	57
Cylinder Roller	
510708P	59
Cylinder Seal	
510207	57, 59

D

Directional Exhaust Kit	
528P3	69
Door Catch	
510177	53
Door Hinge	
511036	49, 51
Door Pull	
510103*P	49, 51
Door Pull Kit	
511213P	49
Door Seal	
510147	49, 51
Door Striker	
510181	49, 51
Door Striker Bracket	
510127	49, 51
Door Switch	
504570	39, 53
Dryer Door	
510082*	51

E

18 Gauge Wire	
45001	83
Electronic Control	
M411883P	35
M414050P	35
End Cap	
504008*	11
504009*	11
Exhaust Duct	
510137	69
Exhaust Fan Cover	
510140	55
510141	55
Exhaust Fan Housing	
510138	55
Exhaust Fan Impeller	
510139	55

F

Fabric Selector Switch	
503998	11
510512	11
61512	33
Felt Pad	
510189	57
Female Socket Terminal	
00117	73
00130	73
Flexible Venting Kit	
521P3	69
Front Bulkhead	
505899W	57
510266	57
511033*	57
Front Overlay	
38717	25
39073	25
Front Panel	
510066*	49, 53
Front Panel Seal	
510236	53
Fuse	
502592	31
502593	31
Fuse Holder Body	
502591	31
Fuse Holder Cap	
502811	31

G

Gas Burner Conversion Kit	
458P3	65
459P3	65
649P3	65, 67
650P3	65, 67
Gas Valve Assembly	
502423	67
502478	67

510506	65
58804	65
59063	65
60353	65
60443	65
Gasket	
35526	21, 25
37526	29
Glide Bracket	
510145	57
Graphic Overlay	
504113	17
504117	35
504591	15, 35
504594	15, 35
505377	15, 35
505380	17
505381	17
505382	17, 35
505605	35
505695	35
Graphic Panel	
503394	11
504020*	11
504070*	11
504072*	11
504107*	11
504197*	11
505157*	11
Grill	
503870W	51
Ground Clip	
00161	75

H

Heat Shroud	
510101	63
Heater Assembly	
510324	61
510325	61
510326	61
510327	61
510328	61
510329	61
Heater Duct Assembly	
510025P	59, 61, 63
Hex Head Screw	
503673	21
Hex Nut	
52947	33
Hinge	
511036	47
Hinge Hole Plug	
510186	53
Hold-Down Bracket	
510146	13, 31
Hold-Down Clip	
28835	53
35358	13
Holding and Booster Coil	
58804A	65

I

Idler Lever	
510133	55
Idler Pulley	
510142	55
Idler Pulley and Lever Assembly	
510158	55
Igniter and Bracket Assembly	
510184P	65
Igniter And Sensor Assembly	
502995	67
Ignition Control	
502994	67
Indicator Light	
32464	15, 33
Inner Door Panel and Seal Assembly	
510098W	51
510163W	49
Insulated Spade Terminal	
00165	75
00234	75
Insulated 1/4 Inch Spade Terminal	
00237	73

K

Keps Nut	
29786	15, 19, 21, 27
Knob	
54678	43
Knurled Nut	
24205	15, 33

L

Label	
24903	13, 31
38192	41, 43
500049	55
500253	53
500281	53
500316	31
500490	19
500628	21
501765	53
502511	31
502626	19
502804	53
504585	43
505809	53
511004	69
511005	69
Lead-In Pipe Assembly	
510204	65, 67
Leveling Leg	
510135	69
Limit Thermostat	
510700	61
510701	61
510702	63
510703	63

Lint Filter	
503980	57
Locator	
56079	53, 69
Lock Assembly	
27260	33, 35
Lock In Spade Terminal	
00115	75
00321	75
Locking Bracket	
30642	21, 25
Locknut	
29786	21, 25, 29, 39
52566	55
56156	55, 59
Lockwasher	
M400017	15, 17, 19, 27, 29
21734	19, 27
25820	33
91176	15, 33

M

Male Pin Terminal	
00116	73
00127	73
Male Tab Terminal	
00139	75
Meter Case	
38724*	25
524P3*	21
Meter Case Gasket	
26354	21, 25
Molex Terminal	
00188	77
Motor and Blower Assembly	
510717P	55
Motor Assembly	
501213	55
505843P	55
510508P	55
Motor Connection Block	
500338	77
Motor Hub Ring Kit	
590P3	55
Motor Mounting Bracket	
510060	55
Motor Mounting Clamp	
510180	55
Motor Pulley	
500011	55
500222	55
Motor Switch	
501218P	55
Mounting Bracket	
510128	65, 67
Multiplier	
38571	39

N

Nut	
27222	31

29796	21, 37, 47
52566	17
52947	15

O

Outer Door Panel	
510013*	49
Outlet Cover	
500820	61, 63
Overlay	
38192	29
500814	33, 43
502927	33
504210	33
504590	33
505381	33
505382	33

P

Pawl Spring	
53244	23
Phillips Head Screw	
52864	15
Power Cord	
502595	71
503597	71
505759	71
510505	71
56222	71
58992	71
59308	71
59373	71
61604	71
61605	71
Push-to-Start Switch Assembly	
55882	15, 33

R

Ratchet Extension Tool	
310P4	77
Ratchet Wheel	
53239	23
Rear Bulkhead	
510905W	59
511082	59
Relay	
502501	31
Retainer Nut	
30647	21, 25
Retainer Ring	
23748	55, 59
Ring Terminal #10	
00110	75
00111	75
Roller Bracket	
510100	59
Rubber Foot	
501855	69

S

Screw

03203	21, 37
03950	21, 37
20530	71
23008	47
23222	61, 65
23962	29
27328	19, 33, 43
31260	55
32671	53, 69
33561	55
33562	37, 53
35528	17
36048	47
500226	51
501086	11, 13, 15, 17, 19, 27
501285	57, 59
501524	17, 35
502431	43
502535	67
503673	25, 29
503688	13, 29, 31, 37, 39, 41, 43, 45, 47, 53, 55, 57, 59, 61, 63, 65, 67, 69
505295	49, 57
505870	51
51778	19, 27
51782	63, 65, 67
52864	17, 57
56124	65, 67
61199	59
62588	57
62853	53

Seal

510238	55
--------	----

Secondary Coil

58804B	65
--------	----

Security Case

38145*	29
--------	----

Sensor

510213	65
--------	----

Service Door

35798*	21, 25, 29
--------	------------

Setscrew

20310	15, 19, 33
25285	43

Shaft

56461	55, 59
-------	--------

Shield

38754	29
505768	59
510237	59
56751	37

Shoulder Bolt

500824	55
--------	----

Shoulder Screw

36048	25
502431	21

Shut-off Valve

510205	65, 67
--------	--------

Signal

504103	11
505447	11
510211	11

Slide Extension

503455	37
503733	21

Spade Terminal

00114	75
00121	75
00124	75
00156	75
00189	75
00209	75
00223	75
00245	75
00255	77
00256	77

Speed Nut

36020	47
-------	----

Spring

510185	55
53261	23

Strain Relief

21903	71
38384	75, 78
502500	78
52113	78, 79
52151	78
60298	79

Support Control Panel

503901	11
--------	----

Switch

504570	25
53236	23
61468	23

Switch Knob Assembly

36701*	11
--------	----

T

Temperature Selector Switch

61512	15
-------	----

Terminal

00344	75
00345	75
00346	75
00347	75
00361	75

Terminal Block

502517	59
510190P	59
58799	75
58800	73

Terminal Block Plug

23040	73
56266	73
56448	73

Terminal Block Receptacle

23039	73
56451	73

Terminal Extractor Tool

128P4	77
190P4	77
283P4	77

Thermal Fuse

510183	61
--------	----

Thermistor

510522	55
--------	----

Thermostat	
504515	55
504516	55
504517	55
504518	55
504519	55
504520	55
504521	55
Timer	
502964	11
502966	11
505794	11
505795	11
505796	11
505797	11
510524	19, 33
510525	19
510526	19
Timer Bracket	
503315	21
Timer Case	
37733*	19, 27
Timer Knob Assembly	
510287*	11
54678	19, 33
Timer Plate Assembly	
39481	27
500921*	19
502797*	19
Timing Cam	
53240	23
53241	23
53242	23
53243	23
Timing Cam Drive	
M400754	23
Timing Motor	
53235	23
Top Cover	
505808*	11
Top Hinge	
510136	69
Top Panel	
511235GP	15
Top-Security Panel	
504229	47
Torx Bit	
281P4	15
282P4	53
Torx Bit Holder	
24161	15, 53
Torx Head Screw	
35528	15
Transformer	
M412477	31
59971	31
59972	31
Transformer and Plug	
59971	13
12 Gauge Wire	
45380	83

V

Vinyl Washer	
23225	29

W

Washer	
30627	29
52549	55, 59
Wave Washer	
504082	59
Wedge	
510129	49, 51
Window	
503982	51
Window Trim	
503981*	51
Wire Clip	
504034	73
Wire Harness	
510400	83
510401	83, 85
510402	84
510403	84
510404	83, 85, 87
510405	83, 85
510406	85
510407	83, 85
510408	86
510409	86
510410	86
510411	86, 87
510412	83, 86
510413	86
510414	83, 86
510415	87
510416	87
510417	84, 86
510418	84
510419	84, 86
510420	84
510421	84
510423	84
510424	84
510425	84
510426	83
510427	83
510428	83
510429	83, 85
510430	83
510431	83, 85
510432	83
510433	84
510435	84
510436	84
510437	84
510438	84
510439	84
510440	84
510441	84
510442	84
510443	84
510444	84
510445	86
510449	86

510453	85
510455	85
510456	83, 85
510457	83
510458	83, 85
510459	83, 85
510460	84
510461	84
510462	85
510471	86
510475	86
510531	83, 85
Wire Tie	
55881	73