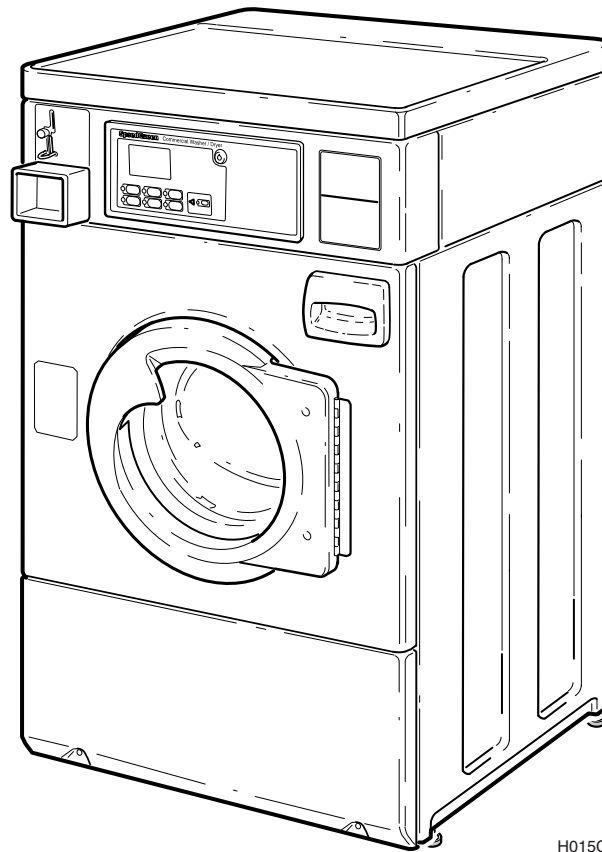


# Commercial Front Control Washers

Refer to Page 3 for Model Numbers



H015C

# Table of Contents

Title	Page
Parts Ordering Information .....	2
Nameplate Location .....	2
Model Identification .....	3
Control Panel and Controls .....	4
Security Top Panel and Cabinet Top .....	6
Control Cabinet Controls .....	8
Control Cabinet Controls .....	10
Control Cabinet and Coin Drop .....	12
Control Cabinet .....	14
Control Cabinet and Card Reader .....	16
Control Cabinet and Card Reader .....	18
Control Cabinet and Card Reader .....	19
Front Panel, Door Assembly and Door Seal .....	20
Front Panel, Door Assembly and Door Seal .....	22
Dispenser Assembly .....	24
Mixing Valve, Inlet Hose and Dispenser Hose .....	26
Outer Tub, Front, Clamp Ring and Inner Basket .....	28
Bearing Housing Assembly and Pulley .....	30
Motor and Belt .....	32
Hoses and Pump .....	34
Base, Side Panels and Rear Panel .....	36
Shipping Materials .....	38
Wire Ties, Harness Clips and Power Cord .....	40
Labels .....	42
Wire Harnesses and Wires .....	44
Parts Index .....	45

© Copyright 2000, Alliance Laundry Systems LLC

All rights reserved. No part of the contents of this book may be reproduced or transmitted in any form or by any means without the expressed written consent of the publisher.

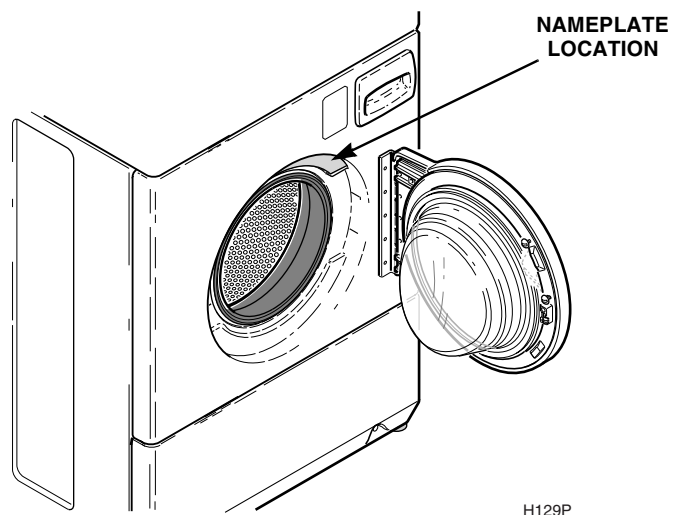
## Parts Ordering Information

If literature or replacement parts are required, contact the source from whom the machine was purchased or contact Alliance Laundry Systems at (920) 748-3950 for the name and address of the nearest authorized parts distributor.

For technical assistance, call (920) 748-3121.

## Nameplate Location

When calling or writing about your product, be sure to mention model and serial numbers. Model and serial numbers are located on nameplate(s) as shown.



H129P

## Model Identification

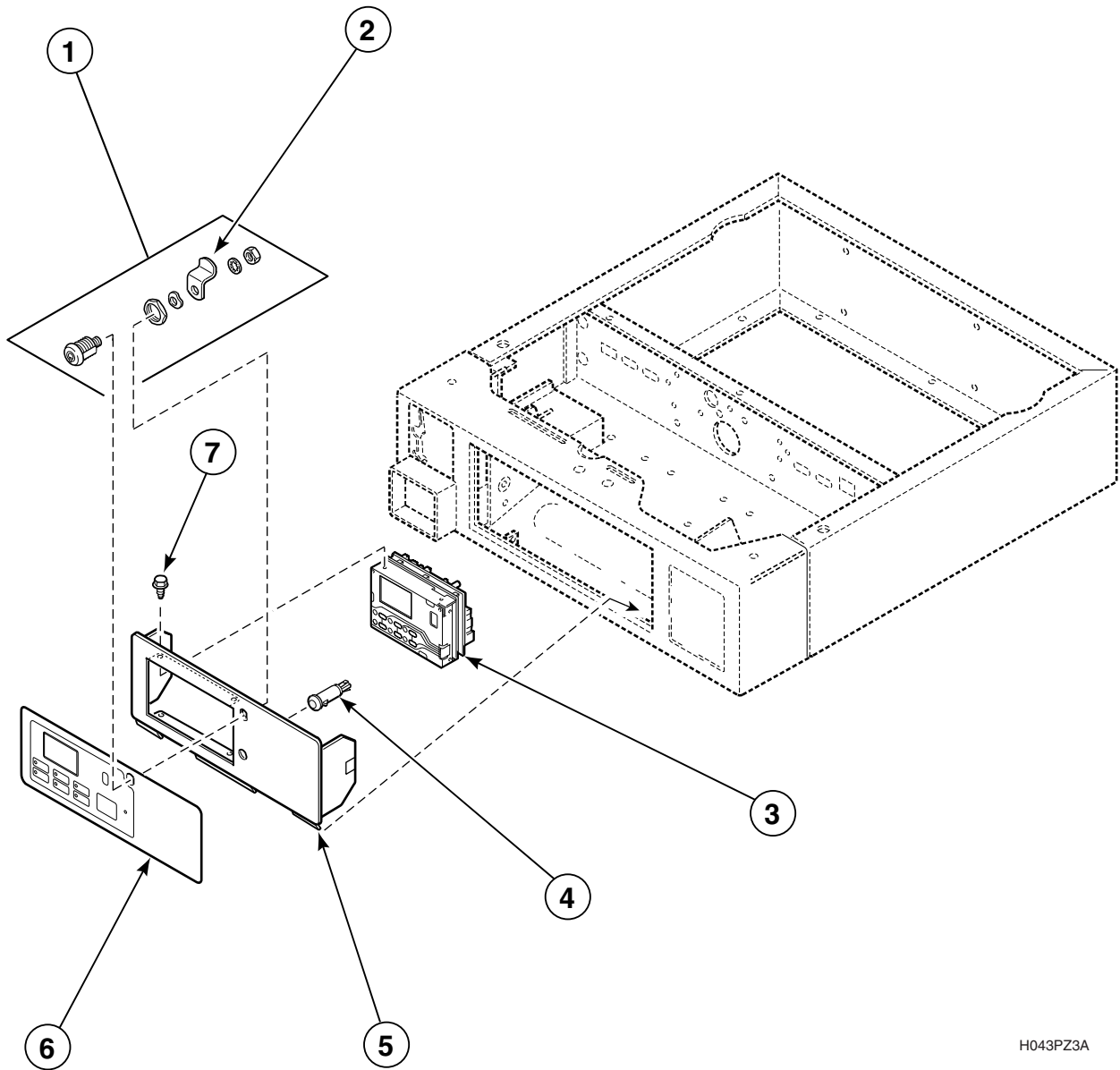
Information in this manual is applicable to these washers.

MODEL NUMBER	COIN DROP INSTALLED	COIN DROP READY	CARD READER INSTALLED	CARD READER READY
HWF561*E1102	X			
HWF561*H1102	X			
HWF761*E1102			X	
HWFB61*J1102	X			
HWFF61*J1102			X	
SWF561*E	X			
SWF561*H	X			
SWF661*E				X
SWF661*H				X
SWF761*E			X	
SWF761*H			X	
SWFA61*H		X		
SWFB61*H	X			
SWFB61*J	X			
SWFC61*H				X
SWFC61*J				X
SWFD61*H			X	
SWFF61*J			X	
SWFJ61*J			X	

\* Add Letter To Designate Color. L – Almond W – White



# Control Panel and Controls



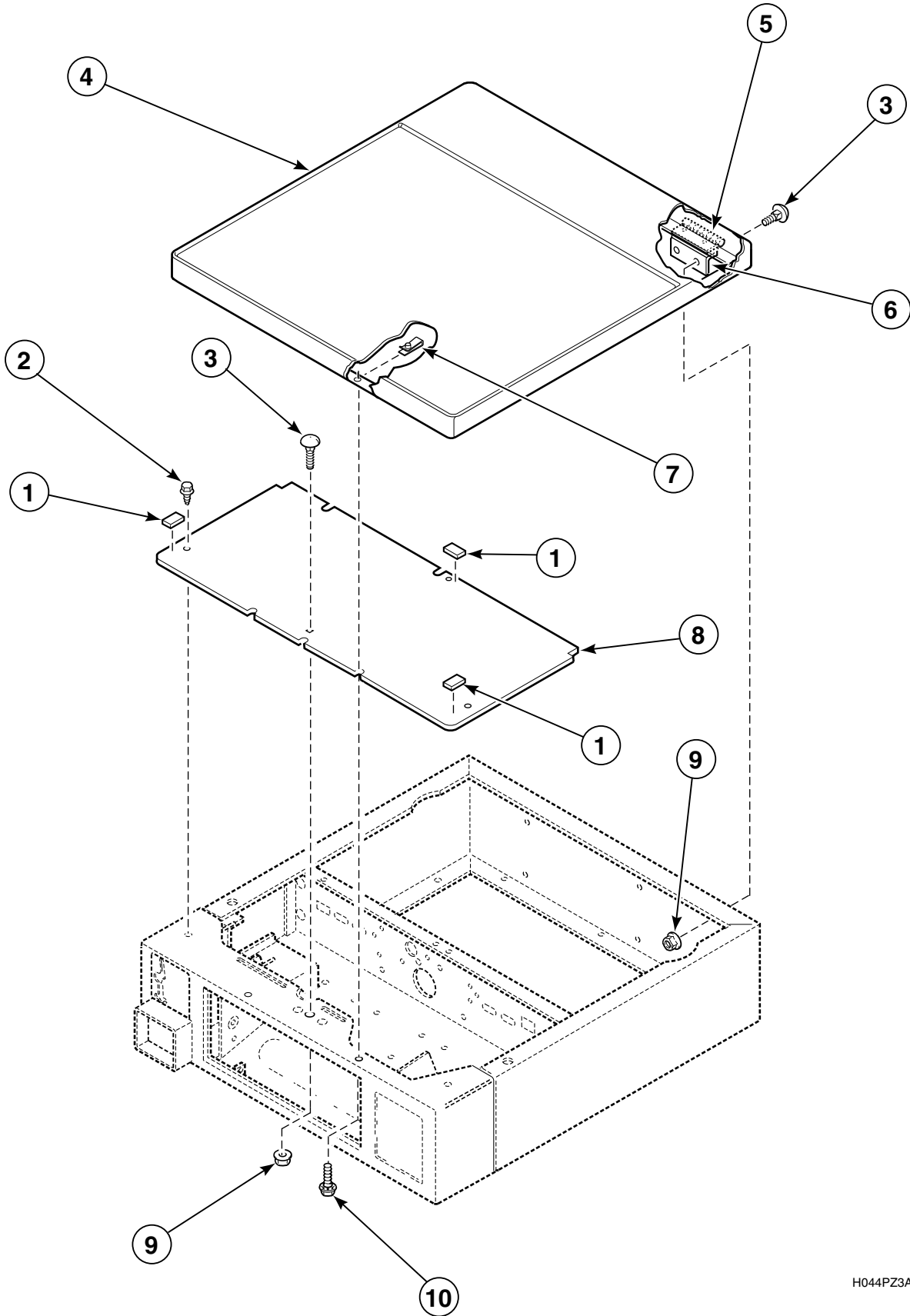
H043PZ3A

## Control Panel and Controls

REF	PART #	DESCRIPTION	COMMENTS
1	27260	Lock Assembly	
2	27261	Cam	
3	800303P	Electronic Control	Models HWF561*E1102, HWF761*E1102, SWF561*E, SWF661*E and SWF761*E
	800603P	Electronic Control	Models HWF561*H1102, HWF761*H1102, SWF561*H, SWF661*H, SWF761*H, SWFB61*H, SWFC61*H and SWFD61*H
	800671	Electronic Control	Models HWFB61*J1102, HWFF61*J1102, SWFB61*J, SWFC61*J, SWFF61*J and SWFJ61*J
4	32464	Indicator Light	All models with the letter "E" or "H" in the eighth character of model number
5	685061*	Control Panel Assembly	Models HWF561*E1102, HWF761*E1102, SWF561*E, SWF661*E and SWF761*E
	800035*	Control Panel Assembly	All other models
6	685510	Control Panel Overlay	Model SWF561*E, SWF661*E, SWF761*E, SWF561*H, SWF661*H and SWF761*H
	686589	Control Panel Overlay	Models HWF561*E1102, HWF761*E1102, and HWF561*H1102
	800033	Control Panel Overlay	Models SWFC61*J, SWFF61*J and SWFJ61*J
	800413	Control Panel Overlay	Models SWFA61*H, SWFB61*H, SWFB61*J, SWFC61*H and SWFD61*H
	800416	Control Panel Overlay	Model HWFB61*J1102
	800739	Control Panel Overlay	Model HWFF61*J1102
7	501524	Screw	

\* Add Letter To Designate Color. L – Almond W – White

# Security Top Panel and Cabinet Top



H044PZ3A



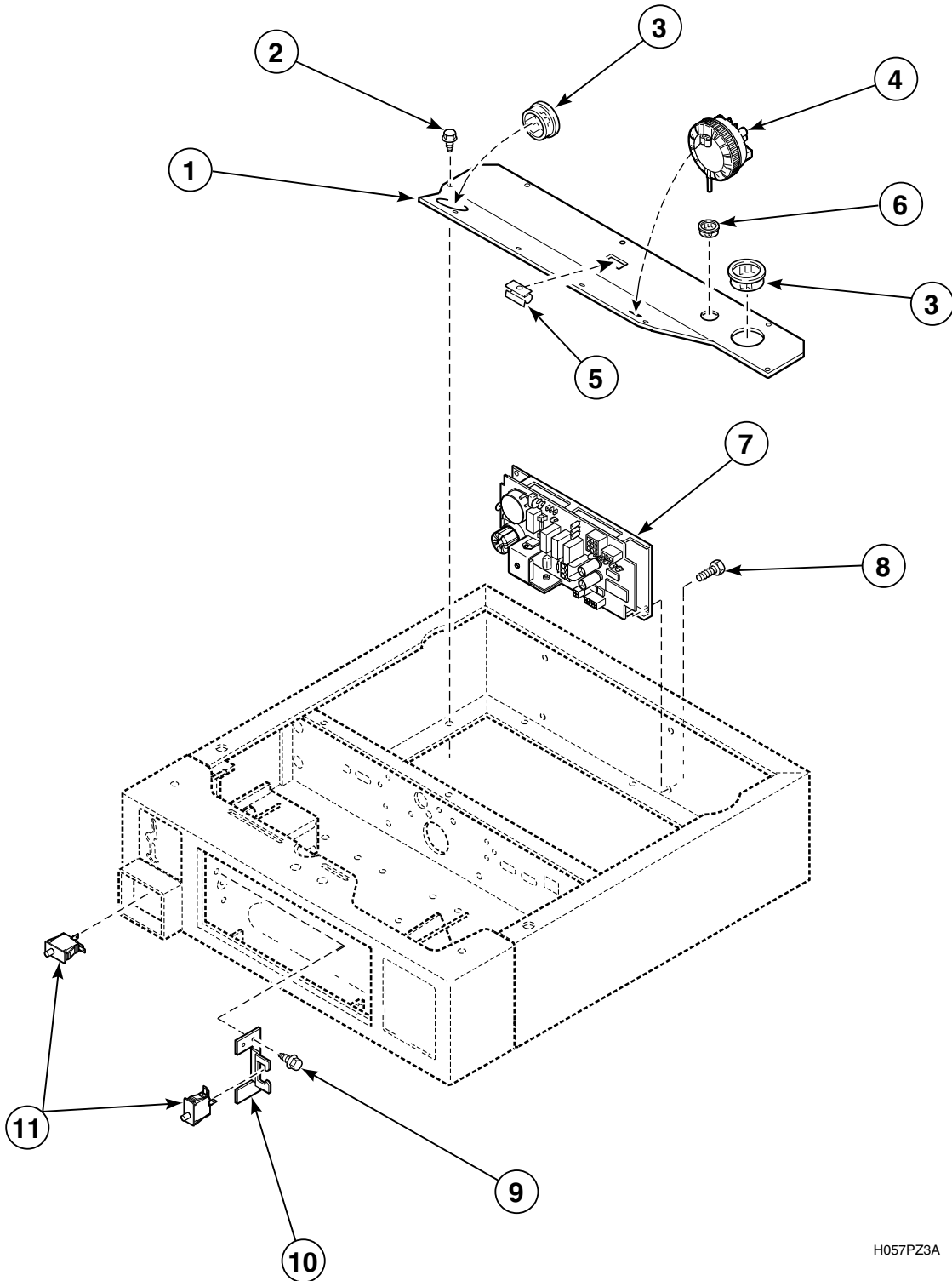
## Security Top Panel and Cabinet Top

REF	PART #	DESCRIPTION	COMMENTS
1	56128	Bumper	
2	502431	Shoulder Screw	Models SWF561*E, SWF661*E and SWF761*E
	36048	Screw	All other models
3	29651	Bolt	
4	510033*P	Cabinet Top Kit	Consists of 1-510033* Cabinet Top, 16-02788 Nuts, 16-34337 Screws, 2-510146 "L" Brackets, 511036 Hinge and 2-504228 Brackets
5	511036	Hinge	
6	504228	Hinge Bracket	
7	36020	Speed Nut	
8	504229	Security Top Panel	
9	29796	Locknut	
10	23008	Screw	

\* Add Letter To Designate Color. L – Almond W – White

# Control Cabinet Controls

Models HWF561\*E1102, HWF761\*E1102, SWF561\*E, SWF661\*E and SWF761\*E



H057PZ3A

\* Add Letter To Designate Color. L – Almond W – White

# Control Cabinet Controls

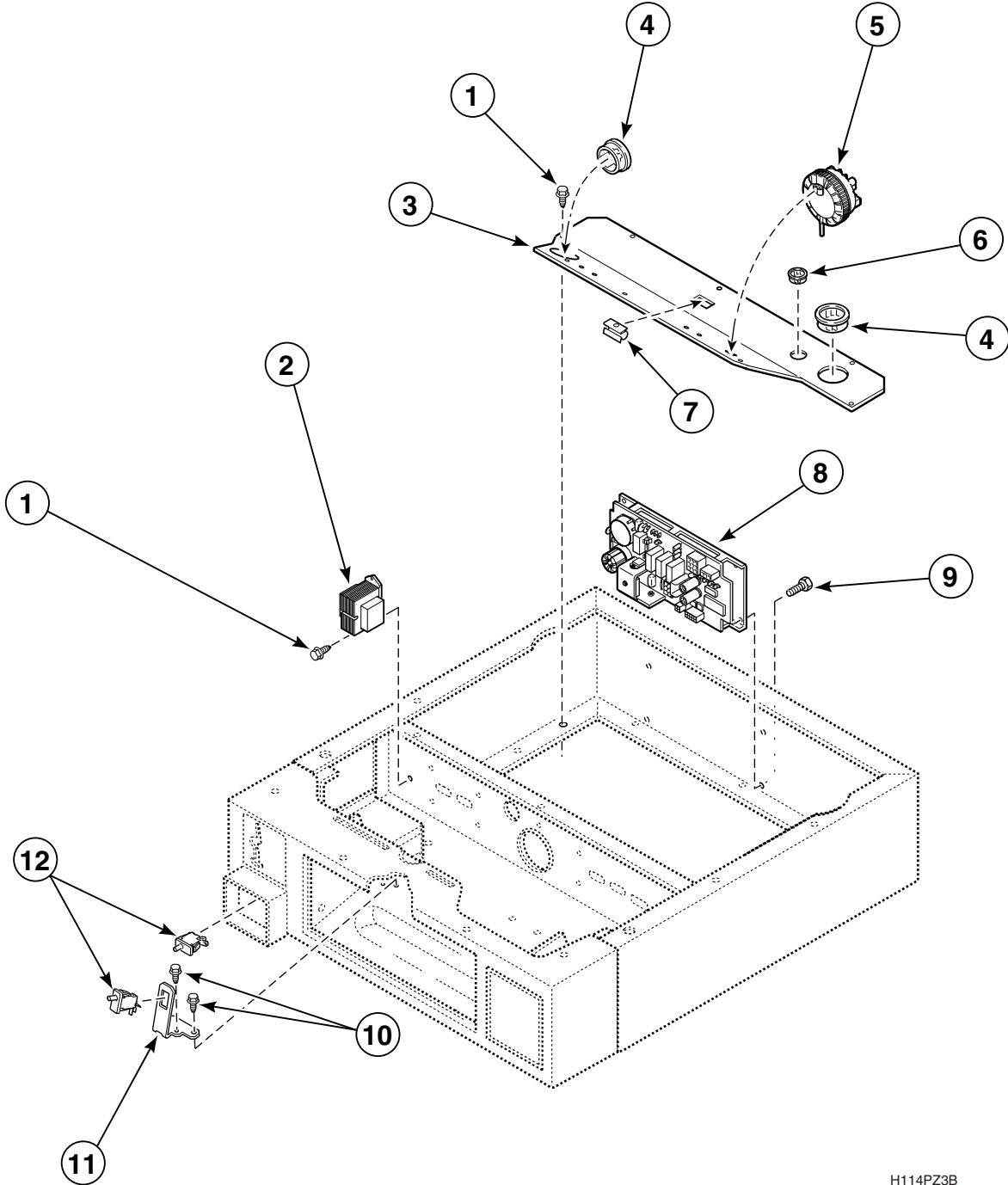
Models HWF561\*E1102, HWF761\*E1102, SWF561\*E, SWF661\*E and SWF761\*E

REF	PART #	DESCRIPTION	COMMENTS
1	800065	Control Shield	
2	503661	Screw	
3	503235	Bushing	
4	800468	Pressure Switch	
5	36985	Clip	
6	M402542	Bushing	
7	687539P	Motor Control Board	
8	501524	Screw	
9	503688	Screw	
10	38087	Bracket	
11	504570	Switch	

\* Add Letter To Designate Color. L – Almond W – White

# Control Cabinet Controls

All Models Except HWF561\*E1102, HWF761\*E1102, SWF561\*E, SWF661\*E and SWF761\*E



H114PZ3B

\* Add Letter To Designate Color. L – Almond W – White

## Control Cabinet Controls

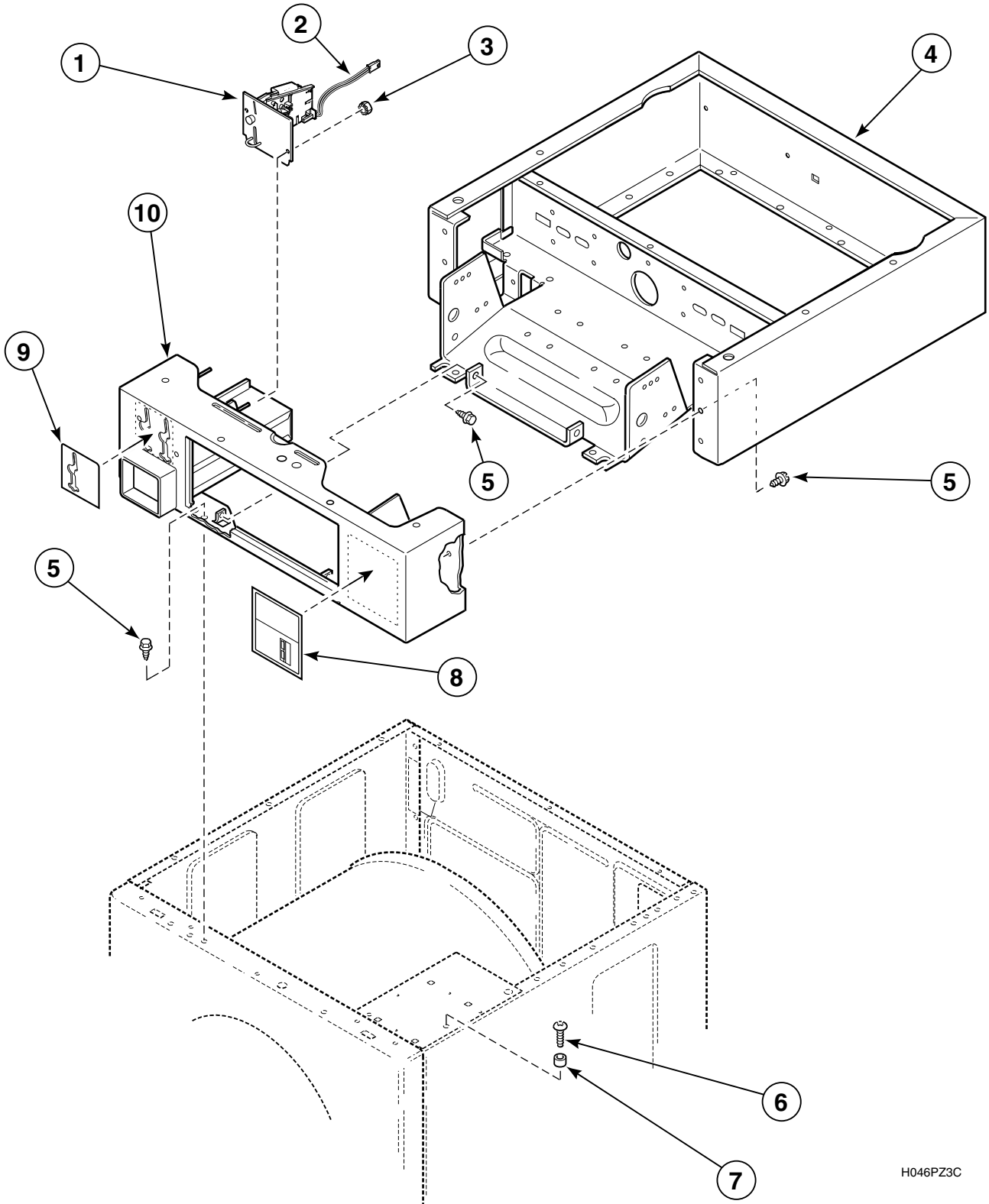
All Models Except HWF561\*E1102, HWF761\*E1102, SWF561\*E, SWF661\*E and SWF761\*E

REF	PART #	DESCRIPTION	COMMENTS
1	503661	Screw	
2	210018	Transformer	Models HWFB61*J1102, HWFF61*J1102, SWFA61*H, SWFB61*H, SWFB61*J, SWFC61*H, SWFC61*J, SWFD61*H, SWFF61*J and SWFJ61*J
3	800065	Control Shield	
4	503235	Bushing	
5	800468	Pressure Switch	
6	M402542	Bushing	
7	36985	Clip	
8	687539P	Motor Control Board	
9	501524	Screw	
10	503688	Screw	
11	800379	Bracket	
12	504570	Switch	

\* Add Letter To Designate Color. L – Almond W – White

# Control Cabinet and Coin Drop

Models HWF561\*E1102, HWF561\*H1102, HWFB61\*J1102, SWF561\*E,  
SWF561\*H, SWFA61\*H, SWFB61\*H and SWFB61\*J



H046PZ3C

\* Add Letter To Designate Color. L – Almond W – White

## Control Cabinet and Coin Drop

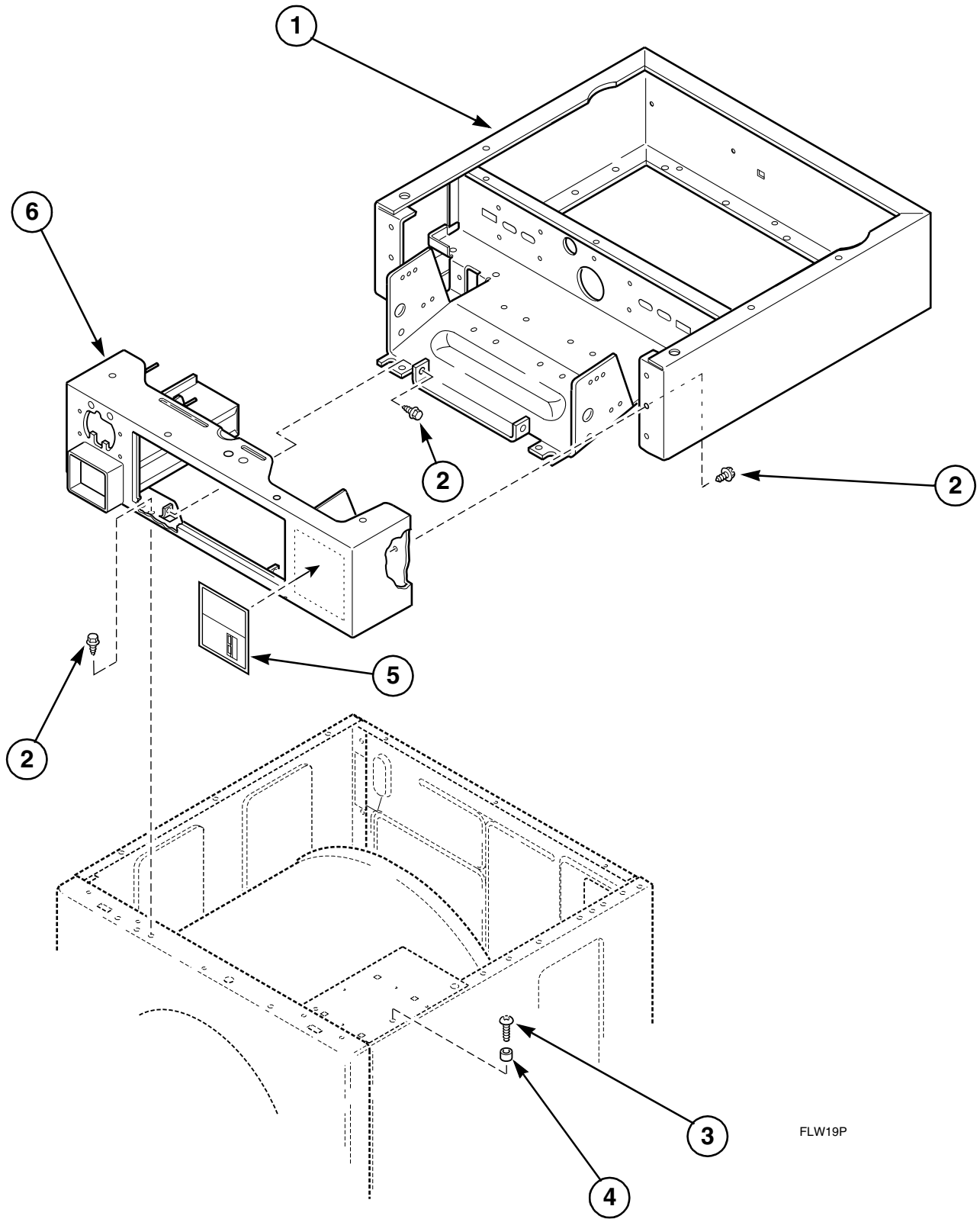
Models HWF561\*E1102, HWF561\*H1102, HWFB61\*J1102, SWF561\*E,  
SWF561\*H, SWFA61\*H, SWFB61\*H and SWFB61\*J

REF	PART #	DESCRIPTION	COMMENTS
	38571	Multiplier	Models HWF561*E1102, HWF561*H1102 and HWFB61*J1102
1	38479	Coin Drop	Single drop; All other models except SWFA61*H
	38465	Coin Drop	Dual drop; Models HWF561*E1102, HWF561*H1102 and HWFB61*J1102
2	800212	Coin Drop Harness	All other models
	800213	Coin Drop Harness	Models HWF561*E1102, HWF561*H1102, HWFB61*J1102 and SWFA61*H
3	29786	Nut	
4	505753*	Control Cabinet Wrapper	
5	503688	Screw	
6	32671	Screw	
7	56079	Panel Locator	
8	685942	Instructions Label	
9	38717	Overlay	All other models
	39073	Overlay	Models HWF561*E1102, HWF561*H1102 and HWFB61*J1102
10	505767*	Control Cabinet Front	

\* Add Letter To Designate Color. L – Almond W – White

# Control Cabinet

Model SWF661\*E



FLW19P

\* Add Letter To Designate Color. L – Almond W – White



# Control Cabinet

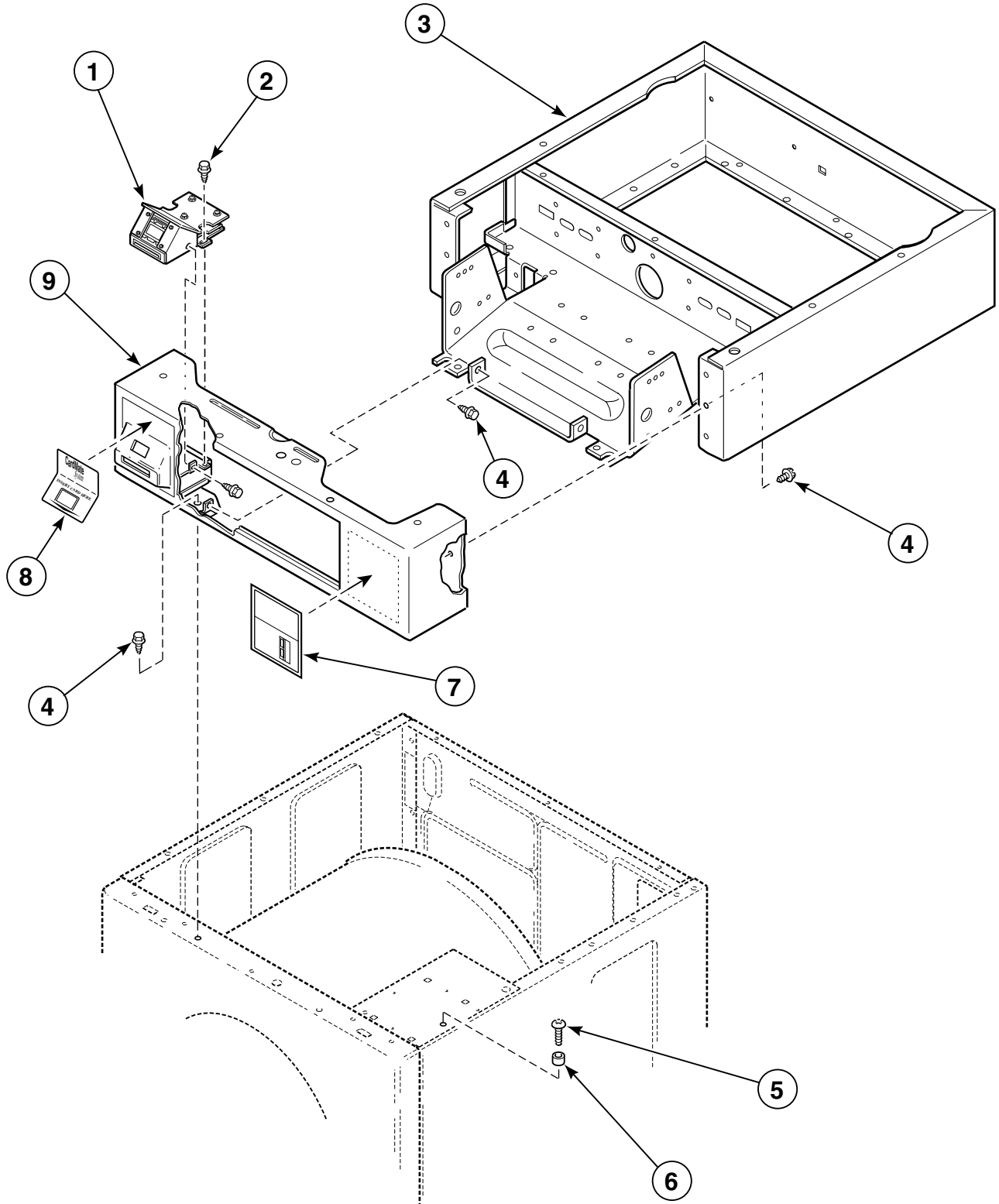
Model SWF661\*E

REF	PART #	DESCRIPTION	COMMENTS
1	505753*	Control Cabinet Wrapper	
2	503688	Screw	
3	32671	Screw	
4	56079	Panel Locator	
5	685942	Instruction Label	
6	505699*	Control Cabinet Front	

\* Add Letter To Designate Color. L – Almond W – White

# Control Cabinet and Card Reader

Models HWF761\*E1102, SWF761\*E, SWF761\*H and SWFD61\*H



H048PZ3A

\* Add Letter To Designate Color. L – Almond W – White

# Control Cabinet and Card Reader

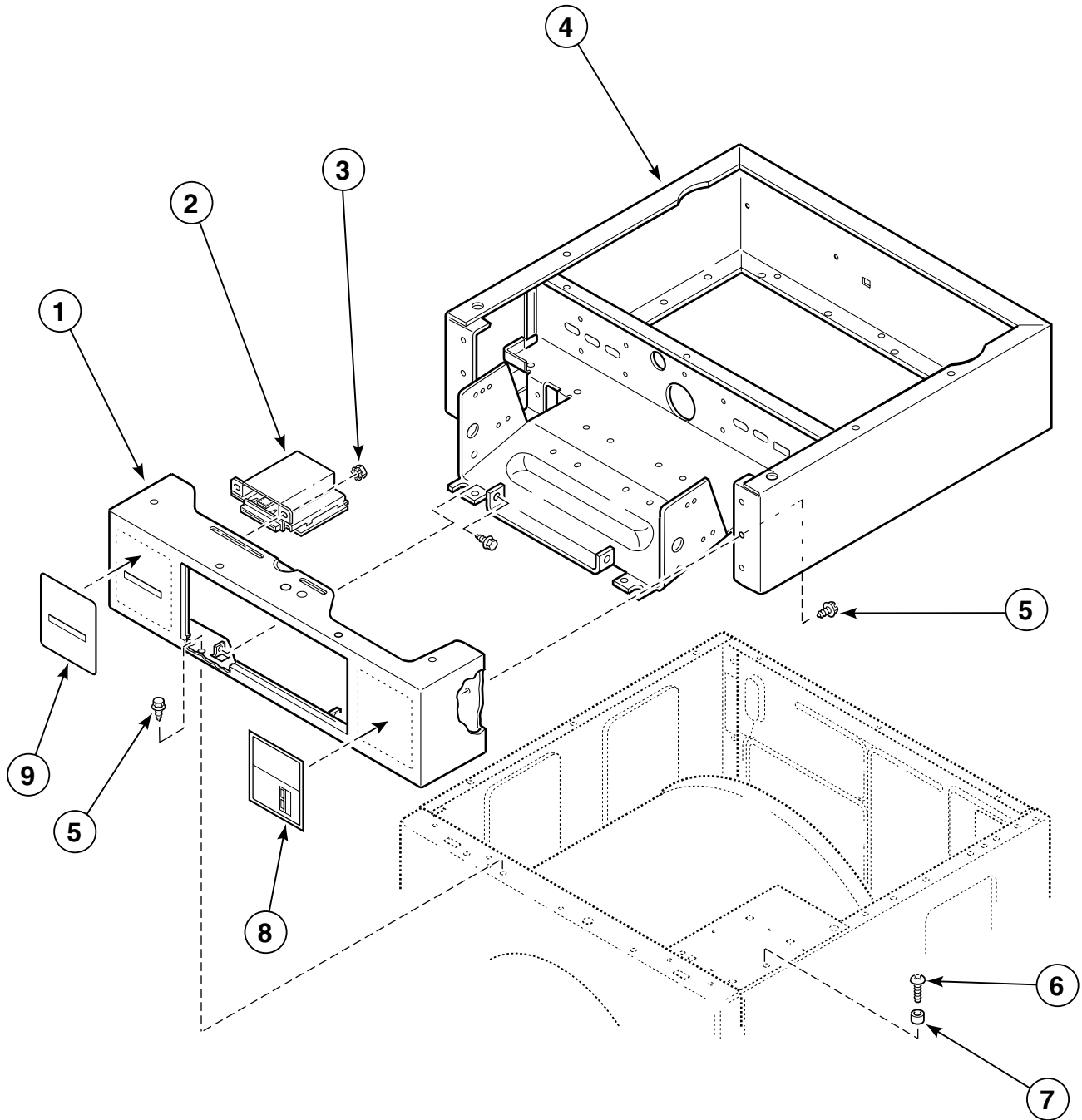
Models HWF761\*E1102, SWF761\*E, SWF761\*H and SWFD61\*H

REF	PART #	DESCRIPTION	COMMENTS
1	39685	Card Reader	
2	501524	Screw	
3	505753*	Control Cabinet Wrapper	
4	503688	Screw	
5	32671	Screw	
6	56079	Panel Locator	
7	685942	Instruction Label	
8	39676	Card Reader Overlay	Model HWF761*E1102
	38192	Overlay	All other models
9	505542*	Control Cabinet Front	

\* Add Letter To Designate Color. L – Almond W – White

# Control Cabinet and Card Reader

Models HWFF61\*J1102, SWFC61\*H, SWFC61\*J, SWFF61\*J and SWFJ61\*J



H133PZ3A

\* Add Letter To Designate Color. L – Almond W – White

# Control Cabinet and Card Reader

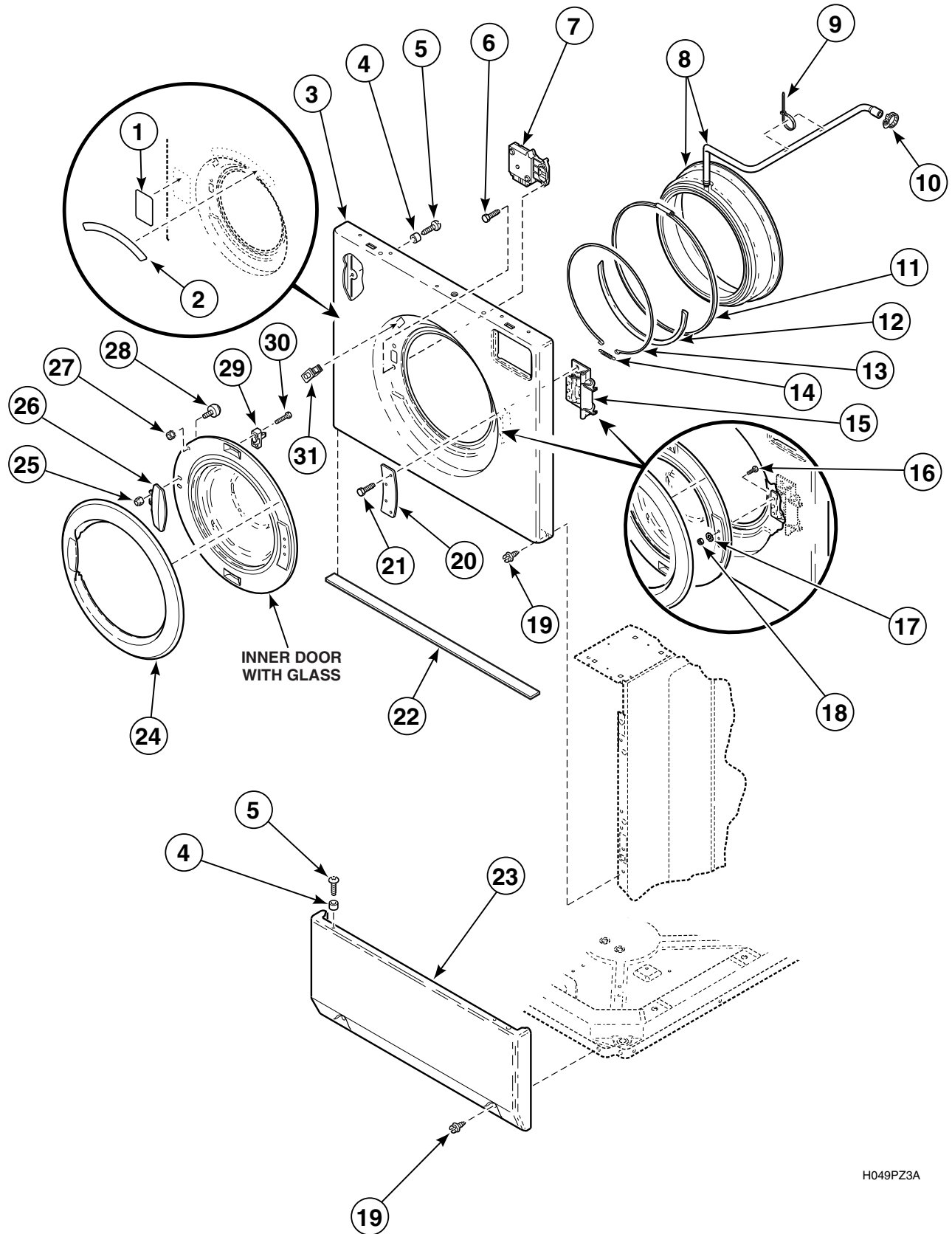
Models HWFF61\*J1102, SWFC61\*H, SWFC61\*J, SWFF61\*J and SWFJ61\*J

REF	PART #	DESCRIPTION	COMMENTS
1	510073*	Control Cabinet Front	Models SWFC61*H and SWFC61*J
	511209*	Control Cabinet Front	All other models
2	210045	Card Reader Assembly	
3	70054	Nut	
4	505753*	Control Cabinet Wrapper	
5	503688	Screw	
6	32671	Screw	
7	56079	Panel Locator	
8	685942	Instruction Label	
9	800230	Overlay	

\* Add Letter To Designate Color. L - Almond W - White

# Front Panel, Door Assembly and Door Seal

Models HWF561\*E1102, HWF761\*E1102, SWF561\*E, SWF661\*E and SWF761\*E



H049PZ3A

\* Add Letter To Designate Color. L – Almond W – White

# Front Panel, Door Assembly and Door Seal

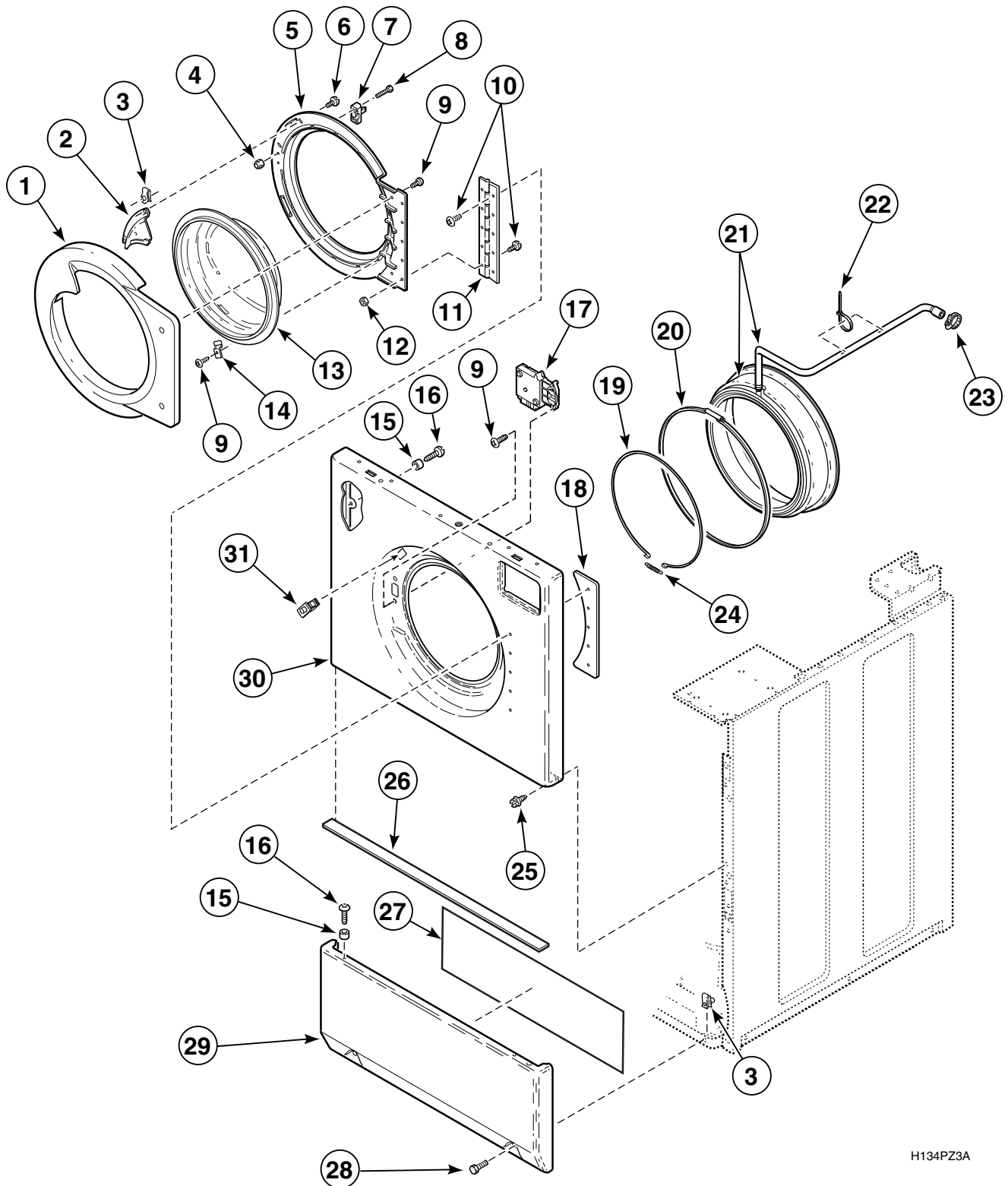
Models HWF561\*E1102, HWF761\*E1102, SWF561\*E, SWF661\*E and SWF761\*E

REF	PART #	DESCRIPTION	COMMENTS
	800435*P	Front Panel and Door Assembly	Includes all items on page 20
1	685947	Door Locked Label	
2	800039	Low Sudsing Label	No longer available
3	800245*	Front Panel	
4	56079	Panel Locator	
5	32671	Screw	
6	800548	Screw	
7	685429	Door Latch/Switch Assembly	
8	800232	Door Seal Assembly	Includes item 10
9	55881	Wire Tie	
10	36801	Hose Clamp	
11	685743	Door Seal Clamp	
12	685389	Foam Tape	Front panel door opening
13	800438	Wire Clamp Ring	
14	800346	Spring	
15	685460	Hinge Assembly	
16	02916	Cap Screw	
17	M400017	Lockwasher	
18	52566	Locknut	
19	503661	Screw	
20	685470	Hinge Plate	
21	685862	Screw	
22	685366	Foam Tape	(1 inch by 26 inches)
23	510069	Lower Access Panel	
24	685400*	Door Bezel	
25	685846	Locknut	
26	685438	Door Handle	
27	51236	Locknut	
28	685448	Bumper	No longer available
29	685430	Catch	
30	685836	Screw	
31	800211	Door Switch	

\* Add Letter To Designate Color. L – Almond W – White

# Front Panel, Door Assembly and Door Seal

All Models Except HWF561\*E1102, HWF761\*E1102, SWF561\*E, SWF661\*E and SWF761\*E



H134PZ3A

\* Add Letter To Designate Color. L – Almond W – White



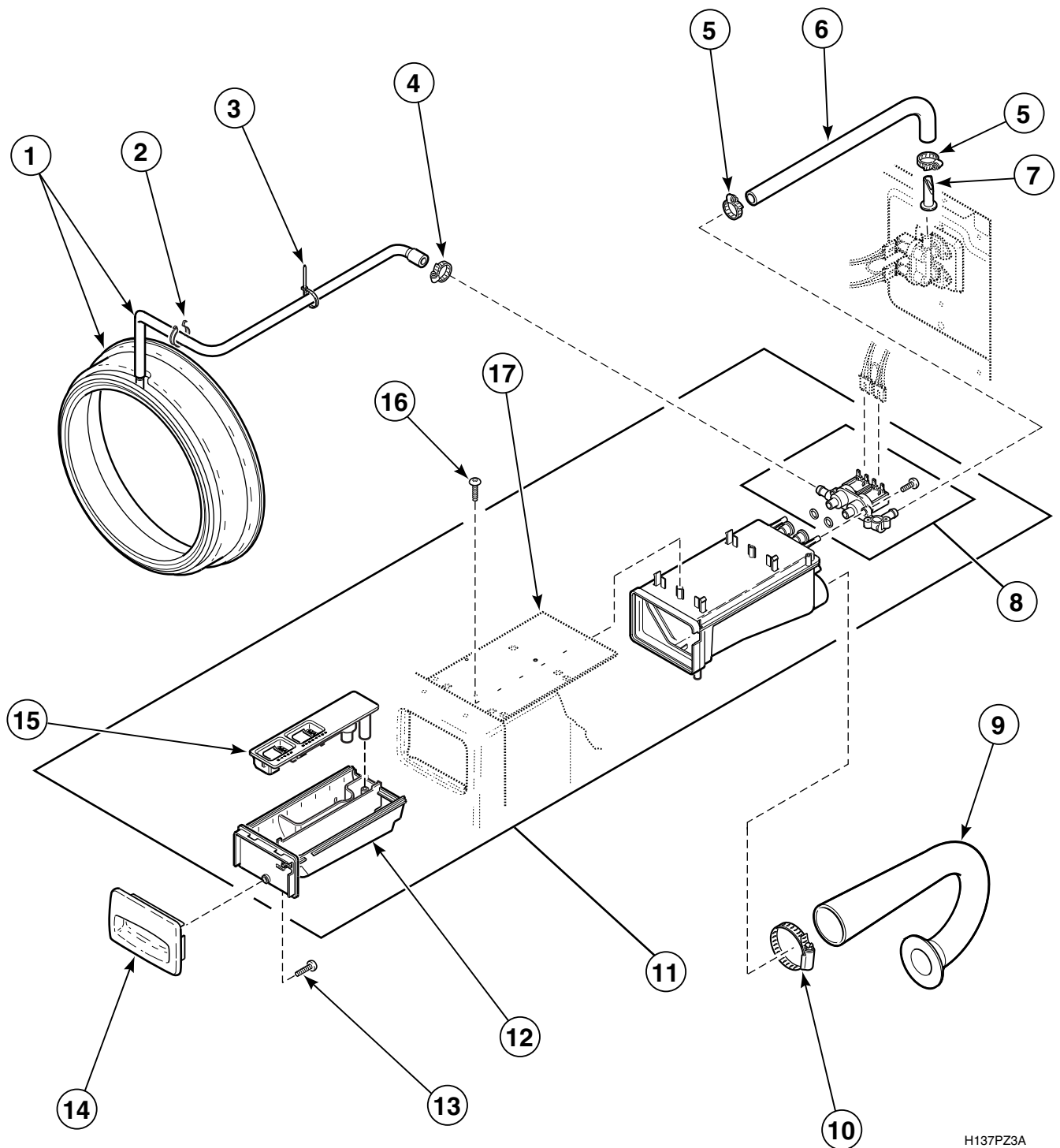
# Front Panel, Door Assembly and Door Seal

All Models Except HWF561\*E1102, HWF761\*E1102, SWF561\*E, SWF661\*E and SWF761\*E

REF	PART #	DESCRIPTION	COMMENTS
	800436*	Door Assembly	Includes items 1 through 14
1	800341*	Outer Door Bezel	
2	800342	Door Handle	
3	36020	Speed Nut	
4	685846	Locknut	
5	800340	Inner Door Bezel	
6	800528	Screw	
7	685430	Catch	
8	685836	Screw	
9	800548	Screw	
10	800549	Screw	
11	800339	Door Hinge Assembly	
12	23951	Locknut	
13	800343P	Door Glass	
14	800345	Hold-Down Clip	
15	56079	Panel Locator	
16	32671	Screw	
17	685429	Door Latch/Switch Assembly	
18	800437	Hinge Plate	
19	800438	Wire Clamp Ring	
20	685743	Door Seal Clamp	
21	800232	Door Seal Assembly	
22	55881	Wire Tie	
23	36801	Hose Clamp	
24	800346	Spring	
25	503661	Screw	
26	685366	Foam Tape	
27	685368	Pad	
28	23008	Screw	
29	510069*	Lower Access Panel	
30	800336*	Front Panel	
31	800211	Door Switch	

\* Add Letter To Designate Color. L - Almond W - White

# Dispenser Assembly



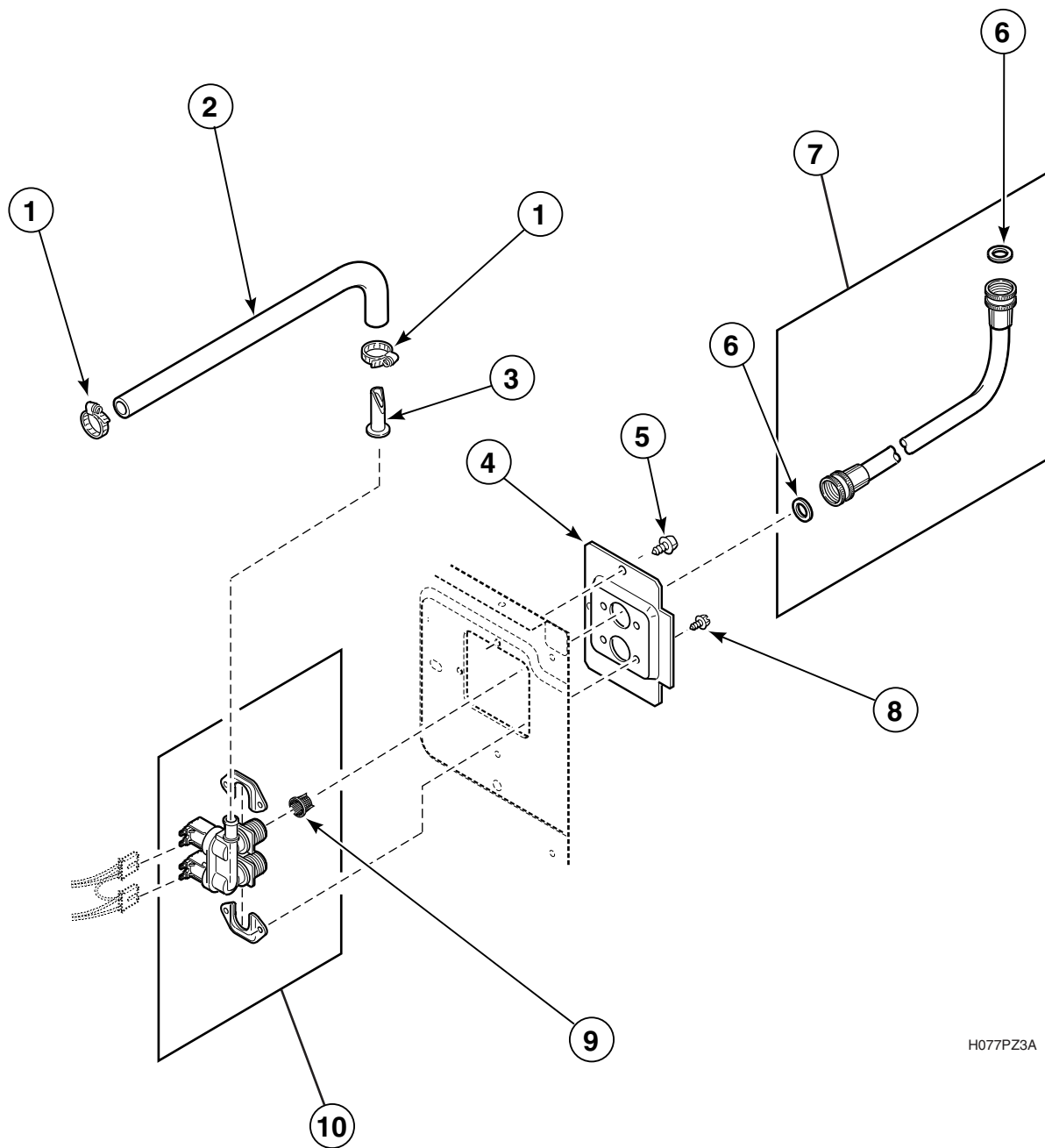
H137PZ3A

# Dispenser Assembly

REF	PART #	DESCRIPTION	COMMENTS
1	800232	Door Seal Assembly	
2	687500	Wire Clip	
3	55881	Wire Tie	
4	36801	Hose Clamp	
5	685753	Hose Clamp	
6	800325	Dispenser Inlet Hose	
7	34500	Backflow Preventer	
8	685766P	Valve Kit	
9	800331	Dispenser Hose	
10	685725	Hose Clamp	
11	685756	Dispenser and Valve Housing Assembly	
12	685757	Drawer	
13	800548	Screw	
14	685715*	Dispenser Drawer Front	
15	685716	Insert	
16	685830	Screw	
17	800242	Dispenser Mounting Bracket	

\* Add Letter To Designate Color. L – Almond W – White

# Mixing Valve, Inlet Hose and Dispenser Hose

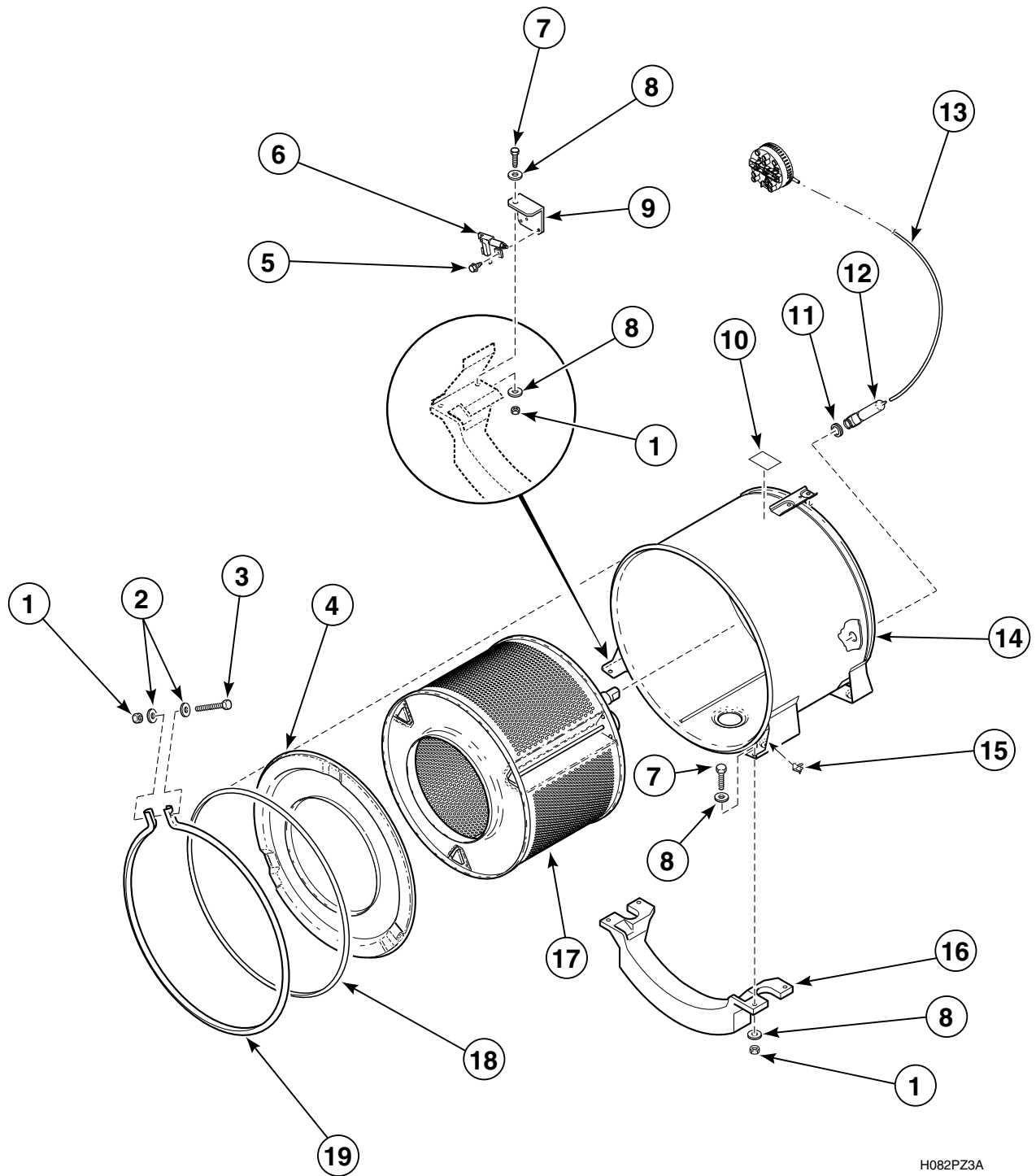


H077PZ3A

## Mixing Valve, Inlet Hose and Dispenser Hose

REF	PART #	DESCRIPTION	COMMENTS
1	685753	Hose Clamp	
2	800325	Dispenser Hose	
3	34500	Backflow Preventer	
4	800323	Mixing Valve Plate	
5	503661	Screw	
6	20290	Hose Washer	
7	28330P	Inlet Hose Assembly	Includes (2) 20290 Hose Washers
8	501086	Screw	
9	F270200	Inlet Screen	
10	800434	Mixing Valve	

# Outer Tub, Front, Clamp Ring and Inner Basket

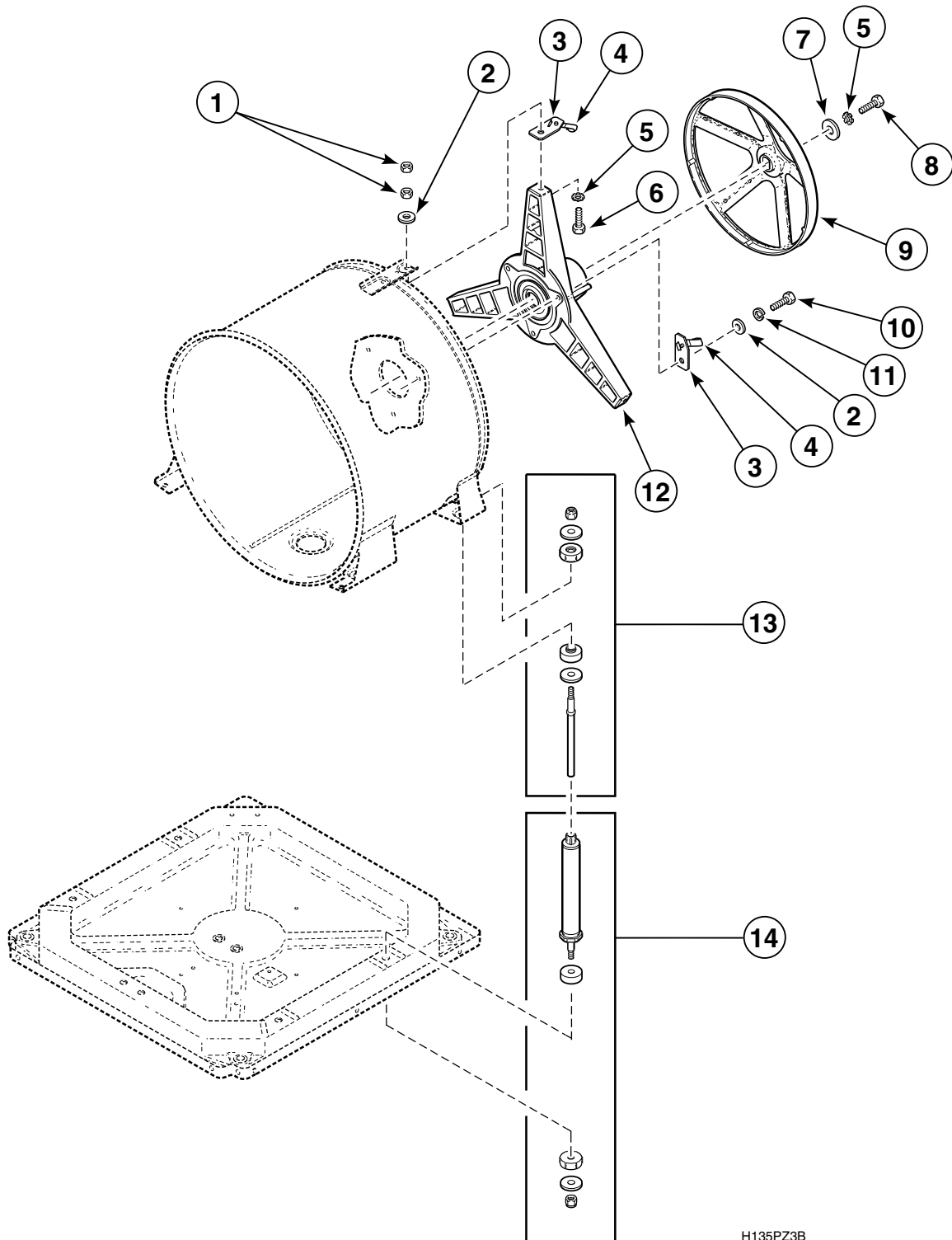


H082PZ3A

## Outer Tub, Front, Clamp Ring and Inner Basket

REF	PART #	DESCRIPTION	COMMENTS
1	800452	Locknut	
2	800457	Flat Washer	
3	800462	Screw	
4	800430	Outer Tub Front	
5	503661	Screw	
6	800321	Out-of-Balance Switch	
7	800461	Screw	
8	M400081	Flat Washer	
9	600046	Mounting Bracket	
10	500049	Warning Label	
11	29175	Grommet	
12	30907	Pressure Bulb	
13	800648	Pressure Hose	
14	800248	Outer Tub	
15	00161	Ground Clip	
16	800205	Weight	
17	800429	Inner Basket	
18	800432	Seal	
19	800312	Clamp Ring	

# Bearing Housing Assembly and Pulley



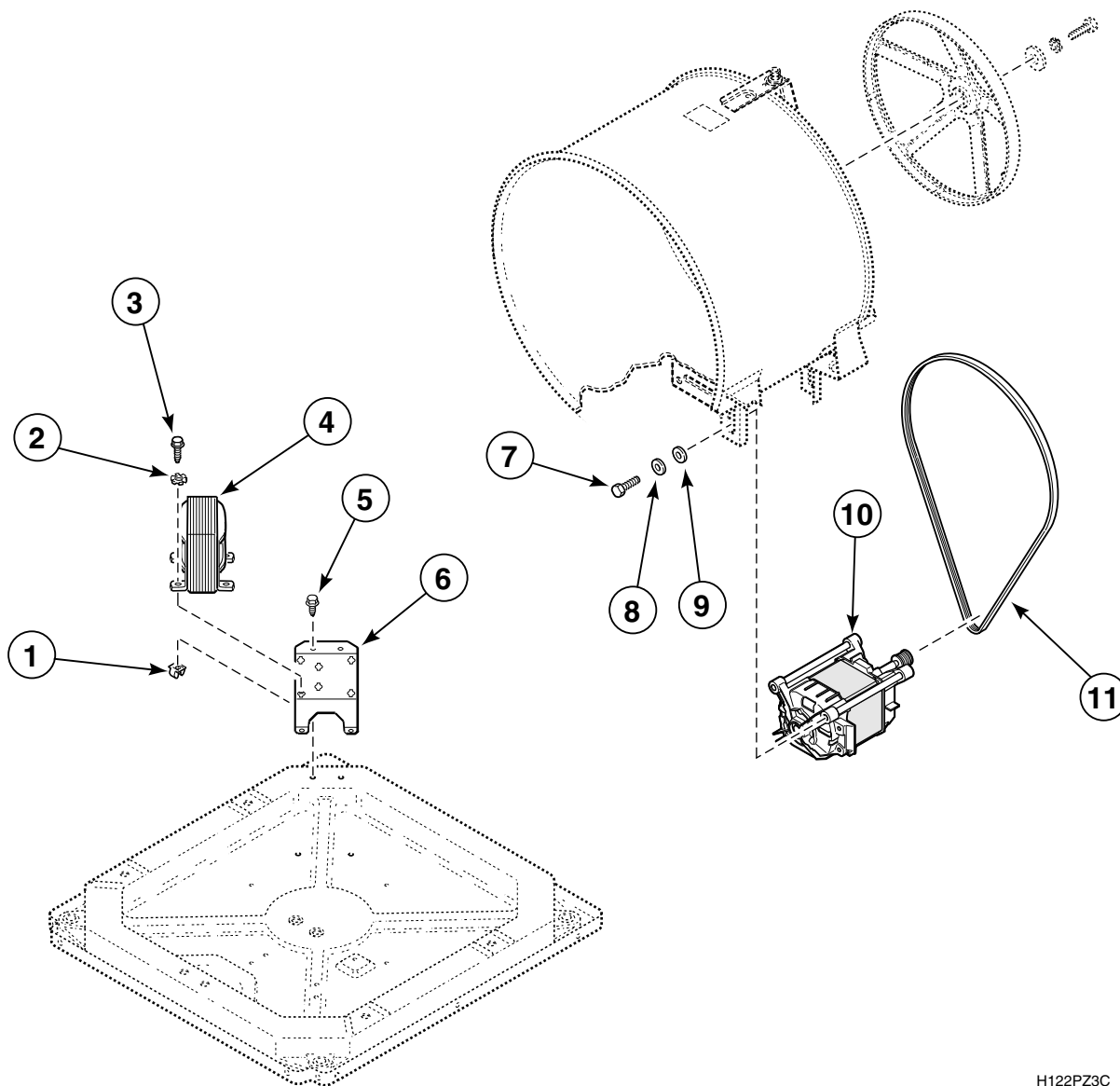
H135PZ3B



## Bearing Housing Assembly and Pulley

REF	PART #	DESCRIPTION	COMMENTS
	685606P	Anti-Seeze Lubricant	Pulley to inner basket shaft
1	800452	Locknut	
2	800457	Washer	
3	800552	Mounting Plate	
4	800553	Clip	
5	M403958	Lockwasher	
6	800461	Screw	
7	800464	Flatwasher	
8	685831	Screw	Left Hand Thread
9	685612	Pulley	
10	M400043	Screw	
11	M400014	Lockwasher	
12	800428	Bearing Housing Assembly	
13	800622	Shock Absorber Assembly	Upper
14	800623	Shock Absorber Assembly	Lower

# Motor and Belt

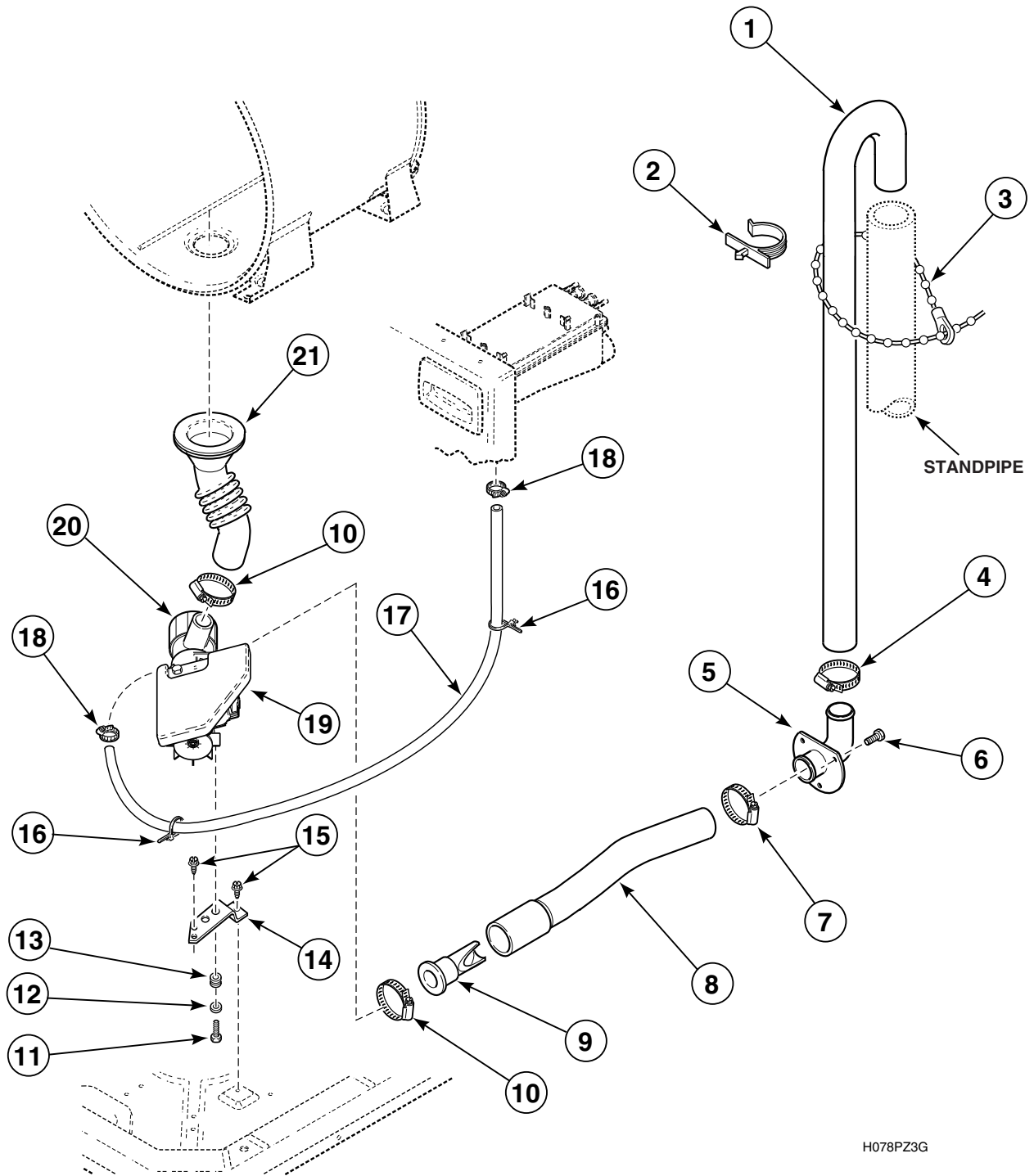


H122PZ3C

## Motor and Belt

REF	PART #	DESCRIPTION	COMMENTS
	738P3	Motor Brush Kit	
1	70030501	Expansion Clip	
2	M400014	Lockwasher	
3	M411072	Screw	
4	686513	Transformer	
5	503661	Screw	
6	800602	Mounting Bracket	
7	M400056	Screw	
8	02834	Lockwasher	
9	M400080	Flat Washer	
10	685639P	Motor Assembly	230 Volt
11	800319	Belt	

# Hoses and Pump

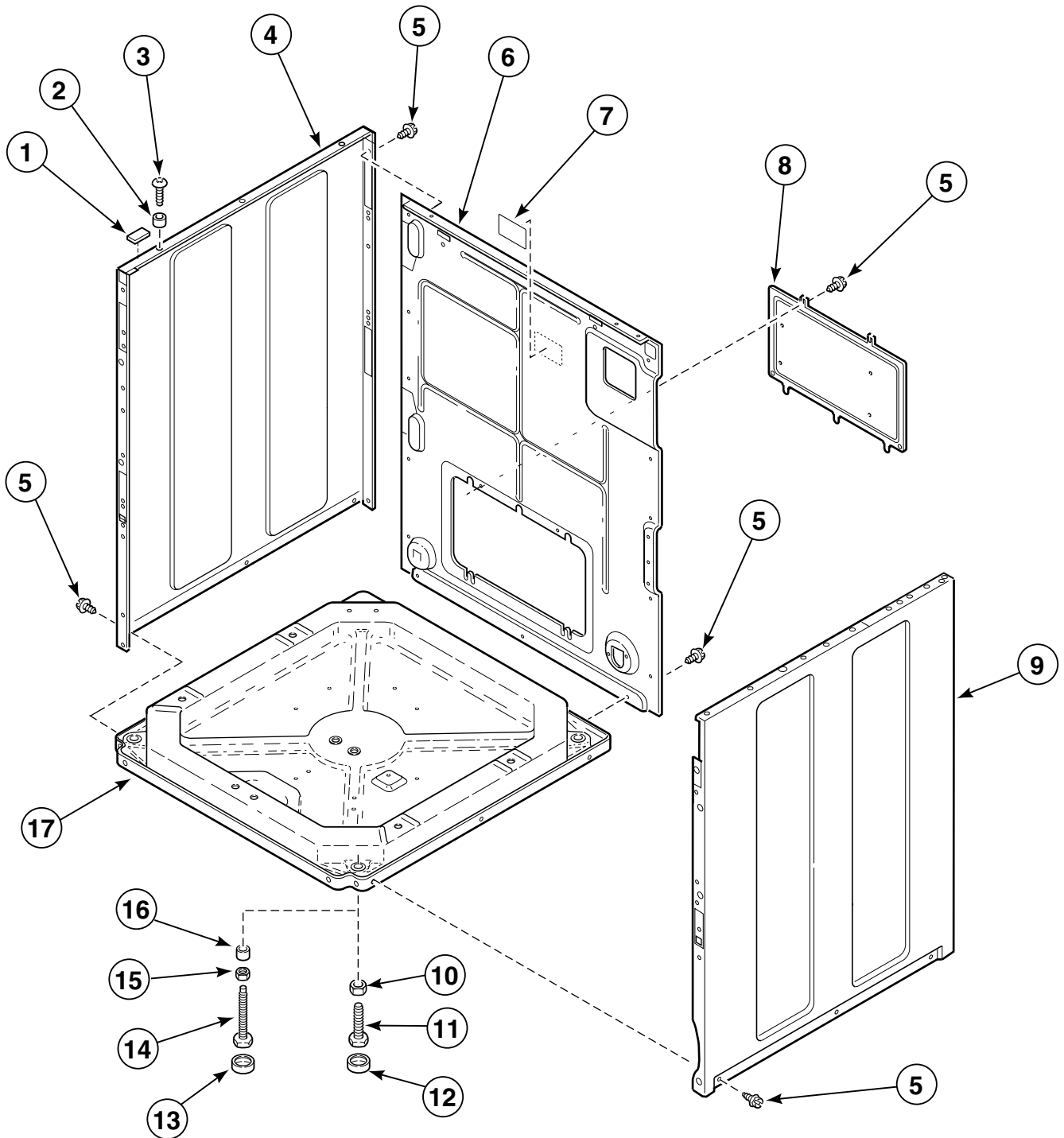


H078PZ3G

# Hoses and Pump

REF	PART #	DESCRIPTION	COMMENTS
	27615P	Sealant	Tub-to-Pump Hose to Outer Tub
1	27154	Drain Hose	
2	39177	Retainer Clip	
3	33489	Beaded Strap	
4	20211	Hose Clamp	
5	35766	Elbow	
6	52909	Screw	
7	20391	Hose Clamp	
8	685737	Pump-to-Elbow Hose	
9	800310	Backflow Preventer	
10	36802	Hose Clamp	
11	38096	Screw	
12	800465	Washer	
13	685834	Grommet	
14	800308	Mounting Bracket	
15	503661	Screw	
16	38663	Wire Tie	
17	800424	Vent Hose Assembly	
18	36801	Hose Clamp	
19	38067	Shield	
20	685703	Drain Pump	
21	800317	Outer Tub-to-Pump Hose	

# Base, Side Panels and Rear Panel



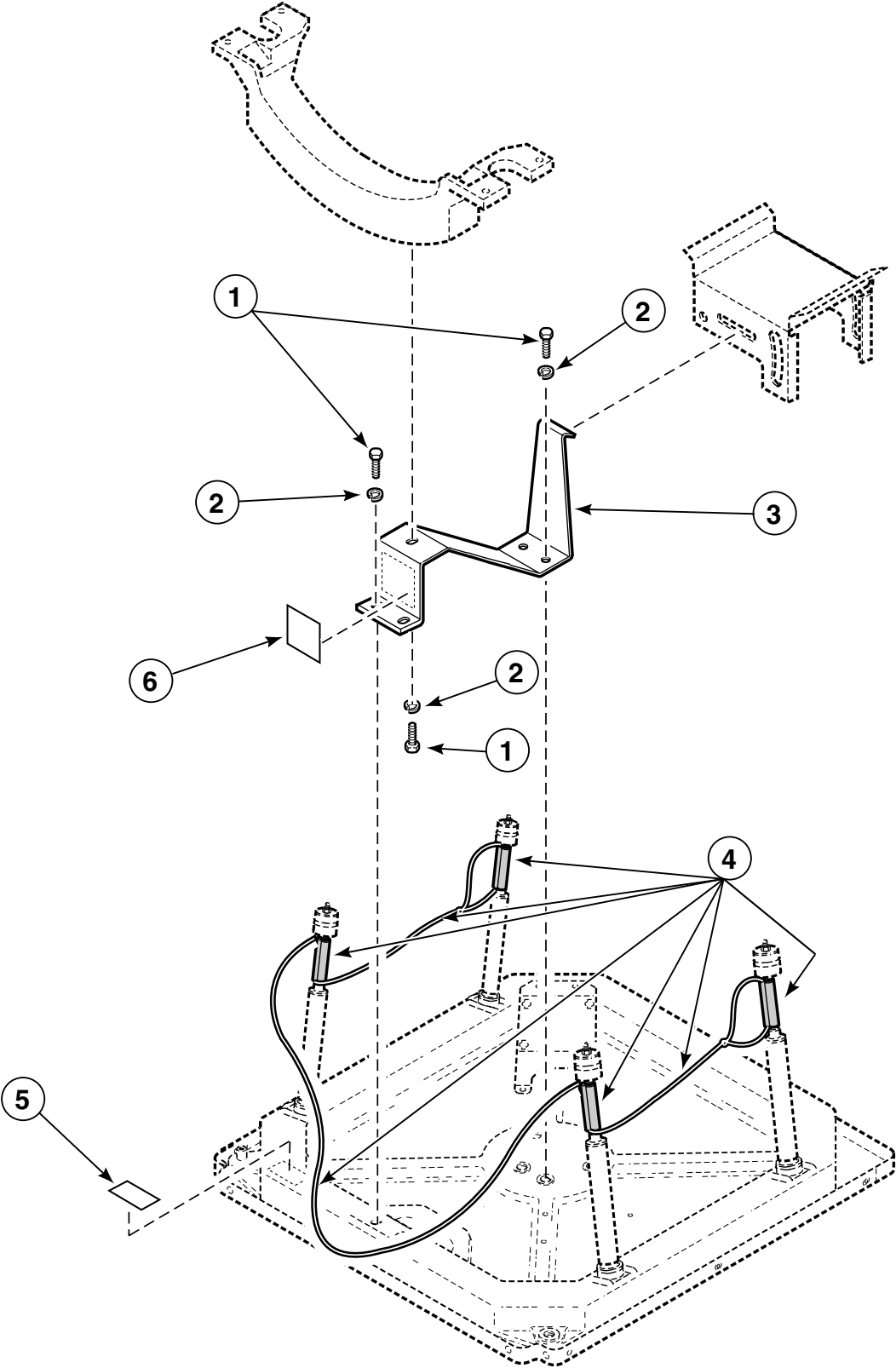
H125PZ3B

## Base, Side Panels and Rear Panel

REF	PART #	DESCRIPTION	COMMENTS
1	56128	Bumper	
2	56079	Panel Locator	
3	32671	Screw	
4	800004*P	Side Panel	Left; Includes corner gusset with hardware
5	503661	Screw	
6	800010*P	Rear Panel	Includes corner gusset with hardware
7	685928	Label	Left hand thread
8	800646	Rear Access Panel	
9	800005*P	Side Panel	Right; Includes 800242 dispenser plate with hardware and 547P3 meter case mounting bracket with hardware
10	21899	Nut	For 1/2 inch leveling leg
11	34319	Leveling Leg	1/2 inch leveling leg
12	34318	Rubber Foot	For 1/2 inch leveling leg
13	70282	Rubber Foot	For 3/8 inch leveling leg
14	800014	Leveling Leg	3/8 inch leveling leg
15	20274	Nut	For 3/8 inch leveling leg
16	800015	Spacer	For 3/8 inch leveling leg
17	800425	Base	

\* Add Letter To Designate Color. L – Almond W – White

# Shipping Materials



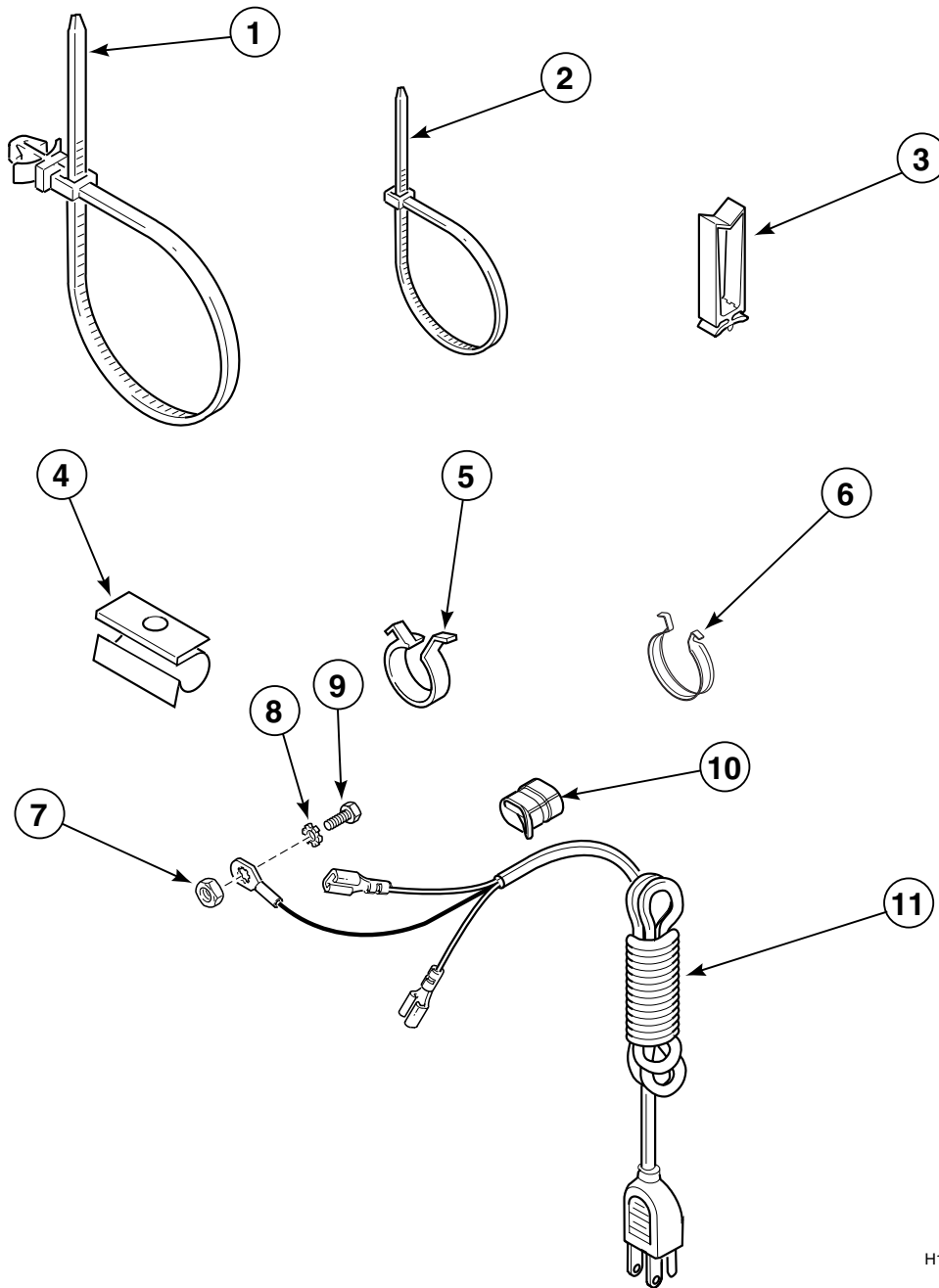
H087PZ3B



# Shipping Materials

REF	PART #	DESCRIPTION	COMMENTS
	728P3	Shipping Brace Kit	Includes all items 1 through 5
1	685840	Screw	
2	M400014	Lockwashers	
3	800347	Shipping Bracket	
4	800364	Shipping Cord and Brace Assembly	
5	500049	Warning Label	
6	686901	Shipping Bracket Label	

# Wire Ties, Harness Clips and Power Cord

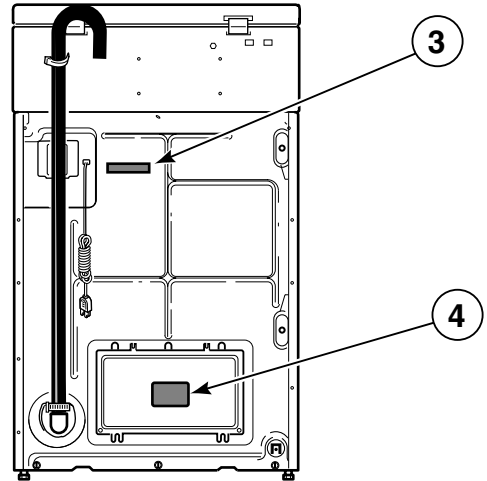
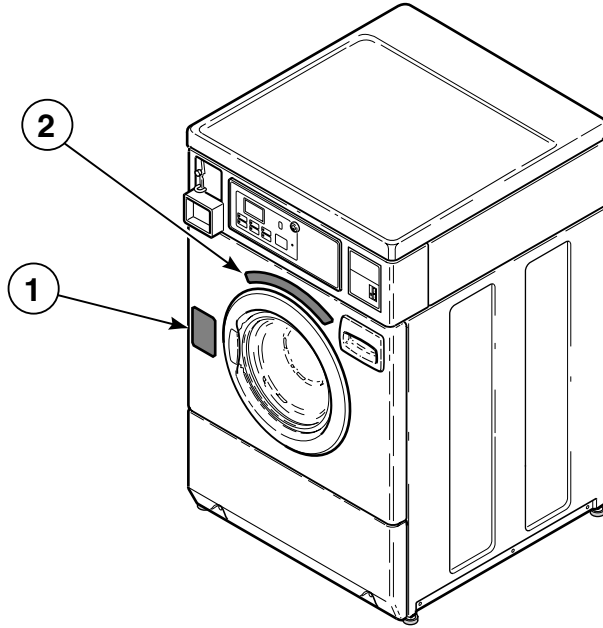


H130PZ3A

## Wire Ties, Harness Clips and Power Cord

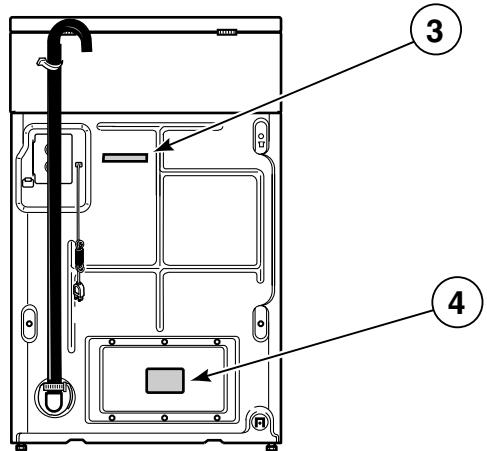
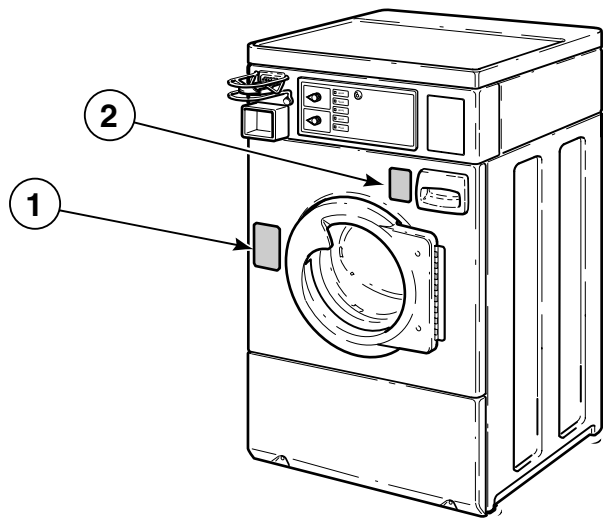
REF	PART #	DESCRIPTION	COMMENTS
1	38663	Wire Tie	
2	55881	Wire Tie	
3	36274	Harness Clip	
4	36985	Clip	
5	504034	Wire Clip	Small
6	687500	Wire Clip	Large
7	03673	Nut	
8	03815	Lockwasher	
9	685837	Screw	
10	38384	Strain Relief	
11	34458	Power Cord	

# Labels



H068PZ3A

Front Control Washers  
Models with the letter "E" in the 8th character of the model number



H132PZ3A

Front Control Washers  
Models with the letter "H" or "J" in the 8th character of the model number

# Labels

REF	PART #	DESCRIPTION	COMMENTS
1	685947	Door Locked Label	
2	800420	Low Sudsing Label	
3	24903	Warning Label	
4	500049	Warning Label	

## Wire Harnesses and Wires

Individual wires are not available separately. Order complete wire harness, or order wire by the foot. See chart.

MODELS	BASE HARNESS	CONTROL HARNESS	MOTOR HARNESS	CARD READER HARNESS	DIAGNOSTIC HARNESS	COIN DROP HARNESS
HWF561*E1102	687574	600059	687579	—	—	—
HWF561*H1102	687574	600059	687579	—	—	—
HWF761*E1102	687574	600059	687579	—	—	—
HWFB61*J1102	687574	800123	687579	—	—	800213
HWFF61*J1102	687574	800123	687579	800125	800374	—
SWF561*E	687574	687585	687579	—	—	—
SWF561*H	687574	800123	687579	—	—	—
SWF661*E	687574	687585	687579	—	—	—
SWF661*H	687574	687585	687579	—	—	—
SWF761*E	687574	600059	687579	686581	—	—
SWF761*H	687574	687585	687579	686581	—	—
SWFA61*H	687574	800123	687579	—	—	800213
SWFB61*H	687574	800123	687579	—	—	800212
SWFB61*J	687574	800123	687579	—	—	800212
SWFC61*H	687574	800123	687579	—	—	—
SWFC61*J	687574	800123	687579	—	800374	—
SWFD61*H	687574	800123	687579	—	—	—
SWFF61*J	687574	800123	687579	800125	800374	—
SWFJ61*J	687574	800123	687579	—	800374	—

\* Add Letter To Designate Color. L – Almond W – White

\* Add Letter To Designate Color. L – Almond W – White

# Parts Index

## A

Anti-Seeze Lubricant 685606P .....	31
---------------------------------------	----

## B

Backflow Preventer 34500 .....	25, 27
800310 .....	35
Base 800425 .....	37
Base Harness 687500 .....	44
Beaded Strap 33489 .....	35
Bearing Housing Assembly 800428 .....	31
Belt 800319 .....	33
Bolt 29651 .....	7
Bracket 38087 .....	9
Bumper 56128 .....	7, 37
685448 .....	21
Bushing M402542 .....	9
503235 .....	9

## C

Cabinet Top Kit 510033*P .....	7
Cam 27261 .....	5
Cap Screw 02916 .....	21
Card Reader 39685 .....	17
Card Reader Assembly 210045 .....	19
Card Reader Overlay 39676 .....	17
Catch 685430 .....	21, 23
Clamp Ring 800312 .....	29
Clip 36985 .....	9, 41
800553 .....	31
Coin Drop 38465 .....	13
38479 .....	13
Coin Drop Harness 800212 .....	13
800213 .....	13

Control Cabinet Front 505542* .....	17
505699* .....	15
505767* .....	13
510073* .....	19
511209* .....	19
Control Cabinet Wrapper 505753* .....	13, 15, 17, 19
Control Panel Assembly 685061* .....	5
800035* .....	5
Control Panel Overlay 685510 .....	5
686589 .....	5
800033 .....	5
800413 .....	5
800416 .....	5
800739 .....	5
Control Shield 800065 .....	9

## D

Dispenser and Valve Housing Assembly 685756 .....	25
Dispenser Drawer Front 685715* .....	25
Dispenser Hose 800325 .....	27
800331 .....	25
Dispenser Inlet Hose 800325 .....	25
Dispenser Mounting Bracket 800242 .....	25
Door Assembly 800436* .....	23
Door Bezel 685400* .....	21
Door Glass 800343P .....	23
Door Handle 685438* .....	21
800342 .....	23
Door Hinge Assembly 800339 .....	23
Door Latch/Switch Assembly 685429 .....	21, 23
Door Locked Label 685947 .....	21, 43
Door Seal Assembly 800232 .....	21, 23, 25
Door Seal Clamp 685743 .....	21, 23
Door Switch 800211 .....	21, 23
Drain Hose 27154 .....	35
Drain Pump 685703 .....	35
Drawer 685757 .....	25

---

**E**

Elbow	35766	35
Electronic Control		
800303P		5
800603P		5
800671		5
Expansion Clip		
70030501		33

---

**F**

Flat Washer		
M400080		33
M400081		29
800457		29
Flatwasher		
800464		31
Foam Tape		
685366		21, 23
685389		21
Front Panel		
800245*		21
800336*		23
Front Panel and Door Assembly		
800435*P		21

---

**G**

Grommet		
29175		29
685834		35
Ground Clip		
00161		29

---

**H**

Harness Clip		
36274		41
Hinge		
511036		7
Hinge Assembly		
685460		21
Hinge Bracket		
504228		7
Hinge Plate		
685470		21
800437		23
Hold-Down Clip		
800345		23
Hose Clamp		
20211		35
20391		35
36801		21, 23, 25, 35
36802		35
685725		25
685753		25, 27
Hose Washer		
20290		27

---

**I**

Indicator Light		
32464		5
Inlet Hose Assembly		
28330P		27
Inlet Screen		
F270200		27
Inner Basket		
800429		29
Inner Door Bezel		
800340		23
Insert		
685716		25
Instruction Label		
685942		15, 17, 19
Instructions Label		
685942		13

---

**L**

Label		
685928		37
Leveling Leg		
34319		37
800014		37
Lock Assembly		
27260		5
Locknut		
23951		23
29796		7
51236		21
52566		21
685846		21, 23
800452		29, 31
Lockwasher		
M400014		31, 33
M400017		21
M403958		31
02834		33
03815		41
Lockwashers		
M400014		39
Low Sudsing Label		
685947		21
800420		43
Lower Access Panel		
510069		21
510069*		23

---

**M**

Mixing Valve		
800434		27
Mixing Valve Plate		
800323		27
Motor Assembly		
685639P		33
Motor Brush Kit		
738P3		33
Motor Control Board		
687539P		9

---



Mounting Bracket	
600046 .....	29
800308 .....	35
800602 .....	33
Mounting Plate	
800552 .....	31
Multiplier	
38571 .....	13

## N

Nut	
03673 .....	41
20274 .....	37
21899 .....	37
29786 .....	13
70054 .....	19

## O

Outer Door Bezel	
800341* .....	23
Outer Tub	
800248 .....	29
Outer Tub Front	
800430 .....	29
Outer Tub-to-Pump Hose	
800317 .....	35
Out-of-Balance Switch	
800321 .....	29
Overlay	
38192 .....	17
38717 .....	13
39073 .....	13
800230 .....	19

## P

Pad	
685368 .....	23
Panel Locator	
56079 .....	13, 15, 17, 19, 21, 23, 37
Power Cord	
34458 .....	41
Pressure Bulb	
30907 .....	29
Pressure Hose	
800648 .....	29
Pressure Switch	
800468 .....	9
Pulley	
685612 .....	31
Pump-to-Elbow Hose	
685737 .....	35

## R

Rear Access Panel	
800646 .....	37

Rear Panel	
800010*P .....	37
Retainer Clip	
39177 .....	35
Rubber Foot	
34318 .....	37
70282 .....	37

## S

Screw	
M400043 .....	31
M400056 .....	33
M411072 .....	33
23008 .....	7, 23
32671 .....	13, 15, 17, 19, 21, 23, 37
36048 .....	7
38096 .....	35
501086 .....	27
501524 .....	5, 9, 17
503661 .....	9, 21, 23, 27, 29, 33, 35, 37
503688 .....	9, 13, 15, 17, 19
52909 .....	35
685830 .....	25
685831 .....	31
685836 .....	21, 23
685837 .....	41
685840 .....	39
685862 .....	21
800461 .....	29, 31
800462 .....	29
800528 .....	23
800548 .....	21, 23, 25
800549 .....	23
Seal	
800432 .....	29
Sealant	
27615P .....	35
Security Top Panel	
504229 .....	7
Shield	
38067 .....	35
Shipping Brace Kit	
728P3 .....	39
Shipping Bracket	
800347 .....	39
Shipping Bracket Label	
686901 .....	39
Shipping Cord and Brace Assembly	
800364 .....	39
Shock Absorber Assembly	
800622 .....	31
800623 .....	31
Shoulder Screw	
502431 .....	7
Side Panel	
800004*P .....	37
800005*P .....	37
Spacer	
800015 .....	37
Speed Nut	
36020 .....	7, 23
Spring	
800346 .....	21, 23

Strain Relief	
38384 .....	41
Switch	
504570 .....	9

---

## **T**

Transformer	
686513 .....	33

---

## **V**

Valve Kit	
685766P .....	25
Vent Hose Assembly	
800424 .....	35

---

## **W**

Warning Label	
24903 .....	43
500049 .....	29, 39, 43
Washer	
800457 .....	31
800465 .....	35
Weight	
800205 .....	29
Wire Clamp Ring	
800438 .....	21, 23
Wire Clip	
504034 .....	41
687500 .....	25, 41
Wire Harnesses	
600059 .....	44
686581 .....	44
687574 .....	44
687579 .....	44
687585 .....	44
800123 .....	44
800125 .....	44
800212 .....	44
800213 .....	44
800374 .....	44
Wire Tie	
38663 .....	35, 41
55881 .....	21, 23, 25, 41