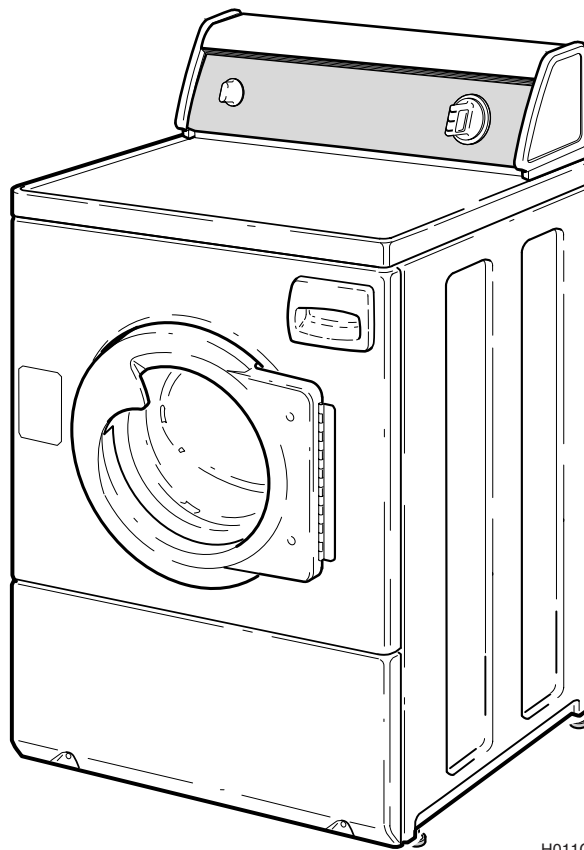


# Commercial Frontload Washers

Models LTS80A\*E, LTS80A\*H  
and LTZ80A\*H1102



H011C

Parts

# Table of Contents

---

Title	Page
Parts Ordering Information .....	2
Nameplate Location .....	2
Graphic Panel, Control Mounting Plate and Controls .....	4
Cabinet Top and Control Hood Rear Panel .....	6
Front Panel, Door Assembly and Door Seal .....	8
Front Panel, Door Assembly and Door Seal .....	10
Dispenser Assembly .....	12
Mixing Valve, Inlet Hose and Dispenser Hose .....	14
Outer Tub, Front, Clamp Ring and Inner Basket .....	16
Bearing Housing Assembly and Pulley .....	18
Motor and Belt .....	20
Hoses and Pump .....	22
Base, Side Panels and Rear Panel .....	24
Shipping Materials .....	26
Wire Ties, Harness Clips and Power Cord .....	28
Wire Harnesses and Wires .....	30
Parts Index .....	31

© Copyright 2000, Alliance Laundry Systems LLC

All rights reserved. No part of the contents of this book may be reproduced or transmitted in any form or by any means without the expressed written consent of the publisher.

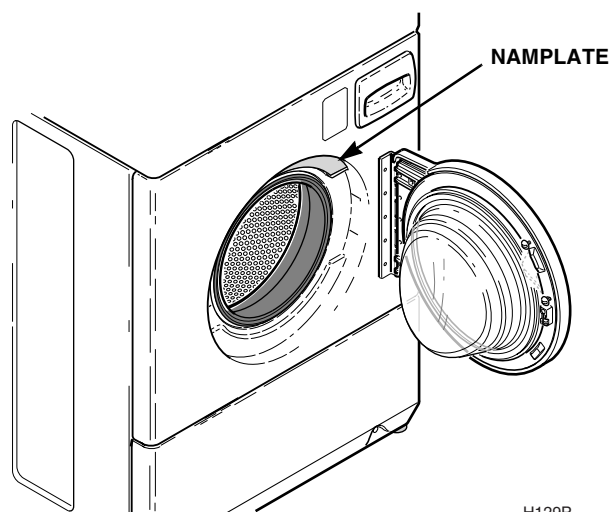
## Parts Ordering Information

If literature or replacement parts are required, contact the source from whom the machine was purchased or contact Alliance Laundry Systems at (920) 748-3950 for the name and address of the nearest authorized parts distributor.

For technical assistance, call (920) 748-3121.

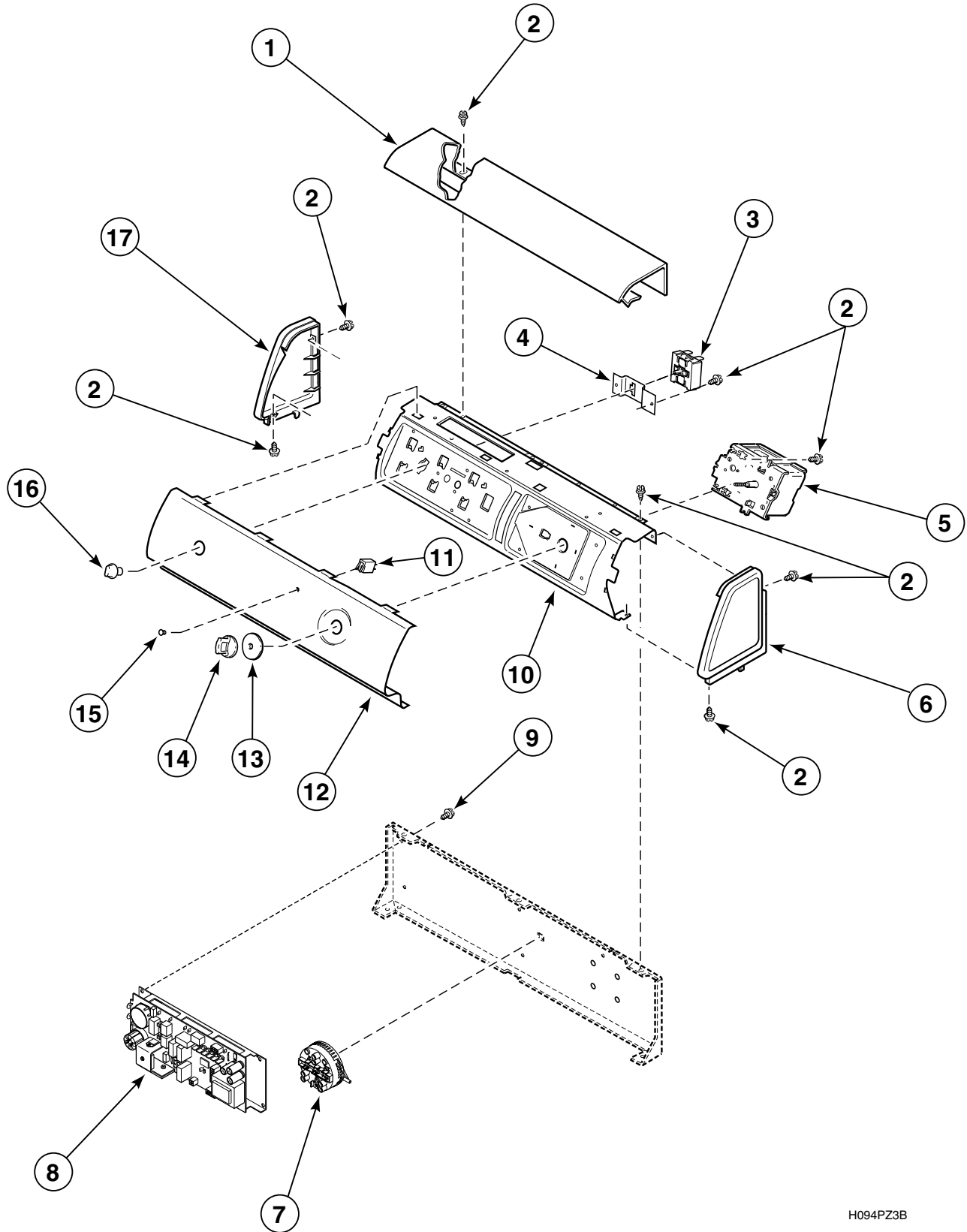
## Nameplate Location

When calling or writing about your product, be sure to mention model and serial numbers. Model and serial numbers are located on nameplate(s) as shown.



H129P

# Graphic Panel, Control Mounting Plate and Controls



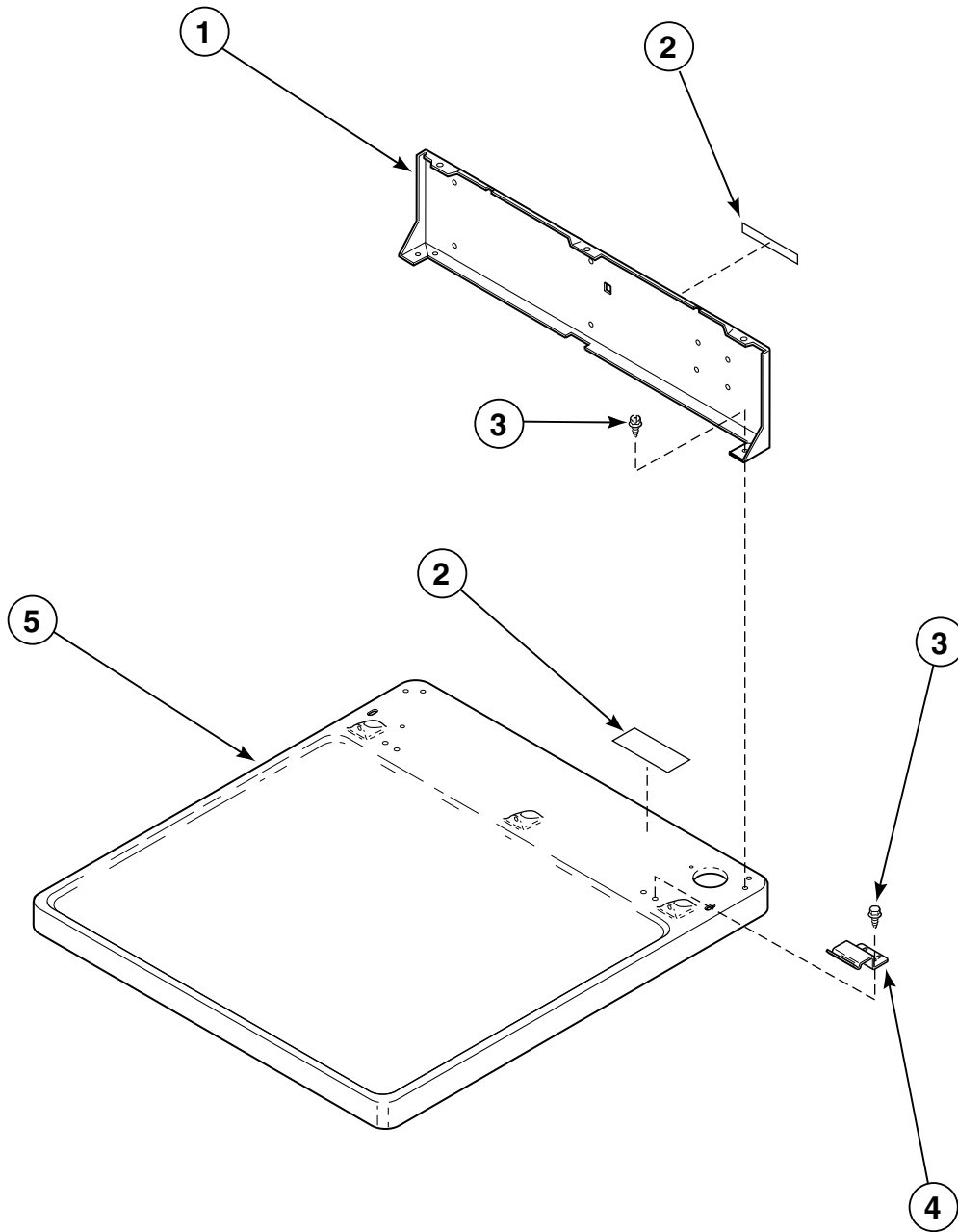
H094PZ3B

## Graphic Panel, Control Mounting Plate and Controls

REF	PART #	DESCRIPTION	COMMENTS
1	505808*	Top Cover	
2	501086	Screw	
3	687542	Temperature Switch	
4	800669	Switch Bracket	
5	687537	Timer	
6	504008*	End Panel	Right
7	800468	Pressure Switch	
8	800076P	Motor Control Board	
9	501524	Screw	
10	685310	Control Mounting Plate	
11	800399	Indicator Light	
12	687557	Graphic Panel	Models LTS80A*E and LTS80A*H
	800818*	Graphic Panel	Model LTZ80A*H1102
13	38841W	Timer Knob Skirt	Model LTS80A*E
	36700*	Timer Knob Skirt	Models LTS80A*H and LTZ80A*H1102
14	33898W	Timer Knob	Model LTS80A*E
	35333*	Timer Knob	Models LTS80A*H and LTZ80A*H1102
15	685579	Lens	
16	33688	Control Knob	Model LTS80A*E
	36701*	Control Knob	Models LTS80A*H and LTZ80A*H1102
17	504009*	End Panel	Left

\* Add Letter To Designate Color. L – Almond W – White

# Cabinet Top and Control Hood Rear Panel



H084PZ3A

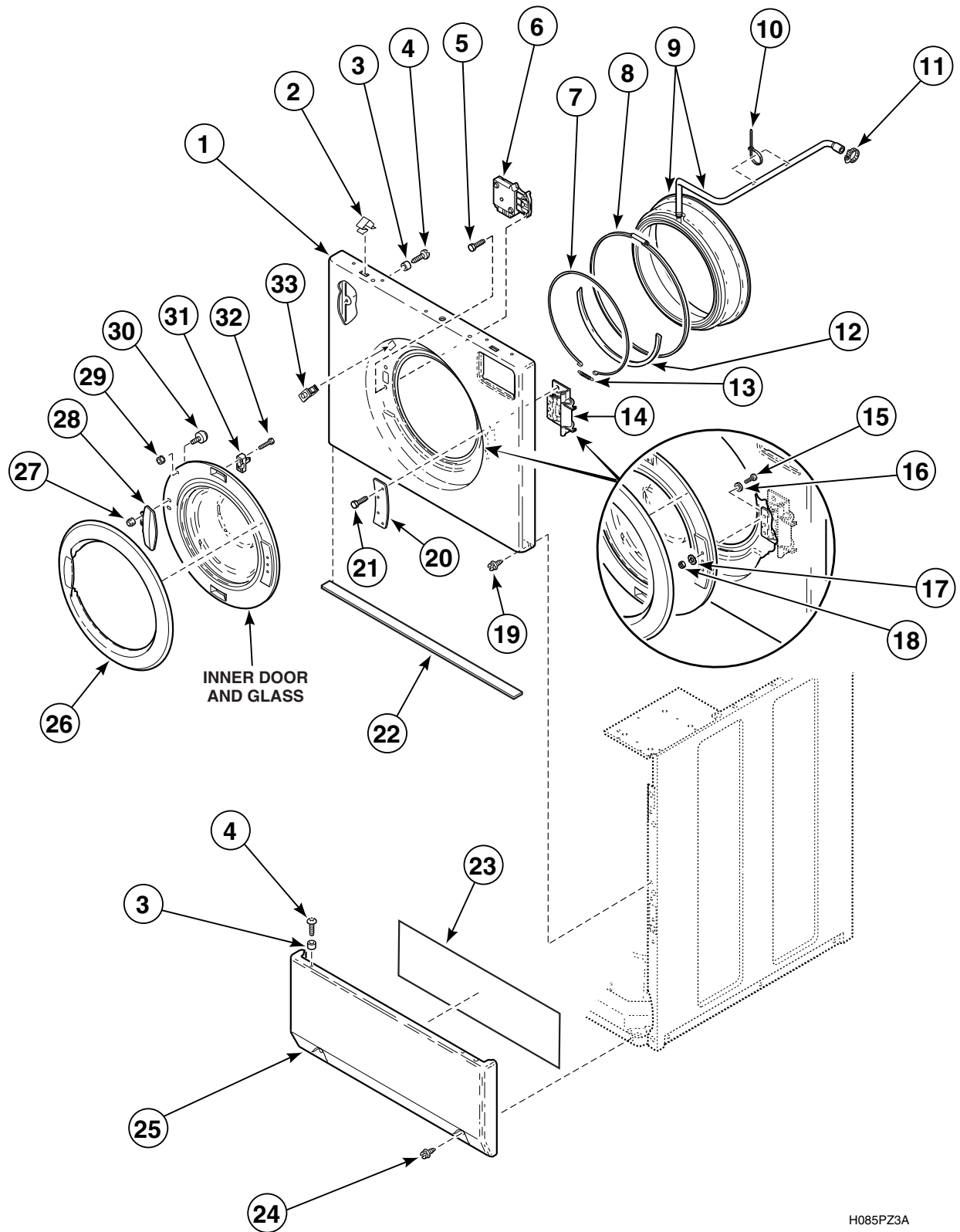
## Cabinet Top and Control Hood Rear Panel

REF	PART #	DESCRIPTION	COMMENTS
1	510099	Control Hood Rear Panel	
2	24903	Warning Label	
3	501086	Screw	
4	35358	Hold-Down Clip	
5	510029*P	Cabinet Top	

\* Add Letter To Designate Color. L – Almond W – White

# Front Panel, Door Assembly and Door Seal

Model LWS80A\*E



H085PZ3A



# Front Panel, Door Assembly and Door Seal

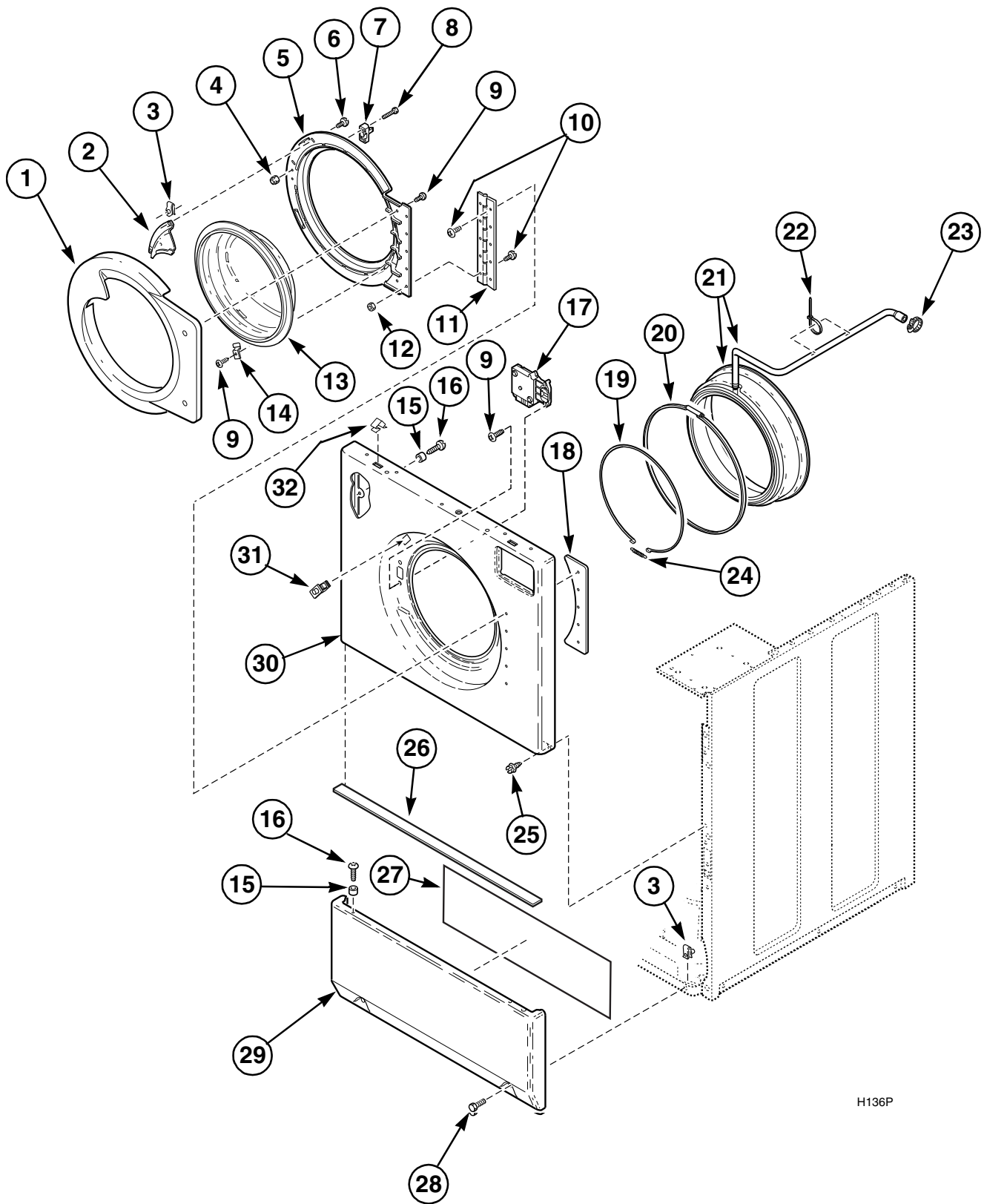
Model LWS80A\*E

REF	PART #	DESCRIPTION	COMMENTS
	800435*P	Front Panel and Door Assembly	Includes all items on this page
1	800245*	Front Panel	
2	28835	Hold-Down Clip	
3	56079	Panel Locator	
4	32671	Screw	
5	800548	Screw	
6	685429	Door Latch / Switch Assembly	
7	800438	Wire Clamp Ring	
8	685743	Door Seal Clamp	
9	800232	Door Seal Assembly	
10	55881	Wire Tie	
11	36801	Hose Clamp	
12	685389	Foam Tape	Front panel door opening
13	800346	Spring	
14	685460	Hinge Assembly	
15	02916	Cap Screw	
16	35917	Washer	
17	M400017	Lockwasher	
18	52566	Locknut	
19	503661	Screw	
20	685470	Hinge Plate	
21	685862	Screw	
22	685366	Foam Tape	(1 inch by 26 inches)
23	685368	Pad	
24	33562	Screw	Hex Head
	62853	Screw	Torx Head (Optional, for security)
25	510069*	Lower Access Panel	
26	685400*	Door Bezel	
27	685846	Locknut	
28	685438	Door Handle	
29	23951	Locknut	
30	800233	Bumper	
31	685430	Catch	
32	685836	Screw	
33	800211	Door Switch	

\* Add Letter To Designate Color. L – Almond W – White

# Front Panel, Door Assembly and Door Seal

Models LTS80A\*H and LTZ80A\*H1102



H136P

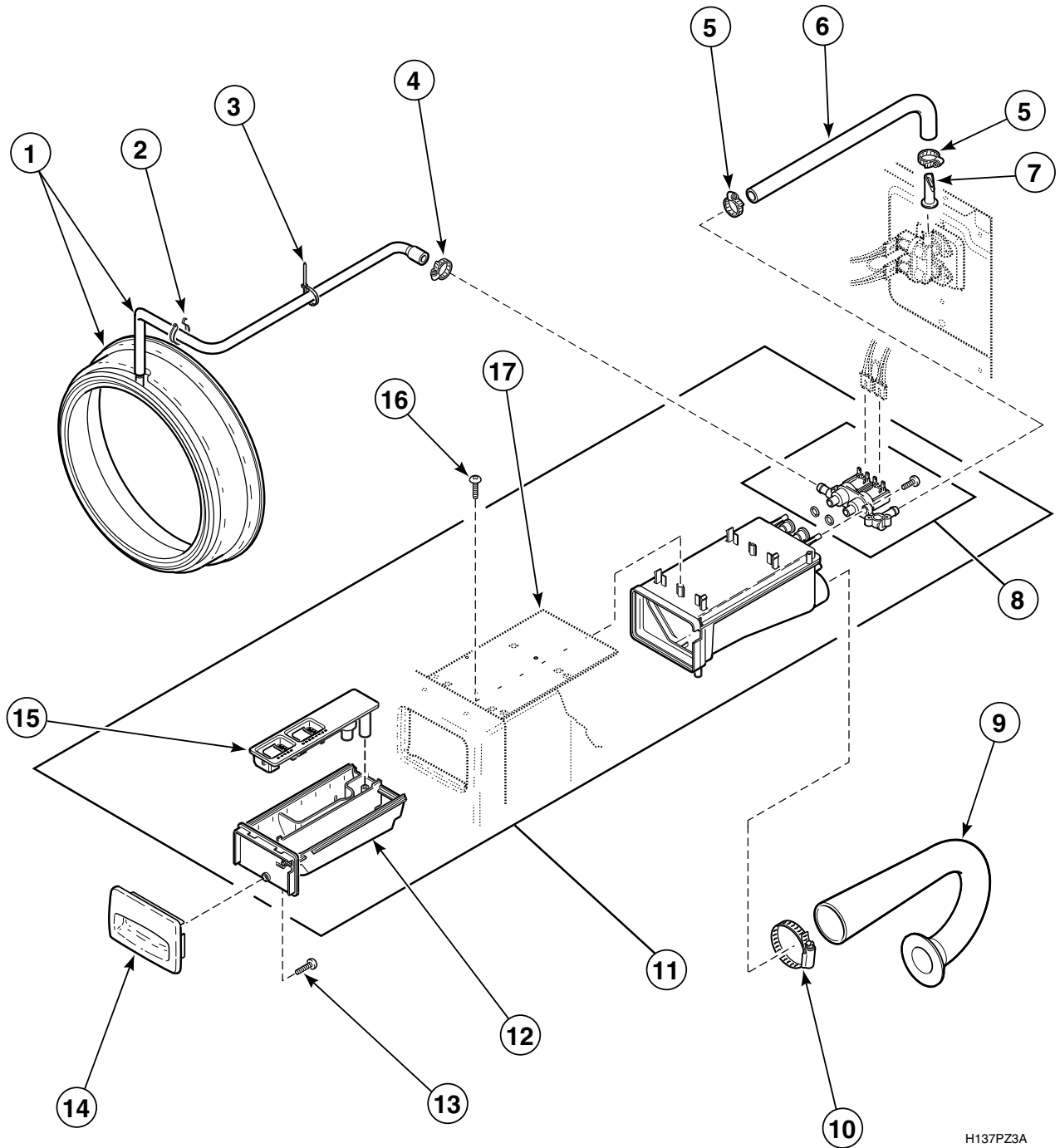
# Front Panel, Door Assembly and Door Seal

Models LTS80A\*H and LTZ80A\*H1102

REF	PART #	DESCRIPTION	COMMENTS
	800436*	Door Assembly	Includes items 1 through 14
1	800341*	Outer Door Bezel	
2	800342	Door Handle	
3	36020	Speed Nut	
4	685846	Locknut	
5	800340	Inner Door Bezel	
6	800528	Screw	
7	685430	Catch	
8	685836	Screw	
9	800548	Screw	
10	800549	Screw	
11	800339	Door Hinge Assembly	
12	23951	Locknut	
13	800343P	Door Glass	
14	800345	Hold-Down Clip	
15	56079	Panel Locator	
16	32671	Screw	
17	685429	Door Latch/Switch Assembly	
18	800437	Hinge Plate	
19	800438	Wire Clamp Ring	
20	685743	Door Seal Clamp	Seal to outer tub front
21	800232	Door Seal Assembly	
22	55881	Wire Tie	
23	36801	Hose Clamp	
24	800346	Spring	
25	503661	Screw	
26	685366	Foam Tape	
27	685368	Pad	
28	23008	Screw	
29	510069*	Lower Access Panel	
30	800336*	Front Panel	
31	800211	Door Switch	
32	28835	Hold-Down Clip	

\* Add Letter To Designate Color. L – Almond W – White

# Dispenser Assembly



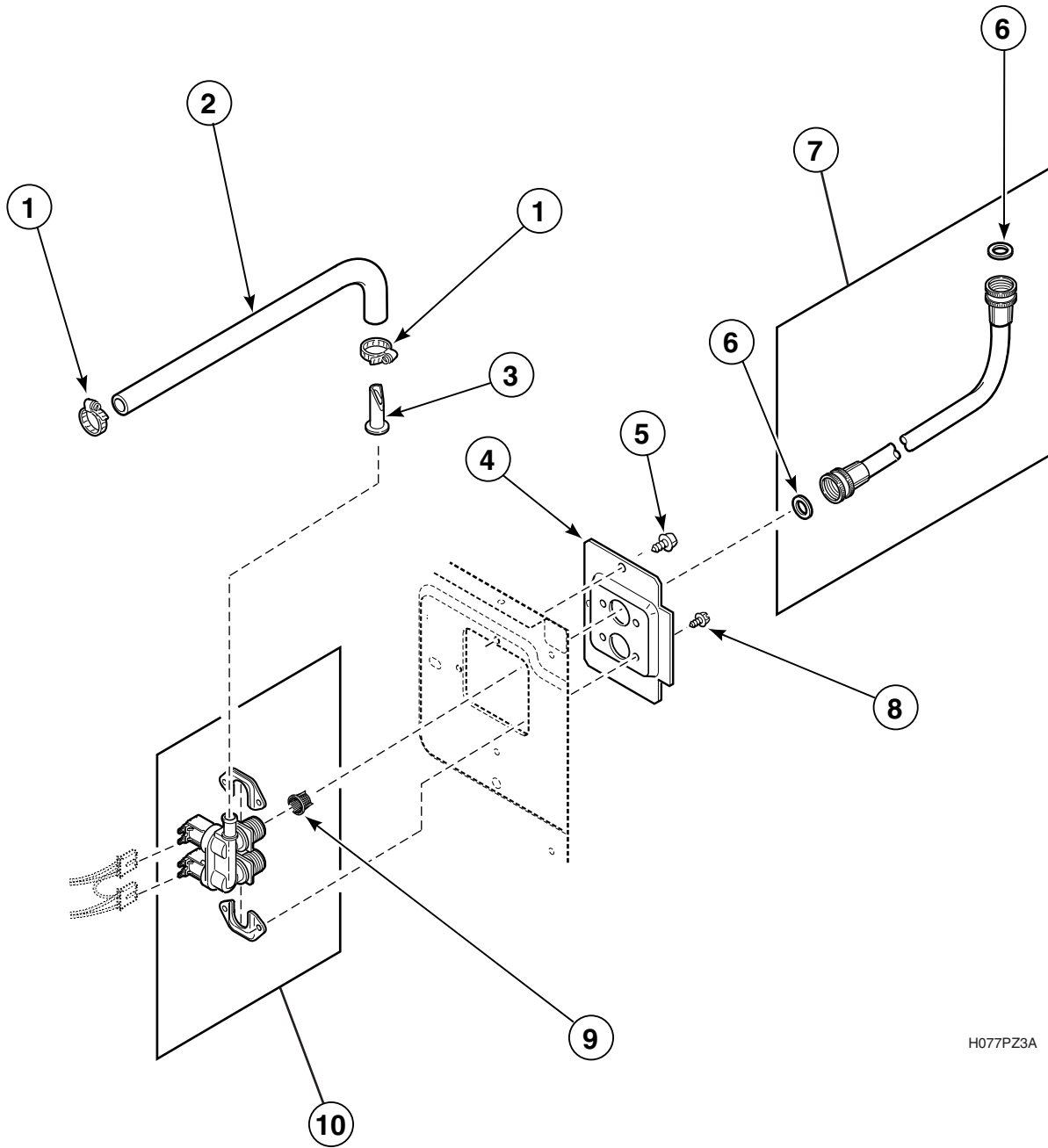
H137PZ3A

# Dispenser Assembly

REF	PART #	DESCRIPTION	COMMENTS
1	800232	Door Seal Assembly	
2	687500	Wire Clip	
3	55881	Wire Tie	
4	36801	Hose Clamp	
5	800803	Hose Clamp	
6	800325	Dispenser Inlet Hose	
7	34500	Backflow Preventer	
8	685766P	Valve	
9	800331	Dispenser Hose	
10	685725	Hose Clamp	
11	685756	Dispenser and Valve Housing Assembly	
12	685757	Drawer	
13	800548	Screw	
14	685715*	Dispenser Drawer Front	
15	685716	Insert	
16	685830	Screw	
17	800242	Dispenser Mounting Bracket	

\* Add Letter To Designate Color. L – Almond W – White

# Mixing Valve, Inlet Hose and Dispenser Hose

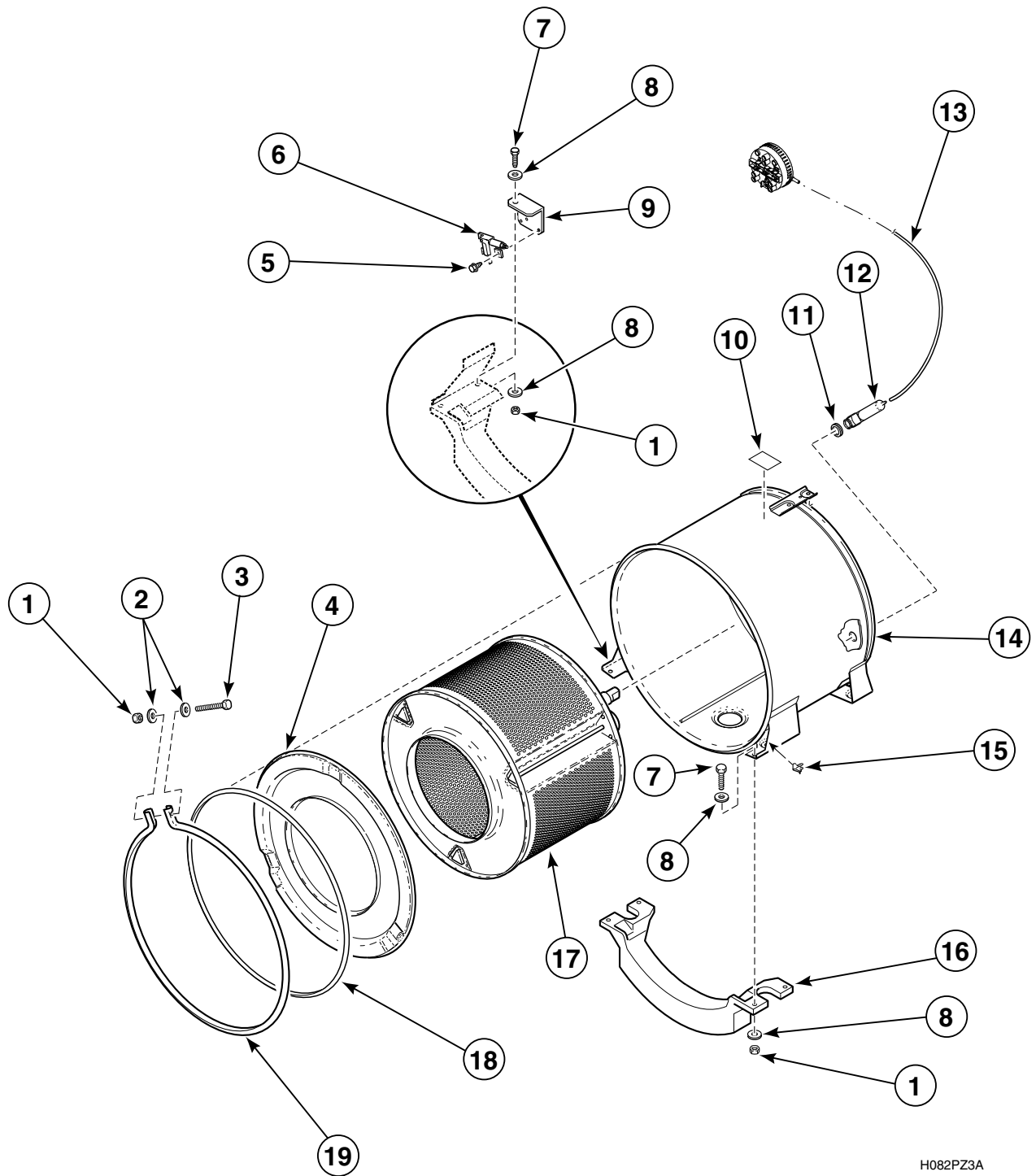


H077PZ3A

## Mixing Valve, Inlet Hose and Dispenser Hose

REF	PART #	DESCRIPTION	COMMENTS
1	800803	Hose Clamp	
2	800325	Dispenser Hose	
3	34500	Backflow Preventer	
4	800323	Mixing Valve Plate	
5	503661	Screw	
6	20290	Hose Washer	
7	28330P	Inlet Hose Assembly	Includes (2) 20290 Hose Washers
8	501086	Screw	
9	F270200	Inlet Screen	
10	800434	Mixing Valve	

# Outer Tub, Front, Clamp Ring and Inner Basket



H082PZ3A

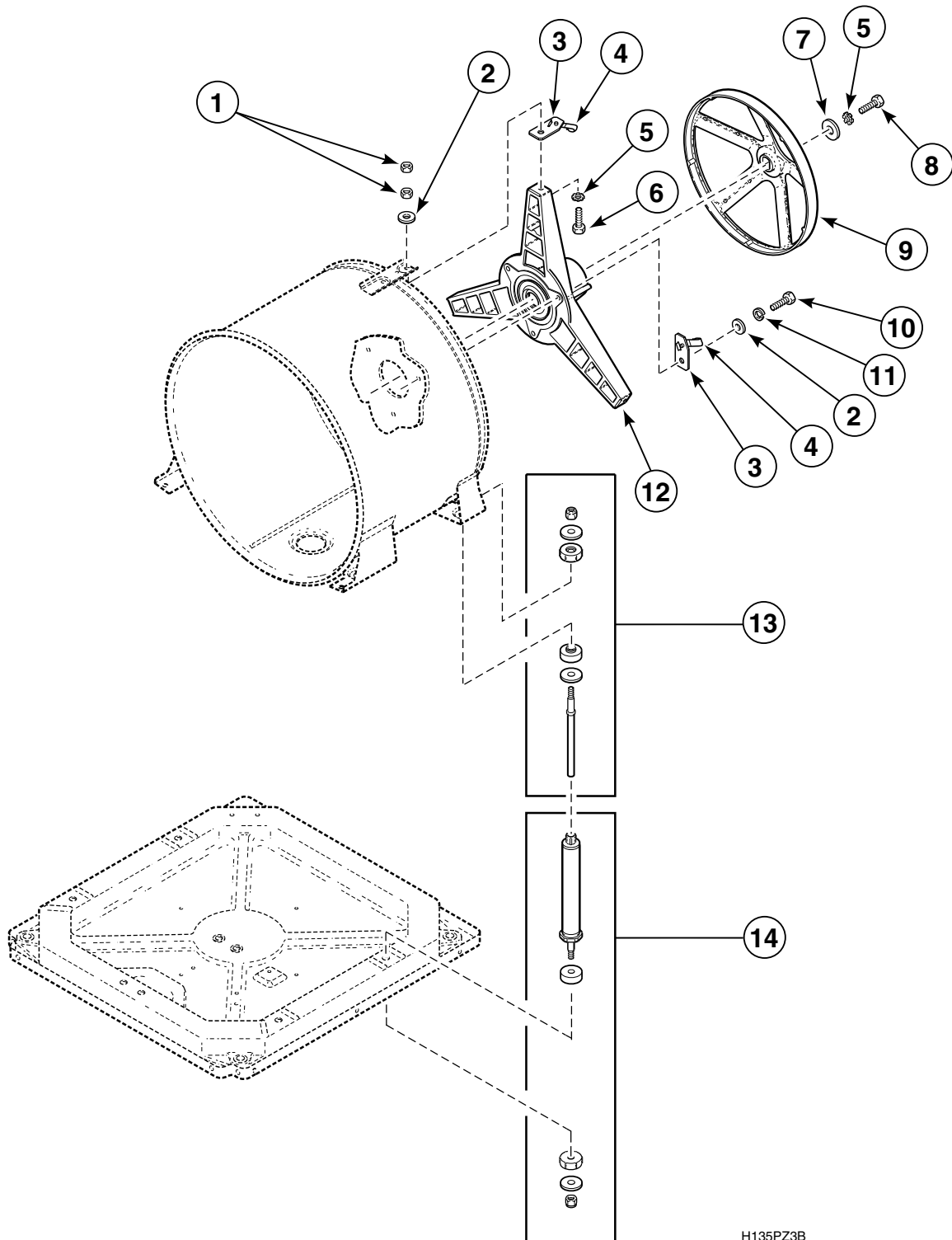


## Outer Tub, Front, Clamp Ring and Inner Basket

REF	PART #	DESCRIPTION	COMMENTS
1	800452	Locknut	
2	800457	Flat Washer	
3	800462	Screw	
4	800430	Outer Tub Front	
5	503661	Screw	
6	800321	Out-of-Balance Switch	
7	800461	Screw	
8	M400081	Flat Washer	
9	600046	Mounting Bracket	
10	500049	Warning Label	
11	29175	Grommet	
12	30907	Pressure Bulb	
13	29214	Pressure Hose	
14	800248	Outer Tub	
15	00161	Ground Clip	
16	800205	Weight	
17	800429	Inner Basket	
18	800432	Seal	
19	800312	Clamp Ring	

\* Add Letter To Designate Color. L – Almond W – White

# Bearing Housing Assembly and Pulley

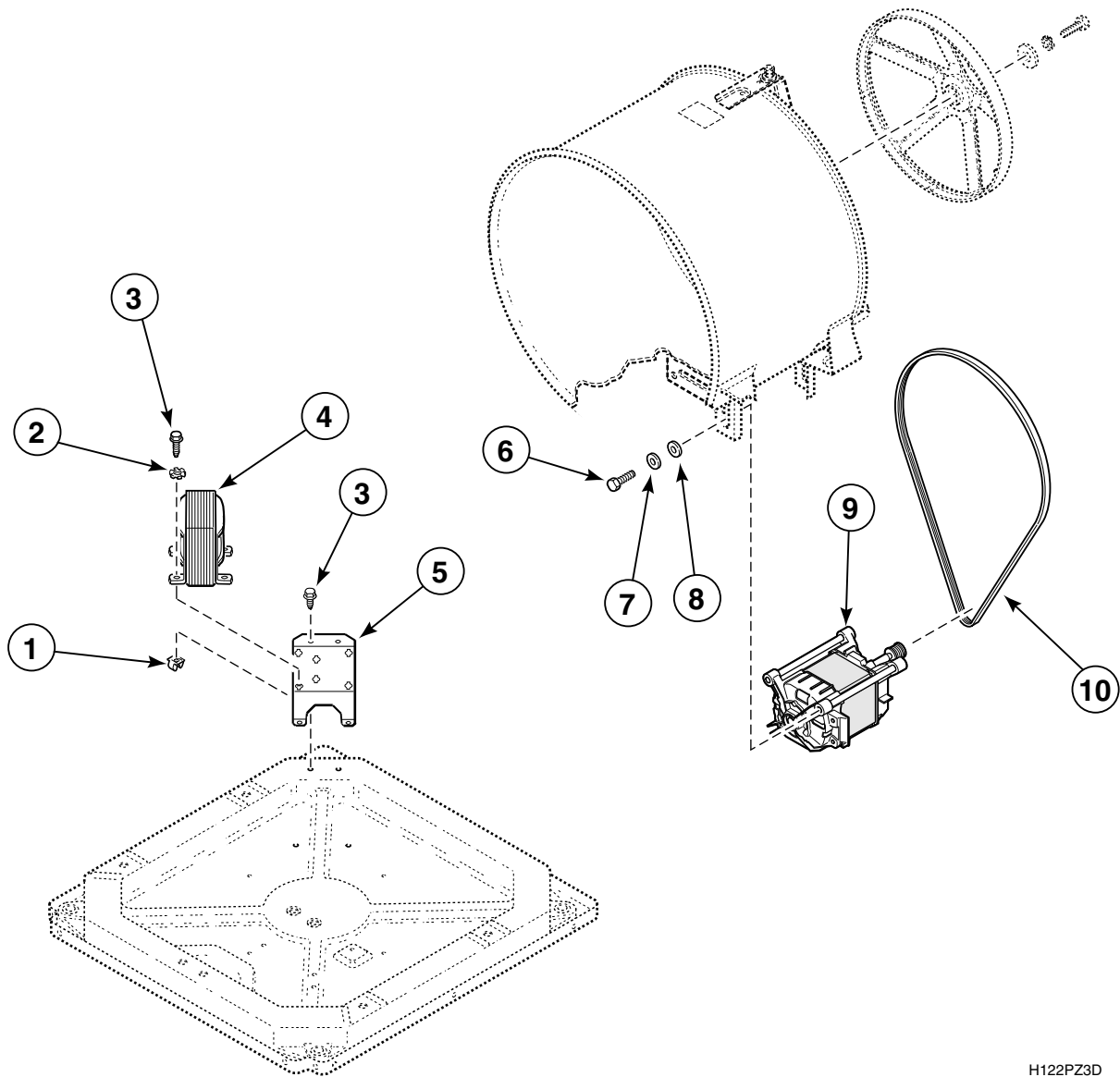


H135PZ3B

## Bearing Housing Assembly and Pulley

REF	PART #	DESCRIPTION	COMMENTS
	685606P	Never Seeze	Pulley to inner basket shaft
1	800452	Locknut	
2	800457	Washer	
3	800552	Mounting Plate	
4	800553	Clip	
5	M403958	Lockwasher	
6	800461	Screw	
7	800464	Flat Washer	
8	685831	Screw	Left Hand Thread
9	685612	Pulley	
10	20255	Screw	
11	M400014	Lockwasher	
12	800428	Bearing Housing Assembly	
13	800622	Shock Absorber Assembly	Upper
14	800623	Shock Absorber Assembly	Lower

# Motor and Belt

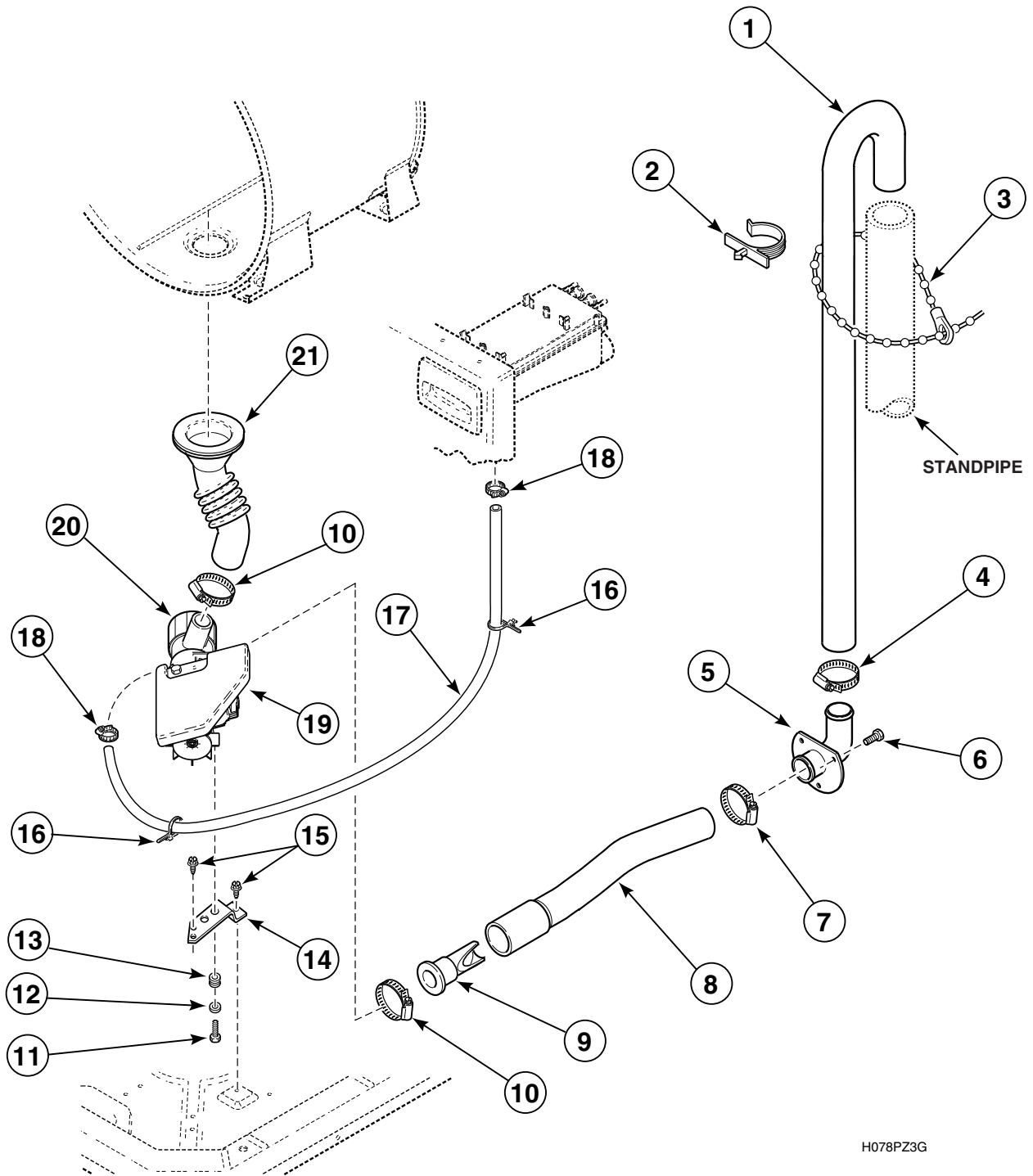


H122PZ3D

# Motor and Belt

REF	PART #	DESCRIPTION	COMMENTS
1	70030501	Expansion Clip	
2	M400014	Lockwasher	
3	503661	Screw	
4	686513	Transformer	
5	800602	Mounting Bracket	
6	M400056	Screw	
7	02834	Lockwasher	
8	M400080	Flat Washer	
9	685639	Motor Assembly	
10	800319	Belt	

# Hoses and Pump

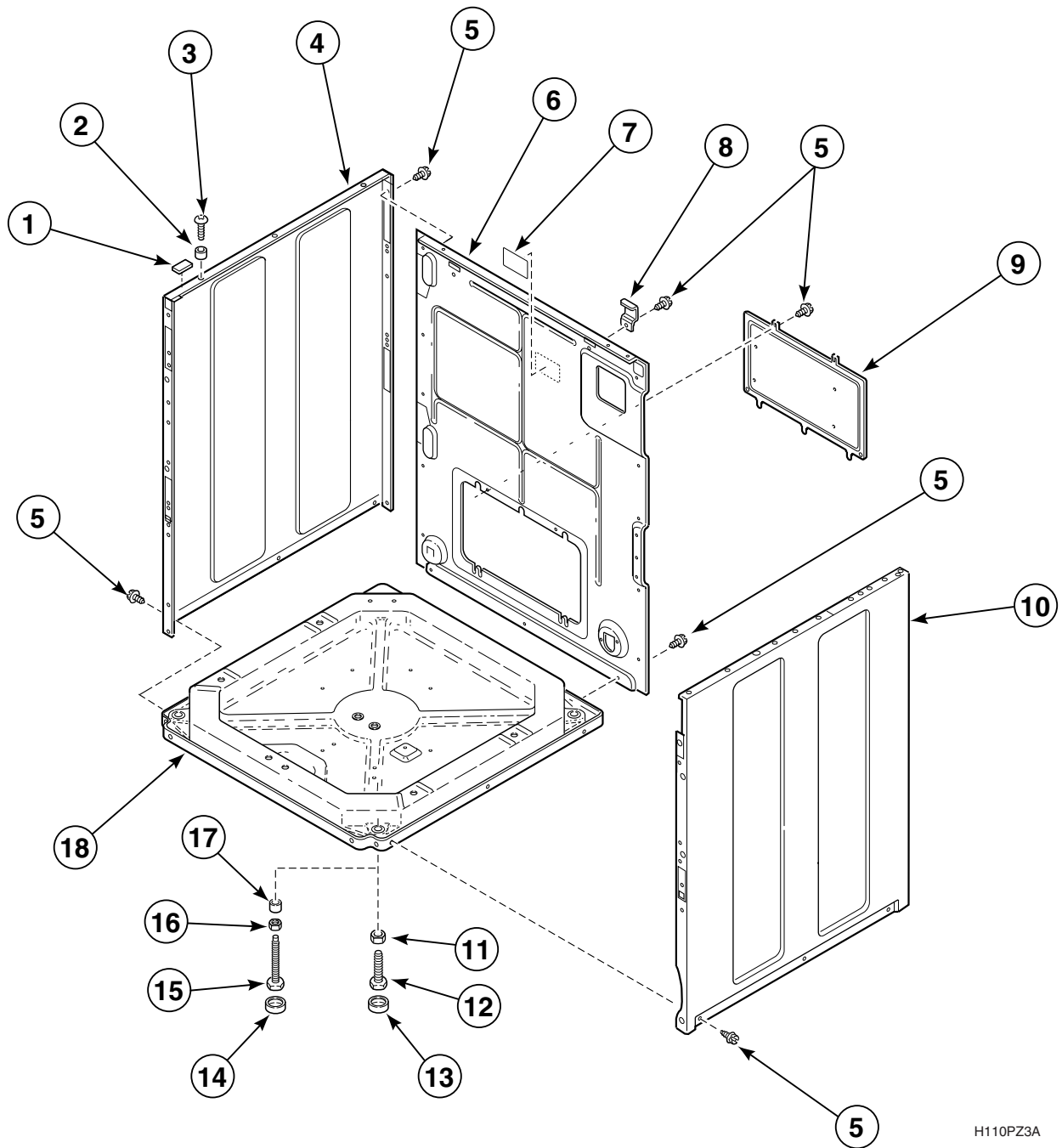


H078PZ3G

# Hoses and Pump

REF	PART #	DESCRIPTION	COMMENTS
	27615P	Sealant	Tub-to-Pump Hose to Outer Tub
1	27154	Drain Hose	
2	39177	Retainer Clip	
3	33489	Beaded Strap	
4	20211	Hose Clamp	
5	35766	Elbow	
6	52909	Screw	
7	20391	Hose Clamp	
8	685737	Pump-to-Elbow Hose	
9	800310	Backflow Preventer	
10	36802	Hose Clamp	
11	38096	Screw	
12	800465	Washer	
13	685834	Grommet	
14	800308	Mounting Bracket	
15	503661	Screw	
16	38663	Wire Tie	
17	800424	Vent Hose Assembly	
18	36801	Hose Clamp	
19	38067	Shield	
20	685703	Drain Pump	
21	800317	Outer Tub-to-Pump Hose	

# Base, Side Panels and Rear Panel



H110PZ3A

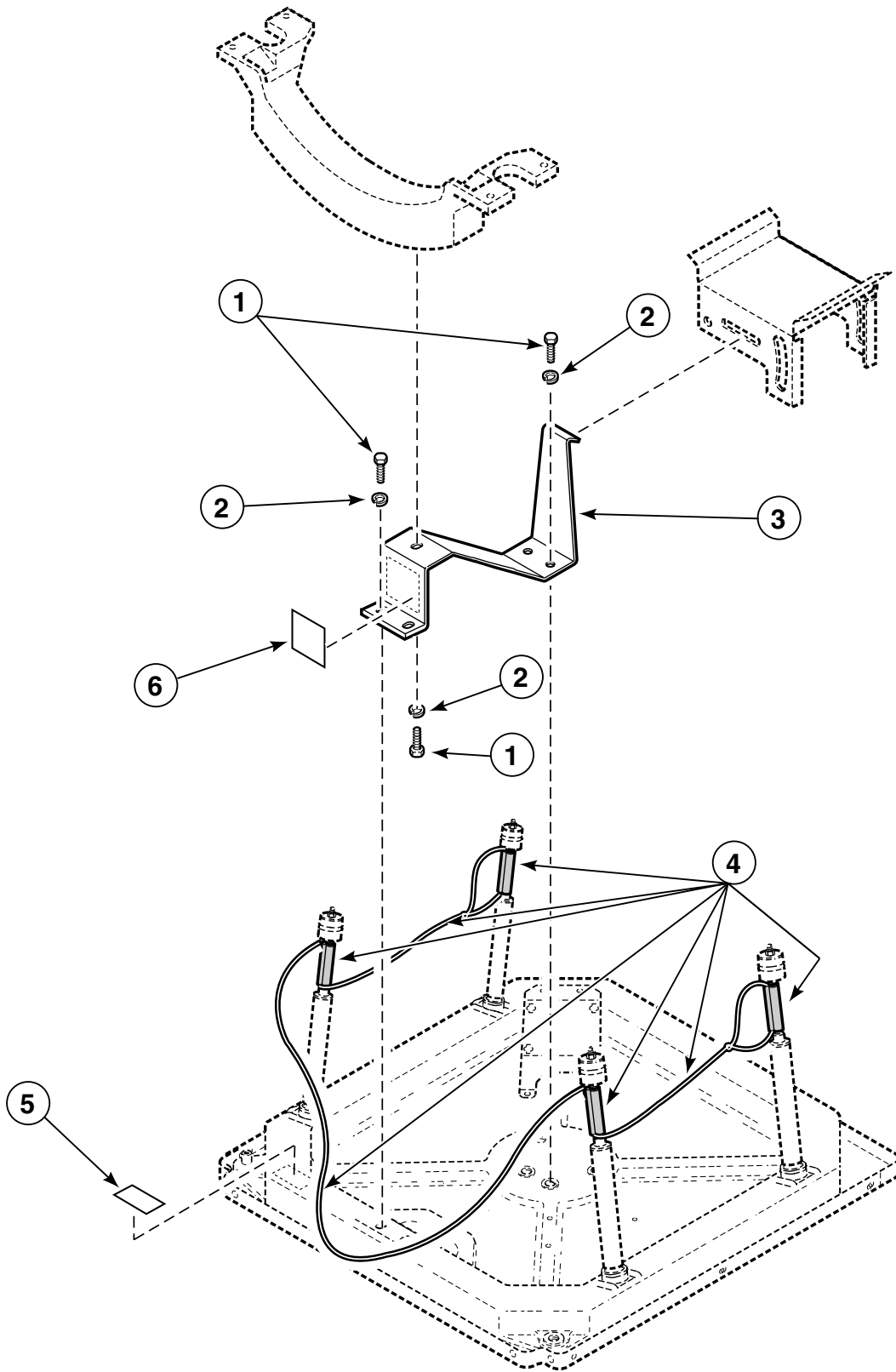


## Base, Side Panels and Rear Panel

REF	PART #	DESCRIPTION	COMMENTS
1	56128	Bumper Pad	
2	56079	Panel Locator	
3	32671	Screw	
4	800004*P	Side Panel	Left; Includes 732P3 Gusset Kit with hardware
5	503661	Screw	
6	800010*P	Rear Panel	Includes 732P3 Gusset Kit with hardware
7	685928	Label	Left hand thread
8	510136	Hinge	
9	800646	Rear Access Panel	
10	800005*P	Side Panel	Right; Includes 800242 dispenser plate with hardware and 547P3 meter case mounting bracket with hardware
11	21899	Nut	For 1/2 inch leveling leg
12	34319	Leveling Leg	1/2 inch leveling leg
13	34318	Rubber Foot	For 1/2 inch leveling leg
14	70282	Rubber Foot	For 3/8 inch leveling leg
15	800014	Leveling Leg	3/8 inch leveling leg
16	20274	Nut	For 3/8 inch leveling leg
17	800015	Spacer	For 3/8 inch leveling leg
18	800425	Base	

\* Add Letter To Designate Color. L – Almond W – White

# Shipping Materials

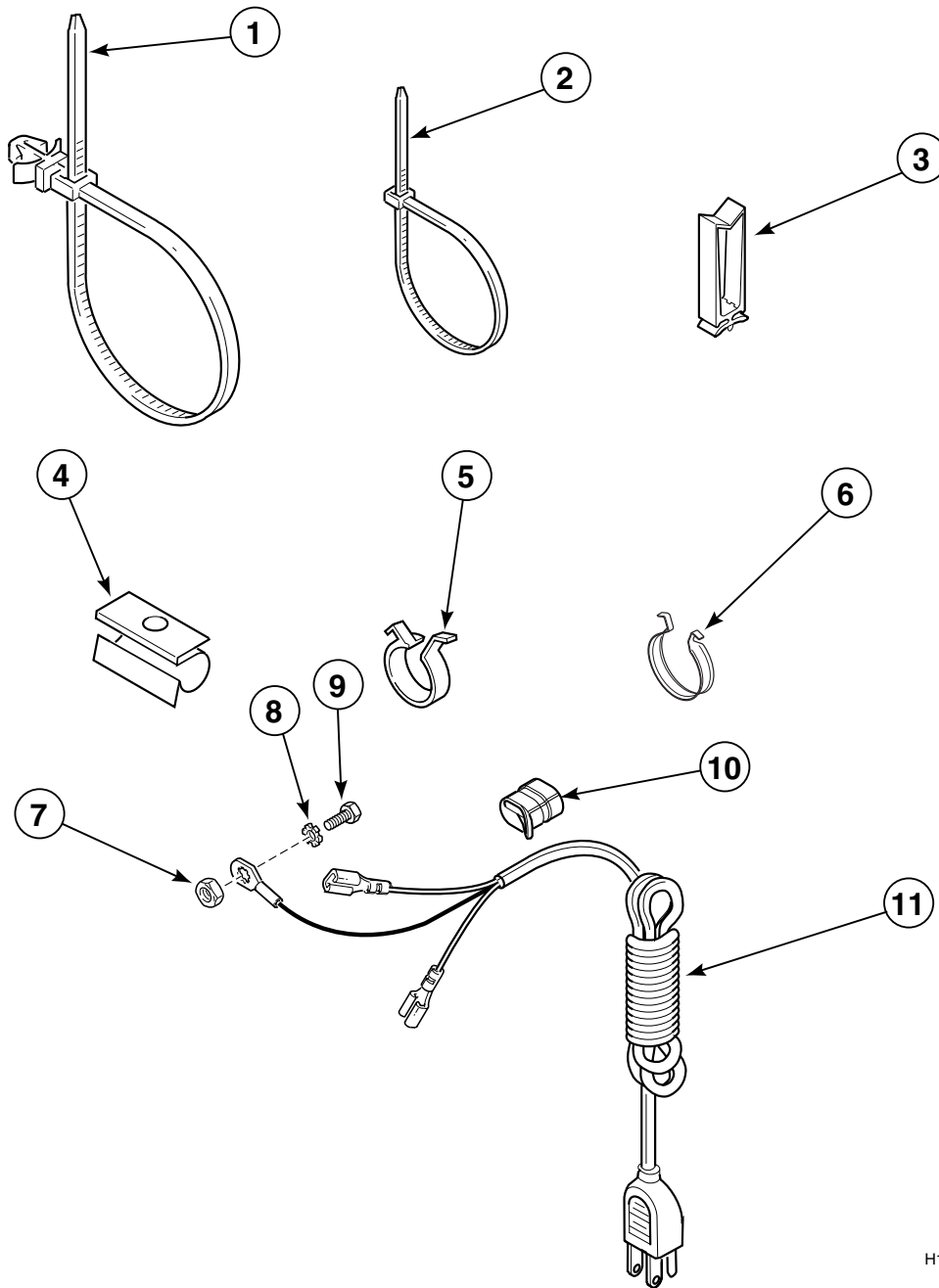


H087PZ3B

# Shipping Materials

REF	PART #	DESCRIPTION	COMMENTS
	728P3	Shipping Brace Kit	Includes items 1 through 6
1	685840	Screw	
2	M400014	Lockwashers	
3	800347	Shipping Bracket	
4	800364	Shipping Cord and Brace Assembly	
5	500049	Warning Label	
6	686901	Shipping Bracket Label	

# Wire Ties, Harness Clips and Power Cord



H130PZ3A

## Wire Ties, Harness Clips and Power Cord

REF	PART #	DESCRIPTION	COMMENTS
1	38663	Wire Tie	
2	55881	Wire Tie	
3	36985	Clip	
4	504034	Wire Clip	Small
5	687500	Wire Clip	Large
6	03673	Nut	
7	03815	Lockwasher	
8	685837	Screw	
9	38384	Strain Relief	
10	34458	Power Cord	

# Wire Harnesses and Wires

Individual wires are not available separately. Order complete wire harness. See chart.

MODEL NUMBER	BASE HARNESS PART NUMBER	CONTROL HARNESS PART NUMBER	MOTOR HARNESS PART NUMBER
LTS80A*E, LTS80A*H, LTZ80A*H1102	687574	800352	800120

\* Add Letter To Designate Color. L – Almond W – White

Order the individual wire color and gauge by the part number listed below. Order wire by the foot and terminals and connectors as required. It is recommended when applying terminals to wires that the terminals be soldered to the wires.

**IMPORTANT: Always replace wires with proper gauge.**

PART NUMBER	WIRE GAUGE	WIRE COLOR
45001	18 Gauge Wire	Black
45380	12 Gauge Wire	Orange

\* Add Letter To Designate Color. L – Almond W – White

# Parts Index

## B

Backflow Preventer	
34500 .....	13, 15
800310 .....	23
Base	
800425 .....	25
Base Harness	
687574 .....	30
Beaded Strap	
33489 .....	23
Bearing Housing Assembly	
800428 .....	19
Belt	
800319 .....	21
Bumper	
800233 .....	9
Bumper Pad	
56128 .....	25

## C

Cabinet Top	
510029*P .....	7
Cap Screw	
02916 .....	9
Catch	
685430 .....	9, 11
Clamp Ring	
800312 .....	17
Clip	
36985 .....	29
800553 .....	19
Control Harness	
800352 .....	30
Control Hood Rear Panel	
510099 .....	7
Control Knob	
33688 .....	5
36701* .....	5
Control Mounting Plate	
685310 .....	5

## D

Dispenser and Valve Housing Assembly	
685756 .....	13
Dispenser Drawer Front	
685715* .....	13
Dispenser Hose	
800325 .....	15
800331 .....	13
Dispenser Inlet Hose	
800325 .....	13
Dispenser Mounting Bracket	
800242 .....	13
Door Assembly	
800436* .....	11

Door Bezel	
685400* .....	9
Door Glass	
800343P .....	11
Door Handle	
685438 .....	9
800342 .....	11
Door Hinge Assembly	
800339 .....	11
Door Latch / Switch Assembly	
685429 .....	9
Door Latch/Switch Assembly	
685429 .....	11
Door Seal Assembly	
800232 .....	9, 11, 13
Door Seal Clamp	
685743 .....	9, 11
Door Switch	
800211 .....	9, 11
Drain Hose	
27154 .....	23
Drain Pump	
685703 .....	23
Drawer	
685757 .....	13

## E

18 Gauge Wire	
45001 .....	30
Elbow	
35766 .....	23
End Panel	
504008* .....	5
504009* .....	5
Expansion Clip	
70030501 .....	21

## F

Flat Washer	
M400080 .....	21
M400081 .....	17
800457 .....	17
800464 .....	19
Foam Tape	
685366 .....	9, 11
685389 .....	9
Front Panel	
800245* .....	9
800336* .....	11
Front Panel and Door Assembly	
800435*P .....	9

## G

Graphic Panel	
687557 .....	5
800818* .....	5

Grommet	
29175 .....	17
685834 .....	23
Ground Clip	
00161 .....	17

## H

Hinge	
510136 .....	25
Hinge Assembly	
685460 .....	9
Hinge Plate	
685470 .....	9
800437 .....	11
Hold-Down Clip	
28835 .....	9, 11
35358 .....	7
800345 .....	11
Hose Clamp	
20211 .....	23
20391 .....	23
36801 .....	9, 11, 13, 23
36802 .....	23
685725 .....	13
800803 .....	13, 15
Hose Washer	
20290 .....	15

## I

Indicator Light	
800399 .....	5
Inlet Hose Assembly	
28330P .....	15
Inlet Screen	
F270200 .....	15
Inner Basket	
800429 .....	17
Inner Door Bezel	
800340 .....	11
Insert	
685716 .....	13

## L

Label	
685928 .....	25
Lens	
685579 .....	5
Leveling Leg	
34319 .....	25
800014 .....	25
Locknut	
23951 .....	9, 11
52566 .....	9
685846 .....	9, 11
800452 .....	17, 19
Lockwasher	
M400014 .....	19, 21
M400017 .....	9
M403958 .....	19

02834 .....	21
03815 .....	29
Lockwashers	
M400014 .....	27
Lower Access Panel	
510069* .....	9, 11

## M

Mixing Valve	
800434 .....	15
Mixing Valve Plate	
800323 .....	15
Motor Assembly	
685639 .....	21
Motor Control Board	
800076P .....	5
Motor Harness	
800120 .....	30
Mounting Bracket	
600046 .....	17
800308 .....	23
800602 .....	21
Mounting Plate	
800552 .....	19

## N

Never Seeze	
685606P .....	19
Nut	
03673 .....	29
20274 .....	25
21899 .....	25

## O

Outer Door Bezel	
800341* .....	11
Outer Tub	
800248 .....	17
Outer Tub Front	
800430 .....	17
Outer Tub-to-Pump Hose	
800317 .....	23
Out-of-Balance Switch	
800321 .....	17

## P

Pad	
685368 .....	9, 11
Panel Locator	
56079 .....	9, 11, 25
Power Cord	
34458 .....	29
Pressure Bulb	
30907 .....	17
Pressure Hose	
29214 .....	17



Pressure Switch	
800468	5
Pulley	
685612	19
Pump-to-Elbow Hose	
685737	23

## R

Rear Access Panel	
800646	25
Rear Panel	
800010*P	25
Retainer Clip	
39177	23
Rubber Foot	
34318	25
70282	25

## S

Screw	
M400056	21
20255	19
23008	11
32671	9, 11, 25
33562	9
38096	23
501086	5, 7, 15
501524	5
503661	9, 11, 15, 17, 21, 23, 25
52909	23
62853	9
685830	13
685831	19
685836	9, 11
685837	29
685840	27
685862	9
800461	17, 19
800462	17
800528	11
800548	9, 11, 13
800549	11
Seal	
800432	17
Sealant	
27615P	23
Shield	
38067	23
Shipping Brace Kit	
728P3	27
Shipping Bracket	
800347	27
Shipping Bracket Label	
686901	27
Shipping Cord and Brace Assembly	
800364	27
Shock Absorber Assembly	
800622	19
800623	19
Side Panel	
800004*P	25
800005*P	25

Spacer	
800015	25
Speed Nut	
36020	11
Spring	
800346	9, 11
Strain Relief	
38384	29
Switch Bracket	
800669	5

## T

Temperature Switch	
687542	5
Timer	
687537	5
Timer Knob	
33898W	5
35333*	5
Timer Knob Skirt	
36700*	5
38841W	5
Top Cover	
505808*	5
Transformer	
686513	21
12 Gauge Wire	
45380	30

## V

Valve	
685766P	13
Vent Hose Assembly	
800424	23

## W

Warning Label	
24903	7
500049	17, 27
Washer	
35917	9
800457	19
800465	23
Weight	
800205	17
Wire Clamp Ring	
800438	9, 11
Wire Clip	
504034	29
687500	13, 29
Wire Tie	
38663	23, 29
55881	9, 11, 13, 29
Wire, 12 Gauge	
45380	30
Wire, 18 Gauge	
45001	30