

Drying Tumblers

150 Pound Capacity

Refer to Page 3 for Model Numbers

Parts



Part No. M411449R1
April 2000

Table of Contents

Title	Page
Parts Ordering Information	2
Nameplate Location	2
Model Identification	3
Single Timer Control	4
Dual Timer Controls	6
Temperature Controls	8
Access and Lint Panels	10
Front Panels	12
Loading Door	14
Lint Screen and Frame	16
Drive Guard Components	18
Drive Sheave, Step Pulley and Belts	20
Trunnion Bearings	22
Cylinder and Trunnion Shaft	24
Cylinder Drive Motor	26
Fan and Motor	28
Exhaust System Components	30
Control Thermostats	32
Gas Burner and Controls	34
Steam Heating Unit.....	36
Air Flow Switch	38
Reversing Controls	40
Burner Orifices	42
Parts Index.....	43

© Copyright 2000, Alliance Laundry Systems LLC

All rights reserved. No part of the contents of this book may be reproduced or transmitted in any form or by any means without the expressed written consent of the publisher.

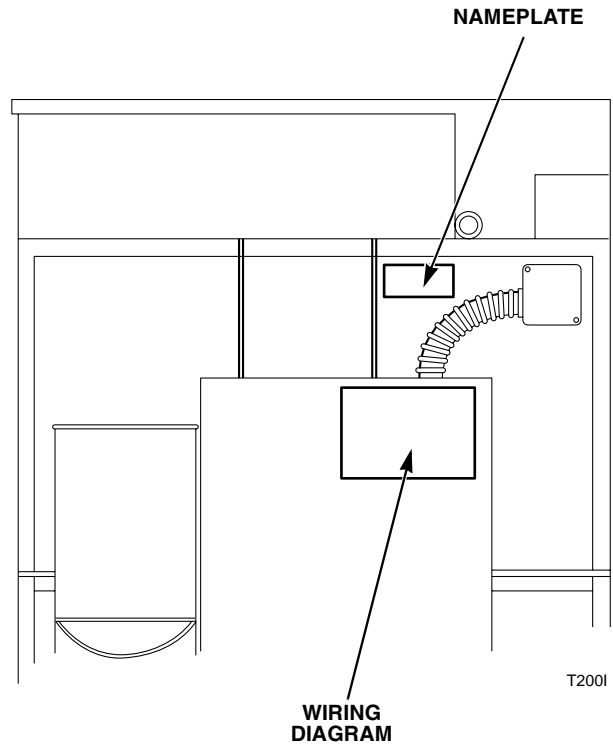
Parts Ordering Information

If literature or replacement parts are required, contact the source from whom the machine was purchased or contact Alliance Laundry Systems at (920) 748-3950 for the name and address of the nearest authorized parts distributor.

For technical assistance, call (920) 748-3121.

Nameplate Location

When calling or writing about your product, be sure to mention model and serial numbers. Model and serial numbers are located on nameplate(s) as shown.

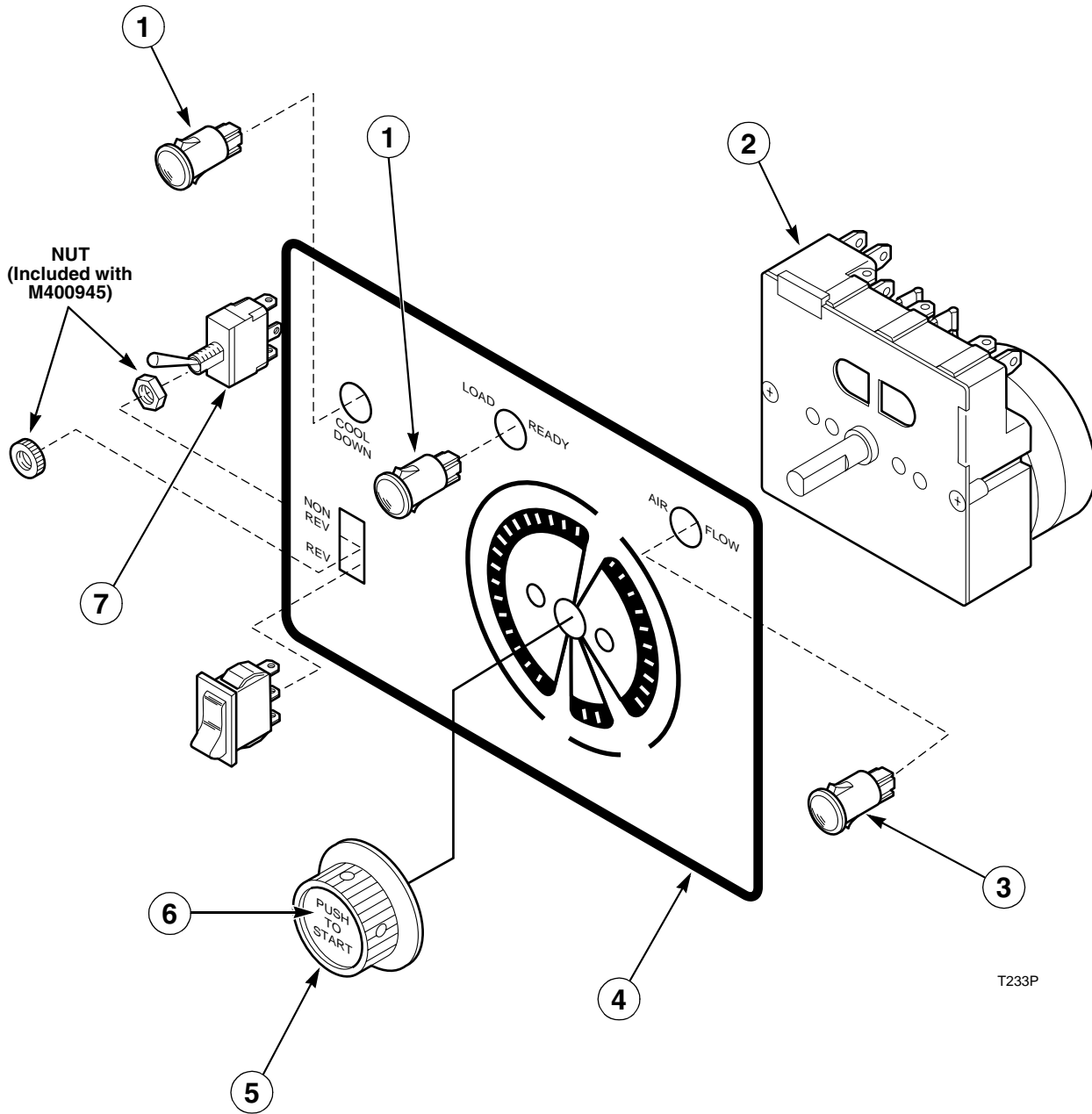


Model Identification

Information in this manual is applicable to these drying tumblers:

JT150CG	ST150CG
JT150CGMT	ST150CGMT
JT150CSH	ST150CSH
JT150CSHMT	ST150CSHMT

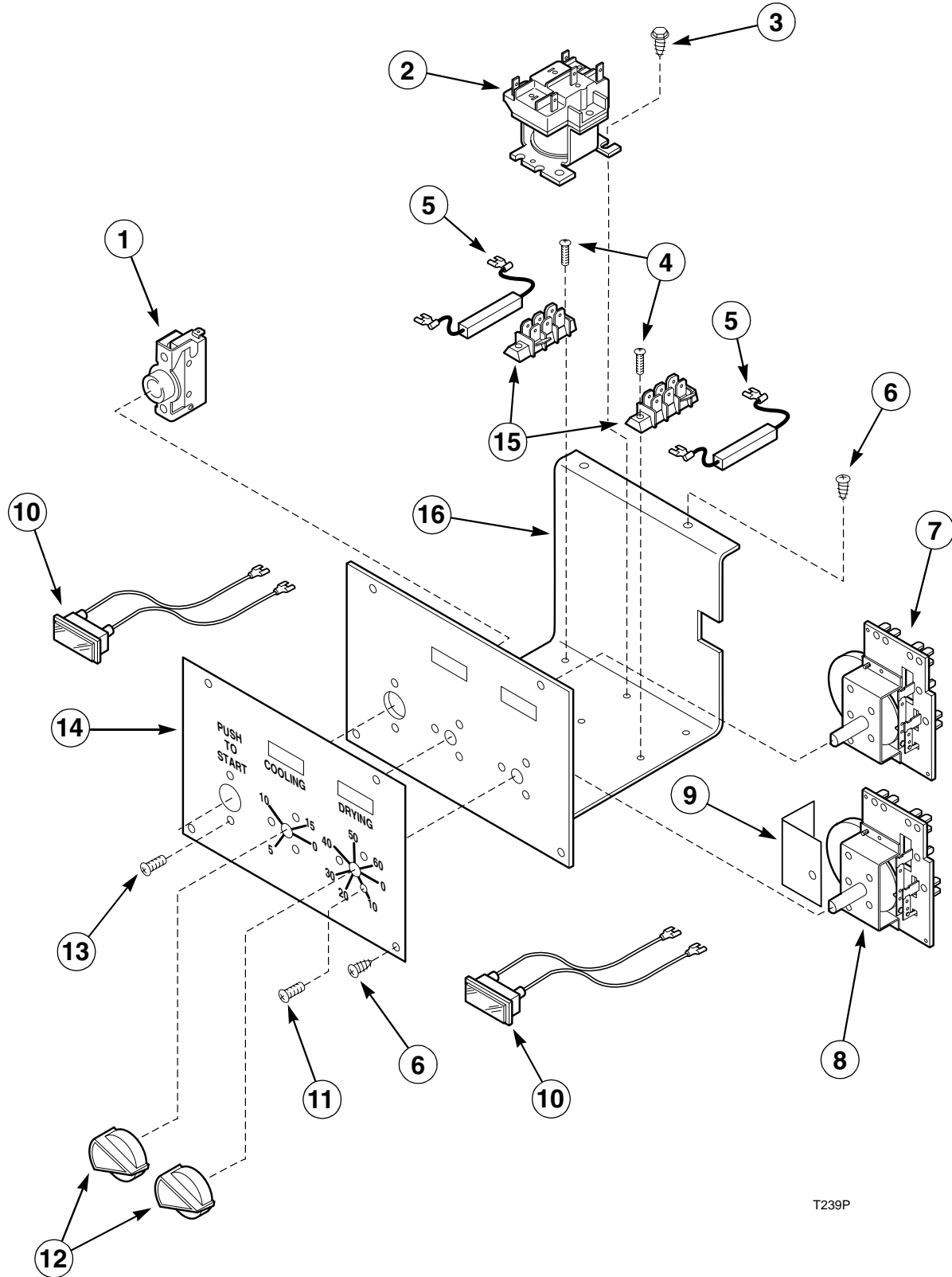
Single Timer Control



Single Timer Control

REF	PART #	DESCRIPTION	COMMENTS
1	H96422506	Light	Cool-down or Ready
2	H96402334	Three Cycle Timer	50 Hertz
	H96402318	Three Cycle Timer	60 Hertz
3	H96422522	Light	Air Flow
4	M409749	Timer Label	
5	H83901157	Timer Knob	
6	M409828	Push-to-Start Label	
7	M400945	Reversing Switch	Toggle
	H96422431	Reversing Switch	Rocker

Dual Timer Controls

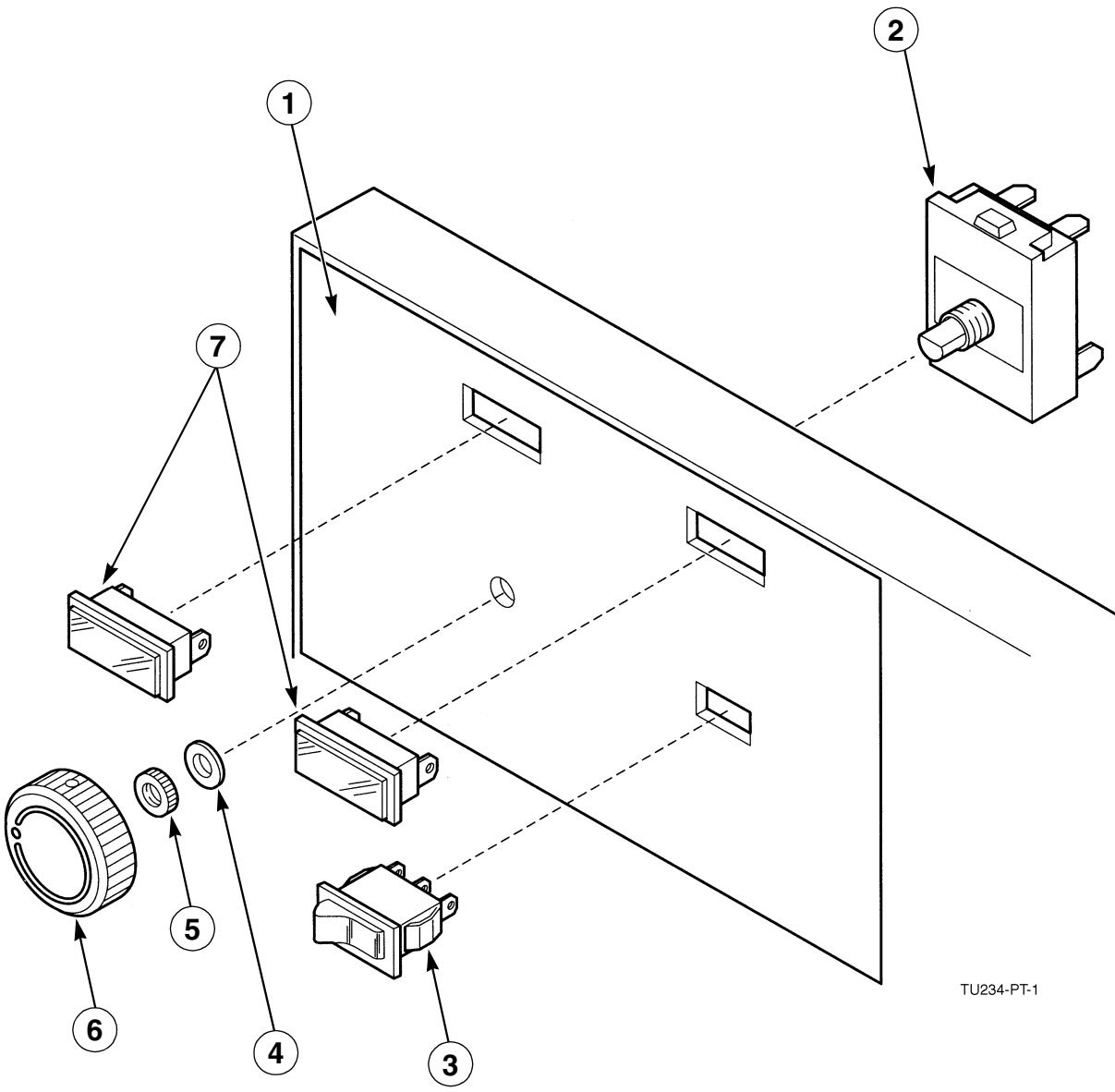


T239P

Dual Timer Controls

REF	PART #	DESCRIPTION	COMMENTS
1	M400954	Push-to-Start Switch	
2	M400908	Relay	
3	51780	Screw	
4	M400071	Screw	
5	M410992	Resistor	Used with 60 Hertz only
6	M400664	Screw	
7	M410902P	Cooling Timer	50 Hertz
	M410900P	Cooling Timer	60 Hertz
8	M410903P	Drying Timer	50 Hertz
	M410901P	Drying Timer	60 Hertz
9	M406144	Insulator	
10	M400704	Light	
11	M411052	Screw	
12	M400773	Timer Knob	
13	M400072	Screw	
14	M410266	Timer Graphics Plate	
15	M400000	Terminal Bracket	
16	M410274	Timer Bracket	

Temperature Controls

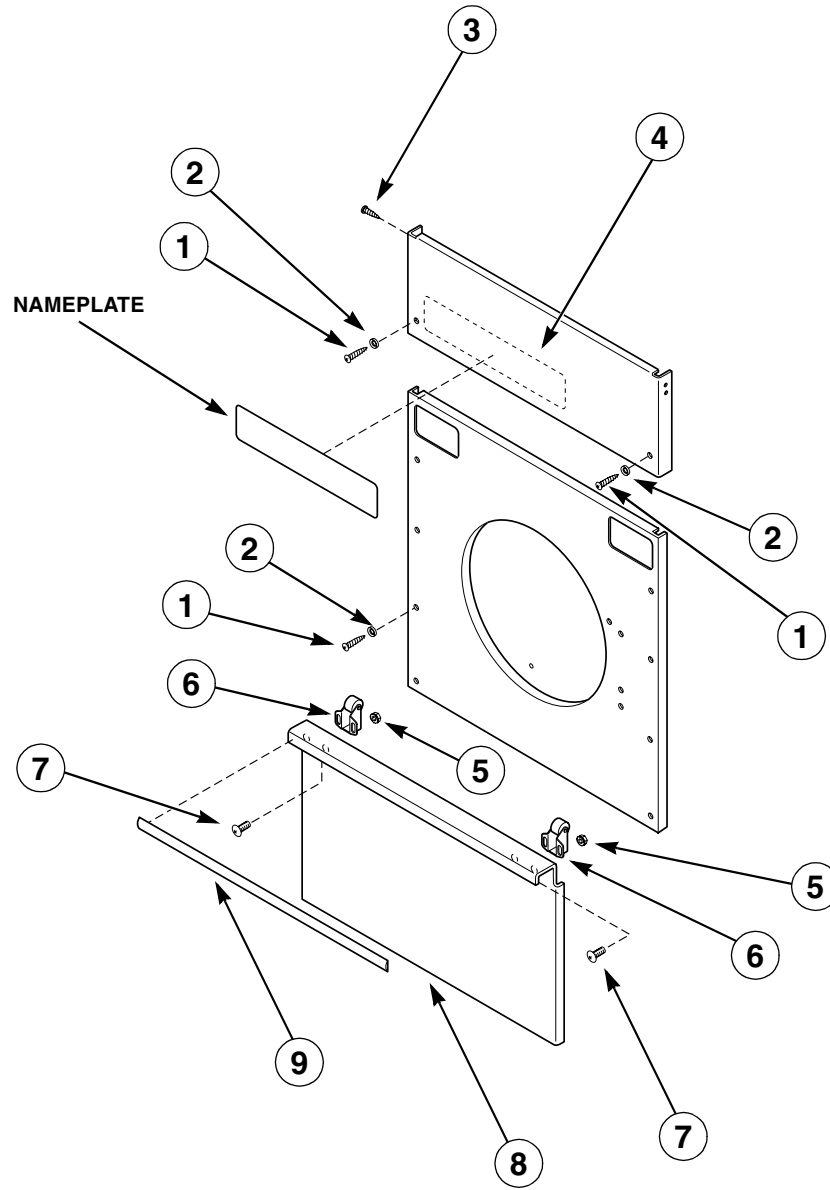


TU234-PT-1

Temperature Controls

REF	PART #	DESCRIPTION	COMMENTS
1	M410265	Graphics Plate	
2	27762	Temperature Switch	
3	H96422431	Reversing/Nonreversing Switch	
4	91176	Lockwasher	
5	24205	Knurled Nut	
6	M400777	Temperature Knob	
7	M400704	Light	

Access and Lint Panels



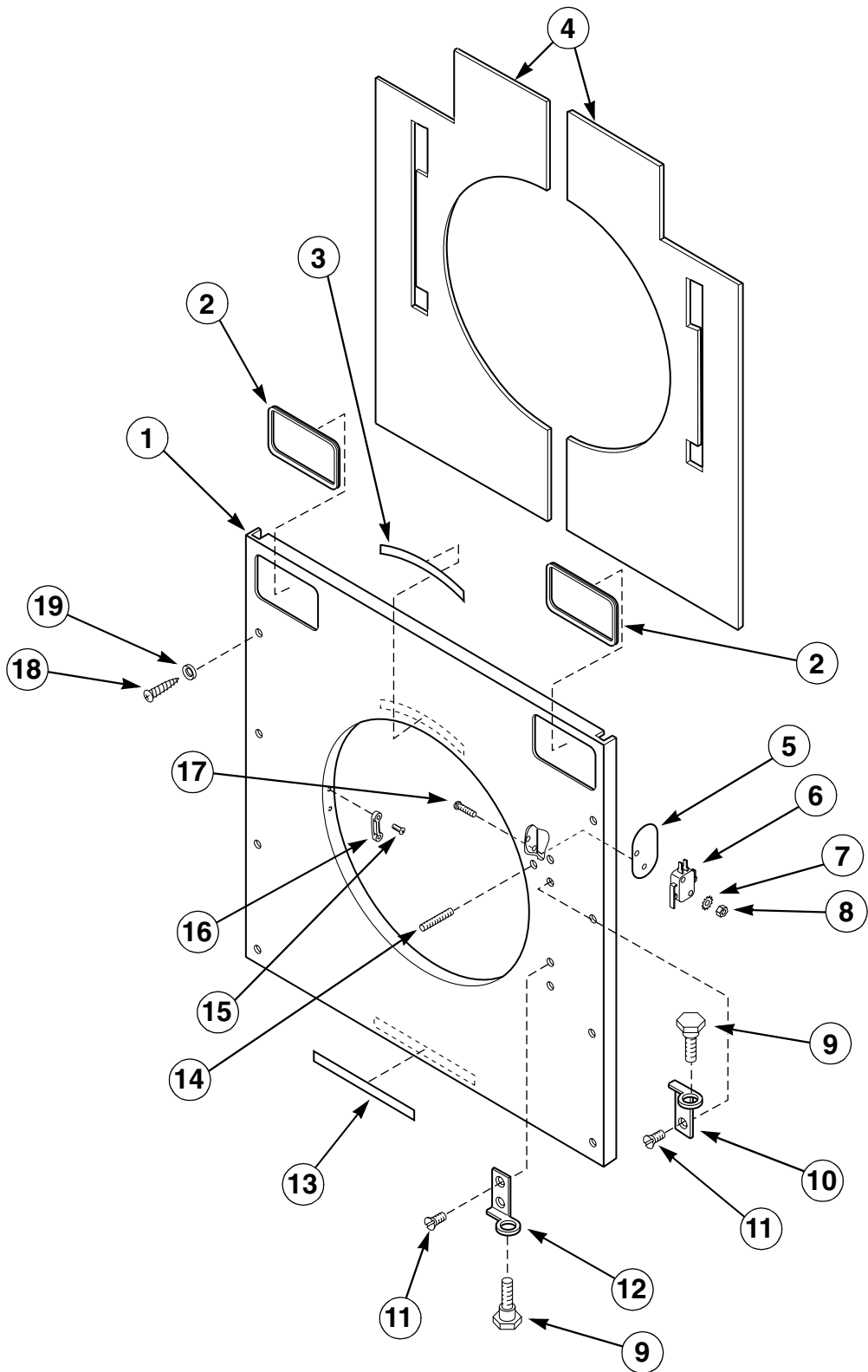
T247P

Access and Lint Panels

REF	PART #	DESCRIPTION	COMMENTS
1	H88213707	Screw	
2	H88569108	Nylon Washer	
3	M401902	Screw	
4	H96368628*	Top Access Panel	
5	23951	Nut	
6	H87020202	Roller Catch	
7	M400044	Screw	
8	H96368519*	Lint Panel	
9	H81224511P	Rubber Trim	

* Add letter to designate color: L - Almond W - White V - Orange K - Red
 B - Battina Green H - Harvest Gold X - Electric Blue P - Turquoise

Front Panels



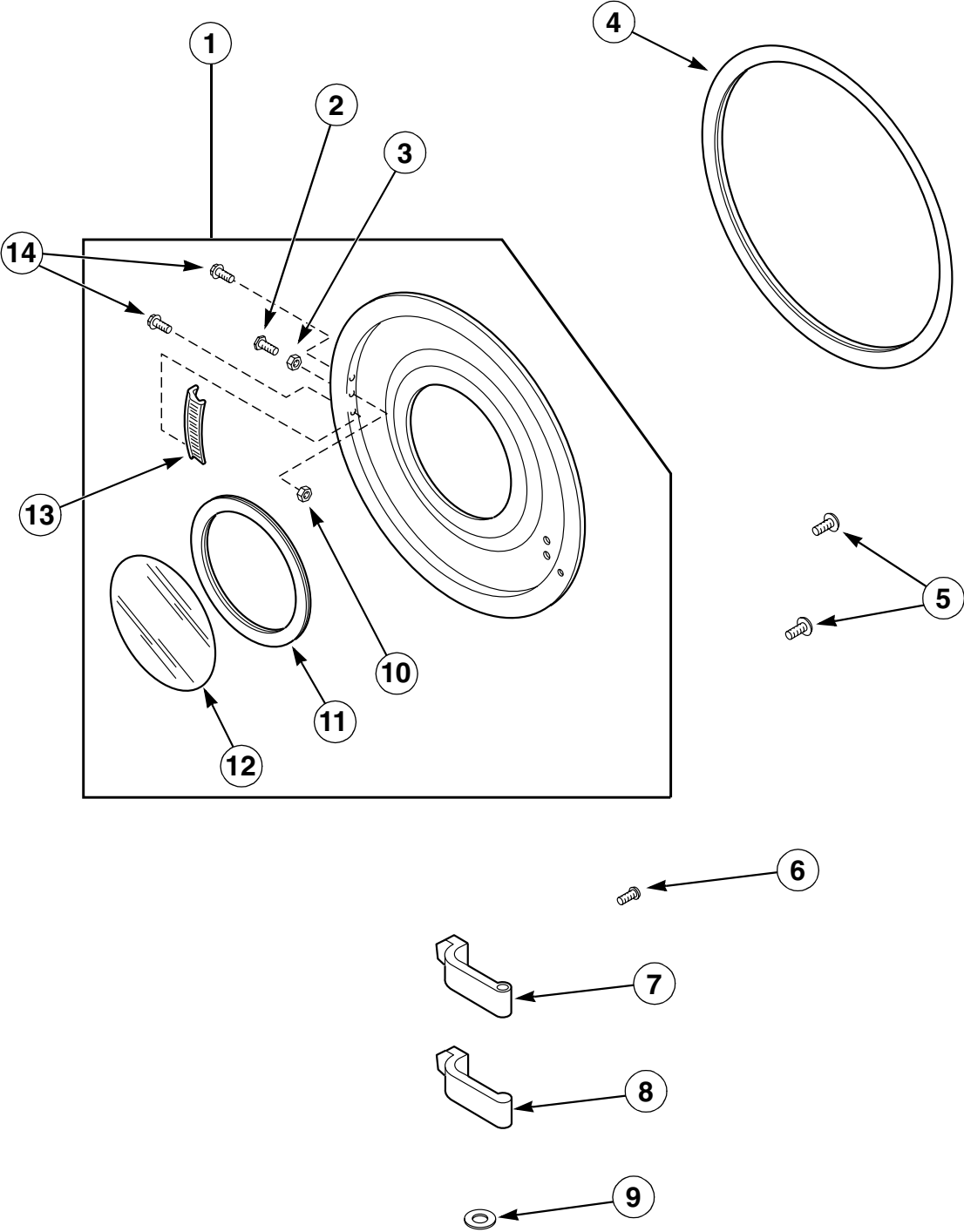
T246P

Front Panels

REF	PART #	DESCRIPTION	COMMENTS
	M409759	Wire Set	For Door Switch
1	M410270*	Front Panel	Dual Timer, Models D150CG and D150CSH, Painted
	H96367677*	Front Panel	Single Timer, Models I150CG and I150CSH, Painted
2	M410291	Control Trim	
3	M410892	Warning Label	
4	H96362173	Insulation	
5	H96418728	Insulator	
6	H96422241	Door Switch	
7	H88512561	Lockwasher	
8	H88410030	Nut	
9	M410029	Hinge Pin	
10	M410041	Upper Panel Hinge	
11	H88129788	Screw	
12	M410042	Lower Panel Hinge	
13	M409312	Warning Label	
14	M409976	Actuator	
15	M400072	Screw	
16	M401223	Door Catch	
17	H88110267	Screw	
18	H88213707	Screw	
19	H88569108	Nylon Washer	

* Add letter to designate color: L - Almond W - White V - Orange K - Red
 B - Battina Green H - Harvest Gold X - Electric Blue P - Turquoise

Loading Door



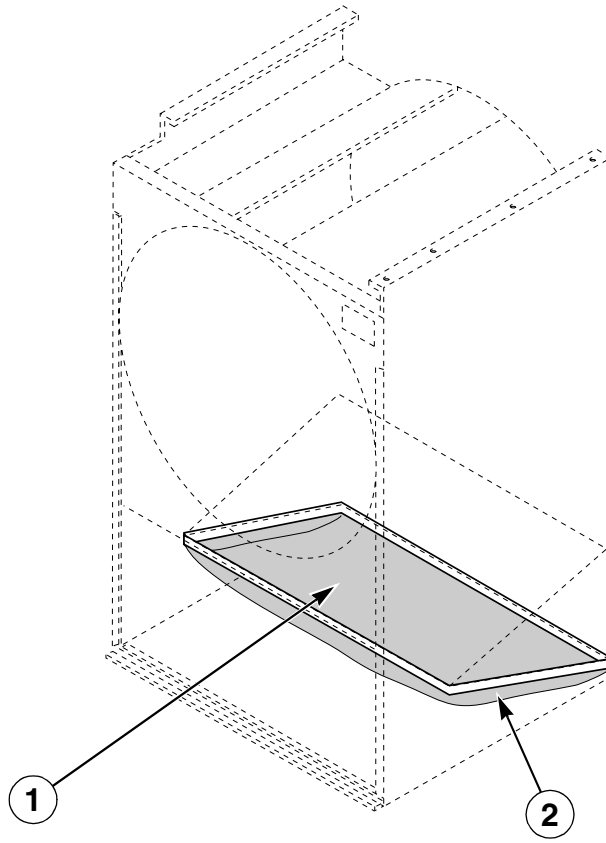
T248P

Loading Door

REF	PART #	DESCRIPTION	COMMENTS
1	M410289*	Door Assembly	Painted, Does not include Items 4, 5, 6, 7, 8 and 9
2	M400661	Door Strike Screw	
3	Q6163	Nut	
4	H96409156	Door Gasket	
5	H88129648	Hinge Mounting Screw	
6	M400044	Hinge Mounting Screw	
7	M410030	Upper Door Hinge	
8	M410031	Lower Door Hinge	
9	M400671	Nylon Washer	
10	70054	Nut	
11	M409900	Door Glass Seal	
12	M409899P	Door Glass and Seal Kit	
13	M400133	Door Handle	
14	M409385	Screw	

* Add letter to designate color: L - Almond W - White V - Orange K - Red
 B - Battina Green H - Harvest Gold X - Electric Blue P - Turquoise

Lint Screen and Frame

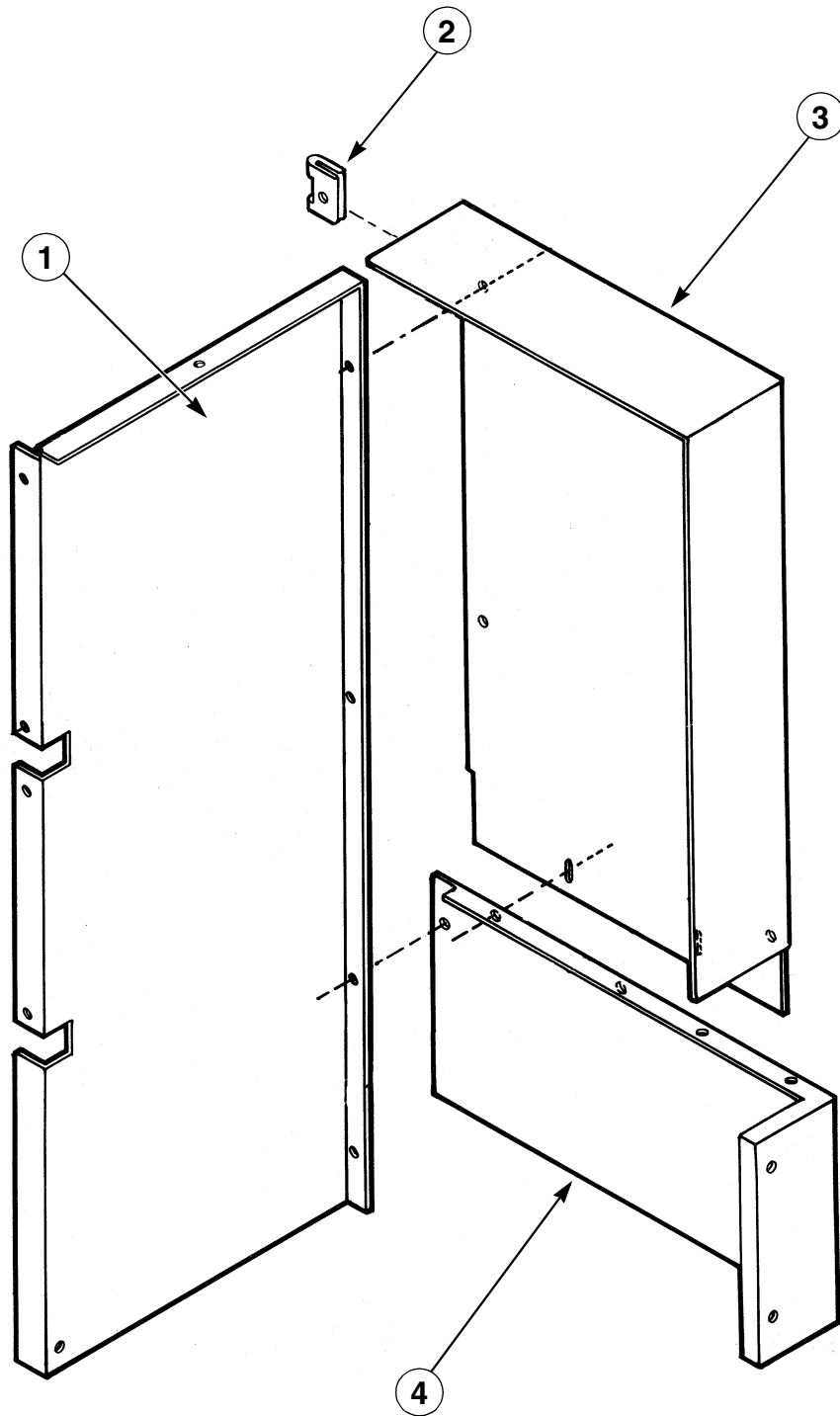


T245P

Lint Screen and Frame

REF	PART #	DESCRIPTION	COMMENTS
1	H96367016	Lint Screen	
2	H96362025	Lint Screen Frame	

Drive Guard Components

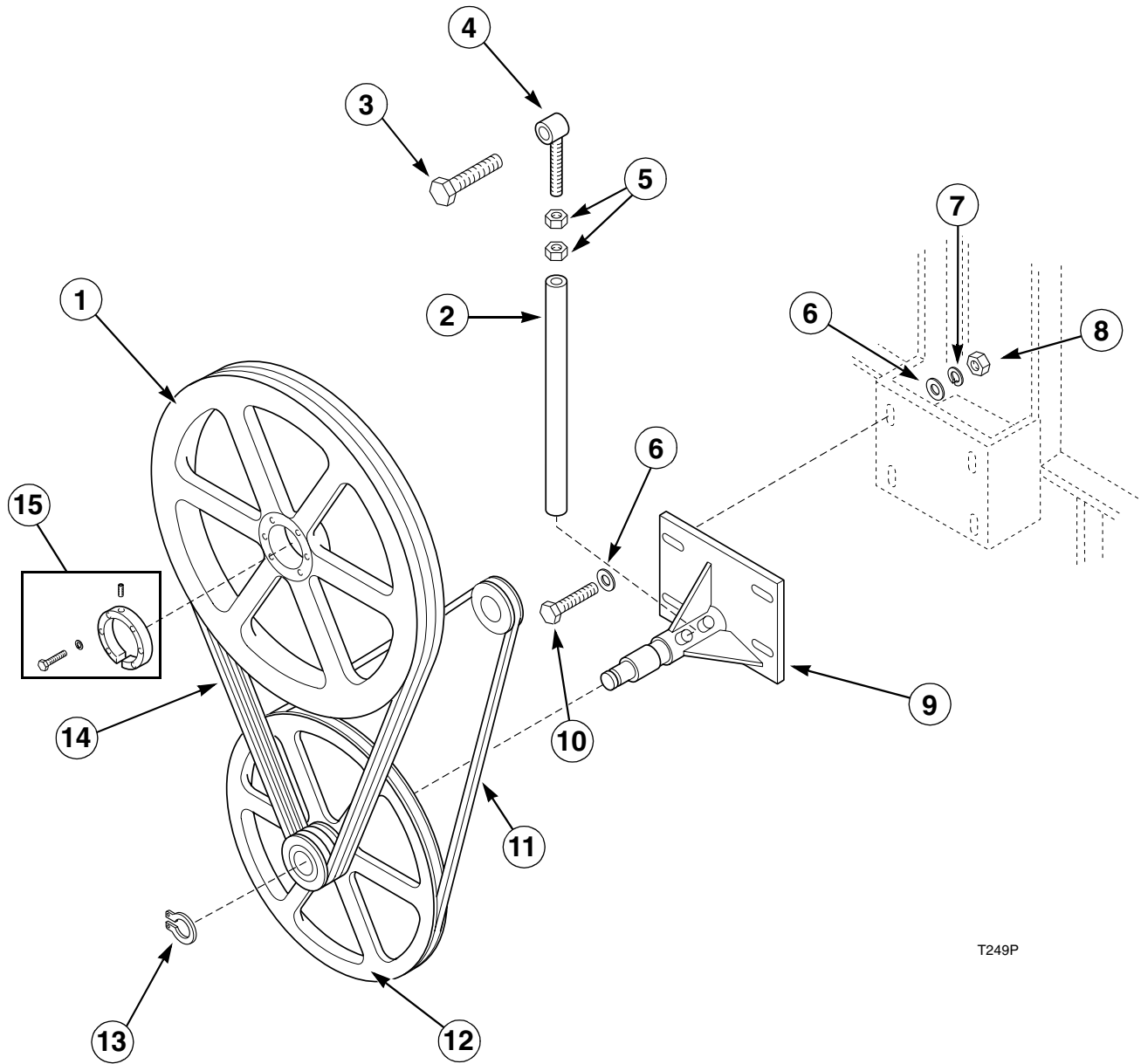


T167P

Drive Guard Components

REF	PART #	DESCRIPTION	COMMENTS
1	H96368725	Belt Guard Side	
2	H8841927H	Speed Nut	
3	H96367669	Upper Belt Guard Cover	
4	H96368733	Lower Belt Guard Cover	

Drive Sheave, Step Pulley and Belts

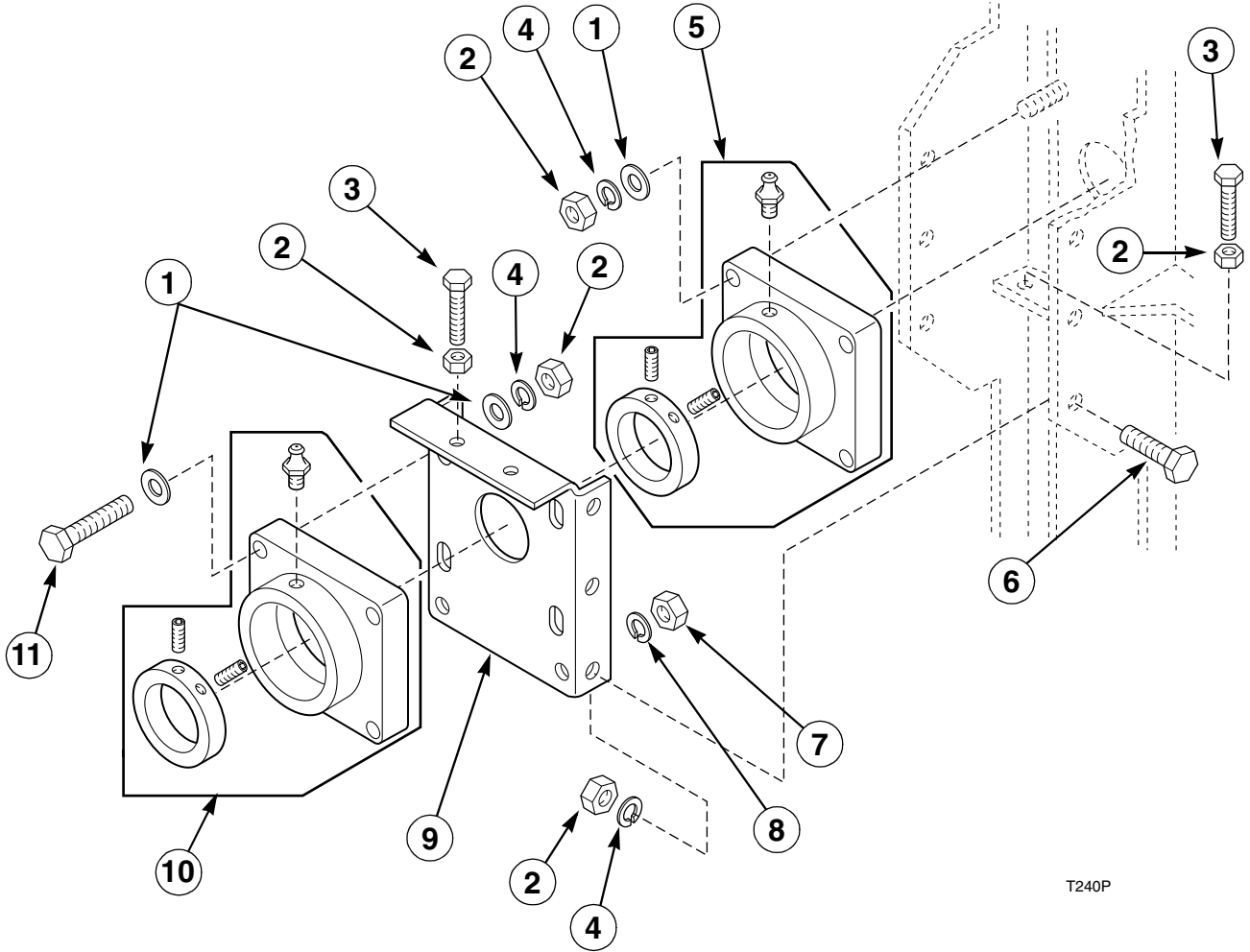


T249P

Drive Sheave, Step Pulley and Belts

REF	PART #	DESCRIPTION	COMMENTS
	H88603477	Retainer Ring	2 Required
	H87672184	Step Pulley Bearing	Outer
	H87672374	Step Pulley Bearing	Inner
1	H8752251H	Sheave	
2	H96428487	Tube	
3	H88001565	Bolt	
4	M411337	Eye Bolt	
5	M404993	Nut	
6	M400080	Washer	
7	M400014	Lockwasher	
8	20274	Nut	
9	H96357751	Jackshaft Assembly	
10	20255	Screw	
11	H87533014	Belt	
12	H96428024	Step Pulley	
13	H88602263	Retainer Ring	
14	H87533816P	Belt	Set of 3
15	H8752985H	Bushing	

Trunnion Bearings

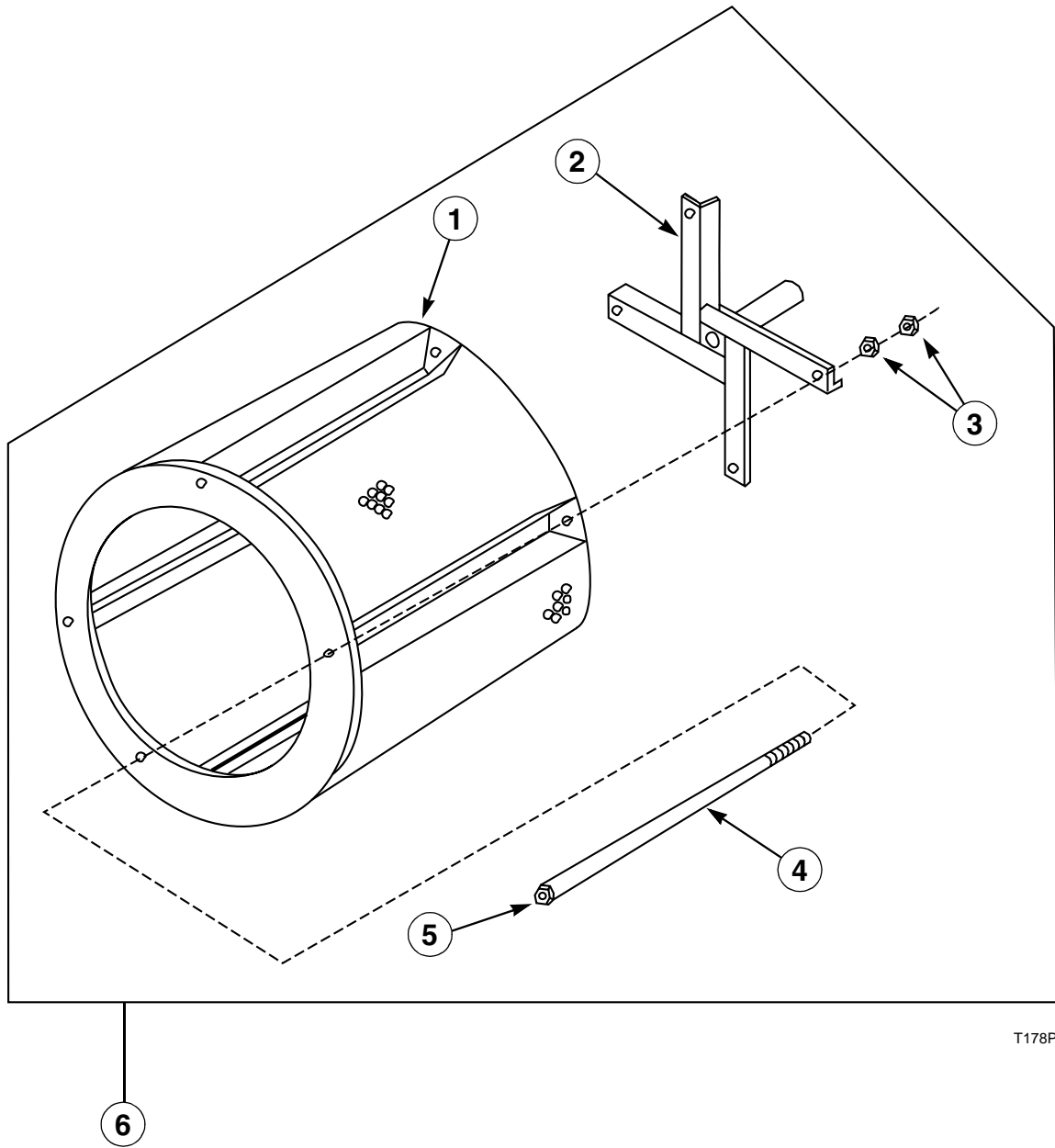


T240P

Trunnion Bearings

REF	PART #	DESCRIPTION	COMMENTS
1	M400081	Washer	
2	20274	Nut	
3	H88213996	Screw	
4	M400014	Lockwasher	
5	H87625430	Trunnion Bearing	
6	H88111703	Screw	
7	H88412093	Nut	
8	H88511118	Lockwasher	
9	H96428008	Mounting Bracket	
10	H87625430	Trunnion Bearing	
11	22688	Screw	

Cylinder and Trunnion Shaft

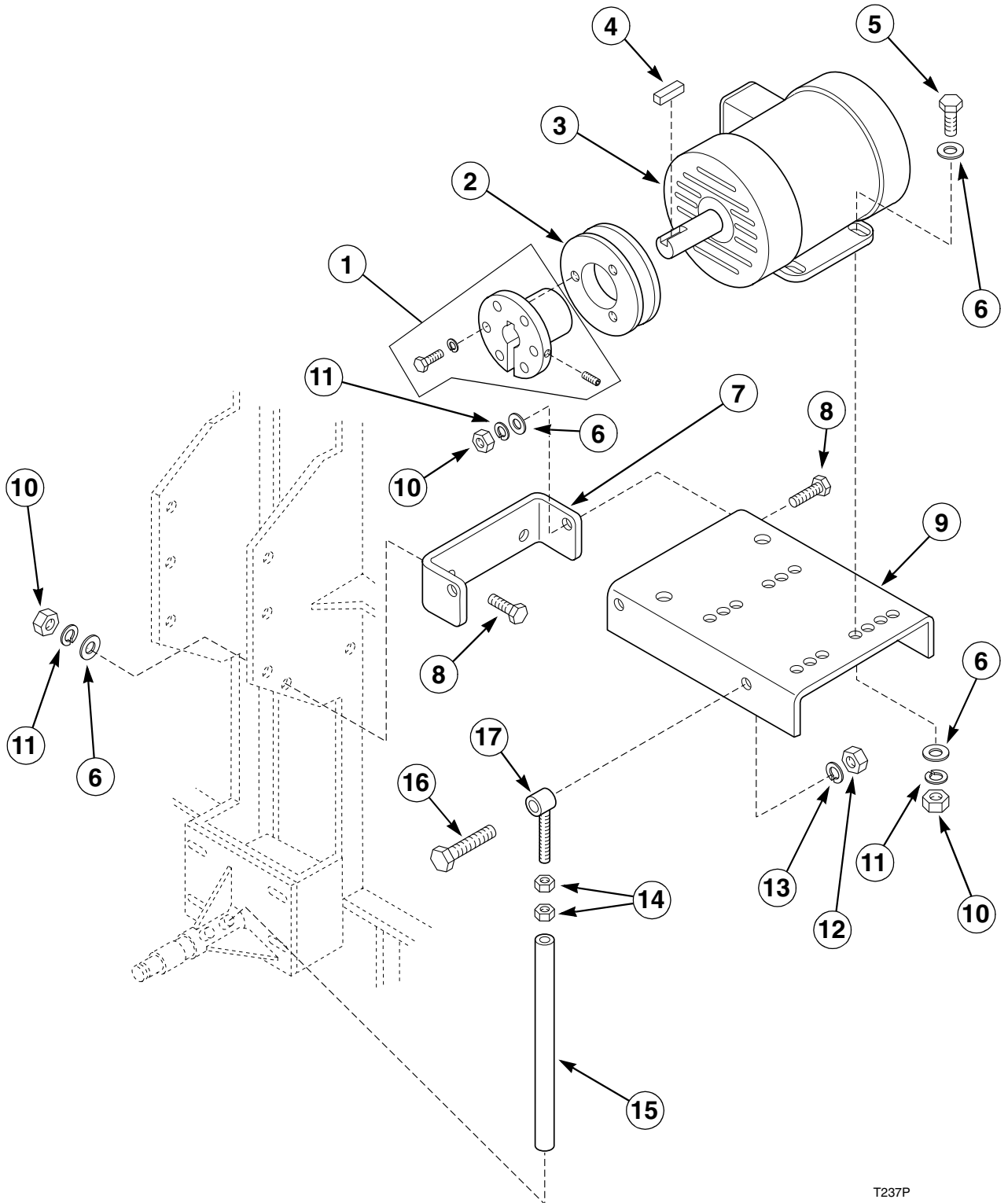


T178P

Cylinder and Trunnion Shaft

REF	PART #	DESCRIPTION	COMMENTS
1	H96367545	Cylinder	Galvanized
	M409826	Cylinder	Stainless Steel
2	H96367537	Trunnion Assembly	
3	M404993	Nut	
4	H8830143H	Rib Rod	
5	H96402243	Nut	
6	H96360003	Cylinder and Shaft Assembly	Galvanized
	M409827	Cylinder and Shaft Assembly	Stainless Steel

Cylinder Drive Motor

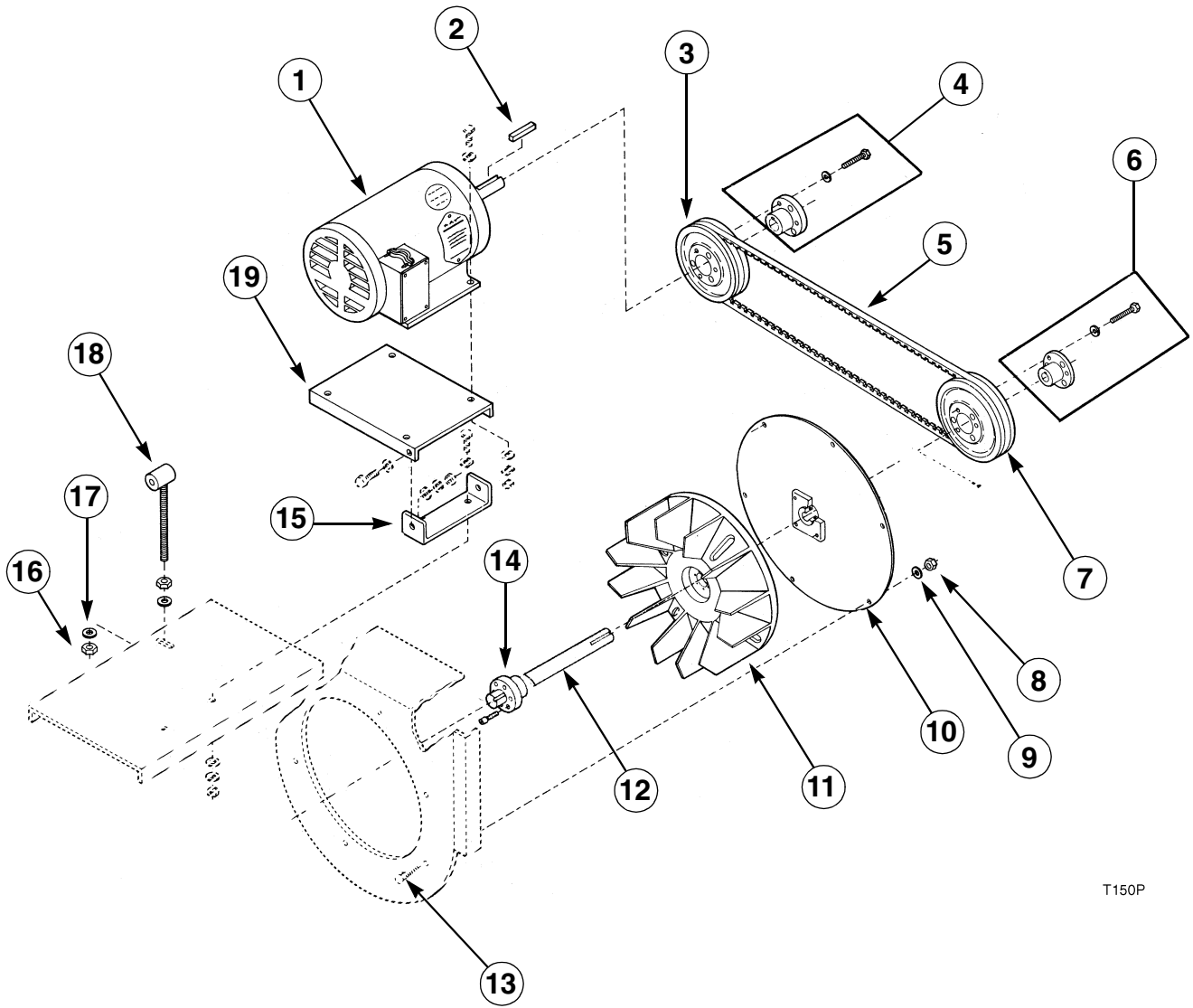


T237P

Cylinder Drive Motor

REF	PART #	DESCRIPTION	COMMENTS
1	H87529111	Taper Bushing	
2	H87520334	Drive Sheave	60 Hertz
	H8752026H	Drive Sheave	50 Hertz
3	H8371044H	Cylinder Drive Motor	208-240-480 Volt, 60 Hertz, 3 Phase
	H8371047H	Cylinder Drive Motor	220-380-415 Volt, 50 Hertz, 3 Phase
4	H8752006H	Key	
5	20255	Screw	
6	M400080	Washer	
7	H96428693	Bracket	
8	22688	Screw	
9	H96428461	Motor Base	
10	20274	Nut	
11	M400014	Lockwasher	
12	H88412093	Nut	
13	H88511118	Lockwasher	
14	M404993	Nut	
15	H96428479	Tube	
16	H88001565	Screw	
17	M411337	Eye Bolt	

Fan and Motor

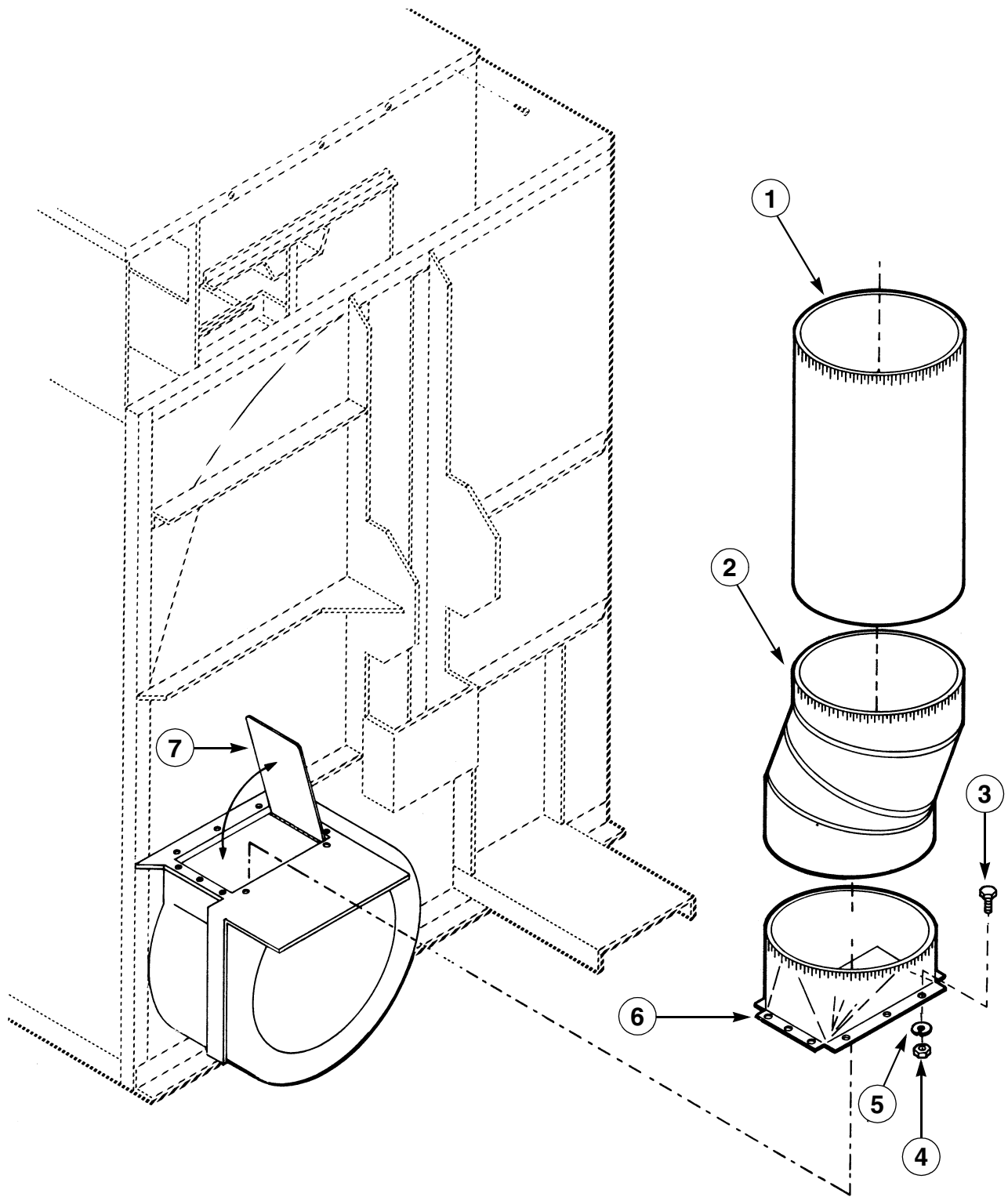


T150P

Fan and Motor

REF	PART #	DESCRIPTION	COMMENTS
	22688	Screw	Motor and Bracket Mounting Hardware, 10 Required
	M400080	Washer	Motor and Bracket Mounting Hardware, 20 Required
	M400014	Lockwasher	Motor and Bracket Mounting Hardware, 10 Required
	20274	Nut	Motor and Bracket Mounting Hardware, 10 Required
1	H8372022H	Blower Motor	208-230-460 Volt, 60 Hertz, 3 Phase
	H8372021H	Blower Motor	220-380-440 Volt, 50 Hertz, 3 Phase
2	H8752006H	Key	
3	H8752065H	Motor Sheave	50 Hertz
	H8752060H	Motor Sheave	60 Hertz
4	H8752931H	Bushing	
5	H87532685	Belt	
6	H8752922H	Bushing	
7	H8752060H	Blower Sheave	50 Hertz
	H8752065H	Blower Sheave	60 Hertz
8	70142	Nut	8 Required
9	02432	Washer	8 Required
10	H96368857	Blower Cover	
11	H96368469	Blower Fan	
12	H96368865	Blower Shaft	
13	M400056	Screw	8 Required
14	H87529210	Bushing	
15	H96428693	Bracket	
16	M404993	Nut	2 Required
17	H88510581	Washer	2 Required
18	M411337	Eye Bolt	
19	H96428461	Motor Base	

Exhaust System Components

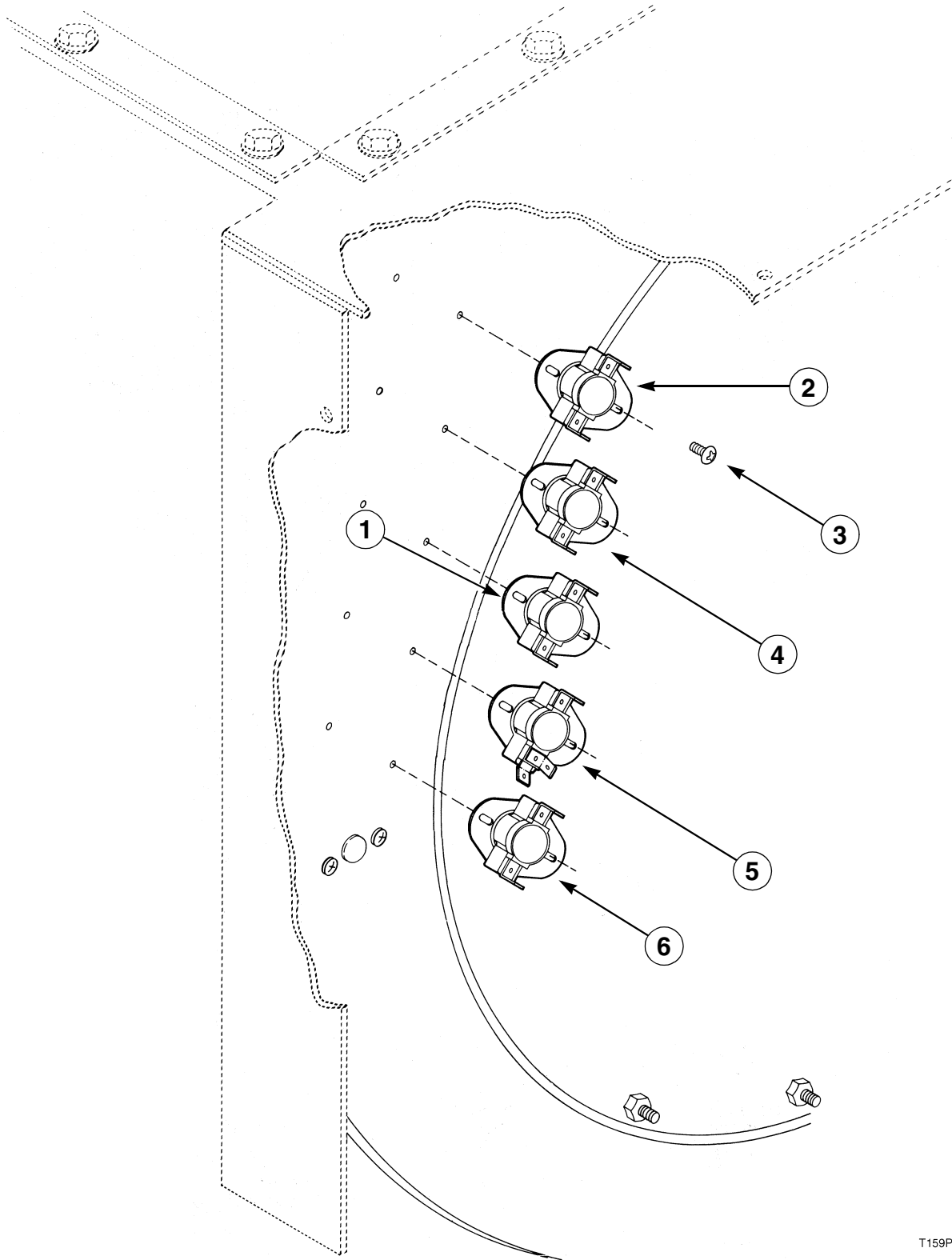


T165P

Exhaust System Components

REF	PART #	DESCRIPTION	COMMENTS
1	M411186	Vent Pipe	
2	H8749405H	Elbow	
3	H88010038	Screw	
4	20275	Nut	
5	03189	Lockwasher	
6	H96368873	Duct Transition	
7	H96357629	Damper	

Control Thermostats

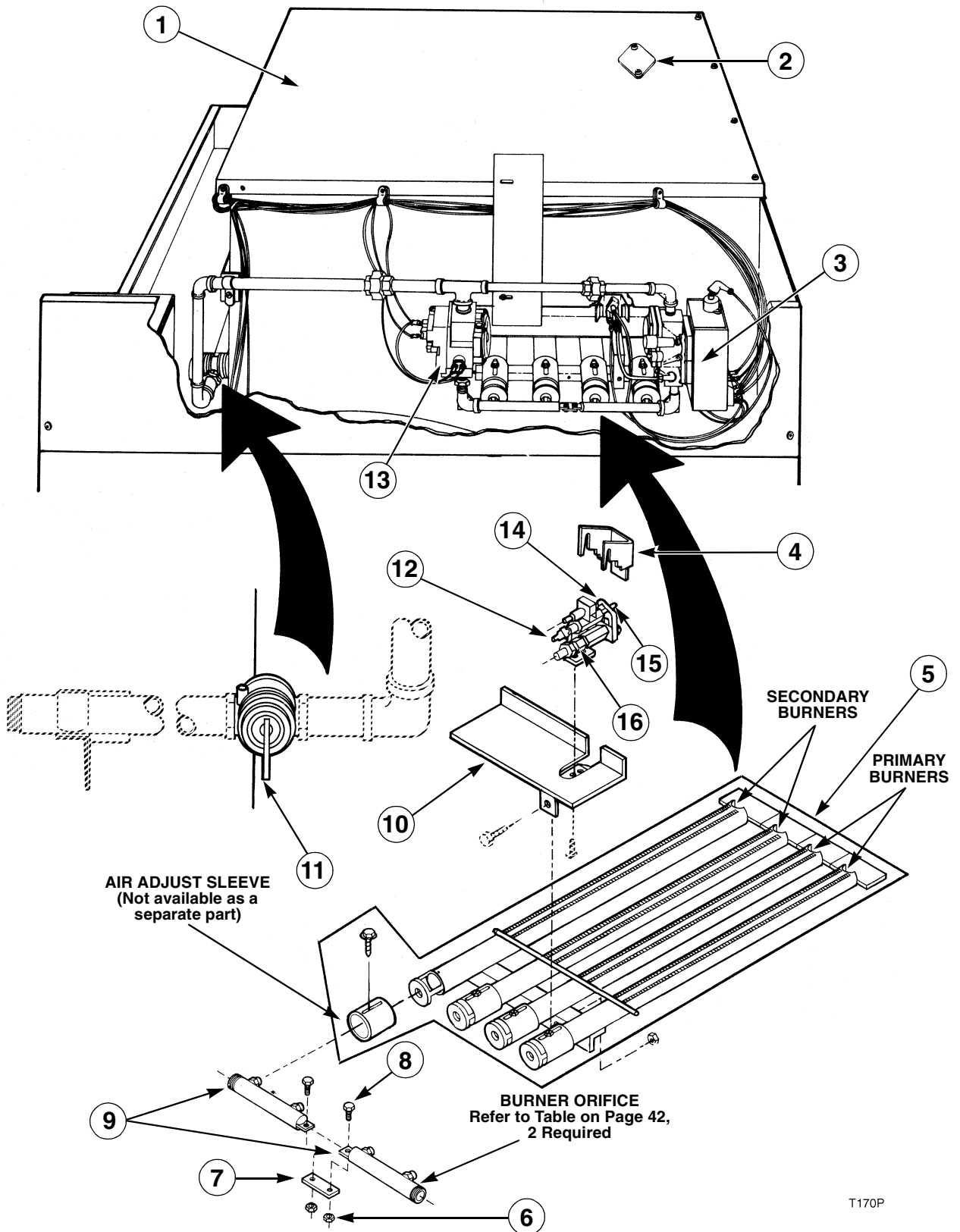


T159P

Control Thermostats

REF	PART #	DESCRIPTION	COMMENTS
1	H89005235	Medium Thermostat	
2	H8900531H	High Thermostat	
3	H88214515	Screw	
4	H89005227	Cabinet High Limit Thermostat	Auto Reset; 60 Hertz
	H8900533H	Cabinet High Limit Thermostat	Manual Reset; 50 Hertz
5	H89005243	Low Thermostat	
6	H8900530H	Load Ready Thermostat	

Gas Burner and Controls

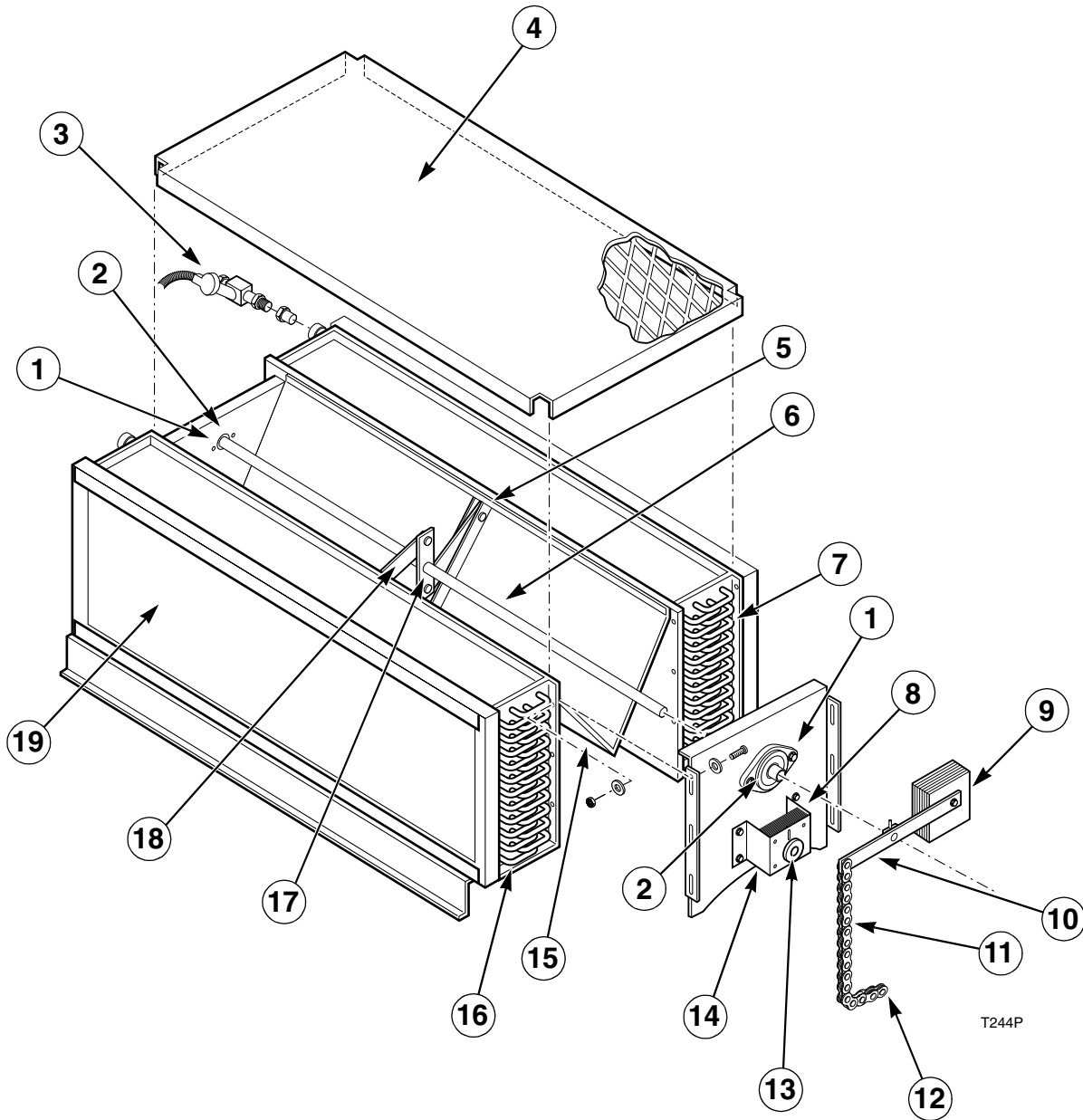


T170P

Gas Burner and Controls

REF	PART #	DESCRIPTION	COMMENTS
	H8900095	Conversion Kit	Used to convert Valve H8526918H for use with L.P. (Liquefied Petroleum) Gas
	M400763	Conversion Kit	Used to convert Valve M411413 for use with L.P. Gas
1	H96368667	Flash Shield	Shown rotated 90°
2	H8900534H	High Limit Thermostat	50 Hertz
	H8900516	High Limit Thermostat	60 Hertz
3	M411413	Combination Gas Valve and Ignition Control	Natural Gas
	M411414	Combination Gas Valve and Ignition Control	L.P. Gas
4	M410380	Pilot Shield	
5	M410405R	Burner Assembly	Natural Gas
	M410405	Burner Assembly	L.P. Gas
6	20275	Nut	2 Required
7	M96368543	Manifold Bracket	
8	02422	Screw	2 Required
9	H96367610	Orifice Manifold	
10	H96367586	Pilot Mounting Bracket	
11	M411613	Manual Shut-off Valve	Shown closed
12	H85289114	Flame Sensor Lead	
13	H8526918H	Gas Valve	
14	H89000921	Spark Electrode	
15	M401209	Flame Sensor	
16	H8900079H	Pilot Orifice	Natural Gas
	Q8152	Pilot Orifice	L.P. Gas

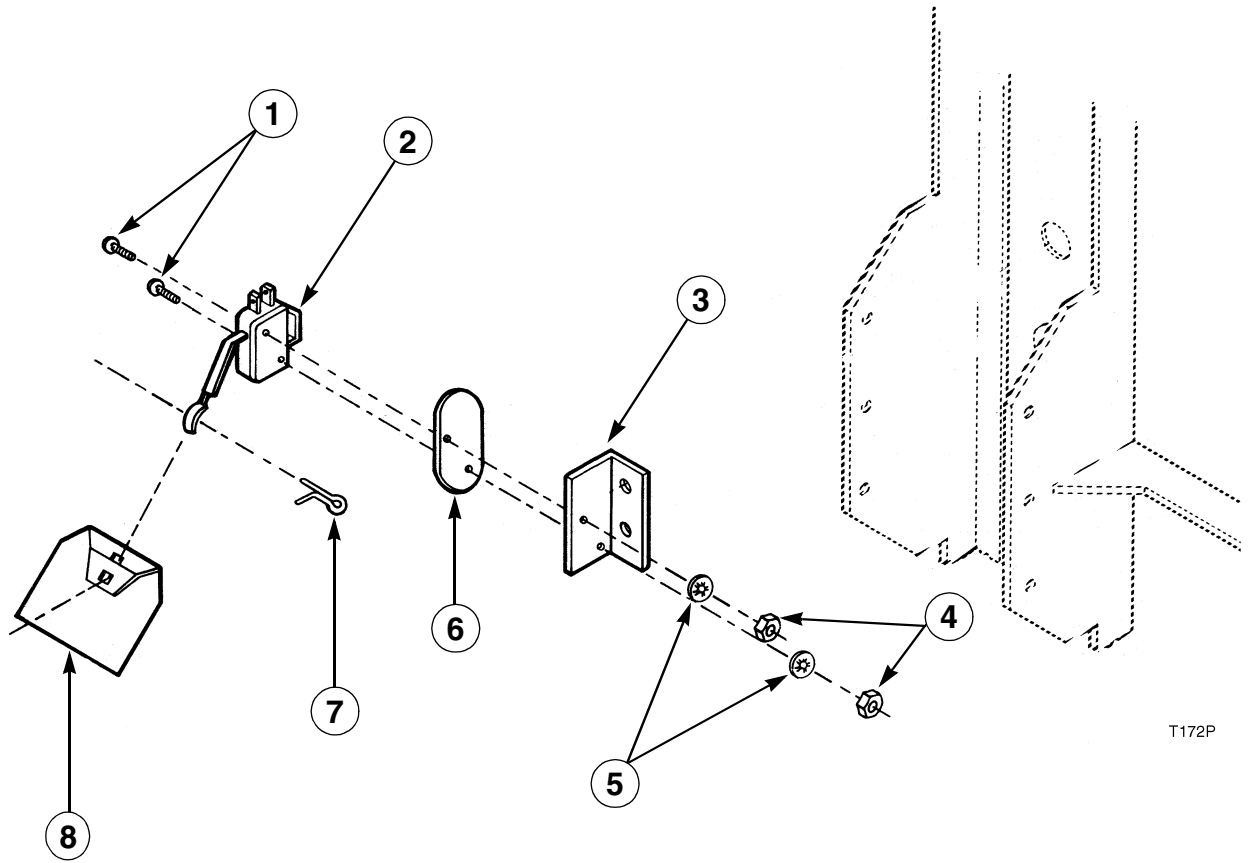
Steam Heating Unit



Steam Heating Unit

REF	PART #	DESCRIPTION	COMMENTS
1	H96382080	Bearing Flangette	2 Required
2	H96382098	Bearing Insert	
3	M411689	Steam Solenoid Valve	2 Required
4	H96368923	Housing Cover	
5	H96368915	Damper Link	
6	H96368956	Damper Shaft	
7	M409834	Steam Coil	Right
8	G159756	Damper Motor	
9	H96388038	Counterweight	7 Required
10	H96387501	Actuator Arm	
11	H96388186	Chain	
12	H96382072	Connecting Link	
13	H96388178	Damper Drive Wheel	
14	H96388145	Bracket	
15	H96367685	Damper	2 Required
16	M409833	Steam Coil	Left
17	H96368964	Actuator	
18	H96388012	Damper Link	
19	H96362264	Filter	2 Required

Air Flow Switch

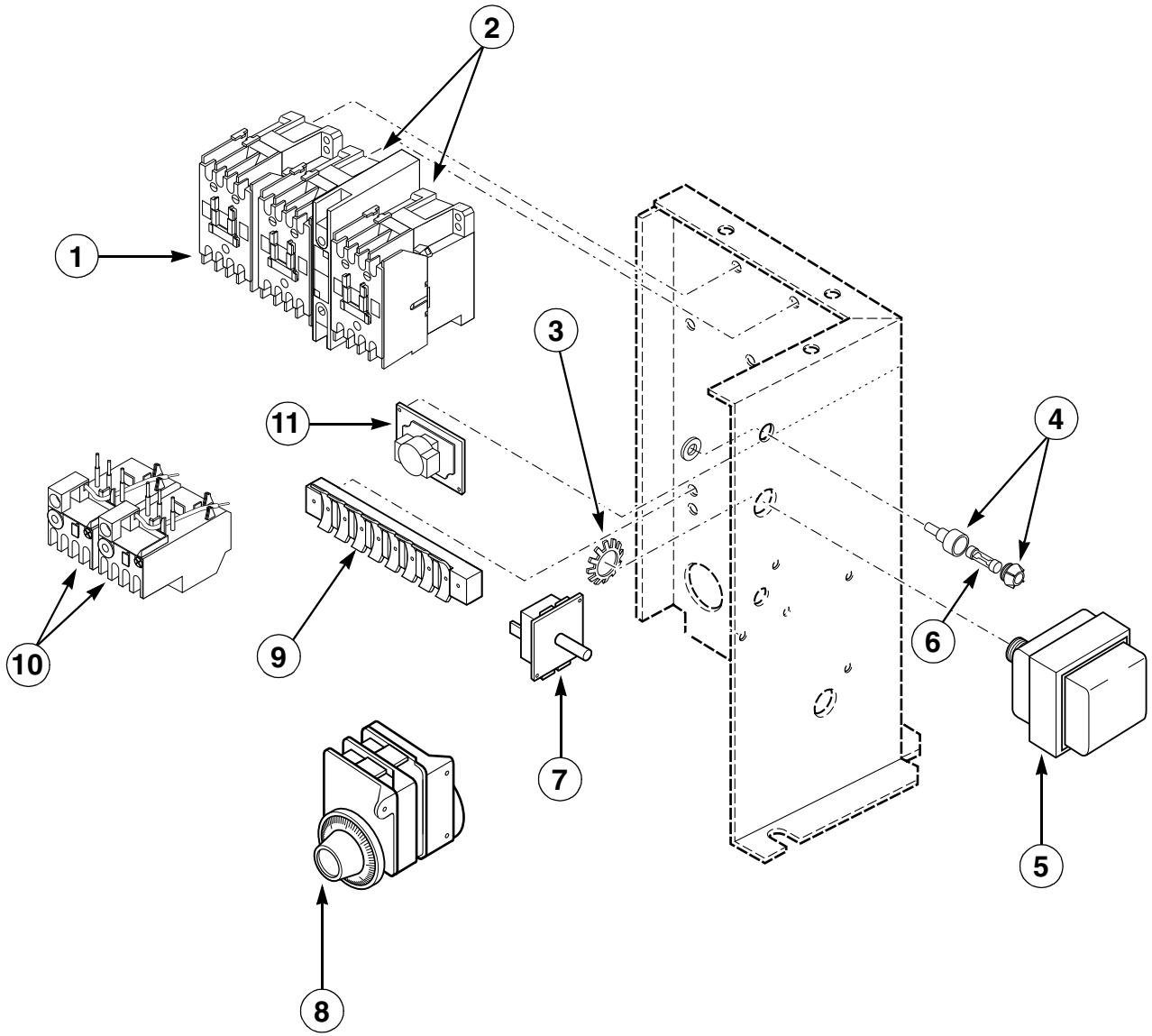


T172P

Air Flow Switch

REF	PART #	DESCRIPTION	COMMENTS
1	M401938	Screw	
2	H83055111	Switch	
3	H96418686	Bracket	
4	H88410030	Nut	
5	H88512561	Lockwasher	
6	H96418728	Insulator	
7	02470	Cotter Pin	
8	H96418694	Vane	

Reversing Controls



T243P

Reversing Controls

REF	PART #	DESCRIPTION	COMMENTS
	H83904615	Control Transformer	480 Volt Models only
1	H8300830H	Fan Contactor	
2	H8300831H	Reversing Contactor	
3	M409368	Locknut	
4	H8900050	Fuse Holder	
5	H83904664	Ignition Transformer	
6	H83900332	Fuse	1 Amp, 250 VAC
7	H83663070	Buzzer	
8	H96422399	Reversing Timer	
9	H83103416	Terminal Strip	
10	H8300105H	Overload Relay	Drive Motor 208-240 Volt
	H8300107H	Overload Relay	Drive Motor 380-415-460 Volt
	H8300106H	Overload Relay	Blower Motor 208-240 Volt
	H8300108H	Overload Relay	Blower Motor 380-415-460 Volt
11	H83005314	Time Delay Relay	

Burner Orifices

Gas Type	Altitude (ft.)	Primary Burner Orifice	Secondary Burner Orifice
Natural Gas	0 – 2,000	M410834	M409755
	2,001 – 4,000	M411422	M411423
	4,001 – 6,000	M410383	M411053
L.P. (Liquefied Petroleum)	0 – 2,000	H8900080H	H8900073H
	2,001 – 4,000	–	–
	4,001 – 6,000	M411396	H8900071H

Parts Index

A

Actuator	
H96368964	37
M409976	13
Actuator Arm	
H96387501	37

B

Bearing Flangette	
H96382080	37
Bearing Insert	
H96382098	37
Belt	
H87532685	29
H87533014	21
H87533816P	21
Belt Guard Side	
H96368725	19
Blower Cover	
H96368857	29
Blower Fan	
H96368469	29
Blower Motor	
H8372021H	29
H8372022H	29
Blower Shaft	
H96368865	29
Blower Sheave	
H8752060H	29
H8752065H	29
Bolt	
H88001565	21
Bracket	
H96388145	37
H96418686	39
H96428693	27, 29
Burner Assembly	
M410405	35
M410405R	35
Bushing	
H87529210	29
H8752922H	29
H8752931H	29
H8752985H	21
Buzzer	
H83663070	41

C

Cabinet High Limit Thermostat	
H89005227	33
H8900533H	33
Chain	
H96388186	37
Combination Gas Valve and Ignition Control	
M411413	35
M411414	35

Connecting Link	
H96382072	37
Control Transformer	
H83904615	41
Control Trim	
M410291	13
Conversion Kit	
H8900095H	35
M400763	35
Cooling Timer	
M410900P	7
M410902P	7
Cotter Pin	
02470	39
Counterweight	
H96388038	37
Cylinder	
H96367545	25
M409826	25
Cylinder and Shaft Assembly	
H96360003	25
M409827	25
Cylinder Drive Motor	
H8371044H	27
H8371047H	27

D

Damper	
H96357629	31
H96367685	37
Damper Drive Wheel	
H96388178	37
Damper Link	
H96368915	37
H96388012	37
Damper Motor	
G159756	37
Damper Shaft	
H96368956	37
Door Assembly	
M410289	15
Door Catch	
M401223	13
Door Gasket	
H96409156	15
Door Glass and Seal Kit	
M409899P	15
Door Glass Seal	
M409900	15
Door Handle	
M400133	15
Door Strike Screw	
M400661	15
Door Switch	
H96422241	13
Drive Sheave	
H8752026H	27
H87520334	27

Drying Timer	
M410901P	7
M410903P	7
Duct Transition	
H96368873	31

E

Elbow	
H8749405H	31
Eye Bolt	
M411337	21, 27, 29

F

Fan Contactor	
H8300830H	41
Filter	
H96362264	37
Flame Sensor	
M401209	35
Flame Sensor Lead	
H85289114	35
Flash Shield	
H96368667	35
Front Panel	
H96367677	13
M410270	13
Fuse	
H83900332	41
Fuse Holder	
H8900050	41

G

Gas Valve	
H8526918H	35
Graphics Plate	
M410265	9

H

High Limit Thermostat	
H89005169	35
H8900534H	35
High Thermostat	
H8900531H	33
Hinge Mounting Screw	
H88129648	15
M400044	15
Hinge Pin	
M410029	13
Housing Cover	
H96368923	37

I

Ignition Transformer	
H83904664	41

Insulation	
H96362173	13
Insulator	
H96418728	13, 39
M406144	7

J

Jackshaft Assembly	
H96357751	21

K

Key	
H8752006H	27, 29
Knurled Nut	
24205	9

L

Light	
H96422506	5
H96422522	5
M400704	7, 9
Lint Panel	
H96368519	11
Lint Screen	
H96367016	17
Lint Screen Frame	
H96362025	17
Load Ready Thermostat	
H8900530H	33
Locknut	
M409368	41
Lockwasher	
H88511118	23, 27
H88512561	13, 39
M400014	21, 23, 27, 29
03189	31
91176	9
Low Thermostat	
H89005243	33
Lower Belt Guard Cover	
H96368733	19
Lower Door Hinge	
M410031	15
Lower Panel Hinge	
M410042	13

M

Manifold Bracket	
M96368543	35
Manual Shut-off Valve	
M411613	35
Medium Thermostat	
H89005235	33
Motor Base	
H96428461	27, 29

Motor Sheave	
H8752060H	29
H8752065H	29
Mounting Bracket	
H96428008	23

N

Nut	
H88410030	13, 39
H88412093	23, 27
H96402243	25
M404993	21, 25, 27, 29
Q6163	15
20274	21, 23, 27, 29
20275	31, 35
23951	11
70054	15
70142	29
Nylon Washer	
H88569108	11, 13
M400671	15

O

Orifice Manifold	
H96367610	35
Overload Relay	
H8300105H	41
H8300106H	41
H8300107H	41
H8300108H	41

P

Pilot Mounting Bracket	
H96367586	35
Pilot Orifice	
H8900079H	35
Q8152	35
Pilot Shield	
M410380	35
Push-to-Start Label	
M409828	5
Push-to-Start Switch	
M400954	7

R

Relay	
M400908	7
Resistor	
M410992	7
Retainer Ring	
H88602263	21
H88603477	21
Reversing Contactor	
H8300831H	41
Reversing Switch	
H96422431	5
M400945	5

Reversing Timer	
H96422399	41
Reversing/Nonreversing Switch	
H96422431	9
Rib Rod	
H8830143H	25
Roller Catch	
H87020202	11
Rubber Trim	
H81224511P	11

S

Screw	
H88001565	27
H88010038	31
H88110267	13
H88111703	23
H88129788	13
H88213707	11, 13
H88213996	23
H88214515	33
M400044	11
M400056	29
M400071	7
M400072	7, 13
M400664	7
M401902	11
M401938	39
M409385	15
M411052	7
02422	35
20255	21, 27
22688	23, 27, 29
51780	7
Sheave	
H8752251H	21
Spark Electrode	
H89000921	35
Speed Nut	
H8841927H	19
Steam Coil	
M409833	37
M409834	37
Steam Solenoid Valve	
M411689	37
Step Pulley	
H96428024	21
Step Pulley Bearing	
H87672184	21
H87672374	21
Switch	
H83055111	39

T

Taper Bushing	
H87529111	27
Temperature Knob	
M400777	9
Temperature Switch	
27762	9
Terminal Bracket	
M400000	7

Terminal Strip	
H83103416	41
Three Cycle Timer	
H96402318	5
H96402334	5
Time Delay Relay	
H83005314	41
Timer Bracket	
M410274	7
Timer Graphics Plate	
M410266	7
Timer Knob	
H83901157	5
M400773	7
Timer Label	
M409749	5
Top Access Panel	
H96368628	11
Trunnion Assembly	
H96367537	25
Trunnion Bearing	
H87625430	23
Tube	
H96428479	27
H96428487	21

U

Upper Belt Guard Cover	
H96367669	19
Upper Door Hinge	
M410030	15
Upper Panel Hinge	
M410041	13

V

Vane	
H96418694	39
Vent Pipe	
M411186.....	31

W

Warning Label	
M409312	13
M410892	13
Washer	
H88510581	29
M400080	21, 27, 29
M400081	23
02432	29
Wire Set	
M409759	13