

Drying Tumblers

Stacked 30 Pound Capacity
(Models from Serial No. DTCK9401011756)
Refer to Page 3 for Model Numbers

Parts



Part No. M412907R1
April 2000

Table of Contents

Title	Page
Parts Ordering Information	2
Nameplate Location	2
Model Identification	3
Electronic Control	4
Front Panel Assembly.....	6
Side Panels.....	8
Loading Door	10
Lint Drawer	12
Cylinder.....	14
Drive Shaft	16
Blower Housing and Fan	18
Motor and Belt Guard	20
Thermostat and Burner.....	22
Gas Valve	24
Gas Valve Coils	26
120/208-240 Volt, 60 Hertz Junction Box	28
240 Volt, 50 Hertz Junction Box	30
Stickers and Labels – Front	32
Stickers and Labels – Rear.....	34
Coin Drop Assemblies and Front Plates	36
Orifice Sizing for Stacked Tumbler Gas Valves.....	37
Wire Harnesses	38
Parts Index.....	39

© Copyright 2000, Alliance Laundry Systems LLC

All rights reserved. No part of the contents of this book may be reproduced or transmitted in any form or by any means without the expressed written consent of the publisher.

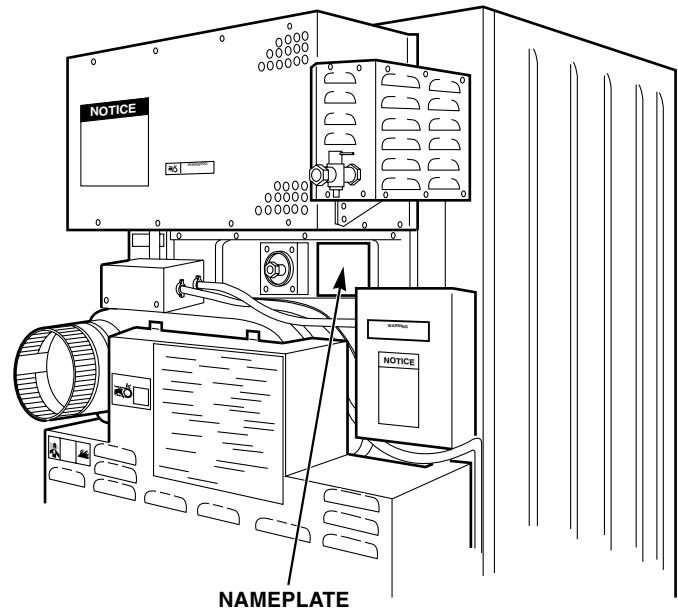
Parts Ordering Information

If literature or replacement parts are required, contact the source from whom the machine was purchased or contact Alliance Laundry Systems LLC at (920) 748-3950 for the name and address of the nearest authorized parts distributor.

For technical assistance, call (920) 748-3121.

Nameplate Location

When calling or writing about your product, be sure to mention model and serial numbers. Model and serial numbers are located on nameplate(s) as shown.



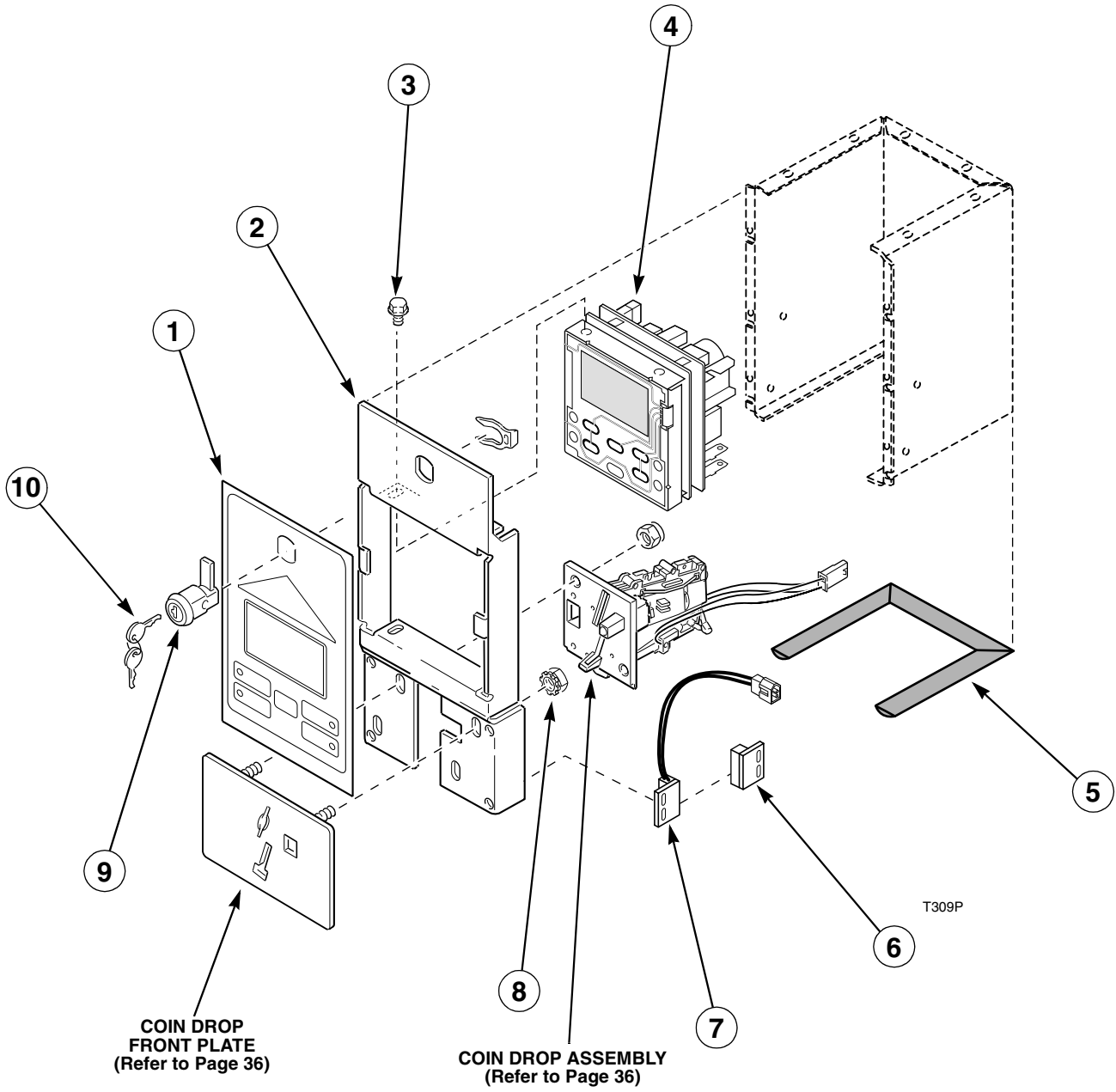
T278P

Model Identification

Information in this manual is applicable to these stacked drying tumblers:

STD32DG
SCD32DG

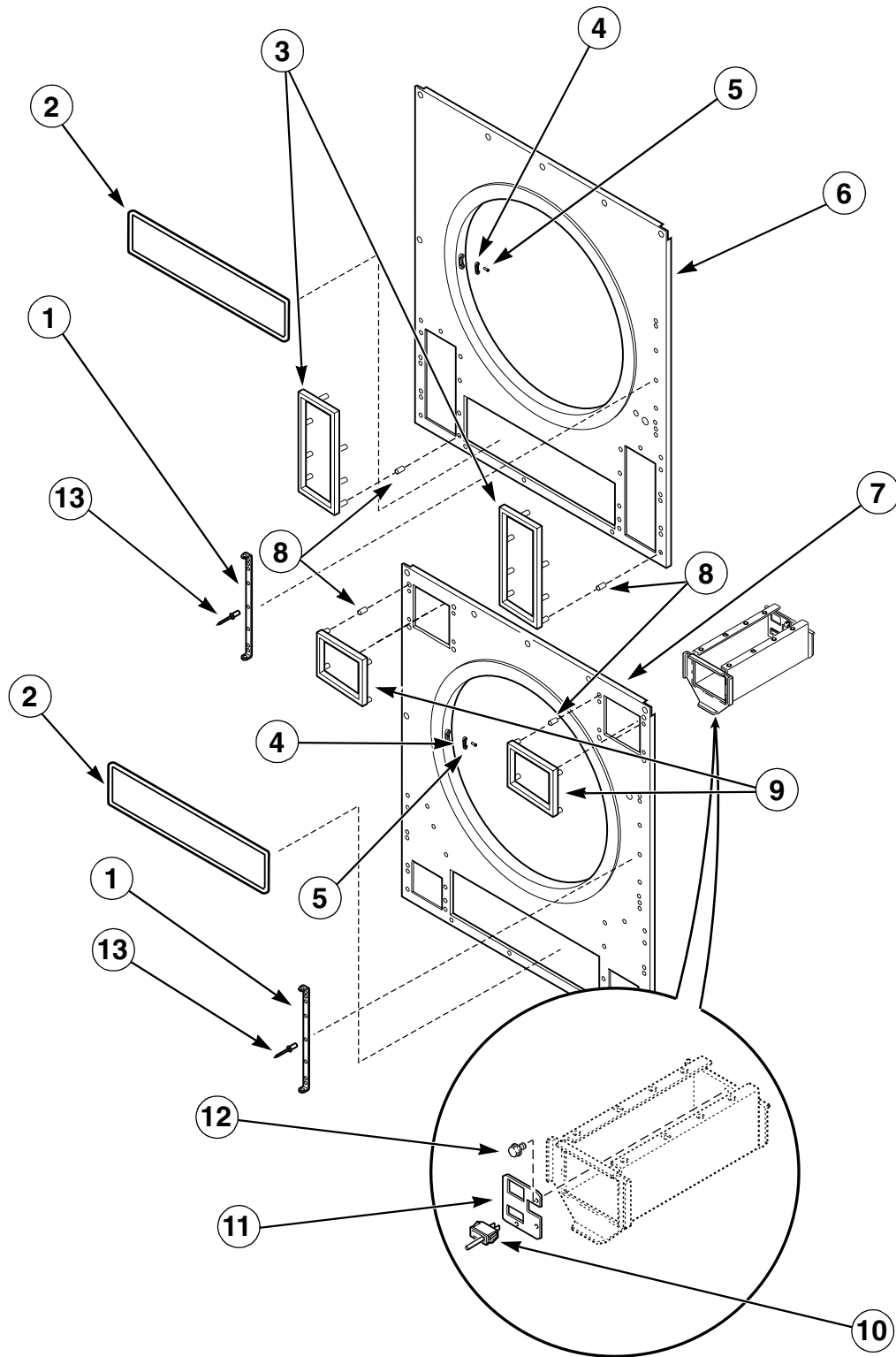
Electronic Control



Electronic Control.

REF	PART #	DESCRIPTION	COMMENTS
1	431232	Control Panel Overlay	Left
	431234	Control Panel Overlay	Right
2	431202	Control Panel Door	
3	501524	Screw	
4	M411878P	Control	120 Volt
	M411883P	Control	240 Volt
5	431213	Control Housing Seal	
6	501453	Magnet	
7	34599	Switch	
8	29786	Locknut	
9	430832	Lock and Retainer	
10	430664	Key	

Front Panel Assembly



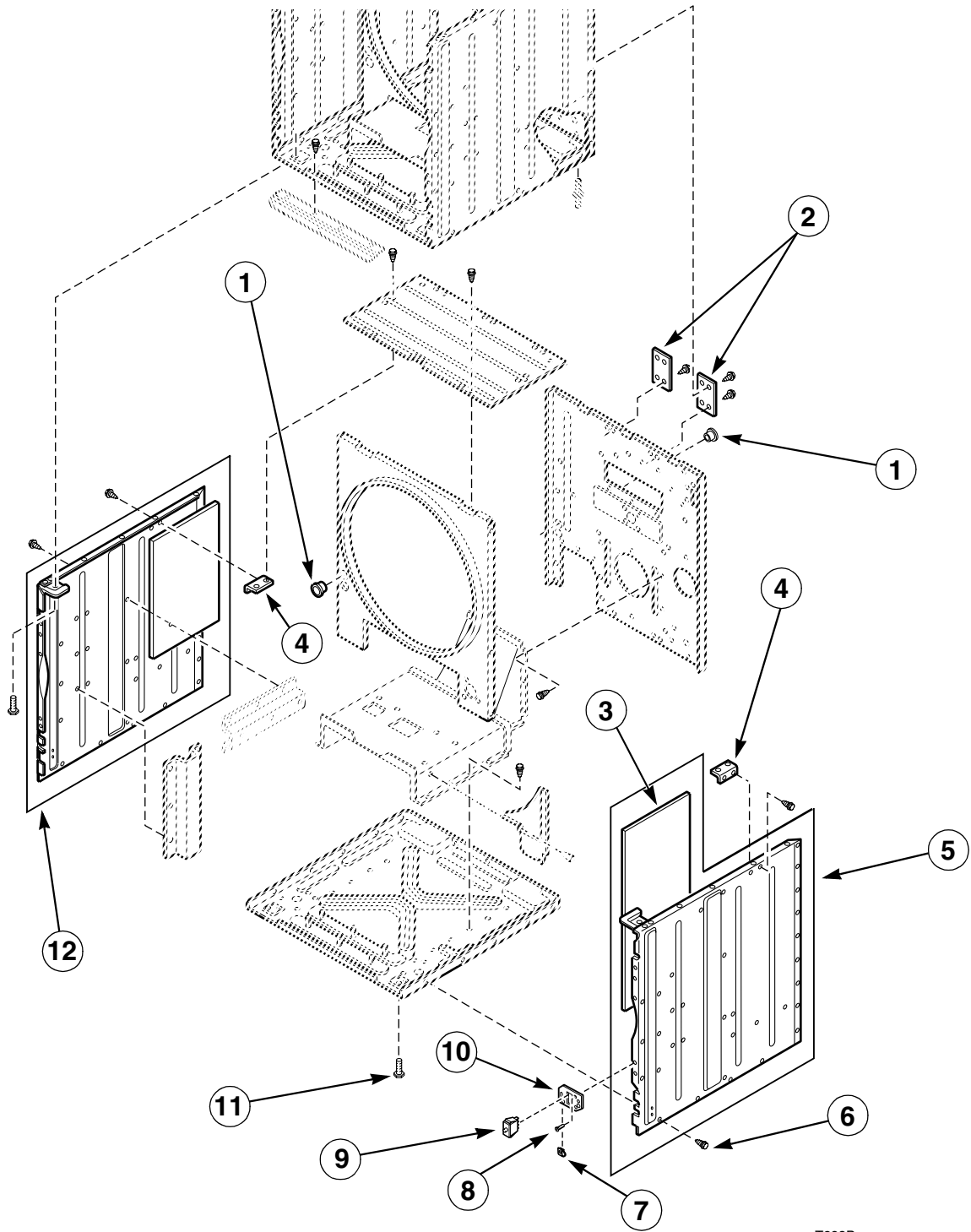
T308P

Front Panel Assembly

REF	PART #	DESCRIPTION	COMMENTS
1	431000*	Hinge Bracket	Painted, included with Front Panel
	431044	Hinge Bracket	Stainless Steel, included with Front Panel
2	430638	Seal	Included with Front Panel
3	431326	Control Shadow Box	
4	M401223	Catch	Included with Front Panel
5	M400003	Rivet	Included with Front Panel
6	431142*	Front Panel – Upper	Painted
	431221	Front Panel – Upper	Stainless Steel
7	431369*	Front Panel – Lower	Painted
	431370N	Front Panel – Lower	Stainless Steel
8	M400972	Clip	
9	M400131P	Coin Vault Shadow Box	Includes M400972 Clips
10	34536	Switch	
11	M411595	Mounting Plate	
12	430497	Screw	
13	M410762	Rivet	Included with Front Panel

* Add letter to designate color: **L - Almond** **W - White** **V - Orange** **K - Red**
 B - Battina Green **H - Harvest Gold** **X - Electric Blue** **P - Turquoise**

Side Panels

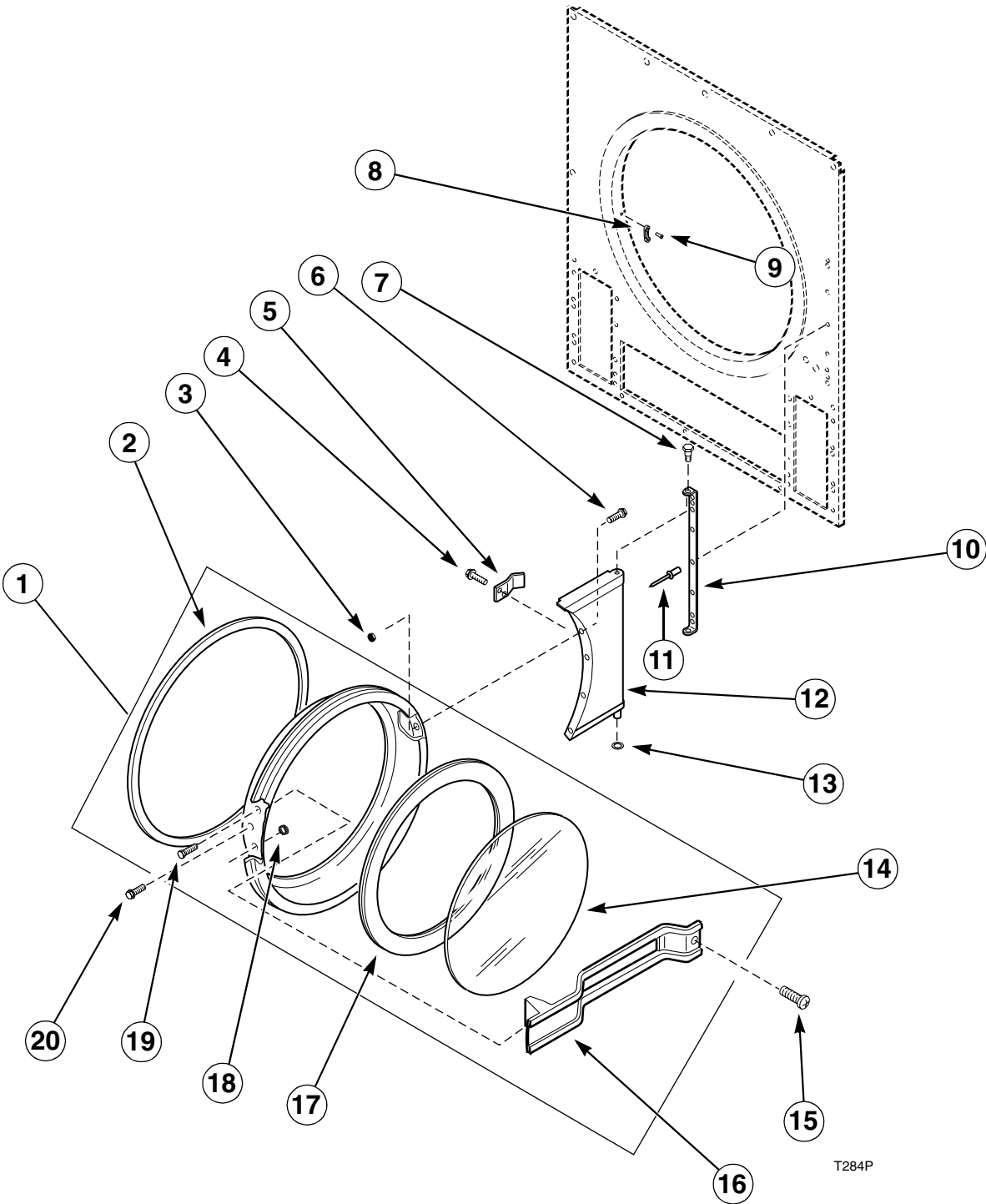


T283P

Side Panels

REF	PART #	DESCRIPTION	COMMENTS
1	M402542	Bushing	
2	430581	Bracket	
3	430043	Insulation	
4	430447	Bracket	
5	431049	Side Panel and Insulation	Right
6	27196	Hex Head Screw	
	431167	Torx Head Screw	
7	431045	Speed Nut	
8	28193	Screw	
9	M406103	Door Switch	
10	431118	Door Switch Bracket	
11	M400063	Leveling Leg	
12	431048	Side Panel and Insulation	Left

Loading Door



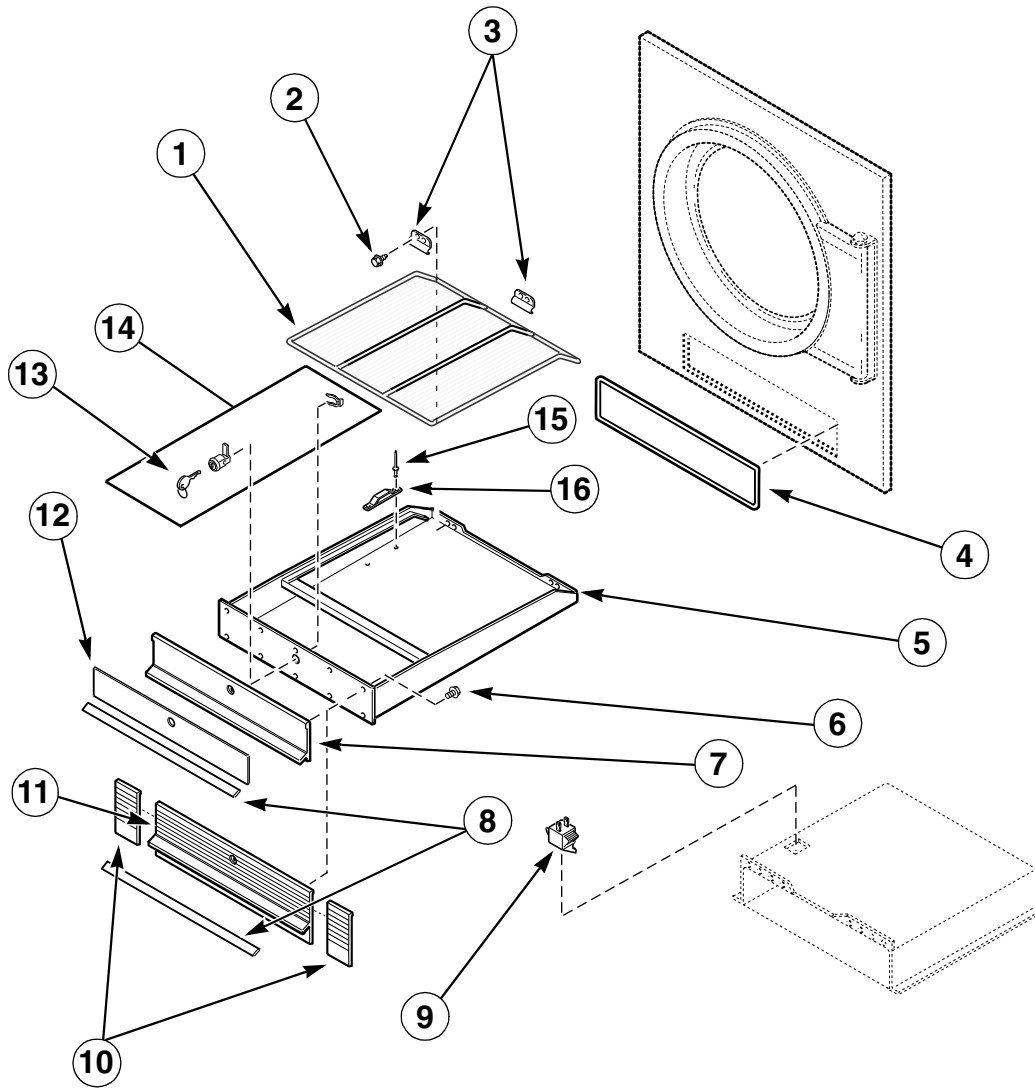
T284P

Loading Door

REF	PART #	DESCRIPTION	COMMENTS
1	430475	Door Assembly	
2	M406129	Door Gasket	
3	23951	Nut	
4	430497	Screw	
5	430432	Door Switch Tab	
6	M400044	Screw	
7	M400653	Hinge Pin	
8	M401223	Catch	
9	M400003	Rivet	
10	431000*	Hinge Bracket	Painted, included with Front Panel
	431044	Hinge Bracket	Stainless Steel, included with Front Panel
11	M410762	Rivet	
12	M402714*	Door Hinge	Painted
	M400514	Door Hinge	Stainless Steel
13	M400675	Nylon Washer	
14	M400784P	Door Glass	
15	M409385	Screw	
16	430117	Door Handle	
17	M400962	Door Glass Seal	
18	430649	Plug	
19	430756	Screw	
20	M400661	Screw	

* Add letter to designate color: L - Almond W - White V - Orange K - Red
 B - Battina Green H - Harvest Gold X - Electric Blue P - Turquoise

Lint Drawer

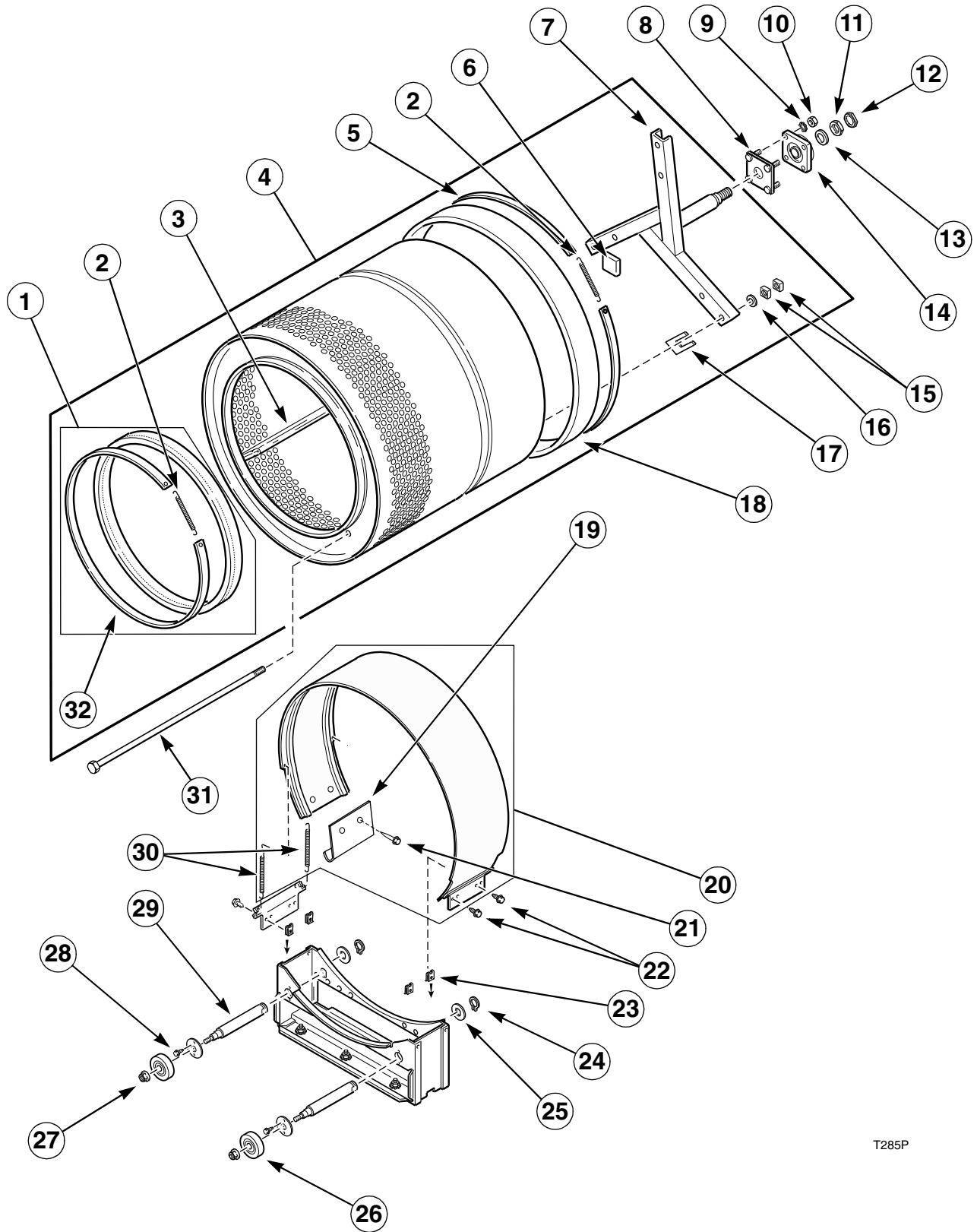


T277P

Lint Drawer

REF	PART #	DESCRIPTION	COMMENTS
1	431215	Lint Screen	
2	51780	Screw	
3	430126	Bracket	
4	430638	Seal	
5	431248	Lint Drawer	
6	430757	Screw	
7	430385	Upper Front Plate	
8	430527	Label	
9	431159	Lint Drawer Switch	
10	431001	Extension	
11	431003	Lower Front Plate	
12	431233	Graphics Panel	
13	M401680	Key	
14	430429	Lock and Key	
15	430489	Rivet	
16	431273	Actuator	

Cylinder

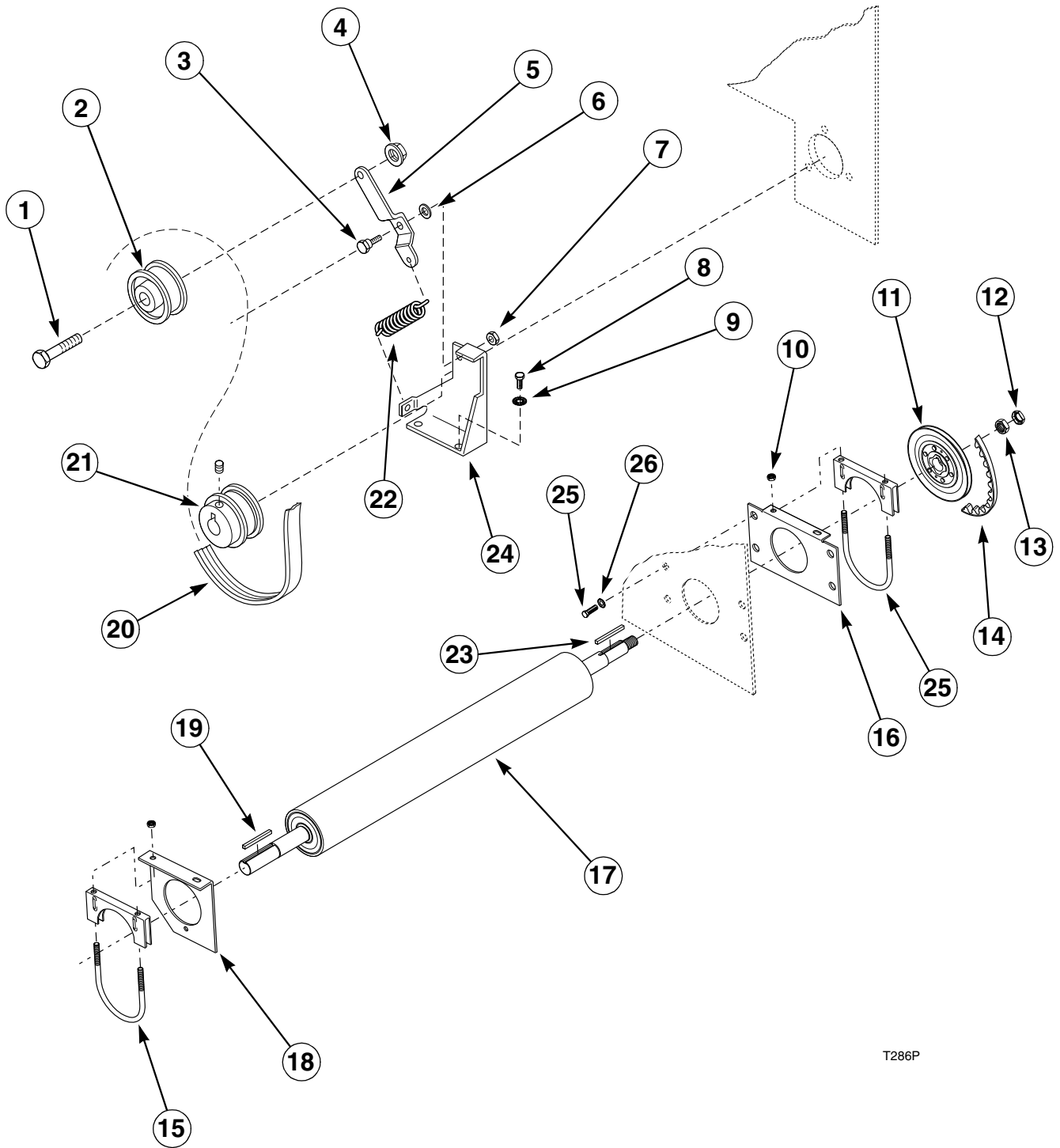


T285P

Cylinder

REF	PART #	DESCRIPTION	COMMENTS
1	430844P	Front Seal and Strap Kit	
2	52310	Spring	
3	430099	Cylinder Rib	
4	430580	Cylinder and Trunnion Assembly	
5	430355	Seal Strap	
6	M402144	Felt Pad	
7	430219	Trunnion Assembly	
8	430352	Stud Plate	
9	02834	Washer	
10	02428	Jam Nut	
11	M400022	Nut	
12	M400034	Pal Nut	
13	M400991	Washer	
14	430260	Cylinder Support Bearing Assembly	
15	M401930	Nut	
16	M401947	Washer	
17	M401402	Shim	
18	430105P	Rear Cylinder Seal with Adhesive	
19	431198	Bumper	
20	430884P	Sweep Sheet Kit	
21	M400003	Rivet	
22	33561	Screw	
23	430886	Speed Nut	4 Required
24	70061	Retaining Ring	2 Required
25	430427	Washer	2 Required
26	430019	Roller	2 Required
27	430576	Forge Nut	2 Required
28	431314	Retainer	2 Required
29	431315	Roller Shaft	2 Required
30	430954	Spring	
31	430155	Rib Rod	
32	430845	Seal Strap	

Drive Shaft

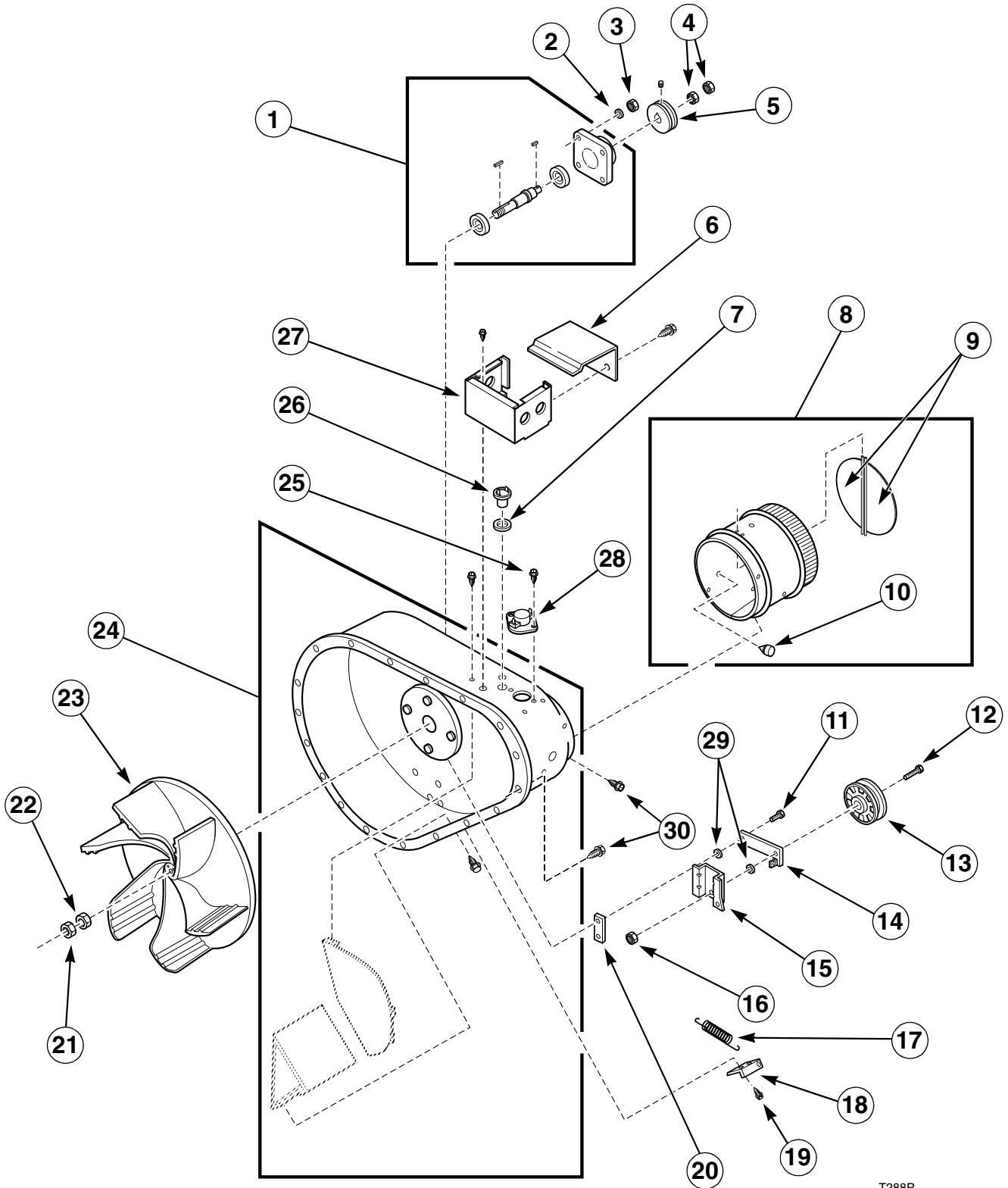


T286P

Drive Shaft

REF	PART #	DESCRIPTION	COMMENTS
1	430648	Cap Screw	
2	430619	Idler Wheel	
3	431381	Shoulder Screw	
4	56156	Nut	
5	430263	Idler Arm	
6	430782	Washer	
7	52566	Nut	
8	02422	Screw	
9	91093	Washer	
10	80116	Nut	
11	430800P	Pulley with Set Screw	
12	M400034	Pal Nut	
13	M400022	Nut	
14	430054	Belt	
15	430862	U-Bolt Clamp	
16	430857	Rear Reinforcement Plate	
17	430867	Drive Shaft Assembly	
18	430856	Front Reinforcement Plate	
19	M401327	Key	
20	430104	Belt	
21	430050P	Sheave	
22	430301	Spring	
23	M400993	Key	
24	430193	Bracket	
25	01355	Screw	
26	02834	Washer	

Blower Housing and Fan

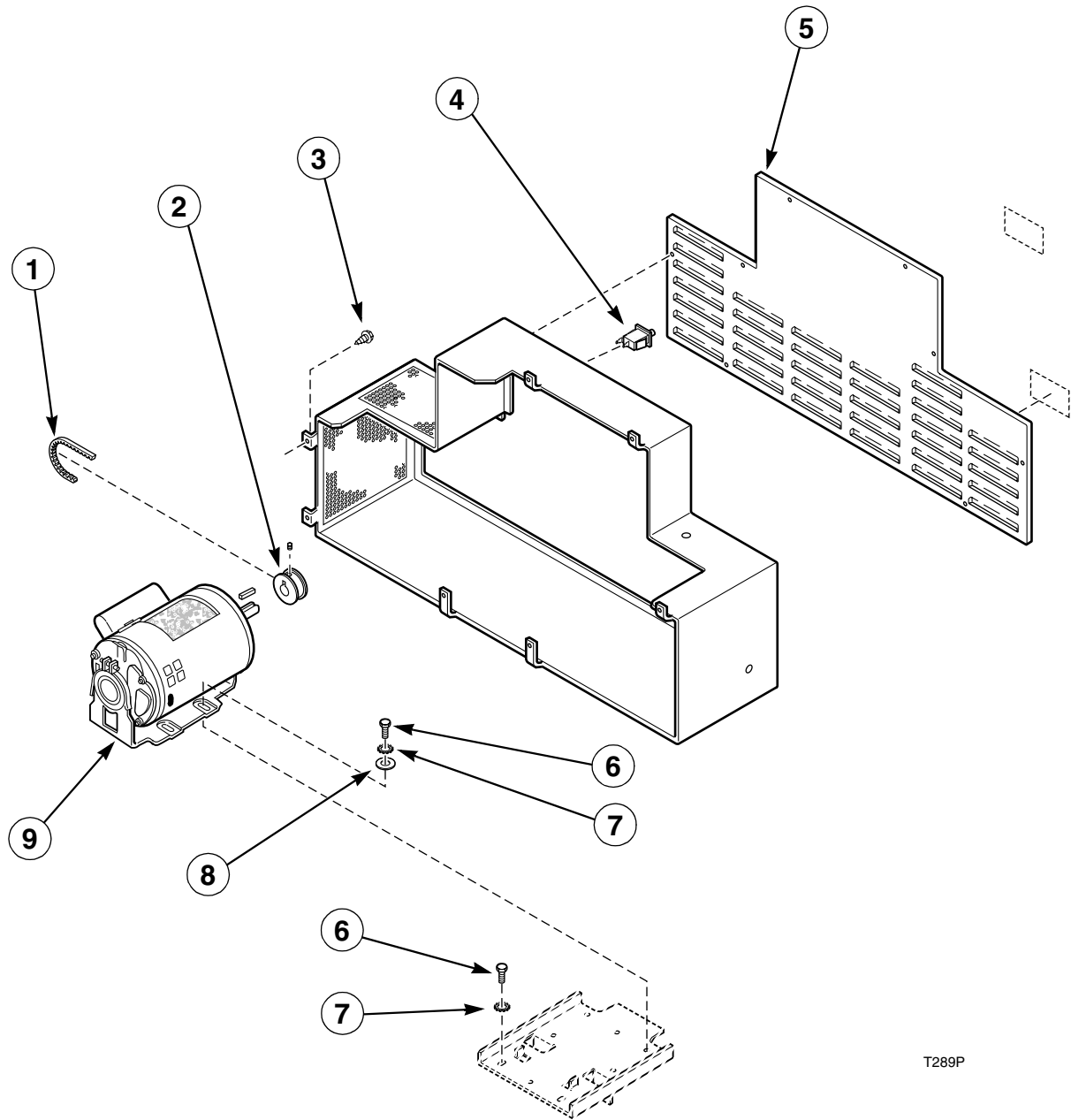


T288P

Blower Housing and Fan

REF	PART #	DESCRIPTION	COMMENTS
1	430853	Bearing Housing and Shaft Assembly	
2	02834	Washer	
3	02428	Nut	
4	430875	Nut	
5	430849	Sheave with Screw	
6	430339	Cover	
7	29443	Felt Washer	
8	430536	Thimble and Vane Assembly	
9	430534	Vane	2 Required
10	M400795	Rubber Bumper	
11	431381	Shoulder Screw	
12	430648	Screw	
13	430618	Idler Wheel	
14	430263	Idler Arm	
15	430193	Bracket	
16	56156	Screw	
17	430252	Spring	
18	430251	Tab	
19	27196	Screw	
20	430850	Spacer	
21	M400034	Pal Nut	
22	M400022	Jam Nut	
23	M410088P	Fan and Key	
24	430061	Blower Housing	
25	23962	Screw	
26	M409114	Temperature Sensor	
27	430338	Side and Back Cover	
28	M406412	Limit Thermostat	
29	430782	Washer	
30	M405188	Screw	

Motor and Belt Guard

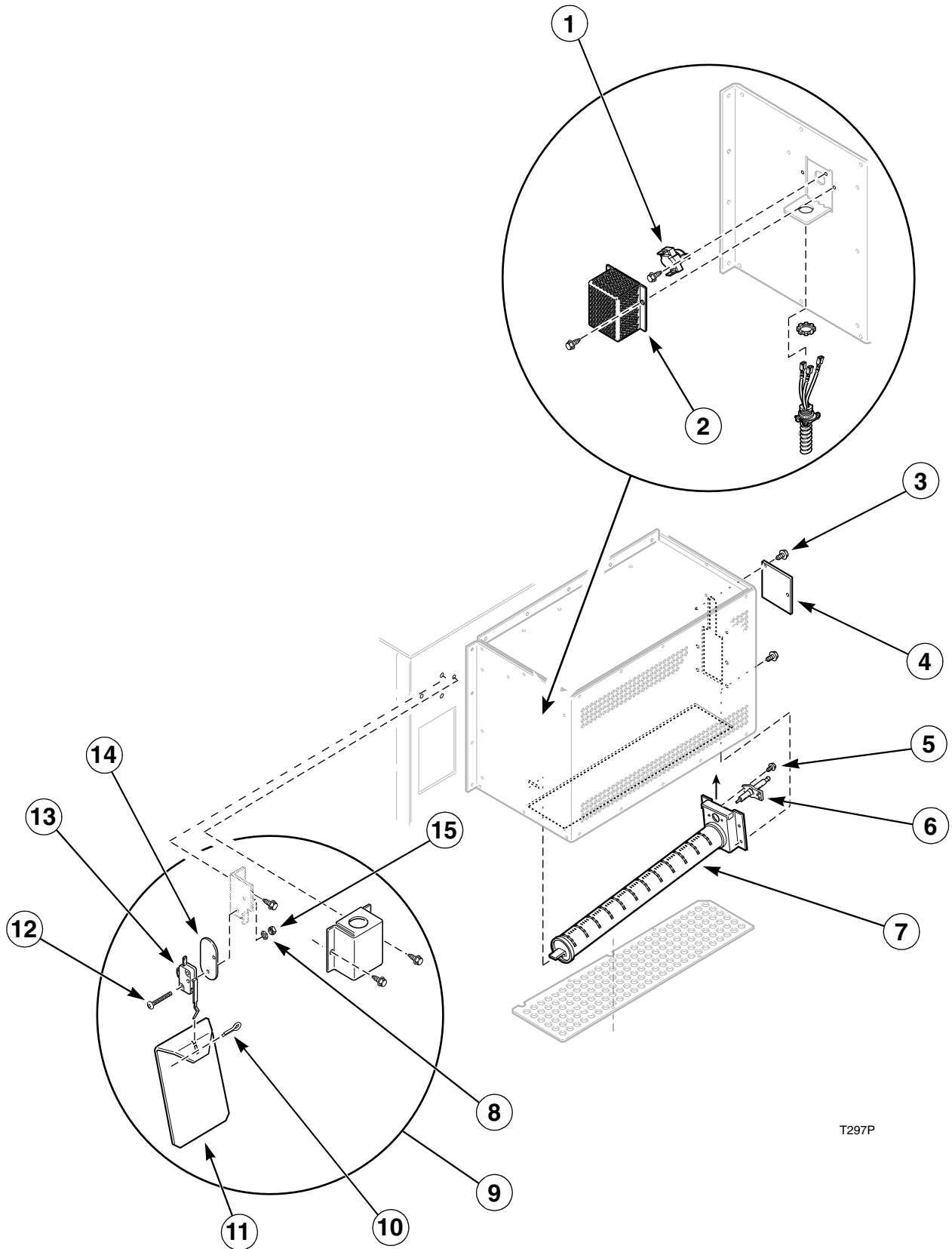


T289P

Motor and Belt Guard

REF	PART #	DESCRIPTION	COMMENTS
1	430054	Belt	
2	430067	Motor Pulley with Set Screw	60 Hertz
	430668	Motor Pulley with Set Screw	50 Hertz
3	430497	Screw	
4	431159	Belt Guard Switch	
5	430525	Belt Guard Cover	
6	01355	Bolt	
7	02834	Lockwasher	
8	M400080	Washer	
9	431275	Motor	60 Hertz
	430426	Motor	50 Hertz

Thermostat and Burner

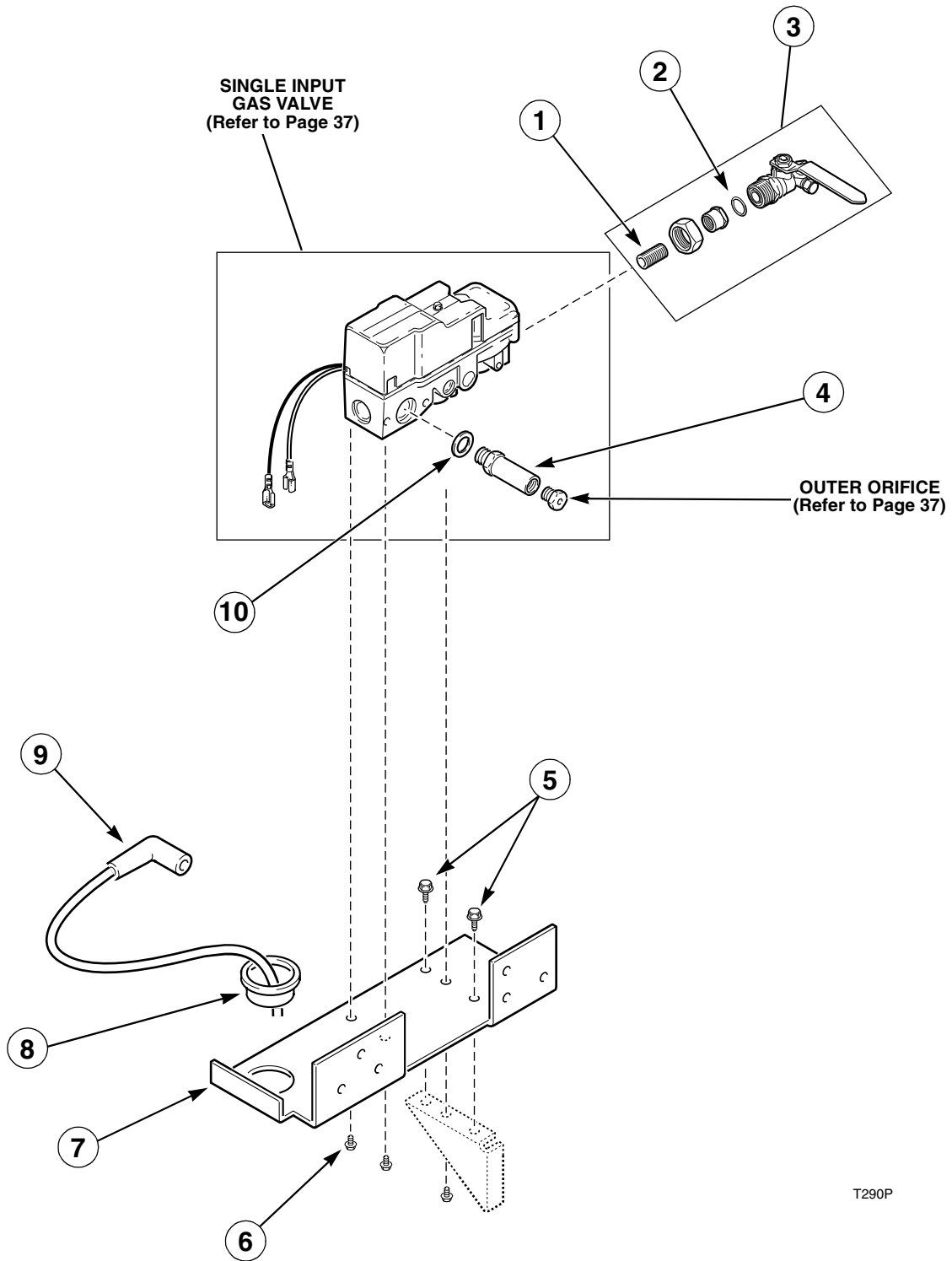


T297P

Thermostat and Burner

REF	PART #	DESCRIPTION	COMMENTS
1	431177	High Limit Thermostat	
2	M400845	Cover	
3	430497	Hex Head Screw	
	431287	Torx Head Screw	
4	430375	Burner Plate Cover	
5	56693	Screw	
6	430317	Igniter	
7	430506	Burner	
8	H88512561	Lockwasher	
9	430369	Air Flow Switch Assembly	
10	02470	Cotter Pin	
11	430372	Air Flow Switch Vane	
12	M401938	Round Head Screw	
13	430371	Air Flow Switch	
14	H96418728	Insulation	
15	H88410030	Hex Nut	

Gas Valve



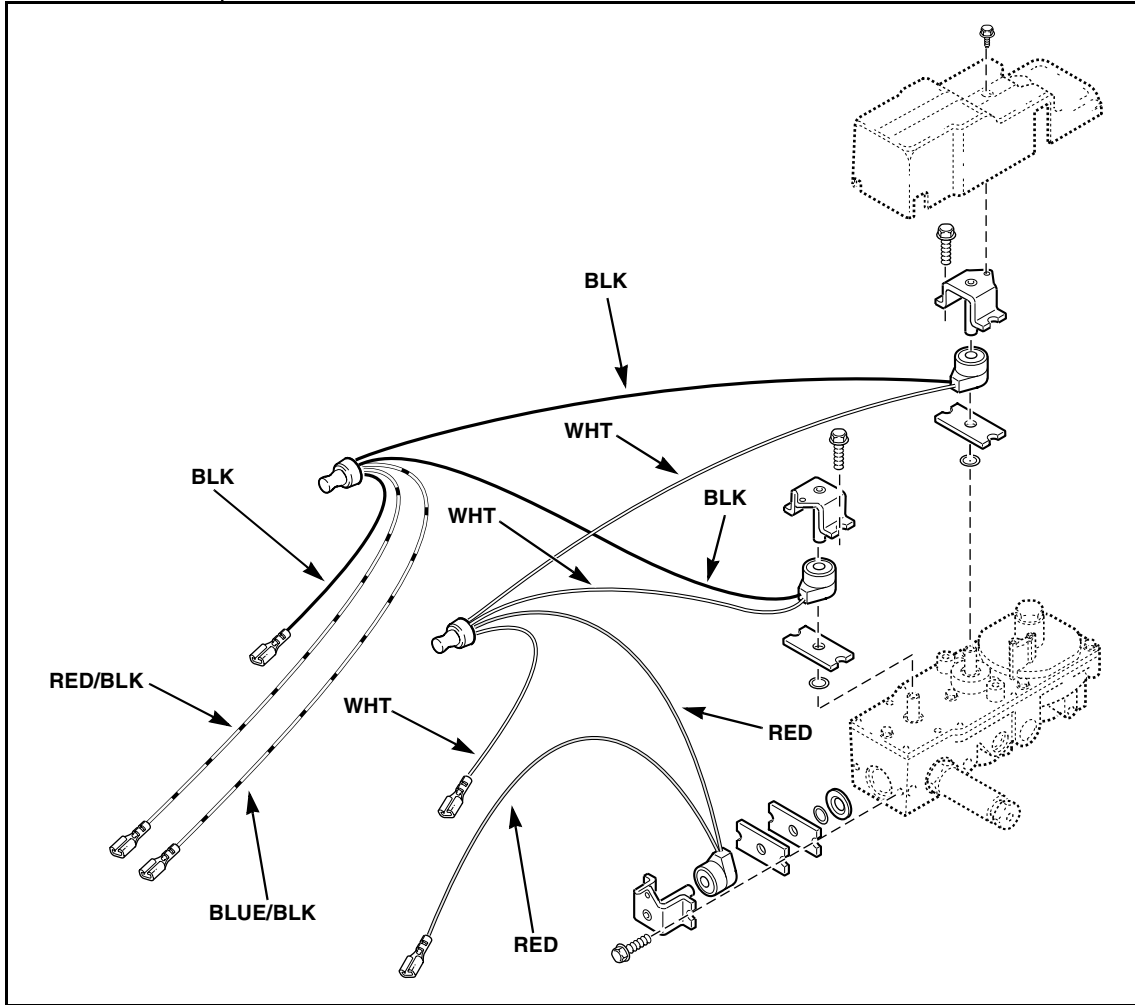
T290P

Gas Valve

REF	PART #	DESCRIPTION	COMMENTS
1	431206	Nipple	
2	431182A	O-Ring	
3	431182P	Gas Shut-off Valve and Union	
4	430481	Gas Valve Spud	
5	430497	Screw	
6	23962	Screw	
7	430293	Gas Valve Bracket	
8	M402542	Bushing	
9	430257	High Voltage Lead	
10	430586	Gas Valve Gasket	

Gas Valve Coils

1

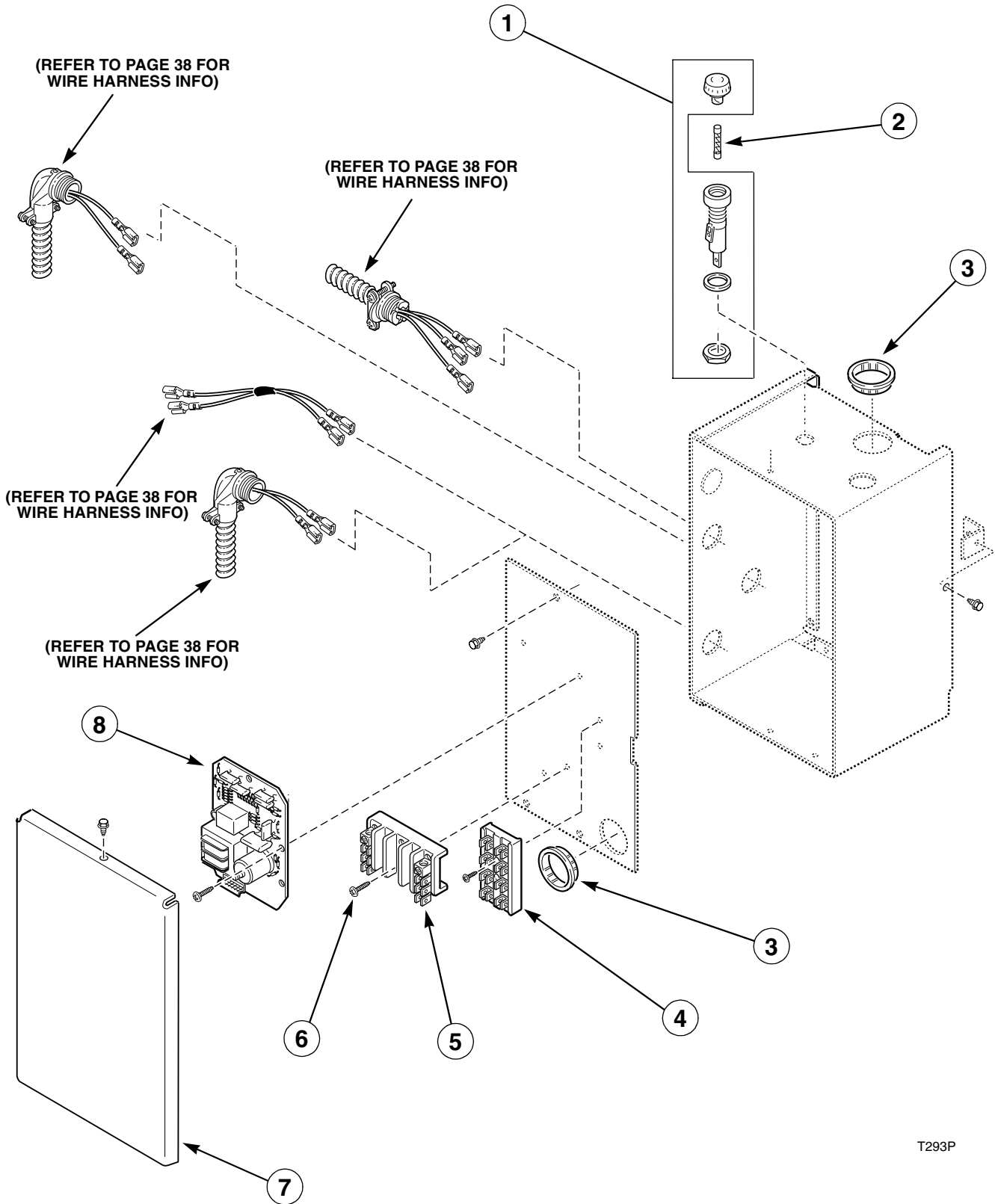


T291P

Gas Valve Coils

REF	PART #	DESCRIPTION	COMMENTS
1	M409253	Single Input Gas Valve Coils	

120/208-240 Volt, 60 Hertz Junction Box

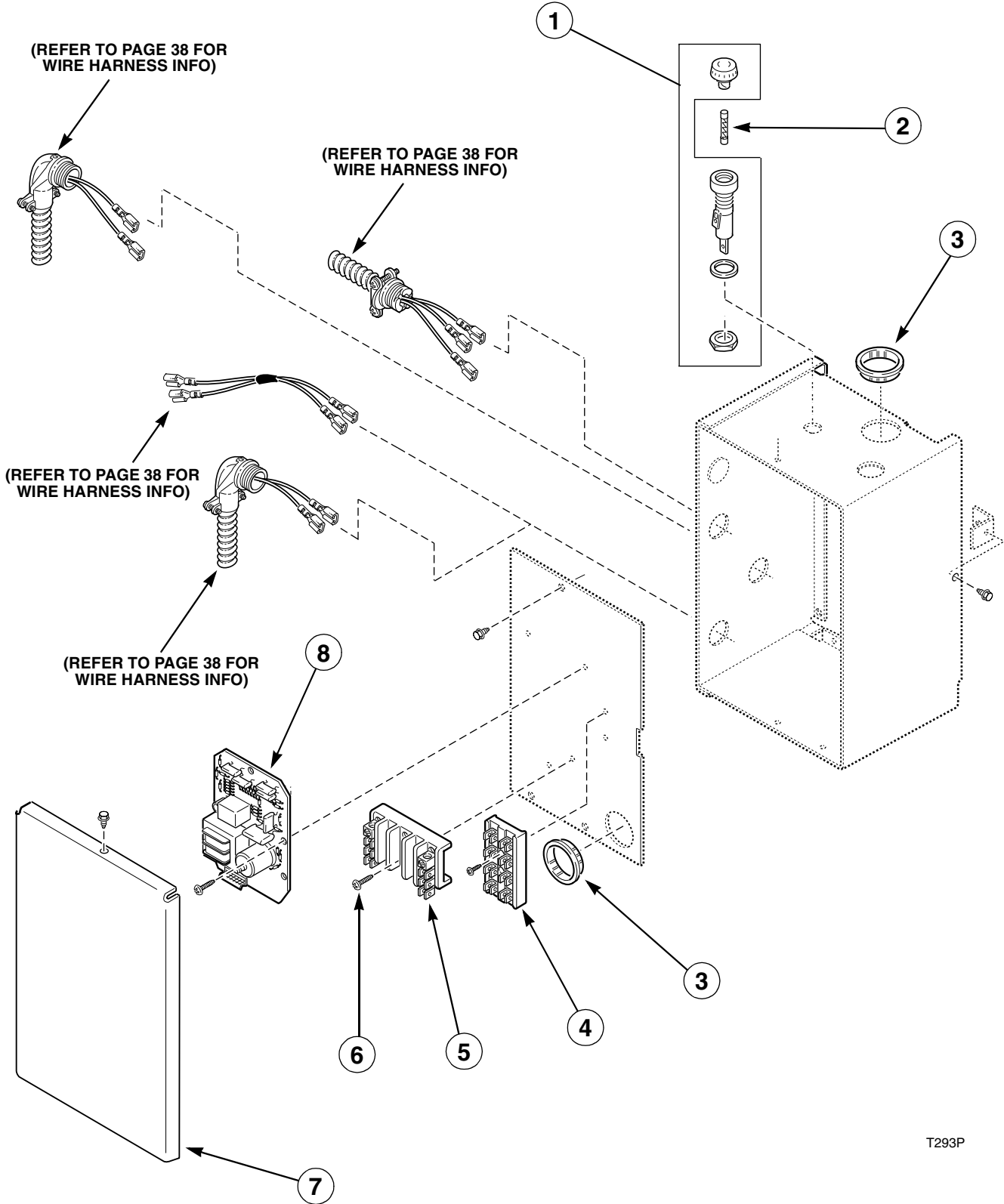


T293P

120/208-240 Volt, 60 Hertz Junction Box

REF	PART #	DESCRIPTION	COMMENTS
1	91024	Fuse Holder	Located in Upper Junction Box only
2	M409997	Fuse	Located in Upper Junction Box only
3	M402542	Bushing	
4	431331	Jumper Block	
5	430641	Terminal Block	120 Volt
	430642	Terminal Block	208-240 Volt
6	H88213574	Screw	
7	430554	Cover	
8	M406789	IEI Control	

240 Volt, 50 Hertz Junction Box

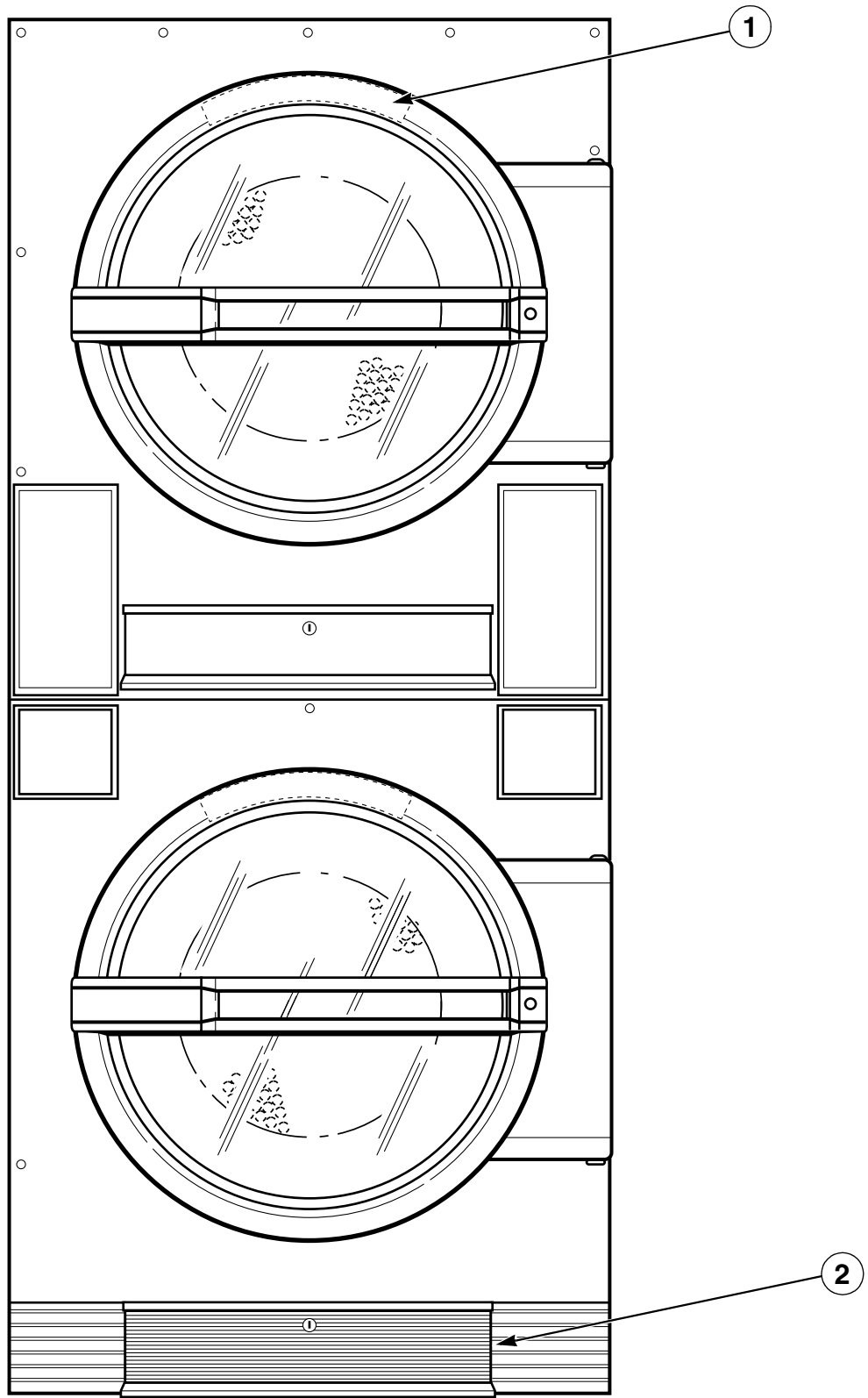


T293P

240 Volt, 50 Hertz Junction Box

REF	PART #	DESCRIPTION	COMMENTS
	M411877	Transformer	
1	91024	Fuse Holder	Located in Upper Junction Box only
2	430836	Fuse	Located in Upper Junction Box only
3	M402542	Bushing	
4	431331	Jumper Block	
5	430642	Terminal Block	
6	H88213574	Screw	
7	430554	Cover	
8	M406789	IEI Control	

Stickers and Labels – Front

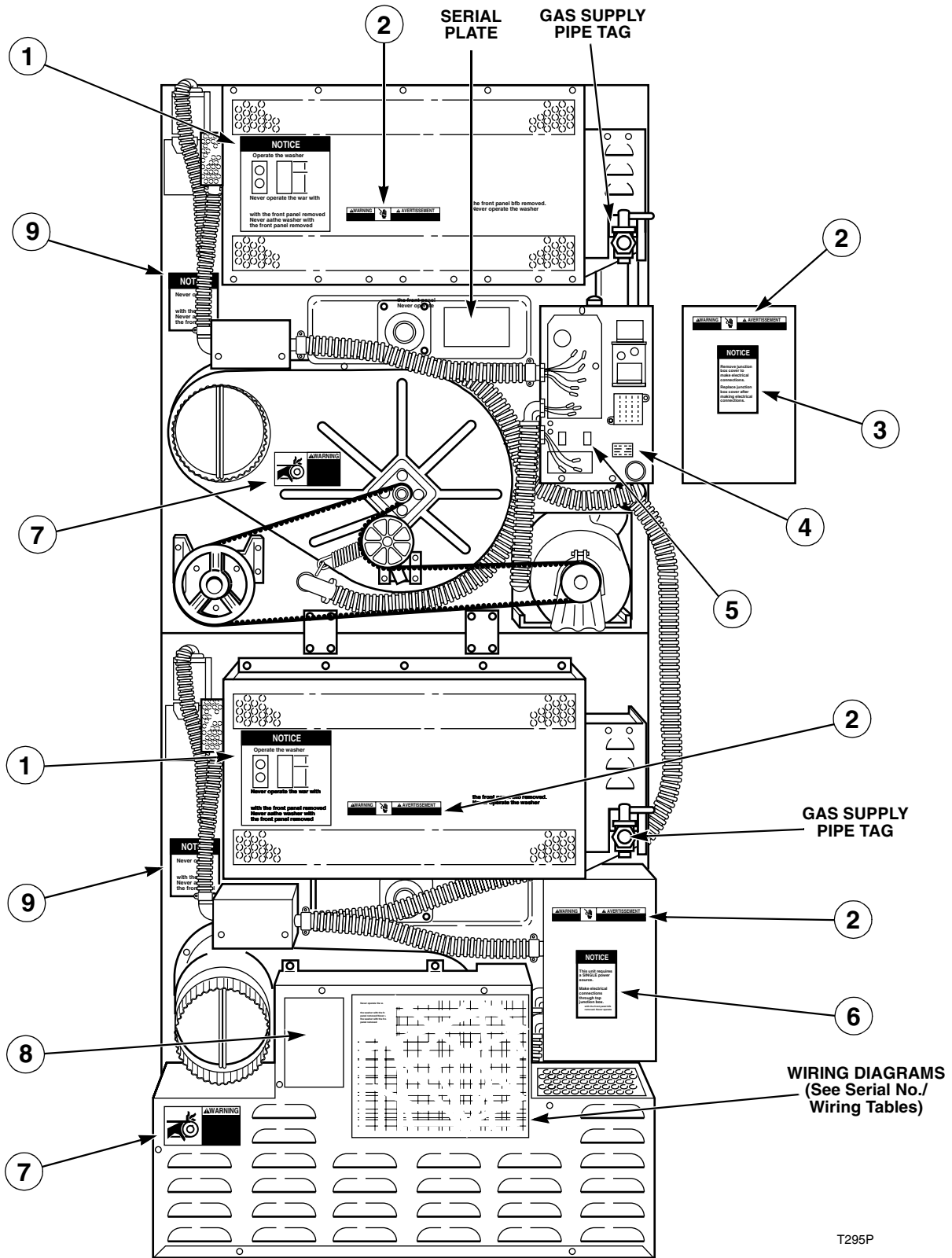


T310p

Stickers and Labels – Front

REF	PART #	DESCRIPTION	COMMENTS
1	M410892	Drying Warning	Located on front panel behind door
2	500316	Warning	Located under lint drawer

Stickers and Labels – Rear



T295P

Stickers and Labels – Rear

REF	PART #	DESCRIPTION	COMMENTS
1	430138	Installation Notice	
2	500316	Warning Sticker	
3	430444	Junction Box Notice	
4	M403047	Electrical Ground Marker	
5	M405159	Wire Marker	
6	430445	Single Power Source Notice	
7	430377	Belt Guard Warning	
8	M411815	Venting Warning Label	
9	430446	Thimble Notice	

Coin Drop Assemblies and Front Plates

COUNTRY	DROP	PLATE
AUSTRALIA	M411703	M411916
BELGIUM	M411706	M411919
CANADA	M411602	M411590
DENMARK	M411704	M411917
ENGLAND	M411705	M411918
FRANCE	M411605	M411912
HONG KONG	M411606	M411913
JAPAN	M411603	-
SOUTH AFRICA	M411708	M411921
SOUTH KOREA	M411608	M411915
TAIWAN	M411707	M411920
THAILAND	M411709	M411922
USA	M412001	M411590
TOKEN STD-118-1	M411601	M411910
TOKEN STD-118-5	M411607	M411914
TOKEN STD-118-16	M411604	M411911

Orifice Sizing for Stacked Tumbler Gas Valves

Firing Rate Valve Type		63,000 BTU Single Input Valves		
Natural Gas Valves		60 Hertz/Natural Gas Valve Part No. 431072 50 Hertz/Natural Gas Valve Part No. 431074		
L.P. (Liquified Petroleum) Valves		60 Hertz/L.P. Gas Valve Part No. 431073 50 Hertz/L.P. Gas Valve Part No. 431075		
Gas Type	Altitude (feet)	Outer Orifice	Dec. Size	Part No.
Natural Gas	0 - 2,000	#24	(.1520)	431191
	2,001 - 4,000	#26	(.1470)	431192
	4,001 - 6,000	#27	(.1440)	430938
	6,001 - 8,000	#28	(.1405)	431207
	8,001 - 10,000	#29	(.1360)	431193
L.N.G.	L.N.G. 0 - 2,000	#27	(.1440)	430938
Town Gas	Town Gas (L.P.) 0 - 2,000	#V	(.3770)	431174
L.P.	0 - 2,000	3/32"	(.0938)	431010
	2,001 - 4,000	#43	(.0890)	430892
	4,001 - 6,000	#43	(.0890)	430892
	6,001 - 8,000	#44	(.0860)	430939
	8,001 - 10,000	#46	(.0810)	430941
Town Gas	Town Gas 0 - 2,000			
Gas Conversion Kits		Single Input Valves		
Natural Gas to L.P.		563P3		
L.P. to Natural Gas		550P3		

Wire Harnesses

(For all Models D32DG-MC manufactured after January 1, 1994)

PART NO.	DESCRIPTION
431063	Air Flow Switch Harness
431061	Cabinet High Limit Harness
430257	High Voltage Lead
430223	IEI Board Harness
431390	Main Lower Harness – 120 Volt, 50-60 Hertz
431390	Main Lower Harness – 208-240 Volt, 60 Hertz
431390	Main Lower Harness – 240 Volt, 50 Hertz
431389	Main Upper Harness – 120 Volt, 50-60 Hertz
431389	Main Upper Harness – 208-240 Volt, 60 Hertz
431389	Main Upper Harness – 240 Volt, 50 Hertz
431320	Motor Harness – 120 Volt, 50-60 Hertz
431320	Motor Harness – 208-240 Volt, 60 Hertz
431320	Motor Harness – 240 Volt, 50 Hertz
431062	Stove High Limit Harness
431393	Jumper Harness

Parts Index

A

Actuator	
431273	13
Air Flow Switch	
430371	23
Air Flow Switch Assembly	
430369	23
Air Flow Switch Vane	
430372	23

B

Bearing Housing and Shaft Assembly	
430853	19
Belt	
430054	17, 21
430104	17
Belt Guard Cover	
430525	21
Belt Guard Switch	
431159	21
Belt Guard Warning	
430377	35
Blower Housing	
430061	19
Bolt	
01355	21
Bracket	
430126	13
430193	17, 19
430447	9
430581	9
Bumper	
431198	15
Burner	
430506	23
Burner Plate Cover	
430375	23
Bushing	
M402542	9, 25, 29, 31

C

Cap Screw	
430648	17
Catch	
M401223	7, 11
Clip	
M400972	7
Coin Vault Shadow Box	
M400131P	7
Control	
M411878P	5
M411883P	5
Control Housing Seal	
431213	5

Control Panel Door	
431202	5
Control Panel Overlay	
431232	5
431234	5
Control Shadow Box	
431326	7
Cotter Pin	
02470	23
Cover	
M400845	23
430339	19
430554	29, 31
Cylinder and Trunnion Assembly	
430580	15
Cylinder Rib	
430099	15
Cylinder Support Bearing Assembly	
430260	15

D

Door Assembly	
430475	11
Door Gasket	
M406129	11
Door Glass	
M400784P	11
Door Glass Seal	
M400962	11
Door Handle	
430117	11
Door Hinge	
M400514	11
M402714	11
Door Switch	
M406103	9
Door Switch Bracket	
431118	9
Door Switch Tab	
430432	11
Drive Shaft Assembly	
430867	17
Drying Warning	
M410892	33

E

Electrical Ground Marker	
M403047	35
Extension	
431001	13

F

Fan and Key	
M410088P	19

Felt Pad	
M402144	15
Felt Washer	
29443	19
Forge Nut	
430576	15
Front Panel – Lower	
431369	7
431370N	7
Front Panel – Upper	
431142	7
431221	7
Front Reinforcement Plate	
430856	17
Front Seal and Strap Kit	
430844P	15
Fuse	
M409997	29
430836	31
Fuse Holder	
91024	29, 31

G

Gas Shut-off Valve and Union	
431182P	25
Gas Valve Bracket	
430293	25
Gas Valve Gasket	
430586	25
Gas Valve Spud	
430481	25
Graphics Panel	
431233	13

H

Hex Head Screw	
27196	9
430497	23
Hex Nut	
H88410030	23
High Limit Thermostat	
431177	23
High Voltage Lead	
430257	25
Hinge Bracket	
431000	7, 11
431044	7, 11
Hinge Pin	
M400653	11

I

Idler Arm	
430263	17, 19
Idler Wheel	
430618	19
430619	17
IEI Control	
M406789	29, 31

Igniter	
430317	23
Installation Notice	
430138	35
Insulation	
H96418728	23
430043	9

J

Jam Nut	
M400022	19
02428	15
Jumper Block	
431331	29, 31
Junction Box Notice	
430444	35

K

Key	
M400993	17
M401327	17
M401680	13
430664	5

L

Label	
430527	13
Leveling Leg	
M400063	9
Limit Thermostat	
M406412	19
Lint Drawer	
431248	13
Lint Drawer Switch	
431159	13
Lint Screen	
431215	13
Lock and Key	
430429	13
Lock and Retainer	
430832	5
Locknut	
29786	5
Lockwasher	
H88512561	23
02834	21
Lower Front Plate	
431003	13

M

Magnet	
501453	5
Motor	
430426	21
431275	21

Motor Pulley with Set Screw	
430067	21
430668	21
Mounting Plate	
M411595	7

N

Nipple	
431206	25
Nut	
M400022	15, 17
M401930	15
02428	19
23951	11
430875	19
52566	17
56156	17
80116	17
Nylon Washer	
M400675	11

O

O-Ring	
431182A	25

P

Pal Nut	
M400034	15, 17, 19
Plug	
430649	11
Pulley with Set Screw	
430800P	17

R

Rear Cylinder Seal with Adhesive	
430105P	15
Rear Reinforcement Plate	
430857	17
Retainer	
431314	15
Retaining Ring	
70061	15
Rib Rod	
430155	15
Rivet	
M400003	7, 11, 15
M410762	7, 11
430489	13
Roller	
430019	15
Roller Shaft	
431315	15
Round Head Screw	
M401938	23
Rubber Bumper	
M400795	19

S

Screw	
H88213574	29, 31
M400044	11
M400661	11
M405188	19
M409385	11
01355	17
02422	17
23962	19, 25
27196	19
28193	9
33561	15
430497	7, 11, 21, 25
430648	19
430756	11
430757	13
501524	5
51780	13
56156	19
56693	23
Seal	
430638	7, 13
Seal Strap	
430355	15
430845	15
Sheave	
430050P	17
Sheave with Screw	
430849	19
Shim	
M401402	15
Shoulder Screw	
431381	17, 19
Side and Back Cover	
430338	19
Side Panel and Insulation – Left	
431048	9
Side Panel and Insulation – Right	
431049	9
Single Input Gas Valve Coils	
M409253	27
Single Power Source Notice	
430445	35
Spacer	
430850	19
Speed Nut	
430886	15
431045	9
Spring	
430252	19
430301	17
430954	15
52310	15
Stud Plate	
430352	15
Sweep Sheet Kit	
430884P	15
Switch	
34536	7
34599	5

T

Tab	
430251	19
Temperature Sensor	
M409114	19
Terminal Block	
430641	29
430642	29, 31
Thimble and Vane Assembly	
430536	19
Thimble Notice	
430446	35
Torx Head Screw	
431167	9
431287	23
Transformer	
M411877	31
Trunnion Assembly	
430219	15

U

U-Bolt Clamp	
430862	17
Upper Front Plate	
430385	13

V

Vane	
430534	19
Venting Warning Label	
M411815	35

W

Warning	
500316	33
Warning Sticker	
500316	35
Washer	
M400080	21
M400991	15
M401947	15
02834	15, 17, 19
430427	15
430782	17, 19
91093	17
Wire Marker	
M405159	35