

Drying Tumblers

Stacked 30 Pound Capacity
(Models from Serial No. DTCK9401011756)
Refer to Page 3 for Model Numbers

Parts



Part No. M412908R1
April 2000

Table of Contents

Title	Page
Parts Ordering Information	2
Nameplate Location	2
Model Identification	3
Electronic Control	4
Electro-Mechanical Control	6
Front Panel Assembly	8
Side Panels	10
Loading Door	12
Lint Drawer	14
Cylinder	16
Drive Shaft	18
Blower Housing and Fan	20
Motor and Belt Guard	22
Thermostat and Burner	24
Gas Valve	26
Gas Valve Coils	28
120/208-240 Volt, 60 Hertz Junction Box	30
240 Volt, 50 Hertz Junction Box	32
Stickers and Labels – Front	34
Stickers and Labels – Rear	36
Coin Drop Assemblies and Front Plates	38
Coin Meters	39
Orifice Sizing for Stacked Tumbler Gas Valves	40
Wire Harnesses	41
Parts Index	43

© Copyright 2000, Alliance Laundry Systems LLC

All rights reserved. No part of the contents of this book may be reproduced or transmitted in any form or by any means without the expressed written consent of the publisher.

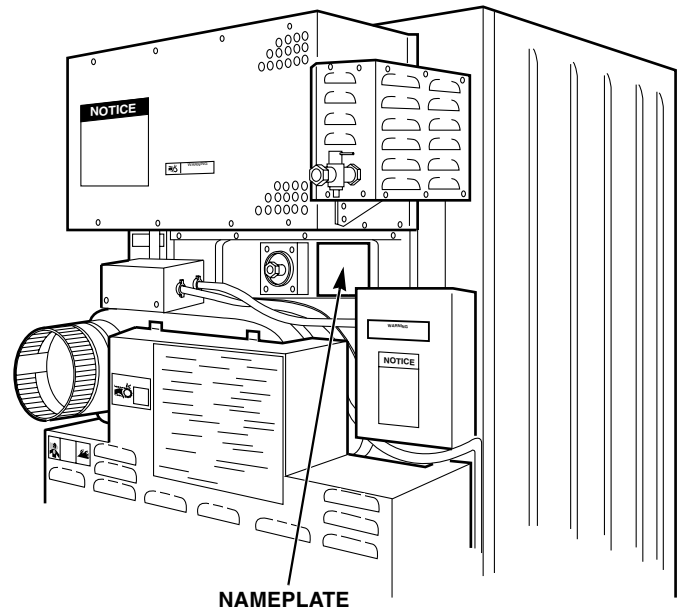
Parts Ordering Information

If literature or replacement parts are required, contact the source from whom the machine was purchased or contact Alliance Laundry Systems LLC at (920) 748-3950 for the name and address of the nearest authorized parts distributor.

For technical assistance, call (920) 748-3121.

Nameplate Location

When calling or writing about your product, be sure to mention model and serial numbers. Model and serial numbers are located on nameplate(s) as shown.



T278P

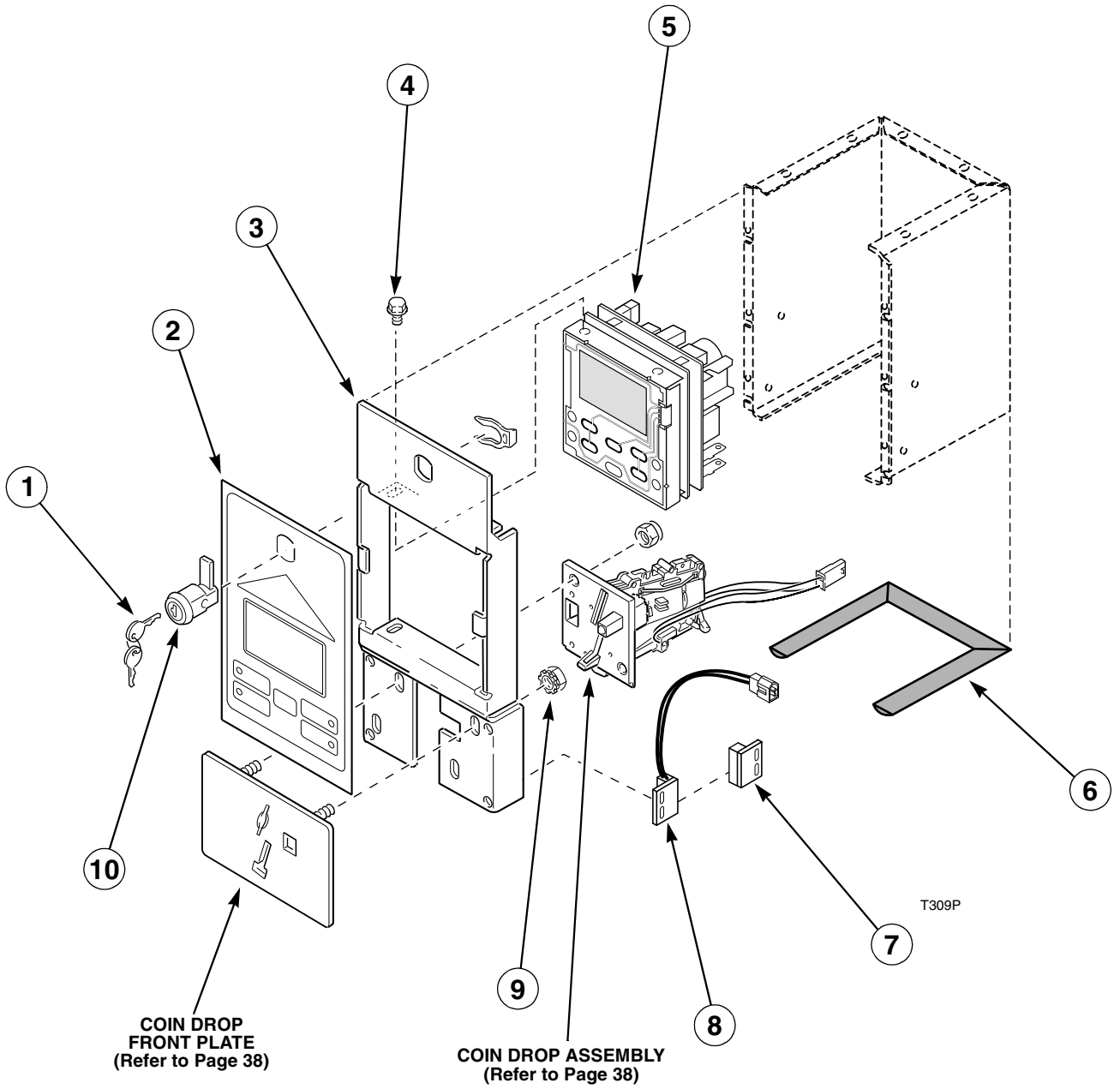
Model Identification

Information in this manual is applicable to these stacked drying tumblers:

JTD32DG

JCD32DG

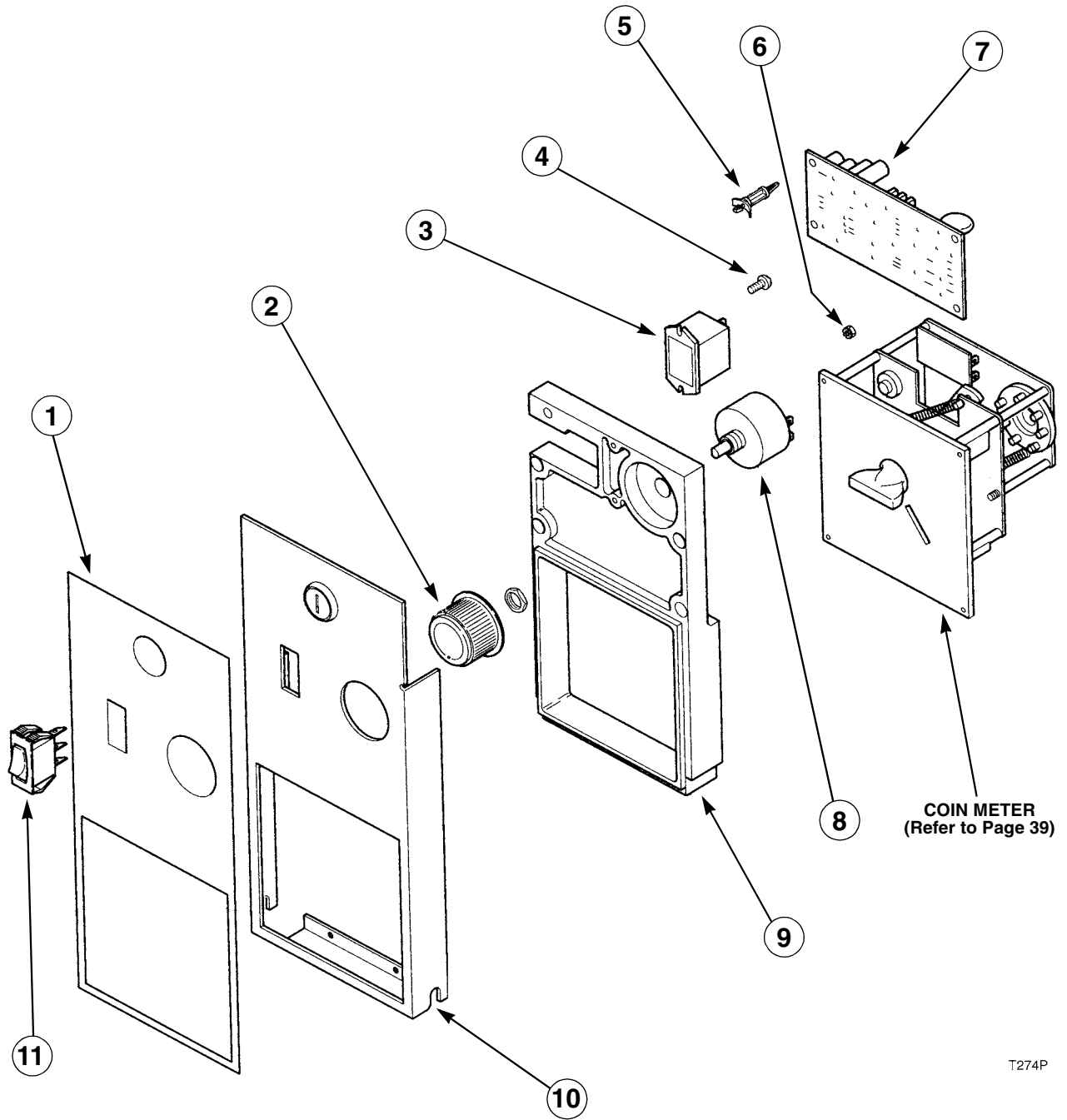
Electronic Control



Electronic Control

REF	PART NO.	DESCRIPTION	COMMENTS
1	430664	Key	
2	431297	Control Panel Overlay	Left
	431298	Control Panel Overlay	Right
3	431202	Control Panel Door	
4	501524	Screw	
5	M411878P	Control	120 Volt, 60 Hertz
	M411883P	Control	240 Volt, 50 Hertz
6	431213	Control Housing Seal	
7	501453	Magnet	
8	34599	Switch	
9	29786	Locknut	
10	430832	Lock and Retainer	

Electro-Mechanical Control

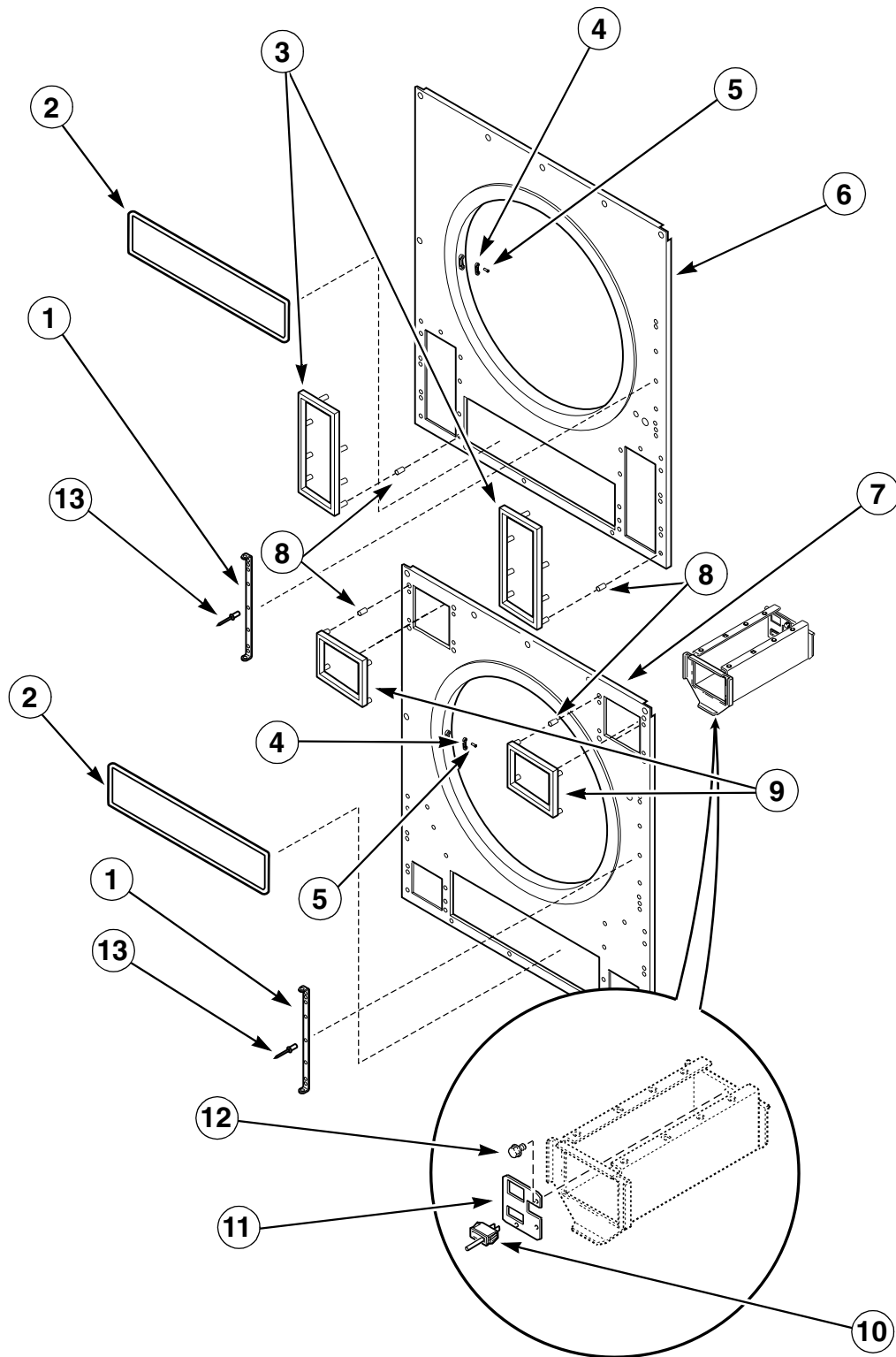


T274P

Electro-Mechanical Control

REF	PART NO.	DESCRIPTION	COMMENTS
1	431344	Door Overlay	Upper
	431367	Door Overlay	Lower
2	431351	Temperature Switch Knob	
3	431349	Relay	
4	M400071	Screw	
5	34896	Circuit Board Support	4 Required
6	70054	Keps Nut	
7	431346	Temperature Control Module	
8	431353	Temperature Switch	
9	431371	Control Mounting Bracket	
10	431359	Control Panel Door	
11	431355	Lighted Rocker Switch	

Front Panel Assembly



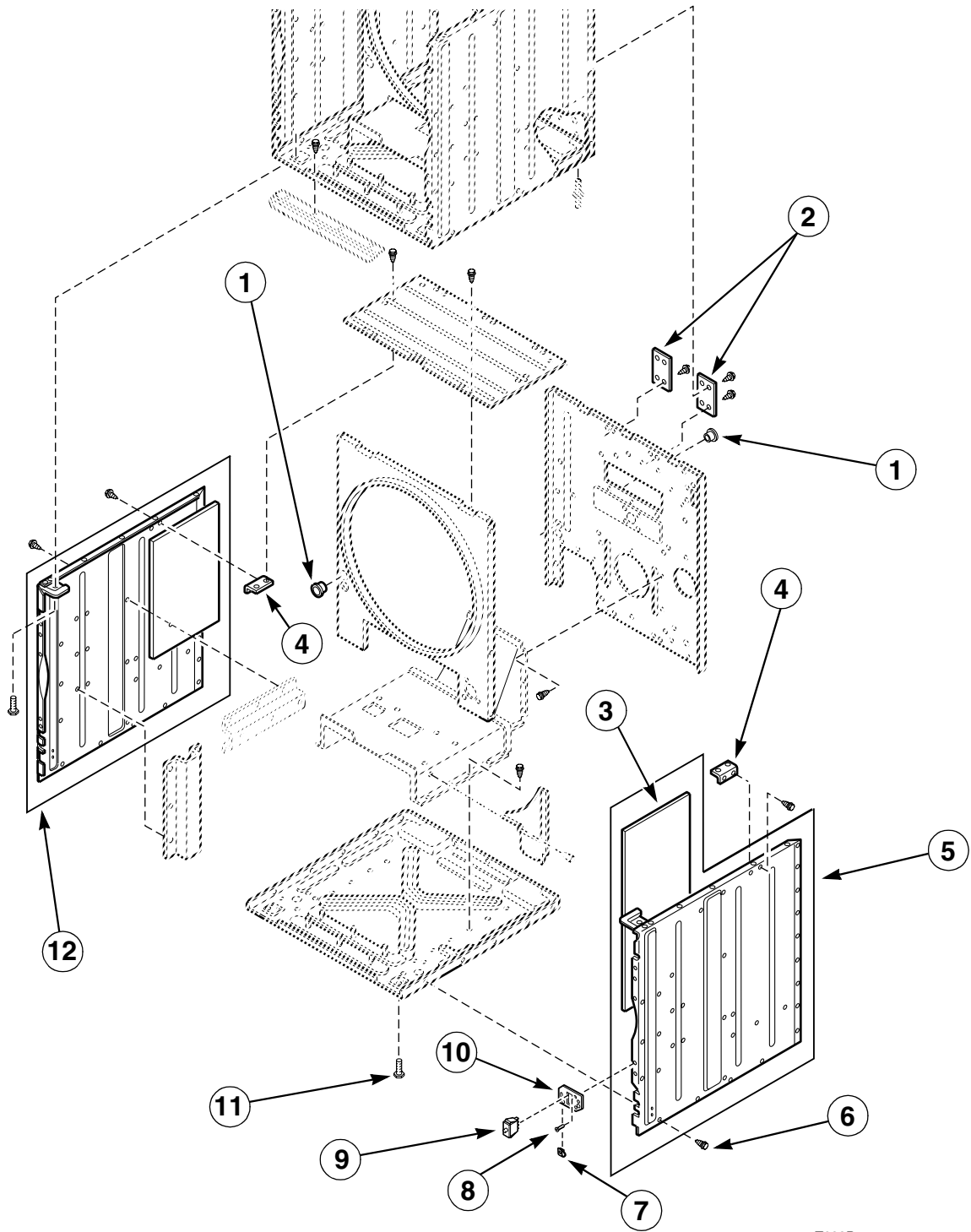
T308P

Front Panel Assembly

REF	PART NO.	DESCRIPTION	COMMENTS
1	431000*	Hinge Bracket	Painted, included with Front Panel
	431044	Hinge Bracket	Stainless Steel, included with Front Panel
2	430638	Seal	Included with Front Panel
3	431326	Control Shadow Box	
4	M401223	Catch	Included with Front Panel
5	M400003	Rivet	Included with Front Panel
6	431142*	Front Panel – Upper	Painted
	431221	Front Panel – Upper	Stainless Steel
7	431369*	Front Panel – Lower	Painted
	431370N	Front Panel – Lower	Stainless Steel
8	M400972	Clip	
9	M400131P	Coin Vault Shadow Box	Includes M400972 Clips
10	34536	Switch	Electronic Control Models only
11	M411595	Mounting Plate	Electronic Control Models only
12	430497	Screw	Electronic Control Models only
13	M410762	Rivet	Included with Front Panel

* Add letter to designate color: **L - Almond** **W - White** **V - Orange** **K - Red**
 B - Battina Green **H - Harvest Gold** **X - Electric Blue** **P - Turquoise**

Side Panels

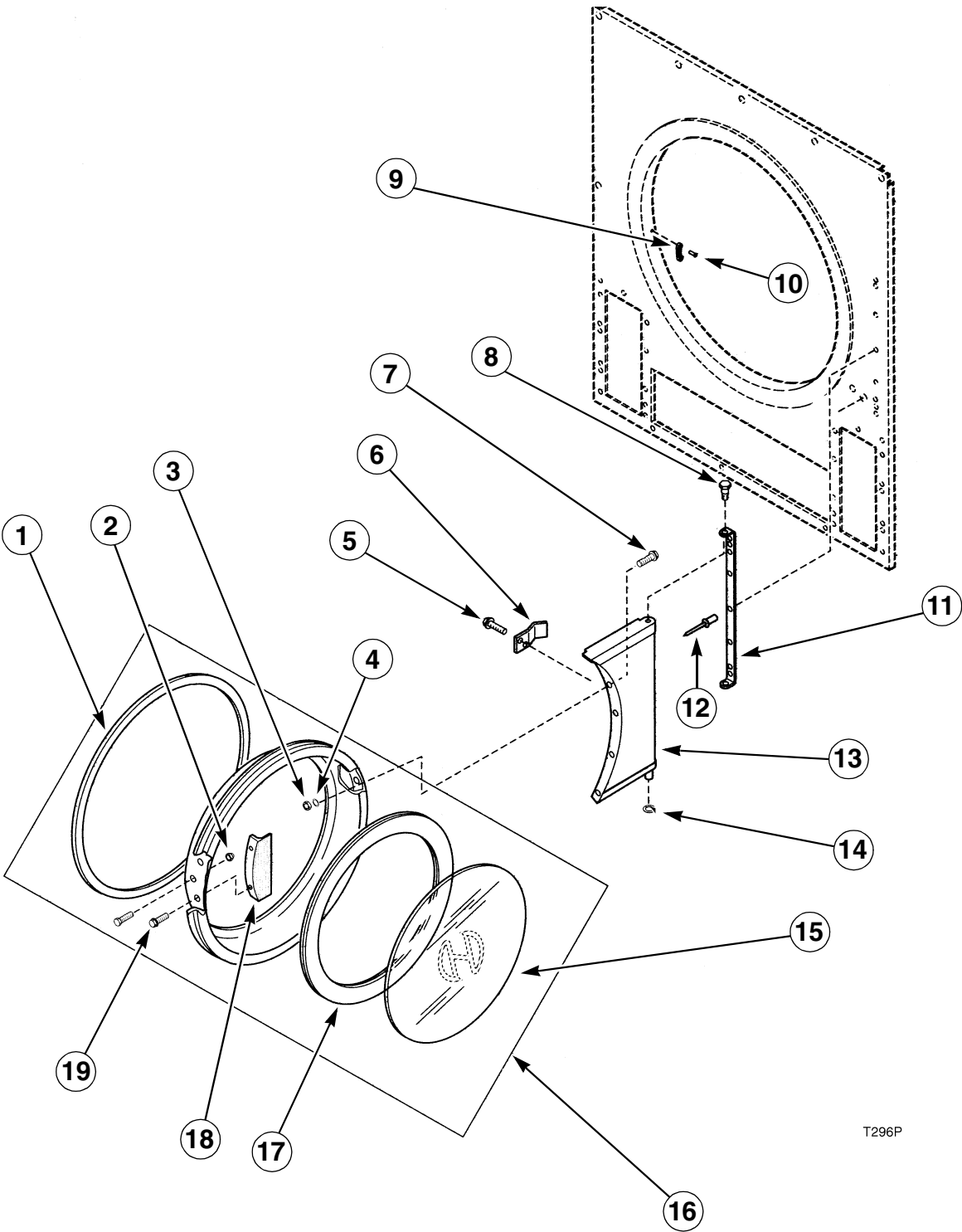


T283P

Side Panels

REF	PART NO.	DESCRIPTION	COMMENTS
1	M402542	Bushing	
2	430581	Bracket	
3	430043	Insulation	
4	430447	Bracket	
5	431049	Side Panel and Insulation	Right
6	27196	Hex Head Screw	
	431167	Torx Head Screw	
7	431045	Speed Nut	
8	28193	Screw	
9	M406103	Door Switch	
10	431118	Door Switch Bracket	
11	M400063	Leveling Leg	
12	431048	Side Panel and Insulation	Left

Loading Door



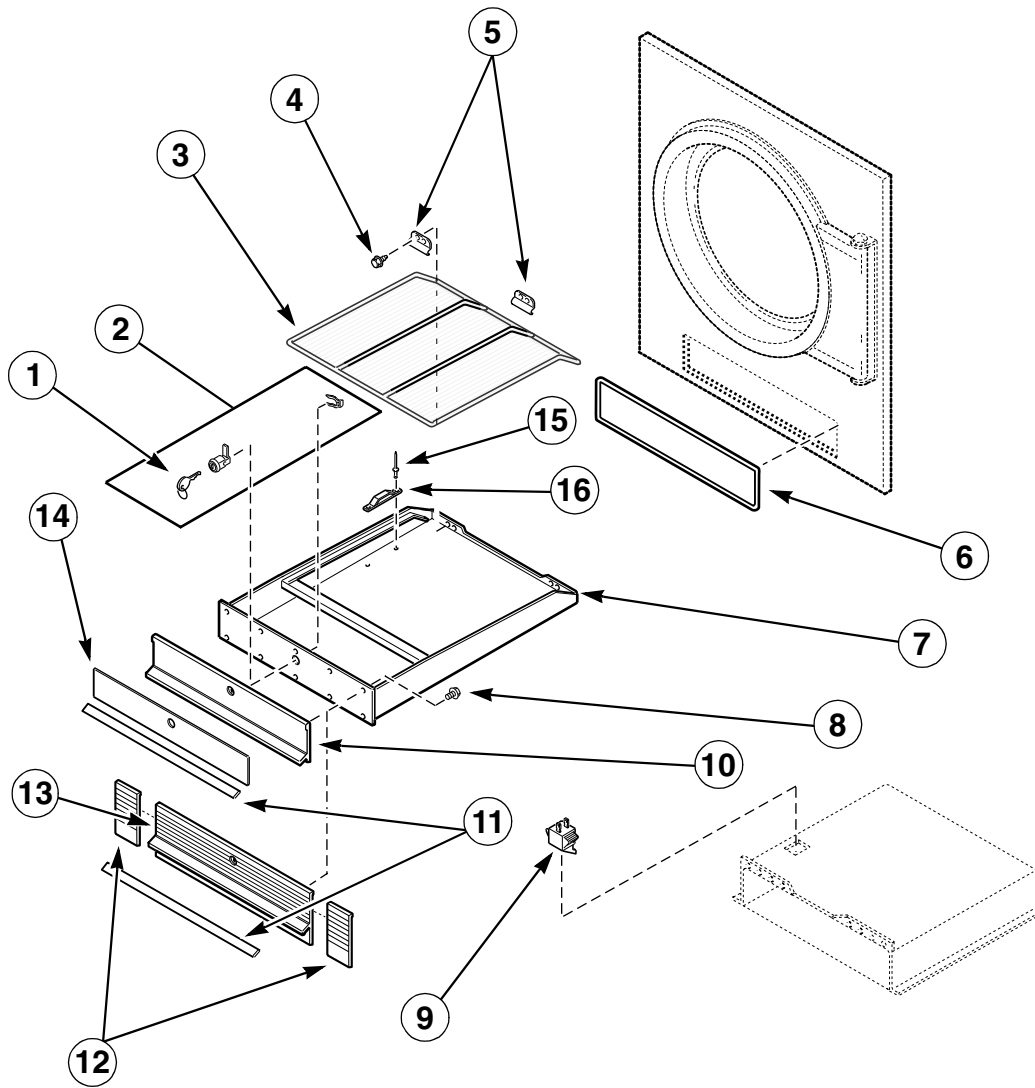
T296P

Loading Door

REF	PART NO.	DESCRIPTION	COMMENTS
1	M406129	Door Gasket	
2	M400645	Acorn Nut	
3	Q6163	Nut	
4	03815	Lockwasher	
5	430497	Screw	
6	430432	Door Switch Tab	
7	M400044	Screw	
8	M400653	Hinge Pin	
9	M410223	Catch	
10	M400003	Rivet	
11	431000*	Hinge Bracket	Painted, Included with front panels shown on Page 8
	431044	Hinge Bracket	Stainless Steel
12	M410762	Rivet	
13	M402714*	Door Hinge	Painted
	M400514	Door Hinge	Stainless Steel
14	M400675	Nylon Washer	
15	M410885	Door Glass	JT Models
16	M410887	Door Assembly	JT Models
17	M400962	Door Glass Seal	
18	M410918	Door Handle	Cocoa
19	M409385	Screw	

* Add letter to designate color: L - Almond W - White V - Orange K - Red
 B - Battina Green H - Harvest Gold X - Electric Blue P - Turquoise

Lint Drawer

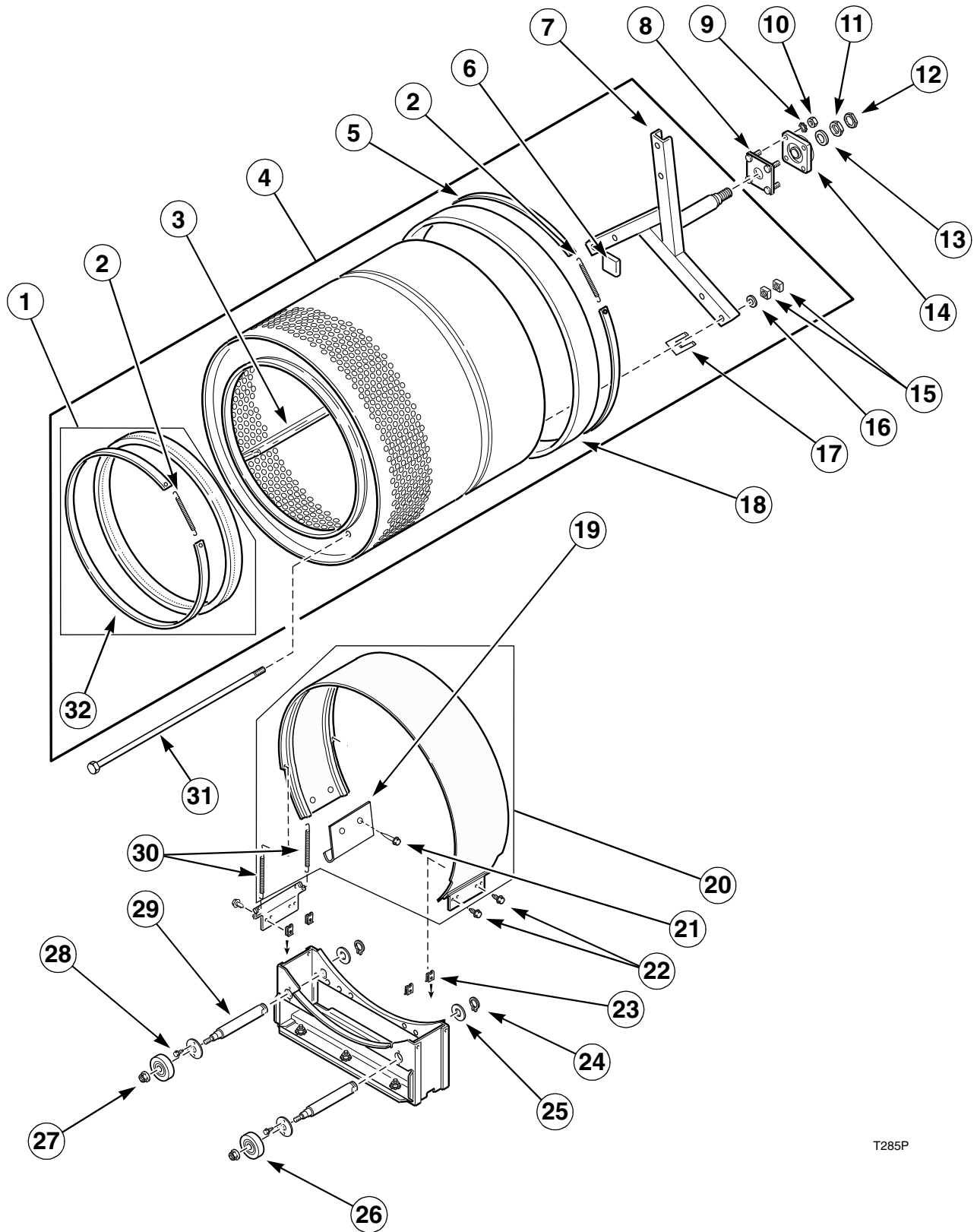


T277P

Lint Drawer

REF	PART NO.	DESCRIPTION	COMMENTS
1	M401680	Key	
2	430429	Lock and Key	
3	431215	Lint Screen	
4	51780	Screw	
5	430126	Bracket	
6	430638	Seal	
7	431248	Lint Drawer	
8	430757	Screw	
9	431159	Lint Drawer Switch	
10	430385	Upper Front Plate	
11	430527	Label	
12	431001	Extension	
13	431003	Lower Front Plate	
14	431008	Graphics Panel	
15	430489	Rivet	
16	431273	Actuator	

Cylinder

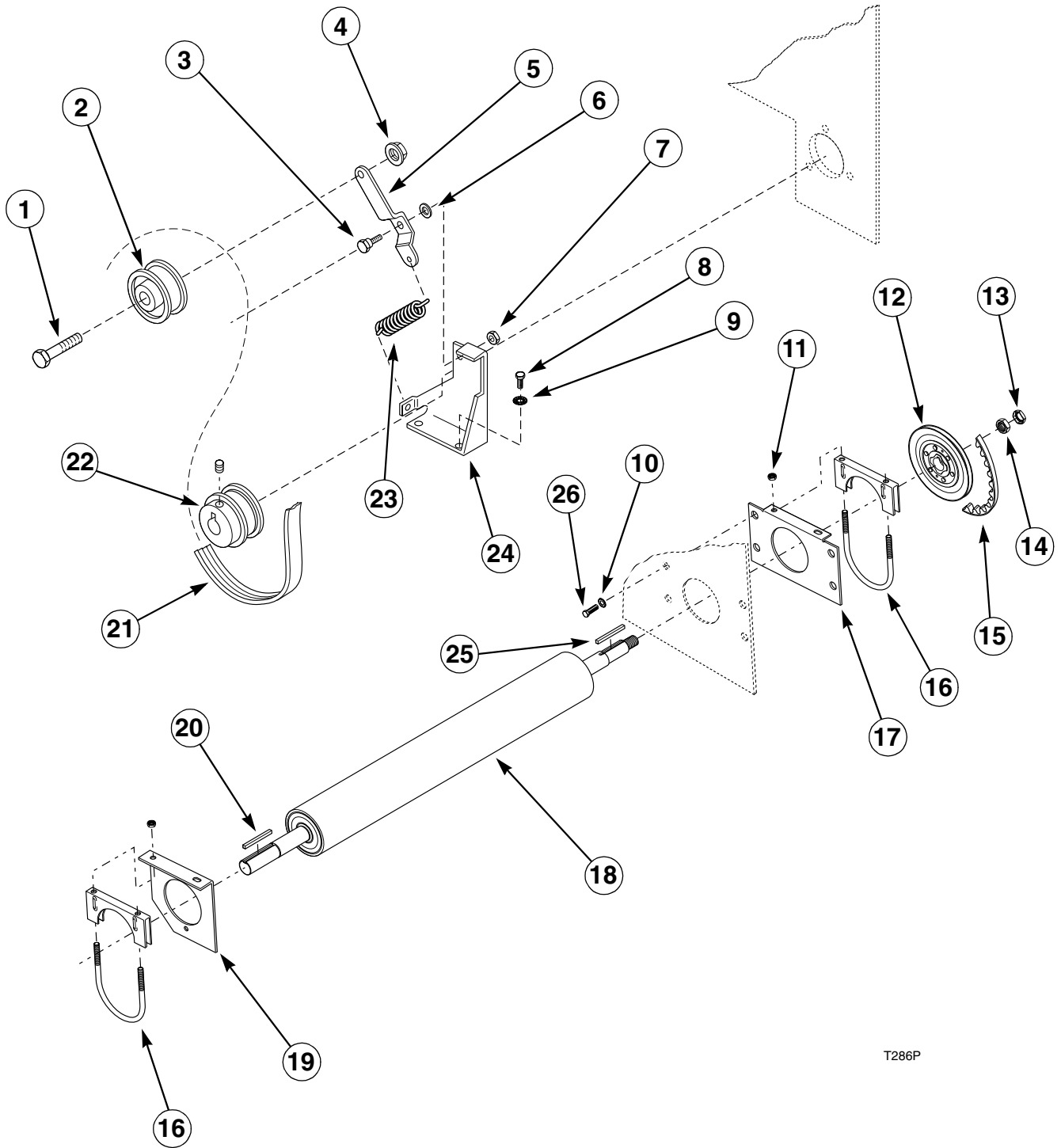


T285P

Cylinder

REF	PART NO.	DESCRIPTION	COMMENTS
1	430844P	Front Seal and Strap Kit	
2	52310	Spring	
3	430099	Cylinder Rib	
4	430580	Cylinder and Trunnion Assembly	
5	430355	Seal Strap	
6	M402144	Felt Pad	
7	430219	Trunnion Assembly	
8	430352	Stud Plate	
9	02834	Washer	
10	02428	Jam Nut	
11	M400022	Nut	
12	M400034	Pal Nut	
13	M400991	Washer	
14	430260	Cylinder Support Bearing Assembly	
15	M401930	Nut	
16	M401947	Washer	
17	M401402	Shim	
18	430105P	Rear Cylinder Seal with Adhesive	
19	431198	Bumper	
20	430884P	Sweep Sheet Kit	
21	M400003	Rivet	
22	33561	Screw	
23	430886	Speed Nut	4 Required
24	70061	Retaining Ring	2 Required
25	430427	Washer	2 Required
26	430019	Roller	2 Required
27	430576	Forge Nut	2 Required
28	431314	Retainer	2 Required
29	431315	Roller Shaft	2 Required
30	430954	Spring	
31	430155	Rib Rod	
32	430845	Seal Strap	

Drive Shaft

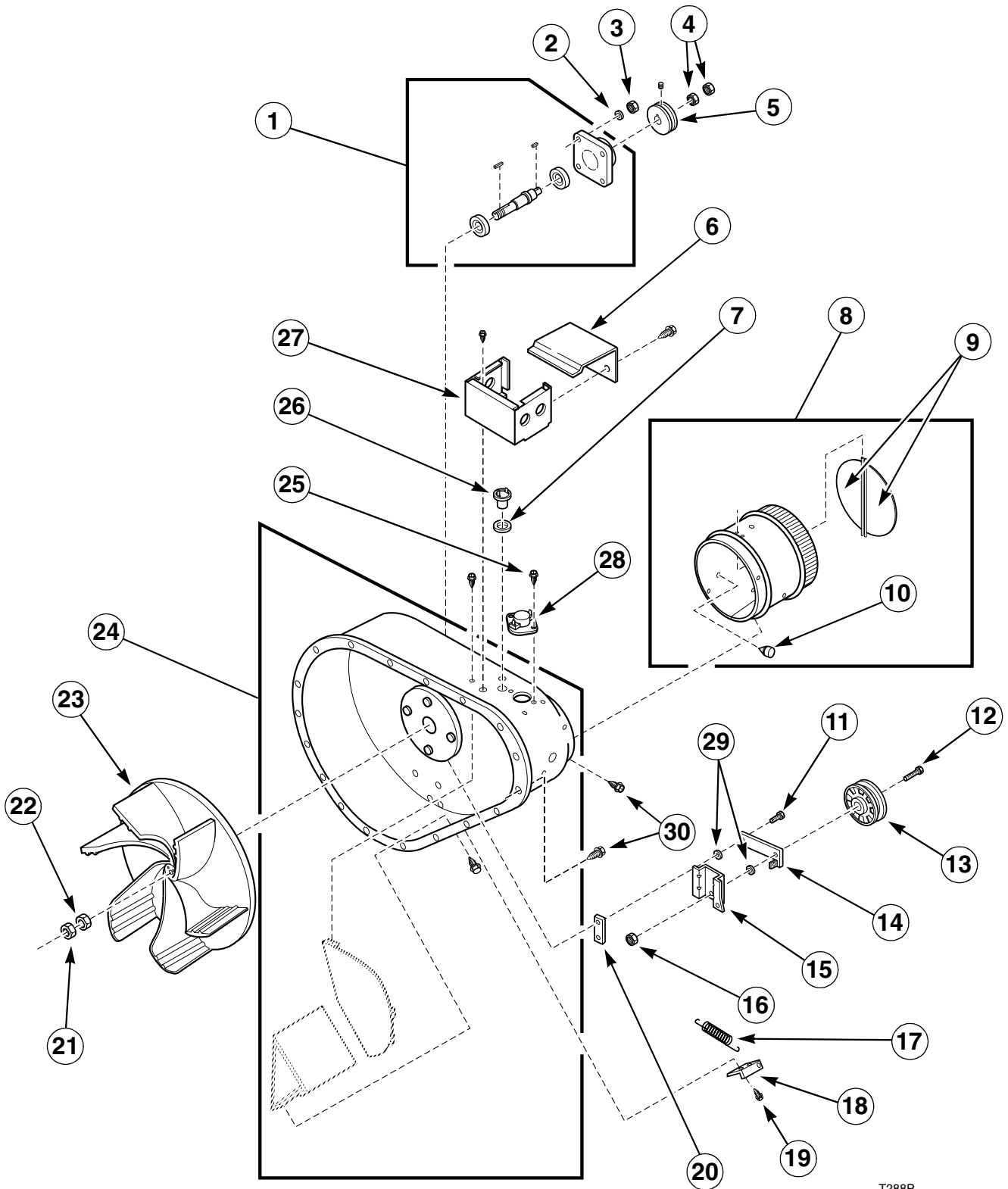


T286P

Drive Shaft

REF	PART NO.	DESCRIPTION	COMMENTS
1	430648	Cap Screw	
2	430619	Idler Wheel	
3	431381	Shoulder Screw	
4	56156	Nut	
5	430263	Idler Arm	
6	430782	Washer	
7	52566	Nut	
8	02422	Screw	
9	91093	Washer	
10	02834	Washer	
11	80116	Nut	
12	430800P	Pulley with Set Screw	
13	M400034	Pal Nut	
14	M400022	Nut	
15	430054	Belt	
16	430862	U-Bolt Clamp	
17	430857	Rear Reinforcement Plate	
18	430867	Drive Shaft Assembly	
19	430856	Front Reinforcement Plate	
20	M401327	Key	
21	430104	Belt	
22	430050P	Sheave	
23	430301	Spring	
24	430193	Bracket	
25	M400993	Key	
26	01355	Screw	

Blower Housing and Fan

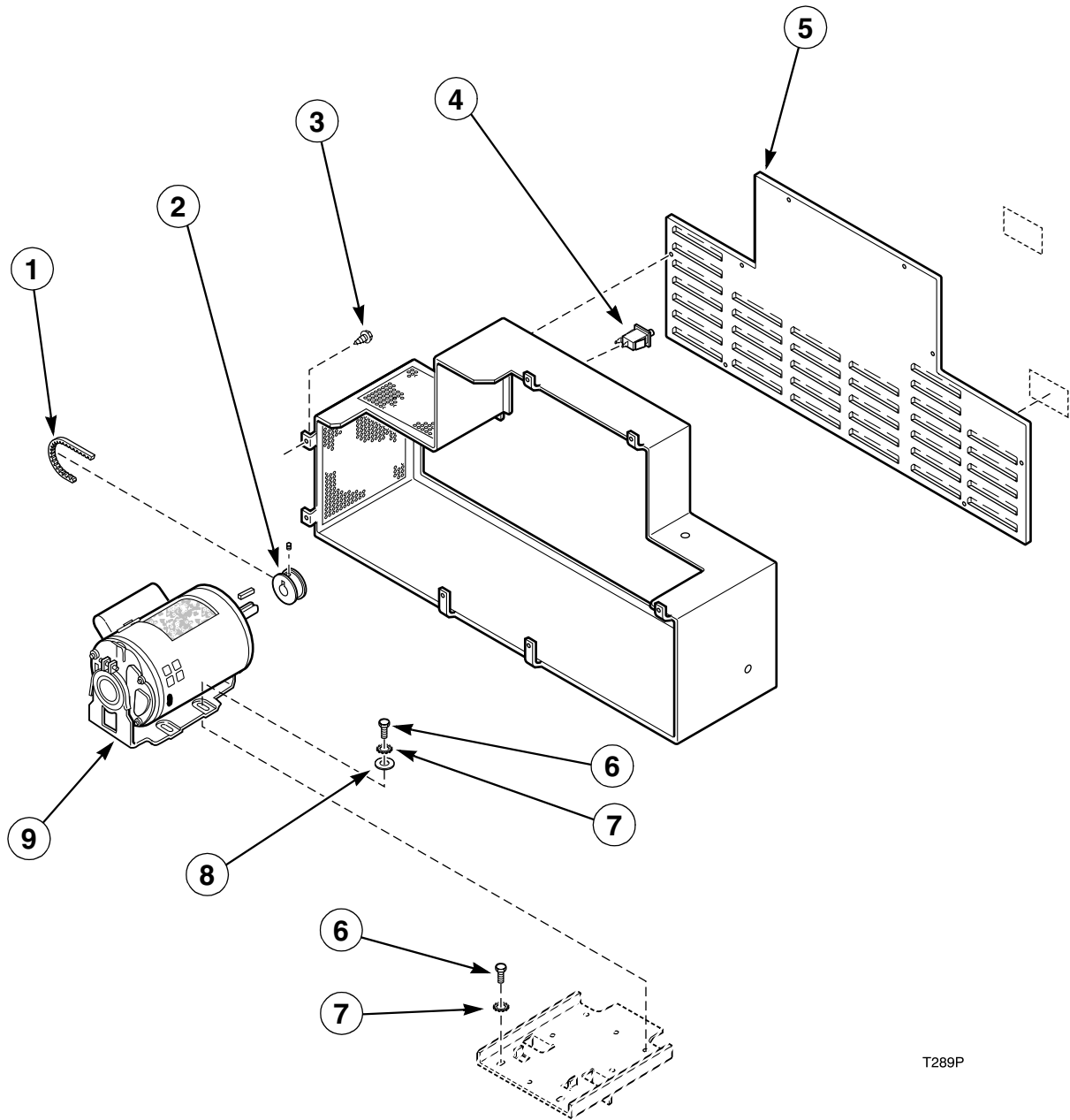


T288P

Blower Housing and Fan

REF	PART NO.	DESCRIPTION	COMMENTS
1	430853	Bearing Housing and Shaft Assembly	
2	02834	Washer	
3	02428	Nut	
4	430875	Nut	
5	430849	Sheave with Screw	
6	430339	Cover	
7	29443	Felt Washer	
8	430536	Thimble and Vane Assembly	
9	430534	Vane	2 Required
10	M400795	Rubber Bumper	
11	431381	Shoulder Screw	
12	430648	Screw	
13	430618	Idler Wheel	
14	430263	Idler Arm	
15	430193	Bracket	
16	56156	Screw	
17	430252	Spring	
18	430251	Tab	
19	27196	Screw	
20	430850	Spacer	
21	M400034	Pal Nut	
22	M400022	Jam Nut	
23	M410088P	Fan and Key	
24	430061	Blower Housing	
25	23962	Screw	
26	M411758	Thermistor	
27	430338	Side and Back Cover	
28	M406412	Limit Thermostat	
29	430782	Washer	
30	M405188	Screw	

Motor and Belt Guard

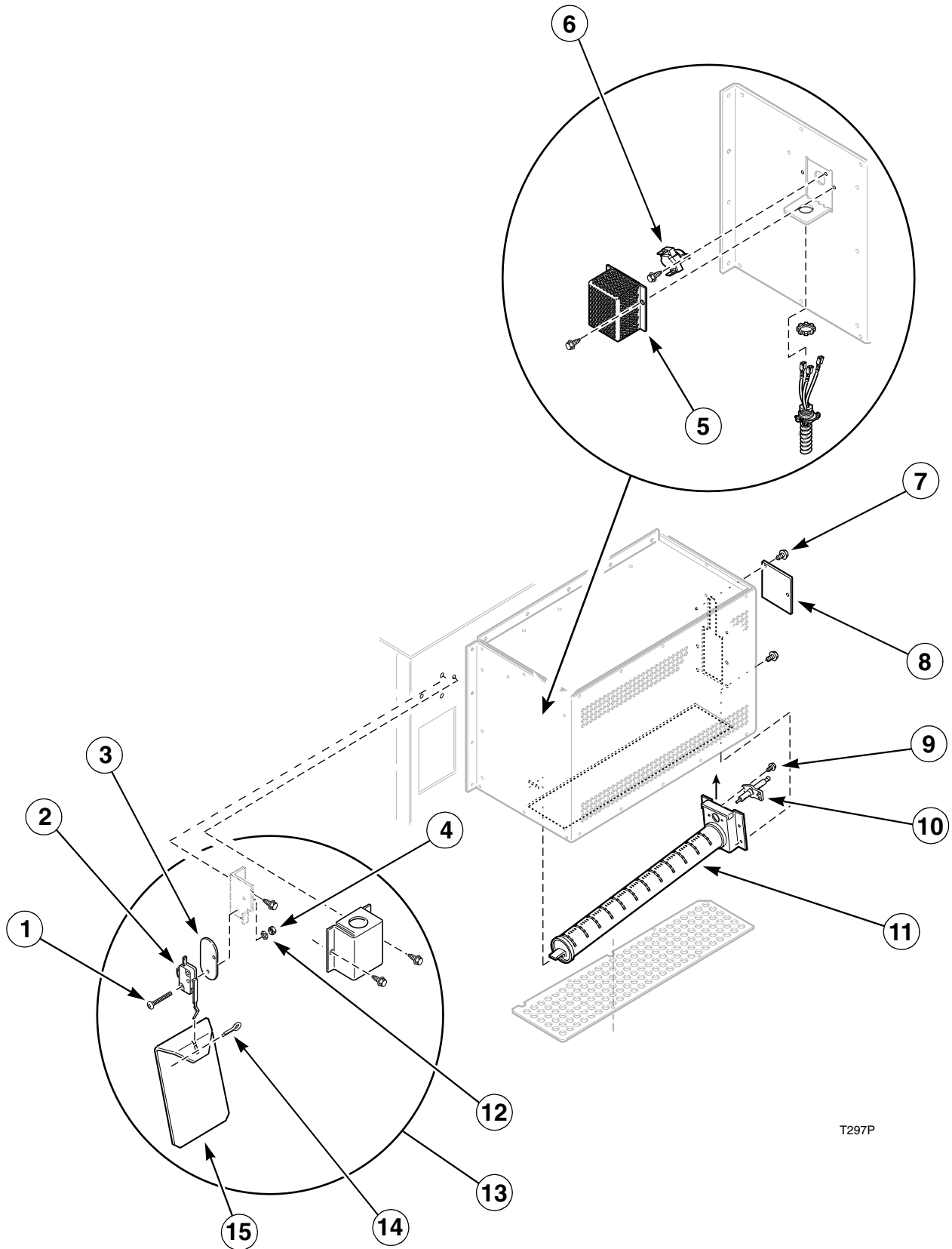


T289P

Motor and Belt Guard

REF	PART NO.	DESCRIPTION	COMMENTS
1	430054	Belt	
2	430067	Motor Pulley with Set Screw	60 Hertz
	430668	Motor Pulley with Set Screw	50 Hertz
3	430497	Screw	
4	431159	Belt Guard Switch	
5	430525	Belt Guard Cover	
6	01355	Bolt	
7	02834	Lockwasher	
8	M400080	Washer	
9	431275	Motor	60 Hertz
	430426	Motor	50 Hertz

Thermostat and Burner

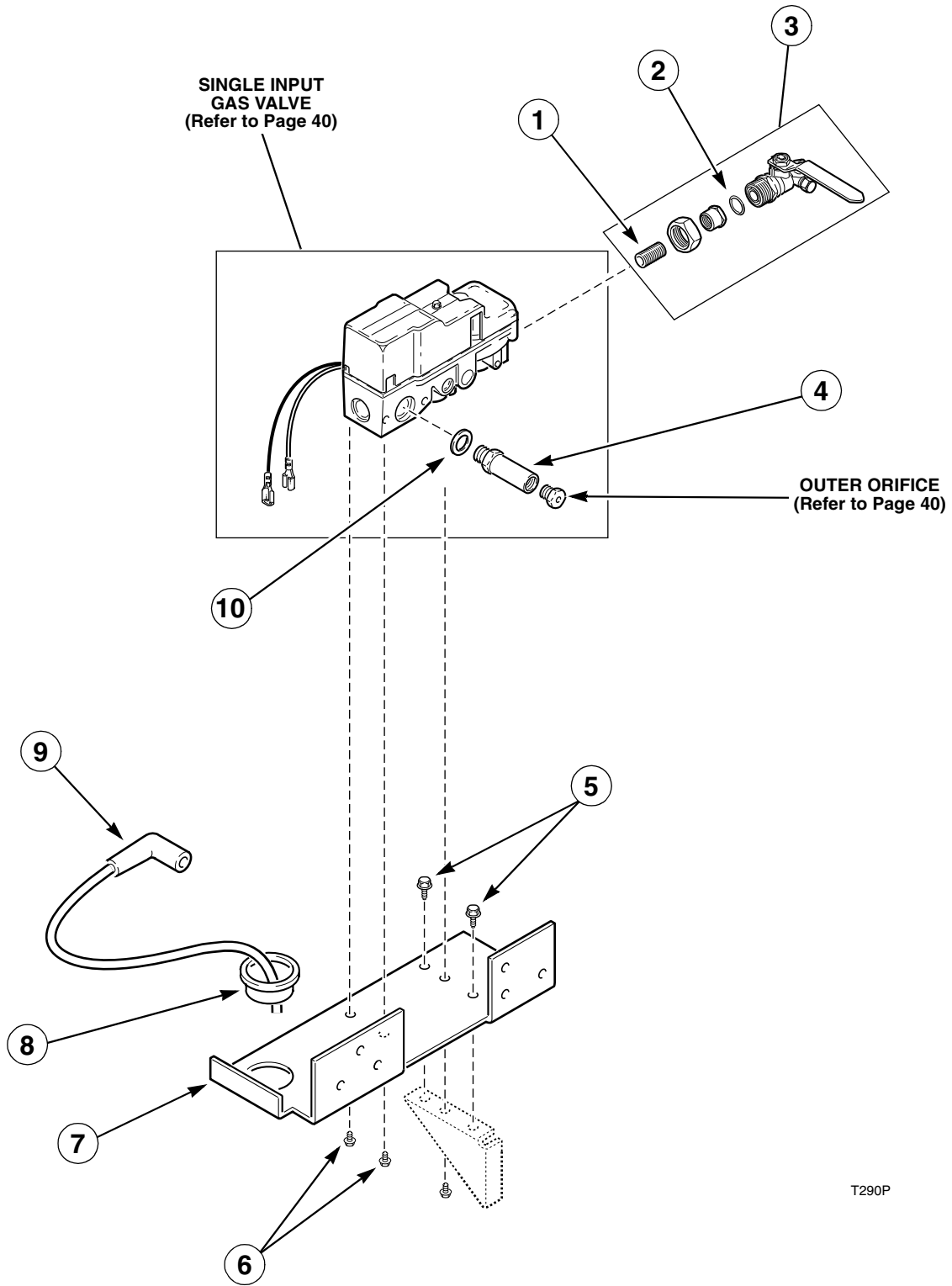


T297P

Thermostat and Burner

REF	PART NO.	DESCRIPTION	COMMENTS
1	M401938	Round Head Screw	
2	430371	Air Flow Switch	
3	H96418728	Insulation	
4	H88410030	Hex Nut	
5	M400845	Cover	
6	431177	High Limit Thermostat	
7	430497	Hex Head Screw	
	431287	Torx Head Screw	
8	430375	Burner Plate Cover	
9	56693	Screw	
10	430317	Igniter	
11	430506	Burner	
12	H88512561	Lockwasher	
13	430369	Air Flow Switch Assembly	
14	02470	Cotter Pin	
15	430372	Air Flow Switch Vane	

Gas Valve



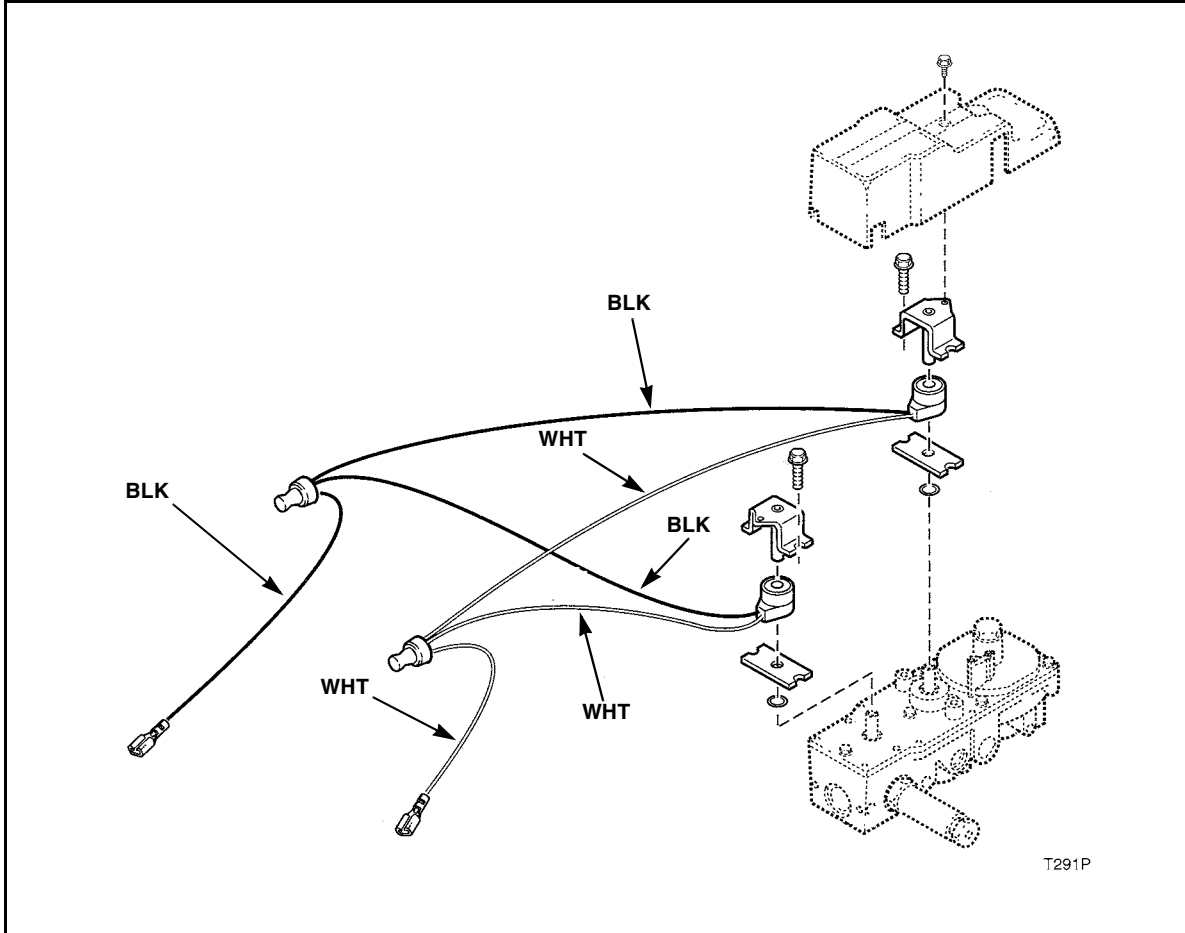
T290P

Gas Valve

REF	PART NO.	DESCRIPTION	COMMENTS
1	431206	Nipple	
2	431182A	O-Ring	
3	431182P	Gas Shut-off Valve and Union	
4	430481	Gas Valve Spud	
5	430497	Screw	
6	23962	Screw	
7	430293	Gas Valve Bracket	
8	M402542	Bushing	
9	430257	High Voltage Lead	
10	430586	Gas Valve Gasket	

Gas Valve Coils

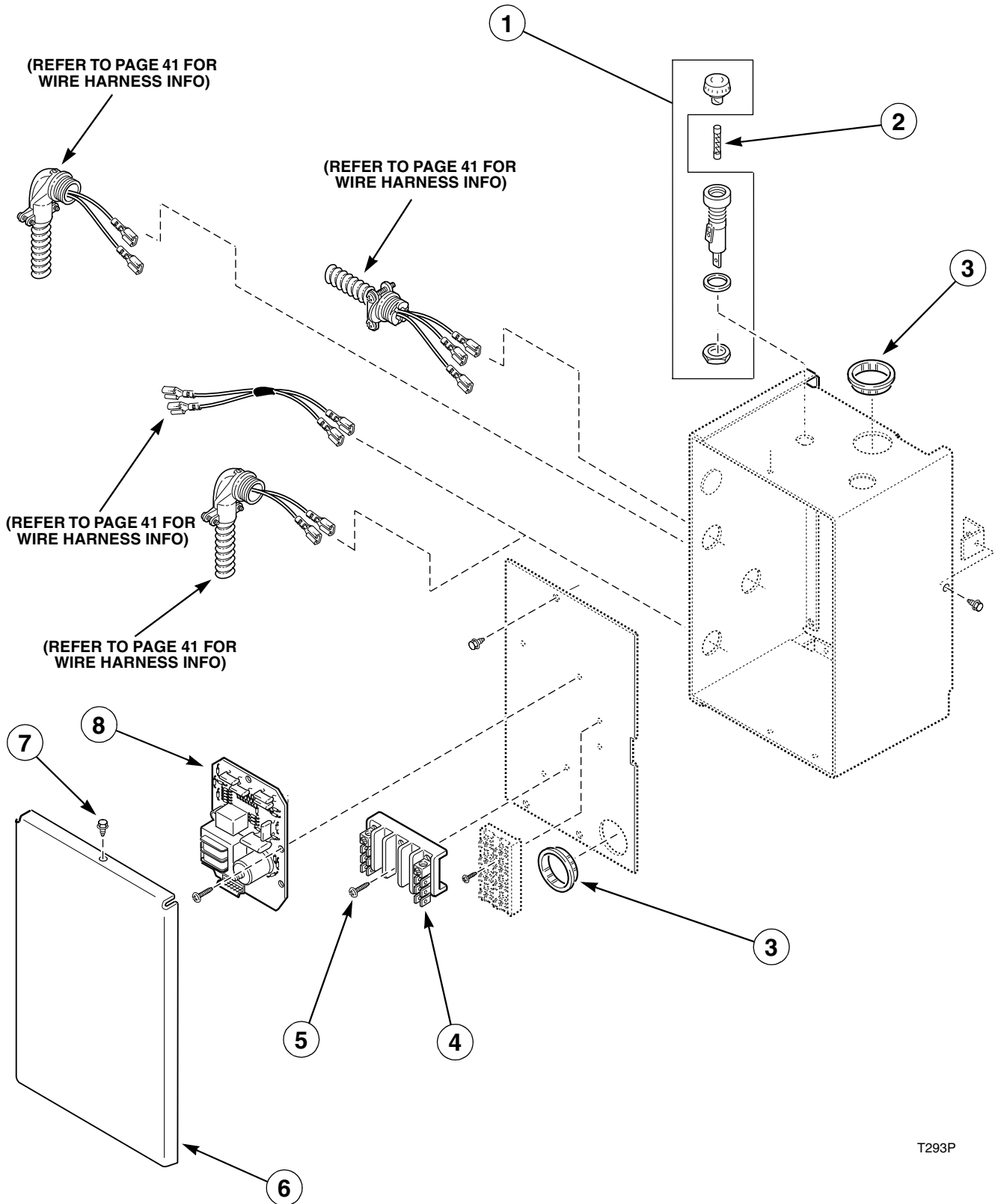
1



Gas Valve Coils

REF	PART NO.	DESCRIPTION	COMMENTS
1	M409253	Single Input Gas Valve Coils	

120/208-240 Volt, 60 Hertz Junction Box

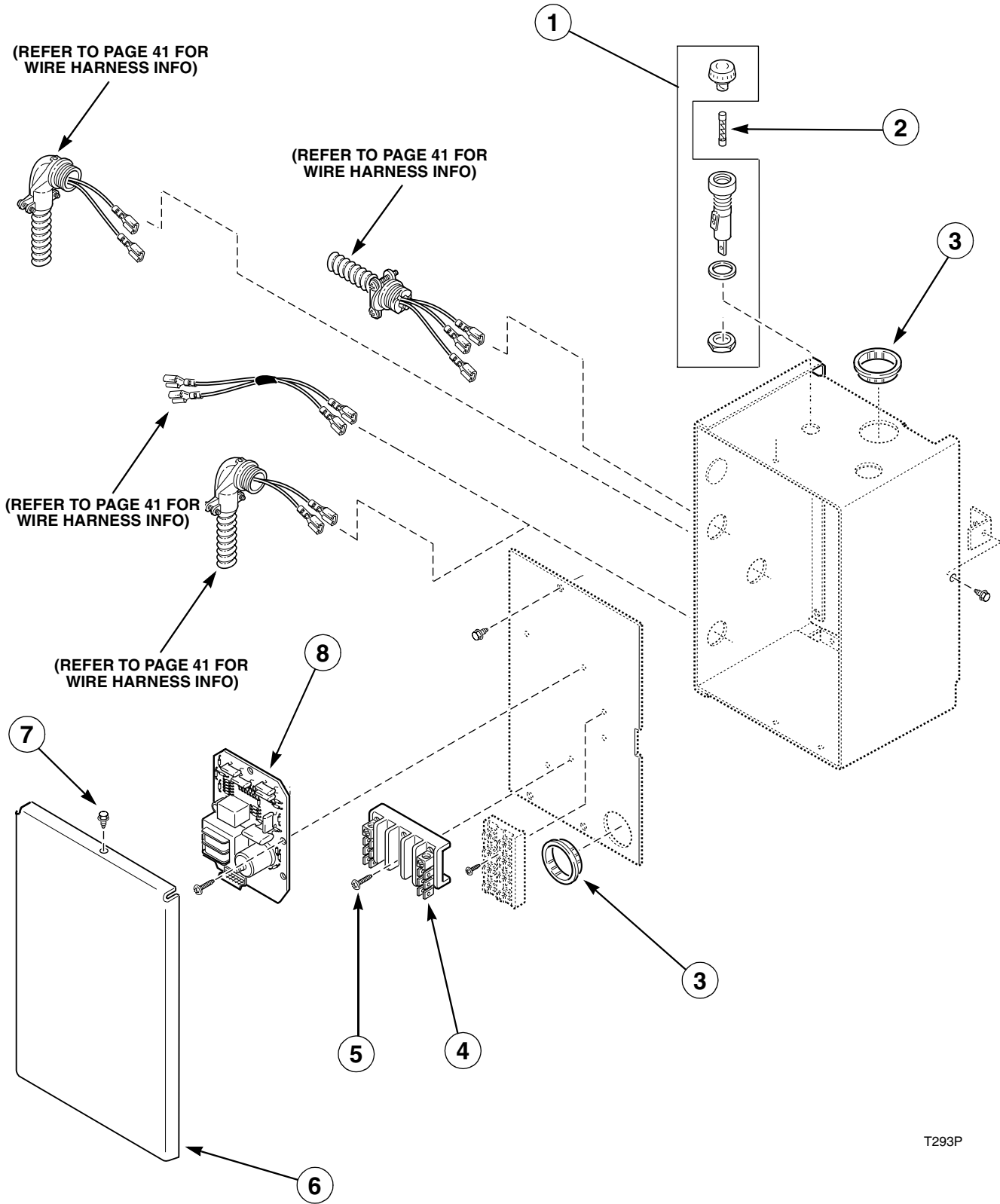


T293P

120/208-240 Volt, 60 Hertz Junction Box

REF	PART NO.	DESCRIPTION	COMMENTS
1	91024	Fuse Holder	Located in Upper Junction Box only
2	M409997	Fuse	Located in Upper Junction Box only
3	M402542	Bushing	
4	430641	Terminal Block	120 Volt
	430642	Terminal Block	208-240 Volt
5	51778	Screw	
6	430554	Cover	
7	430497	Screw	
8	M406789	IEI Control	

240 Volt, 50 Hertz Junction Box

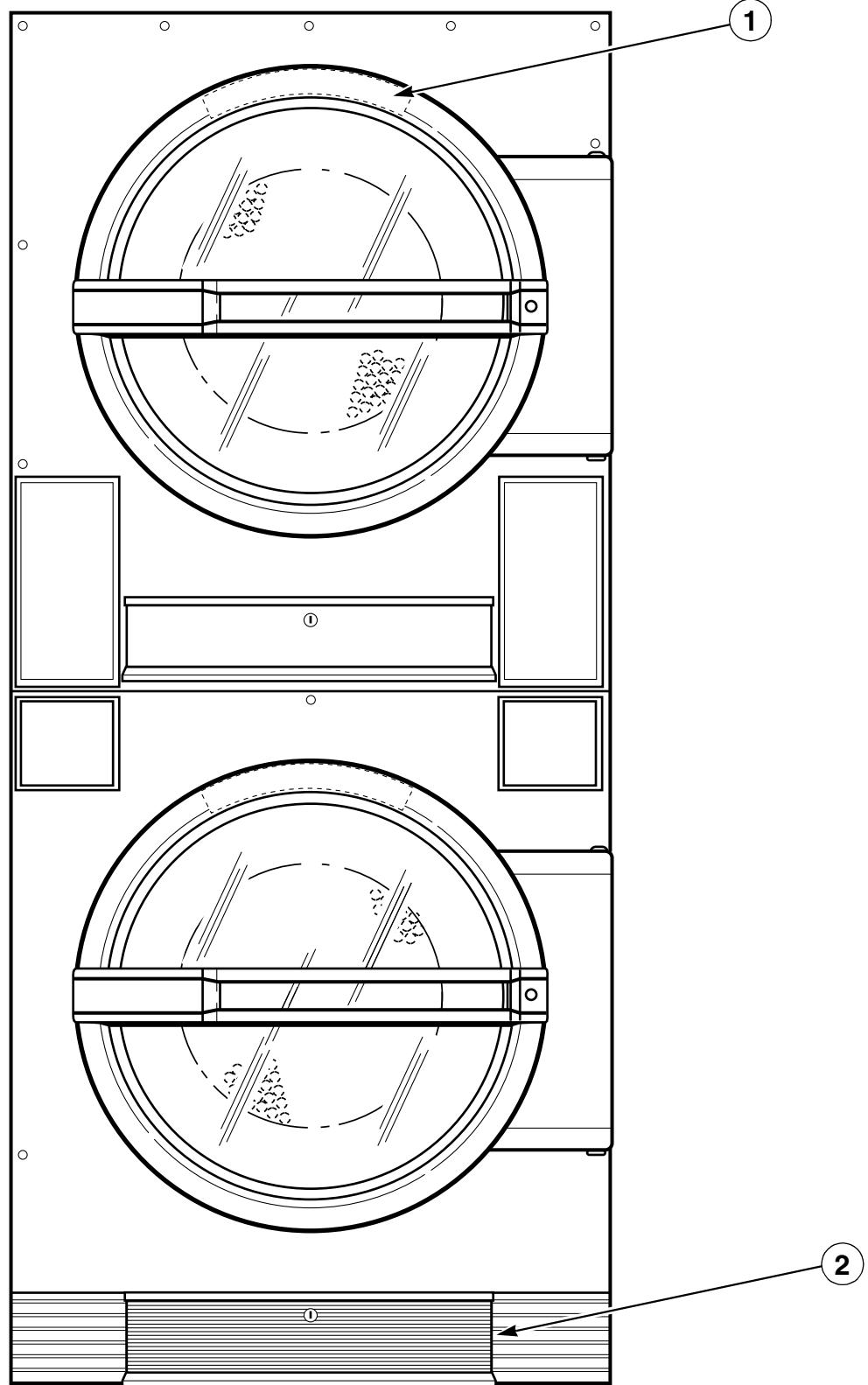


T293P

240 Volt, 50 Hertz Junction Box

REF	PART NO.	DESCRIPTION	COMMENTS
	M411877	Transformer	
1	91024	Fuse Holder	Located in Upper Junction Box only
2	430836	Fuse	3/4 Amp, 250 Volt, Located in Upper Junction Box only
3	M402542	Bushing	
4	430642	Terminal Block	240 Volt
5	51778	Screw	
6	430554	Cover	
7	430497	Screw	
8	M406789	IEI Control	

Stickers and Labels – Front

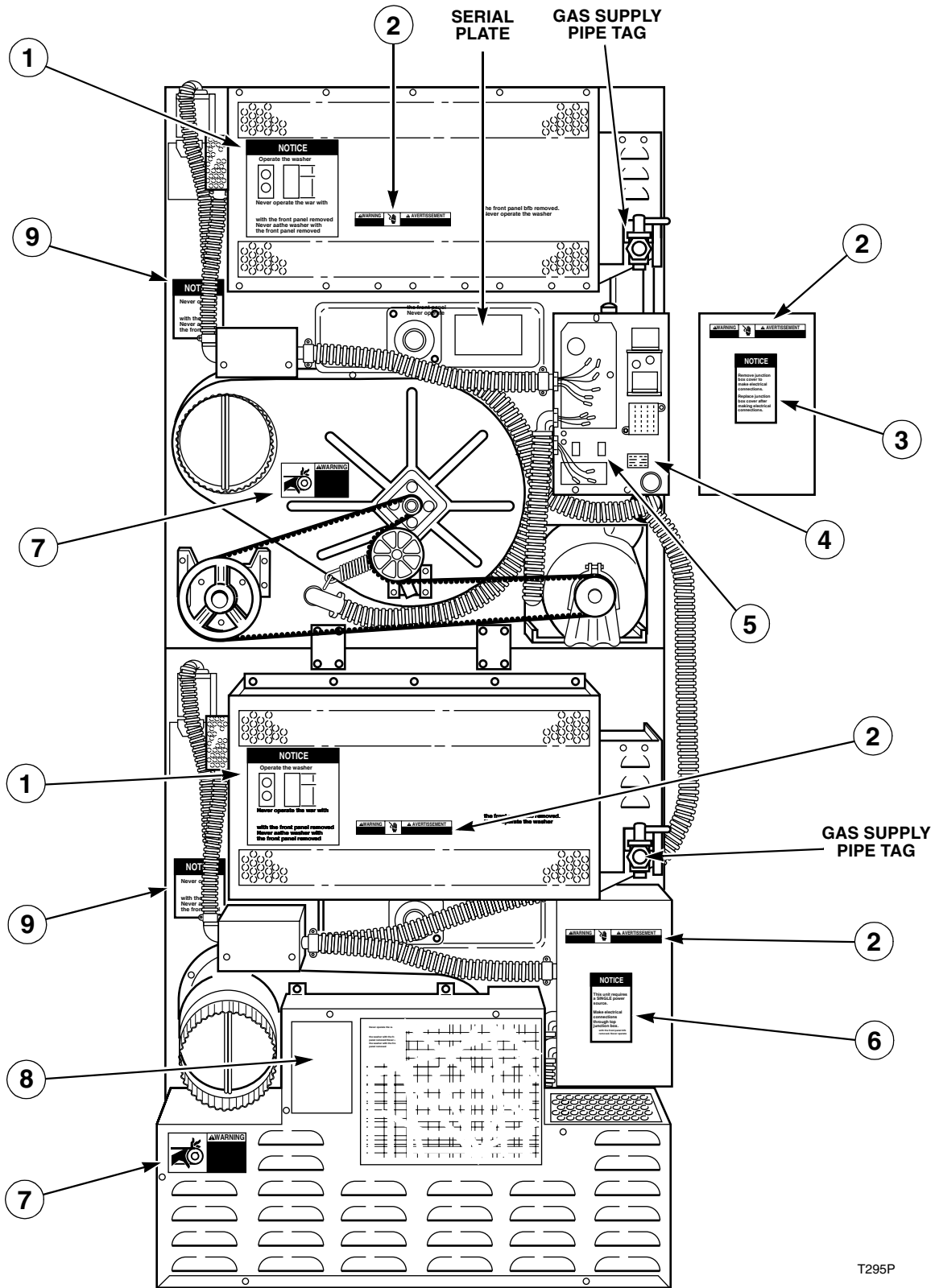


T310p

Stickers and Labels – Front

REF	PART NO.	DESCRIPTION	COMMENTS
1	M410892	Drying Warning	Located on front panel behind door
2	500316	Warning	Located under lint drawer

Stickers and Labels – Rear



T295P

Stickers and Labels – Rear

REF	PART NO.	DESCRIPTION	COMMENTS
1	430138	Installation Notice	
2	500316	Warning Sticker	
3	430444	Junction Box Notice	
4	M403047	Electrical Ground Marker	
5	M405159	Wire Marker	
6	430445	Single Power Source Notice	
7	430377	Belt Guard Warning	
8	M411815	Venting Warning Label	
9	430446	Thimble Notice	

Coin Drop Assemblies and Front Plates

COUNTRY	DROP	PLATE
AUSTRALIA	M411703	M411916
BELGIUM	M411706	M411919
CANADA	M411602	M411590
DENMARK	M411704	M411917
ENGLAND	M411705	M411918
FRANCE	M411605	M411912
HONG KONG	M411606	M411913
JAPAN	M411603	-
SOUTH AFRICA	M411708	M411921
SOUTH KOREA	M411608	M411915
TAIWAN	M411707	M411920
THAILAND	M411709	M411922
USA	M412001	M411590
TOKEN STD-118-1	M411601	M411910
TOKEN STD-118-5	M411607	M411914
TOKEN STD-118-16	M411604	M411911

Coin Meters

M402508-12	South Africa
M402508-14	Japan
M402508-19	Venezuela
M402508-21	Australia – .20/5 minutes
M402508-23	England – 20 Pence/7.5 minutes
M402508-24	France – 2 New Franc
M402508-26	Malaysia
M402508-27	South Africa – .50/15 minutes
M402508-29	Token – STD 118-2
M402508-3	France – 5 Franc/6 minutes
M402508-30	Hong Kong – \$1/10 minutes
M402508-31	Token – STD 188-5/10
M402508-32	Token – STD 118-5 230/50
M402508-34	Denmark – Krone/5 minutes
M402508-36	Token – STD 118-1
M402508-37	Australia – \$1/15
M402508-38	220 Volt 50 Hertz
M402508-41	Japan
M402508-44	Canada – .25/7.5 minutes
M402508-46	Belgium – 5 Franc
M402508-5	Token – STD 118-1
M405138-5	USA – .25/10 minutes

Orifice Sizing for Stacked Tumbler Gas Valves

Firing Rate Valve Type		63,000 BTU Single Input Valves		
Natural Gas Valves		60 Hertz/Natural Gas Valve Part No. 431072 50 Hertz/Natural Gas Valve Part No. 431074		
Liquified Petroleum (L.P.) Gas Valves		60 Hertz/L.P. Gas Valve Part No. 431073 50 Hertz/L.P. Gas Valve Part No. 431075		
Gas Type	Altitude (ft.)	Outer Orifice	Dec. Size	Part No.
Natural Gas	0 - 2,000	#24	(.1520)	431191
	2,001 - 4,000	#26	(.1470)	431192
	4,001 - 6,000	#27	(.1440)	430938
	6,001 - 8,000	#28	(.1405)	431207
	8,001 - 10,000	#29	(.1360)	431193
L.N.G.	L.N.G. 0 - 2,000	#27	(.1440)	430938
Town Gas	Town Gas (L.P.) 0 - 2,000	#V	(.3770)	431174
L.P.	0 - 2,000	3/32"	(.0938)	431010
	2,001 - 4,000	#43	(.0890)	430892
	4,001 - 6,000	#43	(.0890)	430892
	6,001 - 8,000	#44	(.0860)	430939
	8,001 - 10,000	#46	(.0810)	430941
Gas Conversion Kits		Single Input Valves		
Natural Gas to L.P.		563P3		
L.P. to Natural Gas		550P3		

Wire Harnesses

(For all Models D32DG-MC manufactured after January 1, 1994)

PART NO.	DESCRIPTION
431063	Air Flow Switch Harness
431061	Cabinet High Limit Harness
430257	High Voltage Lead
430223	IEI Board Harness
431390	Main Lower Harness – 120 Volts, 50-60 Hertz
431390	Main Lower Harness – 208-240 Volts, 60 Hertz
431390	Main Lower Harness – 240 Volts, 50 Hertz
431389	Main Upper Harness – 120 Volts, 50-60 Hertz
431389	Main Upper Harness – 208-240 Volts, 60 Hertz
431389	Main Upper Harness – 240 Volts, 50 Hertz
431320	Motor Harness – 120 Volts, 50-60 Hertz
431320	Motor Harness – 208-240 Volts, 60 Hertz
431320	Motor Harness – 240 Volts, 50 Hertz
431062	Stove High Limit Harness
431393	Jumper Harness
431392	EMEC Control Harness
431391	Micro Harness

Parts Index

A

Acorn Nut M400645	13
Actuator 431273	15
Air Flow Switch 430371	25
Air Flow Switch Assembly 430369	25
Air Flow Switch Vane 430372	25

B

Bearing Housing and Shaft Assembly 430853	21
Belt 430054	19, 23
430104	19
Belt Guard Cover 430525	23
Belt Guard Switch 431159	23
Belt Guard Warning 430377	37
Blower Housing 430061	21
Bolt 01355	23
Bracket 430126	15
430193	19, 21
430447	11
430581	11
Bumper 431198	17
Burner 430506	25
Burner Plate Cover 430375	25
Bushing M402542	11, 27, 31, 33

C

Cap Screw 430648	19
Catch M401223	9
M410223	13
Circuit Board Support 34896	7
Clip M400972	9
Coin Vault Shadow Box M400131P	9

Control M411878P	5
M411883P	5
Control Housing Seal 431213	5
Control Mounting Bracket 431371	7
Control Panel Door 431202	5
431359	7
Control Panel Overlay 431297	5
431298	5
Control Shadow Box 431326	9
Cotter Pin 02470	25
Cover M400845	25
430339	21
430554	31, 33
Cylinder and Trunnion Assembly 430580	17
Cylinder Rib 430099	17
Cylinder Support Bearing Assembly 430260	17

D

Door Assembly M410887	13
Door Gasket M406129	13
Door Glass M410885	13
Door Glass Seal M400962	13
Door Handle M410918	13
Door Hinge M400514	13
M402714	13
Door Overlay 431344	7
431367	7
Door Switch M406103	11
Door Switch Bracket 431118	11
Door Switch Tab 430432	13
Drive Shaft Assembly 430867	19
Drying Warning Label M410892	35

E

Electrical Ground Marker M403047	37
Extension 431001	15

F

Fan and Key M410088P	21
Felt Pad M402144	17
Felt Washer 29443	21
Forge Nut 430576	17
Front Panel – Lower 431369	9
431370N	9
Front Panel – Upper 431142	9
431221	9
Front Reinforcement Plate 430856	19
Front Seal and Strap Kit 430844P	17
Fuse M409997	31
430836	33
Fuse Holder 91024	31, 33

G

Gas Shut-off Valve and Union 431182P	27
Gas Valve Bracket 430293	27
Gas Valve Gasket 430586	27
Gas Valve Spud 430481	27
Graphics Panel 431008	15

H

Hex Head Screw 27196	11
430497	25
Hex Nut H88410030	25
High Limit Thermostat 431177	25
High Voltage Lead 430257	27
Hinge Bracket 431000	9, 13
431044	9, 13

Hinge Pin M4006563	13
-----------------------------	----

I

Idler Arm 430263	19, 21
Idler Wheel 430618	21
430619	19
IEI Control M406789	31, 33
Igniter 430317	25
Installation Notice 430138	37
Insulation H96418728	25
430043	11

J

Jam Nut M400022	21
02428	17
Junction Box Notice 430444	37

K

Keps Nut 70054	7
Key M400993	19
M401327	19
430664	5

L

Label 430527	15
Leveling Leg M400063	11
Lighted Rocker Switch 431355	7
Limit Thermostat M406412	21
Lint Drawer 431248	15
Lint Drawer Switch 431159	15
Lint Screen 431215	15
Lock and Key 430429	15
Lock and Retainer 430832	5
Locknut 29786	5

Lockwasher	
H88512561	25
02834	23
03815	13
Lower Front Plate	
431003	15

M

Magnet	
501453	5
Motor	
430426	23
431275	23
Motor Pulley with Set Screw	
430067	23
430668	23
Mounting Plate	
M411595	9

N

Nipple	
431206	27
Nut	
M400022	17, 19
M401930	17
Q6163	13
02428	21
430875	21
52566	19
56156	19
80116	19
Nylon Washer	
M400675	13

O

O-Ring	
431182A	27

P

Pal Nut	
M400034	17, 19, 21
Pulley with Set Screw	
430800P	19

R

Rear Cylinder Seal with Adhesive	
430105P	17
Rear Reinforcement Plate	
430857	19
Relay	
431349	7
Retainer	
431314	17

Retaining Ring	
70061	17
Rib Rod	
430155	17
Rivet	
M400003	9, 13, 17
M410762	9, 13
430489	15
Roller	
430019	17
Roller Shaft	
431315	17
Round Head Screw	
M401938	25
Rubber Bumper	
M400795	21

S

Screw	
M400044	13
M400071	7
M405188	21
M409385	13
01355	19
02422	19
23962	21, 27
27196	21
28193	11
33561	17
430497	9, 13, 23, 27, 31, 33
430648	21
430757	15
501524	5
51778	31, 33
51780	15
56156	21
56693	25
Seal	
430638	9, 15
Seal Strap	
430355	17
430845	17
Sheave	
430050P	19
Sheave with Screw	
430849	21
Shim	
M401402	17
Shoulder Screw	
431381	19, 21
Side and Back Cover	
430338	21
Side Panel and Insulation – Left	
431048	11
Side Panel and Insulation – Right	
431049	11
Single Input Gas Valve Coils	
M409253	29
Single Power Source Notice	
430445	37
Spacer	
430850	21

Speed Nut	
430886	17
431045	11
Spring	
430252	21
430301	19
430954	17
52310	17
Stud Plate	
430352	17
Sweep Sheet Kit	
430884P	17
Switch	
34536	9
34599	5

Washer	
M400080	23
M400991	17
M401947	17
02834	17, 19, 21
430427	17
430782	19, 21
91093	19
Wire Marker	
M405159	37

T

Tab	
430251	21
Temperature Control Module	
431346	7
Temperature Switch	
431353	7
Temperature Switch Knob	
431351	7
Terminal Block	
430641	31
430642	31, 33
Thermistor	
M411758	21
Thimble and Vane Assembly	
430536	21
Thimble Notice	
430446	37
Torx Head Screw	
431167	11
431287	25
Trunnion Assembly	
430219	17

U

U-Bolt Clamp	
430862	19
Upper Front Plate	
430385	15

V

Vane	
430534	21
Venting Warning Label	
M411815	37

W

Warning Sticker	
500316	35, 37