

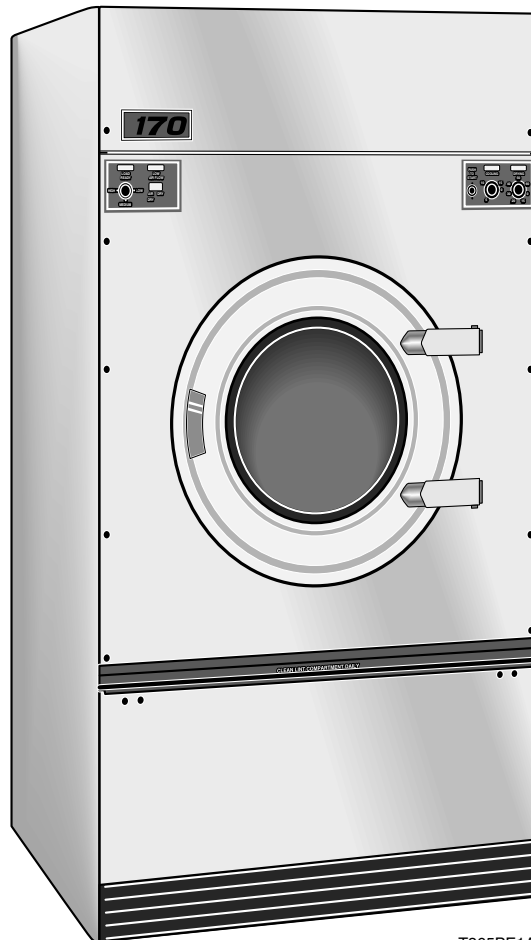
Drying Tumblers

Models

DT170FG DT170CSH

JT170FG JT170CSH

ST170FG ST170CSH



T365PE1A

Parts



WARNING

Failure to install, maintain, and/or operate this machine according to the manufacturer's instructions may result in conditions which can produce bodily injury and/or property damage.

Do not repair or replace any part of the tumbler or attempt any servicing unless specifically recommended or published in the Parts and Service Manual that you understand and have the skills to carry out.

Whenever ground wires are removed during servicing, those ground wires must be reconnected to ensure that the tumbler is properly grounded and to reduce the risk of fire, electric shock or personal injury.

W021

NOTE: The WARNING and IMPORTANT STICKERS appearing in this manual are not meant to cover all possible conditions and situations that may occur. It must be understood that common sense, caution and carefulness are factors which CANNOT be built into these tumblers. These factors MUST BE supplied by the person(s) installing, maintaining, or operating the tumbler.

Always contact your dealer, distributor, service agent or the manufacturer about any problems or conditions you do not understand.

IMPORTANT INFORMATION: During the lifetime of your tumbler, it may require service. The information contained in this manual was written and is intended for use by qualified service technicians who are familiar with the safety procedures required in the repair of your tumbler, and who are equipped with the proper tools and testing equipment.

Repairs that are made to your tumbler by unqualified persons can result in hazards due to improper assembly or adjustments subjecting you, or the inexperienced person making such repairs, to the risk of injury or electrical shock which can be serious or even fatal.

If you or an unqualified person perform service on your tumbler, you must assume the responsibility for any personal injury or property damage which may result. The manufacturer will not be responsible for any injury or property damage arising from improper service and/or service procedures.

Table of Contents

Title	Page
Parts Ordering Information	3
Nameplate Location	3
Dual Timer Controls — Manual Timer Models.....	4
Temperature Controls — Manual Timer Models.....	6
Touch Pad Controls — Micro-Control Models	8
Access and Lint Panels	10
Front Panel	12
Door Assembly	14
Lint Screen and Drive Guard	16
Drive Sheave, Step Pulley and Belts	18
Trunnion Bearings	20
Cylinder Drive Motor	22
Fan and Motor Assembly.....	24
Exhaust System Components	26
Cylinder and Trunnion Shaft.....	28
Gas Burner Unit.....	30
Steam Heating Unit.....	32
Reversing Control	34
Air Flow Switch Assembly.....	36
Wire Harnesses	38
Parts Index.....	39

Parts Ordering Information

If literature or replacement parts are required, contact the source from whom the machine was purchased or contact Alliance Laundry Systems at (920) 748-3950 for the name and address of the nearest authorized parts distributor.

For technical assistance, call (920) 748-3121.

How to Order Colored Parts

Painted parts are available in the colors listed below. Add suffix letter to part number to designate color required.

B BATTINA GREEN

P TURQUOISE

H HARVEST GOLD

X ELECTRIC BLUE

V ORANGE

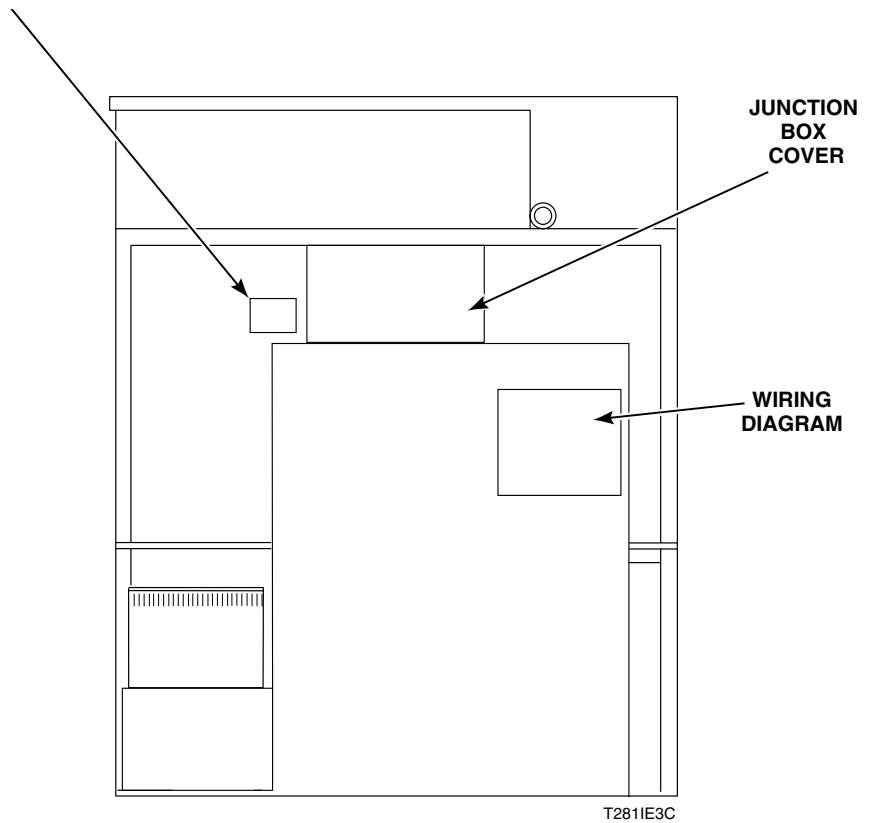
L ALMOND

K RED

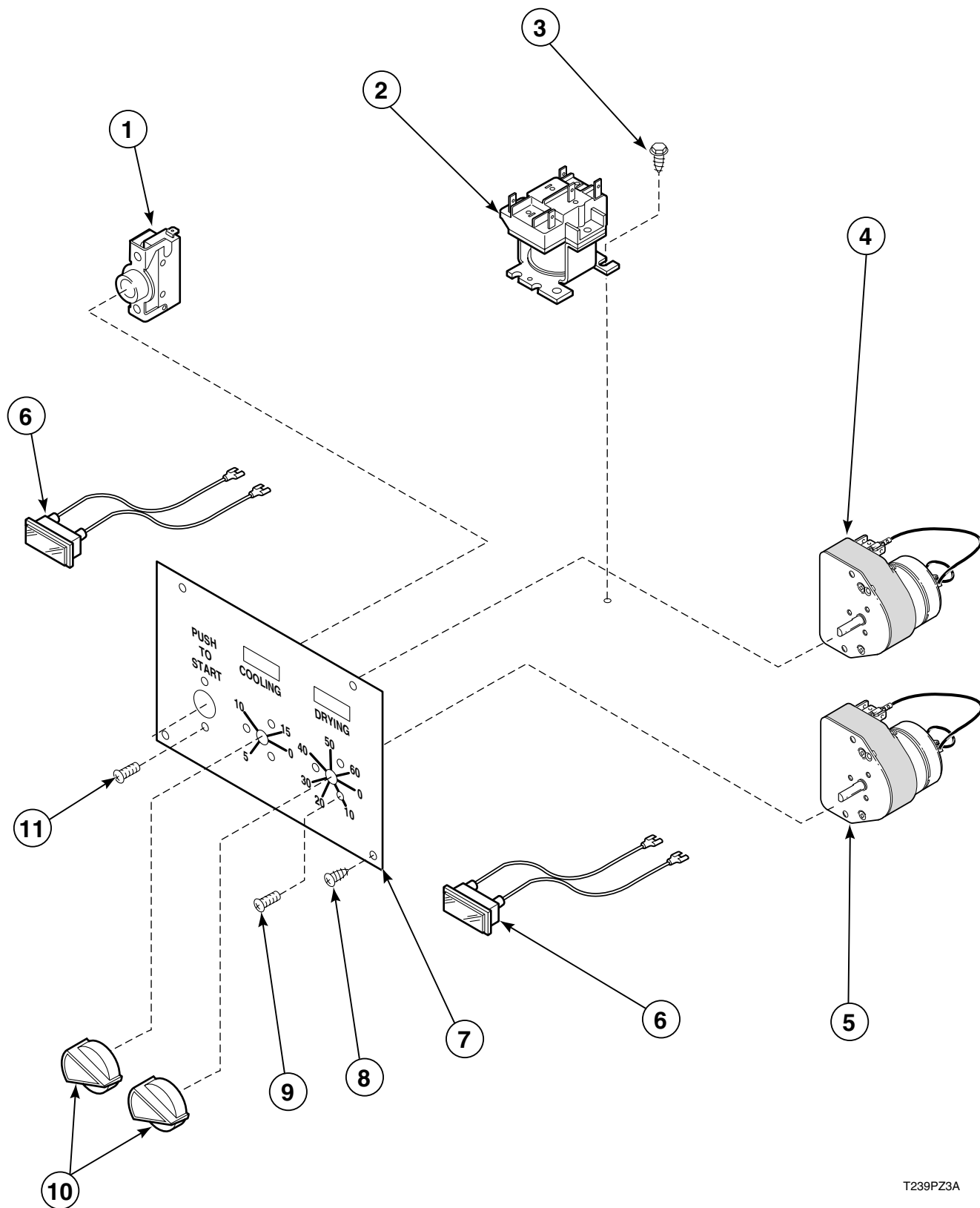
W WHITE

Nameplate Location

When calling or writing about your product, be sure to mention model and serial numbers. Model and serial numbers are located on nameplate(s) as shown.



Dual Timer Controls — Manual Timer Models

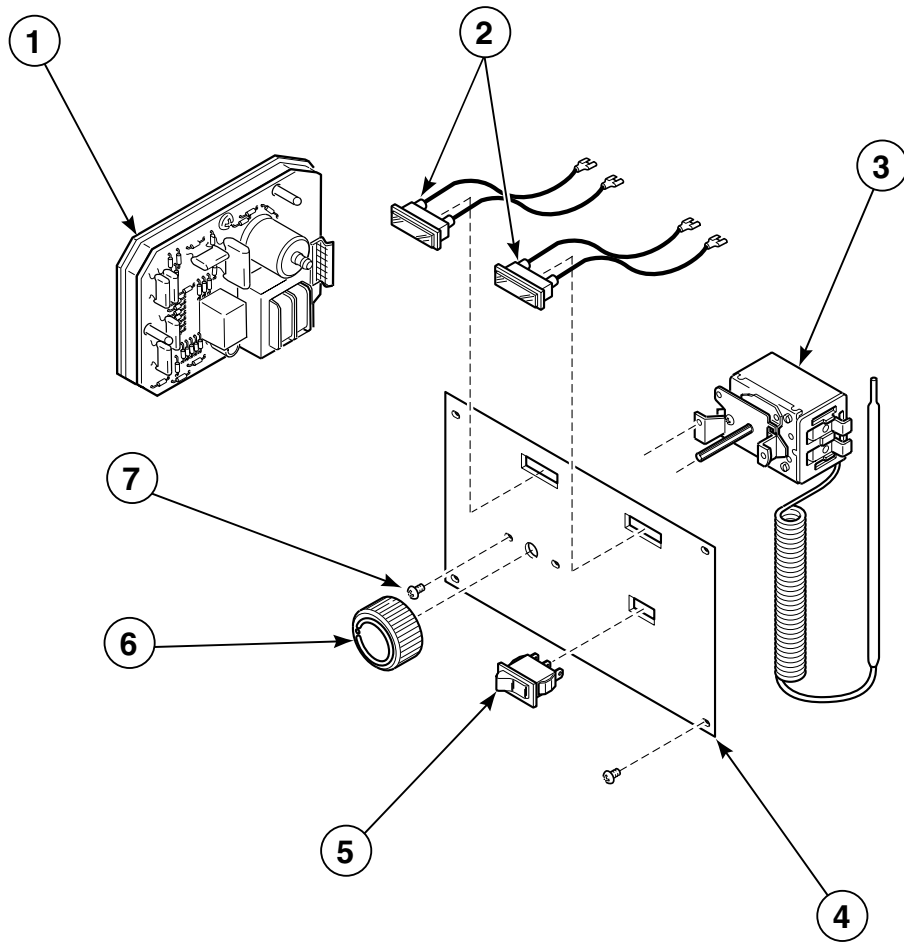


T239PZ3A

Dual Timer Controls — Manual Timer Models

REF	PART #	DESCRIPTION	COMMENTS
1	M4000954	Push-to-Start Switch	
2	M400912	Relay	60 Hertz
	M4000911	Relay	50 Hertz
3	51780	Screw	
4	M410900P	Cooling Timer	60 Hertz
	M410902P	Cooling Timer	50 Hertz
5	M410901P	Drying Timer	60 Hertz
	M410903P	Drying Timer	50 Hertz
6	M400703	Light	60 Hertz
	M400704	Light	50 Hertz
7	M412964	Graphics Panel Timer	DT Models
	M411577	Graphics Panel Timer	JT Models
	M411575	Graphics Panel Timer	ST Models
8	M401902	Screw	
9	M411052	Screw	
10	M400773	Timer Knob	DT and ST Models
	M410927	Timer Knob	JT Models
11	M400072	Screw	

Temperature Controls — Manual Timer Models

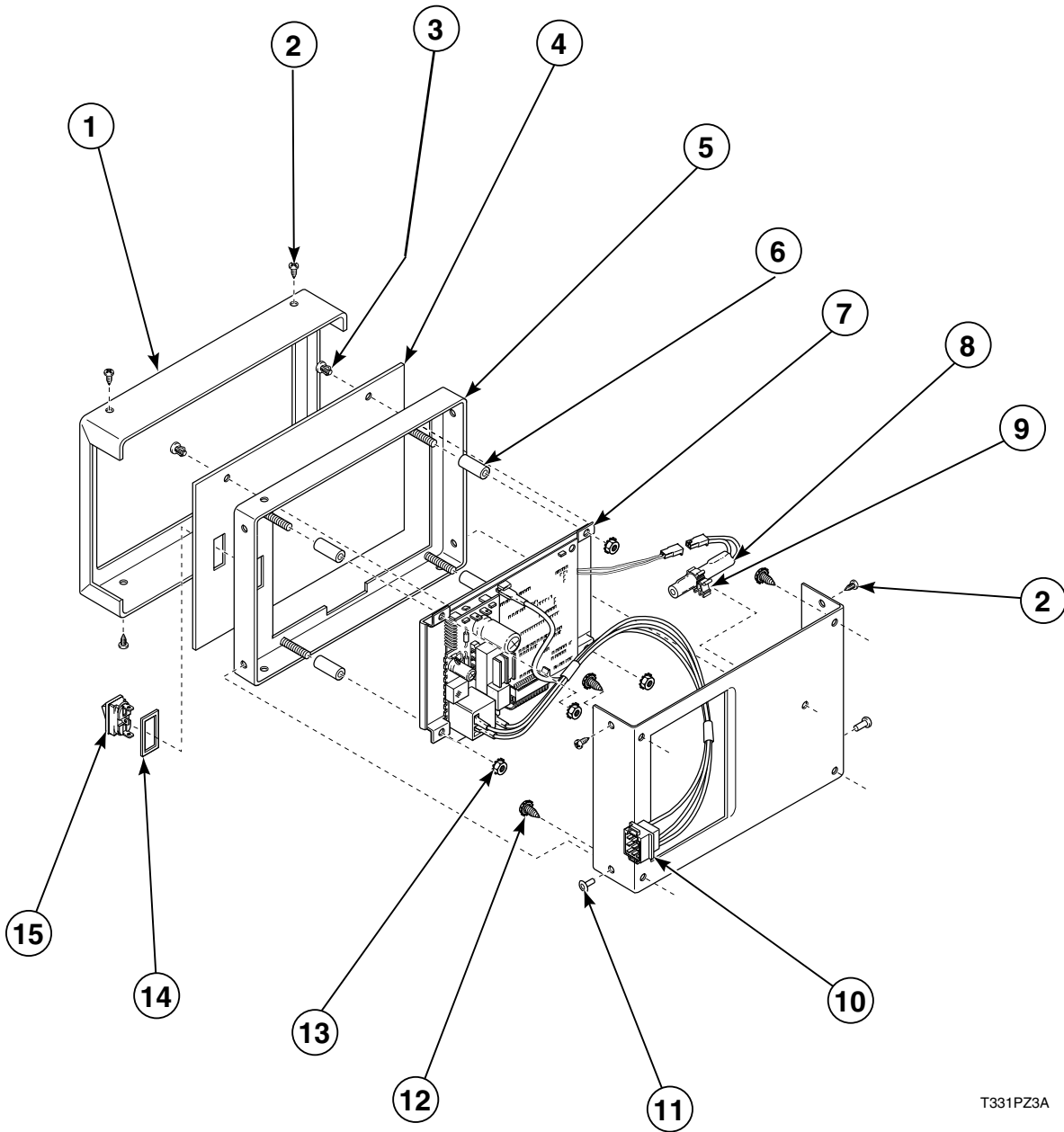


T234PZ3A

Temperature Controls — Manual Timer Models

REF	PART #	DESCRIPTION	COMMENTS
	91024	Fuse Holder	Not Shown
	M413118	Fuse	2 Amp - Not Shown
	500823	Signal Buzzer	60 Hertz - Not Shown
	500730	Signal Buzzer	50 Hertz - Not Shown
	M405363	Terminal Block	Not Shown
1	M406789	Instant Electronic Ignition Control	60 Hertz
	M411282	Instant Electronic Ignition Control	50 Hertz
2	M400703	Light	60 Hertz
	M400704	Light	50 Hertz
3	M411333	Thermostat	
4	M412965	Graphics Plate	DT Models
	M411574	Graphics Plate	JT Models
	M411572	Graphics Plate	ST Models
5	H96422431	Reversing/Nonreversing Switch	
6	M411344	Temperature Knob	DT and ST Models
	M411345	Temperature Knob	JT Models
7	M400072	Screw	

Touch Pad Controls — Micro-Control Models



T331PZ3A

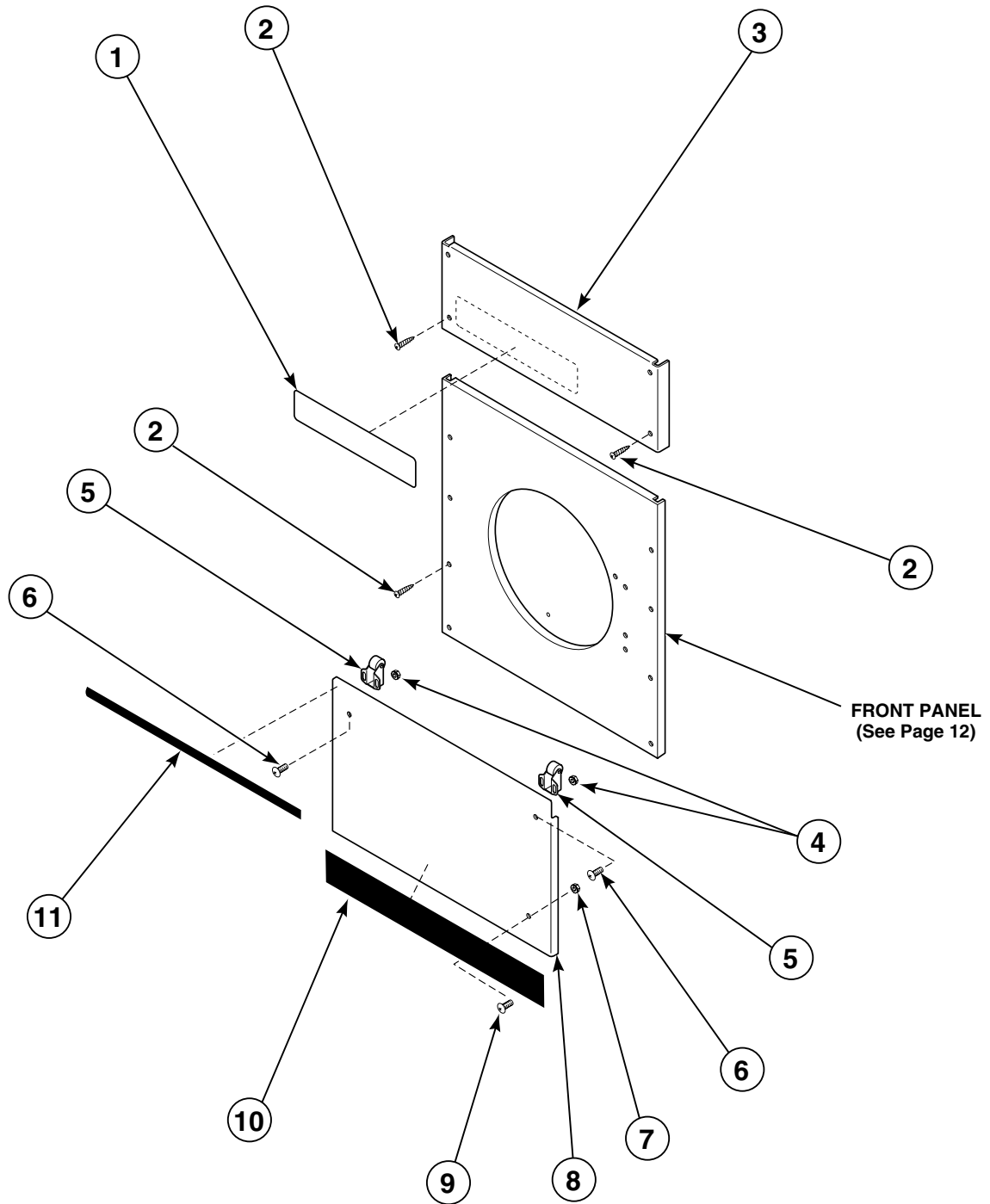
Touch Pad Controls — Micro-Control Models

REF	PART #	DESCRIPTION	COMMENTS
1	M413089*	Face Plate	
2	M400664	Screw	
3	M410665	Hole Plug	
4	M412961	Touchpad	DT Models
	M410682	Touchpad	ST Models
	M410704	Touchpad	JT Models
5	M413094	Micro-Mounting Plate	
6	M413252	Spacer	
7	M410786P	Control	
8	M410826	Battery	
9	M411231	Clamp	
10	M413146	Harness	
11	M400713	Rivet	
12	M401902	Screw	
13	70054	Nut	
14	M413236	Switch Plate	
15	H96422431	Switch	

* Add letter to designate color.

V – Orange	B – Battina Green
K – Red	H – Harvest Gold
L – Almond	X – Electric Blue
W – White	P – Turquoise

Access and Lint Panels



T335PZ3A

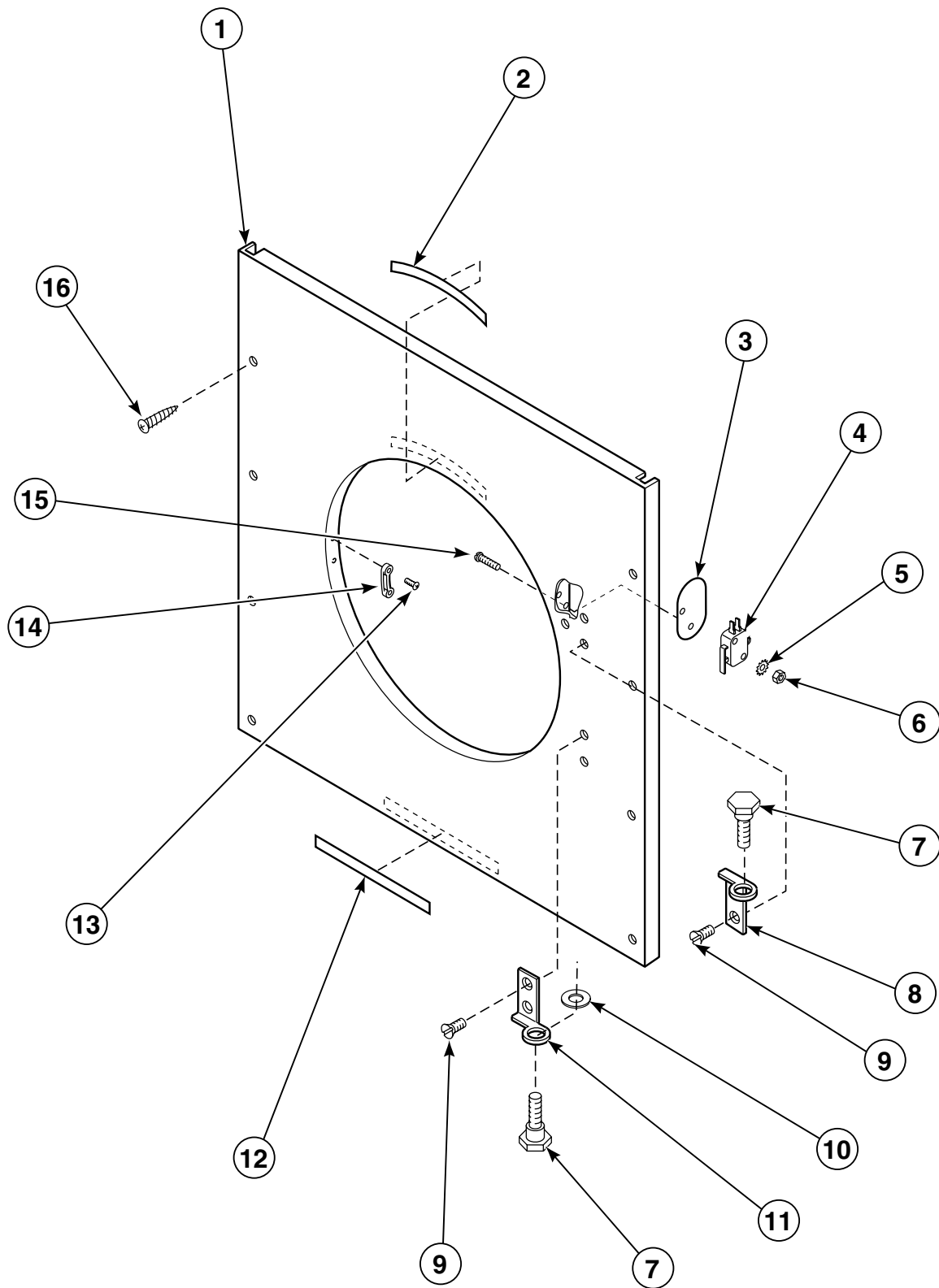
Access and Lint Panels

REF	PART #	DESCRIPTION	COMMENTS
	430757	Screw	Six - not included with Item #11, Bumper
1	M412963	Nameplate	DT Models
	M411563	Nameplate	JT Models
	M410355	Nameplate	ST Models
2	M411267	Screw	
3	M412950*	Top Access Panel	Painted
	M412951	Top Access Panel	Stainless Steel
4	23951	Nut	
5	H87020202	Roller Catch	
6	M400044	Screw	
7	23951	Nut	
8	M411455*	Lint Panel	Painted
	M411456	Lint Panel	Stainless Steel
9	431027	Screw	
10	M411444	Kickplate	
11	M411560	Bumper	DT and ST Models - Does not include (6) 430757 Screws
	M411561	Bumper	JT Models - Does not include (6) 430757 Screws

* Add letter to designate color.

V – Orange	B – Battina Green
K – Red	H – Harvest Gold
L – Almond	X – Electric Blue
W – White	P – Turquoise

Front Panel



T246PZ3B

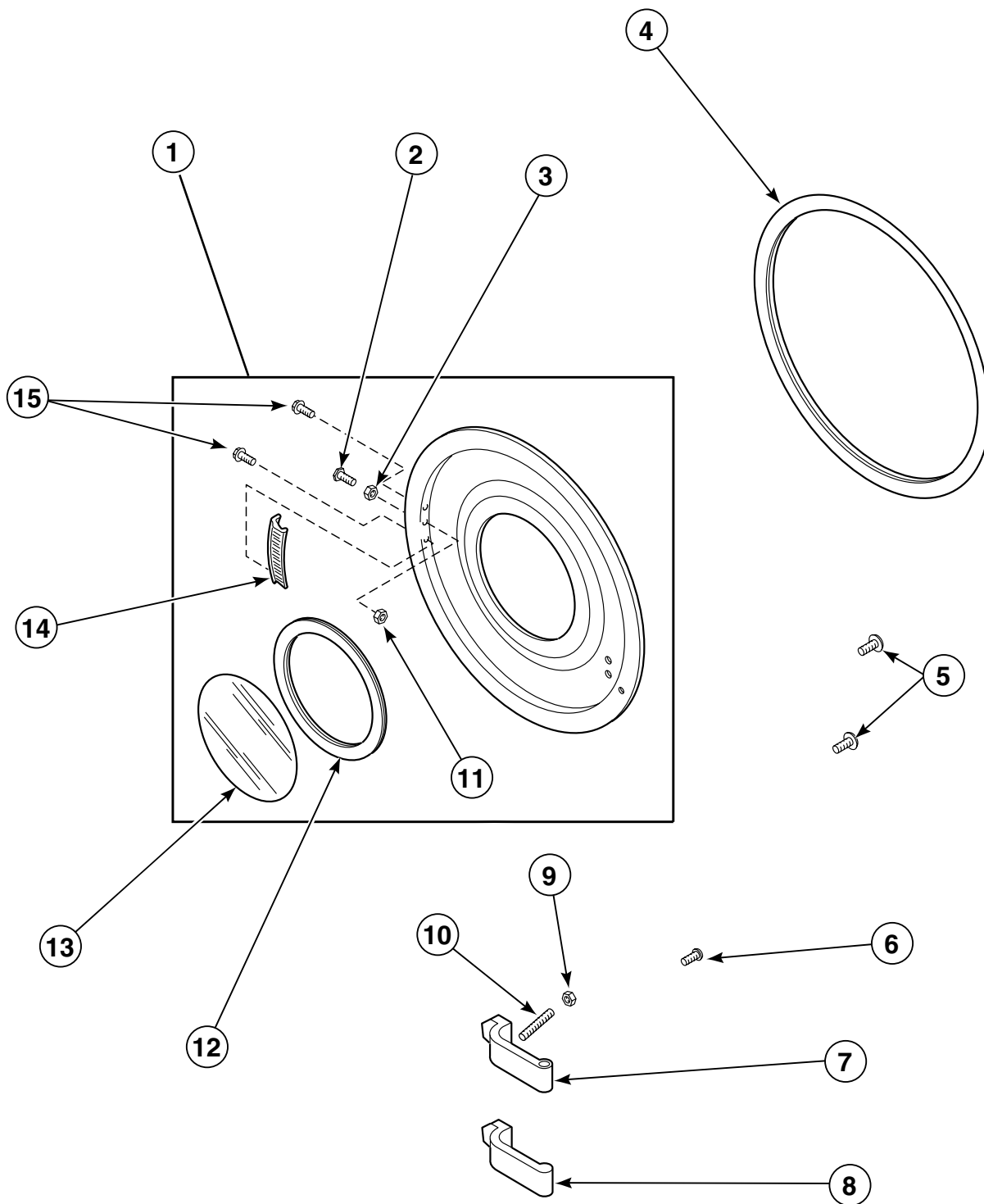
Front Panel

REF	PART #	DESCRIPTION	COMMENTS
	M413054	Wire Harness	For Door Switch - Not Shown
1	M412948*	Front Panel	Painted - Manual Timer Models
	M412949	Front Panel	Stainless Steel - Manual Timer Models
	M413178*	Front Panel	Painted - Micro Models
	M413276	Front Panel	Stainless Steel - Micro Models
2	M410892	Warning Label	
3	H96418728	Insulator	
4	H96422241	Door Switch	
5	H88512561	Lockwasher	
6	H88410030	Nut	
7	M410029	Hinge Pin	
8	M410041	Upper Panel Hinge	
9	H88129788	Screw	
10	M400671	Washer	
11	M410042	Lower Panel Hinge	
12	M409312	Warning Label	
13	M400072	Screw	
14	M401223	Door Catch	
15	H88110267	Screw	
16	M411267	Screw	

* Add letter to designate color.

V – Orange	B – Battina Green
K – Red	H – Harvest Gold
L – Almond	X – Electric Blue
W – White	P – Turquoise

Door Assembly



T248PZ3A

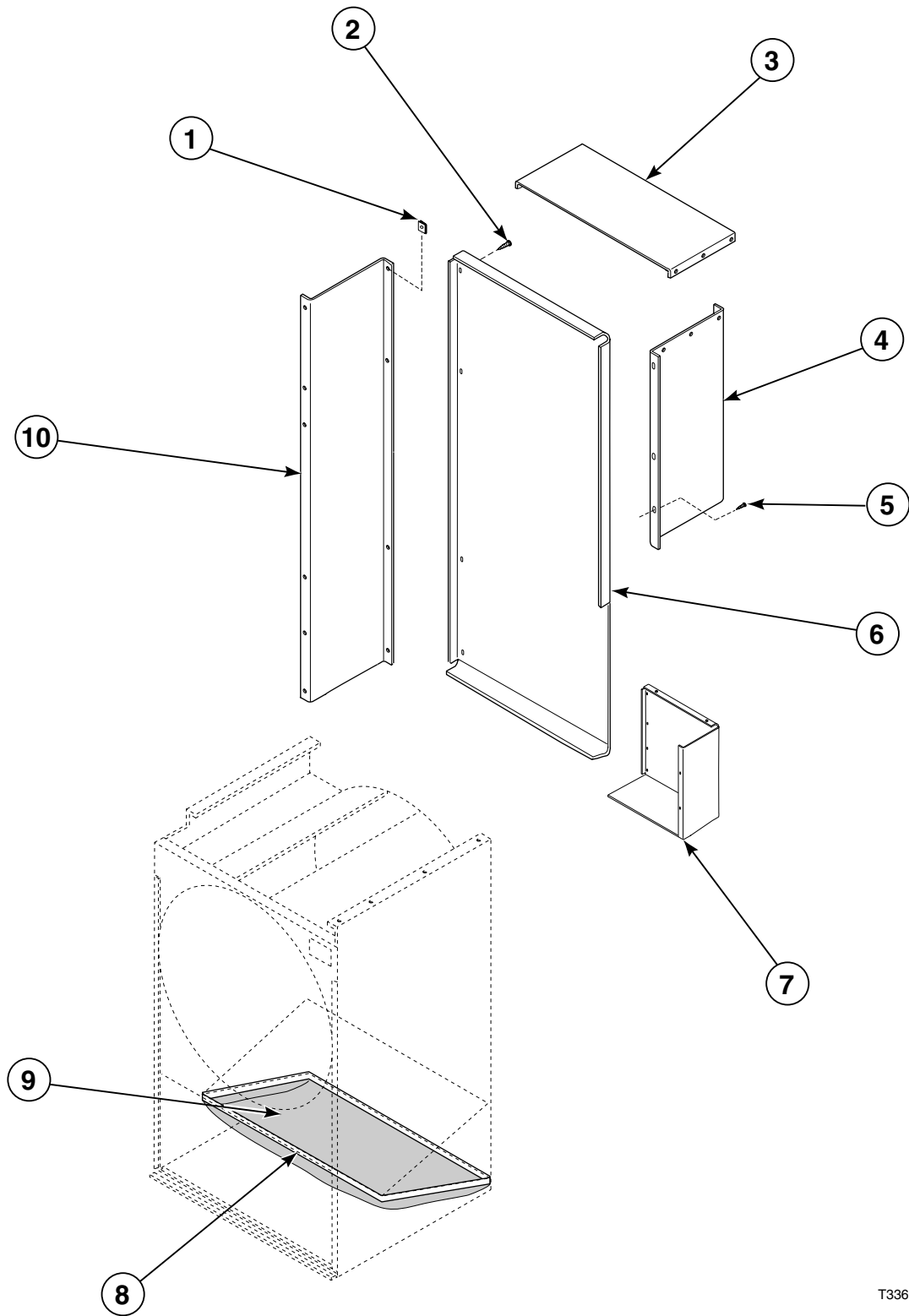
Door Assembly

REF	PART #	DESCRIPTION	COMMENTS
1	M410289*	Door Assembly	Painted
	M410290	Door Assembly	Stainless Steel
2	M400661	Door Strike Screw	Not included with Item #1, Door Assembly
3	Q6163	Nut	Not included with Item #1, Door Assembly
4	H96409156	Door Gasket	Not included with Item #1, Door Assembly
5	H88129648	Screw, Hinge Mtg.	Not included with Item #1, Door Assembly
6	M400044	Screw, Hinge Mtg.	Not included with Item #1, Door Assembly
7	M410030	Upper Door Hinge	Not included with Item #1, Door Assembly
8	M410031	Lower Door Hinge	Not included with Item #1, Door Assembly
9	51236	Nut	
10	M409976	Actuator	Not included with Item #1, Door Assembly
11	70054	Nut	Not included with Item #1, Door Assembly
12	M409900	Door Glass Seal	
13	M409899P	Door Glass and Seal Kit	Includes Item #12, Door Glass Seal
14	M400133	Door Handle	
15	M409385	Screw	

* Add letter to designate color.

V – Orange	B – Battina Green
K – Red	H – Harvest Gold
L – Almond	X – Electric Blue
W – White	P – Turquoise

Lint Screen and Drive Guard

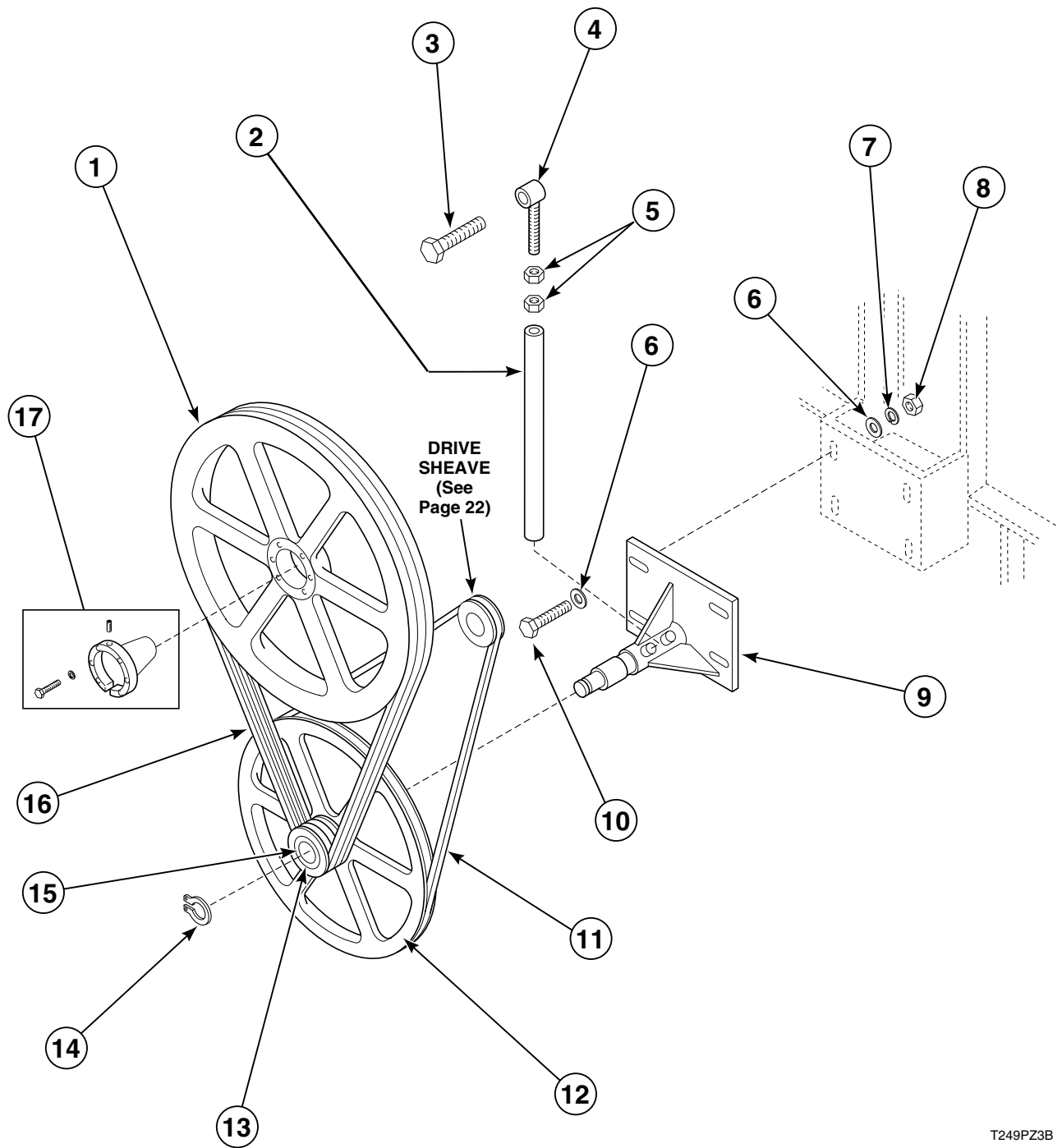


T336PZ3A

Lint Screen and Drive Guard

REF	PART #	DESCRIPTION	COMMENTS
	M413140	Bottom Drive Guard	Not Shown
1	H8841927H	Speed Nut	
2	M402585	Screw	
3	M413138	Top Drive Guard	
4	M413136	Left Drive Guard Side	
5	430497	Screw	
6	M413135	Drive Guard Cover	
7	M413139	Corner Drive Guard	
8	H96362025	Lint Screen Frame	
9	H96367016	Lint Screen	
10	M413137	Right Drive Guard Side	

Drive Sheave, Step Pulley and Belts

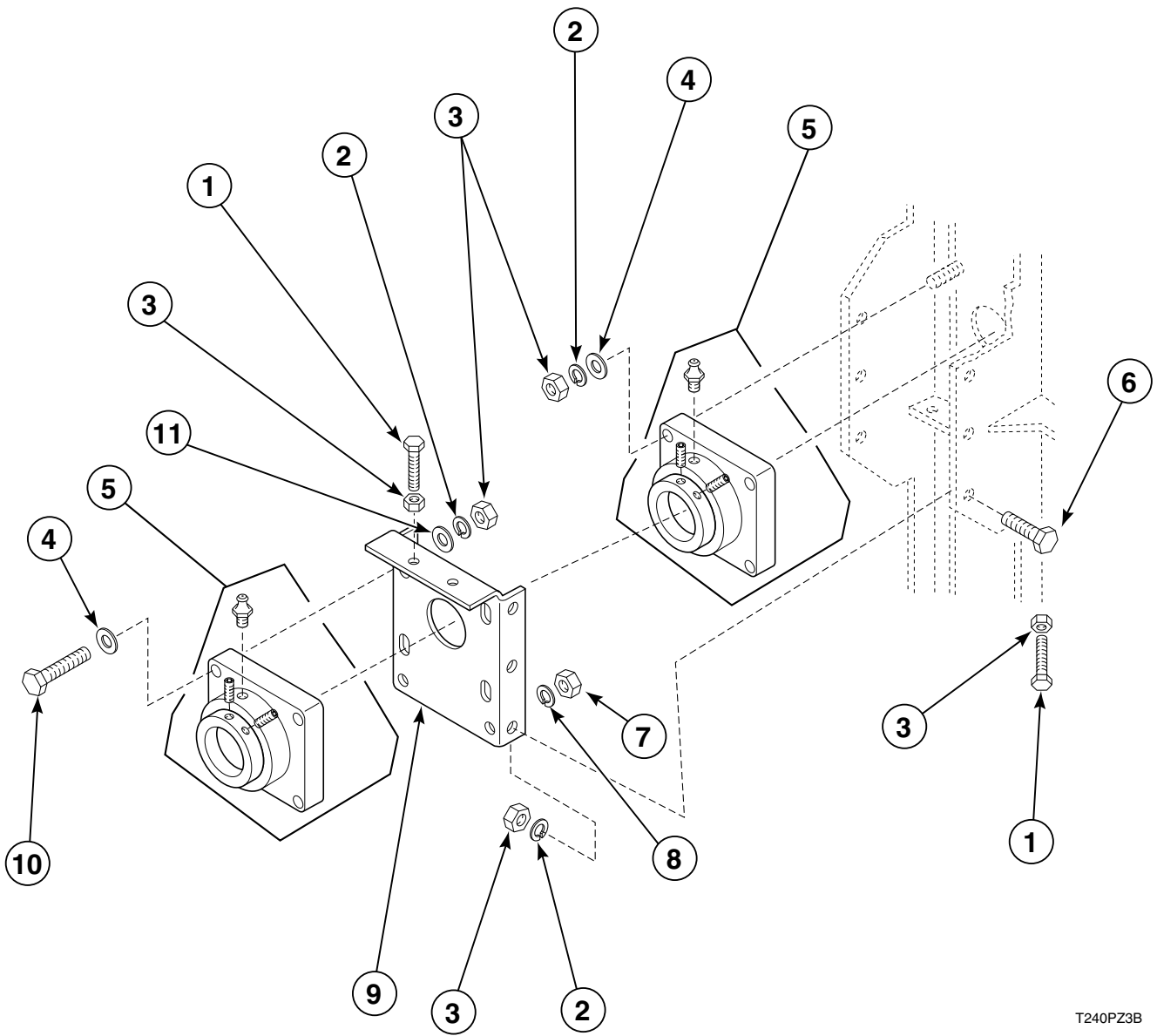


T249PZ3B

Drive Sheave, Step Pulley and Belts

REF	PART #	DESCRIPTION	COMMENTS
1	H8752251H	Sheave	
2	H96428487	Tube	
3	H88001565	Bolt	
4	M411337	Eye Bolt	
5	M404993	Nut	
6	M400080	Washer	
7	M400014	Lockwasher	
8	20274	Nut	
9	H96357751	Jackshaft Assembly	
10	22688	Screw	
11	H87533014	Belt	
12	H96428024	Step Pulley	
13	H87672184	Step Pulley Bearing	Outer - Not Shown
	H87672374	Step Pulley Bearing	Inner - Not Shown
14	H88602263	Retainer Ring	
15	H88603477	Retainer Ring	Two - Not Shown
16	H87533816P	Belt	Set of Three
17	H8752985H	Bushing	

Trunnion Bearings

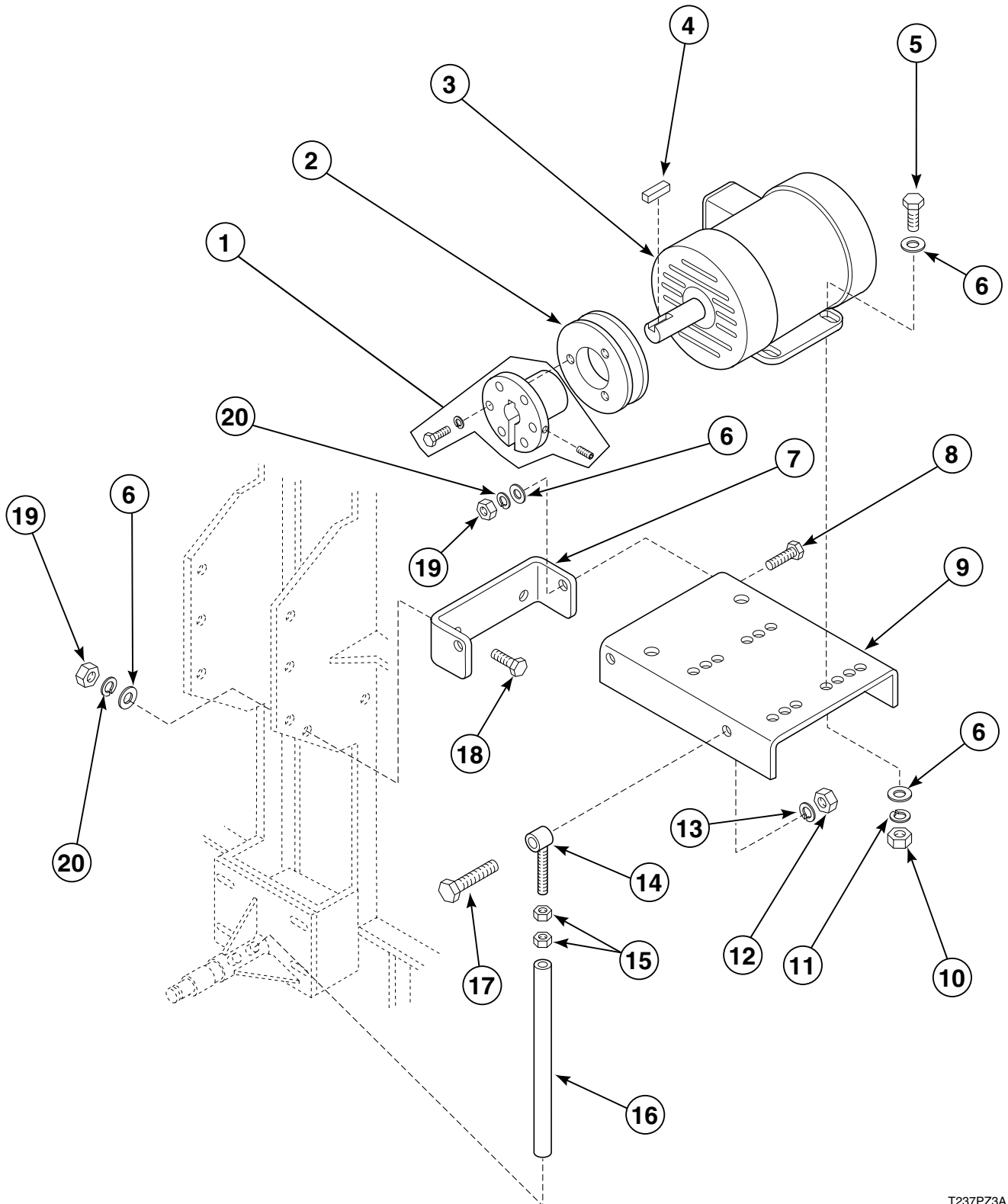


T240PZ3B

Trunnion Bearings

REF	PART #	DESCRIPTION	COMMENTS
1	H88213996	Screw	
2	M400014	Lockwasher	
3	20274	Nut	
4	M400081	Washer	
5	H87625430	Trunnion Bearing	
6	H88111703	Screw	
7	H88412093	Nut	
8	H88511118	Lockwasher	
9	H96428008	Mounting Bracket	
10	22688	Screw	
11	M400081	Washer	

Cylinder Drive Motor

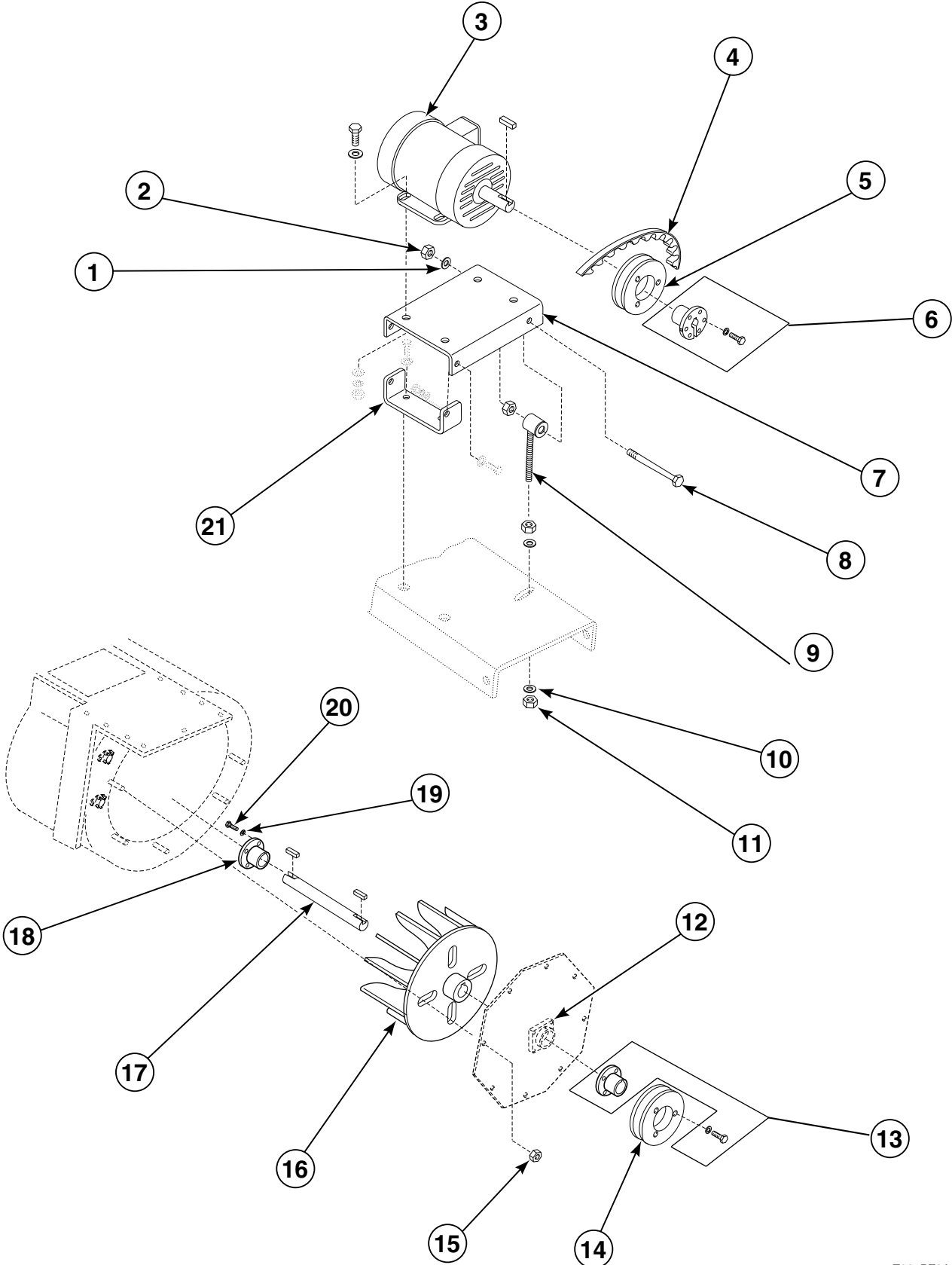


T237PZ3A

Cylinder Drive Motor

REF	PART #	DESCRIPTION	COMMENTS
1	H87529111	Taper Bushing	
2	H87520334	Drive Sheave	60 Hertz
	H8752026H	Drive Sheave	50 Hertz
3	M410863	Cylinder Drive Motor	208-240-480 Volt, 60 Hertz, 3 Phase
	M412647	Cylinder Drive Motor	220-380-415 Volt, 50 Hertz, 3 Phase
4	H8752006H	Key	
5	81122	Screw	
6	M400080	Washer	
7	H96428693	Bracket	
8	22688	Screw	
9	M413171	Motor Base	
10	70142	Nut	
11	02432	Lockwasher	
12	H88412093	Nut	
13	H88511118	Lockwasher	
14	M411337	Eye Bolt	
15	M404993	Nut	
16	H96428479	Tube	
17	H88001565	Screw	
18	22688	Screw	
19	20274	Nut	
20	M400014	Lockwasher	

Fan and Motor Assembly

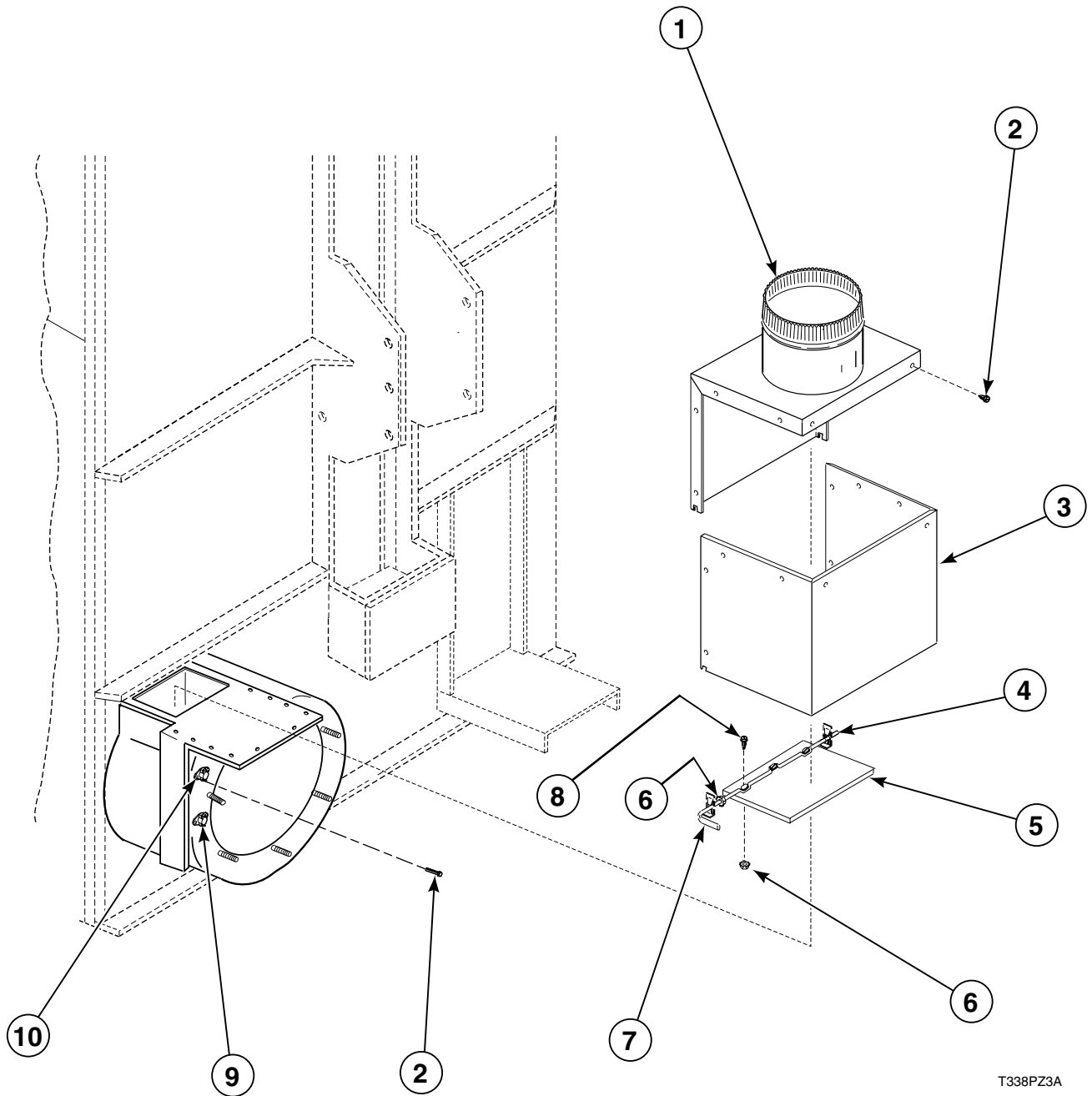


T337PZ3A

Fan and Motor Assembly

REF	PART #	DESCRIPTION	COMMENTS
Mounting Hardware	22688	Screw	Bracket
	M400080	Washer	Bracket and Motor
	M400014	Lockwasher	Bracket
	20274	Nut	Bracket
	81122	Screw	Motor
	02432	Lockwasher	Motor
	70142	Nut	Motor
1	H88511118	Lockwasher	
2	H88412093	Nut	Two
3	M410862	Blower Motor	208-230-460 Volt, 60 Hertz, 3 Phase
	M411211	Blower Motor	220-380-440 Volt, 50 Hertz, 3 Phase
4	H87532685	Belt	
5	H8752060H	Motor Sheave	60 Hertz
	H8752065H	Motor Sheave	50 Hertz
6	M412995	Bushing	
7	M413171	Motor Base	
8	M413528	Screw	
9	M411337	Eye Bolt	
10	H88510581	Washer	Two
11	M404993	Nut	Two
12	H8762501H	Flange Bearing	
13	H8752922H	Bushing	
14	H8752065H	Blower Sheave	60 Hertz
	H8752060H	Blower Sheave	50 Hertz
15	29786	Nut	
16	H96368469	Blower Fan	
17	M411874	Blower Shaft	
18	H87529210	Bushing	
19	21457	Lockwasher	Three
20	H8800901H	Screw	Three
21	H96428693	Bracket	

Exhaust System Components

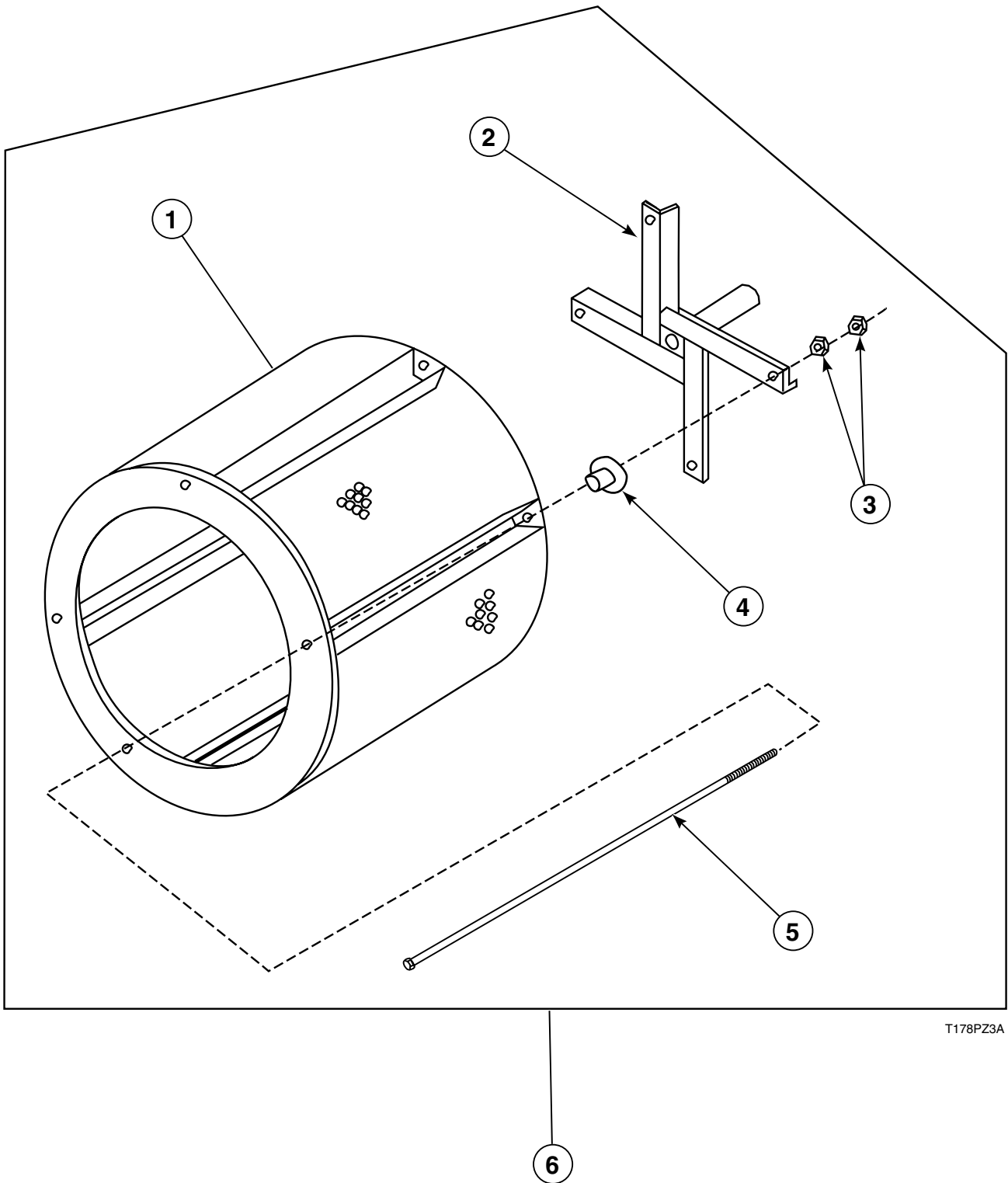


T338PZ3A

Exhaust System Components

REF	PART #	DESCRIPTION	COMMENTS
1	M412392	Thimble Assembly	
2	430497	Screw	Sixteen
3	M412391	Duct Box Wrap	
4	M413401	Damper Rod	
5	M413402	Damper Vane	
6	23951	Nut	
7	M400976	Push Nut	Two
8	M400044	Screw	
9	H8900530H	Load Ready Thermostat	
10	M411403	Cabinet High Limit Thermostat	

Cylinder and Trunnion Shaft

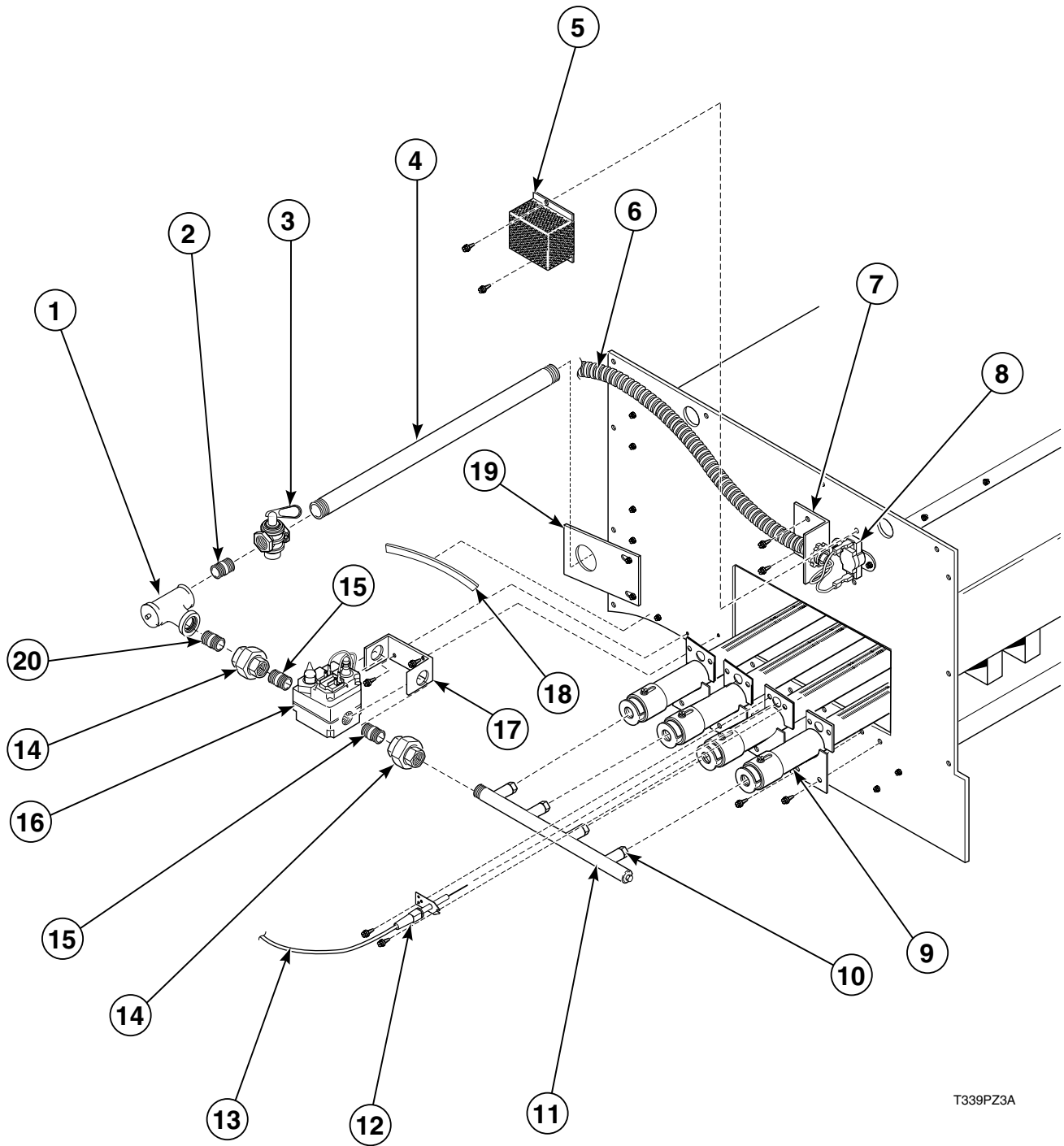


T178PZ3A

Cylinder and Trunnion Shaft

REF	PART #	DESCRIPTION	COMMENTS
1	H96367545	Cylinder	Galvanized
	M409826	Cylinder	Stainless Steel
2	H96367537	Trunnion Assembly	
3	M404993	Nut	
4	M412334	Nut	
5	H8830143H	Rib Rod	
6	H96360003	Cylinder and Shaft Assembly	Galvanized
	M409827	Cylinder and Shaft Assembly	Stainless Steel

Gas Burner Unit

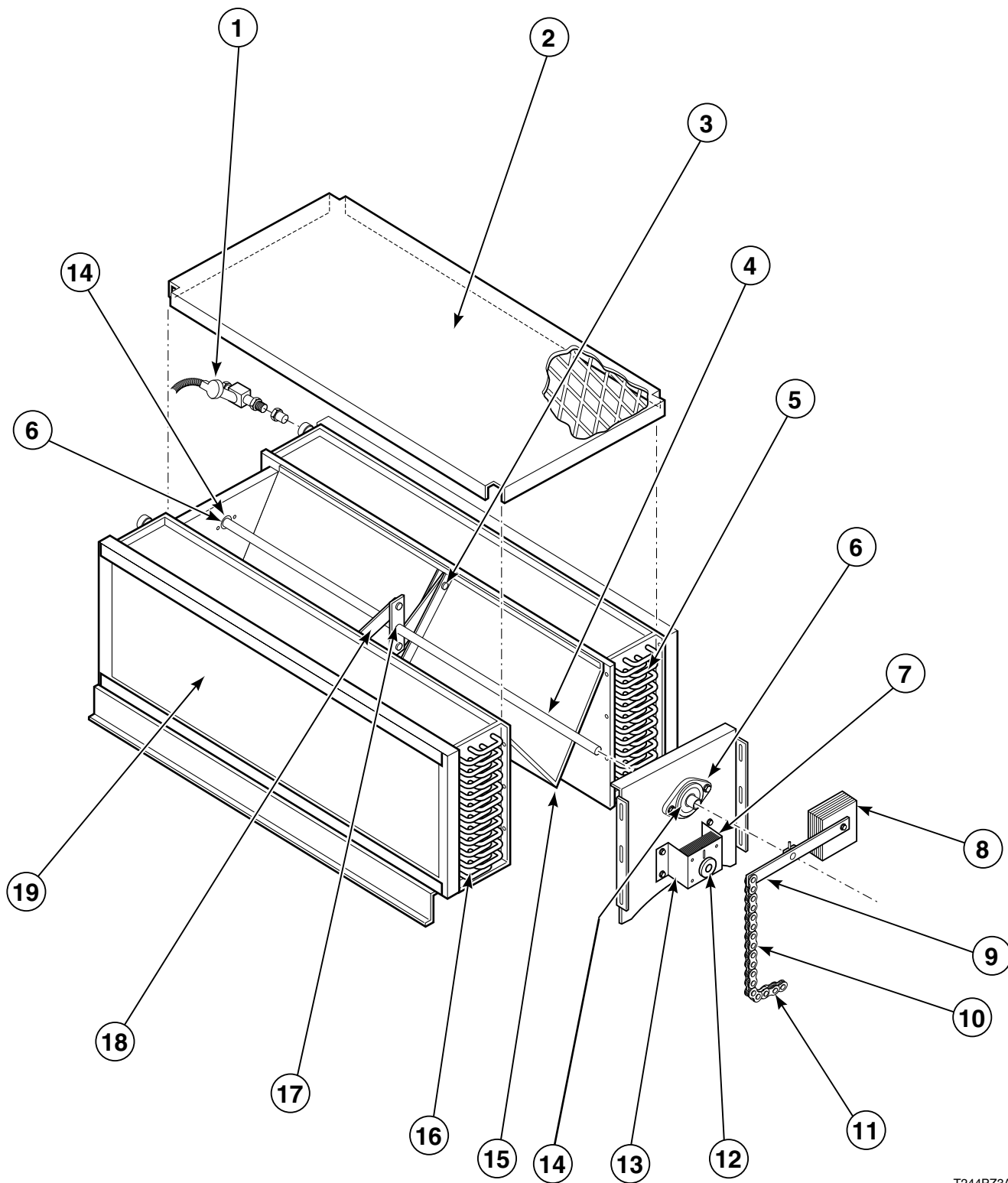


T339PZ3A

Gas Burner Unit

REF	PART #	DESCRIPTION	COMMENTS
	M411506	Stove Partition Gasket	Not Shown
	M4591P3	Gas Conversion Kit	Natural to LP Gas, 60 Hertz
	M4592P3	Gas Conversion Kit	Natural to LP Gas, 50 Hertz
	430497	Screws	All
1	M413020	Tee	
2	M413023	Nipple	
3	M413017	Shut-Off Valve	
4	M413022	Gas Pipe	
5	M400845	Cover	
6	M413041	Wire Harness	
7	431078	Bracket	
8	M411404	High Limit Thermostat	Natural Gas, 60 Hertz
	M411552	High Limit Thermostat	Natural Gas, 50 Hertz
	431177	High Limit Thermostat	LP Gas, 50/60 Hertz
9	M412025	Burner	Four for Natural Gas, Three for LP Gas
10	M411372	Burner Orifice	Natural Gas (4 required) - 0-2000 ft. - No. 12
	M411371	Burner Orifice	Natural Gas (4 required) - 2001-4000 ft. - No. 14
	M411373	Burner Orifice	Natural Gas (4 required) - 4001-6000 ft. - No. 16
	M411374	Burner Orifice	Natural Gas (4 required) - 6001-8000 ft. - No. 17
	M402995	Burner Orifice	Natural Gas (4 required) - 8001-10000 ft. - No. 19
	M400997	Burner Orifice	LP Gas (3 required) - 0-2000 ft. - No. 29
	M401021	Burner Orifice	LP Gas (3 required) - 2001-6000 ft. - No. 30
	M401017	Burner Orifice	LP Gas (3 required) - 6001-10000 ft. - No. 31
11	M411736	Spud Holder	
12	M406934	Igniter	
13	M412991	High Voltage Lead	
14	M411419	Union	
15	M411417	Nipple	
16	M412362	Gas Valve	60 Hertz, Natural and LP Gas
	M412363	Gas Valve	50 Hertz, Natural Gas
	M412364	Gas Valve	50 Hertz, LP Gas
17	M411259	Bracket	
18	M411505	Gasket	
19	M412954	Bracket	
20	H85101673	Nipple	

Steam Heating Unit

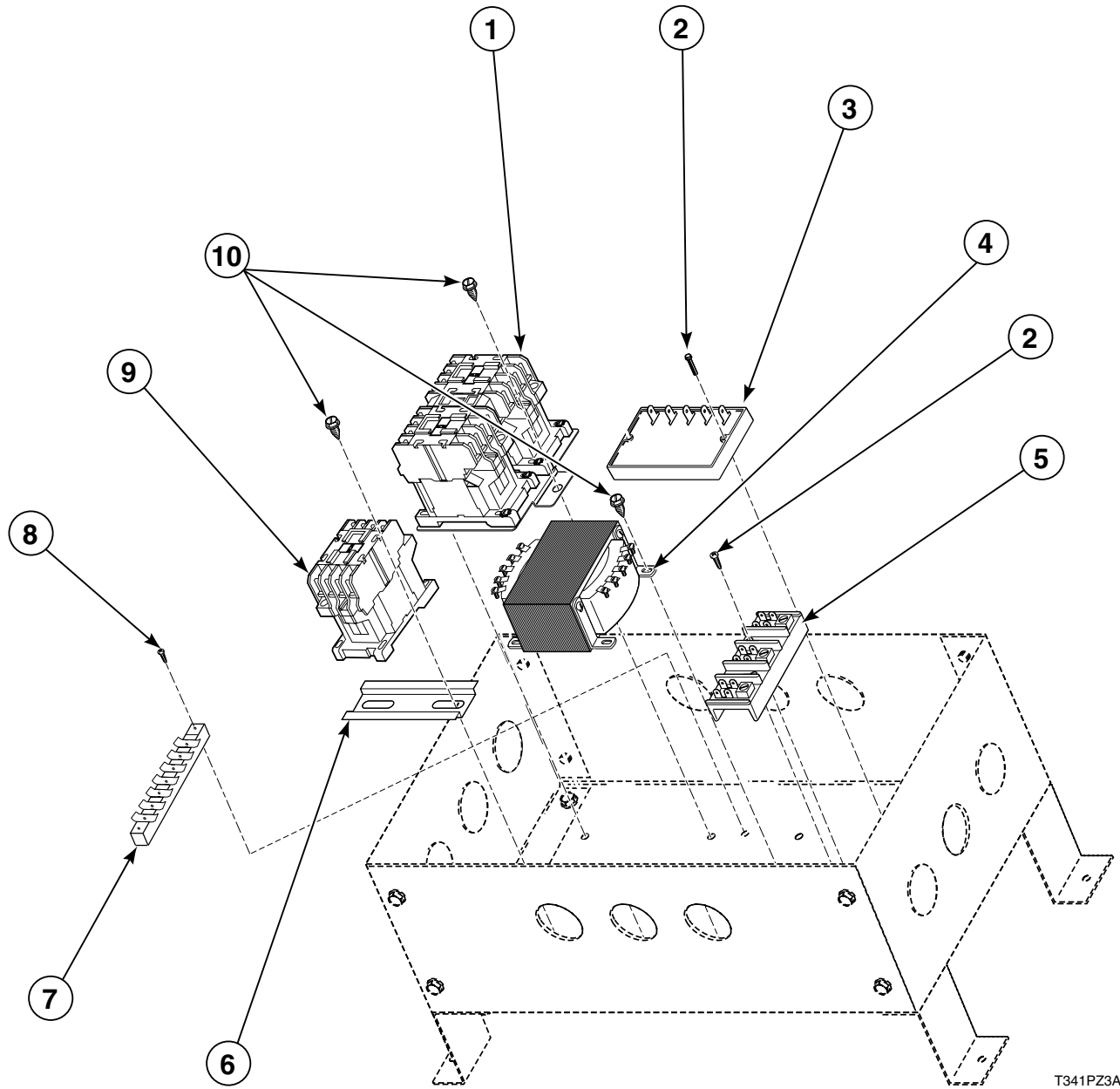


T244PZ3A

Steam Heating Unit

REF	PART #	DESCRIPTION	COMMENTS
1	M413295	Steam Solenoid Valve	Danfoss Valve, 110 Volt, 60 Hertz
	M413297	Steam Solenoid Valve	Danfoss Valve, 220 Volt, 60 Hertz
	M413298	Steam Solenoid Valve	Danfoss Valve, 240 Volt, 50 Hertz
	M411688	Steam Solenoid Valve	Asco Valve, All 60 Hertz
	M411689	Steam Solenoid Valve	Asco Valve, All 50 Hertz
	M411692	Coil for Solenoid Valve	For Asco Valves Only, All 60 Hertz
	M411693	Coil for Solenoid Valve	For Asco Valves Only, All 50 Hertz
2	H96368923	Housing Cover	Manual Timer Models
	M413201	Housing Cover	Micro Models
3	H96368915	Damper Link	
4	H96368956	Damper Shaft	
5	M409834	Steam Coil	Right
6	H96382080	Bearing Flangette	Two
7	85008A	Damper Motor	60 Hertz
	G159756	Damper Motor	50 Hertz
8	M413331	Counterweight	Ten
9	H96387501	Actuator Arm	
10	H96388186	Chain	
11	H96382072	Connecting Link	
12	H96388178	Damper Drive Wheel	
13	H96388145	Bracket	
14	H96382098	Bearing Insert	
15	M409967	Damper	Two
16	M409833	Steam Coil	Left - Two
17	H96368964	Actuator	
18	H96388012	Damper Link	
19	H96362264	Filter	Two

Reversing Control



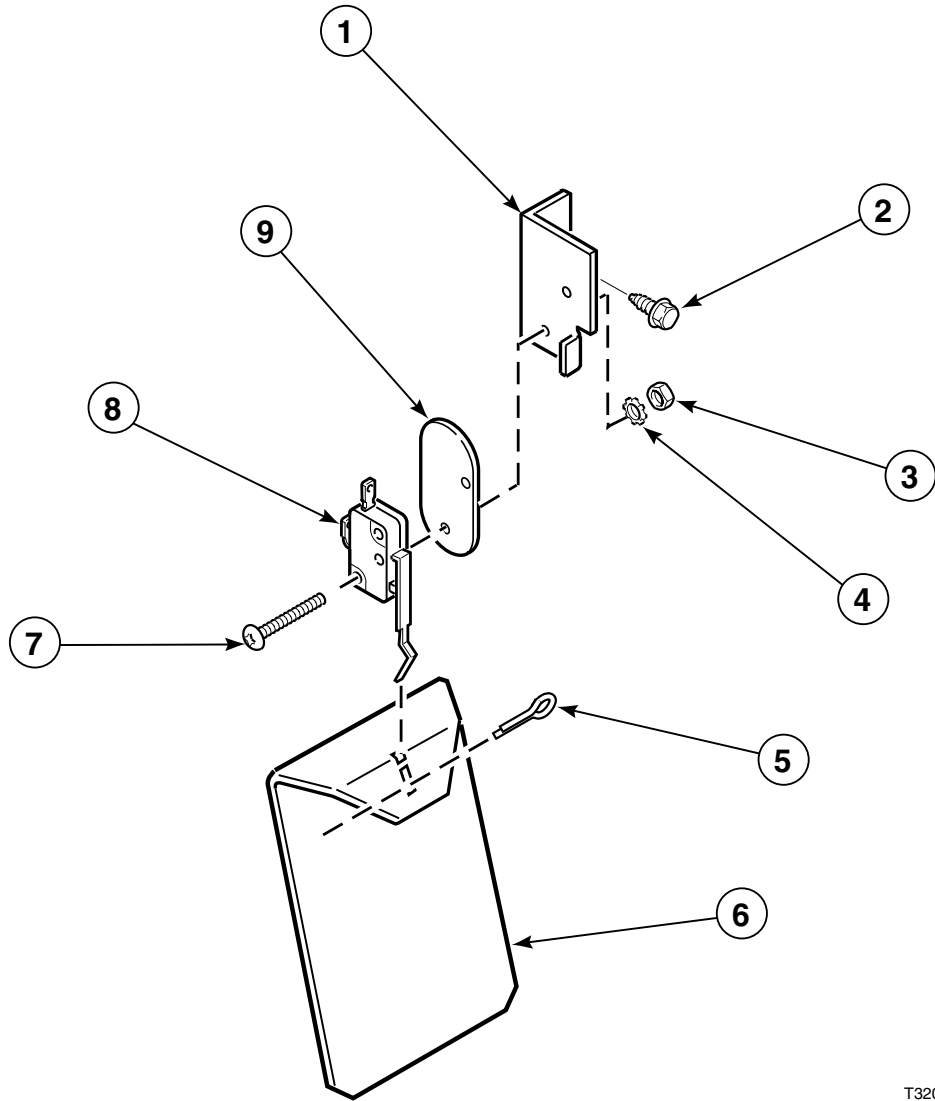
T341PZ3A

Reversing Control

REF	PART #	DESCRIPTION	COMMENTS
1	M411269	Reversing Contactor	60 Hertz
	M410515	Reversing Contactor	50 Hertz
2	62588	Screw	
3	M411683	Reversing Timer	
4	M413100	Transformer	On 50 Hertz Gas Models, Transformer (M401391) is Located in Temperature Control Area
5	M405363	Terminal Block	Two
6	M410501	Din Rail	
7	H83103416	Terminal Strip	
8	51778	Screw	
9	M410529	Fan Contactor	60 Hertz
	M410457	Fan Contactor	50 Hertz
10	33562	Screw	

Air Flow Switch Assembly

Mounted on Back of Cabinet



T320PZ3A

Air Flow Switch Assembly

Mounted on Back of Cabinet

REF	PART #	DESCRIPTION	COMMENTS
1	430370	Mounting Bracket	
2	430497	Bracket Attaching Screws	
3	H88410030	Nut	
4	H88512561	Lockwasher	
5	02470	Cotter Pin	
6	430372	Vane	
7	M401938	Screws	
8	H83055111	Switch	
9	H96418728	Insulator	

Wire Harnesses

PART NUMBER	HARNESS FUNCTION	GAS	STEAM	MANUAL TIMER MODELS	MICRO CONTROL MODELS
M413041	Stove High Limit	X	N/A	X	X
M413042	Air Flow Switch	X	X	X	X
M413044	Cylinder Motor	X	X	X	X
M413054	Door Switch	X	X	X	X
M413055	Timer Controls	X	X	X	N/A
M413083	Cab High Limit	X	X	X	X
M413085	Ignition Control	X	N/A	X	X
M413086	Damper Motor	N/A	X	X	N/A
M413087	Transformer, 60 Hertz	X	X	X	N/A
M413143	Main	X	X	N/A	X
M413144	C-Box to T-Box	X	X	X	X
M413145	Contactoer Box	X	X	X	X
M413147	Control Box	X	X	N/A	X
M413167	Control Box	X	X	X	N/A
M413168	Damper Motor	N/A	X	N/A	X

N/A = Not Applicable

Parts Index

A

Actuator	
H96368964	33
M409976	15
Actuator Arm	
H96387501	33

B

Battery	
M410826	9
Bearing Flangette	
H96382080	33
Bearing Insert	
H96382098	33
Belt	
H87532685	25
H87533014	19
H87533816P	19
Blower Fan	
H96368469	25
Blower Motor	
M410862	25
M411211	25
Blower Shaft	
M411874	25
Blower Sheave	
H8752060H	25
H8752065H	25
Bolt	
H88001565	19
Bottom Drive Guard	
M413140	17
Bracket	
H96388145	33
H96428693	23, 25
M411259	31
M412954	31
431078	31
Bracket Attaching Screws	
430497	37
Bumper	
M411560	11
M411561	11
Burner	
M412025	31
Burner Orifice	
M400997	31
M401017	31
M401021	31
M402995	31
M411371	31
M411372	31
M411373	31
M411374	31
Bushing	
H87529210	25
H8752922H	25
H8752985H	19
M412995	25

C

Cabinet High Limit Thermostat	
M411403	27
Chain	
H96388186	33
Clamp	
M411231	9
Coil for Solenoid Valve	
M411692	33
M411693	33
Connecting Link	
H96382072	33
Control	
M410786P	9
Cooling Timer	
M410900P	5
M410902P	5
Corner Drive Guard	
M413139	17
Cotter Pin	
02470	37
Counterweight	
M413331	33
Cover	
M400845	31
Cylinder	
H96367545	29
M409826	29
Cylinder and Shaft Assembly	
H96360003	29
M409827	29
Cylinder Drive Motor	
M410863	23
M412647	23

D

Damper	
M409967	33
Damper Drive Wheel	
H96388178	33
Damper Link	
H96368915	33
H96388012	33
Damper Motor	
G159756	33
85008A	33
Damper Rod	
M413401	27
Damper Shaft	
H96368956	33
Damper Vane	
M413402	27
Din Rail	
M410501	35
Door Assembly	
M410289*	15
M410290	15

Door Catch	
M401223	13
Door Gasket	
H96409156	15
Door Glass and Seal Kit	
M409899P	15
Door Glass Seal	
M409900	15
Door Handle	
M400133	15
Door Strike Screw	
M400661	15
Door Switch	
H96422241	13
Drive Guard Cover	
M413135	17
Drive Sheave	
H8752026H	23
H87520334	23
Drying Timer	
M410901P	5
M410903P	5
Duct Box Wrap	
M412391	27

E

Eye Bolt	
M411337	19, 23, 25

F

Face Plate	
M413089*	9
Fan Contactor	
M410457	35
M410529	35
Filter	
H96362264	33
Flange Bearing	
H8762501H	25
Front Panel	
M412948*	13
M412949	13
M413178*	13
M413276	13
Fuse	
M413118	7
Fuse Holder	
91024	7

G

Gas Conversion Kit	
M4591P3	31
M4592P3	31
Gas Pipe	
M413022	31
Gas Valve	
M412362	31
M412363	31
M412364	31

Gasket	
M411505	31
Graphics Panel Timer	
M411575	5
M411577	5
M412964	5
Graphics Plate	
M411572	7
M411574	7
M412965	7

H

Harness	
M413146	9
High Limit Thermostat	
M411404	31
M411552	31
431177	31
High Voltage Lead	
M412991	31
Hinge Pin	
M410029	13
Hole Plug	
M410665	9
Housing Cover	
H96368923	33
M413201	33

I

Igniter	
M406934	31
Instant Electronic Ignition Control	
M406789	7
M411282	7
Insulator	
H96418728	13, 37

J

Jackshaft Assembly	
H96357751	19

K

Key	
H8752006H	23
Kickplate	
M411444	11

L

Left Drive Guard Side	
M413136	17
Light	
M400703	5, 7
M400704	5, 7

Lint Panel	
M411455*	11
M411456	11
Lint Screen	
H96367016	17
Lint Screen Frame	
H96362025	17
Load Ready Thermostat	
H8900530H	27
Lockwasher	
H88511118	21, 23, 25
H88512561	13, 37
M400014	19, 21, 23, 25
02432	23, 25
21457	25
Lower Door Hinge	
M410031	15
Lower Panel Hinge	
M410042	13

M

Micro-Mounting Plate	
M413094	9
Motor Base	
M413171	23, 25
Motor Sheave	
H8752060H	25
H8752065H	25
Mounting Bracket	
H96428008	21
430370	37

N

Nameplate	
M410355	11
M411563	11
M412963	11
Nipple	
H85101673	31
M411417	31
M413023	31
Nut	
H88410030	13, 37
H88412093	21, 23, 25
M404993	19, 23, 25, 29
M412334	29
Q6163	15
20274	19, 21, 23, 25
23951	11, 27
29786	25
51236	15
70054	9, 15
70142	23, 25

P

Push Nut	
M400976	27
Push-to-Start Switch	
M4000954	5

R

Relay	
M4000911	5
M400912	5
Retainer Ring	
H88602263	19
H88603477	19
Reversing Contactor	
M410515	35
M411269	35
Reversing Timer	
M411683	35
Reversing/Nonreversing Switch	
H96422431	7
Rib Rod	
H8830143H	29
Right Drive Guard Side	
M413137	17
Rivet	
M400713	9
Roller Catch	
H87020202	11

S

Screw	
H88001565	23
H8800901H	25
H88110267	13
H88111703	21
H88129788	13
H88213996	21
M400044	11, 27
M400072	5, 7, 13
M400664	9
M401902	5, 9
M402585	17
M409385	15
M411052	5
M411267	11, 13
M413528	25
22688	19, 21, 23, 25
33562	35
430497	17, 27
430757	11
431027	11
51778	35
51780	5
62588	35
81122	23, 25
Screws	
M401938	37
430497	31
Screw, Hinge Mtg.	
H88129648	15
M400044	15
Sheave	
H8752251H	19
Shut-Off Valve	
M413017	31
Signal Buzzer	
500730	7
500823	7

Spacer	
M413252	9
Speed Nut	
H8841927H	17
Spud Holder	
M411736	31
Steam Coil	
M409833	33
M409834	33
Steam Solenoid Valve	
M411688	33
M411689	33
M413295	33
M413297	33
M413298	33
Step Pulley	
H96428024	19
Step Pulley Bearing	
H87672184	19
H87672374	19
Stove Partition Gasket	
M411506	31
Switch	
H83055111	37
H96422431	9
Switch Plate	
M413236	9

T

Taper Bushing	
H87529111	23
Tee	
M413020	31
Temperature Knob	
M411344	7
M411345	7
Terminal Block	
M405363	7, 35
Terminal Strip	
H83103416	35
Thermostat	
M411333	7
Thimble Assembly	
M412392	27
Timer Knob	
M400773	5
M410927	5
Top Access Panel	
M412950*	11
M412951	11
Top Drive Guard	
M413138	17
Touchpad	
M410682	9
M410704	9
M412961	9
Transformer	
M413100	35
Trunnion Assembly	
H96367537	29
Trunnion Bearing	
H87625430	21

Tube	
H96428479	23
H96428487	19

U

Union	
M411419	31
Upper Door Hinge	
M410030	15
Upper Panel Hinge	
M410041	13

V

Vane	
430372	37

W

Warning Label	
M409312	13
M410892	13
Washer	
H88510581	25
M400080	19, 23, 25
M400081	21
M400671	13
Wire Harness	
M413041	31, 38
M413042	38
M413044	38
M413054	13, 38
M413055	38
M413083	38
M413085	38
M413086	38
M413087	38
M413143	38
M413144	38
M413145	38
M413147	38
M413167	38
M413168	38