

Drying Tumblers

30 Pound Capacity (28" Wide)

Refer to Page 4 for Model Numbers

Parts



Part No. M414037
September 1999

Table of Contents

Title	Page
Parts Ordering Information	3
Nameplate Location	3
Model Identification	4
MT Control Panel Assembly	6
MT Control Panel Assembly	8
CD Control Panel Assembly	10
CD Control Panel Assembly	12
CS Control Panel Assembly	14
MC Control Panel Assembly	16
EC Control Panel Assembly	18
Single Coin Meter	20
Dual Coin Meter	22
Coin Drop for Push Button Electronic Control Coin (MC) Models	24
Coin Vault and Vault Guide Assembly	26
Meter Case	28
Accumulator	30
Thermostat and Harness Assembly	32
Temperature Sensor and Cabinet Thermostat	34
Loading Door Assembly	36
Door Switch for EU Models	38
Top and Front Panels	40
Lint Panel and Compartment	42
Cylinder and Trunnion Assemblies	44
Belt Chain Drive Components	46
Belt Chain Drive Components	48
Belt Drive Components	50
Fan and Motor Assembly	54
Airflow Switch and Vane Assembly	56
Burner Assembly for Glowbar Ignition	58
Gas Valve Coils and Conversion Kits	60
Burner Assembly for Instant Electronic Ignition	62
Gas Valve Coils and Conversion Kits	64
Gas Valve Assembly for Dungs/B-M System	66
Gas System	68
Burner Assembly for Australian Models	70

© Copyright 1999, Alliance Laundry Systems LLC

All rights reserved. No part of the contents of this book may be reproduced or transmitted in any form or by any means without the expressed written consent of the publisher.

Electric Heater Assembly.....	72
Electrical Contactor Box Assembly.....	74
Rear Panel Covers	76
Warning Decals	78
Warning Decals	80
Electrical Contactor Box Assembly.....	82
Contactor Box Assembly for Electric Manual Timer & Coin Drop EU Models	84
Contactor Box Assembly for Gas Manual Timer EU Models	86
Contactor Box Assembly for Electric MT & CD EU Models	88
Contactor Box Assembly for Gas Coin Drop Models.....	90
Contactor Box Assembly for Electric Coin Drop and Manual Timer Models.....	92
Control Panels	94
Burner Orifice.....	95
Coin Meter and Drop Assemblies and Front Plates.....	96
Motors.....	97
Motor Harnesses	97
Injectors	97
Wire Harness Table	98
Parts Index.....	101

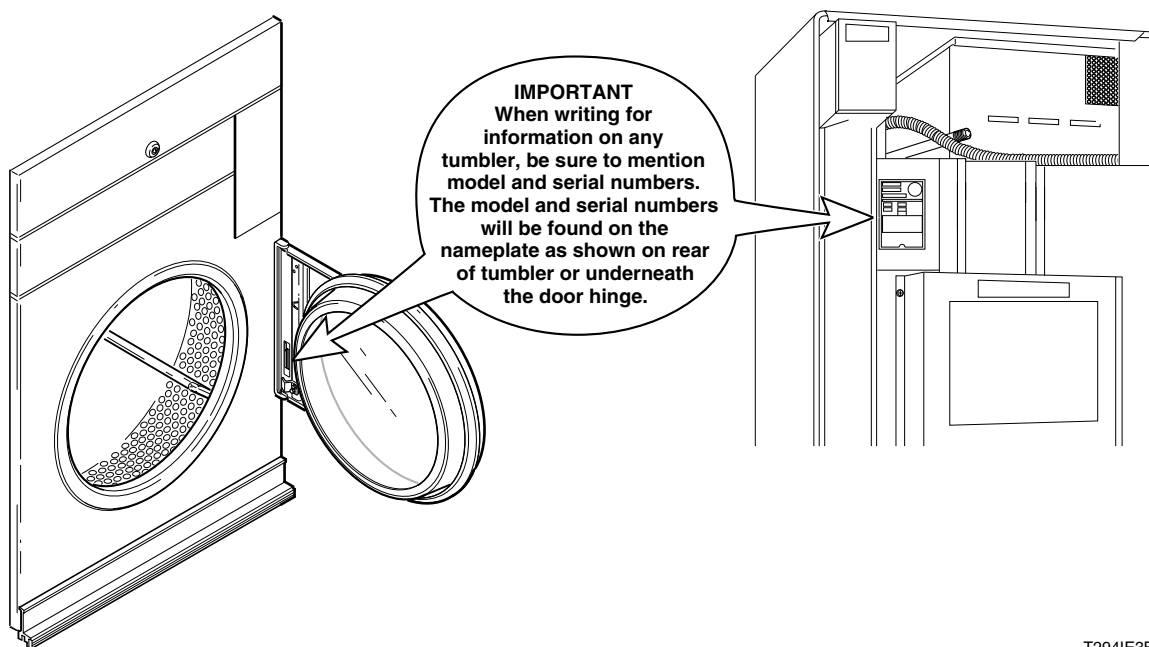
Parts Ordering Information

If literature or replacement parts are required, contact the source from whom the machine was purchased or contact Alliance Laundry Systems at (920) 748-3950 for the name and address of the nearest authorized parts distributor.

For technical assistance, call (920) 748-3121.

Nameplate Location

When calling or writing about your product, be sure to mention model and serial numbers. Model and serial numbers are located on nameplate(s) as shown.



T294IE3B

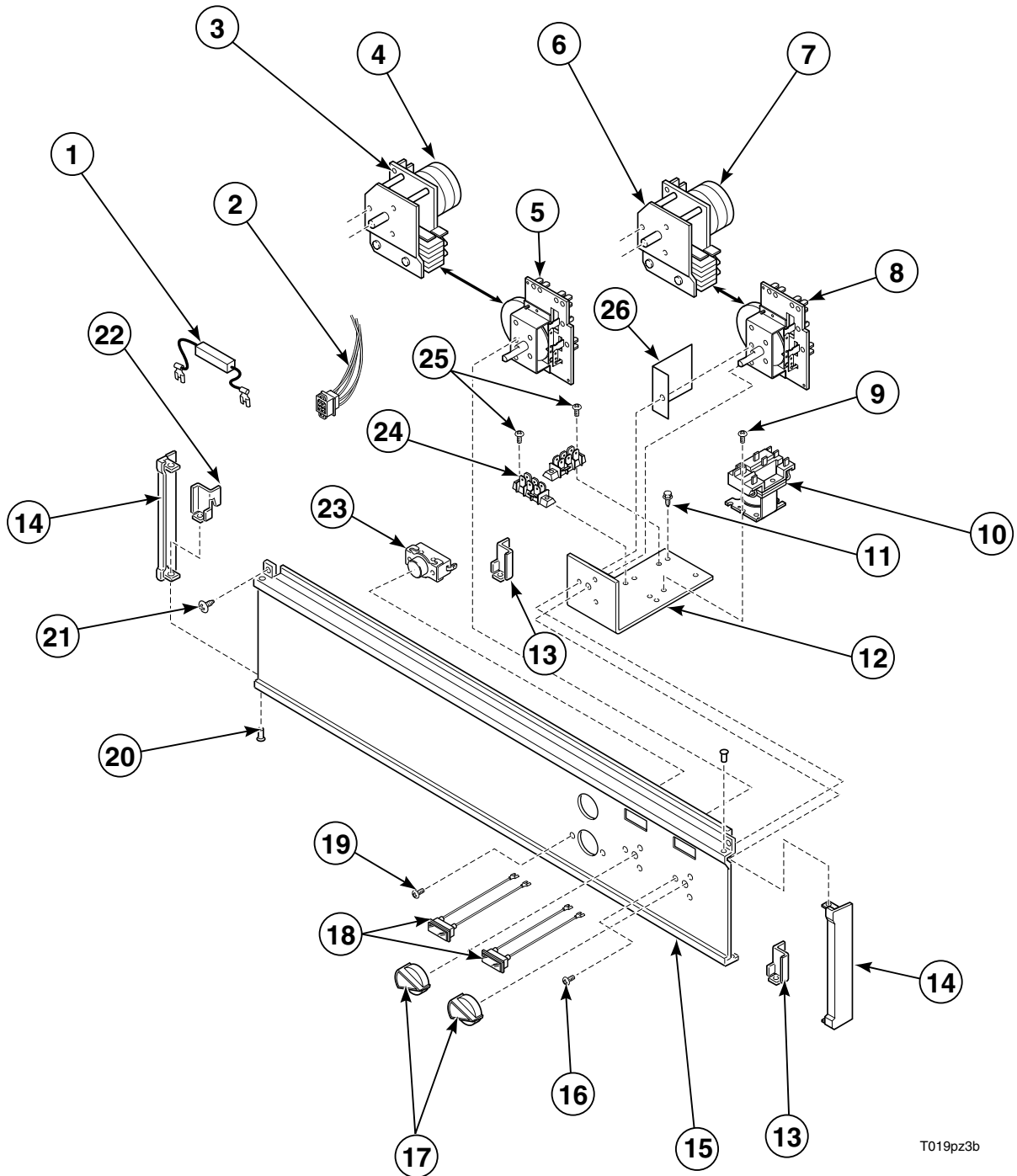
Model Identification

Information in this manual is applicable to these tumbler models:

DCB30XG	JCB30WE	SCB30WE
DCB30WE	JCB30XG	SCB30XG
DTB30XG	JT30WE	ST30WE
DTB30WE	JT30XG	ST30WG
DTB30WG	JTB30XG	ST30XG
		STB30XG

MT Control Panel Assembly

Manual Timer (MT) Models



T019pz3b

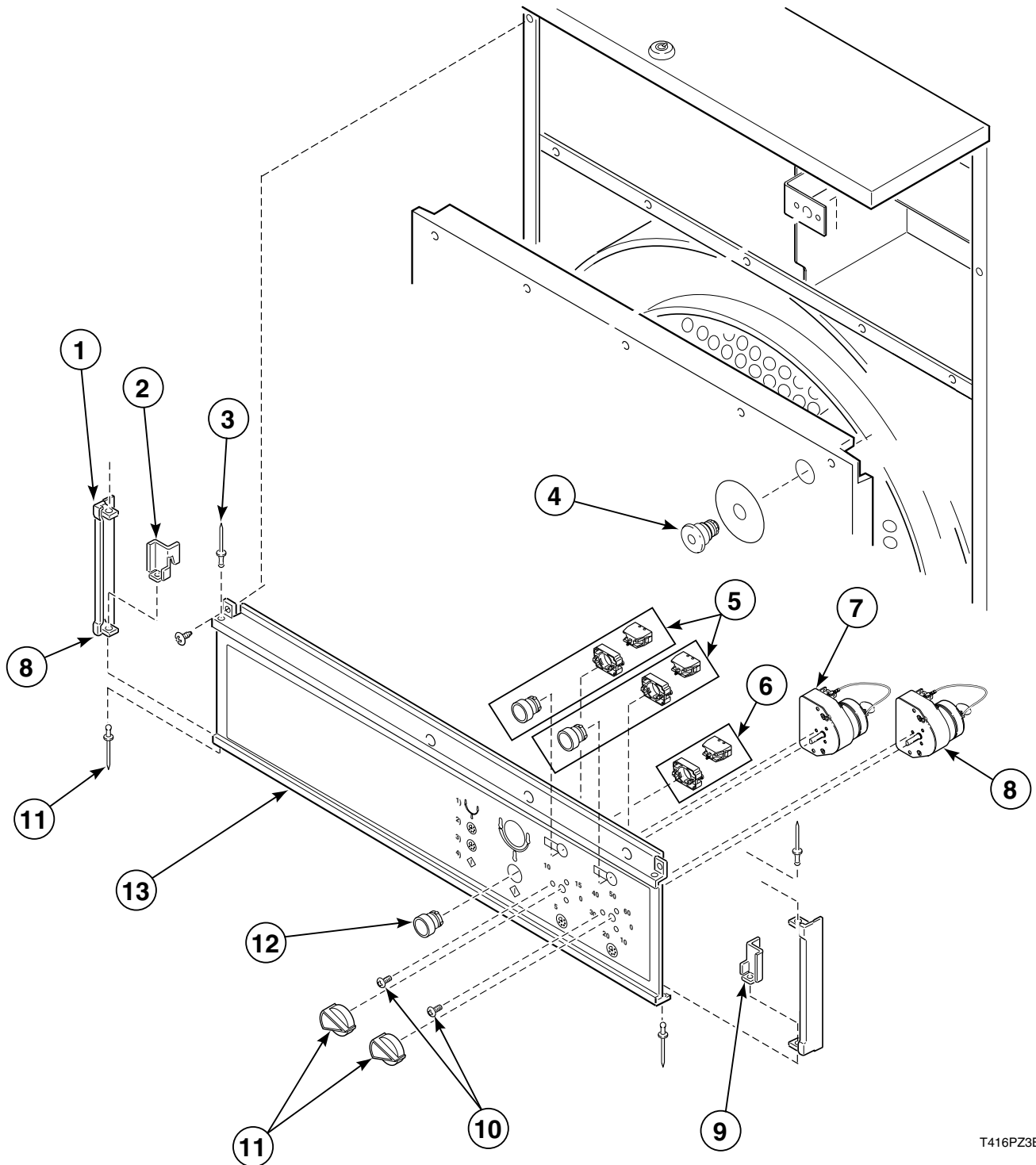
MT Control Panel Assembly

Manual Timer (MT) Models

REF	PART #	DESCRIPTION	COMMENTS
1	M400527	Resistor	208/240 Volt Electric Models Only (2 Required)
2	M403924	Wire Harness	Refer to Table on Page 98
3	M400785P	Timer, Cool-Down - 15 Minute	
4	M400793	Motor, Timer	
5	M410900P	Timer, Cool-Down	
6	M400787	Timer, Drying - 30 Minute	
	M400791P	Timer, Drying - 60 Minute	
7	M400794	Motor, Timer - 30 Minute	
	M400609	Motor, Timer - 60 Minute	
8	M410901P	Timer, Drying - 60 Minutes	
9	51780	Screw, Phillips Head	
10	M400912	Relay	Gas Models & 480 Volt Electric Models
	M400911	Relay	208/240 Volt Electric Models
11	M402917	Ground Screw, Hex Head	
12	M401318	Bracket	
13	M401302	Retainer (Right)	Included with Control Panel Assembly
14	M401328	End Cap	Included with Control Panel Assembly
15		Control Panel	Refer to Table on Page 94
16	M411052	Screw, Phillips Head	
17	M400773	Knob, Timer	All Models Except JT
	M410927	Knob, Timer	JT Models Only
18	M400703	Light, Indicator	Gas Models & 480 Volt Electric Models
	M400704	Light, Indicator	208/240 Volt Electric Models
19	M400072	Screw, Phillips Head	
20	M405750	Pop Rivet	Included with Control Panel Assembly
21	33562	Screw	
22	M401301	Retainer (Left)	Included with Control Panel Assembly
23	M400954	Switch, Push-to-Start	
24	M400000	Terminal Block	
25	M400071	Screw, Phillips Head	
26	M406144	Barrier	

MT Control Panel Assembly

(Manual Timer EU Models)



T416PZ3B

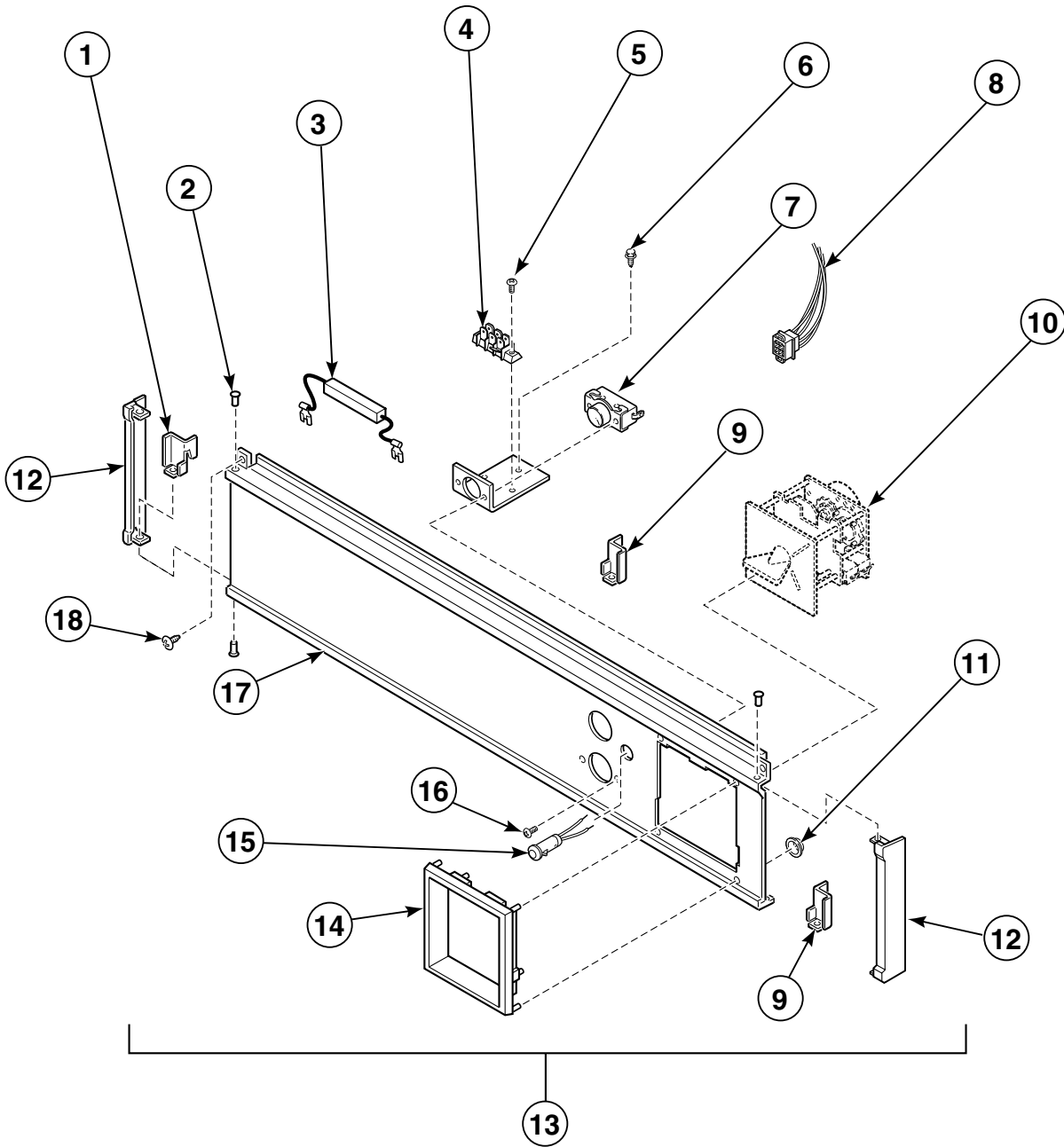
MT Control Panel Assembly

(Manual Timer EU Models)

REF	PART #	DESCRIPTION	COMMENTS
1	M401328	Cap, End	
2	M401301	Retainer, Left	
3	M405750	Rivet, Pop	
4	M412232	Switch, Emergency Stop	
5	M412234	Light, Indicator	
6	M412230	Switch, Push-to-Start	
7	M412080	Timer, Drying - 24V	60 Minute
8	M412079	Timer, Cooling - 24V	15 Minute
9	M401302	Retainer, Right & Center	
10	M411052	Screw	
11	M400773	Knob, Timer	All SCB And DCB Models
	M410927	Knob, Timer	All JCB Models
12	M412233	Button, Switch - Push-to-Start	
13	M414201	Control Panel w/End Caps	SCB30XG, SCB30WE
	M414205	Control Panel w/End Caps	JCB30XG, JCB30WE
	M413317	Control Panel w/End Caps	DCB30XG, 30WE
13	M400945	Switch, Reverse/Nonreverse	All Reversing Models
REF	M412231	Button, Emergency Stop	

CD Control Panel Assembly

Coin Drop (CD) Models



T020PZ3F

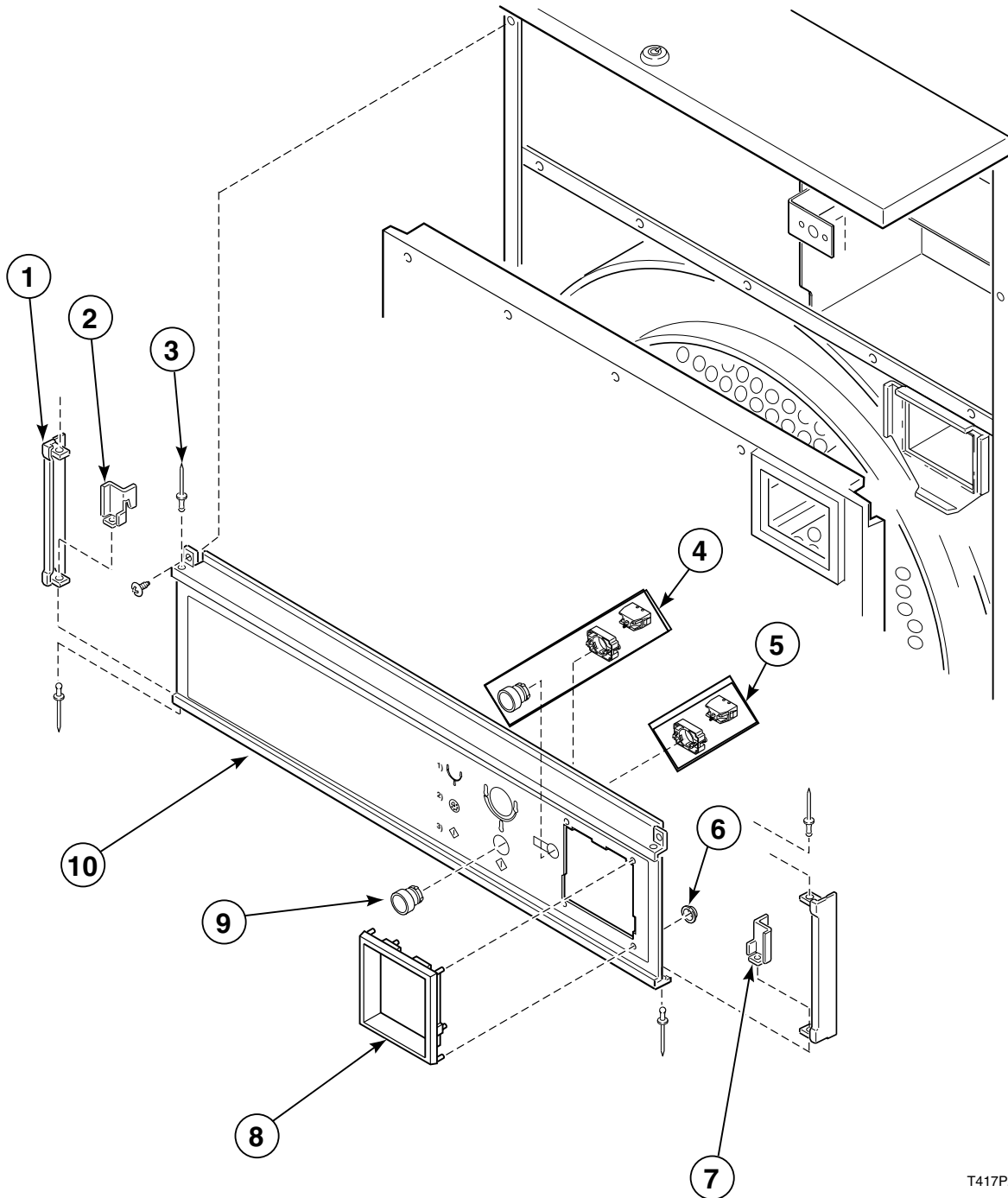
CD Control Panel Assembly

Coin Drop (CD) Models

REF	PART #	DESCRIPTION	COMMENTS
1	M401301	Retainer (Left)	Included with Control Panel Assembly
2	M405750	Pop Rivet	Included with Control Panel Assembly
3	M400527	Resistor	208-240 Volt Electric Models Only - 2 Required
4	M400000	Terminal Block	
5	M400071	Screw, Phillips Head	
6	M402917	Ground Screw, Hex Head	
7	M400954	Switch, Push-to-Start	
8	M403924	Wire Harness	
9	M401302	Retainer (Right & Center)	Included with Control Panel Assembly
10		Coin Meter	Refer to Table on Page 96
11	M400672	Speed Nut	
12	M401328	End Cap	Included with Control Panel Assembly
13		Control Panel Assembly	Refer to Table on Page 94
14	M403414	Meter Frame	
15	M404151	Run Light	
16	M400072	Screw, Phillips Head	
17		Control Panel	Refer to Table on Page 94
18	33562	Screw	

CD Control Panel Assembly

(Rotary Coin Drop EU Models)



T417PZ3B

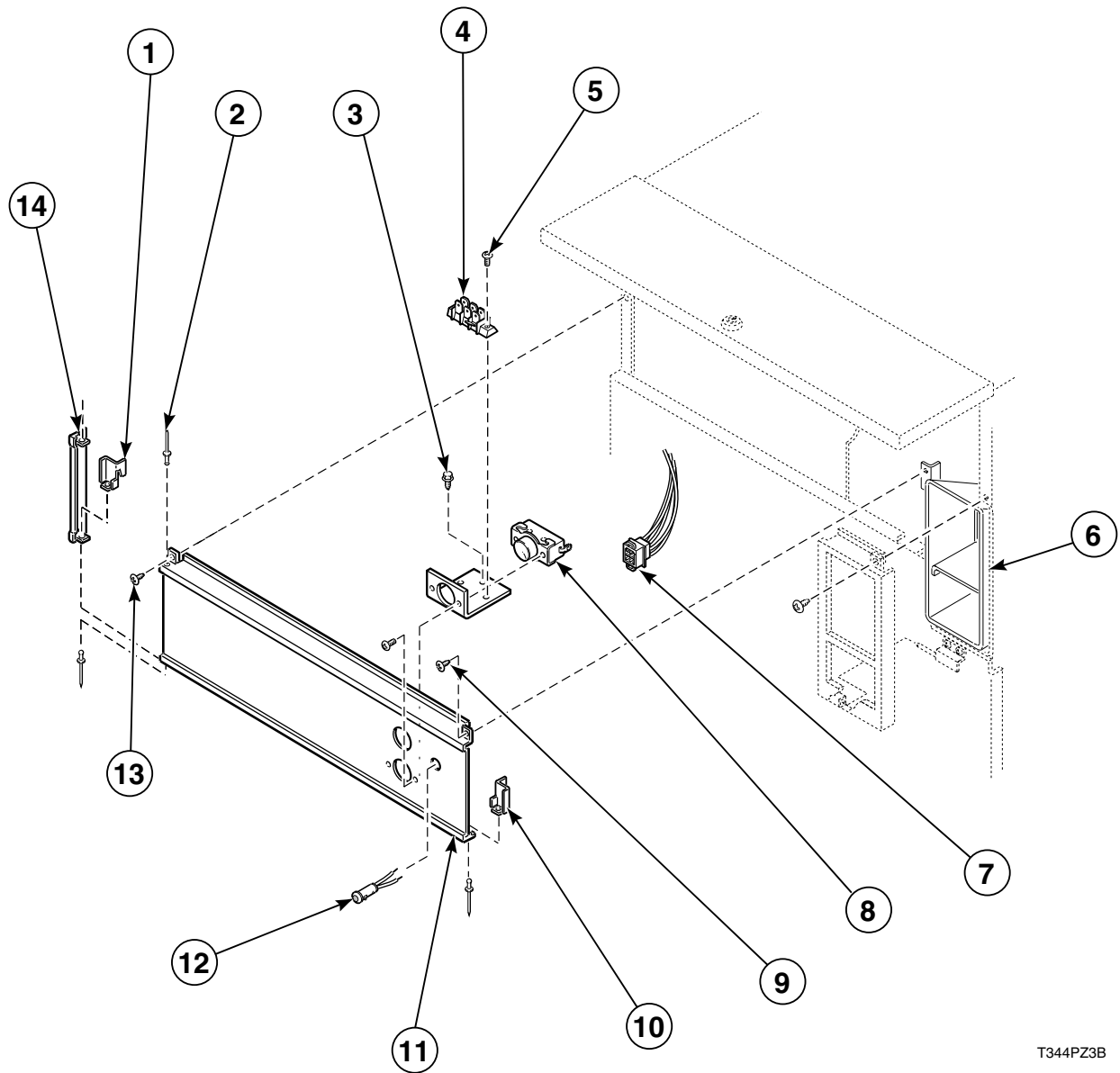
CD Control Panel Assembly

(Rotary Coin Drop EU Models)

REF	PART NO	DESCRIPTION	COMMENTS
1	M401328	Cap, End	
2	M401301	Retainer, Left	
3	M405750	Rivet, Pop	
4	M412234	Light, Indicator	
5	M412230	Switch, Push-to-Start	
6	M400672	Nut, Retainer	
7	M401302	Retainer, Right & Center	
8	M403414	Frame, Coindrop	
9	M412233	Button, Switch-Push to Start	
10	M414195	Control Panel w/End Caps	SCB30XG, SCB30WE
	M414198	Control Panel w/End Caps	JCB30XG, JCB30WE

CS Control Panel Assembly

Coin Slide (CS) Models



T344PZ3B

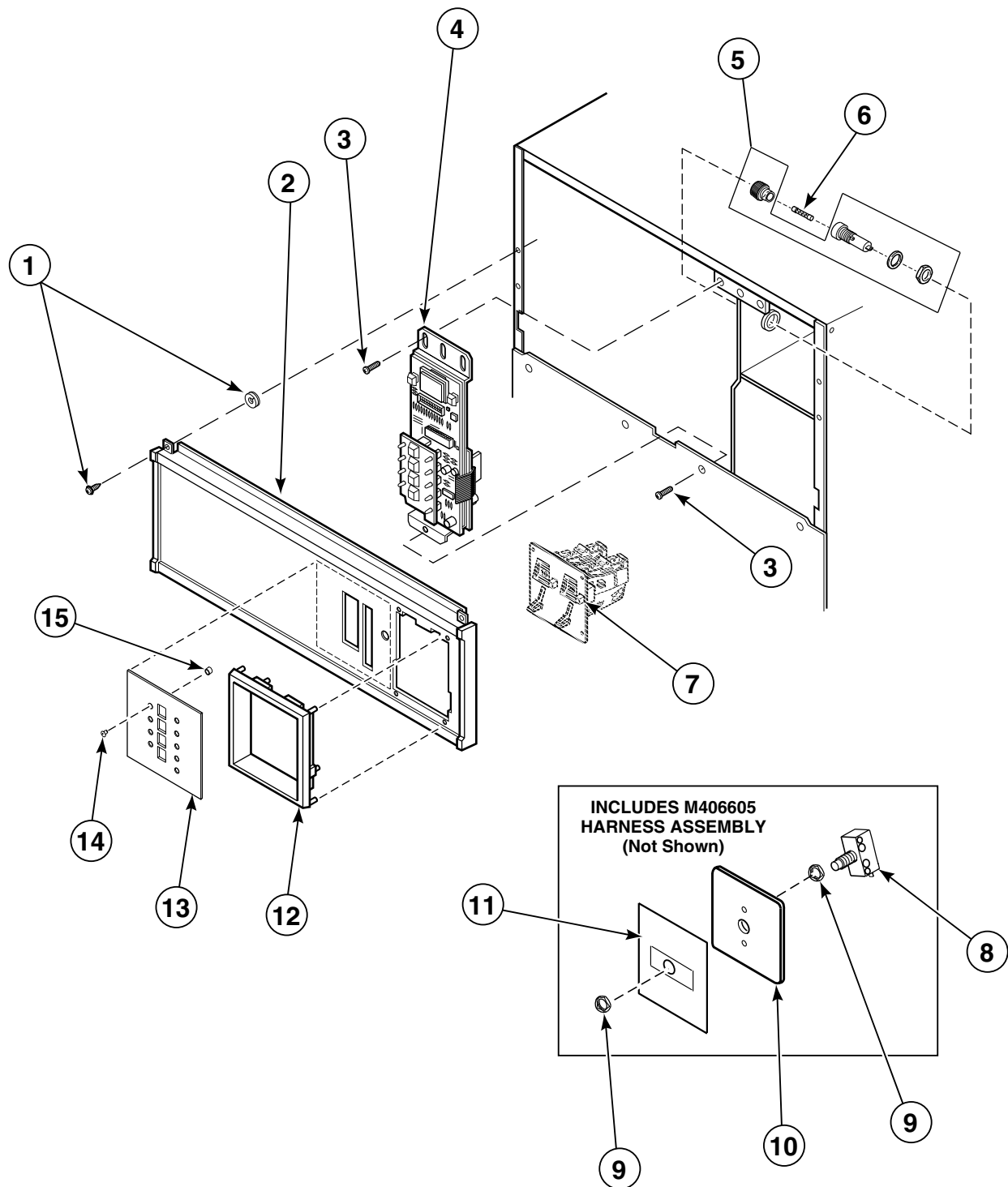
CS Control Panel Assembly

Coin Slide (CS) Models

REF	PART #	DESCRIPTION	COMMENTS
1	M401301	Retainer (Left)	Included with Control Panel
2	M405750	Pop Rivet	Included with Control Panel
3	M400071	Screw, Phillips Head	
4	M400002	Terminal Block	
5	M402917	Ground Screw, Hex Head	
6		Assembly, Meter Case	Refer to Page 28
7	M403924	Wire Harness	Refer to Table on Page 98
8	M400954	Switch, Push-to-Start	
9	M400072	Screw, Phillips Head	
10	M401302	Retainer (Right)	Included with Control Panel
11		Control Panel	Refer to Table on Page 94
12	M404151	Light, Indicator	
13	M401902	Screw with Lockwasher	
14	M401328	End Cap	Included with Control Panel

MC Control Panel Assembly

Push Button Electronic Control Coin (MC) Models



T061PZ3B

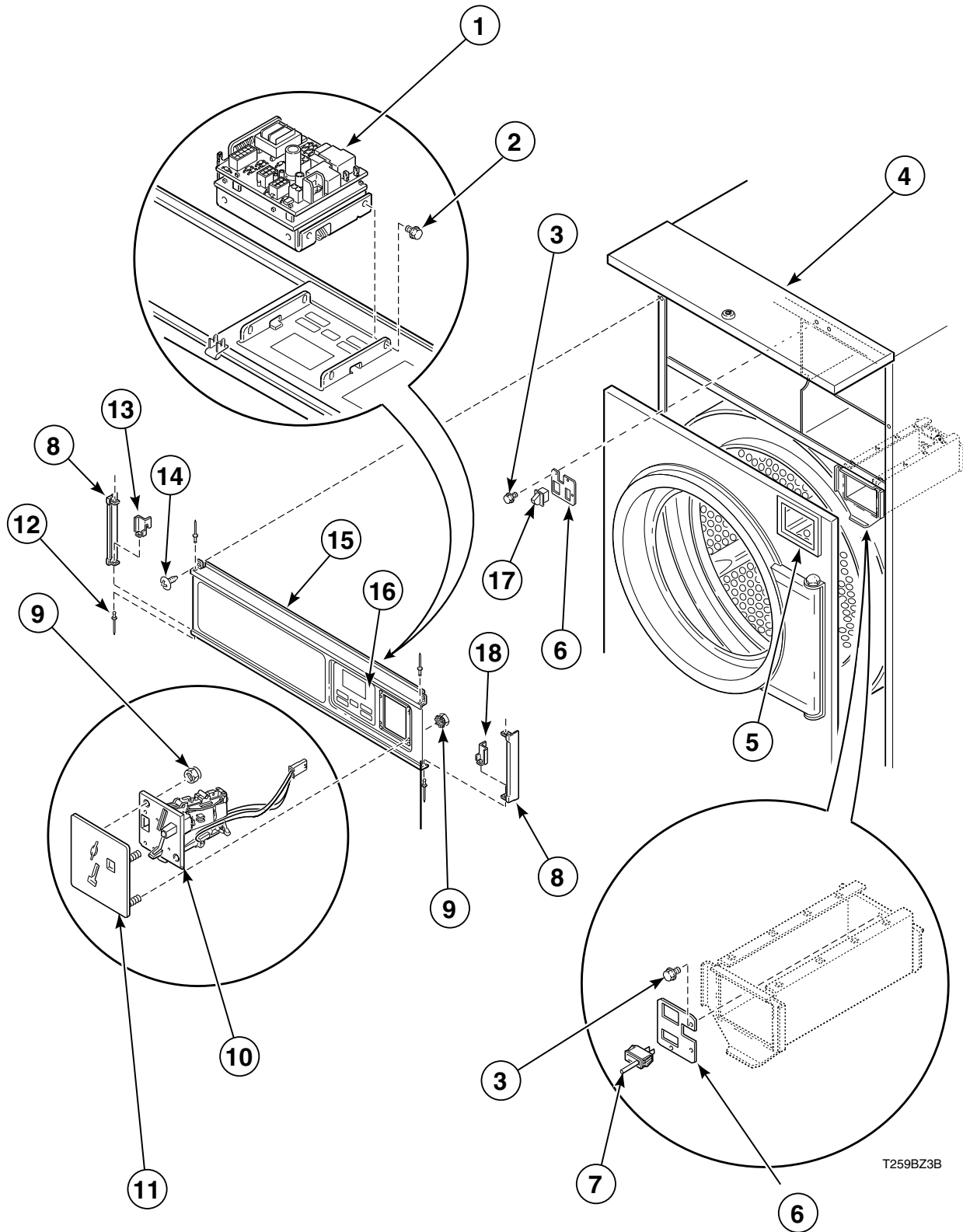
MC Control Panel Assembly

Push Button Electronic Control Coin (MC) Models

REF	PART #	DESCRIPTION	COMMENTS
1	M401902	Screw with Lockwasher	
2		Control Panel	Includes Overlay Lenses and sleeves Refer to Table on Page 94
3	M400664	Screw	
4	M43477P	Microprocessor	Through Serial No. XTEK0569004TC
	M413478P	Microprocessor	Starting With Serial No. XTEK0569005TC
5	91024	Fuse Assembly	
6	M409997	Fuse	
7	M414501P	Coin Drop	For Airpax MC Models
8	M406130	Switch	
9	91030	Nut	
10	81637	Plate	
11	M406303	Instruction Plate	
12	M403414	Meter Frame	
13	M406145	Control Panel Overlay	
14	M406104	Overlay Lens - 9	
15	M406161	Sleeve	

EC Control Panel Assembly

Touch Pad Electronic Control Coin (EC) Models



EC Control Panel Assembly

Touch Pad Electronic Control Coin (EC) Models

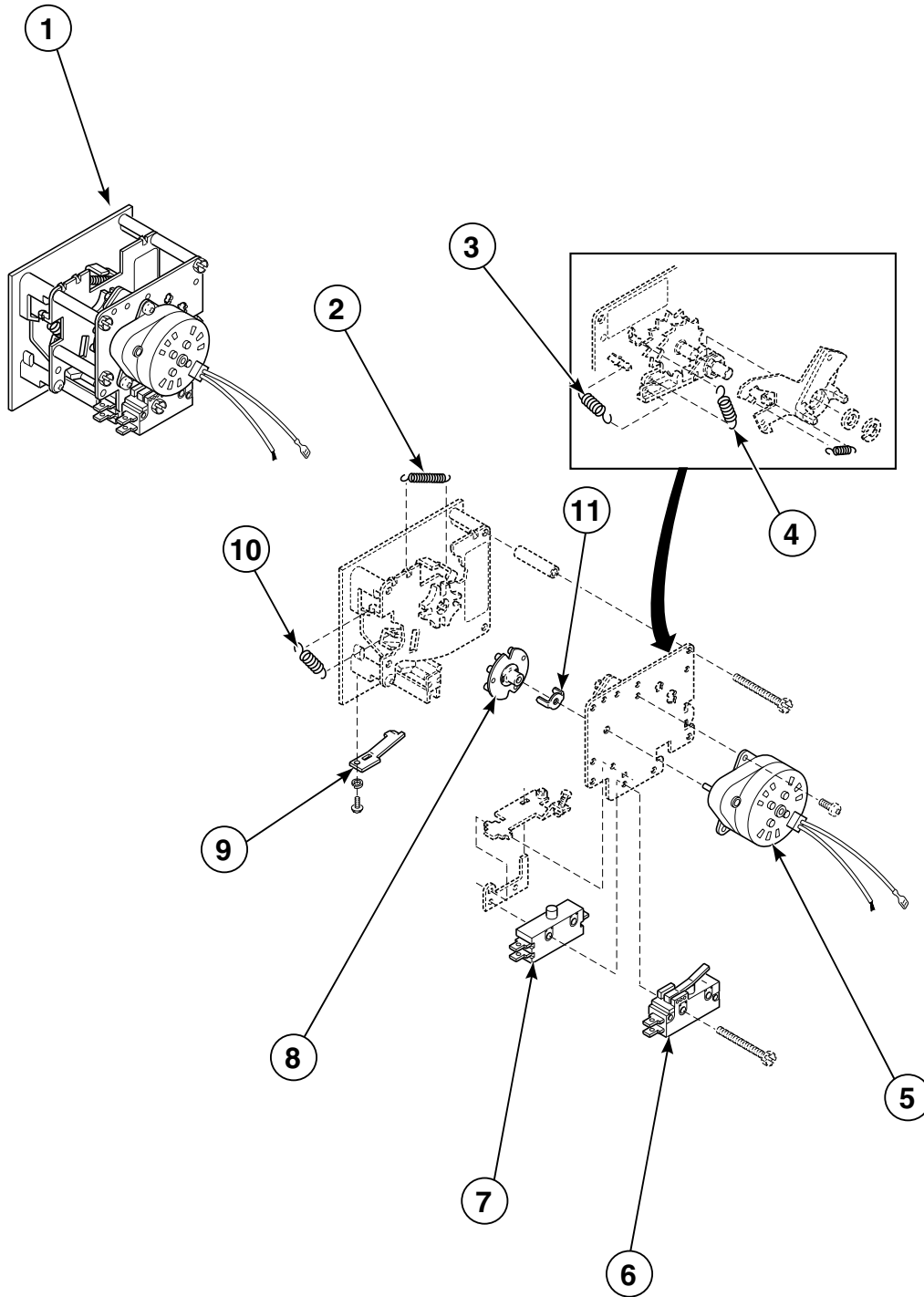
REF	PART #	DESCRIPTION	COMMENTS
1	M414050P	Control, 120 Volt	
	M414049P	Control, 24 Volt	
	M411883P	Control, 240 Volt	
2	501524	Screw	
3	430497	Screw	
4	M406345*	Top Access Panel	
5	M400131P	Coin Vault Shadow Box	
6	M411595	Mounting Plate	
7	34536	Switch	
8	M401328	End Cap	
9	23951	Locknut	
10		Coin Drop Assembly	Refer to Table on Page 96
11		Coin Drop Front Plate	Refer to Table on Page 96
12	M405750	Pop Rivet	
13	M401301	Retainer, Left	
14	33562	Screw	
15	M411895	Control Panel Assembly	JT Models
	M411894	Control Panel Assembly	ST Models
16	M412343	Overlay, Electronic Control	SC Models
17	M411556	Switch	
18	M401302	Retainer, Right	
REF	M411758	Thermistor	
REF	M411799	Wiring Harness, Control Box	
REF	M411974	Wiring Harness, Main Heat	

* Add letter to designate color.

V – Orange
K – Red
L – Almond
W – White

B – Battina Green
H – Harvest Gold
X – Electric Blue
P – Turquoise

Single Coin Meter

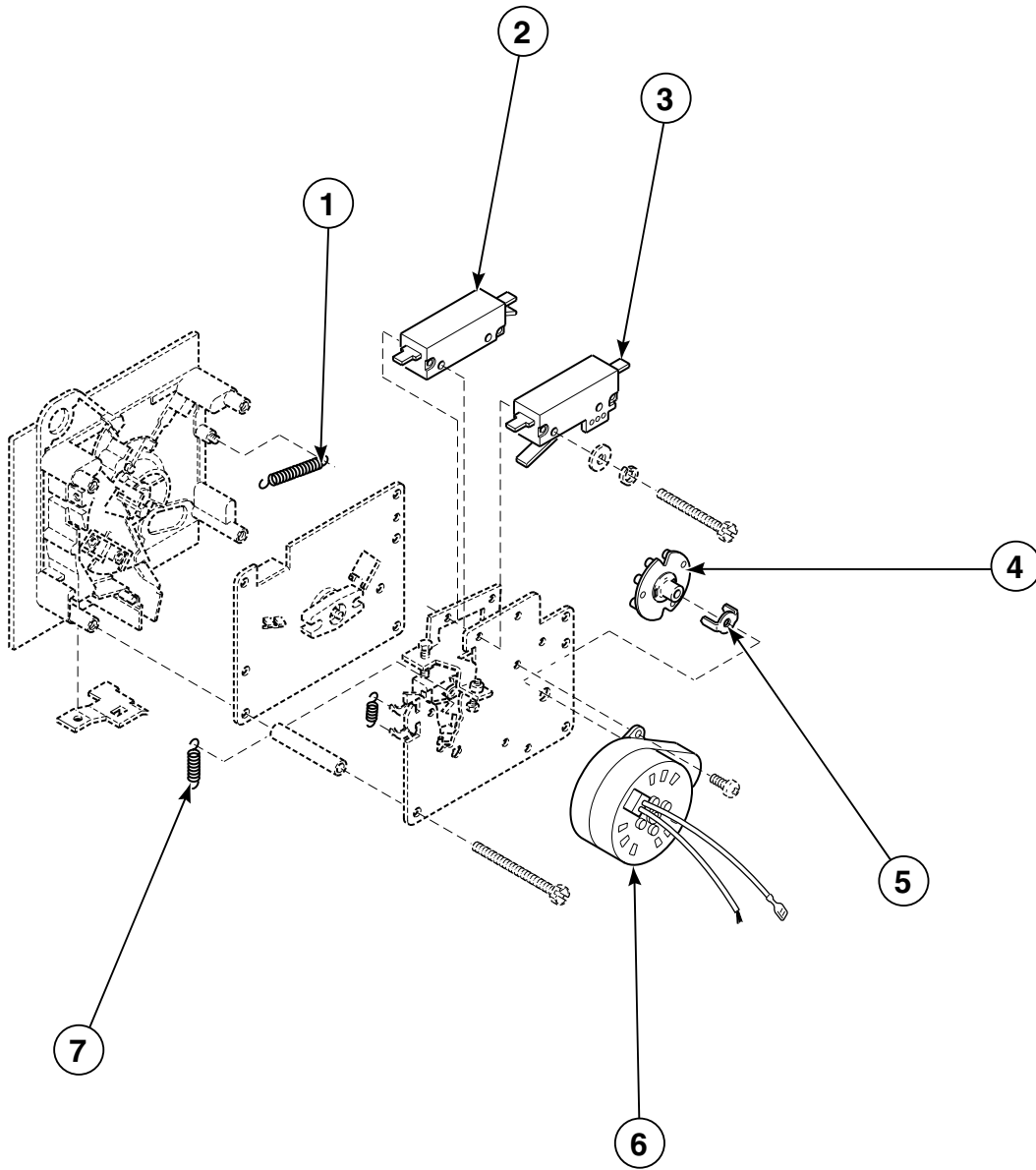


T022PZ3E

Single Coin Meter

REF	PART #	DESCRIPTION	COMMENTS
1		Single Coin Meter	Refer to Table on Page 96
2	M405138A	Return Spring	
3	M402455	Index Spring	
4	M402455	Detent Spring	
5	M400609	Timer Motor	
6	M400947	Heat Switch "B"	
7	M400001	Run Switch "A"	
8	M400734P	2 Pin Cam, 30 Minutes	Includes M400754 Fork
	M400735P	3 Pin Cam, 20 Minutes	Includes M400754 Fork
	M400736P	4 Pin Cam, 15 Minutes	Includes M400754 Fork
	M400737P	5 Pin Cam, 12 Minutes	Includes M400754 Fork
	M400738P	6 Pin Cam, 10 Minutes	Includes M400754 Fork
	M400739P	7 Pin Cam, 8.5 Minutes	Includes M400754 Fork
	M400740P	8 Pin Cam, 7.5 Minutes	Includes M400754 Fork
	M400741P	9 Pin Cam, 6.6 Minutes	Includes M400754 Fork
	M400732P	10 Pin Cam, 6 Minutes	Includes M400754 Fork
	M400733P	12 Pin Cam, 5 Minutes	Includes M400754 Fork
9	M406297	Retainer Spring	
10	M405138A	Coin Carrier Spring	
	M405138B	Coin Carrier Spring	For Coin Meters with Two Springs
11	M400754	Drive Fork	

Dual Coin Meter

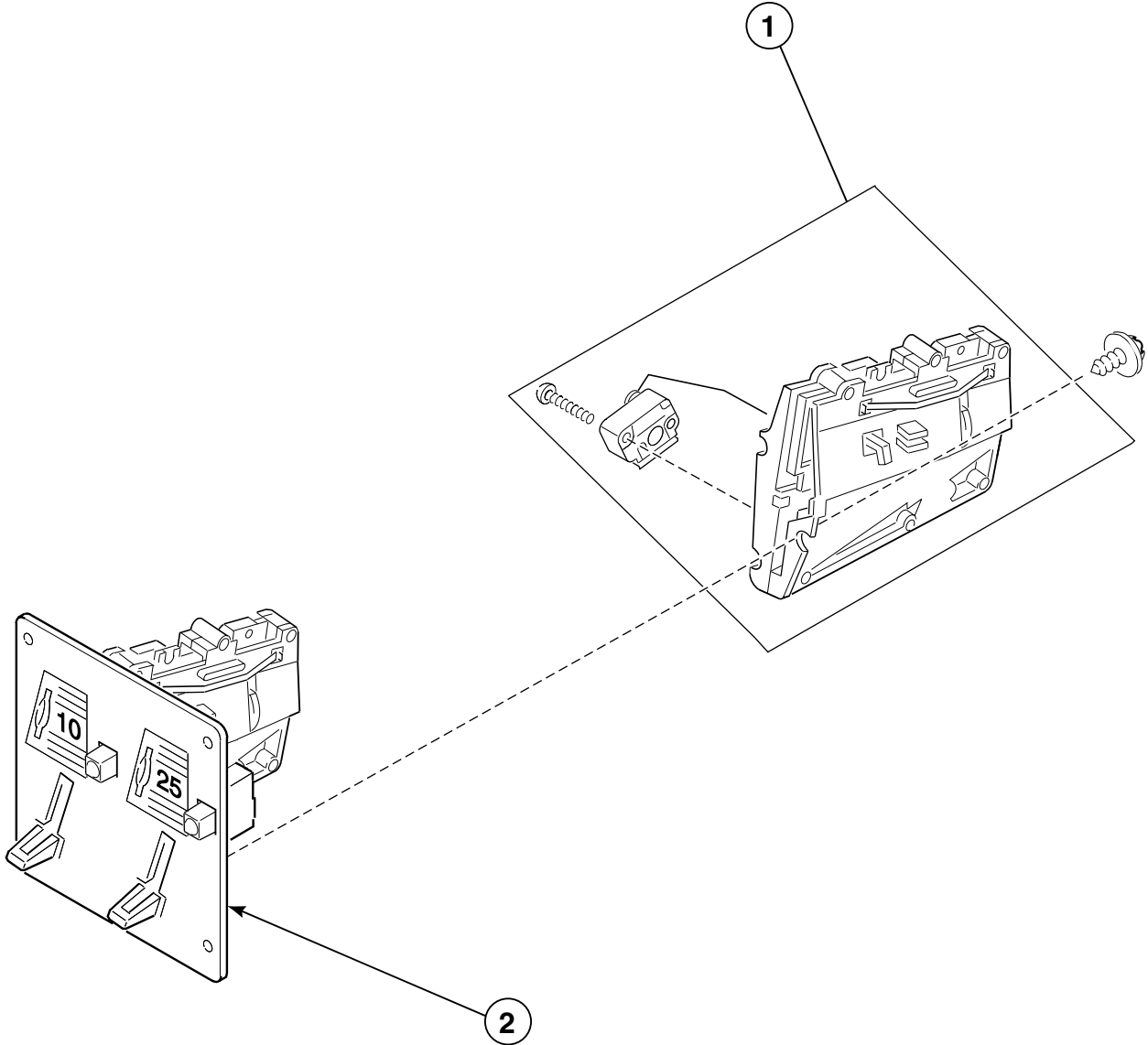


T023PZ3B

Dual Coin Meter

REF	PART #	DESCRIPTION	COMMENTS
1	M400746	Return Spring	
2	M400001	Run Switch "A"	
3	M400947	Heat Switch "B"	
4	M400734P	2 Pin Cam, 30 Minutes	Includes M400754 Fork
	M400735P	3 Pin Cam, 20 Minutes	Includes M400754 Fork
	M400736P	4 Pin Cam, 15 Minutes	Includes M400754 Fork
	M400737P	5 Pin Cam, 12 Minutes	Includes M400754 Fork
	M400738P	6 Pin Cam, 10 Minutes	Includes M400754 Fork
	M400739P	7 Pin Cam, 8.5 Minutes	Includes M400754 Fork
	M400740P	8 Pin Cam, 7.5 Minutes	Includes M400754 Fork
	M400741P	9 Pin Cam, 6.6 Minutes	Includes M400754 Fork
	M400732P	10 Pin Cam, 6 Minutes	Includes M400754 Fork
	M400733P	12 Pin Cam, 5 Minutes	Includes M400754 Fork
5	M400754	Drive Fork	
6	M400609	Timer Motor	
7	M400731	Index Lever Spring	
REF		Dual Coin Meter	Not Available as an Assembly. Order M405138 Single Coin Meter Assembly

Coin Drop for Push Button Electronic Control Coin (MC) Models

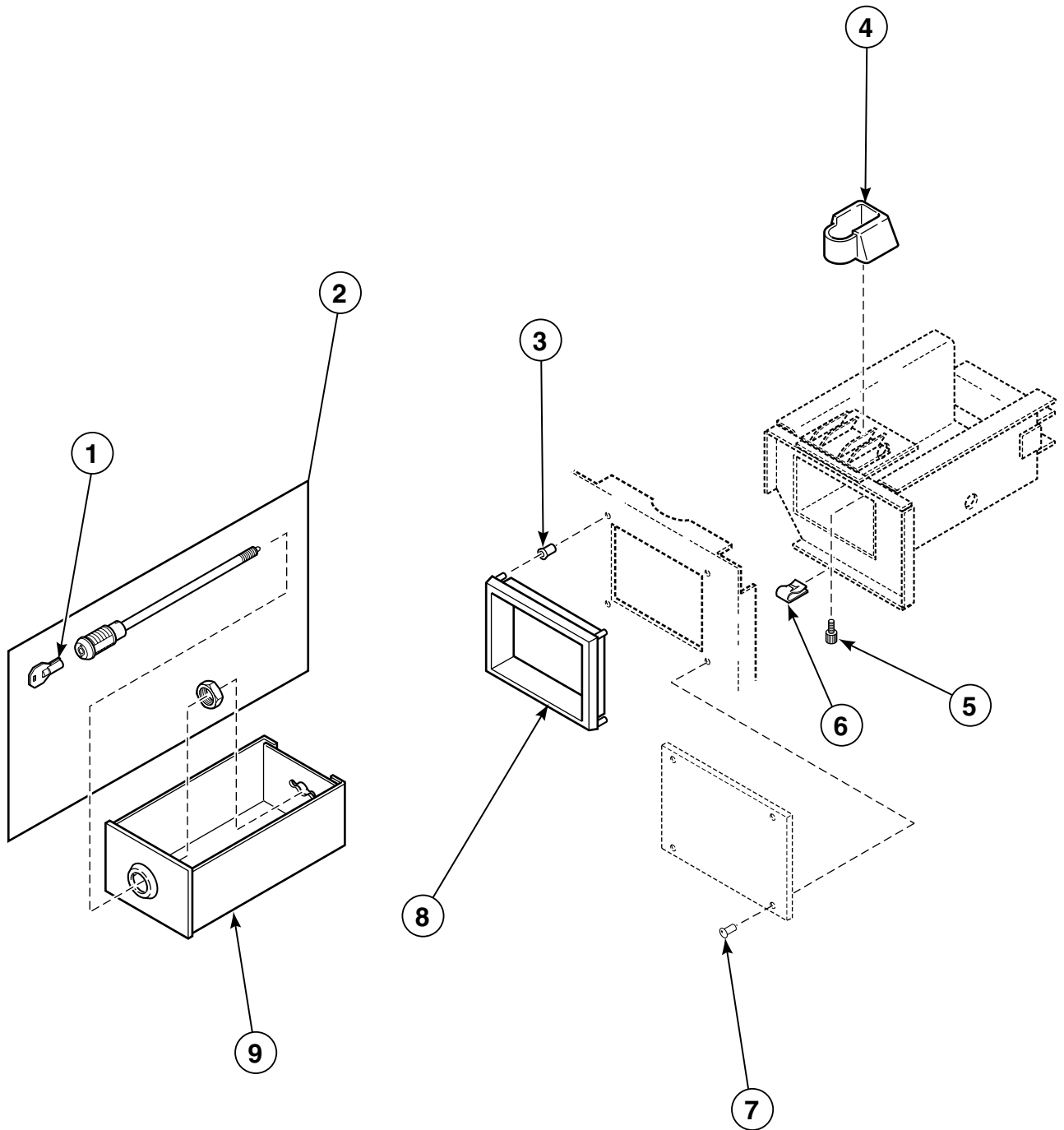


T342PZ3B

Coin Drop for Push Button Electronic Control Coin (MC) Models

REF	PART #	DESCRIPTION	COMMENTS
1	82221P	Rejector	.25¢
	81312D	Rejector	.10¢/.25¢ Dual Coin
2	M414501P	Coin Drop	Munzprufer
	M406766	Coin Drop	.10¢/.25¢ Dual Coin

Coin Vault and Vault Guide Assembly



T346PZ3B

Coin Vault and Vault Guide Assembly

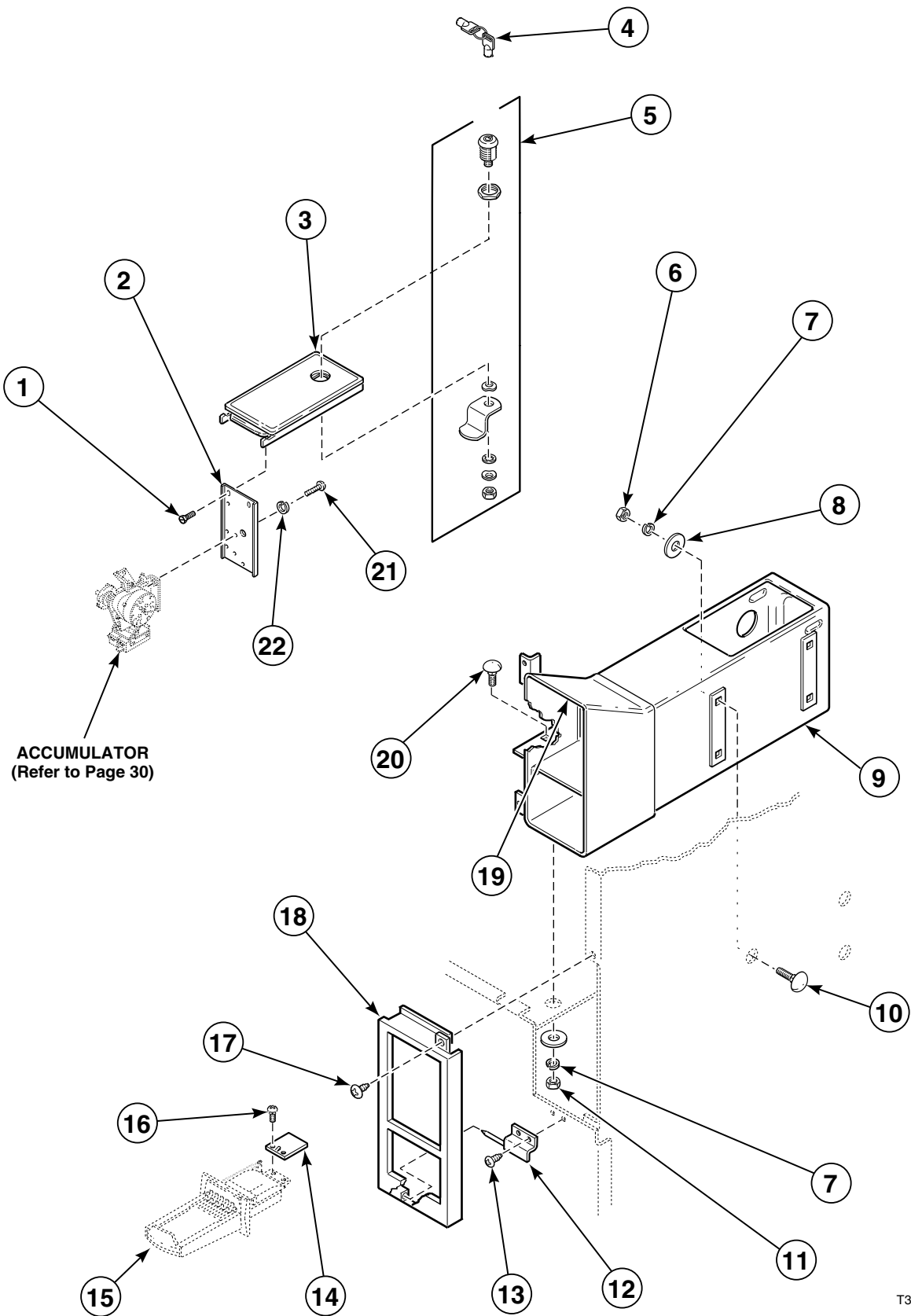
REF	PART #	DESCRIPTION	COMMENTS
1		Key	Order by Key Code from Price List (M401701-M401760)
2		Vault Lock and Key Assembly	Order by Key Code from Price List (M401581-M401640)
3	M400972	Clip, Barrel	
4	M411882	Coin Chute	
5	M400655	Screw, Socket Head	
6	M400974	Clip	
7	M400003	Rivet	
8	M400131P	Vault Frame	Includes M400972 Barrel Clip
9	M402582*	Coin Vault	

* Add letter to designate color.

V – Orange	B – Battina Green
K – Red	H – Harvest Gold
L – Almond	X – Electric Blue
W – White	P – Turquoise

Meter Case

Coin Slide (CS) Models



T347PZ3B

Meter Case

Coin Slide (CS) Models

REF	PART #	DESCRIPTION	COMMENTS
1	52909	Screw, Hex Head	
2	60835	Bracket, Mounting	
3	35798*	Service Door	
4	54612	Key, Service Door	
5	27260	Lock, Service Door	
6	20274	Nut	
7	M400014	Lockwasher	
8	20279	Flat Washer	
9	M406479*	Meter Case Assembly	
10	M402945	Bolt	
11	20274	Nut	
12	M405931	Hinge	
13	51780	Screw, Phillips Head	
14	61031	Slide Extension	
15		Coin Slide	Obtain Locally
16	03950	Screw and Lockwasher	
17	M401902	Screw with Lockwasher	
18	M405884	Escutcheon	
19	M403333	Mirror	
20	33562	Screw	
21	03203	Screw, Phillips Head	
22	21734	Lockwasher	

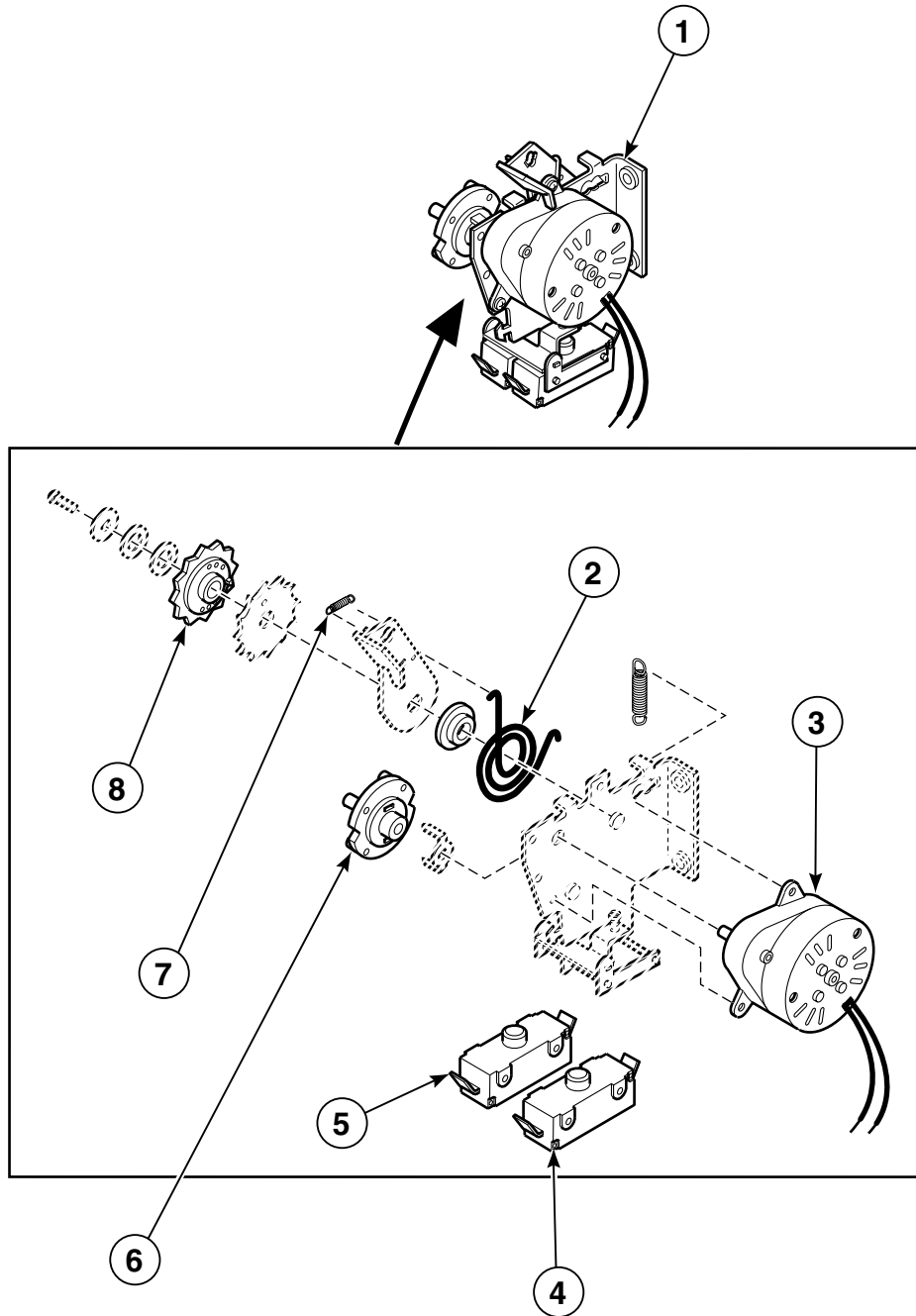
* Add letter to designate color.

V – Orange
 K – Red
 L – Almond
 W – White

B – Battina Green
 H – Harvest Gold
 X – Electric Blue
 P – Turquoise

Accumulator

Coin Slide (CS) Models



T299PZ3A

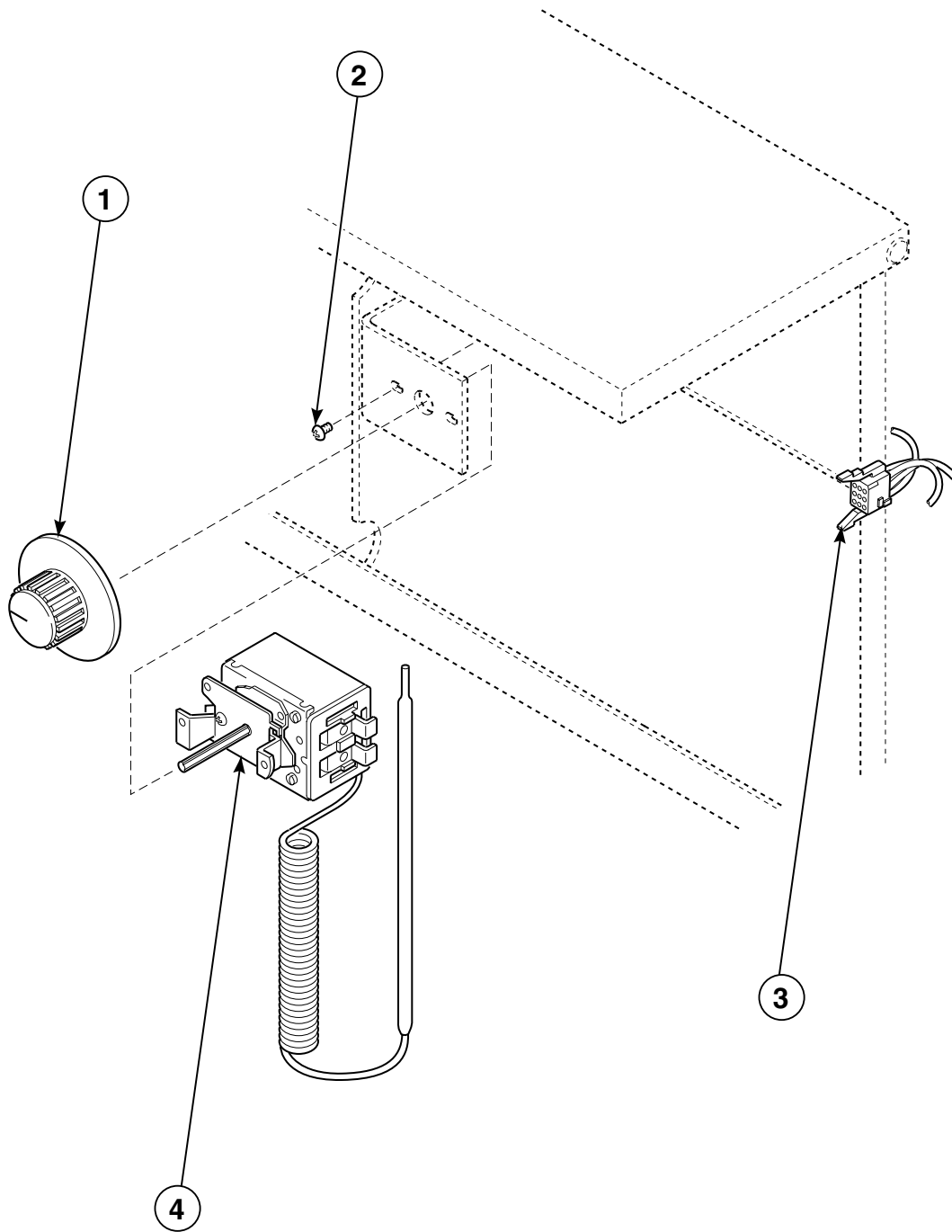
Accumulator

Coin Slide (CS) Models

REF	PART #	DESCRIPTION	COMMENTS
1	M403422	Accumulator	
2	53261	Return Spring	
3	M400609	Timer Motor	
4	53236	Switch "B"	
5	53236	Switch "A"	
6	53240	Cam, Timing	3 Pin
	53241	Cam, Timing	4 Pin
	M400239	Cam, Timing	5 Pin
	53243	Cam, Timing	9 Pin
7	53244	Pawl Spring	
8	53239	Ratchet Wheel	
REF	M403425	Wiring Harness	Not Shown

Thermostat and Harness Assembly

Manual Timer (MT) and Coin Meter (CD) Models



T054PZ3A

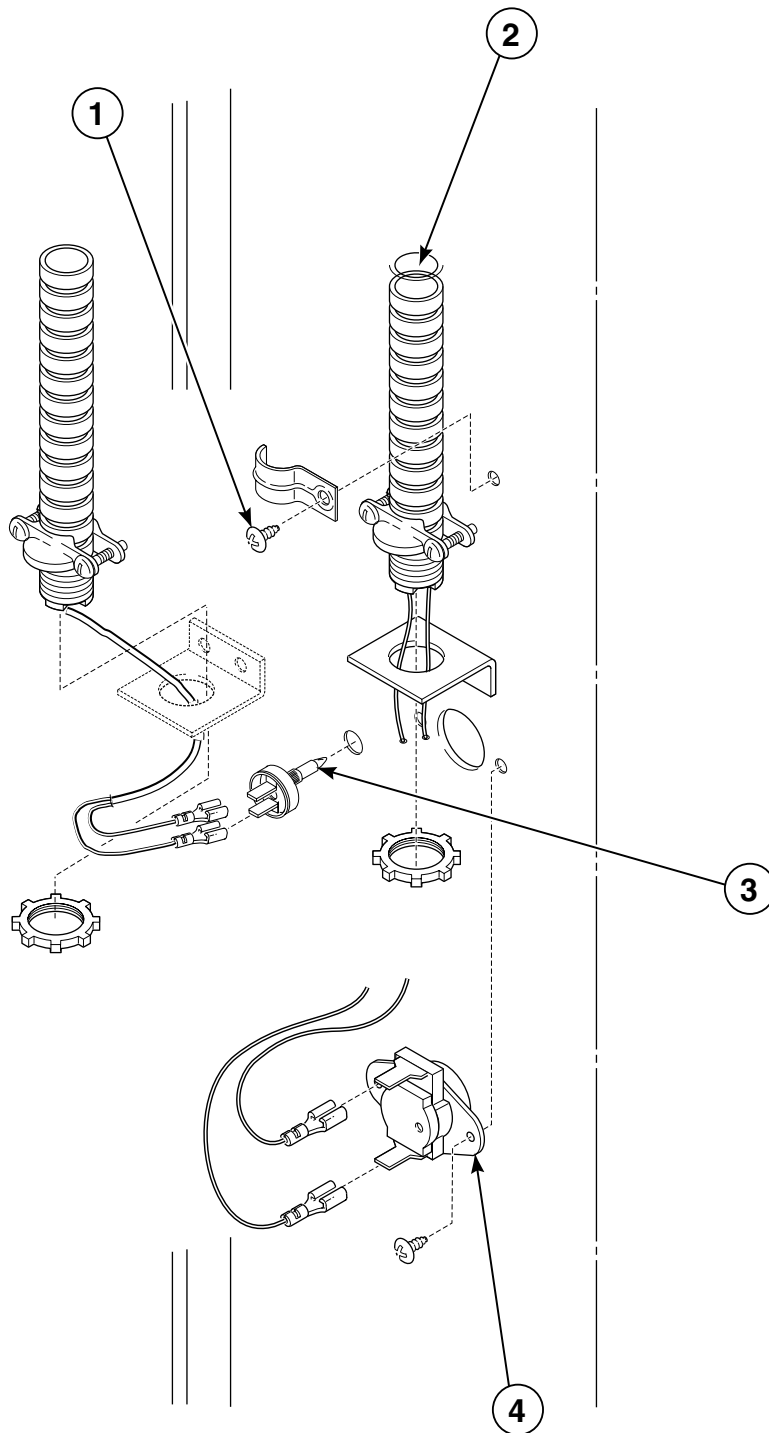
Thermostat and Harness Assembly

Manual Timer (MT) and Coin Meter (CD) Models

REF	PART #	DESCRIPTION	COMMENTS
1	M400777	Knob	
	M410928	Knob	JC Models Only
2	M400072	Screw, Phillips Head	
3	M406304	Wire Harness	
4	M401251	Thermostat	

Temperature Sensor and Cabinet Thermostat

Electronic Control (EC) Models



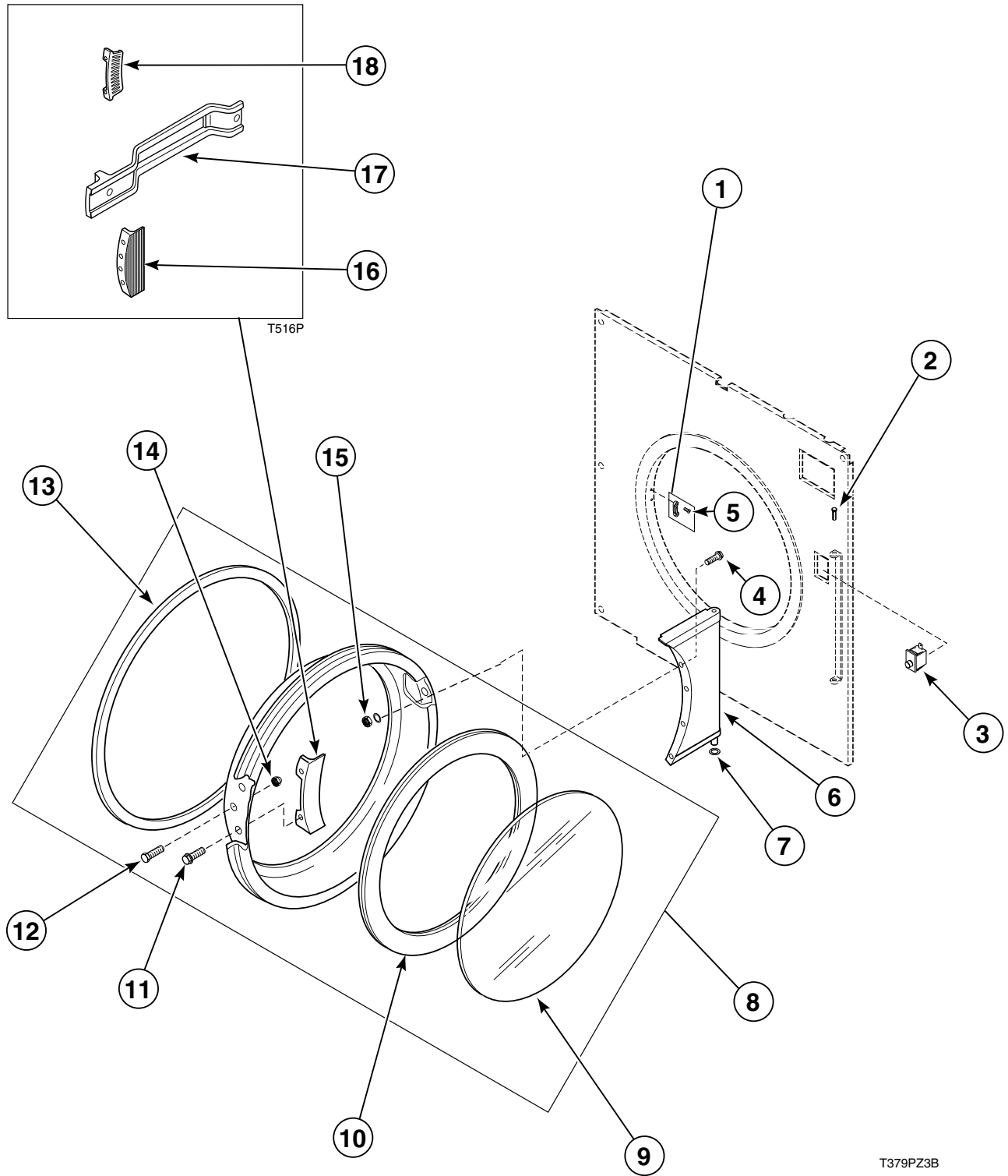
T345PZ3B

Temperature Sensor and Cabinet Thermostat

Electronic Control (EC) Models

REF	PART #	DESCRIPTION	COMMENTS
1	M400664	Screw	
2	M405381	Thermostat Harness	
3	M411758	Temperature Sensor	EC Models
	M4449P3	Temperature Sensor	Serial No. XTKE1162RH through XTKE0588496TM
	M409114	Temperature Sensor	Starting With Serial No. XTEX0588497TM, MC Models
4	M401257	Thermostat - Cabinet High Limit	Gas
	M406412	Thermostat - Cabinet High Limit	Electric
	M411945	Thermostat - Cabinet High Limit	Australian Gas

Loading Door Assembly



T379PZ3B

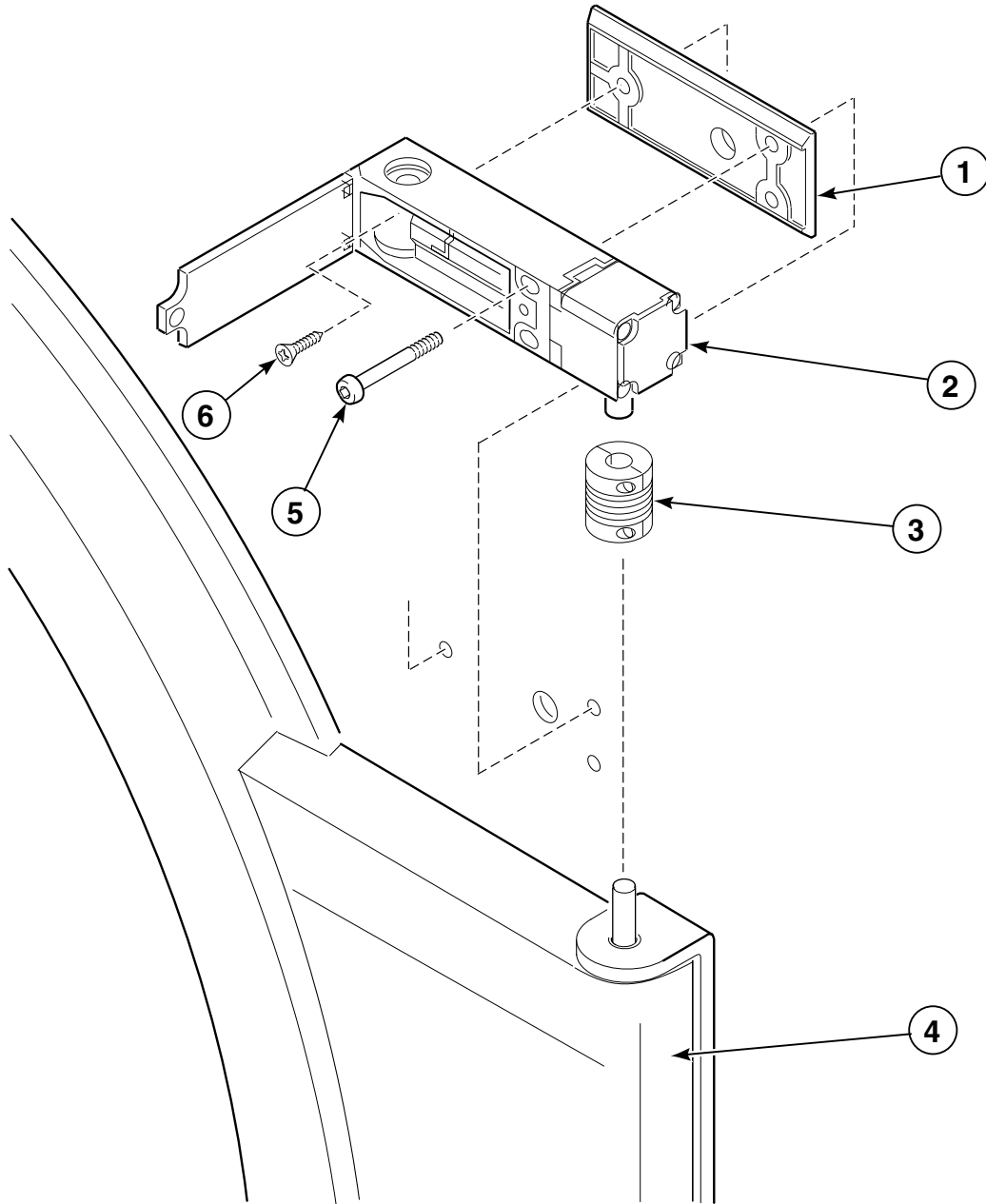
Loading Door Assembly

REF	PART #	DESCRIPTION	COMMENTS
1	M401223	Door Latch	
2	M400653	Hinge Bolt	
3	M406119	Door Switch	
	M406103	Door Switch	WG Models, Serial Numbers through XTKE8431RF
	M406103	Door Switch	XG Models, Serial Numbers XTKE8432RF through current
4	M409385	Screw, Phillips Head	
5	M400003	Rivet	
6	M406116*	Hinge Assembly	
	M406324	Hinge Assembly	Stainless Steel
	M412382*	Hinge Assembly	DC, JC, SC Models
7	M400675	Nylon Washer	
8	430475	Door Assembly	JT, SC, OC Models
	M400447	Door Assembly	ST Models
	M410887	Door Assembly	JC Models
9	M400784	Door Glass	
	M410885P	Door Glass	JC Models
10	M400962	Glass Seal	
11	M409385	Screw	
12	M400661	Strike	
13	M406129	Door Gasket	
14	M400645	Acorn Nut	
15	23951	Nut & Washer Assembly	
16	M400133	Handle	ST Models
17	M410918	Handle	JT/JC Models
18	430117	Handle	JT Models

* Add letter to designate color.

V – Orange	B – Battina Green
K – Red	H – Harvest Gold
L – Almond	X – Electric Blue
W – White	P – Turquoise

Door Switch for EU Models

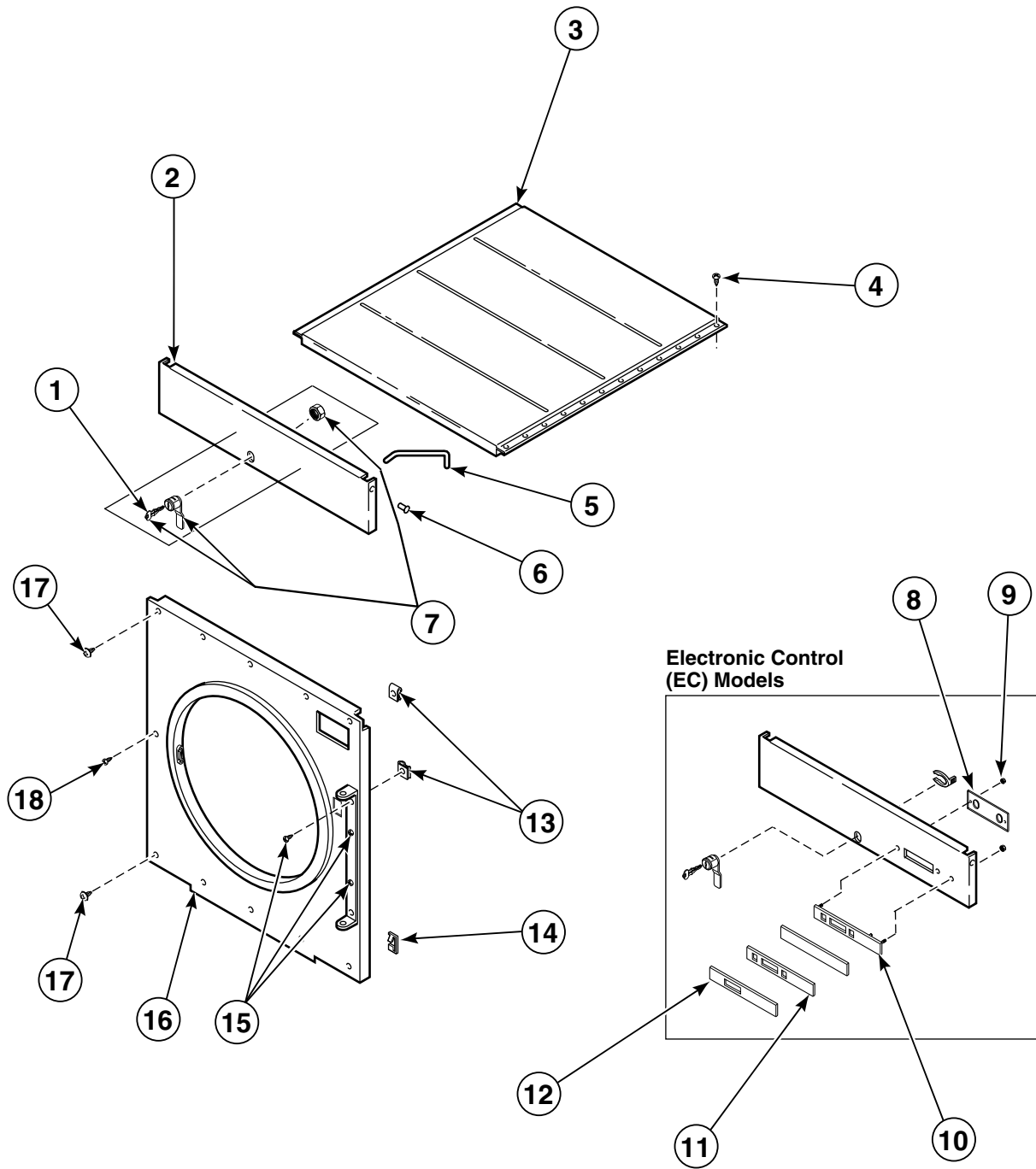


T418PZ3D

Door Switch for EU Models

REF	PART #	DESCRIPTION	COMMENTS
1	M412528	Base, Door Switch	
2	M412372	Switch, Door Safety	
3	M412551	Coupler, Flexible	
4	M412378*	Hinge, Door	
5	M412532	Screw	
6	M412531	Screw	

Top and Front Panels



T349PZ3B

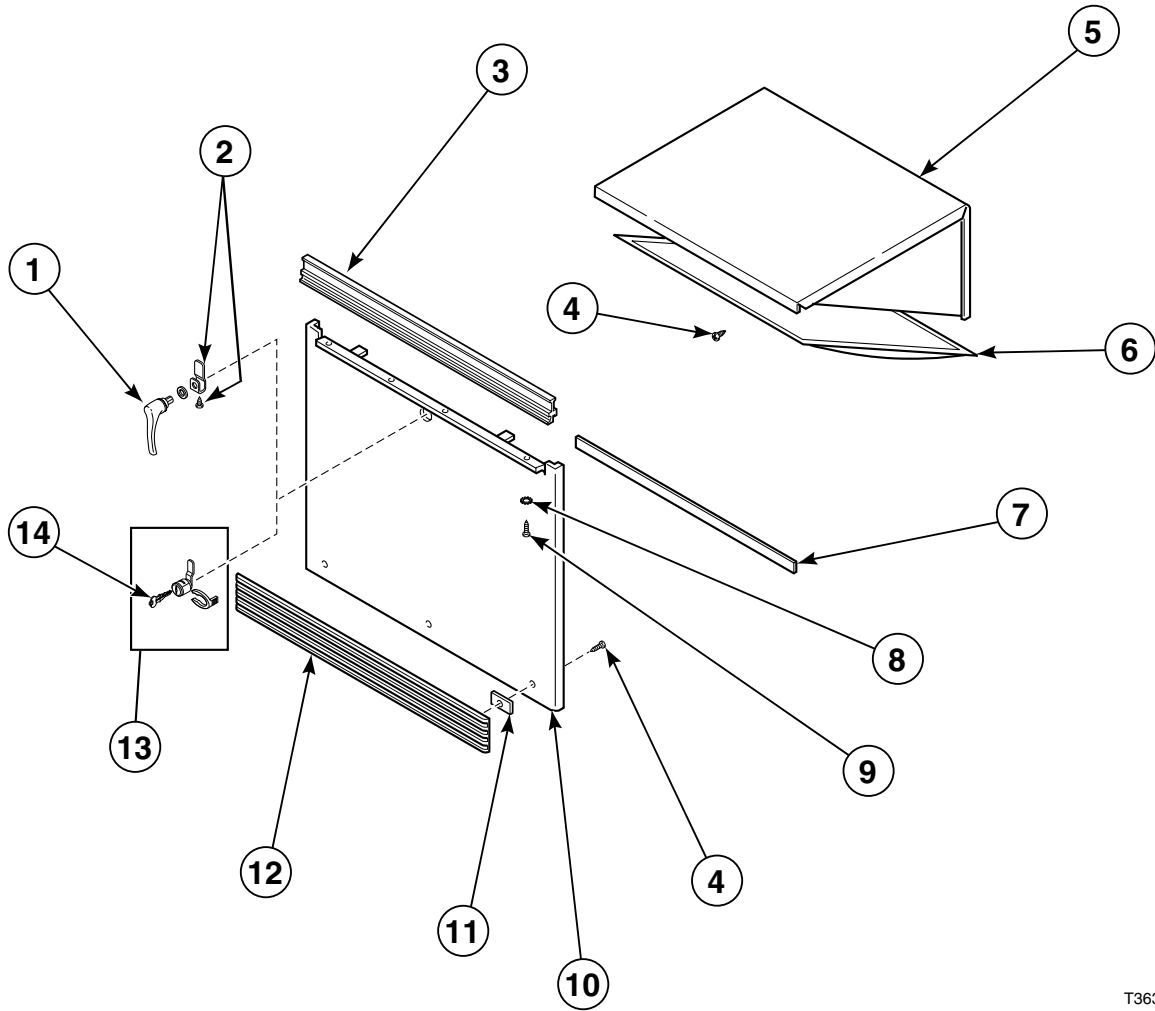
Top and Front Panels

REF	PART #	DESCRIPTION	COMMENTS
1	M401680	Panel Key	
2	M406345*	Top Access Panel - Painted	Coin Drop and Manual Timer WG/XG Models
	M406321	Top Access Panel - Stainless Steel	Coin Drop and Manual Timer WG/XG Models
	M406164*	Top Access Panel - Painted	Microprocessor XG Models
	M406525	Top Access Panel - Stainless Steel	Microprocessor XG Models
	M406465*	Top Access Panel - Painted	Coin Drop and Manual Timer WE Models
	M406345*	Top Access Panel - Painted	Coin Slide XG Models and DC, JC & SC Electric Models
	M413631*	Top Access Panel - Painted	DC, JC & SC Gas Models
3	M406037	Top Cover	
4	430497	Screw	
5	M400604	Support Rod	
6	M400713	Rivet	
7	M404101	Lock and Key Assembly	
8	M406773	Display Window	Microprocessor Models
9	M400672	Nut	Microprocessor Models
10	M406555	Display Frame	Metered Microprocessor Models
	M406030	Display Frame	Non-Metered Microprocessor Models
11	M406632	Display Insert (Manual)	JT Models
12	M406147	Display Insert (Coin)	ST Models
	M406630	Display Insert (Coin)	JT Models
13	M400975	Clip	
14	M400984	Clip	
15	M401902	Screw	
16	M410881*P	Front Panel - Painted	Coin Drop, Manual Timer and Electronic Control Models
	M406722	Front Panel - Stainless Steel	WG Models
	M409088P	Front Panel - Stainless Steel	WE & XG Models
	M406991*	Front Panel - Painted	Coin Slide XG Models
	M411125P*	Front Panel - Painted	DC, JC & SC Manual Timer Models
17	M401902	Screw with Lockwasher	
18	M400664	Screw, Phillips Head	

* Add letter to designate color.

V – Orange	B – Battina Green
K – Red	H – Harvest Gold
L – Almond	X – Electric Blue
W – White	P – Turquoise

Lint Panel and Compartment



T363PZ3A

Lint Panel and Compartment

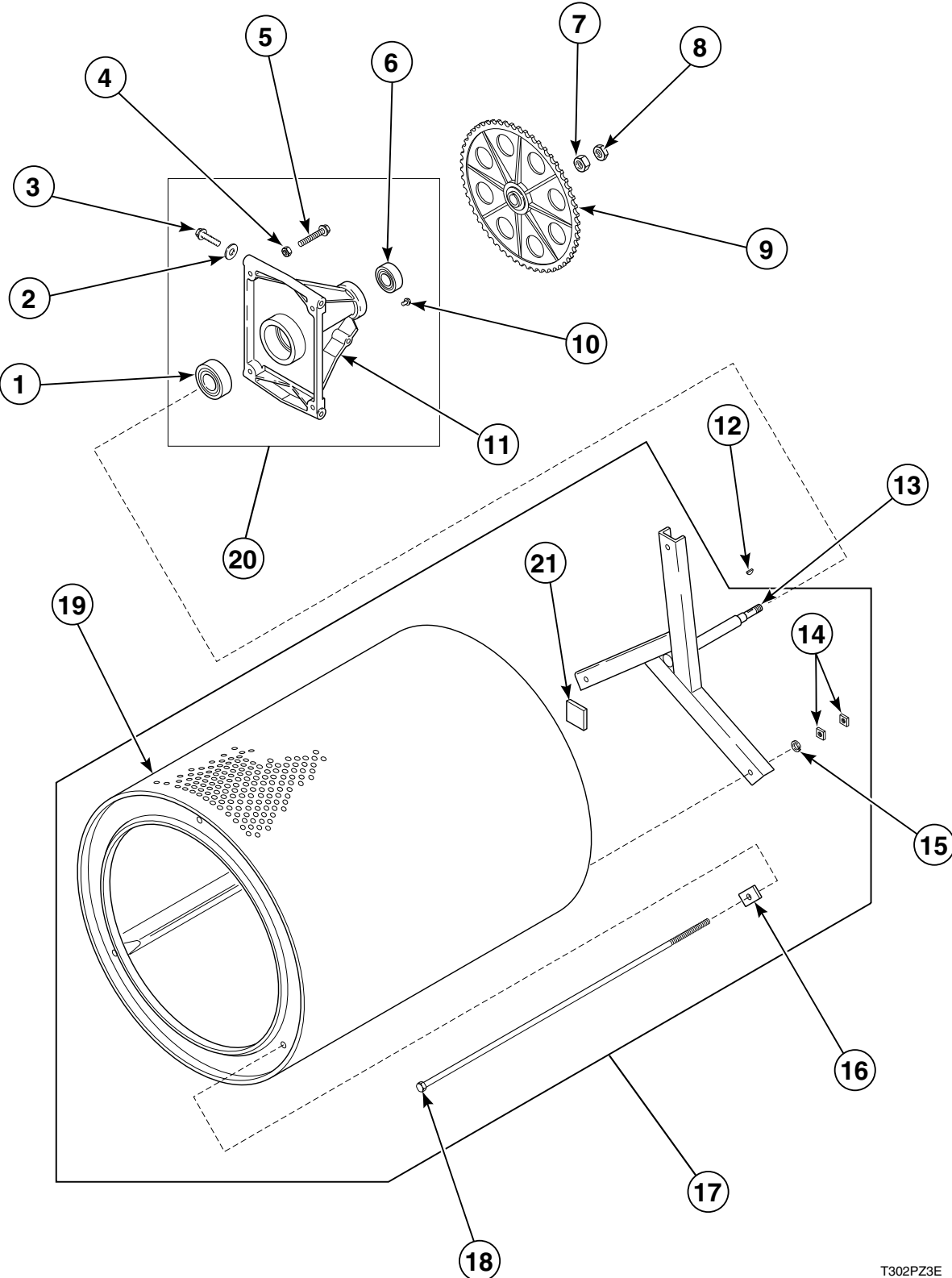
REF	PART #	DESCRIPTION	COMMENTS
1	M400594P	Handle	Manual Models Only
2	M400595	Latch, Cam and Screw	
3	M410782	Bumper, Lint Panel	Black
	M410843	Bumper, Lint Panel	Cocoa
	M406112	Bumper Assembly	
4	M400664	Screw, Phillips Head	
5	M400515	Lint Hood	
6	M400522	Lint Screen	
	M400523	Lint Screen	
7	M406113	Bumper Insert	
8	03815	Lockwasher	
9	M409076	Screw	
10	M406110*	Lint Panel - Painted	For Lock
	M406327	Lint Panel - Stainless Steel	For Lock
	M406523*	Lint Panel - Painted	For Handle
	M406529	Lint Panel - Stainless Steel	For Handle
	M410666*	Lint Panel - Painted	
11	M400820	Retainer	
12	M414436P	Kickplate	
13	M404101	Lock and Key Assembly	
14	M401680	Panel Key	

* Add letter to designate color.

V – Orange
K – Red
L – Almond
W – White

B – Battina Green
H – Harvest Gold
X – Electric Blue
P – Turquoise

Cylinder and Trunnion Assemblies



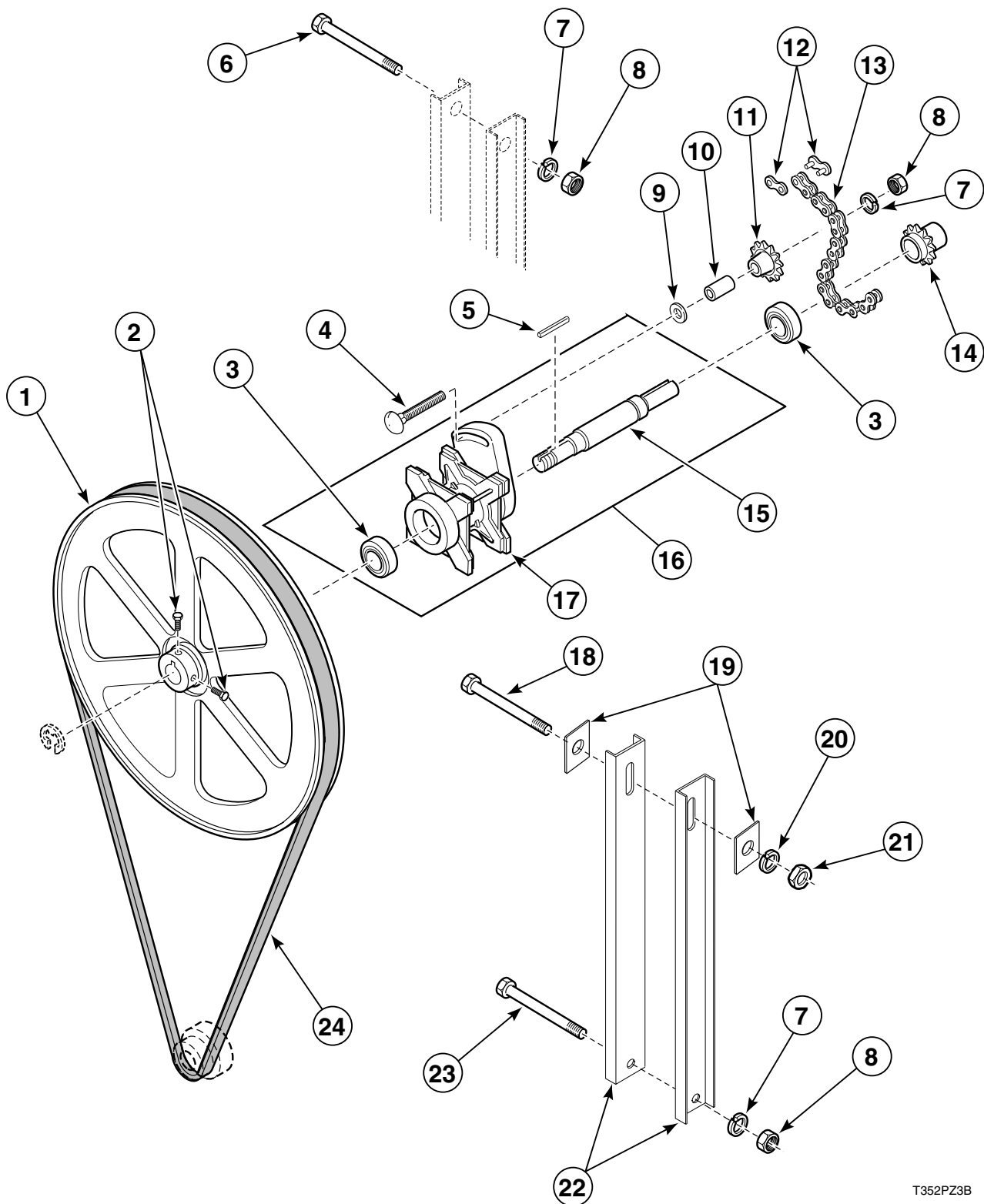
T302PZ3E

Cylinder and Trunnion Assemblies

REF	PART #	DESCRIPTION	COMMENTS
1	M413921	Bearing	
2	M401946	Washer	
3	M400649	Bolt	
4	M400026	Jam Nut	
5	M400650	Bolt	
6	M400592	Bearing	
7	M400036	Pal Nut	
8	M400023	Jam Nut	
9	M400091P	Sprocket (Chain Drive Only)	Includes Item 12
10	M409385	Screw	
11	M400144	Housing, Trunnion	
12	M400010	Key	
13	M406073P	Assembly, Trunnion Shaft	
14	M401930	Square Nut	
15	M400013	Lockwasher	
16	M401947	Washer	
17	M406072	Assembly, Cylinder and Shaft	
18	M400901	Rib Rod	
19	M406075	Cylinder	
20	M401349P	Assembly, Trunnion Housing	
21	M402144	Felt Pad	

Belt Chain Drive Components

WG Models Through Serial No. XTKE01699RM, XG and WE Models Starting with Serial No. XTEK684495XN



T352PZ3B

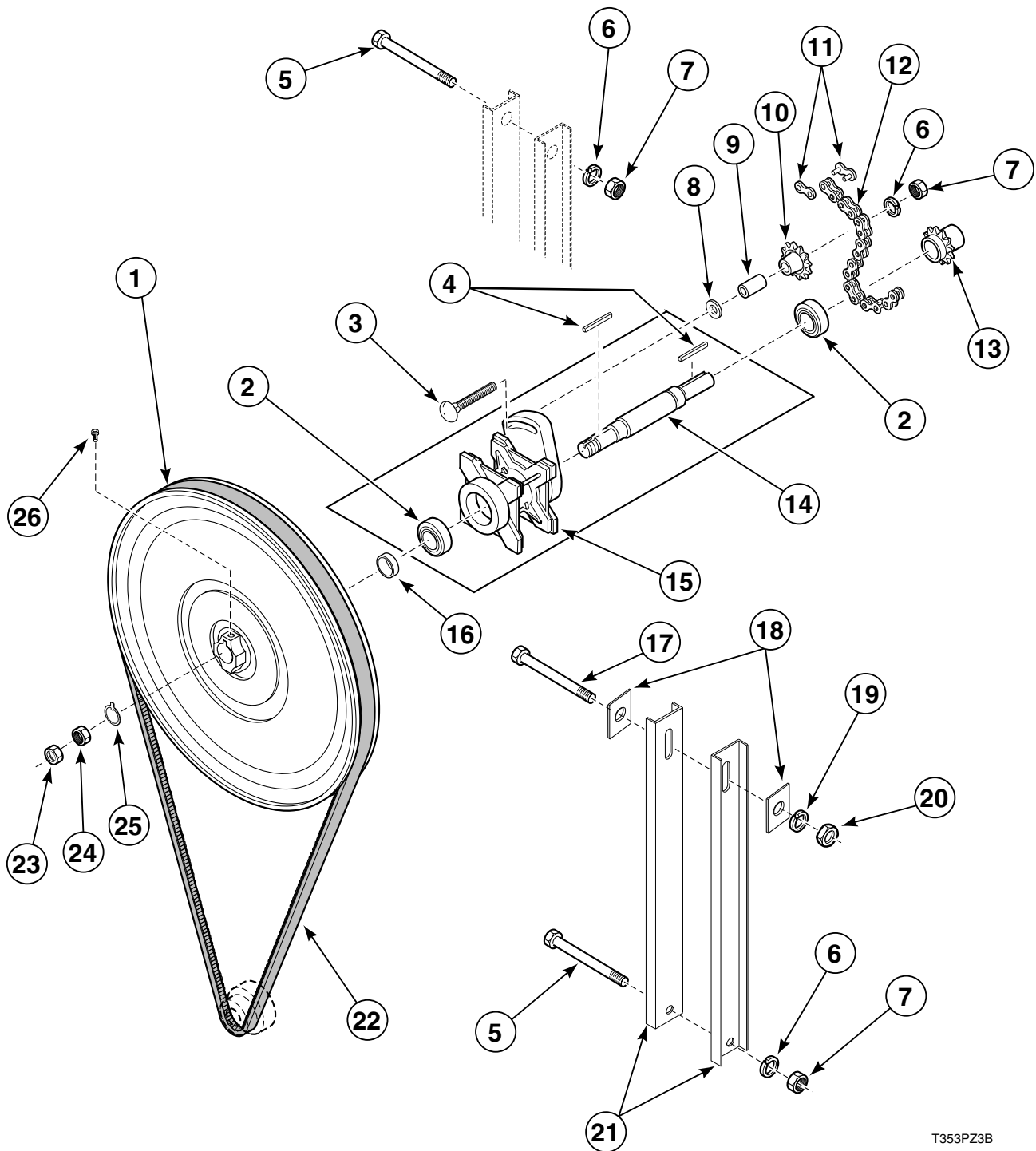
Belt Chain Drive Components

WG Models Through Serial No. XTKE01699RM, XG and WE Models Starting with Serial No. XTEK684495XN

REF	PART #	DESCRIPTION	COMMENTS
1	M400328	Sheave	WG Models Through Serial No. XTKE01699RM
	M406380	Sheave	XG/WE Models Starting with Serial No. XTEK68449XN
2	M400065	Setscrews	
3	M400592	Bearing	
4	M412475	Carriage Bolt	
5	M401327	Key	
6	M405525	Bolt	
7	M400014	Lockwasher	
8	M400026	Nut	
9	M400081	Washer	WG Models Through Serial No. XTKE01699RM
	M400080	Washer	XG/WE Models Starting with Serial No. XTEK68449XN
10	M400755	Sleeve	
11	M401369	Idler Sprocket	
12	M401360	Connecting Link	
13	M401425	Drive Chain	
14	M401366	Drive Sprocket	
15	M401374	Idler Shaft	
16	M412229P	Idler Housing Assembly	XG/WE Models Starting with Serial No. XTEK68449XN (Does not include chain, link or belt)
17	M412103P	Idler Housing	
18	M400078	Bolt	
19	M400832	Washer	
20	M400013	Lockwasher	
	M400023	Jam Nut	
21	02428	Nut	
22	M413718	Guide Rail	
23	M405525	Bolt	
24	M406083	Belt	WG Models Through Serial No. XTKE01699RM
	M406386	Belt	XG/WE Models Starting with Serial No. XTEK68449XN

Belt Chain Drive Components

XG and WE Models



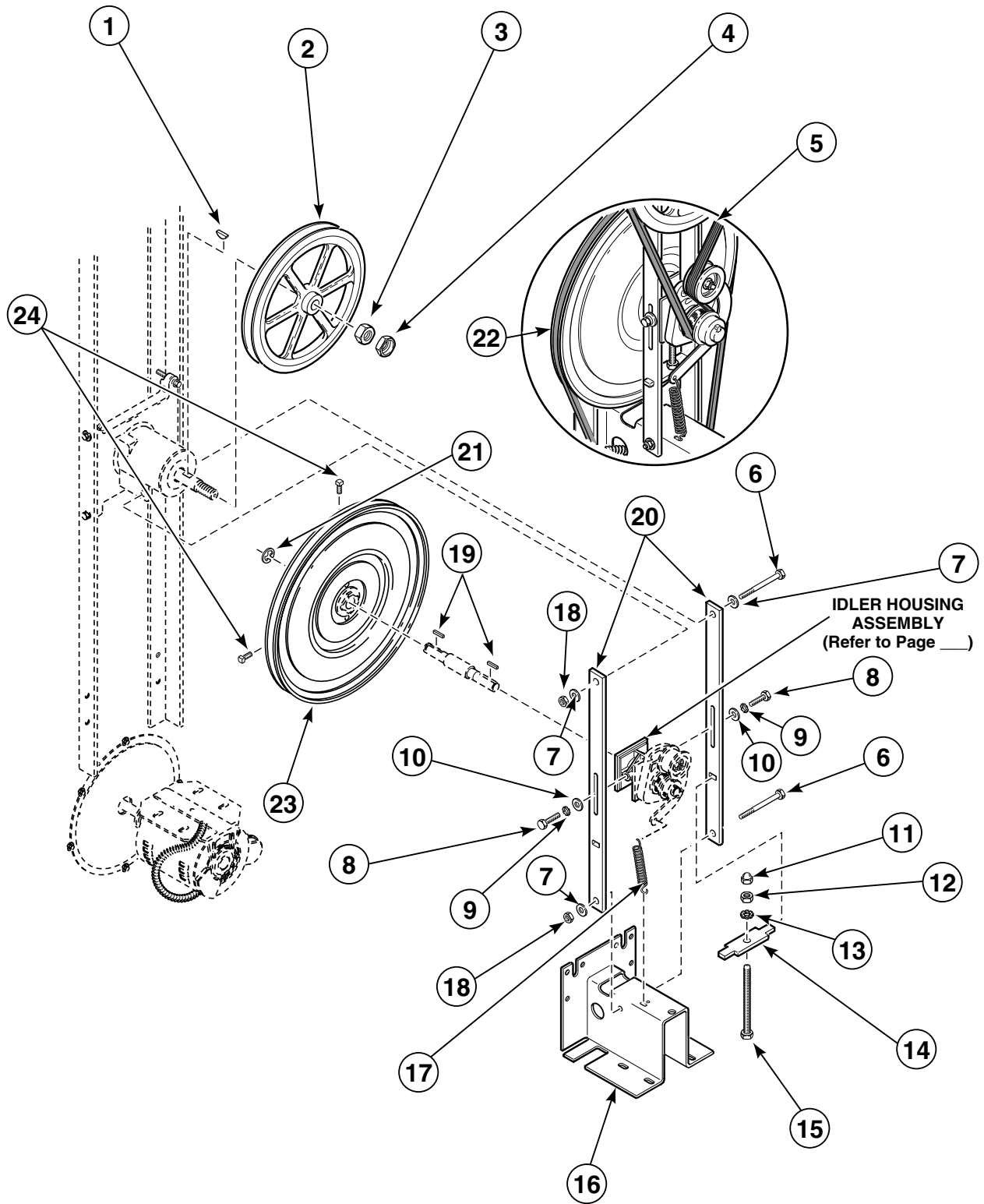
T353PZ3B

Belt Chain Drive Components

XG and WE Models

REF	PART #	DESCRIPTION	COMMENTS
1	M406380	Sheave	
2	M400592	Bearing	
3	M412475	Carriage Bolt	
4	M401327	Key	
5	M405525	Bolt	
6	M400014	Lockwasher	
7	M400026	Nut	
8	M400081	Washer	
9	M400755	Sleeve	
10	M401369	Idler Sprocket	
11	M401360	Connecting Link	
12	M401425	Drive Chain	Includes Item 11
13	M401366	Drive Sprocket	
14	M406377	Idler Shaft	
15	M412103P	Idler Housing	
16	M406376	Spacer	
17	M400078	Bolt	
18	M400832	Washer	
19	M400013	Lockwasher	
20	02428	Nut	
21	M413718	Guide Rail	
22	M406386	Belt	
23	M400036	Pal Nut	
24	M400023	Jam Nut	
25	M406381	Washer	
26	M400065	Setscrew	
REF	M412229P	Idler Assembly	Does Not Include Chain, Link, or Belt

Belt Drive Components

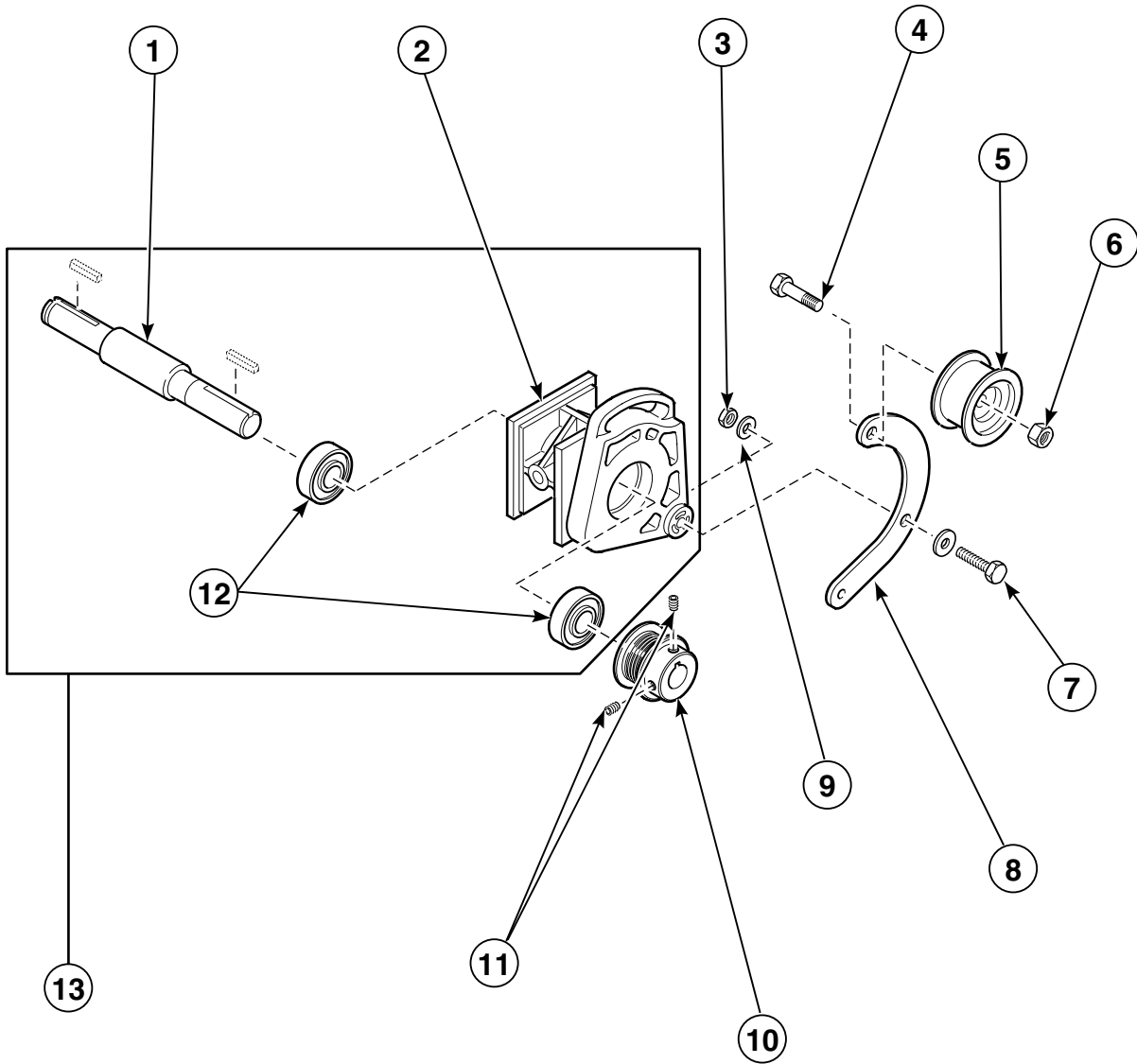


T312PZ3A

Belt Drive Components

REF	PART #	DESCRIPTION	COMMENTS
1	M400010	Key	
2	M412155	Micro V Sheave	
3	M400023	Jam Nut	
4	M400036	Pal Nut	
5	M411425	Micro V Belt	DC, JC & SC Models
	M411424	Micro V Belt	
6	430648	Bolt	
7	M400014	Washer	
8	20255	Cap Screw	
9	M403958	Lockwasher	
10	M400080	Washer	
11	M412626	Acorn Nut	
12	M404993	Nut	
13	M412188	Lockwasher	
14	M414405	Idler Support Plate	
15	M412627	Tension Bolt	
16	M411483	Motor Bracket	
17	M412121	Extension Spring	
18	M400026	Nut	
19	M401327	Key	
20	M412476	Guide Rail	
21	M400399	Retaining Ring	
22	M406386	Belt	
23	M406380	Sheave with Hardware	
24	M400065	Setscrew	

Belt Drive Idler Housing Assembly

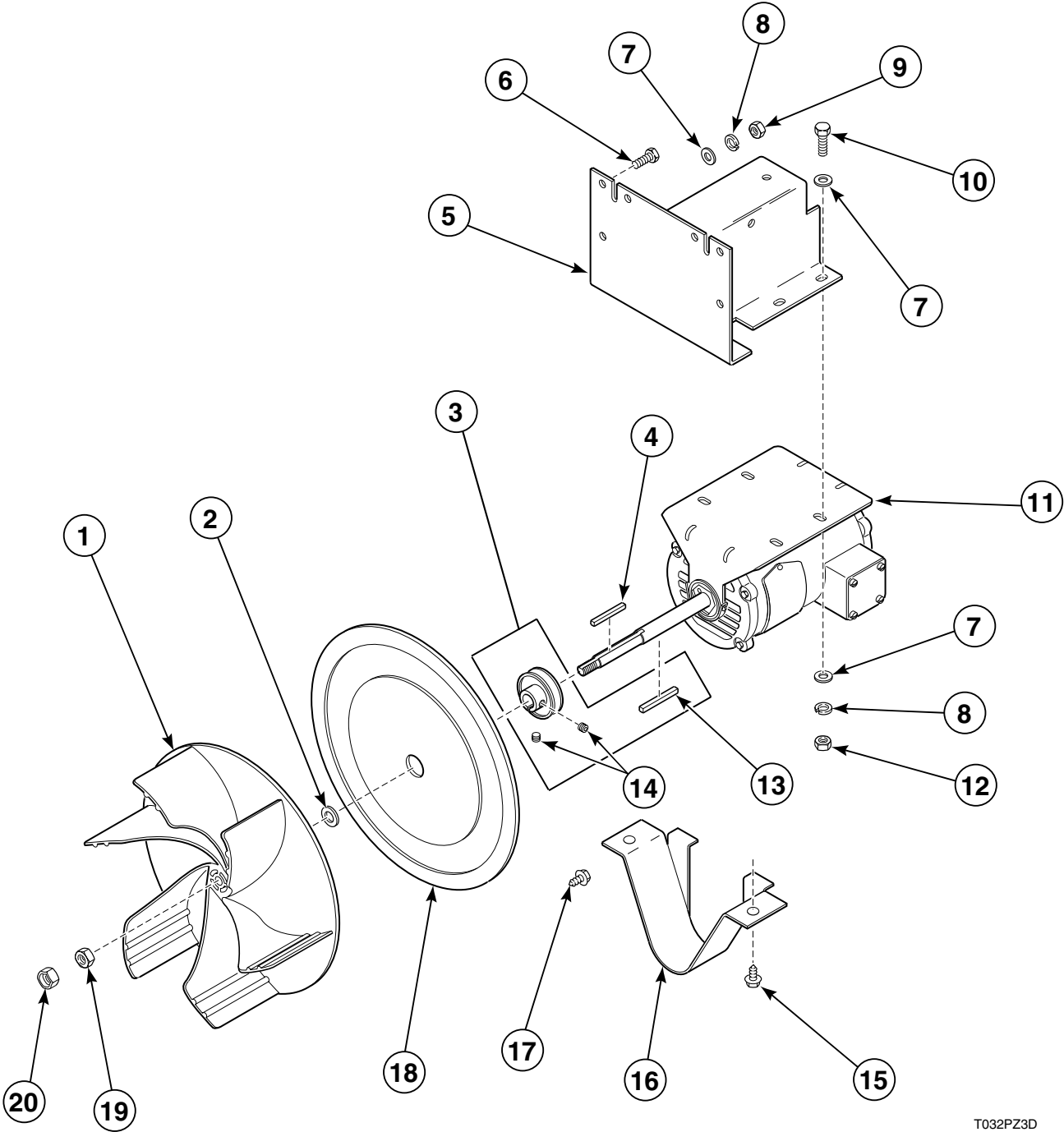


T313PZ3A

Belt Drive Idler Housing Assembly

REF	PART #	DESCRIPTION	COMMENTS
1	M412223	Idler Shaft	
	M412222	Idler Shaft	DC, JC & SC Models
2	M412103	Idler Housing	
	M412229P	Idler Housing	DC, JC & SC Models
3	52566	Nut	
4	430648	Bolt	
5	430619	Idler Wheel	
6	56156	Nut	
7	M412119	Bolt	
8	M414320P	Idler Arm	
9	M405535	Washer	
10	M411466	Micro V Pulley	
11	M400077	Setscrew	
12	430038	Bearing	
13	M412229P	Idler Housing Assembly	

Fan and Motor Assembly

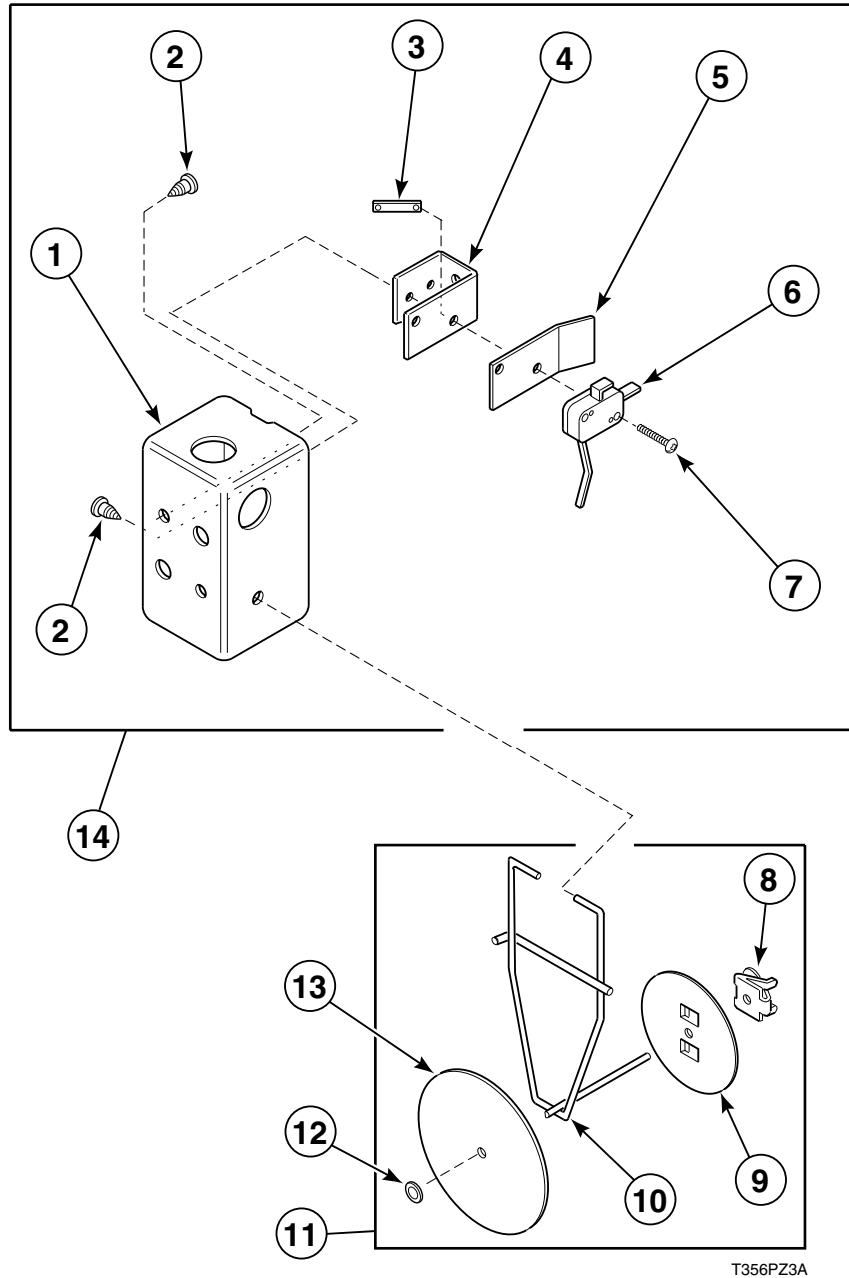


T032PZ3D

Fan and Motor Assembly

REF	PART #	DESCRIPTION	COMMENTS
1	M400086P	Fan	Includes Item 4
2	M400991	Washer	
3	M406378	Motor Pulley - 50 Hertz	DC, JC & SC Models
	M406379	Motor Pulley - Single Groove	XG Models Starting With Serial No. XTKE10700RM
4	M400994	Fan Key	
5	M411483	Motor Bracket	
6	M401393	Bolt	
7	M400080	Flat Washer	
8	M400013	Lockwasher	
9	70142	Nut	
10	M400057	Bolt	
11		Motor	Refer to Table on Page 97
12	02428	Nut	
13	M400993	Pulley Key	
14	M400077	Setscrews	
15	M405188	Screw	
16	M413008	Belt Guard	
17	M410059	Screw, Washer Head	
18	M401362	Fan Housing Cover	
19	M400022	Jam Nut	
20	M400034	Pal Nut	
REF		Motor Harness	Refer to Table on Page 97
REF	M4426P3	Fan Motor Hardware Kit	Includes Items 2, 4, 13, 20, 21

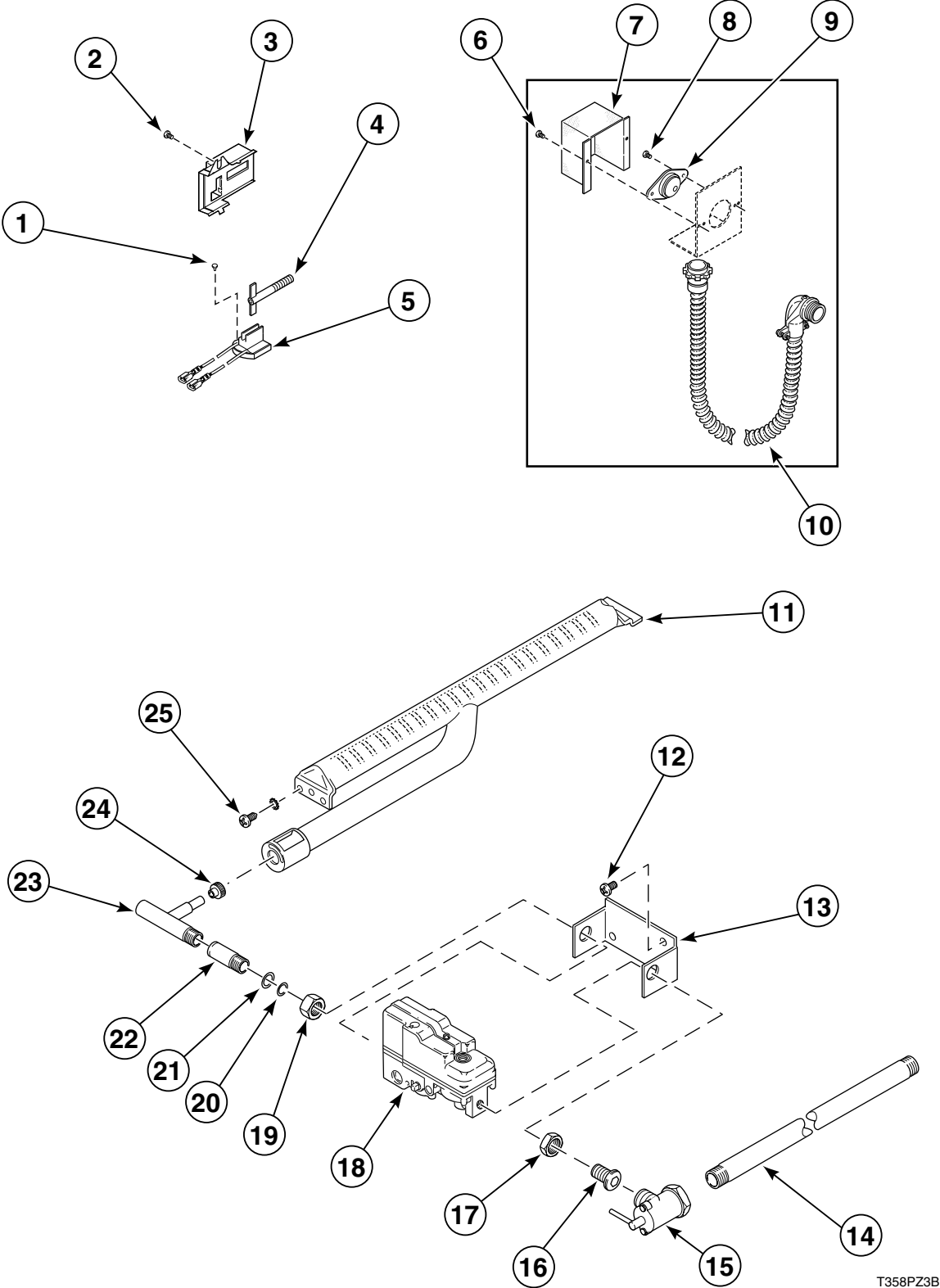
Airflow Switch and Vane Assembly



Airflow Switch and Vane Assembly

REF	PART #	DESCRIPTION	COMMENTS
1	M403235	Handy Box	
2	M400664	Screw, Phillips Head	
3	M400979	Twin Speed Nut	
4	M409202	Bracket	
5	M400712	Barrier	
6	M400944	Switch	
7	M401938	Screw, Phillips Head	
8	M400976	Adjustable Clip	
9	M400822	Counterweight	
10	M400753	Lever	
11	M400542	Air Flow Vane Assembly	
	M400541	Air Flow Vane Assembly	DC, JC, & SC Models
12	M400977	Clip	
13	M400253	Disc	
14	M400539	Switch Box Assembly	
REF	M412423	Switch	EU Models

Burner Assembly for Glowbar Ignition

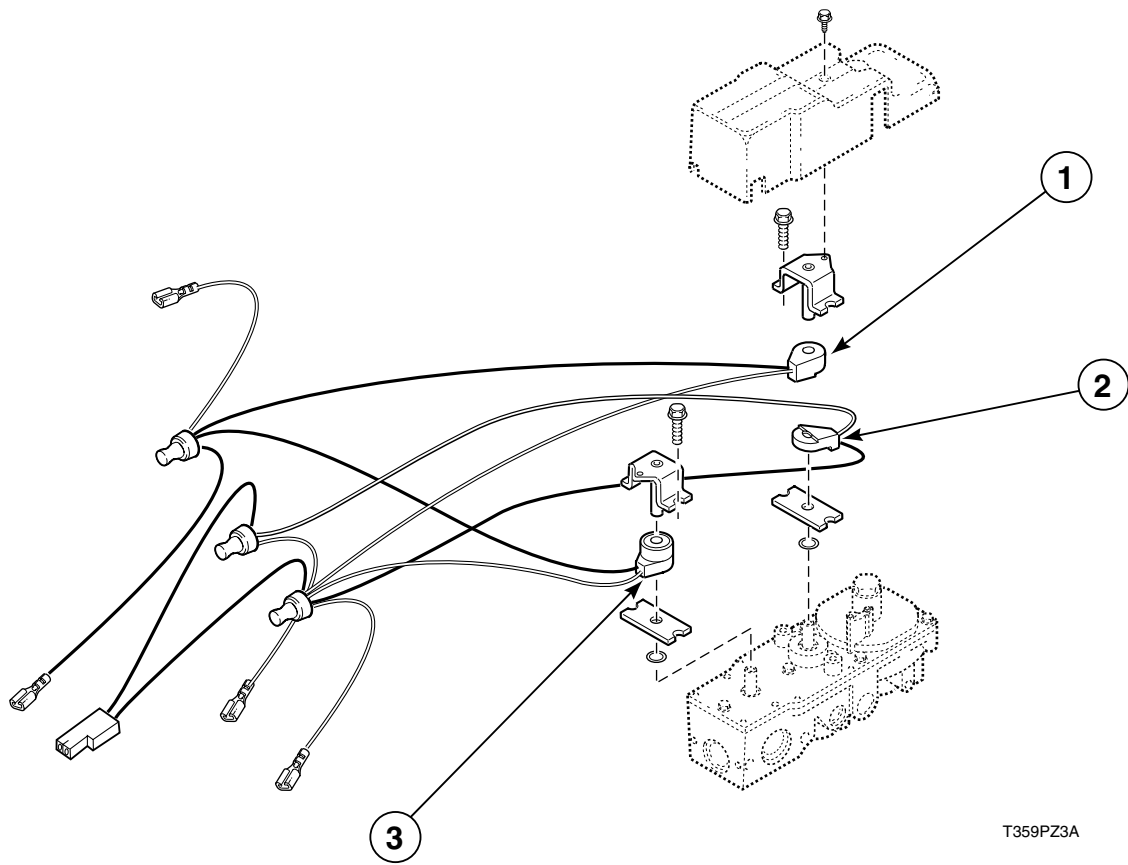


Burner Assembly for Glowbar Ignition

REF	PART #	DESCRIPTION	COMMENTS
1	56693	Screw	
2	M400664	Screw, Phillips Head	XG Models Through Serial No. XTKR010992RH
	51780	Screw	XG Models Starting With Serial No. XTKE010993RH
3	510213	Sensor	
4	55438	Igniter	
5	M409136	Igniter Bracket	
6	M400664	Screw, Phillips Head	
7	M414477	Cover	
8	M402797	Screw	
9	M409433	Thermodisc	
10	M410058	Harness	
11	M405938	Burner	
12	M400664	Screw, Phillips Head	XG Models Through Serial No. XTKR010992RH
	M405188	Screw	XG Models Starting With Serial No. XTKE010993RH
13	M406098	Bracket	
14	M400749	Gas Supply Pipe	
15	M4436P3	Shut-Off Valve	XG Models Through Serial No. XTKR010992RH
	M406455	Shut-Off Valve (Includes Item 17)	XG Models Starting With Serial No. XTKE010993RH
16	M406439	Plug	
17	56281	Nut	XG Models Through Serial No. XTKR010992RH
	M401549	Nut	XG Models Starting With Serial No. XTKE010993RH
18	M406099	Gas Valve	Natural Gas - Refer to Page 60 for Component Parts
	M406136	Gas Valve	LP Gas
19	M401548	Nut	
20	M400605	Anti-Torque Ring	
21	M400606	Retainer Ring	
22	M406308	Manifold Pipe	
23	M4452P3	Spudholder	XG Models Through Serial No. XTKR010992RH
	M403162	Spudholder	XG Models Starting With Serial No. XTKE010993RH
24		Orifice	Refer to Table on Page 95
25	M400664	Screw, Phillips Head	Only XG Models Starting With Serial No. XTKE010993RH

Gas Valve Coils and Conversion Kits

(Glowbar Ignition)



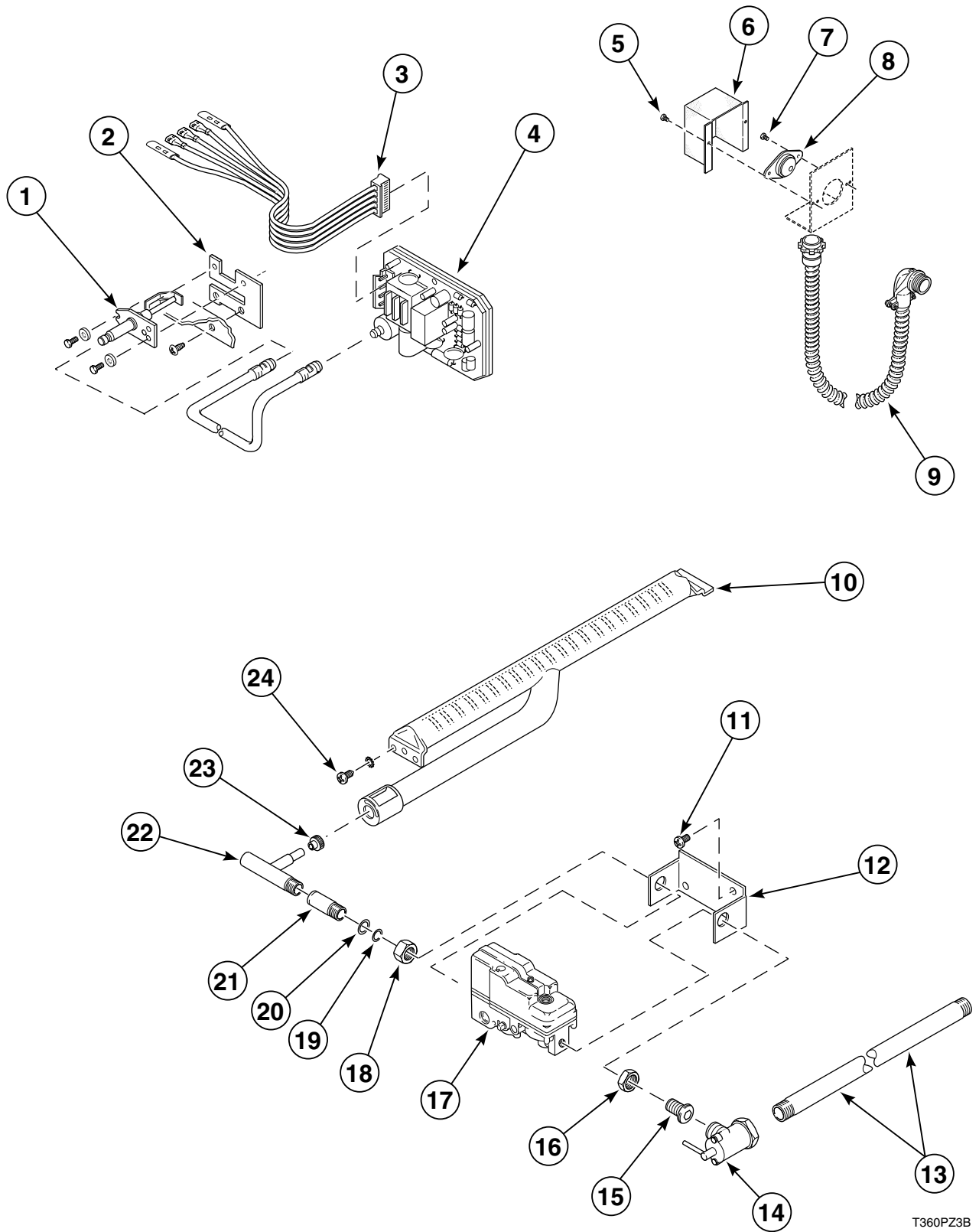
T359PZ3A

Gas Valve Coils and Conversion Kits

(Glowbar Ignition)

REF	PART #	DESCRIPTION	COMMENTS
1	56225B	Holding Coil	
2	56225C	Booster Coil	
3	56225D	Secondary Coil	
REF	M4390P3	Conversion Kit	Natural Gas to LP Gas
REF	M4389P3	Conversion Kit	LP Gas to Natural Gas

Burner Assembly for Instant Electronic Ignition

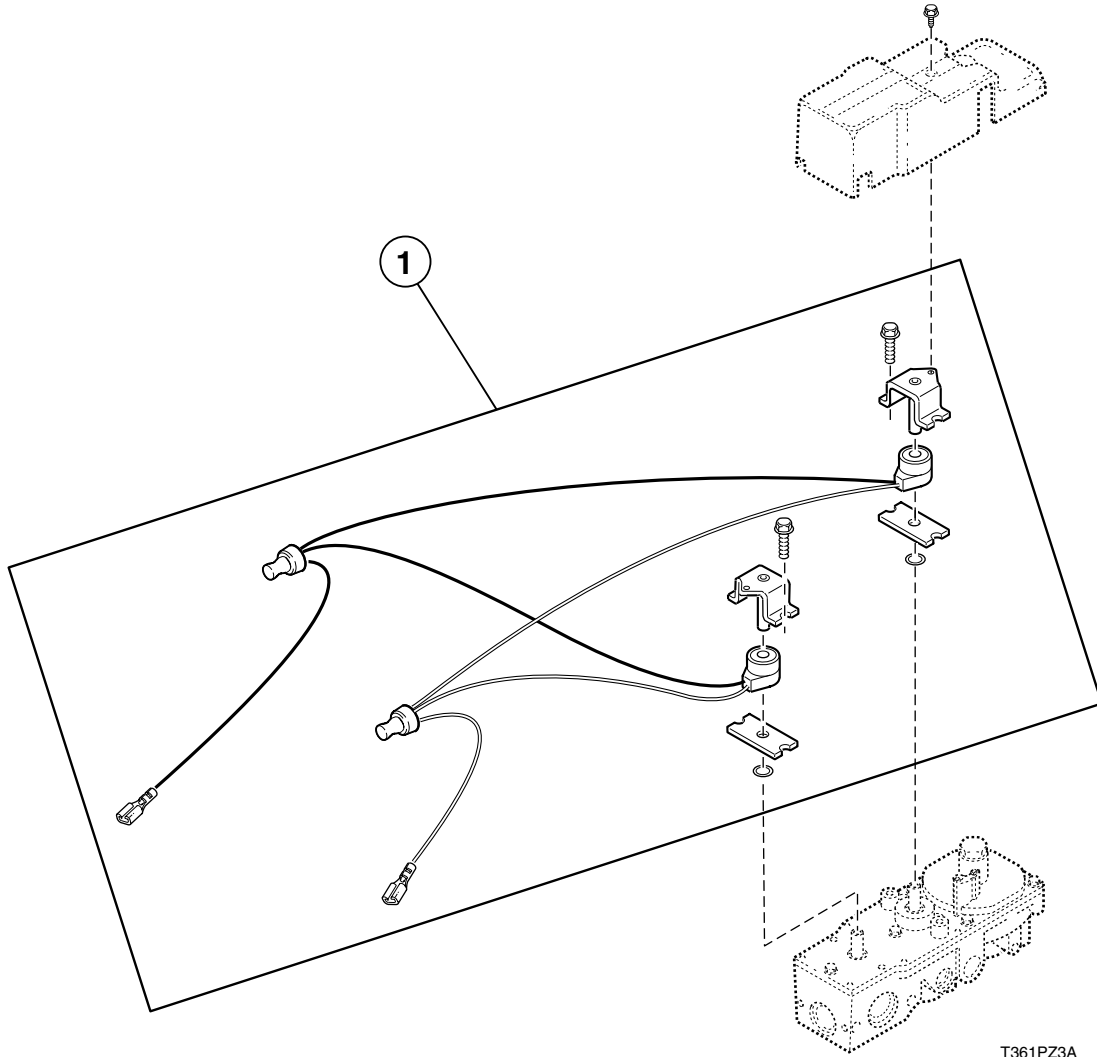


Burner Assembly for Instant Electronic Ignition

REF	PART #	DESCRIPTION	COMMENTS
1	M406934	Spark Igniter	
2	M406936	Igniter Bracket	
3	M410599	Instant Electronic Ignition Harness	
4	M406789	Instant Electronic Ignition Control	
5	M400664	Screw, Phillips Head	
6	M414477	Cover	
7	M402797	Screw	
8	M409433	Thermodisc	
9	M410058	Harness	
10	M405938	Burner	
11	M405188	Screw	
12	M406098	Bracket	
13	M400749	Gas Supply Pipe	
14	M406455	Shut-Off Valve	Includes M401549 Nut
15	M406439	Plug	
16	M401549	Nut	
17	M406782	Gas Valve - Natural Gas	
	M406783	Gas Valve - LP Gas	
18	M401548	Nut	
19	M400605	Anti-Torque Ring	
20	M400606	Retainer Ring	
21	M406308	Manifold Pipe	Includes Item 20
22	M403162	Spudholder	
23		Orifice	Refer to Table on Page 95
24	M400664	Screw	

Gas Valve Coils and Conversion Kits

(Instant Electronic Ignition)



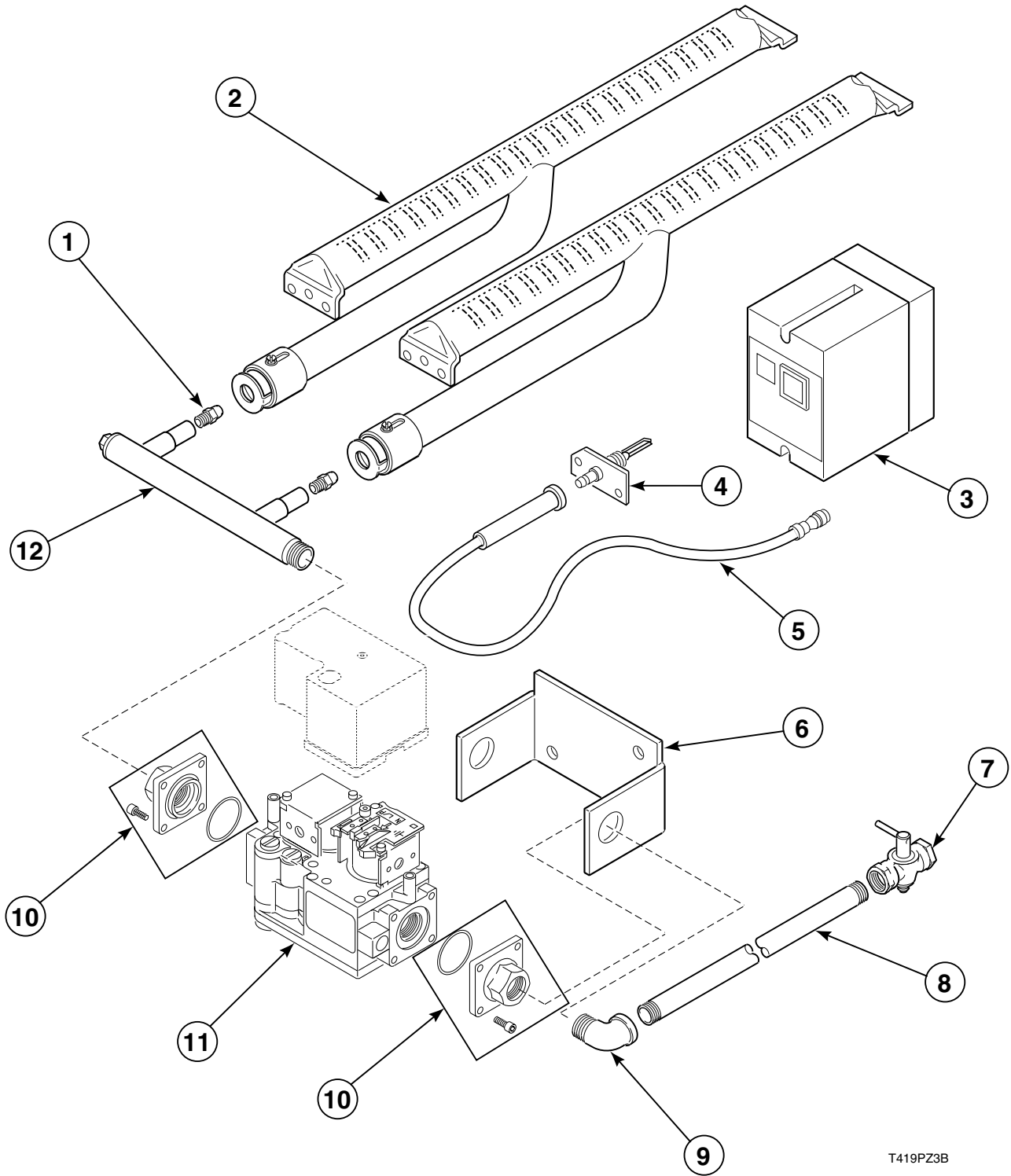
T361PZ3A

Gas Valve Coils and Conversion Kits

(Instant Electronic Ignition)

REF	PART #	DESCRIPTION	COMMENTS
1	M409253	Coil Assembly	
REF	M4390P3	Conversion Kit - Natural Gas to LP Gas	
REF	M4389P3	Conversion Kit - LP Gas to Natural Gas	

Gas Valve Assembly for Dungs/B-M System



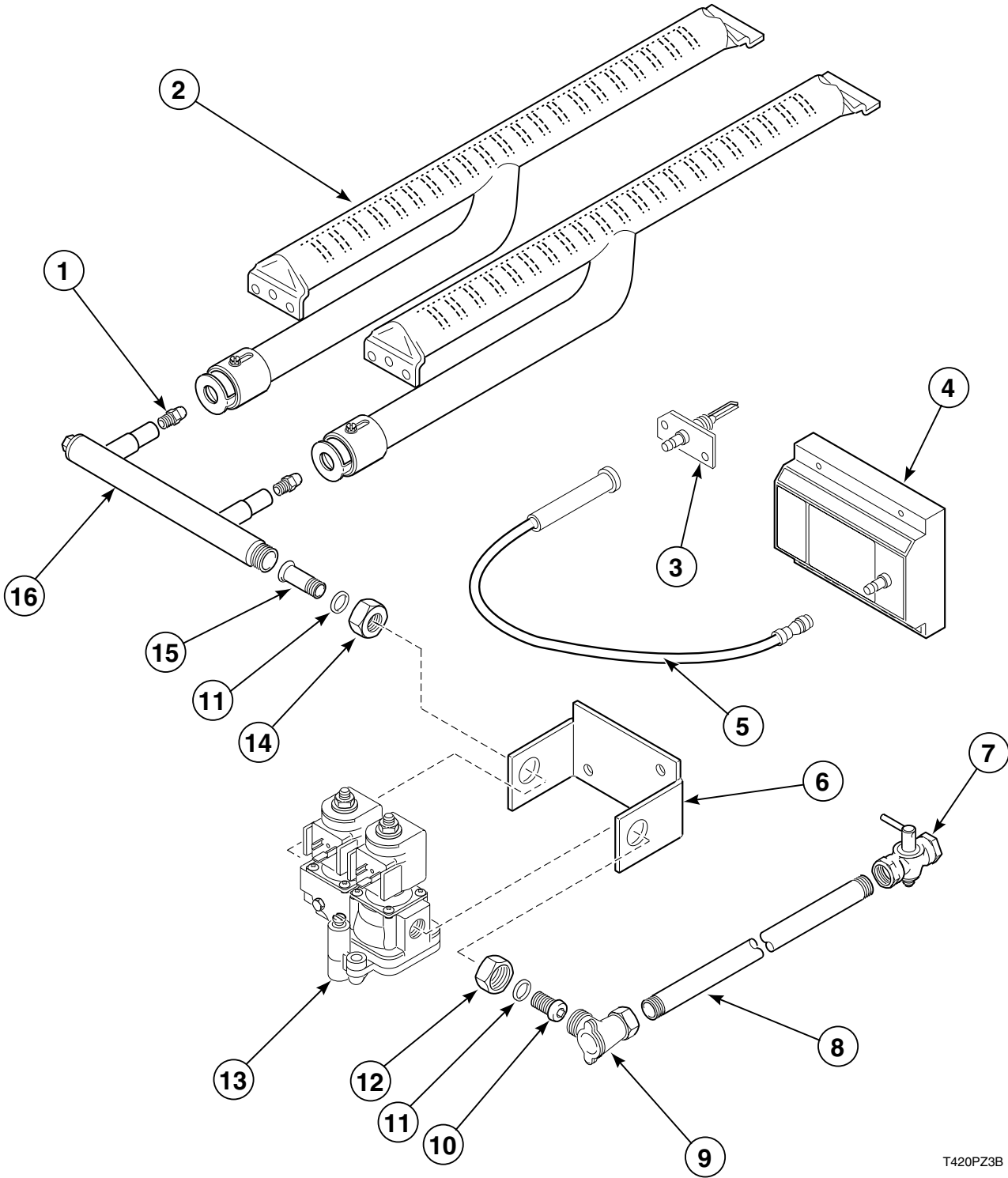
T419PZ3B

Gas Valve Assembly for Dungs/B-M System

REF	PART #	DESCRIPTION	COMMENTS
1		Injector	Refer to Table on Page 97
2	M410541	Burner, Gas	
3	M412549	Control, Ignition	
4	M406934	Igniter, Spark	
5	M412571	Cable, Ignition	
6	M412552	Bracket, Gas Valve	
7	M412562	Valve, Gas Shut Off	
8	M400749	Pipe, Gas Supply	
9	H86070034	Elbow, Pipe	
10	M412568	Assy, Flange w/Gasket	
11	M411982	Valve, Gas	
12	M412466	Holder, Spud	

Gas System

(Channel/Johnson)



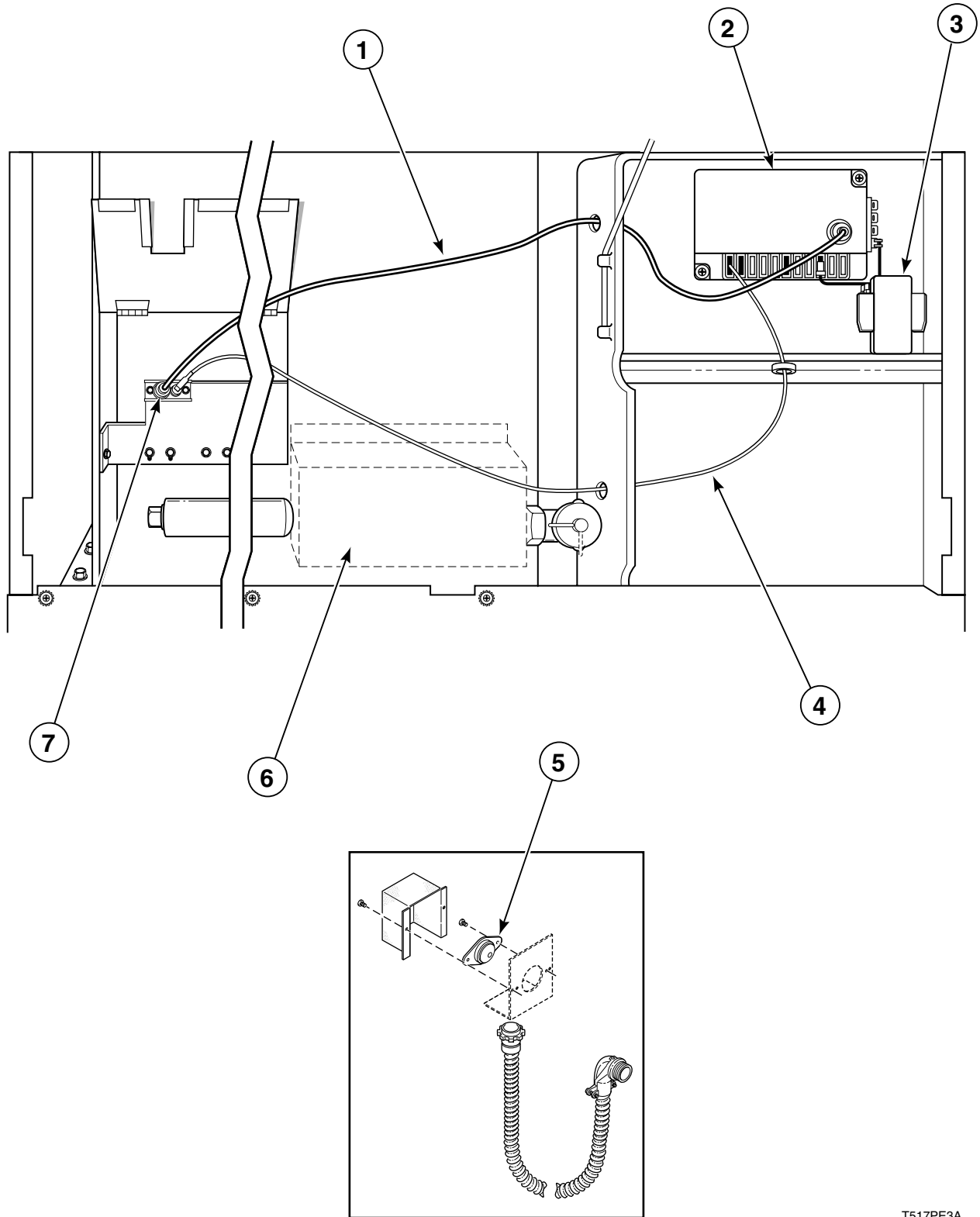
T420PZ3B

Gas System

(Channel/Johnson)

REF	PART #	DESCRIPTION	COMMENTS
1		Injector	Refer to Table on Page 97
2	M410541	Burner, Gas	
3	M406934	Igniter, Spark	
4	M413433	Control, Ignition	
5	M406881	Cable, Ignition	
6	M406814	Bracket, Gas Valve	
7	M412562	Valve, Gas Shut Off	
8	M400749	Pipe, Gas Supply	
9	H86070034	Elbow, Pipe	
10	M413348	Piece, Tail	
11	M400605	Ring, Anti Torque	
12	M401549	Nut	
13	M413332	Valve, Gas	
14	M401548	Nut	
15	M413396	Pipe, Manifold	
16	M403162	Holder, Spud	
REF	M413431	Switch, Ignition Reset (Lighted)	
	M410220	Stove High Limit Thermostat (Manual Reset)	Not Shown

Burner Assembly for Australian Models

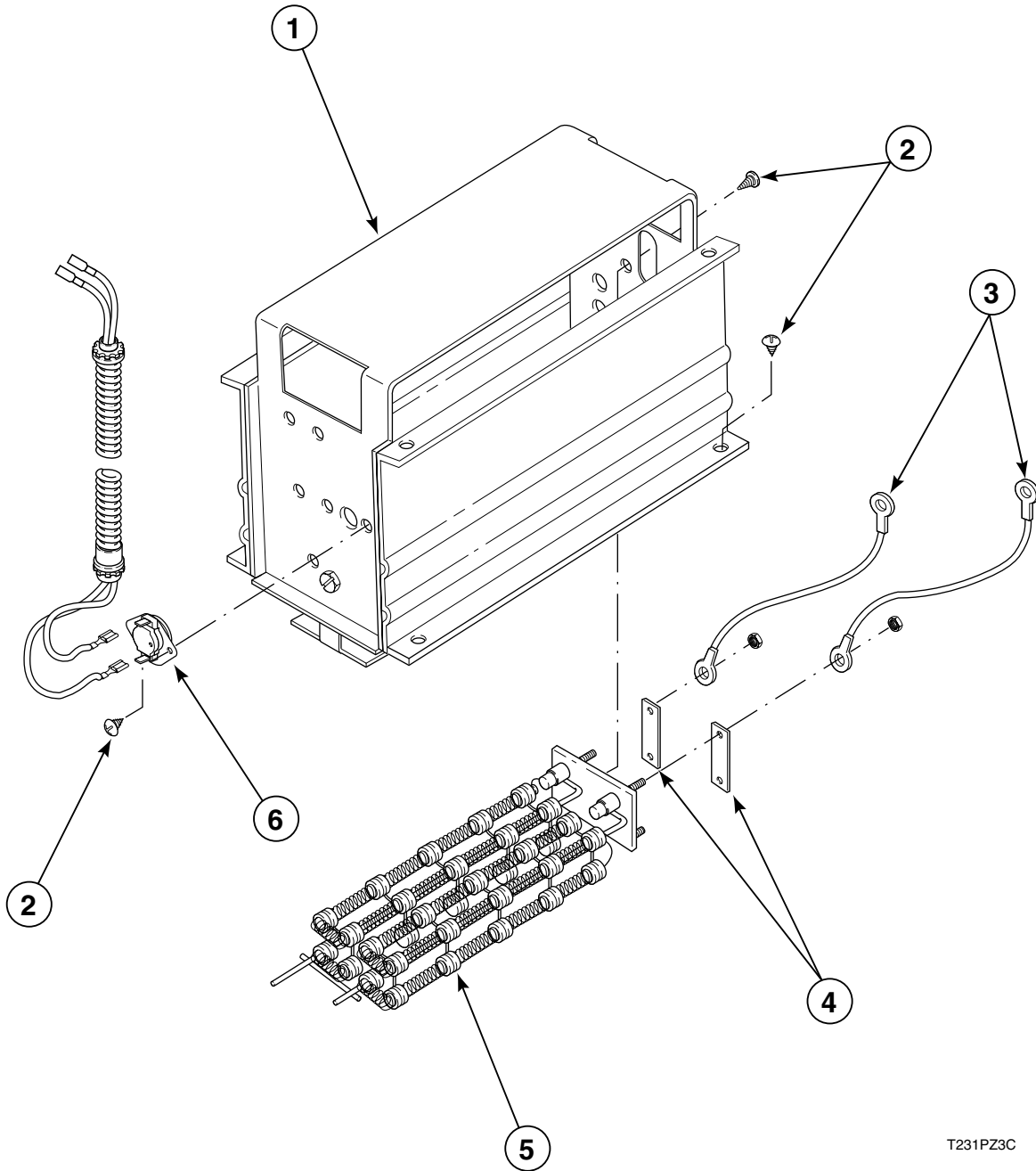


T517PE3A

Burner Assembly for Australian Models

REF	PART #	DESCRIPTION	COMMENTS
1	M410990	High Voltage Lead	
2	M410904	Instant Electronic Ignition Control	
3	M411066	Transformer	
4	M411138	Sensor Jumper Wire	
5	M410220	Stove High Limit Thermostat	
6	M410907	Gas Valve	Natural Gas
	M410908	Gas Valve	L.P. Gas
7	M410905	Spark Igniter Assembly	

Electric Heater Assembly

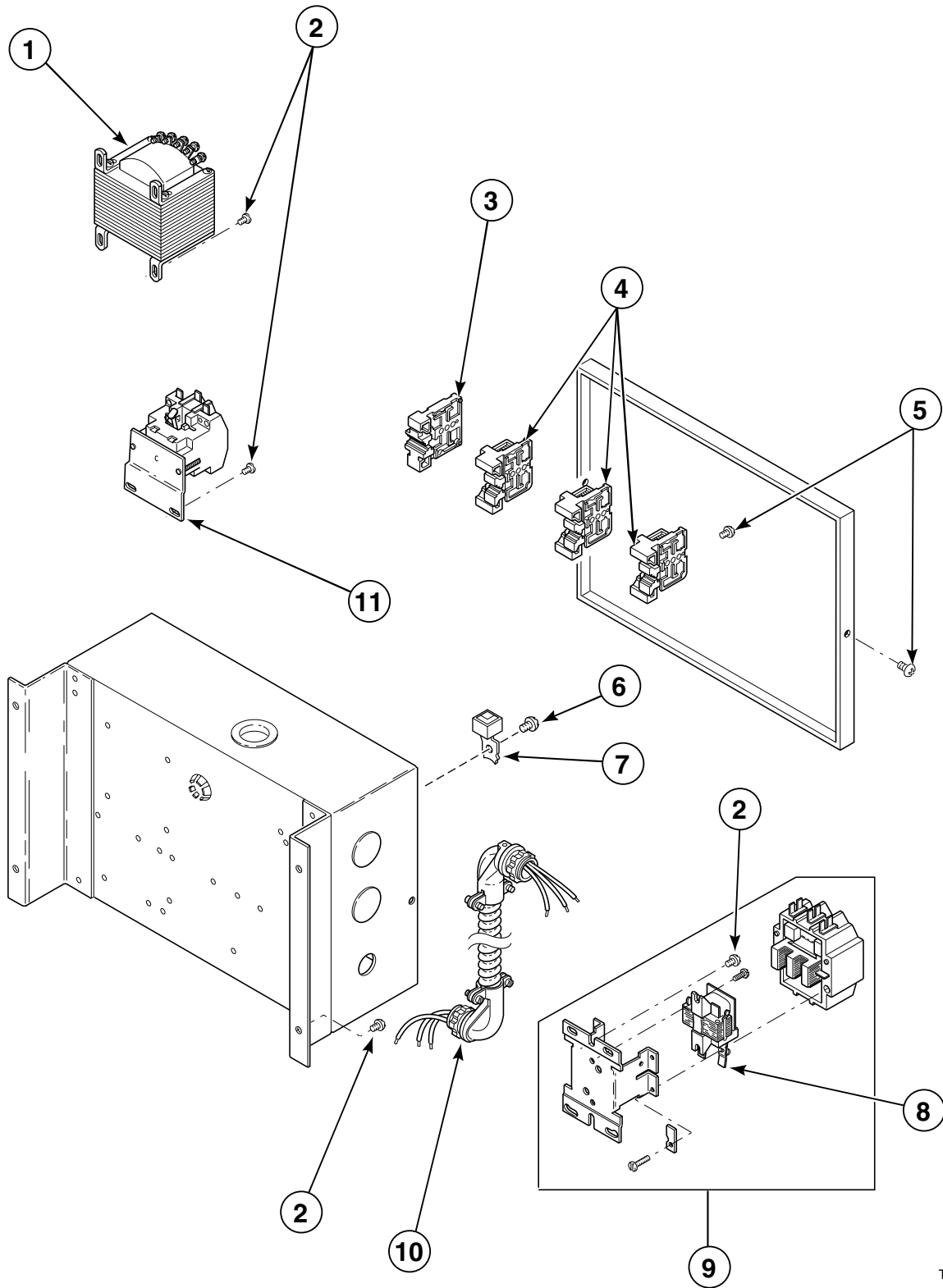


T231PZ3C

Electric Heater Assembly

REF	PART #	DESCRIPTION	COMMENTS
1	M406539	Heater Frame Assembly	
2	M400664	Screw, Phillips Head	
3	M409304	Heater Wires	208 Volt/ 60 Hertz/ 1 or 3 Phase - 6 Required
	M409303	Heater Wires	240 Volt/ 60 Hertz/ 1 or 3 Phase - 6 Required 480 Volt/ 60 Hertz/ 3 Phase - 3 Required
	M403743	Heater Wires	480 Volt/ 60 Hertz/ 3 Phase - 1 Required
4	M400869	Buss Bar - 21 KW	208-240 Volt/ 30 Hertz/ 1 or 3 Phase -6 Required 480 Volt/ 60 Hertz/ 3 Phase - 3 Required
	M400866	Buss Bar - 21 KW	480 Volt/ 60 Hertz/ 3 Phase - 2 Required
5	M405230	Heater Element - 7 KW (3 per tumbler)	208 Volt/ 60 Hertz/ 1 or 3 Phase
	M405253	Heater Element - 7 KW (3 per tumbler)	240 Volt/ 60 Hertz/ 1 or 3 Phase 480 Volt/ 60 Hertz/ 3 Phase
6	M406413	High Limit Thermostat	
	M401404	High Limit Thermostat	
REF	M409302	Heater Assembly - 21 KW	480 Volt/ 60 Hertz/ 3 Phase
REF	M410945	Heater Element - 6 KW	240 Volt - 230 & 415 Volt; DC, JC, & SC Models
REF	M410946	Heater Element - 6 KW	220 Volt - 380 Volt; DC, JC, & SC Models

Electrical Contactor Box Assembly

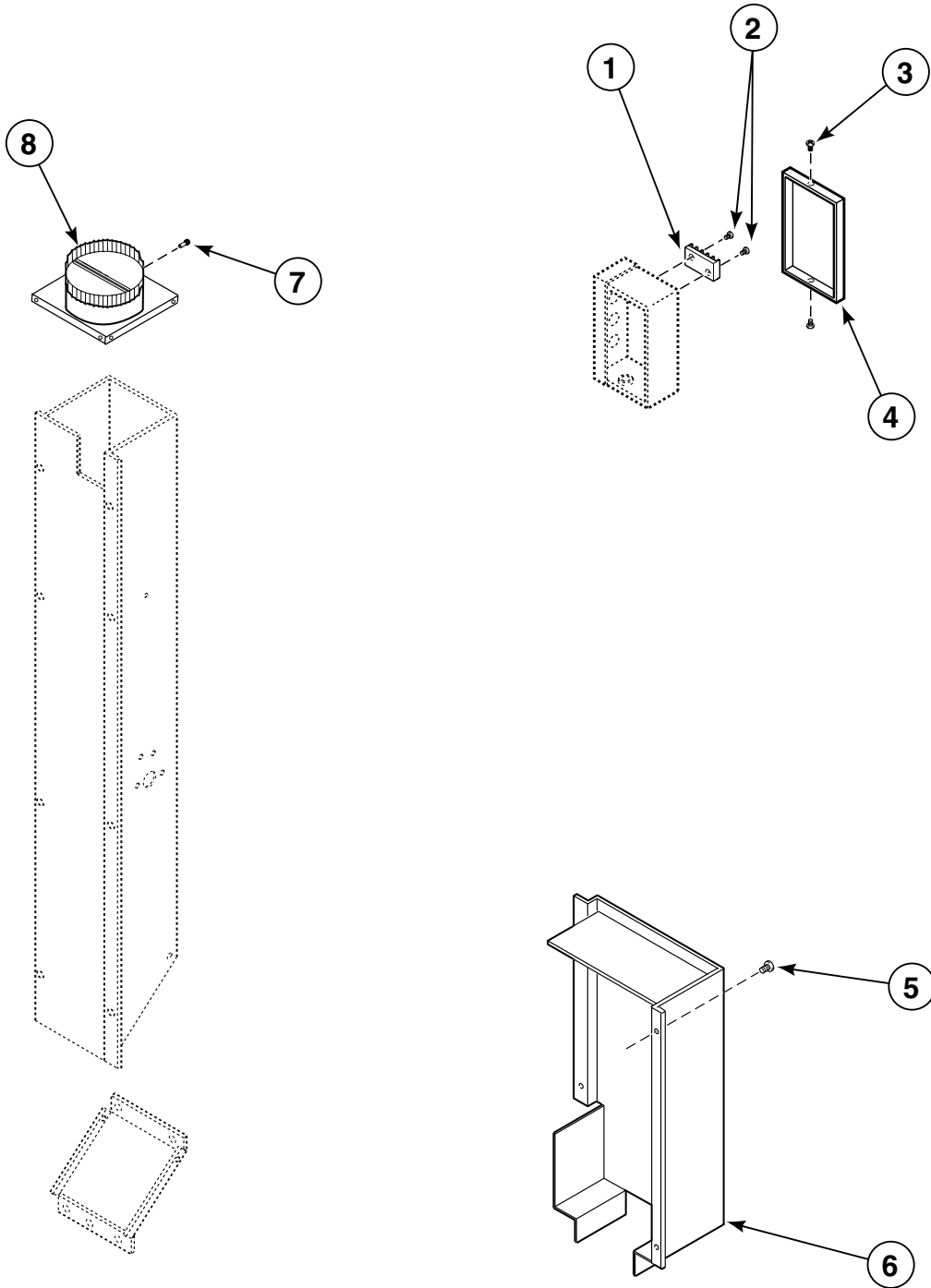


T303PZ3C

Electrical Contactor Box Assembly

REF	PART #	DESCRIPTION	COMMENTS
1	M401391	Transformer	480 Volt Only
2	51780	Screw, Phillips Head	
3	M400681	End Piece	
4	M400685	Terminal Block	208-240 Volt/ 1 Phase - 2 Required 208-240 Volt/ 3 Phase - 3 Required 480 Volt/ 3 Phase - 3 Required
5	M400664	Screw, Phillips Head	
6	M402917	Ground Screw	
7	M411283	Grounding Lug	
8	M400914	Coil	
9	M400904	Heater Contactor	208-240 Volt/ 1 & 3 Phase (Only one used on 480 Volt)
10	M406385	Wire Harness	208-240 Volt/ 1 & 3 Phase
	M409369	Wire Harness	480 Volt/ 3 Phase
11	M400910	Motor Contactor	Replace 1 M400904 Heater Contactor on 480 Volt/ 3 Phase Only
REF	M412117	Wires	Not Shown; 208 Volt/ 60 Hertz/ 1 Phase - 6 Required
REF	M412116	Wires	Not Shown; 480 Volt/ 60 Hertz/ 3 Phase - 3 Required 208-240 Volt/ 60 Hertz/ 1 or 3 Phase - 6 Required

Rear Panel Covers



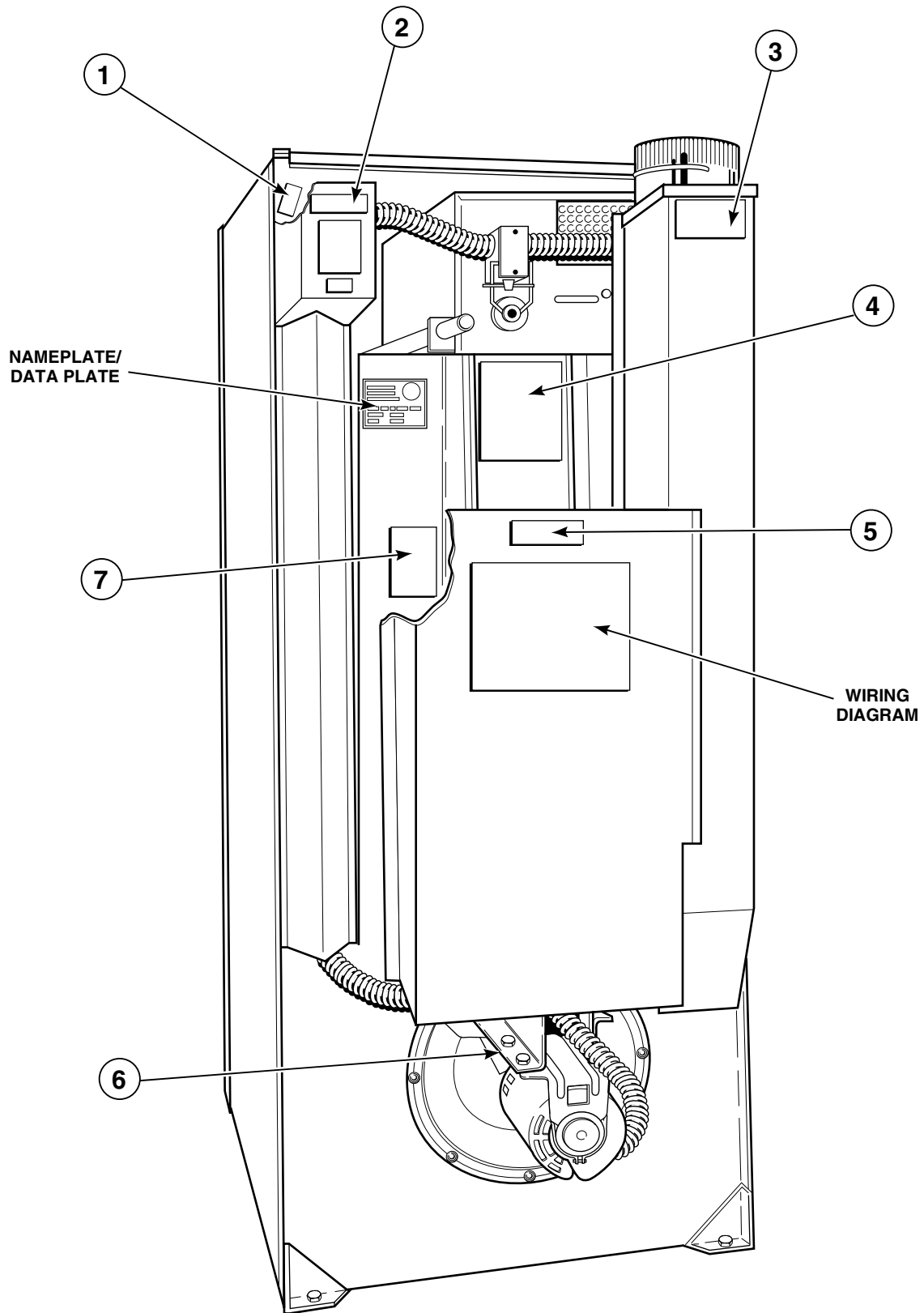
T362PZ3B

Rear Panel Covers

REF	PART #	DESCRIPTION	COMMENTS
1	M405363	Terminal Block	Gas Models Only; 208/240 Volt/ 60 Hertz/ 1 Phase
	M405364	Terminal Block	Gas Models Only; 120 Volt/ 60 Hertz/ 1 Phase
2	M405824	Screws	
3	51780	Screw	
4	M4143P2	Junction Box Cover	
5	51780	Screw	
6	M409467	Chain Guard	
7	M400795	Bumper	
8	M406070GR	Thimble	

Warning Labels

Rear of Tumbler



T232PZ3B

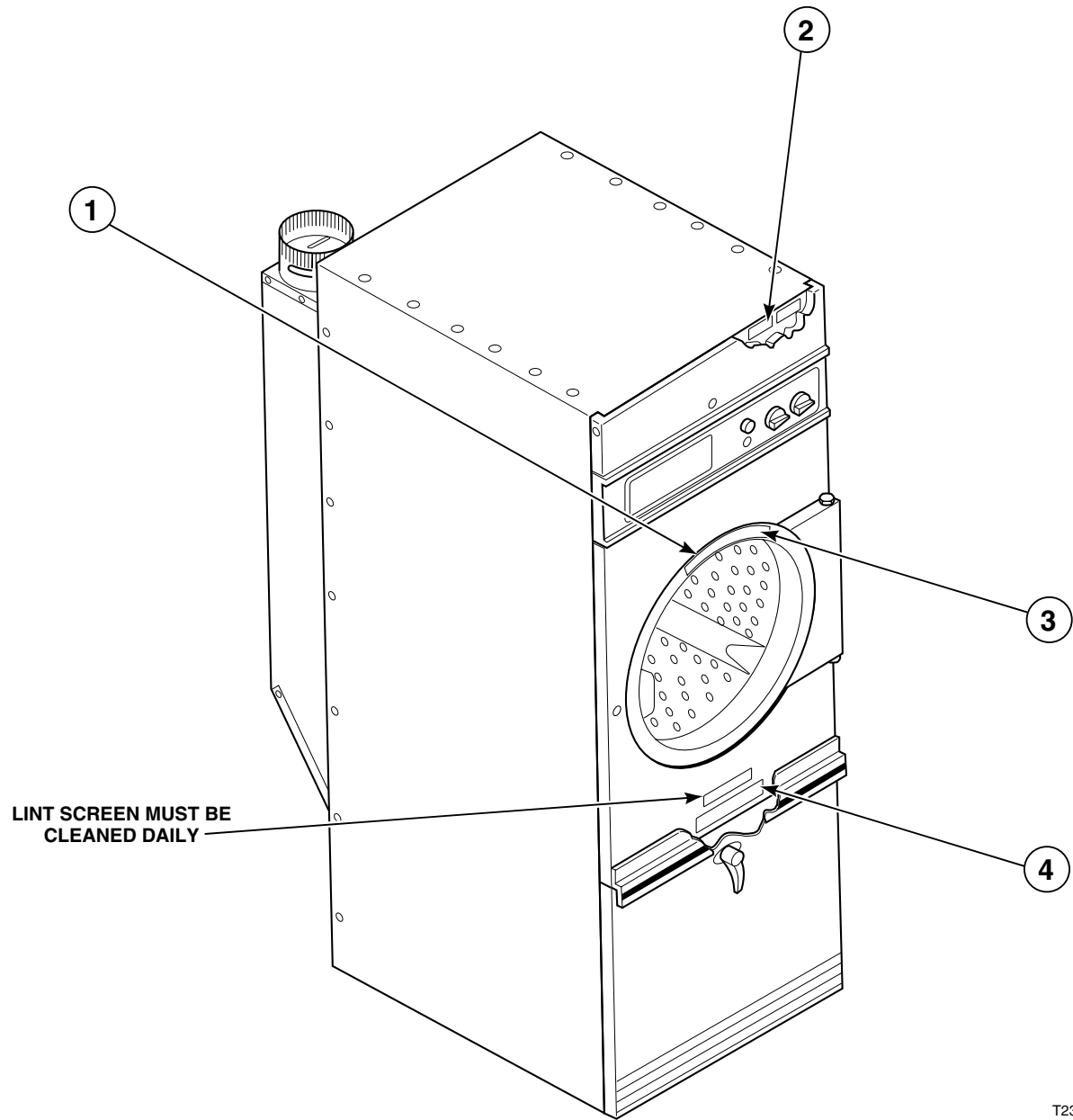
Warning Labels

Rear of Tumbler

REF	PART #	DESCRIPTION	COMMENTS
1	M403047	Secure Ground Wire to Ground Screw Label	
2	500316	WARNING: Disconnect Power Label	
3	M411815	CAUTION: Exhaust Vent Label	
4	M403153	Diagram: Clearance to Combustibles Label	
5	M410083	WARNING: To Operate Machine Safely Chain Guard Must Be In Place Label	
6	430377	WARNING: Do Not Operate Without Guards In Place Label	
7	M410082	WARNING: You Are Exposed to Moving Parts. Do Not Operate Without Guards in Place Label	

Warning Labels

Front of Tumbler



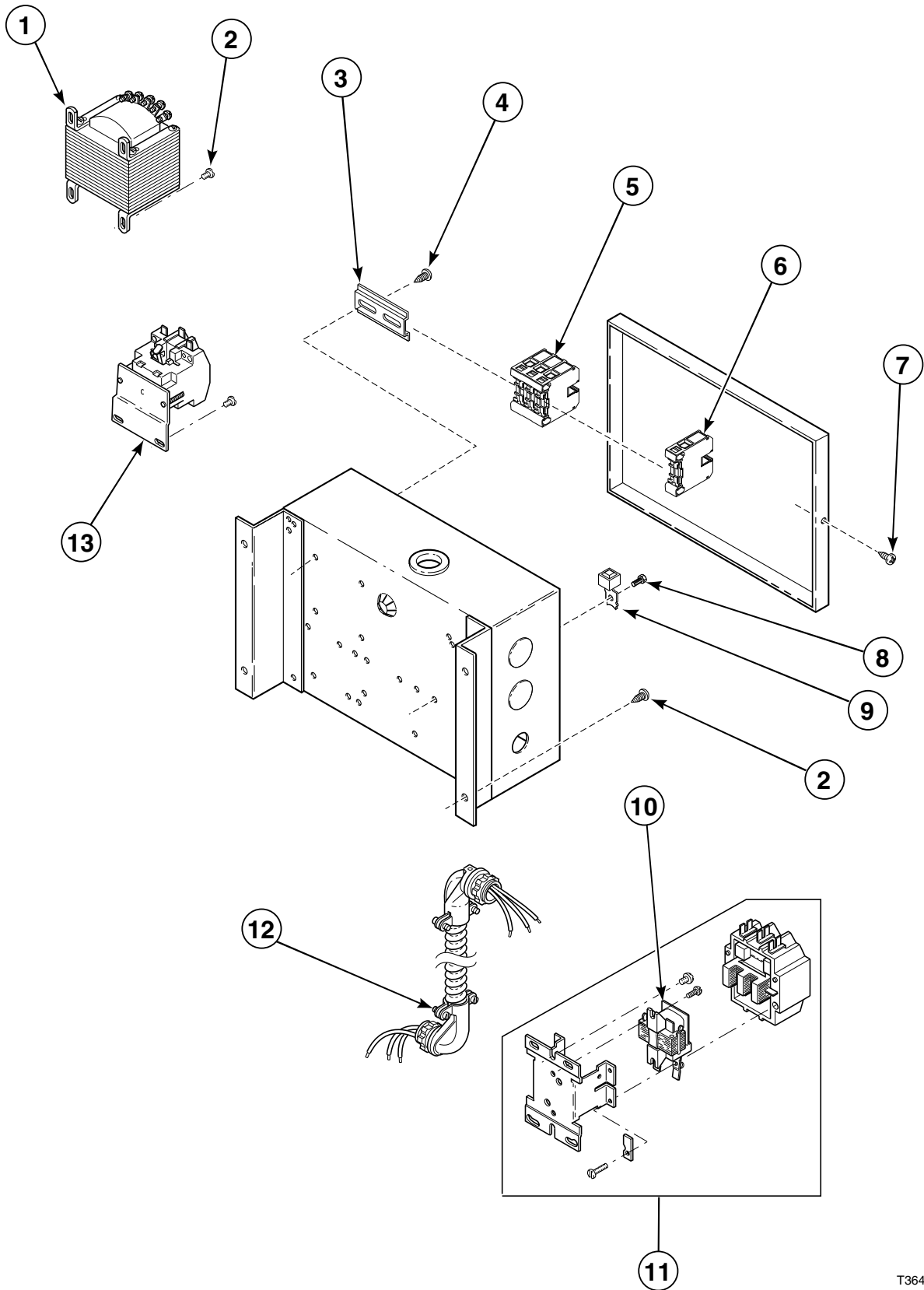
Warning Labels

Front of Tumbler

REF	PART #	DESCRIPTION	COMMENTS
1	M411088	WARNING: Control Panel Label	Electric and Steam Models
2	500316	WARNING: Disconnect Power Label	
3	M410892	WARNING: Control Panel Label	Gas Models
4	M411087	WARNING: Lint Screen Label	

Electrical Contactor Box Assembly

Models Manufactured After 9406



T364PZ3B

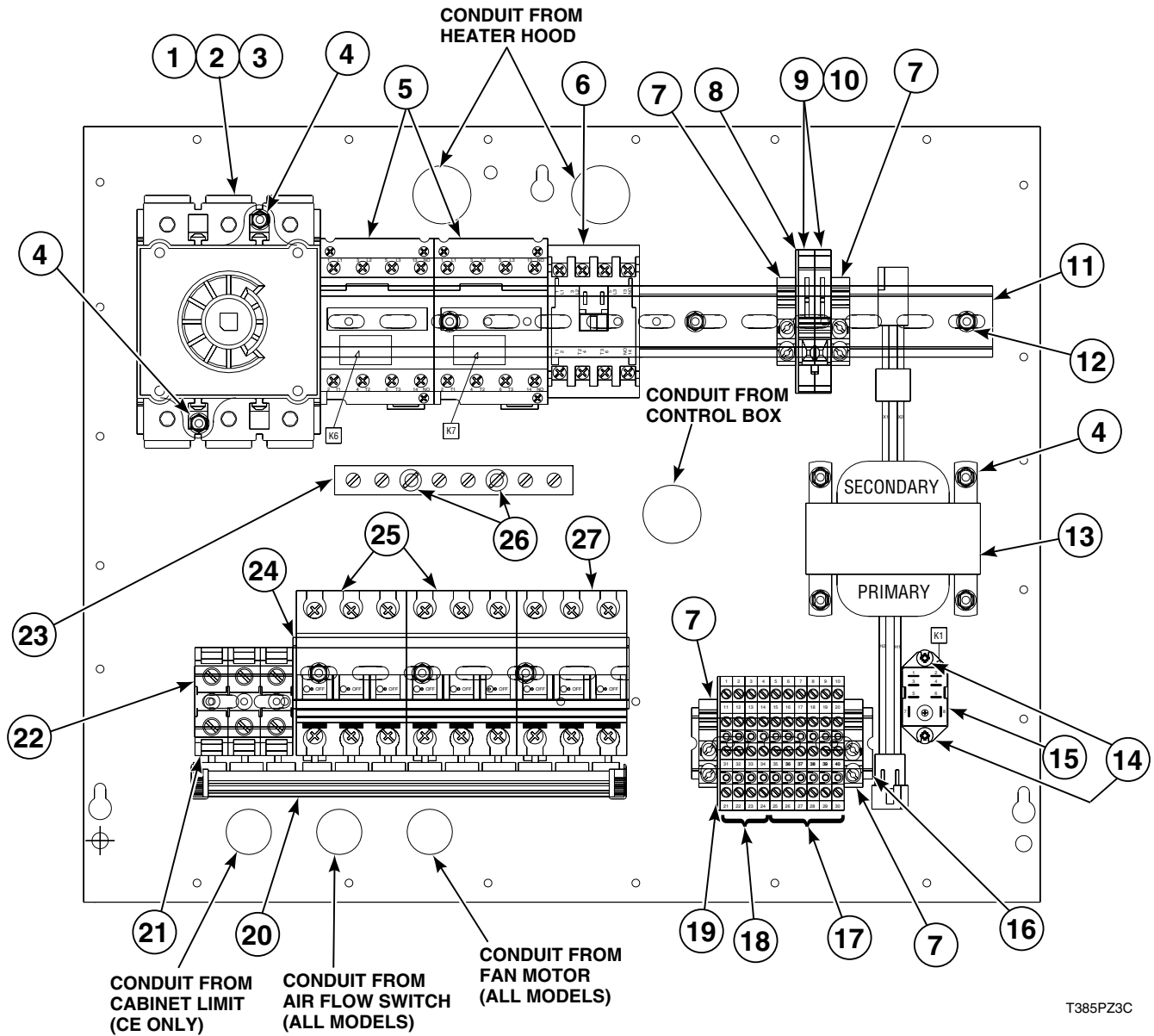
Electrical Contactor Box Assembly

Models Manufactured After 9406

REF	PART #	DESCRIPTION	COMMENTS
1	M401391	Transformer	480 Volt Only
2	51780	Screw	
3	M412106	Din Rail	
4	430497	Screw	2
5	M412045	Terminal Block	
6	M412042	Terminal Block	Use Only on 380-415 Volt, 50 Hertz, 3 Phase Tumblers
7	M400664	Screw, Phillips Head	
8	M402917	Ground Screw	
9	M411283	Ground Lug	
10	M400914	Coil	208/240 Volt (120 Volt Not Available, Order Contactor M405116)
11	M405116	Heater Contactor	120 Volt Control Circuit
	M400904	Heater Contactor	208/240 Volt Control Circuit
12		Wire Harness	Refer to Table on Page 98
13	M400910	Motor Contactor	480/240 Volt Control Circuit
	M400913	Motor Contactor	480/120 Volt Control Circuit
REF	M412116	Wires (Contactor to Terminal Block)	208/240 Volt, 1 or 3 Phase: 6 Required 380-415-480 Volt, 3 Phase: 3 Required

Contactor Box Assembly for Electric Manual Timer & Coin Drop EU Models

230 Volt, 50 Hertz, 3 Phase



T385PZ3C

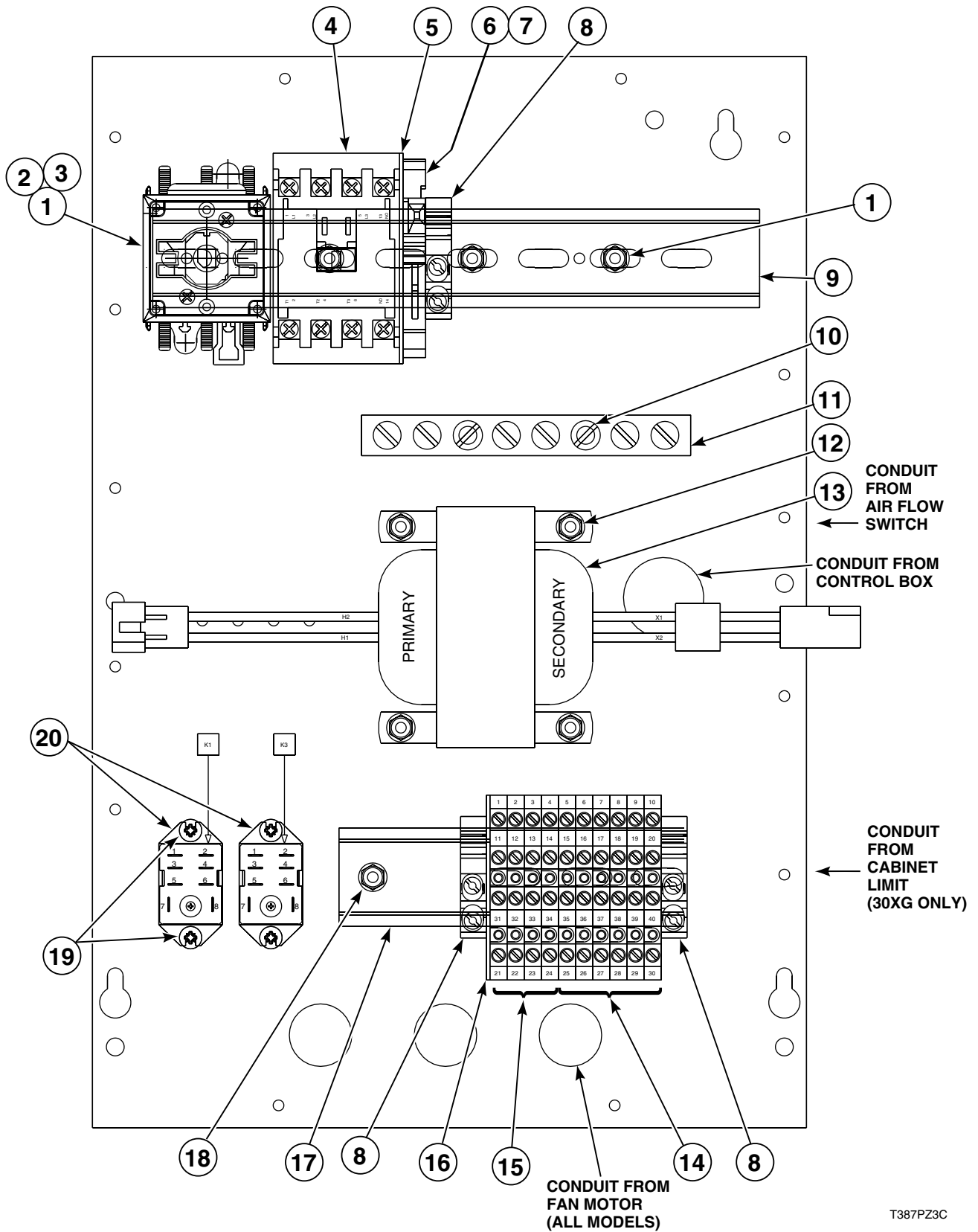
Contactor Box Assembly for Electric Manual Timer & Coin Drop EU Models

230 Volt, 50 Hertz, 3 Phase

REF	PART #	DESCRIPTION	COMMENTS
1	M412186	Base, Mounting Switch 100 Amp	Includes 2 Terminal Blocks
2	M412367	Guard, Finger 100 Amp	
3	M412371	Handle	Includes 2 Screws
4	33562	Screw	
5	M412403	Contactor, Electric 50A	
6	M412404	Contactor, Motor 9A	
7	70121001	End Stop 230 Volt	
8	M412540	End Section 230 Volt	
9	M412537	Fuse Holder, 230 Volt Primary	
10	502593	Fuse, 250Volt /.4A	
11	M412691	Din Rail, 350.2 mm	
12	51780	Screw, Hex Washer Head	
13	M412477	Transformer, 240 Volt	
14	501086	Screw, Hex Head	Dual Timer Models
15	M412534	Relay, 24 Volt, 50-60 Hertz, 1 Phase	Dual Timer Models
16	M412692	Din Rail, 88.9 mm	
17	M412631	Terminal Block, 2 Circuit	
18	M412632	Terminal Block, 1 Circuit	
19	M412633	End Barrier	
20	M412757	Buss Bar, 12 Position	
21	M412045	Terminal Block, 3 Pole	
22	M412694	Din Rail, 48.3 mm	
23	M412656	Ground Buss	
24	M412693	Din Rail, 165.1 mm	
25	M412406	Circuit Breaker, 3 Pole 40A	
26	M412688	Nut, Hex	
27	M412407	Circuit Breaker, 3 Pole 8A	
REF	M412776	Harness, Relay	Dual Timer Models
REF	M412777	Harness, Relay	Coin Operated Models
REF	M412641	Harness, Transformer - Secondary	
REF	M412642	Harness, Transformer - Primary	
REF	M412871	Jumper Wire, 240 Volt 3 Phase	

Contactor Box Assembly for Gas Manual Timer EU Models

230 Volt, 50 Hertz, 1 Phase



T387P23C

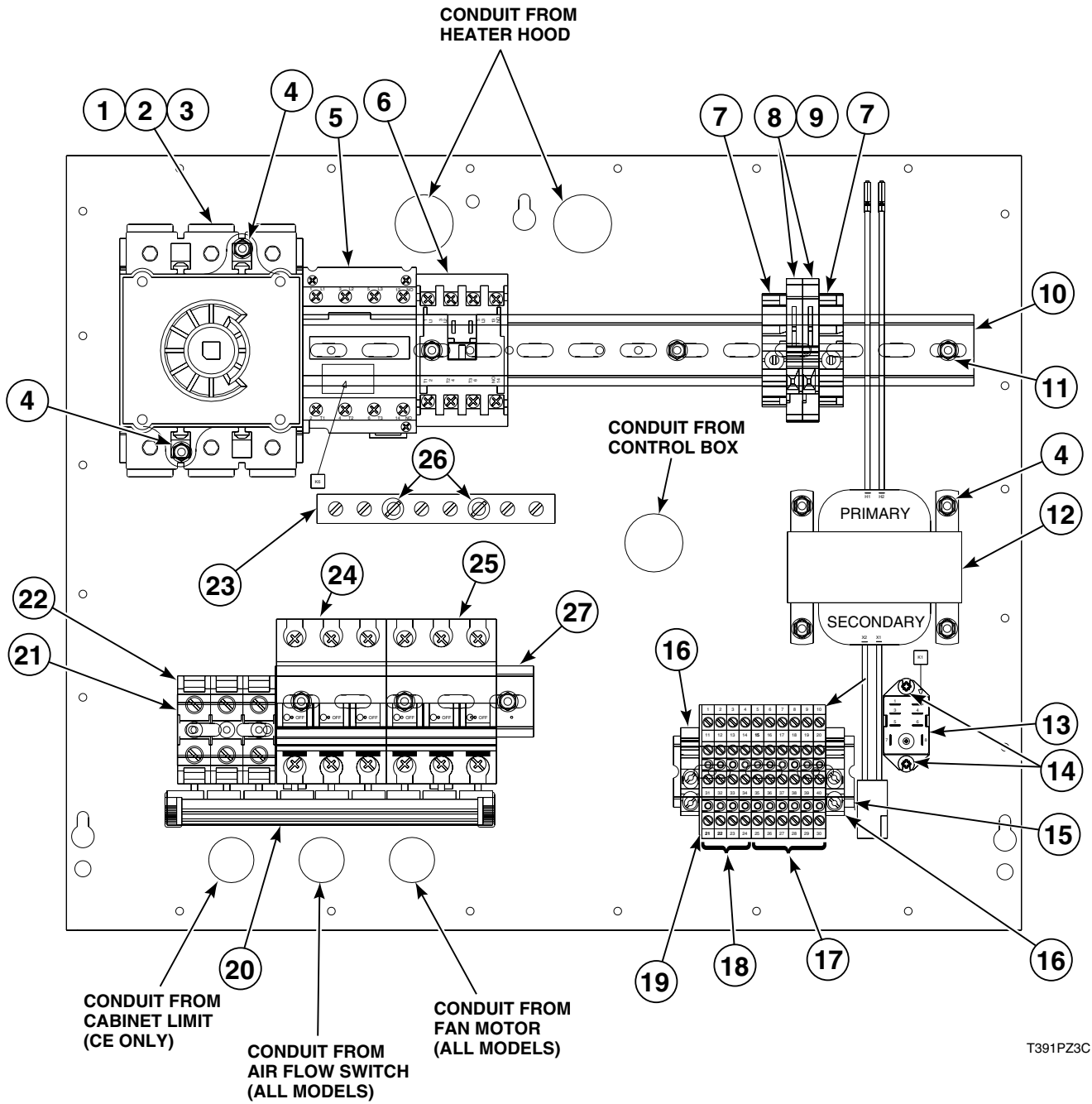
Contactor Box Assembly for Gas Manual Timer EU Models

230 Volt, 50 Hertz, 1 Phase

REF	PART #	DESCRIPTION	COMMENTS
1	M412187	Base, Mounting Switch, 20 Amp	Includes 2 Terminal Blocks
2	M412366	Guard, Finger 20 Amp	
3	M412370	Handle	Includes 2 Screws
4	M412404	Contactor, Motor - 9 Amp	
5	M412540	Section, End	
6	M412537	Holder, Fuse - 230 Volt Primary	
7	502593	Fuse	
8	70121001	Stop, End - 230 Volt	
9	M412689	Rail, Din 215.9 mm	
10	M412688	Nut, Hex #12-24	
11	M412656	Buss, Ground	
12	33562	Screw	
13	M412477	Transformer, 230 Volt	
14	M412631	Block, Terminal - 2 Circuit	
15	M412632	Block, Terminal - 1 Circuit	
16	M412633	Barrier, End	
17	M412772	Rail, Din 127 MM	
18	51780	Screw	
19	501086	Screw	
20	M412534	Relay, 24 Volt, 50-60 Hertz, 1 Phase	
REF	M412636	Harness, Relay (K1, K2, K3)	Manual Timer Gas Models
REF	M412641	Harness, Transformer - Secondary	
REF	M412642	Harness, Transformer - Primary 240 Volt	
REF	M412644	Assembly, Harness Jumper 240 Volt Junction Box	

Contactor Box Assembly for Electric MT & CD EU Models

400 Volt 50 Hertz and 3 Phase



T391PZ3C

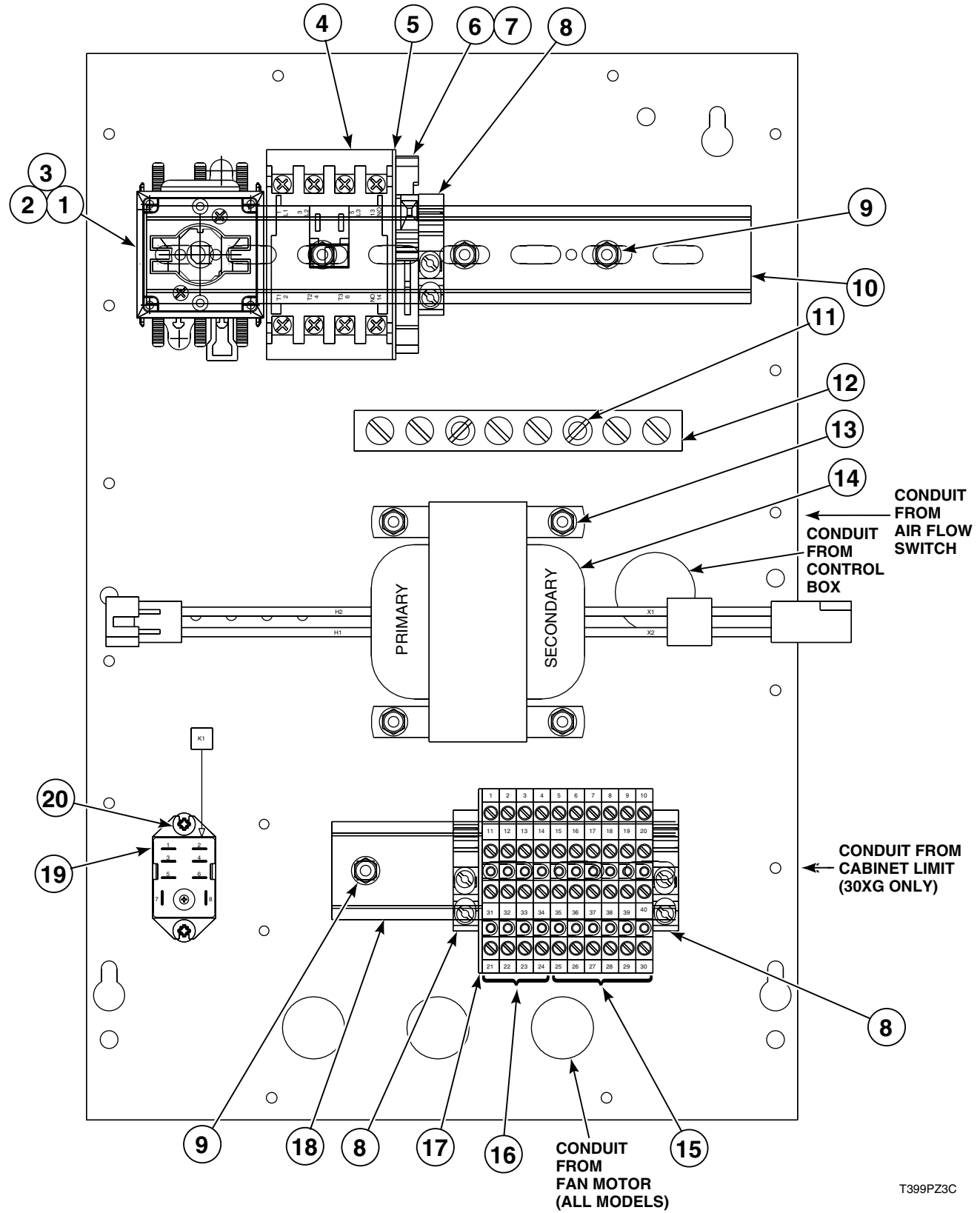
Contactor Box Assembly for Electric MT & CD EU Models

400 Volt 50 Hertz and 3 Phase

REF	PART #	DESCRIPTION	COMMENTS
1	M412186	Base, Mounting Switch 100 Amp	With 2 Terminal Blocks
2	M412367	Guard, Finger 100 Amp	
3	M412371	Handle	With 2 Screws
4	33562	Screw	
5	M412403	Contactor, Electric 50A	
6	M412404	Contactor, Motor 9A	
7	M412615	End Stop 400 Volt	
8	M412538	Fuse Holder, 400 Volt Primary	
9	M412996	Fuse	
10	M412691	Din Rail, 330.2 MM	
11	51780	Screw	
12	M412412	Transformer, 400 Volt	
13	M412534	Relay, 24V/ 50-60 Hertz/ 1 Phase	Dual Timer Models
14	501086	Screw	Dual Timer Models
15	M412692	Din Rail, 88.9 MM	
16	70121001	End Stop 230V	
17	M412631	Terminal Block, 2 Circuit	
18	M412632	Terminal Block, 1 Circuit	
19	M412633	End Barrier	
20	M412756	Comb Buss Bar, 9 Position	
21	M412694	Din Rail, 48.3 MM	
22	M412045	Terminal Block, 3 Pole	
23	M412656	Ground Buss	
24	M412406	Circuit Breaker, 3Pole 40A	30CE
25	M412407	Circuit Breaker, 3Pole 8A	
26	M412688	Nut, Hex #12-24	
27	M412693	Din Rail, 165.1 MM	
REF	M412766	Harness, Relay ELEC MT/HV	Dual Timer Models
REF	M412775	Harness, Relay ELEC CD/HV	Coin Operated Models
REF	M412641	Harness, Transformer - Secondary	
REF	M412803	Jumper Wire, 400 Volt/ 3 Phase C.BOX	

Contactor Box Assembly for Gas Coin Drop Models

230 Volt, 50 Hertz, 1 Phase



T399PZ3C

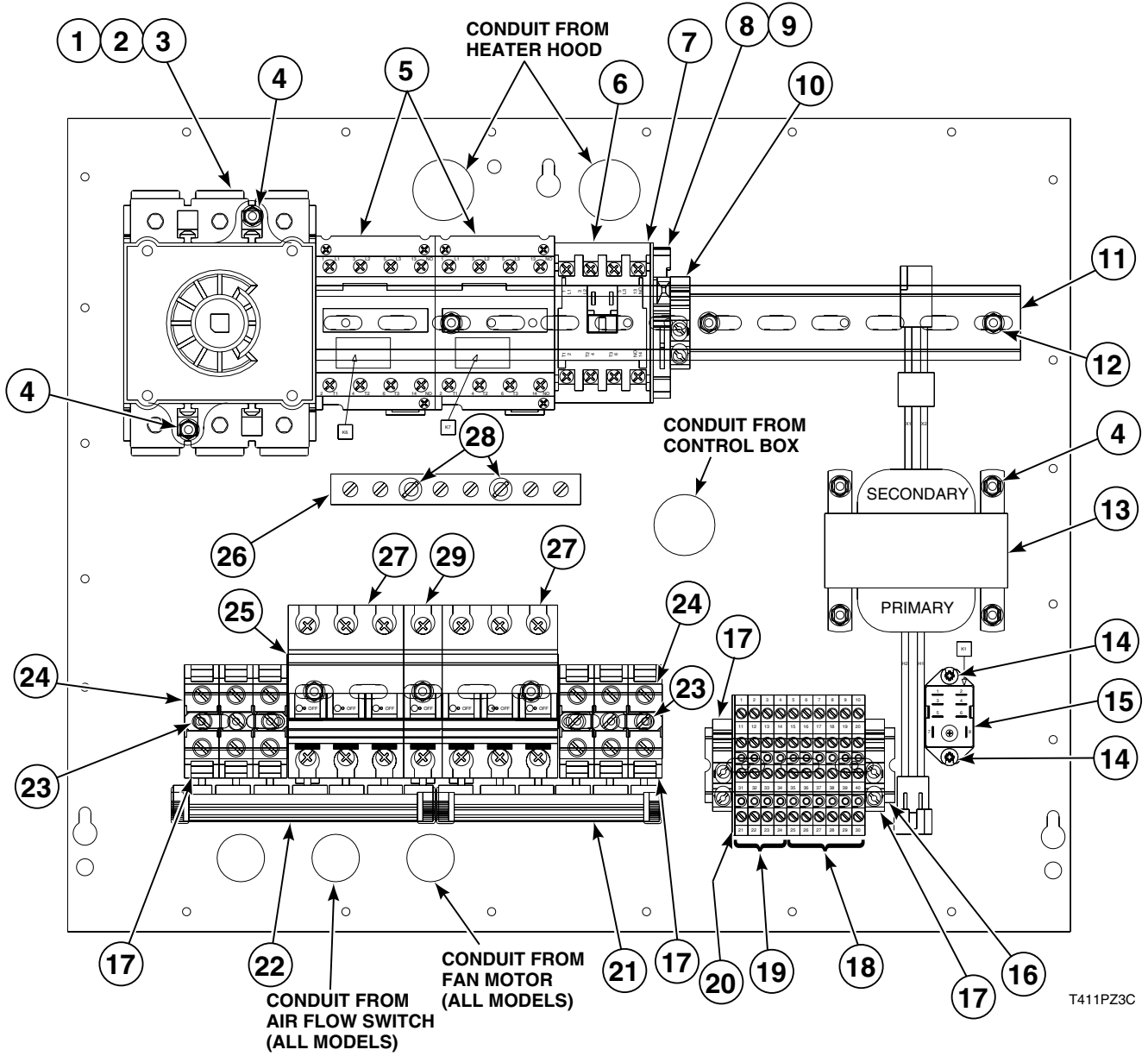
Contactor Box Assembly for Gas Coin Drop Models

230 Volt, 50 Hertz, 1 Phase

REF	PART #	DESCRIPTION	COMMENTS
1	M412370	Handle	
2	M412366	Guard, Finger 20 Amp	
3	M412187	Base, Mounting Switch 20Amp	Includes 2 Terminal Blocks
4	M412404	Contactor, Motor - 9A	
5	M412540	Section, End	
6	M412537	Holder, Fuse - 230 Volt Primary	
7	502593	Fuse	
8	70121001	Stop, End-230 Volt	
9	51780	Screw	
10	M412689	Rail, Din 215.9 MM	
11	M412688	Nut, Hex #12-24	
12	M412656	Buss, Ground	
13	33562	Screw	
14	M412477	Transformer, 230 Volt	
15	M412631	Block, Terminal - 2 Circuit	
16	M412632	Block, Terminal - 1 Circuit	
17	M412633	Barrier, End	
18	M412772	Rail, Din 127 MM	
19	M412534	Relay, 24 Volt/ 50-60 Hertz / 1Phase	
20	501086	Screw	
REF	M412639	Harness, Relay (K2, K3) Gas - Coin	
REF	M412641	Harness, Transformer - Secondary	
REF	M412642	Harness, Transformer - Primary 240 Volt	
REF	M412644	Assembly, Harness Jumper 240 Volt Junction Box	

Contactor Box Assembly for Electric Coin Drop and Manual Timer Models

230 Volt, 50 Hertz, 1 Phase



Contactor Box Assembly for Electric Coin Drop and Manual Timer Models

230 Volt, 50 Hertz, 1 Phase

REF	PART #	DESCRIPTION	COMMENTS
1	M412186	Base, Mounting Switch 100 Amp	Includes 2 Terminal Blocks
2	M412367	Guard, Finger 100 AMP	
3	M412371	Handle	Includes 2 Screws
4	33562	Screw	
5	M412403	Contactor, Electric 50 Amp	
6	M412404	Contactor, Motor 9 Amp	
7	M412540	End Section 230 Volt	
8	M412537	Fuse Holder, 230 Volt Primary	
9	502593	Fuse, 250 Volt/.4A	
10	70121001	End Stop 230 Volt	
11	M412691	Din Rail, 330.2 MM	
12	51780	Screw	
13	M412477	Transformer, 240 Volt	
14	501086	Screw	Dual Timer Models
15	M412534	Relay, 24 Volt/50-60 Hertz/ 1Phase	Dual Timer Models
16	M412692	Din Rail, 88.9 MM	
17	M412045	Terminal Block, 3 Pole	
18	M412631	Terminal Block, 2 Circuit	
19	M412632	Terminal Block, 1 Circuit	
20	M412633	End Barrier	
21	M412754	Comb Buss Bar, 6 Position	
22	M412755	Comb Buss Bar, 7 Position	
23	M412415	Jumper Bar	
24	M412694	Din Rail, 48.3 MM	
25	M412690	Din Rail, 127 MM	
26	M412656	Ground Buss	
27	M412406	Circuit Breaker, 3 Pole 40 A	
28	M412688	Nut, Hex #12-24	
29	M412401	Circuit Breaker, 1 Pole 8 A	
REF	M412776	Harness, Relay ELEC MT/LV	Dual Timer Models
REF	M412777	Harness, Relay ELEC CD/LV	Coin Operated Models
REF	M412641	Harness, Transformer-Secondary	
REF	M412642	Harness, Transformer-Primary	

Control Panels

PART #	DESCRIPTION	COMMENTS
M405465	Coin Drop Control Panel With End Caps	JT Models
M405467	Coin Drop Control Panel With End Caps	ST Models (Silver)
M410387	Coin Drop Control Panel With End Caps	ST Models (Black)
M414195	Coin Drop Control Panel With End Caps	SC Models
M414198	Coin Drop Control Panel With End Caps	JC Models
M406224	Coin Slide Control Panel With End Caps	All Other JT Models
M410386	Coin Slide Control Panel With End Caps	ST Models (Black)
M406234	Coin Slide Control Panel With End Caps	ST Models (Silver)
M414209	Electronic Control Panel With End Caps	SC Models
M414210	Electronic Control Panel With End Caps	JC Models
M405466	Manual Timer Control Panel With End Caps	JT Models
M410390	Manual Timer Control Panel With End Caps	ST Models (Black)
M414201	Manual Timer Control Panel With End Caps	SC Models
M414205	Manual Timer Control Panel With End Caps	JC Models
M413317	Manual Timer Control Panel With End Caps	DC Models
M406233	Microprocessor Control Panel With End Caps	JT Models
M410399	Microprocessor Control Panel With End Caps	ST Models (Black)
M405471	Coin Drop Control Panel, Complete	JT Gas Models
M410388	Coin Drop Control Panel, Complete	ST Gas Models (Black)
M410392	Coin Drop Control Panel, Complete	ST Electric Models (Black)
M412011	Electronic Control Panel, Complete	JT Models
M405474	Manual Timer Control Panel, Complete	JT Gas Models
M410391	Manual Timer Control Panel, Complete	ST Gas Models (Black)
M410393	Manual Timer Control Panel, Complete	208/240 Volt ST Electric Models (Black)
M410394	Manual Timer Control Panel, Complete	480 Volt ST Electric Models (Black)
M411001	Microprocessor Control Panel	
M411006	Manual Timer Control Panel	
M411027	Coin Drop Control Panel	
M411024	Coin Slide Control Panel	

Burner Orifice

All Non-EU Gas Models

GAS TYPE	ALTITUDE	DRILL SIZE NO.	PART NUMBER.
	0 - 2000 feet	19	M402995
Natural Gas	2001 - 4000 feet	20	M401002
	4001 - 6000 feet	22	M400996
	6001-8001 feet	25	M402997
	6001 - 10000 feet	27	M400998
	0 - 2000 feet	39	M401007
L.P. Gas	2001 - 4000 feet	41	M401015
	4001 - 6000 feet	42	M403017
	6001 - 8000 feet	43	M406184
	8001 - 10000 feet	44	M401011

Coin Meter and Drop Assemblies and Front Plates

COUNTRY	TYPE	PART NUMBER	CURRENCY	FRONT PLATE PART NUMBER
South Africa	Coin Meter	M402508-12	20 cents	
Japan	Coin Meter	M402508-14	100 Yen	
Australia	Coin Meter	M402508-21	20 cents	
France	Coin Meter	M402508-24	2 New Francs	
South Africa	Coin Meter	M402508-27	50 cents	
Token	Coin Meter	M402508-31	STD 118-5	
Denmark	Coin Meter	M402508-34	1 Krone	
Token	Coin Meter	M402508-36	STD 118-1	
Australia	Coin Meter	M402508-37	1 Dollar	
Canada	Coin Meter	M402508-44	25 cents	
Spain	Coin Meter	M402508-45	25 peseta	
Token	Coin Meter	M402508-5	STD 118-1	
USA	Coin Meter	M405138	.25/10 min.	
Token	Coin Drop	M411601	STD 118-1	M411925
Canada	Single Coin Drop	M411602	0.25	M411612
France	Single Coin Drop	M411605	2 Franc	M411927
Hong Kong	Single Coin Drop	M411606	\$5	M411928
South Korea	Single Coin Drop	M411608	500 Won	M411930
Denmark	Single Coin Drop	M411704	1 Krone	M411932
Belgium	Single Coin Drop	M411706	5 Francs	M411934
Taiwan	Single Coin Drop	M411707	10 NT	M411935
South Africa	Single Coin Drop	M411708	2	M411936
USA	Single Coin Drop	M412001		M411612
England	Coin Meter	M412542	20 Pence	
France	Coin Meter	M412543	2 French Francs	
Denmark	Coin Meter	M412544	1 Danish Krone	
Belgium	Coin Meter	M412545	5 Belgium Francs	
Token	Coin Meter	M412546	STD118-1	
Token	Coin Meter	M412547	STD118-5	
France	Coin Meter	M413195	5 French Francs	
Australia				M411931
England				M411933
Token				M411929
Token				M411926

Motors

STANDARD CONNECTION MOTORS THROUGH SERIAL NO. XTEK684487YA		QUICK DISCONNECT MOTORS STARTING WITH SERIAL NO. XTEK684488YA	
	MOTOR NO.		MOTOR NO.
208 Volt, 60 Hertz, 3 Phase	M400379	120/208/240 Volt, 60 Hertz, 1-3 Phase	M409438
240 Volt, 60 Hertz, 3 Phase	M411189	120-240, 50 Hertz, 1 Phase	M409735
480 Volt, 60 Hertz, 3 Phase	M411189	240/380/515 Volt, 50 Hertz, 1-3 Phase	M409735
120 Volt, 60 Hertz, 1 Phase	M400383		
208 Volt, 60 Hertz, 1 Phase	M400379		
240 Volt, 60 Hertz, 1 Phase	M400383		
230 Volt, 50 Hertz, 1 Phase	M412513		
230/380-415 Volt, 50 Hertz, 3 Phase	M412516		

Motor Harnesses

STANDARD CONNECTION MOTORS THROUGH SERIAL NO. XTEK684487YA		QUICK DISCONNECT MOTORS STARTING WITH SERIAL NO. XTEK684488YA	
208/240 Volt, 60 Hertz, 1 Phase Nonmicroprocessor Models	M405357	120 Volt, 60 Hertz, 1 Phase Gas Nonmicroprocessor Models	M409459
		208/240 Volt, 60 Hertz, 1 Phase Gas Nonmicroprocessor Models	M409487
		120 Volt, 60 Hertz, 1 Phase Gas Microprocessor Models	M409485
		208/240 Volt, 60 Hertz, 1 Phase Gas Microprocessor Models	M409484
		208/240 Volt, 60 Hertz, 1 Phase Electric Models	M409856

Injectors

Gas Type	UK	IE	PT	ES	IT	DK	NO	SE	FI	DE	NL	BE	FR	AT	Gas Family & Group	Injector	Injector Qty & P/N	Inlet Pressure	Governor/regulator	Injector Pressure
Town Gas				C	C	C				C					First family Group a	7.2 mm	1 M413868	8 mbar	yes	4.0 mbar
Natural Gas	N	N	N	N	N	N	N	N	N	N				N	Second family Group H (E)	4.0 mm	1 M402996	20 mbar	yes	8.9 mbar
											n				Second family Group L (LL)	4.0 mm	1 M402996	25 mbar	yes	13.5 mbar
												C	C		Second family Group E+	3.3 mm	1 M401021	20, 25 mbar	no	unregulated
LP Gas						I	I	I	I	I	I				Third family Group B/P	2.2 mm	1 M401011	30 mbar	no	unregulated
										C			C		Third family Group B/P	2.2 mm	1 M401011	50 mbar	yes	29 mbar
	L	L	L	L	L							L	L		Third family Group 3+	2.2 mm	1 M401011	28, 37 mbar	no	unregulated

N - Available as a factory order as "Natural Gas", configured for Second Family, Group H(E) at 20 mbar.

n - Available as a factory order as "Natural gas", but country sticker, P/N 503382, must be applied to data plate.

L - Available as a factory order as "LP gas," configured for Third Family, Group 3+ at 28 mbar.

I - Available as a factory order as "LP gas," but country sticker, P/N 503382, must be applied to date plate.

C - Modification with 30XG EU gas conversion kit, P/N M4629P3, required for these gas families and groups; not available as a factory order.

OPEN - No approval available.

Special cases:

For "Town gas", order "Natural gas" (regulated), and 30XG EU gas conversion kit, P/N M4629P3.

For LPG Third Family, Group B/P at 50 mbar, order "Natural Gas" (regulated) and 30XG EU gas conversion kit, P/N M4629P3.

Wire Harness Table

PART NO.	HARNESS FUNCTION	USAGE
604P3	Cable, Ignition Control	EU Models Gas Models with Dungs ignition control
M401284	Contactora Box Harness	Models Not Equipped with Junction Box
M401286	Cabinet High Limit Thermostat to Stove	Gas Models Not Equipped with Junction Box
M401909	Air Flow Switch to Junction Box	All CG Models, Coin and Manual Timer
M403425	Accumulator	Coin Slide Models
M403824	Air Flow Switch to Stove High Limit Thermostat	All CG Models, Coin and Manual Timer
M403824	Burner High Limit Thermostat	Gas Models
M403924	Control Panel Harness	All Manual Timer and Coin Models
M405372	Front Control Box to Rear Junction Box	CG & EG Models, Manual Timer 50 Hertz,
M405380	Cabinet High Limit to Stove High Limit Thermostat	EG Models, Coin and Manual Timer
M405381	Cabinet High Limit Thermostat	EG Models
M405385	Control Panel to Junction Box	Coin Meter Models
M405386	Front Control Box to Rear Junction Box	CE, Manual Timer 50 Hertz, and 208/240 Volt, 60 Hertz, 3 Phase
M405823	Air Flow Switch to Cabinet High Limit Thermostat	EG, Coin and Manual Timer
M405871	Front Control Box to Rear Junction Box	Gas Coin Models
M405872	Front Control Box to Rear Junction Box	Manual Timer CE Models and CSH & CSL Models
M405873	Front Control Box to Rear Junction Box	CE Coin
M406545	Control Panel Harness	CE Coin, 480 Volt
M406880	Ignition Control Harness	All Gas Models
M409199	Front Control Box to Rear Junction Box	CG, EG, Manual Timer 120/208/240 Volt, 50-60 Hertz
M409488	Fan Motor to Junction Box	EG, CE, Manual Timer
M409489	Fan Motor to Junction Box	EG, Coin, 208-240 Volt, 60 Hertz, 1 Phase
M409490	Fan Motor to Junction Box	CG, CSH, CSL Coin, Manual Timer, 2 Wire, 1 Phase
M409491	Fan Motor to Junction Box	CG, Coin and Manual Timer, 208-240 Volt, 60 Hertz, 1 Phase
M409982	Fan Motor to Junction Box	CE, Coin 415 Volt, 50 Hertz, 3 Phase
M410523	Front Control Box to Rear Junction Box	CSH, Manual Timer, 480 Volt, 60 Hertz, 3 Phase
M410640	Control Panel Harness	CE, Manual Timer, 480 Volt, 60 Hertz, 3 Phase
M411794	Contactora Box to Junction Box	CE. Coin, Manual Timer, 480 Volt, 60 Hertz, 3 Phase
M411827	Fan Motor to Junction Box	EG, CE, Coin and Manual Timer 3 Phase
M411828	Fan Motor to Junction Box	EG, Manual Timer 208-240 Volt, 60 Hertz, 3 Phase
M411829	Fan Motor to Junction Box	CG, CSH, CSL, Coin & Manual Timer
M411875	Front Control Box to Rear Junction Box	CE, Coin, 415 Volt, 50 Hertz, 3 Phase
M412448	Harness, Control Panel	EU mechanical coin drop models
M412462	Harness, Door Switch	EU mechanical Coin Drop Models
M412479	Harness, Control Panel	EU manual timer models
M412744	Harness, Fan Motor	3 Phase EU Models
M412603	Harness, Control Box Steam	EU Models Steam manual timer and mechanical coin drop with bulb thermostat
M412609	Harness, Stove Limit	Gas Models
M412635	Harness, Air Flow Switch to Junction Box	EU Models gas models with stove mounted air flow switch
M412636	Harness, Relay (K1, K2, K3)	EU Models Gas manual timer models
M412637	Harness, Relay (K2)	EU Models Steam coin models
M412639	Harness, Relay (K2, K3)	EU Models Gas coin models
M412643	Harness, Cabinet Limit	Gas Models
M412645	Jumper, Wire Ground	EU Models Gas models with Dungs ignition control

PART NO.	HARNESS FUNCTION	USAGE
M412669	Harness, Cabinet Limit Cord 66	EU Models gas and electric models
M412711	Harness, Control Box	EU Electric Manual Timer and Coin drop Models with bulb thermostat
M412744	Harness, Fan Motor	3 Phase Models
M412747	Harness, Air Flow Switch to Control Box	EU Models electric models witch cabinet mounted air flow switch
M412765	Harness, Cabinet Limit	WE Models
M412766	Harness, Relay Electric	EU Models 380V and 415 Volt electric manual timer models
M412775	Harness, Relay Electric	EU Models 380 Volt and 415 Volt electric mechanical coin drop models
M412776	Harness, Relay Electric	EU Models 230 Volt electric manual timer models
M412777	Harness, Relay Electric	EU Models 230 Volt electric mechanical coin drop models
M412801	Harness, Heater Cable	All electric EU Models models
M412802	Harness, Heater Cable	All 230 Volt EU Models Electric models
M412918	Harness, Relay (K2)	Micro XG Models
604P3	Harness, Control Box	EU Gas Electronic Control Models with Dungs Ignition Control
M412997	Harness, Gas Valve	EU Models with BM gas valve, single coil connection
M412998	Harness, Control Box	EU Models Gas manual timer and mechanical coin drop with bulb thermostat - Dungs ignition control
M413281	Harness, Fan Motor	1 Phase EU Models
M413282	Harness, Fan Motor	1 Phase Models
M413545	Harness, Main	Manual timer and mechanical coin drop, EU models
M413547	Harness, Main	EDC Models
M413548	Harness, Control Box Gas	EU Models Gas manual timer and mechanical coin drop with bulb thermostat - Channel Products ignition control
M413548	Harness, Control Box	Gas EDC Micro Models with Channel Ignition Control
M413583	Harness, Control Panel	EDC Micro Models
M413650	Harness, Gas Valve	EU Models all with Johnson gas valve, dual coil connections
M413664	Harness, Control Box	Electric EDC Micro Models

Parts Index

A

Accumulator	
M403422	31
Acorn Nut	
M400645	37
M412626	51
Adjustable Clip	
M400976	57
Air Flow Vane Assembly	
M400541	57
M400542	57
Anti-Torque Ring	
M400605	59, 63
Assembly, Cylinder and Shaft	
M406072	45
Assembly, Harness	
M412644	91
Assembly, Harness Jumper	
M412644	87
Assembly, Meter Case	
Refer to Page 28	
Assembly, Trunnion Housing	
M401349P	45
Assembly, Trunnion Shaft	
M406073P	45
Assy, Flange w/Gasket	
M412568	67

B

Barrier	
M400712	57
M406144	7
Barrier, End	
M412633	87, 91
Base, Door Switch	
M412528	39
Base, Mounting Switch	
M412186	85, 89, 93
M412187	87, 91
Bearing	
M400592	45, 47, 49
M413921	45
430038	53
Belt	
M406083	47
M406386	47, 49, 51
Belt Guard	
M413008	55
Block, Terminal	
M412631	87, 91
M412632	87, 91
Bolt	
M400057	55
M400078	47, 49
M400649	45
M400650	45
M401393	55
M402945	29

M405525	47, 49
M412119	53
430648	51, 53
Booster Coil	
56225C	61
Bracket	
M401318	7
M406038	59
M406098	63
M409202	57
Bracket, Gas Valve	
M406814	69
M412552	67
Bracket, Mounting	
60835	29
Bumper	
M400795	77
Bumper Assembly	
M406112	43
Bumper Insert	
M406113	43
Bumper, Lint Panel	
M410782	43
M410843	43
Burner	
M405938	59, 63
Burner Orifice	
M400996	95
M400998	95
M401002	95
M401007	95
M401011	95
M401015	95
M402995	95
M402997	95
M403017	95
M406184	95
Burner, Gas	
M410541	67, 69
Buss Bar	
M400866	73
M400869	73
M412757	85
Buss, Ground	
M412656	87, 91
Button, Emergency Stop	
M412231	9
Button, Switch - Push-to-Start	
M412233	9
Button, Switch-Push to Start	
M412233	13

C

Cable, Ignition	
M406881	69
M412571	67
Cam	
M400732P	21, 23
M400733P	21, 23
M400734P	21, 23
M400735P	21, 23

M400736P.....	21, 23	M412545	96
M400737P.....	21, 23	M412546	96
M400738P.....	21, 23	M412547	96
M400739P.....	21, 23	M413195	96
M400740P.....	21, 23	Coin Slide	
M400741P.....	21, 23	Obtain Locally	
Cam, Timing		Coin Vault	
M400239	31	M402582*	27
53240	31	Coin Vault Shadow Box	
53241	31	M400131P	19
53243	31	Comb Buss Bar	
Cap Screw		M412754	93
20255	51	M412755	93
Cap, End		M412756	89
M401328	9, 13	Connecting Link	
Carriage Bolt		M401360	47, 49
M412475	47, 49	Contactora, Electric	
Chain Guard		M412403	85, 89, 93
M409467	77	Contactora, Motor	
Circuit Breaker		M412404	85, 87, 89, 91, 93
M412401	93	Control	
M412406	85, 89, 93	M411883P	19
M412407	85, 89	M414049P	19
Clip		M414050P	19
M400974	27	Control Panel	
M400975	41	Also Refer to Table on Page 94	
M400977	57	M405465	94
M400984	41	M405466	94
Clip, Barrel		M405467	94
M400972	27	M405471	94
Coil		M405474	94
M400914	75, 83	M406224	94
Coil Assembly		M406233	94
M409253	65	M406234	94
Coin Carrier Spring		M410386	94
M405138A.....	21	M410387	94
M405138B.....	21	M410388	94
Coin Chute		M410390	94
M411882	27	M410391	94
Coin Drop		M410392	94
M406766	25	M410393	94
M411601	96	M410394	94
M414501P.....	17, 25	M410399	94
Coin Drop Assembly		M411001	94
Refer to Table on Page 96		M411006	94
Coin Drop Front Plate		M411024	94
Refer to Table on Page 96		M411027	94
Coin Meter		M412011	94
Also Refer to Table on Page 96		M413317	94
M402508-12.....	96	M414195	94
M402508-14.....	96	M414198	94
M402508-21.....	96	M414201	94
M402508-24.....	96	M414205	94
M402508-27.....	96	M414209	94
M402508-31.....	96	M414210	94
M402508-34.....	96	Refer to Table on Page 94	
M402508-36.....	96	Control Panel Assembly	
M402508-37.....	96	Also Refer to Table on Page 94	
M402508-44.....	96	M411894	19
M402508-45.....	96	M411895	19
M402508-5.....	96	Control Panel Overlay	
M405138	96	M406145	17
M412542	96	Control Panel w/End Caps	
M412543	96	M413317	9
M412544	96	M414195	13
		M414198	13

M414201	9
M414205	9
Control, Ignition	
M412549	67
M413433	69
Conversion Kit	
M4389P3	61, 65
M4390P3	61, 65
Counterweight	
M400822	57
Coupler, Flexible	
M412551	39
Cover	
M414477	59, 63
Cylinder	
M406075	45

D

Detent Spring	
M402455	21
Din Rail	
M412106	83
M412690	93
M412691	85, 89, 93
M412692	85, 89, 93
M412693	85, 89
M412694	85, 89, 93
Disc	
M400253	57
Display Frame	
M406030	41
M406555	41
Display Insert	
M406147	41
M406630	41
M406632	41
Display Window	
M406773	41
Door Assembly	
M400447	37
M410887	37
430475	37
Door Gasket	
M406129	37
Door Glass	
M400784	37
M410885P	37
Door Latch	
M401223	37
Door Switch	
M406103	37
M406119	37
Drive Chain	
M401425	47, 49
Drive Fork	
M400754	21, 23
Drive Sprocket	
M401366	47, 49
Dual Coin Meter	
Not Available as an Assembly	23

E

Elbow, Pipe	
H86070034	67, 69
End Barrier	
M412633	85, 89, 93
End Cap	
M401328	7, 11, 15, 19
End Piece	
M400681	75
End Section	
M412540	85, 93
End Stop	
M412615	89
70121001	85, 89, 93
Escutcheon	
M405884	29
Extension Spring	
M412121	51

F

Fan	
M400086P	55
Fan Housing Cover	
M401362	55
Fan Key	
M400994	55
Fan Motor	
M400379	97
M409438	97
M409735	97
Fan Motor Hardware Kit	
M4426P3	55
Felt Pad	
M402144	45
Flat Washer	
M400080	55
20279	29
Frame, Coindrop	
M403414	13
Front Panel	
M406722	41
M406991*	41
M409088P	41
M410881*P	41
M411125P*	41
Front Plate	
M411612	96
M411925	96
M411926	96
M411927	96
M411928	96
M411929	96
M411930	96
M411931	96
M411932	96
M411933	96
M411934	96
M411935	96
M411936	96
Fuse	
M409997	17

M412996	89
502593	85, 87, 91, 93
Fuse Assembly	
M410202	17
Fuse Holder	
M412537	85, 87, 93
M412538	89

G

Gas Supply Pipe	
M400749	59, 63
Gas Valve	
M406099	59
M406136	59
M406782	63
M406783	63
M410907	71
M410908	71
Glass Seal	
M400962	37
Ground Buss	
M412656	85, 89, 93
Ground Lug	
M411283	83
Ground Screw	
M402917	75, 83
Ground Screw, Hex Head	
H402917	11
M402917	7, 15
Grounding Lug	
M411283	75
Guard, Finger	
M412366	87, 91
M412367	85, 89, 93
Guide Rail	
M412476	51
M413718	47, 49

H

Handle	
M400133	37
M400594P	43
M410918	37
M412370	87, 91
M412371	85, 89, 93
430117	37
Handy Box	
M403235	57
Harness	
M410058	59, 63
Harness, Relay	
M412636	87
M412639	91
M412766	89
M412775	89
M412776	85, 93
M412777	85, 93
Harness, Transformer	
M412641	85, 87, 89, 91, 93
M412642	85, 87, 91, 93

Heat Switch	
M400947	21, 23
Heater Assembly	
M409302	73
Heater Contactor	
M400904	75, 83
M405116	83
Heater Element	
M405230	73
M405253	73
M410945	73
M410946	73
Heater Frame Assembly	
M406539	73
Heater Wires	
M403743	73
M409303	73
M409304	73
High Limit Thermostat	
M401404	73
M406413	73
High Voltage Lead	
M410990	71
Hinge	
M405931	29
Hinge Assembly	
M406116*	37
M406324	37
M412382*	37
Hinge Bolt	
M400653	37
Hinge, Door	
M412378*	39
Holder, Fuse	
M412537	91
Holder, Spud	
M403162	69
M412466	67
Holding Coil	
56225B	61
Housing, Trunnion	
M400144	45

I

Idler Arm	
M414320P	53
Idler Assembly	
M412229P	49
Idler Housing	
M412103	53
M412103P	47, 49
M412229P	53
Idler Housing Assembly	
M412229P	47, 53
Idler Shaft	
M401374	47
M406377	49
M412222	53
M412223	53
Idler Sprocket	
M401369	47, 49

Idler Support Plate M414405	51
Idler Wheel 430619	53
Igniter 55438	59
Igniter Bracket M406206	59
M406936	63
Igniter, Spark M406934	67, 69
Index Lever Spring M400731	23
Index Spring M402455	21
Injector Also Refer to Table on Page 97	
M401011	97
M401021	97
M402996	97
M413868	97
Instant Electronic Ignition Control M406789	63
M410904	71
Instant Electronic IgnitionHarness M410599	63
Instruction Plate M406303	17

J

Jam Nut M400022	55
M400023	45, 47, 49, 51
M400026	45
Jumper Bar M412415	93
Jumper Wire M412803	89
M412871	85
Junction Box Cover M4143P2	77

K

Key M400010	45, 51
M401327	47, 49, 51
Order by Key Code from Price List	
Key, Service Door 54612	29
Kickplate M414436P	43
Knob M400777	33
M410928	33
Knob, Timer M400773	7, 9
M410927	7, 9

L

Latch, Cam and Screw M400595	43
Lever M400753	57
Light, Indicator M400703	7
M400704	7
M404151	15
M412234	9
Light, Indicator M412234	13
Lint Hood M400515	43
Lint Panel M406110*	43
M406327	43
M406523*	43
M406529*	43
M410666*	43
Lint Screen M400522	43
M400523	43
Lock and Key Assembly M404101	41, 43
Locknut 23951	19
Lockwasher M400013	45, 47, 49, 55
M400014	29, 47, 49
M403958	51
M412188	51
03815	43
21734	29
Lock, Service Door 27260	29

M

Manifold Pipe M406308	59, 63
Meter Case Assembly M406479*	29
Meter Frame M403414	11, 17
Micro V Belt M411424	51
M411425	51
Micro V Pulley M411466	53
Micro V Sheave M412155	51
Microprocessor M413478P	17
M43477P	17
Mirror M403333	29
Motor Also Refer to Table on Page 97	
M400383	97
M411189	97
M412513	97

M412516	97
Motor Bracket	
M411483	51, 55
Motor Contactor	
M400910	75, 83
M400913	83
Motor Harness	
Also Refer to Table on Page 97	
M405357	97
M409459	97
M409484	97
M409485	97
M409487	97
M409856	97
Motor Pulley	
M406378	55
M406379	55
Motor, Timer	
M400609	7
M400793	7
M400794	7
Mounting Plate	
M411595	19

N

Nut	
M400026	47, 49, 51
M400672	41
M401548	59, 63, 69
M401549	59, 63, 69
M404993	51
02428	47, 49, 55
20274	29
52566	53
56156	53
56281	59
70142	55
91030	17
Nut & Washer Assembly	
29351	37
Nut, Hex	
M412688	85, 87, 89, 91, 93
Nut, Retainer	
M400672	13
Nylon Washer	
M400675	37

O

Orifice	
Refer to Table on Page 95	
Overlay Lens	
M406104	17
Overlay, Electronic Control	
M412343	19

P

Pal Nut	
M400034	55

M400036	45, 49, 51
Panel Key	
M401680	41, 43
Pawl Spring	
53244	31
Piece, Tail	
M413348	69
Pipe, Gas Supply	
M400749	67, 69
Pipe, Manifold	
M413396	69
Plate	
81637	17
Plug	
M406439	59, 63
Pop Rivet	
M405750	7, 11, 15, 19
Pulley Key	
M400993	55

R

Rail, Din	
M412689	87, 91
M412772	87, 91
Ratchet Wheel	
53239	31
Rejector	
81312D	25
82221P	25
Relay	
M400911	7
M400912	7
M412534	85, 87, 89, 91, 93
Resistor	
M400527	7, 11
Retainer	
M400820	43
M401301	7, 11, 15, 19
M401302	7, 11, 15, 19
Retainer Ring	
M400606	59, 63
Retainer Spring	
M406297	21
Retainer, Left	
M401301	9, 13
Retainer, Right & Center	
M401302	9, 13
Retaining Ring	
M400399	51
Return Spring	
M400746	23
M405138A	21
53261	31
Rib Rod	
M400901	45
Ring, Anti Torque	
M400605	69
Rivet	
M400003	27, 37
M400713	41

Rivet, Pop	
M405750	9, 13
Run Light	
M404151	11
Run Switch	
M400001	21, 23

S

Screw	
M400664	17, 35, 63
M401902	41
M402797	59, 63
M405188	55, 59, 63
M405824	77
M409076	43
M409385	37, 45
M411052	9
M412531	39
M412532	39
33562	7, 11, 19, 29, 85, 87, 89, 91, 93
430497	19, 41, 83
501086	87, 89, 91, 93
501524	19
51780	59, 77, 83, 87, 89, 91, 93
56693	59
Screw and Lockwasher	
03950	29
Screw with Lockwasher	
M401902	15, 17, 29, 41
Screw, Hex Head	
501086	85
52909	29
Screw, Hex Washer Head	
51780	85
Screw, Phillips Head	
M400071	7, 11, 15
M400072	7, 11, 15, 33
M400664	41, 43, 57, 59, 63, 73, 75, 83
M401938	57
M409385	37
M411052	7
03203	29
51780	7, 29, 75
Screw, Socket Head	
M400655	27
Screw, Washer Head	
M410059	55
Secondary Coil	
56225D	61
Section, End	
M412540	87, 91
Sensor	
510213	59
Sensor Jumper Wire	
M411138	71
Service Door	
35798*	29
Setscrew	
M400065	47, 49, 51
M400077	53, 55
Sheave	
M400328	47
M406380	47, 49

Sheave with Hardware	
M406380	51
Shut-Off Valve	
M400749	63
M406455	59
M4436P3	59
Single Coin Drop	
M411602	96
M411605	96
M411606	96
M411608	96
M411704	96
M411706	96
M411707	96
M411708	96
M412001	96
Single Coin Meter	
Refer to Table on Page 96	
Sleeve	
M400755	47, 49
M406161	17
Slide Extension	
61031	29
Spacer	
M406376	49
Spark Igniter	
M406934	63
Spark Igniter Assembly	
M410905	71
Speed Nut	
M400672	11
Sprocket	
M400091P	45
Spudholder	
M403162	63
M406100	59
M4452P3	59
Square Nut	
M4001930	45
Stop, End	
70121001	87, 91
Stove High Limit Thermostat	
M410220	69, 71
Strike	
M400661	37
Support Rod	
M400604	41
Switch	
M400944	57
M406130	17
M411556	19
M412423	57
34536	19
Switch Box Assembly	
M400539	57
Switch "A"	
53236	31
Switch "B"	
53236	31
Switch, Door Safety	
M412372	39
Switch, Emergency Stop	
M412232	9
Switch, Ignition Reset	
M413431	69

Switch, Push-to-Start	
M400954	7, 11, 15
M412230	9, 13
Switch, Reverse/Nonreverse	
M400945	9

T

Temperature Sensor	
M409114	35
M411758	35
M4449P3	35
Tension Bolt	
M412627	51
Terminal Block	
M400000	7, 11
M400002	15
M400685	75
M405363	77
M405364	77
M412042	83
M412045	83, 85, 89, 93
M412631	85, 89, 93
M412632	85, 89, 93
Thermistor	
M411758	19
Thermodisc	
M409433	59, 63
Thermostat	
M401251	33
Thermostat - Cabinet High Limit	
M401257	35
M406412	35
M411945	35
Thermostat Harness	
M405381	35
Thimble	
M406070GR	77
Timer Motor	
M400609	21, 23, 31
Timer, Cool-Down	
M400785P	7
M410900P	7
Timer, Cooling	
M412079	9
Timer, Drying	
M400787	7
M400791P	7
M410901P	7
M412080	9
Top Access Panel	
M406164*	41
M406321	41
M406345*	19, 41
M406465*	41
M406525	41
M413631*	41
Top Cover	
M406037	41
Transformer	
M401391	75, 83
M411066	71
M412412	89
M412477	85, 87, 91, 93

Twin Speed Nut	
M400979	57

V

Valve, Gas	
M411982	67
M413332	69
Valve, Gas Shut Off	
M412562	67, 69
Vault Frame	
M400131P	27
Vault Lock and Key Assembly	
Order by Key Code from Price List	

W

Warning Labels	
M403047	79
M403153	79
M410082	79
M410083	79
M410892	81
M411087	81
M411088	81
M411815	79
430377	79
500316	79, 81
Washer	
M400014	51
M400080	47, 51
M400081	47, 49
M400832	47, 49
M400991	55
M401946	45
M401947	45
M405535	53
M406381	49
Wire Harness	
Also Refer to Table on Page 98	
M401284	98
M401286	98
M401909	98
M403425	31, 98
M403824	98
M403924	7, 11, 15, 98
M405372	98
M405380	98
M405381	98
M405385	98
M405386	98
M405823	98
M405871	98
M405872	98
M405873	98
M406304	33
M406385	75
M406545	98
M406880	98
M409199	98
M409369	75
M409488	98
M409489	98
M409490	98

M409491	98
M409982	98
M410523	98
M410640	98
M411794	98
M411799	19
M411827	98
M411828	98
M411829	98
M411875	98
M411974	19
M412448	98
M412462	98
M412479	98
M412603	98
M412609	98
M412635	98
M412636	98
M412637	98
M412639	98
M412643	98
M412645	98
M412669	99
M412711	99
M412744	98, 99
M412747	99
M412765	99
M412766	99
M412775	99
M412776	99
M412777	99
M412801	99
M412802	99
M412918	99
M412997	99
M412998	99
M413281	99
M413282	99
M413545	99
M413547	99
M413548	99
M413583	99
M413650	99
M413664	99
604P3.....	98, 99

Wires

M412116	75, 83
M412117	75