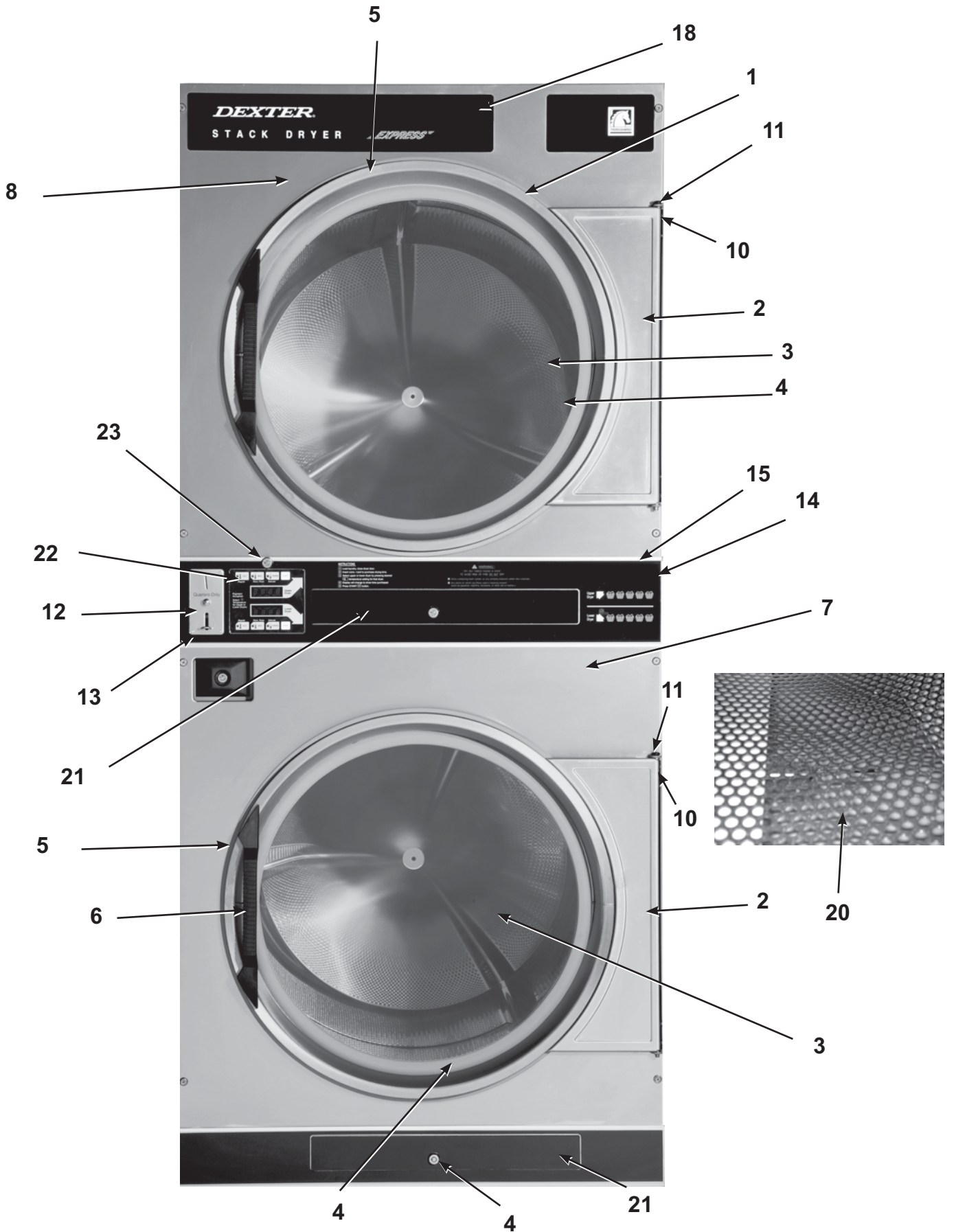

Section 6:

Parts Data



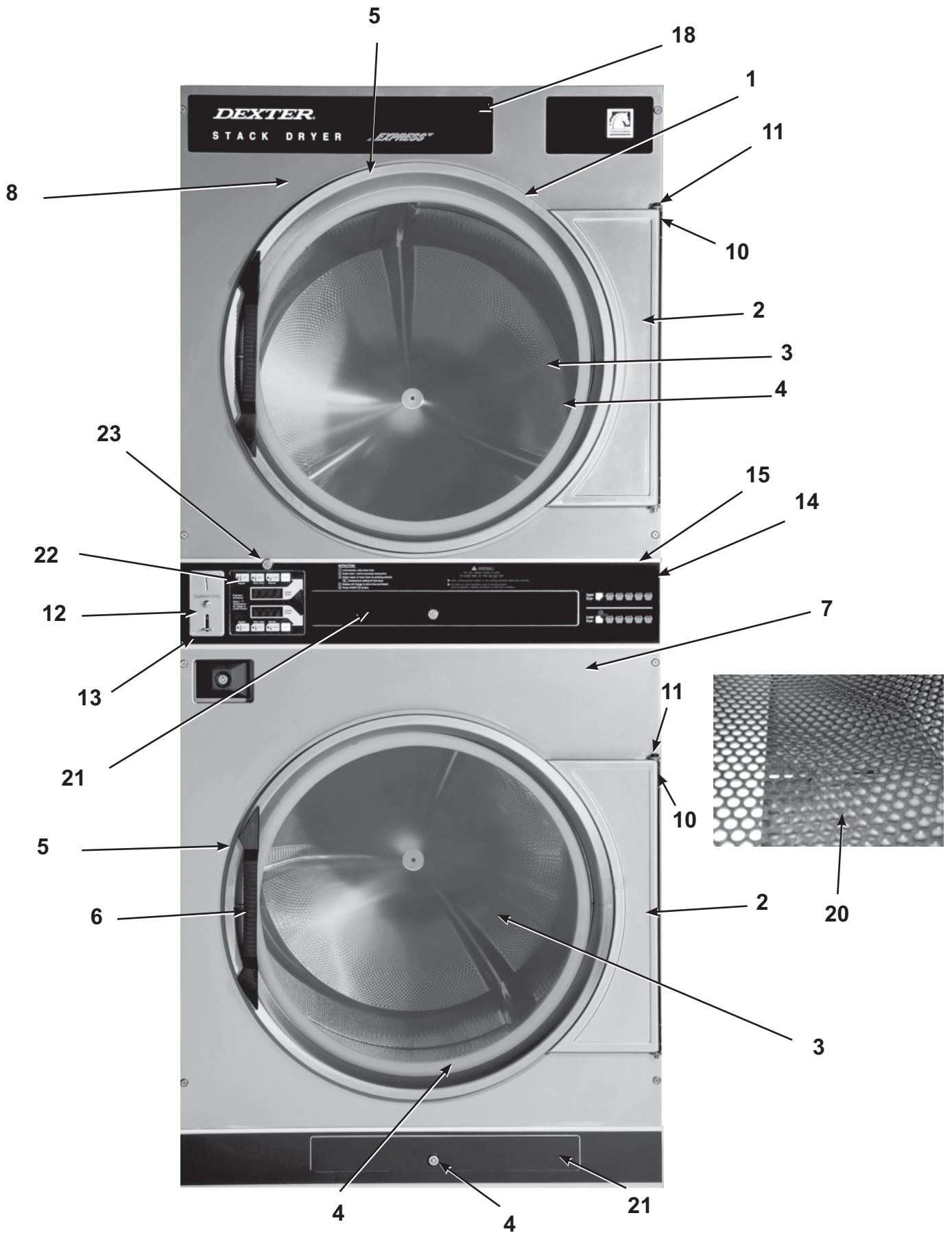
Parts Data

Cabinet Group

| Key | Part Number | Description | Quantity |
|-----|--------------|--|----------|
| * | 9960-285-003 | Door Assy., Loading Complete-Alm | 2 |
| * | 9960-285-002 | Door Assy., Loading Complete-Wht | 2 |
| * | 9960-285-001 | Door Assy., Loading Complete-SS | 2 |
| 1 | 9960-284-002 | Door Assy., Loading-SS(ring only) | 2 |
| 2 | 9982-353-003 | Plate Assy., Hinge (Alm) No Pin | 2 |
| 2 | 9982-353-002 | Plate Assy., Hinge (Wht) No Pin | 2 |
| 2 | 9982-353-001 | Plate Assy., Hinge (SS) No Pin | 2 |
| * | 9545-012-015 | Screw, Hinge to Door | 8 |
| * | 8640-413-002 | Nut, Hinge to Door | 8 |
| 3 | 9212-002-004 | Glass, Door | 2 |
| 4 | 9206-164-010 | Gasket, Glass | 2 |
| * | 9548-117-000 | Support, Door Glass | 2 |
| 5 | 9206-420-004 | Gasket, Outer Rim | 2 |
| 6 | 9244-082-001 | Handle, Loading Door | 2 |
| * | 9545-018-017 | Screw, Handle 1/4-20 x 3/8 | 2 |
| * | 9531-033-001 | Stud, Door Catch | 2 |
| * | 8640-413-001 | Nut, Hex | 2 |
| * | 8640-413-003 | Nut, Acorn | 2 |
| * | 9086-015-002 | Catch, Loading Door | 2 |
| * | 8638-190-009 | Pop Rivet for mtg. catch | 4 |
| * | 8641-582-006 | Lockwasher | 4 |
| * | 8640-399-001 | Spring Nut | 6 |
| 7 | 9989-517-008 | Panel Assy., Front- Lower (Alm) | 1 |
| 7 | 9989-517-007 | Panel Assy., Front- Lower (Wht) | 1 |
| 7 | 9989-517-005 | Panel Assy., Front- Lower (SS) | 1 |
| 8 | 9989-517-004 | Panel Assy., Front- Upper (Alm) | 1 |
| 8 | 9989-517-003 | Panel Assy., Front- Upper (Wht) | 1 |
| 8 | 9989-517-001 | Panel Assy., Front- Upper (SS) | 1 |
| * | 9277-054-001 | Insulation Front Panel, half moon (top) | 2 |
| * | 9277-054-002 | Insulation Front Panel, half moon (bottom) | 2 |
| | 9545-008-014 | Screw, FLHDCR, 10B x 1 | 14 |
| * | 8641-585-001 | Lockwasher | 6 |
| * | 8640-399-001 | Nut, Spring | 12 |
| 10 | 9544-069-003 | Strap, Hinge (Alm) | 2 |
| 10 | 9544-069-002 | Strap, Hinge (Wht) | 2 |
| 10 | 9544-069-004 | Strap, Hinge (SS/Gray) | 2 |
| * | 9545-012-028 | Screw, Hinge to Panel | 8 |
| 11 | 9545-052-001 | Screw, Door to Hinge Strap (Special Black Type) | 2 |
| * | 8641-436-003 | Washer, Fiber | 2 |
| 12 | 9021-001-010 | Acceptor, Coin | 1 |
| * | 9486-136-001 | Retainer, Coin Acceptor | 1 |
| 13 | 9545-053-002 | Screw | 4 |
| * | 9732-126-001 | Switch (for coin acceptor with extra actuator) | 1 |

Cabinet Group Continued

| Key | Part Number | Description | Quantity |
|-----|--------------|--|----------|
| 14 | 9994-032-001 | Escutcheon, Upper | 1 |
| 15 | 9435-022-001 | Trim, Overlay-Upper | 1 |
| 16 | 9994-033-001 | Escutcheon, Lower | 1 |
| 17 | 9435-023-001 | Trim, Overlay-Lower | 1 |
| * | 9545-020-009 | Screw | 10 |
| 18 | 9412-154-001 | Nameplate Stack Dryer Express | .1 |
| 21 | 9866-005-001 | Lint Drawer Assembly | 2 |
| 21 | 9435-024-001 | Overlay Trim, Lint Drwr- | 1 |
| * | 9532-074-003 | Felt Seal (back of lint screen assembly) | 2 |
| * | 9805-033-002 | Lint Screen Assembly ONLY (no front) | 2 |
| * | 9555-057-008 | Replaceable Lint Screen Only | 2 |
| 24 | 8650-012-004 | Lock and Key, Lint Drawer | 2 |
| * | 6292-006-007 | Key 6324 only..... | 2 |
| * | 9095-043-001 | Cam, Lock..... | 2 |
| * | 9545-008-001 | Lint Screen Strap Hold Down Screws 10Bx 1/4 | 32 |
| 22 | 9857-147-001 | Controls Assy, Electronic Mounted With Membrane Switch | 1 |
| 22 | 9801-059-005 | Membrane Switch Assy | 1 |
| * | 9627-869-001 | Harness, Electronic Control | .1 |
| * | 9627-854-001 | Harness Coin Sw | .1 |
| 23 | 8650-012-003 | Lock and Key, Control | 1 |
| * | 9095-041-001 | Cam, Lock | 1 |
| * | 9627-870-001 | Harness, Heat Sensor | .1 |
| * | 9277-041-017 | Insulation Cabinet Cover | .1 |
| 20 | 9501-004-003 | Sensor Temp Control | 2 |
| * | 9545-045-005 | Screw, Round Head (Mounts sensor; phillips head)..... | 2 |
| * | 9209-037-002 | Gromm.et, 3/16 ID | 2 |
| * | 8544-006-001 | Leg, Leveling 1/2" | 4 |
| * | 9074-320-001 | Cover, Cabinet (Top) | 1 |
| * | 9732-253-001 | DDAD Kit for Dryers without Neutral and using 208-240 volt1 | |
| * | 9732-102-013 | LP Kit for DDAD Dryers | 1 |
| * | 9732-243-001 | Stack Dryer Trunion Puller | 1 |
| * | 9555-057-010 | Replaceable Lint Screen Fine Mesh Only..... | .1 |
| * | 9277-054-001 | Insulation-Front Panel-Top Half | 2 |
| * | 9277-054-002 | Insulation-Front Panel-Lower Half | 2 |
| * | 9029-169-001 | Bracket for Heat Sensor Mounting (Under Basket)..... | 2 |
| * | 8640-276-002 | Wire Nut Connector Grey..... | 4 |
| * | 9527-007-002 | Standoff Wire Saddle | 8 |
| * | 9544-041-002 | Strap - Bead Tie | 1 |



Door Switch Group

Part Number
9539-487-001

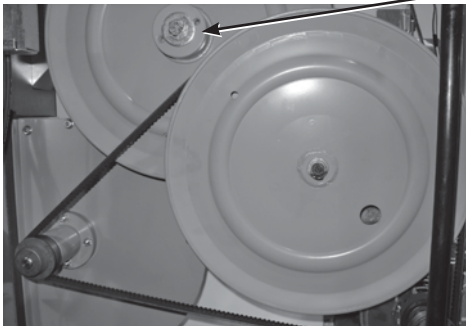
Description
Door Switches2

Quantity

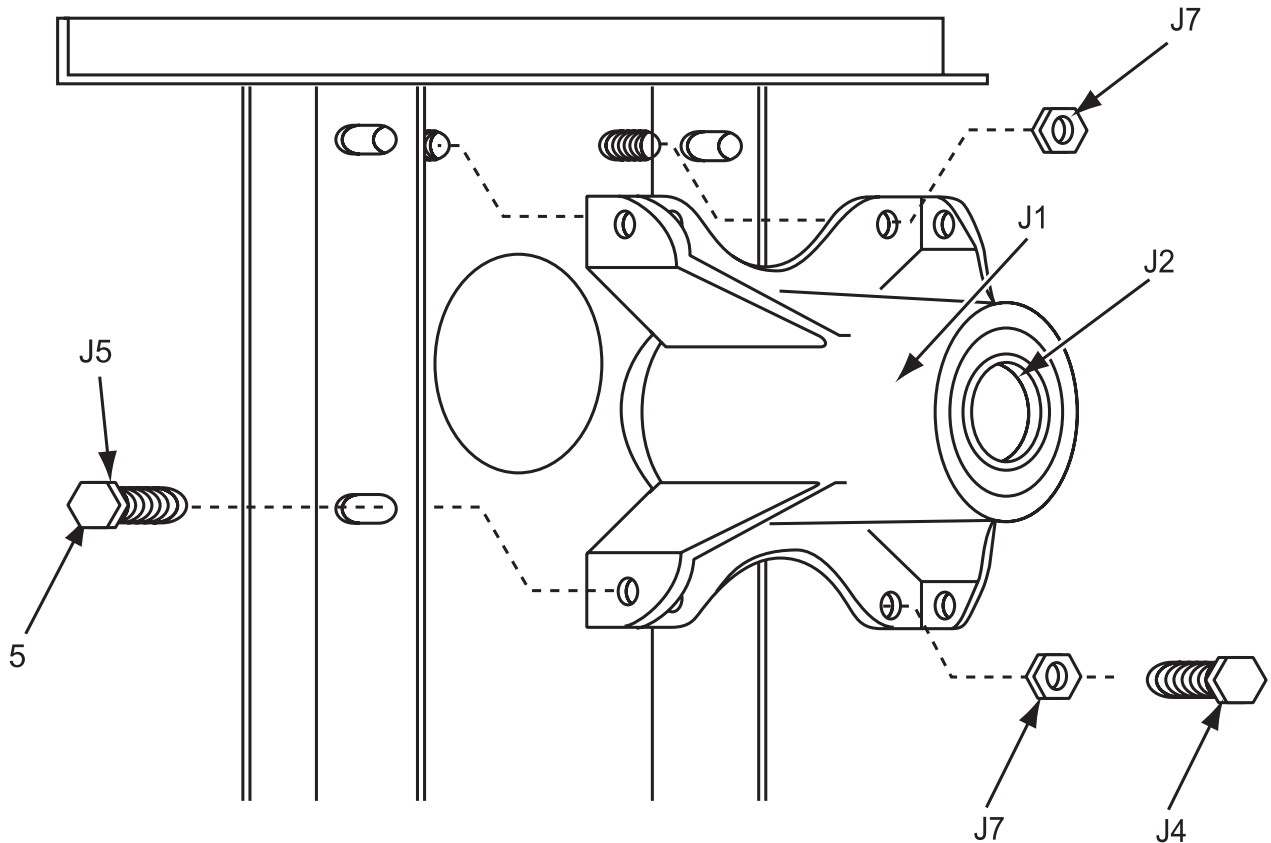
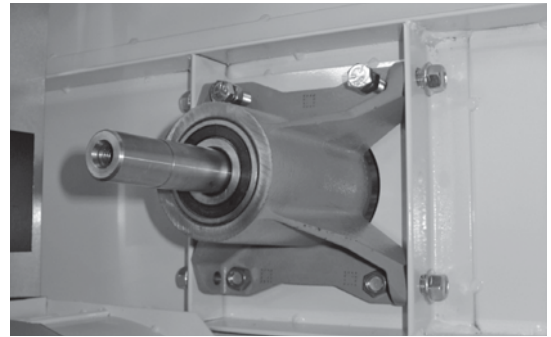


Bearing Housing Group

| Key | Part Number | Description | Quantity |
|-----|--------------|---|----------|
| J1 | 9241-189-002 | Housing, Bearing | 2 |
| J2 | 9036-159-001 | Bearing, Ball | 4 |
| * | 9538-183-001 | Spacer, Bearing | 2 |
| J5 | 9545-017-017 | Bolt, 1/2 x 3/4 | 10 |
| J7 | 8640-417-002 | Nut, 1/2 | 4 |
| * | 9803-201-001 | Bearing Housing Complete Ass'y (includes bearings,spacer) | 2 |
| J4 | 9545-159-003 | Screw 1/2 x 1 1/2..... | 4 |
| * | 9036-159-003 | Bearing Rear | 1 |



**Torque
150 FT
Pounds**

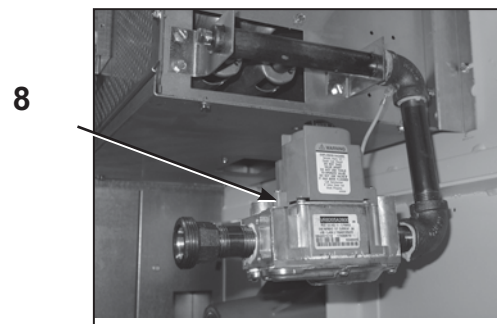
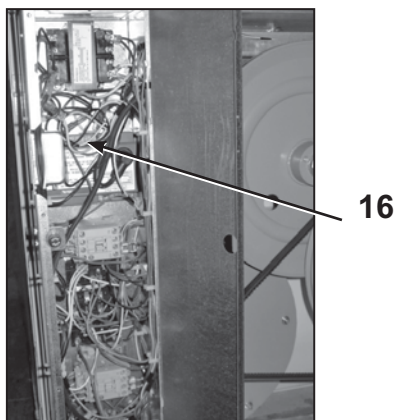
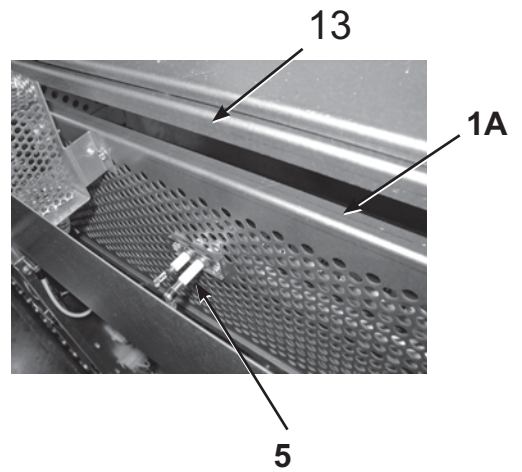
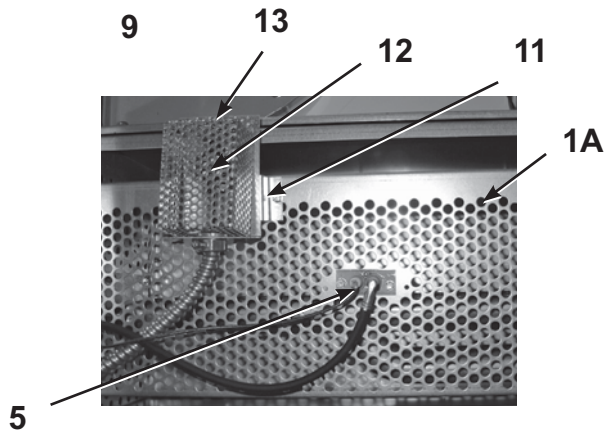
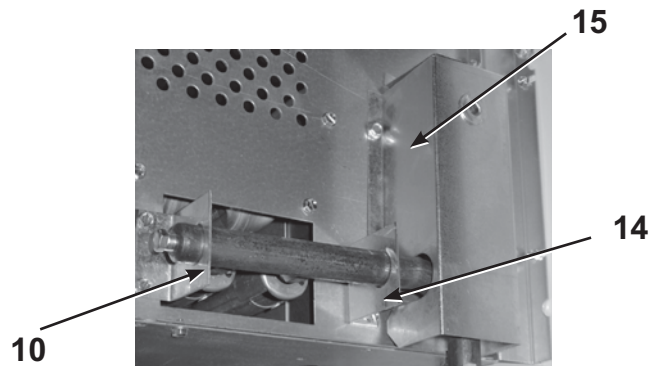
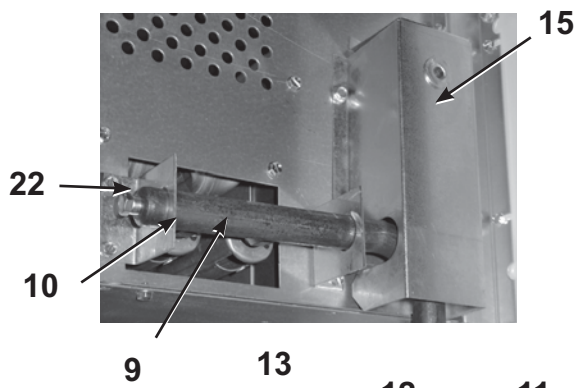
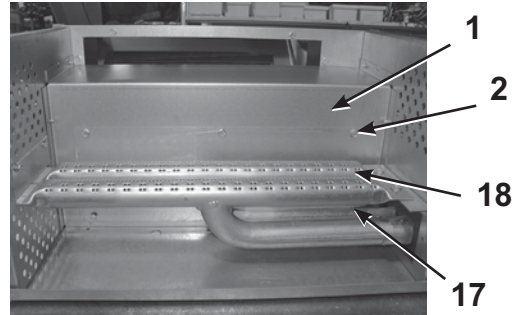
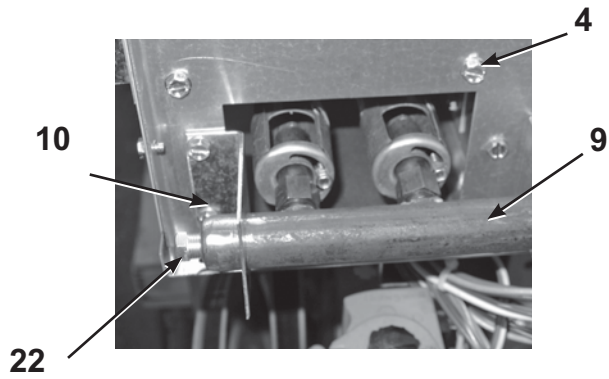


Burner Housing Group

| Key | Part Number | Description | Quantity |
|-----|----------------|---|----------|
| * | 9803-203-001 | Housing Assembly, Burner | 2 |
| 1a | 9452-730-001 | Service Burner Plate Front... .. | 2 |
| 1 | 9452-729-001 | Service Plate baffle Recirculation Chamber Clean Out..... | 2 |
| * | 9545-008-006 | Screws | 8 |
| 2 | 9545-008-001 | Screw | 16 |
| 18 | 9003-220-001 | Angle, Burner Support | 2 |
| * | 9545-008-006 | Screw | 4 |
| 17 | 9048-020-002 | Burner, Main | 4 |
| * | 9545-008-006 | Screw 10AB x 3/8" | 4 |
| * | 9454-806-001 | Panel, Back Burner Housing | 2 |
| 4 | 9545-008-001 | Screw 10B x1/4" | 8 |
| 5 | 9875-002-003 | Electrode Assy, Ignition | 2 |
| 19 | 9545-045-001 | Screw, Electrode Mtg 8B x 1/4"..... | 4 |
| 7 | 9379-186-001 | Valve, Gas Shut Off | 1 |
| 8 | 9857-134-001 | Control Assy, Gas | 2 |
| 9 | 9381-009-006 | Manifold, Assy | 2 |
| * | 9425-069-010 | Orifice, Burner-Natural #27 | 4 |
| * | 9425-069-024 | Orifice, Burner-LP #44 | 4 |
| 10 | 9029-175-001 | Bracket, Manifold | 2 |
| 14 | 9039-915-001 | Bracket, Gas Control | 2 |
| 22 | 8615-104-038 | Pipe Plug in end of Burner Manifold | 2 |
| 11 | 9452-749-001 | Plate Assy, Hi-Limit Stat Ignitor | 2 |
| * | 9545-008-006 | Screw | 4 |
| 12 | 9576-203-002 | Thermostat, Hi-Limit | 2 |
| * | 9538-142-001 | Spacer, Hi-Limit | 4 |
| * | 9545-045-007 | Screw 8B x 3/4"..... | 4 |
| 13 | 9074-234-001 | Cover, Hi-Limit Stat Ignitor | 2 |
| * | 9545-008-006 | Screw | 6 |
| * | 9576-207-008 | Thermostat, Safety Shutoff | 2 |
| * | 9545-008-006 | Screw | 4 |
| 15 | 9825-058-001 | Cover, Safety Stat | 2 |
| * | 9545-008-006 | Screw | 4 |
| 16 | 9857-116-003 | Control, Ignition Fenwall (3 trybox) | 2 |
| * | 9550-189-001 | Shield, Burner Inlet | 1 |
| * | 9732-102-001 | Kit, LP Conversion DDAD Kit | 2 |
| * | 9838-018-002 ^ | Welded One Piece Gas Pipe Assembly (Used After 9/07) | |
| * | 9381-012-001 ^ | Manifold Assembly 2 Port One Piece Used After 9/07 | |

^ Models built before 9/07

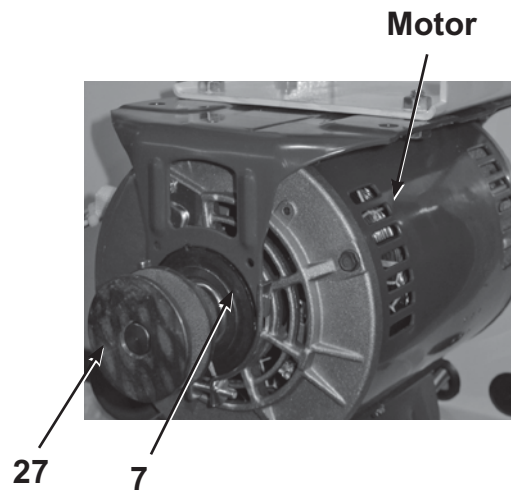
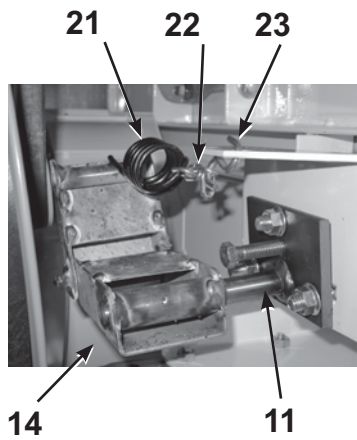
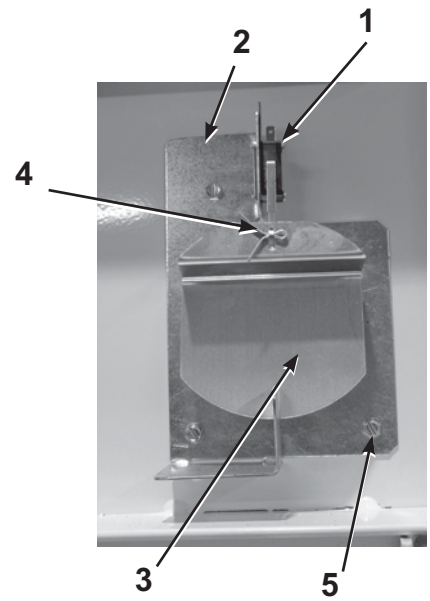
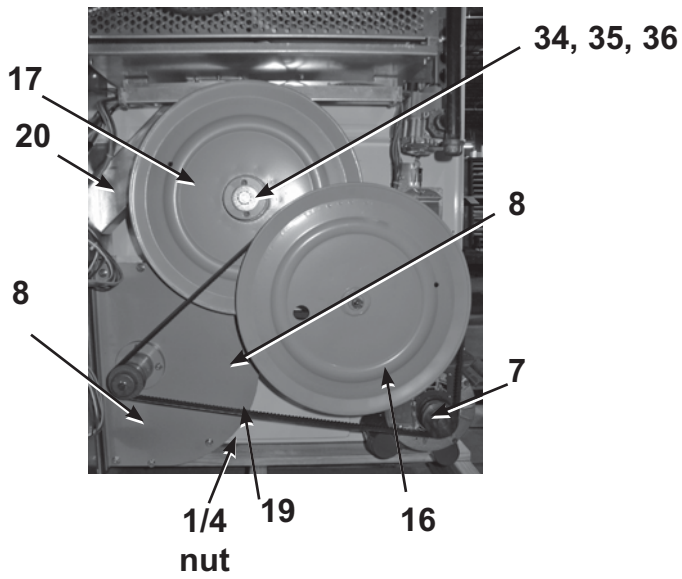
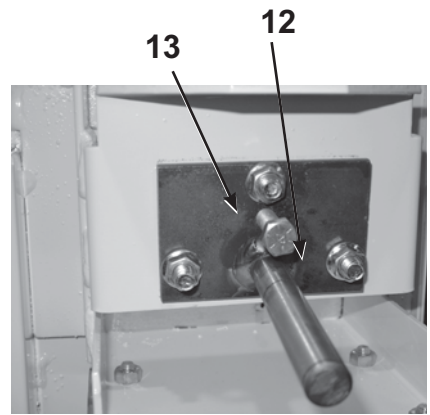
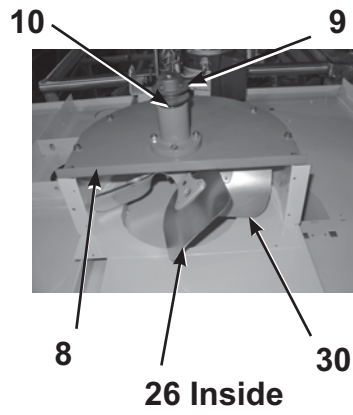
Burner Housing Group Photos



Rear View

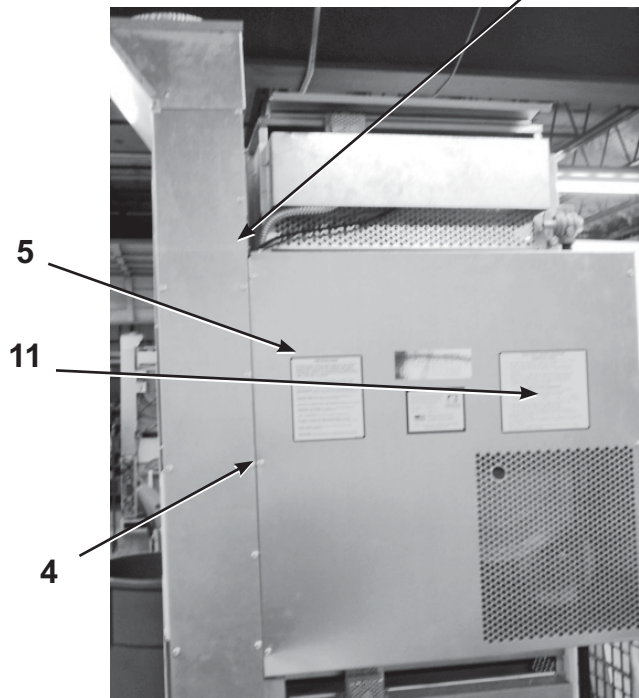
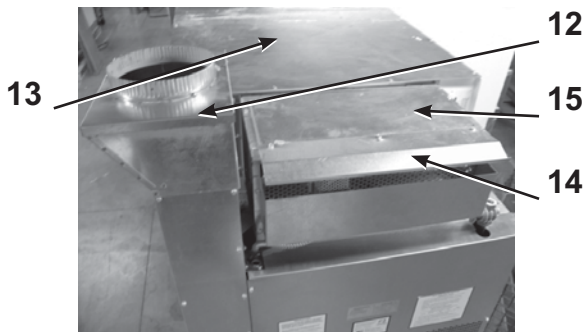
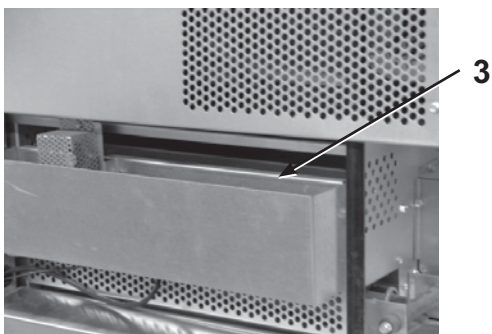
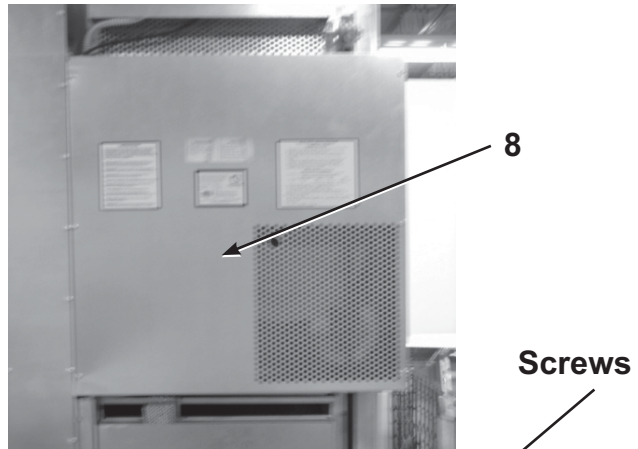
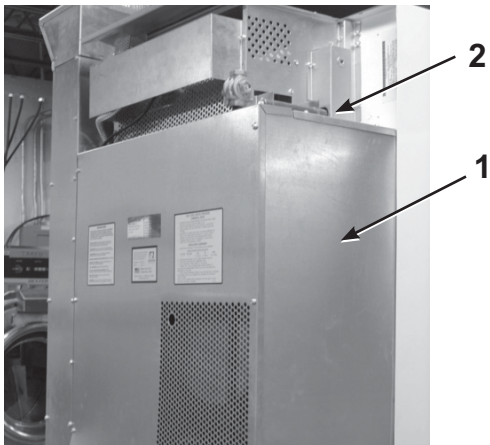
| Key | Part Number | Description | Quantity |
|-----|--------------|--|----------|
| * | 9627-875-001 | Wire Harness Overtemperature Switch Upper | 1 |
| * | 9801-095-001 | Switch Assy, Air Flow | 2 |
| 1 | 9539-461-009 | Switch, Air Flow..... | 2 |
| 2 | 9029-174-001 | Bracket, Switch- Air Flow | 2 |
| 3 | 9008-007-001 | Actuator, Switch | 2 |
| 4 | 9451-169-002 | Pin, Cotter | 2 |
| 5 | 9545-020-001 | Screw 4-40 x 5/8" | 4 |
| 7 | 9376-313-001 | Motor, Drive | 2 |
| 8 | 9452-745-002 | Plate, Impeller Mtg | 2 |
| 9 | 9537-204-001 | Shaft Impeller..... | 2 |
| 10 | 9803-204-001 | Housing Assembly w/ Bearings for Impeller | 2 |
| 10 | 9453-157-001 | Pulley - Impeller Drive | 1 |
| 11 | 9991-053-001 | Support Assy, Intermed. Pulley | 2 |
| 12 | 9545-029-010 | Bolt, Rd Hd 3/8-16 x 1 1/4 | 6 |
| 12 | 8640-415-004 | Nut Flange Wizlock 3/8" - 16..... | 6 |
| 12 | 8641-581-035 | Washer, Flat | 6 |
| 13 | 9545-029-003 | Bolt, 3/8-16 x 1 1/2 | 2 |
| 14 | 9861-022-001 | Arm Assy-Tension, Complete | 2 |
| * | 9487-200-003 | Ring-Retaining | 6 |
| 16 | 9908-046-003 | Pulley Assy, Intermediate with bronze flange bearing | 2 |
| 17 | 9908-040-003 | Pulley Driven Tumbler | 2 |
| 19 | 9040-076-004 | Belt, Drive Impeller and Intermediate Pulley..... | 2 |
| 20 | 9040-073-010 | Belt, Driven Intermediate to Tumbler | 2 |
| 21 | 9534-151-000 | Spring, Tension | 2 |
| 22 | 9099-012-005 | Chain, Tension | 2 |
| 23 | 9248-022-002 | Hook, Tension | 2 |
| * | 9451-146-001 | Pin, Damper Hinge | 2 |
| * | 9825-322-001 | Cover Duct Upper | 1 |
| 25 | 9973-030-001 | Heat Recirculation Assembly Duct | 2 |
| 26 | 9919-018-011 | Impeller Assembly Complete w/ Bearings, Shaft, Plate..... | 2 |
| 27 | 9453-157-001 | Motor Pulley - Driver | 1 |
| 28 | 9545-028-013 | Set Screws | 2 |
| 29 | 9241-191-002 | Bearing Housing Only Impeller | 2 |
| 30 | 9278-038-004 | Impeller | 2 |
| * | 9036-159-010 | Ball Bearing for Above Impeller Shaft..... | 4 |
| * | 9487-200-007 | Ring-Retaining External for Impeller Bearing Housing | 4 |
| * | 9545-018-009 | Screw, 1/4-20 x 1 Impeller Bearing Housing..... | 4 |
| 34 | 8641-581-026 | Washer, Flat 1/2" for Tumbler Pulley | 2 |
| 35 | 9545-017-009 | Bolt, 1/2"-13 x 1 1/4 | 2 |
| 36 | 8641-582-016 | Washer, Star 1/2" for Tumbler Pulley | 2 |
| * | 8640-401-001 | Nut, Special Twin #4-40..... | 2 |
| * | 9550-169-003 | Shield, Switch | 2 |
| * | 9545-008-001 | Screw 10 Bx 1/4" | 6 |
| * | 9545-014-004 | Bolt, 5/16-18 x 5/8" | 8 |
| * | 8640-400-003 | Nut, 5/16-18..... | 8 |
| * | 9036-145-002 | Bearing - Bronze Flange | 4 |
| * | 9538-164-001 | Spacer, Shaft | 2 |
| * | 9487-234-005 | Ring Tolerance..... | 2 |
| * | 9125-006-001 | Damper Inside Duct Exhaust | 2 |
| * | 8520-141-000 | Nut, Spring | 4 |
| * | 9545-008-026 | Screw #10B x 1/2" | 14 |
| * | 9074-323-001 | Cover Duct Lower | 1 |
| * | 9545-008-024 | Screw 10ABx 3/8" | 58 |
| * | 9029-173-001 | Bracket for Wire Harness Under Burner Housing..... | 2 |

Rear View Photos



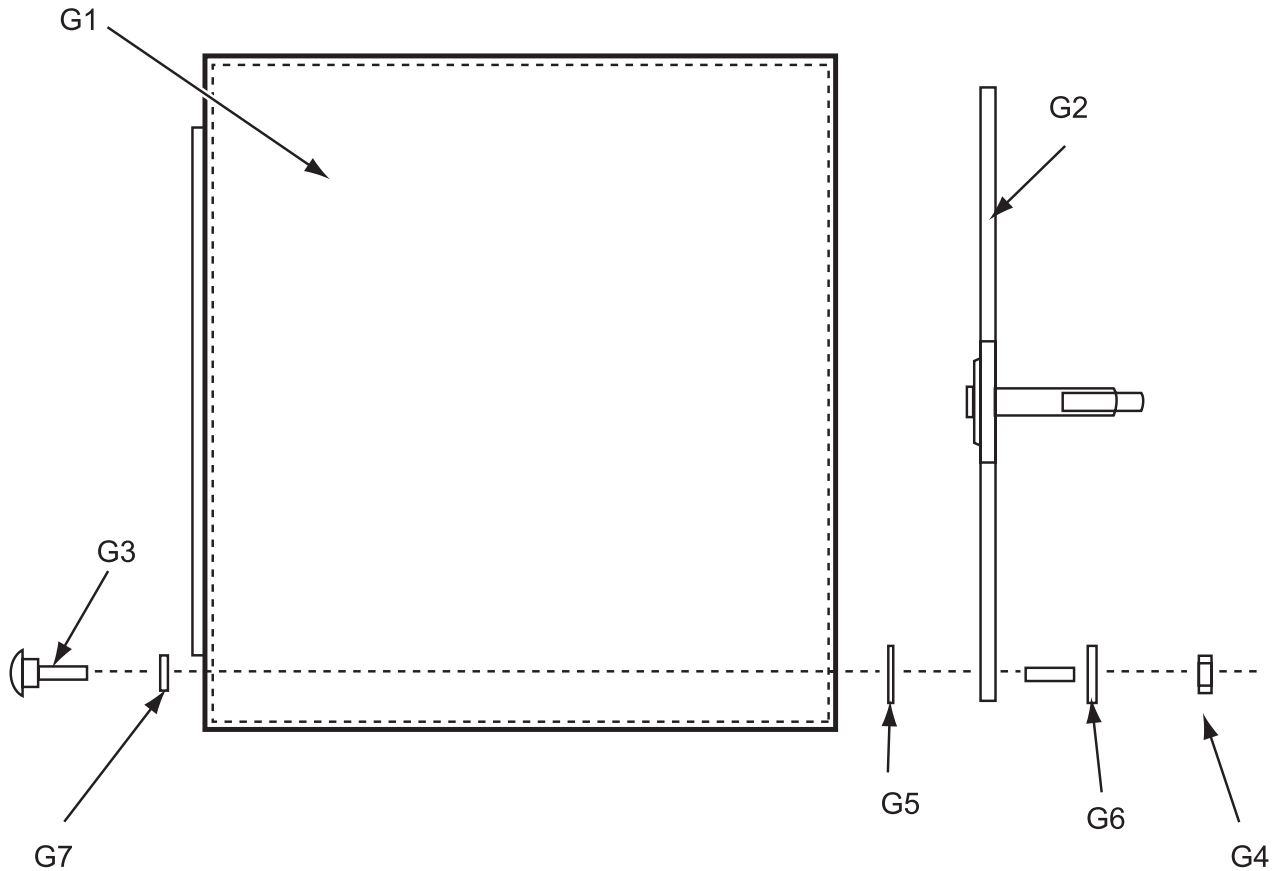
Rear Panel & Cover Group

| Key | Part Number | Description | Quantity |
|-----|--------------|--|----------|
| 1 | 9208-078-001 | Rear Guard Side Panel 1 | 2 |
| 2 | 9208-079-001 | Rear Guard Top Upper..... | 1 |
| * | 9074-325-001 | Power Main Input Cover | 1 |
| 4 | 9545-008-006 | Screws 10 AB x 3/8..... | 30 |
| 5 | 8502-649-001 | Label - Connection Electrical | 1 |
| * | 9208-082-001 | Rear Guard Top, Lower..... | 1 |
| 7 | 9208-082-024 | Screws 10 AB x 3/8..... | 6 |
| 8 | 9208-081-001 | Rear Guard Back Panel | 2 |
| 9 | 9059-065-001 | Band - Edge, Plastic Spring | 1 |
| 10 | 8502-600-001 | Label Warning & Notice | 1 |
| 11 | 8502-645-001 | Label - Instructions..... | 1 |
| 12 | 9791-002-001 | Transition Assembly Outlet | 1 |
| 13 | 9074-320-001 | Top Cover Dryer Panel..... | 1 |
| 14 | 9074-321-001 | Top Panel Burner Housing Cover | 1 |
| 15 | 9550-189-001 | Top Burner Housing Heat Shield | 1 |
| 16 | 9208-077-001 | Wire Guard Upper, Lower Keeps Against Duct Housing | 2 |



Tumbler Group

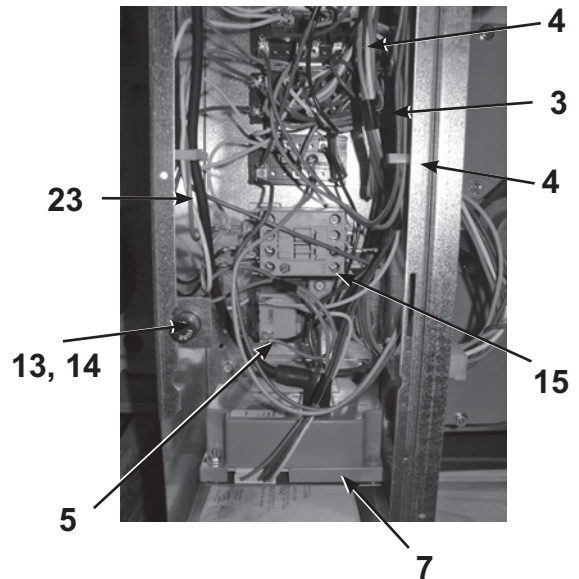
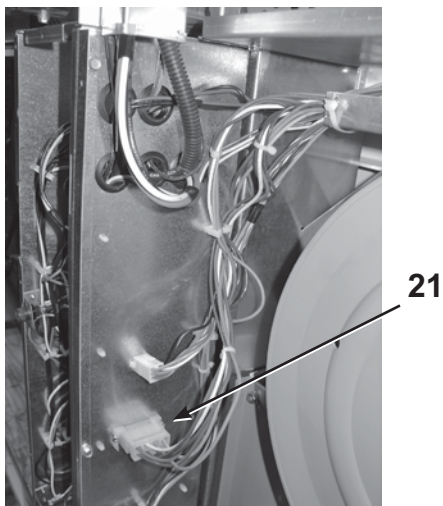
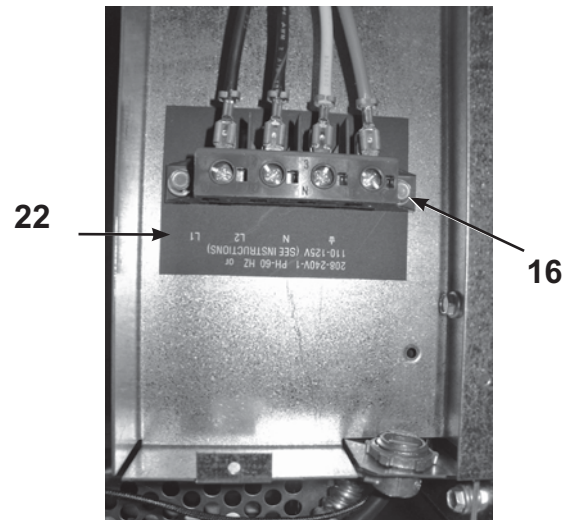
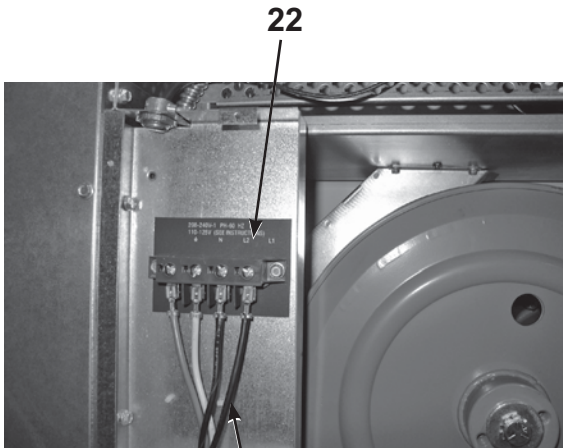
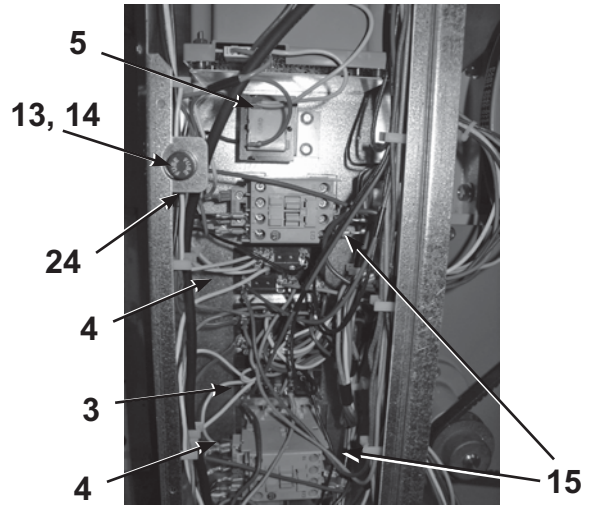
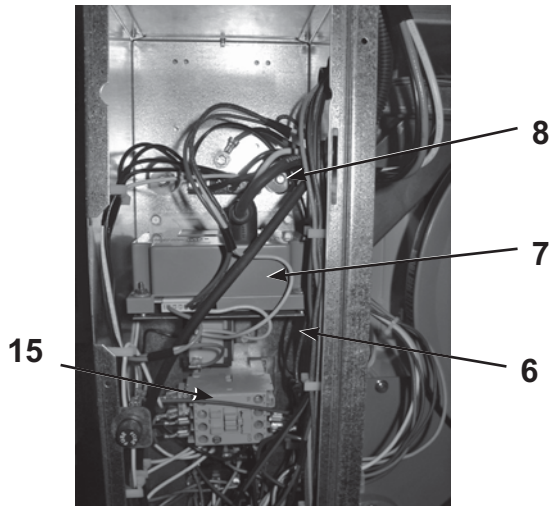
| Key | Part Number | Description | Quantity |
|-----|--------------|--|----------|
| | 9848-131-001 | Tumbler Assembly Galvanized w/spider | 2 |
| G2 | 9568-013-001 | Spider Assembly | 2 |
| G3 | 9497-226-002 | Rod, Tumbler | 6 |
| G4 | 8640-417-005 | Nut, 1/2 - 13..... | 6 |
| G6 | 8641-590-002 | Washer, Special | 6 |
| G7 | 9552-013-000 | Shim | AR |
| * | 9848-130-002 | Tumbler Assembly Stainless Steel..... | 2 |
| G1 | 9848-130-001 | Tumber Assembly Galvanized | 2 |



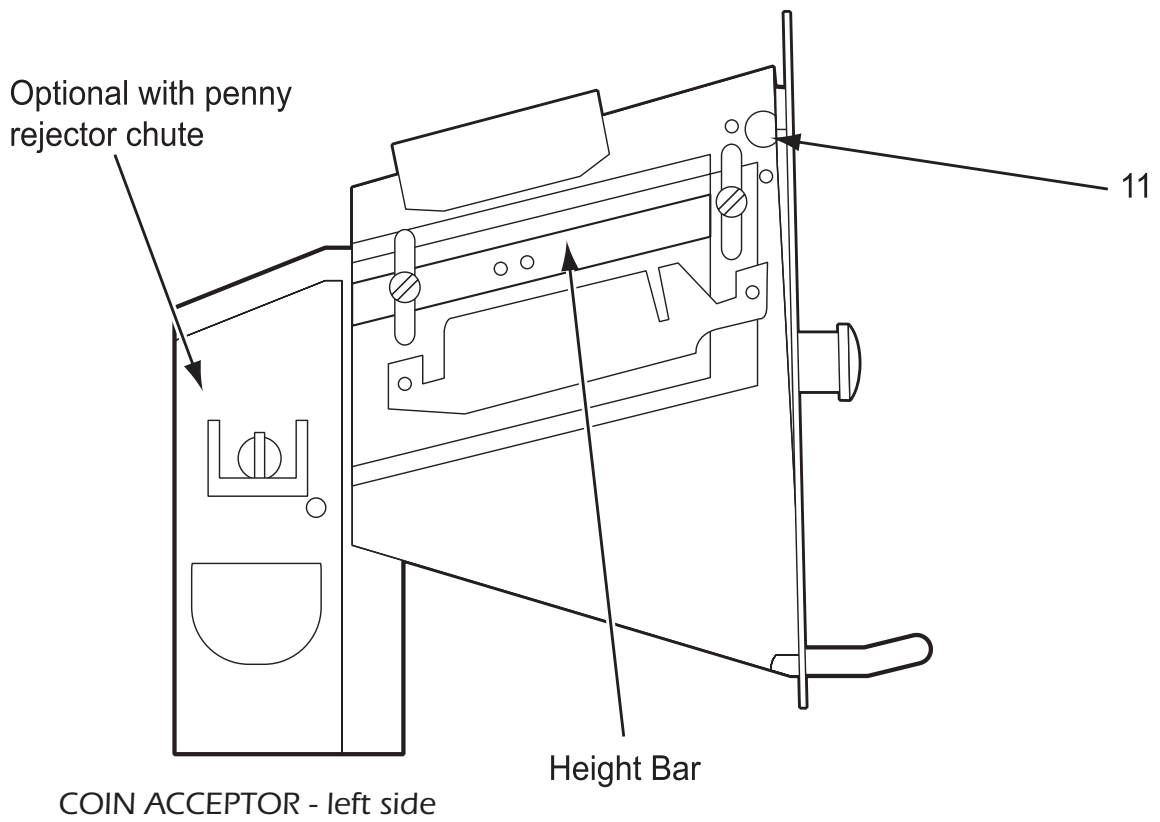
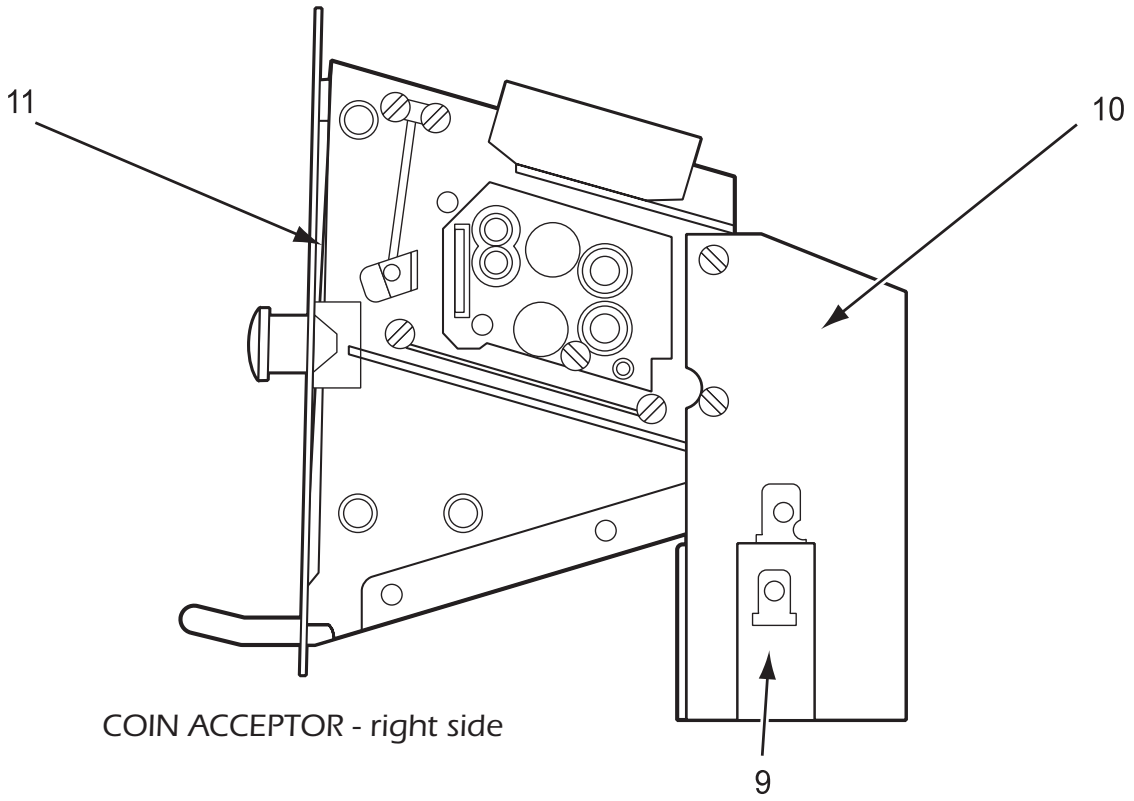
Control Assembly Group

| Key | Part Number | Description | Quantity |
|-----|--------------|---|----------|
| * | 9857-173-001 | Control Assmbly Complete (all below included) | 1 |
| * | 9074-324-001 | Control Box Cover | 1 |
| * | 8220-001-478 | Wire Assembly Green 7" | 1 |
| * | 8639-621-007 | Screw #10-32 x 12 Green..... | 1 |
| * | 8641-582-006 | Lockwasher Ext Tooth #10 | 1 |
| 3 | 9897-026-002 | Terminal Block Main Power Middle | 1 |
| 4 | 9897-026-001 | Terminal Block | 2 |
| * | 9545-045-012 | Screw #8 ABx 1/2 for terminal block | 4 |
| 5 | 8711-011-001 | Transformer Ignition..... | 2 |
| * | 9545-008-024 | Screws 10AB x 3/8" | 4 |
| 6 | 9982-355-001 | Plate Assembly MTG Ignition Control..... | 2 |
| * | 9545-008-001 | Screws 10B x 1/4" MTG Above Plate and Others..... | 13 |
| 7 | 9857-116-003 | Ignition Control | 2 |
| * | 8640-411-003 | #6-32 Nuts..... | 4 |
| 8 | 9631-403-011 | Wire Assembly High Voltage Upper | 2 |
| 9 | 9627-873-001 | Wire Harness Ignition Control Upper..... | 1 |
| 10 | 9627-873-002 | Wire Harness Ignition Control Lower..... | 1 |
| * | 9053-067-002 | Bushing Wire 7/8" | 4 |
| 13 | 9200-001-002 | Fuseholder Assembly | 2 |
| 14 | 8636-018-001 | Fuse 1.5 Amp..... | 2 |
| 15 | 5192-295-016 | Relay Power..... | 2 |
| 16 | 9897-036-001 | Terminal Block Assembly Main Power Inlet..... | 1 |
| * | 9545-045-012 | Screw #8 AB x 1/2" | 3 |
| * | 8220-062-036 | Wire Assembly Red/Black 14" | 1 |
| * | 8220-062-037 | Wire Assembly Red/White 14"..... | 1 |
| * | 8220-062-038 | Wire Assembly White 14" | 2 |
| * | 9627-868-001 | Wire Harness - Power Main Input..... | 1 |
| 21 | 9627-874-001 | Wire Harness Motor Extension..... | 2 |
| * | 9527-007-001 | Stand Off - Wire Saddle / Arrowhead..... | 15 |
| * | 9545-031-005 | Screw 6 B x 3/8" | 4 |
| 22 | 9558-031-001 | Strip Terminal Marker (Behind Input Power) to above #3..... | 1 |
| * | 9627-863-001 | Wire Harness Main Extension Access Under Burner Housing | 1 |
| 23 | 9631-403-013 | Wire Ass'y - High Voltage Lower | 1 |
| 24 | 9029-048-001 | Bracket - Fuseholder | 2 |
| 25 | 9627-859-001 | Wire Harness - Main Power..... | 1 |

Control Assembly Group



Coin Handling Group



Section 7:

Voltage Conversion

Instructions - Convert a Dual Voltage Stack Dryer from 120V to 208-240V with Neutral Wire Only

1. Remove incoming power from the dryer. Use a known working voltmeter to check power.
2. Remove the cover of the control box assembly from the dryer using a 5/16" wrench.
3. Move the black/blue wire from the N position of the main power terminal block to the L2 position of the main power terminal block in the control box assembly.
4. Move the white wire of the upper motor harness to an upper inner left terminal in the middle terminal block in the control box assembly. See Figure 1 below.
5. Move the orange wire of the upper motor harness to an upper inner left terminal in the middle terminal block control box assembly. See Figure 1 below.
6. Move the white wire of the lower motor harness to a lower inner left terminal in the middle terminal block in the control box assembly. See Figure 1 below.
7. Move the orange wire of the lower motor harness to a lower inner left terminal in the middle terminal block control box assembly. See Figure 1 below.
8. Reconnect power to the dryer and test to ensure proper operation; one line voltage to L1, one line voltage to L2, the neutral to N, and the earth ground to E.
9. Reinstall the cover of the control box assembly from the dryer using a 5/16" wrench.

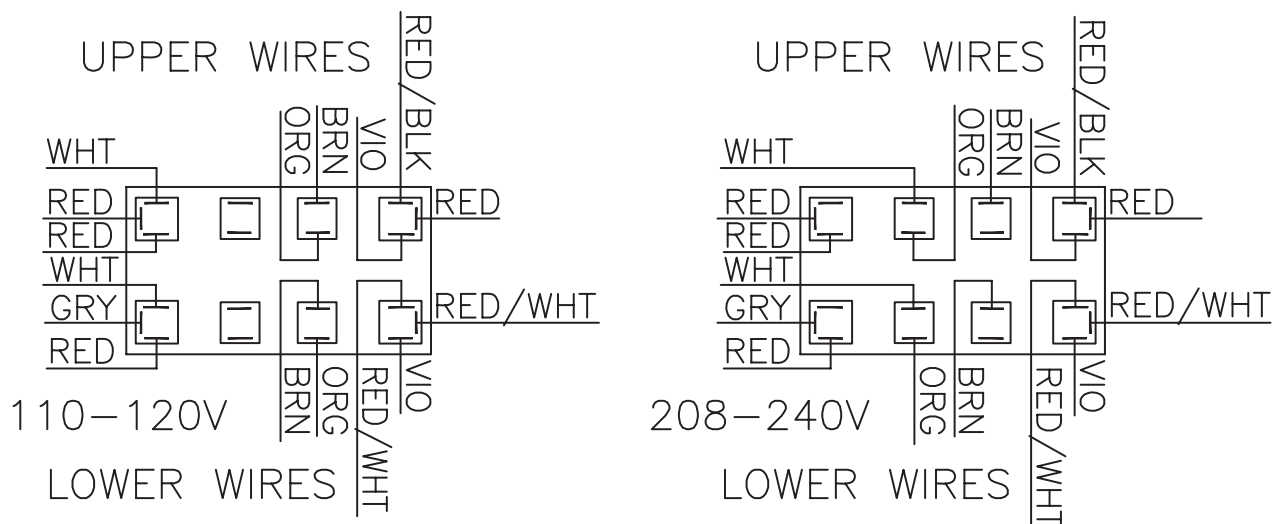
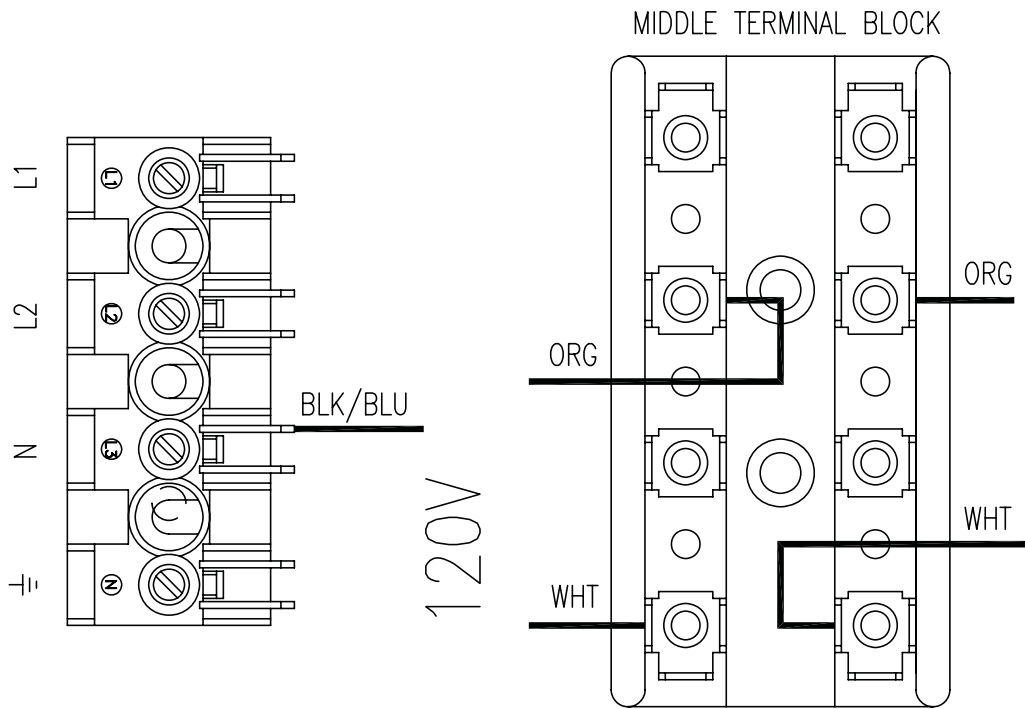
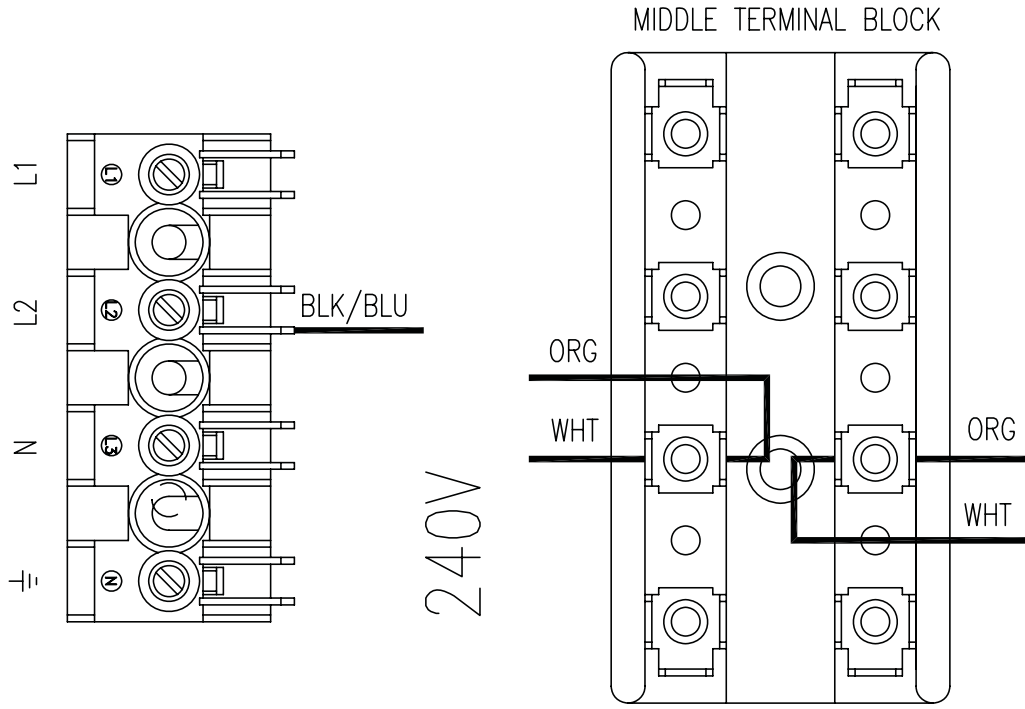


Figure 1 Middle Terminal Block



DUAL VOLTAGE STACK DRYER VOLTAGE CONVERSION