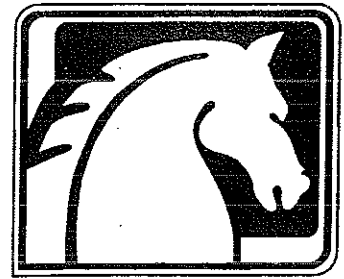


THE DEXTER COMPANY

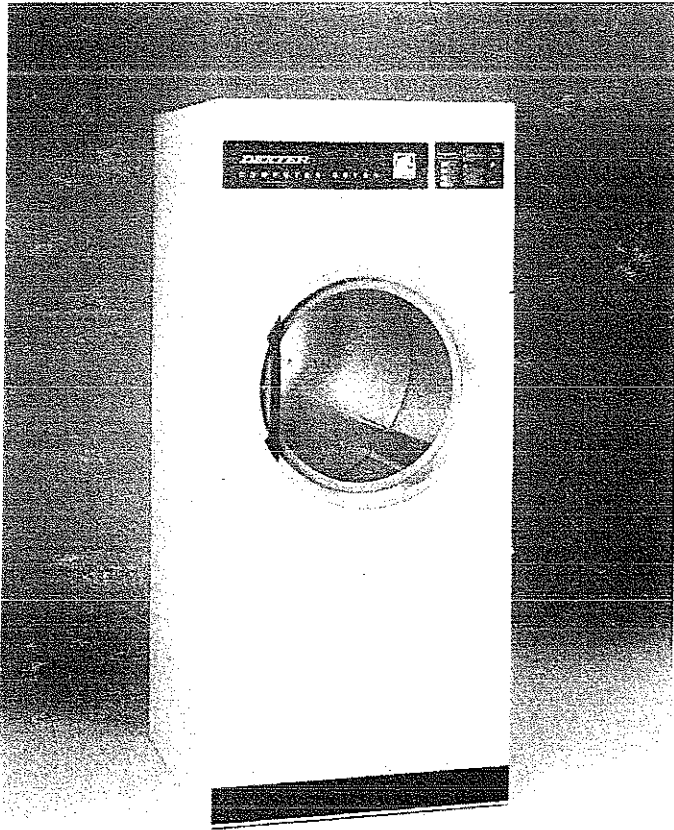


30 LB. DRYERS

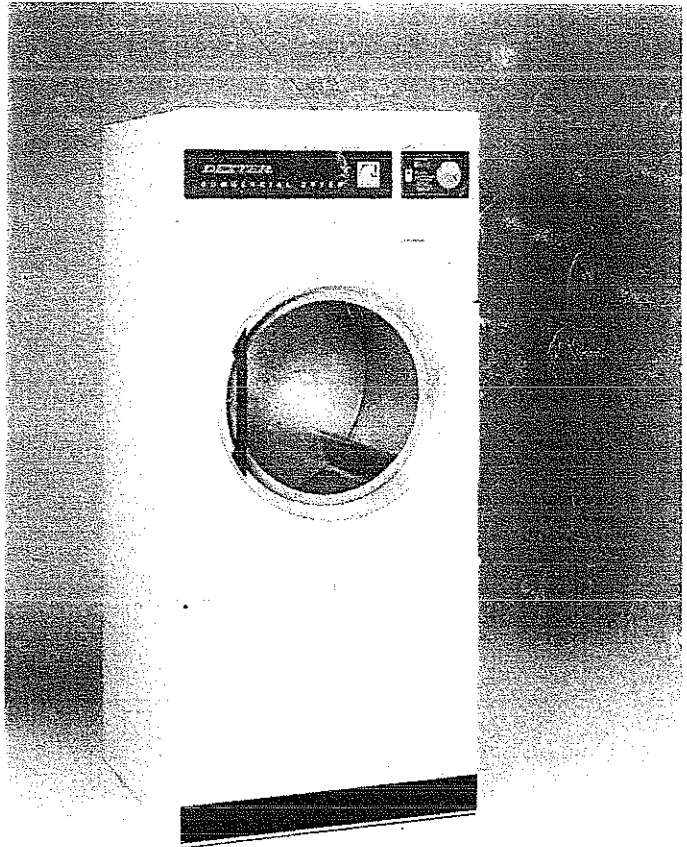
DLC30 COMPUTER
DLR30Q ROTARY METER
DLR30H MANUAL

Service Procedures and Parts Data

DLC30



DLR30



Fairfield, Iowa 52556

Telephone 515-472-5131
FAX 515-472-6336

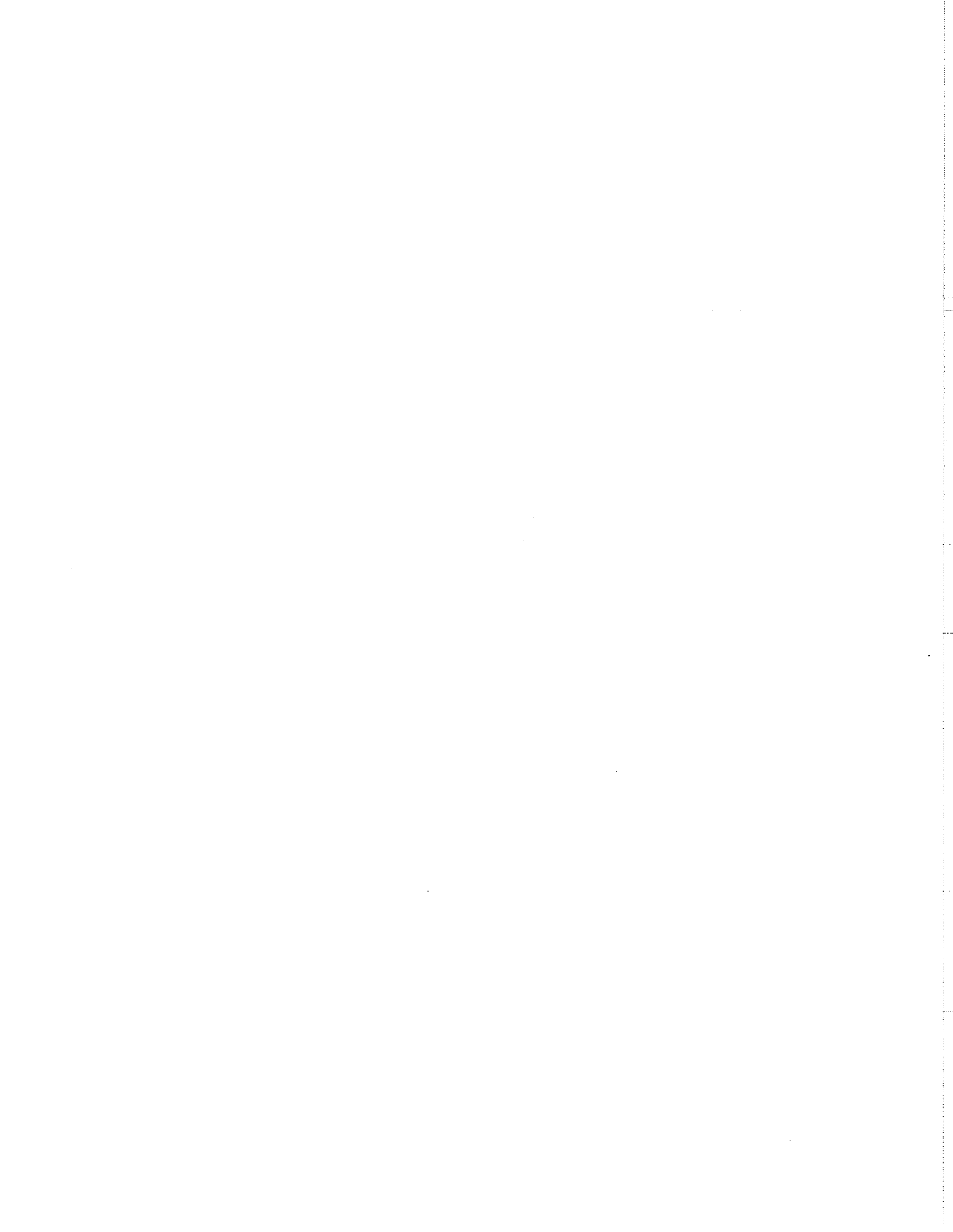


TABLE OF CONTENTS

SPECIFICATIONS	SECTION 1	page 2
WIRING SCHEMATICS AND DIAGRAMS	SECTION 2	page 3
INSTALLATION	SECTION 3	page 8
DRYER OPERATION	SECTION 4	page 12
SERVICE PROCEDURES	SECTION 5	page 17
PARTS	SECTION 6	page 37
TROUBLE SHOOTING	SECTION 7	page 69
PREVENTATIVE MAINTENANCE	SECTION 8	page 72

Section 1 Specifications

30 lb. Computer 30 lb. Rotary 30lb. Manual
DLC30Q DLR30Q DLR30H

Model	DLC30Q	DLR30Q	DLR30H
Dry Weight Capacity (lbs.)	30	30	30
Dimensions			
Basket Depth	29 1/2"	29 1/2"	29 1/2"
Basket Diameter	30"	30"	30"
Basket Volume	12.07cu. ft.	12.07cu. ft.	12.07cu. ft.
Door Opening	22 11/16"	22 11/16"	22 11/16"
Overall Height (with legs)			
minimum	73 1/8"	73 1/8"	73 1/8"
maximum	74 1/8"	74 1/8"	74 1/8"
Cabinet Width	31 1/2"	31 1/2"	31 1/2"
Overall Depth	43 1/4"	43 1/4"	43 1/4"
Door Height (floor to center of door)	43 1/16"	43 1/16"	43 1/16"
Necessary Service Clearance Behind Machine	18"	18"	18"
Temperature (degrees)			
Regular/Hot	150-190F	150-190F	150-190F
(factory setting)	175F	175F	175F
Permanent Press/Medium	120-170F	120-170F	120-170F
(factory setting)	150F	150F	150F
Delicate/Warm	110-150F	110-150F	110-150F
(factory setting)	125F	125F	125F
Electrical			
Motor H.P.	1/2 H.P.	1/2 H.P.	1/2 H.P.
Running Amps	9.6	9.6	9.6
Circuit Breaker (amps)	15	15	15
Built-in Motor Protection Circuit	Yes	Yes	Yes
Phase	Single	Single	Single
Voltage 60 Hz. **	120V	120V	120V
Service	2 wire plus ground	2 wire plus ground	2 wire plus ground
Wire Size (min.)	#12	#12	#12
Cylinder Rotation			
Direction	counter clockwise	counter clockwise	counter clockwise
Speed (RPM)	47	47	47
Gas			
Natural (supply line)	4"-10" W.C.	4"-10" W.C.	4"-10" W.C.
Natural (burner manifold)	3 1/2" W.C.	3 1/2" W.C.	3 1/2" W.C.
L.P. (supply line)	11"-14" W.C.	11"-14" W.C.	11"-14" W.C.
L.P. (burner manifold)	11" W.C.	11" W.C.	11" W.C.
Inlet Line Size	1/2" NPT	1/2" NPT	1/2" NPT
BTU Input	90,000	90,000	90,000
Venting			
Air Flow (cfm)	830	830	830
Size	8"	8"	8"
Maximum Length			
with (2 elbows)	20ft.	20ft.	20ft.
with (4 elbows)	16ft.	16ft.	16ft.
Make-up Air			
Each Dryer (minimum)	1 sq. ft.	1 sq. ft.	1 sq. ft.
Shipping Weight (lbs.)	486	486	486
Net Weight (lbs.)	439	439	439

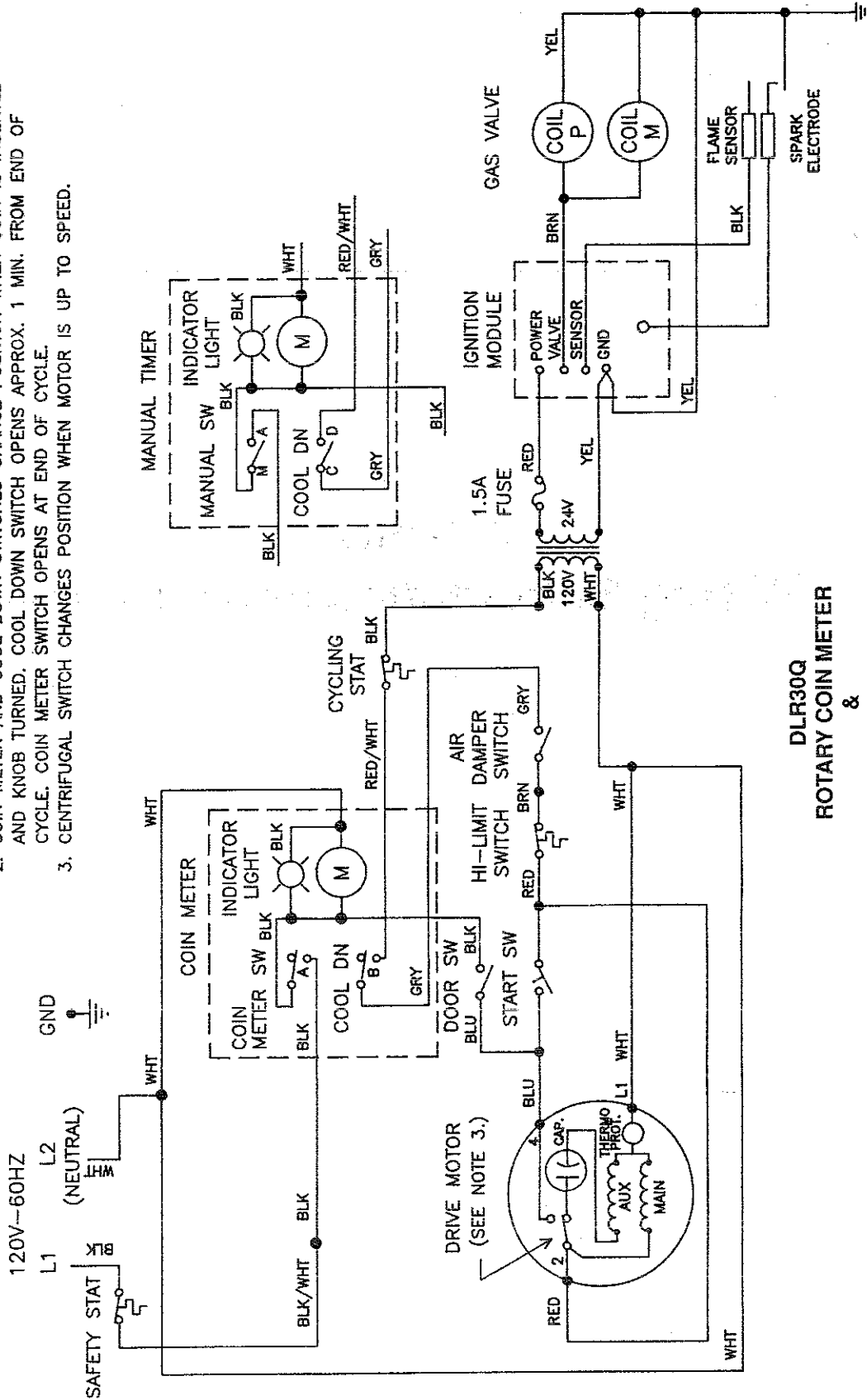
** International Voltages Available

Section 2

Wiring Schematics and Diagrams

NOTES:

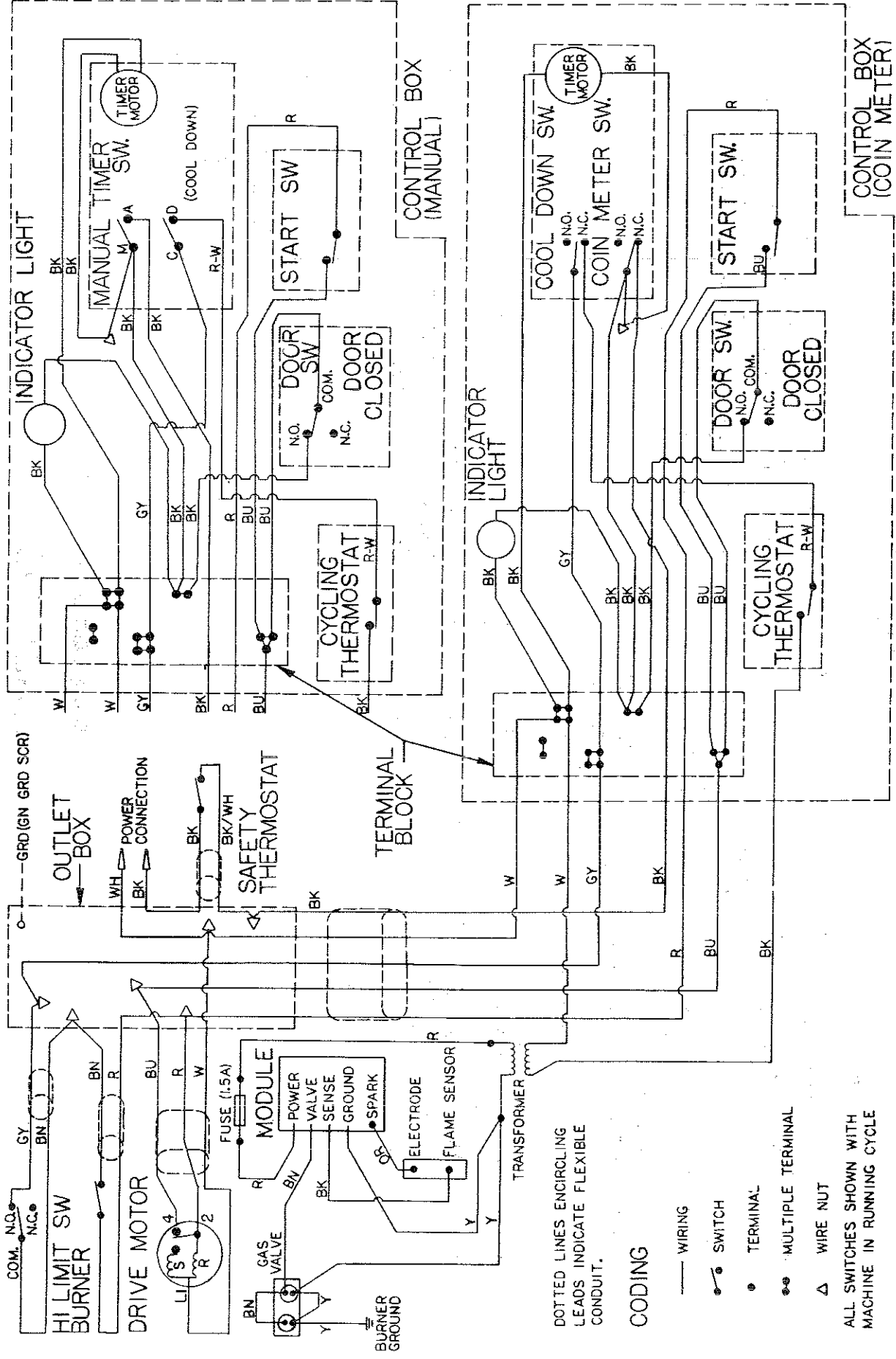
1. SWITCHES SHOWN WITH MACHINE OFF AND DOOR OPEN. DRYER STARTS WHEN COIN COUNT IS SATISFIED, DOOR IS CLOSED AND START BUTTON PUSHED.
2. COIN METER AND COOL DOWN SWITCHES CHANGE POSITION WHEN COIN IS INSERTED AND KNOB TURNED. COOL DOWN SWITCH OPENS APPROX. 1 MIN. FROM END OF CYCLE. COIN METER SWITCH OPENS AT END OF CYCLE.
3. CENTRIFUGAL SWITCH CHANGES POSITION WHEN MOTOR IS UP TO SPEED.



**DLR30Q
ROTARY COIN METER
&
DLR30H MANUAL TIMER**

SCHEMATIC

DAMPER R SW.



DOTTED LINES ENCIRCLING LEADS INDICATE FLEXIBLE CONDUIT.

CODING

- WIRING
- ⊙ SWITCH
- TERMINAL
- ⊙⊙ MULTIPLE TERMINAL
- △ WIRE NUT

ALL SWITCHES SHOWN WITH MACHINE IN RUNNING CYCLE

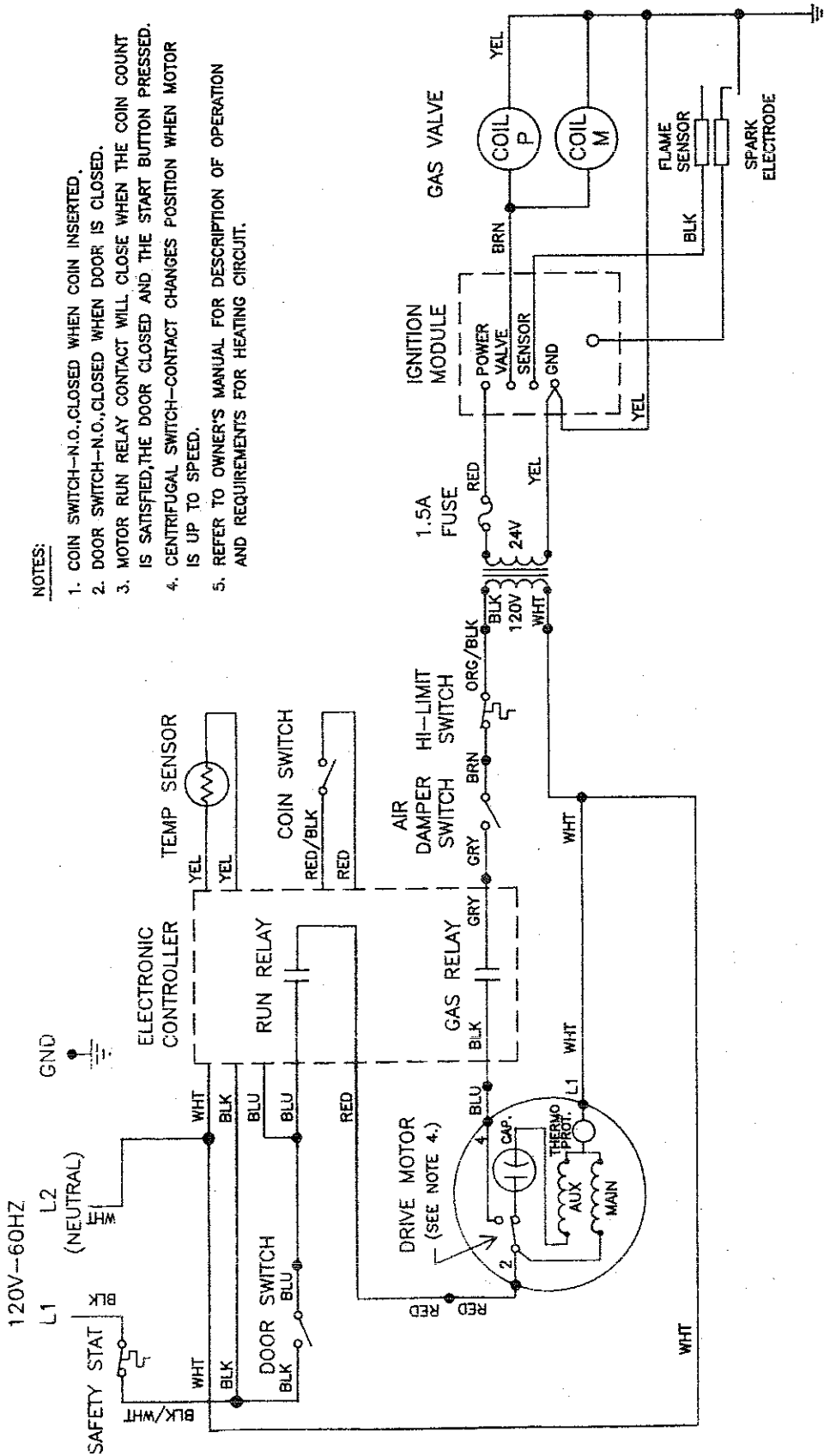
WIRING DIAGRAM

DLR30Q ROTARY COIN METER

&

DLR30H MANUAL TIMER

9345-635-003



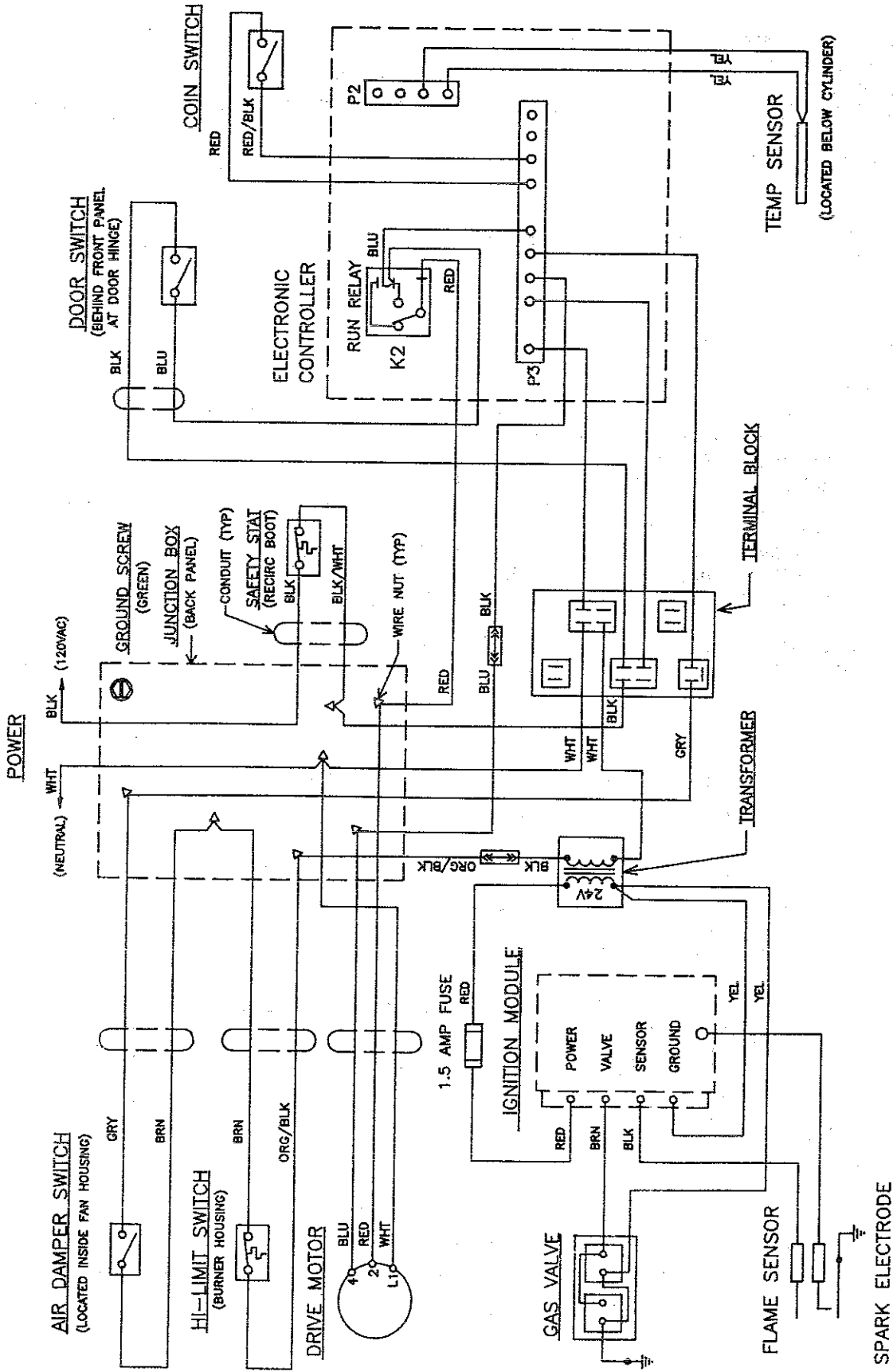
NOTES:

1. COIN SWITCH—N.O.,CLOSED WHEN COIN INSERTED.
2. DOOR SWITCH—N.O.,CLOSED WHEN DOOR IS CLOSED.
3. MOTOR RUN RELAY CONTACT WILL CLOSE WHEN THE COIN COUNT IS SATISFIED,THE DOOR CLOSED AND THE START BUTTON PRESSED.
4. CENTRIFUGAL SWITCH—CONTACT CHANGES POSITION WHEN MOTOR IS UP TO SPEED.
5. REFER TO OWNER'S MANUAL FOR DESCRIPTION OF OPERATION AND REQUIREMENTS FOR HEATING CIRCUIT.

DLC30 COMPUTER

SCHEMATIC

9345-776-001



DLC30 COMPUTER

WIRING DIAGRAM

9345-699-002

SECTION 3 INSTALLATION

All commercial dryer installations must conform with applicable local codes or in the absence of local codes, with the latest edition of the National Fuel Gas Code ANSI Z223.1A. Canadian installations must comply with current standard CAN/CGA-B149(.1 or .2) Installation Code for Gas Burning Appliances or Equipment, and local codes if applicable. The appliance, when installed, must be electrically grounded in accordance with the National Electric Code, ANSI/NFPA70, or when installed in Canada, with Standard CSA C22.1 Canadian Electrical Code Part 1.

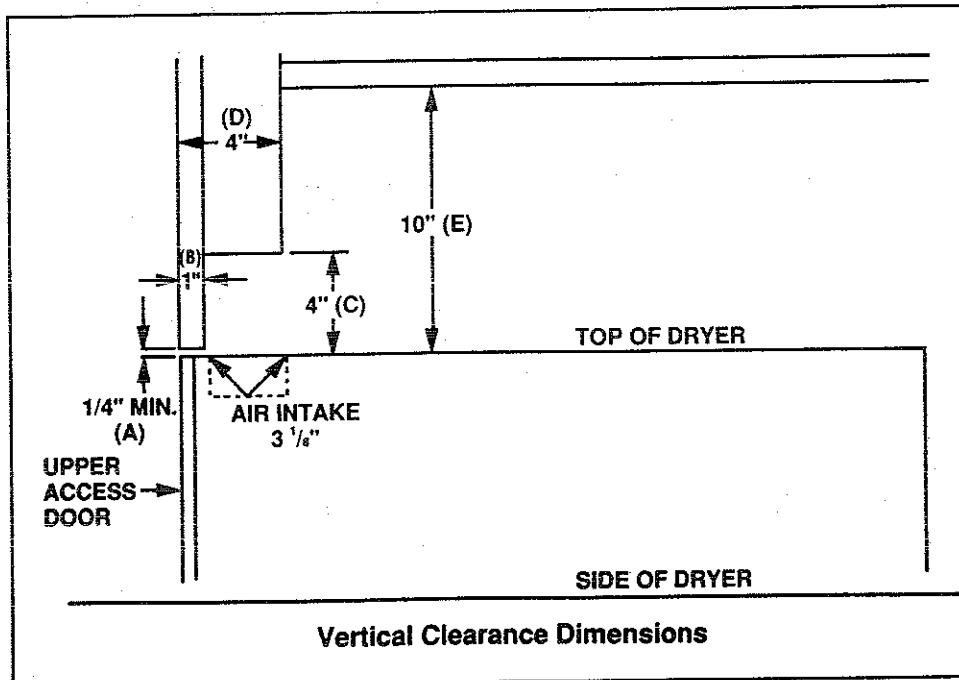
UNCRATING

1. Remove cardboard and innerpack.
2. Complete the uncrating as described in the procedure listed on the instruction sheet taped to the loading door glass.

INSTALLATION CLEARANCES

1. This unit may be installed at the following alcove clearances.
 - A. Left side - 0"
 - B. Right side - 1"
 - C. Back - 18" (Certified for 1" clearance; however, 18" clearance is necessary behind the belt guard to allow servicing and maintenance)
 - D. Front - 48" (to allow use of dryer)
 - E. Top - Refer to figure labelled "Vertical Clearance Dimensions"
Certification allows 0" clearance at the top 1" back from the front. However, a 1/4" clearance is required to allow opening the upper service door.
A 4" clearance is required at the top between 1" and 4" from the front.
A 10" clearance is required from top at all other points.
 - F. Floor - This unit may be installed upon a combustible floor.

* Units may be installed in direct contact with an adjacent dryer, providing allowance is made for opening upper and lower service doors.



MAKE-UP AIR

1. Adequate make-up air must be supplied to replace air exhausted by dryers on all types of installations. Provide a MINIMUM of 1 SQUARE FOOT of make-up air opening to the outside for each dryer. This is a net requirement of effective area. Screens, grills or louvers which will restrict the flow of air must be considered. Consult the supplier to determine the free area equivalent for the grill being used.
2. The source of make-up air should be located sufficiently away from the dryers to allow an even air flow to the air intakes of all dryers. Multiple openings should be provided.

Note: The following considerations must be observed for gas dryer installations where dry cleaners are installed. The sources of all make-up air and room ventilation air movement to all dryers must be located away from any dry cleaners. This is necessary so that solvent vapors will not be drawn into the dryer inlet ducts. Dry cleaner solvent vapors will decompose in contact with an open flame such as the gas flame preset in clothes dryers. The decomposition products are highly corrosive and will cause damage to the dryer ducts and clothes loads.

ELECTRICAL REQUIREMENTS

1. The electrical requirements necessary to operate the unit satisfactorily are listed on the serial plate located on the back panel of each dryer. The electrical connection should be made to the pigtail leads in the outlet box on the rear of the unit, using #12 AWG WIRE.
2. ONE 15 AMP CIRCUIT BREAKER is required for each dryer. The wiring diagram is located on the belt guard on the back of the dryer.

NOTE: It is absolutely essential that the dryer be grounded by a separate ground conductor from the ground screw on the dryer to the neutral bar in the supply breaker box.

NOTE: When initially connecting power to the machine if unusual behavior of the displays or controls occur give the machine an hour to stabilize and check operation again.

FOR YOUR SAFETY

Do not store or use gasoline or other flammable vapors or liquids in the vicinity of this or any other appliance. Consult your local gas supplier for procedure to be followed if the odor of gas is present.

GAS REQUIREMENTS

1. The complete gas requirements necessary to operate the dryer satisfactorily are listed on the serial plate located on the back panel of the dryer. The inlet gas connection to the unit is 1/2 inch pipe thread. However, the size of the piping to supply the dryer should be determined by reference to the Fuel Gas Code and consulting the local gas supplier.
2. A joint compound resistant to the action of liquefied petroleum gases should be employed in making pipe connections. A 1/8 inch NPT plugged tapping, accessible for test gage connection, must be installed immediately upstream of the gas supply connection to the dryer.
3. A drip tee is provided in the unit gas piping to catch dirt and other foreign articles.
4. All pipe connections should be checked for leakage with soap solution or leak detector. Never check with an open flame.

CAUTION: The dryer and its individual shutoff valve must be disconnected from gas supply piping system during any pressure testing of that system at test pressures in excess of 1/2 psig. The dryer must be isolated from the gas supply piping system by closing its individual manual shut off valve during any pressure testing of the gas supply piping system at test pressures equal to or less than 1/2 psig.

EXHAUST INSTALLATION

1. The dryer requires an 8" exhaust connection. Exhausting of the dryer should always be planned and constructed so that minimum air restrictions occur. (Refer to Figure on dryer exhausting). Any restriction due to pipe size or type of installation can cause slow drying time, excessive heat, and lint build up in system and the room. From an operational standpoint, incorrect or inadequate exhausting can cause cycling of the high limit thermostat which shuts off the main burners and results in inefficient drying.
2. Individual exhausting of the dryer is recommended. All heat, moisture, and lint should be exhausted outside by attaching a pipe of the proper diameter to the dryer adapter collar and extending it out through an outside wall. This pipe must be very smooth on the inside, as rough surfaces tend to collect lint which will eventually clog the duct and prevent the dryer from exhausting properly. All elbows must be smooth on the inside. All joints must be made so the exhaust end of one pipe is inside the next one downstream. The addition of an exhaust pipe tends to reduce the amount of air the blower can exhaust. This does not affect the dryer operation if held within practical limits. For the most efficient operation, it is recommended

that no more than 20 feet of straight 8" diameter pipe with two right angle elbows be used for each cylinder. When more than two elbows are used, two feet of straight pipe should be removed for each additional elbow.

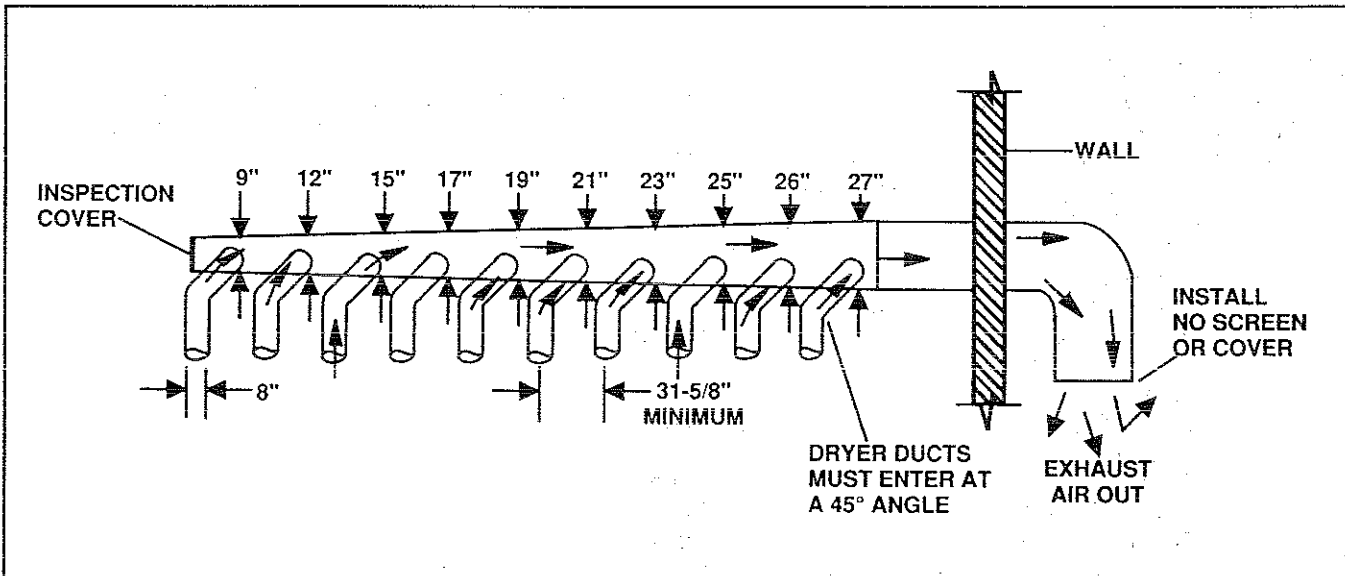
3. If the exhaust pipe passes through a wall, a metal sleeve of slightly larger diameter should be set in the wall and the exhaust pipe passed through this sleeve. This practice is required by some local codes and is recommended in all cases to protect the wall.
4. This type of installation should have a means provided to prevent rain and high winds from entering the exhaust when the dryer is not in use. A hood with a hinged damper can be used for this purpose. Another method would be to point the outlet end of the pipe downward to prevent entrance of wind and rain. In either case, the outlet should be kept clear by at least 24" of any objects which would cause air restrictions. Never install a protective screen over the exhaust outlet.
5. When exhausting a dryer straight up through a roof, the overall length of the duct has the same limits as exhausting through a wall. A rain cap must be placed on top of the exhaust and must be of such a type as to be free from clogging. The type using a cone shaped "roof" over the pipe is suitable for this application.

Warning: Exhausting the dryer into a chimney or under a building is not permitted. In either case there is a danger of lint build-up which can be highly combustible.

6. Installation of several dryers where a main discharge duct is necessary, will need the following considerations for installation. Entrance into the main discharge duct should be at a 45 degree angle in the direction of discharge air flow.

NOTE: Never install ducts at a right angle into the main discharge duct. The following illustration shows the various round main duct diameters to use with the individual dryer ducts. The main duct can be rectangular or round, provided adequate air flow is maintained. For each individual dryer the total exhausting (main discharge duct plus duct outlet from the dryer) should not exceed the equivalent of 20 feet and two elbows. The diameter of the main discharge duct at the last dryer must be maintained to exhaust end.

NOTE: An undersized duct will restrict air flow, an oversized duct will reduce air velocity, both contributing to lint build up. An inspection door should be provided for periodic clean-out of the main duct.



Dryer Exhausting Using A Main Discharge Duct.

SECTION 4

DRYER OPERATION

Computer Dryer Only

Description of Electronic Control

The single electronic control unit controls the coin count, dry time, temperature and information display. The digital display shows vend price when waiting for coins to be inserted and time purchased after coins have been deposited. When the tumbler is in use, the display shows the number of minutes remaining to be used.

The three temperature selection buttons have indicator lights to indicate which temperature selection has been made. At the end of the cycle, the digital display flashes until the operator opens the door to remove the load.

Temperature readout is available by pressing the temperature selection button that is in use along with the start button.

All programmed data is protected from power interruption of any length and the customer's individual cycle is protected for up to 3 seconds. This is done without batteries.

OPERATING INSTRUCTIONS

1. Load clothes into the tumbler and close the door.
2. Deposit the vend price that is shown in the display.
3. Select the desired temperature. Temperature selection may be changed at any time during the cycle.
4. Push the start button to start the dryer.
5. Additional time may be purchased as long as there is time remaining in the display even if the amount added is less than the original vend price.

IMPORTANT: Opening the loading door will stop the dryer. However, the computer will continue to count down the time.

6. There is a programmable cool-down period at the end of the cycle. During the cool down period, the dryer tumbles and the blower operates with the heat off to cool down the clothes.

PROGRAMMED DATA

All operating parameters (vend price, temperatures, cool-down times, etc.) are adjustable. In addition, several displays of information are available from the controller (money audits, hours run, & dryer temperature). Hours run and money audit can be reset to zero.

The dryer is ready to run, from the factory, with the following pre-programmed data:

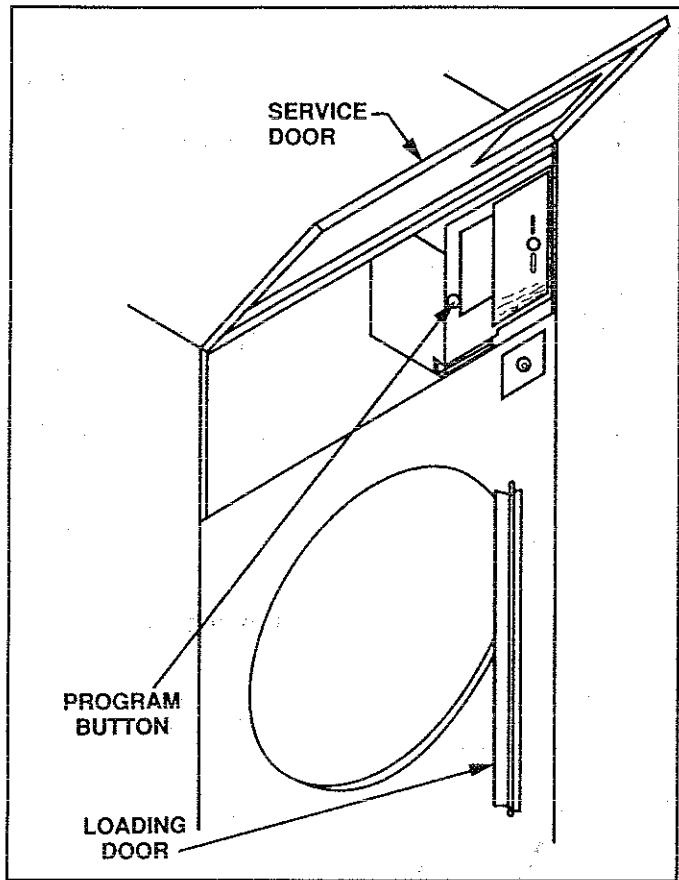
Hour meter	0 hours
Money Audit	0 dollars
Temperature, HOT	175 degrees F
Temperature, PERM PRESS	150 degrees F
Temperature, WARM	125 degrees F
Skip (not used)	
Coin Value	25 cents
Vend Price	25 cents
Skip (not used)	
Time per coin	10 minutes
Time of Free Vend	10 minutes
Cool-down Time, HOT	2 minutes
Cool-down Time, PERM PRESS	2 minutes
Cool-down Time, WARM	2 minutes

All of the above data can be easily changed by the owner. The changes are made by the four touch pad buttons on the front of the control panel.

Computer Dryer Only

ENTERING THE PROGRAM MODE

1. Unlock and open the upper service door.
2. Open the loading door.
3. Remove the bright metal plug found just to the left of the WARM cycle light.
4. Push the Program Button that is now accessible through a hole in the control mounting plate.
5. The control will switch to the Program mode.

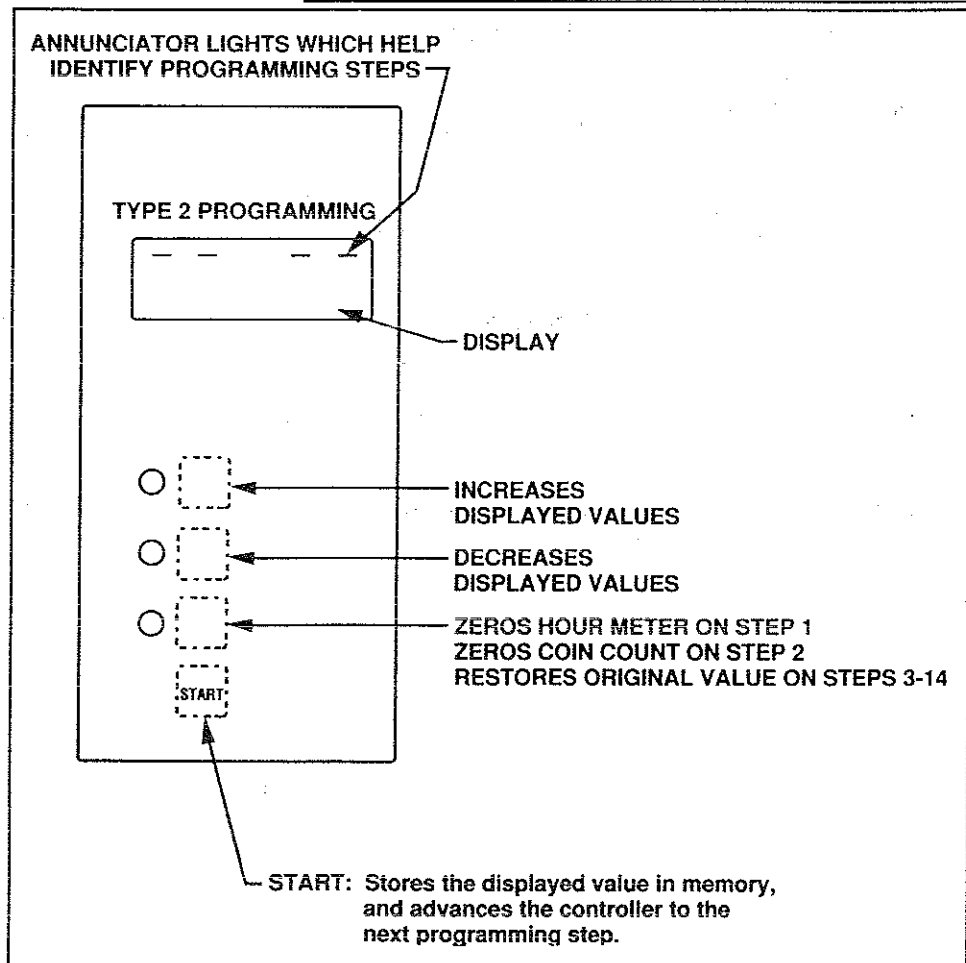


PROGRAMMING


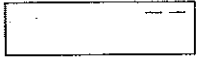
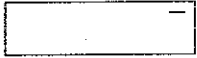

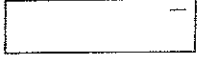

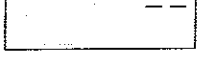
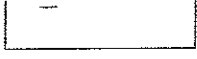
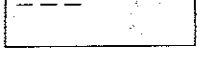
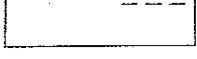
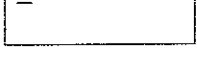
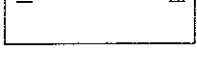
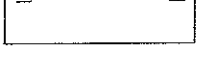

1. The annunciator lights in the display and temperature lights identify each programming step.
2. The START button advances the controller to the next programming step and stores any changes to the program in memory.

Important: Always remember to push START to store new data in the permanent memory. If you only change the display, the permanent memory hasn't been changed. Always push START after any program change before exiting the program mode.

3. The HOT and PERM PRESS buttons increase and decrease the values in the display.
4. The WARM button zeros hour meter and coin count in program steps 1 and 2. This button also restores the original factory settings for the step being displayed in program steps 3 through 14.



Order of Programming Steps

Cycle Lights	Display	Programming Step	Options/Range of Limits	Factory Settings
● H ● PP ● W		Hourmeter	May be reset / 0 to 9999hr.	0
		Money Audit	May be reset / 0 to \$9999	0
● H		Temperature, Hot	150 to 190 degrees F (5 degrees increments)	175
● PP		Temperature, Perm Press	120 to 170 degrees F (5 degree increments)	150
● W		Temperature, Warm	110 to 150 degrees F (5 degree increments)	125
		Skip (not used)		
		Coin Value	0 to 100 (Increments of 5)	25
		Vend Price	0 to 100 (Increments of 5)	25
		Skip (not used)		
		Time per Coin	0 to 99:59 minutes (5 second increments)	10:00
		Time of Free Vend	0 to 99:59 minutes (5 second increments)	10:00
● H		Cool-down Time, Hot	0 to 10 minutes (5 second increments)	2:00
● PP		Cool-down Time, Perm Press	0 to 10 minutes (5 second increments)	2:00
● W		Cool-down Time, Warm	0 to 10 minutes (5 second increments)	2:00

Computer Dryer Only

EXITING PROGRAM MODE

The controller remains in the programming mode until one of the following happens:

1. The Program Button is pushed again.
2. The last step of the programming sequence is completed and the step switch is pushed following this last step.
3. Programming is stopped for approximately one minute.
4. The loading door is closed.

HEAT CIRCUIT

120 volts comes in on L1 and goes to the normally closed **Over Temperature Safety Thermostat**. 120 volts comes from the **Over Temperature Safety Thermostat** to the **Door Switch**. With the door shut, power is then supplied by the blue wire to the **Run Relay** on the **Computer Board**. When coins are added and the **Start Pad** is pushed, 120 volts travels through the **Run Relay** to the **Centrifugal Switch** in the drive motor on the red wire. After the drive motor starts, the **Centrifugal Switch** moves to the run position disengaging the motor start winding and providing 120 volts to the **Gas Relay** on the black wire. When the **Computer Board** calls for heat the **Gas Relay** will close and power will be supplied to the **Damper Switch** by the gray wire. The normally open **Damper Switch** is closed as soon as the drive motor and blower start. 120 volts travels on the brown wire from the **Damper Switch** through the normally closed **High-Limit Thermostat** to the primary side of the **Ignition Control Transformer** on the orange/black wire. The secondary side of this transformer steps 120 volts down to 24 volts. The 24 volt signal is then sent through a 1.5 amp fuse to the **Spark Ignition Module** on a red wire. The **Spark Ignition Module** sends a high voltage signal to the **Spark Electrode** for 10 seconds to light the burner. At the same time the **Spark Ignition Module** also sends a 24 volt signal on the brown wire to the **Gas Valve Coils** to open the valve. When ignition occurs the high voltage spark stops. If ignition does not occur within 10 seconds, the **Spark Ignition Module** will lock out closing the gas valve and stopping the spark. To reset the **Spark Ignition Module** the dryer loading door must be opened for 10 seconds.

Rotary Meter Dryer Only

DESCRIPTION OF OPERATION

The rotary meter dryer utilizes a rotary 25c meter to accept coins and accumulate time. It has two external switches. Switch "A" (coin meter switch) controls the total time of operation and switch "B" (cool down switch) controls heat and gives the one minute cool-down time at the end of the timed cycle. There are interchangeable white timing cams that set the number of minutes for each quarter. Current production uses a 6 peg timing cam that gives 10 minutes for a quarter. For optional times refer to the chart below.

TIMING SPECIFICATIONS

The following chart gives time per quarter using timing cams with different numbers of pins on them.

Timing Chart
60 Minute Timer Motor

Time per Quarter	Number of Pins for Timing Cam	Part Number for Timing Cam
30 minutes	2	9095-032-009
20 minutes	3	9095-032-010
15 minutes	4	9095-032-006
12 minutes	5	9095-032-007
10 minutes	6	9095-032-002
8 min. 37.5 sec	7	9095-032-011
7 min. 30 sec.	8	9095-032-001
6 min. 40 sec.	9	9095-032-003
6 minutes	10	9095-032-004
5 min. 30 sec.	11	9095-032-012
5 minutes	12	9095-032-005

Rotary Meter Dryer Only

OPERATING INSTRUCTIONS

1. Load clothes into the tumbler and close the door.
2. Insert a coin into the coin slot and turn knob until coin drops.
3. Set the temperature selector to the desired setting. Temperature may be changed at any time during the cycle.
4. Depress the push to start button to start the dryer.
5. Additional time may be accumulated by adding more coins.

IMPORTANT: Opening the loading door will stop the dryer. However, the "ON" light will remain lit and the timer will continue to count down the time. To restart the dryer after opening the door the push to start switch must be depressed.

6. There is an automatic cool-down period of approximately one minute at the end of the cycle. During the cool down period, the dryer tumbles and the blower operates with the heat off to cool down the clothes.

Manual and Rotary Only

HEAT CIRCUIT

120 volts comes in on L1 and goes to the normally closed **Over Temperature Safety Thermostat**. 120 volts comes from the **Over Temperature Safety Thermostat** to the **Timer** or **Coin Meter Switch**. When coins are added or the manual timer is set, 120 volts travels through the **Manual Timer Contacts M and A** or through the **Coin Meter Switch A** to the **Door Switch**. With the door shut, power is then supplied to the **Start Switch**. When the start switch is pushed, 120 volts is supplied on the red wire to the **Centrifugal Switch** in the drive motor. After the drive motor starts, the **Centrifugal Switch** moves to the run position. This disengages the motor start winding and the start switch no longer needs to be depressed. The drive motor now runs on 120 volts from the blue wire coming from the door switch. This blue wire provides 120 volts to the red wire at the drive motor through the centrifugal switch. The red wire now supplies power to the **High-Limit Thermostat**. The normally closed **High-Limit Thermostat** supplies power on the brown wire to the **Damper Switch**. The normally open **Damper Switch** is closed as soon as the drive motor and blower start. 120 volts travels on the gray wire from the **Damper Switch** through the **Manual Timer Cool Down Contacts C and D** or through the **Coin Meter Cool Down Switch B**. Power then goes to the **Cycling Thermostat** on the red/white wire. When the **Cycling Thermostat** calls for heat, 120 volts is sent to the primary side of the **Ignition Control Transformer**. The secondary side of this transformer steps 120 volts down to 24 volts. The 24 volt signal is then sent through a 1.5 amp fuse to the **Spark Ignition Module** on a red wire. The **Spark Ignition Module** sends a high voltage signal to the **Spark Electrode** for 10 seconds to light the burner. At the same time the **Spark Ignition Module** also sends a 24 volt signal on the brown wire to the **Gas Valve Coils** to open the valve. When ignition occurs the high voltage signal stops. If ignition does not occur within 10 seconds, the **Spark Ignition Module** will lock out closing the gas valve and stopping the spark. To reset the **Spark Ignition Module** the dryer loading door must be opened for 10 seconds.

Manual Timer Dryer Only

DESCRIPTION OF OPERATION

The manual timer dryer utilizes a 60 minute timer. It contains two timer contacts. Contact A to M (manual switch) controls the total time of operation and contact C to D (cool down switch) controls heat and gives the one minute cool-down time at the end of the timed cycle.

OPERATING INSTRUCTIONS

1. Load clothes into the tumbler and close the door.
2. Turn timer knob to set desired length of cycle.
3. Set the temperature selector to the desired setting. Temperature may be changed at any time during the cycle.
4. Depress the push to start button to start the dryer.

IMPORTANT: Opening the loading door will stop the dryer. However, the "ON" light will remain lit and the timer will continue to count down the time. To restart the dryer after opening the door the push to start switch must be depressed.

5. There is an automatic cool-down period of approximately one minute at the end of the cycle. During the cool down period, the dryer tumbles and the blower operates with the heat off to cool down the clothes.

SECTION 5

SERVICE PROCEDURES

Controls

DLC30 Computer Only

ELECTRONIC CONTROL FAILURE CODES

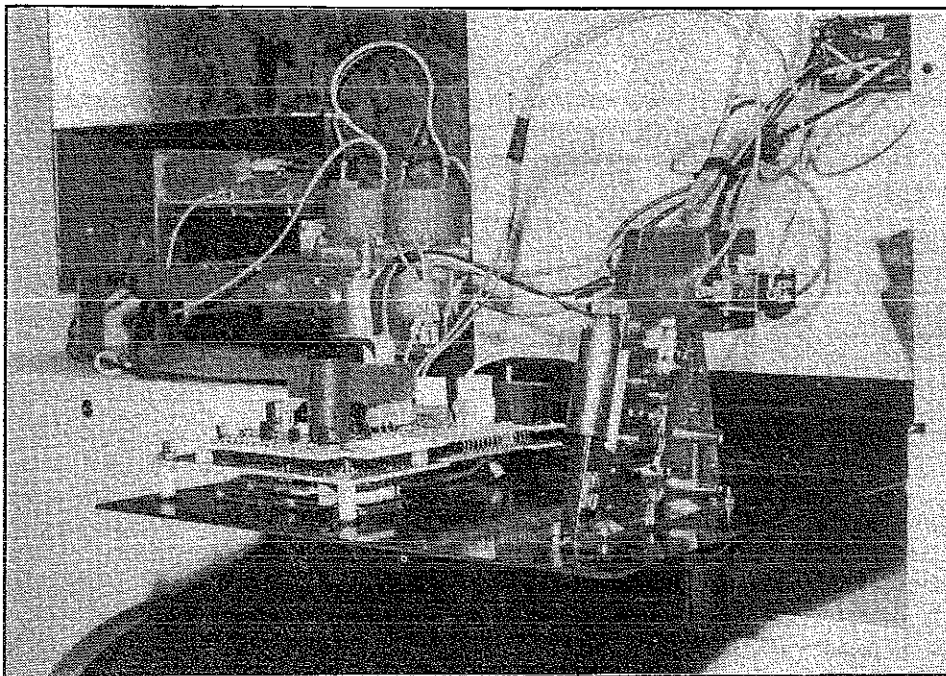
1. F1 -- Shorted sensor or shorted sensor wire harness.
2. F2 -- Open sensor or sensor wire harness unplugged.
3. F3 -- Electronic Control Failure.

WARNING -- DISCONNECT ELECTRICAL POWER TO THE DRYER BEFORE PROCEEDING.

ELECTRONIC CONTROL REMOVAL

CAUTION: AS WITH ALL ELECTRONIC CONTROLS, THIS CONTROL CAN BE DAMAGED BY STATIC ELECTRICITY. ALWAYS HANDLE CONTROLS BY THE EDGES. NEVER TOUCH A CONTROL WITHOUT TOUCHING THE CABINET OF THE DRYER FIRST TO GROUND YOURSELF.

1. Unlock and open the upper service door. It is held open with the door support arm.
2. Remove the 1/4" control panel mounting screw (located at the top center of the panel).
3. Swing the control panel down to rest on its rubber bumpers.
4. Remove the multiple wire connectors from the board.
5. Remove the wires from the motor relay (Note their location). The double blue wire goes on the top terminal (Common) and the single red wire goes on the middle terminal (Normally Open). The bottom terminal (Normally Closed) is not used.
6. Remove the four nuts that mount the electronic control board. (Note the lock washer under one nut. Be sure that the lock washer is reinstalled in the correct position as it grounds the control).
7. Lift the control a few inches to reveal the ribbon connector for the membrane switch. The ribbon cable is removed from the connector on the board by pulling on it. (To reinstall the ribbon, hold it near the end and push it into the connector until it bottoms out).



ELECTRONIC CONTROL

DLC30 Computer Only

MEMBRANE SWITCH REMOVAL AND INSTALLATION

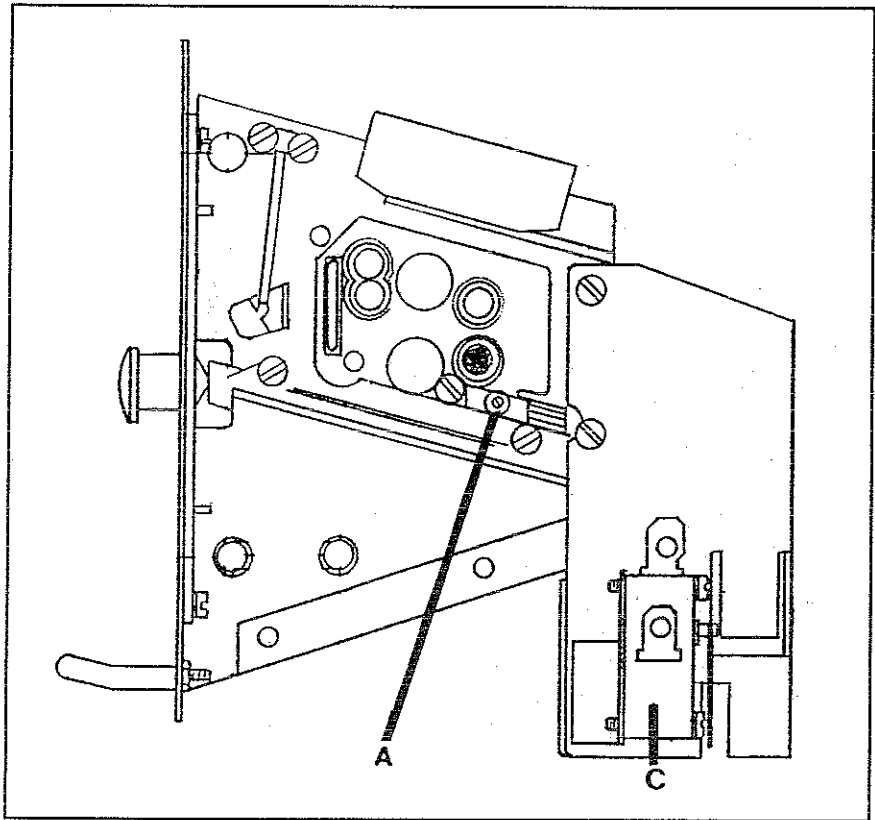
1. Unlock and open the upper service door. It is held open with the door support arm.
2. Peel the adhesive membrane switch off the mounting plate. (Note: the switch can not be reused)
3. Pull the ribbon from the connector on the electronic control board and remove the membrane switch.
4. Clean the mounting plate before installing new switch.
5. Remove the 1/4" control panel mounting screw (located at the top center of the panel).
6. Swing the control panel down to rest on its rubber bumpers.
7. Remove the four nuts that mount the electronic control board. (Note the lock washer under one nut. Be sure that the lock washer is reinstalled in the correct position as it grounds the control).
8. Route the ribbon cable through the slot in the mounting plate.
9. Install the membrane switch.
10. Lift the control a few inches to reveal the ribbon connector for the membrane switch. To install the ribbon, hold it near the end and push it into the connector until it bottoms out.

COIN ACCEPTOR REMOVAL

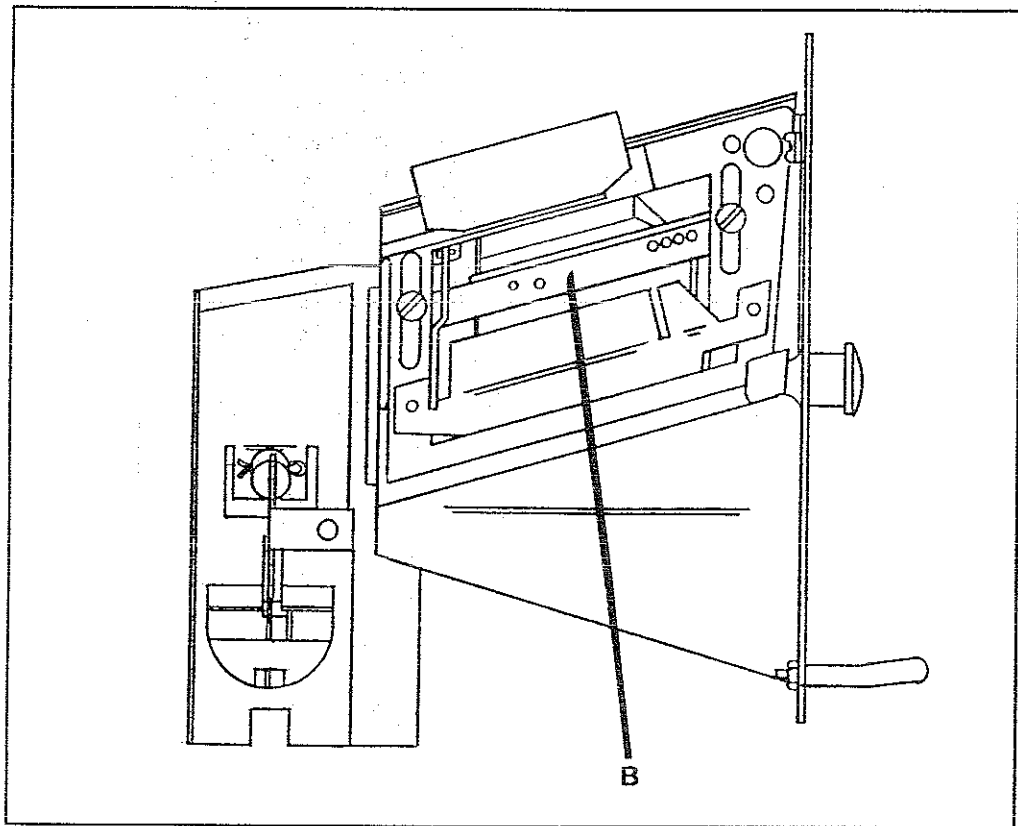
1. Unlock and open the upper service door. It is held open with the door support arm.
2. Remove the 1/4" control panel mounting screw (located at the top center of the panel).
3. Swing the control panel down to rest on its bumpers.
4. Remove the two screws that mount the acceptor.
5. Remove the two wires from the coin switch. (Note: the wires go on the outside, Normally Open terminals. The middle terminal is not used.)
6. The coin return button and its retainer can be disassembled by removing one additional screw. (Note: keep this screw separate from the acceptor mounting screws as it is shorter)
7. The coin return bail (U-shaped) can be removed by unscrewing two nuts.
8. The coin switch can be removed from the coin acceptor by removing the two mounting screws.

COIN ACCEPTOR ADJUSTMENT

1. Coin thickness
On the right side of the acceptor there is a coin thickness adjusting screw "A" with a locking nut. To allow for different thickness coins the screw can be turned in to accept thicker coins and turned out to reject thicker coins. Start with a quarter of a turn on this screw and be sure to tighten the lock nut after adjustment.
2. Coin height
On the left side of the acceptor is a coin height adjusting bar "B". This bar is adjusted by loosening the two mounting screws and moving both ends of the bar up or down equal amounts. The bar should be raised as high as possible while still accepting the correct coins. If it is raised too high the good coins will be rejected.
3. Coin Switch Adjustment
The normally open coin switch "C" should click (close) soon after the coin hits the operator wire. However, there must be enough travel to allow the switch to reset (open) once the coin has passed. Adjustment should be made by bending the wire very close to its attachment point.



COIN ACCEPTOR - right side



COIN ACCEPTOR - left side

DLC30 Computer Only

COIN ACCEPTOR CLEANING

1. Remove the acceptor from the machine (see Coin Acceptor Removal).
2. Remove the coin switch from the acceptor (see Coin Acceptor Removal).
3. Remove the retaining clip from the top of acceptor.
4. The coin acceptor will disassemble into two halves.
5. Clean the acceptor with warm soapy water.
6. Be sure that the acceptor is completely dry before reassembling and installing it in the dryer.

TEMPERATURE TESTING

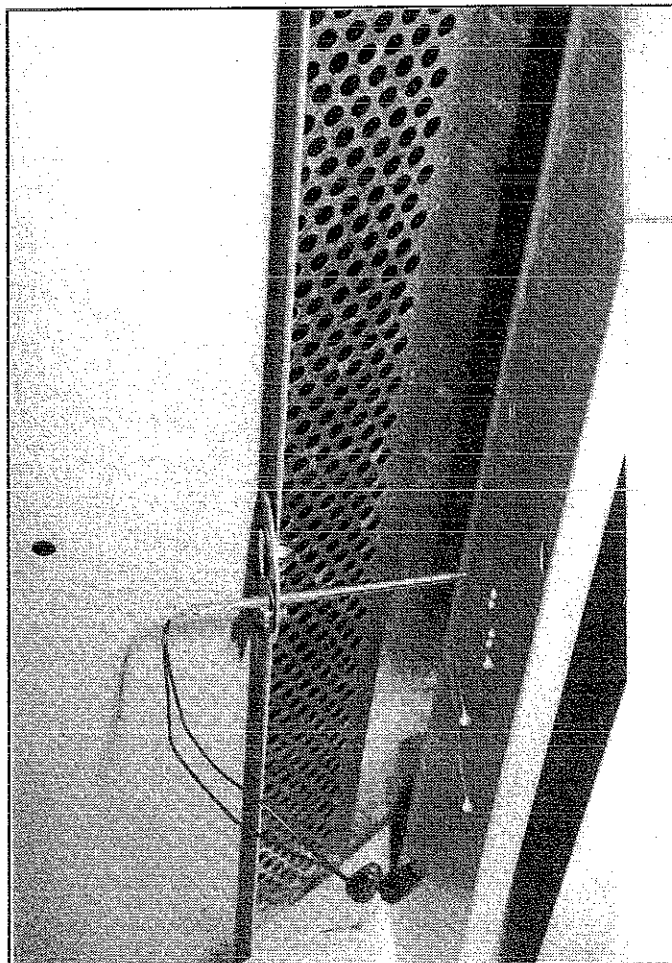
1. Temperature readout is available by pressing the temperature selection button that is in use along with the start button.

TEMPERATURE SENSOR TESTING

1. The temperature sensor should have between 30,000 ohms and 60,000 ohms resistance at Room Temperature. An open reading (infinite ohms) or a shorted reading (0 ohms) means that the sensor or the sensor wiring has failed.

TEMPERATURE SENSOR REMOVAL

1. Unlock and open the lower service door.
2. Remove the button plug that mounts the sensor bracket.
3. Remove the two wire nuts.
4. Remove the sensor to sensor bracket mounting screw and remove the sensor.



TEMPERATURE SENSOR

Controls

DLR30Q Rotary Coin Meter Only

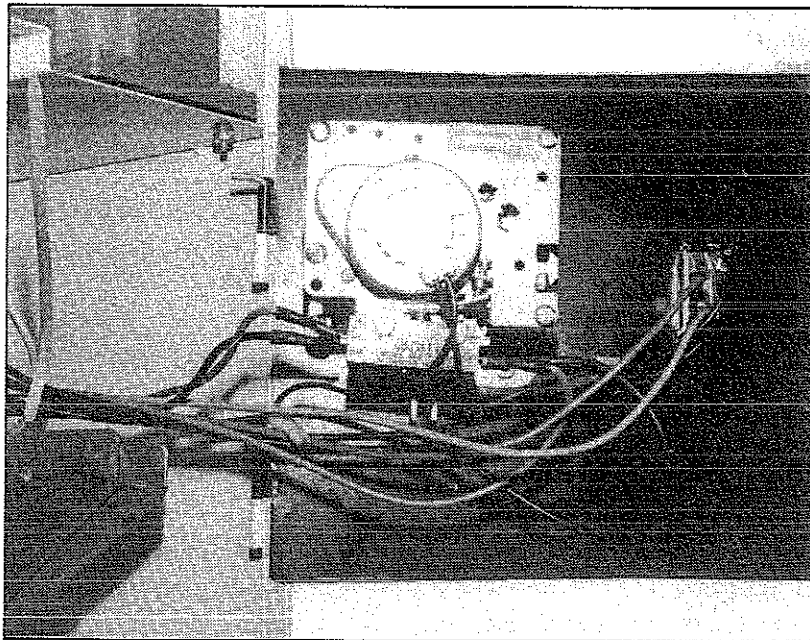
WARNING -- DISCONNECT ELECTRICAL POWER TO THE DRYER BEFORE PROCEEDING

COIN METER OPERATION AND TESTING

1. The Coin Meter Switch (switch "A") controls the total time of operation. Remove the two wires from the switch and using the ohms scale on your test meter, check the switch for continuity. The switch should be open (infinite ohms) before any coins have been inserted. The coin meter switch should be closed (0 ohms) when coins are inserted and the knob is turned.
2. The Cool Down Switch (switch B) controls the heat and gives a one minute cool down at the end of the cycle. Remove the wires from the switch and using the ohms scale on your test meter, check the switch for continuity. The switch should be open (infinite ohms) before any coins have been inserted and during the cool down in the last minute of the cycle. The cool down switch should be closed (0 ohms) when coins are inserted and the knob is turned.

COIN METER REMOVAL

1. Unlock and open the upper service door. It is held open with the door support arm.
2. Remove the 1/4" hex head retaining screw on the left side of the meter panel door to open the door.
3. Remove the five wires.
4. Remove the two 3/8" nuts that mount the coin meter to the meter panel and remove the coin meter.



ROTARY COIN METER

Timing Chart

60 Minute Timer Motor

Time per Quarter	Number of Pins for Timing Cam	Part Number for Timing Cam
30 minutes	2	9095-032-009
20 minutes	3	9095-032-010
15 minutes	4	9095-032-006
12 minutes	5	9095-032-007
10 minutes	6	9095-032-002
8 min. 37.5 sec	7	9095-032-011
7 min. 30 sec.	8	9095-032-001
6 min. 40 sec.	9	9095-032-003
6 minutes	10	9095-032-004
5 min. 30 sec.	11	9095-032-012
5 minutes	12	9095-032-005

DLR30Q Rotary Coin Meter Only

THERMOSTAT TEMPERATURE TESTING

1. To check the temperature at which the control thermostat is cycling off, remove the exhaust vent from ABOVE the dryer heat reclaimer at the back of the dryer.
2. This test should be done with at least a partial load of clothes in the tumbler.
3. Allow the burner to cycle at least three times to stabilize temperatures.
4. Place a thermocouple or shake down thermometer in the exhaust vent at the top of the heat reclaimer. The temperature at this point with the temperature selector lever set on "Hot" should read approximately 140 degrees F. This indicates the temperature at the capillary bulb on the thermostat is approximately 175 degrees F.

THERMOSTAT TEMPERATURE ADJUSTMENT

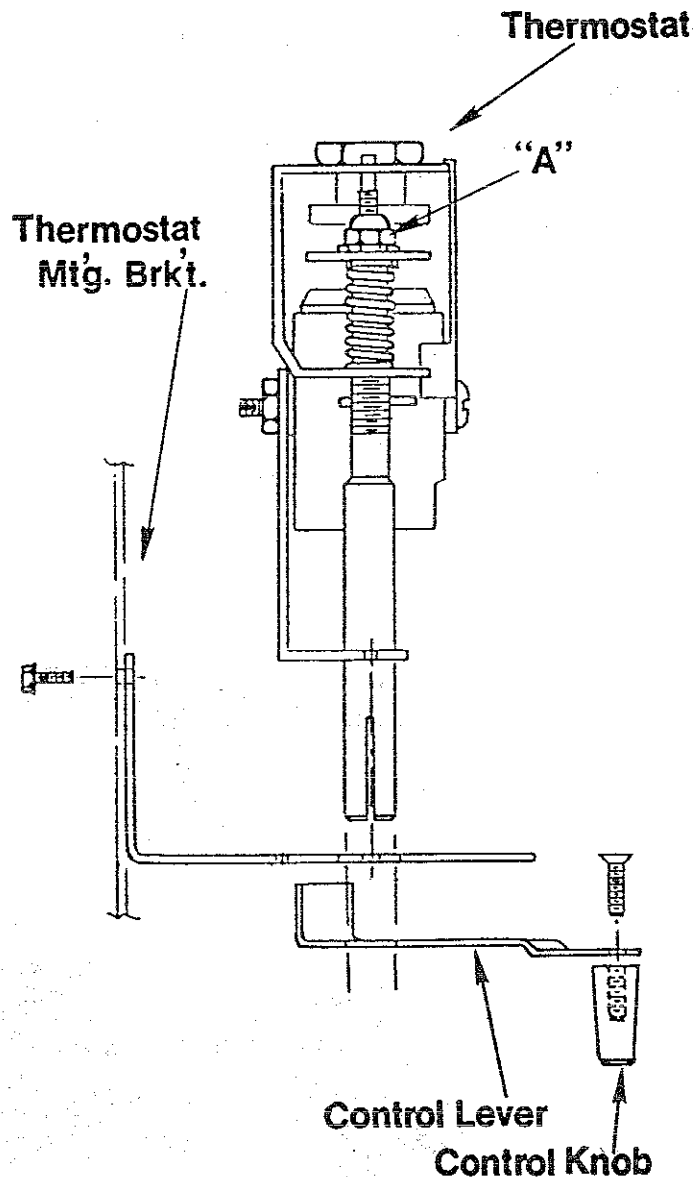
1. Turn nut "A" clockwise to increase temperature and counterclockwise to decrease temperatures.
2. 1/4 turn of nut "A" on thermostat will affect temperature approximately 15 degrees F.
3. Recheck temperature (see Thermostat Testing) to determine if thermostat calibration has been corrected.

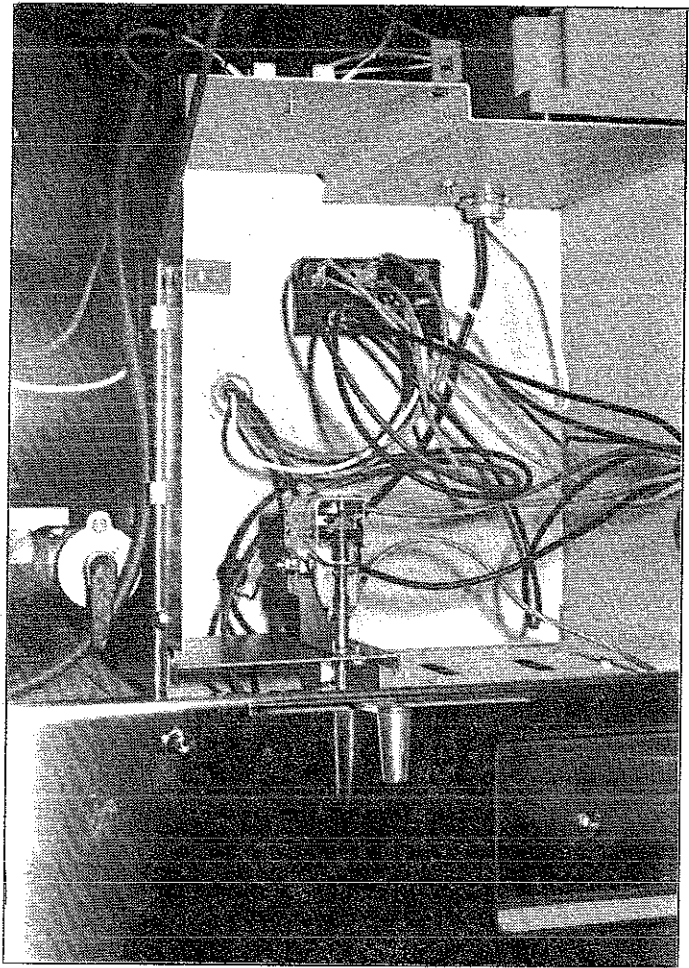
THERMOSTAT TESTING

1. Remove the two wires from the thermostat switch.
2. With the dryer cold, an ohm reading on the switch of 0 is normal as the switch is closed.

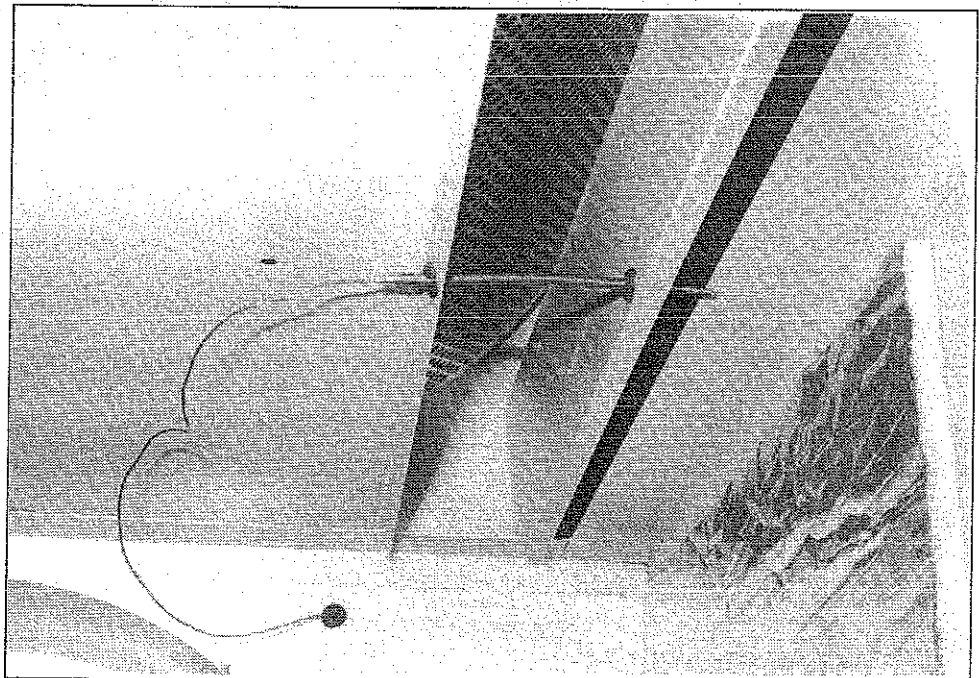
THERMOSTAT REMOVAL

1. Remove lower service door (see Lower Service Door Removal).
2. Remove lint screen and lint trap hood (see Lint Trap Hood Removal).
3. Press the two split grommets, holding the thermostat sensor bulb, out of the baffles and in towards the bulb. Remove the grommets and pull the sensor bulb and capillary tube away from the baffles.
4. Remove the capillary grommet from the cabinet back and the control housing back. Remove all capillary clips. Pull the sensor bulb and capillary tube out through the back of the cabinet.
5. Open the upper service door and remove the temperature selector lever knob.
6. Remove the wire leads connected to the thermostat terminals.
7. Remove the two 1/4" hex head screws holding the thermostat mounting bracket to the control housing and remove the thermostat and mounting bracket assembly.





THERMOSTAT



THERMOSTAT BULB

Controls

DLR30H Manual Timer Only

WARNING -- DISCONNECT ELECTRICAL POWER TO THE DRYER BEFORE PROCEEDING

TIMER OPERATION AND TESTING

1. The Manual Switch (contacts M and A) controls the total time of operation. Remove the two wires from the timer and using the ohms scale on your test meter, check the contacts for continuity. The contacts should be open (infinite ohms) with the timer in the off position. The manual switch should be closed (0 ohms) when the timer is turned on.
2. The Cool Down Switch (contacts C and D) controls the heat and gives a one minute cool down at the end of the cycle. Remove the wires from the timer and using the ohms scale on your test meter, check the contacts for continuity. The switch should be open (infinite ohms) with the timer in the off position and during the cool down in the last minute of the cycle. The cool down switch should be closed (0 ohms) when the timer is started.

TIMER REMOVAL

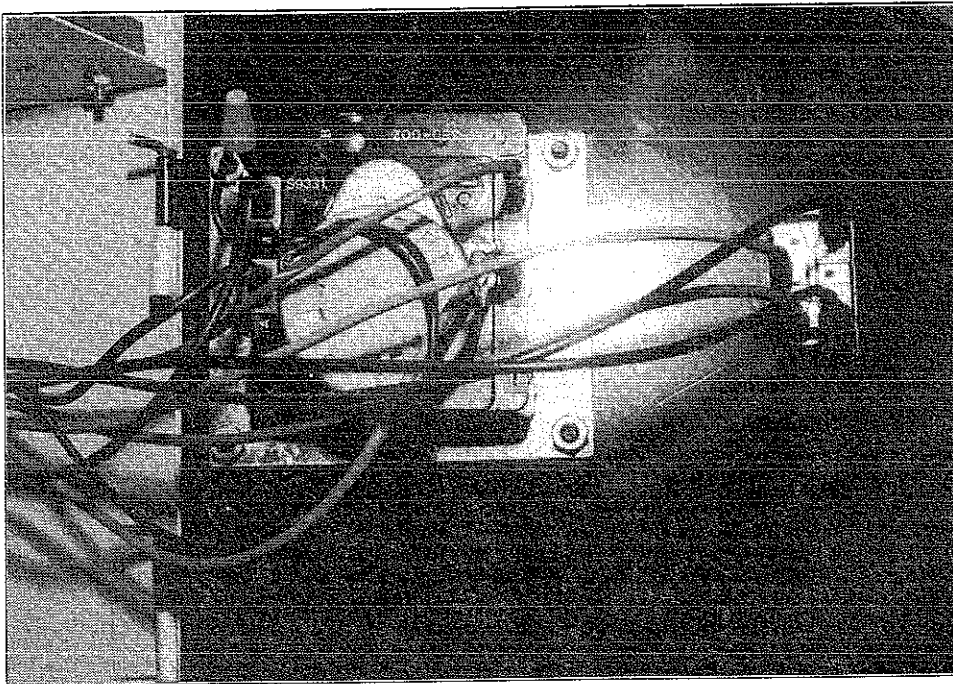
1. Unlock and open the upper service door. It is held open with the door support arm.
2. Remove the 1/4" hex head retaining screw on the left side of the timer panel door to open the door.
3. Remove the five wires.
4. Remove the two 3/8" nuts that attach the timer and timer adapter plate to the timer panel.
5. Remove the timer knob.
6. Remove two 1/4" screws that mount the timer to the timer adapter plate.

THERMOSTAT TESTING

1. Remove the two wires from the thermostat switch.
2. With the dryer cold, an ohm reading on the switch of 0 is normal as the switch is closed.

THERMOSTAT TESTING, ADJUSTING & REMOVAL

see DLR30Q Rotary Coin Meter section.



MANUAL TIMER

SERVICE PROCEDURES

All Dryers

WARNING -- DISCONNECT ELECTRICAL POWER TO THE DRYER BEFORE PROCEEDING

UPPER SERVICE DOOR REMOVAL

1. Unlock and open the upper service door. It is held open with the door support arm.
2. Drive the center pin out of each hinge from the inside out. Retain the two pins for reassembly.
3. Remove the hinges from the door.

LOADING DOOR LATCH ADJUSTMENT

1. Loosen the lock nut on the latching stud.
2. Open the loading door.
3. Screw the latching stud in or out as necessary.
4. Tighten the lock nut.

LOADING DOOR REMOVAL

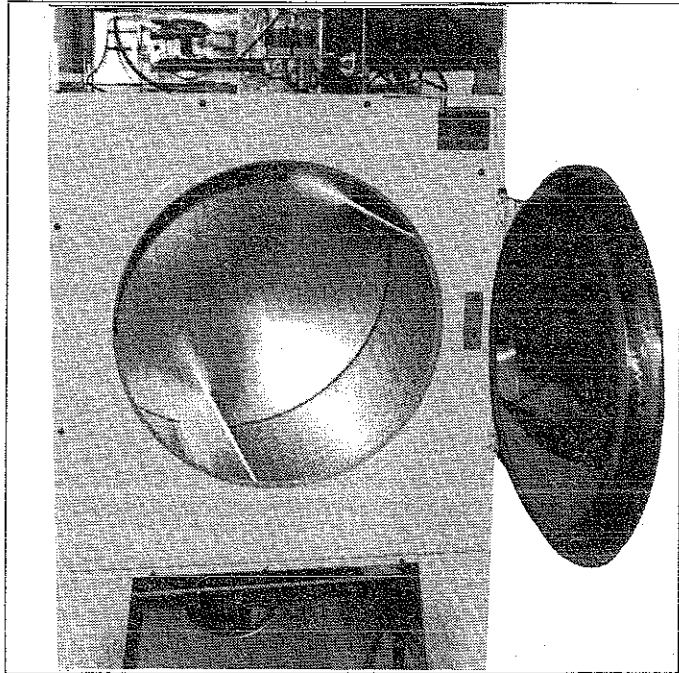
1. Remove the allen head pivot screw from the top of the door hinge.
2. Lift the door off the bottom hinge pin.

LOADING DOOR HINGE BRACKET REMOVAL

1. Remove the loading door (see Loading Door Removal).
2. Remove the four Torx T-20 retaining screws.

LOADING DOOR HANDLE REMOVAL

1. Remove the two phillips screws that mount the handle.



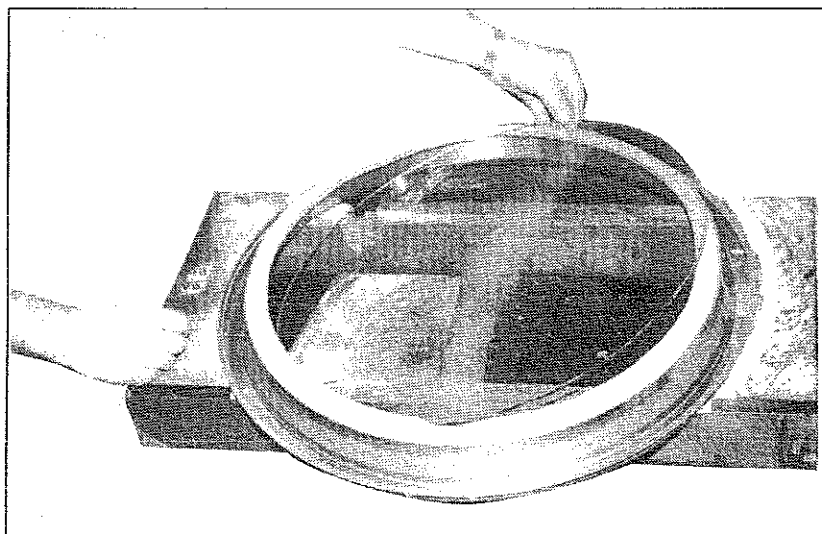
DRYER - front view

LOADING DOOR GASKET AND GLASS INSTALLATION

1. Remove the loading door. (see Loading Door Removal)
2. Lay the door face down on a table.
3. Put the door glass gasket on the loading door with the ridges in the wide side up. (see note below) Locate the seam at the door latching stud.

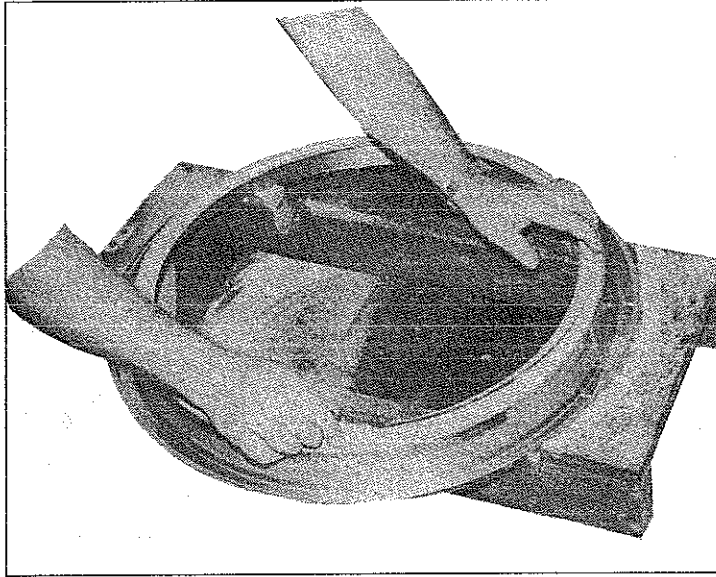
Note: The gasket has one narrow opening on one side and a wide opening on the other. The narrow side mounts to the door. The wide side holds the glass. The wide side has ridges on one interior lip. This ridged side should go up with the door laying face down.

4. Coat the inside and outside of the gasket with rubber lubricant or liquid soap.
5. Slide the glass into the middle of the gasket with half of the glass above the door and half below the door.



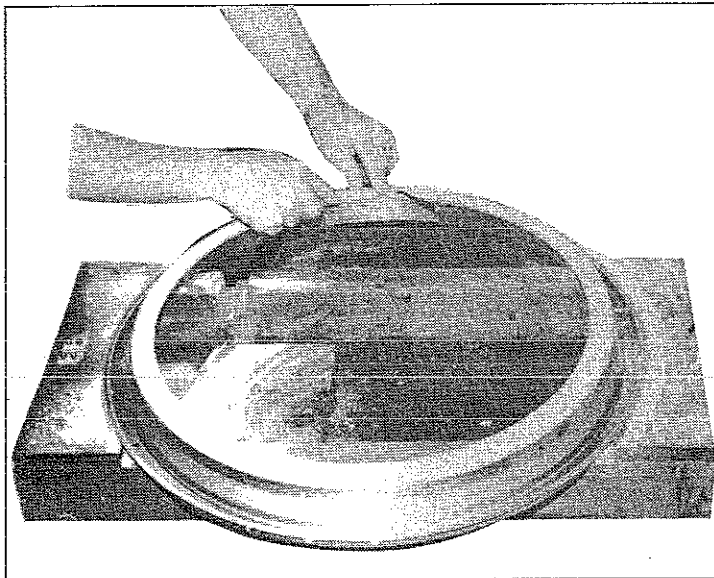
GLASS INSTALLATION

6. While pressing on the glass, use a modified screwdriver (grind the end off so that it is round and put a slight bend in it) and run it around half of the glass.



GLASS INSTALLATION

7. With half of the glass installed, turn the door over and repeat step 6.
8. Insert the modified screwdriver at the 6 o'clock position and pry the glass up enough to install 1 spacer.



GLASS SPACER INSTALLATION

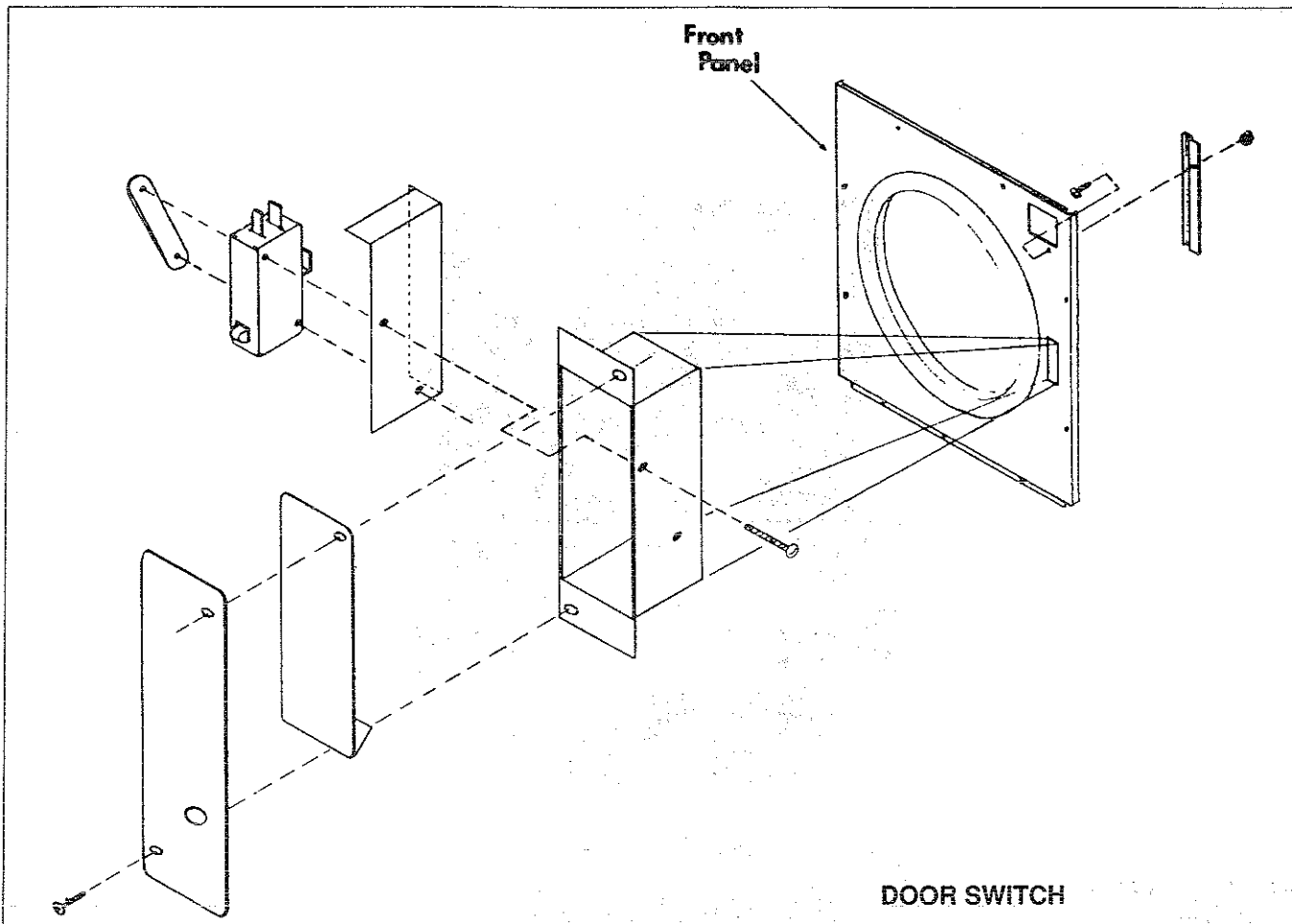
All Dryers

DOOR SWITCH OPERATION AND TESTING

1. The normally open door switch must be closed (0 ohms resistance) for the motor and heat circuits to operate. When the door is opened, the door switch breaks the 120 volts for the heat and motor circuits.

DOOR SWITCH ADJUSTMENT

1. Remove the two switch box cover screws.
2. Remove the switch cover and actuator plate.
3. Pull the entire switch box out from the opening in the front panel.
4. Loosen the bottom door switch mounting screw.
5. A slotted mounting allows the switch to slide in or out for adjustment.



DOOR SWITCH REMOVAL

1. Remove the two switch box cover screws.
2. Remove the switch cover and actuator plate.
3. Pull the entire switch box out from the opening in the front panel.
4. Remove the two door switch mounting screws and the twin nut.
5. Remove the door switch and insulating shield. (Note: upon installation be sure to correctly position the insulating shield.)
6. Remove the two door switch wires. (Note: upon installation be sure that the door switch wires are on the Common terminal (rear) and the Normally Open terminal (middle). The Normally Closed terminal (front) is not used.)

LOWER SERVICE DOOR REMOVAL

1. Remove lower service door.
2. Lift the door to remove from bottom hinge pins.

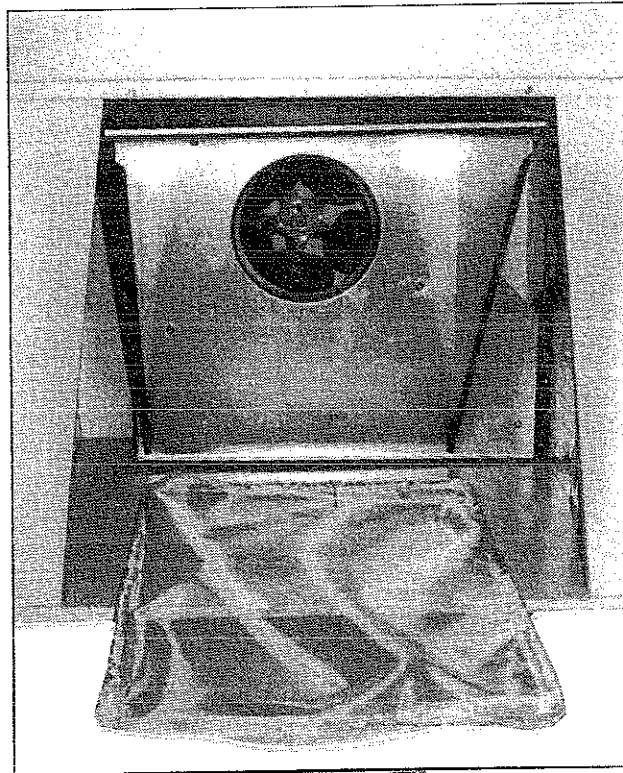
FRONT PANEL REMOVAL

1. Remove lower service door (see Lower Service Door Removal).
2. Unlock and raise upper service door.
3. Remove loading door (see Loading Door Removal).
4. Remove the black door switch wire from the controls terminal block.
5. ROTARY & MANUAL--Remove the blue door switch wire from the controls terminal block.
COMPUTER--Remove the blue door switch wire from the motor run relay.
6. Remove the four Torx T-20 retaining screws at the top and left side of the panel.
7. Remove the three 5/16" retaining screws at the bottom of the panel.

LINT SCREEN AND LINT TRAP HOOD REMOVAL

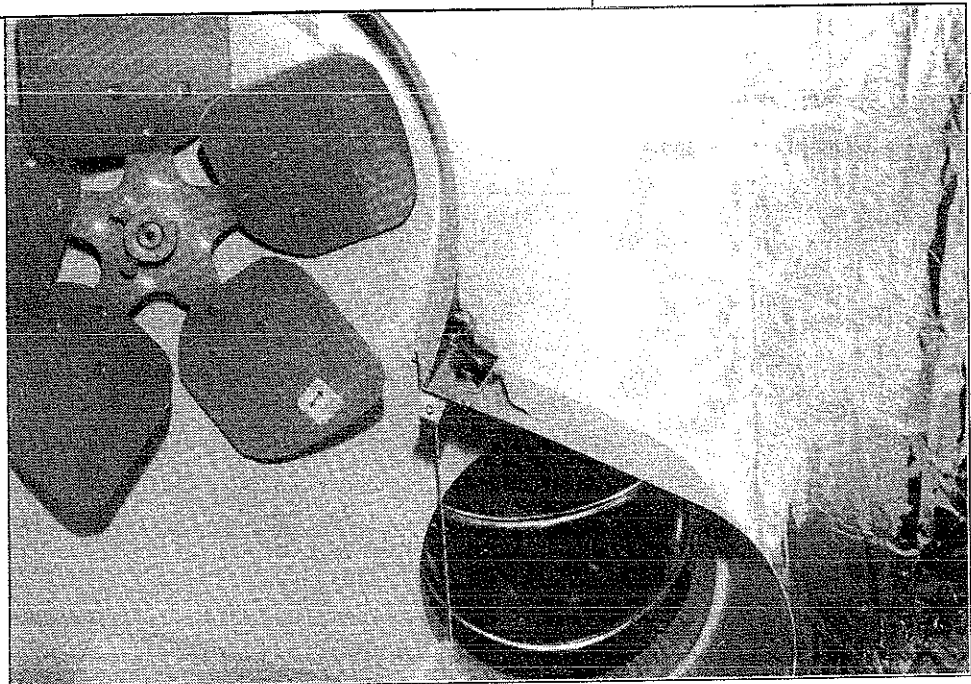
1. Remove lower service door (see Lower Service Door Removal).
2. Slide lint screen out of screen guide.
3. Remove the six 11/32" nuts that secure the lint trap hood to the blower housing assembly.
4. Pull the lint trap hood forward and off the 6 mounting studs.

LINT SCREEN & LINT TRAP HOOD



BLOWER IMPELLER REMOVAL

1. Loosen the two set screws in the impeller hub.
2. Use a puller to remove the impeller from the motor shaft.
(This method is recommended to prevent damage to the motor)



BLOWER IMPELLER & DAMPER SWITCH

All Dryers

DAMPER SWITCH OPERATION

1. The damper switch is part of the ignition safety circuit and is mounted to the right of the blower fan. It insures that the burners can't operate unless there is air flow. When the drive motor (blower fan) is running, the damper is pushed to the right and up actuating the damper switch. If the switch is not actuated, ignition will not occur.

DAMPER SWITCH TESTING

1. Remove lint screen and hood. (see Lint Screen and Lint Trap Hood Removal)
2. Raise the damper arm and the switch should have continuity. (0 ohms resistance)
3. When the damper arm is lowered the switch should open.

DAMPER SWITCH ADJUSTMENT

1. Remove lint screen and hood. (see Lint Screen and Lint Trap Hood Removal)
2. Remove switch shield by sliding it out of two slots.
3. Turn the switch adjusting screw in or out so that the switch closes when the damper is approximately 30 degrees from the extreme up position.

DAMPER SWITCH REMOVAL

1. Remove lint screen and hood (see Lint Screen and Lint Trap Hood Removal)
2. Remove switch shield by sliding it out of two slots.
3. Remove the two wires.
4. Remove the two 1/4" screws that mount the switch.

HIGH LIMIT THERMOSTAT OPERATION AND TESTING

1. The normally closed (0 ohms resistance when cold) high limit thermostat is mounted on the left side of the burner housing. It opens the circuit to the main burners in the event of a malfunction in the gas control area or temperature control. The high limit thermostat opens quickly if there is a significant drop in air flow over the burner area.

HIGH LIMIT THERMOSTAT REMOVAL

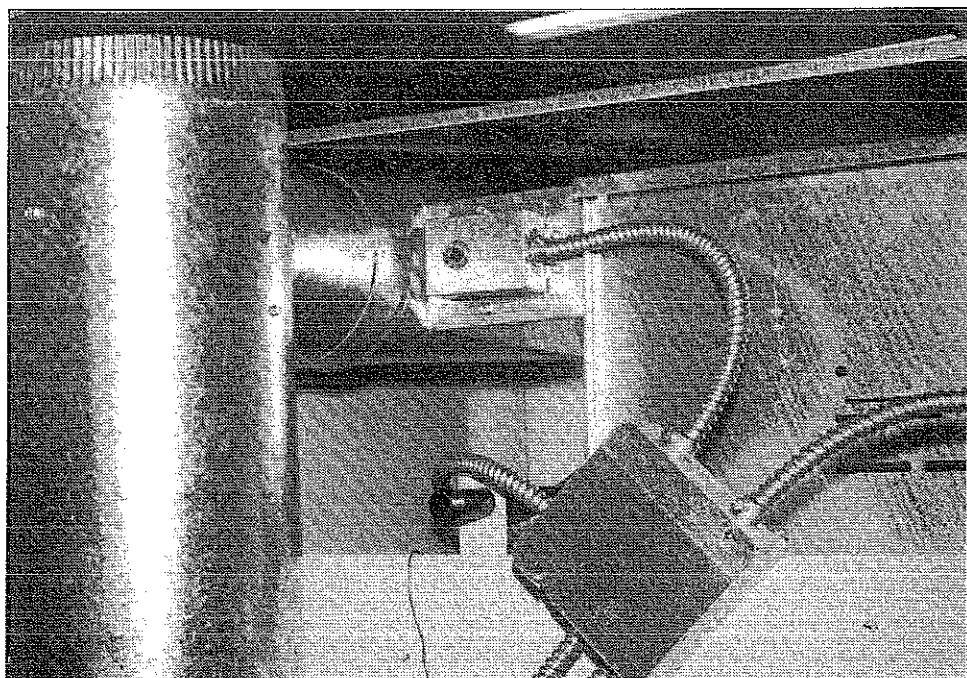
1. Remove one 5/16" screw that retains the thermostat guard and remove the guard.
2. Remove the two wires.
3. Remove two 1/4" screws that retain the high limit thermostat to the mounting bracket. (Note: Save the spacers between the thermostat and bracket as they must be reused upon reassembly)

OVER TEMPERATURE SAFETY THERMOSTAT OPERATION AND TESTING

1. The normally closed (0 ohms resistance when cold) manual reset safety thermostat is a back up to the many other safety features in the heat circuit. If an abnormally high temperature situation occurs, the safety thermostat will trip and shut the dryer's heat and motor circuits off. Once the dryer cools, the safety thermostat may be reset by inserting a pencil or non-conductive tool through the opening in the thermostat cover.

OVER TEMPERATURE SAFETY THERMOSTAT REMOVAL

1. Remove the two 5/16" screws that retain the thermostat cover and remove the cover.
2. Remove the two wires and the two 1/4" thermostat mounting screws.



OVER TEMPERATURE SAFETY THERMOSTAT

GAS CONTROL VALVE OPERATION AND TESTING

1. The redundant gas valve contains two coil operated valves. The two coils operate on a 24 volt AC signal from the spark ignition module. Anytime heat is called for there should be 24 volts AC at the gas valve coils. The valve can be converted from natural gas to LP (Note: see LP conversion kit listed in the parts section). Gas pressure for NATURAL gas should be 4"-10" water column at the supply manifold before the gas valve and 3.5" water column at the burner manifold after the valve. Gas pressure for LP gas should be 11"-14" water column at the supply manifold before the gas valve and 11" water column at the burner manifold after the valve.

WARNING: TURN OFF GAS BEFORE PROCEEDING

GAS CONTROL VALVE REMOVAL

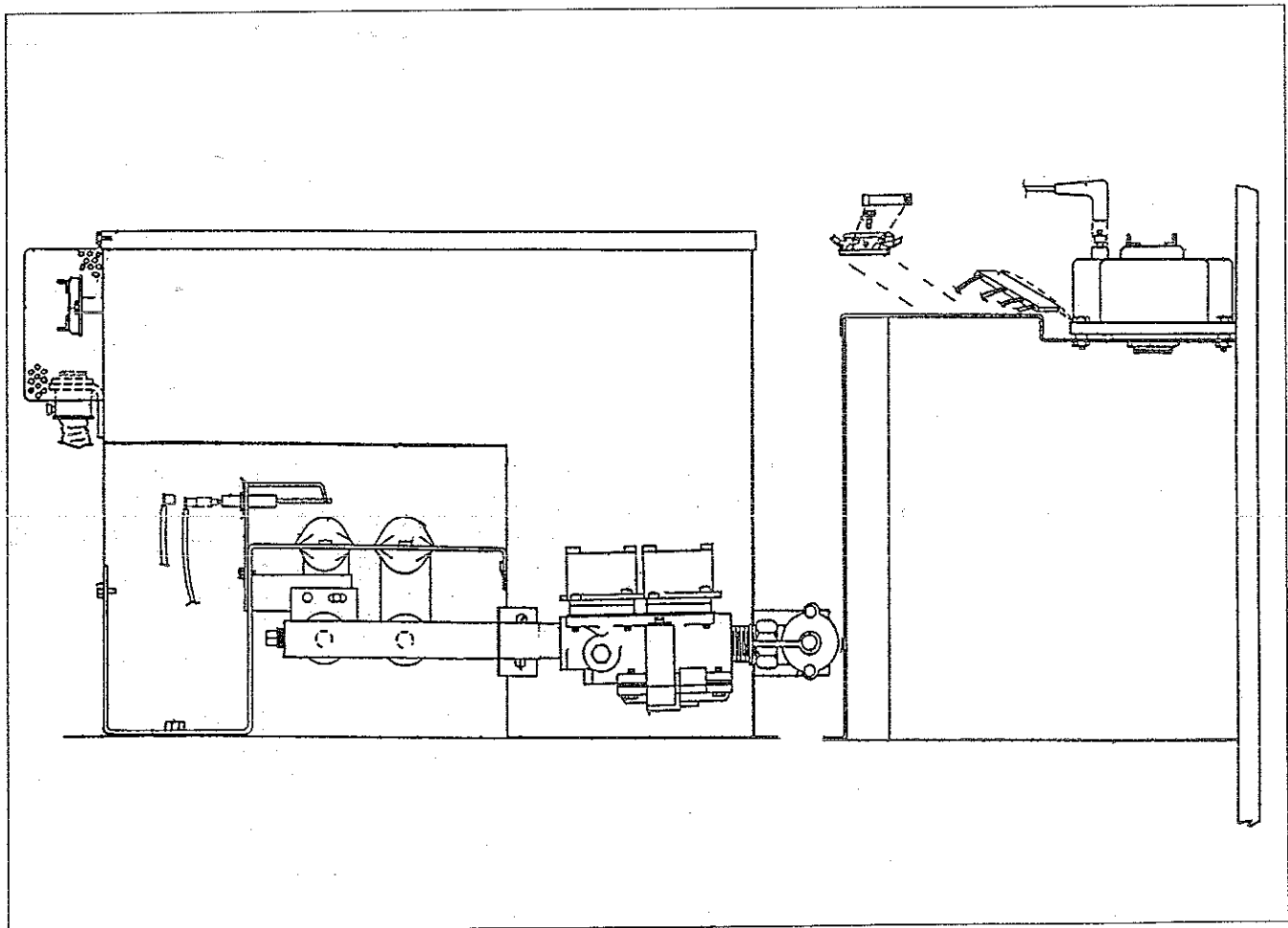
1. TURN OFF THE MAIN GAS SHUT-OFF to the right of the gas valve.
2. Remove the four wires from the top of the gas valve.
3. Loosen the nut that connects the shut-off to the gas valve.
4. Remove the two screws that retain the main burner manifold bracket to the left of the gas valve.
5. Unthread the main burner manifold from the gas valve and retain for reuse with the new valve.

MAIN BURNER ORIFICE REMOVAL

1. Remove manifold from gas valve assembly.
2. Using an open end wrench, remove the orifices from the manifold.

MAIN BURNER REMOVAL

1. Remove the screw securing each burner to the burner support bracket.
2. Remove the screw securing the electrode mounting bracket to the burner support bracket and swing the electrode assembly to the side in order to clear the burners when lifted out.



BURNER BOX

All Dryers

PRESSURE REGULATOR ADJUSTMENT

1. Shut off the gas supply to the dryer.
2. Remove the 1/8" pipe plug from the end of the main burner manifold.
3. Attach a manometer to the end of the main burner manifold.
4. Remove the pressure regulator cover screw on the gas valve.
5. Open the gas shut-off valve and start the dryer.
6. Using a screw driver, adjust the pressure for a manometer reading of 3.5" water column on natural gas or 11" water column on LP. Turning the adjustment screw clockwise will raise the pressure and counter clockwise lowers the pressure. (Note: The main burners must be operating when adjusting the pressure regulator)
7. Shut off the gas supply to the dryer.
8. Remove the manometer and install the 1/8" pipe plug in the manifold.
9. Open the gas shut off valve and check for gas leaks.

ELECTRONIC SPARK IGNITION MODULE OPERATION AND TESTING

1. When heat is called for, 24 volts is supplied from the transformer on the red wire to the spark ignition module. The module will then send a high voltage signal to the spark electrode for 10 seconds to light the burner. At the same time the spark ignition module also sends a 24 volt signal on the brown wire to the gas valve coils to open the valve. When ignition occurs the high voltage signal stops. If ignition does not occur within 10 seconds, the spark ignition module will lock out closing the gas valve and stopping the spark. To reset the spark ignition module the dryer loading door must be opened for 10 seconds.

ELECTRONIC SPARK Ignition MODULE REMOVAL

1. Unlock and open the upper service door. It is held open with the door support arm.
2. Remove the high voltage lead (spark plug wire) from the module.
3. Remove the quick connect wire harness.
4. Remove two 1/4" mounting screws.

SPARK ELECTRODE ASSEMBLY OPERATION

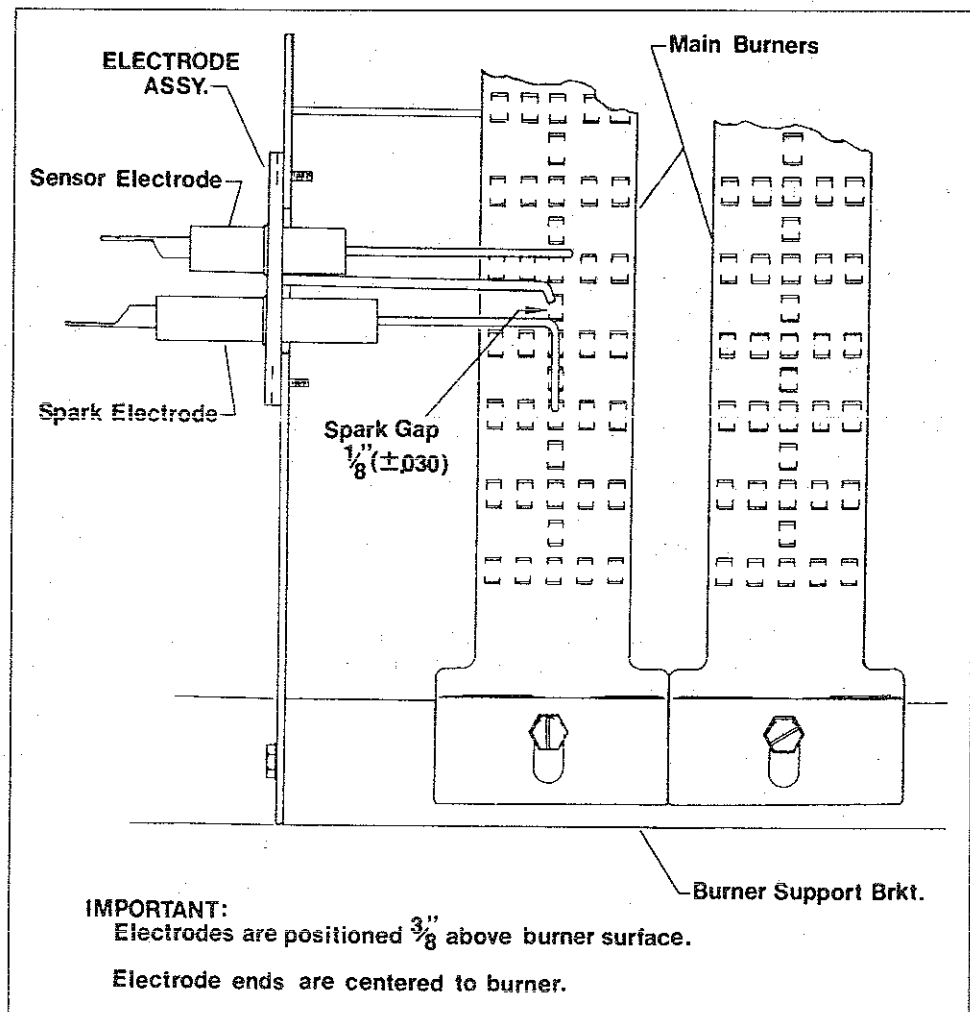
1. The front electrode conducts the spark from the black high voltage wire to the center grounding probe located directly over the burner. The back electrode detects ignition and monitors the flame. (Note: Proper grounding of the ignition system (yellow wires) is necessary for correct operation)

SPARK ELECTRODE ADJUSTMENT

1. The gap between the front spark electrode and the center grounding probe should be 1/8".

SPARK ELECTRODE ASSEMBLY REMOVAL

1. Remove the high voltage lead and the spark sensing wire.
2. Remove the two 1/4" mounting screws.



MOTOR TESTING

1. Remove the drive guard from the back of the dryer.
2. Remove the wiring cover plate on the back of the motor.
3. Disconnect and insulate the red wire from terminal 2, the blue wire from terminal 4, and the white wire from terminal L1.
4. Connect a 2 wire plus ground 120 volt test cord to the motor as follows:
 - A. Connect the ground wire to the case of the motor or the dryer cabinet.
 - B. Connect the neutral wire to the L1 terminal on the motor.
 - C. Install a "Y" connector on the hot wire of the test cord and connect one of the hot wires to terminal 4 on the motor.
 - D. Install a switch in the remaining hot line of the test cord and connect it to terminal 2 on the motor.
5. Connect the test cord to a 120 volt electrical circuit (plug it into the wall) and momentarily close the switch listed in step 4D above. The motor should start and stay running until the electricity is disconnected.

MOTOR REMOVAL

1. Remove the drive guard from the back of the dryer.
2. Remove the four screws that hold the impeller cover plate to the back of the dryer.
3. Remove the terminal cover plate from the motor and remove the wires and conduit from the motor.
4. Remove the two set screws (90 degrees apart) from the motor pulley and remove the pulley. (Note: This is not required to remove the motor. It is easier to remove the set screws while the motor is still bolted to the dryer)
5. Remove the motor mounting nuts, washers and lock washers that secure the motor to the mounting bracket.
6. Remove the motor and blower as an assembly. (Note: Turn the blower so that the blades match with the slots in the back of the dryer)

DRIVE BELT REMOVAL

1. Remove the drive guard from the back of the dryer.
2. Grasp and slide the drive belt off the large intermediate pulley as the pulley is rotated.

DRIVEN BELT REMOVAL

1. Remove the drive belt (see Drive Belt Removal).
2. Grasp and slide the driven belt off the large tumbler pulley as the pulley is rotated.
Note: Be sure that the tension spring is in place when the belts are replaced.

TUMBLER PULLEY REMOVAL

1. Remove the driven belt (see Driven Belt Removal).
2. Remove the nut that holds the pulley onto the tumbler shaft.
3. Remove the pulley. (Do not lose the locking key on the tumbler shaft when removing the pulley)
Note: The pulley nut should be torqued to 150 ft. lbs. on reassembly.

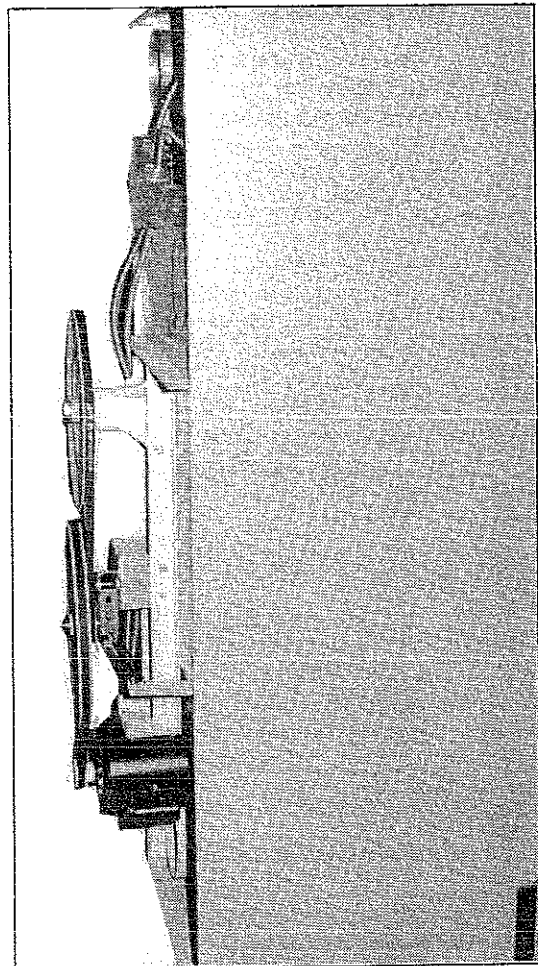
INTERMEDIATE PULLEY AND TENSION ARMS REMOVAL

1. Remove the drive belt (see Drive Belt Removal).
2. Remove the snap ring holding the pulley to the tension arms and remove the pulley and tension spring.
3. Remove the snap ring from the center drive pin and remove the two tension arms.

Note: Be sure and note the position of the tension arms prior to removal. The arm with two open ends goes on first and the arm with the grease fitting goes on last.

TUMBLER REMOVAL

1. Remove the front panel. (see Front Panel Removal)
2. Remove belts. (see Belt Removal)
3. Remove tumbler pulley and shaft key. (see Tumbler Pulley Removal)
4. From the front of the machine, remove the tumbler and spider assembly.



DRYER - rear view

All Dryers

TUMBLER RE-ASSEMBLY

1. From the front of the dryer, install the tumbler and spider assembly. A dummy shaft may be required to line up the bearing spacer with the bearings.
2. Reverse the order on Tumbler Removal for reassembly.

ADJUSTMENT OF TUMBLER ASSEMBLY WITH THE FRONT PANEL IN POSITION

1. Loosen the two top adjusting bolts and two bottom adjusting nuts and lock nuts holding the bearing housing to the drive plate.
2. Loosen the four bearing-housing mounting bolts on the side channels and remove all shims. (save for reuse if necessary)
3. Open the clothes door and insert a 1/2" thick shim at the 3 and 9 o'clock positions between the front panel flange at the door opening and the opening in the tumbler. Insert a 3/4" thick shim at the 12 o'clock position and a 1/4" thick shim at the 6 o'clock position.
4. Tighten the two bottom adjusting nuts and tighten locking nuts.
5. Tighten the bottom right mounting bolt, then the top left mounting bolt. Tighten the remaining two bolts. (Shim if necessary.)
6. Tighten the two top adjusting bolts.
7. Remove all the shims from between the front panel flange and tumbler (3,6,9 and 12 o'clock).
8. Spin the cylinder to check for rubbing baffles, pressing down hard while rotating. If rubbing is detected, repeat procedure paying particular attention to placement of shims between bearing housing and side channels.

SPIDER ASSEMBLY REMOVAL

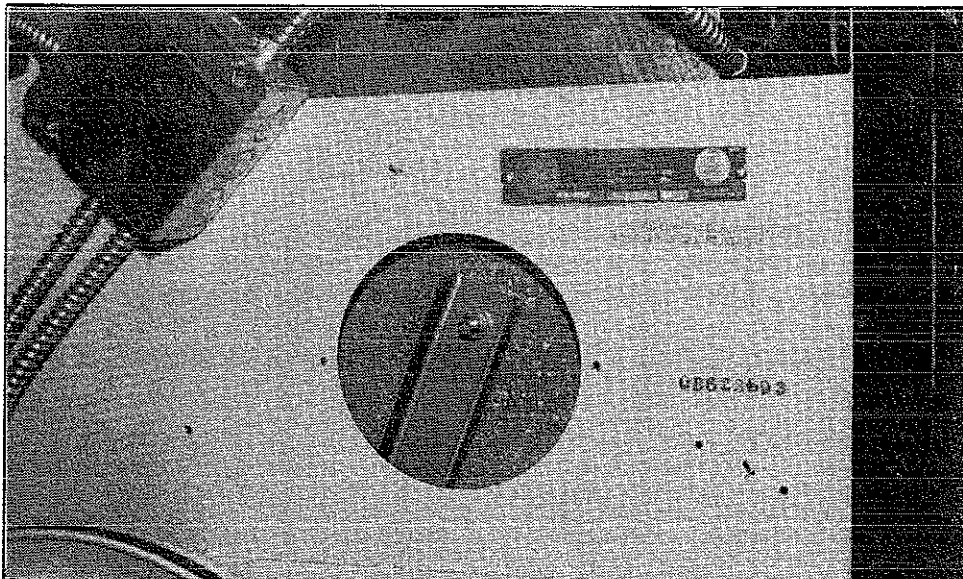
1. Remove tumbler (see Tumbler Removal) and set on floor with tumbler shaft up.
2. Remove three nuts and lock washers that retain the spider assembly to the tumbler.
3. Lift spider assembly off tumbler.
4. Retain shims for use in reassembly.

SPIDER REASSEMBLY

1. Set the spider assembly on the tumbler and install the three lock washers and nuts that retain it.
2. Place the tumbler with the spider attached into the dryer.
3. Spin the tumbler and check for excessive run out.
4. If run out is excessive, adjust the number of shims between the spider and the tumbler.

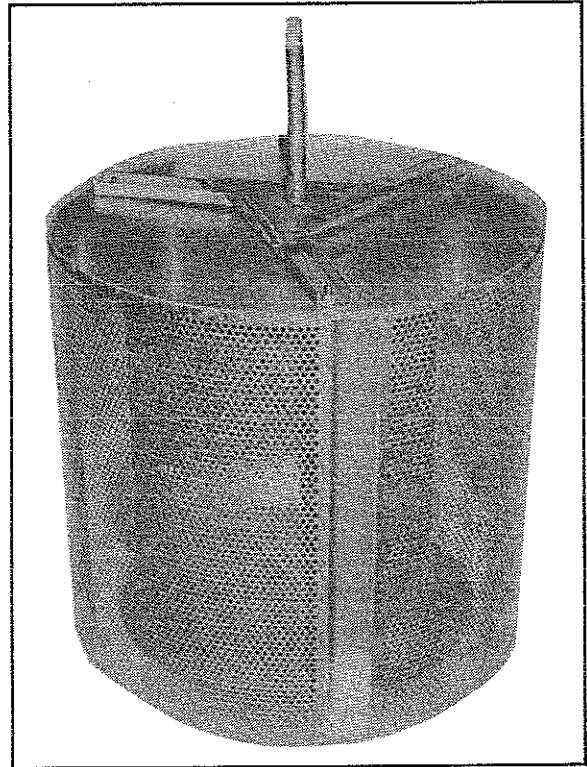
Note: Shims may be added or deleted by two methods.

1. First Method
 - A. Remove tumbler access panel on back of dryer.
 - B. Loosen tumbler through bolts and add or delete shims.



TUMBLER ACCESS PANEL REMOVED

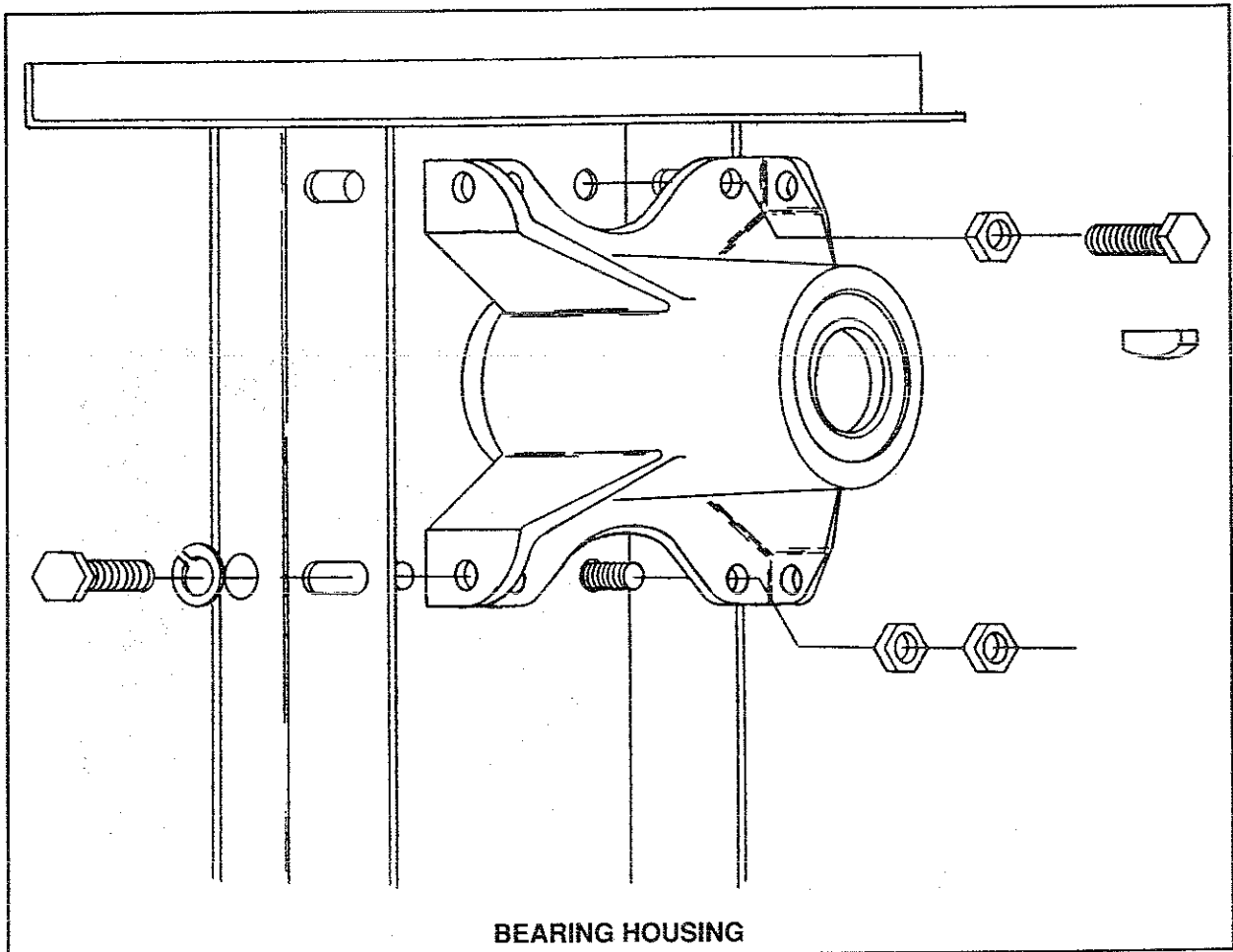
2. Second Method
 - A. Remove tumbler from dryer.
 - B. Loosen tumbler through bolts and add or delete shims.



TUMBLER

BEARING HOUSING REMOVAL

1. Remove the tumbler pulley. (see Tumbler Pulley Removal)
2. Remove the two top adjusting bolts and the two bottom adjusting pairs of lock nuts.
3. Remove the four mounting bolts on the side channels and save all shims. (if used)
4. Pull the bearing housing from the tumbler shaft.
5. Reassemble in reverse order and adjust. (see Adjustment of Tumbler Assembly with the Front Panel in Position)



BEARING HOUSING

All Dryers

BEARING AND SPACER REMOVAL

1. The bearings may be replaced by either removing the tumbler (see Tumbler Removal) or by removing the bearing housing. (see Bearing Housing Removal)
2. Insert a punch through the rear bearing and spacer and drive the front bearing out of the housing.
3. Remove the bearing spacer.
4. Insert a punch through the front of the housing and drive the rear bearing out of the housing.

BEARING AND SPACER INSTALLATION

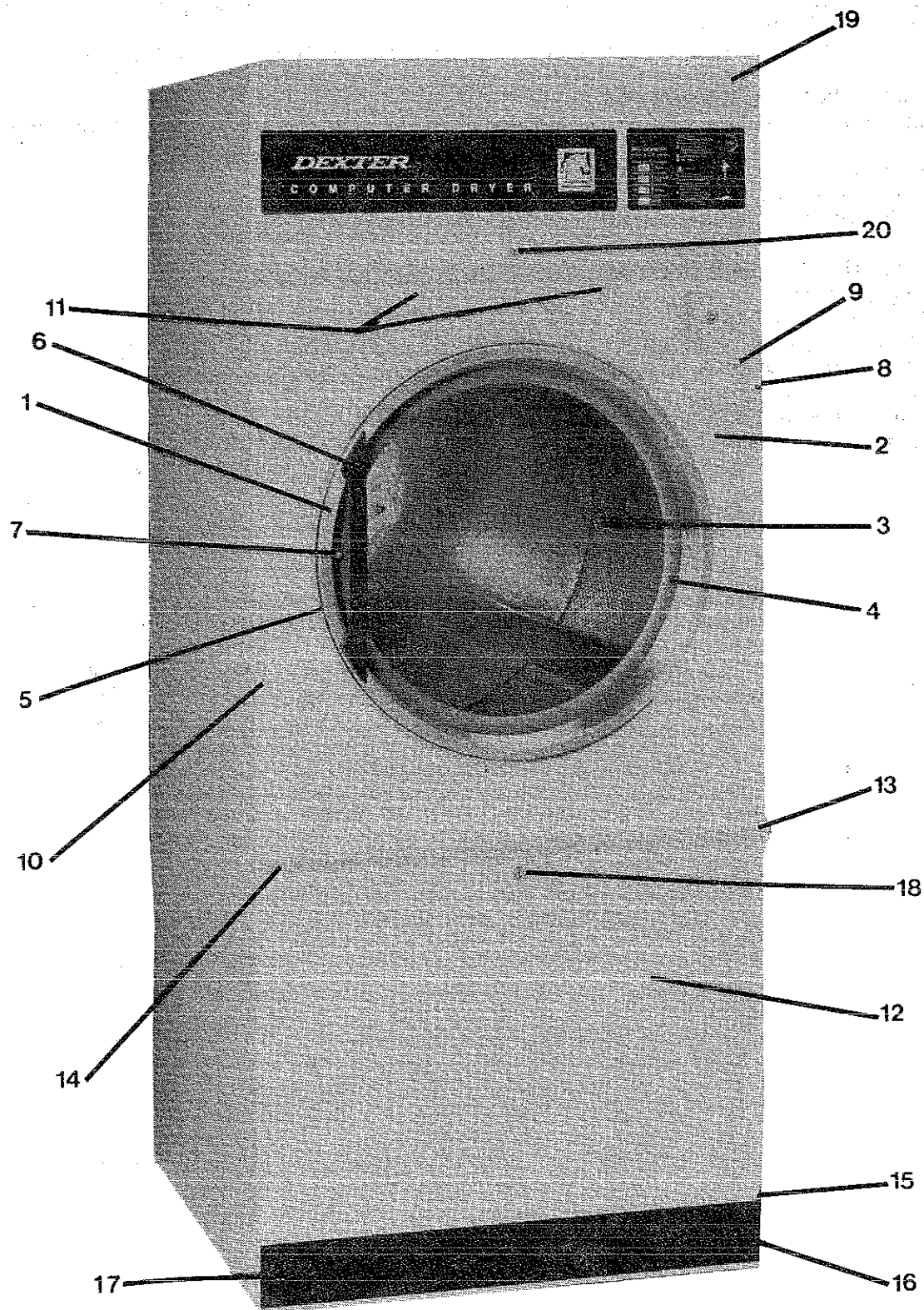
Note: Requires either a press or a 7/8" bolt 10" long, a 7/8" nut and two 7/8" flat washers.

Using a Press

1. Install one bearing flush with the housing.
2. Put the spacer in and press the other bearing in flush with the housing.

Using a Bolt, Nut and Flat Washers

1. Install one flat washer on to the bolt.
2. Slide a bearing on to the bolt.
3. Put the bolt with the bearing on it in one end of the bearing housing.
4. Drop the spacer on to the bolt and place the other bearing on the bolt.
5. Locate both bearings squarely in the housing.
6. Install a flat washer and nut on the bolt.
7. Tighten the nut until the bearings are flush with the ends of the bearing housing.
8. Remove bolt, nut and flat washers and reassemble. (see Bearing Housing Removal)



SECTION 6 PARTS DATA

CABINET GROUP All Models

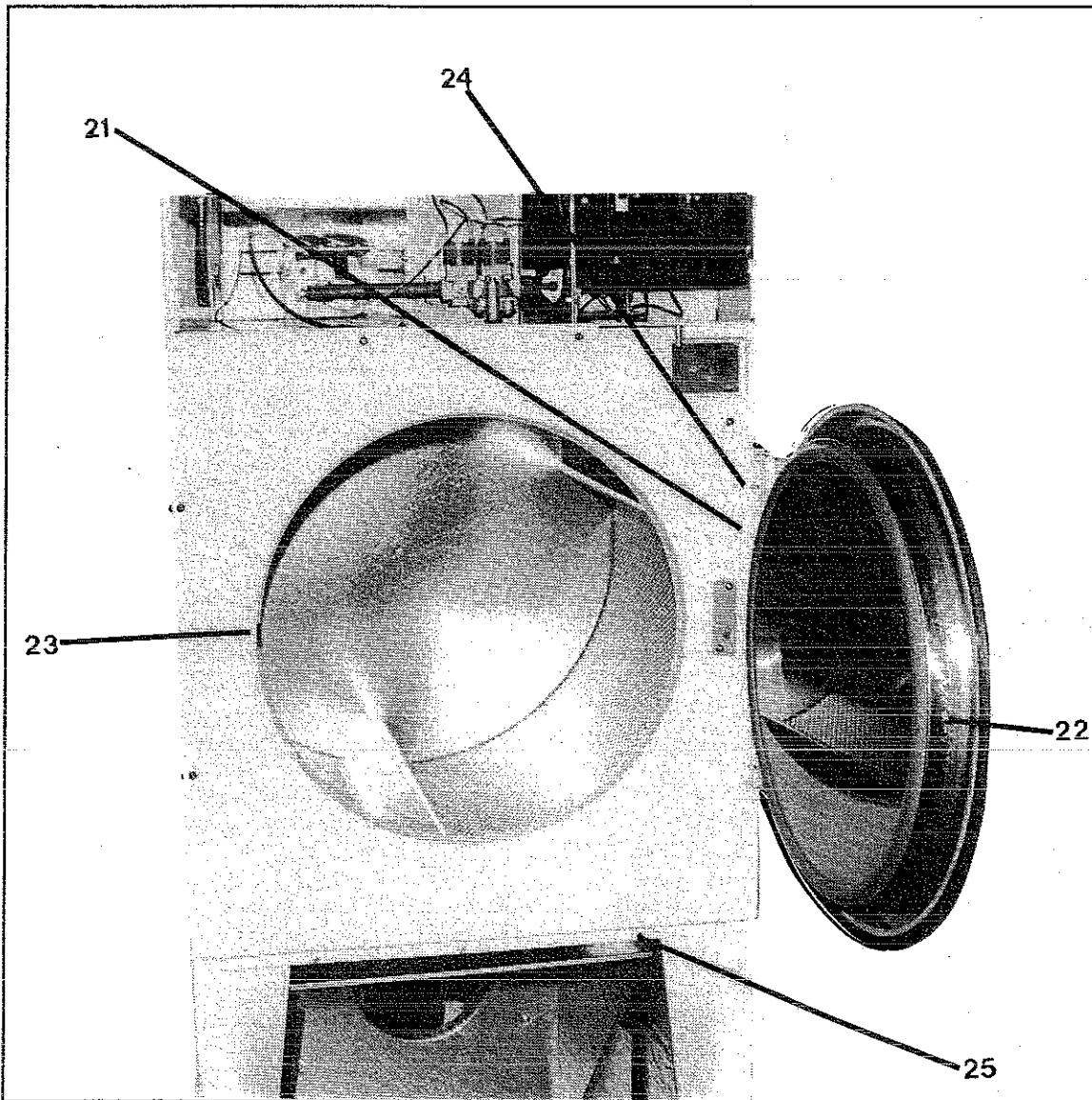
Key	Part Number	Description	
*	9960-256-021	Door Assy., Loading Complete (White)	1
*	9960-256-022	Door Assy., Loading Complete (Almond)	1
*	9960-256-025	Door Assy., Loading Complete (S.S.)	1
		(includes the following parts)	
1	9960-255-007	Door Assy., Loading-Ring Only	1
2	9982-280-002	Plate Assy., Hinge (White)	1
2	9982-280-005	Plate Assy., Hinge (Almond)	1
2	9982-280-011	Plate Assy., Hinge (S.S.)	1
*	9545-012-015	Bolt, Hinge Plate to Door	4
*	8640-413-002	Nut, Hinge Plate to Door	4
3	9212-002-003	Glass, Door	1
4	9206-164-006	Gasket, Glass	1
*	9548-117-000	Support, Door Glass	1
5	9206-394-001	Gasket, Outer Rim	1
6	9244-082-001	Handle, Loading Door	1
*	9545-018-017	Screw, Handle Mtg	2
*	9531-033-001	Stud, Door Catch	1
7	8640-413-003	Nut, Door Catch (acorn)	1
7	8640-413-001	Nut, Door Catch (hex)	1
8	9545-052-001	Screw, Door to Hinge Strap	1
*	8641-436-003	Washer, Fiber/plastic	1
*	6068-041-001	Conduit, Door Switch Wire	1
9	9545-012-003	Screw, Front Panel (conduit mtg)	1
*	8641-582-019	Lock washer, Front Panel (for screw above)	1
*	8640-413-004	Nut, Elastic Stop (for screw above)	1
10	9545-008-020	Screw, Front Panel	4
*	8641-582-019	Lock washer, Front Panel (for screw above)	4
*	8640-399-001	Nut, Spring (front panel to cabinet)	6
11	8641-436-004	Washer, Fiber (between cabinet & front panel on top 2 screws only)	2
12	9960-246-022	Door, Lower Service (White)	1
12	9960-246-025	Door, Lower Service (Almond)	1
12	9960-246-026	Door, Lower Service (S.S.)	1
13	9578-081-002	Trim, Lower Service Door (top)	1
14	9545-008-021	Screw, Lower Service Door Trim (top)	4
15	9578-084-001	Trim, Lower Service Door (kick)	1
16	9435-004-001	Overlay, Trim (kick)	1
17	9545-008-010	Screw, Lower Service Door Trim (kick)	3
*	9206-176-000	Gasket, Cork Pad	2
*	6292-006-006	Key, Lower Service Door	1
18	8650-006-003	Lock, Lower Service Door	1
19	9108-084-010	Door, Upper Service (White)	1
19	9108-084-013	Door, Upper Service (Almond)	1
19	9108-084-014	Door, Upper Service (S.S.)	1
*	9548-268-001	Support, Upper Service Door	1
*	9206-176-000	Gasket, Cork Pad	3
*	6292-006-006	Key, Upper Service Door	1
20	8650-006-003	Lock, Upper Service Door	1
*	8638-211-001	Rivet, Drive (upper door mtg.)	2
*	8641-581-005	Washer, Flat (for rivet above)	2
*	8544-005-000	Leg, Leveling	4
*	9074-261-001	Cover, Cabinet	1

CABINET GROUP

All Models

(continued)

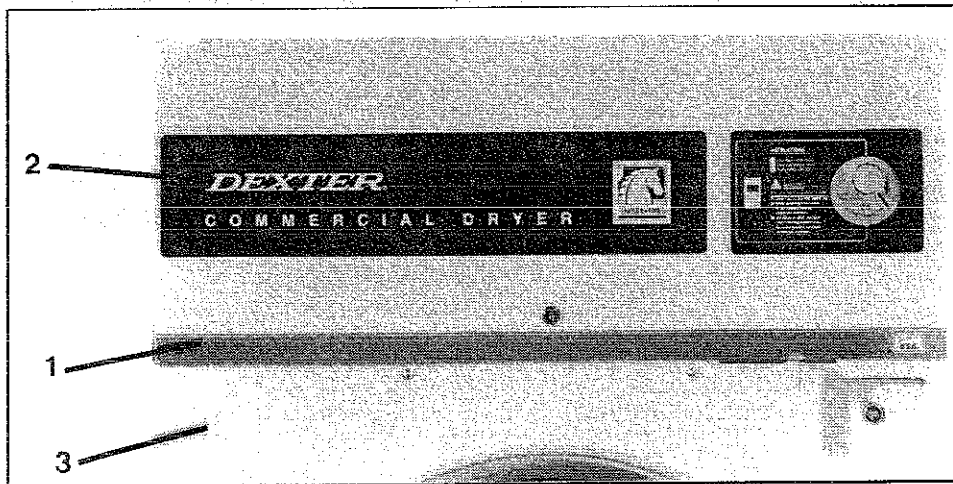
Key	Part Number	Description	
21	9544-047-002	Strap, Hinge (White)	1
21	9544-047-005	Strap, Hinge (Almond)	1
21	9544-047-007	Strap, Hinge (Gray)	1
22	9531-033-001	Stud, Door Catch	1
23	9086-015-002	Catch, Loading Door	1
*	8638-190-008	Rivet, Catch Mtg.	2
24	9545-008-020	Screw, Strap to Panel	4
25	9545-008-006	Screw, Front Panel (bottom flange)	3



CABINET GROUP

Rotary Meter & Manual Timer

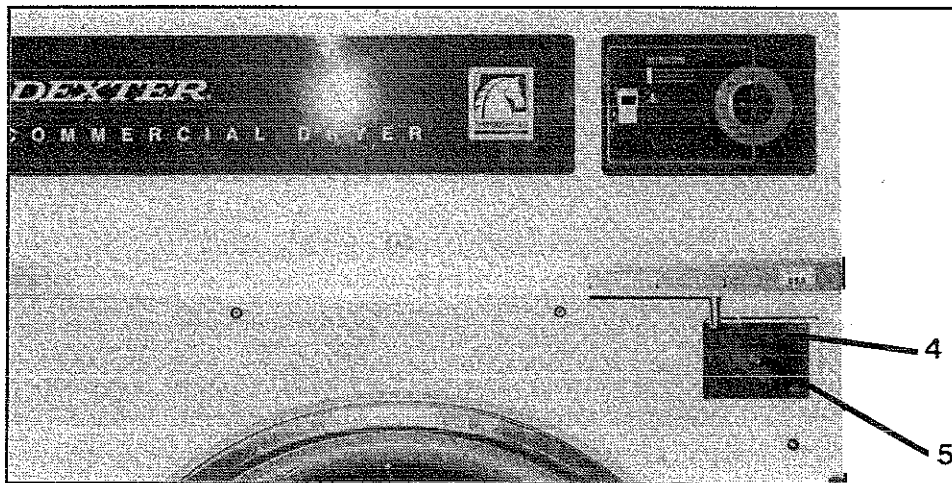
Key	Part Number	Description	
1	9578-085-002	Trim, Upper Door	1
2	9412-083-001	Nameplate, Commercial Dryer	1
3	9454-569-013	Panel, Front (White)	1
3	9454-569-014	Panel, Front (Almond)	1
3	9454-569-017	Panel, Front (S.S.)	1



CABINET GROUP

Manual Timer Only

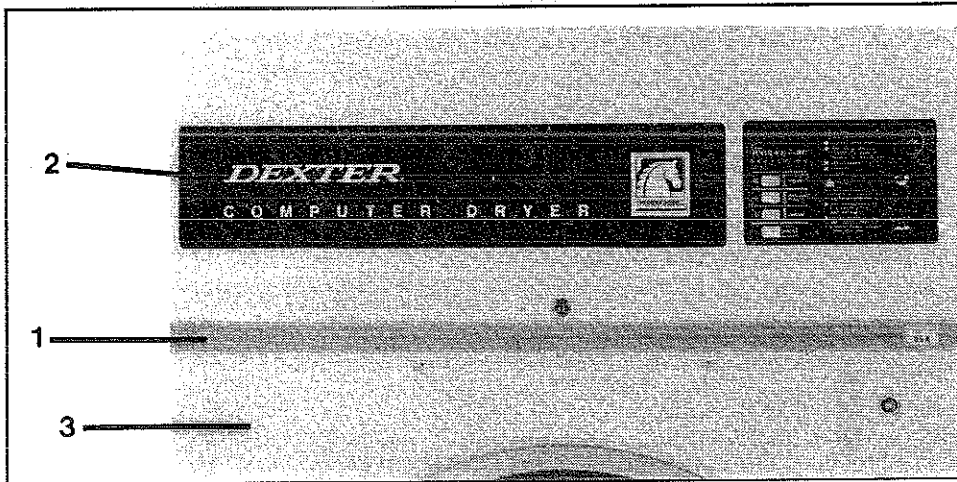
Key	Part Number	Description	
4	9452-585-003	Plate, Coin Vault	1
*	9349-034-001	Latch, Coin Vault Plate	1
5	9545-008-020	Screw, Coin Vault Plate Mtg.	1

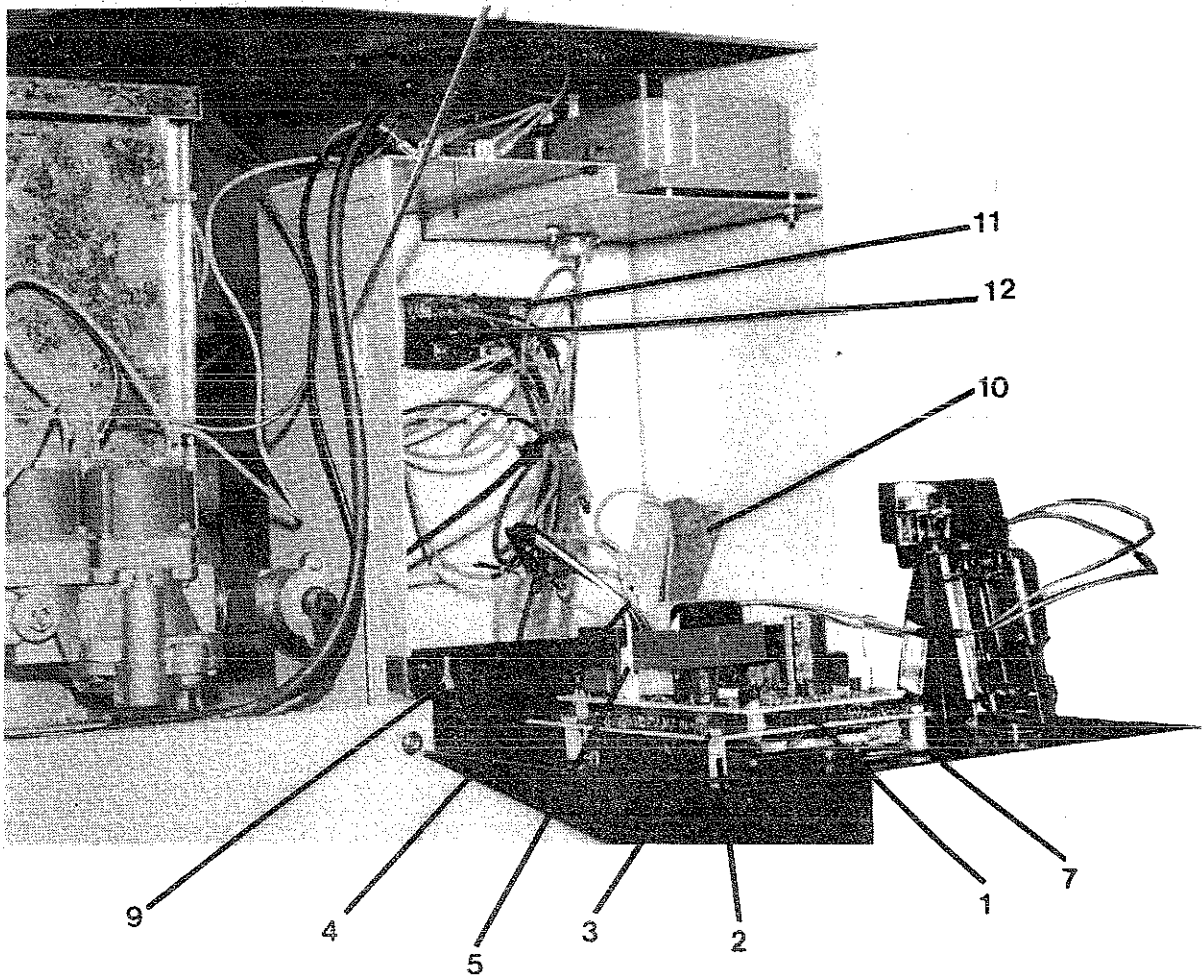
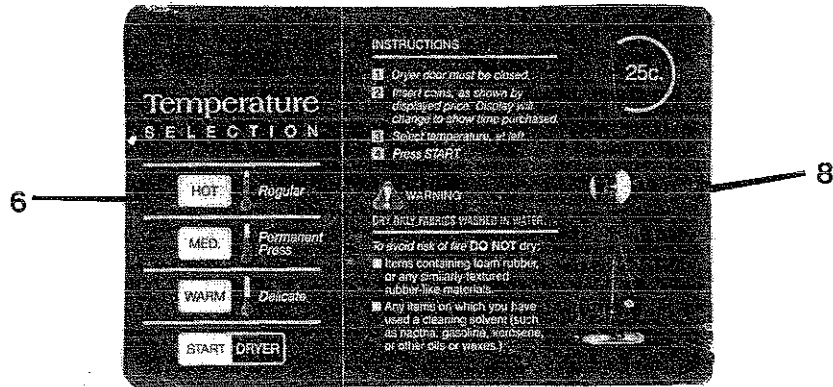


CABINET GROUP

Computer Only

Key	Part Number	Description	
1	9578-085-001	Trim, Upper Door	1
2	9412-083-002	Nameplate, Computer Dryer	1
3	9454-569-005	Panel, Front (White)	1
3	9454-569-018	Panel, Front (Almond)	1
3	9454-569-010	Panel, Front (S.S.)	1

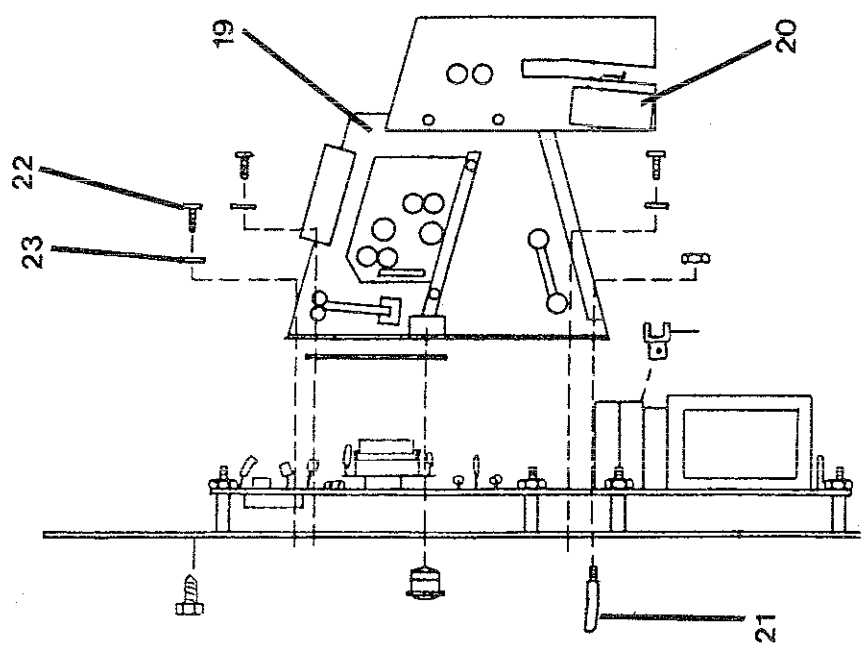
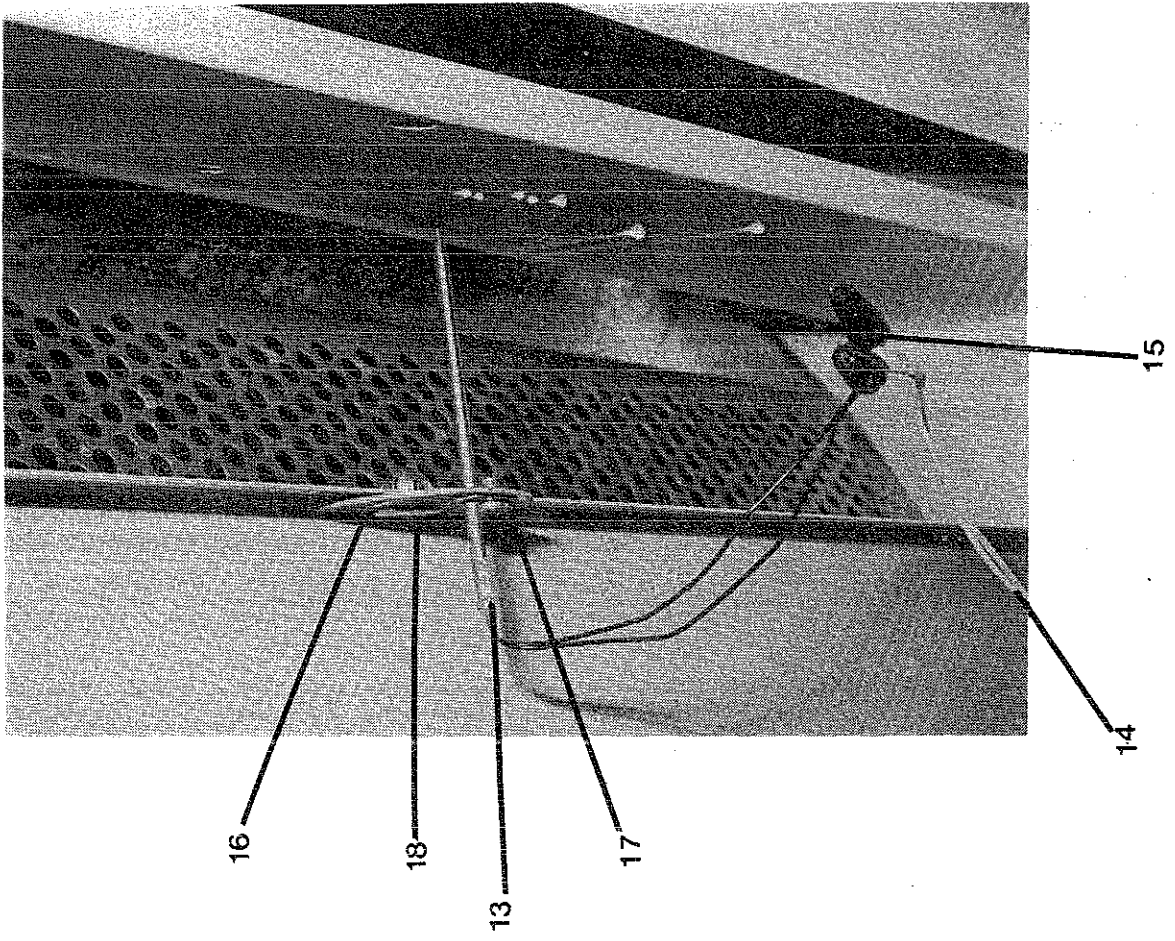




CONTROL HOUSING GROUP

Computer Only

Key	Part Number	Description	
1	9471-005-001	Electronic Control <i>9732-148-002</i>	1
2	9538-157-001	Spacers, Circuit Board	4
3	8640-411-001	Nut, Circuit Board	4
*	8641-582-005	Lock washer, Circuit Board	1
4	8653-074-001	Terminal, Chair Type (relay)	1
5	9627-651-001	Harness, Wiring (electronic control)	1
6	9801-058-005	Switch Assy., Membrane	1
7	9982-281-004	Plate Assy., Electronic Control	1
*	9545-008-006	Screw, Plate Assy. Mtg. (bottom)	2
*	9545-045-002	Screw, Mtg. (top)	1
8	8502-640-002	Label, Control Instruction/Warning	1
9	9051-021-000	Bumper	2
10	9940-013-001	Chute Assy., Coin	1
*	9545-008-006	Screw	1
11	9897-026-001	Terminal Block	1
12	9545-031-004	Screw, Terminal Block Mtg	2
*	9053-067-001	Bushing, Door Switch Wires	1

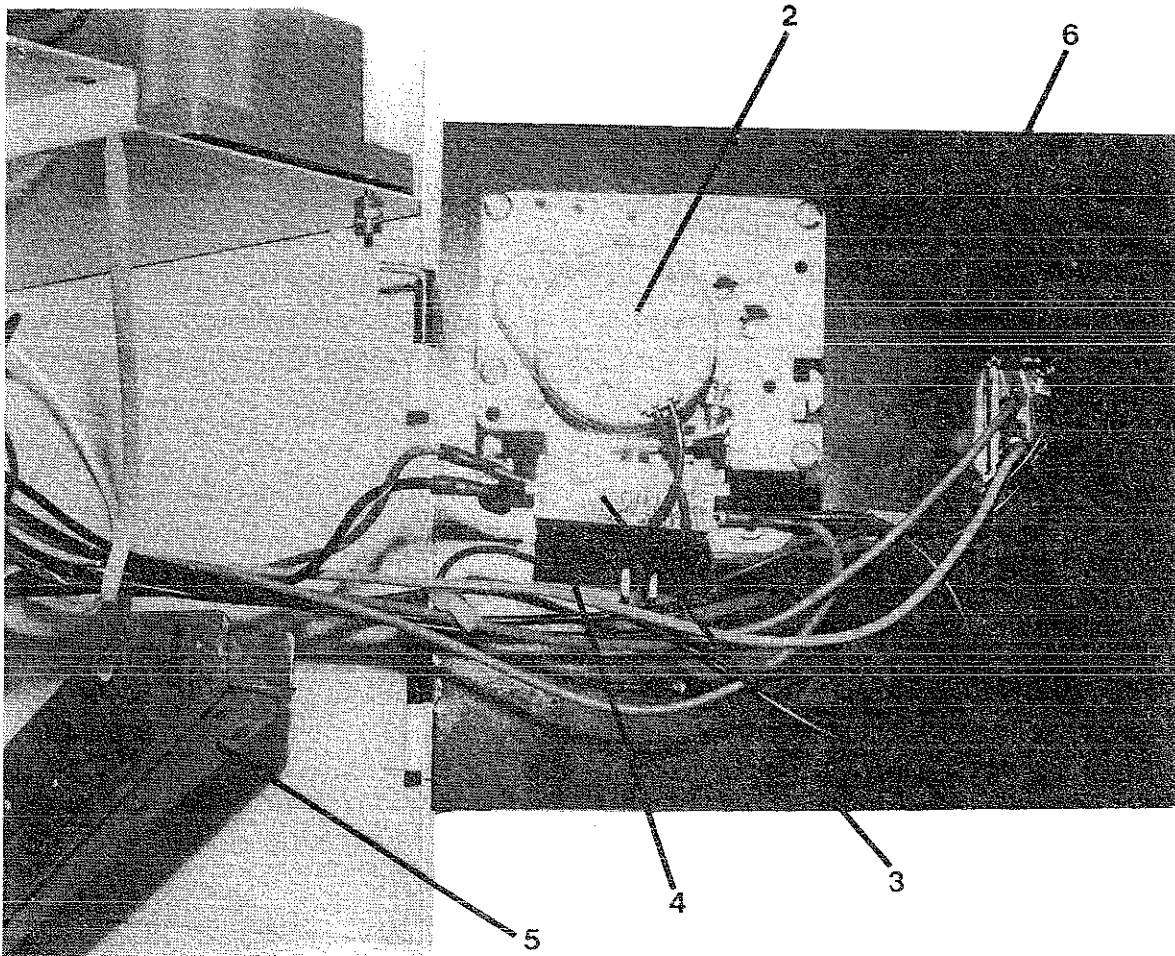
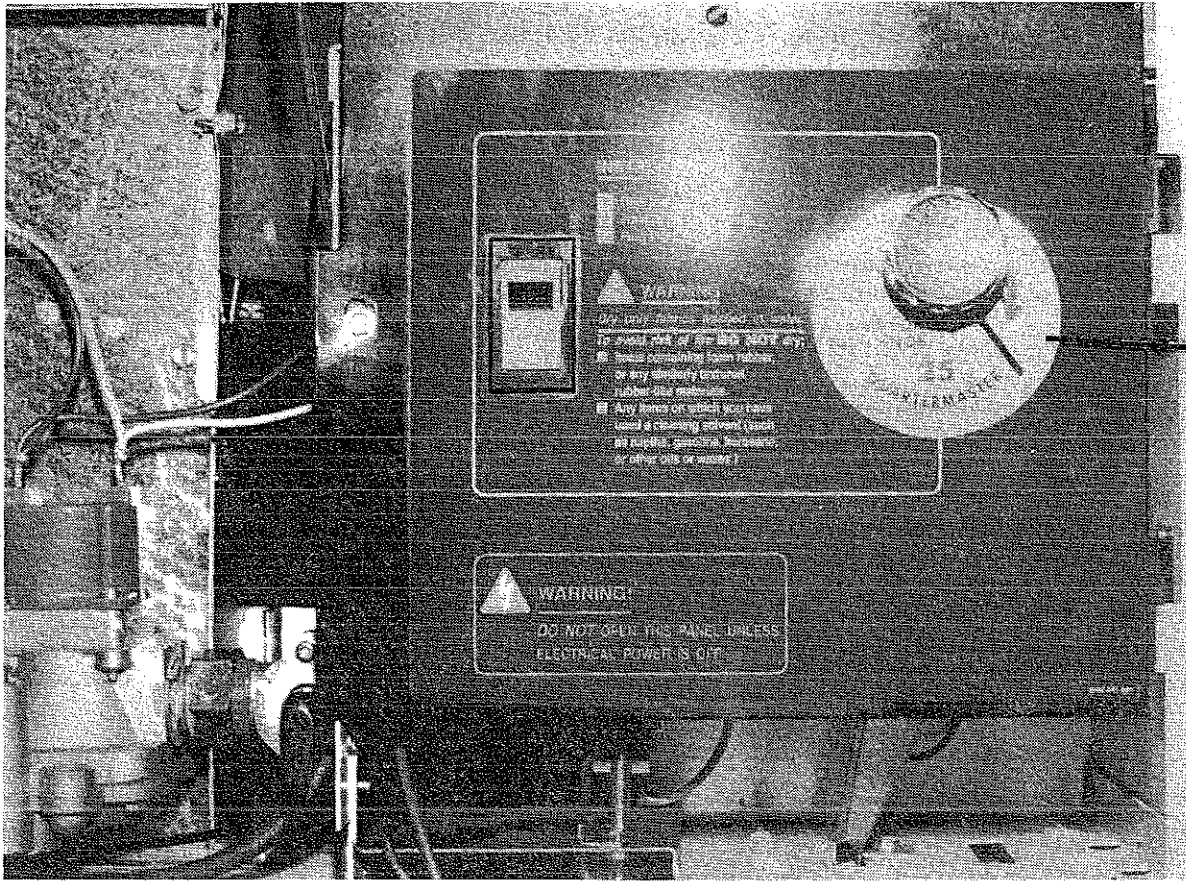


CONTROL HOUSING GROUP

Computer Only

(continued)

Key	Part Number	Description	
13	9501-004-002	Sensor Assy., Temperature	1
*	9209-037-002	Grommet, Temperature Cable	2
*	9083-113-001	Clip, Temp Sensor Wires	3
14	9627-679-001	Sensor Harness	1
15	8640-276-005	Nut, Wire	2
16	9452-614-001	Plate, Sensor mtg.	1
17	9545-045-005	Screw, Sensor to Mtg. Plate	1
18	8651-053-004	Plug, Button (mtg. plate to cabinet)	1
19	9021-002-005	Coin Acceptor Complete	1
		(includes the following parts)	
20	9732-126-001	Switch, Coin	1
21	9063-004-001	Bail, Coin Return	1
22	9545-025-001	Screw, Acceptor Mtg.	2
23	8641-573-012	Lock washer	2



CONTROL HOUSING GROUP

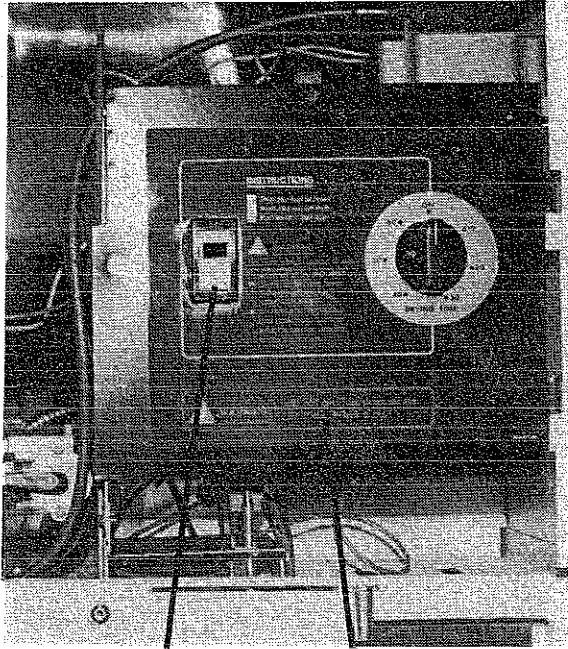
Rotary Meter Only

Key	Part Number	Description	
1	9944-038-027	Meter Assy., Coin (50-3200-2-25) (includes the following parts)	1
2	9376-212-001	Motor	1
3	9539-444-002	Switch, Cool Down (B)	1
4	9539-444-001	Switch, Motor Start (A)	1
5	9940-015-001	Chute Assy., Coin	1
*	9545-008-006	Screw	1
*	8641-581-006	Washer, Flat (meter assy. mtg.)	2
*	8641-582-006	Lock washer (meter assy. mtg.)	2
*	8640-413-001	Nut, (meter assy. mtg.)	2
6	9982-285-002	Plate, Meter Mtg.	1
*	9095-032-006	Cam, Timing (4 pin)	1
*	9095-032-007	Cam, Timing (5 pin)	1
*	9095-032-002	Cam, Timing (6 pin)	1
*	9095-032-011	Cam, Timing (7 pin)	1
*	9095-032-001	Cam, Timing (8 pin)	1
*	9095-032-003	Cam, Timing (9 pin)	1
*	9095-032-004	Cam, Timing (10 pin)	1
*	9095-032-012	Cam, Timing (11 pin)	1
*	9095-032-005	Cam, Timing (12 pin)	1

CONTROL HOUSING GROUP

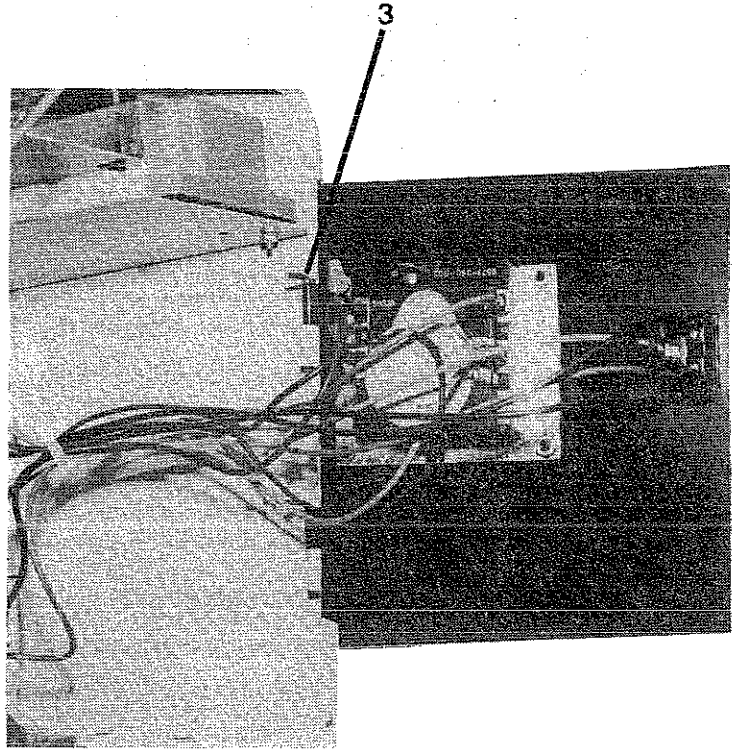
Manual Timer Only

Key	Part Number	Description	
1	9571-350-002	Timer, 60 Minute	1
2	9107-065-001	Dial, Timer	1
3	9307-176-001	Knob, Timer	1
4	9452-574-001	Plate, Timer Mtg. (adapter)	1
*	8640-413-001	Nut, Timer Mtg.	4
*	9545-010-003	Screw, Timer Mtg.	2
5	9982-285-004	Plate, Timer Mtg.	1

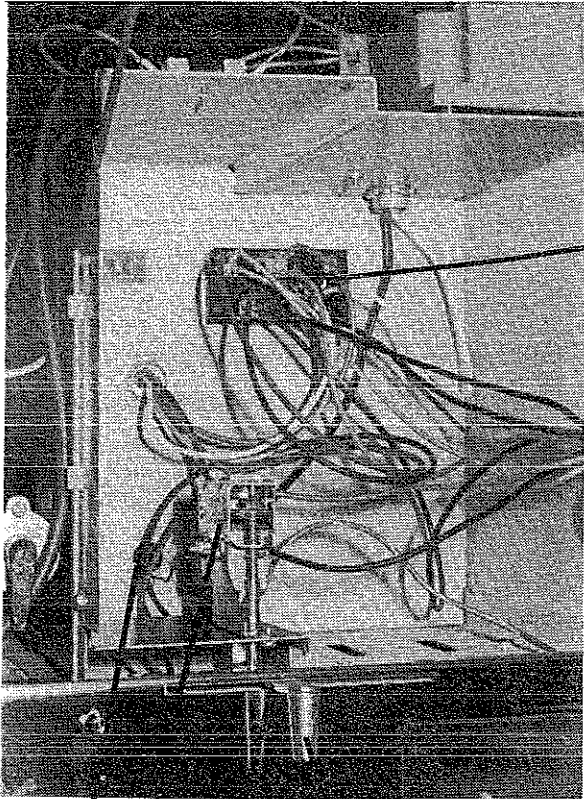


1

2



3



8

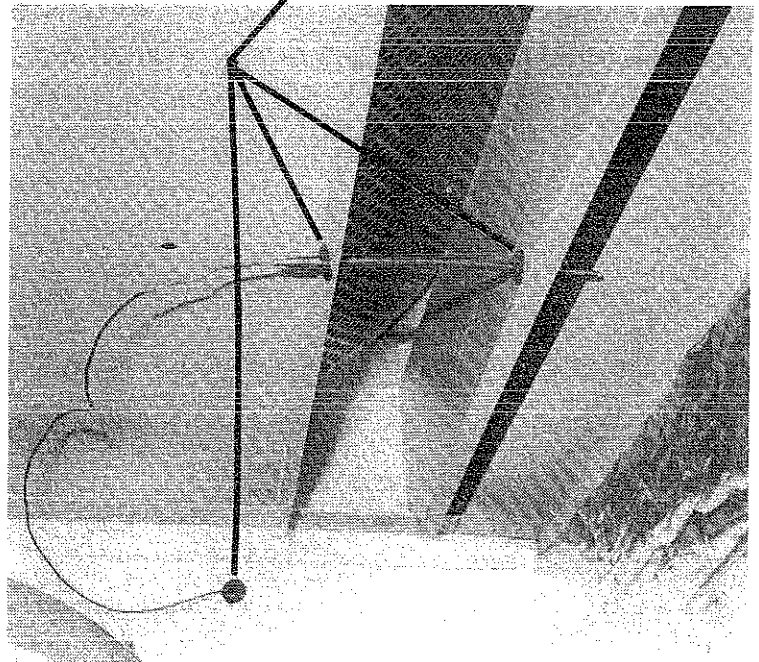
5

5

4

6

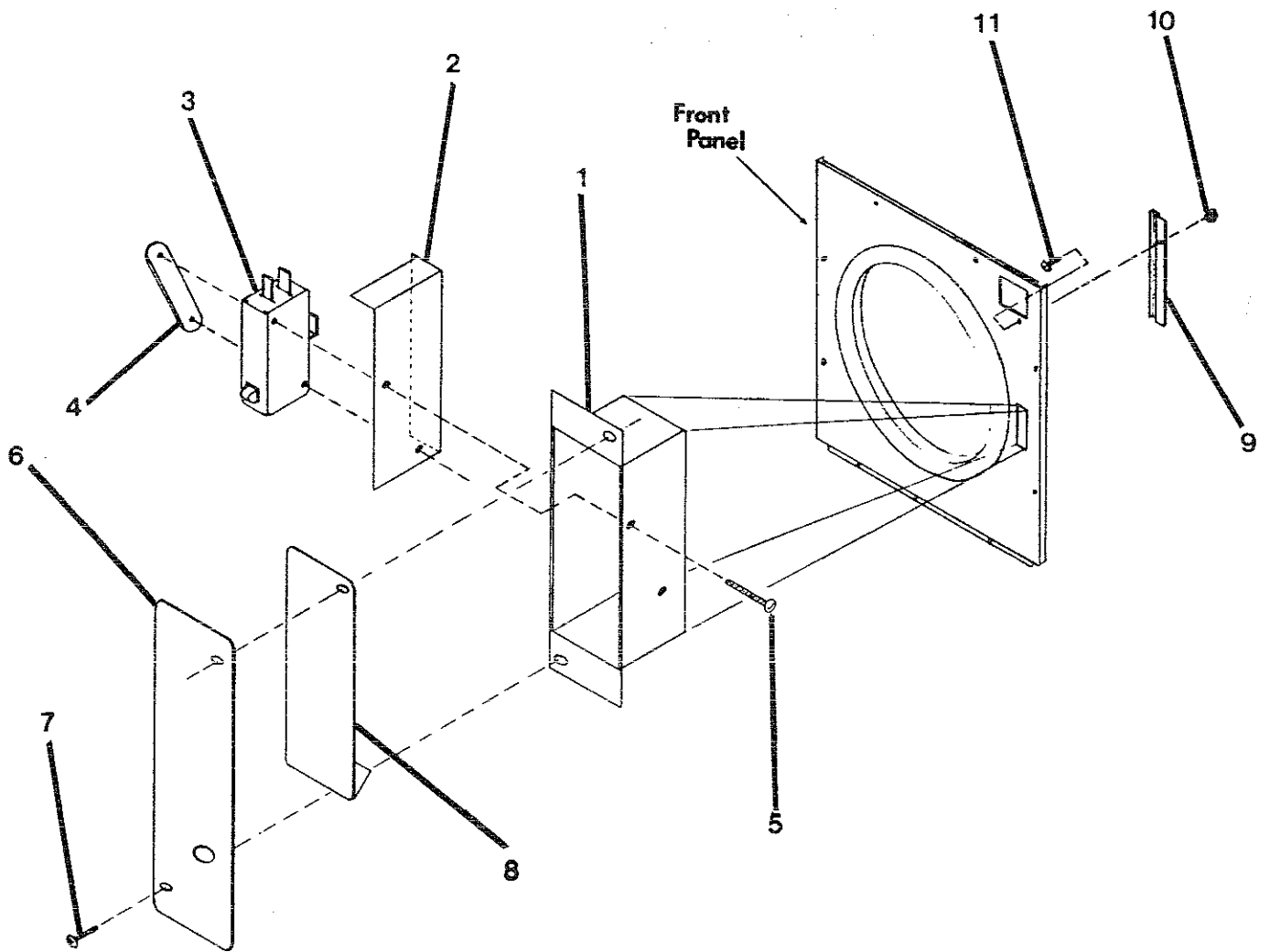
7



CONTROL HOUSING GROUP

Rotary Meter & Manual Timer

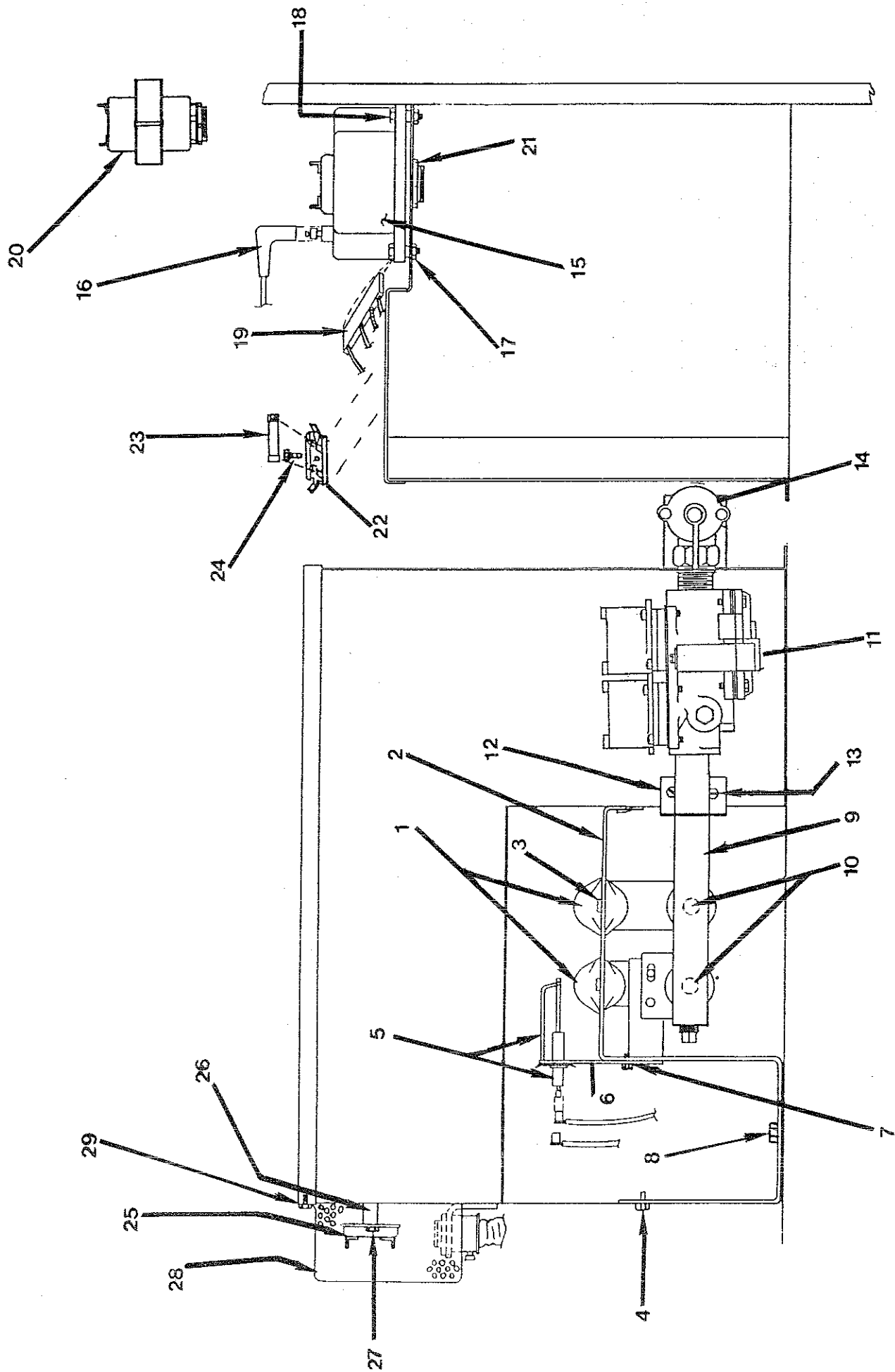
Key	Part Number	Description	
1	9539-460-001	Switch, Push to Start	1
2	8502-641-002	Label, Control Instruction/Warning	1
3	9451-146-005	Pin, Hinge (timer plate)	2
4	9576-206-001	Thermostat..... <i>9576-269-603</i>	1
5	9209-037-002	Grommet, Temperature Cable	4
*	9029-063-001	Bracket	1
*	9083-113-001	Clip, Capillary Tube	3
*	9545-044-004	Screw, Thermostat Mtg.	2
*	9545-045-001	Screw, Bracket	2
6	9348-056-003	Lever, Thermostat	1
7	9307-162-001	Knob, Thermostat	1
*	9545-010-008	Screw, Thermostat Knob.....	1
8	9897-026-001	Terminal Block	1
*	9545-031-004	Screw, Terminal Block Mtg.	2
*	9053-067-001	Bushing, Door Switch Wires	1



DOOR SWITCH GROUP

All Models

Key	Part Number	Description	
1	9041-076-001	Box, Door Switch	1
2	9550-159-001	Shield, Door Switch (insulator)	1
3	9539-461-001	Switch, Door	1
4	8640-401-001	Nut, Special Twin	1
5	9545-020-001	Screw, Door Switch Mtg	2
6	9074-255-001	Cover, Switch Box	1
7	9545-008-002	Screw, Box Cover	2
8	9008-004-001	Actuator, Switch	1
9	6068-041-001	Conduit, Switch Wires	1
10	9545-012-003	Screw, Conduit Mtg	1
11	8640-413-004	Nut, Elastic Stop (for screw above)	1



BURNER HOUSING GROUP

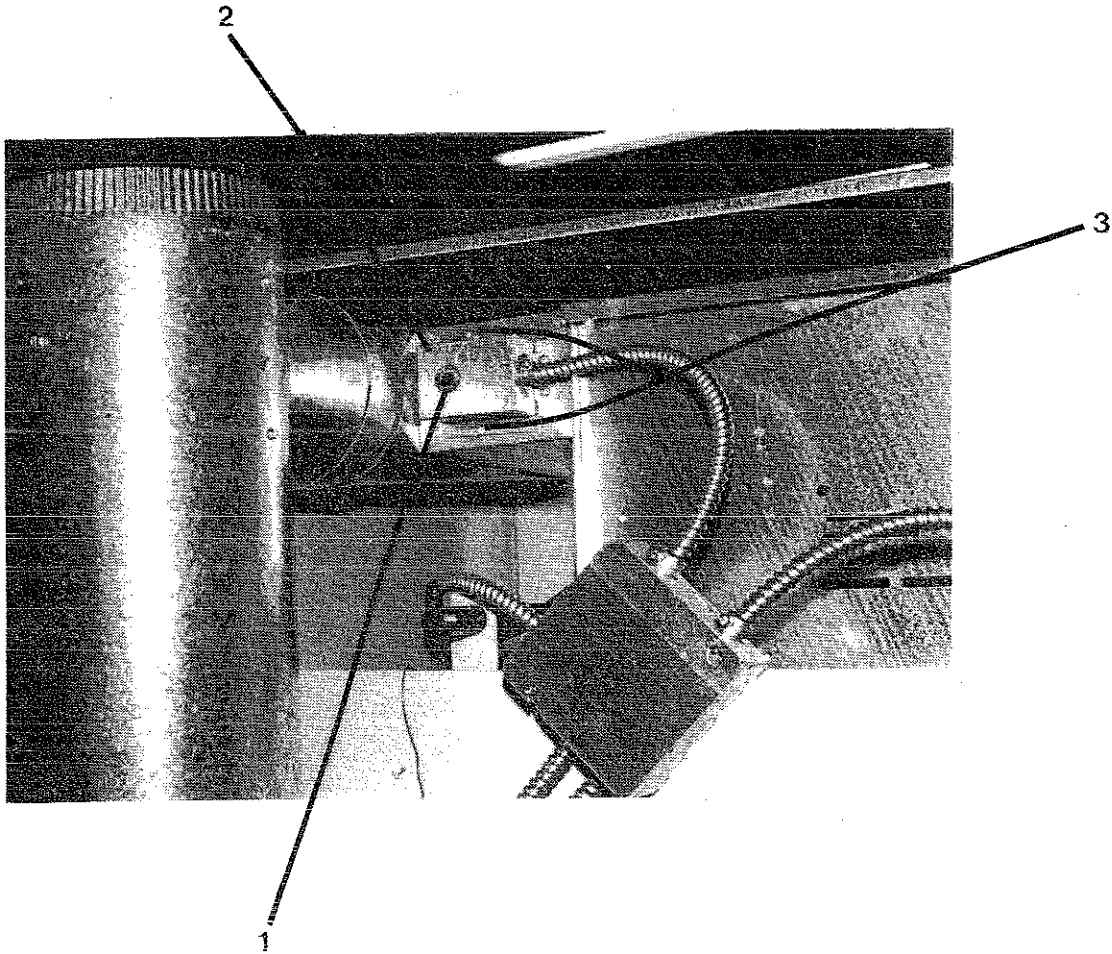
All Models

Key	Part Number	Description	
*	9803-163-002	Housing Assy., Burner	1
*	9918-002-002	Boot Assy., Recirculation	1
1	9048-018-001	Burner, Main	2
2	9548-256-001	Support, Front	1
3	9545-008-008	Screw, Burner to Support	2
4	9545-008-008	Screw, Support Bracket to Housing	1
5	9875-002-002	Electrode Assy., Ignition	1
6	9985-161-001	Bracket Assy., Electrode Mtg	1
*	9545-045-001	Screw, Electrode to Bracket	2
7	9545-008-008	Screw, Bracket to Support	4
8	9545-008-006	Screw, Support Bracket to Deck	1
9	9381-009-001	Manifold, Burner Assy.	1
10	9425-069-002	Orifice, Burner (Natural) #30	2
10	9425-069-003	Orifice, Burner (LP) #48	2
11	9857-117-001	Control Assy., Gas Valve <i>USE 9857-134-001</i>	1
12	9039-915-001	Bracket, Gas Valve Mtg.	1
13	9545-008-003	Screw, Gas Valve Mtg. Bracket	2
14	9379-164-001	Valve, Gas Shut off	1
*	9458-020-001	Pipe, Gas Line	1
15	9857-116-002	Control, Ignition	1
*	9039-981-001	Bracket, Ignition Control Mtg.	1
16	9631-403-001	Wire, Hi Voltage	1
17	8640-411-003	Nut, Control Mtg.	2
18	9545-044-002	Screw, Control Mtg.	2
*	8654-127-001	Clamp, Hi Voltage Wire	4
19	9627-650-001	Harness, Low Voltage Ignition	1
20	8711-002-001	Transformer, Ignition Control	1
21	8640-397-002	Nut, Transformer Mtg.	1
22	9054-045-001	Fuse holder	1
23	8636-018-001	Fuse	1
24	9545-031-005	Screw, Fuse Holder	1
25	9576-203-002	Thermostat, Hi-Limit	1
26	9538-142-001	Spacer, Hi-Limit	2
27	9545-045-007	Screw, Hi-Limit Mtg.	2
28	9074-234-001	Cover, Hi-Limit	1
29	9545-008-006	Screw, Cover Mtg	2
*	9452-615-001	Plate, High-Limit	1
*	9732-075-001	Kit, LP Conversion	1

SAFETY SHUTOFF THERMOSTAT

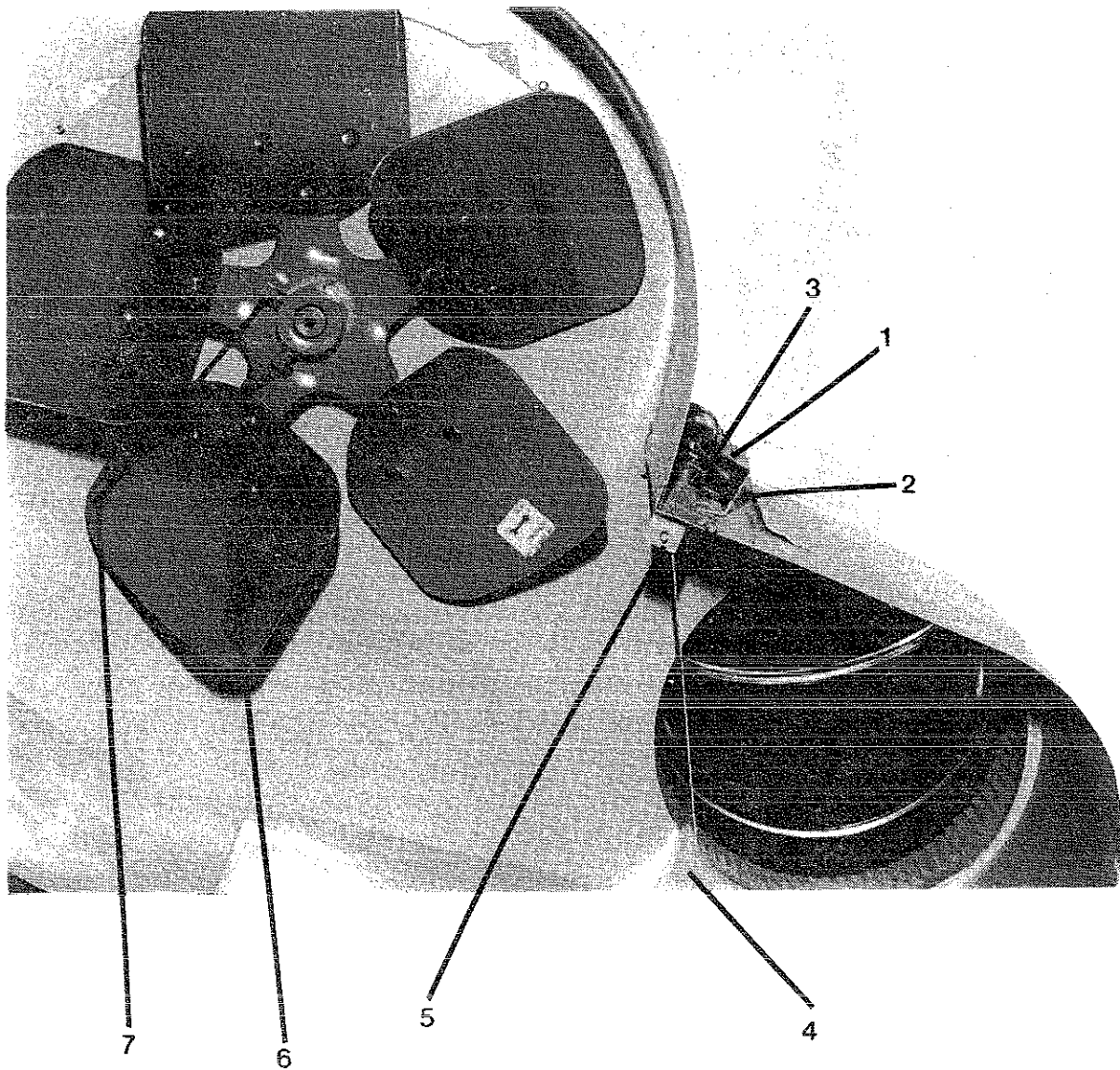
All Models

Key	Part Number	Description	
1	9576-207-002	Thermostat, Safety Shutoff	1
*	9545-045-008	Screw, Safety Stat Mtg	2
2	9825-057-001	Cover, Safety Stat	1
3	9545-008-006	Screw, Safety Stat Cover Mtg	2



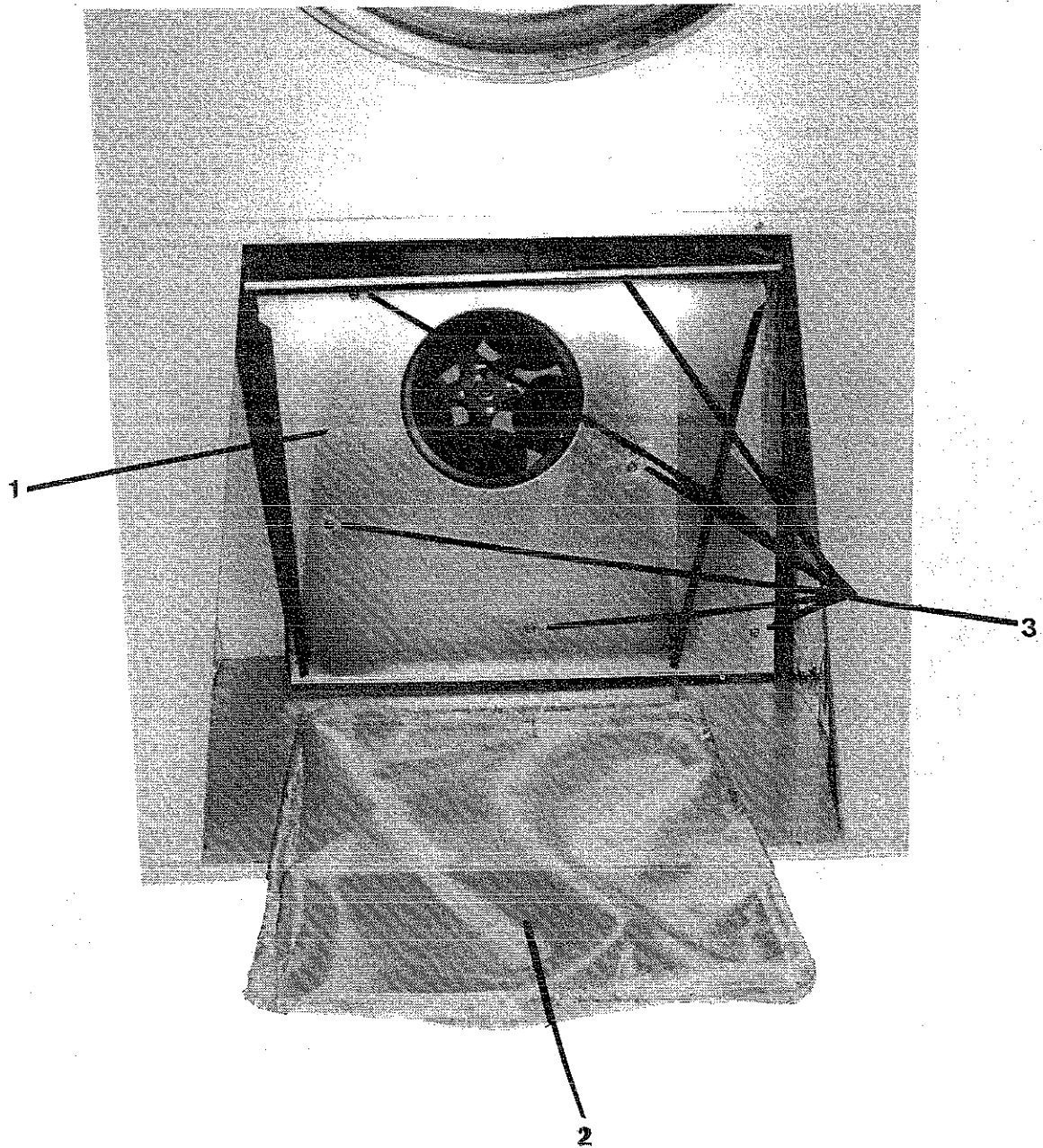
DAMPER SWITCH AND BLOWER IMPELLER GROUP All Models

Key	Part Number	Description	
1	9539-432-001	Switch, Damper	1
2	9545-044-002	Screw, Switch Mtg. & Adj.	3
*	8640-411-003	Nut, Switch Locking	1
3	8640-420-001	Nut, Switch Mtg. (tandem)	1
4	9125-001-001	Damper	1
5	9451-146-001	Pin, Damper	1
*	9074-242-001	Cover, Damper Switch	1
6	9278-037-001	Impeller, Blower	1
7	9545-028-013	Set Screw	2



LINT HOOD AND SCREEN GROUP All Models

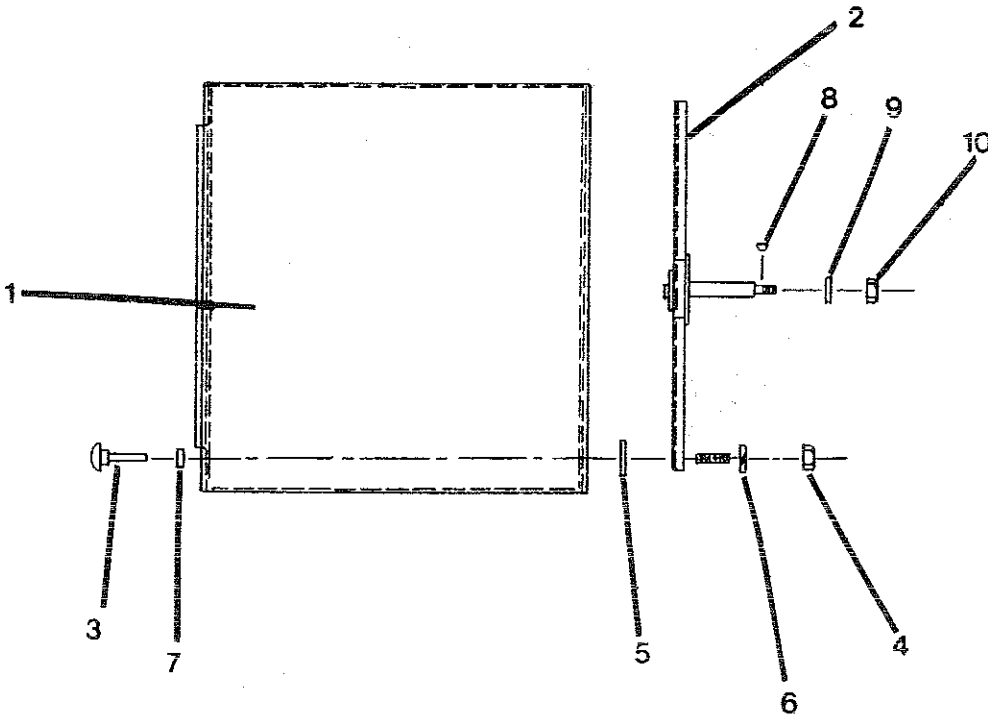
Key	Part Number	Description	
1	9822-027-002	Lint Hood Assy	1
2	9822-026-001	Lint Screen Assy	1
3	8640-412-004	Nut, Lint Hood Mitg	6

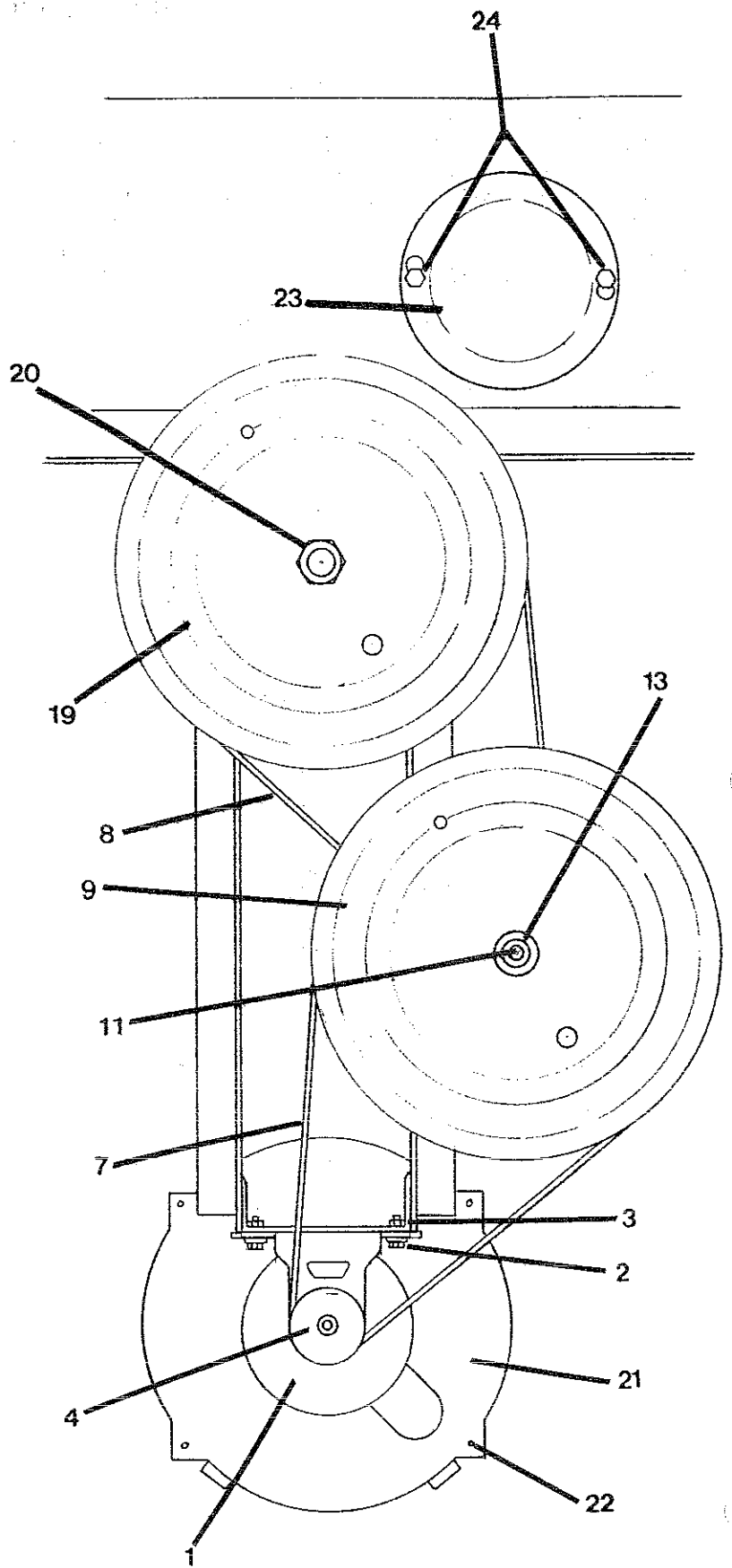
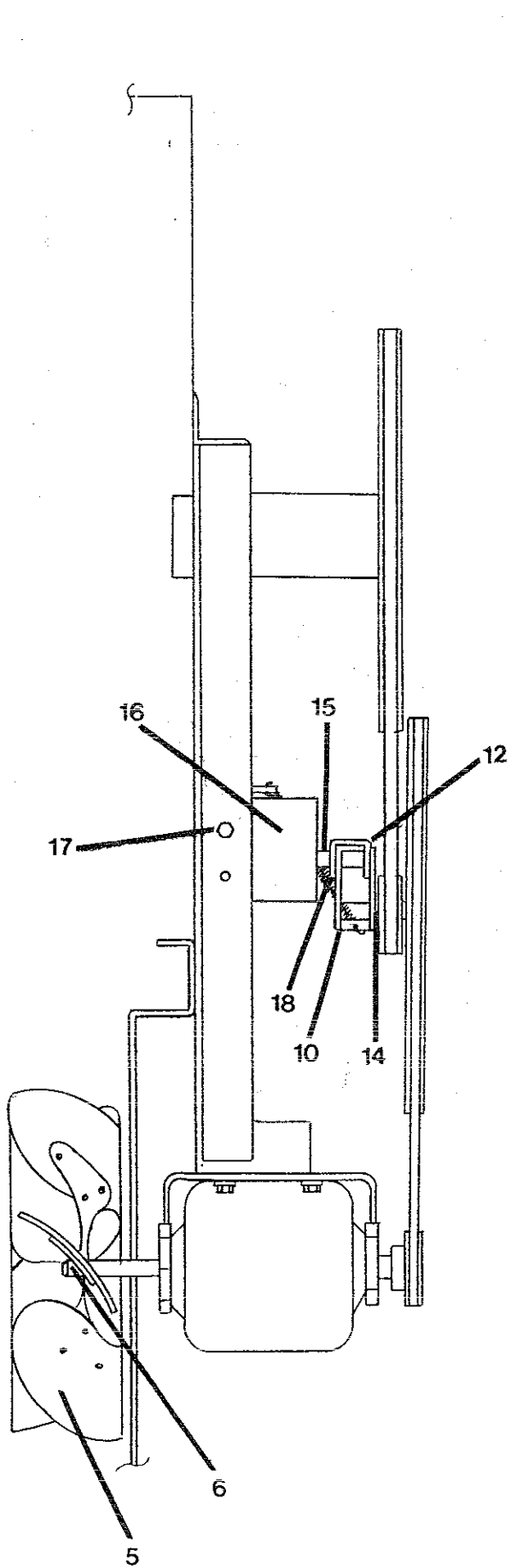


TUMBLER GROUP

All Models

Key	Part Number	Description	
1	9848-101-001	Tumbler Assy	1
2	9568-009-002	Spider & Shaft Assy <i>9568-012-001</i>	1
3	9497-019-001	Rod, Tumbler	3
4	8640-415-001	Nut, Tumbler Rod	3
5	9552-013-000	Shim	AR
6	8641-582-003	Washer, Tumbler Rod (spring lock)	3
7	8641-554-001	Washer, Tumbler Rod (special)	3
8	9306-006-000	Key, Tumbler Shaft	1
9	8641-582-015	Lock Washer, Tumbler Shaft	1
10	8640-222-000	Nut, Tumbler Shaft	1

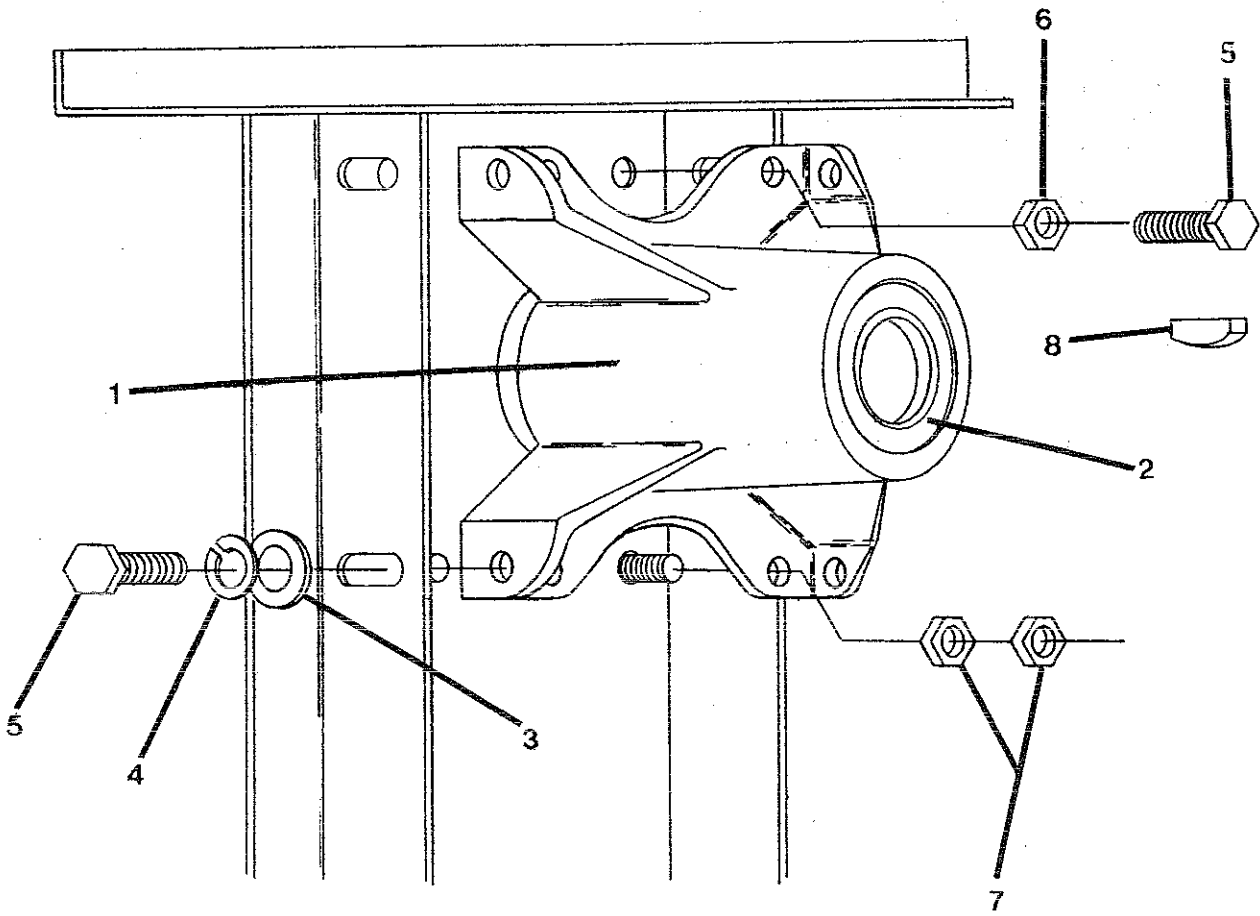




PULLEY, BELT, AND MOTOR GROUP

All Models

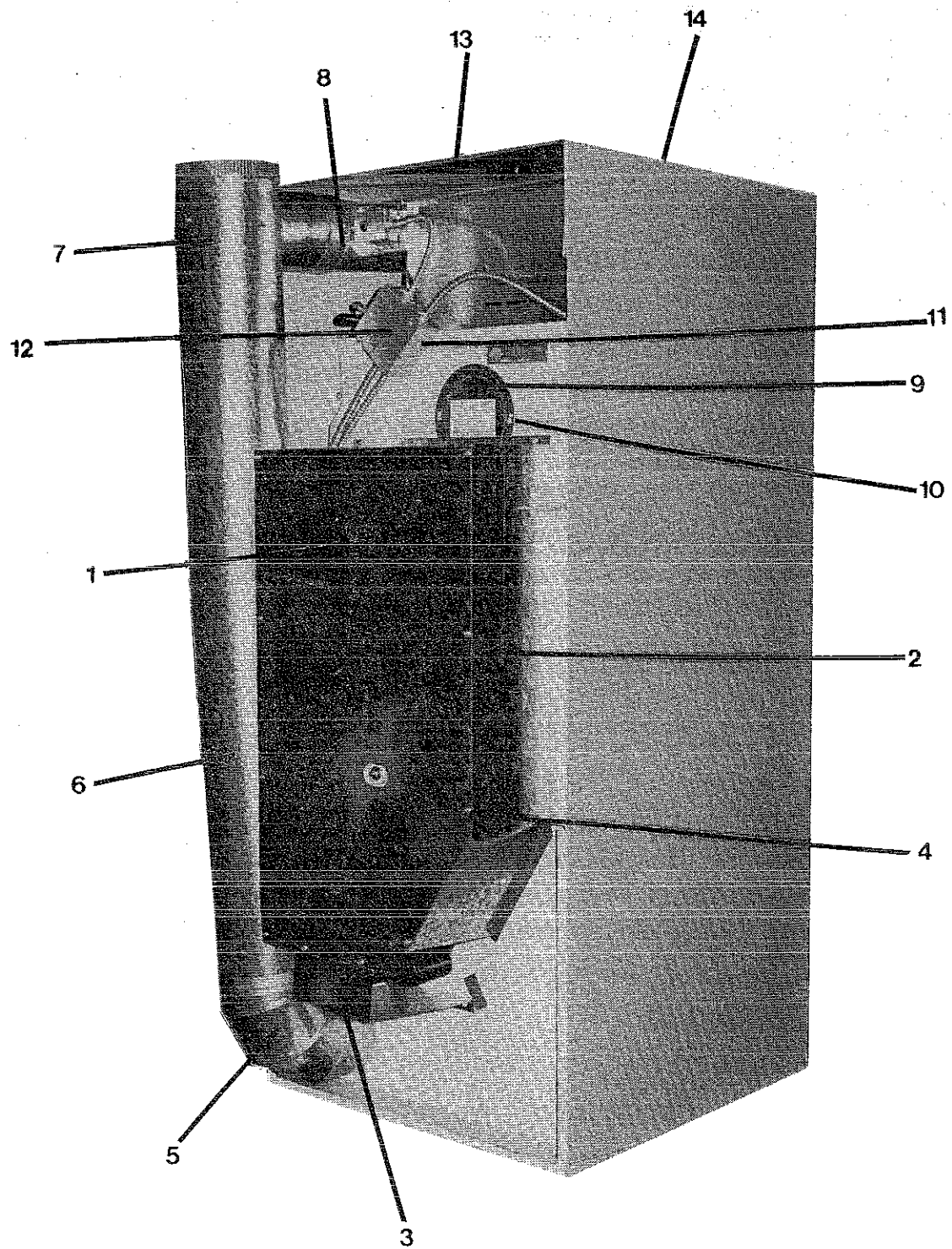
Key	Part Number	Description	
1	9376-259-006	Drive Motor, 115V	1
2	9545-014-004	Bolt, Motor Mtg	4
3	8640-400-003	Nut, Hex	4
4	9453-157-001	Pulley, Motor (60hz)	1
*	9545-028-013	Set Screw	2
5	9278-037-001	Impeller, Blower	1
6	9545-028-013	Set Screw	2
7	9040-073-003	Belt, Motor (narrow) <i>9040-077-002</i>	1
8	9040-073-004	Belt, Tumbler (wide)	1
9	9908-039-001	Pulley Assy., Intermediate	1
*	9036-145-002	Bearing Assy. (included in above)	2
10	9861-015-001	Arm, Tension (short)	1
11	9182-015-001	Fitting, Grease (include in above)	1
12	9861-016-001	Arm, Tension	1
13	9487-200-003	Ring, Retaining	4
14	8641-224-000	Washer, Special	1
15	9451-141-001	Pin, Pivot	1
16	9985-151-001	Bracket Assy., Pivot	1
17	9545-014-005	Bolt, Pivot Bracket	3
*	8640-400-002	Nut, Pivot Bracket	3
18	9534-319-002	Spring, Tension	1
19	9908-040-001	Pulley Assy., Tumbler	1
20	8640-222-000	Nut, Tumbler Shaft	1
*	9306-006-000	Key, Tumbler Shaft	1
21	9074-180-001	Cover, Impeller	1
22	9545-008-001	Screw, Impeller Cover	4
23	9452-253-000	Inspection Plate	1
24	9545-008-006	Screw, Inspection Plate	2



BEARING HOUSING GROUP

All Models

Key	Part Number	Description	
	9803-160-002	Housing Assy., Complete Bearing	1
1	9241-161-001	Housing, Bearing (included in assy.)	1
2	9036-130-001	Bearing, Ball (included in assy.)	2
*	9538-139-001	Spacer, Bearing (included in assy.)	1
3	8641-581-009	Washer, Flat	4
4	8641-582-003	Lock washer	4
5	9545-049-001	Bolt, 3/8 x 1	6
6	8640-415-002	Nut, 3/8	2
7	8640-400-002	Nut, 5/16	4
*	8640-222-000	Nut, Tumbler Shaft	1
8	9306-006-000	Key, Tumbler Shaft	1



REAR PANEL GROUP

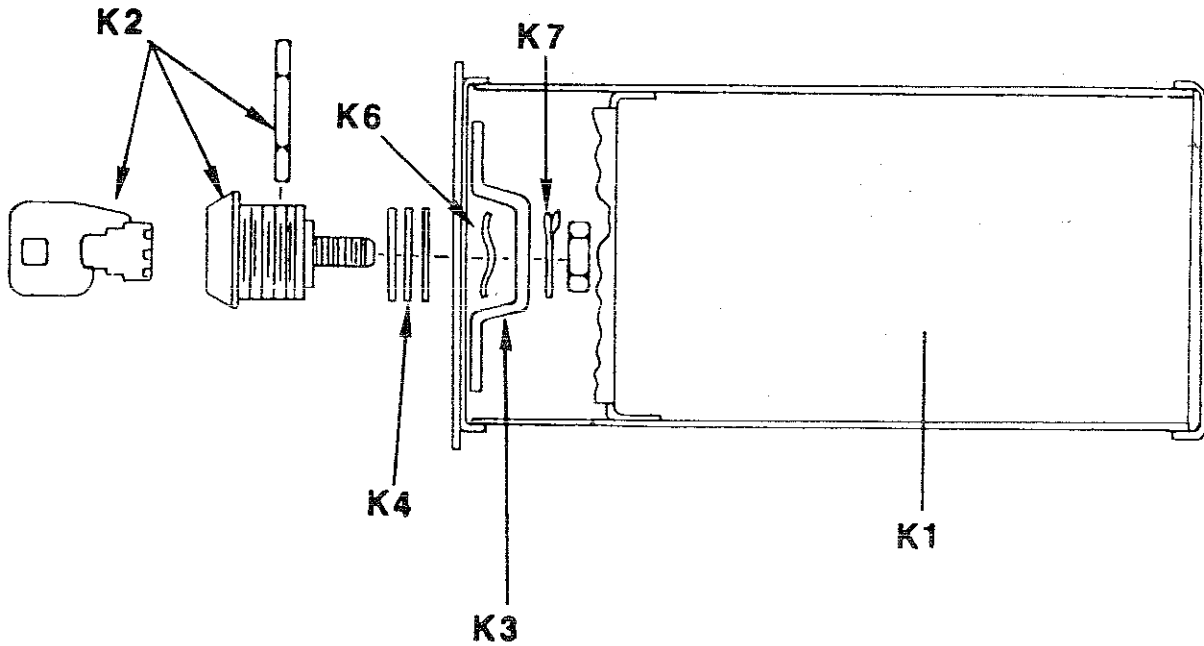
All Models

Key	Part Number	Description	
1	9208-039-001	Guard, Drive	1
*	9454-595-002	Panel, Side Guard (L.H.)	1
2	9454-596-002	Panel, Side Guard (R.H.)	1
3	9550-141-001	Shield, Motor	1
4	9545-008-006	Screw, Guard Panel	21
5	9142-039-001	Elbow, Exhaust (8")	1
6	9109-101-001	Pipe (8")	1
7	9810-018-001	Tee Assy., Recirculating	1
*	9125-002-001	Damper, Backdraft (included in assy.)	1
*	9451-146-002	Pin, Damper (included in assy.)	1
*	8520-141-000	Nut, Spring (included in assy.)	2
*	9545-008-006	Screw, Tee Assy	4
8	9918-002-002	Boot Assy., Recirculation	1
*	9545-008-006	Screw, Recirculation Assy	8
9	9452-253-000	Inspection Plate	1
10	9545-008-006	Screw, Inspection Plate	2
11	8658-012-000	Box, Electrical Junction	1
12	8693-005-000	Cover, Junction Box	1
*	9545-008-006	Screw, Junction Box Mtg	2
*	8640-276-003	Nut, Wire	AR
13	9074-236-001	Cover, Cabinet Top	1
14	9545-008-006	Screw, Cabinet Cover	8

COIN BOX GROUP

Computer & Rotary Meter Only

Key	Part Number	Description	
*	9732-122-001	Kit, Coin Box & Hardware (includes the following)	1
1	9807-077-007	Box Assy., Coin	1
2	9349-033-001	Latch, Coin Box	1
3	8641-581-008	Washer, Latch Spacer (thick)	2
3	8641-581-010	Washer, Latch Spacer (thin)	4
3	8641-569-002	Washer, Wave	1
3	8641-583-001	Washer, Special Keeper	1
4	8650-012-002	Lock, Coin Box (includes key & nut)	1



WIRING GROUP Computer Only

Key	Part Number	Description	
	9627-651-001	Harness, Electronic Control	1
	9627-679-001	Harness, Temperature Sensor	1
	8220-001-224	Wire, Hi-Limit to Junction Box (orange/bk. 41 1/2")	1
	8220-001-352	Wire, Junction Box to Terminal Block (orange/bk. 46")	1
	8653-039-000	Wire Connector, In Line Plastic Insulated	1

WIRING GROUP Rotary Meter & Manual Timer Only

Key	Part Number	Description	
	8220-001-202	Wire, Hi-Limit to Junction Box (red 41 1/2")	1
	9631-381-004	Wire, Terminal Block to Meter (gray 16 1/2")	1
	9631-381-003	Wire, Cycling T-Stat to Meter (red/wh. 20 1/2")	1
	9631-381-001	Wire, Meter Motor to Meter Switch (black twin)	1
	9631-381-002	Wire, Terminal Block to Start Switch (blue)	1
	9631-381-011	Wire, Terminal Block to On Light (black 18")	1

WIRING GROUP

All Models

Key	Part Number	Description	
	8658-012-000	Box, Electrical Junction	1
	8693-005-000	Cover, Junction Box	1
	9545-008-006	Screw, Junction Box Mtg.	2
	8640-276-003	Nut, Wire	AR
	9627-650-001	Harness, Low Voltage Ignition	1
	9631-403-001	Wire, High Voltage Spark	1
	8654-127-001	Clamp, Hi Voltage Wire	4
	8220-001-200	Wire, Motor to Junction Box (red 53 1/2")	1
	8220-001-199	Wire, Motor to Junction Box (white 53 1/2")	1
	9631-382-001	Wire, Motor to Junction Box (blue 53 1/2")	1
	6068-037-011	Conduit, Motor to Junction Box	1
	8220-001-206	Wire, Hi-Limit to Junction Box (brown 41 1/2")	1
	6068-037-007	Conduit, Hi-Limit to Junction Box	1
	8220-001-208	Wire, Damper Switch to Junction Box (gray 67")	1
	8220-034-001	Wire, Damper Switch to Junction Box (brown 67")	1
	6068-037-006	Conduit, Damper Switch to Junction Box	1
	8220-001-225	Wire, Transformer to Fuse (red 9")	1
	8220-001-221	Wire, Door Switch to Terminal Block (black 45")	1
	8220-001-222	Wire, Door Switch to Terminal Block (blue 45")	1
	8220-001-226	Wire, Safety T-Stat to Junction Box (black/white 25 1/2")	1
	8220-001-227	Wire, Safety T-Stat to Junction Box (black 25 1/2")	1
	8220-034-002	Wire, Junction Box to Terminal Block (blue 46 1/2")	1
	8220-001-198	Wire, Junction Box to Terminal Block (white 46 1/2")	1
	9631-382-002	Wire, Junction Box to Terminal Block (gray 45 1/2")	1
	8220-001-219	Wire, Junction Box to Terminal Block (black 56")	1
	6068-037-010	Conduit, Junction Box to Control Housing	1
	8220-001-220	Wire, Junction Box to Run Relay (red 56")	1
	2114-008-000	Bushing, Anti Short (1 required for each end of conduit)	2
	8653-068-003	Connector, (1 required for each end of conduit)	2

SECTION 7

TROUBLE SHOOTING GUIDE

PROBLEM	PROBABLE CAUSE	REMEDY
Tumbler does not turn DLC30 (computer)	1. Electronic Control	Check motor run relay for 120 volt output
	2. Coin Acceptor Switch	Check normally open switch for continuity when actuated
	3. Wire Connections between coin acceptor, electronic control and motor	Check for loose or broken wires
	4. Push-Start Switch	Check for inoperative membrane switch
DLR30 (rotary & manual)	5. Coin Meter Switch	Check coin meter switch (A)
	6. Push-Start Switch	Check for continuity when depressed
	7. Wire connections between push-start switch, coin meter and motor	Check for loose or broken wires
All Dryers	8. Loading Door	Close door completely
	9. Door Switch	Adjust or replace switch
	10. Drive Belts	Check both drive belts
	11. Over temperature Safety Thermostat	Reset manually by pushing in red button
	12. Drive Motor	Check capacitor and motor. Vacuum lint out of motor.
Tumbler turns but no spark at burner DLC30 (computer)	1. Electronic Control	Check gas relay for 120 volt output
	2. Temperature Sensor (F1 or F2 in display)	see Service Procedures section to trouble shoot Temp. Sensor
DLR30 (rotary and manual)	3. Cool Down Switch	Check cool down switch (B) for continuity (0 ohms resistance) when actuated
	4. Thermostat	Check thermostat switch for continuity (0 ohms resistance) when cold
All Dryers	5. Glass Fuse	Check glass control fuse
	6. Ignition Transformer	With dryer operating the secondary of the transformer should have 24 volts AC
	7. Ignition Control	Try another control
	8. Damper Switch (air flow switch)	Raise the damper arm and the switch should have continuity (0 ohms resistance)
	9. High Limit Thermostat	Check thermostat for continuity (0 ohms resistance) when cold
	10. Spark Ignition Module	see Service Procedures for testing

PROBLEM	PROBABLE CAUSE	REMEDY
Tumbler turns but no spark at burner (cont'd)	11. Spark Electrode Gap 12. Improper Ground 13. Spark Ignition Locked Out	Gap should be 1/8" Clean terminals and replace yellow grounding wires Open loading door to reset wait 10 seconds and try again
Tumbler turns—ignition sparks—no flame		
All Dryers	1. Gas Supply 2. Gas Pressure 3. Spark Electrode 4. Gas Valve 5. Loose or Broken Wire	Make sure gas supply is working Make manometer check of gas pressure Check electrode for damage to electrode or mtg. Check coil continuity Check wire connections between spark ignition module and valve
Slow drying		
DLC30 (computer)	1. Temperature 2. Temperature Sensor Failure	Check computer for correct programmed temperature Computer will display F1 or F2 failure code
DLR30 (rotary & manual)	3. Temperature Setting 4. Thermostat Out of Adjustment	Check thermostat lever for correct positioning -- left is low heat and right is high heat see Service Procedures section for thermostat adjustment
All Dryers	5. Air flow restrictions A. Lint screen B. Exhaust C. Damper D. Make-Up Air 6. High Limit Thermostat Failure	Clean screen Check complete exhaust system Check backdraft damper in exhaust Inadequate -- each dryer requires 1 sq. ft. of make-up air Check thermostat for continuity (0 ohms resistance) when cold
Erratic display		
DLC30 (computer)	1. Initial Start Up 2. Grounding 3. Program 4. Voltage spike	If erratic on initial start up, leave power on for approximately one hour and check machine operation again Machine must be grounded by separate conductor back to neutral bar in breaker box Check program and make corrections if necessary Power down machine for 20 seconds and then power up. If no better replace control

SECTION 8

PREVENTATIVE MAINTENANCE INSTRUCTIONS

WEEKLY

1. Clean lint screen and compartment. Use soft brush if necessary.
Failure to do so will slow drying and increase gas usage and temperatures throughout the dryer.
2. Check lint screen for tears. Replace if necessary.

MONTHLY

1. Check the end bells of the drive motor for lint accumulation and clean if necessary.
2. Check the lint screen compartment for lint accumulation and clean if necessary.
3. Check for lint and dirt accumulation on top of the dryer and all area above, and around the burners and burner housing. Clean where necessary. Failure to keep this portion of the dryer clean can lead to a build-up of lint creating a fire hazard.
4. Place a few drops of light oil on top and bottom pivots of the clothes door hinge.
5. Grease bearings and shaft of intermediate drive pulley.

QUARTERLY

1. Check belts for looseness, wear or fraying.
2. Inspect gasket of door glass for excessive wear.
3. Check tightness of all fasteners holding parts to rear support channel.
4. Check tightness of tumbler shaft retaining nut.
5. Check for lint accumulation in primary air ports in burners and clean if necessary.
6. Grease pivot pins and tension arms where in contact with each other.

SEMI-ANNUALLY

1. Check and clean main burners if necessary.
2. Check all orifices and examine for dirt and hole obstruction.
3. Check the interior of the dryer for lint accumulation.

ANNUALLY

1. Check intermediate pulley bearings for wear.
2. Check and remove any lint accumulation from exhaust system.

