

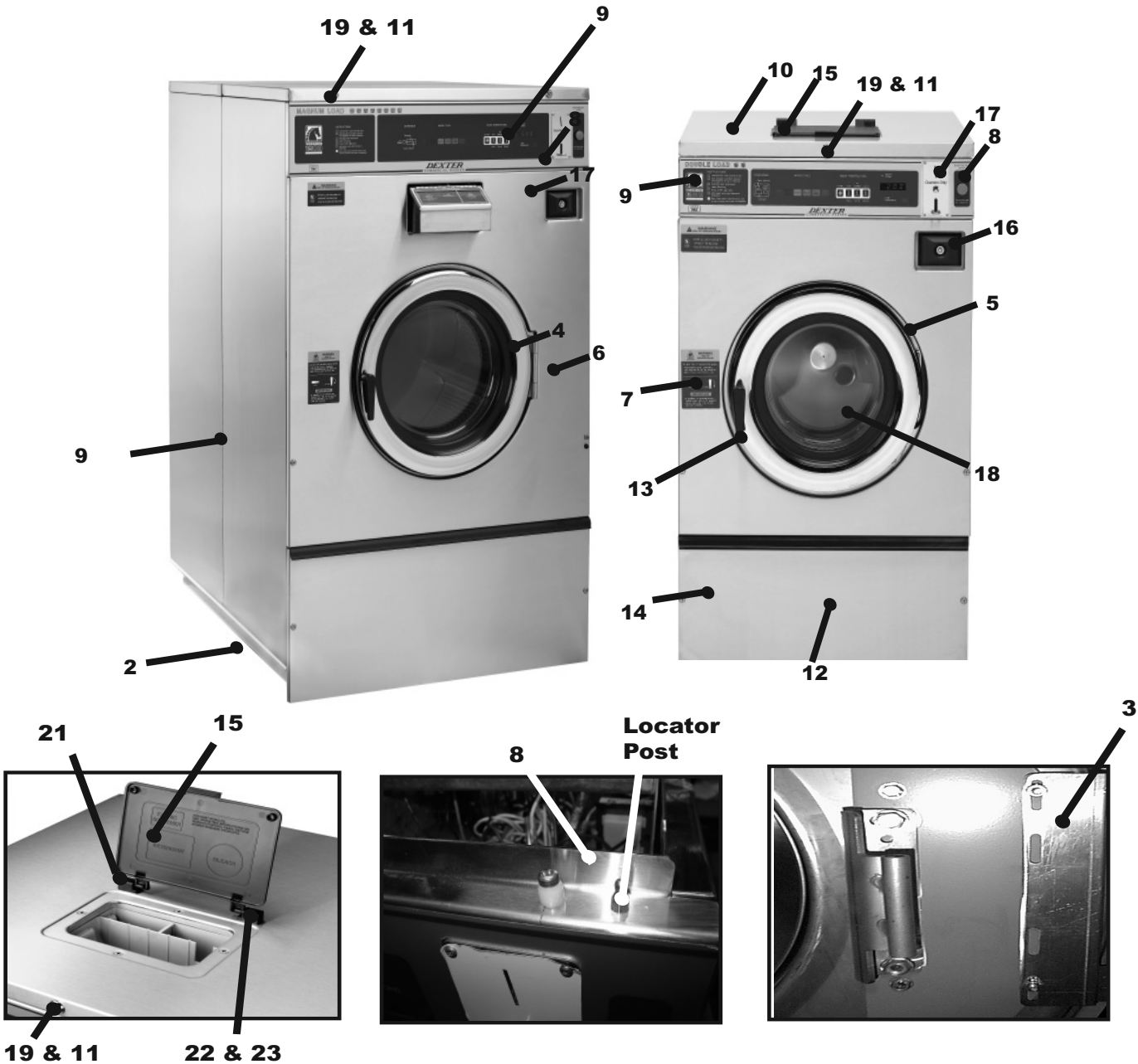
## A-Series Accessories

|              |               |       |                             |
|--------------|---------------|-------|-----------------------------|
| WCAD18KCS-10 | 120 volts     | 60hz. | Single Phase                |
| WCAD18KCS-12 | 208-240 volts | 60hz. | Single Phase or Three Phase |
| WCAD25KCS-12 | 208-240 volts | 60hz  | Single Phase or Three Phase |
| WCAD40KCS-12 | 208-240 volts | 60hz  | Single Phase or Three Phase |
| WCAD55KCS-12 | 208-240-volts | 60hz  | Single Phase or Three Phase |
| WCAD75KCS-12 | 208-240 volts | 60 hz | Single Phase or Three Phase |

| Key | Description   | T-300        | T-400        | T-600        | T-900          | T-1200         | QTY |
|-----|---|--------------|--------------|--------------|----------------|----------------|-----|
| --  | Kit, Door Gasket Expander (large)   | 9732-139-002 | 9732-139-002 | 9732-139-002 | 9732-139-002   | 9732-139-002   |     |
| --  | Kit, Door Gasket Expander (small)   | 9732-139-001 | 9732-139-001 | 9732-139-001 | 9732-139-001   | 9732-139-001   |     |
| --  | Hose, Water Supply 3/8" I.D. x 48"  | 9990-027-011 | 9990-027-011 | 9990-027-011 |                |                | 2   |
| --  | Hose, Water Supply 5/8" I.D. x 48"  |              |              |              | 9990-027-013   | 9990-027-013   | 2   |
| --  | Washer, Inlet Hose (furnished)  | 8641-242-000 | 8641-242-000 | 8641-242-000 | 8641-242-000   | 8641-242-000   | 2   |
| --  | Strainer, Inlet Hose (furnished)  | 9565-003-001 | 9565-003-001 | 9565-003-001 | 9565-003-001   | 9565-003-001   | 2   |
| --  | Drain hose 10 ft. length x 2-1/4" I.D   | 9242-417-002 |              |              |                |                |     |
| --  | Drain hose 10 ft. length x 3" I.D.  | 9242-417-003 | 9242-417-003 | 9242-417-003 | 9242-417-003   | 9242-417-003   |     |
| --  | Bevel Washer for 5/8" bolt used in installations using angle iron bases           | 8641-586-002 | 8641-586-002 | 8641-586-002 | 8641-586-002   | 8641-586-002   |     |
| --  | Bevel Washer for 3/4" bolt used in installations using angle iron bases           | 8641-586-003 | 8641-586-003 | 8641-586-003 | 8641-586-003   | 8641-586-003   |     |
| --  | Sealing compound  | 8538-151-001 | 8538-151-001 | 8538-151-001 | 8538-151-001   | 8538-151-001   |     |
| --  | TORX#20   | 8545-051-002 | 8545-051-002 | 8545-051-002 | 8545-051-002   | 8545-051-002   |     |
| --  | Special Tool For Removing Coin Acceptor Mounting Screws. (T-10 Torx)              | 8545-051-003 | 8545-051-003 | 8545-051-003 | 8545-051-003   | 8545-051-003   |     |
| --  | Flow Restrictors (in dispenser )  | 9475-002-002 | 9475-002-002 | 9475-002-002 | 9475-002-002   | 9475-002-003   | 2   |
| --  | Battery (used on Control PCB)   | 8612-001-001 | 8612-001-001 | 8612-001-001 | 8612-001-001   | 8612-001-001   |     |
| --  | Special Tool for adjusting spacing between outer tub front and cylinder front     |              |              |              | 8545-056-001   | 8545-056-001   |     |
| --  | VFD Filter options (1 phase) 120v   | 9183-041-001 |              |              |                |                |     |
| --  | VFD Filter options (3 phase)  | 9183-042-001 | 9183-037-001 | 9183-037-001 | 9183-037-001   | 9183-037-001   |     |
| --  | VFD Filter options (1 phase)  | 9183-044-001 | 9183-045-001 | 9183-045-001 | 9183-045-001   | 9183-045-001   |     |
| --  | Puller for pushing cylinder out of bearings must be purchased from local sources. |              |              |              |                |                |     |
| --  | Clamps to hold tub front to outer tub when installing tub front                   |              |              |              | Vise Grip #11R | Vise Grip #11R |     |
| --  | Coin OP CD for OS2 platform for infrared programming devices                      | 9504-010-001 | 9504-010-001 | 9504-010-001 | 9504-010-001   | 9504-010-001   |     |
| --  | Coin Bearing & Seal Kit   | 9732-219-001 | 9732-219-002 | 9732-219-004 | 9732-219-006   | 9732-219-006   |     |
| --  | Coin Op CD with OS2 Platform for A Series Washers Only                            | 9504-015-011 | 9504-015-011 | 9504-015-011 | 9504-015-011   | 9504-015-011   |     |

## Cabinet and Front Panel Group Part # by Model

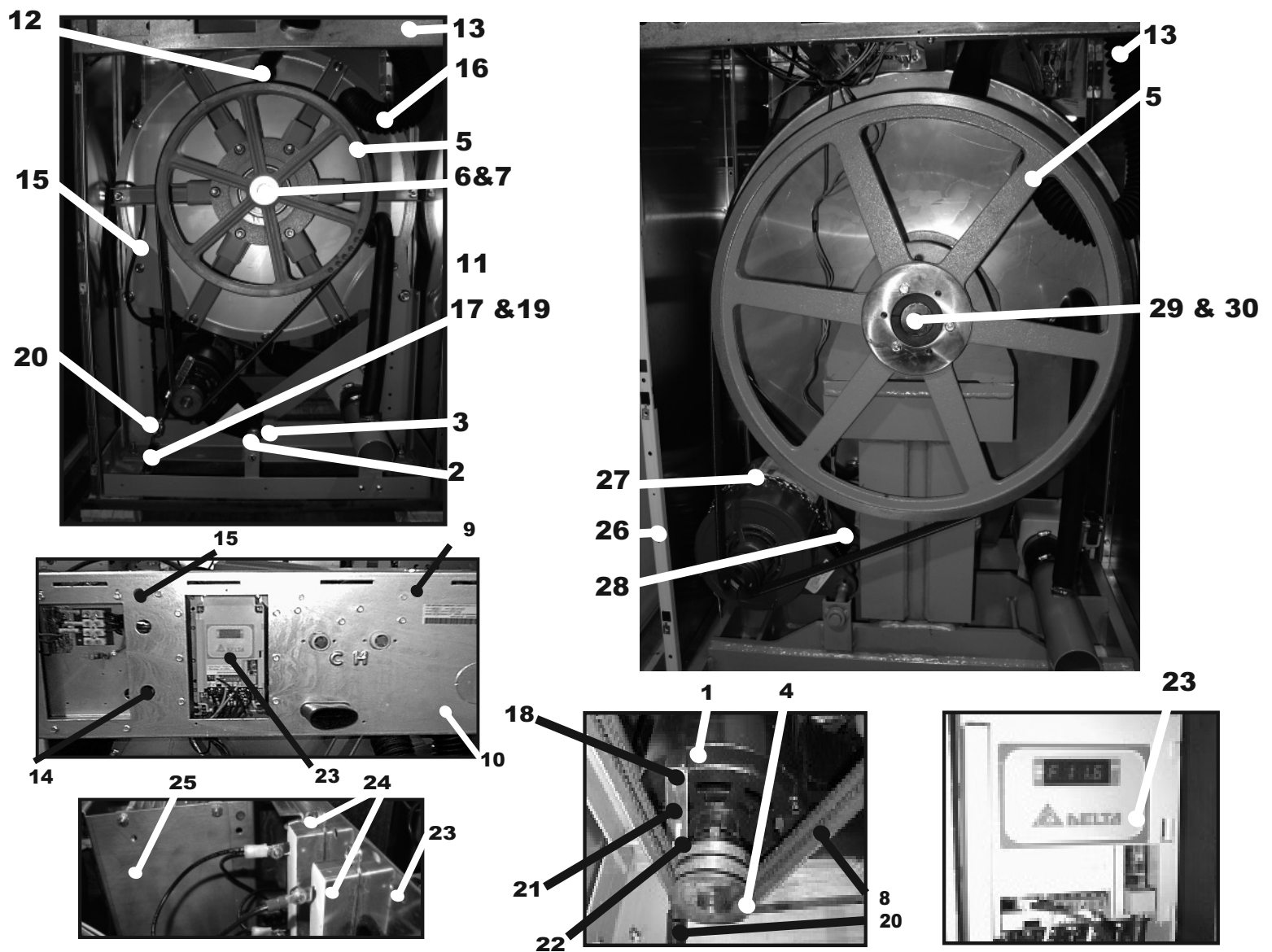
| Key | Description                              | T-300        | T-400        | T-600        | T-900        | T-1200       | QTY |
|-----|--|--------------|--------------|--------------|--------------|--------------|-----|
| 1   | Panel, Side (Left or Right) - stainless  |              | 9454-656-001 | 9989-449-001 |              |              | 2   |
| 1   | Panel, Side (Left or Right) - stainless  |              |              |              | 9454-672-001 | 9454-760-001 | 4   |
| 1   | Panel, Right Side-stainless              | 9454-635-005 |              |              |              |              | 1   |
| 1   | Panel, Left Side - stainless             | 9454-635-006 |              |              |              |              | 1   |
| 2   | Screw, (Side Panel to Base)              | 9545-018-018 | 9545-018-013 |              |              |              | 6   |
| 2   | Screw, (Side Panel to Base)              |              |              | 9545-018-013 | 9545-018-013 | 9545-018-013 | 8   |
| 2   | Nut, Hex 1/4-20 UNC                      | 8640-414-006 | 8640-414-006 |              |              |              | 6   |
| 2   | Nut, Hex 1/4-20 UNC                      |              |              | 8640-414-006 | 8640-414-006 | 8640-414-006 | 8   |
| 3   | Bracket, Side Panel<br>under front panel | 9029-066-001 | 9029-066-001 | 9029-066-001 |              |              | 1   |
| •   | Nut, Hex                                 | 8640-413-002 | 8640-413-002 | 8640-413-002 |              |              | 2   |
| *   | Screw                                    | 9545-008-031 | 9545-008-024 | 9545-008-024 |              |              | 2   |
| 4   | Panel Assy, Front                        | 9454-781-001 | 9454-659-001 | 9454-669-001 | 9454-671-001 | 9454-763-001 | 1   |
| *   | Stop Button Mounting Plate               | 9452-725-001 | 9452-725-001 | 9452-725-001 | 9452-725-001 | 9452-725-00  | 1   |
| 5   | Band, Edge Protector                     | 9059-063-004 | 9059-063-002 | 9059-063-002 | 9059-063-002 | 9059-063-002 | 1   |
| *   | Bumper Loading Door                      |              |              |              |              | 9051-053-001 | 1   |
| *   | Screw, Hex- To Control Panel             | 9545-008-031 | 9545-008-024 | 9545-008-024 | 9545-008-024 | 9545-008-024 | 2   |
| *   | Nut, Spring- To Control Panel 10/32      | 8640-399-005 | 8640-399-005 | 8640-399-005 | 8640-399-005 | 8640-399-005 | 2   |
| 6   | Screw, Flat Head- Front to Sides         | 9545-008-014 | 9545-008-014 | 9545-008-014 | 9545-008-014 | 9545-008-014 | 2   |
| 6   | Washer, Finish                           | 8641-585-001 | 8641-585-001 | 8641-585-001 | 8641-585-001 | 8641-585-001 | 2   |
| *   | Nut, Spring-To Front Panel               | 8640-399-008 | 8640-399-008 | 8640-399-008 | 8640-399-008 | 8640-399-008 | 2   |
| 7   | Label, Door Opening                      | 8502-723-001 | 8502-723-001 | 8502-723-001 | 8502-723-001 | 8502-723-001 | 2   |
| 8   | Panel, Control (Mounts Nameplate)        | 9989-501-001 | 9989-497-001 | 9989-499-001 | 9989-500-001 | 9989-500-001 | 1   |
| *   | Screw, Control Panel to Sides            | 9545-008-026 | 9545-008-026 | 9545-008-026 | 9545-008-026 | 9545-008-026 | 4   |
| 9   | Nameplate Decal, Control Panel           | 9412-135-001 | 9412-137-001 | 9412-139-001 | 9412-141-001 | 9412-142-001 | 1   |
| 10  | Panel Top                                | 9989-498-001 | 9989-498-003 | 9989-498-005 | 9454-736-001 |              | 1   |
| 10  | Panel Top Front                          |              |              |              |              | 9454-761-001 | 1   |
| 10  | Panel Top Rear                           |              |              |              |              | 9454-762-001 | 1   |
| 11  | Lock, Top (w/Key)                        | 8650-012-003 | 8650-012-003 | 8650-012-003 |              |              | 1   |
| 11  | Lock, Top (w/Key)                        |              |              |              | 8650-012-003 | 8650-012-003 | 2   |
| --  | Catch, Top Panel                         | 9086-017-001 | 9086-017-001 | 9086-017-001 |              |              | 2   |
| *   | Screw, Guide                             | 9545-008-023 | 9545-008-023 | 9545-008-023 |              |              | 2   |
| 12  | Door, Lower Service                      | 9108-096-001 | 9108-097-001 | 9108-097-001 | 9108-099-001 | 9108-099-001 | 1   |
| 13  | Handle (bumper guard)                    | 9244-081-001 | 9244-081-002 | 9244-081-002 | 9244-081-003 | 9244-081-003 | 1   |
| *   | Screw                                    | 9545-045-010 | 9545-045-010 | 9545-045-010 | 9545-045-010 | 9545-045-010 | 4   |
| 14  | Screw Mtg., Flat Head                    | 9545-008-014 | 9545-008-014 | 9545-008-014 | 9545-008-014 | 9545-008-014 | 2   |
| 14  | Washer, Finish                           | 8641-585-001 | 8641-585-001 | 8641-585-001 | 8641-585-001 | 8641-585-001 | 2   |
| *   | Nut, Spring                              | 8640-399-008 | 8640-399-008 | 8640-399-008 | 8640-399-008 | 8640-399-008 | 2   |
| 15  | Door, Dispenser                          | 9108-095-005 | 9108-095-005 | 9108-095-005 | 9108-095-005 |              | 1   |
| 20  | Pin, Plain                               | 9451-191-001 | 9451-191-001 | 9451-191-001 | 9451-191-001 |              | 2   |
| 21  | Post, Door Mounting                      | 9467-025-001 | 9467-025-001 | 9467-025-001 | 9467-025-001 |              | 2   |



| Key | Description                           | T-300        | T-400        | T-600        | T-900        | T-1200       | QTY |
|-----|---------------------------------------|--------------|--------------|--------------|--------------|--------------|-----|
| 22  | Screw, Disp.Post Mtg                  | 9545-045-002 | 9545-045-002 | 9545-045-002 | 9545-045-002 |              | 4   |
| 23  | Screw, Disp. Mtg                      | 9545-008-012 | 9545-008-012 | 9545-008-012 | 9545-008-012 |              | 4   |
| 16  | SS Coin Box Assy, Coin                | 9732-122-010 | 9732-122-010 | 9732-122-010 | 9732-122-010 | 9732-122-010 | 1   |
| 17  | Acceptor, Coin (\$.25)                | 9021-001-010 | 9021-001-010 | 9021-001-010 | 9021-001-010 | 9021-001-010 | 1   |
| 18  | Plastic Plug 1 1/2"-(inside cylinder) | 9456-041-007 | 9456-041-007 | 9456-041-007 |              |              | 1   |
| 19  | Key, Top- # 6324                      | 6292-006-007 | 6292-006-007 | 6292-006-007 | 6292-006-007 | 6292-006-007 | 1   |
| 19  | Cam, Lock-Top                         | 9095-038-001 | 9095-038-001 | 9095-038-001 | 9095-038-001 | 9095-038-001 | 1   |
| --  | Nut, 9/32 - 28 Hex                    | 8640-426-001 | 8640-426-001 | 8640-426-001 | 8640-426-001 | 8640-426-001 | 1   |
| --  | Washer Flat 5/16                      | 8641-581-008 | 8641-581-008 | 8641-581-008 | 8641-581-008 | 8641-581-008 | 1   |

## Rear View Access Part # by Model

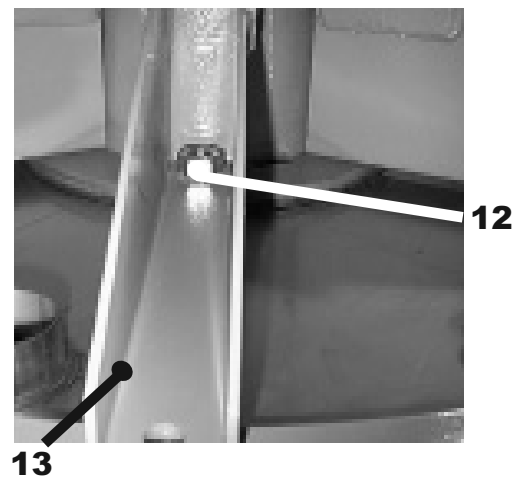
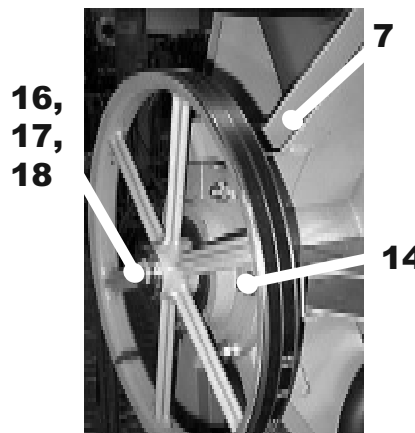
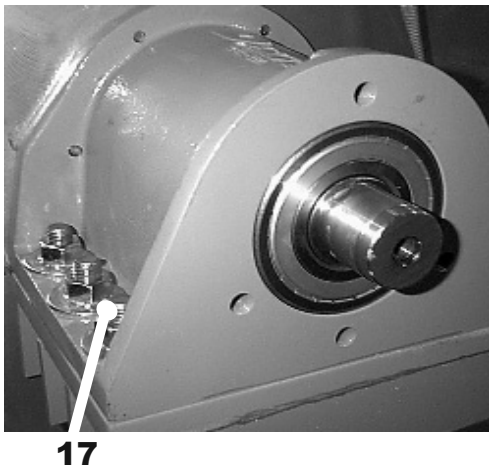
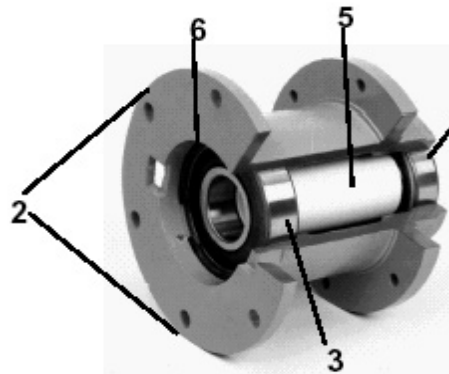
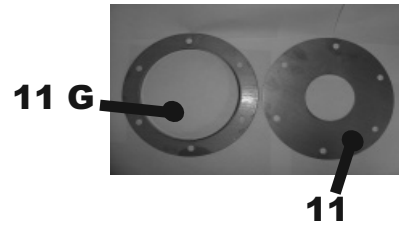
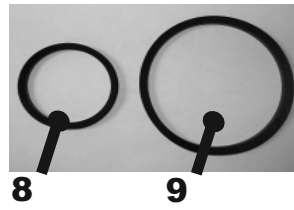
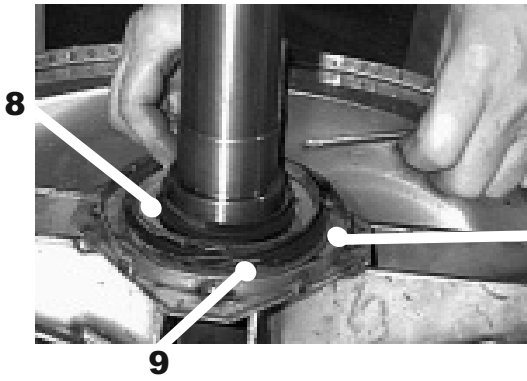
| Key | Description                             | T-300        | T-400        | T-600        | T-900        | T-1200       | QTY |
|-----|---|--------------|--------------|--------------|--------------|--------------|-----|
| 1   | Drive Motor, 3 Phase (Inverter duty)    | 9732-127-011 | 9732-127-011 | 9732-127-011 | 9376-308-001 | 9376-308-001 | 1   |
|     | Drive Motor After Serial #483620        | 9732-225-001 |              |              |              |              |     |
| 2   | Rod, Motor Mtg                          | 9497-222-002 | 9497-222-002 | 9497-222-004 |              |              | 1   |
| --  | Screw (end of motor rod)                | 9545-029-005 | 9545-029-005 | 9545-029-005 |              |              | 1   |
| --  | Lockwasher (end of motor rod)           | 8641-582-014 | 8641-582-014 | 8641-582-014 |              |              | 1   |
| 3   | Collar, Shaft (w/set screws)            | 9076-052-002 | 9076-052-002 | 9076-052-002 | 9076-052-002 | 9076-052-002 | 2   |
| 4   | Pulley, Motor                           | 9453-169-012 | 9453-170-003 | 9453-170-003 | 9453-175-002 | 9453-175-002 | 1   |
| --  | Set Screw,Sq.Hd(motor pulley)           | 9545-028-015 | 9545-028-015 | 9545-028-015 |              |              | 2   |
| --  | Tolerance Ring                          | 9487-234-002 | 9487-234-001 | 9487-234-003 |              |              | 1   |
| 5   | Pulley, Driven                          | 9908-041-002 | 9453-168-004 | 9453-168-003 | 9453-176-005 | 9453-176-005 | 1   |
| 6   | Screw 1/2-13x1 1/4"                     | 9545-017-009 | 9545-017-009 |              |              |              | 1   |
| 6   | Screw 5/8-11x1 1/2"                     |              |              | 9545-060-001 |              |              | 1   |
| 6   | Lockwasher 1/2"                         | 8641-582-016 | 8641-582-016 |              |              |              | 1   |
| 6   | Lockwasher 5/8"                         |              |              | 8641-582-018 |              |              | 1   |
| 7   | Washer, Flat 1/2"                       | 8641-581-026 | 8641-581-026 |              |              |              | 1   |
| 7   | Washer, Flat 5/8x2 1/4"                 |              |              | 8641-581-032 |              |              | 1   |
| 8   | Drive Belt                              | 9040-076-004 |              |              | 9040-079-002 | 9040-079-003 | 1   |
| 8   | Drive Belt                              |              | 9040-076-005 | 9040-076-005 |              |              | 2   |
| 9   | Channel, Rear                           | 9081-132-001 | 9081-135-001 | 9081-134-001 | 9081-109-001 | 9081-140-001 | 1   |
| 10  | Screw                                   | 9545-008-026 | 9545-008-026 | 9545-008-026 | 9545-008-026 | 9545-008-026 | 4   |
| --  | Nut, Spring                             | 8640-399-008 | 8640-399-008 | 8640-399-008 |              |              | 4   |
| --  | Nut, Spring                             |              |              | 8640-399-008 | 8640-399-008 |              | 6   |
| --  | Nut, Spring                             | 8640-399-004 | 8640-399-004 |              |              | 8640-399-008 | 6   |
| 11  | Hose, Overflow to drain                 | 9242-449-002 | 9242-449-002 | 9242-449-002 | 9242-449-003 | 9242-449-003 | 1   |
| --  | Hose, Overflow Vent Top                 | 9242-463-001 | 9242-463-001 |              |              |              |     |
| 12  | Clamp, Hose Vent                        | 8654-117-008 | 8654-117-008 | 8654-117-008 | 8654-117-008 | 8654-117-008 | 2   |
| 12  | Clamp, Hose overflow to drain           | 8654-117-018 | 8654-117-018 | 8654-117-018 | 8654-117-018 | 8654-117-018 | 2   |
| 13  | Vaccum Breaker ALL                      | 9610-001-001 | 9610-001-001 | 9610-001-001 | 9610-001-001 | 9610-001-001 | 1   |
| --  | Clamp, Hose to Vacuum Breaker           | 8654-117-014 | 8654-117-008 | 8654-117-014 | 8654-117-014 | 8654-117-014 | 1   |
| 16  | Hose, Vacuum Breaker to tub             | 9242-458-001 | 9242-458-002 | 9242-458-002 | 9242-458-003 | 9242-458-003 | 1   |
| 14  | Plastic Plug 7/8" Electrical Connection | 9456-041-006 | 9456-041-006 | 9456-041-006 |              |              | 2   |
| --  | Panel Assy., Back                       | 9454-632-001 | 9989-446-002 | 9989-446-001 | 9989-455-001 | 9989-491-001 | 1   |
| --  | Screw Panel Mtg.#10Bx1/2"               | 9545-008-026 | 9545-008-026 | 9545-008-026 |              |              | 10  |
| --  | Screw Panel Mtg.#10Bx1/2"               |              |              |              | 9545-008-026 |              | 9   |
| --  | Screw, 10Bx 1/2 Panel Mtg               |              |              |              |              | 9545-008-026 | 13  |
| 15  | Hose, Pressure Switch                   | 9242-175-000 | 9242-175-000 | 9242-175-002 | 9242-175-007 | 9242-175-006 | 1   |
| --  | Clamp, Pressure Switch Hose             | 8654-117-015 | 8654-117-015 | 8654-117-015 | 8654-117-015 | 8654-117-015 | 1   |
| 29  | Bushing Taperlock (Driven & Large)      |              |              |              | 9053-078-002 | 9053-078-002 | 1   |
| 30  | Bushing, Split Taper (Motor Pulley)     |              |              |              | 9053-077-001 | 9053-077-001 | 1   |
| --  | Screw For Split Taper (1/4 - 20 x1)     |              |              |              | 9545-018-024 | 9545-018-021 | 3   |
| --  | Screw, To Base-1/4x3/4                  |              |              |              | 9545-030-002 | 9545-030-002 | 1   |
| 18  | Strap Bracket, Motor Tension            | 9029-027-003 | 9029-027-003 | 9029-027-003 |              |              | 1   |



| Key | Description                       | T-300        | T-400        | T-600        | T-900        | T-1200       | QTY |
|-----|-----------------------------------|--------------|--------------|--------------|--------------|--------------|-----|
| 19  | Nut, Strap to Motor               | 8640-413-002 | 8640-413-002 | 8640-413-002 |              |              | 1   |
| 19  | Washer                            | 8641-581-006 | 8641-581-006 | 8641-581-006 |              |              | 1   |
| 20  | Spring, Belt Tension              | 9534-319-002 | 9534-319-002 | 9534-319-002 |              |              | 1   |
| 21  | Bolt, Eye ( 1/4"-20x1/2")         | 9545-055-001 | 9545-055-002 | 9545-055-001 | 9545-055-001 | 9545-055-001 | 1   |
| 22  | Nut, 1/4 Elastic Stop             | 8640-414-003 | 8640-414-003 | 8640-414-003 | 8640-414-003 | 8640-414-003 | 1   |
| 23  | VFD Delta "S" drive 120 volt      | 9375-004-002 |              |              |              |              | 1   |
| 23  | VFD Delta "S" drive 208-240 volt  | 9375-005-002 | 9375-007-007 | 9375-007-009 | 9375-009-007 | 9375-009-011 | 1   |
| 24  | Braking resistors ( 200 ohm )     | 9483-004-002 |              |              |              |              | 1   |
| 24  | Braking resistors ( 200 ohm )     |              | 9483-004-002 | 9483-004-002 |              |              | 2   |
| 24  | Braking resistors ( 160 ohm )     |              |              |              | 9483-004-003 | 9483-004-003 | 2   |
| 25  | Bracket assembly (drive mounting) | 9985-177-001 | 9985-177-001 | 9985-177-001 | 9985-115-001 | 9029-150-001 | 1   |
| 26  | Link (open end)                   |              |              |              | 9341-046-001 | 9341-046-001 | 1   |
| 27  | Chain ( Spring Tension)           |              |              |              | 9099-012-003 | 9099-012-004 | 1   |
| 28  | Spring, Belt Tension              |              |              |              | 9534-151-000 | 9534-151-000 | 1   |

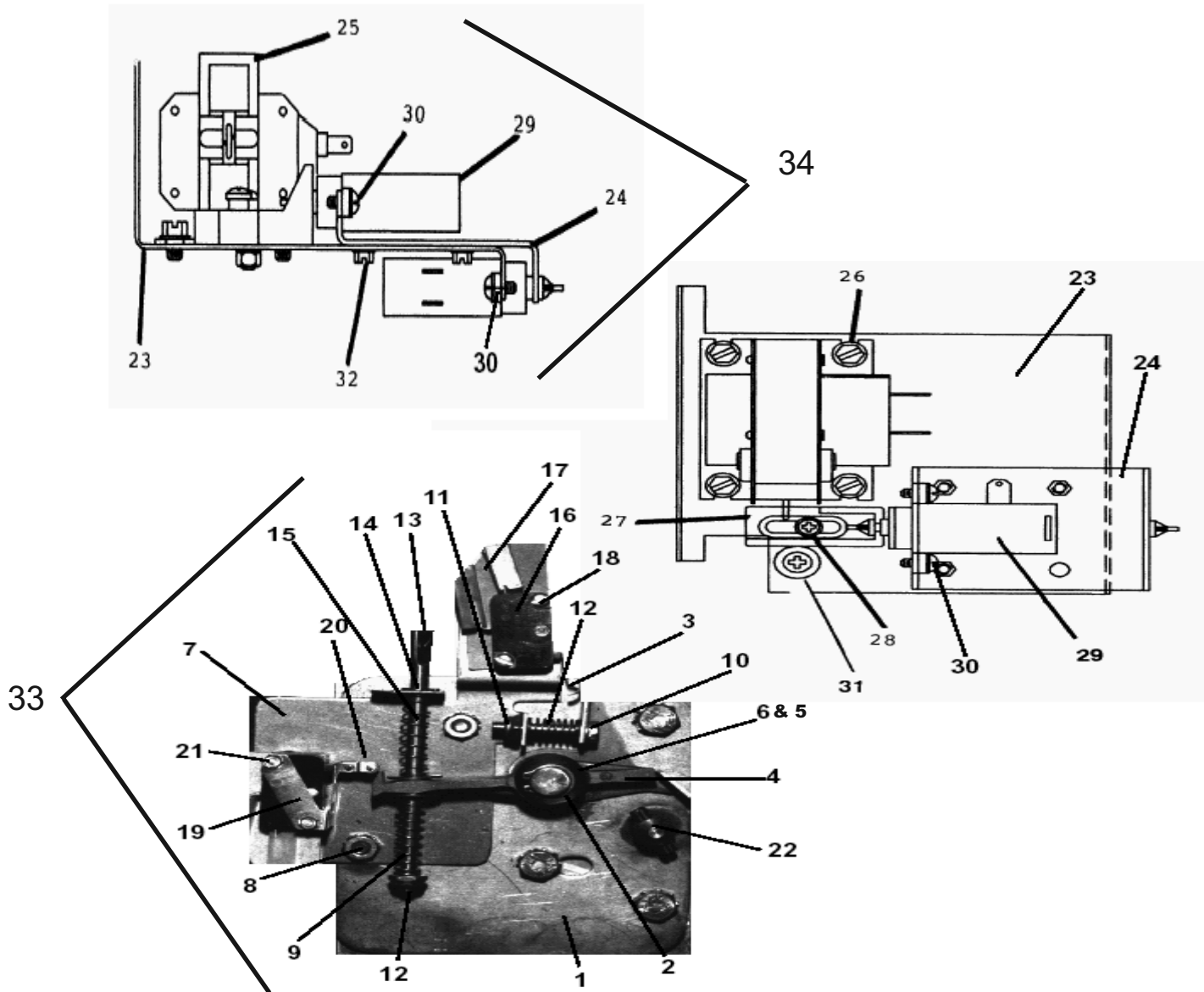
## Cylinder, Seals & Bearings Part # by Model

| Key | Description   | T-300        | T-400        | T-600        | T-900        | T-1200       | QTY |
|-----|---|--------------|--------------|--------------|--------------|--------------|-----|
| *   | Housing, Bearing- Assembly (items #2-#6)                | 9803-182-001 | 9803-179-002 | 9803-186-001 | 9803-187-001 | 9803-187-001 | 1   |
| 2   | Housing, Bearing  | 9241-174-002 | 9241-169-002 | 9241-180-002 | 9241-181-004 | 9241-181-004 | 1   |
| 3   | Bearing, Front ( LARGE )                                | 9036-159-001 | 9036-159-002 | 9036-159-005 | 9036-159-006 | 9036-159-006 | 1   |
| 4   | Bearing, Rear ( SMALL )                                 | 9036-159-003 | 9036-159-001 | 9036-159-004 | 9036-159-005 | 9036-159-005 | 1   |
| 5   | Spacer, Bearing   | 9538-161-001 | 9538-158-001 | 9538-167-001 | 9538-170-001 | 9538-170-001 | 1   |
| 6   | Ring, Bearing Retainer                                  | 9487-238-002 | 9487-238-001 | 9487-238-003 | 9487-238-004 | 9487-238-004 | 1   |
| 7   | Back Assy, Tub 2 piece                                  | 9732-137-001 | 9732-137-002 | 9732-137-003 |              |              | 1   |
| 8   | Seal, Primary   | 9532-140-004 | 9532-140-002 | 9532-140-002 | 9532-140-007 | 9532-140-007 | 1   |
| 9   | Seal, Secondary   | 9532-140-005 | 9532-140-003 | 9532-140-006 | 9532-140-011 | 9532-140-011 | 1   |
| 10  | Ring, Seal Mounting                                     | 9950-047-001 | 9950-042-001 | 9950-048-001 | 9950-052-001 | 9950-052-001 | 1   |
| 11  | Tub Back Mating Ring                                    | 9487-261-001 | 9487-261-002 | 9487-261-003 | 9487-261-004 | 9487-261-004 | 1   |
| 11G | Mating Ring Guard Shield                                |              |              |              | 9487-266-001 | 9487-266-001 | 1   |
| 12  | Bolt, Tub End of Bearing Housing<br>( 1/2" x 1 1/4" )   | 9545-017-009 | 9545-017-009 |              |              |              | 6   |
| 12  | Nut 1/2"  | 8640-417-002 | 8640-417-005 |              |              |              | 6   |
| 12  | Lockwasher 1/2" ( ext. tooth)                           |              | 8641-582-016 |              |              |              |     |
| 12  | Bolt 5/8-11x1 1/2" Tub end of<br>bearing housing        |              |              | 9545-059-003 |              |              | 6   |
| 12  | Nut 5/8"  |              |              | 8640-425-001 |              |              | 6   |
| 12  | Lockwasher 5/8"   |              |              | 8641-582-018 |              |              | 6   |
| 13  | Support Arm Assy, Bearing Housing                       | 9991-049-002 | 9991-048-002 | 9991-056-002 |              |              | 6   |
| 14  | Bolt Pulley End of Bearing Housing<br>( 3/8" x 1 1/2" ) |              | 9545-029-003 |              |              |              | 6   |
| 14  | Nut, Flange Locking 3/8"                                |              | 8640-415-004 |              |              |              | 6   |
| 14  | Bolt Pulley end of bearing housing<br>( 7/16-14x2" )    |              |              | 9545-059-003 |              |              | 6   |
| 14  | Nut, Flange Locking 7/16"                               |              |              | 8640-416-005 |              |              | 6   |
| 15  | Pulley, Driven  | 9908-041-002 | 9453-168-004 | 9453-168-003 | 9453-176-005 | 9453-176-005 | 1   |
| --  | Ring, Tolerance   | 9487-234-002 | 9487-234-001 | 9487-234-003 |              |              | 1   |
| 16  | Washer 1/2"   | 8641-581-026 | 8641-581-026 |              |              |              | 1   |
| 16  | Washer 5/8"   |              |              | 8641-581-032 |              |              | 1   |
| 18  | Bolt 1/2-13 x 1 1/4"                                    | 9545-017-009 | 9545-017-009 |              |              |              | 1   |
| 19  | Bolt 5/8-11x11/2"                                       |              |              | 9545-060-001 |              |              | 1   |
| 20  | Lockwasher 1/2" Ext. tooth                              | 8641-582-016 | 8641-582-016 |              |              |              | 1   |
| 18  | Lockwasher 5/8 Ext. tooth                               |              |              | 8641-582-018 |              |              | 1   |
| --  | Cylinder Assy   | 9848-111-001 | 9848-109-001 | 9848-113-001 | 9848-116-001 | 9848-125-001 | 1   |
| --  | Tub and Cylinder Assy.                                  | 9869-006-001 | 9869-016-001 | 9869-017-001 | 9869-018-001 | 9869-015-002 | 1   |
| 21  | Screw, Bearing Housing, 3/4-10 x 3                      |              |              |              | 9545-057-002 | 9545-057-002 | 6   |
| --  | Washer, Flat- To Frame                                  |              |              |              | 8641-581-033 |              | 6   |
| --  | Washer, External Tooth                                  |              |              |              | 8641-582-020 |              | 6   |
| --  | Nut 3/4-10  |              |              |              | 8640-418-003 | 8640-418-003 | 6   |
| --  | Screw, 7/16-14 x 1 SS<br>(Tub Back to Bearing Housing)  |              |              |              | 9545-059-004 | 9545-059-004 | 6   |
| --  | Flat Washer   | 8641-582-020 |              |              |              |              | 6   |



| Key | Description                          | T-300 | T-400 | T-600 | T-900        | T-1200       | QTY |
|-----|--------------------------------------|-------|-------|-------|--------------|--------------|-----|
| --  | Washer, Flat 5/8" At Bearing Housing |       |       |       | 8641-581-034 | 8641-581-034 | 6   |
| --  | Bushing, Taper                       |       |       |       | 9053-078-002 | 9053-078-002 | 1   |
| --  | Screw 3/8-16-2                       |       |       |       | 9545-029-011 | 9545-029-011 | 3   |
| --  | Lockwasher spring 3/8                |       |       |       | 8641-582-003 | 8641-582-003 | 3   |
| --  | Clamp                                |       |       |       |              | 8654-117-017 | 4   |
| 17  | Washers Spherical 3/4 (Male half)    |       |       |       |              | 8641-588-001 | 4   |
| 17  | Washers Spherical 3/4 (Female half)  |       |       |       |              | 8641-588-002 | 6   |

# Parts Data



## Door Lock Part # by Model

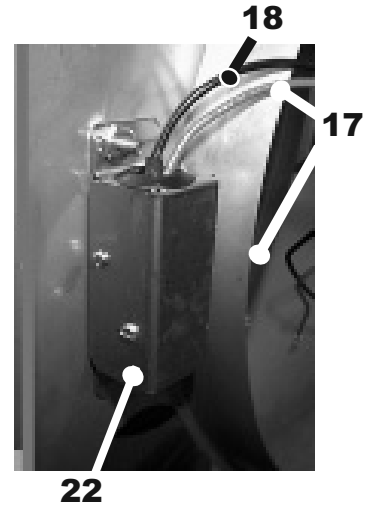
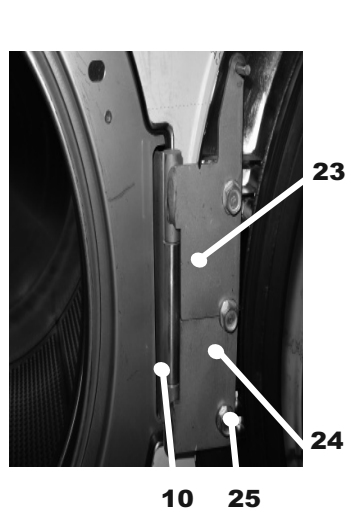
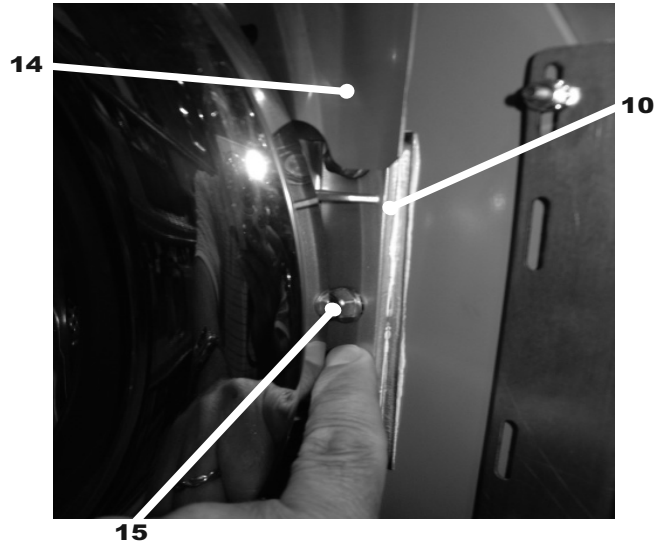
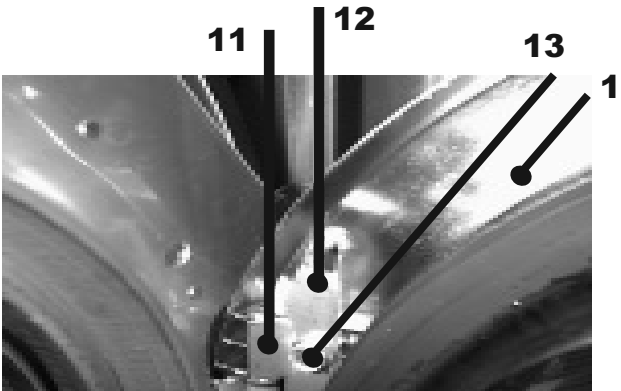
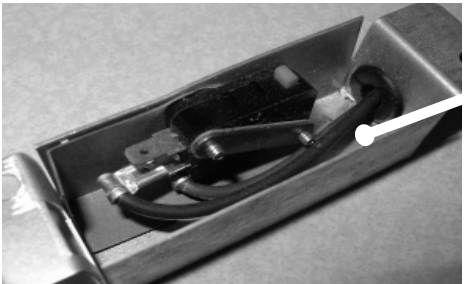
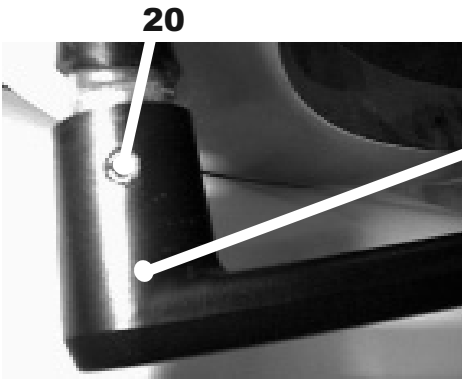
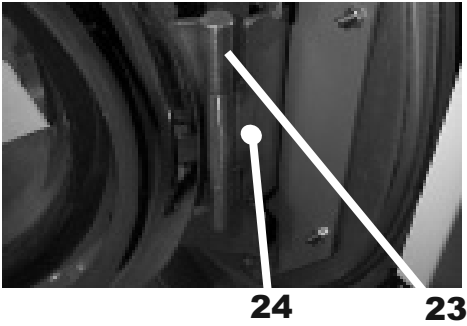
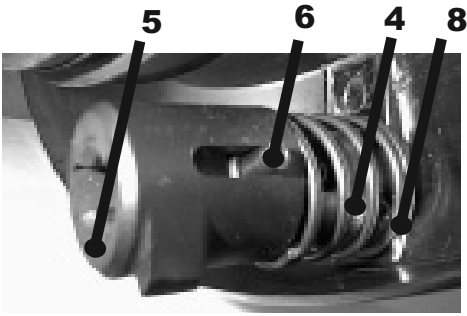
| Key | Description   | T-300        | T-400        | T-600        | T-900        | T-1200       | QTY |
|-----|---|--------------|--------------|--------------|--------------|--------------|-----|
| 33  | Lock Assy, Complete (#1-22)<br>(includes #1 thru #22) | 9885-023-001 | 9885-023-001 | 9885-023-001 | 9885-023-001 | 9885-023-001 | 1   |
| 1   | Plate Assy, Door Lock                                 | 9982-284-001 | 9982-284-001 | 9982-284-001 | 9982-284-001 | 9982-284-001 | 1   |
| 2   | Washer, Flat  | 8641-581-030 | 8641-581-030 | 8641-581-030 | 8641-581-030 | 8641-581-030 | 1   |
| 3   | Actuator, Latching Switch                             | 9008-005-001 | 9008-005-001 | 9008-005-001 | 9008-005-001 | 9008-005-001 | 1   |
| 4   | Pawl, Locking   | 9450-002-002 | 9450-002-002 | 9450-002-002 | 9450-002-002 | 9450-002-002 | 1   |
| 5   | Washer, Spring  | 8641-569-003 | 8641-569-003 | 8641-569-003 | 8641-569-003 | 8641-569-003 | 1   |
| 6   | Ring, Retaining                                       | 9487-200-004 | 9487-200-004 | 9487-200-004 | 9487-200-004 | 9487-200-004 | 1   |



## Door Lock Part # by Model (continued)

| Key | Description   | T-300        | T-400        | T-600        | T-900        | T-1200       | QTY |
|-----|---|--------------|--------------|--------------|--------------|--------------|-----|
| 7   | Bracket, Switch                                       | 9029-035-001 | 9029-035-001 | 9029-035-001 | 9029-035-001 | 9029-035-001 | 1   |
| 8   | Nut, Hex 10-32 UNF                                    | 8640-413-002 | 8640-413-002 | 8640-413-002 | 8640-413-002 | 8640-413-002 | 2   |
| 9   | Spring, Actuating                                     | 9534-364-002 | 9534-364-002 | 9534-364-002 | 9534-364-002 | 9534-364-002 | 1   |
| 10  | Screw, Hx. 10-32 x 1"                                 | 9545-012-020 | 9545-012-020 | 9545-012-020 | 9545-012-020 | 9545-012-020 | 1   |
| 11  | Nut, Elastic Stop 10-32                               | 8640-413-004 | 8640-413-004 | 8640-413-004 | 8640-413-004 | 8640-413-004 | 2   |
| 12  | Spring, Return  | 9534-364-001 | 9534-364-001 | 9534-364-001 | 9534-364-001 | 9534-364-001 | 2   |
| 13  | Pin, Guide  | 9451-193-001 | 9451-193-001 | 9451-193-001 | 9451-193-001 | 9451-193-001 | 1   |
| 14  | Ring, Retaining                                       | 9487-200-005 | 9487-200-005 | 9487-200-005 | 9487-200-005 | 9487-200-005 | 1   |
| 15  | Washer  | 8641-581-031 | 8641-581-031 | 8641-581-031 | 8641-581-031 | 8641-581-031 | 1   |
| 16  | Switch, Latching Sensing                              | 9539-461-008 | 9539-461-008 | 9539-461-008 | 9539-461-008 | 9539-461-008 | 1   |
| 17  | Shield, Switch  | 9550-169-003 | 9550-169-003 | 9550-169-003 | 9550-169-003 | 9550-169-003 | 3   |
| 18  | Screw 4-40 x 5/8"                                     | 9545-020-001 | 9545-020-001 | 9545-020-001 | 9545-020-001 | 9545-020-001 | 2   |
| 18  | Nut, Twin   | 8640-401-001 | 8640-401-001 | 8640-401-001 | 8640-401-001 | 8640-401-001 | 1   |
| 19  | Switch, Locking Sensing                               | 9539-461-007 | 9539-461-007 | 9539-461-007 | 9539-461-007 | 9539-461-007 | 2   |
| 20  | Actuator, Switch                                      | 9008-006-002 | 9008-006-002 | 9008-006-002 | 9008-006-002 | 9008-006-002 | 2   |
| 21  | Screw 4-40 x 1 1/8"                                   | 9545-020-003 | 9545-020-003 | 9545-020-003 | 9545-020-003 | 9545-020-003 | 2   |
| 21  | Nut, Twin 4-40  | 8640-401-001 | 8640-401-001 | 8640-401-001 | 8640-401-001 | 8640-401-001 | 1   |
| 22  | Pin, Dowel  | 9451-181-004 | 9451-181-004 | 9451-181-004 | 9451-181-004 | 9451-181-004 | 1   |
| --  | Shim, Door Lock, Thin                                 | 9552-037-001 | 9552-037-001 | 9552-037-001 | 9552-037-001 | 9552-037-001 | AR  |
| --  | Screw, Lock mtg 1/4"-20 x 3/4"                        | 9545-018-004 | 9545-018-004 | 9545-018-004 | 9545-018-004 | 9545-018-004 | 3   |
| --  | Lockwasher 1/4" Ext tooth                             | 8641-582-007 | 8641-582-007 | 8641-582-007 | 8641-582-007 | 8641-582-007 | 3   |
| 34  | Solenoid Ass'y, Door Locking<br>(includes 23 thru 32) | 9922-011-001 | 9922-011-001 | 9922-011-001 | 9922-011-001 | 9922-011-001 | 1   |
| 23  | Bracket, (Door Locking Solenoid)                      | 9029-073-001 | 9029-073-001 | 9029-073-001 | 9029-073-001 | 9029-073-001 | 1   |
| 24  | Bracket Ass'y, Solenoid Slide                         | 9985-169-001 | 9985-169-001 | 9985-169-001 | 9985-169-001 | 9985-169-001 | 1   |
| 25  | Solenoid 120V 60 hz                                   | 9536-074-001 | 9536-074-001 | 9536-074-001 | 9536-074-001 | 9536-074-001 | 1   |
| 26  | Screw, Solenoid Mtg                                   | 9545-008-001 | 9545-008-001 | 9545-008-001 | 9545-008-001 | 9545-008-001 | 4   |
| 27  | Stop, Door Lock Solenoid                              | 9540-033-002 | 9540-033-002 | 9540-033-002 | 9540-033-002 | 9540-033-002 | 1   |
| 28  | Screw, Shoulder                                       | 9545-061-001 | 9545-061-001 | 9545-061-001 | 9545-061-001 | 9545-061-001 | 1   |
| 28  | Nut, Keps #6  | 8640-411-002 | 8640-411-002 | 8640-411-002 | 8640-411-002 | 8640-411-002 | 1   |
| 29  | Thermoactuator 120 V                                  | 9586-001-001 | 9586-001-001 | 9586-001-001 | 9586-001-001 | 9586-001-001 | 2   |
| 30  | Screw #6 x 5/16"                                      | 9545-031-011 | 9545-031-011 | 9545-031-011 | 9545-031-011 | 9545-031-011 | 4   |
| 31  | Spacer, Plastic                                       | 9538-157-004 | 9538-157-004 | 9538-157-004 | 9538-157-004 | 9538-157-004 | 1   |
| 31  | Spacer, Metal   | 9538-166-004 | 9538-166-004 | 9538-166-004 | 9538-166-004 | 9538-166-004 | 1   |
| 31  | Screw, Cross Recessed                                 | 9545-010-001 | 9545-010-001 | 9545-010-001 | 9545-010-001 | 9545-010-001 | 1   |
| 31  | Nut, Keps #8  | 8640-412-005 | 8640-412-005 | 8640-412-005 | 8640-412-005 | 8640-412-005 | 1   |
| --  | Nut, Sol. Brkt. to Control Panel                      | 8640-412-005 | 8640-412-005 | 8640-412-005 | 8640-412-005 | 8640-412-005 | 3   |
| --  | Rod, Pull   | 9497-225-004 | 9497-225-006 | 9497-225-003 | 9497-225-007 | 9497-225-009 | 1   |

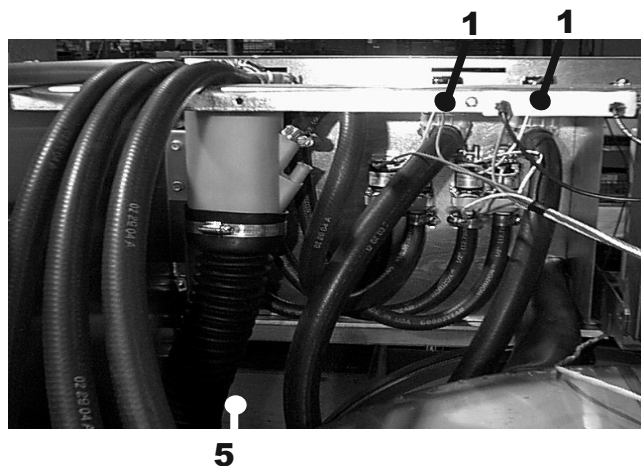
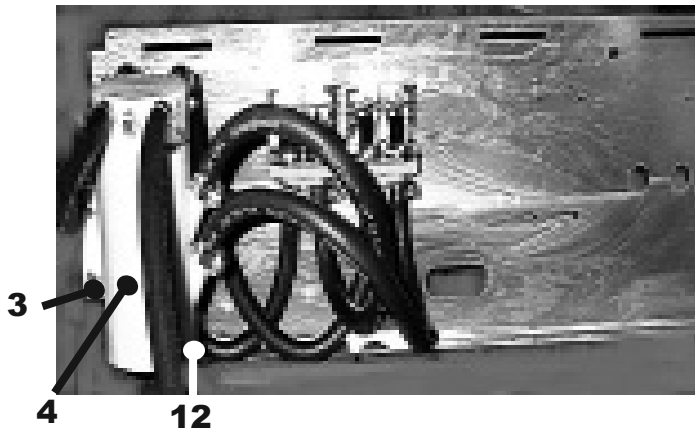
# Parts Data



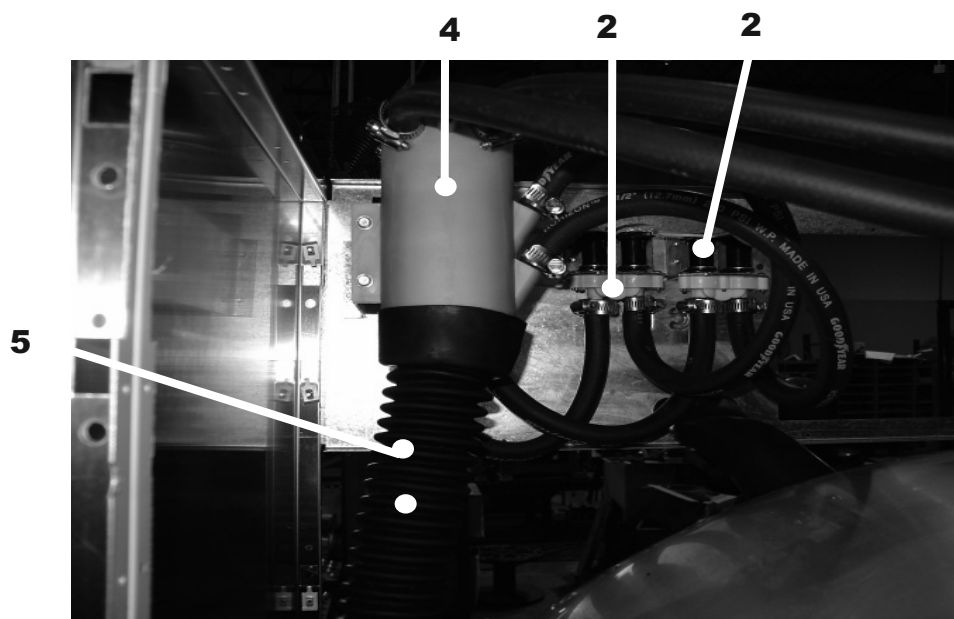
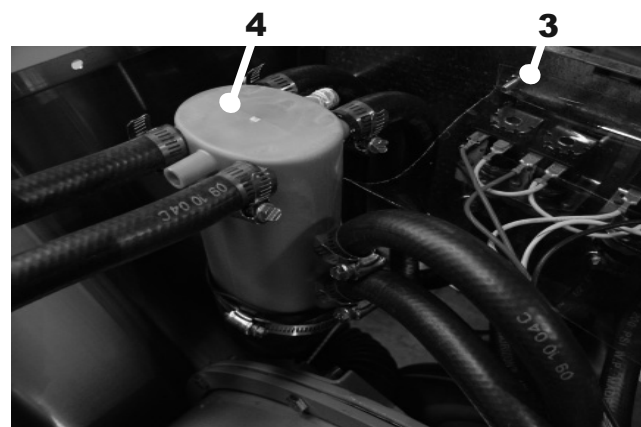
## Loading Door Part # by Model

| Key | Description  | T-300        | T-400        | T-600        | T-900        | T-1200       | QTY |
|-----|--|--------------|--------------|--------------|--------------|--------------|-----|
| --  | Loading Door, Complete #1-10                       | 9960-273-001 | 9960-274-002 | 9960-274-002 | 9960-274-002 | 9960-274-004 | 1   |
| 1   | Loading Door, Ring                                 | 9487-264-001 | 9487-265-001 | 9487-265-001 | 9487-265-001 | 9487-265-002 | 1   |
| 2   | Gasket, Loading Door                               | 9206-411-002 | 9206-419-001 | 9206-419-001 | 9206-419-001 | 9206-419-001 | 1   |
| 3   | Window, Loading Door                               | 9635-018-001 | 9635-016-001 | 9635-016-001 | 9635-016-001 | 9635-016-001 | 1   |
| --  | Shaft Assy, Locking (includes 4 thru 7)            | 9913-134-003 | 9913-134-003 | 9913-134-003 | 9913-134-003 | 9913-134-003 | 1   |
| 4   | Shaft, Door Locking                                | 9537-195-002 | 9537-195-002 | 9537-195-002 | 9537-195-002 | 9537-195-002 | 1   |
| 5   | Cam, Locking                                       | 9095-040-002 | 9095-040-002 | 9095-040-002 | 9095-040-002 | 9095-040-002 | 1   |
| 6   | Pin, Groove (1 1/4)                                | 9451-181-005 | 9451-181-005 | 9451-181-005 | 9451-181-005 | 9451-181-005 | 1   |
| 7   | Pin, Groove (3/4)                                  | 9451-181-004 | 9451-181-004 | 9451-181-004 | 9451-181-004 | 9451-181-005 | 1   |
| 8   | Spring, Lock Cam                                   | 9534-360-002 | 9534-360-002 | 9534-360-002 | 9534-360-002 | 9534-360-002 | 1   |
| 9   | Handle, Door                                       | 9244-080-003 | 9244-080-003 | 9244-080-003 | 9244-080-003 | 9244-080-003 | 1   |
| 10  | Door Hinge Assy (mounts to Tub Front)              | 9243-079-001 | 9243-079-001 | 9243-079-001 | 9243-079-001 | 9955-030-001 | 1   |
| 20  | Pin, Door Handle (groove)                          | 9451-181-006 | 9451-181-006 | 9451-181-006 | 9451-181-006 | 9451-181-006 | 1   |
| 21  | Screw, Hinge Mtg 5/16" x 3/4"                      | 9545-014-009 | 9545-014-009 | 9545-014-009 | 9545-014-009 | 9545-014-009 | 3   |
| --  | Lockwasher 5/16" Ext tooth                         | 8641-582-009 | 8641-582-009 | 8641-582-009 | 8641-582-009 | 8641-582-009 | 3   |
| --  | Shim, Loading Door Hinge, Thin                     | 9552-036-001 | 9552-036-001 | 9552-036-001 | 9552-036-001 | 9552-036-001 | AR  |
| 11  | Loading Door Hinge Pin Brass                       | 9451-184-004 | 9451-184-004 | 9451-184-004 | 9451-184-004 |              | 1   |
| --  | Ring, Retaining ( snap ring ext )                  | 8649-031-000 | 8649-031-000 | 8649-031-000 | 8649-031-000 |              | 1   |
| 12  | Loading Door Hinge Clamp<br>(mounts to door ring ) | 9938-040-001 | 9938-040-002 | 9938-040-001 | 9938-040-001 |              | 1   |
| 13  | Screw, Loading Door Mtg (5/16" TF)                 | 9545-056-001 | 9545-056-001 | 9545-056-001 | 9545-056-001 |              | 3   |
| 14  | Masking Assembly                                   | 9950-059-001 | 9950-060-001 | 9950-060-001 | 9950-060-001 | 9950-060-002 | 1   |
| --  | Rubber Edge (mounts to Front Panel)                | 9059-063-004 | 9059-063-002 | 9059-063-002 | 9059-063-002 | 9059-063-002 | 1   |
| --  | Nut, Keps  | 8640-413-002 | 8640-413-002 | 8640-413-002 | 8640-413-002 | 8640-413-002 | 4   |
| 15  | Switch Safety                                      | 9539-461-007 | 9539-461-007 | 9539-461-007 | 9539-461-007 | 9539-461-007 | 1   |
| 16  | Safety switch shield                               | 9550-159-001 | 9550-159-001 | 9550-159-001 | 9550-159-001 | 9550-159-001 | 1   |
| --  | Wiring Harness doorlock safety switch              | 9627-791-003 | 9627-791-003 | 9627-791-004 | 9627-791-004 | 9627-791-004 | 1   |
| 17  | Wires Red  | 8220-062-027 | 8220-062-027 | 8220-062-027 | 8220-062-027 | 8220-062-027 | 1   |
| 18  | Wires Black  | 8220-062-028 | 8220-062-028 | 8220-062-028 | 8220-062-028 | 8220-062-028 | 1   |
| 19  | Switch Assembly Complete<br>Door Closure           | 9801-089-001 | 9801-089-001 | 9801-089-001 | 9801-089-001 | 9801-089-001 | 1   |
| 22  | Switch Box   | 9041-087-001 | 9041-087-001 | 9041-087-001 | 9041-087-001 | 9041-087-001 | 1   |
| --  | Bushing Insulating                                 | 9053-067-003 | 9053-067-003 | 9053-067-003 | 9053-067-003 | 9053-067-003 | 1   |
| --  | Nut Special Twin #4-40                             | 8640-401-001 | 8640-401-001 | 8640-401-001 | 8640-401-001 | 8640-401-001 | 1   |
| --  | Screw 4-40x5/8                                     | 9545-020-001 | 9545-020-001 | 9545-020-001 | 9545-020-001 | 9545-020-001 | 2   |
| --  | Door Switch Actuator                               | 9008-004-001 | 9008-004-001 | 9008-004-001 | 9008-004-001 | 9008-004-001 | 1   |
| 23  | Top, Loading Door Leaf Hinge.with pin              |              |              |              |              | 9845-005-003 | 1   |
| 24  | Bottom, Loading Door Leaf Hinge                    |              |              |              |              | 9845-005-002 | 1   |
| 25  | Screw, Loading Door Mtg.                           |              |              |              |              | 9545-056-002 | 1   |

# Parts Data

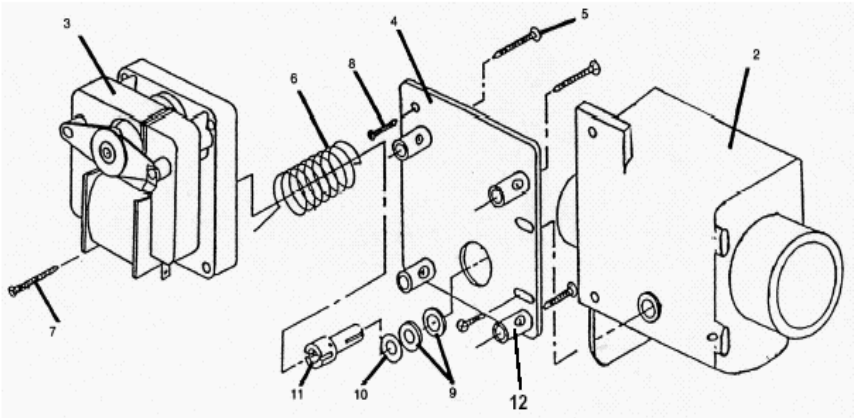
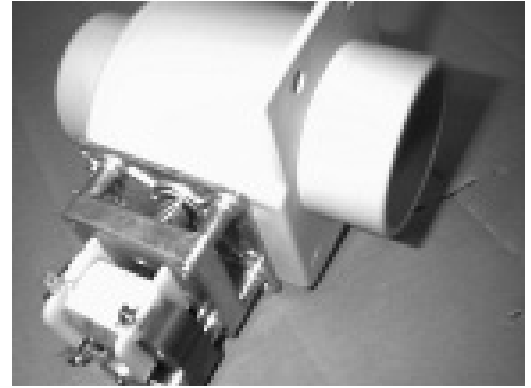


14 & 15



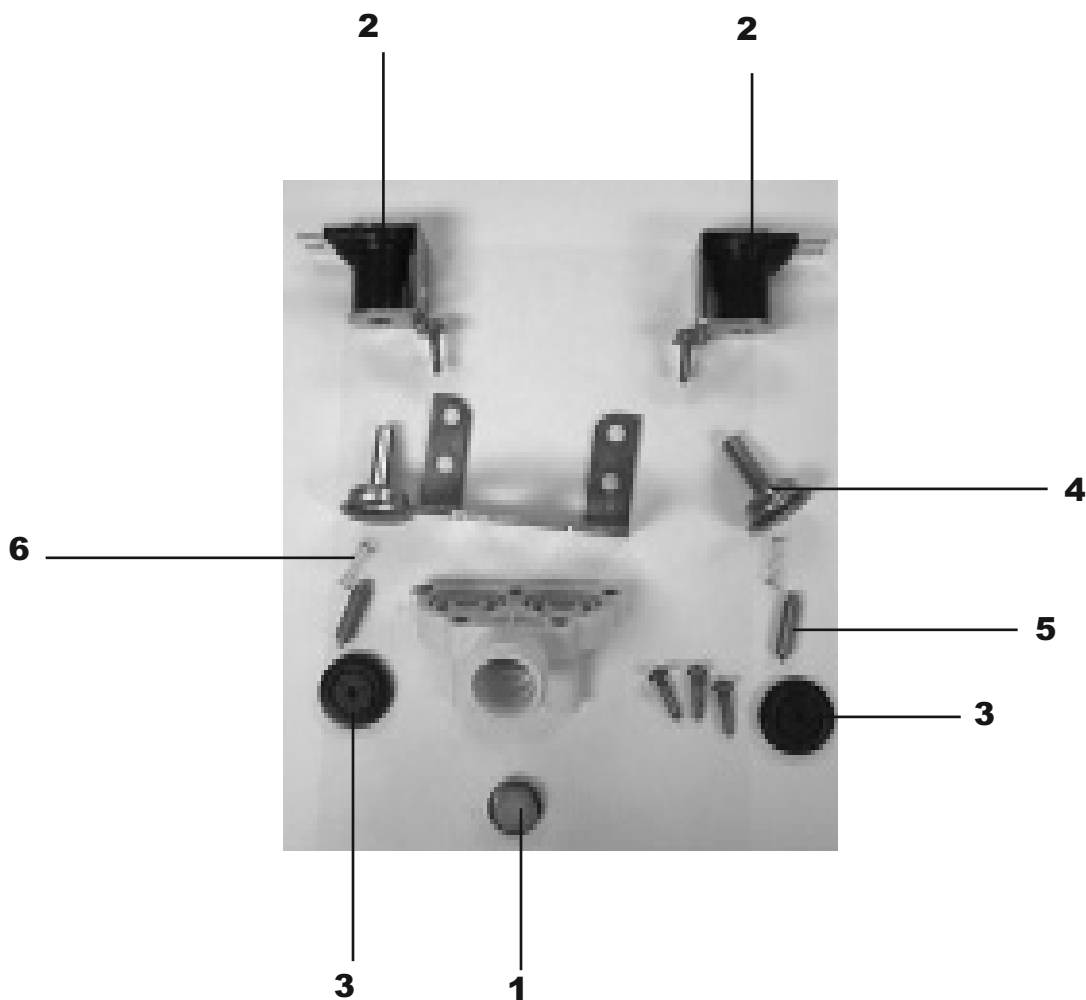
## Water Inlet Part # by Model

| Key | Description   | T-300        | T-400        | T-600        | T-900        | T-1200       | QTY |
|-----|---|--------------|--------------|--------------|--------------|--------------|-----|
| 1   | Valve, Water Inlet (dual outlet)<br>(see Water Inlet Valve Breakdown<br>for individual parts) | 9379-183-003 | 9379-183-003 | 9379-183-003 | 9379-183-003 | 9379-194-001 | 2   |
| 2   | Valve Water Inlet (single outlet)   |              |              |              |              | 9379-192-001 | 2   |
| --  | Screw, Valve Mtg  | 9545-008-026 | 9545-008-026 | 9545-008-026 | 9545-008-026 |              | 4   |
| --  | Nut, Spring   | 8640-399-009 | 8640-399-009 | 8640-399-009 | 8640-399-009 |              | 4   |
| --  | Screw, Valve M4x0.7x8mm   |              |              |              |              | 9545-064-001 | 8   |
| 3   | Guard Water Valve Terminal  |              |              |              | 9208-049-001 | 9208-049-001 | 1   |
| 4   | Vacuum Breaker  | 9610-001-001 | 9610-001-001 | 9610-001-001 | 9610-001-001 | 9610-001-001 | 1   |
| --  | Bracket, Vacuum Breaker   | 9029-065-001 | 9029-065-001 | 9029-077-001 | 9029-069-001 | 9029-069-001 | 1   |
| --  | Screw   | 9545-008-026 | 9545-008-026 | 9545-008-026 | 9545-008-026 | 9545-008-026 | 4   |
| --  | Shield over Water Valves Plastic  | 9550-186-001 | 9550-186-001 | 9550-186-001 | 9550-186-001 |              | 1   |
| 5   | Hose, Vacuum Breaker to Tub   | 9242-458-001 | 9242-458-002 | 9242-458-002 | 9242-458-003 | 9242-458-003 | 1   |
| --  | Clamp, Vacuum Breaker End   | 8654-117-014 | 8654-117-014 | 8654-117-014 | 8654-117-014 | 8654-117-014 | 1   |
| --  | Clamp, Tub End  | 8654-117-009 | 8654-117-009 | 8654-117-009 |              |              | 1   |
| 6   | Hose, Vac. Brkr. to Disp.29"  |              |              |              | 9242-453-018 |              | 1   |
| 7   | Hose, Vac. Brkr. to Disp.26"  |              |              |              | 9242-453-019 |              | 1   |
| 8   | Hose, Hot Valve to Vac. Brkr 18"  | 9242-453-020 | 9242-453-020 | 9242-453-020 | 9242-453-020 | 9242-466-002 | 1   |
| 9   | Hose, Hot Valve to Tub 18"  | 9242-453-020 | 9242-453-020 | 9242-453-020 | 9242-453-020 | 9242-466-002 | 1   |
| 10  | Hose, Cold Valve to Vac. Brkr 18"   | 9242-453-020 | 9242-453-020 | 9242-453-020 | 9242-453-020 | 9242-466-002 | 1   |
| 11  | Hose, Cold Valve to Tub 18"   | 9242-453-020 | 9242-453-020 | 9242-453-020 | 9242-453-020 | 9242-466-002 | 1   |
| 12  | Hose, Vac. Brkr. dispenser 43"  |              |              |              |              | 9242-453-022 | 3   |
| 13  | Hose, (valve to vac. Brkr) 23"  |              |              |              |              | 9242-453-009 | 4   |
| --  | Clamp, Hose-Spring<br>( overflow from drain to tub back )                                     | 8654-117-018 | 8654-117-018 | 8654-117-018 | 8654-117-018 | 8654-117-018 | 2   |
| --  | Clamp, Hose-Worm  | 8654-117-015 | 8654-117-015 | 8654-117-015 | 8654-117-015 | 8654-117-015 | 1   |
| --  | Flow restrictor   | 9475-002-002 | 9475-002-002 | 9475-002-002 | 9475-002-002 |              | 2   |
| --  | Flow restrictor   |              |              |              |              | 9475-002-003 | 3   |
| --  | Circuit Breaker (optional)  | 5198-211-004 | 5198-211-004 | 5198-211-004 | 5198-211-004 |              | 1   |
| 14  | Fuseholder  | 9200-001-002 | 9200-001-002 | 9200-001-002 | 9200-001-002 | 9200-001-002 | 1   |
| 15  | Fuse 1.5 amp  | 8636-018-001 | 8636-018-001 | 8636-018-001 | 8636-018-001 |              | 1   |
| 15  | Fuse 2.5 amp  |              |              |              |              | 8636-018-004 | 1   |



## Drain Valve Group Part # by Model

| Key | Description   | T-300        | T-400        | T-600        | T-900        | T-1200       | QTY |
|-----|---|--------------|--------------|--------------|--------------|--------------|-----|
| --  | Valve, Drain (includes #2 thru #11)                     | 9379-177-009 | 9379-187-004 | 9379-187-004 | 9379-187-004 | 9379-187-004 | 1   |
| 2   | Body, Valve (w/ball)                                    | 9064-068-001 | 9064-070-001 | 9064-070-001 | 9064-070-001 | 9064-070-001 | 1   |
| 3   | Motor & Gear Train (complete)                           | 9914-137-012 | 9914-137-011 | 9914-137-011 | 9914-137-011 | 9914-137-011 | 1   |
| 4   | Plate, Motor Mtg  | 9452-538-001 | 9452-538-001 | 9452-538-001 | 9452-538-001 | 9452-538-001 | 1   |
| 5   | Screw   | 8639-994-001 | 8639-994-001 | 8639-994-001 | 8639-994-001 | 8639-994-001 | 3   |
| 6   | Spring, Drive   | 9534-340-001 | 9534-339-001 | 9534-339-001 | 9534-339-001 | 9534-339-001 | 1   |
| 7   | Screw   | 9545-054-001 | 9545-054-001 | 9545-054-001 | 9545-054-001 | 9545-054-001 | 2   |
| 8   | Screw   | 9545-054-002 | 9545-054-002 | 9545-054-002 | 9545-054-002 | 9545-054-002 | 1   |
| 9   | Seal, V Packer  | 9532-134-001 | 9532-134-001 | 9532-134-001 | 9532-134-001 | 9532-134-001 | 2   |
| 10  | Washer  | 8641-584-001 | 8641-584-001 | 8641-584-001 | 8641-584-001 | 8641-584-001 | 1   |
| 11  | Pin, Main Drive   | 9451-196-001 | 9451-196-001 | 9451-196-001 | 9451-196-001 | 9451-196-001 | 1   |
| 12  | Plate (spacers needed for replacement motor mtg. plate) | 9538-149-001 | 9538-149-001 | 9538-149-001 | 9538-149-001 | 9538-149-001 | 4   |
| 13  | Stator and Coil Assembly                                | 9089-036-004 | 9089-036-004 | 9089-036-004 | 9089-036-004 | 9089-036-004 | 1   |
| --  | Valve Drain before Serial # 482181                      | 9379-177-006 | 9379-187-001 | 9379-187-001 | 9379-187-001 | 9379-187-001 | 1   |
| --  | Motor Gear Train to Fit 0                               |              |              |              |              |              |     |
|     | before Serial # 482181                                  | 9914-137-001 | 9914-137-001 | 9914-137-001 | 9379-177-006 | 9379-177-006 | 1   |
|     |   |              |              |              |              |              |     |



## Water Inlet Valve Breakdown Part # by Model

| Key | Description                            | T-300        | T-400        | T-600        | T-900        | T-1200       | QTY |
|-----|--|--------------|--------------|--------------|--------------|--------------|-----|
| *   | Valve, Water Inlet (includes 1 thru 6) | 9379-183-003 | 9379-183-003 | 9379-183-003 | 9379-183-003 |              | 2   |
| 1   | Screen, Inlet end of valve             | 9555-056-001 | 9555-056-001 | 9555-056-001 | 9555-056-001 |              | 2   |
| 2   | Coil Assy., 120 V                      | 9089-017-001 | 9089-017-001 | 9089-017-001 | 9089-017-001 |              | 2   |
| 3   | Diaphragm                              | 9118-049-001 | 9118-049-001 | 9118-049-001 | 9118-049-001 |              | 2   |
| 4   | Guide, Solenoid                        | 9211-021-002 | 9211-021-002 | 9211-021-002 | 9211-021-002 |              | 2   |
| 5   | Armature                               | 9015-008-001 | 9015-008-001 | 9015-008-001 | 9015-008-001 |              | 2   |
| 6   | Spring, Armature                       | 9534-298-001 | 9534-298-001 | 9534-298-001 | 9534-298-001 |              | 2   |
| --  | Screw, Valve Mtg                       |              |              |              |              | 9545-008-026 | 2   |
| --  | Valve, Water Inlet double outlet       |              |              |              |              | 9379-192-001 | 2   |
| --  | Valve, Water Inlet single outlet       |              |              |              |              | 9379-194-001 | 2   |

## Wiring Harness Part # by Model

| Key | Description   | T-300        | T-400        | T-600        | T-900        | T-1200       | QTY |
|-----|---|--------------|--------------|--------------|--------------|--------------|-----|
| --  | Wiring Harness<br>( Add Bleach Lite assy included ) | 9794-001-001 | 9794-001-001 | 9794-001-001 | 9794-001-001 | 9794-001-001 | 1   |
| --  | Wiring Harness, Door Lock                           | 9627-791-003 | 9627-791-003 | 9627-791-004 | 9627-791-004 | 9627-791-004 | 1   |
| --  | Wiring Harness,CoinDrop Mech                        | 9627-792-001 | 9627-792-001 | 9627-792-001 | 9627-792-001 | 9627-792-001 | 1   |
| --  | Wiring Harness, Drain,Thermo,DoorSo                 | 9627-796-001 | 9627-796-001 | 9627-796-002 | 9627-796-002 | 9627-796-002 | 1   |
| --  | Data Cable  | 9806-015-001 | 9806-015-001 | 9806-015-001 | 9806-015-001 | 9806-015-003 | 1   |
| --  | Wiring Harness P20/P21                              | 9627-793-001 | 9627-793-001 | 9627-793-001 | 9627-793-001 | 9627-793-001 | 1   |
| --  | Wiring Harness P8/P16                               | 9627-794-001 | 9627-794-001 | 9627-794-001 | 9627-794-001 | 9627-794-001 | 1   |
| --  | Wiring Harness WaterValve/P19                       | 9627-795-001 | 9627-795-001 | 9627-795-002 | 9627-795-002 | 9627-795-002 | 1   |
| --  | Wiring Harness LED PCB                              | 9627-797-001 | 9627-797-001 | 9627-797-001 | 9627-797-001 | 9627-797-001 | 1   |
| --  | Wiring Harness P5/pressure                          | 9627-800-001 | 9627-801-001 | 9627-802-001 | 9627-803-001 | 9627-803-001 | 1   |
| --  | Wiring Assembly Yel. 32"                            | 8220-064-023 | 8220-064-023 | 8220-064-023 | 8220-064-023 |              | 2   |
| --  | Wiring Assembly Yel. 64"                            |              |              |              |              | 8220-064-040 | 2   |
| --  | Wiring Assembly Red 20"                             | 8220-001-282 | 8220-001-282 |              |              |              | 2   |
| --  | Wiring Assembly Red 41"                             |              |              |              |              | 8220-062-032 | 2   |
| --  | Wiring Assembly Vio. 24"                            | 8220-118-001 |              | 8220-118-001 |              | 8220-118-001 | 2   |
| --  | Wiring Assembly Wht/Brn 8"                          |              |              |              |              | 8220-108-007 | 1   |
| --  | Wiring Assembly Jumper Yel                          | 8220-123-001 | 8220-123-001 | 8220-123-001 | 8220-123-001 | 8220-128-001 | 1   |
| --  | Wiring Assembly Red 28"                             |              |              | 8220-062-025 | 8220-062-025 |              | 2   |
| --  | Wiring Assembly Blk. 17"                            | 8220-062-028 | 8220-062-028 | 8220-062-028 | 8220-062-028 | 8220-062-028 | 1   |
| --  | Wiring Assembly Red 17"                             | 8220-062-027 | 8220-062-027 | 8220-062-027 | 8220-062-027 | 8220-062-027 | 1   |
| --  | Wiring Assembly Jumper BLK.                         |              | 8220-117-002 | 8220-117-002 | 8220-117-002 | 8220-117-003 | 2   |
| --  | Wiring Assembly Red 7"                              | 9631-381-018 | 9631-381-018 | 9631-381-018 | 9631-381-018 | 9631-381-018 | 1   |
| --  | Wiring Assembly Blu/Wht                             | 8220-090-009 | 8220-090-009 | 8220-090-009 | 8220-090-009 | 8220-090-009 | 1   |
| --  | Wiring Assembly Blk/Blu                             | 8220-001-231 | 8220-001-231 | 8220-001-231 | 8220-001-231 | 8220-001-231 | 1   |
| --  | Wire Assembly Green 7"                              | 8220-001-478 |              |              |              |              | 1   |
| --  | Harness Power Terminal Block                        | 9627-831-001 | 9627-747-003 | 9627-747-003 | 9627-747-002 | 9627-747-002 | 1   |



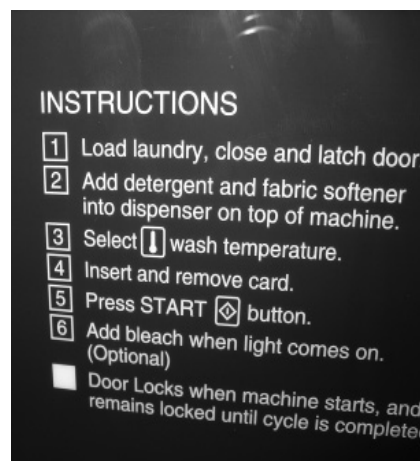
## Labels and Diagrams All WCAD Models



Door Label



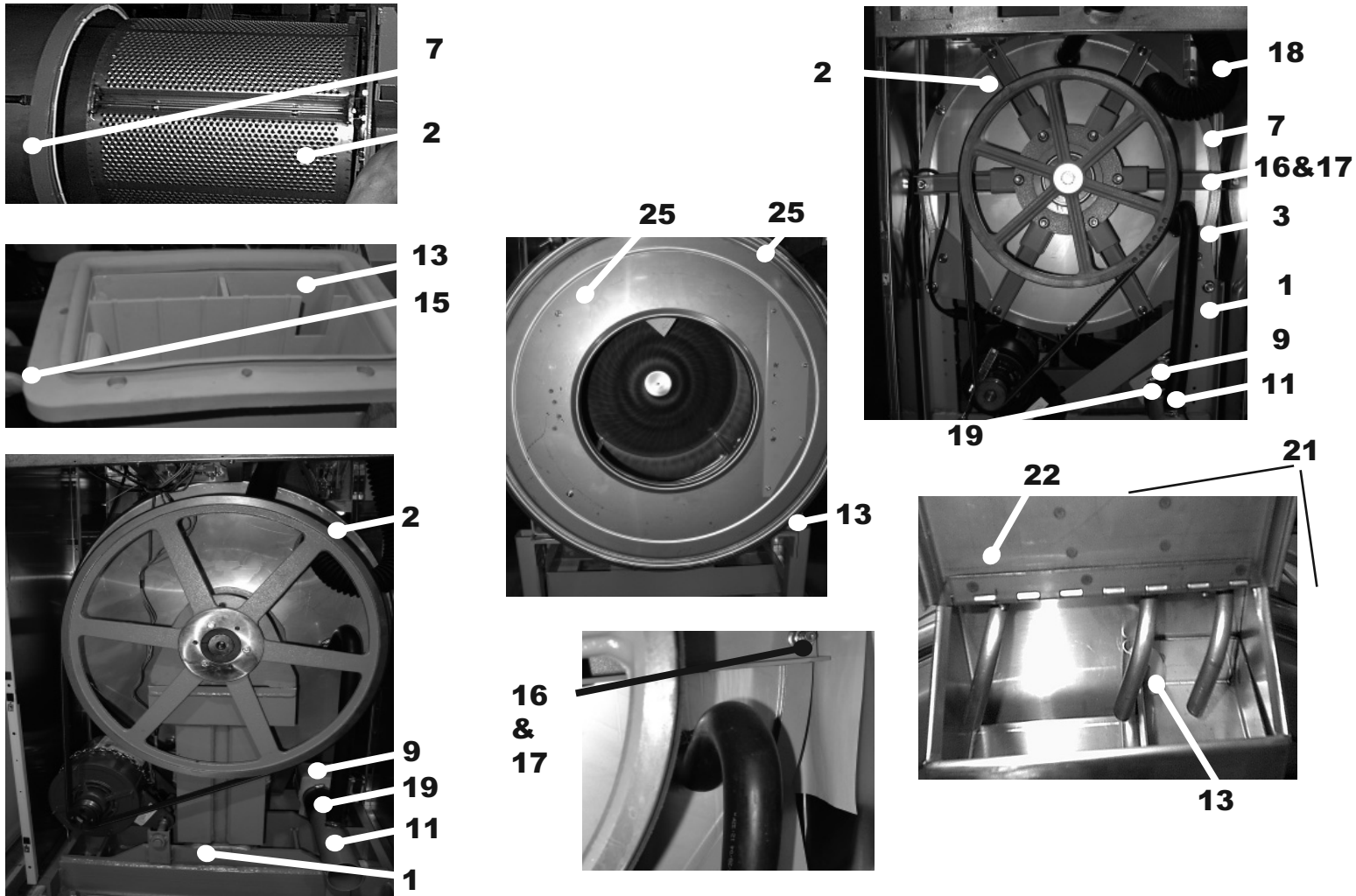
Risk of Injury Label



Instructions Label  
On Name Plate

| Key | Description  | T-300        | T-400        | T-600        | T-900        | T-1200       | QTY |
|-----|--|--------------|--------------|--------------|--------------|--------------|-----|
| --  | Wiring Diagram, Coin (120 V)                       | 9506-117-001 |              |              |              |              |     |
| --  | Wiring Diagram, Coin                               | 9506-119-001 | 9506-121-001 | 9506-125-001 | 9506-127-001 | 9506-129-001 |     |
| --  | Wiring Diagram Easy Card (120 V)                   | 9506-103-001 |              |              |              |              |     |
| --  | Wiring Diagram (Easy Card)                         | 9506-105-001 | 9506-107-001 | 9506-111-001 | 9506-113-001 | 9506-115-001 |     |
| --  | Transient Voltage Surge<br>Suppressor Infomational | 8507-330-001 | 8507-330-001 | 8507-330-001 | 8507-330-001 | 8507-330-001 |     |
| --  | Instructions Spin Direction                        | 8507-273-001 | 8507-274-001 | 8507-274-001 | 8507-275-001 | 8507-275-001 |     |
| --  | Wiring Schematic, Coin (120 V)                     | 9506-116-001 |              |              |              |              |     |
| --  | Wiring Schematic, Easy Card (120 V)                | 9506-102-001 |              |              |              |              |     |
| --  | Wiring Schematic, Coin                             | 9506-118-001 | 9506-120-001 | 9506-124-001 | 9506-126-001 | 9506-128-001 |     |
| --  | Wiring Schematic, Easy Card                        | 9506-104-001 | 9506-106-001 | 9506-110-001 | 9506-112-001 | 9506-114-001 |     |
| --  | Label High Voltage Warning                         | 8502-614-004 | 8502-614-004 | 8502-614-004 | 8502-614-004 | 8502-614-004 |     |
| --  | Label Fusing & Installation                        | 8502-619-003 | 8502-619-003 | 8502-619-003 | 8502-619-003 | 8502-619-003 |     |
| --  | Label Quality                                      | 8511-001-002 | 8511-001-002 | 8511-001-002 | 8511-001-002 | 8511-001-002 |     |
| 1   | Label Warning Risk of Injury                       | 8502-722-002 | 8502-722-002 | 8502-722-002 | 8502-722-002 | 8502-722-002 |     |
| 2   | Label Warning Door Opening                         | 8502-723-001 | 8502-723-001 | 8502-723-001 | 8502-723-001 | 8502-723-001 |     |
| --  | Booklet Owners                                     | 8514-093-001 | 8514-095-001 | 8514-097-001 | 8514-099-001 | 8514-100-001 |     |
| --  | Label Nameplate RH (STOP)                          | 8502-726-001 |              |              |              |              |     |

# Parts Data



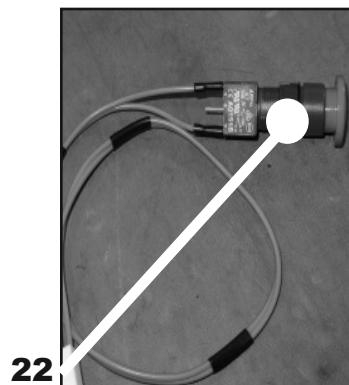
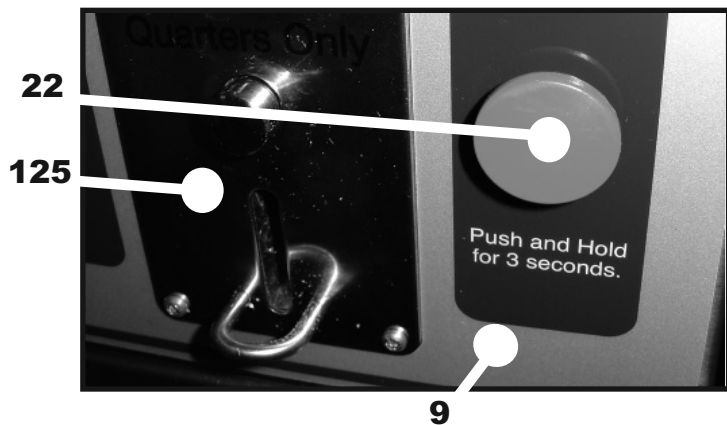
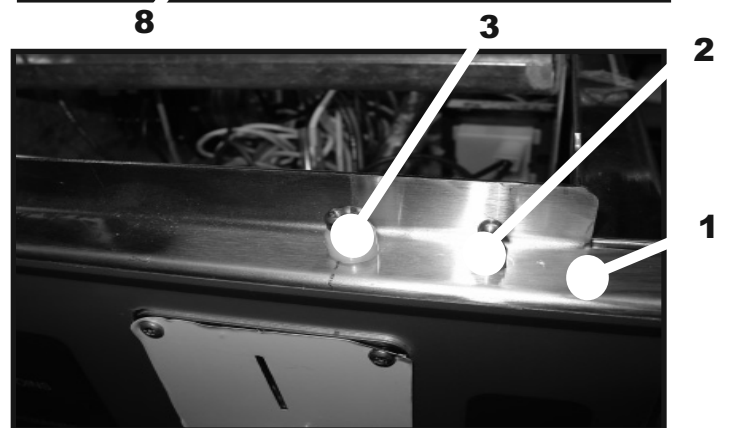
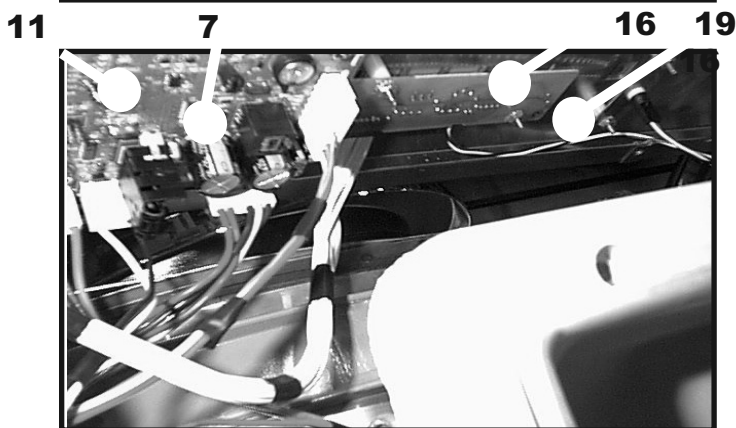
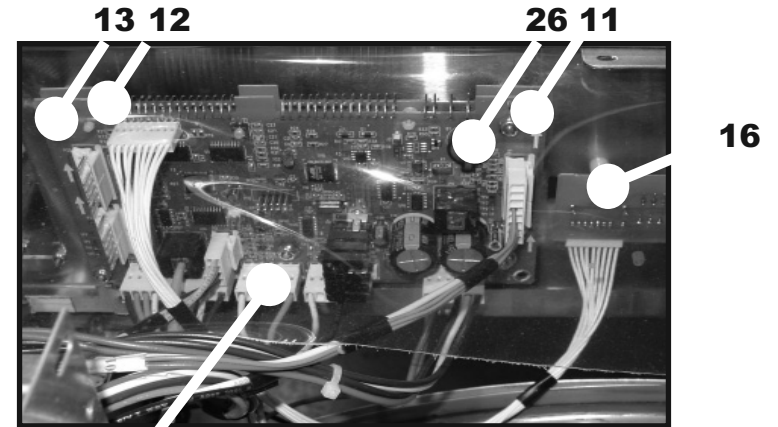
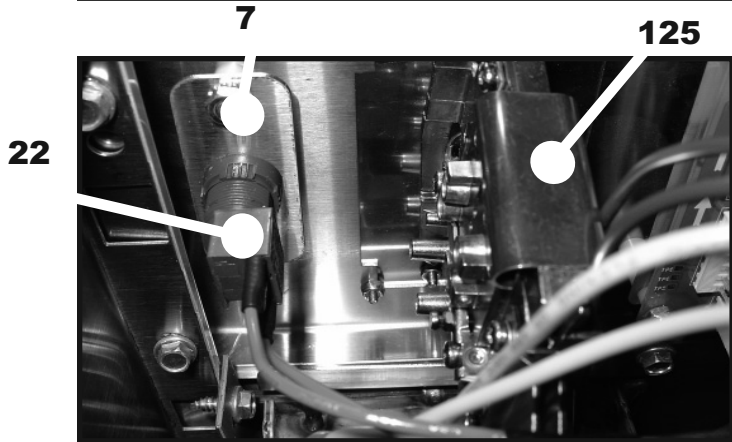
## Chassis and Drain Part # by Model

| Key | Description                            | T-300        | T-400        | T-600        | T-900        | T-1200       | QTY |
|-----|--|--------------|--------------|--------------|--------------|--------------|-----|
| 1   | Base Assy,Frame                        | 9945-093-002 | 9945-087-002 | 9945-097-002 | 9945-105-002 | 9945-125-002 | 1   |
| 2   | Outer Tub Assy                         | 9930-135-001 | 9930-145-001 | 9930-146-001 | 9930-138-001 | 9930-144-001 | 1   |
| --  | Tub & Cylinder Assy                    | 9869-006-001 | 9869-016-001 | 9869-017-001 | 9869-018-001 |              | 1   |
| 4   | Ring Assy, Tub Mtg-Front               | 9950-045-002 |              | 9950-050-002 | 9950-053-002 | 9950-053-002 | 1   |
| 5   | Bolt, Top Front Ring 5/8" x 3"         |              |              | 9545-017-006 |              |              | 1   |
| 5   | Nut WCAD 5/8"                          |              |              | 8640-425-001 |              |              | 1   |
| 5   | Lockwasher                             |              |              | 8641-582-018 |              |              | 1   |
| 7   | Ring Assy.Clamp Tub Mtg.- Rear         | 9950-046-002 | 9950-041-004 | 9950-056-003 | 9950-055-001 | 9950-055-001 | 1   |
| 8   | Bolt, 1/2" x 1 1/4 Rings to Base       | 9545-017-009 |              |              |              |              | 4   |
| --  | Washer                                 |              | 8641-581-018 | 8641-581-018 |              |              | 1   |
| --  | Screw Tube (Bracket to Base 1/4Bx3/4 ) | 9545-030-002 | 9545-030-002 | 9545-030-002 |              |              | 2   |
| 11  | Tube Assy, Drain                       | 9915-116-004 | 9915-119-002 | 9915-118-002 | 9915-124-002 | 9915-126-002 | 1   |

## Chassis and Drain Part # by Model (continued)

| Key | Description                       | T-300        | T-400        | T-600        | T-900        | T-1200       | QTY |
|-----|-----------------------------------|--------------|--------------|--------------|--------------|--------------|-----|
| --  | Washer                            | 8641-582-016 |              |              |              |              | 1   |
| --  | Nut 1/2"                          | 8640-417-005 |              |              |              |              | 4   |
| --  | Hose, Tub to Drain Valve          | 9242-455-001 | 9242-456-001 | 9242-456-001 | 9242-459-001 | 9242-459-001 | 1   |
| 8   | Lockwasher                        |              | 8641-582-018 | 8641-582-018 |              |              | 4   |
| 8   | Nut, Hex 5/8-11                   |              | 8640-425-001 | 8640-425-001 |              |              | 4   |
| 9   | Valve, Drain                      | 9379-177-009 | 9379-187-004 | 9379-187-004 | 9379-187-004 | 9379-187-004 | 1   |
| 10  | Bracket, Drain Valve              | 9029-005-001 | 9029-005-001 | 9029-055-001 |              |              | 1   |
| --  | Screw, Valve to Bracket 12ABx1/2  | 9545-008-026 | 9545-008-026 | 9545-030-020 |              |              | 1   |
| 19  | Hose, Drain Valve to Tube         | 9242-451-002 | 9242-457-001 | 9242-457-001 | 9242-457-001 | 9242-457-001 | 1   |
| --  | Clamp, Hose (Drain Valve to Tube) | 8654-117-014 | 8654-117-014 | 8654-117-014 |              |              | 4   |
| --  | Clamp, Hose (Drain Valve to Tube) |              |              |              | 8654-117-014 | 8654-117-014 | 5   |
| --  | Shim, Support Assembly ( thin )   | 9552-038-003 | 9552-038-001 | 9552-038-003 | 9552-013-003 | 9552-013-003 | AR  |
| 18  | Hose, Vacuum Brkr. to Tub         | 9242-458-002 | 9242-458-002 | 9242-458-002 |              |              | 1   |
| 13  | Dispenser Soap                    | 9122-105-004 | 9122-105-004 | 9122-105-004 | 9122-105-004 |              | 1   |
| 15  | Gasket, Dispenser                 | 9206-416-001 | 9206-416-001 | 9206-416-001 | 9206-416-001 |              | 1   |
| --  | Nut Spring SS                     | 8640-399-007 | 8640-399-007 | 8640-399-007 | 8640-399-007 |              | 4   |
| --  | Hose, Dispenser to Tub            | 9242-450-002 | 9242-450-002 | 9242-450-001 | 9242-450-001 |              | 1   |
| --  | Clamp, Dispenser Hose             | 8654-117-008 | 8654-117-008 | 8654-117-008 | 8654-117-008 | 8654-117-008 | 2   |
| 14  | Back Ass'y, Tub                   | 9732-137-001 | 9732-137-002 | 9732-137-003 |              |              | 1   |
| 16  | Bolt, 7/16" x 2" Tub Back to Tub  | 9545-029-003 | 9545-029-002 | 9545-029-003 |              |              | 12  |
| 17  | Nut, Flange Lock                  | 8640-415-004 | 8640-416-005 | 8640-416-005 |              |              | 12  |
| 20  | Bolt, 1/2-13x2, Grd 5 Tub to Base |              |              |              | 9545-017-013 | 9545-017-013 | 2   |
| --  | Washer, Flat                      |              |              |              | 8641-581-026 | 8641-581-026 | 4   |
| 21  | Soap Box Assembly Complete SS     |              |              |              |              | 9807-091-001 | 1   |
| --  | Soap Box mounting Gasket          |              |              |              |              | 9206-425-001 | 1   |
| 22  | Lid Assembly soap box             |              |              |              |              | 9987-104-001 | 1   |
| --  | Lid screws #10-32x1/2 SS          |              |              |              |              | 9545-012-017 | 1   |
| --  | Screw Hexhead 1/2 x 2             |              |              |              | 9545-017-013 | 9545-017-013 | 1   |
| --  | Nut Whizlok                       |              |              |              |              | 8640-417-005 | 1   |
| --  | Nut Hex Elasticstop #10-32 SS     |              |              |              |              | 8640-413-006 | 6   |
| --  | Spacer Plastic #10x1/2            |              |              |              |              | 9538-157-019 | 4   |
| --  | Bracket Soap box mounting         |              |              |              |              | 9029-148-001 | 1   |
| 23  | Softner siphon tube               |              |              |              |              | 9574-252-002 | 1   |
| --  | Flow restrictors                  |              |              |              |              | 9475-002-003 | 3   |
| 25  | Front Ass'y, Tub                  |              |              |              | 9974-007-001 | 9974-007-002 | 1   |
| --  | Screw, 3/8-16x3                   |              |              |              | 9545-029-009 | 9545-029-009 | 1   |
| 24  | Nut, Hex 3/8-16                   |              |              |              | 8640-415-001 | 8640-415-001 | 1   |
| --  | Gasket, Tub Front                 |              |              |              | 9206-421-002 | 9206-421-002 | 1   |
| --  | Pipe Plug 1/2"                    |              |              |              | 8615-104-039 | 8615-104-039 | 2   |

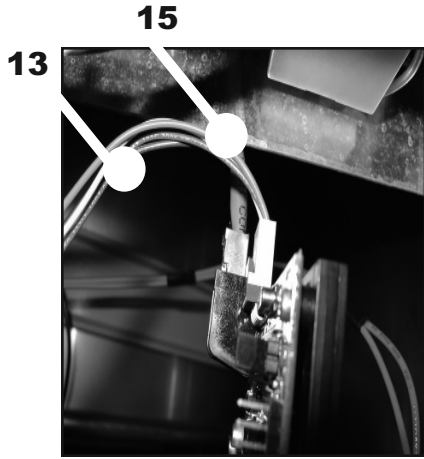
# Parts Data



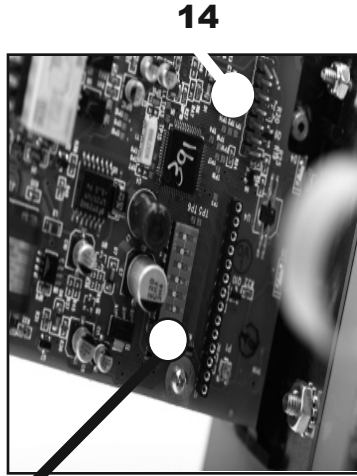
## Coin Acceptor Control Panel Part # by Model

| Key | Description   | T-300        | T-400        | T-600        | T-900        | T-1200       | QTY |
|-----|---|--------------|--------------|--------------|--------------|--------------|-----|
| 1   | Panel Control Assembly(panel only)  | 9989-496-001 | 9989-497-001 | 9989-499-001 | 9989-500-001 | 9989-500-001 | 1   |
| --  | Screw, Hxwshrhdundct #10Bx 1/2"   | 9545-008-026 | 9545-008-026 | 9545-008-026 | 9545-008-026 | 9545-008-026 | 4   |
| 2   | Post Locator Top  | 9467-024-001 | 9467-024-001 | 9467-024-001 |              |              | 2   |
| --  | Nut Hexkeps #6-32   | 8640-411-003 | 8640-411-003 | 8640-411-003 |              |              | 2   |
| 3   | Locator Panel   | 9355-001-001 | 9355-001-001 | 9355-001-001 | 9355-001-001 | 9355-001-001 | 2   |
| --  | Screw FillHDCR 10Bx1/2" Guide   | 9545-008-025 | 9545-008-025 | 9545-008-025 | 9545-008-025 | 9545-008-025 | 2   |
| --  | Spacer Pushbutton (Micro)   | 9538-178-001 | 9538-178-001 | 9538-178-001 | 9538-178-001 | 9538-178-001 | 1   |
| --  | Retainer Pushbutton ( Micro)  | 9486-150-001 | 9486-150-001 | 9486-150-001 | 9486-150-001 | 9486-150-001 | 1   |
| --  | Nut Hexelasticstop #4-40  | 8640-424-002 | 8640-424-002 | 8640-424-002 | 8640-424-002 | 8640-424-002 | 2   |
| 10  | Pushbutton Control (coin)   | 9035-060-003 | 9035-060-003 | 9035-060-003 | 9035-060-003 | 9035-060-003 | 1   |
| 7   | PCB assembly Control /Display STOP  | 9473-009-001 | 9473-009-001 | 9473-009-001 | 9473-009-001 | 9473-009-001 | 1   |
| 11  | Spacer Plastic #6x9/16  | 9538-157-018 | 9538-157-018 | 9538-157-018 | 9538-157-018 | 9538-157-018 | 5   |
| 11  | Nut Elasticstop #6-32   | 8640-411-002 | 8640-411-002 | 8640-411-002 | 8640-411-002 | 8640-411-002 | 5   |
| --  | Harness LEDPCB  | 9627-797-001 | 9627-797-001 | 9627-797-001 | 9627-797-001 | 9627-797-001 | 1   |
| 8   | Harness Doorlock  | 9627-791-003 | 9627-791-003 | 9627-791-004 | 9627-791-004 | 9627-791-004 | 1   |
| 16  | PCB assembly Mode lights  | 9473-005-001 | 9473-005-001 | 9473-005-001 | 9473-005-001 | 9473-005-001 | 1   |
| --  | Spacer Plastic #6x9/16  | 9538-157-018 | 9538-157-018 | 9538-157-018 | 9538-157-018 | 9538-157-018 | 2   |
| 9   | Nut Hexkeps #6-32   | 8640-411-003 | 8640-411-003 | 8640-411-003 | 8640-411-003 | 8640-411-003 | 2   |
| 19  | Light, LED,ADD BLEACH Assembly  | 9794-001-001 | 9794-001-001 | 9794-001-001 | 9794-001-001 | 9794-001-001 | 1   |
| --  | Spacer Plastic #6x9/16  | 9538-157-018 | 9538-157-018 | 9538-157-018 | 9538-157-018 | 9538-157-018 | 2   |
| --  | Nut Hexeps #6-32  | 8640-411-003 | 8640-411-003 | 8640-411-003 | 8640-411-003 | 8640-411-003 | 2   |
| --  | Nameplate,Control Panel (one piece)   | 9412-135-001 | 9412-137-001 | 9412-139-001 | 9412-141-001 | 9412-142-001 | 1   |
| 22  | Switch Assembly Emergency Stop<br>(includes wire harness)                     | 9732-223-001 | 9732-223-001 | 9732-223-001 | 9732-223-001 | 9732-223-001 | 1   |
| --  | Spacer Plastic #8x5/16 E-Stop   | 9538-157-020 | 9538-157-020 | 9538-157-020 | 9538-157-020 | 9538-157-020 | 2   |
| --  | Nut HexKep #8-32 E-Stop   | 8640-412-005 | 8640-412-005 | 8640-412-005 | 8640-412-005 | 8640-412-005 | 2   |
| --  | Solenoid Ass'y, Door Locking<br>(see Door Lock Group for<br>parts breakdown ) | 9922-011-001 | 9922-011-001 | 9922-011-001 | 9922-011-001 | 9922-011-001 | 1   |
| --  | Hex Nuts<br>(mounting solenoid assy.<br>to control panel )                    | 8640-412-005 | 8640-412-005 | 8640-412-005 | 8640-412-005 | 8640-412-005 | 3   |
| 26  | Battery   | 8612-001-001 | 8612-001-001 | 8612-001-001 | 8612-001-001 | 8612-001-001 | 1   |
| 125 | Coin Acceptor \$.25 US  | 9021-001-010 | 9021-001-010 | 9021-001-010 | 9021-001-010 | 9021-001-010 | 1   |
| --  | Plastic Shield over main PCB  | 9550-184-001 | 9550-184-001 | 9550-184-001 | 9550-184-001 | 9550-184-001 | 1   |
| 27  | -Plate to mount e-stop button   | 9452-725-001 | 9452-725-001 | 9452-725-001 | 9452-725-001 | 9452-725-001 | 1   |

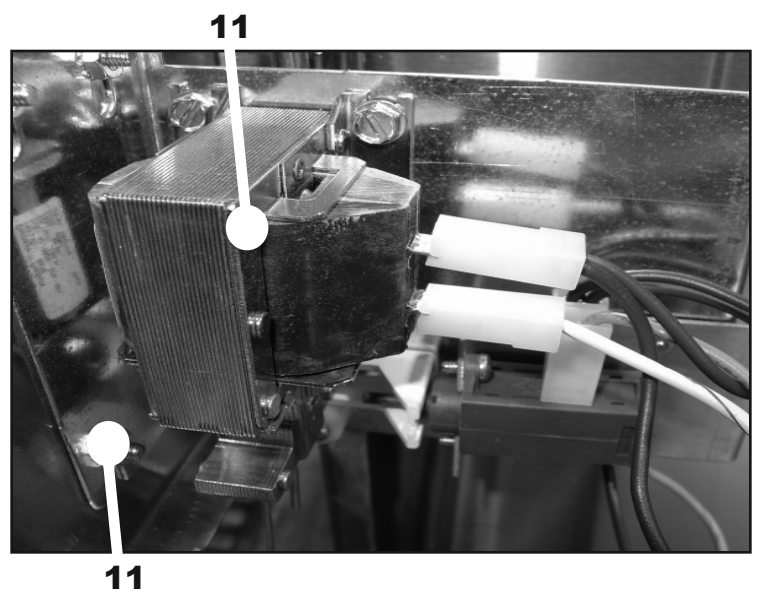
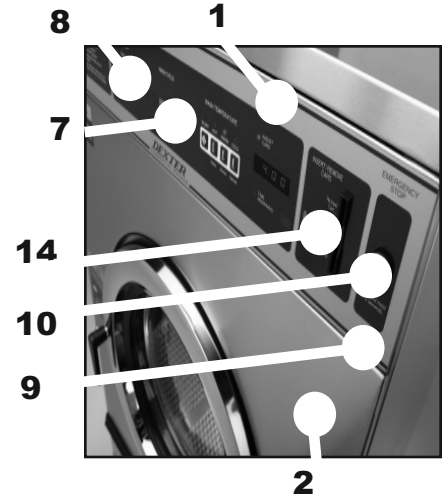
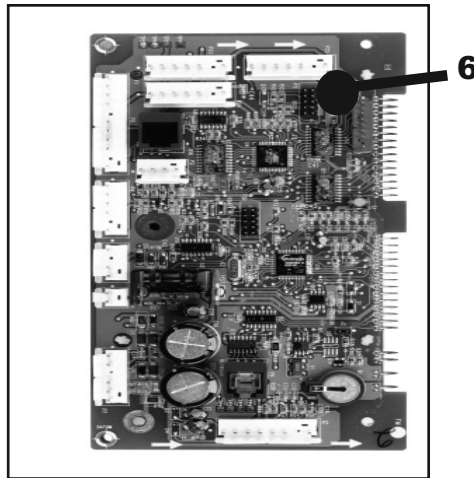
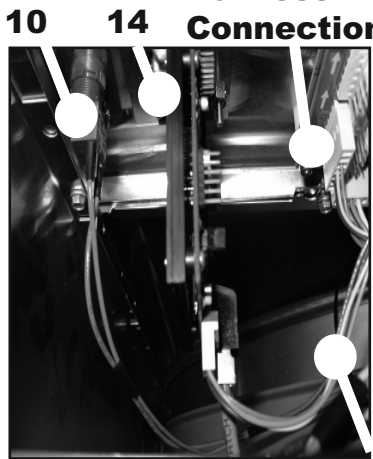
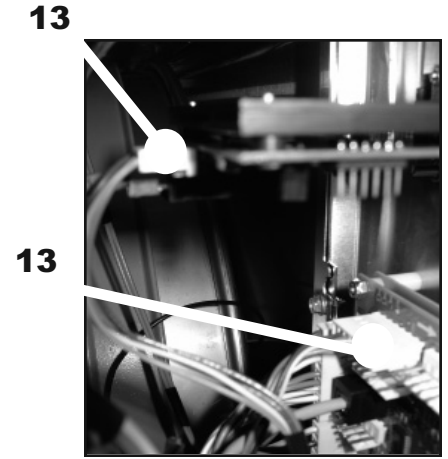
# Parts Data



**Reader Wire  
Harness  
Connection**



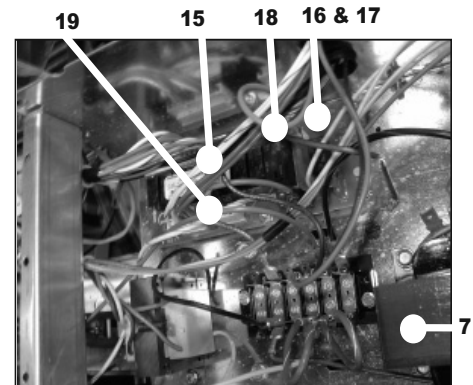
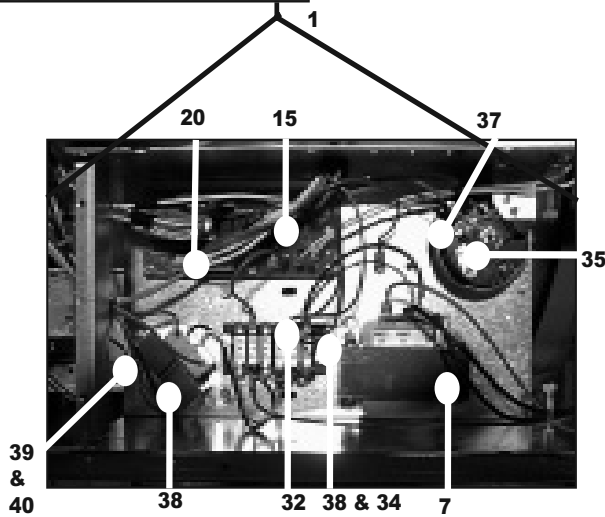
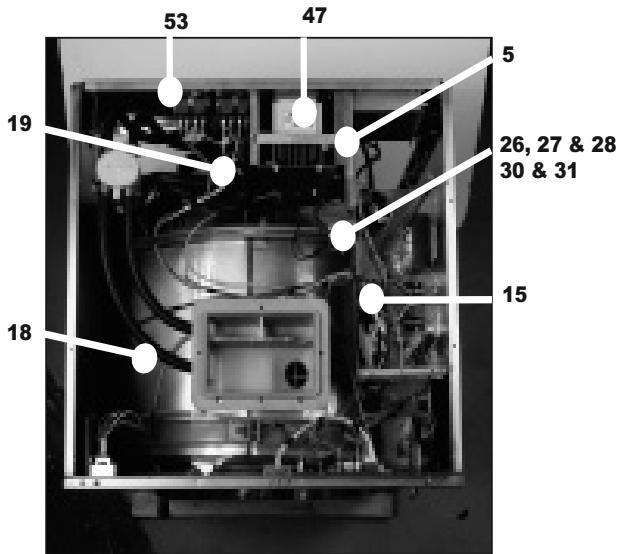
**Address Switch**



## Integrated Easy Card Control Panel Part # by Model

| Key | Description   | T-300        | T-400        | T-600        | T-900        | T-1200       | QTY |
|-----|---|--------------|--------------|--------------|--------------|--------------|-----|
| 1   | Panel Assembly (panel only)   | 9989-501-001 | 9989-502-001 | 9989-503-001 | 9989-504-001 | 9989-504-001 | 1   |
| --  | Screw, Hxwshrhdundct #10Bx 1/2"   | 9545-008-026 | 9545-008-026 | 9545-008-026 | 9545-008-026 | 9545-008-026 | 4   |
| 2   | Front Panel   | 9454-781-002 | 9454-659-002 | 9454-669-002 | 9454-671-002 | 9454-768-001 | 1   |
| --  | Post Locator Top  | 9467-024-001 | 9467-024-001 | 9467-024-001 |              |              | 2   |
| --  | Nut Hexkeps #6-32   | 8640-411-003 | 8640-411-003 | 8640-411-003 |              |              | 2   |
| --  | Locator Panel   | 9355-001-001 | 9355-001-001 | 9355-001-001 | 9355-001-001 | 9355-001-001 | 2   |
| --  | Screw FillHDCR 10Bx1/2"   | 9545-008-023 | 9545-008-023 | 9545-008-023 | 9545-008-023 | 9545-008-023 | 2   |
| --  | Spacer Pushbutton (Micro)   | 9538-178-001 | 9538-178-001 | 9538-178-001 | 9538-178-001 | 9538-178-001 | 1   |
| --  | Retainer Pushbutton ( Micro)  | 9486-150-001 | 9486-150-001 | 9486-150-001 | 9486-150-001 | 9486-150-001 | 1   |
| --  | Nut Hexelasticstop #4-40  | 8640-424-002 | 8640-424-002 | 8640-424-002 | 8640-424-002 | 8640-424-002 | 2   |
| 5   | Pushbutton Control (coin)   | 9035-060-003 | 9035-060-003 | 9035-060-003 | 9035-060-003 | 9035-060-003 | 1   |
| 6   | PCB assembly Control /Display STOP  | 9473-009-001 | 9473-009-001 | 9473-009-001 | 9473-009-001 | 9473-009-001 | 1   |
| --  | Spacer Plastic #6x9/16  | 9538-157-018 | 9538-157-018 | 9538-157-018 | 9538-157-018 | 9538-157-018 | 5   |
| --  | Nut Elasticstop #6-32   | 8640-411-002 | 8640-411-002 | 8640-411-002 | 8640-411-002 | 8640-411-002 | 5   |
| --  | Harness LEDPCB  | 9627-797-001 | 9627-797-001 | 9627-797-001 | 9627-797-001 | 9627-797-001 | 1   |
| --  | Harness Doorlock  | 9627-791-003 | 9627-791-003 | 9627-791-004 | 9627-791-004 | 9627-791-004 | 1   |
| 7   | PCB assembly Mode lights  | 9473-005-001 | 9473-005-001 | 9473-005-001 | 9473-005-001 | 9473-005-001 | 1   |
| --  | Spacer Plastic #6x9/16  | 9538-157-018 | 9538-157-018 | 9538-157-018 | 9538-157-018 | 9538-157-018 | 2   |
| --  | Nut Hexkeps #6-32   | 8640-411-003 | 8640-411-003 | 8640-411-003 | 8640-411-003 | 8640-411-003 | 2   |
| 8   | Light, LED,ADD BLEACH Assembly  | 9794-001-001 | 9794-001-001 | 9794-001-001 | 9794-001-001 | 9794-001-001 | 1   |
| --  | Spacer Plastic #6x9/16  | 9538-157-018 | 9538-157-018 | 9538-157-018 | 9538-157-018 | 9538-157-018 | 2   |
| --  | Nut Hexeps #6-32  | 8640-411-003 | 8640-411-003 | 8640-411-003 | 8640-411-003 | 8640-411-003 | 2   |
| 9   | Nameplate,Control Panel (one piece)   | 9412-144-001 | 9412-146-001 | 9412-148-001 | 9412-150-001 | 9412-151-001 | 1   |
| 10  | Switch Assembly Emergency Stop  | 9732-223-001 | 9732-223-001 | 9732-223-001 | 9732-223-001 | 9732-223-001 | 1   |
| 11  | Solenoid Ass'y, Door Locking<br>(see Door Lock Group for<br>parts breakdown ) | 9922-011-001 | 9922-011-001 | 9922-011-001 | 9922-011-001 | 9922-011-001 | 1   |
| 16  | Hex Nuts<br>( mounting solenoid assy. to<br>control panel )                   | 8640-412-005 | 8640-412-005 | 8640-412-005 | 8640-412-005 | 8640-412-005 | 3   |
| 12  | Battery   | 8612-001-001 | 8612-001-001 | 8612-001-001 | 8612-001-001 | 8612-001-001 | 1   |
| 13  | Harness V-reader ALL MODELS   | 9627-827-001 | 9627-827-001 | 9627-827-001 | 9627-827-001 | 9627-827-001 | 1   |
| 14  | Card Reader Assembly Complete   | 9797-007-002 | 9797-007-002 | 9797-007-002 | 9797-007-002 | 9797-007-002 | 1   |
| 15  | Cable Assembly 4 twistair 12'<br>shld/unshld<br>reader to rear of machine     | 9806-013-002 | 9806-013-002 | 9806-013-002 | 9806-013-002 | 9806-013-002 | 1   |

# Parts Data



## Electrical Components - Top Compartment

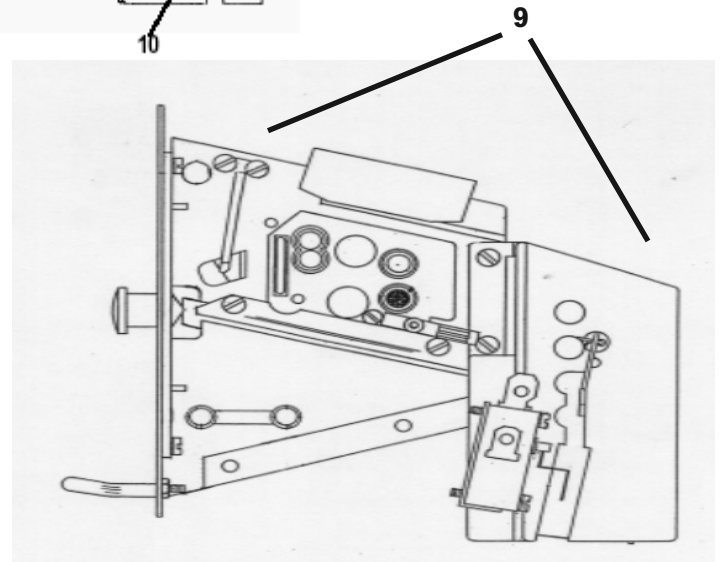
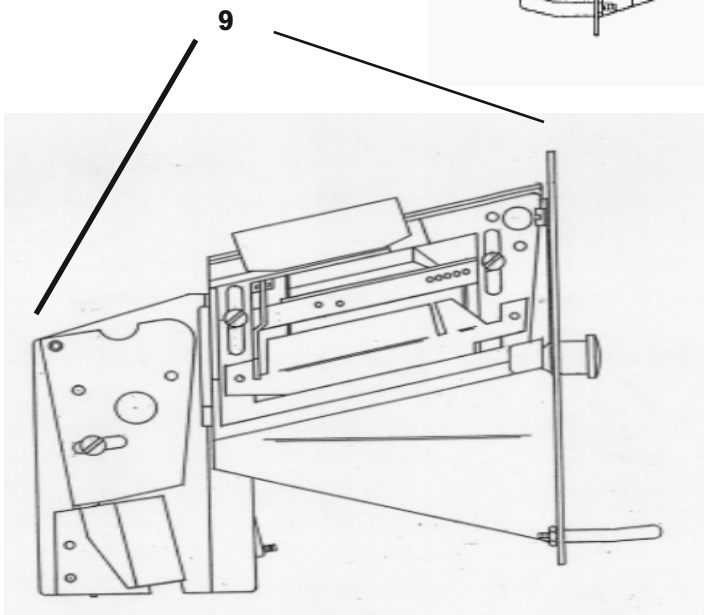
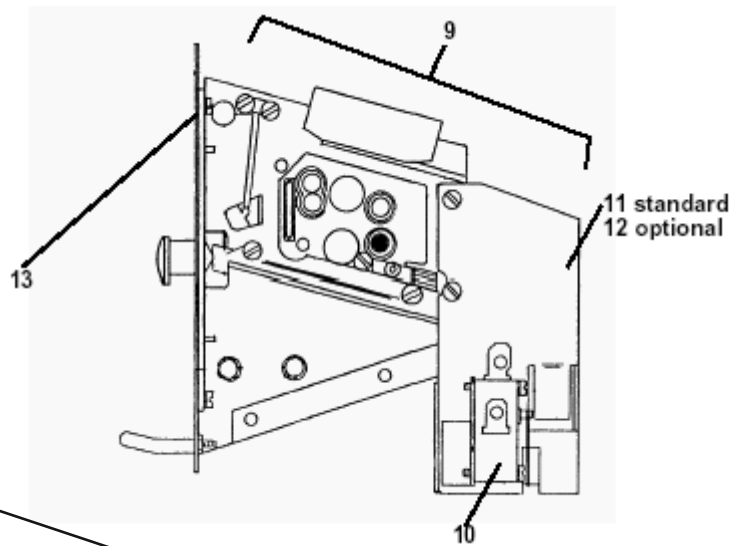
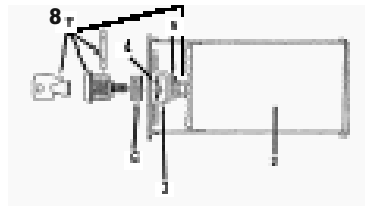
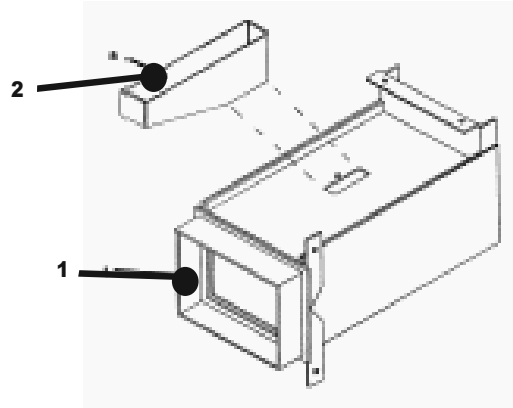
| Key | Description  | T-300        | T-400        | T-600        | T-900        | T-1200       | QTY |
|-----|--|--------------|--------------|--------------|--------------|--------------|-----|
| 1   | Trough Assy,Controls 120 Volt<br>( all parts below #2-#43 & trough)    | 9857-149-001 |              |              |              |              | 1   |
| 1   | Trough Assy,Controls 208-240 volt<br>(all parts below #2-#43 & trough) | 9857-150-001 | 9857-151-001 | 9857-152-001 | 9857-154-001 | 9857-160-001 | 1   |
| 2   | Trough only  | 9839-015-001 | 9839-015-001 | 9839-015-001 | 9839-015-001 | 9839-015-001 | 1   |
| 3   | Screw, Trough Sides  | 9545-008-026 | 9545-008-026 | 9545-008-026 | 9545-008-026 | 9545-008-026 | 4   |
| 4   | Lockwasher Exttooth #10  | 8641-582-006 | 8641-582-006 | 8641-582-006 | 8641-582-006 | 8641-582-006 | 4   |
| 5   | Angle Support Trough   | 9003-270-001 | 9003-270-001 | 9003-271-001 | 9003-271-001 |              | 1   |
| 6   | Screw, Trough Bracket  | 9545-008-026 | 9545-008-026 | 9545-008-026 | 9545-008-026 |              | 3   |
| 7   | Transformer, Control<br>(Operating Voltage to 115 volts)               | 8711-008-026 | 8711-004-001 | 8711-004-001 | 8711-004-001 | 8711-004-001 | 1   |
| 8   | Screw, Mtg #8X1/4"   | 9545-008-001 | 9545-008-001 | 9545-008-001 | 9545-045-001 | 9545-045-001 | 2   |
| 10  | Lockwasher   | 8641-582-006 | 8641-582-006 | 8641-582-006 | 8641-582-006 | 8641-582-006 | 2   |



## Electrical Components - Top Compartment

| Key | Description  | T-300        | T-400        | T-600        | T-900        | T-1200       | QTY |
|-----|--|--------------|--------------|--------------|--------------|--------------|-----|
| 12  | Screw GRN. #10-32x 1/2"                                | 8639-621-007 | 8639-621-007 | 8639-621-007 | 8639-621-007 | 8639-621-007 | 1   |
| 13  | Lockwasher #10   | 8641-582-006 | 8641-582-006 | 8641-582-006 | 8641-582-006 | 8641-582-006 | 1   |
| 14  | Lug, Grounding   | 8652-130-037 | 8652-130-037 | 8652-130-037 | 8652-130-037 | 8652-130-037 | 1   |
| 15  | PCB assembly Relay Main                                | 9473-006-001 | 9473-006-001 | 9473-006-001 | 9473-006-001 | 9473-006-001 | 1   |
| 16  | Spacer Plastic #8x3/8"                                 | 9538-157-011 | 9538-157-011 | 9538-157-011 | 9538-157-011 | 9538-157-011 | 6   |
| 17  | Nuts Hexkeys #6-32                                     | 8640-411-003 | 8640-411-003 | 8640-411-003 | 8640-411-003 | 8640-411-003 | 6   |
| 18  | Harness Drain/Therm/Sol                                | 9627-796-001 | 9627-796-001 | 9627-796-002 | 9627-796-002 | 9627-796-002 | 1   |
| 19  | Harness P19/Water Valve                                | 9627-795-001 | 9627-795-001 | 9627-795-002 | 9627-795-002 | 9627-795-002 | 1   |
| 20  | Harness P8/P16   | 9627-794-001 | 9627-794-001 | 9627-794-001 | 9627-794-001 | 9627-794-001 | 1   |
| 21  | Harness P20/P21  | 9627-793-001 | 9627-793-001 | 9627-793-001 | 9627-793-001 | 9627-793-001 | 1   |
| 23  | Bushing , Wire 7/8                                     | 9053-067-002 | 9053-067-002 | 9053-067-002 | 9053-067-002 | 9053-067-002 | 2   |
| 24  | Standoff Twistlock                                     | 9527-002-002 | 9527-002-002 | 9527-002-002 | 9527-002-002 | 9527-002-002 | 3   |
| 25  | Standoff Twistlock                                     | 9527-002-003 | 9527-002-003 | 9527-002-003 | 9527-002-003 | 9527-002-003 | 2   |
| 26  | Dynamic Braking Resistor                               | 9483-004-002 | 9483-004-002 | 9483-004-002 | 9483-004-003 | 9483-004-003 | 2   |
| 27  | Screws #10-32x1/2" (pnhdcr)                            | 9545-012-008 | 9545-012-008 | 9545-012-008 | 9545-012-008 | 9545-012-008 | 4   |
| 28  | Nuts, #10-32 UNF 2B                                    | 8640-413-002 | 8640-413-002 | 8640-413-002 | 8640-413-002 | 8640-413-002 | 4   |
| 30  | Screw #6-32x5/16"                                      | 9545-044-006 | 9545-044-006 | 9545-044-006 | 9545-044-006 | 9545-044-006 | 4   |
| 31  | Nuts Hex #6-32   | 8640-411-003 | 8640-411-003 | 8640-411-003 | 8640-411-003 | 8640-411-003 | 4   |
| 32  | Terminal Block Assy, POWER                             | 9897-034-001 | 9897-034-001 | 9897-034-001 | 9897-034-001 | 9897-034-001 | 1   |
| 33  | Screw, Mtg 8Bx3/8"                                     | 9545-045-007 | 9545-045-007 | 9545-045-007 | 9545-045-007 | 9545-045-007 | 2   |
| 34  | Strip, Terminal Marker                                 | 9558-027-001 | 9558-027-001 | 9558-027-001 | 9558-027-001 | 9558-027-001 | 1   |
| 35  | Switch, Pressure                                       | 9539-457-002 | 9539-457-003 | 9539-457-003 | 9539-457-002 | 9539-488-001 | 1   |
| 36  | Screw, Mtg #8Bx1/4"                                    | 9545-045-001 | 9545-045-001 | 9545-045-001 | 9545-008-026 | 9545-008-026 | 2   |
| 37  | Harness P5/Pressure                                    | 9627-800-001 | 9627-801-001 | 9627-802-001 | 9627-803-001 | 9627-803-001 | 1   |
| 38  | Transformer, (Step Down)<br>120/2.3 VAC&24 VAC 50/60hz | 8711-045-001 | 8711-045-001 | 8711-045-001 | 8711-045-001 | 8711-009-001 | 1   |
| 39  | Screw, Transformer Mtg #10Bx1/2"                       | 9545-045-001 | 9545-045-001 | 9545-045-001 | 9545-045-001 | 9545-045-001 | 4   |
| 40  | Lockwasher #10 exttooth                                | 8641-582-005 | 8641-582-005 | 8641-582-005 | 8641-582-005 | 8641-582-005 | 4   |
| 47  | Variable Frequency Drive (120 v)                       | 9375-004-002 |              |              |              |              | 1   |
| 47  | Variable Frequency Drive                               | 9375-005-002 | 9375-007-007 | 9375-007-009 | 9375-009-007 | 9375-009-011 | 1   |
| 48  | Label Fuse 1.5 amp Rear                                | 8502-716-001 | 8502-716-001 | 8502-716-001 | 8502-716-001 |              | 1   |
| 48  | Label Fuse 2.5 amp Rear                                |              |              |              |              | 8502-716-002 | 1   |
| 48  | Terminal Block Assembly                                | 9897-035-001 | 9897-033-002 |              |              |              | 1   |
| --  | Screw 8B x 1/2   | 9545-045-002 | 9545-031-010 |              |              |              | 2   |
| --  | Wiring Harness Power Terminal to VFD                   | 9627-831-001 | 9627-747-003 | 9627-747-003 |              |              | 1   |
| --  | Wiring Harness Power Terminal                          |              |              |              | 9627-747-002 | 9627-747-002 | 1   |
| --  | Plastic Shield Over Water Valve                        | 9550-186-001 | 9550-186-001 | 9550-186-001 | 9550-186-001 |              | 1   |

# Parts Data



## Coin Handling Group Part # by Model

| Key | Description  | T-300        | T-400        | T-600        | T-900        | T-1200       | QTY   |
|-----|--|--------------|--------------|--------------|--------------|--------------|-------|
| 1   | Vault, Assy  | 9942-033-001 | 9942-033-002 | 9942-033-003 | 9942-032-001 | 9942-033-004 | 1     |
| 1   | Screw, 10Bx 1/2" Vault Mtg                               | 9545-008-026 | 9545-008-026 | 9545-008-026 | 9545-008-026 | 9545-008-026 | 2     |
| 1   | Screw, 10AB x 1/2" Vault Mtg                             | 9545-008-031 | 9545-008-031 | 9545-008-031 | 9545-008-031 | 9545-008-031 | 2     |
| 2   | Coin Chute Assy.   | 9119-031-001 | 9119-031-001 | 9119-031-001 | 9119-029-001 | 9119-028-001 | 1     |
| 2   | Screw, Chute Mtg   | 9545-008-001 | 9545-008-001 | 9545-008-001 | 9545-008-001 | 9545-008-001 | 1     |
| 8   | Kit, Coin Box W/Hardware<br>(includes 3 thru 6)          | 9732-122-001 | 9732-122-001 | 9732-122-001 | 9732-122-001 | 9732-122-001 | 1     |
| 3   | Latch, Coin Box  | 9349-033-001 | 9349-033-001 | 9349-033-001 | 9349-033-001 | 9349-033-001 | 1     |
| 4   | Washer, Wave   | 8641-569-002 | 8641-569-002 | 8641-569-002 | 8641-569-002 | 8641-569-002 | 1     |
| 5   | Washer, Keeper   | 8641-583-001 | 8641-583-001 | 8641-583-001 | 8641-583-001 | 8641-583-001 | 1     |
| 6   | Washer, Spacer- Thick                                    | 8641-581-008 | 8641-581-008 | 8641-581-008 | 8641-581-008 | 8641-581-008 | 2     |
| 6   | Washer, Spacer- Thin                                     | 8641-581-010 | 8641-581-010 | 8641-581-010 | 8641-581-010 | 8641-581-010 | 4     |
| 7   | Lock, Coin Box<br>(w/key not incl. with 9732-122-001)    | 8650-012-002 | 8650-012-002 | 8650-012-002 | 8650-012-002 | 8650-012-002 | 1     |
| 11  | Coin Acceptor chute without<br>penny rejector (standard) | 9119-025-002 | 9119-025-002 | 9119-025-002 | 9119-025-002 | 9119-025-002 | 1     |
| --  | Screw, Acceptor Mtg                                      | 9545-020-004 | 9545-020-004 | 9545-020-004 | 9545-020-004 | 9545-020-004 | 4     |
| --  | Nut  | 8640-424-002 | 8640-424-002 | 8640-424-002 | 8640-424-002 | 8640-424-002 | 4     |
| 10  | Switch, Coin (fits single coin drop)                     | 9732-126-001 | 9732-126-001 | 9732-126-001 | 9732-126-001 | 9732-126-001 | 1     |
| 12  | Coin Acceptor chute with<br>penny rejector (optional)    | 9119-025-001 | 9119-025-001 | 9119-025-001 | 9119-025-001 | 9119-025-001 | (opt) |
| 13  | Button Coin Return Retainer                              | 9486-133-001 | 9486-133-001 | 9486-133-001 | 9486-133-001 | 9486-133-001 | 1     |
| 9   | Coin Acceptor Complete                                   | 9021-001-010 | 9021-001-010 | 9021-001-010 | 9021-001-010 | 9021-001-010 | 1     |

NOTE: COIN BOX AND HARDWARE KIT AND COIN BOX LOCK NOT INCLUDED WITH MACHINE.